

SK-DRG

**Slovak
Diagnosis
Related
Groups**

System 2023

**Definičná príručka
Zväzok 5
Prílohy**

© 2022 by Ministerstvo zdravotníctva Slovenskej republiky - Centrum pre klasifikačný systém a Institut für das Entgeltsystem im Krankenhaus GmbH (InEK), Siegburg, Nemecko

Všetky práva vyhradené.

Definičné príručky pre SK-DRG systém sú chránené podľa autorského zákona. Každé využitie presahujúce hranice medzinárodne platných zákonov o autorských právach a podmienok "Zmluvy o spolupráci pri zavádzaní systému DRG v Slovenskej republike" medzi Institut für das Entgeltsystem im Krankenhaus GmbH a Úradom pre dohodu nad zdravotnou starostlivosťou (ÚDZS) je bez písomného súhlasu MZSR neprípustné.

Príloha A

Kódy diagnóz-/MDC-/DRG-Index

Táto príloha obsahuje zoznam všetkých kódov diagnóz MKCH-10-SK-2023, ktoré sa používajú v SK-DRG systéme 2023 na definovanie hlavných diagnostických kategórií (MDC) a DRG-skupín. Hlavná alebo vedľajšia diagnóza môže byť relevantná pre zaraďovací algoritmus priamo (výskytom v tabuľke) alebo môže byť súčasťou niektorej funkcie (napr. Funkcia polytrauma [PTR]). Relevantnosť vedľajších diagnóz pre zaraďovanie v rámci CCL-systému nemá pre prílohu A žiadny význam. (porovnaj s prílohou C tejto publikácie).

V niektorých prípadoch je jeden kód priradený DRG skupinám viacerých základných-DRG. Vyskytuje sa to predovšetkým vtedy, keď sa diagnóza použije na stanovenie stupňa a ťažkosti operatívnej základnej-DRG, keď je základná-DRG bližšie definovaná diagnózami, aby bolo možné zaznamenať údaje hospitalizačného prípadu správne zaradiť do jednej z viacerých operatívnych-DRG, alebo ak ide o MDC 18A alebo MDC 21A a diagnóza sa použije nielen pre jednu z týchto MDC, ale aj pre jednu medicínsku DRG inej MDC.

Zaraďovanie pri polytraume je rovnaké ako pri inom MDC-zaraďovaní.

ICD	MDC	DRG	ICD	MDC	DRG	ICD	MDC	DRG
A00.0	06	G46A, G46B, G46C, G50Z, G67A, G67B, G67C	A03.1	06	G46A, G46B, G46C, G50Z, G67A, G67B, G67C	A05.1	15	TPN, VTPN
	Pre	A07D, A09E, A11F, A13F		15	TPN, VTPN		18B	T64A, T64B, T64C
A00.1	06	G46A, G46B, G46C, G50Z, G67A, G67B, G67C	A03.2	06	G46A, G46B, G46C, G50Z, G67A, G67B, G67C	A05.2	06	G46A, G46B, G46C, G50Z, G67A, G67B, G67C, G67D
	Pre	A07D, A09E, A11F, A13F		15	TPN, VTPN		15	TPN, VTPN
A00.9	06	G46A, G46B, G46C, G50Z, G67A, G67B, G67C	A03.3	06	G46A, G46B, G46C, G50Z, G67A, G67B, G67C	A05.3	06	G46A, G46B, G46C, G50Z, G67A, G67B, G67C, G67D
	Pre	A07D, A09E, A11F, A13F		15	TPN, VTPN		15	TPN, VTPN
A01.0	05	F62A	A03.8	06	G46A, G46B, G46C, G50Z, G67A, G67B, G67C	A05.4	06	G46A, G46B, G46C, G50Z, G67A, G67B, G67C, G67D
	06	G67A		15	TPN, VTPN	A05.8	06	G46A, G46B, G46C, G50Z, G67A, G67B, G67C, G67D
	15	TPN, VTPN	A03.9	06	G46A, G46B, G46C, G50Z, G67A, G67B, G67C	A05.9	06	G46A, G46B, G46C, G50Z, G67A, G67B, G67C, G67D
	17	R60B, R60C, R61A, R62A, R63B, R63C, R63D, R63F		15	TPN, VTPN	A06.0	06	G46A, G46B, G46C, G50Z, G67A, G67B, G67C
	18B	T01B, T60A, T60B, T60C, T60D, T60E, T60F, T61A	A04.0	06	G46A, G46B, G46C, G50Z, G67A, G67B, G67C		Pre	A07D, A09E, A11F, A13F
	Pre	A07D, A09E, A11F, A13F		15	TPN, VTPN	A06.1	06	G46A, G46B, G46C, G50Z, G67A, G67B, G67C
A01.1	05	F62A	A04.1	06	G46A, G46B, G46C, G50Z, G67A, G67B, G67C		Pre	A07D, A09E, A11F, A13F
	06	G67A		15	TPN, VTPN	A06.2	06	G46A, G46B, G46C, G50Z, G67A, G67B, G67C
	15	TPN, VTPN	A04.2	06	G46A, G46B, G46C, G50Z, G67A, G67B, G67C		Pre	A07D, A09E, A11F, A13F
	17	R60B, R60C, R61A, R62A, R63B, R63C, R63D, R63F		15	TPN, VTPN	A06.3	18B	T64A, T64B, T64C
	18B	T01B, T60A, T60B, T60C, T60D, T60E, T60F, T61A	A04.3	06	G40Z, G46A, G46B, G46C, G48A, G48B, G50Z, G67A, G67B, G67C		Pre	A07D, A09E, A11F, A13F
	Pre	A07D, A09E, A11F, A13F		15	TPN, VTPN	A06.4	07	H63A, H63B, H63C, H78Z
A01.2	05	F62A	A04.4	06	G40Z, G46A, G46B, G46C, G48A, G48B, G50Z, G67A, G67B, G67C		Pre	A07D, A09E, A11F, A13F
	06	G67A		15	TPN, VTPN	A06.5	04	E62A, E62B, E77A, E77B, E77C, E77D, E77F
	15	TPN, VTPN	A04.5	06	G40Z, G46A, G46B, G46C, G48A, G48B, G50Z, G67A, G67B, G67C		Pre	A07D, A09E, A11F, A13F
	17	R60B, R60C, R61A, R62A, R63B, R63C, R63D, R63F		15	TPN, VTPN	A06.6	01	B72A, B72B
	18B	T01B, T60A, T60B, T60C, T60D, T60E, T60F, T61A	A04.6	06	G40Z, G46A, G46B, G46C, G48A, G48B, G50Z, G67A, G67B, G67C		Pre	A07D, A09E, A11F, A13F
	Pre	A07D, A09E, A11F, A13F		15	TPN, VTPN	A06.7	09	J61A, J61B, J61C, J68A, J68B
A01.3	05	F62A		18A	S63A, S63B		Pre	A07D, A09E, A11F, A13F
	06	G67A	A04.7	06	G40Z, G46A, G46B, G46C, G48A, G48B, G50Z, G67A, G67B, G67C		18B	T64A, T64B, T64C
	15	TPN, VTPN		15	TPN, VTPN	A06.8	Pre	A07D, A09E, A11F, A13F
	17	R60B, R60C, R61A, R62A, R63B, R63C, R63D, R63F		17	R62A		Pre	A07D, A09E, A11F, A13F
	18B	T01B, T60A, T60B, T60C, T60D, T60E, T60F, T61A	A04.81	06	G46A, G46B, G46C, G50Z, G67A, G67B, G67C, G67D		18A	S63A, S63B
	Pre	A07D, A09E, A11F, A13F		15	TPN, VTPN	A06.9	Pre	A07D, A09E, A11F, A13F
A01.4	15	TPN, VTPN		18A	S63A, S63B		18B	T64A, T64B, T64C
	18B	T64A, T64B, T64C		Pre	A07D, A09E, A11F, A13F	A07.0	06	G46A, G46B, G46C, G50Z, G67A, G67B, G67C
	Pre	A07D, A09E, A11F, A13F	A04.89	06	G46A, G46B, G46C, G50Z, G67A, G67B, G67C, G67D		Pre	A07D, A09E, A11F, A13F
A02.0	06	G46A, G46B, G46C, G50Z, G67A, G67B, G67C		15	TPN, VTPN	A07.1	06	G46A, G46B, G46C, G50Z, G67A, G67B, G67C
	15	TPN, VTPN		17	R62A		Pre	A07D, A09E, A11F, A13F
	18A	S63A, S63B		18A	S63A, S63B	A07.2	06	G46A, G46B, G46C, G50Z, G67A, G67B, G67C
A02.1	05	F62A		Pre	A07D, A09E, A11F, A13F		18A	S63A, S63B
	06	G67A	A04.9	06	G46A, G46B, G46C, G50Z, G67A, G67B, G67C, G67D		Pre	A07D, A09E, A11F, A13F
	15	TPN, VTPN		15	TPN, VTPN	A07.3	06	G46A, G46B, G46C, G50Z, G67A, G67B, G67C
	17	R60B, R60C, R61A, R62A, R63B, R63C, R63D, R63F		17	R62A		18A	S63A, S63B
	18A	S63A, S63B		18A	S63A, S63B		Pre	A07D, A09E, A11F, A13F
	18B	T01B, T60A, T60B, T60C, T60D, T60E, T60F, T61A		Pre	A07D, A09E, A11F, A13F	A07.8	06	G46A, G46B, G46C, G50Z, G67A, G67B, G67C
	Pre	A07D, A09E, A11F, A13F		06	G46A, G46B, G46C, G50Z, G67A, G67B, G67C, G67D		Pre	A07D, A09E, A11F, A13F
A02.2	15	TPN, VTPN		15	TPN, VTPN	A07.9	06	G46A, G46B, G46C, G50Z, G67A, G67B, G67C
	18A	S63A, S63B		18A	S63A, S63B		Pre	A07D, A09E, A11F, A13F
	18B	T64A, T64B, T64C		Pre	A07D, A09E, A11F, A13F	A08.0	06	G46A, G46B, G46C, G50Z, G67A, G67B, G67C
A02.8	15	TPN, VTPN		06	G46A, G46B, G46C, G50Z, G67A, G67B, G67C, G67D		15	P65C, P66C, P67B, P67C
	18A	S63A, S63B		15	TPN, VTPN		18A	S63A, S63B
	18B	T64A, T64B, T64C		18A	S63A, S63B	A08.1	06	G46A, G46B, G46C, G50Z, G67A, G67B, G67C
A02.9	15	TPN, VTPN		06	G46A, G46B, G46C, G50Z, G67A, G67B, G67C, G67D		15	TPN, VTPN
	18A	S63A, S63B		18A	S63A, S63B		18A	S63A, S63B
	18B	T64A, T64B, T64C		06	G46A, G46B, G46C, G50Z, G67A, G67B, G67C, G67D			
A03.0	06	G46A, G46B, G46C, G50Z, G67A, G67B, G67C	A05.0	06	G46A, G46B, G46C, G50Z, G67A, G67B, G67C, G67D			
	15	TPN, VTPN		15	TPN, VTPN			

ICD	MDC	DRG	ICD	MDC	DRG	ICD	MDC	DRG
A08.2	06	G46A, G46B, G46C, G50Z, G67A, G67B, G67C	A16.0	04	E41Z, E42Z, E76A, E76B, E76C	A18.1	11	L63A, L63B, L63C, L63D, L63E, L63F, L74Z
	15	P65C, P66C, P67B, P67C		15	TPN, VTPN		18A	S63A, S63B
	18A	S63A, S63B		18A	S63A		Pre	A07D, A09E, A11F, A13F
A08.3	06	G46A, G46B, G46C, G50Z, G67A, G67B, G67C, G67D	A16.1	04	A07D, A09E, A11F, A13F E41Z, E42Z, E76A, E76B, E76C	A18.2	04	E41Z, E42Z, E76A, E76B, E76C
	18A	S63A, S63B		15	TPN, VTPN		18A	S63A
A08.4	06	G46A, G46B, G46C, G50Z, G67A, G67B, G67C, G67D		18A	S63A	A18.3	06	A07D, A09E, A11F, A13F G46A, G46B, G46C, G50Z, G64A, G64B, G64C, G70A, G70B
	18A	S63A, S63B		Pre	A07D, A09E, A11F, A13F		18A	S63A, S63B
A08.5	06	G46A, G46B, G46C, G50Z, G67A, G67B, G67C, G67D	A16.2	04	E41Z, E42Z, E76A, E76B, E76C		Pre	A07D, A09E, A11F, A13F
	15	TPN, VTPN		15	TPN, VTPN	A18.4	09	J08A, J08B, J08C, J61A, J61B, J61C, J68A, J68B
	18A	S63A, S63B		18A	S63A		18A	S63A, S63B
A09.0	06	G46A, G46B, G46C, G50Z, G67A, G67B, G67C, G67D	A16.3	04	A07D, A09E, A11F, A13F E41Z, E42Z, E76A, E76B, E76C		Pre	A07D, A09E, A11F, A13F
	15	TPN, VTPN		18A	S63A	A18.5	02	C60Z
A09.9	06	G46A, G46B, G46C, G50Z, G67A, G67B, G67C, G67D		Pre	A07D, A09E, A11F, A13F		15	TPN, VTPN
	18A	S65A, S65B	A16.4	04	E41Z, E42Z, E76A, E76B, E76C		18A	S63A, S63B
A15.0	04	E41Z, E42Z, E76A, E76B, E76C		18A	S63A		Pre	A07D, A09E, A11F, A13F
	15	TPN, VTPN		Pre	A07D, A09E, A11F, A13F	A18.6	03	D66Z
	18A	S63A	A16.5	04	E41Z, E42Z, E76A, E76B, E76C		18A	S63A, S63B
	Pre	A07D, A09E, A11F, A13F		18A	S63A		Pre	A07D, A09E, A11F, A13F
A15.1	04	E41Z, E42Z, E76A, E76B, E76C		Pre	A07D, A09E, A11F, A13F	A18.7	10	K64A, K64B, K64C, K64D
	15	TPN, VTPN	A16.6	04	E41Z, E42Z, E76A, E76B, E76C		18A	S63A, S63B
	18A	S63A		18A	S63A		Pre	A07D, A09E, A11F, A13F
	Pre	A07D, A09E, A11F, A13F		Pre	A07D, A09E, A11F, A13F	A18.8	04	E41Z, E42Z, E76A, E76B, E76C
A15.2	04	E41Z, E42Z, E76A, E76B, E76C		Pre	A07D, A09E, A11F, A13F		18A	S63A
	15	TPN, VTPN	A16.7	04	E41Z, E42Z, E76A, E76B, E76C		Pre	A07D, A09E, A11F, A13F
	18A	S63A		15	TPN, VTPN	A19.0	04	E41Z, E42Z, E76A, E76B, E76C
	Pre	A07D, A09E, A11F, A13F		18A	S63A		05	F62A
A15.3	04	E41Z, E42Z, E76A, E76B, E76C		Pre	A07D, A09E, A11F, A13F		06	G67A
	15	TPN, VTPN	A16.8	04	E41Z, E42Z, E76A, E76B, E76C		17	R60B, R60C, R61A, R62A, R63B, R63C, R63D, R63F
	18A	S63A		18A	S63A		18A	S63A
	Pre	A07D, A09E, A11F, A13F		Pre	A07D, A09E, A11F, A13F	A19.1	04	A07D, A09E, A11F, A13F E41Z, E42Z, E76A, E76B, E76C
A15.4	04	E41Z, E42Z, E76A, E76B, E76C		Pre	A07D, A09E, A11F, A13F		05	F62A
	18A	S63A	A16.9	04	E41Z, E42Z, E76A, E76B, E76C		06	G67A
	Pre	A07D, A09E, A11F, A13F		15	TPN, VTPN		17	R60B, R60C, R61A, R62A, R63B, R63C, R63D, R63F
A15.5	04	E41Z, E42Z, E76A, E76B, E76C		18A	S63A		18A	S63A
	18A	S63A		Pre	A07D, A09E, A11F, A13F		Pre	A07D, A09E, A11F, A13F
	Pre	A07D, A09E, A11F, A13F	A17.0	04	E41Z, E42Z, E76A, E76B, E76C		04	E41Z, E42Z, E76A, E76B, E76C
A15.6	04	E41Z, E42Z, E76A, E76B, E76C		15	TPN, VTPN		05	F62A
	18A	S63A		18A	S63A		06	G67A
	Pre	A07D, A09E, A11F, A13F	A17.1	04	E41Z, E42Z, E76A, E76B, E76C		17	R60B, R60C, R61A, R62A, R63B, R63C, R63D, R63F
A15.7	04	E41Z, E42Z, E76A, E76B, E76C		15	TPN, VTPN		18A	S63A
	15	TPN, VTPN		18A	S63A	A19.2	04	A07D, A09E, A11F, A13F E41Z, E42Z, E76A, E76B, E76C
	18A	S63A		Pre	A07D, A09E, A11F, A13F		05	F62A
	Pre	A07D, A09E, A11F, A13F	A17.8	04	E41Z, E42Z, E76A, E76B, E76C		06	G67A
A15.8	04	E41Z, E42Z, E76A, E76B, E76C		15	TPN, VTPN		17	R60B, R60C, R61A, R62A, R63B, R63C, R63D, R63F
	18A	S63A		18A	S63A		18A	S63A
	Pre	A07D, A09E, A11F, A13F		Pre	A07D, A09E, A11F, A13F	A19.8	04	A07D, A09E, A11F, A13F E41Z, E42Z, E76A, E76B, E76C
A15.9	04	E41Z, E42Z, E76A, E76B, E76C		Pre	A07D, A09E, A11F, A13F		05	F62A
	15	TPN, VTPN	A17.9	04	E41Z, E42Z, E76A, E76B, E76C		06	G67A
	18A	S63A		15	TPN, VTPN		17	R60B, R60C, R61A, R62A, R63B, R63C, R63D, R63F
	Pre	A07D, A09E, A11F, A13F		18A	S63A		18A	S63A
	Pre	A07D, A09E, A11F, A13F	A18.0	08	I08A, I08B, I08C, I08D, I08E, I12A, I12B, I12C, I13A, I13B, I64A, I64B, I64C		Pre	A07D, A09E, A11F, A13F
				18A	S63A, S63B			
				Pre	A07D, A09E, A11F, A13F			

Dg

ICD	MDC	DRG	ICD	MDC	DRG	ICD	MDC	DRG
A19.9	04	E41Z, E42Z, E76A, E76B, E76C	A22.8	18B	T64A, T64B, T64C	A27.8	01	B72A, B72B
	05	F62A		Pre	A07D, A09E, A11F, A13F		15	TPN, VTPN
	06	G67A	A22.9	18B	T64A, T64B, T64C		Pre	A07D, A09E, A11F, A13F
	17	R60B, R60C, R61A, R62A, R63B, R63C, R63D, R63F		Pre	A07D, A09E, A11F, A13F	A27.9	15	TPN, VTPN
	18A	S63A	A23.0	18B	T64A, T64B, T64C		18B	T64A, T64B, T64C
	Pre	A07D, A09E, A11F, A13F		Pre	A07D, A09E, A11F, A13F		Pre	A07D, A09E, A11F, A13F
A20.0	18B	T64A, T64B, T64C	A23.1	18B	T64A, T64B, T64C	A28.0	15	TPN, VTPN
	Pre	A07D, A09E, A11F, A13F		Pre	A07D, A09E, A11F, A13F		18B	T64A, T64B, T64C
A20.1	18B	T64A, T64B, T64C	A23.2	18B	T64A, T64B, T64C		Pre	A07D, A09E, A11F, A13F
	Pre	A07D, A09E, A11F, A13F		Pre	A07D, A09E, A11F, A13F	A28.1	15	TPN, VTPN
A20.2	04	E62A, E62B, E77A, E77B, E77C, E77D, E77F	A23.3	18B	T64A, T64B, T64C		16	Q60A, Q60B, Q60C
	Pre	A07D, A09E, A11F, A13F		Pre	A07D, A09E, A11F, A13F		Pre	A07D, A09E, A11F, A13F
A20.3	01	B72A, B72B	A23.8	18B	T64A, T64B, T64C	A28.2	15	TPN, VTPN
	Pre	A07D, A09E, A11F, A13F		Pre	A07D, A09E, A11F, A13F		18B	T64A, T64B, T64C
A20.7	05	F62A	A23.9	18B	T64A, T64B, T64C		Pre	A07D, A09E, A11F, A13F
	06	G67A		Pre	A07D, A09E, A11F, A13F	A28.8	15	TPN, VTPN
	17	R60B, R60C, R61A, R62A, R63B, R63C, R63D, R63F	A24.0	05	F62A		18B	T64A, T64B, T64C
	18B	T01B, T60A, T60B, T60C, T60D, T60E, T60F, T61A		06	G67A		Pre	A07D, A09E, A11F, A13F
	Pre	A07D, A09E, A11F, A13F		17	R60B, R60C, R61A, R62A, R63B, R63C, R63D, R63F	A28.9	15	TPN, VTPN
A20.8	18B	T64A, T64B, T64C		18B	T01B, T60A, T60B, T60C, T60D, T60E, T60F, T61A		18B	T64A, T64B, T64C
	Pre	A07D, A09E, A11F, A13F	A24.1	Pre	A07D, A09E, A11F, A13F		Pre	A07D, A09E, A11F, A13F
A20.9	18B	T64A, T64B, T64C		05	F62A	A30.0	18B	T64A, T64B, T64C
	Pre	A07D, A09E, A11F, A13F		06	G67A		Pre	A07D, A09E, A11F, A13F
A21.0	18B	T64A, T64B, T64C		17	R60B, R60C, R61A, R62A, R63B, R63C, R63D, R63F	A30.1	18B	T64A, T64B, T64C
	Pre	A07D, A09E, A11F, A13F		18B	T01B, T60A, T60B, T60C, T60D, T60E, T60F, T61A		Pre	A07D, A09E, A11F, A13F
A21.1	18B	T64A, T64B, T64C		Pre	A07D, A09E, A11F, A13F	A30.2	18B	T64A, T64B, T64C
	Pre	A07D, A09E, A11F, A13F	A24.2	18B	T64A, T64B, T64C		Pre	A07D, A09E, A11F, A13F
A21.2	04	E62A, E62B, E77A, E77B, E77C, E77D, E77F		Pre	A07D, A09E, A11F, A13F	A30.3	18B	T64A, T64B, T64C
	Pre	A07D, A09E, A11F, A13F	A24.3	18B	T64A, T64B, T64C		Pre	A07D, A09E, A11F, A13F
A21.3	06	G46A, G46B, G46C, G50Z, G71Z		Pre	A07D, A09E, A11F, A13F	A30.4	18B	T64A, T64B, T64C
	Pre	A07D, A09E, A11F, A13F	A24.4	18B	T64A, T64B, T64C		Pre	A07D, A09E, A11F, A13F
A21.7	05	F62A		Pre	A07D, A09E, A11F, A13F	A30.5	18B	T64A, T64B, T64C
	06	G67A	A25.0	18B	T64A, T64B, T64C		Pre	A07D, A09E, A11F, A13F
	17	R60B, R60C, R61A, R62A, R63B, R63C, R63D, R63F		Pre	A07D, A09E, A11F, A13F	A30.8	18B	T64A, T64B, T64C
	18B	T01B, T60A, T60B, T60C, T60D, T60E, T60F, T61A	A25.1	18B	T64A, T64B, T64C		Pre	A07D, A09E, A11F, A13F
	Pre	A07D, A09E, A11F, A13F		Pre	A07D, A09E, A11F, A13F	A30.9	18B	T64A, T64B, T64C
A21.81	18B	T64A, T64B, T64C	A25.9	18B	T64A, T64B, T64C		Pre	A07D, A09E, A11F, A13F
	Pre	A07D, A09E, A11F, A13F		Pre	A07D, A09E, A11F, A13F	A31.0	04	E41Z, E42Z, E76A, E76B, E76C
A21.82	18B	T64A, T64B, T64C	A26.0	15	TPN, VTPN		18A	S63A
	Pre	A07D, A09E, A11F, A13F		18B	T64A, T64B, T64C		Pre	A07D, A09E, A11F, A13F
A21.89	18B	T64A, T64B, T64C		Pre	A07D, A09E, A11F, A13F	A31.1	09	J08A, J08B, J08C, J61A, J61B, J61C, J68A, J68B
	Pre	A07D, A09E, A11F, A13F	A26.7	05	F62A		18A	S63A, S63B
A21.9	18B	T64A, T64B, T64C		06	G67A		Pre	A07D, A09E, A11F, A13F
	Pre	A07D, A09E, A11F, A13F		15	TPN, VTPN	A31.80	18A	S63A, S63B
A22.0	09	J08A, J08B, J08C, J61A, J61B, J61C, J68A, J68B		17	R60B, R60C, R61A, R62A, R63B, R63C, R63D, R63F		18B	T64A, T64B, T64C
	Pre	A07D, A09E, A11F, A13F	A26.8	18B	T01B, T60A, T60B, T60C, T60D, T60E, T60F, T61A		Pre	A07D, A09E, A11F, A13F
A22.1	04	E62A, E62B, E77A, E77B, E77C, E77D, E77F		Pre	A07D, A09E, A11F, A13F	A31.88	18A	S63A, S63B
	Pre	A07D, A09E, A11F, A13F	A26.9	15	TPN, VTPN		18B	T64A, T64B, T64C
A22.2	06	G46A, G46B, G46C, G50Z, G71Z		18B	T64A, T64B, T64C		Pre	A07D, A09E, A11F, A13F
	Pre	A07D, A09E, A11F, A13F	A27.0	Pre	A07D, A09E, A11F, A13F	A31.9	18A	S63A, S63B
A22.7	05	F62A		05	F62A		18B	T64A, T64B, T64C
	06	G67A		06	G67A		Pre	A07D, A09E, A11F, A13F
	17	R60B, R60C, R61A, R62A, R63B, R63C, R63D, R63F		15	TPN, VTPN	A32.0	15	TPN, VTPN
	18B	T01B, T60A, T60B, T60C, T60D, T60E, T60F, T61A		17	R60B, R60C, R61A, R62A, R63B, R63C, R63D, R63F		18B	T64A, T64B, T64C
	Pre	A07D, A09E, A11F, A13F		18B	T01B, T60A, T60B, T60C, T60D, T60E, T60F, T61A		Pre	A07D, A09E, A11F, A13F
	Pre	A07D, A09E, A11F, A13F		Pre	A07D, A09E, A11F, A13F	A32.1	01	B72A, B72B
	Pre	A07D, A09E, A11F, A13F		Pre	A07D, A09E, A11F, A13F		15	TPN, VTPN
	Pre	A07D, A09E, A11F, A13F		Pre	A07D, A09E, A11F, A13F		Pre	A07D, A09E, A11F, A13F
	Pre	A07D, A09E, A11F, A13F		Pre	A07D, A09E, A11F, A13F	A32.7	05	F62A
	Pre	A07D, A09E, A11F, A13F		Pre	A07D, A09E, A11F, A13F		06	G67A
	Pre	A07D, A09E, A11F, A13F		Pre	A07D, A09E, A11F, A13F		15	TPN, VTPN
	Pre	A07D, A09E, A11F, A13F		Pre	A07D, A09E, A11F, A13F		17	R60B, R60C, R61A, R62A, R63B, R63C, R63D, R63F
	Pre	A07D, A09E, A11F, A13F		Pre	A07D, A09E, A11F, A13F		18B	T01B, T60A, T60B, T60C, T60D, T60E, T60F, T61A
	Pre	A07D, A09E, A11F, A13F		Pre	A07D, A09E, A11F, A13F		Pre	A07D, A09E, A11F, A13F

ICD	MDC	DRG	ICD	MDC	DRG	ICD	MDC	DRG
A32.8	15	TPN, VTPN	A39.4	05	F62A	A40.81	05	F62A
	18B	T64A, T64B, T64C		06	G67A		06	G67A
	Pre	A07D, A09E, A11F, A13F		15	TPN, VTPN		15	TPN, VTPN
A32.9	15	TPN, VTPN		17	R60B, R60C, R61A, R62A, R63B, R63C, R63D, R63F		17	R60B, R60C, R61A, R62A, R63B, R63C, R63D, R63F
	18B	T64A, T64B, T64C		18B	T01B, T60A, T60B, T60C, T60F, T61A		18A	S63A, S63B
	Pre	A07D, A09E, A11F, A13F		Pre	A07D, A09E, A11F, A13F		18B	T01B, T60A, T60B, T60C, T60D, T60E, T60F, T61A
A33	15	TPN, VTPN		Pre	A07D, A09E, A11F, A13F		22	Y02A
	Pre	963Z, A07D, A09E, A11F, A13F	A39.5	05	F75A, F75B, F75C, F75D		Pre	A07D, A09E, A11F, A13F
A34	14	O04A, O04B, O61Z		15	TPN, VTPN	A40.89	05	F62A
	Pre	A07D, A09E, A11F, A13F		Pre	A07D, A09E, A11F, A13F		06	G67A
A35	15	TPN, VTPN	A39.8	05	F62A		15	TPN, VTPN
	18B	T64A, T64B, T64C		06	G67A		17	R60B, R60C, R61A, R62A, R63B, R63C, R63D, R63F
	Pre	A07D, A09E, A11F, A13F		17	R60B, R60C, R61A, R62A, R63B, R63C, R63D, R63F		18A	S63A, S63B
A36.0	03	D66Z		18B	T01B, T60A, T60B, T60C, T60F, T61A		18B	T01B, T60A, T60B, T60C, T60D, T60E, T60F, T61A
	Pre	A07D, A09E, A11F, A13F		Pre	A07D, A09E, A11F, A13F		22	Y02A
A36.1	03	D66Z		Pre	A07D, A09E, A11F, A13F		Pre	A07D, A09E, A11F, A13F
	Pre	A07D, A09E, A11F, A13F	A39.9	05	F62A	A40.9	05	F62A
A36.2	03	D66Z		06	G67A		06	G67A
	Pre	A07D, A09E, A11F, A13F		17	R60B, R60C, R61A, R62A, R63B, R63C, R63D, R63F		15	TPN, VTPN
A36.3	09	J61A, J61B, J61C, J68A, J68B		18B	T01B, T60A, T60B, T60C, T60F, T61A		17	R60B, R60C, R61A, R62A, R63B, R63C, R63D, R63F
	Pre	A07D, A09E, A11F, A13F		Pre	A07D, A09E, A11F, A13F		18A	S63A, S63B
A36.8	18B	T64A, T64B, T64C		Pre	A07D, A09E, A11F, A13F		18B	T01B, T60A, T60B, T60C, T60D, T60E, T60F, T61A
	Pre	A07D, A09E, A11F, A13F	A40.0	05	F62A		22	Y02A
A36.9	18B	T64A, T64B, T64C		06	G67A		Pre	A07D, A09E, A11F, A13F
	Pre	A07D, A09E, A11F, A13F		15	TPN, VTPN	A41.0	05	F62A
A37.0	04	E70A, E70B		17	R60B, R60C, R61A, R62A, R63B, R63C, R63D, R63F		06	G67A
	15	TPN, VTPN		18A	S63A, S63B		15	TPN, VTPN
	Pre	A07D, A09E, A11F, A13F		18B	T01B, T60A, T60B, T60C, T60D, T60E, T60F, T61A		17	R60B, R60C, R61A, R62A, R63B, R63C, R63D, R63F
A37.1	04	E70A, E70B		22	Y02A		18A	S63A, S63B
	15	TPN, VTPN		Pre	A07D, A09E, A11F, A13F		18B	T01B, T60A, T60B, T60C, T60D, T60E, T60F, T61A
	Pre	A07D, A09E, A11F, A13F	A40.1	05	F62A		22	Y02A
A37.8	04	E70A, E70B		06	G67A		Pre	A07D, A09E, A11F, A13F
	15	TPN, VTPN		15	TPN, VTPN	A41.1	05	F62A
	Pre	A07D, A09E, A11F, A13F		17	R60B, R60C, R61A, R62A, R63B, R63C, R63D, R63F		06	G67A
A37.9	04	E70A, E70B		18A	S63A, S63B		15	TPN, VTPN
	15	TPN, VTPN		18B	T01B, T60A, T60B, T60C, T60D, T60E, T60F, T61A		17	R60B, R60C, R61A, R62A, R63B, R63C, R63D, R63F
	Pre	A07D, A09E, A11F, A13F	A40.2	05	F62A		18A	S63A, S63B
A38	18B	T64A, T64B, T64C		06	G67A		18B	T01B, T60A, T60B, T60C, T60D, T60E, T60F, T61A
	Pre	A07D, A09E, A11F, A13F		15	TPN, VTPN		22	Y02A
A39.0	01	B72A, B72B		17	R60B, R60C, R61A, R62A, R63B, R63C, R63D, R63F		Pre	A07D, A09E, A11F, A13F
	15	TPN, VTPN		18A	S63A, S63B		05	F62A
	Pre	A07D, A09E, A11F, A13F		18B	T01B, T60A, T60B, T60C, T60D, T60E, T60F, T61A		06	G67A
A39.1	05	F62A		22	Y02A		15	TPN, VTPN
	06	G67A		Pre	A07D, A09E, A11F, A13F		17	R60B, R60C, R61A, R62A, R63B, R63C, R63D, R63F
	15	TPN, VTPN	A40.3	05	F62A		18A	S63A, S63B
	17	R60B, R60C, R61A, R62A, R63B, R63C, R63D, R63F		06	G67A		18B	T01B, T60A, T60B, T60C, T60D, T60E, T60F, T61A
	18B	T01B, T60A, T60B, T60C, T60F, T61A		15	TPN, VTPN		22	Y02A
	Pre	A07D, A09E, A11F, A13F		17	R60B, R60C, R61A, R62A, R63B, R63C, R63D, R63F		Pre	A07D, A09E, A11F, A13F
A39.2	05	F62A		18A	S63A, S63B		05	F62A
	06	G67A		18B	T01B, T60A, T60B, T60C, T60D, T60E, T60F, T61A		06	G67A
	15	TPN, VTPN		22	Y02A		15	TPN, VTPN
	17	R60B, R60C, R61A, R62A, R63B, R63C, R63D, R63F		Pre	A07D, A09E, A11F, A13F		17	R60B, R60C, R61A, R62A, R63B, R63C, R63D, R63F
	18B	T01B, T60A, T60B, T60C, T60F, T61A		05	F62A		18A	S63A, S63B
	Pre	A07D, A09E, A11F, A13F		06	G67A		18B	T01B, T60A, T60B, T60C, T60D, T60E, T60F, T61A
A39.3	05	F62A		15	TPN, VTPN		22	Y02A
	06	G67A		17	R60B, R60C, R61A, R62A, R63B, R63C, R63D, R63F		Pre	A07D, A09E, A11F, A13F
	15	TPN, VTPN		18A	S63A, S63B		05	F62A
	17	R60B, R60C, R61A, R62A, R63B, R63C, R63D, R63F		18B	T01B, T60A, T60B, T60C, T60D, T60E, T60F, T61A		06	G67A
	18B	T01B, T60A, T60B, T60C, T60F, T61A		22	Y02A		15	TPN, VTPN
	Pre	A07D, A09E, A11F, A13F		Pre	A07D, A09E, A11F, A13F		17	R60B, R60C, R61A, R62A, R63B, R63C, R63D, R63F
	05	F62A		18A	S63A, S63B		18A	S63A, S63B
	06	G67A		18B	T01B, T60A, T60B, T60C, T60D, T60E, T60F, T61A		18B	T01B, T60A, T60B, T60C, T60D, T60E, T60F, T61A
	15	TPN, VTPN		22	Y02A		22	Y02A
	17	R60B, R60C, R61A, R62A, R63B, R63C, R63D, R63F		Pre	A07D, A09E, A11F, A13F		Pre	A07D, A09E, A11F, A13F
	18B	T01B, T60A, T60B, T60C, T60F, T61A		18A	S63A, S63B		18A	S63A, S63B
	Pre	A07D, A09E, A11F, A13F		18B	T01B, T60A, T60B, T60C, T60D, T60E, T60F, T61A		18B	T01B, T60A, T60B, T60C, T60D, T60E, T60F, T61A
	05	F62A		22	Y02A		22	Y02A
	06	G67A		Pre	A07D, A09E, A11F, A13F		Pre	A07D, A09E, A11F, A13F
	15	TPN, VTPN		18A	S63A, S63B		18A	S63A, S63B
	17	R60B, R60C, R61A, R62A, R63B, R63C, R63D, R63F		18B	T01B, T60A, T60B, T60C, T60D, T60E, T60F, T61A		18B	T01B, T60A, T60B, T60C, T60D, T60E, T60F, T61A
	18B	T01B, T60A, T60B, T60C, T60F, T61A		22	Y02A		22	Y02A
	Pre	A07D, A09E, A11F, A13F		Pre	A07D, A09E, A11F, A13F		Pre	A07D, A09E, A11F, A13F

ICD	MDC	DRG	ICD	MDC	DRG	ICD	MDC	DRG	
A41.4	05	F62A	A41.9	05	F62A	A48.1	04	E62A, E62B, E77A, E77B, E77C, E77D, E77F	
	06	G67A		06	G67A		15	TPN, VTPN	
	15	TPN, VTPN		15	P65C, P66C, P67B, P67C		18A	S63A, S63B	
	17	R60B, R60C, R61A, R62A, R63B, R63C, R63D, R63F		18A	S63A, S63B		22	Y02A, Y02B	
	18A	S63A, S63B		18B	T01B, T60A, T60B, T60C, T60D, T60E, T60F, T61A		Pre	A07D, A09E, A11F, A13F	
	18B	T01B, T60A, T60B, T60C, T60D, T60E, T60F, T61A		22	Y02A		A48.2	04	E62A, E62B, E77A, E77B, E77C, E77D, E77E, E77F, E77G
	22	Y02A		Pre	A07D, A09E, A11F, A13F			15	TPN, VTPN
	Pre	A07D, A09E, A11F, A13F		A42.0	04		E62A, E62B, E77A, E77B, E77C, E77D, E77F	18A	S63A, S63B
	A41.51	05			F62A		Pre	A07D, A09E, A11F, A13F	22
		06		G67A	A42.1		06	G46A, G46B, G46C, G50Z, G71Z	Pre
15		TPN, VTPN	Pre	A07D, A09E, A11F, A13F		A48.3	05	F62A	
17		R60B, R60C, R61A, R62A, R63B, R63C, R63D, R63F	A42.2	09	J08A, J08B, J08C, J61A, J61B, J61C, J68A, J68B		06	G67A	
18A		S63A, S63B		Pre	A07D, A09E, A11F, A13F	17	R60B, R60C, R61A, R62A, R63B, R63C, R63D, R63F		
18B		T01B, T60A, T60B, T60C, T60D, T60E, T60F, T61A	A42.7	05	F62A	18B	T01B, T60A, T60B, T60C, T60D, T60E, T60F, T61A		
22		Y02A		06	G67A	Pre	A07D, A09E, A11F, A13F		
Pre		A07D, A09E, A11F, A13F	17	R60B, R60C, R61A, R62A, R63B, R63C, R63D, R63F	A48.4	18B	T64A, T64B, T64C		
A41.52		05	F62A	18B		T01B, T60A, T60B, T60C, T60F, T61A	Pre	A07D, A09E, A11F, A13F	
		06	G67A	Pre	A07D, A09E, A11F, A13F	A48.8	18B	T64A, T64B, T64C	
	15	TPN, VTPN	A42.8	18B	T64A, T64B, T64C		A49.0	18B	T64A, T64B, T64C
	17	R60B, R60C, R61A, R62A, R63B, R63C, R63D, R63F		Pre	A07D, A09E, A11F, A13F	A49.1		15	P65C, P66C, P67B, P67C
	18A	S63A, S63B	A42.9	18B	T64A, T64B, T64C		18B	T64A, T64B, T64C	
	18B	T01B, T60A, T60B, T60C, T60D, T60E, T60F, T61A		Pre	A07D, A09E, A11F, A13F	A49.2	18B	T64A, T64B, T64C	
	22	Y02A	A43.0	04	E41Z, E42Z, E76A, E76B, E76C		A49.3	18B	T64A, T64B, T64C
	Pre	A07D, A09E, A11F, A13F		18A	S63A, S63B	A49.8		18B	T64A, T64B, T64C
	A41.53	05	F62A	Pre	A07D, A09E, A11F, A13F		A49.9	18B	T64A, T64B, T64C
		06	G67A	A43.1	09	J08A, J08B, J08C, J61A, J61B, J61C, J68A, J68B		A50.0	15
15		TPN, VTPN	18A		S63A, S63B	18B	T64A, T64B, T64C		
17		R60B, R60C, R61A, R62A, R63B, R63C, R63D, R63F	Pre	A07D, A09E, A11F, A13F	A50.1	15	TPN, VTPN		
18A		S63A, S63B	A43.8	18A		S63A, S63B	18B	T64A, T64B, T64C	
18B		T01B, T60A, T60B, T60C, T60D, T60E, T60F, T61A		18B	T64A, T64B, T64C	A50.2	15	TPN, VTPN	
22		Y02A	Pre	A07D, A09E, A11F, A13F	18B		T64A, T64B, T64C		
Pre		A07D, A09E, A11F, A13F	A43.9	18A	S63A, S63B	A50.3	02	C60Z	
A41.58		05		F62A	A44.0		05	F62A	15
		06	G67A	06		G67A	A50.4	01	B72A, B72B
	15	TPN, VTPN	17	R60B, R60C, R61A, R62A, R63B, R63C, R63D, R63F	15	TPN, VTPN			
	17	R60B, R60C, R61A, R62A, R63B, R63C, R63D, R63F	A44.1	18B	T01B, T60A, T60B, T60C, T60D, T60E, T60F, T61A	A50.5	18B	T64A, T64B, T64C	
	18A	S63A, S63B		18B	T64A, T64B, T64C		A50.6	18B	T64A, T64B, T64C
	18B	T01B, T60A, T60B, T60C, T60D, T60E, T60F, T61A	A44.8	Pre	A07D, A09E, A11F, A13F	A50.7		18B	T64A, T64B, T64C
	22	Y02A		A44.9	18B		T64A, T64B, T64C	A50.9	18B
	Pre	A07D, A09E, A11F, A13F	A46		09	J11A, J11B, J64A, J64B	A51.0		12
	A41.81	05		F62A	15	TPN, VTPN		13	N04Z, N05A, N05B, N14Z, N21Z, N25Z, N61Z
		06	G67A	Pre	A07D, A09E, A11F, A13F	18A	S63A, S63B		
15		TPN, VTPN	A48.0	05	F62A	A51.1	06	G46A, G46B, G46C, G50Z, G71Z	
17		R60B, R60C, R61A, R62A, R63B, R63C, R63D, R63F		06	G67A		18A	S63A, S63B	
18A		S63A, S63B	A48.0	15	TPN, VTPN	A51.2	18A	S63A, S63B	
18B		T01B, T60A, T60B, T60C, T60D, T60E, T60F, T61A		17	R60B, R60C, R61A, R62A, R63B, R63C, R63D, R63F		18B	T64A, T64B, T64C	
22		Y02A	18B	T01B, T60A, T60B, T60C, T60D, T60E, T60F, T61A	A51.3	09	J61A, J61B, J61C, J68A, J68B		
Pre		A07D, A09E, A11F, A13F	Pre	A07D, A09E, A11F, A13F		18A	S63A, S63B		
A41.89		05	F62A	A52.0	05	F62A	A51.4	18A	S63A, S63B
		06	G67A		06	G67A		18B	T64A, T64B, T64C
	15	TPN, VTPN	A52.1	15	TPN, VTPN	A51.5	18A	S63A, S63B	
	17	R60B, R60C, R61A, R62A, R63B, R63C, R63D, R63F		17	R60B, R60C, R61A, R62A, R63B, R63C, R63D, R63F		18B	T64A, T64B, T64C	
	18A	S63A, S63B	A52.2	18B	T01B, T60A, T60B, T60C, T60D, T60E, T60F, T61A	A51.9	18A	S63A, S63B	
	18B	T01B, T60A, T60B, T60C, T60D, T60E, T60F, T61A		Pre	A07D, A09E, A11F, A13F		18B	T64A, T64B, T64C	
	22	Y02A	A52.3	01	B72A, B72B	A52.0	05	F75A, F75B, F75C, F75D	
	Pre	A07D, A09E, A11F, A13F		18A	S63A, S63B		18A	S63A, S63B	

ICD	MDC	DRG	ICD	MDC	DRG	ICD	MDC	DRG
A52.7	18A	S63A, S63B	A63.8	12	M62Z	A75.2	18B	T64A, T64B, T64C
	18B	T64A, T64B, T64C		13	N04Z, N05A, N05B, N14Z, N21Z, N25Z, N61Z	Pre	A07D, A09E, A11F, A13F	
A52.8	18A	S63A, S63B	A64	12	M62Z	A75.3	18B	T64A, T64B, T64C
	18B	T64A, T64B, T64C		13	N04Z, N05A, N05B, N14Z, N21Z, N25Z, N61Z	Pre	A07D, A09E, A11F, A13F	
A52.9	18A	S63A, S63B	A65	18B	T64A, T64B, T64C	A75.9	18B	T64A, T64B, T64C
	18B	T64A, T64B, T64C	A66.0	09	J67A, J67B, J68A, J68B	Pre	A07D, A09E, A11F, A13F	
A53.0	18A	S63A, S63B	A66.1	09	J67A, J67B, J68A, J68B	A77.0	18B	T64A, T64B, T64C
	18B	T64A, T64B, T64C	A66.2	09	J61A, J61B, J61C, J68A, J68B	Pre	A07D, A09E, A11F, A13F	
A53.9	18A	S63A, S63B	A66.3	09	J61A, J61B, J61C, J68A, J68B	A77.1	18B	T64A, T64B, T64C
	18B	T64A, T64B, T64C	A66.4	09	J61A, J61B, J61C, J68A, J68B	Pre	A07D, A09E, A11F, A13F	
A54.0	12	M62Z	A66.5	03	D66Z	A77.2	18B	T64A, T64B, T64C
	13	N04Z, N05A, N05B, N14Z, N21Z, N25Z, N61Z	A66.6	08	I08A, I08B, I08C, I08D, I08E, I13A, I13B, I76A, I76B	Pre	A07D, A09E, A11F, A13F	
A54.1	12	M62Z	A66.7	18B	T64A, T64B, T64C	A77.3	18B	T64A, T64B, T64C
	13	N04Z, N05A, N05B, N14Z, N21Z, N25Z, N61Z	A66.8	18B	T64A, T64B, T64C	Pre	A07D, A09E, A11F, A13F	
A54.2	12	M62Z	A66.9	18B	T64A, T64B, T64C	A77.8	18B	T64A, T64B, T64C
	13	N04Z, N05A, N05B, N14Z, N21Z, N25Z, N61Z	A67.0	09	J67A, J67B, J68A, J68B	Pre	A07D, A09E, A11F, A13F	
A54.3	02	C60Z	A67.1	09	J67A, J67B, J68A, J68B	A77.9	18B	T64A, T64B, T64C
A54.4	08	I08A, I08B, I08C, I08D, I08E, I13A, I13B, I76A, I76B	A67.2	18B	T64A, T64B, T64C	Pre	A07D, A09E, A11F, A13F	
A54.5	03	D62Z, D63Z	A67.3	09	J67A, J67B, J68A, J68B	A78	05	F62A
A54.6	06	G46A, G46B, G46C, G50Z, G71Z	A67.9	18B	T64A, T64B, T64C	06	G67A	
	18B	T64A, T64B, T64C	A68.0	18B	T64A, T64B, T64C	17	R60B, R60C, R61A, R62A, R63B, R63C, R63D, R63F	
A54.8	18B	T64A, T64B, T64C	A68.1	18B	T64A, T64B, T64C	18B	T01B, T60A, T60B, T60C, T60F, T61A	
A54.9	18B	T64A, T64B, T64C	A68.9	18B	T64A, T64B, T64C	Pre	A07D, A09E, A11F, A13F	
A55	12	M62Z	A69.0	03	D62Z, D63Z	A79.0	18B	T64A, T64B, T64C
	13	N04Z, N05A, N05B, N14Z, N21Z, N25Z, N61Z	A69.1	03	D62Z, D63Z	Pre	A07D, A09E, A11F, A13F	
A56.0	12	M62Z	A69.21	18B	T64A, T64B	A79.1	18B	T64A, T64B, T64C
	13	N04Z, N05A, N05B, N14Z, N21Z, N25Z, N61Z	A69.22	18B	T64A, T64B	Pre	A07D, A09E, A11F, A13F	
A56.1	12	M62Z	A69.23	18B	T64A, T64B	A79.8	18B	T64A, T64B, T64C
	13	N04Z, N05A, N05B, N14Z, N21Z, N25Z, N61Z	A69.24	18B	T64A, T64B	Pre	A07D, A09E, A11F, A13F	
A56.2	12	M62Z	A69.25	18B	T64A, T64B	A79.9	18B	T64A, T64B, T64C
	13	N04Z, N05A, N05B, N14Z, N21Z, N25Z, N61Z	A69.26	18B	T64A, T64B	Pre	A07D, A09E, A11F, A13F	
A56.3	06	G46A, G46B, G46C, G50Z, G71Z	A69.27	18B	T64A, T64B	A80.0	01	B72A, B72B
A56.4	03	D62Z, D63Z	A69.29	18B	T64A, T64B	Pre	A07D, A09E, A11F, A13F	
A56.8	12	M62Z	A69.8	18B	T64A, T64B, T64C	A80.1	01	B72A, B72B
	13	N04Z, N05A, N05B, N14Z, N21Z, N25Z, N61Z	A69.9	18B	T64A, T64B, T64C	Pre	A07D, A09E, A11F, A13F	
A57	12	M62Z	A70	04	E62A, E62B, E77A, E77B, E77C, E77D, E77E, E77F, E77G	A80.2	01	B72A, B72B
	13	N04Z, N05A, N05B, N14Z, N21Z, N25Z, N61Z	A71.0	02	C60Z	Pre	A07D, A09E, A11F, A13F	
A58	12	M62Z	A71.1	02	C60Z	A80.3	01	B72A, B72B
	13	N04Z, N05A, N05B, N14Z, N21Z, N25Z, N61Z	A71.9	15	TPN, VTPN	Pre	A07D, A09E, A11F, A13F	
A59.0	12	M62Z	A74.0	02	C63Z	A80.4	18B	T63A, T63B, T63C
	13	N04Z, N05A, N05B, N14Z, N21Z, N25Z, N61Z		18A	S63A, S63B	Pre	A07D, A09E, A11F, A13F	
A59.8	18B	T64A, T64B, T64C	A74.81	15	TPN, VTPN	A80.9	01	B72A, B72B
A59.9	18B	T64A, T64B, T64C		18A	S63A, S63B	Pre	A07D, A09E, A11F, A13F	
A60.0	12	M62Z	A74.82	18B	T63A, T63B, T63C	A81.0	01	B17A, B48Z, B85A, B85B, B85C
	13	N04Z, N05A, N05B, N14Z, N21Z, N25Z, N61Z		15	TPN, VTPN	Pre	A07D, A09E, A11F, A13F	
A60.1	18A	S63A, S63B	A74.83	15	TPN, VTPN	A81.1	01	B17A, B48Z, B85A, B85B, B85C
	12	M62Z		18A	S63A, S63B	Pre	A07D, A09E, A11F, A13F	
	13	N04Z, N05A, N05B, N14Z, N21Z, N25Z, N61Z		18B	T63A, T63B, T63C	A81.2	01	B48Z, B85A, B85B, B85C, B85D
A60.9	18A	S63A, S63B	A74.84	15	TPN, VTPN		18A	S63A, S63B
	12	M62Z		18B	T63A, T63B, T63C	Pre	A07D, A09E, A11F, A13F	
	13	N04Z, N05A, N05B, N14Z, N21Z, N25Z, N61Z	A74.89	15	TPN, VTPN	A81.8	01	B48Z, B85A, B85B, B85C, B85D
	18A	S63A, S63B		18A	S63A, S63B		18A	S65A, S65B
	18B	T64A, T64B, T64C	A74.9	18A	S63A, S63B	Pre	A07D, A09E, A11F, A13F	
	18A	S63A, S63B		18B	T63A, T63B, T63C	A81.9	01	B48Z, B85A, B85B, B85C, B85D
	13	N04Z, N05A, N05B, N14Z, N21Z, N25Z, N61Z	A75.0	18B	T64A, T64B, T64C		18A	S65A, S65B
	18A	S63A, S63B	Pre	A07D, A09E, A11F, A13F		Pre	A07D, A09E, A11F, A13F	
	18B	T64A, T64B, T64C	A75.1	18B	T64A, T64B, T64C	A82.0	01	B72A, B72B
	Pre	A07D, A09E, A11F, A13F	Pre	A07D, A09E, A11F, A13F		Pre	A07D, A09E, A11F, A13F	
	Pre	A07D, A09E, A11F, A13F		Pre	A07D, A09E, A11F, A13F	A82.1	01	B72A, B72B
	Pre	A07D, A09E, A11F, A13F		Pre	A07D, A09E, A11F, A13F		Pre	A07D, A09E, A11F, A13F

ICD	MDC	DRG	ICD	MDC	DRG	ICD	MDC	DRG
A82.9	01	B72A, B72B	A90	18B	T63A, T63B, T63C	B00.0	09	J61A, J61B, J61C, J68A, J68B
	Pre	A07D, A09E, A11F, A13F		Pre	A07D, A09E, A11F, A13F		15	TPN, VTPN
A83.0	01	B72A, B72B	A91	18B	T63A, T63B, T63C		18A	S63A, S63B
	Pre	A07D, A09E, A11F, A13F		Pre	A07D, A09E, A11F, A13F	B00.1	15	TPN, VTPN
A83.1	01	B72A, B72B	A92.0	18B	T63A, T63B, T63C		18A	S63A, S63B
	Pre	A07D, A09E, A11F, A13F		Pre	A07D, A09E, A11F, A13F		18B	T63A, T63B, T63C
A83.2	01	B72A, B72B	A92.1	18B	T63A, T63B, T63C	B00.2	03	D40Z, D67Z
	Pre	A07D, A09E, A11F, A13F		Pre	A07D, A09E, A11F, A13F		15	TPN, VTPN
A83.3	01	B72A, B72B	A92.2	01	B72A, B72B	B00.3	18A	S63A, S63B
	Pre	A07D, A09E, A11F, A13F		Pre	A07D, A09E, A11F, A13F		01	B73Z
A83.4	01	B72A, B72B	A92.3	18B	T63A, T63B, T63C		15	TPN, VTPN
	Pre	A07D, A09E, A11F, A13F		Pre	A07D, A09E, A11F, A13F		18A	S63A, S63B
A83.5	01	B72A, B72B	A92.4	18B	T63A, T63B, T63C	B00.4	Pre	A07D, A09E, A11F, A13F
	Pre	A07D, A09E, A11F, A13F		Pre	A07D, A09E, A11F, A13F		01	B72A, B72B
A83.6	01	B72A, B72B	A92.8	18B	T63A, T63B, T63C		15	TPN, VTPN
	Pre	A07D, A09E, A11F, A13F		Pre	A07D, A09E, A11F, A13F		18A	S63A, S63B
A83.8	01	B72A, B72B	A92.9	18B	T63A, T63B, T63C	B00.5	Pre	A07D, A09E, A11F, A13F
	Pre	A07D, A09E, A11F, A13F		Pre	A07D, A09E, A11F, A13F		02	C60Z
A83.9	01	B72A, B72B	A93.0	18B	T63A, T63B, T63C		15	TPN, VTPN
	Pre	A07D, A09E, A11F, A13F		Pre	A07D, A09E, A11F, A13F		18A	S63A, S63B
A84.0	01	B72A, B72B	A93.1	18B	T63A, T63B, T63C	B00.7	05	F62A
	Pre	A07D, A09E, A11F, A13F		Pre	A07D, A09E, A11F, A13F		06	G67A
A84.1	01	B72A, B72B	A93.2	18B	T63A, T63B, T63C		15	TPN, VTPN
	Pre	A07D, A09E, A11F, A13F		Pre	A07D, A09E, A11F, A13F		17	R60B, R60C, R61A, R62A, R63B, R63C, R63D, R63F
A84.8	01	B72A, B72B	A93.8	18B	T63A, T63B, T63C		18A	S63A, S63B
	Pre	A07D, A09E, A11F, A13F		Pre	A07D, A09E, A11F, A13F		18B	T01B, T60A, T60B, T60C, T60D, T60E, T60F, T61A
A84.9	01	B72A, B72B	A94	18B	T63A, T63B, T63C	B00.8	15	TPN, VTPN
	Pre	A07D, A09E, A11F, A13F		Pre	A07D, A09E, A11F, A13F		18A	S63A, S63B
A85.0	01	B72A, B72B	A95.0	18B	T63A, T63B, T63C		18B	T63A, T63B, T63C
	18A	S65A, S65B		Pre	A07D, A09E, A11F, A13F	B00.9	09	J61A, J61B, J61C, J68A, J68B
	Pre	A07D, A09E, A11F, A13F	A95.1	18B	T63A, T63B, T63C		15	TPN, VTPN
A85.1	01	B72A, B72B		Pre	A07D, A09E, A11F, A13F		18A	S63A, S63B
	18A	S65A, S65B	A95.9	18B	T63A, T63B, T63C	B01.0	18A	T63A, T63B, T63C
	Pre	A07D, A09E, A11F, A13F		Pre	A07D, A09E, A11F, A13F		01	B73Z
A85.2	01	B72A, B72B	A96.0	15	TPN, VTPN		15	TPN, VTPN
	Pre	A07D, A09E, A11F, A13F		18B	T63A, T63B, T63C	B01.1	Pre	A07D, A09E, A11F, A13F
A85.8	01	B72A, B72B		Pre	A07D, A09E, A11F, A13F		01	B72A, B72B
	18A	S65A, S65B	A96.1	15	TPN, VTPN		15	TPN, VTPN
	Pre	A07D, A09E, A11F, A13F		18B	T63A, T63B, T63C	B01.2	Pre	A07D, A09E, A11F, A13F
A86	01	B72A, B72B		Pre	A07D, A09E, A11F, A13F		04	E62A, E62B, E77A, E77B, E77C, E77D, E77E, E77F, E77G
	15	TPN, VTPN	A96.2	15	TPN, VTPN		15	TPN, VTPN
	18A	S65A, S65B		18B	T63A, T63B, T63C	B01.8	Pre	A07D, A09E, A11F, A13F
	Pre	A07D, A09E, A11F, A13F		Pre	A07D, A09E, A11F, A13F		15	TPN, VTPN
A87.0	01	B73Z	A96.8	15	TPN, VTPN	B01.9	18B	T63A, T63B, T63C
	15	TPN, VTPN		18B	T63A, T63B, T63C		15	TPN, VTPN
	18A	S63A, S63B		Pre	A07D, A09E, A11F, A13F	B02.0	18B	T63A, T63B, T63C
	Pre	A07D, A09E, A11F, A13F	A96.9	15	TPN, VTPN		15	TPN, VTPN
A87.1	01	B73Z		18B	T63A, T63B, T63C		18B	T63A, T63B, T63C
	18A	S63A, S63B	A98.0	18B	T63A, T63B, T63C	B02.1	01	B72A, B72B
	Pre	A07D, A09E, A11F, A13F		Pre	A07D, A09E, A11F, A13F		15	TPN, VTPN
A87.2	01	B73Z		Pre	A07D, A09E, A11F, A13F		18A	S63A, S63B
	Pre	A07D, A09E, A11F, A13F	A98.1	18B	T63A, T63B, T63C		Pre	A07D, A09E, A11F, A13F
A87.8	01	B73Z		Pre	A07D, A09E, A11F, A13F	B02.2	01	B73Z
	18A	S63A, S63B	A98.2	18B	T63A, T63B, T63C		15	TPN, VTPN
	Pre	A07D, A09E, A11F, A13F		Pre	A07D, A09E, A11F, A13F		18A	S63A, S63B
A87.9	01	B73Z	A98.3	15	TPN, VTPN	B02.3	Pre	A07D, A09E, A11F, A13F
	18A	S63A, S63B		18B	T63A, T63B, T63C		01	B73Z
	Pre	A07D, A09E, A11F, A13F		Pre	A07D, A09E, A11F, A13F	B02.7	15	TPN, VTPN
A88.0	01	B72A, B72B		Pre	A07D, A09E, A11F, A13F		18A	S63A, S63B
	Pre	A07D, A09E, A11F, A13F	A98.4	18B	T63A, T63B, T63C		15	TPN, VTPN
A88.1	01	B81A, B81B		Pre	A07D, A09E, A11F, A13F	B02.8	18A	S63A, S63B
	Pre	A07D, A09E, A11F, A13F	A98.5	11	L63A, L63B, L63C, L63D, L63E, L63F, L74Z		02	C60Z
A88.8	01	B72A, B72B		15	TPN, VTPN		15	TPN, VTPN
	18A	S65A, S65B		Pre	A07D, A09E, A11F, A13F		18A	S63A, S63B
	Pre	A07D, A09E, A11F, A13F	A98.8	18B	T63A, T63B, T63C		18B	T63A, T63B, T63C
A89	01	B72A, B72B		Pre	A07D, A09E, A11F, A13F		15	TPN, VTPN
	15	TPN, VTPN	A99	18B	T63A, T63B, T63C		18A	S63A, S63B
	18A	S65A, S65B		Pre	A07D, A09E, A11F, A13F		18B	T63A, T63B, T63C
	Pre	A07D, A09E, A11F, A13F						

ICD	MDC	DRG	ICD	MDC	DRG	ICD	MDC	DRG
B02.9	09	J64A, J64B, J68A, J68B	B17.2	07	H63A, H63B, H63C, H78Z	B20.9	14	O01C, O01D, O01F
	15	TPN, VTPN		15	TPN, VTPN		15	TPN, VTPN
	18A	S63A, S63B		Pre	A07D, A09E, A11F, A13F		18A	S63A, S63B
B03	18B	T63A, T63B, T63C	B17.8	07	H63A, H63B, H63C, H78Z		20	V60A, V60B
B04	18B	T63A, T63B, T63C		15	TPN, VTPN		Pre	A07D, A09E, A11F, A13F
B05.0	01	B72A, B72B	B17.9	07	H63A, H63B, H63C, H78Z	B21.0	14	O01C, O01D, O01F
	15	TPN, VTPN		15	TPN, VTPN		15	TPN, VTPN
	18A	S63A, S63B	B18.0	07	H63A, H63B, H63C, H78Z		18A	S62Z
	Pre	A07D, A09E, A11F, A13F		15	TPN, VTPN		20	V60A, V60B
B05.1	01	B73Z	B18.1	07	H63A, H63B, H63C, H78Z		Pre	A07D, A09E, A11F, A13F
	15	TPN, VTPN		15	TPN, VTPN	B21.1	14	O01C, O01D, O01F
	18A	S63A, S63B	B18.2	07	H63A, H63B, H63C, H78Z		15	TPN, VTPN
	Pre	A07D, A09E, A11F, A13F		15	TPN, VTPN		18A	S62Z
B05.2	04	E62A, E62B, E77A, E77B, E77C, E77D, E77E, E77F, E77G		Pre	A07D, A09E, A11F, A13F		20	V60A, V60B
	15	TPN, VTPN	B18.8	07	H63A, H63B, H63C, H78Z		Pre	A07D, A09E, A11F, A13F
	18A	S63A, S63B		15	TPN, VTPN	B21.2	14	O01C, O01D, O01F
B05.3	03	D62Z, D63Z	B18.9	07	H63A, H63B, H63C, H78Z		15	TPN, VTPN
	15	TPN, VTPN		15	TPN, VTPN		18A	S62Z
	18A	S63A, S63B	B19.0	07	H63A, H63B, H63C, H78Z		20	V60A, V60B
B05.4	15	TPN, VTPN		15	TPN, VTPN	B21.3	14	O01C, O01D, O01F
	18A	S63A, S63B	B19.9	07	H63A, H63B, H63C, H78Z		15	TPN, VTPN
	18B	T63A, T63B, T63C		15	TPN, VTPN		18A	S62Z
B05.8	15	TPN, VTPN	B20.0	14	O01C, O01D, O01F		20	V60A, V60B
	18A	S63A, S63B		15	TPN, VTPN		Pre	A07D, A09E, A11F, A13F
	18B	T63A, T63B, T63C		18A	S63A, S63B	B21.7	14	O01C, O01D, O01F
B05.9	18A	S63A, S63B		20	V60A, V60B		15	TPN, VTPN
	18B	T63A, T63B, T63C	B20.1	14	O01C, O01D, O01F		18A	S62Z
B06.0	01	B72A, B72B		15	TPN, VTPN		20	V60A, V60B
	15	TPN, VTPN		18A	S63A, S63B	B21.8	14	O01C, O01D, O01F
B06.8	15	TPN, VTPN		20	V60A, V60B		15	TPN, VTPN
	18B	T63A, T63B, T63C	B20.2	14	O01C, O01D, O01F		18A	S62Z
B06.9	18B	T63A, T63B, T63C		15	TPN, VTPN		20	V60A, V60B
B07	09	J67A, J67B, J68A, J68B		18A	S63A, S63B		Pre	A07D, A09E, A11F, A13F
B08.0	18B	T63A, T63B, T63C		20	V60A, V60B	B21.9	14	O01C, O01D, O01F
B08.1	09	J67A, J67B, J68A, J68B		Pre	A07D, A09E, A11F, A13F		15	TPN, VTPN
B08.2	18B	T63A, T63B, T63C	B20.3	14	O01C, O01D, O01F		18A	S62Z
B08.3	18B	T63A, T63B, T63C		15	TPN, VTPN		20	V60A, V60B
B08.4	18B	T63A, T63B, T63C		18A	S63A, S63B		Pre	A07D, A09E, A11F, A13F
B08.5	03	D62Z, D63Z		20	V60A, V60B	B22.0	14	O01C, O01D, O01F
	15	TPN, VTPN		Pre	A07D, A09E, A11F, A13F		15	TPN, VTPN
B08.8	18B	T63A, T63B, T63C	B20.4	14	O01C, O01D, O01F		18A	S65A, S65B
B09	15	P65C, P66C, P67B, P67C		15	TPN, VTPN		20	V60A, V60B
	18B	T63A, T63B, T63C		18A	S63A, S63B		Pre	A07D, A09E, A11F, A13F
B15.0	07	H63A, H63B, H63C, H78Z		20	V60A, V60B	B22.1	14	O01C, O01D, O01F
	15	TPN, VTPN		Pre	A07D, A09E, A11F, A13F		15	TPN, VTPN
B15.9	07	H63A, H63B, H63C, H78Z	B20.5	14	O01C, O01D, O01F		18A	S65A, S65B
	15	TPN, VTPN		15	TPN, VTPN		20	V60A, V60B
	18A	S63A, S63B		18A	S63A, S63B		Pre	A07D, A09E, A11F, A13F
B16.0	07	H63A, H63B, H63C, H78Z		20	V60A, V60B	B22.2	14	O01C, O01D, O01F
	15	TPN, VTPN		Pre	A07D, A09E, A11F, A13F		15	TPN, VTPN
	Pre	A07D, A09E, A11F, A13F	B20.6	14	O01C, O01D, O01F		18A	S65A, S65B
B16.1	07	H63A, H63B, H63C, H78Z		15	TPN, VTPN		20	V60A, V60B
	15	TPN, VTPN		18A	S63A, S63B		Pre	A07D, A09E, A11F, A13F
B16.2	07	H63A, H63B, H63C, H78Z		20	V60A, V60B	B22.7	14	O01C, O01D, O01F
	15	TPN, VTPN		Pre	A07D, A09E, A11F, A13F		15	TPN, VTPN
	Pre	A07D, A09E, A11F, A13F	B20.7	14	O01C, O01D, O01F		18A	S65A, S65B
B16.9	07	H63A, H63B, H63C, H78Z		15	TPN, VTPN		20	V60A, V60B
	15	TPN, VTPN		18A	S63A, S63B		Pre	A07D, A09E, A11F, A13F
B17.0	07	H63A, H63B, H63C, H78Z		20	V60A, V60B	B23.0	14	O01C, O01D, O01F
	15	TPN, VTPN		Pre	A07D, A09E, A11F, A13F		15	TPN, VTPN
	Pre	A07D, A09E, A11F, A13F	B20.8	14	O01C, O01D, O01F		18A	S65A, S65B
B17.1	07	H63A, H63B, H63C, H78Z		15	TPN, VTPN		20	V60A, V60B
	15	TPN, VTPN		18A	S63A, S63B		Pre	A07D, A09E, A11F, A13F
	18A	S63A, S63B		20	V60A, V60B			
	Pre	A07D, A09E, A11F, A13F		Pre	A07D, A09E, A11F, A13F			

ICD	MDC	DRG	ICD	MDC	DRG	ICD	MDC	DRG
B23.1	14	O01C, O01D, O01F	B30.8	02	C63Z	B37.4	12	M62Z
	15	TPN, VTPN	B30.9	02	C63Z		13	N04Z, N05A, N05B, N14Z, N21Z, N25Z, N61Z
	18A	S65A, S65B	B33.0	04	E62A, E62B, E77A, E77B, E77C, E77D, E77E, E77F, E77G		15	TPN, VTPN
	20	V60A, V60B				B37.5	01	B72A, B72B
	Pre	A07D, A09E, A11F, A13F	B33.1	18B	T63A, T63B, T63C		15	TPN, VTPN
B23.2	14	O01C, O01D, O01F	B33.2	05	F75A, F75B, F75C, F75D		18A	S63A, S63B
	15	TPN, VTPN		15	TPN, VTPN		Pre	A07D, A09E, A11F, A13F
	18A	S65A, S65B		Pre	A07D, A09E, A11F, A13F	B37.6	05	F15Z, F36A, F36B, F61A, F61B
	20	V60A, V60B	B33.3	18B	T63A, T63B, T63C		15	TPN, VTPN
	Pre	A07D, A09E, A11F, A13F	B33.4	18B	T63A, T63B, T63C		18A	S63A, S63B
B23.8	14	O01C, O01D, O01F		Pre	A07D, A09E, A11F, A13F		Pre	A07D, A09E, A11F, A13F
	15	TPN, VTPN	B33.8	18B	T63A, T63B, T63C	B37.7	05	F62A
	18A	S65A, S65B	B34.0	15	TPN, VTPN		06	G67A
	20	V60A, V60B		18B	T63A, T63B, T63C		17	R60B, R60C, R61A, R62A, R63B, R63C, R63D, R63F
	Pre	A07D, A09E, A11F, A13F	B34.1	18B	T63A, T63B, T63C		18A	S63A, S63B
B24	14	O01C, O01D, O01F	B34.2	18B	T63A, T63B, T63C		18B	T01B, T60A, T60B, T60C, T60F, T61A
	15	TPN, VTPN	B34.3	18B	T63A, T63B, T63C		Pre	A07D, A09E, A11F, A13F
	18A	S65A, S65B	B34.4	18A	S63A, S63B	B37.81	06	G46A, G46B, G46C, G50Z, G67A, G67B, G67C
	20	V60A, V60B		18B	T63A, T63B, T63C		15	TPN, VTPN
	Pre	A07D, A09E, A11F, A13F	B34.8	18B	T63A, T63B, T63C		18A	S63A, S63B
B25.0	04	E62A, E77A, E77B, E77C, E77D, E77F	B34.9	18A	S63A, S63B		18B	T64A, T64B, T64C
	15	TPN, VTPN		18B	T63A, T63B, T63C	B37.88	18A	S63A, S63B
	18A	S63A, S63B	B35.0	09	J67A, J67B, J68A, J68B		18B	T64A, T64B, T64C
	Pre	A07D, A09E, A11F, A13F		18A	S63A, S63B	B37.9	18A	S63A, S63B
B25.1	15	TPN, VTPN	B35.1	09	J67A, J67B, J68A, J68B		18B	T64A, T64B, T64C
	18A	S63A, S63B		18A	S63A, S63B	B38.0	04	E62A, E62B, E77A, E77B, E77C, E77D, E77E, E77F, E77G
	18B	T63A, T63B	B35.2	09	J67A, J67B, J68A, J68B		15	TPN, VTPN
	Pre	A07D, A09E, A11F, A13F		18A	S63A, S63B		18A	S63A, S63B
B25.2	15	TPN, VTPN	B35.3	09	J02A, J02B, J02C, J03A, J03B, J04A, J04B, J08A, J08B, J08C, J67A, J67B, J68A, J68B		Pre	A07D, A09E, A11F, A13F
	18A	S63A, S63B		18A	S63A, S63B	B38.1	04	E62A, E62B, E77A, E77B, E77C, E77D, E77E, E77F, E77G
	18B	T63A, T63B	B35.4	09	J67A, J67B, J68A, J68B		15	TPN, VTPN
	Pre	A07D, A09E, A11F, A13F		18A	S63A, S63B		18A	S63A, S63B
B25.80	15	TPN, VTPN	B35.5	09	J67A, J67B, J68A, J68B		Pre	A07D, A09E, A11F, A13F
	18A	S63A, S63B		18A	S63A, S63B		04	E62A, E62B, E77A, E77B, E77C, E77D, E77E, E77F, E77G
	18B	T63A, T63B	B35.6	09	J67A, J67B, J68A, J68B		15	TPN, VTPN
B25.88	15	TPN, VTPN		18A	S63A, S63B	B38.2	04	E62A, E62B, E77A, E77B, E77C, E77D, E77E, E77F, E77G
	18A	S63A, S63B	B35.8	09	J67A, J67B, J68A, J68B		15	TPN, VTPN
	18B	T63A, T63B		18A	S63A, S63B		18A	S63A, S63B
B25.9	15	TPN, VTPN	B35.9	09	J67A, J67B, J68A, J68B		Pre	A07D, A09E, A11F, A13F
	18A	S63A, S63B		18A	S63A, S63B		04	E62A, E62B, E77A, E77B, E77C, E77D, E77E, E77F, E77G
	18B	T63A, T63B	B36.0	09	J67A, J67B, J68A, J68B		15	TPN, VTPN
B26.0	12	M62Z		18A	S63A, S63B		18A	S63A, S63B
	15	TPN, VTPN	B36.1	09	J67A, J67B, J68A, J68B		Pre	A07D, A09E, A11F, A13F
B26.1	01	B73Z		18A	S63A, S63B	B38.3	09	J61A, J61B, J61C, J68A, J68B
	15	TPN, VTPN	B36.2	09	J67A, J67B, J68A, J68B		15	TPN, VTPN
	Pre	A07D, A09E, A11F, A13F		18A	S63A, S63B		18A	S63A, S63B
B26.2	01	B72A, B72B	B36.3	09	J67A, J67B, J68A, J68B	B38.4	01	B72A, B72B
	15	TPN, VTPN		18A	S63A, S63B		15	TPN, VTPN
	Pre	A07D, A09E, A11F, A13F	B36.8	09	J67A, J67B, J68A, J68B		18A	S63A, S63B
B26.3	07	H62A, H62B, H62C		18A	S63A, S63B		Pre	A07D, A09E, A11F, A13F
	15	TPN, VTPN	B36.9	09	J67A, J67B, J68A, J68B	B38.7	05	F62A
B26.8	15	TPN, VTPN		18A	S63A, S63B		06	G67A
	18B	T63A, T63B, T63C	B37.0	03	D40Z, D67Z		15	TPN, VTPN
B26.9	18B	T63A, T63B, T63C		18A	S63A, S63B		17	R60B, R60C, R61A, R62A, R63B, R63C, R63D, R63F
B27.0	15	TPN, VTPN	B37.1	04	E62A, E62B, E77A, E77B, E77C, E77D, E77F		18A	S63A, S63B
	18B	T63A, T63B, T63C		15	TPN, VTPN		18B	T01B, T60A, T60B, T60C, T60F, T61A
B27.1	15	TPN, VTPN		18A	S63A, S63B		Pre	A07D, A09E, A11F, A13F
	18B	T63A, T63B, T63C	B37.2	09	J67A, J67B, J68A, J68B	B38.8	15	TPN, VTPN
B27.8	15	TPN, VTPN		15	TPN, VTPN		18A	S63A, S63B
	18B	T63A, T63B, T63C		Pre	A07D, A09E, A11F, A13F		18B	T64A, T64B, T64C
B27.9	15	TPN, VTPN		18A	S63A, S63B		18A	S63A, S63B
	18B	T63A, T63B, T63C	B37.3	13	N04Z, N05A, N05B, N14Z, N21Z, N25Z, N61Z	B38.9	18A	S63A, S63B
B30.0	02	C63Z					18B	T64A, T64B, T64C
B30.1	02	C63Z					18B	T64A, T64B, T64C
	15	TPN, VTPN					18B	T64A, T64B, T64C
B30.2	02	C63Z						
B30.3	02	C63Z						
	15	TPN, VTPN						

ICD	MDC	DRG	ICD	MDC	DRG	ICD	MDC	DRG
B39.0	04	E74Z	B42.0	04	E62A, E62B, E77A, E77B, E77C, E77D, E77E, E77F, E77G	B45.7	05	F62A
	15	TPN, VTPN					06	G67A
	18A	S63A, S63B					15	TPN, VTPN
	Pre	A07D, A09E, A11F, A13F					17	R60B, R60C, R61A, R62A, R63B, R63C, R63D, R63F
B39.1	04	E74Z	B42.1	18B	T64A, T64B, T64C		18A	S63A, S63B
	15	TPN, VTPN	B42.7	05	F62A		18B	T01B, T60A, T60B, T60C, T60F, T61A
	18A	S63A, S63B		06	G67A		Pre	A07D, A09E, A11F, A13F
	Pre	A07D, A09E, A11F, A13F		17	R60B, R60C, R61A, R62A, R63B, R63C, R63D, R63F	B45.8	15	TPN, VTPN
B39.2	04	E74Z		18B	T01B, T60A, T60B, T60C, T60F, T61A		18A	S63A, S63B
	15	TPN, VTPN		Pre	A07D, A09E, A11F, A13F		18B	T64A, T64B, T64C
	18A	S63A, S63B		18B	T64A, T64B, T64C	B45.9	15	TPN, VTPN
	Pre	A07D, A09E, A11F, A13F	B42.8	18B	T64A, T64B, T64C		18A	S63A, S63B
B39.3	05	F62A	B42.9	18B	T64A, T64B, T64C		18B	T64A, T64B, T64C
	06	G67A	B43.0	18B	T64A, T64B, T64C	B46.0	04	E62A, E62B, E77A, E77B, E77C, E77D, E77E, E77F, E77G
	17	R60B, R60C, R61A, R62A, R63B, R63C, R63D, R63F	B43.1	18B	T64A, T64B, T64C		15	TPN, VTPN
	18A	S63A, S63B		Pre	A07D, A09E, A11F, A13F		Pre	A07D, A09E, A11F, A13F
	18B	T01B, T60A, T60B, T60C, T60F, T61A	B43.2	18B	T64A, T64B, T64C		18A	S63A, S63B
	Pre	A07D, A09E, A11F, A13F	B43.8	18B	T64A, T64B, T64C		Pre	A07D, A09E, A11F, A13F
B39.4	18A	S63A, S63B	B43.9	18B	T64A, T64B, T64C	B46.1	01	B72A, B72B
	18B	T64A, T64B, T64C	B44.0	04	E62A, E62B, E77A, E77B, E77C, E77D, E77E, E77F		15	TPN, VTPN
	Pre	A07D, A09E, A11F, A13F		15	TPN, VTPN		Pre	A07D, A09E, A11F, A13F
B39.5	18A	S63A, S63B		18A	S63A, S63B	B46.2	15	TPN, VTPN
	18B	T64A, T64B, T64C		Pre	A07D, A09E, A11F, A13F		18B	T64A, T64B, T64C
	Pre	A07D, A09E, A11F, A13F	B44.1	04	E62A, E62B, E77A, E77B, E77C, E77D, E77F		Pre	A07D, A09E, A11F, A13F
B39.9	18A	S63A, S63B		15	TPN, VTPN	B46.3	15	TPN, VTPN
	18B	T64A, T64B, T64C		18A	S63A, S63B		18B	T64A, T64B, T64C
	Pre	A07D, A09E, A11F, A13F		Pre	A07D, A09E, A11F, A13F	B46.4	05	F62A
B40.0	04	E62A, E62B, E77A, E77B, E77C, E77D, E77E, E77F, E77G	B44.2	15	TPN, VTPN		06	G67A
	15	TPN, VTPN		18A	S63A, S63B		15	TPN, VTPN
	Pre	A07D, A09E, A11F, A13F	B44.7	05	F62A		17	R60B, R60C, R61A, R62A, R63B, R63C, R63D, R63F
B40.1	04	E62A, E62B, E77A, E77B, E77C, E77D, E77E, E77F, E77G		06	G67A		18B	T01B, T60A, T60B, T60C, T60F, T61A
	15	TPN, VTPN		15	TPN, VTPN	B46.5	15	TPN, VTPN
	Pre	A07D, A09E, A11F, A13F		17	R60B, R60C, R61A, R62A, R63B, R63C, R63D, R63F		18B	T64A, T64B, T64C
B40.2	04	E62A, E62B, E77A, E77B, E77C, E77D, E77E, E77F, E77G		18A	S63A, S63B	B46.8	15	TPN, VTPN
	15	TPN, VTPN		18B	T01B, T60A, T60B, T60C, T60F, T61A		18B	T64A, T64B, T64C
	Pre	A07D, A09E, A11F, A13F	B44.8	15	TPN, VTPN	B46.9	15	TPN, VTPN
B40.3	15	TPN, VTPN		18A	S63A, S63B		18B	T64A, T64B, T64C
	18B	T64A, T64B, T64C	B44.9	15	TPN, VTPN	B47.0	15	TPN, VTPN
B40.7	15	TPN, VTPN		18B	T64A, T64B, T64C	B47.1	15	TPN, VTPN
	18B	T64A, T64B, T64C		18A	S63A, S63B		18B	T64A, T64B, T64C
	Pre	A07D, A09E, A11F, A13F		18B	T64A, T64B, T64C	B47.9	18B	T64A, T64B, T64C
B40.8	15	TPN, VTPN	B45.0	04	E62A, E62B, E77A, E77B, E77C, E77D, E77E, E77F, E77G	B48.0	18B	T64A, T64B, T64C
	18B	T64A, T64B, T64C		15	TPN, VTPN	B48.1	18B	T64A, T64B, T64C
B40.9	15	TPN, VTPN		18A	S63A, S63B	B48.2	15	TPN, VTPN
	18B	T64A, T64B, T64C		Pre	A07D, A09E, A11F, A13F		18B	T64A, T64B, T64C
B41.0	15	TPN, VTPN		18A	S63A, S63B	B48.3	18B	T64A, T64B, T64C
	18B	T64A, T64B, T64C	B45.1	01	B72A, B72B	B48.4	18B	T64A, T64B, T64C
	Pre	A07D, A09E, A11F, A13F		15	TPN, VTPN	B48.7	15	TPN, VTPN
B41.7	05	F62A		18A	S63A, S63B		18A	S63A, S63B
	06	G67A		Pre	A07D, A09E, A11F, A13F		18B	T64A, T64B, T64C
	15	TPN, VTPN	B45.2	15	TPN, VTPN		18B	T64A, T64B, T64C
	17	R60B, R60C, R61A, R62A, R63B, R63C, R63D, R63F		18A	S63A, S63B	B48.8	18B	T64A, T64B, T64C
	18B	T01B, T60A, T60B, T60C, T60F, T61A		18B	T64A, T64B, T64C	B49	18B	T64A, T64B, T64C
	Pre	A07D, A09E, A11F, A13F	B45.3	15	TPN, VTPN	B50.0	01	B72A, B72B
B41.8	15	TPN, VTPN		18A	S63A, S63B		15	TPN, VTPN
	18B	T64A, T64B, T64C		18B	T64A, T64B, T64C		Pre	A07D, A09E, A11F, A13F
B41.9	15	TPN, VTPN		Pre	A07D, A09E, A11F, A13F	B50.8	05	F62A
	18B	T64A, T64B, T64C					06	G67A
							15	TPN, VTPN
							17	R60B, R60C, R61A, R62A, R63B, R63C, R63D, R63F
							18B	T01B, T60A, T60B, T60C, T60D, T60E, T60F, T61A
							Pre	A07D, A09E, A11F, A13F

Dg

ICD	MDC	DRG	ICD	MDC	DRG	ICD	MDC	DRG
B50.9	15	TPN, VTPN	B57.3	18B	T64A, T64B, T64C	B67.0	07	H63A, H63B, H63C, H78Z
	18B	T64A, T64B, T64C		Pre	A07D, A09E, A11F, A13F		Pre	A07D, A09E, A11F, A13F
	Pre	A07D, A09E, A11F, A13F	B57.4	18B	T64A, T64B, T64C	B67.1	04	E62A, E62B, E77A, E77B, E77C, E77D, E77E, E77F, E77G
B51.0	05	F62A		Pre	A07D, A09E, A11F, A13F		Pre	A07D, A09E, A11F, A13F
	06	G67A	B57.5	18B	T64A, T64B, T64C	B67.2	18B	T64A, T64B, T64C
	15	TPN, VTPN		Pre	A07D, A09E, A11F, A13F		Pre	A07D, A09E, A11F, A13F
	17	R60B, R60C, R61A, R62A, R63B, R63C, R63D, R63F	B58.0	02	C66Z	B67.3	18B	T64A, T64B, T64C
	18B	T01B, T60A, T60B, T60C, T60D, T60E, T60F, T61A		15	TPN, VTPN		Pre	A07D, A09E, A11F, A13F
	Pre	A07D, A09E, A11F, A13F	B58.1	07	H63A, H63B, H63C, H78Z	B67.4	18B	T64A, T64B, T64C
B51.8	15	TPN, VTPN		15	TPN, VTPN		Pre	A07D, A09E, A11F, A13F
	18B	T64A, T64B, T64C		18A	S63A, S63B	B67.5	07	H63A, H63B, H63C, H78Z
	Pre	A07D, A09E, A11F, A13F	B58.2	01	B72A, B72B		Pre	A07D, A09E, A11F, A13F
B51.9	15	TPN, VTPN		15	TPN, VTPN	B67.6	18B	T64A, T64B, T64C
	18B	T64A, T64B, T64C		18A	S63A, S63B		Pre	A07D, A09E, A11F, A13F
	Pre	A07D, A09E, A11F, A13F	B58.3	04	E62A, E62B, E77A, E77B, E77C, E77D, E77E, E77F, E77G	B67.7	18B	T64A, T64B, T64C
B52.0	15	TPN, VTPN		15	TPN, VTPN		Pre	A07D, A09E, A11F, A13F
	18B	T64A, T64B, T64C		18A	S63A, S63B	B67.8	07	H63A, H63B, H63C, H78Z
	Pre	A07D, A09E, A11F, A13F	B58.8	15	TPN, VTPN		Pre	A07D, A09E, A11F, A13F
B52.8	05	F62A		15	TPN, VTPN	B67.9	18B	T64A, T64B, T64C
	06	G67A		18A	S63A, S63B		Pre	A07D, A09E, A11F, A13F
	15	TPN, VTPN		Pre	A07D, A09E, A11F, A13F	B68.0	06	G46A, G46B, G46C, G50Z, G67A, G67B, G67C, G67D
	17	R60B, R60C, R61A, R62A, R63B, R63C, R63D, R63F	B58.9	15	TPN, VTPN	B68.1	06	G46A, G46B, G46C, G50Z, G67A, G67B, G67C, G67D
	18B	T01B, T60A, T60B, T60C, T60D, T60E, T60F, T61A		18A	S63A, S63B		06	G46A, G46B, G46C, G50Z, G67A, G67B, G67C, G67D
	Pre	A07D, A09E, A11F, A13F	B59	04	E62A, E77A, E77B, E77C, E77D, E77F	B68.9	06	G46A, G46B, G46C, G50Z, G67A, G67B, G67C, G67D
B52.9	15	TPN, VTPN		15	TPN, VTPN	B69.0	01	B72A, B72B
	18B	T64A, T64B, T64C		18A	S63A, S63B		Pre	A07D, A09E, A11F, A13F
	Pre	A07D, A09E, A11F, A13F	B60.0	18A	S63A, S63B	B69.1	02	C63Z
B53.0	15	TPN, VTPN		18B	T64A, T64B, T64C		Pre	A07D, A09E, A11F, A13F
	18B	T64A, T64B, T64C		Pre	A07D, A09E, A11F, A13F	B69.8	06	G46A, G46B, G46C, G50Z, G67A, G67B, G67C, G67D
	Pre	A07D, A09E, A11F, A13F	B60.1	18A	S63A, S63B	B69.9	06	G46A, G46B, G46C, G50Z, G67A, G67B, G67C, G67D
B53.1	15	TPN, VTPN		18B	T64A, T64B, T64C	B70.0	06	G46A, G46B, G46C, G50Z, G67A, G67B, G67C, G67D
	18B	T64A, T64B, T64C		Pre	A07D, A09E, A11F, A13F	B70.1	06	G46A, G46B, G46C, G50Z, G67A, G67B, G67C, G67D
	Pre	A07D, A09E, A11F, A13F	B60.2	18B	T64A, T64B, T64C	B71.0	06	G46A, G46B, G46C, G50Z, G67A, G67B, G67C, G67D
B53.8	15	TPN, VTPN		Pre	A07D, A09E, A11F, A13F	B71.1	06	G46A, G46B, G46C, G50Z, G67A, G67B, G67C, G67D
	18B	T64A, T64B, T64C	B60.8	18A	S63A, S63B	B71.8	06	G46A, G46B, G46C, G50Z, G67A, G67B, G67C, G67D
	Pre	A07D, A09E, A11F, A13F		18B	T64A, T64B, T64C	B71.9	06	G46A, G46B, G46C, G50Z, G67A, G67B, G67C, G67D
B54	15	TPN, VTPN	B64	18B	T64A, T64B, T64C	B72	18B	T64A, T64B, T64C
	18B	T64A, T64B, T64C	B65.0	11	L63A, L63B, L63C, L63D, L63E, L63F, L74Z	B73	18B	T64A, T64B, T64C
	Pre	A07D, A09E, A11F, A13F		Pre	A07D, A09E, A11F, A13F	B74.0	18B	T64A, T64B, T64C
B55.0	05	F62A	B65.1	07	H63A, H63B, H63C, H78Z	B74.1	18B	T64A, T64B, T64C
	06	G67A		Pre	A07D, A09E, A11F, A13F	B74.2	18B	T64A, T64B, T64C
	17	R60B, R60C, R61A, R62A, R63B, R63C, R63D, R63F	B65.2	18B	T64A, T64B, T64C	B74.3	18B	T64A, T64B, T64C
	18A	S63A, S63B		Pre	A07D, A09E, A11F, A13F	B74.4	18B	T64A, T64B, T64C
	18B	T01B, T60A, T60B, T60C, T60F, T61A	B65.3	09	J61A, J61B, J61C, J68A, J68B	B74.8	18B	T64A, T64B, T64C
	Pre	A07D, A09E, A11F, A13F	B65.8	18B	T64A, T64B, T64C	B74.9	18B	T64A, T64B, T64C
B55.1	09	J61A, J61B, J61C, J68A, J68B	B65.9	18B	T64A, T64B, T64C	B75	18B	T64A, T64B, T64C
	Pre	A07D, A09E, A11F, A13F	B66.0	07	H63A, H63B, H63C, H78Z	B76.0	06	G46A, G46B, G46C, G50Z, G67A, G67B, G67C, G67D
B55.2	09	J61A, J61B, J61C, J68A, J68B	B66.1	07	H63A, H63B, H63C, H78Z	B76.1	06	G46A, G46B, G46C, G50Z, G67A, G67B, G67C, G67D
	Pre	A07D, A09E, A11F, A13F	B66.2	18B	T64A, T64B, T64C	B76.8	06	G46A, G46B, G46C, G50Z, G67A, G67B, G67C, G67D
B55.9	18B	T64A, T64B, T64C	B66.3	07	H63A, H63B, H63C, H78Z	B76.9	06	G46A, G46B, G46C, G50Z, G67A, G67B, G67C, G67D
	Pre	A07D, A09E, A11F, A13F	B66.4	04	E62A, E62B, E77A, E77B, E77C, E77D, E77E, E77F, E77G	B77.0	06	G46A, G46B, G46C, G50Z, G67A, G67B, G67C, G67D
B56.0	18B	T64A, T64B, T64C		07	H63A, H63B, H63C, H78Z	B77.8	06	G46A, G46B, G46C, G50Z, G67A, G67B, G67C, G67D
	Pre	A07D, A09E, A11F, A13F	B66.5	07	H63A, H63B, H63C, H78Z			
B56.1	18B	T64A, T64B, T64C	B66.8	18B	T64A, T64B, T64C			
	Pre	A07D, A09E, A11F, A13F	B66.9	18B	T64A, T64B, T64C			
B56.9	18B	T64A, T64B, T64C						
	Pre	A07D, A09E, A11F, A13F						
B57.0	05	F75A, F75B, F75C, F75D						
	Pre	A07D, A09E, A11F, A13F						
B57.1	18B	T64A, T64B, T64C						
	Pre	A07D, A09E, A11F, A13F						
B57.2	05	F75A, F75B, F75C, F75D						
	Pre	A07D, A09E, A11F, A13F						

ICD	MDC	DRG	ICD	MDC	DRG	ICD	MDC	DRG
B77.9	06	G46A, G46B, G46C, G50Z, G67A, G67B, G67C, G67D	C00.0	03	D06B, D08A, D08B, D09Z, D25A, D25B, D28Z, D60A, D60B, D60C	C00.9	03	D06B, D08A, D08B, D09Z, D25A, D25B, D28Z, D60A, D60B, D60C
B78.0	06	G46A, G46B, G46C, G50Z, G67A, G67B, G67C, G67D		06	G17A, G38Z, G67A		06	G17A, G38Z, G67A
	18A	S63A, S63B		08	I54Z		08	I54Z
B78.1	06	G46A, G46B, G46C, G50Z, G67A, G67B, G67C, G67D		15	TPN, VTPN		15	TPN, VTPN
	18A	S63A, S63B		Pre	A07D, A09A, A09E, A11B, A11F, A13F		Pre	A07D, A09A, A09E, A11B, A11F, A13F
B78.7	06	G46A, G46B, G46C, G50Z, G67A, G67B, G67C, G67D	C00.1	03	D06B, D08A, D08B, D09Z, D25A, D25B, D28Z, D60A, D60B, D60C	C01	03	D06B, D08A, D08B, D09Z, D25A, D25B, D28Z, D60A, D60B, D60C
	18A	S63A, S63B		06	G17A, G38Z, G67A		06	G17A, G38Z, G67A
B78.9	06	G46A, G46B, G46C, G50Z, G67A, G67B, G67C, G67D		08	I54Z		08	I54Z
	18A	S63A, S63B		15	TPN, VTPN		15	TPN, VTPN
B79	06	G46A, G46B, G46C, G50Z, G67A, G67B, G67C, G67D		Pre	A07D, A09A, A09E, A11B, A11F, A13F		Pre	A07D, A09A, A09E, A11B, A11F, A13F
B80	06	G46A, G46B, G46C, G50Z, G67A, G67B, G67C, G67D	C00.2	03	D06B, D08A, D08B, D09Z, D25A, D25B, D28Z, D60A, D60B, D60C	C02.0	03	D06B, D08A, D08B, D09Z, D25A, D25B, D28Z, D60A, D60B, D60C
B81.0	06	G46A, G46B, G46C, G50Z, G67A, G67B, G67C, G67D		06	G17A, G38Z, G67A		06	G17A, G38Z, G67A
B81.1	06	G46A, G46B, G46C, G50Z, G67A, G67B, G67C, G67D		08	I54Z		08	I54Z
B81.2	06	G46A, G46B, G46C, G50Z, G67A, G67B, G67C, G67D		15	TPN, VTPN		15	TPN, VTPN
B81.3	06	G46A, G46B, G46C, G50Z, G67A, G67B, G67C, G67D		Pre	A07D, A09A, A09E, A11B, A11F, A13F		Pre	A07D, A09A, A09E, A11B, A11F, A13F
B81.4	18B	T64A, T64B, T64C	C00.3	03	D06B, D08A, D08B, D09Z, D25A, D25B, D28Z, D60A, D60B, D60C	C02.1	03	D06B, D08A, D08B, D09Z, D25A, D25B, D28Z, D60A, D60B, D60C
B81.8	06	G46A, G46B, G46C, G50Z, G67A, G67B, G67C, G67D		06	G17A, G38Z, G67A		06	G17A, G38Z, G67A
B82.0	06	G46A, G46B, G46C, G50Z, G67A, G67B, G67C, G67D		08	I54Z		08	I54Z
B82.9	06	G46A, G46B, G46C, G50Z, G67A, G67B, G67C, G67D		15	TPN, VTPN		15	TPN, VTPN
				Pre	A07D, A09A, A09E, A11B, A11F, A13F		Pre	A07D, A09A, A09E, A11B, A11F, A13F
B83.0	18B	T64A, T64B, T64C	C00.4	03	D06B, D08A, D08B, D09Z, D25A, D25B, D28Z, D60A, D60B, D60C	C02.2	03	D06B, D08A, D08B, D09Z, D25A, D25B, D28Z, D60A, D60B, D60C
B83.1	18B	T64A, T64B, T64C		06	G17A, G38Z, G67A		06	G17A, G38Z, G67A
B83.2	18B	T64A, T64B, T64C		08	I54Z		08	I54Z
B83.3	18B	T64A, T64B, T64C		15	TPN, VTPN		15	TPN, VTPN
B83.4	18B	T64A, T64B, T64C		Pre	A07D, A09A, A09E, A11B, A11F, A13F		Pre	A07D, A09A, A09E, A11B, A11F, A13F
B83.8	18B	T64A, T64B, T64C		03	D06B, D08A, D08B, D09Z, D25A, D25B, D28Z, D60A, D60B, D60C		03	D06B, D08A, D08B, D09Z, D25A, D25B, D28Z, D60A, D60B, D60C
B83.9	18B	T64A, T64B, T64C		06	G17A, G38Z, G67A		06	G17A, G38Z, G67A
B85.0	09	J67A, J67B, J68A, J68B	C00.5	03	D06B, D08A, D08B, D09Z, D25A, D25B, D28Z, D60A, D60B, D60C	C02.3	03	D06B, D08A, D08B, D09Z, D25A, D25B, D28Z, D60A, D60B, D60C
B85.1	09	J67A, J67B, J68A, J68B		06	G17A, G38Z, G67A		06	G17A, G38Z, G67A
B85.2	09	J67A, J67B, J68A, J68B		08	I54Z		08	I54Z
B85.3	09	J67A, J67B, J68A, J68B		15	TPN, VTPN		15	TPN, VTPN
B85.4	09	J67A, J67B, J68A, J68B		Pre	A07D, A09A, A09E, A11B, A11F, A13F		Pre	A07D, A09A, A09E, A11B, A11F, A13F
B86	09	J67A, J67B, J68A, J68B		03	D06B, D08A, D08B, D09Z, D25A, D25B, D28Z, D60A, D60B, D60C		03	D06B, D08A, D08B, D09Z, D25A, D25B, D28Z, D60A, D60B, D60C
B87.0	09	J67A, J67B, J68A, J68B		06	G17A, G38Z, G67A		06	G17A, G38Z, G67A
B87.1	09	J67A, J67B, J68A, J68B		08	I54Z		08	I54Z
B87.2	09	J67A, J67B, J68A, J68B	C00.6	03	D06B, D08A, D08B, D09Z, D25A, D25B, D28Z, D60A, D60B, D60C	C02.4	03	D06B, D08A, D08B, D09Z, D25A, D25B, D28Z, D60A, D60B, D60C
B87.3	09	J67A, J67B, J68A, J68B		06	G17A, G38Z, G67A		06	G17A, G38Z, G67A
B87.4	09	J67A, J67B, J68A, J68B		08	I54Z		08	I54Z
B87.8	09	J67A, J67B, J68A, J68B		15	TPN, VTPN		15	TPN, VTPN
B87.9	09	J67A, J67B, J68A, J68B		Pre	A07D, A09A, A09E, A11B, A11F, A13F		Pre	A07D, A09A, A09E, A11B, A11F, A13F
B88.0	09	J67A, J67B, J68A, J68B		03	D06B, D08A, D08B, D09Z, D25A, D25B, D28Z, D60A, D60B, D60C		03	D06B, D08A, D08B, D09Z, D25A, D25B, D28Z, D60A, D60B, D60C
B88.1	09	J67A, J67B, J68A, J68B		06	G17A, G38Z, G67A		06	G17A, G38Z, G67A
B88.2	09	J67A, J67B, J68A, J68B		08	I54Z		08	I54Z
B88.3	09	J67A, J67B, J68A, J68B	C00.8	03	D06B, D08A, D08B, D09Z, D25A, D25B, D28Z, D60A, D60B, D60C	C02.8	03	D06B, D08A, D08B, D09Z, D25A, D25B, D28Z, D60A, D60B, D60C
B88.8	18A	S63A, S63B		06	G17A, G38Z, G67A		06	G17A, G38Z, G67A
	18B	T64A, T64B, T64C		08	I54Z		08	I54Z
B88.9	09	J67A, J67B, J68A, J68B		15	TPN, VTPN		15	TPN, VTPN
B89	18B	T64A, T64B, T64C		Pre	A07D, A09A, A09E, A11B, A11F, A13F		Pre	A07D, A09A, A09E, A11B, A11F, A13F
B97.0	15	TPN, VTPN		03	D06B, D08A, D08B, D09Z, D25A, D25B, D28Z, D60A, D60B, D60C		03	D06B, D08A, D08B, D09Z, D25A, D25B, D28Z, D60A, D60B, D60C
B97.1	15	TPN, VTPN		06	G17A, G38Z, G67A		06	G17A, G38Z, G67A
B97.4	04	E65A, E65B, E65C, E69B		08	I54Z		08	I54Z
B99	15	P65C, P66C, P67B, P67C		15	TPN, VTPN		15	TPN, VTPN
	18B	T64A, T64B, T64C		Pre	A07D, A09A, A09E, A11B, A11F, A13F		Pre	A07D, A09A, A09E, A11B, A11F, A13F

ICD	MDC	DRG	ICD	MDC	DRG	ICD	MDC	DRG
C18.9	06	G17A, G19A, G38Z, G40Z, G46A, G46B, G46C, G47Z, G60A, G60B, G67A	C22.3	06	G17A, G38Z, G67A	C25.1	06	G17A, G38Z, G67A
	08	I54Z		07	H02A, H07A, H08A, H09B, H38Z, H61A, H61B, H78Z		07	H02A, H07A, H08A, H09B, H38Z, H61A, H61B, H78Z
	15	TPN, VTPN		08	I54Z		08	I54Z
C19	Pre	A07D, A09A, A09E, A11B, A11F, A13F	C22.4	15	TPN, VTPN	C25.2	15	TPN, VTPN
	06	G17A, G19A, G38Z, G40Z, G46A, G46B, G46C, G47Z, G60A, G60B, G67A		Pre	A07D, A09A, A09E, A11B, A11F, A13F		Pre	A07D, A09A, A09E, A11B, A11F, A13F
	08	I54Z		06	G17A, G38Z, G67A		06	G17A, G38Z, G67A
C20	15	TPN, VTPN	C22.7	07	H02A, H07A, H08A, H09B, H38Z, H61A, H61B, H78Z	C25.3	07	H02A, H07A, H08A, H09B, H38Z, H61A, H61B, H78Z
	Pre	A07D, A09A, A09E, A11B, A11F, A13F		08	I54Z		08	I54Z
	06	G17A, G19A, G38Z, G40Z, G46A, G46B, G46C, G47Z, G60A, G60B, G67A		15	TPN, VTPN		15	TPN, VTPN
C21.0	Pre	A07D, A09A, A09E, A11B, A11F, A13F	C22.9	Pre	A07D, A09A, A09E, A11B, A11F, A13F	C25.4	Pre	A07D, A09A, A09E, A11B, A11F, A13F
	06	G17A, G19A, G38Z, G40Z, G46A, G46B, G46C, G47Z, G60A, G60B, G67A		06	G17A, G38Z, G67A		06	G17A, G38Z, G67A
	08	I54Z		07	H02A, H07A, H08A, H09B, H38Z, H61A, H61B, H78Z		07	H02A, H07A, H08A, H09B, H38Z, H61A, H61B, H78Z
C21.1	15	TPN, VTPN	C23	08	I54Z	C25.7	08	I54Z
	Pre	A07D, A09A, A09E, A11B, A11F, A13F		15	TPN, VTPN		15	TPN, VTPN
	06	G17A, G19A, G38Z, G40Z, G46A, G46B, G46C, G47Z, G60A, G60B, G67A		Pre	A07D, A09A, A09E, A11B, A11F, A13F		Pre	A07D, A09A, A09E, A11B, A11F, A13F
C21.2	08	I54Z	C24.0	06	G17A, G38Z, G67A	C25.8	06	G17A, G38Z, G67A
	15	TPN, VTPN		07	H02A, H07A, H08A, H09B, H38Z, H61A, H61B, H78Z		07	H02A, H07A, H08A, H09B, H38Z, H61A, H61B, H78Z
	Pre	A07D, A09A, A09E, A11B, A11F, A13F		08	I54Z		08	I54Z
C21.8	Pre	A07D, A09A, A09E, A11B, A11F, A13F	C24.1	15	TPN, VTPN	C25.9	15	TPN, VTPN
	06	G17A, G19A, G38Z, G40Z, G46A, G46B, G46C, G47Z, G60A, G60B, G67A		Pre	A07D, A09A, A09E, A11B, A11F, A13F		Pre	A07D, A09A, A09E, A11B, A11F, A13F
	08	I54Z		06	G17A, G38Z, G67A		06	G17A, G38Z, G67A
C22.0	15	TPN, VTPN	C24.8	07	H02A, H07A, H08A, H09B, H38Z, H61A, H61B, H78Z	C26.0	07	H02A, H07A, H08A, H09B, H38Z, H61A, H61B, H78Z
	Pre	A07D, A09A, A09E, A11B, A11F, A13F		08	I54Z		08	I54Z
	06	G17A, G38Z, G67A		15	TPN, VTPN		15	TPN, VTPN
C22.1	07	H02A, H07A, H08A, H09B, H38Z, H61A, H61B, H78Z	C24.9	Pre	A07D, A09A, A09E, A11B, A11F, A13F	C26.1	Pre	A07D, A09A, A09E, A11B, A11F, A13F
	08	I54Z		06	G17A, G38Z, G67A		06	G17A, G38Z, G67A
	15	TPN, VTPN		07	H02A, H07A, H08A, H09B, H38Z, H61A, H61B, H78Z		07	H02A, H07A, H08A, H09B, H38Z, H61A, H61B, H78Z
C22.2	Pre	A07D, A09A, A09E, A11B, A11F, A13F	C25.0	08	I54Z	C26.1	15	TPN, VTPN
	06	G17A, G38Z, G67A		15	TPN, VTPN		17	R01A, R01B, R01C, R01D, R03Z, R11A, R11B, R11C, R61A, R61B, R61C, R61D, R61E, R61F, R61G, R61H
	07	H02A, H07A, H08A, H09B, H38Z, H61A, H61B, H78Z		Pre	A07D, A09A, A09E, A11B, A11F, A13F		Pre	A07D, A09A, A09E, A11B, A11F, A13F
	08	I54Z		06	G17A, G38Z, G67A		06	G17A, G38Z, G67A
	15	TPN, VTPN		07	H02A, H07A, H08A, H09B, H38Z, H61A, H61B, H78Z		08	I54Z
	Pre	A07D, A09A, A09E, A11B, A11F, A13F		08	I54Z		15	TPN, VTPN
				15	TPN, VTPN		17	R01A, R01B, R01C, R01D, R03Z, R11A, R11B, R11C, R61A, R61B, R61C, R61D, R61E, R61F, R61G, R61H
				Pre	A07D, A09A, A09E, A11B, A11F, A13F		Pre	A07D, A09A, A09E, A11B, A11F, A13F

ICD	MDC	DRG	ICD	MDC	DRG	ICD	MDC	DRG
C26.8	06	G17A, G19A, G38Z, G40Z, G46A, G46B, G46C, G47Z, G60A, G60B, G67A	C31.9	03	D06B, D08A, D08B, D09Z, D25A, D25B, D28Z, D35Z, D60A, D60B, D60C	C34.1	04	E05B, E71A, E71B
	08	I54Z		06	G17A, G38Z, G67A		06	G17A, G38Z, G67A
	15	TPN, VTPN		08	I54Z		08	I54Z
C26.9	Pre	A07D, A09A, A09E, A11B, A11F, A13F	C32.0	15	TPN, VTPN	C34.2	15	TPN, VTPN
	06	G17A, G19A, G38Z, G40Z, G46A, G46B, G46C, G47Z, G60A, G60B, G67A		Pre	A07D, A09A, A09E, A11B, A11F, A13F		04	E05B, E71A, E71B
	08	I54Z		03	D06B, D08A, D08B, D09Z, D25A, D25B, D28Z, D60A, D60B, D60C		06	G17A, G38Z, G67A
C30.0	15	TPN, VTPN	C32.1	06	G17A, G38Z, G67A	C34.3	08	I54Z
	Pre	A07D, A09A, A09E, A11B, A11F, A13F		08	I54Z		15	TPN, VTPN
	03	D06B, D08A, D08B, D09Z, D25A, D25B, D28Z, D35Z, D60A, D60B, D60C		15	TPN, VTPN		Pre	A07D, A09A, A09E, A11B, A11F, A13F
C30.1	06	G17A, G38Z, G67A	C32.2	Pre	A07D, A09A, A09E, A11B, A11F, A13F	C34.8	04	E05B, E71A, E71B
	08	I54Z		03	D06B, D08A, D08B, D09Z, D25A, D25B, D28Z, D60A, D60B, D60C		06	G17A, G38Z, G67A
	15	TPN, VTPN		06	G17A, G38Z, G67A		08	I54Z
C31.0	Pre	A07D, A09A, A09E, A11B, A11F, A13F	C32.3	08	I54Z	C34.9	15	TPN, VTPN
	03	D06B, D08A, D08B, D09Z, D25A, D25B, D28Z, D35Z, D60A, D60B, D60C		15	TPN, VTPN		04	E05B, E71A, E71B
	06	G17A, G38Z, G67A		Pre	A07D, A09A, A09E, A11B, A11F, A13F		06	G17A, G38Z, G67A
C31.1	08	I54Z	C32.8	03	D06B, D08A, D08B, D09Z, D25A, D25B, D28Z, D60A, D60B, D60C	C37	08	I54Z
	15	TPN, VTPN		06	G17A, G38Z, G67A		15	TPN, VTPN
	Pre	A07D, A09A, A09E, A11B, A11F, A13F		08	I54Z		17	R04A, R04B, R12A, R12B, R12C, R13Z, R14Z, R62A, R62B, R62C
C31.2	03	D06B, D08A, D08B, D09Z, D25A, D25B, D28Z, D35Z, D60A, D60B, D60C	C32.9	15	TPN, VTPN	C38.0	Pre	A07D, A09A, A09E, A11B, A11F, A13F
	06	G17A, G38Z, G67A		Pre	A07D, A09A, A09E, A11B, A11F, A13F		05	F75A, F75B, F75C, F75D
	08	I54Z		03	D06B, D08A, D08B, D09Z, D25A, D25B, D28Z, D60A, D60B, D60C		06	G17A, G38Z, G67A
C31.3	15	TPN, VTPN	C33	06	G17A, G38Z, G67A	C38.1	08	I54Z
	Pre	A07D, A09A, A09E, A11B, A11F, A13F		08	I54Z		15	TPN, VTPN
	03	D06B, D08A, D08B, D09Z, D25A, D25B, D28Z, D35Z, D60A, D60B, D60C		15	TPN, VTPN		Pre	A07D, A09A, A09E, A11B, A11F, A13F
C31.8	06	G17A, G38Z, G67A	C34.0	Pre	A07D, A09A, A09E, A11B, A11F, A13F	C38.2	04	E05B, E71A, E71B
	08	I54Z		04	E05B, E71A, E71B		06	G17A, G38Z, G67A
	15	TPN, VTPN		06	G17A, G38Z, G67A		08	I54Z
C31.8	Pre	A07D, A09A, A09E, A11B, A11F, A13F	C33	08	I54Z	C38.3	15	TPN, VTPN
	03	D06B, D08A, D08B, D09Z, D25A, D25B, D28Z, D35Z, D60A, D60B, D60C		15	TPN, VTPN		04	E05B, E71A, E71B
	06	G17A, G38Z, G67A		Pre	A07D, A09A, A09E, A11B, A11F, A13F		06	G17A, G38Z, G67A
C31.8	08	I54Z	C34.0	Pre	A07D, A09A, A09E, A11B, A11F, A13F	C38.4	08	I54Z
	15	TPN, VTPN		04	E05B, E71A, E71B		15	TPN, VTPN
	Pre	A07D, A09A, A09E, A11B, A11F, A13F		06	G17A, G38Z, G67A		Pre	A07D, A09A, A09E, A11B, A11F, A13F

ICD	MDC	DRG	ICD	MDC	DRG	ICD	MDC	DRG
C38.8	04	E05B, E71A, E71B	C41.1	06	G17A, G38Z, G67A	C43.4	06	G17A, G38Z, G67A
	06	G17A, G38Z, G67A		08	I06C, I54Z, I65A, I65B, I65C		08	I54Z
	08	I54Z		15	TPN, VTPN		09	J01Z, J10A, J61A, J61B, J61C, J68A
	15	TPN, VTPN		Pre	A07D, A09A, A09E, A11B, A11F, A13F		15	TPN, VTPN
C39.0	Pre	A07D, A09A, A09E, A11B, A11F, A13F	C41.2	06	G17A, G38Z, G67A	C43.5	Pre	A07D, A09A, A09E, A11B, A11F, A13F
	03	D06B, D08A, D08B, D09Z, D25A, D25B, D28Z, D60A, D60B, D60C		08	I06C, I54Z, I65A, I65B, I65C		06	G17A, G38Z, G67A
	06	G17A, G38Z, G67A		15	TPN, VTPN		08	I54Z
	08	I54Z		Pre	A07D, A09A, A09E, A11B, A11F, A13F		09	J01Z, J06Z, J07A, J07B, J10A, J14A, J14B, J16Z, J23Z, J25Z, J26Z, J61A, J61B, J61C, J68A
C39.8	15	TPN, VTPN	C41.30	06	G17A, G38Z, G67A	C43.6	15	TPN, VTPN
	Pre	A07D, A09A, A09E, A11B, A11F, A13F		08	I06C, I54Z, I65A, I65B, I65C		Pre	A07D, A09A, A09E, A11B, A11F, A13F
	04	E05B, E71A, E71B		15	TPN, VTPN		06	G17A, G38Z, G67A
	06	G17A, G38Z, G67A		Pre	A07D, A09A, A09E, A11B, A11F, A13F		08	I54Z
C39.9	08	I54Z	C41.31	06	G17A, G38Z, G67A	C43.7	09	J01Z, J06Z, J07A, J07B, J10A, J14A, J14B, J16Z, J23Z, J25Z, J26Z, J61A, J61B, J61C, J68A
	15	TPN, VTPN		08	I06C, I54Z, I65A, I65B, I65C		15	TPN, VTPN
	Pre	A07D, A09A, A09E, A11B, A11F, A13F		15	TPN, VTPN		Pre	A07D, A09A, A09E, A11B, A11F, A13F
	04	E05B, E71A, E71B		Pre	A07D, A09A, A09E, A11B, A11F, A13F		06	G17A, G38Z, G67A
C40.0	06	G17A, G38Z, G67A	C41.32	06	G17A, G38Z, G67A	C43.8	08	I02B, I02C, I54Z
	08	I06C, I54Z, I65A, I65B, I65C		08	I06C, I54Z, I65A, I65B, I65C		09	J01Z, J02A, J02B, J02C, J03A, J03B, J04A, J04B, J08A, J08B, J08C, J10A, J61A, J61B, J61C, J68A
	15	TPN, VTPN		15	TPN, VTPN		15	TPN, VTPN
	Pre	A07D, A09A, A09E, A11B, A11F, A13F		Pre	A07D, A09A, A09E, A11B, A11F, A13F		Pre	A07D, A09A, A09E, A11B, A11F, A13F
C40.1	06	G17A, G38Z, G67A	C41.4	06	G17A, G38Z, G67A	C43.9	06	G17A, G38Z, G67A
	08	I06C, I32A, I32B, I32C, I32D, I32E, I32F, I32G, I54Z, I65A, I65B, I65C		08	I02B, I02C, I06C, I37Z, I54Z, I65A, I65B, I65C		08	I54Z
	15	TPN, VTPN		15	TPN, VTPN		09	J01Z, J10A, J61A, J61B, J61C, J68A
	Pre	A07D, A09A, A09E, A11B, A11F, A13F		Pre	A07D, A09A, A09E, A11B, A11F, A13F		15	TPN, VTPN
C40.2	06	G17A, G38Z, G67A	C41.8	06	G17A, G38Z, G67A	C44.0	Pre	A07D, A09A, A09E, A11B, A11F, A13F
	08	I01Z, I02B, I02C, I03A, I03B, I04Z, I06C, I54Z, I65A, I65B, I65C		08	I06C, I54Z, I65A, I65B, I65C		06	G17A, G38Z, G67A
	15	TPN, VTPN		15	TPN, VTPN		08	I54Z
	Pre	A07D, A09A, A09E, A11B, A11F, A13F		Pre	A07D, A09A, A09E, A11B, A11F, A13F		09	J01Z, J10A, J61A, J61B, J61C, J68A
C40.3	06	G17A, G38Z, G67A	C41.9	06	G17A, G38Z, G67A	C44.1	15	TPN, VTPN
	08	I01Z, I03A, I03B, I04Z, I06C, I54Z, I65A, I65B, I65C		08	I06C, I54Z, I65A, I65B, I65C		18A	S62Z
	15	TPN, VTPN		15	TPN, VTPN		Pre	A07D, A09A, A09E, A11B, A11F, A13F
	Pre	A07D, A09A, A09E, A11B, A11F, A13F		Pre	A07D, A09A, A09E, A11B, A11F, A13F		02	C02A, C65Z
C40.8	06	G17A, G38Z, G67A	C43.0	06	G17A, G38Z, G67A	C44.2	06	G17A, G38Z, G67A
	08	I01Z, I03A, I03B, I04Z, I06C, I54Z, I65A, I65B, I65C		08	I54Z		08	I54Z
	15	TPN, VTPN		09	J01Z, J10A, J61A, J61B, J61C, J68A		09	J01Z, J10A, J61A, J61B, J61C, J68A
	Pre	A07D, A09A, A09E, A11B, A11F, A13F		15	TPN, VTPN		15	TPN, VTPN
C40.9	06	G17A, G38Z, G67A	C43.1	02	C02A, C65Z	C44.3	18A	S62Z
	08	I06C, I54Z, I65A, I65B, I65C		06	G17A, G38Z, G67A		Pre	A07D, A09A, A09E, A11B, A11F, A13F
	15	TPN, VTPN		08	I54Z		06	G17A, G38Z, G67A
	Pre	A07D, A09A, A09E, A11B, A11F, A13F		15	TPN, VTPN		08	I54Z
C41.01	06	G17A, G38Z, G67A	C43.2	06	G17A, G38Z, G67A	C44.4	15	TPN, VTPN
	08	I06C, I54Z, I65A, I65B, I65C		08	I54Z		18A	S62Z
	15	TPN, VTPN		09	J01Z, J10A, J61A, J61B, J61C, J68A		Pre	A07D, A09A, A09E, A11B, A11F, A13F
	Pre	A07D, A09A, A09E, A11B, A11F, A13F		15	TPN, VTPN		06	G17A, G38Z, G67A
C41.02	06	G17A, G38Z, G67A	C43.3	06	G17A, G38Z, G67A	C44.5	08	I54Z
	08	I06C, I54Z, I65A, I65B, I65C		08	I54Z		09	J01Z, J10A, J61A, J61B, J61C, J68A
	15	TPN, VTPN		09	J01Z, J10A, J61A, J61B, J61C, J68A		15	TPN, VTPN
	Pre	A07D, A09A, A09E, A11B, A11F, A13F		Pre	A07D, A09A, A09E, A11B, A11F, A13F		18A	S62Z

ICD	MDC	DRG	ICD	MDC	DRG	ICD	MDC	DRG	
C44.3	06	G17A, G38Z, G67A	C45.1	06	G17A, G19A, G38Z, G40Z, G46A, G46B, G46C, G47Z, G60A, G60B, G67A	C46.9	06	G17A, G38Z, G67A	
	08	I54Z		08	I54Z		08	I54Z	
	09	J01Z, J10A, J61A, J61B, J61C, J68A		15	TPN, VTPN		18A	S62Z	
	15	TPN, VTPN		Pre	A07D, A09A, A09E, A11B, A11F, A13F		Pre	A07D, A09A, A09E, A11B, A11F, A13F	
	18A	S62Z							
Pre	A07D, A09A, A09E, A11B, A11F, A13F	C45.2	05	F75A, F75B, F75C, F75D	C47.0	06	G17A, G38Z, G67A		
C44.4	06		G17A, G38Z, G67A	06		G17A, G38Z, G67A	08	I06C, I54Z, I65A, I65B, I65C	
	08		I54Z	08		I54Z	15	TPN, VTPN	
	09		J01Z, J10A, J61A, J61B, J61C, J68A	15		TPN, VTPN	Pre	A07D, A09A, A09E, A11B, A11F, A13F	
	15		TPN, VTPN	Pre		A07D, A09A, A09E, A11B, A11F, A13F	C47.1	06	G17A, G38Z, G67A
	18A	S62Z	C45.7	06	G17A, G38Z, G67A	08		I06C, I32A, I32B, I32C, I32D, I32E, I32F, I32G, I54Z, I65A, I65B, I65C	
Pre	A07D, A09A, A09E, A11B, A11F, A13F	08		I06C, I54Z, I65A, I65B, I65C	15	TPN, VTPN			
C44.5	06	G17A, G38Z, G67A		15	TPN, VTPN	Pre		A07D, A09A, A09E, A11B, A11F, A13F	
	08	I54Z		C45.9	06	G17A, G38Z, G67A		C47.2	06
	09	J01Z, J10A, J61A, J61B, J61C, J68A			08	I06C, I54Z, I65A, I65B, I65C	08		I06C, I37Z, I54Z, I65A, I65B, I65C
	15	TPN, VTPN	15		TPN, VTPN	15	TPN, VTPN		
	18A	S62Z	Pre		A07D, A09A, A09E, A11B, A11F, A13F	Pre	A07D, A09A, A09E, A11B, A11F, A13F		
Pre	A07D, A09A, A09E, A11B, A11F, A13F	C46.0	06		G17A, G38Z, G67A	C47.3	06		G17A, G38Z, G67A
C44.6	06		G17A, G38Z, G67A	08	I54Z		08	I06C, I54Z, I65A, I65B, I65C	
	08		I54Z	09	J01Z, J10A, J61A, J61B, J61C, J68A		15	TPN, VTPN	
	09		J01Z, J10A, J61A, J61B, J61C, J68A	18A	S62Z		Pre	A07D, A09A, A09E, A11B, A11F, A13F	
	15		TPN, VTPN	Pre	A07D, A09A, A09E, A11B, A11F, A13F		C47.4	06	G17A, G38Z, G67A
	18A	S62Z	C46.1	06	G17A, G38Z, G67A	08		I06C, I54Z, I65A, I65B, I65C	
Pre	A07D, A09A, A09E, A11B, A11F, A13F	08		I54Z	15	TPN, VTPN			
C44.7	06	G17A, G38Z, G67A		09	J01Z, J10A, J61A, J61B, J61C, J68A	Pre		A07D, A09A, A09E, A11B, A11F, A13F	
	08	I54Z		18A	S62Z	C47.5		06	G17A, G38Z, G67A
	09	J01Z, J02A, J02B, J02C, J03A, J03B, J04A, J04B, J08A, J08B, J08C, J10A, J61A, J61B, J61C, J68A		Pre	A07D, A09A, A09E, A11B, A11F, A13F		08	I06C, I37Z, I54Z, I65A, I65B, I65C	
	15	TPN, VTPN	C46.2	03	D06B, D08A, D08B, D09Z, D25A, D25B, D28Z, D60A, D60B, D60C		15	TPN, VTPN	
	18A	S62Z		06	G17A, G38Z, G67A		Pre	A07D, A09A, A09E, A11B, A11F, A13F	
Pre	A07D, A09A, A09E, A11B, A11F, A13F	08		I54Z	C47.6		06	G17A, G38Z, G67A	
C44.8	06	G17A, G38Z, G67A		18A		S62Z	08	I06C, I54Z, I65A, I65B, I65C	
	08	I54Z		Pre		A07D, A09A, A09E, A11B, A11F, A13F	15	TPN, VTPN	
	09	J01Z, J10A, J61A, J61B, J61C, J68A	C46.3	06		G17A, G38Z, G67A	Pre	A07D, A09A, A09E, A11B, A11F, A13F	
	15	TPN, VTPN		08		I54Z	C47.8	06	G17A, G38Z, G67A
	18A	S62Z		17	R01A, R01B, R01C, R01D, R03Z, R11A, R11B, R11C, R61A, R61B, R61C, R61D, R61E, R61F, R61G, R61H	08		I06C, I54Z, I65A, I65B, I65C	
Pre	A07D, A09A, A09E, A11B, A11F, A13F	18A		S62Z	15	TPN, VTPN			
C44.9	06	G17A, G38Z, G67A		Pre	A07D, A09A, A09E, A11B, A11F, A13F	Pre		A07D, A09A, A09E, A11B, A11F, A13F	
	08	I54Z	C46.7	06	G17A, G38Z, G67A	C47.9		06	G17A, G38Z, G67A
	09	J01Z, J10A, J61A, J61B, J61C, J68A		08	I54Z		08	I06C, I54Z, I65A, I65B, I65C	
	15	TPN, VTPN		09	J01Z, J10A, J61A, J61B, J61C, J68A		15	TPN, VTPN	
	18A	S62Z		18A	S62Z		Pre	A07D, A09A, A09E, A11B, A11F, A13F	
Pre	A07D, A09A, A09E, A11B, A11F, A13F	C46.8		06	G17A, G38Z, G67A		C48.0	06	G17A, G38Z, G67A
C45.0	04		E05B, E71A, E71B	08	I54Z	08		I54Z	
	06		G17A, G38Z, G67A	09	J01Z, J10A, J61A, J61B, J61C, J68A	15		TPN, VTPN	
	08		I54Z	18A	S62Z	17		R04A, R04B, R12A, R12B, R12C, R13Z, R14Z, R62A, R62B, R62C	
	15		TPN, VTPN	Pre	A07D, A09A, A09E, A11B, A11F, A13F	Pre		A07D, A09A, A09E, A11B, A11F, A13F	
	Pre	A07D, A09A, A09E, A11B, A11F, A13F							

ICD	MDC	DRG	ICD	MDC	DRG	ICD	MDC	DRG
C53.0	06	G17A, G38Z, G67A	C55	06	G17A, G38Z, G67A	C57.9	06	G17A, G38Z, G67A
	08	I54Z		08	I54Z		08	I54Z
	13	N03A, N03B, N38Z, N60A, N60B		13	N03A, N03B, N38Z, N60A, N60B		13	N03A, N03B, N38Z, N60A, N60B
	15	TPN, VTPN		15	TPN, VTPN		15	TPN, VTPN
Pre	A07D, A09A, A09E, A11B, A11F, A13F	Pre	A07D, A09A, A09E, A11B, A11F, A13F	Pre	A07D, A09A, A09E, A11B, A11F, A13F			
C53.1	06	G17A, G38Z, G67A	C56	06	G17A, G38Z, G67A	C58	06	G17A, G38Z, G67A
	08	I54Z		08	I54Z		08	I54Z
	13	N03A, N03B, N38Z, N60A, N60B		13	N01A, N01B, N01C, N01D, N01E, N02A, N02B, N02C, N38Z, N60A, N60B		13	N03A, N03B, N38Z, N60A, N60B
	15	TPN, VTPN		15	TPN, VTPN		Pre	A07D, A09A, A09E, A11B, A11F, A13F
Pre	A07D, A09A, A09E, A11B, A11F, A13F	Pre	A07D, A09A, A09E, A11B, A11F, A13F, A15C	C60.0	06	G17A, G38Z, G67A		
C53.8	06	G17A, G38Z, G67A	C57.0	06	G17A, G38Z, G67A	C60.0	08	I54Z
	08	I54Z		08	I54Z		12	M09A, M09B, M60A, M60B, M60C
	13	N03A, N03B, N38Z, N60A, N60B		13	N01A, N01B, N01C, N01D, N01E, N02A, N02B, N02C, N38Z, N60A, N60B		15	TPN, VTPN
	15	TPN, VTPN		15	TPN, VTPN		Pre	A07D, A09A, A09E, A11B, A11F, A13F
Pre	A07D, A09A, A09E, A11B, A11F, A13F	Pre	A07D, A09A, A09E, A11B, A11F, A13F	C60.1	06	G17A, G38Z, G67A		
C53.9	06	G17A, G38Z, G67A	C57.1	06	G17A, G38Z, G67A	C60.1	08	I54Z
	08	I54Z		08	I54Z		12	M09A, M09B, M60A, M60B, M60C
	13	N03A, N03B, N38Z, N60A, N60B		13	N01A, N01B, N01C, N01D, N01E, N02A, N02B, N02C, N38Z, N60A, N60B		15	TPN, VTPN
	15	TPN, VTPN		15	TPN, VTPN		Pre	A07D, A09A, A09E, A11B, A11F, A13F
Pre	A07D, A09A, A09E, A11B, A11F, A13F	Pre	A07D, A09A, A09E, A11B, A11F, A13F	C60.2	06	G17A, G38Z, G67A		
C54.0	06	G17A, G38Z, G67A	C57.2	06	G17A, G38Z, G67A	C60.2	08	I54Z
	08	I54Z		08	I54Z		12	M09A, M09B, M60A, M60B, M60C
	13	N03A, N03B, N38Z, N60A, N60B		13	N01A, N01B, N01C, N01D, N01E, N02A, N02B, N02C, N38Z, N60A, N60B		15	TPN, VTPN
	15	TPN, VTPN		15	TPN, VTPN		Pre	A07D, A09A, A09E, A11B, A11F, A13F
Pre	A07D, A09A, A09E, A11B, A11F, A13F	Pre	A07D, A09A, A09E, A11B, A11F, A13F	C60.8	06	G17A, G38Z, G67A		
C54.1	06	G17A, G38Z, G67A	C57.3	06	G17A, G38Z, G67A	C60.8	08	I54Z
	08	I54Z		08	I54Z		12	M09A, M09B, M60A, M60B, M60C
	13	N03A, N03B, N38Z, N60A, N60B		13	N01A, N01B, N01C, N01D, N01E, N02A, N02B, N02C, N38Z, N60A, N60B		15	TPN, VTPN
	15	TPN, VTPN		15	TPN, VTPN		Pre	A07D, A09A, A09E, A11B, A11F, A13F
Pre	A07D, A09A, A09E, A11B, A11F, A13F	Pre	A07D, A09A, A09E, A11B, A11F, A13F	C60.9	06	G17A, G38Z, G67A		
C54.2	06	G17A, G38Z, G67A	C57.4	06	G17A, G38Z, G67A	C60.9	08	I54Z
	08	I54Z		08	I54Z		12	M09A, M09B, M60A, M60B, M60C
	13	N03A, N03B, N38Z, N60A, N60B		13	N01A, N01B, N01C, N01D, N01E, N02A, N02B, N02C, N38Z, N60A, N60B		15	TPN, VTPN
	15	TPN, VTPN		15	TPN, VTPN		Pre	A07D, A09A, A09E, A11B, A11F, A13F
Pre	A07D, A09A, A09E, A11B, A11F, A13F	Pre	A07D, A09A, A09E, A11B, A11F, A13F	C61	06	G17A, G38Z, G67A		
C54.3	06	G17A, G38Z, G67A	C57.7	06	G17A, G38Z, G67A	C61	08	I54Z
	08	I54Z		08	I54Z		12	M09A, M09B, M60A, M60B, M60C
	13	N03A, N03B, N38Z, N60A, N60B		13	N01A, N01B, N01C, N01D, N01E, N02A, N02B, N02C, N38Z, N60A, N60B		15	TPN, VTPN
	15	TPN, VTPN		15	TPN, VTPN		Pre	A07D, A09A, A09E, A11B, A11F, A13F
Pre	A07D, A09A, A09E, A11B, A11F, A13F	Pre	A07D, A09A, A09E, A11B, A11F, A13F	C62.0	06	G17A, G38Z, G67A		
C54.8	06	G17A, G38Z, G67A	C57.8	06	G17A, G38Z, G67A	C62.0	08	I54Z
	08	I54Z		08	I54Z		12	M09A, M09B, M60A, M60B, M60C
	13	N03A, N03B, N38Z, N60A, N60B		13	N03A, N03B, N38Z, N60A, N60B		15	TPN, VTPN
	15	TPN, VTPN		15	TPN, VTPN		Pre	A07D, A09A, A09E, A11B, A11F, A13F, A15C
Pre	A07D, A09A, A09E, A11B, A11F, A13F	Pre	A07D, A09A, A09E, A11B, A11F, A13F	C62.1	06	G17A, G38Z, G67A		
C54.9	06	G17A, G38Z, G67A	C57.8	06	G17A, G38Z, G67A	C62.1	08	I54Z
	08	I54Z		08	I54Z		12	M09A, M09B, M60A, M60B, M60C
	13	N03A, N03B, N38Z, N60A, N60B		13	N03A, N03B, N38Z, N60A, N60B		15	TPN, VTPN
	15	TPN, VTPN		15	TPN, VTPN		Pre	A07D, A09A, A09E, A11B, A11F, A13F, A15C
Pre	A07D, A09A, A09E, A11B, A11F, A13F	Pre	A07D, A09A, A09E, A11B, A11F, A13F					

ICD	MDC	DRG	ICD	MDC	DRG	ICD	MDC	DRG
C69.8	02	C02A, C65Z	C71.4	01	B02A, B02B, B02C, B02D, B03A, B03B, B66A, B66B, B66C, B66D	C72.2	01	B02A, B02B, B02C, B02D, B03A, B03B, B66A, B66B, B66C, B66D
	06	G17A, G38Z, G67A		06	G17A, G38Z, G67A		06	G17A, G38Z, G67A
	08	I54Z		08	I54Z		08	I54Z
	15	TPN, VTPN		15	TPN, VTPN		15	TPN, VTPN
	Pre	A07D, A09A, A09E, A11B, A11F, A13F		Pre	A07D, A09A, A09E, A11B, A11F, A13F		Pre	A07D, A09A, A09E, A11B, A11F, A13F
C69.9	02	C02A, C65Z	C71.5	01	B02A, B02B, B02C, B02D, B03A, B03B, B66A, B66B, B66C, B66D	C72.3	01	B02A, B02B, B02C, B02D, B03A, B03B, B66A, B66B, B66C, B66D
	06	G17A, G38Z, G67A		06	G17A, G38Z, G67A		06	G17A, G38Z, G67A
	08	I54Z		08	I54Z		08	I54Z
	15	TPN, VTPN		15	TPN, VTPN		15	TPN, VTPN
	Pre	A07D, A09A, A09E, A11B, A11F, A13F		Pre	A07D, A09A, A09E, A11B, A11F, A13F		Pre	A07D, A09A, A09E, A11B, A11F, A13F
C70.0	01	B02A, B02B, B02C, B02D, B03A, B03B, B66A, B66B, B66C, B66D	C71.6	01	B02A, B02B, B02C, B02D, B03A, B03B, B66A, B66B, B66C, B66D	C72.4	01	B02A, B02B, B02C, B02D, B03A, B03B, B66A, B66B, B66C, B66D
	06	G17A, G38Z, G67A		06	G17A, G38Z, G67A		06	G17A, G38Z, G67A
	08	I54Z		08	I54Z		08	I54Z
	15	TPN, VTPN		15	TPN, VTPN		15	TPN, VTPN
	Pre	A07D, A09A, A09E, A11B, A11F, A13F		Pre	A07D, A09A, A09E, A11B, A11F, A13F		Pre	A07D, A09A, A09E, A11B, A11F, A13F
C70.1	01	B02A, B02B, B02C, B02D, B03A, B03B, B66A, B66B, B66C, B66D	C71.7	01	B02A, B02B, B02C, B02D, B03A, B03B, B66A, B66B, B66C, B66D	C72.5	01	B02A, B02B, B02C, B02D, B03A, B03B, B66A, B66B, B66C, B66D
	06	G17A, G38Z, G67A		06	G17A, G38Z, G67A		06	G17A, G38Z, G67A
	08	I54Z		08	I54Z		08	I54Z
	15	TPN, VTPN		15	TPN, VTPN		15	TPN, VTPN
	Pre	A07D, A09A, A09E, A11B, A11F, A13F		Pre	A07D, A09A, A09E, A11B, A11F, A13F		Pre	A07D, A09A, A09E, A11B, A11F, A13F
C70.9	01	B02A, B02B, B02C, B02D, B03A, B03B, B66A, B66B, B66C, B66D	C71.8	01	B02A, B02B, B02C, B02D, B03A, B03B, B66A, B66B, B66C, B66D	C72.8	01	B02A, B02B, B02C, B02D, B03A, B03B, B66A, B66B, B66C, B66D
	06	G17A, G38Z, G67A		06	G17A, G38Z, G67A		06	G17A, G38Z, G67A
	08	I54Z		08	I54Z		08	I54Z
	15	TPN, VTPN		15	TPN, VTPN		15	TPN, VTPN
	Pre	A07D, A09A, A09E, A11B, A11F, A13F		Pre	A07D, A09A, A09E, A11B, A11F, A13F		Pre	A07D, A09A, A09E, A11B, A11F, A13F
C71.0	01	B02A, B02B, B02C, B02D, B03A, B03B, B66A, B66B, B66C, B66D	C71.9	01	B02A, B02B, B02C, B02D, B03A, B03B, B66A, B66B, B66C, B66D	C72.9	01	B02A, B02B, B02C, B02D, B03A, B03B, B66A, B66B, B66C, B66D
	06	G17A, G38Z, G67A		06	G17A, G38Z, G67A		06	G17A, G38Z, G67A
	08	I54Z		08	I54Z		08	I54Z
	15	TPN, VTPN		15	TPN, VTPN		15	TPN, VTPN
	Pre	A07D, A09A, A09E, A11B, A11F, A13F		Pre	A07D, A09A, A09E, A11B, A11F, A13F		Pre	A07D, A09A, A09E, A11B, A11F, A13F
C71.1	01	B02A, B02B, B02C, B02D, B03A, B03B, B66A, B66B, B66C, B66D	C72.0	01	B02A, B02B, B02C, B02D, B03A, B03B, B66A, B66B, B66C, B66D	C73	06	G17A, G38Z, G67A
	06	G17A, G38Z, G67A		06	G17A, G38Z, G67A		08	I54Z
	08	I54Z		08	I54Z		10	K06A, K06C, K64A, K64B, K64C, K64D
	15	TPN, VTPN		15	TPN, VTPN		15	TPN, VTPN
	Pre	A07D, A09A, A09E, A11B, A11F, A13F		Pre	A07D, A09A, A09E, A11B, A11F, A13F		Pre	A07D, A09A, A09E, A11B, A11F, A13F
C71.2	01	B02A, B02B, B02C, B02D, B03A, B03B, B66A, B66B, B66C, B66D	C72.1	01	B02A, B02B, B02C, B02D, B03A, B03B, B66A, B66B, B66C, B66D	C74.0	06	G17A, G38Z, G67A
	06	G17A, G38Z, G67A		06	G17A, G38Z, G67A		08	I54Z
	08	I54Z		08	I54Z		10	K03A, K03B, K64A, K64B, K64C
	15	TPN, VTPN		15	TPN, VTPN		15	TPN, VTPN
	Pre	A07D, A09A, A09E, A11B, A11F, A13F		Pre	A07D, A09A, A09E, A11B, A11F, A13F		Pre	A07D, A09A, A09E, A11B, A11F, A13F
C71.3	01	B02A, B02B, B02C, B02D, B03A, B03B, B66A, B66B, B66C, B66D				C74.1	06	G17A, G38Z, G67A
	06	G17A, G38Z, G67A					08	I54Z
	08	I54Z					10	K03A, K03B, K64A, K64B, K64C
	15	TPN, VTPN					15	TPN, VTPN
	Pre	A07D, A09A, A09E, A11B, A11F, A13F					Pre	A07D, A09A, A09E, A11B, A11F, A13F

ICD	MDC	DRG	ICD	MDC	DRG	ICD	MDC	DRG
C74.9	06	G17A, G38Z, G67A	C76.1	04	E05B, E71A, E71B	C77.2	06	G17A, G38Z, G67A
	08	I54Z		06	G17A, G38Z, G67A		08	I54Z
	10	K03A, K03B, K64A, K64B, K64C		08	I54Z		15	TPN, VTPN
	15	TPN, VTPN		15	TPN, VTPN		17	R04A, R04B, R12A, R12B, R12C, R13Z, R14Z, R62A, R62B, R62C
C75.0	Pre	A07D, A09A, A09E, A11B, A11F, A13F	C76.2	Pre	A07D, A09A, A09E, A11B, A11F, A13F	C77.3	Pre	A07D, A09A, A09E, A11B, A11F, A13F
	06	G17A, G38Z, G67A		06	G17A, G19A, G38Z, G40Z, G46A, G46B, G46C, G47Z, G60A, G60B, G67A		06	G17A, G38Z, G67A
	08	I54Z		08	I54Z		08	I54Z
	10	K06A, K06C, K64A, K64B, K64C, K64D		15	TPN, VTPN		15	TPN, VTPN
	15	TPN, VTPN		Pre	A07D, A09A, A09E, A11B, A11F, A13F		17	R04A, R04B, R12A, R12B, R12C, R13Z, R14Z, R62A, R62B, R62C
C75.1	Pre	A07D, A09A, A09E, A11B, A11F, A13F	C76.3	06	G17A, G38Z, G67A	C77.4	Pre	A07D, A09A, A09E, A11B, A11F, A13F
	01	B02A, B02B, B02C, B02D		08	I54Z		06	G17A, G38Z, G67A
	06	G17A, G38Z, G67A		12	M09A, M09B, M60A, M60B, M60C		08	I54Z
	08	I54Z		13	N03A, N03B, N38Z, N60A, N60B		15	TPN, VTPN
	10	K64A, K64B, K64C, K64D		15	TPN, VTPN		17	R04A, R04B, R12A, R12B, R12C, R13Z, R14Z, R62A, R62B, R62C
C75.2	15	TPN, VTPN	C76.4	Pre	A07D, A09A, A09E, A11B, A11F, A13F	C77.5	Pre	A07D, A09A, A09E, A11B, A11F, A13F
	Pre	A07D, A09A, A09E, A11B, A11F, A13F		06	G17A, G38Z, G67A		06	G17A, G38Z, G67A
	01	B02A, B02B, B02C, B02D, B66A, B66B, B66C, B66D		08	I54Z		08	I54Z
	06	G17A, G38Z, G67A		15	TPN, VTPN		15	TPN, VTPN
	08	I54Z		17	R04A, R04B, R12A, R12B, R12C, R13Z, R14Z, R62A, R62B, R62C		17	R04A, R04B, R12A, R12B, R12C, R13Z, R14Z, R62A, R62B, R62C
C75.3	15	TPN, VTPN	C76.5	Pre	A07D, A09A, A09E, A11B, A11F, A13F	C77.8	Pre	A07D, A09A, A09E, A11B, A11F, A13F
	Pre	A07D, A09A, A09E, A11B, A11F, A13F		06	G17A, G38Z, G67A		06	G17A, G38Z, G67A
	01	B02A, B02B, B02C, B02D, B03A, B03B, B66A, B66B, B66C, B66D		08	I54Z		08	I54Z
	06	G17A, G38Z, G67A		15	TPN, VTPN		15	TPN, VTPN
	08	I54Z		17	R04A, R04B, R12A, R12B, R12C, R13Z, R14Z, R62A, R62B, R62C		17	R04A, R04B, R12A, R12B, R12C, R13Z, R14Z, R62A, R62B, R62C
C75.4	15	TPN, VTPN	C76.7	Pre	A07D, A09A, A09E, A11B, A11F, A13F	C77.9	Pre	A07D, A09A, A09E, A11B, A11F, A13F
	Pre	A07D, A09A, A09E, A11B, A11F, A13F		06	G17A, G38Z, G67A		06	G17A, G38Z, G67A
	01	B03A, B03B, B66A, B66B, B66C, B66D		08	I54Z		08	I54Z
	06	G17A, G38Z, G67A		15	TPN, VTPN		15	TPN, VTPN
	08	I54Z		17	R04A, R04B, R12A, R12B, R12C, R13Z, R14Z, R62A, R62B, R62C		17	R04A, R04B, R12A, R12B, R12C, R13Z, R14Z, R62A, R62B, R62C
C75.5	15	TPN, VTPN	C76.8	Pre	A07D, A09A, A09E, A11B, A11F, A13F	C78.0	Pre	A07D, A09A, A09E, A11B, A11F, A13F
	Pre	A07D, A09A, A09E, A11B, A11F, A13F		06	G17A, G38Z, G67A		04	E05B, E71A, E71B
	01	B03A, B03B, B66A, B66B, B66C, B66D		08	I54Z		06	G17A, G38Z, G67A
	06	G17A, G38Z, G67A		15	TPN, VTPN		08	I54Z
	08	I54Z		17	R04A, R04B, R12A, R12B, R12C, R13Z, R14Z, R62A, R62B, R62C		15	TPN, VTPN
C75.8	15	TPN, VTPN	C77.0	Pre	A07D, A09A, A09E, A11B, A11F, A13F	C78.1	Pre	A07D, A09A, A09E, A11B, A11F, A13F
	Pre	A07D, A09A, A09E, A11B, A11F, A13F		06	G17A, G38Z, G67A		04	E05B, E71A, E71B
	06	G17A, G38Z, G67A		08	I54Z		06	G17A, G38Z, G67A
	08	I54Z		15	TPN, VTPN		08	I54Z
	10	K64A, K64B, K64C		17	R04A, R04B, R12A, R12B, R12C, R13Z, R14Z, R62A, R62B, R62C		15	TPN, VTPN
C75.9	15	TPN, VTPN	C77.1	Pre	A07D, A09A, A09E, A11B, A11F, A13F	C78.2	Pre	A07D, A09A, A09E, A11B, A11F, A13F
	Pre	A07D, A09A, A09E, A11B, A11F, A13F		06	G17A, G38Z, G67A		04	E05B, E71A, E71B
	06	G17A, G38Z, G67A		08	I54Z		06	G17A, G38Z, G67A
	08	I54Z		15	TPN, VTPN		08	I54Z
	10	K64A, K64B, K64C, K64D		17	R04A, R04B, R12A, R12B, R12C, R13Z, R14Z, R62A, R62B, R62C		15	TPN, VTPN
C76.0	15	TPN, VTPN	C77.2	Pre	A07D, A09A, A09E, A11B, A11F, A13F	C78.3	Pre	A07D, A09A, A09E, A11B, A11F, A13F
	Pre	A07D, A09A, A09E, A11B, A11F, A13F		06	G17A, G38Z, G67A		04	E05B, E71A, E71B
	03	D06B, D08A, D08B, D09Z, D25A, D25B, D28Z, D60A, D60B, D60C		08	I54Z		06	G17A, G38Z, G67A
	06	G17A, G38Z, G67A		15	TPN, VTPN		08	I54Z
	08	I54Z		17	R04A, R04B, R12A, R12B, R12C, R13Z, R14Z, R62A, R62B, R62C		15	TPN, VTPN



ICD	MDC	DRG	ICD	MDC	DRG	ICD	MDC	DRG
C78.3	04	E05B, E71A, E71B	C79.3	01	B03A, B03B, B66A, B66B, B66C, B66D, B70A, B70B, B70C, B70E	C79.84	06	G17A, G38Z, G67A
	06	G17A, G38Z, G67A		06	G17A, G38Z, G67A		08	I54Z
	08	I54Z		08	I54Z		15	TPN, VTPN
	15	TPN, VTPN		15	TPN, VTPN		17	R04A, R04B, R12A, R12B, R12C, R13Z, R14Z, R62A, R62B, R62C
C78.4	Pre	A07D, A09A, A09E, A11B, A11F, A13F	C79.4	06	G17A, G38Z, G67A	C79.88	Pre	A07D, A09A, A09E, A11B, A11F, A13F
	06	G17A, G19A, G38Z, G40Z, G46A, G46B, G46C, G47Z, G60A, G60B, G67A		01	B03A, B03B, B66A, B66B, B66C, B66D		06	G17A, G38Z, G67A
	08	I54Z		06	G17A, G38Z, G67A		08	I54Z
	15	TPN, VTPN		08	I54Z		15	TPN, VTPN
C78.5	Pre	A07D, A09A, A09E, A11B, A11F, A13F	C79.5	15	TPN, VTPN	C79.9	17	R04A, R04B, R12A, R12B, R12C, R13Z, R14Z, R62A, R62B, R62C
	06	G17A, G19A, G38Z, G40Z, G46A, G46B, G46C, G47Z, G60A, G60B, G67A		Pre	A07D, A09A, A09E, A11B, A11F, A13F		Pre	A07D, A09A, A09E, A11B, A11F, A13F
	08	I54Z		06	G17A, G38Z, G67A		06	G17A, G38Z, G67A
	15	TPN, VTPN		08	I01Z, I03A, I03B, I04Z, I37Z, I54Z, I65A, I65B, I65C		08	I54Z
C78.6	Pre	A07D, A09A, A09E, A11B, A11F, A13F	C79.6	15	TPN, VTPN	C80.0	17	R04A, R04B, R12A, R12B, R12C, R13Z, R14Z, R62A, R62B, R62C
	06	G01Z, G02Z, G17A, G19A, G38Z, G40Z, G46A, G46B, G46C, G47Z, G60A, G60B, G67A		17	R61F, R61G, R62A, R62B		Pre	A07D, A09A, A09E, A11B, A11F, A13F, A15C
	08	I54Z		Pre	A07D, A09A, A09E, A11B, A11F, A13F		06	G17A, G38Z, G67A
	15	TPN, VTPN		08	I54Z		08	I54Z
C78.7	Pre	A07D, A09A, A09E, A11B, A11F, A13F	C79.7	13	N01A, N01B, N01C, N01D, N01E, N02A, N02B, N02C, N38Z, N60A, N60B	C80.9	17	R04A, R04B, R12A, R12B, R12C, R13Z, R14Z, R62A, R62B, R62C
	06	G01Z, G02Z, G17A, G38Z, G67A		15	TPN, VTPN		Pre	A07D, A09A, A09E, A11B, A11F, A13F, A15C
	07	H07A, H08A, H09B, H61A, H61B, H78Z		Pre	A07D, A09A, A09E, A11B, A11F, A13F		06	G17A, G38Z, G67A
	08	I54Z		06	G17A, G38Z, G67A		08	I54Z
C78.8	15	TPN, VTPN	C79.81	08	I54Z	C81.0	17	R04A, R04B, R12A, R12B, R12C, R13Z, R14Z, R62A, R62B, R62C
	Pre	A07D, A09A, A09E, A11B, A11F, A13F		10	K03A, K03B, K64A, K64B, K64C, K64D		Pre	A07D, A09A, A09E, A11B, A11F, A13F, A15C
	06	G17A, G19A, G38Z, G40Z, G46A, G46B, G46C, G47Z, G60A, G60B, G67A		15	TPN, VTPN		06	G17A, G38Z, G67A
	08	I54Z		Pre	A07D, A09A, A09E, A11B, A11F, A13F		08	I54Z
C79.0	15	TPN, VTPN	C79.82	09	J01Z, J06Z, J07A, J07B, J10A, J14A, J14B, J16Z, J23Z, J25Z, J26Z, J62A, J62B	C81.1	15	TPN, VTPN
	Pre	A07D, A09A, A09E, A11B, A11F, A13F		15	TPN, VTPN		17	R01A, R01B, R01C, R01D, R03Z, R11A, R11B, R11C, R61A, R61B, R61C, R61D, R61E, R61F, R61G, R61H
	06	G17A, G38Z, G67A		Pre	A07D, A09A, A09E, A11B, A11F, A13F		Pre	A07D, A09A, A09E, A11B, A11F, A13A, A13F, A15C
	08	I54Z		06	G17A, G38Z, G67A		06	G17A, G38Z, G67A
C79.1	11	L02A, L02B, L02C, L03Z, L10Z, L13A, L13B, L38Z, L62A, L62B	C79.83	08	I54Z	C81.2	08	I54Z
	15	TPN, VTPN		12	M09A, M09B, M60A, M60B, M60C		15	TPN, VTPN
	Pre	A07D, A09A, A09E, A11B, A11F, A13F		13	N03A, N03B, N38Z, N60A, N60B		17	R01A, R01B, R01C, R01D, R03Z, R11A, R11B, R11C, R61A, R61B, R61C, R61D, R61E, R61F, R61G, R61H
	06	G17A, G38Z, G67A		15	TPN, VTPN		Pre	A07D, A09A, A09E, A11B, A11F, A13A, A13F, A15C
C79.2	08	I54Z	C79.83	Pre	A07D, A09A, A09E, A11B, A11F, A13F	C81.2	06	G17A, G38Z, G67A
	09	J01Z, J06Z, J07A, J07B, J10A, J14A, J14B, J16Z, J23Z, J25Z, J26Z, J62A, J62B		06	G17A, G38Z, G67A		08	I54Z
	15	TPN, VTPN		08	I54Z		15	TPN, VTPN
	Pre	A07D, A09A, A09E, A11B, A11F, A13F		17	R04A, R04B, R12A, R12B, R12C, R13Z, R14Z, R62A, R62B, R62C		17	R01A, R01B, R01C, R01D, R03Z, R11A, R11B, R11C, R61A, R61B, R61C, R61D, R61E, R61F, R61G, R61H
C79.3	Pre	A07D, A09A, A09E, A11B, A11F, A13F	C79.83	Pre	A07D, A09A, A09E, A11B, A11F, A13F	C81.2	Pre	A07D, A09A, A09E, A11B, A11F, A13A, A13F, A15C
	06	G17A, G38Z, G67A		06	G17A, G38Z, G67A		06	G17A, G38Z, G67A
	08	I54Z		08	I54Z		08	I54Z
	15	TPN, VTPN		15	TPN, VTPN		15	TPN, VTPN

ICD	MDC	DRG	ICD	MDC	DRG	ICD	MDC	DRG
C96.0	06	G17A, G38Z, G67A	D00.2	06	G19A, G38Z, G40Z, G46A, G46B, G46C, G47Z, G60A, G60B	D03.3	08	I54Z
	08	I54Z		08	I54Z		09	J01Z, J67A, J67B, J68A, J68B
	15	TPN, VTPN		Pre	A09A, A11B	Pre	A09A, A11B	
	17	R04A, R04B, R12A, R12B, R12C, R13Z, R14Z, R62A, R62B, R62C		D01.0	06	G19A, G38Z, G40Z, G46A, G46B, G46C, G47Z, G60A, G60B	D03.4	08
Pre	A07D, A09A, A09E, A11B, A11F, A13A, A13F	08	I54Z		09	J01Z, J67A, J67B, J68A, J68B		
C96.2	06	G17A, G38Z, G67A	D01.1	06	G19A, G38Z, G40Z, G46A, G46B, G46C, G47Z, G60A, G60B	D03.5	08	I54Z
	08	I54Z		08	I54Z		09	J01Z, J67A, J67B, J68A, J68B
	15	TPN, VTPN	Pre	A09A, A11B	Pre	A09A, A11B		
	17	R01A, R01B, R01C, R01D, R03Z, R11A, R11B, R11C, R61A, R61B, R61C, R61D, R61E, R61F, R61G	D01.2	06	G19A, G38Z, G40Z, G46A, G46B, G46C, G47Z, G60A, G60B	D03.6	08	I54Z
Pre	A07D, A09A, A09E, A11B, A11F, A13A, A13F	08		I54Z	09		J01Z, J67A, J67B, J68A, J68B	
C96.4	06	G17A, G38Z, G67A	D01.3	06	G19A, G38Z, G40Z, G46A, G46B, G46C, G47Z, G60A, G60B	D03.7	08	I54Z
	08	I54Z		08	I54Z		09	J01Z, J02A, J02B, J02C, J03A, J03B, J04A, J04B, J08A, J08B, J08C, J67A, J67B, J68A, J68B
	15	TPN, VTPN	Pre	A09A, A11B	Pre	A09A, A11B		
	17	R01A, R01B, R01C, R01D, R03Z, R11A, R11B, R11C, R61A, R61B, R61C, R61D, R61E, R61F, R61G	D01.4	06	G19A, G38Z, G40Z, G46A, G46B, G46C, G47Z, G60A, G60B	D03.8	08	I54Z
Pre	A07D, A09A, A09E, A11B, A11F, A13A, A13F	08		I54Z	09		J01Z, J67A, J67B, J68A, J68B	
C96.5	10	K63A, K63B, K63C	D01.5	07	H09B, H61A, H61B, H78Z	D03.9	08	I54Z
	Pre	A07D, A09A, A09E, A11B, A11F, A13F		08	I54Z		09	J01Z, J67A, J67B, J68A, J68B
C96.6	10	K63A, K63B, K63C	D01.7	06	G19A, G38Z, G40Z, G46A, G46B, G46C, G47Z, G60A, G60B	D04.0	08	I54Z
	Pre	A07D, A09A, A09E, A11B, A11F, A13F		08	I54Z		09	J01Z, J67A, J67B, J68A, J68B
C96.7	06	G17A, G38Z, G67A	D01.9	06	G19A, G38Z, G40Z, G46A, G46B, G46C, G47Z, G60A, G60B	D04.1	02	C02A, C63Z
	08	I54Z		08	I54Z		08	I54Z
	15	TPN, VTPN	Pre	A09A, A11B	Pre	A09A, A11B		
	17	R01A, R01B, R01C, R01D, R03Z, R11A, R11B, R11C, R61A, R61B, R61C, R61D, R61E, R61F, R61G, R61H	D02.0	03	D09Z, D25A, D25B, D28Z, D60A, D60B, D60C	D04.2	08	I54Z
Pre	A07D, A09A, A09E, A11B, A11F, A13A, A13F	08		I54Z	09		J01Z, J67A, J67B, J68A, J68B	
C96.8	06	G17A, G38Z, G67A	D02.1	04	E05B, E71A, E71B	D04.3	08	I54Z
	08	I54Z		08	I54Z		09	J01Z, J67A, J67B, J68A, J68B
	15	TPN, VTPN	Pre	A09A, A11B	Pre	A09A, A11B		
	17	R01A, R01B, R01C, R01D, R03Z, R11A, R11B, R11C, R61A, R61B, R61C, R61D, R61E, R61F, R61G	D02.2	04	E05B, E71A, E71B	D04.4	08	I54Z
Pre	A07D, A09A, A09E, A11B, A11F, A13A, A13F	08		I54Z	09		J01Z, J67A, J67B, J68A, J68B	
C96.9	06	G17A, G38Z, G67A	D02.3	04	E05B, E71A, E71B	D04.5	08	I54Z
	08	I54Z		08	I54Z		09	J01Z, J67A, J67B, J68A, J68B
	15	TPN, VTPN	Pre	A09A, A11B	Pre	A09A, A11B		
	17	R01A, R01B, R01C, R01D, R03Z, R11A, R11B, R11C, R61A, R61B, R61C, R61D, R61E, R61F, R61G, R61H	D02.4	04	E05B, E71A, E71B	D04.6	08	I54Z
Pre	A07D, A09A, A09E, A11B, A11F, A13A, A13F	08		I54Z	09		J01Z, J67A, J67B, J68A, J68B	
C97	06	G17A, G38Z, G67A	D03.0	08	I54Z	D04.7	08	I54Z
	08	I54Z		09	J01Z, J67A, J67B, J68A, J68B		09	J01Z, J02A, J02B, J02C, J03A, J03B, J04A, J04B, J08A, J08B, J08C, J67A, J67B, J68A, J68B
D00.0	03	D09Z, D25A, D25B, D28Z, D60A, D60B, D60C	D03.1	02	C63Z	D04.8	08	I54Z
	08	I54Z		08	I54Z		09	J01Z, J67A, J67B, J68A, J68B
D00.1	Pre	A09A, A11B	D03.2	Pre	A09A, A11B	D04.9	08	I54Z
	06	G19A, G38Z, G40Z, G46A, G46B, G46C, G47Z, G60A, G60B		08	I54Z		09	J01Z, J67A, J67B, J68A, J68B
	08	I54Z		09	J01Z, J67A, J67B, J68A, J68B	D05.0	08	I54Z
	Pre	A09A, A11B		Pre	A09A, A11B		09	J01Z, J06Z, J07A, J07B, J08A, J08B, J08C, J14A, J14B, J16Z, J23Z, J25Z, J26Z, J62A, J62B
				Pre	A09A, A11B	D05.1	08	I54Z
				Pre	A09A, A11B		09	J01Z, J06Z, J07A, J07B, J08A, J08B, J08C, J14A, J14B, J16Z, J23Z, J25Z, J26Z, J62A, J62B

ICD	MDC	DRG	ICD	MDC	DRG	ICD	MDC	DRG
D05.7	08	I54Z	D09.7	08	I54Z	D12.6	06	G46A, G46B, G46C, G50Z, G71Z
	09	J01Z, J06Z, J07A, J07B, J08A, J08B, J08C, J14A, J14B, J16Z, J23Z, J25Z, J26Z, J62A, J62B		17	R04A, R04B, R12A, R12B, R12C, R13Z, R14Z, R62A, R62B, R62C		15	TPN, VTPN
	Pre	A09A, A11B		Pre	A09A, A11B	D12.7	06	G46A, G46B, G46C, G50Z, G71Z
D05.9	08	I54Z	D09.9	08	I54Z		15	TPN, VTPN
	09	J01Z, J06Z, J07A, J07B, J08A, J08B, J08C, J14A, J14B, J16Z, J23Z, J25Z, J26Z, J62A, J62B		17	R04A, R04B, R12A, R12B, R12C, R13Z, R14Z, R62A, R62B, R62C		Pre	A09A, A11B
	Pre	A09A, A11B		Pre	A09A, A11B	D12.8	06	G46A, G46B, G46C, G50Z, G71Z
D06.0	08	I54Z	D10.0	03	D40Z, D67Z		15	TPN, VTPN
	13	N04Z, N05A, N05B, N14Z, N21Z, N25Z, N62A, N62B		15	TPN, VTPN		Pre	A09A, A11B
	Pre	A09A, A11B		Pre	A09A, A11B	D12.9	06	G46A, G46B, G46C, G50Z, G71Z
D06.1	08	I54Z	D10.1	03	D40Z, D67Z		15	TPN, VTPN
	13	N04Z, N05A, N05B, N14Z, N21Z, N25Z, N62A, N62B		15	TPN, VTPN		Pre	A09A, A11B
	Pre	A09A, A11B		Pre	A09A, A11B	D13.0	06	G46A, G46B, G46C, G50Z, G71Z
D06.7	08	I54Z	D10.2	03	D40Z, D67Z		15	TPN, VTPN
	13	N04Z, N05A, N05B, N14Z, N21Z, N25Z, N62A, N62B		15	TPN, VTPN		Pre	A09A, A11B
	Pre	A09A, A11B		Pre	A09A, A11B	D13.1	06	G46A, G46B, G46C, G50Z, G71Z
D06.9	08	I54Z	D10.3	03	D40Z, D67Z		15	TPN, VTPN
	13	N04Z, N05A, N05B, N14Z, N21Z, N25Z, N62A, N62B		15	TPN, VTPN		Pre	A09A, A11B
	Pre	A09A, A11B		Pre	A09A, A11B	D13.2	06	G46A, G46B, G46C, G50Z, G71Z
D07.0	08	I54Z	D10.4	03	D66Z		15	TPN, VTPN
	13	N04Z, N05A, N05B, N14Z, N21Z, N25Z, N62A, N62B		Pre	A09A, A11B		Pre	A09A, A11B
	Pre	A09A, A11B		Pre	A09A, A11B	D13.3	06	G46A, G46B, G46C, G50Z, G71Z
D07.1	08	I54Z	D10.5	03	D66Z		15	TPN, VTPN
	13	N04Z, N05A, N05B, N14Z, N21Z, N25Z, N62A, N62B		15	TPN, VTPN		Pre	A09A, A11B
	Pre	A09A, A11B		Pre	A09A, A11B	D13.4	07	H63A, H63B, H63C, H78Z
D07.2	08	I54Z	D10.6	03	D66Z		15	TPN, VTPN
	13	N04Z, N05A, N05B, N14Z, N21Z, N25Z, N62A, N62B		15	TPN, VTPN		Pre	A09A, A11B
	Pre	A09A, A11B		Pre	A09A, A11B	D13.5	07	H63A, H63B, H63C, H78Z
D07.3	08	I54Z	D10.7	03	D66Z		15	TPN, VTPN
	13	N04Z, N05A, N05B, N14Z, N21Z, N25Z, N62A, N62B		15	TPN, VTPN		Pre	A09A, A11B
	Pre	A09A, A11B		Pre	A09A, A11B	D13.6	07	H62A, H62B, H62C
D07.4	08	I54Z	D10.9	03	D66Z		15	TPN, VTPN
	12	M09A, M09B, M60A, M60B, M60C		15	TPN, VTPN		Pre	A09A, A11B
	Pre	A09A, A11B		Pre	A09A, A11B	D13.7	10	K64A, K64B, K64C, K64D
D07.5	08	I54Z	D11.0	03	D66Z		15	TPN, VTPN
	12	M09A, M09B, M60A, M60B, M60C		15	TPN, VTPN		Pre	A09A, A11B
	Pre	A09A, A11B		Pre	A09A, A11B	D13.9	06	G46A, G46B, G46C, G50Z, G71Z
D07.6	08	I54Z	D11.7	03	D66Z		15	TPN, VTPN
	12	M09A, M09B, M60A, M60B, M60C		15	TPN, VTPN		Pre	A09A, A11B
	Pre	A09A, A11B		Pre	A09A, A11B	D14.0	03	D66Z
D09.0	08	I54Z	D11.9	03	D66Z		15	TPN, VTPN
	11	L02A, L02B, L02C, L03Z, L10Z, L13A, L13B, L38Z, L62A, L62B		15	TPN, VTPN		Pre	A09A, A11B
	Pre	A09A, A11B		Pre	A09A, A11B	D14.1	03	D66Z
D09.1	08	I54Z	D12.0	06	G46A, G46B, G46C, G50Z, G71Z		15	TPN, VTPN
	11	L02A, L02B, L02C, L03Z, L10Z, L13A, L13B, L38Z, L62A, L62B		15	TPN, VTPN		Pre	A09A, A11B
	Pre	A09A, A11B		Pre	A09A, A11B	D14.2	04	E71A, E71B
D09.2	02	C02A, C63Z	D12.1	06	G46A, G46B, G46C, G50Z, G71Z		15	TPN, VTPN
	08	I54Z		15	TPN, VTPN		Pre	A09A, A11B
	Pre	A09A, A11B		Pre	A09A, A11B	D14.3	04	E71A, E71B
D09.3	08	I54Z	D12.2	06	G46A, G46B, G46C, G50Z, G71Z		15	TPN, VTPN
	17	R04A, R04B, R12A, R12B, R12C, R13Z, R14Z, R62A, R62B, R62C		15	TPN, VTPN		Pre	A09A, A11B
	Pre	A09A, A11B		Pre	A09A, A11B	D14.4	04	E71A, E71B
			D12.3	06	G46A, G46B, G46C, G50Z, G71Z		15	TPN, VTPN
				15	TPN, VTPN		Pre	A09A, A11B
			D12.4	06	G46A, G46B, G46C, G50Z, G71Z		15	TPN, VTPN
				15	TPN, VTPN		Pre	A09A, A11B
			D12.5	06	G46A, G46B, G46C, G50Z, G71Z		15	TPN, VTPN
				15	TPN, VTPN		Pre	A09A, A11B
				Pre	A09A, A11B	D15.0	16	Q60A, Q60B, Q60C
				Pre	A09A, A11B		Pre	A09A, A11B
				Pre	A09A, A11B	D15.1	05	F75A, F75B, F75C, F75D
				Pre	A09A, A11B		15	TPN, VTPN
				Pre	A09A, A11B		Pre	A09A, A11B

ICD	MDC	DRG	ICD	MDC	DRG	ICD	MDC	DRG	
D15.2	04	E71A, E71B	D18.00	09	J11A, J11B, J11C, J67A, J67B, J68A, J68B	D21.0	08	I76A, I76B	
	15	TPN, VTPN		15	TPN, VTPN		15	TPN, VTPN	
	Pre	A09A, A11B		Pre	A09A, A11B		Pre	A09A, A11B	
D15.7	04	E71A, E71B	D18.01	09	J11A, J11B, J11C, J67A, J67B, J68A, J68B	D21.1	08	I32A, I32B, I32C, I32D, I32E, I32F, I32G, I76A, I76B	
	15	TPN, VTPN		Pre	A09A, A11B		15	TPN, VTPN	
	Pre	A09A, A11B		Pre	A09A, A11B		Pre	A09A, A11B	
D15.9	04	E71A, E71B	D18.02	01	B81A, B81B	D21.2	08	I76A, I76B	
	15	TPN, VTPN		Pre	A09A, A11B		15	TPN, VTPN	
	Pre	A09A, A11B		Pre	A09A, A11B		Pre	A09A, A11B	
D16.0	08	I76A, I76B	D18.03	07	H63A, H63B, H63C, H78Z	D21.3	08	I76A, I76B	
	15	TPN, VTPN		Pre	A09A, A11B		15	TPN, VTPN	
	Pre	A09A, A11B		D18.04	06	G46A, G46B, G46C, G50Z, G67A, G67B, G67C, G67D		Pre	A09A, A11B
D16.1	08	I32A, I32B, I32C, I32D, I32E, I32F, I32G, I76A, I76B		Pre	A09A, A11B	D21.4	08	I76A, I76B	
	15	TPN, VTPN		D18.05	03	D66Z		15	TPN, VTPN
	Pre	A09A, A11B		Pre	A09A, A11B		Pre	A09A, A11B	
D16.2	08	I76A, I76B	D18.08	09	J11A, J11B, J11C, J67A, J67B, J68A, J68B	D21.5	08	I76A, I76B	
	15	TPN, VTPN		Pre	A09A, A11B		15	TPN, VTPN	
	Pre	A09A, A11B		Pre	A09A, A11B		Pre	A09A, A11B	
D16.3	08	I76A, I76B	D18.10	15	TPN, VTPN	D21.6	08	I76A, I76B	
	15	TPN, VTPN		16	Q60A, Q60B, Q60C, Q60D, Q60E		15	TPN, VTPN	
	Pre	A09A, A11B		Pre	A09A, A11B		Pre	A09A, A11B	
D16.41	08	I76A, I76B	D18.11	15	TPN, VTPN	D21.9	08	I76A, I76B	
	15	TPN, VTPN		16	Q60A, Q60B, Q60C, Q60D, Q60E		15	TPN, VTPN	
	Pre	A09A, A11B		Pre	A09A, A11B		Pre	A09A, A11B	
D16.42	08	I76A, I76B	D18.12	15	TPN, VTPN	D22.0	09	J67A, J67B, J68A, J68B	
	15	TPN, VTPN		16	Q60A, Q60B, Q60C, Q60D, Q60E		Pre	A09A, A11B	
	Pre	A09A, A11B		Pre	A09A, A11B	D22.1	02	C63Z	
D16.5	03	D40Z, D67Z	D18.13	15	TPN, VTPN		Pre	A09A, A11B	
	15	TPN, VTPN		16	Q60A, Q60B, Q60C, Q60D, Q60E	D22.2	09	J67A, J67B, J68A, J68B	
	Pre	A09A, A11B		Pre	A09A, A11B		Pre	A09A, A11B	
D16.6	08	I76A, I76B	D18.18	15	TPN, VTPN	D22.3	09	J67A, J67B, J68A, J68B	
	15	TPN, VTPN		16	Q60A, Q60B, Q60C, Q60D, Q60E		Pre	A09A, A11B	
	Pre	A09A, A11B		Pre	A09A, A11B	D22.4	09	J67A, J67B, J68A, J68B	
D16.70	04	E71A, E71B	D18.19	15	TPN, VTPN		Pre	A09A, A11B	
	15	TPN, VTPN		16	Q60A, Q60B, Q60C, Q60D, Q60E	D22.5	09	J67A, J67B, J68A, J68B	
	Pre	A09A, A11B		Pre	A09A, A11B		Pre	A09A, A11B	
D16.71	04	E71A, E71B	D19.0	04	E71A, E71B	D22.6	09	J67A, J67B, J68A, J68B	
	15	TPN, VTPN		15	TPN, VTPN		Pre	A09A, A11B	
	Pre	A09A, A11B		Pre	A09A, A11B	D22.7	09	J02A, J02B, J02C, J03A, J03B, J04A, J04B, J08A, J08B, J08C, J67A, J67B, J68A, J68B	
D16.72	04	E71A, E71B	D19.1	06	G46A, G46B, G46C, G50Z, G71Z		Pre	A09A, A11B	
	15	TPN, VTPN		15	TPN, VTPN	D22.9	09	J67A, J67B, J68A, J68B	
	Pre	A09A, A11B		Pre	A09A, A11B		Pre	A09A, A11B	
D16.8	08	I76A, I76B	D19.7	15	TPN, VTPN	D23.0	09	J67A, J67B, J68A, J68B	
	15	TPN, VTPN		17	R04A, R04B, R12A, R12B, R12C, R13Z, R14Z, R62A, R62B, R62C		Pre	A09A, A11B	
	Pre	A09A, A11B		Pre	A09A, A11B	D23.1	02	C63Z	
D16.9	08	I76A, I76B	D19.9	15	TPN, VTPN		Pre	A09A, A11B	
	15	TPN, VTPN		17	R04A, R04B, R12A, R12B, R12C, R13Z, R14Z, R62A, R62B, R62C	D23.2	09	J67A, J67B, J68A, J68B	
	Pre	A09A, A11B		Pre	A09A, A11B		Pre	A09A, A11B	
D17.0	09	J67A, J67B, J68A, J68B	D20.0	06	G46A, G46B, G46C, G50Z, G71Z	D23.3	09	J67A, J67B, J68A, J68B	
	Pre	A09A, A11B		15	TPN, VTPN		Pre	A09A, A11B	
D17.1	09	J67A, J67B, J68A, J68B		Pre	A09A, A11B	D23.4	09	J67A, J67B, J68A, J68B	
	Pre	A09A, A11B		D20.1	06	G46A, G46B, G46C, G50Z, G71Z		Pre	A09A, A11B
D17.2	09	J67A, J67B, J68A, J68B		15	TPN, VTPN	D23.5	09	J67A, J67B, J68A, J68B	
	Pre	A09A, A11B		17	R04A, R04B, R12A, R12B, R12C, R13Z, R14Z, R62A, R62B, R62C		Pre	A09A, A11B	
D17.3	09	J67A, J67B, J68A, J68B		Pre	A09A, A11B	D23.6	09	J67A, J67B, J68A, J68B	
	Pre	A09A, A11B		D20.1	06	G46A, G46B, G46C, G50Z, G71Z		Pre	A09A, A11B
D17.4	04	E71A, E71B		15	TPN, VTPN	D23.7	09	J02A, J02B, J02C, J03A, J03B, J04A, J04B, J08A, J08B, J08C, J67A, J67B, J68A, J68B	
	Pre	A09A, A11B		Pre	A09A, A11B		Pre	A09A, A11B	
D17.5	06	G46A, G46B, G46C, G50Z, G71Z		D20.1	06	G46A, G46B, G46C, G50Z, G71Z	D23.9	09	J67A, J67B, J68A, J68B
	Pre	A09A, A11B			15	TPN, VTPN		Pre	A09A, A11B
D17.6	12	M64Z			Pre	A09A, A11B		Pre	A09A, A11B
	Pre	A09A, A11B			15	TPN, VTPN	D24	09	J67A, J67B
D17.7	09	J67A, J67B, J68A, J68B			Pre	A09A, A11B		15	TPN, VTPN
	Pre	A09A, A11B						Pre	A09A, A11B
D17.9	09	J67A, J67B, J68A, J68B							
	Pre	A09A, A11B							

ICD	MDC	DRG	ICD	MDC	DRG	ICD	MDC	DRG
D25.0	13	N04Z, N05A, N05B, N14Z, N21Z, N25Z, N62A, N62B	D29.7	12	M64Z	D32.9	01	B02A, B02B, B02C, B02D, B66A, B66B, B66C, B66D
	15	TPN, VTPN		15	TPN, VTPN		15	TPN, VTPN
	Pre	A09A, A11B		Pre	A09A, A11B		Pre	A07D, A09A, A09E, A11B, A11F, A13F
D25.1	13	N04Z, N05A, N05B, N14Z, N21Z, N25Z, N62A, N62B	D29.9	12	M64Z	D33.0	01	B02A, B02B, B02C, B02D, B66A, B66B, B66C, B66D
	15	TPN, VTPN		15	TPN, VTPN		15	TPN, VTPN
	Pre	A09A, A11B		Pre	A09A, A11B		Pre	A07D, A09A, A09E, A11B, A11F, A13F
D25.2	13	N04Z, N05A, N05B, N14Z, N21Z, N25Z, N62A, N62B	D30.0	11	L02A, L02B, L02C, L03Z, L10Z, L13A, L13B, L38Z, L62A, L62B	D33.1	01	B02A, B02B, B02C, B02D, B66A, B66B, B66C, B66D
	15	TPN, VTPN		15	TPN, VTPN		15	TPN, VTPN
	Pre	A09A, A11B		Pre	A09A, A11B		Pre	A07D, A09A, A09E, A11B, A11F, A13F
D25.9	13	N04Z, N05A, N05B, N14Z, N21Z, N25Z, N62A, N62B	D30.1	11	L02A, L02B, L02C, L03Z, L10Z, L13A, L13B, L38Z, L62A, L62B	D33.2	01	B02A, B02B, B02C, B02D, B66A, B66B, B66C, B66D
	15	TPN, VTPN		15	TPN, VTPN		15	TPN, VTPN
	Pre	A09A, A11B		Pre	A09A, A11B		Pre	A07D, A09A, A09E, A11B, A11F, A13F
D26.0	13	N04Z, N05A, N05B, N14Z, N21Z, N25Z, N62A, N62B	D30.2	11	L02A, L02B, L02C, L03Z, L10Z, L13A, L13B, L38Z, L62A, L62B	D33.3	01	B02A, B02B, B02C, B02D, B66A, B66B, B66C, B66D
	15	TPN, VTPN		15	TPN, VTPN		15	TPN, VTPN
	Pre	A09A, A11B		Pre	A09A, A11B		Pre	A07D, A09A, A09E, A11B, A11F, A13F
D26.1	13	N04Z, N05A, N05B, N14Z, N21Z, N25Z, N62A, N62B	D30.3	11	L02A, L02B, L02C, L03Z, L10Z, L13A, L13B, L38Z, L62A, L62B	D33.4	01	B02A, B02B, B02C, B02D, B66A, B66B, B66C, B66D
	15	TPN, VTPN		15	TPN, VTPN		15	TPN, VTPN
	Pre	A09A, A11B		Pre	A09A, A11B		Pre	A07D, A09A, A09E, A11B, A11F, A13F
D26.7	13	N04Z, N05A, N05B, N14Z, N21Z, N25Z, N62A, N62B	D30.4	11	L02A, L02B, L02C, L03Z, L10Z, L13A, L13B, L38Z, L62A, L62B	D33.7	01	B02A, B02B, B02C, B02D, B66A, B66B, B66C, B66D
	15	TPN, VTPN		15	TPN, VTPN		15	TPN, VTPN
	Pre	A09A, A11B		Pre	A09A, A11B		Pre	A07D, A09A, A09E, A11B, A11F, A13F
D26.9	13	N04Z, N05A, N05B, N14Z, N21Z, N25Z, N62A, N62B	D30.7	11	L02A, L02B, L02C, L03Z, L10Z, L13A, L13B, L38Z, L62A, L62B	D33.9	01	B02A, B02B, B02C, B02D, B66A, B66B, B66C, B66D
	15	TPN, VTPN		15	TPN, VTPN		15	TPN, VTPN
	Pre	A09A, A11B		Pre	A09A, A11B		Pre	A07D, A09A, A09E, A11B, A11F, A13F
D27	13	N04Z, N05A, N05B, N14Z, N21Z, N25Z, N62A, N62B	D30.9	11	L02A, L02B, L02C, L03Z, L10Z, L13A, L13B, L38Z, L62A, L62B	D34	10	K64A, K64B, K64C, K64D
	15	TPN, VTPN		15	TPN, VTPN		15	TPN, VTPN
	Pre	A09A, A11B		Pre	A09A, A11B		Pre	A09A, A11B
D28.0	13	N04Z, N05A, N05B, N14Z, N21Z, N25Z, N62A, N62B	D31.0	02	C63Z	D35.0	05	F67B
	15	TPN, VTPN		15	TPN, VTPN		10	K64A, K64B, K64C, K64D
	Pre	A09A, A11B		Pre	A09A, A11B		15	TPN, VTPN
D28.1	13	N04Z, N05A, N05B, N14Z, N21Z, N25Z, N62A, N62B	D31.1	02	C63Z	D35.1	10	K64A, K64B, K64C, K64D
	15	TPN, VTPN		15	TPN, VTPN		15	TPN, VTPN
	Pre	A09A, A11B		Pre	A09A, A11B		Pre	A09A, A11B
D28.2	13	N04Z, N05A, N05B, N14Z, N21Z, N25Z, N62A, N62B	D31.2	02	C63Z	D35.2	01	B02A, B02B, B02C, B02D
	15	TPN, VTPN		15	TPN, VTPN		10	K64A, K64B, K64C, K64D
	Pre	A09A, A11B		Pre	A09A, A11B		15	TPN, VTPN
D28.7	13	N04Z, N05A, N05B, N14Z, N21Z, N25Z, N62A, N62B	D31.3	02	C63Z	D35.3	01	B02A, B02B, B02C, B02D, B66A, B66B, B66C, B66D
	15	TPN, VTPN		15	TPN, VTPN		15	TPN, VTPN
	Pre	A09A, A11B		Pre	A09A, A11B		Pre	A09A, A11B
D28.9	13	N04Z, N05A, N05B, N14Z, N21Z, N25Z, N62A, N62B	D31.4	02	C63Z	D35.4	01	B02A, B02B, B02C, B02D, B66A, B66B, B66C, B66D
	15	TPN, VTPN		15	TPN, VTPN		15	TPN, VTPN
	Pre	A09A, A11B		Pre	A09A, A11B		Pre	A09A, A11B
D29.0	12	M64Z	D31.5	02	C63Z	D35.5	01	B66A, B66B, B66C, B66D
	15	TPN, VTPN		15	TPN, VTPN		15	TPN, VTPN
	Pre	A09A, A11B		Pre	A09A, A11B		Pre	A09A, A11B
D29.1	12	M64Z	D31.6	02	C63Z	D35.6	01	B66A, B66B, B66C, B66D
	15	TPN, VTPN		15	TPN, VTPN		15	TPN, VTPN
	Pre	A09A, A11B		Pre	A09A, A11B		Pre	A09A, A11B
D29.2	12	M64Z	D31.9	02	C63Z			
	15	TPN, VTPN		15	TPN, VTPN			
	Pre	A09A, A11B		Pre	A09A, A11B			
D29.3	12	M64Z	D32.0	01	B02A, B02B, B02C, B02D, B66A, B66B, B66C, B66D			
	15	TPN, VTPN		15	TPN, VTPN			
	Pre	A09A, A11B		Pre	A07D, A09A, A09E, A11B, A11F, A13F			
D29.4	12	M64Z	D32.1	01	B02A, B02B, B02C, B02D, B66A, B66B, B66C, B66D			
	15	TPN, VTPN		15	TPN, VTPN			
	Pre	A09A, A11B		Pre	A07D, A09A, A09E, A11B, A11F, A13F			

ICD	MDC	DRG	ICD	MDC	DRG	ICD	MDC	DRG
D35.7	10	K64A, K64B, K64C, K64D	D38.1	04	E05B, E71A, E71B	D41.3	11	L02A, L02B, L02C, L03Z, L10Z, L13A, L13B, L38Z, L62A, L62B
	15	TPN, VTPN		15	TPN, VTPN		15	TPN, VTPN
	Pre	A09A, A11B		Pre	A09A, A11B		Pre	A09A, A11B, A15C
D35.8	10	K64A, K64B, K64C, K64D	D38.2	04	E05B, E71A, E71B	D41.4	11	L02A, L02B, L02C, L03Z, L10Z, L13A, L13B, L38Z, L62A, L62B
	15	TPN, VTPN		15	TPN, VTPN		15	TPN, VTPN
	Pre	A09A, A11B		Pre	A09A, A11B		Pre	A09A, A11B, A15C
D35.9	10	K64A, K64B, K64C, K64D	D38.3	04	E05B, E71A, E71B	D41.7	11	L02A, L02B, L02C, L03Z, L10Z, L13A, L13B, L38Z, L62A, L62B
	15	TPN, VTPN		15	TPN, VTPN		15	TPN, VTPN
	Pre	A09A, A11B		Pre	A09A, A11B		Pre	A09A, A11B, A15C
D36.0	15	TPN, VTPN	D38.4	04	E05B, E71A, E71B	D41.9	11	L02A, L02B, L02C, L03Z, L10Z, L13A, L13B, L38Z, L62A, L62B
	16	Q60A, Q60B, Q60C, Q60D, Q60E		15	TPN, VTPN		15	TPN, VTPN
	Pre	A09A, A11B		Pre	A09A, A11B		Pre	A09A, A11B, A15C
D36.1	01	B66A, B66B, B66C, B66D	D38.5	04	E05B, E71A, E71B	D42.0	01	B02A, B02B, B02C, B02D, B66A, B66B, B66C, B66D
	15	TPN, VTPN		15	TPN, VTPN		15	TPN, VTPN
	Pre	A09A, A11B		Pre	A09A, A11B		Pre	A09A, A11B, A15C
D36.7	15	TPN, VTPN	D38.6	04	E05B, E71A, E71B	D42.1	01	B02A, B02B, B02C, B02D, B66A, B66B, B66C, B66D
	17	R04A, R04B, R12A, R12B, R12C, R13Z, R14Z, R62A, R62B, R62C		15	TPN, VTPN		15	TPN, VTPN
	Pre	A09A, A11B		Pre	A09A, A11B		Pre	A09A, A11B, A15C
D36.9	15	TPN, VTPN	D39.0	13	N03A, N03B, N38Z, N60A, N60B	D42.9	01	B02A, B02B, B02C, B02D, B66A, B66B, B66C, B66D
	17	R04A, R04B, R12A, R12B, R12C, R13Z, R14Z, R62A, R62B, R62C		15	TPN, VTPN		15	TPN, VTPN
	Pre	A09A, A11B		Pre	A09A, A11B		Pre	A09A, A11B, A15C
D37.0	03	D09Z, D25A, D25B, D28Z, D60A, D60B, D60C	D39.1	13	N01A, N01B, N01C, N01D, N01E, N02A, N02B, N02C, N38Z, N60A, N60B	D43.0	01	B02A, B02B, B02C, B02D, B66A, B66B, B66C, B66D
	15	TPN, VTPN		15	TPN, VTPN		15	TPN, VTPN
	Pre	A09A, A11B		Pre	A09A, A11B		Pre	A09A, A11B, A15C
D37.1	06	G19A, G38Z, G46A, G46B, G46C, G50Z, G60A, G60B	D39.2	13	N03A, N03B, N38Z, N60A, N60B	D43.1	01	B02A, B02B, B02C, B02D, B66A, B66B, B66C, B66D
	15	TPN, VTPN		15	TPN, VTPN		15	TPN, VTPN
	Pre	A09A, A11B		Pre	A09A, A11B		Pre	A09A, A11B, A15C
D37.2	06	G19A, G38Z, G46A, G46B, G46C, G50Z, G60A, G60B	D39.7	13	N03A, N03B, N38Z, N60A, N60B	D43.2	01	B02A, B02B, B02C, B02D, B66A, B66B, B66C, B66D
	15	TPN, VTPN		15	TPN, VTPN		15	TPN, VTPN
	Pre	A09A, A11B		Pre	A09A, A11B		Pre	A09A, A11B, A15C
D37.3	06	G19A, G38Z, G46A, G46B, G46C, G50Z, G60A, G60B	D39.9	13	N03A, N03B, N38Z, N60A, N60B	D43.3	01	B02A, B02B, B02C, B02D, B66A, B66B, B66C, B66D
	15	TPN, VTPN		15	TPN, VTPN		15	TPN, VTPN
	Pre	A09A, A11B		Pre	A09A, A11B		Pre	A09A, A11B, A15C
D37.4	06	G19A, G38Z, G46A, G46B, G46C, G50Z, G60A, G60B	D40.0	12	M09A, M09B, M60A, M60B, M60C	D43.4	01	B02A, B02B, B02C, B02D, B66A, B66B, B66C, B66D
	15	TPN, VTPN		15	TPN, VTPN		15	TPN, VTPN
	Pre	A09A, A11B		Pre	A09A, A11B, A15C		Pre	A09A, A11B, A15C
D37.5	06	G19A, G38Z, G46A, G46B, G46C, G50Z, G60A, G60B	D40.1	12	M09A, M09B, M60A, M60B, M60C	D43.7	01	B02A, B02B, B02C, B02D, B66A, B66B, B66C, B66D
	15	TPN, VTPN		15	TPN, VTPN		15	TPN, VTPN
	Pre	A09A, A11B		Pre	A09A, A11B, A15C		Pre	A09A, A11B, A15C
D37.6	07	H09B, H61A, H61B, H78Z	D40.7	12	M09A, M09B, M60A, M60B, M60C	D43.9	01	B02A, B02B, B02C, B02D, B66A, B66B, B66C, B66D
	15	TPN, VTPN		15	TPN, VTPN		15	TPN, VTPN
	Pre	A09A, A11B		Pre	A09A, A11B, A15C		Pre	A09A, A11B, A15C
D37.70	06	G19A, G38Z, G46A, G46B, G46C, G50Z, G60A, G60B	D40.9	12	M09A, M09B, M60A, M60B, M60C	D44.0	10	K64A, K64B, K64C, K64D
	15	TPN, VTPN		15	TPN, VTPN		15	TPN, VTPN
	Pre	A09A, A11B		Pre	A09A, A11B, A15C		Pre	A09A, A11B, A15C
D37.78	06	G19A, G38Z, G46A, G46B, G46C, G50Z, G60A, G60B	D41.0	11	L02A, L02B, L02C, L03Z, L10Z, L13A, L13B, L38Z, L62A, L62B	D44.1	05	F67B
	15	TPN, VTPN		15	TPN, VTPN		10	K03A, K03B, K64A, K64B, K64C, K64D
	Pre	A09A, A11B		Pre	A09A, A11B, A15C		15	TPN, VTPN
D37.9	06	G19A, G38Z, G46A, G46B, G46C, G50Z, G60A, G60B	D41.1	11	L02A, L02B, L02C, L03Z, L10Z, L13A, L13B, L38Z, L62A, L62B		Pre	A09A, A11B, A15C
	15	TPN, VTPN		15	TPN, VTPN		10	K64A, K64B, K64C, K64D
	Pre	A09A, A11B		Pre	A09A, A11B, A15C		15	TPN, VTPN
D38.0	03	D09Z, D25A, D25B, D28Z, D60A, D60B, D60C	D41.2	11	L02A, L02B, L02C, L03Z, L10Z, L13A, L13B, L38Z, L62A, L62B	D44.2	10	K64A, K64B, K64C, K64D
	15	TPN, VTPN		15	TPN, VTPN		15	TPN, VTPN
	Pre	A09A, A11B		Pre	A09A, A11B, A15C		Pre	A09A, A11B, A15C

Dg

ICD	MDC	DRG	ICD	MDC	DRG	ICD	MDC	DRG
D44.3	01	B02A, B02B, B02C, B02D	D46.6	15	TPN, VTPN	D48.1	08	I65A, I65B, I65C
	10	K64A, K64B, K64C, K64D		17	R01A, R01B, R01C, R01D, R03Z, R11A, R11B, R11C, R61A, R61B, R61C, R61D, R61E, R61F, R61G, R61H		15	TPN, VTPN
	15	TPN, VTPN				Pre		A09A, A11B
	Pre	A09A, A11B, A15C				D48.2	08	I65A, I65B, I65C
D44.4	01	B02A, B02B, B02C, B02D, B66A, B66B, B66C, B66D		Pre	A07D, A09A, A09E, A11B, A11F, A13F		15	TPN, VTPN
	15	TPN, VTPN	D46.7	15	TPN, VTPN	Pre		A09A, A11B
	Pre	A09A, A11B, A15C		17	R01A, R01B, R01C, R01D, R03Z, R11A, R11B, R11C, R61A, R61B, R61C, R61D, R61E, R61F, R61G, R61H	D48.3	06	G19A, G38Z, G46A, G46B, G46C, G50Z, G60A, G60B
D44.5	01	B02A, B02B, B02C, B02D, B66A, B66B, B66C, B66D		Pre	A07D, A09A, A09E, A11B, A11F, A13F		15	TPN, VTPN
	15	TPN, VTPN	D46.9	15	TPN, VTPN	Pre		A09A, A11B
	Pre	A09A, A11B, A15C		17	R01A, R01B, R01C, R01D, R03Z, R11A, R11B, R11C, R61A, R61B, R61C, R61D, R61E, R61F, R61G, R61H	D48.4	06	G19A, G38Z, G46A, G46B, G46C, G50Z, G60A, G60B
D44.6	01	B66A, B66B, B66C, B66D		Pre	A07D, A09A, A09E, A11B, A11F, A13F		15	TPN, VTPN
	15	TPN, VTPN	D47.0	15	TPN, VTPN	Pre		A09A, A11B
	Pre	A09A, A11B, A15C		17	R01A, R01B, R01C, R01D, R03Z, R11A, R11B, R11C, R61A, R61B, R61C, R61D, R61E, R61F, R61G, R61H	D48.5	09	J67A, J67B, J68A, J68B
D44.7	01	B66A, B66B, B66C, B66D		Pre	A07D, A09A, A09E, A11B, A11F, A13F		15	TPN, VTPN
	15	TPN, VTPN	D47.1	15	TPN, VTPN	Pre		A09A, A11B
	Pre	A09A, A11B, A15C		17	R01A, R01B, R01C, R01D, R03Z, R11A, R11B, R11C, R61A, R61B, R61C, R61D, R61E, R61F, R61G, R61H	D48.6	09	J06Z, J07A, J07B, J08A, J08B, J08C, J14A, J14B, J16Z, J23Z, J25Z, J26Z, J62A, J62B
D44.8	10	K64A, K64B, K64C, K64D		Pre	A07D, A09A, A09E, A11B, A11F, A13F		15	TPN, VTPN
	Pre	A09A, A11B, A15C	D47.2	15	TPN, VTPN	Pre		A09A, A11B
D44.9	10	K64A, K64B, K64C, K64D		16	Q60A, Q60B, Q60C	D48.7	15	TPN, VTPN
	15	TPN, VTPN		Pre	A09A, A11B		17	R04A, R04B, R12A, R12B, R12C, R13Z, R14Z, R62A, R62B, R62C
	Pre	A09A, A11B, A15C	D47.3	15	TPN, VTPN	Pre		A09A, A11B
D45	15	TPN, VTPN		17	R01A, R01B, R01C, R01D, R03Z, R11A, R11B, R11C, R61A, R61B, R61C, R61D, R61E, R61F, R61G, R61H	D48.9	15	TPN, VTPN
	17	R01A, R01B, R01C, R01D, R03Z, R11A, R11B, R11C, R61A, R61B, R61C, R61D, R61E, R61F, R61G, R61H	D47.4	15	TPN, VTPN		17	R04A, R04B, R12A, R12B, R12C, R13Z, R14Z, R62A, R62B, R62C
	Pre	A07D, A09A, A09E, A11B, A11F, A13F		17	R01A, R01B, R01C, R01D, R03Z, R11A, R11B, R11C, R61A, R61B, R61C, R61D, R61E, R61F, R61G, R61H	Pre		A09A, A11B
D46.0	15	TPN, VTPN	D47.5	15	TPN, VTPN	D50.0	16	Q61A, Q61B, Q61C, Q61D, Q61E
	17	R01A, R01B, R01C, R01D, R03Z, R11A, R11B, R11C, R61A, R61B, R61C, R61D, R61E, R61F, R61G, R61H		Pre	A09A, A11B		18A	S65A, S65B
	Pre	A07D, A09A, A09E, A11B, A11F, A13F	D47.7	15	TPN, VTPN	Pre		A09A, A11B
D46.1	15	TPN, VTPN		17	R01A, R01B, R01C, R01D, R03Z, R11A, R11B, R11C, R61A, R61B, R61C, R61D, R61E, R61F, R61G, R61H	D50.1	16	Q61A, Q61B, Q61C, Q61D, Q61E
	17	R01A, R01B, R01C, R01D, R03Z, R11A, R11B, R11C, R61A, R61B, R61C, R61D, R61E, R61F, R61G, R61H	D47.8	15	TPN, VTPN		18A	S65A, S65B
	Pre	A07D, A09A, A09E, A11B, A11F, A13F		Pre	A09A, A11B	Pre		A09A, A11B
D46.2	15	TPN, VTPN	D47.9	15	TPN, VTPN	D50.8	16	Q61A, Q61B, Q61C, Q61D, Q61E
	17	R04A, R04B, R12A, R12B, R12C, R13Z, R14Z, R60A, R60B, R60C, R60D, R60E, R60F, R60G		17	R01A, R01B, R01C, R01D, R03Z, R11A, R11B, R11C, R61A, R61B, R61C, R61D, R61E, R61F, R61G, R61H		18A	S65A, S65B
	Pre	A07D, A09A, A09E, A11B, A11F, A13F		Pre	A09A, A11B	Pre		A09A, A11B
D46.4	15	TPN, VTPN	D48.0	08	I65A, I65B, I65C	D50.9	16	Q61A, Q61B, Q61C, Q61D, Q61E
	17	R01A, R01B, R01C, R01D, R03Z, R11A, R11B, R11C, R61A, R61B, R61C, R61D, R61E, R61F, R61G, R61H		15	TPN, VTPN		18A	S65A, S65B
	Pre	A07D, A09A, A09E, A11B, A11F, A13F		17	R01A, R01B, R01C, R01D, R03Z, R11A, R11B, R11C, R61A, R61B, R61C, R61D, R61E, R61F, R61G, R61H	Pre		A09A, A11B
D46.5	15	TPN, VTPN		Pre	A09A, A11B	D51.0	16	Q61B, Q61C, Q61D
	17	R01A, R01B, R01C, R01D, R03Z, R11A, R11B, R11C, R61A, R61B, R61C, R61D, R61E, R61F, R61G, R61H		17	R01A, R01B, R01C, R01D, R03Z, R11A, R11B, R11C, R61A, R61B, R61C, R61D, R61E, R61F, R61G, R61H		18A	S65A, S65B
	Pre	A07D, A09A, A09E, A11B, A11F, A13F		Pre	A09A, A11B	Pre		A09A, A11B
	Pre	A07D, A09A, A09E, A11B, A11F, A13F		15	TPN, VTPN	D51.1	16	Q61B, Q61C, Q61D
				17	R01A, R01B, R01C, R01D, R03Z, R11A, R11B, R11C, R61A, R61B, R61C, R61D, R61E, R61F, R61G, R61H		18A	S65A, S65B
				Pre	A09A, A11B	Pre		A09A, A11B
				15	TPN, VTPN	D51.2	16	Q61B, Q61C, Q61D
				17	R01A, R01B, R01C, R01D, R03Z, R11A, R11B, R11C, R61A, R61B, R61C, R61D, R61E, R61F, R61G, R61H		18A	S65A, S65B
				Pre	A09A, A11B	Pre		A09A, A11B
				15	TPN, VTPN	D51.3	16	Q61B, Q61C, Q61D
				17	R01A, R01B, R01C, R01D, R03Z, R11A, R11B, R11C, R61A, R61B, R61C, R61D, R61E, R61F, R61G, R61H		18A	S65A, S65B
				Pre	A09A, A11B	Pre		A09A, A11B
				15	TPN, VTPN	D51.8	16	Q61B, Q61C, Q61D
				17	R01A, R01B, R01C, R01D, R03Z, R11A, R11B, R11C, R61A, R61B, R61C, R61D, R61E, R61F, R61G, R61H		18A	S65A, S65B
				Pre	A09A, A11B	Pre		A09A, A11B
				15	TPN, VTPN	D51.9	16	Q61B, Q61C, Q61D
				17	R01A, R01B, R01C, R01D, R03Z, R11A, R11B, R11C, R61A, R61B, R61C, R61D, R61E, R61F, R61G, R61H		18A	S65A, S65B
				Pre	A09A, A11B	Pre		A09A, A11B
				08	I65A, I65B, I65C	D52.0	16	Q61A, Q61B, Q61C, Q61D, Q61E
				15	TPN, VTPN		18A	S65A, S65B
				Pre	A09A, A11B	Pre		A09A, A11B

ICD	MDC	DRG	ICD	MDC	DRG	ICD	MDC	DRG
D52.1	16	Q61A, Q61B, Q61C, Q61D, Q61E	D56.9	16	Q61A, Q61B, Q61C, Q61D, Q61E	D60.0	15	TPN, VTPN
	18A	S65A, S65B		Pre	A09A, A11B		16	Q61A, Q61B, Q61C, Q61D, Q61E
	Pre	A09A, A11B	D57.0	15	TPN, VTPN		18A	S65A, S65B
D52.8	16	Q61A, Q61B, Q61C, Q61D, Q61E		16	Q61B, Q61C, Q61D		Pre	A07D, A09A, A09E, A11B, A11F, A13F
	18A	S65A, S65B	D57.1	16	Q61A, Q61B, Q61C, Q61D, Q61E	D60.1	15	TPN, VTPN
	Pre	A09A, A11B		Pre	A09A, A11B		16	Q61A, Q61B, Q61C, Q61D, Q61E
D52.9	16	Q61A, Q61B, Q61C, Q61D, Q61E	D57.2	16	Q61A, Q61B, Q61C, Q61D, Q61E		18A	S65A, S65B
	18A	S65A, S65B		Pre	A09A, A11B		Pre	A07D, A09A, A09E, A11B, A11F, A13F
	Pre	A09A, A11B	D57.3	16	Q61A, Q61B, Q61C, Q61D, Q61E	D60.8	15	TPN, VTPN
D53.0	16	Q61A, Q61B, Q61C, Q61D, Q61E		Pre	A09A, A11B		16	Q61A, Q61B, Q61C, Q61D, Q61E
	18A	S65A, S65B	D57.8	16	Q61A, Q61B, Q61C, Q61D, Q61E		18A	S65A, S65B
	Pre	A09A, A11B		Pre	A09A, A11B		Pre	A07D, A09A, A09E, A11B, A11F, A13F
D53.1	16	Q61A, Q61B, Q61C, Q61D, Q61E	D58.0	16	Q61A, Q61B, Q61C, Q61D, Q61E	D60.9	15	TPN, VTPN
	18A	S65A, S65B		Pre	A09A, A11B		16	Q61A, Q61B, Q61C, Q61D, Q61E
	Pre	A09A, A11B	D58.1	16	Q61A, Q61B, Q61C, Q61D, Q61E		18A	S65A, S65B
D53.2	16	Q61A, Q61B, Q61C, Q61D, Q61E		Pre	A09A, A11B		Pre	A07D, A09A, A09E, A11B, A11F, A13F
	18A	S65A, S65B	D58.2	16	Q61A, Q61B, Q61C, Q61D, Q61E	D61.0	15	TPN, VTPN
	Pre	A09A, A11B		Pre	A09A, A11B		16	Q61B, Q61C, Q61D
D53.8	16	Q61A, Q61B, Q61C, Q61D, Q61E	D58.8	16	Q61A, Q61B, Q61C, Q61D, Q61E		Pre	A07D, A09A, A09E, A11B, A11F, A13F
	18A	S65A, S65B		Pre	A09A, A11B	D61.10	15	TPN, VTPN
	Pre	A09A, A11B	D58.9	16	Q61A, Q61B, Q61C, Q61D, Q61E		16	Q61B, Q61C, Q61D
D53.9	16	Q61A, Q61B, Q61C, Q61D, Q61E		Pre	A09A, A11B		18A	S65A, S65B
	18A	S65A, S65B	D59.0	16	Q61B, Q61C, Q61D		Pre	A07D, A09A, A09E, A11B, A11F, A13F
	Pre	A09A, A11B		18A	S65A, S65B	D61.18	15	TPN, VTPN
D55.0	15	TPN, VTPN	D59.1	16	Q61B, Q61C, Q61D		16	Q61B, Q61C, Q61D
	16	Q61A, Q61B, Q61C, Q61D, Q61E		18A	S65A, S65B		18A	S65A, S65B
	Pre	A09A, A11B	D59.2	16	Q61A, Q61B, Q61C, Q61D, Q61E		Pre	A07D, A09A, A09E, A11B, A11F, A13F
D55.1	15	TPN, VTPN		Pre	A09A, A11B	D61.19	15	TPN, VTPN
	16	Q61A, Q61B, Q61C, Q61D, Q61E	D59.3	11	L72Z		16	Q61B, Q61C, Q61D
	Pre	A09A, A11B		15	TPN, VTPN		18A	S65A, S65B
D55.2	16	Q61A, Q61B, Q61C, Q61D, Q61E	D59.4	16	Q61A, Q61B, Q61C, Q61D, Q61E		Pre	A07D, A09A, A09E, A11B, A11F, A13F
	Pre	A09A, A11B		18A	S65A, S65B	D61.3	15	TPN, VTPN
D55.3	16	Q61A, Q61B, Q61C, Q61D, Q61E	D59.5	16	Q61A, Q61B, Q61C, Q61D, Q61E		16	Q61B, Q61C, Q61D
	Pre	A09A, A11B		Pre	A09A, A11B		18A	S65A, S65B
D55.8	16	Q61A, Q61B, Q61C, Q61D, Q61E		18A	S65A, S65B		Pre	A07D, A09A, A09E, A11B, A11F, A13F
	Pre	A09A, A11B	D59.6	16	Q61A, Q61B, Q61C, Q61D, Q61E	D61.8	15	TPN, VTPN
D55.9	16	Q61A, Q61B, Q61C, Q61D, Q61E		Pre	A09A, A11B		16	Q61B, Q61C, Q61D
	Pre	A09A, A11B	D59.8	16	Q61A, Q61B, Q61C, Q61D, Q61E		18A	S65A, S65B
D56.0	16	Q61A, Q61B, Q61C, Q61D, Q61E		18A	S65A, S65B		Pre	A07D, A09A, A09E, A11B, A11F, A13F
	Pre	A09A, A11B	D59.9	16	Q61A, Q61B, Q61C, Q61D, Q61E	D61.9	15	TPN, VTPN
D56.1	16	Q61A, Q61B, Q61C, Q61D, Q61E		Pre	A09A, A11B		16	Q61B, Q61C, Q61D
	Pre	A09A, A11B		18A	S65A, S65B		18A	S65A, S65B
D56.2	16	Q61A, Q61B, Q61C, Q61D, Q61E		Pre	A09A, A11B		Pre	A07D, A09A, A09E, A11B, A11F, A13F
	Pre	A09A, A11B	D59.8	16	Q61A, Q61B, Q61C, Q61D, Q61E	D62	16	Q61A, Q61B, Q61C, Q61D, Q61E
D56.3	16	Q61A, Q61B, Q61C, Q61D, Q61E		18A	S65A, S65B		18A	S65A, S65B
	Pre	A09A, A11B	D59.9	16	Q61A, Q61B, Q61C, Q61D, Q61E		Pre	A07D, A09A, A09E, A11B, A11F, A13F
D56.4	16	Q61A, Q61B, Q61C, Q61D, Q61E		Pre	A09A, A11B	D63.0	16	Q61A, Q61B, Q61C, Q61D, Q61E
	Pre	A09A, A11B		18A	S65A, S65B	D63.8	18A	S65A, S65B
D56.8	16	Q61A, Q61B, Q61C, Q61D, Q61E		Pre	A09A, A11B		Pre	A09A, A11B
	Pre	A09A, A11B					Pre	A09A, A11B

ICD	MDC	DRG	ICD	MDC	DRG	ICD	MDC	DRG	
D64.0	15	TPN, VTPN	D68.0	03	D30A	D69.52	16	Q60A, Q60B, Q60C	
	16	Q61A, Q61B, Q61C, Q61D, Q61E		06	G67A		18A	S65A, S65B	
	18A	S65A, S65B		10	K62A		18B	T64A, T64B	
D64.1	Pre	A09A, A11B	D68.1	15	TPN, VTPN	D69.53	Pre	A07D, A09A, A09E, A11B, A11F, A13F	
	15	TPN, VTPN		16	Q60A, Q60B, Q60C		KK11, KKI, KKII, KKP		
	16	Q61A, Q61B, Q61C, Q61D, Q61E		Pre	A07D, A09A, A09E, A11B, A11F, A13F		07	H08A	
D64.2	18A	S65A, S65B	D68.2	03	D30A	D69.57	10	K62A	
	Pre	A09A, A11B		06	G67A		16	Q60A, Q60B, Q60C	
	15	TPN, VTPN		10	K62A		18A	S65A, S65B	
D64.3	16	Q61A, Q61B, Q61C, Q61D, Q61E	D68.30	15	TPN, VTPN	D69.58	18B	T64A, T64B	
	18A	S65A, S65B		16	Q60A, Q60B, Q60C		Pre	A07D, A09A, A09E, A11B, A11F, A13F	
	Pre	A09A, A11B		Pre	A07D, A09A, A09E, A11B, A11F, A13F		16	Q60A, Q60B, Q60C	
D64.4	15	TPN, VTPN	D68.31	10	K62A	D69.59	17	R62A	
	16	Q61A, Q61B, Q61C, Q61D, Q61E		15	TPN, VTPN		18A	S65A, S65B	
	18A	S65A, S65B		16	Q60A, Q60B, Q60C		18B	T64A, T64B	
D64.8	Pre	A09A, A11B	D68.32	Pre	A07D, A09A, A09E, A11B, A11F, A13F	D69.60	Pre	A07D, A09A, A09E, A11B, A11F, A13F	
	16	Q61A, Q61B, Q61C, Q61D, Q61E		15	TPN, VTPN		16	Q60A, Q60B, Q60C	
	18A	S65A, S65B		16	Q60A, Q60B, Q60C		18A	S65A, S65B	
D64.9	Pre	A09A, A11B	D68.38	Pre	A07D, A09A, A09E, A11B, A11F, A13F	D69.61	18B	T64A, T64B	
	16	Q61A, Q61B, Q61C, Q61D, Q61E		15	TPN, VTPN		Pre	A07D, A09A, A09E, A11B, A11F, A13F	
	18A	S65A, S65B		16	Q60A, Q60B, Q60C		16	Q60A, Q60B, Q60C	
D65.0	Pre	A09A, A11B	D68.4	Pre	A07D, A09A, A09E, A11B, A11F, A13F	D69.8	18A	S65A, S65B	
	KK11, KKI, KKII, KKP	D68.5		16	Q60A, Q60B, Q60C		D69.9	18B	T64A, T64B
	03			D30A	Pre			A07D, A09A, A09E, A11B, A11F, A13F	Pre
10	K62A		16	Q60A, Q60B, Q60C	15	TPN, VTPN			
D65.1	16	Q60A, Q60B, Q60C	D68.6	Pre	A07D, A09A, A09E, A11B, A11F, A13F	D70.0	16	Q60A, Q60B, Q60C	
	Pre	A07D, A09A, A09E, A11B, A11F, A13F		16	Q60A, Q60B, Q60C		14	O01A, O01B, O01C, O01D, O01E, O01F, O01G, O60A, O60B, O60C	
	KK11, KKI, KKII, KKP	D68.8		Pre	A07D, A09A, A09E, A11B, A11F, A13F		15	TPN, VTPN	
03	D30A		16	Q60A, Q60B, Q60C	16	Q60A, Q60B, Q60C			
16	Q60A, Q60B, Q60C		Pre	A07D, A09A, A09E, A11B, A11F, A13F	17	R60B, R60C, R61A, R61B, R61C, R61E, R62A, R63B, R63C, R63D, R63F			
D65.2	Pre	A07D, A09A, A09E, A11B, A11F, A13F	D68.9	16	Q60A, Q60B, Q60C, Q60D, Q60E	D69.1	18A	S65A, S65B	
	KK11, KKI, KKII, KKP	D69.0		Pre	A07D, A09A, A09E, A11B, A11F, A13F		D69.2	Pre	A07D, A09A, A09E, A11B, A11F, A13F
	03			D30A	16			Q60A, Q60B, Q60C	16
16	Q60A, Q60B, Q60C		Pre	A07D, A09A, A09E, A11B, A11F, A13F	Pre	A07D, A09A, A09E, A11B, A11F, A13F			
D65.9	Pre	A07D, A09A, A09E, A11B, A11F, A13F	D69.1	Pre	A07D, A09A, A09E, A11B, A11F, A13F	D69.3	16	Q60A, Q60B, Q60C	
	KK11, KKI, KKII, KKP	D69.2		16	Q60A, Q60B, Q60C		D69.40	Pre	A07D, A09A, A09E, A11B, A11F, A13F
	03			D30A	Pre			A07D, A09A, A09E, A11B, A11F, A13F	16
16	Q60A, Q60B, Q60C		16	Q60A, Q60B, Q60C	Pre	A07D, A09A, A09E, A11B, A11F, A13F			
D66	Pre	A07D, A09A, A09E, A11B, A11F, A13F	D69.3	Pre	A07D, A09A, A09E, A11B, A11F, A13F	D69.41	16	Q60A, Q60B, Q60C	
	03	D30A		16	Q60A, Q60B, Q60C		Pre	A07D, A09A, A09E, A11B, A11F, A13F	
	06	G67A		Pre	A07D, A09A, A09E, A11B, A11F, A13F		16	Q60A, Q60B, Q60C	
D67	10	K62A	D69.41	16	Q60A, Q60B, Q60C	D69.41	Pre	A07D, A09A, A09E, A11B, A11F, A13F	
	15	TPN, VTPN		Pre	A07D, A09A, A09E, A11B, A11F, A13F		16	Q60A, Q60B, Q60C	
	16	Q60A, Q60B, Q60C		Pre	A07D, A09A, A09E, A11B, A11F, A13F		Pre	A07D, A09A, A09E, A11B, A11F, A13F	

ICD	MDC	DRG	ICD	MDC	DRG	ICD	MDC	DRG		
D70.10	06	G67A	D70.18	06	G67A	D72.8	16	Q60A, Q60B, Q60C, Q60D, Q60E		
	14	O01A, O01B, O01C, O01D, O01E, O01F, O01G, O60A, O60B, O60C		14	O01A, O01B, O01C, O01D, O01E, O01F, O01G, O60A, O60B, O60C		Pre	A09A, A11B		
	15	TPN, VTPN		15	TPN, VTPN	D72.9	16	Q60A, Q60B, Q60C, Q60D, Q60E		
	16	Q60A, Q60B, Q60C		16	Q60A, Q60B, Q60C		Pre	A09A, A11B		
	17	R60B, R60C, R61A, R61B, R61C, R61E, R62A, R63B, R63C, R63D, R63F		17	R60B, R60C, R61A, R61B, R61C, R61E, R62A, R63B, R63C, R63D, R63F	D73.0	16	Q60A, Q60B, Q60C, Q60D, Q60E		
	18A	S65A, S65B		18A	S65A, S65B		Pre	A07D, A09A, A09E, A11B, A11F, A13F		
	18B	T64A, T64B		18B	T64A, T64B	D73.1	16	Q60A, Q60B, Q60C		
	Pre	A07D, A09A, A09E, A11B, A11F, A13F		Pre	A07D, A09A, A09E, A11B, A11F, A13F		18A	S65A, S65B		
	D70.11	06		G67A	D70.19	06	G67A	D73.2	16	Q60A, Q60B, Q60C
		14		O01A, O01B, O01C, O01D, O01E, O01F, O01G, O60A, O60B, O60C		14	O01A, O01B, O01C, O01D, O01E, O01F, O01G, O60A, O60B, O60C		Pre	A07D, A09A, A09E, A11B, A11F, A13F
15		TPN, VTPN	15	TPN, VTPN		D73.3	16	Q60A, Q60B, Q60C		
16		Q60A, Q60B, Q60C	16	Q60A, Q60B, Q60C			Pre	A07D, A09A, A09E, A11B, A11F, A13F		
17		R60B, R60C, R61A, R61B, R61C, R61E, R62A, R63B, R63C, R63D, R63F	17	R60B, R60C, R63B, R63C, R63D, R63F		D73.4	16	Q60A, Q60B, Q60C, Q60D, Q60E		
18A		S65A, S65B	18A	S65A, S65B			Pre	A09A, A11B		
18B		T64A, T64B	18B	T64A, T64B		D73.5	16	Q60A, Q60B, Q60C		
Pre		A07D, A09A, A09E, A11B, A11F, A13F	Pre	A07D, A09A, A09E, A11B, A11F, A13F			Pre	A07D, A09A, A09E, A11B, A11F, A13F		
D70.12		06	G67A	D70.3		06	G67A	D73.8	16	Q60A, Q60B, Q60C
		14	O01A, O01B, O01C, O01D, O01E, O01F, O01G, O60A, O60B, O60C			14	O01A, O01B, O01C, O01D, O01E, O01F, O01G, O60A, O60B, O60C		Pre	A09A, A11B
	15	TPN, VTPN	15		TPN, VTPN	D73.9	16	Q60A, Q60B, Q60C, Q60D, Q60E		
	16	Q60A, Q60B, Q60C	16		Q60A, Q60B, Q60C		Pre	A09A, A11B		
	17	R60B, R60C, R61A, R61B, R61C, R61E, R62A, R63B, R63C, R63D, R63F	17		R60B, R60C, R63B, R63C, R63D, R63F	D74.0	16	Q61A, Q61B, Q61C, Q61D, Q61E		
	18A	S65A, S65B	18A		S65A, S65B		Pre	A07D, A09A, A09E, A11B, A11F, A13F		
	18B	T64A, T64B	Pre		A07D, A09A, A09E, A11B, A11F, A13F	D74.8	16	Q61A, Q61B, Q61C, Q61D, Q61E		
	Pre	A07D, A09A, A09E, A11B, A11F, A13F	D70.5		06		G67A	Pre	A07D, A09A, A09E, A11B, A11F, A13F	
	D70.13	06	G67A		D70.6	06	G67A	D74.9	16	Q61A, Q61B, Q61C, Q61D, Q61E
		14	O01A, O01B, O01C, O01D, O01E, O01F, O01G, O60A, O60B, O60C			14	O01A, O01B, O01C, O01D, O01E, O01F, O01G, O60A, O60B, O60C		Pre	A07D, A09A, A09E, A11B, A11F, A13F
15		TPN, VTPN	15	TPN, VTPN		D75.0	16	Q60A, Q60B, Q60C		
16		Q60A, Q60B, Q60C	16	Q60A, Q60B, Q60C			Pre	A07D, A09A, A09E, A11B, A11F, A13F		
17		R60B, R60C, R61A, R61B, R61C, R61E, R62A, R63B, R63C, R63D, R63F	17	R60B, R60C, R61A, R61B, R61C, R61E, R62A, R63B, R63C, R63D, R63F		D75.1	16	Q60A, Q60B, Q60C		
18A		S65A, S65B	17	R60B, R60C, R61A, R61B, R61C, R61E, R62A, R63B, R63C, R63D, R63F			Pre	A07D, A09A, A09E, A11B, A11F, A13F		
18B		T64A, T64B	18A	S65A, S65B		D75.8	16	Q60A, Q60B, Q60C		
Pre		A07D, A09A, A09E, A11B, A11F, A13F	Pre	A07D, A09A, A09E, A11B, A11F, A13F			Pre	A07D, A09A, A09E, A11B, A11F, A13F		
D70.14		06	G67A	D70.7		06	G67A	D75.9	16	Q60A, Q60B, Q60C
		14	O01A, O01B, O01C, O01D, O01E, O01F, O01G, O60A, O60B, O60C			14	O01A, O01B, O01C, O01D, O01E, O01F, O01G, O60A, O60B, O60C		18A	S65A, S65B
	15	TPN, VTPN	15		TPN, VTPN	D76.1	Pre	A07D, A09A, A09E, A11B, A11F, A13F		
	16	Q60A, Q60B, Q60C	16		Q60A, Q60B, Q60C		10	K38Z, K63A, K63B, K63C		
	17	R60B, R60C, R61A, R61B, R61C, R61E, R62A, R63B, R63C, R63D, R63F	17		R60B, R60C, R63B, R63C, R63D, R63F	D76.2	Pre	A07D, A09A, A09E, A11B, A11F, A13F		
	18A	S65A, S65B	18A		S65A, S65B		10	K38Z, K63A, K63B, K63C		
	18B	T64A, T64B	Pre		A07D, A09A, A09E, A11B, A11F, A13F	D76.3	Pre	A07D, A09A, A09E, A11B, A11F, A13F		
	Pre	A07D, A09A, A09E, A11B, A11F, A13F	D71		16		Q60A, Q60B, Q60C	10	K63A, K63B, K63C	
	D70.15	06	G67A		D72.0	06	G67A	D77	Pre	A07D, A09A, A09E, A11B, A11F, A13F
		14	O01A, O01B, O01C, O01D, O01E, O01F, O01G, O60A, O60B, O60C			14	O01A, O01B, O01C, O01D, O01E, O01F, O01G, O60A, O60B, O60C		Pre	A07D, A09A, A09E, A11B, A11F, A13F
15		TPN, VTPN	15	TPN, VTPN		Pre	A07D, A09A, A09E, A11B, A11F, A13F			
D70.16	06	G67A	D72.1	06	G67A					
	14	O01A, O01B, O01C, O01D, O01E, O01F, O01G, O60A, O60B, O60C		14	O01A, O01B, O01C, O01D, O01E, O01F, O01G, O60A, O60B, O60C					
	15	TPN, VTPN		15	TPN, VTPN					

ICD	MDC	DRG	ICD	MDC	DRG	ICD	MDC	DRG
D89.0	15	TPN, VTPN	E06.0	10	K64A, K64B, K64C, K64D	E11.60	05	F27A, F27B, F27C
	16	Q60A, Q60B, Q60C		15	TPN, VTPN	10	K01Z, K60A, K60B, K60C, K60D, K60E	
	Pre	A07D, A09A, A09E, A11B, A11F, A13F	E06.1	10	K64A, K64B, K64C, K64D	E11.61	05	F27A, F27B, F27C
D89.1	15	TPN, VTPN	E06.2	10	K64A, K64B, K64C, K64D	10	K01Z, K60A, K60B, K60C, K60D, K60E	
	17	R01A, R01B, R01C, R01D, R03Z, R11A, R11B, R11C, R61A, R61B, R61C, R61D, R61E, R61F, R61G, R61H	E06.3	10	K64A, K64B, K64C, K64D	E11.72	05	F27A, F27B, F27C
	Pre	A07D, A09A, A09E, A11B, A11F, A13F	E06.4	10	K64A, K64B, K64C, K64D	10	K01Z, K60A, K60B, K60C, K60D, K60E	
D89.2	16	Q60A, Q60B, Q60C		15	TPN, VTPN	E11.73	05	F27A, F27B, F27C
	Pre	A07D, A09A, A09E, A11B, A11F, A13F	E06.5	10	K64A, K64B, K64C, K64D	10	K01Z, K60A, K60B, K60C, K60D, K60E	
D89.3	16	Q60A, Q60B, Q60C	E06.9	10	K64A, K64B, K64C, K64D	E11.74	05	F27A, F27B, F27C
	Pre	A07D, A09A, A09E, A11B, A11F, A13F	E07.0	10	K64A, K64B, K64C, K64D	10	K01Z, K60A, K60B, K60C, K60D, K60E	
D89.8	16	Q60A, Q60B, Q60C	E07.1	10	K64A, K64B, K64C, K64D	E11.75	05	F27A, F27B, F27C
	Pre	A07D, A09A, A09E, A11B, A11F, A13F		15	TPN, VTPN	10	K01Z, K60A, K60B, K60C, K60D, K60E	
D89.9	16	Q60A, Q60B, Q60C, Q60D, Q60E	E07.8	10	K64A, K64B, K64C, K64D	E11.80	10	K60A, K60B, K60C, K60D, K60E
	18A	S65A, S65B	E07.9	10	K64A, K64B, K64C, K64D	E11.81	10	K60A, K60B, K60C, K60D, K60E
	Pre	A07D, A09A, A09E, A11B, A11F, A13F	E10.01	10	K60A, K60B, K60C, K60D, K60E	E11.88	10	K60A, K60B, K60C, K60D, K60E
D90	16	Q60A, Q60B, Q60C	E10.11	10	K60A, K60B, K60C, K60D, K60E	E11.90	10	K60A, K60B, K60C, K60D, K60E
	18B	T64A, T64B		11	L69A, L69B	E11.91	10	K60A, K60B, K60C, K60D, K60E
	Pre	A07D, A09A, A09E, A11B, A11F, A13F	E10.20	11	L69A, L69B	E12.01	10	K60A, K60B, K60C, K60D, K60E
E00.0	10	K64A, K64B, K64C, K64D	E10.21	11	L69A, L69B	E12.11	10	K60A, K60B, K60C, K60D, K60E
E00.1	10	K64A, K64B, K64C, K64D	E10.30	02	C66Z	E12.20	11	L68A, L68B, L74Z
	15	TPN, VTPN	E10.31	02	C66Z	E12.21	11	L68A, L68B, L74Z
E00.2	10	K64A, K64B, K64C, K64D	E10.40	01	B71A, B71B, B71C, B71D	E12.30	02	C66Z
	15	TPN, VTPN	E10.41	01	B71A, B71B, B71C, B71D	E12.31	02	C66Z
E00.9	10	K64A, K64B, K64C, K64D	E10.50	05	F27A, F27B, F27C, F65A, F65B	E12.40	01	B71A, B71B, B71C, B71D
	15	TPN, VTPN	E10.51	05	F27A, F27B, F27C, F65A, F65B	E12.41	01	B71A, B71B, B71C, B71D
E01.0	10	K64A, K64B, K64C, K64D		05	F27A, F27B, F27C	E12.44	01	B71A, B71B, B71C, B71D
E01.1	10	K64A, K64B, K64C, K64D	E10.60	05	F27A, F27B, F27C	E12.50	05	F27A, F27B, F27C, F65A, F65B
E01.2	10	K64A, K64B, K64C, K64D		10	K01Z, K60A, K60B, K60C, K60D, K60E	E12.51	05	F27A, F27B, F27C, F65A, F65B
E01.8	10	K64A, K64B, K64C, K64D	E10.61	05	F27A, F27B, F27C	E12.60	05	F27A, F27B, F27C
	15	TPN, VTPN		10	K01Z, K60A, K60B, K60C, K60D, K60E	10	K01Z, K60A, K60B, K60C, K60D, K60E	
E02	10	K64A, K64B, K64C, K64D	E10.72	05	F27A, F27B, F27C	E12.61	05	F27A, F27B, F27C
	15	TPN, VTPN		10	K01Z, K60A, K60B, K60C, K60D, K60E	10	K01Z, K60A, K60B, K60C, K60D, K60E	
E03.0	10	K64A, K64B, K64C, K64D	E10.73	05	F27A, F27B, F27C	E12.72	05	F27A, F27B, F27C
	15	TPN, VTPN		10	K01Z, K60A, K60B, K60C, K60D, K60E	10	K01Z, K60A, K60B, K60C, K60D, K60E	
E03.1	10	K64A, K64B, K64C, K64D	E10.74	05	F27A, F27B, F27C	E12.73	05	F27A, F27B, F27C
	15	TPN, VTPN		10	K01Z, K60A, K60B, K60C, K60D, K60E	10	K01Z, K60A, K60B, K60C, K60D, K60E	
E03.2	10	K64A, K64B, K64C, K64D	E10.75	05	F27A, F27B, F27C	E12.74	05	F27A, F27B, F27C
E03.3	10	K64A, K64B, K64C, K64D		10	K01Z, K60A, K60B, K60C, K60D, K60E	10	K01Z, K60A, K60B, K60C, K60D, K60E	
E03.4	10	K64A, K64B, K64C, K64D	E10.80	10	K60A, K60B, K60C, K60D, K60E	E12.75	05	F27A, F27B, F27C
E03.5	01	B66A, B66B, B66C, B66D		10	K60A, K60B, K60C, K60D, K60E	10	K01Z, K60A, K60B, K60C, K60D, K60E	
	15	TPN, VTPN	E10.81	10	K60A, K60B, K60C, K60D, K60E	E12.80	10	K60A, K60B, K60C, K60D, K60E
E03.8	10	K64A, K64B, K64C, K64D	E10.90	10	K60A, K60B, K60C, K60D, K60E	E12.81	10	K60A, K60B, K60C, K60D, K60E
E03.9	10	K64A, K64B, K64C, K64D	E10.91	10	K60A, K60B, K60C, K60D, K60E	E12.90	10	K60A, K60B, K60C, K60D, K60E
E04.0	10	K64A, K64B, K64C, K64D		10	K60A, K60B, K60C, K60D, K60E	E12.91	10	K60A, K60B, K60C, K60D, K60E
E04.1	10	K64A, K64B, K64C, K64D	E11.01	10	K60A, K60B, K60C, K60D, K60E	E13.01	10	K60A, K60B, K60C, K60D, K60E
E04.2	10	K64A, K64B, K64C, K64D		10	K60A, K60B, K60C, K60D, K60E	E13.11	10	K60A, K60B, K60C, K60D, K60E
E04.8	10	K64A, K64B, K64C, K64D	E11.11	10	K60A, K60B, K60C, K60D, K60E	E13.20	11	L69A, L69B
E04.9	10	K64A, K64B, K64C, K64D		11	L69A, L69B			
E05.0	10	K64A, K64B, K64C, K64D	E11.20	11	L69A, L69B			
E05.1	10	K64A, K64B, K64C, K64D	E11.21	11	L69A, L69B			
E05.2	10	K64A, K64B, K64C, K64D	E11.30	02	C66Z			
E05.3	10	K64A, K64B, K64C, K64D	E11.31	02	C66Z			
E05.4	10	K64A, K64B, K64C, K64D	E11.40	01	B71A, B71B, B71C, B71D			
E05.5	10	K64A, K64B, K64C	E11.41	01	B71A, B71B, B71C, B71D			
E05.8	10	K64A, K64B, K64C, K64D	E11.50	05	F27A, F27B, F27C, F65A, F65B			
E05.9	10	K64A, K64B, K64C, K64D	E11.51	05	F27A, F27B, F27C, F65A, F65B			

ICD	MDC	DRG	ICD	MDC	DRG	ICD	MDC	DRG
E13.21	11	L69A, L69B	E14.81	10	K60A, K60B, K60C, K60D, K60E	E27.0	10	K64A, K64B, K64C, K64D
E13.30	02	C66Z	E14.90	10	K60A, K60B, K60C, K60D, K60E	15	TPN, VTPN	
E13.31	02	C66Z	E14.91	10	K60A, K60B, K60C, K60D, K60E	E27.1	10	K64A, K64B, K64C, K64D
E13.40	01	B71A, B71B, B71C, B71D	E15	10	K62A, K62B	15	TPN, VTPN	
E13.41	01	B71A, B71B, B71C, B71D	E16.0	10	K64A, K64B, K64C, K64D	E27.2	10	K64A, K64B, K64C
E13.50	05	F27A, F27B, F27C, F65A, F65B	E16.1	10	K64A, K64B, K64C, K64D	15	TPN, VTPN	
E13.51	05	F27A, F27B, F27C, F65A, F65B	E16.2	10	K62A, K62B	E27.3	10	K64A, K64B, K64C, K64D
E13.60	05	F27A, F27B, F27C	E16.3	10	K64A, K64B, K64C, K64D	15	TPN, VTPN	
E13.61	05	F27A, F27B, F27C	E16.4	06	G40Z, G46A, G46B, G46C, G47Z, G67A, G67B, G67C, G67D, G73Z	E27.4	10	K64A, K64B, K64C, K64D
E13.72	05	F27A, F27B, F27C	E16.8	10	K64A, K64B, K64C, K64D	15	TPN, VTPN	
E13.73	05	F27A, F27B, F27C	E16.9	10	K64A, K64B, K64C, K64D	E27.5	10	K64A, K64B, K64C, K64D
E13.74	05	F27A, F27B, F27C	E20.0	10	K64A, K64B, K64C, K64D	15	TPN, VTPN	
E13.75	05	F27A, F27B, F27C	E20.1	10	K62A, K62B	E27.8	10	K64A, K64B, K64C, K64D
E13.80	10	K60A, K60B, K60C, K60D, K60E	E20.8	10	K64A, K64B, K64C, K64D	15	TPN, VTPN	
E13.81	10	K60A, K60B, K60C, K60D, K60E	E20.9	10	K64A, K64B, K64C, K64D	15	TPN, VTPN	
E13.90	10	K60A, K60B, K60C, K60D, K60E	E21.0	05	F67B	E27.9	10	K64A, K64B, K64C, K64D
E13.91	10	K60A, K60B, K60C, K60D, K60E	E21.1	10	K64A, K64B, K64C, K64D	E28.0	13	N04Z, N05A, N05B, N14Z, N21Z, N25Z, N62A, N62B
E14.01	10	K60A, K60B, K60C, K60D, K60E	E21.2	10	K64A, K64B, K64C, K64D	E28.1	13	N04Z, N05A, N05B, N14Z, N21Z, N25Z, N62A, N62B
E14.11	10	K60A, K60B, K60C, K60D, K60E	E21.3	10	K64A, K64B, K64C, K64D	E28.2	13	N04Z, N05A, N05B, N14Z, N21Z, N25Z, N62A, N62B
E14.20	11	L69A, L69B	E21.4	10	K64A, K64B, K64C, K64D	E28.3	13	N04Z, N05A, N05B, N14Z, N21Z, N25Z, N62A, N62B
E14.21	11	L69A, L69B	E21.5	10	K64A, K64B, K64C, K64D	E28.8	13	N04Z, N05A, N05B, N14Z, N21Z, N25Z, N62A, N62B
E14.30	02	C66Z	E22.0	10	K64A, K64B, K64C, K64D	E28.9	13	N04Z, N05A, N05B, N14Z, N21Z, N25Z, N62A, N62B
E14.31	02	C66Z	E22.1	10	K64A, K64B, K64C, K64D	E29.0	10	K64A, K64B, K64C, K64D
E14.40	01	B71A, B71B, B71C, B71D	E22.2	10	K64A, K64B, K64C	15	TPN, VTPN	
E14.41	01	B71A, B71B, B71C, B71D	E22.8	10	K64A, K64B, K64C, K64D	E29.1	10	K64A, K64B, K64C, K64D
E14.50	05	F27A, F27B, F27C, F65A, F65B	E22.9	10	K64A, K64B, K64C, K64D	E29.8	10	K64A, K64B, K64C, K64D
E14.51	05	F27A, F27B, F27C, F65A, F65B	E23.0	10	K64A, K64B, K64C, K64D	E29.9	10	K64A, K64B, K64C, K64D
E14.60	05	F27A, F27B, F27C	E23.1	10	K64A, K64B, K64C, K64D	E30.0	10	K64A, K64B, K64C, K64D
E14.61	05	F27A, F27B, F27C	E23.2	10	K64A, K64B, K64C, K64D	E30.1	10	K64A, K64B, K64C, K64D
E14.72	05	F27A, F27B, F27C	E23.3	10	K64A, K64B, K64C, K64D	E30.8	10	K64A, K64B, K64C, K64D
E14.73	05	F27A, F27B, F27C	E23.6	10	K64A, K64B, K64C, K64D	E30.9	10	K64A, K64B, K64C, K64D
E14.74	05	F27A, F27B, F27C	E23.7	10	K64A, K64B, K64C, K64D	E31.0	10	K64A, K64B, K64C, K64D
E14.75	05	F27A, F27B, F27C	E24.0	10	K64A, K64B, K64C	E31.1	10	K64A, K64B, K64C, K64D
E14.80	10	K60A, K60B, K60C, K60D, K60E	E24.1	10	K64A, K64B, K64C, K64D	E31.8	10	K64A, K64B, K64C, K64D
			E24.2	10	K64A, K64B, K64C, K64D	E31.9	10	K64A, K64B, K64C, K64D
			E24.3	10	K64A, K64B, K64C, K64D	E32.0	16	Q60A, Q60B, Q60C
			E24.4	10	K64A, K64B, K64C, K64D	E32.1	15	TPN, VTPN
			E24.8	10	K64A, K64B, K64C, K64D	16	Q60A, Q60B, Q60C	
			E24.9	10	K64A, K64B, K64C, K64D	E32.8	16	Q60A, Q60B, Q60C, Q60D, Q60E
			E25.00	10	K64A, K64B, K64C, K64D	E32.9	16	Q60A, Q60B, Q60C, Q60D, Q60E
			E25.01	10	K64A, K64B, K64C, K64D	E34.0	10	K64A, K64B, K64C, K64D
			15	TPN, VTPN	E34.1	10	K64A, K64B, K64C, K64D	
			E25.08	10	K64A, K64B, K64C, K64D	E34.2	10	K64A, K64B, K64C, K64D
			15	TPN, VTPN	E34.3	10	K64A, K64B, K64C, K64D	
			E25.09	10	K64A, K64B, K64C, K64D	15	TPN, VTPN	
			15	TPN, VTPN	E34.4	23	Z64A, Z64B	
			E25.8	10	K64A, K64B, K64C, K64D	E34.50	10	K64A, K64B, K64C, K64D
			15	TPN, VTPN	E34.51	10	K64A, K64B, K64C, K64D	
			E25.9	10	K64A, K64B, K64C, K64D	E34.59	10	K64A, K64B, K64C, K64D
			15	TPN, VTPN	E34.8	10	K64A, K64B, K64C, K64D	
			E26.0	05	F67B	E34.9	10	K64A, K64B, K64C, K64D
			10	K64A, K64B, K64C, K64D	E35.1	15	TPN, VTPN	
			E26.1	10	K64A, K64B, K64C, K64D	E40	10	K60A, K60B, K60C, K60D
			E26.8	10	K64A, K64B, K64C, K64D	18A	S65A, S65B	
			E26.9	10	K64A, K64B, K64C, K64D	22	Y02A, Y02B	
					E41	10	K60A, K60B, K60C, K60D	
					18A	S65A, S65B		
					22	Y02A, Y02B		
					E42	10	K60A, K60B, K60C, K60D	
					18A	S65A, S65B		
					22	Y02A, Y02B		

ICD	MDC	DRG	ICD	MDC	DRG	ICD	MDC	DRG	
E43	10	K60A, K60B, K60C, K60D	E53.1	10	K62A, K62B	E61.9	10	K62A, K62B	
	18A	S65A, S65B		18A	S65A, S65B		18A	S65A, S65B	
	22	Y02A, Y02B		22	Y02A, Y02B		22	Y02A, Y02B	
E44.0	10	K60A, K60B, K60C, K60D	E53.8	10	K62A, K62B	E63.0	10	K62A, K62B	
	18A	S65A, S65B		18A	S65A, S65B		18A	S65A, S65B	
	22	Y02A, Y02B		22	Y02A, Y02B		22	Y02A, Y02B	
E44.1	10	K60A, K60B, K60C, K60D	E53.9	10	K62A, K62B	E63.1	10	K62A, K62B	
	18A	S65A, S65B		18A	S65A, S65B		18A	S65A, S65B	
	22	Y02A, Y02B		22	Y02A, Y02B		22	Y02A, Y02B	
E45	10	K62A, K62B	E54	10	K62A, K62B	E63.8	10	K62A, K62B	
	18A	S65A, S65B		18A	S65A, S65B		18A	S65A, S65B	
	22	Y02A, Y02B		22	Y02A, Y02B		22	Y02A, Y02B	
E46	10	K60A, K60B, K60C, K60D	E55.0	08	I69A, I69B	E63.9	10	K62A, K62B	
	15	TPN, VTPN		18A	S65A, S65B		18A	S65A, S65B	
	18A	S65A, S65B		22	Y02A, Y02B		22	Y02A, Y02B	
	22	Y02A, Y02B		E55.9	10	K62A, K62B	E64.0	22	Y02A, Y02B
E50.0	02	C63Z		18A	S65A, S65B	E64.1	22	Y02A, Y02B	
	18A	S65A, S65B		22	Y02A, Y02B	E64.2	22	Y02A, Y02B	
	22	Y02A, Y02B		E56.0	10	K62A, K62B	E64.3	22	Y02A, Y02B
E50.1	02	C63Z		18A	S65A, S65B	E64.8	22	Y02A, Y02B	
	18A	S65A, S65B		22	Y02A, Y02B	E64.9	22	Y02A, Y02B	
	22	Y02A, Y02B		E56.1	10	K62A, K62B	E65	10	K62A, K62B
E50.2	02	C63Z		18A	S65A, S65B	E66.00	10	K62A, K62B	
	18A	S65A, S65B		22	Y02A, Y02B	E66.01	10	K62A, K62B	
	22	Y02A, Y02B		E56.8	10	K62A, K62B	E66.02	10	K62A, K62B
E50.3	02	C63Z		15	P65C, P66C, P67B, P67C	E66.09	10	K62A, K62B	
	18A	S65A, S65B		18A	S65A, S65B	E66.10	10	K62A, K62B	
	22	Y02A, Y02B		22	Y02A, Y02B	E66.11	10	K62A, K62B	
E50.4	02	C63Z		E56.9	10	K62A, K62B	E66.12	10	K62A, K62B
	18A	S65A, S65B		18A	S65A, S65B	E66.19	10	K62A, K62B	
	22	Y02A, Y02B		22	Y02A, Y02B	E66.20	04	E07Z, E63Z	
E50.5	02	C63Z		E58	10	K62A, K62B	E66.21	04	E07Z, E63Z
	18A	S65A, S65B		18A	S65A, S65B	E66.22	04	E07Z, E63Z	
	22	Y02A, Y02B		22	Y02A, Y02B	E66.29	04	E07Z, E63Z	
E50.6	02	C63Z		E59	10	K62A, K62B	E66.80	10	K62A, K62B
	18A	S65A, S65B		18A	S65A, S65B	E66.81	10	K62A, K62B	
	22	Y02A, Y02B		22	Y02A, Y02B	E66.82	10	K62A, K62B	
E50.7	02	C63Z		E60	10	K62A, K62B	E66.89	10	K62A, K62B
	18A	S65A, S65B		18A	S65A, S65B	E66.90	10	K62A, K62B	
	22	Y02A, Y02B		22	Y02A, Y02B	E66.91	10	K62A, K62B	
E50.8	10	K62A, K62B		E61.0	10	K62A, K62B	E66.92	10	K62A, K62B
	18A	S65A, S65B		18A	S65A, S65B	E66.99	10	K62A, K62B	
	22	Y02A, Y02B		22	Y02A, Y02B	E67.0	10	K62A, K62B	
E50.9	10	K62A, K62B		E61.1	10	K62A, K62B	E67.1	10	K62A, K62B
	18A	S65A, S65B		18A	S65A, S65B	E67.2	10	K62A, K62B	
	22	Y02A, Y02B		22	Y02A, Y02B	E67.3	10	K62A, K62B	
E51.1	10	K62A, K62B		E61.2	10	K62A, K62B	E67.8	10	K62A, K62B
	18A	S65A, S65B		18A	S65A, S65B	E70.0	10	K63A, K63B, K63C	
	22	Y02A, Y02B		22	Y02A, Y02B		15	TPN, VTPN	
	Pre	A07D, A09E, A11F, A13F		E61.3	10	K62A, K62B		Pre	A07D, A09E, A11F, A13F
E51.2	10	K60A, K60B, K60C, K60D		18A	S65A, S65B	E70.1	10	K63A, K63B, K63C	
	18A	S65A, S65B		22	Y02A, Y02B		15	TPN, VTPN	
	22	Y02A, Y02B		E61.4	10	K62A, K62B		Pre	A07D, A09E, A11F, A13F
	Pre	A07D, A09E, A11F, A13F		18A	S65A, S65B	E70.2	10	K63A, K63C	
E51.8	10	K60A, K60B, K60C, K60D		22	Y02A, Y02B		15	TPN, VTPN	
	18A	S65A, S65B		E61.5	10	K62A, K62B		Pre	A07D, A09E, A11F, A13F
	22	Y02A, Y02B		18A	S65A, S65B	E70.3	10	K63A, K63B, K63C	
	Pre	A07D, A09E, A11F, A13F		22	Y02A, Y02B		15	TPN, VTPN	
E51.9	10	K60A, K60B, K60C, K60D		E61.6	10	K62A, K62B		Pre	A07D, A09E, A11F, A13F
	18A	S65A, S65B		18A	S65A, S65B	E70.8	10	K63A, K63B, K63C	
	22	Y02A, Y02B		22	Y02A, Y02B		15	TPN, VTPN	
E52	10	K62A, K62B		E61.7	10	K62A, K62B		Pre	A07D, A09E, A11F, A13F
	18A	S65A, S65B		18A	S65A, S65B	E70.9	10	K63A, K63B, K63C	
	22	Y02A, Y02B		22	Y02A, Y02B		15	TPN, VTPN	
E53.0	10	K62A, K62B		E61.8	10	K62A, K62B		Pre	A07D, A09E, A11F, A13F
	18A	S65A, S65B		18A	S65A, S65B	E71.0	10	K63A, K63B, K63C	
	22	Y02A, Y02B		22	Y02A, Y02B		15	TPN, VTPN	
							Pre	A07D, A09E, A11F, A13F	

ICD	MDC	DRG	ICD	MDC	DRG	ICD	MDC	DRG	
E71.1	10	K63A, K63C	E75.1	01	B48Z, B85A, B85B, B85C, B85D	E80.6	07	H63A, H63B, H63C, H78Z	
	15	TPN, VTPN				15		TPN, VTPN	
	Pre	A07D, A09E, A11F, A13F		Pre	A07D, A09E, A11F, A13F	E80.7	07	H63A, H63B, H63C, H78Z	
E71.2	10	K63A, K63B, K63C	E75.2	01	B17A, B48Z, B85A, B85B, B85C	E83.0	10	K63A, K63B, K63C	
	15	TPN, VTPN				15		TPN, VTPN	
	Pre	A07D, A09E, A11F, A13F		Pre	A07D, A09E, A11F, A13F	E83.1	16	Q61A, Q61B, Q61C, Q61D, Q61E	
E71.3	10	K62A, K62B	E75.3	10	K63A, K63B, K63C	E83.2	10	K63A, K63B, K63C	
	15	P65C, P66C, P67B, P67C		Pre	A07D, A09E, A11F, A13F	E83.30	10	K63A, K63B, K63C	
	Pre	A07D, A09E, A11F, A13F	E75.4	01	B48Z, B85A, B85B, B85C, B85D	E83.31	10	K63A, K63B, K63C	
E72.0	10	K63A, K63B, K63C				E83.38	10	K63A, K63B, K63C	
	15	TPN, VTPN		Pre	A07D, A09E, A11F, A13F	E83.39	10	K63A, K63B, K63C	
	Pre	A07D, A09E, A11F, A13F	E75.5	10	K63A, K63B, K63C	E83.4	10	K62A, K62B	
E72.1	10	K63A, K63B, K63C		Pre	A07D, A09E, A11F, A13F	E83.50	10	K62A, K62B	
	15	TPN, VTPN				11		L09A, L09B, L38Z, L60A, L60B	
	Pre	A07D, A09E, A11F, A13F	E76.0	10	K63A, K63B, K63C	22		Y02A, Y02B	
E72.2	10	K63A, K63C		15	TPN, VTPN	E83.58	10	K62A, K62B	
	15	TPN, VTPN		Pre	A07D, A09E, A11F, A13F	22		Y02A, Y02B	
	Pre	A07D, A09E, A11F, A13F	E76.1	10	K63A, K63B, K63C	E83.59	10	K62A, K62B	
E72.3	10	K63A, K63B, K63C		15	TPN, VTPN	22		Y02A, Y02B	
	15	TPN, VTPN		Pre	A07D, A09E, A11F, A13F	E83.8	10	K63A, K63B, K63C	
	Pre	A07D, A09E, A11F, A13F	E76.2	10	K63A, K63B, K63C	E83.9	10	K63A, K63B, K63C	
E72.4	10	K63A, K63B, K63C		15	TPN, VTPN	E84.0	04	E60A, E60B	
	15	TPN, VTPN		Pre	A07D, A09E, A11F, A13F	15		TPN, VTPN	
	Pre	A07D, A09E, A11F, A13F	E76.3	10	K63A, K63B, K63C	Pre		A07D, A09E, A11F, A13F	
E72.5	10	K63A, K63B, K63C		15	TPN, VTPN	E84.1	06	G40Z, G46A, G46B, G46C, G47Z, G64A, G64B, G64C, G70A, G70B	
	15	TPN, VTPN		Pre	A07D, A09E, A11F, A13F	15		TPN, VTPN	
	Pre	A07D, A09E, A11F, A13F	E76.8	10	K63A, K63B, K63C	Pre		A07D, A09E, A11F, A13F	
E72.8	10	K63A, K63C		15	TPN, VTPN	E84.2	04	E60A, E60B	
	15	TPN, VTPN		Pre	A07D, A09E, A11F, A13F	15		TPN, VTPN	
	Pre	A07D, A09E, A11F, A13F	E76.9	10	K63A, K63B, K63C	Pre		A07D, A09E, A11F, A13F	
E72.9	10	K63A, K63B, K63C		15	TPN, VTPN	E84.3	04	E60A, E60B	
	15	TPN, VTPN		Pre	A07D, A09E, A11F, A13F	15		TPN, VTPN	
	Pre	A07D, A09E, A11F, A13F	E77.0	10	K63A, K63B, K63C	Pre		A07D, A09E, A11F, A13F	
E73.0	06	G46A, G46B, G46C, G50Z, G67A, G67B, G67C, G67D		Pre	A07D, A09E, A11F, A13F	E84.4	04	E60A, E60B	
	Pre	A07D, A09E, A11F, A13F	E77.1	10	K63A, K63B, K63C	15		TPN, VTPN	
E73.1	06	G46A, G46B, G46C, G50Z, G67A, G67B, G67C, G67D		Pre	A07D, A09E, A11F, A13F	Pre		A07D, A09E, A11F, A13F	
	Pre	A07D, A09E, A11F, A13F	E77.8	10	K63A, K63B, K63C	E84.80	04	E60A, E60B	
E73.8	06	G46A, G46B, G46C, G50Z, G67A, G67B, G67C, G67D		Pre	A07D, A09E, A11F, A13F	15		TPN, VTPN	
	Pre	A07D, A09E, A11F, A13F	E77.9	10	K63A, K63B, K63C	Pre		A07D, A09E, A11F, A13F	
E73.9	06	G46A, G46B, G46C, G50Z, G67A, G67B, G67C, G67D		Pre	A07D, A09E, A11F, A13F	E84.87	04	E60A, E60B	
	Pre	A07D, A09E, A11F, A13F	E78.0	10	K63A, K63B, K63C	15		TPN, VTPN	
E74.0	10	K63A, K63C		E78.1	10	K63A, K63B, K63C	Pre		A07D, A09E, A11F, A13F
	15	TPN, VTPN		E78.2	10	K63A, K63B, K63C	04		E60A, E60B
	Pre	A07D, A09E, A11F, A13F	E78.3	10	K63A, K63B, K63C	15		TPN, VTPN	
E74.1	06	G46A, G46B, G46C, G50Z, G67A, G67B, G67C, G67D		E78.4	10	K62A, K62B	E84.88	04	E60A, E60B
	15	TPN, VTPN		E78.5	10	K62A, K62B	15		TPN, VTPN
	Pre	A07D, A09E, A11F, A13F	E78.6	10	K63A, K63C	Pre		A07D, A09E, A11F, A13F	
E74.2	10	K63A, K63B, K63C		15	TPN, VTPN	E84.9	04	E60A, E60B	
	15	TPN, VTPN		E78.8	10	K63A, K63B, K63C	15		TPN, VTPN
	Pre	A07D, A09E, A11F, A13F	E78.9	10	K63A, K63B, K63C	E85.0	08	I66A, I66B, I66C	
E74.3	06	G46A, G46B, G46C, G50Z, G67A, G67B, G67C, G67D		15	TPN, VTPN	Pre		A07D, A09E, A11F, A13F	
	Pre	A07D, A09E, A11F, A13F	E79.0	10	K63A, K63B, K63C	E85.1	08	I66A, I66B, I66C	
E74.4	10	K63A, K63B, K63C		15	TPN, VTPN	Pre		A07D, A09E, A11F, A13F	
	Pre	A07D, A09E, A11F, A13F	E79.1	10	K63A, K63B, K63C	E85.2	08	I66A, I66B, I66C	
E74.8	10	K63A, K63B, K63C		15	TPN, VTPN	Pre		A07D, A09E, A11F, A13F	
	Pre	A07D, A09E, A11F, A13F	E79.8	10	K63A, K63B, K63C	E85.3	08	I66A, I66B, I66C	
E74.9	10	K63A, K63B, K63C		15	TPN, VTPN	Pre		A07D, A09E, A11F, A13F	
	Pre	A07D, A09E, A11F, A13F	E79.9	10	K63A, K63B, K63C	E85.4	08	I66A, I66B, I66C	
E75.0	01	B48Z, B85A, B85B, B85C, B85D		15	TPN, VTPN	E85.8	08	I66A, I66B, I66C	
	Pre	A07D, A09E, A11F, A13F	E80.0	10	K63A, K63B, K63C	E85.9	08	I66A, I66B, I66C	
				15	TPN, VTPN	E86	10	K62A, K62B	
			E80.1	10	K63A, K63B, K63C	15		P65C, P66C, P67B, P67C	
				15	TPN, VTPN	18A		S65A, S65B	
			E80.2	10	K63A, K63B, K63C	22		Y02A, Y02B	
				15	TPN, VTPN	E87.0	10	K62A, K62B	
			E80.3	10	K63A, K63B, K63C	22		Y02A, Y02B	
			E80.4	07	H63A, H63B, H63C, H78Z	E87.1	10	K62A, K62B	
			E80.5	07	H63A, H63B, H63C, H78Z	22		Y02A, Y02B	

ICD	MDC	DRG	ICD	MDC	DRG	ICD	MDC	DRG
E87.2	10	K62A, K62B	F02.0	14	O01A, O01B, O01C, O01D, O01E, O01F, O01G, O60A, O60B, O60C	F06.7	01	B64Z
	15	P65C, P66C, P67B, P67C				F06.8	01	B63Z
	22	Y02A, Y02B					18A	S65A, S65B
E87.3	10	K62A, K62B	F02.1	14	O01A, O01B, O01C, O01D, O01E, O01F, O01G, O60A, O60B, O60C	F06.9	01	B63Z
	22	Y02A, Y02B					18A	S65A, S65B
E87.4	10	K62A, K62B	F02.2	14	O01A, O01B, O01C, O01D, O01E, O01F, O01G, O60A, O60B, O60C	F07.0	01	B63Z
	22	Y02A, Y02B					14	O01A, O01B, O01C, O01D, O01E, O01F, O01G, O60A, O60B, O60C
E87.5	10	K62A, K62B	F02.3	01	B67A	F07.1	01	B63Z
	22	Y02A, Y02B		14	O01A, O01B, O01C, O01D, O01E, O01F, O01G, O60A, O60B, O60C	F07.2	01	B76A, B76B, B76C, B76D, B76E, B76F, B76G
E87.7	22	Y02A, Y02B	F02.4	14	O01A, O01B, O01C, O01D, O01E, O01F, O01G, O60A, O60B, O60C	F07.8	01	B63Z
E87.8	10	K62A, K62B				F07.9	01	B64Z
	22	Y02A, Y02B					18A	S65A, S65B
E88.0	10	K63A, K63B, K63C	F03	01	TPN, VTPN	F09	01	B63Z
E88.1	10	K63A, K63B, K63C		15	B20D, B63Z		18A	S65A, S65B
	15	TPN, VTPN		01	O01A, O01B, O01C, O01D, O01E, O01F, O01G, O60A, O60B, O60C	F10.0	14	O01A, O01B, O01C, O01D, O01E, O01F, O01G, O60A, O60B, O60C
	18A	S65A, S65B		14	S65A, S65B		20	V60A, V60B, V60C
E88.2	10	K63A, K63B, K63C	F04	01	B63Z	F10.1	14	O01A, O01B, O01C, O01D, O01E, O01F, O01G, O60A, O60B, O60C
	15	P65C, P66C, P67B, P67C		14	O01A, O01B, O01C, O01D, O01E, O01F, O01G, O60A, O60B, O60C		20	V60A, V60B, V60C
E88.3	10	K63A, K63B, K63C		18A	S65A, S65B		14	O01A, O01B, O01C, O01D, O01E, O01F, O01G, O60A, O60B, O60C
E88.8	10	K63A, K63B, K63C		01	B64Z	F10.2	14	O01A, O01B, O01C, O01D, O01E, O01F, O01G, O60A, O60B, O60C
E88.9	10	K63A, K63B, K63C		14	O01A, O01B, O01C, O01D, O01E, O01F, O01G, O60A, O60B, O60C		20	V60A, V60B, V60C
	18A	S65A, S65B	F05.0	01	B64Z	F10.3	14	O01A, O01B, O01C, O01D, O01E, O01F, O01G, O60A, O60B, O60C
E89.0	10	K64A, K64B, K64C, K64D		14	O01A, O01B, O01C, O01D, O01E, O01F, O01G, O60A, O60B, O60C		20	V60A, V60B, V60C
E89.1	10	K62A, K62B		01	B64Z	F10.4	14	O01A, O01B, O01C, O01D, O01E, O01F, O01G, O60A, O60B, O60C
E89.2	10	K64A, K64B, K64C, K64D		14	O01A, O01B, O01C, O01D, O01E, O01F, O01G, O60A, O60B, O60C		20	V60A, V60B, V60C
	15	TPN, VTPN	F05.1	01	B64Z		14	O01A, O01B, O01C, O01D, O01E, O01F, O01G, O60A, O60B, O60C
E89.3	10	K64A, K64B, K64C, K64D		14	O01A, O01B, O01C, O01D, O01E, O01F, O01G, O60A, O60B, O60C	F10.5	14	O01A, O01B, O01C, O01D, O01E, O01F, O01G, O60A, O60B, O60C
E89.4	13	N04Z, N05A, N05B, N14Z, N21Z, N25Z, N62A, N62B		01	B64Z		20	V60A, V60B, V60C
E89.5	10	K64A, K64B, K64C, K64D		14	O01A, O01B, O01C, O01D, O01E, O01F, O01G, O60A, O60B, O60C	F10.6	01	B63Z
E89.6	10	K64A, K64B, K64C, K64D		14	O01A, O01B, O01C, O01D, O01E, O01F, O01G, O60A, O60B, O60C		14	O01A, O01B, O01C, O01D, O01E, O01F, O01G, O60A, O60B, O60C
	15	TPN, VTPN	F05.8	01	B64Z		20	V60A, V60B, V60C
E89.8	10	K64A, K64B, K64C, K64D		14	O01A, O01B, O01C, O01D, O01E, O01F, O01G, O60A, O60B, O60C	F10.7	14	O01A, O01B, O01C, O01D, O01E, O01F, O01G, O60A, O60B, O60C
E89.9	10	K64A, K64B, K64C, K64D		14	O01A, O01B, O01C, O01D, O01E, O01F, O01G, O60A, O60B, O60C		20	V60A, V60B, V60C
F00.0	14	O01A, O01B, O01C, O01D, O01E, O01F, O01G, O60A, O60B, O60C	F05.9	01	B64Z	F10.8	14	O01A, O01B, O01C, O01D, O01E, O01F, O01G, O60A, O60B, O60C
F00.2	14	O01A, O01B, O01C, O01D, O01E, O01F, O01G, O60A, O60B, O60C		14	O01A, O01B, O01C, O01D, O01E, O01F, O01G, O60A, O60B, O60C		20	V60A, V60B, V60C
F00.9	14	O01A, O01B, O01C, O01D, O01E, O01F, O01G, O60A, O60B, O60C	F06.0	01	B64Z, B67A	F10.9	14	O01A, O01B, O01C, O01D, O01E, O01F, O01G, O60A, O60B, O60C
F01.0	01	B63Z		14	O01A, O01B, O01C, O01D, O01E, O01F, O01G, O60A, O60B, O60C		20	V60A, V60B, V60C
	14	O01A, O01B, O01C, O01D, O01E, O01F, O01G, O60A, O60B, O60C	F06.1	01	B64Z	F11.0	14	O01A, O01B, O01C, O01D, O01E, O01F, O01G, O60A, O60B, O60C
F01.1	01	B63Z		14	O01A, O01B, O01C, O01D, O01E, O01F, O01G, O60A, O60B, O60C		20	V63Z
	14	O01A, O01B, O01C, O01D, O01E, O01F, O01G, O60A, O60B, O60C	F06.2	01	B64Z, B67A	F11.1	14	O01A, O01B, O01C, O01D, O01E, O01F, O01G, O60A, O60B, O60C
F01.2	01	B63Z		14	O01A, O01B, O01C, O01D, O01E, O01F, O01G, O60A, O60B, O60C		20	V63Z
	14	O01A, O01B, O01C, O01D, O01E, O01F, O01G, O60A, O60B, O60C	F06.3	01	B64Z	F11.2	14	O01A, O01B, O01C, O01D, O01E, O01F, O01G, O60A, O60B, O60C
F01.3	01	B63Z		14	O01A, O01B, O01C, O01D, O01E, O01F, O01G, O60A, O60B, O60C		20	V63Z
	14	O01A, O01B, O01C, O01D, O01E, O01F, O01G, O60A, O60B, O60C	F06.4	01	B64Z		14	O01A, O01B, O01C, O01D, O01E, O01F, O01G, O60A, O60B, O60C
F01.8	01	B63Z		14	O01A, O01B, O01C, O01D, O01E, O01F, O01G, O60A, O60B, O60C		20	V63Z
	14	O01A, O01B, O01C, O01D, O01E, O01F, O01G, O60A, O60B, O60C	F06.5	01	B64Z		14	O01A, O01B, O01C, O01D, O01E, O01F, O01G, O60A, O60B, O60C
F01.9	01	B63Z		14	O01A, O01B, O01C, O01D, O01E, O01F, O01G, O60A, O60B, O60C		20	V63Z
	14	O01A, O01B, O01C, O01D, O01E, O01F, O01G, O60A, O60B, O60C	F06.6	01	B64Z		14	O01A, O01B, O01C, O01D, O01E, O01F, O01G, O60A, O60B, O60C
				14	O01A, O01B, O01C, O01D, O01E, O01F, O01G, O60A, O60B, O60C		20	V63Z

Dg

ICD	MDC	DRG	ICD	MDC	DRG	ICD	MDC	DRG
F16.7	14	001A, 001B, 001C, 001D, 001E, 001F, 001G, 060A, 060B, 060C	F19.2	14	001A, 001B, 001C, 001D, 001E, 001F, 001G, 060A, 060B, 060C	F23.0	14	001A, 001B, 001C, 001D, 001E, 001F, 001G, 060A, 060B, 060C
	20	V61Z		20	V64Z		19	U61Z
F16.8	14	001A, 001B, 001C, 001D, 001E, 001F, 001G, 060A, 060B, 060C	F19.3	14	001A, 001B, 001C, 001D, 001E, 001F, 001G, 060A, 060B, 060C	F23.1	14	001A, 001B, 001C, 001D, 001E, 001F, 001G, 060A, 060B, 060C
	20	V61Z		15	TPN, VTPN		19	U61Z
F16.9	14	001A, 001B, 001C, 001D, 001E, 001F, 001G, 060A, 060B, 060C	F19.4	14	001A, 001B, 001C, 001D, 001E, 001F, 001G, 060A, 060B, 060C	F23.2	14	001A, 001B, 001C, 001D, 001E, 001F, 001G, 060A, 060B, 060C
	20	V61Z		20	V61Z		19	U61Z
F17.0	20	V64Z	F19.5	14	001A, 001B, 001C, 001D, 001E, 001F, 001G, 060A, 060B, 060C	F23.3	14	001A, 001B, 001C, 001D, 001E, 001F, 001G, 060A, 060B, 060C
F17.1	20	V64Z		20	V61Z		19	U61Z
F17.2	20	V64Z	F19.6	14	001A, 001B, 001C, 001D, 001E, 001F, 001G, 060A, 060B, 060C	F23.8	14	001A, 001B, 001C, 001D, 001E, 001F, 001G, 060A, 060B, 060C
F17.3	20	V61Z		20	V61Z		19	U61Z
F17.4	20	V61Z	F19.7	14	001A, 001B, 001C, 001D, 001E, 001F, 001G, 060A, 060B, 060C	F23.9	14	001A, 001B, 001C, 001D, 001E, 001F, 001G, 060A, 060B, 060C
F17.5	20	V61Z		20	V61Z		19	U61Z
F17.6	20	V61Z	F19.8	14	001A, 001B, 001C, 001D, 001E, 001F, 001G, 060A, 060B, 060C	F24	19	U61Z
F17.7	20	V61Z		20	V61Z	F25.0	14	001A, 001B, 001C, 001D, 001E, 001F, 001G, 060A, 060B, 060C
F17.8	20	V61Z	F19.9	14	001A, 001B, 001C, 001D, 001E, 001F, 001G, 060A, 060B, 060C		19	U61Z
F17.9	20	V61Z		20	V61Z	F25.1	14	001A, 001B, 001C, 001D, 001E, 001F, 001G, 060A, 060B, 060C
F18.0	14	001A, 001B, 001C, 001D, 001E, 001F, 001G, 060A, 060B, 060C	F20.0	14	001A, 001B, 001C, 001D, 001E, 001F, 001G, 060A, 060B, 060C		19	U61Z
	20	V64Z		19	U61Z	F25.2	14	001A, 001B, 001C, 001D, 001E, 001F, 001G, 060A, 060B, 060C
F18.1	14	001A, 001B, 001C, 001D, 001E, 001F, 001G, 060A, 060B, 060C	F20.1	14	001A, 001B, 001C, 001D, 001E, 001F, 001G, 060A, 060B, 060C		19	U61Z
	20	V64Z		19	U61Z	F25.8	14	001A, 001B, 001C, 001D, 001E, 001F, 001G, 060A, 060B, 060C
F18.2	14	001A, 001B, 001C, 001D, 001E, 001F, 001G, 060A, 060B, 060C	F20.2	14	001A, 001B, 001C, 001D, 001E, 001F, 001G, 060A, 060B, 060C		19	U61Z
	20	V64Z		19	U61Z	F25.9	14	001A, 001B, 001C, 001D, 001E, 001F, 001G, 060A, 060B, 060C
F18.3	14	001A, 001B, 001C, 001D, 001E, 001F, 001G, 060A, 060B, 060C	F20.3	14	001A, 001B, 001C, 001D, 001E, 001F, 001G, 060A, 060B, 060C		19	U61Z
	20	V61Z		19	U61Z	F28	19	U61Z
F18.4	14	001A, 001B, 001C, 001D, 001E, 001F, 001G, 060A, 060B, 060C	F20.4	19	U64Z	F29	14	001A, 001B, 001C, 001D, 001E, 001F, 001G, 060A, 060B, 060C
	20	V61Z	F20.5	14	001A, 001B, 001C, 001D, 001E, 001F, 001G, 060A, 060B, 060C		18A	S65A, S65B
F18.5	14	001A, 001B, 001C, 001D, 001E, 001F, 001G, 060A, 060B, 060C		19	U61Z		19	U61Z
	20	V61Z	F20.6	14	001A, 001B, 001C, 001D, 001E, 001F, 001G, 060A, 060B, 060C	F30.0	14	001A, 001B, 001C, 001D, 001E, 001F, 001G, 060A, 060B, 060C
F18.6	14	001A, 001B, 001C, 001D, 001E, 001F, 001G, 060A, 060B, 060C		19	U61Z		18A	S65A, S65B
	20	V61Z	F20.8	14	001A, 001B, 001C, 001D, 001E, 001F, 001G, 060A, 060B, 060C		19	U63Z
F18.7	14	001A, 001B, 001C, 001D, 001E, 001F, 001G, 060A, 060B, 060C		19	U61Z	F30.1	14	001A, 001B, 001C, 001D, 001E, 001F, 001G, 060A, 060B, 060C
	20	V61Z	F20.9	14	001A, 001B, 001C, 001D, 001E, 001F, 001G, 060A, 060B, 060C		18A	S65A, S65B
F18.8	14	001A, 001B, 001C, 001D, 001E, 001F, 001G, 060A, 060B, 060C		19	U61Z		19	U63Z
	20	V61Z	F21	19	U61Z	F30.2	14	001A, 001B, 001C, 001D, 001E, 001F, 001G, 060A, 060B, 060C
F18.9	14	001A, 001B, 001C, 001D, 001E, 001F, 001G, 060A, 060B, 060C	F22.0	19	U61Z		18A	S65A, S65B
	20	V61Z	F22.8	19	U61Z		19	U63Z
F19.0	14	001A, 001B, 001C, 001D, 001E, 001F, 001G, 060A, 060B, 060C	F22.9	19	U61Z	F30.8	14	001A, 001B, 001C, 001D, 001E, 001F, 001G, 060A, 060B, 060C
	20	V64Z					19	U63Z
F19.1	14	001A, 001B, 001C, 001D, 001E, 001F, 001G, 060A, 060B, 060C						
	20	V64Z						

ICD	MDC	DRG	ICD	MDC	DRG	ICD	MDC	DRG
F30.9	14	O01A, O01B, O01C, O01D, O01E, O01F, O01G, O60A, O60B, O60C	F34.1	19	U64Z	F50.1	14	O01A, O01B, O01C, O01D, O01E, O01F, O01G, O60A, O60B, O60C
	18A	S65A, S65B	F34.8	19	U63Z		19	U66Z
	19	U63Z	F34.9	19	U63Z	F50.2	14	O01A, O01B, O01C, O01D, O01E, O01F, O01G, O60A, O60B, O60C
F31.0	14	O01A, O01B, O01C, O01D, O01E, O01F, O01G, O60A, O60B, O60C	F38.0	19	U63Z		19	U66Z
	19	U63Z	F38.1	19	U63Z	F50.3	14	O01A, O01B, O01C, O01D, O01E, O01F, O01G, O60A, O60B, O60C
F31.1	14	O01A, O01B, O01C, O01D, O01E, O01F, O01G, O60A, O60B, O60C	F38.8	19	U63Z		19	U66Z
	19	U63Z	F39	19	U63Z	F50.4	14	O01A, O01B, O01C, O01D, O01E, O01F, O01G, O60A, O60B, O60C
F31.2	14	O01A, O01B, O01C, O01D, O01E, O01F, O01G, O60A, O60B, O60C	F40.00	19	U64Z		19	U66Z
	19	U63Z	F40.01	19	U64Z	F50.5	19	U66Z
F31.3	19	U63Z	F40.1	19	U64Z	F50.8	14	O01A, O01B, O01C, O01D, O01E, O01F, O01G, O60A, O60B, O60C
F31.4	14	O01A, O01B, O01C, O01D, O01E, O01F, O01G, O60A, O60B, O60C	F40.2	19	U64Z		19	U66Z
	19	U63Z	F40.8	19	U64Z	F50.9	14	O01A, O01B, O01C, O01D, O01E, O01F, O01G, O60A, O60B, O60C
F31.5	14	O01A, O01B, O01C, O01D, O01E, O01F, O01G, O60A, O60B, O60C	F40.9	19	U64Z		19	U66Z
	19	U63Z	F41.0	19	U64Z	F51.0	19	U64Z
F31.6	14	O01A, O01B, O01C, O01D, O01E, O01F, O01G, O60A, O60B, O60C	F41.1	19	U64Z	F51.1	19	U64Z
	19	U63Z	F41.2	19	U64Z	F51.2	19	U64Z
F31.7	19	U63Z	F41.3	19	U64Z	F51.3	19	U64Z
F31.8	14	O01A, O01B, O01C, O01D, O01E, O01F, O01G, O60A, O60B, O60C	F41.8	19	U64Z	F51.4	19	U64Z
	19	U63Z	F41.9	19	U64Z	F51.5	19	U64Z
F31.9	14	O01A, O01B, O01C, O01D, O01E, O01F, O01G, O60A, O60B, O60C	F42.0	19	U66Z	F51.8	19	U64Z
	19	U63Z	F42.1	19	U66Z	F51.9	19	U64Z
F32.0	19	U63Z	F42.2	19	U66Z	F52.0	19	U66Z
F32.1	19	U63Z	F42.8	19	U66Z	F52.1	19	U66Z
F32.2	14	O01A, O01B, O01C, O01D, O01E, O01F, O01G, O60A, O60B, O60C	F42.9	19	U66Z	F52.2	12	M64Z
	19	U63Z	F43.0	19	U66Z		13	N04Z, N05A, N05B, N14Z, N21Z, N25Z, N62B
F32.3	14	O01A, O01B, O01C, O01D, O01E, O01F, O01G, O60A, O60B, O60C	F43.1	19	U66Z	F52.3	19	U66Z
	19	U63Z	F43.2	19	U66Z	F52.4	19	U66Z
F32.8	19	U63Z	F43.8	19	U66Z	F52.5	13	N04Z, N05A, N05B, N14Z, N21Z, N25Z, N62B
F32.9	19	U64Z	F43.9	19	U66Z		19	U66Z
F33.0	19	U63Z	F44.0	19	U64Z	F52.6	19	U66Z
F33.1	19	U63Z	F44.1	19	U64Z	F52.7	19	U66Z
F33.2	14	O01A, O01B, O01C, O01D, O01E, O01F, O01G, O60A, O60B, O60C	F44.2	19	U64Z	F52.8	19	U66Z
	19	U63Z	F44.3	19	U64Z	F52.9	19	U66Z
F33.3	14	O01A, O01B, O01C, O01D, O01E, O01F, O01G, O60A, O60B, O60C	F44.4	15	P65C, P66C, P67B, P67C	F53.0	14	O04A, O04B, O61Z
	19	U63Z		19	U64Z	F53.1	14	O04A, O04B, O61Z
F33.4	19	U63Z	F44.5	19	U64Z	F53.8	14	O04A, O04B, O61Z
F33.8	14	O01A, O01B, O01C, O01D, O01E, O01F, O01G, O60A, O60B, O60C	F44.6	19	U64Z	F53.9	14	O04A, O04B, O61Z
	19	U63Z	F44.7	19	U64Z	F54	19	U66Z
F33.9	14	O01A, O01B, O01C, O01D, O01E, O01F, O01G, O60A, O60B, O60C	F44.80	19	U64Z	F55.0	20	V64Z
	19	U63Z	F44.81	19	U64Z	F55.1	20	V64Z
F34.0	19	U64Z	F44.82	19	U64Z	F55.2	20	V64Z
			F44.88	19	U64Z	F55.3	20	V64Z
			F44.9	19	U64Z	F55.4	20	V64Z
			F45.0	19	U64Z	F55.5	20	V64Z
			F45.1	19	U64Z	F55.6	20	V64Z
			F45.2	19	U64Z	F55.8	20	V64Z
			F45.30	05	F73Z	F55.9	20	V64Z
			F45.31	19	U64Z	F59	19	U64Z
			F45.32	19	U64Z	F60.0	19	U66Z
			F45.33	04	E65A, E65B, E69A, E69B, E69C, E69D, E69E, E69F, E75A, E75B, E75C	F60.1	19	U66Z
						F60.2	19	U66Z
			F45.34	11	L68A, L68B, L74Z	F60.30	19	U66Z
			F45.37	19	U64Z	F60.31	19	U66Z
			F45.38	19	U64Z	F60.4	19	U66Z
			F45.39	19	U64Z	F60.5	19	U66Z
			F45.40	19	U64Z	F60.6	19	U66Z
			F45.41	19	U64Z	F60.7	19	U66Z
			F45.8	19	U64Z			
			F45.9	19	U64Z			
			F48.0	19	U64Z			
			F48.1	19	U64Z			
			F48.8	19	U64Z			
			F48.9	19	U64Z			
			F50.0	14	O01A, O01B, O01C, O01D, O01E, O01F, O01G, O60A, O60B, O60C			
				19	U66Z			

ICD	MDC	DRG	ICD	MDC	DRG	ICD	MDC	DRG
F60.8	19	U66Z	F80.3	19	U66Z	F93.3	19	U66Z
F60.9	19	U66Z	F80.8	19	U66Z	F93.8	19	U66Z
F61	19	U66Z	F80.9	19	U66Z	F93.9	19	U66Z
F62.0	19	U66Z	F81.0	19	U66Z	F94.0	19	U66Z
F62.1	19	U66Z	F81.1	19	U66Z	F94.1	19	U66Z
F62.80	19	U66Z	F81.2	19	U66Z	F94.2	19	U66Z
F62.88	19	U66Z	F81.3	19	U66Z	F94.8	19	U66Z
F62.9	19	U66Z	F81.8	19	U66Z	F94.9	19	U66Z
F63.0	19	U66Z	F81.9	19	U66Z	F95.0	01	B81A, B81B
F63.1	19	U66Z	F82.0	15	TPN, VTPN	F95.1	01	B81A, B81B
F63.2	19	U66Z		19	U66Z	F95.2	01	B81A, B81B
F63.3	19	U66Z	F82.1	15	TPN, VTPN	F95.8	01	B81A, B81B
F63.8	19	U66Z		19	U66Z	F95.9	01	B81A, B81B
F63.9	19	U66Z	F82.2	15	TPN, VTPN	F98.0	19	U66Z
F64.0	19	U01Z, U66Z		19	U66Z	F98.1	19	U66Z
F64.1	19	U01Z, U66Z	F82.9	15	TPN, VTPN	F98.2	19	U66Z
F64.2	19	U66Z		19	U66Z	F98.3	19	U66Z
F64.8	19	U01Z, U66Z	F83	15	TPN, VTPN	F98.4	19	U66Z
F64.9	19	U01Z, U66Z		19	U66Z	F98.5	01	B81A, B81B
F65.0	19	U66Z	F84.0	14	O01A, O01B, O01C, O01D, O01E, O01F, O01G, O60A, O60B, O60C	F98.6	01	B81A, B81B
F65.1	19	U66Z		19	U66Z	F98.8	19	U66Z
F65.2	19	U66Z	F84.1	14	O01A, O01B, O01C, O01D, O01E, O01F, O01G, O60A, O60B, O60C	F98.9	19	U66Z
F65.3	19	U66Z		19	U66Z	F99	19	U64Z
F65.4	19	U66Z		14	O01A, O01B, O01C, O01D, O01E, O01F, O01G, O60A, O60B, O60C	G00.0	01	B72A, B72B
F65.5	19	U66Z		19	U66Z		15	TPN, VTPN
F65.6	19	U66Z	F84.2	01	B48Z, B85A, B85B, B85C, B85D		Pre	A07D, A09E, A11F, A13F
F65.8	19	U66Z		14	O01A, O01B, O01C, O01D, O01E, O01F, O01G, O60A, O60B, O60C	G00.1	01	B72A, B72B
F65.9	19	U66Z		19	U66Z		15	TPN, VTPN
F66.0	19	U66Z		14	O01A, O01B, O01C, O01D, O01E, O01F, O01G, O60A, O60B, O60C		Pre	A07D, A09E, A11F, A13F
F66.1	19	U66Z	F84.3	14	O01A, O01B, O01C, O01D, O01E, O01F, O01G, O60A, O60B, O60C	G00.2	01	B72A, B72B
F66.2	19	U66Z		19	U66Z		15	TPN, VTPN
F66.8	19	U66Z		14	O01A, O01B, O01C, O01D, O01E, O01F, O01G, O60A, O60B, O60C		Pre	A07D, A09E, A11F, A13F
F66.9	19	U66Z	F84.4	14	O01A, O01B, O01C, O01D, O01E, O01F, O01G, O60A, O60B, O60C	G00.3	01	B72A, B72B
F68.0	19	U64Z		19	U66Z		15	TPN, VTPN
F68.1	19	U66Z		14	O01A, O01B, O01C, O01D, O01E, O01F, O01G, O60A, O60B, O60C		Pre	A07D, A09E, A11F, A13F
F68.8	19	U66Z	F84.5	14	O01A, O01B, O01C, O01D, O01E, O01F, O01G, O60A, O60B, O60C	G00.8	01	B72A, B72B
F69	19	U66Z		19	U66Z		15	TPN, VTPN
F70.0	01	B81A, B81B		14	O01A, O01B, O01C, O01D, O01E, O01F, O01G, O60A, O60B, O60C		Pre	A07D, A09E, A11F, A13F
F70.1	01	B81A, B81B	F84.8	14	O01A, O01B, O01C, O01D, O01E, O01F, O01G, O60A, O60B, O60C	G00.9	01	B72A, B72B
F70.8	01	B81A, B81B		19	U66Z		15	TPN, VTPN
F70.9	01	B81A, B81B		14	O01A, O01B, O01C, O01D, O01E, O01F, O01G, O60A, O60B, O60C		Pre	A07D, A09E, A11F, A13F
F71.0	01	B81A, B81B		19	U66Z	G01	15	TPN, VTPN
F71.1	01	B81A, B81B		14	O01A, O01B, O01C, O01D, O01E, O01F, O01G, O60A, O60B, O60C		Pre	A07D, A09E, A11F, A13F
F71.8	01	B81A, B81B	F84.9	14	O01A, O01B, O01C, O01D, O01E, O01F, O01G, O60A, O60B, O60C	G02.0	15	TPN, VTPN
F71.9	01	B81A, B81B		19	U66Z		Pre	A07D, A09E, A11F, A13F
F72.0	01	B81A, B81B		14	O01A, O01B, O01C, O01D, O01E, O01F, O01G, O60A, O60B, O60C	G02.1	15	TPN, VTPN
F72.1	01	B81A, B81B		19	U66Z		Pre	A07D, A09E, A11F, A13F
F72.8	01	B81A, B81B		14	O01A, O01B, O01C, O01D, O01E, O01F, O01G, O60A, O60B, O60C	G02.8	15	TPN, VTPN
F72.9	01	B81A, B81B		19	U66Z		Pre	A07D, A09E, A11F, A13F
F73.0	01	B81A, B81B	F88	19	U66Z	G03.0	01	B72A, B72B
F73.1	01	B81A, B81B		19	U66Z		15	TPN, VTPN
F73.8	01	B81A, B81B	F89	19	U66Z		Pre	A07D, A09E, A11F, A13F
F73.9	01	B81A, B81B	F90.0	19	U66Z	G03.1	01	B72A, B72B
F74.0	01	B81A, B81B		19	U66Z		15	TPN, VTPN
F74.1	01	B81A, B81B	F90.1	19	U66Z		Pre	A07D, A09E, A11F, A13F
F74.8	01	B81A, B81B	F90.8	19	U66Z	G03.2	01	B72A, B72B
F74.9	01	B81A, B81B		19	U66Z		15	TPN, VTPN
F78.0	01	B81A, B81B	F90.9	19	U66Z		Pre	A07D, A09E, A11F, A13F
F78.1	01	B81A, B81B	F91.0	19	U66Z	G03.8	01	B72A, B72B
F78.8	01	B81A, B81B		19	U66Z		15	TPN, VTPN
F78.9	01	B81A, B81B	F91.1	19	U66Z		Pre	A07D, A09E, A11F, A13F
F79.0	01	B81A, B81B	F91.2	19	U66Z	G03.9	01	B72A, B72B
F79.1	01	B81A, B81B		19	U66Z		15	TPN, VTPN
F79.8	01	B81A, B81B	F91.3	19	U66Z		Pre	A07D, A09E, A11F, A13F
F79.9	01	B81A, B81B	F91.8	19	U66Z	G04.0	01	B72A, B72B
F80.0	19	U66Z	F91.9	19	U66Z		Pre	A07D, A09E, A11F, A13F
F80.1	19	U66Z	F92.0	19	U66Z		01	B72A, B72B
F80.20	19	U66Z	F92.8	19	U66Z		Pre	A07D, A09E, A11F, A13F
F80.28	19	U66Z	F92.9	19	U66Z		01	B72A, B72B
			F93.0	19	U66Z		Pre	A07D, A09E, A11F, A13F
			F93.1	19	U66Z			
			F93.2	19	U66Z			

ICD	MDC	DRG	ICD	MDC	DRG	ICD	MDC	DRG	
G04.1	01	B03A, B48Z, B60A, B60B	G11.8	01	B03A, B03B, B06A, B06B, B17A, B17B, B17C, B17D, B48Z, B68A, B68B, B68C	G23.2	01	B17A, B48Z, B85A, B85B, B85C	
	04	E40B, E69A, E77F		Pre	A07D, A09E, A11F, A13F		Pre	A07D, A09E, A11F, A13F	
	06	G67C	G11.9		01	B03A, B03B, B06A, B06B, B17A, B17B, B17C, B17D, B48Z, B68A, B68B, B68C		G23.8	01
	08	I06A, I08C, I09D, I10C, I13A, I13B, I68A, I68B, I69A, I69B		Pre	A07D, A09E, A11F, A13F	G23.9	01		B67A, B67B
	09	J02A, J08A, J08B, J08C, J11A	G12.0		01		B03A, B03B, B06A, B06B, B17A, B17B, B17C, B17D, B48Z, B85A, B85B, B85C, B85D	G24.0	01
	10	K62A		Pre	A07D, A09E, A11F, A13F	G24.1	01		B48Z, B85A, B85B, B85C, B85D
	11	L18A, L18B, L20A, L20B, L38Z, L42A, L74Z	15		TPN, VTPN		G24.2	01	B48Z, B85A, B85B, B85C, B85D
	18B	T60B		Pre	A07D, A09E, A11F, A13F	G24.3		01	B81A, B81B
	Pre	A07D, A09E, A11F, A13F	G12.1		01		B03A, B03B, B06A, B06B, B17A, B17B, B17C, B17D, B48Z, B85A, B85B, B85C, B85D	G24.4	01
	G04.2	01		B72A, B72B	15	TPN, VTPN	G24.5		02
	18A	S65A, S65B	Pre	A07D, A09E, A11F, A13F		G24.8		01	B81A, B81B
Pre	A07D, A09E, A11F, A13F	G12.2		01	B03A, B03B, B06A, B06B, B17A, B17B, B17C, B17D, B48Z, B85A, B85B, B85C, B85D		G24.9	01	B81A, B81B
G04.8	01		B72A, B72B	15	TPN, VTPN	G25.0		01	B81A, B81B
18A	S65A, S65B	Pre	A07D, A09E, A11F, A13F		G25.1		01	B81A, B81B	
Pre	A07D, A09E, A11F, A13F		G12.8	01		B03A, B03B, B06A, B06B, B17A, B17B, B17C, B17D, B48Z, B85A, B85B, B85C, B85D	G25.2	01	B81A, B81B
G04.9	01	B72A, B72B		15	TPN, VTPN	G25.3		01	B76A, B76B, B76C, B76D, B76E, B76F, B76G
18A	S65A, S65B	Pre	A07D, A09E, A11F, A13F		G25.4		01	B48Z, B85A, B85B, B85C, B85D	
Pre	A07D, A09E, A11F, A13F		G12.9	01		B03A, B03B, B06A, B06B, B17A, B17B, B17C, B17D, B48Z, B85A, B85B, B85C, B85D	G25.5	01	B48Z, B85A, B85B, B85C, B85D
G05.0	15	TPN, VTPN		15	TPN, VTPN	G25.6		01	B81A, B81B
Pre	A07D, A09E, A11F, A13F	G13.0	Pre		A07D, A09E, A11F, A13F		G25.80	01	B03A, B03B, B06A, B06B, B17A, B17B, B17C, B17D, B48Z, B85A, B85B, B85C, B85D
G05.1	15		TPN, VTPN	G13.1	Pre	A07D, A09E, A11F, A13F		G25.81	01
Pre	A07D, A09E, A11F, A13F	G13.2	Pre		A07D, A09E, A11F, A13F	G25.88	01		B03A, B03B, B06A, B06B, B17A, B17B, B17C, B17D, B48Z, B85A, B85B, B85C, B85D
G05.2	15		TPN, VTPN	G13.8	Pre		A07D, A09E, A11F, A13F	G25.9	01
Pre	A07D, A09E, A11F, A13F	G20.00	01		B67A, B67B	G30.0	01		B63Z
G05.8	15		TPN, VTPN	G20.01	01		B67A, B67B	G30.1	01
Pre	A07D, A09E, A11F, A13F	G20.10	01		B67A, B67B	G30.8	01		B63Z
G06.0	01		B02A, B02B, B02C, B02D, B72A, B72B	G20.11	Pre		A07D, A09E, A11F, A13F	G30.9	01
15	TPN, VTPN	Pre	A07D, A09E, A11F, A13F		G20.20	01	B67A		G31.0
Pre	A07D, A09E, A11F, A13F		G13.0	Pre		A07D, A09E, A11F, A13F	G20.21	01	
G06.1	01	B02A, B02B, B02C, B02D, B72A, B72B		G13.1	Pre	A07D, A09E, A11F, A13F		G20.90	01
15	TPN, VTPN	G13.2	Pre		A07D, A09E, A11F, A13F	G20.91	01		B67A, B67B
Pre	A07D, A09E, A11F, A13F		G13.8	Pre	A07D, A09E, A11F, A13F		G21.0	01	B03A, B03B, B06A, B06B, B17A, B17B, B17C, B17D, B67A, B67B
G06.2	01	B72A, B72B		G20.00	01	B67A, B67B		G21.1	01
15	TPN, VTPN	Pre	A07D, A09E, A11F, A13F		G21.2	01	B67A, B67B		
Pre	A07D, A09E, A11F, A13F		G07	15		TPN, VTPN	Pre	A07D, A09E, A11F, A13F	
Pre	A07D, A09E, A11F, A13F	G08		01	B81A	G21.3		01	B67A, B67B
G08	15		TPN, VTPN	Pre	A07D, A09E, A11F, A13F		G21.4	01	B67A, B67B
Pre	A07D, A09E, A11F, A13F	G09	Pre		A07D, A09E, A11F, A13F	G21.8		01	B67A, B67B
G09	Pre		A07D, A09E, A11F, A13F	G20.21	01		B67A	G21.9	01
G10	01	B48Z, B85A, B85B, B85C, B85D	G20.90		01	B67A, B67B	G23.0		01
Pre	A07D, A09E, A11F, A13F	G11.0		01	B03A, B03B, B06A, B06B, B17A, B17B, B17C, B17D, B48Z, B68A, B68B, B68C	G23.1		01	B03A, B03B, B06A, B06B, B17A, B17B, B17C, B17D, B48Z, B68A, B68B, B68C
Pre	A07D, A09E, A11F, A13F		G11.1	01	A07D, A09E, A11F, A13F		Pre	A07D, A09E, A11F, A13F	
Pre	A07D, A09E, A11F, A13F	G11.2		01	B03A, B03B, B06A, B06B, B17A, B17B, B17C, B17D, B48Z, B68A, B68B, B68C	G31.81		01	B17A, B48Z, B76F, B85A, B85B, B85C
Pre	A07D, A09E, A11F, A13F		G11.3	01	A07D, A09E, A11F, A13F		G31.82	01	B17A, B48Z, B76F, B85A, B85B, B85C
Pre	A07D, A09E, A11F, A13F	G11.4		01	B03A, B03B, B06A, B06B, B17A, B17B, B17C, B17D, B48Z, B68A, B68B, B68C	G31.88		01	B17A, B48Z, B76F, B85A, B85B, B85C
Pre	A07D, A09E, A11F, A13F		G21.4	01	B67A, B67B		G31.9	01	B48Z, B85A, B85B, B85C, B85D
Pre	A07D, A09E, A11F, A13F	G21.8		01	B67A, B67B	G35.0		01	B03A, B03B, B06A, B06B, B17A, B17B, B17C, B17D, B48Z, B68A, B68B, B68C, B68D
Pre	A07D, A09E, A11F, A13F		G21.9	01	B67A, B67B		14	O01A, O01B, O01C, O01D, O01E, O01F, O01G, O60A, O60B, O60C	
Pre	A07D, A09E, A11F, A13F	G23.0		01	B67A, B67B	Pre		A07D, A09E, A11F, A13F	
Pre	A07D, A09E, A11F, A13F		G23.1	01	B03A, B03B, B06A, B06B, B17A, B17B, B17C, B17D, B67A, B67B				
Pre	A07D, A09E, A11F, A13F			Pre	A07D, A09E, A11F, A13F				

ICD	MDC	DRG	ICD	MDC	DRG	ICD	MDC	DRG
G40.8	01	B03A, B03B, B06A, B06B, B17A, B17B, B17C, B17D, B76A, B76B, B76C, B76D, B76E, B76F, B76G	G44.0	01	B03A, B03B, B06A, B06B, B17A, B17B, B17C, B17D, B77Z	G45.89	01	B03A, B03B, B06A, B06B, B17A, B17B, B17C, B17D, B39A, B39B, B39C, B69A, B69B, B69C, B69D
	14	O01A, O01B, O01C, O01D, O01E, O01F, O01G, O60A, O60B, O60C	G44.1	01	B03A, B03B, B06A, B06B, B17A, B17B, B17C, B17D, B77Z	G45.92	01	B03A, B03B, B06A, B06B, B17A, B17B, B17C, B17D, B39A, B39B, B39C, B69A, B69B, B69C, B69D
G40.9	01	B03A, B03B, B06A, B06B, B17A, B17B, B17C, B17D, B76A, B76B, B76C, B76D, B76E, B76F, B76G	G44.2	01	B77Z	G45.93	01	B03A, B03B, B06A, B06B, B17A, B17B, B17C, B17D, B39A, B39B, B39C, B69A, B69B, B69C, B69D
	14	O01A, O01B, O01C, O01D, O01E, O01F, O01G, O60A, O60B, O60C	G44.3	01	B77Z	G45.99	01	B03A, B03B, B06A, B06B, B17A, B17B, B17C, B17D, B39A, B39B, B39C, B69A, B69B, B69C, B69D
G41.0	01	B03A, B03B, B06A, B06B, B17A, B17B, B17C, B17D, B70A, B70B, B70C, B70E, B76A, B76B, B76C, B76D, B76F	G44.4	01	B03A, B03B, B06A, B06B, B17A, B17B, B17C, B17D, B77Z	G47.0	19	U64Z
	14	O01A, O01B, O01C, O01D, O01E, O01F, O01G, O60A, O60B, O60C	G44.8	01	B77Z	G47.1	19	U64Z
	Pre	A07D, A09E, A11F, A13F	G44.8	18A	S65A, S65B	G47.2	19	U64Z
G41.1	01	B03A, B03B, B06A, B06B, B17A, B17B, B17C, B17D, B76A, B76B, B76C, B76D, B76F	G45.02	01	B03A, B03B, B06A, B06B, B17A, B17B, B17C, B17D, B39A, B39B, B39C, B69A, B69B, B69C, B69D	G47.30	04	E07Z, E63Z
	14	O01A, O01B, O01C, O01D, O01E, O01F, O01G, O60A, O60B, O60C	G45.03	01	B03A, B03B, B06A, B06B, B17A, B17B, B17C, B17D, B39A, B39B, B39C, B69A, B69B, B69C, B69D	G47.31	04	E07Z, E63Z
	Pre	A07D, A09E, A11F, A13F	G45.09	01	B03A, B03B, B06A, B06B, B17A, B17B, B17C, B17D, B39A, B39B, B39C, B69A, B69B, B69C, B69D	G47.32	04	E07Z, E63Z
G41.2	01	B03A, B03B, B06A, B06B, B17A, B17B, B17C, B17D, B70A, B70B, B70C, B70E, B76A, B76B, B76C, B76D, B76F	G45.12	01	B03A, B03B, B06A, B06B, B17A, B17B, B17C, B17D, B39A, B39B, B39C, B69A, B69B, B69C, B69D	G47.33	04	E07Z, E63Z
	14	O01A, O01B, O01C, O01D, O01E, O01F, O01G, O60A, O60B, O60C	G45.13	01	B03A, B03B, B06A, B06B, B17A, B17B, B17C, B17D, B39A, B39B, B39C, B69A, B69B, B69C, B69D	G47.38	04	E07Z, E63Z
	Pre	A07D, A09E, A11F, A13F	G45.19	01	B03A, B03B, B06A, B06B, B17A, B17B, B17C, B17D, B39A, B39B, B39C, B69A, B69B, B69C, B69D	G47.39	04	E07Z, E63Z
G41.8	01	B03A, B03B, B06A, B06B, B17A, B17B, B17C, B17D, B76A, B76B, B76C, B76D, B76F	G45.22	01	B03A, B03B, B06A, B06B, B17A, B17B, B17C, B17D, B39A, B39B, B39C, B69A, B69B, B69C, B69D	G47.4	01	B03A, B03B, B06A, B06B, B17A, B17B, B17C, B17D, B81A, B81B
	14	O01A, O01B, O01C, O01D, O01E, O01F, O01G, O60A, O60B, O60C	G45.23	01	B03A, B03B, B06A, B06B, B17A, B17B, B17C, B17D, B39A, B39B, B39C, B69A, B69B, B69C, B69D	G47.8	19	U64Z
	Pre	A07D, A09E, A11F, A13F	G45.29	01	B03A, B03B, B06A, B06B, B17A, B17B, B17C, B17D, B39A, B39B, B39C, B69A, B69B, B69C, B69D	G47.9	19	U64Z
G41.9	01	B03A, B03B, B06A, B06B, B17A, B17B, B17C, B17D, B76A, B76B, B76C, B76D, B76F	G45.32	02	C61Z	G50.0	01	B03A, B03B, B06A, B06B, B17A, B17B, B17C, B17D, B20D, B20E, B71A, B71B, B71C, B71D
	14	O01A, O01B, O01C, O01D, O01E, O01F, O01G, O60A, O60B, O60C	G45.33	02	C61Z	G50.1	01	B03A, B03B, B06A, B06B, B17A, B17B, B17C, B17D, B20D, B71A, B71B, B71C, B71D
	Pre	A07D, A09E, A11F, A13F	G45.39	02	C61Z	G50.8	01	B03A, B03B, B06A, B06B, B17A, B17B, B17C, B17D, B20D, B71A, B71B, B71C, B71D
G43.0	01	B03A, B03B, B06A, B06B, B17A, B17B, B17C, B17D, B77Z	G45.42	01	B03A, B03B, B06A, B06B, B17A, B17B, B17C, B17D, B39A, B39B, B39C, B69A, B69B, B69C, B69D	G50.9	01	B03A, B03B, B06A, B06B, B17A, B17B, B17C, B17D, B20D, B71A, B71B, B71C, B71D
G43.1	01	B03A, B03B, B06A, B06B, B17A, B17B, B17C, B17D, B77Z	G45.43	01	B03A, B03B, B06A, B06B, B17A, B17B, B17C, B17D, B39A, B39B, B39C, B69A, B69B, B69C, B69D	G51.0	01	B03A, B03B, B06A, B06B, B17A, B17B, B17C, B17D, B20D, B71A, B71B, B71C, B71D
G43.2	01	B03A, B03B, B06A, B06B, B17A, B17B, B17C, B17D, B77Z	G45.49	01	B03A, B03B, B06A, B06B, B17A, B17B, B17C, B17D, B39A, B39B, B39C, B69A, B69B, B69C, B69D	G51.1	15	TPN, VTPN
G43.3	01	B03A, B03B, B06A, B06B, B17A, B17B, B17C, B17D, B77Z	G45.82	01	B03A, B03B, B06A, B06B, B17A, B17B, B17C, B17D, B39A, B39B, B39C, B69A, B69B, B69C, B69D	G51.1	01	B03A, B03B, B06A, B06B, B17A, B17B, B17C, B17D, B20D, B71A, B71B, B71C, B71D
G43.8	01	B03A, B03B, B06A, B06B, B17A, B17B, B17C, B17D, B77Z	G45.83	01	B03A, B03B, B06A, B06B, B17A, B17B, B17C, B17D, B39A, B39B, B39C, B69A, B69B, B69C, B69D	G51.2	01	B03A, B03B, B06A, B06B, B17A, B17B, B17C, B17D, B20D, B71A, B71B, B71C, B71D
G43.9	01	B03A, B03B, B06A, B06B, B17A, B17B, B17C, B17D, B77Z				G51.3	01	B03A, B03B, B06A, B06B, B17A, B17B, B17C, B17D, B20D, B71A, B71B, B71C, B71D
						G51.4	01	B03A, B03B, B06A, B06B, B17A, B17B, B17C, B17D, B20D, B71A, B71B, B71C, B71D
						G51.8	01	B03A, B03B, B06A, B06B, B17A, B17B, B17C, B17D, B20D, B71A, B71B, B71C, B71D

ICD	MDC	DRG	ICD	MDC	DRG	ICD	MDC	DRG	
G51.9	01	B03A, B03B, B06A, B06B, B17A, B17B, B17C, B17D, B20D, B71A, B71B, B71C, B71D	G55.2	15	TPN, VTPN	G60.2	01	B03A, B03B, B06A, B06B, B17A, B17B, B17C, B17D, B71A, B71B, B71C, B71D	
G52.0	01	B03A, B03B, B06A, B06B, B17A, B17B, B17C, B17D, B20D, B71A, B71B, B71C, B71D	G56.0	01	B03A, B03B, B06A, B06B, B17A, B17B, B17C, B17D, B82Z	G60.3	01	B03A, B03B, B06A, B06B, B17A, B17B, B17C, B17D, B71A, B71B, B71C, B71D	
G52.1	01	B03A, B03B, B06A, B06B, B17A, B17B, B17C, B17D, B20D, B71A, B71B, B71C, B71D	G56.1	01	B03A, B03B, B06A, B06B, B17A, B17B, B17C, B17D, B71A, B71B, B71C, B71D	G60.8	01	B03A, B03B, B06A, B06B, B17A, B17B, B17C, B17D, B71A, B71B, B71C, B71D	
G52.2	01	B03A, B03B, B06A, B06B, B17A, B17B, B17C, B17D, B20D, B71A, B71B, B71C, B71D	G56.2	01	B03A, B03B, B06A, B06B, B17A, B17B, B17C, B17D, B71A, B71B, B71C, B71D	G60.9	01	B03A, B03B, B06A, B06B, B17A, B17B, B17C, B17D, B71A, B71B, B71C, B71D	
G52.3	01	B03A, B03B, B06A, B06B, B17A, B17B, B17C, B17D, B20D, B71A, B71B, B71C, B71D	G56.3	01	B03A, B03B, B06A, B06B, B17A, B17B, B17C, B17D, B71A, B71B, B71C, B71D	G61.0	01	B03A, B03B, B06A, B06B, B17A, B17B, B17C, B17D, B71A, B71B, B71C	
G52.7	01	B03A, B03B, B06A, B06B, B17A, B17B, B17C, B17D, B20D, B71A, B71B, B71C, B71D	G56.4	01	B03A, B03B, B06A, B06B, B17A, B17B, B17C, B17D, B71A, B71B, B71C, B71D	G61.0	18A	S65A, S65B	
G52.8	01	B03A, B03B, B06A, B06B, B17A, B17B, B17C, B17D, B20D, B71A, B71B, B71C, B71D	G56.8	01	B03A, B03B, B06A, B06B, B17A, B17B, B17C, B17D, B71A, B71B, B71C, B71D	G61.0	Pre	A07D, A09E, A11F, A13F	
G52.8	15	TPN, VTPN	G56.9	01	B03A, B03B, B06A, B06B, B17A, B17B, B17C, B17D, B71A, B71B, B71C, B71D	G61.1	01	B03A, B03B, B06A, B06B, B17A, B17B, B17C, B17D, B71A, B71B, B71C, B71D	
G52.9	01	B03A, B03B, B06A, B06B, B17A, B17B, B17C, B17D, B20D, B71A, B71B, B71C, B71D	G57.0	01	B03A, B03B, B06A, B06B, B17A, B17B, B17C, B17D, B71A, B71B, B71C, B71D	G61.1	Pre	A07D, A09E, A11F, A13F	
G53.1	15	TPN, VTPN	G57.1	01	B03A, B03B, B06A, B06B, B17A, B17B, B17C, B17D, B71A, B71B, B71C, B71D	G61.8	01	B03A, B03B, B06A, B06B, B17A, B17B, B17C, B17D, B71A, B71B, B71C, B71D	
G53.2	15	TPN, VTPN	G57.2	01	B03A, B03B, B06A, B06B, B17A, B17B, B17C, B17D, B71A, B71B, B71C, B71D	G61.9	18A	S65A, S65B	
G53.3	15	TPN, VTPN	G57.3	01	B03A, B03B, B06A, B06B, B17A, B17B, B17C, B17D, B71A, B71B, B71C, B71D	G61.9	Pre	A07D, A09E, A11F, A13F	
G54.0	01	B03A, B03B, B06A, B06B, B17A, B17B, B17C, B17D, B71A, B71B, B71C, B71D	G57.4	01	B03A, B03B, B06A, B06B, B17A, B17B, B17C, B17D, B71A, B71B, B71C, B71D	G62.0	01	B03A, B03B, B06A, B06B, B17A, B17B, B17C, B17D, B71A, B71B, B71C, B71D	
G54.1	01	B03A, B03B, B06A, B06B, B17A, B17B, B17C, B17D, B71A, B71B, B71C, B71D	G57.5	01	B03A, B03B, B06A, B06B, B17A, B17B, B17C, B17D, B71A, B71B, B71C, B71D	G62.1	01	B03A, B03B, B06A, B06B, B17A, B17B, B17C, B17D, B71A, B71B, B71C, B71D	
G54.1	15	P65C, P66C, P67B, P67C	G57.6	01	B03A, B03B, B06A, B06B, B17A, B17B, B17C, B17D, B71A, B71B, B71C, B71D	G62.1	Pre	A07D, A09E, A11F, A13F	
G54.2	01	B03A, B03B, B06A, B06B, B17A, B17B, B17C, B17D, B71A, B71B, B71C, B71D	G57.8	01	B03A, B03B, B06A, B06B, B17A, B17B, B17C, B17D, B71A, B71B, B71C, B71D	G62.2	01	B03A, B03B, B06A, B06B, B17A, B17B, B17C, B17D, B71A, B71B, B71C, B71D	
G54.3	01	B03A, B03B, B06A, B06B, B17A, B17B, B17C, B17D, B71A, B71B, B71C, B71D	G57.9	01	B03A, B03B, B06A, B06B, B17A, B17B, B17C, B17D, B71A, B71B, B71C, B71D	G62.2	Pre	A07D, A09E, A11F, A13F	
G54.4	01	B03A, B03B, B06A, B06B, B17A, B17B, B17C, B17D, B71A, B71B, B71C, B71D	G58.0	01	B03A, B03B, B06A, B06B, B17A, B17B, B17C, B17D, B82Z	G62.80	01	B03A, B03B, B06A, B06B, B17A, B17B, B17C, B17D, B71A, B71B, B71C, B71D	
G54.5	01	B03A, B03B, B06A, B06B, B17A, B17B, B17C, B17D, B71A, B71B, B71C, B71D	G58.7	01	B03A, B03B, B06A, B06B, B17A, B17B, B17C, B17D, B71A, B71B, B71C, B71D	G62.88	18A	S65A, S65B	
G54.6	01	B03A, B03B, B06A, B06B, B17A, B17B, B17C, B17D, B20D, B71A, B71B, B71C, B71D	G58.8	01	B03A, B03B, B06A, B06B, B17A, B17B, B17C, B17D, B71A, B71B, B71C, B71D	G62.88	Pre	A07D, A09E, A11F, A13F	
G54.7	01	B03A, B03B, B06A, B06B, B17A, B17B, B17C, B17D, B20D, B71A, B71B, B71C, B71D	G58.9	01	B03A, B03B, B06A, B06B, B17A, B17B, B17C, B17D, B71A, B71B, B71C, B71D	G62.9	01	B03A, B03B, B06A, B06B, B17A, B17B, B17C, B17D, B71A, B71B, B71C, B71D	
G54.8	01	B03A, B03B, B06A, B06B, B17A, B17B, B17C, B17D, B20D, B71A, B71B, B71C, B71D	G60.0	01	B03A, B03B, B06A, B06B, B17A, B17B, B17C, B17D, B71A, B71B, B71C, B71D	G62.9	18A	S65A, S65B	
G54.9	01	B03A, B03B, B06A, B06B, B17A, B17B, B17C, B17D, B20D, B71A, B71B, B71C, B71D	G60.1	Pre	A07D, A09E, A11F, A13F	G63.0	Pre	A07D, A09E, A11F, A13F	
G55.1	15	TPN, VTPN	G60.1	01	B03A, B03B, B06A, B06B, B17A, B17B, B17C, B17D, B81A, B81B	G63.1	Pre	A07D, A09E, A11F, A13F	
					Pre	A07D, A09E, A11F, A13F	G63.2	10	K60B
							G63.3	Pre	A07D, A09E, A11F, A13F
							G63.4	Pre	A07D, A09E, A11F, A13F
							G63.5	Pre	A07D, A09E, A11F, A13F
							G63.6	Pre	A07D, A09E, A11F, A13F

ICD	MDC	DRG	ICD	MDC	DRG	ICD	MDC	DRG			
G82.09	01	B03A, B48Z, B60A, B60B, B71A, B71B, B71C	G82.22	01	B03A, B48Z, B60A, B60B, B71A, B71B, B71C	G82.39	01	B03A, B48Z, B60A, B60B, B71A, B71B, B71C			
	04	E40B, E69A, E77F		04	E40B, E69A, E77F		04	E40B, E69A, E77F			
	06	G67A, G67C		06	G67A, G67C		06	G67A, G67C			
	08	I06A, I08C, I09D, I10C, I13A, I13B, I68A, I68B, I69A, I69B		08	I06A, I08C, I09D, I10C, I13A, I13B, I68A, I68B, I69A, I69B		08	I06A, I08C, I09D, I10C, I13A, I13B, I68A, I68B, I69A, I69B			
	09	J02A, J08A, J08B, J08C, J11A, J61A, J61B, J61C		09	J02A, J08A, J08B, J08C, J11A, J61A, J61B, J61C		09	J02A, J08A, J08B, J08C, J11A, J61A, J61B, J61C			
	10	K62A		10	K62A		10	K62A			
	11	L18A, L18B, L20A, L20B, L38Z, L42A, L74Z		11	L18A, L18B, L20A, L20B, L38Z, L42A, L74Z		11	L18A, L18B, L20A, L20B, L38Z, L42A, L74Z			
	18B	T60B		18B	T60B		15	TPN, VTPN			
	G82.10	01		B71A, B71B, B71C	G82.23		01	B03A, B48Z, B60A, B60B, B71A, B71B, B71C	G82.40	01	B71A, B71B, B71C
		06		G67A			04	E40B, E69A, E77F		06	G67A
		09		J61A, J61B, J61C			06	G67A, G67C		09	J61A, J61B, J61C
G82.11	Pre	B61A, B61B	G82.29	08	I06A, I08C, I09D, I10C, I13A, I13B, I68A, I68B, I69A, I69B	G82.41	15	TPN, VTPN			
	01	B71A, B71B, B71C		09	J02A, J08A, J08B, J08C, J11A, J61A, J61B, J61C		01	B71A, B71B, B71C			
	06	G67A		10	K62A		06	G67A			
G82.12	09	J61A, J61B, J61C	G82.30	11	L18A, L18B, L20A, L20B, L38Z, L42A, L74Z	G82.42	09	J61A, J61B, J61C			
	Pre	B61A, B61B		18B	T60B		Pre	B61A, B61B			
	01	B03A, B48Z, B60A, B60B, B71A, B71B, B71C		01	B03A, B48Z, B60A, B60B, B71A, B71B, B71C		01	B03A, B48Z, B60A, B60B, B71A, B71B, B71C			
G82.13	04	E40B, E69A, E77F	G82.31	04	E40B, E69A, E77F	G82.43	04	E40B, E69A, E77F			
	06	G67A, G67C		06	G67A, G67C		06	G67A, G67C			
	08	I06A, I08C, I09D, I10C, I13A, I13B, I68A, I68B, I69A, I69B		08	I06A, I08C, I09D, I10C, I13A, I13B, I68A, I68B, I69A, I69B		08	I06A, I08C, I09D, I10C, I13A, I13B, I68A, I68B, I69A, I69B			
	09	J02A, J08A, J08B, J08C, J11A, J61A, J61B, J61C		09	J02A, J08A, J08B, J08C, J11A, J61A, J61B, J61C		09	J02A, J08A, J08B, J08C, J11A, J61A, J61B, J61C			
	10	K62A		10	K62A		10	K62A			
	11	L18A, L18B, L20A, L20B, L38Z, L42A, L74Z		11	L18A, L18B, L20A, L20B, L38Z, L42A, L74Z		11	L18A, L18B, L20A, L20B, L38Z, L42A, L74Z			
	18B	T60B		18B	T60B		18B	T60B			
	G82.19	01		B03A, B48Z, B60A, B60B, B71A, B71B, B71C	G82.32		01	B03A, B48Z, B60A, B60B, B71A, B71B, B71C	G82.49	01	B03A, B48Z, B60A, B60B, B71A, B71B, B71C
		04		E40B, E69A, E77F			04	E40B, E69A, E77F		04	E40B, E69A, E77F
		06		G67A, G67C			06	G67A, G67C		06	G67A, G67C
		08		I06A, I08C, I09D, I10C, I13A, I13B, I68A, I68B, I69A, I69B			08	I06A, I08C, I09D, I10C, I13A, I13B, I68A, I68B, I69A, I69B		08	I06A, I08C, I09D, I10C, I13A, I13B, I68A, I68B, I69A, I69B
09		J02A, J08A, J08B, J08C, J11A, J61A, J61B, J61C	09	J02A, J08A, J08B, J08C, J11A, J61A, J61B, J61C		09	J02A, J08A, J08B, J08C, J11A, J61A, J61B, J61C				
10		K62A	10	K62A		10	K62A				
11		L18A, L18B, L20A, L20B, L38Z, L42A, L74Z	11	L18A, L18B, L20A, L20B, L38Z, L42A, L74Z		11	L18A, L18B, L20A, L20B, L38Z, L42A, L74Z				
18B		T60B	15	TPN, VTPN		15	TPN, VTPN				
G82.20		01	B71A, B71B, B71C	G82.33		18B	T60B	G82.50		18B	T60B
		06	G67A			01	B03A, B48Z, B60A, B60B, B71A, B71B, B71C			01	B71A, B71B, B71C
		09	J61A, J61B, J61C			04	E40B, E69A, E77F			06	G67A
G82.21	Pre	B61A, B61B	G82.51	06	G67A, G67C	G82.51	06	G67A			
	01	B71A, B71B, B71C		08	I06A, I08C, I09D, I10C, I13A, I13B, I68A, I68B, I69A, I69B		09	J61A, J61B, J61C			
	06	G67A		09	J02A, J08A, J08B, J08C, J11A, J61A, J61B, J61C		15	TPN, VTPN			
G82.22	09	J61A, J61B, J61C	G82.51	10	K62A	G82.51	Pre	B61A, B61B			
	Pre	B61A, B61B		11	L18A, L18B, L20A, L20B, L38Z, L42A, L74Z		01	B71A, B71B, B71C			
				18B	T60B		06	G67A			
							09	J61A, J61B, J61C			
							Pre	B61A, B61B			

Dg

ICD	MDC	DRG	ICD	MDC	DRG	ICD	MDC	DRG																
G82.52	01	B03A, B48Z, B60A, B60B, B71A, B71B, B71C	G83.88	01	B03A, B03B, B06A, B06B, B17A, B17B, B17C, B17D, B48Z, B85A, B85B, B85C, B85D	G93.0	01	B03A, B03B, B06A, B06B, B17A, B17B, B17C, B17D, B81A, B81B																
	04	E40B, E69A, E77F		G83.9	01		B03A, B03B, B06A, B06B, B17A, B17B, B17C, B17D, B81A, B81B	15	P65C, P66C, P67B, P67C															
	06	G67A, G67C			G90.00		05	F71A, F71B	Pre	A07D, A09E, A11F, A13F														
	08	I06A, I08C, I09D, I10C, I13A, I13B, I68A, I68B, I69A, I69B					G90.08	01	B03A, B03B, B06A, B06B, B17A, B17B, B17C, B17D, B71A, B71B, B71C, B71D	G93.1	01	B03A, B03B, B06A, B06B, B17A, B17B, B17C, B17D, B48Z, B85A, B85B, B85C, B85D												
	09	J02A, J08A, J08B, J08C, J11A, J61A, J61B, J61C						G90.09	01		B03A, B03B, B06A, B06B, B17A, B17B, B17C, B17D, B71A, B71B, B71C, B71D	G93.2	01	B03A, B03B, B06A, B06B, B17A, B17B, B17C, B17D, B20D, B81A, B81B										
	10	K62A							G90.1		01		B03A, B03B, B06A, B06B, B17A, B17B, B17C, B17D, B81A, B81B	G93.3	18A	S65A, S65B								
	11	L18A, L18B, L20A, L20B, L38Z, L42A, L74Z									G90.2		01		B03A, B03B, B06A, B06B, B17A, B17B, B17C, B17D, B71A, B71B, B71C, B71D	23	Z65Z							
	15	TPN, VTPN											G90.3		01	B03A, B03B, B06A, B06B, B17A, B17B, B17C, B17D, B71A, B71B, B71C, B71D	G93.4	01	B03A, B03B, B06A, B06B, B17A, B17B, B17C, B17D, B39A, B39B, B39C, B48Z, B70A, B70B, B70C, B70D, B70E, B70F, B70G, B70H, B70I					
	18B	T60B													G90.40	Pre		A07D, A09E, A11F, A13F	G93.5	18A	S65A, S65B			
	G82.53	01														B03A, B48Z, B60A, B60B, B71A, B71B, B71C		G90.41		01	B03A, B03B, B06A, B06B, B17A, B17B, B17C, B17D, B71A, B71B, B71C, B71D	G93.6	01	B03A, B03B, B06A, B06B, B17A, B17B, B17C, B17D, B66A, B66B, B66C, B66D
		04														E40B, E69A, E77F				G90.48	01		B03A, B03B, B06A, B06B, B17A, B17B, B17C, B17D, B71A, B71B, B71C, B71D	Pre
06		G67A, G67C	G90.49			01										B03A, B03B, B06A, B06B, B17A, B17B, B17C, B17D, B71A, B71B, B71C, B71D					01		B81A, B81B	
08		I06A, I08C, I09D, I10C, I13A, I13B, I68A, I68B, I69A, I69B		G90.8		01										B03A, B03B, B06A, B06B, B17A, B17B, B17C, B17D, B71A, B71B, B71C, B71D					Pre		A07D, A09E, A11F, A13F	
09		J02A, J08A, J08B, J08C, J11A, J61A, J61B, J61C			G90.9	01										B03A, B03B, B06A, B06B, B17A, B17B, B17C, B17D, B71A, B71B, B71C, B71D					G93.80		01	B03A, B03B, B06A, B06B, B17A, B17B, B17C, B17D, B63Z
10		K62A				G91.0	01			B48Z, B85A, B85B, B85C, B85D						08							I08A, I27B, I71A	
11		L18A, L18B, L20A, L20B, L38Z, L42A, L74Z					G91.1	01		B48Z, B85A, B85B, B85C, B85D		Pre				A43Z								
15		TPN, VTPN						G91.20	15	TPN, VTPN		G93.88		01		B03A, B03B, B06A, B06B, B17A, B17B, B17C, B17D, B63Z								
18B		T60B							G91.21	Pre	A07D, A09E, A11F, A13F			G93.9		18A							S65A, S65B	
G82.59		01								B03A, B48Z, B60A, B60B, B71A, B71B, B71C	G91.29		01			B20D, B48Z, B85A, B85B, B85C, B85D	G94.0						15	TPN, VTPN
		04								E40B, E69A, E77F			G91.3		01	B48Z, B85A, B85B, B85C, B85D			G94.1				15	TPN, VTPN
	06	G67A, G67C								G91.8					15	TPN, VTPN		G94.2				15	TPN, VTPN	
	08	I06A, I08C, I09D, I10C, I13A, I13B, I68A, I68B, I69A, I69B													G91.9	01				B20D, B48Z, B85A, B85B, B85C, B85D		G95.0	01	B03A, B03B, B06A, B06B, B17A, B17B, B17C, B17D, B48Z, B85A, B85B, B85C, B85D
	09	J02A, J08A, J08B, J08C, J11A, J61A, J61B, J61C	G92													01				B03A, B03B, B06A, B06B, B17A, B17B, B17C, B17D, B81A, B81B			G95.1	01
	10	K62A		Pre												Pre				A07D, A09E, A11F, A13F				04
	11	L18A, L18B, L20A, L20B, L38Z, L42A, L74Z			G83.0											01				B03A, B03B, B06A, B06B, B17A, B17B, B17C, B17D, B48Z, B85A, B85B, B85C	06			G67C
	15	TPN, VTPN				G83.1										15				TPN, VTPN	08			I06A, I08C, I09D, I10C, I13A, I13B, I68A, I68B, I69A, I69B
	18B	T60B					G83.2									01				B03A, B03B, B06A, B06B, B17A, B17B, B17C, B17D, B81A, B81B	09			J02A, J08A, J08B, J08C, J11A
	G83.0	01						B03A, B03B, B06A, B06B, B17A, B17B, B17C, B17D, B48Z, B85A, B85B, B85C				G83.3				01				B03A, B03B, B06A, B06B, B17A, B17B, B17C, B17D, B81A, B81B	10			K62A
		15						TPN, VTPN	G83.40					15		TPN, VTPN				11	L18A, L18B, L20A, L20B, L38Z, L42A, L74Z			
G83.1		01						B03A, B03B, B06A, B06B, B17A, B17B, B17C, B17D, B81A, B81B			G83.41			01		B03A, B03B, B06A, B06B, B17A, B17B, B17C, B17D, B71A, B71B, B71C	15			TPN, VTPN				
		15						TPN, VTPN					G83.49	15		TPN, VTPN	18B		T60B					
		G83.2						01		B03A, B03B, B06A, B06B, B17A, B17B, B17C, B17D, B81A, B81B				G83.80		01	B03A, B03B, B06A, B06B, B17A, B17B, B17C, B17D, B48Z, B85A, B85B, B85C, B85D	Pre	B61A, B61B					
								15		TPN, VTPN					Pre	Pre	A43Z							

ICD	MDC	DRG	ICD	MDC	DRG	ICD	MDC	DRG
G95.2	01	B03A, B86Z	G96.8	01	B03A, B03B, B06A, B06B, B17A, B17B, B17C, B17D, B39A, B39B, B39C, B48Z, B70A, B70B, B70C, B70D, B70E, B70F, B70G, B70H, B70I	H11.1	02	C63Z
	04	E40B, E69A, E77F				H11.2	02	C63Z
	06	G67C				H11.3	02	C62Z
	08	I06A, I08C, I09D, I10C, I13A, I13B, I68A, I68B, I69A, I69B				H11.4	02	C63Z
	09	J02A, J08A, J08B, J08C, J11A	G96.9	01	B03A, B03B, B06A, B06B, B17A, B17B, B17C, B17D, B63Z	H11.8	02	C63Z
	10	K62A				H11.9	02	C63Z
	11	L18A, L18B, L20A, L20B, L38Z, L42A, L74Z		18A	S65A, S65B	H13.3	15	TPN, VTPN
	15	TPN, VTPN	G97.0	01	B03A, B03B, B06A, B06B, B17A, B17B, B17C, B17D, B81A, B81B	H15.0	02	C63Z
	18A	S65A, S65B				H15.1	02	C63Z
	18B	T60B				H15.8	02	C63Z
	Pre	B61A, B61B				H15.9	02	C63Z
G95.80	01	B03A	G97.1	01	B03A, B03B, B06A, B06B, B17A, B17B, B17C, B17D, B77Z	H16.0	02	C60Z
	04	E40B, E69A, E77F				H16.1	02	C63Z
	06	G67C				H16.2	02	C63Z
	08	I06A, I08C, I09D, I10C, I13A, I13B, I68A, I68B, I69A, I69B	G97.2	01	B81A, B81B	H16.2	02	C63Z
	09	J02A, J08A, J08B, J08C, J11A	G97.80	01	B81A, B81B	H16.3	02	C60Z
	10	K62A	G97.81	01	B81A, B81B	H16.4	02	C63Z
	11	L18A, L18B, L20A, L20B, L38Z, L42A, L73Z, L74Z	G97.88	01	B81A, B81B	H16.8	02	C60Z
	18B	T60B	G97.9	01	B03A, B03B, B06A, B06B, B17A, B17B, B17C, B17D, B63Z	H16.9	02	C63Z
	Pre	B61A, B61B	G98	01	B03A, B03B, B06A, B06B, B17A, B17B, B17C, B17D, B63Z	H17.0	02	C63Z
G95.81	01	B03A		18A	S65A, S65B	H17.1	02	C63Z
	04	E40B, E69A, E77F	H00.0	02	C63Z	H17.8	02	C63Z
	06	G67C	H00.1	02	C64Z	H17.9	02	C63Z
	08	I06A, I08C, I09D, I10C, I13A, I13B, I68A, I68B, I69A, I69B	H01.0	02	C63Z	H18.0	02	C63Z
	09	J02A, J08A, J08B, J08C, J11A	H01.1	02	C63Z	H18.1	02	C63Z
	10	K62A	H01.8	02	C63Z	H18.2	02	C63Z
	11	L18A, L18B, L20A, L20B, L38Z, L42A, L73Z, L74Z	H01.9	02	C63Z	H18.3	02	C63Z
	18B	T60B	H02.0	02	C64Z	H18.4	02	C63Z
	Pre	B61A, B61B	H02.1	02	C64Z	H18.5	02	C63Z
G95.82	Pre	B61A, B61B	H02.2	02	C64Z	H18.6	02	C63Z
G95.83	Pre	B61A, B61B	H02.3	02	C64Z	H18.7	02	C63Z
G95.84	Pre	B61A, B61B	H02.4	02	C61Z	H18.80	02	C63Z
G95.85	Pre	B61A, B61B	H02.5	02	C64Z	H18.81	02	C63Z
G95.88	01	B03A	H02.6	09	J67A, J67B, J68A, J68B	H18.89	02	C63Z
	04	E40B, E69A, E77F	H02.7	02	C64Z	H18.9	02	C63Z
	06	G67C	H02.8	02	C64Z	H19.1	15	TPN, VTPN
	08	I06A, I08C, I09D, I10C, I13A, I13B, I68A, I68B, I69A, I69B	H02.9	02	C64Z	H19.2	15	TPN, VTPN
	09	J02A, J08A, J08B, J08C, J11A	H04.0	02	C63Z	H20.0	02	C66Z
	10	K62A	H04.1	02	C63Z	H20.1	02	C63Z
	11	L18A, L18B, L20A, L20B, L38Z, L42A, L74Z	H04.2	02	C63Z	H20.2	02	C63Z
	18B	T60B	H04.3	02	C63Z	H20.8	02	C63Z
	Pre	B61A, B61B	H04.4	02	C63Z	H20.9	02	C63Z
G95.9	01	B03A, B86Z	H04.5	02	C64Z	H21.0	02	C62Z
	04	E40B, E69A, E77F	H04.6	02	C64Z	H21.1	02	C63Z
	06	G67C	H04.8	02	C64Z	H21.2	02	C63Z
	08	I06A, I08C, I09D, I10C, I13A, I13B, I68A, I68B, I69A, I69B	H04.9	02	C64Z	H21.3	02	C63Z
	09	J02A, J08A, J08B, J08C, J11A	H05.0	02	C60Z	H21.4	02	C63Z
	10	K62A		15	P65C, P66C, P67B, P67C	H21.5	02	C63Z
	11	L18A, L18B, L20A, L20B, L38Z, L42A, L74Z	H05.1	02	C63Z	H21.8	02	C63Z
	15	TPN, VTPN	H05.2	02	C63Z	H21.9	02	C63Z
	18A	S65A, S65B	H05.3	02	C63Z	H25.0	02	C64Z
	18B	T60B	H05.4	02	C63Z	H25.1	02	C64Z
	Pre	B61A, B61B	H05.5	02	C62Z	H25.2	02	C64Z
G96.0	01	B03A, B03B, B06A, B06B, B17A, B17B, B17C, B17D, B81A, B81B	H05.8	02	C63Z	H25.8	02	C64Z
	15	TPN, VTPN	H05.9	02	C63Z	H25.9	02	C64Z
G96.1	01	B03A, B03B, B06A, B06B, B17A, B17B, B17C, B17D, B81A, B81B	H05.9	02	C63Z	H26.0	02	C63Z
			H10.0	02	C63Z	H26.1	02	C62Z
			H10.1	02	C63Z	H26.2	02	C63Z
			H10.2	02	C63Z	H26.3	02	C64Z
			H10.3	02	C63Z	H26.4	02	C64Z
			H10.4	02	C63Z	H26.8	02	C64Z
			H10.5	02	C63Z	H26.9	02	C64Z
			H10.8	02	C63Z	H27.0	02	C63Z
			H10.9	02	C63Z	H27.10	02	C63Z
			H11.0	02	C63Z	H27.19	02	C63Z
						H27.8	02	C63Z
						H27.9	02	C63Z
						H30.0	02	C63Z
						18A	S65A, S65B	

ICD	MDC	DRG	ICD	MDC	DRG	ICD	MDC	DRG
H30.1	02	C63Z	H40.69	02	C64Z	H52.1	02	C63Z
	18A	S65A, S65B	H40.70	02	C64Z	H52.2	02	C63Z
H30.2	02	C63Z	H40.71	02	C64Z	H52.3	02	C63Z
H30.8	02	C63Z	H40.79	02	C64Z	H52.4	02	C63Z
H30.9	02	C63Z	H40.80	02	C64Z	H52.5	02	C63Z
	18A	S65A, S65B	H40.81	02	C64Z	H52.6	02	C63Z
H31.0	02	C62Z	H40.82	02	C64Z	H52.7	02	C63Z
H31.1	02	C63Z	H40.83	02	C64Z	H53.0	02	C63Z
H31.2	02	C63Z	H40.84	02	C64Z	H53.1	02	C63Z
H31.3	02	C62Z	H40.89	02	C64Z	H53.2	02	C61Z
H31.4	02	C62Z	H40.9	02	C64Z	H53.3	02	C63Z
H31.8	02	C63Z	H43.0	02	C63Z	H53.4	02	C61Z
H31.9	02	C63Z	H43.1	02	C62Z	H53.5	02	C63Z
H32.0	15	TPN, VTPN	H43.2	02	C63Z	H53.6	02	C63Z
H33.0	02	C62Z	H43.3	02	C63Z	H53.8	02	C63Z
H33.1	02	C63Z	H43.8	02	C63Z	H53.9	02	C63Z
H33.2	02	C62Z	H43.9	02	C63Z	H54.0	02	C63Z
H33.3	02	C62Z	H44.0	02	C60Z		10	K60B
H33.4	02	C62Z	H44.1	02	C60Z		18A	S65A, S65B
H33.5	02	C62Z	H44.2	02	C63Z	H54.1	02	C63Z
H34.0	02	C61Z	H44.3	02	C63Z		18A	S65A, S65B
H34.1	02	C61Z	H44.4	02	C63Z	H54.2	02	C63Z
H34.2	02	C61Z	H44.5	02	C63Z		18A	S65A, S65B
H34.80	02	C61Z	H44.6	02	C62Z	H54.3	02	C63Z
H34.81	02	C61Z	H44.7	02	C62Z		18A	S65A, S65B
H34.89	02	C61Z	H44.8	02	C63Z	H54.4	02	C63Z
H34.9	02	C61Z	H44.9	02	C63Z		18A	S65A, S65B
H35.00	02	C63Z	H46	02	C61Z	H54.5	02	C63Z
	18A	S65A, S65B	H47.0	02	C61Z		18A	S65A, S65B
H35.09	02	C63Z	H47.1	01	B03A, B03B, B06A, B06B, B17A, B17B, B17C, B17D, B81A, B81B	H54.6	02	C63Z
	18A	S65A, S65B					18A	S65A, S65B
H35.10	02	C63Z				H54.9	02	C63Z
H35.19	02	C63Z	H47.2	02	C61Z		18A	S65A, S65B
H35.2	02	C63Z	H47.3	02	C61Z	H55	02	C61Z
H35.30	02	C63Z	H47.4	01	B03A, B03B, B06A, B06B, B17A, B17B, B17C, B17D, B81A, B81B	H57.0	02	C63Z
H35.31	02	C63Z				H57.1	02	C63Z
H35.32	02	C63Z				H57.8	02	C63Z
H35.39	02	C63Z	H47.5	01	B03A, B03B, B06A, B06B, B17A, B17B, B17C, B17D, B81A, B81B	H57.9	02	C63Z
H35.4	02	C63Z				H58.0	15	TPN, VTPN
H35.5	02	C63Z				H59.0	02	C63Z
H35.6	02	C62Z	H47.6	01	B03A, B03B, B06A, B06B, B17A, B17B, B17C, B17D, B81A, B81B	H59.8	02	C62Z
H35.70	02	C63Z				H59.9	02	C63Z
H35.79	02	C63Z	H47.7	01	B03A, B03B, B06A, B06B, B17A, B17B, B17C, B17D, B81A, B81B	H60.0	03	D66Z
H35.8	02	C63Z				H60.1	03	D66Z
H35.9	02	C63Z				H60.2	03	D09Z, D25A, D25B, D28Z, D60A, D60B, D60C
H36.00	10	K60B	H49.0	02	C61Z	H60.3	03	D66Z
H36.01	10	K60B	H49.1	02	C61Z	H60.4	03	D66Z
H36.02	10	K60B	H49.2	02	C61Z	H60.5	03	D66Z
H36.03	10	K60B	H49.3	02	C61Z	H60.8	03	D66Z
H36.09	10	K60B	H49.4	02	C61Z	H60.9	03	D66Z
H40.00	02	C64Z	H49.8	02	C61Z	H61.0	03	D66Z
H40.01	02	C64Z	H49.9	02	C61Z	H61.1	03	D66Z
H40.02	02	C64Z	H50.0	02	C61Z	H61.2	03	D66Z
H40.03	02	C64Z	H50.1	02	C61Z	H61.3	03	D66Z
H40.04	02	C64Z	H50.2	02	C61Z	H61.8	03	D66Z
H40.09	02	C64Z	H50.3	02	C61Z	H61.9	03	D66Z
H40.10	02	C64Z	H50.4	02	C61Z	H62.1	15	TPN, VTPN
H40.19	02	C64Z	H50.5	02	C61Z	H65.0	03	D62Z, D63Z
H40.2	02	C64Z	H50.6	02	C63Z	H65.1	03	D62Z, D63Z
H40.3	02	C64Z	H50.8	02	C61Z	H65.2	03	D62Z, D63Z
H40.4	02	C64Z	H50.9	02	C63Z	H65.3	03	D62Z, D63Z
H40.5	02	C64Z	H51.0	02	C63Z	H65.4	03	D62Z, D63Z
H40.60	02	C64Z	H51.1	02	C63Z	H65.9	03	D62Z, D63Z
H40.61	02	C64Z	H51.2	01	B03A, B03B, B06A, B06B, B17A, B17B, B17C, B17D, B81A, B81B	H66.0	03	D62Z, D63Z
H40.62	02	C64Z					15	TPN, VTPN
H40.63	02	C64Z				H66.1	03	D62Z, D63Z
H40.64	02	C64Z	H51.8	02	C61Z	H66.2	03	D62Z, D63Z
H40.65	02	C64Z	H51.9	02	C63Z	H66.3	03	D62Z, D63Z
H40.66	02	C64Z	H52.0	02	C63Z			

ICD	MDC	DRG	ICD	MDC	DRG	ICD	MDC	DRG
H66.4	03	D62Z, D63Z	H93.09	03	D61A	I13.10	11	L02B, L09A, L09B, L38Z, L60A, L60B, L60C, L60D, L71Z
H66.9	03	D62Z, D63Z	H93.1	03	D61A	I13.11	11	L02B, L09A, L09B, L38Z, L60A, L60B, L60C, L60D, L71Z
H68.0	03	D62Z, D63Z	H93.2	03	D66Z	I13.20	05	F62A, F62B, F62C
H68.1	03	D66Z	H93.3	03	D61A	I13.21	05	F62A, F62B, F62C
H69.0	03	D66Z	H93.8	03	D66Z	I13.90	05	F67A, F67B, F67C, F67D
H69.8	03	D66Z	H93.9	03	D66Z	I13.91	05	F67A, F67B, F67C, F67D
H69.9	03	D66Z	H95.0	03	D66Z	I15.00	05	F67A, F67B, F67C, F67D
H70.0	03	D06B, D62Z, D63Z	H95.1	03	D66Z	I15.01	15	TPN, VTPN
H70.1	03	D06B, D62Z, D63Z	H95.8	03	D66Z	I15.01	05	F67A, F67B, F67C, F67D
H70.2	03	D62Z, D63Z	H95.9	21B	X62Z	I15.10	15	TPN, VTPN
H70.8	03	D66Z	I00	08	I66A, I66B, I66C	I15.10	05	F67A, F67B, F67C, F67D
H70.9	03	D62Z, D63Z	I01.0	05	F75A, F75B, F75C, F75D	I15.10	15	TPN, VTPN
H71	03	D66Z	I01.1	05	F15Z, F36A, F36B, F61A, F61B	I15.11	05	F67A, F67B, F67C, F67D
H72.0	03	D66Z	Pre	A07D, A09E, A11F, A13F	I15.11	15	TPN, VTPN	
H72.1	03	D66Z	I01.2	05	F75A, F75B, F75C, F75D	I15.11	05	F67A, F67B, F67C, F67D
H72.2	03	D66Z	Pre	A07D, A09E, A11F, A13F	I15.11	15	TPN, VTPN	
H72.8	03	D66Z	I01.8	05	F75A, F75B, F75C, F75D	I15.20	05	F67A, F67B, F67C, F67D
H72.9	03	D66Z	I01.9	05	F75A, F75B, F75C, F75D	I15.21	05	F67A, F67B, F67C, F67D
H73.0	03	D62Z, D63Z	I02.0	05	F75A, F75B, F75C, F75D	I15.80	05	F67A, F67B, F67C, F67D
H73.1	03	D62Z, D63Z	I02.9	05	F75A, F75B, F75C, F75D	I15.81	05	F67A, F67B, F67C, F67D
H73.8	03	D66Z	I05.0	05	F69A, F69B	I15.90	05	F67A, F67B, F67C, F67D
H73.9	03	D66Z	I05.1	05	F69A, F69B	I15.91	05	F67A, F67B, F67C, F67D
H74.0	03	D66Z	I05.2	05	F69A, F69B	I20.0	05	F72A, F72B
H74.1	03	D66Z	I05.8	05	F69A, F69B	I20.1	18A	S65A, S65B
H74.2	03	D66Z	I05.9	05	F69A, F69B	I20.1	05	F72A, F72B
H74.3	03	D66Z	I06.0	05	F69A, F69B	I20.1	18A	S65A, S65B
H74.4	03	D66Z	I06.1	05	F69A, F69B	I20.8	05	F66A, F66B
H74.8	03	D66Z	I06.2	05	F69A, F69B	I20.8	18A	S65A, S65B
H74.9	03	D66Z	I06.8	05	F69A, F69B	I20.9	05	F66A, F66B
H80.0	03	D66Z	I06.9	05	F69A, F69B	I20.9	18A	S65A, S65B
H80.1	03	D66Z	I07.0	05	F69A, F69B	I21.0	05	F06C, F06D, F15Z, F24A, F24B, F36A, F36B, F41A, F41B, F52A, F52B, F60A, F60B
H80.2	03	D66Z	I07.1	05	F69A, F69B	I21.0	18A	S65A
H80.8	03	D66Z	I07.2	05	F69A, F69B	I21.0	Pre	A07D, A09E, A11F, A13F
H80.9	03	D66Z	I07.8	05	F69A, F69B	I21.1	05	F06C, F06D, F15Z, F24A, F24B, F36A, F36B, F41A, F41B, F52A, F52B, F60A, F60B
H81.0	03	D61A, D61B	I07.9	05	F69A, F69B	I21.1	18A	S65A
H81.1	03	D61A, D61B	I08.0	05	F69A, F69B	I21.1	Pre	A07D, A09E, A11F, A13F
H81.2	03	D61A	I08.1	05	F69A, F69B	I21.2	05	F06C, F06D, F15Z, F24A, F24B, F36A, F36B, F41A, F41B, F52A, F52B, F60A, F60B
H81.3	03	D61A, D61B	I08.2	05	F69A, F69B	I21.2	18A	S65A
H81.4	03	D61A	I08.3	05	F69A, F69B	I21.2	Pre	A07D, A09E, A11F, A13F
H81.8	03	D61A, D61B	I08.8	05	F69A, F69B	I21.2	05	F06C, F06D, F15Z, F24A, F24B, F36A, F36B, F41A, F41B, F52A, F52B, F60A, F60B
H81.9	03	D61A, D61B	I08.9	05	F69A, F69B	I21.2	18A	S65A
H83.0	03	D61A	I09.0	05	F75A, F75B, F75C, F75D	I21.2	Pre	A07D, A09E, A11F, A13F
H83.1	03	D66Z	I09.1	05	F69A, F69B	I21.3	05	F06C, F06D, F15Z, F24A, F24B, F36A, F36B, F41A, F41B, F52A, F52B, F60A, F60B
H83.2	03	D61A	I09.2	05	F75A, F75B, F75C, F75D	I21.3	18A	S65A
H83.3	03	D66Z	I09.8	05	F75A, F75B, F75C, F75D	I21.3	Pre	A07D, A09E, A11F, A13F
H83.8	03	D66Z	I09.9	05	F75A, F75B, F75C, F75D	I21.3	05	F06C, F06D, F15Z, F24A, F24B, F36A, F36B, F41A, F41B, F52A, F52B, F60A, F60B
H83.9	03	D66Z	I10.00	05	F67A, F67B, F67C, F67D	I21.3	18A	S65A
H90.0	03	D66Z	I10.01	05	F67A, F67B, F67C, F67D	I21.4	Pre	A07D, A09E, A11F, A13F
H90.1	03	D66Z	I10.10	05	F67A, F67B, F67C, F67D	I21.4	05	F06C, F06D, F15Z, F24A, F24B, F36A, F36B, F41A, F41B, F52A, F52B, F60A, F60B
H90.2	03	D66Z	I10.11	05	F67A, F67B, F67C, F67D	I21.4	18A	S65A
H90.3	03	D66Z	I10.90	05	F67A, F67B, F67C, F67D	I21.4	Pre	A07D, A09E, A11F, A13F
H90.4	03	D66Z	I10.91	05	F67A, F67B, F67C, F67D	I21.9	05	F06C, F06D, F15Z, F24A, F24B, F36A, F36B, F41A, F41B, F52A, F52B, F60A, F60B
H90.5	03	D66Z	I11.00	05	F62A, F62B, F62C	I21.9	18A	S65A
H90.6	03	D66Z	I11.01	05	F62A, F62B, F62C	I22.0	05	F06C, F06D, F15Z, F24A, F24B, F36A, F36B, F41A, F41B, F52A, F52B, F60A, F60B
H90.7	03	D66Z	I11.90	05	F67A, F67B, F67C, F67D	I22.0	18A	S65A
H90.8	03	D66Z	I11.91	05	F67A, F67B, F67C, F67D	I22.0	05	F06C, F06D, F15Z, F24A, F24B, F36A, F36B, F41A, F41B, F52A, F52B, F60A, F60B
H91.0	03	D61A, D61B	I12.00	11	L02B, L09A, L09B, L38Z, L60A, L60B, L60C, L60D, L71Z	I22.0	18A	S65A
H91.1	03	D66Z	I12.01	11	L02B, L09A, L09B, L38Z, L60A, L60B, L60C, L60D, L71Z	I22.0	05	F06C, F06D, F15Z, F24A, F24B, F36A, F36B, F41A, F41B, F52A, F52B, F60A, F60B
H91.2	03	D61A	I12.01	15	TPN, VTPN	I22.0	18A	S65A
H91.3	03	D66Z	I12.01	11	L02B, L09A, L09B, L38Z, L60A, L60B, L60C, L60D, L71Z	I22.0	05	F06C, F06D, F15Z, F24A, F24B, F36A, F36B, F41A, F41B, F52A, F52B, F60A, F60B
H91.8	03	D66Z	I12.01	15	TPN, VTPN	I22.0	18A	S65A
H91.9	03	D66Z	I12.90	11	L68A, L68B, L74Z	I22.0	05	F06C, F06D, F15Z, F24A, F24B, F36A, F36B, F41A, F41B, F52A, F52B, F60A, F60B
H92.0	03	D66Z	I12.90	15	TPN, VTPN	I22.0	18A	S65A
H92.1	03	D66Z	I12.91	11	L68A, L68B, L74Z	I22.0	05	F06C, F06D, F15Z, F24A, F24B, F36A, F36B, F41A, F41B, F52A, F52B, F60A, F60B
H92.2	03	D66Z	I12.91	15	TPN, VTPN	I22.0	18A	S65A
H93.0	03	D66Z	I13.00	05	F62A, F62B, F62C	I22.0	05	F06C, F06D, F15Z, F24A, F24B, F36A, F36B, F41A, F41B, F52A, F52B, F60A, F60B
H93.01	03	D61A	I13.01	05	F62A, F62B, F62C	I22.0	18A	S65A
H93.02	03	D61A	I13.01	05	F62A, F62B, F62C	I22.0	18A	S65A
H93.03	03	D61A	I13.01	05	F62A, F62B, F62C	I22.0	18A	S65A

ICD	MDC	DRG	ICD	MDC	DRG	ICD	MDC	DRG	
122.1	05	F06C, F06D, F15Z, F24A, F24B, F36A, F36B, F41A, F41B, F52A, F52B, F60A, F60B	125.14	05	F50A, F66A, F66B	131.3	05	F75A, F75B, F75C, F75D	
	18A	S65A		18A	S65A		15	TPN, VTPN	
122.8	05	F06C, F06D, F15Z, F24A, F24B, F36A, F36B, F41A, F41B, F52A, F52B, F60A, F60B	125.15	05	F50A, F66A, F66B		Pre	A07D, A09E, A11F, A13F	
	18A	S65A		18A	S65A	131.8	05	F75A, F75B, F75C, F75D	
122.9	05	F06C, F06D, F15Z, F24A, F24B, F36A, F36B, F41A, F41B, F52A, F52B, F60A, F60B	125.16	05	F50A, F66A, F66B		15	TPN, VTPN	
	18A	S65A		18A	S65A	131.9	05	F75A, F75B, F75C, F75D	
123.0	05	F15Z, F24A, F24B, F36A, F36B, F52A, F52B, F75A, F75B, F75C, F75D	125.19	05	F50A, F66A, F66B		15	TPN, VTPN	
	18A	S65A		18A	S65A	132.0	15	TPN, VTPN	
	Pre	A07D, A09E, A11F, A13F	125.20	18A	S65A	132.1	15	TPN, VTPN	
123.1	05	F15Z, F24A, F24B, F36A, F36B, F52A, F52B, F75A, F75B, F75C, F75D	125.21	18A	S65A	132.8	15	TPN, VTPN	
	18A	S65A	125.22	18A	S65A	133.0	05	F03C, F03D, F03E, F14A, F14B, F15Z, F36A, F36B, F54Z, F61A, F61B	
	Pre	A07D, A09E, A11F, A13F	125.29	18A	S65A		08	I06A, I06C	
123.2	05	F15Z, F24A, F24B, F36A, F36B, F52A, F52B, F75A, F75B, F75C, F75D	125.3	05	F75A, F75B, F75C, F75D		15	TPN, VTPN	
	18A	S65A		18A	S65A		18A	S63A, S63B	
	Pre	A07D, A09E, A11F, A13F	125.4	05	F75A, F75B, F75C, F75D		Pre	A07D, A09E, A11F, A13F	
123.3	05	F15Z, F24A, F24B, F36A, F36B, F52A, F52B, F75A, F75B, F75C, F75D		18A	S65A	133.9	05	F03C, F03D, F03E, F15Z, F36A, F36B, F61A, F61B	
	18A	S65A	125.5	05	F50A, F66A, F66B		08	I06A, I06C	
	Pre	A07D, A09E, A11F, A13F		18A	S65A		15	TPN, VTPN	
123.4	05	F15Z, F24A, F24B, F36A, F36B, F52A, F52B, F69A, F69B	125.6	05	F66A, F66B		18A	S63A, S63B	
	18A	S65A		18A	S65A	134.0	05	F69A, F69B	
	Pre	A07D, A09E, A11F, A13F	125.8	05	F66A, F66B	134.1	05	F69A, F69B	
123.5	05	F15Z, F24A, F24B, F36A, F36B, F52A, F52B, F69A, F69B		18A	S65A	134.2	05	F69A, F69B	
	18A	S65A	125.9	05	F66A, F66B	134.80	05	F69A, F69B	
	Pre	A07D, A09E, A11F, A13F		18A	S65A	134.88	05	F69A, F69B	
123.6	05	F15Z, F24A, F24B, F36A, F36B, F52A, F52B, F75A, F75B, F75C, F75D	126.0	04	E64A	134.9	05	F69A, F69B	
	18A	S65A		10	K62A	135.0	05	F69A, F69B	
	Pre	A07D, A09E, A11F, A13F		15	TPN, VTPN		15	P65C, P66C, P67B, P67C	
123.8	05	F75A, F75B, F75C, F75D		17	R62A	135.1	05	F69A, F69B	
	18A	S65A	126.9	22	Y02A, Y02B	135.2	05	F69A, F69B	
124.0	05	F72A, F72B		Pre	A07D, A09E, A11F, A13F	135.8	05	F69A, F69B	
	18A	S65A, S65B		04	E64A	135.9	05	F69A, F69B	
124.1	05	F75A, F75B, F75C, F75D		10	K62A	136.0	05	F69A, F69B	
	18A	S65A, S65B		15	TPN, VTPN	136.1	05	F69A, F69B	
124.8	05	F72A, F72B		22	Y02A, Y02B	136.2	05	F69A, F69B	
	18A	S65A, S65B		Pre	A07D, A09E, A11F, A13F	136.8	05	F69A, F69B	
124.9	05	F72A, F72B		05	F46A, F46B, F75A, F75B, F75C, F75D	136.9	05	F69A, F69B	
	18A	S65A, S65B			15	TPN, VTPN	137.0	05	F69A, F69B
125.0	05	F66A, F66B		127.0	05	F46A, F46B, F75A, F75B, F75C, F75D		15	TPN, VTPN
	18A	S65A			15	TPN, VTPN	137.1	05	F69A, F69B
125.10	05	F50A, F66A, F66B		127.1	05	F75A, F75B, F75C, F75D	137.2	05	F69A, F69B
	18A	S65A			15	TPN, VTPN	137.8	05	F69A, F69B
125.11	05	F50A, F66A, F66B		127.20	05	F75A, F75B, F75C, F75D	137.9	05	F69A, F69B
	18A	S65A			15	TPN, VTPN	138	05	F15Z, F36A, F36B, F61A, F61B
125.12	05	F50A, F66A, F66B		127.28	05	F75A, F75B, F75C, F75D		08	I06A, I06C
	18A	S65A			15	TPN, VTPN		18A	S63A, S63B
125.13	05	F50A, F66A, F66B		127.8	05	F75A, F75B, F75C, F75D	139.0	08	I06A, I06C
	18A	S65A			15	TPN, VTPN		15	TPN, VTPN
				127.9	05	F75A, F75B, F75C, F75D	139.1	08	I06A, I06C
					15	TPN, VTPN		15	TPN, VTPN
				128.0	05	F75A, F75B, F75C, F75D	139.2	08	I06A, I06C
				128.1	05	F75A, F75B, F75C, F75D		15	TPN, VTPN
				128.8	05	F75A, F75B, F75C, F75D	139.3	08	I06A, I06C
				128.9	05	F75A, F75B, F75C, F75D		15	TPN, VTPN
				130.0	05	F75A, F75B, F75C, F75D	139.4	08	I06A, I06C
					15	TPN, VTPN		15	TPN, VTPN
				130.1	05	F75A, F75B, F75C, F75D	139.8	08	I06A, I06C
					15	TPN, VTPN		15	TPN, VTPN
				130.8	05	F75A, F75B, F75C, F75D	140.0	05	F75A, F75B, F75C, F75D
					15	TPN, VTPN		15	TPN, VTPN
				130.9	05	F75A, F75B, F75C, F75D		18A	S63A, S63B
					15	TPN, VTPN		Pre	A07D, A09E, A11F, A13F
				131.0	05	F75A, F75B, F75C, F75D	140.1	05	F75A, F75B, F75C, F75D
				131.1	05	F46A, F46B, F75A, F75B, F75C, F75D		18A	S63A, S63B
					15	TPN, VTPN	140.8	05	F75A, F75B, F75C, F75D
				131.2	05	F75A, F75B, F75C, F75D		18A	S63A, S63B
					15	TPN, VTPN			

ICD	MDC	DRG	ICD	MDC	DRG	ICD	MDC	DRG
140.9	05	F75A, F75B, F75C, F75D	145.9	05	F71A, F71B	150.14	05	F15Z, F24A, F24B, F36A, F36B, F46A, F46B, F52A, F52B, F62A, F62B, F62C
	15	TPN, VTPN		15	TPN, VTPN		15	TPN, VTPN
	18A	S63A, S63B	146.0	05	F15Z, F24A, F24B, F36A, F36B, F46A, F46B, F52A, F52B, F62A, F70A, F70B	150.19	05	F15Z, F24A, F24B, F36A, F36B, F46A, F46B, F52A, F52B, F62A, F62B, F62C
141.0	15	TPN, VTPN		15	TPN, VTPN		15	TPN, VTPN
141.1	15	TPN, VTPN	146.1	05	F70A, F70B	150.9	05	F46A, F46B, F62A, F62B, F62C
141.2	15	TPN, VTPN		15	TPN, VTPN		15	TPN, VTPN
141.8	15	TPN, VTPN	146.8	05	F70A, F70B	150.9	05	F46A, F46B, F62A, F62B, F62C
142.0	05	F46A, F46B, F50A, F75A, F75B, F75C, F75D	146.8	15	TPN, VTPN		15	TPN, VTPN
	Pre	A07D, A09E, A11F, A13F	146.9	05	F70A, F70B		15	TPN, VTPN
142.1	05	F15Z, F24A, F24B, F36A, F36B, F46A, F46B, F50A, F52A, F52B, F75A, F75B, F75C, F75D	146.9	15	TPN, VTPN		22	Y02A, Y02B
	15	P65C, P66C, P67B, P67C	147.0	05	F71A, F71B	151.0	05	F75A, F75B, F75C, F75D
	Pre	A07D, A09E, A11F, A13F	147.1	05	F71A, F71B	151.1	05	F69A, F69B
142.2	05	F46A, F46B, F50A, F75A, F75B, F75C, F75D		15	TPN, VTPN	151.1	15	TPN, VTPN
142.3	05	F46A, F46B, F50A, F75A, F75B, F75C, F75D	147.2	05	F15Z, F24A, F24B, F36A, F36B, F46A, F46B, F52A, F52B, F62A, F70A, F70B	151.2	05	F69A, F69B
142.4	05	F46A, F46B, F50A, F75A, F75B, F75C, F75D		15	TPN, VTPN		15	TPN, VTPN
142.5	05	F46A, F46B, F50A, F75A, F75B, F75C, F75D	147.9	05	F70A, F70B	151.3	05	F75A, F75B, F75C, F75D
142.6	05	F46A, F46B, F50A, F75A, F75B, F75C, F75D		15	TPN, VTPN	151.4	05	F61A, F75A, F75B, F75C, F75D
142.7	05	F46A, F46B, F50A, F75A, F75B, F75C, F75D	148.0	05	F71A, F71B		15	TPN, VTPN
142.80	05	F46A, F46B, F50A, F75A, F75B, F75C, F75D		15	TPN, VTPN	151.5	05	F75A, F75B, F75C, F75D
142.88	05	F46A, F46B, F50A, F75A, F75B, F75C, F75D	148.1	05	F71A, F71B		15	TPN, VTPN
142.9	05	F46A, F46B, F50A, F75A, F75B, F75C, F75D		15	TPN, VTPN	151.6	05	F66A, F66B
	18A	S63A, S63B	148.2	05	F71A, F71B		15	TPN, VTPN
143.1	15	TPN, VTPN		15	TPN, VTPN	151.7	05	F66A, F66B
143.2	15	TPN, VTPN	148.3	05	F71A, F71B	151.8	05	F66A, F66B
144.0	05	F71A, F71B		15	TPN, VTPN	151.9	05	F66A, F66B
	15	TPN, VTPN	148.4	05	F71A, F71B	160.0	01	B03A, B03B, B06A, B06B, B17A, B17B, B17C, B17D, B39A, B39B, B39C, B48Z, B70A, B70B, B70C, B70D, B70E, B70G, B70H, B70I
144.1	05	F70A, F70B		15	TPN, VTPN		15	TPN, VTPN
	15	TPN, VTPN	148.9	05	F71A, F71B		Pre	A07D, A09E, A11F, A13F
144.2	05	F70A, F70B		15	TPN, VTPN	160.1	01	B03A, B03B, B06A, B06B, B17A, B17B, B17C, B17D, B39A, B39B, B39C, B48Z, B70A, B70B, B70C, B70D, B70E, B70G, B70H, B70I
	15	TPN, VTPN	149.0	05	F15Z, F24A, F24B, F36A, F36B, F46A, F46B, F52A, F52B, F62A, F70A, F70B		15	TPN, VTPN
	Pre	A07D, A09E, A11F, A13F		15	TPN, VTPN		Pre	A07D, A09E, A11F, A13F
144.3	05	F70A, F70B	149.1	05	F71A, F71B		01	B03A, B03B, B06A, B06B, B17A, B17B, B17C, B17D, B39A, B39B, B39C, B48Z, B70A, B70B, B70C, B70D, B70E, B70G, B70H, B70I
	15	TPN, VTPN		15	P65C, P66C, P67B, P67C	160.2	01	B03A, B03B, B06A, B06B, B17A, B17B, B17C, B17D, B39A, B39B, B39C, B48Z, B70A, B70B, B70C, B70D, B70E, B70G, B70H, B70I
144.4	05	F71A, F71B	149.2	05	F71A, F71B		15	TPN, VTPN
	15	TPN, VTPN	149.3	05	F71A, F71B		Pre	A07D, A09E, A11F, A13F
144.5	05	F71A, F71B		15	P65C, P66C, P67B, P67C	160.2	01	B03A, B03B, B06A, B06B, B17A, B17B, B17C, B17D, B39A, B39B, B39C, B48Z, B70A, B70B, B70C, B70D, B70E, B70G, B70H, B70I
	15	TPN, VTPN	149.4	05	F71A, F71B		15	TPN, VTPN
144.6	05	F71A, F71B	149.5	05	F71A, F71B		Pre	A07D, A09E, A11F, A13F
	15	TPN, VTPN	149.8	05	F71A, F71B	160.3	01	B03A, B03B, B06A, B06B, B17A, B17B, B17C, B17D, B39A, B39B, B39C, B48Z, B70A, B70B, B70C, B70D, B70E, B70G, B70H, B70I
144.7	05	F71A, F71B		15	P65C, P66C, P67B, P67C		15	TPN, VTPN
	15	TPN, VTPN	149.9	05	F71A, F71B		Pre	A07D, A09E, A11F, A13F
145.0	05	F71A, F71B	150.00	05	F15Z, F24A, F24B, F36A, F36B, F46A, F46B, F52A, F52B, F62A, F62B, F62C		01	B03A, B03B, B06A, B06B, B17A, B17B, B17C, B17D, B39A, B39B, B39C, B48Z, B70A, B70B, B70C, B70D, B70E, B70G, B70H, B70I
	15	TPN, VTPN		15	TPN, VTPN		15	TPN, VTPN
145.1	05	F71A, F71B	150.01	05	F15Z, F24A, F24B, F36A, F36B, F46A, F46B, F52A, F52B, F62A, F62B, F62C	160.4	01	B03A, B03B, B06A, B06B, B17A, B17B, B17C, B17D, B39A, B39B, B39C, B48Z, B70A, B70B, B70C, B70D, B70E, B70G, B70H, B70I
	15	TPN, VTPN		15	TPN, VTPN		15	TPN, VTPN
145.2	05	F71A, F71B	150.11	05	F15Z, F24A, F24B, F36A, F36B, F46A, F46B, F52A, F52B, F62A, F62B, F62C		Pre	A07D, A09E, A11F, A13F
	15	TPN, VTPN		15	TPN, VTPN	160.5	01	B03A, B03B, B06A, B06B, B17A, B17B, B17C, B17D, B39A, B39B, B39C, B48Z, B70A, B70B, B70C, B70D, B70E, B70G, B70H, B70I
145.3	05	F70A, F70B		15	TPN, VTPN		15	TPN, VTPN
	15	TPN, VTPN	150.12	05	F15Z, F24A, F24B, F36A, F36B, F46A, F46B, F52A, F52B, F62A, F62B, F62C		Pre	A07D, A09E, A11F, A13F
145.4	05	F71A, F71B		15	TPN, VTPN		01	B03A, B03B, B06A, B06B, B17A, B17B, B17C, B17D, B39A, B39B, B39C, B48Z, B70A, B70B, B70C, B70D, B70E, B70G, B70H, B70I
	15	TPN, VTPN	150.13	05	F15Z, F24A, F24B, F36A, F36B, F46A, F46B, F52A, F52B, F62A, F62B, F62C		15	TPN, VTPN
145.5	05	F70A, F70B		15	TPN, VTPN		Pre	A07D, A09E, A11F, A13F
	15	TPN, VTPN		15	TPN, VTPN		01	B03A, B03B, B06A, B06B, B17A, B17B, B17C, B17D, B39A, B39B, B39C, B48Z, B70A, B70B, B70C, B70D, B70E, B70G, B70H, B70I
145.6	05	F71A, F71B		15	TPN, VTPN		15	TPN, VTPN
	15	TPN, VTPN		15	TPN, VTPN		Pre	A07D, A09E, A11F, A13F
145.8	05	F71A, F71B		15	TPN, VTPN		01	B03A, B03B, B06A, B06B, B17A, B17B, B17C, B17D, B39A, B39B, B39C, B48Z, B70A, B70B, B70C, B70D, B70E, B70G, B70H, B70I
	15	TPN, VTPN		15	TPN, VTPN		15	TPN, VTPN

ICD	MDC	DRG	ICD	MDC	DRG	ICD	MDC	DRG
165.0	01	B03A, B03B, B06A, B06B, B17A, B17B, B17C, B17D, B20D, B39A, B39B, B39C, B69A, B69B, B69C, B69D	166.8	01	B03A, B03B, B06A, B06B, B17A, B17B, B17C, B17D, B39A, B39B, B39C, B48Z, B70A, B70B, B70C, B70D, B70E, B70F, B70G, B70H, B70I	168.2	Pre	A07D, A09E, A11F, A13F
	15	TPN, VTPN		05	F61A	170.0	05	F65A, F65B
165.1	01	B03A, B03B, B06A, B06B, B17A, B17B, B17C, B17D, B39A, B39B, B39C, B69A, B69B, B69C, B69D, B70A, B70B, B70C, B70E		15	TPN, VTPN	170.1	05	F65A, F65B
	15	TPN, VTPN	166.9	01	B03A, B03B, B06A, B06B, B17A, B17B, B17C, B17D, B39A, B39B, B39C, B48Z, B70A, B70B, B70C, B70D, B70E, B70F, B70G, B70H, B70I	170.20	05	F65A, F65B
165.2	01	B03A, B03B, B06A, B06B, B17A, B17B, B17C, B17D, B39A, B39B, B39C, B69A, B69B, B69C, B69D		05	F61A	170.21	05	F65A, F65B
	15	TPN, VTPN		15	TPN, VTPN	170.22	05	F65A, F65B
165.3	01	B03A, B03B, B06A, B06B, B17A, B17B, B17C, B17D, B39A, B39B, B39C, B69A, B69B, B69C, B69D	167.0	01	B39A, B39B, B39C, B48Z, B70A, B70B, B70C, B70D, B70E, B70F, B70G, B70H, B70I	170.23	05	F14A, F14B, F20Z, F39A, F54Z, F65A, F65B
	15	TPN, VTPN		Pre	A07D, A09E, A11F, A13F	170.24	05	F14A, F14B, F20Z, F39A, F54Z, F65A, F65B
165.8	01	B03A, B03B, B06A, B06B, B17A, B17B, B17C, B17D, B39A, B39B, B39C, B69A, B69B, B69C, B69D	167.10	01	B03A, B03B, B06A, B06B, B17A, B17B, B17C, B17D, B39A, B39B, B39C, B48Z, B70A, B70B, B70C, B70D, B70E, B70F, B70G, B70H, B70I	170.25	05	F65A, F65B
	15	TPN, VTPN		01	B03A, B03B, B06A, B06B, B17A, B17B, B17C, B17D, B39A, B39B, B39C, B48Z, B70A, B70B, B70C, B70D, B70E, B70F, B70G, B70H, B70I	170.8	05	F65A, F65B
165.9	01	B03A, B03B, B06A, B06B, B17A, B17B, B17C, B17D, B39A, B39B, B39C, B69A, B69B, B69C, B69D		15	TPN, VTPN	170.9	05	F65A, F65B
	15	TPN, VTPN	167.11	01	B03A, B03B, B06A, B06B, B17A, B17B, B17C, B17D, B39A, B39B, B39C, B48Z, B70A, B70B, B70C, B70D, B70E, B70F, B70G, B70H, B70I	171.00	05	F75A, F75B, F75C, F75D
166.0	01	B03A, B03B, B06A, B06B, B17A, B17B, B17C, B17D, B39A, B39B, B39C, B48Z, B70A, B70B, B70C, B70D, B70E, B70F, B70G, B70H, B70I		Pre	A07D, A09E, A11F, A13F	15	TPN, VTPN	
	05	F61A	167.2	01	B03A, B03B, B06A, B06B, B17A, B17B, B17C, B17D, B63Z	Pre	A07D, A09E, A11F, A13F	
	15	TPN, VTPN		Pre	A07D, A09E, A11F, A13F	171.01	05	F65A, F65B
166.1	01	B03A, B03B, B06A, B06B, B17A, B17B, B17C, B17D, B39A, B39B, B39C, B48Z, B70A, B70B, B70C, B70D, B70E, B70F, B70G, B70H, B70I		01	B03A, B03B, B06A, B06B, B17A, B17B, B17C, B17D, B63Z	15	TPN, VTPN	
	05	F61A	167.3	01	B48Z, B85A, B85B, B85C, B85D	Pre	A07D, A09E, A11F, A13F	
	15	TPN, VTPN		18A	S63A, S63B	171.02	05	F75A, F75B, F75C, F75D
166.2	01	B03A, B03B, B06A, B06B, B17A, B17B, B17C, B17D, B39A, B39B, B39C, B48Z, B70A, B70B, B70C, B70D, B70E, B70F, B70G, B70H, B70I		Pre	A07D, A09E, A11F, A13F	15	TPN, VTPN	
	05	F61A	167.4	05	F67A, F67B, F67C, F67D	Pre	A07D, A09E, A11F, A13F	
	15	TPN, VTPN		Pre	A07D, A09E, A11F, A13F	171.03	05	F08A, F42Z, F65A, F65B
166.3	01	B03A, B03B, B06A, B06B, B17A, B17B, B17C, B17D, B39A, B39B, B39C, B69A, B69B, B69C, B69D	167.5	01	B03A, B03B, B06A, B06B, B17A, B17B, B17C, B17D, B81A	15	TPN, VTPN	
	05	F61A		Pre	A07D, A09E, A11F, A13F	Pre	A07D, A09E, A11F, A13F	
	15	TPN, VTPN	167.6	01	B03A, B03B, B06A, B06B, B17A, B17B, B17C, B17D, B81A	171.04	05	F75A, F75B, F75C, F75D
166.4	01	B03A, B03B, B06A, B06B, B17A, B17B, B17C, B17D, B39A, B39B, B39C, B48Z, B70A, B70B, B70C, B70D, B70E, B70F, B70G, B70H, B70I		15	TPN, VTPN	15	TPN, VTPN	
	05	F61A	167.7	01	B03A, B03B, B06A, B06B, B17A, B17B, B17C, B17D, B76A, B76B, B76C, B76D, B76E, B76F, B76G	Pre	A07D, A09E, A11F, A13F	
	15	TPN, VTPN		Pre	A07D, A09E, A11F, A13F	171.05	05	F65A, F65B
166.8	01	B03A, B03B, B06A, B06B, B17A, B17B, B17C, B17D, B39A, B39B, B39C, B48Z, B70A, B70B, B70C, B70D, B70E, B70F, B70G, B70H, B70I	167.80	01	B03A, B03B, B06A, B06B, B17A, B17B, B17C, B17D	15	TPN, VTPN	
	05	F61A		Pre	A07D, A09E, A11F, A13F	Pre	A07D, A09E, A11F, A13F	
	15	TPN, VTPN	167.88	01	B03A, B03B, B06A, B06B, B17A, B17B, B17C, B17D, B63Z	05	F65A, F65B	
168.0	Pre	A07D, A09E, A11F, A13F	167.9	01	B03A, B03B, B06A, B06B, B17A, B17B, B17C, B17D, B63Z	171.06	05	F75A, F75B, F75C, F75D
168.1	Pre	A07D, A09E, A11F, A13F		Pre	A07D, A09E, A11F, A13F	15	TPN, VTPN	
			168.0	Pre	A07D, A09E, A11F, A13F	Pre	A07D, A09E, A11F, A13F	
			168.1	Pre	A07D, A09E, A11F, A13F	05	F08A, F42Z, F65A, F65B	
						15	TPN, VTPN	
						Pre	A07D, A09E, A11F, A13F	
						05	F65A, F65B	
						15	TPN, VTPN	
						05	F65A, F65B	
						01	B81A, B81B	
						05	F65A, F65B	
						11	L68A, L68B, L74Z	
						05	F65A, F65B	
						05	F65A, F65B	
						01	B81A, B81B	
						05	F65A, F65B	
						05	F65A, F65B	
						05	F65A, F65B	
						05	F65A, F65B	
						08	I66A, I66B, I66C	

Dg

ICD	MDC	DRG	ICD	MDC	DRG	ICD	MDC	DRG
173.1	05	F65A, F65B	182.3	11	L68A, L68B, L74Z	J01.3	03	D62Z, D63Z
173.8	05	F65A, F65B		15	TPN, VTPN	J01.4	03	D62Z, D63Z
	15	TPN, VTPN	182.8	05	F63A, F63B	J01.8	03	D62Z, D63Z
173.9	05	F65A, F65B		22	Y02A, Y02B	J01.9	03	D62Z, D63Z
	15	TPN, VTPN	182.9	05	F63A, F63B	J02.0	03	D62Z, D63Z
174.0	05	F61A, F65A, F65B	183.0	05	F20Z, F39A, F64Z	J02.8	03	D62Z, D63Z
	15	TPN, VTPN	183.1	05	F65A, F65B	J02.9	03	D62Z, D63Z
174.1	05	F61A, F65A, F65B	183.2	05	F20Z, F39A, F64Z	J03.0	03	D62Z, D63Z
	15	TPN, VTPN	183.9	05	F65A, F65B	J03.8	03	D62Z, D63Z
174.2	05	F61A, F65A, F65B	185.0	06	G40Z, G46A, G46B, G46C, G47Z, G67A, G67B, G67C, G67D, G73Z	J03.9	03	D62Z, D63Z
	15	TPN, VTPN		07	H40Z	J04.0	03	D62Z, D63Z
174.3	05	F61A, F65A, F65B		15	TPN, VTPN	J04.1	04	E65A, E65B, E69A, E69B, E69C, E69D, E69E, E69F
	15	TPN, VTPN		Pre	A07D, A09E, A11F, A13F	J04.2	03	D64Z
174.4	05	F61A, F65A, F65B	185.9	06	G46A, G46B, G46C, G50Z, G71Z	J05.0	03	D64Z
	15	TPN, VTPN		05	F65A, F65B	J05.1	03	D64Z
174.5	05	F61A, F65A, F65B	186.0	05	F65A, F65B	Pre	A07D, A09E, A11F, A13F	
	15	TPN, VTPN	186.1	12	M64Z	J06.0	03	D62Z, D63Z
174.8	05	F61A, F65A, F65B	186.2	12	M64Z	J06.8	03	D62Z, D63Z
	15	TPN, VTPN		13	N04Z, N05A, N05B, N14Z, N21Z, N25Z, N62A, N62B	J06.9	03	D62Z, D63Z
174.9	05	F61A, F65A, F65B	186.3	13	N04Z, N05A, N05B, N14Z, N21Z, N25Z, N62A, N62B	J09	04	E62A, E62B, E77A, E77B, E77C, E77D, E77E, E77F, E77G
	15	TPN, VTPN	186.4	05	F65A, F65B		15	TPN, VTPN
177.0	05	F65A, F65B	186.6	05	F65A, F65B	J10.0	04	E62A, E62B, E77A, E77B, E77C, E77D, E77E, E77F, E77G
177.1	05	F65A, F65B	187.00	05	F65A, F65B		15	TPN, VTPN
177.2	05	F65A, F65B	187.01	05	F65A, F65B	J10.1	03	D62Z, D63Z
	15	TPN, VTPN	187.1	05	F65A, F65B		15	TPN, VTPN
	Pre	A07D, A09E, A11F, A13F	187.2	05	F65A, F65B	J10.8	15	TPN, VTPN
177.3	05	F65A, F65B	187.8	05	F66A, F66B		18B	T63A, T63B, T63C
177.4	06	G46A, G46B, G46C, G50Z, G67A, G67B, G67C, G67D	187.9	05	F66A, F66B	J11.0	04	E62A, E62B, E77A, E77B, E77C, E77D, E77E, E77F, E77G
177.5	05	F65A, F65B	188.0	06	G46A, G46B, G46C, G50Z, G66Z, G72A, G72B		15	TPN, VTPN
	15	TPN, VTPN	188.1	16	Q60A, Q60B, Q60C, Q60D, Q60E	J11.1	03	D62Z, D63Z
177.6	08	I66A, I66B, I66C	188.8	16	Q60A, Q60B, Q60C, Q60D, Q60E		15	TPN, VTPN
177.8	05	F65A, F65B	188.9	16	Q60A, Q60B, Q60C, Q60D, Q60E	J11.8	15	TPN, VTPN
177.9	05	F65A, F65B	189.0	09	J67A, J67B, J68A, J68B		18B	T63A, T63B, T63C
178.0	05	F65A, F65B	189.1	09	J64A, J64B	J12.0	04	E62A, E62B, E77A, E77B, E77C, E77D, E77E, E77F, E77G
178.1	09	J67A, J67B, J68A, J68B		15	TPN, VTPN		15	TPN, VTPN
178.8	05	F65A, F65B	189.8	15	TPN, VTPN	J12.1	04	E62A, E62B, E65A, E65B, E65C, E69B, E77A, E77B, E77C, E77D, E77E, E77F
178.9	05	F65A, F65B		16	Q60A, Q60B, Q60C		15	TPN, VTPN
179.0	15	TPN, VTPN	195.0	05	F73Z		22	Y02A, Y02B
179.2	15	TPN, VTPN	195.1	05	F73Z	J12.2	04	E62A, E62B, E77A, E77B, E77C, E77D, E77E, E77F, E77G
180.00	05	F63A, F63B	195.2	05	F73Z		15	TPN, VTPN
	15	TPN, VTPN	195.8	05	F73Z		22	Y02A, Y02B
180.01	05	F63A, F63B		22	Y02A, Y02B		04	E62A, E62B, E77A, E77B, E77C, E77D, E77E, E77F, E77G
	15	TPN, VTPN	195.9	05	F73Z		15	TPN, VTPN
180.02	05	F63A, F63B	197.0	05	F75A, F75B, F75C, F75D		22	Y02A, Y02B
	15	TPN, VTPN		15	TPN, VTPN	J12.3	04	E62A, E62B, E77A, E77B, E77C, E77D, E77E, E77F, E77G
180.10	05	F63A, F63B	197.1	05	F75A, F75B, F75C, F75D		15	TPN, VTPN
	15	TPN, VTPN		15	TPN, VTPN		18A	S63A, S63B
180.11	05	F63A, F63B	197.2	09	J67A, J67B		22	Y02A, Y02B
	15	TPN, VTPN	197.8	05	F65A, F65B	J12.8	04	E62A, E62B, E77A, E77B, E77C, E77D, E77E, E77F, E77G
180.12	05	F63A, F63B		22	Y02A, Y02B		15	TPN, VTPN
	15	TPN, VTPN	197.9	05	F75A, F75B, F75C, F75D		18A	S63A, S63B
180.2	05	F63A, F63B	198.0	15	TPN, VTPN		22	Y02A, Y02B
	15	TPN, VTPN	198.1	15	TPN, VTPN		04	E62A, E62B, E77A, E77B, E77C, E77D, E77E, E77F, E77G
180.3	05	F63A, F63B	198.3	07	H40Z		15	TPN, VTPN
180.40	05	F63A, F63B	199	05	F66A, F66B		18A	S63A, S63B
180.41	05	F63A, F63B	J00	03	D62Z, D63Z		22	Y02A, Y02B
180.42	05	F63A, F63B	J01.0	03	D62Z, D63Z		04	E62A, E62B, E77A, E77B, E77C, E77D, E77E, E77F, E77G
180.8	05	F63A, F63B	J01.1	03	D62Z, D63Z		15	TPN, VTPN
180.9	05	F63A, F63B	J01.2	03	D62Z, D63Z		18A	S63A, S63B
181	07	H63A, H63B, H63C, H78Z		03	D62Z, D63Z		22	Y02A, Y02B
	15	TPN, VTPN		03	D62Z, D63Z			
	17	R62A		03	D62Z, D63Z			
182.0	07	H63A, H63B, H63C, H78Z		03	D62Z, D63Z			
	15	TPN, VTPN		03	D62Z, D63Z			
182.1	05	F65A, F65B		03	D62Z, D63Z			
182.2	05	F69A, F69B		03	D62Z, D63Z			
	15	TPN, VTPN		03	D62Z, D63Z			

ICD	MDC	DRG	ICD	MDC	DRG	ICD	MDC	DRG	
J12.9	04	E62A, E62B, E77A, E77B, E77C, E77D, E77E, E77F, E77G	J15.7	04	E62A, E62B, E77A, E77B, E77C, E77D, E77E, E77F, E77G	J20.1	04	E65A, E65B, E69A, E69B, E69C, E69D, E69E, E69F	
	15	TPN, VTPN		15	TPN, VTPN		J20.2	04	E65A, E65B, E69A, E69B, E69C, E69D, E69E, E69F
	18A	S63A, S63B		17	R62A	J20.3		04	E65A, E65B, E69A, E69B, E69C, E69D, E69E, E69F
	22	Y02A, Y02B		18A	S63A, S63B		J20.4	04	E65A, E65B, E69A, E69B, E69C, E69D, E69E, E69F
J13	04	E62A, E62B, E77A, E77B, E77C, E77D, E77E, E77F, E77G	J15.8	04	E62A, E62B, E77A, E77B, E77C, E77D, E77E, E77F, E77G	J20.5		04	E65A, E65B, E69A, E69B, E69C, E69D, E69E, E69F
	15	TPN, VTPN		15	TPN, VTPN		J20.6	15	P65C, P66C, P67B, P67C
	18A	S63A, S63B		18A	S63A, S63B	J20.7		04	E65A, E65B, E69A, E69B, E69C, E69D, E69E, E69F
	22	Y02A, Y02B		22	Y02A, Y02B		J20.8	04	E65A, E65B, E69A, E69B, E69C, E69D, E69E, E69F
J14	04	E62A, E62B, E77A, E77B, E77C, E77D, E77E, E77F, E77G	J15.9	04	E62A, E62B, E77A, E77B, E77C, E77D, E77E, E77F, E77G	J20.9		15	P65C, P66C, P67B, P67C
	15	TPN, VTPN		15	TPN, VTPN		J21.0	04	E65A, E65B, E69A, E69B, E69C, E69D, E69E, E69F
	18A	S63A, S63B		18A	S63A, S63B	J21.1		04	E70A, E70B
	22	Y02A, Y02B		22	Y02A, Y02B		J21.8	04	E70A, E70B
J15.0	04	E62A, E62B, E77A, E77B, E77C, E77D, E77F	J16.0	04	E62A, E62B, E77A, E77B, E77C, E77D, E77E, E77F, E77G	J21.9		15	TPN, VTPN
	15	TPN, VTPN		15	TPN, VTPN		J22	04	E75A, E75B, E75C
	17	R62A		17	R62A	J30.0		15	P65C, P66C, P67B, P67C
	18A	S63A, S63B		18A	S63A, S63B		J30.1	03	D62Z, D63Z
J15.1	22	Y02A, Y02B	J16.8	22	Y02A, Y02B	J30.2		03	D62Z, D63Z
	04	E62A, E62B, E77A, E77B, E77C, E77D, E77E, E77F, E77G		J17.0	15		TPN, VTPN	J30.3	03
	15	TPN, VTPN			J17.1	15	TPN, VTPN		J30.4
	17	R62A		J17.2		22	Y02A, Y02B	J31.0	
18A	S63A, S63B	J17.3	22		Y02A, Y02B	J31.1	15		P65C, P66C, P67B, P67C
22	Y02A, Y02B		J17.8	15	TPN, VTPN		J31.2	03	D62Z, D63Z
J15.2	04	E62A, E62B, E77A, E77B, E77C, E77D, E77E, E77F, E77G		J17.7	15	TPN, VTPN		J32.0	03
	15	TPN, VTPN	J17.8		15	TPN, VTPN	J32.1		03
	17	R62A			J18.0	22		Y02A, Y02B	J32.2
	18A	S63A, S63B	J18.1			04	E62A, E62B, E77A, E77B, E77C, E77D, E77E, E77F, E77G	J32.3	
J15.3	22	Y02A, Y02B		J17.8	15	TPN, VTPN	J32.4		03
	04	E62A, E62B, E77A, E77B, E77C, E77D, E77E, E77F, E77G	J18.0		15	TPN, VTPN		J32.8	03
	15	TPN, VTPN			J18.0	18A	S63A, S63B		J32.9
	17	R62A	J18.1			22	Y02A, Y02B	J33.0	
18A	S63A, S63B	J18.2		04	E62A, E62B, E77A, E77B, E77C, E77D, E77E, E77F, E77G	J33.1	03		D66Z
22	Y02A, Y02B		J18.8	15	TPN, VTPN		J33.8	03	D66Z
J15.4	04	E62A, E62B, E77A, E77B, E77C, E77D, E77E, E77F, E77G		J18.8	18A	S63A, S63B		J33.9	03
	15	TPN, VTPN	J18.8		22	Y02A, Y02B	J34.0		03
	17	R62A			J18.9	04		E62A, E62B, E77A, E77B, E77C, E77D, E77E, E77F, E77G	J34.1
	18A	S63A, S63B	J18.9			15	TPN, VTPN	J34.2	
J15.5	22	Y02A, Y02B		J18.9	18A	S63A, S63B	J34.3		03
	04	E62A, E62B, E77A, E77B, E77C, E77D, E77E, E77F, E77G	J18.9		22	Y02A, Y02B		J34.8	15
	15	TPN, VTPN			J18.9	04	E62A, E62B, E77A, E77B, E77C, E77D, E77E, E77F, E77G		J34.8
	17	R62A	J18.9			15	TPN, VTPN	J35.0	
18A	S63A, S63B	J18.9		18A	S63A, S63B	J35.1	03		D66Z
22	Y02A, Y02B		J18.9	22	Y02A, Y02B		J35.2	03	D66Z
J15.6	04	E62A, E62B, E77A, E77B, E77C, E77D, E77E, E77F, E77G		J18.9	04	E62A, E62B, E77A, E77B, E77C, E77D, E77E, E77F, E77G		J35.3	03
	15	TPN, VTPN	J18.9		15	TPN, VTPN	J35.8		03
	17	R62A			J18.9	18A		S63A, S63B	J35.9
	18A	S63A, S63B	J18.9			22	Y02A, Y02B	J36	
22	Y02A, Y02B	J18.9		22	Y02A, Y02B	J37.0	03		D62Z, D63Z
J15.7	04		E62A, E62B, E77A, E77B, E77C, E77D, E77E, E77F, E77G	J20.0	04		E65A, E65B, E69A, E69B, E69C, E69D, E69E, E69F	J37.1	03
	15	TPN, VTPN	J20.0		04	E65A, E65B, E69A, E69B, E69C, E69D, E69E, E69F	J38.00		03
	17	R62A			J20.0	04		E65A, E65B, E69A, E69B, E69C, E69D, E69E, E69F	J38.00
	18A	S63A, S63B	J20.0			04	E65A, E65B, E69A, E69B, E69C, E69D, E69E, E69F	J38.00	

Dg

ICD	MDC	DRG	ICD	MDC	DRG	ICD	MDC	DRG
J38.01	03	D66Z	J61	04	E74Z	J84.0	04	E74Z
J38.02	03	D66Z	J62.0	04	E74Z	J84.1	04	E74Z
	15	TPN, VTPN	J62.8	04	E74Z		Pre	A07D, A09E, A11F, A13F
J38.03	03	D66Z	J63.0	04	E74Z	J84.8	04	E74Z
	15	TPN, VTPN	J63.1	04	E74Z		18A	S65A, S65B
J38.1	03	D66Z	J63.2	04	E74Z	J84.9	04	E74Z
J38.2	03	D66Z	J63.3	04	E74Z	J85.0	04	E62A, E62B, E77A, E77B, E77C, E77D, E77F
J38.3	03	D66Z	J63.4	04	E74Z		15	TPN, VTPN
J38.4	03	D66Z	J63.5	04	E74Z		18A	S63A, S63B
J38.5	03	D64Z	J63.8	04	E74Z		Pre	A07D, A09E, A11F, A13F
J38.6	03	D66Z	J64	04	E74Z	J85.1	04	E62A, E62B, E77A, E77B, E77C, E77D, E77F
	15	TPN, VTPN	J65	04	E41Z, E42Z, E76A, E76B, E76C		15	TPN, VTPN
J38.7	03	D66Z	J66.0	04	E74Z		18A	S63A, S63B
	15	TPN, VTPN	J66.1	04	E74Z		Pre	A07D, A09E, A11F, A13F
J39.0	03	D30A, D62Z, D63Z	J66.2	04	E74Z	J85.2	04	E62A, E62B, E77A, E77B, E77C, E77D, E77F
	15	TPN, VTPN	J66.8	04	E74Z		15	TPN, VTPN
	Pre	A07D, A09E, A11F, A13F	J67.0	04	E74Z		18A	S63A, S63B
J39.1	03	D66Z		Pre	A07D, A09E, A11F, A13F		Pre	A07D, A09E, A11F, A13F
J39.2	03	D66Z	J67.1	04	E74Z	J85.3	04	E62A, E62B, E77A, E77B, E77C, E77D, E77F
J39.3	03	D62Z, D63Z		Pre	A07D, A09E, A11F, A13F		15	TPN, VTPN
J39.80	03	D62Z, D63Z	J67.2	04	E74Z		18A	S63A, S63B
J39.88	03	D62Z, D63Z		Pre	A07D, A09E, A11F, A13F		Pre	A07D, A09E, A11F, A13F
J39.9	03	D62Z, D63Z	J67.3	04	E74Z		04	E62A, E62B, E77A, E77B, E77C, E77D, E77F
J40	04	E65A, E65B, E69A, E69B, E69C, E69D, E69E, E69F		Pre	A07D, A09E, A11F, A13F		15	TPN, VTPN
	15	P65C, P66C, P67B, P67C	J67.4	04	E74Z		18A	S63A
J41.0	04	E65A, E65B, E69A, E69B, E69C, E69D, E69E, E69F		Pre	A07D, A09E, A11F, A13F	J86.0	04	E01A, E62A, E62B, E77A, E77B, E77C, E77D, E77F
J41.1	04	E65A, E65B, E65C	J67.5	04	E74Z		15	TPN, VTPN
J41.8	04	E65A, E65B, E65C		Pre	A07D, A09E, A11F, A13F		18A	S63A
J42	04	E65A, E65B, E65C	J67.6	04	E74Z		Pre	A07D, A09E, A11F, A13F
J43.0	04	E65A, E65B, E65C		Pre	A07D, A09E, A11F, A13F	J86.9	04	E62A, E62B, E77A, E77B, E77C, E77D, E77F
J43.1	04	E65A, E65B, E65C	J67.7	04	E74Z		15	TPN, VTPN
J43.2	04	E65A, E65B, E65C		Pre	A07D, A09E, A11F, A13F		18A	S63A
J43.8	04	E65A, E65B, E65C	J67.8	04	E74Z		Pre	A07D, A09E, A11F, A13F
J43.9	04	E65A, E65B, E65C		Pre	A07D, A09E, A11F, A13F	J90	04	E73A, E73B
J44.00	04	E65A, E65B	J67.9	04	E74Z		15	TPN, VTPN
J44.01	04	E65A, E65B, E65C		Pre	A07D, A09E, A11F, A13F	J91	15	TPN, VTPN
J44.02	04	E65A, E65B, E65C	J68.0	04	E75A, E75B, E75C	J92.0	04	E62A, E62B, E77A, E77B, E77C, E77D, E77E, E77F, E77G
J44.03	04	E65A, E65B, E65C	J68.1	04	E64A, E64B, E64C, E64D		04	E62A, E62B, E77A, E77B, E77C, E77D, E77E, E77F, E77G
J44.09	04	E65A, E65B, E65C	J68.2	04	E75A, E75B, E75C	J92.9	04	E62A, E62B, E77A, E77B, E77C, E77D, E77E, E77F, E77G
J44.10	04	E65A, E65B	J68.3	04	E65A, E65B, E69A, E69B, E69C, E69D, E69E, E69F, E75A, E75B, E75C		04	E62A, E62B, E77A, E77B, E77C, E77D, E77E, E77F, E77G
J44.11	04	E65A, E65B, E65C		04	E65A, E65B, E65C	J93.0	04	E76A, E76B, E76C
J44.12	04	E65A, E65B, E65C	J68.4	04	E65A, E65B, E65C		15	P65C, P66C, P67B, P67C
J44.13	04	E65A, E65B, E65C	J68.8	04	E65A, E65B, E65C		Pre	A07D, A09E, A11F, A13F
J44.19	04	E65A, E65B, E65C	J68.9	04	E65A, E65B, E65C	J93.1	04	E76A, E76B, E76C
J44.80	04	E65A, E65B	J69.0	04	E62A, E62B, E77A, E77B, E77C, E77D, E77E, E77F, E77G		18A	S63A, S63B
J44.81	04	E65A, E65B, E65C		15	TPN, VTPN	J93.8	04	E76A, E76B, E76C
J44.82	04	E65A, E65B, E65C		04	E62A, E62B, E77A, E77B, E77C, E77D, E77E, E77F, E77G		18A	S63A, S63B
J44.83	04	E65A, E65B, E65C	J69.1	04	E62A, E62B, E77A, E77B, E77C, E77D, E77E, E77F, E77G		04	E76A, E76B, E76C
J44.89	04	E65A, E65B, E65C		15	TPN, VTPN	J93.9	04	E76A, E76B, E76C
J44.90	04	E65A, E65B		18A	S63A, S63B		18A	S63A, S63B
J44.91	04	E65A, E65B, E65C	J69.8	04	E62A, E62B, E77A, E77B, E77C, E77D, E77E, E77F, E77G	J94.0	04	E73A, E73B
J44.92	04	E65A, E65B, E65C		15	TPN, VTPN		15	TPN, VTPN
J44.93	04	E65A, E65B, E65C		04	E62A, E62B, E77A, E77B, E77C, E77D, E77E, E77F, E77G	J94.1	04	E62A, E62B, E77A, E77B, E77C, E77D, E77E, E77F, E77G
J44.99	04	E65A, E65B, E65C		15	TPN, VTPN		04	E73A, E73B
J45.0	04	E65A, E65B, E69A, E69B, E69C, E69D, E69E, E69F		04	E75A, E75B, E75C	J94.2	04	E73A, E73B
J45.1	04	E65A, E65B, E69A, E69B, E69C, E69D, E69E, E69F	J70.0	04	E74Z		15	TPN, VTPN
J45.8	04	E65A, E65B, E69A, E69B, E69C, E69D, E69E, E69F	J70.1	04	E74Z	J94.8	04	E73A, E73B
J45.9	04	E65A, E65B, E69A, E69B, E69C, E69D, E69E, E69F	J70.2	04	E75A, E75B, E75C		15	TPN, VTPN
J46	04	E65A, E65B, E69A, E69B, E69C, E69D, E69E, E69F	J70.3	04	E75A, E75B, E75C	J94.9	04	E73A, E73B
	Pre	A07D, A09E, A11F, A13F	J70.4	04	E75A, E75B, E75C		15	TPN, VTPN
J47	04	E65A, E65B	J70.8	04	E75A, E75B, E75C	J95.0	04	E75A, E75B, E75C
J60	04	E74Z	J70.9	04	E75A, E75B, E75C		15	TPN, VTPN
			J80	04	E40A, E40B	J95.1	04	E64A, E64B, E64C, E64D
				Pre	A07D, A09E, A11F, A13F		Pre	A07D, A09E, A11F, A13F
			J81	05	F62A, F62B, F62C	J95.2	04	E64A, E64B, E64C, E64D
			J82	04	E74Z			

ICD	MDC	DRG	ICD	MDC	DRG	ICD	MDC	DRG
J95.3	04	E64A, E64B, E64C, E64D	K05.1	03	D40Z, D67Z	K13.1	03	D40Z, D67Z
J95.4	04	E75A, E75B, E75C	K05.2	03	D40Z, D67Z	K13.2	03	D40Z, D67Z
J95.5	04	E75A, E75B, E75C	K05.3	03	D40Z, D67Z		18A	S65A, S65B
J95.80	04	E76A, E76B, E76C	K05.4	03	D40Z, D67Z	K13.3	03	D40Z, D67Z
	15	TPN, VTPN	K05.5	03	D40Z, D67Z		18A	S65A, S65B
J95.81	04	E75A, E75B, E75C	K05.6	03	D40Z, D67Z	K13.4	03	D40Z, D67Z
J95.88	04	E75A, E75B, E75C	K06.0	03	D40Z, D67Z	K13.5	03	D40Z, D67Z
J95.9	04	E75A, E75B, E75C	K06.1	03	D40Z, D67Z	K13.6	03	D40Z, D67Z
J96.00	04	E64A, E64B, E64C, E64D	K06.2	03	D40Z, D67Z	K13.7	03	D40Z, D67Z
J96.01	04	E64A, E64B, E64C, E64D	K06.8	03	D40Z, D67Z	K14.0	03	D40Z, D67Z
J96.09	04	E64A, E64B, E64C, E64D	K06.9	03	D40Z, D67Z	K14.1	03	D40Z, D67Z
J96.10	04	E64A, E64B, E64C, E64D	K07.0	03	D40Z, D67Z	K14.2	03	D40Z, D67Z
J96.11	04	E64A, E64B, E64C, E64D	K07.1	03	D40Z, D67Z	K14.3	03	D40Z, D67Z
J96.19	04	E64A, E64B, E64C, E64D		15	TPN, VTPN	K14.4	03	D40Z, D67Z
J96.90	04	E64A, E64B, E64C, E64D	K07.2	03	D40Z, D67Z	K14.5	03	D40Z, D67Z
J96.91	04	E64A, E64B, E64C, E64D	K07.3	03	D40Z, D67Z	K14.6	03	D40Z, D67Z
J96.99	04	E64A, E64B, E64C, E64D	K07.4	03	D40Z, D67Z	K14.8	03	D40Z, D67Z
J98.0	04	E65A, E65B, E69A, E69B, E69C, E69D, E69E, E69F	K07.5	03	D40Z, D67Z	K14.9	03	D40Z, D67Z
			K07.6	03	D40Z, D67Z	K20	06	G40Z, G46A, G46B, G46C, G50Z, G67A, G67B, G67C, G67D
J98.1	04	E75A, E75B, E75C	K07.8	03	D40Z, D67Z			
J98.2	04	E76A, E76B, E76C		15	TPN, VTPN	K21.0	06	G40Z, G46A, G46B, G46C, G50Z, G67A, G67B, G67C, G67D
J98.3	04	E75A, E75B, E75C	K07.9	03	D40Z, D67Z			
J98.4	04	E75A, E75B, E75C	K08.0	03	D40Z, D67Z	K21.9	06	G40Z, G46A, G46B, G46C, G50Z, G67A, G67B, G67C, G67D
J98.50	04	E75A, E75B, E75C	K08.1	03	D40Z, D67Z			
J98.58	04	E75A, E75B, E75C	K08.2	03	D40Z, D67Z	K22.0	06	G46A, G46B, G46C, G50Z, G67A, G67B, G67C
J98.6	04	E75A, E75B, E75C	K08.3	03	D40Z, D67Z			
J98.8	04	E75A, E75B, E75C	K08.81	03	D40Z, D67Z	K22.1	06	G40Z, G46A, G46B, G46C, G47Z, G67A, G67B, G67C, G67D, G73Z
J98.9	04	E75A, E75B, E75C	K08.88	03	D40Z, D67Z		18A	S65A, S65B
K00.0	03	D40Z, D67Z	K08.9	03	D40Z, D67Z	K22.2	06	G46A, G46B, G46C, G50Z, G67A, G67B, G67C
K00.1	03	D40Z, D67Z	K09.0	03	D40Z, D67Z		15	TPN, VTPN
K00.2	03	D40Z, D67Z	K09.1	03	D40Z, D67Z	K22.3	06	G46A, G46B, G46C, G50Z, G67A, G67B, G67C
K00.3	03	D40Z, D67Z	K09.2	03	D40Z, D67Z		15	TPN, VTPN
K00.4	03	D40Z, D67Z	K09.8	03	D40Z, D67Z		Pre	A07D, A09E, A11F, A13F
K00.5	03	D40Z, D67Z	K09.9	03	D40Z, D67Z	K22.4	06	G46A, G46B, G46C, G50Z, G67A, G67B, G67C
K00.6	03	D40Z, D67Z	K10.0	03	D40Z, D67Z		15	TPN, VTPN
K00.7	03	D40Z, D67Z	K10.1	03	D40Z, D67Z	K22.5	06	G46A, G46B, G46C, G50Z, G67A, G67B, G67C
K00.8	03	D40Z, D67Z	K10.20	03	D06B, D40Z, D67Z		06	G40Z, G46A, G46B, G46C, G47Z, G67A, G67B, G67C, G67D, G73Z
K00.9	03	D40Z, D67Z	K10.21	03	D06B, D40Z, D67Z		06	G46A, G46B, G46C, G50Z, G67A, G67B, G67C, G67D
K01.0	03	D40Z, D67Z	K10.28	03	D06B, D40Z, D67Z	K22.6	06	G40Z, G46A, G46B, G46C, G47Z, G67A, G67B, G67C, G67D, G73Z
K01.1	03	D40Z, D67Z	K10.29	03	D40Z, D67Z		06	G46A, G46B, G46C, G50Z, G67A, G67B, G67C, G67D
K02.0	03	D40Z, D67Z	K10.3	03	D40Z, D67Z	K22.7	06	G46A, G46B, G46C, G50Z, G67A, G67B, G67C, G67D
K02.1	03	D40Z, D67Z	K10.8	03	D40Z, D67Z		06	G46A, G46B, G46C, G50Z, G67A, G67B, G67C, G67D
K02.2	03	D40Z, D67Z	K10.9	03	D40Z, D67Z	K22.8	06	G46A, G46B, G46C, G50Z, G67A, G67B, G67C, G67D
K02.3	03	D40Z, D67Z	K11.0	03	D66Z		06	G46A, G46B, G46C, G50Z, G67A, G67B, G67C, G67D
K02.4	03	D40Z, D67Z	K11.1	03	D66Z	K22.9	06	G46A, G46B, G46C, G50Z, G67A, G67B, G67C, G67D
K02.5	03	D40Z, D67Z	K11.2	03	D66Z		06	G40Z, G46A, G46B, G46C, G47Z, G67A, G67B, G67C, G67D, G73Z
K02.8	03	D40Z, D67Z	K11.3	03	D06B, D66Z	K22.9	06	G46A, G46B, G46C, G50Z, G67A, G67B, G67C, G67D
K02.9	03	D40Z, D67Z	K11.4	03	D66Z		06	G40Z, G46A, G46B, G46C, G47Z, G67A, G67B, G67C, G67D, G73Z
K03.0	03	D40Z, D67Z	K11.5	03	D66Z	K25.0	06	G40Z, G46A, G46B, G46C, G47Z, G67A, G67B, G67C, G67D, G73Z
K03.1	03	D40Z, D67Z	K11.6	03	D66Z		Pre	A07D, A09E, A11F, A13F
K03.2	03	D40Z, D67Z	K11.7	03	D66Z	K25.1	06	G40Z, G46A, G46B, G46C, G47Z, G67A, G67B, G67C, G67D, G73Z
K03.3	03	D40Z, D67Z	K11.8	03	D66Z		Pre	A07D, A09E, A11F, A13F
K03.4	03	D40Z, D67Z	K11.9	03	D66Z	K25.2	06	G40Z, G46A, G46B, G46C, G47Z, G67A, G67B, G67C, G67D, G73Z
K03.5	03	D40Z, D67Z		18A	S65A, S65B		Pre	A07D, A09E, A11F, A13F
K03.6	03	D40Z, D67Z	K12.0	03	D40Z, D67Z		06	G40Z, G46A, G46B, G46C, G47Z, G67A, G67B, G67C, G67D, G73Z
K03.7	03	D40Z, D67Z		18A	S65A, S65B		Pre	A07D, A09E, A11F, A13F
K03.8	03	D40Z, D67Z	K12.1	03	D40Z, D67Z	K25.3	06	G40Z, G46A, G46B, G46C, G47Z, G67A, G67B, G67C, G67D, G73Z
K03.9	03	D40Z, D67Z	K12.20	03	D06B, D40Z, D67Z		Pre	A07D, A09E, A11F, A13F
K04.0	03	D40Z, D67Z		Pre	A07D, A09E, A11F, A13F		06	G40Z, G46A, G46B, G46C, G47Z, G67A, G67B, G67C, G67D, G73Z
K04.1	03	D40Z, D67Z	K12.21	03	D06B, D40Z, D67Z		Pre	A07D, A09E, A11F, A13F
K04.2	03	D40Z, D67Z		Pre	A07D, A09E, A11F, A13F		06	G40Z, G46A, G46B, G46C, G47Z, G67A, G67B, G67C, G67D, G73Z
K04.3	03	D40Z, D67Z	K12.22	03	D06B, D40Z, D67Z		Pre	A07D, A09E, A11F, A13F
K04.4	03	D40Z, D67Z		Pre	A07D, A09E, A11F, A13F		06	G40Z, G46A, G46B, G46C, G47Z, G67A, G67B, G67C, G67D, G73Z
K04.5	03	D40Z, D67Z	K12.23	03	D40Z, D67Z		Pre	A07D, A09E, A11F, A13F
K04.6	03	D40Z, D67Z	K12.28	03	D06B, D40Z, D67Z		06	G40Z, G46A, G46B, G46C, G47Z, G67A, G67B, G67C, G67D, G73Z
K04.7	03	D40Z, D67Z	K12.29	03	D40Z, D67Z			
K04.8	03	D40Z, D67Z	K12.3	03	D40Z, D67Z			
K04.9	03	D40Z, D67Z	K13.0	03	D40Z, D67Z			
K05.0	03	D40Z, D67Z		18A	S65A, S65B			

ICD	MDC	DRG	ICD	MDC	DRG	ICD	MDC	DRG
K40.40	06	G09Z, G24Z, G46A, G46B, G46C, G50Z, G71Z	K44.9	06	G46A, G46B, G46C, G50Z, G67A, G67B, G67C, G67D	K52.30	06	G46A, G46B, G46C, G50Z, G67A, G67B, G67C, G67D
	15	TPN, VTPN	K45.0	06	G46A, G46B, G46C, G50Z, G71Z	15	P65C, P66C, P67B, P67C	
	Pre	A07D, A09E, A11F, A13F	K45.1	06	G46A, G46B, G46C, G50Z, G71Z	18A	S65A, S65B	
K40.41	06	G09Z, G24Z, G46A, G46B, G46C, G50Z, G71Z				K52.31	06	G46A, G46B, G46C, G50Z, G67A, G67B, G67C, G67D
	15	TPN, VTPN				15	P65C, P66C, P67B, P67C	
	Pre	A07D, A09E, A11F, A13F	K45.8	06	G46A, G46B, G46C, G50Z, G71Z	18A	S65A, S65B	
K40.90	06	G09Z, G24Z, G46A, G46B, G46C, G50Z, G71Z	K46.0	06	G46A, G46B, G46C, G50Z, G71Z	K52.32	06	G46A, G46B, G46C, G50Z, G67A, G67B, G67C, G67D
K40.91	06	G09Z, G24Z, G46A, G46B, G46C, G50Z, G71Z	K46.1	06	G46A, G46B, G46C, G50Z, G71Z	15	P65C, P66C, P67B, P67C	
K41.0	06	G09Z, G24Z, G46A, G46B, G46C, G50Z, G71Z	K46.1	15	TPN, VTPN	18A	S65A, S65B	
K41.1	06	G09Z, G24Z, G46A, G46B, G46C, G50Z, G71Z	K46.9	06	G46A, G46B, G46C, G50Z, G71Z	K52.38	06	G46A, G46B, G46C, G50Z, G67A, G67B, G67C, G67D
	15	TPN, VTPN	K50.0	06	G40Z, G46A, G46B, G46C, G47Z, G48A, G48B, G64A, G64B, G64C	15	P65C, P66C, P67B, P67C	
	Pre	A07D, A09E, A11F, A13F	K50.1	06	G40Z, G46A, G46B, G46C, G47Z, G48A, G48B, G64A, G64B, G64C	18A	S65A, S65B	
K41.2	06	G09Z, G24Z, G46A, G46B, G46C, G50Z, G71Z	K50.80	06	G40Z, G46A, G46B, G46C, G47Z, G48A, G48B, G64A, G64B, G64C	K52.9	06	G46A, G46B, G46C, G50Z, G67A, G67B, G67C, G67D
K41.3	06	G09Z, G24Z, G46A, G46B, G46C, G50Z, G71Z	K50.81	06	G40Z, G46A, G46B, G46C, G47Z, G48A, G48B, G64A, G64B, G64C	18A	S65A, S65B	
K41.4	06	G09Z, G24Z, G46A, G46B, G46C, G50Z, G71Z	K50.82	06	G40Z, G46A, G46B, G46C, G47Z, G48A, G48B, G64A, G64B, G64C	K55.0	06	G46A, G46B, G46C, G50Z, G64A, G64B, G64C, G70A, G70B
	15	TPN, VTPN	K50.88	06	G40Z, G46A, G46B, G46C, G47Z, G48A, G48B, G64A, G64B, G64C	15	TPN, VTPN	
	Pre	A07D, A09E, A11F, A13F	K50.9	06	G40Z, G46A, G46B, G46C, G47Z, G48A, G48B, G64A, G64B, G64C	K55.1	06	G46A, G46B, G46C, G50Z, G64A, G64B, G64C, G70A, G70B
K41.9	06	G09Z, G24Z, G46A, G46B, G46C, G50Z, G71Z	K51.0	06	G40Z, G46A, G46B, G46C, G47Z, G48A, G48B, G64A, G64B, G64C	K55.21	06	G46A, G46B, G46C, G50Z, G71Z
K42.0	06	G46A, G46B, G46C, G50Z, G71Z	K51.2	06	G40Z, G46A, G46B, G46C, G47Z, G48A, G48B, G64A, G64B, G64C	15	TPN, VTPN	
K42.1	06	G46A, G46B, G46C, G50Z, G71Z	K51.3	06	G40Z, G46A, G46B, G46C, G47Z, G48A, G48B, G64A, G64B, G64C	K55.22	06	G40Z, G46A, G46B, G46C, G47Z, G67A, G67B, G67C, G67D, G73Z
	15	TPN, VTPN	K51.8	06	G40Z, G46A, G46B, G46C, G47Z, G48A, G48B, G64A, G64B, G64C	K55.81	06	G46A, G46B, G46C, G50Z, G67A, G67B, G67C, G67D
	Pre	A07D, A09E, A11F, A13F	K51.9	06	G40Z, G46A, G46B, G46C, G47Z, G48A, G48B, G64A, G64B, G64C	K55.82	06	G40Z, G46A, G46B, G46C, G47Z, G67A, G67B, G67C, G67D, G73Z
K42.9	06	G46A, G46B, G46C, G50Z, G71Z	K52.0	06	G46A, G46B, G46C, G50Z, G71Z	K55.88	06	G46A, G46B, G46C, G50Z, G71Z
K43.0	06	G46A, G46B, G46C, G50Z, G71Z	K52.1	06	G46A, G46B, G46C, G50Z, G71Z	K55.9	06	G46A, G46B, G46C, G50Z, G71Z
K43.1	06	G46A, G46B, G46C, G50Z, G71Z				K56.0	06	G40Z, G46A, G46B, G46C, G47Z, G65Z
	15	TPN, VTPN	K52.2	06	G46A, G46B, G46C, G50Z, G67A, G67B, G67C, G67D	15	TPN, VTPN	
	Pre	A07D, A09E, A11F, A13F				K56.1	06	G40Z, G46A, G46B, G46C, G47Z, G65Z
K43.2	06	G46A, G46B, G46C, G50Z, G71Z				15	TPN, VTPN	
K43.3	06	G46A, G46B, G46C, G50Z, G71Z				K56.2	06	G40Z, G46A, G46B, G46C, G47Z, G65Z
	15	TPN, VTPN				15	TPN, VTPN	
K43.4	06	G46A, G46B, G46C, G50Z, G71Z				K56.3	06	G40Z, G46A, G46B, G46C, G47Z, G65Z
	15	TPN, VTPN				K56.4	06	G40Z, G46A, G46B, G46C, G47Z, G65Z
	Pre	A07D, A09E, A11F, A13F				15	TPN, VTPN	
K43.5	06	G46A, G46B, G46C, G50Z, G71Z				K56.5	06	G40Z, G46A, G46B, G46C, G47Z, G65Z
K43.6	06	G46A, G46B, G46C, G50Z, G71Z				K56.6	06	G40Z, G46A, G46B, G46C, G47Z, G65Z
K43.7	06	G46A, G46B, G46C, G50Z, G71Z				15	TPN, VTPN	
K43.9	06	G46A, G46B, G46C, G50Z, G71Z				K56.7	06	G40Z, G46A, G46B, G46C, G47Z, G65Z
K44.0	06	G46A, G46B, G46C, G50Z, G67A, G67B, G67C, G67D				15	TPN, VTPN	
	15	TPN, VTPN				K57.00	06	G46A, G46B, G46C, G50Z, G67A, G67B, G67C
K44.1	06	G46A, G46B, G46C, G50Z, G71Z						
	15	TPN, VTPN						
	Pre	A07D, A09E, A11F, A13F						

ICD	MDC	DRG	ICD	MDC	DRG	ICD	MDC	DRG
K57.01	06	G40Z, G46A, G46B, G46C, G47Z, G67A, G67B, G67C, G67D, G73Z	K57.91	06	G40Z, G46A, G46B, G46C, G47Z, G67A, G67B, G67C, G67D, G73Z	K62.6	06	G46A, G46B, G46C, G50Z, G71Z
K57.02	06	G46A, G46B, G46C, G50Z, G67A, G67B, G67C	K57.92	06	G46A, G46B, G46C, G50Z, G67A, G67B, G67C	K62.7	06	G46A, G46B, G46C, G50Z, G71Z
K57.03	06	G40Z, G46A, G46B, G46C, G47Z, G67A, G67B, G67C, G67D, G73Z	K57.93	06	G40Z, G46A, G46B, G46C, G47Z, G67A, G67B, G67C, G67D, G73Z	K62.8	06	G46A, G46B, G46C, G50Z, G71Z
K57.10	06	G46A, G46B, G46C, G50Z, G67A, G67B, G67C	K58.0	06	G46A, G46B, G46C, G50Z, G67A, G67B, G67C, G67D	K62.9	06	G46A, G46B, G46C, G50Z, G71Z
K57.11	06	G40Z, G46A, G46B, G46C, G47Z, G67A, G67B, G67C, G67D, G73Z	K58.9	06	G46A, G46B, G46C, G50Z, G67A, G67B, G67C, G67D	K63.0	06	G46A, G46B, G46C, G50Z, G64A, G64B, G64C, G70A, G70B
K57.12	06	G46A, G46B, G46C, G50Z, G67A, G67B, G67C	K59.0	06	G46A, G46B, G46C, G50Z, G67A, G67B, G67C, G67D	K63.1	06	TPN, VTPN G01Z, G02Z, G38Z, G46A, G46B, G46C, G50Z, G64A, G64B, G64C, G70A, G70B
K57.13	06	G40Z, G46A, G46B, G46C, G47Z, G67A, G67B, G67C, G67D, G73Z	K59.1	06	G46A, G46B, G46C, G50Z, G67A, G67B, G67C, G67D		15	TPN, VTPN
K57.20	06	G46A, G46B, G46C, G50Z, G67A, G67B, G67C	K59.2	06	G46A, G46B, G46C, G50Z, G67A, G67B, G67C, G67D	K63.2	06	Pre A07D, A09E, A11F, A13F G46A, G46B, G46C, G50Z, G64A, G64B, G64C, G70A, G70B
K57.21	06	G40Z, G46A, G46B, G46C, G47Z, G67A, G67B, G67C, G67D, G73Z	K59.3	06	G46A, G46B, G46C, G50Z, G71Z		15	TPN, VTPN
K57.22	06	G46A, G46B, G46C, G50Z, G67A, G67B, G67C	K59.4	06	G46A, G46B, G46C, G50Z, G67A, G67B, G67C, G67D	K63.3	06	G46A, G46B, G46C, G50Z, G64A, G64B, G64C, G70A, G70B
K57.23	06	G40Z, G46A, G46B, G46C, G47Z, G67A, G67B, G67C, G67D, G73Z	K59.8	06	G46A, G46B, G46C, G50Z, G67A, G67B, G67C, G67D		15	TPN, VTPN
K57.30	06	G46A, G46B, G46C, G50Z, G67A, G67B, G67C	K59.9	06	G46A, G46B, G46C, G50Z, G67A, G67B, G67C, G67D	K63.4	06	G46A, G46B, G46C, G50Z, G71Z
K57.31	06	G40Z, G46A, G46B, G46C, G47Z, G67A, G67B, G67C, G67D, G73Z	K60.0	06	G46A, G46B, G46C, G50Z, G71Z	K63.5	06	G46A, G46B, G46C, G50Z, G71Z
K57.32	06	G46A, G46B, G46C, G50Z, G67A, G67B, G67C	K60.1	06	G46A, G46B, G46C, G50Z, G71Z	K63.8	06	G46A, G46B, G46C, G50Z, G71Z
K57.33	06	G40Z, G46A, G46B, G46C, G47Z, G67A, G67B, G67C, G67D, G73Z	K60.2	06	G46A, G46B, G46C, G50Z, G71Z	K63.9	06	G46A, G46B, G46C, G50Z, G71Z
K57.40	06	G46A, G46B, G46C, G50Z, G67A, G67B, G67C	K60.3	15	P65C, P66C, P67B, P67C	K64.0	06	G46A, G46B, G46C, G50Z, G72A, G72B
K57.41	06	G40Z, G46A, G46B, G46C, G47Z, G67A, G67B, G67C, G67D, G73Z	K60.4	06	G46A, G46B, G46C, G50Z, G71Z	K64.1	06	G46A, G46B, G46C, G50Z, G72A, G72B
K57.42	06	G46A, G46B, G46C, G50Z, G67A, G67B, G67C	K60.5	06	G46A, G46B, G46C, G50Z, G71Z	K64.2	06	G46A, G46B, G46C, G50Z, G72A, G72B
K57.43	06	G40Z, G46A, G46B, G46C, G47Z, G67A, G67B, G67C, G67D, G73Z	K61.0	06	G46A, G46B, G46C, G50Z, G71Z	K64.3	06	G46A, G46B, G46C, G50Z, G72A, G72B
K57.50	06	G46A, G46B, G46C, G50Z, G67A, G67B, G67C	K61.1	06	G46A, G46B, G46C, G50Z, G71Z	K64.4	06	G46A, G46B, G46C, G50Z, G72A, G72B
K57.51	06	G40Z, G46A, G46B, G46C, G47Z, G67A, G67B, G67C, G67D, G73Z	K61.2	06	G46A, G46B, G46C, G50Z, G71Z	K64.5	06	G46A, G46B, G46C, G50Z, G72A, G72B
K57.52	06	G46A, G46B, G46C, G50Z, G67A, G67B, G67C	K61.3	06	G46A, G46B, G46C, G50Z, G71Z	K64.8	06	G46A, G46B, G46C, G50Z, G72A, G72B
K57.53	06	G40Z, G46A, G46B, G46C, G47Z, G67A, G67B, G67C, G67D, G73Z	K61.4	06	G46A, G46B, G46C, G50Z, G71Z	K64.9	06	G46A, G46B, G46C, G50Z, G72A, G72B
K57.80	06	G46A, G46B, G46C, G50Z, G67A, G67B, G67C	K62.0	06	G46A, G46B, G46C, G50Z, G71Z	K65.0	06	G01Z, G02Z, G07A, G07B, G07C, G22A, G22B, G22C, G38Z, G40Z, G46A, G46B, G46C, G47Z, G48A, G48B, G64A, G64B, G64C, G70A, G70B
K57.81	06	G40Z, G46A, G46B, G46C, G47Z, G67A, G67B, G67C, G67D, G73Z	K62.1	06	G46A, G46B, G46C, G50Z, G71Z		15	TPN, VTPN
K57.82	06	G46A, G46B, G46C, G50Z, G67A, G67B, G67C	K62.2	06	G46A, G46B, G46C, G50Z, G71Z	K65.8	06	Pre A07D, A09E, A11F, A13F G01Z, G02Z, G07A, G07B, G07C, G22A, G22B, G22C, G38Z, G40Z, G46A, G46B, G46C, G47Z, G64A, G64B, G64C, G70A, G70B
K57.83	06	G40Z, G46A, G46B, G46C, G47Z, G67A, G67B, G67C, G67D, G73Z	K62.3	06	G46A, G46B, G46C, G50Z, G71Z		15	TPN, VTPN
K57.90	06	G46A, G46B, G46C, G50Z, G67A, G67B, G67C	K62.4	06	G46A, G46B, G46C, G50Z, G71Z	K65.9	06	G01Z, G02Z, G07A, G07B, G07C, G22A, G22B, G22C, G38Z, G40Z, G46A, G46B, G46C, G47Z, G48A, G48B, G64A, G64B, G64C, G70A, G70B
			K62.5	06	TPN, VTPN G40Z, G46A, G46B, G46C, G47Z, G67A, G67B, G67C, G67D, G73Z		15	TPN, VTPN

ICD	MDC	DRG	ICD	MDC	DRG	ICD	MDC	DRG
K66.0	06	G46A, G46B, G46C, G50Z, G71Z	K72.0	07	H06A, H63A, H63B, H63C, H78Z	K76.2	07	H63A, H63B, H63C, H78Z
	15	TPN, VTPN		15	TPN, VTPN		15	TPN, VTPN
	Pre	A07D, A09E, A11F, A13F		Pre	A07D, A09E, A11F, A13F	K76.3	07	H40Z, H63A, H63B, H63C, H78Z
K66.1	06	G40Z, G46A, G46B, G46C, G48A, G48B, G50Z, G64A, G64B, G64C, G70A, G70B	K72.1	07	H40Z, H63A, H63B, H63C, H78Z		15	TPN, VTPN
	15	TPN, VTPN	K72.73	Pre	A07D, A09E, A11F, A13F	K76.4	07	H40Z, H63A, H63B, H63C, H78Z
	Pre	A07D, A09E, A11F, A13F	K72.74	Pre	A07D, A09E, A11F, A13F		15	TPN, VTPN
K66.8	06	G46A, G46B, G46C, G50Z, G71Z	K72.9	07	H40Z, H63A, H63B, H63C, H78Z	K76.5	07	H40Z, H63A, H63B, H63C, H78Z
	15	TPN, VTPN	K73.0	07	H40Z, H63A, H63B, H63C, H78Z	K76.6	07	H40Z, H63A, H63B, H63C, H78Z
	Pre	A07D, A09E, A11F, A13F	K73.1	07	H40Z, H63A, H63B, H63C, H78Z		15	TPN, VTPN
K66.9	06	G46A, G46B, G46C, G50Z, G71Z	K73.2	07	H40Z, H63A, H63B, H63C, H78Z	K76.7	07	H40Z, H63A, H63B, H63C, H78Z
	Pre	A07D, A09E, A11F, A13F	K73.8	07	H40Z, H63A, H63B, H63C, H78Z		15	TPN, VTPN
K67.0	15	TPN, VTPN	K73.9	07	H40Z, H63A, H63B, H63C, H78Z	K76.8	07	H40Z, H63A, H63B, H63C, H78Z
	Pre	A07D, A09E, A11F, A13F	K74.0	07	H40Z, H60Z, H62A, H62B, H78Z		Pre	A07D, A09E, A11F, A13F
K67.1	15	TPN, VTPN		15	TPN, VTPN	K76.9	07	H40Z, H63A, H63B, H63C, H78Z
	Pre	A07D, A09E, A11F, A13F	K74.1	07	H40Z, H63A, H63B, H63C, H78Z	K77.0	15	TPN, VTPN
K67.2	Pre	A07D, A09E, A11F, A13F	K74.2	07	H40Z, H60Z, H62A, H62B, H78Z	K77.11	15	TPN, VTPN
K67.3	15	TPN, VTPN		15	TPN, VTPN	K77.12	15	TPN, VTPN
	Pre	A07D, A09E, A11F, A13F	K74.3	07	H40Z, H60Z, H62A, H62B, H78Z	K77.13	15	TPN, VTPN
K67.8	15	TPN, VTPN		15	TPN, VTPN	K77.14	15	TPN, VTPN
	Pre	A07D, A09E, A11F, A13F	K74.4	07	H40Z, H60Z, H62A, H62B, H78Z	K77.8	15	TPN, VTPN
K70.0	07	H40Z, H63A, H63B, H63C, H78Z		Pre	A07D, A09E, A11F, A13F	K80.00	07	H64Z
K70.1	07	H40Z, H60Z, H62A, H62B, H78Z	K74.5	07	H40Z, H60Z, H62A, H62B, H78Z	K80.01	07	H64Z
K70.2	07	H40Z, H60Z, H62A, H62B, H78Z		15	TPN, VTPN	K80.10	07	H64Z
K70.3	07	H40Z, H60Z, H62A, H62B, H78Z		Pre	A07D, A09E, A11F, A13F	K80.11	07	H64Z
K70.4	07	H40Z, H60Z, H62A, H62B, H78Z	K74.6	07	H40Z, H60Z, H62A, H62B, H78Z	K80.20	07	H64Z
	Pre	A07D, A09E, A11F, A13F		15	TPN, VTPN	K80.21	07	H64Z
K70.9	07	H40Z, H60Z, H62A, H62B, H78Z		15	TPN, VTPN	K80.30	07	H64Z
K71.0	07	H40Z, H63A, H63B, H63C, H78Z	K74.6	07	H40Z, H60Z, H62A, H62B, H78Z	K80.31	07	H64Z
	15	TPN, VTPN		15	TPN, VTPN	K80.40	07	H64Z
K71.1	07	H40Z, H63A, H63B, H63C, H78Z	K75.0	07	H08A, H40Z, H63A, H63B, H63C, H78Z	K80.41	07	H64Z
	15	TPN, VTPN		15	TPN, VTPN	K80.50	07	H64Z
K71.2	07	H40Z, H63A, H63B, H63C, H78Z		Pre	A07D, A09E, A11F, A13F	K80.51	07	H64Z
	15	TPN, VTPN	K75.1	07	H40Z, H63A, H63B, H63C, H78Z	K80.80	07	H64Z
K71.3	07	H40Z, H63A, H63B, H63C, H78Z		15	TPN, VTPN	K80.81	07	H64Z
	15	TPN, VTPN	K75.2	07	H40Z, H63A, H63B, H63C, H78Z	K81.0	07	H64Z
K71.4	07	H40Z, H63A, H63B, H63C, H78Z		Pre	A07D, A09E, A11F, A13F	K81.1	07	H64Z
	15	TPN, VTPN	K75.3	07	H40Z, H63A, H63B, H63C, H78Z	K81.8	07	H64Z
K71.5	07	H40Z, H63A, H63B, H63C, H78Z		15	TPN, VTPN	K81.9	07	H64Z
	15	TPN, VTPN	K75.4	07	H40Z, H63A, H63B, H63C, H78Z	K82.0	07	H64Z
K71.6	07	H40Z, H63A, H63B, H63C, H78Z		Pre	A07D, A09E, A11F, A13F	K82.1	07	H64Z
	15	TPN, VTPN	K75.8	07	H40Z, H63A, H63B, H63C, H78Z	K82.2	07	H64Z
K71.7	07	H40Z, H60Z, H62A, H62B, H78Z		15	TPN, VTPN	K82.3	07	H64Z
	15	TPN, VTPN	K75.9	07	H40Z, H63A, H63B, H63C, H78Z	K82.4	07	H64Z
K71.8	07	H40Z, H63A, H63B, H63C, H78Z		15	TPN, VTPN	K82.8	07	H64Z
	15	TPN, VTPN	K76.0	07	H40Z, H63A, H63B, H63C, H78Z	K82.9	07	H64Z
K71.9	07	H40Z, H63A, H63B, H63C, H78Z		15	TPN, VTPN	K83.0	07	H64Z
	15	TPN, VTPN	K76.1	07	H40Z, H63A, H63B, H63C, H78Z	K83.1	07	H64Z
							15	TPN, VTPN
						K83.2	07	H64Z
						K83.3	07	H64Z
						K83.4	07	H64Z
						K83.5	07	H64Z
						K83.8	07	H64Z
						K83.9	07	H64Z
						K85.00	07	H07A, H08A, H62A, H62B
							18A	S65A, S65B
						K85.01	07	H07A, H08A, H62A, H62B
							18A	S65A, S65B
							Pre	A07D, A09E, A11F, A13F
						K85.10	07	H07A, H08A, H62A, H62B
							18A	S65A, S65B

ICD	MDC	DRG	ICD	MDC	DRG	ICD	MDC	DRG
K85.11	07	H07A, H08A, H62A, H62B	K91.4	06	G46A, G46B, G46C, G50Z, G71Z	L03.3	09	J02A, J02B, J02C, J03A, J03B, J08A, J08B, J08C, J64A, J64B
	18A	S65A, S65B					18A	S65A, S65B
	Pre	A07D, A09E, A11F, A13F	K91.5	07	H64Z		22	Y02A, Y02B
K85.20	07	H07A, H08A, H62A, H62B	K91.80	06	G46A, G46B, G46C, G50Z, G64A, G64B, G64C, G70A, G70B	L03.8	09	J02A, J02B, J02C, J03A, J03B, J08A, J08B, J08C, J64A, J64B
	18A	S65A, S65B					18A	S65A, S65B
K85.21	07	H07A, H08A, H62A, H62B		Pre	A07D, A09E, A11A, A11C, A13A, A13B, A13C, A13F		22	Y02A, Y02B
	18A	S65A, S65B	K91.88	06	G46A, G46B, G46C, G50Z, G64A, G64B, G64C, G70A, G70B	L03.9	09	J02A, J02B, J02C, J03A, J03B, J08A, J08B, J08C, J64A, J64B
	Pre	A07D, A09E, A11F, A13F					18A	S65A, S65B
K85.30	07	H07A, H08A, H62A, H62B	K91.9	06	G46A, G46B, G46C, G50Z, G71Z		22	Y02A, Y02B
	18A	S65A, S65B	K92.0	06	G40Z, G46A, G46B, G46C, G47Z, G67A, G67B, G67C, G67D, G73Z	L04.0	16	Q60A, Q60B, Q60C, Q60D, Q60E
K85.31	07	H07A, H08A, H62A, H62B					18A	S65A, S65B
	18A	S65A, S65B	K92.1	06	G40Z, G46A, G46B, G46C, G47Z, G67A, G67B, G67C, G67D, G73Z	L04.1	16	Q60A, Q60B, Q60C, Q60D, Q60E
	Pre	A07D, A09E, A11F, A13F					18A	S65A, S65B
K85.80	07	H07A, H08A, H62A, H62B	K92.2	06	G40Z, G46A, G46B, G46C, G47Z, G67A, G67B, G67C, G67D, G73Z	L04.2	16	Q60A, Q60B, Q60C, Q60D, Q60E
	18A	S65A, S65B					18A	S65A, S65B
K85.81	07	H07A, H08A, H62A, H62B	K92.8	06	G46A, G46B, G46C, G50Z, G71Z	L04.3	16	Q60A, Q60B, Q60C, Q60D, Q60E
	18A	S65A, S65B					18A	S65A, S65B
	Pre	A07D, A09E, A11F, A13F	K92.9	06	G46A, G46B, G46C, G50Z, G71Z	L04.8	16	Q60A, Q60B, Q60C, Q60D, Q60E
K85.90	07	H07A, H08A, H62A, H62B	K93.0	Pre	A07D, A09E, A11F, A13F		18A	S65A, S65B
	18A	S65A, S65B	K93.1	15	TPN, VTPN	L04.9	16	Q60A, Q60B, Q60C, Q60D, Q60E
K85.91	07	H07A, H08A, H62A, H62B		Pre	A07D, A09E, A11F, A13F		18A	S65A, S65B
	18A	S65A, S65B	K93.21	Pre	A07D, A09E, A11F, A13F	L05.0	09	J64A, J64B
	Pre	A07D, A09E, A11F, A13F	K93.22	Pre	A07D, A09E, A11F, A13F	L05.9	09	J64A, J64B
K86.0	07	H07A, H08A, H62A, H62B, H62C	K93.23	Pre	A07D, A09E, A11F, A13F	L08.0	09	J64A, J64B
	18A	S65A, S65B	K93.24	Pre	A07D, A09E, A11F, A13F		15	P65C, P66C, P67B, P67C
	Pre	A07D, A09E, A11F, A13F	L00.0	09	J61A, J61B, J61C, J68A, J68B	L08.1	09	J61A, J61B, J61C, J68A, J68B
K86.1	07	H07A, H08A, H62A, H62B, H62C		15	TPN, VTPN	L08.8	09	J64A, J64B
	18A	S65A, S65B	L00.1	09	J08A, J08B, J08C, J61A, J61B, J68A, J68B	L08.9	09	J64A, J64B
K86.2	07	H07A, H08A, H62A, H62B, H62C		15	TPN, VTPN	L10.0	09	J61A, J61B, J61C, J68A, J68B
	18A	S65A, S65B	L01.0	09	J64A, J64B	L10.1	09	J08A, J08B, J08C, J61A, J61B, J61C, J68A, J68B
K86.3	07	H07A, H08A, H62A, H62B, H62C	L01.1	09	J64A, J64B	L10.2	09	J61A, J61B, J61C, J68A, J68B
	18A	S65A, S65B	L02.0	09	J64A, J64B		15	TPN, VTPN
K86.8	07	H07A, H08A, H62A, H62B, H62C	L02.1	09	J64A, J64B	L10.3	09	J08A, J08B, J08C, J61A, J61B, J61C, J68A, J68B
	18A	S65A, S65B	L02.2	09	J64A, J64B	L10.4	09	J61A, J61B, J61C, J68A, J68B
K86.9	07	H07A, H08A, H62A, H62B, H62C	L02.3	09	J64A, J64B	L10.5	09	J08A, J08B, J08C, J61A, J61B, J61C, J68A, J68B
	18A	S65A, S65B	L02.4	09	J64A, J64B	L10.8	09	J61A, J61B, J61C, J68A, J68B
K90.0	06	G40Z, G46A, G46B, G46C, G48A, G48B, G50Z, G67A, G67B, G67C	L02.8	09	J64A, J64B	L10.9	09	J61A, J61B, J61C, J68A, J68B
	15	TPN, VTPN	L02.9	09	J64A, J64B	L11.0	09	J67A, J67B, J68A, J68B
K90.1	06	G40Z, G46A, G46B, G46C, G48A, G48B, G50Z, G67A, G67B, G67C	L03.01	09	J02A, J02B, J02C, J03A, J03B, J08A, J08B, J08C, J64A, J64B	L11.1	09	J67A, J67B, J68A, J68B
	15	TPN, VTPN	L03.02	09	J02A, J02B, J02C, J03A, J03B, J04A, J04B, J08A, J08B, J08C, J64A, J64B	L11.8	09	J08A, J08B, J08C, J61A, J61B, J61C, J68A, J68B
K90.2	06	G40Z, G46A, G46B, G46C, G48A, G48B, G50Z, G67A, G67B, G67C		18A	S65A, S65B	L11.9	09	J08A, J08B, J08C, J61A, J61B, J61C, J68A, J68B
	15	TPN, VTPN	L03.10	09	J02A, J02B, J02C, J03A, J03B, J08A, J08B, J08C, J64A, J64B		15	TPN, VTPN
K90.3	06	G40Z, G46A, G46B, G46C, G48A, G48B, G50Z, G67A, G67B, G67C		22	Y02A, Y02B	L12.0	09	J08A, J08B, J08C, J61A, J61B, J61C, J68A, J68B
	15	TPN, VTPN	L03.11	09	J02A, J02B, J02C, J03A, J03B, J04A, J04B, J08A, J08B, J08C, J64A, J64B		15	TPN, VTPN
K90.31	06	G40Z, G46A, G46B, G46C, G48A, G48B, G50Z, G67A, G67B, G67C		18A	S65A, S65B	L12.1	09	J61A, J61B, J61C, J68A, J68B
	15	TPN, VTPN	L03.2	09	J02A, J02B, J02C, J03A, J03B, J08A, J08B, J08C, J64A, J64B	L12.2	09	J08A, J08B, J08C, J61A, J61B, J61C, J68A, J68B
K90.4	06	G40Z, G46A, G46B, G46C, G48A, G48B, G50Z, G67A, G67B, G67C		18A	S65A, S65B	L12.3	09	J61A, J61B, J61C, J68A, J68B
	15	TPN, VTPN		22	Y02A, Y02B		15	TPN, VTPN
K90.8	06	G40Z, G46A, G46B, G46C, G48A, G48B, G50Z, G67A, G67B, G67C		22	Y02A, Y02B	L12.8	09	J61A, J61B, J61C, J68A, J68B
	15	TPN, VTPN					15	TPN, VTPN
K90.9	06	G40Z, G46A, G46B, G46C, G48A, G48B, G50Z, G67A, G67B, G67C				L12.9	09	J61A, J61B, J61C, J68A, J68B
	18A	S65A, S65B					15	TPN, VTPN
K91.0	06	G46A, G46B, G46C, G50Z, G67A, G67B, G67C						
K91.1	06	G46A, G46B, G46C, G50Z, G67A, G67B, G67C						
	15	TPN, VTPN						
K91.2	06	G46A, G46B, G46C, G50Z, G67A, G67B, G67C						
K91.3	06	G46A, G46B, G46C, G50Z, G71Z						

ICD	MDC	DRG	ICD	MDC	DRG	ICD	MDC	DRG
L13.0	09	J61A, J61B, J61C, J68A, J68B	L30.5	09	J67A, J67B, J68A, J68B	L51.9	09	J61A, J61B, J61C, J68A, J68B
	15	TPN, VTPN	L30.8	09	J61A, J61B, J61C, J68A, J68B		15	TPN, VTPN
L13.1	09	J61A, J61B, J61C, J68A, J68B	L30.9	09	J61A, J61B, J61C, J68A, J68B	L52	09	J61A, J61B, J61C, J68A, J68B
	15	TPN, VTPN	L40.0	09	J08A, J08B, J08C, J61A, J61B, J61C, J68A, J68B	L53.0	09	J61A, J61B, J61C, J68A, J68B
L13.8	09	J61A, J61B, J61C, J68A, J68B	L40.1	09	J08A, J08B, J08C, J61A, J61B, J61C, J68A, J68B	L53.1	09	J61A, J61B, J61C, J68A, J68B
	15	TPN, VTPN		15	TPN, VTPN	L53.2	09	J61A, J61B, J61C, J68A, J68B
L13.9	09	J61A, J61B, J61C, J68A, J68B	L40.2	09	J61A, J61B, J61C, J68A, J68B	L53.3	09	J61A, J61B, J61C, J68A, J68B
L14	15	TPN, VTPN	L40.3	09	J08A, J08B, J08C, J61A, J61B, J61C, J68A, J68B	L53.8	09	J61A, J61B, J61C, J68A, J68B
L20.0	09	J61A, J61B, J61C, J68A, J68B	L40.4	09	J08A, J08B, J08C, J61A, J61B, J61C, J68A, J68B	L53.9	09	J08A, J08B, J08C, J61A, J61B, J61C, J68A, J68B
L20.8	09	J61A, J61B, J61C, J68A, J68B	L40.4	09	J08A, J08B, J08C, J61A, J61B, J61C, J68A, J68B	L55.0	09	J67A, J67B, J68A, J68B
L20.9	09	J61A, J61B, J61C, J68A, J68B	L40.5	08	I08A, I08B, I08C, I08D, I08E, I13A, I13B, I32C, I32D, I66A, I66B, I66C	L55.1	09	J67A, J67B, J68A, J68B
L21.0	09	J67A, J67B, J68A, J68B	L40.8	09	J08A, J08B, J08C, J61A, J61B, J61C, J68A, J68B	L55.2	09	J67A, J67B, J68A, J68B
L21.1	09	J61A, J61B, J61C, J68A, J68B	L40.9	09	J08A, J08B, J08C, J61A, J61B, J61C, J68A, J68B	L55.8	09	J67A, J67B, J68A, J68B
L21.8	09	J67A, J67B, J68A, J68B	L41.0	09	J61A, J61B, J61C, J68A, J68B	L55.9	09	J67A, J67B, J68A, J68B
L21.9	09	J67A, J67B, J68A, J68B	L41.1	09	J61A, J61B, J61C, J68A, J68B	L56.0	09	J67A, J67B, J68A, J68B
L22	09	J67A, J67B, J68A, J68B	L41.2	09	J61A, J61B, J61C, J68A, J68B	L56.1	09	J67A, J67B, J68A, J68B
L23.0	09	J67A, J67B, J68A, J68B	L41.3	09	J61A, J61B, J61C, J68A, J68B	L56.2	09	J67A, J67B, J68A, J68B
L23.1	09	J67A, J67B, J68A, J68B	L41.4	09	J61A, J61B, J61C, J68A, J68B	L56.3	09	J67A, J67B, J68A, J68B
L23.2	09	J67A, J67B, J68A, J68B	L41.5	09	J08A, J08B, J08C, J61A, J61B, J61C, J68A, J68B	L56.4	09	J67A, J67B, J68A, J68B
L23.3	09	J67A, J67B, J68A, J68B	L41.8	09	J61A, J61B, J61C, J68A, J68B	L56.8	09	J67A, J67B, J68A, J68B
L23.4	09	J61A, J61B, J61C, J68A, J68B	L41.9	09	J61A, J61B, J61C, J68A, J68B	L56.9	09	J67A, J67B, J68A, J68B
L23.5	09	J67A, J67B, J68A, J68B	L42	09	J67A, J67B, J68A, J68B	L57.0	09	J67A, J67B, J68A, J68B
L23.6	09	J67A, J67B, J68A, J68B	L43.0	09	J61A, J61B, J61C, J68A, J68B	L57.1	09	J61A, J61B, J61C, J68A, J68B
L23.7	09	J67A, J67B, J68A, J68B	L43.1	09	J61A, J61B, J61C, J68A, J68B	L57.2	09	J67A, J67B, J68A, J68B
L23.8	09	J61A, J61B, J61C, J68A, J68B	L43.2	09	J61A, J61B, J61C, J68A, J68B	L57.3	09	J67A, J67B, J68A, J68B
L23.9	09	J61A, J61B, J61C, J68A, J68B	L43.3	09	J61A, J61B, J61C, J68A, J68B	L57.4	09	J67A, J67B, J68A, J68B
L24.0	09	J67A, J67B, J68A, J68B	L43.8	09	J61A, J61B, J61C, J68A, J68B	L57.5	09	J67A, J67B, J68A, J68B
L24.1	09	J67A, J67B, J68A, J68B	L43.9	09	J61A, J61B, J61C, J68A, J68B	L57.8	09	J67A, J67B, J68A, J68B
L24.2	09	J67A, J67B, J68A, J68B	L44.0	09	J08A, J08B, J08C, J61A, J61B, J61C, J68A, J68B	L57.9	09	J67A, J67B, J68A, J68B
L24.3	09	J67A, J67B, J68A, J68B	L44.1	09	J67A, J67B, J68A, J68B	L58.0	09	J61A, J61B, J61C, J68A, J68B
L24.4	09	J67A, J67B, J68A, J68B	L44.2	09	J67A, J67B, J68A, J68B	L58.1	09	J67A, J67B, J68A, J68B
L24.5	09	J67A, J67B, J68A, J68B	L44.3	09	J67A, J67B, J68A, J68B	L58.9	09	J61A, J61B, J61C, J68A, J68B
L24.6	09	J67A, J67B, J68A, J68B	L44.4	09	J61A, J61B, J61C, J68A, J68B	L59.0	09	J67A, J67B, J68A, J68B
L24.7	09	J67A, J67B, J68A, J68B	L44.8	09	J61A, J61B, J61C, J68A, J68B	L59.8	09	J67A, J67B, J68A, J68B
L24.8	09	J61A, J61B, J61C, J68A, J68B	L44.9	09	J61A, J61B, J61C, J68A, J68B	L59.9	09	J67A, J67B, J68A, J68B
L24.9	09	J61A, J61B, J61C, J68A, J68B	L50.0	09	J67A, J67B, J68A, J68B	L60.0	09	J67A, J67B, J68A, J68B
L25.0	09	J67A, J67B, J68A, J68B	L50.1	09	J67A, J67B, J68A, J68B	L60.1	09	J67A, J67B, J68A, J68B
L25.1	09	J67A, J67B, J68A, J68B	L50.2	09	J67A, J67B, J68A, J68B	L60.2	09	J67A, J67B, J68A, J68B
L25.2	09	J61A, J61B, J61C, J68A, J68B	L50.3	09	J67A, J67B, J68A, J68B	L60.3	09	J67A, J67B, J68A, J68B
L25.3	09	J67A, J67B, J68A, J68B	L50.4	09	J67A, J67B, J68A, J68B	L60.4	09	J67A, J67B, J68A, J68B
L25.4	09	J67A, J67B, J68A, J68B	L50.5	09	J67A, J67B, J68A, J68B	L60.5	09	J67A, J67B, J68A, J68B
L25.5	09	J67A, J67B, J68A, J68B	L50.6	09	J67A, J67B, J68A, J68B	L60.8	09	J67A, J67B, J68A, J68B
L25.8	09	J61A, J61B, J61C, J68A, J68B	L50.8	09	J67A, J67B, J68A, J68B	L60.9	09	J67A, J67B, J68A, J68B
L25.9	09	J61A, J61B, J61C, J68A, J68B	L50.9	09	J67A, J67B, J68A, J68B	L63.0	09	J67A, J67B, J68A, J68B
L26	09	J61A, J61B, J61C, J68A, J68B	L51.0	09	J08A, J08B, J08C, J61A, J61B, J61C, J68A, J68B	L63.1	09	J67A, J67B, J68A, J68B
L27.0	09	J61A, J61B, J61C, J68A, J68B		15	TPN, VTPN	L63.2	09	J67A, J67B, J68A, J68B
	18A	S65A, S65B	L51.1	09	J08A, J08B, J08C, J61A, J61B, J68A, J68B	L63.8	09	J67A, J67B, J68A, J68B
L27.1	09	J61A, J61B, J61C, J68A, J68B		15	TPN, VTPN	L63.9	09	J67A, J67B, J68A, J68B
	18A	S65A, S65B	L51.20	09	J08A, J08B, J08C, J61A, J61B, J61C, J68A, J68B	L64.0	09	J67A, J67B, J68A, J68B
L27.2	09	J67A, J67B, J68A, J68B		15	TPN, VTPN	L64.8	09	J67A, J67B, J68A, J68B
L27.8	09	J67A, J67B, J68A, J68B		Pre	A07D, A09E, A11F, A13F	L64.9	09	J67A, J67B, J68A, J68B
L27.9	09	J67A, J67B, J68A, J68B	L51.21	09	J08A, J08B, J08C, J61A, J61B, J68A, J68B	L65.0	09	J67A, J67B, J68A, J68B
L28.0	09	J61A, J61B, J61C, J68A, J68B		15	TPN, VTPN	L65.1	09	J67A, J67B, J68A, J68B
L28.1	09	J61A, J61B, J61C, J68A, J68B		Pre	A07D, A09E, A11F, A13F	L65.2	09	J67A, J67B, J68A, J68B
L28.2	09	J61A, J61B, J61C, J68A, J68B	L51.8	09	J61A, J61B, J61C, J68A, J68B	L65.8	09	J67A, J67B, J68A, J68B
L29.0	09	J67A, J67B, J68A, J68B		15	TPN, VTPN	L65.9	09	J67A, J67B, J68A, J68B
L29.1	12	M64Z		15	TPN, VTPN	L66.0	09	J61A, J61B, J61C, J68A, J68B
L29.2	13	N04Z, N05A, N05B, N14Z, N21Z, N25Z, N61Z		15	TPN, VTPN	L66.1	09	J61A, J61B, J61C, J68A, J68B
L29.3	12	M64Z		Pre	A07D, A09E, A11F, A13F	L66.2	09	J61A, J61B, J61C, J68A, J68B
	13	N04Z, N05A, N05B, N14Z, N21Z, N25Z, N61Z		09	J08A, J08B, J08C, J61A, J61B, J61C, J68A, J68B	L66.3	09	J61A, J61B, J61C, J68A, J68B
L29.8	09	J67A, J67B, J68A, J68B		15	TPN, VTPN	L66.4	09	J61A, J61B, J61C, J68A, J68B
L29.9	09	J67A, J67B, J68A, J68B		Pre	A07D, A09E, A11F, A13F	L66.8	09	J61A, J61B, J61C, J68A, J68B
L30.0	09	J61A, J61B, J61C, J68A, J68B		15	TPN, VTPN	L66.9	09	J61A, J61B, J61C, J68A, J68B
L30.1	09	J61A, J61B, J61C, J68A, J68B		15	TPN, VTPN	L67.0	09	J67A, J67B, J68A, J68B
L30.2	09	J61A, J61B, J61C, J68A, J68B		15	TPN, VTPN	L67.1	09	J67A, J67B, J68A, J68B
L30.3	09	J61A, J61B, J61C, J68A, J68B		15	TPN, VTPN	L67.8	09	J67A, J67B, J68A, J68B
L30.4	09	J61A, J61B, J61C, J68A, J68B		15	TPN, VTPN	L67.9	09	J67A, J67B, J68A, J68B
						L68.0	09	J67A, J67B, J68A, J68B

ICD	MDC	DRG	ICD	MDC	DRG	ICD	MDC	DRG
L89.98	09	J02A, J02B, J02C, J03A, J03B, J04A, J04B, J08A, J08B, J08C, J60Z, J61A, J61B, J61C	M00.01	08	I08A, I08B, I08C, I08D, I08E, I12A, I12B, I12C, I13A, I13B, I76A, I76B	M00.15	08	I01Z, I03A, I03B, I08A, I08B, I08C, I08D, I08E, I12A, I12B, I12C, I13A, I13B, I76A, I76B
L89.99	09	J02A, J02B, J02C, J03A, J03B, J04A, J04B, J08A, J08B, J08C, J60Z, J61A, J61B, J61C		15	TPN, VTPN		15	TPN, VTPN
L90.0	09	J67A, J67B, J68A, J68B		18A	S65A, S65B		18A	S65A, S65B
L90.1	09	J67A, J67B, J68A, J68B	M00.02	08	I08A, I08B, I08C, I08D, I08E, I12A, I12B, I12C, I13A, I13B, I76A, I76B	M00.16	08	I01Z, I04Z, I08A, I08B, I08C, I08D, I08E, I12A, I12B, I12C, I13A, I13B, I76A, I76B
L90.2	09	J67A, J67B, J68A, J68B		15	TPN, VTPN		15	TPN, VTPN
L90.3	09	J67A, J67B, J68A, J68B		18A	S65A, S65B		18A	S65A, S65B
L90.4	09	J67A, J67B, J68A, J68B	M00.03	08	I08A, I08B, I08C, I08D, I08E, I12A, I12B, I12C, I13A, I13B, I76A, I76B	M00.17	08	I08A, I08B, I08C, I08D, I08E, I13A, I13B, I76A, I76B
L90.5	09	J67A, J67B, J68A, J68B		15	TPN, VTPN		15	TPN, VTPN
L90.6	09	J67A, J67B, J68A, J68B		18A	S65A, S65B		18A	S65A, S65B
L90.8	09	J67A, J67B, J68A, J68B	M00.04	08	I08A, I08B, I08C, I08D, I08E, I13A, I13B, I32A, I32B, I32C, I32D, I32E, I32F, I32G, I76A, I76B	M00.18	08	I08A, I08B, I08C, I08D, I08E, I13A, I13B, I76A, I76B
L90.9	09	J67A, J67B, J68A, J68B		15	TPN, VTPN		15	TPN, VTPN
L91.0	09	J67A, J67B, J68A, J68B		18A	S65A, S65B		18A	S65A, S65B
L91.8	09	J67A, J67B, J68A, J68B		15	TPN, VTPN	M00.19	08	I08A, I08B, I08C, I08D, I08E, I13A, I13B, I76A, I76B
L91.9	09	J67A, J67B, J68A, J68B		18A	S65A, S65B		15	TPN, VTPN
L92.0	09	J61A, J61B, J61C, J68A, J68B	M00.05	08	I01Z, I03A, I03B, I08A, I08B, I08C, I08D, I08E, I12A, I12B, I12C, I13A, I13B, I76A, I76B	M00.20	08	I08A, I08B, I08C, I08D, I08E, I12A, I12B, I12C, I13A, I13B, I76A, I76B
L92.1	09	J67A, J67B, J68A, J68B		15	TPN, VTPN		15	TPN, VTPN
L92.2	09	J67A, J67B, J68A, J68B		18A	S65A, S65B		18A	S65A, S65B
L92.3	09	J67A, J67B, J68A, J68B	M00.06	08	I01Z, I04Z, I08A, I08B, I08C, I08D, I08E, I12A, I12B, I12C, I13A, I13B, I76A, I76B	M00.21	08	I08A, I08B, I08C, I08D, I08E, I12A, I12B, I12C, I13A, I13B, I76A, I76B
L92.8	09	J67A, J67B, J68A, J68B		15	TPN, VTPN		15	TPN, VTPN
L92.9	09	J67A, J67B, J68A, J68B		18A	S65A, S65B		18A	S65A, S65B
L93.0	09	J61A, J61B, J61C, J68A, J68B	M00.07	08	I08A, I08B, I08C, I08D, I08E, I13A, I13B, I76A, I76B	M00.22	08	I08A, I08B, I08C, I08D, I08E, I12A, I12B, I12C, I13A, I13B, I76A, I76B
L93.1	09	J61A, J61B, J61C, J68A, J68B		15	TPN, VTPN		15	TPN, VTPN
L93.2	09	J61A, J61B, J61C, J68A, J68B		18A	S65A, S65B		18A	S65A, S65B
L94.0	09	J61A, J61B, J61C, J68A, J68B	M00.08	08	I08A, I08B, I08C, I08D, I08E, I13A, I13B, I76A, I76B	M00.23	08	I08A, I08B, I08C, I08D, I08E, I12A, I12B, I12C, I13A, I13B, I76A, I76B
L94.1	09	J61A, J61B, J61C, J68A, J68B		15	TPN, VTPN		15	TPN, VTPN
L94.2	09	J61A, J61B, J61C, J68A, J68B		18A	S65A, S65B		18A	S65A, S65B
L94.3	09	J67A, J67B, J68A, J68B	M00.09	08	I08A, I08B, I08C, I08D, I08E, I13A, I13B, I76A, I76B		15	TPN, VTPN
L94.4	08	I66A, I66B, I66C		15	TPN, VTPN		18A	S65A, S65B
L94.5	09	J08A, J08B, J08C, J61A, J61B, J61C, J68A, J68B	M00.10	08	I08A, I08B, I08C, I08D, I08E, I12A, I12B, I12C, I13A, I13B, I76A, I76B	M00.24	08	I08A, I08B, I08C, I08D, I08E, I13A, I13B, I32A, I32B, I32C, I32D, I32E, I32F, I32G, I76A, I76B
L94.6	18B	T64A, T64B, T64C		15	TPN, VTPN		15	TPN, VTPN
L94.8	09	J67A, J67B, J68A, J68B		18A	S65A, S65B		18A	S65A, S65B
L94.9	09	J67A, J67B, J68A, J68B	M00.11	08	I08A, I08B, I08C, I08D, I08E, I12A, I12B, I12C, I13A, I13B, I76A, I76B	M00.25	08	I01Z, I03A, I03B, I08A, I08B, I08C, I08D, I08E, I12A, I12B, I12C, I13A, I13B, I76A, I76B
L95.0	09	J08A, J08B, J08C, J61A, J61B, J61C, J68A, J68B		15	TPN, VTPN		15	TPN, VTPN
L95.1	09	J61A, J61B, J61C, J68A, J68B		18A	S65A, S65B		18A	S65A, S65B
L95.8	09	J61A, J61B, J61C, J68A, J68B	M00.12	08	I08A, I08B, I08C, I08D, I08E, I12A, I12B, I12C, I13A, I13B, I76A, I76B	M00.26	08	I01Z, I04Z, I08A, I08B, I08C, I08D, I08E, I12A, I12B, I12C, I13A, I13B, I76A, I76B
L95.9	09	J61A, J61B, J61C, J68A, J68B		15	TPN, VTPN		15	TPN, VTPN
L97	09	J02A, J02B, J02C, J03A, J03B, J04A, J04B, J08A, J08B, J08C, J11A, J11B, J60Z	M00.13	08	I08A, I08B, I08C, I08D, I08E, I12A, I12B, I12C, I13A, I13B, I76A, I76B	M00.27	08	I08A, I08B, I08C, I08D, I08E, I13A, I13B, I76A, I76B
	18A	S65A, S65B		15	TPN, VTPN		15	TPN, VTPN
L98.0	09	J64A, J64B		18A	S65A, S65B		18A	S65A, S65B
L98.1	09	J61A, J61B, J61C, J68A, J68B	M00.14	08	I08A, I08B, I08C, I08D, I08E, I13A, I13B, I32A, I32B, I32C, I32D, I32E, I32F, I32G, I76A, I76B	M00.28	08	I08A, I08B, I08C, I08D, I08E, I13A, I13B, I76A, I76B
L98.2	09	J61A, J61B, J61C, J68A, J68B		15	TPN, VTPN		15	TPN, VTPN
L98.3	09	J02A, J02B, J02C, J03A, J03B, J08A, J08B, J08C, J64A, J64B		18A	S65A, S65B		18A	S65A, S65B
	18A	S65A, S65B		15	TPN, VTPN		15	TPN, VTPN
	22	Y02A, Y02B		18A	S65A, S65B		18A	S65A, S65B
L98.4	09	J02A, J02B, J02C, J03A, J03B, J08A, J08B, J08C, J60Z		15	TPN, VTPN	M00.29	08	I08A, I08B, I08C, I08D, I08E, I13A, I13B, I76A, I76B
L98.5	09	J67A, J67B, J68A, J68B		18A	S65A, S65B		15	TPN, VTPN
L98.6	09	J67A, J67B, J68A, J68B		18A	S65A, S65B		18A	S65A, S65B
L98.8	09	J67A, J67B, J68A, J68B	M00.13	08	I08A, I08B, I08C, I08D, I08E, I12A, I12B, I12C, I13A, I13B, I76A, I76B		15	TPN, VTPN
L98.9	09	J67A, J67B, J68A, J68B		15	TPN, VTPN		18A	S65A, S65B
	18A	S65A, S65B		18A	S65A, S65B		18A	S65A, S65B
M00.00	08	I08A, I08B, I08C, I08D, I08E, I12A, I12B, I12C, I13A, I13B, I76A, I76B		15	TPN, VTPN		08	I08A, I08B, I08C, I08D, I08E, I13A, I13B, I76A, I76B
	15	TPN, VTPN		18A	S65A, S65B		15	TPN, VTPN
	18A	S65A, S65B		18A	S65A, S65B		18A	S65A, S65B

ICD	MDC	DRG	ICD	MDC	DRG	ICD	MDC	DRG
M00.80	08	I08A, I08B, I08C, I08D, I08E, I12A, I12B, I12C, I13A, I13B, I76A, I76B	M00.98	08	I08A, I08B, I08C, I08D, I08E, I13A, I13B, I76A, I76B	M02.10	08	I08A, I08B, I08C, I08D, I08E, I12A, I12B, I12C, I13A, I13B, I69A
	15	TPN, VTPN		18A	S65A, S65B			
M00.81	08	I08A, I08B, I08C, I08D, I08E, I12A, I12B, I12C, I13A, I13B, I76A, I76B	M00.99	08	I08A, I08B, I08C, I08D, I08E, I13A, I13B, I76A, I76B	M02.11	08	I08A, I08B, I08C, I08D, I08E, I12A, I12B, I12C, I13A, I13B, I69A
	15	TPN, VTPN		18A	S65A, S65B			
M00.82	08	I08A, I08B, I08C, I08D, I08E, I12A, I12B, I12C, I13A, I13B, I76A, I76B	M01.00	15	TPN, VTPN	M02.12	08	I08A, I08B, I08C, I08D, I08E, I12A, I12B, I12C, I13A, I13B, I69A
	15	TPN, VTPN	M01.01	15	TPN, VTPN			
M00.83	08	I08A, I08B, I08C, I08D, I08E, I12A, I12B, I12C, I13A, I13B, I76A, I76B	M01.02	15	TPN, VTPN	M02.13	08	I08A, I08B, I08C, I08D, I08E, I12A, I12B, I12C, I13A, I13B, I69A
	15	TPN, VTPN	M01.03	15	TPN, VTPN			
M00.84	08	I08A, I08B, I08C, I08D, I08E, I13A, I13B, I32A, I32B, I32C, I32D, I32E, I32F, I32G, I76A, I76B	M01.04	15	TPN, VTPN	M02.14	08	I08A, I08B, I08C, I08D, I08E, I13A, I13B, I32A, I32B, I32C, I32D, I32E, I32F, I32G, I69A
	15	TPN, VTPN	M01.05	15	TPN, VTPN			
M00.85	08	I01Z, I03A, I03B, I08A, I08B, I08C, I08D, I08E, I12A, I12B, I12C, I13A, I13B, I76A, I76B	M01.06	15	TPN, VTPN	M02.15	08	I08A, I08B, I08C, I08D, I08E, I12A, I12B, I12C, I13A, I13B, I69A
	15	TPN, VTPN	M01.07	15	TPN, VTPN			
M00.86	08	I01Z, I04Z, I08A, I08B, I08C, I08D, I08E, I12A, I12B, I12C, I13A, I13B, I76A, I76B	M01.08	15	TPN, VTPN	M02.16	08	I08A, I08B, I08C, I08D, I08E, I12A, I12B, I12C, I13A, I13B, I69A
	15	TPN, VTPN	M01.09	15	TPN, VTPN			
M00.87	08	I08A, I08B, I08C, I08D, I08E, I13A, I13B, I76A, I76B	M01.10	15	TPN, VTPN	M02.17	08	I08A, I08B, I08C, I08D, I08E, I13A, I13B, I69A
	15	TPN, VTPN	M01.11	15	TPN, VTPN			
M00.88	08	I08A, I08B, I08C, I08D, I08E, I13A, I13B, I76A, I76B	M01.12	15	TPN, VTPN	M02.18	08	I08A, I08B, I08C, I08D, I08E, I13A, I13B, I69A
	15	TPN, VTPN	M01.13	15	TPN, VTPN			
M00.89	08	I08A, I08B, I08C, I08D, I08E, I13A, I13B, I76A, I76B	M01.14	15	TPN, VTPN	M02.19	08	I08A, I08B, I08C, I08D, I08E, I13A, I13B, I69A
	15	TPN, VTPN	M01.15	15	TPN, VTPN			
M00.90	08	I08A, I08B, I08C, I08D, I08E, I12A, I12B, I12C, I13A, I13B, I76A, I76B	M01.16	15	TPN, VTPN	M02.20	08	I74A
	18A	S65A, S65B	M01.17	15	TPN, VTPN	M02.21	08	I74A
M00.91	08	I08A, I08B, I08C, I08D, I08E, I12A, I12B, I12C, I13A, I13B, I76A, I76B	M01.18	15	TPN, VTPN	M02.22	08	I74A
	18A	S65A, S65B	M01.19	15	TPN, VTPN	M02.23	08	I74A
M00.92	08	I08A, I08B, I08C, I08D, I08E, I12A, I12B, I12C, I13A, I13B, I76A, I76B	M01.20	15	TPN, VTPN	M02.24	08	I32A, I32B, I32C, I32D, I32E, I32F, I32G, I74A
	18A	S65A, S65B	M01.21	15	TPN, VTPN			
M00.93	08	I08A, I08B, I08C, I08D, I08E, I12A, I12B, I12C, I13A, I13B, I76A, I76B	M01.22	15	TPN, VTPN	M02.25	08	I74A
	18A	S65A, S65B	M01.23	15	TPN, VTPN	M02.26	08	I74A
M00.94	08	I08A, I08B, I08C, I08D, I08E, I13A, I13B, I32A, I32B, I32C, I32D, I32E, I32F, I32G, I76A, I76B	M01.24	15	TPN, VTPN	M02.27	08	I74A
	18A	S65A, S65B	M01.25	15	TPN, VTPN	M02.28	08	I74A
M00.95	08	I01Z, I03A, I03B, I08A, I08B, I08C, I08D, I08E, I12A, I12B, I12C, I13A, I13B, I76A, I76B	M01.26	15	TPN, VTPN	M02.29	08	I74A
	18A	S65A, S65B	M01.27	15	TPN, VTPN	M02.30	08	I08A, I08B, I08C, I08D, I08E, I12A, I12B, I12C, I13A, I13B, I66A, I66B, I66C
M00.96	08	I01Z, I04Z, I08A, I08B, I08C, I08D, I08E, I12A, I12B, I12C, I13A, I13B, I76A, I76B	M01.28	15	TPN, VTPN			
	18A	S65A, S65B	M01.29	15	TPN, VTPN	M02.31	08	I08A, I08B, I08C, I08D, I08E, I12A, I12B, I12C, I13A, I13B, I66A, I66B, I66C
M00.97	08	I08A, I08B, I08C, I08D, I08E, I13A, I13B, I76A, I76B	M01.30	15	TPN, VTPN			
	18A	S65A, S65B	M01.31	15	TPN, VTPN	M02.32	08	I08A, I08B, I08C, I08D, I08E, I12A, I12B, I12C, I13A, I13B, I66A, I66B, I66C
			M01.32	15	TPN, VTPN			
			M01.33	15	TPN, VTPN	M02.33	08	I08A, I08B, I08C, I08D, I08E, I12A, I12B, I12C, I13A, I13B, I66A, I66B, I66C
			M01.34	15	TPN, VTPN			
			M01.35	15	TPN, VTPN	M02.34	08	I08A, I08B, I08C, I08D, I08E, I13A, I13B, I32A, I32B, I32C, I32D, I32E, I32F, I32G, I66A, I66B, I66C
			M01.36	15	TPN, VTPN			
			M01.37	15	TPN, VTPN	M02.35	08	I08A, I08B, I08C, I08D, I08E, I12A, I12B, I12C, I13A, I13B, I66A, I66B, I66C
			M01.38	15	TPN, VTPN			
			M01.39	15	TPN, VTPN	M02.36	08	I08A, I08B, I08C, I08D, I08E, I12A, I12B, I12C, I13A, I13B, I66A, I66B, I66C
			M01.40	15	TPN, VTPN			
			M01.41	15	TPN, VTPN	M02.37	08	I08A, I08B, I08C, I08D, I08E, I13A, I13B, I66A, I66B, I66C
			M01.42	15	TPN, VTPN			
			M01.43	15	TPN, VTPN	M02.38	08	I08A, I08B, I08C, I08D, I08E, I13A, I13B, I66A, I66B, I66C
			M01.44	15	TPN, VTPN			
			M01.45	15	TPN, VTPN	M02.39	08	I08A, I08B, I08C, I08D, I08E, I13A, I13B, I66A, I66B, I66C
			M01.46	15	TPN, VTPN			
			M01.47	15	TPN, VTPN	M02.80	08	I74A
			M01.48	15	TPN, VTPN	M02.81	08	I74A
			M01.49	15	TPN, VTPN	M02.82	08	I74A
			M01.60	15	TPN, VTPN	M02.83	08	I74A
			M01.61	15	TPN, VTPN	M02.84	08	I32A, I32B, I32C, I32D, I32E, I32F, I32G, I74A
			M01.62	15	TPN, VTPN			
			M01.63	15	TPN, VTPN			
			M01.64	15	TPN, VTPN			
			M01.65	15	TPN, VTPN			
			M01.66	15	TPN, VTPN			
			M01.67	15	TPN, VTPN			
			M01.68	15	TPN, VTPN			
			M01.69	15	TPN, VTPN			
			M02.00	08	I74A			
			M02.01	08	I74A			
			M02.02	08	I74A			
			M02.03	08	I74A			
			M02.04	08	I32A, I32B, I32C, I32D, I32E, I32F, I32G, I74A			
			M02.05	08	I74A			
			M02.06	08	I74A			
			M02.07	08	I74A			
			M02.08	08	I74A			
			M02.09	08	I74A			

ICD	MDC	DRG	ICD	MDC	DRG	ICD	MDC	DRG
M02.85	08	I74A	M03.07	05	F62A	M05.25	08	I08A, I08B, I08C, I08D, I08E, I12A, I12B, I12C, I13A, I13B, I66A, I66B, I66C
M02.86	08	I74A		06	G67A			
M02.87	08	I74A		17	R60B, R60C, R61A, R62A, R63B, R63C, R63D, R63F	M05.26	08	I08A, I08B, I08C, I08D, I08E, I12A, I12B, I12C, I13A, I13B, I66A, I66B, I66C
M02.88	08	I74A		18B	T61A			
M02.89	08	I74A	M03.08	05	F62A			
M02.90	08	I08A, I08B, I08C, I08D, I08E, I12A, I12B, I12C, I13A, I13B, I74A		06	G67A	M05.27	08	I08A, I08B, I08C, I08D, I08E, I13A, I13B, I20D, I66A, I66B, I66C
M02.91	08	I08A, I08B, I08C, I08D, I08E, I12A, I12B, I12C, I13A, I13B, I74A		17	R60B, R60C, R61A, R62A, R63B, R63C, R63D, R63F			
M02.92	08	I08A, I08B, I08C, I08D, I08E, I12A, I12B, I12C, I13A, I13B, I74A	M03.09	18B	T61A	M05.28	08	I08A, I08B, I08C, I08D, I08E, I13A, I13B, I66A, I66B, I66C
M02.93	08	I08A, I08B, I08C, I08D, I08E, I12A, I12B, I12C, I13A, I13B, I74A		05	F62A	M05.29	08	I08A, I08B, I08C, I08D, I08E, I13A, I13B, I66A, I66B, I66C
M02.94	08	I08A, I08B, I08C, I08D, I08E, I13A, I13B, I32A, I32B, I32C, I32D, I32E, I32F, I32G, I74A		06	G67A	M05.30	08	I08A, I08B, I08C, I08D, I08E, I12A, I12B, I12C, I13A, I13B, I20A, I20B, I20D, I66A, I66B, I66C
M02.95	08	I08A, I08B, I08C, I08D, I08E, I12A, I12B, I12C, I13A, I13B, I74A	M05.01	08	I08A, I08B, I08C, I08D, I08E, I12A, I12B, I12C, I13A, I13B, I66A, I66B, I66C	M05.31	08	I08A, I08B, I08C, I08D, I08E, I12A, I12B, I12C, I13A, I13B, I66A, I66B, I66C
M02.96	08	I08A, I08B, I08C, I08D, I08E, I12A, I12B, I12C, I13A, I13B, I74A	M05.02	08	I08A, I08B, I08C, I08D, I08E, I12A, I12B, I12C, I13A, I13B, I66A, I66B, I66C	M05.32	08	I08A, I08B, I08C, I08D, I08E, I12A, I12B, I12C, I13A, I13B, I66A, I66B, I66C
M02.97	08	I08A, I08B, I08C, I08D, I08E, I13A, I13B, I74A	M05.03	08	I08A, I08B, I08C, I08D, I08E, I12A, I12B, I12C, I13A, I13B, I66A, I66B, I66C	M05.33	08	I08A, I08B, I08C, I08D, I08E, I12A, I12B, I12C, I13A, I13B, I66A, I66B, I66C
M02.98	08	I08A, I08B, I08C, I08D, I08E, I13A, I13B, I74A	M05.04	08	I08A, I08B, I08C, I08D, I08E, I13A, I13B, I66A, I66B, I66C	M05.34	08	I08A, I08B, I08C, I08D, I08E, I13A, I13B, I66A, I66B, I66C
M02.99	08	I08A, I08B, I08C, I08D, I08E, I13A, I13B, I74A	M05.05	08	I08A, I08B, I08C, I08D, I08E, I12A, I12B, I12C, I13A, I13B, I66A, I66B, I66C	M05.35	08	I08A, I08B, I08C, I08D, I08E, I12A, I12B, I12C, I13A, I13B, I66A, I66B, I66C
M03.00	05	F62A	M05.06	08	I08A, I08B, I08C, I08D, I08E, I12A, I12B, I12C, I13A, I13B, I66A, I66B, I66C	M05.36	08	I08A, I08B, I08C, I08D, I08E, I12A, I12B, I12C, I13A, I13B, I66A, I66B, I66C
	06	G67A				M05.37	08	I08A, I08B, I08C, I08D, I08E, I13A, I13B, I20A, I20B, I20D, I66A, I66B, I66C
	17	R60B, R60C, R61A, R62A, R63B, R63C, R63D, R63F	M05.07	08	I08A, I08B, I08C, I08D, I08E, I13A, I13B, I20A, I20B, I20D, I66A, I66B, I66C	M05.38	08	I08A, I08B, I08C, I08D, I08E, I13A, I13B, I66A, I66B, I66C
M03.01	18B	T61A				M05.39	08	I08A, I08B, I08C, I08D, I08E, I13A, I13B, I66A, I66B, I66C
	05	F62A	M05.08	08	I08A, I08B, I08C, I08D, I08E, I13A, I13B, I66A, I66B, I66C	M05.80	08	I08A, I08B, I08C, I08D, I08E, I12A, I12B, I12C, I13A, I13B, I20A, I20B, I20D, I32C, I32D, I69A
	06	G67A						
	17	R60B, R60C, R61A, R62A, R63B, R63C, R63D, R63F	M05.09	08	I08A, I08B, I08C, I08D, I08E, I13A, I13B, I66A, I66B, I66C	M05.81	08	I08A, I08B, I08C, I08D, I08E, I12A, I12B, I12C, I13A, I13B, I69A
M03.02	18B	T61A	M05.10	04	E74Z	M05.82	08	I08A, I08B, I08C, I08D, I08E, I12A, I12B, I12C, I13A, I13B, I69A
	05	F62A						
	06	G67A	M05.11	04	E74Z	M05.83	08	I08A, I08B, I08C, I08D, I08E, I12A, I12B, I12C, I13A, I13B, I69A
	17	R60B, R60C, R61A, R62A, R63B, R63C, R63D, R63F	M05.12	04	E74Z	M05.84	08	I08A, I08B, I08C, I08D, I08E, I13A, I13B, I32C, I32D, I69A
M03.03	18B	T61A	M05.13	04	E74Z	M05.85	08	I08A, I08B, I08C, I08D, I08E, I12A, I12B, I12C, I13A, I13B, I69A
	05	F62A	M05.14	04	E74Z	M05.86	08	I08A, I08B, I08C, I08D, I08E, I12A, I12B, I12C, I13A, I13B, I69A
	06	G67A	M05.15	04	E74Z			
	17	R60B, R60C, R61A, R62A, R63B, R63C, R63D, R63F	M05.16	04	E74Z	M05.87	08	I08A, I08B, I08C, I08D, I08E, I13A, I13B, I20A, I20B, I20D, I69A
M03.04	18B	T61A	M05.17	04	E74Z	M05.88	08	I08A, I08B, I08C, I08D, I08E, I13A, I13B, I69A
	05	F62A				M05.89	08	I08A, I08B, I08C, I08D, I08E, I13A, I13B, I69A
	06	G67A	M05.18	04	E74Z	M05.90	08	I08A, I08B, I08C, I08D, I08E, I12A, I12B, I12C, I13A, I13B, I20A, I20B, I20D, I69A
	17	R60B, R60C, R61A, R62A, R63B, R63C, R63D, R63F	M05.19	04	E74Z			
M03.05	18B	T61A	M05.20	08	I08A, I08B, I08C, I08D, I08E, I12A, I12B, I12C, I13A, I13B, I20D, I66A, I66B, I66C			
	05	F62A	M05.21	08	I08A, I08B, I08C, I08D, I08E, I12A, I12B, I12C, I13A, I13B, I66A, I66B, I66C			
	06	G67A						
	17	R60B, R60C, R61A, R62A, R63B, R63C, R63D, R63F	M05.22	08	I08A, I08B, I08C, I08D, I08E, I12A, I12B, I12C, I13A, I13B, I66A, I66B, I66C			
M03.06	18B	T61A	M05.23	08	I08A, I08B, I08C, I08D, I08E, I12A, I12B, I12C, I13A, I13B, I66A, I66B, I66C			
	05	F62A						
	06	G67A	M05.24	08	I08A, I08B, I08C, I08D, I08E, I13A, I13B, I66A, I66B, I66C			
	17	R60B, R60C, R61A, R62A, R63B, R63C, R63D, R63F						
	18B	T61A						

Dg

ICD	MDC	DRG	ICD	MDC	DRG	ICD	MDC	DRG
M10.14	15	TPN, VTPN	M11.06	08	I69A	M12.08	08	I08A, I08B, I08C, I08D, I08E, I13A, I13B, I69A, I69B
	21B	X64Z	M11.07	08	I69A			
M10.15	15	TPN, VTPN	M11.08	08	I69A	M12.09	08	I08A, I08B, I08C, I08D, I08E, I13A, I13B, I69A, I69B
	21B	X64Z	M11.09	08	I69A			
M10.16	15	TPN, VTPN	M11.10	08	I69A	M12.10	08	I69A, I69B
	21B	X64Z	M11.11	08	I69A	M12.11	08	I69A, I69B
M10.17	15	TPN, VTPN	M11.12	08	I69A	M12.12	08	I69A, I69B
	21B	X64Z	M11.13	08	I69A	M12.13	08	I69A, I69B
M10.18	15	TPN, VTPN	M11.14	08	I32A, I32B, I32C, I32D, I32E, I32F, I32G, I69A	M12.14	08	I32A, I32B, I32C, I32D, I32E, I32F, I32G, I69A, I69B
	21B	X64Z						
M10.19	15	TPN, VTPN	M11.15	08	I69A	M12.15	08	I69A, I69B
	21B	X64Z	M11.16	08	I69A	M12.16	08	I69A, I69B
M10.20	08	I69A	M11.17	08	I69A	M12.17	08	I69A, I69B
	15	TPN, VTPN	M11.18	08	I69A	M12.18	08	I69A, I69B
M10.21	08	I69A	M11.19	08	I69A	M12.19	08	I69A, I69B
	15	TPN, VTPN	M11.20	08	I69A	M12.20	08	I69A, I69B
M10.22	08	I69A	M11.21	08	I69A	M12.21	08	I69A, I69B
	15	TPN, VTPN	M11.22	08	I69A	M12.22	08	I69A, I69B
M10.23	08	I69A	M11.23	08	I69A	M12.23	08	I69A, I69B
	15	TPN, VTPN	M11.24	08	I32A, I32B, I32C, I32D, I32E, I32F, I32G, I69A	M12.24	08	I32A, I32B, I32C, I32D, I32E, I32F, I32G, I69A, I69B
M10.24	08	I69A						
	15	TPN, VTPN	M11.25	08	I69A	M12.25	08	I69A, I69B
M10.25	08	I69A	M11.26	08	I69A	M12.26	08	I69A, I69B
	15	TPN, VTPN	M11.27	08	I69A	M12.27	08	I69A, I69B
M10.26	08	I69A	M11.28	08	I69A	M12.28	08	I69A, I69B
	15	TPN, VTPN	M11.29	08	I69A	M12.29	08	I69A, I69B
M10.27	08	I69A	M11.80	08	I69A	M12.30	08	I69A
	15	TPN, VTPN	M11.81	08	I69A	M12.31	08	I69A
M10.28	08	I69A	M11.82	08	I69A	M12.32	08	I69A
	15	TPN, VTPN	M11.83	08	I69A	M12.33	08	I69A
M10.29	08	I69A	M11.84	08	I32A, I32B, I32C, I32D, I32E, I32F, I32G, I69A	M12.34	08	I32A, I32B, I32C, I32D, I32E, I32F, I32G, I69A
	15	TPN, VTPN						
M10.30	11	L68A, L68B, L74Z	M11.85	08	I69A	M12.35	08	I69A
M10.31	11	L68A, L68B, L74Z	M11.86	08	I69A	M12.36	08	I69A
M10.32	11	L68A, L68B, L74Z	M11.87	08	I69A	M12.37	08	I69A
M10.33	11	L68A, L68B, L74Z	M11.88	08	I69A	M12.38	08	I69A
M10.34	11	L68A, L68B, L74Z	M11.89	08	I69A	M12.39	08	I69A
M10.35	11	L68A, L68B, L74Z	M11.90	08	I69A	M12.40	08	I69A, I69B
M10.36	11	L68A, L68B, L74Z	M11.91	08	I69A	M12.41	08	I69A, I69B
M10.37	11	L68A, L68B, L74Z	M11.92	08	I69A	M12.42	08	I69A, I69B
M10.38	11	L68A, L68B, L74Z	M11.93	08	I69A	M12.43	08	I69A, I69B
M10.39	11	L68A, L68B, L74Z	M11.94	08	I32A, I32B, I32C, I32D, I32E, I32F, I32G, I69A	M12.44	08	I32A, I32B, I32C, I32D, I32E, I32F, I32G, I69A, I69B
M10.40	08	I69A						
M10.41	08	I69A	M11.95	08	I69A	M12.45	08	I69A, I69B
M10.42	08	I69A	M11.96	08	I69A	M12.46	08	I69A, I69B
M10.43	08	I69A	M11.97	08	I69A	M12.47	08	I69A, I69B
M10.44	08	I69A	M11.98	08	I69A	M12.48	08	I69A, I69B
M10.45	08	I69A	M11.99	08	I69A	M12.49	08	I69A, I69B
M10.46	08	I69A	M12.00	08	I08A, I08B, I08C, I08D, I08E, I12A, I12B, I12C, I13A, I13B, I69A, I69B	M12.50	08	I69A, I69B
M10.47	08	I69A				M12.51	08	I69A, I69B
M10.48	08	I69A				M12.52	08	I69A, I69B
M10.49	08	I69A	M12.01	08	I08A, I08B, I08C, I08D, I08E, I12A, I12B, I12C, I13A, I13B, I69A, I69B	M12.53	08	I69A, I69B
M10.90	08	I69A				M12.54	08	I32A, I32B, I32C, I32D, I32E, I32F, I32G, I69A, I69B
M10.91	08	I69A						
M10.92	08	I69A	M12.02	08	I08A, I08B, I08C, I08D, I08E, I12A, I12B, I12C, I13A, I13B, I69A, I69B	M12.55	08	I69A, I69B
M10.93	08	I69A				M12.56	08	I69A, I69B
M10.94	08	I69A				M12.57	08	I69A, I69B
M10.95	08	I69A	M12.03	08	I08A, I08B, I08C, I08D, I08E, I12A, I12B, I12C, I13A, I13B, I69A, I69B	M12.58	08	I69A, I69B
M10.96	08	I69A				M12.59	08	I69A, I69B
M10.97	08	I69A				M12.80	08	I74A
M10.98	08	I69A	M12.04	08	I08A, I08B, I08C, I08D, I08E, I13A, I13B, I69A, I69B	M12.81	08	I74A
M10.99	08	I69A				M12.82	08	I74A
M11.00	08	I69A	M12.05	08	I08A, I08B, I08C, I08D, I08E, I12A, I12B, I12C, I13A, I13B, I69A, I69B	M12.83	08	I74A
M11.01	08	I69A				M12.84	08	I32A, I32B, I32C, I32D, I32E, I32F, I32G, I74A
M11.02	08	I69A	M12.06	08	I08A, I08B, I08C, I08D, I08E, I12A, I12B, I12C, I13A, I13B, I69A, I69B	M12.85	08	I74A
M11.03	08	I69A				M12.86	08	I74A
M11.04	08	I32A, I32B, I32C, I32D, I32E, I32F, I32G, I69A	M12.07	08	I08A, I08B, I08C, I08D, I08E, I13A, I13B, I69A, I69B	M12.87	08	I74A
M11.05	08	I69A				M12.88	08	I74A

ICD	MDC	DRG	ICD	MDC	DRG	ICD	MDC	DRG
M12.89	08	I74A	M18.0	08	I32A, I32B, I32C, I32D, I32E, I32F, I32G, I69A, I69B	M21.07	08	I33Z, I76A, I76B
M13.0	08	I69A	M18.1	08	I32A, I32B, I32C, I32D, I32E, I32F, I32G, I69A, I69B	M21.08	08	I33Z, I76A, I76B
M13.11	08	I74A	M18.2	08	I32A, I32B, I32C, I32D, I32E, I32F, I32G, I69A, I69B	M21.09	08	I33Z, I76A, I76B
M13.12	08	I74A	M18.3	08	I32A, I32B, I32C, I32D, I32E, I32F, I32G, I69A, I69B	M21.10	08	I33Z, I76A, I76B
M13.13	08	I32C, I32D, I74A	M18.4	08	I32A, I32B, I32C, I32D, I32E, I32F, I32G, I69A, I69B	M21.11	08	I33Z, I76A, I76B
M13.14	08	I32A, I32B, I32C, I32D, I32E, I32F, I32G, I74A	M18.5	08	I32A, I32B, I32C, I32D, I32E, I32F, I32G, I69A, I69B	M21.12	08	I33Z, I76A, I76B
M13.15	08	I74A	M18.9	08	I32A, I32B, I32C, I32D, I32E, I32F, I32G, I69A, I69B	M21.13	08	I33Z, I76A, I76B
M13.16	08	I74A	M19.01	08	I69A, I69B	M21.14	08	I33Z, I76A, I76B
M13.17	08	I74A	M19.02	08	I69A, I69B	M21.15	08	I33Z, I76A, I76B
M13.18	08	I74A	M19.03	08	I69A, I69B	M21.16	08	I33Z, I76A, I76B
M13.19	08	I74A	M19.04	08	I69A, I69B	M21.17	08	I33Z, I76A, I76B
M13.80	08	I74A	M19.05	08	I69A, I69B	M21.18	08	I33Z, I76A, I76B
M13.81	08	I74A	M19.07	08	I69A, I69B	M21.19	08	I33Z, I76A, I76B
M13.82	08	I74A	M19.08	08	I69A, I69B	M21.20	08	I33Z, I76A, I76B
M13.83	08	I32C, I32D, I74A	M19.09	08	I69A, I69B	M21.21	08	I33Z, I76A, I76B
M13.84	08	I32A, I32B, I32C, I32D, I32E, I74A	M19.11	08	I69A, I69B	M21.22	08	I33Z, I76A, I76B
M13.85	08	I74A	M19.12	08	I69A, I69B	M21.23	08	I33Z, I76A, I76B
M13.86	08	I74A	M19.13	08	I69A, I69B	M21.24	08	I33Z, I76A, I76B
M13.87	08	I74A	M19.14	08	I69A, I69B	M21.25	08	I33Z, I76A, I76B
M13.88	08	I74A	M19.15	08	I69A, I69B	M21.26	08	I33Z, I76A, I76B
M13.89	08	I74A	M19.17	08	I69A, I69B	M21.27	08	I33Z, I76A, I76B
M13.90	08	I74A	M19.18	08	I69A, I69B	M21.28	08	I33Z, I76A, I76B
M13.91	08	I74A	M19.19	08	I69A, I69B	M21.29	08	I33Z, I76A, I76B
M13.92	08	I74A	M19.21	08	I69A, I69B	M21.30	08	I76A, I76B
M13.93	08	I74A	M19.22	08	I69A, I69B	M21.33	01	B03A, B03B, B06A, B06B, B17A, B17B, B17C, B17D, B71A, B71B, B71C, B71D
M13.94	08	I32A, I32B, I32C, I32D, I32E, I32F, I32G, I74A	M19.23	08	I69A, I69B	M21.37	08	I76A, I76B
M13.95	08	I74A	M19.24	08	I69A, I69B	M21.40	08	I76A, I76B
M13.96	08	I74A	M19.25	08	I69A, I69B	M21.41	08	I76A, I76B
M13.97	08	I74A	M19.27	08	I69A, I69B	M21.42	08	I76A, I76B
M13.98	08	I74A	M19.28	08	I69A, I69B	M21.43	08	I76A, I76B
M13.99	08	I74A	M19.29	08	I69A, I69B	M21.44	08	I76A, I76B
M14.8	15	TPN, VTPN	M19.81	08	I69A, I69B	M21.50	01	B03A, B03B, B06A, B06B, B17A, B17B, B17C, B17D, B71A, B71B, B71C, B71D
M15.0	08	I69A, I69B	M19.82	08	I69A, I69B	M21.54	01	B03A, B03B, B06A, B06B, B17A, B17B, B17C, B17D, B71A, B71B, B71C, B71D
M15.1	08	I69A, I69B	M19.83	08	I69A, I69B	M21.57	08	I76A, I76B
M15.2	08	I69A, I69B	M19.84	08	I69A, I69B	M21.60	08	I33Z, I76A, I76B
M15.3	08	I69A, I69B	M19.85	08	I69A, I69B	M21.67	08	I33Z, I76A, I76B
M15.4	08	I69A, I69B	M19.87	08	I69A, I69B	M21.70	08	I33Z, I76A, I76B
M15.8	08	I74A	M19.88	08	I69A, I69B	M21.71	08	I33Z, I76A, I76B
M15.9	08	I69A, I69B	M19.89	08	I69A, I69B	M21.72	08	I33Z, I76A, I76B
M16.0	08	I69A, I69B	M19.91	08	I69A, I69B	M21.73	08	I33Z, I76A, I76B
M16.1	08	I69A, I69B	M19.92	08	I69A, I69B	M21.74	08	I33Z, I76A, I76B
M16.2	08	I69A, I69B	M19.93	08	I69A, I69B	M21.75	08	I33Z, I76A, I76B
M16.3	08	I69A, I69B	M19.94	08	I69A, I69B	M21.76	08	I33Z, I76A, I76B
M16.4	08	I69A, I69B	M19.95	08	I69A, I69B	M21.77	08	I33Z, I76A, I76B
M16.5	08	I69A, I69B	M19.97	08	I69A, I69B	M21.79	08	I33Z, I76A, I76B
M16.6	08	I69A, I69B	M19.98	08	I69A, I69B	M21.80	08	I33Z, I76A, I76B
M16.7	08	I69A, I69B	M19.99	08	I69A, I69B	M21.81	08	I33Z, I76A, I76B
M16.9	08	I69A, I69B	M20.0	08	I32A, I32B, I32C, I32D, I32E, I32F, I32G, I76A, I76B	M21.82	08	I33Z, I76A, I76B
M17.0	08	I69A, I69B	M20.1	08	I76A, I76B	M21.83	08	I33Z, I76A, I76B
M17.1	08	I69A, I69B	M20.2	08	I76A, I76B	M21.84	08	I32A, I32B, I32C, I32D, I32E, I32F, I32G, I33Z, I76A, I76B
M17.2	08	I69A, I69B	M20.3	08	I76A, I76B	M21.85	08	I33Z, I76A, I76B
M17.3	08	I69A, I69B	M20.4	08	I76A, I76B	M21.86	08	I33Z, I76A, I76B
M17.4	08	I69A, I69B	M20.5	08	I76A, I76B	M21.87	08	I33Z, I76A, I76B
M17.5	08	I69A, I69B	M20.6	08	I76A, I76B	M21.89	08	I33Z, I76A, I76B
M17.9	08	I69A, I69B	M21.00	08	I33Z, I76A, I76B	M21.90	08	I76A, I76B
			M21.01	08	I33Z, I76A, I76B	M21.91	08	I76A, I76B
			M21.02	08	I33Z, I76A, I76B	M21.92	08	I76A, I76B
			M21.03	08	I33Z, I76A, I76B	M21.93	08	I76A, I76B
			M21.04	08	I33Z, I76A, I76B	M21.94	08	I32A, I32B, I32C, I32D, I32E, I32F, I32G, I76A, I76B
			M21.05	08	I33Z, I76A, I76B	M21.95	08	I76A, I76B
			M21.06	08	I33Z, I76A, I76B	M21.96	08	I76A, I76B

ICD	MDC	DRG	ICD	MDC	DRG	ICD	MDC	DRG
M21.97	08	I76A, I76B	M23.83	08	I77Z	M24.53	08	I76A, I76B
M21.99	08	I76A, I76B	M23.84	08	I77Z	M24.54	08	I32A, I32B, I32C, I32D, I32E, I32F, I32G, I76A, I76B
M22.0	08	I77Z	M23.85	08	I77Z	M24.55	08	I76A, I76B
M22.1	08	I77Z	M23.86	08	I77Z	M24.56	08	I76A, I76B
M22.2	08	I77Z	M23.87	08	I77Z	M24.57	08	I76A, I76B
M22.3	08	I77Z	M23.89	08	I77Z	M24.58	08	I76A, I76B
M22.4	08	I77Z	M23.90	08	I77Z	M24.59	08	I76A, I76B
M22.8	08	I77Z	M23.91	08	I77Z	M24.60	08	I69A, I69B
M22.9	08	I77Z	M23.92	08	I77Z	M24.61	08	I69A, I69B
M23.00	08	I77Z	M23.93	08	I77Z	M24.62	08	I69A, I69B
M23.01	08	I77Z	M23.94	08	I77Z	M24.63	08	I69A, I69B
M23.02	08	I77Z	M23.95	08	I77Z	M24.64	08	I32A, I32B, I32C, I32D, I32E, I32F, I32G, I69A, I69B
M23.03	08	I77Z	M23.96	08	I77Z	M24.65	08	I69A, I69B
M23.04	08	I77Z	M23.97	08	I77Z	M24.66	08	I69A, I69B
M23.05	08	I77Z	M23.99	08	I77Z	M24.67	08	I69A, I69B
M23.06	08	I77Z	M24.00	08	I76A, I76B	M24.68	08	I69A, I69B
M23.09	08	I77Z	M24.01	08	I76A, I76B	M24.69	08	I69A, I69B
M23.10	08	I77Z	M24.02	08	I76A, I76B	M24.7	08	I76A, I76B
M23.11	08	I77Z	M24.03	08	I76A, I76B	M24.80	08	I76A, I76B
M23.12	08	I77Z	M24.04	08	I32A, I32B, I32C, I32D, I32E, I32F, I32G, I76A, I76B	M24.81	08	I76A, I76B
M23.13	08	I77Z	M24.05	08	I76A, I76B	M24.82	08	I76A, I76B
M23.14	08	I77Z	M24.07	08	I76A, I76B	M24.83	08	I76A, I76B
M23.15	08	I77Z	M24.08	08	I76A, I76B	M24.84	08	I32A, I32B, I32C, I32D, I32E, I32F, I32G, I76A, I76B
M23.16	08	I77Z	M24.09	08	I76A, I76B	M24.85	08	I76A, I76B
M23.19	08	I77Z	M24.10	08	I76A, I76B	M24.87	08	I76A, I76B
M23.20	08	I77Z	M24.11	08	I77Z	M24.88	08	I76A, I76B
M23.21	08	I77Z	M24.12	08	I77Z	M24.89	08	I76A, I76B
M23.22	08	I77Z	M24.13	08	I74A, I74B, I74C	M24.90	08	I76A, I76B
M23.23	08	I77Z	M24.14	08	I32A, I32B, I32C, I32D, I32E, I32F, I32G, I74A, I74B, I74C	M24.91	08	I76A, I76B
M23.24	08	I77Z	M24.15	08	I76A, I76B	M24.92	08	I76A, I76B
M23.25	08	I77Z	M24.17	08	I77Z	M24.93	08	I76A, I76B
M23.26	08	I77Z	M24.18	08	I76A, I76B	M24.94	08	I32A, I32B, I32C, I32D, I32E, I32F, I32G, I76A, I76B
M23.29	08	I77Z	M24.19	08	I76A, I76B	M24.95	08	I76A, I76B
M23.30	08	I77Z	M24.20	08	I72Z, I75A, I75B	M24.97	08	I76A, I76B
M23.31	08	I77Z	M24.21	08	I72Z, I75A, I75B	M24.98	08	I76A, I76B
M23.32	08	I77Z	M24.22	08	I72Z, I75A, I75B	M24.99	08	I76A, I76B
M23.33	08	I77Z	M24.23	08	I72Z, I75A, I75B	M25.00	08	I69A, I69B
M23.34	08	I77Z	M24.24	08	I72Z, I75A, I75B	M25.01	08	I69A, I69B
M23.35	08	I77Z	M24.25	08	I72Z, I75A, I75B	M25.02	08	I69A, I69B
M23.36	08	I77Z	M24.27	08	I72Z, I75A, I75B	M25.03	08	I69A, I69B
M23.39	08	I77Z	M24.28	08	I72Z, I75A, I75B	M25.04	08	I32A, I32B, I32C, I32D, I32E, I32F, I32G, I69A, I69B
M23.40	08	I76A, I76B	M24.29	08	I72Z, I75A, I75B	M25.05	08	I69A, I69B
M23.41	08	I76A, I76B	M24.30	08	I76A, I76B	M25.06	08	I69A, I69B
M23.42	08	I76A, I76B	M24.31	08	I77Z	M25.07	08	I69A, I69B
M23.43	08	I76A, I76B	M24.32	08	I77Z	M25.08	08	I69A, I69B
M23.44	08	I76A, I76B	M24.33	08	I74A, I74B, I74C	M25.09	08	I69A, I69B
M23.45	08	I76A, I76B	M24.34	08	I32A, I32B, I32C, I32D, I32E, I32F, I32G, I74A, I74B, I74C	M25.10	08	I69A, I69B, I71A, I71B
M23.46	08	I76A, I76B	M24.35	08	I76A, I76B	M25.11	08	I69A, I69B, I71A, I71B
M23.47	08	I76A, I76B	M24.36	08	I77Z	M25.12	08	I69A, I69B, I71A, I71B
M23.49	08	I76A, I76B	M24.37	08	I77Z	M25.13	08	I69A, I69B, I71A, I71B
M23.50	08	I77Z	M24.38	08	I76A, I76B	M25.14	08	I32A, I32B, I32C, I32D, I32E, I32F, I32G, I69A, I69B, I71A, I71B
M23.51	08	I77Z	M24.39	08	I74A, I74B, I74C	M25.15	08	I69A, I69B, I71A, I71B
M23.52	08	I77Z	M24.40	08	I08A, I27B, I71A, I76A, I76B	M25.16	08	I69A, I69B, I71A, I71B
M23.53	08	I77Z	M24.41	08	I77Z	M25.17	08	I69A, I69B, I71A, I71B
M23.54	08	I77Z	M24.42	08	I77Z	M25.18	08	I69A, I69B, I71A, I71B
M23.55	08	I77Z	M24.43	08	I74A, I74B, I74C	M25.19	08	I69A, I69B, I71A, I71B
M23.56	08	I77Z	M24.44	08	I32A, I32B, I32C, I32D, I32E, I32F, I32G, I74A, I74B, I74C	M25.20	08	I76A, I76B
M23.57	08	I77Z	M24.45	08	I76A, I76B	M25.21	08	I76A, I76B
M23.59	08	I77Z	M24.46	08	I77Z	M25.22	08	I76A, I76B
M23.60	08	I77Z	M24.47	08	I77Z	M25.23	08	I76A, I76B
M23.61	08	I77Z	M24.48	08	I76A, I76B	M25.24	08	I32A, I32B, I32C, I32D, I32E, I32F, I32G, I76A, I76B
M23.62	08	I77Z	M24.49	08	I76A, I76B			
M23.63	08	I77Z	M24.50	08	I08A, I27B, I71A, I76A			
M23.64	08	I77Z	M24.51	08	I76A, I76B			
M23.67	08	I77Z	M24.52	08	I76A, I76B			
M23.69	08	I77Z						
M23.80	08	I77Z						
M23.81	08	I77Z						
M23.82	08	I77Z						

ICD	MDC	DRG	ICD	MDC	DRG	ICD	MDC	DRG
M25.25	08	I76A, I76B	M25.85	08	I69A, I69B, I71A, I71B	M35.3	08	I08A, I08B, I08C, I08D, I08E, I12A, I12B, I12C, I13A, I13B, I66A, I66B, I66C
M25.26	08	I77Z	M25.86	08	I69A, I69B, I71A, I71B	M35.4	08	I72Z, I75A, I75B
M25.27	08	I76A, I76B	M25.87	08	I69A, I69B, I71A, I71B	M35.5	08	I66A, I66B, I66C
M25.28	08	I76A, I76B	M25.88	08	I69A, I69B, I71A, I71B	M35.6	09	J61A, J61B, J61C, J68A, J68B
M25.29	08	I76A, I76B	M25.89	08	I69A, I69B, I71A, I71B	M35.7	08	I72Z, I75A, I75B
M25.30	08	I76A, I76B	M25.90	08	I69A, I69B, I71A, I71B	M35.8	08	I66A, I66B, I66C
M25.31	08	I76A, I76B	M25.91	08	I69A, I69B, I71A, I71B	M35.9	08	I66A, I66B, I66C
M25.32	08	I76A, I76B	M25.92	08	I69A, I69B, I71A, I71B	M36.1	15	TPN, VTPN
M25.33	08	I76A, I76B	M25.93	08	I69A, I69B, I71A, I71B	M36.2	15	TPN, VTPN
M25.34	08	I32A, I32B, I32C, I32D, I32E, I32F, I32G, I76A, I76B	M25.94	08	I32A, I32B, I32C, I32D, I32E, I32F, I32G, I69A, I69B, I71A, I71B	M36.3	15	TPN, VTPN
M25.35	08	I76A, I76B	M25.95	08	I69A, I69B, I71A, I71B	M36.8	15	TPN, VTPN
M25.36	08	I77Z	M25.96	08	I69A, I69B, I71A, I71B	M40.00	08	I06A, I06B, I06C, I06D, I06E, I09A, I09B, I09C, I09D, I09E, I68A, I68B, I68C, I68D, I68E
M25.37	08	I76A, I76B	M25.97	08	I69A, I69B, I71A, I71B	M40.01	08	I06A, I06B, I06C, I06D, I06E, I09A, I09B, I09C, I09D, I09E, I68A, I68B, I68C, I68D, I68E
M25.38	08	I76A, I76B	M25.98	08	I76A, I76B	M40.02	08	I06A, I06B, I06C, I06D, I06E, I09A, I09B, I09C, I09D, I09E, I68A, I68B, I68C, I68D, I68E
M25.39	08	I76A, I76B	M25.99	08	I69A, I69B, I71A, I71B	M40.03	08	I06A, I06B, I06C, I06D, I06E, I09A, I09B, I09C, I09D, I09E, I68A, I68B, I68C, I68D, I68E
M25.40	08	I76A, I76B	M30.0	08	I66A, I66B, I66C	M40.04	08	I06A, I06B, I06C, I06D, I06E, I09A, I09B, I09C, I09D, I09E, I68A, I68B, I68C, I68D, I68E
M25.41	08	I76A, I76B	M30.1	08	I66A, I66B, I66C	M40.05	08	I06A, I06B, I06C, I06D, I06E, I09A, I09B, I09C, I09D, I09E, I68A, I68B, I68C, I68D, I68E
M25.42	08	I76A, I76B	M30.2	08	I66A, I66B, I66C	M40.06	08	I06A, I06B, I06C, I06D, I06E, I09A, I09B, I09C, I09D, I09E, I68A, I68B, I68C, I68D, I68E
M25.43	08	I76A, I76B	M30.3	08	I66A, I66B, I66C	M40.07	08	I06A, I06B, I06C, I06D, I06E, I09A, I09B, I09C, I09D, I09E, I68A, I68B, I68C, I68D, I68E
M25.44	08	I32A, I32B, I32C, I32D, I32E, I32F, I32G, I76A, I76B	M30.8	08	I66A, I66B, I66C	M40.08	08	I06A, I06B, I06C, I06D, I06E, I09A, I09B, I09C, I09D, I09E, I68A, I68B, I68C, I68D, I68E
M25.45	08	I76A, I76B	M31.0	08	I66A, I66B, I66C	M40.09	08	I06A, I06B, I06C, I06D, I06E, I09A, I09B, I09C, I09D, I09E, I68A, I68B, I68C, I68D, I68E
M25.46	08	I76A, I76B	M31.1	11	L72Z	M40.10	08	I06A, I06B, I06C, I06D, I06E, I09A, I09B, I09C, I09D, I09E, I68A, I68B, I68C, I68D, I68E
M25.47	08	I76A, I76B		Pre	A07D, A09E, A11F, A13F	M40.11	08	I06A, I06B, I06C, I06D, I06E, I09A, I09B, I09C, I09D, I09E, I68A, I68B, I68C, I68D, I68E
M25.48	08	I76A, I76B	M31.2	08	I65A, I65B, I65C	M40.12	08	I06A, I06B, I06C, I06D, I06E, I09A, I09B, I09C, I09D, I09E, I68A, I68B, I68C, I68D, I68E
M25.49	08	I76A, I76B		Pre	A07D, A09E, A11F, A13F	M40.13	08	I06A, I06B, I06C, I06D, I06E, I09A, I09B, I09C, I09D, I09E, I68A, I68B, I68C, I68D, I68E
M25.50	08	I69A, I69B, I71A, I71B	M31.3	08	I66A, I66B, I66C	M40.14	08	I06A, I06B, I06C, I06D, I06E, I09A, I09B, I09C, I09D, I09E, I68A, I68B, I68C, I68D, I68E
M25.51	08	I69A, I69B, I71A, I71B		Pre	A07D, A09E, A11F, A13F	M40.15	08	I06A, I06B, I06C, I06D, I06E, I09A, I09B, I09C, I09D, I09E, I68A, I68B, I68C, I68D, I68E
M25.52	08	I69A, I69B, I71A, I71B	M31.4	08	I66A, I66B, I66C	M40.16	08	I06A, I06B, I06C, I06D, I06E, I09A, I09B, I09C, I09D, I09E, I68A, I68B, I68C, I68D, I68E
M25.53	08	I69A, I69B, I71A, I71B		Pre	A07D, A09E, A11F, A13F	M40.17	08	I06A, I06B, I06C, I06D, I06E, I09A, I09B, I09C, I09D, I09E, I68A, I68B, I68C, I68D, I68E
M25.54	08	I32A, I32B, I32C, I32D, I32E, I32F, I32G, I69A, I69B, I71A, I71B	M31.5	08	I66A, I66B, I66C	M40.18	08	I06A, I06B, I06C, I06D, I06E, I09A, I09B, I09C, I09D, I09E, I68A, I68B, I68C, I68D, I68E
M25.55	08	I69A, I69B, I71A, I71B		Pre	A07D, A09E, A11F, A13F			
M25.56	08	I69A, I69B, I71A, I71B	M31.6	08	I66A, I66B, I66C			
M25.57	08	I69A, I69B, I71A, I71B	M31.7	08	I66A, I66B, I66C			
M25.58	08	I69A, I69B, I71A, I71B	M31.8	08	I66A, I66B, I66C			
M25.59	08	I69A, I69B, I71A, I71B	M31.9	08	I66A, I66B, I66C			
M25.60	08	I69A, I69B, I71A, I71B	M32.0	08	I66A, I66B, I66C			
M25.61	08	I69A, I69B, I71A, I71B		15	TPN, VTPN			
M25.62	08	I69A, I69B, I71A, I71B	M32.1	08	I32C, I32D, I66A, I66B, I66C			
M25.63	08	I69A, I69B, I71A, I71B		15	TPN, VTPN			
M25.64	08	I32A, I32B, I32C, I32D, I32E, I32F, I32G, I69A, I69B, I71A, I71B		Pre	A07D, A09E, A11F, A13F			
M25.65	08	I69A, I69B, I71A, I71B	M32.8	08	I32C, I32D, I66A, I66B, I66C			
M25.66	08	I69A, I69B, I71A, I71B		15	TPN, VTPN			
M25.67	08	I69A, I69B, I71A, I71B	M32.9	08	I32C, I32D, I66A, I66B, I66C			
M25.68	08	I69A, I69B, I71A, I71B		15	TPN, VTPN			
M25.69	08	I69A, I69B, I71A, I71B	M33.0	08	I32C, I32D, I66A, I66B, I66C			
M25.70	08	I76A, I76B		08	I08A, I08B, I08C, I08D, I08E, I12A, I12B, I12C, I13A, I13B, I32C, I32D, I66A, I66B, I66C			
M25.71	08	I76A, I76B	M33.1	08	I08A, I08B, I08C, I08D, I08E, I12A, I12B, I12C, I13A, I13B, I32C, I32D, I66A, I66B, I66C			
M25.72	08	I76A, I76B		08	I32C, I32D, I66A, I66B, I66C			
M25.73	08	I76A, I76B	M33.2	08	I08A, I08B, I08C, I08D, I08E, I12A, I12B, I12C, I13A, I13B, I32C, I32D, I66A, I66B, I66C			
M25.74	08	I32A, I32B, I32C, I32D, I32E, I32F, I32G, I76A, I76B		08	I08A, I08B, I08C, I08D, I08E, I12A, I12B, I12C, I13A, I13B, I32C, I32D, I66A, I66B, I66C			
M25.75	08	I76A, I76B	M33.9	08	I32C, I32D, I66A, I66B, I66C			
M25.76	08	I77Z	M34.0	08	I08A, I08B, I08C, I08D, I08E, I12A, I12B, I12C, I13A, I13B, I32C, I32D, I66A, I66B, I66C			
M25.77	08	I76A, I76B		08	I66A, I66B, I66C			
M25.78	08	I76A, I76B	M34.1	08	I66A, I66B, I66C			
M25.79	08	I76A, I76B	M34.2	08	I66A, I66B, I66C			
M25.80	08	I69A, I69B, I71A, I71B	M34.8	08	I32C, I32D, I66A, I66B, I66C			
M25.81	08	I69A, I69B, I71A, I71B	M34.9	08	I08A, I08B, I08C, I08D, I08E, I12A, I12B, I12C, I13A, I13B, I32C, I32D, I66A, I66B, I66C			
M25.82	08	I69A, I69B, I71A, I71B		08	I66A, I66B, I66C			
M25.83	08	I69A, I69B, I71A, I71B	M35.0	08	I66A, I66B, I66C			
M25.84	08	I32A, I32B, I32C, I32D, I32E, I32F, I32G, I69A, I69B, I71A, I71B	M35.1	08	I08A, I08B, I08C, I08D, I08E, I12A, I12B, I12C, I13A, I13B, I66A, I66B, I66C			
			M35.2	08	I08A, I08B, I08C, I08D, I08E, I12A, I12B, I12C, I13A, I13B, I66A, I66B, I66C			

ICD	MDC	DRG	ICD	MDC	DRG	ICD	MDC	DRG
M71.04	08	I72Z, I75A, I75B	M72.40	08	I72Z, I75A, I75B	M76.1	08	I72Z, I75A, I75B
M71.05	08	I72Z, I75A, I75B	M72.41	08	I72Z, I75A, I75B	M76.2	08	I72Z, I75A, I75B
M71.06	08	I72Z, I75A, I75B	M72.42	08	I72Z, I75A, I75B	M76.3	08	I72Z, I75A, I75B
M71.07	08	I72Z, I75A, I75B	M72.43	08	I72Z, I75A, I75B	M76.4	08	I72Z, I75A, I75B
M71.08	08	I72Z, I75A, I75B	M72.44	08	I72Z, I75A, I75B	M76.5	08	I72Z, I75A, I75B
M71.09	08	I72Z, I75A, I75B	M72.45	08	I72Z, I75A, I75B	M76.6	08	I72Z, I75A, I75B
M71.10	08	I72Z, I75A, I75B	M72.46	08	I72Z, I75A, I75B	M76.7	08	I72Z, I75A, I75B
M71.11	08	I72Z, I75A, I75B	M72.47	08	I72Z, I75A, I75B	M76.8	08	I72Z, I75A, I75B
M71.12	08	I72Z, I75A, I75B	M72.48	08	I72Z, I75A, I75B	M76.9	08	I72Z, I75A, I75B
M71.13	08	I72Z, I75A, I75B	M72.49	08	I72Z, I75A, I75B	M77.0	08	I72Z, I75A, I75B
M71.14	08	I72Z, I75A, I75B	M72.60	08	I72Z, I75A, I75B	M77.1	08	I72Z, I75A, I75B
M71.15	08	I72Z, I75A, I75B		Pre	A07D, A09E, A11F, A13F	M77.2	08	I72Z, I75A, I75B
M71.16	08	I72Z, I75A, I75B	M72.61	08	I72Z, I75A, I75B	M77.3	08	I76A, I76B
M71.17	08	I72Z, I75A, I75B		Pre	A07D, A09E, A11F, A13F	M77.4	08	I72Z, I75A, I75B
M71.18	08	I72Z, I75A, I75B	M72.62	08	I72Z, I75A, I75B	M77.5	08	I72Z, I75A, I75B
M71.19	08	I72Z, I75A, I75B		Pre	A07D, A09E, A11F, A13F	M77.8	08	I72Z, I75A, I75B
M71.2	08	I72Z, I75A, I75B	M72.63	08	I72Z, I75A, I75B	M77.9	08	I72Z, I75A, I75B
M71.30	08	I72Z, I75A, I75B		Pre	A07D, A09E, A11F, A13F	M79.00	08	I79Z
M71.31	08	I72Z, I75A, I75B	M72.64	08	I72Z, I75A, I75B	M79.01	08	I79Z
M71.32	08	I72Z, I75A, I75B		Pre	A07D, A09E, A11F, A13F	M79.02	08	I79Z
M71.33	08	I72Z, I75A, I75B	M72.65	08	I72Z, I75A, I75B	M79.03	08	I79Z
M71.34	08	I72Z, I75A, I75B		Pre	A07D, A09E, A11F, A13F	M79.04	08	I79Z
M71.35	08	I72Z, I75A, I75B	M72.66	08	I72Z, I75A, I75B	M79.05	08	I79Z
M71.36	08	I72Z, I75A, I75B		Pre	A07D, A09E, A11F, A13F	M79.06	08	I79Z
M71.37	08	I72Z, I75A, I75B	M72.67	08	I72Z, I75A, I75B	M79.07	08	I79Z
M71.38	08	I72Z, I75A, I75B		Pre	A07D, A09E, A11F, A13F	M79.08	08	I79Z
M71.39	08	I72Z, I75A, I75B	M72.68	08	I72Z, I75A, I75B	M79.09	08	I08A, I08B, I08C, I08D, I08E, I13A, I13B, I79Z
M71.40	08	I72Z, I75A, I75B		Pre	A07D, A09E, A11F, A13F	M79.10	08	I69A, I69B, I71A, I71B
M71.42	08	I72Z, I75A, I75B	M72.69	08	I72Z, I75A, I75B	M79.11	08	I69A, I69B, I71A, I71B
M71.43	08	I72Z, I75A, I75B		Pre	A07D, A09E, A11F, A13F	M79.12	08	I69A, I69B, I71A, I71B
M71.44	08	I72Z, I75A, I75B	M72.80	08	I72Z, I75A, I75B	M79.13	08	I69A, I69B, I71A, I71B
M71.45	08	I72Z, I75A, I75B	M72.81	08	I72Z, I75A, I75B	M79.14	08	I69A, I69B, I71A, I71B
M71.46	08	I72Z, I75A, I75B	M72.82	08	I72Z, I75A, I75B	M79.15	08	I69A, I69B, I71A, I71B
M71.47	08	I72Z, I75A, I75B	M72.83	08	I72Z, I75A, I75B	M79.16	08	I69A, I69B, I71A, I71B
M71.48	08	I72Z, I75A, I75B	M72.84	08	I72Z, I75A, I75B	M79.17	08	I69A, I69B, I71A, I71B
M71.49	08	I72Z, I75A, I75B	M72.85	08	I72Z, I75A, I75B	M79.18	08	I69A, I69B, I71A, I71B
M71.50	08	I72Z, I75A, I75B	M72.86	08	I72Z, I75A, I75B	M79.19	08	I69A, I69B, I71A, I71B
M71.52	08	I72Z, I75A, I75B	M72.87	08	I72Z, I75A, I75B	M79.20	01	B03A, B03B, B06A, B06B, B17A, B17B, B17C, B17D, B71A, B71B, B71C, B71D
M71.53	08	I72Z, I75A, I75B	M72.88	08	I72Z, I75A, I75B		18A	S65A, S65B
M71.54	08	I72Z, I75A, I75B	M72.89	08	I72Z, I75A, I75B	M79.21	01	B03A, B03B, B06A, B06B, B17A, B17B, B17C, B17D, B71A, B71B, B71C, B71D
M71.55	08	I72Z, I75A, I75B	M72.90	08	I72Z, I75A, I75B		18A	S65A, S65B
M71.56	08	I72Z, I75A, I75B	M72.91	08	I72Z, I75A, I75B	M79.22	01	B03A, B03B, B06A, B06B, B17A, B17B, B17C, B17D, B71A, B71B, B71C, B71D
M71.57	08	I72Z, I75A, I75B	M72.92	08	I72Z, I75A, I75B		18A	S65A, S65B
M71.58	08	I72Z, I75A, I75B	M72.93	08	I72Z, I75A, I75B	M79.23	01	B03A, B03B, B06A, B06B, B17A, B17B, B17C, B17D, B71A, B71B, B71C, B71D
M71.59	08	I72Z, I75A, I75B	M72.94	08	I72Z, I75A, I75B		18A	S65A, S65B
M71.80	08	I72Z, I75A, I75B	M72.95	08	I72Z, I75A, I75B	M79.24	01	B03A, B03B, B06A, B06B, B17A, B17B, B17C, B17D, B71A, B71B, B71C, B71D
M71.81	08	I72Z, I75A, I75B	M72.96	08	I72Z, I75A, I75B		18A	S65A, S65B
M71.82	08	I72Z, I75A, I75B	M72.97	08	I72Z, I75A, I75B	M79.25	01	B03A, B03B, B06A, B06B, B17A, B17B, B17C, B17D, B71A, B71B, B71C, B71D
M71.83	08	I72Z, I75A, I75B	M72.98	08	I72Z, I75A, I75B		18A	S65A, S65B
M71.84	08	I72Z, I75A, I75B	M72.99	08	I72Z, I75A, I75B	M79.26	01	B03A, B03B, B06A, B06B, B17A, B17B, B17C, B17D, B71A, B71B, B71C, B71D
M71.85	08	I72Z, I75A, I75B	M73.00	15	TPN, VTPN		18A	S65A, S65B
M71.86	08	I72Z, I75A, I75B	M73.01	15	TPN, VTPN	M79.27	01	B03A, B03B, B06A, B06B, B17A, B17B, B17C, B17D, B71A, B71B, B71C, B71D
M71.87	08	I72Z, I75A, I75B	M73.02	15	TPN, VTPN		18A	S65A, S65B
M71.88	08	I72Z, I75A, I75B	M73.03	15	TPN, VTPN		18A	S65A, S65B
M71.89	08	I72Z, I75A, I75B	M73.04	15	TPN, VTPN		18A	S65A, S65B
M71.90	08	I72Z, I75A, I75B	M73.05	15	TPN, VTPN		18A	S65A, S65B
M71.91	08	I72Z, I75A, I75B	M73.06	15	TPN, VTPN		18A	S65A, S65B
M71.92	08	I72Z, I75A, I75B	M73.07	15	TPN, VTPN		18A	S65A, S65B
M71.93	08	I72Z, I75A, I75B	M73.08	15	TPN, VTPN		18A	S65A, S65B
M71.94	08	I72Z, I75A, I75B	M73.09	15	TPN, VTPN		18A	S65A, S65B
M71.95	08	I72Z, I75A, I75B	M75.0	08	I72Z, I75A, I75B		18A	S65A, S65B
M71.96	08	I72Z, I75A, I75B	M75.1	08	I72Z, I75A, I75B		18A	S65A, S65B
M71.97	08	I72Z, I75A, I75B	M75.2	08	I72Z, I75A, I75B		18A	S65A, S65B
M71.98	08	I72Z, I75A, I75B	M75.3	08	I72Z, I75A, I75B		18A	S65A, S65B
M71.99	08	I72Z, I75A, I75B	M75.4	08	I72Z, I75A, I75B		18A	S65A, S65B
M72.0	08	I32A, I32B, I32C, I32D, I32E, I32F, I32G, I72Z, I75A, I75B	M75.5	08	I72Z, I75A, I75B		18A	S65A, S65B
			M75.8	08	I72Z, I75A, I75B		18A	S65A, S65B
M72.1	08	I72Z, I75A, I75B	M75.9	08	I72Z, I75A, I75B		18A	S65A, S65B
M72.2	08	I72Z, I75A, I75B	M76.0	08	I72Z, I75A, I75B		18A	S65A, S65B

ICD	MDC	DRG	ICD	MDC	DRG	ICD	MDC	DRG
M79.28	01	B03A, B03B, B06A, B06B, B17A, B17B, B17C, B17D, B71A, B71B, B71C, B71D	M80.10	08	I69A, I69B	M80.89	08	I69A, I69B
	18A	S65A, S65B	M80.11	08	I69A, I69B	M80.90	08	I69A, I69B
M79.29	01	B03A, B03B, B06A, B06B, B17A, B17B, B17C, B17D, B71A, B71B, B71C, B71D	M80.12	08	I69A, I69B	M80.91	08	I69A, I69B
	18A	S65A, S65B	M80.13	08	I69A, I69B	M80.92	08	I69A, I69B
M79.30	09	J61A, J61B, J61C, J68A, J68B	M80.14	08	I69A, I69B	M80.93	08	I69A, I69B
M79.31	09	J61A, J61B, J61C, J68A, J68B	M80.15	08	I69A, I69B	M80.94	08	I69A, I69B
M79.32	09	J61A, J61B, J61C, J68A, J68B	M80.16	08	I69A, I69B	M80.95	08	I69A, I69B
M79.33	09	J61A, J61B, J61C, J68A, J68B	M80.17	08	I69A, I69B	M80.96	08	I69A, I69B
M79.34	09	J61A, J61B, J61C, J68A, J68B	M80.18	08	I69A, I69B	M80.97	08	I69A, I69B
M79.35	09	J61A, J61B, J61C, J68A, J68B	M80.19	08	I69A, I69B	M80.98	08	I69A, I69B
M79.36	09	J61A, J61B, J61C, J68A, J68B	M80.20	08	I69A, I69B	M80.99	08	I69A, I69B
M79.37	09	J61A, J61B, J61C, J68A, J68B	M80.21	08	I69A, I69B	M81.00	08	I69A, I69B
M79.38	09	J61A, J61B, J61C, J68A, J68B	M80.22	08	I69A, I69B	M81.01	08	I69A, I69B
M79.39	09	J61A, J61B, J61C, J68A, J68B	M80.23	08	I69A, I69B	M81.02	08	I69A, I69B
M79.46	08	I76A, I76B	M80.24	08	I69A, I69B	M81.03	08	I69A, I69B
M79.50	08	I76A, I76B	M80.25	08	I69A, I69B	M81.04	08	I69A, I69B
M79.51	08	I76A, I76B	M80.26	08	I69A, I69B	M81.05	08	I69A, I69B
M79.52	08	I76A, I76B	M80.27	08	I69A, I69B	M81.06	08	I69A, I69B
M79.53	08	I76A, I76B	M80.28	08	I69A, I69B	M81.07	08	I69A, I69B
M79.54	08	I76A, I76B	M80.29	08	I69A, I69B	M81.08	08	I69A, I69B
M79.55	08	I76A, I76B	M80.30	08	I69A, I69B	M81.09	08	I69A, I69B
M79.56	08	I76A, I76B	M80.31	08	I69A, I69B	M81.10	08	I69A, I69B
M79.57	08	I76A, I76B	M80.32	08	I69A, I69B	M81.11	08	I69A, I69B
M79.58	08	I76A, I76B	M80.33	08	I69A, I69B	M81.12	08	I69A, I69B
M79.59	08	I76A, I76B	M80.34	08	I69A, I69B	M81.13	08	I69A, I69B
M79.60	08	I69A, I69B, I71A, I71B	M80.35	08	I69A, I69B	M81.14	08	I69A, I69B
M79.61	08	I69A, I69B, I71A, I71B	M80.36	08	I69A, I69B	M81.15	08	I69A, I69B
M79.62	08	I69A, I69B, I71A, I71B	M80.37	08	I69A, I69B	M81.16	08	I69A, I69B
M79.63	08	I69A, I69B, I71A, I71B	M80.38	08	I69A, I69B	M81.17	08	I69A, I69B
M79.64	08	I69A, I69B, I71A, I71B	M80.39	08	I69A, I69B	M81.18	08	I69A, I69B
M79.65	08	I69A, I69B, I71A, I71B	M80.40	08	I69A, I69B	M81.19	08	I69A, I69B
M79.66	08	I69A, I69B, I71A, I71B		18A	S65A, S65B	M81.20	08	I69A, I69B
M79.67	08	I69A, I69B, I71A, I71B	M80.41	08	I69A, I69B	M81.21	08	I69A, I69B
M79.69	08	I69A, I69B, I71A, I71B		18A	S65A, S65B	M81.22	08	I69A, I69B
M79.70	08	I79Z	M80.42	08	I69A, I69B	M81.23	08	I69A, I69B
M79.80	08	I69A, I69B, I71A, I71B		18A	S65A, S65B	M81.24	08	I69A, I69B
M79.81	08	I69A, I69B, I71A, I71B	M80.43	08	I69A, I69B	M81.25	08	I69A, I69B
M79.82	08	I69A, I69B, I71A, I71B		18A	S65A, S65B	M81.26	08	I69A, I69B
M79.83	08	I69A, I69B, I71A, I71B	M80.44	08	I69A, I69B	M81.27	08	I69A, I69B
M79.84	08	I69A, I69B, I71A, I71B		18A	S65A, S65B	M81.28	08	I69A, I69B
M79.85	08	I69A, I69B, I71A, I71B	M80.45	08	I69A, I69B	M81.29	08	I69A, I69B
M79.86	08	I69A, I69B, I71A, I71B		18A	S65A, S65B	M81.30	08	I69A, I69B
M79.87	08	I69A, I69B, I71A, I71B	M80.46	08	I69A, I69B	M81.31	08	I69A, I69B
M79.88	08	I69A, I69B, I71A, I71B		18A	S65A, S65B	M81.32	08	I69A, I69B
M79.89	08	I69A, I69B, I71A, I71B	M80.47	08	I69A, I69B	M81.33	08	I69A, I69B
M79.90	08	I69A, I69B, I71A, I71B		18A	S65A, S65B	M81.34	08	I69A, I69B
M79.91	08	I69A, I69B, I71A, I71B	M80.48	08	I69A, I69B	M81.35	08	I69A, I69B
M79.92	08	I69A, I69B, I71A, I71B		18A	S65A, S65B	M81.36	08	I69A, I69B
M79.93	08	I69A, I69B, I71A, I71B	M80.49	08	I69A, I69B	M81.37	08	I69A, I69B
M79.94	08	I69A, I69B, I71A, I71B		18A	S65A, S65B	M81.38	08	I69A, I69B
M79.95	08	I69A, I69B, I71A, I71B	M80.50	08	I69A, I69B	M81.39	08	I69A, I69B
M79.96	08	I69A, I69B, I71A, I71B	M80.51	08	I69A, I69B	M81.40	08	I69A, I69B
M79.97	08	I69A, I69B, I71A, I71B	M80.52	08	I69A, I69B	M81.41	08	I69A, I69B
M79.98	08	I69A, I69B, I71A, I71B	M80.53	08	I69A, I69B	M81.42	08	I69A, I69B
M79.99	08	I69A, I69B, I71A, I71B	M80.54	08	I69A, I69B	M81.43	08	I69A, I69B
M80.00	08	I69A, I69B	M80.55	08	I69A, I69B	M81.44	08	I69A, I69B
M80.01	08	I69A, I69B	M80.56	08	I69A, I69B	M81.45	08	I69A, I69B
M80.02	08	I69A, I69B	M80.57	08	I69A, I69B	M81.46	08	I69A, I69B
M80.03	08	I69A, I69B	M80.58	08	I69A, I69B	M81.47	08	I69A, I69B
M80.04	08	I69A, I69B	M80.59	08	I69A, I69B	M81.48	08	I69A, I69B
M80.05	08	I69A, I69B	M80.80	08	I69A, I69B	M81.49	08	I69A, I69B
M80.06	08	I69A, I69B	M80.81	08	I69A, I69B	M81.50	08	I69A, I69B
M80.07	08	I69A, I69B	M80.82	08	I69A, I69B	M81.51	08	I69A, I69B
M80.08	08	I69A, I69B	M80.83	08	I69A, I69B	M81.52	08	I69A, I69B
M80.09	08	I69A, I69B	M80.84	08	I69A, I69B	M81.53	08	I69A, I69B
			M80.85	08	I69A, I69B	M81.54	08	I69A, I69B
			M80.86	08	I69A, I69B	M81.55	08	I69A, I69B
			M80.87	08	I69A, I69B	M81.56	08	I69A, I69B
			M80.88	08	I69A, I69B	M81.57	08	I69A, I69B

ICD	MDC	DRG	ICD	MDC	DRG	ICD	MDC	DRG
M81.58	08	I69A, I69B	M83.18	08	I69A	M83.51	08	I69A
M81.59	08	I69A, I69B		22	Y02A, Y02B		18A	S65A, S65B
M81.60	08	I69A, I69B	M83.19	08	I69A		22	Y02A, Y02B
M81.61	08	I69A, I69B		22	Y02A, Y02B	M83.52	08	I69A
M81.62	08	I69A, I69B	M83.20	08	I69A		18A	S65A, S65B
M81.63	08	I69A, I69B		22	Y02A, Y02B		22	Y02A, Y02B
M81.64	08	I69A, I69B	M83.21	08	I69A	M83.53	08	I69A
M81.65	08	I69A, I69B		22	Y02A, Y02B		18A	S65A, S65B
M81.66	08	I69A, I69B	M83.22	08	I69A		22	Y02A, Y02B
M81.67	08	I69A, I69B		22	Y02A, Y02B	M83.54	08	I69A
M81.68	08	I69A, I69B	M83.23	08	I69A		18A	S65A, S65B
M81.69	08	I69A, I69B		22	Y02A, Y02B		22	Y02A, Y02B
M81.80	08	I69A, I69B	M83.24	08	I69A	M83.55	08	I69A
M81.81	08	I69A, I69B		22	Y02A, Y02B		18A	S65A, S65B
M81.82	08	I69A, I69B	M83.25	08	I69A		22	Y02A, Y02B
M81.83	08	I69A, I69B		22	Y02A, Y02B	M83.56	08	I69A
M81.84	08	I69A, I69B	M83.26	08	I69A		18A	S65A, S65B
M81.85	08	I69A, I69B		22	Y02A, Y02B		22	Y02A, Y02B
M81.86	08	I69A, I69B	M83.27	08	I69A	M83.57	08	I69A
M81.87	08	I69A, I69B		22	Y02A, Y02B		18A	S65A, S65B
M81.88	08	I69A, I69B	M83.28	08	I69A		22	Y02A, Y02B
M81.89	08	I69A, I69B		22	Y02A, Y02B	M83.58	08	I69A
M81.90	08	I69A, I69B	M83.29	08	I69A		18A	S65A, S65B
M81.91	08	I69A, I69B		22	Y02A, Y02B		22	Y02A, Y02B
M81.92	08	I69A, I69B	M83.30	08	I69A	M83.59	08	I69A
M81.93	08	I69A, I69B		22	Y02A, Y02B		18A	S65A, S65B
M81.94	08	I69A, I69B	M83.31	08	I69A		22	Y02A, Y02B
M81.95	08	I69A, I69B		22	Y02A, Y02B	M83.80	08	I69A
M81.96	08	I69A, I69B	M83.32	08	I69A		22	Y02A, Y02B
M81.97	08	I69A, I69B		22	Y02A, Y02B	M83.81	08	I69A
M81.98	08	I69A, I69B	M83.33	08	I69A		22	Y02A, Y02B
M81.99	08	I69A, I69B		22	Y02A, Y02B	M83.82	08	I69A
M83.00	08	I69A	M83.34	08	I69A		22	Y02A, Y02B
	22	Y02A, Y02B		22	Y02A, Y02B	M83.83	08	I69A
M83.01	08	I69A	M83.35	08	I69A		22	Y02A, Y02B
	22	Y02A, Y02B		22	Y02A, Y02B	M83.84	08	I69A
M83.02	08	I69A	M83.36	08	I69A		22	Y02A, Y02B
	22	Y02A, Y02B		22	Y02A, Y02B	M83.85	08	I69A
M83.03	08	I69A	M83.37	08	I69A		22	Y02A, Y02B
	22	Y02A, Y02B		22	Y02A, Y02B	M83.86	08	I69A
M83.04	08	I69A	M83.38	08	I69A		22	Y02A, Y02B
	22	Y02A, Y02B		22	Y02A, Y02B	M83.87	08	I69A
M83.05	08	I69A	M83.39	08	I69A		22	Y02A, Y02B
	22	Y02A, Y02B		22	Y02A, Y02B	M83.88	08	I69A
M83.06	08	I69A	M83.40	08	I69A		22	Y02A, Y02B
	22	Y02A, Y02B		22	Y02A, Y02B	M83.89	08	I69A
M83.07	08	I69A	M83.41	08	I69A		22	Y02A, Y02B
	22	Y02A, Y02B		22	Y02A, Y02B	M83.90	08	I69A
M83.08	08	I69A	M83.42	08	I69A		22	Y02A, Y02B
	22	Y02A, Y02B		22	Y02A, Y02B	M83.91	08	I69A
M83.09	08	I69A	M83.43	08	I69A		22	Y02A, Y02B
	22	Y02A, Y02B		22	Y02A, Y02B	M83.92	08	I69A
M83.10	08	I69A	M83.44	08	I69A		22	Y02A, Y02B
	22	Y02A, Y02B		22	Y02A, Y02B	M83.93	08	I69A
M83.11	08	I69A	M83.45	08	I69A		22	Y02A, Y02B
	22	Y02A, Y02B		22	Y02A, Y02B	M83.94	08	I69A
M83.12	08	I69A	M83.46	08	I69A		22	Y02A, Y02B
	22	Y02A, Y02B		22	Y02A, Y02B	M83.95	08	I69A
M83.13	08	I69A	M83.47	08	I69A		22	Y02A, Y02B
	22	Y02A, Y02B		22	Y02A, Y02B	M83.96	08	I69A
M83.14	08	I69A	M83.48	08	I69A		22	Y02A, Y02B
	22	Y02A, Y02B		22	Y02A, Y02B	M83.97	08	I69A
M83.15	08	I69A	M83.49	08	I69A		22	Y02A, Y02B
	22	Y02A, Y02B		22	Y02A, Y02B	M83.98	08	I69A
M83.16	08	I69A	M83.50	08	I69A		22	Y02A, Y02B
	22	Y02A, Y02B		18A	S65A, S65B	M83.99	08	I69A
M83.17	08	I69A		22	Y02A, Y02B		22	Y02A, Y02B
	22	Y02A, Y02B				M84.00	08	I76A, I76B
						M84.01	08	I76A, I76B

ICD	MDC	DRG	ICD	MDC	DRG	ICD	MDC	DRG
M84.02	08	I76A, I76B	M84.46	08	I65A, I65B, I65C	M85.46	08	I69A, I69B
M84.03	08	I76A, I76B		15	TPN, VTPN	M85.47	08	I69A, I69B
M84.04	08	I76A, I76B		Pre	A07D, A09E, A11F, A13F	M85.48	08	I69A, I69B
M84.05	08	I76A, I76B	M84.47	08	I65A, I65B, I65C	M85.49	08	I69A, I69B
M84.06	08	I76A, I76B		15	TPN, VTPN	M85.50	08	I69A, I69B
M84.07	08	I76A, I76B		Pre	A07D, A09E, A11F, A13F	M85.51	08	I69A, I69B
M84.08	08	I76A, I76B	M84.48	08	I65A, I65B, I65C	M85.52	08	I69A, I69B
M84.09	08	I76A, I76B		15	TPN, VTPN	M85.53	08	I69A, I69B
M84.10	08	I13D, I76A, I76B		Pre	A07D, A09E, A11F, A13F	M85.54	08	I69A, I69B
M84.11	08	I13D, I76A, I76B	M84.49	08	I65A, I65B, I65C	M85.55	08	I69A, I69B
M84.12	08	I13D, I76A, I76B		15	TPN, VTPN	M85.56	08	I69A, I69B
M84.13	08	I13D, I76A, I76B		Pre	A07D, A09E, A11F, A13F	M85.57	08	I69A, I69B
M84.14	08	I13D, I32B, I32C, I32D, I76A, I76B	M84.80	08	I76A, I76B	M85.58	08	I69A, I69B
M84.15	08	I13D, I76A, I76B	M84.81	08	I76A, I76B	M85.59	08	I69A, I69B
M84.16	08	I13D, I76A, I76B	M84.82	08	I76A, I76B	M85.60	08	I69A, I69B
M84.17	08	I13D, I76A, I76B	M84.83	08	I76A, I76B	M85.61	08	I69A, I69B
M84.18	08	I13D, I76A, I76B	M84.84	08	I76A, I76B	M85.62	08	I69A, I69B
M84.19	08	I13D, I76A, I76B	M84.85	08	I76A, I76B	M85.63	08	I69A, I69B
M84.20	08	I76A, I76B	M84.86	08	I76A, I76B	M85.64	08	I69A, I69B
M84.21	08	I76A, I76B	M84.87	08	I76A, I76B	M85.65	08	I69A, I69B
M84.22	08	I76A, I76B	M84.88	08	I76A, I76B	M85.66	08	I69A, I69B
M84.23	08	I76A, I76B	M84.89	08	I76A, I76B	M85.67	08	I69A, I69B
M84.24	08	I76A, I76B	M84.90	08	I76A, I76B	M85.68	08	I69A, I69B
M84.25	08	I76A, I76B	M84.91	08	I76A, I76B	M85.69	08	I69A, I69B
M84.26	08	I76A, I76B	M84.92	08	I76A, I76B	M85.80	08	I76A, I76B
M84.27	08	I76A, I76B	M84.93	08	I76A, I76B	M85.81	08	I76A, I76B
M84.28	08	I76A, I76B	M84.94	08	I76A, I76B	M85.82	08	I76A, I76B
M84.29	08	I76A, I76B	M84.95	08	I76A, I76B	M85.83	08	I76A, I76B
M84.30	08	I65A, I65B, I65C	M84.96	08	I76A, I76B	M85.84	08	I76A, I76B
	15	TPN, VTPN	M84.97	08	I76A, I76B	M85.85	08	I76A, I76B
M84.31	08	I65A, I65B, I65C	M84.98	08	I76A, I76B	M85.86	08	I76A, I76B
	15	TPN, VTPN	M84.99	08	I76A, I76B	M85.87	08	I76A, I76B
M84.32	08	I65A, I65B, I65C	M85.00	08	I69A, I69B	M85.88	08	I76A, I76B
	15	TPN, VTPN	M85.01	08	I69A, I69B	M85.89	08	I76A, I76B
M84.33	08	I65A, I65B, I65C	M85.02	08	I69A, I69B	M85.90	08	I76A, I76B
	15	TPN, VTPN	M85.03	08	I69A, I69B	M85.91	08	I76A, I76B
M84.34	08	I65A, I65B, I65C	M85.04	08	I69A, I69B	M85.92	08	I76A, I76B
	15	TPN, VTPN	M85.05	08	I69A, I69B	M85.93	08	I76A, I76B
M84.35	08	I65A, I65B, I65C	M85.06	08	I69A, I69B	M85.94	08	I76A, I76B
	15	TPN, VTPN	M85.07	08	I69A, I69B	M85.95	08	I76A, I76B
M84.36	08	I65A, I65B, I65C	M85.08	08	I69A, I69B	M85.96	08	I76A, I76B
	15	TPN, VTPN	M85.09	08	I69A, I69B	M85.97	08	I76A, I76B
M84.37	08	I65A, I65B, I65C	M85.10	08	I76A, I76B	M85.98	08	I76A, I76B
	15	TPN, VTPN	M85.11	08	I76A, I76B	M85.99	08	I76A, I76B
M84.38	08	I65A, I65B, I65C	M85.12	08	I76A, I76B	M86.00	05	F61A
	15	TPN, VTPN	M85.13	08	I76A, I76B		08	I08A, I08B, I08C, I08D, I08E, I12A, I12B, I12C, I13A, I13B, I64A, I64B, I64C
M84.39	08	I65A, I65B, I65C	M85.14	08	I76A, I76B		15	TPN, VTPN
	15	TPN, VTPN	M85.15	08	I76A, I76B	M86.01	05	F61A
M84.40	08	I65A, I65B, I65C	M85.16	08	I76A, I76B		08	I08A, I08B, I08C, I08D, I08E, I12A, I12B, I12C, I13A, I13B, I64A, I64B, I64C
	15	TPN, VTPN	M85.17	08	I76A, I76B		15	TPN, VTPN
	Pre	A07D, A09E, A11F, A13F	M85.18	08	I76A, I76B		05	F61A
M84.41	08	I65A, I65B, I65C	M85.19	08	I76A, I76B		08	I08A, I08B, I08C, I08D, I08E, I12A, I12B, I12C, I13A, I13B, I64A, I64B, I64C
	15	TPN, VTPN	M85.2	08	I76A, I76B	M86.02	05	F61A
	Pre	A07D, A09E, A11F, A13F	M85.30	08	I69A, I69B		08	I08A, I08B, I08C, I08D, I08E, I12A, I12B, I12C, I13A, I13B, I64A, I64B, I64C
M84.42	08	I65A, I65B, I65C	M85.31	08	I69A, I69B		15	TPN, VTPN
	15	TPN, VTPN	M85.32	08	I69A, I69B		05	F61A
	Pre	A07D, A09E, A11F, A13F	M85.33	08	I69A, I69B		08	I08A, I08B, I08C, I08D, I08E, I12A, I12B, I12C, I13A, I13B, I64A, I64B, I64C
M84.43	08	I65A, I65B, I65C	M85.34	08	I69A, I69B		15	TPN, VTPN
	15	TPN, VTPN	M85.35	08	I69A, I69B	M86.03	05	F61A
	Pre	A07D, A09E, A11F, A13F	M85.36	08	I69A, I69B		08	I08A, I08B, I08C, I08D, I08E, I12A, I12B, I12C, I13A, I13B, I64A, I64B, I64C
M84.44	08	I65A, I65B, I65C	M85.37	08	I69A, I69B		15	TPN, VTPN
	15	TPN, VTPN	M85.38	08	I69A, I69B		05	F61A
	Pre	A07D, A09E, A11F, A13F	M85.39	08	I69A, I69B		08	I08A, I08B, I08C, I08D, I08E, I12A, I12B, I12C, I13A, I13B, I64A, I64B, I64C
M84.45	08	I65A, I65B, I65C	M85.40	08	I69A, I69B		15	TPN, VTPN
	15	TPN, VTPN	M85.41	08	I69A, I69B			
	Pre	A07D, A09E, A11F, A13F	M85.42	08	I69A, I69B			
			M85.43	08	I69A, I69B			
			M85.44	08	I69A, I69B			
			M85.45	08	I69A, I69B			

ICD	MDC	DRG	ICD	MDC	DRG	ICD	MDC	DRG
M86.46	05	F61A	M86.61	05	F61A	M86.85	05	F61A
	08	I01Z, I04Z, I08A, I08B, I08C, I08D, I08E, I12A, I12B, I12C, I13A, I13B, I64A, I64B, I64C		08	I08A, I08B, I08C, I08D, I08E, I12A, I12B, I12C, I13A, I13B, I64A, I64B, I64C		08	I01Z, I03A, I03B, I04Z, I08A, I08B, I08C, I08D, I08E, I12A, I12B, I12C, I13A, I13B, I64A, I64B, I64C
M86.47	15	TPN, VTPN	M86.62	15	TPN, VTPN	M86.86	15	TPN, VTPN
	05	F61A		05	F61A		05	F61A
M86.48	08	I08A, I08B, I08C, I08D, I08E, I13A, I13B, I64A, I64B, I64C	M86.63	08	I08A, I08B, I08C, I08D, I08E, I12A, I12B, I12C, I13A, I13B, I64A, I64B, I64C	M86.87	08	I01Z, I04Z, I08A, I08B, I08C, I08D, I08E, I12A, I12B, I12C, I13A, I13B, I64A, I64B, I64C
	15	TPN, VTPN		15	TPN, VTPN		15	TPN, VTPN
M86.49	05	F61A	M86.64	05	F61A	M86.88	05	F61A
	08	I08A, I08B, I08C, I08D, I08E, I13A, I13B, I64A, I64B, I64C		08	I08A, I08B, I08C, I08D, I08E, I12A, I12B, I12C, I13A, I13B, I64A, I64B, I64C		08	I08A, I08B, I08C, I08D, I08E, I13A, I13B, I64A, I64B, I64C
M86.50	15	TPN, VTPN	M86.65	15	TPN, VTPN	M86.89	15	TPN, VTPN
	05	F61A		05	F61A		05	F61A
M86.51	08	I08A, I08B, I08C, I08D, I08E, I12A, I12B, I12C, I13A, I13B, I64A, I64B, I64C	M86.66	08	I08A, I08B, I08C, I08D, I08E, I13A, I13B, I32A, I32B, I32C, I32D, I32E, I32F, I32G, I64A, I64B, I64C	M86.90	08	I08A, I08B, I08C, I08D, I08E, I13A, I13B, I64A, I64B, I64C
	15	TPN, VTPN		15	TPN, VTPN		15	TPN, VTPN
M86.52	05	F61A	M86.67	05	F61A	M86.91	05	F61A
	08	I08A, I08B, I08C, I08D, I08E, I12A, I12B, I12C, I13A, I13B, I64A, I64B, I64C		08	I01Z, I04Z, I08A, I08B, I08C, I08D, I08E, I12A, I12B, I12C, I13A, I13B, I64A, I64B, I64C		08	I08A, I08B, I08C, I08D, I08E, I12A, I12B, I12C, I13A, I13B, I64A, I64B, I64C
M86.53	15	TPN, VTPN	M86.68	15	TPN, VTPN	M86.92	15	TPN, VTPN
	05	F61A		05	F61A		05	F61A
M86.54	08	I08A, I08B, I08C, I08D, I08E, I12A, I12B, I12C, I13A, I13B, I64A, I64B, I64C	M86.69	08	I08A, I08B, I08C, I08D, I08E, I13A, I13B, I64A, I64B, I64C	M86.93	08	I08A, I08B, I08C, I08D, I08E, I12A, I12B, I12C, I13A, I13B, I64A, I64B, I64C
	15	TPN, VTPN		15	TPN, VTPN		15	TPN, VTPN
M86.55	05	F61A	M86.80	05	F61A	M86.94	05	F61A
	08	I01Z, I03A, I03B, I04Z, I08A, I08B, I08C, I08D, I08E, I12A, I12B, I12C, I13A, I13B, I64A, I64B, I64C		08	I08A, I08B, I08C, I08D, I08E, I12A, I12B, I12C, I13A, I13B, I64A, I64B, I64C		08	I08A, I08B, I08C, I08D, I08E, I13A, I13B, I32A, I32B, I32C, I32D, I32E, I32F, I32G, I64A, I64B, I64C
M86.56	15	TPN, VTPN	M86.81	15	TPN, VTPN	M86.95	15	TPN, VTPN
	05	F61A		05	F61A		05	F61A
M86.57	08	I01Z, I04Z, I08A, I08B, I08C, I08D, I08E, I12A, I12B, I12C, I13A, I13B, I64A, I64B, I64C	M86.82	08	I08A, I08B, I08C, I08D, I08E, I12A, I12B, I12C, I13A, I13B, I64A, I64B, I64C	M86.96	08	I01Z, I03A, I03B, I04Z, I08A, I08B, I08C, I08D, I08E, I12A, I12B, I12C, I13A, I13B, I64A, I64B, I64C
	15	TPN, VTPN		15	TPN, VTPN		15	TPN, VTPN
M86.58	05	F61A	M86.83	05	F61A	M86.97	05	F61A
	08	I08A, I08B, I08C, I08D, I08E, I13A, I13B, I64A, I64B, I64C		08	I08A, I08B, I08C, I08D, I08E, I12A, I12B, I12C, I13A, I13B, I64A, I64B, I64C		08	I08A, I08B, I08C, I08D, I08E, I13A, I13B, I64A, I64B, I64C
M86.59	15	TPN, VTPN	M86.84	15	TPN, VTPN	M86.98	15	TPN, VTPN
	05	F61A		05	F61A		05	F61A
M86.60	08	I08A, I08B, I08C, I08D, I08E, I12A, I12B, I12C, I13A, I13B, I64A, I64B, I64C		08	I08A, I08B, I08C, I08D, I08E, I13A, I13B, I32A, I32B, I32C, I32D, I32E, I32F, I32G, I64A, I64B, I64C		08	I08A, I08B, I08C, I08D, I08E, I13A, I13B, I64A, I64B, I64C
	15	TPN, VTPN		15	TPN, VTPN		15	TPN, VTPN

ICD	MDC	DRG	ICD	MDC	DRG	ICD	MDC	DRG
M89.02	01	B03A, B03B, B06A, B06B, B17A, B17B, B17C, B17D, B20D, B71A, B71B, B71C, B71D	M89.49	08	I69A, I69B	M90.06	15	TPN, VTPN
M89.03	01	B03A, B03B, B06A, B06B, B17A, B17B, B17C, B17D, B20D, B71A, B71B, B71C, B71D	M89.50	08	I76A	M90.07	15	TPN, VTPN
M89.04	01	B03A, B03B, B06A, B06B, B17A, B17B, B17C, B17D, B20D, B71A, B71B, B71C, B71D	M89.51	08	R61F, R61G, R62A, R62B	M90.08	15	TPN, VTPN
M89.05	01	B03A, B03B, B06A, B06B, B17A, B17B, B17C, B17D, B20D, B71A, B71B, B71C, B71D	M89.52	08	I76A, I76B	M90.09	15	TPN, VTPN
M89.06	01	B03A, B03B, B06A, B06B, B17A, B17B, B17C, B17D, B20D, B71A, B71B, B71C, B71D	M89.53	08	R61F, R61G, R62A, R62B	M90.10	15	TPN, VTPN
M89.07	01	B03A, B03B, B06A, B06B, B17A, B17B, B17C, B17D, B20D, B71A, B71B, B71C, B71D	M89.54	08	I76A, I76B	M90.11	15	TPN, VTPN
M89.08	01	B03A, B03B, B06A, B06B, B17A, B17B, B17C, B17D, B20D, B71A, B71B, B71C, B71D	M89.55	08	R61F, R61G, R62A, R62B	M90.12	15	TPN, VTPN
M89.09	01	B03A, B03B, B06A, B06B, B17A, B17B, B17C, B17D, B20D, B71A, B71B, B71C, B71D	M89.56	08	I04Z, I76A, I76B	M90.13	15	TPN, VTPN
M89.10	08	I76A, I76B	M89.57	08	R61F, R61G, R62A, R62B	M90.14	15	TPN, VTPN
M89.11	08	I76A, I76B	M89.58	08	I76A, I76B	M90.15	15	TPN, VTPN
M89.12	08	I76A, I76B	M89.59	08	R61F, R61G, R62A, R62B	M90.16	15	TPN, VTPN
M89.13	08	I76A, I76B	M89.60	08	I08A, I08B, I08C, I08D, I08E, I13A, I13B, I76A, I76B	M90.17	15	TPN, VTPN
M89.14	08	I76A, I76B	M89.61	08	I08A, I08B, I08C, I08D, I08E, I13A, I13B, I76A, I76B	M90.18	15	TPN, VTPN
M89.15	08	I76A, I76B	M89.62	08	I08A, I08B, I08C, I08D, I08E, I13A, I13B, I76A, I76B	M90.19	15	TPN, VTPN
M89.16	08	I76A, I76B	M89.63	08	I08A, I08B, I08C, I08D, I08E, I13A, I13B, I76A, I76B	M90.20	15	TPN, VTPN
M89.17	08	I76A, I76B	M89.64	08	I08A, I08B, I08C, I08D, I08E, I13A, I13B, I32A, I32B, I32C, I32D, I32E, I32F, I32G, I76A, I76B	M90.21	15	TPN, VTPN
M89.18	08	I76A, I76B	M89.65	08	I08A, I08B, I08C, I08D, I08E, I13A, I13B, I76A, I76B	M90.22	15	TPN, VTPN
M89.19	08	I76A, I76B	M89.66	08	I08A, I08B, I08C, I08D, I08E, I13A, I13B, I76A, I76B	M90.23	15	TPN, VTPN
M89.20	08	I76A, I76B	M89.67	08	I08A, I08B, I08C, I08D, I08E, I13A, I13B, I76A, I76B	M90.24	15	TPN, VTPN
M89.21	08	I76A, I76B	M89.68	08	I08A, I08B, I08C, I08D, I08E, I13A, I13B, I76A, I76B	M90.25	15	TPN, VTPN
M89.22	08	I76A, I76B	M89.69	08	I08A, I08B, I08C, I08D, I08E, I13A, I13B, I76A, I76B	M90.26	15	TPN, VTPN
M89.23	08	I76A, I76B	M89.80	08	I76A, I76B	M90.27	15	TPN, VTPN
M89.24	08	I76A, I76B	M89.81	08	I76A, I76B	M90.28	15	TPN, VTPN
M89.25	08	I76A, I76B	M89.82	08	I76A, I76B	M90.29	15	TPN, VTPN
M89.26	08	I76A, I76B	M89.83	08	I76A, I76B	M90.70	15	TPN, VTPN
M89.27	08	I76A, I76B	M89.84	08	I76A, I76B	M90.71	15	R61F, R61G, R62A, R62B
M89.28	08	I76A, I76B	M89.85	08	I76A, I76B	M90.72	15	TPN, VTPN
M89.29	08	I76A, I76B	M89.86	08	I76A, I76B	M90.73	15	R61F, R61G, R62A, R62B
M89.30	08	I76A, I76B	M89.87	08	I76A, I76B	M90.74	15	TPN, VTPN
M89.31	08	I76A, I76B	M89.88	08	I76A, I76B	M90.75	15	R61F, R61G, R62A, R62B
M89.32	08	I76A, I76B	M89.89	08	I76A, I76B	M90.76	15	TPN, VTPN
M89.33	08	I76A, I76B	M89.90	08	I76A, I76B	M90.77	15	R61F, R61G, R62A, R62B
M89.34	08	I76A, I76B	M89.91	08	I76A, I76B	M90.78	15	TPN, VTPN
M89.35	08	I76A, I76B	M89.92	08	I76A, I76B	M90.79	15	R61F, R61G, R62A, R62B
M89.36	08	I76A, I76B	M89.93	08	I76A, I76B	M91.0	08	I69A, I69B
M89.37	08	I76A, I76B	M89.94	08	I76A, I76B	M91.1	08	I69A, I69B
M89.38	08	I76A, I76B	M89.95	08	I76A, I76B	M91.2	08	I69A, I69B
M89.39	08	I76A, I76B	M89.96	08	I76A, I76B	M91.3	08	I69A, I69B
M89.40	08	I69A, I69B	M89.97	08	I76A, I76B	M91.8	08	I69A, I69B
M89.41	08	I69A, I69B	M89.98	08	I76A, I76B	M91.9	08	I69A, I69B
M89.42	08	I69A, I69B	M89.99	08	I76A, I76B	M92.0	08	I69A, I69B
M89.43	08	I69A, I69B	M90.00	15	TPN, VTPN	M92.1	08	I69A, I69B
M89.44	08	I69A, I69B	M90.01	15	TPN, VTPN	M92.2	08	I69A, I69B
M89.45	08	I69A, I69B	M90.02	15	TPN, VTPN	M92.3	08	I69A, I69B
M89.46	08	I69A, I69B	M90.03	15	TPN, VTPN	M92.4	08	I69A, I69B
M89.47	08	I69A, I69B	M90.04	15	TPN, VTPN	M92.5	08	I69A, I69B
M89.48	08	I69A, I69B	M90.05	15	TPN, VTPN	M92.6	08	I69A, I69B
						M92.7	08	I69A, I69B
						M92.8	08	I69A, I69B
						M92.9	08	I69A, I69B
						M93.0	08	I69A, I69B
						M93.1	08	I69A, I69B
						M93.2	08	I69A, I69B
						M93.8	08	I69A, I69B
						M93.9	08	I69A, I69B
						M94.0	04	E65A, E65B, E69A, E69B, E69C, E69D, E69E, E69F, E75A, E75B, E75C
						M94.1	08	I76A

ICD	MDC	DRG	ICD	MDC	DRG	ICD	MDC	DRG
M94.20	08	I69A, I69B	M96.81	08	I01Z, I03A, I03B, I04Z, I08A, I08B, I08C, I08D, I08E, I13A, I13B, I73Z	N02.8	11	L64A, L74Z
M94.21	08	I69A, I69B				N02.9	11	L64A, L74Z
M94.22	08	I69A, I69B				N03.0	11	L68A, L68B, L74Z
M94.23	08	I69A, I69B		15	TPN, VTPN		18A	S65A, S65B
M94.24	08	I69A, I69B	M96.88	08	I01Z, I03A, I03B, I04Z, I08A, I08B, I08C, I08D, I08E, I13A, I13B, I73Z	N03.1	11	L68A, L68B, L74Z
M94.25	08	I69A, I69B					18A	S65A, S65B
M94.26	08	I69A, I69B		15	TPN, VTPN	N03.2	11	L68A, L68B, L74Z
M94.27	08	I69A, I69B					18A	S65A, S65B
M94.28	08	I69A, I69B	M96.9	08	I08A, I08B, I08C, I08D, I08E, I13A, I13B, I73Z	N03.3	11	L68A, L68B, L74Z
M94.29	08	I69A, I69B					18A	S65A, S65B
M94.30	08	I76A, I76B		15	TPN, VTPN	N03.4	11	L68A, L68B, L74Z
M94.31	08	I76A, I76B	N00.0	11	L68A, L68B, L74Z		18A	S65A, S65B
M94.32	08	I76A, I76B		18A	S65A, S65B	N03.5	11	L68A, L68B, L74Z
M94.33	08	I76A, I76B		Pre	A07D, A09E, A11F, A13F		18A	S65A, S65B
M94.34	08	I76A, I76B	N00.1	11	L68A, L68B, L74Z	N03.6	11	L68A, L68B, L74Z
M94.35	08	I76A, I76B		18A	S65A, S65B		15	TPN, VTPN
M94.36	08	I76A, I76B		Pre	A07D, A09E, A11F, A13F		18A	S65A, S65B
M94.37	08	I76A, I76B	N00.2	11	L68A, L68B, L74Z	N03.7	11	L68A, L68B, L74Z
M94.38	08	I76A, I76B		18A	S65A, S65B		18A	S65A, S65B
M94.39	08	I76A, I76B		Pre	A07D, A09E, A11F, A13F	N03.8	11	L68A, L68B, L74Z
M94.80	08	I76A, I76B	N00.3	11	L68A, L68B, L74Z		18A	S65A, S65B
M94.81	08	I76A, I76B		18A	S65A, S65B	N03.9	11	L68A, L68B, L74Z
M94.82	08	I76A, I76B		Pre	A07D, A09E, A11F, A13F		18A	S65A, S65B
M94.83	08	I76A, I76B	N00.4	11	L68A, L68B, L74Z	N04.0	11	L69A, L69B
M94.84	08	I76A, I76B		18A	S65A, S65B		15	TPN, VTPN
M94.85	08	I76A, I76B		Pre	A07D, A09E, A11F, A13F		18A	S65A, S65B
M94.86	08	I76A, I76B	N00.5	11	L68A, L68B, L74Z	N04.1	11	L69A, L69B
M94.87	08	I76A, I76B		18A	S65A, S65B		15	TPN, VTPN
M94.88	08	I76A, I76B		Pre	A07D, A09E, A11F, A13F		18A	S65A, S65B
M94.89	08	I76A, I76B	N00.6	11	L68A, L68B, L74Z	N04.2	11	L69A, L69B
M94.90	08	I76A, I76B		18A	S65A, S65B		15	TPN, VTPN
M94.91	08	I76A, I76B		Pre	A07D, A09E, A11F, A13F		18A	S65A, S65B
M94.92	08	I76A, I76B	N00.7	11	L68A, L68B, L74Z	N04.3	11	L69A, L69B
M94.93	08	I76A, I76B		18A	S65A, S65B		15	TPN, VTPN
M94.94	08	I76A, I76B		Pre	A07D, A09E, A11F, A13F		18A	S65A, S65B
M94.95	08	I76A, I76B	N00.8	11	L68A, L68B, L74Z	N04.4	11	L69A, L69B
M94.96	08	I76A, I76B		18A	S65A, S65B		15	TPN, VTPN
M94.97	08	I76A, I76B		Pre	A07D, A09E, A11F, A13F		18A	S65A, S65B
M94.98	08	I76A, I76B	N00.9	11	L68A, L68B, L74Z	N04.5	11	L69A, L69B
M94.99	08	I76A, I76B		18A	S65A, S65B		15	TPN, VTPN
M95.0	03	D65Z		Pre	A07D, A09E, A11F, A13F		18A	S65A, S65B
M95.1	03	D66Z	N01.0	11	L68A, L68B, L74Z	N04.6	11	L69A, L69B
M95.2	08	I76A, I76B		18A	S65A, S65B		15	TPN, VTPN
M95.3	08	I76A, I76B	N01.1	11	L68A, L68B, L74Z		18A	S65A, S65B
M95.4	08	I76A, I76B		18A	S65A, S65B	N04.7	11	L69A, L69B
M95.5	08	I76A, I76B	N01.2	11	L68A, L68B, L74Z		15	TPN, VTPN
M95.8	08	I76A, I76B		18A	S65A, S65B		18A	S65A, S65B
M95.9	08	I76A, I76B	N01.3	11	L68A, L68B, L74Z	N04.8	11	L69A, L69B
M96.0	08	I76A, I76B		18A	S65A, S65B		15	TPN, VTPN
M96.1	08	I68A, I68B, I68C, I68D, I68E	N01.4	11	L68A, L68B, L74Z		18A	S65A, S65B
M96.2	08	I06A, I06B, I06C, I06D, I06E, I09A, I09B, I09C, I09D, I09E, I68A, I68B, I68C, I68D, I68E		18A	S65A, S65B	N04.9	11	L69A, L69B
M96.3	08	I06A, I06B, I06C, I06D, I06E, I09A, I09B, I09C, I09D, I09E, I68A, I68B, I68C, I68D, I68E	N01.5	11	L68A, L68B, L74Z		15	TPN, VTPN
M96.4	08	I06A, I06B, I06C, I06D, I06E, I09A, I09B, I09C, I09D, I09E, I68A, I68B, I68C, I68D, I68E		18A	S65A, S65B		18A	S65A, S65B
M96.5	08	I06A, I06B, I06C, I06D, I06E, I09A, I09B, I09C, I09D, I09E, I68A, I68B, I68C, I68D, I68E	N01.6	11	L68A, L68B, L74Z	N05.0	11	L68A, L68B, L74Z
M96.6	08	I01Z, I03A, I03B, I04Z, I08A, I08B, I08C, I08D, I08E, I13A, I13B, I73Z		18A	S65A, S65B		18A	S65A, S65B
M96.80	08	I01Z, I03A, I03B, I04Z, I08A, I08B, I08C, I08D, I08E, I13A, I13B, I73Z	N01.7	11	L68A, L68B, L74Z		Pre	A07D, A09E, A11F, A13F
	15	TPN, VTPN		18A	S65A, S65B	N05.1	11	L68A, L68B, L74Z
	15	TPN, VTPN	N01.8	11	L68A, L68B, L74Z		18A	S65A, S65B
				18A	S65A, S65B	N05.2	11	L68A, L68B, L74Z
			N01.9	11	L68A, L68B, L74Z		18A	S65A, S65B
				18A	S65A, S65B	N05.3	11	L68A, L68B, L74Z
			N02.0	11	L64A, L74Z		18A	S65A, S65B
			N02.1	11	L64A, L74Z	N05.4	11	L68A, L68B, L74Z
			N02.2	11	L64A, L74Z		18A	S65A, S65B
			N02.3	11	L64A, L74Z	N05.5	11	L68A, L68B, L74Z
			N02.4	11	L64A, L74Z		18A	S65A, S65B
			N02.5	11	L64A, L74Z	N05.6	11	L68A, L68B, L74Z
			N02.6	11	L64A, L74Z		18A	S65A, S65B
			N02.7	11	L64A, L74Z			

ICD	MDC	DRG	ICD	MDC	DRG	ICD	MDC	DRG
N05.7	11	L68A, L68B, L74Z	N15.0	11	L68A, L68B, L74Z	N18.80	11	L02B, L09A, L09B, L38Z, L60A, L60B, L60C, L60D, L71Z
	18A	S65A, S65B		18A	S65A, S65B		15	TPN, VTPN
N05.8	11	L68A, L68B, L74Z	N15.10	11	L63A, L63B, L63C, L63D, L63E, L63F, L74Z	N18.89	11	L02B, L09A, L09B, L38Z, L60A, L60B, L60C, L60D, L71Z
	18A	S65A, S65B		15	TPN, VTPN		15	TPN, VTPN
N05.9	11	L68A, L68B, L74Z	N15.11	11	L63A, L63B, L63C, L63D, L63E, L63F, L74Z	N18.9	11	L02B, L09A, L09B, L38Z, L60A, L60B, L60C, L60D, L71Z
	18A	S65A, S65B		15	TPN, VTPN		15	TPN, VTPN
N06.0	11	L68A, L68B, L74Z	N15.8	11	L68A, L68B, L74Z	N19	11	L60A, L60B, L60C, L60D, L71Z
N06.1	11	L68A, L68B, L74Z		18A	S65A, S65B		15	TPN, VTPN
N06.2	11	L68A, L68B, L74Z	N15.9	11	L68A, L68B, L74Z	N20.0	11	L20B, L42A, L42B, L64A, L64B, L74Z
N06.3	11	L68A, L68B, L74Z		18A	S65A, S65B		15	TPN, VTPN
N06.4	11	L68A, L68B, L74Z	N17.0	05	F62A	N20.1	11	L42A, L42B, L64A, L64B, L74Z
N06.5	11	L68A, L68B, L74Z		06	G67A	N20.2	11	L20B, L42A, L42B, L64A, L64B, L74Z
N06.6	11	L68A, L68B, L74Z		07	H06A		15	TPN, VTPN
N06.7	11	L68A, L68B, L74Z		10	K62A	N20.9	11	L42A, L42B, L64A, L64B, L74Z
N06.8	11	L68A, L68B, L74Z		11	L02B, L09A, L09B, L38Z, L60A, L60B, L60C, L60D, L71Z	N21.0	11	L42A, L42B, L64A, L64B, L74Z
N06.9	11	L68A, L68B, L74Z		15	TPN, VTPN	N21.1	11	L42A, L42B, L64A, L64B, L74Z
N07.0	11	L68A, L68B, L74Z		Pre	A07D, A09E, A11F, A13F	N21.8	11	L42A, L42B, L64A, L64B, L74Z
N07.1	11	L68A, L68B, L74Z	N17.1	05	F62A	N21.9	11	L42A, L42B, L64A, L64B, L74Z
N07.2	11	L68A, L68B, L74Z		06	G67A	N23	11	L42A, L42B, L64A, L64B, L74Z
N07.3	11	L68A, L68B, L74Z		07	H06A	N25.0	11	L68A, L68B, L74Z
N07.4	11	L68A, L68B, L74Z		10	K62A	N25.1	11	L68A, L68B, L74Z
N07.5	11	L68A, L68B, L74Z		11	L02B, L09A, L09B, L38Z, L60A, L60B, L60C, L60D, L71Z		15	TPN, VTPN
N07.6	11	L68A, L68B, L74Z		15	TPN, VTPN	Pre	A07D, A09E, A11F, A13F	
N07.7	11	L68A, L68B, L74Z		Pre	A07D, A09E, A11F, A13F	N25.8	11	L68A, L68B, L74Z
N07.8	11	L68A, L68B, L74Z	N17.2	05	F62A	N25.9	11	L68A, L68B, L74Z
N07.9	11	L68A, L68B, L74Z		06	G67A	N26	11	L64A, L64B, L74Z
N08.3	10	K60B		07	H06A	N27.0	11	L68A, L68B, L74Z
	15	TPN, VTPN		10	K62A	N27.1	11	L68A, L68B, L74Z
N10	11	L63A, L63B, L63C, L63D, L63E, L63F, L74Z		11	L02B, L09A, L09B, L38Z, L60A, L60B, L60C, L60D, L71Z	N27.9	11	L68A, L68B, L74Z
	15	TPN, VTPN		15	TPN, VTPN	N28.0	11	L69A, L69B
	Pre	A07D, A09E, A11F, A13F		Pre	A07D, A09E, A11F, A13F		15	TPN, VTPN
N11.0	11	L68A, L68B, L74Z	N17.8	05	F62A	N28.1	11	L68A, L68B, L74Z
N11.1	11	L63A, L63B, L63C, L63D, L63E, L63F, L74Z		06	G67A	N28.8	11	L68A, L68B, L74Z
N11.8	11	L63A, L63B, L63C, L63D, L63E, L63F, L74Z		07	H06A	N28.9	11	L68A, L68B, L74Z
N11.9	11	L63A, L63B, L63C, L63D, L63E, L63F, L74Z		10	K62A		18A	S65A, S65B
N12	11	L63A, L63B, L63C, L63D, L63E, L63F, L74Z		11	L02B, L09A, L09B, L38Z, L60A, L60B, L60C, L60D, L71Z	N30.0	11	L63A, L63B, L63C, L63D, L63E, L63F, L74Z
	15	TPN, VTPN		15	TPN, VTPN	N30.1	11	L64A, L64B, L74Z
N13.0	11	L42A, L42B, L64A, L64B, L74Z		Pre	A07D, A09E, A11F, A13F	N30.2	11	L63A, L63B, L63C, L63D, L63E, L63F, L74Z
N13.1	11	L42A, L42B, L64A, L64B, L74Z	N17.9	05	F62A	N30.3	11	L63A, L63B, L63C, L63D, L63E, L63F, L74Z
N13.2	11	L42A, L42B, L64A, L64B, L74Z		06	G67A	N30.4	11	L62A, L62B
N13.3	11	L42A, L42B, L64A, L64B, L74Z		07	H06A	N30.8	11	L63A, L63B, L63C, L63D, L63E, L63F, L74Z
	Pre	A07D, A09E, A11F, A13F		10	K62A	N30.9	11	L63A, L63B, L63C, L63D, L63E, L63F, L74Z
N13.4	11	L42A, L42B, L64A, L64B, L74Z		11	L02B, L09A, L09B, L38Z, L60A, L60B, L60C, L60D, L71Z	N31.0	11	L68A, L68B, L74Z
N13.5	11	L42A, L42B, L64A, L64B, L74Z		15	TPN, VTPN	N31.1	11	L68A, L68B, L74Z
	15	TPN, VTPN		15	TPN, VTPN	N31.2	11	L68A, L68B, L74Z
N13.6	11	L63A, L63B, L63C, L63D, L63E, L63F, L74Z	N18.1	11	L02B, L09A, L09B, L38Z, L60A, L60B, L60C, L60D, L71Z	N31.80	11	L68A, L68B, L74Z
N13.7	11	L64A, L64B, L74Z		15	TPN, VTPN	N31.81	11	L68A, L68B, L74Z
N13.8	11	L63A, L63B, L63C, L63D, L63E, L63F, L74Z		15	TPN, VTPN	N31.82	11	L68A, L68B, L74Z
	15	TPN, VTPN		11	L02B, L09A, L09B, L38Z, L60A, L60B, L60C, L60D, L71Z	N31.88	11	L68A, L68B, L74Z
N13.9	11	L64A, L64B, L74Z	N18.2	11	L02B, L09A, L09B, L38Z, L60A, L60B, L60C, L60D, L71Z	N31.9	11	L68A, L68B, L74Z
	15	TPN, VTPN		15	TPN, VTPN	N32.0	11	L68A, L68B, L74Z
N14.0	11	L68A, L68B, L74Z	N18.3	11	L02B, L09A, L09B, L38Z, L60A, L60B, L60C, L60D, L71Z	N32.1	11	L68A, L68B, L74Z
	18A	S65A, S65B		15	TPN, VTPN		15	TPN, VTPN
N14.1	11	L68A, L68B, L74Z		15	TPN, VTPN	N32.2	11	L68A, L68B, L74Z
	18A	S65A, S65B		11	L02B, L09A, L09B, L38Z, L60A, L60B, L60C, L60D, L71Z		15	TPN, VTPN
N14.2	11	L68A, L68B, L74Z	N18.4	11	L02B, L09A, L09B, L38Z, L60A, L60B, L60C, L60D, L71Z	N32.3	11	L68A, L68B, L74Z
	18A	S65A, S65B		15	TPN, VTPN		15	TPN, VTPN
N14.3	11	L68A, L68B, L74Z		Pre	A07D, A09E, A11F, A13F	N32.4	11	L68A, L68B, L74Z
	18A	S65A, S65B	N18.5	10	K60B		15	TPN, VTPN
N14.4	11	L68A, L68B, L74Z		11	L02B, L09A, L09B, L38Z, L60A, L60B, L60C, L60D, L71Z		11	L68A, L68B, L74Z
	18A	S65A, S65B		Pre	A07D, A09E, A11F, A13F		15	TPN, VTPN

Dg

ICD	MDC	DRG	ICD	MDC	DRG	ICD	MDC	DRG
N32.80	11	L68A, L68B, L74Z	N47	12	M62Z	N73.6	13	N04Z, N05A, N05B, N07Z, N14Z, N21Z, N25Z, N62A, N62B
N32.89	11	L68A, L68B, L74Z	N48.0	12	M64Z	N73.8	13	N04Z, N05A, N05B, N07Z, N14Z, N21Z, N25Z, N61Z
N32.9	11	L68A, L68B, L74Z	N48.1	12	M62Z	N73.9	13	N04Z, N05A, N05B, N07Z, N14Z, N21Z, N25Z, N61Z
N34.0	11	L63A, L63B, L63C, L63D, L63E, L63F, L74Z	N48.2	12	M62Z	N75.0	13	N04Z, N05A, N05B, N14Z, N21Z, N25Z, N62B
N34.1	15	TPN, VTPN	N48.30	12	M64Z	N75.1	13	N04Z, N05A, N05B, N14Z, N21Z, N25Z, N61Z
N34.1	11	L63A, L63B, L63C, L63D, L63E, L63F, L74Z	N48.31	12	M64Z	N75.8	13	N04Z, N05A, N05B, N14Z, N21Z, N25Z, N61Z
N34.2	11	L63A, L63B, L63C, L63D, L63E, L63F, L74Z	N48.38	12	M64Z	N75.9	13	N04Z, N05A, N05B, N14Z, N21Z, N25Z, N61Z
N34.2	11	L63A, L63B, L63C, L63D, L63E, L63F, L74Z	N48.39	12	M64Z	N76.0	13	N04Z, N05A, N05B, N14Z, N21Z, N25Z, N61Z
N34.3	11	L63A, L63B, L63C, L63D, L63E, L63F, L74Z	N48.4	12	M64Z	N76.1	13	N04Z, N05A, N05B, N14Z, N21Z, N25Z, N61Z
N35.0	11	L64A, L74Z	N48.5	12	M64Z	N76.2	13	N04Z, N05A, N05B, N14Z, N21Z, N25Z, N61Z
N35.1	11	L64A, L74Z	N48.6	12	M62Z	N76.3	13	N04Z, N05A, N05B, N14Z, N21Z, N25Z, N61Z
N35.8	11	L64A, L74Z	N48.8	12	M64Z	N76.4	13	N04Z, N05A, N05B, N14Z, N21Z, N25Z, N61Z
N35.9	15	TPN, VTPN	N48.9	12	M64Z	N76.5	13	N04Z, N05A, N05B, N14Z, N21Z, N25Z, N61Z
N35.9	11	L64A, L74Z	N49.0	12	M62Z	N76.6	13	N04Z, N05A, N05B, N14Z, N21Z, N25Z, N61Z
N36.0	11	L68A, L68B, L74Z	N49.1	12	M62Z	N76.80	13	N04Z, N05A, N05B, N14Z, N21Z, N25Z, N61Z
N36.0	15	TPN, VTPN	N49.2	12	M62Z	N76.88	13	N04Z, N05A, N05B, N14Z, N21Z, N25Z, N61Z
N36.1	11	L68A, L68B, L74Z	N49.80	12	M04A, M37Z, M62Z	N80.0	13	N04Z, N05A, N05B, N07Z, N14Z, N21Z, N25Z, N62A, N62B
N36.1	15	TPN, VTPN	Pre		A07D, A09E, A11F, A13F	N80.1	13	N04Z, N05A, N05B, N07Z, N14Z, N21Z, N25Z, N62A, N62B
N36.2	11	L68A, L68B, L74Z	N49.88	12	M62Z	N80.2	13	N04Z, N05A, N05B, N07Z, N14Z, N21Z, N25Z, N62A, N62B
N36.3	11	L68A, L68B, L74Z	N49.9	12	M62Z	N80.3	13	N04Z, N05A, N05B, N07Z, N14Z, N21Z, N25Z, N62A, N62B
N36.8	11	L68A, L68B, L74Z	N50.0	12	M64Z	N80.4	13	N04Z, N05A, N05B, N07Z, N14Z, N21Z, N25Z, N62A, N62B
N36.9	11	L68A, L68B, L74Z	N50.1	12	M64Z	N80.5	06	G46A, G46B, G46C, G50Z, G67A, G67B, G67C, G67D
N39.0	11	L63A, L63B, L63C, L63D, L63E, L63F, L74Z	N50.8	12	M64Z	N80.6	09	J67A, J67B, J68A, J68B
N39.0	15	TPN, VTPN	N50.9	12	M64Z	N80.8	13	N04Z, N05A, N05B, N07Z, N14Z, N21Z, N25Z, N62A, N62B
N39.1	11	L64A, L64B, L74Z	N60.0	09	J67A, J67B	N80.9	13	N04Z, N05A, N05B, N07Z, N14Z, N21Z, N25Z, N62A, N62B
N39.2	11	L64A, L64B, L74Z	N60.1	09	J67A, J67B	N81.0	13	N04Z, N05A, N05B, N14Z, N21Z, N25Z, N62A, N62B
N39.3	11	L64A, L74Z	N60.2	09	J67A, J67B	N81.1	13	N04Z, N05A, N05B, N14Z, N21Z, N25Z, N62A, N62B
N39.40	11	L64A, L74Z	N60.3	09	J67A, J67B	N81.2	13	N04Z, N05A, N05B, N14Z, N21Z, N25Z, N62A, N62B
N39.41	11	L64A, L74Z	N60.4	09	J67A, J67B	N81.3	13	N04Z, N05A, N05B, N14Z, N21Z, N25Z, N62A, N62B
N39.42	11	L64A, L74Z	N60.8	09	J67A, J67B	N81.3	13	N04Z, N05A, N05B, N14Z, N21Z, N25Z, N62A, N62B
N39.43	11	L64A, L74Z	N60.9	09	J67A, J67B	N81.4	13	N04Z, N05A, N05B, N14Z, N21Z, N25Z, N62A, N62B
N39.48	11	L64A, L74Z	N61	09	J67A, J67B	N81.5	13	N04Z, N05A, N05B, N14Z, N21Z, N25Z, N62A, N62B
N39.81	11	L64A, L64B, L74Z	N62	09	J67A, J67B	N81.6	13	N04Z, N05A, N05B, N14Z, N21Z, N25Z, N62A, N62B
N39.88	11	L64A, L64B, L74Z	N63	09	J67A, J67B			
N39.9	11	L64A, L64B, L74Z	N64.0	09	J67A, J67B			
N40	12	M61Z	N64.1	09	J67A, J67B			
N41.0	12	M62Z	N64.2	09	J67A, J67B			
N41.1	12	M62Z	N64.3	09	J67A, J67B			
N41.2	12	M62Z	N64.4	09	J67A, J67B			
N41.3	12	M62Z	N64.5	09	J67A, J67B			
N41.8	12	M62Z	N64.8	09	J67A, J67B			
N41.9	12	M62Z	N64.9	09	J67A, J67B			
N42.0	12	M64Z	N70.0	13	N04Z, N05A, N05B, N07Z, N14Z, N21Z, N25Z, N61Z			
N42.1	12	M64Z	N70.1	13	N04Z, N05A, N05B, N07Z, N14Z, N21Z, N25Z, N61Z			
N42.2	12	M64Z	N70.9	13	N04Z, N05A, N05B, N07Z, N14Z, N21Z, N25Z, N61Z			
N42.3	08	I54Z	N71.0	13	N04Z, N05A, N05B, N07Z, N14Z, N21Z, N25Z, N61Z			
N42.3	12	M09A, M09B, M60A, M60B, M60C	N71.1	13	N04Z, N05A, N05B, N07Z, N14Z, N21Z, N25Z, N61Z			
N42.8	Pre	A09A, A11B	N71.9	13	N04Z, N05A, N05B, N07Z, N14Z, N21Z, N25Z, N61Z			
N42.9	12	M64Z	N72	13	N04Z, N05A, N05B, N14Z, N21Z, N25Z, N61Z			
N43.0	12	M64Z	N73.0	13	N04Z, N05A, N05B, N07Z, N14Z, N21Z, N25Z, N61Z			
N43.1	12	M62Z	N73.1	13	N04Z, N05A, N05B, N07Z, N14Z, N21Z, N25Z, N61Z			
N43.2	15	TPN, VTPN	N73.2	13	N04Z, N05A, N05B, N07Z, N14Z, N21Z, N25Z, N61Z			
N43.3	12	M64Z	N73.3	13	N04Z, N05A, N05B, N07Z, N14Z, N21Z, N25Z, N61Z			
N43.4	12	M64Z	N73.3	13	N04Z, N05A, N05B, N07Z, N14Z, N21Z, N25Z, N61Z			
N44.0	12	M64Z	N73.4	13	N04Z, N05A, N05B, N07Z, N14Z, N21Z, N25Z, N61Z			
N44.1	15	TPN, VTPN	N73.5	13	N04Z, N05A, N05B, N07Z, N14Z, N21Z, N25Z, N61Z			
N44.1	12	M64Z						
N45.0	15	TPN, VTPN						
N45.0	12	M62Z						
N45.9	15	TPN, VTPN						
N45.9	12	M62Z						
N46	12	M64Z						

ICD	MDC	DRG	ICD	MDC	DRG	ICD	MDC	DRG
N96	13	N04Z, N05A, N05B, N14Z, N21Z, N25Z, N62B	O05.4	14	962Z, O40Z, O63Z	O12.1	14	962Z, O01A, O01B, O01C, O01D, O01E, O01F, O01G, O04A, O04B, O60A, O60B, O60C, O61Z, O65A, O65B, O65C
N97.0	13	N04Z, N05A, N05B, N14Z, N21Z, N25Z, N62A, N62B	O05.5	14	962Z, O40Z, O63Z			
N97.1	13	N04Z, N05A, N05B, N14Z, N21Z, N25Z, N62A, N62B	O05.6	14	962Z, O40Z, O63Z	O12.2	14	962Z, O04A, O04B, O61Z, O65A, O65B, O65C
N97.2	13	N04Z, N05A, N05B, N14Z, N21Z, N25Z, N62A, N62B	O05.7	14	962Z, O40Z, O63Z	O13	14	962Z, O01A, O01B, O01C, O01D, O01E, O01F, O01G, O04A, O04B, O60A, O60B, O60C, O61Z, O65A, O65B, O65C
N97.3	13	N04Z, N05A, N05B, N14Z, N21Z, N25Z, N62A, N62B	O05.8	14	962Z, O40Z, O63Z			
N97.4	13	N04Z, N05A, N05B, N14Z, N21Z, N25Z, N62A, N62B	O05.9	14	962Z, O40Z, O63Z	O14.0	14	962Z, O01A, O01B, O01C, O01D, O01E, O01F, O01G, O04A, O04B, O60A, O60B, O60C, O61Z, O65A, O65B, O65C
N97.8	13	N04Z, N05A, N05B, N14Z, N21Z, N25Z, N62A, N62B	O06.0	14	962Z, O40Z, O63Z			
N97.9	13	N04Z, N05A, N05B, N14Z, N21Z, N25Z, N62A, N62B	O06.1	14	962Z, O40Z, O63Z	O14.1	14	962Z, O01A, O01B, O01C, O01D, O01E, O01F, O01G, O04A, O04B, O60A, O60B, O60C, O61Z, O65A, O65B, O65C
N98.0	11	L68A, L68B, L74Z	O06.2	14	962Z, O40Z, O63Z			
N98.1	21B	X62Z	O06.3	14	962Z, O40Z, O63Z	O14.2	14	962Z, O01A, O01B, O01C, O01D, O01E, O01F, O01G, O04A, O04B, O60A, O60B, O60C, O61Z, O65A, O65B, O65C
N98.2	21B	X62Z	O06.4	14	962Z, O40Z, O63Z		Pre	A07D, A09E, A11F, A13F
N98.3	21B	X62Z	O06.5	14	962Z, O40Z, O63Z		14	962Z, O01A, O01B, O01C, O01D, O01E, O01F, O01G, O04A, O04B, O60A, O60B, O60C, O61Z, O65A, O65B, O65C
N98.8	21B	X62Z	O06.6	14	962Z, O40Z, O63Z	O14.9	14	962Z, O01A, O01B, O01C, O01D, O01E, O01F, O01G, O04A, O04B, O60A, O60B, O60C, O61Z, O65A, O65B, O65C
N98.9	21B	X62Z	O06.7	14	962Z, O40Z, O63Z			
N99.0	11	L60A, L60B, L60C, L60D, L71Z	O06.8	14	962Z, O40Z, O63Z	O15.0	14	962Z, O01A, O01B, O01C, O01D, O01E, O01F, O01G, O04A, O04B, O60A, O60B, O60C, O61Z, O65A, O65B, O65C
N99.1	11	L64A, L74Z	O06.9	14	962Z, O40Z, O63Z		Pre	A07D, A09E, A11F, A13F
	15	TPN, VTPN	O07.0	14	962Z, O40Z, O63Z	O15.1	14	962Z, O01A, O01B, O01C, O01D, O01E, O01F, O01G, O02A, O02B, O60A, O60B, O60C
N99.2	13	N04Z, N05A, N05B, N14Z, N21Z, N25Z, N62A, N62B	O07.1	14	962Z, O40Z, O63Z		Pre	A07D, A09E, A11F, A13F
N99.3	13	N04Z, N05A, N05B, N14Z, N21Z, N25Z, N62A, N62B	O07.2	14	962Z, O40Z, O63Z	O15.2	14	962Z, O04A, O04B, O61Z
N99.4	21B	X62Z	O07.3	14	962Z, O40Z, O63Z		Pre	A07D, A09E, A11F, A13F
N99.5	11	L68A, L68B, L74Z	O07.4	14	962Z, O40Z, O63Z	O15.9	14	962Z, O01A, O01B, O01C, O01D, O01E, O01F, O01G, O04A, O04B, O60A, O60B, O60C, O61Z, O65A, O65B, O65C
N99.8	11	L68A, L68B, L74Z	O07.5	14	962Z, O40Z, O63Z			
N99.9	21B	X62Z	O07.6	14	962Z, O40Z, O63Z	O16	14	962Z, O04A, O04B, O61Z, O65A, O65B, O65C
O00.0	14	962Z, O03Z	O07.7	14	962Z, O40Z, O63Z	O20.0	14	962Z, O62Z
O00.1	14	962Z, O03Z	O07.8	14	962Z, O40Z, O63Z	O20.8	14	962Z, O62Z
O00.2	14	962Z, O03Z	O07.9	14	962Z, O40Z, O63Z	O20.9	14	962Z, O62Z
O00.8	14	962Z, O03Z	O08.0	14	962Z, O04A, O04B, O61Z	O21.0	14	962Z, O04A, O04B, O61Z, O65A, O65B, O65C
O00.9	14	962Z, O03Z	O08.1	14	962Z, O04A, O04B, O61Z	O21.1	14	962Z, O04A, O04B, O61Z, O65A, O65B, O65C
O01.0	14	962Z, O40Z, O63Z	O08.2	14	962Z, O04A, O04B, O61Z	O21.2	14	962Z, O01A, O01B, O01C, O01D, O01E, O01F, O01G, O04A, O04B, O60A, O60B, O60C, O61Z, O65A, O65B, O65C
O01.1	14	962Z, O40Z, O63Z	O08.3	14	962Z, O04A, O04B, O61Z			
O01.9	14	962Z, O40Z, O63Z	O08.4	14	962Z, O04A, O04B, O61Z	O21.8	14	962Z, O01A, O01B, O01C, O01D, O01E, O01F, O01G, O04A, O04B, O60A, O60B, O60C, O61Z, O65A, O65B, O65C
O02.0	14	962Z, O40Z, O63Z	O08.5	14	962Z, O04A, O04B, O61Z			
O02.1	14	962Z, O40Z, O63Z	O08.6	14	962Z, O04A, O04B, O61Z			
O02.8	14	962Z, O40Z, O63Z	O08.7	14	962Z, O04A, O04B, O61Z			
O02.9	14	962Z, O40Z, O63Z	O08.8	14	962Z, O04A, O04B, O61Z			
O03.0	14	962Z, O40Z, O63Z	O08.9	14	962Z, O04A, O04B, O61Z			
O03.1	14	962Z, O40Z, O63Z	O09.0	14	O01A, O01B, O01C, O01D, O01F, O02A, O60A			
O03.2	14	962Z, O40Z, O63Z	O09.1	14	O01A, O01B, O01C, O01D, O01F, O02A, O60A			
O03.3	14	962Z, O40Z, O63Z	O09.2	14	O01A, O01B, O01C, O01D, O01F, O02A, O60A			
O03.4	14	962Z, O40Z, O63Z	O09.3	14	O01A, O01B, O01C, O01D, O01F, O02A, O60A, O65A			
O03.5	14	962Z, O40Z, O63Z	O09.4	14	O01B, O01C, O01D, O01F, O02A, O60A, O65A, O65B			
O03.6	14	962Z, O40Z, O63Z	O10.0	14	962Z, O04A, O04B, O61Z, O65A, O65B, O65C			
O03.7	14	962Z, O40Z, O63Z	O10.1	14	962Z, O04A, O04B, O61Z, O65A, O65B, O65C			
O03.8	14	962Z, O40Z, O63Z	O10.2	14	962Z, O01A, O01B, O01C, O01D, O01E, O01F, O01G, O04A, O04B, O60A, O60B, O60C, O61Z, O65A, O65B, O65C			
O03.9	14	962Z, O40Z, O63Z						
O04.0	14	962Z, O40Z, O63Z	O10.3	14	962Z, O04A, O04B, O61Z, O65A, O65B, O65C			
O04.1	14	962Z, O40Z, O63Z	O10.4	14	962Z, O04A, O04B, O61Z, O65A, O65B, O65C			
O04.2	14	962Z, O40Z, O63Z	O10.9	14	962Z, O04A, O04B, O61Z, O65A, O65B, O65C			
O04.3	14	962Z, O40Z, O63Z	O11	14	962Z, O01A, O01B, O01C, O01D, O01E, O01F, O01G, O04A, O04B, O60A, O60B, O60C, O61Z, O65A, O65B, O65C			
O04.4	14	962Z, O40Z, O63Z						
O04.5	14	962Z, O40Z, O63Z						
O04.6	14	962Z, O40Z, O63Z						
O04.7	14	962Z, O40Z, O63Z						
O04.8	14	962Z, O40Z, O63Z						
O04.9	14	962Z, O40Z, O63Z						
O05.0	14	962Z, O40Z, O63Z	O12.0	14	962Z, O04A, O04B, O61Z, O65A, O65B, O65C			
O05.1	14	962Z, O40Z, O63Z						
O05.2	14	962Z, O40Z, O63Z						
O05.3	14	962Z, O40Z, O63Z						

ICD	MDC	DRG	ICD	MDC	DRG	ICD	MDC	DRG
081.3	14	962Z, O02A, O02B, O60A, O60B, O60C, O60D	089.3	14	962Z, O04A, O04B, O61Z	099.2	14	962Z, O04A, O04B, O61Z, O65A, O65B, O65C
081.4	14	962Z, O02A, O02B, O60A, O60B, O60C, O60D	089.4	14	962Z, O04A, O04B, O61Z	099.3	14	962Z, O04A, O04B, O61Z, O65A, O65B, O65C
081.5	14	962Z, O02A, O02B, O60A, O60B, O60C, O60D	089.5	14	962Z, O04A, O04B, O61Z	099.4	14	962Z, O04A, O04B, O61Z, O65A, O65B, O65C
082.0	14	962Z	089.6	14	962Z, O04A, O04B, O61Z	099.5	14	962Z, O04A, O04B, O61Z, O65A, O65B, O65C
082.1	14	962Z	089.8	14	962Z, O04A, O04B, O61Z	099.6	14	962Z, O04A, O04B, O61Z, O65A, O65B, O65C
082.2	14	962Z	089.9	14	962Z, O04A, O04B, O61Z	099.7	14	962Z, O04A, O04B, O61Z, O65A, O65B, O65C
082.8	14	962Z	090.0	14	962Z, O01A, O01B, O01C, O01D, O01E, O01F, O01G, O04A, O04B, O60A, O60B, O60C, O61Z	099.8	14	962Z, O04A, O04B, O61Z, O65A, O65B, O65C
082.9	14	962Z	090.1	14	962Z, O01A, O01B, O01C, O01D, O01E, O01F, O01G, O04A, O04B, O60A, O60B, O60C, O61Z	P00.0	Pre	963Z
083.0	14	962Z, O02A, O02B, O60A, O60B, O60C, O60D	090.2	14	962Z, O04A, O04B, O61Z	P00.1	Pre	963Z
083.1	14	962Z, O02A, O02B, O60A, O60B, O60C, O60D	090.3	14	962Z, O01A, O01B, O01C, O01D, O01E, O01F, O01G, O04A, O04B, O60A, O60B, O60C, O61Z	P00.2	Pre	963Z
083.2	14	962Z, O02A, O02B, O60A, O60B, O60C, O60D	090.4	14	962Z, O04A, O04B, O61Z	P00.3	Pre	963Z
083.3	14	962Z, O02A, O02B, O60A, O60B, O60C, O60D	090.5	14	962Z, O04A, O04B, O61Z	P00.4	Pre	963Z
083.4	14	962Z, O02A, O02B, O60A, O60B, O60C, O60D	090.8	14	962Z, O04A, O04B, O61Z	P00.5	Pre	963Z
083.8	14	962Z, O02A, O02B, O60A, O60B, O60C, O60D	090.9	14	962Z, O04A, O04B, O61Z	P00.6	Pre	963Z
083.9	14	962Z, O02A, O02B, O60A, O60B, O60C, O60D	090.8	14	962Z, O04A, O04B, O61Z	P00.7	Pre	963Z
084.0	14	962Z, O02A, O02B, O60A, O60B, O60C, O60D	090.9	14	962Z, O04A, O04B, O61Z	P00.8	Pre	963Z
084.1	14	962Z, O02A, O02B, O60A, O60B, O60C, O60D	091.00	14	962Z, O04A, O04B, O61Z	P00.9	Pre	963Z
084.2	14	962Z	091.01	14	962Z, O04A, O04B, O61Z	P01.0	Pre	963Z
084.8	14	962Z, O02A, O02B, O60A, O60B, O60C, O60D	091.10	14	962Z, O04A, O04B, O61Z	P01.1	Pre	963Z
084.9	14	962Z, O02A, O02B, O60A, O60B, O60C, O60D	091.11	14	962Z, O04A, O04B, O61Z	P01.2	Pre	963Z
085	14	962Z, O01A, O01B, O01C, O01D, O01E, O01F, O01G, O04A, O04B, O60A, O60B, O60C, O61Z	091.20	14	962Z, O04A, O04B, O61Z	P01.3	Pre	963Z
086.0	14	962Z, O01A, O01B, O01C, O01D, O01E, O01F, O01G, O04A, O04B, O60A, O60B, O60C, O61Z	091.21	14	962Z, O04A, O04B, O61Z	P01.4	Pre	963Z
086.1	14	962Z, O04A, O04B, O61Z	092.00	14	962Z, O04A, O04B, O61Z	P01.5	15	P65C, P66C, P67B, P67C
086.2	14	962Z, O04A, O04B, O61Z	092.01	14	962Z, O04A, O04B, O61Z	Pre	963Z	
086.3	14	962Z, O04A, O04B, O61Z	092.10	14	962Z, O04A, O04B, O61Z	P01.6	15	P65C, P66C, P67B, P67C
086.4	14	962Z, O04A, O04B, O61Z	092.11	14	962Z, O04A, O04B, O61Z	Pre	963Z	
086.8	14	962Z, O04A, O04B, O61Z	092.20	14	962Z, O04A, O04B, O61Z	P01.7	Pre	963Z
087.0	14	962Z, O04A, O04B, O61Z	092.21	14	962Z, O04A, O04B, O61Z	P01.8	Pre	963Z
087.1	14	962Z, O04A, O04B, O61Z	092.30	14	962Z, O04A, O04B, O61Z	P01.9	Pre	963Z
087.2	14	962Z, O04A, O04B, O61Z	092.31	14	962Z, O04A, O04B, O61Z	P02.0	Pre	963Z
087.3	14	962Z, O04A, O04B, O61Z	092.40	14	962Z, O04A, O04B, O61Z	P02.1	15	TPN, VTPN
087.8	14	962Z, O04A, O04B, O61Z	092.41	14	962Z, O04A, O04B, O61Z	Pre	963Z	
087.9	14	962Z, O04A, O04B, O61Z	092.50	14	962Z, O04A, O04B, O61Z	P02.2	Pre	963Z
088.0	14	962Z, O04A, O04B, O61Z	092.51	14	962Z, O04A, O04B, O61Z	P02.3	Pre	963Z
088.1	14	962Z, O04A, O04B, O61Z	092.60	14	962Z, O04A, O04B, O61Z	P02.4	15	P65C, P66C, P67B, P67C
088.20	14	962Z, O01A, O01B, O01C, O01D, O01E, O01F, O01G, O01H, O04A, O04B, O60A, O60B, O60C, O61Z	092.61	14	962Z, O04A, O04B, O61Z	Pre	963Z	
088.28	14	962Z, O01A, O01B, O01C, O01D, O01E, O01F, O01G, O01H, O04A, O04B, O60A, O60B, O60C, O61Z	092.70	14	962Z, O04A, O04B, O61Z	P02.5	Pre	963Z
088.3	14	962Z, O04A, O04B, O61Z	092.71	14	962Z, O04A, O04B, O61Z	P02.6	Pre	963Z
088.8	14	962Z, O04A, O04B, O61Z	098.0	14	962Z, O04A, O04B, O61Z, O65A, O65B, O65C	P02.7	15	P65C, P66C, P67B, P67C
089.0	14	962Z, O01A, O01B, O01C, O01D, O01E, O01F, O01G, O04A, O04B, O60A, O60B, O60C, O61Z	098.1	14	962Z, O04A, O04B, O61Z, O65A, O65B, O65C	Pre	963Z	
089.1	14	962Z, O04A, O04B, O61Z	098.2	14	962Z, O04A, O04B, O61Z, O65A, O65B, O65C	P02.8	Pre	963Z
089.2	14	962Z, O04A, O04B, O61Z	098.3	14	962Z, O04A, O04B, O61Z, O65A, O65B, O65C	P02.9	Pre	963Z
			098.4	14	962Z, O04A, O04B, O61Z, O65A, O65B, O65C	P03.0	Pre	963Z
			098.5	14	962Z, O04A, O04B, O61Z, O65A, O65B, O65C	P03.1	15	TPN, VTPN
			098.6	14	962Z, O04A, O04B, O61Z, O65A, O65B, O65C	Pre	963Z	
			098.7	14	962Z, O01C, O01D, O01F, O04A, O04B, O61Z, O65A, O65B, O65C	P03.2	Pre	963Z
			098.8	14	962Z, O04A, O04B, O61Z, O65A, O65B, O65C	P03.3	Pre	963Z
			098.9	14	962Z, O04A, O04B, O61Z, O65A, O65B, O65C	P03.4	Pre	963Z
			099.0	14	962Z, O04A, O04B, O61Z, O65A, O65B, O65C	P03.5	Pre	963Z
			099.1	14	962Z, O04A, O04B, O61Z, O65A, O65B, O65C	P03.6	Pre	963Z
						P03.8	Pre	963Z
						P03.9	Pre	963Z
						P04.0	15	TPN, VTPN
						Pre	963Z	
						P04.1	15	P65C, P66C, P67B, P67C
						Pre	963Z	
						P04.2	Pre	963Z
						P04.3	Pre	963Z
						P04.4	15	P65C, P66C, P67B, P67C
						Pre	963Z	
						P04.5	Pre	963Z
						P04.6	Pre	963Z

ICD	MDC	DRG	ICD	MDC	DRG	ICD	MDC	DRG
P04.8	Pre	963Z	P13.8	Pre	963Z	P24.0	04	E69A, E69B, E69C, E69D
P04.9	Pre	963Z	P13.9	Pre	963Z	15	TPN, VTPN	
P05.0	Pre	963Z	P14.0	01	B03A, B03B, B06A, B06B, B17A, B17B, B17C, B17D, B71A, B71B, B71C, B71D	P24.1	15	TPN, VTPN
P05.1	Pre	963Z				Pre	963Z	
P05.2	Pre	963Z	P14.1	01	B03A, B03B, B06A, B06B, B17A, B17B, B17C, B17D, B71A, B71B, B71C, B71D	P24.2	15	TPN, VTPN
P05.9	Pre	963Z				Pre	963Z	
P07.00	Pre	963Z	P14.2	01	B03A, B03B, B06A, B06B, B17A, B17B, B17C, B17D, B71A, B71B, B71C, B71D	P24.3	15	TPN, VTPN
P07.01	Pre	963Z				Pre	963Z	
P07.02	Pre	963Z	P14.3	01	B03A, B03B, B06A, B06B, B17A, B17B, B17C, B17D, B71A, B71B, B71C, B71D	P24.8	15	TPN, VTPN
P07.10	Pre	963Z				Pre	963Z	
P07.11	Pre	963Z	P14.8	01	B03A, B03B, B06A, B06B, B17A, B17B, B17C, B17D, B71A, B71B, B71C, B71D	P24.9	15	TPN, VTPN
P07.12	Pre	963Z				Pre	963Z	
P07.2	15	P65C, P66C, P67B, P67C	P14.9	01	B03A, B03B, B06A, B06B, B17A, B17B, B17C, B17D, B71A, B71B, B71C, B71D	P25.0	15	TPN, VTPN
	Pre	963Z				Pre	963Z	
P07.3	Pre	963Z	P15.0	Pre	963Z	P25.1	15	TPN, VTPN
P08.0	Pre	963Z	P15.1	Pre	963Z	Pre	963Z	
P08.1	Pre	963Z	P15.2	Pre	963Z	P25.2	15	TPN, VTPN
P08.2	Pre	963Z	P15.3	Pre	963Z	Pre	963Z	
P10.0	15	TPN, VTPN	P15.4	Pre	963Z	P25.3	15	TPN, VTPN
	Pre	963Z	P15.5	Pre	963Z	Pre	963Z	
P10.1	15	TPN, VTPN	P15.6	15	TPN, VTPN	P25.8	15	TPN, VTPN
	Pre	963Z				Pre	963Z	
P10.2	15	TPN, VTPN	P15.8	Pre	963Z	P26.0	15	TPN, VTPN
	Pre	963Z	P15.9	Pre	963Z	Pre	963Z	
P10.3	15	TPN, VTPN	P20.0	15	TPN, VTPN	P26.1	15	TPN, VTPN
	Pre	963Z				Pre	963Z	
P10.4	15	TPN, VTPN	P20.1	Pre	963Z	P26.8	15	TPN, VTPN
	Pre	963Z	P20.9	Pre	963Z	Pre	963Z	
P10.8	15	TPN, VTPN	P21.0	01	B03A, B03B, B06A, B06B, B17A, B17B, B17C, B17D, B81A, B81B	P26.9	15	TPN, VTPN
	Pre	963Z				Pre	963Z	
P10.9	15	TPN, VTPN	P21.1	01	B03A, B03B, B06A, B06B, B17A, B17B, B17C, B17D, B81A, B81B	P27.0	04	E69A, E69B, E69C, E69D
	Pre	963Z				15	TPN, VTPN	
P11.0	Pre	963Z				P27.1	04	E69A, E69B, E69C, E69D
P11.1	15	TPN, VTPN				15	TPN, VTPN	
	Pre	963Z				P27.8	04	E69A, E69B, E69C, E69D
P11.2	15	TPN, VTPN				15	TPN, VTPN	
	Pre	963Z				P27.9	04	E69A, E69B, E69C, E69D
P11.3	01	B03A, B03B, B06A, B06B, B17A, B17B, B17C, B17D, B71A, B71B, B71C, B71D				15	TPN, VTPN	
						P28.0	Pre	963Z
P11.4	01	B03A, B03B, B06A, B06B, B17A, B17B, B17C, B17D, B71A, B71B, B71C, B71D	P21.9	01	B03A, B03B, B06A, B06B, B17A, B17B, B17C, B17D, B81A, B81B	P28.1	Pre	963Z
						P28.2	04	E69A, E69B, E69C, E69D
P11.50	Pre	B61A, B61B				P28.3	04	E69A, E69B, E69C, E69D
P11.51	01	B03A, B48Z, B60A, B60B				15	P65C, P66C, P67B, P67C	
	04	E40B, E69A, E77F				P28.4	04	E69A, E69B, E69C, E69D
	06	G67C	P22.0	15	TPN, VTPN	15	P65C, P66C, P67B, P67C	
	08	I06A, I08C, I09D, I10C, I13A, I13B, I68A, I68B, I69A, I69B				P28.5	04	E69A, E69B, E69C, E69D
	09	J02A, J08A, J08B, J08C, J11A	P22.1	Pre	963Z	15	TPN, VTPN	
	10	K62A	P22.8	04	E69A, E69B, E69C, E69D	P28.8	04	E69A, E69B, E69C, E69D
	11	L18A, L18B, L20A, L20B, L38Z, L42A, L74Z				P28.9	Pre	963Z
	18B	T60B	P22.9	04	E69A, E69B, E69C, E69D	P29.0	15	TPN, VTPN
P11.59	Pre	B61A, B61B	P23.0	15	TPN, VTPN	Pre	963Z	
	Pre	963Z				P29.1	15	P65C, P66C, P67B, P67C
P12.0	Pre	963Z	P23.1	15	TPN, VTPN	Pre	963Z	
	Pre	963Z				P29.2	Pre	963Z
P12.1	Pre	963Z	P23.2	15	TPN, VTPN	P29.3	Pre	963Z
	Pre	963Z				P29.4	Pre	963Z
P12.2	Pre	963Z	P23.3	15	TPN, VTPN	P29.8	Pre	963Z
	Pre	963Z				P29.9	Pre	963Z
P12.3	Pre	963Z	P23.4	15	TPN, VTPN	P35.0	15	TPN, VTPN
	Pre	963Z				23	Z65Z	
P12.4	15	P65C, P66C, P67B, P67C	P23.5	15	TPN, VTPN	P35.1	15	TPN, VTPN
	Pre	963Z				18B	T63A, T63B	
P12.8	Pre	963Z	P23.6	15	TPN, VTPN	P35.2	05	F62A
	Pre	963Z				06	G67A	
P12.9	Pre	963Z				15	TPN, VTPN	
P13.0	01	B79Z	P23.8	15	TPN, VTPN	17	R60B, R60C, R61A, R62A, R63B, R63C, R63D, R63F	
	Pre	963Z						
P13.1	Pre	963Z	P23.9	15	TPN, VTPN	18B	T01B, T60A, T60B, T60C, T60D, T60E, T60F, T61A	
	Pre	963Z						
P13.2	Pre	963Z						
P13.3	Pre	963Z						
P13.4	Pre	963Z						

ICD	MDC	DRG	ICD	MDC	DRG	ICD	MDC	DRG
P35.3	07	H63A, H63B, H63C, H78Z	P52.2	15	TPN, VTPN	P61.3	16	Q61A, Q61B, Q61C, Q61D, Q61E
	15	TPN, VTPN		Pre	963Z			
P35.8	15	TPN, VTPN	P52.3	15	TPN, VTPN	P61.4	16	Q61A, Q61B, Q61C, Q61D, Q61E
	18B	T64A, T64B, T64C		Pre	963Z			
P35.9	15	TPN, VTPN	P52.4	15	P65C, P66C, P67B, P67C	P61.5	16	Q60A, Q60B, Q60C, Q60D, Q60E
	18B	T64A, T64B, T64C		Pre	963Z			
P36.0	15	TPN, VTPN	P52.5	15	TPN, VTPN	P61.6	16	Q60A, Q60B, Q60C
	Pre	963Z		Pre	963Z	P61.8	Pre	963Z
P36.1	15	TPN, VTPN	P52.6	Pre	963Z	P61.9	Pre	963Z
	Pre	963Z	P52.8	Pre	963Z	P70.0	15	TPN, VTPN
P36.2	15	TPN, VTPN	P52.9	Pre	963Z		Pre	963Z
	Pre	963Z	P53	15	TPN, VTPN	P70.1	15	TPN, VTPN
P36.3	15	TPN, VTPN		16	Q60A, Q60B, Q60C		Pre	963Z
	Pre	963Z	P54.0	Pre	963Z	P70.2	10	K60A, K60B, K60C, K60D, K60E
P36.4	15	TPN, VTPN	P54.1	Pre	963Z		15	TPN, VTPN
	Pre	963Z	P54.2	Pre	963Z	P70.3	10	K63A, K63B, K63C
P36.5	15	TPN, VTPN	P54.3	Pre	963Z	P70.4	10	K63A, K63B, K63C
	Pre	963Z	P54.4	15	TPN, VTPN	P70.8	10	K62A, K62B
P36.8	15	TPN, VTPN		Pre	963Z	P70.9	10	K62A, K62B
	Pre	963Z	P54.5	Pre	963Z	P71.0	10	K62A, K62B
P36.9	15	TPN, VTPN	P54.6	Pre	963Z	P71.1	10	K62A, K62B
	Pre	963Z	P54.8	Pre	963Z		15	P65C, P66C, P67B, P67C
P37.0	15	TPN, VTPN	P54.9	Pre	963Z	P71.2	10	K62A, K62B
	18B	T64A, T64B, T64C	P55.0	15	P65C, P66C, P67B, P67C	P71.3	10	K62A, K62B
P37.1	15	TPN, VTPN		16	Q61A, Q61B, Q61C, Q61D, Q61E	P71.4	10	K62A, K62B
	18B	T64A, T64B, T64C	P55.1	15	P65C, P66C, P67B, P67C	P71.8	10	K62A, K62B
P37.2	05	F62A		16	Q61A, Q61B, Q61C, Q61D, Q61E	P71.9	10	K62A, K62B
	06	G67A				P72.0	10	K62A, K62B
	15	TPN, VTPN	P55.8	15	P65C, P66C, P67B, P67C	P72.1	10	K64A, K64B, K64C, K64D
	17	R60B, R60C, R61A, R62A, R63B, R63C, R63D, R63F		16	Q61A, Q61B, Q61C, Q61D, Q61E		15	TPN, VTPN
	18B	T01B, T60A, T60B, T60C, T60D, T60E, T60F, T61A	P55.9	16	Q61A, Q61B, Q61C, Q61D, Q61E	P72.2	10	K62A, K62B
P37.3	15	TPN, VTPN				P72.8	10	K62A, K62B
	18B	T64A, T64B, T64C	P56.0	15	TPN, VTPN	P72.9	10	K62A, K62B
P37.4	15	TPN, VTPN		Pre	963Z	P74.0	10	K62A, K62B
	18B	T64A, T64B, T64C	P56.9	15	TPN, VTPN		15	P65C, P66C, P67B, P67C
	Pre	963Z		Pre	963Z	P74.1	10	K62A, K62B
P37.5	15	TPN, VTPN	P57.0	15	TPN, VTPN	P74.2	10	K62A, K62B
P37.8	18B	T64A, T64B, T64C		Pre	963Z	P74.3	10	K62A, K62B
P37.9	15	TPN, VTPN	P57.8	15	TPN, VTPN	P74.4	10	K62A, K62B
	18B	T64A, T64B, T64C		Pre	963Z	P74.5	10	K62A, K62B
P38	15	P65C, P66C, P67B, P67C	P57.9	15	TPN, VTPN	P74.8	10	K62A, K62B
	Pre	963Z		Pre	963Z	P74.9	10	K62A, K62B
P39.0	15	P65C, P66C, P67B, P67C	P58.0	Pre	963Z	P75	Pre	963Z
	Pre	963Z	P58.1	Pre	963Z	P76.0	15	P65C, P66C, P67B, P67C
P39.1	Pre	963Z	P58.2	Pre	963Z		Pre	963Z
P39.2	Pre	963Z	P58.3	Pre	963Z	P76.1	06	G46A, G46B, G46C, G50Z, G71Z
P39.3	15	P65C, P66C, P67B, P67C	P58.4	Pre	963Z	P76.2	06	G40Z, G46A, G46B, G46C, G47Z, G65Z
	Pre	963Z	P58.5	Pre	963Z			
P39.4	15	P65C, P66C, P67B, P67C	P58.8	Pre	963Z	P76.8	06	G46A, G46B, G46C, G50Z, G71Z
	Pre	963Z	P58.9	Pre	963Z			
P39.8	Pre	963Z	P59.0	15	P65C, P66C, P67B, P67C	P76.9	06	G46A, G46B, G46C, G50Z, G71Z
P39.9	Pre	963Z		Pre	963Z			
P50.0	Pre	963Z	P59.1	07	H63A, H63B, H63C, H78Z	P77	06	G46A, G46B, G46C, G50Z, G71Z
P50.1	Pre	963Z		15	TPN, VTPN		15	TPN, VTPN
P50.2	Pre	963Z	P59.2	07	H63A, H63B, H63C, H78Z	P78.0	15	TPN, VTPN
P50.3	Pre	963Z		15	TPN, VTPN		Pre	963Z
P50.4	Pre	963Z	P59.3	07	H63A, H63B, H63C, H78Z	P78.1	15	TPN, VTPN
P50.5	Pre	963Z		15	P65C, P66C, P67B, P67C		Pre	963Z
P50.8	Pre	963Z	P59.8	Pre	963Z	P78.2	Pre	963Z
P50.9	Pre	963Z		Pre	963Z	P78.3	06	G46A, G46B, G46C, G50Z, G71Z
P51.0	Pre	963Z	P59.9	Pre	963Z		15	P65C, P66C, P67B, P67C
P51.8	Pre	963Z	P60	15	TPN, VTPN	P78.8	06	G46A, G46B, G46C, G50Z, G71Z
P51.9	Pre	963Z		16	Q60A, Q60B, Q60C			
P52.0	15	TPN, VTPN	P61.0	15	TPN, VTPN	P78.9	06	G46A, G46B, G46C, G50Z, G71Z
	Pre	963Z		16	Q60A, Q60B, Q60C			
P52.1	15	TPN, VTPN	P61.1	Pre	963Z			
	Pre	963Z	P61.2	16	Q61A, Q61B, Q61C, Q61D, Q61E			

ICD	MDC	DRG	ICD	MDC	DRG	ICD	MDC	DRG
P80.0	Pre	963Z	P94.9	Pre	963Z	Q02	01	B03A, B03B, B06A, B06B, B17A, B17B, B17C, B17D, B76D, B81A, B81B
P80.8	Pre	963Z	P95	Pre	963Z		06	G18A, G38Z
P80.9	Pre	963Z	P96.0	15	TPN, VTPN		Pre	A07D, A09A, A09E, A11B, A11F, A13F
P81.0	Pre	963Z		Pre	963Z	Q03.0	01	B03A, B03B, B06A, B06B, B17A, B17B, B17C, B17D, B76D, B81A, B81B
P81.8	Pre	963Z	P96.1	15	TPN, VTPN		06	G18A, G38Z
P81.9	Pre	963Z		Pre	963Z		15	TPN, VTPN
P83.0	15	TPN, VTPN	P96.2	15	TPN, VTPN		Pre	A07D, A09A, A09E, A11B, A11F, A13F
	Pre	963Z		Pre	963Z	Q03.1	01	B03A, B03B, B06A, B06B, B17A, B17B, B17C, B17D, B76D, B81A, B81B
P83.1	09	J67A, J67B, J68A, J68B	P96.3	Pre	963Z		06	G18A, G38Z
P83.2	15	TPN, VTPN	P96.4	Pre	963Z		15	TPN, VTPN
	Pre	963Z	P96.5	Pre	963Z		Pre	A07D, A09A, A09E, A11B, A11F, A13F
P83.3	23	Z65Z	P96.8	Pre	963Z	Q03.8	01	B03A, B03B, B06A, B06B, B17A, B17B, B17C, B17D, B76D, B81A, B81B
P83.4	09	J67A, J67B	P96.9	Pre	963Z		06	G18A, G38Z
P83.5	12	M64Z	Q00.0	01	B03A, B03B, B06A, B06B, B17A, B17B, B17C, B17D, B76D, B81A, B81B		15	TPN, VTPN
P83.6	09	J67A, J67B, J68A, J68B		06	G18A, G38Z		Pre	A07D, A09A, A09E, A11B, A11F, A13F
P83.8	09	J67A, J67B, J68A, J68B	Q00.1	01	B03A, B03B, B06A, B06B, B17A, B17B, B17C, B17D, B76D, B81A, B81B	Q03.9	01	B03A, B03B, B06A, B06B, B17A, B17B, B17C, B17D, B76D, B81A, B81B
P83.9	09	J67A, J67B, J68A, J68B		06	G18A, G38Z		06	G18A, G38Z
P90	01	B03A, B03B, B06A, B06B, B17A, B17B, B17C, B17D, B76A, B76B, B76C, B76D, B76E, B76F, B76G		15	TPN, VTPN		15	TPN, VTPN
	15	TPN, VTPN	Q00.2	01	B03A, B03B, B06A, B06B, B17A, B17B, B17C, B17D, B76D, B81A, B81B		Pre	A07D, A09A, A09E, A11B, A11F, A13F
P91.0	01	B03A, B03B, B06A, B06B, B17A, B17B, B17C, B17D, B66A, B66B, B66C, B66D		06	G18A, G38Z	Q04.0	01	B03A, B03B, B06A, B06B, B17A, B17B, B17C, B17D, B76D, B81A, B81B
P91.1	01	B03A, B03B, B06A, B06B, B17A, B17B, B17C, B17D, B66A, B66B, B66C, B66D	Q01.0	01	B03A, B03B, B06A, B06B, B17A, B17B, B17C, B17D, B76D, B81A, B81B		06	G18A, G38Z
P91.2	01	B03A, B03B, B06A, B06B, B17A, B17B, B17C, B17D, B66A, B66B, B66C, B66D		06	G18A, G38Z		15	TPN, VTPN
P91.3	01	B03A, B03B, B06A, B06B, B17A, B17B, B17C, B17D, B81A, B81B		15	TPN, VTPN		Pre	A07D, A09A, A09E, A11B, A11F, A13F
P91.4	01	B03A, B03B, B06A, B06B, B17A, B17B, B17C, B17D, B66A, B66B, B66C, B66D	Q01.1	01	B03A, B03B, B06A, B06B, B17A, B17B, B17C, B17D, B76D, B81A, B81B	Q04.1	01	B03A, B03B, B06A, B06B, B17A, B17B, B17C, B17D, B76D, B81A, B81B
P91.5	01	B03A, B03B, B06A, B06B, B17A, B17B, B17C, B17D, B66A, B66B, B66C, B66D		06	G18A, G38Z		06	G18A, G38Z
P91.6	01	B03A, B03B, B06A, B06B, B17A, B17B, B17C, B17D, B66A, B66B, B66C, B66D		15	TPN, VTPN		15	TPN, VTPN
P91.80	01	B03A, B03B, B06A, B06B, B17A, B17B, B17C, B17D, B66A, B66B, B66C, B66D	Q01.2	01	B03A, B03B, B06A, B06B, B17A, B17B, B17C, B17D, B76D, B81A, B81B		Pre	A07D, A09A, A09E, A11B, A11F, A13F
	Pre	A43Z		06	G18A, G38Z	Q04.2	01	B03A, B03B, B06A, B06B, B17A, B17B, B17C, B17D, B76D, B81A, B81B
P91.88	01	B03A, B03B, B06A, B06B, B17A, B17B, B17C, B17D, B66A, B66B, B66C, B66D		15	TPN, VTPN		06	G18A, G38Z
P91.9	01	B03A, B03B, B06A, B06B, B17A, B17B, B17C, B17D, B66A, B66B, B66C, B66D	Q01.8	01	B03A, B03B, B06A, B06B, B17A, B17B, B17C, B17D, B76D, B81A, B81B	Q04.3	01	B03A, B03B, B06A, B06B, B17A, B17B, B17C, B17D, B76D, B81A, B81B
P92.0	10	K62A, K62B		06	G18A, G38Z		06	G18A, G38Z
P92.1	10	K62A, K62B		15	TPN, VTPN		15	TPN, VTPN
P92.2	10	K62A, K62B		Pre	A07D, A09A, A09E, A11B, A11F, A13F		Pre	A07D, A09A, A09E, A11B, A11F, A13F
P92.3	10	K62A, K62B	Q01.9	01	B03A, B03B, B06A, B06B, B17A, B17B, B17C, B17D, B76D, B81A, B81B	Q04.4	01	B03A, B03B, B06A, B06B, B17A, B17B, B17C, B17D, B76D, B81A, B81B
P92.4	10	K62A, K62B		06	G18A, G38Z		06	G18A, G38Z
P92.5	10	K62A, K62B		15	TPN, VTPN		15	TPN, VTPN
P92.8	10	K62A, K62B		Pre	A07D, A09A, A09E, A11B, A11F, A13F		Pre	A07D, A09A, A09E, A11B, A11F, A13F
P92.9	10	K62A, K62B		Pre	A07D, A09A, A09E, A11B, A11F, A13F		01	B03A, B03B, B06A, B06B, B17A, B17B, B17C, B17D, B76D, B81A, B81B
P93	Pre	963Z		06	G18A, G38Z		06	G18A, G38Z
P94.0	01	B03A, B03B, B06A, B06B, B17A, B17B, B17C, B17D, B48Z, B85A, B85B, B85C, B85D		15	TPN, VTPN		15	TPN, VTPN
	15	TPN, VTPN		Pre	A07D, A09A, A09E, A11B, A11F, A13F		Pre	A07D, A09A, A09E, A11B, A11F, A13F
P94.1	Pre	963Z		Pre	A07D, A09A, A09E, A11B, A11F, A13F			
P94.2	01	B81A, B81B						
	15	TPN, VTPN						
P94.8	Pre	963Z						

Dg

ICD	MDC	DRG	ICD	MDC	DRG	ICD	MDC	DRG
Q04.5	01	B03A, B03B, B06A, B06B, B17A, B17B, B17C, B17D, B76D, B81A, B81B	Q05.7	01	B03A, B03B, B06A, B06B, B17A, B17B, B17C, B17D, B76D, B81A, B81B	Q07.9	01	B03A, B03B, B06A, B06B, B17A, B17B, B17C, B17D, B76D, B81A, B81B
	06	G18A, G38Z		15	TPN, VTPN		Pre	A07D, A09A, A09E, A11B, A11F, A13F
	15	TPN, VTPN		Pre	A07D, A09A, A09E, A11B, A11F, A13F		Pre	A07D, A09A, A09E, A11B, A11F, A13F
Q04.6	01	B03A, B03B, B06A, B06B, B17A, B17B, B17C, B17D, B76D, B81A	Q05.8	01	B03A, B03B, B06A, B06B, B17A, B17B, B17C, B17D, B76D, B81A, B81B	Q10.0	02	C63Z
	15	TPN, VTPN		15	TPN, VTPN		Pre	P65C, P66C, P67B, P67C
	Pre	A07D, A09A, A09E, A11B, A11F, A13F		Pre	A07D, A09A, A09E, A11B, A11F, A13F		Pre	A09A, A11B
Q04.8	01	B03A, B03B, B06A, B06B, B17A, B17B, B17C, B17D, B76D, B81A	Q05.9	01	B03A, B03B, B06A, B06B, B17A, B17B, B17C, B17D, B76D, B81A, B81B	Q10.1	02	C63Z
	15	TPN, VTPN		15	TPN, VTPN		Pre	P65C, P66C, P67B, P67C
	Pre	A07D, A09A, A09E, A11B, A11F, A13F		Pre	A07D, A09A, A09E, A11B, A11F, A13F		Pre	A09A, A11B
Q04.9	01	B03A, B03B, B06A, B06B, B17A, B17B, B17C, B17D, B76D, B81A	Q06.0	01	B03A, B03B, B06A, B06B, B17A, B17B, B17C, B17D, B76D, B81A, B81B	Q10.2	02	C63Z
	15	TPN, VTPN		15	TPN, VTPN		Pre	P65C, P66C, P67B, P67C
	Pre	A07D, A09A, A09E, A11B, A11F, A13F		Pre	A07D, A09A, A09E, A11B, A11F, A13F		Pre	A09A, A11B
Q05.0	01	B03A, B03B, B06A, B06B, B17A, B17B, B17C, B17D, B76D, B81A, B81B	Q06.1	01	B03A, B03B, B06A, B06B, B17A, B17B, B17C, B17D, B76D, B81A, B81B	Q10.3	02	C63Z
	06	G18A, G38Z		15	TPN, VTPN		15	P65C, P66C, P67B, P67C
	15	TPN, VTPN		Pre	A07D, A09A, A09E, A11B, A11F, A13F		Pre	A09A, A11B
Q05.1	01	B03A, B03B, B06A, B06B, B17A, B17B, B17C, B17D, B76D, B81A, B81B	Q06.2	01	B03A, B03B, B06A, B06B, B17A, B17B, B17C, B17D, B76D, B81A, B81B	Q10.4	02	C63Z
	06	G18A, G38Z		15	TPN, VTPN		Pre	P65C, P66C, P67B, P67C
	15	TPN, VTPN		Pre	A07D, A09A, A09E, A11B, A11F, A13F		Pre	A09A, A11B
Q05.2	01	B03A, B03B, B06A, B06B, B17A, B17B, B17C, B17D, B76D, B81A, B81B	Q06.3	01	B03A, B03B, B06A, B06B, B17A, B17B, B17C, B17D, B76D, B81A, B81B	Q10.5	02	C63Z
	06	G18A, G38Z		15	TPN, VTPN		Pre	P65C, P66C, P67B, P67C
	15	TPN, VTPN		Pre	A07D, A09A, A09E, A11B, A11F, A13F		Pre	A09A, A11B
Q05.3	01	B03A, B03B, B06A, B06B, B17A, B17B, B17C, B17D, B76D, B81A, B81B	Q06.4	01	B03A, B03B, B06A, B06B, B17A, B17B, B17C, B17D, B76D, B81A, B81B	Q10.6	02	C63Z
	06	G18A, G38Z		15	TPN, VTPN		15	P65C, P66C, P67B, P67C
	15	TPN, VTPN		Pre	A07D, A09A, A09E, A11B, A11F, A13F		Pre	A09A, A11B
Q05.4	01	B03A, B03B, B06A, B06B, B17A, B17B, B17C, B17D, B76D, B81A, B81B	Q06.8	01	B03A, B03B, B06A, B06B, B17A, B17B, B17C, B17D, B76D, B81A, B81B	Q10.7	02	C63Z
	06	G18A, G38Z		15	TPN, VTPN		15	P65C, P66C, P67B, P67C
	15	TPN, VTPN		Pre	A07D, A09A, A09E, A11B, A11F, A13F		Pre	A09A, A11B
Q05.5	01	B03A, B03B, B06A, B06B, B17A, B17B, B17C, B17D, B76D, B81A, B81B	Q06.9	01	B03A, B03B, B06A, B06B, B17A, B17B, B17C, B17D, B76D, B81A, B81B	Q10.8	02	C63Z
	06	G18A, G38Z		15	TPN, VTPN		15	P65C, P66C, P67B, P67C
	15	TPN, VTPN		Pre	A07D, A09A, A09E, A11B, A11F, A13F		Pre	A09A, A11B
Q05.6	01	B03A, B03B, B06A, B06B, B17A, B17B, B17C, B17D, B76D, B81A, B81B	Q07.0	01	B03A, B03B, B06A, B06B, B17A, B17B, B17C, B17D, B76D, B81A, B81B	Q10.9	02	C63Z
	06	G18A, G38Z		06	G18A, G38Z		15	P65C, P66C, P67B, P67C
	15	TPN, VTPN		15	TPN, VTPN		Pre	A09A, A11B
Q05.7	01	B03A, B03B, B06A, B06B, B17A, B17B, B17C, B17D, B76D, B81A, B81B	Q07.8	01	B03A, B03B, B06A, B06B, B17A, B17B, B17C, B17D, B76D, B81A, B81B	Q13.0	02	C63Z
	06	G18A, G38Z		15	TPN, VTPN		15	P65C, P66C, P67B, P67C
	15	TPN, VTPN		Pre	A07D, A09A, A09E, A11B, A11F, A13F		Pre	A09A, A11B
Q05.8	01	B03A, B03B, B06A, B06B, B17A, B17B, B17C, B17D, B76D, B81A, B81B	Q07.9	01	B03A, B03B, B06A, B06B, B17A, B17B, B17C, B17D, B76D, B81A, B81B	Q13.1	02	C63Z
	06	G18A, G38Z		06	G18A, G38Z		15	P65C, P66C, P67B, P67C
	15	TPN, VTPN		15	TPN, VTPN		Pre	A09A, A11B
Q05.9	01	B03A, B03B, B06A, B06B, B17A, B17B, B17C, B17D, B76D, B81A, B81B	Q08.0	01	B03A, B03B, B06A, B06B, B17A, B17B, B17C, B17D, B76D, B81A, B81B	Q13.2	02	C63Z
	06	G18A, G38Z		15	TPN, VTPN		15	P65C, P66C, P67B, P67C
	15	TPN, VTPN		Pre	A07D, A09A, A09E, A11B, A11F, A13F		Pre	A09A, A11B

ICD	MDC	DRG	ICD	MDC	DRG	ICD	MDC	DRG	
Q13.3	02	C63Z	Q17.3	03	D66Z	Q20.5	05	F03C, F03D, F03E, F30Z, F42Z, F46A, F46B, F68A, F68B	
	15	P65C, P66C, P67B, P67C		15	P65C, P66C, P67B, P67C		06	G18A, G38Z	
	Pre	A09A, A11B		Pre	A09A, A11B		10	K62A	
Q13.4	02	C63Z	Q17.4	03	D66Z		15	TPN, VTPN	
	15	P65C, P66C, P67B, P67C		Pre	A09A, A11B	Pre	A07D, A09A, A09E, A11B, A11F, A13F		
	Pre	A09A, A11B	Q17.5	03	D66Z	Q20.6	05	F03C, F03D, F03E, F30Z, F42Z, F46A, F46B, F68A, F68B	
Q13.5	02	C63Z		Pre	A09A, A11B		06	G18A, G38Z	
	15	P65C, P66C, P67B, P67C	Q17.8	03	D66Z		10	K62A	
	Pre	A09A, A11B		Pre	A09A, A11B	Pre	A07D, A09A, A09E, A11B, A11F, A13F		
Q13.8	02	C63Z	Q17.9	03	D66Z	Q20.8	05	F03C, F03D, F03E, F30Z, F42Z, F46A, F46B, F68A, F68B	
	15	P65C, P66C, P67B, P67C		Pre	A09A, A11B		10	K62A	
	Pre	A09A, A11B	Q18.0	03	D66Z	Pre	A07D, A09A, A09E, A11B, A11F, A13F		
Q13.9	02	C63Z		15	P65C, P66C, P67B, P67C	Q20.9	05	F03C, F03D, F03E, F46A, F46B, F68A, F68B	
	Pre	A09A, A11B	Q18.1	03	D66Z		10	K62A	
Q14.0	02	C63Z		Pre	A09A, A11B	Pre	A07D, A09A, A09E, A11B, A11F, A13F		
	15	P65C, P66C, P67B, P67C	Q18.2	03	D66Z	Q21.0	05	F03C, F03D, F03E, F46A, F46B, F68A, F68B	
	Pre	A09A, A11B		Pre	A09A, A11B		10	K62A	
Q14.1	02	C63Z	Q18.3	09	J67A, J67B, J68A, J68B	Pre	A07D, A09A, A09E, A11B, A11F, A13F		
	15	P65C, P66C, P67B, P67C		Pre	A09A, A11B	Q21.1	05	F03C, F03D, F03E, F46A, F46B, F68A, F68B	
	Pre	A09A, A11B	Q18.4	03	D40Z, D67Z		10	K62A	
Q14.2	02	C63Z		Pre	A09A, A11B	Pre	A07D, A09A, A09E, A11B, A11F, A13F		
	15	P65C, P66C, P67B, P67C	Q18.5	03	D40Z, D67Z	Q21.2	05	F03C, F03D, F03E, F46A, F46B, F68A, F68B	
	Pre	A09A, A11B		Pre	A09A, A11B		10	K62A	
Q14.3	02	C63Z	Q18.6	03	D40Z, D67Z	Pre	A07D, A09A, A09E, A11B, A11F, A13F		
	15	P65C, P66C, P67B, P67C		Pre	A09A, A11B	Q21.3	05	F03C, F03D, F03E, F46A, F46B, F68A, F68B	
	Pre	A09A, A11B	Q18.7	03	D40Z, D67Z		06	G18A, G38Z	
Q14.8	02	C63Z		Pre	A09A, A11B		10	K62A	
	15	P65C, P66C, P67B, P67C	Q18.8	03	D66Z	Pre	TPN, VTPN		
	Pre	A09A, A11B		Pre	A09A, A11B	Pre	A07D, A09A, A09E, A11B, A11F, A13F		
Q14.9	02	C63Z	Q18.9	09	J67A, J67B, J68A, J68B	Q21.4	05	F03C, F03D, F03E, F46A, F46B, F68A, F68B	
	Pre	A09A, A11B		Pre	A09A, A11B		10	K62A	
Q15.0	02	C64Z	Q20.0	05	F03C, F03D, F03E, F30Z, F42Z, F46A, F46B, F68A, F68B	Pre	A07D, A09A, A09E, A11B, A11F, A13F		
	15	TPN, VTPN		06	G18A, G38Z	Q21.80	05	F03C, F03D, F03E, F46A, F46B, F68A, F68B	
	Pre	A09A, A11B		10	K62A		10	K62A	
Q15.8	02	C63Z		15	TPN, VTPN	Pre	TPN, VTPN		
	15	P65C, P66C, P67B, P67C	Q20.1	05	F03C, F03D, F03E, F30Z, F42Z, F46A, F46B, F68A, F68B	Pre	A07D, A09A, A09E, A11B, A11F, A13F		
	Pre	A09A, A11B		06	G18A, G38Z	Q21.88	05	F03C, F03D, F03E, F46A, F46B, F68A, F68B	
Q15.9	02	C63Z		10	K62A		10	K62A	
	Pre	A09A, A11B		15	TPN, VTPN	Pre	A07D, A09A, A09E, A11B, A11F, A13F		
Q16.0	03	D66Z	Q20.2	05	F03C, F03D, F03E, F30Z, F42Z, F46A, F46B, F68A, F68B	Q21.9	05	F03C, F03D, F03E, F46A, F46B, F68A, F68B	
	15	P65C, P66C, P67B, P67C		06	G18A, G38Z		10	K62A	
	Pre	A09A, A11B		10	K62A	Pre	A07D, A09A, A09E, A11B, A11F, A13F		
Q16.1	03	D66Z		15	TPN, VTPN	Q21.88	05	F03C, F03D, F03E, F46A, F46B, F68A, F68B	
	15	P65C, P66C, P67B, P67C	Q20.3	05	F03C, F03D, F03E, F30Z, F42Z, F46A, F46B, F68A, F68B		10	K62A	
	Pre	A09A, A11B		06	G18A, G38Z	Pre	A07D, A09A, A09E, A11B, A11F, A13F		
Q16.2	03	D66Z		10	K62A	Q21.88	05	F03C, F03D, F03E, F46A, F46B, F68A, F68B	
	15	P65C, P66C, P67B, P67C		15	TPN, VTPN		10	K62A	
	Pre	A09A, A11B		Pre	A07D, A09A, A09E, A11B, A11F, A13F	Pre	A07D, A09A, A09E, A11B, A11F, A13F		
Q16.3	03	D66Z		Q20.4	05	F03C, F03D, F03E, F30Z, F42Z, F46A, F46B, F68A, F68B	Q21.88	05	F03C, F03D, F03E, F46A, F46B, F68A, F68B
	15	P65C, P66C, P67B, P67C		06	G18A, G38Z		10	K62A	
	Pre	A09A, A11B		10	K62A	Pre	A07D, A09A, A09E, A11B, A11F, A13F		
Q16.4	03	D66Z		15	TPN, VTPN	Q21.88	05	F03C, F03D, F03E, F46A, F46B, F68A, F68B	
	15	P65C, P66C, P67B, P67C		Pre	A07D, A09A, A09E, A11B, A11F, A13F		10	K62A	
	Pre	A09A, A11B		Q20.4	05	F03C, F03D, F03E, F30Z, F42Z, F46A, F46B, F68A, F68B	Pre	A07D, A09A, A09E, A11B, A11F, A13F	
Q16.5	03	D66Z		06	G18A, G38Z	Q21.9	05	F03C, F03D, F03E, F46A, F46B, F68A, F68B	
	15	P65C, P66C, P67B, P67C		10	K62A		10	K62A	
	Pre	A09A, A11B		15	TPN, VTPN	Pre	A07D, A09A, A09E, A11B, A11F, A13F		
Q16.9	03	D66Z		Pre	A07D, A09A, A09E, A11B, A11F, A13F	Q21.88	05	F03C, F03D, F03E, F46A, F46B, F68A, F68B	
	15	P65C, P66C, P67B, P67C		Q20.4	05	F03C, F03D, F03E, F30Z, F42Z, F46A, F46B, F68A, F68B		10	K62A
	Pre	A09A, A11B		06	G18A, G38Z	Pre	A07D, A09A, A09E, A11B, A11F, A13F		
Q17.0	03	D66Z		10	K62A	Q21.9	05	F03C, F03D, F03E, F46A, F46B, F68A, F68B	
	15	P65C, P66C, P67B, P67C		15	TPN, VTPN		10	K62A	
	Pre	A09A, A11B		Pre	A07D, A09A, A09E, A11B, A11F, A13F	Pre	A07D, A09A, A09E, A11B, A11F, A13F		
Q17.1	03	D66Z		Q20.4	05	F03C, F03D, F03E, F30Z, F42Z, F46A, F46B, F68A, F68B	Q21.9	05	F03C, F03D, F03E, F46A, F46B, F68A, F68B
	Pre	A09A, A11B		06	G18A, G38Z		10	K62A	
Q17.2	03	D66Z		10	K62A	Pre	A07D, A09A, A09E, A11B, A11F, A13F		
	Pre	A09A, A11B		15	TPN, VTPN	Q21.9	05	F03C, F03D, F03E, F46A, F46B, F68A, F68B	
	Pre	A09A, A11B		Pre	A07D, A09A, A09E, A11B, A11F, A13F		10	K62A	
	Pre	A09A, A11B				Pre	A07D, A09A, A09E, A11B, A11F, A13F		

Dg

ICD	MDC	DRG	ICD	MDC	DRG	ICD	MDC	DRG
Q22.0	05	F03C, F03D, F03E, F30Z, F42Z, F46A, F46B, F68A, F68B	Q23.1	05	F03C, F03D, F03E, F46A, F46B, F68A, F68B	Q24.5	05	F03C, F03D, F03E, F46A, F46B, F68A, F68B
	06	G18A, G38Z		06	G18A, G38Z		10	K62A
	10	K62A		10	K62A		15	TPN, VTPN
	15	TPN, VTPN		15	TPN, VTPN		Pre	A07D, A09A, A09E, A11B, A11F, A13F
	Pre	A07D, A09A, A09E, A11B, A11F, A13F		Pre	A07D, A09A, A09E, A11B, A11F, A13F	Q24.6	05	F03C, F03D, F03E, F46A, F46B, F68A, F68B
Q22.1	05	F03C, F03D, F03E, F46A, F46B, F68A, F68B	Q23.2	05	F03C, F03D, F03E, F46A, F46B, F68A, F68B		10	K62A
	06	G18A, G38Z		06	G18A, G38Z		15	TPN, VTPN
	10	K62A		10	K62A		Pre	A07D, A09A, A09E, A11B, A11F, A13F
	15	TPN, VTPN		15	TPN, VTPN	Q24.8	05	F03C, F03D, F03E, F46A, F46B, F68A, F68B
	Pre	A07D, A09A, A09E, A11B, A11F, A13F		Pre	A07D, A09A, A09E, A11B, A11F, A13F		10	K62A
Q22.2	05	F03C, F03D, F03E, F46A, F46B, F68A, F68B	Q23.3	05	F03C, F03D, F03E, F46A, F46B, F68A, F68B		15	TPN, VTPN
	06	G18A, G38Z		06	G18A, G38Z		Pre	A07D, A09A, A09E, A11B, A11F, A13F
	10	K62A		10	K62A	Q24.9	05	F03C, F03D, F03E, F46A, F46B, F68A, F68B
	Pre	A07D, A09A, A09E, A11B, A11F, A13F		15	TPN, VTPN		10	K62A
Q22.3	05	F03C, F03D, F03E, F46A, F46B, F68A, F68B	Q23.4	05	F03C, F03D, F03E, F30Z, F42Z, F46A, F46B, F68A, F68B		Pre	A07D, A09A, A09E, A11B, A11F, A13F
	10	K62A		06	G18A, G38Z	Q25.0	05	F03C, F03D, F03E, F46A, F46B, F68A, F68B
	Pre	A07D, A09A, A09E, A11B, A11F, A13F		10	K62A		10	K62A
Q22.4	05	F03C, F03D, F03E, F46A, F46B, F68A, F68B		15	TPN, VTPN		Pre	A07D, A09A, A09E, A11B, A11F, A13F
	06	G18A, G38Z	Q23.8	05	F03C, F03D, F03E, F46A, F46B, F68A, F68B	Q25.1	05	F03C, F03D, F03E, F46A, F46B, F68A, F68B
	10	K62A		10	K62A		10	K62A
	15	TPN, VTPN		15	TPN, VTPN		15	TPN, VTPN
	Pre	A07D, A09A, A09E, A11B, A11F, A13F		Pre	A07D, A09A, A09E, A11B, A11F, A13F	Q25.2	05	F03C, F03D, F03E, F30Z, F42Z, F46A, F46B, F68A, F68B
Q22.5	05	F03C, F03D, F03E, F46A, F46B, F68A, F68B	Q23.9	05	F03C, F03D, F03E, F46A, F46B, F68A, F68B		06	G18A, G38Z
	06	G18A, G38Z		10	K62A		10	K62A
	10	K62A		15	TPN, VTPN		15	TPN, VTPN
	15	TPN, VTPN		Pre	A07D, A09A, A09E, A11B, A11F, A13F		Pre	A07D, A09A, A09E, A11B, A11F, A13F
	Pre	A07D, A09A, A09E, A11B, A11F, A13F		Pre	A07D, A09A, A09E, A11B, A11F, A13F	Q25.3	05	F03C, F03D, F03E, F46A, F46B, F68A, F68B
Q22.6	05	F03C, F03D, F03E, F30Z, F42Z, F46A, F46B, F68A, F68B	Q24.0	05	F03C, F03D, F03E, F46A, F46B, F68A, F68B		06	G18A, G38Z
	06	G18A, G38Z		10	K62A		10	K62A
	10	K62A		15	TPN, VTPN		15	TPN, VTPN
	15	TPN, VTPN		Pre	A07D, A09A, A09E, A11B, A11F, A13F		Pre	A07D, A09A, A09E, A11B, A11F, A13F
	Pre	A07D, A09A, A09E, A11B, A11F, A13F	Q24.1	05	F03C, F03D, F03E, F46A, F46B, F68A, F68B	Q25.4	05	F03C, F03D, F03E, F46A, F46B, F68A, F68B
Q22.8	05	F03C, F03D, F03E, F46A, F46B, F68A, F68B		10	K62A		10	K62A
	10	K62A		15	TPN, VTPN		15	TPN, VTPN
	15	TPN, VTPN		Pre	A07D, A09A, A09E, A11B, A11F, A13F	Q25.5	05	F03C, F03D, F03E, F30Z, F42Z, F46A, F46B, F68A, F68B
	Pre	A07D, A09A, A09E, A11B, A11F, A13F	Q24.2	05	F03C, F03D, F03E, F46A, F46B, F68A, F68B		06	G18A, G38Z
Q22.9	05	F03C, F03D, F03E, F46A, F46B, F68A, F68B		10	K62A		10	K62A
	10	K62A		15	TPN, VTPN		15	TPN, VTPN
	15	TPN, VTPN		Pre	A07D, A09A, A09E, A11B, A11F, A13F	Q25.6	05	F03C, F03D, F03E, F46A, F46B, F68A, F68B
	Pre	A07D, A09A, A09E, A11B, A11F, A13F	Q24.3	05	F03C, F03D, F03E, F46A, F46B, F68A, F68B		06	G18A, G38Z
Q23.0	05	F03C, F03D, F03E, F46A, F46B, F68A, F68B		06	G18A, G38Z		10	K62A
	06	G18A, G38Z		10	K62A		10	K62A
	10	K62A		15	TPN, VTPN		15	TPN, VTPN
	15	TPN, VTPN		Pre	A07D, A09A, A09E, A11B, A11F, A13F	Q25.7	05	F03C, F03D, F03E, F46A, F46B, F68A, F68B
	Pre	A07D, A09A, A09E, A11B, A11F, A13F	Q24.4	05	F03C, F03D, F03E, F46A, F46B, F68A, F68B		06	G18A, G38Z
				06	G18A, G38Z		10	K62A
				10	K62A		10	K62A
				15	TPN, VTPN		15	TPN, VTPN
				Pre	A07D, A09A, A09E, A11B, A11F, A13F		Pre	A07D, A09A, A09E, A11B, A11F, A13F

ICD	MDC	DRG	ICD	MDC	DRG	ICD	MDC	DRG
Q25.8	05	F03C, F03D, F03E, F46A, F46B, F65A, F65B	Q27.2	05	F03C, F03D, F03E, F65A, F65B	Q28.18	01	B03A, B03B, B06A, B06B, B17A, B17B, B17C, B17D, B81A, B81B
	10	K62A		10	K62A		10	K62A
	Pre	A07D, A09A, A09E, A11B, A11F, A13F		Pre	A07D, A09A, A09E, A11B, A11F, A13F		15	TPN, VTPN
Q25.9	05	F03C, F03D, F03E, F46A, F46B, F65A, F65B	Q27.3	05	F03C, F03D, F03E, F65A, F65B		Pre	A07D, A09A, A09E, A11B, A11F, A13F
	10	K62A		10	K62A	Q28.19	01	B03A, B03B, B06A, B06B, B17A, B17B, B17C, B17D, B81A, B81B
	Pre	A07D, A09A, A09E, A11B, A11F, A13F		Pre	A07D, A09A, A09E, A11B, A11F, A13F		10	K62A
Q26.0	05	F03C, F03D, F03E, F46A, F46B, F68A, F68B	Q27.4	05	F03C, F03D, F03E, F65A, F65B		15	TPN, VTPN
	06	G18A, G38Z		10	K62A		Pre	A07D, A09A, A09E, A11B, A11F, A13F
	10	K62A		Pre	A07D, A09A, A09E, A11B, A11F, A13F	Q28.20	01	B03A, B03B, B06A, B06B, B17A, B17B, B17C, B17D, B81A, B81B
	Pre	A07D, A09A, A09E, A11B, A11F, A13F	Q27.8	05	F03C, F03D, F03E, F65A, F65B		10	K62A
Q26.1	05	F03C, F03D, F03E, F46A, F46B, F68A, F68B		10	K62A		15	TPN, VTPN
	10	K62A		Pre	A07D, A09A, A09E, A11B, A11F, A13F		Pre	A07D, A09A, A09E, A11B, A11F, A13F
	Pre	A07D, A09A, A09E, A11B, A11F, A13F	Q27.9	05	F03C, F03D, F03E, F65A, F65B	Q28.21	01	B03A, B03B, B06A, B06B, B17A, B17B, B17C, B17D, B81A, B81B
Q26.2	05	F03C, F03D, F03E, F30Z, F42Z, F46A, F46B, F68A, F68B		10	K62A		10	K62A
	06	G18A, G38Z		Pre	A07D, A09A, A09E, A11B, A11F, A13F		15	TPN, VTPN
	10	K62A	Q28.00	01	B03A, B03B, B06A, B06B, B17A, B17B, B17C, B17D, B81A, B81B		Pre	A07D, A09A, A09E, A11B, A11F, A13F
	15	TPN, VTPN		10	K62A	Q28.28	01	B03A, B03B, B06A, B06B, B17A, B17B, B17C, B17D, B81A, B81B
	Pre	A07D, A09A, A09E, A11B, A11F, A13F		15	TPN, VTPN		10	K62A
Q26.3	05	F03C, F03D, F03E, F46A, F46B, F68A, F68B		Pre	A07D, A09A, A09E, A11B, A11F, A13F		15	TPN, VTPN
	06	G18A, G38Z	Q28.01	01	B03A, B03B, B06A, B06B, B17A, B17B, B17C, B17D, B81A, B81B		Pre	A07D, A09A, A09E, A11B, A11F, A13F
	10	K62A		10	K62A	Q28.29	01	B03A, B03B, B06A, B06B, B17A, B17B, B17C, B17D, B81A, B81B
	15	TPN, VTPN		15	TPN, VTPN		10	K62A
	Pre	A07D, A09A, A09E, A11B, A11F, A13F		Pre	A07D, A09A, A09E, A11B, A11F, A13F		15	TPN, VTPN
Q26.4	05	F03C, F03D, F03E, F46A, F46B, F68A, F68B	Q28.08	01	B03A, B03B, B06A, B06B, B17A, B17B, B17C, B17D, B81A, B81B		Pre	A07D, A09A, A09E, A11B, A11F, A13F
	10	K62A		10	K62A	Q28.30	01	B03A, B03B, B06A, B06B, B17A, B17B, B17C, B17D, B81A, B81B
	Pre	A07D, A09A, A09E, A11B, A11F, A13F		15	TPN, VTPN		10	K62A
Q26.5	05	F03C, F03D, F03E, F46A, F46B, F68A, F68B		Pre	A07D, A09A, A09E, A11B, A11F, A13F		15	TPN, VTPN
	10	K62A	Q28.09	01	B03A, B03B, B06A, B06B, B17A, B17B, B17C, B17D, B81A, B81B		Pre	A07D, A09A, A09E, A11B, A11F, A13F
	Pre	A07D, A09A, A09E, A11B, A11F, A13F		10	K62A	Q28.31	01	B03A, B03B, B06A, B06B, B17A, B17B, B17C, B17D, B81A, B81B
Q26.6	05	F03C, F03D, F03E, F46A, F46B, F68A, F68B		15	TPN, VTPN		10	K62A
	10	K62A		Pre	A07D, A09A, A09E, A11B, A11F, A13F		15	TPN, VTPN
	Pre	A07D, A09A, A09E, A11B, A11F, A13F	Q28.10	01	B03A, B03B, B06A, B06B, B17A, B17B, B17C, B17D, B81A, B81B		Pre	A07D, A09A, A09E, A11B, A11F, A13F
Q26.8	05	F03C, F03D, F03E, F46A, F46B, F68A, F68B		10	K62A	Q28.38	01	B03A, B03B, B06A, B06B, B17A, B17B, B17C, B17D, B81A, B81B
	10	K62A		15	TPN, VTPN		10	K62A
	Pre	A07D, A09A, A09E, A11B, A11F, A13F		Pre	A07D, A09A, A09E, A11B, A11F, A13F		15	TPN, VTPN
Q26.9	05	F03C, F03D, F03E, F46A, F46B, F68A, F68B	Q28.11	01	B03A, B03B, B06A, B06B, B17A, B17B, B17C, B17D, B81A, B81B		Pre	A07D, A09A, A09E, A11B, A11F, A13F
	10	K62A		10	K62A	Q28.39	01	B03A, B03B, B06A, B06B, B17A, B17B, B17C, B17D, B81A, B81B
	Pre	A07D, A09A, A09E, A11B, A11F, A13F		15	TPN, VTPN		10	K62A
Q27.0	05	F03C, F03D, F03E, F65A, F65B		Pre	A07D, A09A, A09E, A11B, A11F, A13F		15	TPN, VTPN
	10	K62A		10	K62A		Pre	A07D, A09A, A09E, A11B, A11F, A13F
	Pre	A07D, A09A, A09E, A11B, A11F, A13F		15	TPN, VTPN		Pre	A07D, A09A, A09E, A11B, A11F, A13F
Q27.1	05	F03C, F03D, F03E, F65A, F65B		Pre	A07D, A09A, A09E, A11B, A11F, A13F		15	TPN, VTPN
	10	K62A					Pre	A07D, A09A, A09E, A11B, A11F, A13F
	Pre	A07D, A09A, A09E, A11B, A11F, A13F						

Dg

ICD	MDC	DRG	ICD	MDC	DRG	ICD	MDC	DRG
Q28.80	05	F03C, F03D, F03E, F65A, F65B	Q32.1	03	D66Z	Q35.3	03	D03Z, D40Z, D67Z
	10	K62A		15	TPN, VTPN		15	P65C, P66C, P67B, P67C
	15	P65C, P66C, P67B, P67C		Pre	A07D, A09A, A09E, A11B, A11F, A13F		Pre	A07D, A09A, A09E, A11B, A11F, A13F
	Pre	A07D, A09A, A09E, A11B, A11F, A13F	Q32.2	03	D66Z	Q35.5	03	D03Z, D40Z, D67Z
Q28.81	05	F03C, F03D, F03E, F65A, F65B		15	TPN, VTPN		15	P65C, P66C, P67B, P67C
	10	K62A		Pre	A07D, A09A, A09E, A11B, A11F, A13F		Pre	A07D, A09A, A09E, A11B, A11F, A13F
	15	P65C, P66C, P67B, P67C	Q32.3	03	D66Z	Q35.7	03	D03Z, D40Z, D67Z
	Pre	A07D, A09A, A09E, A11B, A11F, A13F		15	TPN, VTPN		15	P65C, P66C, P67B, P67C
Q28.88	05	F03C, F03D, F03E, F65A, F65B		Pre	A07D, A09A, A09E, A11B, A11F, A13F		Pre	A09A, A11B
	10	K62A	Q32.4	03	D66Z	Q35.9	03	D03Z, D40Z, D67Z
	15	P65C, P66C, P67B, P67C		15	TPN, VTPN		15	P65C, P66C, P67B, P67C
	Pre	A07D, A09A, A09E, A11B, A11F, A13F		Pre	A07D, A09A, A09E, A11B, A11F, A13F	Q36.0	03	D03Z, D40Z, D67Z
Q28.9	05	F03C, F03D, F03E, F65A, F65B	Q33.0	04	E75A, E75B, E75C		15	P65C, P66C, P67B, P67C
	10	K62A		15	TPN, VTPN	Q36.1	03	D03Z, D40Z, D67Z
	Pre	A07D, A09A, A09E, A11B, A11F, A13F		Pre	A07D, A09A, A09E, A11B, A11F, A13F		15	P65C, P66C, P67B, P67C
Q30.0	03	D66Z	Q33.1	04	E75A, E75B, E75C		Pre	A09A, A11B
	15	TPN, VTPN		15	P65C, P66C, P67B, P67C	Q36.9	03	D03Z, D40Z, D67Z
	Pre	A07D, A09A, A09E, A11B, A11F, A13F		Pre	A07D, A09A, A09E, A11B, A11F, A13F		15	P65C, P66C, P67B, P67C
Q30.1	03	D66Z	Q33.2	04	E75A, E75B, E75C	Q37.0	03	D03Z, D40Z, D67Z
	Pre	A09A, A11B		15	TPN, VTPN		15	TPN, VTPN
Q30.2	03	D66Z		Pre	A07D, A09A, A09E, A11B, A11F, A13F		Pre	A07D, A09A, A09E, A11B, A11F, A13F
	Pre	A09A, A11B	Q33.3	04	E75A, E75B, E75C	Q37.1	03	D03Z, D40Z, D67Z
Q30.3	03	D66Z		15	TPN, VTPN		15	TPN, VTPN
	Pre	A09A, A11B		Pre	A07D, A09A, A09E, A11B, A11F, A13F		Pre	A07D, A09A, A09E, A11B, A11F, A13F
Q30.8	03	D66Z	Q33.4	04	E65A, E65B, E65C	Q37.2	03	D03Z, D40Z, D67Z
	Pre	A09A, A11B		15	TPN, VTPN		15	TPN, VTPN
Q30.9	03	D66Z		Pre	A07D, A09A, A09E, A11B, A11F, A13F		Pre	A07D, A09A, A09E, A11B, A11F, A13F
	Pre	A09A, A11B	Q33.5	04	E75A, E75B, E75C	Q37.3	03	D03Z, D40Z, D67Z
Q31.0	03	D66Z		15	P65C, P66C, P67B, P67C		15	TPN, VTPN
	15	TPN, VTPN		Pre	A07D, A09A, A09E, A11B, A11F, A13F		Pre	A07D, A09A, A09E, A11B, A11F, A13F
	Pre	A07D, A09A, A09E, A11B, A11F, A13F	Q33.6	04	E75A, E75B, E75C	Q37.4	03	D03Z, D40Z, D67Z
Q31.1	03	D66Z		15	TPN, VTPN		15	TPN, VTPN
	15	TPN, VTPN		Pre	A07D, A09A, A09E, A11B, A11F, A13F		Pre	A07D, A09A, A09E, A11B, A11F, A13F
	Pre	A07D, A09A, A09E, A11B, A11F, A13F	Q33.8	04	E75A, E75B, E75C	Q37.5	03	D03Z, D40Z, D67Z
Q31.2	03	D66Z		15	P65C, P66C, P67B, P67C		15	TPN, VTPN
	15	TPN, VTPN		Pre	A07D, A09A, A09E, A11B, A11F, A13F		Pre	A07D, A09A, A09E, A11B, A11F, A13F
	Pre	A07D, A09A, A09E, A11B, A11F, A13F	Q33.9	04	E75A, E75B, E75C	Q37.8	03	D03Z, D40Z, D67Z
Q31.3	03	D66Z		15	P65C, P66C, P67B, P67C		15	TPN, VTPN
	15	TPN, VTPN		Pre	A07D, A09A, A09E, A11B, A11F, A13F		Pre	A09A, A11B
	Pre	A07D, A09A, A09E, A11B, A11F, A13F	Q34.0	04	E75A, E75B, E75C	Q37.9	03	D03Z, D40Z, D67Z
Q31.5	03	D66Z		15	TPN, VTPN		15	TPN, VTPN
	15	TPN, VTPN		Pre	A07D, A09A, A09E, A11B, A11F, A13F	Q38.0	03	D40Z, D67Z
	Pre	A07D, A09A, A09E, A11B, A11F, A13F	Q34.1	04	E75A, E75B, E75C		Pre	A09A, A11B
Q31.8	03	D66Z		15	P65C, P66C, P67B, P67C	Q38.1	03	D40Z, D67Z
	15	TPN, VTPN		Pre	A07D, A09A, A09E, A11B, A11F, A13F		Pre	A09A, A11B
	Pre	A07D, A09A, A09E, A11B, A11F, A13F	Q34.8	04	E75A, E75B, E75C	Q38.2	03	D40Z, D67Z
Q31.9	03	D66Z		15	P65C, P66C, P67B, P67C		Pre	A09A, A11B
	15	TPN, VTPN		Pre	A07D, A09A, A09E, A11B, A11F, A13F	Q38.3	03	D40Z, D67Z
	Pre	A07D, A09A, A09E, A11B, A11F, A13F	Q34.9	04	E75A, E75B, E75C		Pre	A09A, A11B
Q32.0	03	D66Z		15	P65C, P66C, P67B, P67C	Q38.4	03	D40Z, D67Z
	15	TPN, VTPN		Pre	A07D, A09A, A09E, A11B, A11F, A13F		Pre	A09A, A11B
	Pre	A07D, A09A, A09E, A11B, A11F, A13F	Q35.1	03	D03Z, D40Z, D67Z	Q38.5	03	D40Z, D67Z
				15	P65C, P66C, P67B, P67C		Pre	A09A, A11B
				Pre	A07D, A09A, A09E, A11B, A11F, A13F	Q38.6	03	D40Z, D67Z
							15	P65C, P66C, P67B, P67C
							Pre	A09A, A11B

ICD	MDC	DRG	ICD	MDC	DRG	ICD	MDC	DRG
Q38.7	03	D66Z	Q40.8	06	G18A, G38Z, G46A, G46B, G46C, G50Z, G71Z	Q43.0	06	G40Z, G46A, G46B, G46C, G47Z, G67A, G67B, G67C, G67D, G73Z
	15	TPN, VTPN		Pre	A07D, A09A, A09E, A11B, A11F, A13F		15	TPN, VTPN
	Pre	A09A, A11B					Pre	A07D, A09A, A09E, A11B, A11F, A13F
Q38.8	03	D66Z	Q40.9	06	G18A, G38Z, G46A, G46B, G46C, G50Z, G71Z	Q43.1	06	G18A, G38Z, G46A, G46B, G46C, G50Z, G64A, G64B, G64C, G70A, G70B
	Pre	A09A, A11B		Pre	A07D, A09A, A09E, A11B, A11F, A13F		15	TPN, VTPN
Q39.0	06	G18A, G38Z, G46A, G46B, G46C, G50Z, G71Z					Pre	A07D, A09A, A09E, A11B, A11F, A13F
	15	TPN, VTPN	Q41.0	06	G18A, G38Z, G46A, G46B, G46C, G50Z, G64A, G64B, G64C, G70A, G70B	Q43.2	06	G18A, G38Z, G46A, G46B, G46C, G50Z, G71Z
	Pre	A07D, A09A, A09E, A11B, A11F, A13F		15	TPN, VTPN		15	TPN, VTPN
Q39.1	06	G18A, G38Z, G46A, G46B, G46C, G50Z, G64A, G64B, G64C, G70A, G70B		Pre	A07D, A09A, A09E, A11B, A11F, A13F	Q43.3	06	G18A, G38Z, G46A, G46B, G46C, G50Z, G64A, G64B, G64C, G70A, G70B
	15	TPN, VTPN	Q41.1	06	G18A, G38Z, G46A, G46B, G46C, G50Z, G64A, G64B, G64C, G70A, G70B		15	TPN, VTPN
	Pre	A07D, A09A, A09E, A11B, A11F, A13F		15	TPN, VTPN	Q43.40	06	G18A, G38Z, G46A, G46B, G46C, G50Z, G71Z
Q39.2	06	G18A, G38Z, G46A, G46B, G46C, G50Z, G71Z		Pre	A07D, A09A, A09E, A11B, A11F, A13F		15	P65C, P66C, P67B, P67C
	15	TPN, VTPN	Q41.2	06	G18A, G38Z, G46A, G46B, G46C, G50Z, G64A, G64B, G64C, G70A, G70B	Q43.41	06	G18A, G38Z, G46A, G46B, G46C, G50Z, G71Z
	Pre	A07D, A09A, A09E, A11B, A11F, A13F		15	TPN, VTPN		15	P65C, P66C, P67B, P67C
Q39.3	06	G18A, G38Z, G46A, G46B, G46C, G50Z, G71Z		Pre	A07D, A09A, A09E, A11B, A11F, A13F	Q43.42	06	G18A, G38Z, G46A, G46B, G46C, G50Z, G71Z
	15	TPN, VTPN	Q41.8	06	G18A, G38Z, G46A, G46B, G46C, G50Z, G71Z		15	P65C, P66C, P67B, P67C
	Pre	A07D, A09A, A09E, A11B, A11F, A13F		15	TPN, VTPN	Q43.49	06	G18A, G38Z, G46A, G46B, G46C, G50Z, G71Z
Q39.4	06	G18A, G38Z, G46A, G46B, G46C, G50Z, G71Z		Pre	A07D, A09A, A09E, A11B, A11F, A13F		15	P65C, P66C, P67B, P67C
	15	TPN, VTPN	Q41.9	06	G18A, G38Z, G46A, G46B, G46C, G50Z, G71Z	Q43.5	06	G18A, G38Z, G46A, G46B, G46C, G50Z, G71Z
	Pre	A07D, A09A, A09E, A11B, A11F, A13F		15	TPN, VTPN		15	P65C, P66C, P67B, P67C
Q39.5	06	G18A, G38Z, G46A, G46B, G46C, G50Z, G71Z		Pre	A07D, A09A, A09E, A11B, A11F, A13F	Q43.6	06	G18A, G38Z, G46A, G46B, G46C, G50Z, G71Z
	15	P65C, P66C, P67B, P67C	Q42.0	06	G18A, G38Z, G46A, G46B, G46C, G50Z, G64A, G64B, G64C, G70A, G70B		15	P65C, P66C, P67B, P67C
	Pre	A07D, A09A, A09E, A11B, A11F, A13F		15	TPN, VTPN	Q43.7	06	G18A, G38Z, G46A, G46B, G46C, G50Z, G64A, G64B, G64C, G70A, G70B
Q39.6	06	G18A, G38Z, G46A, G46B, G46C, G50Z, G71Z		Pre	A07D, A09A, A09E, A11B, A11F, A13F		15	P65C, P66C, P67B, P67C
	15	P65C, P66C, P67B, P67C	Q42.1	06	G18A, G38Z, G46A, G46B, G46C, G50Z, G64A, G64B, G64C, G70A, G70B	Q43.8	06	G18A, G38Z, G46A, G46B, G46C, G50Z, G71Z
	Pre	A07D, A09A, A09E, A11B, A11F, A13F		15	TPN, VTPN		15	P65C, P66C, P67B, P67C
Q39.8	06	G18A, G38Z, G46A, G46B, G46C, G50Z, G71Z		Pre	A07D, A09A, A09E, A11B, A11F, A13F	Q43.9	06	G18A, G38Z, G46A, G46B, G46C, G50Z, G71Z
	15	P65C, P66C, P67B, P67C	Q42.2	06	G18A, G38Z, G46A, G46B, G46C, G50Z, G64A, G64B, G64C, G70A, G70B		15	P65C, P66C, P67B, P67C
	Pre	A07D, A09A, A09E, A11B, A11F, A13F		15	TPN, VTPN		Pre	A07D, A09A, A09E, A11B, A11F, A13F
Q39.9	06	G18A, G38Z, G46A, G46B, G46C, G50Z, G71Z		Pre	A07D, A09A, A09E, A11B, A11F, A13F	Q43.8	06	G18A, G38Z, G46A, G46B, G46C, G50Z, G71Z
	Pre	A07D, A09A, A09E, A11B, A11F, A13F	Q42.3	06	G18A, G38Z, G46A, G46B, G46C, G50Z, G64A, G64B, G64C, G70A, G70B		15	P65C, P66C, P67B, P67C
Q40.0	06	G18A, G38Z, G46A, G46B, G46C, G50Z, G64A, G64B, G64C, G70A, G70B		15	TPN, VTPN	Q43.9	06	G18A, G38Z, G46A, G46B, G46C, G50Z, G71Z
	15	P65C, P66C, P67B, P67C		Pre	A07D, A09A, A09E, A11B, A11F, A13F		15	P65C, P66C, P67B, P67C
	Pre	A07D, A09A, A09E, A11B, A11F, A13F	Q42.8	06	G18A, G38Z, G46A, G46B, G46C, G50Z, G71Z		Pre	A07D, A09A, A09E, A11B, A11F, A13F
Q40.1	06	G18A, G38Z, G46A, G46B, G46C, G50Z, G71Z		15	TPN, VTPN	Q43.8	06	G18A, G38Z, G46A, G46B, G46C, G50Z, G71Z
	15	P65C, P66C, P67B, P67C		Pre	A07D, A09A, A09E, A11B, A11F, A13F		15	P65C, P66C, P67B, P67C
	Pre	A07D, A09A, A09E, A11B, A11F, A13F	Q42.9	06	G18A, G38Z, G46A, G46B, G46C, G50Z, G71Z	Q43.9	06	G18A, G38Z, G46A, G46B, G46C, G50Z, G71Z
Q40.2	06	G18A, G38Z, G46A, G46B, G46C, G50Z, G71Z		15	TPN, VTPN		15	P65C, P66C, P67B, P67C
	Pre	A07D, A09A, A09E, A11B, A11F, A13F		Pre	A07D, A09A, A09E, A11B, A11F, A13F		Pre	A07D, A09A, A09E, A11B, A11F, A13F
Q40.3	06	G18A, G38Z, G46A, G46B, G46C, G50Z, G71Z		Pre	A07D, A09A, A09E, A11B, A11F, A13F	Q43.9	06	G18A, G38Z, G46A, G46B, G46C, G50Z, G71Z
	Pre	A07D, A09A, A09E, A11B, A11F, A13F		15	TPN, VTPN		15	P65C, P66C, P67B, P67C
				Pre	A07D, A09A, A09E, A11B, A11F, A13F		Pre	A07D, A09A, A09E, A11B, A11F, A13F

ICD	MDC	DRG	ICD	MDC	DRG	ICD	MDC	DRG
Q44.0	07	H63A, H63B, H63C, H78Z	Q50.5	13	N04Z, N05A, N05B, N14Z, N21Z, N25Z, N62A, N62B	Q53.2	12	M64Z
	Pre	A07D, A09A, A09E, A11B, A11F, A13F		Pre	A09A, A11B	Pre	A09A, A11B	
Q44.1	07	H63A, H63B, H63C, H78Z	Q50.6	13	N04Z, N05A, N05B, N14Z, N21Z, N25Z, N62A, N62B	Q53.9	12	M64Z
	Pre	A07D, A09A, A09E, A11B, A11F, A13F		Pre	A09A, A11B	Pre	A09A, A11B	
Q44.2	06	G18A, G38Z	Q51.0	13	N04Z, N05A, N05B, N14Z, N21Z, N25Z, N62A, N62B	Q54.0	12	M64Z
	07	H64Z		Pre	A09A, A11B	Pre	A09A, A11B	
	15	TPN, VTPN		Pre	A09A, A11B	Q54.1	12	M64Z
	Pre	A07D, A09A, A09E, A11B, A11F, A13F	Q51.1	13	N04Z, N05A, N05B, N14Z, N21Z, N25Z, N62A, N62B	Pre	A09A, A11B	
Q44.3	06	G18A, G38Z		Pre	A09A, A11B	Q54.2	12	M64Z
	07	H64Z	Q51.2	13	N04Z, N05A, N05B, N14Z, N21Z, N25Z, N62A, N62B	Pre	A09A, A11B	
	15	TPN, VTPN		Pre	A09A, A11B	Q54.3	12	M64Z
	Pre	A07D, A09A, A09E, A11B, A11F, A13F	Q51.3	13	N04Z, N05A, N05B, N14Z, N21Z, N25Z, N62A, N62B	Pre	A09A, A11B	
Q44.4	07	H63A, H63B, H63C, H78Z		Pre	A09A, A11B	Q54.4	12	M64Z
	Pre	A07D, A09A, A09E, A11B, A11F, A13F	Q51.4	13	N04Z, N05A, N05B, N14Z, N21Z, N25Z, N62A, N62B	Pre	A09A, A11B	
Q44.5	07	H63A, H63B, H63C, H78Z		Pre	A09A, A11B	Q54.8	12	M64Z
	Pre	A07D, A09A, A09E, A11B, A11F, A13F	Q51.5	13	N04Z, N05A, N05B, N14Z, N21Z, N25Z, N62A, N62B	Pre	A09A, A11B	
Q44.6	07	H63A, H63B, H63C, H78Z		Pre	A09A, A11B	Q54.9	12	M64Z
	15	TPN, VTPN	Q51.6	13	N04Z, N05A, N05B, N14Z, N21Z, N25Z, N62A, N62B	Pre	A09A, A11B	
	Pre	A07D, A09A, A09E, A11B, A11F, A13F		Pre	A09A, A11B	Q55.0	12	M64Z
Q44.7	07	H63A, H63B, H63C, H78Z	Q51.7	13	N04Z, N05A, N05B, N14Z, N21Z, N25Z, N62A, N62B	Q55.1	12	M64Z
	15	TPN, VTPN		Pre	A09A, A11B	Pre	A09A, A11B	
	Pre	A07D, A09A, A09E, A11B, A11F, A13F	Q51.8	13	N04Z, N05A, N05B, N14Z, N21Z, N25Z, N62A, N62B	Q55.2	12	M64Z
Q45.0	07	H62A, H62B, H62C		Pre	A09A, A11B	Pre	A09A, A11B	
	15	TPN, VTPN	Q51.9	13	N04Z, N05A, N05B, N14Z, N21Z, N25Z, N62A, N62B	Q55.3	12	M64Z
	Pre	A07D, A09A, A09E, A11B, A11F, A13F		Pre	A09A, A11B	Pre	A09A, A11B	
Q45.1	07	H62A, H62B, H62C	Q52.0	13	N04Z, N05A, N05B, N14Z, N21Z, N25Z, N62A, N62B	Q55.4	12	M64Z
	15	TPN, VTPN		Pre	A09A, A11B	Pre	A09A, A11B	
	Pre	A07D, A09A, A09E, A11B, A11F, A13F	Q52.1	13	N04Z, N05A, N05B, N14Z, N21Z, N25Z, N62A, N62B	Q55.5	12	M64Z
Q45.2	07	H62A, H62B, H62C		Pre	A09A, A11B	Pre	A09A, A11B	
	15	TPN, VTPN	Q52.2	13	N04Z, N05A, N05B, N14Z, N21Z, N25Z, N62A, N62B	Q55.6	12	M64Z
	Pre	A07D, A09A, A09E, A11B, A11F, A13F		Pre	A09A, A11B	Pre	A09A, A11B	
Q45.3	07	H62A, H62B, H62C	Q52.3	13	N04Z, N05A, N05B, N14Z, N21Z, N25Z, N62A, N62B	Q55.8	12	M64Z
	15	TPN, VTPN		Pre	A09A, A11B	Pre	A09A, A11B	
	Pre	A07D, A09A, A09E, A11B, A11F, A13F	Q52.4	13	N04Z, N05A, N05B, N14Z, N21Z, N25Z, N62A, N62B	Q55.9	12	M64Z
Q45.8	06	G18A, G38Z, G46A, G46B, G46C, G50Z, G71Z		Pre	A09A, A11B	Pre	A09A, A11B	
	Pre	A07D, A09A, A09E, A11B, A11F, A13F	Q52.5	13	N04Z, N05A, N05B, N14Z, N21Z, N25Z, N62A, N62B	Q56.0	10	K64A, K64B, K64C, K64D
Q45.9	06	G18A, G38Z, G46A, G46B, G46C, G50Z, G71Z		Pre	A09A, A11B	Pre	A09A, A11B	
	Pre	A07D, A09A, A09E, A11B, A11F, A13F	Q52.6	13	N04Z, N05A, N05B, N14Z, N21Z, N25Z, N62A, N62B	Q56.1	10	K64A, K64B, K64C, K64D
Q50.0	13	N04Z, N05A, N05B, N14Z, N21Z, N25Z, N62A, N62B		Pre	A09A, A11B	Pre	A09A, A11B	
	Pre	A09A, A11B	Q52.7	13	N04Z, N05A, N05B, N14Z, N21Z, N25Z, N62A, N62B	Q56.2	10	K64A, K64B, K64C, K64D
Q50.1	13	N04Z, N05A, N05B, N14Z, N21Z, N25Z, N62A, N62B		Pre	A09A, A11B	Pre	A09A, A11B	
	Pre	A09A, A11B	Q52.8	13	N04Z, N05A, N05B, N14Z, N21Z, N25Z, N62A, N62B	Q56.3	10	K64A, K64B, K64C, K64D
Q50.2	13	N04Z, N05A, N05B, N14Z, N21Z, N25Z, N62A, N62B		Pre	A09A, A11B	Pre	A09A, A11B	
	Pre	A09A, A11B	Q52.9	13	N04Z, N05A, N05B, N14Z, N21Z, N25Z, N62A, N62B	Q56.4	10	K64A, K64B, K64C, K64D
Q50.3	13	N04Z, N05A, N05B, N14Z, N21Z, N25Z, N62A, N62B		Pre	A09A, A11B	Pre	A09A, A11B	
	Pre	A09A, A11B	Q53.0	12	M64Z	Q60.0	11	L64A, L64B, L74Z
Q50.4	13	N04Z, N05A, N05B, N14Z, N21Z, N25Z, N62A, N62B		Pre	A09A, A11B	Pre	A09A, A11B	
	Pre	A09A, A11B	Q53.1	12	M64Z	Q60.1	06	G18A, G38Z
	Pre	A09A, A11B		Pre	A09A, A11B	Pre	A07D, A09A, A09E, A11B, A11F, A13F	
	Pre	A09A, A11B		Pre	A09A, A11B	Q60.2	11	L64A, L64B, L74Z
	Pre	A09A, A11B		Pre	A09A, A11B	Pre	TPN, VTPN	
	Pre	A09A, A11B		Pre	A09A, A11B	Pre	A09A, A11B	
	Pre	A09A, A11B		Pre	A09A, A11B	Q60.3	11	L64A, L64B, L74Z
	Pre	A09A, A11B		Pre	A09A, A11B	Pre	TPN, VTPN	
	Pre	A09A, A11B		Pre	A09A, A11B	Pre	A09A, A11B	
	Pre	A09A, A11B		Pre	A09A, A11B	Q60.4	06	G18A, G38Z
	Pre	A09A, A11B		Pre	A09A, A11B	Pre	L68A, L68B, L74Z	
	Pre	A09A, A11B		Pre	A09A, A11B	Pre	TPN, VTPN	
	Pre	A09A, A11B		Pre	A09A, A11B	Pre	A09A, A11B	

ICD	MDC	DRG	ICD	MDC	DRG	ICD	MDC	DRG
Q60.5	11	L64A, L64B, L74Z	Q64.1	11	L68A, L68B, L74Z	Q66.9	08	I76A, I76B
	15	TPN, VTPN		15	TPN, VTPN	Pre	A09A, A11B	
	Pre	A09A, A11B		Pre	A09A, A11B	Q67.0	08	I76A, I76B
Q60.6	06	G18A, G38Z	Q64.2	11	L68A, L68B, L74Z		15	P65C, P66C, P67B, P67C
	11	L64A, L64B, L74Z		15	TPN, VTPN	Pre	A09A, A11B	
	15	TPN, VTPN		Pre	A09A, A11B	Q67.1	08	I76A, I76B
	Pre	A09A, A11B	Q64.3	11	L68A, L68B, L74Z	Pre	A09A, A11B	
Q61.0	11	L68A, L68B, L74Z		15	TPN, VTPN	Q67.2	08	I76A, I76B
	15	P65C, P66C, P67B, P67C		Pre	A09A, A11B	Pre	A09A, A11B	
	Pre	A09A, A11B	Q64.4	11	L68A, L68B, L74Z	Q67.3	08	I76A, I76B
Q61.1	11	L68A, L68B, L74Z		15	P65C, P66C, P67B, P67C	Pre	A09A, A11B	
	15	TPN, VTPN		Pre	A09A, A11B	Q67.4	08	I76A, I76B
	Pre	A09A, A11B	Q64.5	11	L68A, L68B, L74Z	Pre	A09A, A11B	
Q61.2	11	L68A, L68B, L74Z		15	P65C, P66C, P67B, P67C	Q67.5	08	I06A, I06B, I06C, I06D, I06E, I09A, I09B, I09C, I09D, I09E, I76A, I76B
	15	P65C, P66C, P67B, P67C		Pre	A09A, A11B		15	P65C, P66C, P67B, P67C
	Pre	A09A, A11B	Q64.6	11	L68A, L68B, L74Z	Pre	A09A, A11B	
Q61.3	11	L68A, L68B, L74Z		15	P65C, P66C, P67B, P67C	Q67.6	04	E75A, E75B, E75C
	15	P65C, P66C, P67B, P67C		Pre	A09A, A11B	Pre	A09A, A11B	
	Pre	A09A, A11B	Q64.7	11	L68A, L68B, L74Z	Q67.7	04	E75A, E75B, E75C
Q61.4	11	L68A, L68B, L74Z		15	P65C, P66C, P67B, P67C	Pre	A09A, A11B	
	15	P65C, P66C, P67B, P67C		Pre	A09A, A11B	Q67.8	08	I76A, I76B
	Pre	A09A, A11B	Q64.8	11	L68A, L68B, L74Z	Pre	A09A, A11B	
Q61.5	11	L68A, L68B, L74Z		Pre	A09A, A11B	Q68.0	08	I76A, I76B
	15	P65C, P66C, P67B, P67C	Q64.9	11	L68A, L68B, L74Z	Pre	A09A, A11B	
	Pre	A09A, A11B		Pre	A09A, A11B	Q68.1	08	I32A, I32B, I32C, I32D, I32G, I76A, I76B
Q61.8	11	L68A, L68B, L74Z	Q65.0	08	I76A		Pre	A09A, A11B
	15	P65C, P66C, P67B, P67C		15	P65C, P66C, P67B, P67C	Q68.2	08	I77Z
	Pre	A09A, A11B	Q65.1	08	I76A		15	P65C, P66C, P67B, P67C
Q61.9	11	L68A, L68B, L74Z		15	P65C, P66C, P67B, P67C	Pre	A09A, A11B	
	15	P65C, P66C, P67B, P67C		Pre	A09A, A11B	Q68.3	08	I76A, I76B
	Pre	A09A, A11B	Q65.2	08	I76A	Pre	A09A, A11B	
Q62.0	11	L64A, L64B, L74Z		15	P65C, P66C, P67B, P67C	Q68.4	08	I76A, I76B
	15	P65C, P66C, P67B, P67C		Pre	A09A, A11B	Pre	A09A, A11B	
	Pre	A09A, A11B	Q65.3	08	I76A, I76B	Q68.5	08	I76A, I76B
Q62.1	11	L64A, L64B, L74Z		15	P65C, P66C, P67B, P67C	Pre	A09A, A11B	
	15	P65C, P66C, P67B, P67C		Pre	A09A, A11B	Q68.8	08	I76A, I76B
	Pre	A09A, A11B	Q65.4	08	I76A, I76B		Pre	A09A, A11B
Q62.2	11	L64A, L64B, L74Z		15	P65C, P66C, P67B, P67C	Q69.0	08	I32A, I32B, I32C, I32D, I32E, I32F, I32G, I76A, I76B
	15	P65C, P66C, P67B, P67C		Pre	A09A, A11B		Pre	A09A, A11B
	Pre	A09A, A11B	Q65.5	08	I76A, I76B	Q69.1	08	I32A, I32B, I32C, I32D, I32E, I32F, I32G, I76A, I76B
Q62.3	11	L64A, L64B, L74Z		15	P65C, P66C, P67B, P67C		Pre	A09A, A11B
	15	P65C, P66C, P67B, P67C		Pre	A09A, A11B	Q69.2	08	I76A, I76B
	Pre	A09A, A11B	Q65.6	08	I76A, I76B	Pre	A09A, A11B	
Q62.4	11	L64A, L64B, L74Z		15	P65C, P66C, P67B, P67C	Q69.9	08	I76A, I76B
	15	P65C, P66C, P67B, P67C		Pre	A09A, A11B		Pre	A09A, A11B
	Pre	A09A, A11B	Q65.8	08	I76A, I76B	Q70.0	08	I32A, I32B, I32C, I32D, I32G, I76A, I76B
Q62.5	11	L64A, L64B, L74Z		Pre	A09A, A11B		Pre	A09A, A11B
	15	P65C, P66C, P67B, P67C		Pre	A09A, A11B	Q70.1	08	I32A, I32B, I32C, I32D, I32G, I76A, I76B
	Pre	A09A, A11B	Q65.9	08	I76A, I76B		Pre	A09A, A11B
Q62.6	11	L64A, L64B, L74Z		Pre	A09A, A11B	Q70.2	08	I76A, I76B
	15	P65C, P66C, P67B, P67C		Pre	A09A, A11B	Pre	A09A, A11B	
	Pre	A09A, A11B	Q66.0	08	I76A, I76B	Q70.3	08	I76A, I76B
Q62.7	11	L64A, L64B, L74Z		Pre	A09A, A11B	Pre	A09A, A11B	
	15	P65C, P66C, P67B, P67C		Pre	A09A, A11B	Q70.4	08	I32B, I32C, I32D, I76A, I76B
	Pre	A09A, A11B	Q66.1	08	I76A, I76B		Pre	A09A, A11B
Q62.8	11	L64A, L64B, L74Z		Pre	A09A, A11B	Q70.9	08	I32B, I32C, I32D, I76A, I76B
	15	P65C, P66C, P67B, P67C		Pre	A09A, A11B	Pre	A09A, A11B	
	Pre	A09A, A11B	Q66.2	08	I76A, I76B	Q71.0	08	I32A, I32B, I32C, I32D, I32G, I33Z, I76A, I76B
Q62.9	11	L64A, L64B, L74Z		Pre	A09A, A11B		15	P65C, P66C, P67B, P67C
Q63.0	11	L64A, L64B, L74Z		Pre	A09A, A11B	Pre	A09A, A11B	
	15	P65C, P66C, P67B, P67C	Q66.3	08	I76A, I76B			
	Pre	A09A, A11B		Pre	A09A, A11B			
Q63.1	11	L64A, L64B, L74Z	Q66.4	08	I76A, I76B			
	15	P65C, P66C, P67B, P67C		Pre	A09A, A11B			
	Pre	A09A, A11B	Q66.5	08	I76A, I76B			
Q63.2	11	L64A, L64B, L74Z		Pre	A09A, A11B			
	15	P65C, P66C, P67B, P67C	Q66.6	08	I76A, I76B			
	Pre	A09A, A11B		Pre	A09A, A11B			
Q63.3	11	L64A, L64B, L74Z	Q66.7	08	I76A, I76B			
	15	P65C, P66C, P67B, P67C		Pre	A09A, A11B			
	Pre	A09A, A11B	Q66.8	08	I76A, I76B			
Q63.8	11	L64A, L64B, L74Z		Pre	A09A, A11B			
	15	P65C, P66C, P67B, P67C		Pre	A09A, A11B			
	Pre	A09A, A11B		Pre	A09A, A11B			
Q63.9	11	L64A, L64B, L74Z		Pre	A09A, A11B			
	15	P65C, P66C, P67B, P67C		Pre	A09A, A11B			
	Pre	A09A, A11B		Pre	A09A, A11B			
Q64.0	12	M64Z		Pre	A09A, A11B			
	13	N04Z, N05A, N05B, N14Z, N21Z, N25Z, N62A, N62B		Pre	A09A, A11B			
	Pre	A09A, A11B						

Dg

ICD	MDC	DRG	ICD	MDC	DRG	ICD	MDC	DRG
Q71.1	08	I32A, I32B, I32C, I32D, I32G, I33Z, I76A, I76B	Q74.1	08	I33Z, I76A	Q77.1	08	I76A, I76B
	15	P65C, P66C, P67B, P67C		Pre	A09A, A11B		15	TPN, VTPN
	Pre	A09A, A11B	Q74.2	08	I33Z, I76A		Pre	A07D, A09A, A09E, A11B, A11F, A13F
Q71.2	08	I32B, I32C, I32D, I33Z, I76A, I76B	Q74.3	08	I33Z, I76A	Q77.2	08	I76A, I76B
	15	P65C, P66C, P67B, P67C		15	TPN, VTPN		15	TPN, VTPN
	Pre	A09A, A11B	Q74.8	08	I33Z, I76A, I76B		Pre	A07D, A09A, A09E, A11B, A11F, A13F
Q71.3	08	I32A, I32B, I32C, I32D, I32G, I33Z, I76A, I76B	Q74.9	08	I33Z, I76A, I76B	Q77.3	08	I76A, I76B
	15	P65C, P66C, P67B, P67C		Pre	A09A, A11B		15	TPN, VTPN
	Pre	A09A, A11B	Q75.0	08	I76A, I76B		Pre	A07D, A09A, A09E, A11B, A11F, A13F
Q71.4	08	I32B, I32C, I32D, I33Z, I76A, I76B		15	TPN, VTPN	Q77.4	08	I76A, I76B
	15	P65C, P66C, P67B, P67C	Q75.1	08	I76A, I76B		15	TPN, VTPN
	Pre	A09A, A11B		15	TPN, VTPN		Pre	A07D, A09A, A09E, A11B, A11F, A13F
Q71.5	08	I32B, I32C, I32D, I33Z, I76A, I76B	Q75.2	08	I76A, I76B	Q77.5	08	I76A, I76B
	15	P65C, P66C, P67B, P67C		15	TPN, VTPN		15	TPN, VTPN
	Pre	A09A, A11B	Q75.3	08	I76A, I76B		Pre	A07D, A09A, A09E, A11B, A11F, A13F
Q71.6	08	I32A, I32B, I32C, I32D, I32G, I33Z, I76A, I76B		15	TPN, VTPN	Q77.6	08	I76A, I76B
	15	P65C, P66C, P67B, P67C	Q75.4	08	I76A, I76B		15	TPN, VTPN
	Pre	A09A, A11B		15	TPN, VTPN		Pre	A07D, A09A, A09E, A11B, A11F, A13F
Q71.8	08	I32B, I32C, I32D, I33Z, I76A, I76B	Q75.5	08	I76A, I76B	Q77.7	08	I76A, I76B
	Pre	A09A, A11B		15	TPN, VTPN		15	TPN, VTPN
Q71.9	08	I32B, I32C, I32D, I33Z, I76A, I76B	Q75.8	08	I76A, I76B		Pre	A07D, A09A, A09E, A11B, A11F, A13F
	15	P65C, P66C, P67B, P67C		15	TPN, VTPN	Q77.8	08	I76A, I76B
	Pre	A09A, A11B	Q75.9	08	I76A, I76B		15	TPN, VTPN
Q72.0	08	I33Z, I76A, I76B		15	TPN, VTPN		Pre	A07D, A09A, A09E, A11B, A11F, A13F
	15	P65C, P66C, P67B, P67C	Q76.0	01	B03A, B03B, B06A, B06B, B17A, B17B, B17C, B17D, B81A, B81B	Q78.0	08	I76A, I76B
	Pre	A09A, A11B		Pre	A09A, A11B		15	TPN, VTPN
Q72.1	08	I33Z, I76A, I76B	Q76.1	08	I76A, I76B		Pre	A07D, A09A, A09E, A11B, A11F, A13F
	15	P65C, P66C, P67B, P67C		15	TPN, VTPN	Q78.1	08	I76A, I76B
	Pre	A09A, A11B	Q76.21	08	I68A, I68B, I68C, I68D, I68E		15	TPN, VTPN
Q72.2	08	I33Z, I76A, I76B		Pre	A09A, A11B		Pre	A07D, A09A, A09E, A11B, A11F, A13F
	15	P65C, P66C, P67B, P67C	Q76.22	08	I68A, I68B, I68C, I68D, I68E	Q78.2	08	I76A, I76B
	Pre	A09A, A11B		Pre	A09A, A11B		15	TPN, VTPN
Q72.3	08	I33Z, I76A, I76B	Q76.3	08	I68A, I68B, I68C, I68D, I68E		Pre	A07D, A09A, A09E, A11B, A11F, A13F
	15	P65C, P66C, P67B, P67C		15	P65C, P66C, P67B, P67C	Q78.3	08	I76A, I76B
	Pre	A09A, A11B	Q76.4	08	I68A, I68B, I68C, I68D, I68E		15	TPN, VTPN
Q72.4	08	I33Z, I76A, I76B		15	P65C, P66C, P67B, P67C		Pre	A07D, A09A, A09E, A11B, A11F, A13F
	15	P65C, P66C, P67B, P67C	Q76.5	08	I76A, I76B	Q78.4	08	I76A, I76B
	Pre	A09A, A11B		Pre	A09A, A11B		15	TPN, VTPN
Q72.5	08	I33Z, I76A, I76B	Q76.6	04	E75A, E75B, E75C		Pre	A07D, A09A, A09E, A11B, A11F, A13F
	15	P65C, P66C, P67B, P67C		Pre	A09A, A11B	Q78.5	08	I76A, I76B
	Pre	A09A, A11B	Q76.7	04	E75A, E75B, E75C		Pre	A07D, A09A, A09E, A11B, A11F, A13F
Q72.6	08	I33Z, I76A, I76B		Pre	A09A, A11B	Q78.6	08	I76A, I76B
	15	P65C, P66C, P67B, P67C	Q76.8	08	I76A, I76B		15	TPN, VTPN
	Pre	A09A, A11B		Pre	A09A, A11B		Pre	A07D, A09A, A09E, A11B, A11F, A13F
Q72.7	08	I33Z, I76A, I76B	Q76.9	08	I76A, I76B	Q78.8	08	I76A, I76B
	15	P65C, P66C, P67B, P67C		Pre	A09A, A11B		15	TPN, VTPN
	Pre	A09A, A11B	Q77.0	08	I76A, I76B		Pre	A07D, A09A, A09E, A11B, A11F, A13F
Q72.8	08	I33Z, I76A, I76B		15	TPN, VTPN	Q78.9	08	I76A, I76B
	15	P65C, P66C, P67B, P67C		Pre	A07D, A09A, A09E, A11B, A11F, A13F		15	TPN, VTPN
	Pre	A09A, A11B					Pre	A07D, A09A, A09E, A11B, A11F, A13F
Q72.9	08	I33Z, I76A, I76B						
	Pre	A09A, A11B						
Q73.0	08	I33Z, I76A, I76B						
	Pre	A09A, A11B						
Q73.1	08	I33Z, I76A, I76B						
	Pre	A09A, A11B						
Q73.8	08	I33Z, I76A, I76B						
	Pre	A09A, A11B						
Q74.0	08	I33Z, I76A						
	Pre	A09A, A11B						

ICD	MDC	DRG	ICD	MDC	DRG	ICD	MDC	DRG	
Q87.5	04	E77A, E77B	Q91.1	01	B81A, B81B	Q92.7	15	TPN, VTPN	
	06	G18A, G38Z		06	G18A, G38Z	23	Z64A, Z64B		
	15	TPN, VTPN		15	TPN, VTPN	Pre	A07D, A09A, A09E, A11B,		
	Pre	A07D, A09A, A09E, A11B,		Pre	A07D, A09A, A09E, A11B,		A11F, A13F		
		A11F, A13F	Q91.2	01	B81A, B81B	Q92.8	15	TPN, VTPN	
Q87.8	04	E77A, E77B		06	G18A, G38Z	23	Z64A, Z64B		
	06	G18A, G38Z		15	TPN, VTPN	Pre	A07D, A09A, A09E, A11B,		
	15	TPN, VTPN		Pre	A07D, A09A, A09E, A11B,		A11F, A13F		
	Pre	A07D, A09A, A09E, A11B,		Pre	A07D, A09A, A09E, A11B,	Q92.9	15	TPN, VTPN	
		A11F, A13F	Q91.3	01	B81A, B81B	23	Z64A, Z64B		
Q89.0	15	P65C, P66C, P67B, P67C		06	G18A, G38Z	Pre	A07D, A09A, A09E, A11B,		
	16	Q60A, Q60B, Q60C		15	TPN, VTPN		A11F, A13F		
	Pre	A07D, A09A, A09E, A11B,		Pre	A07D, A09A, A09E, A11B,	Q93.0	01	B81A, B81B	
		A11F, A13F		Pre	A07D, A09A, A09E, A11B,	15	TPN, VTPN		
Q89.1	10	K64A, K64B, K64C, K64D		Pre	A07D, A09A, A09E, A11B,	Pre	A07D, A09A, A09E, A11B,		
	15	TPN, VTPN	Q91.4	01	B81A, B81B		A11F, A13F		
	Pre	A07D, A09A, A09E, A11B,		06	G18A, G38Z	Q93.1	01	B81A, B81B	
		A11F, A13F		15	TPN, VTPN	15	TPN, VTPN		
Q89.2	10	K64A, K64B, K64C, K64D		Pre	A07D, A09A, A09E, A11B,	Pre	A07D, A09A, A09E, A11B,		
	Pre	A07D, A09A, A09E, A11B,			A11F, A13F		A11F, A13F		
		A11F, A13F	Q91.5	01	B81A, B81B	Q93.2	01	B81A, B81B	
Q89.3	06	G18A, G38Z, G46A, G46B,		06	G18A, G38Z	15	TPN, VTPN		
		G46C, G50Z, G71Z		15	TPN, VTPN	Pre	A07D, A09A, A09E, A11B,		
	15	P65C, P66C, P67B, P67C		Pre	A07D, A09A, A09E, A11B,		A11F, A13F		
	Pre	A09A, A11B			A11F, A13F	Q93.3	01	B81A, B81B	
Q89.4	06	G18A, G38Z		Q91.6	01	B81A, B81B	15	TPN, VTPN	
	15	TPN, VTPN		06	G18A, G38Z	Pre	A07D, A09A, A09E, A11B,		
	23	Z65Z		15	TPN, VTPN		A11F, A13F		
	Pre	A07D, A09A, A09E, A11B,		Pre	A07D, A09A, A09E, A11B,	Q93.4	01	B81A, B81B	
		A11F, A13F, A22Z			A11F, A13F	15	TPN, VTPN		
Q89.7	15	TPN, VTPN		Q91.7	01	B81A, B81B	Pre	A07D, A09A, A09E, A11B,	
	23	Z65Z		06	G18A, G38Z		A11F, A13F		
	Pre	A07D, A09A, A09E, A11B,		15	TPN, VTPN	Q93.5	01	B81A, B81B	
		A11F, A13F		Pre	A07D, A09A, A09E, A11B,	15	TPN, VTPN		
Q89.8	15	TPN, VTPN			A11F, A13F	Pre	A07D, A09A, A09E, A11B,		
	23	Z65Z		Q92.0	06	G18A, G38Z		A11F, A13F	
	Pre	A07D, A09A, A09E, A11B,		15	TPN, VTPN	Q93.6	01	B81A, B81B	
		A11F, A13F		23	Z64A, Z64B	15	TPN, VTPN		
Q89.9	23	Z65Z		Pre	A07D, A09A, A09E, A11B,	Pre	A07D, A09A, A09E, A11B,		
	Pre	A07D, A09A, A09E, A11B,			A11F, A13F		A11F, A13F		
		A11F, A13F		Q92.1	06	G18A, G38Z	Q93.7	01	B81A, B81B
Q90.0	01	B81A, B81B		15	TPN, VTPN	15	TPN, VTPN		
	06	G18A, G38Z		23	Z64A, Z64B	Pre	A07D, A09A, A09E, A11B,		
	15	TPN, VTPN		Pre	A07D, A09A, A09E, A11B,		A11F, A13F		
	Pre	A07D, A09A, A09E, A11B,			A11F, A13F	Q93.8	01	B81A, B81B	
		A11F, A13F		Q92.2	06	G18A, G38Z	15	TPN, VTPN	
Q90.1	01	B81A, B81B		15	TPN, VTPN	Pre	A07D, A09A, A09E, A11B,		
	06	G18A, G38Z		23	Z64A, Z64B		A11F, A13F		
	15	TPN, VTPN		Pre	A07D, A09A, A09E, A11B,	Q93.9	01	B81A, B81B	
	Pre	A07D, A09A, A09E, A11B,			A11F, A13F	15	TPN, VTPN		
		A11F, A13F		Q92.3	06	G18A, G38Z	Pre	A07D, A09A, A09E, A11B,	
Q90.2	01	B81A, B81B		15	TPN, VTPN		A11F, A13F		
	06	G18A, G38Z		23	Z64A, Z64B	Q95.0	23	Z64A, Z64B	
	15	TPN, VTPN		Pre	A07D, A09A, A09E, A11B,	Pre	A07D, A09A, A09E, A11B,		
	Pre	A07D, A09A, A09E, A11B,			A11F, A13F		A11F, A13F		
		A11F, A13F		Q92.4	15	TPN, VTPN	Q95.1	23	Z64A, Z64B
Q90.9	01	B81A, B81B		23	Z64A, Z64B	Pre	A07D, A09A, A09E, A11B,		
	06	G18A, G38Z		Pre	A07D, A09A, A09E, A11B,		A11F, A13F		
	15	TPN, VTPN			A11F, A13F	Q95.2	15	TPN, VTPN	
	Pre	A07D, A09A, A09E, A11B,			A11F, A13F	23	Z64A, Z64B		
		A11F, A13F		Q92.5	15	TPN, VTPN	Pre	A07D, A09A, A09E, A11B,	
Q91.0	01	B81A, B81B		23	Z64A, Z64B		A11F, A13F		
	06	G18A, G38Z		Pre	A07D, A09A, A09E, A11B,	Q95.3	15	TPN, VTPN	
	15	TPN, VTPN			A11F, A13F	23	Z64A, Z64B		
	Pre	A07D, A09A, A09E, A11B,		Q92.6	15	TPN, VTPN	Pre	A07D, A09A, A09E, A11B,	
		A11F, A13F		23	Z64A, Z64B		A11F, A13F		
				Pre	A07D, A09A, A09E, A11B,	Q95.4	15	TPN, VTPN	
					A11F, A13F	23	Z64A, Z64B		
						Pre	A07D, A09A, A09E, A11B,		
							A11F, A13F		

ICD	MDC	DRG	ICD	MDC	DRG	ICD	MDC	DRG
Q95.5	15	TPN, VTPN	Q97.2	12	M64Z	Q98.7	12	M64Z
	23	Z64A, Z64B		13	N04Z, N05A, N05B, N14Z, N21Z, N25Z, N62A, N62B		13	N04Z, N05A, N05B, N14Z, N21Z, N25Z, N62A, N62B
	Pre	A07D, A09A, A09E, A11B, A11F, A13F		15	P65C, P66C, P67B, P67C		15	P65C, P66C, P67B, P67C
Q95.8	15	TPN, VTPN		Pre	A07D, A09A, A09E, A11B, A11F, A13F	Q98.8	12	M64Z
	23	Z64A, Z64B	Q97.3	12	M64Z		13	N04Z, N05A, N05B, N14Z, N21Z, N25Z, N62A, N62B
	Pre	A07D, A09A, A09E, A11B, A11F, A13F		13	N04Z, N05A, N05B, N14Z, N21Z, N25Z, N62A, N62B		15	P65C, P66C, P67B, P67C
Q95.9	15	TPN, VTPN		15	P65C, P66C, P67B, P67C	Q98.9	12	M64Z
	23	Z64A, Z64B		Pre	A07D, A09A, A09E, A11B, A11F, A13F		13	N04Z, N05A, N05B, N14Z, N21Z, N25Z, N62A, N62B
	Pre	A07D, A09A, A09E, A11B, A11F, A13F	Q97.8	12	M64Z		15	P65C, P66C, P67B, P67C
Q96.0	12	M64Z		13	N04Z, N05A, N05B, N14Z, N21Z, N25Z, N62A, N62B	Q99.0	10	K64A, K64B, K64C, K64D
	13	N04Z, N05A, N05B, N14Z, N21Z, N25Z, N62A, N62B		15	P65C, P66C, P67B, P67C		15	TPN, VTPN
	15	P65C, P66C, P67B, P67C		Pre	A07D, A09A, A09E, A11B, A11F, A13F	Pre	A07D, A09A, A09E, A11B, A11F, A13F	
	Pre	A07D, A09A, A09E, A11B, A11F, A13F	Q97.9	12	M64Z		Pre	A07D, A09A, A09E, A11B, A11F, A13F
Q96.1	12	M64Z		13	N04Z, N05A, N05B, N14Z, N21Z, N25Z, N62A, N62B	Q99.1	10	K64A, K64B, K64C, K64D
	13	N04Z, N05A, N05B, N14Z, N21Z, N25Z, N62A, N62B		15	P65C, P66C, P67B, P67C		15	TPN, VTPN
	15	P65C, P66C, P67B, P67C		Pre	A07D, A09A, A09E, A11B, A11F, A13F	Pre	A07D, A09A, A09E, A11B, A11F, A13F	
	Pre	A07D, A09A, A09E, A11B, A11F, A13F	Q98.0	12	M64Z	Q99.2	15	TPN, VTPN
Q96.2	12	M64Z		13	N04Z, N05A, N05B, N14Z, N21Z, N25Z, N62A, N62B		23	Z65Z
	13	N04Z, N05A, N05B, N14Z, N21Z, N25Z, N62A, N62B		15	P65C, P66C, P67B, P67C	Pre	A07D, A09A, A09E, A11B, A11F, A13F	
	15	P65C, P66C, P67B, P67C		Pre	A07D, A09A, A09E, A11B, A11F, A13F	Q99.8	12	M64Z
	Pre	A07D, A09A, A09E, A11B, A11F, A13F	Q98.1	12	M64Z		13	N04Z, N05A, N05B, N14Z, N21Z, N25Z, N62A, N62B
Q96.3	12	M64Z		13	N04Z, N05A, N05B, N14Z, N21Z, N25Z, N62A, N62B		15	P65C, P66C, P67B, P67C
	13	N04Z, N05A, N05B, N14Z, N21Z, N25Z, N62A, N62B		15	P65C, P66C, P67B, P67C	Pre	A07D, A09A, A09E, A11B, A11F, A13F	
	15	P65C, P66C, P67B, P67C		Pre	A07D, A09A, A09E, A11B, A11F, A13F	Q99.9	23	Z65Z
	Pre	A07D, A09A, A09E, A11B, A11F, A13F	Q98.2	12	M64Z		Pre	A07D, A09A, A09E, A11B, A11F, A13F
Q96.4	12	M64Z		13	N04Z, N05A, N05B, N14Z, N21Z, N25Z, N62A, N62B	R00.0	05	F71A, F71B
	13	N04Z, N05A, N05B, N14Z, N21Z, N25Z, N62A, N62B		15	P65C, P66C, P67B, P67C	R00.1	05	F71A, F71B
	15	P65C, P66C, P67B, P67C		Pre	A07D, A09A, A09E, A11B, A11F, A13F	R00.2	05	F71A, F71B
	Pre	A07D, A09A, A09E, A11B, A11F, A13F	Q98.3	12	M64Z	R00.8	05	F75A, F75B, F75C, F75D
Q96.8	12	M64Z		13	N04Z, N05A, N05B, N14Z, N21Z, N25Z, N62A, N62B	R01.0	05	F69A, F69B
	13	N04Z, N05A, N05B, N14Z, N21Z, N25Z, N62A, N62B		15	P65C, P66C, P67B, P67C	R01.1	05	F69A, F69B
	15	P65C, P66C, P67B, P67C		Pre	A07D, A09A, A09E, A11B, A11F, A13F	R01.2	05	F75A, F75B, F75C, F75D
	Pre	A07D, A09A, A09E, A11B, A11F, A13F	Q98.4	12	M64Z	R02	05	F65A, F65B
Q96.9	12	M64Z		13	N04Z, N05A, N05B, N14Z, N21Z, N25Z, N62A, N62B		15	TPN, VTPN
	13	N04Z, N05A, N05B, N14Z, N21Z, N25Z, N62A, N62B		15	P65C, P66C, P67B, P67C	R03.0	05	F75A, F75B, F75C, F75D
	15	P65C, P66C, P67B, P67C		Pre	A07D, A09A, A09E, A11B, A11F, A13F	R03.1	05	F75A, F75B, F75C, F75D
	Pre	A07D, A09A, A09E, A11B, A11F, A13F	Q98.5	12	M64Z	R04.0	03	D62Z
Q97.0	12	M64Z		13	N04Z, N05A, N05B, N14Z, N21Z, N25Z, N62A, N62B	R04.1	03	D62Z
	13	N04Z, N05A, N05B, N14Z, N21Z, N25Z, N62A, N62B		15	P65C, P66C, P67B, P67C	R04.2	04	E75A, E75B, E75C
	15	P65C, P66C, P67B, P67C		Pre	A07D, A09A, A09E, A11B, A11F, A13F	R04.8	04	E75A, E75B, E75C
	Pre	A07D, A09A, A09E, A11B, A11F, A13F	Q98.6	12	M64Z	R04.9	04	E69A, E69B, E69C, E69D, E69E, E69F
Q97.1	12	M64Z		13	N04Z, N05A, N05B, N14Z, N21Z, N25Z, N62A, N62B	R05	04	E69A, E69B, E69C, E69D, E69E, E69F
	13	N04Z, N05A, N05B, N14Z, N21Z, N25Z, N62A, N62B		15	P65C, P66C, P67B, P67C	R06.0	04	E69A, E69B, E69C, E69D, E69E, E69F
	15	P65C, P66C, P67B, P67C		Pre	A07D, A09A, A09E, A11B, A11F, A13F	R06.1	04	S65A, S65B
	Pre	A07D, A09A, A09E, A11B, A11F, A13F		Pre	A07D, A09A, A09E, A11B, A11F, A13F	R06.2	04	E69A, E69B, E69C, E69D, E69E, E69F
						R06.3	04	E69A, E69B, E69C, E69D, E69E, E69F
						R06.4	04	E69A, E69B, E69C, E69D, E69E, E69F
						18A	18A	S65A, S65B

Dg

ICD	MDC	DRG	ICD	MDC	DRG	ICD	MDC	DRG
R06.5	03	D66Z	R19.6	03	D66Z	R43.0	01	B81A, B81B
R06.6	04	E75A, E75B, E75C	R19.8	06	G46A, G46B, G46C, G50Z, G67A, G67B, G67C, G67D	R43.1	01	B81A, B81B
R06.7	03	D66Z	R20.0	01	B20D, B81A, B81B	R43.2	01	B81A, B81B
R06.80	01	B81A, B81B	R20.1	01	B20D, B81A, B81B	R43.8	01	B81A, B81B
	15	P65C, P66C, P67B, P67C	R20.2	01	B20D, B81A, B81B	R44.0	19	U64Z
R06.88	04	E69A, E69B, E69C, E69D, E69E, E69F	R20.3	01	B20D, B81A, B81B	R44.1	02	C63Z
	18A	S65A, S65B	R20.8	01	B20D, B81A, B81B	R44.2	19	U64Z
R07.0	03	D66Z	R21	09	J67A, J67B, J68A, J68B	R44.3	19	U64Z
R07.1	04	E69A, E69B, E69C, E69D, E69E, E69F		18A	S65A, S65B	R44.8	19	U64Z
R07.2	05	F74Z	R22.0	09	J67A, J67B, J68A, J68B	R45.0	19	U66Z
R07.3	05	F74Z	R22.1	09	J67A, J67B, J68A, J68B	R45.1	19	U66Z
R07.4	05	F74Z	R22.2	09	J67A, J67B, J68A, J68B	R45.2	23	Z64A, Z64B
R09.0	04	E75A, E75B, E75C	R22.3	09	J67A, J67B, J68A, J68B	R45.3	23	Z64A, Z64B
	Pre	A07D, A09E, A11F, A13F	R22.4	09	J67A, J67B, J68A, J68B	R45.4	19	U66Z
R09.1	04	E65A, E65B, E69A, E69B, E69C, E69D, E69E, E69F	R22.7	09	J67A, J67B, J68A, J68B	R45.5	23	Z64A, Z64B
R09.2	04	E75A, E75B, E75C	R22.9	09	J67A, J67B, J68A, J68B	R45.6	23	Z64A, Z64B
	15	P65C, P66C, P67B, P67C	R23.0	23	Z65Z	R45.7	19	U66Z
R09.3	04	E69A, E69B, E69C, E69D, E69E, E69F	R23.1	23	Z65Z	R45.8	23	Z64A, Z64B
R09.8	04	E69A, E69B, E69C, E69D, E69E, E69F	R23.2	23	Z65Z	R46.0	23	Z64A, Z64B
R10.0	06	G46A, G46B, G46C, G50Z, G66Z, G72A, G72B	R23.3	16	Q60A, Q60B, Q60C, Q60D, Q60E	R46.1	23	Z64A, Z64B
R10.1	06	G46A, G46B, G46C, G50Z, G66Z, G72A, G72B	R23.4	09	J67A, J67B, J68A, J68B	R46.2	23	Z64A, Z64B
R10.2	12	M64Z	R23.8	09	J67A, J67B, J68A, J68B	R46.3	23	Z64A, Z64B
	13	N04Z, N05A, N05B, N14Z, N21Z, N25Z, N62B		15	P65C, P66C, P67B, P67C	R46.4	23	Z64A, Z64B
R10.3	06	G46A, G46B, G46C, G50Z, G66Z, G72A, G72B	R25.0	01	B81A, B81B	R46.5	23	Z64A, Z64B
R10.4	06	G46A, G46B, G46C, G50Z, G66Z, G72A, G72B	R25.1	01	B81A, B81B	R46.6	23	Z64A, Z64B
R11	06	G46A, G46B, G46C, G50Z, G67A, G67B, G67C, G67D	R25.2	08	I69A, I69B, I71A, I71B	R46.7	23	Z64A, Z64B
R12	06	G46A, G46B, G46C, G50Z, G67A, G67B, G67C, G67D	R25.3	01	B81A, B81B	R46.8	23	Z64A, Z64B
R13.0	06	G46A, G46B, G46C, G50Z, G67A, G67B, G67C, G67D	R25.8	01	B81A, B81B	R47.0	01	B81A, B81B
R13.1	06	G46A, G46B, G46C, G50Z, G67A, G67B, G67C, G67D	R26.0	01	B81A, B81B	R47.1	01	B81A, B81B
R13.9	06	G46A, G46B, G46C, G50Z, G67A, G67B, G67C, G67D	R26.1	01	B81A, B81B	R47.8	01	B81A, B81B
R14	06	G46A, G46B, G46C, G50Z, G67A, G67B, G67C, G67D	R26.2	08	I69A, I69B, I71A, I71B	R48.0	19	U66Z
R15	06	G46A, G46B, G46C, G50Z, G67A, G67B, G67C, G67D	R26.3	23	Z64A, Z64B	R48.1	19	U66Z
R16.0	07	H63A, H63B, H63C, H78Z	R26.8	01	B81A, B81B	R48.2	19	U66Z
	18A	S65A, S65B	R26.8	01	B81A, B81B	R48.8	19	U66Z
R16.1	16	Q60A, Q60B, Q60C	R27.0	01	B81A, B81B	R48.8	19	U66Z
	18A	S65A, S65B	R27.8	01	B81A, B81B	R49.0	03	D66Z
R16.2	07	H40Z, H63A, H63B, H63C, H78Z	R29.0	10	K62A, K62B		15	P65C, P66C, P67B, P67C
	15	TPN, VTPN	R29.1	01	B81A, B81B	R49.1	03	D66Z
R17	07	H63A, H63B, H63C, H78Z	R29.2	01	B81A, B81B	R49.2	03	D66Z
R18	23	Z65Z	R29.3	01	B81A, B81B	R49.8	03	D66Z
R19.0	06	G46A, G46B, G46C, G50Z, G67A, G67B, G67C, G67D	R29.5	08	I69A, I69B, I71A, I71B	R50.2	18A	S65A, S65B
R19.1	06	G46A, G46B, G46C, G50Z, G67A, G67B, G67C, G67D	R29.6	01	B81A, B81B		18B	T62A, T62B
R19.2	06	G46A, G46B, G46C, G50Z, G67A, G67B, G67C, G67D	R29.8	01	B81A, B81B	R50.88	18A	S65A, S65B
R19.3	06	G46A, G46B, G46C, G50Z, G71Z	R30.0	11	L64A, L74Z		18B	T62A, T62B
R19.4	06	G46A, G46B, G46C, G50Z, G67A, G67B, G67C, G67D	R30.1	11	L64A, L74Z	R50.9	18A	S65A, S65B
R19.5	06	G46A, G46B, G46C, G50Z, G67A, G67B, G67C, G67D	R30.9	11	L64A, L74Z		18B	T62A, T62B
			R31	11	L64A, L74Z	R51	01	B20D, B77Z
			R32	11	L64A, L74Z		18A	S65A, S65B
			R33	11	L64A, L74Z	R52.0	23	Z65Z
			R34	11	L60A, L60B, L60C, L60D, L71Z	R52.1	23	Z65Z
			R35	11	L64A, L74Z	R52.2	23	Z65Z
			R36	11	L64A, L74Z	R52.3	23	Z65Z
			R39.0	11	L64A, L74Z	R52.4	23	Z65Z
			R39.1	11	L64A, L74Z	R52.9	23	Z65Z
			R39.2	11	L64A, L74Z	R53	18A	S65A, S65B
			R39.8	11	L64A, L74Z		23	Z65Z
			R40.0	01	B66A, B66B, B66C, B66D	R54	01	B63Z
			R40.1	01	B66A, B66B, B66C, B66D	R55	05	F73Z
			R40.2	01	B66A, B66B, B66C, B66D	R56.0	01	B75A, B75B
				15	TPN, VTPN	R56.8	01	B75A, B75B
			R41.0	01	B64Z		15	TPN, VTPN
			R41.1	23	Z65Z	R57.0	05	F62A, F62B, F62C
			R41.2	23	Z65Z		Pre	A07D, A09E, A11F, A13F
			R41.3	23	Z65Z			
			R41.8	23	Z65Z			
			R42	03	D61A, D61B			

ICD	MDC	DRG	ICD	MDC	DRG	ICD	MDC	DRG
R57.1	05	F62A	R65.1		KK11, KKI, KKII	R77.8	17	R01A, R01B, R01C, R01D, R03Z, R11A, R11B, R11C, R61A, R61B, R61C, R61D, R61E, R61F, R61G, R61H
	06	G67A		05	F62A			
	18B	T01B, T60A, T60B, T60C, T60D, T60E, T60F, T61A		06	G67A	R77.9	17	R01A, R01B, R01C, R01D, R03Z, R11A, R11B, R11C, R61A, R61B, R61C, R61D, R61E, R61F, R61G, R61H
	22	Y02A, Y02B		07	H06A, H08A			
R57.2	Pre	A07D, A09E, A11F, A13F		10	K62A			
	05	F62A		15	P65C, P66C, P67B, P67C			
	06	G67A		17	R60B, R60C, R61A, R62A, R63B, R63C, R63D, R63F			
	15	P65C, P66C, P67B, P67C		18B	T61A	R78.1	23	Z65Z
	18A	S63A, S63B		22	Y02A	R78.2	23	Z65Z
	18B	T01B, T60A, T60B, T60C, T60D, T60E, T60F, T61A	R65.2	05	F62A	R78.3	23	Z65Z
	22	Y02A		06	G67A	R78.4	23	Z65Z
	Pre	A07D, A09E, A11F, A13F		10	K62A	R78.5	23	Z65Z
R57.8	05	F62A		15	P65C, P66C, P67B, P67C	R78.6	23	Z65Z
	06	G67A		18B	T61A	R78.7	23	Z65Z
	18B	T01B, T60A, T60B, T60C, T60D, T60E, T60F, T61A		22	Y02A	R78.8	23	Z65Z
	22	Y02A, Y02B	R65.3		KK11, KKI, KKII	R78.9	23	Z65Z
	Pre	A07D, A09E, A11F, A13F		05	F62A	R79.0	23	Z65Z
R57.9	05	F73Z		06	G67A	R79.8	23	Z65Z
R58	05	F75A, F75B, F75C, F75D		07	H06A, H08A	R79.9	23	Z65Z
R59.0	16	Q60A, Q60B, Q60C, Q60D, Q60E		10	K62A	R80	11	L64A, L74Z
	18A	S65A, S65B		15	P65C, P66C, P67B, P67C	R81	10	K60A, K60B, K60C, K60D, K60E
R59.1	16	Q60A, Q60B, Q60C		17	R60B, R60C, R61A, R62A, R63B, R63C, R63D, R63F	R82.0	11	L64A, L74Z
	18A	S65A, S65B		18B	T61A	R82.1	23	Z65Z
R59.9	16	Q60A, Q60B, Q60C, Q60D, Q60E	R65.9	22	Y02A	R82.2	07	H63A, H63B, H63C, H78Z
	18A	S65A, S65B		05	F62A	R82.3	11	L64A, L74Z
R60.0	23	Z65Z		06	G67A	R82.4	10	K62A, K62B
R60.1	23	Z65Z		15	P65C, P66C, P67B, P67C	R82.5	11	L64A, L74Z
R60.9	23	Z65Z		18B	T61A	R82.6	23	Z65Z
R61.0	09	J67A, J67B, J68A, J68B		22	Y02A	R82.7	11	L64A, L74Z
	18A	S65A, S65B	R68.0	23	Z65Z	R82.8	11	L64A, L74Z
R61.1	09	J67A, J67B, J68A, J68B	R68.1	23	Z65Z	R82.9	11	L64A, L74Z
	18A	S65A, S65B	R68.2	03	D66Z	R83.0	01	B81A, B81B
R61.9	09	J67A, J67B, J68A, J68B	R68.3	04	E75A, E75B, E75C	R83.1	01	B81A, B81B
	18A	S65A, S65B	R68.8	23	Z65Z	R83.2	01	B81A, B81B
R62.0	10	K62A, K62B	R70.0	23	Z65Z	R83.3	01	B81A, B81B
	18A	S65A, S65B	R70.1	23	Z65Z	R83.4	01	B81A, B81B
R62.8	10	K62A, K62B	R71	16	Q61A, Q61B, Q61C, Q61D, Q61E	R83.5	01	B81A, B81B
	15	P65C, P66C, P67B, P67C	R72	16	Q60A, Q60B, Q60C, Q60D, Q60E	R83.6	01	B81A, B81B
	18A	S65A, S65B	R73.0	10	K62A, K62B	R83.7	01	B81A, B81B
R62.9	10	K62A, K62B	R73.9	10	K62A, K62B	R83.8	01	B81A, B81B
	18A	S65A, S65B	R74.0	23	Z65Z	R83.9	01	B81A, B81B
R63.0	10	K62A, K62B	R74.8	23	Z65Z	R84.0	23	Z65Z
R63.1	10	K62A, K62B	R74.9	23	Z65Z	R84.1	23	Z65Z
R63.2	10	K62A, K62B	R76.0	16	Q60A, Q60B, Q60C, Q60D, Q60E	R84.2	23	Z65Z
R63.3	10	K62A, K62B				R84.3	23	Z65Z
R63.4	10	K62A, K62B	R76.1	04	E62A, E62B, E77A, E77B, E77C, E77D, E77E, E77F, E77G	R84.4	23	Z65Z
	18A	S65A, S65B				R84.5	23	Z65Z
R63.5	10	K62A, K62B	R76.2	08	I66A, I66B, I66C	R84.6	23	Z65Z
R63.6	10	K62A, K62B	R76.8	16	Q60A, Q60B, Q60C, Q60D, Q60E	R84.7	23	Z65Z
R63.8	10	K62A, K62B				R84.8	23	Z65Z
R64	18A	S65A, S65B	R76.9	16	Q60A, Q60B, Q60C, Q60D, Q60E	R84.9	23	Z65Z
	23	Z65Z				R85.0	06	G46A, G46B, G46C, G50Z, G67A, G67B, G67C, G67D
R65.0	05	F62A	R77.0	17	R01A, R01B, R01C, R01D, R03Z, R11A, R11B, R11C, R61A, R61B, R61C, R61D, R61E, R61F, R61G, R61H	R85.1	06	G46A, G46B, G46C, G50Z, G67A, G67B, G67C, G67D
	06	G67A				R85.2	06	G46A, G46B, G46C, G50Z, G67A, G67B, G67C, G67D
	15	P65C, P66C, P67B, P67C				R85.3	06	G46A, G46B, G46C, G50Z, G67A, G67B, G67C, G67D
	18B	T61A	R77.1	17	R01A, R01B, R01C, R01D, R03Z, R11A, R11B, R11C, R61A, R61B, R61C, R61D, R61E, R61F, R61G, R61H	R85.4	06	G46A, G46B, G46C, G50Z, G67A, G67B, G67C, G67D
	22	Y02A				R85.5	06	G46A, G46B, G46C, G50Z, G67A, G67B, G67C, G67D
			R77.2	17	R01A, R01B, R01C, R01D, R03Z, R11A, R11B, R11C, R61A, R61B, R61C, R61D, R61E, R61F, R61G, R61H	R85.6	06	G46A, G46B, G46C, G50Z, G67A, G67B, G67C, G67D
						R85.7	06	G46A, G46B, G46C, G50Z, G67A, G67B, G67C, G67D

ICD	MDC	DRG	ICD	MDC	DRG	ICD	MDC	DRG
R85.8	06	G46A, G46B, G46C, G50Z, G67A, G67B, G67C, G67D	R94.4	11	L64A, L74Z	S00.52	09	J67A, J67B, J68A, J68B
R85.9	06	G46A, G46B, G46C, G50Z, G67A, G67B, G67C, G67D	R94.5	07	H63A, H63B, H63C, H78Z		21A	W61A, W61B
R86.0	12	M64Z	R94.6	10	K64A, K64B, K64C, K64D	S00.53	09	J67A, J67B, J68A, J68B
R86.1	12	M64Z	R94.7	10	K64A, K64B, K64C, K64D		21A	W61A, W61B
R86.2	12	M64Z	R94.8	11	L64A, L74Z	S00.54	09	J65Z
R86.3	12	M64Z	R95.0	01	B81A, B81B		21A	W61A, W61B
R86.4	12	M64Z		15	P65C, P66C, P67B, P67C	S00.55	09	J65Z
R86.5	12	M64Z	R95.9	01	B81A, B81B		21A	W61A, W61B
R86.6	12	M64Z		15	P65C, P66C, P67B, P67C	S00.58	09	J65Z
R86.7	12	M64Z	S00.00	09	J65Z		21A	W61A, W61B
R86.8	12	M64Z		21A	W61A, W61B	S00.7	09	J65Z
R86.9	12	M64Z	S00.01	09	J65Z		21A	W61A, W61B
R87.0	23	Z65Z		21A	W61A, W61B	S00.80	09	J65Z
R87.1	23	Z65Z	S00.02	09	J67A, J67B, J68A, J68B		21A	W61A, W61B
R87.2	23	Z65Z		21A	W61A, W61B	S00.81	09	J65Z
R87.3	23	Z65Z	S00.03	09	J67A, J67B, J68A, J68B		15	P65C, P66C, P67B, P67C
R87.4	23	Z65Z		21A	W61A, W61B		21A	W61A, W61B
R87.5	23	Z65Z	S00.04	09	J65Z	S00.82	09	J67A, J67B, J68A, J68B
R87.60	13	N04Z, N05A, N05B, N14Z, N21Z, N25Z, N62B		21A	W61A, W61B		21A	W61A, W61B
			S00.05	09	J65Z	S00.83	09	J67A, J67B, J68A, J68B
R87.61	13	N04Z, N05A, N05B, N14Z, N21Z, N25Z, N62B		21A	W61A, W61B		21A	W61A, W61B
			S00.08	09	J65Z	S00.84	09	J65Z
R87.62	13	N04Z, N05A, N05B, N14Z, N21Z, N25Z, N62B		21A	W61A, W61B		21A	W61A, W61B
			S00.1	02	C62Z	S00.85	09	J65Z
R87.63	13	N04Z, N05A, N05B, N14Z, N21Z, N25Z, N62B		21A	W61A, W61B		21A	W61A, W61B
			S00.20	02	C62Z	S00.88	09	J65Z
R87.64	13	N04Z, N05A, N05B, N14Z, N21Z, N25Z, N62B		21A	W61A, W61B		21A	W61A, W61B
			S00.21	02	C62Z	S00.90	09	J65Z
R87.65	13	N04Z, N05A, N05B, N14Z, N21Z, N25Z, N62B		21A	W61A, W61B		21A	W61A, W61B
			S00.22	02	C62Z	S00.91	09	J65Z
R87.66	13	N04Z, N05A, N05B, N14Z, N21Z, N25Z, N62B		21A	W61A, W61B		21A	W61A, W61B
			S00.23	02	C62Z	S00.92	09	J67A, J67B, J68A, J68B
R87.67	13	N04Z, N05A, N05B, N14Z, N21Z, N25Z, N62B		21A	W61A, W61B		21A	W61A, W61B
			S00.24	02	C62Z	S00.93	09	J67A, J67B, J68A, J68B
R87.7	23	Z65Z		21A	W61A, W61B		21A	W61A, W61B
R87.8	23	Z65Z	S00.28	02	C62Z	S00.94	09	J65Z
R87.9	23	Z65Z		21A	W61A, W61B		21A	W61A, W61B
R89.0	23	Z65Z	S00.30	09	J65Z	S00.95	09	J65Z
R89.1	23	Z65Z		21A	W61A, W61B		21A	W61A, W61B
R89.2	23	Z65Z	S00.31	09	J65Z	S00.98	09	J65Z
R89.3	23	Z65Z		21A	W61A, W61B		21A	W61A, W61B
R89.4	23	Z65Z	S00.32	09	J67A, J67B, J68A, J68B	S01.0	21A	W61A, W61B
R89.5	23	Z65Z		21A	W61A, W61B		21B	X60Z
R89.6	23	Z65Z	S00.33	09	J67A, J67B, J68A, J68B	S01.1	02	C62Z
R89.7	23	Z65Z		21A	W61A, W61B		21A	W61A, W61B
R89.8	23	Z65Z	S00.34	09	J65Z	S01.20	03	D65Z
R89.9	23	Z65Z		21A	W61A, W61B		21A	W61A, W61B
R90.0	01	B81A, B81B	S00.35	09	J65Z	S01.21	03	D65Z
R90.8	01	B81A, B81B		21A	W61A, W61B		21A	W61A, W61B
R91	04	E69A, E69B, E69C, E69D, E69E, E69F	S00.38	09	J65Z	S01.22	03	D65Z
				21A	W61A, W61B		21A	W61A, W61B
R92	09	J67A, J67B	S00.40	09	J65Z	S01.23	03	D66Z
				21A	W61A, W61B		21A	W61A, W61B
R93.0	01	B81A, B81B	S00.41	09	J65Z	S01.29	03	D66Z
R93.1	05	F66A, F66B		21A	W61A, W61B		21A	W61A, W61B
R93.2	07	H64Z	S00.42	09	J67A, J67B, J68A, J68B	S01.30	03	D66Z
R93.3	06	G46A, G46B, G46C, G50Z, G67A, G67B, G67C, G67D		21A	W61A, W61B		21A	W61A, W61B
			S00.43	09	J67A, J67B, J68A, J68B	S01.31	03	D66Z
R93.4	11	L64A, L74Z		21A	W61A, W61B		21A	W61A, W61B
R93.5	06	G46A, G46B, G46C, G50Z, G67A, G67B, G67C, G67D	S00.44	09	J65Z	S01.33	03	D66Z
				21A	W61A, W61B		21A	W61A, W61B
R93.6	08	I76A, I76B	S00.45	09	J65Z	S01.34	03	D66Z
R93.7	08	I76A, I76B		21A	W61A, W61B		21A	W61A, W61B
R93.8	23	Z65Z	S00.48	09	J65Z	S01.35	03	D66Z
R94.0	01	B81A, B81B		21A	W61A, W61B		15	TPN, VTPN
			S00.50	09	J65Z		21A	W61A, W61B
R94.1	01	B81A, B81B		21A	W61A, W61B	S01.36	03	D66Z
R94.2	04	E75A, E75B, E75C	S00.51	09	J65Z		15	TPN, VTPN
R94.3	05	F75A, F75B, F75C, F75D		21A	W61A, W61B		21A	W61A, W61B

ICD	MDC	DRG	ICD	MDC	DRG	ICD	MDC	DRG
S01.37	03	D66Z	S01.89		PTR	S02.68		PTR
	15	TPN, VTPN		08	I02A, I02B, I02C, I02D, I08A, I08B, I08C, I08D, I08E, I13A, I13B, I13C, I20A, I20B, I20C, I22A	03		D40Z, D67Z
	21A	W61A, W61B				15		TPN, VTPN
S01.38	03	D66Z				21A		W61A, W61B
	15	TPN, VTPN		21A	W61A, W61B	S02.69		PTR
	21A	W61A, W61B				03		D40Z, D67Z
S01.39	03	D66Z	S01.9		21B X01A, X01B	15		TPN, VTPN
	15	TPN, VTPN		21A	W61A, W61B	21A		W61A, W61B
	21A	W61A, W61B		21B	X60Z	S02.7		PTR
S01.41	21A	W61A, W61B	S02.0		PTR	01		B20D, B79Z
	21B	X60Z		01	B20D, B79Z	21A		W61A, W61B
S01.42	03	D40Z, D67Z		15	TPN, VTPN	S02.8		PTR
	21A	W61A, W61B		21A	W61A, W61B	01		B20D, B79Z
S01.43	03	D40Z, D67Z	S02.1		PTR	21A		W61A, W61B
	21A	W61A, W61B		01	B20D, B79Z	S02.9		PTR
S01.49	21A	W61A, W61B		15	TPN, VTPN	01		B20D, B79Z
	21B	X60Z		21A	W61A	21A		W61A, W61B
S01.50	03	D40Z, D67Z	Pre	A07D, A09E, A11F, A13F	S03.0		PTR	
	15	TPN, VTPN	S02.2		PTR	03		D40Z, D67Z
	21A	W61A, W61B		03	D65Z	21A		W61A, W61B
S01.51	03	D40Z, D67Z		15	TPN, VTPN	S03.1		PTR
	21A	W61A, W61B		21A	W61A, W61B	08		I76A, I76B
S01.52	03	D40Z, D67Z	S02.3		PTR	21A		W61A, W61B
	15	TPN, VTPN		01	B20D, B79Z	S03.2		PTR
	21A	W61A, W61B		15	TPN, VTPN	03		D40Z, D67Z
S01.53	03	D40Z, D67Z		21A	W61A, W61B	21A		W61A, W61B
	15	TPN, VTPN		Pre	A07D, A09E, A11F, A13F	S03.3		PTR
	21A	W61A, W61B	S02.4		PTR	08		I76A, I76B
S01.54	03	D40Z, D67Z		03	D40Z, D67Z	21A		W61A, W61B
	15	TPN, VTPN		15	TPN, VTPN	S03.4		PTR
	21A	W61A, W61B		21A	W61A, W61B	03		D40Z, D67Z
S01.55	03	D40Z, D67Z	S02.5		PTR	21A		W61A, W61B
	15	TPN, VTPN		03	D40Z, D67Z	S03.5		PTR
	21A	W61A, W61B		21A	W61A, W61B	08		I76A, I76B
S01.59	03	D40Z, D67Z	S02.60		PTR	21A		W61A, W61B
	15	TPN, VTPN		03	D40Z, D67Z	S04.0		PTR
	21A	W61A, W61B		15	TPN, VTPN	01		B81A, B81B
S01.7	21A	W61A, W61B		21A	W61A, W61B	21A		W61A, W61B
	21B	X60Z	S02.61		PTR	S04.1		PTR
S01.80	21A	W61A, W61B		03	D40Z, D67Z	01		B71A, B71B, B71C, B71D
	21B	X60Z		15	TPN, VTPN	21A		W61A, W61B
S01.83		PTR		21A	W61A, W61B	S04.2		PTR
	08	I02A, I02B, I02C, I02D, I08A, I08B, I08C, I08D, I08E, I13A, I13B, I13C, I20A, I20B, I20C, I22A	S02.62		PTR	01		B71A, B71B, B71C, B71D
				03	D40Z, D67Z	21A		W61A, W61B
				15	TPN, VTPN	S04.3		PTR
				21A	W61A, W61B	01		B71A, B71B, B71C, B71D
	21A	W61A, W61B	S02.63		PTR	21A		W61A, W61B
	21B	X01A, X01B		03	D40Z, D67Z	S04.4		PTR
S01.84	21A	W61A, W61B		15	TPN, VTPN	01		B71A, B71B, B71C, B71D
S01.85	21A	W61A, W61B		21A	W61A, W61B	21A		W61A, W61B
S01.86	08	I02A, I02B, I02C, I02D, I08A, I08B, I08C, I08D, I08E, I13A, I13B, I13C, I20A, I20B, I20C, I22A	S02.64		PTR	S04.5		PTR
				03	D40Z, D67Z	01		B71A, B71B, B71C, B71D
				15	TPN, VTPN	21A		W61A, W61B
	21A	W61A, W61B		21A	W61A, W61B	S04.6		PTR
	21B	X01A, X01B	S02.65		PTR	03		D66Z
S01.87		PTR		03	D40Z, D67Z	21A		W61A, W61B
	21A	W61A, W61B		15	TPN, VTPN	S04.7		PTR
S01.88		PTR	S02.66		PTR	01		B71A, B71B, B71C, B71D
	08	I02A, I02B, I02C, I02D, I08A, I08B, I08C, I08D, I08E, I13A, I13B, I13C, I20A, I20B, I20C, I22A		03	D40Z, D67Z	21A		W61A, W61B
				15	TPN, VTPN	S04.8		PTR
				21A	W61A, W61B	01		B71A, B71B, B71C, B71D
	21A	W61A, W61B	S02.67		PTR	21A		W61A, W61B
	21B	X01A, X01B		03	D40Z, D67Z	S04.9		PTR
				15	TPN, VTPN	01		B71A, B71B, B71C, B71D
				21A	W61A, W61B	21A		W61A, W61B
						S05.0		PTR
						02		C62Z
						21A		W61A, W61B

Dg

ICD	MDC	DRG	ICD	MDC	DRG	ICD	MDC	DRG
S05.1		PTR	S06.30		PTR	S07.8		PTR
	02	C62Z		01	B20D, B78A, B78B		15	TPN, VTPN
	21A	W61A, W61B		15	TPN, VTPN		21A	W61A, W61B
S05.2		PTR		21A	W61A, W61B		21B	X60Z
	02	C01A, C01B, C16Z, C63Z		Pre	A07D, A09E, A11F, A13F	S07.9		PTR
	15	TPN, VTPN	S06.31		PTR		15	TPN, VTPN
	21A	W61A, W61B		01	B20D, B78A		21A	W61A, W61B
S05.3		PTR		15	TPN, VTPN		21B	X60Z
	02	C01A, C01B, C16Z, C63Z		21A	W61A, W61B	S08.0		PTR
	15	TPN, VTPN		Pre	A07D, A09E, A11F, A13F		21A	W61A, W61B
	21A	W61A, W61B	S06.32		PTR		21B	X60Z
S05.4		PTR		01	B20D, B78A	S08.1		PTR
	02	C63Z		15	TPN, VTPN		03	D66Z
	15	TPN, VTPN		21A	W61A, W61B		21A	W61A, W61B
	21A	W61A, W61B		Pre	A07D, A09E, A11F, A13F	S08.8		PTR
S05.5		PTR	S06.33		PTR		21A	W61A, W61B
	02	C01A, C01B, C16Z, C63Z		01	B20D, B78A		21B	X60Z
	15	TPN, VTPN		15	TPN, VTPN	S08.9		PTR
	21A	W61A, W61B		21A	W61A, W61B		21A	W61A, W61B
S05.6		PTR		Pre	A07D, A09E, A11F, A13F		21B	X60Z
	02	C01A, C01B, C16Z, C63Z	S06.34		PTR	S09.0		PTR
	15	TPN, VTPN		01	B20D, B78A		21A	W61A, W61B
	21A	W61A, W61B		15	TPN, VTPN		21B	X60Z
S05.7		PTR		21A	W61A, W61B	S09.1		PTR
	02	C01A, C01B, C16Z, C63Z		Pre	A07D, A09E, A11F, A13F		08	I76A, I76B
	15	TPN, VTPN	S06.38		PTR		21A	W61A, W61B
	21A	W61A, W61B		01	B20D, B78A, B78B	S09.2		PTR
S05.8		PTR		15	TPN, VTPN		03	D66Z
	02	C62Z		21A	W61A, W61B		15	TPN, VTPN
	15	TPN, VTPN		Pre	A07D, A09E, A11F, A13F	S09.7		PTR
	21A	W61A, W61B	S06.4		PTR		21A	W61A, W61B
S05.9		PTR		01	B20D, B78A, B78B		21B	X60Z
	02	C62Z		15	TPN, VTPN	S09.8		PTR
	21A	W61A, W61B		21A	W61A, W61B		21A	W61A, W61B
S06.0		PTR		Pre	A07D, A09E, A11F, A13F		21B	X60Z
	01	B20D, B80Z	S06.5		PTR	S09.9		PTR
	15	TPN, VTPN		01	B20D, B78A, B78B		01	B20D, B80Z
S06.1		PTR		15	TPN, VTPN		15	TPN, VTPN
	01	B20D, B78A, B78B		21A	W61A, W61B		21A	W61A, W61B
	15	TPN, VTPN		Pre	A07D, A09E, A11F, A13F	S10.0		PTR
	21A	W61A, W61B	S06.6		PTR		09	J65Z
	Pre	A07D, A09E, A11F, A13F		01	B20D, B78A		21A	W61A, W61B
S06.20		PTR		15	TPN, VTPN	S10.10		PTR
	01	B20D, B78A, B78B		21A	W61A		09	J65Z
	15	TPN, VTPN		Pre	A07D, A09E, A11F, A13F		21A	W61A, W61B
	21A	W61A, W61B	S06.70		PTR	S10.11		PTR
	Pre	A07D, A09E, A11F, A13F	S06.71		PTR		09	J65Z
S06.21		PTR	S06.72		PTR		21A	W61A, W61B
	01	B78A		15	TPN, VTPN	S10.12		PTR
	15	TPN, VTPN		15	TPN, VTPN		09	J67A, J67B, J68A, J68B
	21A	W61A, W61B	S06.79		PTR		21A	W61A, W61B
	Pre	A07D, A09E, A11F, A13F	S06.8		PTR	S10.13		PTR
S06.22		PTR		01	B20D, B78A, B78B		09	J67A, J67B, J68A, J68B
	01	B78A		15	TPN, VTPN		21A	W61A, W61B
	15	TPN, VTPN		21A	W61A, W61B	S10.14		PTR
	21A	W61A, W61B	S06.9		PTR		09	J65Z
	Pre	A07D, A09E, A11F, A13F		01	B20D, B78A, B78B		21A	W61A, W61B
S06.23		PTR		15	TPN, VTPN	S10.18		PTR
	01	B20D, B78A		21A	W61A, W61B		09	J65Z
	15	TPN, VTPN	S07.0		PTR		21A	W61A, W61B
	21A	W61A, W61B		15	TPN, VTPN	S10.7		PTR
	Pre	A07D, A09E, A11F, A13F		21A	W61A, W61B		09	J65Z
S06.28		PTR		21B	X60Z		21A	W61A, W61B
	01	B20D, B78A, B78B	S07.1		PTR	S10.80		PTR
	15	TPN, VTPN		15	TPN, VTPN		09	J65Z
	21A	W61A, W61B		21A	W61A, W61B		21A	W61A, W61B
	Pre	A07D, A09E, A11F, A13F		21B	X60Z			

ICD	MDC	DRG	ICD	MDC	DRG	ICD	MDC	DRG
S10.81		PTR	S11.86	08	I02A, I02B, I02C, I02D, I08A, I08B, I08C, I08D, I08E, I13A, I13B, I13C, I20A, I20B, I20C, I22A	S12.25		PTR
	09	J65Z					04	E66A
	21A	W61A, W61B					08	I10C, I68A, I68B, I68C, I68D, I68E
S10.82		PTR		21A	W61A, W61B		15	TPN, VTPN
	09	J67A, J67B, J68A, J68B		21B	X01A, X01B		21A	W61A, W61B
	21A	W61A, W61B	S11.87		PTR		Pre	A07D, A09E, A11F, A13F
S10.83		PTR		21A	W61A, W61B	S12.7		PTR
	09	J67A, J67B, J68A, J68B	S11.88		PTR		04	E66A
	21A	W61A, W61B		08	I02A, I02B, I02C, I02D, I08A, I08B, I08C, I08D, I08E, I13A, I13B, I13C, I20A, I20B, I20C, I22A		08	I10C, I68A, I68B, I68C, I68D, I68E
S10.84		PTR		21A	W61A, W61B		15	TPN, VTPN
	09	J65Z		21B	X01A, X01B		21A	W61A, W61B
	21A	W61A, W61B	S11.89		PTR		Pre	A07D, A09E, A11F, A13F
S10.85		PTR		08	I02A, I02B, I02C, I02D, I08A, I08B, I08C, I08D, I08E, I13A, I13B, I13C, I20A, I20B, I20C, I22A	S12.8		PTR
	09	J65Z		21A	W61A, W61B		03	D66Z
	21A	W61A, W61B		21B	X01A, X01B		15	TPN, VTPN
S10.88		PTR	S11.9		PTR		21A	W61A, W61B
	09	J65Z		21A	W61A, W61B	S12.9		PTR
	21A	W61A, W61B		21B	X60Z		08	I68A, I68B, I68C, I68D, I68E
S10.90		PTR	S12.0		PTR		15	TPN, VTPN
	09	J65Z		04	E66A		21A	W61A, W61B
	21A	W61A, W61B		08	I10C, I68A, I68B, I68C, I68D, I68E	S13.10		PTR
S10.91		PTR		15	TPN, VTPN		08	I68A, I68B, I68C, I68D, I68E
	09	J65Z		21A	W61A		15	TPN, VTPN
	21A	W61A, W61B	S12.1		Pre A07D, A09E, A11F, A13F		21A	W61A, W61B
S10.92		PTR		04	E66A	S13.11		PTR
	09	J67A, J67B, J68A, J68B		08	I10C, I68A, I68B, I68C, I68D, I68E		08	I68A, I68B, I68C, I68D, I68E
	21A	W61A, W61B		15	TPN, VTPN		15	TPN, VTPN
S10.93		PTR		21A	W61A		21A	W61A, W61B
	09	J67A, J67B, J68A, J68B		Pre	A07D, A09E, A11F, A13F		Pre	A07D, A09E, A11F, A13F
	21A	W61A, W61B	S12.2		PTR	S13.12		PTR
S10.94		PTR		04	E66A		08	I68A, I68B, I68C, I68D, I68E
	09	J65Z		08	I10C, I68A, I68B, I68C, I68D, I68E		15	TPN, VTPN
	21A	W61A, W61B		15	TPN, VTPN		21A	W61A, W61B
S10.95		PTR		21A	W61A		Pre	A07D, A09E, A11F, A13F
	09	J65Z		Pre	A07D, A09E, A11F, A13F	S13.13		PTR
	21A	W61A, W61B	S12.21		PTR		08	I68A, I68B, I68C, I68D, I68E
S10.98		PTR		04	E66A		15	TPN, VTPN
	09	J65Z		08	I10C, I68A, I68B, I68C, I68D, I68E		21A	W61A, W61B
	21A	W61A, W61B		15	TPN, VTPN		Pre	A07D, A09E, A11F, A13F
S11.01		PTR		21A	W61A, W61B	S13.14		PTR
	03	D66Z		Pre	A07D, A09E, A11F, A13F		08	I68A, I68B, I68C, I68D, I68E
	15	TPN, VTPN		04	E66A		15	TPN, VTPN
	21A	W61A, W61B		08	I10C, I68A, I68B, I68C, I68D, I68E		21A	W61A, W61B
S11.02		PTR		15	TPN, VTPN		Pre	A07D, A09E, A11F, A13F
	04	E66A, E66B	S12.22		PTR	S13.15		PTR
	15	TPN, VTPN		04	E66A		08	I68A, I68B, I68C, I68D, I68E
	21A	W61A, W61B		08	I10C, I68A, I68B, I68C, I68D, I68E		15	TPN, VTPN
S11.1		PTR		15	TPN, VTPN		21A	W61A, W61B
	10	K64A, K64B, K64C, K64D		21A	W61A, W61B		Pre	A07D, A09E, A11F, A13F
	15	TPN, VTPN		Pre	A07D, A09E, A11F, A13F	S13.16		PTR
	21A	W61A, W61B		04	E66A		08	I68A, I68B, I68C, I68D, I68E
S11.21		PTR		08	I10C, I68A, I68B, I68C, I68D, I68E		15	TPN, VTPN
	03	D66Z	S12.23		PTR		21A	W61A, W61B
	15	TPN, VTPN		04	E66A		Pre	A07D, A09E, A11F, A13F
	21A	W61A, W61B		08	I10C, I68A, I68B, I68C, I68D, I68E	S13.17		PTR
S11.22		PTR		15	TPN, VTPN		08	I68A, I68B, I68C, I68D, I68E
	03	D66Z		21A	W61A, W61B		15	TPN, VTPN
	15	TPN, VTPN		Pre	A07D, A09E, A11F, A13F		21A	W61A, W61B
	21A	W61A, W61B		04	E66A		Pre	A07D, A09E, A11F, A13F
S11.7		PTR	S12.24		PTR		08	I68A, I68B, I68C, I68D, I68E
	21A	W61A, W61B		04	E66A		15	TPN, VTPN
	21B	X60Z		08	I10C, I68A, I68B, I68C, I68D, I68E		21A	W61A, W61B
S11.80		PTR		15	TPN, VTPN		Pre	A07D, A09E, A11F, A13F
	21A	W61A, W61B		21A	W61A, W61B		08	I68A, I68B, I68C, I68D, I68E
	21B	X60Z		Pre	A07D, A09E, A11F, A13F		15	TPN, VTPN
S11.84		PTR		04	E66A		21A	W61A, W61B
	21A	W61A, W61B		08	I10C, I68A, I68B, I68C, I68D, I68E		Pre	A07D, A09E, A11F, A13F
S11.85		PTR		15	TPN, VTPN		08	I68A, I68B, I68C, I68D, I68E
	21A	W61A, W61B		21A	W61A, W61B		15	TPN, VTPN
				Pre	A07D, A09E, A11F, A13F		21A	W61A, W61B
							Pre	A07D, A09E, A11F, A13F

Dg

ICD	MDC	DRG	ICD	MDC	DRG	ICD	MDC	DRG
S13.18		PTR	S14.73		PTR	S18		PTR
	08	I68A, I68B, I68C, I68D, I68E		15	TPN, VTPN		21A	W61A, W61B
	15	TPN, VTPN		21A	W61A, W61B		21B	X60Z
	21A	W61A, W61B	S14.74		PTR	S19.7		PTR
S13.2		PTR		15	TPN, VTPN		21A	W61A, W61B
	08	I68A, I68B, I68C, I68D, I68E		21A	W61A, W61B		21B	X60Z
	15	TPN, VTPN	S14.75		PTR	S19.8		PTR
	21A	W61A, W61B		15	TPN, VTPN		21A	W61A, W61B
S13.3		PTR		21A	W61A, W61B		21B	X60Z
	08	I68A, I68B, I68C, I68D, I68E	S14.76		PTR	S19.9		PTR
	15	TPN, VTPN		15	TPN, VTPN		21A	W61A, W61B
	21A	W61A, W61B		21A	W61A, W61B		21B	X60Z
S13.4		PTR	S14.77		PTR	S20.0		PTR
	08	I68A, I68B, I68C, I68D, I68E		15	TPN, VTPN		09	J65Z
	21A	W61A, W61B		21A	W61A, W61B		21A	W61A, W61B
S13.5		PTR	S14.78		PTR	S20.10		PTR
	08	I76A, I76B		15	TPN, VTPN		09	J65Z
	21A	W61A, W61B		21A	W61A, W61B		21A	W61A, W61B
S13.6		PTR	S15.00		PTR	S20.11		PTR
	08	I68A, I68B, I68C, I68D, I68E		15	TPN, VTPN		09	J65Z
	21A	W61A, W61B		21A	W61A, W61B		21A	W61A, W61B
S14.0		PTR		21B	X60Z	S20.12		PTR
	15	TPN, VTPN	S15.01		PTR		09	J67A, J67B, J68A, J68B
	21A	W61A, W61B		15	TPN, VTPN		21A	W61A, W61B
	Pre	B61A, B61B		21A	W61A, W61B	S20.13		PTR
S14.10		PTR		21B	X60Z		09	J67A, J67B, J68A, J68B
	15	TPN, VTPN	S15.02		PTR		21A	W61A, W61B
	21A	W61A, W61B		15	TPN, VTPN	S20.14		PTR
	Pre	B61A, B61B		21A	W61A, W61B		09	J65Z
S14.11		PTR		21B	X60Z		21A	W61A, W61B
	15	TPN, VTPN	S15.03		PTR	S20.18		PTR
	21A	W61A, W61B		15	TPN, VTPN		09	J65Z
	Pre	B61A, B61B		21A	W61A, W61B		21A	W61A, W61B
S14.12		PTR		21B	X60Z	S20.2		PTR
	15	TPN, VTPN	S15.1		PTR		09	J65Z
	21A	W61A, W61B		21A	W61A, W61B		21A	W61A, W61B
	Pre	B61A, B61B		21B	X60Z	S20.30		PTR
S14.13		PTR	S15.2		PTR		09	J65Z
	15	TPN, VTPN		21A	W61A, W61B		21A	W61A, W61B
	21A	W61A, W61B		21B	X60Z	S20.31		PTR
	Pre	B61A, B61B	S15.3		PTR		09	J65Z
S14.2		PTR		15	TPN, VTPN		21A	W61A, W61B
	01	B71A, B71B, B71C, B71D		21A	W61A, W61B	S20.32		PTR
	15	TPN, VTPN		21B	X60Z		09	J67A, J67B, J68A, J68B
	21A	W61A, W61B	S15.7		PTR		21A	W61A, W61B
S14.3		PTR		21A	W61A, W61B	S20.33		PTR
	01	B07Z, B71A, B71B, B71C, B71D		21B	X60Z		09	J67A, J67B, J68A, J68B
	15	TPN, VTPN	S15.8		PTR		21A	W61A, W61B
	21A	W61A, W61B		21A	W61A, W61B	S20.34		PTR
S14.4		PTR		21B	X60Z		09	J65Z
	01	B71A, B71B, B71C, B71D	S15.9		PTR		21A	W61A, W61B
	21A	W61A, W61B		21A	W61A, W61B	S20.38		PTR
S14.5		PTR		21B	X60Z		09	J65Z
	01	B71A, B71B, B71C, B71D	S16		PTR		21A	W61A, W61B
	15	TPN, VTPN		08	I68A, I68B, I68C, I68D, I68E	S20.40		PTR
	21A	W61A, W61B		21A	W61A, W61B		09	J65Z
S14.6		PTR	S17.0		PTR		21A	W61A, W61B
	01	B71A, B71B, B71C, B71D		15	TPN, VTPN	S20.41		PTR
	21A	W61A, W61B		21A	W61A, W61B		09	J65Z
S14.70		PTR		21B	X60Z		21A	W61A, W61B
	15	TPN, VTPN	S17.8		PTR	S20.42		PTR
	21A	W61A, W61B		15	TPN, VTPN		09	J67A, J67B, J68A, J68B
S14.71		PTR		21A	W61A, W61B		21A	W61A, W61B
	15	TPN, VTPN		21B	X60Z	S20.43		PTR
	21A	W61A, W61B	S17.9		PTR		09	J67A, J67B, J68A, J68B
S14.72		PTR		15	TPN, VTPN		21A	W61A, W61B
	15	TPN, VTPN		21A	W61A, W61B	S20.44		PTR
	21A	W61A, W61B		21B	X60Z		09	J65Z
	21A	W61A, W61B					21A	W61A, W61B

ICD	MDC	DRG	ICD	MDC	DRG	ICD	MDC	DRG
S20.48		PTR	S21.88		PTR	S22.2		PTR
	09	J65Z		08	I02A, I02B, I02C, I02D, I08A, I08B, I08C, I08D, I08E, I13A, I13B, I13C, I20A, I20B, I20C, I22A		04	E66A, E66B
	21A	W61A, W61B					15	TPN, VTPN
S20.7		PTR					21A	W61A, W61B
	09	J65Z		15	TPN, VTPN	S22.31		PTR
	21A	W61A, W61B		21A	W61A, W61B		04	E66A, E66B
S20.80		PTR		21B	X01A, X01B		21A	W61A, W61B
	09	J65Z	S21.89		PTR	S22.32		PTR
	21A	W61A, W61B		08	I02A, I02B, I02C, I02D, I08A, I08B, I08C, I08D, I08E, I13A, I13B, I13C, I20A, I20B, I20C, I22A		04	E66A, E66B
S20.81		PTR					21A	W61A, W61B
	09	J65Z		15	TPN, VTPN	S22.40		PTR
	21A	W61A, W61B		21A	W61A, W61B		04	E66A, E66B
S20.82		PTR		21B	X01A, X01B		15	TPN, VTPN
	09	J67A, J67B, J68A, J68B					21A	W61A, W61B
	21A	W61A, W61B	S21.9		PTR	S22.41		PTR
S20.83		PTR		15	TPN, VTPN		04	E66A, E66B
	09	J67A, J67B, J68A, J68B		21A	W61A, W61B		15	TPN, VTPN
	21A	W61A, W61B		21B	X01A, X01B		21A	W61A, W61B
S20.84		PTR				S22.42		PTR
	09	J65Z	S22.00		PTR		04	E66A, E66B
	21A	W61A, W61B		04	E66A		21A	W61A, W61B
S20.85		PTR		08	I10C, I68A, I68B, I68C, I68D, I68E	S22.43		PTR
	09	J65Z		15	TPN, VTPN		04	E66A, E66B
	21A	W61A, W61B		21A	W61A, W61B		10	K62A
S20.88		PTR					21A	W61A, W61B
	09	J65Z	S22.01		PTR	S22.44		PTR
	21A	W61A, W61B		04	E66A		04	E66A
S21.0		PTR		08	I10C, I68A, I68B, I68C, I68D, I68E		10	K62A
	21A	W61A, W61B		15	TPN, VTPN		15	TPN, VTPN
	21B	X60Z		21A	W61A, W61B		21A	W61A, W61B
S21.1		PTR				S22.5	Pre	A07D, A09E, A11F, A13F
	15	TPN, VTPN		15	TPN, VTPN			PTR
	21A	W61A, W61B	S22.02		PTR		04	E66A
	21B	X60Z		08	I10C, I68A, I68B, I68C, I68D, I68E		15	TPN, VTPN
S21.2		PTR		15	TPN, VTPN		21A	W61A
	15	TPN, VTPN		21A	W61A, W61B	S22.8	Pre	A07D, A09E, A11F, A13F
	21A	W61A, W61B		21B	X60Z			PTR
	21B	X60Z	S22.03		PTR		08	I76A, I76B
S21.7		PTR					21A	W61A, W61B
	15	TPN, VTPN		04	E66A	S22.9		PTR
	21A	W61A, W61B		08	I10C, I68A, I68B, I68C, I68D, I68E		08	I76A, I76B
	21B	X60Z		15	TPN, VTPN		21A	W61A, W61B
S21.80		PTR		21A	W61A, W61B	S23.0		PTR
	15	TPN, VTPN					08	I68A, I68B, I68C, I68D, I68E
	21A	W61A, W61B	S22.04		PTR		15	TPN, VTPN
	21B	X60Z		04	E66A		21A	W61A, W61B
S21.83		PTR		08	I10C, I68A, I68B, I68C, I68D, I68E	S23.10		PTR
	08	I02A, I02B, I02C, I02D, I08A, I08B, I08C, I08D, I08E, I13A, I13B, I13C, I20A, I20B, I20C, I22A		15	TPN, VTPN		08	I68A, I68B, I68C, I68D, I68E
				21A	W61A, W61B		15	TPN, VTPN
			S22.05		PTR		21A	W61A, W61B
				04	E66A	S23.11		PTR
				08	I10C, I68A, I68B, I68C, I68D, I68E		08	I68A, I68B, I68C, I68D, I68E
				15	TPN, VTPN		15	TPN, VTPN
S21.84		PTR		21A	W61A, W61B	S23.12		PTR
S21.85		PTR					08	I68A, I68B, I68C, I68D, I68E
S21.86	04	E66A	S22.06		PTR		15	TPN, VTPN
	08	I02A, I02B, I02C, I02D, I08A, I08B, I08C, I08D, I08E, I13A, I13B, I13C, I20A, I20B, I20C, I22A		04	E66A		21A	W61A, W61B
				08	I10C, I68A, I68B, I68C, I68D, I68E	S23.13		PTR
				15	TPN, VTPN		08	I68A, I68B, I68C, I68D, I68E
	21A	W61A, W61B		21A	W61A, W61B		15	TPN, VTPN
	21B	X01A, X01B	S22.1		PTR		21A	W61A, W61B
S21.87		PTR		04	E66A	S23.14		PTR
	15	TPN, VTPN		08	I10C, I68A, I68B, I68C, I68D, I68E		08	I68A, I68B, I68C, I68D, I68E
	21A	W61A, W61B		15	TPN, VTPN		15	TPN, VTPN
				21A	W61A		21A	W61A, W61B

Dg

ICD	MDC	DRG	ICD	MDC	DRG	ICD	MDC	DRG
S23.15		PTR	S24.74		PTR	S27.0		PTR
	08	I68A, I68B, I68C, I68D, I68E		15	TPN, VTPN		04	E66A, E76A, E76B, E76C
	15	TPN, VTPN		21A	W61A, W61B		15	TPN, VTPN
	21A	W61A, W61B	S24.75		PTR		21A	W61A, W61B
S23.16		PTR		15	TPN, VTPN	S27.1	Pre	A07D, A09E, A11F, A13F
	08	I68A, I68B, I68C, I68D, I68E		21A	W61A, W61B			PTR
	15	TPN, VTPN	S24.76		PTR		04	E66A, E76A, E76B, E76C
	21A	W61A, W61B		15	TPN, VTPN		15	TPN, VTPN
S23.17		PTR		21A	W61A, W61B		21A	W61A, W61B
	08	I68A, I68B, I68C, I68D, I68E	S24.77		PTR		Pre	A07D, A09E, A11F, A13F
	15	TPN, VTPN		15	TPN, VTPN	S27.2		PTR
	21A	W61A, W61B		21A	W61A, W61B		04	E66A, E76A, E76B, E76C
S23.2		PTR	S25.0		PTR		15	TPN, VTPN
	04	E66A, E66B		15	TPN, VTPN		21A	W61A, W61B
	21A	W61A, W61B		21A	W61A, W61B		Pre	A07D, A09E, A11F, A13F
S23.3		PTR		21B	X60Z	S27.31		PTR
	08	I68A, I68B, I68C, I68D, I68E	S25.1		PTR		04	E66A, E75A, E75B, E75C
	21A	W61A, W61B		15	TPN, VTPN		21A	W61A, W61B
S23.4		PTR		21A	W61A, W61B		Pre	A07D, A09E, A11F, A13F
	04	E75A, E75B, E75C		21B	X60Z	S27.32		PTR
	21A	W61A, W61B	S25.2		PTR		04	E66A, E66B
S23.5		PTR		15	TPN, VTPN		15	TPN, VTPN
	08	I76A, I76B		21A	W61A, W61B		21A	W61A, W61B
	21A	W61A, W61B		21B	X60Z		Pre	A07D, A09E, A11F, A13F
S24.0		PTR	S25.3		PTR	S27.38		PTR
	15	TPN, VTPN		15	TPN, VTPN		04	E75A, E75B, E75C
	21A	W61A, W61B		21A	W61A, W61B		15	TPN, VTPN
	Pre	B61A, B61B		21B	X60Z		21A	W61A, W61B
S24.10		PTR	S25.4		PTR	S27.4		PTR
	15	TPN, VTPN		21A	W61A, W61B		04	E66A, E66B
	21A	W61A, W61B		21B	X60Z		15	TPN, VTPN
	Pre	B61A, B61B	S25.5		PTR		21A	W61A, W61B
S24.11		PTR		21A	W61A, W61B	S27.5		PTR
	15	TPN, VTPN		21B	X60Z		04	E75A, E75B, E75C
	21A	W61A, W61B	S25.7		PTR		15	TPN, VTPN
	Pre	B61A, B61B		21A	W61A, W61B		21A	W61A, W61B
S24.12		PTR		21B	X60Z		Pre	A07D, A09E, A11F, A13F
	15	TPN, VTPN	S25.8		PTR	S27.6		PTR
	21A	W61A, W61B		21A	W61A, W61B		04	E75A, E75B, E75C
	Pre	B61A, B61B		21B	X60Z		15	TPN, VTPN
S24.2		PTR	S25.9		PTR		21A	W61A, W61B
	01	B71A, B71B, B71C, B71D		21A	W61A, W61B	S27.7		PTR
	15	TPN, VTPN		21B	X60Z		15	TPN, VTPN
	21A	W61A, W61B	S26.0		PTR		21A	W61A, W61B
S24.3		PTR		05	F75A, F75B, F75C, F75D		21B	X60Z
	01	B71A, B71B, B71C, B71D		15	TPN, VTPN		Pre	A07D, A09E, A11F, A13F
	21A	W61A, W61B		21A	W61A, W61B	S27.81		PTR
S24.4		PTR	S26.81		PTR		04	E66A, E66B
	01	B71A, B71B, B71C, B71D		05	F75A, F75B, F75C, F75D		15	TPN, VTPN
	15	TPN, VTPN		15	TPN, VTPN		21A	W61A, W61B
	21A	W61A, W61B		21A	W61A, W61B		Pre	A07D, A09E, A11F, A13F
S24.5		PTR	S26.82		PTR	S27.82		PTR
	01	B71A, B71B, B71C, B71D		05	F75A, F75B, F75C, F75D		04	E75A, E75B, E75C
	21A	W61A, W61B		15	TPN, VTPN		15	TPN, VTPN
S24.6		PTR		21A	W61A, W61B		21A	W61A, W61B
	01	B71A, B71B, B71C, B71D	S26.83		PTR	S27.83		PTR
	21A	W61A, W61B		05	F75A, F75B, F75C, F75D		06	G46A, G46B, G46C, G50Z, G71Z
S24.70		PTR		15	TPN, VTPN		15	TPN, VTPN
	15	TPN, VTPN		21A	W61A, W61B		21A	W61A, W61B
	21A	W61A, W61B	S26.88		PTR		Pre	A07D, A09E, A11F, A13F
S24.71		PTR		05	F75A, F75B, F75C, F75D	S27.84		PTR
	15	TPN, VTPN		15	TPN, VTPN		04	E75A, E75B, E75C
	21A	W61A, W61B		21A	W61A, W61B		15	TPN, VTPN
S24.72		PTR	S26.9		PTR		21A	W61A, W61B
	15	TPN, VTPN		05	F75A, F75B, F75C, F75D	S27.88		PTR
	21A	W61A, W61B		15	TPN, VTPN		04	E75A, E75B, E75C
S24.73		PTR		21A	W61A, W61B		15	TPN, VTPN
	15	TPN, VTPN					21A	W61A, W61B
	21A	W61A, W61B						

ICD	MDC	DRG	ICD	MDC	DRG	ICD	MDC	DRG
S27.9		PTR	S30.93		PTR	S31.88		PTR
	15	TPN, VTPN		09	J67A, J67B, J68A, J68B		08	I02A, I02B, I02C, I02D, I08A, I08B, I08C, I08D, I08E, I13A, I13B, I13C, I20A, I20B, I20C, I22A
	21A	W61A, W61B		21A	W61A, W61B		15	TPN, VTPN
	21B	X60Z	S30.94		PTR		21A	W61A, W61B
S28.0		PTR		09	J65Z		21B	X01A, X01B
	15	TPN, VTPN		21A	W61A, W61B	S31.89		PTR
	21A	W61A, W61B	S30.95		PTR		08	I02A, I02B, I02C, I02D, I08A, I08B, I08C, I08D, I08E, I13A, I13B, I13C, I20A, I20B, I20C, I22A
	21B	X60Z		09	J65Z		15	TPN, VTPN
	Pre	A07D, A09E, A11F, A13F		21A	W61A, W61B		21A	W61A, W61B
S28.1		PTR	S30.98		PTR		21B	X01A, X01B
	15	TPN, VTPN		09	J65Z	S31.89		PTR
	21A	W61A, W61B		21A	W61A, W61B		08	I02A, I02B, I02C, I02D, I08A, I08B, I08C, I08D, I08E, I13A, I13B, I13C, I20A, I20B, I20C, I22A
	21B	X60Z	S31.0		PTR		15	TPN, VTPN
S29.0		PTR		15	TPN, VTPN		21A	W61A, W61B
	08	I68A, I68B, I68C, I68D, I68E		21A	W61A, W61B		21B	X01A, X01B
	21A	W61A, W61B	S31.1		PTR	S32.00		PTR
S29.7		PTR		15	TPN, VTPN		04	E66A
	21A	W61A, W61B		21A	W61A, W61B		08	I10C, I68A, I68B, I68C, I68D, I68E
	21B	X60Z		21B	X60Z		15	TPN, VTPN
S29.8		PTR	S31.2		PTR		21A	W61A, W61B
	21A	W61A, W61B		12	M64Z	S32.01		PTR
	21B	X60Z		21A	W61A, W61B		04	E66A
S29.9		PTR	S31.3		PTR		08	I10C, I68A, I68B, I68C, I68D, I68E
	21A	W61A, W61B		12	M64Z		15	TPN, VTPN
	21B	X60Z		15	TPN, VTPN		21A	W61A, W61B
S30.0		PTR	S31.4		PTR	S32.02		PTR
	09	J65Z		13	N04Z, N05A, N05B, N14Z, N21Z, N25Z, N62A, N62B		04	E66A
	21A	W61A, W61B		21A	W61A, W61B		08	I10C, I68A, I68B, I68C, I68D, I68E
S30.1		PTR	S31.5		PTR		15	TPN, VTPN
	09	J65Z		12	M64Z		21A	W61A, W61B
	21A	W61A, W61B		13	N04Z, N05A, N05B, N14Z, N21Z, N25Z, N62A, N62B	S32.03		PTR
S30.2		PTR		21A	W61A, W61B		04	E66A
	12	M64Z	S31.7		PTR		08	I10C, I68A, I68B, I68C, I68D, I68E
	13	N04Z, N05A, N05B, N14Z, N21Z, N25Z, N62A, N62B		15	TPN, VTPN		15	TPN, VTPN
	21A	W61A, W61B		21A	W61A, W61B		21A	W61A, W61B
S30.7		PTR	S31.80		PTR	S32.04		PTR
	09	J65Z		15	TPN, VTPN		04	E66A
	21A	W61A, W61B		21A	W61A, W61B		08	I10C, I68A, I68B, I68C, I68D, I68E
S30.80		PTR		21B	X60Z		15	TPN, VTPN
	09	J65Z	S31.83		PTR		21A	W61A, W61B
	21A	W61A, W61B		08	I02A, I02B, I02C, I02D, I08A, I08B, I08C, I08D, I08E, I13A, I13B, I13C, I20A, I20B, I20C, I22A	S32.05		PTR
S30.81		PTR		15	TPN, VTPN		04	E66A
	09	J65Z		21A	W61A, W61B		08	I10C, I68A, I68B, I68C, I68D, I68E
	21A	W61A, W61B		21B	X60Z		15	TPN, VTPN
S30.82		PTR		21A	W61A, W61B		21A	W61A, W61B
	09	J67A, J67B, J68A, J68B		08	I02A, I02B, I02C, I02D, I08A, I08B, I08C, I08D, I08E, I13A, I13B, I13C, I20A, I20B, I20C, I22A	S32.05		PTR
	21A	W61A, W61B		15	TPN, VTPN		04	E66A
S30.83		PTR		21A	W61A, W61B		08	I10C, I68A, I68B, I68C, I68D, I68E
	09	J67A, J67B, J68A, J68B		21B	X01A, X01B		15	TPN, VTPN
	21A	W61A, W61B	S31.84		PTR		21A	W61A, W61B
S30.84		PTR		21A	W61A, W61B	S32.1		PTR
	09	J65Z		08	I02A, I02B, I02C, I02D, I08A, I08B, I08C, I08D, I08E, I13A, I13B, I13C, I20A, I20B, I20C, I22A		08	I68A, I68B, I68C, I68D, I68E
	21A	W61A, W61B	S31.85		PTR		15	TPN, VTPN
S30.85		PTR	S31.86		PTR		21A	W61A, W61B
	09	J65Z		08	I02A, I02B, I02C, I02D, I08A, I08B, I08C, I08D, I08E, I13A, I13B, I13C, I20A, I20B, I20C, I22A	S32.2		PTR
	21A	W61A, W61B		21A	W61A, W61B		08	I68A, I68B, I68C, I68D, I68E
S30.88		PTR		21B	X01A, X01B		15	TPN, VTPN
	09	J65Z	S31.87		PTR		21A	W61A, W61B
	21A	W61A, W61B		15	TPN, VTPN	S32.3		PTR
S30.90		PTR		21A	W61A, W61B		08	I66A, I66B
	09	J65Z		08	I02A, I02B, I02C, I02D, I08A, I08B, I08C, I08D, I08E, I13A, I13B, I13C, I20A, I20B, I20C, I22A		21A	W61A, W61B
	21A	W61A, W61B		21A	W61A, W61B	S32.4		PTR
S30.91		PTR		08	I02A, I02B, I02C, I02D, I08A, I08B, I08C, I08D, I08E, I13A, I13B, I13C, I20A, I20B, I20C, I22A		08	I08C, I08D, I66A, I66B
	09	J65Z		21A	W61A, W61B		21A	W61A, W61B
	21A	W61A, W61B		21B	X01A, X01B	S32.5		PTR
S30.92		PTR		15	TPN, VTPN		08	I66A, I66B
	09	J67A, J67B, J68A, J68B		21A	W61A, W61B		21A	W61A, W61B
	21A	W61A, W61B		08	I02A, I02B, I02C, I02D, I08A, I08B, I08C, I08D, I08E, I13A, I13B, I13C, I20A, I20B, I20C, I22A		21A	W61A, W61B

ICD	MDC	DRG	ICD	MDC	DRG	ICD	MDC	DRG
S32.7		PTR	S34.0		PTR	S34.73		PTR
	08	I76A		15	TPN, VTPN		15	TPN, VTPN
	21A	W61A, W61B		21A	W61A, W61B		21A	W61A, W61B
S32.81		PTR		Pre	A07D, A09E, A11F, A13F, B61A, B61B		Pre	A07D, A09E, A11F, A13F
	08	I66A, I66B	S34.10		PTR	S34.74		PTR
	21A	W61A, W61B		15	TPN, VTPN		15	TPN, VTPN
S32.82		PTR		21A	W61A, W61B		21A	W61A, W61B
	08	I68A, I68B, I68C, I68D, I68E		Pre	A07D, A09E, A11F, A13F, B61A, B61B		Pre	A07D, A09E, A11F, A13F
	15	TPN, VTPN	S34.11		PTR	S34.75		PTR
	21A	W61A, W61B		15	TPN, VTPN		15	TPN, VTPN
S32.83		PTR		21A	W61A, W61B		21A	W61A, W61B
	08	I66A, I66B		Pre	A07D, A09E, A11F, A13F, B61A, B61B		Pre	A07D, A09E, A11F, A13F
	21A	W61A, W61B	S34.18		PTR	S34.76		PTR
S32.89		PTR		15	TPN, VTPN		15	TPN, VTPN
	08	I66A, I66B		21A	W61A, W61B		21A	W61A, W61B
	15	TPN, VTPN		Pre	A07D, A09E, A11F, A13F, B61A, B61B		Pre	A07D, A09E, A11F, A13F
	21A	W61A, W61B	S34.2		PTR	S34.77		PTR
	Pre	A07D, A09E, A11F, A13F		15	TPN, VTPN		15	TPN, VTPN
S33.0		PTR		21A	W61A, W61B		21A	W61A, W61B
	08	I68A, I68B, I68C, I68D, I68E		Pre	A07D, A09E, A11F, A13F, B61A, B61B		Pre	A07D, A09E, A11F, A13F
	15	TPN, VTPN	S34.2		PTR	S34.8		PTR
	21A	W61A, W61B		01	B71A, B71B, B71C, B71D		01	B71A, B71B, B71C, B71D
S33.10		PTR		15	TPN, VTPN		21A	W61A, W61B
	08	I68A, I68B, I68C, I68D, I68E		21A	W61A, W61B		Pre	A07D, A09E, A11F, A13F
	15	TPN, VTPN		Pre	A07D, A09E, A11F, A13F	S35.0		PTR
	21A	W61A, W61B	S34.30		PTR		15	TPN, VTPN
S33.11		PTR		15	TPN, VTPN		21A	W61A, W61B
	08	I68A, I68B, I68C, I68D, I68E		21A	W61A, W61B		21B	X60Z
	15	TPN, VTPN		Pre	A07D, A09E, A11F, A13F, B61A, B61B		Pre	A07D, A09E, A11F, A13F
	21A	W61A, W61B	S34.31		PTR	S35.1		PTR
S33.12		PTR		15	TPN, VTPN		15	TPN, VTPN
	08	I68A, I68B, I68C, I68D, I68E		21A	W61A, W61B		21A	W61A, W61B
	15	TPN, VTPN		Pre	A07D, A09E, A11F, A13F, B61A, B61B		21B	X60Z
	21A	W61A, W61B	S34.38		PTR		Pre	A07D, A09E, A11F, A13F
S33.13		PTR		15	TPN, VTPN	S35.2		PTR
	08	I68A, I68B, I68C, I68D, I68E		21A	W61A, W61B		15	TPN, VTPN
	15	TPN, VTPN		Pre	A07D, A09E, A11F, A13F, B61A, B61B		21A	W61A, W61B
	21A	W61A, W61B	S34.4		PTR		21B	X60Z
S33.14		PTR		01	B71A, B71B, B71C, B71D		Pre	A07D, A09E, A11F, A13F
	08	I68A, I68B, I68C, I68D, I68E		15	TPN, VTPN	S35.3		PTR
	15	TPN, VTPN		21A	W61A, W61B		15	TPN, VTPN
	21A	W61A, W61B		Pre	A07D, A09E, A11F, A13F, B61A, B61B		21A	W61A, W61B
S33.15		PTR	S34.5		PTR		21B	X60Z
	08	I68A, I68B, I68C, I68D, I68E		01	B71A, B71B, B71C, B71D		Pre	A07D, A09E, A11F, A13F
	15	TPN, VTPN		15	TPN, VTPN	S35.4		PTR
	21A	W61A, W61B		21A	W61A, W61B		15	TPN, VTPN
S33.2		PTR		Pre	A07D, A09E, A11F, A13F, B61A, B61B		21A	W61A
	08	I68A, I68B, I68C, I68D, I68E		01	B71A, B71B, B71C, B71D		21B	X60Z
	15	TPN, VTPN		15	TPN, VTPN		Pre	A07D, A09E, A11F, A13F
	21A	W61A, W61B		21A	W61A, W61B	S35.5		PTR
S33.3		PTR		Pre	A07D, A09E, A11F, A13F		15	TPN, VTPN
	08	I68A, I68B, I68C, I68D, I68E	S34.6		PTR		21A	W61A, W61B
	15	TPN, VTPN		01	B71A, B71B, B71C, B71D		21B	X60Z
	21A	W61A, W61B		21A	W61A, W61B		Pre	A07D, A09E, A11F, A13F
S33.4		PTR		Pre	A07D, A09E, A11F, A13F	S35.7		PTR
	08	I68A, I68B, I68C, I68D, I68E	S34.70		PTR		15	TPN, VTPN
	15	TPN, VTPN		15	TPN, VTPN		21A	W61A, W61B
	21A	W61A, W61B		21A	W61A, W61B		21B	X60Z
S33.50		PTR		Pre	A07D, A09E, A11F, A13F		Pre	A07D, A09E, A11F, A13F
	08	I68A, I68B, I68C, I68D, I68E	S34.71		PTR		15	TPN, VTPN
	15	TPN, VTPN		15	TPN, VTPN	S35.8		PTR
	21A	W61A, W61B		21A	W61A, W61B		15	TPN, VTPN
S33.51		PTR		Pre	A07D, A09E, A11F, A13F		21A	W61A, W61B
	08	I68A, I68B, I68C, I68D, I68E	S34.72		PTR		21B	X60Z
	15	TPN, VTPN		15	TPN, VTPN		Pre	A07D, A09E, A11F, A13F
	21A	W61A, W61B		21A	W61A, W61B	S35.9		PTR
S33.6		PTR		Pre	A07D, A09E, A11F, A13F		15	TPN, VTPN
	08	I68A, I68B, I68C, I68D, I68E		15	TPN, VTPN		21A	W61A, W61B
	15	TPN, VTPN		21A	W61A, W61B		21B	X60Z
	21A	W61A, W61B		Pre	A07D, A09E, A11F, A13F		Pre	A07D, A09E, A11F, A13F
S33.7		PTR		08	I68A, I68B, I68C, I68D, I68E		15	TPN, VTPN
	08	I68A, I68B, I68C, I68D, I68E		15	TPN, VTPN		21A	W61A, W61B
	15	TPN, VTPN		21A	W61A, W61B		21B	X60Z
	21A	W61A, W61B		Pre	A07D, A09E, A11F, A13F		Pre	A07D, A09E, A11F, A13F

ICD	MDC	DRG	ICD	MDC	DRG	ICD	MDC	DRG
S36.00		PTR	S36.18		PTR	S36.54		PTR
	16	Q60A, Q60B, Q60C		07	H64Z		06	G46A, G46B, G46C, G50Z, G71Z
	21A	W61A, W61B		15	TPN, VTPN		21A	W61A, W61B
S36.01	Pre	A07D, A09E, A11F, A13F		21A	W61A, W61B		Pre	A07D, A09E, A11F, A13F
		PTR	S36.20		PTR	S36.59		PTR
	15	TPN, VTPN		07	H62A, H62B, H62C		06	G46A, G46B, G46C, G50Z, G71Z
	16	Q60A, Q60B, Q60C		21A	W61A, W61B		15	TPN, VTPN
	21A	W61A, W61B		Pre	A07D, A09E, A11F, A13F		21A	W61A, W61B
S36.02	Pre	A07D, A09E, A11F, A13F		Pre	A07D, A09E, A11F, A13F		Pre	A07D, A09E, A11F, A13F
		PTR	S36.21		PTR	S36.6		PTR
	15	TPN, VTPN		07	H62A, H62B, H62C		06	G46A, G46B, G46C, G50Z, G71Z
	16	Q60A, Q60B, Q60C		21A	W61A, W61B		15	TPN, VTPN
	21A	W61A, W61B		Pre	A07D, A09E, A11F, A13F		21A	W61A, W61B
S36.03	Pre	A07D, A09E, A11F, A13F		Pre	A07D, A09E, A11F, A13F		Pre	A07D, A09E, A11F, A13F
		PTR	S36.22		PTR	S36.7		PTR
	15	TPN, VTPN		07	H62A, H62B, H62C		06	G46A, G46B, G46C, G50Z, G71Z
	16	Q60A, Q60B, Q60C		21A	W61A, W61B		15	TPN, VTPN
	21A	W61A		Pre	A07D, A09E, A11F, A13F		21A	W61A, W61B
S36.04	Pre	A07D, A09E, A11F, A13F		Pre	A07D, A09E, A11F, A13F		Pre	A07D, A09E, A11F, A13F
		PTR	S36.23		PTR	S36.81		PTR
	16	Q60A, Q60B, Q60C, Q60D, Q60E		07	H62A, H62B, H62C		06	G46A, G46B, G46C, G50Z, G71Z
	21A	W61A		21A	W61A, W61B		15	TPN, VTPN
S36.08	Pre	A07D, A09E, A11F, A13F		Pre	A07D, A09E, A11F, A13F		21A	W61A, W61B
		PTR	S36.29		PTR	S36.82		PTR
	16	Q60A, Q60B, Q60C		07	H62A, H62B, H62C		06	G46A, G46B, G46C, G50Z, G71Z
	21A	W61A, W61B		21A	W61A, W61B		15	TPN, VTPN
S36.10	Pre	A07D, A09E, A11F, A13F		Pre	A07D, A09E, A11F, A13F		21A	W61A, W61B
		PTR	S36.3		PTR	S36.83		PTR
	07	H63A, H63B, H63C, H78Z		06	G46A, G46B, G46C, G50Z, G71Z		11	L68A, L68B, L74Z
	15	TPN, VTPN		21A	W61A, W61B		15	TPN, VTPN
	21A	W61A, W61B		Pre	A07D, A09E, A11F, A13F		21A	W61A, W61B
S36.11	Pre	A07D, A09E, A11F, A13F		Pre	A07D, A09E, A11F, A13F		Pre	A07D, A09E, A11F, A13F
		PTR	S36.40		PTR	S36.88		PTR
	07	H63A, H63B, H63C, H78Z		06	G46A, G46B, G46C, G50Z, G71Z		21A	W61A, W61B
	15	TPN, VTPN		15	TPN, VTPN		21B	X60Z
	21A	W61A, W61B		21A	W61A, W61B		Pre	A07D, A09E, A11F, A13F
S36.12	Pre	A07D, A09E, A11F, A13F		Pre	A07D, A09E, A11F, A13F		Pre	A07D, A09E, A11F, A13F
		PTR	S36.41		PTR	S36.9		PTR
	07	H63A, H63B, H63C, H78Z		06	G46A, G46B, G46C, G50Z, G71Z		06	G46A, G46B, G46C, G50Z, G71Z
	15	TPN, VTPN		21A	W61A, W61B		21A	W61A, W61B
	21A	W61A, W61B		Pre	A07D, A09E, A11F, A13F		Pre	A07D, A09E, A11F, A13F
S36.13	Pre	A07D, A09E, A11F, A13F		Pre	A07D, A09E, A11F, A13F		Pre	A07D, A09E, A11F, A13F
		PTR	S36.49		PTR	S37.00		PTR
	07	H63A, H63B, H63C, H78Z		06	G46A, G46B, G46C, G50Z, G71Z		11	L64A, L64B, L74Z
	15	TPN, VTPN		15	TPN, VTPN		21A	W61A, W61B
	21A	W61A, W61B		21A	W61A, W61B		Pre	A07D, A09E, A11F, A13F
S36.14	Pre	A07D, A09E, A11F, A13F		Pre	A07D, A09E, A11F, A13F		Pre	A07D, A09E, A11F, A13F
		PTR	S36.50		PTR	S37.01		PTR
	07	H63A, H63B, H63C, H78Z		06	G46A, G46B, G46C, G50Z, G71Z		11	L64A, L64B, L74Z
	15	TPN, VTPN		15	TPN, VTPN		21A	W61A, W61B
	21A	W61A, W61B		21A	W61A, W61B		Pre	A07D, A09E, A11F, A13F
S36.15	Pre	A07D, A09E, A11F, A13F		Pre	A07D, A09E, A11F, A13F		Pre	A07D, A09E, A11F, A13F
		PTR	S36.51		PTR	S37.02		PTR
	07	H63A, H63B, H63C, H78Z		06	G46A, G46B, G46C, G50Z, G71Z		11	L69A, L69B
	15	TPN, VTPN		15	TPN, VTPN		15	TPN, VTPN
	21A	W61A, W61B		21A	W61A, W61B		21A	W61A
S36.16	Pre	A07D, A09E, A11F, A13F		Pre	A07D, A09E, A11F, A13F		Pre	A07D, A09E, A11F, A13F
		PTR	S36.52		PTR	S37.03		PTR
	07	H63A, H63B, H63C, H78Z		06	G46A, G46B, G46C, G50Z, G71Z		11	L69A, L69B
	15	TPN, VTPN		15	TPN, VTPN		21A	W61A
	21A	W61A, W61B		21A	W61A, W61B		Pre	A07D, A09E, A11F, A13F
S36.17	Pre	A07D, A09E, A11F, A13F		Pre	A07D, A09E, A11F, A13F		Pre	A07D, A09E, A11F, A13F
		PTR	S36.53		PTR			
	07	H64Z		06	G46A, G46B, G46C, G50Z, G71Z			
	15	TPN, VTPN		15	TPN, VTPN			
	21A	W61A, W61B		21A	W61A, W61B			
	Pre	A07D, A09E, A11F, A13F		Pre	A07D, A09E, A11F, A13F			

ICD	MDC	DRG	ICD	MDC	DRG	ICD	MDC	DRG
S37.1		PTR	S37.82		PTR	S39.9		PTR
	11	L68A, L68B, L74Z		12	M64Z		21A	W61A, W61B
	15	TPN, VTPN		21A	W61A, W61B		21B	X60Z
	21A	W61A, W61B		Pre	A07D, A09E, A11F, A13F	S40.0		PTR
	Pre	A07D, A09E, A11F, A13F	S37.83		PTR		09	J65Z
S37.20		PTR		12	M64Z		21A	W61A, W61B
	11	L68A, L68B, L74Z		21A	W61A, W61B	S40.7		PTR
	21A	W61A, W61B		Pre	A07D, A09E, A11F, A13F		09	J65Z
	Pre	A07D, A09E, A11F, A13F	S37.84		PTR		21A	W61A, W61B
S37.21		PTR		12	M64Z	S40.81		PTR
	11	L68A, L68B, L74Z		21A	W61A, W61B		09	J65Z
	21A	W61A, W61B		Pre	A07D, A09E, A11F, A13F		21A	W61A, W61B
	Pre	A07D, A09E, A11F, A13F	S37.88		PTR	S40.82		PTR
S37.22		PTR		12	M64Z		09	J67A, J67B, J68A, J68B
	11	L68A, L68B, L74Z		13	N04Z, N05A, N05B, N14Z, N21Z, N25Z, N62A, N62B		21A	W61A, W61B
	21A	W61A, W61B		21A	W61A, W61B	S40.83		PTR
	Pre	A07D, A09E, A11F, A13F		Pre	A07D, A09E, A11F, A13F		09	J67A, J67B, J68A, J68B
S37.28		PTR	S37.9		PTR		21A	W61A, W61B
	11	L68A, L68B, L74Z		12	M64Z	S40.84		PTR
	21A	W61A, W61B		13	N04Z, N05A, N05B, N14Z, N21Z, N25Z, N62A, N62B		09	J65Z
	Pre	A07D, A09E, A11F, A13F		21A	W61A, W61B	S40.88		PTR
S37.30		PTR		Pre	A07D, A09E, A11F, A13F		21A	W61A, W61B
	11	L64A, L64B, L74Z	S38.0		PTR	S40.9		PTR
	21A	W61A, W61B		12	M64Z		09	J65Z
	Pre	A07D, A09E, A11F, A13F		13	N04Z, N05A, N05B, N14Z, N21Z, N25Z, N62A, N62B		21A	W61A, W61B
S37.31		PTR		21A	W61A, W61B	S41.0		PTR
	11	L64A, L64B, L74Z		Pre	A07D, A09E, A11F, A13F		21A	W61A, W61B
	21A	W61A, W61B		12	M64Z		21B	X60Z
	Pre	A07D, A09E, A11F, A13F		13	N04Z, N05A, N05B, N14Z, N21Z, N25Z, N62A, N62B	S41.1		PTR
S37.32		PTR		15	TPN, VTPN		21A	W61A, W61B
	11	L64A, L64B, L74Z		21A	W61A, W61B		21B	X60Z
	21A	W61A, W61B		Pre	A07D, A09E, A11F, A13F	S41.7		PTR
	Pre	A07D, A09E, A11F, A13F	S38.1		PTR		21A	W61A, W61B
S37.33		PTR		15	TPN, VTPN		21B	X60Z
	11	L68A, L68B, L74Z		21A	W61A, W61B	S41.80		PTR
	21A	W61A, W61B		21B	X60Z		21A	W61A, W61B
	Pre	A07D, A09E, A11F, A13F		Pre	A07D, A09E, A11F, A13F		21B	X60Z
S37.38		PTR	S38.2		PTR	S41.84		PTR
	11	L68A, L68B, L74Z		12	M64Z		21A	W61A, W61B
	21A	W61A, W61B		13	N04Z, N05A, N05B, N14Z, N21Z, N25Z, N62A, N62B		21B	X60Z
	Pre	A07D, A09E, A11F, A13F		21A	W61A, W61B	S41.85		PTR
S37.4		PTR		Pre	A07D, A09E, A11F, A13F	S41.86		PTR
	13	N04Z, N05A, N05B, N14Z, N21Z, N25Z, N62A, N62B	S38.3		PTR		08	I02A, I02B, I02C, I02D, I08A, I08B, I08C, I08D, I08E, I13A, I13B, I13C, I20A, I20B, I20C, I22A
	21A	W61A, W61B		15	TPN, VTPN		21A	W61A, W61B
	Pre	A07D, A09E, A11F, A13F		21A	W61A, W61B		21B	X01A, X01B
S37.5		PTR		21B	X60Z	S41.87		PTR
	13	N04Z, N05A, N05B, N14Z, N21Z, N25Z, N62A, N62B	S39.0		PTR		21A	W61A, W61B
	21A	W61A, W61B		08	I68A, I68B, I68C, I68D, I68E	S41.88		PTR
	Pre	A07D, A09E, A11F, A13F		21A	W61A, W61B		08	I02A, I02B, I02C, I02D, I08A, I08B, I08C, I08D, I08E, I13A, I13B, I13C, I20A, I20B, I20C, I22A
S37.6		PTR		Pre	A07D, A09E, A11F, A13F		21A	W61A, W61B
	13	N04Z, N05A, N05B, N14Z, N21Z, N25Z, N62A, N62B	S39.6		PTR		21B	X01A, X01B
	21A	W61A, W61B		12	M64Z	S41.89		PTR
	Pre	A07D, A09E, A11F, A13F		13	N04Z, N05A, N05B, N14Z, N21Z, N25Z, N62A, N62B		08	I02A, I02B, I02C, I02D, I08A, I08B, I08C, I08D, I08E, I13A, I13B, I13C, I20A, I20B, I20C, I22A
S37.7		PTR		21A	W61A, W61B		21A	W61A, W61B
	12	M64Z	S39.7		PTR		21B	X01A, X01B
	13	N04Z, N05A, N05B, N14Z, N21Z, N25Z, N62A, N62B		21B	X60Z		21A	W61A, W61B
	21A	W61A, W61B		Pre	A07D, A09E, A11F, A13F		21B	X01A, X01B
	Pre	A07D, A09E, A11F, A13F		Pre	A07D, A09E, A11F, A13F	S42.00		PTR
S37.81		PTR	S39.80		PTR		08	I78Z
	10	K64A, K64B, K64C, K64D		21A	W61A, W61B		21A	W61A, W61B
	21A	W61A, W61B		21B	X60Z	S42.01		PTR
	Pre	A07D, A09E, A11F, A13F		Pre	A07D, A09E, A11F, A13F		08	I77Z
			S39.88		PTR		21A	W61A, W61B
				21A	W61A, W61B		21A	W61A, W61B
				21B	X60Z			

ICD	MDC	DRG	ICD	MDC	DRG	ICD	MDC	DRG
S42.02		PTR	S42.49		PTR	S44.8		PTR
	08	I77Z		08	I77Z		01	B71A, B71B, B71C, B71D
	21A	W61A, W61B		21A	W61A, W61B		21A	W61A, W61B
S42.03		PTR	S42.7		PTR	S44.9		PTR
	08	I77Z		08	I77Z		01	B71A, B71B, B71C, B71D
	21A	W61A, W61B		21A	W61A, W61B		21A	W61A, W61B
S42.09		PTR	S42.8		PTR	S45.0		PTR
	08	I75A, I75B		08	I77Z		15	TPN, VTPN
	21A	W61A, W61B		21A	W61A, W61B		21A	W61A, W61B
S42.10		PTR	S42.9		PTR		21B	X60Z
	08	I77Z		08	I77Z	S45.1		PTR
	21A	W61A, W61B		21A	W61A, W61B		15	TPN, VTPN
S42.11		PTR	S43.00		PTR		21A	W61A, W61B
	08	I76A, I76B		08	I78Z		21B	X60Z
	21A	W61A, W61B		21A	W61A, W61B	S45.2		PTR
S42.12		PTR	S43.01		PTR		15	TPN, VTPN
	08	I77Z		08	I78Z		21A	W61A, W61B
	21A	W61A, W61B		21A	W61A, W61B		21B	X60Z
S42.13		PTR	S43.02		PTR	S45.3		PTR
	08	I77Z		08	I78Z		15	TPN, VTPN
	21A	W61A, W61B		21A	W61A, W61B		21A	W61A, W61B
S42.14		PTR	S43.03		PTR		21B	X60Z
	08	I77Z		08	I78Z	S45.7		PTR
	21A	W61A, W61B		21A	W61A, W61B		15	TPN, VTPN
S42.19		PTR	S43.08		PTR		21A	W61A, W61B
	08	I76A, I76B		08	I77Z		21B	X60Z
	21A	W61A, W61B		21A	W61A, W61B	S45.8		PTR
S42.20		PTR	S43.1		PTR		15	TPN, VTPN
	08	I75A, I75B		08	I77Z		21A	W61A, W61B
	21A	W61A, W61B		21A	W61A, W61B		21B	X60Z
S42.21		PTR	S43.2		PTR	S45.9		PTR
	08	I75A, I75B		08	I78Z		15	TPN, VTPN
	15	TPN, VTPN		21A	W61A, W61B		21A	W61A, W61B
	21A	W61A, W61B	S43.3		PTR		21B	X60Z
S42.22		PTR		08	I77Z	S46.0		PTR
	08	I75A, I75B		21A	W61A, W61B		08	I77Z
	21A	W61A, W61B	S43.4		PTR		21A	W61A, W61B
S42.23		PTR		08	I77Z	S46.1		PTR
	08	I75A, I75B		21A	W61A, W61B		08	I77Z
	21A	W61A, W61B	S43.5		PTR		21A	W61A, W61B
S42.24		PTR		08	I77Z	S46.2		PTR
	08	I75A, I75B		21A	W61A, W61B		08	I77Z
	21A	W61A, W61B	S43.6		PTR		21A	W61A, W61B
S42.29		PTR		04	E75A, E75B, E75C	S46.3		PTR
	08	I75A, I75B		21A	W61A, W61B		08	I77Z
	15	TPN, VTPN	S43.7		PTR		21A	W61A, W61B
	21A	W61A, W61B		08	I77Z	S46.7		PTR
S42.3		PTR		21A	W61A, W61B		08	I77Z
	08	I75A, I75B	S44.0		PTR		21A	W61A, W61B
	15	TPN, VTPN		01	B71A, B71B, B71C, B71D	S46.8		PTR
	21A	W61A, W61B		21A	W61A, W61B		08	I77Z
S42.40		PTR	S44.1		PTR		21A	W61A, W61B
	08	I77Z		01	B71A, B71B, B71C, B71D	S46.9		PTR
	21A	W61A, W61B		21A	W61A, W61B		08	I77Z
S42.41		PTR	S44.2		PTR		21A	W61A, W61B
	08	I77Z		01	B71A, B71B, B71C, B71D	S47		PTR
	21A	W61A, W61B		21A	W61A, W61B		15	TPN, VTPN
S42.42		PTR	S44.3		PTR		21A	W61A, W61B
	08	I77Z		01	B71A, B71B, B71C, B71D		21B	X60Z
	21A	W61A, W61B		21A	W61A, W61B	S48.0		PTR
S42.43		PTR	S44.4		PTR		21A	W61A, W61B
	08	I77Z		01	B71A, B71B, B71C, B71D		21B	X60Z
	21A	W61A, W61B		21A	W61A, W61B	S48.1		PTR
S42.44		PTR	S44.5		PTR		21A	W61A, W61B
	08	I77Z		01	B71A, B71B, B71C, B71D		21B	X60Z
	21A	W61A, W61B		21A	W61A, W61B	S48.9		PTR
S42.45		PTR	S44.7		PTR		21A	W61A, W61B
	08	I77Z		01	B71A, B71B, B71C, B71D		21B	X60Z
	21A	W61A, W61B		21A	W61A, W61B			

Dg

ICD	MDC	DRG	ICD	MDC	DRG	ICD	MDC	DRG
S49.7		PTR	S51.9		PTR	S53.10		PTR
	21A	W61A, W61B		21A	W61A, W61B		08	I78Z
	21B	X60Z		21B	X60Z		21A	W61A, W61B
S49.8		PTR	S52.00		PTR	S53.11		PTR
	21A	W61A, W61B		08	I74A, I74B, I74C		08	I78Z
	21B	X60Z		21A	W61A, W61B		21A	W61A, W61B
S49.9		PTR	S52.01		PTR	S53.12		PTR
	21A	W61A, W61B		08	I74A, I74B, I74C		08	I78Z
	21B	X60Z		21A	W61A, W61B		21A	W61A, W61B
S50.0		PTR	S52.02		PTR	S53.13		PTR
	09	J65Z		08	I74A, I74B, I74C		08	I78Z
	21A	W61A, W61B		21A	W61A, W61B		21A	W61A, W61B
S50.1		PTR	S52.09		PTR	S53.14		PTR
	09	J65Z		08	I74A, I74B, I74C		08	I78Z
	21A	W61A, W61B		21A	W61A, W61B		21A	W61A, W61B
S50.7		PTR	S52.10		PTR	S53.18		PTR
	09	J65Z		08	I74A, I74B, I74C		08	I78Z
	21A	W61A, W61B		21A	W61A, W61B		21A	W61A, W61B
S50.81		PTR	S52.11		PTR	S53.2		PTR
	09	J65Z		08	I74A, I74B, I74C		08	I74A, I74B, I74C
	21A	W61A, W61B		21A	W61A, W61B		21A	W61A, W61B
S50.82		PTR	S52.12		PTR	S53.3		PTR
	09	J67A, J67B, J68A, J68B		08	I74A, I74B, I74C		08	I74A, I74B, I74C
	21A	W61A, W61B		21A	W61A, W61B		21A	W61A, W61B
S50.83		PTR	S52.19		PTR	S53.40		PTR
	09	J67A, J67B, J68A, J68B		08	I74A, I74B, I74C		08	I74A, I74B, I74C
	21A	W61A, W61B		21A	W61A, W61B		21A	W61A, W61B
S50.84		PTR	S52.20		PTR	S53.41		PTR
	09	J65Z		08	I74A, I74B, I74C		08	I74A, I74B, I74C
	21A	W61A, W61B		21A	W61A, W61B		21A	W61A, W61B
S50.88		PTR	S52.21		PTR	S53.42		PTR
	09	J65Z		08	I74A, I74B, I74C		08	I74A, I74B, I74C
	21A	W61A, W61B		21A	W61A, W61B		21A	W61A, W61B
S50.9		PTR	S52.30		PTR	S53.43		PTR
	09	J65Z		08	I74A, I74B, I74C		08	I74A, I74B, I74C
	21A	W61A, W61B		21A	W61A, W61B		21A	W61A, W61B
S51.0		PTR	S52.31		PTR	S53.44		PTR
	21A	W61A, W61B		08	I74A, I74B, I74C		08	I74A, I74B, I74C
	21B	X60Z		21A	W61A, W61B		21A	W61A, W61B
S51.7		PTR	S52.4		PTR	S53.48		PTR
	21A	W61A, W61B		08	I74A, I74B, I74C		08	I74A, I74B, I74C
	21B	X60Z		21A	W61A, W61B		21A	W61A, W61B
S51.80		PTR	S52.50		PTR	S54.0		PTR
	21A	W61A, W61B		08	I74A, I74B, I74C		01	B71A, B71B, B71C, B71D
	21B	X60Z		21A	W61A, W61B		21A	W61A, W61B
S51.84		21A W61A, W61B	S52.51		PTR	S54.1		PTR
S51.85		21A W61A, W61B		08	I74A, I74B, I74C		01	B71A, B71B, B71C, B71D
S51.86		08 I02A, I02B, I02C, I02D, I08A, I08B, I08C, I08D, I08E, I13A, I13B, I13C, I20A, I20B, I20C, I22A	S52.52		PTR		21A	W61A, W61B
				08	I74A, I74B, I74C	S54.2		PTR
				21A	W61A, W61B		01	B71A, B71B, B71C, B71D
	21A	W61A, W61B	S52.59		PTR		21A	W61A, W61B
	21B	X01A, X01B		08	I74A, I74B, I74C	S54.3		PTR
S51.87		PTR		21A	W61A, W61B		01	B71A, B71B, B71C, B71D
	21A	W61A, W61B	S52.6		PTR		21A	W61A, W61B
S51.88		PTR		08	I74A, I74B, I74C	S54.7		PTR
	08	I02A, I02B, I02C, I02D, I08A, I08B, I08C, I08D, I08E, I13A, I13B, I13C, I20A, I20B, I20C, I22A		21A	W61A, W61B		01	B71A, B71B, B71C, B71D
			S52.7		PTR		21A	W61A, W61B
				08	I78Z	S54.8		PTR
				21A	W61A, W61B		01	B71A, B71B, B71C, B71D
	21A	W61A, W61B	S52.8		PTR		21A	W61A, W61B
	21B	X01A, X01B		08	I74A, I74B, I74C	S54.9		PTR
S51.89		PTR		21A	W61A, W61B		01	B71A, B71B, B71C, B71D
	08	I02A, I02B, I02C, I02D, I08A, I08B, I08C, I08D, I08E, I13A, I13B, I13C, I20A, I20B, I20C, I22A	S52.9		PTR		21A	W61A, W61B
				08	I74A, I74B, I74C	S55.0		PTR
				21A	W61A, W61B		15	TPN, VTPN
	21A	W61A, W61B	S53.0		PTR		21A	W61A, W61B
	21B	X01A, X01B		08	I78Z		21B	X60Z
				21A	W61A, W61B			

ICD	MDC	DRG	ICD	MDC	DRG	ICD	MDC	DRG
S55.1		PTR	S59.7		PTR	S61.89		PTR
	15	TPN, VTPN		21A	W61A, W61B		08	I02A, I02B, I02C, I02D, I08A, I08B, I08C, I08D, I08E, I13A, I13B, I13C, I20A, I20B, I20C, I22A
	21A	W61A, W61B		21B	X05A, X05B, X60Z		21A	W61A, W61B
	21B	X60Z	S59.8		PTR		21B	X01A, X01B
S55.2		PTR		21A	W61A, W61B	S61.9		PTR
	15	TPN, VTPN		21B	X05A, X05B, X60Z		21A	W61A, W61B
	21A	W61A, W61B	S59.9		PTR		21B	X05A, X05B, X60Z
	21B	X60Z		21A	W61A, W61B	S62.0		PTR
S55.7		PTR	S60.0		PTR		08	I32C, I32D, I74A, I74B, I74C
	15	TPN, VTPN		09	J65Z		21A	W61A, W61B
	21A	W61A, W61B		21A	W61A, W61B	S62.10		PTR
	21B	X60Z	S60.1		PTR		08	I74A, I74B, I74C
S55.8		PTR		09	J65Z	S62.11		PTR
	15	TPN, VTPN		21A	W61A, W61B		08	I32C, I32D, I74A, I74B, I74C
	21A	W61A, W61B	S60.2		PTR		21A	W61A, W61B
	21B	X60Z		09	J65Z	S62.12		PTR
S55.9		PTR	S60.7		PTR		08	I32C, I32D, I74A, I74B, I74C
	15	TPN, VTPN		09	J65Z		21A	W61A, W61B
	21A	W61A, W61B		21A	W61A, W61B	S62.13		PTR
	21B	X60Z	S60.81		PTR		08	I32C, I32D, I74A, I74B, I74C
S56.0		PTR		09	J65Z		21A	W61A, W61B
	08	I32A, I32B, I32C, I32D, I32E, I32F, I32G, I74A, I74B, I74C	S60.82		PTR	S62.14		PTR
	21A	W61A, W61B		09	J67A, J67B, J68A, J68B		08	I32C, I32D, I74A, I74B, I74C
S56.1		PTR		21A	W61A, W61B		21A	W61A, W61B
	08	I32A, I32B, I32C, I32D, I32E, I32F, I32G, I74A, I74B, I74C	S60.83		PTR	S62.15		PTR
	21A	W61A, W61B		09	J67A, J67B, J68A, J68B		08	I32C, I32D, I74A, I74B, I74C
S56.2		PTR		21A	W61A, W61B		21A	W61A, W61B
	08	I74A, I74B, I74C	S60.84		PTR	S62.16		PTR
	21A	W61A, W61B		09	J65Z		08	I32C, I32D, I74A, I74B, I74C
S56.3		PTR	S60.88		PTR		21A	W61A, W61B
	08	I32A, I32B, I32C, I32D, I32E, I32F, I32G, I74A, I74B, I74C		09	J65Z	S62.17		PTR
	21A	W61A, W61B	S60.9		PTR		08	I32C, I32D, I74A, I74B, I74C
S56.4		PTR		09	J65Z		21A	W61A, W61B
	08	I32A, I32B, I32C, I32D, I32E, I32F, I32G, I74A, I74B, I74C	S61.0		PTR	S62.19		PTR
	21A	W61A, W61B		21A	W61A, W61B		08	I74A, I74B, I74C
S56.5		PTR	S61.1		PTR		21A	W61A, W61B
	08	I74A, I74B, I74C		21A	W61A, W61B	S62.20		PTR
	21A	W61A, W61B	S61.7		PTR		08	I32A, I32B, I32C, I32D, I32E, I32F, I32G, I74A, I74B, I74C
S56.7		PTR		21B	X05A, X05B, X60Z		21A	W61A, W61B
	08	I74A, I74B, I74C	S61.8		PTR	S62.21		PTR
	21A	W61A, W61B	S61.85		PTR		08	I32A, I32B, I32C, I32D, I32E, I32F, I32G, I74A, I74B, I74C
S56.8		PTR	S61.86		PTR		21A	W61A, W61B
	08	I74A, I74B, I74C		08	I02A, I02B, I02C, I02D, I08A, I08B, I08C, I08D, I08E, I13A, I13B, I13C, I20A, I20B, I20C, I22A	S62.22		PTR
	21A	W61A, W61B		21A	W61A, W61B		08	I32A, I32B, I32C, I32D, I32E, I32F, I32G, I74A, I74B, I74C
S57.0		PTR		21B	X05A, X05B, X60Z		21A	W61A, W61B
	15	TPN, VTPN	S61.87		PTR	S62.23		PTR
	21A	W61A, W61B		21A	W61A, W61B		08	I32A, I32B, I32C, I32D, I32E, I32F, I32G, I74A, I74B, I74C
	21B	X60Z	S61.88		PTR		21A	W61A, W61B
S57.8		PTR		08	I02A, I02B, I02C, I02D, I08A, I08B, I08C, I08D, I08E, I13A, I13B, I13C, I20A, I20B, I20C, I22A	S62.24		PTR
	15	TPN, VTPN		21A	W61A, W61B		08	I32A, I32B, I32C, I32D, I32E, I32F, I32G, I74A, I74B, I74C
	21A	W61A, W61B		21B	X01A, X01B		21A	W61A, W61B
	21B	X60Z		21A	W61A, W61B	S62.30		PTR
S57.9		PTR		08	I02A, I02B, I02C, I02D, I08A, I08B, I08C, I08D, I08E, I13A, I13B, I13C, I20A, I20B, I20C, I22A		08	I32A, I32B, I32C, I32D, I32E, I32F, I32G, I74A, I74B, I74C
	15	TPN, VTPN		21A	W61A, W61B		21A	W61A, W61B
	21A	W61A, W61B		21B	X01A, X01B	S62.31		PTR
	21B	X60Z		21A	W61A, W61B		08	I32A, I32B, I32C, I32D, I32E, I32F, I32G, I74A, I74B, I74C
S58.0		PTR		21B	X01A, X01B		21A	W61A, W61B
	21A	W61A, W61B		08	I02A, I02B, I02C, I02D, I08A, I08B, I08C, I08D, I08E, I13A, I13B, I13C, I20A, I20B, I20C, I22A		08	I32A, I32B, I32C, I32D, I32E, I32F, I32G, I74A, I74B, I74C
	21B	X60Z		21A	W61A, W61B		21A	W61A, W61B
S58.1		PTR		08	I02A, I02B, I02C, I02D, I08A, I08B, I08C, I08D, I08E, I13A, I13B, I13C, I20A, I20B, I20C, I22A		08	I32A, I32B, I32C, I32D, I32E, I32F, I32G, I74A, I74B, I74C
	21A	W61A, W61B		21A	W61A, W61B		21A	W61A, W61B
	21B	X60Z		21B	X01A, X01B		21A	W61A, W61B
S58.9		PTR		21A	W61A, W61B		21A	W61A, W61B
	21A	W61A, W61B		21B	X01A, X01B			
	21B	X60Z						

ICD	MDC	DRG	ICD	MDC	DRG	ICD	MDC	DRG
S62.32		PTR	S63.08		PTR	S64.2		PTR
	08	I32A, I32B, I32C, I32D, I32E, I32F, I32G, I74A, I74B, I74C		08	I74A, I74B, I74C		01	B82Z
	21A	W61A, W61B	S63.10		PTR		21A	W61A, W61B
S62.33		PTR		08	I32A, I32B, I32C, I32D, I32E, I32F, I32G, I74A, I74B, I74C	S64.3		PTR
	08	I32A, I32B, I32C, I32D, I32E, I32F, I32G, I74A, I74B, I74C		21A	W61A, W61B		01	B82Z
	21A	W61A, W61B	S63.11		PTR		21A	W61A, W61B
S62.34		PTR		08	I32A, I32B, I32C, I32D, I32E, I32F, I32G, I74A, I74B, I74C	S64.4		PTR
	08	I32A, I32B, I32C, I32D, I32E, I32F, I32G, I74A, I74B, I74C		21A	W61A, W61B		01	B82Z
	21A	W61A, W61B	S63.12		PTR		21A	W61A, W61B
S62.4		PTR		08	I32A, I32B, I32C, I32D, I32E, I32F, I32G, I74A, I74B, I74C	S64.7		PTR
	08	I32A, I32B, I32C, I32D, I32E, I32F, I32G, I74A, I74B, I74C		21A	W61A, W61B		01	B82Z
	21A	W61A, W61B	S63.2		PTR		21A	W61A, W61B
S62.50		PTR		08	I32A, I32B, I32C, I32D, I32E, I32F, I32G, I74A, I74B, I74C	S64.8		PTR
	08	I32A, I32B, I32C, I32D, I32E, I32F, I32G, I74A, I74B, I74C		21A	W61A, W61B		01	B82Z
	21A	W61A, W61B	S63.3		PTR		21A	W61A, W61B
S62.51		PTR		08	I32C, I32D, I74A, I74B, I74C	S64.9		PTR
	08	I32A, I32B, I32C, I32D, I32E, I32F, I32G, I74A, I74B, I74C		21A	W61A, W61B		01	B82Z
	21A	W61A, W61B	S63.4		PTR		21A	W61A, W61B
S62.52		PTR		08	I32A, I32B, I32C, I32D, I32E, I32F, I32G, I74A, I74B, I74C	S65.0		PTR
	08	I32A, I32B, I32C, I32D, I32E, I32F, I32G, I74A, I74B, I74C		21A	W61A, W61B		15	TPN, VTPN
	21A	W61A, W61B	S63.50		PTR		21A	W61A, W61B
S62.60		PTR		08	I74A, I74B, I74C		21B	X60Z
	08	I32A, I32B, I32C, I32D, I32E, I32F, I32G, I74A, I74B, I74C		21A	W61A, W61B	S65.1		PTR
	21A	W61A, W61B	S63.51		PTR		15	TPN, VTPN
S62.61		PTR		08	I74A, I74B, I74C		21A	W61A, W61B
	08	I32A, I32B, I32C, I32D, I32E, I32F, I32G, I74A, I74B, I74C		21A	W61A, W61B		21B	X60Z
	21A	W61A, W61B	S63.52		PTR	S65.2		PTR
S62.62		PTR		08	I74A, I74B, I74C		15	TPN, VTPN
	08	I32A, I32B, I32C, I32D, I32E, I32F, I32G, I74A, I74B, I74C		21A	W61A, W61B		21A	W61A, W61B
	21A	W61A, W61B	S63.53		PTR		21B	X60Z
S62.63		PTR		08	I74A, I74B, I74C	S65.3		PTR
	08	I32A, I32B, I32C, I32D, I32E, I32F, I32G, I74A, I74B, I74C		21A	W61A, W61B		15	TPN, VTPN
	21A	W61A, W61B	S63.58		PTR		21A	W61A, W61B
S62.7		PTR		08	I74A, I74B, I74C		21B	X05A, X05B, X60Z
	08	I32A, I32B, I32C, I32D, I32E, I32F, I32G, I74A, I74B, I74C		21A	W61A, W61B	S65.4		PTR
	21A	W61A, W61B	S63.60		PTR		15	TPN, VTPN
S62.8		PTR		08	I32A, I32B, I32C, I32D, I32E, I32F, I32G, I74A, I74B, I74C		21A	W61A, W61B
	08	I32A, I32B, I32C, I32D, I32E, I32F, I32G, I74A, I74B, I74C		21A	W61A, W61B		21B	X05A, X05B, X60Z
	15	TPN, VTPN	S63.61		PTR	S65.5		PTR
	21A	W61A, W61B		08	I32A, I32B, I32C, I32D, I32E, I32F, I32G, I74A, I74B, I74C		15	TPN, VTPN
S63.00		PTR		21A	W61A, W61B		21A	W61A, W61B
	08	I74A, I74B, I74C	S63.62		PTR		21B	X60Z
	21A	W61A, W61B		08	I32A, I32B, I32C, I32D, I32E, I32F, I32G, I74A, I74B, I74C	S65.7		PTR
S63.01		PTR		21A	W61A, W61B		15	TPN, VTPN
	08	I32C, I32D, I74A, I74B, I74C	S63.68		PTR		21A	W61A, W61B
	21A	W61A, W61B		08	I32A, I32B, I32C, I32D, I32E, I32F, I32G, I74A, I74B, I74C		21B	X60Z
S63.02		PTR	S63.7		PTR	S65.9		PTR
	08	I32C, I32D, I74A, I74B, I74C		08	I32A, I32B, I32C, I32D, I32E, I32F, I32G, I74A, I74B, I74C		15	TPN, VTPN
	21A	W61A, W61B		21A	W61A, W61B		21A	W61A, W61B
S63.03		PTR	S64.0		PTR		21B	X60Z
	08	I32C, I32D, I74A, I74B, I74C		01	B82Z	S66.0		PTR
	21A	W61A, W61B		21A	W61A, W61B		08	I74A, I74B, I74C
S63.04		PTR	S64.1		PTR		21A	W61A, W61B
	08	I32C, I32D, I74A, I74B, I74C		01	B82Z	S66.1		PTR
	21A	W61A, W61B		21A	W61A, W61B		08	I74A, I74B, I74C
							21A	W61A, W61B
								PTR
							08	I74A, I74B, I74C
							21A	W61A, W61B
								PTR
							08	I74A, I74B, I74C
							21A	W61A, W61B

ICD	MDC	DRG	ICD	MDC	DRG	ICD	MDC	DRG	
S66.5		PTR	S70.81		PTR	S72.01		PTR	
	08	I74A, I74B, I74C		09	J02A, J02B, J02C, J03A, J03B, J04A, J04B, J08A, J08B, J08C, J65Z		08	I66A, I66B	
	21A	W61A, W61B					21A	W61A, W61B	
S66.6		PTR		21A	W61A, W61B	S72.02		PTR	
	08	I74A, I74B, I74C	S70.82		PTR		08	I66A, I66B	
	21A	W61A, W61B		09	J02A, J02B, J02C, J03A, J03B, J04A, J04B, J08A, J08B, J08C, J67A, J67B, J68A, J68B	S72.03		PTR	
S66.7		PTR					08	I66A, I66B	
	08	I74A, I74B, I74C		21A	W61A, W61B	S72.04		PTR	
	21A	W61A, W61B	S70.83		PTR		08	I66A, I66B	
S66.8		PTR		09	J02A, J02B, J02C, J03A, J03B, J04A, J04B, J08A, J08B, J08C, J67A, J67B, J68A, J68B	S72.05		PTR	
	08	I74A, I74B, I74C					08	I66A, I66B	
	21A	W61A, W61B	S70.84		PTR		21A	W61A, W61B	
S66.9		PTR		09	J02A, J02B, J02C, J03A, J03B, J04A, J04B, J08A, J08B, J08C, J65Z	S72.08		PTR	
	08	I74A, I74B, I74C					08	I66A, I66B	
	21A	W61A, W61B	S70.88		PTR	S72.10		PTR	
S67.0		PTR		09	J02A, J02B, J02C, J03A, J03B, J04A, J04B, J08A, J08B, J08C, J65Z		08	I66A, I66B	
	15	TPN, VTPN					21A	W61A, W61B	
	21A	W61A, W61B	S70.88		PTR	S72.11		PTR	
	21B	X05A, X05B, X60Z		09	J02A, J02B, J02C, J03A, J03B, J04A, J04B, J08A, J08B, J08C, J65Z		08	I66A, I66B	
S67.8		PTR					21A	W61A, W61B	
	15	TPN, VTPN	S70.88		PTR	S72.11		PTR	
	21A	W61A, W61B		09	J02A, J02B, J02C, J03A, J03B, J04A, J04B, J08A, J08B, J08C, J65Z		08	I66A, I66B	
	21B	X05A, X05B, X60Z					21A	W61A, W61B	
S68.0		PTR		21A	W61A, W61B	S72.2		PTR	
	21A	W61A, W61B	S70.9		PTR		08	I66A, I66B	
	21B	X05A, X05B, X60Z		09	J02A, J02B, J02C, J03A, J03B, J04A, J04B, J08A, J08B, J08C, J65Z		21A	W61A, W61B	
S68.1		PTR				S72.3		PTR	
	21A	W61A, W61B		21A	W61A, W61B		08	I04Z, I60Z, I72Z	
	21B	X05A, X05B, X60Z	S71.0		PTR		15	P65C, P66C, P67B, P67C	
S68.2		PTR		21A	W61A, W61B	S72.40		PTR	
	21A	W61A, W61B		21B	X04Z, X60Z		08	I04Z, I68A, I68B, I68C, I68D	
	21B	X05A, X05B, X60Z	S71.1		PTR		21A	W61A, W61B	
S68.3		PTR		21A	W61A, W61B	S72.41		PTR	
	21A	W61A, W61B		21B	X04Z, X60Z		08	I04Z, I68A, I68B, I68C, I68D	
	21B	X60Z	S71.7		PTR		21A	W61A, W61B	
S68.4		PTR		21A	W61A, W61B	S72.42		PTR	
	21A	W61A, W61B		21B	X04Z, X60Z		08	I04Z, I68A, I68B, I68C, I68D	
	21B	X60Z	S71.80		PTR		21A	W61A, W61B	
S68.8		PTR		21A	W61A, W61B	S72.43		PTR	
	21A	W61A, W61B		21B	X04Z, X60Z		08	I04Z, I68A, I68B, I68C, I68D	
	21B	X60Z	S71.84		PTR		21A	W61A, W61B	
S68.9		PTR	S71.85		PTR	S72.44		PTR	
	21A	W61A, W61B		21A	W61A, W61B		08	I04Z, I68A, I68B, I68C, I68D	
	21B	X60Z	S71.86		08	I02A, I02B, I02C, I02D, I08A, I08B, I08C, I08D, I08E, I13A, I13B, I13C, I20A, I20B, I20C, I22A		21A	W61A, W61B
S69.7		PTR					08	I04Z, I68A, I68B, I68C, I68D	
	21A	W61A, W61B		21A	W61A, W61B	S72.7		PTR	
	21B	X05A, X05B, X60Z		21B	X01A, X01B		08	I04Z, I75A, I75B	
S69.8		PTR					21A	W61A, W61B	
	21A	W61A, W61B	S71.87		PTR	S72.8		PTR	
	21B	X05A, X05B, X60Z		21A	W61A, W61B		08	I68A, I68B, I68C, I68D	
S69.9		PTR					21A	W61A, W61B	
	21A	W61A, W61B	S71.88		PTR	S72.9		PTR	
	21B	X05A, X05B, X60Z		08	I02A, I02B, I02C, I02D, I08A, I08B, I08C, I08D, I08E, I13A, I13B, I13C, I20A, I20B, I20C, I22A		08	I68A, I68B, I68C, I68D	
S70.0		PTR					21A	W61A, W61B	
	09	J02A, J02B, J02C, J03A, J03B, J04A, J04B, J08A, J08B, J08C, J65Z	S71.89		PTR	S73.00		PTR	
	21A	W61A, W61B		21A	W61A, W61B		08	I71A, I71B	
S70.1		PTR		21B	X01A, X01B	S73.01		PTR	
	09	J02A, J02B, J02C, J03A, J03B, J04A, J04B, J08A, J08B, J08C, J65Z					08	I71A, I71B	
	15	TPN, VTPN		08	I02A, I02B, I02C, I02D, I08A, I08B, I08C, I08D, I08E, I13A, I13B, I13C, I20A, I20B, I20C, I22A		21A	W61A, W61B	
	21A	W61A, W61B						PTR	
S70.7		PTR		21A	W61A, W61B	S73.02		PTR	
	09	J02A, J02B, J02C, J03A, J03B, J04A, J04B, J08A, J08B, J08C, J65Z	S72.00		PTR		08	I71A, I71B	
	21A	W61A, W61B		08	I66A, I66B	S73.08		PTR	
				21A	W61A, W61B		08	I71A, I71B	
							21A	W61A, W61B	

ICD	MDC	DRG	ICD	MDC	DRG	ICD	MDC	DRG
S73.10		PTR	S77.0		PTR	S80.9		PTR
	08	I71A, I71B		15	TPN, VTPN		09	J02A, J02B, J02C, J03A, J03B, J04A, J04B, J08A, J08B, J08C, J65Z
	21A	W61A, W61B		21A	W61A, W61B		21A	W61A, W61B
S73.11		PTR	S77.1		PTR	S81.0		PTR
	08	I71A, I71B		15	TPN, VTPN		21A	W61A, W61B
	21A	W61A, W61B		21A	W61A, W61B		21A	W61A, W61B
S73.12		PTR		21B	X04Z, X60Z		21B	X04Z, X60Z
	08	I71A, I71B	S77.2		PTR	S81.7		PTR
	21A	W61A, W61B		15	TPN, VTPN		21A	W61A, W61B
S73.18		PTR		21A	W61A, W61B		21B	X04Z, X60Z
	08	I71A, I71B		21B	X04Z, X60Z	S81.80		PTR
	21A	W61A, W61B	S78.0		PTR		21A	W61A, W61B
S74.0		PTR		21A	W61A, W61B		21B	X04Z, X60Z
	01	B71A, B71B, B71C, B71D		21B	X04Z, X60Z	S81.84		21A W61A, W61B
	21A	W61A, W61B	S78.1		PTR	S81.85		21A W61A, W61B
S74.1		PTR		21A	W61A, W61B	S81.86		08 I02A, I02B, I02C, I02D, I08A, I08B, I08C, I08D, I08E, I13A, I13B, I13C, I20A, I20B, I20C, I22A
	01	B71A, B71B, B71C, B71D		21B	X04Z, X60Z		21A	W61A, W61B
	21A	W61A, W61B	S78.9		PTR		21B	X01A, X01B
S74.2		PTR		21A	W61A, W61B	S81.87		PTR
	01	B71A, B71B, B71C, B71D		21B	X04Z, X60Z		21A	W61A, W61B
	21A	W61A, W61B	S79.7		PTR	S81.88		PTR
S74.7		PTR		21A	W61A, W61B		08	I02A, I02B, I02C, I02D, I08A, I08B, I08C, I08D, I08E, I13A, I13B, I13C, I20A, I20B, I20C, I22A
	01	B71A, B71B, B71C, B71D		21B	X04Z, X60Z		21A	W61A, W61B
	21A	W61A, W61B	S79.8		PTR		21B	X01A, X01B
S74.8		PTR		21A	W61A, W61B	S81.89		PTR
	01	B71A, B71B, B71C, B71D		21B	X04Z, X60Z		08	I02A, I02B, I02C, I02D, I08A, I08B, I08C, I08D, I08E, I13A, I13B, I13C, I20A, I20B, I20C, I22A
	21A	W61A, W61B	S79.9		PTR		21A	W61A, W61B
S74.9		PTR		21A	W61A, W61B		21B	X01A, X01B
	01	B71A, B71B, B71C, B71D	S80.0		PTR		08	I02A, I02B, I02C, I02D, I08A, I08B, I08C, I08D, I08E, I13A, I13B, I13C, I20A, I20B, I20C, I22A
	21A	W61A, W61B		09	J02A, J02B, J02C, J03A, J03B, J04A, J04B, J08A, J08B, J08C, J65Z		21A	W61A, W61B
S75.0		PTR		21A	W61A, W61B		21B	X01A, X01B
	21A	W61A, W61B	S80.1		PTR	S81.9		PTR
	21B	X04Z, X60Z		09	J02A, J02B, J02C, J03A, J03B, J04A, J04B, J08A, J08B, J08C, J65Z		21A	W61A, W61B
S75.1		PTR		21A	W61A, W61B		21B	X04Z, X60Z
	21A	W61A, W61B	S80.7		PTR	S82.0		PTR
	21B	X04Z, X60Z		09	J02A, J02B, J02C, J03A, J03B, J04A, J04B, J08A, J08B, J08C, J65Z		08	I77Z
S75.2		PTR		21A	W61A, W61B		21A	W61A, W61B
	21A	W61A, W61B	S80.81		PTR	S82.11		PTR
	21B	X04Z, X60Z		09	J02A, J02B, J02C, J03A, J03B, J04A, J04B, J08A, J08B, J08C, J65Z		08	I75A, I75B
S75.7		PTR		21A	W61A, W61B		15	TPN, VTPN
	15	TPN, VTPN	S80.82		PTR	S82.18		PTR
	21A	W61A, W61B		09	J02A, J02B, J02C, J03A, J03B, J04A, J04B, J08A, J08B, J08C, J65Z		21A	W61A, W61B
	21B	X04Z, X60Z		21A	W61A, W61B	S82.21		PTR
S75.8		PTR		21B	X04Z, X60Z		08	I75A, I75B
	15	TPN, VTPN	S80.83		PTR	S82.28		PTR
	21A	W61A, W61B		09	J02A, J02B, J02C, J03A, J03B, J04A, J04B, J08A, J08B, J08C, J67A, J67B, J68A, J68B		08	I75A, I75B
	21B	X04Z, X60Z		21A	W61A, W61B		21A	W61A, W61B
S75.9		PTR		21A	W61A, W61B	S82.31		PTR
	15	TPN, VTPN	S80.84		PTR		08	I75A, I75B
	21A	W61A, W61B		09	J02A, J02B, J02C, J03A, J03B, J04A, J04B, J08A, J08B, J08C, J67A, J67B, J68A, J68B		21A	W61A, W61B
	21B	X04Z, X60Z		21A	W61A, W61B	S82.38		PTR
S76.0		PTR		21B	X04Z, X60Z		08	I77Z
	08	I71A, I71B	S80.88		PTR	S82.40		PTR
	21A	W61A, W61B		09	J02A, J02B, J02C, J03A, J03B, J04A, J04B, J08A, J08B, J08C, J65Z		21A	W61A, W61B
S76.1		PTR		21A	W61A, W61B		08	I77Z
	08	I71A, I71B		09	J02A, J02B, J02C, J03A, J03B, J04A, J04B, J08A, J08B, J08C, J65Z		21A	W61A, W61B
	21A	W61A, W61B		21A	W61A, W61B			
S76.2		PTR		09	J02A, J02B, J02C, J03A, J03B, J04A, J04B, J08A, J08B, J08C, J67A, J67B, J68A, J68B			
	08	I71A, I71B		21A	W61A, W61B			
	21A	W61A, W61B		09	J02A, J02B, J02C, J03A, J03B, J04A, J04B, J08A, J08B, J08C, J65Z			
S76.3		PTR		21A	W61A, W61B			
	08	I71A, I71B		09	J02A, J02B, J02C, J03A, J03B, J04A, J04B, J08A, J08B, J08C, J65Z			
	21A	W61A, W61B		21A	W61A, W61B			
S76.4		PTR		09	J02A, J02B, J02C, J03A, J03B, J04A, J04B, J08A, J08B, J08C, J65Z			
	08	I71A, I71B		21A	W61A, W61B			
	21A	W61A, W61B		09	J02A, J02B, J02C, J03A, J03B, J04A, J04B, J08A, J08B, J08C, J65Z			
S76.7		PTR		21A	W61A, W61B			
	08	I71A, I71B		09	J02A, J02B, J02C, J03A, J03B, J04A, J04B, J08A, J08B, J08C, J65Z			
	21A	W61A, W61B		21A	W61A, W61B			

ICD	MDC	DRG	ICD	MDC	DRG	ICD	MDC	DRG
S82.41		PTR	S83.43		PTR	S85.8		PTR
	08	I77Z		08	I77Z		21A	W61A, W61B
	15	TPN, VTPN		21A	W61A, W61B		21B	X04Z, X60Z
	21A	W61A, W61B	S83.44		PTR	S85.9		PTR
S82.42		PTR		08	I77Z		15	TPN, VTPN
	08	I77Z		21A	W61A, W61B		21A	W61A, W61B
	21A	W61A, W61B	S83.50		PTR		21B	X04Z, X60Z
S82.49		PTR		08	I77Z	S86.0		PTR
	08	I77Z		21A	W61A, W61B		08	I77Z
	21A	W61A, W61B	S83.51		PTR		21A	W61A, W61B
S82.5		PTR		08	I77Z	S86.1		PTR
	08	I77Z		21A	W61A, W61B		08	I77Z
	21A	W61A, W61B	S83.52		PTR		21A	W61A, W61B
S82.6		PTR		08	I77Z	S86.2		PTR
	08	I77Z		21A	W61A, W61B		08	I77Z
	21A	W61A, W61B	S83.53		PTR		21A	W61A, W61B
S82.7		PTR		08	I77Z	S86.3		PTR
	08	I77Z		21A	W61A, W61B		08	I77Z
	21A	W61A, W61B	S83.54		PTR		21A	W61A, W61B
S82.81		PTR		08	I77Z	S86.7		PTR
	08	I77Z		21A	W61A, W61B		08	I77Z
	21A	W61A, W61B	S83.6		PTR		21A	W61A, W61B
S82.82		PTR		08	I78Z	S86.8		PTR
	08	I75A, I75B		21A	W61A, W61B		08	I77Z
	21A	W61A, W61B	S83.7		PTR		21A	W61A, W61B
S82.88		PTR		08	I77Z	S86.9		PTR
	08	I77Z		21A	W61A, W61B		08	I77Z
	21A	W61A, W61B	S84.0		PTR		21A	W61A, W61B
S82.9		PTR		01	B71A, B71B, B71C, B71D	S87.0		PTR
	08	I77Z		21A	W61A, W61B		15	TPN, VTPN
	21A	W61A, W61B	S84.1		PTR		21A	W61A, W61B
S83.0		PTR		01	B71A, B71B, B71C, B71D		21B	X04Z, X60Z
	08	I78Z		21A	W61A, W61B	S87.8		PTR
	21A	W61A, W61B	S84.2		PTR		15	TPN, VTPN
S83.10		PTR		01	B71A, B71B, B71C, B71D		21A	W61A, W61B
	08	I75A, I75B		21A	W61A, W61B		21B	X04Z, X60Z
	21A	W61A, W61B	S84.7		PTR	S88.0		PTR
S83.11		PTR		01	B71A, B71B, B71C, B71D		21A	W61A, W61B
	08	I77Z		21A	W61A, W61B		21B	X04Z, X60Z
	21A	W61A, W61B	S84.8		PTR	S88.1		PTR
S83.12		PTR		01	B71A, B71B, B71C, B71D		21A	W61A, W61B
	08	I77Z		21A	W61A, W61B		21B	X04Z, X60Z
	21A	W61A, W61B	S84.9		PTR	S88.9		PTR
S83.13		PTR		01	B71A, B71B, B71C, B71D		21A	W61A, W61B
	08	I77Z		21A	W61A, W61B		21B	X04Z, X60Z
	21A	W61A, W61B	S85.0		PTR	S89.7		PTR
S83.14		PTR		21A	W61A, W61B		21A	W61A, W61B
	08	I77Z		21B	X04Z, X60Z		21B	X04Z, X60Z
	21A	W61A, W61B	S85.1		PTR	S89.8		PTR
S83.18		PTR		15	TPN, VTPN		21A	W61A, W61B
	08	I75A, I75B		21A	W61A, W61B		21B	X04Z, X60Z
	21A	W61A, W61B		21B	X04Z, X60Z	S89.9		PTR
S83.2		PTR	S85.2		PTR		21A	W61A, W61B
	08	I77Z		15	TPN, VTPN		21B	X04Z, X60Z
	21A	W61A, W61B		21A	W61A, W61B	S90.0		PTR
S83.3		PTR		21B	X04Z, X60Z		09	J02A, J02B, J02C, J03A, J03B, J04A, J04B, J08A, J08B, J08C, J65Z
	08	I77Z	S85.3		PTR		21A	W61A, W61B
	21A	W61A, W61B		21A	W61A, W61B	S90.1		PTR
S83.40		PTR		21B	X04Z, X60Z		09	J02A, J02B, J02C, J03A, J03B, J04A, J04B, J08A, J08B, J08C, J65Z
	08	I77Z	S85.4		PTR		21A	W61A, W61B
	21A	W61A, W61B		21A	W61A, W61B	S90.2		PTR
S83.41		PTR		21B	X04Z, X60Z		09	J02A, J02B, J02C, J03A, J03B, J04A, J04B, J08A, J08B, J08C, J65Z
	08	I77Z	S85.5		PTR		21A	W61A, W61B
	21A	W61A, W61B		21A	W61A, W61B		21B	X04Z, X60Z
S83.42		PTR		21B	X04Z, X60Z		09	J02A, J02B, J02C, J03A, J03B, J04A, J04B, J08A, J08B, J08C, J65Z
	08	I77Z	S85.7		PTR		21A	W61A, W61B
	21A	W61A, W61B		15	TPN, VTPN		21A	W61A, W61B
				21A	W61A, W61B			
				21B	X04Z, X60Z			

ICD	MDC	DRG	ICD	MDC	DRG	ICD	MDC	DRG
S90.3		PTR	S91.88		PTR	S93.31		PTR
	09	J02A, J02B, J02C, J03A, J03B, J04A, J04B, J08A, J08B, J08C, J65Z		08	I02A, I02B, I02C, I02D, I08A, I08B, I08C, I08D, I08E, I13A, I13B, I13C, I20A, I20B, I20C, I22A		08	I74A, I74B, I74C
	21A	W61A, W61B		21A	W61A, W61B	S93.32	21A	W61A, W61B
S90.7		PTR		21B	X01A, X01B			PTR
	09	J02A, J02B, J02C, J03A, J03B, J04A, J04B, J08A, J08B, J08C, J65Z	S91.89		PTR		08	I74A, I74B, I74C
	21A	W61A, W61B		08	I02A, I02B, I02C, I02D, I08A, I08B, I08C, I08D, I08E, I13A, I13B, I13C, I20A, I20B, I20C, I22A	S93.33	21A	W61A, W61B
S90.81		PTR		21A	W61A, W61B			PTR
	09	J02A, J02B, J02C, J03A, J03B, J04A, J04B, J08A, J08B, J08C, J65Z		21B	X01A, X01B	S93.34	08	I74A, I74B, I74C
	21A	W61A, W61B	S92.0		PTR		21A	W61A, W61B
S90.82		PTR		08	I20C, I77Z	S93.38	08	I74A, I74B, I74C
	09	J02A, J02B, J02C, J03A, J03B, J04A, J04B, J08A, J08B, J08C, J67A, J67B, J68A, J68B		21A	W61A, W61B		21A	W61A, W61B
	21A	W61A, W61B	S92.1		PTR	S93.38	08	I74A, I74B, I74C
S90.83		PTR		08	I74A, I74B, I74C		21A	W61A, W61B
	09	J02A, J02B, J02C, J03A, J03B, J04A, J04B, J08A, J08B, J08C, J67A, J67B, J68A, J68B	S92.20		PTR	S93.40	08	I77Z
	21A	W61A, W61B		21A	W61A, W61B		21A	W61A, W61B
S90.84		PTR	S92.21		PTR	S93.41	08	I77Z
	09	J02A, J02B, J02C, J03A, J03B, J04A, J04B, J08A, J08B, J08C, J65Z		08	I74A, I74B, I74C		21A	W61A, W61B
	21A	W61A, W61B	S92.22		PTR	S93.42	08	I77Z
S90.88		PTR		08	I74A, I74B, I74C		21A	W61A, W61B
	09	J02A, J02B, J02C, J03A, J03B, J04A, J04B, J08A, J08B, J08C, J65Z	S92.23		PTR	S93.43	08	I77Z
	21A	W61A, W61B		21A	W61A, W61B		21A	W61A, W61B
S90.9		PTR	S92.28		PTR	S93.48	08	I77Z
	09	J02A, J02B, J02C, J03A, J03B, J04A, J04B, J08A, J08B, J08C, J65Z		08	I74A, I74B, I74C		21A	W61A, W61B
	21A	W61A, W61B	S92.3		PTR	S93.5	08	I74A, I74B, I74C
S91.0		PTR		08	I74A, I74B, I74C		21A	W61A, W61B
	21A	W61A, W61B	S92.4		PTR	S93.6	08	I74A, I74B, I74C
	21B	X04Z, X60Z		21A	W61A, W61B		21A	W61A, W61B
S91.1		PTR	S92.5		PTR	S94.0	01	B71A, B71B, B71C, B71D
	21A	W61A, W61B		08	I74A, I74B, I74C		21A	W61A, W61B
	21B	X04Z, X60Z	S92.7		PTR	S94.1	01	B71A, B71B, B71C, B71D
S91.2		PTR		21A	W61A, W61B		21A	W61A, W61B
	21A	W61A, W61B	S92.9		PTR	S94.2	01	B71A, B71B, B71C, B71D
	21B	X04Z, X60Z		08	I74A, I74B, I74C		21A	W61A, W61B
S91.3		PTR	S93.0		PTR	S94.3	01	B71A, B71B, B71C, B71D
	21A	W61A, W61B		21A	W61A, W61B		21A	W61A, W61B
	21B	X04Z, X60Z	S93.10		PTR	S94.7	01	B71A, B71B, B71C, B71D
S91.7		PTR		08	I77Z		21A	W61A, W61B
	21A	W61A, W61B	S93.11		PTR	S94.8	01	B71A, B71B, B71C, B71D
	21B	X04Z, X60Z		08	I74A, I74B, I74C		21A	W61A, W61B
S91.80		PTR	S93.12		PTR	S94.9	01	B71A, B71B, B71C, B71D
	21A	W61A, W61B		08	I74A, I74B, I74C		21A	W61A, W61B
	21B	X04Z, X60Z	S93.2		PTR	S95.0	15	TPN, VTPN
S91.84		PTR		08	I74A, I74B, I74C		21A	W61A, W61B
S91.85		PTR		21A	W61A, W61B		21B	X04Z, X60Z
S91.86	08	I02A, I02B, I02C, I02D, I08A, I08B, I08C, I08D, I08E, I13A, I13B, I13C, I20A, I20B, I20C, I22A	S93.2		PTR	S95.1	15	TPN, VTPN
	21A	W61A, W61B		08	I77Z		21A	W61A, W61B
	21B	X01A, X01B	S93.30		PTR		21B	X04Z, X60Z
S91.87		PTR		08	I74A, I74B, I74C	S95.2	15	TPN, VTPN
	21A	W61A, W61B		21A	W61A, W61B		21A	W61A, W61B
							21B	X04Z, X60Z

ICD	MDC	DRG	ICD	MDC	DRG	ICD	MDC	DRG
S95.7		PTR	T00.1		PTR	T02.40		PTR
	15	TPN, VTPN		09	J65Z		15	TPN, VTPN
	21A	W61A, W61B		21A	W61A, W61B		21A	W61A, W61B
	21B	X04Z, X60Z	T00.2		PTR		21B	X60Z
S95.8		PTR		09	J65Z	T02.41		PTR
	15	TPN, VTPN		21A	W61A, W61B		15	TPN, VTPN
	21A	W61A, W61B	T00.3		PTR		21A	W61A, W61B
	21B	X04Z, X60Z		09	J65Z		21B	X60Z
S95.9		PTR		21A	W61A, W61B	T02.50		PTR
	15	TPN, VTPN	T00.6		PTR		15	TPN, VTPN
	21A	W61A, W61B		09	J65Z		21A	W61A, W61B
	21B	X04Z, X60Z		21A	W61A, W61B		21B	X60Z
S96.0		PTR	T00.8		PTR	T02.51		PTR
	08	I74A, I74B, I74C		09	J65Z		15	TPN, VTPN
	21A	W61A, W61B		21A	W61A, W61B		21A	W61A, W61B
S96.1		PTR	T00.9		PTR		21B	X60Z
	08	I74A, I74B, I74C		09	J65Z	T02.60		PTR
	21A	W61A, W61B		21A	W61A, W61B		15	TPN, VTPN
S96.2		PTR	T01.0		PTR		21A	W61A, W61B
	08	I74A, I74B, I74C		21A	W61A, W61B		21B	X60Z
	21A	W61A, W61B		21B	X60Z	T02.61		PTR
S96.7		PTR	T01.1		PTR		15	TPN, VTPN
	08	I74A, I74B, I74C		21A	W61A, W61B		21A	W61A, W61B
	21A	W61A, W61B		21B	X60Z		21B	X60Z
S96.8		PTR	T01.2		PTR	T02.70		PTR
	08	I74A, I74B, I74C		21A	W61A, W61B		15	TPN, VTPN
	21A	W61A, W61B		21B	X60Z		21A	W61A, W61B
S96.9		PTR	T01.3		PTR		21B	X60Z
	08	I77Z		21A	W61A, W61B	T02.71		PTR
	21A	W61A, W61B		21B	X04Z, X60Z		15	TPN, VTPN
S97.0		PTR	T01.6		PTR		21A	W61A, W61B
	15	TPN, VTPN		21A	W61A, W61B		21B	X60Z
	21A	W61A, W61B		21B	X60Z	T02.80		PTR
	21B	X04Z, X60Z	T01.8		PTR		08	I76A
S97.1		PTR		21A	W61A, W61B		21A	W61A, W61B
	15	TPN, VTPN		21B	X60Z	T02.81		PTR
	21A	W61A, W61B	T01.9		PTR		08	I76A, I76B
	21B	X04Z, X60Z		21A	W61A, W61B		21A	W61A, W61B
S97.8		PTR		21B	X60Z	T02.90		PTR
	15	TPN, VTPN	T02.00		PTR		08	I76A, I76B
	21A	W61A, W61B		01	B79Z		21A	W61A, W61B
	21B	X04Z, X60Z		15	TPN, VTPN	T02.91		PTR
S98.0		PTR		21A	W61A, W61B		08	I76A, I76B
	21A	W61A, W61B	T02.01		PTR		21A	W61A, W61B
	21B	X04Z, X60Z		01	B79Z	T03.0		PTR
S98.1		PTR		15	TPN, VTPN		08	I76A, I76B
	21A	W61A, W61B		21A	W61A, W61B	T03.1		PTR
	21B	X04Z, X60Z	T02.10		PTR		08	I76A, I76B
S98.2		PTR		08	I76A		21A	W61A, W61B
	21A	W61A, W61B		21A	W61A, W61B	T03.2		PTR
	21B	X04Z, X60Z			PTR		08	I76A, I76B
S98.3		PTR	T02.11		PTR		21A	W61A, W61B
	08	I76A, I76B		08	I76A, I76B	T03.3		PTR
	15	TPN, VTPN		15	TPN, VTPN		08	I76A, I76B
	21A	W61A, W61B		21A	W61A, W61B		21A	W61A, W61B
S98.4		PTR	T02.20		PTR			PTR
	21A	W61A, W61B		08	I77Z	T03.4		PTR
	21B	X04Z, X60Z		21A	W61A, W61B		08	I76A, I76B
S99.7		PTR			PTR		21A	W61A, W61B
	21A	W61A, W61B	T02.21		PTR			PTR
	21B	X04Z, X60Z		08	I77Z	T03.8		PTR
S99.8		PTR		21A	W61A, W61B		08	I76A, I76B
	21A	W61A, W61B	T02.30		PTR		21A	W61A, W61B
	21B	X04Z, X60Z		08	I77Z			PTR
S99.9		PTR		21A	W61A, W61B	T03.9		PTR
	21A	W61A, W61B	T02.31		PTR		08	I76A, I76B
	21B	X04Z, X60Z		08	I77Z		21A	W61A, W61B
T00.0		PTR		21A	W61A, W61B	T04.0		PTR
	09	J65Z					15	TPN, VTPN
	21A	W61A, W61B					21A	W61A, W61B
							21B	X60Z

ICD	MDC	DRG	ICD	MDC	DRG	ICD	MDC	DRG
T04.1		PTR	T06.3		PTR	T09.8		PTR
	15	TPN, VTPN		15	TPN, VTPN		21A	W61A, W61B
	21A	W61A, W61B		21A	W61A, W61B		21B	X60Z
	21B	X60Z		21B	X60Z	T09.9		PTR
T04.2		PTR	T06.4		PTR		21A	W61A, W61B
	15	TPN, VTPN		08	I76A, I76B		21B	X60Z
	21A	W61A, W61B		21A	W61A, W61B	T10.0		PTR
	21B	X60Z	T06.5		PTR		08	I77Z
T04.3		PTR		21A	W61A, W61B		21A	W61A, W61B
	15	TPN, VTPN		21B	X60Z	T10.1		PTR
	21A	W61A, W61B	T06.8		PTR		08	I77Z
	21B	X04Z, X60Z		21A	W61A, W61B		21A	W61A, W61B
T04.4		PTR		21B	X60Z	T11.00		PTR
	15	TPN, VTPN	T07		PTR		09	J65Z
	21A	W61A, W61B		21A	W61A, W61B		21A	W61A, W61B
	21B	X60Z		21B	X60Z	T11.01		PTR
T04.7		PTR	T08.0		PTR		09	J65Z
	15	TPN, VTPN		08	I68A, I68B, I68C, I68D, I68E		21A	W61A, W61B
	21A	W61A, W61B		15	TPN, VTPN	T11.02		PTR
	21B	X60Z		21A	W61A, W61B		09	J67A, J67B, J68A, J68B
T04.8		PTR	T08.1		PTR		21A	W61A, W61B
	15	TPN, VTPN		08	I68A, I68B, I68C, I68D, I68E	T11.03		PTR
	21A	W61A, W61B		15	TPN, VTPN		09	J67A, J67B, J68A, J68B
	21B	X60Z		21A	W61A, W61B		21A	W61A, W61B
T04.9		PTR	T09.00		PTR	T11.04		PTR
	15	TPN, VTPN		09	J65Z		09	J65Z
	21A	W61A, W61B		21A	W61A, W61B		21A	W61A, W61B
	21B	X60Z	T09.01		PTR	T11.05		PTR
T05.0		PTR		09	J65Z		09	J65Z
	21A	W61A, W61B		21A	W61A, W61B		21A	W61A, W61B
	21B	X60Z	T09.02		PTR	T11.08		PTR
T05.1		PTR		09	J67A, J67B, J68A, J68B		09	J65Z
	21A	W61A, W61B		21A	W61A, W61B		21A	W61A, W61B
	21B	X60Z	T09.03		PTR	T11.1		PTR
T05.2		PTR		09	J67A, J67B, J68A, J68B		21A	W61A, W61B
	21A	W61A, W61B		21A	W61A, W61B		21B	X60Z
	21B	X60Z	T09.04		PTR	T11.2		PTR
T05.3		PTR		09	J65Z		08	I76A, I76B
	21A	W61A, W61B		21A	W61A, W61B		21A	W61A, W61B
	21B	X60Z	T09.05		PTR	T11.3		PTR
T05.4		PTR		09	J65Z		01	B71A, B71B, B71C, B71D
	21A	W61A, W61B		21A	W61A, W61B		21A	W61A, W61B
	21B	X60Z	T09.08		PTR	T11.4		PTR
T05.5		PTR		09	J65Z		15	TPN, VTPN
	21A	W61A, W61B		21A	W61A, W61B		21A	W61A, W61B
	21B	X60Z	T09.1		PTR		21B	X60Z
T05.6		PTR		15	TPN, VTPN	T11.5		PTR
	21A	W61A, W61B		21A	W61A, W61B		08	I77Z
	21B	X60Z		21B	X60Z		21A	W61A, W61B
T05.8		PTR	T09.2		PTR	T11.6		PTR
	15	TPN, VTPN		08	I68A, I68B, I68C, I68D, I68E		21A	W61A, W61B
	21A	W61A, W61B		21A	W61A, W61B		21B	X60Z
	21B	X60Z	T09.3		PTR	T11.8		PTR
T05.9		PTR		15	TPN, VTPN		21A	W61A, W61B
	21A	W61A, W61B		21A	W61A, W61B		21B	X60Z
	21B	X60Z		Pre	B61A, B61B	T11.9		PTR
T06.0		PTR	T09.4		PTR		21A	W61A, W61B
	15	TPN, VTPN		01	B71A, B71B, B71C, B71D		21B	X60Z
	21A	W61A, W61B		15	TPN, VTPN	T12.0		PTR
	Pre	B61A, B61B		21A	W61A, W61B		08	I77Z
T06.1		PTR		21A	W61A, W61B		21A	W61A, W61B
	15	TPN, VTPN	T09.5		PTR	T12.1		PTR
	21A	W61A, W61B		08	I76A, I76B		08	I77Z
	Pre	B61A, B61B		21A	W61A, W61B		21A	W61A, W61B
T06.2		PTR	T09.6		PTR	T13.00		PTR
	01	B71A, B71B, B71C, B71D		15	TPN, VTPN		09	J65Z
	21A	W61A, W61B		21A	W61A, W61B		21A	W61A, W61B
				21B	X60Z			

ICD	MDC	DRG	ICD	MDC	DRG	ICD	MDC	DRG	
T13.01		PTR	T14.20		PTR	T20.0	22	Y62A, Y62B	
	09	J65Z		08	I76A, I76B	T20.1	22	Y62A, Y62B	
	21A	W61A, W61B		21A	W61A, W61B	T20.20	22	Y01Z, Y62A, Y62B	
T13.02		PTR	T14.21		PTR	T20.21	22	Y01Z, Y62A, Y62B	
	09	J67A, J67B, J68A, J68B		08	I76A, I76B	T20.3	15	TPN, VTPN	
	21A	W61A, W61B		21A	W61A, W61B		22	Y61Z, Y62A, Y62B	
T13.03		PTR	T14.3		PTR	T20.4	22	Y62A, Y62B	
	09	J67A, J67B, J68A, J68B		08	I76A, I76B	T20.5	22	Y62A, Y62B	
	21A	W61A, W61B		21A	W61A, W61B	T20.60	22	Y01Z, Y62A, Y62B	
T13.04		PTR	T14.4		PTR	T20.61	22	Y01Z, Y62A, Y62B	
	09	J65Z		01	B71A, B71B, B71C, B71D	T20.7	15	TPN, VTPN	
	21A	W61A, W61B		21A	W61A, W61B		22	Y61Z, Y62A, Y62B	
T13.05		PTR	T14.5		PTR	T21.00	22	Y62A, Y62B	
	09	J02A, J02B, J02C, J03A, J03B, J04A, J04B, J08A, J08B, J08C, J65Z		15	TPN, VTPN	T21.01	22	Y62A, Y62B	
	21A	W61A, W61B		21A	W61A, W61B	T21.02	22	Y62A, Y62B	
T13.08		PTR	T14.6		PTR	T21.03	22	Y62A, Y62B	
	09	J65Z		08	I76A, I76B	T21.04	22	Y62A, Y62B	
	21A	W61A, W61B		21A	W61A, W61B	T21.05	22	Y62A, Y62B	
T13.1		PTR	T14.7		PTR	T21.09	22	Y62A, Y62B	
	21A	W61A, W61B		15	TPN, VTPN	T21.10	22	Y62A, Y62B	
	21B	X04Z, X60Z		21A	W61A, W61B	T21.11	22	Y62A, Y62B	
T13.2		PTR	T14.8		PTR	T21.12	22	Y62A, Y62B	
	08	I76A, I76B		21B	X60Z	T21.13	22	Y62A, Y62B	
	21A	W61A, W61B		21A	W61A, W61B	T21.14	22	Y62A, Y62B	
T13.3		PTR	T14.9		PTR	T21.15	22	Y62A, Y62B	
	01	B71A, B71B, B71C, B71D		21B	X60Z	T21.19	22	Y62A, Y62B	
	21A	W61A, W61B		21A	W61A, W61B	T21.20	22	Y01Z, Y62A, Y62B	
T13.4		PTR	T15.0	02	C62Z	T21.21	22	Y01Z, Y62A, Y62B	
	15	TPN, VTPN	T15.1	02	C62Z	T21.22	22	Y01Z, Y62A, Y62B	
	21A	W61A, W61B	T15.8	02	C62Z	T21.23	22	Y01Z, Y62A, Y62B	
	21B	X04Z, X60Z	T15.9	02	C62Z	T21.24	15	P65C, P66C, P67B, P67C	
T13.5		PTR	T16	03	D66Z	T21.25	22	Y01Z, Y62A, Y62B	
	08	I77Z	T17.0	03	D65Z	T21.29	22	Y01Z, Y62A, Y62B	
	21A	W61A, W61B	T17.1	03	D65Z	T21.30	15	TPN, VTPN	
T13.6		PTR	T17.2	03	D66Z		22	Y61Z, Y62A, Y62B	
	21A	W61A, W61B	T17.3	03	D66Z	T21.31	15	TPN, VTPN	
	21B	X04Z, X60Z	T17.4	04	E75A, E75B, E75C		22	Y61Z, Y62A, Y62B	
T13.8		PTR	T17.5	04	E75A, E75B, E75C	T21.32	15	TPN, VTPN	
	21A	W61A, W61B	T17.8	04	E75A, E75B, E75C		22	Y61Z, Y62A, Y62B	
	21B	X04Z, X60Z	T17.9	04	E75A, E75B, E75C	T21.33	15	TPN, VTPN	
T13.9		PTR	T18.0	03	D40Z, D67Z		22	Y61Z, Y62A, Y62B	
	21A	W61A, W61B	T18.1	06	G46A, G46B, G46C, G50Z, G72A, G72B	T21.34	15	TPN, VTPN	
	21B	X04Z, X60Z		T18.1	06	G46A, G46B, G46C, G50Z, G72A, G72B		22	Y61Z, Y62A, Y62B
T14.00		PTR	T18.2	06	G46A, G46B, G46C, G50Z, G72A, G72B	T21.35	15	TPN, VTPN	
	09	J65Z		T18.2	06	G46A, G46B, G46C, G50Z, G72A, G72B		22	Y61Z, Y62A, Y62B
	21A	W61A, W61B	T18.3	06	G46A, G46B, G46C, G50Z, G72A, G72B	T21.39	15	TPN, VTPN	
T14.01		PTR	T18.4	06	G46A, G46B, G46C, G50Z, G72A, G72B		22	Y61Z, Y62A, Y62B	
	09	J65Z		T18.4	06	G46A, G46B, G46C, G50Z, G72A, G72B	T21.40	22	Y62A, Y62B
	21A	W61A, W61B	T18.5	06	G46A, G46B, G46C, G50Z, G72A, G72B	T21.41	22	Y62A, Y62B	
T14.02		PTR	T18.8	06	G46A, G46B, G46C, G50Z, G72A, G72B	T21.42	22	Y62A, Y62B	
	09	J67A, J67B, J68A, J68B		T18.8	06	G46A, G46B, G46C, G50Z, G72A, G72B	T21.43	22	Y62A, Y62B
	21A	W61A, W61B		T18.8	06	G46A, G46B, G46C, G50Z, G72A, G72B	T21.44	22	Y62A, Y62B
T14.03		PTR	T18.9	06	G46A, G46B, G46C, G50Z, G72A, G72B	T21.45	22	Y62A, Y62B	
	09	J67A, J67B, J68A, J68B		T18.9	06	G46A, G46B, G46C, G50Z, G72A, G72B	T21.49	22	Y62A, Y62B
	21A	W61A, W61B		T18.9	06	G46A, G46B, G46C, G50Z, G72A, G72B	T21.50	22	Y62A, Y62B
T14.04		PTR	T19.0	11	L68A, L68B, L74Z	T21.51	22	Y62A, Y62B	
	09	J65Z	T19.1	11	L68A, L68B, L74Z	T21.52	22	Y62A, Y62B	
	21A	W61A, W61B	T19.2	13	N04Z, N05A, N05B, N14Z, N21Z, N25Z, N62A, N62B	T21.53	22	Y62A, Y62B	
T14.05		PTR	T19.3	13	N04Z, N05A, N05B, N14Z, N21Z, N25Z, N62A, N62B	T21.54	22	Y62A, Y62B	
	09	J65Z		T19.3	13	N04Z, N05A, N05B, N14Z, N21Z, N25Z, N62A, N62B	T21.55	22	Y62A, Y62B
	21A	W61A, W61B		T19.3	13	N04Z, N05A, N05B, N14Z, N21Z, N25Z, N62A, N62B	T21.59	22	Y62A, Y62B
T14.08		PTR	T19.8	12	M64Z	T21.60	22	Y01Z, Y62A, Y62B	
	09	J65Z		13	N04Z, N05A, N05B, N14Z, N21Z, N25Z, N62A, N62B	T21.61	22	Y01Z, Y62A, Y62B	
	21A	W61A, W61B		T19.8	12	M64Z	T21.62	22	Y01Z, Y62A, Y62B
T14.1		PTR	T19.9	12	M64Z	T21.63	22	Y01Z, Y62A, Y62B	
	21A	W61A, W61B		13	N04Z, N05A, N05B, N14Z, N21Z, N25Z, N62A, N62B	T21.64	15	P65C, P66C, P67B, P67C	
	21B	X60Z		T19.9	13	N04Z, N05A, N05B, N14Z, N21Z, N25Z, N62A, N62B		22	Y01Z, Y62A, Y62B
						T21.65	22	Y01Z, Y62A, Y62B	

ICD	MDC	DRG	ICD	MDC	DRG	ICD	MDC	DRG
T21.69	22	Y01Z, Y62A, Y62B	T22.73	15	TPN, VTPN	T27.0	04	E75A, E75B, E75C
T21.70	15	TPN, VTPN		22	Y61Z, Y62A, Y62B		15	TPN, VTPN
	22	Y61Z, Y62A, Y62B	T22.80	22	Y01Z, Y62A, Y62B		22	Y02A, Y02B
T21.71	15	TPN, VTPN	T22.81	22	Y01Z, Y62A, Y62B		Pre	A07D, A09E, A11F, A13F
	22	Y61Z, Y62A, Y62B	T22.82	22	Y01Z, Y62A, Y62B	T27.1	04	E75A, E75B, E75C
T21.72	15	TPN, VTPN	T22.83	22	Y01Z, Y62A, Y62B		15	TPN, VTPN
	22	Y61Z, Y62A, Y62B	T22.90	22	Y01Z, Y62A, Y62B		22	Y02A, Y02B
T21.73	15	TPN, VTPN	T22.91	22	Y01Z, Y62A, Y62B		Pre	A07D, A09E, A11F, A13F
	22	Y61Z, Y62A, Y62B	T22.92	22	Y01Z, Y62A, Y62B	T27.2	15	TPN, VTPN
T21.74	15	TPN, VTPN	T22.93	22	Y01Z, Y62A, Y62B		22	Y62A, Y62B
	22	Y61Z, Y62A, Y62B	T23.0	22	Y62A, Y62B		Pre	A07D, A09E, A11F, A13F
T21.75	15	TPN, VTPN	T23.1	22	Y62A, Y62B	T27.3	15	TPN, VTPN
	22	Y61Z, Y62A, Y62B	T23.20	22	Y01Z, Y62A, Y62B		22	Y62A, Y62B
T21.79	15	TPN, VTPN	T23.21	22	Y01Z, Y62A, Y62B		Pre	A07D, A09E, A11F, A13F
	22	Y61Z, Y62A, Y62B	T23.3	15	TPN, VTPN	T27.4	04	E75A, E75B, E75C
T21.80	22	Y01Z, Y62A, Y62B		22	Y61Z, Y62A, Y62B		15	TPN, VTPN
T21.81	22	Y01Z, Y62A, Y62B	T23.4	22	Y62A, Y62B		22	Y02A, Y02B
T21.82	22	Y01Z, Y62A, Y62B	T23.5	22	Y62A, Y62B		Pre	A07D, A09E, A11F, A13F
T21.83	22	Y01Z, Y62A, Y62B	T23.60	22	Y01Z, Y62A, Y62B	T27.5	04	E75A, E75B, E75C
T21.84	15	P65C, P66C, P67B, P67C	T23.61	22	Y01Z, Y62A, Y62B		15	TPN, VTPN
	22	Y01Z, Y62A, Y62B	T23.7	15	TPN, VTPN		22	Y02A, Y02B
T21.85	22	Y01Z, Y62A, Y62B		22	Y61Z, Y62A, Y62B		Pre	A07D, A09E, A11F, A13F
T21.89	22	Y01Z, Y62A, Y62B	T24.0	22	Y62A, Y62B	T27.6	15	TPN, VTPN
T21.90	22	Y01Z, Y62A, Y62B	T24.1	22	Y62A, Y62B		22	Y62A, Y62B
T21.91	22	Y01Z, Y62A, Y62B	T24.20	22	Y01Z, Y62A, Y62B		Pre	A07D, A09E, A11F, A13F
T21.92	22	Y01Z, Y62A, Y62B	T24.21	22	Y01Z, Y62A, Y62B	T27.7	15	TPN, VTPN
T21.93	22	Y01Z, Y62A, Y62B	T24.3	15	TPN, VTPN		22	Y62A, Y62B
T21.94	15	P65C, P66C, P67B, P67C		22	Y61Z, Y62A, Y62B		Pre	A07D, A09E, A11F, A13F
	22	Y01Z, Y62A, Y62B	T24.4	22	Y62A, Y62B	T28.0	03	D66Z
T21.95	22	Y01Z, Y62A, Y62B	T24.5	22	Y62A, Y62B		15	TPN, VTPN
T21.99	22	Y01Z, Y62A, Y62B	T24.60	22	Y01Z, Y62A, Y62B		22	Y02A, Y02B
T22.00	22	Y62A, Y62B	T24.61	22	Y01Z, Y62A, Y62B		Pre	A07D, A09E, A11F, A13F
T22.01	22	Y62A, Y62B	T24.7	15	TPN, VTPN	T28.1	06	G46A, G46B, G46C, G50Z, G64A, G64B, G64C, G70A, G70B
T22.02	22	Y62A, Y62B		22	Y61Z, Y62A, Y62B			
T22.03	22	Y62A, Y62B	T25.0	22	Y62A, Y62B		15	TPN, VTPN
T22.10	22	Y62A, Y62B	T25.1	22	Y62A, Y62B		22	Y02A, Y02B
T22.11	22	Y62A, Y62B	T25.20	22	Y01Z, Y62A, Y62B		Pre	A07D, A09E, A11F, A13F
T22.12	22	Y62A, Y62B	T25.21	22	Y01Z, Y62A, Y62B	T28.2	06	G46A, G46B, G46C, G50Z, G71Z
T22.13	22	Y62A, Y62B	T25.3	15	TPN, VTPN			
T22.20	22	Y01Z, Y62A, Y62B		22	Y61Z, Y62A, Y62B		15	TPN, VTPN
T22.21	22	Y01Z, Y62A, Y62B	T25.4	22	Y62A, Y62B		22	Y02A, Y02B
T22.22	22	Y01Z, Y62A, Y62B	T25.5	22	Y62A, Y62B		Pre	A07D, A09E, A11F, A13F
T22.23	22	Y01Z, Y62A, Y62B	T25.60	22	Y01Z, Y62A, Y62B	T28.3	15	TPN, VTPN
T22.30	15	TPN, VTPN	T25.61	22	Y01Z, Y62A, Y62B		22	Y62A, Y62B
	22	Y61Z, Y62A, Y62B	T25.7	15	TPN, VTPN		Pre	A07D, A09E, A11F, A13F
T22.31	15	TPN, VTPN		22	Y61Z, Y62A, Y62B	T28.4	15	TPN, VTPN
	22	Y61Z, Y62A, Y62B	T26.0	02	C62Z		22	Y62A, Y62B
T22.32	15	TPN, VTPN		15	TPN, VTPN		Pre	A07D, A09E, A11F, A13F
	22	Y61Z, Y62A, Y62B	T26.1	02	C62Z	T28.5	03	D66Z
T22.33	15	TPN, VTPN		15	TPN, VTPN		15	TPN, VTPN
	22	Y61Z, Y62A, Y62B	T26.2	02	C62Z		22	Y02A, Y02B
T22.40	22	Y62A, Y62B		15	TPN, VTPN		Pre	A07D, A09E, A11F, A13F
T22.41	22	Y62A, Y62B	T26.3	02	C62Z	T28.6	06	G46A, G46B, G46C, G50Z, G64A, G64B, G64C, G70A, G70B
T22.42	22	Y62A, Y62B		15	TPN, VTPN			
T22.43	22	Y62A, Y62B	T26.4	02	C62Z		15	TPN, VTPN
T22.50	22	Y62A, Y62B		15	TPN, VTPN		22	Y02A, Y02B
T22.51	22	Y62A, Y62B	T26.5	02	C62Z		Pre	A07D, A09E, A11F, A13F
T22.52	22	Y62A, Y62B		15	TPN, VTPN	T28.7	06	G46A, G46B, G46C, G50Z, G71Z
T22.53	22	Y62A, Y62B	T26.6	02	C62Z			
T22.60	22	Y01Z, Y62A, Y62B		15	TPN, VTPN		15	TPN, VTPN
T22.61	22	Y01Z, Y62A, Y62B	T26.7	02	C62Z		22	Y02A, Y02B
T22.62	22	Y01Z, Y62A, Y62B		15	TPN, VTPN		Pre	A07D, A09E, A11F, A13F
T22.63	22	Y01Z, Y62A, Y62B	T26.8	02	C62Z	T28.8	15	TPN, VTPN
T22.70	15	TPN, VTPN		15	TPN, VTPN		22	Y62A, Y62B
	22	Y61Z, Y62A, Y62B	T26.9	02	C62Z		Pre	A07D, A09E, A11F, A13F
T22.71	15	TPN, VTPN		15	TPN, VTPN			
	22	Y61Z, Y62A, Y62B						
T22.72	15	TPN, VTPN						
	22	Y61Z, Y62A, Y62B						

ICD	MDC	DRG	ICD	MDC	DRG	ICD	MDC	DRG
T28.9	15	TPN, VTPN	T31.66	15	TPN, VTPN	T32.42	15	TPN, VTPN
	22	Y62A, Y62B		22	Y01Z, Y61Z		22	Y01Z, Y61Z
	Pre	A07D, A09E, A11F, A13F	T31.70	15	TPN, VTPN	T32.43	15	TPN, VTPN
T29.0	15	TPN, VTPN		22	Y01Z, Y61Z		22	Y01Z, Y61Z
	22	Y62A, Y62B	T31.71	15	TPN, VTPN	T32.44	15	TPN, VTPN
T29.1	22	Y62A, Y62B		22	Y01Z, Y61Z		22	Y01Z, Y61Z
T29.20	22	Y01Z, Y62A, Y62B	T31.72	15	TPN, VTPN	T32.50	15	TPN, VTPN
T29.21	22	Y01Z, Y62A, Y62B		22	Y01Z, Y61Z		22	Y01Z, Y61Z
T29.3	15	TPN, VTPN	T31.73	15	TPN, VTPN	T32.51	15	TPN, VTPN
	22	Y61Z, Y62A, Y62B		22	Y01Z, Y61Z		22	Y01Z, Y61Z
T29.4	15	TPN, VTPN	T31.74	15	TPN, VTPN	T32.52	15	TPN, VTPN
	22	Y62A, Y62B		22	Y01Z, Y61Z		22	Y01Z, Y61Z
T29.5	22	Y62A, Y62B	T31.75	15	TPN, VTPN	T32.53	15	TPN, VTPN
T29.60	22	Y01Z, Y62A, Y62B		22	Y01Z, Y61Z		22	Y01Z, Y61Z
T29.61	22	Y01Z, Y62A, Y62B	T31.76	15	TPN, VTPN	T32.54	15	TPN, VTPN
T29.7	15	TPN, VTPN		22	Y01Z, Y61Z		22	Y01Z, Y61Z
	22	Y61Z, Y62A, Y62B	T31.77	15	TPN, VTPN	T32.55	15	TPN, VTPN
T30.0	22	Y62A, Y62B		22	Y01Z, Y61Z		22	Y01Z, Y61Z
T30.1	22	Y62A, Y62B	T31.80	15	TPN, VTPN	T32.60	15	TPN, VTPN
	22	Y01Z, Y62A, Y62B		22	Y01Z, Y61Z		22	Y01Z, Y61Z
T30.20	22	Y01Z, Y62A, Y62B	T31.81	15	TPN, VTPN	T32.61	15	TPN, VTPN
T30.21	22	Y01Z, Y62A, Y62B		22	Y01Z, Y61Z		22	Y01Z, Y61Z
T30.3	22	Y61Z, Y62A, Y62B	T31.82	15	TPN, VTPN	T32.62	15	TPN, VTPN
T30.4	22	Y62A, Y62B		22	Y01Z, Y61Z		22	Y01Z, Y61Z
T30.5	22	Y62A, Y62B	T31.83	15	TPN, VTPN	T32.63	15	TPN, VTPN
	22	Y01Z, Y62A, Y62B		22	Y01Z, Y61Z		22	Y01Z, Y61Z
T30.60	22	Y01Z, Y62A, Y62B	T31.84	15	TPN, VTPN	T32.64	15	TPN, VTPN
T30.61	22	Y01Z, Y62A, Y62B		22	Y01Z, Y61Z		22	Y01Z, Y61Z
T30.7	22	Y61Z, Y62A, Y62B	T31.85	15	TPN, VTPN	T32.65	15	TPN, VTPN
T31.11	22	Y61Z		22	Y01Z, Y61Z		22	Y01Z, Y61Z
T31.21	22	Y61Z	T31.86	15	TPN, VTPN	T32.66	15	TPN, VTPN
T31.22	15	TPN, VTPN		22	Y01Z, Y61Z		22	Y01Z, Y61Z
	22	Y01Z, Y61Z	T31.87	15	TPN, VTPN	T32.70	15	TPN, VTPN
	22	Y01Z, Y61Z		22	Y01Z, Y61Z		22	Y01Z, Y61Z
T31.30	22	Y01Z, Y61Z	T31.88	15	TPN, VTPN	T32.71	15	TPN, VTPN
T31.31	22	Y01Z, Y61Z		22	Y01Z, Y61Z		22	Y01Z, Y61Z
T31.32	15	TPN, VTPN	T31.89	15	TPN, VTPN	T32.72	15	TPN, VTPN
	22	Y01Z, Y61Z		22	Y01Z, Y61Z		22	Y01Z, Y61Z
T31.33	15	TPN, VTPN	T31.90	15	TPN, VTPN	T32.73	15	TPN, VTPN
	22	Y01Z, Y61Z		22	Y01Z, Y61Z		22	Y01Z, Y61Z
T31.40	22	Y01Z, Y61Z	T31.91	15	TPN, VTPN	T32.74	15	TPN, VTPN
T31.41	22	Y01Z, Y61Z		22	Y01Z, Y61Z		22	Y01Z, Y61Z
T31.42	15	TPN, VTPN	T31.92	15	TPN, VTPN	T32.75	15	TPN, VTPN
	22	Y01Z, Y61Z		22	Y01Z, Y61Z		22	Y01Z, Y61Z
T31.43	15	TPN, VTPN	T31.93	15	TPN, VTPN	T32.76	15	TPN, VTPN
	22	Y01Z, Y61Z		22	Y01Z, Y61Z		22	Y01Z, Y61Z
T31.44	15	TPN, VTPN	T31.94	15	TPN, VTPN	T32.77	15	TPN, VTPN
	22	Y01Z, Y61Z		22	Y01Z, Y61Z		22	Y01Z, Y61Z
T31.50	15	TPN, VTPN	T31.95	15	TPN, VTPN	T32.80	15	TPN, VTPN
	22	Y01Z, Y61Z		22	Y01Z, Y61Z		22	Y01Z, Y61Z
T31.51	15	TPN, VTPN	T31.96	15	TPN, VTPN	T32.81	15	TPN, VTPN
	22	Y01Z, Y61Z		22	Y01Z, Y61Z		22	Y01Z, Y61Z
T31.52	15	TPN, VTPN	T31.97	15	TPN, VTPN	T32.82	15	TPN, VTPN
	22	Y01Z, Y61Z		22	Y01Z, Y61Z		22	Y01Z, Y61Z
T31.53	15	TPN, VTPN	T31.98	15	TPN, VTPN	T32.83	15	TPN, VTPN
	22	Y01Z, Y61Z		22	Y01Z, Y61Z		22	Y01Z, Y61Z
T31.54	15	TPN, VTPN	T31.99	15	TPN, VTPN	T32.84	15	TPN, VTPN
	22	Y01Z, Y61Z		22	Y01Z, Y61Z		22	Y01Z, Y61Z
T31.55	15	TPN, VTPN	T32.11	22	Y61Z	T32.85	15	TPN, VTPN
	22	Y01Z, Y61Z	T32.21	22	Y61Z		22	Y01Z, Y61Z
T31.60	15	TPN, VTPN	T32.22	15	TPN, VTPN	T32.86	15	TPN, VTPN
	22	Y01Z, Y61Z		22	Y01Z, Y61Z		22	Y01Z, Y61Z
T31.61	15	TPN, VTPN	T32.30	22	Y01Z, Y61Z	T32.87	15	TPN, VTPN
	22	Y01Z, Y61Z	T32.31	22	Y01Z, Y61Z		22	Y01Z, Y61Z
T31.62	15	TPN, VTPN	T32.32	15	TPN, VTPN	T32.88	15	TPN, VTPN
	22	Y01Z, Y61Z		22	Y01Z, Y61Z		22	Y01Z, Y61Z
T31.63	15	TPN, VTPN	T32.33	15	TPN, VTPN	T32.89	15	TPN, VTPN
	22	Y01Z, Y61Z		22	Y01Z, Y61Z		22	Y01Z, Y61Z
T31.64	15	TPN, VTPN	T32.40	22	Y01Z, Y61Z	T32.90	15	TPN, VTPN
	22	Y01Z, Y61Z	T32.41	22	Y01Z, Y61Z		22	Y01Z, Y61Z
T31.65	15	TPN, VTPN						
	22	Y01Z, Y61Z						

ICD	MDC	DRG	ICD	MDC	DRG	ICD	MDC	DRG
T32.91	15	TPN, VTPN	T35.0	15	TPN, VTPN	T37.9	15	TPN, VTPN
	22	Y01Z, Y61Z		21B	X64Z		21B	X62Z
T32.92	15	TPN, VTPN	T35.1	15	TPN, VTPN		Pre	A07D, A09E, A11F, A13F
	22	Y01Z, Y61Z		21B	X64Z	T38.0	15	TPN, VTPN
T32.93	15	TPN, VTPN		Pre	A07D, A09E, A11F, A13F		21B	X62Z
	22	Y01Z, Y61Z	T35.2	15	TPN, VTPN		Pre	A07D, A09E, A11F, A13F
T32.94	15	TPN, VTPN		21B	X64Z	T38.1	15	TPN, VTPN
	22	Y01Z, Y61Z	T35.3	15	TPN, VTPN		21B	X62Z
T32.95	15	TPN, VTPN		21B	X64Z		Pre	A07D, A09E, A11F, A13F
	22	Y01Z, Y61Z	T35.4	15	TPN, VTPN	T38.2	15	TPN, VTPN
T32.96	15	TPN, VTPN		21B	X05A, X05B, X64Z		21B	X62Z
	22	Y01Z, Y61Z	T35.5	15	TPN, VTPN		Pre	A07D, A09E, A11F, A13F
T32.97	15	TPN, VTPN		21B	X04Z, X64Z	T38.3	15	TPN, VTPN
	22	Y01Z, Y61Z	T35.6	15	TPN, VTPN		21B	X62Z
T32.98	15	TPN, VTPN		21B	X64Z		Pre	A07D, A09E, A11F, A13F
	22	Y01Z, Y61Z	T35.7	15	TPN, VTPN	T38.4	15	TPN, VTPN
T32.99	15	TPN, VTPN		21B	X64Z		21B	X62Z
	22	Y01Z, Y61Z	T36.0	15	TPN, VTPN		Pre	A07D, A09E, A11F, A13F
T33.0	15	TPN, VTPN		21B	X62Z	T38.5	15	TPN, VTPN
	21B	X64Z		Pre	A07D, A09E, A11F, A13F		21B	X62Z
T33.1	15	TPN, VTPN	T36.1	15	TPN, VTPN		Pre	A07D, A09E, A11F, A13F
	21B	X64Z		21B	X62Z	T38.6	15	TPN, VTPN
T33.2	15	TPN, VTPN		Pre	A07D, A09E, A11F, A13F		21B	X62Z
	21B	X64Z	T36.2	15	TPN, VTPN		Pre	A07D, A09E, A11F, A13F
T33.3	15	TPN, VTPN		21B	X62Z	T38.7	15	TPN, VTPN
	21B	X64Z		Pre	A07D, A09E, A11F, A13F		21B	X62Z
T33.4	15	TPN, VTPN	T36.3	15	TPN, VTPN		Pre	A07D, A09E, A11F, A13F
	21B	X64Z		21B	X62Z	T38.8	15	TPN, VTPN
T33.5	15	TPN, VTPN		Pre	A07D, A09E, A11F, A13F		21B	X62Z
	21B	X05A, X05B, X64Z	T36.4	15	TPN, VTPN		Pre	A07D, A09E, A11F, A13F
T33.6	15	TPN, VTPN		21B	X62Z	T38.9	15	TPN, VTPN
	21B	X64Z		Pre	A07D, A09E, A11F, A13F		21B	X62Z
T33.7	15	TPN, VTPN	T36.5	15	TPN, VTPN		Pre	A07D, A09E, A11F, A13F
	21B	X64Z		21B	X62Z	T39.0	15	TPN, VTPN
T33.8	15	TPN, VTPN		Pre	A07D, A09E, A11F, A13F		21B	X62Z
	21B	X04Z, X64Z	T36.6	15	TPN, VTPN		Pre	A07D, A09E, A11F, A13F
T33.9	15	TPN, VTPN		21B	X62Z	T39.1	15	TPN, VTPN
	21B	X64Z		Pre	A07D, A09E, A11F, A13F		21B	X62Z
T34.0	15	TPN, VTPN	T36.7	15	TPN, VTPN		Pre	A07D, A09E, A11F, A13F
	21B	X64Z		21B	X62Z	T39.2	15	TPN, VTPN
	Pre	A07D, A09E, A11F, A13F		Pre	A07D, A09E, A11F, A13F		21B	X62Z
T34.1	15	TPN, VTPN	T36.8	15	TPN, VTPN		Pre	A07D, A09E, A11F, A13F
	21B	X64Z		21B	X62Z	T39.3	15	TPN, VTPN
	Pre	A07D, A09E, A11F, A13F		Pre	A07D, A09E, A11F, A13F		21B	X62Z
T34.2	15	TPN, VTPN	T36.9	15	TPN, VTPN		Pre	A07D, A09E, A11F, A13F
	21B	X64Z		21B	X62Z	T39.4	15	TPN, VTPN
	Pre	A07D, A09E, A11F, A13F		Pre	A07D, A09E, A11F, A13F		21B	X62Z
T34.3	15	TPN, VTPN	T37.0	15	TPN, VTPN		Pre	A07D, A09E, A11F, A13F
	21B	X64Z		21B	X62Z	T39.8	15	TPN, VTPN
	Pre	A07D, A09E, A11F, A13F		Pre	A07D, A09E, A11F, A13F		21B	X62Z
T34.4	15	TPN, VTPN	T37.1	15	TPN, VTPN		Pre	A07D, A09E, A11F, A13F
	21B	X64Z		21B	X62Z	T39.9	15	TPN, VTPN
	Pre	A07D, A09E, A11F, A13F		Pre	A07D, A09E, A11F, A13F		21B	X62Z
T34.5	15	TPN, VTPN	T37.2	15	TPN, VTPN		Pre	A07D, A09E, A11F, A13F
	21B	X05A, X05B, X64Z		21B	X62Z	T40.0	15	TPN, VTPN
	Pre	A07D, A09E, A11F, A13F		Pre	A07D, A09E, A11F, A13F		21B	X62Z
T34.6	15	TPN, VTPN	T37.3	15	TPN, VTPN		Pre	A07D, A09E, A11F, A13F
	21B	X64Z		21B	X62Z	T40.1	15	TPN, VTPN
	Pre	A07D, A09E, A11F, A13F		Pre	A07D, A09E, A11F, A13F		21B	X62Z
T34.7	15	TPN, VTPN	T37.4	15	TPN, VTPN		Pre	A07D, A09E, A11F, A13F
	21B	X64Z		21B	X62Z	T40.2	15	TPN, VTPN
	Pre	A07D, A09E, A11F, A13F		Pre	A07D, A09E, A11F, A13F		21B	X62Z
T34.8	15	TPN, VTPN	T37.5	15	TPN, VTPN		Pre	A07D, A09E, A11F, A13F
	21B	X04Z, X64Z		21B	X62Z	T40.3	15	TPN, VTPN
	Pre	A07D, A09E, A11F, A13F		Pre	A07D, A09E, A11F, A13F		21B	X62Z
T34.9	15	TPN, VTPN	T37.8	15	TPN, VTPN		Pre	A07D, A09E, A11F, A13F
	21B	X64Z		21B	X62Z	T40.4	15	TPN, VTPN
	Pre	A07D, A09E, A11F, A13F		Pre	A07D, A09E, A11F, A13F		21B	X62Z
							Pre	A07D, A09E, A11F, A13F

ICD	MDC	DRG	ICD	MDC	DRG	ICD	MDC	DRG		
T57.8	15	TPN, VTPN	T62.0	21B	X62Z	T67.1	15	TPN, VTPN		
	21B	X62Z		Pre	A07D, A09E, A11F, A13F		21B	X64Z		
	Pre	A07D, A09E, A11F, A13F	T62.1	21B	X62Z	T67.2	21B	X64Z		
T57.9	15	TPN, VTPN		Pre	A07D, A09E, A11F, A13F	T67.3	21B	X64Z		
	21B	X62Z	T62.2	21B	X62Z	T67.4	21B	X64Z		
	Pre	A07D, A09E, A11F, A13F		Pre	A07D, A09E, A11F, A13F	T67.5	21B	X64Z		
T58	15	TPN, VTPN	T62.8	21B	X62Z	T67.6	21B	X64Z		
	21B	X62Z		Pre	A07D, A09E, A11F, A13F	T67.7	21B	X64Z		
	Pre	A07D, A09E, A11F, A13F	T62.9	21B	X62Z	T67.8	21B	X64Z		
T59.0	15	TPN, VTPN		Pre	A07D, A09E, A11F, A13F	T67.9	21B	X64Z		
	21B	X62Z	T63.0	15	TPN, VTPN	T68	21B	X64Z		
	Pre	A07D, A09E, A11F, A13F		21B	X62Z		Pre	A07D, A09E, A11F, A13F		
T59.1	15	TPN, VTPN		Pre	A07D, A09E, A11F, A13F	T69.0	21B	X04Z, X64Z		
	21B	X62Z	T63.1	15	TPN, VTPN	T69.1	21B	X64Z		
	Pre	A07D, A09E, A11F, A13F		21B	X62Z	T69.8	21B	X64Z		
T59.2	15	TPN, VTPN		Pre	A07D, A09E, A11F, A13F	T69.9	21B	X64Z		
	21B	X62Z	T63.2	15	TPN, VTPN	T70.0	03	D62Z, D63Z		
	Pre	A07D, A09E, A11F, A13F		21B	X62Z	T70.1	03	D62Z, D63Z		
T59.3	15	TPN, VTPN		Pre	A07D, A09E, A11F, A13F	T70.2	21B	X64Z		
	21B	X62Z	T63.3	15	TPN, VTPN	T70.3	21B	X64Z		
	Pre	A07D, A09E, A11F, A13F		21B	X62Z	T70.4	21B	X64Z		
T59.4	15	TPN, VTPN		Pre	A07D, A09E, A11F, A13F	T70.8	21B	X64Z		
	21B	X62Z	T63.4	15	TPN, VTPN	T70.9	21B	X64Z		
	Pre	A07D, A09E, A11F, A13F		21B	X62Z	T71	15	TPN, VTPN		
T59.5	15	TPN, VTPN		Pre	A07D, A09E, A11F, A13F		21B	X64Z		
	21B	X62Z	T63.5	15	TPN, VTPN	T73.0	21B	X64Z		
	Pre	A07D, A09E, A11F, A13F		21B	X62Z	T73.1	15	TPN, VTPN		
T59.6	15	TPN, VTPN		Pre	A07D, A09E, A11F, A13F		21B	X64Z		
	21B	X62Z	T63.6	15	TPN, VTPN	T73.2	21B	X64Z		
	Pre	A07D, A09E, A11F, A13F		21B	X62Z	T73.3	21B	X64Z		
T59.7	15	TPN, VTPN		Pre	A07D, A09E, A11F, A13F	T73.8	21B	X64Z		
	21B	X62Z	T63.8	15	TPN, VTPN	T73.9	21B	X64Z		
	Pre	A07D, A09E, A11F, A13F		21B	X62Z	T74.0	21A	W61A, W61B		
T59.8	15	TPN, VTPN		Pre	A07D, A09E, A11F, A13F	T74.1	15	TPN, VTPN		
	21B	X62Z	T63.9	15	TPN, VTPN		21A	W61A, W61B		
T59.9	15	TPN, VTPN		21B	X62Z	T74.2	21A	W61A, W61B		
	21B	X62Z		Pre	A07D, A09E, A11F, A13F	T74.3	21A	W61A, W61B		
T60.0	15	TPN, VTPN	T64	15	TPN, VTPN	T74.8	21A	W61A, W61B		
	21B	X62Z		21B	X62Z	T74.9	21A	W61A, W61B		
	Pre	A07D, A09E, A11F, A13F		Pre	A07D, A09E, A11F, A13F	T75.0	21B	X64Z		
T60.1	15	TPN, VTPN		T65.0	15	T65.1	21B	X64Z		
	21B	X62Z			21B	X62Z		Pre	A07D, A09E, A11F, A13F	
	Pre	A07D, A09E, A11F, A13F			Pre	A07D, A09E, A11F, A13F	T75.2	21B	X64Z	
T60.2	15	TPN, VTPN		T65.1	15	TPN, VTPN	T75.3	03	D66Z	
	21B	X62Z			21B	X62Z	T75.4	15	TPN, VTPN	
	Pre	A07D, A09E, A11F, A13F			Pre	A07D, A09E, A11F, A13F		21B	X64Z	
T60.3	15	TPN, VTPN		T65.2	15	TPN, VTPN	T75.8	21B	X64Z	
	21B	X62Z			21B	X62Z	T78.0	21B	X60Z	
	Pre	A07D, A09E, A11F, A13F			Pre	A07D, A09E, A11F, A13F	T78.1	21B	X62Z	
T60.4	15	TPN, VTPN		T65.3	15	TPN, VTPN	T78.2	21B	X60Z	
	21B	X62Z			21B	X62Z	T78.3	21B	X60Z	
	Pre	A07D, A09E, A11F, A13F			Pre	A07D, A09E, A11F, A13F		Pre	A07D, A09E, A11F, A13F	
T60.8	15	TPN, VTPN		T65.4	15	TPN, VTPN	T78.4	21B	X64Z	
	21B	X62Z			21B	X62Z	T78.8	21B	X62Z	
	Pre	A07D, A09E, A11F, A13F			Pre	A07D, A09E, A11F, A13F	T78.9	21B	X62Z	
T60.9	15	TPN, VTPN		T65.5	15	TPN, VTPN	T79.0		PTR	
	21B	X62Z			21B	X62Z		04	E64A	
	Pre	A07D, A09E, A11F, A13F			Pre	A07D, A09E, A11F, A13F		15	TPN, VTPN	
T61.0	21B	X62Z		T65.6	15	TPN, VTPN		21A	W61A, W61B	
	Pre	A07D, A09E, A11F, A13F			21B	X62Z		Pre	A07D, A09E, A11F, A13F	
T61.1	21B	X62Z			Pre	A07D, A09E, A11F, A13F	T79.1		PTR	
	Pre	A07D, A09E, A11F, A13F			T65.8	15		04	E64A	
T61.2	21B	X62Z				21B	X62Z		15	TPN, VTPN
	Pre	A07D, A09E, A11F, A13F			T65.9	15	TPN, VTPN		21A	W61A, W61B
T61.8	21B	X62Z				21B	X62Z		Pre	A07D, A09E, A11F, A13F
	Pre	A07D, A09E, A11F, A13F		T66	21B	X64Z	T79.2		PTR	
T61.9	21B	X62Z		T67.0	15	TPN, VTPN		21A	W61A, W61B	
	Pre	A07D, A09E, A11F, A13F			21B	X64Z		21B	X64Z	

Dg

ICD	MDC	DRG	ICD	MDC	DRG	ICD	MDC	DRG
T79.3		PTR	T82.2	05	F75A, F75B, F75C, F75D	T85.2	02	C62Z
	18B	T61A, T61B		15	TPN, VTPN		15	TPN, VTPN
	21A	W61A, W61B	T82.3	05	F75A, F75B, F75C, F75D	T85.3	02	C62Z
	22	Y02A, Y02B		15	TPN, VTPN		15	TPN, VTPN
T79.4		PTR	T82.4	05	F75A, F75B, F75C, F75D	T85.4	09	J01Z, J67A, J67B
	21A	W61A, W61B		15	TPN, VTPN		15	TPN, VTPN
	21B	X64Z	T82.5	05	F75A, F75B, F75C, F75D	T85.5	15	TPN, VTPN
	Pre	A07D, A09E, A11F, A13F		15	TPN, VTPN		21B	X62Z
T79.5		PTR	T82.6	05	F75A, F75B, F75C, F75D	T85.6	15	TPN, VTPN
	11	L60A, L60B, L60C, L60D, L71Z		15	TPN, VTPN		21B	X62Z
	21A	W61A, W61B	T82.7	05	F61A, F75A, F75B, F75C, F75D	T85.71	11	L68A, L68B, L74Z
	Pre	A07D, A09E, A11F, A13F		15	TPN, VTPN		15	TPN, VTPN
T79.6		PTR	T82.8	05	F75A, F75B, F75C, F75D	T85.78	15	TPN, VTPN
	08	I76A, I76B		15	TPN, VTPN		21B	X62Z
	15	TPN, VTPN	T82.9	05	F75A, F75B, F75C, F75D	T85.81	01	B81A, B81B
	21A	W61A, W61B		15	TPN, VTPN		15	TPN, VTPN
	Pre	A07D, A09E, A11F, A13F	T83.0	11	L64A, L64B, L74Z	T85.82	09	J01Z, J67A, J67B
T79.7		PTR		15	TPN, VTPN		15	TPN, VTPN
	04	E76A, E76B, E76C	T83.1	11	L64A, L64B, L74Z		22	Y02A, Y02B
	15	TPN, VTPN		15	TPN, VTPN	T85.88	15	TPN, VTPN
	21A	W61A, W61B	T83.2	11	L64A, L64B, L74Z		21B	X62Z
	Pre	A07D, A09E, A11F, A13F		15	TPN, VTPN		22	Y02A, Y02B
T79.8		PTR	T83.3	13	N04Z, N05A, N05B, N14Z, N21Z, N25Z, N62B	T85.9	15	TPN, VTPN
	21A	W61A, W61B		11	L64A, L64B, L74Z		21B	X62Z
	21B	X64Z	T83.4	11	L64A, L64B, L74Z	T86.00	16	Q60A, Q60B, Q60C, Q60D, Q60E
T79.9		PTR		15	TPN, VTPN		Pre	A07D, A09E, A11F, A13F, A36A, A36B, A61Z
	21A	W61A, W61B	T83.5	11	L69A, L69B	T86.01	16	Q60A, Q60B, Q60C, Q60D, Q60E
	21B	X64Z		15	TPN, VTPN		Pre	A07D, A09E, A11F, A13F, A36A, A36B, A61Z
T80.0	04	E64A	T83.6	11	L64A, L64B, L74Z		16	Q60A, Q60B, Q60C, Q60D, Q60E
	15	TPN, VTPN		15	TPN, VTPN	T86.02	16	Q60A, Q60B, Q60C, Q60D, Q60E
	Pre	A07D, A09E, A11F, A13F	T83.8	11	L64A, L64B, L74Z		Pre	A04B, A04C, A07D, A09E, A11F, A13F, A36A, A36B, A61Z
T80.1	05	F75A, F75B, F75C, F75D		15	TPN, VTPN		16	Q60A, Q60B, Q60C, Q60D, Q60E
T80.2	18B	T64A, T64B, T64C	T83.9	11	L64A, L64B, L74Z		Pre	A07D, A09E, A11F, A13F, A36A, A36B, A61Z
	Pre	A07D, A09E, A11F, A13F		15	TPN, VTPN	T86.03	16	Q60A, Q60B, Q60C, Q60D, Q60E
T80.3	15	TPN, VTPN	T84.0	08	I73Z		Pre	A07D, A09E, A11F, A13F, A36A, A36B, A61Z
	16	Q61B, Q61C, Q61D		15	TPN, VTPN	T86.04	16	Q60A, Q60B, Q60C, Q60D, Q60E
	Pre	A07D, A09E, A11F, A13F	T84.1	08	I73Z		Pre	A07D, A09E, A11F, A13F, A36A, A36B, A61Z
T80.4	15	TPN, VTPN		15	TPN, VTPN		16	Q60A, Q60B, Q60C, Q60D, Q60E
	16	Q61A, Q61B, Q61C, Q61D, Q61E	T84.2	08	I73Z		Pre	A07D, A09E, A11F, A13F, A36A, A36B, A61Z
	Pre	A07D, A09E, A11F, A13F		15	TPN, VTPN	T86.05	16	Q60A, Q60B, Q60C, Q60D, Q60E
T80.5	21B	X60Z	T84.3	08	I73Z		Pre	A07D, A09E, A11F, A13F, A36A, A36B, A61Z
	Pre	A07D, A09E, A11F, A13F		15	TPN, VTPN	T86.06	16	Q60A, Q60B, Q60C, Q60D, Q60E
T80.6	21B	X60Z	T84.4	08	I73Z		Pre	A07D, A09E, A11F, A13F, A36A, A36B, A61Z
T80.8	16	Q61A, Q61B, Q61C, Q61D, Q61E		15	TPN, VTPN	T86.09	16	Q60A, Q60B, Q60C, Q60D, Q60E
T80.9	16	Q61A, Q61B, Q61C, Q61D, Q61E	T84.5	08	I01Z, I03A, I03B, I04Z, I08A, I08B, I08C, I08D, I08E, I12A, I12B, I12C, I13A, I13B, I73Z		Pre	A07D, A09E, A11F, A13F, A36A, A36B, A61Z
T81.0	21B	X62Z		15	TPN, VTPN		11	L69A, L69B
T81.1	21B	X62Z		Pre	A07D, A09E, A11F, A13F	T86.10	15	TPN, VTPN
	22	Y02A, Y02B	T84.6	08	I08A, I08B, I08C, I08D, I08E, I12A, I12B, I12C, I13A, I13B, I73Z		Pre	A07D, A09E, A11F, A13F, A60A, A60B, A60C, A60D
T81.2	21B	X62Z		15	TPN, VTPN	T86.11	11	L69A, L69B
T81.3	15	TPN, VTPN		08	I08A, I08B, I08C, I08D, I08E, I12A, I12B, I12C, I13A, I13B, I73Z		15	TPN, VTPN
	21B	X62Z	T84.7	08	I08A, I08B, I08C, I08D, I08E, I12A, I12B, I12C, I13A, I13B, I73Z		Pre	A07D, A09E, A11F, A13F, A60A, A60B, A60C, A60D
T81.4	08	I01Z, I03A, I03B		15	TPN, VTPN	T86.12	11	L69A, L69B
	18B	T61A, T61B	T84.8	08	I08A, I08B, I08C, I08D, I08E, I12A, I12B, I12C, I13A, I13B, I73Z		15	TPN, VTPN
T81.5	15	TPN, VTPN		15	TPN, VTPN		Pre	A07D, A09E, A11F, A13F, A60A, A60B, A60C, A60D
	21B	X62Z		08	I08A, I08B, I08C, I08D, I08E, I12A, I12B, I12C, I13A, I13B, I73Z	T86.19	11	L69A, L69B
T81.6	15	TPN, VTPN	T84.9	08	I08A, I08B, I08C, I08D, I08E, I12A, I12B, I12C, I13A, I13B, I73Z		15	TPN, VTPN
	21B	X62Z		15	TPN, VTPN		Pre	A07D, A09E, A11F, A13F, A60A, A60B, A60C, A60D
T81.7	05	F65A, F65B		08	I08A, I08B, I08C, I08D, I08E, I12A, I12B, I12C, I13A, I13B, I73Z	T86.2	05	F75A, F75B, F75C, F75D
	22	Y02A, Y02B		15	TPN, VTPN		15	TPN, VTPN
T81.8	21B	X62Z	T85.0	01	B81A, B81B		Pre	A07D, A09E, A11F, A13F, A60A, A60B, A60C, A60D
T81.9	21B	X62Z		15	TPN, VTPN		05	F75A, F75B, F75C, F75D
T82.0	05	F69A, F69B		15	TPN, VTPN		15	TPN, VTPN
	15	TPN, VTPN	T85.1	01	B81A, B81B		Pre	A07D, A09E, A11F, A13F, A60A, A60B, A60C, A60D
T82.1	05	F71A, F71B		15	TPN, VTPN		05	F75A, F75B, F75C, F75D
	15	TPN, VTPN		15	TPN, VTPN		15	TPN, VTPN

ICD	MDC	DRG	ICD	MDC	DRG	ICD	MDC	DRG
T86.3	05	F75A, F75B, F75C, F75D	T88.4	21B	X62Z	U55.22		PTX
	15	TPN, VTPN	T88.5	21B	X62Z		04	E65A
	Pre	A07D, A09E, A11F, A13F, A60A, A60B, A60C, A60D	T88.6	21B	X60Z		15	P65C, P66C, P67B, P67C
T86.40	07	H63A, H63B, H63C, H78Z	T88.7	21B	X62Z	U55.30	04	E65A
	15	TPN, VTPN	T88.8	21B	X62Z		15	P65C, P66C, P67B, P67C
	Pre	A01B, A07D, A09E, A11F, A13F, A60A, A60B, A60C, A60D	T88.9	21B	X62Z	U55.31		PTX
T86.41	07	H63A, H63B, H63C, H78Z	T89.00		PTR		04	E65A
	15	TPN, VTPN		21A	W61A, W61B		15	P65C, P66C, P67B, P67C
	Pre	A01B, A07D, A09E, A11F, A13F, A60A, A60B, A60C, A60D	T89.01		X60Z	U55.32		PTX
T86.49	07	H63A, H63B, H63C, H78Z		21A	W61A, W61B		04	E65A
	15	TPN, VTPN	T89.02		X60Z	U80.0	05	F61A
	Pre	A01B, A07D, A09E, A11F, A13F, A60A, A60B, A60C, A60D		21A	W61A, W61B	U80.1	05	F61A
T86.50	15	TPN, VTPN	T89.03		PTR	U80.2	05	F61A
	21B	X62Z		21A	W61A, W61B	U80.3	05	F61A
	Pre	A07D, A09E, A11F, A13F, A60A, A60B, A60C, A60D	T90.4	21A	W61A, W61B	U80.4	05	F61A
T86.51	15	TPN, VTPN	T90.8	21A	W61A, W61B	U80.5	05	F61A
	21B	X62Z	T90.9	21A	W61A, W61B	U80.6	05	F61A
	Pre	A07D, A09E, A11F, A13F, A60A, A60B, A60C, A60D	T91.4	21A	W61A, W61B	U80.7	05	F61A
T86.52	15	TPN, VTPN	T91.8	21A	W61A, W61B	U81	05	F61A
	21B	X62Z	T91.9	21A	W61A, W61B	U82.0	05	F61A
	Pre	A07D, A09E, A11F, A13F, A60A, A60B, A60C, A60D	T92.9	21A	W61A, W61B	U82.1	05	F61A
T86.59	15	TPN, VTPN	T93.9	21A	W61A, W61B	U82.2	05	F61A
	21B	X62Z	T94.1	21A	W61A, W61B	U83	05	F61A
	Pre	A07D, A09E, A11F, A13F, A60A, A60B, A60C, A60D	T96	21A	W61A, W61B	U84	05	F61A
T86.81	04	E75A, E75B, E75C	T97	21A	W61A, W61B	U85	05	F61A
	15	TPN, VTPN	T98.0	21A	W61A, W61B	U99.01	11	L64A, L74Z
	Pre	A07D, A09E, A11F, A13F, A60A, A60B, A60C, A60D	T98.1	21A	W61A, W61B	U99.02	06	G46A, G46B, G46C, G50Z, G67A, G67B, G67C, G67D
T86.82	07	H62A, H62B, H62C	T98.2	21A	W61A, W61B	U99.03	06	G46A, G46B, G46C, G50Z, G67A, G67B, G67C, G67D
	15	TPN, VTPN	T98.3	21A	W61A, W61B	Z00.5	23	Z66Z
	Pre	A07D, A09E, A11F, A13F, A60A, A60B, A60C, A60D	U04.9	04	E62A, E62B, E77A, E77B, E77C, E77D, E77E, E77F, E77G	Z01.0	23	Z64A, Z64B
T86.83	02	C60Z		18A	S63A, S63B	Z01.1	23	Z64A, Z64B
	Pre	A07D, A09E, A11F, A13F, A60A, A60B, A60C, A60D	U50.00	01	B44A, B44B, B44C, B44D	Z01.2	23	Z64A, Z64B
T86.88	15	TPN, VTPN	U50.01	01	B44A, B44B, B44C, B44D	Z01.3	23	Z64A, Z64B
	21B	X62Z	U50.10	01	B44A, B44B, B44C, B44D	Z01.4	13	N04Z, N05A, N05B, N14Z, N21Z, N25Z, N62A, N62B
	Pre	A07D, A09E, A11F, A13F, A60A, A60B, A60C, A60D	U50.11	01	B44A, B44B, B44C, B44D	Z01.5	23	Z64A, Z64B
T86.9	15	TPN, VTPN	U50.20	01	B44A, B44B, B44C, B44D	Z01.80	05	F15Z, F24A, F24B, F36A, F36B, F46A, F46B, F52A, F52B, F62A, F70A, F70B
	21B	X62Z	U50.21	01	B44A, B44B, B44C, B44D	Z01.81	05	F46A, F46B, F75A, F75B, F75C, F75D
	Pre	A07D, A09E, A11F, A13F, A60A, A60B, A60C, A60D	U50.30	01	B44A, B44B, B44C, B44D	Z01.88	23	Z64A, Z64B
T87.0	08	I32A, I32B, I32C, I32D, I32E, I32F, I32G, I73Z	U50.31	01	B44A, B44B, B44C, B44D	Z02.0	23	Z64A, Z64B
	Pre	A07D, A09E, A11F, A13F, A60A, A60B, A60C, A60D	U50.40	01	B44A, B44B	Z02.1	23	Z64A, Z64B
T87.1	08	I73Z	U50.41	01	B44A, B44B	Z02.2	23	Z64A, Z64B
	Pre	A07D, A09E, A11F, A13F, A60A, A60B, A60C, A60D	U50.50	01	B44A, B44B	Z02.3	23	Z64A, Z64B
T87.2	08	I73Z	U50.51	01	B44A, B44B	Z02.4	23	Z64A, Z64B
T87.3	08	I76A, I76B	U51.00	01	B44A, B44B, B44C, B44D	Z02.5	23	Z64A, Z64B
T87.4	08	I76A	U51.01	01	B44A, B44B, B44C, B44D	Z02.6	23	Z64A, Z64B
T87.5	08	I76A	U51.02	01	B44A, B44B, B44C, B44D	Z02.7	23	Z64A, Z64B
T87.6	08	I76A	U51.10	01	B44A, B44B, B44C, B44D	Z02.8	23	Z64A, Z64B
T88.0	18B	T64A, T64B, T64C	U51.11	01	B44A, B44B, B44C, B44D	Z02.9	23	Z64A, Z64B
T88.1	15	TPN, VTPN	U51.12	01	B44A, B44B, B44C, B44D	Z03.0	04	E62A, E62B, E77A, E77B, E77C, E77D, E77E, E77F, E77G
	21B	X62Z	U51.20	01	B44A, B44B, B44C, B44D		15	P65C, P66C, P67B, P67C
T88.2	21B	X64Z	U51.21	01	B44A, B44B, B44C, B44D	Z03.1	17	R04A, R04B, R12A, R12B, R12C, R13Z, R14Z, R62A, R62B, R62C
T88.3	15	TPN, VTPN	U51.22	01	B44A, B44B, B44C, B44D			
	21B	X62Z	U55.10	15	P65C, P66C, P67B, P67C	Z03.2	19	U66Z
	Pre	A07D, A09E, A11F, A13F, A60A, A60B, A60C, A60D	U55.11		PTX	Z03.3	01	B80Z
						Z03.4	05	F74Z
						Z03.5	05	F74Z
						Z03.6	23	Z64A, Z64B
						Z03.8	23	Z64A, Z64B
						Z03.9	23	Z64A, Z64B

ICD	MDC	DRG	ICD	MDC	DRG	ICD	MDC	DRG
Z04.0	23	Z65Z	Z21	14	O01A, O01B, O01C, O01D, O01E, O01F, O01G	Z31.0	12	M64Z
Z04.1	21B	X64Z				13	N04Z, N05A, N05B, N14Z, N21Z, N25Z, N62A, N62B	
Z04.2	21B	X64Z	Z22.0	23	Z64A, Z64B	Z31.1	13	N04Z, N05A, N05B, N14Z, N21Z, N25Z, N62A, N62B
Z04.3	21B	X64Z	Z22.1	23	Z64A, Z64B	Z31.2	13	N04Z, N05A, N05B, N14Z, N21Z, N25Z, N62A, N62B
Z04.4	23	Z65Z	Z22.2	23	Z64A, Z64B			
Z04.5	21B	X64Z	Z22.3	23	Z64A, Z64B	Z31.3	12	M64Z
Z04.6	23	Z65Z	Z22.4	23	Z64A, Z64B	13	N04Z, N05A, N05B, N14Z, N21Z, N25Z, N62A, N62B	
Z04.8	23	Z64A, Z64B	Z22.5	07	H63A, H63B, H63C, H78Z	Z31.4	12	M64Z
Z08.0	23	Z64A, Z64B	Z22.6	07	H63A, H63B, H63C, H78Z	13	N04Z, N05A, N05B, N14Z, N21Z, N25Z, N62A, N62B	
Z08.1	23	Z64A, Z64B	Z22.8	23	Z64A, Z64B	Z31.5	23	Z64A, Z64B
Z08.2	23	Z64A, Z64B	Z22.9	23	Z64A, Z64B	Z31.6	23	Z64A, Z64B
Z08.7	23	Z64A, Z64B	Z23.0	23	Z64A, Z64B	Z31.8	23	Z64A, Z64B
Z08.8	23	Z64A, Z64B	Z23.1	23	Z64A, Z64B	Z31.9	23	Z64A, Z64B
Z08.9	23	Z64A, Z64B	Z23.2	23	Z64A, Z64B	Z36.0	14	O65A, O65B, O65C
Z09.0	23	Z64A, Z64B	Z23.3	23	Z64A, Z64B	Z36.1	14	O65A, O65B, O65C
Z09.1	23	Z64A, Z64B	Z23.4	23	Z64A, Z64B	Z36.2	14	O65A, O65B, O65C
Z09.2	23	Z64A, Z64B	Z23.5	23	Z64A, Z64B	Z36.3	14	O65A, O65B, O65C
Z09.3	23	Z64A, Z64B	Z23.6	23	Z64A, Z64B	Z36.4	14	O65A, O65B, O65C
Z09.4	23	Z64A, Z64B	Z23.7	23	Z64A, Z64B	Z36.5	14	O65A, O65B, O65C
Z09.7	23	Z64A, Z64B	Z23.8	23	Z64A, Z64B	Z36.8	14	O65A, O65B, O65C
Z09.80	23	Z64A, Z64B	Z24.0	23	Z64A, Z64B	Z36.9	14	O65A, O65B, O65C
Z09.88	23	Z64A, Z64B	Z24.1	23	Z64A, Z64B	Z37.0	14	O02A, O02B, O60A, O60B, O60C, O60D
Z09.9	23	Z64A, Z64B	Z24.2	23	Z64A, Z64B	Z37.1	14	O02A, O02B, O60A, O60B, O60C, O60D
Z10.0	23	Z64A, Z64B	Z24.3	23	Z64A, Z64B	Z37.2	14	O01A, O01B, O01C, O01D, O01E, O01F, O01G, O02A, O02B, O60A, O60B, O60C
Z10.1	23	Z64A, Z64B	Z24.4	23	Z64A, Z64B	Z37.3	14	O01A, O01B, O01C, O01D, O01E, O01F, O01G, O02A, O02B, O60A, O60B, O60C
Z10.2	23	Z64A, Z64B	Z24.5	23	Z64A, Z64B	Z37.4	14	O01A, O01B, O01C, O01D, O01E, O01F, O01G, O02A, O02B, O60A, O60B, O60C
Z10.3	23	Z64A, Z64B	Z24.6	23	Z64A, Z64B	Z37.5	14	O01A, O01B, O01C, O01D, O01E, O01F, O01G, O02A, O02B, O60A, O60B, O60C
Z10.8	23	Z64A, Z64B	Z25.0	23	Z64A, Z64B	Z37.6	14	O01A, O01B, O01C, O01D, O01E, O01F, O01G, O02A, O02B, O60A, O60B, O60C
Z11.0	23	Z64A, Z64B	Z25.1	23	Z64A, Z64B	Z37.7	14	O01A, O01B, O01C, O01D, O01E, O01F, O01G, O02A, O02B, O60A, O60B, O60C
Z11.1	23	Z64A, Z64B	Z25.8	23	Z64A, Z64B	Z37.9	14	O02A, O02B, O60A, O60B, O60C, O60D
Z11.2	23	Z64A, Z64B	Z26.0	23	Z64A, Z64B	Z38.0	Pre	963Z
Z11.3	23	Z64A, Z64B	Z26.8	23	Z64A, Z64B	Z38.1	Pre	963Z
Z11.4	23	Z64A, Z64B	Z26.9	23	Z64A, Z64B	Z38.2	Pre	963Z
Z11.5	23	Z64A, Z64B	Z27.0	23	Z64A, Z64B	Z38.3	15	P05A, P05B, P05C, P66A, P66B, P66C, P66D, P67B
Z11.6	23	Z64A, Z64B	Z27.1	23	Z64A, Z64B			
Z11.8	23	Z64A, Z64B	Z27.2	23	Z64A, Z64B	Z38.4	Pre	963Z
Z11.9	23	Z64A, Z64B	Z27.3	23	Z64A, Z64B	15	P05A, P05B, P05C, P66A, P66B, P66C, P66D, P67B	
Z12.0	23	Z64A, Z64B	Z27.4	23	Z64A, Z64B	Z38.5	Pre	963Z
Z12.1	23	Z64A, Z64B	Z27.8	23	Z64A, Z64B	15	P05A, P05B, P05C, P66A, P66B, P66C, P66D, P67B	
Z12.2	23	Z64A, Z64B	Z27.9	23	Z64A, Z64B	Z38.6	Pre	963Z
Z12.3	23	Z64A, Z64B	Z28.0	23	Z64A, Z64B	15	P05A, P05B, P05C, P66A, P66B, P66C, P66D, P67B	
Z12.4	23	Z64A, Z64B	Z28.1	23	Z64A, Z64B	Z38.7	Pre	963Z
Z12.5	23	Z64A, Z64B	Z28.2	23	Z64A, Z64B	15	P05A, P05B, P05C, P66A, P66B, P66C, P66D, P67B	
Z12.6	23	Z64A, Z64B	Z28.8	23	Z64A, Z64B	Z38.8	Pre	963Z
Z12.8	23	Z64A, Z64B	Z28.9	23	Z64A, Z64B	15	P05A, P05B, P05C, P66A, P66B, P66C, P66D, P67B	
Z12.9	23	Z64A, Z64B	Z29.0	23	Z64A, Z64B	Z39.0	Pre	963Z
Z13.0	23	Z64A, Z64B	Z29.1	18A	S65A, S65B	14	O04A, O04B, O61Z	
Z13.1	23	Z64A, Z64B		23	Z64A, Z64B			
Z13.2	23	Z64A, Z64B	Z29.20	18A	S65A, S65B			
Z13.3	23	Z64A, Z64B		23	Z64A, Z64B			
Z13.4	23	Z64A, Z64B	Z29.21	15	TPN, VTPN			
Z13.5	23	Z64A, Z64B		18A	S65A, S65B			
Z13.6	23	Z64A, Z64B		23	Z64A, Z64B			
Z13.7	23	Z64A, Z64B	Z29.28	18A	S65A, S65B			
Z13.8	23	Z64A, Z64B		23	Z64A, Z64B			
Z13.9	23	Z64A, Z64B	Z29.8	18A	S65A, S65B			
Z20.0	23	Z64A, Z64B		23	Z64A, Z64B			
Z20.1	15	P65C, P66C, P67B, P67C	Z29.9	23	Z64A, Z64B			
	23	Z64A, Z64B	Z30.0	23	Z64A, Z64B			
Z20.2	23	Z64A, Z64B	Z30.1	23	Z64A, Z64B			
Z20.3	23	Z64A, Z64B	Z30.2	12	M64Z			
Z20.4	23	Z64A, Z64B		13	N04Z, N05A, N05B, N14Z, N21Z, N25Z, N62A, N62B			
Z20.5	23	Z64A, Z64B	Z30.3	23	Z64A, Z64B			
Z20.6	15	TPN, VTPN	Z30.4	23	Z64A, Z64B			
	23	Z64A, Z64B	Z30.5	23	Z64A, Z64B			
Z20.7	23	Z64A, Z64B	Z30.8	23	Z64A, Z64B			
Z20.8	23	Z64A, Z64B	Z30.9	23	Z64A, Z64B			
Z20.9	23	Z64A, Z64B						

ICD	MDC	DRG	ICD	MDC	DRG	ICD	MDC	DRG
Z39.1	14	O04A, O04B, O61Z	Z47.9	08	I73Z	Z74.8	23	Z64A, Z64B
Z39.2	14	O04A, O04B, O61Z	Z48.0	23	Z64A, Z64B	Z74.9	23	Z64A, Z64B
Z40.00	09	J01Z, J67A, J67B	Z48.8	23	Z65Z	Z75.60	15	P65C, P66C, P67B, P67C
Z40.01	13	N04Z, N05A, N05B, N14Z, N21Z, N25Z, N62A, N62B	Z48.9	23	Z65Z	Z75.64	15	P65C, P66C, P67B, P67C
Z40.08	23	Z64A, Z64B	Z49.0	11	L60A, L60B, L60C, L60D, L71Z	Z75.65	15	P65C, P66C, P67B, P67C
Z40.8	23	Z64A, Z64B	Z49.1	11	L61Z	Z75.66	15	P65C, P66C, P67B, P67C
Z40.9	23	Z64A, Z64B	Z51.4	23	Z65Z	Z75.67	15	P65C, P66C, P67B, P67C
Z41.0	23	Z65Z	Z51.6	23	Z64A, Z64B	Z75.68	15	P65C, P66C, P67B, P67C
Z41.1	09	J67A, J67B, J68A, J68B	Z51.83	23	Z65Z	Z75.69	15	P65C, P66C, P67B, P67C
Z41.2	12	M62Z	Z51.88	23	Z65Z	Z75.70		PTX
	13	N04Z, N05A, N05B, N14Z, N21Z, N25Z, N62A, N62B	Z51.9	23	Z65Z		15	P65C, P66C, P67B, P67C
Z41.3	23	Z65Z	Z52.01	23	Z64A, Z64B	Z75.74		PTX
Z41.8	23	Z64A, Z64B	Z52.08	23	Z64A, Z64B		15	P65C, P66C, P67B, P67C
Z41.9	23	Z64A, Z64B	Z52.1	09	J67A, J67B, J68A, J68B	Z75.75		PTX
Z42.0	09	J67A, J67B, J68A, J68B	Z52.2	08	I76A, I76B		15	P65C, P66C, P67B, P67C
Z42.1	09	J01Z, J67A, J67B, J68A, J68B	Z52.3	23	Z64A, Z64B	Z75.76		PTX
Z42.2	09	J67A, J67B, J68A, J68B	Z52.4	23	Z64A, Z64B		15	P65C, P66C, P67B, P67C
Z42.3	09	J67A, J67B, J68A, J68B	Z52.5	23	Z64A, Z64B	Z75.77		PTX
Z42.4	09	J67A, J67B, J68A, J68B	Z52.6	23	Z02Z, Z64A, Z64B		15	P65C, P66C, P67B, P67C
Z42.8	09	J67A, J67B, J68A, J68B	Z52.7	23	Z64A, Z64B	Z75.78		PTX
Z42.9	09	J67A, J67B, J68A, J68B	Z52.81	23	Z64A, Z64B		15	P65C, P66C, P67B, P67C
Z43.0	04	E75A, E75B, E75C	Z52.82	23	Z64A, Z64B	Z75.79		PTX
	22	Y02A, Y02B	Z52.89	23	Z64A, Z64B		15	P65C, P66C, P67B, P67C
Z43.1	06	G46A, G46B, G46C, G50Z, G71Z	Z52.9	23	Z64A, Z64B	Z76.0	15	P65C, P66C, P67B, P67C
Z43.2	06	G46A, G46B, G46C, G50Z, G71Z	Z53.0	23	Z65Z		23	Z64A, Z64B
Z43.3	06	G46A, G46B, G46C, G50Z, G71Z	Z53.1	23	Z65Z	Z76.1	15	P65C, P66C, P67B, P67C
Z43.4	06	G46A, G46B, G46C, G50Z, G71Z	Z53.2	23	Z65Z		23	Z64A, Z64B
			Z53.8	23	Z65Z	Z76.2	15	P65C, P66C, P67B, P67C
			Z53.9	23	Z65Z		23	Z64A, Z64B
			Z64.1	12	M64Z	Z76.4	15	P65C, P66C, P67B, P67C
				13	N04Z, N05A, N05B, N14Z, N21Z, N25Z, N62B		23	Z64A, Z64B
Z43.5	11	L68A, L68B, L74Z	Z65.0	23	Z64A, Z64B	Z76.8	15	P65C, P66C, P67B, P67C
Z43.6	11	L68A, L68B, L74Z	Z65.1	23	Z64A, Z64B		23	Z64A, Z64B
Z43.7	13	N04Z, N05A, N05B, N14Z, N21Z, N25Z, N62A, N62B	Z65.2	23	Z64A, Z64B	Z76.9	23	Z64A, Z64B
			Z65.3	23	Z64A, Z64B	Z80.0	23	Z64A, Z64B
Z43.80	23	Z64A, Z64B	Z65.4	23	Z64A, Z64B	Z80.1	23	Z64A, Z64B
Z43.88	23	Z64A, Z64B	Z65.5	23	Z64A, Z64B	Z80.2	23	Z64A, Z64B
Z43.9	23	Z64A, Z64B	Z65.8	23	Z64A, Z64B	Z80.3	09	J01Z, J67A, J67B
Z44.0	08	I73Z	Z65.9	23	Z64A, Z64B	Z80.4	23	Z64A, Z64B
Z44.1	08	I73Z	Z71.0	23	Z64A, Z64B	Z80.5	23	Z64A, Z64B
Z44.2	23	Z64A, Z64B	Z71.1	23	Z64A, Z64B	Z80.6	23	Z64A, Z64B
Z44.3	09	J67A, J67B	Z71.2	23	Z64A, Z64B	Z80.7	23	Z64A, Z64B
Z45.0	05	F71A, F71B	Z71.3	23	Z64A, Z64B	Z80.8	23	Z64A, Z64B
Z45.1	23	Z64A, Z64B	Z71.4	23	Z64A, Z64B	Z80.9	23	Z64A, Z64B
Z45.20	23	Z64A, Z64B	Z71.5	23	Z64A, Z64B	Z81.0	23	Z64A, Z64B
Z45.29	23	Z64A, Z64B	Z71.6	23	Z64A, Z64B	Z81.1	23	Z64A, Z64B
Z45.3	23	Z64A, Z64B	Z71.7	23	Z64A, Z64B	Z81.2	23	Z64A, Z64B
Z45.80	23	Z64A, Z64B	Z71.8	23	Z64A, Z64B	Z81.3	23	Z64A, Z64B
Z45.81	23	Z64A, Z64B	Z71.9	23	Z64A, Z64B	Z81.4	23	Z64A, Z64B
Z45.82	23	Z64A, Z64B	Z72.3	23	Z64A, Z64B	Z81.8	23	Z64A, Z64B
Z45.83	23	Z64A, Z64B	Z72.4	23	Z64A, Z64B	Z82.0	23	Z64A, Z64B
Z45.84	23	Z64A, Z64B	Z72.5	23	Z64A, Z64B	Z82.1	23	Z64A, Z64B
Z45.85	23	Z64A, Z64B	Z72.6	23	Z64A, Z64B	Z82.2	23	Z64A, Z64B
Z45.88	23	Z64A, Z64B	Z72.8	23	Z64A, Z64B	Z82.3	23	Z64A, Z64B
Z45.9	23	Z64A, Z64B	Z72.9	23	Z64A, Z64B	Z82.4	23	Z64A, Z64B
Z46.0	23	Z64A, Z64B	Z73.0	23	Z64A, Z64B	Z82.5	23	Z64A, Z64B
Z46.1	23	Z64A, Z64B	Z73.1	23	Z64A, Z64B	Z82.6	23	Z64A, Z64B
Z46.2	23	Z64A, Z64B	Z73.2	23	Z64A, Z64B	Z82.7	23	Z64A, Z64B
Z46.3	23	Z64A, Z64B	Z73.3	23	Z64A, Z64B	Z82.8	23	Z64A, Z64B
Z46.4	23	Z64A, Z64B	Z73.4	23	Z64A, Z64B	Z83.0	23	Z64A, Z64B
Z46.5	06	G46A, G46B, G46C, G50Z, G71Z	Z73.5	23	Z64A, Z64B	Z83.1	23	Z64A, Z64B
			Z73.6	23	Z64A, Z64B	Z83.2	23	Z64A, Z64B
Z46.6	11	L68A, L68B, L74Z	Z73.8	23	Z64A, Z64B	Z83.3	23	Z64A, Z64B
Z46.7	08	I73Z	Z73.9	23	Z64A, Z64B	Z83.4	23	Z64A, Z64B
Z46.8	23	Z64A, Z64B	Z74.0	23	Z64A, Z64B	Z83.5	23	Z64A, Z64B
Z46.9	23	Z64A, Z64B	Z74.1	23	Z64A, Z64B	Z83.6	23	Z64A, Z64B
Z47.8	08	I73Z	Z74.2	23	Z64A, Z64B	Z83.7	23	Z64A, Z64B
			Z74.3	23	Z64A, Z64B	Z84.0	23	Z64A, Z64B
						Z84.1	23	Z64A, Z64B

ICD	MDC	DRG	ICD	MDC	DRG	ICD	MDC	DRG
Z84.2	23	Z64A, Z64B	Z94.3	04	E40A, E62A, E62B, E65A, E77A, E77B, E77C	Z94.82	04	E62A, E62B, E77A, E77B, E77C
Z84.3	23	Z64A, Z64B		05	F61A		05	F61A
Z84.8	23	Z64A, Z64B		06	G18A, G38Z, G40Z, G48A, G48B, G67A		06	G18A, G38Z, G40Z, G48A, G48B, G67A
Z90.3	15	TPN, VTPN		10	K62A		10	K62A
Z91.2	23	Z65Z		18B	T01A, T60A, T60B, T60C, T61A, T63A, T64A, T64B		18B	T01A, T60A, T60B, T60C, T61A, T63A, T64A, T64B
Z91.3	23	Z65Z		Pre	A07D, A09E, A11F, A13F		Pre	A07D, A09E, A11F, A13F
Z91.4	23	Z65Z	Z94.4	04	E62A, E62B, E77A, E77B, E77C	Z94.83	04	E62A, E62B, E77A, E77B, E77C
Z91.5	23	Z65Z		05	F61A		05	F61A
Z91.6	23	Z65Z		06	G18A, G38Z, G40Z, G48A, G48B, G67A		06	G18A, G38Z, G40Z, G48A, G48B, G67A
Z92.0	23	Z65Z		10	K62A		10	K62A
Z92.5	23	Z65Z		18B	T01A, T60A, T60B, T60C, T61A, T63A, T64A, T64B		18B	T01A, T60A, T60B, T60C, T61A, T63A, T64A, T64B
Z93.0	22	Y02A, Y02B		Pre	A07D, A09E, A11F, A13F	Z94.88	04	E62A, E62B, E77A, E77B, E77C
Z94.0	04	E62A, E62B, E77A, E77B, E77C	Z94.5	05	F61A		05	F61A
	05	F61A		06	G67A		06	G67A
	06	G18A, G38Z, G40Z, G48A, G48B, G67A	Z94.6	05	F61A		06	G40Z, G48A, G48B, G67A
	10	K62A		06	G67A		10	K62A
	18B	T01A, T60A, T60B, T60C, T61A, T63A, T64A, T64B	Z94.70	05	F61A		18B	T01A, T60A, T60B, T60C, T61A, T63A
Z94.1	04	E62A, E62B, E77A, E77B, E77C	Z94.79	05	F61A	Z94.9	05	F61A
	05	F61A		06	G67A		06	G67A
	06	G18A, G38Z, G40Z, G48A, G48B, G67A	Z94.80	04	E62A, E62B, E77A, E77B, E77C	Z97.0	23	Z65Z
	10	K62A		05	F61A	Z97.2	23	Z65Z
	18B	T01A, T60A, T60B, T60C, T61A, T63A, T64A, T64B		06	G18A, G38Z, G40Z, G48A, G48B, G67A	Z97.3	23	Z65Z
Z94.2	Pre	A07D, A09E, A11F, A13F	Z94.81	04	E62A, E62B, E77A, E77B, E77C	Z97.4	23	Z65Z
	04	E40A, E62A, E62B, E65A, E77A, E77B, E77C		05	F61A	Z97.5	23	Z65Z
	05	F61A		06	G18A, G38Z, G40Z, G48A, G48B, G67A			
	06	G18A, G38Z, G40Z, G48A, G48B, G67A		10	K62A			
	10	K62A		18B	T01A, T60A, T60B, T60C, T61A, T63A			
	18B	T01A, T60A, T60B, T60C, T61A, T63A, T64A, T64B		Pre	A07D, A09E, A11F, A13F			
	Pre	A07D, A09E, A11F, A13F						

Dg

Príloha B

Kódy výkonov-/MDC-/DRG-Index

Táto príloha obsahuje zoznam kódov zdravotných výkonov relevantných pre zaraďovanie, ako aj bližšie informácie k MDC a DRG, v ktorých sa tieto kódy vyskytujú. Neoperačné výkony (Non-OP) sú označené prostredníctvom znaku Œ na konci kódu. Obojstranná čiarka za kódom poukazuje na nutnosť špecifikácie doplňujúceho údajá pre určenie strany (lokalizácie), na ktorej bol výkon vykonaný. Lokalizácia sa vykazuje znakom pod a konkrétnych usmernení vydávanými Centrom pre klasifikačný systém.

Priradenie DRG skupiny kódom výkonov na základe overenia na všetky OP-výkony nie je v prílohe uvedené pre každý jednotlivý zdravotný výkon. Miesto toho sú v zozname kódov výkonov relevantných pre zaraďovanie v systéme SK-DRG vymenované všetky DRG-skupiny, ktoré vo svojej definícii obsahujú akékoľvek overovanie na OP-výkon. Prehľad skratiek funkcií, použitých v tejto prílohe, sa nachádza v prehľade funkcií na konci prílohy B. V nasledujúcich príkladoch sa neprístupuje k zaraďovaniu do DRG-skupiny na základe overovania každého OP-výkonu - analogicky k zoznamu výkonov relevantných pre zaraďovanie.

Jeden kód zdravotného výkonu môže byť priradený k viacerým DRG-skupinám v rozličných MDC. Kódy výkonov pre Non-OP-výkony pôsobia na zaraďovanie záznamov inak a sú v prílohe uvedené iným spôsobom.

V tejto prílohe nie sú uvedené všetky kódy zdravotných výkonov podľa Zoznamu zdravotných výkonov pre klasifikačný systém diagnosticko-terapeutických skupín ZZV-DRG-2023. Kódy nepoužívané pre zaraďovanie do DRG-skupín sú vynechané. Pokiaľ teda hospitalizačný prípad obsahuje iba kódy výkonov, ktoré nie sú uvedené v prílohe B, nebude podľa pravidiel definovaných touto príručkou takýto hospitalizačný prípad zaradený do jednej z operačných alebo šiných DRG, ale do DRG-skupiny medicínskeho segmentu.

Pre záznamy (hospitalizačné prípady) s viacerými výkonmi môže byť táto príručka použitá na získanie informácií o možných operačných-DRG a šiných DRG-skupinách pre každý samostatný kód výkonu. Pokiaľ obsahuje záznam OP-výkony, z ktorých však žiadne nie je priradené DRG-skupine v zodpovedajúcej MDC a chybové a štatné DRG sú overované pred DRG-skupinami zo segmentu šiných, je zaradený do jednej z chybových-DRG alebo ostatných-DRG 901A-D alebo 902Z. Ak je v operačných-DRG alebo iných-DRG tejto MDC uvedených viacero kódov výkonov, rozhodujúcou pre zaradenie v MDC sa stáva hierarchia v rámci operačných-DRG a iných-DRG.

ZZV	MDC	DRG	ZZV	MDC	DRG	ZZV	MDC	DRG	
12a10.0	01	B09A, B09B	12a30.7↔	01	B03A, B03B, B06A, B06B, B09A, B09B, B17A, B17B, B17C	12j20.01‡↔	04	E71A	
	10	K09A, K09B, K09C					05	F03C, F03D, F03E, F05Z, F06C, F06D, F06E, F12F, F15Z, F36A, F36B, F41A, F41B, F46A, F46B, F49A, F49B, F49C, F49D, F49E, F49F, F49G	
12a10.1	01	B09A, B09B		08	I28A, I28B			06	G67A
12a10.2	01	B09A, B09B		21A	W04A, W04B	12j20.02‡↔	04	E71A	
12a10.3	01	B09A, B09B		21B	X04Z, X06A, X06B, X06C	12m11.0↔	01	B03A, B03B, B06A, B06B, B09A, B09B, B17A, B17B, B17C	
12a10.4	01	B09A, B09B	12a30.8↔	01	B03A, B03B, B06A, B06B, B09A, B09B, B17A, B17B, B17C			03	D12A, D12B
12a10.5	01	B09A, B09B		08	I28A, I28B			04	E02A, E02B, E02C
12a10.x	01	B09A, B09B		21A	W04A, W04B			06	G10Z, G12A, G12B, G12C
12a20.0	01	B03A, B03B, B18Z		21B	X04Z, X06A, X06B, X06C			07	H06A, H06B, H06C
	08	I10A, I10B, I10C, I10D, I10E	12a30.9↔	01	B03A, B03B, B06A, B06B, B09A, B09B, B17A, B17B, B17C			08	I28A, I28B
	17	R01A, R01B, R01C, R01D, R02Z, R12A, R12B, R12C		08	I28A, I28B			09	J03A, J03B, J04A, J04B, J08A, J08B, J08C, J11A, J11B, J16Z
12a20.1	01	B03A, B03B, B18Z		21A	W04A, W04B			10	K09A, K09B
	08	I10A, I10B, I10C, I10D, I10E		21B	X04Z, X06A, X06B, X06C			11	L09A, L09B, L09C, L09D, L38Z
	17	R01A, R01B, R01C, R01D, R02Z, R12A, R12B, R12C	12a30.x↔	01	B03A, B03B, B06A, B06B, B09A, B09B, B17A, B17B, B17C			12	M06Z, M09A, M09B, M38Z
12a20.2	01	B03A, B03B, B18Z		08	I28A, I28B			13	N11A, N11B
	08	I10A, I10B, I10C, I10D, I10E		21A	W04A, W04B			16	Q03A, Q03B
	17	R01A, R01B, R01C, R01D, R02Z, R12A, R12B, R12C		21B	X06A, X06B, X06C			01	B03A, B03B, B06A, B06B, B17A, B17B, B17C
12a20.x	01	B03A, B03B, B18Z		01	B03A, B03B, B06A, B06B, B17A, B17B, B17C			03	D12A, D12B
	08	I10A, I10B, I10C, I10D, I10E	12b10	01	B02A, B02B, B02C, B02D, B09A, B09B, B20A, B20B, B20C, B20D, B20E, B20F, B39A, B39B			04	E02A, E02B, E02C
	17	R01A, R01B, R01C, R01D, R02Z, R12A, R12B, R12C		10	K03A, K03B	12m11.1↔		06	G10Z, G12A, G12B, G12C
12a30.0↔	01	B03A, B03B, B06A, B06B, B17A, B17B, B17C		01	B02A, B02B, B02C, B02D, B09A, B09B, B20A, B20B, B20C, B20D, B20E, B20F, B39A, B39B			07	H06A, H06B, H06C
	03	D12A, D12B		10	K03A, K03B			08	I28A, I28B
	08	I28A, I28B	12b11	01	B02A, B02B, B02C, B02D, B09A, B09B, B20A, B20B, B20C, B20D, B20E, B20F, B39A, B39B			09	J03A, J03B, J04A, J04B, J08A, J08B, J08C, J11A, J11B, J16Z
	21A	W04A, W04B		10	K03A, K03B			10	K09A, K09B
	21B	X06A, X06B, X06C		01	B09A, B09B			11	L09A, L09B, L09C, L09D, L38Z
12a30.1↔	01	B03A, B03B, B06A, B06B, B09A, B09B, B17A, B17B, B17C		08	I28A, I28B			12	M06Z, M09A, M09B, M38Z
	03	D12A, D12B		10	K06A, K06B, K06C, K06D			13	N11A, N11B
	08	I28A, I28B	12b13↔	01	B09A, B09B			16	Q03A, Q03B
	21A	W04A, W04B		08	I28A, I28B			01	B03A, B03B, B06A, B06B, B17A, B17B, B17C
	21B	X06A, X06B, X06C		10	K03A, K03B			03	D12A, D12B
12a30.2↔	01	B03A, B03B, B06A, B06B, B09A, B09B, B17A, B17B, B17C		01	B02A, B02B, B02C, B02D, B09A, B09B, B20A, B20B, B20C, B20D, B20E, B20F, B39A, B39B			04	E02A, E02B, E02C
	08	I28A, I28B	12b20	01	B02A, B02B, B02C, B02D, B09A, B09B, B20A, B20B, B20C, B20D, B20E, B20F, B39A, B39B			06	G10Z, G12A, G12B, G12C
	21A	W04A, W04B		10	K03A, K03B			07	H06A, H06B, H06C
	21B	X06A, X06B, X06C		01	B09A, B09B			08	I28A, I28B
12a30.3↔	01	B03A, B03B, B06A, B06B, B09A, B09B, B17A, B17B, B17C		10	K03A, K03B			09	J03A, J03B, J04A, J04B, J08A, J08B, J08C, J11A, J11B, J16Z
	08	I28A, I28B	12b21	01	B02A, B02B, B02C, B02D, B09A, B09B, B20A, B20B, B20C, B20D, B20E, B20F, B39A, B39B			10	K09A, K09B
	21A	W04A, W04B		10	K06A, K06B, K06C, K06D			11	L09A, L09B, L09C, L09D, L38Z
	21B	X05A, X05B, X06A, X06B, X06C		01	B09A, B09B			12	M06Z, M09A, M09B, M38Z
12a30.4↔	01	B03A, B03B, B06A, B06B, B09A, B09B, B17A, B17B, B17C	12b23↔	01	B09A, B09B			13	N11A, N11B
	08	I28A, I28B		08	I28A, I28B			16	Q03A, Q03B
	21A	W04A, W04B		10	K06A, K06B, K06C, K06D				
	21B	X06A, X06B, X06C	12c02↔	01	B09A, B09B				
12a30.5	01	B03A, B03B, B06A, B06B, B09A, B09B, B17A, B17B, B17C		02	C01A, C01B, C14Z, C16Z				
	08	I28A, I28B	12c03↔	01	B09A, B09B				
	21A	W04A, W04B		02	C01A, C01B, C14Z, C16Z				
	21B	X05A, X05B, X06A, X06B, X06C		21A	W04A, W04B				
12a30.6↔	01	B03A, B03B, B06A, B06B, B09A, B09B, B17A, B17B, B17C		21B	X06A, X06B, X06C				
	08	I28A, I28B	12j00.12‡↔	04	E71A				
	21A	W04A, W04B	12j00.30‡	03	D60A				
	21B	X06A, X06B, X06C		04	E65A, E71A				
			12j00.31‡↔	03	D60A				
				04	E65A, E71A				
			12j00.32‡↔	03	D60A				
				04	E65A, E71A				
			12j20.00‡↔	04	E71A				

VYK

ZZV	MDC	DRG	ZZV	MDC	DRG	ZZV	MDC	DRG				
12m11.3	01	B03A, B03B, B06A, B06B, B17A, B17B, B17C	12m11.7↔	01	B03A, B03B, B06A, B06B, B17A, B17B, B17C	12m21.2↔	01	B03A, B03B, B06A, B06B, B17A, B17B, B17C				
	03	D12A, D12B		03	D12A, D12B		03	D12A, D12B				
	04	E02A, E02B, E02C		04	E02A, E02B, E02C		04	E02A, E02B, E02C				
	06	G10Z, G12A, G12B, G12C		06	G10Z, G12A, G12B, G12C		06	G10Z, G12A, G12B, G12C				
	07	H06A, H06B, H06C		07	H06A, H06B, H06C		07	H06A, H06B, H06C				
	08	I28A, I28B		08	I28A, I28B		08	I28A, I28B				
	09	J03A, J03B, J04A, J04B, J08A, J08B, J08C, J11A, J11B, J16Z		09	J03A, J03B, J04A, J04B, J08A, J08B, J08C, J11A, J11B, J16Z		09	J03A, J03B, J04A, J04B, J08A, J08B, J08C, J11A, J11B, J16Z				
	10	K09A, K09B		10	K09A, K09B		10	K09A, K09B				
	11	L09A, L09B, L09C, L09D, L38Z		11	L09A, L09B, L09C, L09D, L38Z		11	L09A, L09B, L09C, L09D, L38Z				
	12	M06Z, M09A, M09B, M38Z		12	M06Z, M09A, M09B, M38Z		12	M06Z, M09A, M09B, M38Z				
	13	N11A, N11B		13	N11A, N11B		13	N11A, N11B				
	16	Q03A, Q03B		16	Q03A, Q03B		16	Q03A, Q03B				
	12m11.4	01		B03A, B03B, B06A, B06B, B17A, B17B, B17C	12m13		04	E06A, E06B, E06C, E08A, E08B, E08C	12m21.3	01	B03A, B03B, B06A, B06B, B17A, B17B, B17C	
		03		D12A, D12B			10	K09A, K09B		03	D12A, D12B	
		04		E02A, E02B, E02C			16	Q03A, Q03B		04	E02A, E02B, E02C	
		06		G10Z, G12A, G12B, G12C			17	R01A, R01B, R01C, R01D, R02Z, R12A, R12B, R12C		06	G10Z, G12A, G12B, G12C	
07		H06A, H06B, H06C	12m1x↔	01		B03A, B03B, B06A, B06B, B17A, B17B, B17C	07	H06A, H06B, H06C				
08		I28A, I28B		03		D12A, D12B	08	I28A, I28B				
09		J03A, J03B, J04A, J04B, J08A, J08B, J08C, J11A, J11B, J16Z		04		E02A, E02B, E02C	09	J03A, J03B, J04A, J04B, J08A, J08B, J08C, J11A, J11B, J16Z				
10		K09A, K09B		06		G10Z, G12A, G12B, G12C	10	K09A, K09B				
11		L09A, L09B, L09C, L09D, L38Z		07		H06A, H06B, H06C	11	L09A, L09B, L09C, L09D, L38Z				
12		M06Z, M09A, M09B, M38Z		08		I28A, I28B	12	M06Z, M09A, M09B, M38Z				
13		N11A, N11B		09		J03A, J03B, J04A, J04B, J08A, J08B, J08C, J11A, J11B, J16Z	13	N11A, N11B				
16		Q03A, Q03B		10		K09A, K09B	16	Q03A, Q03B				
12m11.5↔		01		B03A, B03B, B06A, B06B, B17A, B17B, B17C		12m21.0↔	01	B03A, B03B, B06A, B06B, B17A, B17B, B17C		12m21.4	01	B03A, B03B, B06A, B06B, B17A, B17B, B17C
		03		D12A, D12B			03	D12A, D12B			03	D12A, D12B
		04		E02A, E02B, E02C			04	E02A, E02B, E02C			04	E02A, E02B, E02C
		06		G10Z, G12A, G12B, G12C			13	N11A, N11B			06	G10Z, G12A, G12B, G12C
	07	H06A, H06B, H06C		16	Q03A, Q03B		07	H06A, H06B, H06C				
	08	I28A, I28B		01	B03A, B03B, B06A, B06B, B17A, B17B, B17C		08	I28A, I28B				
	09	J03A, J03B, J04A, J04B, J08A, J08B, J08C, J11A, J11B, J16Z		03	D12A, D12B		09	J03A, J03B, J04A, J04B, J08A, J08B, J08C, J11A, J11B, J16Z				
	10	K09A, K09B		04	E02A, E02B, E02C		10	K09A, K09B				
	11	L09A, L09B, L09C, L09D, L38Z	06	G10Z, G12A, G12B, G12C	11		L09A, L09B, L09C, L09D, L38Z					
	12	M06Z, M09A, M09B, M38Z	07	H06A, H06B, H06C	12		M06Z, M09A, M09B, M38Z					
	13	N11A, N11B	08	I28A, I28B	13		N11A, N11B					
	16	Q03A, Q03B	09	J03A, J03B, J04A, J04B, J08A, J08B, J08C, J11A, J11B, J16Z	16		Q03A, Q03B					
	12m11.6↔	01	B03A, B03B, B06A, B06B, B17A, B17B, B17C	12m21.1↔	10		K09A, K09B	12m21.5↔	01		B03A, B03B, B06A, B06B, B17A, B17B, B17C	
		03	D12A, D12B		11		L09A, L09B, L09C, L09D, L38Z		03		D12A, D12B	
		04	E02A, E02B, E02C		12		M06Z, M09A, M09B, M38Z		04		E02A, E02B, E02C	
		06	G10Z, G12A, G12B, G12C		13		N11A, N11B		06		G10Z, G12A, G12B, G12C	
07		H06A, H06B, H06C	16		Q03A, Q03B	07	H06A, H06B, H06C					
08		I28A, I28B	01		B03A, B03B, B06A, B06B, B17A, B17B, B17C	08	I28A, I28B					
09		J03A, J03B, J04A, J04B, J08A, J08B, J08C, J11A, J11B, J16Z	03		D12A, D12B	09	J03A, J03B, J04A, J04B, J08A, J08B, J08C, J11A, J11B, J16Z					
10		K09A, K09B	04		E02A, E02B, E02C	10	K09A, K09B					
11		L09A, L09B, L09C, L09D, L38Z	06		G10Z, G12A, G12B, G12C	11	L09A, L09B, L09C, L09D, L38Z					
12		M06Z, M09A, M09B, M38Z	07		H06A, H06B, H06C	12	M06Z, M09A, M09B, M38Z					
13		N11A, N11B	08		I28A, I28B	13	N11A, N11B					
16		Q03A, Q03B	09		J03A, J03B, J04A, J04B, J08A, J08B, J08C, J11A, J11B, J16Z	16	Q03A, Q03B					
			10		K09A, K09B							
			11		L09A, L09B, L09C, L09D, L38Z							
			12		M06Z, M09A, M09B, M38Z							
			13		N11A, N11B							
		16	Q03A, Q03B									

ZZV	MDC	DRG	ZZV	MDC	DRG	ZZV	MDC	DRG
12m21.6↔	01	B03A, B03B, B06A, B06B, B17A, B17B, B17C	12n20.2‡	07	H41A, H41B, H41C	12q23.3↔	13	N01A, N01B, N01C, N01D, N01E, N02A, N02B, N02C, N03A, N03B, N07Z, N25Z, N38Z
		03	D12A, D12B	12n21‡	06			G40Z, G46A, G46B, G46C, G47Z, G50Z
	04	E02A, E02B, E02C	12n30.0‡	06	G40Z, G46A, G46B, G46C, G47Z	08	I24Z	
	06	G10Z, G12A, G12B, G12C	12n30.2‡	07	H41A, H41B, H41C	21A	W04A, W04B	
	07	H06A, H06B, H06C	12o01.0‡↔	11	L18A, L18B, L19Z, L20A, L20B, L20C, L38Z	21B	X06A, X06B, X06C	
	08	I28A, I28B	12o01.1‡↔	11	L18A, L18B, L19Z, L20A, L20B, L20C, L38Z	08	I24Z	
	09	J03A, J03B, J04A, J04B, J08A, J08B, J08C, J11A, J11B, J16Z	12o01.2	11	L18A, L18B, L19Z, L20A, L20B, L20C, L38Z	21A	W04A, W04B	
	10	K09A, K09B	12	M06Z, M09A, M09B, M38Z	21B	X06A, X06B, X06C		
	11	L09A, L09B, L09C, L09D, L38Z	13	N08Z	08	I24Z		
	12	M06Z, M09A, M09B, M38Z	11	L42A	21A	W04A, W04B		
	13	N11A, N11B	12o10‡↔	11	L42A	21B	X06A, X06B, X06C	
	16	Q03A, Q03B	12o20.0‡↔	11	L42A	08	I24Z	
	12m21.7↔	01	B03A, B03B, B06A, B06B, B17A, B17B, B17C	12q10.0↔	10	K09A, K09B	21A	W04A, W04B
	03		D12A, D12B	13	N01A, N01B, N01C, N01D, N01E, N02A, N02B, N02C, N03A, N03B, N07Z, N25Z, N38Z	21B	X06A, X06B, X06C	
	04	E02A, E02B, E02C	12q10.1↔	13	N01A, N01B, N01C, N01D, N01E, N02A, N02B, N02C, N03A, N03B, N07Z, N25Z, N38Z	08	I24Z	
	06	G10Z, G12A, G12B, G12C	12q10.2	13	N01A, N01B, N01C, N01D, N01E, N02A, N02B, N02C, N03A, N03B, N07Z, N25Z, N38Z	21A	W04A, W04B	
07	H06A, H06B, H06C	12q10.3↔	13	N01A, N01B, N01C, N01D, N01E, N02A, N02B, N02C, N03A, N03B, N07Z, N25Z, N38Z	21B	X06A, X06B, X06C		
08	I28A, I28B	12q11.0	13	N10Z	08	I24Z		
09	J03A, J03B, J04A, J04B, J08A, J08B, J08C, J11A, J11B, J16Z	12q11.1	13	N10Z	21A	W04A, W04B		
10	K09A, K09B	12q11.2	14	962Z, O02A, O02B, O40Z	21B	X04Z		
11	L09A, L09B, L09C, L09D, L38Z	12q11.2	11	L09A, L09B, L09C, L09D, L38Z	08	I24Z		
12	M06Z, M09A, M09B, M38Z	13	N10Z	21A	W04A, W04B			
13	N11A, N11B	14	962Z, O02A, O02B, O40Z	21B	X04Z			
16	Q03A, Q03B	12q11.0	13	N10Z	08	I24Z		
12m23	04	E06A, E06B, E06C, E08A, E08B, E08C	12q11.1	13	N10Z	21A	W04A, W04B	
10		K09A, K09B	14	962Z, O02A, O02B, O40Z	21B	X04Z		
16	Q03A, Q03B	12q11.2	11	L09A, L09B, L09C, L09D, L38Z	08	I24Z		
17	R01A, R01B, R01C, R01D, R02Z, R12A, R12B, R12C	13	N10Z	21A	W04A, W04B			
12m2x↔	01	B03A, B03B, B06A, B06B, B17A, B17B, B17C	14	962Z, O02A, O02B, O40Z	21B	X04Z		
03		D12A, D12B	13	N10Z	08	I24Z		
04	E02A, E02B, E02C	12q11.x	13	N10Z	21A	W04A, W04B		
06	G10Z, G12A, G12B, G12C	14	962Z, O02A, O02B, O40Z	21B	X04Z, X06A, X06B, X06C			
07	H06A, H06B, H06C	12q12.0	09	J03A, J03B, J04A, J04B, J08A, J08B, J08C, J11A, J11B, J16Z	08	I32A, I32B, I32C, I32D, I32E, I32F, I32G		
08	I28A, I28B	13	N09A, N09B	21A	W04A, W04B			
09	J03A, J03B, J04A, J04B, J08A, J08B, J08C, J11A, J11B, J16Z	14	962Z, O02A, O02B	21B	X05A, X05B, X06A, X06B, X06C			
10	K09A, K09B	09	J03A, J03B, J04A, J04B, J08A, J08B, J08C, J11A, J11B, J16Z	08	I24Z			
11	L09A, L09B, L09C, L09D, L38Z	13	N09A, N09B	21A	W04A, W04B			
12	M06Z, M09A, M09B, M38Z	14	962Z, O02A, O02B	21B	X06A, X06B, X06C			
13	N11A, N11B	14	962Z	03	D12A, D12B			
16	Q03A, Q03B	14	962Z	08	I28A, I28B, I28C			
12n01.0‡	07	H41A, H41B, H41C	14	962Z	09	J03A, J03B, J04A, J04B, J08A, J08B, J08C, J11A, J11B, J16Z		
12n01.1‡	07	H41A, H41B, H41C	14	962Z	10	K09A, K09B		
12n01.2‡	07	H41A, H41B, H41C	14	962Z	11	L09A, L09B, L09C, L09D, L38Z		
12n01.3‡	06	G40Z, G46A, G46B, G46C, G47Z	12q20.2‡	14	962Z	12	M06Z, M09A, M09B, M38Z	
12n01.4‡	06	G40Z, G46A, G46B, G46C, G47Z	12q20.3‡	14	962Z	03	D12A, D12B	
12n01.x‡	06	G40Z, G46A, G46B, G46C, G47Z	12q20.x‡↔	14	962Z	08	I28A, I28B, I28C	
12n02.a‡	06	G40Z, G48A, G48B, G48C	12q23.0↔	10	K09A, K09B	09	J03A, J03B, J04A, J04B, J08A, J08B, J08C, J11A, J11B, J16Z	
12n02.b‡	06	G40Z, G48A, G48B, G48C	13	N01A, N01B, N01C, N01D, N01E, N02A, N02B, N02C, N03A, N03B, N07Z, N25Z, N38Z	10	K09A, K09B		
12n10.0‡	06	G40Z, G46A, G46B, G46C, G47Z, G50Z	12q23.1↔	13	N01A, N01B, N01C, N01D, N01E, N02A, N02B, N02C, N03A, N03B, N07Z, N25Z, N38Z	11	L09A, L09B, L09C, L09D, L38Z	
12n10.2‡	07	H41A, H41B, H41C	13	N01A, N01B, N01C, N01D, N01E, N02A, N02B, N02C, N03A, N03B, N07Z, N25Z, N38Z	12	M06Z, M09A, M09B, M38Z		
12n20.0‡	06	G40Z, G46A, G46B, G46C, G47Z, G50Z	12q23.2	13	N01A, N01B, N01C, N01D, N01E, N02A, N02B, N02C, N03A, N03B, N07Z, N25Z, N38Z			

VYK

ZZV	MDC	DRG	ZZV	MDC	DRG	ZZV	MDC	DRG
12t21.b	01	B03A, B03B, B06A, B06B, B17A, B17B, B17C	13a11.0		BOP, KVT, UOP4	13a30.2↔	01	B03A, B03B, B06A, B06B, B17A, B17B, B17C
	04	E02A, E02B, E02C		17	R01A, R01B, R01C, R01D, R02Z, R12A, R12B, R12C	03	D12A, D12B	
	08	I27A, I27B, I27C, I27D	13a11.1		BOP, KVT, UOP4	08	I28A, I28B	
	09	J03A, J03B, J04A, J04B, J08A, J08B, J08C, J11A, J11B, J16Z		17	R01A, R01B, R01C, R01D, R02Z, R12A, R12B, R12C	21A	W04A, W04B	
	10	K09A, K09B	13a11.2		BOP, KVT, UOP4	21B	X05A, X05B, X06A, X06B, X06C	
12x60±	05	F49A, F49D		17	R01A, R01B, R01C, R01D, R02Z, R12A, R12B, R12C	13a30.3↔	01	B03A, B03B, B06A, B06B, B17A, B17B, B17C
12x61±	05	F49A, F49D, F49F	13a11.3		BOP, KVT, UOP4	08	I28A, I28B	
12x62±	05	F49A, F49D, F49F		17	R01A, R01B, R01C, R01D, R02Z, R12A, R12B, R12C	21A	W04A, W04B	
13a10.0		BOP, KVT, UOP4	13a11.4		BOP, KVT, UOP4	21B	X05A, X05B, X06A, X06B, X06C	
13a10.1		BOP, KVT, UOP4		17	R01A, R01B, R01C, R01D, R02Z, R12A, R12B, R12C	13a30.4↔	01	B03A, B03B, B06A, B06B, B17A, B17B, B17C
13a10.2		BOP, KVT, UOP4	13a11.5		BOP, KVT, UOP4	08	I28A, I28B	
13a10.3		BOP, KVT, UOP4		02	C01A, C01B, C14Z, C16Z	21A	W04A, W04B	
13a10.4		BOP, KVT, UOP4		05	F01A, F01B, F01D, F05Z, F07A, F07B, F14A, F14B, F28A, F42Z, F54Z, F59A, F59B	21B	X05A, X05B, X06A, X06B, X06C	
13a10.5		BOP, KVT, UOP4		08	I28A, I28B	13a30.5	01	B03A, B03B, B06A, B06B, B17A, B17B, B17C
	01	B03A, B03B, B06A, B06B, B17A, B17B, B17C		10	K09A, K09B	03	D12A, D12B	
	02	C01A, C01B, C14Z, C16Z	13a11.6		BOP, KVT, UOP4	08	I28A, I28B	
	05	F01A, F01B, F01D, F05Z, F07A, F07B, F14A, F14B, F28A, F42Z, F54Z, F59A, F59B		17	R01A, R01B, R01C, R01D, R02Z, R12A, R12B, R12C	21A	W04A, W04B	
	08	I28A, I28B		17	R01A, R01B, R01C, R01D, R02Z, R12A, R12B, R12C	21B	X06A, X06B, X06C	
	10	K09A, K09B	13a11.x		BOP, KVT, UOP4	13a30.6↔	01	B03A, B03B, B06A, B06B, B17A, B17B, B17C
13a10.6		BOP, KVT, UOP4		17	R01A, R01B, R01C, R01D, R02Z, R12A, R12B, R12C	08	I28A, I28B	
13a10.7		BOP, KVT, UOP4	13a20.0		BOP, KVT, UOP4	21A	W04A, W04B	
	03	D12A, D12B		01	B03A, B03B, B18Z	21B	X04Z, X06A, X06B, X06C	
	04	E02A, E02B, E02C		08	I10A, I10B, I10C, I10D, I10E	13a30.7↔	01	B03A, B03B, B06A, B06B, B17A, B17B, B17C
	08	I23A		17	R01A, R01B, R01C, R01D, R02Z, R12A, R12B, R12C	08	I28A, I28B	
	09	J03A, J03B, J04A, J04B, J08A, J08B, J08C, J11A, J11B, J16Z	13a20.1		BOP, KVT, UOP4	21A	W04A, W04B	
	10	K09A, K09B		01	B03A, B03B, B18Z	21B	X04Z, X06A, X06B, X06C	
	11	L09A, L09B, L09C, L09D, L38Z		08	I10A, I10B, I10C, I10D, I10E	13a30.8↔	01	B03A, B03B, B06A, B06B, B17A, B17B, B17C
	12	M06Z, M09A, M09B, M38Z		17	R01A, R01B, R01C, R01D, R02Z, R12A, R12B, R12C	08	I28A, I28B	
	21A	W04A, W04B	13a20.2		BOP, KVT, UOP4	21A	W04A, W04B	
	21B	X04Z, X05A, X05B, X06A, X06B, X06C		01	B03A, B03B, B18Z	21B	X04Z, X06A, X06B, X06C	
13a10.8		BOP, KVT, UOP4	13a20.3		BOP, KVT, UOP4	13a30.9↔	01	B03A, B03B, B06A, B06B, B17A, B17B, B17C
	03	D12A, D12B		08	I10A, I10B, I10C, I10D, I10E	08	I28A, I28B	
	04	E02A, E02B, E02C		17	R01A, R01B, R01C, R01D, R02Z, R12A, R12B, R12C	21A	W04A, W04B	
	08	I15A, I15B	13a20.x		BOP, KVT, UOP4	21B	X04Z, X06A, X06B, X06C	
	09	J03A, J03B, J04A, J04B, J08A, J08B, J08C, J11A, J11B, J16Z		01	B03A, B03B, B18Z	13a30.x↔	01	B03A, B03B, B06A, B06B, B17A, B17B, B17C
	10	K09A, K09B		08	I10A, I10B, I10C, I10D, I10E	08	I28A, I28B	
	11	L09A, L09B, L09C, L09D, L38Z		17	R01A, R01B, R01C, R01D, R02Z, R12A, R12B, R12C	21A	W04A, W04B	
	12	M06Z, M09A, M09B, M38Z	13a20.0↔		BOP, KVT, UOP4	21B	X06A, X06B, X06C	
	21A	W04A, W04B		01	B03A, B03B, B06A, B06B, B17A, B17B, B17C	10	K06A, K06B, K06C, K06D	
	21B	X04Z, X05A, X05B, X06A, X06B, X06C		03	D12A, D12B	13b01↔	08	I28A, I28B
13a10.9		BOP, KVT, UOP4		08	I28A, I28B	10	K06A, K06B, K06C, K06D	
	03	D12A, D12B	13a30.1↔		BOP, KVT, UOP4	13b02↔	10	K03A, K03B, K14Z
	04	E02A, E02B, E02C		01	B03A, B03B, B06A, B06B, B17A, B17B, B17C	13b10.0		BOP, KVT, UOP4
	08	I17Z		03	D12A, D12B	01	B02A, B02B, B02C, B20A, B20B, B20C, B20D, B20E, B39A, B39B	
	09	J03A, J03B, J04A, J04B, J08A, J08B, J08C, J11A, J11B, J16Z		08	I28A, I28B	10	K03A, K03B	
	10	K09A, K09B		21A	W04A, W04B	13b10.1		BOP, KVT, UOP4
	11	L09A, L09B, L09C, L09D, L38Z		21B	X06A, X06B, X06C	01	B02A, B02B, B02C, B20A, B20B, B20C, B20D, B20E, B39A, B39B	
	12	M06Z, M09A, M09B, M38Z		01	B03A, B03B, B06A, B06B, B17A, B17B, B17C	10	K03A, K03B	
	21A	W04A, W04B		03	D12A, D12B			
	21B	X04Z, X05A, X05B, X06A, X06B, X06C		08	I28A, I28B			
13a10.x		BOP, KVT, UOP4		21A	W04A, W04B			
				21B	X05A, X05B, X06A, X06B, X06C			

VYK

ZZV	MDC	DRG	ZZV	MDC	DRG	ZZV	MDC	DRG
13b20.0		BOP, KVT, UOP4	13d41	03	D08A, D08B, D18Z, D22A, D22B, D30A, D30B	13k01		BOP, KVT, UOP4
	01	B02A, B02B, B02C, B20A, B20B, B20C, B20D, B20E, B39A, B39B		09	J03A, J03B, J04A, J04B, J08A, J08B, J08C, J11A, J11B, J16Z		04	E06A, E06B, E06C, E08A, E08B, E08C
	10	K03A, K03B					05	F01A, F01B, F01D, F05Z, F07A, F07B, F09A, F09B, F09C, F42Z
	17	R01A, R01B, R01C, R01D, R02Z, R12A, R12B, R12C	13d42	03	D08A, D08B, D18Z, D22A, D22B, D30A, D30B		17	R01A, R01B, R01C, R01D, R02Z, R12A, R12B, R12C
13b20.1		BOP, KVT, UOP4		09	J03A, J03B, J04A, J04B, J08A, J08B, J08C, J11A, J11B, J16Z	13k02.0↔		B03A, B03B, B06A, B06B, B17A, B17B, B17C
	01	B02A, B02B, B02C, B20A, B20B, B20C, B20D, B20E, B39A, B39B					02	C01A, C01B, C14Z, C16Z
	10	K03A, K03B	13h10.0	03	D09Z, D30A, D30B		05	F01A, F01B, F01D, F05Z, F07A, F07B, F42Z, F54Z, F59A, F59B
	17	R01A, R01B, R01C, R01D, R02Z, R12A, R12B, R12C	13h10.1	03	D09Z, D30A, D30B		08	I28A, I28B
13c00↔	02	C01A, C01B, C14Z, C16Z		04	E02A, E02B, E02C		10	K09A, K09B
	21A	W04A, W04B	13h10.2	03	D09Z, D30A, D30B	13k02.1↔		B03A, B03B, B06A, B06B, B17A, B17B, B17C
	21B	X06A, X06B, X06C		04	E02A, E02B, E02C		01	F01A, F01B, F01D, F05Z, F07A, F07B, F42Z, F54Z, F59A, F59B
13c01↔	02	C01A, C01B, C13Z, C16Z	13h10.x	03	D09Z, D30A, D30B		05	F01A, F01B, F01D, F05Z, F07A, F07B, F42Z, F54Z, F59A, F59B
	21A	W04A, W04B		04	E02A, E02B, E02C		08	I28A, I28B
	21B	X06A, X06B, X06C	13h20.0	03	D08A, D08B, D18Z, D22A, D22B, D30A, D30B		10	K09A, K09B
13c10↔	02	C01A, C01B, C13Z, C16Z		09	J03A, J03B, J04A, J04B, J08A, J08B, J08C, J11A, J11B, J16Z	13k02.2		B03A, B03B, B06A, B06B, B17A, B17B, B17C
	03	D09Z, D30A, D30B					05	F01A, F01B, F01D, F05Z, F07A, F07B, F42Z, F54Z, F59A, F59B
	21A	W04A, W04B	13h21	03	D12A, D12B		08	I28A, I28B
	21B	X06A, X06B, X06C		09	J03A, J03B, J04A, J04B, J08A, J08B, J08C, J11A, J11B, J16Z		10	K09A, K09B
13c11↔		BOP, KVT, UOP4				13k02.3		B03A, B03B, B06A, B06B, B17A, B17B, B17C
	02	C01A, C01B, C07A, C07B, C16Z	13h22	03	D12A, D12B, D39Z		05	F01A, F01B, F01D, F05Z, F07A, F07B, F42Z, F54Z, F59A, F59B
	21A	W04A, W04B		09	J03A, J03B, J04A, J04B, J08A, J08B, J08C, J11A, J11B, J16Z		08	I28A, I28B
	21B	X06A, X06B, X06C	13j00		BOP, KVT, UOP4		10	K09A, K09B
13c12↔		BOP, KVT, UOP4		04	E06A, E06B, E06C, E08A, E08B, E08C	13k02.4		B03A, B03B, B06A, B06B, B17A, B17B, B17C
	02	C01A, C01B, C15Z, C16Z		17	R01A, R01B, R01C, R01D, R02Z, R12A, R12B, R12C		05	F01A, F01B, F01D, F05Z, F07A, F07B, F42Z, F54Z, F59A, F59B
	21A	W04A, W04B		21A	W04A, W04B		08	I28A, I28B
	21B	X06A, X06B, X06C		21B	X06A, X06B, X06C		10	K09A, K09B
13c13↔		BOP, KVT, UOP4	13j01		BOP, KVT, UOP4	13k02.5↔		B03A, B03B, B06A, B06B, B17A, B17B, B17C
	02	C01A, C01B, C14Z, C16Z		04	E02A, E02B, E02C		05	F01A, F01B, F01D, F05Z, F07A, F07B, F42Z, F54Z, F59A, F59B
	21A	W04A, W04B		05	F21A, F21B, F21C		08	I28A, I28B
	21B	X06A, X06B, X06C		10	K09A, K09B		10	K09A, K09B
13c14↔		BOP, KVT, UOP4		17	R01A, R01B, R01C, R01D, R02Z, R12A, R12B, R12C	13k02.6↔		B03A, B03B, B06A, B06B, B17A, B17B, B17C
	02	C01A, C01B, C16Z, C20A, C20B	13j02↔		BOP, KVT, UOP4		05	F01A, F01B, F01D, F05Z, F07A, F07B, F42Z, F54Z, F59A, F59B
	21A	W04A, W04B		04	E06A, E06B, E06C, E08A, E08B, E08C		08	I28A, I28B
	21B	X06A, X06B, X06C		21A	W04A, W04B		10	K09A, K09B
13c15↔		BOP, KVT, UOP4		21B	X06A, X06B, X06C	13k02.7↔		B03A, B03B, B06A, B06B, B17A, B17B, B17C
	02	C01A, C01B, C15Z, C16Z	13j03↔		BOP, KVT, UOP4		05	F01A, F01B, F01D, F05Z, F07A, F07B, F42Z, F54Z, F59A, F59B
	21A	W04A, W04B		04	E06A, E06B, E06C, E08A, E08B, E08C		08	I28A, I28B
	21B	X06A, X06B, X06C		08	I28A, I28B		10	K09A, K09B
13c16↔		BOP, KVT, UOP4		11	L09A, L09B, L09C, L09D, L38Z		01	B03A, B03B, B06A, B06B, B17A, B17B, B17C
	02	C01A, C01B, C15Z, C16Z		17	R01A, R01B, R01C, R01D, R02Z, R12A, R12B, R12C		05	F01A, F01B, F01D, F05Z, F07A, F07B, F42Z, F54Z, F59A, F59B
	21A	W04A, W04B	13k00		BOP, KVT, UOP4		08	I28A, I28B
	21B	X06A, X06B, X06C		04	E06A, E06B, E06C, E08A, E08B, E08C		10	K09A, K09B
13c17↔		BOP, KVT, UOP4		05	F01A, F01B, F01D, F05Z, F07A, F07B, F09A, F09B, F09C, F42Z			
	02	C01A, C01B, C10A, C10B, C10C, C16Z		17	R01A, R01B, R01C, R01D, R02Z, R12A, R12B, R12C			
13c18↔		BOP, KVT, UOP4						
	02	C01A, C01B, C02A, C02B, C16Z						
	08	I17Z						
	21A	W04A, W04B						
	21B	X06A, X06B, X06C						
13c1x↔		BOP, KVT, UOP4						
	02	C01A, C01B, C14Z, C16Z						
	21A	W04A, W04B						
	21B	X06A, X06B, X06C						
13d21↔		BOP, KVT, UOP4						
	03	D09Z, D30A, D30B						
13d22↔		BOP, KVT, UOP4						
	03	D09Z, D30A, D30B						
13d2x↔		BOP, KVT, UOP4						
	03	D09Z, D30A, D30B						
13d40↔		BOP, KVT, UOP4						
	03	D06A, D06B, D06C						

VYK

ZZV	MDC	DRG	ZZV	MDC	DRG	ZZV	MDC	DRG
13k02.8	01	B03A, B03B, B06A, B06B, B17A, B17B, B17C	13m10.2↔	01	B03A, B03B, B06A, B06B, B17A, B17B, B17C	13m10.6↔	01	B03A, B03B, B06A, B06B, B17A, B17B, B17C
	04	E02A, E02B, E02C		03	D12A, D12B		03	D12A, D12B
	08	I27A, I27B, I27C, I27D		04	E02A, E02B, E02C		04	E02A, E02B, E02C
	09	J03A, J03B, J04A, J04B, J08A, J08B, J08C, J11A, J11B, J16Z		06	G10Z, G12A, G12B, G12C		06	G10Z, G12A, G12B, G12C
13k02.9	10	K09A, K09B	13m10.3	07	H06A, H06B, H06C	13m10.7↔	07	H06A, H06B, H06C
	06	G10Z, G12A, G12B, G12C		08	I28A, I28B		08	I28A, I28B
	09	J03A, J03B, J04A, J04B, J08A, J08B, J08C, J11A, J11B, J16Z		09	J03A, J03B, J04A, J04B, J08A, J08B, J08C, J11A, J11B, J11C, J16Z		09	J03A, J03B, J04A, J04B, J08A, J08B, J08C, J11A, J11B, J16Z
	17	R01A, R01B, R01C, R01D, R02Z, R12A, R12B, R12C		10	K09A, K09B		10	K09A, K09B
13k02.x	21A	W04A, W04B	13m10.4	11	L09A, L09B, L09C, L09D, L38Z	13m10.x↔	11	L09A, L09B, L09C, L09D, L38Z
	21B	X06A, X06B, X06C		12	M06Z, M09A, M09B, M38Z		12	M06Z, M09A, M09B, M38Z
	06	G10Z, G12A, G12B, G12C		13	N11A, N11B		13	N11A, N11B
	09	J03A, J03B, J04A, J04B, J08A, J08B, J08C, J11A, J11B, J16Z		16	Q03A, Q03B		16	Q03A, Q03B
13m00	17	R01A, R01B, R01C, R01D, R02Z, R12A, R12B, R12C	13m10.5↔	01	B03A, B03B, B06A, B06B, B17A, B17B, B17C	13n00.0	01	B03A, B03B, B06A, B06B, B17A, B17B, B17C
	21A	W04A, W04B		03	D12A, D12B		03	D12A, D12B
	21B	X06A, X06B, X06C		04	E02A, E02B, E02C		04	E02A, E02B, E02C
	04	E06A, E06B, E06C, E08A, E08B, E08C		06	G10Z, G12A, G12B, G12C		06	G10Z, G12A, G12B, G12C
13m01	10	K09A, K09B	13m10.6↔	07	H06A, H06B, H06C	13m10.7↔	07	H06A, H06B, H06C
	17	R01A, R01B, R01C, R01D, R02Z, R12A, R12B, R12C		08	I28A, I28B		08	I28A, I28B
	16	Q01Z		09	J03A, J03B, J04A, J04B, J08A, J08B, J08C, J11A, J11B, J16Z		09	J03A, J03B, J04A, J04B, J08A, J08B, J08C, J11A, J11B, J16Z
	17	R01A, R01B, R01C, R01D, R02Z, R12A, R12B, R12C		10	K09A, K09B		10	K09A, K09B
13m10.0↔	01	B03A, B03B, B06A, B06B, B17A, B17B, B17C	13m10.7↔	11	L09A, L09B, L09C, L09D, L38Z	13m10.x↔	11	L09A, L09B, L09C, L09D, L38Z
	03	D12A, D12B		12	M06Z, M09A, M09B, M38Z		12	M06Z, M09A, M09B, M38Z
	04	E02A, E02B, E02C		13	N11A, N11B		13	N11A, N11B
	06	G10Z, G12A, G12B, G12C		16	Q03A, Q03B		16	Q03A, Q03B
13m10.1↔	07	H06A, H06B, H06C	13m10.8↔	01	B03A, B03B, B06A, B06B, B17A, B17B, B17C	13n00.0	01	B03A, B03B, B06A, B06B, B17A, B17B, B17C
	08	I28A, I28B		03	D12A, D12B		03	D12A, D12B
	09	J03A, J03B, J04A, J04B, J08A, J08B, J08C, J11A, J11B, J16Z		04	E02A, E02B, E02C		04	E02A, E02B, E02C
	10	K09A, K09B		06	G10Z, G12A, G12B, G12C		06	G10Z, G12A, G12B, G12C
13m10.2↔	11	L09A, L09B, L09C, L09D, L38Z	13m10.9↔	07	H06A, H06B, H06C	13n00.0	07	H12A, H12B
	12	M06Z, M09A, M09B, M38Z		08	I28A, I28B		08	I28A, I28B
	13	N11A, N11B		09	J03A, J03B, J04A, J04B, J08A, J08B, J08C, J11A, J11B, J16Z		09	J03A, J03B, J04A, J04B, J08A, J08B, J08C, J11A, J11B, J16Z
	16	Q03A, Q03B		10	K09A, K09B		10	K09A, K09B
13m10.3↔	01	B03A, B03B, B06A, B06B, B17A, B17B, B17C	13m10.0↔	11	L09A, L09B, L09C, L09D, L38Z	13n00.0	11	L09A, L09B, L09C, L09D, L38Z
	03	D12A, D12B		12	M06Z, M09A, M09B, M38Z		12	M06Z, M09A, M09B, M38Z
	04	E02A, E02B, E02C		13	N11A, N11B		13	N11A, N11B
	06	G10Z, G12A, G12B, G12C		17	R01A, R01B, R01C, R01D, R02Z, R12A, R12B, R12C		17	R01A, R01B, R01C, R01D, R02Z, R12A, R12B, R12C
13m10.4↔	07	H06A, H06B, H06C	13m10.1↔	08	I28A, I28B	13n00.0	21A	W04A, W04B
	08	I28A, I28B		09	J03A, J03B, J04A, J04B, J08A, J08B, J08C, J11A, J11B, J16Z		21B	X06A, X06B, X06C
	09	J03A, J03B, J04A, J04B, J08A, J08B, J08C, J11A, J11B, J16Z		10	K09A, K09B			
	10	K09A, K09B		11	L09A, L09B, L09C, L09D, L38Z			
13m10.5↔	11	L09A, L09B, L09C, L09D, L38Z	13m10.2↔	12	M06Z, M09A, M09B, M38Z			
	12	M06Z, M09A, M09B, M38Z		13	N11A, N11B			
	13	N11A, N11B		16	Q03A, Q03B			
	16	Q03A, Q03B						

VYK

ZZV	MDC	DRG	ZZV	MDC	DRG	ZZV	MDC	DRG	
13n00.1		BOP, KVT, UOP4	13n09.2		BOP, KVT, UOP4	13n09.5		BOP, KVT, UOP4	
	03	D12A, D12B		05	F21A, F21B, F21C		05	F21A, F21B, F21C	
	04	E02A, E02B, E02C		06	G10Z, G12A, G12B, G12C		06	G10Z, G12A, G12B, G12C	
	06	G10Z, G12A, G12B, G12C		07	H12A, H12B		07	H12A, H12B	
	07	H12A, H12B		09	J03A, J03B, J04A, J04B, J08A, J08B, J08C, J11A, J11B, J16Z		09	J03A, J03B, J04A, J04B, J08A, J08B, J08C, J11A, J11B, J16Z	
	08	I28A, I28B		10	K09A, K09B		10	K09A, K09B	
	09	J03A, J03B, J04A, J04B, J08A, J08B, J08C, J11A, J11B, J16Z		11	L09A, L09B, L09C, L09D, L38Z		11	L09A, L09B, L09C, L09D, L38Z	
	10	K09A, K09B		12	M01A, M01B, M09A, M38Z		12	M01A, M01B, M09A, M38Z	
	11	L09A, L09B, L09C, L09D, L38Z		13	N01A, N01B, N01C, N01D, N01E, N02A, N02B, N02C, N03A, N03B, N07Z, N25Z, N38Z		13	N11A, N11B	
	12	M06Z, M09A, M09B, M38Z		14	962Z, O02A, O02B		14	962Z, O02A, O02B	
	13	N11A, N11B		17	R01A, R01B, R01C, R01D, R02Z, R12A, R12B, R12C		17	R01A, R01B, R01C, R01D, R02Z, R12A, R12B, R12C	
	17	R01A, R01B, R01C, R01D, R02Z, R12A, R12B, R12C		21A	W04A, W04B		21A	W04A, W04B	
	21A	W04A, W04B		21B	X06A, X06B, X06C		21B	X06A, X06B, X06C	
	21B	X06A, X06B, X06C		22	Y01Z, Y03A, Y03B		22	Y01Z, Y03A, Y03B	
13n01.0		BOP, KVT, UOP4	13n09.3		BOP, KVT, UOP4	13n09.x		BOP, KVT, UOP4	
	06	G10Z, G12A, G12B, G12C		05	F21A, F21B, F21C		05	F21A, F21B, F21C	
	07	H12A, H12B		06	G10Z, G12A, G12B, G12C		06	G10Z, G12A, G12B, G12C	
13n01.1		BOP, KVT, UOP4		07	H12A, H12B		07	H12A, H12B	
	06	G10Z, G12A, G12B, G12C		09	J03A, J03B, J04A, J04B, J08A, J08B, J08C, J11A, J11B, J16Z		09	J03A, J03B, J04A, J04B, J08A, J08B, J08C, J11A, J11B, J16Z	
13n01.3		BOP, KVT, UOP4		10	K09A, K09B		10	K09A, K09B	
	06	G10Z, G12A, G12B, G12C		11	L09A, L09B, L09C, L09D, L38Z		11	L09A, L09B, L09C, L09D, L38Z	
	07	H12A, H12B		12	M01A, M01B, M09A, M38Z		12	M01A, M01B, M09A, M38Z	
	10	K09A, K09B		13	N01A, N01B, N01C, N01D, N01E, N02A, N02B, N02C, N03A, N03B, N07Z, N25Z, N38Z		13	N11A, N11B	
	17	R01A, R01B, R01C, R01D, R02Z, R12A, R12B, R12C		14	962Z, O02A, O02B		14	962Z, O02A, O02B	
	21A	W04A, W04B		17	R01A, R01B, R01C, R01D, R02Z, R12A, R12B, R12C		17	R01A, R01B, R01C, R01D, R02Z, R12A, R12B, R12C	
	21B	X06A, X06B, X06C		21A	W04A, W04B		21A	W04A, W04B	
13n05		BOP, KVT, UOP4		21B	X06A, X06B, X06C		21B	X06A, X06B, X06C	
	06	G15Z, G19A, G19B, G19C, G38Z		22	Y01Z, Y03A, Y03B		22	Y01Z, Y03A, Y03B	
13n06.0		BOP, KVT, UOP4		14	962Z, O02A, O02B	13n0x		BOP, KVT, UOP4	
	06	G01Z, G04A, G04B, G07A, G07B, G07C, G38Z		17	R01A, R01B, R01C, R01D, R02Z, R12A, R12B, R12C		16	Q01Z	
13n06.1		BOP, KVT, UOP4		21A	W04A, W04B		17	R01A, R01B, R01C, R01D, R02Z, R12A, R12B, R12C	
	06	G01Z, G04A, G04B, G07A, G07B, G07C, G38Z		21B	X06A, X06B, X06C		22	BOP, KVT, UOP4	
13n06.2		BOP, KVT, UOP4		22	Y01Z, Y03A, Y03B	13o00.0↔		BOP, KVT, UOP4	
	06	G01Z, G04A, G04B, G07A, G07B, G07C, G38Z	13n09.4		BOP, KVT, UOP4		08	I28A, I28B	
13n07.0		BOP, KVT, UOP4		05	F21A, F21B, F21C		10	K03A, K03B	
	06	G13Z, G21A, G21B		06	G10Z, G12A, G12B, G12C		11	L03Z, L04A, L04B, L04C, L10Z, L13A, L13B, L38Z	
13n07.1		BOP, KVT, UOP4		07	H12A, H12B		17	R01A, R01B, R01C, R01D, R02Z, R12A, R12B, R12C	
	06	G13Z, G21A, G21B		09	J03A, J03B, J04A, J04B, J08A, J08B, J08C, J11A, J11B, J16Z	13o00.1↔		BOP, KVT, UOP4	
13n07.2		BOP, KVT, UOP4		10	K09A, K09B		11	L06A, L06B	
	06	G13Z, G21A, G21B		11	L09A, L09B, L09C, L09D, L38Z		12	M06Z, M09A, M09B, M38Z	
13n07.3		BOP, KVT, UOP4		12	M01A, M01B, M09A, M38Z		17	R01A, R01B, R01C, R01D, R02Z, R12A, R12B, R12C	
	06	G13Z, G21A, G21B		13	N01A, N01B, N01C, N01D, N01E, N02A, N02B, N02C, N03A, N03B, N07Z, N25Z, N38Z		21A	W04A, W04B	
13n08.0		BOP, KVT, UOP4		14	962Z, O02A, O02B	13o00.4↔		21B	X06A, X06B, X06C
	06	G01Z, G04A, G04B, G07A, G07B, G07C, G38Z		17	R01A, R01B, R01C, R01D, R02Z, R12A, R12B, R12C		11	L03Z, L04A, L04B, L04C, L10Z, L13A, L13B, L38Z	
13n08.1		BOP, KVT, UOP4		21A	W04A, W04B		17	BOP, KVT, UOP4	
	06	G01Z, G04A, G04B, G07A, G07B, G07C, G38Z		21B	X06A, X06B, X06C	13o00.5↔		BOP, KVT, UOP4	
13n09.0		BOP, KVT, UOP4		22	Y01Z, Y03A, Y03B		11	L06A, L06B	
	03	D12A, D12B					12	M06Z, M09A, M09B, M38Z	
	06	G15Z, G19A, G19B, G38Z					17	R01A, R01B, R01C, R01D, R02Z, R12A, R12B, R12C	
	17	R01A, R01B, R01C, R01D, R02Z, R12A, R12B, R12C					21A	W04A, W04B	
13n09.1		BOP, KVT, UOP4					21B	X06A, X06B, X06C	
	06	G01Z, G04A, G04B, G07A, G07B, G07C, G38Z						BOP, KVT, UOP4	
							11	L06A, L06B	
							12	M06Z, M09A, M09B, M38Z	
							13	N11A, N11B	
							17	R01A, R01B, R01C, R01D, R02Z, R12A, R12B, R12C	

ZZV	MDC	DRG	ZZV	MDC	DRG	ZZV	MDC	DRG
13o00.7		BOP, KVT, UOP4	13q03		BOP, KVT, UOP4	13t10.5↔	01	B03A, B03B, B06A, B06B, B17A, B17B, B17C
	11	L06A, L06B		09	J03A, J03B, J04A, J04B, J08A, J08B, J08C, J11A, J11B, J11C, J16Z		04	E02A, E02B, E02C
	12	M06Z, M09A, M09B, M38Z		13	N09A, N09B		08	I27A, I27B, I27C, I27D
	17	R01A, R01B, R01C, R01D, R02Z, R12A, R12B, R12C		14	962Z, O60A, O60B, O60C, O60D		09	J03A, J03B, J04A, J04B, J08A, J08B, J08C, J11A, J11B, J16Z
	21A	W04A, W04B					10	K09A, K09B
	21B	X06A, X06B, X06C	13q04		BOP, KVT, UOP4	13t10.6↔	01	B03A, B03B, B06A, B06B, B17A, B17B, B17C
13o00.x		BOP, KVT, UOP4		09	J03A, J03B, J04A, J04B, J08A, J08B, J08C, J11A, J11B, J16Z		04	E02A, E02B, E02C
	11	L06A, L06B		13	N09A, N09B		08	I27A, I27B, I27C, I27D
	12	M06Z, M09A, M09B, M38Z		14	962Z, O60A, O60B, O60C, O60D		09	J03A, J03B, J04A, J04B, J08A, J08B, J08C, J11A, J11B, J16Z
	13	N11A, N11B					10	K09A, K09B
	17	R01A, R01B, R01C, R01D, R02Z, R12A, R12B, R12C	13q05		BOP, KVT, UOP4	13t10.7↔	01	B03A, B03B, B06A, B06B, B17A, B17B, B17C
13p00.0		BOP, KVT, UOP4		13	N01A, N01B, N01C, N01D, N01E, N02A, N02B, N02C, N03A, N03B, N07Z, N25Z, N38Z		04	E02A, E02B, E02C
	11	L18A, L18B, L19Z, L20A, L20B, L20C, L38Z					08	I27A, I27B, I27C, I27D
	12	M06Z, M09A, M09B, M38Z	13q0x		BOP, KVT, UOP4		09	J03A, J03B, J04A, J04B, J08A, J08B, J08C, J11A, J11B, J16Z
13p00.1		BOP, KVT, UOP4		13	N01A, N01B, N01C, N01D, N01E, N02A, N02B, N02C, N03A, N03B, N07Z, N25Z, N38Z		10	K09A, K09B
	11	L18A, L18B, L19Z, L20A, L20B, L20C, L38Z				13t10.x↔	01	B03A, B03B, B06A, B06B, B17A, B17B, B17C
	12	M06Z, M09A, M09B, M38Z					04	E02A, E02B, E02C
13p01.0		BOP, KVT, UOP4					08	I27A, I27B, I27C, I27D
	09	J03A, J03B, J04A, J04B, J08A, J08B, J08C, J11A, J11B, J16Z	13t10.0		B03A, B03B, B06A, B06B, B17A, B17B, B17C		09	J03A, J03B, J04A, J04B, J08A, J08B, J08C, J11A, J11B, J16Z
	12	M03A, M03B, M03C, M38Z		04	E02A, E02B, E02C		10	K09A, K09B
13p01.1		BOP, KVT, UOP4		08	I27A, I27B, I27C, I27D		01	B03A, B03B, B06A, B06B, B17A, B17B, B17C
	09	J03A, J03B, J04A, J04B, J08A, J08B, J08C, J11A, J11B, J16Z		09	J03A, J03B, J04A, J04B, J08A, J08B, J08C, J11A, J11B, J16Z		04	E02A, E02B, E02C
	12	M03A, M03B, M03C, M38Z		10	K09A, K09B		08	I27A, I27B, I27C, I27D
13p02.0↔		BOP, KVT, UOP4		01	B03A, B03B, B06A, B06B, B17A, B17B, B17C	13t20.0	09	J03A, J03B, J04A, J04B, J08A, J08B, J08C, J11A, J11B, J16Z
	10	K09A, K09B	13t10.1↔		E02A, E02B, E02C		10	K09A, K09B
	12	M04A, M04B, M04C, M04D, M37Z, M38Z		04	E02A, E02B, E02C		01	B17A, B17B, B17C
13p02.3↔		BOP, KVT, UOP4		08	I27A, I27B, I27C, I27D		03	D12A, D12B
	12	M06Z, M09A, M09B, M38Z		09	J03A, J03B, J04A, J04B, J08A, J08B, J08C, J11A, J11B, J16Z		04	E02A, E02B, E02C
13q00.0↔		BOP, KVT, UOP4		09	J03A, J03B, J04A, J04B, J08A, J08B, J08C, J11A, J11B, J16Z		08	I12A, I12B, I12C, I28A, I28B, I28C
	10	K09A, K09B		10	K09A, K09B		09	J03A, J03B, J04A, J04B, J08A, J08B, J08C, J11A, J11B, J16Z
	13	N01A, N01B, N01C, N01D, N01E, N02A, N02B, N02C, N03A, N03B, N07Z, N25Z, N38Z	13t10.2↔		B03A, B03B, B06A, B06B, B17A, B17B, B17C		10	K09A, K09B
13q00.1↔		BOP, KVT, UOP4		04	E02A, E02B, E02C		11	L09A, L09B, L09C, L09D, L38Z
	13	N01A, N01B, N01C, N01D, N01E, N02A, N02B, N02C, N03A, N03B, N07Z, N25Z, N38Z		08	I27A, I27B, I27C, I27D		12	M06Z, M09A, M09B, M38Z
				09	J03A, J03B, J04A, J04B, J08A, J08B, J08C, J11A, J11B, J16Z		16	Q03A, Q03B
13q01.0↔		BOP, KVT, UOP4		09	J03A, J03B, J04A, J04B, J08A, J08B, J08C, J11A, J11B, J16Z		21A	W04A, W04B
	13	N01A, N01B, N01C, N01D, N01E, N02A, N02B, N02C, N03A, N03B, N07Z, N25Z, N38Z	13t10.3↔		B03A, B03B, B06A, B06B, B17A, B17B, B17C	13t20.1↔	21B	X06A, X06B, X06C
				04	E02A, E02B, E02C		01	B17A, B17B, B17C
				08	I27A, I27B, I27C, I27D		03	D12A, D12B
13q01.1		BOP, KVT, UOP4		09	J03A, J03B, J04A, J04B, J08A, J08B, J08C, J11A, J11B, J16Z		04	E02A, E02B, E02C
	13	N01A, N01B, N01C, N01D, N01E, N02A, N02B, N02C, N03A, N03B, N07Z, N25Z, N38Z		10	K09A, K09B		08	I12A, I12B, I12C, I13A, I13B, I13C, I13D, I13E
				01	B03A, B03B, B06A, B06B, B17A, B17B, B17C		09	J03A, J03B, J04A, J04B, J08A, J08B, J08C, J11A, J11B, J16Z
13q01.2		BOP, KVT, UOP4		04	E02A, E02B, E02C		10	K09A, K09B
	09	J03A, J03B, J04A, J04B, J08A, J08B, J08C, J11A, J11B, J16Z	13t10.4		B03A, B03B, B06A, B06B, B17A, B17B, B17C		11	L09A, L09B, L09C, L09D, L38Z
	13	N09A, N09B		08	I27A, I27B, I27C, I27D		12	M06Z, M09A, M09B, M38Z
	14	962Z, O02A, O02B		09	J03A, J03B, J04A, J04B, J08A, J08B, J08C, J11A, J11B, J16Z		16	Q03A, Q03B
13q02		BOP, KVT, UOP4		10	K09A, K09B		21A	W04A, W04B
	09	J03A, J03B, J04A, J04B, J08A, J08B, J08C, J11A, J11B, J16Z				21B	X06A, X06B, X06C	
	13	N09A, N09B						
	14	962Z, O60A, O60B, O60C, O60D						

VYK

ZZV	MDC	DRG	ZZV	MDC	DRG	ZZV	MDC	DRG			
13t20.2↔	01	B17A, B17B, B17C	13t20.6↔	01	B17A, B17B, B17C	13t30.4↔	03	D12A, D12B			
	03	D12A, D12B		03	D12A, D12B		04	E02A, E02B, E02C			
	04	E02A, E02B, E02C		04	E02A, E02B, E02C		08	I12A, I12B, I12C, I27A, I27B, I27C, I27D			
	08	I12A, I12B, I12C, I18A, I24Z		08	I08A, I08B, I08C, I08D, I08E, I08F		21A	W04A, W04B			
	09	J03A, J03B, J04A, J04B, J08A, J08B, J08C, J11A, J11B, J16Z		09	J03A, J03B, J04A, J04B, J08A, J08B, J08C, J11A, J11B, J16Z		21B	X06A, X06B, X06C			
	10	K09A, K09B		10	K09A, K09B		13t30.5↔	03	D12A, D12B		
	11	L09A, L09B, L09C, L09D, L38Z		11	L09A, L09B, L09C, L09D, L38Z			04	E02A, E02B, E02C		
	12	M06Z, M09A, M09B, M38Z		12	M06Z, M09A, M09B, M38Z		08	I08A, I08B, I08C, I08D, I08E, I08F, I10A, I10B, I10C, I10D, I10E			
	16	Q03A, Q03B		16	Q03A, Q03B		21A	W04A, W04B			
	21A	W04A, W04B		21A	W04A, W04B		21B	X04Z, X06A, X06B, X06C			
	21B	X05A, X05B, X06A, X06B, X06C		21B	X04Z, X06A, X06B, X06C		13t30.6↔	08	I08A, I08B, I08C, I08D, I08E, I08F		
								21A	W01A, W01B, W01C, W02A, W02B		
	13t20.3↔	01		B17A, B17B, B17C	13t20.7↔		01	B17A, B17B, B17C	13t30.7↔	03	D12A, D12B
		03		D12A, D12B			03	D12A, D12B		04	E02A, E02B, E02C
04		E02A, E02B, E02C	04	E02A, E02B, E02C		08	I12A, I12B, I12C, I24Z				
08		I12A, I12B, I12C, I32A, I32B, I32C, I32D, I32E, I32F	08	I12A, I12B, I12C, I13A, I13B, I13C, I13D, I13E, I18A		21A	W04A, W04B				
09		J03A, J03B, J04A, J04B, J08A, J08B, J08C, J11A, J11B, J16Z	09	J03A, J03B, J04A, J04B, J08A, J08B, J08C, J11A, J11B, J16Z		21B	X04Z, X06A, X06B, X06C				
10		K09A, K09B	10	K09A, K09B		13t30.8↔	03	D12A, D12B			
11		L09A, L09B, L09C, L09D, L38Z	11	L09A, L09B, L09C, L09D, L38Z			04	E02A, E02B, E02C			
12		M06Z, M09A, M09B, M38Z	12	M06Z, M09A, M09B, M38Z		08	I12A, I12B, I12C, I13A, I13B, I13C, I13D				
16		Q03A, Q03B	16	Q03A, Q03B		21A	W04A, W04B				
21A		W04A, W04B	21A	W04A, W04B		21B	X04Z, X06A, X06B, X06C				
21B		X04Z, X06A, X06B, X06C	21B	X04Z, X06A, X06B, X06C		13t30.9↔	03	D12A, D12B			
							04	E02A, E02B, E02C			
13t20.4		01	B17A, B17B, B17C	13t20.8↔		01	B17A, B17B, B17C	13t30.a↔		08	I12A, I12B, I12C
		03	D12A, D12B			03	D12A, D12B			21A	W04A, W04B
	04	E02A, E02B, E02C	04		E02A, E02B, E02C	21B	X04Z, X06A, X06B, X06C				
	08	I08A, I08B, I08C, I08D, I08E, I08F, I10A, I10B, I10C, I10D, I10E	08		I12A, I12B, I12C	03	D12A, D12B				
	09	J03A, J03B, J04A, J04B, J08A, J08B, J08C, J11A, J11B, J16Z	09		J03A, J03B, J04A, J04B, J08A, J08B, J08C, J11A, J11B, J16Z	04	E02A, E02B, E02C				
	10	K09A, K09B	10		K09A, K09B	08	I32A, I32B, I32C, I32D, I32E, I32F				
	11	L09A, L09B, L09C, L09D, L38Z	11		L09A, L09B, L09C, L09D, L38Z	21A	W04A, W04B				
	12	M06Z, M09A, M09B, M38Z	12		M06Z, M09A, M09B, M38Z	21B	X05A, X05B, X06A, X06B, X06C				
	16	Q03A, Q03B	16		Q03A, Q03B	13t30.b	01		B03A, B03B, B06A, B06B, B17A, B17B, B17C		
	21A	W04A, W04B	21A		W04A, W04B		04		E02A, E02B, E02C		
	21B	X04Z, X06A, X06B, X06C	21B		X04Z, X06A, X06B, X06C	08	I27A, I27B, I27C, I27D				
	13t20.5	01	B17A, B17B, B17C		13t30.0↔	03	D12A, D12B		13t30.a↔	09	J03A, J03B, J04A, J04B, J08A, J08B, J08C, J11A, J11B, J16Z
		03	D12A, D12B			04	E02A, E02B, E02C			10	K09A, K09B
		04	E02A, E02B, E02C			08	I17Z			03	D12A, D12B
08		I08A, I08B, I08C, I08D, I08E, I08F, I12A, I12B, I12C	21A	W04A, W04B		04	E02A, E02B, E02C				
09		J03A, J03B, J04A, J04B, J08A, J08B, J08C, J11A, J11B, J16Z	21B	X06A, X06B, X06C		08	I32A, I32B, I32C, I32D, I32E, I32F				
10		K09A, K09B	03	D12A, D12B		21A	W04A, W04B				
11		L09A, L09B, L09C, L09D, L38Z	04	E02A, E02B, E02C		21B	X05A, X05B, X06A, X06B, X06C				
12		M06Z, M09A, M09B, M38Z	08	I12A, I12B, I12C, I16Z, I27A, I27B, I27C, I27D		13t30.c↔	03	D12A, D12B			
16		Q03A, Q03B	21A	W04A, W04B			04	E02A, E02B, E02C			
21A		W04A, W04B	21B	X06A, X06B, X06C		08	I32A, I32B, I32C, I32D, I32E, I32F				
21B		X04Z, X06A, X06B, X06C	03	D12A, D12B		21A	W04A, W04B				
			04	E02A, E02B, E02C		21B	X06A, X06B, X06C				
			08	I08A, I08B, I08C, I08D, I08E, I08F, I12A, I12B, I12C, I21Z, I31Z		13t30.x↔	03	D12A, D12B			
			21A	W04A, W04B			04	E02A, E02B, E02C			
		21B	X06A, X06B, X06C	08	I12A, I12B, I12C, I27A, I27B, I27C, I27D						
		03	D12A, D12B	21A	W04A, W04B						
		04	E02A, E02B, E02C	21B	X06A, X06B, X06C						
		08	I12A, I12B, I12C, I21Z, I31Z, I32A, I32B, I32C, I32D, I32E, I32F								
		21A	W04A, W04B								
		21B	X05A, X05B, X06A, X06B, X06C								



ZZV	MDC	DRG	ZZV	MDC	DRG	ZZV	MDC	DRG	
13x01		BOP, KVT, UOP4	14n14.4‡	07	H41A, H41B, H41C	14q0a	13	N11A, N11B	
	01	B03A, B03B, B06A, B06B, B17A, B17B, B17C	14n14.5‡	07	H41A, H41B, H41C		14	962Z, O02A, O02B	
	04	E02A, E02B, E02C	14n14.6‡	07	H41A, H41B, H41C		21B	X06A, X06B, X06C	
	08	I27A, I27B, I27C, I27D	14n15.0‡	07	H41A, H41B	14t30.0↔	03	D12A, D12B	
	09	J03A, J03B, J04A, J04B, J08A, J08B, J08C, J11A, J11B, J16Z	14n15.1‡	07	H41A, H41B		08	I24Z	
	10	K09A, K09B	14n20.00‡	07	H41A, H41B		21A	W04A, W04B	
14a30.0		BOP, KVT, UOP4	14n20.01‡	07	H41A, H41B		21B	X06A, X06B, X06C	
	01	B02A, B02B, B02C, B20A, B20B, B20C, B20D, B20E, B39A, B39B	14n21.00‡	06	G40Z, G48A, G48B, G48C	14t30.1↔	08	I24Z	
	17	R01A, R01B, R01C, R01D, R02Z, R12A, R12B, R12C	14n21.01‡	06	G40Z, G48A, G48B, G48C		21A	W04A, W04B	
	21A	W04A, W04B	14n21.02‡	06	G40Z, G48A, G48B, G48C		21B	X06A, X06B, X06C	
	21B	X06A, X06B, X06C	14n21.03‡	06	G40Z, G48A, G48B, G48C	14t30.2↔	08	I24Z	
14a30.1		BOP, KVT, UOP4	14n21.04‡	06	G40Z, G48A, G48B, G48C		21A	W04A, W04B	
	01	B03A, B03B, B18Z	14n21.05‡	06	G40Z, G47Z		21B	X06A, X06B, X06C	
	08	I10A, I10B, I10C, I10D, I10E	14n21.0x‡	06	G40Z, G48A, G48B, G48C	14t30.3↔	08	I32A, I32B, I32C, I32D, I32E, I32F, I32G	
	17	R01A, R01B, R01C, R01D, R02Z, R12A, R12B, R12C	14n21.10‡	06	G40Z, G46A, G46B, G46C, G47Z, G50Z		21A	W04A, W04B	
							21B	X05A, X05B	
	01	B03A, B03B, B18Z	14n21.11‡	06	G40Z, G48A, G48B, G48C	14t30.4↔	08	I24Z	
	08	I10A, I10B, I10C, I10D, I10E	14n21.12‡	06	G40Z, G48A, G48B, G48C		21A	W04A, W04B	
	17	R01A, R01B, R01C, R01D, R02Z, R12A, R12B, R12C	14n21.21‡	06	G40Z, G48A, G48B, G48C		21B	X06A, X06B, X06C	
14a30.x			14n31.0		BOP, KVT, UOP4	14t30.5↔	08	I24Z	
	01	B03A, B03B, B18Z		06	G15Z, G19A, G19B, G38Z		21A	W04A, W04B	
	08	I10A, I10B, I10C, I10D, I10E		07	H12A, H12B		21B	X06A, X06B, X06C	
	17	R01A, R01B, R01C, R01D, R02Z, R12A, R12B, R12C		17	R01A, R01B, R01C, R01D, R02Z, R12A, R12B, R12C	14t30.6↔	08	I24Z	
				21A	W04A, W04B		21A	W04A, W04B	
	02	C01A, C01B, C13Z, C16Z		21B	X06A, X06B, X06C		21B	X04Z	
14c00↔				22	Y01Z, Y03A, Y03B	14t30.7↔	08	I24Z	
	03	D09Z, D30A, D30B			BOP, KVT, UOP4		10	K09A, K09B	
	21A	W04A, W04B	14n31.1		G01Z, G04A, G04B, G07A, G07B, G07C, G38Z		21A	W04A, W04B	
	21B	X06A, X06B, X06C		06	G01Z, G04A, G04B, G07A, G07B, G07C, G38Z		21B	X04Z	
14j02‡				17	R01A, R01B, R01C, R01D, R02Z, R12A, R12B, R12C	14t30.8↔	08	I24Z	
	03	D60A		21A	W04A, W04B		21A	W04A, W04B	
	04	E65A, E71A		21B	X06A, X06B, X06C		21B	X04Z	
14j30.0		BOP, KVT, UOP4		14n31.2	BOP, KVT, UOP4	14t30.9↔	08	I24Z	
	04	E02A, E02B, E02C		06	G01Z, G04A, G04B, G07A, G07B, G07C, G38Z		21A	W04A, W04B	
	21A	W04A, W04B		21A	W04A, W04B		21B	X04Z, X06A, X06B, X06C	
	21B	X06A, X06B, X06C		21B	X06A, X06B, X06C	14t30.a↔	08	I32A, I32B, I32C, I32D, I32E, I32F, I32G	
14j30.1		BOP, KVT, UOP4		14n32.31‡	H41A, H41B, H41C		21A	W04A, W04B	
	03	D12A, D12B		14n32.32	BOP, KVT, UOP4		21B	X05A, X05B, X06A, X06B, X06C	
	04	E02A, E02B, E02C			G01Z, G04A, G04B, G07A, G07B, G07C, G38Z	14t30.c↔	08	I32A, I32B, I32C, I32D, I32E, I32F, I32G	
	21A	W04A, W04B			W04A, W04B		21A	W04A, W04B	
	21B	X06A, X06B, X06C			X06A, X06B, X06C		21B	X05A, X05B, X06A, X06B, X06C	
14j30.2				14n32.x	BOP, KVT, UOP4	14t30.x↔	08	I24Z	
	04	E02A, E02B, E02C			G01Z, G04A, G04B, G07A, G07B, G07C, G38Z		21A	W04A, W04B	
	21A	W04A, W04B			W04A, W04B		21B	X06A, X06B, X06C	
	21B	X06A, X06B, X06C			X06A, X06B, X06C	14v11	06	G10Z, G12A, G12B, G12C	
14j30.3					L42A		07	H12A, H12B	
	03	D12A, D12B		14o01‡	11	L42A, L64A, L74Z		09	J03A, J03B, J04A, J04B, J08A, J08B, J08C, J11A, J11B, J16Z
	04	E02A, E02B, E02C		14o02‡	11	L42A, L64A, L74Z			L09A, L09B, L09C, L09D, L38Z
14n11.01‡				14o03.0‡	11	L42A		11	N25Z
	06	G40Z, G46A, G46B, G46C, G47Z		14o03.1‡	11	L42A		14	962Z, O02A, O02B
14n11.02‡				14o04‡	11	L40Z		21A	W04A, W04B
	06	G40Z, G46A, G46B, G46C, G47Z		14o11.2‡↔	11	L40Z		21B	X06A, X06B, X06C
14n11.0x‡				14o30.2‡	11	L64A, L74Z		22	Y01Z, Y03A, Y03B
	06	G40Z, G46A, G46B, G46C, G47Z		14q04‡	13	N10Z		21A	W04A, W04B
14n11.1‡				14q05	13	N01A, N01B, N01C, N01D, N01E, N02A, N02B, N02C, N03A, N03B, N07Z, N25Z, N38Z		21B	X06A, X06B
	06	G40Z, G46A, G46B, G46C, G47Z					02	C01A, C01B, C14Z, C16Z	
14n11.2‡				14q06	13	N11A, N11B		21A	W04A, W04B
	06	G40Z, G46A, G46B, G46C, G47Z					21B	X06A, X06B, X06C	
14n11.3‡									
	06	G40Z, G46A, G46B, G46C, G47Z							
14n11.40‡									
	06	G40Z, G46A, G46B, G46C, G47Z, G50Z							
14n11.41‡									
	06	G40Z, G46A, G46B, G46C, G47Z, G50Z							
14n11.4x‡									
	06	G40Z, G46A, G46B, G46C, G47Z, G50Z							
14n12.1‡									
	06	G40Z, G46A, G46B, G46C, G47Z, G50Z							
14n12.5‡									
	06	G40Z, G46A, G46B, G46C, G47Z, G50Z							
14n13.1‡									
	06	G40Z, G47Z							
14n13.2‡									
	06	G40Z, G46A, G46B, G46C, G47Z							

ZZV	MDC	DRG	ZZV	MDC	DRG	ZZV	MDC	DRG
31314.3‡	06	G40Z, G46A, G46B, G46C, G47Z, G50Z	35314.1‡	05	F49A, F49D	5a112.d		BOP, KOP, KOPV, KVT, UOP4
31314.4‡	06	G40Z, G46A, G46B, G46C, G47Z, G50Z	35314.3‡	05	F49A, F49D	01		B02A, B02B, B02C, B13Z, B20A, B20B, B20C, B20D, B20E, B39A, B39B
31314.5‡	06	G40Z, G46A, G46B, G46C, G47Z, G50Z	35314.4‡	05	F49A, F49D	02		C01A
31314.6‡	07	H41A, H41B, H41C	35314.5‡	05	F49A, F49D	06		G33Z
31314.7‡	07	H41A, H41B, H41C	35314.6‡	05	F49A, F49D	07		H33Z, H38Z
31314.8‡	06	G40Z, G48A, G48B, G48C	35314.7‡	05	F49A, F49D	11		L33Z
31314.9	06	G10Z, G12A, G12B, G12C	35314.8‡	05	F49A, F49D	17		R01A, R01B, R01C, R01D, R02Z, R12A, R12B, R12C
	07	H12A, H12B	35315.0‡	05	F49A, F49D	21A		W01A, W01B, W01C, W36Z
	09	J03A, J03B, J04A, J04B, J08A, J08B, J08C, J11A, J11B, J16Z	35315.1‡	05	F49A, F49D	21B		X33Z
	11	L09A, L09B, L09C, L09D, L38Z	35315.2‡	05	F49A, F49D	23		Z01A
	13	N08Z	35324‡	05	F49A, F49D	Pre		A07A
	14	962Z, O02A, O02B	35325‡	05	F49A, F49D	5a112.e		BOP, KOP, KOPV, KVT, UOP4
	21A	W04A, W04B	35326.0‡	05	F49A, F49D	01		B02A, B02B, B02C, B13Z, B20A, B20B, B20C, B20D, B20E, B39A, B39B
	21B	X06A, X06B, X06C	35330.1‡	10	K64C	02		C01A
	22	Y01Z, Y03A, Y03B	35330.2‡	23	Z64A	06		G33Z
31317.2‡	11	L42A, L64A, L74Z	5a110	23	Z64A	07		H33Z, H38Z
35128.3‡	10	K64C		01	B02A, B02B, B02C, B20A, B20B, B20C, B20D, B20E, B39A, B39B	11		L33Z
	23	Z64A		02	C01A	17		R01A, R01B, R01C, R01D, R02Z, R12A, R12B, R12C
35128.4‡	10	K64C		06	G33Z	21A		W01A, W01B, W01C, W36Z
	23	Z64A		07	H33Z, H38Z	21B		X33Z
35128.5‡	10	K64C		08	I15A, I15B	23		Z01A
	23	Z64A		11	L33Z	Pre		A07A
35128.6‡	10	K64C		21A	W01A, W01B, W01C, W36Z	5a112.f		BOP, KOP, KOPV, KVT, UOP4
	23	Z64A		21B	X06A, X06B, X06C, X33Z	01		B02A, B02B, B02C, B13Z, B20A, B20B, B20C, B20D, B20E, B39A, B39B
35301.0‡	05	F49A, F49D		23	Z01A	02		C01A
35301.1‡	05	F49A, F49D		Pre	A07A, A09B, A11A, A11B, A13B	06		G33Z
35301.2‡	05	F49A, F49D	5a111		BOP, KOP, KOPV, KVT, UOP4	07		H33Z, H38Z
35302.0‡	05	F49A, F49D		01	B02A, B02B, B02C, B20A, B20B, B20C, B20D, B20E, B39A, B39B	11		L33Z
35302.1‡	05	F49A, F49D		02	C01A	17		R01A, R01B, R01C, R01D, R02Z, R12A, R12B, R12C
35302.2‡	05	F49A, F49D		06	G33Z	21A		W01A, W01B, W01C, W36Z
35303.0‡	05	F49A, F49D		07	H33Z, H38Z	21B		X33Z
35303.1‡	05	F49A, F49D		08	I23A	23		Z01A
35303.2‡	05	F49A, F49D		11	L33Z	Pre		A07A
35304.0‡	05	F49A, F49D		17	R01A, R01B, R01C, R01D, R02Z, R12A, R12B, R12C	5a112.g		BOP, KOP, KOPV, KVT, UOP4
35304.1‡	05	F49A, F49D		21A	W01A, W01B, W01C, W36Z	01		B02A, B02B, B02C, B13Z, B20A, B20B, B20C, B20D, B20E, B39A, B39B
35304.2‡	05	F49A, F49D		21B	X33Z	02		C01A
35305.0‡	05	F49A, F49D		23	Z01A	06		G33Z
35305.1‡	05	F49A, F49D		Pre	A07A	07		H33Z, H38Z
35305.2‡	05	F49A, F49D			BOP, KOP, KOPV, KVT, UOP4	11		L33Z
35306.0‡	05	F49A, F49D				17		R01A, R01B, R01C, R01D, R02Z, R12A, R12B, R12C
35306.1‡	05	F49A, F49D				21A		W01A, W01B, W01C, W36Z
35306.2‡	05	F49A, F49D				21B		X33Z
3530x‡	05	F49A, F49D				23		Z01A
35311.0‡	05	F49A, F49D	5a112.2		BOP, KOP, KOPV, KVT, UOP4	Pre		A07A
35311.1‡	05	F49A, F49D						
35311.2‡	05	F49A, F49D		01	B02A, B02B, B02C, B13Z, B20A, B20B, B20C, B20D, B20E, B39A, B39B			
35311.3‡	05	F49A, F49D		02	C01A			
35311.4‡	05	F49A, F49D		06	G33Z			
35311.5‡	05	F49A, F49D		07	H33Z, H38Z			
35312.0‡	05	F49A, F49D		11	L33Z			
35312.1‡	05	F49A, F49D		17	R01A, R01B, R01C, R01D, R02Z, R12A, R12B, R12C			
35312.2‡	05	F49A, F49D		21A	W01A, W01B, W01C, W36Z			
35312.3‡	05	F49A, F49D		21B	X33Z			
35312.4‡	05	F49A, F49D		23	Z01A			
35312.5‡	05	F49A, F49D		Pre	A07A			
35313.0‡	05	F49A, F49D			BOP, KOP, KOPV, KVT, UOP4			
35313.1‡	05	F49A, F49D						
35313.3‡	05	F49A, F49D						
35313.4‡	05	F49A, F49D						
35313.6‡	05	F49A, F49D						
35313.7‡	05	F49A, F49D						
35313.8‡	05	F49A, F49D						
35314.0‡	05	F49A, F49D						

ZZV	MDC	DRG	ZZV	MDC	DRG	ZZV	MDC	DRG			
5a112.h		BOP, KOP, KOPV, KVT, UOP4	5a113.n		BOP, KOP, KOPV, KVT, UOP4	5a114.m		BOP, KOP, KOPV, KVT, UOP4			
	01	B02A, B02B, B02C, B13Z, B20A, B20B, B20C, B20D, B20E, B39A, B39B		01	B02A, B02B, B02C, B13Z, B20A, B20B, B20C, B20D, B20E, B39A, B39B		01	B02A, B02B, B02C, B13Z, B20A, B20B, B20C, B20D, B20E, B39A, B39B			
	02	C01A		02	C01A		02	C01A			
	06	G33Z		03	D18Z, D25A, D25B, D25C, D25D		03	D18Z, D25A, D25B, D25C, D25D			
	07	H33Z, H38Z		06	G33Z		06	G33Z			
	11	L33Z		07	H33Z, H38Z		07	H33Z, H38Z			
	17	R01A, R01B, R01C, R01D, R02Z, R12A, R12B, R12C		09	J08A, J08B, J08C		09	J08A, J08B, J08C			
	21A	W01A, W01B, W01C, W36Z		11	L33Z		11	L33Z			
	21B	X33Z		17	R01A, R01B, R01C, R01D, R02Z, R12A, R12B, R12C		17	R01A, R01B, R01C, R01D, R02Z, R12A, R12B, R12C			
	23	Z01A		21B	X06A, X06B, X06C, X33Z		21B	X06A, X06B, X06C, X33Z			
	Pre	A07A		23	Z01A		23	Z01A			
	5a113.j			BOP, KOP, KOPV, KVT, UOP4	5a114.j			BOP, KOP, KOPV, KVT, UOP4	5a114.n		BOP, KOP, KOPV, KVT, UOP4
		01		B02A, B02B, B02C, B13Z, B20A, B20B, B20C, B20D, B20E, B39A, B39B			01	B02A, B02B, B02C, B13Z, B20A, B20B, B20C, B20D, B20E, B39A, B39B		01	B02A, B02B, B02C, B13Z, B20A, B20B, B20C, B20D, B20E, B39A, B39B
		02		C01A			02	C01A		02	C01A
03		D18Z, D25A, D25B, D25C, D25D	03	D18Z, D25A, D25B, D25C, D25D		03	D18Z, D25A, D25B, D25C, D25D				
06		G33Z	06	G33Z		06	G33Z				
07		H33Z, H38Z	07	H33Z, H38Z		07	H33Z, H38Z				
09		J08A, J08B, J08C	09	J08A, J08B, J08C		09	J08A, J08B, J08C				
11		L33Z	11	L33Z		11	L33Z				
17		R01A, R01B, R01C, R01D, R02Z, R12A, R12B, R12C	17	R01A, R01B, R01C, R01D, R02Z, R12A, R12B, R12C		17	R01A, R01B, R01C, R01D, R02Z, R12A, R12B, R12C				
21B		X06A, X06B, X06C, X33Z	21B	X06A, X06B, X06C, X33Z		21B	X06A, X06B, X06C, X33Z				
23		Z01A	23	Z01A		23	Z01A				
Pre		A07A, A09B, A11A, A11B, A13B	Pre	A07A, A09B, A11A, A11B, A13B		Pre	A07A, A09B, A11A, A11B, A13B				
5a113.k			BOP, KOP, KOPV, KVT, UOP4	5a114.k			BOP, KOP, KOPV, KVT, UOP4	5a115.j			BOP, KOP, KOPV, KVT, UOP4
		01	B02A, B02B, B02C, B13Z, B20A, B20B, B20C, B20D, B20E, B39A, B39B			01	B02A, B02B, B02C, B13Z, B20A, B20B, B20C, B20D, B20E, B39A, B39B			01	B02A, B02B, B02C, B13Z, B20A, B20B, B20C, B20D, B20E, B39A, B39B
	02	C01A	02		C01A	02	C01A				
	03	D18Z, D25A, D25B, D25C, D25D	03		D18Z, D25A, D25B, D25C, D25D	03	D18Z, D25A, D25B, D25C, D25D				
	06	G33Z	06		G33Z	06	G33Z				
	07	H33Z, H38Z	07		H33Z, H38Z	07	H33Z, H38Z				
	09	J08A, J08B, J08C	09		J08A, J08B, J08C	09	J08A, J08B, J08C				
	11	L33Z	11		L33Z	11	L33Z				
	17	R01A, R01B, R01C, R01D, R02Z, R12A, R12B, R12C	17		R01A, R01B, R01C, R01D, R02Z, R12A, R12B, R12C	17	R01A, R01B, R01C, R01D, R02Z, R12A, R12B, R12C				
	21B	X06A, X06B, X06C, X33Z	21B		X06A, X06B, X06C, X33Z	21B	X06A, X06B, X06C, X33Z				
	23	Z01A	23		Z01A	23	Z01A				
	Pre	A07A, A09B, A11A, A11B, A13B	Pre		A07A, A09B, A11A, A11B, A13B	Pre	A07A, A09B, A11A, A11B, A13B				
	5a113.m		BOP, KOP, KOPV, KVT, UOP4								
		01	B02A, B02B, B02C, B13Z, B20A, B20B, B20C, B20D, B20E, B39A, B39B								
02		C01A									
03		D18Z, D25A, D25B, D25C, D25D									
06		G33Z									
07		H33Z, H38Z									
09		J08A, J08B, J08C									
11		L33Z									
17		R01A, R01B, R01C, R01D, R02Z, R12A, R12B, R12C									
21B		X06A, X06B, X06C, X33Z									
23		Z01A									
Pre		A07A, A09B, A11A, A11B, A13B									

VYK

ZZV	MDC	DRG	ZZV	MDC	DRG	ZZV	MDC	DRG			
5a115.k		BOP, KOP, KOPV, KVT, UOP4	5a116.j		BOP, KOP, KOPV, KVT, UOP4	5a116.n		BOP, KOP, KOPV, KVT, UOP4			
	01	B02A, B02B, B02C, B13Z, B20A, B20B, B20C, B20D, B20E, B39A, B39B		01	B02A, B02B, B02C, B13Z, B20A, B20B, B20C, B20D, B20E, B39A, B39B		01	B02A, B02B, B02C, B13Z, B20A, B20B, B20C, B20D, B20E, B39A, B39B			
	02	C01A		02	C01A		02	C01A			
	03	D18Z, D25A, D25B, D25C, D25D		03	D18Z, D25A, D25B, D25C, D25D		03	D18Z, D25A, D25B, D25C, D25D			
	06	G33Z		06	G33Z		06	G33Z			
	07	H33Z, H38Z		07	H33Z, H38Z		07	H33Z, H38Z			
	09	J08A, J08B, J08C		09	J08A, J08B, J08C		09	J08A, J08B, J08C			
	11	L33Z		11	L33Z		11	L33Z			
	17	R01A, R01B, R01C, R01D, R02Z, R12A, R12B, R12C		17	R01A, R01B, R01C, R01D, R02Z, R12A, R12B, R12C		17	R01A, R01B, R01C, R01D, R02Z, R12A, R12B, R12C			
	21B	X06A, X06B, X06C, X33Z		21B	X06A, X06B, X06C, X33Z		21B	X06A, X06B, X06C, X33Z			
	23	Z01A		23	Z01A		23	Z01A			
	Pre	A07A, A09B, A11A, A11B, A13B		Pre	A07A, A09B, A11A, A11B, A13B		Pre	A07A, A09B, A11A, A11B, A13B			
	5a115.m			BOP, KOP, KOPV, KVT, UOP4	5a116.k			BOP, KOP, KOPV, KVT, UOP4	5a117.j		BOP, KOP, KOPV, KVT, UOP4
		01		B02A, B02B, B02C, B13Z, B20A, B20B, B20C, B20D, B20E, B39A, B39B			01	B02A, B02B, B02C, B13Z, B20A, B20B, B20C, B20D, B20E, B39A, B39B		01	B02A, B02B, B02C, B13Z, B20A, B20B, B20C, B20D, B20E, B39A, B39B
02		C01A	02	C01A		02	C01A				
03		D18Z, D25A, D25B, D25C, D25D	03	D18Z, D25A, D25B, D25C, D25D		03	D18Z, D25A, D25B, D25C, D25D				
06		G33Z	06	G33Z		06	G33Z				
07		H33Z, H38Z	07	H33Z, H38Z		07	H33Z, H38Z				
09		J08A, J08B, J08C	09	J08A, J08B, J08C		09	J08A, J08B, J08C				
11		L33Z	11	L33Z		11	L33Z				
17		R01A, R01B, R01C, R01D, R02Z, R12A, R12B, R12C	17	R01A, R01B, R01C, R01D, R02Z, R12A, R12B, R12C		17	R01A, R01B, R01C, R01D, R02Z, R12A, R12B, R12C				
21B		X06A, X06B, X06C, X33Z	21B	X06A, X06B, X06C, X33Z		21B	X06A, X06B, X06C, X33Z				
23		Z01A	23	Z01A		23	Z01A				
Pre		A07A, A09B, A11A, A11B, A13B	Pre	A07A, A09B, A11A, A11B, A13B		Pre	A07A, A09B, A11A, A11B, A13B				
5a115.n			BOP, KOP, KOPV, KVT, UOP4	5a116.m			BOP, KOP, KOPV, KVT, UOP4	5a117.k			BOP, KOP, KOPV, KVT, UOP4
		01	B02A, B02B, B02C, B13Z, B20A, B20B, B20C, B20D, B20E, B39A, B39B			01	B02A, B02B, B02C, B13Z, B20A, B20B, B20C, B20D, B20E, B39A, B39B			01	B02A, B02B, B02C, B13Z, B20A, B20B, B20C, B20D, B20E, B39A, B39B
	02	C01A	02		C01A	02	C01A				
	03	D18Z, D25A, D25B, D25C, D25D	03		D18Z, D25A, D25B, D25C, D25D	03	D18Z, D25A, D25B, D25C, D25D				
	06	G33Z	06		G33Z	06	G33Z				
	07	H33Z, H38Z	07		H33Z, H38Z	07	H33Z, H38Z				
	09	J08A, J08B, J08C	09		J08A, J08B, J08C	09	J08A, J08B, J08C				
	11	L33Z	11		L33Z	11	L33Z				
	17	R01A, R01B, R01C, R01D, R02Z, R12A, R12B, R12C	17		R01A, R01B, R01C, R01D, R02Z, R12A, R12B, R12C	17	R01A, R01B, R01C, R01D, R02Z, R12A, R12B, R12C				
	21B	X06A, X06B, X06C, X33Z	21B		X06A, X06B, X06C, X33Z	21B	X06A, X06B, X06C, X33Z				
	23	Z01A	23		Z01A	23	Z01A				
	Pre	A07A, A09B, A11A, A11B, A13B	Pre		A07A, A09B, A11A, A11B, A13B	Pre	A07A, A09B, A11A, A11B, A13B				

ZZV	MDC	DRG	ZZV	MDC	DRG	ZZV	MDC	DRG			
5a117.m		BOP, KOP, KOPV, KVT, UOP4	5a118.m		BOP, KOP, KOPV, KVT, UOP4	5a11a.1		BOP, KOP, KOPV, KVT, UOP4			
	01	B02A, B02B, B02C, B13Z, B20A, B20B, B20C, B20D, B20E, B39A, B39B		01	B02A, B02B, B02C, B13Z, B20A, B20B, B20C, B20D, B20E, B39A, B39B		01	B02A, B02B, B02C, B02D, B13Z, B20A, B20B, B20C, B20D, B20E, B20F, B39A, B39B			
	02	C01A		02	C01A		02	C01A			
	03	D18Z, D25A, D25B, D25C, D25D		06	G33Z		03	D18Z, D25A, D25B, D25C, D25D			
	06	G33Z		07	H33Z, H38Z		06	G33Z			
	07	H33Z, H38Z		11	L33Z		07	H33Z, H38Z			
	09	J08A, J08B, J08C		17	R01A, R01B, R01C, R01D, R02Z, R12A, R12B, R12C		09	J08A, J08B, J08C			
	11	L33Z		21B	X33Z		11	L33Z			
	17	R01A, R01B, R01C, R01D, R02Z, R12A, R12B, R12C		23	Z01A		17	R01A, R01B, R01C, R01D, R02Z, R12A, R12B, R12C			
	21B	X06A, X06B, X06C, X33Z		Pre	A07A, A09B, A11A, A11B, A13B		21A	W01A, W01B, W01C, W36Z			
	23	Z01A		5a118.n			BOP, KOP, KOPV, KVT, UOP4	21B	X06A, X06B, X06C, X33Z		
	Pre	A07A, A09B, A11A, A11B, A13B			01		B02A, B02B, B02C, B13Z, B20A, B20B, B20C, B20D, B20E, B39A, B39B	23	Z01A		
	5a117.n				BOP, KOP, KOPV, KVT, UOP4		02	C01A	Pre	A07A	
		01			B02A, B02B, B02C, B13Z, B20A, B20B, B20C, B20D, B20E, B39A, B39B		06	G33Z	5a11b.0		BOP, KOP, KOPV, KVT, UOP4
		02			C01A		07	H33Z, H38Z		01	B02A, B02B, B02C, B02D, B13Z, B20A, B20B, B20C, B20D, B20E, B20F, B39A, B39B
		03			D18Z, D25A, D25B, D25C, D25D		11	L33Z		02	C01A
		06			G33Z		17	R01A, R01B, R01C, R01D, R02Z, R12A, R12B, R12C		03	D18Z, D25A, D25B, D25C, D25D
07		H33Z, H38Z	21B		X33Z	06	G33Z				
09		J08A, J08B, J08C	23		Z01A	07	H33Z, H38Z				
11		L33Z	Pre		A07A, A09B, A11A, A11B, A13B	09	J08A, J08B, J08C				
17		R01A, R01B, R01C, R01D, R02Z, R12A, R12B, R12C	5a119			BOP, KOP, KOPV, KVT, UOP4	11	L33Z			
21B		X06A, X06B, X06C, X33Z			01	B02A, B02B, B02C, B13Z, B20A, B20B, B20C, B20D, B20E, B39A, B39B	17	R01A, R01B, R01C, R01D, R02Z, R12A, R12B, R12C			
23		Z01A			02	C01A	21A	W01A, W01B, W01C, W36Z			
Pre		A07A, A09B, A11A, A11B, A13B			03	D18Z, D25A, D25B, D25C, D25D	21B	X06A, X06B, X06C, X33Z			
5a118.j					BOP, KOP, KOPV, KVT, UOP4	06	G33Z	23		Z01A	
		01			B02A, B02B, B02C, B13Z, B20A, B20B, B20C, B20D, B20E, B39A, B39B	07	H33Z, H38Z	Pre		A07A	
		02			C01A	09	J08A, J08B, J08C	5a11b.1			BOP, KOP, KOPV, KVT, UOP4
		06		G33Z	11	L33Z	01			B02A, B02B, B02C, B02D, B13Z, B20A, B20B, B20C, B20D, B20E, B20F, B39A, B39B	
		07		H33Z, H38Z	17	R01A, R01B, R01C, R01D, R02Z, R12A, R12B, R12C	02			C01A	
	11	L33Z		21B	X06A, X06B, X06C, X33Z	03	D18Z, D25A, D25B, D25C, D25D				
	17	R01A, R01B, R01C, R01D, R02Z, R12A, R12B, R12C		23	Z01A	06	G33Z				
	21B	X33Z		Pre	A07A, A09B, A11A, A11B, A13B	07	H33Z, H38Z				
	23	Z01A		5a11a.0		BOP, KOP, KOPV, KVT, UOP4	09		J08A, J08B, J08C		
	Pre	A07A, A09B, A11A, A11B, A13B			01	B02A, B02B, B02C, B02D, B13Z, B20A, B20B, B20C, B20D, B20E, B20F, B39A, B39B	11		L33Z		
	5a118.k				BOP, KOP, KOPV, KVT, UOP4	02	C01A		17	R01A, R01B, R01C, R01D, R02Z, R12A, R12B, R12C	
		01			B02A, B02B, B02C, B13Z, B20A, B20B, B20C, B20D, B20E, B39A, B39B	03	D18Z, D25A, D25B, D25C, D25D		21A	W01A, W01B, W01C, W36Z	
		02			C01A	06	G33Z		21B	X06A, X06B, X06C, X33Z	
		06	G33Z		07	H33Z, H38Z	23		Z01A		
		07	H33Z, H38Z		09	J08A, J08B, J08C	Pre		A07A		
		11	L33Z		11	L33Z	5a118.m			BOP, KOP, KOPV, KVT, UOP4	
		17	R01A, R01B, R01C, R01D, R02Z, R12A, R12B, R12C		17	R01A, R01B, R01C, R01D, R02Z, R12A, R12B, R12C			01	B02A, B02B, B02C, B02D, B13Z, B20A, B20B, B20C, B20D, B20E, B20F, B39A, B39B	
21B		X33Z	21A		W01A, W01B, W01C, W36Z	02			C01A		
23		Z01A	21B		X06A, X06B, X06C, X33Z	03			D18Z, D25A, D25B, D25C, D25D		
Pre		A07A, A09B, A11A, A11B, A13B	23		Z01A	06		G33Z			
			Pre		A07A	07		H33Z, H38Z			

VYK

ZZV	MDC	DRG	ZZV	MDC	DRG	ZZV	MDC	DRG
5a11c.3		BOP, KOP, KOPV, KVT, UOP4	5a11c.7		BOP, KOP, KOPV, KVT, UOP4	5a11c.b		BOP, KOP, KOPV, KVT, UOP4
	01	B02A, B02B, B02C, B20A, B20B, B20C, B20D, B20E, B39A, B39B		01	B02A, B02B, B02C, B20A, B20B, B20C, B20D, B20E, B39A, B39B		01	B02A, B02B, B02C, B20A, B20B, B20C, B20D, B20E, B39A, B39B
	02	C01A		02	C01A		02	C01A
	03	D18Z, D25A, D25B, D25C, D25D		03	D18Z, D25A, D25B, D25C, D25D		03	D18Z, D25A, D25B, D25C, D25D
	06	G33Z		06	G33Z		06	G33Z
	07	H33Z, H38Z		07	H33Z, H38Z		07	H33Z, H38Z
	09	J08A, J08B, J08C		09	J08A, J08B, J08C		09	J08A, J08B, J08C
	11	L33Z		11	L33Z		11	L33Z
	17	R01A, R01B, R01C, R01D, R02Z, R12A, R12B, R12C		17	R01A, R01B, R01C, R01D, R02Z, R12A, R12B, R12C		17	R01A, R01B, R01C, R01D, R02Z, R12A, R12B, R12C
	21B	X33Z		21B	X33Z		21B	X33Z
	23	Z01A		23	Z01A		23	Z01A
	Pre	A07A		Pre	A07A		Pre	A07A
	5a11c.4			BOP, KOP, KOPV, KVT, UOP4	5a11c.8			BOP, KOP, KOPV, KVT, UOP4
01		B02A, B02B, B02C, B20A, B20B, B20C, B20D, B20E, B39A, B39B	01	B02A, B02B, B02C, B20A, B20B, B20C, B20D, B20E, B39A, B39B		01	B02A, B02B, B02C, B20A, B20B, B20C, B20D, B20E, B39A, B39B	
02		C01A	02	C01A		02	C01A	
03		D18Z, D25A, D25B, D25C, D25D	03	D18Z, D25A, D25B, D25C, D25D		03	D18Z, D25A, D25B, D25C, D25D	
06		G33Z	06	G33Z		06	G33Z	
07		H33Z, H38Z	07	H33Z, H38Z		07	H33Z, H38Z	
09		J08A, J08B, J08C	09	J08A, J08B, J08C		09	J08A, J08B, J08C	
11		L33Z	11	L33Z		11	L33Z	
17		R01A, R01B, R01C, R01D, R02Z, R12A, R12B, R12C	17	R01A, R01B, R01C, R01D, R02Z, R12A, R12B, R12C		17	R01A, R01B, R01C, R01D, R02Z, R12A, R12B, R12C	
21B		X33Z	21B	X33Z		21B	X33Z	
23		Z01A	23	Z01A		23	Z01A	
Pre		A07A	Pre	A07A		Pre	A07A	
5a11c.5			BOP, KOP, KOPV, KVT, UOP4	5a11c.9			BOP, KOP, KOPV, KVT, UOP4	5a11d.3
	01	B02A, B02B, B02C, B20A, B20B, B20C, B20D, B20E, B39A, B39B	01		B02A, B02B, B02C, B20A, B20B, B20C, B20D, B20E, B39A, B39B	01	B02A, B02B, B02C, B20A, B20B, B20C, B20D, B20E, B39A, B39B	
	02	C01A	02		C01A	02	C01A	
	03	D18Z, D25A, D25B, D25C, D25D	03		D18Z, D25A, D25B, D25C, D25D	03	D18Z, D25A, D25B, D25C, D25D	
	06	G33Z	06		G33Z	06	G33Z	
	07	H33Z, H38Z	07		H33Z, H38Z	07	H33Z, H38Z	
	09	J08A, J08B, J08C	09		J08A, J08B, J08C	09	J08A, J08B, J08C	
	11	L33Z	11		L33Z	11	L33Z	
	17	R01A, R01B, R01C, R01D, R02Z, R12A, R12B, R12C	17		R01A, R01B, R01C, R01D, R02Z, R12A, R12B, R12C	17	R01A, R01B, R01C, R01D, R02Z, R12A, R12B, R12C	
	21B	X33Z	21B		X33Z	21B	X33Z	
	23	Z01A	23		Z01A	23	Z01A	
	Pre	A07A	Pre		A07A	Pre	A07A	
	5a11c.6		BOP, KOP, KOPV, KVT, UOP4		5a11c.a		BOP, KOP, KOPV, KVT, UOP4	
01		B02A, B02B, B02C, B20A, B20B, B20C, B20D, B20E, B39A, B39B	01	B02A, B02B, B02C, B20A, B20B, B20C, B20D, B20E, B39A, B39B		01	B02A, B02B, B02C, B20A, B20B, B20C, B20D, B20E, B39A, B39B	
02		C01A	02	C01A		02	C01A	
03		D18Z, D25A, D25B, D25C, D25D	03	D18Z, D25A, D25B, D25C, D25D		03	D18Z, D25A, D25B, D25C, D25D	
06		G33Z	06	G33Z		06	G33Z	
07		H33Z, H38Z	07	H33Z, H38Z		07	H33Z, H38Z	
09		J08A, J08B, J08C	09	J08A, J08B, J08C		09	J08A, J08B, J08C	
11		L33Z	11	L33Z		11	L33Z	
17		R01A, R01B, R01C, R01D, R02Z, R12A, R12B, R12C	17	R01A, R01B, R01C, R01D, R02Z, R12A, R12B, R12C		17	R01A, R01B, R01C, R01D, R02Z, R12A, R12B, R12C	
21B		X33Z	21B	X33Z		21B	X33Z	
23		Z01A	23	Z01A		23	Z01A	
Pre		A07A	Pre	A07A		Pre	A07A	

ZZV	MDC	DRG	ZZV	MDC	DRG	ZZV	MDC	DRG
5a11d.5		BOP, KOP, KOPV, KVT, UOP4	5a11d.9		BOP, KOP, KOPV, KVT, UOP4	5a11e.3		BOP, KOP, KOPV, KVT, UOP4
	01	B02A, B02B, B02C, B20A, B20B, B20C, B20D, B20E, B39A, B39B		01	B02A, B02B, B02C, B20A, B20B, B20C, B20D, B20E, B39A, B39B		01	B02A, B02B, B02C, B20A, B20B, B20C, B20D, B20E, B39A, B39B
	02	C01A		02	C01A		02	C01A
	03	D18Z, D25A, D25B, D25C, D25D		03	D18Z, D25A, D25B, D25C, D25D		03	D18Z, D25A, D25B, D25C, D25D
	06	G33Z		06	G33Z		06	G33Z
	07	H33Z, H38Z		07	H33Z, H38Z		07	H33Z, H38Z
	09	J08A, J08B, J08C		09	J08A, J08B, J08C		09	J08A, J08B, J08C
	11	L33Z		11	L33Z		11	L33Z
	17	R01A, R01B, R01C, R01D, R02Z, R12A, R12B, R12C		17	R01A, R01B, R01C, R01D, R02Z, R12A, R12B, R12C		17	R01A, R01B, R01C, R01D, R02Z, R12A, R12B, R12C
	21B	X33Z		21B	X33Z		21B	X33Z
	23	Z01A		23	Z01A		23	Z01A
	Pre	A07A		Pre	A07A		Pre	A07A
	5a11d.6			BOP, KOP, KOPV, KVT, UOP4	5a11d.a			BOP, KOP, KOPV, KVT, UOP4
01		B02A, B02B, B02C, B20A, B20B, B20C, B20D, B20E, B39A, B39B	01	B02A, B02B, B02C, B20A, B20B, B20C, B20D, B20E, B39A, B39B		01	B02A, B02B, B02C, B20A, B20B, B20C, B20D, B20E, B39A, B39B	
02		C01A	02	C01A		02	C01A	
03		D18Z, D25A, D25B, D25C, D25D	03	D18Z, D25A, D25B, D25C, D25D		03	D18Z, D25A, D25B, D25C, D25D	
06		G33Z	06	G33Z		06	G33Z	
07		H33Z, H38Z	07	H33Z, H38Z		07	H33Z, H38Z	
09		J08A, J08B, J08C	09	J08A, J08B, J08C		09	J08A, J08B, J08C	
11		L33Z	11	L33Z		11	L33Z	
17		R01A, R01B, R01C, R01D, R02Z, R12A, R12B, R12C	17	R01A, R01B, R01C, R01D, R02Z, R12A, R12B, R12C		17	R01A, R01B, R01C, R01D, R02Z, R12A, R12B, R12C	
21B		X33Z	21B	X33Z		21B	X33Z	
23		Z01A	23	Z01A		23	Z01A	
Pre		A07A	Pre	A07A		Pre	A07A	
5a11d.7			BOP, KOP, KOPV, KVT, UOP4	5a11d.b			BOP, KOP, KOPV, KVT, UOP4	5a11e.5
	01	B02A, B02B, B02C, B20A, B20B, B20C, B20D, B20E, B39A, B39B	01		B02A, B02B, B02C, B20A, B20B, B20C, B20D, B20E, B39A, B39B	01	B02A, B02B, B02C, B20A, B20B, B20C, B20D, B20E, B39A, B39B	
	02	C01A	02		C01A	02	C01A	
	03	D18Z, D25A, D25B, D25C, D25D	03		D18Z, D25A, D25B, D25C, D25D	03	D18Z, D25A, D25B, D25C, D25D	
	06	G33Z	06		G33Z	06	G33Z	
	07	H33Z, H38Z	07		H33Z, H38Z	07	H33Z, H38Z	
	09	J08A, J08B, J08C	09		J08A, J08B, J08C	09	J08A, J08B, J08C	
	11	L33Z	11		L33Z	11	L33Z	
	17	R01A, R01B, R01C, R01D, R02Z, R12A, R12B, R12C	17		R01A, R01B, R01C, R01D, R02Z, R12A, R12B, R12C	17	R01A, R01B, R01C, R01D, R02Z, R12A, R12B, R12C	
	21B	X33Z	21B		X33Z	21B	X33Z	
	23	Z01A	23		Z01A	23	Z01A	
	Pre	A07A	Pre		A07A	Pre	A07A	
	5a11d.8		BOP, KOP, KOPV, KVT, UOP4		5a11d.c		BOP, KOP, KOPV, KVT, UOP4	
01		B02A, B02B, B02C, B20A, B20B, B20C, B20D, B20E, B39A, B39B	01	B02A, B02B, B02C, B20A, B20B, B20C, B20D, B20E, B39A, B39B		01	B02A, B02B, B02C, B20A, B20B, B20C, B20D, B20E, B39A, B39B	
02		C01A	02	C01A		02	C01A	
03		D18Z, D25A, D25B, D25C, D25D	03	D18Z, D25A, D25B, D25C, D25D		03	D18Z, D25A, D25B, D25C, D25D	
06		G33Z	06	G33Z		06	G33Z	
07		H33Z, H38Z	07	H33Z, H38Z		07	H33Z, H38Z	
09		J08A, J08B, J08C	09	J08A, J08B, J08C		09	J08A, J08B, J08C	
11		L33Z	11	L33Z		11	L33Z	
17		R01A, R01B, R01C, R01D, R02Z, R12A, R12B, R12C	17	R01A, R01B, R01C, R01D, R02Z, R12A, R12B, R12C		17	R01A, R01B, R01C, R01D, R02Z, R12A, R12B, R12C	
21B		X33Z	21B	X33Z		21B	X33Z	
23		Z01A	23	Z01A		23	Z01A	
Pre		A07A	Pre	A07A		Pre	A07A	

ZZV	MDC	DRG	ZZV	MDC	DRG	ZZV	MDC	DRG
5a11e.7		BOP, KOP, KOPV, KVT, UOP4	5a11e.b		BOP, KOP, KOPV, KVT, UOP4	5a11f.5		BOP, KOP, KOPV, KVT, UOP4
	01	B02A, B02B, B02C, B20A, B20B, B20C, B20D, B20E, B39A, B39B		01	B02A, B02B, B02C, B20A, B20B, B20C, B20D, B20E, B39A, B39B		01	B02A, B02B, B02C, B20A, B20B, B20C, B20D, B20E, B39A, B39B
	02	C01A		02	C01A		02	C01A
	03	D18Z, D25A, D25B, D25C, D25D		03	D18Z, D25A, D25B, D25C, D25D		03	D18Z, D25A, D25B, D25C, D25D
	06	G33Z		06	G33Z		06	G33Z
	07	H33Z, H38Z		07	H33Z, H38Z		07	H33Z, H38Z
	09	J08A, J08B, J08C		09	J08A, J08B, J08C		09	J08A, J08B, J08C
	11	L33Z		11	L33Z		11	L33Z
	17	R01A, R01B, R01C, R01D, R02Z, R12A, R12B, R12C		17	R01A, R01B, R01C, R01D, R02Z, R12A, R12B, R12C		17	R01A, R01B, R01C, R01D, R02Z, R12A, R12B, R12C
	21B	X33Z		21B	X33Z		21B	X33Z
	23	Z01A		23	Z01A		23	Z01A
	Pre	A07A		Pre	A07A		Pre	A07A
	5a11e.8			BOP, KOP, KOPV, KVT, UOP4	5a11e.c			BOP, KOP, KOPV, KVT, UOP4
01		B02A, B02B, B02C, B20A, B20B, B20C, B20D, B20E, B39A, B39B	01	B02A, B02B, B02C, B20A, B20B, B20C, B20D, B20E, B39A, B39B		01	B02A, B02B, B02C, B20A, B20B, B20C, B20D, B20E, B39A, B39B	
02		C01A	02	C01A		02	C01A	
03		D18Z, D25A, D25B, D25C, D25D	03	D18Z, D25A, D25B, D25C, D25D		03	D18Z, D25A, D25B, D25C, D25D	
06		G33Z	06	G33Z		06	G33Z	
07		H33Z, H38Z	07	H33Z, H38Z		07	H33Z, H38Z	
09		J08A, J08B, J08C	09	J08A, J08B, J08C		09	J08A, J08B, J08C	
11		L33Z	11	L33Z		11	L33Z	
17		R01A, R01B, R01C, R01D, R02Z, R12A, R12B, R12C	17	R01A, R01B, R01C, R01D, R02Z, R12A, R12B, R12C		17	R01A, R01B, R01C, R01D, R02Z, R12A, R12B, R12C	
21B		X33Z	21B	X33Z		21B	X33Z	
23		Z01A	23	Z01A		23	Z01A	
Pre		A07A	Pre	A07A		Pre	A07A	
5a11e.9			BOP, KOP, KOPV, KVT, UOP4	5a11f.3			BOP, KOP, KOPV, KVT, UOP4	5a11f.7
	01	B02A, B02B, B02C, B20A, B20B, B20C, B20D, B20E, B39A, B39B	01		B02A, B02B, B02C, B20A, B20B, B20C, B20D, B20E, B39A, B39B	01	B02A, B02B, B02C, B20A, B20B, B20C, B20D, B20E, B39A, B39B	
	02	C01A	02		C01A	02	C01A	
	03	D18Z, D25A, D25B, D25C, D25D	03		D18Z, D25A, D25B, D25C, D25D	03	D18Z, D25A, D25B, D25C, D25D	
	06	G33Z	06		G33Z	06	G33Z	
	07	H33Z, H38Z	07		H33Z, H38Z	07	H33Z, H38Z	
	09	J08A, J08B, J08C	09		J08A, J08B, J08C	09	J08A, J08B, J08C	
	11	L33Z	11		L33Z	11	L33Z	
	17	R01A, R01B, R01C, R01D, R02Z, R12A, R12B, R12C	17		R01A, R01B, R01C, R01D, R02Z, R12A, R12B, R12C	17	R01A, R01B, R01C, R01D, R02Z, R12A, R12B, R12C	
	21B	X33Z	21B		X33Z	21B	X33Z	
	23	Z01A	23		Z01A	23	Z01A	
	Pre	A07A	Pre		A07A	Pre	A07A	
	5a11e.a		BOP, KOP, KOPV, KVT, UOP4		5a11f.4		BOP, KOP, KOPV, KVT, UOP4	
01		B02A, B02B, B02C, B20A, B20B, B20C, B20D, B20E, B39A, B39B	01	B02A, B02B, B02C, B20A, B20B, B20C, B20D, B20E, B39A, B39B		01	B02A, B02B, B02C, B20A, B20B, B20C, B20D, B20E, B39A, B39B	
02		C01A	02	C01A		02	C01A	
03		D18Z, D25A, D25B, D25C, D25D	03	D18Z, D25A, D25B, D25C, D25D		03	D18Z, D25A, D25B, D25C, D25D	
06		G33Z	06	G33Z		06	G33Z	
07		H33Z, H38Z	07	H33Z, H38Z		07	H33Z, H38Z	
09		J08A, J08B, J08C	09	J08A, J08B, J08C		09	J08A, J08B, J08C	
11		L33Z	11	L33Z		11	L33Z	
17		R01A, R01B, R01C, R01D, R02Z, R12A, R12B, R12C	17	R01A, R01B, R01C, R01D, R02Z, R12A, R12B, R12C		17	R01A, R01B, R01C, R01D, R02Z, R12A, R12B, R12C	
21B		X33Z	21B	X33Z		21B	X33Z	
23		Z01A	23	Z01A		23	Z01A	
Pre		A07A	Pre	A07A		Pre	A07A	

ZZV	MDC	DRG	ZZV	MDC	DRG	ZZV	MDC	DRG			
5a11f.9		BOP, KOP, KOPV, KVT, UOP4	5a120.0		BOP, KVT, UOP4	5a122.1		BOP, KVT, UOP4			
	01	B02A, B02B, B02C, B20A, B20B, B20C, B20D, B20E, B39A, B39B		01	B02A, B02B, B02C, B02D, B20A, B20B, B20C, B20D, B20E, B20F, B39A, B39B		01	B02A, B02B, B02C, B02D, B20A, B20B, B20C, B20D, B20E, B20F, B39A, B39B			
	02	C01A		02	C01A		02	C01A			
	03	D18Z, D25A, D25B, D25C, D25D		03	D18Z, D25A, D25B, D25C, D25D		03	D18Z, D25A, D25B, D25C, D25D			
	06	G33Z		09	J08A, J08B, J08C		09	J08A, J08B, J08C			
	07	H33Z, H38Z		17	R01A, R01C, R02Z, R12A, R12B		17	R01A, R01C, R02Z, R12A, R12B			
	09	J08A, J08B, J08C		21A	W01A, W01B, W01C, W36Z		21A	W01A, W01B, W01C, W36Z			
	11	L33Z		21B	X06A, X06B, X06C		21B	X06A, X06B, X06C			
	17	R01A, R01B, R01C, R01D, R02Z, R12A, R12B, R12C		23	Z01A		23	Z01A			
	21B	X33Z		Pre	B61A		Pre	B61A			
	23	Z01A		5a120.1			BOP, KVT, UOP4	5a123.0		BOP, KVT, UOP4	
	Pre	A07A			01		B02A, B02B, B02C, B02D, B20A, B20B, B20C, B20D, B20E, B20F, B39A, B39B		01	B02A, B02B, B02C, B02D, B20A, B20B, B20C, B20D, B20E, B20F, B39A, B39B	
	5a11f.a				BOP, KOP, KOPV, KVT, UOP4		02		C01A	02	C01A
		01			B02A, B02B, B02C, B20A, B20B, B20C, B20D, B20E, B39A, B39B		03		D18Z, D25A, D25B, D25C, D25D	03	D18Z, D25A, D25B, D25C, D25D
		02			C01A		09		J08A, J08B, J08C	09	J08A, J08B, J08C
		03			D18Z, D25A, D25B, D25C, D25D		17		R01A, R01C, R02Z, R12A, R12B	17	R01A, R01C, R02Z, R12A, R12B
		06			G33Z		21A		W01A, W01B, W01C, W36Z	21A	W01A, W01B, W01C, W36Z
07		H33Z, H38Z	21B		X06A, X06B, X06C	21B	X06A, X06B, X06C				
09		J08A, J08B, J08C	23		Z01A	23	Z01A				
11		L33Z	Pre		B61A	Pre	B61A				
17		R01A, R01B, R01C, R01D, R02Z, R12A, R12B, R12C	5a121.0			BOP, KVT, UOP4	5a123.1			BOP, KVT, UOP4	
21B		X33Z			01	B02A, B02B, B02C, B02D, B20A, B20B, B20C, B20D, B20E, B20F, B39A, B39B			01	B02A, B02B, B02C, B02D, B20A, B20B, B20C, B20D, B20E, B20F, B39A, B39B	
23		Z01A			02	C01A			02	C01A	
Pre		A07A			03	D18Z, D25A, D25B, D25C, D25D			03	D18Z, D25A, D25B, D25C, D25D	
5a11f.b					BOP, KOP, KOPV, KVT, UOP4	09			J08A, J08B, J08C	09	J08A, J08B, J08C
		01			B02A, B02B, B02C, B20A, B20B, B20C, B20D, B20E, B39A, B39B	17			R01A, R01C, R02Z, R12A, R12B	17	R01A, R01C, R02Z, R12A, R12B
		02			C01A	21A			W01A, W01B, W01C, W36Z	21A	W01A, W01B, W01C, W36Z
		03		D18Z, D25A, D25B, D25C, D25D	21B	X06A, X06B, X06C		21B	X06A, X06B, X06C		
		06		G33Z	23	Z01A		23	Z01A		
	07	H33Z, H38Z		Pre	B61A	Pre		B61A			
	09	J08A, J08B, J08C		5a121.1		BOP, KVT, UOP4		5a124.0		BOP, KVT, UOP4	
	11	L33Z			01	B02A, B02B, B02C, B02D, B20A, B20B, B20C, B20D, B20E, B20F, B39A, B39B			01	B02A, B02B, B02C, B02D, B20A, B20B, B20C, B20D, B20E, B20F, B39A, B39B	
	17	R01A, R01B, R01C, R01D, R02Z, R12A, R12B, R12C			02	C01A			02	C01A	
	21B	X33Z			03	D18Z, D25A, D25B, D25C, D25D			03	D18Z, D25A, D25B, D25C, D25D	
	23	Z01A			09	J08A, J08B, J08C			09	J08A, J08B, J08C	
	Pre	A07A			17	R01A, R01C, R02Z, R12A, R12B			17	R01A, R01C, R02Z, R12A, R12B	
	5a11f.c				BOP, KOP, KOPV, KVT, UOP4	21A			W01A, W01B, W01C, W36Z	21A	W01A, W01B, W01C, W36Z
		01	B02A, B02B, B02C, B20A, B20B, B20C, B20D, B20E, B39A, B39B		21B	X06A, X06B, X06C	21B		X06A, X06B, X06C		
		02	C01A		23	Z01A	23		Z01A		
		03	D18Z, D25A, D25B, D25C, D25D		Pre	B61A	Pre		B61A		
		06	G33Z		5a122.0		BOP, KVT, UOP4		5a124.1		BOP, KVT, UOP4
07		H33Z, H38Z	01			B02A, B02B, B02C, B02D, B20A, B20B, B20C, B20D, B20E, B20F, B39A, B39B	01			B02A, B02B, B02C, B02D, B20A, B20B, B20C, B20D, B20E, B20F, B39A, B39B	
09		J08A, J08B, J08C	02			C01A	02			C01A	
11		L33Z	03			D18Z, D25A, D25B, D25C, D25D	03			D18Z, D25A, D25B, D25C, D25D	
17		R01A, R01B, R01C, R01D, R02Z, R12A, R12B, R12C	09			J08A, J08B, J08C	09			J08A, J08B, J08C	
21B		X33Z	17			R01A, R01C, R02Z, R12A, R12B	17			R01A, R01C, R02Z, R12A, R12B	
23		Z01A	21A			W01A, W01B, W01C, W36Z	21A			W01A, W01B, W01C, W36Z	
Pre		A07A	21B	X06A, X06B, X06C		21B	X06A, X06B, X06C				
			23	Z01A		23	Z01A				
			Pre	B61A		Pre	B61A				

VYK

ZZV	MDC	DRG	ZZV	MDC	DRG	ZZV	MDC	DRG
5a125.0		BOP, KVT, UOP4	5a127.3		BOP, KVT, UOP4	5a128.6		BOP, KOP, KOPV, KVT, UOP4
	01	B02A, B02B, B02C, B02D, B20A, B20B, B20C, B20D, B20E, B20F, B39A, B39B		01	B02A, B02B, B02C, B02D, B20A, B20B, B20C, B20D, B20E, B20F, B39A, B39B		01	B02A, B02B, B02C, B02D, B13Z, B20A, B20B, B20C, B20D, B20E, B20F, B39A, B39B
	02	C01A		02	C01A		02	C01A
	03	D18Z, D25A, D25B, D25C, D25D		03	D18Z, D25A, D25B, D25C, D25D		03	D18Z, D25A, D25B, D25C, D25D
	09	J08A, J08B, J08C		09	J08A, J08B, J08C		06	G33Z
	17	R01A, R01C, R02Z, R12A, R12B		17	R01A, R01C, R02Z, R12A, R12B		07	H33Z, H38Z
	21A	W01A, W01B, W01C, W36Z		21A	W01A, W01B, W01C, W36Z		09	J08A, J08B, J08C
	21B	X06A, X06B, X06C		21B	X06A, X06B, X06C		11	L33Z
	23	Z01A		23	Z01A		17	R01A, R01B, R01C, R01D, R02Z, R12A, R12B, R12C
	Pre	B61A		Pre	B61A		21A	W01A, W01B, W01C, W36Z
	5a125.1			BOP, KVT, UOP4	5a128.4			BOP, KOP, KOPV, KVT, UOP4
01		B02A, B02B, B02C, B02D, B20A, B20B, B20C, B20D, B20E, B20F, B39A, B39B	01	B02A, B02B, B02C, B02D, B13Z, B20A, B20B, B20C, B20D, B20E, B20F, B39A, B39B		01	B02A, B02B, B02C, B02D, B13Z, B20A, B20B, B20C, B20D, B20E, B20F, B39A, B39B	
02		C01A	02	C01A		02	C01A	
03		D18Z, D25A, D25B, D25C, D25D	03	D18Z, D25A, D25B, D25C, D25D		03	D18Z, D25A, D25B, D25C, D25D	
09		J08A, J08B, J08C	06	G33Z		02	C01A	
17		R01A, R01C, R02Z, R12A, R12B	07	H33Z, H38Z		03	D18Z, D25A, D25B, D25C, D25D	
21A		W01A, W01B, W01C, W36Z	09	J08A, J08B, J08C		06	G33Z	
21B		X06A, X06B, X06C	11	L33Z		07	H33Z, H38Z	
23		Z01A	17	R01A, R01B, R01C, R01D, R02Z, R12A, R12B, R12C		09	J08A, J08B, J08C	
Pre		B61A	21A	W01A, W01B, W01C, W36Z		11	L33Z	
5a126.2			BOP, KVT, UOP4	5a128.5			BOP, KOP, KOPV, KVT, UOP4	5a129.0
	01	B02A, B02B, B02C, B02D, B20A, B20B, B20C, B20D, B20E, B20F, B39A, B39B	01		B02A, B02B, B02C, B02D, B13Z, B20A, B20B, B20C, B20D, B20E, B20F, B39A, B39B	01	B02A, B02B, B02C, B02D, B13Z, B20A, B20B, B20C, B20D, B20E, B20F, B39A, B39B	
	02	C01A	02		C01A	02	C01A	
	03	D18Z, D25A, D25B, D25C, D25D	03		D18Z, D25A, D25B, D25C, D25D	03	D18Z, D25A, D25B, D25C, D25D	
	09	J08A, J08B, J08C	06		G33Z	09	J08A, J08B, J08C	
	17	R01A, R01C, R02Z, R12A, R12B	07		H33Z, H38Z	17	R01A, R01B, R01C, R01D, R02Z, R12A, R12B, R12C	
	21A	W01A, W01B, W01C, W36Z	09		J08A, J08B, J08C	21A	W01A, W01B, W01C, W36Z	
	21B	X06A, X06B, X06C	11		L33Z	21B	X06A, X06B, X06C, X33Z	
	23	Z01A	17		R01A, R01B, R01C, R01D, R02Z, R12A, R12B, R12C	23	Z01A	
	Pre	B61A	21A		W01A, W01B, W01C, W36Z	Pre	A07A	
	5a126.3		BOP, KVT, UOP4		5a129.1		BOP, KVT, UOP4	
01		B02A, B02B, B02C, B02D, B20A, B20B, B20C, B20D, B20E, B20F, B39A, B39B	01	B02A, B02B, B02C, B02D, B13Z, B20A, B20B, B20C, B20D, B20E, B20F, B39A, B39B		01	B09A, B09B	
02		C01A	02	C01A		02	C01A	
03		D18Z, D25A, D25B, D25C, D25D	03	D18Z, D25A, D25B, D25C, D25D		03	D18Z, D25A, D25B, D25C, D25D	
09		J08A, J08B, J08C	06	G33Z		09	J08A, J08B, J08C	
17		R01A, R01C, R02Z, R12A, R12B	07	H33Z, H38Z		17	R01A, R01B, R01C, R01D, R02Z, R12A, R12B, R12C	
21A		W01A, W01B, W01C, W36Z	09	J08A, J08B, J08C		21A	W01A, W01B, W01C, W36Z	
21B		X06A, X06B, X06C	11	L33Z		21B	X06A, X06B, X06C	
23		Z01A	17	R01A, R01B, R01C, R01D, R02Z, R12A, R12B, R12C		23	Z01A	
Pre		B61A	21A	W01A, W01B, W01C, W36Z		Pre	B61A	
5a127.2			BOP, KVT, UOP4	5a129.1			BOP, KVT, UOP4	5a129.1
	01	B02A, B02B, B02C, B02D, B20A, B20B, B20C, B20D, B20E, B20F, B39A, B39B	01		B02A, B02B, B02C, B02D, B13Z, B20A, B20B, B20C, B20D, B20E, B20F, B39A, B39B	01	B09A, B09B	
	02	C01A	02		C01A	02	C01A	
	03	D18Z, D25A, D25B, D25C, D25D	03		D18Z, D25A, D25B, D25C, D25D	03	D18Z, D25A, D25B, D25C, D25D	
	09	J08A, J08B, J08C	06		G33Z	09	J08A, J08B, J08C	
	17	R01A, R01C, R02Z, R12A, R12B	07		H33Z, H38Z	17	R01A, R01B, R01C, R01D, R02Z, R12A, R12B, R12C	
	21A	W01A, W01B, W01C, W36Z	09		J08A, J08B, J08C	21A	W01A, W01B, W01C, W36Z	
	21B	X06A, X06B, X06C	11		L33Z	21B	X06A, X06B, X06C	
	23	Z01A	17		R01A, R01B, R01C, R01D, R02Z, R12A, R12B, R12C	23	Z01A	
	Pre	B61A	21A		W01A, W01B, W01C, W36Z	Pre	B61A	

VYK

ZZV	MDC	DRG	ZZV	MDC	DRG	ZZV	MDC	DRG			
5a132.9		BOP, KOP, KOPV, KVT, UOP4	5a190.3		BOP, KOP, KOPV, KVT, UOP4	5a193		BOP, KOP, KOPV, KVT, UOP4			
	01	B02A, B02B, B02C, B02D, B20A, B20B, B20C, B20D, B20E, B20F, B39A, B39B		01	B02A, B02B, B02C, B20A, B20B, B20C, B20D, B20E, B39A, B39B		01	B02A, B02B, B02C, B13Z, B20A, B20B, B20C, B20D, B20E, B39A, B39B			
	02	C01A		02	C01A		02	C01A			
	03	D12A, D12B		06	G33Z		06	G33Z			
	06	G33Z		07	H33Z, H38Z		07	H33Z, H38Z			
	07	H33Z, H38Z		08	I23A		11	L33Z			
	11	L33Z		11	L33Z		17	R01A, R01B, R01C, R01D, R02Z, R12A, R12B, R12C			
	21A	W01A, W01B, W01C, W36Z		17	R01A, R01B, R01C, R01D, R02Z, R12A, R12B, R12C		21B	X33Z			
	21B	X06A, X06B, X06C, X33Z		21A	W01A, W01B, W01C, W36Z		23	Z01A			
	23	Z01A		21B	X33Z		Pre	A07A			
	Pre	A07A		23	Z01A		5a194.e	BOP, KOP, KOPV, KVT, UOP4			
	5a190.0			BOP, KOP, KOPV, KVT, UOP4	5a190.4				BOP, KOP, KOPV, KVT, UOP4	01	B02A, B02B, B02C, B13Z, B20A, B20B, B20C, B20D, B20E, B39A, B39B
		01		B02A, B02B, B02C, B20A, B20B, B20C, B20D, B20E, B39A, B39B				01	B02A, B02B, B02C, B20A, B20B, B20C, B20D, B20E, B39A, B39B	02	C01A
		02		C01A				02	C01A	06	G33Z
06		G33Z	06	G33Z		07		H33Z, H38Z			
07		H33Z, H38Z	07	H33Z, H38Z		11		L33Z			
08		I23A	07	H33Z, H38Z		17		R01A, R01B, R01C, R01D, R02Z, R12A, R12B, R12C			
11		L33Z	08	I23A		21B		X33Z			
17		R01A, R01B, R01C, R01D, R02Z, R12A, R12B, R12C	11	L33Z		23		Z01A			
21A		W01A, W01B, W01C, W36Z	17	R01A, R01B, R01C, R01D, R02Z, R12A, R12B, R12C		Pre		A07A			
21B		X33Z	21A	W01A, W01B, W01C, W36Z		5a194.f		BOP, KOP, KOPV, KVT, UOP4			
23		Z01A	21B	X33Z				01	B02A, B02B, B02C, B13Z, B20A, B20B, B20C, B20D, B20E, B39A, B39B		
Pre		A07A	23	Z01A				02	C01A		
5a190.1			BOP, KOP, KOPV, KVT, UOP4	5a191					BOP, KOP, KOPV, KVT, UOP4	06	G33Z
		01	B02A, B02B, B02C, B20A, B20B, B20C, B20D, B20E, B39A, B39B				01	B02A, B02B, B02C, B20A, B20B, B20C, B20D, B20E, B39A, B39B	07	H33Z, H38Z	
	02	C01A	02		C01A		11	L33Z			
	06	G33Z	06		G33Z		17	R01A, R01B, R01C, R01D, R02Z, R12A, R12B, R12C			
	07	H33Z, H38Z	07		H33Z, H38Z		21B	X33Z			
	08	I23A	08		I15A, I15B		23	Z01A			
	11	L33Z	11		L33Z		Pre	A07A			
	17	R01A, R01B, R01C, R01D, R02Z, R12A, R12B, R12C	21A		W01A, W01B, W01C, W36Z		5a195	BOP, KVT, UOP4			
	21A	W01A, W01B, W01C, W36Z	21B		X06A, X06B, X06C, X33Z			01	B02A, B02B, B02C, B02D, B20A, B20B, B20C, B20D, B20E, B20F, B39A, B39B		
	21B	X33Z	23		Z01A			02	C01A		
	23	Z01A	Pre		A07A, A09B, A11A, A11B, A13B			03	D18Z, D25A, D25B, D25C, D25D		
	Pre	A07A	5a192			BOP, KOP, KOPV, KVT, UOP4		09	J08A, J08B, J08C		
	5a190.2				BOP, KOP, KOPV, KVT, UOP4	5a192			BOP, KOP, KOPV, KVT, UOP4	17	R01A, R01C, R02Z, R12A, R12B
		01			B02A, B02B, B02C, B20A, B20B, B20C, B20D, B20E, B39A, B39B			01	B02A, B02B, B02C, B20A, B20B, B20C, B20D, B20E, B39A, B39B	21A	W01A, W01B, W01C, W36Z
02		C01A		02	C01A			21B	X06A, X06B, X06C		
06		G33Z		06	G33Z			23	Z01A		
07		H33Z, H38Z		07	H33Z, H38Z			Pre	B61A		
08		I23A		08	I15A, I15B			5a196	BOP, KVT, UOP4		
11		L33Z		11	L33Z				01	B09A, B09B	
17		R01A, R01B, R01C, R01D, R02Z, R12A, R12B, R12C		21A	W01A, W01B, W01C, W36Z				02	C01A	
21A		W01A, W01B, W01C, W36Z		21B	X06A, X06B, X06C, X33Z				03	D18Z, D25A, D25B, D25C, D25D	
21B		X33Z		23	Z01A		09		J08A, J08B, J08C		
23		Z01A		Pre	A07A, A09B, A11A, A11B, A13B		17		R01A, R01B, R01C, R01D, R02Z, R12A, R12B, R12C		
Pre		A07A					23		Z01A		
							Pre		B61A		

VYK

ZZV	MDC	DRG	ZZV	MDC	DRG	ZZV	MDC	DRG					
5a197.1		BOP, KOP, KOPV, KVT, UOP4	5a198.9		BOP, KOP, KOPV, KVT, UOP4	5a19a.b		BOP, KVT, UOP4					
	01	B02A, B02B, B02C, B02D, B13Z, B20A, B20B, B20C, B20D, B20E, B20F, B39A, B39B		01	B02A, B02B, B02C, B02D, B13Z, B20A, B20B, B20C, B20D, B20E, B20F, B39A, B39B		01	B03A, B03B, B06A, B06B, B07Z, B17A, B17B, B17C					
	02	C01A		02	C01A		02	C01A					
	03	D18Z, D25A, D25B, D25C, D25D		03	D18Z, D25A, D25B, D25C, D25D		03	D12A, D12B					
	06	G33Z		06	G33Z		21A	W04A, W04B					
	07	H33Z, H38Z		07	H33Z, H38Z		21B	X06A, X06B, X06C					
	09	J08A, J08B, J08C		09	J08A, J08B, J08C		5a19a.c	BOP, KVT, UOP4					
	11	L33Z		11	L33Z			01	B03A, B03B, B06A, B06B, B07Z, B17A, B17B, B17C				
	17	R01A, R01B, R01C, R01D, R02Z, R12A, R12B, R12C		17	R01A, R01B, R01C, R01D, R02Z, R12A, R12B, R12C		02	C01A					
	21B	X33Z		21A	W01A, W01B, W01C, W36Z		03	D12A, D12B					
	23	Z01A		21B	X06A, X06B, X06C, X33Z		21A	W04A, W04B					
	Pre	A07A		23	Z01A		21B	X06A, X06B, X06C					
	5a197.2			BOP, KOP, KOPV, KVT, UOP4	5a199.1			BOP, KOP, KOPV, KVT, UOP4	5a19b.7		BOP, KVT, UOP4		
		01		B02A, B02B, B02C, B02D, B13Z, B20A, B20B, B20C, B20D, B20E, B20F, B39A, B39B			01	B02A, B02B, B02C, B02D, B13Z, B20A, B20B, B20C, B20D, B20E, B20F, B39A, B39B		01	B03A, B03B, B06A, B06B, B07Z, B17A, B17B, B17C		
		02		C01A			02	C01A		02	C01A		
		03		D18Z, D25A, D25B, D25C, D25D			03	D18Z, D25A, D25B, D25C, D25D		03	D12A, D12B		
06		G33Z	06	G33Z		21A	W04A, W04B						
07		H33Z, H38Z	07	H33Z, H38Z		21B	X06A, X06B, X06C						
09		J08A, J08B, J08C	09	J08A, J08B, J08C		5a19b.c	BOP, KVT, UOP4						
11		L33Z	11	L33Z			01	B03A, B03B, B06A, B06B, B07Z, B17A, B17B, B17C					
17		R01A, R01B, R01C, R01D, R02Z, R12A, R12B, R12C	17	R01A, R01B, R01C, R01D, R02Z, R12A, R12B, R12C		02	C01A						
21B		X33Z	21A	W01A, W01B, W01C, W36Z		03	D12A, D12B						
23		Z01A	21B	X06A, X06B, X06C, X33Z		21A	W04A, W04B						
Pre		A07A	23	Z01A		21B	X06A, X06B, X06C						
5a198.1			BOP, KOP, KOPV, KVT, UOP4	5a199.9			BOP, KOP, KOPV, KVT, UOP4	5a19c.81			BOP, KOP, KOPV, KVT, UOP4		
		01	B02A, B02B, B02C, B02D, B13Z, B20A, B20B, B20C, B20D, B20E, B20F, B39A, B39B			01	B02A, B02B, B02C, B02D, B13Z, B20A, B20B, B20C, B20D, B20E, B20F, B39A, B39B			01	B02A, B02B, B02C, B20A, B20B, B20C, B20D, B20E, B39A, B39B		
		02	C01A			02	C01A			02	C01A		
		03	D18Z, D25A, D25B, D25C, D25D			03	D18Z, D25A, D25B, D25C, D25D			03	D18Z, D25A, D25B, D25C, D25D		
	06	G33Z	06		G33Z	06	G33Z						
	07	H33Z, H38Z	07		H33Z, H38Z	07	H33Z, H38Z						
	09	J08A, J08B, J08C	09		J08A, J08B, J08C	09	J08A, J08B, J08C						
	11	L33Z	11		L33Z	11	L33Z						
	17	R01A, R01B, R01C, R01D, R02Z, R12A, R12B, R12C	17		R01A, R01B, R01C, R01D, R02Z, R12A, R12B, R12C	17	R01A, R01B, R01C, R01D, R02Z, R12A, R12B, R12C						
	21A	W01A, W01B, W01C, W36Z	17		R01A, R01B, R01C, R01D, R02Z, R12A, R12B, R12C	21B	X33Z						
	21B	X06A, X06B, X06C, X33Z	21A		W01A, W01B, W01C, W36Z		23		Z01A				
	23	Z01A	21B		X06A, X06B, X06C, X33Z	Pre	A07A						
	Pre	A07A	Pre		A07A	5a19c.82			BOP, KOP, KOPV, KVT, UOP4				
	5a198.2		BOP, KOP, KOPV, KVT, UOP4		5a199.7				BOP, KVT, UOP4	5a19c.82		BOP, KOP, KOPV, KVT, UOP4	
		01	B02A, B02B, B02C, B02D, B13Z, B20A, B20B, B20C, B20D, B20E, B20F, B39A, B39B				01		B03A, B03B, B06A, B06B, B07Z, B17A, B17B, B17C		01	B02A, B02B, B02C, B20A, B20B, B20C, B20D, B20E, B39A, B39B	
		02	C01A				02		C01A		02	C01A	
03		D18Z, D25A, D25B, D25C, D25D	03	D12A, D12B			03	D18Z, D25A, D25B, D25C, D25D					
06		G33Z	06	G33Z			06	G33Z					
07		H33Z, H38Z	07	H33Z, H38Z			07	H33Z, H38Z					
09		J08A, J08B, J08C	09	J08A, J08B, J08C			09	J08A, J08B, J08C					
11		L33Z	11	L33Z			11	L33Z					
17		R01A, R01B, R01C, R01D, R02Z, R12A, R12B, R12C	17	R01A, R01B, R01C, R01D, R02Z, R12A, R12B, R12C			17	R01A, R01B, R01C, R01D, R02Z, R12A, R12B, R12C					
21A		W01A, W01B, W01C, W36Z	21A	W04A, W04B			21B	X33Z					
21B		X06A, X06B, X06C, X33Z	21B	X06A, X06B, X06C, X33Z				23	Z01A				
23		Z01A	23	Z01A			Pre	A07A					
Pre		A07A	Pre	A07A			5a19c.82		BOP, KOP, KOPV, KVT, UOP4				
5a198.3			BOP, KOP, KOPV, KVT, UOP4	5a199.8					BOP, KVT, UOP4		5a19c.82		BOP, KOP, KOPV, KVT, UOP4
		01	B02A, B02B, B02C, B02D, B13Z, B20A, B20B, B20C, B20D, B20E, B20F, B39A, B39B					01	B03A, B03B, B06A, B06B, B07Z, B17A, B17B, B17C			01	B02A, B02B, B02C, B20A, B20B, B20C, B20D, B20E, B39A, B39B
		02	C01A			02		C01A	02			C01A	
	03	D18Z, D25A, D25B, D25C, D25D	03		D12A, D12B	03		D18Z, D25A, D25B, D25C, D25D					
	06	G33Z	06		G33Z	06		G33Z					
	07	H33Z, H38Z	07		H33Z, H38Z	07		H33Z, H38Z					
	09	J08A, J08B, J08C	09		J08A, J08B, J08C	09		J08A, J08B, J08C					
	11	L33Z	11		L33Z	11		L33Z					
	17	R01A, R01B, R01C, R01D, R02Z, R12A, R12B, R12C	17		R01A, R01B, R01C, R01D, R02Z, R12A, R12B, R12C	17		R01A, R01B, R01C, R01D, R02Z, R12A, R12B, R12C					
	21A	W01A, W01B, W01C, W36Z	21A		W04A, W04B	21B		X33Z					
	21B	X06A, X06B, X06C, X33Z	21B		X06A, X06B, X06C, X33Z			23	Z01A				
	23	Z01A	23		Z01A	Pre		A07A					
	Pre	A07A	Pre		A07A	5a19c.82			BOP, KOP, KOPV, KVT, UOP4				

VYK

ZZV	MDC	DRG	ZZV	MDC	DRG	ZZV	MDC	DRG			
5a19e		BOP, KVT, UOP4	5a19k.1		BOP, KVT, UOP4	5a19m.6		BOP, KVT, UOP4			
	01	B03A, B03B, B06A, B06B, B07Z, B17A, B17B, B17C		01	B02A, B02B, B02C, B02D, B20A, B20B, B20C, B20D, B20E, B20F, B39A, B39B		01	B02A, B02B, B02C, B02D, B20A, B20B, B20C, B20D, B20E, B20F, B39A, B39B			
	02	C01A		02	C01A		02	C01A			
	03	D12A, D12B		08	I15A, I15B		06	G01Z, G02Z, G38Z			
	21A	W04A, W04B		09	J08A		08	I15A, I15B			
	21B	X06A, X06B, X06C		17	R01A, R01C, R02Z, R12A, R12B		09	J08A			
	5a19f.8			BOP, KOP, KOPV, KVT, UOP4	5a19k.2			BOP, KVT, UOP4	5a19n.7		BOP, KVT, UOP4
		01		B02A, B02B, B02C, B20A, B20B, B20C, B20D, B20E, B39A, B39B			01	B02A, B02B, B02C, B02D, B20A, B20B, B20C, B20D, B20E, B20F, B39A, B39B		01	B09A, B09B, B20A, B20B, B20C, B20D, B20E, B20F
		02		C01A			02	C01A		02	C01A
		03		D18Z, D25A, D25B, D25C, D25D			08	I15A, I15B		17	R01A, R01B, R01C, R01D, R02Z, R12A, R12B, R12C
06		G33Z	09	J08A		21A	W01A, W01B, W01C, W36Z				
07		H33Z, H38Z	17	R01A, R01C, R02Z, R12A, R12B		21B	X06A, X06B, X06C				
09		J08A, J08B, J08C	21A	W01A, W01B, W01C, W36Z		5a19n.8		BOP, KVT, UOP4			
11		L33Z	21B	X06A, X06B			01	B09A, B09B, B20A, B20B, B20C, B20D, B20E, B20F			
17		R01A, R01B, R01C, R01D, R02Z, R12A, R12B, R12C	23	Z01A			02	C01A			
21B		X33Z	5a19k.3				BOP, KVT, UOP4	17		R01A, R01B, R01C, R01D, R02Z, R12A, R12B, R12C	
23	Z01A	01		B02A, B02B, B02C, B02D, B20A, B20B, B20C, B20D, B20E, B20F, B39A, B39B	21A		W01A, W01B, W01C, W36Z				
Pre	A07A	02		C01A	21B		X06A, X06B, X06C				
5a19g		BOP, KOP, KOPV, KVT, UOP4		5a19m.4			BOP, KVT, UOP4	5a19o.1		BOP, KVT, UOP4	
	01	B02A, B02B, B02C, B20A, B20B, B20C, B20D, B20E, B39A, B39B			01		B02A, B02B, B02C, B02D, B20A, B20B, B20C, B20D, B20E, B20F, B39A, B39B		01	B09A, B09B, B20A, B20B, B20C, B20D, B20E, B20F	
	02	C01A			02		C01A		02	C01A	
	03	D18Z, D25A, D25B, D25C, D25D			08		I15A, I15B		03	D18Z, D25A, D25B, D25C, D25D	
	06	G33Z			09	J08A	09		J08A, J08B, J08C		
	07	H33Z, H38Z			17	R01A, R01C, R02Z, R12A, R12B	17		R01A, R01B, R01C, R01D, R02Z, R12A, R12B, R12C		
	09	J08A, J08B, J08C			21A	W01A, W01B, W01C, W36Z	21A		W01A, W01B, W01C, W36Z		
	11	L33Z	21B		X06A, X06B	21B	X06A, X06B, X06C				
	17	R01A, R01B, R01C, R01D, R02Z, R12A, R12B, R12C	23		Z01A	Pre	B61A				
	21A	W01A, W01B, W01C, W36Z	5a19m.5			BOP, KVT, UOP4	5a19o.3			BOP, KVT, UOP4	
21B	X06A, X06B, X06C, X33Z	01		B02A, B02B, B02C, B02D, B20A, B20B, B20C, B20D, B20E, B20F, B39A, B39B	01	B09A, B09B, B20A, B20B, B20C, B20D, B20E, B20F					
23	Z01A	02		C01A	02	C01A					
Pre	A07A	06		G01Z, G02Z, G38Z	03	D18Z, D25A, D25B, D25C, D25D					
5a19h		BOP, KVT, UOP4		5a19m.4		BOP, KVT, UOP4		5a19p.1		BOP, KVT, UOP4	
	01	B03A, B03B, B06A, B06B, B07Z, B17A, B17B, B17C			01	B02A, B02B, B02C, B02D, B20A, B20B, B20C, B20D, B20E, B20F, B39A, B39B			01	B09A, B09B, B20A, B20B, B20C, B20D, B20E, B20F	
	02	C01A			02	C01A			02	C01A	
	03	D12A, D12B			08	I15A, I15B			03	D18Z, D25A, D25B, D25C, D25D	
	21A	W04A, W04B			09	J08A			09	J08A, J08B, J08C	
	21B	X06A, X06B, X06C			17	R01A, R01C, R02Z, R12A, R12B			17	R01A, R01B, R01C, R01D, R02Z, R12A, R12B, R12C	
	5a19k.0		BOP, KVT, UOP4		5a19m.5		BOP, KVT, UOP4		5a19p.1		BOP, KVT, UOP4
		01	B02A, B02B, B02C, B02D, B20A, B20B, B20C, B20D, B20E, B20F, B39A, B39B			01	B02A, B02B, B02C, B02D, B20A, B20B, B20C, B20D, B20E, B20F, B39A, B39B			21A	W01A, W01B, W01C, W36Z
		02	C01A			02	C01A			21B	X06A, X06B, X06C
		08	I15A, I15B			06	G01Z, G02Z, G38Z			Pre	B61A
09		J08A	08	I15A, I15B		01	B09A, B09B, B20A, B20B, B20C, B20D, B20E, B20F				
17		R01A, R01C, R02Z, R12A, R12B	09	J08A		02	C01A				
21A		W01A, W01B, W01C, W36Z	17	R01A, R01C, R02Z, R12A, R12B		03	D18Z, D25A, D25B, D25C, D25D				
21B		X06A, X06B	21A	W01A, W01B, W01C, W36Z		09	J08A, J08B, J08C				
23		Z01A	21B	X06A, X06B		17	R01A, R01B, R01C, R01D, R02Z, R12A, R12B, R12C				
			23	Z01A		21A	W01A, W01B, W01C, W36Z				
		Pre	A11A, A13A, A13B, A13D	21B	X06A, X06B, X06C						
				Pre	B61A						

VYK

ZZV	MDC	DRG	ZZV	MDC	DRG	ZZV	MDC	DRG	
5a19p.3		BOP, KVT, UOP4	5a19t		BOP, KOP, KOPV, KVT, UOP4	5a204.0		BOP, KOP, KOPV, KVT, UOP4	
	01	B09A, B09B, B20A, B20B, B20C, B20D, B20E, B20F		01	B02A, B02B, B02C, B13Z, B20A, B20B, B20C, B20D, B20E, B39A, B39B		01	B02A, B02B, B02C, B02D, B20A, B20B, B20C, B20D, B20E, B20F, B39A, B39B	
	02	C01A		02	C01A		06	G01Z, G02Z, G33Z, G38Z	
	03	D18Z, D25A, D25B, D25C, D25D		03	D18Z, D25A, D25B, D25C, D25D		07	H33Z, H38Z	
	09	J08A, J08B, J08C		04	E02A, E02B, E02C		11	L33Z	
	17	R01A, R01B, R01C, R01D, R02Z, R12A, R12B, R12C		06	G10Z, G12A, G12B, G33Z		17	R01A, R01B, R01C, R01D, R02Z, R12A, R12B, R12C	
	21A	W01A, W01B, W01C, W36Z		07	H33Z, H38Z		21A	W04A, W04B	
	21B	X06A, X06B, X06C		09	J03A, J03B, J04A, J04B, J08A, J08B, J08C, J11A, J11B, J16Z		21B	X06A, X06B, X06C, X33Z	
	Pre	B61A		10	K09A, K09B		23	Z01A	
	5a19r.1			BOP, KVT, UOP4	11		L09A, L09B, L09C, L09D, L33Z, L38Z	Pre	A07A, A11A, A13A, A13B, A13D
		01		B09A, B09B, B20A, B20B, B20C, B20D, B20E, B20F	12		M06Z, M09A, M09B, M38Z	5a204.1	BOP, KOP, KOPV, KVT, UOP4
		02		C01A	13		N13A, N13B	01	B02A, B02B, B02C, B02D, B20A, B20B, B20C, B20D, B20E, B20F, B39A, B39B
		03		D18Z, D25A, D25B, D25C, D25D	17		R01A, R01B, R01C, R01D, R02Z, R12A, R12B, R12C	06	G01Z, G02Z, G33Z, G38Z
		09		J08A, J08B, J08C	21A		W01A, W01B, W01C, W36Z	07	H33Z, H38Z
17		R01A, R01B, R01C, R01D, R02Z, R12A, R12B, R12C	21B	X04Z, X05A, X05B, X06A, X06B, X06C, X33Z	11	L33Z			
21A		W01A, W01B, W01C, W36Z	23	Z01A	17	R01A, R01B, R01C, R01D, R02Z, R12A, R12B, R12C			
21B		X06A, X06B, X06C	Pre	A07A	21A	W04A, W04B			
Pre		B61A	5a200	BOP, KOP, KVT, UOP4	21B	X06A, X06B, X06C, X33Z			
5a19r.3			BOP, KVT, UOP4	01	B09A, B09B	23	Z01A		
		01	B09A, B09B, B20A, B20B, B20C, B20D, B20E, B20F	08	I15A, I15B	Pre	A07A, A11A, A13A, A13B, A13D		
		02	C01A	17	R01A, R01B, R01C, R01D, R02Z, R12A, R12B, R12C	5a204.2	BOP, KOP, KOPV, KVT, UOP4		
		03	D18Z, D25A, D25B, D25C, D25D	21A	W01A, W01B, W01C, W36Z	01	B02A, B02B, B02C, B02D, B20A, B20B, B20C, B20D, B20E, B20F, B39A, B39B		
		09	J08A, J08B, J08C	5a202	BOP, KOP, KOPV, KVT, UOP4	06	G01Z, G02Z, G33Z, G38Z		
	17	R01A, R01B, R01C, R01D, R02Z, R12A, R12B, R12C	01	B02A, B02B, B02C, B20A, B20B, B20C, B20D, B20E, B39A, B39B	07	H33Z, H38Z			
	21A	W01A, W01B, W01C, W36Z	06	G33Z	11	L33Z			
	21B	X06A, X06B, X06C	07	H33Z, H38Z	17	R01A, R01B, R01C, R01D, R02Z, R12A, R12B, R12C			
	Pre	B61A	11	L33Z	21A	W04A, W04B			
	5a19s		BOP, KOP, KOPV, KVT, UOP4	21A	W01A, W01B, W01C, W36Z	21B	X06A, X06B, X06C, X33Z		
		01	B02A, B02B, B02C, B13Z, B20A, B20B, B20C, B20D, B20E, B39A, B39B	23	Z01A	23	Z01A		
		02	C01A	Pre	A07A	Pre	A07A, A11A, A13A, A13B, A13D		
		06	G33Z	5a203	BOP, KOP, KOPV, KVT, UOP4	5a204.3	BOP, KOP, KOPV, KVT, UOP4		
		07	H33Z, H38Z	01	B02A, B02B, B02C, B02D, B20A, B20B, B20C, B20D, B20E, B20F, B39A, B39B	01	B02A, B02B, B02C, B02D, B20A, B20B, B20C, B20D, B20E, B20F, B39A, B39B		
11		L33Z	06	G33Z	06	G01Z, G02Z, G33Z, G38Z			
17		R01A, R01B, R01C, R01D, R02Z, R12A, R12B, R12C	07	H33Z, H38Z	07	H33Z, H38Z			
21A		W01A, W01B, W01C, W36Z	11	L33Z	11	L33Z			
21B		X06A, X06B, X06C, X33Z	17	R01A, R01B, R01C, R01D, R02Z, R12A, R12B, R12C	17	R01A, R01B, R01C, R01D, R02Z, R12A, R12B, R12C			
23		Z01A	21A	W04A, W04B	21A	W04A, W04B			
Pre		A07A	21B	X06A, X06B, X06C, X33Z	21B	X06A, X06B, X06C, X33Z			
			23	Z01A	23	Z01A			
			Pre	A07A	Pre	A07A, A11A, A13A, A13B, A13D			

VYK

ZZV	MDC	DRG	ZZV	MDC	DRG	ZZV	MDC	DRG
5a204.4		BOP, KOP, KOPV, KVT, UOP4	5a205.0		BOP, KOP, KOPV, KVT, UOP4	5a209.0		BOP, KOP, KOPV, KVT, UOP4
	01	B02A, B02B, B02C, B02D, B20A, B20B, B20C, B20D, B20E, B20F, B39A, B39B		01	B02A, B02B, B02C, B02D, B20A, B20B, B20C, B20D, B20E, B20F, B39A, B39B		01	B02A, B02B, B02C, B20A, B20B, B20C, B20D, B20E, B39A, B39B
	06	G33Z		06	G01Z, G02Z, G33Z, G38Z		06	G33Z
	07	H33Z, H38Z		07	H33Z, H38Z		07	H33Z, H38Z
	11	L33Z		11	L33Z		11	L33Z
	17	R01A, R01B, R01C, R01D, R02Z, R12A, R12B, R12C		17	R01A, R01B, R01C, R01D, R02Z, R12A, R12B, R12C		17	R01A, R01B, R01C, R01D, R02Z, R12A, R12B, R12C
	21A	W04A, W04B		21A	W04A, W04B		21A	W04A, W04B
	21B	X06A, X06B, X06C, X33Z		21B	X06A, X06B, X06C, X33Z		21B	X06A, X06B, X06C, X33Z
	23	Z01A		23	Z01A		23	Z01A
	Pre	A07A		Pre	A07A, A11A, A13A, A13B, A13D		Pre	A07A
	5a204.5			BOP, KOP, KOPV, KVT, UOP4	5a205.1			BOP, KOP, KOPV, KVT, UOP4
01		B02A, B02B, B02C, B02D, B20A, B20B, B20C, B20D, B20E, B20F, B39A, B39B	01	B02A, B02B, B02C, B02D, B20A, B20B, B20C, B20D, B20E, B20F, B39A, B39B		01	B02A, B02B, B02C, B13Z, B20A, B20B, B20C, B20D, B20E, B39A, B39B	
06		G33Z	06	G33Z		06	G33Z	
07		H33Z, H38Z	07	H33Z, H38Z		07	H33Z, H38Z	
11		L33Z	11	L33Z		11	L33Z	
17		R01A, R01B, R01C, R01D, R02Z, R12A, R12B, R12C	17	R01A, R01B, R01C, R01D, R02Z, R12A, R12B, R12C		17	R01A, R01B, R01C, R01D, R02Z, R12A, R12B, R12C	
21A		W04A, W04B	21A	W04A, W04B		21A	W04A, W04B	
21B		X06A, X06B, X06C, X33Z	21B	X06A, X06B, X06C, X33Z		21B	X06A, X06B, X06C, X33Z	
23		Z01A	21B	X06A, X06B, X06C, X33Z		23	Z01A	
Pre		A07A	23	Z01A		Pre	A07A	
5a204.6			BOP, KOP, KOPV, KVT, UOP4	5a206			BOP, KOP, KOPV, KVT, UOP4	5a20a
	01	B02A, B02B, B02C, B02D, B20A, B20B, B20C, B20D, B20E, B20F, B39A, B39B	01		B02A, B02B, B02C, B02D, B20A, B20B, B20C, B20D, B20E, B20F, B39A, B39B	01	B02A, B02B, B02C, B02D, B20A, B20B, B20C, B20D, B20E, B20F, B39A, B39B	
	06	G33Z	06		G33Z	06	G33Z	
	07	H33Z, H38Z	07		G33Z	07	H33Z, H38Z	
	11	L33Z	07		H33Z, H38Z	11	L33Z	
	17	R01A, R01B, R01C, R01D, R02Z, R12A, R12B, R12C	11		L33Z	17	R01A, R01B, R01C, R01D, R02Z, R12A, R12B, R12C	
	21A	W04A, W04B	17		R01A, R01B, R01C, R01D, R02Z, R12A, R12B, R12C	21A	W01A, W01B, W01C, W36Z	
	21B	X06A, X06B, X06C, X33Z	21A		W04A, W04B	21B	X06A, X06B, X06C, X33Z	
	23	Z01A	21B		X06A, X06B, X06C, X33Z	23	Z01A	
	Pre	A07A	23		Z01A	Pre	A07A	
	5a204.7		BOP, KOP, KOPV, KVT, UOP4		5a208		BOP, KOP, KOPV, KVT, UOP4	
01		B02A, B02B, B02C, B02D, B20A, B20B, B20C, B20D, B20E, B20F, B39A, B39B	01	B02A, B02B, B02C, B13Z, B20A, B20B, B20C, B20D, B20E, B39A, B39B		01	B02A, B02B, B02C, B02D, B20A, B20B, B20C, B20D, B20E, B20F, B39A, B39B	
06		G33Z	06	G33Z		06	G01Z, G02Z, G33Z, G38Z	
07		H33Z, H38Z	07	H33Z, H38Z		07	H33Z, H38Z	
11		L33Z	11	L33Z		11	L33Z	
17		R01A, R01B, R01C, R01D, R02Z, R12A, R12B, R12C	17	R01A, R01B, R01C, R01D, R02Z, R12A, R12B, R12C		17	R01A, R01B, R01C, R01D, R02Z, R12A, R12B, R12C	
21A		W04A, W04B	17	R01A, R01B, R01C, R01D, R02Z, R12A, R12B, R12C		21A	W01A, W01B, W01C, W36Z	
21B		X06A, X06B, X06C, X33Z	21A	W04A, W04B		21B	X06A, X06B, X06C, X33Z	
23		Z01A	21B	X06A, X06B, X06C, X33Z		23	Z01A	
Pre		A07A	23	Z01A		Pre	A07A, A11A, A13A, A13B, A13D	
Pre		A07A	Pre	A07A				

VYK

ZZV	MDC	DRG	ZZV	MDC	DRG	ZZV	MDC	DRG			
5a20b.1		BOP, KOP, KOPV, KVT, UOP4	5a20d		BOP, KOP, KOPV, KVT, UOP4	5a20e.3		BOP, KOP, KOPV, KVT, UOP4			
	01	B02A, B02B, B02C, B02D, B20A, B20B, B20C, B20D, B20E, B20F, B39A, B39B		01	B02A, B02B, B02C, B02D, B20A, B20B, B20C, B20D, B20E, B20F, B39A, B39B		01	B02A, B02B, B02C, B20A, B20B, B20C, B20D, B20E, B39A, B39B			
	06	G01Z, G02Z, G33Z, G38Z		06	G33Z		05	F01A, F01B, F01D, F05Z, F07A, F07B, F14A, F14B, F28A, F42Z, F54Z, F59A, F59B			
	07	H33Z, H38Z		07	H33Z, H38Z		06	G33Z			
	11	L33Z		11	L33Z		07	H33Z, H38Z			
	17	R01A, R01B, R01C, R01D, R02Z, R12A, R12B, R12C		17	R01A, R01B, R01C, R01D, R02Z, R12A, R12B, R12C		11	L33Z			
	21A	W01A, W01B, W01C, W36Z		21A	W01A, W01B, W01C, W36Z		21A	W01A, W01B, W01C, W36Z			
	21B	X06A, X06B, X06C, X33Z		21B	X06A, X06B, X06C, X33Z		21B	X06A, X06B, X06C, X33Z			
	23	Z01A		23	Z01A		23	Z01A			
	Pre	A07A, A11A, A13A, A13B, A13D		Pre	A07A		Pre	A07A			
	5a20b.2			BOP, KOP, KOPV, KVT, UOP4	5a20e.0			BOP, KOP, KOPV, KVT, UOP4	5a20e.4		BOP, KOP, KOPV, KVT, UOP4
		01		B02A, B02B, B02C, B02D, B20A, B20B, B20C, B20D, B20E, B20F, B39A, B39B			01	B02A, B02B, B02C, B20A, B20B, B20C, B20D, B20E, B39A, B39B		01	B02A, B02B, B02C, B20A, B20B, B20C, B20D, B20E, B39A, B39B
		06		G01Z, G02Z, G33Z, G38Z			05	F01A, F01B, F01D, F05Z, F07A, F07B, F14A, F14B, F28A, F42Z, F54Z, F59A, F59B		05	F01A, F01B, F01D, F05Z, F07A, F07B, F14A, F14B, F28A, F42Z, F54Z, F59A, F59B
		07		H33Z, H38Z			06	G33Z		06	G33Z
11		L33Z	07	H33Z, H38Z		07	H33Z, H38Z				
17		R01A, R01B, R01C, R01D, R02Z, R12A, R12B, R12C	11	L33Z		11	L33Z				
21A		W01A, W01B, W01C, W36Z	21A	W01A, W01B, W01C, W36Z		21A	W01A, W01B, W01C, W36Z				
21B		X06A, X06B, X06C, X33Z	21B	X06A, X06B, X06C, X33Z		21B	X06A, X06B, X06C, X33Z				
23		Z01A	23	Z01A		23	Z01A				
Pre		A07A, A11A, A13A, A13B, A13D	Pre	A07A		Pre	A07A				
5a20b.3			BOP, KOP, KOPV, KVT, UOP4	5a20e.1			BOP, KOP, KOPV, KVT, UOP4	5a20e.5			BOP, KOP, KOPV, KVT, UOP4
		01	B02A, B02B, B02C, B02D, B20A, B20B, B20C, B20D, B20E, B20F, B39A, B39B			01	B02A, B02B, B02C, B20A, B20B, B20C, B20D, B20E, B39A, B39B			01	B02A, B02B, B02C, B20A, B20B, B20C, B20D, B20E, B39A, B39B
		06	G01Z, G02Z, G33Z, G38Z			05	F01A, F01B, F01D, F05Z, F07A, F07B, F14A, F14B, F28A, F42Z, F54Z, F59A, F59B			05	F01A, F01B, F01D, F05Z, F07A, F07B, F14A, F14B, F28A, F42Z, F54Z, F59A, F59B
		07	H33Z, H38Z			06	G33Z			06	G33Z
	11	L33Z	07		H33Z, H38Z	07	H33Z, H38Z				
	17	R01A, R01B, R01C, R01D, R02Z, R12A, R12B, R12C	11		L33Z	11	L33Z				
	21A	W01A, W01B, W01C, W36Z	21A		W01A, W01B, W01C, W36Z	21A	W01A, W01B, W01C, W36Z				
	21B	X06A, X06B, X06C, X33Z	21B		X06A, X06B, X06C, X33Z	21B	X06A, X06B, X06C, X33Z				
	23	Z01A	23		Z01A	23	Z01A				
	Pre	A07A, A11A, A13A, A13B, A13D	Pre		A07A	Pre	A07A				
	5a20c		BOP, KOP, KOPV, KVT, UOP4		5a20e.2		BOP, KOP, KOPV, KVT, UOP4		5a20e.6		BOP, KOP, KOPV, KVT, UOP4
		01	B02A, B02B, B02C, B02D, B20A, B20B, B20C, B20D, B20E, B20F, B39A, B39B			01	B02A, B02B, B02C, B20A, B20B, B20C, B20D, B20E, B39A, B39B			01	B02A, B02B, B02C, B20A, B20B, B20C, B20D, B20E, B39A, B39B
		06	G33Z			05	F01A, F01B, F01D, F05Z, F07A, F07B, F14A, F14B, F28A, F42Z, F54Z, F59A, F59B			05	F01A, F01B, F01D, F05Z, F07A, F07B, F14A, F14B, F28A, F42Z, F54Z, F59A, F59B
		07	H33Z, H38Z			06	G33Z			06	G33Z
11		L33Z	07	H33Z, H38Z		07	H33Z, H38Z				
17		R01A, R01B, R01C, R01D, R02Z, R12A, R12B, R12C	11	L33Z		11	L33Z				
21A		W04A, W04B	21A	W01A, W01B, W01C, W36Z		21A	W01A, W01B, W01C, W36Z				
21B		X06A, X06B, X06C, X33Z	21B	X06A, X06B, X06C, X33Z		21B	X06A, X06B, X06C, X33Z				
23		Z01A	23	Z01A		23	Z01A				
Pre		A07A	Pre	A07A		Pre	A07A				

VYK

ZZV	MDC	DRG	ZZV	MDC	DRG	ZZV	MDC	DRG			
5a20e.7		BOP, KOP, KOPV, KVT, UOP4	5a20e.b		BOP, KOP, KOPV, KVT, UOP4	5a20f.3		BOP, KOP, KOPV, KVT, UOP4			
	01	B02A, B02B, B02C, B20A, B20B, B20C, B20D, B20E, B39A, B39B		01	B02A, B02B, B02C, B20A, B20B, B20C, B20D, B20E, B39A, B39B		01	B02A, B02B, B02C, B20A, B20B, B20C, B20D, B20E, B39A, B39B			
	05	F01A, F01B, F01D, F05Z, F07A, F07B, F14A, F14B, F28A, F42Z, F54Z, F59A, F59B		05	F01A, F01B, F01D, F05Z, F07A, F07B, F14A, F14B, F28A, F42Z, F54Z, F59A, F59B		05	F01A, F01B, F01D, F05Z, F07A, F07B, F14A, F14B, F28A, F42Z, F54Z, F59A, F59B			
	06	G33Z		06	G33Z		06	G33Z			
	07	H33Z, H38Z		07	H33Z, H38Z		07	H33Z, H38Z			
	11	L33Z		11	L33Z		11	L33Z			
	21A	W01A, W01B, W01C, W36Z		21A	W01A, W01B, W01C, W36Z		21A	W01A, W01B, W01C, W36Z			
	21B	X06A, X06B, X06C, X33Z		21B	X06A, X06B, X06C, X33Z		21B	X06A, X06B, X06C, X33Z			
	23	Z01A		23	Z01A		23	Z01A			
	Pre	A07A		Pre	A07A		Pre	A07A			
	5a20e.8			BOP, KOP, KOPV, KVT, UOP4	5a20f.0			BOP, KOP, KOPV, KVT, UOP4	5a20g.4		BOP, KOP, KOPV, KVT, UOP4
		01		B02A, B02B, B02C, B20A, B20B, B20C, B20D, B20E, B39A, B39B			01	B02A, B02B, B02C, B20A, B20B, B20C, B20D, B20E, B39A, B39B		01	B02A, B02B, B02C, B20A, B20B, B20C, B20D, B20E, B39A, B39B
		05		F01A, F01B, F01D, F05Z, F07A, F07B, F14A, F14B, F28A, F42Z, F54Z, F59A, F59B			05	F01A, F01B, F01D, F05Z, F07A, F07B, F14A, F14B, F28A, F42Z, F54Z, F59A, F59B		05	F01A, F01B, F01D, F05Z, F07A, F07B, F14A, F14B, F28A, F42Z, F54Z, F59A, F59B
06		G33Z	06	G33Z		06	G33Z				
07		H33Z, H38Z	07	H33Z, H38Z		07	H33Z, H38Z				
11		L33Z	11	L33Z		11	L33Z				
21A		W01A, W01B, W01C, W36Z	21A	W01A, W01B, W01C, W36Z		21A	W01A, W01B, W01C, W36Z				
21B		X06A, X06B, X06C, X33Z	21B	X06A, X06B, X06C, X33Z		21B	X06A, X06B, X06C, X33Z				
23		Z01A	23	Z01A		23	Z01A				
Pre		A07A	Pre	A07A		Pre	A07A				
5a20e.9			BOP, KOP, KOPV, KVT, UOP4	5a20f.1			BOP, KOP, KOPV, KVT, UOP4	5a20g.5			BOP, KOP, KOPV, KVT, UOP4
		01	B02A, B02B, B02C, B20A, B20B, B20C, B20D, B20E, B39A, B39B			01	B02A, B02B, B02C, B20A, B20B, B20C, B20D, B20E, B39A, B39B			01	B02A, B02B, B02C, B20A, B20B, B20C, B20D, B20E, B39A, B39B
		05	F01A, F01B, F01D, F05Z, F07A, F07B, F14A, F14B, F28A, F42Z, F54Z, F59A, F59B			05	F01A, F01B, F01D, F05Z, F07A, F07B, F14A, F14B, F28A, F42Z, F54Z, F59A, F59B			06	G33Z
	06	G33Z	06		G33Z	07	H33Z, H38Z				
	07	H33Z, H38Z	07		H33Z, H38Z	08	I15A, I15B				
	11	L33Z	11		L33Z	11	L33Z				
	21A	W01A, W01B, W01C, W36Z	21A		W01A, W01B, W01C, W36Z	21A	W01A, W01B, W01C, W36Z				
	21B	X06A, X06B, X06C, X33Z	21B		X06A, X06B, X06C, X33Z	21B	X06A, X06B, X06C, X33Z				
	23	Z01A	23		Z01A	23	Z01A				
	Pre	A07A	Pre		A07A	Pre	A07A				
	5a20e.a		BOP, KOP, KOPV, KVT, UOP4		5a20f.2		BOP, KOP, KOPV, KVT, UOP4		5a20g.6		BOP, KOP, KOPV, KVT, UOP4
		01	B02A, B02B, B02C, B20A, B20B, B20C, B20D, B20E, B39A, B39B			01	B02A, B02B, B02C, B20A, B20B, B20C, B20D, B20E, B39A, B39B			01	B02A, B02B, B02C, B20A, B20B, B20C, B20D, B20E, B39A, B39B
		05	F01A, F01B, F01D, F05Z, F07A, F07B, F14A, F14B, F28A, F42Z, F54Z, F59A, F59B			05	F01A, F01B, F01D, F05Z, F07A, F07B, F14A, F14B, F28A, F42Z, F54Z, F59A, F59B			05	F01A, F01B, F01D, F05Z, F07A, F07B, F14A, F14B, F28A, F42Z, F54Z, F59A, F59B
06		G33Z	06	G33Z		06	G33Z				
07		H33Z, H38Z	07	H33Z, H38Z		07	H33Z, H38Z				
11		L33Z	11	L33Z		11	L33Z				
21A		W01A, W01B, W01C, W36Z	21A	W01A, W01B, W01C, W36Z		21A	W01A, W01B, W01C, W36Z				
21B		X06A, X06B, X06C, X33Z	21B	X06A, X06B, X06C, X33Z		21B	X06A, X06B, X06C, X33Z				
23		Z01A	23	Z01A		23	Z01A				
Pre		A07A	Pre	A07A		Pre	A07A				

ZZV	MDC	DRG	ZZV	MDC	DRG	ZZV	MDC	DRG					
5a20g.7		BOP, KOP, KOPV, KVT, UOP4	5a20h.3		BOP, KOP, KOPV, KVT, UOP4	5a20k.0		BOP, KOP, KOPV, KVT, UOP4					
	01	B02A, B02B, B02C, B20A, B20B, B20C, B20D, B20E, B39A, B39B		01	B02A, B02B, B02C, B20A, B20B, B20C, B20D, B20E, B39A, B39B		01	B02A, B02B, B02C, B20A, B20B, B20C, B20D, B20E, B39A, B39B					
	06	G33Z		02	C01A		02	C01A					
	07	H33Z, H38Z		06	G01Z, G02Z, G33Z, G38Z		06	G01Z, G02Z, G33Z, G38Z					
	08	I15A, I15B		07	H33Z, H38Z		07	H33Z, H38Z					
	11	L33Z		08	I15A, I15B		11	L33Z					
	21A	W01A, W01B, W01C, W36Z		11	L33Z		21A	W01A, W01B, W01C, W36Z					
	21B	X06A, X06B, X06C, X33Z		21A	W01A, W01B, W01C, W36Z		21B	X06A, X06B, X06C, X33Z					
	23	Z01A		21B	X06A, X06B, X06C, X33Z		23	Z01A					
	Pre	A07A		23	Z01A		Pre	A07A, A11A, A13A, A13B, A13D					
	5a20h.0			BOP, KOP, KOPV, KVT, UOP4	5a20j.0			BOP, KOP, KOPV, KVT, UOP4	5a20k.1		BOP, KOP, KOPV, KVT, UOP4		
		01		B02A, B02B, B02C, B20A, B20B, B20C, B20D, B20E, B39A, B39B			01	B02A, B02B, B02C, B20A, B20B, B20C, B20D, B20E, B39A, B39B		01	B02A, B02B, B02C, B20A, B20B, B20C, B20D, B20E, B39A, B39B		
		02		C01A			02	C01A		02	C01A		
		06		G01Z, G02Z, G33Z, G38Z			06	G01Z, G02Z, G33Z, G38Z		06	G01Z, G02Z, G33Z, G38Z		
07		H33Z, H38Z	07	H33Z, H38Z		07	H33Z, H38Z						
08		I15A, I15B	07	H33Z, H38Z		11	L33Z						
11		L33Z	11	L33Z		21A	W01A, W01B, W01C, W36Z						
21A		W01A, W01B, W01C, W36Z	21A	W01A, W01B, W01C, W36Z		21B	X06A, X06B, X06C, X33Z						
21B		X06A, X06B, X06C, X33Z	21B	X06A, X06B, X06C, X33Z		23	Z01A						
23		Z01A	23	Z01A		Pre	A07A, A11A, A13A, A13B, A13D						
Pre		A07A, A11A, A13A, A13B, A13D	Pre	A07A, A11A, A13A, A13B, A13D		5a20k.2		BOP, KOP, KOPV, KVT, UOP4					
5a20h.1			BOP, KOP, KOPV, KVT, UOP4	5a20j.1				BOP, KOP, KOPV, KVT, UOP4		5a20m.0		BOP, KOP, KOPV, KVT, UOP4	
		01	B02A, B02B, B02C, B20A, B20B, B20C, B20D, B20E, B39A, B39B				01	B02A, B02B, B02C, B20A, B20B, B20C, B20D, B20E, B39A, B39B			01	B02A, B02B, B02C, B20A, B20B, B20C, B20D, B20E, B39A, B39B	
		02	C01A				02	C01A			02	C01A	
	06	G01Z, G02Z, G33Z, G38Z	06		G01Z, G02Z, G33Z, G38Z		06	G01Z, G02Z, G33Z, G38Z					
	07	H33Z, H38Z	07		H33Z, H38Z		07	H33Z, H38Z					
	08	I15A, I15B	07		H33Z, H38Z		11	L33Z					
	11	L33Z	11		L33Z		21A	W01A, W01B, W01C, W36Z					
	21A	W01A, W01B, W01C, W36Z	21A		W01A, W01B, W01C, W36Z		21B	X06A, X06B, X06C, X33Z					
	21B	X06A, X06B, X06C, X33Z	21B		X06A, X06B, X06C, X33Z		23	Z01A					
	23	Z01A	23		Z01A		Pre	A07A, A11A, A13A, A13B, A13D					
	Pre	A07A, A11A, A13A, A13B, A13D	Pre		A07A, A11A, A13A, A13B, A13D		5a20m.1		BOP, KOP, KOPV, KVT, UOP4				
	5a20h.2		BOP, KOP, KOPV, KVT, UOP4		5a20j.2				BOP, KOP, KOPV, KVT, UOP4		5a20m.1		BOP, KOP, KOPV, KVT, UOP4
		01	B02A, B02B, B02C, B20A, B20B, B20C, B20D, B20E, B39A, B39B					01	B02A, B02B, B02C, B20A, B20B, B20C, B20D, B20E, B39A, B39B			01	B02A, B02B, B02C, B20A, B20B, B20C, B20D, B20E, B39A, B39B
		02	C01A			02		C01A	02			C01A	
06		G01Z, G02Z, G33Z, G38Z	06	G01Z, G02Z, G33Z, G38Z		06		G01Z, G02Z, G33Z, G38Z					
07		H33Z, H38Z	07	H33Z, H38Z		07		H33Z, H38Z					
08		I15A, I15B	11	L33Z		11		L33Z					
11		L33Z	21A	W01A, W01B, W01C, W36Z		21A		W01A, W01B, W01C, W36Z					
21A		W01A, W01B, W01C, W36Z	21B	X06A, X06B, X06C, X33Z		21B		X06A, X06B, X06C, X33Z					
21B		X06A, X06B, X06C, X33Z	23	Z01A		23		Z01A					
23		Z01A	Pre	A07A, A11A, A13A, A13B, A13D		Pre		A07A, A11A, A13A, A13B, A13D					
Pre		A07A, A11A, A13A, A13B, A13D											

VYK

ZZV	MDC	DRG	ZZV	MDC	DRG	ZZV	MDC	DRG			
5a20m.2		BOP, KOP, KOPV, KVT, UOP4	5a20p		BOP, KOP, KOPV, KVT, UOP4	5a210.0		BOP, KOP, KOPV, KVT, UOP4			
	01	B02A, B02B, B02C, B20A, B20B, B20C, B20D, B20E, B39A, B39B		01	B02A, B02B, B02C, B20A, B20B, B20C, B20D, B20E, B39A, B39B		01	B02A, B02B, B02C, B02D, B20A, B20B, B20C, B20D, B20E, B20F, B39A, B39B			
	02	C01A		05	F01A, F01B, F01D, F05Z, F07A, F07B, F08A, F08B, F08C, F08D, F08E, F28A, F42Z		02	C01A			
	06	G01Z, G02Z, G33Z, G38Z		06	G33Z		06	G33Z			
	07	H33Z, H38Z		07	H33Z, H38Z		07	H33Z, H38Z			
	11	L33Z		11	L33Z		08	I15A, I15B			
	21A	W01A, W01B, W01C, W36Z		11	L33Z		11	L33Z			
	21B	X06A, X06B, X06C, X33Z		21B	X33Z		21A	W01A, W01B, W01C, W36Z			
	23	Z01A		23	Z01A		21B	X06A, X06B, X33Z			
	Pre	A07A, A11A, A13A, A13B, A13D		Pre	A07A		23	Z01A			
	5a20n.0			BOP, KOP, KOPV, KVT, UOP4	5a20s			BOP, KOP, KOPV, KVT, UOP4	5a210.1		BOP, KOP, KOPV, KVT, UOP4
		01		B02A, B02B, B02C, B20A, B20B, B20C, B20D, B20E, B39A, B39B			01	B02A, B02B, B02C, B02D, B20A, B20B, B20C, B20D, B20E, B20F, B39A, B39B		01	B02A, B02B, B02C, B02D, B20A, B20B, B20C, B20D, B20E, B20F, B39A, B39B
		02		C01A			05	F13A		02	C01A
		06		G01Z, G02Z, G33Z, G38Z			06	G01Z, G02Z, G33Z, G38Z		06	G33Z
07		H33Z, H38Z	07	H33Z, H38Z		07	H33Z, H38Z				
11		L33Z	11	L33Z		08	I15A, I15B				
21A		W01A, W01B, W01C, W36Z	21A	W04A, W04B		11	L33Z				
21B		X06A, X06B, X06C, X33Z	21B	X06A, X06B, X06C, X33Z		21A	W01A, W01B, W01C, W36Z				
23		Z01A	23	Z01A		21B	X06A, X06B, X33Z				
Pre		A07A, A11A, A13A, A13B, A13D	Pre	A07A, A11A, A13A, A13B, A13D		23	Z01A				
5a20n.1			BOP, KOP, KOPV, KVT, UOP4	5a20t			BOP, KVT, UOP4	5a211.2			BOP, KOP, KOPV, KVT, UOP4
		01	B02A, B02B, B02C, B20A, B20B, B20C, B20D, B20E, B39A, B39B			01	B18Z			01	B02A, B02B, B02C, B20A, B20B, B20C, B20D, B20E, B39A, B39B
		02	C01A			05	F13A			02	C01A
		06	G01Z, G02Z, G33Z, G38Z			06	G01Z, G02Z, G38Z			06	G33Z
	07	H33Z, H38Z	08		I15A, I15B	07	H33Z, H38Z				
	11	L33Z	17		R01A, R01B, R01C, R01D, R02Z, R12A, R12B, R12C	07	H33Z, H38Z				
	21A	W01A, W01B, W01C, W36Z	21A		W04A, W04B	08	I15A, I15B				
	21B	X06A, X06B, X06C, X33Z	21B		X06A, X06B, X06C	11	L33Z				
	23	Z01A	Pre		A11A, A13A, A13B, A13D	21A	W01A, W01B, W01C, W36Z				
	Pre	A07A, A11A, A13A, A13B, A13D	5a20u		BOP, KVT, UOP4	21B	X06A, X06B, X33Z				
	5a20n.2		BOP, KOP, KOPV, KVT, UOP4		5a20v		BOP, KOP, KOPV, KVT, UOP4		5a211.3		BOP, KOP, KOPV, KVT, UOP4
		01	B02A, B02B, B02C, B20A, B20B, B20C, B20D, B20E, B39A, B39B			01	B02A, B02B, B02C, B02D, B20A, B20B, B20C, B20D, B20E, B20F, B39A, B39B			01	B02A, B02B, B02C, B20A, B20B, B20C, B20D, B20E, B39A, B39B
		02	C01A			05	F13A			02	C01A
		06	G01Z, G02Z, G33Z, G38Z			06	G01Z, G02Z, G33Z, G38Z			06	G33Z
07		H33Z, H38Z	07	H33Z, H38Z		07	H33Z, H38Z				
11		L33Z	11	L33Z		08	I15A, I15B				
21A		W01A, W01B, W01C, W36Z	21A	W04A, W04B		11	L33Z				
21B		X06A, X06B, X06C, X33Z	21B	X06A, X06B, X06C		21A	W01A, W01B, W01C, W36Z				
23		Z01A	Pre	A11A, A13A, A13B, A13D		21B	X06A, X06B, X33Z				
Pre		A07A, A11A, A13A, A13B, A13D	5a20v	BOP, KOP, KOPV, KVT, UOP4		23	Z01A				
5a20o			BOP, KOP, KOPV, KVT, UOP4	5a20o			BOP, KOP, KOPV, KVT, UOP4	5a211.4			BOP, KOP, KOPV, KVT, UOP4
		01	B02A, B02B, B02C, B20A, B20B, B20C, B20D, B20E, B39A, B39B			01	B02A, B02B, B02C, B20A, B20B, B20C, B20D, B20E, B20F, B39A, B39B			01	B02A, B02B, B02C, B20A, B20B, B20C, B20D, B20E, B39A, B39B
		02	C01A			05	F13A			02	C01A
		06	G01Z, G02Z, G33Z, G38Z			06	G01Z, G02Z, G33Z, G38Z			06	G33Z
	07	H33Z, H38Z	07		H33Z, H38Z	07	H33Z, H38Z				
	11	L33Z	11		L33Z	08	I15A, I15B				
	21A	W01A, W01B, W01C, W36Z	21A		W04A, W04B	11	L33Z				
	21B	X06A, X06B, X06C, X33Z	21B		X06A, X06B, X06C, X33Z	21A	W01A, W01B, W01C, W36Z				
	23	Z01A	23		Z01A	21B	X06A, X06B, X33Z				
	Pre	A07A, A11A, A13A, A13B, A13D	Pre		A07A, A11A, A13A, A13B, A13D	23	Z01A				

VYK

ZZV	MDC	DRG	ZZV	MDC	DRG	ZZV	MDC	DRG			
5a211.5		BOP, KOP, KOPV, KVT, UOP4	5a212.4		BOP, KOP, KOPV, KVT, UOP4	5a213		BOP, KOP, KOPV, KVT, UOP4			
	01	B02A, B02B, B02C, B20A, B20B, B20C, B20D, B20E, B39A, B39B		01	B02A, B02B, B02C, B20A, B20B, B20C, B20D, B20E, B39A, B39B		01	B02A, B02B, B02C, B20A, B20B, B20C, B20D, B20E, B39A, B39B			
	02	C01A		02	C01A		02	C01A			
	06	G33Z		06	G33Z		03	D18Z, D25A, D25B, D25C, D25D			
	07	H33Z, H38Z		07	H33Z, H38Z		06	G33Z			
	08	I15A, I15B		08	I15A, I15B		07	H33Z, H38Z			
	11	L33Z		11	L33Z		08	I15A, I15B			
	21A	W01A, W01B, W01C, W36Z		21A	W01A, W01B, W01C, W36Z		09	J08A, J08B, J08C			
	21B	X06A, X06B, X33Z		21B	X06A, X06B, X33Z		11	L33Z			
	23	Z01A		23	Z01A		21A	W01A, W01B, W01C, W36Z			
	Pre	A07A		Pre	A07A		21B	X06A, X06B, X33Z			
	5a211.6			BOP, KOP, KOPV, KVT, UOP4	5a212.5			BOP, KOP, KOPV, KVT, UOP4	5a214.10		BOP, KOP, KOPV, KVT, UOP4
		01		B02A, B02B, B02C, B20A, B20B, B20C, B20D, B20E, B39A, B39B			01	B02A, B02B, B02C, B20A, B20B, B20C, B20D, B20E, B39A, B39B		01	B02A, B02B, B02C, B20A, B20B, B20C, B20D, B20E, B39A, B39B
02		C01A	02	C01A		02	C01A				
06		G33Z	06	G33Z		03	D18Z, D25A, D25B, D25C, D25D				
07		H33Z, H38Z	07	H33Z, H38Z		06	G33Z				
08		I15A, I15B	08	I15A, I15B		07	H33Z, H38Z				
11		L33Z	11	L33Z		08	I15A, I15B				
21A		W01A, W01B, W01C, W36Z	21A	W01A, W01B, W01C, W36Z		09	J08A, J08B, J08C				
21B		X06A, X06B, X33Z	21B	X06A, X06B, X33Z		11	L33Z				
23		Z01A	23	Z01A		21A	W01A, W01B, W01C, W36Z				
Pre		A07A	Pre	A07A		21B	X06A, X06B, X33Z				
5a211.7			BOP, KOP, KOPV, KVT, UOP4	5a212.6			BOP, KOP, KOPV, KVT, UOP4	5a214.11			BOP, KOP, KOPV, KVT, UOP4
		01	B02A, B02B, B02C, B20A, B20B, B20C, B20D, B20E, B39A, B39B			01	B02A, B02B, B02C, B20A, B20B, B20C, B20D, B20E, B39A, B39B			01	B02A, B02B, B02C, B20A, B20B, B20C, B20D, B20E, B39A, B39B
	02	C01A	02		C01A	02	C01A				
	06	G33Z	06		G33Z	03	D18Z, D25A, D25B, D25C, D25D				
	07	H33Z, H38Z	07		H33Z, H38Z	06	G33Z				
	08	I15A, I15B	08		I15A, I15B	07	H33Z, H38Z				
	11	L33Z	11		L33Z	08	I15A, I15B				
	21A	W01A, W01B, W01C, W36Z	21A		W01A, W01B, W01C, W36Z	09	J08A, J08B, J08C				
	21B	X06A, X06B, X33Z	21B		X06A, X06B, X33Z	11	L33Z				
	23	Z01A	23		Z01A	21A	W01A, W01B, W01C, W36Z				
	Pre	A07A	Pre		A07A	21B	X06A, X06B, X33Z				
	5a212.2		BOP, KOP, KOPV, KVT, UOP4		5a212.7		BOP, KOP, KOPV, KVT, UOP4		5a214.12		BOP, KOP, KOPV, KVT, UOP4
		01	B02A, B02B, B02C, B20A, B20B, B20C, B20D, B20E, B39A, B39B			01	B02A, B02B, B02C, B20A, B20B, B20C, B20D, B20E, B39A, B39B			01	B02A, B02B, B02C, B20A, B20B, B20C, B20D, B20E, B39A, B39B
02		C01A	02	C01A		02	C01A				
06		G33Z	06	G33Z		03	D18Z, D25A, D25B, D25C, D25D				
07		H33Z, H38Z	07	H33Z, H38Z		06	G33Z				
08		I15A, I15B	08	I15A, I15B		07	H33Z, H38Z				
11		L33Z	11	L33Z		08	I15A, I15B				
21A		W01A, W01B, W01C, W36Z	21A	W01A, W01B, W01C, W36Z		09	J08A, J08B, J08C				
21B		X06A, X06B, X33Z	21B	X06A, X06B, X33Z		11	L33Z				
23		Z01A	23	Z01A		21A	W01A, W01B, W01C, W36Z				
Pre		A07A	Pre	A07A		21B	X06A, X06B, X33Z				
5a212.3			BOP, KOP, KOPV, KVT, UOP4								
		01	B02A, B02B, B02C, B20A, B20B, B20C, B20D, B20E, B39A, B39B								
	02	C01A									
	06	G33Z									
	07	H33Z, H38Z									
	08	I15A, I15B									
	11	L33Z									
	21A	W01A, W01B, W01C, W36Z									
	21B	X06A, X06B, X33Z									
	23	Z01A									
	Pre	A07A									

VYK

ZZV	MDC	DRG	ZZV	MDC	DRG	ZZV	MDC	DRG			
5a214.20		BOP, KOP, KOPV, KVT, UOP4	5a214.9		BOP, KOP, KOPV, KVT, UOP4	5a215.3		BOP, KOP, KOPV, KVT, UOP4			
	01	B02A, B02B, B02C, B20A, B20B, B20C, B20D, B20E, B39A, B39B		01	B02A, B02B, B02C, B20A, B20B, B20C, B20D, B20E, B39A, B39B		01	B02A, B02B, B02C, B20A, B20B, B20C, B20D, B20E, B39A, B39B			
	02	C01A		02	C01A		02	C01A			
	06	G33Z		06	G33Z		06	G33Z			
	07	H33Z, H38Z		07	H33Z, H38Z		07	H33Z, H38Z			
	08	I15A, I15B		08	I15A, I15B		08	I15A, I15B			
	11	L33Z		11	L33Z		11	L33Z			
	21A	W01A, W01B, W01C, W36Z		21A	W01A, W01B, W01C, W36Z		17	R01A, R01B, R01C, R01D, R02Z, R12A, R12B, R12C			
	21B	X06A, X06B, X33Z		21B	X06A, X06B, X33Z		21A	W01A, W01B, W01C, W36Z			
	23	Z01A		23	Z01A		21B	X06A, X06B, X33Z			
	Pre	A07A		Pre	A07A		23	Z01A			
	5a214.21			BOP, KOP, KOPV, KVT, UOP4	5a214.a			BOP, KOP, KOPV, KVT, UOP4	5a215.4		BOP, KOP, KOPV, KVT, UOP4
		01		B02A, B02B, B02C, B20A, B20B, B20C, B20D, B20E, B39A, B39B			01	B02A, B02B, B02C, B20A, B20B, B20C, B20D, B20E, B39A, B39B		01	B02A, B02B, B02C, B20A, B20B, B20C, B20D, B20E, B39A, B39B
02		C01A	02	C01A		02	C01A				
06		G33Z	06	G33Z		06	G33Z				
07		H33Z, H38Z	07	H33Z, H38Z		07	H33Z, H38Z				
08		I15A, I15B	08	I15A, I15B		08	I15A, I15B				
11		L33Z	11	L33Z		11	L33Z				
21A		W01A, W01B, W01C, W36Z	21A	W01A, W01B, W01C, W36Z		21A	W01A, W01B, W01C, W36Z				
21B		X06A, X06B, X33Z	21B	X06A, X06B, X33Z		21B	X06A, X06B, X33Z				
23		Z01A	23	Z01A		23	Z01A				
Pre		A07A	Pre	A07A		Pre	A07A				
5a214.22			BOP, KOP, KOPV, KVT, UOP4	5a214.b			BOP, KOP, KOPV, KVT, UOP4	5a215.5			BOP, KOP, KOPV, KVT, UOP4
		01	B02A, B02B, B02C, B20A, B20B, B20C, B20D, B20E, B39A, B39B			01	B02A, B02B, B02C, B20A, B20B, B20C, B20D, B20E, B39A, B39B			01	B02A, B02B, B02C, B20A, B20B, B20C, B20D, B20E, B39A, B39B
	02	C01A	02		C01A	02	C01A				
	06	G33Z	06		G33Z	06	G33Z				
	07	H33Z, H38Z	07		H33Z, H38Z	07	H33Z, H38Z				
	08	I15A, I15B	08		I15A, I15B	08	I15A, I15B				
	11	L33Z	11		L33Z	11	L33Z				
	21A	W01A, W01B, W01C, W36Z	21A		W01A, W01B, W01C, W36Z	21A	W01A, W01B, W01C, W36Z				
	21B	X06A, X06B, X33Z	21B		X06A, X06B, X33Z	21B	X06A, X06B, X33Z				
	23	Z01A	23		Z01A	23	Z01A				
	Pre	A07A	Pre		A07A	Pre	A07A				
	5a214.8		BOP, KOP, KOPV, KVT, UOP4		5a214.c		BOP, KOP, KOPV, KVT, UOP4		5a215.6		BOP, KOP, KOPV, KVT, UOP4
		01	B02A, B02B, B02C, B20A, B20B, B20C, B20D, B20E, B39A, B39B			01	B02A, B02B, B02C, B20A, B20B, B20C, B20D, B20E, B39A, B39B			01	B02A, B02B, B02C, B20A, B20B, B20C, B20D, B20E, B39A, B39B
02		C01A	02	C01A		02	C01A				
06		G33Z	06	G33Z		06	G33Z				
07		H33Z, H38Z	07	H33Z, H38Z		07	H33Z, H38Z				
08		I15A, I15B	08	I15A, I15B		08	I15A, I15B				
11		L33Z	11	L33Z		11	L33Z				
17		R01A, R01B, R01C, R01D, R02Z, R12A, R12B, R12C	21A	W01A, W01B, W01C, W36Z		08	I15A, I15B				
21A		W01A, W01B, W01C, W36Z	21B	X06A, X06B, X33Z		11	L33Z				
21B		X06A, X06B, X33Z	23	Z01A		21A	W01A, W01B, W01C, W36Z				
23		Z01A	Pre	A07A		21B	X06A, X06B, X33Z				
Pre		A07A	5a215.2			BOP, KOP, KOPV, KVT, UOP4	23	Z01A			
				01		B02A, B02B, B02C, B20A, B20B, B20C, B20D, B20E, B39A, B39B	Pre	A07A			
		02		C01A							
		06		G33Z							
		07		H33Z, H38Z							
		08		I15A, I15B							
		11		L33Z							
		21A		W01A, W01B, W01C, W36Z							
		21B		X06A, X06B, X33Z							
		23		Z01A							
		Pre		A07A							

VYK

ZZV	MDC	DRG	ZZV	MDC	DRG	ZZV	MDC	DRG			
5a215.7		BOP, KOP, KOPV, KVT, UOP4	5a215.91		BOP, KOP, KOPV, KVT, UOP4	5a215.b		BOP, KOP, KOPV, KVT, UOP4			
	01	B02A, B02B, B02C, B20A, B20B, B20C, B20D, B20E, B39A, B39B		01	B02A, B02B, B02C, B20A, B20B, B20C, B20D, B20E, B21A, B39A, B39B		01	B02A, B02B, B02C, B20A, B20B, B20C, B20D, B20E, B39A, B39B			
	02	C01A		04	E36Z		06	G33Z			
	06	G33Z		06	G33Z, G36Z		07	H33Z, H38Z			
	07	H33Z, H38Z		07	H33Z, H38Z		08	I15A, I15B			
	08	I15A, I15B		08	I26Z		11	L33Z			
	11	L33Z		11	L33Z		17	R01A, R01B, R01C, R01D, R02Z, R12A, R12B, R12C			
	21A	W01A, W01B, W01C, W36Z		17	R01A, R01B, R01C, R01D, R02Z, R12A, R12B, R12C		21A	W04A, W04B			
	21B	X06A, X06B, X33Z		21A	W04A, W04B		21B	X06A, X06B, X06C, X33Z			
	23	Z01A		21B	X06A, X06B, X06C, X33Z		Pre	A07A			
	Pre	A07A		23	Z01A		Pre	BOP, KVT, UOP4			
	5a215.8a			BOP, KOP, KOPV, KVT, UOP4	5a215.92			BOP, KOP, KOPV, KVT, UOP4	5a300		BOP, KVT, UOP4
		01		B02A, B02B, B02C, B20A, B20B, B20C, B20D, B20E, B39A, B39B			01	B02A, B02B, B02C, B20A, B20B, B20C, B20D, B20E, B21A, B39A, B39B		01	B03A, B03B, B18Z
		06		G33Z			04	E36Z		07	H06A, H06B, H06C
07		H33Z, H38Z	06	G33Z, G36Z		11	L09A, L38Z				
11		L33Z	07	H33Z, H38Z		17	R01A, R01B, R01C, R01D, R02Z, R12A, R12B, R12C				
17		R01A, R01B, R01C, R01D, R02Z, R12A, R12B, R12C	08	I26Z		21A	W04A, W04B				
21A		W04A, W04B	11	L33Z		21B	X06A, X06B, X06C				
21B		X06A, X06B, X06C, X33Z	17	R01A, R01B, R01C, R01D, R02Z, R12A, R12B, R12C		Pre	BOP, KVT, UOP4				
23		Z01A	21A	W04A, W04B		01	B03A, B03B, B18Z				
Pre		A07A	21B	X06A, X06B, X06C, X33Z		07	H06A, H06B, H06C				
5a215.8b			BOP, KOP, KOPV, KVT, UOP4	5a215.a1			BOP, KOP, KOPV, KVT, UOP4	5a301			BOP, KVT, UOP4
		01	B02A, B02B, B02C, B20A, B20B, B20C, B20D, B20E, B39A, B39B			01	B02A, B02B, B02C, B20A, B20B, B20C, B20D, B20E, B21A, B21B, B39A, B39B			01	B03A, B03B, B18Z
		06	G33Z			04	E36Z			07	H06A, H06B, H06C
		07	H33Z, H38Z			06	G33Z, G36Z			11	L09A, L38Z
	11	L33Z	07		H33Z, H38Z	17	R01A, R01B, R01C, R01D, R02Z, R12A, R12B, R12C				
	17	R01A, R01B, R01C, R01D, R02Z, R12A, R12B, R12C	11		L33Z	21A	W04A, W04B				
	21A	W04A, W04B	17		R01A, R01B, R01C, R01D, R02Z, R12A, R12B, R12C	21B	X06A, X06B, X06C				
	21B	X06A, X06B, X06C, X33Z	21A		W04A, W04B	Pre	BOP, KVT, UOP4				
	23	Z01A	21B		X06A, X06B, X06C, X33Z	01	B03A, B03B, B18Z				
	Pre	A07A	Pre		A06A, A07A, A09A, A11A, A13A	08	I10A, I10B, I10C, I10D, I10E, I23A, I23B				
	5a215.8x		BOP, KOP, KOPV, KVT, UOP4		5a215.a2		BOP, KOP, KOPV, KVT, UOP4		5a302		BOP, KVT, UOP4
		01	B02A, B02B, B02C, B20A, B20B, B20C, B20D, B20E, B39A, B39B			01	B02A, B02B, B02C, B20A, B20B, B20C, B20D, B20E, B21A, B21B, B39A, B39B			01	B03A, B03B, B18Z
		06	G33Z			04	E36Z			08	I10A, I10B, I10C, I10D, I10E
		07	H33Z, H38Z			06	G33Z, G36Z			11	L09A, L09B, L09C, L09D, L38Z
11		L33Z	07	H33Z, H38Z		12	M06Z, M09A, M09B, M38Z				
17		R01A, R01B, R01C, R01D, R02Z, R12A, R12B, R12C	08	I26Z		13	N11A				
21A		W04A, W04B	11	L33Z		21A	W04A, W04B				
21B		X06A, X06B, X06C, X33Z	17	R01A, R01B, R01C, R01D, R02Z, R12A, R12B, R12C		21B	X06A, X06B, X06C				
23		Z01A	21A	W04A, W04B		Pre	BOP, KVT, UOP4				
Pre		A07A	21B	X06A, X06B, X06C, X33Z		01	B03A, B03B, B18Z				
5a215.8y			BOP, KOP, KOPV, KVT, UOP4	5a215.a3			BOP, KOP, KOPV, KVT, UOP4	5a304.0			BOP, KVT, UOP4
		01	B02A, B02B, B02C, B20A, B20B, B20C, B20D, B20E, B39A, B39B			01	B02A, B02B, B02C, B20A, B20B, B20C, B20D, B20E, B21A, B21B, B39A, B39B			01	B03A, B03B, B18Z
		06	G33Z			04	E36Z			08	I10A, I10B, I10C, I10D, I10E
		07	H33Z, H38Z			06	G33Z, G36Z			11	L09A, R01A, R01B, R01C, R01D, R02Z, R12A, R12B, R12C
	11	L33Z	07		H33Z, H38Z	17	R01A, R01B, R01C, R01D, R02Z, R12A, R12B, R12C				
	17	R01A, R01B, R01C, R01D, R02Z, R12A, R12B, R12C	11		L33Z	Pre	B61A				
	21A	W04A, W04B	17		R01A, R01B, R01C, R01D, R02Z, R12A, R12B, R12C	Pre	BOP, KVT, UOP4				
	21B	X06A, X06B, X06C, X33Z	21A		W04A, W04B	01	B03A, B03B, B18Z				
	23	Z01A	21B		X06A, X06B, X06C, X33Z	08	I10A, I10B, I10C, I10D, I10E				
	Pre	A07A	Pre		A06A, A07A, A09A, A11A, A13A	17	R01A, R01B, R01C, R01D, R02Z, R12A, R12B, R12C				
	5a215.8z		BOP, KOP, KOPV, KVT, UOP4		5a215.a4		BOP, KOP, KOPV, KVT, UOP4		5a304.1		BOP, KVT, UOP4
		01	B02A, B02B, B02C, B20A, B20B, B20C, B20D, B20E, B39A, B39B			01	B02A, B02B, B02C, B20A, B20B, B20C, B20D, B20E, B21A, B21B, B39A, B39B			01	B03A, B03B, B18Z
		06	G33Z			04	E36Z			08	I10A, I10B, I10C, I10D, I10E
		07	H33Z, H38Z			06	G33Z, G36Z			11	L09A, R01A, R01B, R01C, R01D, R02Z, R12A, R12B, R12C
11		L33Z	07	H33Z, H38Z		17	R01A, R01B, R01C, R01D, R02Z, R12A, R12B, R12C				
17		R01A, R01B, R01C, R01D, R02Z, R12A, R12B, R12C	11	L33Z		Pre	B61A				
21A		W04A, W04B	17	R01A, R01B, R01C, R01D, R02Z, R12A, R12B, R12C		Pre	BOP, KVT, UOP4				
21B		X06A, X06B, X06C, X33Z	21A	W04A, W04B		01	B03A, B03B, B18Z				
23		Z01A	21B	X06A, X06B, X06C, X33Z		08	I10A, I10B, I10C, I10D, I10E				
Pre		A07A	Pre	A06A, A07A, A09A, A11A, A13A		17	R01A, R01B, R01C, R01D, R02Z, R12A, R12B, R12C				
5a215.8aa			BOP, KOP, KOPV, KVT, UOP4	5a215.a5			BOP, KOP, KOPV, KVT, UOP4	5a304.2			BOP, KVT, UOP4
		01	B02A, B02B, B02C, B20A, B20B, B20C, B20D, B20E, B39A, B39B			01	B02A, B02B, B02C, B20A, B20B, B20C, B20D, B20E, B21A, B21B, B39A, B39B			01	B03A, B03B, B18Z
		06	G33Z			04	E36Z			08	I10A, I10B, I10C, I10D, I10E
		07	H33Z, H38Z			06	G33Z, G36Z			11	L09A, R01A, R01B, R01C, R01D, R02Z, R12A, R12B, R12C
	11	L33Z	07		H33Z, H38Z	17	R01A, R01B, R01C, R01D, R02Z, R12A, R12B, R12C				
	17	R01A, R01B, R01C, R01D, R02Z, R12A, R12B, R12C	11		L33Z	Pre	B61A				
	21A	W04A, W04B	17		R01A, R01B, R01C, R01D, R02Z, R12A, R12B, R12C	Pre	BOP, KVT, UOP4				
	21B	X06A, X06B, X06C, X33Z	21A		W04A, W04B	01	B03A, B03B, B18Z				
	23	Z01A	21B		X06A, X06B, X06C, X33Z	08	I10A, I10B, I10C, I10D, I10E				
	Pre	A07A	Pre		A06A, A07A, A09A, A11A, A13A	17	R01A, R01B, R01C, R01D, R02Z, R12A, R12B, R12C				
	5a215.8ab		BOP, KOP, KOPV, KVT, UOP4		5a215.a6		BOP, KOP, KOPV, KVT, UOP4		5a304.3		BOP, KVT, UOP4
		01	B02A, B02B, B02C, B20A, B20B, B20C, B20D, B20E, B39A, B39B			01	B02A, B02B, B02C, B20A, B20B, B20C, B20D, B20E, B21A, B21B, B39A, B39B			01	B03A, B03B, B18Z
		06	G33Z			04	E36Z			08	I10A, I10B, I10C, I10D, I10E
		07	H33Z, H38Z			06	G33Z, G36Z			11	L09A, R01A, R01B, R01C, R01D, R02Z, R12A, R12B, R12C
11		L33Z	07	H33Z, H38Z		17	R01A, R01B, R01C, R01D, R02Z, R12A, R12B, R12C				
17		R01A, R01B, R01C, R01D, R02Z, R12A, R12B, R12C	11	L33Z		Pre	B61A				
21A		W04A, W04B	17	R01A, R01B, R01C, R01D, R02Z, R12A, R12B, R12C		Pre	BOP, KVT, UOP4				
21B		X06A, X06B, X06C, X33Z	21A	W04A, W04B		01	B03A, B03B, B18Z				
23		Z01A	21B	X06A, X06B, X06C, X33Z		08	I10A, I10B, I10C, I10D, I10E				
Pre		A07A	Pre	A06A, A07A, A09A, A11A, A13A		17	R01A, R01B, R01C, R01D, R02Z, R12A, R12B, R12C				

VYK

ZZV	MDC	DRG	ZZV	MDC	DRG	ZZV	MDC	DRG
5a307		BOP, KVT, UOP4	5a30e.4		BOP, KVT, UOP4	5a30h		BOP, KVT, UOP4
	01	B03A, B03B, B18Z		01	B03A, B03B, B18Z		01	B03A, B03B, B18Z
	08	I10A, I10B, I10C, I10D, I10E, I23A, I23B		08	I10A, I10B, I10C, I10D, I10E, I23A, I23B		05	F01A, F01B, F01D, F05Z, F07A, F07B, F14A, F14B, F28A, F42Z, F54Z, F59A, F59B
	11	L09A, L38Z		17	R01A, R01B, R01C, R01D, R02Z, R12A, R12B, R12C		08	I10A, I10B, I10C, I10D, I10E
	17	R01A, R01B, R01C, R01D, R02Z, R12A, R12B, R12C		21A	W04A, W04B		17	R01A, R01B, R01C, R01D, R02Z, R12A, R12B, R12C
	21A	W04A, W04B		21B	X06A, X06B, X06C			
	21B	X06A, X06B, X06C					5a30j	BOP, KOP, KOPV, KVT, UOP4, VIAL
Pre	B61A	01	B03A, B03B, B18Z	01	B03A, B03B, B18Z			
5a308		BOP, KVT, UOP4	5a30e.5		BOP, KVT, UOP4	5a30j		BOP, KOP, KOPV, KVT, UOP4, VIAL
	01	B03A, B03B, B18Z		08	I10A, I10B, I10C, I10D, I10E, I23A, I23B		01	B03A, B03B, B18Z
	08	I10A, I10B, I10C, I10D, I10E, I23A, I23B		17	R01A, R01B, R01C, R01D, R02Z, R12A, R12B, R12C		06	G33Z
	11	L09A, L38Z		21A	W04A, W04B		07	H33Z, H38Z
	17	R01A, R01B, R01C, R01D, R02Z, R12A, R12B, R12C		21B	X06A, X06B, X06C		08	I06A, I06B, I06C, I06D, I06E, I08A, I08B, I08C, I08D, I08E, I08F, I09A, I09B, I09C, I09D, I09E, I10A, I10B, I10C, I10D, I10E
	21A	W04A, W04B					09	J26Z
	21B	X06A, X06B, X06C		01	B03A, B03B, B18Z		11	L33Z
Pre	B61A	08	I10A, I10B, I10C, I10D, I10E, I23A, I23B	21A	W01A, W01B, W01C, W02A, W02B			
5a309		BOP, KVT, UOP4	5a30e.6		BOP, KVT, UOP4	5a30j		BOP, KOP, KOPV, KVT, UOP4, VIAL
	01	B03A, B03B, B18Z		17	R01A, R01B, R01C, R01D, R02Z, R12A, R12B, R12C		21A	W01A, W01B, W01C, W02A, W02B
	08	I10A, I10B, I10C, I10D, I10E, I23A, I23B		21A	W04A, W04B		21B	X06A, X06B, X06C
	11	L09A, L38Z		21B	X06A, X06B, X06C		23	Z01A
	17	R01A, R01B, R01C, R01D, R02Z, R12A, R12B, R12C					Pre	A07A
	21A	W04A, W04B		01	B03A, B03B, B18Z		5a30k	BOP, KVT, UOP4
	21B	X06A, X06B, X06C		06	G01Z, G02Z, G38Z			01
Pre	B61A	08	I10A, I10B, I10C, I10D, I10E, I23A, I23B	06	G01Z, G02Z, G38Z			
5a30a		BOP, KVT, UOP4	5a30e.7		BOP, KVT, UOP4	5a30k		BOP, KVT, UOP4
	01	B03A, B03B, B18Z		01	B03A, B03B, B18Z		06	G01Z, G02Z, G38Z
	08	I10A, I10B, I10C, I10D, I10E, I23A, I23B		06	G01Z, G02Z, G38Z		08	I10A, I10B, I10C, I10D, I10E, I23A, I23B
	11	L09A, L38Z		08	I10A, I10B, I10C, I10D, I10E, I23A, I23B		17	R01A, R01B, R01C, R01D, R02Z, R12A, R12B, R12C
	17	R01A, R01B, R01C, R01D, R02Z, R12A, R12B, R12C		21A	W04A, W04B		21A	W04A, W04B
	21A	W04A, W04B		21B	X06A, X06B, X06C		21B	X06A, X06B, X06C
	21B	X06A, X06B, X06C		Pre	A11A, A13A, A13B, A13D		Pre	A11A, A13A, A13B, A13D
Pre	B61A	01	B03A, B03B, B06A, B06B, B07Z, B17A, B17B, B17C	5a30m	BOP, KVT, UOP4			
5a30b		BOP, KVT, UOP4	5a30f			BOP, KVT, UOP4	5a30m	
	01	B03A, B03B, B18Z		01	B03A, B03B, B06A, B06B, B07Z, B17A, B17B, B17C	01		B03A, B03B, B18Z
	08	I10A, I10B, I10C, I10D, I10E, I23A, I23B		04	E02A, E02B, E02C	06		G01Z, G02Z, G38Z
	11	L09A, L38Z		06	G10Z, G12A, G12B	06		G01Z, G02Z, G38Z
	17	R01A, R01B, R01C, R01D, R02Z, R12A, R12B, R12C		07	H06A, H06B, H06C	08		I10C, I10D
	21A	W04A, W04B		08	I10A, I10B, I10C, I10D, I10E, I28A, I28B	Pre		A11A, A13A, A13B, A13D
	21B	X06A, X06B, X06C		09	J03A, J03B, J04A, J04B, J08A, J08B, J08C, J11A, J11B, J16Z	5a30n		BOP, KVT, UOP4
Pre	B61A	10	K09A, K09B	01	B03A, B03B, B18Z			
5a30c		BOP, KVT, UOP4	5a30g		BOP, KVT, UOP4	5a30n		BOP, KVT, UOP4
	01	B03A, B03B, B18Z		11	L09A, L09B, L09C, L09D, L38Z		06	G01Z, G02Z, G38Z
	08	I10A, I10B, I10C, I10D, I10E, I23A, I23B		12	M06Z, M09A, M09B, M38Z		08	I10A, I10B, I10C, I10D, I10E, I23A, I23B
	11	L09A, L38Z		13	N11A		17	R01A, R01B, R01C, R01D, R02Z, R12A, R12B, R12C
	17	R01A, R01B, R01C, R01D, R02Z, R12A, R12B, R12C		21A	W04A, W04B		21A	W04A, W04B
	21A	W04A, W04B		21B	X04Z, X05A, X05B, X06A, X06B		21B	X06A, X06B, X06C
	21B	X06A, X06B, X06C		22	Y01Z, Y03A, Y03B		Pre	A11A, A13A, A13B, A13D
Pre	B61A	23	Z01A	5a30o.9	BOP, KVT, UOP4			
5a30d		BOP, KVT, UOP4	5a30g		BOP, KVT, UOP4	5a30o.9		BOP, KVT, UOP4
	01	B03A, B03B, B18Z		01	B03A, B03B, B18Z		01	B03A, B03B, B18Z
	08	I10A, I10B, I10C, I10D, I10E, I23A, I23B		05	F01A, F01B, F01D, F05Z, F07A, F07B, F14A, F14B, F28A, F42Z, F54Z, F59A, F59B		06	G01Z, G02Z, G38Z
	11	L09A, L38Z		08	I10A, I10B, I10C, I10D, I10E		08	I10A, I10B, I10C, I10D, I10E, I23A, I23B
	17	R01A, R01B, R01C, R01D, R02Z, R12A, R12B, R12C		17	R01A, R01B, R01C, R01D, R02Z, R12A, R12B, R12C		17	R01A, R01B, R01C, R01D, R02Z, R12A, R12B, R12C
	21A	W04A, W04B					21A	W04A, W04B
	21B	X06A, X06B, X06C		01	B03A, B03B, B18Z		21B	X06A, X06B, X06C
Pre	B61A	05	F01A, F01B, F01D, F05Z, F07A, F07B, F14A, F14B, F28A, F42Z, F54Z, F59A, F59B	Pre	A11A, A13A, A13B, A13D			
5a30e		BOP, KVT, UOP4	5a30g		BOP, KVT, UOP4	5a30o.b		BOP, KVT, UOP4
	01	B03A, B03B, B18Z		08	I10A, I10B, I10C, I10D, I10E		01	B03A, B03B, B18Z
	08	I10A, I10B, I10C, I10D, I10E, I23A, I23B		17	R01A, R01B, R01C, R01D, R02Z, R12A, R12B, R12C		06	G01Z, G02Z, G38Z
	11	L09A, L38Z					08	I10A, I10B, I10C, I10D, I10E, I23A, I23B
	17	R01A, R01B, R01C, R01D, R02Z, R12A, R12B, R12C		01	B03A, B03B, B18Z		17	R01A, R01B, R01C, R01D, R02Z, R12A, R12B, R12C
	21A	W04A, W04B		05	F01A, F01B, F01D, F05Z, F07A, F07B, F14A, F14B, F28A, F42Z, F54Z, F59A, F59B		21A	W04A, W04B
	21B	X06A, X06B, X06C		08	I10A, I10B, I10C, I10D, I10E		21B	X06A, X06B, X06C
Pre	B61A	17	R01A, R01B, R01C, R01D, R02Z, R12A, R12B, R12C	Pre	A11A, A13A, A13B, A13D			

VYK

ZZV	MDC	DRG	ZZV	MDC	DRG	ZZV	MDC	DRG	
5a30p.8		BOP, KVT, UOP4	5a310.11		BOP, KVT, UOP4	5a310.4		BOP, KVT, UOP4	
	01	B03A, B03B, B18Z		01	B03A, B03B, B06A, B06B, B07Z, B17A, B17B, B17C		01	B03A, B03B, B18Z	
	06	G01Z, G02Z, G38Z		04	E02A, E02B, E02C		08	I10A, I10B, I10C, I10D, I10E, I23A, I23B	
	08	I10A, I10B, I10C, I10D, I10E, I23A, I23B		06	G10Z, G12A, G12B		17	R01A, R01B, R01C, R01D, R02Z, R12A, R12B, R12C	
	17	R01A, R01B, R01C, R01D, R02Z, R12A, R12B, R12C		07	H06A, H06B, H06C		21A	W04A, W04B	
	21A	W04A, W04B		08	I10A, I10B, I10C, I10D, I10E, I28A, I28B		21B	X06A, X06B	
	21B	X06A, X06B, X06C		09	J03A, J03B, J04A, J04B, J08A, J08B, J08C, J11A, J11B, J16Z		23	Z01A	
	Pre	A11A, A13A, A13B, A13D		10	K09A, K09B		5a310.5	01	BOP, KVT, UOP4
		BOP, KVT, UOP4		11	L09A, L09B, L09C, L09D, L38Z			08	B03A, B03B, B18Z
		B03A, B03B, B18Z		12	M06Z, M09A, M09B, M38Z			17	I10A, I10B, I10C, I10D, I10E, I23A, I23B
5a30p.a	06	G01Z, G02Z, G38Z	13	N11A	21A	R01A, R01B, R01C, R01D, R02Z, R12A, R12B, R12C			
	08	I10A, I10B, I10C, I10D, I10E, I23A, I23B	21A	W04A, W04B	21B	W04A, W04B			
	17	R01A, R01B, R01C, R01D, R02Z, R12A, R12B, R12C	21B	X04Z, X05A, X05B, X06A, X06B	5a310.7	21B	X06A, X06B		
	21A	W04A, W04B	22	Y01Z, Y03A, Y03B		01	BOP, KVT, UOP4		
	21B	X06A, X06B, X06C	23	Z01A		01	B03A, B03B, B18Z		
	Pre	A11A, A13A, A13B, A13D	5a310.1x		BOP, KVT, UOP4	08	I10A, I10B, I10C, I10D, I10E, I23A, I23B		
		BOP, KVT, UOP4		01	B03A, B03B, B06A, B06B, B07Z, B17A, B17B, B17C	17	R01A, R01B, R01C, R01D, R02Z, R12A, R12B, R12C		
	01	B03A, B03B, B18Z		04	E02A, E02B, E02C	21A	W04A, W04B		
	06	G01Z, G02Z, G38Z		06	G10Z, G12A, G12B	21B	X06A, X06B		
	08	I10A, I10B, I10C, I10D, I10E, I23A, I23B		07	H06A, H06B, H06C	5a310.8	01	B03A, B03B, B18Z	
17	R01A, R01B, R01C, R01D, R02Z, R12A, R12B, R12C	08		I28A, I28B	08		I10A, I10B, I10C, I10D, I10E, I23A, I23B		
21A	W04A, W04B	09		J03A, J03B, J04A, J04B, J08A, J08B, J08C, J11A, J11B, J16Z	17		R01A, R01B, R01C, R01D, R02Z, R12A, R12B, R12C		
21B	X06A, X06B, X06C	10		K09A, K09B	21A	W04A, W04B			
Pre	A11A, A13A, A13B, A13D	11		L09A, L09B, L09C, L09D, L38Z	21B	X06A, X06B			
5a30r		BOP, KVT, UOP4		5a310.2		BOP, KVT, UOP4	5a311.00		BOP, KVT, UOP4
	01	B03A, B03B, B18Z	01		B03A, B03B, B06A, B06B, B07Z, B17A, B17B, B17C	01		B03A, B03B, B18Z	
	06	G01Z, G02Z, G38Z	04		E02A, E02B, E02C	08		I10A, I10B, I10C, I10D, I10E, I23A, I23B	
	08	I10A, I10B, I10C, I10D, I10E, I23A, I23B	06		G10Z, G12A, G12B	11		L09A, L09B, L09C, L09D, L38Z	
	17	R01A, R01B, R01C, R01D, R02Z, R12A, R12B, R12C	07		H06A, H06B, H06C	12		M06Z, M09A, M09B, M38Z	
	21A	W04A, W04B	08		I10A, I10B, I10C, I10D, I10E, I28A, I28B	13		N11A	
	21B	X06A, X06B, X06C	21A		W04A, W04B	17		R01A, R01B, R01C, R01D, R02Z, R12A, R12B, R12C	
	Pre	A11A, A13A, A13B, A13D	21B		X04Z, X05A, X05B, X06A, X06B	21A		W04A, W04B	
		BOP, KVT, UOP4	22		Y01Z, Y03A, Y03B	21B		X06A, X06B, X06C	
		B03A, B03B, B18Z	23		Z01A	23		Z01A	
5a310.10	04	E02A, E02B, E02C	5a310.3		BOP, KVT, UOP4	5a311.01		BOP, KVT, UOP4	
	06	G10Z, G12A, G12B		01	B03A, B03B, B06A, B06B, B07Z, B17A, B17B, B17C		01	B03A, B03B, B18Z	
	07	H06A, H06B, H06C		04	E02A, E02B, E02C		08	I10A, I10B, I10C, I10D, I10E, I23A, I23B	
	08	I10A, I10B, I10C, I10D, I10E, I28A, I28B		06	G10Z, G12A, G12B		11	L09A, L09B, L09C, L09D, L38Z	
	09	J03A, J03B, J04A, J04B, J08A, J08B, J08C, J11A, J11B, J16Z		07	H06A, H06B, H06C		12	M06Z, M09A, M09B, M38Z	
	10	K09A, K09B		08	I10A, I10B, I10C, I10D, I10E, I28A, I28B		13	N11A	
	11	L09A, L09B, L09C, L09D, L38Z		09	J03A, J03B, J04A, J04B, J08A, J08B, J08C, J11A, J11B, J16Z		17	R01A, R01B, R01C, R01D, R02Z, R12A, R12B, R12C	
	12	M06Z, M09A, M09B, M38Z		10	K09A, K09B		21A	W04A, W04B	
	13	N11A		11	L09A, L09B, L09C, L09D, L38Z		21B	X06A, X06B, X06C	
	21A	W04A, W04B		12	M06Z, M09A, M09B, M38Z		23	Z01A	
21B	X04Z, X05A, X05B, X06A, X06B	13	N11A	5a311.02	23	Z01A			
22	Y01Z, Y03A, Y03B	21A	W04A, W04B		01	BOP, KVT, UOP4			
23	Z01A	21B	X04Z, X05A, X05B, X06A, X06B		01	B03A, B03B, B18Z			



ZZV	MDC	DRG	ZZV	MDC	DRG	ZZV	MDC	DRG					
5a311.41		BOP, KVT, UOP4	5a311.6		BOP, KVT, UOP4	5a402.b		BOP, KVT, UOP4					
	01	B03A, B03B, B18Z		01	B03A, B03B, B18Z		01	B03A, B03B, B06A, B06B, B07Z, B17A, B17B, B17C					
	08	I10A, I10B, I10C, I10D, I10E		08	I10A, I10B, I10C, I10D, I10E		03	D12A, D12B					
	11	L09A, L09B, L09C, L09D, L38Z		11	L06A, L06B, L09A, L38Z		08	I08A, I08B, I08C, I08D, I08E, I13A, I13B					
	12	M06Z, M09A, M09B, M38Z		12	M06Z, M09A, M09B, M38Z		21A	W04A, W04B					
	13	N11A		13	N11A		21B	X01A, X01B, X06A, X06B, X33Z					
	17	R01A, R01B, R01C, R01D, R02Z, R12A, R12B, R12C		17	R01A, R01B, R01C, R01D, R02Z, R12A, R12B, R12C		5a402.c		BOP, KVT, UOP4				
	21A	W04A, W04B		21A	W04A, W04B			01	B03A, B03B, B06A, B06B, B07Z, B17A, B17B, B17C				
	21B	X06A, X06B, X06C		21B	X06A, X06B, X06C			03	D12A, D12B				
	23	Z01A		23	Z01A			08	I08A, I08B, I08C, I08D, I08E, I13A, I13B				
	5a311.42			BOP, KVT, UOP4	5a311.7				BOP, KVT, UOP4	5a403		BOP, KVT, UOP4	
		01		B03A, B03B, B18Z				01	B03A, B03B, B18Z		01	B03A, B03B, B06A, B06B, B07Z, B17A, B17B, B17C	
		08		I10A, I10B, I10C, I10D, I10E				08	I10A, I10B, I10C, I10D, I10E		03	D12A, D12B	
		11		L09A, L09B, L09C, L09D, L38Z				11	L06A, L06B, L09A, L38Z		08	I08A, I08B, I08C, I08D, I08E, I13A, I13B	
12		M06Z, M09A, M09B, M38Z	12	M06Z, M09A, M09B, M38Z		21A		W04A, W04B					
13		N11A	13	N11A		21B		X01A, X01B, X06A, X06B, X33Z					
17		R01A, R01B, R01C, R01D, R02Z, R12A, R12B, R12C	17	R01A, R01B, R01C, R01D, R02Z, R12A, R12B, R12C		5a404			BOP, KVT, UOP4				
21A		W04A, W04B	21A	W04A, W04B				01	B03A, B03B, B06A, B06B, B07Z, B17A, B17B, B17C				
21B		X06A, X06B, X06C	21B	X06A, X06B, X06C				03	D12A, D12B				
23		Z01A	23	Z01A				08	I08A, I08B, I08C, I08D, I08E, I13A, I13B				
5a311.50			BOP, KVT, UOP4	5a311.8				BOP, KVT, UOP4	5a405			BOP, KVT, UOP4	
		01	B03A, B03B, B18Z				01	B03A, B03B, B18Z			01	B03A, B03B, B06A, B06B, B07Z, B17A, B17B, B17C	
		08	I10A, I10B, I10C, I10D, I10E				08	I10A, I10B, I10C, I10D, I10E, I23A			03	D12A, D12B	
		11	L09A, L09B, L09C, L09D, L38Z				11	L06A, L06B			08	I08A, I08B, I08C, I08D, I08E, I13A, I13B	
	12	M06Z, M09A, M09B, M38Z	12		M06Z, M09A, M09B, M38Z		21A	W04A, W04B					
	13	N11A	13		N11A		21B	X01A, X01B, X06A, X06B, X33Z					
	17	R01A, R01B, R01C, R01D, R02Z, R12A, R12B, R12C	17		R01A, R01B, R01C, R01D, R02Z, R12A, R12B, R12C		5a404			BOP, KVT, UOP4			
	21A	W04A, W04B	21A		W04A, W04B			01		B03A, B03B, B06A, B06B, B07Z, B17A, B17B, B17C			
	21B	X06A, X06B, X06C	21B		X06A, X06B, X06C			03		D12A, D12B			
	23	Z01A	23		Z01A			08		I08A, I08B, I08C, I08D, I08E, I13A, I13B			
	5a311.51		BOP, KVT, UOP4		5a311.9			BOP, KVT, UOP4		5a405.b		BOP, KVT, UOP4	
		01	B03A, B03B, B18Z			01		B03A, B03B, B18Z			01	B03A, B03B, B06A, B06B, B07Z, B17A, B17B, B17C	
		08	I10A, I10B, I10C, I10D, I10E			08		I10A, I10B, I10C, I10D, I10E, I23A, I23B			03	D12A, D12B	
		11	L09A, L09B, L09C, L09D, L38Z			11		L06A, L06B			08	I08A, I08B, I08C, I08D, I08E, I13A, I13B	
12		M06Z, M09A, M09B, M38Z	12	M06Z, M09A, M09B, M38Z		21A		W04A, W04B					
13		N11A	13	N11A		21B		X01A, X01B, X06A, X06B, X06C, X33Z					
17		R01A, R01B, R01C, R01D, R02Z, R12A, R12B, R12C	17	R01A, R01B, R01C, R01D, R02Z, R12A, R12B, R12C		5a405.c			BOP, KVT, UOP4				
21A		W04A, W04B	21A	W04A, W04B				01	B03A, B03B, B06A, B06B, B07Z, B17A, B17B, B17C				
21B		X06A, X06B, X06C	21B	X06A, X06B, X06C				03	D12A, D12B				
23		Z01A	23	Z01A				08	I08A, I08B, I08C, I08D, I08E, I13A, I13B				
5a311.52			BOP, KVT, UOP4	5a311.x				BOP, KVT, UOP4	5a406			BOP, KVT, UOP4	
		01	B03A, B03B, B18Z				01	B03A, B03B, B18Z			01	B03A, B03B, B06A, B06B, B07Z, B17A, B17B, B17C, B17D	
		08	I10A, I10B, I10C, I10D, I10E				08	I10A, I10B, I10C, I10D, I10E, I23A, I23B			08	I08A, I08B, I08C, I08D, I08E, I13A, I13B, I28A, I28B, I28C	
		11	L09A, L09B, L09C, L09D, L38Z				11	L09A, L09B, L09C, L09D, L38Z			21A	W04A, W04B	
	12	M06Z, M09A, M09B, M38Z	12		M06Z, M09A, M09B, M38Z		21B	X06A, X06B, X06C					
	13	N11A	13		N11A		5a405.c			BOP, KVT, UOP4			
	17	R01A, R01B, R01C, R01D, R02Z, R12A, R12B, R12C	17		R01A, R01B, R01C, R01D, R02Z, R12A, R12B, R12C			01		B03A, B03B, B06A, B06B, B07Z, B17A, B17B, B17C			
	21A	W04A, W04B	21A		W04A, W04B			03		D12A, D12B			
	21B	X06A, X06B, X06C	21B		X06A, X06B, X06C			08		I08A, I08B, I08C, I08D, I08E, I13A, I13B			
	23	Z01A	23		Z01A			5a406.7			BOP, KVT, UOP4		
	5a311.52		BOP, KVT, UOP4		5a400.1					BOP, KVT, UOP4	5a406.b		BOP, KVT, UOP4
		01	B03A, B03B, B18Z			01				B03A, B03B, B06A, B06B, B07Z, B17A, B17B, B17C, B17D		01	B03A, B03B, B06A, B06B, B07Z, B17A, B17B, B17C
		08	I10A, I10B, I10C, I10D, I10E			08				I08A, I08B, I08C, I08D, I08E, I13A, I13B, I28A, I28B, I28C		03	D12A, D12B
		11	L09A, L09B, L09C, L09D, L38Z			11				L09A, L09B, L09C, L09D, L38Z		08	I08A, I08B, I08C, I08D, I08E, I13A, I13B, I28A, I28B
12		M06Z, M09A, M09B, M38Z	12	M06Z, M09A, M09B, M38Z		21A			W04A, W04B				
13		N11A	13	N11A		21B			X06A, X06B, X06C				
17		R01A, R01B, R01C, R01D, R02Z, R12A, R12B, R12C	17	R01A, R01B, R01C, R01D, R02Z, R12A, R12B, R12C		5a406.b				BOP, KVT, UOP4			
21A		W04A, W04B	21A	W04A, W04B					01	B03A, B03B, B06A, B06B, B07Z, B17A, B17B, B17C, B17D			
21B		X06A, X06B, X06C	21B	X06A, X06B, X06C					08	I08A, I08B, I08C, I08D, I08E, I13A, I13B, I28A, I28B, I28C			
23		Z01A	23	Z01A			21A		W04A, W04B				
							21B		X06A, X06B, X06C				

VYK

ZZV	MDC	DRG	ZZV	MDC	DRG	ZZV	MDC	DRG
5a40d.4		BOP, KVT, UOP4	5a40e.3		BOP, KVT, UOP4	5a40e.c		BOP, KVT, UOP4
	01	B03A, B03B, B06A, B06B, B07Z, B17A, B17B, B17C		01	B03A, B03B, B06A, B06B, B07Z, B17A, B17B, B17C		01	B03A, B03B, B06A, B06B, B07Z, B17A, B17B, B17C
	03	D12A, D12B		03	D12A, D12B		03	D12A, D12B
	08	I08A, I08B, I08C, I08D, I08E, I13A, I13B, I28A, I28B		08	I08A, I08B, I08C, I08D, I08E, I13A, I13B, I28A, I28B		08	I08A, I08B, I08C, I08D, I08E, I13A, I13B, I28A, I28B
	21A	W04A, W04B		21A	W04A, W04B		21A	W04A, W04B
5a40d.5	21B	X06A, X06B, X06C	5a40e.4	21B	X06A, X06B, X06C	5a40f.3	21B	X06A, X06B, X06C
		BOP, KVT, UOP4			BOP, KVT, UOP4			BOP, KVT, UOP4
	01	B03A, B03B, B06A, B06B, B07Z, B17A, B17B, B17C		01	B03A, B03B, B06A, B06B, B07Z, B17A, B17B, B17C		01	B03A, B03B, B06A, B06B, B07Z, B17A, B17B, B17C
	03	D12A, D12B		03	D12A, D12B		03	D12A, D12B
	08	I08A, I08B, I08C, I08D, I08E, I13A, I13B, I28A, I28B		08	I08A, I08B, I08C, I08D, I08E, I13A, I13B, I28A, I28B		08	I08A, I08B, I08C, I08D, I08E, I13A, I13B, I28A, I28B
5a40d.6	21A	W04A, W04B	5a40e.5	21A	W04A, W04B	5a40f.4	21A	W04A, W04B
	21B	X06A, X06B, X06C		21B	X06A, X06B, X06C		21B	X06A, X06B, X06C
		BOP, KVT, UOP4			BOP, KVT, UOP4			BOP, KVT, UOP4
	01	B03A, B03B, B06A, B06B, B07Z, B17A, B17B, B17C		01	B03A, B03B, B06A, B06B, B07Z, B17A, B17B, B17C		01	B03A, B03B, B06A, B06B, B07Z, B17A, B17B, B17C
	03	D12A, D12B		03	D12A, D12B		03	D12A, D12B
5a40d.7	08	I08A, I08B, I08C, I08D, I08E, I13A, I13B, I28A, I28B	5a40e.6	08	I08A, I08B, I08C, I08D, I08E, I13A, I13B, I28A, I28B	5a40f.5	08	I08A, I08B, I08C, I08D, I08E, I13A, I13B, I28A, I28B
	21A	W04A, W04B		21A	W04A, W04B		21A	W04A, W04B
	21B	X06A, X06B, X06C		21B	X06A, X06B, X06C		21B	X06A, X06B, X06C
		BOP, KVT, UOP4			BOP, KVT, UOP4			BOP, KVT, UOP4
	01	B03A, B03B, B06A, B06B, B07Z, B17A, B17B, B17C		01	B03A, B03B, B06A, B06B, B07Z, B17A, B17B, B17C		01	B03A, B03B, B06A, B06B, B07Z, B17A, B17B, B17C
5a40d.9	03	D12A, D12B	5a40e.7	03	D12A, D12B	5a40f.6	03	D12A, D12B
	08	I08A, I08B, I08C, I08D, I08E, I13A, I13B, I28A, I28B		08	I08A, I08B, I08C, I08D, I08E, I13A, I13B, I28A, I28B		08	I08A, I08B, I08C, I08D, I08E, I13A, I13B, I28A, I28B
	21A	W04A, W04B		21A	W04A, W04B		21A	W04A, W04B
	21B	X06A, X06B, X06C		21B	X06A, X06B, X06C		21B	X06A, X06B, X06C
		BOP, KVT, UOP4			BOP, KVT, UOP4			BOP, KVT, UOP4
5a40d.a	01	B03A, B03B, B06A, B06B, B07Z, B17A, B17B, B17C	5a40e.9	01	B03A, B03B, B06A, B06B, B07Z, B17A, B17B, B17C	5a40f.7	01	B03A, B03B, B06A, B06B, B07Z, B17A, B17B, B17C
	03	D12A, D12B		03	D12A, D12B		03	D12A, D12B
	08	I08A, I08B, I08C, I08D, I08E, I13A, I13B, I28A, I28B		08	I08A, I08B, I08C, I08D, I08E, I13A, I13B, I28A, I28B		08	I08A, I08B, I08C, I08D, I08E, I13A, I13B, I28A, I28B
	21A	W04A, W04B		21A	W04A, W04B		21A	W04A, W04B
	21B	X06A, X06B, X06C		21B	X06A, X06B, X06C		21B	X06A, X06B, X06C
5a40d.b		BOP, KVT, UOP4	5a40e.a		BOP, KVT, UOP4	5a40f.9		BOP, KVT, UOP4
	01	B03A, B03B, B06A, B06B, B07Z, B17A, B17B, B17C		01	B03A, B03B, B06A, B06B, B07Z, B17A, B17B, B17C		01	B03A, B03B, B06A, B06B, B07Z, B17A, B17B, B17C
	03	D12A, D12B		03	D12A, D12B		03	D12A, D12B
	08	I08A, I08B, I08C, I08D, I08E, I13A, I13B, I28A, I28B		08	I08A, I08B, I08C, I08D, I08E, I13A, I13B, I28A, I28B		08	I08A, I08B, I08C, I08D, I08E, I13A, I13B, I28A, I28B
	21A	W04A, W04B		21A	W04A, W04B		21A	W04A, W04B
5a40d.c	21B	X06A, X06B, X06C	5a40e.b	21B	X06A, X06B, X06C	5a40f.a	21B	X06A, X06B, X06C
		BOP, KVT, UOP4			BOP, KVT, UOP4			BOP, KVT, UOP4
	01	B03A, B03B, B06A, B06B, B07Z, B17A, B17B, B17C		01	B03A, B03B, B06A, B06B, B07Z, B17A, B17B, B17C		01	B03A, B03B, B06A, B06B, B07Z, B17A, B17B, B17C
	03	D12A, D12B		03	D12A, D12B		03	D12A, D12B
	08	I08A, I08B, I08C, I08D, I08E, I13A, I13B, I28A, I28B		08	I08A, I08B, I08C, I08D, I08E, I13A, I13B, I28A, I28B		08	I08A, I08B, I08C, I08D, I08E, I13A, I13B, I28A, I28B
21A	W04A, W04B	21A	W04A, W04B	21A	W04A, W04B			
21B	X06A, X06B, X06C	21B	X06A, X06B, X06C	21B	X06A, X06B, X06C			

VYK

ZZV	MDC	DRG	ZZV	MDC	DRG	ZZV	MDC	DRG
5a40f.b		BOP, KVT, UOP4	5a504		BOP, KVT, UOP4	5a50b		BOP, KVT, UOP4
	01	B03A, B03B, B06A, B06B, B07Z, B17A, B17B, B17C		01	B03A, B03B, B06A, B06B, B07Z, B17A, B17B, B17C		01	B03A, B03B, B06A, B06B, B07Z, B17A, B17B, B17C
	03	D12A, D12B		03	D12A		03	D12A
	08	I08A, I08B, I08C, I08D, I08E, I13A, I13B, I28A, I28B		08	I08A, I08B, I08C, I08D, I08E, I13A, I13B		08	I08A, I08B, I08C, I08D, I08E, I13A, I13B
	21A	W04A, W04B		21A	W04A, W04B		21A	W04A, W04B
5a40f.c	21B	X06A, X06B, X06C	5a505.1	21B	X06A, X06B, X06C	5a50c.2	21B	X06A, X06B, X06C
		BOP, KVT, UOP4			BOP, KVT, UOP4			BOP, KVT, UOP4
	01	B03A, B03B, B06A, B06B, B07Z, B17A, B17B, B17C		01	B03A, B03B, B06A, B06B, B07Z, B17A, B17B, B17C		01	B03A, B03B, B06A, B06B, B07Z, B17A, B17B, B17C
	03	D12A, D12B		03	D12A		08	I08A, I08B, I08C, I08D, I08E, I13A, I13B, I28A, I28B
	08	I08A, I08B, I08C, I08D, I08E, I13A, I13B, I28A, I28B		08	I08A, I08B, I08C, I08D, I08E, I13A, I13B		21A	W04A, W04B
5a40g	21A	W04A, W04B	5a505.2	21A	W04A, W04B	5a50c.3	21B	X06A, X06B, X06C
	21B	X06A, X06B, X06C		21B	X06A, X06B, X06C			BOP, KVT, UOP4
		BOP, KVT, UOP4			BOP, KVT, UOP4		01	B03A, B03B, B06A, B06B, B07Z, B17A, B17B, B17C
	01	B03A, B03B, B06A, B06B, B07Z, B17A, B17B, B17C		01	B03A, B03B, B06A, B06B, B07Z, B17A, B17B, B17C		08	I08A, I08B, I08C, I08D, I08E, I13A, I13B, I28A, I28B
	03	D12A, D12B		03	D12A		21A	W04A, W04B
5a500	08	I08A, I08B, I08C, I08D, I08E, I13A, I13B, I28A, I28B	5a506	08	I08A, I08B, I08C, I08D, I08E, I13A, I13B	5a50e.4	21B	X06A, X06B, X06C
	21A	W04A, W04B		21A	W04A, W04B			BOP, KVT, UOP4
	21B	X06A, X06B, X06C		21B	X06A, X06B, X06C		01	B03A, B03B, B06A, B06B, B07Z, B17A, B17B, B17C
		BOP, KVT, UOP4			BOP, KVT, UOP4		08	I08A, I08B, I08C, I08D, I08E, I13A, I13B, I28A, I28B
	01	B03A, B03B, B06A, B06B, B07Z, B17A, B17B, B17C		01	B03A, B03B, B06A, B06B, B07Z, B17A, B17B, B17C		21A	W04A, W04B
5a501	03	D12A	5a507.0	03	D12A	5a50e.5	21B	X06A, X06B, X06C, X33Z
	06	G11A, G11B		08	I08A, I08B, I08C, I08D, I08E, I13A, I13B			BOP, KVT, UOP4
	08	I08A, I08B, I08C, I08D, I08E, I13A, I13B, I28A, I28B		21A	W04A, W04B		01	B03A, B03B, B06A, B06B, B07Z, B17A, B17B, B17C
	11	L03Z, L04A, L04B, L04C, L10Z, L38Z		21B	X06A, X06B, X06C		08	I08A, I08B, I08C, I08D, I08E, I13A, I13B, I28A, I28B
	12	M06Z, M09A, M09B, M38Z			BOP, KVT, UOP4		21A	W04A, W04B
5a502	13	N11A	5a507.1	01	B03A, B03B, B06A, B06B, B07Z, B17A, B17B, B17C	5a50f	21B	X06A, X06B, X06C, X33Z
	21A	W04A, W04B		08	I08A, I08B, I08C, I08D, I08E, I13A, I13B, I28A, I28B			BOP, KVT, UOP4
	21B	X04Z, X05A, X05B, X06A, X06B, X06C		21A	W04A, W04B		01	B03A, B03B, B06A, B06B, B07Z, B17A, B17B, B17C
		BOP, KVT, UOP4		21B	X06A, X06B, X06C		08	I08A, I08B, I08C, I08D, I08E, I13A, I13B, I28A, I28B
	01	B03A, B03B, B06A, B06B, B07Z, B17A, B17B, B17C			BOP, KVT, UOP4		21A	W04A, W04B
5a503	03	D12A	5a508	01	B03A, B03B, B06A, B06B, B07Z, B17A, B17B, B17C	5a50g	21B	X06A, X06B, X06C, X33Z
	08	I08A, I08B, I08C, I08D, I08E, I13A, I13B		03	D12A			BOP, KVT, UOP4
	21A	W04A, W04B		06	G11A, G11B		01	B03A, B03B, B06A, B06B, B07Z, B17A, B17B, B17C, B17D
	21B	X06A, X06B, X06C		08	I08A, I08B, I08C, I08D, I08E, I13A, I13B, I28A, I28B		08	I08A, I08B, I08C, I08D, I08E, I13A, I13B, I28A, I28B, I28C
		BOP, KVT, UOP4		11	L03Z, L04A, L04B, L04C, L10Z, L38Z		21A	W04A, W04B
5a503	01	B03A, B03B, B06A, B06B, B07Z, B17A, B17B, B17C	5a50a	12	M06Z, M09A, M09B, M38Z	5a50h.61	21B	X06A, X06B
	03	D12A		13	N11A			BOP, KVT, UOP4
	08	I08A, I08B, I08C, I08D, I08E, I13A, I13B		21A	W04A, W04B		01	B03A, B03B, B06A, B06B, B07Z, B17A, B17B, B17C, B17D
	21A	W04A, W04B		21B	X04Z, X05A, X05B, X06A, X06B, X06C		08	I08A, I08B, I08C, I08D, I08E, I13A, I13B, I28A, I28B, I28C
	21B	X06A, X06B, X06C			BOP, KVT, UOP4		21A	W04A, W04B
5a503	01	B03A, B03B, B06A, B06B, B07Z, B17A, B17B, B17C	5a50a	22	Y01Z, Y03A, Y03B	5a50h.63	21B	X05A, X05B, X06A, X06B
	03	D12A		23	Z01A			BOP, KVT, UOP4
	08	I08A, I08B, I08C, I08D, I08E, I13A, I13B			BOP, KVT, UOP4		01	B03A, B03B, B06A, B06B, B07Z, B17A, B17B, B17C, B17D
	21A	W04A, W04B		01	B03A, B03B, B06A, B06B, B07Z, B17A, B17B, B17C		08	I08A, I08B, I08C, I08D, I08E, I13A, I13B, I28A, I28B, I28C
	21B	X06A, X06B, X06C		03	D12A		21A	W04A, W04B
5a503		BOP, KVT, UOP4	5a50a	08	I08A, I08B, I08C, I08D, I08E, I13A, I13B	5a50h.63	21B	X05A, X05B, X06A, X06B
	01	B03A, B03B, B06A, B06B, B07Z, B17A, B17B, B17C		21A	W04A, W04B			BOP, KVT, UOP4
	03	D12A		21B	X06A, X06B, X06C		01	B03A, B03B, B06A, B06B, B07Z, B17A, B17B, B17C, B17D
	08	I08A, I08B, I08C, I08D, I08E, I13A, I13B			BOP, KVT, UOP4		08	I08A, I08B, I08C, I08D, I08E, I13A, I13B, I28A, I28B, I28C
	21A	W04A, W04B			BOP, KVT, UOP4		21A	W04A, W04B
5a503	21B	X06A, X06B, X06C	5a50a	01	B03A, B03B, B06A, B06B, B07Z, B17A, B17B, B17C	5a50h.63	21B	X05A, X05B, X06A, X06B
		BOP, KVT, UOP4		03	D12A			BOP, KVT, UOP4
	01	B03A, B03B, B06A, B06B, B07Z, B17A, B17B, B17C		08	I08A, I08B, I08C, I08D, I08E, I13A, I13B		01	B03A, B03B, B06A, B06B, B07Z, B17A, B17B, B17C, B17D
	03	D12A		21A	W04A, W04B		08	I08A, I08B, I08C, I08D, I08E, I13A, I13B, I28A, I28B, I28C
	08	I08A, I08B, I08C, I08D, I08E, I13A, I13B		21B	X06A, X06B, X06C			BOP, KVT, UOP4

ZZV	MDC	DRG	ZZV	MDC	DRG	ZZV	MDC	DRG
5a50h.64		BOP, KVT, UOP4	5a50l		BOP, KVT, UOP4	5a50t.01		BOP, KVT, UOP4
	01	B03A, B03B, B06A, B06B, B07Z, B17A, B17B, B17C, B17D		01	B03A, B03B, B06A, B06B, B07Z, B17A, B17B, B17C		01	B03A, B03B, B06A, B06B, B07Z, B17A, B17B, B17C
	08	I08A, I08B, I08C, I08D, I08E, I13A, I13B, I28A, I28B, I28C		03	D12A, D12B		03	D12A
	21A	W04A, W04B		08	I08A, I08B, I08C, I08D, I08E, I13A, I13B, I28A, I28B, I28C		06	G11A, G11B
5a50h.6x	21B	X05A, X05B, X06A, X06B	5a50m	21A	W04A, W04B	5a50t.02	08	I08A, I08B, I08C, I08D, I08E, I13A, I13B, I28A, I28B
		BOP, KVT, UOP4		21B	X06A, X06B		11	L03Z, L04A, L04B, L04C, L10Z, L38Z
	01	B03A, B03B, B06A, B06B, B07Z, B17A, B17B, B17C, B17D		01	B03A, B03B, B06A, B06B, B07Z, B17A, B17B, B17C		12	M06Z, M09A, M09B, M38Z
	08	I08A, I08B, I08C, I08D, I08E, I13A, I13B, I28A, I28B, I28C		03	D12A, D12B		13	N11A
5a50h.7	21A	W04A, W04B	5a50n	08	I08A, I08B, I08C, I08D, I08E, I13A, I13B, I28A, I28B, I28C	5a50t.03	21A	W04A, W04B
	21B	X05A, X05B, X06A, X06B		21A	W04A, W04B		21B	X04Z, X05A, X05B, X06A, X06B, X06C
		BOP, KVT, UOP4		21B	X06A, X06B		22	Y01Z, Y03A, Y03B
	01	B03A, B03B, B06A, B06B, B07Z, B17A, B17B, B17C, B17D		01	B03A, B03B, B06A, B06B, B07Z, B17A, B17B, B17C		23	Z01A
5a50h.8	08	I08A, I08B, I08C, I08D, I08E, I13A, I13B, I28A, I28B, I28C	5a50o	03	D12A, D12B	5a50t.04	01	B03A, B03B, B06A, B06B, B07Z, B17A, B17B, B17C
	21A	W04A, W04B		08	I08A, I08B, I08C, I08D, I08E, I13A, I13B, I28A, I28B, I28C		03	D12A
	21B	X05A, X05B, X06A, X06B		21A	W04A, W04B		06	G11A, G11B
		BOP, KVT, UOP4		21B	X06A, X06B		08	I08A, I08B, I08C, I08D, I08E, I13A, I13B, I28A, I28B
5a50h.9	01	B03A, B03B, B06A, B06B, B07Z, B17A, B17B, B17C, B17D	5a50p	08	I08A, I08B, I08C, I08D, I08E, I13A, I13B, I28A, I28B, I28C	5a50t.05	11	L03Z, L04A, L04B, L04C, L10Z, L38Z
	08	I08A, I08B, I08C, I08D, I08E, I13A, I13B, I28A, I28B, I28C		21A	W04A, W04B		12	M06Z, M09A, M09B, M38Z
	21A	W04A, W04B		21B	X06A, X06B		13	N11A
	21B	X05A, X05B, X06A, X06B		01	BOP, KVT, UOP4		21A	W04A, W04B
5a50h.a	01	B03A, B03B, B06A, B06B, B07Z, B17A, B17B, B17C	5a50r	01	B03A, B03B, B06A, B06B, B07Z, B17A, B17B, B17C, B17D	5a50t.06	21B	X04Z, X05A, X05B, X06A, X06B, X06C
	08	I08A, I08B, I08C, I08D, I08E, I13A, I13B, I28A, I28B, I28C		08	I08A, I08B, I08C, I08D, I08E, I13A, I13B, I28A, I28B		22	Y01Z, Y03A, Y03B
	21A	W04A, W04B		21A	W04A, W04B		23	Z01A
	21B	X04Z, X06A, X06B		21B	X06A, X06B, X06C		01	BOP, KVT, UOP4
5a50h.b		BOP, KVT, UOP4	5a50t.00	01	B03A, B03B, B06A, B06B, B07Z, B17A, B17B, B17C	5a50t.07	01	B03A, B03B, B06A, B06B, B07Z, B17A, B17B, B17C
	01	B03A, B03B, B06A, B06B, B07Z, B17A, B17B, B17C		03	D12A		03	D12A
	08	I08A, I08B, I08C, I08D, I08E, I13A, I13B, I28A, I28B, I28C		06	G11A, G11B		06	G11A, G11B
	21A	W04A, W04B		08	I08A, I08B, I08C, I08D, I08E, I13A, I13B, I28A, I28B		08	I08A, I08B, I08C, I08D, I08E, I13A, I13B, I28A, I28B
5a50j	21B	X04Z, X06A, X06B	5a50t.01	11	L03Z, L04A, L04B, L04C, L10Z, L38Z	5a50t.08	11	L03Z, L04A, L04B, L04C, L10Z, L38Z
		BOP, KVT, UOP4		12	M06Z, M09A, M09B, M38Z		12	M06Z, M09A, M09B, M38Z
	01	B03A, B03B, B06A, B06B, B07Z, B17A, B17B, B17C, B17D		13	N11A		13	N11A
	08	I08A, I08B, I08C, I08D, I08E, I13A, I13B, I20A, I20B, I20C, I20D, I20E, I20F		21A	W04A, W04B		21A	W04A, W04B
5a50k	21A	W04A, W04B	5a50t.02	21B	X04Z, X05A, X05B, X06A, X06B, X06C	5a50t.09	21B	X04Z, X05A, X05B, X06A, X06B, X06C
	21B	X04Z		22	Y01Z, Y03A, Y03B		22	Y01Z, Y03A, Y03B
		BOP, KVT, UOP4		23	Z01A		23	Z01A
	01	B03A, B03B, B06A, B06B, B07Z, B17A, B17B, B17C						
	D12A, D12B							
	I08A, I08B, I08C, I08D, I08E, I13A, I13B, I28A, I28B, I28C							
	W04A, W04B							
	X06A, X06B							

VYK

ZZV	MDC	DRG	ZZV	MDC	DRG	ZZV	MDC	DRG	
5a50t.05		BOP, KVT, UOP4	5a50t.12		BOP, KVT, UOP4	5a50t.16		BOP, KVT, UOP4	
	01	B03A, B03B, B06A, B06B, B07Z, B17A, B17B, B17C		01	B03A, B03B, B06A, B06B, B07Z, B17A, B17B, B17C		01	B03A, B03B, B06A, B06B, B07Z, B17A, B17B, B17C	
	03	D12A		03	D12A		03	D12A	
	06	G11A, G11B		06	G11A, G11B		06	G11A, G11B	
	08	I08A, I08B, I08C, I08D, I08E, I13A, I13B, I28A, I28B		08	I08A, I08B, I08C, I08D, I08E, I13A, I13B, I28A, I28B		08	I08A, I08B, I08C, I08D, I08E, I13A, I13B, I28A, I28B	
	11	L03Z, L04A, L04B, L04C, L10Z, L38Z		11	L03Z, L04A, L04B, L04C, L10Z, L38Z		11	L03Z, L04A, L04B, L04C, L10Z, L38Z	
	12	M06Z, M09A, M09B, M38Z		12	M06Z, M09A, M09B, M38Z		12	M06Z, M09A, M09B, M38Z	
	13	N11A		13	N11A		13	N11A	
	21A	W04A, W04B		21A	W04A, W04B		21A	W04A, W04B	
	21B	X04Z, X05A, X05B, X06A, X06B, X06C		21B	X04Z, X05A, X05B, X06A, X06B, X06C		21B	X04Z, X05A, X05B, X06A, X06B, X06C	
	22	Y01Z, Y03A, Y03B		22	Y01Z, Y03A, Y03B		22	Y01Z, Y03A, Y03B	
	23	Z01A		23	Z01A		23	Z01A	
	5a50t.06			BOP, KVT, UOP4	5a50t.13			BOP, KVT, UOP4	5a50t.e
01		B03A, B03B, B06A, B06B, B07Z, B17A, B17B, B17C	01	B03A, B03B, B06A, B06B, B07Z, B17A, B17B, B17C		01	B03A, B03B, B06A, B06B, B07Z, B17A, B17B, B17C		
03		D12A	03	D12A		03	D12A		
06		G11A, G11B	06	G11A, G11B		08	I08A, I08B, I08C, I08D, I08E, I13A, I13B, I28A, I28B		
08		I08A, I08B, I08C, I08D, I08E, I13A, I13B, I28A, I28B	08	I08A, I08B, I08C, I08D, I08E, I13A, I13B, I28A, I28B		12	M06Z, M09A, M09B, M38Z		
11		L03Z, L04A, L04B, L04C, L10Z, L38Z	11	L03Z, L04A, L04B, L04C, L10Z, L38Z		13	N11A		
12		M06Z, M09A, M09B, M38Z	12	M06Z, M09A, M09B, M38Z		21A	W04A, W04B		
13		N11A	13	N11A		21B	X04Z, X05A, X05B, X06A, X06B, X06C		
21A		W04A, W04B	21A	W04A, W04B		22	Y01Z, Y03A, Y03B		
21B		X04Z, X05A, X05B, X06A, X06B, X06C	21B	X04Z, X05A, X05B, X06A, X06B, X06C		23	Z01A		
22		Y01Z, Y03A, Y03B	22	Y01Z, Y03A, Y03B		5a50t.f0		BOP, KVT, UOP4	
23		Z01A	23	Z01A			01	B03A, B03B, B06A, B06B, B07Z, B17A, B17B, B17C	
5a50t.10			BOP, KVT, UOP4	5a50t.14			BOP, KVT, UOP4	5a50t.f1	
	01	B03A, B03B, B06A, B06B, B07Z, B17A, B17B, B17C	01		B03A, B03B, B06A, B06B, B07Z, B17A, B17B, B17C	01	B03A, B03B, B06A, B06B, B07Z, B17A, B17B, B17C		
	03	D12A	03		D12A	03	D12A		
	06	G11A, G11B	06		G11A, G11B	06	G11A, G11B		
	08	I08A, I08B, I08C, I08D, I08E, I13A, I13B, I28A, I28B	08		I08A, I08B, I08C, I08D, I08E, I13A, I13B, I28A, I28B	08	I08A, I08B, I08C, I08D, I08E, I13A, I13B, I28A, I28B		
	11	L03Z, L04A, L04B, L04C, L10Z, L38Z	11		L03Z, L04A, L04B, L04C, L10Z, L38Z	11	L03Z, L04A, L04B, L04C, L10Z, L38Z		
	12	M06Z, M09A, M09B, M38Z	12		M06Z, M09A, M09B, M38Z	12	M06Z, M09A, M09B, M38Z		
	13	N11A	13		N11A	13	N11A		
	21A	W04A, W04B	21A		W04A, W04B	21A	W04A, W04B		
	21B	X04Z, X05A, X05B, X06A, X06B, X06C	21B		X04Z, X05A, X05B, X06A, X06B, X06C	21B	X04Z, X05A, X05B, X06A, X06B, X06C		
	22	Y01Z, Y03A, Y03B	22		Y01Z, Y03A, Y03B	22	Y01Z, Y03A, Y03B		
	23	Z01A	23		Z01A	23	Z01A		
	5a50t.11		BOP, KVT, UOP4		5a50t.15		BOP, KVT, UOP4		5a901.a†
01		B03A, B03B, B06A, B06B, B07Z, B17A, B17B, B17C	01	B03A, B03B, B06A, B06B, B07Z, B17A, B17B, B17C		01	B03A, B03B, B06A, B06B, B07Z, B17A, B17B, B17C		
03		D12A	03	D12A		03	D12A		
06		G11A, G11B	06	G11A, G11B		06	G11A, G11B		
08		I08A, I08B, I08C, I08D, I08E, I13A, I13B, I28A, I28B	08	I08A, I08B, I08C, I08D, I08E, I13A, I13B, I28A, I28B		08	I08A, I08B, I08C, I08D, I08E, I13A, I13B, I28A, I28B		
11		L03Z, L04A, L04B, L04C, L10Z, L38Z	11	L03Z, L04A, L04B, L04C, L10Z, L38Z		11	L03Z, L04A, L04B, L04C, L10Z, L38Z		
12		M06Z, M09A, M09B, M38Z	12	M06Z, M09A, M09B, M38Z		12	M06Z, M09A, M09B, M38Z		
13		N11A	13	N11A		13	N11A		
21A		W04A, W04B	21A	W04A, W04B		21A	W04A, W04B		
21B		X04Z, X05A, X05B, X06A, X06B, X06C	21B	X04Z, X05A, X05B, X06A, X06B, X06C		21B	X04Z, X05A, X05B, X06A, X06B, X06C		
22		Y01Z, Y03A, Y03B	22	Y01Z, Y03A, Y03B		22	Y01Z, Y03A, Y03B		
23		Z01A	23	Z01A		23	Z01A		
						5a901.b†		VIAL	
				5a901.c†		VIAL			
				5a902.01†		VIAL			
				5a902.02†		VIAL			
				5a902.03†		VIAL			

ZZV	MDC	DRG	ZZV	MDC	DRG	ZZV	MDC	DRG
5a904.41		BOP, KVT, UOP4	5b120.05		BOP, KVT, UOP4	5b122.12		BOP, KVT, UOP4
	01	B03A, B03B, B18Z		10	K06A, K06B, K06C, K06D		10	K06A, K06B
	08	I10A, I10B, I10C, I10D, I10E		11	L09A, L09C, L38Z		11	L09A, L09C, L38Z
	17	R01A, R01B, R01C, R01D, R02Z, R12A, R12B, R12C	5b120.06		BOP, KVT, UOP4	5b122.13		BOP, KVT, UOP4
	21A	W04A, W04B		10	K06A, K06B, K06C, K06D		10	K06A, K06B
	21B	X06A, X06B		11	L09A, L09C, L38Z		11	L09A, L09C, L38Z
5a904.42		BOP, KVT, UOP4	5b120.10		BOP, KVT, UOP4	5b122.14		BOP, KVT, UOP4
	01	B03A, B03B, B18Z		10	K06A, K06B, K06C, K06D		10	K06A, K06B
	08	I10A, I10B, I10C, I10D, I10E		11	L09A, L09C, L38Z		11	L09A, L09C, L38Z
	17	R01A, R01B, R01C, R01D, R02Z, R12A, R12B, R12C	5b120.16		BOP, KVT, UOP4	5b122.15		BOP, KVT, UOP4
	21A	W04A, W04B		10	K06A, K06B, K06C, K06D		10	K06A, K06B
	21B	X06A, X06B		11	L09A, L09C, L38Z		11	L09A, L09C, L38Z
5a904.43		BOP, KVT, UOP4	5b120.20		BOP, KVT, UOP4	5b122.16		BOP, KVT, UOP4
	01	B03A, B03B, B18Z		10	K06A, K06B, K06C, K06D		10	K06A, K06B
	08	I10A, I10B, I10C, I10D, I10E		11	L09A, L09C, L38Z		11	L09A, L09C, L38Z
	17	R01A, R01B, R01C, R01D, R02Z, R12A, R12B, R12C	5b120.21		BOP, KVT, UOP4	5b122.1x		BOP, KVT, UOP4
	21A	W04A, W04B		10	K06A, K06B, K06C, K06D		10	K06A, K06B
	21B	X06A, X06B		11	L09A, L09C, L38Z		11	L09A, L09C, L38Z
5b110		BOP, KVT, UOP4	5b120.22		BOP, KVT, UOP4	5b12x.0		BOP, KVT, UOP4
	03	D09Z, D30A		10	K06A, K06B, K06C, K06D		10	K06A, K06B, K06C, K06D
	09	J03A, J03B, J04A, J04B, J08A, J08B, J08C, J11A, J11B, J16Z		11	L09A, L09C, L38Z		11	L09A, L09C, L38Z
	10	K06A, K06B, K06C, K06D	5b120.23		BOP, KVT, UOP4	5b12x.1		BOP, KVT, UOP4
	21A	W04A, W04B		10	K06A, K06B, K06C, K06D		10	K06A, K06B, K06C, K06D
	21B	X06A, X06B, X06C		11	L09A, L09C, L38Z		11	L09A, L09C, L38Z
5b111		BOP, KVT, UOP4	5b120.24		BOP, KVT, UOP4	5b12x.2		BOP, KVT, UOP4
	03	D09Z, D30A		10	K06A, K06B, K06C, K06D		10	K06A, K06B, K06C, K06D
	09	J03A, J03B, J04A, J04B, J08A, J08B, J08C, J11A, J11B, J16Z		11	L09A, L09C, L38Z		11	L09A, L09C, L38Z
	10	K06A, K06B, K06C, K06D	5b120.25		BOP, KVT, UOP4	5b12x.3		BOP, KVT, UOP4
	21A	W04A, W04B		10	K06A, K06B, K06C, K06D		10	K06A, K06B, K06C, K06D
	21B	X06A, X06B, X06C		11	L09A, L09C, L38Z		11	L09A, L09C, L38Z
5b112		BOP, KVT, UOP4	5b120.26		BOP, KVT, UOP4	5b12x.4		BOP, KVT, UOP4
	03	D09Z, D30A		10	K06A, K06B, K06C, K06D		10	K06A, K06B, K06C, K06D
	09	J03A, J03B, J04A, J04B, J08A, J08B, J08C, J11A, J11B, J16Z		11	L09A, L09C, L38Z		11	L09A, L09C, L38Z
	10	K06A, K06B, K06C, K06D	5b120.2x		BOP, KVT, UOP4	5b12x.5		BOP, KVT, UOP4
	21A	W04A, W04B		10	K06A, K06B, K06C, K06D		10	K06A, K06B, K06C, K06D
	21B	X06A, X06B, X06C		11	L09A, L09C, L38Z		11	L09A, L09C, L38Z
5b113		BOP, KVT, UOP4	5b120.x		BOP, KVT, UOP4	5b12x.6		BOP, KVT, UOP4
	03	D09Z, D30A		10	K06A, K06B, K06C, K06D		10	K06A, K06B, K06C, K06D
	09	J03A, J03B, J04A, J04B, J08A, J08B, J08C, J11A, J11B, J16Z		11	L09A, L09C, L38Z		11	L09A, L09C, L38Z
	10	K06A, K06B, K06C, K06D	5b122.00		BOP, KVT, UOP4	5b12x.x		BOP, KVT, UOP4
	21A	W04A, W04B		10	K06A, K06B		10	K06A, K06B, K06C, K06D
	21B	X06A, X06B, X06C		11	L09A, L09C, L38Z		11	L09A, L09C, L38Z
5b113		BOP, KVT, UOP4	5b122.01		BOP, KVT, UOP4	5b130.0		BOP, KVT, UOP4
	10	K06A, K06B, K06C, K06D		10	K06A, K06B		10	K06A, K06B, K06C, K06D
	21A	W04A, W04B		11	L09A, L09C, L38Z		11	L09C, L38Z
	21B	X06A, X06B, X06C		10	K06A, K06B		10	K06A, K06B, K06C, K06D
5b11x		BOP, KVT, UOP4	5b122.02		BOP, KVT, UOP4	5b130.1		BOP, KVT, UOP4
	10	K06A, K06B, K06C, K06D		10	K06A, K06B		10	K06A, K06B, K06C, K06D
	21A	W04A, W04B		11	L09A, L09C, L38Z		11	L09C, L38Z
	21B	X06A, X06B, X06C		10	K06A, K06B		10	K06A, K06B, K06C, K06D
5b120.00		BOP, KVT, UOP4	5b122.03		BOP, KVT, UOP4	5b130.2		BOP, KVT, UOP4
	10	K06A, K06B, K06C, K06D		10	K06A, K06B		10	K06A, K06B, K06C, K06D
	11	L09A, L09C, L38Z		11	L09A, L09C, L38Z		11	L09C, L38Z
5b120.01		BOP, KVT, UOP4	5b122.04		BOP, KVT, UOP4	5b130.3		BOP, KVT, UOP4
	10	K06A, K06B, K06C, K06D		10	K06A, K06B		10	K06A, K06B, K06C, K06D
	11	L09A, L09C, L38Z		11	L09A, L09C, L38Z		11	L09C, L38Z
5b120.02		BOP, KVT, UOP4	5b122.05		BOP, KVT, UOP4	5b130.4		BOP, KVT, UOP4
	10	K06A, K06B, K06C, K06D		10	K06A, K06B		10	K06A, K06B, K06C, K06D
	11	L09A, L09C, L38Z		11	L09A, L09C, L38Z		11	L09C, L38Z
5b120.03		BOP, KVT, UOP4	5b122.06		BOP, KVT, UOP4	5b130.5		BOP, KVT, UOP4
	10	K06A, K06B, K06C, K06D		10	K06A, K06B		10	K06A, K06B, K06C, K06D
	11	L09A, L09C, L38Z		11	L09A, L09C, L38Z		11	L09C, L38Z
5b120.04		BOP, KVT, UOP4	5b122.0x		BOP, KVT, UOP4	5b130.6		BOP, KVT, UOP4
	10	K06A, K06B, K06C, K06D		10	K06A, K06B		10	K06A, K06B, K06C, K06D
	11	L09A, L09C, L38Z		11	L09A, L09C, L38Z		11	L09C, L38Z
	10	K06A, K06B, K06C, K06D	5b122.10		BOP, KVT, UOP4	5b130.x		BOP, KVT, UOP4
	11	L09A, L09C, L38Z		10	K06A, K06B		10	K06A, K06B, K06C, K06D
	10	K06A, K06B, K06C, K06D		11	L09A, L09C, L38Z		11	L09C, L38Z
	11	L09A, L09C, L38Z	5b122.11		BOP, KVT, UOP4	5b131.0		BOP, KVT, UOP4
	10	K06A, K06B, K06C, K06D		10	K06A, K06B		10	K06A, K06B, K06C, K06D
	11	L09A, L09C, L38Z		11	L09A, L09C, L38Z		11	L09C, L38Z

ZZV	MDC	DRG	ZZV	MDC	DRG	ZZV	MDC	DRG
5b141.73		BOP, KVT, UOP4	5b144.2		BOP, KVT, UOP4	5b161		BOP, KVT, UOP4
	10	K06A, K06B		10	K06A, K06B, K06C, K06D		03	D12A, D12B
	11	L09A, L09C, L38Z		11	L09A, L09C, L38Z		10	K06A, K06B, K06C, K06D
5b141.74		BOP, KVT, UOP4	5b144.3		BOP, KVT, UOP4	5b162		BOP, KVT, UOP4
	10	K06A, K06B		10	K06A, K06B, K06C, K06D		03	D12A, D12B
	11	L09A, L09C, L38Z		11	L09A, L09C, L38Z		10	K06A, K06B, K06C, K06D
5b141.75		BOP, KVT, UOP4	5b144.4		BOP, KVT, UOP4	5b163		BOP, KVT, UOP4
	10	K06A, K06B		10	K06A, K06B, K06C, K06D		03	D12A, D12B
	11	L09A, L09C, L38Z		11	L09A, L09C, L38Z		10	K06A, K06B, K06C, K06D
5b141.76		BOP, KVT, UOP4	5b144.5		BOP, KVT, UOP4	5b164		BOP, KVT, UOP4
	10	K06A, K06B		10	K06A, K06B, K06C, K06D		03	D12A, D12B
	11	L09A, L09C, L38Z		11	L09A, L09C, L38Z		10	K06A, K06B, K06C, K06D
5b141.7x		BOP, KVT, UOP4	5b144.6		BOP, KVT, UOP4	5b165		BOP, KVT, UOP4
	10	K06A, K06B		10	K06A, K06B, K06C, K06D		03	D12A, D12B
	11	L09A, L09C, L38Z		11	L09A, L09C, L38Z		10	K06A, K06B, K06C, K06D
5b141.80		BOP, KVT, UOP4	5b144.x		BOP, KVT, UOP4	5b166.1		BOP, KVT, UOP4
	10	K06A, K06B		10	K06A, K06B, K06C, K06D		03	D12A, D12B
	11	L09A, L09C, L38Z		11	L09A, L09C, L38Z		10	K06A, K06B, K06C, K06D
5b141.81		BOP, KVT, UOP4	5b14x.0		BOP, KVT, UOP4	5b166.2		BOP, KVT, UOP4
	10	K06A, K06B		10	K06A, K06B, K06C, K06D		03	D12A, D12B
	11	L09A, L09C, L38Z		11	L09A, L09C, L38Z		10	K06A, K06B, K06C, K06D
5b141.82		BOP, KVT, UOP4	5b14x.1		BOP, KVT, UOP4	5b166.3		BOP, KVT, UOP4
	10	K06A, K06B		10	K06A, K06B, K06C, K06D		03	D12A, D12B
	11	L09A, L09C, L38Z		11	L09A, L09C, L38Z		10	K06A, K06B, K06C, K06D
5b141.83		BOP, KVT, UOP4	5b14x.2		BOP, KVT, UOP4	5b166.4		BOP, KVT, UOP4
	10	K06A, K06B		10	K06A, K06B, K06C, K06D		03	D12A, D12B
	11	L09A, L09C, L38Z		11	L09A, L09C, L38Z		10	K06A, K06B, K06C, K06D
5b141.84		BOP, KVT, UOP4	5b14x.3		BOP, KVT, UOP4	5b167		BOP, KVT, UOP4
	10	K06A, K06B		10	K06A, K06B, K06C, K06D		03	D12A, D12B
	11	L09A, L09C, L38Z		11	L09A, L09C, L38Z		10	K06A, K06B, K06C, K06D
5b141.85		BOP, KVT, UOP4	5b14x.4		BOP, KVT, UOP4	5b168		BOP, KVT, UOP4
	10	K06A, K06B		10	K06A, K06B, K06C, K06D		03	D12A, D12B
	11	L09A, L09C, L38Z		11	L09A, L09C, L38Z		10	K06A, K06B, K06C, K06D
5b141.86		BOP, KVT, UOP4	5b14x.5		BOP, KVT, UOP4	5b16x		BOP, KVT, UOP4
	10	K06A, K06B		10	K06A, K06B, K06C, K06D		03	D12A, D12B
	11	L09A, L09C, L38Z		11	L09A, L09C, L38Z		10	K06A, K06B, K06C, K06D
5b141.8x		BOP, KVT, UOP4	5b14x.6		BOP, KVT, UOP4	5b190		BOP, KVT, UOP4
	10	K06A, K06B		10	K06A, K06B, K06C, K06D		03	D12A, D12B
	11	L09A, L09C, L38Z		11	L09A, L09C, L38Z		08	I28A, I28B
5b143.0		BOP, KVT, UOP4	5b14x.x		BOP, KVT, UOP4		10	K06A, K06B, K06C, K06D
	10	K06A, K06B, K06C, K06D		10	K06A, K06B, K06C, K06D		21A	W04A, W04B
	11	L09A, L09C, L38Z		11	L09A, L09C, L38Z		21B	X06A, X06B, X06C
5b143.1		BOP, KVT, UOP4	5b150		BOP, KVT, UOP4	5b191		BOP, KVT, UOP4
	10	K06A, K06B, K06C, K06D		10	K06A, K06B, K06C, K06D		10	K06A, K06B, K06C, K06D
	11	L09A, L09C, L38Z		11	L09A, L09C, L38Z		10	K06A, K06B, K06C, K06D
5b143.2		BOP, KVT, UOP4	5b151		BOP, KVT, UOP4	5b19x		BOP, KVT, UOP4
	10	K06A, K06B, K06C, K06D		10	K06A, K06B, K06C, K06D		10	K06A, K06B, K06C, K06D
	11	L09A, L09C, L38Z		11	L09A, L09C, L38Z		10	K06A, K06B, K06C, K06D
5b143.3		BOP, KVT, UOP4	5b152		BOP, KVT, UOP4	5b210.0		BOP, KVT, UOP4
	10	K06A, K06B, K06C, K06D		10	K06A, K06B, K06C, K06D		10	K06A, K06B
	11	L09A, L09C, L38Z		11	L09A, L09C, L38Z		11	L09A, L09B, L09C, L38Z
5b143.4		BOP, KVT, UOP4	5b153		BOP, KVT, UOP4	5b210.1		BOP, KVT, UOP4
	10	K06A, K06B, K06C, K06D		10	K06A, K06B, K06C, K06D		10	K06A, K06B
	11	L09A, L09C, L38Z		11	L09A, L09C, L38Z		11	L09A, L09B, L09C, L38Z
5b143.5		BOP, KVT, UOP4	5b154		BOP, KVT, UOP4	5b210.2		BOP, KVT, UOP4
	10	K06A, K06B, K06C, K06D		10	K06A, K06B, K06C, K06D		10	K06A, K06B
	11	L09A, L09C, L38Z		11	L09A, L09C, L38Z		11	L09A, L09B, L09C, L38Z
5b143.6		BOP, KVT, UOP4	5b155		BOP, KVT, UOP4	5b210.3		BOP, KVT, UOP4
	10	K06A, K06B, K06C, K06D		10	K06A, K06B, K06C, K06D		10	K06A, K06B
	11	L09A, L09C, L38Z		11	L09A, L09C, L38Z		11	L09A, L09B, L09C, L38Z
5b143.x		BOP, KVT, UOP4	5b156		BOP, KVT, UOP4	5b210.4		BOP, KVT, UOP4
	10	K06A, K06B, K06C, K06D		10	K06A, K06B, K06C, K06D		10	K06A, K06B
	11	L09A, L09C, L38Z		11	L09A, L09C, L38Z		11	L09A, L09B, L09C, L38Z
5b144.0		BOP, KVT, UOP4	5b15x		BOP, KVT, UOP4	5b210.5		BOP, KVT, UOP4
	10	K06A, K06B, K06C, K06D		10	K06A, K06B, K06C, K06D		10	K06A, K06B
	11	L09A, L09C, L38Z		11	L09A, L09C, L38Z		11	L09A, L09B, L09C, L38Z
5b144.1		BOP, KVT, UOP4	5b160		BOP, KVT, UOP4	5b210.6		BOP, KVT, UOP4
	10	K06A, K06B, K06C, K06D		03	D12A, D12B		10	K06A, K06B
	11	L09A, L09C, L38Z		10	K06A, K06B, K06C, K06D		11	L09A, L09B, L09C, L38Z

ZZV	MDC	DRG	ZZV	MDC	DRG	ZZV	MDC	DRG
5b23x.5		BOP, KVT, UOP4	5b321.4↔		BOP, KVT, UOP4	5b330.x↔		BOP, KVT, UOP4
	10	K06A, K06B, K06C, K06D		09	J03A, J03B, J04A, J04B, J08A, J08B, J08C, J11A, J11B, J16Z		10	K03A, K03B, K14Z
	11	L09C, L38Z					21A	W04A, W04B
5b23x.6		BOP, KVT, UOP4		10	K03A, K03B, K14Z		21B	X06A, X06B, X06C
	10	K06A, K06B, K06C, K06D		13	N01A, N01B, N01C, N01D, N01E, N02A, N02B, N02C, N03A, N03B, N05A, N05B, N38Z	5b331↔		BOP, KVT, UOP4
	11	L09C, L38Z					10	K03A, K03B, K14Z
5b23x.x		BOP, KVT, UOP4					21A	W04A, W04B
	10	K06A, K06B, K06C, K06D					21B	X06A, X06B, X06C
	11	L09C, L38Z	5b321.x↔		BOP, KVT, UOP4			BOP, KVT, UOP4
5b290		BOP, KVT, UOP4		09	J03A, J03B, J04A, J04B, J08A, J08B, J08C, J11A, J11B, J16Z	5b332↔		BOP, KVT, UOP4
	10	K06A, K06B, K06C, K06D					10	K03A, K03B, K14Z
5b291		BOP, KVT, UOP4		10	K03A, K03B, K14Z		21A	W04A, W04B
	10	K06A, K06B, K06C, K06D		13	N01A, N01B, N01C, N01D, N01E, N02A, N02B, N02C, N03A, N03B, N05A, N05B, N38Z		21B	X06A, X06B, X06C
5b311.1↔		BOP, KVT, UOP4				5b333.1↔		BOP, KVT, UOP4
	10	K03A, K03B, K14Z					10	K03A, K03B, K14Z
5b311.2↔		BOP, KVT, UOP4					21A	W04A, W04B
	10	K03A, K03B, K14Z					21B	X06A, X06B, X06C
5b311.4↔		BOP, KVT, UOP4	5b322.1↔		BOP, KVT, UOP4			BOP, KVT, UOP4
	10	K03A, K03B, K14Z		09	J03A, J03B, J04A, J04B, J08A, J08B, J08C, J11A, J11B, J16Z		10	K03A, K03B, K14Z
5b311.x↔		BOP, KVT, UOP4					21A	W04A, W04B
	10	K03A, K03B, K14Z		10	K03A, K03B, K14Z		21B	X06A, X06B, X06C
5b312.1↔		BOP, KVT, UOP4				5b333.4↔		BOP, KVT, UOP4
	06	G18A, G38Z					10	K03A, K03B, K14Z
	10	K03A, K03B, K14Z	5b322.2↔		BOP, KVT, UOP4		21A	W04A, W04B
5b312.2↔		BOP, KVT, UOP4		09	J03A, J03B, J04A, J04B, J08A, J08B, J08C, J11A, J11B, J16Z		21B	X06A, X06B, X06C
	10	K03A, K03B, K14Z				5b333.x↔		BOP, KVT, UOP4
5b312.4↔		BOP, KVT, UOP4		10	K03A, K03B, K14Z		10	K03A, K03B, K14Z
	10	K03A, K03B, K14Z	5b322.4↔		BOP, KVT, UOP4		21A	W04A, W04B
5b312.x↔		BOP, KVT, UOP4		09	J03A, J03B, J04A, J04B, J08A, J08B, J08C, J11A, J11B, J16Z		21B	X06A, X06B, X06C
	10	K03A, K03B, K14Z				5b33x.1↔		BOP, KVT, UOP4
5b320.1↔		BOP, KVT, UOP4		10	K03A, K03B, K14Z		10	K03A, K03B, K14Z
	06	G18A, G38Z					21A	W04A, W04B
	09	J03A, J03B, J04A, J04B, J08A, J08B, J08C, J11A, J11B, J16Z	5b322.x↔		BOP, KVT, UOP4		21B	X06A, X06B, X06C
	10	K03A, K03B, K14Z		09	J03A, J03B, J04A, J04B, J08A, J08B, J08C, J11A, J11B, J16Z	5b33x.2↔		BOP, KVT, UOP4
5b320.2↔		BOP, KVT, UOP4					10	K03A, K03B, K14Z
	09	J03A, J03B, J04A, J04B, J08A, J08B, J08C, J11A, J11B, J16Z		10	K03A, K03B, K14Z		21A	W04A, W04B
	10	K03A, K03B, K14Z	5b323.1↔		BOP, KVT, UOP4		21B	X06A, X06B, X06C
5b320.4↔		BOP, KVT, UOP4		06	G18A, G38Z			BOP, KVT, UOP4
	09	J03A, J03B, J04A, J04B, J08A, J08B, J08C, J11A, J11B, J16Z		09	J03A, J03B, J04A, J04B, J08A, J08B, J08C, J11A, J11B, J16Z	5b33x.4↔		BOP, KVT, UOP4
	10	K03A, K03B, K14Z					10	K03A, K03B, K14Z
5b320.x↔		BOP, KVT, UOP4		10	K03A, K03B, K14Z		21A	W04A, W04B
	09	J03A, J03B, J04A, J04B, J08A, J08B, J08C, J11A, J11B, J16Z		09	J03A, J03B, J04A, J04B, J08A, J08B, J08C, J11A, J11B, J16Z		21B	X06A, X06B, X06C
	10	K03A, K03B, K14Z	5b323.2↔		BOP, KVT, UOP4	5b33x.x↔		BOP, KVT, UOP4
5b320.1↔		BOP, KVT, UOP4		10	K03A, K03B, K14Z		10	K03A, K03B, K14Z
	06	G18A, G38Z					21A	W04A, W04B
	09	J03A, J03B, J04A, J04B, J08A, J08B, J08C, J11A, J11B, J16Z		09	J03A, J03B, J04A, J04B, J08A, J08B, J08C, J11A, J11B, J16Z		21B	X06A, X06B, X06C
	10	K03A, K03B, K14Z	5b323.4↔		BOP, KVT, UOP4	5b411		BOP, KOP, KOPV, KVT, UOP4
5b321.1↔		BOP, KVT, UOP4		10	K03A, K03B, K14Z		01	B02A, B02B, B02C, B20A, B20B, B20C, B20D, B20E, B39A, B39B
	06	G18A, G38Z		09	J03A, J03B, J04A, J04B, J08A, J08B, J08C, J11A, J11B, J16Z		06	G33Z
	09	J03A, J03B, J04A, J04B, J08A, J08B, J08C, J11A, J11B, J16Z					07	H33Z, H38Z
	10	K03A, K03B, K14Z	5b323.x↔		BOP, KVT, UOP4		10	K03A, K03B
	13	N01A, N01B, N01C, N01D, N01E, N02A, N02B, N02C, N03A, N03B, N05A, N05B, N38Z		09	J03A, J03B, J04A, J04B, J08A, J08B, J08C, J11A, J11B, J16Z		11	L33Z
5b321.2↔		BOP, KVT, UOP4		10	K03A, K03B, K14Z		21B	X33Z
	09	J03A, J03B, J04A, J04B, J08A, J08B, J08C, J11A, J11B, J16Z					23	Z01A
	10	K03A, K03B, K14Z		10	K03A, K03B, K14Z		Pre	A07A
	13	N01A, N01B, N01C, N01D, N01E, N02A, N02B, N02C, N03A, N03B, N05A, N05B, N38Z	5b330.1↔		BOP, KVT, UOP4	5b412		BOP, KOP, KOPV, KVT, UOP4
				10	K03A, K03B, K14Z		01	B02A, B02B, B02C, B20A, B20B, B20C, B20D, B20E, B39A, B39B
				21A	W04A, W04B		06	G33Z
				21B	X06A, X06B, X06C		07	H33Z, H38Z
			5b330.2↔		BOP, KVT, UOP4		10	K03A, K03B
				10	K03A, K03B, K14Z		11	L33Z
				21A	W04A, W04B		21B	X33Z
				21B	X06A, X06B, X06C		23	Z01A
							Pre	A07A

ZZV	MDC	DRG	ZZV	MDC	DRG	ZZV	MDC	DRG			
5b41x		BOP, KOP, KOPV, KVT, UOP4	5b421.13		BOP, KOP, KOPV, KVT, UOP4	5b42x		BOP, KOP, KOPV, KVT, UOP4			
	01	B02A, B02B, B02C, B20A, B20B, B20C, B20D, B20E, B39A, B39B		01	B03A, B03B, B06A, B06B, B07Z, B17A, B17B, B17C		01	B03A, B03B, B06A, B06B, B07Z, B17A, B17B, B17C			
	06	G33Z		04	E05A, E05B, E05C, E08A, E08B, E08C		04	E05A, E05B, E05C, E08A, E08B, E08C			
	07	H33Z, H38Z		06	G33Z		06	G33Z			
	10	K03A, K03B		07	H33Z, H38Z		07	H33Z, H38Z			
	11	L33Z		10	K09A, K09B		10	K09A, K09B			
	23	Z01A		11	L33Z		11	L33Z			
	Pre	A07A		17	R01A, R01B, R01C, R01D, R02Z, R12A, R12B, R12C		17	R01A, R01B, R01C, R01D, R02Z, R12A, R12B, R12C			
	5b421.10			BOP, KOP, KOPV, KVT, UOP4	5b421.21			BOP, KOP, KOPV, KVT, UOP4	5b491		BOP, KVT, UOP4
		01		B03A, B03B, B06A, B06B, B07Z, B17A, B17B, B17C			01	B03A, B03B, B06A, B06B, B07Z, B17A, B17B, B17C		10	K06A, K06B, K06C, K06D
		04		E05A, E05B, E05C, E08A, E08B, E08C			04	E05A, E05B, E05C, E08A, E08B, E08C		5b492	
06		G33Z	06	G33Z		04	E05A, E05B, E05C, E08A, E08B, E08C				
07		H33Z, H38Z	07	H33Z, H38Z		06	G33Z				
10		K09A, K09B	10	K09A, K09B		07	H33Z, H38Z				
11		L33Z	11	L33Z		10	K09A, K09B				
17		R01A, R01B, R01C, R01D, R02Z, R12A, R12B, R12C	17	R01A, R01B, R01C, R01D, R02Z, R12A, R12B, R12C		11	L33Z				
21A		W04A, W04B	21A	W04A, W04B		17	R01A, R01B, R01C, R01D, R02Z, R12A, R12B, R12C				
21B		X06A, X06B, X06C, X33Z	21B	X06A, X06B, X06C, X33Z		21A	W04A, W04B				
23		Z01A	23	Z01A		21B	X06A, X06B, X06C				
5b421.11	Pre	A07A	Pre	A07A	23	Z01A					
		BOP, KOP, KOPV, KVT, UOP4	5b421.2x		BOP, KOP, KOPV, KVT, UOP4	Pre	A07A				
	01	B03A, B03B, B06A, B06B, B07Z, B17A, B17B, B17C		01	B03A, B03B, B06A, B06B, B07Z, B17A, B17B, B17C	5b49x		BOP, KOP, KOPV, KVT, UOP4			
	04	E05A, E05B, E05C, E08A, E08B, E08C		04	E05A, E05B, E05C, E08A, E08B, E08C		04	E05A, E05B, E05C, E08A, E08B, E08C			
	06	G33Z		06	G33Z	06	G33Z				
	07	H33Z, H38Z		07	H33Z, H38Z	07	H33Z, H38Z				
	10	K09A, K09B		10	K09A, K09B	10	K09A, K09B				
	11	L33Z		11	L33Z	11	L33Z				
	17	R01A, R01B, R01C, R01D, R02Z, R12A, R12B, R12C		17	R01A, R01B, R01C, R01D, R02Z, R12A, R12B, R12C	17	R01A, R01B, R01C, R01D, R02Z, R12A, R12B, R12C				
	21A	W04A, W04B		21A	W04A, W04B	21A	W04A, W04B				
	21B	X06A, X06B, X06C, X33Z		21B	X06A, X06B, X06C, X33Z	21B	X06A, X06B, X06C				
5b421.12	23	Z01A		23	Z01A	23	Z01A				
	Pre	A07A	Pre	A07A	Pre	A07A					
		BOP, KOP, KOPV, KVT, UOP4	5b421.4		BOP, KOP, KOPV, KVT, UOP4	5b510		BOP, KOP, KOPV, KVT, UOP4			
	01	B03A, B03B, B06A, B06B, B07Z, B17A, B17B, B17C		01	B03A, B03B, B06A, B06B, B07Z, B17A, B17B, B17C		01	B02A, B02B, B02C, B20A, B20B, B20C, B20D, B20E, B39A, B39B			
	04	E05A, E05B, E05C, E08A, E08B, E08C		04	E05A, E05B, E05C, E08A, E08B, E08C		06	G33Z			
	06	G33Z		06	G33Z		07	H33Z, H38Z			
	07	H33Z, H38Z		07	H33Z, H38Z		10	K03A, K03B			
	10	K09A, K09B		10	K09A, K09B		11	L33Z			
	11	L33Z		11	L33Z		21B	X33Z			
	17	R01A, R01B, R01C, R01D, R02Z, R12A, R12B, R12C		17	R01A, R01B, R01C, R01D, R02Z, R12A, R12B, R12C		23	Z01A			
	21A	W04A, W04B		21A	W04A, W04B		Pre	A07A			
21B	X06A, X06B, X06C, X33Z	21B		X06A, X06B, X06C, X33Z			BOP, KOP, KOPV, KVT, UOP4				
23	Z01A	23		Z01A	01		B02A, B02B, B02C, B20A, B20B, B20C, B20D, B20E, B39A, B39B				
Pre	A07A	Pre	A07A	06	G33Z						
5b421.13		BOP, KOP, KOPV, KVT, UOP4	5b421.2x		BOP, KOP, KOPV, KVT, UOP4	5b511		BOP, KOP, KOPV, KVT, UOP4			
	01	B03A, B03B, B06A, B06B, B07Z, B17A, B17B, B17C		01	B03A, B03B, B06A, B06B, B07Z, B17A, B17B, B17C		01	B02A, B02B, B02C, B20A, B20B, B20C, B20D, B20E, B39A, B39B			
	04	E05A, E05B, E05C, E08A, E08B, E08C		04	E05A, E05B, E05C, E08A, E08B, E08C		06	G33Z			
	06	G33Z		06	G33Z		07	H33Z, H38Z			
	07	H33Z, H38Z		07	H33Z, H38Z		10	K03A, K03B			
	10	K09A, K09B		10	K09A, K09B		11	L33Z			
	11	L33Z		11	L33Z		21B	X33Z			
	17	R01A, R01B, R01C, R01D, R02Z, R12A, R12B, R12C		17	R01A, R01B, R01C, R01D, R02Z, R12A, R12B, R12C		23	Z01A			
	21A	W04A, W04B		21A	W04A, W04B		Pre	A07A			
	21B	X06A, X06B, X06C, X33Z		21B	X06A, X06B, X06C, X33Z			BOP, KOP, KOPV, KVT, UOP4			
	23	Z01A		23	Z01A		01	B02A, B02B, B02C, B20A, B20B, B20C, B20D, B20E, B39A, B39B			
Pre	A07A	Pre	A07A	06	G33Z						

VYK

ZZV	MDC	DRG	ZZV	MDC	DRG	ZZV	MDC	DRG	
5b512.0		BOP, KOP, KOPV, KVT, UOP4	5b513.1		BOP, KOP, KOPV, KVT, UOP4	5b516		BOP, KOP, KOPV, KVT, UOP4	
	01	B02A, B02B, B02C, B20A, B20B, B20C, B20D, B20E, B39A, B39B		01	B02A, B02B, B02C, B20A, B20B, B20C, B20D, B20E, B39A, B39B		01	B02A, B02B, B02C, B20A, B20B, B20C, B20D, B20E, B39A, B39B	
	06	G33Z		06	G33Z		06	G33Z	
	07	H33Z, H38Z		07	H33Z, H38Z		07	H33Z, H38Z	
	10	K03A, K03B		10	K03A, K03B		10	K03A, K03B	
	11	L33Z		11	L33Z		11	L33Z	
	21B	X33Z		21B	X33Z		21B	X33Z	
	23	Z01A		23	Z01A		23	Z01A	
	Pre	A07A		Pre	A07A		Pre	A07A	
	5b512.1			BOP, KOP, KOPV, KVT, UOP4	5b513.2			BOP, KOP, KOPV, KVT, UOP4	5b51x
01		B02A, B02B, B02C, B20A, B20B, B20C, B20D, B20E, B39A, B39B	01	B02A, B02B, B02C, B20A, B20B, B20C, B20D, B20E, B39A, B39B		01	B02A, B02B, B02C, B20A, B20B, B20C, B20D, B20E, B39A, B39B		
06		G33Z	06	G33Z		06	G33Z		
07		H33Z, H38Z	07	H33Z, H38Z		07	H33Z, H38Z		
10		K03A, K03B	10	K03A, K03B		10	K03A, K03B		
11		L33Z	11	L33Z		11	L33Z		
21B		X33Z	21B	X33Z		21B	X33Z		
23		Z01A	23	Z01A		23	Z01A		
Pre		A07A	Pre	A07A		Pre	A07A		
5b512.2			BOP, KOP, KOPV, KVT, UOP4	5b513.3			BOP, KOP, KOPV, KVT, UOP4	5c100↔	
	01	B02A, B02B, B02C, B20A, B20B, B20C, B20D, B20E, B39A, B39B	01		B02A, B02B, B02C, B20A, B20B, B20C, B20D, B20E, B39A, B39B	5c101↔	02		C01A, C01B, C13Z, C16Z
	06	G33Z	06		G33Z	5c102↔	02		C01A, C01B, C13Z, C16Z
	07	H33Z, H38Z	07		H33Z, H38Z	5c10x↔	02		C01A, C01B, C13Z, C16Z
	10	K03A, K03B	10		K03A, K03B	5c110↔	02		C01A, C01B, C13Z, C16Z
	11	L33Z	11		L33Z	21A	W04A, W04B		
	21B	X33Z	21B		X33Z	21B	X06A, X06B, X06C		
	23	Z01A	23		Z01A	5c111↔	02		C01A, C01B, C13Z, C16Z
	Pre	A07A	Pre		A07A	21A	W04A, W04B		
	5b512.3		BOP, KOP, KOPV, KVT, UOP4		5b514		BOP, KOP, KOPV, KVT, UOP4		5c120↔
01		B02A, B02B, B02C, B20A, B20B, B20C, B20D, B20E, B39A, B39B	01	B02A, B02B, B02C, B20A, B20B, B20C, B20D, B20E, B39A, B39B		03	D09Z, D30A		
06		G33Z	06	G33Z		21A	W04A, W04B		
07		H33Z, H38Z	07	H33Z, H38Z		21B	X06A, X06B, X06C		
10		K03A, K03B	10	K03A, K03B		5c12x↔	02	C01A, C01B, C13Z, C16Z	
11		L33Z	11	L33Z		03	D09Z, D30A		
21B		X33Z	21B	X33Z		21A	W04A, W04B		
23		Z01A	23	Z01A		21B	X06A, X06B, X06C		
Pre		A07A	Pre	A07A		5c130.0↔	02	C01A, C01B, C13Z, C16Z	
5b513.0			BOP, KOP, KOPV, KVT, UOP4	5b515			BOP, KOP, KOPV, KVT, UOP4	5c130.1↔	
	01	B02A, B02B, B02C, B20A, B20B, B20C, B20D, B20E, B39A, B39B	01		B02A, B02B, B02C, B20A, B20B, B20C, B20D, B20E, B39A, B39B	5c130.2↔	02		C01A, C01B, C13Z, C16Z
	06	G33Z	06		G33Z	5c130.x↔	02		C01A, C01B, C13Z, C16Z
	07	H33Z, H38Z	07		H33Z, H38Z	5c131.0↔	02		C01A, C01B, C13Z, C16Z
	10	K03A, K03B	10		K03A, K03B	5c131.1↔	02		C01A, C01B, C13Z, C16Z
	11	L33Z	11		L33Z	5c131.2↔	02		C01A, C01B, C13Z, C16Z
	21B	X33Z	21B		X33Z	5c140↔	02		C01A, C01B, C13Z, C16Z
	23	Z01A	23		Z01A	03	D09Z, D30A		
	Pre	A07A	Pre		A07A	21A	W04A, W04B		
						21B	X06A, X06B, X06C		
				5c141↔	02	C01A, C01B, C13Z, C16Z			
				03	D09Z, D30A				
				21A	W04A, W04B				
				21B	X06A, X06B, X06C				
				5c142↔	02	C01A, C01B, C13Z, C16Z			
				03	D09Z, D30A				
				21A	W04A, W04B				
				21B	X06A, X06B, X06C				
				5c143↔	02	C01A, C01B, C13Z, C16Z			
				03	D09Z, D30A				
				21A	W04A, W04B				
				21B	X06A, X06B, X06C				
				5c14x↔	02	C01A, C01B, C13Z, C16Z			
				03	D09Z, D30A				
				21A	W04A, W04B				
				21B	X06A, X06B, X06C				

ZZV	MDC	DRG	ZZV	MDC	DRG	ZZV	MDC	DRG
5c150.0↔		BOP, UOP4	5c170.x↔		BOP, UOP4	5c194↔	02	C01A, C01B, C13Z, C16Z
	02	C01A, C01B, C13Z, C16Z		02	C01A, C01B, C05Z, C16Z		03	D09Z, D30A
	21A	W04A, W04B		21A	W04A, W04B		21A	W04A, W04B
	21B	X06A, X06B, X06C		21B	X06A, X06B, X06C		21B	X06A, X06B, X06C
5c150.1↔		BOP, UOP4	5c171.0↔		BOP, UOP4	5c19x↔	02	C01A, C01B, C13Z, C16Z
	02	C01A, C01B, C13Z, C16Z		02	C01A, C01B, C05Z, C16Z		21A	W04A, W04B
	21A	W04A, W04B		21A	W04A, W04B		21B	X06A, X06B, X06C
	21B	X06A, X06B, X06C		21B	X06A, X06B, X06C	5c201†↔	09	J11A, J11B
5c150.x↔		BOP, UOP4	5c171.1↔		BOP, UOP4	5c210.0↔	02	C01A, C01B, C14Z, C16Z
	02	C01A, C01B, C13Z, C16Z		02	C01A, C01B, C05Z, C16Z		09	J03A, J03B, J04A, J04B, J08A, J08B, J08C, J11A, J11B, J11C, J16Z
	21A	W04A, W04B		21A	W04A, W04B		10	K09A, K09B
	21B	X06A, X06B, X06C		21B	X06A, X06B, X06C		21A	W04A, W04B
5c151↔		BOP, UOP4	5c171.x↔		BOP, UOP4		21B	X06A, X06B, X06C
	02	C01A, C01B, C13Z, C16Z		02	C01A, C01B, C05Z, C16Z		22	Y01Z, Y03A, Y03B
	21A	W04A, W04B		21A	W04A, W04B	5c210.1↔	02	C01A, C01B, C14Z, C16Z
	21B	X06A, X06B, X06C		21B	X06A, X06B, X06C		09	J03A, J03B, J04A, J04B, J08A, J08B, J08C, J11A, J11B, J11C, J16Z
5c152↔		BOP, UOP4	5c172↔		BOP, UOP4		10	K09A, K09B
	02	C01A, C01B, C13Z, C16Z		02	C01A, C01B, C13Z, C16Z		21A	W04A, W04B
	21A	W04A, W04B		03	D09Z, D30A		21B	X06A, X06B, X06C
	21B	X06A, X06B, X06C		21A	W04A, W04B		22	Y01Z, Y03A, Y03B
5c153.0↔		BOP, UOP4	5c173↔		BOP, UOP4	5c211.0↔	01	B03A, B03B, B06A, B06B, B07Z, B17A, B17B, B17C
	02	C01A, C01B, C13Z, C16Z		02	C01A, C01B, C05Z, C16Z		02	C01A, C01B, C14Z, C16Z
5c153.1↔		BOP, UOP4		21A	W04A, W04B		03	D12A, D12B
	02	C01A, C01B, C13Z, C16Z		21B	X06A, X06B, X06C		05	F21A, F21B, F21C
5c153.x↔		BOP, UOP4	5c174.0↔		BOP, UOP4		08	I27A, I27B, I27C, I27D
	02	C01A, C01B, C13Z, C16Z		02	C01A, C01B, C05Z, C16Z		09	J03A, J03B, J04A, J04B, J08A, J08B, J08C, J16Z, J21Z, J22A, J22B
5c160.0↔		BOP, UOP4		21A	W04A, W04B		10	K09A, K09B
	02	C01A, C01B, C05Z, C16Z	5c174.1↔		BOP, UOP4		21A	W04A, W04B
	03	D09Z, D30A		02	C01A, C01B, C05Z, C16Z		21B	X06A, X06B, X06C
	21A	W04A, W04B		03	D09Z, D30A	5c211.1↔	22	Y01Z, Y03A, Y03B
	21B	X06A, X06B, X06C		21A	W04A, W04B		01	B03A, B03B, B06A, B06B, B07Z, B17A, B17B, B17C
5c160.1↔		BOP, UOP4	5c175↔		BOP, UOP4		02	C01A, C01B, C14Z, C16Z
	02	C01A, C01B, C05Z, C16Z		02	C01A, C01B, C05Z, C16Z		03	D12A, D12B
	03	D09Z, D30A		03	D09Z, D30A		05	F21A, F21B, F21C
	21A	W04A, W04B		21A	W04A, W04B		08	I27A, I27B, I27C, I27D
	21B	X06A, X06B, X06C		21B	X06A, X06B, X06C		09	J03A, J03B, J04A, J04B, J08A, J08B, J08C, J16Z, J21Z, J22A, J22B
5c160.x↔		BOP, UOP4	5c176↔		BOP, UOP4		10	K09A, K09B
	02	C01A, C01B, C05Z, C16Z		02	C01A, C01B, C05Z, C16Z		21A	W04A, W04B
	03	D09Z, D30A		03	D09Z, D30A		21B	X06A, X06B, X06C
	21A	W04A, W04B		21A	W04A, W04B		22	Y01Z, Y03A, Y03B
	21B	X06A, X06B, X06C		21B	X06A, X06B, X06C	5c212.0↔	01	B03A, B03B, B06A, B06B, B07Z, B17A, B17B, B17C
5c161↔		BOP, UOP4	5c177↔		BOP, UOP4		02	C01A, C01B, C14Z, C16Z
	02	C01A, C01B, C05Z, C16Z		02	C01A, C01B, C05Z, C16Z		03	D12A, D12B
	03	D09Z, D30A		03	D09Z, D30A		05	F21A, F21B, F21C
	21A	W04A, W04B		21A	W04A, W04B		08	I27A, I27B, I27C, I27D
	21B	X06A, X06B, X06C		21B	X06A, X06B, X06C		09	J03A, J03B, J04A, J04B, J08A, J08B, J08C, J16Z, J21Z, J22A, J22B
5c162↔		BOP, UOP4	5c17x↔		BOP, UOP4		10	K09A, K09B
	02	C01A, C01B, C05Z, C16Z		02	C01A, C01B, C13Z, C16Z		21A	W04A, W04B
	03	D09Z, D30A		03	D09Z, D30A		21B	X06A, X06B, X06C
	21A	W04A, W04B		21A	W04A, W04B		22	Y01Z, Y03A, Y03B
	21B	X06A, X06B, X06C		21B	X06A, X06B, X06C		BOP, KVT, UOP4	
5c163↔		BOP, UOP4	5c190.0↔		BOP, UOP4		02	C01A, C01B, C16Z, C20A, C20B
	02	C01A, C01B, C05Z, C16Z		02	C01A, C01B, C13Z, C16Z		09	J03A, J03B, J04A, J04B, J08A, J08B, J08C, J11A, J11B, J11C, J16Z
	03	D09Z, D30A		21A	W04A, W04B		10	K09A, K09B
	21A	W04A, W04B		21B	X06A, X06B, X06C		21A	W04A, W04B
	21B	X06A, X06B, X06C		21A	W04A, W04B		21B	X06A, X06B, X06C
5c16x↔		BOP, UOP4	5c190.1↔		BOP, UOP4		22	Y01Z, Y03A, Y03B
	02	C01A, C01B, C05Z, C16Z		02	C01A, C01B, C13Z, C16Z	5c212.1↔	BOP, KVT, UOP4	
	03	D09Z, D30A		21A	W04A, W04B		02	C01A, C01B, C16Z, C20A, C20B
	21A	W04A, W04B		21B	X06A, X06B, X06C		09	J03A, J03B, J04A, J04B, J08A, J08B, J08C, J11A, J11B, J11C, J16Z
	21B	X06A, X06B, X06C		21A	W04A, W04B		10	K09A, K09B
5c170.0↔		BOP, UOP4	5c191↔		BOP, UOP4		21A	W04A, W04B
	02	C01A, C01B, C05Z, C16Z		03	D09Z, D30A		21B	X06A, X06B, X06C
	21A	W04A, W04B		21A	W04A, W04B		22	Y01Z, Y03A, Y03B
	21B	X06A, X06B, X06C		21B	X06A, X06B, X06C		02	C01A, C01B, C16Z, C20A, C20B
5c170.1↔		BOP, UOP4	5c192↔		BOP, UOP4		09	J03A, J03B, J04A, J04B, J08A, J08B, J08C, J11A, J11B, J11C, J16Z
	02	C01A, C01B, C05Z, C16Z		02	C01A, C01B, C13Z, C16Z		10	K09A, K09B
	21A	W04A, W04B		03	D09Z, D30A		21A	W04A, W04B
	21B	X06A, X06B, X06C		21A	W04A, W04B		21B	X06A, X06B, X06C
	21B	X06A, X06B, X06C		21B	X06A, X06B, X06C		22	Y01Z, Y03A, Y03B
	21B	X06A, X06B, X06C	5c193↔		BOP, UOP4		02	C01A, C01B, C16Z, C20A, C20B
	21B	X06A, X06B, X06C		02	C01A, C01B, C13Z, C16Z		09	J03A, J03B, J04A, J04B, J08A, J08B, J08C, J11A, J11B, J11C, J16Z
	21B	X06A, X06B, X06C		03	D09Z, D30A		10	K09A, K09B
	21B	X06A, X06B, X06C		21A	W04A, W04B		21A	W04A, W04B
	21B	X06A, X06B, X06C		21B	X06A, X06B, X06C		21B	X06A, X06B, X06C
	21B	X06A, X06B, X06C		21B	X06A, X06B, X06C		22	Y01Z, Y03A, Y03B

ZZV	MDC	DRG	ZZV	MDC	DRG	ZZV	MDC	DRG
5c213.0↔		BOP, KVT, UOP4	5c221↔		BOP, KVT, UOP4	5c225↔		BOP, KVT, UOP4
01		B03A, B03B, B06A, B06B, B07Z, B17A, B17B, B17C	01		B03A, B03B, B06A, B06B, B07Z, B17A, B17B, B17C	01		B03A, B03B, B06A, B06B, B07Z, B17A, B17B, B17C
02		C01A, C01B, C16Z, C20A, C20B	02		C01A, C01B, C16Z, C20A, C20B	02		C01A, C01B, C16Z, C20A, C20B
03		D12A, D12B	09		J03A, J03B, J04A, J04B, J08A, J08B, J08C, J10A, J10B, J16Z	09		J03A, J03B, J04A, J04B, J08A, J08B, J08C, J10A, J10B, J16Z
05		F21A, F21B, F21C	21A		W04A, W04B	21A		W04A, W04B
08		I27A, I27B, I27C, I27D	21B		X06A, X06B, X06C	21B		X06A, X06B, X06C
09		J03A, J03B, J04A, J04B, J08A, J08B, J08C, J16Z, J21Z, J22A, J22B	22		Y01Z, Y03A, Y03B	22		Y01Z, Y03A, Y03B
10		K09A, K09B	5c222↔		BOP, KVT, UOP4	5c22x↔		BOP, KVT, UOP4
21A		W04A, W04B	01		B03A, B03B, B06A, B06B, B07Z, B17A, B17B, B17C	01		B03A, B03B, B06A, B06B, B07Z, B17A, B17B, B17C
21B		X06A, X06B, X06C	02		C01A, C01B, C16Z, C20A, C20B	02		C01A, C01B, C14Z, C16Z
22		Y01Z, Y03A, Y03B	09		J03A, J03B, J04A, J04B, J08A, J08B, J08C, J10A, J10B, J16Z	09		J03A, J03B, J04A, J04B, J08A, J08B, J08C, J10A, J10B, J16Z
5c213.1↔		BOP, KVT, UOP4	21A		W04A, W04B	21A		W04A, W04B
01		B03A, B03B, B06A, B06B, B07Z, B17A, B17B, B17C	21B		X06A, X06B, X06C	21B		X06A, X06B, X06C
02		C01A, C01B, C16Z, C20A, C20B	22		Y01Z, Y03A, Y03B	22		Y01Z, Y03A, Y03B
03		D12A, D12B	5c223↔		BOP, KVT, UOP4	5c230↔		BOP, KVT, UOP4
05		F21A, F21B, F21C	01		B03A, B03B, B06A, B06B, B07Z, B17A, B17B, B17C	02		C01A, C01B, C14Z, C16Z
08		I27A, I27B, I27C, I27D	02		C01A, C01B, C14Z, C16Z	21A		W04A, W04B
09		J03A, J03B, J04A, J04B, J08A, J08B, J08C, J16Z, J21Z, J22A, J22B	09		J03A, J03B, J04A, J04B, J08A, J08B, J08C, J10A, J10B, J16Z	21B		X06A, X06B, X06C
10		K09A, K09B	21A		W04A, W04B	22		Y01Z, Y03A, Y03B
21A		W04A, W04B	21B		X06A, X06B, X06C	5c231↔		BOP, KVT, UOP4
21B		X06A, X06B, X06C	22		Y01Z, Y03A, Y03B	02		C01A, C01B, C14Z, C16Z
22		Y01Z, Y03A, Y03B	5c224.0↔		BOP, KVT, UOP4	21A		W04A, W04B
5c214.0↔		J11A, J11B	01		B03A, B03B, B06A, B06B, B07Z, B17A, B17B, B17C	21B		X06A, X06B, X06C
5c214.1↔		J11A, J11B	02		C01A, C01B, C16Z, C20A, C20B	22		Y01Z, Y03A, Y03B
5c214.2↔		J11A, J11B, J11C	09		J03A, J03B, J04A, J04B, J08A, J08B, J08C, J10A, J10B, J16Z	5c232↔		BOP, KVT, UOP4
5c214.x↔		J11A, J11B	21A		W04A, W04B	02		C01A, C01B, C16Z, C20A, C20B
5c215↔		J11A, J11B	21B		X06A, X06B, X06C	21A		W04A, W04B
5c216.2↔		J11A, J11B	22		Y01Z, Y03A, Y03B	21B		X06A, X06B, X06C
5c216.3↔		J11A, J11B	5c224.1↔		BOP, KVT, UOP4	22		Y01Z, Y03A, Y03B
5c216.4↔		J11A, J11B	01		B03A, B03B, B06A, B06B, B07Z, B17A, B17B, B17C	5c233↔		BOP, KVT, UOP4
5c216.x↔		J11A, J11B	02		C01A, C01B, C16Z, C20A, C20B	02		C01A, C01B, C16Z, C20A, C20B
5c21x↔		J11A, J11B, J11C	09		J03A, J03B, J04A, J04B, J08A, J08B, J08C, J10A, J10B, J16Z	21A		W04A, W04B
5c220.0↔		BOP, KVT, UOP4	21A		W04A, W04B	21B		X06A, X06B, X06C
01		B03A, B03B, B06A, B06B, B07Z, B17A, B17B, B17C	22		Y01Z, Y03A, Y03B	22		Y01Z, Y03A, Y03B
02		C01A, C01B, C16Z, C20A, C20B	5c224.x↔		BOP, KVT, UOP4	5c234↔		BOP, KVT, UOP4
09		J03A, J03B, J04A, J04B, J08A, J08B, J08C, J10A, J10B, J16Z	01		B03A, B03B, B06A, B06B, B07Z, B17A, B17B, B17C	02		C01A, C01B, C16Z, C20A, C20B
21A		W04A, W04B	02		C01A, C01B, C16Z, C20A, C20B	08		I17Z
21B		X06A, X06B, X06C	09		J03A, J03B, J04A, J04B, J08A, J08B, J08C, J10A, J10B, J16Z	09		J03A, J03B, J04A, J04B, J08A, J08B, J08C, J10A, J10B, J16Z
5c220.1↔		BOP, KVT, UOP4	21A		W04A, W04B	10		K09A, K09B
01		B03A, B03B, B06A, B06B, B07Z, B17A, B17B, B17C	21B		X06A, X06B, X06C	21A		W04A, W04B
02		C01A, C01B, C16Z, C20A, C20B	22		Y01Z, Y03A, Y03B	21B		X06A, X06B, X06C
09		J03A, J03B, J04A, J04B, J08A, J08B, J08C, J10A, J10B, J16Z	5c224.x↔		BOP, KVT, UOP4	22		Y01Z, Y03A, Y03B
21A		W04A, W04B	01		B03A, B03B, B06A, B06B, B07Z, B17A, B17B, B17C	5c235↔		BOP, KVT, UOP4
21B		X06A, X06B, X06C	02		C01A, C01B, C16Z, C20A, C20B	02		C01A, C01B, C16Z, C20A, C20B
			09		J03A, J03B, J04A, J04B, J08A, J08B, J08C, J10A, J10B, J16Z	08		I17Z
			21A		W04A, W04B	09		J03A, J03B, J04A, J04B, J08A, J08B, J08C, J10A, J10B, J16Z
			21B		X06A, X06B, X06C	10		K09A, K09B
			22		Y01Z, Y03A, Y03B	21A		W04A, W04B
						21B		X06A, X06B, X06C
						22		Y01Z, Y03A, Y03B

ZZV	MDC	DRG	ZZV	MDC	DRG	ZZV	MDC	DRG
5c236↔		BOP, KVT, UOP4	5c250.1↔	02	C01A, C01B, C16Z, C20A, C20B	5c260.2↔	02	C01A, C01B, C12Z, C16Z
	02	C01A, C01B, C16Z, C20A, C20B		08	I17Z		08	I17Z
	21A	W04A, W04B		09	J03A, J03B, J04A, J04B, J08A, J08B, J08C, J10A, J10B, J16Z		09	J03A, J03B, J04A, J04B, J08A, J08B, J08C, J10A, J10B, J16Z
	21B	X06A, X06B, X06C		10	K09A, K09B		10	K09A, K09B
5c23x↔		BOP, KVT, UOP4	5c251.0↔	21A	W04A, W04B	5c260.x↔	21A	W04A, W04B
	02	C01A, C01B, C14Z, C16Z		21B	X06A, X06B, X06C		21B	X06A, X06B, X06C
	21A	W04A, W04B		22	Y01Z, Y03A, Y03B		22	Y01Z, Y03A, Y03B
	21B	X06A, X06B, X06C			BOP, KVT, UOP4			BOP, KVT, UOP4
5c240↔		BOP, KVT, UOP4	5c251.1↔	02	C01A, C01B, C16Z, C20A, C20B	5c261.0↔	02	C01A, C01B, C12Z, C16Z
	02	C01A, C01B, C16Z, C20A, C20B		08	I17Z		08	I17Z
	21A	W04A, W04B		09	J03A, J03B, J04A, J04B, J08A, J08B, J08C, J10A, J10B, J16Z		09	J03A, J03B, J04A, J04B, J08A, J08B, J08C, J10A, J10B, J16Z
	21B	X06A, X06B, X06C		21A	W04A, W04B		10	K09A, K09B
5c241↔		BOP, KVT, UOP4	5c252↔	21B	X06A, X06B, X06C	5c261.1↔	21A	W04A, W04B
	02	C01A, C01B, C16Z, C20A, C20B		22	Y01Z, Y03A, Y03B		21B	X06A, X06B, X06C
	21A	W04A, W04B			BOP, KVT, UOP4		22	Y01Z, Y03A, Y03B
	21B	X06A, X06B, X06C		02	C01A, C01B, C16Z, C20A, C20B			BOP, KVT, UOP4
5c242↔		BOP, KVT, UOP4	5c25x↔	08	I17Z	5c261.x↔	02	C01A, C01B, C12Z, C16Z
	02	C01A, C01B, C16Z, C20A, C20B		09	J03A, J03B, J04A, J04B, J08A, J08B, J08C, J10A, J10B, J16Z		08	I17Z
	21A	W04A, W04B		21A	W04A, W04B		09	J03A, J03B, J04A, J04B, J08A, J08B, J08C, J10A, J10B, J16Z
	21B	X06A, X06B, X06C		21B	X06A, X06B, X06C		10	K09A, K09B
5c243↔		BOP, KVT, UOP4	5c260.0↔	22	Y01Z, Y03A, Y03B	5c262.0↔	21A	W04A, W04B
	02	C01A, C01B, C16Z, C20A, C20B			BOP, KVT, UOP4		21B	X06A, X06B, X06C
	21A	W04A, W04B		02	C01A, C01B, C16Z, C20A, C20B		22	Y01Z, Y03A, Y03B
	21B	X06A, X06B, X06C		08	I17Z			BOP, KVT, UOP4
5c244↔		BOP, KVT, UOP4	5c260.1↔	09	J03A, J03B, J04A, J04B, J08A, J08B, J08C, J10A, J10B, J16Z	5c262.1↔	02	C01A, C01B, C12Z, C16Z
	02	C01A, C01B, C16Z, C20A, C20B		10	K09A, K09B		08	I17Z
	21A	W04A, W04B		21A	W04A, W04B		09	J03A, J03B, J04A, J04B, J08A, J08B, J08C, J10A, J10B, J16Z
	21B	X06A, X06B, X06C		21B	X06A, X06B, X06C		10	K09A, K09B
5c245↔		BOP, KVT, UOP4	5c260.1↔	22	Y01Z, Y03A, Y03B	5c262.1↔	21A	W04A, W04B
	02	C01A, C01B, C16Z, C20A, C20B			BOP, KVT, UOP4		21B	X06A, X06B, X06C
	21A	W04A, W04B		02	C01A, C01B, C12Z, C16Z			BOP, KVT, UOP4
	21B	X06A, X06B, X06C		08	I17Z		02	C01A, C01B, C12Z, C16Z
5c246↔		BOP, KVT, UOP4	5c260.1↔	09	J03A, J03B, J04A, J04B, J08A, J08B, J08C, J10A, J10B, J16Z	5c262.1↔	08	I17Z
	02	C01A, C01B, C16Z, C20A, C20B		10	K09A, K09B		09	J03A, J03B, J04A, J04B, J08A, J08B, J08C, J10A, J10B, J16Z
	21A	W04A, W04B		21A	W04A, W04B		10	K09A, K09B
	21B	X06A, X06B, X06C		21B	X06A, X06B, X06C		21A	W04A, W04B
5c24x↔		BOP, KVT, UOP4	5c260.1↔	22	Y01Z, Y03A, Y03B	5c262.1↔	21B	X06A, X06B, X06C
	02	C01A, C01B, C16Z, C20A, C20B			BOP, KVT, UOP4			BOP, KVT, UOP4
	21A	W04A, W04B		02	C01A, C01B, C12Z, C16Z		02	C01A, C01B, C12Z, C16Z
	21B	X06A, X06B, X06C		08	I17Z		08	I17Z
5c250.0↔		BOP, KVT, UOP4	5c260.1↔	09	J03A, J03B, J04A, J04B, J08A, J08B, J08C, J10A, J10B, J16Z	5c262.1↔	09	J03A, J03B, J04A, J04B, J08A, J08B, J08C, J10A, J10B, J16Z
	02	C01A, C01B, C16Z, C20A, C20B		10	K09A, K09B		10	K09A, K09B
	08	I17Z		21A	W04A, W04B		21A	W04A, W04B
	09	J03A, J03B, J04A, J04B, J08A, J08B, J08C, J10A, J10B, J16Z		21B	X06A, X06B, X06C		21B	X06A, X06B, X06C
5c250.0↔		BOP, KVT, UOP4	5c260.1↔	22	Y01Z, Y03A, Y03B	5c262.1↔		BOP, KVT, UOP4
	02	C01A, C01B, C16Z, C20A, C20B		02	C01A, C01B, C12Z, C16Z		02	C01A, C01B, C12Z, C16Z
	08	I17Z		08	I17Z		08	I17Z
	09	J03A, J03B, J04A, J04B, J08A, J08B, J08C, J10A, J10B, J16Z		09	J03A, J03B, J04A, J04B, J08A, J08B, J08C, J10A, J10B, J16Z		09	J03A, J03B, J04A, J04B, J08A, J08B, J08C, J10A, J10B, J16Z
5c250.0↔		BOP, KVT, UOP4	5c260.1↔	10	K09A, K09B	5c262.1↔	10	K09A, K09B
	02	C01A, C01B, C16Z, C20A, C20B		21A	W04A, W04B		21A	W04A, W04B
	08	I17Z		21B	X06A, X06B, X06C		21B	X06A, X06B, X06C
	09	J03A, J03B, J04A, J04B, J08A, J08B, J08C, J10A, J10B, J16Z		22	Y01Z, Y03A, Y03B		22	Y01Z, Y03A, Y03B
5c250.0↔		BOP, KVT, UOP4	5c260.1↔	22	Y01Z, Y03A, Y03B	5c262.1↔		BOP, KVT, UOP4
	02	C01A, C01B, C16Z, C20A, C20B		02	C01A, C01B, C12Z, C16Z		02	C01A, C01B, C12Z, C16Z
	08	I17Z		08	I17Z		08	I17Z
	09	J03A, J03B, J04A, J04B, J08A, J08B, J08C, J10A, J10B, J16Z		09	J03A, J03B, J04A, J04B, J08A, J08B, J08C, J10A, J10B, J16Z		09	J03A, J03B, J04A, J04B, J08A, J08B, J08C, J10A, J10B, J16Z
5c250.0↔		BOP, KVT, UOP4	5c260.1↔	10	K09A, K09B	5c262.1↔	10	K09A, K09B
	02	C01A, C01B, C16Z, C20A, C20B		21A	W04A, W04B		21A	W04A, W04B
	08	I17Z		21B	X06A, X06B, X06C		21B	X06A, X06B, X06C
	09	J03A, J03B, J04A, J04B, J08A, J08B, J08C, J10A, J10B, J16Z		22	Y01Z, Y03A, Y03B		22	Y01Z, Y03A, Y03B

VYK

ZZV	MDC	DRG	ZZV	MDC	DRG	ZZV	MDC	DRG			
5c262.2↔		BOP, KVT, UOP4	5c263.x↔		BOP, KVT, UOP4	5c265.1↔		BOP, KVT, UOP4			
	02	C01A, C01B, C12Z, C16Z		02	C01A, C01B, C12Z, C16Z		01	B03A, B03B, B06A, B06B, B07Z, B17A, B17B, B17C			
	08	I17Z		08	I17Z		02	C01A, C01B, C16Z, C20A, C20B			
	09	J03A, J03B, J04A, J04B, J08A, J08B, J08C, J10A, J10B, J16Z		09	J03A, J03B, J04A, J04B, J08A, J08B, J08C, J10A, J10B, J16Z		09	J03A, J03B, J04A, J04B, J08A, J08B, J08C, J10A, J10B, J16Z			
	10	K09A, K09B		10	K09A, K09B		10	K09A, K09B			
	21A	W04A, W04B		21A	W04A, W04B		21A	W04A, W04B			
	21B	X06A, X06B, X06C		21B	X06A, X06B, X06C		21B	X06A, X06B, X06C			
	22	Y01Z, Y03A, Y03B		22	Y01Z, Y03A, Y03B		21A	W04A, W04B			
	5c262.3↔			BOP, KVT, UOP4	5c264.0↔			BOP, KVT, UOP4	5c266↔		BOP, KVT, UOP4
		02		C01A, C01B, C12Z, C16Z			02	C01A, C01B, C12Z, C16Z		02	C01A, C01B, C14Z, C16Z
		08		I17Z			08	I17Z		09	J03A, J03B, J04A, J04B, J08A, J08B, J08C, J10A, J10B, J16Z
		09		J03A, J03B, J04A, J04B, J08A, J08B, J08C, J10A, J10B, J16Z			09	J03A, J03B, J04A, J04B, J08A, J08B, J08C, J10A, J10B, J16Z		10	K09A, K09B
10		K09A, K09B	10	K09A, K09B		21A	W04A, W04B				
21A		W04A, W04B	21A	W04A, W04B		21B	X06A, X06B, X06C				
21B		X06A, X06B, X06C	21B	X06A, X06B, X06C		22	Y01Z, Y03A, Y03B				
22		Y01Z, Y03A, Y03B	22	Y01Z, Y03A, Y03B		5c26x↔		BOP, KVT, UOP4			
5c262.4↔			BOP, KVT, UOP4	5c264.1↔				BOP, KVT, UOP4		02	C01A, C01B, C14Z, C16Z
		01	B03A, B03B, B06A, B06B, B07Z, B17A, B17B, B17C				02	C01A, C01B, C12Z, C16Z		08	I17Z
		02	C01A, C01B, C12Z, C16Z				09	J03A, J03B, J04A, J04B, J08A, J08B, J08C, J10A, J10B, J16Z		09	J03A, J03B, J04A, J04B, J08A, J08B, J08C, J10A, J10B, J16Z
		09	J02A, J02B, J02C, J03A, J03B, J04A, J04B, J08A, J08B, J08C, J10A, J10B, J16Z, J21Z, J22A, J22B				10	K09A, K09B		21A	W04A, W04B
	21A	W04A, W04B	21A		W04A, W04B		21B	X06A, X06B, X06C			
	21B	X01A, X01B, X01C, X06A, X06B, X06C	21B		X06A, X06B, X06C		22	Y01Z, Y03A, Y03B			
	22	Y01Z, Y03A, Y03B	5c264.2↔				BOP, KVT, UOP4	5c270↔		BOP, KVT, UOP4	
	5c262.x↔				BOP, KVT, UOP4		02		C01A, C01B, C12Z, C16Z	02	C01A, C01B, C16Z, C20A, C20B
		02			C01A, C01B, C12Z, C16Z		08		I17Z	03	D12A, D12B
		09			J03A, J03B, J04A, J04B, J08A, J08B, J08C, J10A, J10B, J16Z		09		J03A, J03B, J04A, J04B, J08A, J08B, J08C, J10A, J10B, J16Z	09	J03A, J03B, J04A, J04B, J08A, J08B, J08C, J10A, J10B, J16Z
		10			K09A, K09B		10		K09A, K09B	10	K09A, K09B
		21A			W04A, W04B	21A	W04A, W04B		21A	W04A, W04B	
21B		X06A, X06B, X06C		21B	X06A, X06B, X06C	21B	X06A, X06B, X06C				
5c263.0↔				BOP, KVT, UOP4	5c264.x↔		BOP, KVT, UOP4		5c271↔		BOP, KVT, UOP4
		02		C01A, C01B, C12Z, C16Z		02	C01A, C01B, C12Z, C16Z			02	C01A, C01B, C16Z, C20A, C20B
		08		I17Z		08	I17Z			09	J03A, J03B, J04A, J04B, J08A, J08B, J08C, J10A, J10B, J16Z
		09		J03A, J03B, J04A, J04B, J08A, J08B, J08C, J10A, J10B, J16Z		09	J03A, J03B, J04A, J04B, J08A, J08B, J08C, J10A, J10B, J16Z			10	K09A, K09B
		10		K09A, K09B		10	K09A, K09B			21A	W04A, W04B
		21A	W04A, W04B	21A		W04A, W04B	21B	X06A, X06B, X06C			
	21B	X06A, X06B, X06C	5c265.0↔			BOP, KVT, UOP4	5c272↔			BOP, KVT, UOP4	
	22	Y01Z, Y03A, Y03B		01		B03A, B03B, B06A, B06B, B07Z, B17A, B17B, B17C		02		C01A, C01B, C16Z, C20A, C20B	
	5c263.1↔			BOP, KVT, UOP4		02		C01A, C01B, C16Z, C20A, C20B		09	J03A, J03B, J04A, J04B, J08A, J08B, J08C, J10A, J10B, J16Z
		02		C01A, C01B, C12Z, C16Z		09		J03A, J03B, J04A, J04B, J08A, J08B, J08C, J10A, J10B, J16Z		10	K09A, K09B
		08		I17Z		10		K09A, K09B		21A	W04A, W04B
		09		J03A, J03B, J04A, J04B, J08A, J08B, J08C, J10A, J10B, J16Z		21A		W04A, W04B		21B	X06A, X06B, X06C
10		K09A, K09B		21B	X06A, X06B, X06C	5c273↔			BOP, KVT, UOP4		
21A		W04A, W04B		22	Y01Z, Y03A, Y03B			02	C01A, C01B, C16Z, C20A, C20B		
21B		X06A, X06B, X06C		5c263.2↔				BOP, KVT, UOP4	09	J03A, J03B, J04A, J04B, J08A, J08B, J08C, J10A, J10B, J16Z	
22		Y01Z, Y03A, Y03B			02			C01A, C01B, C12Z, C16Z	10	K09A, K09B	
5c263.2↔					BOP, KVT, UOP4			08	I17Z	21A	W04A, W04B
		02			C01A, C01B, C12Z, C16Z			09	J03A, J03B, J04A, J04B, J08A, J08B, J08C, J10A, J10B, J16Z	21B	X06A, X06B, X06C
		08	I17Z		10		K09A, K09B	5c274†↔		BOP, KVT, UOP4	
		09	J03A, J03B, J04A, J04B, J08A, J08B, J08C, J10A, J10B, J16Z		10		K09A, K09B		02	C01A, C01B, C16Z, C20A, C20B	
	10	K09A, K09B	21A		W04A, W04B		09		J03A, J03B, J04A, J04B, J08A, J08B, J08C, J10A, J10B, J16Z		
	21A	W04A, W04B	21B		X06A, X06B, X06C		10		K09A, K09B		
	21B	X06A, X06B, X06C	22		Y01Z, Y03A, Y03B		21A		W04A, W04B		
	22	Y01Z, Y03A, Y03B					21B		X06A, X06B, X06C		
						5c27x†↔			BOP, KVT, UOP4		
							09		J11A, J11B		
					09		J11A, J11B				

ZZV	MDC	DRG	ZZV	MDC	DRG	ZZV	MDC	DRG				
5c280.0↔		BOP, KVT, UOP4	5c28x↔	02	BOP, KVT, UOP4 C01A, C01B, C16Z, C20A, C20B	5c330↔	02	BOP, KVT, UOP4 C01A, C01B, C10A, C10B, C10C, C16Z				
	01	B03A, B03B, B06A, B06B, B07Z, B17A, B17B, B17C		09	J03A, J03B, J04A, J04B, J08A, J08B, J08C, J10A, J10B, J16Z		5c331↔	02	BOP, KVT, UOP4 C01A, C01B, C10A, C10B, C10C, C16Z			
	02	C01A, C01B, C16Z, C20A, C20B		10	K09A, K09B			5c340↔	02	BOP, KVT, UOP4 C01A, C01B, C10A, C10B, C10C, C16Z		
	09	J03A, J03B, J04A, J04B, J08A, J08B, J08C, J10A, J10B, J16Z		21A	W04A, W04B		5c341↔		10	K09A, K09B		
	10	K09A, K09B		21B	X06A, X06B, X06C			5c342↔	02	BOP, KVT, UOP4 C01A, C01B, C10A, C10B, C10C, C16Z		
	21A	W04A, W04B		22	Y01Z, Y03A, Y03B		5c343↔		10	K09A, K09B		
	21B	X06A, X06B, X06C		5c290↔	02			BOP, KVT, UOP4	5c344↔	02	BOP, KVT, UOP4 C01A, C01B, C10A, C10B, C10C, C16Z	
	22	Y01Z, Y03A, Y03B			02		C01A, C01B, C14Z, C16Z	5c345↔		10	K09A, K09B	
	5c280.1↔				BOP, KVT, UOP4		09		J03A, J03B, J04A, J04B, J08A, J08B, J08C, J11A, J11B, J16Z	5c300↔	02	BOP, KVT, UOP4 C01A, C01B, C10A, C10B, C10C, C16Z
		01			B03A, B03B, B06A, B06B, B07Z, B17A, B17B, B17C		21A	W04A, W04B	5c301↔		10	K09A, K09B
		02			C01A, C01B, C16Z, C20A, C20B		21B	X06A, X06B, X06C			5c302↔	02
09		J03A, J03B, J04A, J04B, J08A, J08B, J08C, J10A, J10B, J16Z	22		Y01Z, Y03A, Y03B	5c303↔	10	K09A, K09B				
10		K09A, K09B	5c310↔		02		BOP, KVT, UOP4	5c304↔	02		BOP, KVT, UOP4 C01A, C01B, C10A, C10B, C10C, C16Z	
21A		W04A, W04B			02	C01A, C01B, C10A, C10B, C10C, C16Z	5c305↔		10		K09A, K09B	
21B		X06A, X06B, X06C			10	K09A, K09B		5c306↔	02		BOP, KVT, UOP4 C01A, C01B, C10A, C10B, C10C, C16Z	
22		Y01Z, Y03A, Y03B			02	BOP, KVT, UOP4	5c307↔		10		K09A, K09B	
5c280.2↔					BOP, KVT, UOP4	02		C01A, C01B, C10A, C10B, C10C, C16Z	5c311↔		02	BOP, KVT, UOP4 C01A, C01B, C10A, C10B, C10C, C16Z
		01		B03A, B03B, B06A, B06B, B07Z, B17A, B17B, B17C	10	K09A, K09B	5c312↔	10			K09A, K09B	
		02		C01A, C01B, C16Z, C20A, C20B	02	BOP, KVT, UOP4		5c313↔			02	BOP, KVT, UOP4 C01A, C01B, C10A, C10B, C10C, C16Z
	09	J03A, J03B, J04A, J04B, J08A, J08B, J08C, J10A, J10B, J16Z		10	K09A, K09B	5c314↔	10			K09A, K09B		
	10	K09A, K09B		02	C01A, C01B, C10A, C10B, C10C, C16Z		5c315↔	02		BOP, KVT, UOP4 C01A, C01B, C10A, C10B, C10C, C16Z		
	21A	W04A, W04B		10	K09A, K09B	5c316↔		10		K09A, K09B		
	21B	X06A, X06B, X06C		02	BOP, KVT, UOP4		5c317↔	02		BOP, KVT, UOP4 C01A, C01B, C10A, C10B, C10C, C16Z		
	22	Y01Z, Y03A, Y03B	02	C01A, C01B, C10A, C10B, C10C, C16Z	5c318↔	10		K09A, K09B				
	5c280.3↔		BOP, KVT, UOP4	10		K09A, K09B	5c319↔	02		BOP, KVT, UOP4 C01A, C01B, C10A, C10B, C10C, C16Z		
		01	B03A, B03B, B06A, B06B, B07Z, B17A, B17B, B17C	02	BOP, KVT, UOP4	5c320↔		10		K09A, K09B		
		02	C01A, C01B, C16Z, C20A, C20B	10	K09A, K09B			5c321↔		02	BOP, KVT, UOP4 C01A, C01B, C10A, C10B, C10C, C16Z	
09		J03A, J03B, J04A, J04B, J08A, J08B, J08C, J10A, J10B, J16Z	02	C01A, C01B, C10A, C10B, C10C, C16Z	5c322↔	10			K09A, K09B			
10		K09A, K09B	10	K09A, K09B		5c323↔		02	BOP, KVT, UOP4 C01A, C01B, C10A, C10B, C10C, C16Z			
21A		W04A, W04B	02	BOP, KVT, UOP4	5c324↔			10	K09A, K09B			
21B		X06A, X06B, X06C	10	K09A, K09B		5c325↔		02	BOP, KVT, UOP4 C01A, C01B, C10A, C10B, C10C, C16Z			
22		Y01Z, Y03A, Y03B	02	C01A, C01B, C10A, C10B, C10C, C16Z	5c326↔			10	K09A, K09B			
5c280.x↔			BOP, KVT, UOP4	10		K09A, K09B		5c327↔	02	BOP, KVT, UOP4 C01A, C01B, C10A, C10B, C10C, C16Z		
		01	B03A, B03B, B06A, B06B, B07Z, B17A, B17B, B17C	02	BOP, KVT, UOP4	5c328↔			10	K09A, K09B		
		02	C01A, C01B, C16Z, C20A, C20B	10	K09A, K09B				5c329↔	02	BOP, KVT, UOP4 C01A, C01B, C10A, C10B, C10C, C16Z	
	09	J03A, J03B, J04A, J04B, J08A, J08B, J08C, J10A, J10B, J16Z	02	C01A, C01B, C10A, C10B, C10C, C16Z	5c330↔	10	K09A, K09B					
	10	K09A, K09B	10	K09A, K09B		5c331↔	02		BOP, KVT, UOP4 C01A, C01B, C10A, C10B, C10C, C16Z			
	21A	W04A, W04B	02	BOP, KVT, UOP4	5c332↔		10		K09A, K09B			
	21B	X06A, X06B, X06C	10	K09A, K09B		5c333↔	02		BOP, KVT, UOP4 C01A, C01B, C10A, C10B, C10C, C16Z			
	22	Y01Z, Y03A, Y03B	02	C01A, C01B, C10A, C10B, C10C, C16Z	5c334↔		10		K09A, K09B			
	5c281↔		BOP, KVT, UOP4	10		K09A, K09B	5c335↔		02	BOP, KVT, UOP4 C01A, C01B, C10A, C10B, C10C, C16Z		
		02	C01A, C01B, C16Z, C20A, C20B	02	BOP, KVT, UOP4	5c336↔			10	K09A, K09B		
		09	J03A, J03B, J04A, J04B, J08A, J08B, J08C, J10A, J10B, J16Z	10	K09A, K09B				5c337↔	02	BOP, KVT, UOP4 C01A, C01B, C10A, C10B, C10C, C16Z	
10		K09A, K09B	02	C01A, C01B, C10A, C10B, C10C, C16Z	5c338↔	10		K09A, K09B				
21A		W04A, W04B	10	K09A, K09B		5c339↔		02	BOP, KVT, UOP4 C01A, C01B, C10A, C10B, C10C, C16Z			
21B		X06A, X06B, X06C	02	BOP, KVT, UOP4	5c340↔			10	K09A, K09B			
22		Y01Z, Y03A, Y03B	10	K09A, K09B		5c341↔		02	BOP, KVT, UOP4 C01A, C01B, C10A, C10B, C10C, C16Z			
		BOP, KVT, UOP4	02	C01A, C01B, C10A, C10B, C10C, C16Z	5c342↔			10	K09A, K09B			
		C01A, C01B, C16Z, C20A, C20B	10	K09A, K09B		5c343↔		02	BOP, KVT, UOP4 C01A, C01B, C10A, C10B, C10C, C16Z			
		J03A, J03B, J04A, J04B, J08A, J08B, J08C, J10A, J10B, J16Z	02	BOP, KVT, UOP4	5c344↔			10	K09A, K09B			
		K09A, K09B	10	K09A, K09B		5c345↔		02	BOP, KVT, UOP4 C01A, C01B, C10A, C10B, C10C, C16Z			

VYK

ZZV	MDC	DRG	ZZV	MDC	DRG	ZZV	MDC	DRG
5c371.2↔		BOP, KVT, UOP4	5c39c↔		BOP, KVT, UOP4	5c420.0↔		BOP, KVT, UOP4
	02	C01A, C01B, C10A, C16Z		02	C01A, C01B, C10A, C10B, C10C, C16Z		02	C01A, C01B, C16Z, C20A, C20B
	10	K09A, K09B		21A	W04A, W04B		21A	W04A, W04B
5c372.1↔		BOP, KVT, UOP4		21B	X06A, X06B, X06C		21B	X06A, X06B, X06C
	02	C01A, C01B, C10A, C16Z	5c39d↔		BOP, KVT, UOP4	5c420.1↔		BOP, KVT, UOP4
	10	K09A, K09B		02	C01A, C01B, C02A, C02B, C10A, C16Z		02	C01A, C01B, C16Z, C20A, C20B
5c372.2↔		BOP, KVT, UOP4		08	I17Z		21A	W04A, W04B
	02	C01A, C01B, C10A, C10B, C10C, C16Z		21A	W04A, W04B		21B	X06A, X06B, X06C
	10	K09A, K09B	5c39x.0↔		BOP, KVT, UOP4	5c420.2↔		BOP, KVT, UOP4
5c372.3↔		BOP, KVT, UOP4		02	C01A, C01B, C10A, C10B, C10C, C16Z		02	C01A, C01B, C14Z, C16Z
	02	C01A, C01B, C10A, C10B, C10C, C16Z		02	C01A, C01B, C10A, C10B, C10C, C16Z		21A	W04A, W04B
	10	K09A, K09B	5c39x.1↔		BOP, KVT, UOP4		21B	X06A, X06B, X06C
5c372.4↔		BOP, KVT, UOP4		02	C01A, C01B, C10A, C10B, C10C, C16Z	5c420.x↔		BOP, KVT, UOP4
	02	C01A, C01B, C10A, C10B, C10C, C16Z	5c39x.x↔		BOP, KVT, UOP4		02	C01A, C01B, C14Z, C16Z
	10	K09A, K09B		02	C01A, C01B, C10A, C10B, C10C, C16Z		21A	W04A, W04B
5c372.5↔		BOP, KVT, UOP4		02	C01A, C01B, C10A, C10B, C10C, C16Z		21B	X06A, X06B, X06C
	02	C01A, C01B, C10A, C16Z	5c400↔		BOP, UOP4	5c421↔		BOP, KVT, UOP4
	10	K09A, K09B		02	C20A, C20B		02	C01A, C01B, C16Z, C20A, C20B
5c378↔		BOP, KVT, UOP4		21A	W04A, W04B		21A	W04A, W04B
	02	C01A, C01B, C10A, C16Z		21B	X06A, X06B, X06C		21B	X06A, X06B, X06C
	10	K09A, K09B	5c401↔		BOP, UOP4	5c422↔		BOP, KVT, UOP4
5c379↔		BOP, KVT, UOP4		02	C20A, C20B		02	C01A, C01B, C16Z, C20A, C20B
	02	C01A, C01B, C10A, C16Z		21A	W04A, W04B		21A	W04A, W04B
	10	K09A, K09B	5c40x↔		BOP, UOP4		21B	X06A, X06B, X06C
5c37x↔		BOP, KVT, UOP4		02	C20A, C20B	5c423↔		BOP, KVT, UOP4
	02	C01A, C01B, C10A, C10B, C10C, C16Z		21A	W04A, W04B		02	C01A, C01B, C16Z, C20A, C20B
	10	K09A, K09B	5c410.0↔		BOP, KVT, UOP4		21A	W04A, W04B
5c390↔		BOP, KVT, UOP4		02	C01A, C01B, C14Z, C16Z		21B	X06A, X06B, X06C
	02	C01A, C01B, C02A, C02B, C10A, C16Z		21A	W04A, W04B	5c42x↔		BOP, KVT, UOP4
	08	I17Z		21B	X06A, X06B, X06C		02	C01A, C01B, C14Z, C16Z
	21A	W04A, W04B	5c410.1↔		BOP, KVT, UOP4		21A	W04A, W04B
	21B	X06A, X06B, X06C		02	C01A, C01B, C14Z, C16Z		21B	X06A, X06B, X06C
5c391↔		BOP, KVT, UOP4		21A	W04A, W04B	5c430↔		BOP, KVT, UOP4
	02	C01A, C01B, C10A, C10B, C10C, C16Z		21B	X06A, X06B, X06C		02	C01A, C01B, C14Z, C16Z
	21A	W04A, W04B	5c410.2↔		BOP, KVT, UOP4	5c431↔		BOP, KVT, UOP4
	21B	X06A, X06B, X06C		02	C01A, C01B, C14Z, C16Z		02	C01A, C01B, C16Z, C20A, C20B
5c392↔		BOP, KVT, UOP4		21A	W04A, W04B		21A	W04A, W04B
	02	C01A, C01B, C10A, C10B, C10C, C16Z		21B	X06A, X06B, X06C		21B	X06A, X06B, X06C
	21A	W04A, W04B	5c410.x↔		BOP, KVT, UOP4	5c43x↔		BOP, KVT, UOP4
	21B	X06A, X06B, X06C		02	C01A, C01B, C14Z, C16Z		02	C01A, C01B, C14Z, C16Z
5c393↔		BOP, KVT, UOP4		21A	W04A, W04B	5c490↔		BOP, KVT, UOP4
	02	C01A, C01B, C02A, C02B, C10A, C16Z		21B	X06A, X06B, X06C		02	C01A, C01B, C14Z, C16Z
	08	I17Z	5c411↔		BOP, KVT, UOP4	5c491↔		BOP, KVT, UOP4
	21A	W04A, W04B		02	C01A, C01B, C14Z, C16Z		02	C01A, C01B, C14Z, C16Z
	21B	X06A, X06B, X06C		21A	W04A, W04B		21A	W04A, W04B
5c394↔		BOP, KVT, UOP4		21B	X06A, X06B, X06C		21B	X06A, X06B, X06C
	02	C01A, C01B, C10A, C10B, C10C, C16Z	5c412↔		BOP, KVT, UOP4	5c500↔		BOP, UOP4
	21A	W04A, W04B		02	C01A, C01B, C16Z, C20A, C20B		02	C14Z
	21B	X06A, X06B, X06C		21A	W04A, W04B		21A	W04A, W04B
5c39a↔		BOP, KVT, UOP4		21B	X06A, X06B, X06C		21B	X06A, X06B, X06C
	02	C01A, C01B, C02A, C02B, C10A, C16Z	5c413↔		BOP, KVT, UOP4	5c501↔		BOP, UOP4
	08	I17Z		02	C01A, C01B, C14Z, C16Z		02	C14Z
	21A	W04A, W04B	5c414↔		BOP, KVT, UOP4		21A	W04A, W04B
	21B	X06A, X06B, X06C		02	C01A, C01B, C14Z, C16Z		21B	X06A, X06B, X06C
5c39b↔		BOP, KVT, UOP4		21A	W04A, W04B	5c502↔		BOP, UOP4
	02	C01A, C01B, C10A, C10B, C10C, C16Z		21B	X06A, X06B, X06C		02	C14Z
	21A	W04A, W04B	5c41x↔		BOP, KVT, UOP4		21A	W04A, W04B
	21B	X06A, X06B, X06C		02	C01A, C01B, C14Z, C16Z		21B	X06A, X06B, X06C

ZZV	MDC	DRG	ZZV	MDC	DRG	ZZV	MDC	DRG
5c50x↔		BOP, UOP4	5c532.x↔		BOP, KVT, UOP4	5c552↔		BOP, KVT, UOP4
	02	C14Z		02	C01A, C01B, C16Z, C20A, C20B		02	C01A, C01B, C16Z, C20A, C20B
	21A	W04A, W04B		21A	W04A, W04B		21A	W04A, W04B
	21B	X06A, X06B, X06C		21B	X06A, X06B, X06C		21B	X06A, X06B, X06C
5c510↔		BOP, UOP4	5c533↔		BOP, KVT, UOP4	5c553↔		BOP, KVT, UOP4
	02	C14Z		02	C01A, C01B, C16Z, C20A, C20B		02	C01A, C01B, C16Z, C20A, C20B
	21A	W04A, W04B		21A	W04A, W04B		21A	W04A, W04B
	21B	X06A, X06B, X06C		21B	X06A, X06B, X06C		21B	X06A, X06B, X06C
5c511↔		BOP, UOP4	5c535↔		BOP, KVT, UOP4	5c554↔		BOP, KVT, UOP4
	02	C14Z		02	C01A, C01B, C14Z, C16Z		02	C01A, C01B, C16Z, C20A, C20B
	21A	W04A, W04B		21A	W04A, W04B		21A	W04A, W04B
	21B	X06A, X06B, X06C		21B	X06A, X06B, X06C		21B	X06A, X06B, X06C
5c51x↔		BOP, UOP4	5c53x↔		BOP, KVT, UOP4	5c555↔		BOP, KVT, UOP4
	02	C14Z		02	C01A, C01B, C14Z, C16Z		02	C01A, C01B, C16Z, C20A, C20B
	21A	W04A, W04B		21A	W04A, W04B		21A	W04A, W04B
	21B	X06A, X06B, X06C		21B	X06A, X06B, X06C		21B	X06A, X06B, X06C
5c520↔		BOP, KVT, UOP4	5c540↔		BOP, KVT, UOP4	5c556↔		BOP, KVT, UOP4
	02	C01A, C01B, C16Z, C20A, C20B		02	C01A, C01B, C04A, C04B, C16Z		02	C01A, C01B, C16Z, C20A, C20B
5c521↔		BOP, KVT, UOP4		21A	W04A, W04B		21A	W04A, W04B
	02	C01A, C01B, C16Z, C20A, C20B		21B	X06A, X06B, X06C		21B	X06A, X06B, X06C
	21A	W04A, W04B	5c541.0↔		BOP, KVT, UOP4	5c557↔		BOP, KVT, UOP4
	21B	X06A, X06B, X06C		02	C01A, C01B, C04A, C04B, C16Z		02	C01A, C01B, C16Z, C20A, C20B
5c522↔		BOP, KVT, UOP4		21A	W04A, W04B		21A	W04A, W04B
	02	C01A, C01B, C16Z, C20A, C20B		21B	X06A, X06B, X06C		21B	X06A, X06B, X06C
	21A	W04A, W04B	5c541.1↔		BOP, KVT, UOP4	5c55x↔		BOP, KVT, UOP4
	21B	X06A, X06B, X06C		02	C01A, C01B, C04A, C04B, C16Z		02	C01A, C01B, C16Z, C20A, C20B
5c523↔		BOP, KVT, UOP4		21A	W04A, W04B		21A	W04A, W04B
	02	C01A, C01B, C16Z, C20A, C20B		21B	X06A, X06B, X06C		21B	X06A, X06B, X06C
5c524↔		BOP, KVT, UOP4	5c543↔		BOP, KVT, UOP4	5c590↔		BOP, KVT, UOP4
	02	C01A, C01B, C16Z, C20A, C20B		02	C01A, C01B, C04A, C04B, C16Z		02	C01A, C01B, C16Z, C20A, C20B
5c52x↔		BOP, KVT, UOP4		21A	W04A, W04B		21A	W04A, W04B
	02	C01A, C01B, C16Z, C20A, C20B		21B	X06A, X06B, X06C		21B	X06A, X06B, X06C
5c530.0↔		BOP, KVT, UOP4	5c544↔		BOP, KVT, UOP4	5c591↔		BOP, KVT, UOP4
	02	C01A, C01B, C14Z, C16Z		02	C01A, C01B, C16Z, C20A, C20B		02	C01A, C01B, C16Z, C20A, C20B
	21A	W04A, W04B		21A	W04A, W04B		21A	W04A, W04B
	21B	X06A, X06B, X06C		21B	X06A, X06B, X06C		21B	X06A, X06B, X06C
5c530.1↔		BOP, KVT, UOP4	5c54x↔		BOP, KVT, UOP4	5c592↔		BOP, KVT, UOP4
	02	C01A, C01B, C16Z, C20A, C20B		02	C01A, C01B, C16Z, C20A, C20B		02	C01A, C01B, C16Z, C20A, C20B
	21A	W04A, W04B		21A	W04A, W04B		21A	W04A, W04B
	21B	X06A, X06B, X06C		21B	X06A, X06B, X06C		21B	X06A, X06B, X06C
5c530.2↔		BOP, KVT, UOP4	5c550.0↔		BOP, KVT, UOP4	5c593↔		BOP, KVT, UOP4
	02	C01A, C01B, C14Z, C16Z		02	C01A, C01B, C16Z, C20A, C20B		02	C01A, C01B, C04A, C16Z
	21A	W04A, W04B		21A	W04A, W04B		21A	W04A, W04B
	21B	X06A, X06B, X06C		21B	X06A, X06B, X06C		21B	X06A, X06B, X06C
5c530.x↔		BOP, KVT, UOP4	5c550.1↔		BOP, KVT, UOP4	5c594↔		BOP, KVT, UOP4
	02	C01A, C01B, C14Z, C16Z		02	C01A, C01B, C16Z, C20A, C20B		02	C01A, C01B, C16Z, C20A, C20B
	21A	W04A, W04B		21A	W04A, W04B		21A	W04A, W04B
	21B	X06A, X06B, X06C		21B	X06A, X06B, X06C		21B	X06A, X06B, X06C
5c532.0↔		BOP, KVT, UOP4	5c550.x↔		BOP, KVT, UOP4	5c596↔		BOP, KVT, UOP4
	02	C01A, C01B, C16Z, C20A, C20B		02	C01A, C01B, C16Z, C20A, C20B		02	C01A, C01B, C14Z, C16Z
	21A	W04A, W04B		21A	W04A, W04B		21A	W04A, W04B
	21B	X06A, X06B, X06C		21B	X06A, X06B, X06C		21A	W04A, W04B
5c532.1↔		BOP, KVT, UOP4	5c551↔		BOP, KVT, UOP4	5c600↔		BOP, UOP4
	02	C01A, C01B, C16Z, C20A, C20B		02	C01A, C01B, C16Z, C20A, C20B		02	C20A, C20B
	21A	W04A, W04B		21A	W04A, W04B		21A	W04A, W04B
	21B	X06A, X06B, X06C		21B	X06A, X06B, X06C		21B	X06A, X06B, X06C
						5c601↔		BOP, UOP4
							02	C20A, C20B
							21A	W04A, W04B
							21B	X06A, X06B, X06C
							21B	X06A, X06B, X06C

VYK

ZZV	MDC	DRG	ZZV	MDC	DRG	ZZV	MDC	DRG
5c60x↔		BOP, UOP4	5c617.3↔		BOP, KVT, UOP4	5c640↔		BOP, KVT, UOP4
	02	C20A, C20B		02	C01A, C01B, C06Z, C16Z		02	C01A, C01B, C06Z, C16Z
	21A	W04A, W04B		21A	W04A, W04B		10	K09A, K09B
	21B	X06A, X06B, X06C		21B	X06A, X06B, X06C	5c641↔		BOP, KVT, UOP4
5c610.0↔		BOP, KVT, UOP4	5c617.4↔		BOP, KVT, UOP4		02	C01A, C01B, C06Z, C16Z
	02	C01A, C01B, C06Z, C16Z		02	C01A, C01B, C06Z, C16Z		10	K09A, K09B
	10	K09A, K09B		21A	W04A, W04B	5c64x↔		BOP, KVT, UOP4
	21A	W04A, W04B		21B	X06A, X06B, X06C		02	C01A, C01B, C07A, C07B, C16Z
	21B	X06A, X06B, X06C	5c61x↔		BOP, KVT, UOP4		10	K09A, K09B
5c610.1↔		BOP, KVT, UOP4		02	C01A, C01B, C06Z, C16Z	5c650↔		BOP, KVT, UOP4
	02	C01A, C01B, C06Z, C16Z		21A	W04A, W04B		02	C14Z
	10	K09A, K09B		21B	X06A, X06B, X06C		21A	W04A, W04B
	21A	W04A, W04B	5c620↔		BOP, KVT, UOP4		21B	X06A, X06B, X06C
	21B	X06A, X06B, X06C		02	C01A, C01B, C07A, C07B, C16Z	5c651↔		BOP, KVT, UOP4
5c610.x↔		BOP, KVT, UOP4		10	K09A, K09B		02	C01A, C01B, C15Z, C16Z
	02	C01A, C01B, C06Z, C16Z	5c621↔		BOP, KVT, UOP4		21A	W04A, W04B
	10	K09A, K09B		02	C01A, C01B, C07A, C07B, C16Z		21B	X06A, X06B, X06C
	21A	W04A, W04B		10	K09A, K09B	5c652↔		BOP, KVT, UOP4
	21B	X06A, X06B, X06C	5c622↔		BOP, KVT, UOP4		02	C01A, C01B, C16Z, C20A, C20B
5c611↔		BOP, KVT, UOP4		02	C01A, C01B, C07A, C07B, C16Z		21A	W04A, W04B
	02	C01A, C01B, C06Z, C16Z		10	K09A, K09B		21B	X06A, X06B, X06C
	21A	W04A, W04B	5c62x↔		BOP, KVT, UOP4	5c654↔		BOP, KVT, UOP4
	21B	X06A, X06B, X06C		02	C01A, C01B, C07A, C07B, C16Z		02	C01A, C01B, C15Z, C16Z
5c612↔		BOP, KVT, UOP4		10	K09A, K09B		21A	W04A, W04B
	02	C01A, C01B, C06Z, C16Z	5c630↔		BOP, KVT, UOP4		21B	X06A, X06B, X06C
	21A	W04A, W04B		02	C01A, C01B, C07A, C07B, C16Z	5c655↔		BOP, KVT, UOP4
	21B	X06A, X06B, X06C		21A	W04A, W04B		02	C01A, C01B, C16Z, C20A, C20B
5c613↔		BOP, KVT, UOP4		21B	X06A, X06B, X06C		21A	W04A, W04B
	02	C01A, C01B, C07A, C07B, C16Z	5c631↔		BOP, KVT, UOP4		21B	X06A, X06B, X06C
	21A	W04A, W04B		02	C01A, C01B, C06Z, C16Z	5c65x↔		BOP, KVT, UOP4
	21B	X06A, X06B, X06C		10	K09A, K09B		02	C01A, C01B, C16Z, C20A, C20B
5c614.0↔		BOP, KVT, UOP4		21A	W04A, W04B		21A	W04A, W04B
	02	C01A, C01B, C07A, C07B, C16Z	5c632↔		BOP, KVT, UOP4		21B	X06A, X06B, X06C
	21A	W04A, W04B		02	C01A, C01B, C06Z, C16Z	5c660↔		BOP, KVT, UOP4
	21B	X06A, X06B, X06C		21A	W04A, W04B		02	C01A, C01B, C07A, C07B, C16Z
5c614.1↔		BOP, KVT, UOP4		21B	X06A, X06B, X06C		21A	W04A, W04B
	02	C01A, C01B, C07A, C07B, C16Z	5c633↔		BOP, KVT, UOP4		21B	X06A, X06B, X06C
	21A	W04A, W04B		02	C01A, C01B, C07A, C07B, C16Z	5c661↔		BOP, KVT, UOP4
	21B	X06A, X06B, X06C		10	K09A, K09B		02	C01A, C01B, C07A, C07B, C16Z
5c614.2↔		BOP, KVT, UOP4		21A	W04A, W04B		21A	W04A, W04B
	02	C01A, C01B, C07A, C07B, C16Z	5c634↔		BOP, KVT, UOP4		21B	X06A, X06B, X06C
	21A	W04A, W04B		02	C01A, C01B, C07A, C07B, C16Z	5c662↔		BOP, KVT, UOP4
	21B	X06A, X06B, X06C		10	K09A, K09B		02	C01A, C01B, C07A, C07B, C16Z
5c614.x↔		BOP, KVT, UOP4		21A	W04A, W04B		21A	W04A, W04B
	02	C01A, C01B, C07A, C07B, C16Z	5c635↔		BOP, KVT, UOP4		21B	X06A, X06B, X06C
	21A	W04A, W04B		02	C01A, C01B, C07A, C07B, C16Z	5c663↔		BOP, KVT, UOP4
	21B	X06A, X06B, X06C		10	K09A, K09B		02	C14Z
5c615↔		BOP, KVT, UOP4		21A	W04A, W04B		21A	W04A, W04B
	02	C01A, C01B, C07A, C07B, C16Z	5c636↔		BOP, KVT, UOP4		21B	X06A, X06B, X06C
	21A	W04A, W04B		02	C01A, C01B, C07A, C07B, C16Z	5c664↔		BOP, KVT, UOP4
	21B	X06A, X06B, X06C		10	K09A, K09B		02	C01A, C01B, C07A, C07B, C16Z
5c616↔		BOP, KVT, UOP4		21A	W04A, W04B		21A	W04A, W04B
	02	C01A, C01B, C06Z, C16Z	5c638↔		BOP, KVT, UOP4		21B	X06A, X06B, X06C
	21A	W04A, W04B		02	C01A, C01B, C07A, C07B, C16Z	5c66x↔		BOP, KVT, UOP4
	21B	X06A, X06B, X06C		10	K09A, K09B		02	C01A, C01B, C07A, C07B, C16Z
5c617.1↔		BOP, KVT, UOP4		21A	W04A, W04B		21A	W04A, W04B
	02	C01A, C01B, C06Z, C16Z	5c63x↔		BOP, KVT, UOP4		21B	X06A, X06B, X06C
	21A	W04A, W04B		02	C01A, C01B, C07A, C07B, C16Z			
	21B	X06A, X06B, X06C		10	K09A, K09B			
5c617.2↔		BOP, KVT, UOP4		21A	W04A, W04B			
	02	C01A, C01B, C06Z, C16Z		21B	X06A, X06B, X06C			
	21A	W04A, W04B						
	21B	X06A, X06B, X06C						

ZZV	MDC	DRG	ZZV	MDC	DRG	ZZV	MDC	DRG
5c671↔		BOP, KVT, UOP4	5c682.2↔		BOP, KVT, UOP4	5c70x↔		BOP, UOP4
	02	C01A, C01B, C07A, C07B, C16Z		02	C01A, C01B, C16Z, C20A, C20B		02	C01A, C01B, C16Z, C20A, C20B
	21A	W04A, W04B		21A	W04A, W04B		21A	W04A, W04B
	21B	X06A, X06B, X06C		21B	X06A, X06B, X06C		21B	X06A, X06B, X06C
5c672↔		BOP, KVT, UOP4	5c68x↔		BOP, KVT, UOP4	5c710↔		BOP, KVT, UOP4
	02	C01A, C01B, C07A, C07B, C16Z		02	C01A, C01B, C16Z, C20A, C20B		02	C01A, C01B, C16Z, C20A, C20B
	21A	W04A, W04B		21A	W04A, W04B		5c711↔	BOP, KVT, UOP4
	21B	X06A, X06B, X06C		21B	X06A, X06B, X06C		02	C01A, C01B, C16Z, C20A, C20B
5c673↔		BOP, KVT, UOP4	5c690↔		BOP, KVT, UOP4	5c712↔		BOP, KVT, UOP4
	02	C01A, C01B, C07A, C07B, C16Z		02	C14Z		02	C01A, C01B, C16Z, C20A, C20B
	21A	W04A, W04B		21A	W04A, W04B		02	C01A, C01B, C16Z, C20A, C20B
	21B	X06A, X06B, X06C		21B	X06A, X06B, X06C		5c713↔	BOP, KVT, UOP4
5c674↔		BOP, KVT, UOP4	5c691.0↔		BOP, KVT, UOP4	5c714.10↔		BOP, KVT, UOP4
	02	C01A, C01B, C16Z, C20A, C20B		02	C14Z		02	C01A, C01B, C16Z, C20A, C20B
	21A	W04A, W04B		21A	W04A, W04B		02	C01A, C01B, C16Z, C20A, C20B
	21B	X06A, X06B, X06C		21B	X06A, X06B, X06C		5c714.11↔	BOP, KVT, UOP4
5c675↔		BOP, KVT, UOP4	5c691.1↔		BOP, KVT, UOP4	5c714.20↔		BOP, KVT, UOP4
	02	C14Z		02	C01A, C01B, C15Z, C16Z		02	C01A, C01B, C16Z, C20A, C20B
	21A	W04A, W04B		21A	W04A, W04B		02	C01A, C01B, C16Z, C20A, C20B
	21B	X06A, X06B, X06C		21B	X06A, X06B, X06C		5c714.21↔	BOP, KVT, UOP4
5c676↔		BOP, KVT, UOP4	5c691.2↔		BOP, KVT, UOP4	5c715.0↔		BOP, KVT, UOP4
	02	C14Z		02	C14Z		02	C01A, C01B, C16Z, C20A, C20B
	21A	W04A, W04B		21A	W04A, W04B		02	C01A, C01B, C16Z, C20A, C20B
	21B	X06A, X06B, X06C		21B	X06A, X06B, X06C		5c715.1↔	BOP, KVT, UOP4
5c677↔		BOP, KVT, UOP4	5c691.3↔		BOP, KVT, UOP4	5c715.1↔		BOP, KVT, UOP4
	02	C14Z		02	C14Z		02	C01A, C01B, C16Z, C20A, C20B
	21A	W04A, W04B		21A	W04A, W04B		02	C01A, C01B, C16Z, C20A, C20B
	21B	X06A, X06B, X06C		21B	X06A, X06B, X06C		5c716.1↔	BOP, KVT, UOP4
5c67x↔		BOP, KVT, UOP4	5c691.x↔		BOP, KVT, UOP4	5c716.2↔		BOP, KVT, UOP4
	02	C14Z		02	C14Z		02	C01A, C01B, C16Z, C20A, C20B
	21A	W04A, W04B		21A	W04A, W04B		02	C01A, C01B, C16Z, C20A, C20B
	21B	X06A, X06B, X06C		21B	X06A, X06B, X06C		5c716.2↔	BOP, KVT, UOP4
5c680.0↔		BOP, UOP4	5c692↔		BOP, KVT, UOP4	5c71x↔		BOP, KVT, UOP4
	02	C20A, C20B		02	C14Z		02	C01A, C01B, C16Z, C20A, C20B
	21A	W04A, W04B		21A	W04A, W04B		02	C01A, C01B, C16Z, C20A, C20B
	21B	X06A, X06B, X06C		21B	X06A, X06B, X06C		5c71x↔	BOP, KVT, UOP4
5c680.1↔		BOP, UOP4	5c693↔		BOP, KVT, UOP4	5c720.0↔		BOP, KVT, UOP4
	02	C20A, C20B		02	C01A, C01B, C16Z, C20A, C20B		02	C01A, C01B, C16Z, C20A, C20B
	21A	W04A, W04B		21A	W04A, W04B		10	K09A, K09B
	21B	X06A, X06B, X06C		21B	X06A, X06B, X06C		02	BOP, KVT, UOP4
5c680.x↔		BOP, UOP4	5c694↔		BOP, KVT, UOP4	5c720.5↔		BOP, KVT, UOP4
	02	C20A, C20B		02	C01A, C01B, C15Z, C16Z		02	C01A, C01B, C16Z, C20A, C20B
	21A	W04A, W04B		21A	W04A, W04B		10	K09A, K09B
	21B	X06A, X06B, X06C		21B	X06A, X06B, X06C		02	BOP, KVT, UOP4
5c681.0↔		BOP, KVT, UOP4	5c695↔		BOP, KVT, UOP4	5c720.6↔		BOP, KVT, UOP4
	02	C01A, C01B, C16Z, C20A, C20B		02	C01A, C01B, C16Z, C20A, C20B		02	C01A, C01B, C16Z, C20A, C20B
	21A	W04A, W04B		21A	W04A, W04B		10	K09A, K09B
	21B	X06A, X06B, X06C		21B	X06A, X06B, X06C		02	BOP, KVT, UOP4
5c681.3↔		BOP, KVT, UOP4	5c69x↔		BOP, KVT, UOP4	5c720.7↔		BOP, KVT, UOP4
	02	C01A, C01B, C16Z, C20A, C20B		02	C01A, C01B, C16Z, C20A, C20B		02	C01A, C01B, C16Z, C20A, C20B
	21A	W04A, W04B		21A	W04A, W04B		10	K09A, K09B
	21B	X06A, X06B, X06C		21B	X06A, X06B, X06C		02	BOP, KVT, UOP4
5c681.x↔		BOP, KVT, UOP4	5c700↔		BOP, UOP4	5c720.8↔		BOP, KVT, UOP4
	02	C01A, C01B, C16Z, C20A, C20B		02	C01A, C01B, C16Z, C20A, C20B		02	C01A, C01B, C16Z, C20A, C20B
	21A	W04A, W04B		21A	W04A, W04B		10	K09A, K09B
	21B	X06A, X06B, X06C		21B	X06A, X06B, X06C		02	BOP, KVT, UOP4
5c682.1↔		BOP, KVT, UOP4	5c701↔		BOP, UOP4	5c720.a↔		BOP, KVT, UOP4
	02	C01A, C01B, C16Z, C20A, C20B		02	C01A, C01B, C16Z, C20A, C20B		02	C01A, C01B, C16Z, C20A, C20B
	21A	W04A, W04B		21A	W04A, W04B		10	K09A, K09B
	21B	X06A, X06B, X06C		21B	X06A, X06B, X06C			

VYK

ZZV	MDC	DRG	ZZV	MDC	DRG	ZZV	MDC	DRG
5c720.b↔		BOP, KVT, UOP4	5c721.h↔		BOP, KVT, UOP4	5c732.0↔		BOP, KVT, UOP4
	02	C01A, C01B, C16Z, C20A, C20B		02	C01A, C01B, C16Z, C20A, C20B		02	C01A, C01B, C03A, C03B, C04A, C07A, C08A, C08B, C16Z
	10	K09A, K09B		10	K09A, K09B		10	K09A, K09B
5c720.c↔		BOP, KVT, UOP4	5c721.x↔		BOP, KVT, UOP4		10	K09A, K09B
	02	C01A, C01B, C16Z, C20A, C20B		02	C01A, C01B, C16Z, C20A, C20B		21A	W04A, W04B
	10	K09A, K09B		10	K09A, K09B	5c732.5↔	21B	X06A, X06B, X06C
5c720.d↔		BOP, KVT, UOP4	5c72x.0↔		BOP, KVT, UOP4			BOP, KVT, UOP4
	02	C01A, C01B, C16Z, C20A, C20B		02	C01A, C01B, C16Z, C20A, C20B		02	C01A, C01B, C03A, C03B, C04A, C07A, C08A, C08B, C16Z
	10	K09A, K09B		10	K09A, K09B		10	K09A, K09B
5c720.e↔		BOP, KVT, UOP4	5c72x.5↔		BOP, KVT, UOP4		21A	W04A, W04B
	02	C01A, C01B, C16Z, C20A, C20B		02	C01A, C01B, C16Z, C20A, C20B	5c732.6↔	21B	X06A, X06B, X06C
	10	K09A, K09B		10	K09A, K09B			BOP, KVT, UOP4
5c720.f↔		BOP, KVT, UOP4	5c72x.6↔		BOP, KVT, UOP4		02	C01A, C01B, C03A, C03B, C04A, C07A, C08A, C08B, C16Z
	02	C01A, C01B, C16Z, C20A, C20B		02	C01A, C01B, C16Z, C20A, C20B		10	K09A, K09B
	10	K09A, K09B		10	K09A, K09B		21A	W04A, W04B
5c720.g↔		BOP, KVT, UOP4	5c72x.7↔		BOP, KVT, UOP4		21B	X06A, X06B, X06C
	02	C01A, C01B, C16Z, C20A, C20B		02	C01A, C01B, C16Z, C20A, C20B	5c732.7↔		BOP, KVT, UOP4
	10	K09A, K09B		10	K09A, K09B		02	C01A, C01B, C03A, C03B, C04A, C07A, C08A, C08B, C16Z
5c720.h↔		BOP, KVT, UOP4	5c72x.8↔		BOP, KVT, UOP4		10	K09A, K09B
	02	C01A, C01B, C16Z, C20A, C20B		02	C01A, C01B, C16Z, C20A, C20B		21A	W04A, W04B
	10	K09A, K09B		10	K09A, K09B		21B	X06A, X06B, X06C
5c720.x↔		BOP, KVT, UOP4	5c72x.9↔		BOP, KVT, UOP4	5c732.8↔		BOP, KVT, UOP4
	02	C01A, C01B, C16Z, C20A, C20B		02	C01A, C01B, C16Z, C20A, C20B		02	C01A, C01B, C03A, C03B, C04A, C07A, C08A, C08B, C16Z
	10	K09A, K09B		10	K09A, K09B		10	K09A, K09B
5c721.0↔		BOP, KVT, UOP4	5c72x.a↔		BOP, KVT, UOP4		21A	W04A, W04B
	02	C01A, C01B, C16Z, C20A, C20B		02	C01A, C01B, C16Z, C20A, C20B		21B	X06A, X06B, X06C
	10	K09A, K09B		10	K09A, K09B	5c732.9↔		BOP, KVT, UOP4
5c721.5↔		BOP, KVT, UOP4	5c72x.b↔		BOP, KVT, UOP4		02	C01A, C01B, C03A, C03B, C04A, C07A, C08A, C08B, C16Z
	02	C01A, C01B, C16Z, C20A, C20B		02	C01A, C01B, C16Z, C20A, C20B		10	K09A, K09B
	10	K09A, K09B		10	K09A, K09B		21A	W04A, W04B
5c721.a↔		BOP, KVT, UOP4	5c72x.c↔		BOP, KVT, UOP4		21B	X06A, X06B, X06C
	02	C01A, C01B, C16Z, C20A, C20B		02	C01A, C01B, C16Z, C20A, C20B	5c732.a↔		BOP, KVT, UOP4
	10	K09A, K09B		10	K09A, K09B		02	C01A, C01B, C03A, C03B, C04A, C07A, C08A, C08B, C16Z
5c721.b↔		BOP, KVT, UOP4	5c72x.d↔		BOP, KVT, UOP4		10	K09A, K09B
	02	C01A, C01B, C16Z, C20A, C20B		02	C01A, C01B, C16Z, C20A, C20B		21A	W04A, W04B
	10	K09A, K09B		10	K09A, K09B		21B	X06A, X06B, X06C
5c721.c↔		BOP, KVT, UOP4	5c72x.e↔		BOP, KVT, UOP4	5c732.b↔		BOP, KVT, UOP4
	02	C01A, C01B, C16Z, C20A, C20B		02	C01A, C01B, C16Z, C20A, C20B		02	C01A, C01B, C03A, C03B, C04A, C07A, C08A, C08B, C16Z
	10	K09A, K09B		10	K09A, K09B		10	K09A, K09B
5c721.d↔		BOP, KVT, UOP4	5c72x.f↔		BOP, KVT, UOP4		21A	W04A, W04B
	02	C01A, C01B, C16Z, C20A, C20B		02	C01A, C01B, C16Z, C20A, C20B		21B	X06A, X06B, X06C
	10	K09A, K09B		10	K09A, K09B	5c732.c↔		BOP, KVT, UOP4
5c721.e↔		BOP, KVT, UOP4	5c72x.g↔		BOP, KVT, UOP4		02	C01A, C01B, C03A, C03B, C04A, C07A, C08A, C08B, C16Z
	02	C01A, C01B, C16Z, C20A, C20B		02	C01A, C01B, C16Z, C20A, C20B		10	K09A, K09B
	10	K09A, K09B		10	K09A, K09B		21A	W04A, W04B
5c721.f↔		BOP, KVT, UOP4	5c72x.h↔		BOP, KVT, UOP4		21B	X06A, X06B, X06C
	02	C01A, C01B, C16Z, C20A, C20B		02	C01A, C01B, C16Z, C20A, C20B	5c732.d↔		BOP, KVT, UOP4
	10	K09A, K09B		10	K09A, K09B		02	C01A, C01B, C03A, C03B, C04A, C07A, C08A, C08B, C16Z
5c721.g↔		BOP, KVT, UOP4	5c72x.x↔		BOP, KVT, UOP4		10	K09A, K09B
	02	C01A, C01B, C16Z, C20A, C20B		02	C01A, C01B, C16Z, C20A, C20B		21A	W04A, W04B
	10	K09A, K09B		10	K09A, K09B		21B	X06A, X06B, X06C

VYK

ZZV	MDC	DRG	ZZV	MDC	DRG	ZZV	MDC	DRG
5c732.e↔		BOP, KVT, UOP4	5c733.9↔		BOP, KVT, UOP4	5c734.0↔		BOP, KVT, UOP4
	02	C01A, C01B, C03A, C03B, C04A, C07A, C08A, C08B, C16Z		02	C01A, C01B, C03A, C03B, C04A, C07A, C08A, C08B, C16Z		02	C01A, C01B, C03A, C03B, C04A, C07A, C08A, C08B, C16Z
	10	K09A, K09B		10	K09A, K09B		10	K09A, K09B
	21A	W04A, W04B		21A	W04A, W04B		21A	W04A, W04B
5c732.f↔	21B	X06A, X06B, X06C	5c733.a↔	21B	X06A, X06B, X06C	5c734.5↔	21B	X06A, X06B, X06C
		BOP, KVT, UOP4			BOP, KVT, UOP4			BOP, KVT, UOP4
	02	C01A, C01B, C03A, C03B, C04A, C07A, C08A, C08B, C16Z		02	C01A, C01B, C03A, C03B, C04A, C07A, C08A, C08B, C16Z		02	C01A, C01B, C03A, C03B, C04A, C07A, C08A, C08B, C16Z
	10	K09A, K09B		10	K09A, K09B		10	K09A, K09B
5c732.g↔	21A	W04A, W04B	5c733.b↔	21A	W04A, W04B	5c734.6↔	21A	W04A, W04B
	21B	X06A, X06B, X06C		21B	X06A, X06B, X06C		21B	X06A, X06B, X06C
		BOP, KVT, UOP4			BOP, KVT, UOP4			BOP, KVT, UOP4
	02	C01A, C01B, C03A, C03B, C04A, C07A, C08A, C08B, C16Z		02	C01A, C01B, C03A, C03B, C04A, C07A, C08A, C08B, C16Z		02	C01A, C01B, C03A, C03B, C04A, C07A, C08A, C08B, C16Z
5c732.h↔	10	K09A, K09B	5c733.c↔	10	K09A, K09B	5c734.7↔	10	K09A, K09B
	21A	W04A, W04B		21A	W04A, W04B		21A	W04A, W04B
	21B	X06A, X06B, X06C		21B	X06A, X06B, X06C		21B	X06A, X06B, X06C
		BOP, KVT, UOP4			BOP, KVT, UOP4			BOP, KVT, UOP4
5c732.x↔	02	C01A, C01B, C03A, C03B, C04A, C07A, C08A, C08B, C16Z	5c733.d↔	02	C01A, C01B, C03A, C03B, C04A, C07A, C08A, C08B, C16Z	5c734.8↔	02	C01A, C01B, C03A, C03B, C04A, C07A, C08A, C08B, C16Z
	10	K09A, K09B		10	K09A, K09B		10	K09A, K09B
	21A	W04A, W04B		21A	W04A, W04B		21A	W04A, W04B
	21B	X06A, X06B, X06C		21B	X06A, X06B, X06C		21B	X06A, X06B, X06C
5c733.0↔		BOP, KVT, UOP4	5c733.e↔		BOP, KVT, UOP4	5c734.9↔		BOP, KVT, UOP4
	02	C01A, C01B, C03A, C03B, C04A, C07A, C08A, C08B, C16Z		02	C01A, C01B, C03A, C03B, C04A, C07A, C08A, C08B, C16Z		02	C01A, C01B, C03A, C03B, C04A, C07A, C08A, C08B, C16Z
	10	K09A, K09B		10	K09A, K09B		10	K09A, K09B
	21A	W04A, W04B		21A	W04A, W04B		21A	W04A, W04B
5c733.5↔	21B	X06A, X06B, X06C	5c733.f↔	21B	X06A, X06B, X06C	5c734.a↔	21B	X06A, X06B, X06C
		BOP, KVT, UOP4			BOP, KVT, UOP4			BOP, KVT, UOP4
	02	C01A, C01B, C03A, C03B, C04A, C07A, C08A, C08B, C16Z		02	C01A, C01B, C03A, C03B, C04A, C07A, C08A, C08B, C16Z		02	C01A, C01B, C03A, C03B, C04A, C07A, C08A, C08B, C16Z
	10	K09A, K09B		10	K09A, K09B		10	K09A, K09B
5c733.6↔	21A	W04A, W04B	5c733.g↔	21A	W04A, W04B	5c734.b↔	21A	W04A, W04B
	21B	X06A, X06B, X06C		21B	X06A, X06B, X06C		21B	X06A, X06B, X06C
		BOP, KVT, UOP4			BOP, KVT, UOP4			BOP, KVT, UOP4
	02	C01A, C01B, C03A, C03B, C04A, C07A, C08A, C08B, C16Z		02	C01A, C01B, C03A, C03B, C04A, C07A, C08A, C08B, C16Z		02	C01A, C01B, C03A, C03B, C04A, C07A, C08A, C08B, C16Z
5c733.7↔	10	K09A, K09B	5c733.h↔	10	K09A, K09B	5c734.c↔	10	K09A, K09B
	21A	W04A, W04B		21A	W04A, W04B		21A	W04A, W04B
	21B	X06A, X06B, X06C		21B	X06A, X06B, X06C		21B	X06A, X06B, X06C
		BOP, KVT, UOP4			BOP, KVT, UOP4			BOP, KVT, UOP4
5c733.8↔	02	C01A, C01B, C03A, C03B, C04A, C07A, C08A, C08B, C16Z	5c733.x↔	02	C01A, C01B, C03A, C03B, C04A, C07A, C08A, C08B, C16Z	5c734.d↔	02	C01A, C01B, C03A, C03B, C04A, C07A, C08A, C08B, C16Z
	10	K09A, K09B		10	K09A, K09B		10	K09A, K09B
	21A	W04A, W04B		21A	W04A, W04B		21A	W04A, W04B
	21B	X06A, X06B, X06C		21B	X06A, X06B, X06C		21B	X06A, X06B, X06C

VYK

ZZV	MDC	DRG	ZZV	MDC	DRG	ZZV	MDC	DRG
5c734.e↔		BOP, KVT, UOP4	5c735.9↔		BOP, KVT, UOP4	5c73x.0↔		BOP, KVT, UOP4
	02	C01A, C01B, C03A, C03B, C04A, C07A, C08A, C08B, C16Z		02	C01A, C01B, C03A, C03B, C04A, C07A, C08A, C08B, C16Z		02	C01A, C01B, C03A, C03B, C04A, C07A, C08A, C08B, C16Z
	10	K09A, K09B		10	K09A, K09B		10	K09A, K09B
	21A	W04A, W04B		21A	W04A, W04B		21A	W04A, W04B
5c734.f↔	21B	X06A, X06B, X06C	5c735.a↔	21B	X06A, X06B, X06C	5c73x.5↔	21B	X06A, X06B, X06C
		BOP, KVT, UOP4			BOP, KVT, UOP4			BOP, KVT, UOP4
	02	C01A, C01B, C03A, C03B, C04A, C07A, C08A, C08B, C16Z		02	C01A, C01B, C03A, C03B, C04A, C07A, C08A, C08B, C16Z		02	C01A, C01B, C03A, C03B, C04A, C07A, C08A, C08B, C16Z
	10	K09A, K09B		10	K09A, K09B		10	K09A, K09B
5c734.g↔	21A	W04A, W04B	5c735.b↔	21A	W04A, W04B	5c73x.6↔	21A	W04A, W04B
	21B	X06A, X06B, X06C		21B	X06A, X06B, X06C		21B	X06A, X06B, X06C
		BOP, KVT, UOP4			BOP, KVT, UOP4			BOP, KVT, UOP4
	02	C01A, C01B, C03A, C03B, C04A, C07A, C08A, C08B, C16Z		02	C01A, C01B, C03A, C03B, C04A, C07A, C08A, C08B, C16Z		02	C01A, C01B, C03A, C03B, C04A, C07A, C08A, C08B, C16Z
5c734.h↔	10	K09A, K09B	5c735.c↔	10	K09A, K09B	5c73x.7↔	21A	W04A, W04B
	21A	W04A, W04B		21A	W04A, W04B		21B	X06A, X06B, X06C
	21B	X06A, X06B, X06C		21B	X06A, X06B, X06C			BOP, KVT, UOP4
		BOP, KVT, UOP4			BOP, KVT, UOP4		02	C01A, C01B, C03A, C03B, C04A, C07A, C08A, C08B, C16Z
5c734.x↔	10	K09A, K09B	5c735.d↔	10	K09A, K09B	5c73x.8↔	10	K09A, K09B
	21A	W04A, W04B		21A	W04A, W04B		21A	W04A, W04B
	21B	X06A, X06B, X06C		21B	X06A, X06B, X06C		21B	X06A, X06B, X06C
		BOP, KVT, UOP4			BOP, KVT, UOP4			BOP, KVT, UOP4
5c735.0↔	02	C01A, C01B, C03A, C03B, C04A, C07A, C08A, C08B, C16Z	5c735.e↔	02	C01A, C01B, C03A, C03B, C04A, C07A, C08A, C08B, C16Z	5c73x.9↔	02	C01A, C01B, C03A, C03B, C04A, C07A, C08A, C08B, C16Z
	10	K09A, K09B		10	K09A, K09B		10	K09A, K09B
	21A	W04A, W04B		21A	W04A, W04B		21A	W04A, W04B
	21B	X06A, X06B, X06C		21B	X06A, X06B, X06C		21B	X06A, X06B, X06C
5c735.5↔		BOP, KVT, UOP4	5c735.f↔		BOP, KVT, UOP4	5c73x.a↔		BOP, KVT, UOP4
	02	C01A, C01B, C03A, C03B, C04A, C07A, C08A, C08B, C16Z		02	C01A, C01B, C03A, C03B, C04A, C07A, C08A, C08B, C16Z		02	C01A, C01B, C03A, C03B, C04A, C07A, C08A, C08B, C16Z
	10	K09A, K09B		10	K09A, K09B		10	K09A, K09B
	21A	W04A, W04B		21A	W04A, W04B		21A	W04A, W04B
5c735.6↔	21B	X06A, X06B, X06C	5c735.g↔	21B	X06A, X06B, X06C	5c73x.b↔	21B	X06A, X06B, X06C
		BOP, KVT, UOP4			BOP, KVT, UOP4			BOP, KVT, UOP4
	02	C01A, C01B, C03A, C03B, C04A, C07A, C08A, C08B, C16Z		02	C01A, C01B, C03A, C03B, C04A, C07A, C08A, C08B, C16Z		02	C01A, C01B, C03A, C03B, C04A, C07A, C08A, C08B, C16Z
	10	K09A, K09B		10	K09A, K09B		10	K09A, K09B
5c735.7↔	21A	W04A, W04B	5c735.h↔	21A	W04A, W04B	5c73x.c↔	21A	W04A, W04B
	21B	X06A, X06B, X06C		21B	X06A, X06B, X06C		21B	X06A, X06B, X06C
		BOP, KVT, UOP4			BOP, KVT, UOP4			BOP, KVT, UOP4
	02	C01A, C01B, C03A, C03B, C04A, C07A, C08A, C08B, C16Z		02	C01A, C01B, C03A, C03B, C04A, C07A, C08A, C08B, C16Z		02	C01A, C01B, C03A, C03B, C04A, C07A, C08A, C08B, C16Z
5c735.8↔	10	K09A, K09B	5c735.x↔	10	K09A, K09B	5c73x.d↔	10	K09A, K09B
	21A	W04A, W04B		21A	W04A, W04B		21A	W04A, W04B
	21B	X06A, X06B, X06C		21B	X06A, X06B, X06C		21B	X06A, X06B, X06C
		BOP, KVT, UOP4			BOP, KVT, UOP4			BOP, KVT, UOP4
						02	C01A, C01B, C03A, C03B, C04A, C07A, C08A, C08B, C16Z	
						10	K09A, K09B	
						21A	W04A, W04B	
						21B	X06A, X06B, X06C	

VYK

ZZV	MDC	DRG	ZZV	MDC	DRG	ZZV	MDC	DRG	
5c75x↔		BOP, KVT, UOP4	5c81x↔		BOP, KVT, UOP4	5c849↔		BOP, KVT, UOP4	
	02	C01A, C01B, C16Z, C20A, C20B		02	C01A, C01B, C15Z, C16Z		02	C01A, C01B, C02A, C02B, C16Z	
	21A	W04A, W04B		10	K09A, K09B		21A	W04A, W04B	
5c760↔	21B	X06A, X06B, X06C	5c820↔	21A	W04A, W04B	5c84a↔	21B	X06A, X06B, X06C	
		BOP, KVT, UOP4		21B	X06A, X06B, X06C			BOP, KVT, UOP4	
	02	C01A, C01B, C16Z, C20A, C20B		02	C01A, C01B, C15Z, C16Z		02	C01A, C01B, C02A, C02B, C16Z	
	21A	W04A, W04B		21A	W04A, W04B		21A	W04A, W04B	
5c761↔	21B	X06A, X06B, X06C	5c821↔	21B	X06A, X06B, X06C	5c84b↔	21B	X06A, X06B, X06C	
		BOP, KVT, UOP4			BOP, KVT, UOP4			BOP, KVT, UOP4	
	02	C01A, C01B, C16Z, C20A, C20B		02	C01A, C01B, C15Z, C16Z		02	C01A, C01B, C02A, C02B, C16Z	
	21A	W04A, W04B		21A	W04A, W04B		21A	W04A, W04B	
5c762↔	21B	X06A, X06B, X06C	5c822↔	21B	X06A, X06B, X06C	5c84c↔	21B	X06A, X06B, X06C	
		BOP, KVT, UOP4			BOP, KVT, UOP4			BOP, KVT, UOP4	
	02	C01A, C01B, C16Z, C20A, C20B		02	C01A, C01B, C14Z, C16Z		02	C01A, C01B, C14Z, C16Z	
	21A	W04A, W04B		10	K09A, K09B		02	C01A, C01B, C14Z, C16Z	
5c763↔	21B	X06A, X06B, X06C	5c830↔	21A	W04A, W04B	5c84d↔	02	C01A, C01B, C14Z, C16Z	
		BOP, KVT, UOP4		21B	X06A, X06B, X06C		02	C01A, C01B, C14Z, C16Z	
	02	C01A, C01B, C08A, C08B, C16Z		02	C01A, C01B, C14Z, C16Z		02	C01A, C01B, C14Z, C16Z	
	21A	W04A, W04B		21A	W04A, W04B		5c84x↔	02	C01A, C01B, C14Z, C16Z
5c76x↔	21B	X06A, X06B, X06C	5c832↔	21B	X06A, X06B, X06C	5c850↔	02	C01A, C01B, C15Z, C16Z	
		BOP, KVT, UOP4			BOP, KVT, UOP4		21A	W04A, W04B	
	02	C01A, C01B, C16Z, C20A, C20B		02	C01A, C01B, C14Z, C16Z		21B	X06A, X06B, X06C	
	21A	W04A, W04B		21A	W04A, W04B		02	C01A, C01B, C15Z, C16Z	
5c790↔	21B	X06A, X06B, X06C	5c833↔	21B	X06A, X06B, X06C	5c851↔	21A	W04A, W04B	
		BOP, KVT, UOP4			BOP, KVT, UOP4		21B	X06A, X06B, X06C	
	02	C01A, C01B, C16Z, C20A, C20B		02	C01A, C01B, C15Z, C16Z		02	C01A, C01B, C15Z, C16Z	
	21A	W04A, W04B		21A	W04A, W04B		21A	W04A, W04B	
5c79x↔	21B	X06A, X06B, X06C	5c834↔	21B	X06A, X06B, X06C	5c852↔	21B	X06A, X06B, X06C	
		BOP, KVT, UOP4			BOP, KVT, UOP4			BOP, KVT, UOP4	
	02	C01A, C01B, C16Z, C20A, C20B		02	C01A, C01B, C03A, C03C, C15Z, C16Z		02	C01A, C01B, C15Z, C16Z	
	21A	W04A, W04B		02	C01A, C01B, C03A, C03C, C15Z, C16Z		21A	W04A, W04B	
5c801↔	21B	X06A, X06B, X06C	5c83x↔	21A	W04A, W04B	5c853↔	21B	X06A, X06B, X06C	
		BOP, KVT, UOP4		21B	X06A, X06B, X06C			BOP, KVT, UOP4	
	02	C01A, C01B, C15Z, C16Z		02	C01A, C01B, C14Z, C16Z		02	C01A, C01B, C03A, C03B, C03C, C16Z	
	21A	W04A, W04B		21A	W04A, W04B		21A	W04A, W04B	
5c802↔	21B	X06A, X06B, X06C	5c840↔	21B	X06A, X06B, X06C	5c855↔	21B	X06A, X06B, X06C	
		BOP, KVT, UOP4			BOP, KVT, UOP4			BOP, KVT, UOP4	
	02	C01A, C01B, C15Z, C16Z		02	C01A, C01B, C14Z, C16Z		02	C01A, C01B, C02A, C02B, C15Z, C16Z	
	21A	W04A, W04B		02	C01A, C01B, C14Z, C16Z		21A	W04A, W04B	
5c80x↔	21B	X06A, X06B, X06C	5c841↔	02	C01A, C01B, C14Z, C16Z	5c856↔	21B	X06A, X06B, X06C	
		BOP, KVT, UOP4			BOP, KVT, UOP4			BOP, KVT, UOP4	
	02	C01A, C01B, C15Z, C16Z		02	C01A, C01B, C14Z, C16Z		02	C01A, C01B, C14Z, C16Z	
	21A	W04A, W04B		02	C01A, C01B, C14Z, C16Z		10	K09A, K09B	
5c810↔	21B	X06A, X06B, X06C	5c842↔	02	C01A, C01B, C14Z, C16Z	5c857↔	21A	W04A, W04B	
		BOP, KVT, UOP4			BOP, KVT, UOP4		21B	X06A, X06B, X06C	
	02	C01A, C01B, C15Z, C16Z		02	C01A, C01B, C14Z, C16Z		02	C01A, C01B, C02A, C02B, C15Z, C16Z	
	10	K09A, K09B		02	C01A, C01B, C14Z, C16Z		21A	W04A, W04B	
	21A	W04A, W04B		02	C01A, C01B, C14Z, C16Z		21B	X06A, X06B, X06C	
5c811↔	21B	X06A, X06B, X06C	5c843↔	02	C01A, C01B, C14Z, C16Z	5c858†↔	02	C02A, C02B, C16Z	
		BOP, KVT, UOP4			BOP, KVT, UOP4	5c859↔		BOP, KVT, UOP4	
	02	C01A, C01B, C15Z, C16Z		02	C01A, C01B, C14Z, C16Z		02	C01A, C01B, C14Z, C16Z	
	10	K09A, K09B		02	C01A, C01B, C14Z, C16Z		21A	W04A, W04B	
	21A	W04A, W04B		02	C01A, C01B, C14Z, C16Z		21B	X06A, X06B, X06C	
5c812↔	21B	X06A, X06B, X06C	5c844↔	02	C01A, C01B, C14Z, C16Z	5c860↔	02	C01A, C01B, C15Z, C16Z	
		BOP, KVT, UOP4			BOP, KVT, UOP4		21A	W04A, W04B	
	02	C01A, C01B, C03A, C03C, C15Z, C16Z		02	C01A, C01B, C02A, C02B, C16Z		21B	X06A, X06B, X06C	
	10	K09A, K09B		21A	W04A, W04B		02	C01A, C01B, C15Z, C16Z	
	21A	W04A, W04B		21B	X06A, X06B, X06C		21A	W04A, W04B	
	21B	X06A, X06B, X06C	5c848.x↔	21B	X06A, X06B, X06C	5c861↔	21B	X06A, X06B, X06C	
		BOP, KVT, UOP4			BOP, KVT, UOP4			BOP, KVT, UOP4	
	02	C01A, C01B, C03A, C03C, C15Z, C16Z		02	C01A, C01B, C02A, C02B, C16Z		02	C01A, C01B, C15Z, C16Z	
	10	K09A, K09B		21A	W04A, W04B		21A	W04A, W04B	
	21A	W04A, W04B		21B	X06A, X06B, X06C		21B	X06A, X06B, X06C	
	21B	X06A, X06B, X06C			BOP, KVT, UOP4			BOP, KVT, UOP4	

ZZV	MDC	DRG	ZZV	MDC	DRG	ZZV	MDC	DRG
5c874.0↔		BOP, KVT, UOP4	5c87x.3↔		BOP, KVT, UOP4	5c882.6↔		BOP, KVT, UOP4
	02	C01A, C01B, C03A, C03B, C03C, C16Z		02	C01A, C01B, C03A, C03B, C03C, C03D, C16Z		02	C01A, C01B, C15Z, C16Z
	10	K09A, K09B		10	K09A, K09B		21A	W04A, W04B
	21A	W04A, W04B		21A	W04A, W04B	5c882.x↔	21B	X06A, X06B, X06C
	21B	X06A, X06B, X06C		21B	X06A, X06B, X06C			BOP, KVT, UOP4
5c874.1↔		BOP, KVT, UOP4	5c87x.4↔		BOP, KVT, UOP4		02	C01A, C01B, C15Z, C16Z
	02	C01A, C01B, C03A, C03B, C03C, C16Z		10	K09A, K09B		21A	W04A, W04B
	10	K09A, K09B		21A	W04A, W04B	5c883↔	21B	X06A, X06B, X06C
	21A	W04A, W04B		21B	X06A, X06B, X06C			BOP, KVT, UOP4
	21B	X06A, X06B, X06C	5c87x.5↔		BOP, KVT, UOP4		02	C01A, C01B, C15Z, C16Z
5c874.2↔		BOP, KVT, UOP4		02	C01A, C01B, C03A, C03B, C03C, C03D, C16Z		21A	W04A, W04B
	02	C01A, C01B, C03A, C03B, C03C, C16Z		10	K09A, K09B	5c88x↔	21B	X06A, X06B, X06C
	10	K09A, K09B		21A	W04A, W04B			BOP, KVT, UOP4
	21A	W04A, W04B		21B	X06A, X06B, X06C		02	C01A, C01B, C15Z, C16Z
	21B	X06A, X06B, X06C	5c87x.6↔		BOP, KVT, UOP4		21A	W04A, W04B
5c874.3↔		BOP, KVT, UOP4		02	C01A, C01B, C03A, C03B, C03C, C03D, C16Z		21B	X06A, X06B, X06C
	02	C01A, C01B, C03A, C03B, C03C, C16Z		10	K09A, K09B	5c900↔		BOP, KOP, KOPV, KVT, UOP4
	10	K09A, K09B		21A	W04A, W04B		01	B02A, B02B, B02C, B02D, B20A, B20B, B20C, B20D, B20E, B20F, B39A, B39B
	21A	W04A, W04B		21B	X06A, X06B, X06C		02	C01A, C01B, C02A, C02B, C16Z
	21B	X06A, X06B, X06C	5c87x.x↔		BOP, KVT, UOP4		06	G33Z
5c874.4↔		BOP, KVT, UOP4		02	C01A, C01B, C03A, C03B, C03C, C03D, C16Z		07	H33Z, H38Z
	02	C01A, C01B, C03A, C03B, C03C, C16Z		10	K09A, K09B		08	I17Z
	10	K09A, K09B		21A	W04A, W04B		10	K09A, K09B
	21A	W04A, W04B		21B	X06A, X06B, X06C		11	L33Z
	21B	X06A, X06B, X06C	5c880.0↔		BOP, KVT, UOP4		21A	W04A, W04B
5c874.5↔		BOP, KVT, UOP4		02	C01A, C01B, C15Z, C16Z		21B	X06A, X06B, X06C
	02	C01A, C01B, C03A, C03B, C03C, C16Z		21A	W04A, W04B		23	Z01A
	10	K09A, K09B		21B	X06A, X06B, X06C		Pre	A07A
	21A	W04A, W04B	5c880.5↔		BOP, KVT, UOP4	5c901↔		BOP, KOP, KOPV, KVT, UOP4
	21B	X06A, X06B, X06C		02	C01A, C01B, C15Z, C16Z		01	B02A, B02B, B02C, B02D, B20A, B20B, B20C, B20D, B20E, B20F, B39A, B39B
5c874.6↔		BOP, KVT, UOP4		21A	W04A, W04B		02	C01A, C01B, C02A, C02B, C16Z
	02	C01A, C01B, C03A, C03B, C03C, C16Z	5c880.6↔		BOP, KVT, UOP4		06	G33Z
	10	K09A, K09B		02	C01A, C01B, C15Z, C16Z		07	H33Z, H38Z
	21A	W04A, W04B		21A	W04A, W04B		08	I17Z
	21B	X06A, X06B, X06C	5c880.x↔		X06A, X06B, X06C		10	K09A, K09B
5c874.x↔		BOP, KVT, UOP4		02	C01A, C01B, C15Z, C16Z		11	L33Z
	02	C01A, C01B, C03A, C03B, C03C, C16Z		21A	W04A, W04B		21A	W04A, W04B
	10	K09A, K09B		21B	X06A, X06B, X06C		21B	X06A, X06B, X06C
	21A	W04A, W04B	5c881.0↔		BOP, KVT, UOP4		23	Z01A
	21B	X06A, X06B, X06C		02	C01A, C01B, C15Z, C16Z		Pre	A07A
5c87x.0↔		BOP, KVT, UOP4		21A	W04A, W04B	5c902↔		BOP, KOP, KOPV, KVT, UOP4
	02	C01A, C01B, C03A, C03B, C03C, C03D, C16Z		21B	X06A, X06B, X06C		01	B02A, B02B, B02C, B02D, B20A, B20B, B20C, B20D, B20E, B20F, B39A, B39B
	10	K09A, K09B			BOP, KVT, UOP4		02	C01A, C01B, C02A, C02B, C16Z
	21A	W04A, W04B		02	C01A, C01B, C15Z, C16Z		06	G33Z
	21B	X06A, X06B, X06C	5c881.5↔		X06A, X06B, X06C		07	H33Z, H38Z
5c87x.1↔		BOP, KVT, UOP4		02	C01A, C01B, C15Z, C16Z		08	I17Z
	02	C01A, C01B, C03A, C03B, C03C, C03D, C16Z		21A	W04A, W04B		10	K09A, K09B
	10	K09A, K09B		21B	X06A, X06B, X06C		11	L33Z
	21A	W04A, W04B	5c881.6↔		BOP, KVT, UOP4		21A	W04A, W04B
	21B	X06A, X06B, X06C		02	C01A, C01B, C15Z, C16Z		21B	X06A, X06B, X06C
5c87x.2↔		BOP, KVT, UOP4		21A	W04A, W04B		23	Z01A
	02	C01A, C01B, C03A, C03B, C03C, C03D, C16Z		21B	X06A, X06B, X06C		Pre	A07A
	10	K09A, K09B	5c882.0↔		BOP, KVT, UOP4			
	21A	W04A, W04B		02	C01A, C01B, C15Z, C16Z			
	21B	X06A, X06B, X06C		21A	W04A, W04B			
				21B	X06A, X06B, X06C			
					BOP, KVT, UOP4			
					C01A, C01B, C15Z, C16Z			
					W04A, W04B			
					X06A, X06B, X06C			
					BOP, KVT, UOP4			
					C01A, C01B, C15Z, C16Z			
					W04A, W04B			
					X06A, X06B, X06C			
					BOP, KVT, UOP4			
					C01A, C01B, C15Z, C16Z			
					W04A, W04B			
					X06A, X06B, X06C			

ZZV	MDC	DRG	ZZV	MDC	DRG	ZZV	MDC	DRG		
5c903↔		BOP, KOP, KOPV, KVT, UOP4	5c920↔		BOP, KVT, UOP4	5c922.3↔		BOP, KVT, UOP4		
	01	B02A, B02B, B02C, B02D, B20A, B20B, B20C, B20D, B20E, B20F, B39A, B39B		02	C01A, C01B, C02A, C02B, C16Z		02	C01A, C01B, C02A, C02B, C16Z		
	02	C01A, C01B, C02A, C02B, C16Z		21A	W04A, W04B		21A	W04A, W04B		
	06	G33Z	21B	X06A, X06B, X06C	21B	X06A, X06B, X06C				
	07	H33Z, H38Z	22	Y01Z, Y03A, Y03B	22	Y01Z, Y03A, Y03B				
	08	I17Z	5c921.0↔		BOP, KVT, UOP4	5c922.4↔		BOP, KVT, UOP4		
	10	K09A, K09B		02	C01A, C01B, C02A, C02B, C03A, C03B, C03C, C16Z		02	C01A, C01B, C02A, C02B, C16Z		
	11	L33Z		21A	W04A, W04B		21A	W04A, W04B		
	21A	W04A, W04B	21B	X06A, X06B, X06C	21B	X06A, X06B, X06C				
	21B	X06A, X06B, X06C	22	Y01Z, Y03A, Y03B	22	Y01Z, Y03A, Y03B				
	23	Z01A	5c921.1↔		BOP, KVT, UOP4	5c922.x↔		BOP, KVT, UOP4		
	Pre	A07A		02	C01A, C01B, C02A, C02B, C03A, C03B, C03C, C16Z		02	C01A, C01B, C02A, C02B, C16Z		
	5c904↔			BOP, KOP, KOPV, KVT, UOP4	5c921.2↔			BOP, KVT, UOP4	5c92x↔	
		01	B02A, B02B, B02C, B02D, B20A, B20B, B20C, B20D, B20E, B20F, B39A, B39B	02		C01A, C01B, C02A, C02B, C03A, C03B, C03C, C16Z	02	C01A, C01B, C02A, C02B, C16Z		
		02	C01A, C01B, C02A, C02B, C16Z	21A		W04A, W04B	21A	W04A, W04B		
06		G33Z	21B	X06A, X06B, X06C	21B	X06A, X06B, X06C				
07		H33Z, H38Z	22	Y01Z, Y03A, Y03B	22	Y01Z, Y03A, Y03B				
08		I17Z	5c921.3↔		BOP, KVT, UOP4	5c930↔		BOP, KVT, UOP4		
10		K09A, K09B		02	C01A, C01B, C02A, C02B, C03A, C03B, C03C, C16Z		02	C01A, C01B, C02A, C02B, C16Z		
11		L33Z		21A	W04A, W04B		09	J08A		
21A		W04A, W04B	21B	X06A, X06B, X06C	21A	W04A, W04B				
21B		X06A, X06B, X06C	22	Y01Z, Y03A, Y03B	21B	X06A, X06B, X06C				
23		Z01A	5c921.4↔		BOP, KVT, UOP4	5c931↔		BOP, KVT, UOP4		
Pre		A07A		02	C01A, C01B, C02A, C02B, C03A, C03B, C03C, C16Z		02	C01A, C01B, C02A, C02B, C16Z		
5c90x↔				BOP, KOP, KOPV, KVT, UOP4	5c921.5↔			BOP, KVT, UOP4	5c932↔	
		01	B02A, B02B, B02C, B02D, B20A, B20B, B20C, B20D, B20E, B20F, B39A, B39B	02		C01A, C01B, C02A, C02B, C16Z	02	C01A, C01B, C02A, C02B, C16Z		
		02	C01A, C01B, C02A, C02B, C16Z	21A		W04A, W04B	09	J08A		
	06	G33Z	21B	X06A, X06B, X06C	10	K09A, K09B				
	07	H33Z, H38Z	22	Y01Z, Y03A, Y03B	21A	W04A, W04B				
	08	I17Z	5c921.x↔		BOP, KVT, UOP4	5c933.0↔		BOP, KOP, KOPV, KVT, UOP4		
	10	K09A, K09B		02	C01A, C01B, C02A, C02B, C16Z		01	B02A, B02B, B02C, B02D, B20A, B20B, B20C, B20D, B20E, B20F, B39A, B39B		
	11	L33Z		21A	W04A, W04B		02	C01A, C01B, C02A, C02B, C16Z		
	21A	W04A, W04B	21B	X06A, X06B, X06C	03	D18Z, D28Z, D29Z				
	21B	X06A, X06B, X06C	22	Y01Z, Y03A, Y03B	06	G33Z				
	23	Z01A	5c922.0↔		BOP, KVT, UOP4	5c911↔		BOP, KVT, UOP4		
	Pre	A07A		02	C01A, C01B, C02A, C02B, C16Z		02	C01A, C01B, C02A, C02B, C16Z		
	5c910↔			BOP, KVT, UOP4	5c922.1↔			BOP, KVT, UOP4	5c91x↔	
		02	C01A, C01B, C02A, C02B, C16Z	02		C01A, C01B, C02A, C02B, C16Z	02	C01A, C01B, C02A, C02B, C16Z		
		21A	W04A, W04B	21A		W04A, W04B	21A	W04A, W04B		
21B		X06A, X06B, X06C	21B	X06A, X06B, X06C	21B	X06A, X06B, X06C				
22		Y01Z, Y03A, Y03B	22	Y01Z, Y03A, Y03B	22	Y01Z, Y03A, Y03B				
5c911↔			BOP, KVT, UOP4	5c922.2↔		BOP, KVT, UOP4	5c911↔		BOP, KVT, UOP4	
		02	C01A, C01B, C02A, C02B, C16Z		02	C01A, C01B, C02A, C02B, C16Z		02	C01A, C01B, C02A, C02B, C16Z	
		21A	W04A, W04B		21A	W04A, W04B		07	H33Z, H38Z	
		21B	X06A, X06B, X06C	21B	X06A, X06B, X06C	08	I17Z			
		22	Y01Z, Y03A, Y03B	22	Y01Z, Y03A, Y03B	09	J08A, J08B			
		5c91x↔		BOP, KVT, UOP4	5c922.2↔		BOP, KVT, UOP4	5c91x↔		BOP, KVT, UOP4
			02	C01A, C01B, C02A, C02B, C16Z		02	C01A, C01B, C02A, C02B, C16Z		11	L33Z
			21A	W04A, W04B		21A	W04A, W04B		21A	W04A, W04B
			21B	X06A, X06B, X06C	21B	X06A, X06B, X06C	21B	X06A, X06B, X06C		
			22	Y01Z, Y03A, Y03B	22	Y01Z, Y03A, Y03B	22	Y01Z, Y03A, Y03B		
	5c91x↔			BOP, KVT, UOP4	5c922.2↔		BOP, KVT, UOP4	5c91x↔		BOP, KVT, UOP4
			02	C01A, C01B, C02A, C02B, C16Z		02	C01A, C01B, C02A, C02B, C16Z		23	Z01A
			21A	W04A, W04B		21A	W04A, W04B		Pre	A07A
			21B	X06A, X06B, X06C	21B	X06A, X06B, X06C				
			22	Y01Z, Y03A, Y03B	22	Y01Z, Y03A, Y03B				

ZZV	MDC	DRG	ZZV	MDC	DRG	ZZV	MDC	DRG
5c933.1↔		BOP, KOP, KOPV, KVT, UOP4	5c933.x↔		BOP, KOP, KOPV, KVT, UOP4	5c934.2↔		BOP, KOP, KOPV, KVT, UOP4
	01	B02A, B02B, B02C, B02D, B20A, B20B, B20C, B20D, B20E, B20F, B39A, B39B		01	B02A, B02B, B02C, B02D, B20A, B20B, B20C, B20D, B20E, B20F, B39A, B39B		01	B02A, B02B, B02C, B02D, B20A, B20B, B20C, B20D, B20E, B20F, B39A, B39B
	02	C01A, C01B, C02A, C02B, C16Z		02	C01A, C01B, C02A, C02B, C16Z		02	C01A, C01B, C02A, C02B, C16Z
	03	D18Z, D28Z, D29Z		03	D18Z, D28Z, D29Z		03	D18Z, D25A, D25B, D25C, D25D
	06	G33Z		06	G33Z		06	G33Z
	07	H33Z, H38Z		07	H33Z, H38Z		07	H33Z, H38Z
	08	I17Z		08	I17Z		08	I17Z
	09	J08A, J08B		09	J08A, J08B		09	J08A, J08B
	11	L33Z		11	L33Z		11	L33Z
	21A	W04A, W04B		21A	W04A, W04B		21A	W04A, W04B
	21B	X06A, X06B, X06C		21B	X06A, X06B, X06C		21B	X06A, X06B, X06C
	22	Y01Z, Y03A, Y03B		22	Y01Z, Y03A, Y03B		22	Y01Z, Y03A, Y03B
	23	Z01A		23	Z01A		23	Z01A
	Pre	A07A		Pre	A07A		Pre	A07A
	5c933.2↔			BOP, KOP, KOPV, KVT, UOP4	5c934.0↔			BOP, KOP, KOPV, KVT, UOP4
01		B02A, B02B, B02C, B02D, B20A, B20B, B20C, B20D, B20E, B20F, B39A, B39B	01	B02A, B02B, B02C, B02D, B20A, B20B, B20C, B20D, B20E, B20F, B39A, B39B		01	B02A, B02B, B02C, B02D, B20A, B20B, B20C, B20D, B20E, B20F, B39A, B39B	
02		C01A, C01B, C02A, C02B, C16Z	02	C01A, C01B, C02A, C02B, C16Z		02	C01A, C01B, C02A, C02B, C16Z	
03		D18Z, D28Z, D29Z	03	D18Z, D25A, D25B, D25C, D25D		03	D18Z, D25A, D25B, D25C, D25D	
06		G33Z	06	G33Z		06	G33Z	
07		H33Z, H38Z	07	H33Z, H38Z		07	H33Z, H38Z	
08		I17Z	08	I17Z		08	I17Z	
09		J08A, J08B	09	J08A, J08B		09	J08A, J08B	
11		L33Z	11	L33Z		11	L33Z	
21A		W04A, W04B	21A	W04A, W04B		21A	W04A, W04B	
21B		X06A, X06B, X06C	21B	X06A, X06B, X06C		21B	X06A, X06B, X06C	
22		Y01Z, Y03A, Y03B	22	Y01Z, Y03A, Y03B		22	Y01Z, Y03A, Y03B	
23		Z01A	23	Z01A		23	Z01A	
Pre		A07A	Pre	A07A		Pre	A07A	
5c933.3↔			BOP, KOP, KOPV, KVT, UOP4	5c934.1↔			BOP, KOP, KOPV, KVT, UOP4	5c934.x↔
	01	B02A, B02B, B02C, B02D, B20A, B20B, B20C, B20D, B20E, B20F, B39A, B39B	01		B02A, B02B, B02C, B02D, B20A, B20B, B20C, B20D, B20E, B20F, B39A, B39B	01	B02A, B02B, B02C, B02D, B20A, B20B, B20C, B20D, B20E, B20F, B39A, B39B	
	02	C01A, C01B, C02A, C02B, C16Z	02		C01A, C01B, C02A, C02B, C16Z	02	C01A, C01B, C02A, C02B, C16Z	
	03	D18Z, D28Z, D29Z	03		D18Z, D25A, D25B, D25C, D25D	03	D18Z, D25A, D25B, D25C, D25D	
	06	G33Z	06		G33Z	06	G33Z	
	07	H33Z, H38Z	07		H33Z, H38Z	07	H33Z, H38Z	
	08	I17Z	08		I17Z	08	I17Z	
	09	J08A, J08B	09		J08A, J08B	09	J08A, J08B	
	11	L33Z	11		L33Z	11	L33Z	
	21A	W04A, W04B	21A		W04A, W04B	21A	W04A, W04B	
	21B	X06A, X06B, X06C	21B		X06A, X06B, X06C	21B	X06A, X06B, X06C	
	22	Y01Z, Y03A, Y03B	22		Y01Z, Y03A, Y03B	22	Y01Z, Y03A, Y03B	
	23	Z01A	23		Z01A	23	Z01A	
	Pre	A07A	Pre		A07A	Pre	A07A	
						5c93x↔		
					02	C01A, C01B, C02A, C02B, C16Z		
					09	J08A		
					10	K09A, K09B		
					21A	W04A, W04B		
					21B	X06A, X06B, X06C		
					22	Y01Z, Y03A, Y03B		

VYK

ZZV	MDC	DRG	ZZV	MDC	DRG	ZZV	MDC	DRG
5c941.00↔		BOP, KVT, UOP4	5c953.2↔	02	BOP, KVT, UOP4	5c970.2↔	02	BOP, KVT, UOP4
	02	C01A, C01B, C02A, C02B, C16Z		02	C01A, C01B, C02A, C02B, C16Z		02	C01A, C01B, C02A, C02B, C16Z
	21A	W04A, W04B		03	D12A, D12B		03	D12A
	21B	X06A, X06B, X06C		08	I17Z		08	I17Z
5c941.01↔		BOP, KVT, UOP4	5c953.3↔	21A	W04A, W04B	5c970.3↔	21A	W04A, W04B
	02	C01A, C01B, C02A, C02B, C16Z		21B	X06A, X06B, X06C		21B	X06A, X06B, X06C
	21A	W04A, W04B		22	Y01Z, Y03A, Y03B		22	Y01Z, Y03A, Y03B
	21B	X06A, X06B, X06C		02	BOP, KVT, UOP4		02	BOP, KVT, UOP4
5c941.02↔		BOP, KVT, UOP4	5c953.4↔	02	C01A, C01B, C02A, C02B, C16Z	5c970.4↔	02	C01A, C01B, C02A, C02B, C16Z
	02	C01A, C01B, C02A, C02B, C16Z		21A	W04A, W04B		03	D12A
	03	D12A, D12B		21B	X06A, X06B, X06C		08	I17Z
	08	I17Z		22	Y01Z, Y03A, Y03B		21A	W04A, W04B
5c941.03↔		BOP, KVT, UOP4	5c953.x↔	02	BOP, KVT, UOP4	5c970.x↔	21B	X06A, X06B, X06C
	02	C01A, C01B, C02A, C02B, C16Z		02	C01A, C01B, C02A, C02B, C16Z		22	Y01Z, Y03A, Y03B
	21A	W04A, W04B		21A	W04A, W04B		02	BOP, KVT, UOP4
	21B	X06A, X06B, X06C		21B	X06A, X06B, X06C		02	C01A, C01B, C02A, C02B, C16Z
5c941.04↔		BOP, KVT, UOP4	5c962↔	22	Y01Z, Y03A, Y03B	5c971↔	03	D12A
	02	C01A, C01B, C02A, C02B, C16Z		02	BOP, KVT, UOP4		08	I17Z
	21A	W04A, W04B		02	C01A, C01B, C02A, C02B, C16Z		21A	W04A, W04B
	21B	X06A, X06B, X06C		03	D12A, D12B		21B	X06A, X06B, X06C
5c941.0x↔		BOP, KVT, UOP4	5c964↔	08	I17Z	5c972↔	22	Y01Z, Y03A, Y03B
	02	C01A, C01B, C02A, C02B, C16Z		21A	W04A, W04B		02	BOP, KVT, UOP4
	21A	W04A, W04B		21B	X06A, X06B, X06C		02	C01A, C01B, C02A, C02B, C16Z
	21B	X06A, X06B, X06C		22	Y01Z, Y03A, Y03B		08	I17Z
5c941.10↔		BOP, KVT, UOP4	5c96x↔	21A	W04A, W04B	5c973↔	21A	W04A, W04B
	02	C01A, C01B, C02A, C02B, C16Z		21B	X06A, X06B, X06C		21B	X06A, X06B, X06C
	21A	W04A, W04B		22	Y01Z, Y03A, Y03B		22	Y01Z, Y03A, Y03B
	21B	X06A, X06B, X06C		02	BOP, KVT, UOP4		02	BOP, KVT, UOP4
5c941.11↔		BOP, KVT, UOP4	5c970.0↔	02	C01A, C01B, C02A, C02B, C16Z	5c973↔	02	C01A, C01B, C02A, C02B, C16Z
	02	C01A, C01B, C02A, C02B, C16Z		02	C01A, C01B, C02A, C02B, C16Z		01	B02A, B02B, B02C, B02D, B20A, B20B, B20C, B20D, B20E, B20F, B39A, B39B
	21A	W04A, W04B		03	D12A		02	C01A, C01B, C02A, C02B, C16Z
	21B	X06A, X06B, X06C		08	I17Z		03	D12A
5c941.1x↔		BOP, KVT, UOP4	5c970.1↔	21A	W04A, W04B	5c973↔	06	G33Z
	02	C01A, C01B, C02A, C02B, C16Z		21B	X06A, X06B, X06C		07	H33Z, H38Z
	21A	W04A, W04B		22	Y01Z, Y03A, Y03B		08	I17Z
	21B	X06A, X06B, X06C		02	BOP, KVT, UOP4		10	K09A, K09B
5c953.0↔		BOP, KVT, UOP4	5c970.1↔	02	C01A, C01B, C02A, C02B, C16Z	5c973↔	11	L33Z
	02	C01A, C01B, C02A, C02B, C16Z		03	D12A		21A	W04A, W04B
	21A	W04A, W04B		08	I17Z		21B	X06A, X06B, X06C
	21B	X06A, X06B, X06C		21A	W04A, W04B		22	Y01Z, Y03A, Y03B
5c953.1↔		BOP, KVT, UOP4	5c970.1↔	21B	X06A, X06B, X06C	5c973↔	22	Y01Z, Y03A, Y03B
	02	C01A, C01B, C02A, C02B, C16Z		22	Y01Z, Y03A, Y03B		23	Z01A
	21A	W04A, W04B					Pre	A07A
	21B	X06A, X06B, X06C						

VYK

ZZV	MDC	DRG	ZZV	MDC	DRG	ZZV	MDC	DRG		
5c97x↔		BOP, KVT, UOP4	5c983↔		BOP, KOP, KOPV, KVT, UOP4	5c990.1↔		BOP, KVT, UOP4		
	02	C01A, C01B, C02A, C02B, C16Z		01	B02A, B02B, B02C, B02D, B20A, B20B, B20C, B20D, B20E, B20F, B39A, B39B		01	B03A, B03B, B06A, B06B, B07Z, B17A, B17B, B17C		
	08	I17Z		02	C01A, C01B, C02A, C02B, C16Z		03	D12A, D12B		
	10	K09A, K09B		03	D12A		08	I28A, I28B		
	21A	W04A, W04B		06	G33Z		21A	W04A, W04B		
	21B	X06A, X06B, X06C		07	H33Z, H38Z		21B	X06A, X06B, X06C		
	22	Y01Z, Y03A, Y03B		08	I17Z		5c990.2↔		BOP, KVT, UOP4	
	5c980↔			BOP, KOP, KOPV, KVT, UOP4	11			L33Z	01	B03A, B03B, B06A, B06B, B07Z, B17A, B17B, B17C
		01		B02A, B02B, B02C, B02D, B20A, B20B, B20C, B20D, B20E, B20F, B39A, B39B	21A			W04A, W04B	03	D12A, D12B
		02		C01A, C01B, C02A, C02B, C16Z	21B			X06A, X06B, X06C	08	I28A, I28B
03		D12A	22	Y01Z, Y03A, Y03B	21A	W04A, W04B				
06		G33Z	23	Z01A	21B	X06A, X06B, X06C				
07		H33Z, H38Z	5c984↔	Pre	A07A	5c991.0↔		BOP, KOP, KOPV, KVT, UOP4		
08		I17Z			BOP, KOP, KOPV, KVT, UOP4		01	B02A, B02B, B02C, B02D, B20A, B20B, B20C, B20D, B20E, B20F, B39A, B39B		
11		L33Z		01	B02A, B02B, B02C, B02D, B20A, B20B, B20C, B20D, B20E, B20F, B39A, B39B		02	C01A, C01B, C02A, C02B, C16Z		
21A		W04A, W04B		02	C01A, C01B, C02A, C02B, C16Z		06	G33Z		
21B		X06A, X06B, X06C		03	D12A		07	H33Z, H38Z		
22	Y01Z, Y03A, Y03B	06		G33Z	10		K09A, K09B			
23	Z01A	07		H33Z, H38Z	11		L33Z			
Pre	A07A	08		I02A, I02B, I02C, I02D, I22A, I50Z	21A		W04A, W04B			
5c981↔		BOP, KOP, KOPV, KVT, UOP4		11	L33Z		21B	X06A, X06B, X06C		
	01	B02A, B02B, B02C, B02D, B20A, B20B, B20C, B20D, B20E, B20F, B39A, B39B		21A	W04A, W04B		23	Z01A		
	02	C01A, C01B, C02A, C02B, C16Z	21B	X01A, X01B, X01C	Pre	A07A				
	03	D12A	22	Y01Z, Y03A, Y03B	5c991.1↔		BOP, KOP, KOPV, KVT, UOP4			
	06	G33Z	23	Z01A		01	B02A, B02B, B02C, B02D, B20A, B20B, B20C, B20D, B20E, B20F, B39A, B39B			
	07	H33Z, H38Z	Pre	A07A		02	C01A, C01B, C02A, C02B, C16Z			
	08	I17Z	5c98x↔			BOP, KOP, KOPV, KVT, UOP4	06	G33Z		
	11	L33Z		01		B02A, B02B, B02C, B02D, B20A, B20B, B20C, B20D, B20E, B20F, B39A, B39B	07	H33Z, H38Z		
	21A	W04A, W04B		02		C01A, C01B, C02A, C02B, C16Z	10	K09A, K09B		
	21B	X06A, X06B, X06C		03		D12A	11	L33Z		
22	Y01Z, Y03A, Y03B	06		G33Z		21A	W04A, W04B			
23	Z01A	07		H33Z, H38Z		21B	X06A, X06B, X06C			
Pre	A07A	08		I17Z		23	Z01A			
5c982↔		BOP, KOP, KOPV, KVT, UOP4		11	L33Z	Pre	A07A			
	01	B02A, B02B, B02C, B02D, B20A, B20B, B20C, B20D, B20E, B20F, B39A, B39B		21A	W04A, W04B	5c991.2↔		BOP, KOP, KOPV, KVT, UOP4		
	02	C01A, C01B, C02A, C02B, C16Z		21B	X06A, X06B, X06C		01	B02A, B02B, B02C, B02D, B20A, B20B, B20C, B20D, B20E, B20F, B39A, B39B		
	03	D12A	22	Y01Z, Y03A, Y03B	02		C01A, C01B, C02A, C02B, C16Z			
	06	G33Z	23	Z01A	06		G33Z			
	07	H33Z, H38Z	Pre	A07A	07		H33Z, H38Z			
	08	I17Z	5c990.0↔		BOP, KOP, KOPV, KVT, UOP4		10	K09A, K09B		
	11	L33Z		01	B02A, B02B, B02C, B02D, B20A, B20B, B20C, B20D, B20E, B20F, B39A, B39B		11	L33Z		
	21A	W04A, W04B		06	G33Z		21A	W04A, W04B		
	21B	X06A, X06B, X06C		07	H33Z, H38Z		21B	X06A, X06B, X06C		
22	Y01Z, Y03A, Y03B	11		L33Z	23		Z01A			
23	Z01A	17		R01A, R01B, R01C, R01D, R02Z, R12A, R12B, R12C	Pre	A07A				
Pre	A07A	21A		W01A, W01B, W01C, W36Z						
		21B		X06A, X06B, X06C						
		23		Z01A						
		Pre		A07A						



ZZV	MDC	DRG	ZZV	MDC	DRG	ZZV	MDC	DRG	
5c991.x↔		BOP, KOP, KOPV, KVT, UOP4	5d002.2↔	03	D09Z, D30A	5d004.23↔		BOP, KVT, UOP4	
	01	B02A, B02B, B02C, B02D, B20A, B20B, B20C, B20D, B20E, B20F, B39A, B39B		09	J03A, J03B, J04A, J04B, J08A, J08B, J08C, J11A, J11B, J11C, J16Z		03	D03Z, D09Z, D30A	
	02	C01A, C01B, C02A, C02B, C16Z		21B	X06A, X06B, X06C		09	J03A, J03B, J04A, J04B, J08A, J08B, J08C, J10A, J10B, J16Z	
	06	G33Z		22	Y01Z, Y03A, Y03B		21A	W04A, W04B	
	07	H33Z, H38Z	5d002.3↔	03	D09Z, D30A	21B	X06A, X06B, X06C		
	10	K09A, K09B		09	J03A, J03B, J04A, J04B, J08A, J08B, J08C, J10A, J10B, J16Z	22	Y01Z, Y03A, Y03B		
	11	L33Z	5d002.4↔	03	D09Z, D30A	5d004.2x↔	BOP, KVT, UOP4		
	21A	W04A, W04B		09	J03A, J03B, J04A, J04B, J08A, J08B, J08C, J11A, J11B, J11C, J16Z		03	D03Z, D09Z, D30A	
	21B	X06A, X06B, X06C		21B	X06A, X06B, X06C	09	J03A, J03B, J04A, J04B, J08A, J08B, J08C, J10A, J10B, J16Z		
	23	Z01A		22	Y01Z, Y03A, Y03B	21A	W04A, W04B		
	Pre	A07A		22	Y01Z, Y03A, Y03B	21B	X06A, X06B, X06C		
	5c992↔		BOP, KVT, UOP4	5d003.1↔	01	B03A, B03B, B06A, B06B, B07Z, B17A, B17B, B17C	5d005.1↔		BOP, KVT, UOP4
		02	C01A, C01B, C16Z, C20A, C20B		03	D12A, D12B		03	D09Z, D30A
		10	K09A, K09B		05	F21A, F21B, F21C		09	J03A, J03B, J04A, J04B, J08A, J08B, J08C, J10A, J10B, J16Z
21A		W04A, W04B	08		I27A, I27B, I27C, I27D	21A		W04A, W04B	
5c993↔		BOP, KVT, UOP4	5d003.2↔	09	J03A, J03B, J04A, J04B, J08A, J08B, J08C, J16Z, J21Z, J22A, J22B	5d005.x↔	21B	X06A, X06B, X06C	
	02	C01A, C01B, C15Z, C16Z		01	B03A, B03B, B06A, B06B, B07Z, B17A, B17B, B17C		09	J03A, J03B, J04A, J04B, J08A, J08B, J08C, J10A, J10B, J16Z	
	21A	W04A, W04B		03	D12A, D12B		21A	W04A, W04B	
	21B	X06A, X06B, X06C		05	F21A, F21B, F21C		21B	X06A, X06B, X06C	
5c994↔		BOP, KVT, UOP4	5d003.2↔	08	I27A, I27B, I27C, I27D	5d007.1↔		BOP, KVT, UOP4	
	02	C01A, C01B, C02A, C02B, C16Z		09	J03A, J03B, J04A, J04B, J08A, J08B, J08C, J16Z, J21Z, J22A, J22B		03	D09Z, D30A	
	03	D12A, D12B		10	K09A, K09B		09	J03A, J03B, J04A, J04B, J08A, J08B, J08C, J10A, J10B, J16Z	
	08	I17Z		21A	W04A, W04B		21A	W04A, W04B	
5c995↔		BOP, KVT, UOP4	5d004.1↔	21B	X06A, X06B, X06C	5d007.2	21B	X06A, X06B, X06C	
	02	C01A, C01B, C06Z, C16Z		01	B03A, B03B, B06A, B06B, B07Z, B17A, B17B, B17C		22	Y01Z, Y03A, Y03B	
	10	K09A, K09B		03	D12A, D12B		03	D09Z, D30A	
	21A	W04A, W04B		05	F21A, F21B, F21C		09	J03A, J03B, J04A, J04B, J08A, J08B, J08C, J10A, J10B, J16Z	
5c996↔		BOP, KVT, UOP4	5d004.1↔	08	I27A, I27B, I27C, I27D	5d008.1↔		BOP, KVT, UOP4	
	02	C01A, C01B, C06Z, C16Z		09	J03A, J03B, J04A, J04B, J08A, J08B, J08C, J16Z, J21Z, J22A, J22B		03	D09Z, D30A	
	10	K09A, K09B		10	K09A, K09B		09	J03A, J03B, J04A, J04B, J08A, J08B, J08C, J10A, J10B, J16Z	
	21A	W04A, W04B		21A	W04A, W04B		21A	W04A, W04B	
5c99x↔		BOP, KVT, UOP4	5d004.1↔	21B	X06A, X06B, X06C	5d008.2↔	21B	X06A, X06B, X06C	
	02	C01A, C01B, C02A, C02B, C16Z		22	Y01Z, Y03A, Y03B		22	Y01Z, Y03A, Y03B	
	10	K09A, K09B		01	B02A, B02B, B02C, B02D, B20A, B20B, B20C, B20D, B20E, B20F, B39A, B39B		03	D09Z, D30A	
	21A	W04A, W04B		03	D09Z, D30A		09	J03A, J03B, J04A, J04B, J08A, J08B, J08C, J10A, J10B, J16Z	
5d001.10↔	03	D09Z, D30A	5d004.1↔	08	I15A, I15B	5d008.1↔	21A	W04A, W04B	
	09	J03A, J03B, J04A, J04B, J08A, J08B, J08C, J11A, J11B, J16Z		17	R01A, R01B, R01C, R01D, R02Z, R12A, R12B, R12C		21B	X06A, X06B, X06C	
	21A	W04A, W04B		21A	W04A, W04B		22	Y01Z, Y03A, Y03B	
	21B	X06A, X06B, X06C		21B	X06A, X06B, X06C			BOP, KVT, UOP4	
5d001.11↔	22	Y01Z, Y03A, Y03B	5d004.20↔	22	Y01Z, Y03A, Y03B	5d008.1↔	03	D09Z, D30A	
	03	D09Z, D30A		03	D03Z, D09Z, D30A		09	J03A, J03B, J04A, J04B, J08A, J08B, J08C, J10A, J10B, J16Z	
	09	J03A, J03B, J04A, J04B, J08A, J08B, J08C, J11A, J11B, J16Z		09	J03A, J03B, J04A, J04B, J08A, J08B, J08C, J10A, J10B, J16Z		21A	W04A, W04B	
	21A	W04A, W04B		21A	W04A, W04B		21B	X06A, X06B, X06C	
5d002.1↔	21B	X06A, X06B, X06C	5d004.21↔	21B	X06A, X06B, X06C	5d008.2↔	22	Y01Z, Y03A, Y03B	
	22	Y01Z, Y03A, Y03B		03	D03Z, D09Z, D30A			BOP, KVT, UOP4	
	03	D09Z, D30A		09	J03A, J03B, J04A, J04B, J08A, J08B, J08C, J10A, J10B, J16Z		03	D09Z, D30A	
	09	J03A, J03B, J04A, J04B, J08A, J08B, J08C, J11A, J11B, J11C, J16Z		09	J03A, J03B, J04A, J04B, J08A, J08B, J08C, J10A, J10B, J16Z		09	J03A, J03B, J04A, J04B, J08A, J08B, J08C, J10A, J10B, J16Z	
5d002.1↔	21B	X06A, X06B, X06C	5d004.21↔	09	J03A, J03B, J04A, J04B, J08A, J08B, J08C, J10A, J10B, J16Z	5d008.2↔	21A	W04A, W04B	
	22	Y01Z, Y03A, Y03B		21A	W04A, W04B		21B	X06A, X06B, X06C	
	03	D09Z, D30A		21B	X06A, X06B, X06C		22	Y01Z, Y03A, Y03B	
	09	J03A, J03B, J04A, J04B, J08A, J08B, J08C, J11A, J11B, J11C, J16Z		22	Y01Z, Y03A, Y03B			BOP, KVT, UOP4	
5d002.1↔	21B	X06A, X06B, X06C	5d004.21↔	03	D03Z, D09Z, D30A	5d008.2↔	03	D09Z, D30A	
	22	Y01Z, Y03A, Y03B		09	J03A, J03B, J04A, J04B, J08A, J08B, J08C, J10A, J10B, J16Z		09	J03A, J03B, J04A, J04B, J08A, J08B, J08C, J10A, J10B, J16Z	
	03	D09Z, D30A		21A	W04A, W04B		21A	W04A, W04B	
	09	J03A, J03B, J04A, J04B, J08A, J08B, J08C, J11A, J11B, J11C, J16Z		21B	X06A, X06B, X06C		21B	X06A, X06B, X06C	
5d002.1↔	21B	X06A, X06B, X06C	5d004.21↔	22	Y01Z, Y03A, Y03B	5d008.2↔	22	Y01Z, Y03A, Y03B	
	22	Y01Z, Y03A, Y03B		22	Y01Z, Y03A, Y03B			BOP, KVT, UOP4	
	03	D09Z, D30A		22	Y01Z, Y03A, Y03B			BOP, KVT, UOP4	
	09	J03A, J03B, J04A, J04B, J08A, J08B, J08C, J11A, J11B, J11C, J16Z		22	Y01Z, Y03A, Y03B			BOP, KVT, UOP4	

ZZV	MDC	DRG	ZZV	MDC	DRG	ZZV	MDC	DRG		
5d200.1↔	03	D09Z, D30A	5d300.30	01	B09A, B09B	5d303.2↔		BOP, KVT, UOP4		
	09	J03A, J03B, J04A, J04B, J08A, J08B, J08C, J11A, J11B, J16Z		03	D13Z		01	B02A, B02B, B02C, B02D, B20A, B20B, B20C, B20D, B20E, B20F, B39A, B39B		
	21A	W04A, W04B		21B	X06A, X06B, X06C		03	D06A, D06B, D06C		
	21B	X06A, X06B, X06C			BOP, KVT, UOP4		5d303.3↔	BOP, KVT, UOP4		
	22	Y01Z, Y03A, Y03B		5d300.4↔	03		D09Z, D30A	01	B02A, B02B, B02C, B02D, B20A, B20B, B20C, B20D, B20E, B20F, B39A, B39B	
5d200.2↔	03	D09Z, D30A	5d300.5↔	03	D09Z, D30A	5d303.4↔	01	B02A, B02B, B02C, B02D, B20A, B20B, B20C, B20D, B20E, B20F, B39A, B39B		
	09	J03A, J03B, J04A, J04B, J08A, J08B, J08C, J11A, J11B, J11C, J16Z		5d300.6↔	03		D09Z, D30A	03	D06A, D06B, D06C	
	21A	W04A, W04B		09	J03A, J03B, J04A, J04B, J08A, J08B, J08C, J10A, J10B, J16Z		21A	W04A, W04B	01	B02A, B02B, B02C, B02D, B20A, B20B, B20C, B20D, B20E, B20F, B39A, B39B
	21B	X06A, X06B, X06C		21B	X06A, X06B, X06C		21B	X06A, X06B, X06C	03	D06A, D06B, D06C
	22	Y01Z, Y03A, Y03B		22	Y01Z, Y03A, Y03B		5d301.10↔	BOP, KVT, UOP4	03	D06A, D06B, D06C
5d200.3↔	03	D09Z, D30A	5d301.10↔	01	B02A, B02B, B02C, B02D, B20A, B20B, B20C, B20D, B20E, B20F, B39A, B39B	5d305.10↔	03	D06A, D06B, D06C		
	09	J03A, J03B, J04A, J04B, J08A, J08B, J08C, J11A, J11B, J11C, J16Z		03	D09Z, D30A		21B	X06A, X06B, X06C		
	21A	W04A, W04B		21B	X06A, X06B, X06C		5d305.11↔	BOP, KVT, UOP4		
	21B	X06A, X06B, X06C		5d301.20↔	BOP, KVT, UOP4		03	D06A, D06B, D06C		
	22	Y01Z, Y03A, Y03B		01	B02A, B02B, B02C, B02D, B20A, B20B, B20C, B20D, B20E, B20F, B39A, B39B		21B	X06A, X06B, X06C		
5d200.40↔	03	D09Z, D30A	5d301.20↔	03	D09Z, D30A	5d305.20↔	03	D06A, D06B, D06C		
	09	J03A, J03B, J04A, J04B, J08A, J08B, J08C, J11A, J11B, J11C, J16Z		21B	X06A, X06B, X06C		21B	X06A, X06B, X06C		
	21A	W04A, W04B		5d301.21↔	BOP, KVT, UOP4		5d305.21↔	BOP, KVT, UOP4		
	21B	X06A, X06B, X06C		01	B02A, B02B, B02C, B02D, B20A, B20B, B20C, B20D, B20E, B20F, B39A, B39B		03	D06A, D06B, D06C		
	22	Y01Z, Y03A, Y03B		03	D09Z, D30A		21B	X06A, X06B, X06C		
5d200.41↔	03	D09Z, D30A	5d301.21↔	21B	X06A, X06B, X06C	5d305.3↔	03	D06A, D06B, D06C		
	09	J03A, J03B, J04A, J04B, J08A, J08B, J08C, J11A, J11B, J11C, J16Z		01	B02A, B02B, B02C, B02D, B20A, B20B, B20C, B20D, B20E, B20F, B39A, B39B		21B	X06A, X06B, X06C		
	21A	W04A, W04B		03	D09Z, D30A		5d305.4	01	B03A, B03B, B06A, B06B, B07Z, B17A, B17B, B17C	
	21B	X06A, X06B, X06C		21B	X06A, X06B, X06C		03	D12A, D12B		
	22	Y01Z, Y03A, Y03B		5d301.22↔	BOP, KVT, UOP4		05	F21A, F21B, F21C		
5d201.1↔	BOP, KVT, UOP4		5d301.22↔	01	B02A, B02B, B02C, B02D, B20A, B20B, B20C, B20D, B20E, B20F, B39A, B39B	5d306.10↔	08	I27A, I27B, I27C, I27D		
	03	D09Z, D30A		03	D09Z, D30A		09	J03A, J03B, J04A, J04B, J08A, J08B, J08C, J16Z, J21Z, J22A, J22B		
	09	J03A, J03B, J04A, J04B, J08A, J08B, J08C, J10A, J10B, J16Z		21B	X06A, X06B, X06C		10	K09A, K09B		
	21A	W04A, W04B		5d301.3↔	BOP, KVT, UOP4		21B	X06A, X06B, X06C		
	21B	X06A, X06B, X06C		01	B02A, B02B, B02C, B02D, B20A, B20B, B20C, B20D, B20E, B20F, B39A, B39B		22	Y01Z, Y03A, Y03B		
5d201.2↔	BOP, KVT, UOP4		5d301.3↔	03	D09Z, D30A	5d306.11↔	03	BOP, KVT, UOP4		
	03	D09Z, D30A		21B	X06A, X06B, X06C		03	D23Z		
	09	J03A, J03B, J04A, J04B, J08A, J08B, J08C, J10A, J10B, J16Z		5d302.1↔	BOP, KVT, UOP4		03	D23Z		
	21A	W04A, W04B		03	D09Z, D30A		5d306.20↔	BOP, KOP, KVT, UOP4		
	21B	X06A, X06B, X06C		21B	X06A, X06B, X06C		03	D01A, D01B		
5d201.3↔	22	Y01Z, Y03A, Y03B	5d302.20↔	03	D09Z, D30A	04	E36Z			
	BOP, KVT, UOP4	03		D09Z, D30A	06	G36Z				
	03	D09Z, D30A		21B	X06A, X06B, X06C	08	I26Z			
	09	J03A, J03B, J04A, J04B, J08A, J08B, J08C, J10A, J10B, J16Z		5d302.21↔	BOP, KVT, UOP4	11	L33Z			
	21A	W04A, W04B		03	D09Z, D30A	Pre	A06A, A07A, A09A, A11A, A13A			
5d201.4↔	21B	X06A, X06B, X06C	5d302.21↔	21B	X06A, X06B, X06C	5d306.21↔	A13A			
	22	Y01Z, Y03A, Y03B		5d302.22↔	BOP, KVT, UOP4		03	BOP, KOP, KVT, UOP4		
	BOP, KVT, UOP4	01		B02A, B02B, B02C, B02D, B20A, B20B, B20C, B20D, B20E, B20F, B39A, B39B	03		D06A, D06B, D06C	04	D01A, D01B	
	03	D09Z, D30A		03	D06A, D06B, D06C		06	E36Z		
	09	J03A, J03B, J04A, J04B, J08A, J08B, J08C, J10A, J10B, J16Z		5d302.23↔	BOP, KVT, UOP4		08	G36Z		
5d300.1↔	21A	W04A, W04B	5d302.23↔	01	B02A, B02B, B02C, B02D, B20A, B20B, B20C, B20D, B20E, B20F, B39A, B39B	5d306.2x↔	08	I26Z		
	21B	X06A, X06B, X06C		03	D06A, D06B, D06C		11	L33Z		
	22	Y01Z, Y03A, Y03B		5d303.1↔	BOP, KVT, UOP4		Pre	A06A, A07A, A09A, A11A, A13A		
	BOP, KVT, UOP4	01		B02A, B02B, B02C, B02D, B20A, B20B, B20C, B20D, B20E, B20F, B39A, B39B	03		D06A, D06B, D06C	03	BOP, KOP, KVT, UOP4	
	03	D09Z, D30A		03	D06A, D06B, D06C		04	D01A, D01B		
5d300.1↔	21B	X06A, X06B, X06C			06	E36Z				
					08	G36Z				

VYK

ZZV	MDC	DRG	ZZV	MDC	DRG	ZZV	MDC	DRG
5d306.30		BOP, KVT, UOP4	5d404		BOP, KVT, UOP4	5f104	03	D09Z, D30A, D30B, D35Z, D38Z
	01	B02A, B02B, B02C, B02D, B20A, B20B, B20C, B20D, B20E, B20F, B39A, B39B		01	B03A, B03B, B06A, B06B, B07Z, B17A, B17B, B17C		09	J03A, J03B, J04A, J04B, J08A, J08B, J08C, J10A, J10B, J16Z
	03	D09Z, D30A		03	D12A, D12B		21A	W04A, W04B
	08	I15A, I15B		05	F21A, F21B, F21C		21B	X06A, X06B, X06C
	17	R01A, R01B, R01C, R01D, R02Z, R12A, R12B, R12C		08	I27A, I27B, I27C, I27D		22	Y01Z, Y03A, Y03B
	21A	W04A, W04B		09	J03A, J03B, J04A, J04B, J08A, J08B, J08C, J16Z, J21Z, J22A, J22B		03	D09Z, D30A, D30B, D39Z
	21B	X06A, X06B, X06C		10	K09A, K09B		09	J03A, J03B, J04A, J04B, J08A, J08B, J08C, J10A, J10B, J16Z
	22	Y01Z, Y03A, Y03B		21A	W04A, W04B		21A	W04A, W04B
				21B	X06A, X06B, X06C		21B	X06A, X06B, X06C
				22	Y01Z, Y03A, Y03B		22	Y01Z, Y03A, Y03B
5d306.31↔		BOP, KVT, UOP4	5d405.1↔		BOP, KVT, UOP4	5f106	03	D09Z, D30A, D30B, D39Z
	01	B02A, B02B, B02C, B02D, B20A, B20B, B20C, B20D, B20E, B20F, B39A, B39B		01	B03A, B03B, B06A, B06B, B07Z, B17A, B17B, B17C		09	J03A, J03B, J04A, J04B, J08A, J08B, J08C, J10A, J10B, J16Z
	03	D09Z, D30A		03	D12A, D12B		21A	W04A, W04B
	08	I15A, I15B		05	F21A, F21B, F21C		21B	X06A, X06B, X06C
	17	R01A, R01B, R01C, R01D, R02Z, R12A, R12B, R12C		08	I27A, I27B, I27C, I27D		22	Y01Z, Y03A, Y03B
	21A	W04A, W04B		09	J03A, J03B, J04A, J04B, J08A, J08B, J08C, J16Z, J21Z, J22A, J22B		03	D09Z, D30A, D30B, D39Z
	21B	X06A, X06B, X06C		10	K09A, K09B		09	J03A, J03B, J04A, J04B, J08A, J08B, J08C, J10A, J10B, J16Z
	22	Y01Z, Y03A, Y03B		21B	X06A, X06B, X06C		21A	W04A, W04B
				22	Y01Z, Y03A, Y03B		21B	X06A, X06B, X06C
							22	Y01Z, Y03A, Y03B
5d306.4↔		BOP, KOP, KVT, UOP4	5d405.3↔		BOP, KVT, UOP4	5f107	03	D09Z, D30A, D30B, D39Z
	5d307.1↔	BOP, KVT, UOP4		01	B03A, B03B, B06A, B06B, B07Z, B17A, B17B, B17C		09	J03A, J03B, J04A, J04B, J08A, J08B, J08C, J10A, J10B, J16Z
5d307.2↔		BOP, KVT, UOP4	5f100		BOP, KVT, UOP4	5f108	21A	W04A, W04B
	01	B02A, B02B, B02C, B02D, B20A, B20B, B20C, B20D, B20E, B20F, B39A, B39B		01	B03A, B03B, B06A, B06B, B07Z, B17A, B17B, B17C		21B	X06A, X06B, X06C
5d307.3↔		BOP, KVT, UOP4	5f101		BOP, KVT, UOP4	5f109	22	Y01Z, Y03A, Y03B
	01	B02A, B02B, B02C, B02D, B20A, B20B, B20C, B20D, B20E, B20F, B39A, B39B		03	D09Z, D30A, D30B, D35Z, D39Z		03	D09Z, D30A, D30B, D35Z, D39Z
5d307.4↔		BOP, KVT, UOP4	5f102		BOP, KVT, UOP4	5f10a.0	09	J03A, J03B, J04A, J04B, J08A, J08B, J08C, J10A, J10B, J16Z
	01	B02A, B02B, B02C, B02D, B20A, B20B, B20C, B20D, B20E, B20F, B39A, B39B		09	J03A, J03B, J04A, J04B, J08A, J08B, J08C, J10A, J10B, J16Z		09	J03A, J03B, J04A, J04B, J08A, J08B, J08C, J10A, J10B, J16Z
5d307.5↔		BOP, KVT, UOP4	5f103		BOP, KVT, UOP4	5f10a.1	21A	W04A, W04B
	01	B02A, B02B, B02C, B02D, B20A, B20B, B20C, B20D, B20E, B20F, B39A, B39B		01	B03A, B03B, B06A, B06B, B07Z, B17A, B17B, B17C		21B	X06A, X06B, X06C
5d307.6↔		BOP, KVT, UOP4	5f104		BOP, KVT, UOP4	5f10b.1	22	Y01Z, Y03A, Y03B
	01	B02A, B02B, B02C, B02D, B20A, B20B, B20C, B20D, B20E, B20F, B39A, B39B		03	D09Z, D30A, D30B, D35Z, D39Z		03	D09Z, D30A, D30B, D38Z
5d400↔		BOP, KVT, UOP4	5f105		BOP, KVT, UOP4	5f10b.2	04	E02A, E02B, E02C, E02D, E07Z
	03	D06A, D06B, D06C		03	D09Z, D30A, D30B, D35Z, D39Z		21A	W04A, W04B
5d401↔		BOP, KVT, UOP4	5f106		BOP, KVT, UOP4	5f10b.1	21B	X06A, X06B, X06C
	03	D06A, D06B, D06C		09	J03A, J03B, J04A, J04B, J08A, J08B, J08C, J10A, J10B, J16Z		03	D09Z, D30A, D30B, D39Z
5d402↔		BOP, KVT, UOP4	5f107		BOP, KVT, UOP4	5f10b.2	21A	W04A, W04B
	03	D06A, D06B, D06C		09	J03A, J03B, J04A, J04B, J08A, J08B, J08C, J10A, J10B, J16Z		21B	X06A, X06B, X06C
5d403↔		BOP, KVT, UOP4	5f108		BOP, KVT, UOP4	5f10b.2	21B	X06A, X06B, X06C
	01	B02A, B02B, B02C, B02D, B20A, B20B, B20C, B20D, B20E, B20F, B39A, B39B		03	D09Z, D30A, D30B, D35Z, D39Z		03	D09Z, D30A, D30B, D38Z
	03	D09Z, D30A		09	J03A, J03B, J04A, J04B, J08A, J08B, J08C, J10A, J10B, J16Z	21A	W04A, W04B	
				21A	W04A, W04B	21B	X06A, X06B, X06C	
				21B	X06A, X06B, X06C			
				22	Y01Z, Y03A, Y03B			

ZZV	MDC	DRG	ZZV	MDC	DRG	ZZV	MDC	DRG	
5f110		BOP, KVT, UOP4	5f116		BOP, KVT, UOP4	5f11c.0		BOP, KVT, UOP4	
	03	D35Z, D38Z		03	D35Z, D38Z		03	D35Z, D38Z	
	08	I28A, I28B, I28C		08	I28A, I28B, I28C		08	I28A, I28B, I28C	
	09	J03A, J03B, J04A, J04B, J08A, J08B, J08C, J10A, J10B, J16Z		09	J03A, J03B, J04A, J04B, J08A, J08B, J08C, J10A, J10B, J16Z		09	J03A, J03B, J04A, J04B, J08A, J08B, J08C, J10A, J10B, J16Z	
	21A	W04A, W04B		21A	W04A, W04B		21A	W04A, W04B	
	21B	X06A, X06B, X06C		21B	X06A, X06B, X06C		21B	X06A, X06B, X06C	
5f111	22	Y01Z, Y03A, Y03B	5f117	22	Y01Z, Y03A, Y03B	5f11c.1	22	Y01Z, Y03A, Y03B	
		BOP, KVT, UOP4			BOP, KVT, UOP4			BOP, KVT, UOP4	
	03	D35Z, D38Z		03	D35Z, D38Z		03	D35Z, D38Z	
	08	I28A, I28B, I28C		08	I28A, I28B, I28C		08	I28A, I28B, I28C	
	09	J03A, J03B, J04A, J04B, J08A, J08B, J08C, J10A, J10B, J16Z		09	J03A, J03B, J04A, J04B, J08A, J08B, J08C, J10A, J10B, J16Z		09	J03A, J03B, J04A, J04B, J08A, J08B, J08C, J10A, J10B, J16Z	
	21A	W04A, W04B		21A	W04A, W04B		21A	W04A, W04B	
5f112.0	21B	X06A, X06B, X06C	5f118↔	21B	X06A, X06B, X06C	5f11d	21B	X06A, X06B, X06C	
	22	Y01Z, Y03A, Y03B		22	Y01Z, Y03A, Y03B		22	Y01Z, Y03A, Y03B	
		BOP, KVT, UOP4			BOP, KVT, UOP4			BOP, KVT, UOP4	
	03	D35Z, D38Z		03	D35Z, D38Z		03	D09Z, D30A, D30B, D39Z	
	08	I28A, I28B, I28C		08	I28A, I28B, I28C		21A	W04A, W04B	
	09	J03A, J03B, J04A, J04B, J08A, J08B, J08C, J10A, J10B, J16Z		09	J03A, J03B, J04A, J04B, J08A, J08B, J08C, J10A, J10B, J16Z		21B	X06A, X06B, X06C	
5f112.1	21A	W04A, W04B	5f119.1	21A	W04A, W04B	5f11e	03	D39Z	
	21B	X06A, X06B, X06C		21B	X06A, X06B, X06C		21A	W04A, W04B	
	22	Y01Z, Y03A, Y03B		22	Y01Z, Y03A, Y03B		21B	X06A, X06B, X06C	
		BOP, KVT, UOP4			BOP, KVT, UOP4		5f121.0	03	D12A, D12B
	03	D35Z, D38Z		03	D35Z, D38Z		08	I17Z	
	08	I28A, I28B, I28C		08	I28A, I28B, I28C		09	J03A, J03B, J04A, J04B, J08A, J08B, J08C, J11A, J11B, J16Z	
5f113	09	J03A, J03B, J04A, J04B, J08A, J08B, J08C, J10A, J10B, J16Z	5f119.x	09	J03A, J03B, J04A, J04B, J08A, J08B, J08C, J10A, J10B, J16Z	5f190	21A	W04A, W04B	
	21A	W04A, W04B		21A	W04A, W04B		21B	X06A, X06B, X06C	
	21B	X06A, X06B, X06C		21B	X06A, X06B, X06C			BOP, KVT, UOP4	
	22	Y01Z, Y03A, Y03B		22	Y01Z, Y03A, Y03B		03	D09Z, D30A, D30B, D39Z	
		BOP, KVT, UOP4			BOP, KVT, UOP4		21A	W04A, W04B	
	03	D35Z, D38Z		03	D35Z, D38Z		21B	X06A, X06B, X06C	
5f114	08	I28A, I28B, I28C	5f11b.0↔	08	I28A, I28B, I28C	5f193	03	BOP, KVT, UOP4	
	09	J03A, J03B, J04A, J04B, J08A, J08B, J08C, J10A, J10B, J16Z		09	J03A, J03B, J04A, J04B, J08A, J08B, J08C, J10A, J10B, J16Z		03	D03Z, D12A, D38Z	
	21A	W04A, W04B		21A	W04A, W04B		04	E02A, E02B, E02C, E07Z	
	21B	X06A, X06B, X06C		21B	X06A, X06B, X06C		21A	W04A, W04B	
	22	Y01Z, Y03A, Y03B		22	Y01Z, Y03A, Y03B		21B	X06A, X06B, X06C	
		BOP, KVT, UOP4			BOP, KVT, UOP4		5f195	BOP, KVT, UOP4	
5f115↔	03	D35Z, D38Z	5f11b.1↔	03	D35Z, D38Z	5f197.1↔	03	D09Z, D30A, D30B, D39Z	
	08	I28A, I28B, I28C		08	I28A, I28B, I28C		09	J03A, J03B, J04A, J04B, J08A, J08B, J08C, J10A, J10B, J16Z	
	09	J03A, J03B, J04A, J04B, J08A, J08B, J08C, J10A, J10B, J16Z		09	J03A, J03B, J04A, J04B, J08A, J08B, J08C, J10A, J10B, J16Z		21A	W04A, W04B	
	21A	W04A, W04B		21A	W04A, W04B		21B	X06A, X06B, X06C	
	21B	X06A, X06B, X06C		21B	X06A, X06B, X06C		22	Y01Z, Y03A, Y03B	
	22	Y01Z, Y03A, Y03B		22	Y01Z, Y03A, Y03B		03	D38Z	
5f116↔		BOP, KVT, UOP4	5f119		BOP, KVT, UOP4	5f197.x	04	E02A, E02B, E02C, E02D, E07Z	
	03	D35Z, D38Z		03	D35Z, D38Z		21A	W04A, W04B	
	08	I28A, I28B, I28C		08	I28A, I28B, I28C		21B	X06A, X06B, X06C	
	09	J03A, J03B, J04A, J04B, J08A, J08B, J08C, J10A, J10B, J16Z		09	J03A, J03B, J04A, J04B, J08A, J08B, J08C, J10A, J10B, J16Z		03	D38Z	
	21A	W04A, W04B		21A	W04A, W04B		04	E02A, E02B, E02C, E02D, E07Z	
	21B	X06A, X06B, X06C		21B	X06A, X06B, X06C		21A	W04A, W04B	
5f117↔	22	Y01Z, Y03A, Y03B	5f119	22	Y01Z, Y03A, Y03B	5f198	21B	X06A, X06B, X06C	
		BOP, KVT, UOP4			BOP, KVT, UOP4			BOP, KVT, UOP4	
	03	D35Z, D38Z		03	D35Z, D38Z		03	D12A, D12B	
	08	I28A, I28B, I28C		08	I28A, I28B, I28C		05	F21A, F21B, F21C	
	09	J03A, J03B, J04A, J04B, J08A, J08B, J08C, J10A, J10B, J16Z		09	J03A, J03B, J04A, J04B, J08A, J08B, J08C, J10A, J10B, J16Z		21A	W04A, W04B	
	21A	W04A, W04B		21A	W04A, W04B		21B	X06A, X06B, X06C	
5f118↔	21B	X06A, X06B, X06C	5f119	21B	X06A, X06B, X06C	5f199		BOP, KVT, UOP4	
	22	Y01Z, Y03A, Y03B		22	Y01Z, Y03A, Y03B		03	D12A, D12B	
		BOP, KVT, UOP4			BOP, KVT, UOP4		05	F21A, F21B, F21C	
	03	D35Z, D38Z		03	D35Z, D38Z		21A	W04A, W04B	
	08	I28A, I28B, I28C		08	I28A, I28B, I28C		21B	X06A, X06B, X06C	
	09	J03A, J03B, J04A, J04B, J08A, J08B, J08C, J10A, J10B, J16Z		09	J03A, J03B, J04A, J04B, J08A, J08B, J08C, J10A, J10B, J16Z				

VYK

ZZV	MDC	DRG	ZZV	MDC	DRG	ZZV	MDC	DRG			
5f200		BOP, KVT, UOP4	5f207.1	03	D38Z	5f291		BOP, KVT, UOP4			
	03	D35Z, D37A, D37B		04	E02A, E02B, E02C, E02D, E07Z		03	D09Z, D30A, D30B, D39Z			
	04	E02A, E02B, E02C, E02D, E07Z		08	I28A, I28B		09	J03A, J03B, J04A, J04B, J08A, J08B, J08C, J10A, J10B, J16Z			
	08	I28A, I28B, I28C		09	J03A, J03B, J04A, J04B, J08A, J08B, J08C, J10A, J10B, J16Z		21A	W04A, W04B			
	09	J03A, J03B, J04A, J04B, J08A, J08B, J08C, J10A, J10B, J16Z		21A	W04A, W04B		21B	X06A, X06B, X06C			
	21A	W04A, W04B		21B	X06A, X06B, X06C		22	Y01Z, Y03A, Y03B			
	21B	X06A, X06B, X06C		22	Y01Z, Y03A, Y03B		5f301	BOP, KVT, UOP4			
	22	Y01Z, Y03A, Y03B		03	D38Z			01	B02A, B02B, B02C, B02D, B20A, B20B, B20C, B20D, B20E, B20F, B39A, B39B		
	5f201			BOP, KVT, UOP4	5f207.2		04	E02A, E02B, E02C, E02D, E07Z	5f302		BOP, KVT, UOP4
		03		D35Z, D37A, D37B			08	I28A, I28B		01	B09A, B09B
04		E02A, E02B, E02C, E02D, E07Z	09	J03A, J03B, J04A, J04B, J08A, J08B, J08C, J10A, J10B, J16Z		03	D06A, D06B, D06C				
08		I28A, I28B, I28C	21A	W04A, W04B		BOP, KVT, UOP4					
09		J03A, J03B, J04A, J04B, J08A, J08B, J08C, J10A, J10B, J16Z	21B	X06A, X06B, X06C		01	B09A, B09B				
21A		W04A, W04B	22	Y01Z, Y03A, Y03B		03	D06A, D06B, D06C				
21B		X06A, X06B, X06C	03	D38Z		5f303	BOP, KVT, UOP4				
22		Y01Z, Y03A, Y03B	04	E02A, E02B, E02C, E02D, E07Z		01	B09A, B09B				
5f202			BOP, KVT, UOP4	5f207.x		08	I28A, I28B	5f304			BOP, KVT, UOP4
		03	D35Z, D37A, D37B			09	J03A, J03B, J04A, J04B, J08A, J08B, J08C, J10A, J10B, J16Z			01	B09A, B09B
	04	E02A, E02B, E02C, E02D, E07Z	21A		W04A, W04B	03	D06A, D06B, D06C				
	08	I28A, I28B, I28C	21B		X06A, X06B, X06C	BOP, KVT, UOP4					
	09	J03A, J03B, J04A, J04B, J08A, J08B, J08C, J10A, J10B, J16Z	22		Y01Z, Y03A, Y03B	01	B09A, B09B				
	21A	W04A, W04B	03		D38Z	03	D06A, D06B, D06C				
	21B	X06A, X06B, X06C	04		E02A, E02B, E02C, E02D, E07Z	5f305	D09Z, D30A, D30B, D38Z				
	22	Y01Z, Y03A, Y03B	08		I28A, I28B	04	E02A, E02B, E02C, E02D, E07Z				
	5f203		BOP, KVT, UOP4		5f209	09	J03A, J03B, J04A, J04B, J08A, J08B, J08C, J10A, J10B, J16Z		5f306		BOP, KVT, UOP4
		03	D35Z, D37A, D37B			21A	W04A, W04B			21A	W04A, W04B
04		E02A, E02B, E02C, E02D, E07Z	21B	X06A, X06B, X06C		21B	X06A, X06B, X06C				
08		I28A, I28B, I28C	22	Y01Z, Y03A, Y03B		03	D09Z, D30A, D30B, D38Z				
09		J03A, J03B, J04A, J04B, J08A, J08B, J08C, J10A, J10B, J16Z	03	D09Z, D30A, D30B, D38Z		04	E02A, E02B, E02C, E02D, E07Z				
21A		W04A, W04B	04	E02A, E02B, E02C, E02D, E07Z		21A	W04A, W04B				
21B		X06A, X06B, X06C	08	I28A, I28B		21B	X06A, X06B, X06C				
22		Y01Z, Y03A, Y03B	09	J03A, J03B, J04A, J04B, J08A, J08B, J08C, J10A, J10B, J16Z		03	D09Z, D30A, D30B, D38Z				
5f204			BOP, KVT, UOP4	5f20a		21A	W04A, W04B	5f307.1			BOP, KOP, KOPV, KVT, UOP4
		03	D35Z, D37A, D37B			21B	X06A, X06B, X06C			01	B02A, B02B, B02C, B13Z, B20A, B20B, B20C, B20D, B20E, B39A, B39B
	04	E02A, E02B, E02C, E02D, E07Z	03		D38Z	02	C01A				
	08	I28A, I28B	04		E02A, E02B, E02C, E02D, E07Z	03	D18Z, D25A, D25B, D25C, D25D				
	09	J03A, J03B, J04A, J04B, J08A, J08B, J08C, J10A, J10B, J16Z	08		I28A, I28B	06	G33Z				
	21A	W04A, W04B	09		J03A, J03B, J04A, J04B, J08A, J08B, J08C, J10A, J10B, J16Z	07	H33Z, H38Z				
	21B	X06A, X06B, X06C	21A		W04A, W04B	09	J08A, J08B, J08C				
	22	Y01Z, Y03A, Y03B	21B		X06A, X06B, X06C	11	L33Z				
	5f205		BOP, KVT, UOP4		5f210	22	Y01Z, Y03A, Y03B		5f307.2		BOP, KVT, UOP4
		03	D35Z, D37A, D37B			03	D12A, D12B			17	R01A, R01B, R01C, R01D, R02Z, R12A, R12B, R12C
04		E02A, E02B, E02C, E02D, E07Z	08	I17Z		21B	X06A, X06B, X06C, X33Z				
08		I28A, I28B	09	J03A, J03B, J04A, J04B, J08A, J08B, J08C, J11A, J11B, J16Z		23	Z01A				
09		J03A, J03B, J04A, J04B, J08A, J08B, J08C, J10A, J10B, J16Z	21A	W04A, W04B		Pre	A07A, A09B, A11A, A11B, A13B				
21A		W04A, W04B	21B	X06A, X06B, X06C		5f307.2	BOP, KVT, UOP4				
21B		X06A, X06B, X06C	03	D18Z, D28Z, D29Z		01	B09A, B09B				
22		Y01Z, Y03A, Y03B	08	I17Z		03	D06A, D06B, D06C, D35Z, D36Z				
5f206			BOP, KVT, UOP4	5f211		09	J03A, J03B, J04A, J04B, J08A, J08B, J08C, J11A, J11B, J16Z	5f307.3			BOP, KVT, UOP4
		03	D35Z, D37A, D37B			21A	W04A, W04B			08	I15A, I15B
	04	E02A, E02B, E02C, E02D, E07Z	21B		X06A, X06B, X06C	21A	W01A, W01B, W01C, W36Z				
	08	I28A, I28B	22		Y01Z, Y03A, Y03B	21B	X06A, X06B, X06C				
	09	J03A, J03B, J04A, J04B, J08A, J08B, J08C, J10A, J10B, J16Z	21A		W04A, W04B	BOP, KVT, UOP4					
	21A	W04A, W04B	21B		X06A, X06B, X06C	01	B09A, B09B				
	21B	X06A, X06B, X06C	03		D09Z, D30A, D30B, D35Z, D38Z	03	D06A, D06B, D06C, D35Z, D36Z				
	22	Y01Z, Y03A, Y03B	09		J03A, J03B, J04A, J04B, J08A, J08B, J08C, J10A, J10B, J16Z	08	I15A, I15B				
	5f207		BOP, KVT, UOP4		5f290	21A	W04A, W04B		5f307.3		BOP, KVT, UOP4
		03	D35Z, D37A, D37B			21B	X06A, X06B, X06C			21A	W01A, W01B, W01C, W36Z
04		E02A, E02B, E02C, E02D, E07Z	22	Y01Z, Y03A, Y03B		21B	X06A, X06B, X06C				
08		I28A, I28B				01	B09A, B09B				
09		J03A, J03B, J04A, J04B, J08A, J08B, J08C, J10A, J10B, J16Z				03	D06A, D06B, D06C, D35Z, D36Z				
21A		W04A, W04B				08	I15A, I15B				
21B		X06A, X06B, X06C				21A	W01A, W01B, W01C, W36Z				
22		Y01Z, Y03A, Y03B				21B	X06A, X06B, X06C				



ZZV	MDC	DRG	ZZV	MDC	DRG	ZZV	MDC	DRG
5f307.4		BOP, KVT, UOP4	5f321		BOP, KVT, UOP4	5g204.0	03	D08A, D08B, D18Z, D22A, D22B, D30A, D30B
	01	B09A, B09B		01	B09A, B09B		21A	W04A, W04B
	03	D06A, D06B, D06C, D35Z, D36Z		03	D06A, D06B, D06C		21B	X06A, X06B, X06C
	08	I15A, I15B	5f322		BOP, KVT, UOP4	5g204.1	03	D08A, D08B, D18Z, D22A, D22B, D30A, D30B
	21A	W01A, W01B, W01C, W36Z		01	B09A, B09B		21A	W04A, W04B
	21B	X06A, X06B, X06C		03	D06A, D06B, D06C		21B	X06A, X06B, X06C
5f307.5		BOP, KVT, UOP4	5f324		BOP, KVT, UOP4	5g206	03	D08A, D08B, D18Z, D22A, D22B, D30A, D30B
	03	D06A, D06B, D06C		01	B09A, B09B		21A	W04A, W04B
5f307.6		BOP, KVT, UOP4		03	D06A, D06B, D06C		21B	X06A, X06B, X06C
	03	D06A, D06B, D06C	5f325		BOP, KVT, UOP4	5g207	03	D08A, D08B, D18Z, D22A, D22B, D30A, D30B
5f308.1		BOP, KVT, UOP4		01	B09A, B09B		21A	W04A, W04B
	01	B09A, B09B		03	D06A, D06B, D06C		21B	X06A, X06B, X06C
	03	D06A, D06B, D06C	5f331		BOP, KVT, UOP4	5g208.0	03	D08A, D08B, D18Z, D22A, D22B, D30A, D30B
5f308.x		BOP, KVT, UOP4		01	B09A, B09B		21A	W04A, W04B
	01	B09A, B09B		03	D06A, D06B, D06C, D36Z		21B	X06A, X06B, X06C
	03	D06A, D06B, D06C	5f332		BOP, KVT, UOP4	5g208.1	03	D08A, D08B, D18Z, D22A, D22B, D30A, D30B
5f309		BOP, KVT, UOP4		01	B09A, B09B		21A	W04A, W04B
	01	B09A, B09B		03	D06A, D06B, D06C		21B	X06A, X06B, X06C
	03	D06A, D06B, D06C	5f333		BOP, KVT, UOP4	5g208.2	03	D08A, D08B, D18Z, D22A, D22B, D30A, D30B
5f30a.1		BOP, KOP, KOPV, KVT, UOP4		01	B09A, B09B		21A	W04A, W04B
	01	B02A, B02B, B02C, B20A, B20B, B20C, B20D, B20E, B39A, B39B	5f390		BOP, KVT, UOP4	5g209.1	03	D08A, D08B, D18Z, D22A, D22B, D30A, D30B
	02	C01A		03	D06A, D06B, D06C, D36Z		21A	W04A, W04B
	06	G01Z, G02Z, G33Z, G38Z	5g103‡		X06A, X06B, X06C		21B	X06A, X06B, X06C
	07	H33Z, H38Z	5g104‡		D40Z		21A	W04A, W04B
	11	L33Z	5g105‡		D40Z		21B	X06A, X06B, X06C
	21A	W01A, W01B, W01C, W36Z	5g106		BOP, KVT, UOP4	5g209.2	03	D08A, D08B, D18Z, D22A, D22B, D30A, D30B
	21B	X06A, X06B, X06C		03	D13Z		21A	W04A, W04B
	23	Z01A		21A	W04A, W04B		21B	X06A, X06B, X06C
	Pre	A07A, A11A, A13A, A13B, A13D	5g10b		X06A, X06B, X06C	5g209.2	03	D08A, D08B, D18Z, D22A, D22B, D30A, D30B
		BOP, KOP, KOPV, KVT, UOP4		03	D08A, D08B, D18Z, D22A, D22B, D30A, D30B		21A	W04A, W04B
5f30a.2		BOP, KOP, KOPV, KVT, UOP4		09	J03A, J03B, J04A, J04B, J08A, J08B, J08C, J11A, J11B, J16Z	5g20e	03	D08A, D08B, D18Z, D22A, D22B, D30A, D30B
	01	B02A, B02B, B02C, B20A, B20B, B20C, B20D, B20E, B39A, B39B		21A	W04A, W04B		09	J03A, J03B, J04A, J04B, J08A, J08B, J08C, J11A, J11B, J16Z
	02	C01A		21B	X06A, X06B, X06C		21A	W04A, W04B
	06	G01Z, G02Z, G33Z, G38Z		22	Y01Z, Y03A, Y03B		21B	X06A, X06B, X06C
	07	H33Z, H38Z	5g110.0‡		D40Z		22	Y01Z, Y03A, Y03B
	11	L33Z	5g110.1‡		D40Z	5g20g.1	03	D13Z
	21A	W01A, W01B, W01C, W36Z	5g111‡		D40Z		09	J03A, J03B, J04A, J04B, J08A, J08B, J08C, J11A, J11B, J16Z
	21B	X06A, X06B, X06C	5g200		D13Z		21A	W04A, W04B
	23	Z01A		09	J03A, J03B, J04A, J04B, J08A, J08B, J08C, J11A, J11B, J16Z		21B	X06A, X06B, X06C
	Pre	A07A, A11A, A13A, A13B, A13D		21A	W04A, W04B	5g20g.x	03	D13Z
5f30b.1↔		BOP, KVT, UOP4		21B	X06A, X06B, X06C		09	J03A, J03B, J04A, J04B, J08A, J08B, J08C, J11A, J11B, J16Z
	01	B02A, B02B, B02C, B02D, B20A, B20B, B20C, B20D, B20E, B20F, B39A, B39B	5g201.1		D13Z		21A	W04A, W04B
	03	D06A, D06B, D06C, D36Z		03	D13Z		21B	X06A, X06B, X06C
5f30b.2↔		BOP, KVT, UOP4		09	J03A, J03B, J04A, J04B, J08A, J08B, J08C, J11A, J11B, J16Z	5g20g.x	22	Y01Z, Y03A, Y03B
	01	B02A, B02B, B02C, B02D, B20A, B20B, B20C, B20D, B20E, B20F, B39A, B39B		21A	W04A, W04B		03	D13Z
	03	D06A, D06B, D06C	5g201.2		X06A, X06B, X06C		09	J03A, J03B, J04A, J04B, J08A, J08B, J08C, J11A, J11B, J16Z
5f30c.1		BOP, KVT, UOP4		03	D13Z	5g20h.1	21A	W04A, W04B
	01	B09A, B09B		09	J03A, J03B, J04A, J04B, J08A, J08B, J08C, J11A, J11B, J16Z		21B	X06A, X06B, X06C
	03	D06A, D06B, D06C		21A	W04A, W04B		22	Y01Z, Y03A, Y03B
5f30c.2		BOP, KVT, UOP4		21B	X06A, X06B, X06C		03	D13Z
	01	B09A, B09B	5g203		D08A, D08B, D18Z, D22A, D22B, D30A, D30B		09	J03A, J03B, J04A, J04B, J08A, J08B, J08C, J11A, J11B, J16Z
	03	D06A, D06B, D06C		21A	W04A, W04B		21A	W04A, W04B
5f30c.3		BOP, KVT, UOP4		21B	X06A, X06B, X06C		21B	X06A, X06B, X06C
	01	B09A, B09B		21B	X06A, X06B, X06C		22	Y01Z, Y03A, Y03B
	03	D06A, D06B, D06C						
5f320		BOP, KVT, UOP4						
	01	B09A, B09B						
	03	D06A, D06B, D06C						

VYK

ZZV	MDC	DRG	ZZV	MDC	DRG	ZZV	MDC	DRG
5g20h.x		BOP, KVT, UOP4	5g220.0		BOP, KVT, UOP4	5g225↔		BOP, KVT, UOP4
	03	D13Z		03	D08A, D08B, D18Z, D22A, D22B, D30A, D30B		03	D08A, D08B, D18Z, D22A, D22B, D30A, D30B
	09	J03A, J03B, J04A, J04B, J08A, J08B, J08C, J11A, J11B, J16Z		09	J03A, J03B, J04A, J04B, J08A, J08B, J08C, J11A, J11B, J16Z		09	J03A, J03B, J04A, J04B, J08A, J08B, J08C, J11A, J11B, J16Z
	21A	W04A, W04B		21A	W04A, W04B		21A	W04A, W04B
	21B	X06A, X06B, X06C		21B	X06A, X06B, X06C		21B	X06A, X06B, X06C
5g20k	22	Y01Z, Y03A, Y03B	5g220.1	22	Y01Z, Y03A, Y03B	5g226↔	22	Y01Z, Y03A, Y03B
		BOP, KVT, UOP4			BOP, KVT, UOP4			BOP, KVT, UOP4
	03	D13Z		03	D08A, D08B, D18Z, D22A, D22B, D30A, D30B		03	D08A, D08B, D18Z, D22A, D22B, D30A, D30B
	09	J03A, J03B, J04A, J04B, J08A, J08B, J08C, J11A, J11B, J16Z		09	J03A, J03B, J04A, J04B, J08A, J08B, J08C, J11A, J11B, J16Z		09	J03A, J03B, J04A, J04B, J08A, J08B, J08C, J11A, J11B, J16Z
5g20m.0	21A	W04A, W04B	5g220.2	21A	W04A, W04B	5g227	21A	W04A, W04B
	21B	X06A, X06B, X06C		21B	X06A, X06B, X06C		21B	X06A, X06B, X06C
	22	Y01Z, Y03A, Y03B		22	Y01Z, Y03A, Y03B		22	Y01Z, Y03A, Y03B
		BOP, KVT, UOP4			BOP, KVT, UOP4			BOP, KVT, UOP4
5g20m.1	03	D13Z	5g222.2	03	D08A, D08B, D18Z, D22A, D22B, D30A, D30B	5g228	03	D13Z
	09	J03A, J03B, J04A, J04B, J08A, J08B, J08C, J11A, J11B, J16Z		09	J03A, J03B, J04A, J04B, J08A, J08B, J08C, J11A, J11B, J16Z		09	J03A, J03B, J04A, J04B, J08A, J08B, J08C, J11A, J11B, J16Z
	21A	W04A, W04B		21A	W04A, W04B		21A	W04A, W04B
	21B	X06A, X06B, X06C		21B	X06A, X06B, X06C		21B	X06A, X06B, X06C
5g20m.2	22	Y01Z, Y03A, Y03B	5g222.3	22	Y01Z, Y03A, Y03B	5g229.1	22	Y01Z, Y03A, Y03B
		BOP, KVT, UOP4			BOP, KVT, UOP4			BOP, KVT, UOP4
	03	D13Z		03	D08A, D08B, D18Z, D22A, D22B, D30A, D30B		03	D13Z
	09	J03A, J03B, J04A, J04B, J08A, J08B, J08C, J11A, J11B, J16Z		09	J03A, J03B, J04A, J04B, J08A, J08B, J08C, J11A, J11B, J16Z		09	J03A, J03B, J04A, J04B, J08A, J08B, J08C, J11A, J11B, J16Z
5g20m.3	21A	W04A, W04B	5g223	21A	W04A, W04B	5g229.2	21A	W04A, W04B
	21B	X06A, X06B, X06C		21B	X06A, X06B, X06C		21B	X06A, X06B, X06C
	22	Y01Z, Y03A, Y03B		22	Y01Z, Y03A, Y03B		22	Y01Z, Y03A, Y03B
		BOP, KVT, UOP4			BOP, KVT, UOP4			BOP, KVT, UOP4
5g20n	03	D13Z	5g224	03	D13Z, D22A	5g22a	03	D13Z
	09	J03A, J03B, J04A, J04B, J08A, J08B, J08C, J11A, J11B, J16Z		09	J03A, J03B, J04A, J04B, J08A, J08B, J08C, J11A, J11B, J16Z		09	J03A, J03B, J04A, J04B, J08A, J08B, J08C, J11A, J11B, J16Z
	21A	W04A, W04B		21A	W04A, W04B		21A	W04A, W04B
	21B	X06A, X06B, X06C		21B	X06A, X06B, X06C		21B	X06A, X06B, X06C
5g210	22	Y01Z, Y03A, Y03B	5g224	22	Y01Z, Y03A, Y03B	5g22a	22	Y01Z, Y03A, Y03B
		BOP, KVT, UOP4			BOP, KVT, UOP4			BOP, KVT, UOP4
5g211	03	D13Z	5g224	03	D08A, D08B, D18Z, D22A, D22B, D30A, D30B	5g22a	03	D13Z
	09	J03A, J03B, J04A, J04B, J08A, J08B, J08C, J11A, J11B, J16Z		09	J03A, J03B, J04A, J04B, J08A, J08B, J08C, J11A, J11B, J16Z		09	J03A, J03B, J04A, J04B, J08A, J08B, J08C, J11A, J11B, J16Z
5g212.0	21A	W04A, W04B	5g224	21A	W04A, W04B	5g22a	21A	W04A, W04B
	21B	X06A, X06B, X06C		21B	X06A, X06B, X06C		21B	X06A, X06B, X06C
5g212.1	22	Y01Z, Y03A, Y03B	5g224	22	Y01Z, Y03A, Y03B	5g22a	22	Y01Z, Y03A, Y03B
		BOP, KVT, UOP4			BOP, KVT, UOP4			BOP, KVT, UOP4
5g212.2	03	D13Z	5g224	03	D08A, D08B, D18Z, D22A, D22B, D30A, D30B	5g22b	03	D13Z
	09	J03A, J03B, J04A, J04B, J08A, J08B, J08C, J11A, J11B, J16Z		09	J03A, J03B, J04A, J04B, J08A, J08B, J08C, J11A, J11B, J16Z		09	J03A, J03B, J04A, J04B, J08A, J08B, J08C, J11A, J11B, J16Z
5g213	21A	W04A, W04B	5g224	21A	W04A, W04B	5g22b	21A	W04A, W04B
	21B	X06A, X06B, X06C		21B	X06A, X06B, X06C		21B	X06A, X06B, X06C
5g213	22	Y01Z, Y03A, Y03B	5g224	22	Y01Z, Y03A, Y03B	5g22b	22	Y01Z, Y03A, Y03B
		BOP, KVT, UOP4			BOP, KVT, UOP4			BOP, KVT, UOP4
5g213	03	D18Z, D25A, D25B, D25C, D25D	5g224	03	D08A, D08B, D18Z, D22A, D22B, D30A, D30B	5g22b	03	D13Z
	09	J08A, J08B		09	J03A, J03B, J04A, J04B, J08A, J08B, J08C, J11A, J11B, J16Z		09	J03A, J03B, J04A, J04B, J08A, J08B, J08C, J11A, J11B, J16Z

VYK

ZZV	MDC	DRG	ZZV	MDC	DRG	ZZV	MDC	DRG
5g22c		BOP, KVT, UOP4	5g305		BOP, KVT, UOP4	5g513↔		BOP, KVT, UOP4
	03	D13Z		03	D18Z, D25A, D25B, D25C, D25D		03	D03Z, D12A
	09	J03A, J03B, J04A, J04B, J08A, J08B, J08C, J11A, J11B, J16Z		09	J08A, J08B, J08C		09	J03A, J03B, J04A, J04B, J08A, J08B, J08C, J11A, J11B, J16Z
	21A	W04A, W04B	5g306		BOP, KVT, UOP4		21A	W04A, W04B
	21B	X06A, X06B, X06C		03	D18Z, D25A, D25B, D25C, D25D		21B	X06A, X06B, X06C
	22	Y01Z, Y03A, Y03B		09	J08A, J08B, J08C	5g514		BOP, KVT, UOP4
5g22d.1		BOP, KVT, UOP4	5g403↔		BOP, KVT, UOP4		03	D03Z, D12A
	03	D13Z		03	D06A, D06B, D06C		09	J03A, J03B, J04A, J04B, J08A, J08B, J08C, J11A, J11B, J16Z
	09	J03A, J03B, J04A, J04B, J08A, J08B, J08C, J11A, J11B, J16Z	5g404↔		BOP, KVT, UOP4		21A	W04A, W04B
	21A	W04A, W04B		03	D06A, D06B, D06C		21B	X06A, X06B, X06C
	21B	X06A, X06B, X06C	5g405↔		BOP, KVT, UOP4	5g515		BOP, KVT, UOP4
	22	Y01Z, Y03A, Y03B		03	D06A, D06B, D06C		03	D03Z, D12A
5g22d.2		BOP, KVT, UOP4	5g406↔		BOP, KVT, UOP4		09	J03A, J03B, J04A, J04B, J08A, J08B, J08C, J11A, J11B, J16Z
	03	D13Z		03	D06A, D06B, D06C		21A	W04A, W04B
	09	J03A, J03B, J04A, J04B, J08A, J08B, J08C, J11A, J11B, J16Z	5g407↔		BOP, KVT, UOP4		21B	X06A, X06B, X06C
	21A	W04A, W04B		03	D06A, D06B, D06C	5g516		BOP, KVT, UOP4
	21B	X06A, X06B, X06C	5g408↔		BOP, KVT, UOP4		03	D03Z, D12A
	22	Y01Z, Y03A, Y03B		03	D05A, D05B		09	J03A, J03B, J04A, J04B, J08A, J08B, J08C, J11A, J11B, J16Z
5g22d.3		BOP, KVT, UOP4	5g409↔		BOP, KVT, UOP4		21A	W04A, W04B
	03	D13Z		03	D05A, D05B		21B	X06A, X06B, X06C
	09	J03A, J03B, J04A, J04B, J08A, J08B, J08C, J11A, J11B, J16Z	5g40a↔		BOP, KVT, UOP4	5g517.11		BOP, KVT, UOP4
	21A	W04A, W04B		03	D05A, D05B		03	D03Z, D12A
	21B	X06A, X06B, X06C	5g40b↔		BOP, KVT, UOP4		09	J03A, J03B, J04A, J04B, J08A, J08B, J08C, J11A, J11B, J16Z
	22	Y01Z, Y03A, Y03B		03	D05A		21A	W04A, W04B
5g22e.1		BOP, KVT, UOP4	5g40c↔		BOP, KVT, UOP4		21B	X06A, X06B, X06C
	03	D13Z		03	D05A	5g517.12		BOP, KVT, UOP4
	09	J03A, J03B, J04A, J04B, J08A, J08B, J08C, J11A, J11B, J16Z	5g40d↔		BOP, KVT, UOP4		03	D03Z, D12A
	21A	W04A, W04B		03	D06A, D06B, D06C		09	J03A, J03B, J04A, J04B, J08A, J08B, J08C, J11A, J11B, J16Z
	21B	X06A, X06B, X06C	5g40e↔		BOP, KVT, UOP4		21A	W04A, W04B
	22	Y01Z, Y03A, Y03B		03	D06A, D06B, D06C		21B	X06A, X06B, X06C
5g22e.2		BOP, KVT, UOP4		21A	W04A, W04B	5g517.1x		BOP, KVT, UOP4
	03	D13Z	5g40f↔		BOP, KVT, UOP4		03	D03Z, D12A
	09	J03A, J03B, J04A, J04B, J08A, J08B, J08C, J11A, J11B, J16Z		03	D06A, D06B, D06C		09	J03A, J03B, J04A, J04B, J08A, J08B, J08C, J11A, J11B, J16Z
	21A	W04A, W04B	5g40g↔		BOP, KVT, UOP4		21A	W04A, W04B
	21B	X06A, X06B, X06C		21A	W04A, W04B		21B	X06A, X06B, X06C
	22	Y01Z, Y03A, Y03B		21B	X06A, X06B, X06C	5g517.21		BOP, KVT, UOP4
5g22f		BOP, KVT, UOP4		03	D06A, D06B, D06C		03	D03Z, D12A
	03	D13Z	5g40h		BOP, KVT, UOP4		09	J03A, J03B, J04A, J04B, J08A, J08B, J08C, J11A, J11B, J16Z
	09	J03A, J03B, J04A, J04B, J08A, J08B, J08C, J11A, J11B, J16Z		03	D06A, D06B, D06C		21A	W04A, W04B
	21A	W04A, W04B	5g40j		D06A, D06B, D06C		21B	X06A, X06B, X06C
	21B	X06A, X06B, X06C	5g40k		D06A, D06B, D06C	5g517.2x		BOP, KVT, UOP4
	22	Y01Z, Y03A, Y03B	5g40m		D06A, D06B, D06C		03	D03Z, D12A
5g300		BOP, KVT, UOP4	5g40n		D06A, D06B, D06C		09	J03A, J03B, J04A, J04B, J08A, J08B, J08C, J11A, J11B, J16Z
	03	D13Z	5g501†		D40Z		21A	W04A, W04B
	16	Q03A, Q03B	5g502†		D15A, D15B, D18Z		21B	X06A, X06B, X06C
5g301		D08A, D08B, D18Z, D22A, D22B, D30A, D30B		03	E02A, E02B, E02C	5g517.22		BOP, KVT, UOP4
	16	Q03A, Q03B	5g511		W01A, W01B, W01C, W36Z		03	D03Z, D12A
5g302		D08A, D08B, D18Z, D22A, D22B, D30A, D30B		03	BOP, KVT, UOP4		09	J03A, J03B, J04A, J04B, J08A, J08B, J08C, J11A, J11B, J16Z
	16	Q03A, Q03B		03	D03Z, D12A		21A	W04A, W04B
5g303		D08A, D08B, D18Z, D22A, D22B, D30A, D30B	5g512↔		BOP, KVT, UOP4		21B	X06A, X06B, X06C
	16	Q03A, Q03B		03	D03Z, D12A		03	D03Z, D12A
5g304		D08A, D08B, D18Z, D22A, D22B, D30A, D30B		09	J03A, J03B, J04A, J04B, J08A, J08B, J08C, J11A, J11B, J16Z		09	J03A, J03B, J04A, J04B, J08A, J08B, J08C, J11A, J11B, J16Z
	16	Q03A, Q03B		21A	W04A, W04B		21A	W04A, W04B
	03	D08A, D08B, D18Z, D22A, D22B, D30A, D30B		21B	X06A, X06B, X06C		21B	X06A, X06B, X06C
	16	Q03A, Q03B						

ZZV	MDC	DRG	ZZV	MDC	DRG	ZZV	MDC	DRG
5g90e.0		BOP, KVT, UOP4	5g912↔		BOP, KVT, UOP4	5g921.01		BOP, KVT, UOP4
	03	D03Z, D13Z		03	D03Z, D12A		03	D18Z, D25A, D25B, D25C, D25D
5g90e.2		BOP, KVT, UOP4		09	J03A, J03B, J04A, J04B, J08A, J08B, J08C, J11A, J11B, J16Z	5g921.02		J08A, J08B
	03	D03Z, D13Z					09	BOP, KVT, UOP4
5g90e.3		BOP, KVT, UOP4	5g913		BOP, KVT, UOP4		03	D18Z, D25A, D25B, D25C, D25D
	03	D03Z, D13Z		03	D08A, D08B, D18Z, D22A, D22B, D30A, D30B		09	J08A, J08B
5g90e.4		BOP, KVT, UOP4		09	J03A, J03B, J04A, J04B, J08A, J08B, J08C, J11A, J11B, J16Z	5g921.03		BOP, KVT, UOP4
	03	D03Z, D13Z		21A	W04A, W04B		03	D18Z, D25A, D25B, D25C, D25D
5g90k		BOP, KVT, UOP4		21B	X06A, X06B, X06C	5g921.04		J08A, J08B
	03	D03Z, D12A, D12B		22	Y01Z, Y03A, Y03B		03	BOP, KVT, UOP4
	04	E02A, E02B, E02C, E07Z					09	D18Z, D25A, D25B, D25C, D25D
	21A	W04A, W04B	5g914		BOP, KVT, UOP4	5g921.05		J08A, J08B
	21B	X06A, X06B, X06C		03	D08A, D08B, D18Z, D22A, D22B, D30A, D30B		03	BOP, KVT, UOP4
5g90m		BOP, KVT, UOP4		09	J03A, J03B, J04A, J04B, J08A, J08B, J08C, J11A, J11B, J16Z		09	D18Z, D25A, D25B, D25C, D25D
	03	D03Z, D12A, D12B		21A	W04A, W04B	5g921.10		J08A, J08B
	04	E02A, E02B, E02C, E07Z		21B	X06A, X06B, X06C		03	D08A, D08B, D18Z, D22A, D22B, D30A, D30B
	21A	W04A, W04B		22	Y01Z, Y03A, Y03B		16	Q03A, Q03B
	21B	X06A, X06B, X06C	5g915↔		BOP, KVT, UOP4	5g921.11		D08A, D08B, D18Z, D22A, D22B, D30A, D30B
5g90n		BOP, KVT, UOP4		03	D18Z, D25A, D25B, D25C, D25D		16	Q03A, Q03B
	03	D03Z, D12A, D12B		08	I06A, I06B, I06C, I06D, I06E	5g921.12		D08A, D08B, D18Z, D22A, D22B, D30A, D30B
	04	E02A, E02B, E02C, E07Z		09	J08A, J08B, J08C		16	Q03A, Q03B
	21A	W04A, W04B	5g916.0↔		BOP, KVT, UOP4	5g921.13		D08A, D08B, D18Z, D22A, D22B, D30A, D30B
	21B	X06A, X06B, X06C		03	D18Z, D25A, D25B, D25C, D25D		16	Q03A, Q03B
5g90o		BOP, KVT, UOP4		09	J08A, J08B	5g922.1		BOP, KVT, UOP4
	03	D03Z, D12A, D12B		03	D18Z, D25A, D25B, D25C, D25D		03	D09Z, D30A, D30B
	04	E02A, E02B, E02C, E07Z		09	J08A, J08B	5g922.2		W04A, W04B
	21A	W04A, W04B	5g916.1↔		BOP, KOP, KOPV, KVT, UOP4		21A	X06A, X06B, X06C
	21B	X06A, X06B, X06C		03	D02A, D02B	5g922.x		BOP, KVT, UOP4
5g90p		BOP, KVT, UOP4		06	G33Z		03	D09Z, D30A, D30B
	03	D03Z, D12A, D12B		07	H33Z, H38Z	5h101		W04A, W04B
	04	E02A, E02B, E02C, E07Z		09	J08A, J08B		21B	X06A, X06B, X06C
	21A	W04A, W04B		11	L33Z		03	BOP, KVT, UOP4
	21B	X06A, X06B, X06C	5g916.2↔		X33Z		21A	D09Z, D30A, D30B
5g90t		BOP, KVT, UOP4		23	Z01A		21B	W04A, W04B
	01	B03A, B03B, B06A, B06B, B07Z, B17A, B17B, B17C		Pre	A07A		21B	X06A, X06B, X06C
	08	I12A, I12B, I12C, I27A, I27B, I27C, I27D	5g918		BOP, KVT, UOP4		03	D09Z, D30A, D30B
	21A	W04A, W04B		03	D09Z, D30A, D30B		21A	W04A, W04B
	21B	X04Z, X05A, X05B, X06A, X06B, X06C		21A	W04A, W04B		21B	X06A, X06B, X06C
5g90u		BOP, KVT, UOP4		21B	X06A, X06B, X06C		03	BOP, KVT, UOP4
	01	B03A, B03B, B06A, B06B, B07Z, B17A, B17B, B17C	5g919.1		BOP, KVT, UOP4		03	D09Z, D30A, D30B
	08	I12A, I12B, I12C, I27A, I27B, I27C, I27D		03	D03Z, D12A	5h102		W04A, W04B
	21A	W04A, W04B		09	J03A, J03B, J04A, J04B, J08A, J08B, J08C, J11A, J11B, J16Z		21A	X06A, X06B, X06C
	21B	X04Z, X05A, X05B, X06A, X06B, X06C					21B	X06A, X06B, X06C
5g90v		BOP, KVT, UOP4	5g919.2		BOP, KVT, UOP4		03	D12A, D12B
	01	B03A, B03B, B06A, B06B, B07Z, B17A, B17B, B17C		03	D03Z, D12A		06	G15Z, G19A, G19B, G33Z, G38Z
	03	D12A		09	J03A, J03B, J04A, J04B, J08A, J08B, J08C, J11A, J11B, J16Z	5h103.01		H33Z, H38Z
	05	F21A, F21B, F21C, F27A, F27B, F27C					11	L33Z
	08	I08A, I08B, I08C, I08D, I08E, I12A, I12B, I12C, I13A, I13B, I32A, I32B, I32C, I32D	5g919.4		BOP, KVT, UOP4		Pre	A07A
	09	J02A, J02B, J02C, J04A, J04B, J08A, J08B, J08C, J16Z, J21Z, J22A, J22B		03	D03Z, D12A		03	D12A, D12B
	10	K01Z		09	J03A, J03B, J04A, J04B, J08A, J08B, J08C, J11A, J11B, J16Z	5h103.02		G15Z, G19A, G19B, G33Z, G38Z
	21A	W04A, W04B	5g919.7		BOP, KVT, UOP4		07	H33Z, H38Z
	21B	X04Z, X05A, X05B, X06A, X06B, X06C		03	D03Z, D12A	5h103.11		L33Z
	22	Y01Z, Y03A, Y03B		09	J03A, J03B, J04A, J04B, J08A, J08B, J08C, J11A, J11B, J16Z		Pre	A07A
5g910↔		BOP, KVT, UOP4		03	D03Z, D12A		03	D12A, D12B
	03	D03Z, D13Z		09	J03A, J03B, J04A, J04B, J08A, J08B, J08C, J11A, J11B, J16Z		06	G15Z, G19A, G19B, G33Z, G38Z
5g911		BOP, KVT, UOP4					07	H33Z, H38Z
	03	D03Z, D13Z					11	L33Z

ZZV	MDC	DRG	ZZV	MDC	DRG	ZZV	MDC	DRG
5h103.12	03	D12A	5h112.1		BOP, KOP, KOPV, KVT, UOP4	5h121.3		BOP, KOP, KOPV, KVT, UOP4
	21A	W04A, W04B		03	D12A, D12B	03		D02A, D03Z
	21B	X06A, X06B, X06C		06	G15Z, G19A, G19B, G33Z, G38Z	04		E02A, E02B, E02C, E07Z
5h103.2	03	D12A		07	H33Z, H38Z	06		G33Z
	21A	W04A, W04B		11	L33Z	07		H33Z, H38Z
	21B	X06A, X06B, X06C		Pre	A07A	09		J08A, J08B, J08C
5h104	03	D12A, D12B	5h112.2		BOP, KOP, KOPV, KVT, UOP4	11		L33Z
	09	J03A, J03B, J04A, J04B, J08A, J08B, J08C, J11A, J11B, J16Z		03	D12A, D12B	21A		W04A, W04B
5h105	03	D12A, D12B		06	G15Z, G19A, G19B, G33Z, G38Z	21B		X06A, X06B, X06C, X33Z
	09	J03A, J03B, J04A, J04B, J08A, J08B, J08C, J11A, J11B, J16Z		07	H33Z, H38Z	Pre		A07A
5h106.10	03	D12A	5h112.3		BOP, KOP, KOPV, KVT, UOP4	5h121.4		BOP, KOP, KOPV, KVT, UOP4
	21A	W04A, W04B		03	D12A, D12B		03	D02A, D03Z
	21B	X06A, X06B, X06C		06	G15Z, G19A, G19B, G33Z, G38Z		04	E02A, E02B, E02C, E07Z
5h106.11	03	D12A		07	H33Z, H38Z		06	G33Z
	21A	W04A, W04B		11	L33Z		07	H33Z, H38Z
	21B	X06A, X06B, X06C		Pre	A07A		09	J08A, J08B, J08C
5h106.2	03	D12A, D12B	5h115.1		BOP, KOP, KOPV, KVT, UOP4		11	L33Z
5h110		BOP, KOP, KOPV, KVT, UOP4		03	D12A, D12B	5h121.x		BOP, KVT, UOP4
	03	D12A, D12B		06	G15Z, G19A, G19B, G33Z, G38Z		03	D03Z, D12A, D12B
	06	G15Z, G19A, G19B, G33Z, G38Z		07	H33Z, H38Z		04	E02A, E02B, E02C, E07Z
	07	H33Z, H38Z		11	L33Z		21A	W04A, W04B
	11	L33Z		Pre	A07A		21B	X06A, X06B, X06C
	Pre	A07A	5h115.2		BOP, KOP, KOPV, KVT, UOP4	5h123		BOP, KOP, KOPV, KVT, UOP4
5h111.1		BOP, KOP, KOPV, KVT, UOP4		03	D12A, D12B		03	D02A, D03Z
	03	D02A, D18Z, D25A, D25B, D25C, D25D		06	G15Z, G19A, G19B, G33Z, G38Z		04	E02A, E02B, E02C, E07Z
	06	G15Z, G19A, G19B, G33Z, G38Z		07	H33Z, H38Z		06	G33Z
	07	H33Z, H38Z		11	L33Z		07	H33Z, H38Z
	09	J08A, J08B, J08C		Pre	A07A		09	J08A, J08B, J08C
	11	L33Z	5h118	03	D09Z, D30A, D30B		11	L33Z
	Pre	A07A		04	E02A, E02B, E02C		21A	W04A, W04B
5h111.2		BOP, KOP, KOPV, KVT, UOP4	5h119		BOP, KOP, KOPV, KVT, UOP4		21B	X06A, X06B, X06C, X33Z
	03	D02A, D18Z, D25A, D25B, D25C, D25D		03	D12A, D12B	5h190		BOP, KOP, KOPV, KVT, UOP4
	06	G15Z, G19A, G19B, G33Z, G38Z		06	G15Z, G19A, G19B, G33Z, G38Z		03	D12A, D12B
	07	H33Z, H38Z		07	H33Z, H38Z		06	G15Z, G19A, G19B, G33Z, G38Z
	09	J08A, J08B, J08C		11	L33Z		07	H33Z, H38Z
	11	L33Z	5h120		BOP, KVT, UOP4		11	L33Z
	Pre	A07A		03	D03Z, D12A, D12B		Pre	A07A
5h111.4		BOP, KOP, KOPV, KVT, UOP4		04	E02A, E02B, E02C, E07Z	5h191	03	D12A, D12B
	03	D02A, D18Z, D25A, D25B, D25C, D25D		21A	W04A, W04B		21A	W04A, W04B
	06	G15Z, G19A, G19B, G33Z, G38Z		21B	X06A, X06B, X06C		21B	X06A, X06B, X06C
	07	H33Z, H38Z	5h121.1		BOP, KVT, UOP4	5h192	03	D12A, D12B
	09	J08A, J08B, J08C		03	D03Z, D18Z, D25A, D25B, D25C, D25D		21A	W04A, W04B
	11	L33Z		04	E02A, E02B, E02C, E07Z		21B	X06A, X06B, X06C
	Pre	A07A		09	J08A, J08B, J08C	5h194	03	D12A, D12B
5h111.x		BOP, KOP, KOPV, KVT, UOP4		21A	W04A, W04B		21A	W04A, W04B
	03	D02A, D18Z, D25A, D25B, D25C, D25D	5h121.2		BOP, KVT, UOP4		21B	X06A, X06B, X06C
	06	G15Z, G19A, G19B, G33Z, G38Z		03	D03Z, D12A, D12B	5h200	03	D09Z, D30A, D30B
	07	H33Z, H38Z		04	E02A, E02B, E02C, E07Z		04	E02A, E02B, E02C
	09	J08A, J08B, J08C		09	J08A, J08B, J08C	5h201	03	D09Z, D30A, D30B
	11	L33Z		21A	W04A, W04B		04	E02A, E02B, E02C
	Pre	A07A		21B	X06A, X06B, X06C	5h203	03	BOP, KVT, UOP4
							03	D18Z, D25A, D25B, D25C, D25D
							04	E02A, E02B, E02C
							09	J08A, J08B, J08C
							21A	W04A, W04B
							21B	X06A, X06B, X06C

ZZV	MDC	DRG	ZZV	MDC	DRG	ZZV	MDC	DRG
5h210	03	D09Z, D30A, D30B	5h291		BOP, KVT, UOP4	5h304.0x		BOP, KVT, UOP4
	04	E02A, E02B, E02C, E02D		03	D12A		03	D04Z, D09Z, D25A, D25B, D25C, D25D, D30A
5h211	03	D09Z, D30A, D30B		04	E02A, E02B, E02C		04	E02A, E02B, E02C
	04	E02A, E02B, E02C, E02D		21A	W04A, W04B	5h304.11		BOP, KVT, UOP4
5h212	03	D09Z, D30A, D30B	5h292	21B	X06A, X06B, X06C		03	D09Z, D30A
	04	E02A, E02B, E02C, E02D			BOP, KVT, UOP4		04	E02A, E02B, E02C
5h213	03	D09Z, D30A, D30B		03	D09Z, D30A, D30B	5j122.00↔		BOP, KOP, KOPV, KVT, UOP4
	04	E02A, E02B, E02C, E02D		04	E02A, E02B, E02C		04	E06A, E06B, E06C, E08A, E08B, E08C
5h214	03	D09Z, D30A, D30B		21A	W04A, W04B		06	G33Z
	04	E02A, E02B, E02C, E02D	5h293	21B	X06A, X06B, X06C		07	H33Z, H38Z
5h220		BOP, KVT, UOP4		22	Y01Z, Y03A, Y03B		09	J26Z
	03	D03Z, D12A, D12B, D18Z, D25A, D25B, D25C, D25D			BOP, KVT, UOP4		11	L33Z
	04	E02A, E02B, E02C, E07Z		03	D09Z, D30A, D30B		17	R01A, R01B, R01C, R01D, R02Z, R12A, R12B, R12C
	09	J08A, J08B, J08C		04	E02A, E02B, E02C		21B	X33Z
	21A	W04A, W04B		21A	W04A, W04B		23	Z01A
	21B	X06A, X06B, X06C		21B	X06A, X06B, X06C		Pre	A07A
5h221		BOP, KVT, UOP4	5h302.10‡	22	Y01Z, Y03A, Y03B			BOP, KOP, KOPV, KVT, UOP4
	03	D03Z, D12A, D12B, D18Z, D25A, D25B, D25C, D25D		03	D15A, D15B, D18Z	5j122.01↔		E06A, E06B, E06C, E08A, E08B, E08C
	04	E02A, E02B, E02C, E07Z		04	E02A, E02B, E02C		06	G33Z
	09	J08A, J08B, J08C	5h302.11‡	21A	W01A, W01B, W01C, W36Z		07	H33Z, H38Z
	21A	W04A, W04B		03	D15A, D15B, D18Z		09	J26Z
	21B	X06A, X06B, X06C, X33Z	5h302.1x‡	04	E02A, E02B, E02C		11	L33Z
5h222		BOP, KVT, UOP4		21A	W01A, W01B, W01C, W36Z		17	R01A, R01B, R01C, R01D, R02Z, R12A, R12B, R12C
	03	D03Z, D12A, D12B, D18Z, D25A, D25B, D25C, D25D	5h302.20‡	03	D15A, D15B, D18Z		21B	X33Z
	04	E02A, E02B, E02C, E07Z		04	E02A, E02B, E02C		23	Z01A
	09	J08A, J08B, J08C	5h302.21	21A	W01A, W01B, W01C, W36Z		Pre	A07A
	21A	W04A, W04B			BOP, KVT, UOP4	5j123.00↔		BOP, KOP, KOPV, KVT, UOP4
	21B	X06A, X06B, X06C, X33Z		03	D12A, D12B		04	E06A, E06B, E06C, E08A, E08B, E08C
5h223		BOP, KVT, UOP4		04	E02A, E02B, E02C		06	G33Z
	03	D09Z, D30A		05	F21A, F21B		07	H33Z, H38Z
	04	E02A, E02B, E02C		09	J03A, J03B, J04A, J04B, J08A, J08B, J08C, J11A, J11B, J16Z		09	J26Z
5h230		BOP, KVT, UOP4		21A	W04A, W04B		11	L33Z
	03	D09Z, D25A, D25B, D25C, D25D, D30A		21B	X06A, X06B, X06C		17	R01A, R01B, R01C, R01D, R02Z, R12A, R12B, R12C
	04	E02A, E02B, E02C	5h302.23	22	Y01Z, Y03A, Y03B		21B	X33Z
	21A	W04A, W04B			BOP, KVT, UOP4	5j123.01↔	23	Z01A
	21B	X06A, X06B, X06C		03	D12A, D12B		Pre	A07A
	22	Y01Z, Y03A, Y03B		04	E02A, E02B, E02C			BOP, KOP, KOPV, KVT, UOP4
5h231		BOP, KVT, UOP4		05	F21A, F21B		04	E06A, E06B, E06C, E08A, E08B, E08C
	03	D09Z, D25A, D25B, D25C, D25D, D30A		09	J03A, J03B, J04A, J04B, J08A, J08B, J08C, J11A, J11B, J16Z		06	G33Z
	04	E02A, E02B, E02C		21A	W04A, W04B		07	H33Z, H38Z
	21A	W04A, W04B		21B	X06A, X06B, X06C		09	J26Z
	21B	X06A, X06B, X06C		22	Y01Z, Y03A, Y03B		11	L33Z
	22	Y01Z, Y03A, Y03B	5h302.24‡	03	D15A, D15B, D18Z		17	R01A, R01B, R01C, R01D, R02Z, R12A, R12B, R12C
5h232		BOP, KVT, UOP4		04	E02A, E02B, E02C		21B	X33Z
	03	D18Z, D28Z, D29Z		21A	W01A, W01B, W01C, W36Z		23	Z01A
	04	E02A, E02B, E02C	5h302.3		BOP, KVT, UOP4		Pre	A07A
	09	J08A, J08B, J08C		03	D12A, D12B, D25A, D25B, D25C, D25D			BOP, KOP, KOPV, KVT, UOP4
	21A	W04A, W04B		04	E02A, E02B, E02C		04	E06A, E06B, E06C, E08A, E08B, E08C
	21B	X06A, X06B, X06C		21A	W04A, W04B		06	G33Z
5h233		BOP, KVT, UOP4		21B	X06A, X06B, X06C		07	H33Z, H38Z
	03	D18Z, D28Z, D29Z		22	Y01Z, Y03A, Y03B		09	J26Z
	04	E02A, E02B, E02C		03	D15A, D15B, D18Z		11	L33Z
	09	J08A, J08B, J08C		04	E02A, E02B, E02C		17	R01A, R01B, R01C, R01D, R02Z, R12A, R12B, R12C
	21A	W04A, W04B		21A	W01A, W01B, W01C, W36Z		21B	X33Z
	21B	X06A, X06B, X06C			BOP, KVT, UOP4		23	Z01A
5h234		BOP, KVT, UOP4	5h304.01	03	D12A, D12B, D25A, D25B, D25C, D25D		Pre	A07A
	03	D18Z, D25A, D25B, D25C, D25D		04	E02A, E02B, E02C			BOP, KOP, KOPV, KVT, UOP4
	04	E02A, E02B, E02C		21A	W04A, W04B		04	E06A, E06B, E06C, E08A, E08B, E08C
	09	J08A, J08B, J08C		21B	X06A, X06B, X06C		06	G33Z
	21A	W04A, W04B		22	Y01Z, Y03A, Y03B		07	H33Z, H38Z
	21B	X06A, X06B, X06C, X33Z		03	D15A, D15B, D18Z		09	J26Z
			5h304.02	04	E02A, E02B, E02C		11	L33Z
				03	D04Z, D09Z, D25A, D25B, D25C, D25D, D30A		17	R01A, R01B, R01C, R01D, R02Z, R12A, R12B, R12C
				04	E02A, E02B, E02C		21B	X33Z
					BOP, KVT, UOP4		23	Z01A
				03	D04Z, D09Z, D25A, D25B, D25C, D25D, D30A		Pre	A07A
				04	E02A, E02B, E02C			BOP, KOP, KOPV, KVT, UOP4

ZZV	MDC	DRG	ZZV	MDC	DRG	ZZV	MDC	DRG
5j123.20↔		BOP, KOP, KOPV, KVT, UOP4	5j124.21↔		BOP, KOP, KOPV, KVT, UOP4	5j131.01↔		BOP, KOP, KOPV, KVT, UOP4
	04	E06A, E06B, E06C, E08A, E08B, E08C		04	E06A, E06B, E06C, E08A, E08B, E08C		04	E06A, E06B, E06C, E08A, E08B, E08C
	06	G33Z		06	G33Z		06	G33Z
	07	H33Z, H38Z		07	H33Z, H38Z		07	H33Z, H38Z
	09	J26Z		09	J26Z		09	J26Z
	11	L33Z		11	L33Z		11	L33Z
	17	R01A, R01B, R01C, R01D, R02Z, R12A, R12B, R12C		17	R01A, R01B, R01C, R01D, R02Z, R12A, R12B, R12C		21A	W04A, W04B
	21B	X33Z		21B	X33Z		21B	X06A, X06B, X06C, X33Z
	23	Z01A		23	Z01A		22	Y01Z, Y03A, Y03B
	Pre	A07A		Pre	A07A		Pre	A07A
5j123.21↔		BOP, KOP, KOPV, KVT, UOP4	5j130.0		BOP, KOP, KOPV, KVT, UOP4	5j131.20↔		BOP, KOP, KOPV, KVT, UOP4
	04	E06A, E06B, E06C, E08A, E08B, E08C		04	E06A, E06B, E06C, E08A, E08B, E08C		04	E06A, E06B, E06C, E08A, E08B, E08C
	06	G33Z		06	G33Z		06	G33Z
	07	H33Z, H38Z		07	H33Z, H38Z		07	H33Z, H38Z
	09	J26Z		09	J26Z		09	J26Z
	11	L33Z		11	L33Z		11	L33Z
	17	R01A, R01B, R01C, R01D, R02Z, R12A, R12B, R12C		21A	W04A, W04B		21A	W04A, W04B
	21B	X33Z		21B	X06A, X06B, X06C, X33Z		21B	X06A, X06B, X06C, X33Z
	23	Z01A		22	Y01Z, Y03A, Y03B		22	Y01Z, Y03A, Y03B
	Pre	A07A		Pre	A07A		Pre	A07A
5j124.00↔		BOP, KOP, KOPV, KVT, UOP4	5j130.1		BOP, KOP, KOPV, KVT, UOP4	5j131.21↔		BOP, KOP, KOPV, KVT, UOP4
	04	E06A, E06B, E06C, E08A, E08B, E08C		04	E05A, E05B, E05C, E08A, E08B, E08C		04	E06A, E06B, E06C, E08A, E08B, E08C
	06	G33Z		06	G33Z		06	G33Z
	07	H33Z, H38Z		07	H33Z, H38Z		07	H33Z, H38Z
	09	J26Z		11	L33Z		09	J26Z
	11	L33Z		21A	W04A, W04B		11	L33Z
	17	R01A, R01B, R01C, R01D, R02Z, R12A, R12B, R12C		21B	X06A, X06B, X06C		21A	W04A, W04B
	21B	X33Z		22	Y01Z, Y03A, Y03B		21B	X06A, X06B, X06C, X33Z
	23	Z01A		23	Z01A		22	Y01Z, Y03A, Y03B
	Pre	A07A		Pre	A07A		23	Z01A
5j124.01↔		BOP, KOP, KOPV, KVT, UOP4	5j130.2		BOP, KOP, KOPV, KVT, UOP4	5j132.00↔		BOP, KOP, KOPV, KVT, UOP4
	04	E06A, E06B, E06C, E08A, E08B, E08C		04	E06A, E06B, E06C, E08A, E08B, E08C		04	E06A, E06B, E06C, E08A, E08B, E08C
	06	G33Z		06	G33Z		06	G33Z
	07	H33Z, H38Z		07	H33Z, H38Z		07	H33Z, H38Z
	09	J26Z		09	J26Z		09	J26Z
	11	L33Z		11	L33Z		09	J26Z
	17	R01A, R01B, R01C, R01D, R02Z, R12A, R12B, R12C		21A	W04A, W04B		11	L33Z
	21B	X33Z		21B	X06A, X06B, X06C, X33Z		21A	W04A, W04B
	23	Z01A		22	Y01Z, Y03A, Y03B		21B	X06A, X06B, X06C, X33Z
	Pre	A07A		Pre	A07A		22	Y01Z, Y03A, Y03B
5j124.20↔		BOP, KOP, KOPV, KVT, UOP4	5j131.00↔		BOP, KOP, KOPV, KVT, UOP4	5j132.01↔		BOP, KOP, KOPV, KVT, UOP4
	04	E06A, E06B, E06C, E08A, E08B, E08C		04	E06A, E06B, E06C, E08A, E08B, E08C		04	E06A, E06B, E06C, E08A, E08B, E08C
	06	G33Z		06	G33Z		06	G33Z
	07	H33Z, H38Z		07	H33Z, H38Z		07	H33Z, H38Z
	09	J26Z		09	J26Z		07	H33Z, H38Z
	10	K03A, K03B		11	L33Z		09	J26Z
	11	L33Z		21A	W04A, W04B		11	L33Z
	17	R01A, R01B, R01C, R01D, R02Z, R12A, R12B, R12C		21B	X06A, X06B, X06C, X33Z		21A	W04A, W04B
	21B	X33Z		22	Y01Z, Y03A, Y03B		21B	X06A, X06B, X06C, X33Z
	23	Z01A		23	Z01A		22	Y01Z, Y03A, Y03B
Pre	A07A	Pre	A07A	23	Z01A			

VYK

ZZV	MDC	DRG	ZZV	MDC	DRG	ZZV	MDC	DRG			
5j132.20↔		BOP, KOP, KOPV, KVT, UOP4	5j140.21↔		BOP, KOP, KOPV, KVT, UOP4	5j142.10↔		BOP, KOP, KOPV, KVT, UOP4			
	04	E06A, E06B, E06C, E08A, E08B, E08C		04	E05A, E05B, E05C, E08A, E08B, E08C		04	E01A, E01B, E08A, E08B, E08C			
	06	G33Z		06	G33Z		06	G01Z, G02Z, G33Z, G38Z			
	07	H33Z, H38Z		07	H33Z, H38Z		07	H33Z, H38Z			
	09	J26Z		09	J26Z		09	J26Z			
	11	L33Z		11	L33Z		11	L33Z			
	21A	W04A, W04B		21A	W04A, W04B		21A	W04A, W04B			
	21B	X06A, X06B, X06C, X33Z		21B	X06A, X06B, X06C, X33Z		21B	X06A, X06B, X06C, X33Z			
	22	Y01Z, Y03A, Y03B		22	Y01Z, Y03A, Y03B		22	Y01Z, Y03A, Y03B			
	23	Z01A		23	Z01A		23	Z01A			
	Pre	A07A		Pre	A07A		Pre	A07A, A11A, A13A, A13B, A13D			
	5j132.21↔			BOP, KOP, KOPV, KVT, UOP4	5j141.00↔			BOP, KOP, KOPV, KVT, UOP4	5j142.11↔		BOP, KOP, KOPV, KVT, UOP4
		04		E06A, E06B, E06C, E08A, E08B, E08C			04	E01A, E01B, E05A, E05B, E05C, E08A, E08B, E08C		04	E01A, E01B, E08A, E08B, E08C
06		G33Z	06	G01Z, G02Z, G33Z, G38Z		06	G33Z				
07		H33Z, H38Z	07	H33Z, H38Z		07	H33Z, H38Z				
09		J26Z	09	J26Z		09	J26Z				
11		L33Z	11	L33Z		11	L33Z				
21A		W04A, W04B	21A	W04A, W04B		21A	W04A, W04B				
21B		X06A, X06B, X06C, X33Z	21B	X06A, X06B, X06C, X33Z		21B	X06A, X06B, X06C, X33Z				
22		Y01Z, Y03A, Y03B	22	Y01Z, Y03A, Y03B		22	Y01Z, Y03A, Y03B				
23		Z01A	23	Z01A		23	Z01A				
Pre		A07A	Pre	A07A, A11A, A13A, A13B, A13D		Pre	A07A				
5j140.00↔			BOP, KOP, KOPV, KVT, UOP4	5j141.01↔			BOP, KOP, KOPV, KVT, UOP4	5j142.20↔			BOP, KOP, KOPV, KVT, UOP4
		04	E01A, E01B, E05A, E05B, E05C, E08A, E08B, E08C			04	E01A, E01B, E05A, E05B, E05C, E08A, E08B, E08C			04	E01A, E01B, E08A, E08B, E08C
	06	G01Z, G02Z, G33Z, G38Z	06		G33Z	06	G01Z, G02Z, G33Z, G38Z				
	07	H33Z, H38Z	07		H33Z, H38Z	07	H33Z, H38Z				
	09	J26Z	09		J26Z	09	J26Z				
	11	L33Z	11		L33Z	11	L33Z				
	21A	W04A, W04B	21A		W04A, W04B	21A	W04A, W04B				
	21B	X06A, X06B, X06C, X33Z	21B		X06A, X06B, X06C, X33Z	21B	X06A, X06B, X06C, X33Z				
	22	Y01Z, Y03A, Y03B	22		Y01Z, Y03A, Y03B	22	Y01Z, Y03A, Y03B				
	23	Z01A	23		Z01A	23	Z01A				
	Pre	A07A, A11A, A13A, A13B, A13D	Pre		A07A	Pre	A07A, A11A, A13A, A13B, A13D				
	5j140.01↔		BOP, KOP, KOPV, KVT, UOP4		5j141.20↔		BOP, KOP, KOPV, KVT, UOP4		5j142.21↔		BOP, KOP, KOPV, KVT, UOP4
		04	E05A, E05B, E05C, E08A, E08B, E08C			04	E05A, E05B, E05C, E08A, E08B, E08C			04	E05A, E05B, E05C, E08A, E08B, E08C
06		G01Z, G02Z, G33Z, G38Z	06	G01Z, G02Z, G33Z, G38Z		06	G33Z				
07		H33Z, H38Z	07	H33Z, H38Z		07	H33Z, H38Z				
09		J26Z	09	J26Z		09	J26Z				
11		L33Z	11	L33Z		11	L33Z				
21A		W04A, W04B	21A	W04A, W04B		11	L33Z				
21B		X06A, X06B, X06C, X33Z	21B	X06A, X06B, X06C, X33Z		21A	W04A, W04B				
22		Y01Z, Y03A, Y03B	22	Y01Z, Y03A, Y03B		21B	X06A, X06B, X06C, X33Z				
23		Z01A	23	Z01A		22	Y01Z, Y03A, Y03B				
Pre		A07A, A11A, A13A, A13B, A13D	Pre	A07A, A11A, A13A, A13B, A13D		23	Z01A				
5j140.20↔			BOP, KOP, KOPV, KVT, UOP4	5j141.21↔			BOP, KOP, KOPV, KVT, UOP4	5j144.00↔			BOP, KOP, KOPV, KVT, UOP4
		04	E05A, E05B, E05C, E08A, E08B, E08C			04	E05A, E05B, E05C, E08A, E08B, E08C			04	E01A, E01B
	06	G01Z, G02Z, G33Z, G38Z	06		G33Z	06	G33Z				
	07	H33Z, H38Z	07		H33Z, H38Z	07	H33Z, H38Z				
	09	J26Z	09		J26Z	09	J26Z				
	11	L33Z	11		L33Z	11	L33Z				
	21A	W04A, W04B	21A		W04A, W04B	21A	W04A, W04B				
	21B	X06A, X06B, X06C, X33Z	21B		X06A, X06B, X06C, X33Z	21B	X06A, X06B, X06C, X33Z				
	22	Y01Z, Y03A, Y03B	22		Y01Z, Y03A, Y03B	22	Y01Z, Y03A, Y03B				
	23	Z01A	23		Z01A	23	Z01A				
	Pre	A07A, A11A, A13A, A13B, A13D	Pre		A07A	Pre	A07A				

VYK

ZZV	MDC	DRG	ZZV	MDC	DRG	ZZV	MDC	DRG			
5j144.01↔		BOP, KOP, KOPV, KVT, UOP4	5j14b.00↔		BOP, KOP, KOPV, KVT, UOP4	5j14c.20↔		BOP, KOP, KOPV, KVT, UOP4			
	04	E01A		04	E05A, E05B, E05C, E08A, E08B, E08C		04	E01A, E01B, E08A, E08B, E08C			
	06	G33Z		06	G33Z		06	G33Z			
	07	H33Z, H38Z		07	H33Z, H38Z		07	H33Z, H38Z			
	09	J26Z		09	J26Z		09	J26Z			
	11	L33Z		11	L33Z		11	L33Z			
	21A	W04A, W04B		21A	W04A, W04B		21A	W04A, W04B			
	21B	X06A, X06B, X06C, X33Z		21B	X06A, X06B, X06C, X33Z		21B	X06A, X06B, X06C, X33Z			
	22	Y01Z, Y03A, Y03B		22	Y01Z, Y03A, Y03B		22	Y01Z, Y03A, Y03B			
	23	Z01A		23	Z01A		23	Z01A			
	Pre	A07A		Pre	A07A		Pre	A07A			
	5j14a.00↔			BOP, KOP, KOPV, KVT, UOP4	5j14b.01↔			BOP, KOP, KOPV, KVT, UOP4	5j14c.21↔		BOP, KOP, KOPV, KVT, UOP4
		04		E05A, E05B, E05C, E08A, E08B, E08C			04	E05A, E05B, E05C, E08A, E08B, E08C		04	E01A, E01B, E08A, E08B, E08C
		06		G33Z			06	G33Z		06	G33Z
07		H33Z, H38Z	07	H33Z, H38Z		07	H33Z, H38Z				
09		J26Z	09	J26Z		09	J26Z				
11		L33Z	11	L33Z		11	L33Z				
21A		W04A, W04B	21A	W04A, W04B		21A	W04A, W04B				
21B		X06A, X06B, X06C, X33Z	21B	X06A, X06B, X06C, X33Z		21B	X06A, X06B, X06C, X33Z				
22		Y01Z, Y03A, Y03B	22	Y01Z, Y03A, Y03B		22	Y01Z, Y03A, Y03B				
23		Z01A	23	Z01A		23	Z01A				
Pre		A07A	Pre	A07A		Pre	A07A				
5j14a.01↔			BOP, KOP, KOPV, KVT, UOP4	5j14b.20↔			BOP, KOP, KOPV, KVT, UOP4	5j14e.00↔			BOP, KOP, KOPV, KVT, MVV, UOP4
		04	E05A, E05B, E05C, E08A, E08B, E08C			04	E05A, E05B, E05C, E08A, E08B, E08C			04	E01A, E01B
		06	G33Z			06	G33Z			06	G33Z
	07	H33Z, H38Z	07		H33Z, H38Z	07	H33Z, H38Z				
	09	J26Z	09		J26Z	09	J26Z				
	11	L33Z	11		L33Z	11	L33Z				
	21A	W04A, W04B	21A		W04A, W04B	21A	W04A, W04B				
	21B	X06A, X06B, X06C, X33Z	21B		X06A, X06B, X06C, X33Z	21B	X06A, X06B, X06C, X33Z				
	22	Y01Z, Y03A, Y03B	22		Y01Z, Y03A, Y03B	22	Y01Z, Y03A, Y03B				
	23	Z01A	23		Z01A	23	Z01A				
	Pre	A07A	Pre		A07A	Pre	A07A				
	5j14a.20↔		BOP, KOP, KOPV, KVT, UOP4		5j14b.21↔		BOP, KOP, KOPV, KVT, UOP4		5j14e.01↔		BOP, KOP, KOPV, KVT, MVV, UOP4
		04	E05A, E05B, E05C, E08A, E08B, E08C			04	E05A, E05B, E05C, E08A, E08B, E08C			04	E01A, E01B
		06	G33Z			06	G33Z			06	G33Z
07		H33Z, H38Z	07	H33Z, H38Z		07	H33Z, H38Z				
09		J26Z	09	J26Z		09	J26Z				
11		L33Z	11	L33Z		11	L33Z				
21A		W04A, W04B	21A	W04A, W04B		21A	W04A, W04B				
21B		X06A, X06B, X06C, X33Z	21B	X06A, X06B, X06C, X33Z		21B	X06A, X06B, X06C, X33Z				
22		Y01Z, Y03A, Y03B	22	Y01Z, Y03A, Y03B		22	Y01Z, Y03A, Y03B				
23		Z01A	23	Z01A		23	Z01A				
Pre		A07A	Pre	A07A		Pre	A07A				
5j14a.21↔			BOP, KOP, KOPV, KVT, UOP4	5j14c.11↔			BOP, KOP, KOPV, KVT, UOP4	5j14x↔			BOP, KOP, KOPV, KVT, UOP4
		04	E05A, E05B, E05C, E08A, E08B, E08C			04	E01A, E01B, E08A, E08B, E08C			04	E05A, E05B, E05C, E08A, E08B, E08C
		06	G33Z			06	G33Z			06	G33Z
	07	H33Z, H38Z	07		H33Z, H38Z	07	H33Z, H38Z				
	09	J26Z	09		J26Z	09	J26Z				
	11	L33Z	11		L33Z	11	L33Z				
	21A	W04A, W04B	21A		W04A, W04B	21A	W04A, W04B				
	21B	X06A, X06B, X06C, X33Z	21B		X06A, X06B, X06C, X33Z	21B	X06A, X06B, X06C, X33Z				
	22	Y01Z, Y03A, Y03B	22		Y01Z, Y03A, Y03B	22	Y01Z, Y03A, Y03B				
	23	Z01A	23		Z01A	23	Z01A				
	Pre	A07A	Pre		A07A	Pre	A07A				

VYK

ZZV	MDC	DRG	ZZV	MDC	DRG	ZZV	MDC	DRG			
5j150.00↔		BOP, KOP, KOPV, KVT, UOP4	5j153↔		BOP, KOP, KOPV, KVT, MVV, UOP4	5j406.1		BOP, KOP, KOPV, KVT, UOP4			
	04	E05A, E05B, E05C, E08A, E08B, E08C		04	E01A, E01B		04	E05A, E05B, E05C, E08A, E08B, E08C			
	06	G33Z		06	G33Z		06	G33Z			
	07	H33Z, H38Z		07	H33Z, H38Z		07	H33Z, H38Z			
	09	J26Z		09	J26Z		11	L33Z			
	11	L33Z		11	L33Z		21A	W04A, W04B			
	21A	W04A, W04B		21A	W04A, W04B		21B	X06A, X06B, X06C			
	21B	X06A, X06B, X06C, X33Z		21B	X06A, X06B, X06C, X33Z		22	Y01Z, Y03A, Y03B			
	22	Y01Z, Y03A, Y03B		22	Y01Z, Y03A, Y03B		23	Z01A			
	23	Z01A		23	Z01A		Pre	A07A			
	Pre	A07A		Pre	A07A, A09B, A11A, A11B, A13B		Pre	A07A			
	5j150.01↔			BOP, KOP, KOPV, KVT, UOP4	5j154↔			BOP, KOP, KOPV, KVT, MVV, UOP4	5j406.2		BOP, KOP, KOPV, KVT, UOP4
		04		E05A, E05B, E05C, E08A, E08B, E08C			04	E01A, E01B		04	E05A, E05B, E05C, E08A, E08B, E08C
		06		G33Z			06	G33Z		06	G33Z
07		H33Z, H38Z	07	H33Z, H38Z		07	H33Z, H38Z				
09		J26Z	09	J26Z		11	L33Z				
11		L33Z	11	L33Z		21A	W04A, W04B				
21A		W04A, W04B	21A	W04A, W04B		21B	X06A, X06B, X06C				
21B		X06A, X06B, X06C, X33Z	21B	X06A, X06B, X06C, X33Z		22	Y01Z, Y03A, Y03B				
22		Y01Z, Y03A, Y03B	22	Y01Z, Y03A, Y03B		23	Z01A				
23		Z01A	23	Z01A		Pre	A07A				
Pre		A07A	Pre	A07A, A09B, A11A, A11B, A13B		Pre	A07A				
5j151.00↔			BOP, KOP, KOPV, KVT, MVV, UOP4	5j155↔			BOP, KOP, KOPV, KVT, MVV, UOP4	5j406.3			BOP, KOP, KOPV, KVT, UOP4
		04	E01A, E01B			04	E01A, E01B			04	E05A, E05B, E05C, E08A, E08B, E08C
		06	G33Z			06	G33Z			06	G33Z
	07	H33Z, H38Z	07		H33Z, H38Z	07	H33Z, H38Z				
	09	J26Z	09		J26Z	11	L33Z				
	11	L33Z	11		L33Z	21A	W04A, W04B				
	21A	W04A, W04B	21A		W04A, W04B	21B	X06A, X06B, X06C				
	21B	X06A, X06B, X06C, X33Z	21B		X06A, X06B, X06C, X33Z	22	Y01Z, Y03A, Y03B				
	22	Y01Z, Y03A, Y03B	22		Y01Z, Y03A, Y03B	23	Z01A				
	23	Z01A	23		Z01A	Pre	A07A				
	Pre	A07A, A09B, A11A, A11B, A13B	Pre		A07A, A09B, A11A, A11B, A13B	Pre	A07A				
	5j151.01↔		BOP, KOP, KOPV, KVT, UOP4		5j401		BOP, KOP, KOPV, KVT, UOP4		5j410.0		BOP, KOP, KOPV, KVT, UOP4
		04	E05A, E05B, E05C, E08A, E08B, E08C			04	E05A, E05B, E05C, E08A, E08B, E08C			04	E05A, E05B, E05C, E08A, E08B, E08C
		06	G33Z			06	G33Z			06	G33Z
07		H33Z, H38Z	07	H33Z, H38Z		07	H33Z, H38Z				
09		J26Z	11	L33Z		11	L33Z				
11		L33Z	21A	W04A, W04B		21A	W04A, W04B				
21A		W04A, W04B	21B	X06A, X06B, X06C		21B	X06A, X06B, X06C				
21B		X06A, X06B, X06C, X33Z	22	Y01Z, Y03A, Y03B		22	Y01Z, Y03A, Y03B				
22		Y01Z, Y03A, Y03B	23	Z01A		23	Z01A				
23		Z01A	Pre	A07A		Pre	A07A				
Pre		A07A	Pre	A07A, A09B, A11A, A11B, A13B		Pre	A07A				
5j152↔			BOP, KOP, KOPV, KVT, MVV, UOP4	5j403			BOP, KOP, KOPV, KVT, UOP4	5j410.2			BOP, KOP, KOPV, KVT, UOP4
		04	E01A, E01B			04	E05A, E05B, E05C, E08A, E08B, E08C			04	E05A, E05B, E05C, E08A, E08B, E08C
		06	G33Z			06	G33Z			06	G33Z
	07	H33Z, H38Z	07		H33Z, H38Z	07	H33Z, H38Z				
	09	J26Z	11		L33Z	11	L33Z				
	11	L33Z	21A		W04A, W04B	21A	W04A, W04B				
	21A	W04A, W04B	21B		X06A, X06B, X06C	21B	X06A, X06B, X06C				
	21B	X06A, X06B, X06C, X33Z	22		Y01Z, Y03A, Y03B	22	Y01Z, Y03A, Y03B				
	22	Y01Z, Y03A, Y03B	23		Z01A	23	Z01A				
	23	Z01A	Pre		A07A	Pre	A07A				
	Pre	A07A, A09B, A11A, A11B, A13B	Pre		A07A, A09B, A11A, A11B, A13B	Pre	A07A				
	5j152↔		BOP, KOP, KOPV, KVT, MVV, UOP4		5j405		E02A, E02B, E02C				
		04	E01A, E01B			04	E02A, E02B, E02C				
		06	G33Z			06	G33Z				
07		H33Z, H38Z	07	H33Z, H38Z							
09		J26Z	11	L33Z							
11		L33Z	21A	W04A, W04B							
21A		W04A, W04B	21B	X06A, X06B, X06C							
21B		X06A, X06B, X06C, X33Z	22	Y01Z, Y03A, Y03B							
22		Y01Z, Y03A, Y03B	23	Z01A							
23		Z01A	Pre	A07A							
Pre		A07A, A09B, A11A, A11B, A13B	Pre	A07A, A09B, A11A, A11B, A13B							

VYK

Príloha B: Index Výkon-MDC-DRG

ZZV	MDC	DRG	ZZV	MDC	DRG	ZZV	MDC	DRG			
5j411.00		BOP, KOP, KOPV, KVT, UOP4	5j411.21		BOP, KOP, KOPV, KVT, UOP4	5j496.0↔		BOP, KVT, UOP4			
	04	E05A, E05B, E05C, E08A, E08B, E08C		04	E05A, E05B, E05C, E08A, E08B, E08C		04	E02A, E02B, E02C			
	06	G33Z		06	G33Z		05	F13A			
	07	H33Z, H38Z		07	H33Z, H38Z	08	I12A, I12B, I12C, I23A				
	09	J03A, J03B, J04A, J04B, J08A, J08B, J08C, J11A, J11B, J16Z		09	J03A, J03B, J04A, J04B, J08A, J08B, J08C, J11A, J11B, J16Z	5j496.2↔	04	BOP, KVT, UOP4			
	11	L33Z		11	L33Z		04	E02A, E02B, E02C			
	21A	W04A, W04B		21A	W04A, W04B	05	F13A				
	21B	X06A, X06B, X06C		21B	X06A, X06B, X06C	08	I12A, I12B, I12C, I23A				
	22	Y01Z, Y03A, Y03B		22	Y01Z, Y03A, Y03B	5j496.50	04	BOP, KOP, KOPV, KVT, UOP4			
	23	Z01A		23	Z01A		04	E05A, E05B, E05C, E08A, E08B, E08C			
	Pre	A07A		Pre	A07A	06	G33Z				
	5j411.01			BOP, KOP, KOPV, KVT, UOP4	5j415.1		BOP, KVT, UOP4	5j496.51		BOP, KOP, KOPV, KVT, UOP4	
		04		E05A, E05B, E05C, E08A, E08B, E08C		Pre	A03A, A03B, A18Z		04	E05A, E05B, E05C, E08A, E08B, E08C	
		06		G33Z		5j491			BOP, KOP, KOPV, KVT, UOP4	06	G33Z
07		H33Z, H38Z	04	E06A, E06B, E06C, E08A, E08B, E08C			07		H33Z, H38Z		
09		J03A, J03B, J04A, J04B, J08A, J08B, J08C, J11A, J11B, J16Z	06	G33Z		09	J26Z				
11		L33Z	07	H33Z, H38Z		11	L33Z				
21A		W04A, W04B	11	L33Z		21A	W04A, W04B				
21B		X06A, X06B, X06C	21A	W04A, W04B		21B	X06A, X06B, X06C, X33Z				
22		Y01Z, Y03A, Y03B	21B	X06A, X06B, X06C, X33Z		22	Y01Z, Y03A, Y03B				
23		Z01A	22	Y01Z, Y03A, Y03B		23	Z01A				
Pre		A07A	23	Z01A		Pre	A07A				
5j411.1			BOP, KOP, KOPV, KVT, UOP4	5j494			BOP, KOP, KOPV, KVT, UOP4		5j496.52		BOP, KOP, KOPV, KVT, UOP4
		04	E05A, E05B, E05C, E08A, E08B, E08C			04	E05A, E05B, E05C, E08A, E08B, E08C			04	E05A, E05B, E05C, E08A, E08B, E08C
		06	G33Z			06	G33Z			06	G33Z
	07	H33Z, H38Z	07		H33Z, H38Z	07	H33Z, H38Z				
	09	J03A, J03B, J04A, J04B, J08A, J08B, J08C, J11A, J11B, J16Z	11		L33Z	11	L33Z				
	11	L33Z	21A		W04A, W04B	21A	W04A, W04B				
	21A	W04A, W04B	21B		X06A, X06B, X06C	21B	X06A, X06B, X06C				
	21B	X06A, X06B, X06C	22		Y01Z, Y03A, Y03B	22	Y01Z, Y03A, Y03B				
	22	Y01Z, Y03A, Y03B	23		Z01A	23	Z01A				
	23	Z01A	Pre		A07A	Pre	A07A				
	Pre	A07A	5j495.0			BOP, KOP, KOPV, KVT, UOP4	5j496.53			BOP, KOP, KOPV, KVT, UOP4	
	5j411.20				BOP, KOP, KOPV, KVT, UOP4	04		E05A, E05B, E05C, E08A, E08B, E08C		04	E05A, E05B, E05C, E08A, E08B, E08C
		04	E05A, E05B, E05C, E08A, E08B, E08C		06	G33Z	06	G33Z			
		06	G33Z		07	H33Z, H38Z	07	H33Z, H38Z			
07		H33Z, H38Z	11	L33Z	11	L33Z					
09		J03A, J03B, J04A, J04B, J08A, J08B, J08C, J11A, J11B, J16Z	21A	W04A, W04B	21A	W04A, W04B					
11		L33Z	21B	X06A, X06B, X06C	21B	X06A, X06B, X06C					
21A		W04A, W04B	22	Y01Z, Y03A, Y03B	22	Y01Z, Y03A, Y03B					
21B		X06A, X06B, X06C	23	Z01A	23	Z01A					
22		Y01Z, Y03A, Y03B	Pre	A07A	Pre	A07A					
23		Z01A	5j495.2		BOP, KOP, KOPV, KVT, UOP4	5j496.54		BOP, KOP, KOPV, KVT, UOP4			
Pre		A07A		04	E05A, E05B, E05C, E08A, E08B, E08C		04	E05A, E05B, E05C, E08A, E08B, E08C			
			06	G33Z	06	G33Z					
			07	H33Z, H38Z	07	H33Z, H38Z					
			11	L33Z	11	L33Z					
		21A	W04A, W04B	21A	W04A, W04B						
		21B	X06A, X06B, X06C	21B	X06A, X06B, X06C						
		22	Y01Z, Y03A, Y03B	22	Y01Z, Y03A, Y03B						
		23	Z01A	23	Z01A						
		Pre	A07A	Pre	A07A						

VYK

ZZV	MDC	DRG	ZZV	MDC	DRG	ZZV	MDC	DRG			
5j501		BOP, KOP, KOPV, KVT, UOP4	5j514.0		BOP, KOP, KOPV, KVT, UOP4	5j515.b1		BOP, KOP, KOPV, KVT, UOP4			
	04	E05A, E05B, E05C, E08A, E08B, E08C		04	E05A, E05B, E05C, E08A, E08B, E08C		04	E05A, E05B, E05C, E08A, E08B, E08C			
	05	F13A		06	G10Z, G12A, G12B, G18A, G33Z, G38Z		06	G33Z			
	06	G01Z, G02Z, G33Z, G38Z		07	H33Z, H38Z		07	H33Z, H38Z			
	07	H33Z, H38Z		08	I28A, I28B		10	K09A, K09B			
	11	L33Z		09	J03A, J03B, J04A, J04B, J08A, J08B, J08C, J10A, J10B, J16Z, J21Z		11	L33Z			
	17	R01A, R01B, R01C, R01D, R02Z, R12A, R12B, R12C		10	K09A, K09B		17	R01A, R01B, R01C, R01D, R02Z, R12A, R12B, R12C			
	21A	W04A, W04B		11	L03Z, L04A, L04B, L04C, L10Z, L13A, L13B, L33Z, L38Z		23	Z01A			
	21B	X06A, X06B, X06C		12	M01A, M01B, M09A, M38Z		Pre	A07A			
	23	Z01A		13	N01A, N01B, N01C, N01D, N01E, N11A, N38Z		5j515.c	BOP, KOP, KOPV, KVT, UOP4			
	Pre	A07A, A11A, A13A, A13B, A13D		17	R01A, R01B, R01C, R01D, R02Z, R12A, R12B, R12C		04	E05A, E05B, E05C, E08A, E08B, E08C			
	5j503			BOP, KVT, UOP4	5j514.1			BOP, KOP, KOPV, KVT, UOP4	5j515.d		BOP, KOP, KOPV, KVT, UOP4
		04		E02A, E02B, E02C			04	E05A, E05B, E05C, E08A, E08B, E08C		04	E05A, E05B, E05C, E08A, E08B, E08C
		05		F13A			06	G10Z, G12A, G12B, G33Z		06	G33Z
		21A		W04A, W04B			07	H33Z, H38Z		07	H33Z, H38Z
21B		X06A, X06B, X06C	08	I28A, I28B		10	K09A, K09B				
Pre		B61A	09	J03A, J03B, J04A, J04B, J08A, J08B, J08C, J10A, J10B, J16Z, J21Z		11	L33Z				
5j510.a		BOP, KVT, UOP4	5j514.2		BOP, KVT, UOP4	5j515.e		BOP, KOP, KOPV, KVT, UOP4			
	04	E02A, E02B, E02C		03	D02A, D02B, D18Z, D24A, D24B		04	E05A, E05B, E05C, E08A, E08B, E08C			
	05	F13A, F21A, F21B		04	E02A, E02B, E02C		06	G33Z			
	10	K09A, K09B		08	I06A, I06B, I06C, I06D, I06E		07	H33Z, H38Z			
	17	R01A, R01B, R01C, R01D, R02Z, R12A, R12B, R12C		09	J02A, J02B, J02C, J03A, J03B, J04A, J04B, J08A, J08B, J10A, J10B, J16Z, J21Z		10	K09A, K09B			
	21A	W04A, W04B		10	K14Z		11	L33Z			
5j510.b		BOP, KVT, UOP4	5j515.b0		BOP, KOP, KOPV, KVT, UOP4	5j515.f		BOP, KOP, KOPV, KVT, UOP4			
	04	E02A, E02B, E02C		04	E05A, E05B, E05C, E08A, E08B, E08C		04	E05A, E05B, E05C, E08A, E08B, E08C			
	05	F13A, F21A, F21B		06	G33Z		06	G33Z			
	10	K09A, K09B		07	H33Z, H38Z		07	H33Z, H38Z			
	17	R01A, R01B, R01C, R01D, R02Z, R12A, R12B, R12C		10	K09A, K09B		10	K09A, K09B			
	21A	W04A, W04B		11	L09A, L38Z		11	L33Z			
5j510.c		BOP, KVT, UOP4	5j515.x		BOP, KOP, KOPV, KVT, UOP4	5j515.x		BOP, KOP, KOPV, KVT, UOP4			
	04	E02A, E02B, E02C		04	E05A, E05B, E05C, E08A, E08B, E08C		04	E05A, E05B, E05C, E08A, E08B, E08C			
	05	F13A, F21A, F21B		06	G33Z		06	G33Z			
	10	K09A, K09B		07	H33Z, H38Z		07	H33Z, H38Z			
	17	R01A, R01B, R01C, R01D, R02Z, R12A, R12B, R12C		10	K09A, K09B		10	K09A, K09B			
	21A	W04A, W04B		11	L33Z		11	L33Z			
5j510.d		BOP, KVT, UOP4	5j513		D12A, D12B	5j513		D12A, D12B			
	04	E02A, E02B, E02C		04	E02A, E02B, E02C		04	E02A, E02B, E02C			
	05	F13A, F21A, F21B		06	G33Z		06	G33Z			
	10	K09A, K09B		07	H33Z, H38Z		07	H33Z, H38Z			
	17	R01A, R01B, R01C, R01D, R02Z, R12A, R12B, R12C		10	K09A, K09B		10	K09A, K09B			
	21A	W04A, W04B		11	L33Z		11	L33Z			
5j510.x		BOP, KVT, UOP4			23	Z01A		Z01A			
	04	E02A, E02B, E02C			Pre	A07A		A07A			
	05	F13A, F21A, F21B									
	10	K09A, K09B									
	17	R01A, R01B, R01C, R01D, R02Z, R12A, R12B, R12C									
	21A	W04A, W04B									
5j513		BOP, KVT, UOP4									
	04	E02A, E02B, E02C									
	05	F13A, F21A, F21B									
	10	K09A, K09B									

VYK

ZZV	MDC	DRG	ZZV	MDC	DRG	ZZV	MDC	DRG			
5j520.01↔		BOP, KOP, KOPV, KVT, UOP4	5j525↔		BOP, KVT, UOP4	5j545		BOP, KOP, KOPV, KVT, UOP4			
	04	E05A, E05B, E05C, E08A, E08B, E08C		01	B03A, B03B, B18Z		04	E06A, E06B, E06C, E08A, E08B, E08C			
	06	G33Z		04	E02A, E02B, E02C		06	G33Z			
	07	H33Z, H38Z		06	G03B, G38Z		07	H33Z, H38Z			
	10	K09A, K09B		08	I06A, I06B, I06C, I06D, I06E, I28A, I28B		08	I06A, I06B, I06C, I06D, I06E, I28A, I28B, I44A, I44B			
	11	L33Z		09	J14A, J26Z		11	L33Z			
	17	R01A, R01B, R01C, R01D, R02Z, R12A, R12B, R12C		21A	W04A, W04B		23	Z01A			
	21A	W04A, W04B		21B	X06A, X06B		Pre	A07A			
	21B	X06A, X06B, X06C		5j526↔			BOP, KVT, UOP4	5j546.1		BOP, KOP, KOPV, KVT, UOP4	
	22	Y01Z, Y03A, Y03B			01		B03A, B03B, B18Z		04	E06A, E06B, E06C, E08A, E08B, E08C	
	23	Z01A			04		E02A, E02B, E02C		06	G33Z	
	Pre	A07A			06		G03B, G38Z		07	H33Z, H38Z	
	5j520.02↔				BOP, KOP, KOPV, KVT, UOP4		08		I06A, I06B, I06C, I06D, I06E, I28A, I28B	08	I06A, I06B, I06C, I06D, I06E, I28A, I28B, I44A, I44B
		04			E05A, E05B, E05C, E08A, E08B, E08C		09		J14A, J26Z	11	L33Z
		06			G33Z		21A		W04A, W04B	21B	X33Z
		07			H33Z, H38Z		21B		X06A, X06B	23	Z01A
		10			K09A, K09B		5j540			BOP, KOP, KOPV, KVT, UOP4	Pre
11		L33Z	04		E06A, E06B, E06C, E08A, E08B, E08C	5j547.1				BOP, KOP, KOPV, KVT, UOP4	
17		R01A, R01B, R01C, R01D, R02Z, R12A, R12B, R12C	06		G33Z				04	E06A, E06B, E06C, E08A, E08B, E08C	
21A		W04A, W04B	07		H33Z, H38Z				06	G33Z	
21B		X06A, X06B, X06C	08		I06A, I06B, I06C, I06D, I06E, I28A, I28B, I44A, I44B				07	H33Z, H38Z	
22		Y01Z, Y03A, Y03B	11		L33Z				08	I28A	
23		Z01A	21B		X33Z				09	J03A, J03B, J04A, J04B, J08A, J08B, J08C, J11A, J11B, J16Z	
Pre		A07A	23		Z01A				11	L33Z	
5j523.1↔			BOP, KVT, UOP4		5j541					BOP, KOP, KOPV, KVT, UOP4	5j547.2
		04	E02A, E02B, E02C	04				E06A, E06B, E06C, E08A, E08B, E08C	04	E06A, E06B, E06C, E08A, E08B, E08C	
		06	G03B, G38Z	06				G33Z	06	G33Z	
		08	I06A, I06B, I06C, I06D, I06E, I28A, I28B	07				H33Z, H38Z	07	H33Z, H38Z	
		09	J03A, J03B, J04A, J04B, J08A, J08B, J08C, J11A, J11B, J14A, J16Z, J26Z	08				I06A, I06B, I06C, I06D, I06E, I28A, I28B, I44A, I44B	08	I28A	
	10	K09A, K09B	11	L33Z				09	J03A, J03B, J04A, J04B, J08A, J08B, J08C, J11A, J11B, J16Z		
	17	R01A, R01B, R01C, R01D, R02Z, R12A, R12B, R12C	21B	X33Z				11	L33Z		
	21A	W04A, W04B	23	Z01A				17	R01A, R01B, R01C, R01D, R02Z, R12A, R12B		
	21B	X06A, X06B	Pre	A07A				21A	W04A, W04B		
	5j523.2↔		BOP, KVT, UOP4	5j542				BOP, KOP, KOPV, KVT, UOP4	5j548		
		04	E02A, E02B, E02C			04	E06A, E06B, E06C, E08A, E08B, E08C	01		B03A, B03B, B18Z	
		06	G03B, G38Z			06	G33Z	04		E02A, E02B, E02C	
		08	I06A, I06B, I06C, I06D, I06E, I28A, I28B			07	H33Z, H38Z	08		I06A, I06B, I06C, I06D, I06E, I28A, I28B, I44A, I44B	
		09	J03A, J03B, J04A, J04B, J08A, J08B, J08C, J11A, J11B, J14A, J16Z, J26Z			08	I06A, I06B, I06C, I06D, I06E, I28A, I28B, I44A, I44B	08		I06A, I06B, I06C, I06D, I06E, I28A, I28B, I44A, I44B	
		10	K09A, K09B			11	L33Z	09		J14A, J26Z	
		17	R01A, R01B, R01C, R01D, R02Z, R12A, R12B, R12C			21B	X33Z	21A		W04A, W04B	
		21A	W04A, W04B			23	Z01A	21B		X06A, X06B	
21B		X06A, X06B	Pre		A07A	22	Y01Z, Y03A, Y03B				
5j524↔			BOP, KVT, UOP4		5j543		BOP, KOP, KOPV, KVT, UOP4	5j548			BOP, KVT, UOP4
		01	B03A, B03B, B18Z			04	E06A, E06B, E06C, E08A, E08B, E08C			01	B03A, B03B, B18Z
		04	E02A, E02B, E02C			06	G33Z			04	E02A, E02B, E02C
		06	G03B, G38Z			07	H33Z, H38Z			08	I06A, I06B, I06C, I06D, I06E, I28A, I28B, I44A, I44B
		08	I06A, I06B, I06C, I06D, I06E, I28A, I28B			08	I06A, I06B, I06C, I06D, I06E, I28A, I28B, I44A, I44B			09	J14A, J26Z
		09	J14A, J26Z			11	L33Z			21A	W04A, W04B
		21A	W04A, W04B			21B	X33Z			21B	X06A, X06B
		21B	X06A, X06B			23	Z01A			Pre	A07A
			Pre	A07A							

ZZV	MDC	DRG	ZZV	MDC	DRG	ZZV	MDC	DRG	
5j549		BOP, KOP, KOPV, KVT, UOP4	5j552		BOP, KVT, UOP4	5j554.1		BOP, KOP, KOPV, KVT, MVV, UOP4	
	04	E05A, E05B, E05C, E06A, E06B, E06C, E08A, E08B, E08C		04	E02A, E02B, E02C		04	E05A, E05B, E05C, E08A, E08B, E08C	
	06	G01Z, G02Z, G33Z, G38Z		08	I23A, I23B		06	G33Z	
	07	H33Z, H38Z		09	J03A, J03B, J04A, J04B, J08A, J08B, J08C, J11A, J11B, J16Z		07	H33Z, H38Z	
	08	I10A, I10B, I10C, I10D, I10E		10	K09A, K09B		08	I28A, I28B	
	09	J26Z		17	R01A, R01B, R01C, R01D, R02Z, R12A, R12B		10	K03A, K03B	
	11	L33Z		21A	W04A, W04B		11	L33Z	
	17	R01A, R01B, R01C, R01D, R02Z, R12A, R12B		21B	X06A, X06B, X06C		17	R01A, R01B, R01C, R01D, R02Z, R12A, R12B	
	21B	X33Z		5j553.1			BOP, KOP, KOPV, KVT, UOP4	21A	W04A, W04B
	23	Z01A		04	E05A, E05B, E05C, E08A, E08B, E08C		21B	X06A, X06B, X06C, X33Z	
	Pre	A07A, A11A, A13A, A13B, A13D		06	G33Z		23	Z01A	
				07	H33Z, H38Z		Pre	A07A	
				11	L33Z		5j555.10		BOP, KOP, KOPV, KVT, MVV, UOP4
	5j54a			BOP, KOP, KOPV, KVT, UOP4	5j553.2			BOP, KOP, KOPV, KVT, UOP4	5j555.11
04		E06A, E06B, E06C, E08A, E08B, E08C	04	E05A, E05B, E05C, E08A, E08B, E08C		04	E05A, E05B, E05C, E08A, E08B, E08C		
06		G33Z	06	G33Z		06	G01Z, G02Z, G15Z, G19A, G19B, G33Z, G38Z		
07		H33Z, H38Z	07	H33Z, H38Z		07	H01A, H33Z, H38Z		
08		I06A, I06B, I06C, I06D, I06E, I28A, I28B, I44A, I44B	11	L33Z		11	L33Z		
11		L33Z	21A	W04A, W04B		17	R01A, R01B, R01C, R01D, R02Z, R12A, R12B		
21B		X33Z	21B	X06A, X06B, X06C, X33Z		21A	W04A, W04B		
23		Z01A	23	Z01A		21B	X06A, X06B, X06C, X33Z		
Pre		A07A	Pre	A07A		23	Z01A		
			5j553.3			BOP, KOP, KOPV, KVT, UOP4	Pre	A07A, A11A, A13A, A13B, A13D	
			04	E05A, E05B, E05C, E08A, E08B, E08C		5j555.20		BOP, KOP, KOPV, KVT, MVV, UOP4	
			06	G33Z		04	E05A, E05B, E05C, E08A, E08B, E08C		
			07	H33Z, H38Z		06	G01Z, G02Z, G15Z, G19A, G19B, G33Z, G38Z		
			11	L33Z		07	H01A, H33Z, H38Z		
		21A	W04A, W04B	11	L33Z				
		21B	X06A, X06B, X06C, X33Z	17	R01A, R01B, R01C, R01D, R02Z, R12A, R12B				
		23	Z01A	21A	W04A, W04B				
		Pre	A07A	21B	X06A, X06B, X06C, X33Z				
		5j553.4		BOP, KOP, KOPV, KVT, UOP4	23	Z01A			
		04	E05A, E05B, E05C, E08A, E08B, E08C	Pre	A07A, A11A, A13A, A13B, A13D				
		06	G33Z	5j555.20		BOP, KOP, KOPV, KVT, MVV, UOP4			
		07	H33Z, H38Z	04	E05A, E05B, E05C, E08A, E08B, E08C				
		11	L33Z	06	G01Z, G02Z, G15Z, G19A, G19B, G33Z, G38Z				
		21A	W04A, W04B	07	H01A, H33Z, H38Z				
		21B	X06A, X06B, X06C, X33Z	11	L33Z				
		23	Z01A	17	R01A, R01B, R01C, R01D, R02Z, R12A, R12B				
		Pre	A07A	21A	W04A, W04B				
		5j554.0		BOP, KOP, KOPV, KVT, MVV, UOP4	21B	X06A, X06B, X06C, X33Z			
		04	E05A, E05B, E05C, E08A, E08B, E08C	23	Z01A				
		06	G33Z	Pre	A07A, A11A, A13A, A13B, A13D				
		07	H33Z, H38Z	04	E05A, E05B, E05C, E08A, E08B, E08C				
		11	L33Z	06	G33Z				
		21A	W04A, W04B	07	H33Z, H38Z				
		21B	X06A, X06B, X06C, X33Z	08	I28A, I28B				
		23	Z01A	10	K03A, K03B				
		Pre	A07A	11	L33Z				
				17	R01A, R01B, R01C, R01D, R02Z, R12A, R12B				
				21A	W04A, W04B				
				21B	X06A, X06B, X06C, X33Z				
				23	Z01A				
				Pre	A07A				



ZZV	MDC	DRG	ZZV	MDC	DRG	ZZV	MDC	DRG			
5j555.21		BOP, KOP, KOPV, KVT, MVV, UOP4	5j561.x		BOP, KOP, KOPV, KVT, UOP4	5j902		BOP, KOP, KOPV, KVT, UOP4			
	04	E05A, E05B, E05C, E08A, E08B, E08C		04	E06A, E06B, E06C, E08A, E08B, E08C		03	D12A			
	06	G01Z, G02Z, G15Z, G19A, G19B, G33Z, G38Z		06	G33Z		04	E01A, E01B, E02A, E02B, E02C			
	07	H01A, H33Z, H38Z		07	H33Z, H38Z		05	F05Z, F07A, F13A, F21A, F21B, F27A, F27B, F27C, F42Z			
	11	L33Z		11	L33Z		06	G01Z, G02Z, G03B, G10Z, G12A, G12B, G33Z, G38Z			
	17	R01A, R01B, R01C, R01D, R02Z, R12A, R12B		17	R01A, R01B, R01C, R01D, R02Z, R12A, R12B, R12C		07	H06A, H06B, H06C, H33Z, H38Z			
	21A	W04A, W04B		21A	W04A, W04B		08	I23A, I23B, I28A, I28B			
	21B	X06A, X06B, X06C, X33Z		21B	X06A, X06B, X06C		09	J03A, J03B, J04A, J04B, J08A, J08B, J08C, J11A, J11B, J16Z			
	23	Z01A		22	Y01Z, Y03A, Y03B		10	K01Z, K09A, K09B			
	Pre	A07A, A11A, A13A, A13B, A13D		23	Z01A		11	L09A, L09B, L09C, L09D, L33Z, L38Z			
	5j560.0			BOP, KOP, KOPV, KVT, UOP4	5j562			BOP, KOP, KOPV, KVT, UOP4	5k500.01		BOP, KOP, KVT, UOP4
		04		E06A, E06B, E06C, E08A, E08B, E08C			04	E06A, E06B, E06C, E08A, E08B, E08C		04	E36Z
		06		G33Z			06	G33Z		05	F98Z
		07		H33Z, H38Z			07	H33Z, H38Z		06	G36Z
11		L33Z	11	L33Z		08	I26Z				
21A		W04A, W04B	21A	W04A, W04B		11	L33Z				
21B		X06A, X06B, X06C	21B	X06A, X06B		Pre	A06A, A07A, A09A, A11A, A13A				
22		Y01Z, Y03A, Y03B	22	Y01Z, Y03A, Y03B		04	E36Z				
23		Z01A	23	Z01A		05	F98Z				
Pre		A07A	Pre	A07A		06	G36Z				
5j560.2			BOP, KOP, KOPV, KVT, UOP4	5j591			BOP, KVT, UOP4	5k500.02			BOP, KOP, KVT, UOP4
		04	E06A, E06B, E06C, E08A, E08B, E08C			04	E02A, E02B, E02C			04	E36Z
		06	G33Z			08	I12A, I12B, I12C, I23A, I23B			05	F98Z
		07	H33Z, H38Z			21A	W04A, W04B			06	G36Z
	11	L33Z	21B		X06A, X06B	08	I26Z				
	17	R01A, R01B, R01C, R01D, R02Z, R12A, R12B, R12C	04		BOP, KVT, UOP4	11	L33Z				
	21A	W04A, W04B	08		E02A, E02B, E02C	Pre	A06A, A07A, A09A, A11A, A13A				
	21B	X06A, X06B, X06C	21A		W04A, W04B	04	E36Z				
	22	Y01Z, Y03A, Y03B	21B		X06A, X06B	05	F98Z				
	23	Z01A	04		E02A, E02B, E02C	06	G36Z				
	Pre	A07A	08		I23A, I23B	08	I26Z				
	5j561.0		BOP, KOP, KOPV, KVT, UOP4		5j592		BOP, KVT, UOP4		5k500.03		BOP, KOP, KVT, UOP4
		04	E06A, E06B, E06C, E08A, E08B, E08C			04	E02A, E02B, E02C			04	E36Z
		06	G33Z			08	I23A, I23B			05	F98Z
07		H33Z, H38Z	21A	W04A, W04B		06	G36Z				
11		L33Z	21B	X06A, X06B		08	I26Z				
17		R01A, R01B, R01C, R01D, R02Z, R12A, R12B, R12C	04	BOP, KVT, UOP4		11	L33Z				
21A		W04A, W04B	08	E02A, E02B, E02C		Pre	A06A, A07A, A09A, A11A, A13A				
21B		X06A, X06B, X06C	21A	W04A, W04B		04	E36Z				
22		Y01Z, Y03A, Y03B	21B	X06A, X06B		05	F98Z				
23		Z01A	04	E02A, E02B, E02C		06	G36Z				
Pre		A07A	08	I28A, I28B		08	I26Z				
5j561.2			BOP, KOP, KOPV, KVT, UOP4	5j595.1			BOP, KVT, UOP4	5k500.0x			BOP, KOP, KVT, UOP4
		04	E06A, E06B, E06C, E08A, E08B, E08C			04	E02A, E02B, E02C			04	E36Z
		06	G33Z			08	I28A, I28B			05	F98Z
	07	H33Z, H38Z	21A		W04A, W04B	06	G36Z				
	11	L33Z	21B		X06A, X06B	08	I26Z				
	17	R01A, R01B, R01C, R01D, R02Z, R12A, R12B, R12C	04		BOP, KVT, UOP4	11	L33Z				
	21A	W04A, W04B	08		E02A, E02B, E02C	Pre	A06A, A07A, A09A, A11A, A13A				
	21B	X06A, X06B, X06C	21A		W04A, W04B	04	E36Z				
	22	Y01Z, Y03A, Y03B	21B		X06A, X06B	05	F98Z				
	23	Z01A	04		E02A, E02B, E02C	06	G36Z				
	Pre	A07A	08		I12A, I12B, I12C, I23A, I23B	08	I26Z				
	5j561.2		BOP, KOP, KOPV, KVT, UOP4		5j595.2		BOP, KVT, UOP4		5k500.11		KOP
		04	E06A, E06B, E06C, E08A, E08B, E08C			04	E02A, E02B, E02C			04	E36Z
		06	G33Z			08	I28A, I28B			05	F98Z
07		H33Z, H38Z	21A	W04A, W04B		06	G36Z				
11		L33Z	21B	X06A, X06B		08	I26Z				
17		R01A, R01B, R01C, R01D, R02Z, R12A, R12B, R12C	04	BOP, KVT, UOP4		11	L33Z				
21A		W04A, W04B	08	E02A, E02B, E02C		Pre	A06A, A07A, A09A, A11A, A13A				
21B		X06A, X06B, X06C	21A	W04A, W04B		04	E36Z				
22		Y01Z, Y03A, Y03B	21B	X06A, X06B		05	F98Z				
23		Z01A	04	E02A, E02B, E02C		06	G36Z				
Pre		A07A	08	I23A, I23B		08	I26Z				

VYK

ZZV	MDC	DRG	ZZV	MDC	DRG	ZZV	MDC	DRG			
5k500.12		KOP	5k510.3		BOP, KOP, KOPV, KVT, UOP4	5k512.2		BOP, KOP, KOPV, KVT, UOP4			
	04	E36Z		05	F01A, F01B, F01D, F03A, F03B, F03C, F03D, F03E, F03F, F05Z, F30Z, F36A, F36B, F42Z		05	F01A, F01B, F01D, F03A, F03B, F03C, F03D, F03E, F03F, F05Z, F30Z, F36A, F36B, F42Z			
	05	F98Z		06	G33Z		06	G33Z			
	06	G36Z		07	H33Z, H38Z		07	H33Z, H38Z			
	08	I26Z		11	L33Z		11	L33Z			
	11	L33Z		15	P02A, P02B, P02C		15	P02A, P02B, P02C			
5k500.13	Pre	A06A, A07A, A09A, A11A, A13A	21B	X33Z	21B	X33Z					
	04	E36Z	23	Z01A	23	Z01A					
	05	F98Z	Pre	A06A, A07A, A09A, A11A, A13A	Pre	A06A, A07A, A09A, A11A, A13A					
	06	G36Z	5k510.4		BOP, KOP, KOPV, KVT, UOP4	5k512.3		BOP, KOP, KOPV, KVT, UOP4			
	08	I26Z		05	F01A, F01B, F01D, F03A, F03B, F03C, F03D, F03E, F03F, F05Z, F30Z, F36A, F36B, F42Z		05	F01A, F01B, F01D, F03A, F03B, F03C, F03D, F03E, F03F, F05Z, F30Z, F36A, F36B, F42Z			
	11	L33Z		06	G33Z		06	G33Z			
Pre	A06A, A07A, A09A, A11A, A13A	07		H33Z, H38Z	07		H33Z, H38Z				
5k500.1x	KOP	5k510.5			BOP, KOP, KOPV, KVT, UOP4		5k512.4		BOP, KOP, KOPV, KVT, UOP4		
	04			E36Z	05			F01A, F01B, F01D, F03A, F03B, F03C, F03D, F03E, F03F, F05Z, F30Z, F36A, F36B, F42Z	05	F01A, F01B, F01D, F03A, F03B, F03C, F03D, F03E, F03F, F05Z, F30Z, F36A, F36B, F42Z	
	05		F98Z	06	G33Z	06		G33Z			
	06		G36Z	07	H33Z, H38Z	07		H33Z, H38Z			
	08		I26Z	11	L33Z	11		L33Z			
	11		L33Z	15	P02A, P02B, P02C	15		P02A, P02B, P02C			
5k501.0	Pre	A06A, A07A, A09A, A11A, A13A	21B	X33Z	21B	X33Z					
		BOP, KOP, KVT, UOP4	23	Z01A	23	Z01A					
	04	E36Z	Pre	A06A, A07A, A09A, A11A, A13A	Pre	A06A, A07A, A09A, A11A, A13A					
	05	F98Z	5k510.5		BOP, KOP, KOPV, KVT, UOP4	5k512.4		BOP, KOP, KOPV, KVT, UOP4			
	06	G36Z		05	F01A, F01B, F01D, F03A, F03B, F03C, F03D, F03E, F03F, F05Z, F30Z, F36A, F36B, F42Z		05	F01A, F01B, F01D, F03A, F03B, F03C, F03D, F03E, F03F, F05Z, F30Z, F36A, F36B, F42Z			
	08	I26Z		06	G33Z		06	G33Z			
11	L33Z	07		H33Z, H38Z	07		H33Z, H38Z				
Pre	A06A, A07A, A09A, A11A, A13A	11		L33Z	11		L33Z				
5k502.0		BOP, KOP, KVT, UOP4		15	P02A, P02B, P02C		15	P02A, P02B, P02C			
	04	E36Z	21B	X33Z	21B	X33Z					
	05	F98Z	23	Z01A	23	Z01A					
	06	G36Z	Pre	A06A, A07A, A09A, A11A, A13A	Pre	A06A, A07A, A09A, A11A, A13A					
	08	I26Z	5k510.x		BOP, KOP, KOPV, KVT, UOP4	5k512.x		BOP, KOP, KOPV, KVT, UOP4			
	11	L33Z		05	F01A, F01B, F01D, F03A, F03B, F03C, F03D, F03E, F03F, F05Z, F30Z, F36A, F36B, F42Z		05	F01A, F01B, F01D, F03A, F03B, F03C, F03D, F03E, F03F, F05Z, F30Z, F36A, F36B, F42Z			
Pre	A06A, A07A, A09A, A11A, A13A	06		G33Z	06		G33Z				
5k503.0	04	E36Z		07	H33Z, H38Z		07	H33Z, H38Z			
	05	F98Z		11	L33Z		11	L33Z			
	06	G36Z		15	P02A, P02B, P02C		15	P02A, P02B, P02C			
	08	I26Z	21B	X33Z	21B	X33Z					
	11	L33Z	23	Z01A	23	Z01A					
	Pre	A06A, A07A, A09A, A11A, A13A	Pre	A06A, A07A, A09A, A11A, A13A	Pre	A06A, A07A, A09A, A11A, A13A					
5k503.1	05	F01A, F01B, F01D, F19A, F19B, F19C, F98Z	5k510.x		BOP, KOP, KOPV, KVT, UOP4	5k512.x		BOP, KOP, KOPV, KVT, UOP4			
	5k505.0	05		F01A, F01B, F01D, F19A, F19B, F19C, F98Z	05		F01A, F01B, F01D, F03A, F03B, F03C, F03D, F03E, F03F, F05Z, F30Z, F36A, F36B, F42Z	05	F01A, F01B, F01D, F03A, F03B, F03C, F03D, F03E, F03F, F05Z, F30Z, F36A, F36B, F42Z		
		5k50x		05	F01A, F01B, F01D, F19A, F19B, F19C		06	G33Z	06	G33Z	
				5k510.2			BOP, KOP, KOPV, KVT, UOP4	07	H33Z, H38Z	07	H33Z, H38Z
					05		F01A, F01B, F01D, F03A, F03B, F03C, F03D, F03E, F03F, F05Z, F30Z, F36A, F36B, F42Z	11	L33Z	11	L33Z
					06		G33Z	15	P02A, P02B, P02C	15	P02A, P02B, P02C
07			H33Z, H38Z		21B	X33Z	21B	X33Z			
11	L33Z		23		Z01A	23	Z01A				
15	P02A, P02B, P02C	Pre	A06A, A07A, A09A, A11A, A13A		Pre	A06A, A07A, A09A, A11A, A13A					
21B	X33Z	5k512.1		BOP, KOP, KOPV, KVT, UOP4	5k513.1		BOP, KOP, KOPV, KVT, UOP4				
23	Z01A		05	F01A, F01B, F01D, F03A, F03B, F03C, F03D, F03E, F03F, F05Z, F30Z, F36A, F36B, F42Z		05	F01A, F01B, F01D, F03A, F03B, F03C, F03D, F03E, F03F, F05Z, F30Z, F36A, F36B, F42Z				
Pre	A06A, A07A, A09A, A11A, A13A		06	G33Z		06	G33Z				
5k503.1	05		F01A, F01B, F01D, F19A, F19B, F19C, F98Z	07		H33Z, H38Z	07	H33Z, H38Z			
	5k505.0		05	F01A, F01B, F01D, F19A, F19B, F19C, F98Z		11	L33Z	11	L33Z		
			5k50x	05		F01A, F01B, F01D, F19A, F19B, F19C	15	P02A, P02B, P02C	15	P02A, P02B, P02C	
		5k510.2			BOP, KOP, KOPV, KVT, UOP4	21B	X33Z	21B	X33Z		
				05	F01A, F01B, F01D, F03A, F03B, F03C, F03D, F03E, F03F, F05Z, F30Z, F36A, F36B, F42Z	23	Z01A	23	Z01A		
				06	G33Z	Pre	A06A, A07A, A09A, A11A, A13A	Pre	A06A, A07A, A09A, A11A, A13A		
07				H33Z, H38Z	5k512.1		BOP, KOP, KOPV, KVT, UOP4	5k513.1		BOP, KOP, KOPV, KVT, UOP4	
11	L33Z			05		F01A, F01B, F01D, F03A, F03B, F03C, F03D, F03E, F03F, F05Z, F30Z, F36A, F36B, F42Z	05		F01A, F01B, F01D, F03A, F03B, F03C, F03D, F03E, F03F, F05Z, F30Z, F36A, F36B, F42Z		
15	P02A, P02B, P02C		06	G33Z		06	G33Z				
21B	X33Z	07	H33Z, H38Z	07		H33Z, H38Z					
23	Z01A	11	L33Z	11		L33Z					
Pre	A06A, A07A, A09A, A11A, A13A	15	P02A, P02B, P02C	15		P02A, P02B, P02C					
5k503.1	05	F01A, F01B, F01D, F19A, F19B, F19C, F98Z	21B	X33Z	21B	X33Z					
	5k505.0	05	F01A, F01B, F01D, F19A, F19B, F19C, F98Z	23	Z01A	23	Z01A				
		5k50x	05	F01A, F01B, F01D, F19A, F19B, F19C	Pre	A06A, A07A, A09A, A11A, A13A	Pre	A06A, A07A, A09A, A11A, A13A			
			5k510.2		BOP, KOP, KOPV, KVT, UOP4	5k512.1		BOP, KOP, KOPV, KVT, UOP4	5k513.1		BOP, KOP, KOPV, KVT, UOP4
				05	F01A, F01B, F01D, F03A, F03B, F03C, F03D, F03E, F03F, F05Z, F30Z, F36A, F36B, F42Z		05	F01A, F01B, F01D, F03A, F03B, F03C, F03D, F03E, F03F, F05Z, F30Z, F36A, F36B, F42Z		05	F01A, F01B, F01D, F03A, F03B, F03C, F03D, F03E, F03F, F05Z, F30Z, F36A, F36B, F42Z
				06	G33Z		06	G33Z		06	G33Z
07				H33Z, H38Z	07		H33Z, H38Z	07		H33Z, H38Z	
11	L33Z			11	L33Z		11	L33Z			
15	P02A, P02B, P02C	15		P02A, P02B, P02C	15		P02A, P02B, P02C				
21B	X33Z	21B	X33Z	21B	X33Z						
23	Z01A	23	Z01A	23	Z01A						
Pre	A06A, A07A, A09A, A11A, A13A	Pre	A06A, A07A, A09A, A11A, A13A	Pre	A06A, A07A, A09A, A11A, A13A						

VYK

ZZV	MDC	DRG	ZZV	MDC	DRG	ZZV	MDC	DRG
5k513.2		BOP, KOP, KOPV, KVT, UOP4	5k514.2		BOP, KOP, KOPV, KVT, UOP4	5k516.2		BOP, KOP, KOPV, KVT, UOP4
	05	F01A, F01B, F01D, F03A, F03B, F03C, F03D, F03E, F03F, F05Z, F30Z, F36A, F36B, F42Z		05	F01A, F01B, F01D, F03A, F03B, F03C, F03D, F03E, F03F, F05Z, F30Z, F36A, F36B, F42Z		05	F01A, F01B, F01D, F03A, F03B, F03C, F03D, F03E, F03F, F05Z, F30Z, F36A, F36B, F42Z
	06	G33Z		06	G33Z		06	G33Z
	07	H33Z, H38Z		07	H33Z, H38Z		07	H33Z, H38Z
	11	L33Z		11	L33Z		11	L33Z
	15	P02A, P02B, P02C		15	P02A, P02B, P02C		15	P02A, P02B, P02C
	21B	X33Z		21B	X33Z		21B	X33Z
	23	Z01A		23	Z01A		23	Z01A
	Pre	A06A, A07A, A09A, A11A, A13A		Pre	A06A, A07A, A09A, A11A, A13A		Pre	A06A, A07A, A09A, A11A, A13A
5k513.3		BOP, KOP, KOPV, KVT, UOP4	5k514.3		BOP, KOP, KOPV, KVT, UOP4	5k516.3		BOP, KOP, KOPV, KVT, UOP4
	05	F01A, F01B, F01D, F03A, F03B, F03C, F03D, F03E, F03F, F05Z, F30Z, F36A, F36B, F42Z		05	F01A, F01B, F01D, F03A, F03B, F03C, F03D, F03E, F03F, F05Z, F30Z, F36A, F36B, F42Z		05	F01A, F01B, F01D, F03A, F03B, F03C, F03D, F03E, F03F, F05Z, F30Z, F36A, F36B, F42Z
	06	G33Z		06	G33Z		06	G33Z
	07	H33Z, H38Z		07	H33Z, H38Z		07	H33Z, H38Z
	11	L33Z		11	L33Z		11	L33Z
	15	P02A, P02B, P02C		15	P02A, P02B, P02C		15	P02A, P02B, P02C
	21B	X33Z		21B	X33Z		21B	X33Z
	23	Z01A		23	Z01A		23	Z01A
	Pre	A06A, A07A, A09A, A11A, A13A		Pre	A06A, A07A, A09A, A11A, A13A		Pre	A06A, A07A, A09A, A11A, A13A
5k513.4		BOP, KOP, KOPV, KVT, UOP4	5k514.4		BOP, KOP, KOPV, KVT, UOP4	5k516.4		BOP, KOP, KOPV, KVT, UOP4
	05	F01A, F01B, F01D, F03A, F03B, F03C, F03D, F03E, F03F, F05Z, F30Z, F36A, F36B, F42Z		05	F01A, F01B, F01D, F03A, F03B, F03C, F03D, F03E, F03F, F05Z, F30Z, F36A, F36B, F42Z		05	F01A, F01B, F01D, F03A, F03B, F03C, F03D, F03E, F03F, F05Z, F30Z, F36A, F36B, F42Z
	06	G33Z		06	G33Z		06	G33Z
	07	H33Z, H38Z		07	H33Z, H38Z		07	H33Z, H38Z
	11	L33Z		11	L33Z		11	L33Z
	15	P02A, P02B, P02C		15	P02A, P02B, P02C		15	P02A, P02B, P02C
	21B	X33Z		21B	X33Z		21B	X33Z
	23	Z01A		23	Z01A		23	Z01A
	Pre	A06A, A07A, A09A, A11A, A13A		Pre	A06A, A07A, A09A, A11A, A13A		Pre	A06A, A07A, A09A, A11A, A13A
5k513.x		BOP, KOP, KOPV, KVT, UOP4	5k514.x		BOP, KOP, KOPV, KVT, UOP4	5k516.x		BOP, KOP, KOPV, KVT, UOP4
	05	F01A, F01B, F01D, F03A, F03B, F03C, F03D, F03E, F03F, F05Z, F30Z, F36A, F36B, F42Z		05	F01A, F01B, F01D, F03A, F03B, F03C, F03D, F03E, F03F, F05Z, F30Z, F36A, F36B, F42Z		05	F01A, F01B, F01D, F03A, F03B, F03C, F03D, F03E, F03F, F05Z, F30Z, F36A, F36B, F42Z
	06	G33Z		06	G33Z		06	G33Z
	07	H33Z, H38Z		07	H33Z, H38Z		07	H33Z, H38Z
	11	L33Z		11	L33Z		11	L33Z
	15	P02A, P02B, P02C		15	P02A, P02B, P02C		15	P02A, P02B, P02C
	21B	X33Z		21B	X33Z		21B	X33Z
	23	Z01A		23	Z01A		23	Z01A
	Pre	A06A, A07A, A09A, A11A, A13A		Pre	A06A, A07A, A09A, A11A, A13A		Pre	A06A, A07A, A09A, A11A, A13A
5k514.1		BOP, KOP, KOPV, KVT, UOP4	5k516.1		BOP, KOP, KOPV, KVT, UOP4	5k51x.1		BOP, KOP, KOPV, KVT, UOP4
	05	F01A, F01B, F01D, F03A, F03B, F03C, F03D, F03E, F03F, F05Z, F30Z, F36A, F36B, F42Z		05	F01A, F01B, F01D, F03A, F03B, F03C, F03D, F03E, F03F, F05Z, F30Z, F36A, F36B, F42Z		05	F01A, F01B, F01D, F03A, F03B, F03C, F03D, F03E, F03F, F05Z, F30Z, F36A, F36B, F42Z
	06	G33Z		06	G33Z		06	G33Z
	07	H33Z, H38Z		07	H33Z, H38Z		07	H33Z, H38Z
	11	L33Z		11	L33Z		11	L33Z
	15	P02A, P02B, P02C		15	P02A, P02B, P02C		15	P02A, P02B, P02C
	21B	X33Z		21B	X33Z		21B	X33Z
	23	Z01A		23	Z01A		23	Z01A
	Pre	A06A, A07A, A09A, A11A, A13A		Pre	A06A, A07A, A09A, A11A, A13A		Pre	A06A, A07A, A09A, A11A, A13A

ZZV	MDC	DRG	ZZV	MDC	DRG	ZZV	MDC	DRG
5k51x.2		BOP, KOP, KOPV, KVT, UOP4	5k520.1		BOP, KOP, KOPV, KVT, UOP4	5k520.6		BOP, KOP, KOPV, KVT, UOP4
	05	F01A, F01B, F01D, F03A, F03B, F03C, F03D, F03E, F03F, F05Z, F30Z, F36A, F36B, F42Z		05	F01A, F01B, F01D, F03A, F03B, F03C, F03D, F03E, F03F, F05Z, F30Z, F36A, F36B, F42Z		05	F01A, F01B, F01D, F03A, F03B, F03C, F03D, F03E, F03F, F05Z, F30Z, F36A, F36B, F42Z
	06	G33Z		06	G33Z		06	G33Z
	07	H33Z, H38Z		07	H33Z, H38Z		07	H33Z, H38Z
	11	L33Z		11	L33Z		11	L33Z
	15	P02A, P02B, P02C		15	P02A, P02B, P02C		15	P02A, P02B, P02C
	21B	X33Z		21B	X33Z		21B	X33Z
	23	Z01A		23	Z01A		23	Z01A
	Pre	A06A, A07A, A09A, A11A, A13A		Pre	A06A, A07A, A09A, A11A, A13A		Pre	A06A, A07A, A09A, A11A, A13A
	5k51x.3			BOP, KOP, KOPV, KVT, UOP4	5k520.2			BOP, KOP, KOPV, KVT, UOP4
05		F01A, F01B, F01D, F03A, F03B, F03C, F03D, F03E, F03F, F05Z, F30Z, F36A, F36B, F42Z	05	F01A, F01B, F01D, F03A, F03B, F03C, F03D, F03E, F03F, F05Z, F30Z, F36A, F36B, F42Z		05	F01A, F01B, F01D, F03A, F03B, F03C, F03D, F03E, F03F, F05Z, F30Z, F36A, F36B, F42Z	
06		G33Z	06	G33Z		06	G33Z	
07		H33Z, H38Z	07	H33Z, H38Z		07	H33Z, H38Z	
11		L33Z	11	L33Z		11	L33Z	
15		P02A, P02B, P02C	15	P02A, P02B, P02C		15	P02A, P02B, P02C	
21B		X33Z	21B	X33Z		21B	X33Z	
23		Z01A	23	Z01A		23	Z01A	
Pre		A06A, A07A, A09A, A11A, A13A	Pre	A06A, A07A, A09A, A11A, A13A		Pre	A06A, A07A, A09A, A11A, A13A	
5k51x.4			BOP, KOP, KOPV, KVT, UOP4	5k520.3			BOP, KOP, KOPV, KVT, UOP4	5k522.0
	05	F01A, F01B, F01D, F03A, F03B, F03C, F03D, F03E, F03F, F05Z, F30Z, F36A, F36B, F42Z	05		F01A, F01B, F01D, F03A, F03B, F03C, F03D, F03E, F03F, F05Z, F30Z, F36A, F36B, F42Z	05	F01A, F01B, F01D, F03A, F03B, F03C, F03D, F03E, F03F, F05Z, F30Z, F36A, F36B, F42Z	
	06	G33Z	06		G33Z	06	G33Z	
	07	H33Z, H38Z	07		H33Z, H38Z	07	H33Z, H38Z	
	11	L33Z	11		L33Z	11	L33Z	
	15	P02A, P02B, P02C	15		P02A, P02B, P02C	15	P02A, P02B, P02C	
	21B	X33Z	21B		X33Z	21B	X33Z	
	23	Z01A	23		Z01A	23	Z01A	
	Pre	A06A, A07A, A09A, A11A, A13A	Pre		A06A, A07A, A09A, A11A, A13A	Pre	A06A, A07A, A09A, A11A, A13A	
	5k51x.x		BOP, KOP, KOPV, KVT, UOP4		5k520.4		BOP, KOP, KOPV, KVT, UOP4	
05		F01A, F01B, F01D, F03A, F03B, F03C, F03D, F03E, F03F, F05Z, F30Z, F36A, F36B, F42Z	05	F01A, F01B, F01D, F03A, F03B, F03C, F03D, F03E, F03F, F05Z, F30Z, F36A, F36B, F42Z		05	F01A, F01B, F01D, F03A, F03B, F03C, F03D, F03E, F03F, F05Z, F30Z, F36A, F36B, F42Z	
06		G33Z	06	G33Z		06	G33Z	
07		H33Z, H38Z	07	H33Z, H38Z		07	H33Z, H38Z	
11		L33Z	11	L33Z		11	L33Z	
15		P02A, P02B, P02C	15	P02A, P02B, P02C		15	P02A, P02B, P02C	
21B		X33Z	21B	X33Z		21B	X33Z	
23		Z01A	23	Z01A		23	Z01A	
Pre		A06A, A07A, A09A, A11A, A13A	Pre	A06A, A07A, A09A, A11A, A13A		Pre	A06A, A07A, A09A, A11A, A13A	
5k520.0			BOP, KOP, KOPV, KVT, UOP4	5k520.5			BOP, KOP, KOPV, KVT, UOP4	5k522.2
	05	F01A, F01B, F01D, F03A, F03B, F03C, F03D, F03E, F03F, F05Z, F30Z, F36A, F36B, F42Z	05		F01A, F01B, F01D, F03A, F03B, F03C, F03D, F03E, F03F, F05Z, F30Z, F36A, F36B, F42Z	05	F01A, F01B, F01D, F03A, F03B, F03C, F03D, F03E, F03F, F05Z, F30Z, F36A, F36B, F42Z	
	06	G33Z	06		G33Z	06	G33Z	
	07	H33Z, H38Z	07		H33Z, H38Z	07	H33Z, H38Z	
	11	L33Z	11		L33Z	11	L33Z	
	15	P02A, P02B, P02C	15		P02A, P02B, P02C	15	P02A, P02B, P02C	
	21B	X33Z	21B		X33Z	21B	X33Z	
	23	Z01A	23		Z01A	23	Z01A	
	Pre	A06A, A07A, A09A, A11A, A13A	Pre		A06A, A07A, A09A, A11A, A13A	Pre	A06A, A07A, A09A, A11A, A13A	

ZZV	MDC	DRG	ZZV	MDC	DRG	ZZV	MDC	DRG
5k522.3		BOP, KOP, KOPV, KVT, UOP4	5k524.3		BOP, KOP, KOPV, KVT, UOP4	5k526.1		BOP, KOP, KOPV, KVT, UOP4
	05	F01A, F01B, F01D, F03A, F03B, F03C, F03D, F03E, F03F, F05Z, F30Z, F36A, F36B, F42Z		05	F01A, F01B, F01D, F03A, F03B, F03C, F03D, F03E, F03F, F05Z, F30Z, F36A, F36B, F42Z		05	F01A, F01B, F01D, F03A, F03B, F03C, F03D, F03E, F03F, F05Z, F30Z, F36A, F36B, F42Z
	06	G33Z		06	G33Z		06	G33Z
	07	H33Z, H38Z		07	H33Z, H38Z		07	H33Z, H38Z
	11	L33Z		11	L33Z		11	L33Z
	15	P02A, P02B, P02C		15	P02A, P02B, P02C		15	P02A, P02B, P02C
	21B	X33Z		21B	X33Z		21B	X33Z
	23	Z01A		23	Z01A		23	Z01A
	Pre	A06A, A07A, A09A, A11A, A13A		Pre	A06A, A07A, A09A, A11A, A13A		Pre	A06A, A07A, A09A, A11A, A13A
5k522.x		BOP, KOP, KOPV, KVT, UOP4	5k524.4		BOP, KOP, KOPV, KVT, UOP4	5k526.2		BOP, KOP, KOPV, KVT, UOP4
	05	F01A, F01B, F01D, F03A, F03B, F03C, F03D, F03E, F03F, F05Z, F30Z, F36A, F36B, F42Z		05	F01A, F01B, F01D, F03A, F03B, F03C, F03D, F03E, F03F, F05Z, F30Z, F36A, F36B, F42Z		05	F01A, F01B, F01D, F03A, F03B, F03C, F03D, F03E, F03F, F05Z, F30Z, F36A, F36B, F42Z
	06	G33Z		06	G33Z		06	G33Z
	07	H33Z, H38Z		07	H33Z, H38Z		07	H33Z, H38Z
	11	L33Z		11	L33Z		11	L33Z
	15	P02A, P02B, P02C		15	P02A, P02B, P02C		15	P02A, P02B, P02C
	21B	X33Z		21B	X33Z		21B	X33Z
	23	Z01A		23	Z01A		23	Z01A
	Pre	A06A, A07A, A09A, A11A, A13A		Pre	A06A, A07A, A09A, A11A, A13A		Pre	A06A, A07A, A09A, A11A, A13A
5k524.0		BOP, KOP, KOPV, KVT, UOP4	5k524.5		BOP, KOP, KOPV, KVT, UOP4	5k526.3		BOP, KOP, KOPV, KVT, UOP4
	05	F01A, F01B, F01D, F03A, F03B, F03C, F03D, F03E, F03F, F05Z, F30Z, F36A, F36B, F42Z		05	F01A, F01B, F01D, F03A, F03B, F03C, F03D, F03E, F03F, F05Z, F30Z, F36A, F36B, F42Z		05	F01A, F01B, F01D, F03A, F03B, F03C, F03D, F03E, F03F, F05Z, F30Z, F36A, F36B, F42Z
	06	G33Z		06	G33Z		06	G33Z
	07	H33Z, H38Z		07	H33Z, H38Z		07	H33Z, H38Z
	11	L33Z		11	L33Z		11	L33Z
	15	P02A, P02B, P02C		15	P02A, P02B, P02C		15	P02A, P02B, P02C
	21B	X33Z		21B	X33Z		21B	X33Z
	23	Z01A		23	Z01A		23	Z01A
	Pre	A06A, A07A, A09A, A11A, A13A		Pre	A06A, A07A, A09A, A11A, A13A		Pre	A06A, A07A, A09A, A11A, A13A
5k524.1		BOP, KOP, KOPV, KVT, UOP4	5k524.x		BOP, KOP, KOPV, KVT, UOP4	5k526.x		BOP, KOP, KOPV, KVT, UOP4
	05	F01A, F01B, F01D, F03A, F03B, F03C, F03D, F03E, F03F, F05Z, F30Z, F36A, F36B, F42Z		05	F01A, F01B, F01D, F03A, F03B, F03C, F03D, F03E, F03F, F05Z, F30Z, F36A, F36B, F42Z		05	F01A, F01B, F01D, F03A, F03B, F03C, F03D, F03E, F03F, F05Z, F30Z, F36A, F36B, F42Z
	06	G33Z		06	G33Z		06	G33Z
	07	H33Z, H38Z		07	H33Z, H38Z		07	H33Z, H38Z
	11	L33Z		11	L33Z		11	L33Z
	15	P02A, P02B, P02C		15	P02A, P02B, P02C		15	P02A, P02B, P02C
	21B	X33Z		21B	X33Z		21B	X33Z
	23	Z01A		23	Z01A		23	Z01A
	Pre	A06A, A07A, A09A, A11A, A13A		Pre	A06A, A07A, A09A, A11A, A13A		Pre	A06A, A07A, A09A, A11A, A13A
5k524.2		BOP, KOP, KOPV, KVT, UOP4	5k526.0		BOP, KOP, KOPV, KVT, UOP4	5k530.0		BOP, KOP, KOPV, KVT, UOP4
	05	F01A, F01B, F01D, F03A, F03B, F03C, F03D, F03E, F03F, F05Z, F30Z, F36A, F36B, F42Z		05	F01A, F01B, F01D, F03A, F03B, F03C, F03D, F03E, F03F, F05Z, F30Z, F36A, F36B, F42Z		05	F01A, F01B, F01D, F03A, F03B, F03C, F03D, F03E, F03F, F05Z, F30Z, F36A, F36B, F42Z
	06	G33Z		06	G33Z		06	G33Z
	07	H33Z, H38Z		07	H33Z, H38Z		07	H33Z, H38Z
	11	L33Z		11	L33Z		11	L33Z
	15	P02A, P02B, P02C		15	P02A, P02B, P02C		15	P02A, P02B, P02C
	21B	X33Z		21B	X33Z		21B	X33Z
	23	Z01A		23	Z01A		23	Z01A
	Pre	A06A, A07A, A09A, A11A, A13A		Pre	A06A, A07A, A09A, A11A, A13A		Pre	A06A, A07A, A09A, A11A, A13A

ZZV	MDC	DRG	ZZV	MDC	DRG	ZZV	MDC	DRG
5k531		BOP, KOP, KOPV, KVT, UOP4	5k536.0		BOP, KOP, KOPV, KVT, UOP4	5k540.4		BOP, KOP, KOPV, KVT, UOP4
	05	F01A, F01B, F01D, F03A, F03B, F03C, F03D, F03E, F03F, F05Z, F30Z, F36A, F36B, F42Z		05	F01A, F01B, F01D, F03A, F03B, F03C, F03D, F03E, F03F, F05Z, F30Z, F36A, F36B, F42Z		05	F01A, F01B, F01D, F03A, F03B, F03C, F03D, F03E, F03F, F05Z, F30Z, F36A, F36B, F42Z
	06	G33Z		06	G33Z		06	G33Z
	07	H33Z, H38Z		07	H33Z, H38Z		07	H33Z, H38Z
	11	L33Z		11	L33Z		11	L33Z
	15	P02A, P02B, P02C		15	P02A, P02B, P02C		15	P02A, P02B, P02C
	21B	X33Z		21B	X33Z		21B	X33Z
	23	Z01A		23	Z01A		23	Z01A
	Pre	A06A, A07A, A09A, A11A, A13A		Pre	A06A, A07A, A09A, A11A, A13A		Pre	A07A
	5k532			BOP, KOP, KOPV, KVT, UOP4	5k537.0			BOP, KOP, KOPV, KVT, UOP4
05		F01A, F01B, F01D, F03A, F03B, F03C, F03D, F03E, F03F, F05Z, F07A, F07B, F30Z, F36A, F36B, F42Z	05	F01A, F01B, F01D, F03A, F03B, F03C, F03D, F03E, F03F, F05Z, F07A, F07B, F30Z, F36A, F36B, F42Z		05	F01A, F01B, F01D, F03A, F03B, F03C, F03D, F03E, F03F, F05Z, F30Z, F36A, F36B, F42Z	
06		G33Z	06	G33Z		06	G33Z	
07		H33Z, H38Z	07	H33Z, H38Z		07	H33Z, H38Z	
11		L33Z	11	L33Z		11	L33Z	
15		P02A, P02B, P02C	15	P02A, P02B, P02C		15	P02A, P02B, P02C	
21B		X33Z	21B	X33Z		21B	X33Z	
23		Z01A	23	Z01A		23	Z01A	
Pre		A06A, A07A, A09A, A11A, A13A	Pre	A06A, A07A, A09A, A11A, A13A		Pre	A07A	
5k533.0			BOP, KOP, KOPV, KVT, UOP4	5k53x			BOP, KOP, KOPV, KVT, UOP4	5k550.0
	05	F01A, F01B, F01D, F03A, F03B, F03C, F03D, F03E, F03F, F05Z, F30Z, F36A, F36B, F42Z	05		F01A, F01B, F01D, F03A, F03B, F03C, F03D, F03E, F03F, F05Z, F07A, F07B, F30Z, F36A, F36B, F42Z	05	F01A, F01B, F01D, F03B, F03C, F03D, F03E, F05Z, F07A, F07B, F30Z, F36A, F36B, F42Z	
	06	G33Z	06		G33Z	06	G33Z	
	07	H33Z, H38Z	07		H33Z, H38Z	07	H33Z, H38Z	
	11	L33Z	11		L33Z	11	L33Z	
	15	P02A, P02B, P02C	15		P02A, P02B, P02C	15	P02A, P02B, P02C	
	21B	X33Z	21B		X33Z	21B	X33Z	
	23	Z01A	23		Z01A	23	Z01A	
	Pre	A06A, A07A, A09A, A11A, A13A	Pre		A06A, A07A, A09A, A11A, A13A	Pre	A06A, A07A, A09A, A11A, A13A	
	5k534		BOP, KOP, KOPV, KVT, UOP4		5k540.0		BOP, KOP, KOPV, KVT, UOP4	
05		F01A, F01B, F01D, F03A, F03B, F03C, F03D, F03E, F03F, F05Z, F07A, F07B, F30Z, F36A, F36B, F42Z	05	F01A, F01B, F01D, F03A, F03B, F03C, F03D, F03E, F03F, F05Z, F30Z, F36A, F36B, F42Z		05	F01A, F01B, F01D, F03B, F03C, F03D, F03E, F05Z, F07A, F07B, F30Z, F36A, F36B, F42Z	
06		G33Z	06	G33Z		06	G33Z	
07		H33Z, H38Z	07	H33Z, H38Z		07	H33Z, H38Z	
11		L33Z	11	L33Z		11	L33Z	
15		P02A, P02B, P02C	15	P02A, P02B, P02C		15	P02A, P02B, P02C	
21B		X33Z	21B	X33Z		21B	X33Z	
23		Z01A	23	Z01A		23	Z01A	
Pre		A06A, A07A, A09A, A11A, A13A	Pre	A06A, A07A, A09A, A11A, A13A		Pre	A06A, A07A, A09A, A11A, A13A	
5k535			BOP, KOP, KOPV, KVT, UOP4	5k540.2			BOP, KOP, KOPV, KVT, UOP4	5k550.x
	05	F01A, F01B, F01D, F03A, F03B, F03C, F03D, F03E, F03F, F05Z, F07A, F07B, F30Z, F36A, F36B, F42Z	05		F01A, F01B, F01D, F03A, F03B, F03C, F03D, F03E, F03F, F05Z, F30Z, F36A, F36B, F42Z	05	F01A, F01B, F01D, F03B, F03C, F03D, F03E, F05Z, F07A, F07B, F30Z, F36A, F36B, F42Z	
	06	G33Z	06		G33Z	06	G33Z	
	07	H33Z, H38Z	07		H33Z, H38Z	07	H33Z, H38Z	
	11	L33Z	11		L33Z	11	L33Z	
	15	P02A, P02B, P02C	15		P02A, P02B, P02C	15	P02A, P02B, P02C	
	21B	X33Z	21B		X33Z	21B	X33Z	
	23	Z01A	23		Z01A	23	Z01A	
	Pre	A06A, A07A, A09A, A11A, A13A	Pre		A07A	Pre	A06A, A07A, A09A, A11A, A13A	

VYK

ZZV	MDC	DRG	ZZV	MDC	DRG	ZZV	MDC	DRG
5k56g.3		BOP, KVT, UOP4	5k570.2		BOP, KOP, KOPV, KVT, UOP4	5k570.7		BOP, KOP, KOPV, KVT, UOP4
	04	E02A, E02B, E02C		05	F01A, F01B, F01D, F03A, F03B, F03C, F03D, F03E, F03F, F05Z, F30Z, F36A, F36B, F42Z		05	F01A, F01B, F01D, F03A, F03B, F03C, F03D, F03E, F03F, F05Z, F30Z, F36A, F36B, F42Z
	05	F01A, F01B, F01D, F03B, F03C, F03D, F03E, F05Z, F07A, F07B, F14A, F14B, F28A, F42Z, F54Z, F59A, F59B		06	G33Z		06	G33Z
	21A	W04A, W04B		07	H33Z, H38Z		07	H33Z, H38Z
5k56h.1	Pre	A06A, A07A, A09A, A11A, A13A	11	L33Z	11	L33Z		
		BOP, KVT, UOP4	15	P02A, P02B, P02C	15	P02A, P02B, P02C		
	04	E02A, E02B, E02C	21B	X33Z	21B	X33Z		
	05	F01A, F01B, F01D, F03B, F03C, F03D, F03E, F05Z, F07A, F07B, F14A, F14B, F28A, F42Z, F54Z, F59A, F59B	23	Z01A	23	Z01A		
5k56h.2	Pre	A06A, A07A, A09A, A11A, A13A	Pre	A06A, A07A, A09A, A11A, A13A	Pre	A06A, A07A, A09A, A11A, A13A		
		BOP, KVT, UOP4	5k570.3		BOP, KOP, KOPV, KVT, UOP4	5k570.x		BOP, KOP, KOPV, KVT, UOP4
	04	E02A, E02B, E02C		05	F01A, F01B, F01D, F03A, F03B, F03C, F03D, F03E, F03F, F05Z, F30Z, F36A, F36B, F42Z		05	F01A, F01B, F01D, F03A, F03B, F03C, F03D, F03E, F03F, F05Z, F07A, F07B, F30Z, F36A, F36B, F42Z
	05	F01A, F01B, F01D, F03B, F03C, F03D, F03E, F05Z, F07A, F07B, F14A, F14B, F28A, F42Z, F54Z, F59A, F59B		06	G33Z		06	G33Z
21A	W04A, W04B	07		H33Z, H38Z	07		H33Z, H38Z	
5k56x	Pre	A06A, A07A, A09A, A11A, A13A	11	L33Z	11	L33Z		
		BOP, KVT, UOP4	15	P02A, P02B, P02C	15	P02A, P02B, P02C		
	04	E02A, E02B, E02C	21B	X33Z	21B	X33Z		
	05	F01A, F01B, F01D, F03B, F03C, F03D, F03E, F05Z, F07A, F07B, F14A, F14B, F28A, F42Z, F54Z, F59A, F59B	23	Z01A	23	Z01A		
5k570.0	Pre	A06A, A07A, A09A, A11A, A13A	Pre	A06A, A07A, A09A, A11A, A13A	Pre	A06A, A07A, A09A, A11A, A13A		
		BOP, KOP, KOPV, KVT, UOP4	5k570.4		BOP, KOP, KOPV, KVT, UOP4	5k572.0		BOP, KOP, KOPV, KVT, UOP4
	05	F01A, F01B, F01D, F03A, F03B, F03C, F03D, F03E, F03F, F05Z, F30Z, F36A, F36B, F42Z		05	F01A, F01B, F01D, F03A, F03B, F03C, F03D, F03E, F03F, F05Z, F30Z, F36A, F36B, F42Z		05	F01A, F01B, F01D, F03A, F03B, F03C, F03D, F03E, F03F, F05Z, F30Z, F36A, F36B, F42Z
	06	G33Z		06	G33Z		06	G33Z
07	H33Z, H38Z	07		H33Z, H38Z	07		H33Z, H38Z	
5k570.1	11	L33Z	11	L33Z	11	L33Z		
	15	P02A, P02B, P02C	15	P02A, P02B, P02C	15	P02A, P02B, P02C		
	21B	X33Z	21B	X33Z	21B	X33Z		
	23	Z01A	23	Z01A	23	Z01A		
5k570.1	Pre	A06A, A07A, A09A, A11A, A13A	Pre	A06A, A07A, A09A, A11A, A13A	Pre	A06A, A07A, A09A, A11A, A13A		
		BOP, KOP, KOPV, KVT, UOP4	5k570.5		BOP, KOP, KOPV, KVT, UOP4	5k572.1		BOP, KOP, KOPV, KVT, UOP4
	05	F01A, F01B, F01D, F03A, F03B, F03C, F03D, F03E, F03F, F05Z, F30Z, F36A, F36B, F42Z		05	F01A, F01B, F01D, F03A, F03B, F03C, F03D, F03E, F03F, F05Z, F07A, F07B, F30Z, F36A, F36B, F42Z		05	F01A, F01B, F01D, F03A, F03B, F03C, F03D, F03E, F03F, F05Z, F30Z, F36A, F36B, F42Z
	06	G33Z		06	G33Z		06	G33Z
07	H33Z, H38Z	07		H33Z, H38Z	07		H33Z, H38Z	
5k570.1	11	L33Z	11	L33Z	11	L33Z		
	15	P02A, P02B, P02C	15	P02A, P02B, P02C	15	P02A, P02B, P02C		
	21B	X33Z	21B	X33Z	21B	X33Z		
	23	Z01A	23	Z01A	23	Z01A		
5k570.1	Pre	A06A, A07A, A09A, A11A, A13A	Pre	A06A, A07A, A09A, A11A, A13A	Pre	A06A, A07A, A09A, A11A, A13A		
		BOP, KOP, KOPV, KVT, UOP4	5k570.6		BOP, KOP, KOPV, KVT, UOP4	5k572.2		BOP, KOP, KOPV, KVT, UOP4
	05	F01A, F01B, F01D, F03A, F03B, F03C, F03D, F03E, F03F, F05Z, F30Z, F36A, F36B, F42Z		05	F01A, F01B, F01D, F03A, F03B, F03C, F03D, F03E, F03F, F05Z, F30Z, F36A, F36B, F42Z		05	F01A, F01B, F01D, F03A, F03B, F03C, F03D, F03E, F03F, F05Z, F30Z, F36A, F36B, F42Z
	06	G33Z		06	G33Z		06	G33Z
07	H33Z, H38Z	07		H33Z, H38Z	07		H33Z, H38Z	
5k570.1	11	L33Z	11	L33Z	11	L33Z		
	15	P02A, P02B, P02C	15	P02A, P02B, P02C	15	P02A, P02B, P02C		
	21B	X33Z	21B	X33Z	21B	X33Z		
	23	Z01A	23	Z01A	23	Z01A		
5k570.1	Pre	A06A, A07A, A09A, A11A, A13A	Pre	A06A, A07A, A09A, A11A, A13A	Pre	A06A, A07A, A09A, A11A, A13A		

VYK

ZZV	MDC	DRG	ZZV	MDC	DRG	ZZV	MDC	DRG
5k572.3		BOP, KOP, KOPV, KVT, UOP4	5k574.2		BOP, KOP, KOPV, KVT, UOP4	5k576.0		BOP, KOP, KOPV, KVT, UOP4
	05	F01A, F01B, F01D, F03A, F03B, F03C, F03D, F03E, F03F, F05Z, F30Z, F36A, F36B, F42Z		05	F01A, F01B, F01D, F03A, F03B, F03C, F03D, F03E, F03F, F05Z, F30Z, F36A, F36B, F42Z		05	F01A, F01B, F01D, F03A, F03B, F03C, F03D, F03E, F03F, F05Z, F30Z, F36A, F36B, F42Z
	06	G33Z		06	G33Z		06	G33Z
	07	H33Z, H38Z		07	H33Z, H38Z		07	H33Z, H38Z
	11	L33Z		11	L33Z		11	L33Z
	15	P02A, P02B, P02C		15	P02A, P02B, P02C		15	P02A, P02B, P02C
	21B	X33Z		21B	X33Z		21B	X33Z
	23	Z01A		23	Z01A		23	Z01A
	Pre	A06A, A07A, A09A, A11A, A13A		Pre	A06A, A07A, A09A, A11A, A13A		Pre	A06A, A07A, A09A, A11A, A13A
5k572.4		BOP, KOP, KOPV, KVT, UOP4	5k574.3		BOP, KOP, KOPV, KVT, UOP4	5k576.1		BOP, KOP, KOPV, KVT, UOP4
	05	F01A, F01B, F01D, F03A, F03B, F03C, F03D, F03E, F03F, F05Z, F30Z, F36A, F36B, F42Z		05	F01A, F01B, F01D, F03A, F03B, F03C, F03D, F03E, F03F, F05Z, F30Z, F36A, F36B, F42Z		05	F01A, F01B, F01D, F03A, F03B, F03C, F03D, F03E, F03F, F05Z, F30Z, F36A, F36B, F42Z
	06	G33Z		06	G33Z		06	G33Z
	07	H33Z, H38Z		07	H33Z, H38Z		07	H33Z, H38Z
	11	L33Z		11	L33Z		11	L33Z
	15	P02A, P02B, P02C		15	P02A, P02B, P02C		15	P02A, P02B, P02C
	21B	X33Z		21B	X33Z		21B	X33Z
	23	Z01A		23	Z01A		23	Z01A
	Pre	A06A, A07A, A09A, A11A, A13A		Pre	A06A, A07A, A09A, A11A, A13A		Pre	A06A, A07A, A09A, A11A, A13A
5k572.x		BOP, KOP, KOPV, KVT, UOP4	5k574.4		BOP, KOP, KOPV, KVT, UOP4	5k576.2		BOP, KOP, KOPV, KVT, UOP4
	05	F01A, F01B, F01D, F03A, F03B, F03C, F03D, F03E, F03F, F05Z, F30Z, F36A, F36B, F42Z		05	F01A, F01B, F01D, F03A, F03B, F03C, F03D, F03E, F03F, F05Z, F30Z, F36A, F36B, F42Z		05	F01A, F01B, F01D, F03A, F03B, F03C, F03D, F03E, F03F, F05Z, F30Z, F36A, F36B, F42Z
	06	G33Z		06	G33Z		06	G33Z
	07	H33Z, H38Z		07	H33Z, H38Z		07	H33Z, H38Z
	11	L33Z		11	L33Z		11	L33Z
	15	P02A, P02B, P02C		15	P02A, P02B, P02C		15	P02A, P02B, P02C
	21B	X33Z		21B	X33Z		21B	X33Z
	23	Z01A		23	Z01A		23	Z01A
	Pre	A06A, A07A, A09A, A11A, A13A		Pre	A06A, A07A, A09A, A11A, A13A		Pre	A06A, A07A, A09A, A11A, A13A
5k574.0		BOP, KOP, KOPV, KVT, UOP4	5k574.5		BOP, KOP, KOPV, KVT, UOP4	5k576.3		BOP, KOP, KOPV, KVT, UOP4
	05	F01A, F01B, F01D, F03A, F03B, F03C, F03D, F03E, F03F, F05Z, F30Z, F36A, F36B, F42Z		05	F01A, F01B, F01D, F03A, F03B, F03C, F03D, F03E, F03F, F05Z, F07A, F07B, F30Z, F36A, F36B, F42Z		05	F01A, F01B, F01D, F03A, F03B, F03C, F03D, F03E, F03F, F05Z, F30Z, F36A, F36B, F42Z
	06	G33Z		06	G33Z		06	G33Z
	07	H33Z, H38Z		07	H33Z, H38Z		07	H33Z, H38Z
	11	L33Z		11	L33Z		11	L33Z
	15	P02A, P02B, P02C		15	P02A, P02B, P02C		15	P02A, P02B, P02C
	21B	X33Z		21B	X33Z		21B	X33Z
	23	Z01A		23	Z01A		23	Z01A
	Pre	A06A, A07A, A09A, A11A, A13A		Pre	A06A, A07A, A09A, A11A, A13A		Pre	A06A, A07A, A09A, A11A, A13A
5k574.1		BOP, KOP, KOPV, KVT, UOP4	5k574.x		BOP, KOP, KOPV, KVT, UOP4	5k576.4		BOP, KOP, KOPV, KVT, UOP4
	05	F01A, F01B, F01D, F03A, F03B, F03C, F03D, F03E, F03F, F05Z, F30Z, F36A, F36B, F42Z		05	F01A, F01B, F01D, F03A, F03B, F03C, F03D, F03E, F03F, F05Z, F07A, F07B, F30Z, F36A, F36B, F42Z		05	F01A, F01B, F01D, F03A, F03B, F03C, F03D, F03E, F03F, F05Z, F30Z, F36A, F36B, F42Z
	06	G33Z		06	G33Z		06	G33Z
	07	H33Z, H38Z		07	H33Z, H38Z		07	H33Z, H38Z
	11	L33Z		11	L33Z		11	L33Z
	15	P02A, P02B, P02C		15	P02A, P02B, P02C		15	P02A, P02B, P02C
	21B	X33Z		21B	X33Z		21B	X33Z
	23	Z01A		23	Z01A		23	Z01A
	Pre	A06A, A07A, A09A, A11A, A13A		Pre	A06A, A07A, A09A, A11A, A13A		Pre	A06A, A07A, A09A, A11A, A13A

VYK

ZZV	MDC	DRG	ZZV	MDC	DRG	ZZV	MDC	DRG
5k576.x		BOP, KOP, KOPV, KVT, UOP4	5k578.4		BOP, KOP, KOPV, KVT, UOP4	5k57a.3		BOP, KOP, KOPV, KVT, UOP4
	05	F01A, F01B, F01D, F03A, F03B, F03C, F03D, F03E, F03F, F05Z, F30Z, F36A, F36B, F42Z		05	F01A, F01B, F01D, F03A, F03B, F03C, F03D, F03E, F03F, F05Z, F30Z, F36A, F36B, F42Z		05	F01A, F01B, F01D, F03A, F03B, F03C, F03D, F03E, F03F, F05Z, F30Z, F36A, F36B, F42Z
	06	G33Z		06	G33Z		06	G33Z
	07	H33Z, H38Z		07	H33Z, H38Z		07	H33Z, H38Z
	11	L33Z		11	L33Z		11	L33Z
	15	P02A, P02B, P02C		15	P02A, P02B, P02C		15	P02A, P02B, P02C
	21B	X33Z		21B	X33Z		21B	X33Z
	23	Z01A		23	Z01A		23	Z01A
	Pre	A06A, A07A, A09A, A11A, A13A		Pre	A06A, A07A, A09A, A11A, A13A		Pre	A06A, A07A, A09A, A11A, A13A
	5k578.0			BOP, KOP, KOPV, KVT, UOP4	5k578.x			BOP, KOP, KOPV, KVT, UOP4
05		F01A, F01B, F01D, F03A, F03B, F03C, F03D, F03E, F03F, F05Z, F30Z, F36A, F36B, F42Z	05	F01A, F01B, F01D, F03A, F03B, F03C, F03D, F03E, F03F, F05Z, F30Z, F36A, F36B, F42Z		05	F01A, F01B, F01D, F03A, F03B, F03C, F03D, F03E, F03F, F05Z, F30Z, F36A, F36B, F42Z	
06		G33Z	06	G33Z		06	G33Z	
07		H33Z, H38Z	07	H33Z, H38Z		07	H33Z, H38Z	
11		L33Z	11	L33Z		11	L33Z	
15		P02A, P02B, P02C	15	P02A, P02B, P02C		15	P02A, P02B, P02C	
21B		X33Z	21B	X33Z		21B	X33Z	
23		Z01A	23	Z01A		23	Z01A	
Pre		A06A, A07A, A09A, A11A, A13A	Pre	A06A, A07A, A09A, A11A, A13A		Pre	A06A, A07A, A09A, A11A, A13A	
5k578.1			BOP, KOP, KOPV, KVT, UOP4	5k57a.0			BOP, KOP, KOPV, KVT, UOP4	5k57a.x
	05	F01A, F01B, F01D, F03A, F03B, F03C, F03D, F03E, F03F, F05Z, F30Z, F36A, F36B, F42Z	05		F01A, F01B, F01D, F03A, F03B, F03C, F03D, F03E, F03F, F05Z, F30Z, F36A, F36B, F42Z	05	F01A, F01B, F01D, F03A, F03B, F03C, F03D, F03E, F03F, F05Z, F30Z, F36A, F36B, F42Z	
	06	G33Z	06		G33Z	06	G33Z	
	07	H33Z, H38Z	07		H33Z, H38Z	07	H33Z, H38Z	
	11	L33Z	11		L33Z	11	L33Z	
	15	P02A, P02B, P02C	15		P02A, P02B, P02C	15	P02A, P02B, P02C	
	21B	X33Z	21B		X33Z	21B	X33Z	
	23	Z01A	23		Z01A	23	Z01A	
	Pre	A06A, A07A, A09A, A11A, A13A	Pre		A06A, A07A, A09A, A11A, A13A	Pre	A06A, A07A, A09A, A11A, A13A	
	5k578.2		BOP, KOP, KOPV, KVT, UOP4		5k57a.1		BOP, KOP, KOPV, KVT, UOP4	
05		F01A, F01B, F01D, F03A, F03B, F03C, F03D, F03E, F03F, F05Z, F30Z, F36A, F36B, F42Z	05	F01A, F01B, F01D, F03A, F03B, F03C, F03D, F03E, F03F, F05Z, F30Z, F36A, F36B, F42Z		05	F01A, F01B, F01D, F05Z, F07A, F07B, F30Z, F36A, F36B, F42Z	
06		G33Z	06	G33Z		06	G33Z	
07		H33Z, H38Z	07	H33Z, H38Z		07	H33Z, H38Z	
11		L33Z	11	L33Z		11	L33Z	
15		P02A, P02B, P02C	15	P02A, P02B, P02C		15	P02A, P02B, P02C	
21B		X33Z	21B	X33Z		21B	X33Z	
23		Z01A	23	Z01A		23	Z01A	
Pre		A06A, A07A, A09A, A11A, A13A	Pre	A06A, A07A, A09A, A11A, A13A		Pre	A06A, A07A, A09A, A11A, A13A	
5k578.3			BOP, KOP, KOPV, KVT, UOP4	5k57a.2			BOP, KOP, KOPV, KVT, UOP4	5k581.0
	05	F01A, F01B, F01D, F03A, F03B, F03C, F03D, F03E, F03F, F05Z, F30Z, F36A, F36B, F42Z	05		F01A, F01B, F01D, F03A, F03B, F03C, F03D, F03E, F03F, F05Z, F30Z, F36A, F36B, F42Z	05	F01A, F01B, F01D, F05Z, F07A, F07B, F30Z, F36A, F36B, F42Z	
	06	G33Z	06		G33Z	06	G33Z	
	07	H33Z, H38Z	07		H33Z, H38Z	07	H33Z, H38Z	
	11	L33Z	11		L33Z	11	L33Z	
	15	P02A, P02B, P02C	15		P02A, P02B, P02C	15	P02A, P02B, P02C	
	21B	X33Z	21B		X33Z	21B	X33Z	
	23	Z01A	23		Z01A	23	Z01A	
	Pre	A06A, A07A, A09A, A11A, A13A	Pre		A06A, A07A, A09A, A11A, A13A	Pre	A06A, A07A, A09A, A11A, A13A	

VYK

ZZV	MDC	DRG	ZZV	MDC	DRG	ZZV	MDC	DRG			
5k581.2		BOP, KOP, KOPV, KVT, UOP4	5k583.2		BOP, KOP, KOPV, KVT, UOP4	5k587.0		BOP, KOP, KOPV, KVT, UOP4			
	05	F01A, F01B, F01D, F05Z, F07A, F07B, F30Z, F36A, F36B, F42Z		05	F01A, F01B, F01D, F03B, F03C, F03D, F03E, F05Z, F07A, F07B, F09A, F09B, F09C, F30Z, F36A, F36B, F42Z		04	E05A, E05B, E05C, E08A, E08B, E08C			
	06	G33Z		06	G33Z		05	F01A, F01B, F01D, F05Z, F07A, F07B, F30Z, F36A, F36B, F42Z			
	07	H33Z, H38Z		07	H33Z, H38Z		06	G33Z			
	11	L33Z		11	L33Z		07	H33Z, H38Z			
	15	P02A, P02B, P02C		15	P02A, P02B, P02C		11	L33Z			
	21B	X33Z		21B	X33Z		15	P02A, P02B, P02C			
	23	Z01A		23	Z01A		21B	X33Z			
	Pre	A06A, A07A, A09A, A11A, A13A		Pre	A06A, A07A, A09A, A11A, A13A		23	Z01A			
	5k581.3			BOP, KOP, KOPV, KVT, UOP4	5k584.0			BOP, KOP, KOPV, KVT, UOP4	5k587.1		BOP, KOP, KOPV, KVT, UOP4
		05		F01A, F01B, F01D, F05Z, F07A, F07B, F30Z, F36A, F36B, F42Z			05	F01A, F01B, F01D, F03B, F03C, F03D, F03E, F05Z, F07A, F07B, F30Z, F36A, F36B, F42Z		04	E05A, E05B, E05C, E08A, E08B, E08C
		06		G33Z			06	G33Z		05	F01A, F01B, F01D, F05Z, F07A, F07B, F30Z, F36A, F36B, F42Z
		07		H33Z, H38Z			07	H33Z, H38Z		06	G33Z
11		L33Z	11	L33Z		07	H33Z, H38Z				
15		P02A, P02B, P02C	15	P02A, P02B, P02C		11	L33Z				
21B		X33Z	21B	X33Z		15	P02A, P02B, P02C				
23		Z01A	23	Z01A		21B	X33Z				
Pre		A06A, A07A, A09A, A11A, A13A	Pre	A06A, A07A, A09A, A11A, A13A		23	Z01A				
5k581.x			BOP, KOP, KOPV, KVT, UOP4	5k584.1			BOP, KOP, KOPV, KVT, UOP4	5k587.2			BOP, KOP, KOPV, KVT, UOP4
		05	F01A, F01B, F01D, F05Z, F07A, F07B, F30Z, F36A, F36B, F42Z			05	F01A, F01B, F01D, F05Z, F07A, F07B, F30Z, F36A, F36B, F42Z			04	E05A, E05B, E05C, E08A, E08B, E08C
		06	G33Z			06	G33Z			05	F01A, F01B, F01D, F05Z, F07A, F07B, F30Z, F36A, F36B, F42Z
		07	H33Z, H38Z			07	H33Z, H38Z			06	G33Z
	11	L33Z	11		L33Z	07	H33Z, H38Z				
	15	P02A, P02B, P02C	15		P02A, P02B, P02C	11	L33Z				
	21B	X33Z	21B		X33Z	15	P02A, P02B, P02C				
	23	Z01A	23		Z01A	21B	X33Z				
	Pre	A06A, A07A, A09A, A11A, A13A	Pre		A06A, A07A, A09A, A11A, A13A	23	Z01A				
	5k582.0		BOP, KOP, KOPV, KVT, UOP4		5k585		BOP, KOP, KOPV, KVT, UOP4		5k587.3		BOP, KOP, KOPV, KVT, UOP4
		05	F01A, F01B, F01D, F03B, F03C, F03D, F03E, F05Z, F07A, F07B, F09A, F09B, F09C, F30Z, F36A, F36B, F42Z			05	F01A, F01B, F01D, F05Z, F07A, F07B, F30Z, F36A, F36B, F42Z			05	F01A, F01B, F01D, F05Z, F07A, F07B, F30Z, F36A, F36B, F42Z
		06	G33Z			06	G33Z			06	G33Z
		07	H33Z, H38Z			07	H33Z, H38Z			07	H33Z, H38Z
11		L33Z	11	L33Z		11	L33Z				
15		P02A, P02B, P02C	15	P02A, P02B, P02C		15	P02A, P02B, P02C				
21B		X33Z	21B	X33Z		21B	X33Z				
23		Z01A	23	Z01A		23	Z01A				
Pre		A06A, A07A, A09A, A11A, A13A	Pre	A06A, A07A, A09A, A11A, A13A		Pre	A06A, A07A, A09A, A11A, A13A				
5k582.1			BOP, KOP, KOPV, KVT, UOP4	5k586			BOP, KOP, KOPV, KVT, UOP4				BOP, KOP, KOPV, KVT, UOP4
		05	F01A, F01B, F01D, F03B, F03C, F03D, F03E, F05Z, F07A, F07B, F09A, F09B, F09C, F30Z, F36A, F36B, F42Z			05	F01A, F01B, F01D, F05Z, F07A, F07B, F30Z, F36A, F36B, F42Z			05	F01A, F01B, F01D, F05Z, F07A, F07B, F30Z, F36A, F36B, F42Z
		06	G33Z			06	G33Z			06	G33Z
		07	H33Z, H38Z			07	H33Z, H38Z			07	H33Z, H38Z
	11	L33Z	11		L33Z	11	L33Z				
	15	P02A, P02B, P02C	15		P02A, P02B, P02C	15	P02A, P02B, P02C				
	21B	X33Z	21B		X33Z	21B	X33Z				
	23	Z01A	23		Z01A	23	Z01A				
	Pre	A06A, A07A, A09A, A11A, A13A	Pre		A06A, A07A, A09A, A11A, A13A	Pre	A06A, A07A, A09A, A11A, A13A				

VYK

ZZV	MDC	DRG	ZZV	MDC	DRG	ZZV	MDC	DRG			
5k587.4		BOP, KOP, KOPV, KVT, UOP4	5k588		BOP, KOP, KOPV, KVT, UOP4	5k590.2		BOP, KOP, KOPV, KVT, UOP4			
	05	F01A, F01B, F01D, F05Z, F07A, F07B, F30Z, F36A, F36B, F42Z		04	E05A, E05B, E05C, E08A, E08B, E08C		05	F01A, F01B, F01D, F03A, F03B, F03C, F03D, F03E, F05Z, F07A, F07B, F09A, F09B, F09C, F30Z, F36A, F36B, F42Z			
	06	G33Z		05	F01A, F01B, F01D, F03B, F03C, F03D, F03E, F05Z, F07A, F07B, F09A, F09B, F09C, F30Z, F36A, F36B, F42Z		06	G33Z			
	07	H33Z, H38Z		06	G33Z		07	H33Z, H38Z			
	11	L33Z		07	H33Z, H38Z		11	L33Z			
	15	P02A, P02B, P02C		11	L33Z		15	P02A, P02B, P02C			
	21B	X33Z		15	P02A, P02B, P02C		21B	X33Z			
	23	Z01A		21B	X33Z		23	Z01A			
	Pre	A06A, A07A, A09A, A11A, A13A		23	Z01A		Pre	A06A, A07A, A09A, A11A, A13A			
	5k587.5			BOP, KOP, KOPV, KVT, UOP4	5k589			BOP, KOP, KOPV, KVT, UOP4	5k590.3		BOP, KOP, KOPV, KVT, UOP4
		05		F01A, F01B, F01D, F05Z, F07A, F07B, F30Z, F36A, F36B, F42Z			05	F01A, F01B, F01D, F05Z, F07A, F07B, F30Z, F36A, F36B, F42Z		05	F01A, F01B, F01D, F03A, F03B, F03C, F03D, F03E, F03F, F05Z, F30Z, F36A, F36B, F42Z
		06		G33Z			06	G33Z		06	G33Z
		07		H33Z, H38Z			07	H33Z, H38Z		07	H33Z, H38Z
11		L33Z	11	L33Z		11	L33Z				
15		P02A, P02B, P02C	15	P02A, P02B, P02C		15	P02A, P02B, P02C				
21B		X33Z	15	P02A, P02B, P02C		21B	X33Z				
23		Z01A	21B	X33Z		23	Z01A				
Pre		A06A, A07A, A09A, A11A, A13A	23	Z01A		Pre	A06A, A07A, A09A, A11A, A13A				
5k587.6			BOP, KOP, KOPV, KVT, UOP4	5k58x			BOP, KOP, KOPV, KVT, UOP4	5k590.4			BOP, KOP, KOPV, KVT, UOP4
		05	F01A, F01B, F01D, F05Z, F07A, F07B, F30Z, F36A, F36B, F42Z			05	F01A, F01B, F01D, F03B, F03C, F03D, F03E, F05Z, F07A, F07B, F09A, F09B, F09C, F30Z, F36A, F36B, F42Z			04	E05A, E05B, E05C, E08A, E08B, E08C
		06	G33Z			06	G33Z			05	F01A, F01B, F01D, F05Z, F07A, F07B, F14A, F14B, F28A, F36A, F36B, F42Z, F54Z, F59A, F59B
		07	H33Z, H38Z			07	H33Z, H38Z			06	G33Z
	11	L33Z	11		L33Z	07	H33Z, H38Z				
	15	P02A, P02B, P02C	15		P02A, P02B, P02C	10	K09A, K09B				
	21B	X33Z	15		P02A, P02B, P02C	11	L33Z				
	23	Z01A	21B		X33Z	21A	W04A, W04B				
	Pre	A06A, A07A, A09A, A11A, A13A	23		Z01A	21B	X06A, X06B, X06C, X33Z				
	5k587.7		BOP, KOP, KOPV, KVT, UOP4		5k590.1		BOP, KOP, KOPV, KVT, UOP4		5k590.5		BOP, KOP, KOPV, KVT, UOP4
		05	F01A, F01B, F01D, F05Z, F07A, F07B, F30Z, F36A, F36B, F42Z			05	F01A, F01B, F01D, F05Z, F07A, F07B, F30Z, F36A, F36B, F42Z			05	F01A, F01B, F01D, F03A, F03B, F03C, F03D, F03E, F03F, F05Z, F30Z, F36A, F36B, F42Z
		06	G33Z			06	G33Z			06	G33Z
		07	H33Z, H38Z			07	H33Z, H38Z			07	H33Z, H38Z
11		L33Z	11	L33Z		11	L33Z				
15		P02A, P02B, P02C	15	P02A, P02B, P02C		15	P02A, P02B, P02C				
21B		X33Z	21B	X33Z		21B	X33Z				
23		Z01A	23	Z01A		23	Z01A				
Pre		A06A, A07A, A09A, A11A, A13A	Pre	A06A, A07A, A09A, A11A, A13A		Pre	A06A, A07A, A09A, A11A, A13A				
5k587.x			BOP, KOP, KOPV, KVT, UOP4								
		05	F01A, F01B, F01D, F05Z, F07A, F07B, F30Z, F36A, F36B, F42Z								
		06	G33Z								
		07	H33Z, H38Z								
	11	L33Z									
	15	P02A, P02B, P02C									
	21B	X33Z									
	23	Z01A									
	Pre	A06A, A07A, A09A, A11A, A13A									

VYK

ZZV	MDC	DRG	ZZV	MDC	DRG	ZZV	MDC	DRG			
5k590.6		BOP, KOP, KOPV, KVT, UOP4	5k590.b0		BOP, KOP, KOPV, KVT, UOP4	5k592.2		BOP, KOP, KOPV, KVT, UOP4			
	05	F01A, F01B, F01D, F03A, F03B, F03C, F03D, F03E, F03F, F05Z, F30Z, F36A, F36B, F42Z		05	F01A, F01B, F01D, F05Z, F07A, F07B, F30Z, F36A, F36B, F42Z		05	F01A, F01B, F01D, F05Z, F07A, F07B, F30Z, F36A, F36B, F42Z			
	06	G33Z		06	G33Z		06	G33Z			
	07	H33Z, H38Z		07	H33Z, H38Z		07	H33Z, H38Z			
	11	L33Z		11	L33Z		11	L33Z			
	15	P02A, P02B, P02C		15	P02A, P02B, P02C		15	P02A, P02B, P02C			
	21B	X33Z		21B	X33Z		21B	X06A, X06B, X06C, X33Z			
	23	Z01A		23	Z01A		23	Z01A			
	Pre	A06A, A07A, A09A, A11A, A13A		Pre	A06A, A07A, A09A, A11A, A13A		Pre	A06A, A07A, A09A, A11A, A13A			
	5k590.8			BOP, KOP, KOPV, KVT, UOP4	5k590.b1			BOP, KOP, KOPV, KVT, UOP4	5k592.3		BOP, KOP, KOPV, KVT, UOP4
		04		E05A, E05B, E05C, E08A, E08B, E08C			05	F01A, F01B, F01D, F05Z, F07A, F07B, F30Z, F36A, F36B, F42Z		05	F01A, F01B, F01D, F03A, F03B, F03C, F03D, F03E, F03F, F05Z, F07A, F07B, F36A, F36B, F42Z
05		F01A, F01B, F01D, F03A, F03B, F03C, F03D, F03E, F03F, F05Z, F07A, F07B, F36A, F36B, F42Z	06	G33Z		06	G33Z				
06		G33Z	07	H33Z, H38Z		07	H33Z, H38Z				
07		H33Z, H38Z	11	L33Z		11	L33Z				
11		L33Z	15	P02A, P02B, P02C		15	P02A, P02B, P02C				
21A		W04A, W04B	21B	X33Z		21B	X33Z				
21B		X06A, X06B, X06C, X33Z	23	Z01A		23	Z01A				
23		Z01A	Pre	A06A, A07A, A09A, A11A, A13A		Pre	A06A, A07A, A09A, A11A, A13A				
Pre		A06A, A07A, A09A, A11A, A13A	5k590.c			BOP, KOP, KOPV, KVT, UOP4	5k592.4			BOP, KOP, KOPV, KVT, UOP4	
5k590.9				BOP, KOP, KOPV, KVT, UOP4		5k590.x				BOP, KOP, KOPV, KVT, UOP4	5k592.x
	04	E05A, E05B, E05C, E08A, E08B, E08C		05	F01A, F01B, F01D, F05Z, F07A, F07B, F30Z, F36A, F36B, F42Z			05	F01A, F01B, F01D, F03A, F03B, F03C, F03D, F03E, F03F, F05Z, F07A, F07B, F30Z, F36A, F36B, F42Z		
	05	F01A, F01B, F01D, F03A, F03B, F03C, F03D, F03E, F03F, F05Z, F07A, F07B, F36A, F36B, F42Z		06	G33Z			06	G33Z		
	06	G33Z		07	H33Z, H38Z			07	H33Z, H38Z		
	07	H33Z, H38Z		11	L33Z			11	L33Z		
	11	L33Z		15	P02A, P02B, P02C			15	P02A, P02B, P02C		
	21A	W04A, W04B		21B	X33Z			21B	X33Z		
	21B	X06A, X06B, X06C, X33Z		23	Z01A			23	Z01A		
	23	Z01A		Pre	A06A, A07A, A09A, A11A, A13A			Pre	A06A, A07A, A09A, A11A, A13A		
	Pre	A06A, A07A, A09A, A11A, A13A		5k592.1				BOP, KOP, KOPV, KVT, UOP4	5k594.1		
	5k590.a		BOP, KOP, KOPV, KVT, UOP4		5k592.1			BOP, KOP, KOPV, KVT, UOP4		5k594.1	
05		F01A, F01B, F01D, F03A, F03B, F03C, F03D, F03E, F03F, F05Z, F07A, F07B, F30Z, F36A, F36B, F42Z	05			F01A, F01B, F01D, F05Z, F07A, F07B, F30Z, F36A, F36B, F42Z	05	F01A, F01B, F01D, F05Z, F07A, F07B, F30Z, F36A, F36B, F42Z			
06		G33Z	06			G33Z	06	G33Z			
07		H33Z, H38Z	07			H33Z, H38Z	07	H33Z, H38Z			
11		L33Z	11			L33Z	11	L33Z			
15		P02A, P02B, P02C	15			P02A, P02B, P02C	15	P02A, P02B, P02C			
21B		X33Z	21B			X33Z	21B	X33Z			
23		Z01A	23			Z01A	23	Z01A			
Pre		A06A, A07A, A09A, A11A, A13A	Pre			A06A, A07A, A09A, A11A, A13A	Pre	A06A, A07A, A09A, A11A, A13A			

VYK

ZZV	MDC	DRG	ZZV	MDC	DRG	ZZV	MDC	DRG			
5k594.2		BOP, KOP, KOPV, KVT, UOP4	5k594.8		BOP, KOP, KOPV, KVT, UOP4	5k596.2		BOP, KOP, KOPV, KVT, UOP4			
	05	F01A, F01B, F01D, F03A, F03B, F03C, F03D, F03E, F03F, F05Z, F30Z, F36A, F36B, F42Z		04	E05A, E05B, E05C, E08A, E08B, E08C		05	F01A, F01B, F01D, F05Z, F07A, F07B, F30Z, F36A, F36B, F42Z			
	06	G33Z		05	F01A, F01B, F01D, F03A, F03B, F03C, F03D, F03E, F03F, F05Z, F07A, F07B, F36A, F36B, F42Z		06	G33Z			
	07	H33Z, H38Z		06	G33Z		07	H33Z, H38Z			
	11	L33Z		07	H33Z, H38Z		11	L33Z			
	15	P02A, P02B, P02C		11	L33Z		15	P02A, P02B, P02C			
	21B	X33Z		21A	W04A, W04B		21B	X06A, X06B, X06C, X33Z			
	23	Z01A		21B	X06A, X06B, X06C, X33Z		23	Z01A			
	Pre	A06A, A07A, A09A, A11A, A13A		23	Z01A		Pre	A06A, A07A, A09A, A11A, A13A			
	5k594.4			BOP, KOP, KOPV, KVT, UOP4	5k594.9			BOP, KOP, KOPV, KVT, UOP4	5k596.3		BOP, KOP, KOPV, KVT, UOP4
		04		E05A, E05B, E05C, E08A, E08B, E08C			04	E05A, E05B, E05C, E08A, E08B, E08C		05	F01A, F01B, F01D, F03A, F03B, F03C, F03D, F03E, F03F, F05Z, F30Z, F36A, F36B, F42Z
		05		F01A, F01B, F01D, F05Z, F07A, F07B, F14A, F14B, F28A, F36A, F36B, F42Z, F54Z, F59A, F59B			05	F01A, F01B, F01D, F03A, F03B, F03C, F03D, F03E, F03F, F05Z, F07A, F07B, F36A, F36B, F42Z		06	G33Z
		06		G33Z			06	G33Z		07	H33Z, H38Z
07		H33Z, H38Z	07	H33Z, H38Z		11	L33Z				
10		K09A, K09B	11	L33Z		15	P02A, P02B, P02C				
11		L33Z	11	L33Z		21B	X33Z				
21A		W04A, W04B	21A	W04A, W04B		23	Z01A				
21B		X06A, X06B, X06C, X33Z	21B	X06A, X06B, X06C, X33Z		Pre	A06A, A07A, A09A, A11A, A13A				
23		Z01A	23	Z01A		5k596.4		BOP, KOP, KOPV, KVT, UOP4			
Pre		A06A, A07A, A09A, A11A, A13A	Pre	A06A, A07A, A09A, A11A, A13A			05	F01A, F01B, F01D, F03A, F03B, F03C, F03D, F03E, F03F, F05Z, F30Z, F36A, F36B, F42Z			
5k594.5			BOP, KOP, KOPV, KVT, UOP4	5k594.x				BOP, KOP, KOPV, KVT, UOP4		06	G33Z
		05	F01A, F01B, F01D, F03A, F03B, F03C, F03D, F03E, F03F, F05Z, F30Z, F36A, F36B, F42Z				05	F01A, F01B, F01D, F05Z, F07A, F07B, F30Z, F36A, F36B, F42Z		07	H33Z, H38Z
	06	G33Z	06		G33Z		11	L33Z			
	07	H33Z, H38Z	07		H33Z, H38Z		15	P02A, P02B, P02C			
	11	L33Z	11		L33Z		21B	X33Z			
	15	P02A, P02B, P02C	15		P02A, P02B, P02C		23	Z01A			
	21B	X33Z	21B		X33Z		Pre	A06A, A07A, A09A, A11A, A13A			
	23	Z01A	23		Z01A		5k596.x		BOP, KOP, KOPV, KVT, UOP4		
	Pre	A06A, A07A, A09A, A11A, A13A	Pre		A06A, A07A, A09A, A11A, A13A			05	F01A, F01B, F01D, F05Z, F07A, F07B, F30Z, F36A, F36B, F42Z		
	5k594.6		BOP, KOP, KOPV, KVT, UOP4		5k596.1				BOP, KOP, KOPV, KVT, UOP4	06	G33Z
		05	F01A, F01B, F01D, F03A, F03B, F03C, F03D, F03E, F03F, F05Z, F30Z, F36A, F36B, F42Z					05	F01A, F01B, F01D, F05Z, F07A, F07B, F30Z, F36A, F36B, F42Z	07	H33Z, H38Z
		06	G33Z			06		G33Z	11	L33Z	
		07	H33Z, H38Z			07		H33Z, H38Z	15	P02A, P02B, P02C	
11		L33Z	11	L33Z		21B		X33Z			
15		P02A, P02B, P02C	15	P02A, P02B, P02C		23		Z01A			
21B		X33Z	21B	X33Z		Pre		A06A, A07A, A09A, A11A, A13A			
23		Z01A	23	Z01A		5k59x			BOP, KOP, KOPV, KVT, UOP4		
Pre		A06A, A07A, A09A, A11A, A13A	Pre	A06A, A07A, A09A, A11A, A13A				05	F01A, F01B, F01D, F05Z, F07A, F07B, F30Z, F36A, F36B, F42Z		
								06	G33Z		
								07	H33Z, H38Z		
							11	L33Z			
							15	P02A, P02B, P02C			
				21B	X33Z						
				23	Z01A						
				Pre	A06A, A07A, A09A, A11A, A13A						

VYK

ZZV	MDC	DRG	ZZV	MDC	DRG	ZZV	MDC	DRG
5k600		BOP, KOP, KOPV, KVT, UOP4	5k610.0		BOP, KOP, KOPV, KVT, UOP4	5k611.0		BOP, KOP, KOPV, KVT, UOP4
	05	F01A, F01B, F01D, F05Z, F07A, F07B, F09A, F09B, F09C, F30Z, F36A, F36B, F42Z		05	F01A, F01B, F01D, F03B, F03C, F03D, F03E, F05Z, F06A, F06B, F06C, F06D, F06E, F06F, F07A, F07B, F30Z, F36A, F36B, F42Z		05	F01A, F01B, F01D, F03B, F03C, F03D, F03E, F05Z, F06A, F06B, F06C, F06D, F06E, F06F, F07A, F07B, F30Z, F36A, F36B, F42Z
	06	G33Z		06	G33Z		06	G33Z
	07	H33Z, H38Z		07	H33Z, H38Z		07	H33Z, H38Z
	11	L33Z		11	L33Z		11	L33Z
	15	P02A, P02B, P02C		15	P02A, P02B, P02C		15	P02A, P02B, P02C
	21B	X33Z		21B	X33Z		21B	X33Z
	23	Z01A		23	Z01A		23	Z01A
	Pre	A07A		Pre	A07A		Pre	A07A
	5k601			BOP, KOP, KOPV, KVT, UOP4	5k610.1			BOP, KOP, KOPV, KVT, UOP4
05		F01A, F01B, F01D, F05Z, F07A, F07B, F09A, F09B, F09C, F30Z, F36A, F36B, F42Z	05	F01A, F01B, F01D, F03B, F03C, F03D, F03E, F05Z, F06A, F06B, F06C, F06D, F06E, F06F, F07A, F07B, F30Z, F36A, F36B, F42Z		05	F01A, F01B, F01D, F03B, F03C, F03D, F03E, F05Z, F06A, F06B, F06C, F06D, F06E, F06F, F07A, F07B, F30Z, F36A, F36B, F42Z	
06		G33Z	06	G33Z		06	G33Z	
07		H33Z, H38Z	07	H33Z, H38Z		07	H33Z, H38Z	
11		L33Z	11	L33Z		11	L33Z	
15		P02A, P02B, P02C	15	P02A, P02B, P02C		15	P02A, P02B, P02C	
21B		X33Z	21B	X33Z		21B	X33Z	
23		Z01A	23	Z01A		23	Z01A	
Pre		A07A	Pre	A07A		Pre	A07A	
5k602			BOP, KOP, KOPV, KVT, UOP4	5k610.2			BOP, KOP, KOPV, KVT, UOP4	5k611.2
	05	F01A, F01B, F01D, F05Z, F07A, F07B, F09A, F09B, F09C, F30Z, F36A, F36B, F42Z	05		F01A, F01B, F01D, F03B, F03C, F03D, F03E, F05Z, F06A, F06B, F06C, F06D, F06E, F06F, F07A, F07B, F30Z, F36A, F36B, F42Z	05	F01A, F01B, F01D, F03B, F03C, F03D, F03E, F05Z, F06A, F06B, F06C, F06D, F06E, F06F, F07A, F07B, F30Z, F36A, F36B, F42Z	
	06	G33Z	06		G33Z	06	G33Z	
	07	H33Z, H38Z	07		H33Z, H38Z	07	H33Z, H38Z	
	11	L33Z	11		L33Z	11	L33Z	
	15	P02A, P02B, P02C	15		P02A, P02B, P02C	15	P02A, P02B, P02C	
	21B	X33Z	21B		X33Z	21B	X33Z	
	23	Z01A	23		Z01A	23	Z01A	
	Pre	A07A	Pre		A07A	Pre	A07A	
	5k604		BOP, KOP, KOPV, KVT, UOP4		5k610.5		BOP, KOP, KOPV, KVT, UOP4	
05		F01A, F01B, F01D, F05Z, F07A, F07B, F09A, F09B, F09C, F30Z, F36A, F36B, F42Z	05	F01A, F01B, F01D, F03B, F03C, F03D, F03E, F05Z, F06A, F06B, F06C, F06D, F06E, F06F, F07A, F07B, F30Z, F36A, F36B, F42Z		05	F01A, F01B, F01D, F03B, F03C, F03D, F03E, F05Z, F06A, F06B, F06C, F06D, F06E, F06F, F07A, F07B, F30Z, F36A, F36B, F42Z	
06		G33Z	06	G33Z		06	G33Z	
07		H33Z, H38Z	07	H33Z, H38Z		07	H33Z, H38Z	
11		L33Z	11	L33Z		11	L33Z	
15		P02A, P02B, P02C	15	P02A, P02B, P02C		15	P02A, P02B, P02C	
21B		X33Z	21B	X33Z		21B	X33Z	
23		Z01A	23	Z01A		23	Z01A	
Pre		A07A	Pre	A07A		Pre	A07A	
5k60x			BOP, KOP, KOPV, KVT, UOP4	5k610.x			BOP, KOP, KOPV, KVT, UOP4	5k611.x
	05	F01A, F01B, F01D, F05Z, F07A, F07B, F09A, F09B, F09C, F30Z, F36A, F36B, F42Z	05		F01A, F01B, F01D, F03B, F03C, F03D, F03E, F05Z, F06A, F06B, F06C, F06D, F06E, F06F, F07A, F07B, F30Z, F36A, F36B, F42Z	05	F01A, F01B, F01D, F03B, F03C, F03D, F03E, F05Z, F06A, F06B, F06C, F06D, F06E, F06F, F07A, F07B, F30Z, F36A, F36B, F42Z	
	06	G33Z	06		G33Z	06	G33Z	
	07	H33Z, H38Z	07		H33Z, H38Z	07	H33Z, H38Z	
	11	L33Z	11		L33Z	11	L33Z	
	15	P02A, P02B, P02C	15		P02A, P02B, P02C	15	P02A, P02B, P02C	
	21B	X33Z	21B		X33Z	21B	X33Z	
	23	Z01A	23		Z01A	23	Z01A	
	Pre	A07A	Pre		A07A	Pre	A07A	

VYK

ZZV	MDC	DRG	ZZV	MDC	DRG	ZZV	MDC	DRG	
5k630		BOP, KOP, KOPV, KVT, UOP4	5k635		BOP, KVT, UOP4	5k700		BOP, KOP, KOPV, KVT, UOP4	
	05	F01A, F01B, F01D, F05Z, F07A, F07B, F09A, F09B, F09C, F30Z, F36A, F36B, F42Z		05	F01A, F01B, F01D, F05Z, F07A, F07B, F09A, F09B, F09C, F30Z, F42Z		04	E05A, E05B, E05C, E08A, E08B, E08C	
	06	G33Z	5k636	15	P02A, P02B, P02C		05	F01A, F01B, F01D, F05Z, F07A, F07B, F09A, F09B, F09C, F36A, F36B, F42Z	
	07	H33Z, H38Z		21B	X06A, X06B, X06C		06	G33Z	
	11	L33Z			07		H33Z, H38Z		
	15	P02A, P02B, P02C	04	E05A, E05B, E05C, E08A, E08B, E08C	11		L33Z		
	21B	X06A, X06B, X06C, X33Z	05	F01A, F01B, F01D, F05Z, F07A, F07B, F09A, F09B, F09C, F30Z, F36A, F36B, F42Z	17		R01A, R01B, R01C, R01D, R02Z, R12A, R12B, R12C		
	23	Z01A			21A		W04A, W04B		
	Pre	A07A	06	G33Z	21B		X06A, X06B, X06C		
	5k631		BOP, KOP, KOPV, KVT, UOP4				23	Z01A	
05		F01A, F01B, F01D, F05Z, F06C, F06D, F07A, F07B, F09A, F09B, F09C, F30Z, F36A, F36B, F42Z	06	H33Z, H38Z	Pre	A07A			
06		G33Z	11	L33Z	5k701		BOP, KOP, KOPV, KVT, UOP4		
07		H33Z, H38Z	15	P02A, P02B, P02C		04	E05A, E05B, E05C, E08A, E08B, E08C		
11		L33Z	21B	X33Z		05	F01A, F01B, F01D, F05Z, F07A, F07B, F09A, F09B, F09C, F36A, F36B, F42Z		
15		P02A, P02B, P02C	Pre	A07A		06	G33Z		
21B		X06A, X06B, X06C, X33Z	5k63x			07	H33Z, H38Z		
23		Z01A		05		BOP, KVT, UOP4	11	L33Z	
Pre		A07A	05	F01A, F01B, F01D, F05Z, F07A, F07B, F09A, F09B, F09C, F30Z, F42Z		17	R01A, R01B, R01C, R01D, R02Z, R12A, R12B, R12C		
5k632			BOP, KOP, KOPV, KVT, UOP4	5k640			BOP, KVT, UOP4	5k702	
	05	F01A, F01B, F01D, F03B, F03C, F03D, F03E, F05Z, F06A, F06B, F06C, F06D, F06E, F06F, F30Z, F36A, F36B, F42Z	05			F01A, F01B, F01D, F05Z, F07A, F07B, F09A, F09B, F09C, F30Z, F42Z	04		E02A, E02B, E02C
	06	G33Z	15	P02A, P02B, P02C		08	I23A		
	07	H33Z, H38Z	21B	X06A, X06B, X06C	09	J03A, J03B, J04A, J04B, J08A, J08B, J08C, J11A, J11B, J16Z			
	11	L33Z			10	K09A, K09B			
	15	P02A, P02B, P02C	5k641		17	R01A, R01B, R01C, R01D, R02Z, R12A, R12B, R12C			
	21B	X06A, X06B, X06C, X33Z		05	F01A, F01B, F01D, F05Z, F07A, F07B, F09A, F09B, F09C, F30Z, F42Z	21A	W04A, W04B		
	23	Z01A	15	P02A, P02B, P02C	21B	X06A, X06B, X06C			
	Pre	A07A	21B	X06A, X06B, X06C	Pre	A07A			
	5k633		BOP, KOP, KOPV, KVT, UOP4	5k642		BOP, KVT, UOP4	5k703		
05		F01A, F01B, F01D, F05Z, F07A, F07B, F09A, F09B, F09C, F30Z, F36A, F36B, F42Z	05		F01A, F01B, F01D, F05Z, F07A, F07B, F09A, F09B, F09C, F30Z, F42Z	05		F01A, F01B, F01D, F05Z, F07A, F07B, F09A, F09B, F09C, F30Z, F42Z	
06		G33Z	5k643		BOP, KOP, KOPV, KVT, UOP4	15		P02A, P02B, P02C	
07		H33Z, H38Z		05	F01A, F01B, F01D, F05Z, F07A, F07B, F09A, F09B, F09C, F30Z, F36A, F36B, F42Z	21A		W04A, W04B	
11		L33Z			21B	X06A, X06B, X06C			
15		P02A, P02B, P02C	06	G33Z	5k704			BOP, KOP, KOPV, KVT, UOP4	
21B		X06A, X06B, X06C, X33Z	07	H33Z, H38Z		05		F01A, F01B, F01D, F05Z, F07A, F07B, F09A, F09B, F09C, F30Z, F36A, F36B, F42Z	
23		Z01A	11	L33Z		06		G33Z	
Pre		A07A	15	P02A, P02B, P02C		07		H33Z, H38Z	
5k634			BOP, KOP, KOPV, KVT, UOP4	21B		X06A, X06B, X06C, X33Z		11	L33Z
	05	F01A, F01B, F01D, F03B, F03C, F03D, F03E, F05Z, F06A, F06B, F06C, F06D, F06E, F06F, F30Z, F36A, F36B, F42Z	5k644			15	P02A, P02B, P02C		
	06	G33Z		05		F21A, F21B	21A	W04A, W04B	
	07	H33Z, H38Z	5k64x			21B	X06A, X06B, X06C		
	11	L33Z		05		F01A, F01B, F01D, F05Z, F07A, F07B, F09A, F09B, F09C, F30Z, F42Z	23	Z01A	
	15	P02A, P02B, P02C				Pre	A07A		
	21B	X33Z	15	P02A, P02B, P02C					
	23	Z01A	21B	X06A, X06B, X06C					
	Pre	A07A							

VYK

ZZV	MDC	DRG	ZZV	MDC	DRG	ZZV	MDC	DRG	
5k705		BOP, KOP, KOPV, KVT, UOP4	5k713.6		BOP, KVT, UOP4	5k715.2		BOP, KVT, UOP4	
	05	F01A, F01B, F01D, F05Z, F07A, F07B, F09A, F09B, F09C, F30Z, F36A, F36B, F42Z		05	F01A, F01B, F01D, F03C, F03D, F05Z, F06C, F06E, F07A, F07B, F09A, F09B, F09C, F30Z, F42Z		05	F01A, F01B, F01D, F03C, F03D, F05Z, F06C, F06E, F07A, F07B, F09A, F09B, F09C, F30Z, F42Z	
		G33Z	5k713.x		BOP, KVT, UOP4	5k715.3		BOP, KVT, UOP4	
	06	H33Z, H38Z		05	F01A, F01B, F01D, F03C, F03D, F05Z, F06C, F06E, F07A, F07B, F09A, F09B, F09C, F30Z, F42Z		05	F01A, F01B, F01D, F03C, F03D, F05Z, F06C, F06E, F07A, F07B, F09A, F09B, F09C, F30Z, F42Z	
	07	L33Z		15	P02A, P02B, P02C		15	P02A, P02B, P02C	
		P02A, P02B, P02C	5k714.0		BOP, KVT, UOP4	5k715.4		BOP, KVT, UOP4	
	15	W04A, W04B		05	F01A, F01B, F01D, F03C, F03D, F05Z, F06C, F06E, F07A, F07B, F09A, F09B, F09C, F30Z, F42Z		05	F01A, F01B, F01D, F03C, F03D, F05Z, F06C, F06E, F07A, F07B, F09A, F09B, F09C, F30Z, F42Z	
	21A	X06A, X06B, X06C		15	P02A, P02B, P02C		15	P02A, P02B, P02C	
	21B	Z01A		05	F01A, F01B, F01D, F03C, F03D, F05Z, F06C, F06E, F07A, F07B, F09A, F09B, F09C, F30Z, F42Z		05	F01A, F01B, F01D, F03C, F03D, F05Z, F06C, F06E, F07A, F07B, F09A, F09B, F09C, F30Z, F42Z	
		A07A	5k706		BOP, KVT, UOP4	5k715.5		BOP, KVT, UOP4	
Pre	BOP, KOP, KOPV, KVT, UOP4	05		F01A, F01B, F01D, F03C, F03D, F05Z, F06C, F06E, F07A, F07B, F09A, F09B, F09C, F30Z, F42Z	05		F01A, F01B, F01D, F03C, F03D, F05Z, F06C, F06E, F07A, F07B, F09A, F09B, F09C, F30Z, F42Z		
	F01A, F01B, F01D, F05Z, F07A, F07B, F09A, F09B, F09C, F30Z, F36A, F36B, F42Z	15		P02A, P02B, P02C	15		P02A, P02B, P02C		
	G33Z	5k714.1			BOP, KVT, UOP4		5k715.6		BOP, KVT, UOP4
06	H33Z, H38Z			05	F01A, F01B, F01D, F03C, F03D, F05Z, F06C, F06E, F07A, F07B, F09A, F09B, F09C, F30Z, F42Z			05	F01A, F01B, F01D, F03C, F03D, F05Z, F06C, F06E, F07A, F07B, F09A, F09B, F09C, F30Z, F42Z
07	L33Z			15	P02A, P02B, P02C			15	P02A, P02B, P02C
	P02A, P02B, P02C	5k714.2			BOP, KVT, UOP4		5k715.x		BOP, KVT, UOP4
15	W04A, W04B			05	F01A, F01B, F01D, F03C, F03D, F05Z, F06C, F06E, F07A, F07B, F09A, F09B, F09C, F30Z, F42Z			05	F01A, F01B, F01D, F03C, F03D, F05Z, F06C, F06E, F07A, F07B, F09A, F09B, F09C, F30Z, F42Z
21A	X06A, X06B, X06C			15	P02A, P02B, P02C			15	P02A, P02B, P02C
21B	Z01A			05	F01A, F01B, F01D, F03C, F03D, F05Z, F06C, F06E, F07A, F07B, F09A, F09B, F09C, F30Z, F42Z			05	F01A, F01B, F01D, F03C, F03D, F05Z, F06C, F06E, F07A, F07B, F09A, F09B, F09C, F30Z, F42Z
	A07A	5k70x		BOP, KVT, UOP4	5k715.x		BOP, KVT, UOP4		
05	F01A, F01B, F01D, F05Z, F07A, F07B, F09A, F09B, F09C, F30Z, F42Z		15	P02A, P02B, P02C		15	P02A, P02B, P02C		
	G33Z		5k714.3			BOP, KVT, UOP4	5k715.x		BOP, KVT, UOP4
15	H33Z, H38Z			05		F01A, F01B, F01D, F03C, F03D, F05Z, F06C, F06E, F07A, F07B, F09A, F09B, F09C, F30Z, F42Z		05	F01A, F01B, F01D, F03C, F03D, F05Z, F06C, F06E, F07A, F07B, F09A, F09B, F09C, F30Z, F42Z
11	L33Z			15		P02A, P02B, P02C		15	P02A, P02B, P02C
	P02A, P02B, P02C	5k714.4		BOP, KVT, UOP4	5k71x		BOP, KVT, UOP4		
21A	W04A, W04B		05	F01A, F01B, F01D, F03C, F03D, F05Z, F06C, F06E, F07A, F07B, F09A, F09B, F09C, F30Z, F42Z		05	F01A, F01B, F01D, F03C, F03D, F05Z, F06C, F06E, F07A, F07B, F09A, F09B, F09C, F30Z, F42Z		
21B	X06A, X06B, X06C		15	P02A, P02B, P02C		15	P02A, P02B, P02C		
	BOP, KVT, UOP4		05	F01A, F01B, F01D, F03C, F03D, F05Z, F06C, F06E, F07A, F07B, F09A, F09B, F09C, F30Z, F42Z		05	F01A, F01B, F01D, F03C, F03D, F05Z, F06C, F06E, F07A, F07B, F09A, F09B, F09C, F30Z, F42Z		
5k713.0		BOP, KVT, UOP4	5k714.5		BOP, KVT, UOP4	5k720		BOP, KOP, KOPV, KVT, UOP4	
	05	F01A, F01B, F01D, F03C, F03D, F05Z, F06C, F06E, F07A, F07B, F09A, F09B, F09C, F30Z, F42Z		05	F01A, F01B, F01D, F03C, F03D, F05Z, F06C, F06E, F07A, F07B, F09A, F09B, F09C, F30Z, F42Z		04	E05A, E05B, E05C, E08A, E08B, E08C	
5k713.1		BOP, KVT, UOP4	5k714.6		BOP, KVT, UOP4	5k713.1		BOP, KVT, UOP4	
	05	F01A, F01B, F01D, F03C, F03D, F05Z, F06C, F06E, F07A, F07B, F09A, F09B, F09C, F30Z, F42Z		05	F01A, F01B, F01D, F03C, F03D, F05Z, F06C, F06E, F07A, F07B, F09A, F09B, F09C, F30Z, F42Z		05	F01A, F01B, F01D, F05Z, F07A, F07B, F09A, F09B, F09C, F36A, F36B, F42Z	
5k713.2		P02A, P02B, P02C	5k714.x		BOP, KVT, UOP4	5k713.2		G33Z	
	15	W04A, W04B		05	F01A, F01B, F01D, F03C, F03D, F05Z, F06C, F06E, F07A, F07B, F09A, F09B, F09C, F30Z, F42Z		06	H33Z, H38Z	
5k713.3		X06A, X06B, X06C	5k715.0		BOP, KVT, UOP4	5k713.3		L33Z	
	05	F01A, F01B, F01D, F03C, F03D, F05Z, F06C, F06E, F07A, F07B, F09A, F09B, F09C, F30Z, F42Z		05	F01A, F01B, F01D, F03C, F03D, F05Z, F06C, F06E, F07A, F07B, F09A, F09B, F09C, F30Z, F42Z		17	R01A, R01B, R01C, R01D, R02Z, R12A, R12B, R12C	
5k713.4		Z01A	5k715.1		BOP, KVT, UOP4	5k713.4		W04A, W04B	
	Pre	A07A		05	F01A, F01B, F01D, F03C, F03D, F05Z, F06C, F06E, F07A, F07B, F09A, F09B, F09C, F30Z, F42Z		21A	X06A, X06B, X06C	
5k713.5		BOP, KVT, UOP4	5k715.2		BOP, KVT, UOP4	5k713.5		Z01A	
	05	F01A, F01B, F01D, F03C, F03D, F05Z, F06C, F06E, F07A, F07B, F09A, F09B, F09C, F30Z, F42Z		05	F01A, F01B, F01D, F03C, F03D, F05Z, F06C, F06E, F07A, F07B, F09A, F09B, F09C, F30Z, F42Z		Pre	A07A	
	P02A, P02B, P02C	5k713.5		P02A, P02B, P02C	5k713.5		P02A, P02B, P02C		
15	W04A, W04B		15	P02A, P02B, P02C		15	P02A, P02B, P02C		

VYK

ZZV	MDC	DRG	ZZV	MDC	DRG	ZZV	MDC	DRG
5k721		BOP, KOP, KOPV, KVT, UOP4	5k724		BOP, KOP, KOPV, KVT, UOP4	5k731		BOP, KOP, KOPV, KVT, UOP4
	04	E05A, E05B, E05C, E08A, E08B, E08C		04	E05A, E05B, E05C, E08A, E08B, E08C		05	F01A, F01B, F01D, F05Z, F07A, F07B, F09A, F09B, F09C, F36A, F36B, F42Z
	05	F01A, F01B, F01D, F05Z, F07A, F07B, F09A, F09B, F09C, F36A, F36B, F42Z		05	F01A, F01B, F01D, F05Z, F07A, F07B, F09A, F09B, F09C, F36A, F36B, F42Z		06	G33Z
	06	G33Z		06	G33Z		07	H33Z, H38Z
	07	H33Z, H38Z		07	H33Z, H38Z		11	L33Z
	11	L33Z		11	L33Z		15	P02A, P02B, P02C
	17	R01A, R01B, R01C, R01D, R02Z, R12A, R12B, R12C		17	R01A, R01B, R01C, R01D, R02Z, R12A, R12B, R12C		17	R01A, R01B, R01C, R01D, R02Z, R12A, R12B
	21A	W04A, W04B		21A	W04A, W04B		21B	X33Z
	21B	X06A, X06B, X06C		21B	X06A, X06B, X06C		23	Z01A
	23	Z01A		23	Z01A		Pre	A07A
	Pre	A07A		Pre	A07A		5k732	BOP, KOP, KOPV, KVT, UOP4
5k722.0		BOP, KOP, KOPV, KVT, UOP4	5k725		BOP, KOP, KOPV, KVT, UOP4	5k732	05	F01A, F01B, F01D, F05Z, F07A, F07B, F09A, F09B, F09C, F30Z, F36A, F36B, F42Z
	04	E05A, E05B, E05C, E08A, E08B, E08C		04	E05A, E05B, E05C, E08A, E08B, E08C		06	G33Z
	05	F01A, F01B, F01D, F05Z, F07A, F07B, F09A, F09B, F09C, F36A, F36B, F42Z		05	F01A, F01B, F01D, F05Z, F07A, F07B, F09A, F09B, F09C, F36A, F36B, F42Z		07	H33Z, H38Z
	06	G33Z		06	G33Z		11	L33Z
	07	H33Z, H38Z		07	H33Z, H38Z		15	P02A, P02B, P02C
	11	L33Z		11	L33Z		21B	X33Z
	17	R01A, R01B, R01C, R01D, R02Z, R12A, R12B, R12C		17	R01A, R01B, R01C, R01D, R02Z, R12A, R12B, R12C		23	Z01A
	21A	W04A, W04B		21A	W04A, W04B		Pre	A07A
	21B	X06A, X06B, X06C		21B	X06A, X06B, X06C		5k733	BOP, KOP, KOPV, KVT, UOP4
	23	Z01A		23	Z01A		05	F01A, F01B, F01D, F05Z, F07A, F07B, F09A, F09B, F09C, F30Z, F36A, F36B, F42Z
	Pre	A07A		Pre	A07A		06	G33Z
5k722.2		BOP, KOP, KOPV, KVT, UOP4	5k72x		BOP, KOP, KOPV, KVT, UOP4	5k733	07	H33Z, H38Z
	04	E05A, E05B, E05C, E08A, E08B, E08C		04	E05A, E05B, E05C, E08A, E08B, E08C		11	L33Z
	05	F01A, F01B, F01D, F05Z, F07A, F07B, F09A, F09B, F09C, F36A, F36B, F42Z		05	F01A, F01B, F01D, F05Z, F07A, F07B, F09A, F09B, F09C, F36A, F36B, F42Z		15	P02A, P02B, P02C
	06	G33Z		06	G33Z		21B	X33Z
	07	H33Z, H38Z		07	H33Z, H38Z		23	Z01A
	11	L33Z		11	L33Z		Pre	A07A
	17	R01A, R01B, R01C, R01D, R02Z, R12A, R12B, R12C		17	R01A, R01B, R01C, R01D, R02Z, R12A, R12B, R12C		5k734	BOP, KOP, KOPV, KVT, UOP4
	21A	W04A, W04B		21A	W04A, W04B		05	F01A, F01B, F01D, F05Z, F07A, F07B, F09A, F09B, F09C, F30Z, F36A, F36B, F42Z
	21B	X06A, X06B, X06C		21B	X06A, X06B, X06C		06	G33Z
	23	Z01A		23	Z01A		07	H33Z, H38Z
	Pre	A07A		Pre	A07A		11	L33Z
5k722.3		BOP, KOP, KOPV, KVT, UOP4	5k730		BOP, KOP, KOPV, KVT, UOP4	5k734	15	P02A, P02B, P02C
	04	E05A, E05B, E05C, E08A, E08B, E08C		04	E05A, E05B, E05C, E08A, E08B, E08C		21B	X33Z
	05	F01A, F01B, F01D, F05Z, F07A, F07B, F09A, F09B, F09C, F36A, F36B, F42Z		05	F01A, F01B, F01D, F05Z, F07A, F07B, F09A, F09B, F09C, F30Z, F36A, F36B, F42Z		23	Z01A
	06	G33Z		06	G33Z		Pre	A07A
	07	H33Z, H38Z		07	H33Z, H38Z		5k735	BOP, KVT, UOP4
	11	L33Z		11	L33Z		05	F01A, F01B, F01D, F03C, F03D, F05Z, F06C, F06E, F07A, F07B, F09A, F09B, F09C, F30Z, F42Z
	17	R01A, R01B, R01C, R01D, R02Z, R12A, R12B, R12C		17	R01A, R01B, R01C, R01D, R02Z, R12A, R12B		15	P02A, P02B, P02C
	21A	W04A, W04B		21B	X33Z		5k736	BOP, KVT, UOP4
	21B	X06A, X06B, X06C		23	Z01A		05	F01A, F01B, F01D, F03C, F03D, F05Z, F06C, F06E, F07A, F07B, F09A, F09B, F09C, F30Z, F42Z
	23	Z01A		Pre	A07A		15	P02A, P02B, P02C
	Pre	A07A						

ZZV	MDC	DRG	ZZV	MDC	DRG	ZZV	MDC	DRG
5k737		BOP, KVT, UOP4	5k743		BOP, KOP, KOPV, KVT, UOP4	5k751.1		BOP, KVT, UOP4
	05	F01A, F01B, F01D, F03C, F03D, F05Z, F06C, F06E, F07A, F07B, F09A, F09B, F09C, F30Z, F42Z		04	E05A, E05B, E05C, E08A, E08B, E08C	Pre	A05A, A05B, A18Z	
5k738	15	P02A, P02B, P02C		05	F01A, F01B, F01D, F05Z, F07A, F07B, F09A, F09B, F09C, F30Z, F36A, F36B, F42Z	5k752		BOP, KVT, UOP4
	05	F01A, F01B, F01D, F03C, F03D, F05Z, F06C, F06E, F07A, F07B, F09A, F09B, F09C, F30Z, F42Z		06	G33Z	Pre	A05A, A05B, A18Z	
5k73x	15	P02A, P02B, P02C		07	H33Z, H38Z	5k760.0		BOP, KKP, KVT, UOP4
	05	F01A, F01B, F01D, F05Z, F07A, F07B, F09A, F09B, F09C, F30Z, F42Z		11	L33Z	05	F01A, F01B, F01D, F05Z, F07A, F07B, F09A, F09B, F09C, F42Z	
5k740	15	P02A, P02B, P02C		15	P02A, P02B, P02C	5k760.1		BOP, KVT, UOP4
	05	F01A, F01B, F01D, F05Z, F07A, F07B, F09A, F09B, F09C, F30Z, F42Z		21B	X33Z	05	F01A, F01B, F01D, F05Z, F07A, F07B, F09A, F09B, F09C, F42Z	
5k741	Pre	A07A	5k744		BOP, KOP, KOPV, KVT, UOP4	5k762.0		BOP, KKP, KOP, KOPV, KVT, UOP4
	04	E05A, E05B, E05C, E08A, E08B, E08C		04	E05A, E05B, E05C, E08A, E08B, E08C	05	F01A, F01B, F01D, F05Z, F07A, F07B, F09A, F09B, F09C, F30Z, F36A, F36B, F42Z	
5k742	05	F01A, F01B, F01D, F05Z, F07A, F07B, F09A, F09B, F09C, F30Z, F36A, F36B, F42Z		05	F01A, F01B, F01D, F05Z, F07A, F07B, F09A, F09B, F09C, F30Z, F36A, F36B, F42Z	06	G33Z	
	06	G33Z		06	G33Z	07	H33Z, H38Z	
5k743	07	H33Z, H38Z		07	H33Z, H38Z	11	L33Z	
	11	L33Z		11	L33Z	15	P02A, P02B, P02C	
5k744	15	P02A, P02B, P02C		15	P02A, P02B, P02C	21B	X33Z	
	21B	X33Z		21B	X33Z	23	Z01A	
5k745	23	Z01A		23	Z01A	Pre	A07A	
	Pre	A07A	5k745		BOP, KOP, KOPV, KVT, UOP4	5k762.1		BOP, KOP, KOPV, KVT, UOP4
5k746	04	E05A, E05B, E05C, E08A, E08B, E08C		04	E05A, E05B, E05C, E08A, E08B, E08C	05	F01A, F01B, F01D, F05Z, F07A, F07B, F09A, F09B, F09C, F30Z, F36A, F36B, F42Z	
	05	F01A, F01B, F01D, F05Z, F07A, F07B, F09A, F09B, F09C, F30Z, F36A, F36B, F42Z		05	F01A, F01B, F01D, F05Z, F07A, F07B, F09A, F09B, F09C, F30Z, F36A, F36B, F42Z	06	G33Z	
5k747	06	G33Z		06	G33Z	07	H33Z, H38Z	
	07	H33Z, H38Z		07	H33Z, H38Z	11	L33Z	
5k748	11	L33Z		11	L33Z	15	P02A, P02B, P02C	
	15	P02A, P02B, P02C		15	P02A, P02B, P02C	21B	X33Z	
5k749	21B	X33Z		21B	X33Z	23	Z01A	
	23	Z01A		23	Z01A	Pre	A07A	
5k750	Pre	A07A	5k746		BOP, KOP, KOPV, KVT, UOP4	5k762.2		BOP, KKP, KOP, KOPV, KVT, UOP4
	04	E05A, E05B, E05C, E08A, E08B, E08C		04	E05A, E05B, E05C, E08A, E08B, E08C	05	F01A, F01B, F01D, F05Z, F07A, F07B, F09A, F09B, F09C, F30Z, F36A, F36B, F42Z	
5k751	05	F01A, F01B, F01D, F05Z, F07A, F07B, F09A, F09B, F09C, F30Z, F36A, F36B, F42Z		05	F01A, F01B, F01D, F05Z, F07A, F07B, F09A, F09B, F09C, F30Z, F36A, F36B, F42Z	06	G33Z	
	06	G33Z		06	G33Z	07	H33Z, H38Z	
5k752	07	H33Z, H38Z		07	H33Z, H38Z	11	L33Z	
	11	L33Z		11	L33Z	15	P02A, P02B, P02C	
5k753	15	P02A, P02B, P02C		15	P02A, P02B, P02C	21B	X33Z	
	21B	X33Z		21B	X33Z	23	Z01A	
5k754	23	Z01A		23	Z01A	Pre	A07A	
	Pre	A07A	5k74x		BOP, KVT, UOP4	5k763.0		BOP, KKP, KOP, KOPV, KVT, UOP4
5k755	05	F01A, F01B, F01D, F05Z, F07A, F07B, F09A, F09B, F09C, F30Z, F42Z		05	F01A, F01B, F01D, F05Z, F07A, F07B, F09A, F09B, F09C, F30Z, F42Z	05	F01A, F01B, F01D, F05Z, F07A, F07B, F09A, F09B, F09C, F30Z, F36A, F36B, F42Z	
	06	G33Z		06	G33Z	06	G33Z	
5k756	07	H33Z, H38Z		07	H33Z, H38Z	07	H33Z, H38Z	
	11	L33Z		11	L33Z	11	L33Z	
5k757	15	P02A, P02B, P02C		15	P02A, P02B, P02C	15	P02A, P02B, P02C	
	21B	X33Z		21B	X33Z	21B	X33Z	
5k758	23	Z01A		23	Z01A	23	Z01A	
	Pre	A07A	5k750.0		BOP, KVT, UOP4	Pre	A07A	
5k759	Pre	A05A, A05B, A18Z		Pre	A05A, A05B, A18Z			
	05	F01A, F01B, F01D, F05Z, F07A, F07B, F09A, F09B, F09C, F30Z, F42Z	5k750.1		BOP, KVT, UOP4			
5k760	06	G33Z		Pre	A05A, A05B, A18Z			
	07	H33Z, H38Z	5k751.0		BOP, KVT, UOP4			
5k761	11	L33Z		Pre	A05A, A05B, A18Z			
	15	P02A, P02B, P02C		Pre	A05A, A05B, A18Z			
5k762	21B	X33Z		Pre	A05A, A05B, A18Z			
	23	Z01A		Pre	A05A, A05B, A18Z			
5k763	Pre	A07A		Pre	A05A, A05B, A18Z			
	04	E05A, E05B, E05C, E08A, E08B, E08C		Pre	A05A, A05B, A18Z			
5k764	05	F01A, F01B, F01D, F05Z, F07A, F07B, F09A, F09B, F09C, F30Z, F36A, F36B, F42Z		Pre	A05A, A05B, A18Z			
	06	G33Z		Pre	A05A, A05B, A18Z			
5k765	07	H33Z, H38Z		Pre	A05A, A05B, A18Z			
	11	L33Z		Pre	A05A, A05B, A18Z			
5k766	15	P02A, P02B, P02C		Pre	A05A, A05B, A18Z			
	21B	X33Z		Pre	A05A, A05B, A18Z			
5k767	23	Z01A		Pre	A05A, A05B, A18Z			
	Pre	A07A		Pre	A05A, A05B, A18Z			
5k768	05	F01A, F01B, F01D, F05Z, F07A, F07B, F09A, F09B, F09C, F30Z, F42Z		Pre	A05A, A05B, A18Z			
	06	G33Z		Pre	A05A, A05B, A18Z			
5k769	07	H33Z, H38Z		Pre	A05A, A05B, A18Z			
	11	L33Z		Pre	A05A, A05B, A18Z			
5k770	15	P02A, P02B, P02C		Pre	A05A, A05B, A18Z			
	21B	X33Z		Pre	A05A, A05B, A18Z			
5k771	23	Z01A		Pre	A05A, A05B, A18Z			
	Pre	A07A		Pre	A05A, A05B, A18Z			

VYK

ZZV	MDC	DRG	ZZV	MDC	DRG	ZZV	MDC	DRG
5k763.1		BOP, KOP, KOPV, KVT, UOP4	5k765.1		BOP, KOP, KOPV, KVT, UOP4	5k767.2		BOP, KKP, KOP, KOPV, KVT, UOP4
	05	F01A, F01B, F01D, F05Z, F07A, F07B, F09A, F09B, F09C, F30Z, F36A, F36B, F42Z		05	F01A, F01B, F01D, F05Z, F07A, F07B, F09A, F09B, F09C, F30Z, F36A, F36B, F42Z		05	F01A, F01B, F01D, F05Z, F07A, F07B, F09A, F09B, F09C, F36A, F36B, F42Z
	06	G33Z		06	G33Z		06	G33Z
	07	H33Z, H38Z		07	H33Z, H38Z		07	H33Z, H38Z
	11	L33Z		11	L33Z		11	L33Z
	15	P02A, P02B, P02C		15	P02A, P02B, P02C		21B	X33Z
	21B	X33Z		21B	X33Z		23	Z01A
	23	Z01A		23	Z01A		Pre	A07A
	Pre	A07A		Pre	A07A		5k768.0	BOP, KKP, KOP, KOPV, KVT, UOP4
	5k763.2			BOP, KKP, KOP, KOPV, KVT, UOP4	5k766.0			BOP, KKP, KOP, KOPV, KVT, UOP4
05		F01A, F01B, F01D, F05Z, F07A, F07B, F09A, F09B, F09C, F30Z, F36A, F36B, F42Z	05	F01A, F01B, F01D, F05Z, F07A, F07B, F09A, F09B, F09C, F30Z, F36A, F36B, F42Z		06	G33Z	
06		G33Z	06	G33Z		07	H33Z, H38Z	
07		H33Z, H38Z	07	H33Z, H38Z		11	L33Z	
11		L33Z	11	L33Z		21B	X33Z	
15		P02A, P02B, P02C	15	P02A, P02B, P02C		23	Z01A	
21B		X33Z	21B	X33Z		Pre	A07A	
23		Z01A	23	Z01A		5k768.1	BOP, KOP, KOPV, KVT, UOP4	
Pre		A07A	Pre	A07A		05	F01A, F01B, F01D, F05Z, F07A, F07B, F09A, F09B, F09C, F36A, F36B, F42Z	
5k764.0			BOP, KKP, KOP, KOPV, KVT, UOP4	5k766.1			BOP, KOP, KOPV, KVT, UOP4	5k768.1
	05	F01A, F01B, F01D, F05Z, F07A, F07B, F09A, F09B, F09C, F30Z, F36A, F36B, F42Z	05		F01A, F01B, F01D, F05Z, F07A, F07B, F09A, F09B, F09C, F30Z, F36A, F36B, F42Z	07	H33Z, H38Z	
	06	G33Z	06		G33Z	11	L33Z	
	07	H33Z, H38Z	07		H33Z, H38Z	21B	X33Z	
	11	L33Z	11		L33Z	23	Z01A	
	15	P02A, P02B, P02C	15		P02A, P02B, P02C	Pre	A07A	
	21B	X33Z	21B		X33Z	5k768.2	BOP, KKP, KOP, KOPV, KVT, UOP4	
	23	Z01A	23		Z01A	05	F01A, F01B, F01D, F05Z, F07A, F07B, F09A, F09B, F09C, F36A, F36B, F42Z	
	Pre	A07A	Pre		A07A	06	G33Z	
	5k764.1		BOP, KOP, KOPV, KVT, UOP4		5k767.0		BOP, KKP, KOP, KOPV, KVT, UOP4	
05		F01A, F01B, F01D, F05Z, F07A, F07B, F09A, F09B, F09C, F30Z, F36A, F36B, F42Z	05	F01A, F01B, F01D, F05Z, F07A, F07B, F09A, F09B, F09C, F36A, F36B, F42Z		11	L33Z	
06		G33Z	06	G33Z		21B	X33Z	
07		H33Z, H38Z	07	H33Z, H38Z		23	Z01A	
11		L33Z	11	L33Z		Pre	A07A	
15		P02A, P02B, P02C	15	P02A, P02B, P02C		5k770	BOP, KOP, KOPV, KVT, UOP4	
21B		X33Z	21B	X33Z		05	F01A, F01B, F01D, F05Z, F07A, F07B, F09A, F09B, F09C, F36A, F36B, F42Z	
23		Z01A	23	Z01A		06	G33Z	
Pre		A07A	Pre	A07A		07	H33Z, H38Z	
5k765.0			BOP, KKP, KOP, KOPV, KVT, UOP4	5k767.1			BOP, KOP, KOPV, KVT, UOP4	5k770
	05	F01A, F01B, F01D, F05Z, F07A, F07B, F09A, F09B, F09C, F30Z, F36A, F36B, F42Z	05		F01A, F01B, F01D, F05Z, F07A, F07B, F09A, F09B, F09C, F36A, F36B, F42Z	21B	X33Z	
	06	G33Z	06		G33Z	23	Z01A	
	07	H33Z, H38Z	07		H33Z, H38Z	Pre	A07A	
	11	L33Z	11		L33Z	5k771	BOP, KVT, UOP4	
	15	P02A, P02B, P02C	15		P02A, P02B, P02C	01	B12Z	
	21B	X33Z	21B		X33Z	05	F12A, F12B, F12C, F12D, F12E, F12F, F12G, F12H	
	23	Z01A	23		Z01A	11	L09A, L38Z	
	Pre	A07A	Pre		A07A	5k771	BOP, KK11, KKI, KKII, KVT, UOP4	
						01	B12Z	
				05	F12A, F12B, F12C, F12D, F12E, F12F, F12G, F12H			
				11	L09A, L38Z			

VYK

ZZV	MDC	DRG	ZZV	MDC	DRG	ZZV	MDC	DRG		
5k772		BOP, KK11, KKI, KKII, KVT, UOP4	5k77c.1		BOP, KVT, UOP4	5k780.6	05	F18A, F18C		
	01	B12Z		01	B12Z		21A	W04A, W04B		
	05	F12A, F12B, F12C, F12D, F12E, F12F, F12G		05	F01A, F01D, F12A, F12B, F12C, F12D, F12E, F12F, F12G		21B	X06A, X06B, X06C		
	11	L09A, L38Z		11	L09A, L38Z		5k780.7	05	F18A, F18C	
	23	Z01A					21A	W04A, W04B		
5k773.0	Pre	A06A, A07A, A09A, A11A, A13A	5k77g.0		BOP, KVT, UOP4	5k780.a	21B	X06A, X06B, X06C		
		BOP, KK11, KKI, KKII, KVT, UOP4		05	F12A, F12B, F12C, F12D, F12E, F12F, F12G, F12H, F18A, F18C		05	F18A, F18C		
	01	B12Z		5k77g.1			BOP, KVT, UOP4	21A	W04A, W04B	
	05	F12A, F12B, F12C, F12D, F12E, F12F, F12G		05	F12A, F12B, F12C, F12D, F12E, F12F, F12G, F12H, F18A, F18C		21B	X06A, X06B, X06C		
	11	L09A, L38Z		5k77g.2			BOP, KVT, UOP4	5k780.b	05	F18A, F18C
5k774	23	Z01A	5k77h.0	05	F12A, F12B, F12C, F12D, F12E, F12F, F12G, F12H, F18A, F18C	5k780.x	21A	W04A, W04B		
	Pre	A06A, A07A, A09A, A11A, A13A		05	F12A, F12B, F12C, F12D, F12E, F12F, F12G, F12H, F18A, F18C		21B	X06A, X06B, X06C		
		BOP, KK11, KKI, KKII, KVT, UOP4		5k77h.1			BOP, KVT, UOP4	5k781.8	05	F18A, F18C
	01	B12Z					01	B12Z	21A	W04A, W04B
	05	F12A, F12B, F12C, F12D, F12E, F12F, F12G					05	F12A, F12B, F12C, F12D, F12E, F12F, F12G	21B	X06A, X06B, X06C
5k775.0	11	L09A, L38Z	5k77h.1	11	L09A, L38Z	5k781.9	05	F18A, F18C		
	21A	W04A, W04B		21A	W04A, W04B		21A	W04A, W04B		
	21B	X06A, X06B, X06C		21B	X06A, X06B, X06C		21B	X06A, X06B, X06C		
	23	Z01A		23	Z01A		5k781.a	05	F18A, F18C	
	Pre	A06A, A07A, A09A, A11A, A13A		Pre	A06A, A07A, A09A, A11A, A13A		21A	W04A, W04B		
5k776		BOP, KOP, KOPV, KVT, UOP4	5k77h.2		BOP, KOP, KOPV, KVT, UOP4	5k782.0	21B	X06A, X06B, X06C		
	05	F01A, F01B, F01C, F01D, F01E, F01F, F01G, F36A, F36B		05	F01A, F01B, F01C, F01D, F01E, F01F, F01G, F36A, F36B		05	F18A, F18C		
	06	G33Z		06	G33Z		21A	W04A, W04B		
	07	H33Z, H38Z		07	H33Z, H38Z		21B	X06A, X06B, X06C		
	11	L09A, L33Z, L38Z		11	L09A, L33Z, L38Z		5k782.1	05	F18A, F18C	
5k777	21B	X33Z	5k77x	21B	X33Z	5k782.2	21A	W04A, W04B		
	23	Z01A		23	Z01A		21B	X06A, X06B, X06C		
	Pre	A06A, A07A, A09A, A11A, A13A		Pre	A06A, A07A, A09A, A11A, A13A		5k782.3	05	F18A, F18C	
		BOP, KOP, KOPV, KVT, UOP4		01	B12Z		21A	W04A, W04B		
	05	F01A, F01B, F01C, F01D, F01E, F01F, F01G, F36A, F36B		05	F12A, F12B, F12C, F12D, F12E, F12F, F12G, F12H		21B	X06A, X06B, X06C		
5k777c.0	06	G33Z	5k780.0	11	L09A, L38Z	5k782.4	05	F18A, F18C		
	07	H33Z, H38Z		01	B12Z		21A	W04A, W04B		
	11	L09A, L33Z, L38Z		05	F12A, F12B, F12C, F12D, F12E, F12F, F12G, F12H		21B	X06A, X06B, X06C		
	21B	X33Z		5k780.1			05	F18A, F18C		
	23	Z01A		21A	W04A, W04B		5k782.5	05	F18A, F18C	
5k777c.0	Pre	A06A, A07A, A09A, A11A, A13A	5k780.1		BOP, KVT, UOP4	5k782.6	21A	W04A, W04B		
		BOP, KOP, KOPV, KVT, UOP4		05	F12A, F12B, F12C, F12D, F12E, F12F, F12G, F12H		21B	X06A, X06B, X06C		
	05	F01A, F01B, F01C, F01D, F01E, F01F, F01G, F36A, F36B		11	L09A, L38Z		05	F18A, F18C		
	06	G33Z		01	B12Z		21A	W04A, W04B		
	07	H33Z, H38Z		05	F12A, F12B, F12C, F12D, F12E, F12F, F12G, F12H		21B	X06A, X06B, X06C		
5k777c.0	11	L09A, L33Z, L38Z	5k780.2	11	L09A, L38Z	5k782.7	05	F18A, F18C		
	21B	X33Z		05	F18A, F18C		21A	W04A, W04B		
	23	Z01A		21A	W04A, W04B		21B	X06A, X06B, X06C		
	Pre	A06A, A07A, A09A, A11A, A13A		21B	X06A, X06B, X06C		5k782.x	05	F18A, F18C	
		BOP, KVT, UOP4		5k780.3			21A	W04A, W04B		
5k777c.0	01	B12Z	5k780.3		BOP, KVT, UOP4	5k783.0	21B	X06A, X06B, X06C		
	05	F01A, F01D, F12A, F12B, F12C, F12D, F12E, F12F, F12G		05	F18A, F18C		05	F18A, F18B, F18C, F18D		
	11	L09A, L38Z		21A	W04A, W04B		21A	W04A, W04B		
		BOP, KVT, UOP4		21B	X06A, X06B, X06C		21B	X06A, X06B, X06C		
	01	B12Z		5k780.4			05	F18A, F18C		
5k777c.0	05	F01A, F01D, F12A, F12B, F12C, F12D, F12E, F12F, F12G	5k780.4		BOP, KVT, UOP4	5k783.1	21A	W04A, W04B		
	11	L09A, L38Z		05	F18A, F18C		21B	X06A, X06B, X06C		
		BOP, KVT, UOP4		21A	W04A, W04B		5k783.2	05	F18A, F18B, F18C, F18D	
	01	B12Z		21B	X06A, X06B, X06C		21A	W04A, W04B		
	05	F01A, F01D, F12A, F12B, F12C, F12D, F12E, F12F, F12G		5k780.5			21B	X06A, X06B, X06C		
5k777c.0	11	L09A, L38Z	5k780.5		BOP, KVT, UOP4	5k783.3	05	F18A, F18B, F18C, F18D		
		BOP, KVT, UOP4		05	F18A, F18C		21A	W04A, W04B		
	01	B12Z		21A	W04A, W04B		21B	X06A, X06B, X06C		
	05	F01A, F01D, F12A, F12B, F12C, F12D, F12E, F12F, F12G		21B	X06A, X06B, X06C		5k783.4	05	F18A, F18B, F18C, F18D	
	11	L09A, L38Z		21A	W04A, W04B		21A	W04A, W04B		
5k777c.0		BOP, KVT, UOP4	5k780.5		BOP, KVT, UOP4	5k783.5	21B	X06A, X06B, X06C		
	01	B12Z		05	F18A, F18C		05	F18A, F18B, F18C, F18D		
	05	F01A, F01D, F12A, F12B, F12C, F12D, F12E, F12F, F12G		21A	W04A, W04B		21A	W04A, W04B		
	11	L09A, L38Z		21B	X06A, X06B, X06C		21B	X06A, X06B, X06C		
		BOP, KVT, UOP4		21B	X06A, X06B, X06C					

VYK

ZZV	MDC	DRG	ZZV	MDC	DRG	ZZV	MDC	DRG
5k783.6	05	F18A, F18B, F18C, F18D	5k784.a		BOP, KVT, UOP4	5k785.6		BOP, KOP, KOPV, KVT, UOP4
	21A	W04A, W04B		05	F18A, F18B, F18C, F18D		05	F02A, F36A, F36B
	21B	X06A, X06B, X06C		09	J03A, J03B, J04A, J04B, J08A, J08B, J08C, J11A, J11B, J16Z		06	G33Z
5k783.a	05	F18A, F18B, F18C, F18D		21A	W04A, W04B		07	H33Z, H38Z
	21A	W04A, W04B		21B	X06A, X06B, X06C		11	L09A, L33Z, L38Z
	21B	X06A, X06B, X06C			BOP, KVT, UOP4		21B	X33Z
5k783.x	05	F18A, F18B, F18C, F18D	5k784.x		BOP, KVT, UOP4		23	Z01A
	21A	W04A, W04B		05	F18A, F18B, F18C, F18D		Pre	A06A, A07A, A09A, A11A, A13A
	21B	X06A, X06B, X06C		09	J03A, J03B, J04A, J04B, J08A, J08B, J08C, J11A, J11B, J16Z	5k785.9		BOP, KVT, UOP4
5k784.0		BOP, KVT, UOP4		21A	W04A, W04B		05	F12A, F12B, F12C, F12D, F12E, F12F, F12G, F12H, F17A
	05	F18A, F18B, F18C, F18D		21B	X06A, X06B, X06C		11	L09A, L38Z
	09	J03A, J03B, J04A, J04B, J08A, J08B, J08C, J11A, J11B, J16Z	5k785.0		BOP, KVT, UOP4		21A	W04A, W04B
	21A	W04A, W04B		05	F12A, F12B, F12C, F12D, F12E, F12F, F12G, F12H, F17A, F17B		21B	X06A, X06B, X06C
	21B	X06A, X06B, X06C		11	L09A, L38Z		Pre	A06A, A07A, A09A, A11A, A13A
5k784.1		BOP, KVT, UOP4		23	Z01A	5k785.a		BOP, KOP, KOPV, KVT, UOP4
	05	F18A, F18B, F18C, F18D	5k785.1		BOP, KVT, UOP4		05	F02A, F36A, F36B
	09	J03A, J03B, J04A, J04B, J08A, J08B, J08C, J11A, J11B, J16Z		05	F12A, F12B, F12C, F12D, F12E, F12F, F12G, F12H, F17A, F17B		06	G33Z
	21A	W04A, W04B		11	L09A, L38Z		07	H33Z, H38Z
	21B	X06A, X06B, X06C		23	Z01A		11	L09A, L33Z, L38Z
5k784.2		BOP, KVT, UOP4	5k785.2		BOP, KVT, UOP4		21B	X33Z
	05	F18A, F18B, F18C, F18D		05	F12A, F12B, F12C, F12D, F12E, F12F, F12G, F12H, F17A		23	Z01A
	09	J03A, J03B, J04A, J04B, J08A, J08B, J08C, J11A, J11B, J16Z		11	L09A, L38Z		Pre	A06A, A07A, A09A, A11A, A13A
	21A	W04A, W04B		23	Z01A	5k786.1		BOP, KVT, UOP4
	21B	X06A, X06B, X06C		Pre	A06A, A07A, A09A, A11A, A13A		01	B12Z
5k784.3		BOP, KVT, UOP4	5k785.3		BOP, KVT, UOP4		05	F12A, F12B, F12C, F12D, F12E, F12F, F12G, F12H
	05	F18A, F18B, F18C, F18D		05	F12A, F12B, F12C, F12D, F12E, F12F, F12G, F12H, F17A		11	L09A, L38Z
	09	J03A, J03B, J04A, J04B, J08A, J08B, J08C, J11A, J11B, J16Z		11	L09A, L38Z	5k786.2		BOP, KVT, UOP4
	21A	W04A, W04B		21A	W04A, W04B		01	B12Z
	21B	X06A, X06B, X06C		21B	X06A, X06B, X06C		05	F12A, F12B, F12C, F12D, F12E, F12F, F12G
5k784.4		BOP, KVT, UOP4		23	Z01A		11	L09A, L38Z
	05	F18A, F18B, F18C, F18D		Pre	A06A, A07A, A09A, A11A, A13A		23	Z01A
	09	J03A, J03B, J04A, J04B, J08A, J08B, J08C, J11A, J11B, J16Z	5k785.4		BOP, KOP, KOPV, KVT, UOP4		Pre	A06A, A07A, A09A, A11A, A13A
	21A	W04A, W04B		05	F02A, F02B, F36A, F36B	5k786.3		BOP, KVT, UOP4
	21B	X06A, X06B, X06C		06	G33Z		01	B12Z
5k784.5		BOP, KVT, UOP4		07	H33Z, H38Z		05	F12A, F12B, F12C, F12D, F12E, F12F, F12G
	05	F18A, F18B, F18C, F18D		11	L09A, L33Z, L38Z		11	L09A, L38Z
	09	J03A, J03B, J04A, J04B, J08A, J08B, J08C, J11A, J11B, J16Z		21B	X33Z		21A	W04A, W04B
	21A	W04A, W04B		23	Z01A		21B	X06A, X06B, X06C
	21B	X06A, X06B, X06C		Pre	A06A, A07A, A09A, A11A, A13A		23	Z01A
5k784.6		BOP, KVT, UOP4	5k785.5		BOP, KOP, KOPV, KVT, UOP4	5k786.4		A06A, A07A, A09A, A11A, A13A
	05	F18A, F18B, F18C, F18D		05	F02A, F36A, F36B		05	F02A, F36A, F36B
	09	J03A, J03B, J04A, J04B, J08A, J08B, J08C, J11A, J11B, J16Z		06	G33Z		06	G33Z
	21A	W04A, W04B		07	H33Z, H38Z		07	H33Z, H38Z
	21B	X06A, X06B, X06C		11	L09A, L33Z, L38Z		11	L09A, L33Z, L38Z
5k784.7		BOP, KVT, UOP4		21B	X33Z		21B	X33Z
	05	F18A, F18B, F18C, F18D		23	Z01A		23	Z01A
	09	J03A, J03B, J04A, J04B, J08A, J08B, J08C, J11A, J11B, J16Z		Pre	A06A, A07A, A09A, A11A, A13A		Pre	A06A, A07A, A09A, A11A, A13A
	21A	W04A, W04B						
	21B	X06A, X06B, X06C						

ZZV	MDC	DRG	ZZV	MDC	DRG	ZZV	MDC	DRG
5k786.5		BOP, KOP, KOPV, KVT, UOP4	5k788.2		BOP, KVT, UOP4	5k789.7		BOP, KOP, KOPV, KVT, UOP4
	05	F02A, F36A, F36B	5k788.3	05	F18A, F18C		05	F01A, F01B, F01C, F01D, F01E, F01F, F01G, F36A, F36B
	06	G33Z		05	F18A, F18C		06	G33Z
	07	H33Z, H38Z	5k788.4		BOP, KVT, UOP4		07	H33Z, H38Z
	11	L09A, L33Z, L38Z		05	F18A, F18C		11	L33Z
	21B	X33Z	5k788.5		BOP, KVT, UOP4		21B	X33Z
	23	Z01A		05	F18A, F18C		23	Z01A
	Pre	A06A, A07A, A09A, A11A, A13A	5k788.6		BOP, KVT, UOP4		Pre	A06A, A07A, A09A, A11A, A13A
5k786.6		BOP, KOP, KOPV, KVT, UOP4	5k788.a		BOP, KVT, UOP4	5k789.a		BOP, KOP, KOPV, KVT, UOP4
	05	F02A, F36A, F36B		05	F18A, F18C		05	F01A, F01B, F01C, F01D, F01F, F36A, F36B
	06	G33Z	5k788.x		BOP, KVT, UOP4		06	G33Z
	07	H33Z, H38Z		05	F18A, F18C		07	H33Z, H38Z
	11	L09A, L33Z, L38Z	5k789.0		BOP, KVT, UOP4		11	L33Z
	21B	X33Z		01	B12Z		21B	X33Z
	23	Z01A		05	F12A, F12B, F12C, F12D, F12E, F12F, F12G		23	Z01A
	Pre	A06A, A07A, A09A, A11A, A13A		Pre	A06A, A07A, A09A, A11A, A13A		Pre	A06A, A07A, A09A, A11A, A13A
5k786.8		BOP, KOP, KOPV, KVT, UOP4	5k789.1		BOP, KVT, UOP4	5k789.b		BOP, KOP, KOPV, KVT, UOP4
	05	F02A, F36A, F36B		01	B12Z		05	F01A, F01B, F01C, F01D, F01F, F36A, F36B
	06	G33Z		05	F12A, F12B, F12C, F12D, F12E, F12F, F12G		06	G33Z
	07	H33Z, H38Z		21A	W04A, W04B		07	H33Z, H38Z
	11	L09A, L33Z, L38Z		21B	X06A, X06B, X06C		11	L33Z
	21B	X33Z		23	Z01A		21B	X33Z
	23	Z01A		Pre	A06A, A07A, A09A, A11A, A13A		23	Z01A
	Pre	A06A, A07A, A09A, A11A, A13A	5k789.2		BOP, KVT, UOP4		Pre	A06A, A07A, A09A, A11A, A13A
5k786.x		BOP, KVT, UOP4		01	B12Z	5k789.c		BOP, KOP, KOPV, KVT, UOP4
	01	B12Z		05	F12A, F12B, F12C, F12D, F12E, F12F, F12G, F12H		05	F01A, F01B, F01C, F01D, F01F, F36A, F36B
	05	F12A, F12B, F12C, F12D, F12E, F12F, F12G, F12H	5k789.3		BOP, KVT, UOP4		06	G33Z
	11	L09A, L38Z		01	B12Z		07	H33Z, H38Z
	Pre	A06A, A07A, A09A, A11A, A13A		05	F12A, F12B, F12C, F12D, F12E, F12F, F12G		11	L33Z
5k787.0		BOP, KVT, UOP4		21A	W04A, W04B		21B	X33Z
	05	F12A, F12B, F12C, F12D, F12E, F12F, F12G, F12H, F18A, F18C		21B	X06A, X06B, X06C		23	Z01A
5k787.1		BOP, KVT, UOP4	5k789.4		BOP, KVT, UOP4	5k789.d		BOP, KOP, KOPV, KVT, UOP4
	05	F12A, F12B, F12C, F12D, F12E, F12F, F12G, F12H, F18A, F18C		01	B12Z		05	F01A, F01B, F01C, F01D, F01F, F36A, F36B
5k787.2		BOP, KVT, UOP4		05	F12A, F12B, F12C, F12D, F12E, F12F, F12G, F12H		06	G33Z
	05	F12A, F12B, F12C, F12D, F12E, F12F, F12G, F12H, F18A, F18C	5k789.5		BOP, KVT, UOP4		07	H33Z, H38Z
5k787.3		BOP, KVT, UOP4		01	B12Z		11	L33Z
	05	F12A, F12B, F12C, F12D, F12E, F12F, F12G, F12H, F18A, F18C		05	F12A, F12B, F12C, F12D, F12E, F12F, F12G		21B	X33Z
5k787.4		BOP, KVT, UOP4	5k789.6		BOP, KVT, UOP4	5k789.e		BOP, KOP, KOPV, KVT, UOP4
	05	F18A, F18C		01	B12Z		05	F01A, F01B, F01C, F01D, F01F, F36A, F36B
5k787.5		BOP, KVT, UOP4		05	F12A, F12B, F12C, F12D, F12E, F12F, F12G, F12H		06	G33Z
	05	F18A, F18C		21A	W04A, W04B		07	H33Z, H38Z
5k787.6		BOP, KVT, UOP4		21B	X06A, X06B, X06C		11	L33Z
	05	F18A, F18C		23	Z01A		21B	X33Z
5k787.a		BOP, KVT, UOP4		Pre	A06A, A07A, A09A, A11A, A13A		23	Z01A
	05	F18A, F18C		Pre	A06A, A07A, A09A, A11A, A13A		Pre	A06A, A07A, A09A, A11A, A13A
5k787.x		BOP, KVT, UOP4		01	B12Z		Pre	A06A, A07A, A09A, A11A, A13A
	05	F12A, F12B, F12C, F12D, F12E, F12F, F12G, F12H, F18A, F18C		05	F12A, F12B, F12C, F12D, F12E, F12F, F12G, F12H		05	F01A, F01B, F01C, F01D, F01F, F36A, F36B
5k788.0		BOP, KVT, UOP4		21A	W04A, W04B		06	G33Z
	05	F18A, F18C		21B	X06A, X06B, X06C		07	H33Z, H38Z
5k788.1		BOP, KVT, UOP4		23	Z01A		11	L33Z
	05	F18A, F18C		Pre	A06A, A07A, A09A, A11A, A13A		21B	X33Z
							23	Z01A
							Pre	A06A, A07A, A09A, A11A, A13A

VYK

ZZV	MDC	DRG	ZZV	MDC	DRG	ZZV	MDC	DRG			
5k789.f		BOP, KOP, KOPV, KVT, UOP4	5k791.2		BOP, KOP, KOPV, KVT, UOP4	5k798.0		BOP, KOP, KOPV, KVT, UOP4			
	05	F01A, F01B, F01C, F01D, F01F, F36A, F36B		04	E05A, E05B, E05C, E08A, E08B, E08C		04	E05A, E05B, E05C, E08A, E08B, E08C			
	06	G33Z		05	F01A, F01B, F01D, F05Z, F07A, F07B, F09A, F09B, F09C, F30Z, F36A, F36B, F42Z		05	F01A, F01B, F01C, F01D, F01F, F05Z, F07A, F07B, F09A, F09B, F09C, F30Z, F36A, F36B, F42Z			
	07	H33Z, H38Z					06	G33Z			
	11	L33Z		06	G33Z		07	H33Z, H38Z			
	21B	X33Z		07	H33Z, H38Z		11	L33Z			
	23	Z01A		11	L33Z		15	P02A, P02B, P02C			
	Pre	A06A, A07A, A09A, A11A, A13A		15	P02A, P02B, P02C		23	Z01A			
	5k789.g			BOP, KOP, KOPV, KVT, UOP4	5k795			BOP, KOP, KOPV, KVT, UOP4	5k798.1		BOP, KOP, KOPV, KVT, UOP4
		05		F01A, F01B, F01C, F01D, F01F, F36A, F36B			04	E05A, E05B, E05C, E08A, E08B, E08C		04	E05A, E05B, E05C, E08A, E08B, E08C
06		G33Z	05	F01A, F01B, F01D, F03C, F03D, F03E, F05Z, F06C, F06D, F07A, F09A, F09B, F09C, F30Z, F36A, F36B, F42Z		05	F01A, F01B, F01D, F05Z, F07A, F07B, F09A, F09B, F09C, F30Z, F36A, F36B, F42Z				
07		H33Z, H38Z				06	G33Z				
11		L33Z	06	G33Z		07	H33Z, H38Z				
21B		X33Z	07	H33Z, H38Z		11	L33Z				
23		Z01A	11	L33Z		15	P02A, P02B, P02C				
Pre		A06A, A07A, A09A, A11A, A13A	15	P02A, P02B, P02C		23	Z01A				
5k789.x			BOP, KVT, UOP4	5k796			BOP, KOP, KOPV, KVT, UOP4	5k799.0			BOP, KOP, KOPV, KVT, UOP4
		01	B12Z			04	E05A, E05B, E05C, E08A, E08B, E08C			04	E05A, E05B, E05C, E08A, E08B, E08C
	05	F12A, F12B, F12C, F12D, F12E, F12F, F12G, F12H	05		F01A, F01B, F01D, F05Z, F07A, F07B, F09A, F09B, F09C, F30Z, F36A, F36B, F42Z	05	F01A, F01B, F01D, F05Z, F07A, F07B, F09A, F09B, F09C, F30Z, F36A, F36B, F42Z				
5k790		BOP, KOP, KOPV, KVT, UOP4	5k797		BOP, KOP, KOPV, KVT, UOP4	5k799.1		BOP, KOP, KOPV, KVT, UOP4			
	04	E05A, E05B, E05C, E08A, E08B, E08C		04	E05A, E05B, E05C, E08A, E08B, E08C		04	E05A, E05B, E05C, E08A, E08B, E08C			
	05	F01A, F01B, F01D, F05Z, F07A, F07B, F09A, F09B, F09C, F30Z, F36A, F36B, F42Z		05	F01A, F01B, F01D, F05Z, F07A, F07B, F09A, F09B, F09C, F30Z, F36A, F36B, F42Z		05	F01A, F01B, F01D, F05Z, F07A, F07B, F09A, F09B, F09C, F30Z, F36A, F36B, F42Z			
	06	G33Z					06	G33Z			
	07	H33Z, H38Z		06	G33Z		07	H33Z, H38Z			
	11	L33Z		07	H33Z, H38Z		11	L33Z			
	15	P02A, P02B, P02C		11	L33Z		15	P02A, P02B, P02C			
	21B	X33Z		15	P02A, P02B, P02C		Pre	A07A			
	23	Z01A		21B	X33Z		04	E05A, E05B, E05C, E08A, E08B, E08C			
	Pre	A07A		23	Z01A		05	F01A, F01B, F01D, F05Z, F07A, F07B, F09A, F09B, F09C, F30Z, F36A, F36B, F42Z			
5k791.1		BOP, KOP, KOPV, KVT, UOP4	5k797		BOP, KOP, KOPV, KVT, UOP4	5k799.1		BOP, KOP, KOPV, KVT, UOP4			
	04	E05A, E05B, E05C, E08A, E08B, E08C		04	E05A, E05B, E05C, E08A, E08B, E08C		04	E05A, E05B, E05C, E08A, E08B, E08C			
	05	F01A, F01B, F01D, F05Z, F07A, F07B, F09A, F09B, F09C, F30Z, F36A, F36B, F42Z		05	F01A, F01B, F01D, F05Z, F07A, F07B, F09A, F09B, F09C, F30Z, F36A, F36B, F42Z		05	F01A, F01B, F01D, F05Z, F07A, F07B, F09A, F09B, F09C, F30Z, F36A, F36B, F42Z			
	06	G33Z					06	G33Z			
	07	H33Z, H38Z		06	G33Z		07	H33Z, H38Z			
	11	L33Z		07	H33Z, H38Z		11	L33Z			
	15	P02A, P02B, P02C		11	L33Z		15	P02A, P02B, P02C			
	21B	X33Z		15	P02A, P02B, P02C		Pre	A07A			
	23	Z01A		21B	X33Z		04	E05A, E05B, E05C, E08A, E08B, E08C			
	Pre	A07A		23	Z01A		05	F01A, F01B, F01D, F05Z, F07A, F07B, F09A, F09B, F09C, F30Z, F36A, F36B, F42Z			

VYK

ZZV	MDC	DRG	ZZV	MDC	DRG	ZZV	MDC	DRG			
5k79b		BOP, KOP, KOPV, KVT, UOP4	51010.2↔		BOP, KVT, UOP4	51010.x↔		BOP, KVT, UOP4			
	04	E05A, E05B, E05C, E08A, E08B, E08C		01	B03A, B03B, B06A, B06B, B07Z, B17A, B17B, B17C		01	B03A, B03B, B06A, B06B, B07Z, B17A, B17B, B17C			
	05	F01A, F01B, F01D, F05Z, F07A, F07B, F09A, F09B, F09C, F30Z, F36A, F36B, F42Z		03	D12A		03	D12A			
	06	G33Z		05	F01A, F01B, F01D, F05Z, F06A, F06C, F07A, F07B, F14A, F14B, F28A, F42Z, F54Z, F59A, F59B		05	F01A, F01B, F01D, F05Z, F06A, F06C, F07A, F07B, F14A, F14B, F28A, F42Z, F54Z, F59A, F59B			
	07	H33Z, H38Z		08	I08A, I08B, I08C, I08D, I08E, I13A, I13B		08	I08A, I08B, I08C, I08D, I08E, I13A, I13B			
	11	L33Z		10	K09A, K09B		10	K09A, K09B			
	15	P02A, P02B, P02C		11	L09A, L38Z		11	L09A, L38Z			
	Pre	A07A		21A	W04A, W04B		21A	W04A, W04B			
	5k79c			BOP, KOP, KOPV, KVT, UOP4	51010.3↔			BOP, KVT, UOP4	51011.0↔		BOP, KVT, UOP4
		04		E05A, E05B, E05C, E08A, E08B, E08C			01	B03A, B03B, B06A, B06B, B07Z, B17A, B17B, B17C		05	F01A, F01B, F01D, F05Z, F07A, F07B, F14A, F14B, F28A, F42Z, F54Z, F59A, F59B
05		F01A, F01B, F01D, F05Z, F07A, F07B, F09A, F09B, F09C, F30Z, F36A, F36B, F42Z	03	D12A		08	I08A, I08B, I08C, I08D, I08E, I13A, I13B				
06		G33Z	05	F01A, F01B, F01D, F05Z, F06A, F06C, F07A, F07B, F14A, F14B, F28A, F42Z, F54Z, F59A, F59B		10	K09A, K09B				
07		H33Z, H38Z	08	I08A, I08B, I08C, I08D, I08E, I13A, I13B		11	L09A, L38Z				
11		L33Z	10	K09A, K09B		21A	W04A, W04B				
15		P02A, P02B, P02C	11	L09A, L38Z		21B	X06A, X06B, X06C				
Pre		A07A	21A	W04A, W04B		51011.1↔		BOP, KVT, UOP4			
5k79x			BOP, KOP, KOPV, KVT, UOP4	51010.4↔				BOP, KVT, UOP4		05	F01A, F01B, F01D, F05Z, F07A, F07B, F28A, F42Z, F54Z, F59A, F59B
		04	E05A, E05B, E05C, E08A, E08B, E08C				01	B03A, B03B, B06A, B06B, B07Z, B17A, B17B, B17C		08	I08A, I08B, I08C, I08D, I08E, I13A, I13B
	05	F01A, F01B, F01D, F05Z, F07A, F07B, F09A, F09B, F09C, F30Z, F36A, F36B, F42Z	03		D12A		10	K09A, K09B			
	06	G33Z	05		F01A, F01B, F01D, F05Z, F06A, F06C, F07A, F07B, F14A, F14B, F28A, F42Z, F54Z, F59A, F59B		11	L09A, L38Z			
	07	H33Z, H38Z	08		I08A, I08B, I08C, I08D, I08E, I13A, I13B		21A	W04A, W04B			
	11	L33Z	10		K09A, K09B		21B	X06A, X06B, X06C			
	15	P02A, P02B, P02C	11		L09A, L38Z		51011.2↔		BOP, KVT, UOP4		
	Pre	A07A	21A		W04A, W04B			05	F01A, F01B, F01D, F05Z, F07A, F07B, F28A, F42Z, F54Z, F59A, F59B		
	51010.0↔		BOP, KVT, UOP4		51010.5↔				BOP, KVT, UOP4	08	I08A, I08B, I08C, I08D, I08E, I13A, I13B
		01	B03A, B03B, B06A, B06B, B07Z, B17A, B17B, B17C			01		B03A, B03B, B06A, B06B, B07Z, B17A, B17B, B17C	10	K09A, K09B	
03		D12A	03	D12A		11		L09A, L38Z			
05		F01A, F01B, F01D, F05Z, F06A, F06C, F07A, F07B, F14A, F14B, F28A, F42Z, F54Z, F59A, F59B	05	F01A, F01B, F01D, F05Z, F06A, F06C, F07A, F07B, F14A, F14B, F28A, F42Z, F54Z, F59A, F59B		21A		W04A, W04B			
08		I08A, I08B, I08C, I08D, I08E, I13A, I13B	08	I08A, I08B, I08C, I08D, I08E, I13A, I13B		21B		X06A, X06B, X06C			
10		K09A, K09B	10	K09A, K09B		51011.x↔			BOP, KVT, UOP4		
11		L09A, L38Z	11	L09A, L38Z				05	F01A, F01B, F01D, F05Z, F07A, F07B, F28A, F42Z, F54Z, F59A, F59B		
21A		W04A, W04B	21A	W04A, W04B				08	I08A, I08B, I08C, I08D, I08E, I13A, I13B		
21B		X06A, X06B, X06C	21B	X06A, X06B, X06C			10	K09A, K09B			
51010.1↔			BOP, KVT, UOP4	51010.6↔				BOP, KVT, UOP4	11	L09A, L38Z	
	01	B03A, B03B, B06A, B06B, B07Z, B17A, B17B, B17C	01		B03A, B03B, B06A, B06B, B07Z, B17A, B17B, B17C		21A	W04A, W04B			
	03	D12A	03		D12A		21B	X06A, X06B, X06C			
	05	F01A, F01B, F01D, F05Z, F06A, F06C, F07A, F07B, F14A, F14B, F28A, F42Z, F54Z, F59A, F59B	05		F01A, F01B, F01D, F05Z, F06A, F06C, F07A, F07B, F14A, F14B, F28A, F42Z, F54Z, F59A, F59B		51012.0↔		BOP, KVT, UOP4		
	08	I08A, I08B, I08C, I08D, I08E, I13A, I13B	05		F01A, F01B, F01D, F05Z, F06A, F06C, F07A, F07B, F14A, F14B, F28A, F42Z, F54Z, F59A, F59B			05	F01A, F01B, F01D, F05Z, F07A, F07B, F28A, F42Z, F54Z, F59A, F59B		
	10	K09A, K09B	08		I08A, I08B, I08C, I08D, I08E, I13A, I13B			08	I08A, I08B, I08C, I08D, I08E, I13A, I13B		
	11	L09A, L38Z	10		K09A, K09B	10		K09A, K09B			
	21A	W04A, W04B	11		L09A, L38Z	11		L09A, L38Z			
	21B	X06A, X06B, X06C	21A		W04A, W04B	21A		W04A, W04B			
			21B		X06A, X06B, X06C	21B		X06A, X06B, X06C			

VYK

ZZV	MDC	DRG	ZZV	MDC	DRG	ZZV	MDC	DRG
51012.1↔		BOP, KVT, UOP4	51012.7↔		BOP, KVT, UOP4	51013.2		BOP, KOP, KOPV, KVT, UOP4
	05	F01A, F01B, F01D, F05Z, F07A, F07B, F28A, F42Z, F54Z, F59A, F59B		05	F01A, F01B, F01D, F05Z, F07A, F07B, F28A, F42Z, F54Z, F59A, F59B		04	E05A, E05B, E05C, E08A, E08B, E08C
	08	I08A, I08B, I08C, I08D, I08E, I13A, I13B		08	I08A, I08B, I08C, I08D, I08E, I13A, I13B		05	F01A, F01B, F01D, F05Z, F07A, F07B, F09A, F09B, F09C, F30Z, F42Z
	10	K09A, K09B		10	K09A, K09B		06	G15Z, G19A, G19B, G33Z, G38Z
	11	L09A, L38Z		11	L09A, L38Z		07	H33Z, H38Z
	21A	W04A, W04B		21A	W04A, W04B		08	I08A, I08B, I08C, I08D, I08E, I13A, I13B
	21B	X05A, X05B, X06A, X06B, X06C		21B	X05A, X05B, X06A, X06B, X06C		11	L09A, L33Z, L38Z
							15	P02A, P02B, P02C
51012.2↔		BOP, KVT, UOP4	51012.8↔		BOP, KVT, UOP4	51013.3		BOP, KVT, UOP4
	05	F01A, F01B, F01D, F05Z, F07A, F07B, F28A, F42Z, F54Z, F59A, F59B		05	F01A, F01B, F01D, F05Z, F07A, F07B, F28A, F42Z, F54Z, F59A, F59B		05	F01A, F01B, F01D, F05Z, F07A, F07B, F14A, F14B, F28A, F42Z, F54Z, F59A, F59B
	08	I08A, I08B, I08C, I08D, I08E, I13A, I13B		08	I08A, I08B, I08C, I08D, I08E, I13A, I13B		06	G10Z, G12A, G12B
	10	K09A, K09B		10	K09A, K09B		08	I08A, I08B, I08C, I08D, I08E, I13A, I13B
	11	L09A, L38Z		11	L09A, L38Z		11	L09A, L09B, L09C, L09D, L38Z
	21A	W04A, W04B		21A	W04A, W04B		21A	W04A, W04B
	21B	X05A, X05B, X06A, X06B, X06C		21B	X06A, X06B, X06C		21B	X06A, X06B, X06C
							Pre	A07A
51012.3↔		BOP, KVT, UOP4	51012.x↔		BOP, KVT, UOP4	51013.4		BOP, KVT, UOP4
	05	F01A, F01B, F01D, F05Z, F07A, F07B, F28A, F42Z, F54Z, F59A, F59B		05	F01A, F01B, F01D, F05Z, F07A, F07B, F28A, F42Z, F54Z, F59A, F59B		05	F01A, F01B, F01D, F05Z, F07A, F07B, F14A, F14B, F28A, F42Z, F54Z, F59A, F59B
	08	I08A, I08B, I08C, I08D, I08E, I13A, I13B		08	I08A, I08B, I08C, I08D, I08E, I13A, I13B		06	G10Z, G12A, G12B
	10	K09A, K09B		10	K09A, K09B		08	I08A, I08B, I08C, I08D, I08E, I13A, I13B
	11	L09A, L38Z		11	L09A, L38Z		11	L09A, L09B, L09C, L09D, L38Z
	21A	W04A, W04B		21A	W04A, W04B		21A	W04A, W04B
	21B	X05A, X05B, X06A, X06B, X06C		21B	X06A, X06B, X06C		21B	X06A, X06B, X06C
							Pre	A07A
51012.4↔		BOP, KVT, UOP4	51013.0		BOP, KOP, KOPV, KVT, UOP4	51013.5		BOP, KVT, UOP4
	05	F01A, F01B, F01D, F05Z, F07A, F07B, F28A, F42Z, F54Z, F59A, F59B		04	E05A, E05B, E05C, E08A, E08B, E08C		05	F01A, F01B, F01D, F05Z, F07A, F07B, F09A, F09B, F09C, F30Z, F42Z
	08	I08A, I08B, I08C, I08D, I08E, I13A, I13B		05	F01A, F01B, F01D, F05Z, F07A, F07B, F09A, F09B, F09C, F30Z, F42Z		06	G10Z, G12A, G12B
	10	K09A, K09B		06	G15Z, G19A, G19B, G33Z, G38Z		08	I08A, I08B, I08C, I08D, I08E, I13A, I13B
	11	L09A, L38Z		07	H33Z, H38Z		11	L09A, L09B, L09C, L09D, L38Z
	21A	W04A, W04B		08	I08A, I08B, I08C, I08D, I08E, I13A, I13B		21A	W04A, W04B
	21B	X06A, X06B, X06C		11	L09A, L33Z, L38Z		21B	X06A, X06B, X06C
							05	F01A, F01B, F01D, F05Z, F07A, F07B, F14A, F14B, F28A, F42Z, F54Z, F59A, F59B
51012.5↔		BOP, KVT, UOP4	51013.1		BOP, KOP, KOPV, KVT, UOP4	51013.x		BOP, KVT, UOP4
	05	F01A, F01B, F01D, F05Z, F07A, F07B, F28A, F42Z, F54Z, F59A, F59B		04	E05A, E05B, E05C, E08A, E08B, E08C		05	F01A, F01B, F01D, F05Z, F07A, F07B, F14A, F14B, F28A, F42Z, F54Z, F59A, F59B
	08	I08A, I08B, I08C, I08D, I08E, I13A, I13B		05	F01A, F01B, F01D, F05Z, F07A, F07B, F09A, F09B, F09C, F30Z, F42Z		06	G10Z, G12A, G12B
	10	K09A, K09B		06	G15Z, G19A, G19B, G33Z, G38Z		08	I08A, I08B, I08C, I08D, I08E, I13A, I13B
	11	L09A, L38Z		07	H33Z, H38Z		11	L09A, L09B, L09C, L09D, L38Z
	21A	W04A, W04B		08	I08A, I08B, I08C, I08D, I08E, I13A, I13B		21A	W04A, W04B
	21B	X05A, X05B, X06A, X06B, X06C		11	L09A, L33Z, L38Z		21B	X06A, X06B, X06C
							05	F01A, F01B, F01D, F05Z, F07A, F07B, F14A, F14B, F28A, F42Z, F54Z, F59A, F59B
51012.6↔		BOP, KVT, UOP4	51013.2		BOP, KOP, KOPV, KVT, UOP4	51013.x		BOP, KVT, UOP4
	05	F01A, F01B, F01D, F05Z, F07A, F07B, F28A, F42Z, F54Z, F59A, F59B		04	E05A, E05B, E05C, E08A, E08B, E08C		05	F01A, F01B, F01D, F05Z, F07A, F07B, F14A, F14B, F28A, F42Z, F54Z, F59A, F59B
	08	I08A, I08B, I08C, I08D, I08E, I13A, I13B		05	F01A, F01B, F01D, F05Z, F07A, F07B, F09A, F09B, F09C, F30Z, F42Z		06	G10Z, G12A, G12B
	10	K09A, K09B		06	G15Z, G19A, G19B, G33Z, G38Z		08	I08A, I08B, I08C, I08D, I08E, I13A, I13B
	11	L09A, L38Z		07	H33Z, H38Z		11	L09A, L09B, L09C, L09D, L38Z
	21A	W04A, W04B		08	I08A, I08B, I08C, I08D, I08E, I13A, I13B		21A	W04A, W04B
	21B	X05A, X05B, X06A, X06B, X06C		11	L09A, L33Z, L38Z		21B	X06A, X06B, X06C
							05	F01A, F01B, F01D, F05Z, F07A, F07B, F14A, F14B, F28A, F42Z, F54Z, F59A, F59B

VYK

ZZV	MDC	DRG	ZZV	MDC	DRG	ZZV	MDC	DRG			
51014.0↔		BOP, KOP, KOPV, KVT, UOP4	51014.3↔		BOP, KOP, KOPV, KVT, UOP4	51015.2↔		BOP, KVT, UOP4			
	04	E05A, E05B, E05C, E08A, E08B, E08C		04	E05A, E05B, E05C, E08A, E08B, E08C		05	F01A, F01B, F01D, F05Z, F07A, F07B, F09A, F09B, F09C, F30Z, F42Z			
	05	F01A, F01B, F01D, F05Z, F07A, F07B, F09A, F09B, F09C, F30Z, F42Z		05	F01A, F01B, F01D, F05Z, F07A, F07B, F09A, F09B, F09C, F30Z, F42Z		06	G10Z, G12A, G12B			
	06	G15Z, G19A, G19B, G33Z, G38Z		06	G15Z, G19A, G19B, G33Z, G38Z		08	I08A, I08B, I08C, I08D, I08E, I13A, I13B			
	07	H33Z, H38Z		07	H33Z, H38Z		11	L09A, L09B, L09C, L09D, L38Z			
	08	I08A, I08B, I08C, I08D, I08E, I13A, I13B		08	I08A, I08B, I08C, I08D, I08E, I13A, I13B		21A	W04A, W04B			
	11	L09A, L33Z, L38Z		11	L09A, L33Z, L38Z		21B	X06A, X06B, X06C			
	15	P02A, P02B, P02C		15	P02A, P02B, P02C		51015.3↔	BOP, KVT, UOP4			
	21A	W04A, W04B		21A	W04A, W04B			05	F01A, F01B, F01D, F05Z, F07A, F07B, F14A, F14B, F28A, F42Z, F54Z, F59A, F59B		
	21B	X06A, X06B, X06C, X33Z		21B	X06A, X06B, X06C, X33Z		06	G10Z, G12A, G12B			
	23	Z01A		23	Z01A		08	I08A, I08B, I08C, I08D, I08E, I13A, I13B			
	Pre	A07A		Pre	A07A		11	L09A, L09B, L09C, L09D, L38Z			
	51014.1↔			BOP, KOP, KOPV, KVT, UOP4	51014.x↔			BOP, KOP, KOPV, KVT, UOP4	51015.4↔		BOP, KVT, UOP4
		04		E05A, E05B, E05C, E08A, E08B, E08C			04	E05A, E05B, E05C, E08A, E08B, E08C		05	F01A, F01B, F01D, F05Z, F07A, F07B, F14A, F14B, F28A, F42Z, F54Z, F59A, F59B
05		F01A, F01B, F01D, F05Z, F07A, F07B, F09A, F09B, F09C, F30Z, F42Z	05	F01A, F01B, F01D, F05Z, F07A, F07B, F09A, F09B, F09C, F30Z, F42Z		06	G10Z, G12A, G12B				
06		G15Z, G19A, G19B, G33Z, G38Z	06	G15Z, G19A, G19B, G33Z, G38Z		08	I08A, I08B, I08C, I08D, I08E, I13A, I13B				
07		H33Z, H38Z	07	H33Z, H38Z		11	L09A, L09B, L09C, L09D, L38Z				
08		I08A, I08B, I08C, I08D, I08E, I13A, I13B	08	I08A, I08B, I08C, I08D, I08E, I13A, I13B		21A	W04A, W04B				
11		L09A, L33Z, L38Z	11	L09A, L33Z, L38Z		21B	X06A, X06B, X06C				
15		P02A, P02B, P02C	15	P02A, P02B, P02C		51015.5↔	BOP, KVT, UOP4				
21A		W04A, W04B	21A	W04A, W04B			05	F01A, F01B, F01D, F05Z, F07A, F07B, F14A, F14B, F28A, F42Z, F54Z, F59A, F59B			
21B		X06A, X06B, X06C, X33Z	21B	X06A, X06B, X06C, X33Z		06	G10Z, G12A, G12B				
23		Z01A	23	Z01A		08	I08A, I08B, I08C, I08D, I08E, I13A, I13B				
Pre		A07A	Pre	A07A		11	L09A, L09B, L09C, L09D, L38Z				
51014.2↔			BOP, KOP, KOPV, KVT, UOP4	51015.0↔			BOP, KVT, UOP4	51015.x↔			BOP, KVT, UOP4
		04	E05A, E05B, E05C, E08A, E08B, E08C			01	B03A, B03B, B06A, B06B, B07Z, B17A, B17B, B17C			05	F01A, F01B, F01D, F05Z, F07A, F07B, F14A, F14B, F28A, F42Z, F54Z, F59A, F59B
	05	F01A, F01B, F01D, F05Z, F07A, F07B, F09A, F09B, F09C, F30Z, F42Z	05		F01A, F01B, F01D, F05Z, F07A, F07B, F14A, F14B, F28A, F42Z, F54Z, F59A, F59B	06	G10Z, G12A, G12B				
	06	G15Z, G19A, G19B, G33Z, G38Z	06		G10Z, G12A, G12B	08	I08A, I08B, I08C, I08D, I08E, I13A, I13B				
	07	H33Z, H38Z	08		I08A, I08B, I08C, I08D, I08E, I13A, I13B	10	K09A, K09B				
	08	I08A, I08B, I08C, I08D, I08E, I13A, I13B	10		K09A, K09B	11	L09A, L38Z				
	11	L09A, L33Z, L38Z	11		L09A, L38Z	21A	W04A, W04B				
	15	P02A, P02B, P02C	21A		W04A, W04B	21B	X06A, X06B, X06C				
	21A	W04A, W04B	21B		X06A, X06B, X06C	51015.1↔	BOP, KVT, UOP4				
	21B	X06A, X06B, X06C, X33Z	05		F01A, F01B, F01D, F05Z, F07A, F07B, F14A, F14B, F28A, F42Z, F54Z, F59A, F59B		05		F01A, F01B, F01D, F05Z, F07A, F07B, F14A, F14B, F28A, F42Z, F54Z, F59A, F59B		
	23	Z01A	06		G10Z, G12A, G12B	06	G10Z, G12A, G12B				
	Pre	A07A	08		I08A, I08B, I08C, I08D, I08E, I13A, I13B	08	I08A, I08B, I08C, I08D, I08E, I13A, I13B				
			11		L09A, L09B, L09C, L09D, L38Z	11	L09A, L09B, L09C, L09D, L38Z				
			21A		W04A, W04B	21A	W04A, W04B				
		21B	X06A, X06B, X06C	21B	X06A, X06B, X06C						

VYK

ZZV	MDC	DRG	ZZV	MDC	DRG	ZZV	MDC	DRG			
51016.0		BOP, KVT, UOP4	51016.5		BOP, KVT, UOP4	51017.2↔		BOP, KVT, UOP4			
	05	F01A, F01B, F01D, F05Z, F07A, F07B, F14A, F14B, F28A, F42Z, F54Z, F59A, F59B		05	F01A, F01B, F01D, F05Z, F07A, F07B, F14A, F14B, F28A, F42Z, F54Z, F59A, F59B		05	F01A, F01B, F01D, F05Z, F07A, F07B, F28A, F42Z, F54Z, F59A, F59B			
	06	G10Z, G12A, G12B, G18A, G38Z		06	G10Z, G12A, G12B, G18A, G38Z		08	I08A, I08B, I08C, I08D, I08E, I13A, I13B			
	08	I08A, I08B, I08C, I08D, I08E, I13A, I13B		08	I08A, I08B, I08C, I08D, I08E, I13A, I13B		10	K09A, K09B			
	11	L09A, L09B, L09C, L09D, L38Z		11	L09A, L09B, L09C, L09D, L38Z		11	L09A, L38Z			
	21A	W04A, W04B		51016.6			BOP, KVT, UOP4	17	R01A, R01B, R01C, R01D, R02Z, R12A, R12B, R12C		
	21B	X06A, X06B, X06C			05		F01A, F01B, F01D, F05Z, F07A, F07B, F14A, F14B, F28A, F42Z, F54Z, F59A, F59B	21A	W04A, W04B		
	51016.1				BOP, KVT, UOP4		06	G10Z, G12A, G12B, G18A, G38Z	21B	X04Z	
		05			F01A, F01B, F01D, F05Z, F07A, F07B, F14A, F14B, F28A, F42Z, F54Z, F59A, F59B		08	I08A, I08B, I08C, I08D, I08E, I13A, I13B	05	F01A, F01B, F01D, F05Z, F07A, F07B, F28A, F42Z, F54Z, F59A, F59B	
		06			G10Z, G12A, G12B, G18A, G38Z		11	L09A, L09B, L09C, L09D, L38Z	08	I08A, I08B, I08C, I08D, I08E, I13A, I13B	
07		H06A, H06B, H06C	51016.7			BOP, KVT, UOP4	10	K09A, K09B			
08		I08A, I08B, I08C, I08D, I08E, I13A, I13B			05	F01A, F01B, F01D, F05Z, F07A, F07B, F14A, F14B, F28A, F42Z, F54Z, F59A, F59B	11	L09A, L38Z			
11		L09A, L09B, L09C, L09D, L38Z			06	G10Z, G12A, G12B	17	R01A, R01B, R01C, R01D, R02Z, R12A, R12B, R12C			
21A		W04A, W04B			08	I08A, I08B, I08C, I08D, I08E, I13A, I13B	21A	W04A, W04B			
21B		X06A, X06B, X06C			11	L09A, L09B, L09C, L09D, L38Z	21B	X04Z			
51016.2				BOP, KVT, UOP4	51016.x↔		BOP, KVT, UOP4	05	F01A, F01B, F01D, F05Z, F07A, F07B, F28A, F42Z, F54Z, F59A, F59B		
		05		F01A, F01B, F01D, F05Z, F07A, F07B, F14A, F14B, F28A, F42Z, F54Z, F59A, F59B		05	F01A, F01B, F01D, F05Z, F07A, F07B, F14A, F14B, F28A, F42Z, F54Z, F59A, F59B	08	I08A, I08B, I08C, I08D, I08E, I13A, I13B		
	06	G10Z, G12A, G12B		06		G10Z, G12A, G12B	10	K09A, K09B			
	08	I08A, I08B, I08C, I08D, I08E, I13A, I13B		08		I08A, I08B, I08C, I08D, I08E, I13A, I13B	11	L09A, L38Z			
	11	L09A, L09B, L09C, L09D, L38Z		11		L09A, L09B, L09C, L09D, L38Z	17	R01A, R01B, R01C, R01D, R02Z, R12A, R12B, R12C			
	21A	W04A, W04B	51017.0↔			BOP, KVT, UOP4	21A	W04A, W04B			
	21B	X06A, X06B, X06C		05		F01A, F01B, F01D, F05Z, F07A, F07B, F14A, F14B, F28A, F42Z, F54Z, F59A, F59B	21B	X04Z			
	51016.3			BOP, KVT, UOP4		06	G10Z, G12A, G12B	51018.0↔		BOP, KVT, UOP4	
		05		F01A, F01B, F01D, F05Z, F07A, F07B, F14A, F14B, F28A, F42Z, F54Z, F59A, F59B		08	I08A, I08B, I08C, I08D, I08E, I13A, I13B		05	F01A, F01B, F01D, F05Z, F07A, F07B, F28A, F42Z, F54Z, F59A, F59B	
		06		G10Z, G12A, G12B, G18A, G38Z		11	L09A, L09B, L09C, L09D, L38Z		08	I08A, I08B, I08C, I08D, I08E, I13A, I13B	
07		H06A, H06B, H06C		51017.1↔		BOP, KVT, UOP4	10		K09A, K09B		
08		I08A, I08B, I08C, I08D, I08E, I13A, I13B			05	F01A, F01B, F01D, F05Z, F07A, F07B, F14A, F14B, F28A, F42Z, F54Z, F59A, F59B	11		L09A, L38Z		
11		L09A, L09B, L09C, L09D, L38Z			08	I08A, I08B, I08C, I08D, I08E, I13A, I13B	17		R01A, R01B, R01C, R01D, R02Z, R12A, R12B, R12C		
51016.4↔					BOP, KVT, UOP4	10	K09A, K09B		51018.1↔		BOP, KVT, UOP4
		05			F01A, F01B, F01D, F05Z, F07A, F07B, F14A, F14B, F28A, F42Z, F54Z, F59A, F59B	11	L09A, L38Z			05	F01A, F01B, F01D, F05Z, F07A, F07B, F28A, F42Z, F54Z, F59A, F59B
		06	G10Z, G12A, G12B		17	R01A, R01B, R01C, R01D, R02Z, R12A, R12B, R12C	08			I08A, I08B, I08C, I08D, I08E, I13A, I13B	
		08	I08A, I08B, I08C, I08D, I08E, I13A, I13B		21A	W04A, W04B	10			K09A, K09B	
	11	L09A, L09B, L09C, L09D, L38Z	21B		X04Z	11	L09A, L38Z				
			51017.1↔			BOP, KVT, UOP4	17	R01A, R01B, R01C, R01D, R02Z, R12A, R12B, R12C			
	05	F01A, F01B, F01D, F05Z, F07A, F07B, F14A, F14B, F28A, F42Z, F54Z, F59A, F59B			05	F01A, F01B, F01D, F05Z, F07A, F07B, F14A, F14B, F28A, F42Z, F54Z, F59A, F59B	21A	W04A, W04B			
	06	G10Z, G12A, G12B		08	I08A, I08B, I08C, I08D, I08E, I13A, I13B	21B	X04Z				
	08	I08A, I08B, I08C, I08D, I08E, I13A, I13B		10	K09A, K09B						
	11	L09A, L09B, L09C, L09D, L38Z		11	L09A, L38Z						
		17		R01A, R01B, R01C, R01D, R02Z, R12A, R12B, R12C							
		21A		W04A, W04B							
		21B		X04Z							

VYK

ZZV	MDC	DRG	ZZV	MDC	DRG	ZZV	MDC	DRG			
51018.2↔		BOP, KVT, UOP4	51018.7↔		BOP, KVT, UOP4	51019.5		BOP, KVT, UOP4			
	05	F01A, F01B, F01D, F05Z, F07A, F07B, F28A, F42Z, F54Z, F59A, F59B		05	F01A, F01B, F01D, F05Z, F07A, F07B, F28A, F42Z, F54Z, F59A, F59B		05	F39A, F39B			
	08	I08A, I08B, I08C, I08D, I08E, I13A, I13B		08	I08A, I08B, I08C, I08D, I08E, I13A, I13B		06	G18A, G38Z			
	10	K09A, K09B		10	K09A, K09B		07	H01A			
	11	L09A, L38Z		11	L09A, L38Z		08	I08A, I08B, I08C, I08D, I08E, I13A, I13B			
	17	R01A, R01B, R01C, R01D, R02Z, R12A, R12B, R12C		17	R01A, R01B, R01C, R01D, R02Z, R12A, R12B, R12C		11	L09A, L38Z			
	21A	W04A, W04B		21A	W04A, W04B		21A	W04A, W04B			
	21B	X04Z		21B	X04Z		21B	X04Z			
	51018.3↔			BOP, KVT, UOP4	51018.x↔			BOP, KVT, UOP4	51019.6		BOP, KVT, UOP4
		05		F01A, F01B, F01D, F05Z, F07A, F07B, F28A, F42Z, F54Z, F59A, F59B			05	F01A, F01B, F01D, F05Z, F07A, F07B, F28A, F42Z, F54Z, F59A, F59B		05	F39A, F39B
08		I08A, I08B, I08C, I08D, I08E, I13A, I13B	08	I08A, I08B, I08C, I08D, I08E, I13A, I13B		06	G18A, G38Z				
10		K09A, K09B	10	K09A, K09B		07	H01A				
11		L09A, L38Z	11	L09A, L38Z		08	I08A, I08B, I08C, I08D, I08E, I13A, I13B				
17		R01A, R01B, R01C, R01D, R02Z, R12A, R12B, R12C	17	R01A, R01B, R01C, R01D, R02Z, R12A, R12B, R12C		11	L09A, L38Z				
21A		W04A, W04B	21A	W04A, W04B		21A	W04A, W04B				
21B		X04Z	21B	X04Z		21B	X04Z				
51018.4↔			BOP, KVT, UOP4	51019.0↔			BOP, KVT, UOP4	51019.7			BOP, KVT, UOP4
		05	F01A, F01B, F01D, F05Z, F07A, F07B, F28A, F42Z, F54Z, F59A, F59B			05	F39A, F39B			05	F39A, F39B
	08	I08A, I08B, I08C, I08D, I08E, I13A, I13B	08		I08A, I08B, I08C, I08D, I08E, I13A, I13B	06	G18A, G38Z				
	10	K09A, K09B	11		L09A, L38Z	07	H01A				
	11	L09A, L38Z	21A		W04A, W04B	08	I08A, I08B, I08C, I08D, I08E, I13A, I13B				
	17	R01A, R01B, R01C, R01D, R02Z, R12A, R12B, R12C	21B		X04Z	11	L09A, L38Z				
	21A	W04A, W04B	51019.1↔			BOP, KVT, UOP4	21A		W04A, W04B		
	21B	X04Z			05	F39A, F39B	21B		X04Z		
	51018.5↔				BOP, KVT, UOP4	51019.2			BOP, KVT, UOP4	51019.8↔	
		05	F01A, F01B, F01D, F05Z, F07A, F07B, F28A, F42Z, F54Z, F59A, F59B		05		F39A, F39B		05		F39A, F39B
08		I08A, I08B, I08C, I08D, I08E, I13A, I13B	06	G18A, G38Z	06		G18A, G38Z				
10		K09A, K09B	07	H01A	07		H01A				
11		L09A, L38Z	08	I08A, I08B, I08C, I08D, I08E, I13A, I13B	08		I08A, I08B, I08C, I08D, I08E, I13A, I13B				
17		R01A, R01B, R01C, R01D, R02Z, R12A, R12B, R12C	11	L09A, L38Z	11		L09A, L38Z				
21A		W04A, W04B	21A	W04A, W04B	21A		W04A, W04B				
21B		X04Z	21B	X04Z	21B		X04Z				
51018.6↔			BOP, KVT, UOP4	51019.3↔			BOP, KVT, UOP4	51019.9↔			BOP, KVT, UOP4
		05	F01A, F01B, F01D, F05Z, F07A, F07B, F28A, F42Z, F54Z, F59A, F59B		05		F39A, F39B		01		B03A, B03B, B06A, B06B, B07Z, B17A, B17B, B17C
	08	I08A, I08B, I08C, I08D, I08E, I13A, I13B	06		G18A, G38Z	03	D12A				
	10	K09A, K09B	07		H01A	05	F01A, F01B, F01D, F05Z, F07A, F07B, F14A, F14B, F28A, F42Z, F54Z, F59A, F59B				
	11	L09A, L38Z	08		I08A, I08B, I08C, I08D, I08E, I13A, I13B	08	I08A, I08B, I08C, I08D, I08E, I13A, I13B				
	17	R01A, R01B, R01C, R01D, R02Z, R12A, R12B, R12C	11		L09A, L38Z	10	K09A, K09B				
	21A	W04A, W04B	21A		W04A, W04B	11	L09A, L38Z				
	21B	X04Z	21B		X04Z	21A	W04A, W04B				
	51018.6↔		BOP, KVT, UOP4		51019.4		BOP, KVT, UOP4		51019.a↔		BOP, KOP, KOPV, KVT, UOP4
		05	F01A, F01B, F01D, F05Z, F07A, F07B, F28A, F42Z, F54Z, F59A, F59B			05	F39A, F39B			04	E05A, E05B, E05C, E08A, E08B, E08C
08		I08A, I08B, I08C, I08D, I08E, I13A, I13B	06	G18A, G38Z		05	F01A, F01B, F01D, F05Z, F07A, F07B, F09A, F09B, F09C, F30Z, F42Z				
10		K09A, K09B	07	H01A		06	G15Z, G19A, G19B, G33Z, G38Z				
11		L09A, L38Z	08	I08A, I08B, I08C, I08D, I08E, I13A, I13B		07	H33Z, H38Z				
17		R01A, R01B, R01C, R01D, R02Z, R12A, R12B, R12C	11	L09A, L38Z		08	I08A, I08B, I08C, I08D, I08E, I13A, I13B				
21A		W04A, W04B	21A	W04A, W04B		11	L09A, L33Z, L38Z				
21B		X04Z	21B	X04Z		15	P02A, P02B, P02C				
			21A	W04A, W04B		21A	W04A, W04B				
			21B	X04Z		21B	X06A, X06B, X06C, X33Z				
				23	Z01A						
				Pre	A07A						

VYK

ZZV	MDC	DRG	ZZV	MDC	DRG	ZZV	MDC	DRG				
51019.b↔		BOP, KOP, KOPV, KVT, UOP4	51019.f		BOP, KOP, KOPV, KVT, UOP4	5101b.02↔		BOP, KVT, UOP4				
	04	E05A, E05B, E05C, E08A, E08B, E08C		04	E05A, E05B, E05C, E08A, E08B, E08C		05	F01A, F01B, F01D, F05Z, F07A, F07B, F14A, F14B, F28A, F42Z, F54Z, F59A, F59B				
	05	F01A, F01B, F01D, F05Z, F07A, F07B, F09A, F09B, F09C, F30Z, F42Z		05	F01A, F01B, F01D, F05Z, F07A, F07B, F09A, F09B, F09C, F30Z, F42Z		06	G10Z, G12A, G12B				
	06	G15Z, G19A, G19B, G33Z, G38Z		06	G03A, G15Z, G18A, G19A, G19B, G33Z, G38Z		08	I08A, I08B, I08C, I08D, I08E, I13A, I13B				
	07	H33Z, H38Z		07	H01A, H33Z, H38Z		11	L09A, L09B, L09C, L09D, L38Z				
	08	I08A, I08B, I08C, I08D, I08E, I13A, I13B		08	I08A, I08B, I08C, I08D, I08E, I13A, I13B		5101b.11	BOP, KVT, UOP4				
	11	L09A, L33Z, L38Z		11	L09A, L33Z, L38Z		05	F01A, F01B, F01D, F05Z, F07A, F07B, F14A, F14B, F28A, F42Z, F54Z, F59A, F59B				
	15	P02A, P02B, P02C		15	P02A, P02B, P02C		06	G10Z, G12A, G12B				
	21A	W04A, W04B		21A	W04A, W04B		08	I08A, I08B, I08C, I08D, I08E, I13A, I13B				
	21B	X06A, X06B, X06C, X33Z		21B	X06A, X06B, X06C, X33Z		11	L09A, L09B, L09C, L09D, L38Z				
	23	Z01A		23	Z01A		06	G10Z, G12A, G12B				
	Pre	A07A		Pre	A07A		08	I08A, I08B, I08C, I08D, I08E, I13A, I13B				
	51019.c↔			BOP, KVT, UOP4	51019.g↔			BOP, KVT, UOP4	5101b.12		BOP, KVT, UOP4	
		05		F01A, F01B, F01D, F05Z, F07A, F07B, F14A, F14B, F28A, F42Z, F54Z, F59A, F59B			05	F01A, F01B, F01D, F05Z, F07A, F07B, F14A, F14B, F28A, F42Z, F54Z, F59A, F59B		05	F01A, F01B, F01D, F05Z, F07A, F07B, F14A, F14B, F28A, F42Z, F54Z, F59A, F59B	
08		I08A, I08B, I08C, I08D, I08E, I13A, I13B	06	G10Z, G12A, G12B		06	G10Z, G12A, G12B					
10		K09A, K09B	08	I08A, I08B, I08C, I08D, I08E, I13A, I13B		08	I08A, I08B, I08C, I08D, I08E, I13A, I13B					
11		L09A, L38Z	11	L09A, L09B, L09C, L09D, L38Z		11	L09A, L09B, L09C, L09D, L38Z					
21A		W04A, W04B	21A	W04A, W04B		51120.0↔	BOP, KVT, UOP4					
21B		X06A, X06B, X06C	21B	X06A, X06B, X06C		01	B04A, B04B, B04C, B04D, B04E					
51019.d↔			BOP, KOP, KOPV, KVT, UOP4	51019.h↔			BOP, KVT, UOP4	51120.1↔			BOP, KVT, UOP4	
		04	E05A, E05B, E05C, E08A, E08B, E08C			05	F01A, F01B, F01D, F05Z, F07A, F07B, F14A, F14B, F28A, F42Z, F54Z, F59A, F59B			03	D12A, D12B	
		05	F01A, F01B, F01D, F05Z, F07A, F07B, F09A, F09B, F09C, F30Z, F42Z			06	G10Z, G12A, G12B			05	F01A, F01B, F01D, F05Z, F06A, F06C, F07A, F07B, F14A, F14B, F28A, F42Z, F54Z, F59A, F59B	
	06	G15Z, G19A, G19B, G33Z, G38Z	08		I08A, I08B, I08C, I08D, I08E, I13A, I13B	08	I08A, I08B, I08C, I08D, I08E, I13A, I13B					
	07	H33Z, H38Z	11		L09A, L09B, L09C, L09D, L38Z	10	K09A, K09B					
	08	I08A, I08B, I08C, I08D, I08E, I13A, I13B	21A		W04A, W04B	11	L09A, L38Z					
	11	L09A, L33Z, L38Z	21B		X06A, X06B, X06C	21A	W04A, W04B					
	15	P02A, P02B, P02C	51019.i↔			BOP, KVT, UOP4	21B		X06A, X06B, X06C			
	21A	W04A, W04B			05	F01A, F01B, F01D, F05Z, F07A, F07B, F14A, F14B, F28A, F42Z, F54Z, F59A, F59B	01		B04A, B04B, B04C, B04D, B04E			
	21B	X06A, X06B, X06C, X33Z			06	G10Z, G12A, G12B	03		D12A, D12B			
	23	Z01A			08	I08A, I08B, I08C, I08D, I08E, I13A, I13B	05		F01A, F01B, F01D, F05Z, F06A, F06C, F07A, F07B, F14A, F14B, F28A, F42Z, F54Z, F59A, F59B			
	Pre	A07A			11	L09A, L09B, L09C, L09D, L38Z	08		I08A, I08B, I08C, I08D, I08E, I13A, I13B			
	51019.e				BOP, KOP, KOPV, KVT, UOP4	51019.x↔			BOP, KVT, UOP4	5101b.01↔		BOP, KVT, UOP4
		04			E05A, E05B, E05C, E08A, E08B, E08C		05		F39A, F39B		05	F01A, F01B, F01D, F05Z, F07A, F07B, F14A, F14B, F28A, F42Z, F54Z, F59A, F59B
05		F01A, F01B, F01D, F05Z, F07A, F07B, F09A, F09B, F09C, F30Z, F42Z		08	I08A, I08B, I08C, I08D, I08E, I13A, I13B		06	G10Z, G12A, G12B				
06		G15Z, G19A, G19B, G33Z, G38Z		11	L09A, L38Z		08	I08A, I08B, I08C, I08D, I08E, I13A, I13B				
07		H33Z, H38Z		21A	W04A, W04B		10	K09A, K09B				
08		I08A, I08B, I08C, I08D, I08E, I13A, I13B	21B	X06A, X06B, X06C	11		L09A, L38Z					
11		L09A, L33Z, L38Z		BOP, KVT, UOP4	21A		W04A, W04B					
15		P02A, P02B, P02C	05	F39A, F39B	21B		X06A, X06B, X06C					
21A		W04A, W04B	08	I08A, I08B, I08C, I08D, I08E, I13A, I13B								
21B		X06A, X06B, X06C, X33Z	11	L09A, L38Z								
23		Z01A	21A	W04A, W04B								
Pre		A07A	21B	X04Z								

ZZV	MDC	DRG	ZZV	MDC	DRG	ZZV	MDC	DRG		
51120.20↔		BOP, KVT, UOP4	51120.3↔		BOP, KVT, UOP4	51120.8↔		BOP, KVT, UOP4		
	01	B04A, B04B, B04C, B04D, B04E		01	B04A, B04B, B04C, B04D, B04E		05	F01A, F01B, F01D, F05Z, F07A, F07B, F08A, F08B, F08C, F08D, F08E, F27A, F28A, F42Z		
	03	D12A, D12B		03	D12A, D12B		06	G10Z, G12A, G12B		
	05	F01A, F01B, F01D, F05Z, F06A, F06C, F07A, F07B, F14A, F14B, F28A, F42Z, F54Z, F59A, F59B		05	F01A, F01B, F01D, F05Z, F06A, F06C, F07A, F07B, F14A, F14B, F28A, F42Z, F54Z, F59A, F59B		08	I08A, I08B, I08C, I08D, I08E, I13A, I13B		
	08	I08A, I08B, I08C, I08D, I08E, I13A, I13B		08	I08A, I08B, I08C, I08D, I08E, I13A, I13B		11	L09A, L09B, L09C, L09D, L38Z		
	10	K09A, K09B		10	K09A, K09B		21A	W04A, W04B		
	11	L09A, L38Z		11	L09A, L38Z		21B	X06A, X06B, X06C, X33Z		
	21A	W04A, W04B		21A	W04A, W04B		51120.x↔	BOP, KVT, UOP4		
	21B	X06A, X06B, X06C		21B	X06A, X06B, X06C			01	B04A, B04B, B04C, B04D, B04E	
	51120.22↔			BOP, KVT, UOP4	51120.40↔			BOP, KVT, UOP4	03	D12A, D12B
		01		B04A, B04B, B04C, B04D, B04E			01	B04A, B04B, B04C, B04D, B04E	05	F01A, F01B, F01D, F05Z, F06A, F06C, F07A, F07B, F14A, F14B, F28A, F42Z, F54Z, F59A, F59B
		03		D12A, D12B			03	D12A, D12B	08	I08A, I08B, I08C, I08D, I08E, I13A, I13B
05		F01A, F01B, F01D, F05Z, F06A, F06C, F07A, F07B, F14A, F14B, F28A, F42Z, F54Z, F59A, F59B	05	F01A, F01B, F01D, F05Z, F06A, F06C, F07A, F07B, F14A, F14B, F28A, F42Z, F54Z, F59A, F59B		10	K09A, K09B			
08		I08A, I08B, I08C, I08D, I08E, I13A, I13B	08	I08A, I08B, I08C, I08D, I08E, I13A, I13B		11	L09A, L38Z			
10		K09A, K09B	10	K09A, K09B		21A	W04A, W04B			
11		L09A, L38Z	11	L09A, L38Z		21B	X06A, X06B, X06C			
21A		W04A, W04B	21A	W04A, W04B		51121.0↔	BOP, KVT, UOP4			
21B		X06A, X06B, X06C	21B	X06A, X06B, X06C			05	F01A, F01B, F01D, F05Z, F07A, F07B, F14A, F14B, F28A, F42Z, F54Z, F59A, F59B		
51120.23↔			BOP, KVT, UOP4	51120.4x			BOP, KVT, UOP4	08	I08A, I08B, I08C, I08D, I08E, I13A, I13B	
		01	B04A, B04B, B04C, B04D, B04E			05	F01A, F01B, F01D, F05Z, F07A, F07B, F08A, F08B, F08C, F08D, F08E, F27A, F28A, F42Z	10	K09A, K09B	
		03	D12A, D12B			06	G10Z, G12A, G12B, G18A, G38Z	11	L09A, L38Z	
	05	F01A, F01B, F01D, F05Z, F06A, F06C, F07A, F07B, F14A, F14B, F28A, F42Z, F54Z, F59A, F59B	07		H01A	21A	W04A, W04B			
	08	I08A, I08B, I08C, I08D, I08E, I13A, I13B	08		I08A, I08B, I08C, I08D, I08E, I13A, I13B	21B	X05A, X05B, X06A, X06B, X06C			
	10	K09A, K09B	11		L09A, L09B, L09C, L09D, L38Z	51121.1↔	BOP, KVT, UOP4			
	11	L09A, L38Z	21A		W04A, W04B		05	F01A, F01B, F01D, F05Z, F07A, F07B, F14A, F14B, F28A, F42Z, F54Z, F59A, F59B		
	21A	W04A, W04B	21B		X06A, X06B, X06C, X33Z	08	I08A, I08B, I08C, I08D, I08E, I13A, I13B			
	21B	X06A, X06B, X06C	51120.5↔		BOP, KVT, UOP4	10	K09A, K09B			
	51120.24↔				BOP, KVT, UOP4	01	B04A, B04B, B04C, B04D, B04E	11	L09A, L38Z	
		01	B04A, B04B, B04C, B04D, B04E		03	D12A, D12B	21A	W04A, W04B		
		03	D12A, D12B		05	F01A, F01B, F01D, F05Z, F06A, F06C, F07A, F07B, F14A, F14B, F28A, F42Z, F54Z, F59A, F59B	21B	X05A, X05B, X06A, X06B, X06C		
05		F01A, F01B, F01D, F05Z, F06A, F06C, F07A, F07B, F14A, F14B, F28A, F42Z, F54Z, F59A, F59B	08	I08A, I08B, I08C, I08D, I08E, I13A, I13B	51121.2↔	BOP, KVT, UOP4				
08		I08A, I08B, I08C, I08D, I08E, I13A, I13B	10	K09A, K09B		05	F01A, F01B, F01D, F05Z, F07A, F07B, F14A, F14B, F28A, F42Z, F54Z, F59A, F59B			
10		K09A, K09B	11	L09A, L38Z	08	I08A, I08B, I08C, I08D, I08E, I13A, I13B				
11		L09A, L38Z	10	K09A, K09B	10	K09A, K09B				
21A		W04A, W04B	11	L09A, L38Z	11	L09A, L38Z				
21B		X06A, X06B, X06C	21A	W04A, W04B	21A	W04A, W04B				
51120.25↔			BOP, KVT, UOP4	51120.6↔		BOP, KVT, UOP4	21B	X05A, X05B, X06A, X06B, X06C		
		01	B04A, B04B, B04C, B04D, B04E		01	B04A, B04B, B04C, B04D, B04E	10	K09A, K09B		
		03	D12A, D12B		03	D12A, D12B	11	L09A, L38Z		
	05	F01A, F01B, F01D, F05Z, F06A, F06C, F07A, F07B, F14A, F14B, F28A, F42Z, F54Z, F59A, F59B	05		F01A, F01B, F01D, F05Z, F06A, F06C, F07A, F07B, F14A, F14B, F28A, F42Z, F54Z, F59A, F59B	21A	W04A, W04B			
	08	I08A, I08B, I08C, I08D, I08E, I13A, I13B	08		I08A, I08B, I08C, I08D, I08E, I13A, I13B	21B	X05A, X05B, X06A, X06B, X06C			
	10	K09A, K09B	10		K09A, K09B					
	11	L09A, L38Z	11		L09A, L38Z					
	21A	W04A, W04B	21A		W04A, W04B					
	21B	X06A, X06B, X06C	21B		X06A, X06B, X06C					

VYK

ZZV	MDC	DRG	ZZV	MDC	DRG	ZZV	MDC	DRG
51121.x↔		BOP, KVT, UOP4	51123.1		BOP, KVT, UOP4	51124.0↔		BOP, KOP, KOPV, KVT, UOP4
	05	F01A, F01B, F01D, F05Z, F07A, F07B, F14A, F14B, F28A, F42Z, F54Z, F59A, F59B		05	F01A, F01B, F01D, F05Z, F07A, F07B, F08A, F08B, F08C, F08D, F08E, F27A, F28A, F42Z		04	E05A, E05B, E05C, E08A, E08B, E08C
	08	I08A, I08B, I08C, I08D, I08E, I13A, I13B		06	G10Z, G12A, G12B		05	F01A, F01B, F01D, F05Z, F07A, F07B, F09A, F09B, F09C, F30Z, F42Z
	10	K09A, K09B		08	I08A, I08B, I08C, I08D, I08E, I13A, I13B		06	G33Z
	11	L09A, L38Z		11	L09A, L38Z		07	H33Z, H38Z
	21A	W04A, W04B	21A	W04A, W04B	08	I08A, I08B, I08C, I08D, I08E, I13A, I13B		
	21B	X05A, X05B, X06A, X06B, X06C	21B	X06A, X06B, X06C, X33Z	11	L09A, L33Z, L38Z		
51122.0↔		BOP, KVT, UOP4	51123.2		BOP, KVT, UOP4	51124.1↔		BOP, KOP, KOPV, KVT, UOP4
	05	F01A, F01B, F01D, F05Z, F07A, F07B, F14A, F14B, F28A, F42Z, F54Z, F59A, F59B		05	F01A, F01B, F01D, F05Z, F07A, F07B, F08A, F08B, F08C, F08D, F08E, F27A, F28A, F42Z		04	E05A, E05B, E05C, E08A, E08B, E08C
	08	I08A, I08B, I08C, I08D, I08E, I13A, I13B		06	G10Z, G12A, G12B		05	F01A, F01B, F01D, F05Z, F07A, F07B, F09A, F09B, F09C, F30Z, F42Z
	10	K09A, K09B		08	I08A, I08B, I08C, I08D, I08E, I13A, I13B		06	G33Z
	11	L09A, L38Z		11	L09A, L38Z		07	H33Z, H38Z
	21A	W04A, W04B	21A	W04A, W04B	08	I08A, I08B, I08C, I08D, I08E, I13A, I13B		
	21B	X05A, X05B, X06A, X06B, X06C	21B	X06A, X06B, X06C, X33Z	11	L09A, L33Z, L38Z		
51122.1↔		BOP, KVT, UOP4	51123.3		BOP, KVT, UOP4	51124.2↔		BOP, KOP, KOPV, KVT, UOP4
	05	F01A, F01B, F01D, F05Z, F07A, F07B, F14A, F14B, F28A, F42Z, F54Z, F59A, F59B		05	F01A, F01B, F01D, F05Z, F07A, F07B, F08A, F08B, F08C, F08D, F08E, F27A, F28A, F42Z		04	E01A, E08A, E08B, E08C
	08	I08A, I08B, I08C, I08D, I08E, I13A, I13B		06	G10Z, G12A, G12B		05	F01A, F01B, F01D, F05Z, F07A, F07B, F09A, F09B, F09C, F30Z, F42Z
	10	K09A, K09B		08	I08A, I08B, I08C, I08D, I08E, I13A, I13B		06	G33Z
	11	L09A, L38Z		11	L09A, L38Z		07	H33Z, H38Z
	21A	W04A, W04B	21A	W04A, W04B	08	I08A, I08B, I08C, I08D, I08E, I13A, I13B		
	21B	X05A, X05B, X06A, X06B, X06C	21B	X06A, X06B, X06C, X33Z	11	L09A, L33Z, L38Z		
51122.2↔		BOP, KVT, UOP4	51123.4		BOP, KVT, UOP4	51124.3↔		BOP, KOP, KOPV, KVT, UOP4
	05	F01A, F01B, F01D, F05Z, F07A, F07B, F14A, F14B, F28A, F42Z, F54Z, F59A, F59B		05	F01A, F01B, F01D, F05Z, F07A, F07B, F08A, F08B, F08C, F08D, F08E, F27A, F28A, F42Z		04	E05A, E05B, E05C, E08A, E08B, E08C
	08	I08A, I08B, I08C, I08D, I08E, I13A, I13B		06	G10Z, G12A, G12B		05	F01A, F01B, F01D, F05Z, F07A, F07B, F09A, F09B, F09C, F30Z, F42Z
	10	K09A, K09B		08	I08A, I08B, I08C, I08D, I08E, I13A, I13B		06	G33Z
	11	L09A, L38Z		11	L09A, L38Z		07	H33Z, H38Z
	21A	W04A, W04B	21A	W04A, W04B	08	I08A, I08B, I08C, I08D, I08E, I13A, I13B		
	21B	X05A, X05B, X06A, X06B, X06C	21B	X06A, X06B, X06C, X33Z	11	L09A, L33Z, L38Z		
51122.x↔		BOP, KVT, UOP4	51123.x		BOP, KVT, UOP4	51124.3↔		BOP, KOP, KOPV, KVT, UOP4
	05	F01A, F01B, F01D, F05Z, F07A, F07B, F14A, F14B, F28A, F42Z, F54Z, F59A, F59B		05	F01A, F01B, F01D, F05Z, F07A, F07B, F08A, F08B, F08C, F08D, F08E, F27A, F28A, F42Z		04	E05A, E05B, E05C, E08A, E08B, E08C
	08	I08A, I08B, I08C, I08D, I08E, I13A, I13B		06	G10Z, G12A, G12B		05	F01A, F01B, F01D, F05Z, F07A, F07B, F09A, F09B, F09C, F30Z, F42Z
	10	K09A, K09B		08	I08A, I08B, I08C, I08D, I08E, I13A, I13B		06	G33Z
	11	L09A, L38Z		11	L09A, L38Z		07	H33Z, H38Z
	21A	W04A, W04B	21A	W04A, W04B	08	I08A, I08B, I08C, I08D, I08E, I13A, I13B		
	21B	X05A, X05B, X06A, X06B, X06C	21B	X06A, X06B, X06C, X33Z	11	L09A, L33Z, L38Z		
51123.0		BOP, KVT, UOP4						BOP, KOP, KOPV, KVT, UOP4
	05	F01A, F01B, F01D, F05Z, F07A, F07B, F08A, F08B, F08C, F08D, F08E, F27A, F28A, F42Z						E05A, E05B, E05C, E08A, E08B, E08C
	06	G10Z, G12A, G12B						F01A, F01B, F01D, F05Z, F07A, F07B, F09A, F09B, F09C, F30Z, F42Z
	08	I08A, I08B, I08C, I08D, I08E, I13A, I13B						G33Z
	11	L09A, L38Z						H33Z, H38Z
	21A	W04A, W04B						I08A, I08B, I08C, I08D, I08E, I13A, I13B
	21B	X06A, X06B, X06C, X33Z						L09A, L33Z, L38Z
								P02A, P02B, P02C
								W04A, W04B
								X06A, X06B, X06C, X33Z
								Z01A
								Pre A07A

VYK

ZZV	MDC	DRG	ZZV	MDC	DRG	ZZV	MDC	DRG					
51124.x↔		BOP, KOP, KOPV, KVT, UOP4	51125.4↔		BOP, KVT, UOP4	51126.2		BOP, KVT, UOP4					
	04	E05A, E05B, E05C, E08A, E08B, E08C		05	F01A, F01B, F01D, F05Z, F07A, F07B, F08A, F08B, F08C, F08D, F08E, F08F, F14A, F14B, F27A, F28A, F42Z		05	F01A, F01B, F01D, F05Z, F07A, F07B, F08A, F08B, F08C, F08D, F08E, F27A, F28A, F42Z					
	05	F01A, F01B, F01D, F05Z, F07A, F07B, F09A, F09B, F09C, F30Z, F42Z		06	G10Z, G12A, G12B		06	G10Z, G12A, G12B					
	06	G33Z		08	I08A, I08B, I08C, I08D, I08E, I13A, I13B		08	I08A, I08B, I08C, I08D, I08E, I13A, I13B					
	07	H33Z, H38Z		11	L09A, L09B, L09C, L09D, L38Z		11	L09A, L09B, L09C, L09D, L38Z					
	08	I08A, I08B, I08C, I08D, I08E, I13A, I13B		21A	W04A, W04B		21A	W04A, W04B					
	11	L09A, L33Z, L38Z		21B	X06A, X06B, X06C, X33Z		21B	X06A, X06B, X06C, X33Z					
	15	P02A, P02B, P02C		51125.5↔			BOP, KVT, UOP4	51126.3		BOP, KVT, UOP4			
	21A	W04A, W04B			05		F01A, F01B, F01D, F05Z, F07A, F07B, F14A, F14B, F28A, F42Z, F54Z, F59A, F59B		05	F01A, F01B, F01D, F05Z, F07A, F07B, F08A, F08B, F08C, F08D, F08E, F27A, F28A, F42Z			
	21B	X06A, X06B, X06C, X33Z			08		I08A, I08B, I08C, I08D, I08E, I13A, I13B		06	G10Z, G12A, G12B, G18A, G38Z			
	23	Z01A			10		K09A, K09B		07	H06A, H06B, H06C			
	Pre	A07A			11		L09A, L38Z		08	I08A, I08B, I08C, I08D, I08E, I13A, I13B			
	51125.0↔				BOP, KVT, UOP4		51125.x↔			BOP, KVT, UOP4	51126.4↔		BOP, KVT, UOP4
		05			F01A, F01B, F01D, F05Z, F07A, F07B, F14A, F14B, F28A, F42Z, F54Z, F59A, F59B				05	F01A, F01B, F01D, F05Z, F07A, F07B, F14A, F14B, F28A, F42Z, F54Z, F59A, F59B		05	F01A, F01B, F01D, F05Z, F07A, F07B, F08A, F08B, F08C, F08D, F08E, F27A, F28A, F42Z
		08			I08A, I08B, I08C, I08D, I08E, I13A, I13B				08	I08A, I08B, I08C, I08D, I08E, I13A, I13B		06	G10Z, G12A, G12B
10		K09A, K09B	10		K09A, K09B	08			I08A, I08B, I08C, I08D, I08E, I13A, I13B				
11		L09A, L38Z	11		L09A, L38Z	08			I08A, I08B, I08C, I08D, I08E, I13A, I13B				
21A		W04A, W04B	21A		W04A, W04B	11			L09A, L09B, L09C, L09D, L38Z				
21B		X06A, X06B, X06C	21B		X06A, X06B, X06C	21A			W04A, W04B				
51125.1↔			BOP, KVT, UOP4		51126.0				BOP, KVT, UOP4	51126.5			BOP, KVT, UOP4
		05	F01A, F01B, F01D, F05Z, F07A, F07B, F08A, F08B, F08C, F08D, F08E, F08F, F14A, F14B, F27A, F28A, F42Z			05			F01A, F01B, F01D, F05Z, F07A, F07B, F08A, F08B, F08C, F08D, F08E, F27A, F28A, F42Z			05	F01A, F01B, F01D, F05Z, F07A, F07B, F08A, F08B, F08C, F08D, F08E, F27A, F28A, F42Z
		06	G10Z, G12A, G12B			06			G10Z, G12A, G12B, G18A, G38Z			06	G10Z, G12A, G12B, G18A, G38Z
		08	I08A, I08B, I08C, I08D, I08E, I13A, I13B	07		H01A		06	G10Z, G12A, G12B, G18A, G38Z				
		11	L09A, L09B, L09C, L09D, L38Z	08		I08A, I08B, I08C, I08D, I08E, I13A, I13B		07	H01A				
		21A	W04A, W04B	11		L09A, L09B, L09C, L09D, L38Z		08	I08A, I08B, I08C, I08D, I08E, I13A, I13B				
		21B	X06A, X06B, X06C, X33Z	21A		W04A, W04B		11	L09A, L09B, L09C, L09D, L38Z				
		51125.2↔		BOP, KVT, UOP4		51126.1			BOP, KVT, UOP4			51126.6	
	05		F01A, F01B, F01D, F05Z, F07A, F07B, F08A, F08B, F08C, F08D, F08E, F08F, F14A, F14B, F27A, F28A, F42Z	05			F01A, F01B, F01D, F05Z, F07A, F07B, F08A, F08B, F08C, F08D, F08E, F27A, F28A, F42Z	05	F01A, F01B, F01D, F05Z, F07A, F07B, F08A, F08B, F08C, F08D, F08E, F27A, F28A, F42Z				
	06		G10Z, G12A, G12B	06			G10Z, G12A, G12B, G18A, G38Z	06	G10Z, G12A, G12B, G18A, G38Z				
	08		I08A, I08B, I08C, I08D, I08E, I13A, I13B	07			H01A, H06A, H06B, H06C	06	G10Z, G12A, G12B, G18A, G38Z				
	11		L09A, L09B, L09C, L09D, L38Z	08			I08A, I08B, I08C, I08D, I08E, I13A, I13B	07	H01A				
	21A		W04A, W04B	11			L09A, L09B, L09C, L09D, L38Z	08	I08A, I08B, I08C, I08D, I08E, I13A, I13B				
	21B		X06A, X06B, X06C, X33Z	21A			W04A, W04B	11	L09A, L09B, L09C, L09D, L38Z				
	51125.3↔			BOP, KVT, UOP4									
05			F01A, F01B, F01D, F05Z, F07A, F07B, F08A, F08B, F08C, F08D, F08E, F08F, F14A, F14B, F27A, F28A, F42Z										
06			G10Z, G12A, G12B										
08			I08A, I08B, I08C, I08D, I08E, I13A, I13B										
11			L09A, L09B, L09C, L09D, L38Z										
21A			W04A, W04B										
21B			X06A, X06B, X06C, X33Z										

VYK

ZZV	MDC	DRG	ZZV	MDC	DRG	ZZV	MDC	DRG			
51130.1↔		BOP, KVT, UOP4	51131.0↔		BOP, KVT, UOP4	51133.0		BOP, KOP, KOPV, KVT, UOP4			
	01	B04A, B04B, B04C, B04D, B04E		01	B04A, B04B, B04C, B04D, B04E		04	E05A, E05B, E05C, E08A, E08B, E08C			
	03	D12A		05	F01A, F01B, F01D, F05Z, F07A, F07B, F14A, F14B, F28A, F42Z, F54Z, F59A, F59B		05	F01A, F01B, F01D, F05Z, F07A, F07B, F08A, F08B, F08C, F08D, F08E, F27A, F28A, F30Z, F42Z			
	05	F01A, F01B, F01D, F05Z, F06A, F06C, F07A, F07B, F14A, F14B, F28A, F42Z, F54Z, F59A, F59B		08	I08A, I08B, I08C, I08D, I08E, I13A, I13B		06	G10Z, G12A, G12B, G33Z			
	08	I08A, I08B, I08C, I08D, I08E, I13A, I13B		11	L09A, L38Z		07	H33Z, H38Z			
	11	L09A, L38Z		21A	W04A, W04B		08	I08A, I08B, I08C, I08D, I08E, I13A, I13B			
	21A	W04A, W04B		21B	X06A, X06B, X06C		11	L09A, L33Z, L38Z			
	21B	X06A, X06B, X06C			BOP, KVT, UOP4		15	P02A, P02B, P02C			
	51130.2↔			BOP, KVT, UOP4	51131.1↔			BOP, KVT, UOP4	51133.1		BOP, KOP, KOPV, KVT, UOP4
		01		B04A, B04B, B04C, B04D, B04E			01	B04A, B04B, B04C, B04D, B04E		04	E05A, E05B, E05C, E08A, E08B, E08C
03		D12A	05	F01A, F01B, F01D, F05Z, F07A, F07B, F14A, F14B, F28A, F42Z, F54Z, F59A, F59B		05	F01A, F01B, F01D, F05Z, F07A, F07B, F08A, F08B, F08C, F08D, F08E, F27A, F28A, F30Z, F42Z				
05		F01A, F01B, F01D, F05Z, F06A, F06C, F07A, F07B, F14A, F14B, F28A, F42Z, F54Z, F59A, F59B	08	I08A, I08B, I08C, I08D, I08E, I13A, I13B		06	G10Z, G12A, G12B, G33Z				
08		I08A, I08B, I08C, I08D, I08E, I13A, I13B	11	L09A, L38Z		07	H33Z, H38Z				
11		L09A, L38Z	21A	W04A, W04B		08	I08A, I08B, I08C, I08D, I08E, I13A, I13B				
21A		W04A, W04B	21B	X06A, X06B, X06C		11	L09A, L33Z, L38Z				
21B		X06A, X06B, X06C		BOP, KVT, UOP4		15	P02A, P02B, P02C				
51130.3↔			BOP, KVT, UOP4	51131.x↔			BOP, KVT, UOP4	51133.2			BOP, KVT, UOP4
		01	B04A, B04B, B04C, B04D, B04E			01	B04A, B04B, B04C, B04D, B04E			05	F01A, F01B, F01D, F05Z, F07A, F07B, F08A, F08B, F08C, F08D, F08E, F27A, F28A, F30Z, F42Z
	03	D12A	05		F01A, F01B, F01D, F05Z, F07A, F07B, F14A, F14B, F28A, F42Z, F54Z, F59A, F59B	06	G10Z, G12A, G12B, G33Z				
	05	F01A, F01B, F01D, F05Z, F06A, F06C, F07A, F07B, F14A, F14B, F28A, F42Z, F54Z, F59A, F59B	08		I08A, I08B, I08C, I08D, I08E, I13A, I13B	07	H33Z, H38Z				
	08	I08A, I08B, I08C, I08D, I08E, I13A, I13B	11		L09A, L38Z	08	I08A, I08B, I08C, I08D, I08E, I13A, I13B				
	11	L09A, L38Z	21A		W04A, W04B	11	L09A, L33Z, L38Z				
	21A	W04A, W04B	21B		X06A, X06B, X06C	15	P02A, P02B, P02C				
	21B	X06A, X06B, X06C			BOP, KVT, UOP4	21A	W04A, W04B				
	51130.4↔		BOP, KVT, UOP4		51132.0↔		BOP, KVT, UOP4		51133.x		BOP, KVT, UOP4
		01	B04A, B04B, B04C, B04D, B04E			01	B04A, B04B, B04C, B04D, B04E			05	F01A, F01B, F01D, F05Z, F07A, F07B, F14A, F14B, F28A, F42Z, F54Z, F59A, F59B
03		D12A	05	F01A, F01B, F01D, F05Z, F07A, F07B, F14A, F14B, F28A, F42Z, F54Z, F59A, F59B		06	G10Z, G12A, G12B				
05		F01A, F01B, F01D, F05Z, F06A, F06C, F07A, F07B, F14A, F14B, F28A, F42Z, F54Z, F59A, F59B	08	I08A, I08B, I08C, I08D, I08E, I13A, I13B		08	I08A, I08B, I08C, I08D, I08E, I13A, I13B				
08		I08A, I08B, I08C, I08D, I08E, I13A, I13B	11	L09A, L38Z		11	L09A, L38Z				
11		L09A, L38Z	21A	W04A, W04B		15	P02A, P02B, P02C				
21A		W04A, W04B	21B	X06A, X06B, X06C		21A	W04A, W04B				
21B		X06A, X06B, X06C		BOP, KVT, UOP4		21B	X06A, X06B, X06C, X33Z				
51130.x↔			BOP, KVT, UOP4	51132.1↔			BOP, KVT, UOP4	51133.x			BOP, KVT, UOP4
		01	B04A, B04B, B04C, B04D, B04E			01	B04A, B04B, B04C, B04D, B04E			05	F01A, F01B, F01D, F05Z, F07A, F07B, F14A, F14B, F28A, F42Z, F54Z, F59A, F59B
	03	D12A	05		F01A, F01B, F01D, F05Z, F07A, F07B, F14A, F14B, F28A, F42Z, F54Z, F59A, F59B	06	G10Z, G12A, G12B				
	05	F01A, F01B, F01D, F05Z, F06A, F06C, F07A, F07B, F14A, F14B, F28A, F42Z, F54Z, F59A, F59B	08		I08A, I08B, I08C, I08D, I08E, I13A, I13B	08	I08A, I08B, I08C, I08D, I08E, I13A, I13B				
	08	I08A, I08B, I08C, I08D, I08E, I13A, I13B	11		L09A, L38Z	11	L09A, L38Z				
	11	L09A, L38Z	21A		W04A, W04B	15	P02A, P02B, P02C				
	21A	W04A, W04B	21B		X06A, X06B, X06C	21A	W04A, W04B				
	21B	X06A, X06B, X06C			BOP, KVT, UOP4	21B	X06A, X06B, X06C, X33Z				
	51130.x↔		BOP, KVT, UOP4		51132.x↔		BOP, KVT, UOP4		51133.x		BOP, KVT, UOP4
		01	B04A, B04B, B04C, B04D, B04E			01	B04A, B04B, B04C, B04D, B04E			05	F01A, F01B, F01D, F05Z, F07A, F07B, F14A, F14B, F28A, F42Z, F54Z, F59A, F59B
03		D12A	05	F01A, F01B, F01D, F05Z, F07A, F07B, F14A, F14B, F28A, F42Z, F54Z, F59A, F59B		06	G10Z, G12A, G12B				
05		F01A, F01B, F01D, F05Z, F06A, F06C, F07A, F07B, F14A, F14B, F28A, F42Z, F54Z, F59A, F59B	08	I08A, I08B, I08C, I08D, I08E, I13A, I13B		08	I08A, I08B, I08C, I08D, I08E, I13A, I13B				
08		I08A, I08B, I08C, I08D, I08E, I13A, I13B	11	L09A, L38Z		11	L09A, L38Z				
11		L09A, L38Z	21A	W04A, W04B		15	P02A, P02B, P02C				
21A		W04A, W04B	21B	X06A, X06B, X06C		21A	W04A, W04B				
21B		X06A, X06B, X06C		BOP, KVT, UOP4		21B	X06A, X06B, X06C, X33Z				

VYK

ZZV	MDC	DRG	ZZV	MDC	DRG	ZZV	MDC	DRG
51134.0↔		BOP, KVT, UOP4	51135.0↔		BOP, KOP, KOPV, KVT, UOP4	51136.0		BOP, KOP, KOPV, KVT, UOP4
	01	B04A, B04B, B04C, B04D, B04E		05	F01A, F01B, F01D, F05Z, F07A, F07B, F08A, F08B, F08C, F08D, F08E, F08F, F27A, F28A, F42Z		05	F01A, F01B, F01D, F05Z, F07A, F07B, F08A, F08B, F08C, F08D, F08E, F27A, F28A, F42Z
	05	F01A, F01B, F01D, F05Z, F07A, F07B, F09A, F09B, F09C, F30Z, F42Z		06	G15Z, G19A, G19B, G33Z, G38Z		06	G15Z, G18A, G19A, G19B, G33Z, G38Z
	08	I08A, I08B, I08C, I08D, I08E, I13A, I13B		07	H33Z, H38Z		07	H01A, H33Z, H38Z
	11	L09A, L38Z		08	I08A, I08B, I08C, I08D, I08E, I13A, I13B		08	I08A, I08B, I08C, I08D, I08E, I13A, I13B
	15	P02A, P02B, P02C		11	L09A, L09B, L09C, L09D, L33Z, L38Z		11	L09A, L09B, L09C, L09D, L33Z, L38Z
	21A	W04A, W04B		21A	W04A, W04B		21A	W04A, W04B
	21B	X06A, X06B, X06C		21B	X06A, X06B, X06C, X33Z		21B	X06A, X06B, X06C, X33Z
		BOP, KOP, KOPV, KVT, UOP4		23	Z01A		23	Z01A
		F01A, F01B, F01D, F05Z, F07A, F07B, F09A, F09B, F09C, F30Z, F42Z		Pre	A07A		Pre	A07A
51134.1↔		BOP, KOP, KOPV, KVT, UOP4	51135.1↔		BOP, KOP, KOPV, KVT, UOP4	51136.1		BOP, KOP, KOPV, KVT, UOP4
	05	F01A, F01B, F01D, F05Z, F07A, F07B, F09A, F09B, F09C, F30Z, F42Z		05	F01A, F01B, F01D, F05Z, F07A, F07B, F08A, F08B, F08C, F08D, F08E, F08F, F27A, F28A, F42Z		05	F01A, F01B, F01D, F05Z, F07A, F07B, F08A, F08B, F08C, F08D, F08E, F27A, F28A, F42Z
	06	G15Z, G19A, G19B, G33Z, G38Z		06	G15Z, G19A, G19B, G33Z, G38Z		06	G15Z, G18A, G19A, G19B, G33Z, G38Z
	07	H33Z, H38Z		07	H33Z, H38Z		07	H01A, H06A, H06B, H06C, H33Z, H38Z
	08	I08A, I08B, I08C, I08D, I08E, I13A, I13B		08	I08A, I08B, I08C, I08D, I08E, I13A, I13B		08	I08A, I08B, I08C, I08D, I08E, I13A, I13B
	11	L09A, L33Z, L38Z		11	L09A, L09B, L09C, L09D, L33Z, L38Z		11	L09A, L09B, L09C, L09D, L33Z, L38Z
	15	P02A, P02B, P02C		21A	W04A, W04B		21A	W04A, W04B
	21A	W04A, W04B		21B	X06A, X06B, X06C, X33Z		21B	X06A, X06B, X06C, X33Z
	21B	X06A, X06B, X06C, X33Z		23	Z01A		23	Z01A
	23	Z01A		Pre	A07A		Pre	A07A
51134.2↔		BOP, KOP, KOPV, KVT, UOP4	51135.2↔		BOP, KOP, KOPV, KVT, UOP4	51136.2		BOP, KOP, KOPV, KVT, UOP4
	04	E05A, E05B, E05C, E08A, E08B, E08C		05	F01A, F01B, F01D, F05Z, F07A, F07B, F08A, F08B, F08C, F08D, F08E, F08F, F27A, F28A, F42Z		05	F01A, F01B, F01D, F05Z, F07A, F07B, F08A, F08B, F08C, F08D, F08E, F27A, F28A, F42Z
	05	F01A, F01B, F01D, F05Z, F07A, F07B, F09A, F09B, F09C, F42Z		06	G15Z, G19A, G19B, G33Z, G38Z		06	G15Z, G19A, G19B, G33Z, G38Z
	06	G15Z, G19A, G19B, G33Z, G38Z		07	H33Z, H38Z		06	G15Z, G19A, G19B, G33Z, G38Z
	07	H33Z, H38Z		07	H33Z, H38Z		07	H33Z, H38Z
	08	I08A, I08B, I08C, I08D, I08E, I13A, I13B		08	I08A, I08B, I08C, I08D, I08E, I13A, I13B		07	H33Z, H38Z
	11	L09A, L33Z, L38Z		11	L09A, L09B, L09C, L09D, L33Z, L38Z		08	I08A, I08B, I08C, I08D, I08E, I13A, I13B
	21A	W04A, W04B		21A	W04A, W04B		11	L09A, L09B, L09C, L09D, L33Z, L38Z
	21B	X06A, X06B, X06C, X33Z		21B	X06A, X06B, X06C, X33Z		21A	W04A, W04B
	23	Z01A		23	Z01A		21B	X06A, X06B, X06C, X33Z
51134.x↔		BOP, KOP, KOPV, KVT, UOP4	51135.x↔		BOP, KVT, UOP4	51136.3		BOP, KOP, KOPV, KVT, UOP4
	05	F01A, F01B, F01D, F05Z, F07A, F07B, F09A, F09B, F09C, F30Z, F42Z		01	B03A, B03B, B06A, B06B, B07Z, B17A, B17B, B17C		05	F01A, F01B, F01D, F05Z, F07A, F07B, F14A, F14B, F28A, F42Z, F54Z, F59A, F59B
	06	G15Z, G19A, G19B, G33Z, G38Z		05	F01A, F01B, F01D, F05Z, F07A, F07B, F14A, F14B, F28A, F42Z, F54Z, F59A, F59B		06	G15Z, G18A, G19A, G19B, G33Z, G38Z
	07	H33Z, H38Z		08	I08A, I08B, I08C, I08D, I08E, I13A, I13B		06	G15Z, G18A, G19A, G19B, G33Z, G38Z
	08	I08A, I08B, I08C, I08D, I08E, I13A, I13B		11	L09A, L38Z		07	H06A, H06B, H06C, H33Z, H38Z
	11	L09A, L33Z, L38Z		21A	W04A, W04B		08	I08A, I08B, I08C, I08D, I08E, I13A, I13B
	15	P02A, P02B, P02C		21B	X04Z, X06A, X06B, X06C		11	L09A, L09B, L09C, L09D, L33Z, L38Z
	21A	W04A, W04B					21A	W04A, W04B
	21B	X06A, X06B, X06C, X33Z					21B	X06A, X06B, X06C, X33Z
	23	Z01A					23	Z01A
Pre	A07A			Pre	A07A			

VYK

ZZV	MDC	DRG	ZZV	MDC	DRG	ZZV	MDC	DRG		
51136.4↔		BOP, KOP, KOPV, KVT, UOP4	51137.0↔		BOP, KVT, UOP4	51138.1↔		BOP, KVT, UOP4		
	05	F01A, F01B, F01D, F05Z, F07A, F07B, F08A, F08B, F08C, F08D, F08E, F27A, F28A, F42Z		01	B04A, B04B, B04C, B04D, B04E		01	B04A, B04B, B04C, B04D, B04E		
	06	G15Z, G19A, G19B, G33Z, G38Z		05	F01A, F01B, F01D, F05Z, F07A, F07B, F08A, F08B, F08C, F08D, F08E, F08F, F27A, F27B, F27C, F28A, F42Z		05	F01A, F01B, F01D, F05Z, F07A, F07B, F08A, F08B, F08C, F08D, F08E, F08F, F27A, F27B, F27C, F28A, F42Z		
	07	H33Z, H38Z		08	I08A, I08B, I08C, I08D, I08E, I13A, I13B		08	I08A, I08B, I08C, I08D, I08E, I13A, I13B		
	08	I08A, I08B, I08C, I08D, I08E, I13A, I13B		10	K01Z		10	K01Z		
	11	L09A, L09B, L09C, L09D, L33Z, L38Z		11	L09A, L38Z		11	L09A, L38Z		
	21A	W04A, W04B		21A	W04A, W04B		21A	W04A, W04B		
	21B	X06A, X06B, X06C, X33Z		21B	X04Z, X33Z		21B	X04Z, X33Z		
	23	Z01A		51137.1↔			BOP, KVT, UOP4	51138.2↔		BOP, KVT, UOP4
	Pre	A07A			01		B04A, B04B, B04C, B04D, B04E		01	B04A, B04B, B04C, B04D, B04E
	51136.5			BOP, KOP, KOPV, KVT, UOP4	51137.2↔			BOP, KVT, UOP4	51138.3↔	
05		F01A, F01B, F01D, F05Z, F07A, F07B, F08A, F08B, F08C, F08D, F08E, F27A, F28A, F42Z	01	B04A, B04B, B04C, B04D, B04E		01	B04A, B04B, B04C, B04D, B04E			
06		G15Z, G18A, G19A, G19B, G33Z, G38Z	05	F01A, F01B, F01D, F05Z, F07A, F07B, F08A, F08B, F08C, F08D, F08E, F08F, F27A, F27B, F27C, F28A, F42Z		05	F01A, F01B, F01D, F05Z, F07A, F07B, F08A, F08B, F08C, F08D, F08E, F08F, F27A, F27B, F27C, F28A, F42Z			
07		H01A, H33Z, H38Z	08	I08A, I08B, I08C, I08D, I08E, I13A, I13B		08	I08A, I08B, I08C, I08D, I08E, I13A, I13B			
08		I08A, I08B, I08C, I08D, I08E, I13A, I13B	10	K01Z		10	K01Z			
11		L09A, L09B, L09C, L09D, L33Z, L38Z	11	L09A, L38Z		11	L09A, L38Z			
21A		W04A, W04B	21A	W04A, W04B		21A	W04A, W04B			
21B		X06A, X06B, X06C, X33Z	21B	X04Z, X33Z		21B	X04Z, X33Z			
23		Z01A	51137.x↔			BOP, KVT, UOP4	51138.x↔			BOP, KVT, UOP4
Pre		A07A		01		B04A, B04B, B04C, B04D, B04E		01		B04A, B04B, B04C, B04D, B04E
51136.6			BOP, KOP, KOPV, KVT, UOP4	51138.0↔			BOP, KVT, UOP4	51139.0↔		
	05	F01A, F01B, F01D, F05Z, F07A, F07B, F08A, F08B, F08C, F08D, F08E, F27A, F28A, F42Z	01		B04A, B04B, B04C, B04D, B04E	05	F39A, F39B			
	06	G15Z, G18A, G19A, G19B, G33Z, G38Z	05		F01A, F01B, F01D, F05Z, F07A, F07B, F08A, F08B, F08C, F08D, F08E, F08F, F27A, F27B, F27C, F28A, F42Z	08	I08A, I08B, I08C, I08D, I08E, I13A, I13B			
	07	H01A, H33Z, H38Z	08		I08A, I08B, I08C, I08D, I08E, I13A, I13B	11	L09A, L38Z			
	08	I08A, I08B, I08C, I08D, I08E, I13A, I13B	10		K01Z	21A	W04A, W04B			
	11	L09A, L09B, L09C, L09D, L33Z, L38Z	11		L09A, L38Z	21B	X04Z, X33Z			
	21A	W04A, W04B	21A		W04A, W04B	51139.1↔			BOP, KVT, UOP4	
	21B	X06A, X06B, X06C, X33Z	21B		X04Z, X33Z		05		F39A, F39B	
	23	Z01A	51138.x↔			BOP, KVT, UOP4	08		I08A, I08B, I08C, I08D, I08E, I13A, I13B	
	Pre	A07A			01	B04A, B04B, B04C, B04D, B04E	11		L09A, L38Z	
	51136.x↔		BOP, KOP, KOPV, KVT, UOP4		51139.1↔		BOP, KVT, UOP4		51139.1↔	
05		F01A, F01B, F01D, F05Z, F07A, F07B, F08A, F08B, F08C, F08D, F08E, F27A, F28A, F42Z	01	B04A, B04B, B04C, B04D, B04E		05	F39A, F39B			
06		G15Z, G19A, G19B, G33Z, G38Z	05	F01A, F01B, F01D, F05Z, F07A, F07B, F08A, F08B, F08C, F08D, F08E, F08F, F27A, F27B, F27C, F28A, F42Z		08	I08A, I08B, I08C, I08D, I08E, I13A, I13B			
07		H33Z, H38Z	08	I08A, I08B, I08C, I08D, I08E, I13A, I13B		11	L09A, L38Z			
08		I08A, I08B, I08C, I08D, I08E, I13A, I13B	10	K01Z		21A	W04A, W04B			
11		L09A, L09B, L09C, L09D, L33Z, L38Z	11	L09A, L38Z		21B	X04Z, X33Z			
21A		W04A, W04B	21A	W04A, W04B		51139.1↔		BOP, KVT, UOP4		
21B		X06A, X06B, X06C, X33Z	21B	X04Z, X33Z			05	F39A, F39B		
23		Z01A	51138.0↔			BOP, KVT, UOP4	08	I08A, I08B, I08C, I08D, I08E, I13A, I13B		
Pre		A07A		01		B04A, B04B, B04C, B04D, B04E	11	L09A, L38Z		

VYK

ZZV	MDC	DRG	ZZV	MDC	DRG	ZZV	MDC	DRG			
51139.2		BOP, KVT, UOP4	51139.9↔		BOP, KVT, UOP4	51139.d↔		BOP, KOP, KOPV, KVT, UOP4			
	05	F39A, F39B		01	B04A, B04B, B04C, B04D, B04E		01	B04A, B04B, B04C, B04D, B04E			
	06	G18A, G38Z		03	D12A		05	F01A, F01B, F01D, F05Z, F07A, F07B, F14A, F14B, F28A, F42Z, F54Z, F59A, F59B			
	07	H01A		05	F01A, F01B, F01D, F05Z, F07A, F07B, F14A, F14B, F28A, F42Z, F54Z, F59A, F59B		06	G15Z, G19A, G19B, G33Z, G38Z			
	08	I08A, I08B, I08C, I08D, I08E, I13A, I13B		08	I08A, I08B, I08C, I08D, I08E, I13A, I13B		07	H33Z, H38Z			
	11	L09A, L38Z		11	L09A, L38Z		08	I08A, I08B, I08C, I08D, I08E, I13A, I13B			
	21A	W04A, W04B		21A	W04A, W04B		11	L09A, L33Z, L38Z			
	21B	X06A, X06B, X06C		21B	X06A, X06B, X06C		15	P02A, P02B, P02C			
	51139.3↔			BOP, KVT, UOP4	51139.a↔			BOP, KOP, KOPV, KVT, UOP4	21A	W04A, W04B	
		05		F39A, F39B			01	B04A, B04B, B04C, B04D, B04E	21B	X06A, X06B, X06C, X33Z	
06		G18A, G38Z	05	F01A, F01B, F01D, F05Z, F07A, F07B, F09A, F09B, F09C, F30Z, F42Z		23	Z01A				
07		H01A	06	G33Z		Pre	A07A				
08		I08A, I08B, I08C, I08D, I08E, I13A, I13B	07	H33Z, H38Z		51139.e	BOP, KOP, KOPV, KVT, UOP4				
11		L09A, L38Z	08	I08A, I08B, I08C, I08D, I08E, I13A, I13B			01	B04A, B04B, B04C, B04D, B04E			
21A		W04A, W04B	11	L09A, L33Z, L38Z			05	F01A, F01B, F01D, F05Z, F07A, F07B, F09A, F09B, F09C, F30Z, F42Z			
21B		X06A, X06B, X06C	15	P02A, P02B, P02C			06	G15Z, G19A, G19B, G33Z, G38Z			
51139.4			BOP, KVT, UOP4	21A			W04A, W04B	07	H33Z, H38Z		
		05	F39A, F39B	21B			X06A, X06B, X06C, X33Z	08	I08A, I08B, I08C, I08D, I08E, I13A, I13B		
	06	G18A, G38Z	23	Z01A	11		L09A, L33Z, L38Z				
	07	H01A	Pre	A07A	15		P02A, P02B, P02C				
	08	I08A, I08B, I08C, I08D, I08E, I13A, I13B	51139.b↔		BOP, KVT, UOP4		21A	W04A, W04B			
	11	L09A, L38Z		01	B04A, B04B, B04C, B04D, B04E		21B	X06A, X06B, X06C, X33Z			
	21A	W04A, W04B		05	F01A, F01B, F01D, F05Z, F07A, F07B, F09A, F09B, F09C, F30Z, F42Z	23	Z01A				
	21B	X06A, X06B, X06C		08	I08A, I08B, I08C, I08D, I08E, I13A, I13B	Pre	A07A				
	51139.5			BOP, KVT, UOP4	51139.c↔		BOP, KVT, UOP4	51139.f		BOP, KOP, KOPV, KVT, UOP4	
		05		F39A, F39B		01	B04A, B04B, B04C, B04D, B04E		01	B04A, B04B, B04C, B04D, B04E	
06		G18A, G38Z		05		F01A, F01B, F01D, F05Z, F07A, F07B, F09A, F09B, F09C, F30Z, F42Z	05		F01A, F01B, F01D, F05Z, F07A, F07B, F09A, F09B, F09C, F30Z, F42Z		
07		H01A		08		I08A, I08B, I08C, I08D, I08E, I13A, I13B	06		G03A, G15Z, G18A, G19A, G19B, G33Z, G38Z		
08		I08A, I08B, I08C, I08D, I08E, I13A, I13B		11		L09A, L38Z	07		H01A, H33Z, H38Z		
11		L09A, L38Z		15		P02A, P02B, P02C	08		I08A, I08B, I08C, I08D, I08E, I13A, I13B		
21A		W04A, W04B	21A	W04A, W04B		11	L09A, L33Z, L38Z				
21B		X06A, X06B, X06C	21B	X06A, X06B, X06C		15	P02A, P02B, P02C				
51139.6			BOP, KVT, UOP4	51139.g↔			BOP, KVT, UOP4		51139.g↔		BOP, KVT, UOP4
		05	F39A, F39B			01	B04A, B04B, B04C, B04D, B04E			05	F01A, F01B, F01D, F05Z, F07A, F07B, F08A, F08B, F08C, F08D, F08E, F08F, F27A, F28A, F42Z
	06	G18A, G38Z	05		F01A, F01B, F01D, F05Z, F07A, F07B, F14A, F14B, F28A, F42Z, F54Z, F59A, F59B	06	G10Z, G12A, G12B				
	07	H01A	08		I08A, I08B, I08C, I08D, I08E, I13A, I13B	08	I08A, I08B, I08C, I08D, I08E, I13A, I13B				
	08	I08A, I08B, I08C, I08D, I08E, I13A, I13B	11		L09A, L38Z	11	L09A, L09B, L09C, L09D, L38Z				
	11	L09A, L38Z	21A		W04A, W04B	21A	W04A, W04B				
	21A	W04A, W04B	21B		X06A, X06B, X06C	21B	X06A, X06B, X06C, X33Z				
	21B	X06A, X06B, X06C				Pre	A07A				
	51139.7		BOP, KVT, UOP4								
		05	F39A, F39B								
06		G18A, G38Z									
07		H01A									
08		I08A, I08B, I08C, I08D, I08E, I13A, I13B									
11		L09A, L38Z									
21A		W04A, W04B									
21B		X06A, X06B, X06C									
51139.8↔			BOP, KVT, UOP4								
		05	F39A, F39B								
	06	G18A, G38Z									
	07	H01A									
	08	I08A, I08B, I08C, I08D, I08E, I13A, I13B									
	11	L09A, L38Z									
	21A	W04A, W04B									
	21B	X06A, X06B, X06C									

ZZV	MDC	DRG	ZZV	MDC	DRG	ZZV	MDC	DRG			
51139.h↔		BOP, KVT, UOP4	51140.2↔		BOP, KVT, UOP4	51142.0↔		BOP, KVT, UOP4			
	05	F01A, F01B, F01D, F05Z, F07A, F07B, F08A, F08B, F08C, F08D, F08E, F08F, F27A, F28A, F42Z		01	B04A, B04B, B04C, B04D, B04E		05	F01A, F01B, F01D, F05Z, F07A, F07B, F14A, F14B, F28A, F42Z, F54Z, F59A, F59B			
	06	G10Z, G12A, G12B		03	D12A		08	I08A, I08B, I08C, I08D, I08E, I13A, I13B			
	08	I08A, I08B, I08C, I08D, I08E, I13A, I13B		05	F01A, F01B, F01D, F05Z, F06A, F06C, F07A, F07B, F14A, F14B, F28A, F42Z, F54Z, F59A, F59B		11	L09A, L38Z			
	11	L09A, L09B, L09C, L09D, L38Z		08	I08A, I08B, I08C, I08D, I08E, I13A, I13B		21A	W04A, W04B			
	21A	W04A, W04B		11	L09A, L38Z		21B	X06A, X06B, X06C			
	21B	X06A, X06B, X06C, X33Z		21A	W04A, W04B		51142.1↔		BOP, KVT, UOP4		
	51139.i↔			BOP, KVT, UOP4	21B			X06A, X06B, X06C	05	F01A, F01B, F01D, F05Z, F07A, F07B, F14A, F14B, F28A, F42Z, F54Z, F59A, F59B	
		05		F01A, F01B, F01D, F05Z, F07A, F07B, F08A, F08B, F08C, F08D, F08E, F08F, F27A, F28A, F42Z	51140.3↔				BOP, KVT, UOP4	08	I08A, I08B, I08C, I08D, I08E, I13A, I13B
		06		G10Z, G12A, G12B				01	B04A, B04B, B04C, B04D, B04E	11	L09A, L38Z
08		I08A, I08B, I08C, I08D, I08E, I13A, I13B	03	D12A		21A		W04A, W04B			
11		L09A, L09B, L09C, L09D, L38Z	05	F01A, F01B, F01D, F05Z, F06A, F06C, F07A, F07B, F14A, F14B, F28A, F42Z, F54Z, F59A, F59B		21B		X06A, X06B, X06C			
21A		W04A, W04B	08	I08A, I08B, I08C, I08D, I08E, I13A, I13B		51142.x↔			BOP, KVT, UOP4		
21B		X06A, X06B, X06C, X33Z	11	L09A, L38Z				05	F01A, F01B, F01D, F05Z, F07A, F07B, F14A, F14B, F28A, F42Z, F54Z, F59A, F59B		
51139.x↔			BOP, KVT, UOP4	21A				W04A, W04B	08	I08A, I08B, I08C, I08D, I08E, I13A, I13B	
		05	F39A, F39B	21B				X06A, X06B, X06C	11	L09A, L38Z	
		08	I08A, I08B, I08C, I08D, I08E, I13A, I13B	51140.x↔				BOP, KVT, UOP4	21A	W04A, W04B	
	11	L09A, L38Z	01				B03A, B03B, B06A, B06B, B07Z, B17A, B17B, B17C	21B	X06A, X06B, X06C		
	21A	W04A, W04B	03		D12A		51143.01		BOP, KOP, KOPV, KVT, UOP4		
	21B	X06A, X06B, X06C	05		F01A, F01B, F01D, F05Z, F06A, F06C, F07A, F07B, F14A, F14B, F28A, F42Z, F54Z, F59A, F59B			04	E05A, E05B, E05C, E08A, E08B, E08C		
	5113x↔		BOP, KVT, UOP4		08			I08A, I08B, I08C, I08D, I08E, I13A, I13B	05	F01A, F01B, F01D, F05Z, F07A, F09A, F09B, F09C, F42Z	
		05	F39A, F39B		11			L09A, L38Z	06	G15Z, G19A, G19B, G33Z, G38Z	
		08	I08A, I08B, I08C, I08D, I08E, I13A, I13B		21A	W04A, W04B		07	H33Z, H38Z		
		11	L09A, L38Z		21B	X06A, X06B, X06C		08	I08A, I08B, I08C, I08D, I08E, I13A, I13B		
21A		W04A, W04B	51141.0↔			BOP, KVT, UOP4		11	L09A, L33Z, L38Z		
21B		X06A, X06B, X06C			05	F01A, F01B, F01D, F05Z, F07A, F07B, F14A, F14B, F28A, F42Z, F54Z, F59A, F59B		21A	W04A, W04B		
51140.0↔				BOP, KVT, UOP4	08	I08A, I08B, I08C, I08D, I08E, I13A, I13B		21B	X06A, X06B, X06C		
		01		B04A, B04B, B04C, B04D, B04E	11	L09A, L38Z		23	Z01A		
		03		D12A	21A	W04A, W04B	Pre	A07A			
		05		F01A, F01B, F01D, F05Z, F06A, F06C, F07A, F07B, F14A, F14B, F28A, F42Z, F54Z, F59A, F59B	21B	X06A, X06B, X06C	51143.02		BOP, KOP, KOPV, KVT, UOP4		
	08	I08A, I08B, I08C, I08D, I08E, I13A, I13B		51141.1↔		BOP, KVT, UOP4		04	E05A, E05B, E05C, E08A, E08B, E08C		
	11	L09A, L38Z			05	F01A, F01B, F01D, F05Z, F07A, F07B, F14A, F14B, F28A, F42Z, F54Z, F59A, F59B		05	F01A, F01B, F01D, F05Z, F07A, F09A, F09B, F09C, F42Z		
	21A	W04A, W04B			08	I08A, I08B, I08C, I08D, I08E, I13A, I13B		06	G15Z, G19A, G19B, G33Z, G38Z		
	21B	X06A, X06B, X06C			11	L09A, L38Z		07	H33Z, H38Z		
	51140.1↔		BOP, KVT, UOP4		21A	W04A, W04B		08	I08A, I08B, I08C, I08D, I08E, I13A, I13B		
		01	B04A, B04B, B04C, B04D, B04E		21B	X06A, X06B, X06C		11	L09A, L33Z, L38Z		
03		D12A	51141.x↔			BOP, KVT, UOP4		21A	W04A, W04B		
05		F01A, F01B, F01D, F05Z, F06A, F06C, F07A, F07B, F14A, F14B, F28A, F42Z, F54Z, F59A, F59B			05	F01A, F01B, F01D, F05Z, F07A, F07B, F14A, F14B, F28A, F42Z, F54Z, F59A, F59B		21B	X06A, X06B, X06C, X33Z		
08		I08A, I08B, I08C, I08D, I08E, I13A, I13B			08	I08A, I08B, I08C, I08D, I08E, I13A, I13B		23	Z01A		
11		L09A, L38Z			11	L09A, L38Z	Pre	A07A			
21A		W04A, W04B		21A	W04A, W04B						
21B		X06A, X06B, X06C		21B	X06A, X06B, X06C						

VYK

ZZV	MDC	DRG	ZZV	MDC	DRG	ZZV	MDC	DRG			
51143.0x		BOP, KOP, KOPV, KVT, UOP4	51143.21		BOP, KOP, KOPV, KVT, UOP4	51143.32		BOP, KOP, KOPV, KVT, UOP4			
	04	E05A, E05B, E05C, E08A, E08B, E08C		04	E05A, E05B, E05C, E08A, E08B, E08C		04	E05A, E05B, E05C, E08A, E08B, E08C			
	05	F01A, F01B, F01D, F05Z, F07A, F09A, F09B, F09C, F42Z		05	F01A, F01B, F01D, F05Z, F07A, F09A, F09B, F09C, F42Z		05	F01A, F01B, F01D, F05Z, F07A, F08B, F08D, F09A, F09B, F09C, F42Z			
	06	G15Z, G19A, G19B, G33Z, G38Z		06	G15Z, G19A, G19B, G33Z, G38Z		06	G15Z, G19A, G19B, G33Z, G38Z			
	07	H33Z, H38Z		07	H33Z, H38Z		07	H33Z, H38Z			
	08	I08A, I08B, I08C, I08D, I08E, I13A, I13B		08	I08A, I08B, I08C, I08D, I08E, I13A, I13B		08	I08A, I08B, I08C, I08D, I08E, I13A, I13B			
	11	L09A, L33Z, L38Z		11	L09A, L33Z, L38Z		11	L09A, L33Z, L38Z			
	21A	W04A, W04B		21A	W04A, W04B		21B	X33Z			
	21B	X06A, X06B, X06C, X33Z		21B	X06A, X06B, X06C, X33Z		23	Z01A			
	23	Z01A		23	Z01A		Pre	A07A			
	Pre	A07A		Pre	A07A		51143.3x	BOP, KOP, KOPV, KVT, UOP4			
	51143.11			BOP, KOP, KOPV, KVT, UOP4	51143.22				BOP, KOP, KOPV, KVT, UOP4	04	E05A, E05B, E05C, E08A, E08B, E08C
		04		E05A, E05B, E05C, E08A, E08B, E08C				04	E05A, E05B, E05C, E08A, E08B, E08C	05	F01A, F01B, F01D, F05Z, F07A, F07B, F08B, F08D, F09A, F09B, F09C, F42Z
05		F01A, F01B, F01D, F05Z, F07A, F09A, F09B, F09C, F42Z	05	F01A, F01B, F01D, F05Z, F07A, F09A, F09B, F09C, F42Z		06		G15Z, G19A, G19B, G33Z, G38Z			
06		G15Z, G19A, G19B, G33Z, G38Z	06	G15Z, G19A, G19B, G33Z, G38Z		07		H33Z, H38Z			
07		H33Z, H38Z	07	H33Z, H38Z		08		I08A, I08B, I08C, I08D, I08E, I13A, I13B			
08		I08A, I08B, I08C, I08D, I08E, I13A, I13B	08	I08A, I08B, I08C, I08D, I08E, I13A, I13B		11		L09A, L33Z, L38Z			
11		L09A, L33Z, L38Z	11	L09A, L33Z, L38Z		21B		X33Z			
21A		W04A, W04B	21B	X33Z		23		Z01A			
21B		X06A, X06B, X06C, X33Z	23	Z01A		Pre		A07A			
23		Z01A	Pre	A07A		51143.42		BOP, KVT, UOP4			
Pre		A07A	51143.2x					BOP, KOP, KOPV, KVT, UOP4	05	F01A, F01B, F01D, F05Z, F07A, F07B, F08A, F08B, F08C, F08D, F08E, F27A, F28A, F42Z	
51143.12				BOP, KOP, KOPV, KVT, UOP4				04	E05A, E05B, E05C, E08A, E08B, E08C	08	I08A, I08B, I08C, I08D, I08E, I13A, I13B
		04		E05A, E05B, E05C, E08A, E08B, E08C			05	F01A, F01B, F01D, F05Z, F07A, F09A, F09B, F09C, F42Z	11	L09A, L38Z	
	05	F01A, F01B, F01D, F05Z, F07A, F09A, F09B, F09C, F42Z		06	G15Z, G19A, G19B, G33Z, G38Z		21A	W04A, W04B			
	06	G15Z, G19A, G19B, G33Z, G38Z		07	H33Z, H38Z		21B	X06A, X06B, X06C, X33Z			
	07	H33Z, H38Z		08	I08A, I08B, I08C, I08D, I08E, I13A, I13B		23	Z01A			
	08	I08A, I08B, I08C, I08D, I08E, I13A, I13B		11	L09A, L33Z, L38Z		51143.43	BOP, KVT, UOP4			
	11	L09A, L33Z, L38Z		21B	X33Z			05	F01A, F01B, F01D, F05Z, F07A, F07B, F08A, F08B, F08C, F08D, F08E, F27A, F28A, F42Z		
	21A	W04A, W04B		23	Z01A			08	I08A, I08B, I08C, I08D, I08E, I13A, I13B		
	21B	X06A, X06B, X06C, X33Z		Pre	A07A			11	L09A, L38Z		
	23	Z01A		51143.31				BOP, KOP, KOPV, KVT, UOP4	21A	W04A, W04B	
	Pre	A07A			04			E05A, E05B, E05C, E08A, E08B, E08C	21B	X06A, X06B, X06C, X33Z	
	51143.1x				BOP, KOP, KOPV, KVT, UOP4	05		F01A, F01B, F01D, F05Z, F07A, F08B, F08D, F09A, F09B, F09C, F42Z	23	Z01A	
		04	E05A, E05B, E05C, E08A, E08B, E08C		06	G15Z, G19A, G19B, G33Z, G38Z		51143.44	BOP, KVT, UOP4		
05		F01A, F01B, F01D, F05Z, F07A, F09A, F09B, F09C, F42Z	07		H33Z, H38Z	05			F01A, F01B, F01D, F05Z, F07A, F07B, F08A, F08B, F08C, F08D, F08E, F27A, F28A, F42Z		
06		G15Z, G19A, G19B, G33Z, G38Z	08		I08A, I08B, I08C, I08D, I08E, I13A, I13B	08			I08A, I08B, I08C, I08D, I08E, I13A, I13B		
07		H33Z, H38Z	11		L09A, L33Z, L38Z	11			L09A, L38Z		
08		I08A, I08B, I08C, I08D, I08E, I13A, I13B	21A		W04A, W04B	21A			W04A, W04B		
11		L09A, L33Z, L38Z	21B		X06A, X06B, X06C, X33Z	21B			X06A, X06B, X06C, X33Z		
21A		W04A, W04B	23		Z01A	23	Z01A				
21B		X06A, X06B, X06C, X33Z	Pre		A07A						
23		Z01A									
Pre		A07A									

VYK

ZZV	MDC	DRG	ZZV	MDC	DRG	ZZV	MDC	DRG
51143.4x		BOP, KVT, UOP4	51143.6x		BOP, KVT, UOP4	51143.82		BOP, KOP, KOPV, KVT, UOP4
	05	F01A, F01B, F01D, F05Z, F07A, F07B, F08A, F08B, F08C, F08D, F08E, F27A, F28A, F42Z		05	F01A, F01B, F01D, F05Z, F07A, F07B, F08A, F08B, F08C, F08D, F08E, F27A, F28A, F42Z		04	E05A, E05B, E05C, E08A, E08B, E08C
	08	I08A, I08B, I08C, I08D, I08E, I13A, I13B		08	I08A, I08B, I08C, I08D, I08E, I13A, I13B		05	F01A, F01B, F01D, F05Z, F07A, F09A, F09B, F09C, F27A, F42Z
	11	L09A, L38Z		11	L09A, L38Z		06	G15Z, G19A, G19B, G33Z, G38Z
	21A	W04A, W04B		21A	W04A, W04B		07	H33Z, H38Z
	21B	X06A, X06B, X06C, X33Z		21B	X06A, X06B, X06C, X33Z		08	I08A, I08B, I08C, I08D, I08E, I13A, I13B
	23	Z01A		23	Z01A		11	L09A, L33Z, L38Z
51143.52		BOP, KVT, UOP4	51143.7		BOP, KOP, KOPV, KVT, UOP4	51143.90		BOP, KOP, KOPV, KVT, UOP4
	05	F01A, F01B, F01D, F05Z, F07A, F07B, F08A, F08B, F08C, F08D, F08E, F27A, F28A, F42Z		04	E05A, E05B, E05C, E08A, E08B, E08C		04	E05A, E05B, E05C, E08A, E08B, E08C
	08	I08A, I08B, I08C, I08D, I08E, I13A, I13B		05	F01A, F01B, F01D, F05Z, F07A, F09A, F09B, F09C, F27A, F42Z		05	F01A, F01B, F01D, F05Z, F07A, F09A, F09B, F09C, F27A, F42Z
	11	L09A, L38Z		06	G15Z, G19A, G19B, G33Z, G38Z		06	G15Z, G19A, G19B, G33Z, G38Z
	21A	W04A, W04B		07	H33Z, H38Z		07	H33Z, H38Z
	21B	X06A, X06B, X06C, X33Z		08	I08A, I08B, I08C, I08D, I08E, I13A, I13B		08	I08A, I08B, I08C, I08D, I08E, I13A, I13B
	23	Z01A		11	L09A, L33Z, L38Z		11	L09A, L33Z, L38Z
51143.53		BOP, KVT, UOP4	51143.80		BOP, KOP, KOPV, KVT, UOP4	51143.91		BOP, KOP, KOPV, KVT, UOP4
	05	F01A, F01B, F01D, F05Z, F07A, F07B, F08A, F08B, F08C, F08D, F08E, F27A, F28A, F42Z		04	E05A, E05B, E05C, E08A, E08B, E08C		04	E05A, E05B, E05C, E08A, E08B, E08C
	08	I08A, I08B, I08C, I08D, I08E, I13A, I13B		05	F01A, F01B, F01D, F05Z, F07A, F09A, F09B, F09C, F27A, F42Z		05	F01A, F01B, F01D, F05Z, F07A, F09A, F09B, F09C, F27A, F42Z
	11	L09A, L38Z		06	G15Z, G19A, G19B, G33Z, G38Z		06	G15Z, G19A, G19B, G33Z, G38Z
	21A	W04A, W04B		07	H33Z, H38Z		07	H33Z, H38Z
	21B	X06A, X06B, X06C, X33Z		08	I08A, I08B, I08C, I08D, I08E, I13A, I13B		08	I08A, I08B, I08C, I08D, I08E, I13A, I13B
	23	Z01A		11	L09A, L33Z, L38Z		11	L09A, L33Z, L38Z
51143.54		BOP, KVT, UOP4	51143.81		BOP, KOP, KOPV, KVT, UOP4	51143.92		BOP, KOP, KOPV, KVT, UOP4
	05	F01A, F01B, F01D, F05Z, F07A, F07B, F08A, F08B, F08C, F08D, F08E, F27A, F28A, F42Z		04	E05A, E05B, E05C, E08A, E08B, E08C		04	E05A, E05B, E05C, E08A, E08B, E08C
	08	I08A, I08B, I08C, I08D, I08E, I13A, I13B		05	F01A, F01B, F01D, F05Z, F07A, F09A, F09B, F09C, F27A, F42Z		05	F01A, F01B, F01D, F05Z, F07A, F09A, F09B, F09C, F27A, F42Z
	11	L09A, L38Z		06	G15Z, G19A, G19B, G33Z, G38Z		06	G15Z, G19A, G19B, G33Z, G38Z
	21A	W04A, W04B		07	H33Z, H38Z		07	H33Z, H38Z
	21B	X06A, X06B, X06C, X33Z		08	I08A, I08B, I08C, I08D, I08E, I13A, I13B		08	I08A, I08B, I08C, I08D, I08E, I13A, I13B
	23	Z01A		11	L09A, L33Z, L38Z		11	L09A, L33Z, L38Z
51143.5x		BOP, KVT, UOP4	51143.82		BOP, KOP, KOPV, KVT, UOP4	51143.92		BOP, KOP, KOPV, KVT, UOP4
	05	F01A, F01B, F01D, F05Z, F07A, F07B, F08A, F08B, F08C, F08D, F08E, F27A, F28A, F42Z		04	E05A, E05B, E05C, E08A, E08B, E08C		04	E05A, E05B, E05C, E08A, E08B, E08C
	08	I08A, I08B, I08C, I08D, I08E, I13A, I13B		05	F01A, F01B, F01D, F05Z, F07A, F09A, F09B, F09C, F27A, F42Z		05	F01A, F01B, F01D, F05Z, F07A, F09A, F09B, F09C, F27A, F42Z
	11	L09A, L38Z		06	G15Z, G19A, G19B, G33Z, G38Z		06	G15Z, G19A, G19B, G33Z, G38Z
	21A	W04A, W04B		07	H33Z, H38Z		07	H33Z, H38Z
	21B	X06A, X06B, X06C, X33Z		08	I08A, I08B, I08C, I08D, I08E, I13A, I13B		08	I08A, I08B, I08C, I08D, I08E, I13A, I13B
	23	Z01A		11	L09A, L33Z, L38Z		11	L09A, L33Z, L38Z
51143.62		BOP, KVT, UOP4	51143.83		BOP, KOP, KOPV, KVT, UOP4	51143.92		BOP, KOP, KOPV, KVT, UOP4
	05	F01A, F01B, F01D, F05Z, F07A, F07B, F08A, F08B, F08C, F08D, F08E, F27A, F28A, F42Z		04	E05A, E05B, E05C, E08A, E08B, E08C		04	E05A, E05B, E05C, E08A, E08B, E08C
	08	I08A, I08B, I08C, I08D, I08E, I13A, I13B		05	F01A, F01B, F01D, F05Z, F07A, F09A, F09B, F09C, F27A, F42Z		05	F01A, F01B, F01D, F05Z, F07A, F09A, F09B, F09C, F27A, F42Z
	11	L09A, L38Z		06	G15Z, G19A, G19B, G33Z, G38Z		06	G15Z, G19A, G19B, G33Z, G38Z
	21A	W04A, W04B		07	H33Z, H38Z		07	H33Z, H38Z
	21B	X06A, X06B, X06C, X33Z		08	I08A, I08B, I08C, I08D, I08E, I13A, I13B		08	I08A, I08B, I08C, I08D, I08E, I13A, I13B
	23	Z01A		11	L09A, L33Z, L38Z		11	L09A, L33Z, L38Z

VYK

ZZV	MDC	DRG	ZZV	MDC	DRG	ZZV	MDC	DRG		
51143.x		BOP, KVT, UOP4	51144.x↔		BOP, KOP, KOPV, KVT, UOP4	51145.x↔		BOP, KVT, UOP4		
	05	F01A, F01B, F01D, F05Z, F07A, F07B, F08A, F08B, F08C, F08D, F08E, F27A, F28A, F42Z		04	E05A, E05B, E05C, E08A, E08B, E08C		01	B03A, B03B, B06A, B06B, B07Z, B17A, B17B, B17C		
	08	I08A, I08B, I08C, I08D, I08E, I13A, I13B		05	F01A, F01B, F01D, F05Z, F07A, F07B, F09A, F09B, F09C, F42Z		05	F01A, F01B, F01D, F05Z, F07A, F07B, F14A, F14B, F28A, F42Z, F54Z, F59A, F59B		
	11	L09A, L38Z		06	G15Z, G19A, G19B, G33Z, G38Z		08	I08A, I08B, I08C, I08D, I08E, I13A, I13B		
	21A	W04A, W04B		07	H33Z, H38Z		11	L09A, L38Z		
	21B	X06A, X06B, X06C, X33Z		08	I08A, I08B, I08C, I08D, I08E, I13A, I13B		21A	W04A, W04B		
	23	Z01A		11	L09A, L33Z, L38Z		21B	X04Z, X06A, X06B, X06C		
	51144.0↔			BOP, KOP, KOPV, KVT, UOP4	21A		W04A, W04B	51146.0		BOP, KVT, UOP4
	04	E05A, E05B, E05C, E08A, E08B, E08C		21B	X06A, X06B, X06C, X33Z		05	F01A, F01B, F01D, F05Z, F07A, F07B, F08A, F08B, F08C, F08D, F08E, F27A, F28A, F42Z		
	05	F01A, F01B, F01D, F05Z, F07A, F07B, F09A, F09B, F09C, F42Z		Pre	A07A		06	G10Z, G12A, G12B, G18A, G38Z		
06	G15Z, G19A, G19B, G33Z, G38Z	51145.0↔		05	F01A, F01B, F01D, F05Z, F07A, F07B, F08A, F08B, F08C, F08D, F08E, F27A, F28A, F42Z					
07	H33Z, H38Z			06	G10Z, G12A, G12B					
08	I08A, I08B, I08C, I08D, I08E, I13A, I13B			08	I08A, I08B, I08C, I08D, I08E, I13A, I13B					
11	L09A, L33Z, L38Z			11	L09A, L09B, L09C, L09D, L38Z					
21A	W04A, W04B			21A	W04A, W04B					
21B	X06A, X06B, X06C, X33Z			21B	X06A, X06B, X06C, X33Z					
23	Z01A			51146.1		BOP, KVT, UOP4				
Pre	A07A			05	F01A, F01B, F01D, F05Z, F07A, F07B, F08A, F08B, F08C, F08D, F08E, F27A, F28A, F42Z					
51144.1↔		BOP, KOP, KOPV, KVT, UOP4	51145.1↔		BOP, KVT, UOP4			06	G10Z, G12A, G12B, G18A, G38Z	
04	E05A, E05B, E05C, E08A, E08B, E08C			05	F01A, F01B, F01D, F05Z, F07A, F07B, F08A, F08B, F08C, F08D, F08E, F27A, F28A, F42Z					
05	F01A, F01B, F01D, F05Z, F07A, F07B, F09A, F09B, F09C, F42Z			06	G10Z, G12A, G12B					
06	G15Z, G19A, G19B, G33Z, G38Z			08	I08A, I08B, I08C, I08D, I08E, I13A, I13B					
07	H33Z, H38Z			11	L09A, L09B, L09C, L09D, L38Z					
08	I08A, I08B, I08C, I08D, I08E, I13A, I13B			21A	W04A, W04B					
11	L09A, L33Z, L38Z			21B	X06A, X06B, X06C, X33Z					
21A	W04A, W04B			51146.2		BOP, KVT, UOP4				
21B	X06A, X06B, X06C, X33Z			05	F01A, F01B, F01D, F05Z, F07A, F07B, F08A, F08B, F08C, F08D, F08E, F27A, F28A, F42Z					
23	Z01A			06	G10Z, G12A, G12B					
Pre	A07A			08	I08A, I08B, I08C, I08D, I08E, I13A, I13B					
51144.2↔		BOP, KOP, KOPV, KVT, UOP4	51145.2↔		BOP, KVT, UOP4			11	L09A, L09B, L09C, L09D, L38Z	
04	E05A, E05B, E05C, E08A, E08B, E08C			05	F01A, F01B, F01D, F05Z, F07A, F07B, F08A, F08B, F08C, F08D, F08E, F27A, F28A, F42Z					
05	F01A, F01B, F01D, F05Z, F07A, F07B, F09A, F09B, F09C, F42Z			06	G10Z, G12A, G12B					
06	G15Z, G19A, G19B, G33Z, G38Z			08	I08A, I08B, I08C, I08D, I08E, I13A, I13B					
07	H33Z, H38Z			11	L09A, L09B, L09C, L09D, L38Z					
08	I08A, I08B, I08C, I08D, I08E, I13A, I13B			21A	W04A, W04B					
11	L09A, L33Z, L38Z			21B	X06A, X06B, X06C, X33Z					
21A	W04A, W04B			51146.3		BOP, KVT, UOP4				
21B	X06A, X06B, X06C, X33Z			05	F01A, F01B, F01D, F05Z, F07A, F07B, F08A, F08B, F08C, F08D, F08E, F27A, F28A, F42Z					
23	Z01A			06	G10Z, G12A, G12B, G18A, G38Z					
Pre	A07A			07	H06A, H06B, H06C					
				08	I08A, I08B, I08C, I08D, I08E, I13A, I13B					
				11	L09A, L09B, L09C, L09D, L38Z					
				21A	W04A, W04B					
				21B	X06A, X06B, X06C, X33Z					

ZZV	MDC	DRG	ZZV	MDC	DRG	ZZV	MDC	DRG					
51149.6		BOP, KVT, UOP4	51149.b↔		BOP, KOP, KOPV, KVT, UOP4	51149.f		BOP, KOP, KOPV, KVT, UOP4					
	05	F39A, F39B		04	E05A, E05B, E05C, E08A, E08B, E08C		04	E05A, E05B, E05C, E08A, E08B, E08C					
	06	G18A, G38Z		05	F01A, F01B, F01D, F05Z, F07A, F07B, F09A, F09B, F09C, F42Z		05	F01A, F01B, F01D, F05Z, F07A, F07B, F09A, F09B, F09C, F42Z					
	07	H01A		06	G15Z, G19A, G19B, G33Z, G38Z		06	G03A, G15Z, G18A, G19A, G19B, G33Z, G38Z					
	08	I08A, I08B, I08C, I08D, I08E, I13A, I13B		07	H33Z, H38Z		07	H01A, H33Z, H38Z					
	11	L09A, L38Z		08	I08A, I08B, I08C, I08D, I08E, I13A, I13B		08	I08A, I08B, I08C, I08D, I08E, I13A, I13B					
	21A	W04A, W04B		11	L09A, L33Z, L38Z		11	L09A, L33Z, L38Z					
	21B	X06A, X06B, X06C		21A	W04A, W04B		21A	W04A, W04B					
	51149.7			BOP, KVT, UOP4	51149.c↔			BOP, KVT, UOP4	51149.g↔		BOP, KVT, UOP4		
		05		F39A, F39B			05	F01A, F01B, F01D, F05Z, F07A, F07B, F14A, F14B, F28A, F42Z, F54Z, F59A, F59B		05	F01A, F01B, F01D, F05Z, F07A, F07B, F08A, F08B, F08C, F08D, F08E, F27A, F28A, F42Z		
06		G18A, G38Z	08	I08A, I08B, I08C, I08D, I08E, I13A, I13B		06	G10Z, G12A, G12B						
07		H01A	11	L09A, L38Z		08	I08A, I08B, I08C, I08D, I08E, I13A, I13B						
08		I08A, I08B, I08C, I08D, I08E, I13A, I13B	21A	W04A, W04B		11	L09A, L09B, L09C, L09D, L38Z						
11		L09A, L38Z	21B	X06A, X06B, X06C		21A	W04A, W04B						
21A		W04A, W04B	51149.d↔			BOP, KOP, KOPV, KVT, UOP4	51149.h↔			BOP, KVT, UOP4			
21B		X06A, X06B, X06C		04		E05A, E05B, E05C, E08A, E08B, E08C		05		F01A, F01B, F01D, F05Z, F07A, F07B, F08A, F08B, F08C, F08D, F08E, F27A, F28A, F42Z			
51149.8↔				BOP, KVT, UOP4		51149.e				BOP, KOP, KOPV, KVT, UOP4	51149.i↔		BOP, KVT, UOP4
		05		F39A, F39B				04		E05A, E05B, E05C, E08A, E08B, E08C		05	F01A, F01B, F01D, F05Z, F07A, F07B, F08A, F08B, F08C, F08D, F08E, F27A, F28A, F42Z
	06	G18A, G38Z		05	F01A, F01B, F01D, F05Z, F07A, F07B, F09A, F09B, F09C, F42Z			06	G10Z, G12A, G12B				
	07	H01A		06	G15Z, G19A, G19B, G33Z, G38Z			08	I08A, I08B, I08C, I08D, I08E, I13A, I13B				
	08	I08A, I08B, I08C, I08D, I08E, I13A, I13B		07	H33Z, H38Z			11	L09A, L09B, L09C, L09D, L38Z				
	11	L09A, L38Z		08	I08A, I08B, I08C, I08D, I08E, I13A, I13B			21A	W04A, W04B				
	21A	W04A, W04B		11	L09A, L33Z, L38Z			21B	X06A, X06B, X06C, X33Z				
	21B	X06A, X06B, X06C		21A	W04A, W04B			51149.x↔		BOP, KVT, UOP4			
	51149.9↔		BOP, KVT, UOP4	51149.a↔			BOP, KOP, KOPV, KVT, UOP4		5114x↔			BOP, KVT, UOP4	
		01	B03A, B03B, B06A, B06B, B07Z, B17A, B17B, B17C		04		E05A, E05B, E05C, E08A, E08B, E08C			05		F39A, F39B	
03		D12A	05		F01A, F01B, F01D, F05Z, F07A, F07B, F09A, F09B, F09C, F42Z	08	I08A, I08B, I08C, I08D, I08E, I13A, I13B						
05		F01A, F01B, F01D, F05Z, F07A, F07B, F14A, F14B, F28A, F42Z, F54Z, F59A, F59B	06		G15Z, G19A, G19B, G33Z, G38Z	11	L09A, L38Z						
08		I08A, I08B, I08C, I08D, I08E, I13A, I13B	07		H33Z, H38Z	21A	W04A, W04B						
11		L09A, L38Z	08		I08A, I08B, I08C, I08D, I08E, I13A, I13B	21B	X06A, X06B, X06C, X33Z						
21A		W04A, W04B	11		L09A, L33Z, L38Z	5114x↔				BOP, KVT, UOP4			
21B		X06A, X06B, X06C	21A		W04A, W04B		05			F39A, F39B			
51149.a↔			BOP, KOP, KOPV, KVT, UOP4		51149.e					BOP, KOP, KOPV, KVT, UOP4	5114x↔		BOP, KVT, UOP4
		04	E05A, E05B, E05C, E08A, E08B, E08C				04	E05A, E05B, E05C, E08A, E08B, E08C		08		I08A, I08B, I08C, I08D, I08E, I13A, I13B	
	05	F01A, F01B, F01D, F05Z, F07A, F07B, F09A, F09B, F09C, F42Z	05	F01A, F01B, F01D, F05Z, F07A, F07B, F09A, F09B, F09C, F42Z			11	L09A, L38Z					
	06	G15Z, G19A, G19B, G33Z, G38Z	06	G15Z, G19A, G19B, G33Z, G38Z			21A	W04A, W04B					
	07	H33Z, H38Z	07	H33Z, H38Z			21B	X06A, X06B, X06C, X33Z					
	08	I08A, I08B, I08C, I08D, I08E, I13A, I13B	08	I08A, I08B, I08C, I08D, I08E, I13A, I13B			5114x↔		BOP, KVT, UOP4				
	11	L09A, L33Z, L38Z	11	L09A, L33Z, L38Z				05	F39A, F39B				
	21A	W04A, W04B	21A	W04A, W04B				08	I08A, I08B, I08C, I08D, I08E, I13A, I13B				
	21B	X06A, X06B, X06C, X33Z	21B	X06A, X06B, X06C, X33Z		11		L09A, L38Z					
	23	Z01A	23	Z01A		21A		W04A, W04B					
Pre	A07A	Pre	A07A	21B	X06A, X06B, X06C, X33Z								

ZZV	MDC	DRG	ZZV	MDC	DRG	ZZV	MDC	DRG
51150.0↔	01	B03A, B03B, B06A, B06B, B07Z, B17A, B17B, B17C	51151.0↔	05	F01A, F01B, F01D, F05Z, F07A, F07B, F14A, F14B, F28A, F42Z, F54Z, F59A, F59B	51152.4↔	05	F01A, F01B, F01D, F05Z, F07A, F07B, F14A, F14B, F28A, F42Z, F54Z, F59A, F59B
	05	F01A, F01B, F01D, F05Z, F07A, F07B, F14A, F14B, F28A, F42Z, F54Z, F59A, F59B		08	I08A, I08B, I08C, I08D, I08E, I13A, I13B		08	I08A, I08B, I08C, I08D, I08E, I13A, I13B
	08	I08A, I08B, I08C, I08D, I08E, I13A, I13B		10	K09A, K09B		10	K09A, K09B
	21A	W04A, W04B		21A	W04A, W04B		21A	W04A, W04B
	21B	X06A, X06B, X06C		21B	X06A, X06B, X06C		21B	X06A, X06B
51150.1↔	01	B03A, B03B, B06A, B06B, B07Z, B17A, B17B, B17C	51151.1↔	05	F01A, F01B, F01D, F05Z, F07A, F07B, F14A, F14B, F28A, F42Z, F54Z, F59A, F59B	51152.5↔	05	F01A, F01B, F01D, F05Z, F07A, F07B, F14A, F14B, F28A, F42Z, F54Z, F59A, F59B
	05	F01A, F01B, F01D, F05Z, F07A, F07B, F14A, F14B, F28A, F42Z, F54Z, F59A, F59B		08	I08A, I08B, I08C, I08D, I08E, I13A, I13B		08	I08A, I08B, I08C, I08D, I08E, I13A, I13B
	08	I08A, I08B, I08C, I08D, I08E, I13A, I13B		10	K09A, K09B		10	K09A, K09B
	21A	W04A, W04B		21A	W04A, W04B		21A	W04A, W04B
	21B	X06A, X06B, X06C		21B	X06A, X06B, X06C		21B	X05A, X05B, X06A, X06B
51150.2↔	01	B03A, B03B, B06A, B06B, B07Z, B17A, B17B, B17C	51151.x↔	05	F01A, F01B, F01D, F05Z, F07A, F07B, F14A, F14B, F28A, F42Z, F54Z, F59A, F59B	51152.6↔	05	F01A, F01B, F01D, F05Z, F07A, F07B, F14A, F14B, F28A, F42Z, F54Z, F59A, F59B
	05	F01A, F01B, F01D, F05Z, F07A, F07B, F14A, F14B, F28A, F42Z, F54Z, F59A, F59B		08	I08A, I08B, I08C, I08D, I08E, I13A, I13B		08	I08A, I08B, I08C, I08D, I08E, I13A, I13B
	08	I08A, I08B, I08C, I08D, I08E, I13A, I13B		10	K09A, K09B		10	K09A, K09B
	21A	W04A, W04B		21A	W04A, W04B		21A	W04A, W04B
	21B	X06A, X06B, X06C		21B	X06A, X06B, X06C		21B	X05A, X05B, X06A, X06B
51150.3↔	01	B03A, B03B, B06A, B06B, B07Z, B17A, B17B, B17C	51152.0↔	05	F01A, F01B, F01D, F05Z, F07A, F07B, F14A, F14B, F28A, F42Z, F54Z, F59A, F59B	51152.7↔	05	F01A, F01B, F01D, F05Z, F07A, F07B, F14A, F14B, F28A, F42Z, F54Z, F59A, F59B
	05	F01A, F01B, F01D, F05Z, F07A, F07B, F14A, F14B, F28A, F42Z, F54Z, F59A, F59B		08	I08A, I08B, I08C, I08D, I08E, I13A, I13B		08	I08A, I08B, I08C, I08D, I08E, I13A, I13B
	08	I08A, I08B, I08C, I08D, I08E, I13A, I13B		10	K09A, K09B		10	K09A, K09B
	21A	W04A, W04B		21A	W04A, W04B		21A	W04A, W04B
	21B	X06A, X06B, X06C		21B	X06A, X06B, X06C		21B	X05A, X05B, X06A, X06B
51150.4↔	01	B03A, B03B, B06A, B06B, B07Z, B17A, B17B, B17C	51152.1↔	05	F01A, F01B, F01D, F05Z, F07A, F07B, F14A, F14B, F28A, F42Z, F54Z, F59A, F59B	51152.x↔	05	F01A, F01B, F01D, F05Z, F07A, F07B, F14A, F14B, F28A, F42Z, F54Z, F59A, F59B
	05	F01A, F01B, F01D, F05Z, F07A, F07B, F14A, F14B, F28A, F42Z, F54Z, F59A, F59B		08	I08A, I08B, I08C, I08D, I08E, I13A, I13B		08	I08A, I08B, I08C, I08D, I08E, I13A, I13B
	08	I08A, I08B, I08C, I08D, I08E, I13A, I13B		10	K09A, K09B		10	K09A, K09B
	21A	W04A, W04B		21A	W04A, W04B		21A	W04A, W04B
	21B	X06A, X06B, X06C		21B	X06A, X06B, X06C		21B	X06A, X06B
51150.5↔	01	B03A, B03B, B06A, B06B, B07Z, B17A, B17B, B17C	51152.2↔	05	F01A, F01B, F01D, F05Z, F07A, F07B, F14A, F14B, F28A, F42Z, F54Z, F59A, F59B	51153.0		BOP, KOP, KOPV, KVT, UOP4
	05	F01A, F01B, F01D, F05Z, F07A, F07B, F14A, F14B, F28A, F42Z, F54Z, F59A, F59B		08	I08A, I08B, I08C, I08D, I08E, I13A, I13B		04	E05A, E05B, E05C, E08A, E08B, E08C
	08	I08A, I08B, I08C, I08D, I08E, I13A, I13B		10	K09A, K09B		05	F01A, F01B, F01D, F05Z, F07A, F07B, F09A, F09B, F09C, F42Z
	21A	W04A, W04B		21A	W04A, W04B		06	G15Z, G19A, G19B, G33Z, G38Z
	21B	X06A, X06B, X06C		21B	X05A, X05B, X06A, X06B		07	H33Z, H38Z
51150.x↔	01	B03A, B03B, B06A, B06B, B07Z, B17A, B17B, B17C	51152.3↔	05	F01A, F01B, F01D, F05Z, F07A, F07B, F14A, F14B, F28A, F42Z, F54Z, F59A, F59B	08	I08A, I08B, I08C, I08D, I08E, I13A, I13B	
	05	F01A, F01B, F01D, F05Z, F07A, F07B, F14A, F14B, F28A, F42Z, F54Z, F59A, F59B		08	I08A, I08B, I08C, I08D, I08E, I13A, I13B	11	L33Z	
	08	I08A, I08B, I08C, I08D, I08E, I13A, I13B, I28A, I28B		10	K09A, K09B	21A	W04A, W04B	
	21A	W04A, W04B		21A	W04A, W04B	21B	X06A, X06B, X06C, X33Z	
	21B	X06A, X06B, X06C		21B	X05A, X05B, X06A, X06B	23	Z01A	
					Pre	A07A		

VYK

ZZV	MDC	DRG	ZZV	MDC	DRG	ZZV	MDC	DRG			
51153.1		BOP, KOP, KOPV, KVT, UOP4	51153.x		BOP, KVT, UOP4	51154.x↔		BOP, KOP, KOPV, KVT, UOP4			
	04	E05A, E05B, E05C, E08A, E08B, E08C		05	F01A, F01B, F01D, F05Z, F07A, F07B, F14A, F14B, F28A, F42Z, F54Z, F59A, F59B		04	E05A, E05B, E05C, E08A, E08B, E08C			
	05	F01A, F01B, F01D, F05Z, F07A, F07B, F09A, F09B, F09C, F42Z		06	G10Z, G12A, G12B		05	F01A, F01B, F01D, F05Z, F07A, F07B, F09A, F09B, F09C, F42Z			
	06	G15Z, G19A, G19B, G33Z, G38Z		08	I08A, I08B, I08C, I08D, I08E, I13A, I13B		06	G15Z, G19A, G19B, G33Z, G38Z			
	07	H33Z, H38Z		11	L09A, L09B, L09C, L09D, L38Z		07	H33Z, H38Z			
	08	I08A, I08B, I08C, I08D, I08E, I13A, I13B		21A	W04A, W04B		08	I08A, I08B, I08C, I08D, I08E, I13A, I13B			
	11	L33Z		21B	X06A, X06B, X06C		11	L33Z			
	21A	W04A, W04B		51154.0↔			BOP, KOP, KOPV, KVT, UOP4	21A	W04A, W04B		
	21B	X06A, X06B, X06C, X33Z		04	E05A, E05B, E05C, E08A, E08B, E08C		21B	X06A, X06B, X06C, X33Z			
	23	Z01A		05	F01A, F01B, F01D, F05Z, F07A, F07B, F09A, F09B, F09C, F42Z		23	Z01A			
	Pre	A07A		06	G15Z, G19A, G19B, G33Z, G38Z		Pre	A07A			
	51153.2			BOP, KOP, KOPV, KVT, UOP4	51154.1↔			BOP, KOP, KOPV, KVT, UOP4	51155.0↔		BOP, KVT, UOP4
		04		E05A, E05B, E05C, E08A, E08B, E08C			04	E05A, E05B, E05C, E08A, E08B, E08C		01	B03A, B03B, B06A, B06B, B07Z, B17A, B17B, B17C
		05		F01A, F01B, F01D, F05Z, F07A, F07B, F09A, F09B, F09C, F42Z			05	F01A, F01B, F01D, F05Z, F07A, F07B, F09A, F09B, F09C, F42Z		05	F01A, F01B, F01D, F05Z, F07A, F07B, F14A, F14B, F28A, F42Z, F54Z, F59A, F59B
06		G15Z, G19A, G19B, G33Z, G38Z	06	G15Z, G19A, G19B, G33Z, G38Z		08	I08A, I08B, I08C, I08D, I08E, I13A, I13B				
07		H33Z, H38Z	11	L33Z		21A	W04A, W04B				
08		I08A, I08B, I08C, I08D, I08E, I13A, I13B	21A	W04A, W04B		21B	X04Z, X06A, X06B, X06C				
11		L33Z	23	Z01A		51155.1↔		BOP, KVT, UOP4			
21A		W04A, W04B	Pre	A07A		05	F01A, F01B, F01D, F05Z, F07A, F07B, F14A, F14B, F28A, F42Z, F54Z, F59A, F59B				
21B		X06A, X06B, X06C, X33Z	04	E05A, E05B, E05C, E08A, E08B, E08C		06	G10Z, G12A, G12B				
23		Z01A	05	F01A, F01B, F01D, F05Z, F07A, F07B, F09A, F09B, F09C, F42Z		08	I08A, I08B, I08C, I08D, I08E, I13A, I13B				
Pre		A07A	06	G15Z, G19A, G19B, G33Z, G38Z		11	L09A, L09B, L09C, L09D, L38Z				
51153.3			BOP, KVT, UOP4	51154.2↔			BOP, KOP, KOPV, KVT, UOP4	51155.2↔			BOP, KVT, UOP4
		05	F01A, F01B, F01D, F05Z, F07A, F07B, F14A, F14B, F28A, F42Z, F54Z, F59A, F59B			04	E05A, E05B, E05C, E08A, E08B, E08C			05	F01A, F01B, F01D, F05Z, F07A, F07B, F14A, F14B, F28A, F42Z, F54Z, F59A, F59B
		06	G10Z, G12A, G12B			05	F01A, F01B, F01D, F05Z, F07A, F07B, F09A, F09B, F09C, F42Z			06	G10Z, G12A, G12B
	08	I08A, I08B, I08C, I08D, I08E, I13A, I13B	06		G15Z, G19A, G19B, G33Z, G38Z	08	I08A, I08B, I08C, I08D, I08E, I13A, I13B				
	11	L09A, L09B, L09C, L09D, L38Z	07		H33Z, H38Z	11	L09A, L09B, L09C, L09D, L38Z				
	21A	W04A, W04B	08		I08A, I08B, I08C, I08D, I08E, I13A, I13B	21A	W04A, W04B				
	21B	X06A, X06B, X06C	11		L33Z	21B	X06A, X06B, X06C				
	51153.4		BOP, KVT, UOP4		51154.2↔		BOP, KOP, KOPV, KVT, UOP4		51155.3↔		BOP, KVT, UOP4
		05	F01A, F01B, F01D, F05Z, F07A, F07B, F14A, F14B, F28A, F42Z, F54Z, F59A, F59B			04	E05A, E05B, E05C, E08A, E08B, E08C			05	F01A, F01B, F01D, F05Z, F07A, F07B, F14A, F14B, F28A, F42Z, F54Z, F59A, F59B
		06	G10Z, G12A, G12B			05	F01A, F01B, F01D, F05Z, F07A, F07B, F09A, F09B, F09C, F42Z			06	G10Z, G12A, G12B
		08	I08A, I08B, I08C, I08D, I08E, I13A, I13B			06	G15Z, G19A, G19B, G33Z, G38Z			08	I08A, I08B, I08C, I08D, I08E, I13A, I13B
		11	L09A, L09B, L09C, L09D, L38Z			07	H33Z, H38Z			11	L09A, L09B, L09C, L09D, L38Z
		21A	W04A, W04B			08	I08A, I08B, I08C, I08D, I08E, I13A, I13B			21A	W04A, W04B
		21B	X06A, X06B, X06C			11	L33Z			21B	X06A, X06B, X06C
51153.5			BOP, KVT, UOP4	51154.2↔			BOP, KOP, KOPV, KVT, UOP4	51155.3↔			BOP, KVT, UOP4
		05	F01A, F01B, F01D, F05Z, F07A, F07B, F14A, F14B, F28A, F42Z, F54Z, F59A, F59B			04	E05A, E05B, E05C, E08A, E08B, E08C			05	F01A, F01B, F01D, F05Z, F07A, F07B, F14A, F14B, F28A, F42Z, F54Z, F59A, F59B
		06	G10Z, G12A, G12B			05	F01A, F01B, F01D, F05Z, F07A, F07B, F09A, F09B, F09C, F42Z			06	G10Z, G12A, G12B
		08	I08A, I08B, I08C, I08D, I08E, I13A, I13B			06	G15Z, G19A, G19B, G33Z, G38Z			08	I08A, I08B, I08C, I08D, I08E, I13A, I13B
		11	L09A, L09B, L09C, L09D, L38Z			07	H33Z, H38Z			10	K09A, K09B
		21A	W04A, W04B			08	I08A, I08B, I08C, I08D, I08E, I13A, I13B			21A	W04A, W04B
		21B	X06A, X06B, X06C			11	L33Z			21B	X06A, X06B, X06C

VYK

ZZV	MDC	DRG	ZZV	MDC	DRG	ZZV	MDC	DRG
51158.1↔	05	F01A, F01B, F01D, F05Z, F07A, F07B, F14A, F14B, F28A, F42Z, F54Z, F59A, F59B	51159.1↔	05	F39A, F39B	51159.a↔		KOP, KOPV
	08	I08A, I08B, I08C, I08D, I08E, I13A, I13B		08	I08A, I08B, I08C, I08D, I08E, I13A, I13B		04	E05A, E05B, E05C, E08A, E08B, E08C
	10	K09A, K09B		21A	W04A, W04B		05	F01A, F01B, F01D, F05Z, F07A, F07B, F09A, F09B, F09C, F42Z
	21A	W04A, W04B	21B	X04Z, X05A, X05B, X06A, X06B, X06C	06		G15Z, G19A, G19B, G33Z, G38Z	
	21B	X04Z	51159.2	05	F39A, F39B		07	H33Z, H38Z
51158.2↔	05	F01A, F01B, F01D, F05Z, F07A, F07B, F14A, F14B, F28A, F42Z, F54Z, F59A, F59B		08	I08A, I08B, I08C, I08D, I08E, I13A, I13B	08	I08A, I08B, I08C, I08D, I08E, I13A, I13B	
	08	I08A, I08B, I08C, I08D, I08E, I13A, I13B	51159.3↔	05	F39A, F39B	11	L33Z	
	10	K09A, K09B		08	I08A, I08B, I08C, I08D, I08E, I13A, I13B	21A	W04A, W04B	
	21A	W04A, W04B		21A	W04A, W04B	21B	X06A, X06B, X06C, X33Z	
	21B	X04Z	21B	X04Z, X05A, X05B, X06A, X06B, X06C	23	Z01A		
51158.3↔	05	F01A, F01B, F01D, F05Z, F07A, F07B, F14A, F14B, F28A, F42Z, F54Z, F59A, F59B	51159.4	05	F39A, F39B	Pre	A07A	
	08	I08A, I08B, I08C, I08D, I08E, I13A, I13B		08	I08A, I08B, I08C, I08D, I08E, I13A, I13B	51159.b↔	KOP, KOPV	
	10	K09A, K09B		21A	W04A, W04B	04	E05A, E05B, E05C, E08A, E08B, E08C	
	21A	W04A, W04B	21B	X04Z, X05A, X05B, X06A, X06B, X06C	05	F01A, F01B, F01D, F05Z, F07A, F07B, F09A, F09B, F09C, F42Z		
	21B	X04Z	51159.5	05	F39A, F39B	06	G15Z, G19A, G19B, G33Z, G38Z	
51158.4↔	05	F01A, F01B, F01D, F05Z, F07A, F07B, F14A, F14B, F28A, F42Z, F54Z, F59A, F59B		08	I08A, I08B, I08C, I08D, I08E, I13A, I13B	07	H33Z, H38Z	
	08	I08A, I08B, I08C, I08D, I08E, I13A, I13B	51159.6	08	I08A, I08B, I08C, I08D, I08E, I13A, I13B	08	I08A, I08B, I08C, I08D, I08E, I13A, I13B	
	10	K09A, K09B		21A	W04A, W04B	11	L33Z	
	21A	W04A, W04B		21B	X04Z, X05A, X05B, X06A, X06B, X06C	21A	W04A, W04B	
	21B	X04Z	05	F39A, F39B	21B	X06A, X06B, X06C, X33Z		
51158.5↔	05	F01A, F01B, F01D, F05Z, F07A, F07B, F14A, F14B, F28A, F42Z, F54Z, F59A, F59B	51159.7	08	I08A, I08B, I08C, I08D, I08E, I13A, I13B	23	Z01A	
	08	I08A, I08B, I08C, I08D, I08E, I13A, I13B		21A	W04A, W04B	Pre	A07A	
	10	K09A, K09B		21B	X04Z, X05A, X05B, X06A, X06B, X06C	51159.c↔	05	F39A, F39B
	21A	W04A, W04B	05	F39A, F39B	08	I08A, I08B, I08C, I08D, I08E, I13A, I13B	21A	W04A, W04B
	21B	X04Z	08	I08A, I08B, I08C, I08D, I08E, I13A, I13B	21B	X04Z, X05A, X05B, X06A, X06B, X06C	21B	X04Z, X05A, X05B, X06A, X06B, X06C
51158.6↔	05	F01A, F01B, F01D, F05Z, F07A, F07B, F14A, F14B, F28A, F42Z, F54Z, F59A, F59B	51159.8↔	05	F39A, F39B	51159.d↔		KOP, KOPV
	08	I08A, I08B, I08C, I08D, I08E, I13A, I13B		08	I08A, I08B, I08C, I08D, I08E, I13A, I13B		04	E05A, E05B, E05C, E08A, E08B, E08C
	10	K09A, K09B		21A	W04A, W04B		05	F01A, F01B, F01D, F05Z, F07A, F07B, F09A, F09B, F09C, F42Z
	21A	W04A, W04B	21B	X04Z, X05A, X05B, X06A, X06B, X06C	06		G15Z, G19A, G19B, G33Z, G38Z	
	21B	X04Z	51159.9↔	01	B03A, B03B, B06A, B06B, B07Z, B17A, B17B, B17C		07	H33Z, H38Z
51158.x↔	05	F01A, F01B, F01D, F05Z, F07A, F07B, F14A, F14B, F28A, F42Z, F54Z, F59A, F59B		05	F01A, F01B, F01D, F05Z, F07A, F07B, F14A, F14B, F28A, F42Z, F54Z, F59A, F59B	08	I08A, I08B, I08C, I08D, I08E, I13A, I13B	
	08	I08A, I08B, I08C, I08D, I08E, I13A, I13B	51159.e	08	I08A, I08B, I08C, I08D, I08E, I13A, I13B	11	L33Z	
	10	K09A, K09B		21A	W04A, W04B	21A	W04A, W04B	
	21A	W04A, W04B		21B	X04Z, X05A, X05B, X06A, X06B, X06C	21B	X06A, X06B, X06C, X33Z	
	21B	X04Z			23	Z01A		
51159.0↔	05	F28A, F39A, F39B			Pre	A07A		
	08	I08A, I08B, I08C, I08D, I08E, I13A, I13B			04	E02A, E02B, E02C		
	21A	W04A, W04B			05	F01A, F01B, F01D, F05Z, F07A, F07B, F14A, F14B, F28A, F42Z, F54Z, F59A, F59B		
	21B	X04Z, X05A, X05B, X06A, X06B, X06C			08	I08A, I08B, I08C, I08D, I08E, I13A, I13B		
					14	962Z, O02A, O02B		
				21A	W04A, W04B			
				21B	X06A, X06B, X06C			

ZZV	MDC	DRG	ZZV	MDC	DRG	ZZV	MDC	DRG
51159.f	04	E02A, E02B, E02C	5115a.3↔	05	F39A, F39B	51160.1↔	01	B04A, B04B, B04C, B04D, B04E
	05	F01A, F01B, F01D, F05Z, F07A, F07B, F14A, F14B, F28A, F42Z, F54Z, F59A, F59B		08	I08A, I08B, I08C, I08D, I08E, I13A, I13B		05	F01A, F01B, F01D, F05Z, F07A, F07B, F14A, F14B, F28A, F42Z, F54Z, F59A, F59B
	08	I08A, I08B, I08C, I08D, I08E, I13A, I13B		21A	W04A, W04B		08	I08A, I08B, I08C, I08D, I08E, I13A, I13B
	14	962Z, O02A, O02B		21B	X04Z, X05A, X05B, X06A, X06B, X06C		10	K09A, K09B
	21A	W04A, W04B		5115a.4↔	05		F39A, F39B	21A
51159.g↔	21B	X06A, X06B, X06C	08	I08A, I08B, I08C, I08D, I08E, I13A, I13B	21B	X06A, X06B		
	05	F01A, F01B, F01D, F05Z, F07A, F07B, F14A, F14B, F28A, F42Z, F54Z, F59A, F59B	21A	W04A, W04B	51160.2↔	01	B04A, B04B, B04C, B04D, B04E	
	06	G10Z, G12A, G12B	21B	X04Z, X05A, X05B, X06A, X06B, X06C		05	F01A, F01B, F01D, F05Z, F07A, F07B, F14A, F14B, F28A, F42Z, F54Z, F59A, F59B	
	08	I08A, I08B, I08C, I08D, I08E, I13A, I13B	5115a.5↔	05		F39A, F39B	08	I08A, I08B, I08C, I08D, I08E, I13A, I13B
	11	L09A, L09B, L09C, L09D, L38Z	08	I08A, I08B, I08C, I08D, I08E, I13A, I13B		10	K09A, K09B	
21A	W04A, W04B	21A	W04A, W04B	21A		W04A, W04B		
51159.h↔	21B	X06A, X06B, X06C	08	I08A, I08B, I08C, I08D, I08E, I13A, I13B	21B	X06A, X06B		
	05	F01A, F01B, F01D, F05Z, F07A, F07B, F14A, F14B, F28A, F42Z, F54Z, F59A, F59B	21B	X04Z, X05A, X05B, X06A, X06B, X06C	51160.3↔	01	B04A, B04B, B04C, B04D, B04E	
	06	G10Z, G12A, G12B	5115a.x↔	05		F39A, F39B	05	F01A, F01B, F01D, F05Z, F07A, F07B, F14A, F14B, F28A, F42Z, F54Z, F59A, F59B
	08	I08A, I08B, I08C, I08D, I08E, I13A, I13B	08	I08A, I08B, I08C, I08D, I08E, I13A, I13B		08	I08A, I08B, I08C, I08D, I08E, I13A, I13B	
	11	L09A, L09B, L09C, L09D, L38Z	21A	W04A, W04B		10	K09A, K09B	
21A	W04A, W04B	21B	X04Z, X05A, X05B, X06A, X06B, X06C	21A		W04A, W04B		
51159.i↔	21B	X06A, X06B, X06C	5115b.0	05	F39A, F39B	21B	X06A, X06B	
	05	F01A, F01B, F01D, F05Z, F07A, F07B, F14A, F14B, F28A, F42Z, F54Z, F59A, F59B	08	I08A, I08B, I08C, I08D, I08E, I13A, I13B	51160.4↔	01	B04A, B04B, B04C, B04D, B04E	
	06	G10Z, G12A, G12B	21A	W04A, W04B		05	F01A, F01B, F01D, F05Z, F07A, F07B, F14A, F14B, F28A, F42Z, F54Z, F59A, F59B	
	08	I08A, I08B, I08C, I08D, I08E, I13A, I13B	21B	X04Z, X05A, X05B, X06A, X06B, X06C		08	I08A, I08B, I08C, I08D, I08E, I13A, I13B	
	11	L09A, L09B, L09C, L09D, L38Z	5115b.1	05		F39A, F39B	10	K09A, K09B
21A	W04A, W04B	08	I08A, I08B, I08C, I08D, I08E, I13A, I13B	21A		W04A, W04B		
51159.x↔	21B	X06A, X06B, X06C	21B	X04Z, X05A, X05B, X06A, X06B, X06C	21B	X06A, X06B		
	05	F39A, F39B	5115b.2	05	F39A, F39B	51160.5↔	01	B04A, B04B, B04C, B04D, B04E
	08	I08A, I08B, I08C, I08D, I08E, I13A, I13B	08	I08A, I08B, I08C, I08D, I08E, I13A, I13B	05		F01A, F01B, F01D, F05Z, F07A, F07B, F14A, F14B, F28A, F42Z, F54Z, F59A, F59B	
	21A	W04A, W04B	21A	W04A, W04B	08		I08A, I08B, I08C, I08D, I08E, I13A, I13B	
	21B	X04Z, X05A, X05B, X06A, X06B, X06C	21B	X04Z, X05A, X05B, X06A, X06B, X06C	10		K09A, K09B	
5115a.0↔	01	B03A, B03B, B06A, B06B, B07Z, B17A, B17B, B17C	5115x↔	05	F39A, F39B		21A	W04A, W04B
5115a.1↔	05	F01A, F01B, F01D, F05Z, F07A, F07B, F14A, F14B, F42Z, F54Z, F59A, F59B	08	I08A, I08B, I08C, I08D, I08E, I13A, I13B	08	I08A, I08B, I08C, I08D, I08E, I13A, I13B	21B	X06A, X06B
	08	I08A, I08B, I08C, I08D, I08E, I13A, I13B	21A	W04A, W04B	51160.x↔	01	B04A, B04B, B04C, B04D, B04E	
	21A	W04A, W04B	21B	X04Z, X05A, X05B, X06A, X06B, X06C		05	F01A, F01B, F01D, F05Z, F07A, F07B, F14A, F14B, F28A, F42Z, F54Z, F59A, F59B	
	21B	X06A, X06B, X06C	51160.0↔	01		B04A, B04B, B04C, B04D, B04E	08	I08A, I08B, I08C, I08D, I08E, I13A, I13B
	05	F39A, F39B	05	F01A, F01B, F01D, F05Z, F07A, F07B, F14A, F14B, F28A, F42Z, F54Z, F59A, F59B		10	K09A, K09B	
08	I08A, I08B, I08C, I08D, I08E, I13A, I13B	08	I08A, I08B, I08C, I08D, I08E, I13A, I13B	21A		W04A, W04B		
5115a.2↔	21A	W04A, W04B	10	K09A, K09B	21B	X06A, X06B		
	21B	X04Z, X05A, X05B, X06A, X06B, X06C	21A	W04A, W04B				
	05	F39A, F39B	21B	X06A, X06B				
	08	I08A, I08B, I08C, I08D, I08E, I13A, I13B						
	21A	W04A, W04B						
	21B	X04Z, X05A, X05B, X06A, X06B, X06C						

VYK

ZZV	MDC	DRG	ZZV	MDC	DRG	ZZV	MDC	DRG	
51161.0↔	05	F01A, F01B, F01D, F05Z, F07A, F07B, F14A, F14B, F28A, F42Z, F54Z, F59A, F59B	51162.x↔	05	F01A, F01B, F01D, F05Z, F07A, F07B, F28A, F42Z, F54Z, F59A, F59B	51163.3		BOP, KVT, UOP4	
	08	I08A, I08B, I08C, I08D, I08E, I13A, I13B		08	I08A, I08B, I08C, I08D, I08E, I13A, I13B, I32A, I32B, I32C, I32D		05	F01A, F01B, F01D, F05Z, F07A, F07B, F14A, F14B, F28A, F42Z, F54Z, F59A, F59B	
	10	K09A, K09B		10	K09A, K09B		08	I08A, I08B, I08C, I08D, I08E, I13A, I13B	
	21A	W04A, W04B		21A	W04A, W04B		10	K09A, K09B	
	21B	X06A, X06B		21B	X06A, X06B		11	L09A, L38Z	
51161.1↔	05	F01A, F01B, F01D, F05Z, F07A, F07B, F14A, F14B, F28A, F42Z, F54Z, F59A, F59B	51163.0		BOP, KOP, KOPV, KVT, UOP4	21A	W04A, W04B		
	08	I08A, I08B, I08C, I08D, I08E, I13A, I13B		04	E05A, E05B, E05C, E08A, E08B, E08C	21B	X06A, X06B		
	10	K09A, K09B		05	F01A, F01B, F01D, F05Z, F07A, F07B, F14A, F14B, F28A, F42Z, F54Z, F59A, F59B	51163.x		BOP, KVT, UOP4	
	21A	W04A, W04B		06	G33Z		05	F01A, F01B, F01D, F05Z, F07A, F07B, F14A, F14B, F28A, F42Z, F54Z, F59A, F59B	
	21B	X06A, X06B		07	H33Z, H38Z		08	I08A, I08B, I08C, I08D, I08E, I13A, I13B	
51161.x↔	05	F01A, F01B, F01D, F05Z, F07A, F07B, F28A, F42Z, F54Z, F59A, F59B	51163.1	08	I08A, I08B, I08C, I08D, I08E, I13A, I13B		51164.0↔		BOP, KOP, KOPV, KVT, UOP4
	08	I08A, I08B, I08C, I08D, I08E, I13A, I13B		10	K09A, K09B			04	E05A, E05B, E05C, E08A, E08B, E08C
	10	K09A, K09B		21A	W04A, W04B	05		F01A, F01B, F01D, F05Z, F07A, F07B, F14A, F14B, F28A, F42Z, F54Z, F59A, F59B	
	21A	W04A, W04B		21B	X06A, X06B	06		G33Z	
	21B	X06A, X06B		Pre	A07A	07		H33Z, H38Z	
51162.0↔	05	F01A, F01B, F01D, F05Z, F07A, F07B, F28A, F42Z, F54Z, F59A, F59B	51163.2		BOP, KOP, KOPV, KVT, UOP4	51164.1↔		BOP, KOP, KOPV, KVT, UOP4	
	08	I08A, I08B, I08C, I08D, I08E, I13A, I13B, I32A, I32B, I32C, I32D		04	E05A, E05B, E05C, E08A, E08B, E08C		04	E05A, E05B, E05C, E08A, E08B, E08C	
	10	K09A, K09B		05	F01A, F01B, F01D, F05Z, F07A, F07B, F14A, F14B, F28A, F42Z, F54Z, F59A, F59B		05	F01A, F01B, F01D, F05Z, F07A, F07B, F14A, F14B, F28A, F42Z, F54Z, F59A, F59B	
	21A	W04A, W04B		06	G33Z		06	G15Z, G19A, G19B, G33Z, G38Z	
	21B	X06A, X06B		07	H33Z, H38Z		07	H33Z, H38Z	
51162.1↔	05	F01A, F01B, F01D, F05Z, F07A, F07B, F28A, F42Z, F54Z, F59A, F59B	51163.3	08	I08A, I08B, I08C, I08D, I08E, I13A, I13B	51164.1↔		BOP, KOP, KOPV, KVT, UOP4	
	08	I08A, I08B, I08C, I08D, I08E, I13A, I13B, I32A, I32B, I32C, I32D		10	K09A, K09B		04	E05A, E05B, E05C, E08A, E08B, E08C	
	10	K09A, K09B		21A	W04A, W04B		05	F01A, F01B, F01D, F05Z, F07A, F07B, F14A, F14B, F28A, F42Z, F54Z, F59A, F59B	
	21A	W04A, W04B		21B	X06A, X06B, X33Z		06	G15Z, G19A, G19B, G33Z, G38Z	
	21B	X05A, X05B, X06A, X06B		23	Z01A		07	H33Z, H38Z	
51162.2↔	05	F01A, F01B, F01D, F05Z, F07A, F07B, F28A, F42Z, F54Z, F59A, F59B	51163.4		BOP, KOP, KOPV, KVT, UOP4	51164.2↔		BOP, KOP, KOPV, KVT, UOP4	
	08	I08A, I08B, I08C, I08D, I08E, I13A, I13B, I32A, I32B, I32C, I32D		04	E05A, E05B, E05C, E08A, E08B, E08C		04	E05A, E05B, E05C, E08A, E08B, E08C	
	10	K09A, K09B		05	F01A, F01B, F01D, F05Z, F07A, F07B, F14A, F14B, F28A, F42Z, F54Z, F59A, F59B		05	F01A, F01B, F01D, F05Z, F07A, F07B, F14A, F14B, F28A, F42Z, F54Z, F59A, F59B	
	21A	W04A, W04B		06	G33Z		06	G15Z, G19A, G19B, G33Z, G38Z	
	21B	X05A, X05B, X06A, X06B		07	H33Z, H38Z		07	H33Z, H38Z	
51162.3↔	05	F01A, F01B, F01D, F05Z, F07A, F07B, F28A, F42Z, F54Z, F59A, F59B	51163.5	08	I08A, I08B, I08C, I08D, I08E, I13A, I13B	51164.3↔		BOP, KOP, KOPV, KVT, UOP4	
	08	I08A, I08B, I08C, I08D, I08E, I13A, I13B, I32A, I32B, I32C, I32D		10	K09A, K09B		04	E05A, E05B, E05C, E08A, E08B, E08C	
	10	K09A, K09B		21A	W04A, W04B		05	F01A, F01B, F01D, F05Z, F07A, F07B, F14A, F14B, F28A, F42Z, F54Z, F59A, F59B	
	21A	W04A, W04B		21B	X06A, X06B, X33Z		06	G15Z, G19A, G19B, G33Z, G38Z	
	21B	X05A, X05B, X06A, X06B		23	Z01A		07	H33Z, H38Z	
51162.4↔	05	F01A, F01B, F01D, F05Z, F07A, F07B, F28A, F42Z, F54Z, F59A, F59B	51163.6		BOP, KOP, KOPV, KVT, UOP4	51164.4↔		BOP, KOP, KOPV, KVT, UOP4	
	08	I08A, I08B, I08C, I08D, I08E, I13A, I13B, I32A, I32B, I32C, I32D		04	E05A, E05B, E05C, E08A, E08B, E08C		04	E05A, E05B, E05C, E08A, E08B, E08C	
	10	K09A, K09B		05	F01A, F01B, F01D, F05Z, F07A, F07B, F14A, F14B, F28A, F42Z, F54Z, F59A, F59B		05	F01A, F01B, F01D, F05Z, F07A, F07B, F14A, F14B, F28A, F42Z, F54Z, F59A, F59B	
	21A	W04A, W04B		06	G33Z		06	G15Z, G19A, G19B, G33Z, G38Z	
	21B	X05A, X05B, X06A, X06B		07	H33Z, H38Z		07	H33Z, H38Z	

VYK

ZZV	MDC	DRG	ZZV	MDC	DRG	ZZV	MDC	DRG			
51164.2↔		BOP, KOP, KOPV, KVT, UOP4	51165.2↔	05	F01A, F01B, F01D, F05Z, F07A, F07B, F14A, F14B, F28A, F42Z, F54Z, F59A, F59B	51166.0		BOP, KOP, KOPV, KVT, UOP4			
	04	E05A, E05B, E05C, E08A, E08B, E08C		06	G15Z, G19A, G19B, G33Z, G38Z		05	F01A, F01B, F01D, F05Z, F07A, F07B, F14A, F14B, F28A, F42Z, F54Z, F59A, F59B			
	05	F01A, F01B, F01D, F05Z, F07A, F07B, F14A, F14B, F28A, F42Z, F54Z, F59A, F59B		07	H33Z, H38Z		06	G15Z, G18A, G19A, G19B, G33Z, G38Z			
	06	G33Z		08	I08A, I08B, I08C, I08D, I08E, I13A, I13B		07	H01A, H33Z, H38Z			
	07	H33Z, H38Z		10	K09A, K09B		08	I08A, I08B, I08C, I08D, I08E, I13A, I13B			
	08	I08A, I08B, I08C, I08D, I08E, I13A, I13B		11	L33Z		10	K09A, K09B			
	10	K09A, K09B		21A	W04A, W04B		11	L09A, L09B, L09C, L09D, L33Z, L38Z			
	11	L33Z		21B	X06A, X06B, X33Z		21A	W04A, W04B			
	21A	W04A, W04B		23	Z01A		21B	X06A, X06B, X33Z			
	21B	X06A, X06B, X33Z		Pre	A07A		23	Z01A			
	23	Z01A		51165.3↔			BOP, KOP, KOPV, KVT, UOP4	51166.1		BOP, KOP, KOPV, KVT, UOP4	
	Pre	A07A			05		F01A, F01B, F01D, F05Z, F07A, F07B, F14A, F14B, F28A, F42Z, F54Z, F59A, F59B		05	F01A, F01B, F01D, F05Z, F07A, F07B, F14A, F14B, F28A, F42Z, F54Z, F59A, F59B	
	51164.x↔				BOP, KOP, KOPV, KVT, UOP4		06		G15Z, G19A, G19B, G33Z, G38Z	06	G15Z, G18A, G19A, G19B, G33Z, G38Z
		04			E05A, E05B, E05C, E08A, E08B, E08C		07		H33Z, H38Z	07	H01A, H06A, H06B, H06C, H33Z, H38Z
05		F01A, F01B, F01D, F05Z, F07A, F07B, F14A, F14B, F28A, F42Z, F54Z, F59A, F59B	08		I08A, I08B, I08C, I08D, I08E, I13A, I13B	08	I08A, I08B, I08C, I08D, I08E, I13A, I13B				
06		G33Z	10		K09A, K09B	10	K09A, K09B				
07		H33Z, H38Z	11		L33Z	11	L09A, L09B, L09C, L09D, L33Z, L38Z				
08		I08A, I08B, I08C, I08D, I08E, I13A, I13B	21A		W04A, W04B	21A	W04A, W04B				
10		K09A, K09B	21B		X06A, X06B, X33Z	21B	X06A, X06B, X33Z				
11		L33Z	23		Z01A	23	Z01A				
21A		W04A, W04B	Pre		A07A	Pre	A07A				
21B		X06A, X06B, X33Z	51165.4↔			BOP, KOP, KOPV, KVT, UOP4	51166.2			BOP, KOP, KOPV, KVT, UOP4	
23		Z01A			05	F01A, F01B, F01D, F05Z, F07A, F07B, F14A, F14B, F28A, F42Z, F54Z, F59A, F59B			05	F01A, F01B, F01D, F05Z, F07A, F07B, F14A, F14B, F28A, F42Z, F54Z, F59A, F59B	
Pre		A07A			06	G15Z, G19A, G19B, G33Z, G38Z			06	G15Z, G19A, G19B, G33Z, G38Z	
51165.0↔				BOP, KOP, KOPV, KVT, UOP4	07	H33Z, H38Z		07	H33Z, H38Z		
		05		F01A, F01B, F01D, F05Z, F07A, F07B, F14A, F14B, F28A, F42Z, F54Z, F59A, F59B	08	I08A, I08B, I08C, I08D, I08E, I13A, I13B		08	I08A, I08B, I08C, I08D, I08E, I13A, I13B		
	06	G15Z, G19A, G19B, G33Z, G38Z		10	K09A, K09B	10		K09A, K09B			
	07	H33Z, H38Z		11	L33Z	11		L09A, L09B, L09C, L09D, L33Z, L38Z			
	08	I08A, I08B, I08C, I08D, I08E, I13A, I13B		21A	W04A, W04B	21A		W04A, W04B			
	10	K09A, K09B		21B	X06A, X06B, X33Z	21B		X06A, X06B, X33Z			
	11	L33Z		23	Z01A	23		Z01A			
	21A	W04A, W04B		Pre	A07A	Pre		A07A			
	21B	X06A, X06B, X33Z		51165.x↔		BOP, KOP, KOPV, KVT, UOP4		51166.2		BOP, KOP, KOPV, KVT, UOP4	
	23	Z01A			05	F01A, F01B, F01D, F05Z, F07A, F07B, F14A, F14B, F28A, F42Z, F54Z, F59A, F59B			05	F01A, F01B, F01D, F05Z, F07A, F07B, F14A, F14B, F28A, F42Z, F54Z, F59A, F59B	
	Pre	A07A			06	G15Z, G19A, G19B, G33Z, G38Z			06	G15Z, G19A, G19B, G33Z, G38Z	
	51165.1↔		BOP, KOP, KOPV, KVT, UOP4		07	H33Z, H38Z	07		H33Z, H38Z		
		05	F01A, F01B, F01D, F05Z, F07A, F07B, F14A, F14B, F28A, F42Z, F54Z, F59A, F59B		08	I08A, I08B, I08C, I08D, I08E, I13A, I13B	08		I08A, I08B, I08C, I08D, I08E, I13A, I13B		
		06	G15Z, G19A, G19B, G33Z, G38Z		10	K09A, K09B	10		K09A, K09B		
07		H33Z, H38Z	11		L33Z	11	L09A, L09B, L09C, L09D, L33Z, L38Z				
08		I08A, I08B, I08C, I08D, I08E, I13A, I13B	21A		W04A, W04B	21A	W04A, W04B				
10		K09A, K09B	21B		X06A, X06B, X33Z	21B	X06A, X06B, X33Z				
11		L33Z	23		Z01A	23	Z01A				
21A		W04A, W04B	Pre		A07A	Pre	A07A				
21B		X06A, X06B, X33Z			BOP, KOP, KOPV, KVT, UOP4		BOP, KOP, KOPV, KVT, UOP4				
23		Z01A	05		F01A, F01B, F01D, F05Z, F07A, F07B, F14A, F14B, F28A, F42Z, F54Z, F59A, F59B	05	F01A, F01B, F01D, F05Z, F07A, F07B, F14A, F14B, F28A, F42Z, F54Z, F59A, F59B				
Pre		A07A	06		G15Z, G19A, G19B, G33Z, G38Z	06	G15Z, G19A, G19B, G33Z, G38Z				
		BOP, KOP, KOPV, KVT, UOP4	07	H33Z, H38Z	07	H33Z, H38Z					
05		F01A, F01B, F01D, F05Z, F07A, F07B, F14A, F14B, F28A, F42Z, F54Z, F59A, F59B	08	I08A, I08B, I08C, I08D, I08E, I13A, I13B	08	I08A, I08B, I08C, I08D, I08E, I13A, I13B					
06		G15Z, G19A, G19B, G33Z, G38Z	10	K09A, K09B	10	K09A, K09B					
07	H33Z, H38Z	11	L33Z	11	L09A, L09B, L09C, L09D, L33Z, L38Z						
08	I08A, I08B, I08C, I08D, I08E, I13A, I13B	21A	W04A, W04B	21A	W04A, W04B						
10	K09A, K09B	21B	X06A, X06B, X33Z	21B	X06A, X06B, X33Z						
11	L33Z	23	Z01A	23	Z01A						
21A	W04A, W04B	Pre	A07A	Pre	A07A						
21B	X06A, X06B, X33Z		BOP, KOP, KOPV, KVT, UOP4		BOP, KOP, KOPV, KVT, UOP4						
23	Z01A	05	F01A, F01B, F01D, F05Z, F07A, F07B, F14A, F14B, F28A, F42Z, F54Z, F59A, F59B	05	F01A, F01B, F01D, F05Z, F07A, F07B, F14A, F14B, F28A, F42Z, F54Z, F59A, F59B						
Pre	A07A	06	G15Z, G19A, G19B, G33Z, G38Z	06	G15Z, G19A, G19B, G33Z, G38Z						

VYK

ZZV	MDC	DRG	ZZV	MDC	DRG	ZZV	MDC	DRG	
51166.3		BOP, KOP, KOPV, KVT, UOP4	51166.6		BOP, KOP, KOPV, KVT, UOP4	51168.0↔	05	F01A, F01B, F01D, F05Z, F07A, F07B, F14A, F14B, F28A, F42Z, F54Z, F59A, F59B	
	05	F01A, F01B, F01D, F05Z, F07A, F07B, F14A, F14B, F28A, F42Z, F54Z, F59A, F59B		05	F01A, F01B, F01D, F05Z, F07A, F07B, F14A, F14B, F28A, F42Z, F54Z, F59A, F59B		08	I08A, I08B, I08C, I08D, I08E, I13A, I13B	
	06	G15Z, G18A, G19A, G19B, G33Z, G38Z		06	G15Z, G18A, G19A, G19B, G33Z, G38Z		10	K09A, K09B	
	07	H06A, H06B, H06C, H33Z, H38Z		07	H01A, H33Z, H38Z		21A	W04A, W04B	
	08	I08A, I08B, I08C, I08D, I08E, I13A, I13B		08	I08A, I08B, I08C, I08D, I08E, I13A, I13B		21B	X06A, X06B	
	10	K09A, K09B		10	K09A, K09B		51168.1↔	05	F01A, F01B, F01D, F05Z, F07A, F07B, F28A, F42Z, F54Z, F59A, F59B
	11	L09A, L09B, L09C, L09D, L33Z, L38Z		11	L09A, L09B, L09C, L09D, L33Z, L38Z			08	I08A, I08B, I08C, I08D, I08E, I13A, I13B
	21A	W04A, W04B		21A	W04A, W04B		10	K09A, K09B	
	21B	X06A, X06B, X33Z		21B	X06A, X06B, X33Z		21A	W04A, W04B	
	23	Z01A		23	Z01A		21B	X06A, X06B	
	Pre	A07A		Pre	A07A		51168.2↔	05	F01A, F01B, F01D, F05Z, F07A, F07B, F28A, F42Z, F54Z, F59A, F59B
	51166.4↔	BOP, KOP, KOPV, KVT, UOP4		51166.x↔	BOP, KOP, KOPV, KVT, UOP4			08	I08A, I08B, I08C, I08D, I08E, I13A, I13B
		05			F01A, F01B, F01D, F05Z, F07A, F07B, F14A, F14B, F28A, F42Z, F54Z, F59A, F59B		10	K09A, K09B	
		06			G15Z, G19A, G19B, G33Z, G38Z		06	G15Z, G19A, G19B, G33Z, G38Z	21A
07		H33Z, H38Z	07		H33Z, H38Z	21B	X06A, X06B		
08		I08A, I08B, I08C, I08D, I08E, I13A, I13B	08		I08A, I08B, I08C, I08D, I08E, I13A, I13B	51168.3↔	05	F01A, F01B, F01D, F05Z, F07A, F07B, F28A, F42Z, F54Z, F59A, F59B	
10		K09A, K09B	10		K09A, K09B		08	I08A, I08B, I08C, I08D, I08E, I13A, I13B	
11		L09A, L09B, L09C, L09D, L33Z, L38Z	11		L09A, L09B, L09C, L09D, L33Z, L38Z	10	K09A, K09B		
21A		W04A, W04B	21A		W04A, W04B	21A	W04A, W04B		
21B		X06A, X06B, X33Z	21B		X06A, X06B, X33Z	21B	X06A, X06B		
23		Z01A	23		Z01A	51168.x↔	05	F01A, F01B, F01D, F05Z, F07A, F07B, F28A, F42Z, F54Z, F59A, F59B	
Pre		A07A	Pre		A07A		08	I08A, I08B, I08C, I08D, I08E, I13A, I13B	
51166.5		BOP, KOP, KOPV, KVT, UOP4	51167.0↔		BOP, KOP, KOPV, KVT, UOP4	10	K09A, K09B		
		05			F01A, F01B, F01D, F05Z, F07A, F07B, F14A, F14B, F28A, F42Z, F54Z, F59A, F59B	21A	W04A, W04B		
		06			G15Z, G18A, G19A, G19B, G33Z, G38Z	21B	X06A, X06B		
	07	H01A, H33Z, H38Z		23	Z01A				
	08	I08A, I08B, I08C, I08D, I08E, I13A, I13B		Pre	A07A	51169.0↔	01	B04A, B04B, B04C, B04D, B04E	
	10	K09A, K09B		10	K09A, K09B		05	F39A, F39B	
	11	L09A, L09B, L09C, L09D, L33Z, L38Z		11	L09A, L09B, L09C, L09D, L33Z, L38Z	08	I08A, I08B, I08C, I08D, I08E, I13A, I13B		
	21A	W04A, W04B		21A	W04A, W04B	21A	W04A, W04B		
	21B	X06A, X06B, X33Z		21B	X06A, X06B	21B	X06A, X06B		
	23	Z01A		23	Z01A	51169.1↔	01	B04A, B04B, B04C, B04D, B04E	
	Pre	A07A		Pre	A07A		05	F39A, F39B	
	51167.0↔	BOP, KOP, KOPV, KVT, UOP4		51167.1↔	BOP, KOP, KOPV, KVT, UOP4	08	I08A, I08B, I08C, I08D, I08E, I13A, I13B		
		05			F01A, F01B, F01D, F05Z, F07A, F07B, F28A, F42Z, F54Z, F59A, F59B	10	K09A, K09B		
		06			G15Z, G18A, G19A, G19B, G33Z, G38Z	10	K09A, K09B		
07		H01A, H33Z, H38Z	21A		W04A, W04B				
08		I08A, I08B, I08C, I08D, I08E, I13A, I13B	21B		X06A, X06B				
10		K09A, K09B	05		F01A, F01B, F01D, F05Z, F07A, F07B, F28A, F42Z, F54Z, F59A, F59B				
11		L09A, L09B, L09C, L09D, L33Z, L38Z	08		I08A, I08B, I08C, I08D, I08E, I13A, I13B				
21A		W04A, W04B	10		K09A, K09B				
21B		X06A, X06B, X33Z	21A		W04A, W04B				
23		Z01A	21B		X06A, X06B				
Pre		A07A	Pre		A07A	51169.2	01	B04A, B04B, B04C, B04D, B04E	
51167.1↔		BOP, KOP, KOPV, KVT, UOP4	51167.2↔		BOP, KOP, KOPV, KVT, UOP4		05	F01A, F01B, F01D, F05Z, F07A, F07B, F28A, F42Z, F54Z, F59A, F59B	
		05			F01A, F01B, F01D, F05Z, F07A, F07B, F28A, F42Z, F54Z, F59A, F59B	08	I08A, I08B, I08C, I08D, I08E, I13A, I13B		
		06			G15Z, G18A, G19A, G19B, G33Z, G38Z	10	K09A, K09B		
	07	H01A, H33Z, H38Z		21A	W04A, W04B				
	08	I08A, I08B, I08C, I08D, I08E, I13A, I13B		21B	X06A, X06B				
	10	K09A, K09B		05	F01A, F01B, F01D, F05Z, F07A, F07B, F28A, F42Z, F54Z, F59A, F59B				
	11	L09A, L09B, L09C, L09D, L33Z, L38Z		08	I08A, I08B, I08C, I08D, I08E, I13A, I13B				
	21A	W04A, W04B		10	K09A, K09B				
	21B	X06A, X06B, X33Z		21A	W04A, W04B				
	23	Z01A		21B	X06A, X06B				
	Pre	A07A		Pre	A07A	06	G18A, G38Z		
	51167.2↔	BOP, KOP, KOPV, KVT, UOP4		51167.x↔	BOP, KOP, KOPV, KVT, UOP4	07	H01A		
		05			F01A, F01B, F01D, F05Z, F07A, F07B, F28A, F42Z, F54Z, F59A, F59B	08	I08A, I08B, I08C, I08D, I08E, I13A, I13B		
		06			G15Z, G18A, G19A, G19B, G33Z, G38Z	21A	W04A, W04B		
07		H01A, H33Z, H38Z	21B		X06A, X06B				
08		I08A, I08B, I08C, I08D, I08E, I13A, I13B	05		F01A, F01B, F01D, F05Z, F07A, F07B, F28A, F42Z, F54Z, F59A, F59B				
10		K09A, K09B	08		I08A, I08B, I08C, I08D, I08E, I13A, I13B				
11		L09A, L09B, L09C, L09D, L33Z, L38Z	10		K09A, K09B				
21A		W04A, W04B	21A		W04A, W04B				
21B		X06A, X06B, X33Z	21B		X06A, X06B				
23		Z01A	23		Z01A				
Pre		A07A	Pre		A07A				

VYK

ZZV	MDC	DRG	ZZV	MDC	DRG	ZZV	MDC	DRG			
51169.3↔	01	B04A, B04B, B04C, B04D, B04E	51169.b↔	01	B04A, B04B, B04C, B04D, B04E	5116a.0↔	01	B04A, B04B, B04C, B04D, B04E			
	05	F39A, F39B		05	F39A, F39B		05	F39A, F39B			
	06	G18A, G38Z		08	I08A, I08B, I08C, I08D, I08E, I13A, I13B		08	I08A, I08B, I08C, I08D, I08E, I13A, I13B			
	07	H01A		21A	W04A, W04B		21A	W04A, W04B			
	08	I08A, I08B, I08C, I08D, I08E, I13A, I13B		21B	X06A, X06B		21B	X06A, X06B			
	21A	W04A, W04B		51169.c↔	01		B04A, B04B, B04C, B04D, B04E	5116a.1↔	01	B04A, B04B, B04C, B04D, B04E	
	21B	X06A, X06B			05		F39A, F39B		05	F39A, F39B	
	51169.4	01			B04A, B04B, B04C, B04D, B04E		08		I08A, I08B, I08C, I08D, I08E, I13A, I13B	08	I08A, I08B, I08C, I08D, I08E, I13A, I13B
05		F39A, F39B	21A		W04A, W04B	21A	W04A, W04B				
06		G18A, G38Z	21B		X06A, X06B	21B	X06A, X06B				
07		H01A	51169.d↔		BOP, KVT, UOP4	5116a.2↔	01		B04A, B04B, B04C, B04D, B04E		
08		I08A, I08B, I08C, I08D, I08E, I13A, I13B			01		B04A, B04B, B04C, B04D, B04E		05	F39A, F39B	
21A		W04A, W04B			05		F39A, F39B		08	I08A, I08B, I08C, I08D, I08E, I13A, I13B	
21B		X06A, X06B		08	I08A, I08B, I08C, I08D, I08E, I13A, I13B		21A	W04A, W04B			
51169.5		01		B04A, B04B, B04C, B04D, B04E	51169.e		21B	X06A, X06B	5116a.5↔	21B	X06A, X06B
	05	F39A, F39B		BOP, KVT, UOP4			01	B04A, B04B, B04C, B04D, B04E		01	B04A, B04B, B04C, B04D, B04E
	06	G18A, G38Z		01			B04A, B04B, B04C, B04D, B04E	05		F39A, F39B	
	07	H01A		05			F39A, F39B	08		I08A, I08B, I08C, I08D, I08E, I13A, I13B	
	08	I08A, I08B, I08C, I08D, I08E, I13A, I13B	08	I08A, I08B, I08C, I08D, I08E, I13A, I13B		21A	W04A, W04B				
	21A	W04A, W04B	21A	W04A, W04B		21B	X06A, X06B				
	21B	X06A, X06B	51169.f	21B		X06A, X06B	5116a.6↔	21B		X06A, X06B	
	51169.6	01		B04A, B04B, B04C, B04D, B04E		BOP, KVT, UOP4		01		B04A, B04B, B04C, B04D, B04E	01
05		F39A, F39B		01	B04A, B04B, B04C, B04D, B04E	05		F39A, F39B			
06		G18A, G38Z		05	F39A, F39B	08		I08A, I08B, I08C, I08D, I08E, I13A, I13B			
07		H01A		08	I08A, I08B, I08C, I08D, I08E, I13A, I13B	21A		W04A, W04B			
08		I08A, I08B, I08C, I08D, I08E, I13A, I13B		06	G03A, G18A, G38Z	21B		X06A, X06B			
21A		W04A, W04B		07	H01A	5116a.x↔		01	B04A, B04B, B04C, B04D, B04E		
21B		X06A, X06B		08	I08A, I08B, I08C, I08D, I08E, I13A, I13B			05	F39A, F39B		
51169.7		01	B04A, B04B, B04C, B04D, B04E	51169.g↔	21A		W04A, W04B	08	I08A, I08B, I08C, I08D, I08E, I13A, I13B		
	05	F39A, F39B	21B		X06A, X06B		21A	W04A, W04B			
	06	G18A, G38Z	01		B04A, B04B, B04C, B04D, B04E		21B	X06A, X06B			
	07	H01A	05		F39A, F39B		5116x↔	01	B04A, B04B, B04C, B04D, B04E		
	08	I08A, I08B, I08C, I08D, I08E, I13A, I13B	08		I08A, I08B, I08C, I08D, I08E, I13A, I13B			05	F39A, F39B		
	21A	W04A, W04B	21A		W04A, W04B			08	I08A, I08B, I08C, I08D, I08E, I13A, I13B		
	21B	X06A, X06B	51169.h↔		21B	X06A, X06B		21A	W04A, W04B		
	51169.8↔	01			B04A, B04B, B04C, B04D, B04E	01		B04A, B04B, B04C, B04D, B04E	21B	X06A, X06B	
05		F39A, F39B		05	F39A, F39B	51170.0↔		01	B03A, B03B, B06A, B06B, B07Z, B17A, B17B, B17C		
06		G18A, G38Z		08	I08A, I08B, I08C, I08D, I08E, I13A, I13B			05	F01A, F01B, F01D, F05Z, F07A, F07B, F14A, F14B, F28A, F42Z, F54Z, F59A, F59B		
07		H01A		21A	W04A, W04B			08	I08A, I08B, I08C, I08D, I08E, I13A, I13B		
08		I08A, I08B, I08C, I08D, I08E, I13A, I13B		21B	X06A, X06B		21A	W04A, W04B			
21A		W04A, W04B		51169.i↔	21B		X06A, X06B	21B	X06A, X06B		
21B		X06A, X06B			01		B04A, B04B, B04C, B04D, B04E	51170.1↔	01	B03A, B03B, B06A, B06B, B07Z, B17A, B17B, B17C	
51169.9↔		01	B04A, B04B, B04C, B04D, B04E		05		F39A, F39B		05	F01A, F01B, F01D, F05Z, F07A, F07B, F14A, F14B, F28A, F42Z, F54Z, F59A, F59B	
	05	F39A, F39B	08		I08A, I08B, I08C, I08D, I08E, I13A, I13B		08		I08A, I08B, I08C, I08D, I08E, I13A, I13B		
	06	G18A, G38Z	21A		W04A, W04B	21A	W04A, W04B				
	07	H01A	51169.x↔		21B	X06A, X06B	21B		X06A, X06B		
	08	I08A, I08B, I08C, I08D, I08E, I13A, I13B			01	B04A, B04B, B04C, B04D, B04E	51169.a↔		01	B04A, B04B, B04C, B04D, B04E	
	21A	W04A, W04B			05	F39A, F39B			05	F39A, F39B	
	21B	X06A, X06B		08	I08A, I08B, I08C, I08D, I08E, I13A, I13B	08			I08A, I08B, I08C, I08D, I08E, I13A, I13B		
	51169.a↔	01		B04A, B04B, B04C, B04D, B04E	21A	W04A, W04B		21A	W04A, W04B		
05		F39A, F39B		21B	X06A, X06B	21B		X06A, X06B			
08		I08A, I08B, I08C, I08D, I08E, I13A, I13B		51169.x↔	01	B04A, B04B, B04C, B04D, B04E		51169.a↔	01	B04A, B04B, B04C, B04D, B04E	
21A		W04A, W04B			05	F39A, F39B			05	F39A, F39B	
21B		X06A, X06B	08		I08A, I08B, I08C, I08D, I08E, I13A, I13B	08			I08A, I08B, I08C, I08D, I08E, I13A, I13B		
51169.a↔		01	B04A, B04B, B04C, B04D, B04E		21A	W04A, W04B	21A		W04A, W04B		
		05	F39A, F39B		21B	X06A, X06B	21B		X06A, X06B		
		08	I08A, I08B, I08C, I08D, I08E, I13A, I13B		51169.x↔	01	B04A, B04B, B04C, B04D, B04E		51169.a↔	01	B04A, B04B, B04C, B04D, B04E
	21A	W04A, W04B	05			F39A, F39B	05			F39A, F39B	
	21B	X06A, X06B	08			I08A, I08B, I08C, I08D, I08E, I13A, I13B	08			I08A, I08B, I08C, I08D, I08E, I13A, I13B	
	51169.a↔	01	B04A, B04B, B04C, B04D, B04E	21A		W04A, W04B	21A	W04A, W04B			
		05	F39A, F39B	21B		X06A, X06B	21B	X06A, X06B			
		08	I08A, I08B, I08C, I08D, I08E, I13A, I13B	51169.x↔		01	B04A, B04B, B04C, B04D, B04E	51169.a↔		01	B04A, B04B, B04C, B04D, B04E
21A		W04A, W04B	05			F39A, F39B	05			F39A, F39B	
21B		X06A, X06B	08			I08A, I08B, I08C, I08D, I08E, I13A, I13B	08			I08A, I08B, I08C, I08D, I08E, I13A, I13B	
51169.a↔		01	B04A, B04B, B04C, B04D, B04E		21A	W04A, W04B	21A		W04A, W04B		
		05	F39A, F39B		21B	X06A, X06B	21B		X06A, X06B		
		08	I08A, I08B, I08C, I08D, I08E, I13A, I13B		51169.x↔	01	B04A, B04B, B04C, B04D, B04E		51169.a↔	01	B04A, B04B, B04C, B04D, B04E
	21A	W04A, W04B	05			F39A, F39B	05			F39A, F39B	
	21B	X06A, X06B	08			I08A, I08B, I08C, I08D, I08E, I13A, I13B	08			I08A, I08B, I08C, I08D, I08E, I13A, I13B	

ZZV	MDC	DRG	ZZV	MDC	DRG	ZZV	MDC	DRG
51170.2↔	01	B03A, B03B, B06A, B06B, B07Z, B17A, B17B, B17C	51171.1↔	05	F01A, F01B, F01D, F05Z, F07A, F07B, F14A, F14B, F28A, F42Z, F54Z, F59A, F59B	51172.5↔	05	F01A, F01B, F01D, F05Z, F07A, F07B, F14A, F14B, F28A, F42Z, F54Z, F59A, F59B
	05	F01A, F01B, F01D, F05Z, F07A, F07B, F14A, F14B, F28A, F42Z, F54Z, F59A, F59B		08	I08A, I08B, I08C, I08D, I08E, I13A, I13B		08	I08A, I08B, I08C, I08D, I08E, I13A, I13B
	08	I08A, I08B, I08C, I08D, I08E, I13A, I13B		10	K09A, K09B		10	K09A, K09B
	21A	W04A, W04B		21A	W04A, W04B		21A	W04A, W04B
	21B	X06A, X06B		21B	X06A, X06B		21B	X05A, X05B, X06A, X06B
51170.3↔	01	B03A, B03B, B06A, B06B, B07Z, B17A, B17B, B17C	51171.x↔	05	F01A, F01B, F01D, F05Z, F07A, F07B, F14A, F14B, F28A, F42Z, F54Z, F59A, F59B	51172.6↔	05	F01A, F01B, F01D, F05Z, F07A, F07B, F14A, F14B, F28A, F42Z, F54Z, F59A, F59B
	05	F01A, F01B, F01D, F05Z, F07A, F07B, F14A, F14B, F28A, F42Z, F54Z, F59A, F59B		08	I08A, I08B, I08C, I08D, I08E, I13A, I13B		08	I08A, I08B, I08C, I08D, I08E, I13A, I13B
	08	I08A, I08B, I08C, I08D, I08E, I13A, I13B		10	K09A, K09B		10	K09A, K09B
	21A	W04A, W04B		21A	W04A, W04B		21A	W04A, W04B
	21B	X06A, X06B		21B	X06A, X06B		21B	X05A, X05B, X06A, X06B
51170.4↔	01	B03A, B03B, B06A, B06B, B07Z, B17A, B17B, B17C	51172.0↔	05	F01A, F01B, F01D, F05Z, F07A, F07B, F14A, F14B, F28A, F42Z, F54Z, F59A, F59B	51172.7↔	05	F01A, F01B, F01D, F05Z, F07A, F07B, F14A, F14B, F28A, F42Z, F54Z, F59A, F59B
	05	F01A, F01B, F01D, F05Z, F07A, F07B, F14A, F14B, F28A, F42Z, F54Z, F59A, F59B		08	I08A, I08B, I08C, I08D, I08E, I13A, I13B		08	I08A, I08B, I08C, I08D, I08E, I13A, I13B
	08	I08A, I08B, I08C, I08D, I08E, I13A, I13B		10	K09A, K09B		10	K09A, K09B
	21A	W04A, W04B		21A	W04A, W04B		21A	W04A, W04B
	21B	X06A, X06B		21B	X06A, X06B		21B	X05A, X05B, X06A, X06B
51170.5↔	01	B03A, B03B, B06A, B06B, B07Z, B17A, B17B, B17C	51172.1↔	05	F01A, F01B, F01D, F05Z, F07A, F07B, F14A, F14B, F28A, F42Z, F54Z, F59A, F59B	51172.x↔	05	F01A, F01B, F01D, F05Z, F07A, F07B, F14A, F14B, F28A, F42Z, F54Z, F59A, F59B
	05	F01A, F01B, F01D, F05Z, F07A, F07B, F14A, F14B, F28A, F42Z, F54Z, F59A, F59B		08	I08A, I08B, I08C, I08D, I08E, I13A, I13B		08	I08A, I08B, I08C, I08D, I08E, I13A, I13B
	08	I08A, I08B, I08C, I08D, I08E, I13A, I13B		10	K09A, K09B		10	K09A, K09B
	21A	W04A, W04B		21A	W04A, W04B		21A	W04A, W04B
	21B	X06A, X06B		21B	X06A, X06B		21B	X05A, X05B, X06A, X06B
51170.6	01	B03A, B03B, B06A, B06B, B07Z, B17A, B17B, B17C	51172.2↔	05	F01A, F01B, F01D, F05Z, F07A, F07B, F14A, F14B, F28A, F42Z, F54Z, F59A, F59B	51173.0	05	F01A, F01B, F01D, F05Z, F07A, F07B, F14A, F14B, F28A, F42Z, F54Z, F59A, F59B
	05	F01A, F01B, F01D, F05Z, F07A, F07B, F14A, F14B, F28A, F42Z, F54Z, F59A, F59B		08	I08A, I08B, I08C, I08D, I08E, I13A, I13B		04	E05A, E05B, E05C, E08A, E08B, E08C
	08	I08A, I08B, I08C, I08D, I08E, I13A, I13B		10	K09A, K09B		05	F01A, F01B, F01D, F05Z, F07A, F07B, F14A, F14B, F28A, F42Z, F54Z, F59A, F59B
	21A	W04A, W04B		21A	W04A, W04B		06	G01Z, G02Z, G33Z, G38Z
	21B	X06A, X06B		21B	X06A, X06B		07	H33Z, H38Z
51170.x↔	01	B03A, B03B, B06A, B06B, B07Z, B17A, B17B, B17C	51172.3↔	05	F01A, F01B, F01D, F05Z, F07A, F07B, F14A, F14B, F28A, F42Z, F54Z, F59A, F59B	51173.0	08	I08A, I08B, I08C, I08D, I08E, I13A, I13B
	05	F01A, F01B, F01D, F05Z, F07A, F07B, F14A, F14B, F28A, F42Z, F54Z, F59A, F59B		08	I08A, I08B, I08C, I08D, I08E, I13A, I13B		10	K09A, K09B
	08	I08A, I08B, I08C, I08D, I08E, I13A, I13B		10	K09A, K09B		11	L33Z
	21A	W04A, W04B		21A	W04A, W04B		21A	W04A, W04B
	21B	X06A, X06B		21B	X06A, X06B		21B	X06A, X06B, X33Z
51171.0↔	05	F01A, F01B, F01D, F05Z, F07A, F07B, F14A, F14B, F28A, F42Z, F54Z, F59A, F59B	51172.4↔	05	F01A, F01B, F01D, F05Z, F07A, F07B, F14A, F14B, F28A, F42Z, F54Z, F59A, F59B	51173.0	23	Z01A
	08	I08A, I08B, I08C, I08D, I08E, I13A, I13B		08	I08A, I08B, I08C, I08D, I08E, I13A, I13B		Pre	A07A, A11A, A13A, A13B, A13D
	10	K09A, K09B		10	K09A, K09B			
	21A	W04A, W04B		21A	W04A, W04B			
	21B	X06A, X06B		21B	X06A, X06B			

VYK

ZZV	MDC	DRG	ZZV	MDC	DRG	ZZV	MDC	DRG			
51175.4↔		BOP, KVT, UOP4	51176.2		BOP, KVT, UOP4	51176.6		BOP, KVT, UOP4			
	05	F01A, F01B, F01D, F05Z, F07A, F07B, F14A, F14B, F28A, F42Z, F54Z, F59A, F59B		01	B03A, B03B, B06A, B06B, B07Z, B17A, B17B, B17C		01	B03A, B03B, B06A, B06B, B07Z, B17A, B17B, B17C			
	06	G10Z, G12A, G12B		05	F01A, F01B, F01D, F05Z, F07A, F07B, F14A, F14B, F28A, F42Z, F54Z, F59A, F59B		05	F01A, F01B, F01D, F05Z, F07A, F07B, F14A, F14B, F28A, F42Z, F54Z, F59A, F59B			
	08	I08A, I08B, I08C, I08D, I08E, I13A, I13B		06	G10Z, G12A, G12B		06	G10Z, G12A, G12B, G18A, G38Z			
	11	L09A, L09B, L09C, L09D, L38Z		08	I08A, I08B, I08C, I08D, I08E, I13A, I13B		07	H01A			
	21A	W04A, W04B		10	K09A, K09B		08	I08A, I08B, I08C, I08D, I08E, I13A, I13B			
	21B	X06A, X06B		11	L09A, L09B, L09C, L09D, L38Z		10	K09A, K09B			
	51175.x↔			BOP, KVT, UOP4	51176.3			BOP, KVT, UOP4	51176.x↔		BOP, KVT, UOP4
		05		F01A, F01B, F01D, F05Z, F07A, F07B, F14A, F14B, F28A, F42Z, F54Z, F59A, F59B			21A	W04A, W04B		01	B03A, B03B, B06A, B06B, B07Z, B17A, B17B, B17C
		06		G10Z, G12A, G12B			21B	X06A, X06B		05	F01A, F01B, F01D, F05Z, F07A, F07B, F14A, F14B, F28A, F42Z, F54Z, F59A, F59B
08		I08A, I08B, I08C, I08D, I08E, I13A, I13B	01	B03A, B03B, B06A, B06B, B07Z, B17A, B17B, B17C		06	G01Z, G02Z, G10Z, G12A, G12B, G18A, G38Z				
11		L09A, L09B, L09C, L09D, L38Z	05	F01A, F01B, F01D, F05Z, F07A, F07B, F14A, F14B, F28A, F42Z, F54Z, F59A, F59B		07	H06A, H06B, H06C				
21A		W04A, W04B	06	G01Z, G02Z, G10Z, G12A, G12B, G18A, G38Z		08	I08A, I08B, I08C, I08D, I08E, I13A, I13B				
21B		X06A, X06B	07	H06A, H06B, H06C		10	K09A, K09B				
51176.0			BOP, KVT, UOP4	51176.4↔			BOP, KVT, UOP4	51177.0↔			BOP, KVT, UOP4
		01	B03A, B03B, B06A, B06B, B07Z, B17A, B17B, B17C			01	B03A, B03B, B06A, B06B, B07Z, B17A, B17B, B17C			01	B03A, B03B, B06A, B06B, B07Z, B17A, B17B, B17C
		05	F01A, F01B, F01D, F05Z, F07A, F07B, F14A, F14B, F28A, F42Z, F54Z, F59A, F59B			05	F01A, F01B, F01D, F05Z, F07A, F07B, F14A, F14B, F28A, F42Z, F54Z, F59A, F59B			05	F01A, F01B, F01D, F05Z, F07A, F07B, F14A, F14B, F28A, F42Z, F54Z, F59A, F59B
	06	G10Z, G12A, G12B, G18A, G38Z	06		G01Z, G02Z, G10Z, G12A, G12B, G18A, G38Z	06	G10Z, G12A, G12B				
	07	H01A	07		H06A, H06B, H06C	08	I08A, I08B, I08C, I08D, I08E, I13A, I13B				
	08	I08A, I08B, I08C, I08D, I08E, I13A, I13B	08		I08A, I08B, I08C, I08D, I08E, I13A, I13B	10	K09A, K09B				
	10	K09A, K09B	10		K09A, K09B	11	L09A, L09B, L09C, L09D, L38Z				
	11	L09A, L09B, L09C, L09D, L38Z	11		L09A, L09B, L09C, L09D, L38Z	21A	W04A, W04B				
	21A	W04A, W04B	21A		W04A, W04B	21B	X06A, X06B				
	21B	X06A, X06B	21B		X06A, X06B	21B	X06A, X06B				
51176.1		BOP, KVT, UOP4	51176.5		BOP, KVT, UOP4	51177.1↔		BOP, KVT, UOP4			
	01	B03A, B03B, B06A, B06B, B07Z, B17A, B17B, B17C		01	B03A, B03B, B06A, B06B, B07Z, B17A, B17B, B17C		01	B03A, B03B, B06A, B06B, B07Z, B17A, B17B, B17C			
	05	F01A, F01B, F01D, F05Z, F07A, F07B, F14A, F14B, F28A, F42Z, F54Z, F59A, F59B		05	F01A, F01B, F01D, F05Z, F07A, F07B, F14A, F14B, F28A, F42Z, F54Z, F59A, F59B		05	F01A, F01B, F01D, F05Z, F07A, F07B, F14A, F14B, F28A, F42Z, F54Z, F59A, F59B			
	06	G10Z, G12A, G12B, G18A, G38Z		06	G01Z, G02Z, G10Z, G12A, G12B, G38Z		06	G10Z, G12A, G12B, G18A, G38Z			
	07	H01A, H06A, H06B, H06C		08	I08A, I08B, I08C, I08D, I08E, I13A, I13B		08	I08A, I08B, I08C, I08D, I08E, I13A, I13B			
	08	I08A, I08B, I08C, I08D, I08E, I13A, I13B		10	K09A, K09B		10	K09A, K09B			
	10	K09A, K09B		11	L09A, L09B, L09C, L09D, L38Z		11	L09A, L09B, L09C, L09D, L38Z			
	11	L09A, L09B, L09C, L09D, L38Z		21A	W04A, W04B		21A	W04A, W04B			
	21A	W04A, W04B		21B	X06A, X06B		21B	X04Z			
	21B	X06A, X06B		Pre	A11A, A13A, A13B, A13D		21B	X04Z			
51176.2↔		BOP, KVT, UOP4	51177.2↔		BOP, KVT, UOP4	51177.x↔		BOP, KVT, UOP4			
	01	B03A, B03B, B06A, B06B, B07Z, B17A, B17B, B17C		01	B03A, B03B, B06A, B06B, B07Z, B17A, B17B, B17C		01	B03A, B03B, B06A, B06B, B07Z, B17A, B17B, B17C			
	05	F01A, F01B, F01D, F05Z, F07A, F07B, F14A, F14B, F28A, F42Z, F54Z, F59A, F59B		05	F01A, F01B, F01D, F05Z, F07A, F07B, F14A, F14B, F28A, F42Z, F54Z, F59A, F59B		05	F01A, F01B, F01D, F05Z, F07A, F07B, F14A, F14B, F28A, F42Z, F54Z, F59A, F59B			
	06	G10Z, G12A, G12B, G18A, G38Z		06	G10Z, G12A, G12B, G18A, G38Z		06	G10Z, G12A, G12B, G18A, G38Z			
	07	H01A		07	H01A		07	H01A			
	08	I08A, I08B, I08C, I08D, I08E, I13A, I13B		08	I08A, I08B, I08C, I08D, I08E, I13A, I13B		08	I08A, I08B, I08C, I08D, I08E, I13A, I13B			
	10	K09A, K09B		10	K09A, K09B		10	K09A, K09B			
	11	L09A, L09B, L09C, L09D, L38Z		11	L09A, L09B, L09C, L09D, L38Z		11	L09A, L09B, L09C, L09D, L38Z			
	21A	W04A, W04B		21A	W04A, W04B		21A	W04A, W04B			
	21B	X06A, X06B		21B	X06A, X06B		21B	X04Z			

VYK

ZZV	MDC	DRG	ZZV	MDC	DRG	ZZV	MDC	DRG
51178.0↔	05	F01A, F01B, F01D, F05Z, F07A, F07B, F14A, F14B, F28A, F42Z, F54Z, F59A, F59B	51178.x↔	05	F01A, F01B, F01D, F05Z, F07A, F07B, F14A, F14B, F28A, F42Z, F54Z, F59A, F59B	51179.9↔	01	B03A, B03B, B06A, B06B, B07Z, B17A, B17B, B17C
	08	I08A, I08B, I08C, I08D, I08E, I13A, I13B		08	I08A, I08B, I08C, I08D, I08E, I13A, I13B		05	F01A, F01B, F01D, F05Z, F07A, F07B, F14A, F14B, F28A, F42Z, F54Z, F59A, F59B
	10	K09A, K09B		10	K09A, K09B		08	I08A, I08B, I08C, I08D, I08E, I13A, I13B
	21A	W04A, W04B		21A	W04A, W04B		21A	W04A, W04B
	21B	X04Z		21B	X04Z		21B	X06A, X06B
51178.1↔	05	F01A, F01B, F01D, F05Z, F07A, F07B, F14A, F14B, F28A, F42Z, F54Z, F59A, F59B	51179.0↔	05	F39A, F39B	51179.a↔	KOP, KOPV	
	08	I08A, I08B, I08C, I08D, I08E, I13A, I13B		08	I08A, I08B, I08C, I08D, I08E, I13A, I13B		04	E05A, E05B, E05C, E08A, E08B, E08C
	10	K09A, K09B		21A	W04A, W04B		05	F01A, F01B, F01D, F05Z, F07A, F07B, F09A, F09B, F09C, F42Z
	21A	W04A, W04B		21B	X04Z		06	G15Z, G19A, G19B, G33Z, G38Z
	21B	X04Z		51179.1↔	05		F39A, F39B	07
51178.2↔	05	F01A, F01B, F01D, F05Z, F07A, F07B, F14A, F14B, F28A, F42Z, F54Z, F59A, F59B	51179.2	08	I08A, I08B, I08C, I08D, I08E, I13A, I13B	51179.b↔	08	I08A, I08B, I08C, I08D, I08E, I13A, I13B
	08	I08A, I08B, I08C, I08D, I08E, I13A, I13B		05	F39A, F39B		11	L33Z
	10	K09A, K09B		06	G18A, G38Z		21A	W04A, W04B
	21A	W04A, W04B		07	H01A		21B	X06A, X06B, X33Z
	21B	X04Z		08	I08A, I08B, I08C, I08D, I08E, I13A, I13B		23	Z01A
51178.3↔	05	F01A, F01B, F01D, F05Z, F07A, F07B, F14A, F14B, F28A, F42Z, F54Z, F59A, F59B	51179.3↔	21A	W04A, W04B	51179.c↔	Pre	A07A
	08	I08A, I08B, I08C, I08D, I08E, I13A, I13B		21B	X04Z		KOP, KOPV	
	10	K09A, K09B		05	F39A, F39B		04	E05A, E05B, E05C, E08A, E08B, E08C
	21A	W04A, W04B		06	G18A, G38Z		05	F01A, F01B, F01D, F05Z, F07A, F07B, F09A, F09B, F09C, F42Z
	21B	X04Z		07	H01A		06	G15Z, G19A, G19B, G33Z, G38Z
51178.4↔	05	F01A, F01B, F01D, F05Z, F07A, F07B, F14A, F14B, F28A, F42Z, F54Z, F59A, F59B	51179.4	08	I08A, I08B, I08C, I08D, I08E, I13A, I13B	51179.d↔	07	H33Z, H38Z
	08	I08A, I08B, I08C, I08D, I08E, I13A, I13B		11	L09A, L09B, L09C, L09D, L38Z		08	I08A, I08B, I08C, I08D, I08E, I13A, I13B
	10	K09A, K09B		21A	W04A, W04B		11	L33Z
	21A	W04A, W04B		21B	X04Z		21A	W04A, W04B
	21B	X04Z		05	F39A, F39B		21B	X06A, X06B, X33Z
51178.5↔	05	F01A, F01B, F01D, F05Z, F07A, F07B, F14A, F14B, F28A, F42Z, F54Z, F59A, F59B	51179.5	06	G18A, G38Z	51179.e↔	23	Z01A
	08	I08A, I08B, I08C, I08D, I08E, I13A, I13B		07	H01A		Pre	A07A
	10	K09A, K09B		08	I08A, I08B, I08C, I08D, I08E, I13A, I13B		05	F01A, F01B, F01D, F05Z, F07A, F07B, F14A, F14B, F28A, F42Z, F54Z, F59A, F59B
	21A	W04A, W04B		21A	W04A, W04B		08	I08A, I08B, I08C, I08D, I08E, I13A, I13B
	21B	X04Z		21B	X04Z		10	K09A, K09B
51178.6↔	05	F01A, F01B, F01D, F05Z, F07A, F07B, F14A, F14B, F28A, F42Z, F54Z, F59A, F59B	51179.6	05	F39A, F39B	51179.f↔	21A	W04A, W04B
	08	I08A, I08B, I08C, I08D, I08E, I13A, I13B		06	G18A, G38Z		21B	X06A, X06B
	10	K09A, K09B		07	H01A		BOP, KOP, KOPV, KVT, UOP4	
	21A	W04A, W04B		08	I08A, I08B, I08C, I08D, I08E, I13A, I13B		04	E05A, E05B, E05C, E08A, E08B, E08C
	21B	X04Z		21A	W04A, W04B		05	F01A, F01B, F01D, F05Z, F07A, F07B, F09A, F09B, F09C, F42Z
51178.7↔	05	F01A, F01B, F01D, F05Z, F07A, F07B, F14A, F14B, F28A, F42Z, F54Z, F59A, F59B	51179.7	21B	X04Z	51179.g↔	06	G15Z, G19A, G19B, G33Z, G38Z
	08	I08A, I08B, I08C, I08D, I08E, I13A, I13B		05	F39A, F39B		07	H33Z, H38Z
	10	K09A, K09B		06	G18A, G38Z		08	I08A, I08B, I08C, I08D, I08E, I13A, I13B
	21A	W04A, W04B		07	H01A		11	L33Z
	21B	X04Z		08	I08A, I08B, I08C, I08D, I08E, I13A, I13B		21A	W04A, W04B
51178.8↔	05	F01A, F01B, F01D, F05Z, F07A, F07B, F14A, F14B, F28A, F42Z, F54Z, F59A, F59B	51179.8↔	21A	W04A, W04B	51179.h↔	21B	X06A, X06B, X33Z
	08	I08A, I08B, I08C, I08D, I08E, I13A, I13B		05	F39A, F39B		23	Z01A
	10	K09A, K09B		06	G18A, G38Z		Pre	A07A
	21A	W04A, W04B		07	H01A			
	21B	X04Z		08	I08A, I08B, I08C, I08D, I08E, I13A, I13B			

VYK

ZZV	MDC	DRG	ZZV	MDC	DRG	ZZV	MDC	DRG				
51179.e		BOP, KVT, UOP4	5117a.0↔	01	B03A, B03B, B06A, B06B, B07Z, B17A, B17B, B17C	51180.1		BOP, KVT, UOP4				
	04	E02A, E02B, E02C		03	D12A, D12B		04	E02A, E02B, E02C				
	05	F01A, F01B, F01D, F05Z, F07A, F07B, F14A, F14B, F28A, F42Z, F54Z, F59A, F59B		05	F01A, F01B, F01D, F05Z, F07A, F07B, F14A, F14B, F28A, F42Z, F54Z, F59A, F59B		05	F01A, F01B, F01D, F05Z, F07A, F07B, F14A, F14B, F28A, F42Z, F54Z, F59A, F59B				
	08	I08A, I08B, I08C, I08D, I08E, I13A, I13B		08	I08A, I08B, I08C, I08D, I08E, I13A, I13B		08	I08A, I08B, I08C, I08D, I08E, I13A, I13B				
	14	962Z, O02A, O02B		21A	W04A, W04B		14	962Z, O02A, O02B				
	21A	W04A, W04B		21B	X06A, X06B		21A	W04A, W04B				
	21B	X06A, X06B					21B	X06A, X06B, X06C				
	51179.f			BOP, KVT, UOP4	5117a.1↔		01	B04A, B04B, B04C, B04D, B04E	51180.2		E02A, E02B, E02C	
		04		E02A, E02B, E02C			05	F39A, F39B		05	F01A, F01B, F01D, F05Z, F07A, F07B, F14A, F14B, F28A, F42Z, F54Z, F59A, F59B	
		05		F01A, F01B, F01D, F05Z, F07A, F07B, F14A, F14B, F28A, F42Z, F54Z, F59A, F59B			08	I08A, I08B, I08C, I08D, I08E, I13A, I13B		08	I08A, I08B, I08C, I08D, I08E, I13A, I13B	
06		G03A, G18A, G38Z	21A	W04A, W04B		08	I08A, I08B, I08C, I08D, I08E, I13A, I13B					
07		H01A	21B	X06A, X06B		14	962Z, O02A, O02B					
08		I08A, I08B, I08C, I08D, I08E, I13A, I13B	05	F01A, F01B, F01D, F05Z, F07A, F07B, F14A, F14B, F28A, F42Z, F54Z, F59A, F59B		21A	W04A, W04B					
14		962Z, O02A, O02B	08	I08A, I08B, I08C, I08D, I08E, I13A, I13B		21B	X06A, X06B, X06C					
21A		W04A, W04B	10	K09A, K09B		51180.x		BOP, KVT, UOP4				
21B		X06A, X06B	21A	W04A, W04B			04	E02A, E02B, E02C				
51179.g↔			BOP, KVT, UOP4	5117a.2↔			05	F01A, F01B, F01D, F05Z, F07A, F07B, F14A, F14B, F28A, F42Z, F54Z, F59A, F59B		05	F01A, F01B, F01D, F05Z, F07A, F07B, F14A, F14B, F28A, F42Z, F54Z, F59A, F59B	
	05	F01A, F01B, F01D, F05Z, F07A, F07B, F14A, F14B, F28A, F42Z, F54Z, F59A, F59B	08		I08A, I08B, I08C, I08D, I08E, I13A, I13B		08	I08A, I08B, I08C, I08D, I08E, I13A, I13B				
	06	G10Z, G12A, G12B	10		K09A, K09B		14	962Z, O02A, O02B				
	08	I08A, I08B, I08C, I08D, I08E, I13A, I13B	21A		W04A, W04B		21A	W04A, W04B				
	11	L09A, L09B, L09C, L09D, L38Z	21B		X06A, X06B		21B	X06A, X06B, X06C				
	21A	W04A, W04B	5117a.4↔		01		B03A, B03B, B06A, B06B, B07Z, B17A, B17B, B17C	51190.0↔	01	B04A, B04B, B04C, B04D, B04E		
	21B	X06A, X06B			05		F01A, F01B, F01D, F05Z, F07A, F07B, F14A, F14B, F28A, F42Z, F54Z, F59A, F59B		05	F39A, F39B		
	51179.h↔				BOP, KVT, UOP4		5117a.5↔		05	F39A, F39B	08	I08A, I08B, I08C, I08D, I08E, I13A, I13B
		05			F01A, F01B, F01D, F05Z, F07A, F07B, F14A, F14B, F28A, F42Z, F54Z, F59A, F59B	08			I08A, I08B, I08C, I08D, I08E, I13A, I13B	08	I08A, I08B, I08C, I08D, I08E, I13A, I13B	
		06			G10Z, G12A, G12B	21A			W04A, W04B	08	I08A, I08B, I08C, I08D, I08E, I13A, I13B	
08		I08A, I08B, I08C, I08D, I08E, I13A, I13B		21B	X04Z	08			I08A, I08B, I08C, I08D, I08E, I13A, I13B			
11		L09A, L09B, L09C, L09D, L38Z		05	F39A, F39B	05			F39A, F39B			
21A		W04A, W04B		08	I08A, I08B, I08C, I08D, I08E, I13A, I13B	08			I08A, I08B, I08C, I08D, I08E, I13A, I13B			
21B		X06A, X06B		21A	W04A, W04B	08			I08A, I08B, I08C, I08D, I08E, I13A, I13B			
51179.i↔				BOP, KVT, UOP4	5117a.6↔	21B			X04Z	51191.0↔	05	F39A, F39B
		05	F01A, F01B, F01D, F05Z, F07A, F07B, F14A, F14B, F28A, F42Z, F54Z, F59A, F59B	05		F39A, F39B		08	I08A, I08B, I08C, I08D, I08E, I13A, I13B			
		06	G10Z, G12A, G12B	08		I08A, I08B, I08C, I08D, I08E, I13A, I13B		08	I08A, I08B, I08C, I08D, I08E, I13A, I13B			
	08	I08A, I08B, I08C, I08D, I08E, I13A, I13B	21A	W04A, W04B		08	I08A, I08B, I08C, I08D, I08E, I13A, I13B					
	11	L09A, L09B, L09C, L09D, L38Z	21B	X06A, X06B		08	I08A, I08B, I08C, I08D, I08E, I13A, I13B					
	21A	W04A, W04B	5117a.x↔	05		F39A, F39B	08	I08A, I08B, I08C, I08D, I08E, I13A, I13B				
	21B	X06A, X06B		08		I08A, I08B, I08C, I08D, I08E, I13A, I13B	08	I08A, I08B, I08C, I08D, I08E, I13A, I13B				
	51179.x↔			BOP, KVT, UOP4		5117x↔	05	F39A, F39B	51191.11↔		05	F39A, F39B
		05		F01A, F01B, F01D, F05Z, F07A, F07B, F14A, F14B, F28A, F42Z, F54Z, F59A, F59B			08	I08A, I08B, I08C, I08D, I08E, I13A, I13B			08	I08A, I08B, I08C, I08D, I08E, I13A, I13B
		06		G10Z, G12A, G12B			21A	W04A, W04B			08	I08A, I08B, I08C, I08D, I08E, I13A, I13B
08		I08A, I08B, I08C, I08D, I08E, I13A, I13B		21B	X06A, X06B		08	I08A, I08B, I08C, I08D, I08E, I13A, I13B				
11		L09A, L09B, L09C, L09D, L38Z		05	F39A, F39B		08	I08A, I08B, I08C, I08D, I08E, I13A, I13B				
21A		W04A, W04B		08	I08A, I08B, I08C, I08D, I08E, I13A, I13B		08	I08A, I08B, I08C, I08D, I08E, I13A, I13B				
21B		X06A, X06B		21A	W04A, W04B		08	I08A, I08B, I08C, I08D, I08E, I13A, I13B				
05		F39A, F39B		21B	X04Z, X06A, X06B		08	I08A, I08B, I08C, I08D, I08E, I13A, I13B				
08		I08A, I08B, I08C, I08D, I08E, I13A, I13B	51180.0	04	E02A, E02B, E02C		08	I08A, I08B, I08C, I08D, I08E, I13A, I13B				
21A		W04A, W04B		05	F01A, F01B, F01D, F05Z, F07A, F07B, F14A, F14B, F28A, F42Z, F54Z, F59A, F59B		08	I08A, I08B, I08C, I08D, I08E, I13A, I13B				
21B	X04Z	08		I08A, I08B, I08C, I08D, I08E, I13A, I13B	08	I08A, I08B, I08C, I08D, I08E, I13A, I13B						
		14		962Z, O02A, O02B	08	I08A, I08B, I08C, I08D, I08E, I13A, I13B						
		21A		W04A, W04B	08	I08A, I08B, I08C, I08D, I08E, I13A, I13B						
		21B		X06A, X06B, X06C	08	I08A, I08B, I08C, I08D, I08E, I13A, I13B						

ZZV	MDC	DRG	ZZV	MDC	DRG	ZZV	MDC	DRG
51193.2↔	05	F20Z, F39A, F39B	511a1.71↔		BOP, KVT, UOP4	51410.00		BOP, KOP, KVT, UOP4
	08	I08A, I08B, I08C, I08D, I08E, I13A, I13B	01		B04A, B04B, B04C, B04D, B04E	04		E36Z
51194.0↔	05	F39A, F39B	03		D12A, D12B	05		F01A, F01B, F01D, F05Z, F07A, F07B, F08A, F08B, F08C, F08D, F08E, F27A, F28A, F36A, F42Z, F51A, F51B
	08	I08A, I08B, I08C, I08D, I08E, I13A, I13B	05		F01A, F01B, F01D, F05Z, F06A, F06C, F07A, F07B, F14A, F14B, F28A, F42Z, F54Z, F59A, F59B	06		G36Z
51194.1↔	05	F39A, F39B	08		I08A, I08B, I08C, I08D, I08E, I13A, I13B	08		I08A, I08B, I08C, I08D, I08E, I13A, I13B, I26Z
	08	I08A, I08B, I08C, I08D, I08E, I13A, I13B	10		K09A, K09B	11		L33Z
51194.2↔	05	F39A, F39B	11		L09A, L38Z	21A		W36Z
	08	I08A, I08B, I08C, I08D, I08E, I13A, I13B	21A		W04A, W04B	21B		X33Z
51194.3↔	05	F39A, F39B	21B		X06A, X06B, X06C	23		Z01A
	08	I08A, I08B, I08C, I08D, I08E, I13A, I13B	511a1.7x↔		BOP, KVT, UOP4	Pre		A06A, A07A, A09A, A11A, A13A
51194.x↔	05	F39A, F39B	01		B04A, B04B, B04C, B04D, B04E	51410.01		BOP, KOP, KVT, UOP4
	08	I08A, I08B, I08C, I08D, I08E, I13A, I13B	03		D12A, D12B	04		E36Z
51195.0↔	05	F39A, F39B	05		F01A, F01B, F01D, F05Z, F06A, F06C, F07A, F07B, F14A, F14B, F28A, F42Z, F54Z, F59A, F59B	05		F01A, F01B, F01D, F05Z, F07A, F07B, F08A, F08B, F08C, F08D, F08E, F27A, F28A, F36A, F42Z, F51A, F51B
	08	I08A, I08B, I08C, I08D, I08E, I13A, I13B	08		I08A, I08B, I08C, I08D, I08E, I13A, I13B	06		G36Z
51195.1	05	F39A, F39B	10		K09A, K09B	08		I08A, I08B, I08C, I08D, I08E, I13A, I13B, I26Z
	08	I08A, I08B, I08C, I08D, I08E, I13A, I13B	11		L09A, L38Z	11		L33Z
51195.2	05	F39A, F39B	21A		W04A, W04B	21A		W36Z
	08	I08A, I08B, I08C, I08D, I08E, I13A, I13B	21B		X06A, X06B, X06C	21B		X33Z
51195.3	05	F39A, F39B	511a2.00↔		F01A, F01B, F01D, F05Z, F07A, F07B, F14A, F14B, F28A, F42Z, F54Z, F59A, F59B	23		Z01A
	08	I08A, I08B, I08C, I08D, I08E, I13A, I13B	05		F01A, F01B, F01D, F05Z, F07A, F07B, F14A, F14B, F28A, F42Z, F54Z, F59A, F59B	Pre		A06A, A07A, A09A, A11A, A13A
51195.4	05	F39A, F39B	08		I08A, I08B, I08C, I08D, I08E, I13A, I13B	51410.10		BOP, KOP, KVT, UOP4
	08	I08A, I08B, I08C, I08D, I08E, I13A, I13B	10		K09A, K09B	04		E36Z
51195.5	05	F39A, F39B	21A		W04A, W04B	05		F01A, F01B, F01D, F05Z, F07A, F07B, F08A, F08B, F08C, F08D, F08E, F27A, F28A, F36A, F42Z, F51A, F51B
	08	I08A, I08B, I08C, I08D, I08E, I13A, I13B	21B		X06A, X06B	06		G36Z
51195.6↔	05	F39A, F39B	511a2.0x↔		F01A, F01B, F01D, F05Z, F07A, F07B, F14A, F14B, F28A, F42Z, F54Z, F59A, F59B	08		I08A, I08B, I08C, I08D, I08E, I13A, I13B, I26Z
	08	I08A, I08B, I08C, I08D, I08E, I13A, I13B	05		F01A, F01B, F01D, F05Z, F07A, F07B, F14A, F14B, F28A, F42Z, F54Z, F59A, F59B	11		L33Z
51195.7↔	05	F39A, F39B	08		I08A, I08B, I08C, I08D, I08E, I13A, I13B	21A		W36Z
	08	I08A, I08B, I08C, I08D, I08E, I13A, I13B	10		K09A, K09B	21B		X33Z
51195.8↔	05	F39A, F39B	21A		W04A, W04B	23		Z01A
	08	I08A, I08B, I08C, I08D, I08E, I13A, I13B	21B		X06A, X06B	Pre		A06A, A07A, A09A, A11A, A13A
5119x↔	05	F39A, F39B	511a2.10↔		F39A, F39B	51410.11		BOP, KOP, KVT, UOP4
	08	I08A, I08B, I08C, I08D, I08E, I13A, I13B	08		I08A, I08B, I08C, I08D, I08E, I13A, I13B	04		E36Z
511a1.70↔		BOP, KVT, UOP4	21A		W04A, W04B	05		F01A, F01B, F01D, F05Z, F07A, F07B, F08A, F08B, F08C, F08D, F08E, F27A, F28A, F36A, F42Z, F51A, F51B
	01	B04A, B04B, B04C, B04D, B04E	21B		X04Z, X05A, X05B, X06A, X06B, X06C	06		G36Z
	03	D12A, D12B	511a2.11↔		F39A, F39B	08		I08A, I08B, I08C, I08D, I08E, I13A, I13B, I26Z
	05	F01A, F01B, F01D, F05Z, F06A, F06C, F07A, F07B, F14A, F14B, F28A, F42Z, F54Z, F59A, F59B	05		F39A, F39B	11		L33Z
	08	I08A, I08B, I08C, I08D, I08E, I13A, I13B	08		I08A, I08B, I08C, I08D, I08E, I13A, I13B	21A		W36Z
	10	K09A, K09B	511a2.1x↔		F39A, F39B	21B		X33Z
	11	L09A, L38Z	08		I08A, I08B, I08C, I08D, I08E, I13A, I13B	23		Z01A
	21A	W04A, W04B	21A		W04A, W04B	Pre		A06A, A07A, A09A, A11A, A13A
	21B	X06A, X06B, X06C	21B		X04Z, X05A, X05B, X06A, X06B, X06C			
			511a2.x↔		F39A, F39B			
			05		F39A, F39B			
			08		I08A, I08B, I08C, I08D, I08E, I13A, I13B			
			21A		W04A, W04B			
			21B		X04Z, X05A, X05B, X06A, X06B, X06C			

VYK

ZZV	MDC	DRG	ZZV	MDC	DRG	ZZV	MDC	DRG
51410.12		BOP, KOP, KVT, UOP4	51410.22		BOP, KOP, KVT, UOP4	51410.31		BOP, KOP, KVT, UOP4
	04	E36Z		04	E36Z		04	E36Z
	05	F01A, F01B, F01D, F05Z, F07A, F07B, F08A, F08B, F08C, F08D, F08E, F27A, F28A, F36A, F42Z, F51A, F51B		05	F01A, F01B, F01D, F05Z, F07A, F07B, F08A, F08B, F08C, F08D, F08E, F27A, F28A, F36A, F42Z, F51A, F51B		05	F01A, F01B, F01D, F05Z, F07A, F07B, F08A, F08B, F08C, F08D, F08E, F27A, F28A, F36A, F42Z, F51A, F51B
	06	G36Z		06	G36Z		06	G36Z
	08	I08A, I08B, I08C, I08D, I08E, I13A, I13B, I26Z		08	I08A, I08B, I08C, I08D, I08E, I13A, I13B, I26Z		08	I08A, I08B, I08C, I08D, I08E, I13A, I13B, I26Z
	11	L33Z		11	L33Z		11	L33Z
	21A	W36Z		21A	W36Z		21A	W36Z
	21B	X33Z		21B	X33Z		21B	X33Z
	23	Z01A		23	Z01A		23	Z01A
	Pre	A06A, A07A, A09A, A11A, A13A		Pre	A06A, A07A, A09A, A11A, A13A		Pre	A06A, A07A, A09A, A11A, A13A
51410.13		BOP, KOP, KVT, UOP4	51410.23		BOP, KOP, KVT, UOP4	51410.32		BOP, KOP, KVT, UOP4
	04	E36Z		04	E36Z		04	E36Z
	05	F01A, F01B, F01D, F05Z, F07A, F07B, F08A, F08B, F08C, F08D, F08E, F27A, F28A, F36A, F42Z, F51A, F51B		05	F01A, F01B, F01D, F05Z, F07A, F07B, F08A, F08B, F08C, F08D, F08E, F27A, F28A, F36A, F42Z, F51A, F51B		05	F01A, F01B, F01D, F05Z, F07A, F07B, F08A, F08B, F08C, F08D, F08E, F27A, F28A, F36A, F42Z, F51A, F51B
	06	G36Z		06	G36Z		06	G36Z
	08	I08A, I08B, I08C, I08D, I08E, I13A, I13B, I26Z		08	I08A, I08B, I08C, I08D, I08E, I13A, I13B, I26Z		08	I08A, I08B, I08C, I08D, I08E, I13A, I13B, I26Z
	11	L33Z		11	L33Z		11	L33Z
	21A	W36Z		21A	W36Z		21A	W36Z
	21B	X33Z		21B	X33Z		21B	X33Z
	23	Z01A		23	Z01A		23	Z01A
	Pre	A06A, A07A, A09A, A11A, A13A		Pre	A06A, A07A, A09A, A11A, A13A		Pre	A06A, A07A, A09A, A11A, A13A
51410.14		BOP, KOP, KVT, UOP4	51410.24		BOP, KOP, KVT, UOP4	51410.33		BOP, KOP, KVT, UOP4
	04	E36Z		04	E36Z		04	E36Z
	05	F01A, F01B, F01D, F05Z, F07A, F07B, F08A, F08B, F08C, F08D, F08E, F27A, F28A, F36A, F42Z, F51A, F51B		05	F01A, F01B, F01D, F05Z, F07A, F07B, F08A, F08B, F08C, F08D, F08E, F27A, F28A, F36A, F42Z, F51A, F51B		05	F01A, F01B, F01D, F05Z, F07A, F08A, F08B, F08C, F08D, F08E, F27A, F28A, F36A, F42Z, F51A, F51B
	06	G36Z		06	G36Z		06	G36Z
	08	I08A, I08B, I08C, I08D, I08E, I13A, I13B, I26Z		08	I08A, I08B, I08C, I08D, I08E, I13A, I13B, I26Z		08	I08A, I08B, I08C, I08D, I08E, I13A, I13B, I26Z
	11	L33Z		11	L33Z		11	L33Z
	21A	W36Z		21A	W36Z		21A	W36Z
	21B	X33Z		21B	X33Z		21B	X33Z
	23	Z01A		23	Z01A		23	Z01A
	Pre	A06A, A07A, A09A, A11A, A13A		Pre	A06A, A07A, A09A, A11A, A13A		Pre	A06A, A07A, A09A, A11A, A13A
51410.21		BOP, KOP, KVT, UOP4	51410.30		BOP, KOP, KVT, UOP4	51410.34		BOP, KOP, KVT, UOP4
	04	E36Z		04	E36Z		04	E36Z
	05	F01A, F01B, F01D, F05Z, F07A, F07B, F08A, F08B, F08C, F08D, F08E, F27A, F28A, F36A, F42Z, F51A, F51B		05	F01A, F01B, F01D, F05Z, F07A, F07B, F08A, F08B, F08C, F08D, F08E, F27A, F28A, F36A, F42Z, F51A, F51B		05	F01A, F01B, F01D, F05Z, F07A, F08A, F08B, F08C, F08D, F08E, F27A, F28A, F36A, F42Z, F51A, F51B
	06	G36Z		06	G36Z		06	G36Z
	08	I08A, I08B, I08C, I08D, I08E, I13A, I13B, I26Z		08	I08A, I08B, I08C, I08D, I08E, I13A, I13B, I26Z		08	I08A, I08B, I08C, I08D, I08E, I13A, I13B, I26Z
	11	L33Z		11	L33Z		11	L33Z
	21A	W36Z		21A	W36Z		21A	W36Z
	21B	X33Z		21B	X33Z		21B	X33Z
	23	Z01A		23	Z01A		23	Z01A
	Pre	A06A, A07A, A09A, A11A, A13A		Pre	A06A, A07A, A09A, A11A, A13A		Pre	A06A, A07A, A09A, A11A, A13A

ZZV	MDC	DRG	ZZV	MDC	DRG	ZZV	MDC	DRG
51410.41		BOP, KOP, KVT, UOP4	51410.51		BOP, KOP, KVT, UOP4	51410.61		BOP, KOP, KVT, UOP4
	04	E36Z		04	E36Z		04	E36Z
	05	F01A, F01B, F01D, F05Z, F07A, F08A, F08B, F08C, F08D, F08E, F27A, F28A, F36A, F42Z, F51A, F51B		05	F01A, F01B, F01D, F05Z, F07A, F07B, F08A, F08B, F08C, F08D, F08E, F27A, F28A, F36A, F42Z, F51A, F51B		05	F01A, F01B, F01D, F05Z, F07A, F08A, F08B, F08C, F08D, F08E, F27A, F28A, F36A, F42Z, F51A, F51B
	06	G36Z		06	G36Z		06	G36Z
	08	I08A, I08B, I08C, I08D, I08E, I13A, I13B, I26Z		08	I08A, I08B, I08C, I08D, I08E, I13A, I13B, I26Z		08	I08A, I08B, I08C, I08D, I08E, I13A, I13B, I26Z
	11	L33Z		11	L33Z		11	L33Z
	21A	W36Z		11	L33Z		21A	W36Z
	21B	X33Z		21A	W36Z		21B	X33Z
	23	Z01A		21B	X33Z		23	Z01A
	Pre	A06A, A07A, A09A, A11A, A13A		23	Z01A		Pre	A06A, A07A, A09A, A11A, A13A
				Pre	A06A, A07A, A09A, A11A, A13A			
	51410.42			BOP, KOP, KVT, UOP4	51410.53			BOP, KOP, KVT, UOP4
04		E36Z	04	E36Z		04	E36Z	
05		F01A, F01B, F01D, F05Z, F07A, F08A, F08B, F08C, F08D, F08E, F27A, F28A, F36A, F42Z, F51A, F51B	05	F01A, F01B, F01D, F05Z, F07A, F07B, F08A, F08B, F08C, F08D, F08E, F27A, F28A, F36A, F42Z, F51A, F51B		05	F01A, F01B, F01D, F05Z, F07A, F08A, F08B, F08C, F08D, F08E, F27A, F28A, F36A, F42Z, F51A, F51B	
06		G36Z	06	G36Z		06	G36Z	
08		I08A, I08B, I08C, I08D, I08E, I13A, I13B, I26Z	08	I08A, I08B, I08C, I08D, I08E, I13A, I13B, I26Z		08	I08A, I08B, I08C, I08D, I08E, I13A, I13B, I26Z	
11		L33Z	08	I08A, I08B, I08C, I08D, I08E, I13A, I13B, I26Z		11	L33Z	
21A		W36Z	11	L33Z		21A	W36Z	
21B		X33Z	21A	W36Z		21B	X33Z	
23		Z01A	21B	X33Z		23	Z01A	
Pre		A06A, A07A, A09A, A11A, A13A	23	Z01A		Pre	A06A, A07A, A09A, A11A, A13A	
			Pre	A06A, A07A, A09A, A11A, A13A				
51410.43			BOP, KOP, KVT, UOP4	51410.54			BOP, KOP, KVT, UOP4	51410.x
	04	E36Z	04		E36Z	04	E36Z	
	05	F01A, F01B, F01D, F05Z, F07A, F07B, F08A, F08B, F08C, F08D, F08E, F27A, F28A, F36A, F42Z, F51A, F51B	05		F01A, F01B, F01D, F05Z, F07A, F07B, F08A, F08B, F08C, F08D, F08E, F27A, F28A, F36A, F42Z, F51A, F51B	05	F01A, F01B, F01D, F05Z, F07A, F07B, F08A, F08B, F08C, F08D, F08E, F27A, F28A, F36A, F42Z, F51A, F51B	
	06	G36Z	06		G36Z	06	G36Z	
	08	I08A, I08B, I08C, I08D, I08E, I13A, I13B, I26Z	08		I08A, I08B, I08C, I08D, I08E, I13A, I13B, I26Z	08	I08A, I08B, I08C, I08D, I08E, I13A, I13B, I26Z	
	11	L33Z	08		I08A, I08B, I08C, I08D, I08E, I13A, I13B, I26Z	11	L33Z	
	21A	W36Z	11		L33Z	21A	W36Z	
	21B	X33Z	21A		W36Z	21B	X33Z	
	23	Z01A	21B		X33Z	23	Z01A	
	Pre	A06A, A07A, A09A, A11A, A13A	23		Z01A	Pre	A06A, A07A, A09A, A11A, A13A	
			Pre		A06A, A07A, A09A, A11A, A13A			
	51410.44		BOP, KOP, KVT, UOP4		51410.60		BOP, KOP, KVT, UOP4	
04		E36Z	04	E36Z		05	F01A, F01B, F01D, F05Z, F07A, F07B, F08A, F08B, F08C, F08D, F08E, F27A, F28A, F42Z	
05		F01A, F01B, F01D, F05Z, F07A, F07B, F08A, F08B, F08C, F08D, F08E, F27A, F28A, F36A, F42Z, F51A, F51B	05	F01A, F01B, F01D, F05Z, F07A, F08A, F08B, F08C, F08D, F08E, F27A, F28A, F36A, F42Z, F51A, F51B		08	I08A, I08B, I08C, I08D, I08E, I13A, I13B	
06		G36Z	06	G36Z		21B	X33Z	
08		I08A, I08B, I08C, I08D, I08E, I13A, I13B, I26Z	08	I08A, I08B, I08C, I08D, I08E, I13A, I13B, I26Z		23	Z01A	
11		L33Z	08	I08A, I08B, I08C, I08D, I08E, I13A, I13B, I26Z				
21A		W36Z	11	L33Z		51411.1	BOP, KVT, UOP4	
21B		X33Z	21A	W36Z		05	F01A, F01B, F01D, F05Z, F07A, F07B, F08A, F08B, F08C, F08D, F08E, F27A, F28A, F42Z	
23		Z01A	21B	X33Z		08	I08A, I08B, I08C, I08D, I08E, I13A, I13B	
Pre		A06A, A07A, A09A, A11A, A13A	23	Z01A		21B	X33Z	
			Pre	A06A, A07A, A09A, A11A, A13A		23	Z01A	

VYK

ZZV	MDC	DRG	ZZV	MDC	DRG	ZZV	MDC	DRG
5I412.0		BOP, KOP, KVT, UOP4	5I412.21		BOP, KOP, KVT, UOP4	5I412.32		BOP, KOP, KVT, UOP4
	04	E36Z		04	E36Z		04	E36Z
	05	F01A, F01B, F01D, F05Z, F07A, F07B, F08A, F08B, F08C, F08D, F08E, F27A, F28A, F36A, F42Z, F51A		05	F01A, F01B, F01D, F05Z, F07A, F07B, F08A, F08B, F08C, F08D, F08E, F27A, F28A, F36A, F42Z, F51A		05	F01A, F01B, F01D, F05Z, F07A, F07B, F08A, F08B, F08C, F08D, F08E, F27A, F28A, F36A, F42Z, F51A
	06	G36Z		06	G36Z		06	G36Z
	08	I08A, I08B, I08C, I08D, I08E, I13A, I13B, I26Z		08	I08A, I08B, I08C, I08D, I08E, I13A, I13B, I26Z		08	I08A, I08B, I08C, I08D, I08E, I13A, I13B, I26Z
	11	L33Z		11	L33Z		11	L33Z
	21A	W36Z		21A	W36Z		21A	W36Z
	21B	X33Z		21B	X33Z		21B	X33Z
	23	Z01A		23	Z01A		23	Z01A
	Pre	A06A, A07A, A09A, A11A, A13A		Pre	A06A, A07A, A09A, A11A, A13A		Pre	A06A, A07A, A09A, A11A, A13A
	5I412.11			BOP, KOP, KVT, UOP4	5I412.22			BOP, KOP, KVT, UOP4
04		E36Z	04	E36Z		04	E36Z	
05		F01A, F01B, F01D, F05Z, F07A, F07B, F08A, F08B, F08C, F08D, F08E, F27A, F28A, F36A, F42Z, F51A	05	F01A, F01B, F01D, F05Z, F07A, F07B, F08A, F08B, F08C, F08D, F08E, F27A, F28A, F36A, F42Z, F51A		05	F01A, F01B, F01D, F05Z, F07A, F07B, F08A, F08B, F08C, F08D, F08E, F27A, F28A, F36A, F42Z, F51A	
06		G36Z	06	G36Z		06	G36Z	
08		I08A, I08B, I08C, I08D, I08E, I13A, I13B, I26Z	08	I08A, I08B, I08C, I08D, I08E, I13A, I13B, I26Z		08	I08A, I08B, I08C, I08D, I08E, I13A, I13B, I26Z	
11		L33Z	11	L33Z		11	L33Z	
21A		W36Z	21A	W36Z		21A	W36Z	
21B		X33Z	21B	X33Z		21B	X33Z	
23		Z01A	23	Z01A		23	Z01A	
Pre		A06A, A07A, A09A, A11A, A13A	Pre	A06A, A07A, A09A, A11A, A13A		Pre	A06A, A07A, A09A, A11A, A13A	
5I412.12			BOP, KOP, KVT, UOP4	5I412.23			BOP, KOP, KVT, UOP4	5I413.0
	04	E36Z	04		E36Z	04	E36Z	
	05	F01A, F01B, F01D, F05Z, F07A, F07B, F08A, F08B, F08C, F08D, F08E, F27A, F28A, F36A, F42Z, F51A	05		F01A, F01B, F01D, F05Z, F07A, F07B, F08A, F08B, F08C, F08D, F08E, F27A, F28A, F36A, F42Z, F51A	05	F01A, F01B, F01D, F05Z, F07A, F07B, F08A, F08B, F08C, F08D, F08E, F27A, F28A, F36A, F42Z, F51A	
	06	G36Z	06		G36Z	06	G36Z	
	08	I08A, I08B, I08C, I08D, I08E, I13A, I13B, I26Z	08		I08A, I08B, I08C, I08D, I08E, I13A, I13B, I26Z	08	I08A, I08B, I08C, I08D, I08E, I13A, I13B, I26Z	
	11	L33Z	11		L33Z	11	L33Z	
	21A	W36Z	21A		W36Z	21A	W36Z	
	21B	X33Z	21B		X33Z	21B	X33Z	
	23	Z01A	23		Z01A	23	Z01A	
	Pre	A06A, A07A, A09A, A11A, A13A	Pre		A06A, A07A, A09A, A11A, A13A	Pre	A06A, A07A, A09A, A11A, A13A	
	5I412.13		BOP, KOP, KVT, UOP4		5I412.31		BOP, KOP, KVT, UOP4	
04		E36Z	04	E36Z		04	E36Z	
05		F01A, F01B, F01D, F05Z, F07A, F07B, F08A, F08B, F08C, F08D, F08E, F27A, F28A, F36A, F42Z, F51A	05	F01A, F01B, F01D, F05Z, F07A, F07B, F08A, F08B, F08C, F08D, F08E, F27A, F28A, F36A, F42Z, F51A		05	F01A, F01B, F01D, F05Z, F07A, F07B, F08A, F08B, F08C, F08D, F08E, F27A, F28A, F36A, F42Z, F51A	
06		G36Z	06	G36Z		06	G36Z	
08		I08A, I08B, I08C, I08D, I08E, I13A, I13B, I26Z	08	I08A, I08B, I08C, I08D, I08E, I13A, I13B, I26Z		08	I08A, I08B, I08C, I08D, I08E, I13A, I13B, I26Z	
11		L33Z	11	L33Z		11	L33Z	
21A		W36Z	21A	W36Z		21A	W36Z	
21B		X33Z	21B	X33Z		21B	X33Z	
23		Z01A	23	Z01A		23	Z01A	
Pre		A06A, A07A, A09A, A11A, A13A	Pre	A06A, A07A, A09A, A11A, A13A		Pre	A06A, A07A, A09A, A11A, A13A	

VYK

ZZV	MDC	DRG	ZZV	MDC	DRG	ZZV	MDC	DRG
51416.12		BOP, KVT, UOP4	51500.5		BOP, KOP, KVT, UOP4	51501.1		BOP, KOP, KOPV, KVT, UOP4
	05	F01A, F01B, F01D, F05Z, F07A, F07B, F08A, F08B, F08C, F08D, F08E, F27A, F28A, F42Z		04	E02A, E02B, E02C		05	F01A, F01B, F01D, F05Z, F07A, F07B, F14A, F14B, F28A, F42Z, F54Z, F59A, F59B
	08	I08A, I08B, I08C, I08D, I08E, I13A, I13B		05	F01A, F01B, F01D, F05Z, F07A, F07B, F14A, F14B, F28A, F42Z, F54Z, F59A, F59B		06	G15Z, G19A, G19B, G33Z, G38Z
51416.13	21B	X33Z	51500.6	08	I08A, I08B, I08C, I08D, I08E, I13A, I13B	51501.2	06	G15Z, G19A, G19B, G33Z, G38Z
		BOP, KVT, UOP4		10	K09A, K09B		07	H01A, H01B, H09A, H09B, H09C, H33Z, H38Z
	05	F01A, F01B, F01D, F05Z, F07A, F07B, F08A, F08B, F08C, F08D, F08E, F27A, F28A, F42Z		05	BOP, KOP, KOPV, KVT, UOP4		08	I08A, I08B, I08C, I08D, I08E, I13A, I13B
5141x	08	I08A, I08B, I08C, I08D, I08E, I13A, I13B	51500.7	05	F01A, F01B, F01D, F05Z, F07A, F07B, F09A, F09B, F09C, F30Z, F42Z	51501.3	11	L33Z
	21B	X33Z		06	G33Z		21B	X33Z
	05	F01A, F01B, F01D, F05Z, F07A, F07B, F08A, F08B, F08C, F08D, F08E, F27A, F28A, F42Z		07	H33Z, H38Z		23	Z01A
51500.0	08	I08A, I08B, I08C, I08D, I08E, I13A, I13B	51500.8	08	I08A, I08B, I08C, I08D, I08E, I13A, I13B	51501.4	Pre	A07A
	21B	X33Z		11	L33Z		05	F01A, F01B, F01D, F05Z, F07A, F07B, F14A, F14B, F28A, F42Z, F54Z, F59A, F59B
	05	F01A, F01B, F01D, F05Z, F07A, F07B, F09A, F09B, F09C, F42Z		15	P02A, P02B, P02C		06	G15Z, G19A, G19B, G33Z, G38Z
51500.1	08	I08A, I08B, I08C, I08D, I08E, I13A, I13B	51500.x	05	BOP, KOP, KVT, UOP4	51501.4	07	H01A, H01B, H09A, H09B, H09C, H33Z, H38Z
	15	P02A, P02B, P02C		05	F01A, F01B, F01D, F05Z, F07A, F07B, F09A, F09B, F09C, F42Z		08	I08A, I08B, I08C, I08D, I08E, I13A, I13B
	05	BOP, KOP, KVT, UOP4		08	I08A, I08B, I08C, I08D, I08E, I13A, I13B		11	L33Z
51500.2	05	F01A, F01B, F01D, F05Z, F07A, F07B, F09A, F09B, F09C, F42Z	51501.0	05	BOP, KOP, KVT, UOP4	51501.4	21B	X33Z
	08	I08A, I08B, I08C, I08D, I08E, I13A, I13B		05	F01A, F01B, F01D, F05Z, F07A, F07B, F09A, F09B, F09C, F42Z		23	Z01A
	08	I08A, I08B, I08C, I08D, I08E, I13A, I13B		08	I08A, I08B, I08C, I08D, I08E, I13A, I13B		Pre	A07A
51500.3		BOP, KOP, KOPV, KVT, UOP4	51501.4	05	F01A, F01B, F01D, F05Z, F07A, F07B, F14A, F14B, F28A, F42Z, F54Z, F59A, F59B	51501.4	Pre	A07A
	05	F01A, F01B, F01D, F05Z, F07A, F07B, F09A, F09B, F09C, F42Z		06	G15Z, G19A, G19B, G33Z, G38Z		05	F01A, F01B, F01D, F05Z, F07A, F07B, F14A, F14B, F28A, F42Z, F54Z, F59A, F59B
	06	G33Z		07	H01A, H01B, H09A, H09B, H09C, H33Z, H38Z		06	G15Z, G19A, G19B, G33Z, G38Z
51500.4	07	H33Z, H38Z	51501.4	07	H01A, H01B, H09A, H09B, H09C, H33Z, H38Z	51501.4	07	H01A, H01B, H09A, H09B, H09C, H33Z, H38Z
	08	I08A, I08B, I08C, I08D, I08E, I13A, I13B		08	I08A, I08B, I08C, I08D, I08E, I13A, I13B		08	I08A, I08B, I08C, I08D, I08E, I13A, I13B
	11	L33Z		11	L33Z		11	L33Z
51500.4	21B	X33Z	51501.4	11	L33Z	51501.4	21B	X33Z
	23	Z01A		21B	X33Z		23	Z01A
	Pre	A07A		Pre	A07A		Pre	A07A
51500.4		BOP, KOP, KVT, UOP4	51501.4	23	Z01A	51501.4	Pre	A07A
	05	F01A, F01B, F01D, F05Z, F07A, F07B, F09A, F09B, F09C, F42Z		Pre	A07A		05	F01A, F01B, F01D, F05Z, F07A, F07B, F14A, F14B, F28A, F42Z, F54Z, F59A, F59B
	08	I08A, I08B, I08C, I08D, I08E, I13A, I13B					06	G15Z, G19A, G19B, G33Z, G38Z
	15	P02A, P02B, P02C			07	H01A, H01B, H09A, H09B, H09C, H33Z, H38Z		

ZZV	MDC	DRG	ZZV	MDC	DRG	ZZV	MDC	DRG			
51501.x		BOP, KOP, KOPV, KVT, UOP4	51502.30	01	B04A, B04B, B04C, B04D, B04E	51502.40	01	B04A, B04B, B04C, B04D, B04E			
	05	F01A, F01B, F01D, F05Z, F07A, F07B, F14A, F14B, F28A, F42Z, F54Z, F59A, F59B		05	F01A, F01B, F01D, F05Z, F07A, F07B, F08B, F08D, F14A, F14B, F28A, F42Z, F54Z, F59A, F59B		05	F01A, F01B, F01D, F05Z, F07A, F07B, F08B, F08D, F14A, F14B, F28A, F42Z, F54Z, F59A, F59B			
	06	G15Z, G19A, G19B, G33Z, G38Z		07	H06A, H06B, H06C		07	H06A, H06B, H06C			
	07	H01A, H01B, H09A, H09B, H09C, H33Z, H38Z		08	I08A, I08B, I08C, I08D, I08E, I13A, I13B		08	I08A, I08B, I08C, I08D, I08E, I13A, I13B			
	08	I08A, I08B, I08C, I08D, I08E, I13A, I13B		09	J03A, J03B, J04A, J04B, J08A, J08B, J08C, J11A, J11B, J16Z		09	J03A, J03B, J04A, J04B, J08A, J08B, J08C, J11A, J11B, J16Z			
	11	L33Z		10	K09A, K09B		10	K09A, K09B			
	21B	X33Z		11	L09A, L09B, L09C, L09D, L38Z		11	L09A, L09B, L09C, L09D, L38Z			
	23	Z01A		21A	W04A, W04B		21A	W04A, W04B			
	Pre	A07A		21B	X04Z, X05A, X05B, X06A, X06B, X06C		21B	X04Z, X05A, X05B, X06A, X06B, X06C			
	51502.10	01		B04A, B04B, B04C, B04D, B04E	51502.31		01	B04A, B04B, B04C, B04D, B04E	51502.41	01	B04A, B04B, B04C, B04D, B04E
		05		F01A, F01B, F01D, F05Z, F07A, F07B, F08B, F08D, F14A, F14B, F28A, F42Z, F54Z, F59A, F59B			05	F01A, F01B, F01D, F05Z, F07A, F07B, F08B, F08D, F14A, F14B, F28A, F42Z, F54Z, F59A, F59B		05	F01A, F01B, F01D, F05Z, F07A, F07B, F08B, F08D, F14A, F14B, F28A, F42Z, F54Z, F59A, F59B
		07		H06A, H06B, H06C			07	H06A, H06B, H06C		07	H06A, H06B, H06C
		08		I08A, I08B, I08C, I08D, I08E, I13A, I13B			08	I08A, I08B, I08C, I08D, I08E, I13A, I13B		08	I08A, I08B, I08C, I08D, I08E, I13A, I13B
09		J03A, J03B, J04A, J04B, J08A, J08B, J08C, J11A, J11B, J16Z	09	J03A, J03B, J04A, J04B, J08A, J08B, J08C, J11A, J11B, J16Z		09	J03A, J03B, J04A, J04B, J08A, J08B, J08C, J11A, J11B, J16Z				
10		K09A, K09B	10	K09A, K09B		10	K09A, K09B				
11		L09A, L09B, L09C, L09D, L38Z	11	L09A, L09B, L09C, L09D, L38Z		11	L09A, L09B, L09C, L09D, L38Z				
21A		W04A, W04B	21A	W04A, W04B		21A	W04A, W04B				
21B		X04Z, X05A, X05B, X06A, X06B, X06C	21B	X04Z, X05A, X05B, X06A, X06B, X06C		21B	X04Z, X05A, X05B, X06A, X06B, X06C				
51502.11		01	B04A, B04B, B04C, B04D, B04E	51502.32		01	B04A, B04B, B04C, B04D, B04E	51502.50		01	B04A, B04B, B04C, B04D, B04E
		05	F01A, F01B, F01D, F05Z, F07A, F07B, F08B, F08D, F14A, F14B, F28A, F42Z, F54Z, F59A, F59B			05	F01A, F01B, F01D, F05Z, F07A, F07B, F08B, F08D, F14A, F14B, F28A, F42Z, F54Z, F59A, F59B			05	F01A, F01B, F01D, F05Z, F07A, F07B, F08A, F08B, F08C, F08D, F08E, F08F, F27A, F28A, F42Z
		07	H06A, H06B, H06C			07	H06A, H06B, H06C			07	H06A, H06B, H06C
		08	I08A, I08B, I08C, I08D, I08E, I13A, I13B			08	I08A, I08B, I08C, I08D, I08E, I13A, I13B			08	I08A, I08B, I08C, I08D, I08E, I13A, I13B
	09	J03A, J03B, J04A, J04B, J08A, J08B, J08C, J11A, J11B, J16Z	09		J03A, J03B, J04A, J04B, J08A, J08B, J08C, J11A, J11B, J16Z	09	J03A, J03B, J04A, J04B, J08A, J08B, J08C, J11A, J11B, J16Z				
	10	K09A, K09B	10		K09A, K09B	10	K09A, K09B				
	11	L09A, L09B, L09C, L09D, L38Z	11		L09A, L09B, L09C, L09D, L38Z	11	L09A, L09B, L09C, L09D, L38Z				
	21A	W04A, W04B	21A		W04A, W04B	21A	W04A, W04B				
	21B	X04Z, X05A, X05B, X06A, X06B, X06C	21B		X04Z, X05A, X05B, X06A, X06B, X06C	21B	X04Z, X05A, X05B, X06A, X06B, X06C, X33Z				
	51502.2	01	B04A, B04B, B04C, B04D, B04E								
		05	F01A, F01B, F01D, F05Z, F07A, F07B, F08B, F08D, F14A, F14B, F28A, F42Z, F54Z, F59A, F59B								
		07	H06A, H06B, H06C								
		08	I08A, I08B, I08C, I08D, I08E, I13A, I13B								
09		J03A, J03B, J04A, J04B, J08A, J08B, J08C, J11A, J11B, J16Z									
10		K09A, K09B									
11		L09A, L09B, L09C, L09D, L38Z									
21A		W04A, W04B									
21B		X04Z, X05A, X05B, X06A, X06B, X06C									

VYK

ZZV	MDC	DRG	ZZV	MDC	DRG	ZZV	MDC	DRG	
51502.51	01	B04A, B04B, B04C, B04D, B04E	51502.71	01	B04A, B04B, B04C, B04D, B04E	51502.9	01	B04A, B04B, B04C, B04D, B04E	
	05	F01A, F01B, F01D, F05Z, F07A, F07B, F08A, F08B, F08C, F08D, F08E, F08F, F27A, F28A, F42Z		05	F01A, F01B, F01D, F05Z, F07A, F07B, F08B, F08D, F14A, F14B, F28A, F42Z, F54Z, F59A, F59B		05	F01A, F01B, F01D, F05Z, F07A, F07B, F08A, F08B, F08C, F08D, F08E, F27A, F28A, F42Z	
	07	H06A, H06B, H06C		07	H06A, H06B, H06C		08	I08A, I08B, I08C, I08D, I08E, I13A, I13B	
	08	I08A, I08B, I08C, I08D, I08E, I13A, I13B		08	I08A, I08B, I08C, I08D, I08E, I13A, I13B		10	K09A, K09B	
	09	J03A, J03B, J04A, J04B, J08A, J08B, J08C, J11A, J11B, J16Z		09	J03A, J03B, J04A, J04B, J08A, J08B, J08C, J11A, J11B, J16Z		21A	W04A, W04B	
	10	K09A, K09B		10	K09A, K09B		21B	X04Z, X05A, X05B, X06A, X06B, X06C, X33Z	
	11	L09A, L09B, L09C, L09D, L38Z		11	L09A, L09B, L09C, L09D, L38Z		51502.a0	05	F21A, F21B
	21A	W04A, W04B		21A	W04A, W04B		08	I08A, I08B, I08C, I08D, I08E, I13A, I13B	
	21B	X04Z, X05A, X05B, X06A, X06B, X06C, X33Z		21B	X04Z, X05A, X05B, X06A, X06B, X06C		10	K09A, K09B	
							11	L09A, L09B, L09C, L09D, L38Z	
							21A	W04A, W04B	
51502.6	01	B04A, B04B, B04C, B04D, B04E	51502.72	01	B04A, B04B, B04C, B04D, B04E	51502.a1	05	F21A, F21B	
	05	F01A, F01B, F01D, F05Z, F07A, F07B, F08A, F08B, F08C, F08D, F08E, F08F, F27A, F28A, F42Z		05	F01A, F01B, F01D, F05Z, F07A, F07B, F08B, F08D, F14A, F14B, F28A, F42Z, F54Z, F59A, F59B		08	I08A, I08B, I08C, I08D, I08E, I13A, I13B	
	07	H06A, H06B, H06C		07	H06A, H06B, H06C		10	K09A, K09B	
	08	I08A, I08B, I08C, I08D, I08E, I13A, I13B		08	I08A, I08B, I08C, I08D, I08E, I13A, I13B		11	L09A, L09B, L09C, L09D, L38Z	
	09	J03A, J03B, J04A, J04B, J08A, J08B, J08C, J11A, J11B, J16Z		09	J03A, J03B, J04A, J04B, J08A, J08B, J08C, J11A, J11B, J16Z		21A	W04A, W04B	
	10	K09A, K09B		10	K09A, K09B		21B	X04Z, X05A, X05B, X06A, X06B, X06C	
	11	L09A, L09B, L09C, L09D, L38Z		11	L09A, L09B, L09C, L09D, L38Z		51502.a2	05	F21A, F21B
	21A	W04A, W04B		21A	W04A, W04B		08	I08A, I08B, I08C, I08D, I08E, I13A, I13B	
	21B	X04Z, X05A, X05B, X06A, X06B, X06C, X33Z		21B	X04Z, X05A, X05B, X06A, X06B, X06C		10	K09A, K09B	
							11	L09A, L09B, L09C, L09D, L38Z	
							21A	W04A, W04B	
51502.70	01	B04A, B04B, B04C, B04D, B04E	51502.73	01	B04A, B04B, B04C, B04D, B04E	51502.a3	05	F21A, F21B	
	05	F01A, F01B, F01D, F05Z, F07A, F07B, F08A, F08B, F08C, F08D, F08E, F08F, F27A, F28A, F42Z		05	F01A, F01B, F01D, F05Z, F07A, F07B, F08B, F08D, F14A, F14B, F28A, F42Z, F54Z, F59A, F59B		08	I08A, I08B, I08C, I08D, I08E, I13A, I13B	
	07	H06A, H06B, H06C		07	H06A, H06B, H06C		10	K09A, K09B	
	08	I08A, I08B, I08C, I08D, I08E, I13A, I13B		08	I08A, I08B, I08C, I08D, I08E, I13A, I13B		11	L09A, L09B, L09C, L09D, L38Z	
	09	J03A, J03B, J04A, J04B, J08A, J08B, J08C, J11A, J11B, J16Z		09	J03A, J03B, J04A, J04B, J08A, J08B, J08C, J11A, J11B, J16Z		21A	W04A, W04B	
	10	K09A, K09B		10	K09A, K09B		21B	X04Z, X05A, X05B, X06A, X06B, X06C	
	11	L09A, L09B, L09C, L09D, L38Z		11	L09A, L09B, L09C, L09D, L38Z		51502.a4	05	F21A, F21B
	21A	W04A, W04B		21A	W04A, W04B		08	I08A, I08B, I08C, I08D, I08E, I13A, I13B	
	21B	X04Z, X05A, X05B, X06A, X06B, X06C, X33Z		21B	X04Z, X05A, X05B, X06A, X06B, X06C		10	K09A, K09B	
							11	L09A, L09B, L09C, L09D, L38Z	
							21A	W04A, W04B	
				21B	X04Z, X05A, X05B, X06A, X06B, X06C				
				51502.a5	05	F21A, F21B			
				08	I08A, I08B, I08C, I08D, I08E, I13A, I13B				
				10	K09A, K09B				
				11	L09A, L09B, L09C, L09D, L38Z				
				21A	W04A, W04B				
				21B	X04Z, X05A, X05B, X06A, X06B, X06C				
				51502.a5	05	F21A, F21B			
				08	I08A, I08B, I08C, I08D, I08E, I13A, I13B				
				10	K09A, K09B				
				11	L09A, L09B, L09C, L09D, L38Z				
				21A	W04A, W04B				
				21B	X04Z, X05A, X05B, X06A, X06B, X06C				
				51502.a5	05	F21A, F21B			
				08	I08A, I08B, I08C, I08D, I08E, I13A, I13B				
				10	K09A, K09B				
				11	L09A, L09B, L09C, L09D, L38Z				
				21A	W04A, W04B				
				21B	X04Z, X05A, X05B, X06A, X06B, X06C				



ZZV	MDC	DRG	ZZV	MDC	DRG	ZZV	MDC	DRG
51502.ax	05	F21A, F21B	51511.x		BOP, KVT, UOP4	51512.4		BOP, KVT, UOP4
	08	I08A, I08B, I08C, I08D, I08E, I13A, I13B		01	B04A, B04B, B04C, B04D, B04E		01	B04A, B04B, B04C, B04D, B04E
	10	K09A, K09B		05	F01A, F01B, F01D, F05Z, F06A, F06C, F07A, F07B, F08A, F08B, F08C, F08D, F08E, F27A, F28A, F42Z		05	F01A, F01B, F01D, F05Z, F07A, F07B, F08A, F08B, F08C, F08D, F08E, F27A, F28A, F42Z
	11	L09A, L09B, L09C, L09D, L38Z		08	I08A, I08B, I08C, I08D, I08E, I13A, I13B		08	I08A, I08B, I08C, I08D, I08E, I13A, I13B
	21A	W04A, W04B		11	L09A, L38Z		10	K09A, K09B
51502.x	21B	X04Z, X05A, X05B, X06A, X06B, X06C	21A	W04A, W04B	11	L09A, L38Z		
	05	F21A, F21B	21B	X06A, X06B, X06C, X33Z	21A	W04A, W04B		
	08	I08A, I08B, I08C, I08D, I08E, I13A, I13B		BOP, KVT, UOP4	21B	X06A, X06B, X06C, X33Z		
	10	K09A, K09B	51512.0	01	B04A, B04B, B04C, B04D, B04E	51512.5	01	B04A, B04B, B04C, B04D, B04E
	11	L09A, L09B, L09C, L09D, L38Z	05	F01A, F01B, F01D, F05Z, F07A, F07B, F08A, F08B, F08C, F08D, F08E, F27A, F28A, F42Z	05	F01A, F01B, F01D, F05Z, F07A, F07B, F08A, F08B, F08C, F08D, F08E, F27A, F28A, F42Z		
51511.0	21A	W04A, W04B	08	I08A, I08B, I08C, I08D, I08E, I13A, I13B	08	I08A, I08B, I08C, I08D, I08E, I13A, I13B		
	21B	X04Z, X05A, X05B, X06A, X06B, X06C	11	L09A, L38Z	10	K09A, K09B		
		BOP, KVT, UOP4	21A	W04A, W04B	11	L09A, L38Z		
	01	B04A, B04B, B04C, B04D, B04E	21B	X06A, X06B, X06C, X33Z	21A	W04A, W04B		
	05	F01A, F01B, F01D, F05Z, F06A, F06C, F07A, F07B, F08A, F08B, F08C, F08D, F08E, F27A, F28A, F42Z	51512.1	01	B04A, B04B, B04C, B04D, B04E	51512.6	21B	X06A, X06B, X06C, X33Z
51511.1	08	I08A, I08B, I08C, I08D, I08E, I13A, I13B	05	F01A, F01B, F01D, F05Z, F07A, F07B, F08A, F08B, F08C, F08D, F08E, F27A, F28A, F42Z	01	B04A, B04B, B04C, B04D, B04E		
	10	K09A, K09B	08	I08A, I08B, I08C, I08D, I08E, I13A, I13B	05	F01A, F01B, F01D, F05Z, F07A, F07B, F08A, F08B, F08C, F08D, F08E, F27A, F28A, F42Z		
	11	L09A, L38Z	11	L09A, L38Z	08	I08A, I08B, I08C, I08D, I08E, I13A, I13B		
	21A	W04A, W04B	21A	W04A, W04B	10	K09A, K09B		
	21B	X06A, X06B, X06C, X33Z	21B	X06A, X06B, X06C, X33Z	11	L09A, L38Z		
51511.2		BOP, KVT, UOP4	51512.2	01	B04A, B04B, B04C, B04D, B04E	21A	W04A, W04B	
	01	B04A, B04B, B04C, B04D, B04E	05	F01A, F01B, F01D, F05Z, F07A, F07B, F08A, F08B, F08C, F08D, F08E, F27A, F28A, F42Z	21B	X06A, X06B, X06C, X33Z		
	05	F01A, F01B, F01D, F05Z, F06A, F06C, F07A, F07B, F08A, F08B, F08C, F08D, F08E, F27A, F28A, F42Z	08	I08A, I08B, I08C, I08D, I08E, I13A, I13B	51512.7	21B	X06A, X06B, X06C, X33Z	
	08	I08A, I08B, I08C, I08D, I08E, I13A, I13B	10	K09A, K09B	01	B04A, B04B, B04C, B04D, B04E		
	10	K09A, K09B	11	L09A, L38Z	05	F01A, F01B, F01D, F05Z, F07A, F07B, F08A, F08B, F08C, F08D, F08E, F27A, F28A, F42Z		
51511.3	11	L09A, L38Z	21A	W04A, W04B	08	I08A, I08B, I08C, I08D, I08E, I13A, I13B		
	21A	W04A, W04B	21B	X06A, X06B, X06C, X33Z	10	K09A, K09B		
	21B	X06A, X06B, X06C, X33Z		BOP, KVT, UOP4	11	L09A, L38Z		
	01	B02A, B02B, B02C, B02D, B20A, B20B, B20C, B20D, B20E, B20F, B39A, B39B	51512.3	01	B04A, B04B, B04C, B04D, B04E	21A	W04A, W04B	
	05	F05Z, F06A, F06C	05	F01A, F01B, F01D, F05Z, F07A, F07B, F08A, F08B, F08C, F08D, F08E, F27A, F28A, F42Z	21B	X06A, X06B, X06C, X33Z		
06	G33Z	08	I08A, I08B, I08C, I08D, I08E, I13A, I13B	51512.x	21B	X06A, X06B, X06C, X33Z		
07	H33Z, H38Z	10	K09A, K09B	01	B04A, B04B, B04C, B04D, B04E			
08	I08A, I08B, I08C, I08D, I08E, I13A, I13B	11	L09A, L38Z	05	F01A, F01B, F01D, F05Z, F07A, F07B, F08A, F08B, F08C, F08D, F08E, F27A, F28A, F42Z			
11	L09A, L33Z, L38Z	21A	W04A, W04B	08	I08A, I08B, I08C, I08D, I08E, I13A, I13B			
21A	W01A, W01B, W01C, W36Z	21B	X06A, X06B, X06C, X33Z	11	L09A, L38Z			
21B	X06A, X06B, X06C, X33Z			21A	W04A, W04B			
23	Z01A			21B	X06A, X06B, X06C, X33Z			
Pre	A07A							

VYK

ZZV	MDC	DRG	ZZV	MDC	DRG	ZZV	MDC	DRG			
51515.6		BOP, KVT, UOP4	51516.1		BOP, KVT, UOP4	51516.6		BOP, KVT, UOP4			
	05	F01A, F01B, F01D, F05Z, F07A, F07B, F08A, F08B, F08C, F08D, F08E, F27A, F28A, F42Z		01	B04A, B04B, B04C, B04D, B04E		01	B04A, B04B, B04C, B04D, B04E			
	06	G10Z, G12A, G12B		05	F01A, F01B, F01D, F05Z, F07A, F07B, F08A, F08B, F08C, F08D, F08E, F27A, F28A, F42Z		05	F01A, F01B, F01D, F05Z, F07A, F07B, F08A, F08B, F08C, F08D, F08E, F27A, F28A, F42Z			
	07	H06A, H06B, H06C		08	I08A, I08B, I08C, I08D, I08E, I13A, I13B		08	I08A, I08B, I08C, I08D, I08E, I13A, I13B			
	08	I08A, I08B, I08C, I08D, I08E, I13A, I13B		10	K09A, K09B		10	K09A, K09B			
	11	L09A, L38Z		11	L09A, L38Z		11	L09A, L38Z			
	21A	W04A, W04B		21A	W04A, W04B		21A	W04A, W04B			
	21B	X06A, X06B, X06C, X33Z		21B	X06A, X06B, X06C, X33Z		21B	X06A, X06B, X06C, X33Z			
	51515.7			BOP, KVT, UOP4	51516.2			BOP, KVT, UOP4	51516.x		BOP, KVT, UOP4
		05		F01A, F01B, F01D, F05Z, F07A, F07B, F08A, F08B, F08C, F08D, F08E, F27A, F28A, F42Z			01	B04A, B04B, B04C, B04D, B04E		01	B04A, B04B, B04C, B04D, B04E
08		I08A, I08B, I08C, I08D, I08E, I13A, I13B	05	F01A, F01B, F01D, F05Z, F07A, F07B, F08A, F08B, F08C, F08D, F08E, F27A, F28A, F42Z		05	F01A, F01B, F01D, F05Z, F07A, F07B, F08A, F08B, F08C, F08D, F08E, F27A, F28A, F42Z				
11		L03Z, L04A, L04B, L04C, L09A, L10Z, L13A, L13B, L38Z	08	I08A, I08B, I08C, I08D, I08E, I13A, I13B		08	I08A, I08B, I08C, I08D, I08E, I13A, I13B				
21A		W04A, W04B	10	K09A, K09B		10	K09A, K09B				
21B		X06A, X06B, X06C, X33Z	11	L09A, L38Z		11	L09A, L38Z				
51515.8			BOP, KVT, UOP4	51516.3			BOP, KVT, UOP4	51517.0			BOP, KVT, UOP4
		05	F01A, F01B, F01D, F05Z, F07A, F07B, F08A, F08B, F08C, F08D, F08E, F27A, F28A, F42Z			01	B04A, B04B, B04C, B04D, B04E			01	B04A, B04B, B04C, B04D, B04E
		06	G10Z, G12A, G12B, G18A, G38Z			05	F01A, F01B, F01D, F05Z, F07A, F07B, F08A, F08B, F08C, F08D, F08E, F27A, F28A, F42Z			05	F01A, F01B, F01D, F05Z, F07A, F07B, F08A, F08B, F08C, F08D, F08E, F27A, F28A, F42Z
		07	H01A, H06A, H06B, H06C			08	I08A, I08B, I08C, I08D, I08E, I13A, I13B			08	I08A, I08B, I08C, I08D, I08E, I13A, I13B
	08	I08A, I08B, I08C, I08D, I08E, I13A, I13B	10		K09A, K09B	10	K09A, K09B				
	11	L03Z, L04A, L04B, L04C, L09A, L10Z, L13A, L13B, L38Z	11		L09A, L38Z	11	L09A, L38Z				
	21A	W04A, W04B	21A		W04A, W04B	21A	W04A, W04B				
	21B	X06A, X06B, X06C, X33Z	21B		X06A, X06B, X06C, X33Z	21B	X04Z, X33Z				
	51515.x		BOP, KVT, UOP4		51516.4		BOP, KVT, UOP4		51517.1		BOP, KVT, UOP4
		05	F01A, F01B, F01D, F05Z, F07A, F07B, F08A, F08B, F08C, F08D, F08E, F27A, F28A, F42Z			01	B04A, B04B, B04C, B04D, B04E			01	B04A, B04B, B04C, B04D, B04E
06		G10Z, G12A, G12B	05	F01A, F01B, F01D, F05Z, F07A, F07B, F08A, F08B, F08C, F08D, F08E, F27A, F28A, F42Z		05	F01A, F01B, F01D, F05Z, F07A, F07B, F08A, F08B, F08C, F08D, F08E, F27A, F28A, F42Z				
07		H06A, H06B, H06C	08	I08A, I08B, I08C, I08D, I08E, I13A, I13B		08	I08A, I08B, I08C, I08D, I08E, I13A, I13B				
08		I08A, I08B, I08C, I08D, I08E, I13A, I13B	10	K09A, K09B		10	K09A, K09B				
11		L09A, L38Z	11	L09A, L38Z		11	L09A, L38Z				
21A		W04A, W04B	21A	W04A, W04B		21A	W04A, W04B				
21B		X06A, X06B, X06C, X33Z	21B	X06A, X06B, X06C, X33Z		21B	X04Z, X33Z				
51516.0			BOP, KVT, UOP4	51516.5			BOP, KVT, UOP4	51517.2			BOP, KVT, UOP4
		01	B04A, B04B, B04C, B04D, B04E			01	B04A, B04B, B04C, B04D, B04E			01	B04A, B04B, B04C, B04D, B04E
	05	F01A, F01B, F01D, F05Z, F07A, F07B, F08A, F08B, F08C, F08D, F08E, F27A, F28A, F42Z	05		F01A, F01B, F01D, F05Z, F07A, F07B, F08A, F08B, F08C, F08D, F08E, F27A, F28A, F42Z	05	F01A, F01B, F01D, F05Z, F07A, F07B, F08A, F08B, F08C, F08D, F08E, F27A, F28A, F42Z				
	08	I08A, I08B, I08C, I08D, I08E, I13A, I13B	08		I08A, I08B, I08C, I08D, I08E, I13A, I13B	08	I08A, I08B, I08C, I08D, I08E, I13A, I13B				
	10	K09A, K09B	10		K09A, K09B	10	K09A, K09B				
	11	L09A, L38Z	11		L09A, L38Z	11	L09A, L38Z				
	21A	W04A, W04B	21A		W04A, W04B	21A	W04A, W04B				
	21B	X06A, X06B, X06C, X33Z	21B		X06A, X06B, X06C, X33Z	21B	X04Z, X33Z				

VYK

ZZV	MDC	DRG	ZZV	MDC	DRG	ZZV	MDC	DRG
51517.3		BOP, KVT, UOP4	51521.1↔		BOP, KVT, UOP4	51521.x↔		BOP, KVT, UOP4
	01	B04A, B04B, B04C, B04D, B04E		01	B04A, B04B, B04C, B04D, B04E		01	B04A, B04B, B04C, B04D, B04E
	05	F01A, F01B, F01D, F05Z, F07A, F07B, F08A, F08B, F08C, F08D, F08E, F27A, F28A, F42Z		05	F01A, F01B, F01D, F05Z, F06A, F06C, F07A, F07B, F08A, F08B, F08C, F08D, F08E, F27A, F28A, F42Z		05	F01A, F01B, F01D, F05Z, F06A, F06C, F07A, F07B, F08A, F08B, F08C, F08D, F08E, F27A, F28A, F42Z
	08	I08A, I08B, I08C, I08D, I08E, I13A, I13B		08	I08A, I08B, I08C, I08D, I08E, I13A, I13B		08	I08A, I08B, I08C, I08D, I08E, I13A, I13B
	10	K09A, K09B		10	K09A, K09B		11	L09A, L38Z
	11	L09A, L38Z		11	L09A, L38Z		21A	W04A, W04B
	21A	W04A, W04B		21A	W04A, W04B		21B	X06A, X06B, X06C, X33Z
	21B	X04Z, X33Z		21B	X06A, X06B, X06C, X33Z			
51517.x		BOP, KVT, UOP4	51521.2↔		BOP, KVT, UOP4	51522.0↔		BOP, KVT, UOP4
	01	B04A, B04B, B04C, B04D, B04E		01	B04A, B04B, B04C, B04D, B04E		01	B04A, B04B, B04C, B04D, B04E
	05	F01A, F01B, F01D, F05Z, F07A, F07B, F08A, F08B, F08C, F08D, F08E, F27A, F28A, F42Z		05	F01A, F01B, F01D, F05Z, F06A, F06C, F07A, F07B, F08A, F08B, F08C, F08D, F08E, F27A, F28A, F42Z		05	F01A, F01B, F01D, F05Z, F07A, F07B, F08A, F08B, F08C, F08D, F08E, F27A, F28A, F42Z
	08	I08A, I08B, I08C, I08D, I08E, I13A, I13B		08	I08A, I08B, I08C, I08D, I08E, I13A, I13B		08	I08A, I08B, I08C, I08D, I08E, I13A, I13B
	10	K09A, K09B		11	L09A, L38Z		11	L09A, L38Z
	11	L09A, L38Z		21A	W04A, W04B		21A	W04A, W04B
	21A	W04A, W04B		21B	X06A, X06B, X06C, X33Z		21B	X06A, X06B, X06C, X33Z
	21B	X04Z, X33Z		21B	X06A, X06B, X06C, X33Z			
51518		BOP, KVT, UOP4	51521.3↔		BOP, KOP, KOPV, KVT, UOP4	51522.1↔		BOP, KVT, UOP4
	01	B04A, B04B, B04C, B04D, B04E		01	B02A, B02B, B02C, B02D, B20A, B20B, B20C, B20D, B20E, B20F, B39A, B39B		01	B04A, B04B, B04C, B04D, B04E
	05	F01A, F01B, F01D, F05Z, F07A, F07B, F08A, F08B, F08C, F08D, F08E, F27A, F28A, F42Z		05	F05Z, F06A, F06C		05	F01A, F01B, F01D, F05Z, F07A, F07B, F08A, F08B, F08C, F08D, F08E, F27A, F28A, F42Z
	08	I08A, I08B, I08C, I08D, I08E, I13A, I13B		06	G33Z		08	I08A, I08B, I08C, I08D, I08E, I13A, I13B
	10	K09A, K09B		07	H33Z, H38Z		08	I08A, I08B, I08C, I08D, I08E, I13A, I13B
	11	L09A, L38Z		08	I08A, I08B, I08C, I08D, I08E, I13A, I13B		11	L09A, L38Z
	21A	W04A, W04B		11	L09A, L33Z, L38Z		21A	W04A, W04B
	21B	X04Z, X33Z		21A	W01A, W01B, W01C, W36Z		21B	X06A, X06B, X06C, X33Z
51519		BOP, KVT, UOP4	51521.4		BOP, KVT, UOP4	51522.2↔		BOP, KVT, UOP4
	01	B04A, B04B, B04C, B04D, B04E		01	B04A, B04B, B04C, B04D, B04E		01	B04A, B04B, B04C, B04D, B04E
	05	F01A, F01B, F01D, F05Z, F07A, F07B, F08A, F08B, F08C, F08D, F08E, F27A, F28A, F42Z		05	F01A, F01B, F01D, F05Z, F06A, F06C, F07A, F07B, F08A, F08B, F08C, F08D, F08E, F27A, F28A, F42Z		05	F01A, F01B, F01D, F05Z, F07A, F07B, F08A, F08B, F08C, F08D, F08E, F27A, F28A, F42Z
	07	H06A, H06B, H06C		08	I08A, I08B, I08C, I08D, I08E, I13A, I13B		08	I08A, I08B, I08C, I08D, I08E, I13A, I13B
	08	I08A, I08B, I08C, I08D, I08E, I13A, I13B		11	L09A, L38Z		10	K09A, K09B
	09	J03A, J03B, J04A, J04B, J08A, J08B, J08C, J11A, J11B, J16Z		21A	W04A, W04B		11	L09A, L38Z
	10	K09A, K09B		21B	X06A, X06B, X06C, X33Z		21A	W04A, W04B
	11	L09A, L09B, L09C, L09D, L38Z		Pre	A07A		21B	X06A, X06B, X06C, X33Z
51521.0↔		BOP, KVT, UOP4	51521.5		BOP, KVT, UOP4	51522.3↔		BOP, KVT, UOP4
	01	B04A, B04B, B04C, B04D, B04E		01	B04A, B04B, B04C, B04D, B04E		01	B04A, B04B, B04C, B04D, B04E
	05	F01A, F01B, F01D, F05Z, F06A, F06C, F07A, F07B, F08A, F08B, F08C, F08D, F08E, F27A, F28A, F42Z		05	F01A, F01B, F01D, F05Z, F06A, F06C, F07A, F07B, F08A, F08B, F08C, F08D, F08E, F27A, F28A, F42Z		05	F01A, F01B, F01D, F05Z, F07A, F07B, F08A, F08B, F08C, F08D, F08E, F27A, F28A, F42Z
	08	I08A, I08B, I08C, I08D, I08E, I13A, I13B		08	I08A, I08B, I08C, I08D, I08E, I13A, I13B		08	I08A, I08B, I08C, I08D, I08E, I13A, I13B
	10	K09A, K09B		11	L09A, L38Z		10	K09A, K09B
	11	L09A, L38Z		21A	W04A, W04B		11	L09A, L38Z
	21A	W04A, W04B		21A	W04A, W04B		21A	W04A, W04B
	21B	X06A, X06B, X06C, X33Z		21B	X06A, X06B, X06C, X33Z		21B	X06A, X06B, X06C, X33Z

VYK

ZZV	MDC	DRG	ZZV	MDC	DRG	ZZV	MDC	DRG		
51522.4↔		BOP, KVT, UOP4	51523↔		BOP, KVT, UOP4	51524.4		BOP, KVT, UOP4		
	01	B04A, B04B, B04C, B04D, B04E		01	B04A, B04B, B04C, B04D, B04E		05	F01A, F01B, F01D, F05Z, F07A, F07B, F08A, F08B, F08C, F08D, F08E, F27A, F28A, F42Z		
	05	F01A, F01B, F01D, F05Z, F07A, F07B, F08A, F08B, F08C, F08D, F08E, F27A, F28A, F42Z		05	F01A, F01B, F01D, F05Z, F07A, F07B, F08A, F08B, F08C, F08D, F08E, F08F, F27A, F28A, F42Z		08	I08A, I08B, I08C, I08D, I08E, I13A, I13B		
	08	I08A, I08B, I08C, I08D, I08E, I13A, I13B		08	I08A, I08B, I08C, I08D, I08E, I13A, I13B		09	J03A, J03B, J04A, J04B, J08A, J08B, J08C, J11A, J11B, J16Z		
	10	K09A, K09B		10	K09A, K09B		10	K01Z		
	11	L09A, L38Z		11	L09A, L38Z		11	L09A, L38Z		
	21A	W04A, W04B		21A	W04A, W04B		21A	W04A, W04B		
	21B	X06A, X06B, X06C, X33Z		21B	X06A, X06B, X06C, X33Z		21B	X06A, X06B, X06C, X33Z		
	51522.5↔			BOP, KVT, UOP4	51524.0↔			BOP, KVT, UOP4	51524.5↔	
01		B04A, B04B, B04C, B04D, B04E	01	B04A, B04B, B04C, B04D, B04E		05	F01A, F01B, F01D, F05Z, F07A, F07B, F08A, F08B, F08C, F08D, F08E, F27A, F28A, F42Z			
05		F01A, F01B, F01D, F05Z, F07A, F07B, F08A, F08B, F08C, F08D, F08E, F27A, F28A, F42Z	05	F01A, F01B, F01D, F05Z, F07A, F07B, F08A, F08B, F08C, F08D, F08E, F27A, F28A, F42Z		08	I08A, I08B, I08C, I08D, I08E, I13A, I13B			
08		I08A, I08B, I08C, I08D, I08E, I13A, I13B	08	I08A, I08B, I08C, I08D, I08E, I13A, I13B		09	J03A, J03B, J04A, J04B, J08A, J08B, J08C, J11A, J11B, J16Z			
10		K09A, K09B	11	L09A, L38Z		10	K01Z			
11		L09A, L38Z	21A	W04A, W04B		11	L09A, L38Z			
21A		W04A, W04B	21B	X06A, X06B, X06C, X33Z		21A	W04A, W04B			
21B		X06A, X06B, X06C, X33Z	51524.1↔			BOP, KVT, UOP4	51524.6↔			BOP, KVT, UOP4
51522.6↔				BOP, KVT, UOP4		01		B04A, B04B, B04C, B04D, B04E		05
	01	B04A, B04B, B04C, B04D, B04E		05	F01A, F01B, F01D, F05Z, F07A, F07B, F08A, F08B, F08C, F08D, F08E, F27A, F28A, F42Z	08		I08A, I08B, I08C, I08D, I08E, I13A, I13B		
	05	F01A, F01B, F01D, F05Z, F07A, F07B, F08A, F08B, F08C, F08D, F08E, F27A, F28A, F42Z		08	I08A, I08B, I08C, I08D, I08E, I13A, I13B	09		J03A, J03B, J04A, J04B, J08A, J08B, J08C, J11A, J11B, J16Z		
	08	I08A, I08B, I08C, I08D, I08E, I13A, I13B		11	L09A, L38Z	10		K01Z		
	10	K09A, K09B		21A	W04A, W04B	11		L09A, L38Z		
	11	L09A, L38Z		21B	X06A, X06B, X06C, X33Z	21A		W04A, W04B		
	21A	W04A, W04B		51524.2		BOP, KVT, UOP4		51524.7		BOP, KVT, UOP4
	21B	X06A, X06B, X06C, X33Z			01	B04A, B04B, B04C, B04D, B04E			05	F01A, F01B, F01D, F05Z, F07A, F07B, F08A, F08B, F08C, F08D, F08E, F27A, F28A, F42Z
	51522.7↔		BOP, KVT, UOP4		05	F01A, F01B, F01D, F05Z, F07A, F07B, F08A, F08B, F08C, F08D, F08E, F27A, F28A, F42Z	07		H06A, H06B, H06C	
01		B04A, B04B, B04C, B04D, B04E	08		I08A, I08B, I08C, I08D, I08E, I13A, I13B	08	I08A, I08B, I08C, I08D, I08E, I13A, I13B			
05		F01A, F01B, F01D, F05Z, F07A, F07B, F08A, F08B, F08C, F08D, F08E, F27A, F28A, F42Z	09		J03A, J03B, J04A, J04B, J08A, J08B, J08C, J11A, J11B, J16Z	08	I08A, I08B, I08C, I08D, I08E, I13A, I13B			
08		I08A, I08B, I08C, I08D, I08E, I13A, I13B	10		K09A, K09B	11	L09A, L38Z			
10		K09A, K09B	11		L09A, L38Z	21A	W04A, W04B			
11		L09A, L38Z	21B		X06A, X06B, X06C, X33Z	21B	X06A, X06B, X06C, X33Z			
21A		W04A, W04B	51524.3↔			BOP, KVT, UOP4	51524.8↔			BOP, KVT, UOP4
21B		X06A, X06B, X06C, X33Z		05	F01A, F01B, F01D, F05Z, F07A, F07B, F08A, F08B, F08C, F08D, F08E, F27A, F27B, F27C, F28A, F42Z	05		F01A, F01B, F01D, F05Z, F07A, F07B, F08A, F08B, F08C, F08D, F08E, F27A, F27B, F27C, F28A, F42Z		
51522.x↔				BOP, KVT, UOP4	08	I08A, I08B, I08C, I08D, I08E, I13A, I13B		08	I08A, I08B, I08C, I08D, I08E, I13A, I13B	
	01	B04A, B04B, B04C, B04D, B04E		09	J03A, J03B, J04A, J04B, J08A, J08B, J08C, J11A, J11B, J16Z	09		J03A, J03B, J04A, J04B, J08A, J08B, J08C, J11A, J11B, J16Z		
	05	F01A, F01B, F01D, F05Z, F07A, F07B, F08A, F08B, F08C, F08D, F08E, F27A, F28A, F42Z		10	K01Z	10		K01Z		
	08	I08A, I08B, I08C, I08D, I08E, I13A, I13B		11	L09A, L38Z	11		L09A, L38Z		
	11	L09A, L38Z		21A	W04A, W04B	21A		W04A, W04B		
	21A	W04A, W04B		21B	X06A, X06B, X06C, X33Z	21B		X06A, X06B, X06C, X33Z		
	21B	X06A, X06B, X06C, X33Z								

VYK

ZZV	MDC	DRG	ZZV	MDC	DRG	ZZV	MDC	DRG			
51524.9↔		BOP, KVT, UOP4	51525.10		BOP, KVT, UOP4	51525.6↔		BOP, KVT, UOP4			
	05	F01A, F01B, F01D, F05Z, F07A, F07B, F08A, F08B, F08C, F08D, F08E, F27A, F27B, F27C, F28A, F42Z		05	F01A, F01B, F01D, F05Z, F07A, F07B, F08A, F08B, F08C, F08D, F08E, F27A, F28A, F42Z		05	F01A, F01B, F01D, F05Z, F07A, F07B, F08A, F08B, F08C, F08D, F08E, F27A, F28A, F42Z			
	08	I08A, I08B, I08C, I08D, I08E, I13A, I13B		06	G10Z, G12A, G12B		06	G10Z, G12A, G12B			
	09	J03A, J03B, J04A, J04B, J08A, J08B, J08C, J11A, J11B, J16Z		07	H06A, H06B, H06C		07	H06A, H06B, H06C			
	10	K01Z		08	I08A, I08B, I08C, I08D, I08E, I13A, I13B		08	I08A, I08B, I08C, I08D, I08E, I13A, I13B			
	11	L09A, L38Z		11	L09A, L38Z		11	L09A, L38Z			
	21A	W04A, W04B		21A	W04A, W04B		21A	W04A, W04B			
	21B	X06A, X06B, X06C, X33Z		21B	X06A, X06B, X06C, X33Z		21B	X06A, X06B, X06C, X33Z			
	51524.x↔			BOP, KVT, UOP4	51525.2↔			BOP, KVT, UOP4	51525.7↔		BOP, KVT, UOP4
		01		B04A, B04B, B04C, B04D, B04E			05	F01A, F01B, F01D, F05Z, F07A, F07B, F08A, F08B, F08C, F08D, F08E, F27A, F27B, F27C, F28A, F42Z		05	F01A, F01B, F01D, F05Z, F07A, F07B, F08A, F08B, F08C, F08D, F08E, F27A, F28A, F42Z
		05		F01A, F01B, F01D, F05Z, F07A, F07B, F08A, F08B, F08C, F08D, F08E, F27A, F28A, F42Z			08	I08A, I08B, I08C, I08D, I08E, I13A, I13B		08	I08A, I08B, I08C, I08D, I08E, I13A, I13B
08		I08A, I08B, I08C, I08D, I08E, I13A, I13B	09	J03A, J03B, J04A, J04B, J08A, J08B, J08C, J11A, J11B, J16Z		11	L03Z, L04A, L04B, L04C, L09A, L10Z, L13A, L13B, L38Z				
11		L09A, L38Z	10	K01Z		21A	W04A, W04B				
21A		W04A, W04B	11	L09A, L38Z		21B	X06A, X06B, X06C, X33Z				
21B		X06A, X06B, X06C, X33Z	21A	W04A, W04B		51525.8↔		BOP, KVT, UOP4			
51525.0↔			BOP, KVT, UOP4	51525.3↔				BOP, KVT, UOP4		05	F01A, F01B, F01D, F05Z, F07A, F07B, F08A, F08B, F08C, F08D, F08E, F27A, F28A, F42Z
		05	F01A, F01B, F01D, F05Z, F07A, F07B, F08A, F08B, F08C, F08D, F08E, F27A, F28A, F42Z				05	F01A, F01B, F01D, F05Z, F07A, F07B, F08A, F08B, F08C, F08D, F08E, F27A, F27B, F27C, F28A, F42Z		06	G10Z, G12A, G12B, G18A, G38Z
		06	G10Z, G12A, G12B				08	I08A, I08B, I08C, I08D, I08E, I13A, I13B		07	H01A, H06A, H06B, H06C
		07	H06A, H06B, H06C				09	J03A, J03B, J04A, J04B, J08A, J08B, J08C, J11A, J11B, J16Z		08	I08A, I08B, I08C, I08D, I08E, I13A, I13B
	08	I08A, I08B, I08C, I08D, I08E, I13A, I13B	10		K01Z		11	L03Z, L04A, L04B, L04C, L09A, L10Z, L13A, L13B, L38Z			
	11	L09A, L38Z	11		L09A, L38Z		21A	W04A, W04B			
	21A	W04A, W04B	21A		W04A, W04B		21B	X06A, X06B, X06C, X33Z			
	21B	X06A, X06B, X06C, X33Z	21B		X06A, X06B, X06C, X33Z		51525.x↔		BOP, KVT, UOP4		
	51525.00		BOP, KVT, UOP4		51525.4↔				BOP, KVT, UOP4	05	F01A, F01B, F01D, F05Z, F07A, F07B, F08A, F08B, F08C, F08D, F08E, F27A, F28A, F42Z
		05	F01A, F01B, F01D, F05Z, F07A, F07B, F08A, F08B, F08C, F08D, F08E, F27A, F28A, F42Z					05	F01A, F01B, F01D, F05Z, F07A, F07B, F08A, F08B, F08C, F08D, F08E, F27A, F27B, F27C, F28A, F42Z	06	G10Z, G12A, G12B
		06	G10Z, G12A, G12B			08		I08A, I08B, I08C, I08D, I08E, I13A, I13B	07	H06A, H06B, H06C	
07		H06A, H06B, H06C	09	J03A, J03B, J04A, J04B, J08A, J08B, J08C, J11A, J11B, J16Z		08		I08A, I08B, I08C, I08D, I08E, I13A, I13B			
08		I08A, I08B, I08C, I08D, I08E, I13A, I13B	10	K01Z		11		L09A, L38Z			
11		L09A, L38Z	11	L09A, L38Z		21A		W04A, W04B			
21A		W04A, W04B	21A	W04A, W04B		21B		X06A, X06B, X06C, X33Z			
21B		X06A, X06B, X06C, X33Z	21B	X06A, X06B, X06C, X33Z		51526.0↔			BOP, KVT, UOP4		
51525.1↔			BOP, KVT, UOP4	51525.5↔					BOP, KVT, UOP4	01	B04A, B04B, B04C, B04D, B04E
		05	F01A, F01B, F01D, F05Z, F07A, F07B, F08A, F08B, F08C, F08D, F08E, F27A, F27B, F27C, F28A, F42Z					05	F01A, F01B, F01D, F05Z, F07A, F07B, F08A, F08B, F08C, F08D, F08E, F27A, F27B, F27C, F28A, F42Z	05	F01A, F01B, F01D, F05Z, F07A, F07B, F08A, F08B, F08C, F08D, F08E, F27A, F28A, F42Z
		08	I08A, I08B, I08C, I08D, I08E, I13A, I13B				08	I08A, I08B, I08C, I08D, I08E, I13A, I13B	08	I08A, I08B, I08C, I08D, I08E, I13A, I13B	
	09	J03A, J03B, J04A, J04B, J08A, J08B, J08C, J11A, J11B, J16Z	08		I08A, I08B, I08C, I08D, I08E, I13A, I13B		10	K09A, K09B			
	10	K01Z	09		J03A, J03B, J04A, J04B, J08A, J08B, J08C, J11A, J11B, J16Z		11	L09A, L38Z			
	11	L09A, L38Z	10		K01Z		21A	W04A, W04B			
	21A	W04A, W04B	11		L09A, L38Z		21B	X06A, X06B, X06C, X33Z			
	21B	X06A, X06B, X06C, X33Z	21A		W04A, W04B						
			21B		X06A, X06B, X06C, X33Z						

VYK

ZZV	MDC	DRG	ZZV	MDC	DRG	ZZV	MDC	DRG
51526.1↔		BOP, KVT, UOP4	51526.6↔		BOP, KVT, UOP4	51527.3↔		BOP, KVT, UOP4
	01	B04A, B04B, B04C, B04D, B04E		01	B04A, B04B, B04C, B04D, B04E		01	B04A, B04B, B04C, B04D, B04E
	05	F01A, F01B, F01D, F05Z, F07A, F07B, F08A, F08B, F08C, F08D, F08E, F27A, F28A, F42Z		05	F01A, F01B, F01D, F05Z, F07A, F07B, F08A, F08B, F08C, F08D, F08E, F27A, F28A, F42Z		05	F01A, F01B, F01D, F05Z, F07A, F07B, F08A, F08B, F08C, F08D, F08E, F27A, F28A, F42Z
	08	I08A, I08B, I08C, I08D, I08E, I13A, I13B		08	I08A, I08B, I08C, I08D, I08E, I13A, I13B		08	I08A, I08B, I08C, I08D, I08E, I13A, I13B
	10	K09A, K09B		10	K09A, K09B		10	K09A, K09B
	11	L09A, L38Z		11	L09A, L38Z		11	L09A, L38Z
	21A	W04A, W04B		21A	W04A, W04B		21A	W04A, W04B
	21B	X06A, X06B, X06C, X33Z		21B	X06A, X06B, X06C, X33Z		21B	X04Z, X33Z
51526.2↔		BOP, KVT, UOP4	51526.x↔		BOP, KVT, UOP4	51527.x↔		BOP, KVT, UOP4
	01	B04A, B04B, B04C, B04D, B04E		01	B04A, B04B, B04C, B04D, B04E		01	B04A, B04B, B04C, B04D, B04E
	05	F01A, F01B, F01D, F05Z, F07A, F07B, F08A, F08B, F08C, F08D, F08E, F27A, F28A, F42Z		05	F01A, F01B, F01D, F05Z, F07A, F07B, F08A, F08B, F08C, F08D, F08E, F27A, F28A, F42Z		05	F01A, F01B, F01D, F05Z, F07A, F07B, F08A, F08B, F08C, F08D, F08E, F27A, F28A, F42Z
	08	I08A, I08B, I08C, I08D, I08E, I13A, I13B		08	I08A, I08B, I08C, I08D, I08E, I13A, I13B		08	I08A, I08B, I08C, I08D, I08E, I13A, I13B
	10	K09A, K09B		10	K09A, K09B		10	K09A, K09B
	11	L09A, L38Z		11	L09A, L38Z		11	L09A, L38Z
	21A	W04A, W04B		21A	W04A, W04B		21A	W04A, W04B
	21B	X06A, X06B, X06C, X33Z		21B	X06A, X06B, X06C, X33Z		21B	X04Z, X33Z
51526.3↔		BOP, KVT, UOP4	51527.0↔		BOP, KVT, UOP4	51528↔		BOP, KVT, UOP4
	01	B04A, B04B, B04C, B04D, B04E		01	B04A, B04B, B04C, B04D, B04E		01	B04A, B04B, B04C, B04D, B04E
	05	F01A, F01B, F01D, F05Z, F07A, F07B, F08A, F08B, F08C, F08D, F08E, F27A, F28A, F42Z		05	F01A, F01B, F01D, F05Z, F07A, F07B, F08A, F08B, F08C, F08D, F08E, F27A, F28A, F42Z		05	F01A, F01B, F01D, F05Z, F07A, F07B, F08A, F08B, F08C, F08D, F08E, F27A, F28A, F42Z
	08	I08A, I08B, I08C, I08D, I08E, I13A, I13B		08	I08A, I08B, I08C, I08D, I08E, I13A, I13B		08	I08A, I08B, I08C, I08D, I08E, I13A, I13B
	10	K09A, K09B		10	K09A, K09B		10	K09A, K09B
	11	L09A, L38Z		11	L09A, L38Z		11	L09A, L38Z
	21A	W04A, W04B		21A	W04A, W04B		21A	W04A, W04B
	21B	X06A, X06B, X06C, X33Z		21B	X04Z, X33Z		21B	X04Z, X33Z
51526.4↔		BOP, KVT, UOP4	51527.1		BOP, KVT, UOP4	51529		BOP, KVT, UOP4
	01	B04A, B04B, B04C, B04D, B04E		01	B04A, B04B, B04C, B04D, B04E		01	B04A, B04B, B04C, B04D, B04E
	05	F01A, F01B, F01D, F05Z, F07A, F07B, F08A, F08B, F08C, F08D, F08E, F27A, F28A, F42Z		05	F01A, F01B, F01D, F05Z, F07A, F07B, F08A, F08B, F08C, F08D, F08E, F27A, F28A, F42Z		05	F01A, F01B, F01D, F05Z, F07A, F07B, F08A, F08B, F08C, F08D, F08E, F27A, F28A, F42Z
	08	I08A, I08B, I08C, I08D, I08E, I13A, I13B		08	I08A, I08B, I08C, I08D, I08E, I13A, I13B		07	H06A, H06B, H06C
	10	K09A, K09B		10	K09A, K09B		08	I08A, I08B, I08C, I08D, I08E, I13A, I13B
	11	L09A, L38Z		11	L09A, L38Z		09	J03A, J03B, J04A, J04B, J08A, J08B, J08C, J11A, J11B, J16Z
	21A	W04A, W04B		21A	W04A, W04B		10	K09A, K09B
	21B	X06A, X06B, X06C, X33Z		21B	X04Z, X33Z		11	L09A, L09B, L09C, L09D, L38Z
51526.5↔		BOP, KVT, UOP4	51527.2		BOP, KVT, UOP4	5152a		BOP, KVT, UOP4
	01	B04A, B04B, B04C, B04D, B04E		01	B04A, B04B, B04C, B04D, B04E		05	F21A, F21B
	05	F01A, F01B, F01D, F05Z, F07A, F07B, F08A, F08B, F08C, F08D, F08E, F27A, F28A, F42Z		05	F01A, F01B, F01D, F05Z, F07A, F07B, F08A, F08B, F08C, F08D, F08E, F27A, F28A, F42Z		08	I08A, I08B, I08C, I08D, I08E, I13A, I13B
	08	I08A, I08B, I08C, I08D, I08E, I13A, I13B		08	I08A, I08B, I08C, I08D, I08E, I13A, I13B		10	K09A, K09B
	10	K09A, K09B		10	K09A, K09B		11	L09A, L09B, L09C, L09D, L38Z
	11	L09A, L38Z		11	L09A, L38Z		21A	W04A, W04B
	21A	W04A, W04B		21A	W04A, W04B		21B	X04Z, X05A, X05B, X06A, X06B, X06C, X33Z
	21B	X06A, X06B, X06C, X33Z		21B	X04Z, X33Z		21B	X04Z, X05A, X05B, X06A, X06B, X06C

VYK

ZZV	MDC	DRG	ZZV	MDC	DRG	ZZV	MDC	DRG			
51530.0↔		BOP, KVT, UOP4	51530.x↔		BOP, KVT, UOP4	51532.0↔		BOP, KVT, UOP4			
	01	B04A, B04B, B04C, B04D, B04E		01	B04A, B04B, B04C, B04D, B04E		01	B04A, B04B, B04C, B04D, B04E			
	05	F01A, F01B, F01D, F05Z, F06A, F06C, F07A, F07B, F14A, F14B, F28A, F42Z, F54Z, F59A, F59B		05	F01A, F01B, F01D, F05Z, F06A, F06C, F07A, F07B, F14A, F14B, F28A, F42Z, F54Z, F59A, F59B		05	F01A, F01B, F01D, F05Z, F07A, F07B, F14A, F14B, F28A, F42Z, F54Z, F59A, F59B			
	08	I08A, I08B, I08C, I08D, I08E, I13A, I13B		08	I08A, I08B, I08C, I08D, I08E, I13A, I13B		08	I08A, I08B, I08C, I08D, I08E, I13A, I13B			
	10	K09A, K09B		10	K09A, K09B		10	K09A, K09B			
	11	L09A, L09B, L09C, L09D, L38Z		11	L09A, L09B, L09C, L09D, L38Z		11	L09A, L09B, L09C, L09D, L38Z			
	21A	W04A, W04B		21A	W04A, W04B		21A	W04A, W04B			
	21B	X06A, X06B, X06C		21B	X06A, X06B, X06C		21B	X05A, X05B, X06A, X06B, X06C			
	51530.1↔			BOP, KVT, UOP4	51531.0↔			BOP, KVT, UOP4	51532.1↔		BOP, KVT, UOP4
		01		B04A, B04B, B04C, B04D, B04E			01	B04A, B04B, B04C, B04D, B04E		01	B04A, B04B, B04C, B04D, B04E
05		F01A, F01B, F01D, F05Z, F06A, F06C, F07A, F07B, F14A, F14B, F28A, F42Z, F54Z, F59A, F59B	05	F01A, F01B, F01D, F05Z, F07A, F07B, F14A, F14B, F28A, F42Z, F54Z, F59A, F59B		05	F01A, F01B, F01D, F05Z, F07A, F07B, F14A, F14B, F28A, F42Z, F54Z, F59A, F59B				
08		I08A, I08B, I08C, I08D, I08E, I13A, I13B	08	I08A, I08B, I08C, I08D, I08E, I13A, I13B		08	I08A, I08B, I08C, I08D, I08E, I13A, I13B				
10		K09A, K09B	10	K09A, K09B		10	K09A, K09B				
11		L09A, L09B, L09C, L09D, L38Z	11	L09A, L09B, L09C, L09D, L38Z		11	L09A, L09B, L09C, L09D, L38Z				
21A		W04A, W04B	21A	W04A, W04B		21A	W04A, W04B				
21B		X06A, X06B, X06C	21B	X05A, X05B, X06A, X06B, X06C		21B	X05A, X05B, X06A, X06B, X06C				
51530.2↔			BOP, KVT, UOP4	51531.1↔			BOP, KVT, UOP4	51532.2↔			BOP, KVT, UOP4
		01	B04A, B04B, B04C, B04D, B04E			01	B04A, B04B, B04C, B04D, B04E			01	B04A, B04B, B04C, B04D, B04E
	05	F01A, F01B, F01D, F05Z, F06A, F06C, F07A, F07B, F14A, F14B, F28A, F42Z, F54Z, F59A, F59B	05		F01A, F01B, F01D, F05Z, F07A, F07B, F14A, F14B, F28A, F42Z, F54Z, F59A, F59B	05	F01A, F01B, F01D, F05Z, F07A, F07B, F14A, F14B, F28A, F42Z, F54Z, F59A, F59B				
	08	I08A, I08B, I08C, I08D, I08E, I13A, I13B	08		I08A, I08B, I08C, I08D, I08E, I13A, I13B	08	I08A, I08B, I08C, I08D, I08E, I13A, I13B				
	10	K09A, K09B	10		K09A, K09B	10	K09A, K09B				
	11	L09A, L09B, L09C, L09D, L38Z	11		L09A, L09B, L09C, L09D, L38Z	11	L09A, L09B, L09C, L09D, L38Z				
	21A	W04A, W04B	21A		W04A, W04B	21A	W04A, W04B				
	21B	X06A, X06B, X06C	21B		X05A, X05B, X06A, X06B, X06C	21B	X05A, X05B, X06A, X06B, X06C				
	51530.3↔		BOP, KVT, UOP4		51531.x↔		BOP, KVT, UOP4		51532.3↔		BOP, KVT, UOP4
		01	B04A, B04B, B04C, B04D, B04E			01	B04A, B04B, B04C, B04D, B04E			01	B04A, B04B, B04C, B04D, B04E
05		F01A, F01B, F01D, F05Z, F06A, F06C, F07A, F07B, F14A, F14B, F28A, F42Z, F54Z, F59A, F59B	05	F01A, F01B, F01D, F05Z, F07A, F07B, F14A, F14B, F28A, F42Z, F54Z, F59A, F59B		05	F01A, F01B, F01D, F05Z, F07A, F07B, F14A, F14B, F28A, F42Z, F54Z, F59A, F59B				
08		I08A, I08B, I08C, I08D, I08E, I13A, I13B	08	I08A, I08B, I08C, I08D, I08E, I13A, I13B		08	I08A, I08B, I08C, I08D, I08E, I13A, I13B				
10		K09A, K09B	10	K09A, K09B		10	K09A, K09B				
11		L09A, L09B, L09C, L09D, L38Z	11	L09A, L09B, L09C, L09D, L38Z		11	L09A, L09B, L09C, L09D, L38Z				
21A		W04A, W04B	21A	W04A, W04B		21A	W04A, W04B				
21B		X06A, X06B, X06C	21B	X05A, X05B, X06A, X06B, X06C		21B	X05A, X05B, X06A, X06B, X06C				
51530.4↔			BOP, KVT, UOP4								
		01	B04A, B04B, B04C, B04D, B04E								
	05	F01A, F01B, F01D, F05Z, F06A, F06C, F07A, F07B, F14A, F14B, F28A, F42Z, F54Z, F59A, F59B									
	08	I08A, I08B, I08C, I08D, I08E, I13A, I13B									
	10	K09A, K09B									
	11	L09A, L09B, L09C, L09D, L38Z									
	21A	W04A, W04B									
	21B	X06A, X06B, X06C									

VYK

ZZV	MDC	DRG	ZZV	MDC	DRG	ZZV	MDC	DRG
51535.4↔		BOP, KVT, UOP4	51536.2		BOP, KOP, KOPV, KVT, UOP4	51536.5		BOP, KOP, KOPV, KVT, UOP4
	01	B04A, B04B, B04C, B04D, B04E		01	B04A, B04B, B04C, B04D, B04E		01	B04A, B04B, B04C, B04D, B04E
	05	F01A, F01B, F01D, F05Z, F07A, F07B, F14A, F14B, F28A, F42Z, F54Z, F59A, F59B		05	F01A, F01B, F01D, F05Z, F07A, F07B, F14A, F14B, F28A, F42Z, F54Z, F59A, F59B		05	F01A, F01B, F01D, F05Z, F07A, F07B, F14A, F14B, F28A, F42Z, F54Z, F59A, F59B
	08	I08A, I08B, I08C, I08D, I08E, I13A, I13B		06	G15Z, G19A, G19B, G33Z, G38Z		06	G15Z, G18A, G19A, G19B, G33Z, G38Z
	10	K09A, K09B		07	H33Z, H38Z		07	H01A, H33Z, H38Z
	11	L09A, L09B, L09C, L09D, L38Z		08	I08A, I08B, I08C, I08D, I08E, I13A, I13B		08	I08A, I08B, I08C, I08D, I08E, I13A, I13B
	21A	W04A, W04B		10	K09A, K09B		10	K09A, K09B
	21B	X04Z, X06A, X06B, X06C		11	L09A, L09B, L09C, L09D, L33Z, L38Z		11	L09A, L09B, L09C, L09D, L33Z, L38Z
		BOP, KVT, UOP4		21A	W04A, W04B		21A	W04A, W04B
				21B	X06A, X06B, X06C, X33Z		21B	X06A, X06B, X06C, X33Z
51535.x↔	01	B04A, B04B, B04C, B04D, B04E	51536.3		BOP, KOP, KOPV, KVT, UOP4	51536.6		BOP, KOP, KOPV, KVT, UOP4
	05	F01A, F01B, F01D, F05Z, F07A, F07B, F14A, F14B, F28A, F42Z, F54Z, F59A, F59B		01	B04A, B04B, B04C, B04D, B04E		01	B04A, B04B, B04C, B04D, B04E
	08	I08A, I08B, I08C, I08D, I08E, I13A, I13B		05	F01A, F01B, F01D, F05Z, F07A, F07B, F14A, F14B, F28A, F42Z, F54Z, F59A, F59B		05	F01A, F01B, F01D, F05Z, F07A, F07B, F14A, F14B, F28A, F42Z, F54Z, F59A, F59B
	10	K09A, K09B		06	G15Z, G18A, G19A, G19B, G33Z, G38Z		06	G15Z, G18A, G19A, G19B, G33Z, G38Z
	11	L09A, L09B, L09C, L09D, L38Z		07	H06A, H06B, H06C, H33Z, H38Z		07	H01A, H33Z, H38Z
	21A	W04A, W04B		08	I08A, I08B, I08C, I08D, I08E, I13A, I13B		08	I08A, I08B, I08C, I08D, I08E, I13A, I13B
	21B	X04Z, X06A, X06B, X06C		10	K09A, K09B		10	K09A, K09B
		BOP, KOP, KOPV, KVT, UOP4		11	L09A, L09B, L09C, L09D, L33Z, L38Z		11	L09A, L09B, L09C, L09D, L33Z, L38Z
				21A	W04A, W04B		21A	W04A, W04B
				21B	X06A, X06B, X06C, X33Z		21B	X06A, X06B, X06C, X33Z
51536.0	01	B04A, B04B, B04C, B04D, B04E	51536.4↔		BOP, KVT, UOP4	51536.x↔		BOP, KVT, UOP4
	05	F01A, F01B, F01D, F05Z, F07A, F07B, F14A, F14B, F28A, F42Z, F54Z, F59A, F59B		01	B04A, B04B, B04C, B04D, B04E		01	B04A, B04B, B04C, B04D, B04E
	06	G15Z, G18A, G19A, G19B, G33Z, G38Z		05	F01A, F01B, F01D, F05Z, F07A, F07B, F14A, F14B, F28A, F42Z, F54Z, F59A, F59B		05	F01A, F01B, F01D, F05Z, F07A, F07B, F14A, F14B, F28A, F42Z, F54Z, F59A, F59B
	07	H01A, H33Z, H38Z		08	I08A, I08B, I08C, I08D, I08E, I13A, I13B		08	I08A, I08B, I08C, I08D, I08E, I13A, I13B
	08	I08A, I08B, I08C, I08D, I08E, I13A, I13B		10	K09A, K09B		10	K09A, K09B
	10	K09A, K09B		11	L09A, L09B, L09C, L09D, L33Z, L38Z		11	L09A, L09B, L09C, L09D, L33Z, L38Z
	11	L09A, L09B, L09C, L09D, L33Z, L38Z		21A	W04A, W04B		21A	W04A, W04B
	21A	W04A, W04B		21B	X06A, X06B, X06C, X33Z		21B	X06A, X06B, X06C, X33Z
	21B	X06A, X06B, X06C, X33Z		23	Z01A		23	Z01A
	23	Z01A		Pre	A07A		Pre	A07A
51536.1	Pre	A07A	51537.0↔		BOP, KVT, UOP4	51537.0↔		BOP, KVT, UOP4
	01	B04A, B04B, B04C, B04D, B04E		01	B04A, B04B, B04C, B04D, B04E		01	B04A, B04B, B04C, B04D, B04E
	05	F01A, F01B, F01D, F05Z, F07A, F07B, F14A, F14B, F28A, F42Z, F54Z, F59A, F59B		05	F01A, F01B, F01D, F05Z, F07A, F07B, F14A, F14B, F28A, F42Z, F54Z, F59A, F59B		05	F01A, F01B, F01D, F05Z, F07A, F07B, F14A, F14B, F28A, F42Z, F54Z, F59A, F59B
	06	G15Z, G18A, G19A, G19B, G33Z, G38Z		08	I08A, I08B, I08C, I08D, I08E, I13A, I13B		08	I08A, I08B, I08C, I08D, I08E, I13A, I13B
	07	H01A, H06A, H06B, H06C, H33Z, H38Z		10	K09A, K09B		10	K09A, K09B
	08	I08A, I08B, I08C, I08D, I08E, I13A, I13B		11	L09A, L09B, L09C, L09D, L33Z, L38Z		11	L09A, L09B, L09C, L09D, L33Z, L38Z
	10	K09A, K09B		21A	W04A, W04B		21A	W04A, W04B
	11	L09A, L09B, L09C, L09D, L33Z, L38Z		21B	X06A, X06B, X06C, X33Z		21B	X06A, X06B, X06C, X33Z
	21A	W04A, W04B		23	Z01A		23	Z01A
	21B	X06A, X06B, X06C, X33Z		Pre	A07A		Pre	A07A

VYK

ZZV	MDC	DRG	ZZV	MDC	DRG	ZZV	MDC	DRG
51537.1↔		BOP, KVT, UOP4	51538.1↔		BOP, KVT, UOP4	51539.0↔		BOP, KVT, UOP4
	01	B04A, B04B, B04C, B04D, B04E		01	B04A, B04B, B04C, B04D, B04E		01	B04A, B04B, B04C, B04D, B04E
	05	F01A, F01B, F01D, F05Z, F07A, F07B, F14A, F14B, F28A, F42Z, F54Z, F59A, F59B		05	F01A, F01B, F01D, F05Z, F07A, F07B, F14A, F14B, F28A, F42Z, F54Z, F59A, F59B		05	F01A, F01B, F01D, F05Z, F07A, F07B, F14A, F14B, F28A, F42Z, F54Z, F59A, F59B
	08	I08A, I08B, I08C, I08D, I08E, I13A, I13B		08	I08A, I08B, I08C, I08D, I08E, I13A, I13B		08	I08A, I08B, I08C, I08D, I08E, I13A, I13B
	10	K09A, K09B		10	K09A, K09B		10	K09A, K09B
	11	L09A, L09B, L09C, L09D, L38Z		11	L09A, L09B, L09C, L09D, L38Z		11	L09A, L09B, L09C, L09D, L38Z
	21A	W04A, W04B		21A	W04A, W04B		21A	W04A, W04B
51537.2↔	21B	X04Z, X06A, X06B, X06C	51538.2↔	21B	X04Z, X06A, X06B, X06C	51539.1↔	21B	X04Z, X06A, X06B, X06C
		BOP, KVT, UOP4			BOP, KVT, UOP4			BOP, KVT, UOP4
51537.3↔	01	B04A, B04B, B04C, B04D, B04E	51538.3↔	01	B04A, B04B, B04C, B04D, B04E	51539.2	01	B04A, B04B, B04C, B04D, B04E
	05	F01A, F01B, F01D, F05Z, F07A, F07B, F14A, F14B, F28A, F42Z, F54Z, F59A, F59B		05	F01A, F01B, F01D, F05Z, F07A, F07B, F14A, F14B, F28A, F42Z, F54Z, F59A, F59B		05	F01A, F01B, F01D, F05Z, F07A, F07B, F14A, F14B, F28A, F42Z, F54Z, F59A, F59B
	08	I08A, I08B, I08C, I08D, I08E, I13A, I13B		08	I08A, I08B, I08C, I08D, I08E, I13A, I13B		06	G18A, G38Z
	10	K09A, K09B		10	K09A, K09B		07	H01A
	11	L09A, L09B, L09C, L09D, L38Z		11	L09A, L09B, L09C, L09D, L38Z		08	I08A, I08B, I08C, I08D, I08E, I13A, I13B
	21A	W04A, W04B		21A	W04A, W04B		10	K09A, K09B
	21B	X04Z, X06A, X06B, X06C		21B	X04Z, X06A, X06B, X06C		11	L09A, L09B, L09C, L09D, L38Z
51537.x↔		BOP, KVT, UOP4	51538.4↔		BOP, KVT, UOP4	51539.3↔	21A	W04A, W04B
	01	B04A, B04B, B04C, B04D, B04E		01	B04A, B04B, B04C, B04D, B04E		21B	X06A, X06B, X06C
	05	F01A, F01B, F01D, F05Z, F07A, F07B, F14A, F14B, F28A, F42Z, F54Z, F59A, F59B		05	F01A, F01B, F01D, F05Z, F07A, F07B, F14A, F14B, F28A, F42Z, F54Z, F59A, F59B		01	B04A, B04B, B04C, B04D, B04E
	08	I08A, I08B, I08C, I08D, I08E, I13A, I13B		08	I08A, I08B, I08C, I08D, I08E, I13A, I13B		05	F01A, F01B, F01D, F05Z, F07A, F07B, F14A, F14B, F28A, F42Z, F54Z, F59A, F59B
	10	K09A, K09B		10	K09A, K09B		06	G18A, G38Z
	11	L09A, L09B, L09C, L09D, L38Z		11	L09A, L09B, L09C, L09D, L38Z		07	H01A
	21A	W04A, W04B		21A	W04A, W04B		08	I08A, I08B, I08C, I08D, I08E, I13A, I13B
51538.0↔	21B	X04Z, X06A, X06B, X06C	51538.x↔	21B	X04Z, X06A, X06B, X06C	10	K09A, K09B	
		BOP, KVT, UOP4			BOP, KVT, UOP4	11	L09A, L09B, L09C, L09D, L38Z	
51538.1↔	01	B04A, B04B, B04C, B04D, B04E	51538.1↔	01	B04A, B04B, B04C, B04D, B04E	21A	W04A, W04B	
	05	F01A, F01B, F01D, F05Z, F07A, F07B, F14A, F14B, F28A, F42Z, F54Z, F59A, F59B		05	F01A, F01B, F01D, F05Z, F07A, F07B, F14A, F14B, F28A, F42Z, F54Z, F59A, F59B	21B	X06A, X06B, X06C	
	08	I08A, I08B, I08C, I08D, I08E, I13A, I13B		08	I08A, I08B, I08C, I08D, I08E, I13A, I13B			
	10	K09A, K09B		10	K09A, K09B			
	11	L09A, L09B, L09C, L09D, L38Z		11	L09A, L09B, L09C, L09D, L38Z			
	21A	W04A, W04B		21A	W04A, W04B			
	21B	X04Z, X06A, X06B, X06C		21B	X04Z, X06A, X06B, X06C			

VYK

ZZV	MDC	DRG	ZZV	MDC	DRG	ZZV	MDC	DRG		
51539.4		BOP, KVT, UOP4	51539.8↔		BOP, KVT, UOP4	51539.c↔		BOP, KVT, UOP4		
	01	B04A, B04B, B04C, B04D, B04E		01	B04A, B04B, B04C, B04D, B04E		01	B04A, B04B, B04C, B04D, B04E		
	05	F01A, F01B, F01D, F05Z, F07A, F07B, F14A, F14B, F28A, F42Z, F54Z, F59A, F59B		05	F01A, F01B, F01D, F05Z, F07A, F07B, F14A, F14B, F28A, F42Z, F54Z, F59A, F59B		05	F01A, F01B, F01D, F05Z, F07A, F07B, F14A, F14B, F28A, F42Z, F54Z, F59A, F59B		
	06	G18A, G38Z		06	G18A, G38Z		08	I08A, I08B, I08C, I08D, I08E, I13A, I13B		
	07	H01A		07	H01A		10	K09A, K09B		
	08	I08A, I08B, I08C, I08D, I08E, I13A, I13B		08	I08A, I08B, I08C, I08D, I08E, I13A, I13B		11	L09A, L09B, L09C, L09D, L38Z		
	10	K09A, K09B		10	K09A, K09B		21A	W04A, W04B		
	11	L09A, L09B, L09C, L09D, L38Z		11	L09A, L09B, L09C, L09D, L38Z		21B	X05A, X05B, X06A, X06B, X06C		
	21A	W04A, W04B		21A	W04A, W04B			BOP, KVT, UOP4		
	21B	X06A, X06B, X06C		21B	X06A, X06B, X06C		51539.d↔	01	B04A, B04B, B04C, B04D, B04E	
	51539.5			BOP, KVT, UOP4	51539.9↔				BOP, KVT, UOP4	05
01		B04A, B04B, B04C, B04D, B04E	01	B04A, B04B, B04C, B04D, B04E		08		I08A, I08B, I08C, I08D, I08E, I13A, I13B		
05		F01A, F01B, F01D, F05Z, F07A, F07B, F14A, F14B, F28A, F42Z, F54Z, F59A, F59B	05	F01A, F01B, F01D, F05Z, F07A, F07B, F14A, F14B, F28A, F42Z, F54Z, F59A, F59B		10		K09A, K09B		
06		G18A, G38Z	08	I08A, I08B, I08C, I08D, I08E, I13A, I13B		11		L09A, L09B, L09C, L09D, L38Z		
07		H01A	10	K09A, K09B		21A		W04A, W04B		
08		I08A, I08B, I08C, I08D, I08E, I13A, I13B	11	L09A, L09B, L09C, L09D, L38Z		21B		X05A, X05B, X06A, X06B, X06C		
10		K09A, K09B	21A	W04A, W04B				BOP, KVT, UOP4		
11		L09A, L09B, L09C, L09D, L38Z	21B	X06A, X06B, X06C		51539.e		01	B04A, B04B, B04C, B04D, B04E	
21A		W04A, W04B		BOP, KVT, UOP4				05	F01A, F01B, F01D, F05Z, F07A, F07B, F14A, F14B, F28A, F42Z, F54Z, F59A, F59B	
21B		X06A, X06B, X06C	51539.a↔	01				B04A, B04B, B04C, B04D, B04E	08	I08A, I08B, I08C, I08D, I08E, I13A, I13B
51539.6				BOP, KVT, UOP4			05	F01A, F01B, F01D, F05Z, F07A, F07B, F14A, F14B, F28A, F42Z, F54Z, F59A, F59B	10	K09A, K09B
	01	B04A, B04B, B04C, B04D, B04E		08	I08A, I08B, I08C, I08D, I08E, I13A, I13B		11	L09A, L09B, L09C, L09D, L38Z		
	05	F01A, F01B, F01D, F05Z, F07A, F07B, F14A, F14B, F28A, F42Z, F54Z, F59A, F59B		10	K09A, K09B		21A	W04A, W04B		
	06	G18A, G38Z		11	L09A, L09B, L09C, L09D, L38Z		21B	X06A, X06B, X06C		
	07	H01A		51539.b↔	01		B04A, B04B, B04C, B04D, B04E	51539.f	01	B04A, B04B, B04C, B04D, B04E
	08	I08A, I08B, I08C, I08D, I08E, I13A, I13B			05		F01A, F01B, F01D, F05Z, F07A, F07B, F14A, F14B, F28A, F42Z, F54Z, F59A, F59B		05	F01A, F01B, F01D, F05Z, F07A, F07B, F14A, F14B, F28A, F42Z, F54Z, F59A, F59B
	10	K09A, K09B			08		I08A, I08B, I08C, I08D, I08E, I13A, I13B		06	G03A, G18A, G38Z
	11	L09A, L09B, L09C, L09D, L38Z			10		K09A, K09B		07	H01A
	21A	W04A, W04B			11	L09A, L09B, L09C, L09D, L38Z	08		I08A, I08B, I08C, I08D, I08E, I13A, I13B	
	21B	X06A, X06B, X06C			21A	W04A, W04B	10		K09A, K09B	
	51539.7		BOP, KVT, UOP4		21B	X05A, X05B, X06A, X06B, X06C	11		L09A, L09B, L09C, L09D, L38Z	
01		B04A, B04B, B04C, B04D, B04E	01		B04A, B04B, B04C, B04D, B04E	21A	W04A, W04B			
05		F01A, F01B, F01D, F05Z, F07A, F07B, F14A, F14B, F28A, F42Z, F54Z, F59A, F59B	05		F01A, F01B, F01D, F05Z, F07A, F07B, F14A, F14B, F28A, F42Z, F54Z, F59A, F59B	21B	X06A, X06B, X06C			
06		G18A, G38Z	08		I08A, I08B, I08C, I08D, I08E, I13A, I13B		BOP, KVT, UOP4			
07		H01A	10		K09A, K09B	01	B04A, B04B, B04C, B04D, B04E			
08		I08A, I08B, I08C, I08D, I08E, I13A, I13B	11	L09A, L09B, L09C, L09D, L38Z	05	F01A, F01B, F01D, F05Z, F07A, F07B, F14A, F14B, F28A, F42Z, F54Z, F59A, F59B				
10		K09A, K09B	21A	W04A, W04B	06	G03A, G18A, G38Z				
11		L09A, L09B, L09C, L09D, L38Z	21B	X05A, X05B, X06A, X06B, X06C	07	H01A				
21A		W04A, W04B			08	I08A, I08B, I08C, I08D, I08E, I13A, I13B				
21B		X06A, X06B, X06C			10	K09A, K09B				
					11	L09A, L09B, L09C, L09D, L38Z				

VYK

ZZV	MDC	DRG	ZZV	MDC	DRG	ZZV	MDC	DRG			
51539.g↔		BOP, KVT, UOP4	5153a.2↔		BOP, KVT, UOP4	51540.10↔		BOP, KVT, UOP4			
	01	B04A, B04B, B04C, B04D, B04E		01	B04A, B04B, B04C, B04D, B04E		01	B04A, B04B, B04C, B04D, B04E			
	05	F01A, F01B, F01D, F05Z, F07A, F07B, F14A, F14B, F28A, F42Z, F54Z, F59A, F59B		05	F01A, F01B, F01D, F05Z, F07A, F07B, F28A, F42Z, F54Z, F59A, F59B		05	F01A, F01B, F01D, F05Z, F06A, F06C, F07A, F07B, F14A, F14B, F28A, F42Z, F54Z, F59A, F59B			
	08	I08A, I08B, I08C, I08D, I08E, I13A, I13B		08	I08A, I08B, I08C, I08D, I08E, I13A, I13B		08	I08A, I08B, I08C, I08D, I08E, I13A, I13B			
	10	K09A, K09B		10	K09A, K09B		10	K09A, K09B			
	11	L09A, L09B, L09C, L09D, L38Z		11	L09A, L09B, L09C, L09D, L38Z		09	J03A, J03B, J04A, J04B, J08A, J08B, J08C, J11A, J11B, J16Z			
	21A	W04A, W04B		21A	W04A, W04B		10	K09A, K09B			
	21B	X04Z, X06A, X06B, X06C		21B	X04Z, X05A, X05B, X06A, X06B, X06C		21A	W04A, W04B			
	51539.h↔			BOP, KVT, UOP4	5153a.3↔			BOP, KVT, UOP4	51540.11↔		X06A, X06B, X06C
		01		B04A, B04B, B04C, B04D, B04E			01	B04A, B04B, B04C, B04D, B04E		01	BOP, KVT, UOP4
05		F01A, F01B, F01D, F05Z, F07A, F07B, F14A, F14B, F28A, F42Z, F54Z, F59A, F59B	05	F01A, F01B, F01D, F05Z, F07A, F07B, F14A, F14B, F28A, F42Z, F54Z, F59A, F59B		05	F01A, F01B, F01D, F05Z, F06A, F06C, F07A, F07B, F14A, F14B, F28A, F42Z, F54Z, F59A, F59B				
08		I08A, I08B, I08C, I08D, I08E, I13A, I13B	08	I08A, I08B, I08C, I08D, I08E, I13A, I13B		08	I08A, I08B, I08C, I08D, I08E, I13A, I13B				
10		K09A, K09B	10	K09A, K09B		09	J03A, J03B, J04A, J04B, J08A, J08B, J08C, J11A, J11B, J16Z				
11		L09A, L09B, L09C, L09D, L38Z	11	L09A, L09B, L09C, L09D, L38Z		10	K09A, K09B				
21A		W04A, W04B	21A	W04A, W04B		21A	W04A, W04B				
21B		X04Z, X06A, X06B, X06C	21B	X04Z, X05A, X05B, X06A, X06B, X06C		21B	X06A, X06B, X06C				
51539.i↔			BOP, KVT, UOP4	5153a.x↔			BOP, KVT, UOP4	51540.2↔			BOP, KVT, UOP4
		01	B04A, B04B, B04C, B04D, B04E			01	B04A, B04B, B04C, B04D, B04E			01	B04A, B04B, B04C, B04D, B04E
	05	F01A, F01B, F01D, F05Z, F07A, F07B, F14A, F14B, F28A, F42Z, F54Z, F59A, F59B	05		F01A, F01B, F01D, F05Z, F07A, F07B, F14A, F14B, F28A, F42Z, F54Z, F59A, F59B	05	F01A, F01B, F01D, F05Z, F06A, F06C, F07A, F07B, F14A, F14B, F28A, F42Z, F54Z, F59A, F59B				
	08	I08A, I08B, I08C, I08D, I08E, I13A, I13B	08		I08A, I08B, I08C, I08D, I08E, I13A, I13B	08	I08A, I08B, I08C, I08D, I08E, I13A, I13B				
	10	K09A, K09B	10		K09A, K09B	09	J03A, J03B, J04A, J04B, J08A, J08B, J08C, J11A, J11B, J16Z				
	11	L09A, L09B, L09C, L09D, L38Z	11		L09A, L09B, L09C, L09D, L38Z	10	K09A, K09B				
	21A	W04A, W04B	21A		W04A, W04B	21A	W04A, W04B				
	21B	X04Z, X06A, X06B, X06C	21B		X06A, X06B, X06C	21B	X06A, X06B, X06C				
	51539.x↔		BOP, KVT, UOP4		51540.0↔		BOP, KVT, UOP4		51540.3↔		BOP, KVT, UOP4
		01	B04A, B04B, B04C, B04D, B04E			01	B04A, B04B, B04C, B04D, B04E			01	B04A, B04B, B04C, B04D, B04E
05		F01A, F01B, F01D, F05Z, F07A, F07B, F14A, F14B, F28A, F42Z, F54Z, F59A, F59B	05	F01A, F01B, F01D, F05Z, F06A, F06C, F07A, F07B, F14A, F14B, F28A, F42Z, F54Z, F59A, F59B		05	F01A, F01B, F01D, F05Z, F06A, F06C, F07A, F07B, F14A, F14B, F28A, F42Z, F54Z, F59A, F59B				
08		I08A, I08B, I08C, I08D, I08E, I13A, I13B	08	I08A, I08B, I08C, I08D, I08E, I13A, I13B		08	I08A, I08B, I08C, I08D, I08E, I13A, I13B				
10		K09A, K09B	09	J03A, J03B, J04A, J04B, J08A, J08B, J08C, J11A, J11B, J16Z		09	J03A, J03B, J04A, J04B, J08A, J08B, J08C, J11A, J11B, J16Z				
11		L09A, L09B, L09C, L09D, L38Z	10	K09A, K09B		10	K09A, K09B				
21A		W04A, W04B	21A	W04A, W04B		21A	W04A, W04B				
21B		X06A, X06B, X06C	21B	X06A, X06B, X06C		21B	X06A, X06B, X06C				
5153a.1↔			BOP, KVT, UOP4								
		01	B04A, B04B, B04C, B04D, B04E								
	05	F01A, F01B, F01D, F05Z, F07A, F07B, F28A, F42Z, F54Z, F59A, F59B									
	08	I08A, I08B, I08C, I08D, I08E, I13A, I13B									
	10	K09A, K09B									
	11	L09A, L09B, L09C, L09D, L38Z									
	21A	W04A, W04B									
	21B	X04Z, X05A, X05B, X06A, X06B, X06C									

VYK

ZZV	MDC	DRG	ZZV	MDC	DRG	ZZV	MDC	DRG							
51540.40↔		BOP, KOP, KOPV, KVT, UOP4	51540.x↔		BOP, KVT, UOP4	51542.3↔		BOP, KVT, UOP4							
	01	B04A, B04B, B04C, B04D, B04E		01	B04A, B04B, B04C, B04D, B04E		01	B04A, B04B, B04C, B04D, B04E							
	04	E05A, E05B, E05C, E08A, E08B, E08C		05	F01A, F01B, F01D, F05Z, F06A, F06C, F07A, F07B, F14A, F14B, F28A, F42Z, F54Z, F59A, F59B		05	F01A, F01B, F01D, F05Z, F07A, F07B, F14A, F14B, F28A, F42Z, F54Z, F59A, F59B							
	05	F01A, F01B, F01D, F05Z, F06A, F06C, F07A, F07B, F14A, F14B, F28A, F42Z, F54Z, F59A, F59B		08	I08A, I08B, I08C, I08D, I08E, I13A, I13B		08	I08A, I08B, I08C, I08D, I08E, I13A, I13B							
	06	G33Z		09	J03A, J03B, J04A, J04B, J08A, J08B, J08C, J11A, J11B, J16Z		09	J03A, J03B, J04A, J04B, J08A, J08B, J08C, J11A, J11B, J16Z							
	07	H33Z, H38Z		10	K09A, K09B		10	K09A, K09B							
	08	I08A, I08B, I08C, I08D, I08E, I13A, I13B		21A	W04A, W04B		21A	W04A, W04B							
	09	J03A, J03B, J04A, J04B, J08A, J08B, J08C, J11A, J11B, J16Z		21B	X06A, X06B, X06C		21B	X05A, X05B, X06A, X06B, X06C							
	10	K09A, K09B		51542.0↔			BOP, KVT, UOP4	51542.4↔		BOP, KVT, UOP4					
	11	L33Z			01		B04A, B04B, B04C, B04D, B04E		01	B04A, B04B, B04C, B04D, B04E					
	21A	W04A, W04B			05		F01A, F01B, F01D, F05Z, F07A, F07B, F14A, F14B, F28A, F42Z, F54Z, F59A, F59B		05	F01A, F01B, F01D, F05Z, F07A, F07B, F14A, F14B, F28A, F42Z, F54Z, F59A, F59B					
	21B	X06A, X06B, X06C, X33Z			08		I08A, I08B, I08C, I08D, I08E, I13A, I13B		08	I08A, I08B, I08C, I08D, I08E, I13A, I13B					
	23	Z01A			09		J03A, J03B, J04A, J04B, J08A, J08B, J08C, J11A, J11B, J16Z		09	J03A, J03B, J04A, J04B, J08A, J08B, J08C, J11A, J11B, J16Z					
	Pre	A07A			10		K09A, K09B		10	K09A, K09B					
	51540.41↔				BOP, KOP, KOPV, KVT, UOP4		51542.1↔			BOP, KVT, UOP4	51542.x↔		BOP, KVT, UOP4		
		01			B04A, B04B, B04C, B04D, B04E				01	B04A, B04B, B04C, B04D, B04E		01	B04A, B04B, B04C, B04D, B04E		
		04			E05A, E05B, E05C, E08A, E08B, E08C				05	F01A, F01B, F01D, F05Z, F07A, F07B, F14A, F14B, F28A, F42Z, F54Z, F59A, F59B		05	F01A, F01B, F01D, F05Z, F07A, F07B, F14A, F14B, F28A, F42Z, F54Z, F59A, F59B		
		05			F01A, F01B, F01D, F05Z, F06A, F06C, F07A, F07B, F14A, F14B, F28A, F42Z, F54Z, F59A, F59B				08	I08A, I08B, I08C, I08D, I08E, I13A, I13B		08	I08A, I08B, I08C, I08D, I08E, I13A, I13B		
		06			G33Z				09	J03A, J03B, J04A, J04B, J08A, J08B, J08C, J11A, J11B, J16Z		09	J03A, J03B, J04A, J04B, J08A, J08B, J08C, J11A, J11B, J16Z		
		07			H33Z, H38Z				10	K09A, K09B		10	K09A, K09B		
		08			I08A, I08B, I08C, I08D, I08E, I13A, I13B				21A	W04A, W04B		21A	W04A, W04B		
		09			J03A, J03B, J04A, J04B, J08A, J08B, J08C, J11A, J11B, J16Z				21B	X05A, X05B, X06A, X06B, X06C		21B	X05A, X05B, X06A, X06B, X06C		
		10			K09A, K09B				51542.2↔			BOP, KVT, UOP4	51542.2↔		BOP, KVT, UOP4
11		L33Z	01		B04A, B04B, B04C, B04D, B04E	01				B04A, B04B, B04C, B04D, B04E					
21A		W04A, W04B	05		F01A, F01B, F01D, F05Z, F07A, F07B, F14A, F14B, F28A, F42Z, F54Z, F59A, F59B	05				F01A, F01B, F01D, F05Z, F07A, F07B, F14A, F14B, F28A, F42Z, F54Z, F59A, F59B					
21B		X06A, X06B, X06C, X33Z	08		I08A, I08B, I08C, I08D, I08E, I13A, I13B	08				I08A, I08B, I08C, I08D, I08E, I13A, I13B					
23		Z01A	09		J03A, J03B, J04A, J04B, J08A, J08B, J08C, J11A, J11B, J16Z	09				J03A, J03B, J04A, J04B, J08A, J08B, J08C, J11A, J11B, J16Z					
Pre		A07A	10		K09A, K09B	10				K09A, K09B					
51540.42↔			BOP, KOP, KOPV, KVT, UOP4		51542.2↔					BOP, KVT, UOP4		51542.2↔			BOP, KVT, UOP4
		01	B04A, B04B, B04C, B04D, B04E			01				B04A, B04B, B04C, B04D, B04E				01	B04A, B04B, B04C, B04D, B04E
		04	E05A, E05B, E05C, E08A, E08B, E08C			05				F01A, F01B, F01D, F05Z, F07A, F07B, F14A, F14B, F28A, F42Z, F54Z, F59A, F59B				05	F01A, F01B, F01D, F05Z, F07A, F07B, F14A, F14B, F28A, F42Z, F54Z, F59A, F59B
		05	F01A, F01B, F01D, F05Z, F06A, F06C, F07A, F07B, F14A, F14B, F28A, F42Z, F54Z, F59A, F59B	08		I08A, I08B, I08C, I08D, I08E, I13A, I13B		08		I08A, I08B, I08C, I08D, I08E, I13A, I13B					
		06	G33Z	09		J03A, J03B, J04A, J04B, J08A, J08B, J08C, J11A, J11B, J16Z		09		J03A, J03B, J04A, J04B, J08A, J08B, J08C, J11A, J11B, J16Z					
		07	H33Z, H38Z	10		K09A, K09B		10		K09A, K09B					
		08	I08A, I08B, I08C, I08D, I08E, I13A, I13B	21A		W04A, W04B		21A		W04A, W04B					
		09	J03A, J03B, J04A, J04B, J08A, J08B, J08C, J11A, J11B, J16Z	21B		X05A, X05B, X06A, X06B, X06C		21B		X05A, X05B, X06A, X06B, X06C					
		10	K09A, K09B												
	11	L33Z													
	21A	W04A, W04B													
	21B	X06A, X06B, X06C, X33Z													
	23	Z01A													
	Pre	A07A													

VYK

ZZV	MDC	DRG	ZZV	MDC	DRG	ZZV	MDC	DRG			
51544.00↔		BOP, KOP, KOPV, KVT, UOP4	51544.2↔		BOP, KOP, KOPV, KVT, UOP4	51545.0↔		BOP, KOP, KOPV, KVT, UOP4			
	01	B04A, B04B, B04C, B04D, B04E		01	B04A, B04B, B04C, B04D, B04E		01	B04A, B04B, B04C, B04D, B04E			
	04	E05A, E05B, E05C, E08A, E08B, E08C		04	E05A, E05B, E05C, E08A, E08B, E08C		05	F01A, F01B, F01D, F05Z, F07A, F07B, F14A, F14B, F28A, F42Z, F54Z, F59A, F59B			
	05	F01A, F01B, F01D, F05Z, F07A, F07B, F14A, F14B, F28A, F42Z, F54Z, F59A, F59B		05	F01A, F01B, F01D, F05Z, F07A, F07B, F14A, F14B, F28A, F42Z, F54Z, F59A, F59B		06	G15Z, G19A, G19B, G33Z, G38Z			
	06	G15Z, G19A, G19B, G33Z, G38Z		06	G15Z, G19A, G19B, G33Z, G38Z		07	H33Z, H38Z			
	07	H33Z, H38Z		07	H33Z, H38Z		08	I08A, I08B, I08C, I08D, I08E, I13A, I13B			
	08	I08A, I08B, I08C, I08D, I08E, I13A, I13B		08	I08A, I08B, I08C, I08D, I08E, I13A, I13B		09	J03A, J03B, J04A, J04B, J08A, J08B, J08C, J11A, J11B, J16Z			
	09	J03A, J03B, J04A, J04B, J08A, J08B, J08C, J11A, J11B, J16Z		09	J03A, J03B, J04A, J04B, J08A, J08B, J08C, J11A, J11B, J16Z		10	K09A, K09B			
	10	K09A, K09B		10	K09A, K09B		11	L33Z			
	11	L33Z		11	L33Z		21A	W04A, W04B			
	21A	W04A, W04B		21A	W04A, W04B		21B	X04Z, X06A, X06B, X06C, X33Z			
	21B	X06A, X06B, X06C, X33Z		21B	X06A, X06B, X06C, X33Z		23	Z01A			
	23	Z01A		23	Z01A		Pre	A07A			
	Pre	A07A		Pre	A07A						
51544.01↔		BOP, KVT, UOP4	51544.x↔		BOP, KOP, KOPV, KVT, UOP4	51545.1↔		BOP, KOP, KOPV, KVT, UOP4			
	01	B04A, B04B, B04C, B04D, B04E		01	B04A, B04B, B04C, B04D, B04E		01	B04A, B04B, B04C, B04D, B04E			
	05	F01A, F01B, F01D, F05Z, F06A, F06C, F07A, F07B, F14A, F14B, F28A, F42Z, F54Z, F59A, F59B		04	E05A, E05B, E05C, E08A, E08B, E08C		05	F01A, F01B, F01D, F05Z, F07A, F07B, F14A, F14B, F28A, F42Z, F54Z, F59A, F59B			
	08	I08A, I08B, I08C, I08D, I08E, I13A, I13B		05	F01A, F01B, F01D, F05Z, F07A, F07B, F14A, F14B, F28A, F42Z, F54Z, F59A, F59B		06	G15Z, G19A, G19B, G33Z, G38Z			
	09	J03A, J03B, J04A, J04B, J08A, J08B, J08C, J11A, J11B, J16Z		06	G15Z, G19A, G19B, G33Z, G38Z		07	H33Z, H38Z			
	10	K09A, K09B		07	H33Z, H38Z		08	I08A, I08B, I08C, I08D, I08E, I13A, I13B			
	21A	W04A, W04B		08	I08A, I08B, I08C, I08D, I08E, I13A, I13B		09	J03A, J03B, J04A, J04B, J08A, J08B, J08C, J11A, J11B, J16Z			
	21B	X06A, X06B, X06C		09	J03A, J03B, J04A, J04B, J08A, J08B, J08C, J11A, J11B, J16Z		10	K09A, K09B			
	51544.1↔			BOP, KOP, KOPV, KVT, UOP4	51544.x↔			BOP, KOP, KOPV, KVT, UOP4	51545.1↔		BOP, KOP, KOPV, KVT, UOP4
		01		B04A, B04B, B04C, B04D, B04E			01	B04A, B04B, B04C, B04D, B04E		01	B04A, B04B, B04C, B04D, B04E
		04		E05A, E05B, E05C, E08A, E08B, E08C			04	E05A, E05B, E05C, E08A, E08B, E08C		05	F01A, F01B, F01D, F05Z, F07A, F07B, F14A, F14B, F28A, F42Z, F54Z, F59A, F59B
		05		F01A, F01B, F01D, F05Z, F07A, F07B, F14A, F14B, F28A, F42Z, F54Z, F59A, F59B			05	F01A, F01B, F01D, F05Z, F07A, F07B, F14A, F14B, F28A, F42Z, F54Z, F59A, F59B		06	G15Z, G19A, G19B, G33Z, G38Z
		06		G15Z, G19A, G19B, G33Z, G38Z			06	G15Z, G19A, G19B, G33Z, G38Z		07	H33Z, H38Z
		07		H33Z, H38Z			07	H33Z, H38Z		08	I08A, I08B, I08C, I08D, I08E, I13A, I13B
08		I08A, I08B, I08C, I08D, I08E, I13A, I13B	08	I08A, I08B, I08C, I08D, I08E, I13A, I13B		09	J03A, J03B, J04A, J04B, J08A, J08B, J08C, J11A, J11B, J16Z				
09		J03A, J03B, J04A, J04B, J08A, J08B, J08C, J11A, J11B, J16Z	09	J03A, J03B, J04A, J04B, J08A, J08B, J08C, J11A, J11B, J16Z		10	K09A, K09B				
10		K09A, K09B	10	K09A, K09B		11	L33Z				
11		L33Z	11	L33Z		21A	W04A, W04B				
21A		W04A, W04B	21A	W04A, W04B		21B	X04Z, X06A, X06B, X06C, X33Z				
21B		X06A, X06B, X06C, X33Z	21B	X06A, X06B, X06C, X33Z		23	Z01A				
23		Z01A	23	Z01A		Pre	A07A				
Pre		A07A	Pre	A07A							

VYK

ZZV	MDC	DRG	ZZV	MDC	DRG	ZZV	MDC	DRG			
51545.2↔		BOP, KOP, KOPV, KVT, UOP4	51546.0		BOP, KOP, KOPV, KVT, UOP4	51546.2		BOP, KOP, KOPV, KVT, UOP4			
	01	B04A, B04B, B04C, B04D, B04E		01	B04A, B04B, B04C, B04D, B04E		01	B04A, B04B, B04C, B04D, B04E			
	05	F01A, F01B, F01D, F05Z, F07A, F07B, F14A, F14B, F28A, F42Z, F54Z, F59A, F59B		04	E05A, E05B, E05C, E08A, E08B, E08C		04	E05A, E05B, E05C, E08A, E08B, E08C			
	06	G15Z, G19A, G19B, G33Z, G38Z		05	F01A, F01B, F01D, F05Z, F07A, F07B, F14A, F14B, F28A, F42Z, F54Z, F59A, F59B		05	F01A, F01B, F01D, F05Z, F07A, F07B, F14A, F14B, F28A, F42Z, F54Z, F59A, F59B			
	07	H33Z, H38Z		06	G15Z, G19A, G19B, G33Z, G38Z		06	G15Z, G19A, G19B, G33Z, G38Z			
	08	I08A, I08B, I08C, I08D, I08E, I13A, I13B		07	H33Z, H38Z		07	H33Z, H38Z			
	09	J03A, J03B, J04A, J04B, J08A, J08B, J08C, J11A, J11B, J16Z		08	I08A, I08B, I08C, I08D, I08E, I13A, I13B		08	I08A, I08B, I08C, I08D, I08E, I13A, I13B			
	10	K09A, K09B		09	J03A, J03B, J04A, J04B, J08A, J08B, J08C, J11A, J11B, J16Z		09	J03A, J03B, J04A, J04B, J08A, J08B, J08C, J11A, J11B, J16Z			
	11	L09A, L09B, L09C, L09D, L33Z, L38Z		10	K09A, K09B		10	K09A, K09B			
	21A	W04A, W04B		11	L09A, L09B, L09C, L09D, L33Z, L38Z		11	L09A, L09B, L09C, L09D, L33Z, L38Z			
	21B	X04Z, X06A, X06B, X06C, X33Z		21A	W04A, W04B		21A	W04A, W04B			
	23	Z01A		21B	X06A, X06B, X06C, X33Z		21B	X06A, X06B, X06C, X33Z			
	Pre	A07A		23	Z01A		23	Z01A			
	51545.x↔			BOP, KOP, KOPV, KVT, UOP4	51546.1			BOP, KOP, KOPV, KVT, UOP4	51546.3↔		BOP, KOP, KOPV, KVT, UOP4
		01		B04A, B04B, B04C, B04D, B04E			01	B04A, B04B, B04C, B04D, B04E		01	B04A, B04B, B04C, B04D, B04E
		05		F01A, F01B, F01D, F05Z, F07A, F07B, F14A, F14B, F28A, F42Z, F54Z, F59A, F59B			04	E05A, E05B, E05C, E08A, E08B, E08C		04	E05A, E05B, E05C, E08A, E08B, E08C
		06		G15Z, G19A, G19B, G33Z, G38Z			05	F01A, F01B, F01D, F05Z, F07A, F07B, F14A, F14B, F28A, F42Z, F54Z, F59A, F59B		05	F01A, F01B, F01D, F05Z, F07A, F07B, F14A, F14B, F28A, F42Z, F54Z, F59A, F59B
07		H33Z, H38Z	06	G15Z, G19A, G19B, G33Z, G38Z		06	G15Z, G19A, G19B, G33Z, G38Z				
08		I08A, I08B, I08C, I08D, I08E, I13A, I13B	07	H33Z, H38Z		07	H33Z, H38Z				
09		J03A, J03B, J04A, J04B, J08A, J08B, J08C, J11A, J11B, J16Z	08	I08A, I08B, I08C, I08D, I08E, I13A, I13B		08	I08A, I08B, I08C, I08D, I08E, I13A, I13B				
10		K09A, K09B	09	J03A, J03B, J04A, J04B, J08A, J08B, J08C, J11A, J11B, J16Z		09	J03A, J03B, J04A, J04B, J08A, J08B, J08C, J11A, J11B, J16Z				
11		L09A, L09B, L09C, L09D, L33Z, L38Z	10	K09A, K09B		10	K09A, K09B				
21A		W04A, W04B	11	L09A, L09B, L09C, L09D, L33Z, L38Z		11	L09A, L09B, L09C, L09D, L33Z, L38Z				
21B		X04Z, X06A, X06B, X06C, X33Z	21A	W04A, W04B		21A	W04A, W04B				
23		Z01A	21B	X06A, X06B, X06C, X33Z		21B	X06A, X06B, X06C, X33Z				
Pre		A07A	23	Z01A		23	Z01A				
			Pre	A07A		Pre	A07A				

VYK

ZZV	MDC	DRG	ZZV	MDC	DRG	ZZV	MDC	DRG			
51548.x↔		BOP, KVT, UOP4	51550.1↔		BOP, KVT, UOP4	51550.4↔		BOP, KVT, UOP4			
	01	B04A, B04B, B04C, B04D, B04E		01	B04A, B04B, B04C, B04D, B04E		01	B04A, B04B, B04C, B04D, B04E			
	04	E02A, E02B, E02C, E02D		03	D12A		03	D12A			
	05	F01A, F01B, F01D, F05Z, F07A, F07B, F14A, F14B, F28A, F42Z, F54Z, F59A, F59B		04	E02A, E02B, E02C		04	E02A, E02B, E02C			
	08	I08A, I08B, I08C, I08D, I08E, I13A, I13B		05	F01A, F01B, F01D, F05Z, F06A, F06C, F07A, F07B, F14A, F14B, F28A, F42Z, F54Z, F59A, F59B		05	F01A, F01B, F01D, F05Z, F06A, F06C, F07A, F07B, F14A, F14B, F28A, F42Z, F54Z, F59A, F59B			
	09	J03A, J03B, J04A, J04B, J08A, J08B, J08C, J11A, J11B, J16Z		06	G01Z, G02Z, G38Z		08	I08A, I08B, I08C, I08D, I08E, I13A, I13B			
	10	K09A, K09B		08	I08A, I08B, I08C, I08D, I08E, I13A, I13B		09	J03A, J03B, J04A, J04B, J08A, J08B, J08C, J11A, J11B, J16Z			
	11	L09A, L09B, L09C, L09D, L38Z		09	J03A, J03B, J04A, J04B, J08A, J08B, J08C, J11A, J11B, J16Z		10	K09A, K09B			
	21A	W04A, W04B		10	K09A, K09B		17	R01A, R01B, R01C, R01D, R02Z, R12A, R12B, R12C			
	21B	X04Z, X06A, X06B, X06C		17	R01A, R01B, R01C, R01D, R02Z, R12A, R12B, R12C		21A	W04A, W04B			
	51549			BOP, KVT, UOP4	51550.2↔			BOP, KVT, UOP4	51550.5↔		BOP, KVT, UOP4
01		B04A, B04B, B04C, B04D, B04E	01	B04A, B04B, B04C, B04D, B04E		01	B04A, B04B, B04C, B04D, B04E				
05		F01A, F01B, F01D, F05Z, F07A, F07B, F14A, F14B, F28A, F42Z, F54Z, F59A, F59B	01	B04A, B04B, B04C, B04D, B04E		03	D12A				
08		I08A, I08B, I08C, I08D, I08E, I13A, I13B	03	D12A		04	E02A, E02B, E02C				
09		J03A, J03B, J04A, J04B, J08A, J08B, J08C, J11A, J11B, J16Z	04	E02A, E02B, E02C		05	F01A, F01B, F01D, F05Z, F06A, F06C, F07A, F07B, F14A, F14B, F28A, F42Z, F54Z, F59A, F59B				
10		K09A, K09B	05	F01A, F01B, F01D, F05Z, F06A, F06C, F07A, F07B, F14A, F14B, F28A, F42Z, F54Z, F59A, F59B		08	I08A, I08B, I08C, I08D, I08E, I13A, I13B				
21A		W04A, W04B	06	G01Z, G02Z, G38Z		09	J03A, J03B, J04A, J04B, J08A, J08B, J08C, J11A, J11B, J16Z				
21B		X06A, X06B, X06C	08	I08A, I08B, I08C, I08D, I08E, I13A, I13B		10	K09A, K09B				
5154x↔			BOP, KVT, UOP4	51550.3↔			BOP, KVT, UOP4	51550.x↔			BOP, KVT, UOP4
		01	B04A, B04B, B04C, B04D, B04E			01	B04A, B04B, B04C, B04D, B04E			01	B04A, B04B, B04C, B04D, B04E
		05	F01A, F01B, F01D, F05Z, F07A, F07B, F14A, F14B, F28A, F42Z, F54Z, F59A, F59B			01	B04A, B04B, B04C, B04D, B04E			03	D12A
	08	I08A, I08B, I08C, I08D, I08E, I13A, I13B	03		D12A	04	E02A, E02B, E02C				
	09	J03A, J03B, J04A, J04B, J08A, J08B, J08C, J11A, J11B, J16Z	04		E02A, E02B, E02C	05	F01A, F01B, F01D, F05Z, F06A, F06C, F07A, F07B, F14A, F14B, F28A, F42Z, F54Z, F59A, F59B				
	10	K09A, K09B	04		E02A, E02B, E02C	08	I08A, I08B, I08C, I08D, I08E, I13A, I13B				
	21A	W04A, W04B	05		F01A, F01B, F01D, F05Z, F06A, F06C, F07A, F07B, F14A, F14B, F28A, F42Z, F54Z, F59A, F59B	09	J03A, J03B, J04A, J04B, J08A, J08B, J08C, J11A, J11B, J16Z				
	21B	X06A, X06B, X06C	06		G01Z, G02Z, G38Z	10	K09A, K09B				
	51550.0↔		BOP, KVT, UOP4		51550.3↔		BOP, KVT, UOP4		51550.x↔		BOP, KVT, UOP4
		01	B04A, B04B, B04C, B04D, B04E			01	B04A, B04B, B04C, B04D, B04E			01	B04A, B04B, B04C, B04D, B04E
		03	D12A			01	B04A, B04B, B04C, B04D, B04E			03	D12A
04		E02C	03	D12A		04	E02A, E02B, E02C				
05		F01A, F01B, F01D, F05Z, F06A, F06C, F07A, F07B, F14A, F14B, F28A, F42Z, F54Z, F59A, F59B	04	E02A, E02B, E02C		05	F01A, F01B, F01D, F05Z, F06A, F06C, F07A, F07B, F14A, F14B, F28A, F42Z, F54Z, F59A, F59B				
06		G01Z, G02Z, G38Z	04	E02A, E02B, E02C		08	I08A, I08B, I08C, I08D, I08E, I13A, I13B				
08		I08A, I08B, I08C, I08D, I08E, I13A, I13B	05	F01A, F01B, F01D, F05Z, F06A, F06C, F07A, F07B, F14A, F14B, F28A, F42Z, F54Z, F59A, F59B		09	J03A, J03B, J04A, J04B, J08A, J08B, J08C, J11A, J11B, J16Z				
09		J03A, J03B, J04A, J04B, J08A, J08B, J08C, J11A, J11B, J16Z	06	G01Z, G02Z, G38Z		10	K09A, K09B				
10		K09A, K09B	08	I08A, I08B, I08C, I08D, I08E, I13A, I13B		17	R01A, R01B, R01C, R01D, R02Z, R12A, R12B, R12C				
17		R01A, R01B, R01C, R01D, R02Z, R12A, R12B, R12C	09	J03A, J03B, J04A, J04B, J08A, J08B, J08C, J11A, J11B, J16Z		21A	W04A, W04B				
21A		W04A, W04B	10	K09A, K09B		21B	X06A, X06B, X06C				
21B	X06A, X06B, X06C	17	R01A, R01B, R01C, R01D, R02Z, R12A, R12B, R12C	Pre	A11A, A13A, A13B, A13D						
Pre	A11A, A13A, A13B, A13D	21A	W04A, W04B								
		21B	X06A, X06B, X06C								
		Pre	A11A, A13A, A13B, A13D								

VYK

ZZV	MDC	DRG	ZZV	MDC	DRG	ZZV	MDC	DRG					
51553.0		BOP, KOP, KOPV, KVT, UOP4	51553.4		BOP, KVT, UOP4	51554.2↔		BOP, KOP, KOPV, KVT, UOP4					
	04	E05A, E05B, E05C, E08A, E08B, E08C		05	F01A, F01B, F01D, F05Z, F07A, F07B, F14A, F14B, F28A, F42Z, F54Z, F59A, F59B		01	B04A, B04B, B04C, B04D, B04E					
	05	F01A, F01B, F01D, F05Z, F07A, F07B, F14A, F14B, F28A, F42Z, F54Z, F59A, F59B		06	G01Z, G02Z, G38Z		03	D12A					
	06	G01Z, G02Z, G33Z, G38Z		08	I08A, I08B, I08C, I08D, I08E, I13A, I13B		04	E02A, E02B, E02C					
	07	H33Z, H38Z		10	K09A, K09B		05	F01A, F01B, F01D, F05Z, F07A, F07B, F14A, F14B, F28A, F30Z, F42Z, F54Z, F59A, F59B					
	08	I08A, I08B, I08C, I08D, I08E, I13A, I13B		21A	W04A, W04B		06	G10Z, G12A, G12B, G33Z					
	10	K09A, K09B		21B	X06A, X06B, X06C		07	H33Z, H38Z					
	11	L33Z		Pre	A11A, A13A, A13B, A13D		08	I08A, I08B, I08C, I08D, I08E, I13A, I13B					
	21A	W04A, W04B		51553.x			BOP, KVT, UOP4	09	J03A, J03B, J04A, J04B, J08A, J08B, J08C, J11A, J11B, J16Z				
	21B	X06A, X06B, X06C, X33Z			05		F01A, F01B, F01D, F05Z, F07A, F07B, F14A, F14B, F28A, F42Z, F54Z, F59A, F59B		10	K09A, K09B			
	23	Z01A			06		G01Z, G02Z, G38Z		11	L09A, L09B, L09C, L09D, L33Z, L38Z			
	Pre	A07A, A11A, A13A, A13B, A13D			08		I08A, I08B, I08C, I08D, I08E, I13A, I13B		17	R01A, R01B, R01C, R01D, R02Z, R12A, R12B, R12C			
	51553.1				BOP, KOP, KOPV, KVT, UOP4		51554.0↔			BOP, KVT, UOP4	51554.x↔		BOP, KVT, UOP4
		04			E05A, E05B, E05C, E08A, E08B, E08C				01	B04A, B04B, B04C, B04D, B04E		01	B04A, B04B, B04C, B04D, B04E
		05			F01A, F01B, F01D, F05Z, F07A, F07B, F14A, F14B, F28A, F42Z, F54Z, F59A, F59B				03	D12A		03	D12A
		06			G01Z, G02Z, G33Z, G38Z				04	E02A, E02B, E02C		04	E02A, E02B, E02C
		07			H33Z, H38Z				05	F01A, F01B, F01D, F05Z, F07A, F07B, F14A, F14B, F28A, F42Z, F54Z, F59A, F59B		05	F01A, F01B, F01D, F05Z, F07A, F07B, F14A, F14B, F28A, F42Z, F54Z, F59A, F59B
		08			I08A, I08B, I08C, I08D, I08E, I13A, I13B				06	G10Z, G12A, G12B		06	G10Z, G12A, G12B
		10			K09A, K09B				08	I08A, I08B, I08C, I08D, I08E, I13A, I13B		08	I08A, I08B, I08C, I08D, I08E, I13A, I13B
		11			L33Z				09	J03A, J03B, J04A, J04B, J08A, J08B, J08C, J11A, J11B, J16Z		09	J03A, J03B, J04A, J04B, J08A, J08B, J08C, J11A, J11B, J16Z
		21A			W04A, W04B				10	K09A, K09B		10	K09A, K09B
21B		X06A, X06B, X06C, X33Z	11		L09A, L09B, L09C, L09D, L38Z	11			L09A, L09B, L09C, L09D, L38Z				
23		Z01A	17		R01A, R01B, R01C, R01D, R02Z, R12A, R12B, R12C	17			R01A, R01B, R01C, R01D, R02Z, R12A, R12B, R12C				
Pre		A07A, A11A, A13A, A13B, A13D	21A		W04A, W04B	21A			W04A, W04B				
51553.2			BOP, KOP, KOPV, KVT, UOP4		51554.1↔				BOP, KVT, UOP4	51555.0↔			BOP, KVT, UOP4
		04	E05A, E05B, E05C, E08A, E08B, E08C			01			B04A, B04B, B04C, B04D, B04E			01	B04A, B04B, B04C, B04D, B04E
		05	F01A, F01B, F01D, F05Z, F07A, F07B, F14A, F14B, F28A, F42Z, F54Z, F59A, F59B			03			D12A			05	F01A, F01B, F01D, F05Z, F07A, F07B, F14A, F14B, F28A, F42Z, F54Z, F59A, F59B
		06	G01Z, G02Z, G33Z, G38Z			04			E02A, E02B, E02C			06	G10Z, G12A, G12B
		07	H33Z, H38Z			05			F01A, F01B, F01D, F05Z, F07A, F07B, F14A, F14B, F28A, F42Z, F54Z, F59A, F59B			08	I08A, I08B, I08C, I08D, I08E, I13A, I13B
		08	I08A, I08B, I08C, I08D, I08E, I13A, I13B	06		G10Z, G12A, G12B		09	J03A, J03B, J04A, J04B, J08A, J08B, J08C, J11A, J11B, J16Z				
		10	K09A, K09B	08		I08A, I08B, I08C, I08D, I08E, I13A, I13B		10	K09A, K09B				
		11	L33Z	09		J03A, J03B, J04A, J04B, J08A, J08B, J08C, J11A, J11B, J16Z		11	L09A, L09B, L09C, L09D, L38Z				
		21A	W04A, W04B	10		K09A, K09B		17	R01A, R01B, R01C, R01D, R02Z, R12A, R12B, R12C				
	21B	X06A, X06B, X06C, X33Z	11	L09A, L09B, L09C, L09D, L38Z		21A	W04A, W04B						
	23	Z01A	17	R01A, R01B, R01C, R01D, R02Z, R12A, R12B, R12C		21B	X06A, X06B, X06C						
	Pre	A07A, A11A, A13A, A13B, A13D	21A	W04A, W04B		Pre	A07A						
	51553.3		BOP, KVT, UOP4	51554.1↔			BOP, KVT, UOP4	51555.0↔			BOP, KVT, UOP4		
		05	F01A, F01B, F01D, F05Z, F07A, F07B, F14A, F14B, F28A, F42Z, F54Z, F59A, F59B			01	B04A, B04B, B04C, B04D, B04E		01		B04A, B04B, B04C, B04D, B04E		
		06	G01Z, G02Z, G38Z			03	D12A		05		F01A, F01B, F01D, F05Z, F07A, F07B, F14A, F14B, F28A, F42Z, F54Z, F59A, F59B		
		08	I08A, I08B, I08C, I08D, I08E, I13A, I13B			04	E02A, E02B, E02C		06		G10Z, G12A, G12B		
		10	K09A, K09B			05	F01A, F01B, F01D, F05Z, F07A, F07B, F14A, F14B, F28A, F42Z, F54Z, F59A, F59B		08		I08A, I08B, I08C, I08D, I08E, I13A, I13B		
		21A	W04A, W04B			06	G10Z, G12A, G12B		09		J03A, J03B, J04A, J04B, J08A, J08B, J08C, J11A, J11B, J16Z		
		21B	X06A, X06B, X06C			08	I08A, I08B, I08C, I08D, I08E, I13A, I13B		10		K09A, K09B		
		Pre	A11A, A13A, A13B, A13D			09	J03A, J03B, J04A, J04B, J08A, J08B, J08C, J11A, J11B, J16Z		11		L09A, L09B, L09C, L09D, L38Z		
						10	K09A, K09B		17		R01A, R01B, R01C, R01D, R02Z, R12A, R12B, R12C		
			11		L09A, L09B, L09C, L09D, L38Z	21A	W04A, W04B						
			17		R01A, R01B, R01C, R01D, R02Z, R12A, R12B, R12C	21B	X06A, X06B, X06C						
			21A		W04A, W04B								
			21B		X06A, X06B, X06C								

VYK

ZZV	MDC	DRG	ZZV	MDC	DRG	ZZV	MDC	DRG
51555.1↔		BOP, KVT, UOP4	51555.4↔		BOP, KVT, UOP4	51556.1		BOP, KVT, UOP4
	01	B04A, B04B, B04C, B04D, B04E		01	B04A, B04B, B04C, B04D, B04E		01	B04A, B04B, B04C, B04D, B04E
	05	F01A, F01B, F01D, F05Z, F07A, F07B, F14A, F14B, F28A, F42Z, F54Z, F59A, F59B		05	F01A, F01B, F01D, F05Z, F07A, F07B, F14A, F14B, F28A, F42Z, F54Z, F59A, F59B		05	F01A, F01B, F01D, F05Z, F07A, F07B, F14A, F14B, F28A, F42Z, F54Z, F59A, F59B
	06	G10Z, G12A, G12B		06	G10Z, G12A, G12B		06	G10Z, G12A, G12B, G18A, G38Z
	08	I08A, I08B, I08C, I08D, I08E, I13A, I13B		08	I08A, I08B, I08C, I08D, I08E, I13A, I13B		07	H01A
	09	J03A, J03B, J04A, J04B, J08A, J08B, J08C, J11A, J11B, J16Z		09	J03A, J03B, J04A, J04B, J08A, J08B, J08C, J11A, J11B, J16Z		08	I08A, I08B, I08C, I08D, I08E, I13A, I13B
	10	K09A, K09B		10	K09A, K09B		09	J03A, J03B, J04A, J04B, J08A, J08B, J08C, J11A, J11B, J16Z
	11	L09A, L09B, L09C, L09D, L38Z		11	L09A, L09B, L09C, L09D, L38Z		10	K09A, K09B
	17	R01A, R01B, R01C, R01D, R02Z, R12A, R12B, R12C		17	R01A, R01B, R01C, R01D, R02Z, R12A, R12B, R12C		11	L09A, L09B, L09C, L09D, L38Z
	21A	W04A, W04B		21A	W04A, W04B		17	R01A, R01B, R01C, R01D, R02Z, R12A, R12B, R12C
	21B	X04Z, X06A, X06B, X06C		21B	X04Z, X06A, X06B, X06C		21A	W04A, W04B
	51555.2↔			BOP, KVT, UOP4	51555.x↔			BOP, KVT, UOP4
01		B04A, B04B, B04C, B04D, B04E	01	B04A, B04B, B04C, B04D, B04E		01	B04A, B04B, B04C, B04D, B04E	
05		F01A, F01B, F01D, F05Z, F07A, F07B, F14A, F14B, F28A, F42Z, F54Z, F59A, F59B	05	F01A, F01B, F01D, F05Z, F07A, F07B, F14A, F14B, F28A, F42Z, F54Z, F59A, F59B		05	F01A, F01B, F01D, F05Z, F07A, F07B, F14A, F14B, F28A, F42Z, F54Z, F59A, F59B	
06		G10Z, G12A, G12B	06	G10Z, G12A, G12B		06	G10Z, G12A, G12B	
08		I08A, I08B, I08C, I08D, I08E, I13A, I13B	08	I08A, I08B, I08C, I08D, I08E, I13A, I13B		08	I08A, I08B, I08C, I08D, I08E, I13A, I13B	
09		J03A, J03B, J04A, J04B, J08A, J08B, J08C, J11A, J11B, J16Z	09	J03A, J03B, J04A, J04B, J08A, J08B, J08C, J11A, J11B, J16Z		09	J03A, J03B, J04A, J04B, J08A, J08B, J08C, J11A, J11B, J16Z	
10		K09A, K09B	10	K09A, K09B		10	K09A, K09B	
11		L09A, L09B, L09C, L09D, L38Z	11	L09A, L09B, L09C, L09D, L38Z		11	L09A, L09B, L09C, L09D, L38Z	
17		R01A, R01B, R01C, R01D, R02Z, R12A, R12B, R12C	17	R01A, R01B, R01C, R01D, R02Z, R12A, R12B, R12C		17	R01A, R01B, R01C, R01D, R02Z, R12A, R12B, R12C	
21A		W04A, W04B	21A	W04A, W04B		21A	W04A, W04B	
21B		X04Z, X06A, X06B, X06C	21B	X04Z, X06A, X06B, X06C		21B	X06A, X06B, X06C	
51555.3↔			BOP, KVT, UOP4	51556.0			BOP, KVT, UOP4	51556.3
	01	B04A, B04B, B04C, B04D, B04E	01		B04A, B04B, B04C, B04D, B04E	01	B04A, B04B, B04C, B04D, B04E	
	05	F01A, F01B, F01D, F05Z, F07A, F07B, F14A, F14B, F28A, F42Z, F54Z, F59A, F59B	05		F01A, F01B, F01D, F05Z, F07A, F07B, F14A, F14B, F28A, F42Z, F54Z, F59A, F59B	05	F01A, F01B, F01D, F05Z, F07A, F07B, F14A, F14B, F28A, F42Z, F54Z, F59A, F59B	
	06	G10Z, G12A, G12B	06		G10Z, G12A, G12B, G18A, G38Z	06	G10Z, G12A, G12B, G18A, G38Z	
	08	I08A, I08B, I08C, I08D, I08E, I13A, I13B	07		H01A	06	G10Z, G12A, G12B, G18A, G38Z	
	09	J03A, J03B, J04A, J04B, J08A, J08B, J08C, J11A, J11B, J16Z	08		I08A, I08B, I08C, I08D, I08E, I13A, I13B	08	I08A, I08B, I08C, I08D, I08E, I13A, I13B	
	10	K09A, K09B	09		J03A, J03B, J04A, J04B, J08A, J08B, J08C, J11A, J11B, J16Z	09	J03A, J03B, J04A, J04B, J08A, J08B, J08C, J11A, J11B, J16Z	
	11	L09A, L09B, L09C, L09D, L38Z	10		K09A, K09B	10	K09A, K09B	
	17	R01A, R01B, R01C, R01D, R02Z, R12A, R12B, R12C	11		L09A, L09B, L09C, L09D, L38Z	11	L09A, L09B, L09C, L09D, L38Z	
	21A	W04A, W04B	17		R01A, R01B, R01C, R01D, R02Z, R12A, R12B, R12C	17	R01A, R01B, R01C, R01D, R02Z, R12A, R12B, R12C	
	21B	X04Z, X06A, X06B, X06C	21A		W04A, W04B	21A	W04A, W04B	
			21B		X06A, X06B, X06C	21B	X06A, X06B, X06C	

VYK

ZZV	MDC	DRG	ZZV	MDC	DRG	ZZV	MDC	DRG
51556.4↔		BOP, KVT, UOP4	51556.x↔		BOP, KVT, UOP4	51557.2↔		BOP, KVT, UOP4
	01	B04A, B04B, B04C, B04D, B04E		01	B04A, B04B, B04C, B04D, B04E		01	B04A, B04B, B04C, B04D, B04E
	05	F01A, F01B, F01D, F05Z, F07A, F07B, F14A, F14B, F28A, F42Z, F54Z, F59A, F59B		05	F01A, F01B, F01D, F05Z, F07A, F07B, F14A, F14B, F28A, F42Z, F54Z, F59A, F59B		05	F01A, F01B, F01D, F05Z, F07A, F07B, F14A, F14B, F28A, F42Z, F54Z, F59A, F59B
	06	G10Z, G12A, G12B		06	G10Z, G12A, G12B		08	I08A, I08B, I08C, I08D, I08E, I13A, I13B
	08	I08A, I08B, I08C, I08D, I08E, I13A, I13B		08	I08A, I08B, I08C, I08D, I08E, I13A, I13B		09	J03A, J03B, J04A, J04B, J08A, J08B, J08C, J11A, J11B, J16Z
	09	J03A, J03B, J04A, J04B, J08A, J08B, J08C, J11A, J11B, J16Z		09	J03A, J03B, J04A, J04B, J08A, J08B, J08C, J11A, J11B, J16Z		10	K09A, K09B
	10	K09A, K09B		10	K09A, K09B		17	R01A, R01B, R01C, R01D, R02Z, R12A, R12B, R12C
	11	L09A, L09B, L09C, L09D, L38Z		11	L09A, L09B, L09C, L09D, L38Z		21A	W04A, W04B
	17	R01A, R01B, R01C, R01D, R02Z, R12A, R12B, R12C		17	R01A, R01B, R01C, R01D, R02Z, R12A, R12B, R12C		21B	X04Z, X06A, X06B, X06C
	21A	W04A, W04B		21A	W04A, W04B			
21B	X06A, X06B, X06C	21B	X06A, X06B, X06C	51557.x↔				
51556.5		BOP, KVT, UOP4	51557.0↔		BOP, KVT, UOP4	51558.0↔		BOP, KVT, UOP4
	01	B04A, B04B, B04C, B04D, B04E		01	B04A, B04B, B04C, B04D, B04E		01	B04A, B04B, B04C, B04D, B04E
	05	F01A, F01B, F01D, F05Z, F07A, F07B, F14A, F14B, F28A, F42Z, F54Z, F59A, F59B		05	F01A, F01B, F01D, F05Z, F07A, F07B, F14A, F14B, F28A, F42Z, F54Z, F59A, F59B		05	F01A, F01B, F01D, F05Z, F07A, F07B, F14A, F14B, F28A, F42Z, F54Z, F59A, F59B
	06	G10Z, G12A, G12B, G18A, G38Z		08	I08A, I08B, I08C, I08D, I08E, I13A, I13B		08	I08A, I08B, I08C, I08D, I08E, I13A, I13B
	07	H01A		09	J03A, J03B, J04A, J04B, J08A, J08B, J08C, J11A, J11B, J16Z		09	J03A, J03B, J04A, J04B, J08A, J08B, J08C, J11A, J11B, J16Z
	08	I08A, I08B, I08C, I08D, I08E, I13A, I13B		10	K09A, K09B		10	K09A, K09B
	09	J03A, J03B, J04A, J04B, J08A, J08B, J08C, J11A, J11B, J16Z		11	L09A, L09B, L09C, L09D, L38Z		17	R01A, R01B, R01C, R01D, R02Z, R12A, R12B, R12C
	10	K09A, K09B		17	R01A, R01B, R01C, R01D, R02Z, R12A, R12B, R12C		21A	W04A, W04B
	11	L09A, L09B, L09C, L09D, L38Z		21A	W04A, W04B		21B	X04Z, X06A, X06B, X06C
	17	R01A, R01B, R01C, R01D, R02Z, R12A, R12B, R12C		21B	X04Z, X06A, X06B, X06C			
21A	W04A, W04B			51558.1↔				
21B	X06A, X06B, X06C							
51556.6		BOP, KVT, UOP4	51557.1↔		BOP, KVT, UOP4	51558.1↔		BOP, KVT, UOP4
	01	B04A, B04B, B04C, B04D, B04E		01	B04A, B04B, B04C, B04D, B04E		01	B04A, B04B, B04C, B04D, B04E
	05	F01A, F01B, F01D, F05Z, F07A, F07B, F14A, F14B, F28A, F42Z, F54Z, F59A, F59B		05	F01A, F01B, F01D, F05Z, F07A, F07B, F14A, F14B, F28A, F42Z, F54Z, F59A, F59B		05	F01A, F01B, F01D, F05Z, F07A, F07B, F14A, F14B, F28A, F42Z, F54Z, F59A, F59B
	06	G10Z, G12A, G12B, G18A, G38Z		08	I08A, I08B, I08C, I08D, I08E, I13A, I13B		08	I08A, I08B, I08C, I08D, I08E, I13A, I13B
	07	H01A		09	J03A, J03B, J04A, J04B, J08A, J08B, J08C, J11A, J11B, J16Z		09	J03A, J03B, J04A, J04B, J08A, J08B, J08C, J11A, J11B, J16Z
	08	I08A, I08B, I08C, I08D, I08E, I13A, I13B		10	K09A, K09B		10	K09A, K09B
	09	J03A, J03B, J04A, J04B, J08A, J08B, J08C, J11A, J11B, J16Z		11	L09A, L09B, L09C, L09D, L38Z		17	R01A, R01B, R01C, R01D, R02Z, R12A, R12B, R12C
	10	K09A, K09B		17	R01A, R01B, R01C, R01D, R02Z, R12A, R12B, R12C		21A	W04A, W04B
	11	L09A, L09B, L09C, L09D, L38Z		21A	W04A, W04B		21B	X04Z, X06A, X06B, X06C
	17	R01A, R01B, R01C, R01D, R02Z, R12A, R12B, R12C		21B	X04Z, X06A, X06B, X06C			
21A	W04A, W04B							
21B	X06A, X06B, X06C							

VYK

ZZV	MDC	DRG	ZZV	MDC	DRG	ZZV	MDC	DRG
51558.2↔		BOP, KVT, UOP4	51558.6↔		BOP, KVT, UOP4	51559.2		BOP, KVT, UOP4
	01	B04A, B04B, B04C, B04D, B04E		01	B04A, B04B, B04C, B04D, B04E		01	B04A, B04B, B04C, B04D, B04E
	05	F01A, F01B, F01D, F05Z, F07A, F07B, F14A, F14B, F28A, F42Z, F54Z, F59A, F59B		05	F01A, F01B, F01D, F05Z, F07A, F07B, F14A, F14B, F28A, F42Z, F54Z, F59A, F59B		05	F01A, F01B, F01D, F05Z, F07A, F07B, F14A, F14B, F28A, F42Z, F54Z, F59A, F59B
	08	I08A, I08B, I08C, I08D, I08E, I13A, I13B		08	I08A, I08B, I08C, I08D, I08E, I13A, I13B		06	G18A, G38Z
	09	J03A, J03B, J04A, J04B, J08A, J08B, J08C, J11A, J11B, J16Z		09	J03A, J03B, J04A, J04B, J08A, J08B, J08C, J11A, J11B, J16Z		07	H01A
	10	K09A, K09B		10	K09A, K09B		08	I08A, I08B, I08C, I08D, I08E, I13A, I13B
	17	R01A, R01B, R01C, R01D, R02Z, R12A, R12B, R12C		17	R01A, R01B, R01C, R01D, R02Z, R12A, R12B, R12C		09	J03A, J03B, J04A, J04B, J08A, J08B, J08C, J11A, J11B, J16Z
	21A	W04A, W04B		21A	W04A, W04B		10	K09A, K09B
	21B	X04Z, X06A, X06B, X06C		21B	X04Z, X06A, X06B, X06C		17	R01A, R01B, R01C, R01D, R02Z, R12A, R12B, R12C
	51558.3↔			BOP, KVT, UOP4	51558.x↔			BOP, KVT, UOP4
01		B04A, B04B, B04C, B04D, B04E	01	B04A, B04B, B04C, B04D, B04E		01	B04A, B04B, B04C, B04D, B04E	
05		F01A, F01B, F01D, F05Z, F07A, F07B, F14A, F14B, F28A, F42Z, F54Z, F59A, F59B	05	F01A, F01B, F01D, F05Z, F07A, F07B, F14A, F14B, F28A, F42Z, F54Z, F59A, F59B		05	F01A, F01B, F01D, F05Z, F07A, F07B, F14A, F14B, F28A, F42Z, F54Z, F59A, F59B	
08		I08A, I08B, I08C, I08D, I08E, I13A, I13B	08	I08A, I08B, I08C, I08D, I08E, I13A, I13B		06	G18A, G38Z	
09		J03A, J03B, J04A, J04B, J08A, J08B, J08C, J11A, J11B, J16Z	09	J03A, J03B, J04A, J04B, J08A, J08B, J08C, J11A, J11B, J16Z		07	H01A	
10		K09A, K09B	10	K09A, K09B		08	I08A, I08B, I08C, I08D, I08E, I13A, I13B	
17		R01A, R01B, R01C, R01D, R02Z, R12A, R12B, R12C	17	R01A, R01B, R01C, R01D, R02Z, R12A, R12B, R12C		09	J03A, J03B, J04A, J04B, J08A, J08B, J08C, J11A, J11B, J16Z	
21A		W04A, W04B	21A	W04A, W04B		10	K09A, K09B	
21B		X04Z, X06A, X06B, X06C	21B	X04Z, X06A, X06B, X06C		17	R01A, R01B, R01C, R01D, R02Z, R12A, R12B, R12C	
51558.4↔			BOP, KVT, UOP4	51559.0↔			BOP, KVT, UOP4	51559.4
	01	B04A, B04B, B04C, B04D, B04E	01		B04A, B04B, B04C, B04D, B04E	01	B04A, B04B, B04C, B04D, B04E	
	05	F01A, F01B, F01D, F05Z, F07A, F07B, F14A, F14B, F28A, F42Z, F54Z, F59A, F59B	05		F01A, F01B, F01D, F05Z, F07A, F07B, F14A, F14B, F28A, F42Z, F54Z, F59A, F59B	06	G10Z, G12A, G12B	
	08	I08A, I08B, I08C, I08D, I08E, I13A, I13B	08		I08A, I08B, I08C, I08D, I08E, I13A, I13B	08	I08A, I08B, I08C, I08D, I08E, I13A, I13B	
	09	J03A, J03B, J04A, J04B, J08A, J08B, J08C, J11A, J11B, J16Z	09		J03A, J03B, J04A, J04B, J08A, J08B, J08C, J11A, J11B, J16Z	09	J03A, J03B, J04A, J04B, J08A, J08B, J08C, J11A, J11B, J16Z	
	10	K09A, K09B	10		K09A, K09B	10	K09A, K09B	
	17	R01A, R01B, R01C, R01D, R02Z, R12A, R12B, R12C	17		R01A, R01B, R01C, R01D, R02Z, R12A, R12B, R12C	11	L09A, L09B, L09C, L09D, L38Z	
	21A	W04A, W04B	21A		W04A, W04B	17	R01A, R01B, R01C, R01D, R02Z, R12A, R12B, R12C	
	21B	X04Z, X06A, X06B, X06C	21B		X04Z, X06A, X06B, X06C	21A	W04A, W04B	
	51558.5↔		BOP, KVT, UOP4		51559.1↔		BOP, KVT, UOP4	
01		B04A, B04B, B04C, B04D, B04E	01	B04A, B04B, B04C, B04D, B04E		01	B04A, B04B, B04C, B04D, B04E	
05		F01A, F01B, F01D, F05Z, F07A, F07B, F14A, F14B, F28A, F42Z, F54Z, F59A, F59B	05	F01A, F01B, F01D, F05Z, F07A, F07B, F14A, F14B, F28A, F42Z, F54Z, F59A, F59B		05	F01A, F01B, F01D, F05Z, F07A, F07B, F14A, F14B, F28A, F42Z, F54Z, F59A, F59B	
08		I08A, I08B, I08C, I08D, I08E, I13A, I13B	08	I08A, I08B, I08C, I08D, I08E, I13A, I13B		08	I08A, I08B, I08C, I08D, I08E, I13A, I13B	
09		J03A, J03B, J04A, J04B, J08A, J08B, J08C, J11A, J11B, J16Z	09	J03A, J03B, J04A, J04B, J08A, J08B, J08C, J11A, J11B, J16Z		09	J03A, J03B, J04A, J04B, J08A, J08B, J08C, J11A, J11B, J16Z	
10		K09A, K09B	10	K09A, K09B		10	K09A, K09B	
17		R01A, R01B, R01C, R01D, R02Z, R12A, R12B, R12C	17	R01A, R01B, R01C, R01D, R02Z, R12A, R12B, R12C		17	R01A, R01B, R01C, R01D, R02Z, R12A, R12B, R12C	
21A		W04A, W04B	21A	W04A, W04B		21A	W04A, W04B	
21B		X04Z, X06A, X06B, X06C	21B	X04Z, X06A, X06B, X06C		21B	X06A, X06B, X06C	

VYK

ZZV	MDC	DRG	ZZV	MDC	DRG	ZZV	MDC	DRG			
51559.5		BOP, KVT, UOP4	51559.8↔		BOP, KVT, UOP4	51559.b↔		BOP, KVT, UOP4			
	01	B04A, B04B, B04C, B04D, B04E		01	B04A, B04B, B04C, B04D, B04E		01	B04A, B04B, B04C, B04D, B04E			
	05	F01A, F01B, F01D, F05Z, F07A, F07B, F14A, F14B, F28A, F42Z, F54Z, F59A, F59B		05	F01A, F01B, F01D, F05Z, F07A, F07B, F14A, F14B, F28A, F42Z, F54Z, F59A, F59B		03	D12A			
	06	G18A, G38Z		06	G18A, G38Z		04	E02A, E02B, E02C			
	07	H01A		07	H01A		05	F01A, F01B, F01D, F05Z, F07A, F07B, F14A, F14B, F28A, F42Z, F54Z, F59A, F59B			
	08	I08A, I08B, I08C, I08D, I08E, I13A, I13B		08	I08A, I08B, I08C, I08D, I08E, I13A, I13B		06	G10Z, G12A, G12B			
	09	J03A, J03B, J04A, J04B, J08A, J08B, J08C, J11A, J11B, J16Z		09	J03A, J03B, J04A, J04B, J08A, J08B, J08C, J11A, J11B, J16Z		08	I08A, I08B, I08C, I08D, I08E, I13A, I13B			
	10	K09A, K09B		10	K09A, K09B		09	J03A, J03B, J04A, J04B, J08A, J08B, J08C, J11A, J11B, J16Z			
	17	R01A, R01B, R01C, R01D, R02Z, R12A, R12B, R12C		17	R01A, R01B, R01C, R01D, R02Z, R12A, R12B, R12C		10	K09A, K09B			
	21A	W04A, W04B		21A	W04A, W04B		11	L09A, L09B, L09C, L09D, L38Z			
	21B	X06A, X06B, X06C		21B	X06A, X06B, X06C		17	R01A, R01B, R01C, R01D, R02Z, R12A, R12B, R12C			
	51559.6			BOP, KVT, UOP4	51559.9↔			BOP, KVT, UOP4	51559.c↔		BOP, KVT, UOP4
		01		B04A, B04B, B04C, B04D, B04E			01	B04A, B04B, B04C, B04D, B04E		01	B04A, B04B, B04C, B04D, B04E
		05		F01A, F01B, F01D, F05Z, F07A, F07B, F14A, F14B, F28A, F42Z, F54Z, F59A, F59B			03	D12A		03	D12A
		06		G18A, G38Z			04	E02A, E02B, E02C		04	E02A, E02B, E02C
		07		H01A			05	F01A, F01B, F01D, F05Z, F07A, F07B, F14A, F14B, F28A, F42Z, F54Z, F59A, F59B		05	F01A, F01B, F01D, F05Z, F07A, F07B, F14A, F14B, F28A, F42Z, F54Z, F59A, F59B
		08		I08A, I08B, I08C, I08D, I08E, I13A, I13B			06	G10Z, G12A, G12B		06	G10Z, G12A, G12B
09		J03A, J03B, J04A, J04B, J08A, J08B, J08C, J11A, J11B, J16Z	08	I08A, I08B, I08C, I08D, I08E, I13A, I13B		08	I08A, I08B, I08C, I08D, I08E, I13A, I13B				
10		K09A, K09B	09	J03A, J03B, J04A, J04B, J08A, J08B, J08C, J11A, J11B, J16Z		09	J03A, J03B, J04A, J04B, J08A, J08B, J08C, J11A, J11B, J16Z				
17		R01A, R01B, R01C, R01D, R02Z, R12A, R12B, R12C	10	K09A, K09B		10	K09A, K09B				
21A		W04A, W04B	11	L09A, L09B, L09C, L09D, L38Z		11	L09A, L09B, L09C, L09D, L38Z				
21B		X06A, X06B, X06C	17	R01A, R01B, R01C, R01D, R02Z, R12A, R12B, R12C		17	R01A, R01B, R01C, R01D, R02Z, R12A, R12B, R12C				
51559.7			BOP, KVT, UOP4	51559.a↔			BOP, KVT, UOP4	51559.d↔			BOP, KVT, UOP4
		01	B04A, B04B, B04C, B04D, B04E			01	B04A, B04B, B04C, B04D, B04E			01	B04A, B04B, B04C, B04D, B04E
		05	F01A, F01B, F01D, F05Z, F07A, F07B, F14A, F14B, F28A, F42Z, F54Z, F59A, F59B			03	D12A			03	D12A
		06	G18A, G38Z			04	E02A, E02B, E02C			04	E02A, E02B, E02C
		07	H01A			05	F01A, F01B, F01D, F05Z, F07A, F07B, F14A, F14B, F28A, F42Z, F54Z, F59A, F59B			05	F01A, F01B, F01D, F05Z, F07A, F07B, F14A, F14B, F28A, F42Z, F54Z, F59A, F59B
		08	I08A, I08B, I08C, I08D, I08E, I13A, I13B			06	G10Z, G12A, G12B			06	G10Z, G12A, G12B
	09	J03A, J03B, J04A, J04B, J08A, J08B, J08C, J11A, J11B, J16Z	08		I08A, I08B, I08C, I08D, I08E, I13A, I13B	08	I08A, I08B, I08C, I08D, I08E, I13A, I13B				
	10	K09A, K09B	09		J03A, J03B, J04A, J04B, J08A, J08B, J08C, J11A, J11B, J16Z	09	J03A, J03B, J04A, J04B, J08A, J08B, J08C, J11A, J11B, J16Z				
	17	R01A, R01B, R01C, R01D, R02Z, R12A, R12B, R12C	10		K09A, K09B	10	K09A, K09B				
	21A	W04A, W04B	11		L09A, L09B, L09C, L09D, L38Z	11	L09A, L09B, L09C, L09D, L38Z				
	21B	X06A, X06B, X06C	17		R01A, R01B, R01C, R01D, R02Z, R12A, R12B, R12C	17	R01A, R01B, R01C, R01D, R02Z, R12A, R12B, R12C				
			21A		W04A, W04B	21A	W04A, W04B				
			21B		X06A, X06B, X06C	21B	X05A, X05B, X06A, X06B, X06C				

ZZV	MDC	DRG	ZZV	MDC	DRG	ZZV	MDC	DRG				
51559.e		BOP, KVT, UOP4	51559.h↔		BOP, KVT, UOP4	5155x↔		BOP, KVT, UOP4				
	01	B04A, B04B, B04C, B04D, B04E		01	B04A, B04B, B04C, B04D, B04E		05	F01A, F01B, F01D, F05Z, F07A, F07B, F14A, F14B, F28A, F42Z, F54Z, F59A, F59B				
	04	E02A, E02B, E02C		05	F01A, F01B, F01D, F05Z, F07A, F07B, F14A, F14B, F28A, F42Z, F54Z, F59A, F59B		08	I08A, I08B, I08C, I08D, I08E, I13A, I13B				
	05	F01A, F01B, F01D, F05Z, F07A, F07B, F14A, F14B, F28A, F42Z, F54Z, F59A, F59B		06	G10Z, G12A, G12B		09	J03A, J03B, J04A, J04B, J08A, J08B, J08C, J11A, J11B, J16Z				
	06	G10Z, G12A, G12B		08	I08A, I08B, I08C, I08D, I08E, I13A, I13B		10	K09A, K09B				
	08	I08A, I08B, I08C, I08D, I08E, I13A, I13B		09	J03A, J03B, J04A, J04B, J08A, J08B, J08C, J11A, J11B, J16Z		17	R01A, R01B, R01C, R01D, R02Z, R12A, R12B, R12C				
	09	J03A, J03B, J04A, J04B, J08A, J08B, J08C, J11A, J11B, J16Z		10	K09A, K09B		21A	W04A, W04B				
	10	K09A, K09B		11	L09A, L09B, L09C, L09D, L38Z		21B	X06A, X06B, X06C				
	11	L09A, L09B, L09C, L09D, L38Z		17	R01A, R01B, R01C, R01D, R02Z, R12A, R12B, R12C		51560.0		BOP, KVT, UOP4			
	17	R01A, R01B, R01C, R01D, R02Z, R12A, R12B, R12C		21A	W04A, W04B			01	B03A, B03B, B06A, B06B, B07Z, B17A, B17B, B17C			
	21A	W04A, W04B		21B	X04Z, X06A, X06B, X06C			03	D12A, D12B			
	21B	X06A, X06B, X06C			BOP, KVT, UOP4			05	F01A, F01B, F01D, F05Z, F07A, F07B, F14A, F14B, F28A, F42Z, F54Z, F59A, F59B			
	51559.f			BOP, KVT, UOP4	51559.i↔				BOP, KVT, UOP4	51560.1		BOP, KVT, UOP4
		01		B04A, B04B, B04C, B04D, B04E				01	B04A, B04B, B04C, B04D, B04E		08	I08A, I08B, I08C, I08D, I08E, I13A, I13B
		04		E02A, E02B, E02C				05	F01A, F01B, F01D, F05Z, F07A, F07B, F14A, F14B, F28A, F42Z, F54Z, F59A, F59B		10	K09A, K09B
		05		F01A, F01B, F01D, F05Z, F07A, F07B, F14A, F14B, F28A, F42Z, F54Z, F59A, F59B				06	G10Z, G12A, G12B		21A	W04A, W04B
		06		G03A, G10Z, G12A, G12B, G18A, G38Z				08	I08A, I08B, I08C, I08D, I08E, I13A, I13B		21B	X06A, X06B, X06C
07		H01A	09	J03A, J03B, J04A, J04B, J08A, J08B, J08C, J11A, J11B, J16Z				BOP, KVT, UOP4				
08		I08A, I08B, I08C, I08D, I08E, I13A, I13B	10	K09A, K09B		01		B04A, B04B, B04C, B04D, B04E				
09		J03A, J03B, J04A, J04B, J08A, J08B, J08C, J11A, J11B, J16Z	11	L09A, L09B, L09C, L09D, L38Z		03		D12A, D12B				
10		K09A, K09B	17	R01A, R01B, R01C, R01D, R02Z, R12A, R12B, R12C		04		E02A, E02B, E02C				
11		L09A, L09B, L09C, L09D, L38Z	21A	W04A, W04B		05		F01A, F01B, F01D, F05Z, F07A, F07B, F14A, F14B, F28A, F42Z, F54Z, F59A, F59B				
17		R01A, R01B, R01C, R01D, R02Z, R12A, R12B, R12C	21B	X04Z, X06A, X06B, X06C		08		I08A, I08B, I08C, I08D, I08E, I13A, I13B				
21A		W04A, W04B		BOP, KVT, UOP4		17		R01A, R01B, R01C, R01D, R02Z, R12A, R12B, R12C				
21B		X06A, X06B, X06C	01	B04A, B04B, B04C, B04D, B04E				BOP, KVT, UOP4				
51559.g↔			BOP, KVT, UOP4	51559.x↔			BOP, KVT, UOP4	51560.2			BOP, KVT, UOP4	
		01	B04A, B04B, B04C, B04D, B04E			01	B04A, B04B, B04C, B04D, B04E		01		B04A, B04B, B04C, B04D, B04E	
		05	F01A, F01B, F01D, F05Z, F07A, F07B, F14A, F14B, F28A, F42Z, F54Z, F59A, F59B			05	F01A, F01B, F01D, F05Z, F07A, F07B, F14A, F14B, F28A, F42Z, F54Z, F59A, F59B		03		D12A, D12B	
		06	G10Z, G12A, G12B			08	I08A, I08B, I08C, I08D, I08E, I13A, I13B		04		E02A, E02B, E02C	
	08	I08A, I08B, I08C, I08D, I08E, I13A, I13B	09		J03A, J03B, J04A, J04B, J08A, J08B, J08C, J11A, J11B, J16Z	05	F01A, F01B, F01D, F05Z, F07A, F07B, F14A, F14B, F28A, F42Z, F54Z, F59A, F59B					
	09	J03A, J03B, J04A, J04B, J08A, J08B, J08C, J11A, J11B, J16Z	10		K09A, K09B	08	I08A, I08B, I08C, I08D, I08E, I13A, I13B					
	10	K09A, K09B	17		R01A, R01B, R01C, R01D, R02Z, R12A, R12B, R12C	17	R01A, R01B, R01C, R01D, R02Z, R12A, R12B, R12C					
	11	L09A, L09B, L09C, L09D, L38Z	21A		W04A, W04B		BOP, KVT, UOP4					
	17	R01A, R01B, R01C, R01D, R02Z, R12A, R12B, R12C	21B		X06A, X06B, X06C	01	B04A, B04B, B04C, B04D, B04E					
	21A	W04A, W04B			BOP, KVT, UOP4	03	D12A, D12B					
	21B	X04Z, X06A, X06B, X06C			BOP, KVT, UOP4	04	E02A, E02B, E02C					
	51559.g↔		BOP, KVT, UOP4		51559.g↔		BOP, KVT, UOP4		51560.x		BOP, KVT, UOP4	
		01	B04A, B04B, B04C, B04D, B04E			01	B04A, B04B, B04C, B04D, B04E			01	B04A, B04B, B04C, B04D, B04E	
		05	F01A, F01B, F01D, F05Z, F07A, F07B, F14A, F14B, F28A, F42Z, F54Z, F59A, F59B			05	F01A, F01B, F01D, F05Z, F07A, F07B, F14A, F14B, F28A, F42Z, F54Z, F59A, F59B			03	D12A, D12B	
		06	G10Z, G12A, G12B			08	I08A, I08B, I08C, I08D, I08E, I13A, I13B			04	E02A, E02B, E02C	
		08	I08A, I08B, I08C, I08D, I08E, I13A, I13B			09	J03A, J03B, J04A, J04B, J08A, J08B, J08C, J11A, J11B, J16Z			05	F01A, F01B, F01D, F05Z, F07A, F07B, F14A, F14B, F28A, F42Z, F54Z, F59A, F59B	
		09	J03A, J03B, J04A, J04B, J08A, J08B, J08C, J11A, J11B, J16Z			10	K09A, K09B			08	I08A, I08B, I08C, I08D, I08E, I13A, I13B	
10		K09A, K09B	17	R01A, R01B, R01C, R01D, R02Z, R12A, R12B, R12C		17	R01A, R01B, R01C, R01D, R02Z, R12A, R12B, R12C					
11		L09A, L09B, L09C, L09D, L38Z	21A	W04A, W04B			BOP, KVT, UOP4					
17		R01A, R01B, R01C, R01D, R02Z, R12A, R12B, R12C	21B	X06A, X06B, X06C		01	B04A, B04B, B04C, B04D, B04E					
21A		W04A, W04B		BOP, KVT, UOP4		03	D12A, D12B					
21B		X04Z, X06A, X06B, X06C		BOP, KVT, UOP4		04	E02A, E02B, E02C					
						05	F01A, F01B, F01D, F05Z, F07A, F07B, F14A, F14B, F28A, F42Z, F54Z, F59A, F59B					
						08	I08A, I08B, I08C, I08D, I08E, I13A, I13B					
						17	R01A, R01B, R01C, R01D, R02Z, R12A, R12B, R12C					

VYK

ZZV	MDC	DRG	ZZV	MDC	DRG	ZZV	MDC	DRG		
51570.0		BOP, KVT, UOP4	51570.4		BOP, KOP, KOPV, KVT, UOP4	51571.0		BOP, KVT, UOP4		
	05	F01A, F01B, F01D, F05Z, F07A, F07B, F13A, F14A, F14B, F27A, F27B, F27C, F28A, F42Z, F54Z, F59A, F59B		01	B04A, B04B, B04C, B04D, B04E		05	F01A, F01B, F01D, F05Z, F07A, F07B, F13A, F14A, F14B, F27A, F27B, F27C, F28A, F42Z, F54Z, F59A, F59B		
	08	I08A, I08B, I08C, I08D, I08E, I13A, I13B		03	D12A		08	I08A, I08B, I08C, I08D, I08E, I13A, I13B		
	10	K01Z		04	E05A, E05B, E05C, E08A, E08B, E08C		10	K01Z		
	21A	W04A, W04B		05	F01A, F01B, F01D, F05Z, F07A, F07B, F13A, F28A, F42Z, F54Z, F59A, F59B		21A	W04A, W04B		
	21B	X04Z, X05A, X05B, X06A, X06B, X06C		06	G15Z, G19A, G19B, G33Z, G38Z		21B	X04Z, X05A, X05B, X06A, X06B, X06C		
	51570.1			BOP, KVT, UOP4	07		H33Z, H38Z	51571.1		BOP, KVT, UOP4
		01		B04A, B04B, B04C, B04D, B04E	08		I08A, I08B, I08C, I08D, I08E, I13A, I13B		01	B04A, B04B, B04C, B04D, B04E
		03		D12A	09		J03A, J03B, J04A, J04B, J08A, J08B, J08C, J11A, J11B, J16Z		03	D12A
		04		E02A, E02B, E02C	10		K09A, K09B		04	E02A, E02B, E02C
05		F01A, F01B, F01D, F05Z, F07A, F07B, F13A, F14A, F14B, F28A, F42Z, F54Z, F59A, F59B	11	L33Z	05	F01A, F01B, F01D, F05Z, F07A, F07B, F13A, F14A, F14B, F28A, F42Z, F54Z, F59A, F59B				
06		G10Z, G12A, G12B	21A	W04A, W04B	06	G10Z, G12A, G12B				
08		I08A, I08B, I08C, I08D, I08E, I13A, I13B	21B	X04Z, X05A, X05B, X06A, X06B, X06C, X33Z	08	I08A, I08B, I08C, I08D, I08E, I13A, I13B				
09		J03A, J03B, J04A, J04B, J08A, J08B, J08C, J11A, J11B, J16Z	23	Z01A	09	J03A, J03B, J04A, J04B, J08A, J08B, J08C, J11A, J11B, J16Z				
10		K09A, K09B	Pre	A07A	10	K09A, K09B				
11		L09A, L09B, L09C, L09D, L38Z	51570.5		BOP, KVT, UOP4	11	L09A, L09B, L09C, L09D, L38Z			
17	R01A, R01B, R01C, R01D, R02Z, R12A, R12B, R12C	05		F01A, F01B, F01D, F05Z, F07A, F07B, F13A, F28A, F42Z, F54Z, F59A, F59B	17	R01A, R01B, R01C, R01D, R02Z, R12A, R12B, R12C				
21A	W04A, W04B	06		G10Z, G12A, G12B	21A	W04A, W04B				
21B	X04Z, X05A, X05B, X06A, X06B, X06C	08		I08A, I08B, I08C, I08D, I08E, I13A, I13B	21B	X04Z, X05A, X05B, X06A, X06B, X06C				
51570.2		BOP, KVT, UOP4		10	K09A, K09B	51571.2		BOP, KVT, UOP4		
	05	F01A, F01B, F01D, F05Z, F07A, F07B, F13A, F14A, F14B, F28A, F42Z, F54Z, F59A, F59B		21A	W04A, W04B		05	F01A, F01B, F01D, F05Z, F07A, F07B, F13A, F14A, F14B, F28A, F42Z, F54Z, F59A, F59B		
	06	G10Z, G12A, G12B		21B	X04Z, X05A, X05B, X06A, X06B, X06C		06	G10Z, G12A, G12B		
	08	I08A, I08B, I08C, I08D, I08E, I13A, I13B		22	Y01Z, Y03A, Y03B		08	I08A, I08B, I08C, I08D, I08E, I13A, I13B		
	10	K09A, K09B		51570.6			BOP, KVT, UOP4	10	K09A, K09B	
	17	R01A, R01B, R01C, R01D, R02Z, R12A, R12B, R12C			05		F13A, F21A, F21B	17	R01A, R01B, R01C, R01D, R02Z, R12A, R12B, R12C	
	21A	W04A, W04B	08		I08A, I08B, I08C, I08D, I08E, I13A, I13B		21A	W04A, W04B		
	21B	X04Z, X05A, X05B, X06A, X06B, X06C	11		L09A, L09B, L09C, L09D, L38Z		21B	X04Z, X05A, X05B, X06A, X06B, X06C		
	51570.3		BOP, KOP, KOPV, KVT, UOP4		21A		W04A, W04B	51571.3		BOP, KOP, KOPV, KVT, UOP4
		04	E05A, E05B, E05C, E08A, E08B, E08C		21B		X06A, X06B, X06C		04	E05A, E05B, E05C, E08A, E08B, E08C
05		F01A, F01B, F01D, F05Z, F07A, F07B, F13A, F14A, F14B, F28A, F42Z, F54Z, F59A, F59B	51570.7			BOP, KOP, KOPV, KVT, UOP4	05		F01A, F01B, F01D, F05Z, F07A, F07B, F09A, F09B, F09C, F13A, F30Z, F42Z G33Z	
06		G15Z, G19A, G19B, G33Z, G38Z			05	F01A, F01B, F01D, F05Z, F07A, F07B, F09A, F09B, F09C, F13A, F30Z, F42Z G33Z	05		F01A, F01B, F01D, F05Z, F07A, F07B, F13A, F14A, F14B, F28A, F42Z, F54Z, F59A, F59B	
07		H33Z, H38Z			06	G33Z	06		G15Z, G19A, G19B, G33Z, G38Z	
08		I08A, I08B, I08C, I08D, I08E, I13A, I13B			07	H33Z, H38Z	07		H33Z, H38Z	
11		L33Z		08	I08A, I08B, I08C, I08D, I08E, I13A, I13B	08	I08A, I08B, I08C, I08D, I08E, I13A, I13B			
21A		W04A, W04B		11	L33Z	11	L33Z			
21B		X06A, X06B, X06C, X33Z		15	P02A, P02B, P02C	21A	W04A, W04B			
23		Z01A		21B	X33Z	21B	X06A, X06B, X06C, X33Z			
Pre	A07A	Pre		Z01A	23	Z01A				
		51570.x			BOP, KVT, UOP4	Pre	A07A			
			05	F13A, F21A, F21B						
			08	I08A, I08B, I08C, I08D, I08E, I13A, I13B						
			11	L09A, L09B, L09C, L09D, L38Z						
			21A	W04A, W04B						
			21B	X06A, X06B, X06C						

ZZV	MDC	DRG	ZZV	MDC	DRG	ZZV	MDC	DRG			
51571.4		BOP, KOP, KOPV, KVT, UOP4	51591.6		BOP, KVT, UOP4	5m102↔	03	D12A, D12B			
	01	B04A, B04B, B04C, B04D, B04E		04	E02A, E02B, E02C		04	E02A, E02B, E02C			
	03	D12A		05	F01A, F01B, F01D, F05Z, F07A, F07B, F14A, F14B, F28A, F42Z, F54Z, F59A, F59B		06	G10Z, G12A, G12B			
	04	E05A, E05B, E05C, E08A, E08B, E08C		08	I08A, I08B, I08C, I08D, I08E, I13A, I13B		08	I28A, I28B			
	05	F01A, F01B, F01D, F05Z, F07A, F07B, F13A, F28A, F42Z, F54Z, F59A, F59B		21A	W04A, W04B		09	J03A, J03B, J04A, J04B, J07A, J07B, J08A, J08B, J08C, J11A, J11B, J16Z, J21Z, J24A, J24B, J24C, J24D, J25Z			
	06	G15Z, G19A, G19B, G33Z, G38Z		21B	X04Z, X05A, X05B, X06A, X06B, X06C		10	K09A, K09B			
	07	H33Z, H38Z		51591.8			BOP, KVT, UOP4	13	N11A		
	08	I08A, I08B, I08C, I08D, I08E, I13A, I13B			05		F01A, F01B, F01D, F05Z, F07A, F07B, F14A, F14B, F28A, F42Z, F54Z, F59A, F59B	16	Q03A, Q03B		
	09	J03A, J03B, J04A, J04B, J08A, J08B, J08C, J11A, J11B, J16Z			06		G10Z, G12A, G12B	5m103	08	I27A, I27B, I27C, I27D	
	10	K09A, K09B			08		I08A, I08B, I08C, I08D, I08E, I13A, I13B		09	J03A, J03B, J04A, J04B, J08A, J08B, J08C, J11A, J11B, J16Z, J21Z	
	11	L33Z			10		K09A, K09B	5m104	09	BOP, KVT, UOP4	
	21A	W04A, W04B			11		L09A, L09B, L09C, L09D, L38Z		09	J03A, J03B, J04A, J04B, J08A, J08B, J08C, J11A, J11B, J16Z	
	21B	X04Z, X05A, X05B, X06A, X06B, X06C, X33Z			17		R01A, R01B, R01C, R01D, R02Z, R12A, R12B, R12C	5m110.1		BOP, KOP, KOPV, KVT, UOP4	
	23	Z01A			21A		W04A, W04B		04	E05A, E05B, E05C, E08A, E08B, E08C	
	Pre	A07A			21B		X04Z, X06A, X06B, X06C	06	G33Z		
	51572	01			B03A, B03B, B06A, B06B, B07Z, B17A, B17B, B17C		51591.9		BOP, KVT, UOP4	07	H33Z, H38Z
		05			F01A, F01B, F01D, F05Z, F07A, F07B, F14A, F14B, F28A, F42Z, F54Z, F59A, F59B			01	B04A, B04B, B04C, B04D, B04E	11	L33Z
		08			I08A, I08B, I08C, I08D, I08E, I13A, I13B			03	D12A, D12B	17	R01A, R01B, R01C, R01D, R02Z, R12A, R12B, R12C
		21A			W04A, W04B			04	E02A, E02B, E02C	21A	W04A, W04B
		21B			X06A, X06B			05	F01A, F01B, F01D, F05Z, F07A, F07B, F14A, F14B, F28A, F42Z, F54Z, F59A, F59B	21B	X06A, X06B, X06C
	51590.01	06			G10Z, G12A, G12B		06	G10Z, G12A, G12B	23	Z01A	
		08			I28A, I28B		08	I08A, I08B, I08C, I08D, I08E, I13A, I13B	Pre	A07A	
		10			K09A, K09B		09	J03A, J03B, J04A, J04B, J08A, J08B, J08C, J11A, J11B, J16Z		BOP, KOP, KOPV, KVT, UOP4	
13		N11A, N11B	10		K09A, K09B	04	E05A, E05B, E05C, E08A, E08B, E08C				
51590.02	06	G10Z, G12A, G12B	11		L09A, L09B, L09C, L09D, L38Z	06	G33Z				
	08	I28A, I28B	17		R01A, R01B, R01C, R01D, R02Z, R12A, R12B, R12C	07	H33Z, H38Z				
	10	K09A, K09B	03		D12A, D12B	11	L33Z				
51590.03	13	N11A, N11B	04		E02A, E02B, E02C	17	R01A, R01B, R01C, R01D, R02Z, R12A, R12B, R12C				
	06	G10Z, G12A, G12B	06		G10Z, G12A, G12B	21A	W04A, W04B				
	08	I28A, I28B	08	I28A, I28B	21B	X06A, X06B, X06C					
51590.04	10	K09A, K09B	09	J03A, J03B, J04A, J04B, J08A, J08B, J08C, J11A, J11B, J16Z, J21Z	23	Z01A					
	13	N11A, N11B	10	K03A, K03B, K09A, K09B	Pre	A07A					
	06	G10Z, G12A, G12B	13	N11A		BOP, KOP, KOPV, KVT, UOP4					
	08	I28A, I28B	16	Q03A, Q03B	04	E05A, E05B, E05C, E08A, E08B, E08C					
51591.50‡	13	N11A, N11B	03	D12A, D12B	06	G33Z					
	09	KK11, KKI, KKII, KKP	04	E02A, E02B, E02C	07	H33Z, H38Z					
	09	J11A, J11B	06	G10Z, G12A, G12B	11	L33Z					
	17	R60B, R60C, R61A, R61B, R61C, R61E, R62A, R63B, R63C, R63D, R63F	08	I28A, I28B	17	R01A, R01B, R01C, R01D, R02Z, R12A, R12B, R12C					
51591.51‡	09	J11A, J11B	5m100	03	D12A, D12B	21A	W04A, W04B				
	17	R60B, R60C, R61A, R61B, R61C, R61E, R62A, R63B, R63C, R63D, R63F		04	E02A, E02B, E02C	21B	X06A, X06B, X06C				
	09	J11A, J11B		06	G10Z, G12A, G12B	23	Z01A				
	17	R60B, R60C, R61A, R61B, R61C, R61E, R62A, R63B, R63C, R63D, R63F		08	I28A, I28B	Pre	A07A				
51591.52‡	09	J11A, J11B	5m101	09	J03A, J03B, J04A, J04B, J08A, J08B, J08C, J11A, J11B, J16Z, J21Z		BOP, KOP, KOPV, KVT, UOP4				
	17	R60B, R60C, R61A, R61B, R61C, R61E, R62A, R63B, R63C, R63D, R63F		10	K09A, K09B	04	E05A, E05B, E05C, E08A, E08B, E08C				
	09	J11A, J11B		13	N11A	06	G33Z				
	17	R60B, R60C, R61A, R61B, R61C, R61E, R62A, R63B, R63C, R63D, R63F		16	Q03A, Q03B	07	H33Z, H38Z				

VYK

ZZV	MDC	DRG	ZZV	MDC	DRG	ZZV	MDC	DRG			
5m111		BOP, KOP, KOPV, KVT, UOP4	5m121		BOP, KOP, KOPV, KVT, UOP4	5m130		BOP, KVT, UOP4			
	04	E05A, E05B, E05C, E08A, E08B, E08C		06	G10Z, G12A, G12B, G33Z		03	D12A			
	06	G33Z		07	H33Z, H38Z		04	E02A, E02B, E02C			
	07	H33Z, H38Z		08	I28A, I28B		06	G10Z, G12A, G12B			
	11	L33Z		09	J03A, J03B, J04A, J04B, J08A, J08B, J08C, J10A, J10B, J16Z, J21Z		08	I28A, I28B			
	17	R01A, R01B, R01C, R01D, R02Z, R12A, R12B, R12C		11	L03Z, L04A, L04B, L04C, L10Z, L13A, L13B, L33Z, L38Z		09	J03A, J03B, J04A, J04B, J08A, J08B, J08C, J11A, J11B, J16Z, J21Z			
	21A	W04A, W04B		12	M01A, M01B, M09A, M38Z		10	K09A, K09B			
	21B	X06A, X06B, X06C		13	N01A, N01B, N01C, N01D, N01E, N11A, N38Z		11	L09A, L09B, L09C, L09D, L38Z			
	23	Z01A		17	R01A, R01B, R01C, R01D, R02Z, R12A, R12B, R12C		12	M06Z, M09A, M09B, M38Z			
	Pre	A07A		23	Z01A		13	N11A			
	5m120.0			BOP, KOP, KOPV, KVT, UOP4	5m122			BOP, KVT, UOP4	5m131		BOP, KVT, UOP4
		04		E05A, E05B, E05C, E08A, E08B, E08C			03	D18Z, D25A, D25B, D25C, D25D		03	D12A
		06		G10Z, G12A, G12B, G18A, G33Z, G38Z			04	E02A, E02B, E02C		04	E02A, E02B, E02C
07		H33Z, H38Z	08	I06A, I06B, I06C, I06D, I06E			06	G10Z, G12A, G12B			
08		I28A, I28B	09	J02A, J02B, J02C, J03A, J03B, J04A, J04B, J08A, J08B, J10A, J10B, J16Z, J21Z			08	I28A, I28B			
09		J03A, J03B, J04A, J04B, J08A, J08B, J08C, J10A, J10B, J16Z, J21Z	10	K14Z			09	J03A, J03B, J04A, J04B, J08A, J08B, J08C, J11A, J11B, J16Z, J21Z			
10		K09A, K09B	17	R01A, R01B, R01C, R01D, R02Z, R12A, R12B, R12C		10	K09A, K09B				
11		L03Z, L04A, L04B, L04C, L10Z, L13A, L13B, L33Z, L38Z	3	BOP, KVT, UOP4		11	L09A, L09B, L09C, L09D, L38Z				
12		M01A, M01B, M09A, M38Z	03	D18Z, D25A, D25B, D25C, D25D		12	M06Z, M09A, M09B, M38Z				
13		N01A, N01B, N01C, N01D, N01E, N11A, N38Z	04	E02A, E02B, E02C		13	N11A				
17		R01A, R01B, R01C, R01D, R02Z, R12A, R12B, R12C	08	I06A, I06B, I06C, I06D, I06E		14	962Z, O02A, O02B				
23		Z01A	09	J02A, J02B, J02C, J03A, J03B, J04A, J04B, J08A, J08B, J10A, J10B, J16Z, J21Z		16	Q03A, Q03B				
Pre		A07A	10	K14Z		5m132		BOP, KVT, UOP4			
5m120.3		BOP, KOP, KOPV, KVT, UOP4	5m123		BOP, KVT, UOP4		03	D12A			
	04	E05A, E05B, E05C, E08A, E08B, E08C		03	D18Z, D25A, D25B, D25C, D25D		04	E02A, E02B, E02C			
	06	G10Z, G12A, G12B, G33Z		04	E02A, E02B, E02C		06	G10Z, G12A, G12B			
	07	H33Z, H38Z		08	I06A, I06B, I06C, I06D, I06E		08	I28A, I28B			
	08	I28A, I28B		09	J02A, J02B, J02C, J03A, J03B, J04A, J04B, J08A, J08B, J10A, J10B, J16Z, J21Z		09	J03A, J03B, J04A, J04B, J08A, J08B, J08C, J11A, J11B, J16Z, J21Z			
	09	J03A, J03B, J04A, J04B, J08A, J08B, J08C, J10A, J10B, J16Z, J21Z		10	K14Z		10	K09A, K09B			
	10	K09A, K09B		13	N11A		11	L09A, L09B, L09C, L09D, L38Z			
	11	L03Z, L04A, L04B, L04C, L10Z, L13A, L13B, L33Z, L38Z		17	R01A, R01B, R01C, R01D, R02Z, R12A, R12B, R12C		12	M06Z, M09A, M09B, M38Z			
	12	M01A, M01B, M09A, M38Z		3	BOP, KVT, UOP4		13	N11A			
	13	N01A, N01B, N01C, N01D, N01E, N11A, N38Z		03	D02A, D02B, D18Z, D24A, D24B		14	962Z, O02A, O02B			
	17	R01A, R01B, R01C, R01D, R02Z, R12A, R12B, R12C		04	E02A, E02B, E02C		16	Q03A, Q03B			
	23	Z01A		08	I06A, I06B, I06C, I06D, I06E		5m133↔		BOP, KVT, UOP4		
	Pre	A07A		09	J02A, J02B, J02C, J03A, J03B, J04A, J04B, J08A, J08B, J10A, J10B, J16Z, J21Z			03	D12A		
5m124		BOP, KVT, UOP4	5m124		BOP, KVT, UOP4			04	E02A, E02B, E02C		
	03	D02A, D02B, D18Z, D24A, D24B		03	D18Z, D25A, D25B, D25C, D25D			06	G10Z, G12A, G12B		
	04	E02A, E02B, E02C		04	E02A, E02B, E02C	08		I28A, I28B			
	08	I06A, I06B, I06C, I06D, I06E		08	I06A, I06B, I06C, I06D, I06E	09		J03A, J03B, J04A, J04B, J08A, J08B, J08C, J11A, J11B, J16Z, J21Z, J23Z, J24A, J24B, J24C, J24D, J26Z			
	09	J02A, J02B, J02C, J03A, J03B, J04A, J04B, J08A, J08B, J10A, J10B, J16Z, J21Z		09	J02A, J02B, J02C, J03A, J03B, J04A, J04B, J08A, J08B, J10A, J10B, J16Z, J21Z	10		K09A, K09B			
	10	K14Z		10	K14Z	11		L09A, L09B, L09C, L09D, L38Z			
	11	L09A, L38Z		11	L09A, L38Z	13		N11A			
	13	N11A		13	N11A	14		962Z, O02A, O02B			
	17	R01A, R01B, R01C, R01D, R02Z, R12A, R12B		17	R01A, R01B, R01C, R01D, R02Z, R12A, R12B	16		Q03A, Q03B			

VYK

ZZV	MDC	DRG	ZZV	MDC	DRG	ZZV	MDC	DRG			
5m134↔		BOP, KVT, UOP4	5m137.3		BOP, KVT, UOP4	5m139		BOP, KVT, UOP4			
	03	D12A		03	D12A		03	D12A			
	04	E02A, E02B, E02C		04	E02A, E02B, E02C		04	E02A, E02B, E02C			
	06	G10Z, G12A, G12B		06	G10Z, G12A, G12B		06	G10Z, G12A, G12B			
	08	I28A, I28B		08	I28A, I28B		08	I28A, I28B			
	09	J03A, J03B, J04A, J04B, J08A, J08B, J08C, J11A, J11B, J16Z, J21Z, J23Z, J24A, J24B, J24C, J24D, J26Z		09	J03A, J03B, J04A, J04B, J08A, J08B, J08C, J11A, J11B, J16Z, J21Z		09	J03A, J03B, J04A, J04B, J08A, J08B, J08C, J11A, J11B, J16Z, J21Z			
	10	K09A, K09B		10	K09A, K09B		10	K09A, K09B			
	11	L09A, L09B, L09C, L09D, L38Z		11	L09A, L09B, L09C, L09D, L38Z		11	L09A, L09B, L09C, L09D, L38Z			
	13	N11A		12	M06Z, M09A, M09B, M38Z		12	M06Z, M09A, M09B, M38Z			
	14	962Z, O02A, O02B		13	N11A		13	N01A, N01B, N01C, N01D, N01E, N02A, N02B, N02C, N03A, N03B, N04Z, N11A, N14Z, N21Z, N38Z			
	16	Q03A, Q03B		14	962Z, O02A, O02B		14	962Z, O02A, O02B			
	5m136.0			BOP, KVT, UOP4	5m138.0			BOP, KVT, UOP4	5m13c		BOP, KVT, UOP4
		03		D12A			03	D12A		03	D12A
		04		E02A, E02B, E02C			04	E02A, E02B, E02C		04	E02A, E02B, E02C
		06		G10Z, G12A, G12B			06	G10Z, G12A, G12B		06	G10Z, G12A, G12B
		08		I28A, I28B			08	I28A, I28B		08	I28A, I28B
		09		J03A, J03B, J04A, J04B, J08A, J08B, J08C, J11A, J11B, J16Z, J21Z			09	J03A, J03B, J04A, J04B, J08A, J08B, J08C, J11A, J11B, J16Z, J21Z, J23Z, J26Z		09	J03A, J03B, J04A, J04B, J08A, J08B, J08C, J11A, J11B, J16Z, J21Z
10		K09A, K09B	10	K09A, K09B		10	K09A, K09B				
11		L09A, L09B, L09C, L09D, L38Z	11	L09A, L09B, L09C, L09D, L38Z		11	L09A, L09B, L09C, L09D, L38Z				
12		M06Z, M09A, M09B, M38Z	12	M06Z, M09A, M09B, M38Z		12	M06Z, M09A, M09B, M38Z				
13		N11A	13	N01A, N01B, N01C, N01D, N01E, N02A, N02B, N02C, N03A, N03B, N04Z, N11A, N14Z, N21Z, N38Z		13	N11A				
14		962Z, O02A, O02B	14	962Z, O02A, O02B		14	962Z, O02A, O02B				
16		Q03A, Q03B	14	BOP, KVT, UOP4		16	Q03A, Q03B				
17		R01A, R01B, R01C, R01D, R02Z, R12A, R12B, R12C	14	BOP, KVT, UOP4		16	Q03A, Q03B				
5m136.3			BOP, KVT, UOP4	5m138.3			BOP, KVT, UOP4	5m13d.0			BOP, KVT, UOP4
		03	D12A			03	D12A			03	D12A
		04	E02A, E02B, E02C			04	E02A, E02B, E02C			04	E02A, E02B, E02C
		06	G10Z, G12A, G12B			06	G10Z, G12A, G12B			06	G10Z, G12A, G12B
	08	I28A, I28B	08		I28A, I28B	08	I28A, I28B				
	09	J03A, J03B, J04A, J04B, J08A, J08B, J08C, J11A, J11B, J16Z, J21Z	09		J03A, J03B, J04A, J04B, J08A, J08B, J08C, J11A, J11B, J16Z, J21Z, J23Z, J26Z	09	J03A, J03B, J04A, J04B, J08A, J08B, J08C, J11A, J11B, J16Z, J21Z, J23Z, J26Z				
	10	K09A, K09B	10		K09A, K09B	10	K09A, K09B				
	11	L09A, L09B, L09C, L09D, L38Z	11		L09A, L09B, L09C, L09D, L38Z	11	L09A, L09B, L09C, L09D, L38Z				
	12	M06Z, M09A, M09B, M38Z	12		M06Z, M09A, M09B, M38Z	12	M06Z, M09A, M09B, M38Z				
	13	N11A	13		N01A, N01B, N01C, N01D, N01E, N02A, N02B, N02C, N03A, N03B, N04Z, N11A, N14Z, N21Z, N38Z	13	N01A, N01B, N01C, N01D, N01E, N02A, N02B, N02C, N03A, N03B, N04Z, N11A, N14Z, N21Z, N38Z				
	14	962Z, O02A, O02B	14		962Z, O02A, O02B	14	962Z, O02A, O02B				
	16	Q03A, Q03B	14		BOP, KVT, UOP4	14	BOP, KVT, UOP4				
	17	R01A, R01B, R01C, R01D, R02Z, R12A, R12B, R12C	14		BOP, KVT, UOP4	14	BOP, KVT, UOP4				
	5m137.0		BOP, KVT, UOP4		5m138.3		BOP, KVT, UOP4		5m13d.3		BOP, KVT, UOP4
		03	D12A			03	D12A			03	D12A
		04	E02A, E02B, E02C			04	E02A, E02B, E02C			04	E02A, E02B, E02C
		06	G10Z, G12A, G12B			06	G10Z, G12A, G12B			06	G10Z, G12A, G12B
08		I28A, I28B	08	I28A, I28B		08	I28A, I28B				
09		J03A, J03B, J04A, J04B, J08A, J08B, J08C, J11A, J11B, J16Z, J21Z	09	J03A, J03B, J04A, J04B, J08A, J08B, J08C, J11A, J11B, J16Z, J21Z, J23Z, J26Z		09	J03A, J03B, J04A, J04B, J08A, J08B, J08C, J11A, J11B, J16Z, J21Z, J23Z, J26Z				
10		K09A, K09B	10	K09A, K09B		10	K09A, K09B				
11		L09A, L09B, L09C, L09D, L38Z	11	L09A, L09B, L09C, L09D, L38Z		11	L09A, L09B, L09C, L09D, L38Z				
12		M06Z, M09A, M09B, M38Z	12	M06Z, M09A, M09B, M38Z		12	M06Z, M09A, M09B, M38Z				
13		N11A	13	N01A, N01B, N01C, N01D, N01E, N02A, N02B, N02C, N03A, N03B, N04Z, N11A, N14Z, N21Z, N38Z		13	N01A, N01B, N01C, N01D, N01E, N02A, N02B, N02C, N03A, N03B, N04Z, N11A, N14Z, N21Z, N38Z				
14		962Z, O02A, O02B	14	962Z, O02A, O02B		14	962Z, O02A, O02B				
16		Q03A, Q03B	14	BOP, KVT, UOP4		14	BOP, KVT, UOP4				
17		R01A, R01B, R01C, R01D, R02Z, R12A, R12B, R12C	14	BOP, KVT, UOP4		14	BOP, KVT, UOP4				

VYK

ZZV	MDC	DRG	ZZV	MDC	DRG	ZZV	MDC	DRG			
5m13d.8		BOP, KVT, UOP4	5m200.0		BOP, KVT, MVV, UOP4	5m292		BOP, KVT, UOP4			
	03	D12A		05	F21A, F21B		06	G10Z, G12A, G12B			
	04	E02A, E02B, E02C		06	G10Z, G12A, G12B, G16A, G16B, G18A, G38Z		16	Q01Z			
	06	G10Z, G12A, G12B		08	I28A, I28B		17	R01A, R01B, R01C, R01D, R02Z, R12A, R12B, R12C			
	08	I28A, I28B		13	N11A		21A	W04A, W04B			
	09	J03A, J03B, J04A, J04B, J08A, J08B, J08C, J11A, J11B, J16Z, J21Z		16	Q01Z		21B	X06A, X06B, X06C			
	10	K09A, K09B		17	R01A, R01B, R01C, R01D, R02Z, R12A, R12B, R12C		5m293.10	BOP, KVT, UOP4			
	11	L09A, L09B, L09C, L09D, L38Z		21A	W04A, W04B		16	Q01Z			
	12	M06Z, M09A, M09B, M38Z		21B	X06A, X06B, X06C		17	R01A, R01B, R01C, R01D, R02Z, R12A, R12B, R12C			
	13	N01A, N01B, N01C, N01D, N01E, N11A, N38Z		5m200.3	BOP, KVT, UOP4		21A	W04A, W04B			
	14	962Z, O02A, O02B		05	F21A, F21B		21B	X06A, X06B, X06C			
	16	Q03A, Q03B		06	G10Z, G12A, G12B		5m293.13	BOP, KVT, UOP4			
	5m13e.0			BOP, KVT, UOP4	5m201			BOP, KVT, MVV, UOP4	5m293.20		BOP, KVT, UOP4
		03		D12A			05	F21A, F21B		16	Q01Z
		04		E02A, E02B, E02C			06	G10Z, G12A, G12B, G16A, G16B, G18A, G38Z		17	R01A, R01B, R01C, R01D, R02Z, R12A, R12B, R12C
		06		G10Z, G12A, G12B			08	I28A, I28B		21A	W04A, W04B
08		I28A, I28B	13	N11A		21B	X06A, X06B, X06C				
09		J03A, J03B, J04A, J04B, J08A, J08B, J08C, J11A, J11B, J16Z, J21Z, J23Z, J26Z	16	Q01Z		5m293.21	BOP, KVT, UOP4				
10		K09A, K09B	17	R01A, R01B, R01C, R01D, R02Z, R12A, R12B, R12C		16	Q01Z				
11		L09A, L09B, L09C, L09D, L38Z	21A	W04A, W04B		17	R01A, R01B, R01C, R01D, R02Z, R12A, R12B, R12C				
12		M06Z, M09A, M09B, M38Z	21B	X06A, X06B, X06C		21A	W04A, W04B				
13		N01A, N01B, N01C, N01D, N01E, N02A, N02B, N02C, N03A, N03B, N04Z, N11A, N14Z, N21Z, N38Z	5m202	BOP, KVT, UOP4		21B	X06A, X06B, X06C				
14		962Z, O02A, O02B	05	F21A, F21B		5m294.1	BOP, KVT, UOP4				
5m13e.3			BOP, KVT, UOP4	5m203			BOP, KVT, MVV, UOP4	5m294.x			BOP, KVT, UOP4
		03	D12A			05	F21A, F21B			16	Q01Z
		04	E02A, E02B, E02C			06	G10Z, G12A, G12B			17	R01A, R01B, R01C, R01D, R02Z, R12A, R12B, R12C
		06	G10Z, G12A, G12B			08	I28A, I28B			21A	W04A, W04B
		08	I28A, I28B			13	N11A			21B	X06A, X06B, X06C
	09	J03A, J03B, J04A, J04B, J08A, J08B, J08C, J11A, J11B, J16Z, J21Z, J23Z, J26Z	16		Q01Z	5m300.0†	Pre A42A, A42B				
	10	K09A, K09B	17		R01A, R01B, R01C, R01D, R02Z, R12A, R12B, R12C	5m300.1†	23 Z42Z				
	11	L09A, L09B, L09C, L09D, L38Z	21A		W04A, W04B	5m301.0†	23 Z41Z				
	12	M06Z, M09A, M09B, M38Z	21B		X06A, X06B, X06C	Pre	A42A, A42B				
	13	N01A, N01B, N01C, N01D, N01E, N02A, N02B, N02C, N03A, N03B, N04Z, N11A, N14Z, N21Z, N38Z	5m203		BOP, KVT, UOP4	5m301.1†	23 Z43Z				
	14	962Z, O02A, O02B	05		F21A, F21B	5n010.0	BOP, KOP, KOPV, KVT, UOP4				
	5m13e.8		BOP, KVT, UOP4		5m290		BOP, KVT, MVV, UOP4		5m299		BOP, KVT, UOP4
		03	D12A			05	F21A, F21B			06	G10Z, G12A, G12B, G16A, G16B, G18A, G38Z
		04	E02A, E02B, E02C			06	G10Z, G12A, G12B			08	I28A, I28B
		06	G10Z, G12A, G12B			08	I28A, I28B			13	N11A
		08	I28A, I28B			16	Q01Z			17	R01A, R01B, R01C, R01D, R02Z, R12A, R12B, R12C
09		J03A, J03B, J04A, J04B, J08A, J08B, J08C, J11A, J11B, J16Z, J21Z, J23Z, J26Z	21A	W04A, W04B		21A	W04A, W04B				
10		K09A, K09B	21B	X06A, X06B, X06C		21B	X06A, X06B, X06C				
11		L09A, L09B, L09C, L09D, L38Z	5m290	BOP, KVT, UOP4		Pre	A42A, A42B				
12		M06Z, M09A, M09B, M38Z	16	Q01Z		23	Z42Z				
13		N01A, N01B, N01C, N01D, N01E, N02A, N02B, N02C, N03A, N03B, N04Z, N11A, N14Z, N21Z, N38Z	17	R01A, R01B, R01C, R01D, R02Z, R12A, R12B, R12C		5m301.0†	23 Z41Z				
14		962Z, O02A, O02B	21A	W04A, W04B		Pre	A42A, A42B				
5m13e.8			BOP, KVT, UOP4	5m291			BOP, KVT, MVV, UOP4	5m301.1†			BOP, KOP, KOPV, KVT, UOP4
		03	D12A			05	F21A, F21B			06	G10Z, G12A, G12B
		04	E02A, E02B, E02C			06	G10Z, G12A, G12B			08	I28A, I28B
		06	G10Z, G12A, G12B			08	I28A, I28B			13	N11A
		08	I28A, I28B			16	Q01Z			16	Q01Z
	09	J03A, J03B, J04A, J04B, J08A, J08B, J08C, J11A, J11B, J16Z, J21Z, J23Z, J26Z	17		R01A, R01B, R01C, R01D, R02Z, R12A, R12B, R12C	17	R01A, R01B, R01C, R01D, R02Z, R12A, R12B, R12C				
	10	K09A, K09B	21A		W04A, W04B	21A	W04A, W04B				
	11	L09A, L09B, L09C, L09D, L38Z	21B		X06A, X06B, X06C	21B	X06A, X06B, X06C				
	12	M06Z, M09A, M09B, M38Z	5m291		BOP, KVT, UOP4	23	Z01A				
	13	N01A, N01B, N01C, N01D, N01E, N02A, N02B, N02C, N03A, N03B, N04Z, N11A, N14Z, N21Z, N38Z	06		G10Z, G12A, G12B	Pre	A07A				
	14	962Z, O02A, O02B	16		Q01Z						
			17		R01A, R01B, R01C, R01D, R02Z, R12A, R12B, R12C						
			21A		W04A, W04B						
			21B		X06A, X06B, X06C						

ZZV	MDC	DRG	ZZV	MDC	DRG	ZZV	MDC	DRG				
5n010.1		BOP, KOP, KOPV, KVT, UOP4	5n010.x		BOP, KOP, KOPV, KVT, UOP4	5n012.3		BOP, KOP, KOPV, KVT, UOP4				
	03	D12A		03	D12A		03	D12A				
	06	G15Z, G19A, G19B, G38Z		06	G15Z, G19A, G19B, G38Z		06	G01Z, G02Z, G15Z, G19A, G19B, G38Z				
	07	H33Z, H38Z		07	H33Z, H38Z		07	H33Z, H38Z				
	11	L33Z		11	L33Z		11	L33Z				
	17	R01A, R01B, R01C, R01D, R02Z, R12A, R12B, R12C		17	R01A, R01B, R01C, R01D, R02Z, R12A, R12B, R12C		17	R01A, R01B, R01C, R01D, R02Z, R12A, R12B, R12C				
	21A	W04A, W04B		21A	W04A, W04B		21A	W04A, W04B				
	21B	X06A, X06B, X06C		21B	X06A, X06B, X06C		21B	X06A, X06B, X06C				
	23	Z01A		23	Z01A		23	Z01A				
	Pre	A07A		Pre	A07A		Pre	A07A, A11A, A13A, A13B, A13D				
	5n010.2			BOP, KOP, KOPV, KVT, UOP4	5n011.6‡		06	G40Z, G46A, G46B, G46C, G47Z, G50Z	5n012.4		BOP, KOP, KOPV, KVT, UOP4	
		03		D12A			07	H40Z		03	D12A	
		06		G15Z, G19A, G19B, G38Z			5n011.x			BOP, KOP, KOPV, KVT, UOP4	06	G01Z, G02Z, G15Z, G19A, G19B, G38Z
07		H33Z, H38Z	03	D12A		07		H33Z, H38Z				
11		L33Z	06	G15Z, G19A, G19B, G38Z		11		L33Z				
17		R01A, R01B, R01C, R01D, R02Z, R12A, R12B, R12C	07	H33Z, H38Z		17		R01A, R01B, R01C, R01D, R02Z, R12A, R12B, R12C				
21A		W04A, W04B	11	L33Z		21A		W04A, W04B				
21B		X06A, X06B, X06C	23	Z01A		21B		X06A, X06B, X06C				
23		Z01A	Pre	A07A		23		Z01A				
Pre		A07A	5n012.0			BOP, KOP, KOPV, KVT, UOP4		Pre		A07A, A11A, A13A, A13B, A13D		
5n010.3				BOP, KOP, KOPV, KVT, UOP4		03		D12A		5n012.5		BOP, KOP, KOPV, KVT, UOP4
		03		D12A		06		G01Z, G02Z, G15Z, G19A, G19B, G38Z			03	D12A
		06		G15Z, G19A, G19B, G38Z		07		H33Z, H38Z			06	G01Z, G02Z, G15Z, G19A, G19B, G38Z
	07	H33Z, H38Z		11	L33Z	07		H33Z, H38Z				
	11	L33Z		17	R01A, R01B, R01C, R01D, R02Z, R12A, R12B, R12C	11		L33Z				
	17	R01A, R01B, R01C, R01D, R02Z, R12A, R12B, R12C		21A	W04A, W04B	17	R01A, R01B, R01C, R01D, R02Z, R12A, R12B, R12C					
	21A	W04A, W04B		21B	X06A, X06B, X06C	21A	W04A, W04B					
	21B	X06A, X06B, X06C		23	Z01A	21B	X06A, X06B, X06C					
	23	Z01A		Pre	A07A, A11A, A13A, A13B, A13D	23	Z01A					
	Pre	A07A		5n012.1		BOP, KOP, KOPV, KVT, UOP4	Pre	A07A, A11A, A13A, A13B, A13D				
	5n010.4				BOP, KOP, KOPV, KVT, UOP4	03	D12A	5n012.6‡			BOP, KOP, KOPV, KVT, UOP4	
		03			D12A	06	G01Z, G02Z, G15Z, G19A, G19B, G38Z		06		G40Z, G46A, G46B, G46C, G47Z, G50Z	
		06	G15Z, G19A, G19B, G38Z		07	H33Z, H38Z	07		H40Z			
07		H33Z, H38Z	11		L33Z	5n012.x			BOP, KOP, KOPV, KVT, UOP4			
11		L33Z	17		R01A, R01B, R01C, R01D, R02Z, R12A, R12B, R12C		03		D12A			
17		R01A, R01B, R01C, R01D, R02Z, R12A, R12B, R12C	21A		W04A, W04B		06		G01Z, G02Z, G15Z, G19A, G19B, G38Z			
21A		W04A, W04B	21B		X06A, X06B, X06C		07		H33Z, H38Z			
21B		X06A, X06B, X06C	23		Z01A		11		L33Z			
23		Z01A	Pre		A07A, A11A, A13A, A13B, A13D		17		R01A, R01B, R01C, R01D, R02Z, R12A, R12B, R12C			
Pre		A07A	5n012.2				BOP, KOP, KOPV, KVT, UOP4		21A	W04A, W04B		
5n010.5					BOP, KOP, KOPV, KVT, UOP4		03		D12A	21B	X06A, X06B, X06C	
		03			D12A		06		G01Z, G02Z, G15Z, G19A, G19B, G38Z	23	Z01A	
		06		G15Z, G19A, G19B, G38Z	07		H33Z, H38Z		Pre	A07A, A11A, A13A, A13B, A13D		
	07	H33Z, H38Z		11	L33Z		5n010.6‡		G40Z, G46A, G46B, G46C, G47Z, G50Z			
	11	L33Z		17	R01A, R01B, R01C, R01D, R02Z, R12A, R12B, R12C			07	H40Z			
	17	R01A, R01B, R01C, R01D, R02Z, R12A, R12B, R12C		21A	W04A, W04B			5n011.6‡		G40Z, G46A, G46B, G46C, G47Z, G50Z		
	21A	W04A, W04B		21B	X06A, X06B, X06C	07			H40Z			
	21B	X06A, X06B, X06C		23	Z01A	5n012.x				BOP, KOP, KOPV, KVT, UOP4		
	23	Z01A		Pre	A07A, A11A, A13A, A13B, A13D				03	D12A		
	Pre	A07A		5n012.2					BOP, KOP, KOPV, KVT, UOP4	06	G01Z, G02Z, G15Z, G19A, G19B, G38Z	
	5n010.6‡				G40Z, G46A, G46B, G46C, G47Z, G50Z				03	D12A	07	H33Z, H38Z
		06			G40Z, G46A, G46B, G46C, G47Z, G50Z				06	G01Z, G02Z, G15Z, G19A, G19B, G38Z	11	L33Z
		07	H40Z		07				H33Z, H38Z	17	R01A, R01B, R01C, R01D, R02Z, R12A, R12B, R12C	
			11		L33Z				21A	W04A, W04B		
			17		R01A, R01B, R01C, R01D, R02Z, R12A, R12B, R12C				21B	X06A, X06B, X06C		
			21A		W04A, W04B				23	Z01A		
			21B		X06A, X06B, X06C		Pre		A07A, A11A, A13A, A13B, A13D			
			23		Z01A							
			Pre		A07A, A11A, A13A, A13B, A13D							

VYK

ZZV	MDC	DRG	ZZV	MDC	DRG	ZZV	MDC	DRG			
5n020.4		BOP, KOP, KOPV, KVT, MVV, UOP4	5n021.3		BOP, KOP, KOPV, KVT, MVV, UOP4	5n029.1		BOP, KOP, KOPV, KVT, MVV, UOP4			
	03	D12A		03	D12A		03	D12A			
	05	F36A, F36B		05	F36A, F36B		05	F36A, F36B			
	06	G03A, G03B, G33Z, G38Z		06	G03A, G03B, G33Z, G38Z		06	G03A, G03B, G33Z, G38Z			
	07	H33Z, H38Z		07	H33Z, H38Z		07	H33Z, H38Z			
	11	L33Z		11	L33Z		11	L33Z			
	17	R01A, R01B, R01C, R01D, R02Z, R12A, R12B, R12C		17	R01A, R01B, R01C, R01D, R02Z, R12A, R12B, R12C		17	R01A, R01B, R01C, R01D, R02Z, R12A, R12B, R12C			
	21A	W04A, W04B		21A	W04A, W04B		21A	W04A, W04B			
	21B	X06A, X06B, X06C, X33Z		21B	X06A, X06B, X06C, X33Z		21B	X06A, X06B, X06C, X33Z			
	22	Y01Z, Y03A, Y03B		22	Y01Z, Y03A, Y03B		22	Y01Z, Y03A, Y03B			
	23	Z01A		23	Z01A		23	Z01A			
	Pre	A07A		Pre	A07A		Pre	A07A			
	5n020.x			BOP, KOP, KOPV, KVT, MVV, UOP4	5n021.4			BOP, KOP, KOPV, KVT, MVV, UOP4	5n029.2		BOP, KOP, KOPV, KVT, MVV, UOP4
		03		D12A			03	D12A		03	D12A
05		F36A, F36B	05	F36A, F36B		05	F36A, F36B				
06		G03A, G03B, G33Z, G38Z	06	G03A, G03B, G33Z, G38Z		06	G03A, G03B, G33Z, G38Z				
07		H33Z, H38Z	07	H33Z, H38Z		07	H33Z, H38Z				
11		L33Z	11	L33Z		11	L33Z				
17		R01A, R01B, R01C, R01D, R02Z, R12A, R12B, R12C	17	R01A, R01B, R01C, R01D, R02Z, R12A, R12B, R12C		17	R01A, R01B, R01C, R01D, R02Z, R12A, R12B, R12C				
21A		W04A, W04B	21A	W04A, W04B		21A	W04A, W04B				
21B		X06A, X06B, X06C, X33Z	21B	X06A, X06B, X06C, X33Z		21B	X06A, X06B, X06C, X33Z				
22		Y01Z, Y03A, Y03B	22	Y01Z, Y03A, Y03B		22	Y01Z, Y03A, Y03B				
23		Z01A	23	Z01A		23	Z01A				
Pre		A07A	Pre	A07A		Pre	A07A				
5n021.1			BOP, KOP, KOPV, KVT, MVV, UOP4	5n021.x			BOP, KOP, KOPV, KVT, MVV, UOP4	5n029.3			BOP, KOP, KOPV, KVT, MVV, UOP4
		03	D12A			03	D12A			03	D12A
	05	F36A, F36B	05		F36A, F36B	05	F36A, F36B				
	06	G03A, G03B, G33Z, G38Z	06		G03A, G03B, G33Z, G38Z	06	G03A, G03B, G33Z, G38Z				
	07	H33Z, H38Z	07		H33Z, H38Z	07	H33Z, H38Z				
	11	L33Z	11		L33Z	11	L33Z				
	17	R01A, R01B, R01C, R01D, R02Z, R12A, R12B, R12C	17		R01A, R01B, R01C, R01D, R02Z, R12A, R12B, R12C	17	R01A, R01B, R01C, R01D, R02Z, R12A, R12B, R12C				
	21A	W04A, W04B	21A		W04A, W04B	21A	W04A, W04B				
	21B	X06A, X06B, X06C, X33Z	21B		X06A, X06B, X06C, X33Z	21B	X06A, X06B, X06C, X33Z				
	22	Y01Z, Y03A, Y03B	22		Y01Z, Y03A, Y03B	22	Y01Z, Y03A, Y03B				
	23	Z01A	23		Z01A	23	Z01A				
	Pre	A07A	Pre		A07A	Pre	A07A				
	5n021.2		BOP, KOP, KOPV, KVT, MVV, UOP4		5n022.0		BOP, KOP, KOPV, KVT, UOP4		5n029.4		BOP, KOP, KOPV, KVT, MVV, UOP4
		03	D12A			03	D12A, D12B			03	D12A
05		F36A, F36B	06	G15Z, G19A, G19B, G38Z		05	F36A, F36B				
06		G03A, G03B, G33Z, G38Z	07	H33Z, H38Z		06	G03A, G03B, G33Z, G38Z				
07		H33Z, H38Z	11	L33Z		07	H33Z, H38Z				
11		L33Z	17	R01A, R01B, R01C, R01D, R02Z, R12A, R12B, R12C		11	L33Z				
17		R01A, R01B, R01C, R01D, R02Z, R12A, R12B, R12C	21A	W04A, W04B		17	R01A, R01B, R01C, R01D, R02Z, R12A, R12B, R12C				
21A		W04A, W04B	21B	X06A, X06B, X06C		21A	W04A, W04B				
21B		X06A, X06B, X06C, X33Z	22	Y01Z, Y03A, Y03B		21B	X06A, X06B, X06C, X33Z				
22		Y01Z, Y03A, Y03B	23	Z01A		22	Y01Z, Y03A, Y03B				
23		Z01A	Pre	A07A		23	Z01A				
Pre		A07A	5n022.x			BOP, KOP, KOPV, KVT, UOP4	Pre	A07A			
				03		D12A, D12B					
				06		G15Z, G19A, G19B, G38Z					
		07		H33Z, H38Z							
		11		L33Z							
		17		R01A, R01B, R01C, R01D, R02Z, R12A, R12B, R12C							
		21A		W04A, W04B							
		21B		X06A, X06B, X06C							
		22		Y01Z, Y03A, Y03B							
		23		Z01A							
		Pre	A07A								

VYK

ZZV	MDC	DRG	ZZV	MDC	DRG	ZZV	MDC	DRG						
5n029.x		BOP, KOP, KOPV, KVT, MVV, UOP4	5n02d		BOP, KOP, KOPV, KVT, UOP4	5n02h		BOP, KOP, KOPV, KVT, UOP4						
	03	D12A		03	D12A		03	D12A						
	05	F36A, F36B		05	F36A, F36B		04	E05A, E05B, E05C, E08A, E08B, E08C						
	06	G03A, G03B, G33Z, G38Z		06	G01Z, G02Z, G03A, G03B, G03C, G33Z, G38Z		05	F36A, F36B						
	07	H33Z, H38Z		07	H33Z, H38Z		06	G01Z, G02Z, G03A, G03B, G03C, G33Z, G38Z						
	11	L33Z		11	L33Z		07	H33Z, H38Z						
	17	R01A, R01B, R01C, R01D, R02Z, R12A, R12B, R12C		17	R01A, R01B, R01C, R01D, R02Z, R12A, R12B, R12C		11	L33Z						
	21A	W04A, W04B		21A	W04A, W04B		21A	W04A, W04B						
	21B	X06A, X06B, X06C, X33Z		21B	X06A, X06B, X06C, X33Z		21B	X06A, X06B, X06C, X33Z						
	22	Y01Z, Y03A, Y03B		22	Y01Z, Y03A, Y03B		23	Z01A						
	23	Z01A		23	Z01A		Pre	A07A, A11A, A13A, A13B, A13D						
	Pre	A07A		Pre	A07A, A11A, A13A, A13B, A13D		5n02x		BOP, KOP, KOPV, KVT, UOP4					
	5n02a			BOP, KOP, KOPV, KVT, UOP4	5n02e				BOP, KOP, KOPV, KVT, UOP4	03	D12A			
		03		D12A				03	D12A	05	F36A, F36B			
		05		F36A, F36B				05	F36A, F36B	06	G01Z, G02Z, G03A, G03B, G03C, G33Z, G38Z			
06		G01Z, G02Z, G03A, G03B, G03C, G33Z, G38Z	06	G01Z, G02Z, G03A, G03B, G03C, G33Z, G38Z		07		H33Z, H38Z						
07		H33Z, H38Z	07	H33Z, H38Z		11		L33Z						
11		L33Z	11	L33Z		17		R01A, R01B, R01C, R01D, R02Z, R12A, R12B, R12C						
17		R01A, R01B, R01C, R01D, R02Z, R12A, R12B, R12C	17	R01A, R01B, R01C, R01D, R02Z, R12A, R12B, R12C		21A		W04A, W04B						
21A		W04A, W04B	21A	W04A, W04B		21B		X06A, X06B, X06C, X33Z						
21B		X06A, X06B, X06C, X33Z	21B	X06A, X06B, X06C, X33Z		22		Y01Z, Y03A, Y03B						
22		Y01Z, Y03A, Y03B	22	Y01Z, Y03A, Y03B		23		Z01A						
23		Z01A	23	Z01A		Pre		A07A, A11A, A13A, A13B, A13D						
Pre		A07A, A11A, A13A, A13B, A13D	Pre	A07A, A11A, A13A, A13B, A13D		5n030			BOP, KOP, KOPV, KVT, UOP4					
5n02b			BOP, KOP, KOPV, KVT, UOP4	5n02f					BOP, KOP, KOPV, KVT, UOP4	03	D12A, D12B			
		03	D12A					03	D12A	06	G15Z, G19A, G19B, G38Z			
		05	F36A, F36B				05	F36A, F36B	07	H33Z, H38Z				
	06	G01Z, G02Z, G03A, G03B, G03C, G33Z, G38Z	06		G01Z, G02Z, G03A, G03B, G03C, G33Z, G38Z		11	L33Z						
	07	H33Z, H38Z	07		H33Z, H38Z		17	R01A, R01B, R01C, R01D, R02Z, R12A, R12B, R12C						
	11	L33Z	11		L33Z		23	Z01A						
	17	R01A, R01B, R01C, R01D, R02Z, R12A, R12B, R12C	17		R01A, R01B, R01C, R01D, R02Z, R12A, R12B, R12C		Pre	A07A						
	21A	W04A, W04B	21A		W04A, W04B		5n031		BOP, KOP, KOPV, KVT, UOP4					
	21B	X06A, X06B, X06C, X33Z	21B		X06A, X06B, X06C, X33Z			03	D12A, D12B					
	22	Y01Z, Y03A, Y03B	22		Y01Z, Y03A, Y03B			06	G15Z, G19A, G19B, G38Z					
	23	Z01A	23		Z01A			07	H33Z, H38Z					
	Pre	A07A, A11A, A13A, A13B, A13D	Pre		A07A, A11A, A13A, A13B, A13D			11	L33Z					
	5n02c		BOP, KOP, KOPV, KVT, UOP4		5n02g				BOP, KOP, KOPV, KVT, UOP4	17	R01A, R01B, R01C, R01D, R02Z, R12A, R12B, R12C			
		03	D12A					03	D12A	23	Z01A			
		05	F36A, F36B			05		F36A, F36B	Pre	A07A				
06		G01Z, G02Z, G03A, G03B, G03C, G33Z, G38Z	06	G01Z, G02Z, G03A, G03B, G03C, G33Z, G38Z		5n032.0†			G40Z, G46A, G46B, G46C, G47Z, G50Z					
07		H33Z, H38Z	07	H33Z, H38Z				5n032.1†		G40Z, G46A, G46B, G46C, G47Z, G50Z				
11		L33Z	11	L33Z					5n032.2†		G40Z, G46A, G46B, G46C, G47Z, G50Z			
17		R01A, R01B, R01C, R01D, R02Z, R12A, R12B, R12C	17	R01A, R01B, R01C, R01D, R02Z, R12A, R12B, R12C						5n032.3†		G40Z, G46A, G46B, G46C, G47Z, G50Z		
21A		W04A, W04B	21A	W04A, W04B							5n032.4†		G40Z, G46A, G46B, G46C, G47Z, G50Z	
21B		X06A, X06B, X06C, X33Z	21B	X06A, X06B, X06C, X33Z								5n032.x†		G40Z, G46A, G46B, G46C, G47Z, G50Z
22		Y01Z, Y03A, Y03B	22	Y01Z, Y03A, Y03B										
23		Z01A	23	Z01A										
Pre		A07A, A11A, A13A, A13B, A13D	Pre	A07A, A11A, A13A, A13B, A13D										

VYK

ZZV	MDC	DRG	ZZV	MDC	DRG	ZZV	MDC	DRG
5n033.0		BOP, KOP, KOPV, KVT, UOP4	5n034.1		BOP, KOP, KOPV, KVT, UOP4	5n040		BOP, KOP, KOPV, KVT, UOP4
	03	D12A, D12B		03	D12A, D12B		03	D12A
	06	G15Z, G19A, G19B, G38Z		06	G15Z, G19A, G19B, G38Z		05	F36A, F36B
	07	H33Z, H38Z		07	H33Z, H38Z		06	G15Z, G19A, G19B, G33Z, G38Z
	11	L33Z		11	L33Z		07	H33Z, H38Z
	17	R01A, R01B, R01C, R01D, R02Z, R12A, R12B, R12C		17	R01A, R01B, R01C, R01D, R02Z, R12A, R12B, R12C		11	L33Z
	23	Z01A		23	Z01A		17	R01A, R01B, R01C, R01D, R02Z, R12A, R12B, R12C
5n033.1	Pre	A07A	5n034.2	Pre	A07A	5n041	21A	W04A, W04B
		BOP, KOP, KOPV, KVT, UOP4			BOP, KOP, KOPV, KVT, UOP4		21B	X06A, X06B, X06C, X33Z
	03	D12A, D12B		03	D12A, D12B		22	Y01Z, Y03A, Y03B
	06	G15Z, G19A, G19B, G38Z		06	G15Z, G19A, G19B, G38Z		23	Z01A
	07	H33Z, H38Z		07	H33Z, H38Z		Pre	A07A
	11	L33Z		11	L33Z			BOP, KOP, KOPV, KVT, UOP4
	17	R01A, R01B, R01C, R01D, R02Z, R12A, R12B, R12C		17	R01A, R01B, R01C, R01D, R02Z, R12A, R12B, R12C		03	D12A
5n033.2	23	Z01A	5n034.3	23	Z01A	05	F36A, F36B	
	Pre	A07A		Pre	A07A	06	G15Z, G19A, G19B, G33Z, G38Z	
		BOP, KOP, KOPV, KVT, UOP4			BOP, KOP, KOPV, KVT, UOP4	07	H33Z, H38Z	
	03	D12A, D12B		03	D12A, D12B	11	L33Z	
	06	G15Z, G19A, G19B, G38Z		06	G15Z, G19A, G19B, G38Z	17	R01A, R01B, R01C, R01D, R02Z, R12A, R12B, R12C	
	07	H33Z, H38Z		07	H33Z, H38Z	21A	W04A, W04B	
	11	L33Z		11	L33Z	21B	X06A, X06B, X06C, X33Z	
5n033.3	17	R01A, R01B, R01C, R01D, R02Z, R12A, R12B, R12C	5n034.4	17	R01A, R01B, R01C, R01D, R02Z, R12A, R12B, R12C	22	Y01Z, Y03A, Y03B	
	23	Z01A		5n034.x	23	Z01A	23	Z01A
	Pre	A07A			Pre	A07A	Pre	A07A
		BOP, KOP, KOPV, KVT, UOP4				BOP, KOP, KOPV, KVT, UOP4	5n042	BOP, KOP, KOPV, KVT, UOP4
	03	D12A, D12B			03	D12A, D12B	03	D12A
	06	G15Z, G19A, G19B, G38Z			06	G15Z, G19A, G19B, G38Z	05	F36A, F36B
	07	H33Z, H38Z			07	H33Z, H38Z	06	G15Z, G19A, G19B, G33Z, G38Z
11	L33Z	11	L33Z		07	H33Z, H38Z		
5n033.4	17	R01A, R01B, R01C, R01D, R02Z, R12A, R12B, R12C	5n035.0†	17	R01A, R01B, R01C, R01D, R02Z, R12A, R12B, R12C	11	L33Z	
	23	Z01A		5n035.1†	23	Z01A	17	R01A, R01B, R01C, R01D, R02Z, R12A, R12B, R12C
	Pre	A07A			Pre	A07A	21A	W04A, W04B
		BOP, KOP, KOPV, KVT, UOP4			06	G40Z, G46A, G46B, G46C, G47Z, G50Z	21B	X06A, X06B, X06C, X33Z
	03	D12A, D12B			06	G40Z, G46A, G46B, G46C, G47Z, G50Z	22	Y01Z, Y03A, Y03B
	06	G15Z, G19A, G19B, G38Z			07	H40Z	23	Z01A
	07	H33Z, H38Z			5n035.2†	06	G40Z, G46A, G46B, G46C, G47Z, G50Z	Pre
11	L33Z	5n035.4†	06		G40Z, G46A, G46B, G46C, G47Z, G50Z	5n043	BOP, KOP, KOPV, KVT, UOP4	
5n033.x	17	R01A, R01B, R01C, R01D, R02Z, R12A, R12B, R12C	5n035.5†	17	R01A, R01B, R01C, R01D, R02Z, R12A, R12B, R12C	03	D12A	
	23	Z01A		5n035.x†	23	Z01A	05	F36A, F36B
	Pre	A07A			06	G40Z, G46A, G46B, G46C, G47Z, G50Z	06	G15Z, G19A, G19B, G33Z, G38Z
		BOP, KOP, KOPV, KVT, UOP4			07	H40Z	07	H33Z, H38Z
	03	D12A, D12B			06	G40Z, G46A, G46B, G46C, G47Z, G50Z	11	L33Z
	06	G15Z, G19A, G19B, G38Z			06	G40Z, G46A, G46B, G46C, G47Z, G50Z	17	R01A, R01B, R01C, R01D, R02Z, R12A, R12B, R12C
	07	H33Z, H38Z			06	G40Z, G46A, G46B, G46C, G47Z, G50Z	21A	W04A, W04B
11	L33Z	06	G40Z, G46A, G46B, G46C, G47Z, G50Z		21B	X06A, X06B, X06C, X33Z		
5n034.0	17	R01A, R01B, R01C, R01D, R02Z, R12A, R12B, R12C			22	Y01Z, Y03A, Y03B		
	23	Z01A			23	Z01A		
	Pre	A07A			Pre	A07A		
		BOP, KOP, KOPV, KVT, UOP4						
	03	D12A, D12B						
	06	G15Z, G19A, G19B, G38Z						
	07	H33Z, H38Z						

VYK

ZZV	MDC	DRG	ZZV	MDC	DRG	ZZV	MDC	DRG			
5n049		BOP, KOP, KOPV, KVT, UOP4	5n04x		BOP, KOP, KOPV, KVT, UOP4	5n054.x		BOP, KOP, KOPV, KVT, MVV, UOP4			
	03	D12A		03	D12A		03	D12A			
	05	F36A, F36B		05	F36A, F36B		05	F36A, F36B			
	06	G15Z, G19A, G19B, G33Z, G38Z		06	G01Z, G02Z, G03A, G03B, G33Z, G38Z		06	G15Z, G19A, G19B, G33Z, G38Z			
	07	H33Z, H38Z		07	H33Z, H38Z		07	H33Z, H38Z			
	11	L33Z		11	L33Z		11	L33Z			
	17	R01A, R01B, R01C, R01D, R02Z, R12A, R12B, R12C		17	R01A, R01B, R01C, R01D, R02Z, R12A, R12B, R12C		17	R01A, R01B, R01C, R01D, R02Z, R12A, R12B, R12C			
	21A	W04A, W04B		21A	W04A, W04B		21A	W04A, W04B			
	21B	X06A, X06B, X06C, X33Z		21B	X06A, X06B, X06C, X33Z		21B	X06A, X06B, X06C, X33Z			
	22	Y01Z, Y03A, Y03B		22	Y01Z, Y03A, Y03B		22	Y01Z, Y03A, Y03B			
	23	Z01A		23	Z01A		23	Z01A			
	Pre	A07A		Pre	A07A, A11A, A13A, A13B, A13D		Pre	A07A			
	5n04a			BOP, KOP, KOPV, KVT, UOP4	5n054.1			BOP, KOP, KOPV, KVT, MVV, UOP4	5n05a.10		BOP, KOP, KOPV, KVT, MVV, UOP4
		03		D12A			03	D12A		03	D18Z, D25A, D25B, D25C, D25D
05		F36A, F36B	05	F36A, F36B		05	F36A, F36B				
06		G01Z, G02Z, G03A, G03B, G33Z, G38Z	06	G15Z, G19A, G19B, G33Z, G38Z		06	G03A, G03B, G33Z, G38Z				
07		H33Z, H38Z	07	H33Z, H38Z		07	H33Z, H38Z				
11		L33Z	07	H33Z, H38Z		09	J08A, J08B, J08C				
17		R01A, R01B, R01C, R01D, R02Z, R12A, R12B, R12C	11	L33Z		11	L33Z				
21A		W04A, W04B	17	R01A, R01B, R01C, R01D, R02Z, R12A, R12B, R12C		17	R01A, R01B, R01C, R01D, R02Z, R12A, R12B, R12C				
21B		X06A, X06B, X06C, X33Z	21A	W04A, W04B		21A	W04A, W04B				
22		Y01Z, Y03A, Y03B	21B	X06A, X06B, X06C, X33Z		21B	X06A, X06B, X06C, X33Z				
23		Z01A	22	Y01Z, Y03A, Y03B		22	Y01Z, Y03A, Y03B				
Pre		A07A, A11A, A13A, A13B, A13D	23	Z01A		23	Z01A				
5n04b			BOP, KOP, KOPV, KVT, UOP4	5n054.2			BOP, KOP, KOPV, KVT, MVV, UOP4	5n05a.11			BOP, KOP, KOPV, KVT, MVV, UOP4
		03	D12A			03	D12A			03	D18Z, D25A, D25B, D25C, D25D
	05	F36A, F36B	05		F36A, F36B	05	F36A, F36B				
	06	G01Z, G02Z, G03A, G03B, G33Z, G38Z	06		G15Z, G19A, G19B, G33Z, G38Z	06	G03A, G03B, G33Z, G38Z				
	07	H33Z, H38Z	07		H33Z, H38Z	07	H33Z, H38Z				
	11	L33Z	11		L33Z	09	J08A, J08B, J08C				
	17	R01A, R01B, R01C, R01D, R02Z, R12A, R12B, R12C	17		R01A, R01B, R01C, R01D, R02Z, R12A, R12B, R12C	11	L33Z				
	21A	W04A, W04B	21A		W04A, W04B	17	R01A, R01B, R01C, R01D, R02Z, R12A, R12B, R12C				
	21B	X06A, X06B, X06C, X33Z	21B		X06A, X06B, X06C, X33Z	21A	W04A, W04B				
	22	Y01Z, Y03A, Y03B	22		Y01Z, Y03A, Y03B	21B	X06A, X06B, X06C, X33Z				
	23	Z01A	23		Z01A	22	Y01Z, Y03A, Y03B				
	Pre	A07A, A11A, A13A, A13B, A13D	Pre		A07A	23	Z01A				
	5n04c		BOP, KOP, KOPV, KVT, UOP4		5n054.3		BOP, KOP, KOPV, KVT, MVV, UOP4		5n05a.12		BOP, KOP, KOPV, KVT, MVV, UOP4
		03	D12A			03	D12A			03	D12A
05		F36A, F36B	05	F36A, F36B		05	F36A, F36B				
06		G01Z, G02Z, G03A, G03B, G33Z, G38Z	06	G15Z, G19A, G19B, G33Z, G38Z		06	G15Z, G19A, G19B, G33Z, G38Z				
07		H33Z, H38Z	07	H33Z, H38Z		07	H33Z, H38Z				
11		L33Z	11	L33Z		07	H33Z, H38Z				
17		R01A, R01B, R01C, R01D, R02Z, R12A, R12B, R12C	17	R01A, R01B, R01C, R01D, R02Z, R12A, R12B, R12C		11	L33Z				
21A		W04A, W04B	21A	W04A, W04B		17	R01A, R01B, R01C, R01D, R02Z, R12A, R12B, R12C				
21B		X06A, X06B, X06C, X33Z	21B	X06A, X06B, X06C, X33Z		21A	W04A, W04B				
22		Y01Z, Y03A, Y03B	22	Y01Z, Y03A, Y03B		21B	X06A, X06B, X06C, X33Z				
23		Z01A	23	Z01A		22	Y01Z, Y03A, Y03B				
Pre		A07A, A11A, A13A, A13B, A13D	Pre	A07A		23	Z01A				
						Pre	A07A, A09B, A11A, A11B, A13B				

VYK

ZZV	MDC	DRG	ZZV	MDC	DRG	ZZV	MDC	DRG		
5n05a.20		BOP, KOP, KOPV, KVT, MVV, UOP4	5n05a.4		BOP, KOP, KOPV, KVT, MVV, UOP4	5n05b.12		BOP, KOP, KOPV, KVT, MVV, UOP4		
	03	D18Z, D25A, D25B, D25C, D25D		03	D18Z, D25A, D25B, D25C, D25D		03	D12A		
	05	F36A, F36B		05	F36A, F36B		05	F36A, F36B		
	06	G03A, G03B, G33Z, G38Z		06	G03A, G03B, G33Z, G38Z		06	G15Z, G19A, G19B, G33Z, G38Z		
	07	H33Z, H38Z		07	H33Z, H38Z		07	H33Z, H38Z		
	09	J08A, J08B, J08C		09	J08A, J08B, J08C		11	L33Z		
	11	L33Z		11	L33Z		17	R01A, R01B, R01C, R01D, R02Z, R12A, R12B, R12C		
	17	R01A, R01B, R01C, R01D, R02Z, R12A, R12B, R12C		17	R01A, R01B, R01C, R01D, R02Z, R12A, R12B, R12C		21A	W04A, W04B		
	21A	W04A, W04B		21A	W04A, W04B		21B	X06A, X06B, X06C, X33Z		
	21B	X06A, X06B, X06C, X33Z		21B	X06A, X06B, X06C, X33Z		22	Y01Z, Y03A, Y03B		
	22	Y01Z, Y03A, Y03B		22	Y01Z, Y03A, Y03B		23	Z01A		
	23	Z01A		23	Z01A		Pre	A07A		
	Pre	A07A, A09B, A11A, A11B, A13B		Pre	A07A, A09B, A11A, A11B, A13B		5n05b.20	BOP, KOP, KOPV, KVT, MVV, UOP4		
	5n05a.21			BOP, KOP, KOPV, KVT, MVV, UOP4	5n05a.x			BOP, KOP, KOPV, KVT, MVV, UOP4	03	D12A
		03		D18Z, D25A, D25B, D25C, D25D			03	D12A	05	F36A, F36B
		05		F36A, F36B			05	F36A, F36B	06	G03A, G03B, G33Z, G38Z
		06		G03A, G03B, G33Z, G38Z			06	G03A, G03B, G33Z, G38Z	07	H33Z, H38Z
07		H33Z, H38Z	07	H33Z, H38Z		11	L33Z			
09		J08A, J08B, J08C	11	L33Z		17	R01A, R01B, R01C, R01D, R02Z, R12A, R12B, R12C			
11		L33Z	17	R01A, R01B, R01C, R01D, R02Z, R12A, R12B, R12C		21A	W04A, W04B			
17		R01A, R01B, R01C, R01D, R02Z, R12A, R12B, R12C	21A	W04A, W04B		21B	X06A, X06B, X06C, X33Z			
21A		W04A, W04B	21B	X06A, X06B, X06C, X33Z		22	Y01Z, Y03A, Y03B			
21B		X06A, X06B, X06C, X33Z	22	Y01Z, Y03A, Y03B		23	Z01A			
22		Y01Z, Y03A, Y03B	23	Z01A		Pre	A07A, A09B, A11A, A11B, A13B			
23		Z01A	Pre	A07A, A09B, A11A, A11B, A13B		5n05b.21	BOP, KOP, KOPV, KVT, MVV, UOP4			
Pre		A07A, A09B, A11A, A11B, A13B	5n05b.10	BOP, KOP, KOPV, KVT, MVV, UOP4		03	D12A			
5n05a.22			BOP, KOP, KOPV, KVT, MVV, UOP4	03		D12A	05	F36A, F36B		
		03	D12A	05		F36A, F36B	06	G03A, G03B, G33Z, G38Z		
		05	F36A, F36B	06		G03A, G03B, G33Z, G38Z	07	H33Z, H38Z		
		06	G15Z, G19A, G19B, G33Z, G38Z	07		H33Z, H38Z	11	L33Z		
	07	H33Z, H38Z	11	L33Z	17	R01A, R01B, R01C, R01D, R02Z, R12A, R12B, R12C				
	11	L33Z	17	R01A, R01B, R01C, R01D, R02Z, R12A, R12B, R12C	21A	W04A, W04B				
	17	R01A, R01B, R01C, R01D, R02Z, R12A, R12B, R12C	21A	W04A, W04B	21B	X06A, X06B, X06C, X33Z				
	21A	W04A, W04B	21B	X06A, X06B, X06C, X33Z	22	Y01Z, Y03A, Y03B				
	21B	X06A, X06B, X06C, X33Z	22	Y01Z, Y03A, Y03B	23	Z01A				
	22	Y01Z, Y03A, Y03B	23	Z01A	Pre	A07A, A09B, A11A, A11B, A13B				
	23	Z01A	Pre	A07A, A09B, A11A, A11B, A13B	5n05b.22	BOP, KOP, KOPV, KVT, MVV, UOP4				
	Pre	A07A	5n05b.11	BOP, KOP, KOPV, KVT, MVV, UOP4	03	D12A				
	5n05a.3		BOP, KOP, KOPV, KVT, MVV, UOP4	03	D12A	05	F36A, F36B			
		03	D18Z, D25A, D25B, D25C, D25D	05	F36A, F36B	06	G15Z, G19A, G19B, G33Z, G38Z			
		05	F36A, F36B	06	G03A, G03B, G33Z, G38Z	07	H33Z, H38Z			
		06	G03A, G03B, G33Z, G38Z	07	H33Z, H38Z	11	L33Z			
		07	H33Z, H38Z	11	L33Z	17	R01A, R01B, R01C, R01D, R02Z, R12A, R12B, R12C			
09		J08A, J08B, J08C	17	R01A, R01B, R01C, R01D, R02Z, R12A, R12B, R12C	21A	W04A, W04B				
11		L33Z	21A	W04A, W04B	21B	X06A, X06B, X06C, X33Z				
17		R01A, R01B, R01C, R01D, R02Z, R12A, R12B, R12C	21B	X06A, X06B, X06C, X33Z	22	Y01Z, Y03A, Y03B				
21A		W04A, W04B	22	Y01Z, Y03A, Y03B	23	Z01A				
21B		X06A, X06B, X06C, X33Z	23	Z01A	Pre	A07A				
22		Y01Z, Y03A, Y03B	Pre	A07A, A09B, A11A, A11B, A13B						
23		Z01A								
Pre		A07A, A09B, A11A, A11B, A13B								

VYK

ZZV	MDC	DRG	ZZV	MDC	DRG	ZZV	MDC	DRG			
5n05b.3		BOP, KOP, KOPV, KVT, MVV, UOP4	5n05c.11		BOP, KOP, KOPV, KVT, MVV, UOP4	5n05c.22		BOP, KOP, KOPV, KVT, MVV, UOP4			
	03	D12A		03	D12A		03	D12A			
	05	F36A, F36B		05	F36A, F36B		05	F36A, F36B			
	06	G03A, G03B, G33Z, G38Z		06	G03A, G03B, G33Z, G38Z		06	G15Z, G19A, G19B, G33Z, G38Z			
	07	H33Z, H38Z		07	H33Z, H38Z		07	H33Z, H38Z			
	11	L33Z		11	L33Z		11	L33Z			
	17	R01A, R01B, R01C, R01D, R02Z, R12A, R12B, R12C		17	R01A, R01B, R01C, R01D, R02Z, R12A, R12B, R12C		17	R01A, R01B, R01C, R01D, R02Z, R12A, R12B, R12C			
	21A	W04A, W04B		21A	W04A, W04B		21A	W04A, W04B			
	21B	X06A, X06B, X06C, X33Z		21B	X06A, X06B, X06C, X33Z		21B	X06A, X06B, X06C, X33Z			
	22	Y01Z, Y03A, Y03B		22	Y01Z, Y03A, Y03B		22	Y01Z, Y03A, Y03B			
	23	Z01A		23	Z01A		23	Z01A			
	Pre	A07A, A09B, A11A, A11B, A13B		Pre	A07A, A09B, A11A, A11B, A13B		Pre	A07A			
	5n05b.4			BOP, KOP, KOPV, KVT, MVV, UOP4	5n05c.12			BOP, KOP, KOPV, KVT, MVV, UOP4	5n05c.3		BOP, KOP, KOPV, KVT, MVV, UOP4
		03		D12A			03	D12A		03	D12A
05		F36A, F36B	05	F36A, F36B		05	F36A, F36B				
06		G03A, G03B, G33Z, G38Z	06	G15Z, G19A, G19B, G33Z, G38Z		06	G03A, G03B, G33Z, G38Z				
07		H33Z, H38Z	07	H33Z, H38Z		07	H33Z, H38Z				
11		L33Z	07	H33Z, H38Z		11	L33Z				
17		R01A, R01B, R01C, R01D, R02Z, R12A, R12B, R12C	11	L33Z		17	R01A, R01B, R01C, R01D, R02Z, R12A, R12B, R12C				
21A		W04A, W04B	17	R01A, R01B, R01C, R01D, R02Z, R12A, R12B, R12C		21A	W04A, W04B				
21B		X06A, X06B, X06C, X33Z	21A	W04A, W04B		21B	X06A, X06B, X06C, X33Z				
22		Y01Z, Y03A, Y03B	21B	X06A, X06B, X06C, X33Z		22	Y01Z, Y03A, Y03B				
23		Z01A	22	Y01Z, Y03A, Y03B		23	Z01A				
Pre		A07A, A09B, A11A, A11B, A13B	23	Z01A		Pre	A07A, A09B, A11A, A11B, A13B				
5n05b.x			BOP, KOP, KOPV, KVT, MVV, UOP4	5n05c.20			BOP, KOP, KOPV, KVT, MVV, UOP4	5n05c.4			BOP, KOP, KOPV, KVT, MVV, UOP4
		03	D12A			03	D12A			03	D12A
	05	F36A, F36B	05		F36A, F36B	05	F36A, F36B				
	06	G03A, G03B, G33Z, G38Z	06		G03A, G03B, G33Z, G38Z	06	G03A, G03B, G33Z, G38Z				
	07	H33Z, H38Z	07		H33Z, H38Z	07	H33Z, H38Z				
	11	L33Z	11		L33Z	11	L33Z				
	17	R01A, R01B, R01C, R01D, R02Z, R12A, R12B, R12C	17		R01A, R01B, R01C, R01D, R02Z, R12A, R12B, R12C	17	R01A, R01B, R01C, R01D, R02Z, R12A, R12B, R12C				
	21A	W04A, W04B	21A		W04A, W04B	21A	W04A, W04B				
	21B	X06A, X06B, X06C, X33Z	21B		X06A, X06B, X06C, X33Z	21B	X06A, X06B, X06C, X33Z				
	22	Y01Z, Y03A, Y03B	22		Y01Z, Y03A, Y03B	22	Y01Z, Y03A, Y03B				
	23	Z01A	23		Z01A	23	Z01A				
	Pre	A07A, A09B, A11A, A11B, A13B	Pre		A07A, A09B, A11A, A11B, A13B	Pre	A07A, A09B, A11A, A11B, A13B				
	5n05c.10		BOP, KOP, KOPV, KVT, MVV, UOP4		5n05c.21		BOP, KOP, KOPV, KVT, MVV, UOP4		5n05c.x		BOP, KOP, KOPV, KVT, MVV, UOP4
		03	D12A			03	D12A			03	D12A
05		F36A, F36B	05	F36A, F36B		05	F36A, F36B				
06		G03A, G03B, G33Z, G38Z	06	G03A, G03B, G33Z, G38Z		06	G03A, G03B, G33Z, G38Z				
07		H33Z, H38Z	07	H33Z, H38Z		07	H33Z, H38Z				
11		L33Z	11	L33Z		11	L33Z				
17		R01A, R01B, R01C, R01D, R02Z, R12A, R12B, R12C	17	R01A, R01B, R01C, R01D, R02Z, R12A, R12B, R12C		17	R01A, R01B, R01C, R01D, R02Z, R12A, R12B, R12C				
21A		W04A, W04B	21A	W04A, W04B		21A	W04A, W04B				
21B		X06A, X06B, X06C, X33Z	21B	X06A, X06B, X06C, X33Z		21B	X06A, X06B, X06C, X33Z				
22		Y01Z, Y03A, Y03B	22	Y01Z, Y03A, Y03B		22	Y01Z, Y03A, Y03B				
23		Z01A	23	Z01A		23	Z01A				
Pre		A07A, A09B, A11A, A11B, A13B	Pre	A07A, A09B, A11A, A11B, A13B		Pre	A07A, A09B, A11A, A11B, A13B				

ZZV	MDC	DRG	ZZV	MDC	DRG	ZZV	MDC	DRG													
5n05x.3		BOP, KOP, KOPV, KVT, MVV, UOP4	5n060.1		BOP, KOP, KOPV, KVT, MVV, UOP4	5n094.0		BOP, KOP, KOPV, KVT, UOP4													
	03	D12A		03	D12A		03	D12A, D12B													
	05	F36A, F36B		05	F36A, F36B		04	E05A, E05B, E05C, E08A, E08B, E08C													
	06	G03A, G03B, G33Z, G38Z		06	G03A, G03B, G33Z, G38Z		06	G15Z, G19A, G19B, G38Z													
	07	H33Z, H38Z		07	H33Z, H38Z		07	H33Z, H38Z													
	11	L33Z		11	L33Z		11	L33Z													
	17	R01A, R01B, R01C, R01D, R02Z, R12A, R12B, R12C		17	R01A, R01B, R01C, R01D, R02Z, R12A, R12B, R12C		17	R01A, R01B, R01C, R01D, R02Z, R12A, R12B, R12C													
	21A	W04A, W04B		21A	W04A, W04B		21A	W04A, W04B													
	21B	X06A, X06B, X06C, X33Z		21B	X06A, X06B, X06C, X33Z		21B	X06A, X06B, X06C													
	22	Y01Z, Y03A, Y03B		22	Y01Z, Y03A, Y03B		22	Y01Z, Y03A, Y03B													
	23	Z01A		23	Z01A		23	Z01A													
	Pre	A07A		Pre	A07A		Pre	A07A													
	5n05x.4			BOP, KOP, KOPV, KVT, MVV, UOP4	5n060.2			BOP, KOP, KOPV, KVT, MVV, UOP4	5n094.6		BOP, KOP, KOPV, KVT, UOP4										
		03		D12A			03	D12A		03	D12A, D12B										
05		F36A, F36B	05	F36A, F36B		04	E05A, E05B, E05C, E08A, E08B, E08C														
06		G03A, G03B, G33Z, G38Z	06	G03A, G03B, G33Z, G38Z		06	G15Z, G19A, G19B, G38Z														
07		H33Z, H38Z	07	H33Z, H38Z		07	H33Z, H38Z														
11		L33Z	11	L33Z		11	L33Z														
17		R01A, R01B, R01C, R01D, R02Z, R12A, R12B, R12C	17	R01A, R01B, R01C, R01D, R02Z, R12A, R12B, R12C		17	R01A, R01B, R01C, R01D, R02Z, R12A, R12B, R12C														
21A		W04A, W04B	21A	W04A, W04B		21A	W04A, W04B														
21B		X06A, X06B, X06C, X33Z	21B	X06A, X06B, X06C, X33Z		21B	X06A, X06B, X06C														
22		Y01Z, Y03A, Y03B	22	Y01Z, Y03A, Y03B		22	Y01Z, Y03A, Y03B														
23		Z01A	23	Z01A		23	Z01A														
Pre		A07A	Pre	A07A		Pre	A07A														
5n05x.5			BOP, KOP, KOPV, KVT, MVV, UOP4	5n060.3			BOP, KOP, KOPV, KVT, MVV, UOP4	5n095†			G40Z, G46A, G46B, G46C, G47Z, G50Z										
		03	D12A			03	D12A			5n097†		G40Z, G46A, G46B, G46C, G47Z, G50Z									
	05	F36A, F36B	05		F36A, F36B	5n098†			G40Z, G46A, G46B, G46C, G47Z, G50Z												
	06	G03A, G03B, G33Z, G38Z	06		G03A, G03B, G33Z, G38Z		5n09a†				G40Z, G46A, G46B, G46C, G47Z, G50Z										
	07	H33Z, H38Z	07		H33Z, H38Z				5n09c†			H40Z									
	11	L33Z	11		L33Z						Pre	A13F									
	17	R01A, R01B, R01C, R01D, R02Z, R12A, R12B, R12C	17		R01A, R01B, R01C, R01D, R02Z, R12A, R12B, R12C							5n09c†		G40Z, G46A, G46B, G46C, G47Z, G50Z							
	21A	W04A, W04B	21A		W04A, W04B								5n09d†		G40Z, G46A, G46B, G46C, G47Z, G50Z						
	21B	X06A, X06B, X06C, X33Z	21B		X06A, X06B, X06C, X33Z									5n09e†		H40Z					
	22	Y01Z, Y03A, Y03B	22		Y01Z, Y03A, Y03B										Pre	A13F					
	23	Z01A	23		Z01A											5n09h		BOP, KVT, UOP4			
	Pre	A07A	Pre		A07A												03	D12A, D12B			
	5n05x.x		BOP, KOP, KOPV, KVT, MVV, UOP4		5n060.x														BOP, KOP, KOPV, KVT, MVV, UOP4	06	G10Z, G12A, G12B
		03	D12A															03	D12A		10
05		F36A, F36B	05	F36A, F36B				5n09j.00											BOP, KOP, KOPV, KVT, UOP4		
06		G03A, G03B, G33Z, G38Z	06	G03A, G03B, G33Z, G38Z						03								D12A, D12B			
07		H33Z, H38Z	07	H33Z, H38Z		06												G15Z, G19A, G19B, G38Z			
11		L33Z	11	L33Z			07											H06A, H06B, H06C, H33Z, H38Z			
17		R01A, R01B, R01C, R01D, R02Z, R12A, R12B, R12C	17	R01A, R01B, R01C, R01D, R02Z, R12A, R12B, R12C					10									K04A			
21A		W04A, W04B	21A	W04A, W04B							11							L33Z			
21B		X06A, X06B, X06C, X33Z	21B	X06A, X06B, X06C, X33Z								17						R01A, R01B, R01C, R01D, R02Z, R12A, R12B, R12C			
22		Y01Z, Y03A, Y03B	22	Y01Z, Y03A, Y03B									21A					W04A, W04B			
23		Z01A	23	Z01A										21B				X06A, X06B, X06C			
Pre		A07A	Pre	A07A											22			Y01Z, Y03A, Y03B			
5n091†			G40Z, G46A, G46B, G46C, G47Z, G50Z	5n091†														G40Z, G46A, G46B, G46C, G47Z, G50Z	23		
		5n092														H40Z	5n092				
			BOP, KOP, KOPV, KVT, UOP4													BOP, KOP, KOPV, KVT, UOP4					
			G15Z, G19A, G19B, G38Z													G15Z, G19A, G19B, G38Z					
			H06A, H06B, H06C, H33Z, H38Z					H06A, H06B, H06C, H33Z, H38Z													
			L33Z					L33Z													
			Z01A			Z01A															
			A07A			A07A															
			G40Z, G46A, G46B, G46C, G47Z, G50Z			G40Z, G46A, G46B, G46C, G47Z, G50Z															
			H40Z			H40Z															
			BOP, KOP, KOPV, KVT, UOP4			BOP, KOP, KOPV, KVT, UOP4															
			G15Z, G19A, G19B, G38Z			G15Z, G19A, G19B, G38Z															
			H06A, H06B, H06C, H33Z, H38Z			H06A, H06B, H06C, H33Z, H38Z															
			L33Z			L33Z															
	Z01A			Z01A																	
	A07A		A07A																		

VYK

ZZV	MDC	DRG	ZZV	MDC	DRG	ZZV	MDC	DRG				
5n09j.01		BOP, KOP, KOPV, KVT, UOP4	5n09k.05		BOP, KOP, KOPV, KVT, UOP4	5n103		BOP, KOP, KOPV, KVT, UOP4				
	03	D12A, D12B		03	D12A, D12B		06	G15Z, G19A, G19B, G38Z				
	06	G15Z, G19A, G19B, G38Z		06	G15Z, G19A, G19B, G38Z		07	H06A, H06B, H06C, H33Z, H38Z				
	07	H06A, H06B, H06C, H33Z, H38Z		07	H06A, H06B, H06C, H33Z, H38Z		10	K04A				
	10	K04A		10	K04A		11	L33Z				
	11	L33Z		11	L33Z		17	R01A, R01B, R01C, R01D, R02Z, R12A, R12B, R12C				
	17	R01A, R01B, R01C, R01D, R02Z, R12A, R12B, R12C		17	R01A, R01B, R01C, R01D, R02Z, R12A, R12B, R12C		21A	W04A, W04B				
	21A	W04A, W04B		21A	W04A, W04B		21B	X06A, X06B, X06C				
	21B	X06A, X06B, X06C		21B	X06A, X06B, X06C		22	Y01Z, Y03A, Y03B				
	22	Y01Z, Y03A, Y03B		22	Y01Z, Y03A, Y03B		23	Z01A				
	23	Z01A		23	Z01A		Pre	A07A				
	Pre	A07A		Pre	A07A		5n106†	06	G40Z, G46A, G46B, G46C, G47Z, G50Z			
							5n10a		BOP, KOP, KOPV, KVT, UOP4			
	5n09j.03			BOP, KOP, KOPV, KVT, UOP4	5n09k.62‡			G40Z, G46A, G46B, G46C, G47Z, G50Z	5n10b.0		BOP, KOP, KOPV, KVT, UOP4	
03		D12A, D12B	5n09k.64‡	06		G40Z, G46A, G46B, G46C, G47Z, G50Z	01	B03A, B03B, B06A, B06B, B07Z, B17A, B17B, B17C				
06		G15Z, G19A, G19B, G38Z		5n09k.65‡		06	G40Z, G46A, G46B, G46C, G47Z, G50Z	06		G15Z, G19A, G19B, G38Z		
07		H06A, H06B, H06C, H33Z, H38Z				5n09l.0		BOP, KOP, KOPV, KVT, UOP4		07	H33Z, H38Z	
10		K04A					03	D12A, D12B		23	Z01A	
11		L33Z					06	G15Z, G19A, G19B, G38Z		Pre	A07A	
17		R01A, R01B, R01C, R01D, R02Z, R12A, R12B, R12C					07	H06A, H06B, H06C, H33Z, H38Z		01	B03A, B03B, B06A, B06B, B07Z, B17A, B17B, B17C	
21A		W04A, W04B					10	K04A		06	G15Z, G19A, G19B, G38Z	
21B		X06A, X06B, X06C					11	L33Z		07	H33Z, H38Z	
22		Y01Z, Y03A, Y03B					17	R01A, R01B, R01C, R01D, R02Z, R12A, R12B, R12C		23	Z01A	
23		Z01A					21A	W04A, W04B		Pre	A07A	
Pre		A07A					21B	X06A, X06B, X06C		5n10b.1		BOP, KOP, KOPV, KVT, UOP4
							22	Y01Z, Y03A, Y03B		01	B03A, B03B, B06A, B06B, B07Z, B17A, B17B, B17C	
							23	Z01A		06	G15Z, G19A, G19B, G38Z	
		Pre			A07A		07	H33Z, H38Z				
					23		Z01A					
				Pre	A07A							
5n09j.60‡		G40Z, G46A, G46B, G46C, G47Z, G50Z	5n09l.6‡		G40Z, G46A, G46B, G46C, G47Z, G50Z	5n10c.0		BOP, KOP, KOPV, KVT, UOP4				
5n09j.61‡		G40Z, G46A, G46B, G46C, G47Z, G50Z	5n09n.0‡		G40Z, G46A, G46B, G46C	06	G15Z, G19A, G19B, G38Z					
5n09j.63‡		G40Z, G46A, G46B, G46C, G47Z, G50Z	5n09n.1‡		G40Z, G46A, G46B, G46C	07	H33Z, H38Z					
			5n09n.2‡		G40Z, G46A, G46B, G46C	23	Z01A					
			5n09n.3‡		G40Z, G46A, G46B, G46C	Pre	A07A					
			5n09n.x‡		G40Z, G46A, G46B, G46C	5n10c.1		BOP, KOP, KOPV, KVT, UOP4				
			5n100		BOP, KOP, KOPV, KVT, UOP4	06	G15Z, G19A, G19B, G38Z					
						07	H33Z, H38Z					
						23	Z01A					
						Pre	A07A					
						5n10d		BOP, KOP, KOPV, KVT, UOP4				
						01	B03A, B03B, B06A, B06B, B07Z, B17A, B17B, B17C					
						06	G15Z, G19A, G19B, G38Z					
						07	H33Z, H38Z					
						23	Z01A					
						Pre	A07A					
						5n10e		BOP, KOP, KOPV, KVT, UOP4				
						01	B03A, B03B, B06A, B06B, B07Z, B17A, B17B, B17C					
						06	G15Z, G19A, G19B, G38Z					
						07	H33Z, H38Z					
						23	Z01A					
						Pre	A07A					
5n09k.02		BOP, KOP, KOPV, KVT, UOP4	5n101		BOP, KOP, KOPV, KVT, UOP4							
03	D12A, D12B											
06	G15Z, G19A, G19B, G38Z											
07	H06A, H06B, H06C, H33Z, H38Z											
10	K04A											
11	L33Z											
17	R01A, R01B, R01C, R01D, R02Z, R12A, R12B, R12C											
21A	W04A, W04B											
21B	X06A, X06B, X06C											
22	Y01Z, Y03A, Y03B											
23	Z01A											
Pre	A07A											
5n09k.04		BOP, KOP, KOPV, KVT, UOP4										
03	D12A, D12B											
06	G15Z, G19A, G19B, G38Z											
07	H06A, H06B, H06C, H33Z, H38Z											
10	K04A											
11	L33Z											
17	R01A, R01B, R01C, R01D, R02Z, R12A, R12B, R12C											
21A	W04A, W04B											
21B	X06A, X06B, X06C											
22	Y01Z, Y03A, Y03B											
23	Z01A											
Pre	A07A											

ZZV	MDC	DRG	ZZV	MDC	DRG	ZZV	MDC	DRG
5n10x		BOP, KOP, KOPV, KVT, UOP4	5n113.3		BOP, KOP, KOPV, KVT, UOP4	5n114.4		BOP, KOP, KOPV, KVT, UOP4
	06	G15Z, G19A, G19B, G38Z		06	G15Z, G19A, G19B, G38Z		06	G15Z, G19A, G19B, G38Z
	07	H33Z, H38Z		07	H06A, H06B, H06C, H33Z, H38Z		07	H06A, H06B, H06C, H33Z, H38Z
	23	Z01A		10	K04A		10	K04A
	Pre	A07A		11	L33Z		11	L33Z
5n110		BOP, KOP, KOPV, KVT, UOP4		16	Q03A, Q03B		16	Q03A, Q03B
	06	G15Z, G19A, G19B, G38Z		23	Z01A		23	Z01A
	07	H06A, H06B, H06C, H33Z, H38Z	5n113.4	Pre	A07A	5n114.x	Pre	A07A
	10	K04A			BOP, KOP, KOPV, KVT, UOP4			BOP, KOP, KOPV, KVT, UOP4
	11	L33Z		06	G15Z, G19A, G19B, G38Z		06	G15Z, G19A, G19B, G38Z
	16	Q03A, Q03B		07	H06A, H06B, H06C, H33Z, H38Z		07	H06A, H06B, H06C, H33Z, H38Z
	23	Z01A		10	K04A		10	K04A
	Pre	A07A		11	L33Z		11	L33Z
5n111		BOP, KOP, KOPV, KVT, UOP4		16	Q03A, Q03B		16	Q03A, Q03B
	06	G15Z, G19A, G19B, G38Z		23	Z01A		23	Z01A
	07	H06A, H06B, H06C, H33Z, H38Z	5n113.x	Pre	A07A	5n115.0	Pre	A07A
	10	K04A			BOP, KOP, KOPV, KVT, UOP4		06	G13Z, G21A, G21B
	11	L33Z		06	G15Z, G19A, G19B, G38Z		16	Q03A, Q03B
	16	Q03A, Q03B		07	H06A, H06B, H06C, H33Z, H38Z		17	R01A, R01B, R01C, R01D, R02Z, R12A, R12B, R12C
	23	Z01A		10	K04A	5n115.1†	06	G40Z, G46A, G46B, G46C, G47Z, G50Z
	Pre	A07A		11	L33Z	5n115.2	06	G13Z, G21A, G21B
5n112.0‡	06	G40Z, G46A, G46B, G46C, G47Z, G50Z		16	Q03A, Q03B		16	Q03A, Q03B
5n112.1‡	06	G40Z, G46A, G46B, G46C, G47Z, G50Z		23	Z01A		17	R01A, R01B, R01C, R01D, R02Z, R12A, R12B, R12C
5n112.2‡	06	G40Z, G46A, G46B, G46C, G47Z, G50Z	5n114.0	Pre	A07A	5n115.3	06	G13Z, G21A, G21B
5n112.3‡	06	G40Z, G46A, G46B, G46C, G47Z, G50Z			BOP, KOP, KOPV, KVT, UOP4		16	Q03A, Q03B
5n112.4‡	06	G40Z, G46A, G46B, G46C, G47Z, G50Z		06	G15Z, G19A, G19B, G38Z		17	R01A, R01B, R01C, R01D, R02Z, R12A, R12B, R12C
5n112.5‡	06	G40Z, G46A, G46B, G46C, G47Z, G50Z		07	H06A, H06B, H06C, H33Z, H38Z	5n115.4‡	06	G40Z, G46A, G46B, G46C, G47Z, G50Z
5n112.x‡	06	G40Z, G46A, G46B, G46C, G47Z, G50Z		10	K04A	5n115.x‡	06	G40Z, G46A, G46B, G46C, G47Z, G50Z
5n113.0		BOP, KOP, KOPV, KVT, UOP4		11	L33Z	5n120		BOP, KOP, KOPV, KVT, UOP4
	06	G15Z, G19A, G19B, G38Z	5n114.1	16	Q03A, Q03B		05	F36A, F36B
	07	H06A, H06B, H06C, H33Z, H38Z		23	Z01A		06	G15Z, G19A, G19B, G33Z, G38Z
	10	K04A		Pre	A07A		07	H33Z, H38Z
	11	L33Z			BOP, KOP, KOPV, KVT, UOP4		09	J26Z
	16	Q03A, Q03B		06	G15Z, G19A, G19B, G38Z		11	L33Z
	23	Z01A		07	H06A, H06B, H06C, H33Z, H38Z		17	R01A, R01B, R01C, R01D, R02Z, R12A, R12B, R12C
	Pre	A07A		10	K04A		21A	W04A, W04B
5n113.1		BOP, KOP, KOPV, KVT, UOP4	5n114.2	11	L33Z		21B	X06A, X06B, X06C, X33Z
	06	G15Z, G19A, G19B, G38Z		16	Q03A, Q03B		22	Y01Z, Y03A, Y03B
	07	H06A, H06B, H06C, H33Z, H38Z		23	Z01A		23	Z01A
	10	K04A		Pre	A07A		Pre	A07A
	11	L33Z			BOP, KOP, KOPV, KVT, UOP4	5n121		BOP, KOP, KOPV, KVT, UOP4
	16	Q03A, Q03B		06	G15Z, G19A, G19B, G38Z		05	F36A, F36B
	23	Z01A		07	H06A, H06B, H06C, H33Z, H38Z		06	G15Z, G19A, G19B, G33Z, G38Z
	Pre	A07A		10	K04A		07	H33Z, H38Z
5n113.2		BOP, KOP, KOPV, KVT, UOP4	5n114.3	11	L33Z		09	J26Z
	06	G15Z, G19A, G19B, G38Z		16	Q03A, Q03B		11	L33Z
	07	H06A, H06B, H06C, H33Z, H38Z		23	Z01A		17	R01A, R01B, R01C, R01D, R02Z, R12A, R12B, R12C
	10	K04A		Pre	A07A		21A	W04A, W04B
	11	L33Z			BOP, KOP, KOPV, KVT, UOP4		21B	X06A, X06B, X06C, X33Z
	16	Q03A, Q03B		06	G15Z, G19A, G19B, G38Z		22	Y01Z, Y03A, Y03B
	23	Z01A		07	H06A, H06B, H06C, H33Z, H38Z		23	Z01A
	Pre	A07A		10	K04A		Pre	A07A
				11	L33Z			
				16	Q03A, Q03B			
				23	Z01A			
				Pre	A07A			

ZZV	MDC	DRG	ZZV	MDC	DRG	ZZV	MDC	DRG
5n122		BOP, KOP, KOPV, KVT, UOP4	5n124.0		BOP, KOP, KOPV, KVT, UOP4	5n125.2		BOP, KOP, KOPV, KVT, UOP4
	05	F36A, F36B		05	F36A, F36B		05	F36A, F36B
	06	G15Z, G19A, G19B, G33Z, G38Z		06	G15Z, G19A, G19B, G33Z, G38Z		06	G15Z, G19A, G19B, G33Z, G38Z
	07	H33Z, H38Z		07	H33Z, H38Z		07	H33Z, H38Z
	09	J26Z		09	J26Z		09	J26Z
	11	L33Z		10	K04A		10	K04A
	17	R01A, R01B, R01C, R01D, R02Z, R12A, R12B, R12C		11	L33Z		11	L33Z
	21A	W04A, W04B		17	R01A, R01B, R01C, R01D, R02Z, R12A, R12B, R12C		17	R01A, R01B, R01C, R01D, R02Z, R12A, R12B, R12C
	21B	X06A, X06B, X06C, X33Z		21A	W04A, W04B		21A	W04A, W04B
	22	Y01Z, Y03A, Y03B		21B	X06A, X06B, X06C, X33Z		21B	X06A, X06B, X06C, X33Z
	23	Z01A		22	Y01Z, Y03A, Y03B		22	Y01Z, Y03A, Y03B
	Pre	A07A		23	Z01A		23	Z01A
	Pre	A07A		Pre	A07A		Pre	A07A
	5n123.0			BOP, KOP, KOPV, KVT, UOP4	5n124.2			BOP, KOP, KOPV, KVT, UOP4
05		F36A, F36B	05	F36A, F36B		05	F36A, F36B	
06		G15Z, G19A, G19B, G33Z, G38Z	06	G15Z, G19A, G19B, G33Z, G38Z		06	G15Z, G19A, G19B, G33Z, G38Z	
07		H33Z, H38Z	07	H33Z, H38Z		07	H33Z, H38Z	
09		J26Z	09	J26Z		09	J26Z	
10		K04A	10	K04A		10	K04A	
11		L33Z	11	L33Z		11	L33Z	
17		R01A, R01B, R01C, R01D, R02Z, R12A, R12B, R12C	17	R01A, R01B, R01C, R01D, R02Z, R12A, R12B, R12C		17	R01A, R01B, R01C, R01D, R02Z, R12A, R12B, R12C	
21A		W04A, W04B	21A	W04A, W04B		21A	W04A, W04B	
21B		X06A, X06B, X06C, X33Z	21B	X06A, X06B, X06C, X33Z		21B	X06A, X06B, X06C, X33Z	
22		Y01Z, Y03A, Y03B	22	Y01Z, Y03A, Y03B		22	Y01Z, Y03A, Y03B	
23		Z01A	23	Z01A		23	Z01A	
Pre		A07A	Pre	A07A		Pre	A07A	
Pre		A07A	Pre	A07A		Pre	A07A	
5n123.2		BOP, KOP, KOPV, KVT, UOP4	5n124.4		BOP, KOP, KOPV, KVT, UOP4	5n126.0		BOP, KOP, KOPV, KVT, UOP4
	05	F36A, F36B		05	F36A, F36B		05	F36A, F36B
	06	G15Z, G19A, G19B, G33Z, G38Z		06	G15Z, G19A, G19B, G33Z, G38Z		06	G15Z, G19A, G19B, G33Z, G38Z
	07	H33Z, H38Z		07	H33Z, H38Z		07	H33Z, H38Z
	09	J26Z		09	J26Z		09	J26Z
	10	K04A		10	K04A		10	K04A
	11	L33Z		11	L33Z		11	L33Z
	17	R01A, R01B, R01C, R01D, R02Z, R12A, R12B, R12C		17	R01A, R01B, R01C, R01D, R02Z, R12A, R12B, R12C		17	R01A, R01B, R01C, R01D, R02Z, R12A, R12B, R12C
	21A	W04A, W04B		21A	W04A, W04B		21A	W04A, W04B
	21B	X06A, X06B, X06C, X33Z		21B	X06A, X06B, X06C, X33Z		21B	X06A, X06B, X06C, X33Z
	22	Y01Z, Y03A, Y03B		22	Y01Z, Y03A, Y03B		22	Y01Z, Y03A, Y03B
	23	Z01A		23	Z01A		23	Z01A
	Pre	A07A		Pre	A07A		Pre	A07A
	Pre	A07A		Pre	A07A		Pre	A07A
5n123.4		BOP, KOP, KOPV, KVT, UOP4	5n125.0		BOP, KOP, KOPV, KVT, UOP4	5n126.2		BOP, KOP, KOPV, KVT, UOP4
	05	F36A, F36B		05	F36A, F36B		05	F36A, F36B
	06	G15Z, G19A, G19B, G33Z, G38Z		06	G15Z, G19A, G19B, G33Z, G38Z		06	G15Z, G19A, G19B, G33Z, G38Z
	07	H33Z, H38Z		07	H33Z, H38Z		07	H33Z, H38Z
	09	J26Z		09	J26Z		09	J26Z
	10	K04A		10	K04A		10	K04A
	11	L33Z		11	L33Z		11	L33Z
	17	R01A, R01B, R01C, R01D, R02Z, R12A, R12B, R12C		17	R01A, R01B, R01C, R01D, R02Z, R12A, R12B, R12C		17	R01A, R01B, R01C, R01D, R02Z, R12A, R12B, R12C
	21A	W04A, W04B		21A	W04A, W04B		21A	W04A, W04B
	21B	X06A, X06B, X06C, X33Z		21B	X06A, X06B, X06C, X33Z		21B	X06A, X06B, X06C, X33Z
	22	Y01Z, Y03A, Y03B		22	Y01Z, Y03A, Y03B		22	Y01Z, Y03A, Y03B
	23	Z01A		23	Z01A		23	Z01A
	Pre	A07A		Pre	A07A		Pre	A07A
	Pre	A07A		Pre	A07A		Pre	A07A

VYK

ZZV	MDC	DRG	ZZV	MDC	DRG	ZZV	MDC	DRG				
5n126.4		BOP, KOP, KOPV, KVT, UOP4	5n12d		BOP, KOP, KOPV, KVT, UOP4	5n12x		BOP, KOP, KOPV, KVT, UOP4				
	05	F36A, F36B		06	G15Z, G19A, G19B, G38Z		06	G15Z, G19A, G19B, G38Z				
	06	G15Z, G19A, G19B, G33Z, G38Z		07	H33Z, H38Z		07	H06A, H06B, H06C, H33Z, H38Z				
	07	H33Z, H38Z		11	L33Z		10	K04A				
	09	J26Z		17	R01A, R01B, R01C, R01D, R02Z, R12A, R12B, R12C		11	L33Z				
	10	K04A		21A	W04A, W04B		17	R01A, R01B, R01C, R01D, R02Z, R12A, R12B, R12C				
	11	L33Z		21B	X06A, X06B, X06C, X33Z		21B	X33Z				
	17	R01A, R01B, R01C, R01D, R02Z, R12A, R12B, R12C		22	Y01Z, Y03A, Y03B		23	Z01A				
	21A	W04A, W04B		23	Z01A		Pre	A07A				
	21B	X06A, X06B, X06C, X33Z		Pre	A07A		5n130		BOP, KOP, KOPV, KVT, UOP4			
	22	Y01Z, Y03A, Y03B		06	G15Z, G19A, G19B, G38Z			05	F36A, F36B			
	23	Z01A		07	H33Z, H38Z			06	G15Z, G19A, G19B, G33Z, G38Z			
	Pre	A07A		11	L33Z			07	H33Z, H38Z			
	5n129			BOP, KOP, KOPV, KVT, UOP4	5n12e				BOP, KOP, KOPV, KVT, UOP4	5n130		BOP, KOP, KOPV, KVT, UOP4
		05		F36A, F36B				06	G15Z, G19A, G19B, G38Z		05	F36A, F36B
		06		G15Z, G19A, G19B, G33Z, G38Z				07	H33Z, H38Z		06	G15Z, G19A, G19B, G33Z, G38Z
		07		H33Z, H38Z				11	L33Z		07	H33Z, H38Z
09		J26Z	17	R01A, R01B, R01C, R01D, R02Z, R12A, R12B, R12C		09		J26Z				
11		L33Z	21A	W04A, W04B		11		L33Z				
17		R01A, R01B, R01C, R01D, R02Z, R12A, R12B, R12C	21B	X06A, X06B, X06C, X33Z		17		R01A, R01B, R01C, R01D, R02Z, R12A, R12B, R12C				
21A		W04A, W04B	22	Y01Z, Y03A, Y03B		21A		W04A, W04B				
21B		X06A, X06B, X06C, X33Z	23	Z01A		21B		X06A, X06B, X06C, X33Z				
22		Y01Z, Y03A, Y03B	Pre	A07A		22		Y01Z, Y03A, Y03B				
23		Z01A	Pre	A07A		23		Z01A				
Pre		A07A	Pre	A07A		Pre		A07A				
5n12a			BOP, KOP, KOPV, KVT, UOP4	5n12f				BOP, KOP, KOPV, KVT, UOP4	5n131			BOP, KOP, KOPV, KVT, UOP4
		06	G15Z, G19A, G19B, G38Z			06	G15Z, G19A, G19B, G38Z	05			F36A, F36B	
		07	H33Z, H38Z			07	H33Z, H38Z	06			G15Z, G19A, G19B, G33Z, G38Z	
		11	L33Z			11	L33Z	07			H33Z, H38Z	
		17	R01A, R01B, R01C, R01D, R02Z, R12A, R12B, R12C			17	R01A, R01B, R01C, R01D, R02Z, R12A, R12B, R12C	09			J26Z	
	21A	W04A, W04B	21A		W04A, W04B	11	L33Z					
	21B	X06A, X06B, X06C, X33Z	21B		X06A, X06B, X06C, X33Z	17	R01A, R01B, R01C, R01D, R02Z, R12A, R12B, R12C					
	22	Y01Z, Y03A, Y03B	22		Y01Z, Y03A, Y03B	21A	W04A, W04B					
	23	Z01A	23		Z01A	21B	X06A, X06B, X06C, X33Z					
	Pre	A07A	Pre		A07A	22	Y01Z, Y03A, Y03B					
	5n12b		BOP, KOP, KOPV, KVT, UOP4		5n12g		BOP, KOP, KOPV, KVT, UOP4	5n132			BOP, KOP, KOPV, KVT, UOP4	
		06	G15Z, G19A, G19B, G38Z			06	G01Z, G02Z, G15Z, G18A, G18B, G38Z			05	F36A, F36B	
		07	H33Z, H38Z			07	H06A, H06B, H06C, H33Z, H38Z			06	G15Z, G19A, G19B, G33Z, G38Z	
		11	L33Z			10	K04A			07	H33Z, H38Z	
		17	R01A, R01B, R01C, R01D, R02Z, R12A, R12B, R12C			11	L33Z			09	J26Z	
		21A	W04A, W04B			17	R01A, R01B, R01C, R01D, R02Z, R12A, R12B, R12C			11	L33Z	
		21B	X06A, X06B, X06C, X33Z			21B	X33Z			17	R01A, R01B, R01C, R01D, R02Z, R12A, R12B, R12C	
22		Y01Z, Y03A, Y03B	23	Z01A		21A	W04A, W04B					
23		Z01A	Pre	A07A		21B	X06A, X06B, X06C, X33Z					
Pre		A07A	Pre	A07A		22	Y01Z, Y03A, Y03B					
5n12c			BOP, KOP, KOPV, KVT, UOP4	5n12h			BOP, KOP, KOPV, KVT, UOP4		5n132		BOP, KOP, KOPV, KVT, UOP4	
		06	G15Z, G19A, G19B, G38Z			06	G01Z, G02Z, G15Z, G18A, G18B, G38Z			05	F36A, F36B	
		07	H33Z, H38Z			07	H06A, H06B, H06C, H33Z, H38Z			06	G15Z, G19A, G19B, G33Z, G38Z	
		11	L33Z			10	K04A			07	H33Z, H38Z	
		17	R01A, R01B, R01C, R01D, R02Z, R12A, R12B, R12C			11	L33Z			09	J26Z	
		21A	W04A, W04B			17	R01A, R01B, R01C, R01D, R02Z, R12A, R12B, R12C			11	L33Z	
		21B	X06A, X06B, X06C, X33Z			21B	X33Z			17	R01A, R01B, R01C, R01D, R02Z, R12A, R12B, R12C	
	22	Y01Z, Y03A, Y03B	23		Z01A	21A	W04A, W04B					
	23	Z01A	Pre		A07A	21B	X06A, X06B, X06C, X33Z					
	Pre	A07A	Pre		A07A	22	Y01Z, Y03A, Y03B					

VYK

ZZV	MDC	DRG	ZZV	MDC	DRG	ZZV	MDC	DRG			
5n139		BOP, KOP, KOPV, KVT, UOP4	5n13b.0		BOP, KOP, KOPV, KVT, MVV, UOP4	5n13c.1		BOP, KOP, KOPV, KVT, MVV, UOP4			
	05	F36A, F36B		05	F36A, F36B		05	F36A, F36B			
	06	G15Z, G19A, G19B, G33Z, G38Z		06	G03A, G03B, G03C, G33Z, G38Z		06	G03A, G03B, G03C, G33Z, G38Z			
	07	H33Z, H38Z		07	H33Z, H38Z		07	H33Z, H38Z			
	09	J26Z		09	J26Z		09	J26Z			
	11	L33Z		11	L33Z		11	L33Z			
	17	R01A, R01B, R01C, R01D, R02Z, R12A, R12B, R12C		17	R01A, R01B, R01C, R01D, R02Z, R12A, R12B, R12C		17	R01A, R01B, R01C, R01D, R02Z, R12A, R12B, R12C			
	21A	W04A, W04B		21A	W04A, W04B		21A	W04A, W04B			
	21B	X06A, X06B, X06C, X33Z		21B	X06A, X06B, X06C, X33Z		21B	X06A, X06B, X06C, X33Z			
	22	Y01Z, Y03A, Y03B		22	Y01Z, Y03A, Y03B		22	Y01Z, Y03A, Y03B			
	23	Z01A		23	Z01A		23	Z01A			
	Pre	A07A		Pre	A07A		Pre	A07A			
	5n13a.0			BOP, KOP, KOPV, KVT, MVV, UOP4	5n13b.1			BOP, KOP, KOPV, KVT, MVV, UOP4	5n13c.2		BOP, KOP, KOPV, KVT, MVV, UOP4
		05		F36A, F36B			05	F36A, F36B		05	F36A, F36B
06		G03A, G03B, G03C, G33Z, G38Z	06	G03A, G03B, G03C, G33Z, G38Z		06	G03A, G03B, G03C, G33Z, G38Z				
07		H33Z, H38Z	07	H33Z, H38Z		07	H33Z, H38Z				
09		J26Z	09	J26Z		09	J26Z				
11		L33Z	11	L33Z		11	L33Z				
17		R01A, R01B, R01C, R01D, R02Z, R12A, R12B, R12C	17	R01A, R01B, R01C, R01D, R02Z, R12A, R12B, R12C		17	R01A, R01B, R01C, R01D, R02Z, R12A, R12B, R12C				
21A		W04A, W04B	21A	W04A, W04B		21A	W04A, W04B				
21B		X06A, X06B, X06C, X33Z	21B	X06A, X06B, X06C, X33Z		21B	X06A, X06B, X06C, X33Z				
22		Y01Z, Y03A, Y03B	22	Y01Z, Y03A, Y03B		22	Y01Z, Y03A, Y03B				
23		Z01A	23	Z01A		23	Z01A				
Pre		A07A	Pre	A07A		Pre	A07A				
5n13a.1			BOP, KOP, KOPV, KVT, MVV, UOP4	5n13b.2			BOP, KOP, KOPV, KVT, MVV, UOP4	5n13x.0			BOP, KOP, KOPV, KVT, MVV, UOP4
		05	F36A, F36B			05	F36A, F36B			05	F36A, F36B
	06	G03A, G03B, G03C, G33Z, G38Z	06		G03A, G03B, G03C, G33Z, G38Z	06	G03A, G03B, G03C, G33Z, G38Z				
	07	H33Z, H38Z	07		H33Z, H38Z	07	H33Z, H38Z				
	09	J26Z	09		J26Z	09	J26Z				
	11	L33Z	11		L33Z	11	L33Z				
	17	R01A, R01B, R01C, R01D, R02Z, R12A, R12B, R12C	17		R01A, R01B, R01C, R01D, R02Z, R12A, R12B, R12C	17	R01A, R01B, R01C, R01D, R02Z, R12A, R12B, R12C				
	21A	W04A, W04B	21A		W04A, W04B	21A	W04A, W04B				
	21B	X06A, X06B, X06C, X33Z	21B		X06A, X06B, X06C, X33Z	21B	X06A, X06B, X06C, X33Z				
	22	Y01Z, Y03A, Y03B	22		Y01Z, Y03A, Y03B	22	Y01Z, Y03A, Y03B				
	23	Z01A	23		Z01A	23	Z01A				
	Pre	A07A	Pre		A07A	Pre	A07A				
	5n13a.2		BOP, KOP, KOPV, KVT, MVV, UOP4		5n13c.0		BOP, KOP, KOPV, KVT, MVV, UOP4		5n13x.1		BOP, KOP, KOPV, KVT, MVV, UOP4
		05	F36A, F36B			05	F36A, F36B			05	F36A, F36B
06		G03A, G03B, G03C, G33Z, G38Z	06	G03A, G03B, G03C, G33Z, G38Z		06	G03A, G03B, G03C, G33Z, G38Z				
07		H33Z, H38Z	07	H33Z, H38Z		07	H33Z, H38Z				
09		J26Z	09	J26Z		09	J26Z				
11		L33Z	11	L33Z		11	L33Z				
17		R01A, R01B, R01C, R01D, R02Z, R12A, R12B, R12C	17	R01A, R01B, R01C, R01D, R02Z, R12A, R12B, R12C		17	R01A, R01B, R01C, R01D, R02Z, R12A, R12B, R12C				
21A		W04A, W04B	21A	W04A, W04B		21A	W04A, W04B				
21B		X06A, X06B, X06C, X33Z	21B	X06A, X06B, X06C, X33Z		21B	X06A, X06B, X06C, X33Z				
22		Y01Z, Y03A, Y03B	22	Y01Z, Y03A, Y03B		22	Y01Z, Y03A, Y03B				
23		Z01A	23	Z01A		23	Z01A				
Pre		A07A	Pre	A07A		Pre	A07A				

VYK

ZZV	MDC	DRG	ZZV	MDC	DRG	ZZV	MDC	DRG			
5n13x.2		BOP, KOP, KOPV, KVT, MVV, UOP4	5n141.0		BOP, KOP, KOPV, KVT, MVV, UOP4	5n142.1		BOP, KOP, KOPV, KVT, MVV, UOP4			
	05	F36A, F36B		05	F36A, F36B		05	F36A, F36B			
	06	G03A, G03B, G03C, G33Z, G38Z		06	G03A, G03B, G03C, G33Z, G38Z		06	G03A, G03B, G03C, G33Z, G38Z			
	07	H33Z, H38Z		07	H33Z, H38Z		07	H33Z, H38Z			
	09	J26Z		09	J26Z		09	J26Z			
	11	L33Z		11	L33Z		11	L33Z			
	17	R01A, R01B, R01C, R01D, R02Z, R12A, R12B, R12C		17	R01A, R01B, R01C, R01D, R02Z, R12A, R12B, R12C		17	R01A, R01B, R01C, R01D, R02Z, R12A, R12B, R12C			
	21A	W04A, W04B		21A	W04A, W04B		21A	W04A, W04B			
	21B	X06A, X06B, X06C, X33Z		21B	X06A, X06B, X06C, X33Z		21B	X06A, X06B, X06C, X33Z			
	22	Y01Z, Y03A, Y03B		22	Y01Z, Y03A, Y03B		22	Y01Z, Y03A, Y03B			
	23	Z01A		23	Z01A		23	Z01A			
	Pre	A07A		Pre	A07A		Pre	A07A			
	5n140.0			BOP, KOP, KOPV, KVT, MVV, UOP4	5n141.1			BOP, KOP, KOPV, KVT, MVV, UOP4	5n142.2		BOP, KOP, KOPV, KVT, MVV, UOP4
		05		F36A, F36B			05	F36A, F36B		05	F36A, F36B
06		G03A, G03B, G03C, G33Z, G38Z	06	G03A, G03B, G03C, G33Z, G38Z		06	G03A, G03B, G03C, G33Z, G38Z				
07		H33Z, H38Z	07	H33Z, H38Z		07	H33Z, H38Z				
09		J26Z	09	J26Z		09	J26Z				
11		L33Z	11	L33Z		11	L33Z				
17		R01A, R01B, R01C, R01D, R02Z, R12A, R12B, R12C	17	R01A, R01B, R01C, R01D, R02Z, R12A, R12B, R12C		17	R01A, R01B, R01C, R01D, R02Z, R12A, R12B, R12C				
21A		W04A, W04B	21A	W04A, W04B		21A	W04A, W04B				
21B		X06A, X06B, X06C, X33Z	21B	X06A, X06B, X06C, X33Z		21B	X06A, X06B, X06C, X33Z				
22		Y01Z, Y03A, Y03B	22	Y01Z, Y03A, Y03B		22	Y01Z, Y03A, Y03B				
23		Z01A	23	Z01A		23	Z01A				
Pre		A07A	Pre	A07A		Pre	A07A				
5n140.1			BOP, KOP, KOPV, KVT, MVV, UOP4	5n141.2			BOP, KOP, KOPV, KVT, MVV, UOP4	5n143.0			BOP, KOP, KOPV, KVT, MVV, UOP4
		05	F36A, F36B			05	F36A, F36B			05	F36A, F36B
	06	G03A, G03B, G03C, G33Z, G38Z	06		G03A, G03B, G03C, G33Z, G38Z	06	G03A, G03B, G03C, G33Z, G38Z				
	07	H33Z, H38Z	07		H33Z, H38Z	07	H33Z, H38Z				
	09	J26Z	09		J26Z	09	J26Z				
	11	L33Z	11		L33Z	11	L33Z				
	17	R01A, R01B, R01C, R01D, R02Z, R12A, R12B, R12C	17		R01A, R01B, R01C, R01D, R02Z, R12A, R12B, R12C	17	R01A, R01B, R01C, R01D, R02Z, R12A, R12B, R12C				
	21A	W04A, W04B	21A		W04A, W04B	21A	W04A, W04B				
	21B	X06A, X06B, X06C, X33Z	21B		X06A, X06B, X06C, X33Z	21B	X06A, X06B, X06C, X33Z				
	22	Y01Z, Y03A, Y03B	22		Y01Z, Y03A, Y03B	22	Y01Z, Y03A, Y03B				
	23	Z01A	23		Z01A	23	Z01A				
	Pre	A07A	Pre		A07A	Pre	A07A				
	5n140.2		BOP, KOP, KOPV, KVT, MVV, UOP4		5n142.0		BOP, KOP, KOPV, KVT, MVV, UOP4		5n143.1		BOP, KOP, KOPV, KVT, MVV, UOP4
		05	F36A, F36B			05	F36A, F36B			05	F36A, F36B
06		G03A, G03B, G03C, G33Z, G38Z	06	G03A, G03B, G03C, G33Z, G38Z		06	G03A, G03B, G03C, G33Z, G38Z				
07		H33Z, H38Z	07	H33Z, H38Z		07	H33Z, H38Z				
09		J26Z	09	J26Z		09	J26Z				
11		L33Z	11	L33Z		11	L33Z				
17		R01A, R01B, R01C, R01D, R02Z, R12A, R12B, R12C	17	R01A, R01B, R01C, R01D, R02Z, R12A, R12B, R12C		17	R01A, R01B, R01C, R01D, R02Z, R12A, R12B, R12C				
21A		W04A, W04B	21A	W04A, W04B		21A	W04A, W04B				
21B		X06A, X06B, X06C, X33Z	21B	X06A, X06B, X06C, X33Z		21B	X06A, X06B, X06C, X33Z				
22		Y01Z, Y03A, Y03B	22	Y01Z, Y03A, Y03B		22	Y01Z, Y03A, Y03B				
23		Z01A	23	Z01A		23	Z01A				
Pre		A07A	Pre	A07A		Pre	A07A				

VYK

ZZV	MDC	DRG	ZZV	MDC	DRG	ZZV	MDC	DRG			
5n143.2		BOP, KOP, KOPV, KVT, MVV, UOP4	5n145.0		BOP, KOP, KOPV, KVT, MVV, UOP4	5n146.1		BOP, KOP, KOPV, KVT, MVV, UOP4			
	05	F36A, F36B		05	F36A, F36B		05	F36A, F36B			
	06	G03A, G03B, G03C, G33Z, G38Z		06	G03A, G03B, G03C, G33Z, G38Z		06	G03A, G03B, G03C, G33Z, G38Z			
	07	H33Z, H38Z		07	H33Z, H38Z		07	H33Z, H38Z			
	09	J26Z		09	J26Z		09	J26Z			
	11	L33Z		11	L33Z		11	L33Z			
	17	R01A, R01B, R01C, R01D, R02Z, R12A, R12B, R12C		17	R01A, R01B, R01C, R01D, R02Z, R12A, R12B, R12C		17	R01A, R01B, R01C, R01D, R02Z, R12A, R12B, R12C			
	21A	W04A, W04B		21A	W04A, W04B		21A	W04A, W04B			
	21B	X06A, X06B, X06C, X33Z		21B	X06A, X06B, X06C, X33Z		21B	X06A, X06B, X06C, X33Z			
	22	Y01Z, Y03A, Y03B		22	Y01Z, Y03A, Y03B		22	Y01Z, Y03A, Y03B			
	23	Z01A		23	Z01A		23	Z01A			
	Pre	A07A		Pre	A07A		Pre	A07A			
	5n144.0			BOP, KOP, KOPV, KVT, MVV, UOP4	5n145.1			BOP, KOP, KOPV, KVT, MVV, UOP4	5n146.2		BOP, KOP, KOPV, KVT, MVV, UOP4
		05		F36A, F36B			05	F36A, F36B		05	F36A, F36B
06		G03A, G03B, G03C, G33Z, G38Z	06	G03A, G03B, G33Z, G38Z		06	G03A, G03B, G03C, G33Z, G38Z				
07		H33Z, H38Z	07	H33Z, H38Z		07	H33Z, H38Z				
09		J26Z	09	J26Z		09	J26Z				
11		L33Z	11	L33Z		11	L33Z				
17		R01A, R01B, R01C, R01D, R02Z, R12A, R12B, R12C	17	R01A, R01B, R01C, R01D, R02Z, R12A, R12B, R12C		17	R01A, R01B, R01C, R01D, R02Z, R12A, R12B, R12C				
21A		W04A, W04B	21A	W04A, W04B		21A	W04A, W04B				
21B		X06A, X06B, X06C, X33Z	21B	X06A, X06B, X06C, X33Z		21B	X06A, X06B, X06C, X33Z				
22		Y01Z, Y03A, Y03B	22	Y01Z, Y03A, Y03B		22	Y01Z, Y03A, Y03B				
23		Z01A	23	Z01A		23	Z01A				
Pre		A07A	Pre	A07A		Pre	A07A				
5n144.1			BOP, KOP, KOPV, KVT, MVV, UOP4	5n145.2			BOP, KOP, KOPV, KVT, MVV, UOP4	5n14a.0			BOP, KOP, KOPV, KVT, MVV, UOP4
		05	F36A, F36B			05	F36A, F36B			05	F36A, F36B
	06	G03A, G03B, G03C, G33Z, G38Z	06		G03A, G03B, G03C, G33Z, G38Z	06	G03A, G03B, G03C, G33Z, G38Z				
	07	H33Z, H38Z	07		H33Z, H38Z	07	H33Z, H38Z				
	09	J26Z	09		J26Z	09	J26Z				
	11	L33Z	11		L33Z	11	L33Z				
	17	R01A, R01B, R01C, R01D, R02Z, R12A, R12B, R12C	17		R01A, R01B, R01C, R01D, R02Z, R12A, R12B, R12C	17	R01A, R01B, R01C, R01D, R02Z, R12A, R12B, R12C				
	21A	W04A, W04B	21A		W04A, W04B	21A	W04A, W04B				
	21B	X06A, X06B, X06C, X33Z	21B		X06A, X06B, X06C, X33Z	21B	X06A, X06B, X06C, X33Z				
	22	Y01Z, Y03A, Y03B	22		Y01Z, Y03A, Y03B	22	Y01Z, Y03A, Y03B				
	23	Z01A	23		Z01A	23	Z01A				
	Pre	A07A	Pre		A07A	Pre	A07A				
	5n144.2		BOP, KOP, KOPV, KVT, MVV, UOP4		5n146.0		BOP, KOP, KOPV, KVT, MVV, UOP4		5n14a.1		BOP, KOP, KOPV, KVT, MVV, UOP4
		05	F36A, F36B			05	F36A, F36B			05	F36A, F36B
06		G03A, G03B, G03C, G33Z, G38Z	06	G03A, G03B, G03C, G33Z, G38Z		06	G03A, G03B, G33Z, G38Z				
07		H33Z, H38Z	07	H33Z, H38Z		07	H33Z, H38Z				
09		J26Z	09	J26Z		09	J26Z				
11		L33Z	11	L33Z		11	L33Z				
17		R01A, R01B, R01C, R01D, R02Z, R12A, R12B, R12C	17	R01A, R01B, R01C, R01D, R02Z, R12A, R12B, R12C		17	R01A, R01B, R01C, R01D, R02Z, R12A, R12B, R12C				
21A		W04A, W04B	21A	W04A, W04B		21A	W04A, W04B				
21B		X06A, X06B, X06C, X33Z	21B	X06A, X06B, X06C, X33Z		21B	X06A, X06B, X06C, X33Z				
22		Y01Z, Y03A, Y03B	22	Y01Z, Y03A, Y03B		22	Y01Z, Y03A, Y03B				
23		Z01A	23	Z01A		23	Z01A				
Pre		A07A	Pre	A07A		Pre	A07A				

VYK

ZZV	MDC	DRG	ZZV	MDC	DRG	ZZV	MDC	DRG			
5n14a.2		BOP, KOP, KOPV, KVT, MVV, UOP4	5n14x.00		BOP, KOP, KOPV, KVT, MVV, UOP4	5n14x.11		BOP, KOP, KOPV, KVT, MVV, UOP4			
	05	F36A, F36B		05	F36A, F36B		05	F36A, F36B			
	06	G03A, G03B, G03C, G33Z, G38Z		06	G03A, G03B, G03C, G33Z, G38Z		06	G03A, G03B, G03C, G33Z, G38Z			
	07	H33Z, H38Z		07	H33Z, H38Z		07	H33Z, H38Z			
	09	J26Z		09	J26Z		09	J26Z			
	11	L33Z		11	L33Z		11	L33Z			
	17	R01A, R01B, R01C, R01D, R02Z, R12A, R12B, R12C		17	R01A, R01B, R01C, R01D, R02Z, R12A, R12B, R12C		17	R01A, R01B, R01C, R01D, R02Z, R12A, R12B, R12C			
	21A	W04A, W04B		21A	W04A, W04B		21A	W04A, W04B			
	21B	X06A, X06B, X06C, X33Z		21B	X06A, X06B, X06C, X33Z		21B	X06A, X06B, X06C, X33Z			
	22	Y01Z, Y03A, Y03B		22	Y01Z, Y03A, Y03B		22	Y01Z, Y03A, Y03B			
	23	Z01A		23	Z01A		23	Z01A			
	Pre	A07A		Pre	A07A		Pre	A07A			
	5n14b.0			BOP, KOP, KOPV, KVT, MVV, UOP4	5n14x.01			BOP, KOP, KOPV, KVT, MVV, UOP4	5n14x.12		BOP, KOP, KOPV, KVT, MVV, UOP4
		05		F36A, F36B			05	F36A, F36B		05	F36A, F36B
06		G03A, G03B, G03C, G33Z, G38Z	06	G03A, G03B, G03C, G33Z, G38Z		06	G03A, G03B, G03C, G33Z, G38Z				
07		H33Z, H38Z	07	H33Z, H38Z		07	H33Z, H38Z				
09		J26Z	09	J26Z		09	J26Z				
11		L33Z	11	L33Z		11	L33Z				
17		R01A, R01B, R01C, R01D, R02Z, R12A, R12B, R12C	17	R01A, R01B, R01C, R01D, R02Z, R12A, R12B, R12C		17	R01A, R01B, R01C, R01D, R02Z, R12A, R12B, R12C				
21A		W04A, W04B	21A	W04A, W04B		21A	W04A, W04B				
21B		X06A, X06B, X06C, X33Z	21B	X06A, X06B, X06C, X33Z		21B	X06A, X06B, X06C, X33Z				
22		Y01Z, Y03A, Y03B	22	Y01Z, Y03A, Y03B		22	Y01Z, Y03A, Y03B				
23		Z01A	23	Z01A		23	Z01A				
Pre		A07A	Pre	A07A		Pre	A07A				
5n14b.1			BOP, KOP, KOPV, KVT, MVV, UOP4	5n14x.02			BOP, KOP, KOPV, KVT, MVV, UOP4	5n150.0			BOP, KOP, KOPV, KVT, MVV, UOP4
		05	F36A, F36B			05	F36A, F36B			05	F36A, F36B
	06	G03A, G03B, G03C, G33Z, G38Z	06		G03A, G03B, G03C, G33Z, G38Z	06	G03A, G03B, G03C, G33Z, G38Z				
	07	H33Z, H38Z	07		H33Z, H38Z	07	H33Z, H38Z				
	09	J26Z	09		J26Z	09	J26Z				
	11	L33Z	11		L33Z	11	L33Z				
	17	R01A, R01B, R01C, R01D, R02Z, R12A, R12B, R12C	17		R01A, R01B, R01C, R01D, R02Z, R12A, R12B, R12C	17	R01A, R01B, R01C, R01D, R02Z, R12A, R12B, R12C				
	21A	W04A, W04B	21A		W04A, W04B	21A	W04A, W04B				
	21B	X06A, X06B, X06C, X33Z	21B		X06A, X06B, X06C, X33Z	21B	X06A, X06B, X06C, X33Z				
	22	Y01Z, Y03A, Y03B	22		Y01Z, Y03A, Y03B	22	Y01Z, Y03A, Y03B				
	23	Z01A	23		Z01A	23	Z01A				
	Pre	A07A	Pre		A07A	Pre	A07A				
	5n14b.2		BOP, KOP, KOPV, KVT, MVV, UOP4		5n14x.10		BOP, KOP, KOPV, KVT, MVV, UOP4		5n151.0		BOP, KOP, KOPV, KVT, MVV, UOP4
		05	F36A, F36B			05	F36A, F36B			05	F36A, F36B
06		G03A, G03B, G03C, G33Z, G38Z	06	G03A, G03B, G03C, G33Z, G38Z		06	G03A, G03B, G03C, G33Z, G38Z				
07		H33Z, H38Z	07	H33Z, H38Z		07	H33Z, H38Z				
09		J26Z	09	J26Z		09	J26Z				
11		L33Z	11	L33Z		11	L33Z				
17		R01A, R01B, R01C, R01D, R02Z, R12A, R12B, R12C	17	R01A, R01B, R01C, R01D, R02Z, R12A, R12B, R12C		17	R01A, R01B, R01C, R01D, R02Z, R12A, R12B, R12C				
21A		W04A, W04B	21A	W04A, W04B		21A	W04A, W04B				
21B		X06A, X06B, X06C, X33Z	21B	X06A, X06B, X06C, X33Z		21B	X06A, X06B, X06C, X33Z				
22		Y01Z, Y03A, Y03B	22	Y01Z, Y03A, Y03B		22	Y01Z, Y03A, Y03B				
23		Z01A	23	Z01A		23	Z01A				
Pre		A07A	Pre	A07A		Pre	A07A				

VYK

ZZV	MDC	DRG	ZZV	MDC	DRG	ZZV	MDC	DRG			
5n152.0		BOP, KOP, KOPV, KVT, MVV, UOP4	5n15c.2		BOP, KOP, KOPV, KVT, MVV, UOP4	5n161.0		BOP, KOP, KOPV, KVT, MVV, UOP4			
	05	F36A, F36B		05	F36A, F36B		05	F36A, F36B			
	06	G03A, G03B, G03C, G33Z, G38Z		06	G03A, G03B, G03C, G33Z, G38Z		06	G03A, G03B, G03C, G33Z, G38Z			
	07	H33Z, H38Z		07	H33Z, H38Z		07	H33Z, H38Z			
	09	J26Z		09	J26Z		09	J26Z			
	11	L33Z		11	L33Z		11	L33Z			
	17	R01A, R01B, R01C, R01D, R02Z, R12A, R12B, R12C		17	R01A, R01B, R01C, R01D, R02Z, R12A, R12B, R12C		17	R01A, R01B, R01C, R01D, R02Z, R12A, R12B, R12C			
	21A	W04A, W04B		21A	W04A, W04B		21A	W04A, W04B			
	21B	X06A, X06B, X06C, X33Z		21B	X06A, X06B, X06C, X33Z		21B	X06A, X06B, X06C, X33Z			
	22	Y01Z, Y03A, Y03B		22	Y01Z, Y03A, Y03B		22	Y01Z, Y03A, Y03B			
	23	Z01A		23	Z01A		23	Z01A			
	Pre	A07A		Pre	A07A		Pre	A07A			
	5n159			BOP, KOP, KOPV, KVT, MVV, UOP4	5n15x			BOP, KOP, KOPV, KVT, MVV, UOP4	5n161.2		BOP, KOP, KOPV, KVT, MVV, UOP4
		05		F36A, F36B			05	F36A, F36B		05	F36A, F36B
06		G03A, G03B, G03C, G33Z, G38Z	06	G03A, G03B, G03C, G33Z, G38Z		06	G03A, G03B, G03C, G33Z, G38Z				
07		H33Z, H38Z	07	H33Z, H38Z		07	H33Z, H38Z				
09		J26Z	09	J26Z		09	J26Z				
11		L33Z	11	L33Z		11	L33Z				
17		R01A, R01B, R01C, R01D, R02Z, R12A, R12B, R12C	17	R01A, R01B, R01C, R01D, R02Z, R12A, R12B, R12C		17	R01A, R01B, R01C, R01D, R02Z, R12A, R12B, R12C				
21A		W04A, W04B	21A	W04A, W04B		21A	W04A, W04B				
21B		X06A, X06B, X06C, X33Z	21B	X06A, X06B, X06C, X33Z		21B	X06A, X06B, X06C, X33Z				
22		Y01Z, Y03A, Y03B	22	Y01Z, Y03A, Y03B		22	Y01Z, Y03A, Y03B				
23		Z01A	23	Z01A		23	Z01A				
Pre		A07A	Pre	A07A		Pre	A07A				
5n15a.2			BOP, KOP, KOPV, KVT, MVV, UOP4	5n160.0			BOP, KOP, KOPV, KVT, MVV, UOP4	5n162.0			BOP, KOP, KOPV, KVT, MVV, UOP4
		05	F36A, F36B			05	F36A, F36B			05	F36A, F36B
	06	G03A, G03B, G03C, G33Z, G38Z	06		G03A, G03B, G03C, G33Z, G38Z	06	G03A, G03B, G03C, G33Z, G38Z				
	07	H33Z, H38Z	07		H33Z, H38Z	07	H33Z, H38Z				
	09	J26Z	09		J26Z	09	J26Z				
	11	L33Z	11		L33Z	11	L33Z				
	17	R01A, R01B, R01C, R01D, R02Z, R12A, R12B, R12C	17		R01A, R01B, R01C, R01D, R02Z, R12A, R12B, R12C	17	R01A, R01B, R01C, R01D, R02Z, R12A, R12B, R12C				
	21A	W04A, W04B	21A		W04A, W04B	21A	W04A, W04B				
	21B	X06A, X06B, X06C, X33Z	21B		X06A, X06B, X06C, X33Z	21B	X06A, X06B, X06C, X33Z				
	22	Y01Z, Y03A, Y03B	22		Y01Z, Y03A, Y03B	22	Y01Z, Y03A, Y03B				
	23	Z01A	23		Z01A	23	Z01A				
	Pre	A07A	Pre		A07A	Pre	A07A				
	5n15b.2		BOP, KOP, KOPV, KVT, MVV, UOP4		5n160.2		BOP, KOP, KOPV, KVT, MVV, UOP4		5n162.2		BOP, KOP, KOPV, KVT, MVV, UOP4
		05	F36A, F36B			05	F36A, F36B			05	F36A, F36B
06		G03A, G03B, G03C, G33Z, G38Z	06	G03A, G03B, G03C, G33Z, G38Z		06	G03A, G03B, G03C, G33Z, G38Z				
07		H33Z, H38Z	07	H33Z, H38Z		07	H33Z, H38Z				
09		J26Z	09	J26Z		09	J26Z				
11		L33Z	11	L33Z		11	L33Z				
17		R01A, R01B, R01C, R01D, R02Z, R12A, R12B, R12C	17	R01A, R01B, R01C, R01D, R02Z, R12A, R12B, R12C		17	R01A, R01B, R01C, R01D, R02Z, R12A, R12B, R12C				
21A		W04A, W04B	21A	W04A, W04B		21A	W04A, W04B				
21B		X06A, X06B, X06C, X33Z	21B	X06A, X06B, X06C, X33Z		21B	X06A, X06B, X06C, X33Z				
22		Y01Z, Y03A, Y03B	22	Y01Z, Y03A, Y03B		22	Y01Z, Y03A, Y03B				
23		Z01A	23	Z01A		23	Z01A				
Pre		A07A	Pre	A07A		Pre	A07A				

VYK

ZZV	MDC	DRG	ZZV	MDC	DRG	ZZV	MDC	DRG			
5n163.0		BOP, KOP, KOPV, KVT, MVV, UOP4	5n165.0		BOP, KOP, KOPV, KVT, MVV, UOP4	5n16x.0		BOP, KOP, KOPV, KVT, MVV, UOP4			
	05	F36A, F36B		05	F36A, F36B		05	F36A, F36B			
	06	G03A, G03B, G03C, G33Z, G38Z		06	G03A, G03B, G03C, G33Z, G38Z		06	G03A, G03B, G03C, G33Z, G38Z			
	07	H33Z, H38Z		07	H33Z, H38Z		07	H33Z, H38Z			
	09	J26Z		09	J26Z		09	J26Z			
	11	L33Z		11	L33Z		11	L33Z			
	17	R01A, R01B, R01C, R01D, R02Z, R12A, R12B, R12C		17	R01A, R01B, R01C, R01D, R02Z, R12A, R12B, R12C		17	R01A, R01B, R01C, R01D, R02Z, R12A, R12B, R12C			
	21A	W04A, W04B		21A	W04A, W04B		21A	W04A, W04B			
	21B	X06A, X06B, X06C, X33Z		21B	X06A, X06B, X06C, X33Z		21B	X06A, X06B, X06C, X33Z			
	22	Y01Z, Y03A, Y03B		22	Y01Z, Y03A, Y03B		22	Y01Z, Y03A, Y03B			
	23	Z01A		23	Z01A		23	Z01A			
	Pre	A07A		Pre	A07A		Pre	A07A			
	5n163.2			BOP, KOP, KOPV, KVT, MVV, UOP4	5n165.2			BOP, KOP, KOPV, KVT, MVV, UOP4	5n170.0		BOP, KOP, KOPV, KVT, UOP4
		05		F36A, F36B			05	F36A, F36B		05	F36A, F36B
06		G03A, G03B, G33Z, G38Z	06	G03A, G03B, G03C, G33Z, G38Z		06	G15Z, G19A, G19B, G33Z, G38Z				
07		H33Z, H38Z	07	H33Z, H38Z		07	H12A, H33Z, H38Z				
09		J26Z	09	J26Z		10	K04A				
11		L33Z	11	L33Z		11	L33Z				
17		R01A, R01B, R01C, R01D, R02Z, R12A, R12B, R12C	17	R01A, R01B, R01C, R01D, R02Z, R12A, R12B, R12C		17	R01A, R01B, R01C, R01D, R02Z, R12A, R12B, R12C				
21A		W04A, W04B	21A	W04A, W04B		21B	X33Z				
21B		X06A, X06B, X06C, X33Z	21B	X06A, X06B, X06C, X33Z		23	Z01A				
22		Y01Z, Y03A, Y03B	22	Y01Z, Y03A, Y03B		Pre	A07A				
23		Z01A	23	Z01A		5n170.2	BOP, KOP, KOPV, KVT, UOP4				
Pre		A07A	Pre	A07A			05	F36A, F36B			
5n164.0			BOP, KOP, KOPV, KVT, MVV, UOP4	5n166.2			BOP, KOP, KOPV, KVT, MVV, UOP4	5n170.4			BOP, KOP, KOPV, KVT, UOP4
		05	F36A, F36B			05	F36A, F36B			05	F36A, F36B
	06	G03A, G03B, G03C, G33Z, G38Z	06		G03A, G03B, G03C, G33Z, G38Z	06	G15Z, G19A, G19B, G33Z, G38Z				
	07	H33Z, H38Z	07		H33Z, H38Z	07	H12A, H33Z, H38Z				
	09	J26Z	09		J26Z	10	K04A				
	11	L33Z	11		L33Z	11	L33Z				
	17	R01A, R01B, R01C, R01D, R02Z, R12A, R12B, R12C	17		R01A, R01B, R01C, R01D, R02Z, R12A, R12B, R12C	17	R01A, R01B, R01C, R01D, R02Z, R12A, R12B, R12C				
	21A	W04A, W04B	21A		W04A, W04B	21B	X33Z				
	21B	X06A, X06B, X06C, X33Z	21B		X06A, X06B, X06C, X33Z	23	Z01A				
	22	Y01Z, Y03A, Y03B	22		Y01Z, Y03A, Y03B	Pre	A07A				
	23	Z01A	23		Z01A	5n171.0	BOP, KOP, KOPV, KVT, UOP4				
	Pre	A07A	Pre		A07A		05		F36A, F36B		
	5n164.2		BOP, KOP, KOPV, KVT, MVV, UOP4		5n16x		BOP, KOP, KOPV, KVT, MVV, UOP4		5n171.0		BOP, KOP, KOPV, KVT, UOP4
		05	F36A, F36B			05	F36A, F36B			05	F36A, F36B
06		G03A, G03B, G03C, G33Z, G38Z	06	G03A, G03B, G03C, G33Z, G38Z		06	G15Z, G19A, G19B, G33Z, G38Z				
07		H33Z, H38Z	07	H33Z, H38Z		07	H12A, H33Z, H38Z				
09		J26Z	09	J26Z		10	K04A				
11		L33Z	11	L33Z		11	L33Z				
17		R01A, R01B, R01C, R01D, R02Z, R12A, R12B, R12C	17	R01A, R01B, R01C, R01D, R02Z, R12A, R12B, R12C		17	R01A, R01B, R01C, R01D, R02Z, R12A, R12B, R12C				
21A		W04A, W04B	21A	W04A, W04B		21B	X33Z				
21B		X06A, X06B, X06C, X33Z	21B	X06A, X06B, X06C, X33Z		23	Z01A				
22		Y01Z, Y03A, Y03B	22	Y01Z, Y03A, Y03B		Pre	A07A				
23		Z01A	23	Z01A		5n171.0	BOP, KOP, KOPV, KVT, UOP4				
Pre		A07A	Pre	A07A			05	F36A, F36B			

VYK

ZZV	MDC	DRG	ZZV	MDC	DRG	ZZV	MDC	DRG			
5n171.2		BOP, KOP, KOPV, KVT, UOP4	5n173.0		BOP, KOP, KOPV, KVT, UOP4	5n174.4		BOP, KOP, KOPV, KVT, UOP4			
	05	F36A, F36B		05	F36A, F36B		05	F36A, F36B			
	06	G15Z, G19A, G19B, G33Z, G38Z		06	G15Z, G19A, G19B, G33Z, G38Z		06	G15Z, G19A, G19B, G33Z, G38Z			
	07	H12A, H33Z, H38Z		07	H12A, H33Z, H38Z		07	H12A, H33Z, H38Z			
	10	K04A		10	K04A		10	K04A			
	11	L33Z		11	L33Z		11	L33Z			
	17	R01A, R01B, R01C, R01D, R02Z, R12A, R12B, R12C		17	R01A, R01B, R01C, R01D, R02Z, R12A, R12B, R12C		17	R01A, R01B, R01C, R01D, R02Z, R12A, R12B, R12C			
	21B	X33Z		21B	X33Z		21B	X33Z			
	23	Z01A		23	Z01A		23	Z01A			
	Pre	A07A		Pre	A07A		Pre	A07A			
	5n171.4			BOP, KOP, KOPV, KVT, UOP4	5n173.2			BOP, KOP, KOPV, KVT, UOP4	5n175.0		BOP, KOP, KOPV, KVT, UOP4
		05		F36A, F36B			05	F36A, F36B		05	F36A, F36B
		06		G15Z, G19A, G19B, G33Z, G38Z			06	G15Z, G19A, G19B, G33Z, G38Z		06	G15Z, G19A, G19B, G33Z, G38Z
07		H12A, H33Z, H38Z	07	H12A, H33Z, H38Z		07	H12A, H33Z, H38Z				
10		K04A	10	K04A		10	K04A				
11		L33Z	11	L33Z		11	L33Z				
17		R01A, R01B, R01C, R01D, R02Z, R12A, R12B, R12C	17	R01A, R01B, R01C, R01D, R02Z, R12A, R12B, R12C		17	R01A, R01B, R01C, R01D, R02Z, R12A, R12B, R12C				
21B		X33Z	21B	X33Z		21B	X33Z				
23		Z01A	23	Z01A		23	Z01A				
Pre		A07A	Pre	A07A		Pre	A07A				
5n172.0			BOP, KOP, KOPV, KVT, UOP4	5n173.4			BOP, KOP, KOPV, KVT, UOP4	5n175.2			BOP, KOP, KOPV, KVT, UOP4
		05	F36A, F36B			05	F36A, F36B			05	F36A, F36B
		06	G15Z, G19A, G19B, G33Z, G38Z			06	G15Z, G19A, G19B, G33Z, G38Z			06	G15Z, G19A, G19B, G33Z, G38Z
	07	H12A, H33Z, H38Z	07		H12A, H33Z, H38Z	07	H12A, H33Z, H38Z				
	10	K04A	10		K04A	10	K04A				
	11	L33Z	11		L33Z	11	L33Z				
	17	R01A, R01B, R01C, R01D, R02Z, R12A, R12B, R12C	17		R01A, R01B, R01C, R01D, R02Z, R12A, R12B, R12C	17	R01A, R01B, R01C, R01D, R02Z, R12A, R12B, R12C				
	21B	X33Z	21B		X33Z	21B	X33Z				
	23	Z01A	23		Z01A	23	Z01A				
	Pre	A07A	Pre		A07A	Pre	A07A				
	5n172.2		BOP, KOP, KOPV, KVT, UOP4		5n174.0		BOP, KOP, KOPV, KVT, UOP4		5n175.4		BOP, KOP, KOPV, KVT, UOP4
		05	F36A, F36B			05	F36A, F36B			05	F36A, F36B
		06	G15Z, G19A, G19B, G33Z, G38Z			06	G15Z, G19A, G19B, G33Z, G38Z			06	G15Z, G19A, G19B, G33Z, G38Z
07		H12A, H33Z, H38Z	07	H12A, H33Z, H38Z		07	H12A, H33Z, H38Z				
10		K04A	10	K04A		10	K04A				
11		L33Z	11	L33Z		11	L33Z				
17		R01A, R01B, R01C, R01D, R02Z, R12A, R12B, R12C	17	R01A, R01B, R01C, R01D, R02Z, R12A, R12B, R12C		17	R01A, R01B, R01C, R01D, R02Z, R12A, R12B, R12C				
21B		X33Z	21B	X33Z		21B	X33Z				
23		Z01A	23	Z01A		23	Z01A				
Pre		A07A	Pre	A07A		Pre	A07A				
5n172.4			BOP, KOP, KOPV, KVT, UOP4	5n174.2			BOP, KOP, KOPV, KVT, UOP4	5n17x.0			BOP, KOP, KOPV, KVT, UOP4
		05	F36A, F36B			05	F36A, F36B			05	F36A, F36B
		06	G15Z, G19A, G19B, G33Z, G38Z			06	G15Z, G19A, G19B, G33Z, G38Z			06	G15Z, G19A, G19B, G33Z, G38Z
	07	H12A, H33Z, H38Z	07		H12A, H33Z, H38Z	07	H12A, H33Z, H38Z				
	10	K04A	10		K04A	10	K04A				
	11	L33Z	11		L33Z	11	L33Z				
	17	R01A, R01B, R01C, R01D, R02Z, R12A, R12B, R12C	17		R01A, R01B, R01C, R01D, R02Z, R12A, R12B, R12C	17	R01A, R01B, R01C, R01D, R02Z, R12A, R12B, R12C				
	21B	X33Z	21B		X33Z	21B	X33Z				
	23	Z01A	23		Z01A	23	Z01A				
	Pre	A07A	Pre		A07A	Pre	A07A				

VYK

ZZV	MDC	DRG	ZZV	MDC	DRG	ZZV	MDC	DRG			
5n17x.2		BOP, KOP, KOPV, KVT, UOP4	5n180.x		BOP, KOP, KOPV, KVT, UOP4	5n183.0		BOP, KOP, KOPV, KVT, UOP4			
	05	F36A, F36B		06	G15Z, G19A, G19B, G38Z		06	G15Z, G19A, G19B, G38Z			
	06	G15Z, G19A, G19B, G33Z, G38Z		07	H33Z, H38Z		07	H33Z, H38Z			
	07	H12A, H33Z, H38Z		11	L33Z		11	L33Z			
	10	K04A		21A	W04A, W04B		21A	W04A, W04B			
	11	L33Z		21B	X06A, X06B		21B	X06A, X06B			
	17	R01A, R01B, R01C, R01D, R02Z, R12A, R12B, R12C		23	Z01A		23	Z01A			
	21B	X33Z		Pre	A07A		Pre	A07A			
	23	Z01A		5n182.0			BOP, KOP, KOPV, KVT, UOP4	5n183.1		BOP, KOP, KOPV, KVT, UOP4	
	Pre	A07A			06		G01Z, G02Z, G15Z, G19A, G19B, G38Z		06	G15Z, G19A, G19B, G38Z	
	5n17x.4				BOP, KOP, KOPV, KVT, UOP4		07		H33Z, H38Z	07	H33Z, H38Z
		05			F36A, F36B		11		L33Z	11	L33Z
		06			G15Z, G19A, G19B, G33Z, G38Z		21A		W04A, W04B	21A	W04A, W04B
07		H12A, H33Z, H38Z	21B		X06A, X06B	21B	X06A, X06B				
10		K04A	23		Z01A	23	Z01A				
11		L33Z	Pre		A07A, A11A, A13A, A13B, A13D	Pre	A07A				
17		R01A, R01B, R01C, R01D, R02Z, R12A, R12B, R12C	5n182.1			BOP, KOP, KOPV, KVT, UOP4	5n183.2			BOP, KOP, KOPV, KVT, UOP4	
21B		X33Z			06	G01Z, G02Z, G15Z, G19A, G19B, G38Z			06	G15Z, G19A, G19B, G38Z	
23		Z01A			07	H33Z, H38Z			07	H33Z, H38Z	
Pre		A07A			11	L33Z			11	L33Z	
5n180.0					BOP, KOP, KOPV, KVT, UOP4	21A			W04A, W04B	21A	W04A, W04B
		06		G15Z, G19A, G19B, G38Z	21B	X06A, X06B		21B	X06A, X06B		
		07		H33Z, H38Z	23	Z01A		23	Z01A		
	11	L33Z		Pre	A07A, A11A, A13A, A13B, A13D	Pre		A07A			
	21A	W04A, W04B		5n182.2		BOP, KOP, KOPV, KVT, UOP4		5n183.4		BOP, KOP, KOPV, KVT, UOP4	
	21B	X06A, X06B			06	G01Z, G02Z, G15Z, G19A, G19B, G19C, G38Z			06	G15Z, G19A, G19B, G38Z	
	23	Z01A			07	H33Z, H38Z			07	H33Z, H38Z	
	Pre	A07A			11	L33Z			11	L33Z	
	5n180.1				BOP, KOP, KOPV, KVT, UOP4	21A			W04A, W04B	21A	W04A, W04B
		06	G15Z, G19A, G19B, G38Z		21B	X06A, X06B	21B		X06A, X06B		
		07	H33Z, H38Z		23	Z01A	23		Z01A		
		11	L33Z		Pre	A07A, A11A, A13A, A13B, A13D	Pre		A07A		
		21A	W04A, W04B		5n182.4		BOP, KOP, KOPV, KVT, UOP4		5n183.x		BOP, KOP, KOPV, KVT, UOP4
21B		X06A, X06B	06			G01Z, G02Z, G15Z, G19A, G19B, G38Z	06			G15Z, G19A, G19B, G38Z	
23		Z01A	07			H33Z, H38Z	07			H33Z, H38Z	
Pre		A07A	11			L33Z	11			L33Z	
5n180.2			BOP, KOP, KOPV, KVT, UOP4			21A	W04A, W04B			21A	W04A, W04B
		06	G15Z, G19A, G19B, G38Z	21B		X06A, X06B	21B	X06A, X06B			
		07	H33Z, H38Z	23		Z01A	23	Z01A			
		11	L33Z	Pre		A07A, A11A, A13A, A13B, A13D	Pre	A07A			
		21A	W04A, W04B	5n182.x			BOP, KOP, KOPV, KVT, UOP4	5n184.0			BOP, KOP, KOPV, KVT, UOP4
	21B	X06A, X06B	06			G01Z, G02Z, G15Z, G19A, G19B, G38Z	06			G01Z, G02Z, G15Z, G19A, G19B, G38Z	
	23	Z01A	07			H33Z, H38Z	07			H33Z, H38Z	
	Pre	A07A	11			L33Z	11			L33Z	
	5n180.4		BOP, KOP, KOPV, KVT, UOP4			21A	W04A, W04B			21A	W04A, W04B
		06	G15Z, G19A, G19B, G38Z		21B	X06A, X06B	21B		X06A, X06B		
		07	H33Z, H38Z		23	Z01A	23		Z01A		
		11	L33Z		Pre	A07A, A11A, A13A, A13B, A13D	Pre		A07A, A11A, A13A, A13B, A13D		
		21A	W04A, W04B		5n182.4		BOP, KOP, KOPV, KVT, UOP4		5n184.1		BOP, KOP, KOPV, KVT, UOP4
21B		X06A, X06B	06			G01Z, G02Z, G15Z, G19A, G19B, G19C, G38Z	06			G01Z, G02Z, G15Z, G19A, G19B, G38Z	
23		Z01A	07			H33Z, H38Z	07			H33Z, H38Z	
Pre		A07A	11			L33Z	11			L33Z	
5n180.4			BOP, KOP, KOPV, KVT, UOP4			21A	W04A, W04B			21A	W04A, W04B
		06	G15Z, G19A, G19B, G38Z	21B		X06A, X06B	21B	X06A, X06B			
		07	H33Z, H38Z	23		Z01A	23	Z01A			
		11	L33Z	Pre		A07A, A11A, A13A, A13B, A13D	Pre	A07A, A11A, A13A, A13B, A13D			
		21A	W04A, W04B	5n182.x			BOP, KOP, KOPV, KVT, UOP4	5n184.1			BOP, KOP, KOPV, KVT, UOP4
	21B	X06A, X06B	06			G01Z, G02Z, G15Z, G19A, G19B, G19C, G38Z	06			G01Z, G02Z, G15Z, G19A, G19B, G38Z	
	23	Z01A	07			H33Z, H38Z	07			H33Z, H38Z	
	Pre	A07A	11			L33Z	11			L33Z	
	5n180.4		BOP, KOP, KOPV, KVT, UOP4			21A	W04A, W04B			21A	W04A, W04B
		06	G15Z, G19A, G19B, G38Z		21B	X06A, X06B	21B		X06A, X06B		
		07	H33Z, H38Z		23	Z01A	23		Z01A		
		11	L33Z		Pre	A07A, A11A, A13A, A13B, A13D	Pre		A07A, A11A, A13A, A13B, A13D		
		21A	W04A, W04B		5n182.x		BOP, KOP, KOPV, KVT, UOP4		5n184.1		BOP, KOP, KOPV, KVT, UOP4
21B		X06A, X06B	06			G01Z, G02Z, G15Z, G19A, G19B, G19C, G38Z	06			G01Z, G02Z, G15Z, G19A, G19B, G38Z	
23		Z01A	07			H33Z, H38Z	07			H33Z, H38Z	
Pre		A07A	11			L33Z	11			L33Z	

VYK

ZZV	MDC	DRG	ZZV	MDC	DRG	ZZV	MDC	DRG
5n184.2		BOP, KOP, KOPV, KVT, UOP4	5n184.x		BOP, KOP, KOPV, KVT, UOP4	5n186.0		BOP, KOP, KOPV, KVT, UOP4
	06	G01Z, G02Z, G15Z, G19A, G19B, G19C, G38Z		06	G01Z, G02Z, G15Z, G19A, G19B, G19C, G38Z		06	G01Z, G02Z, G15Z, G19A, G19B, G38Z
	07	H33Z, H38Z		07	H33Z, H38Z		07	H33Z, H38Z
	11	L33Z		11	L33Z		11	L33Z
	21A	W04A, W04B		21A	W04A, W04B		21A	W04A, W04B
	21B	X06A, X06B		21B	X06A, X06B		21B	X06A, X06B
	23	Z01A		23	Z01A		23	Z01A
	Pre	A07A, A11A, A13A, A13B, A13D		Pre	A07A, A11A, A13A, A13B, A13D		Pre	A07A, A11A, A13A, A13B, A13D
	5n184.4			BOP, KOP, KOPV, KVT, UOP4	5n185.0			BOP, KOP, KOPV, KVT, UOP4
06		G01Z, G02Z, G15Z, G19A, G19B, G38Z	06	G01Z, G02Z, G15Z, G19A, G19B, G38Z		06	G01Z, G02Z, G15Z, G19A, G19B, G38Z	
07		H33Z, H38Z	07	H33Z, H38Z		07	H33Z, H38Z	
11		L33Z	11	L33Z		11	L33Z	
21A		W04A, W04B	21A	W04A, W04B		21A	W04A, W04B	
21B		X06A, X06B	21B	X06A, X06B		21B	X06A, X06B	
23		Z01A	23	Z01A		23	Z01A	
Pre		A07A, A11A, A13A, A13B, A13D	Pre	A07A, A11A, A13A, A13B, A13D		Pre	A07A, A11A, A13A, A13B, A13D	
5n184.50			BOP, KOP, KOPV, KVT, UOP4	5n185.1			BOP, KOP, KOPV, KVT, UOP4	5n186.2
	06	G01Z, G02Z, G15Z, G19A, G19B, G38Z	06		G01Z, G02Z, G15Z, G19A, G19B, G38Z	06	G01Z, G02Z, G15Z, G19A, G19B, G19C, G38Z	
	07	H33Z, H38Z	07		H33Z, H38Z	07	H33Z, H38Z	
	11	L33Z	11		L33Z	11	L33Z	
	21A	W04A, W04B	21A		W04A, W04B	21A	W04A, W04B	
	21B	X06A, X06B	21B		X06A, X06B	21B	X06A, X06B	
	23	Z01A	23		Z01A	23	Z01A	
	Pre	A07A, A11A, A13A, A13B, A13D	Pre		A07A, A11A, A13A, A13B, A13D	Pre	A07A, A11A, A13A, A13B, A13D	
	5n184.51		BOP, KOP, KOPV, KVT, UOP4		5n185.2		BOP, KOP, KOPV, KVT, UOP4	
06		G01Z, G02Z, G15Z, G19A, G19B, G38Z	06	G01Z, G02Z, G15Z, G19A, G19B, G19C, G38Z		06	G01Z, G02Z, G15Z, G19A, G19B, G38Z	
07		H33Z, H38Z	07	H33Z, H38Z		07	H33Z, H38Z	
11		L33Z	11	L33Z		11	L33Z	
21A		W04A, W04B	21A	W04A, W04B		21A	W04A, W04B	
21B		X06A, X06B	21B	X06A, X06B		21B	X06A, X06B	
23		Z01A	23	Z01A		23	Z01A	
Pre		A07A, A11A, A13A, A13B, A13D	Pre	A07A, A11A, A13A, A13B, A13D		Pre	A07A, A11A, A13A, A13B, A13D	
5n184.52			BOP, KOP, KOPV, KVT, UOP4	5n185.4			BOP, KOP, KOPV, KVT, UOP4	5n186.x
	06	G01Z, G02Z, G15Z, G19A, G19B, G19C, G38Z	06		G01Z, G02Z, G15Z, G19A, G19B, G38Z	06	G01Z, G02Z, G15Z, G19A, G19B, G19C, G38Z	
	07	H33Z, H38Z	07		H33Z, H38Z	07	H33Z, H38Z	
	11	L33Z	11		L33Z	11	L33Z	
	21A	W04A, W04B	21A		W04A, W04B	21A	W04A, W04B	
	21B	X06A, X06B	21B		X06A, X06B	21B	X06A, X06B	
	23	Z01A	23		Z01A	23	Z01A	
	Pre	A07A, A11A, A13A, A13B, A13D	Pre		A07A, A11A, A13A, A13B, A13D	Pre	A07A, A11A, A13A, A13B, A13D	
	5n184.5x		BOP, KOP, KOPV, KVT, UOP4		5n185.x		BOP, KOP, KOPV, KVT, UOP4	
06		G01Z, G02Z, G15Z, G19A, G19B, G19C, G38Z	06	G01Z, G02Z, G15Z, G19A, G19B, G19C, G38Z		06	G15Z, G19A, G19B, G38Z	
07		H33Z, H38Z	07	H33Z, H38Z		07	H33Z, H38Z	
11		L33Z	11	L33Z		11	L33Z	
21A		W04A, W04B	21A	W04A, W04B		21A	W04A, W04B	
21B		X06A, X06B	21B	X06A, X06B		21B	X06A, X06B	
23		Z01A	23	Z01A		23	Z01A	
Pre		A07A, A11A, A13A, A13B, A13D	Pre	A07A, A11A, A13A, A13B, A13D		Pre	A07A	

VYK

ZZV	MDC	DRG	ZZV	MDC	DRG	ZZV	MDC	DRG
5n18a.1		BOP, KOP, KOPV, KVT, UOP4	5n18b.2		BOP, KOP, KOPV, KVT, UOP4	5n18c.4		BOP, KOP, KOPV, KVT, UOP4
	06	G15Z, G19A, G19B, G38Z		06	G15Z, G19A, G19B, G19C, G38Z		06	G15Z, G19A, G19B, G38Z
	07	H33Z, H38Z		07	H33Z, H38Z		07	H33Z, H38Z
	10	K04A		10	K04A, K04B		10	K04A, K04B
	11	L33Z		11	L33Z		11	L33Z
	21A	W04A, W04B		21A	W04A, W04B		21A	W04A, W04B
	21B	X06A, X06B		21B	X06A, X06B		21B	X06A, X06B
	23	Z01A		23	Z01A		23	Z01A
	Pre	A07A		Pre	A07A		Pre	A07A
	5n18a.2			BOP, KOP, KOPV, KVT, UOP4	5n18b.4			BOP, KOP, KOPV, KVT, UOP4
06		G15Z, G19A, G19B, G38Z	06	G15Z, G19A, G19B, G38Z		06	G15Z, G19A, G19B, G19C, G38Z	
07		H33Z, H38Z	07	H33Z, H38Z		07	H33Z, H38Z	
10		K04A	10	K04A, K04B		10	K04A, K04B	
11		L33Z	11	L33Z		11	L33Z	
21A		W04A, W04B	21A	W04A, W04B		21A	W04A, W04B	
21B		X06A, X06B	21B	X06A, X06B		21B	X06A, X06B	
23		Z01A	23	Z01A		23	Z01A	
Pre		A07A	Pre	A07A		Pre	A07A	
5n18a.4			BOP, KOP, KOPV, KVT, UOP4	5n18b.x			BOP, KOP, KOPV, KVT, UOP4	5n18d.0
	06	G15Z, G19A, G19B, G38Z	06		G15Z, G19A, G19B, G19C, G38Z	06	G15Z, G19A, G19B, G38Z	
	07	H33Z, H38Z	07		H33Z, H38Z	07	H33Z, H38Z	
	10	K04A	10		K04A, K04B	10	K04A, K04B	
	11	L33Z	11		L33Z	11	L33Z	
	21A	W04A, W04B	21A		W04A, W04B	21A	W04A, W04B	
	21B	X06A, X06B	21B		X06A, X06B	21B	X06A, X06B	
	23	Z01A	23		Z01A	23	Z01A	
	Pre	A07A	Pre		A07A	Pre	A07A	
	5n18a.x		BOP, KOP, KOPV, KVT, UOP4		5n18c.0		BOP, KOP, KOPV, KVT, UOP4	
06		G15Z, G19A, G19B, G38Z	06	G15Z, G19A, G19B, G38Z		06	G15Z, G19A, G19B, G38Z	
07		H33Z, H38Z	07	H33Z, H38Z		07	H33Z, H38Z	
10		K04A	10	K04A, K04B		10	K04A, K04B	
11		L33Z	11	L33Z		11	L33Z	
21A		W04A, W04B	21A	W04A, W04B		21A	W04A, W04B	
21B		X06A, X06B	21B	X06A, X06B		21B	X06A, X06B	
23		Z01A	23	Z01A		23	Z01A	
Pre		A07A	Pre	A07A		Pre	A07A	
5n18b.0			BOP, KOP, KOPV, KVT, UOP4	5n18c.1			BOP, KOP, KOPV, KVT, UOP4	5n18d.2
	06	G15Z, G19A, G19B, G38Z	06		G15Z, G19A, G19B, G38Z	06	G15Z, G19A, G19B, G19C, G38Z	
	07	H33Z, H38Z	07		H33Z, H38Z	07	H33Z, H38Z	
	10	K04A, K04B	10		K04A, K04B	10	K04A, K04B	
	11	L33Z	11		L33Z	11	L33Z	
	21A	W04A, W04B	21A		W04A, W04B	21A	W04A, W04B	
	21B	X06A, X06B	21B		X06A, X06B	21B	X06A, X06B	
	23	Z01A	23		Z01A	23	Z01A	
	Pre	A07A	Pre		A07A	Pre	A07A	
	5n18b.1		BOP, KOP, KOPV, KVT, UOP4		5n18c.2		BOP, KOP, KOPV, KVT, UOP4	
06		G15Z, G19A, G19B, G38Z	06	G15Z, G19A, G19B, G19C, G38Z		06	G15Z, G19A, G19B, G38Z	
07		H33Z, H38Z	07	H33Z, H38Z		07	H33Z, H38Z	
10		K04A, K04B	10	K04A, K04B		10	K04A, K04B	
11		L33Z	11	L33Z		11	L33Z	
21A		W04A, W04B	21A	W04A, W04B		21A	W04A, W04B	
21B		X06A, X06B	21B	X06A, X06B		21B	X06A, X06B	
23		Z01A	23	Z01A		23	Z01A	
Pre		A07A	Pre	A07A		Pre	A07A	

ZZV	MDC	DRG	ZZV	MDC	DRG	ZZV	MDC	DRG
5n18d.x		BOP, KOP, KOPV, KVT, UOP4	5n18x.0		BOP, KOP, KOPV, KVT, UOP4	5n191.4		BOP, KOP, KOPV, KVT, UOP4
	06	G15Z, G19A, G19B, G19C, G38Z		06	G15Z, G19A, G19B, G38Z		06	G15Z, G19A, G19B, G38Z
	07	H33Z, H38Z		07	H33Z, H38Z		07	H06A, H06B, H06C, H33Z, H38Z
	10	K04A, K04B		11	L33Z		23	Z01A
	11	L33Z		21A	W04A, W04B		Pre	A07A
	21A	W04A, W04B		21B	X06A, X06B		5n191.x	BOP, KOP, KOPV, KVT, UOP4
	21B	X06A, X06B		23	Z01A		06	G15Z, G19A, G19B, G38Z
	23	Z01A		Pre	A07A		07	H06A, H06B, H06C, H33Z, H38Z
	Pre	A07A		5n18x.1	BOP, KOP, KOPV, KVT, UOP4		23	Z01A
	5n18e.0			BOP, KOP, KOPV, KVT, UOP4	06		G15Z, G19A, G19B, G38Z	Pre
06	G15Z, G19A, G19B, G38Z	07	H33Z, H38Z	5n193.0	BOP, KOP, KOPV, KVT, UOP4			
07	H33Z, H38Z	11	L33Z	06	G15Z, G19A, G19B, G38Z			
10	K07Z	21A	W04A, W04B	07	H06A, H06B, H06C, H33Z, H38Z			
11	L33Z	21B	X06A, X06B	10	K04A			
21A	W04A, W04B	23	Z01A	21A	W04A, W04B			
21B	X06A, X06B	Pre	A07A	21B	X06A, X06B, X06C			
23	Z01A	5n18x.2	BOP, KOP, KOPV, KVT, UOP4	23	Z01A			
Pre	A07A	06	G15Z, G19A, G19B, G19C, G38Z	Pre	A07A			
5n18e.1		BOP, KOP, KOPV, KVT, UOP4	07	H33Z, H38Z	5n193.2	BOP, KOP, KOPV, KVT, UOP4		
06	G15Z, G19A, G19B, G38Z	11	L33Z	06	G15Z, G19A, G19B, G38Z			
07	H33Z, H38Z	21A	W04A, W04B	07	H06A, H06B, H06C, H33Z, H38Z			
10	K07Z	21B	X06A, X06B	10	K04A			
11	L33Z	23	Z01A	21A	W04A, W04B			
21A	W04A, W04B	Pre	A07A	21B	X06A, X06B, X06C			
21B	X06A, X06B	5n18x.4	BOP, KOP, KOPV, KVT, UOP4	23	Z01A			
23	Z01A	06	G15Z, G19A, G19B, G38Z	Pre	A07A			
Pre	A07A	07	H33Z, H38Z	5n193.4	BOP, KOP, KOPV, KVT, UOP4			
5n18e.2		BOP, KOP, KOPV, KVT, UOP4	11	L33Z	06	G15Z, G19A, G19B, G38Z		
06	G15Z, G19A, G19B, G19C, G38Z	21A	W04A, W04B	07	H06A, H06B, H06C, H33Z, H38Z			
07	H33Z, H38Z	21B	X06A, X06B	10	K04A			
10	K07Z	23	Z01A	21A	W04A, W04B			
11	L33Z	Pre	A07A	21B	X06A, X06B, X06C			
21A	W04A, W04B	5n18x.x	BOP, KOP, KOPV, KVT, UOP4	23	Z01A			
21B	X06A, X06B	06	G15Z, G19A, G19B, G19C, G38Z	Pre	A07A			
23	Z01A	07	H33Z, H38Z	5n193.x	BOP, KOP, KOPV, KVT, UOP4			
Pre	A07A	11	L33Z	06	G15Z, G19A, G19B, G38Z			
5n18e.4		BOP, KOP, KOPV, KVT, UOP4	21A	W04A, W04B	07	H06A, H06B, H06C, H33Z, H38Z		
06	G15Z, G19A, G19B, G38Z	21B	X06A, X06B	10	K04A			
07	H33Z, H38Z	23	Z01A	21A	W04A, W04B			
10	K07Z	Pre	A07A	21B	X06A, X06B, X06C			
11	L33Z	5n190.6†	G40Z, G46A, G46B, G46C, G47Z, G50Z	23	Z01A			
21A	W04A, W04B	5n190.x†	G40Z, G46A, G46B, G46C, G47Z, G50Z	Pre	A07A			
21B	X06A, X06B	5n191.0	BOP, KOP, KOPV, KVT, UOP4	5n194.0	BOP, KOP, KOPV, KVT, UOP4			
23	Z01A	06	G15Z, G19A, G19B, G38Z	06	G01Z, G02Z, G15Z, G18A, G18B, G38Z			
Pre	A07A	07	H06A, H06B, H06C, H33Z, H38Z	07	H33Z, H38Z			
5n18e.x		BOP, KOP, KOPV, KVT, UOP4	23	Z01A	21A	W04A, W04B		
06	G15Z, G19A, G19B, G19C, G38Z	5n191.2	BOP, KOP, KOPV, KVT, UOP4	21B	X06A, X06B, X06C, X33Z			
07	H33Z, H38Z	06	G15Z, G19A, G19B, G38Z	23	Z01A			
10	K07Z	07	H06A, H06B, H06C, H33Z, H38Z	Pre	A07A			
11	L33Z	23	Z01A					
21A	W04A, W04B	Pre	A07A					
21B	X06A, X06B							
23	Z01A							
Pre	A07A							

VYK

ZZV	MDC	DRG	ZZV	MDC	DRG	ZZV	MDC	DRG			
5n194.2		BOP, KOP, KOPV, KVT, UOP4	5n19a		BOP, KOP, KOPV, KVT, UOP4	5n19k.0		BOP, KOP, KOPV, KVT, UOP4			
	06	G01Z, G02Z, G15Z, G18A, G18B, G38Z		06	G15Z, G19A, G19B, G38Z		06	G15Z, G19A, G19B, G38Z			
	07	H33Z, H38Z		07	H33Z, H38Z		07	H33Z, H38Z			
	21A	W04A, W04B		11	L33Z		23	Z01A			
	21B	X06A, X06B, X06C, X33Z		17	R01A, R01B, R01C, R01D, R02Z, R12A, R12B, R12C		Pre	A07A			
	23	Z01A		21A	W04A, W04B		5n19k.2	BOP, KOP, KOPV, KVT, UOP4			
	Pre	A07A		21B	X06A, X06B, X06C		06	G15Z, G19A, G19B, G38Z			
5n194.4		BOP, KOP, KOPV, KVT, UOP4	5n19c.6‡		BOP, KOP, KOPV, KVT, UOP4	5n19k.4		BOP, KOP, KOPV, KVT, UOP4			
	06	G01Z, G02Z, G15Z, G18A, G18B, G38Z		06	G40Z, G46A, G46B, G46C, G47Z, G50Z		06	G15Z, G19A, G19B, G38Z			
	07	H33Z, H38Z		06	G40Z, G46A, G46B, G46C, G47Z, G50Z		07	H33Z, H38Z			
	21A	W04A, W04B		5n19c.x‡	06		G40Z, G46A, G46B, G46C, G47Z, G50Z	23	Z01A		
	21B	X06A, X06B, X06C, X33Z		5n19d.6‡	06		G40Z, G46A, G46B, G46C, G47Z, G50Z	Pre	A07A		
	23	Z01A		5n19d.x‡	06		G40Z, G46A, G46B, G46C, G47Z, G50Z	5n19k.6‡	G40Z, G46A, G46B, G46C, G47Z, G50Z		
	Pre	A07A		5n19e.6‡	06		G40Z, G46A, G46B, G46C, G47Z, G50Z	5n19k.x‡	G40Z, G46A, G46B, G46C, G47Z, G50Z		
5n194.6‡		BOP, KOP, KOPV, KVT, UOP4	5n19e.x‡		BOP, KOP, KOPV, KVT, UOP4	5n19m.0		BOP, KOP, KOPV, KVT, UOP4			
	06	G15Z, G19A, G19B, G38Z		5n19h.0			BOP, KOP, KOPV, KVT, UOP4	06	G15Z, G19A, G19B, G38Z		
	07	H33Z, H38Z		06	G15Z, G19A, G19B, G38Z		07	H33Z, H38Z			
	23	Z01A		07	H33Z, H38Z		23	Z01A			
	Pre	A07A		23	Z01A		Pre	A07A			
	5n195.2			BOP, KOP, KOPV, KVT, UOP4	5n19h.2			BOP, KOP, KOPV, KVT, UOP4	5n19m.2		BOP, KOP, KOPV, KVT, UOP4
	06	G15Z, G19A, G19B, G38Z		06			G15Z, G19A, G19B, G38Z	06		G15Z, G19A, G19B, G38Z	
07	H33Z, H38Z	06	G15Z, G19A, G19B, G38Z	07		H33Z, H38Z					
23	Z01A	07	H33Z, H38Z	23		Z01A					
Pre	A07A	23	Z01A	Pre		A07A					
5n195.4		BOP, KOP, KOPV, KVT, UOP4	5n19h.4			BOP, KOP, KOPV, KVT, UOP4	5n19m.4			BOP, KOP, KOPV, KVT, UOP4	
06	G15Z, G19A, G19B, G38Z	06		G15Z, G19A, G19B, G38Z		06		G15Z, G19A, G19B, G38Z			
07	H33Z, H38Z	06		G15Z, G19A, G19B, G38Z	07	H33Z, H38Z					
23	Z01A	07		H33Z, H38Z	23	Z01A					
Pre	A07A	23		Z01A	Pre	A07A					
5n195.x		BOP, KOP, KOPV, KVT, UOP4		5n19h.6‡		BOP, KOP, KOPV, KVT, UOP4		5n19m.6‡		BOP, KOP, KOPV, KVT, UOP4	
06	G15Z, G19A, G19B, G38Z	06			G15Z, G19A, G19B, G38Z	06			G40Z, G46A, G46B, G46C, G47Z, G50Z		
07	H33Z, H38Z	06	G15Z, G19A, G19B, G38Z		06	G40Z, G46A, G46B, G46C, G47Z, G50Z					
23	Z01A	07	H33Z, H38Z		5n19n.0	BOP, KOP, KOPV, KVT, UOP4					
Pre	A07A	23	Z01A		06	G15Z, G19A, G19B, G38Z					
5n196.6‡		BOP, KOP, KOPV, KVT, UOP4	5n19j.0			BOP, KOP, KOPV, KVT, UOP4	5n19n.1			BOP, KOP, KOPV, KVT, UOP4	
06	G15Z, G19A, G19B, G38Z	06			G15Z, G19A, G19B, G38Z	06			G15Z, G19A, G19B, G38Z		
07	H33Z, H38Z	07		H33Z, H38Z	07	H33Z, H38Z					
23	Z01A	23		Z01A	23	Z01A					
Pre	A07A	Pre		A07A	Pre	A07A					
5n196.x‡		BOP, KOP, KOPV, KVT, UOP4		5n19j.2		BOP, KOP, KOPV, KVT, UOP4		5n19n.2		BOP, KOP, KOPV, KVT, UOP4	
06	G15Z, G19A, G19B, G38Z	06			G15Z, G19A, G19B, G38Z	06			G15Z, G19A, G19B, G38Z		
07	H33Z, H38Z	06	G15Z, G19A, G19B, G38Z		07	H33Z, H38Z					
23	Z01A	07	H33Z, H38Z		23	Z01A					
Pre	A07A	23	Z01A		Pre	A07A					
5n197.6‡		BOP, KOP, KOPV, KVT, UOP4	5n19j.4			BOP, KOP, KOPV, KVT, UOP4	5n19p.0			BOP, KOP, KOPV, KVT, UOP4	
06	G15Z, G19A, G19B, G38Z	06			G15Z, G19A, G19B, G38Z	06			G15Z, G19A, G19B, G38Z		
07	H33Z, H38Z	06		G15Z, G19A, G19B, G38Z	07	H33Z, H38Z					
23	Z01A	07		H33Z, H38Z	23	Z01A					
Pre	A07A	23		Z01A	Pre	A07A					
5n197.7‡		BOP, KOP, KOPV, KVT, UOP4		5n19j.6‡		BOP, KOP, KOPV, KVT, UOP4		5n19j.x‡		BOP, KOP, KOPV, KVT, UOP4	
06	G15Z, G19A, G19B, G38Z	06			G15Z, G19A, G19B, G38Z	06			G40Z, G46A, G46B, G46C, G47Z, G50Z		
07	H33Z, H38Z	06	G15Z, G19A, G19B, G38Z		06	G40Z, G46A, G46B, G46C, G47Z, G50Z					
23	Z01A	07	H33Z, H38Z		06	G40Z, G46A, G46B, G46C, G47Z, G50Z					
Pre	A07A	23	Z01A		06	G40Z, G46A, G46B, G46C, G47Z, G50Z					
5n198		BOP, KVT, UOP4	5n19j.x‡			BOP, KOP, KOPV, KVT, UOP4	5n19j.x‡			BOP, KOP, KOPV, KVT, UOP4	
06	G11A, G11B	06			G15Z, G19A, G19B, G38Z	06			G15Z, G19A, G19B, G38Z		
15	P60A, P60B, P60C, P67B, P67C	07		H33Z, H38Z	07	H33Z, H38Z					
5n199		BOP, KOP, KOPV, KVT, UOP4		5n19j.x‡		BOP, KOP, KOPV, KVT, UOP4		5n19j.x‡		BOP, KOP, KOPV, KVT, UOP4	
06	G15Z, G19A, G19B, G38Z	06			G15Z, G19A, G19B, G38Z	06			G15Z, G19A, G19B, G38Z		
07	H33Z, H38Z	07			H33Z, H38Z	07			H33Z, H38Z		
11	L33Z	23			Z01A	23			Z01A		
23	Z01A	Pre	A07A		Pre	A07A					
Pre	A07A	Pre	A07A		Pre	A07A					

VYK

ZZV	MDC	DRG	ZZV	MDC	DRG	ZZV	MDC	DRG
5n19p.2		BOP, KOP, KOPV, KVT, UOP4	5n20a		BOP, KOP, KOPV, KVT, UOP4	5n20e		BOP, KOP, KOPV, KVT, UOP4
	06	G15Z, G19A, G19B, G38Z		05	F36A, F36B		05	F36A, F36B
	07	H33Z, H38Z		06	G01Z, G02Z, G15Z, G18A, G18B, G33Z, G38Z		06	G01Z, G02Z, G15Z, G18A, G18B, G33Z, G38Z
	23	Z01A		07	H33Z, H38Z		07	H33Z, H38Z
	Pre	A07A		10	K04A		10	K04A
5n19p.4		BOP, KOP, KOPV, KVT, UOP4		11	L33Z		11	L33Z
	06	G15Z, G19A, G19B, G38Z		17	R01A, R01B, R01C, R01D, R02Z, R12A, R12B, R12C		17	R01A, R01B, R01C, R01D, R02Z, R12A, R12B, R12C
	07	H33Z, H38Z		21A	W04A, W04B		21A	W04A, W04B
	23	Z01A		21B	X06A, X06B, X06C, X33Z		21B	X06A, X06B, X06C, X33Z
	Pre	A07A		23	Z01A		23	Z01A
5n19q†	06	G40Z, G46A, G46B, G46C, G47Z, G50Z		Pre	A07A, A11A, A13A, A13B, A13D		Pre	A07A, A11A, A13A, A13B, A13D
5n19r†	06	G40Z, G46A, G46B, G46C, G47Z, G50Z	5n20b		BOP, KOP, KOPV, KVT, UOP4	5n20x		BOP, KOP, KOPV, KVT, UOP4
5n19s		BOP, KVT, UOP4		05	F36A, F36B		05	F36A, F36B
	06	G11A, G11B		06	G01Z, G02Z, G15Z, G18A, G18B, G33Z, G38Z		06	G01Z, G02Z, G15Z, G18A, G18B, G33Z, G38Z
	15	P60A, P60B, P60C, P66C, P67B, P67C		07	H33Z, H38Z		07	H33Z, H38Z
5n19x.0		BOP, KOP, KOPV, UOP4		10	K04A		10	K04A
	06	G15Z, G19A, G19B, G38Z		11	L33Z		11	L33Z
	07	H33Z, H38Z		17	R01A, R01B, R01C, R01D, R02Z, R12A, R12B, R12C		17	R01A, R01B, R01C, R01D, R02Z, R12A, R12B, R12C
	23	Z01A		21A	W04A, W04B		21A	W04A, W04B
	Pre	A07A		21B	X06A, X06B, X06C, X33Z		21B	X06A, X06B, X06C, X33Z
5n19x.2		BOP, KOP, KOPV, UOP4		23	Z01A		23	Z01A
	06	G15Z, G19A, G19B, G38Z		Pre	A07A, A11A, A13A, A13B, A13D		Pre	A07A, A11A, A13A, A13B, A13D
	07	H33Z, H38Z	5n20c		BOP, KOP, KOPV, KVT, UOP4	5n210		BOP, KVT, UOP4
	23	Z01A		05	F36A, F36B		06	G13Z, G21A, G21B
	Pre	A07A		06	G01Z, G02Z, G15Z, G18A, G18B, G33Z, G38Z		17	R01A, R01B, R01C, R01D, R02Z, R12A, R12B, R12C
5n19x.4		BOP, KOP, KOPV, UOP4		07	H33Z, H38Z	5n211.0		BOP, KVT, UOP4
	06	G15Z, G19A, G19B, G38Z		10	K09A, K09B		06	G13Z, G21A, G21B
	07	H33Z, H38Z		11	L33Z		07	H06A, H06B, H06C
	23	Z01A		17	R01A, R01B, R01C, R01D, R02Z, R12A, R12B, R12C		17	R01A, R01B, R01C, R01D, R02Z, R12A, R12B, R12C
	Pre	A07A		21A	W04A, W04B	5n211.2		BOP, KVT, UOP4
5n19x.6†	06	G40Z, G46A, G46B, G46C, G47Z, G50Z		21B	X06A, X06B, X06C, X33Z		06	G13Z, G21A, G21B
5n19x.x†	06	G40Z, G46A, G46B, G46C, G47Z, G50Z		23	Z01A		07	H06A, H06B, H06C
5n200		BOP, KVT, UOP4		Pre	A07A, A11A, A13A, A13B, A13D		17	R01A, R01B, R01C, R01D, R02Z, R12A, R12B, R12C
	06	G01Z, G04A, G04B, G07A, G07B, G07C, G38Z	5n20d		BOP, KOP, KOPV, KVT, UOP4	5n214.0		BOP, KVT, UOP4
	17	R01A, R01B, R01C, R01D, R02Z, R12A, R12B, R12C		05	F36A, F36B		06	G13Z, G21A, G21B
	21A	W04A, W04B		06	G01Z, G02Z, G15Z, G18A, G18B, G33Z, G38Z		07	H06A, H06B, H06C
	21B	X06A, X06B, X06C		07	H33Z, H38Z		17	R01A, R01B, R01C, R01D, R02Z, R12A, R12B, R12C
5n201		BOP, KVT, UOP4		11	L33Z	5n214.1		BOP, KVT, UOP4
	06	G01Z, G04A, G04B, G07A, G07B, G07C, G38Z		17	R01A, R01B, R01C, R01D, R02Z, R12A, R12B, R12C		06	G13Z, G21A, G21B
	17	R01A, R01B, R01C, R01D, R02Z, R12A, R12B, R12C		21A	W04A, W04B		07	H06A, H06B, H06C
	21A	W04A, W04B		21B	X06A, X06B, X06C, X33Z		17	R01A, R01B, R01C, R01D, R02Z, R12A, R12B, R12C
	21B	X06A, X06B, X06C		Pre	A07A, A11A, A13A, A13B, A13D	5n214.2		BOP, KVT, UOP4
5n202		BOP, KVT, UOP4		23	Z01A		06	G13Z, G21A, G21B
	06	G01Z, G04A, G04B, G07A, G07B, G07C, G38Z		Pre	A07A, A11A, A13A, A13B, A13D		07	H06A, H06B, H06C
	17	R01A, R01B, R01C, R01D, R02Z, R12A, R12B, R12C		21A	W04A, W04B		17	R01A, R01B, R01C, R01D, R02Z, R12A, R12B, R12C
	21A	W04A, W04B		21B	X06A, X06B, X06C, X33Z	5n214.4		BOP, KVT, UOP4
	21B	X06A, X06B, X06C		Pre	A07A, A11A, A13A, A13B, A13D		06	G13Z, G21A, G21B
5n203†	06	G40Z, G46A, G46B, G46C, G47Z, G50Z					17	R01A, R01B, R01C, R01D, R02Z, R12A, R12B, R12C
								BOP, KVT, UOP4
							06	G13Z, G21A, G21B
							07	H06A, H06B, H06C
							17	R01A, R01B, R01C, R01D, R02Z, R12A, R12B, R12C

ZZV	MDC	DRG	ZZV	MDC	DRG	ZZV	MDC	DRG
5n215.0		BOP, KVT, UOP4	5n21x.0		BOP, KVT, UOP4	5n224.2		BOP, KVT, UOP4
	06	G13Z, G21A, G21B		06	G13Z, G21A, G21B		06	G13Z, G21A, G21B
	07	H06A, H06B, H06C		17	R01A, R01B, R01C, R01D, R02Z, R12A, R12B, R12C		10	K09A, K09B
	17	R01A, R01B, R01C, R01D, R02Z, R12A, R12B, R12C	5n21x.1†	06	G40Z, G46A, G46B, G46C, G47Z, G50Z		17	R01A, R01B, R01C, R01D, R02Z, R12A, R12B, R12C
5n215.1		BOP, KVT, UOP4	5n21x.2		BOP, KVT, UOP4	5n224.4		BOP, KVT, UOP4
	06	G13Z, G21A, G21B		06	G13Z, G21A, G21B		06	G13Z, G21A, G21B
	07	H06A, H06B, H06C		17	R01A, R01B, R01C, R01D, R02Z, R12A, R12B, R12C		10	K09A, K09B
	17	R01A, R01B, R01C, R01D, R02Z, R12A, R12B, R12C	5n21x.4†	06	G40Z, G46A, G46B, G46C, G47Z, G50Z		17	R01A, R01B, R01C, R01D, R02Z, R12A, R12B, R12C
5n215.2		BOP, KVT, UOP4	5n21x.x†	06	G40Z, G46A, G46B, G46C, G47Z, G50Z	5n224.x		BOP, KVT, UOP4
	06	G13Z, G21A, G21B	5n220		BOP, KVT, UOP4		06	G13Z, G21A, G21B
	07	H06A, H06B, H06C		06	G01Z, G04A, G04B, G07A, G07B, G07C, G38Z		10	K09A, K09B
	17	R01A, R01B, R01C, R01D, R02Z, R12A, R12B, R12C		10	K09A, K09B	5n225.0†	06	G40Z, G48A, G48B, G48C
5n215.4	06	G13Z, G21A, G21B		17	R01A, R01B, R01C, R01D, R02Z, R12A, R12B, R12C	5n225.1†	06	G40Z, G48A, G48B, G48C
	17	R01A, R01B, R01C, R01D, R02Z, R12A, R12B, R12C	5n221		BOP, KVT, UOP4	5n225.2†	06	G40Z, G48A, G48B, G48C
5n215.x		BOP, KVT, UOP4		06	G01Z, G04A, G04B, G07A, G07B, G07C, G38Z	5n225.4†	06	G40Z, G48A, G48B, G48C
	06	G13Z, G21A, G21B		10	K09A, K09B	5n225.x†	06	G40Z, G48A, G48B, G48C
	07	H06A, H06B, H06C		17	R01A, R01B, R01C, R01D, R02Z, R12A, R12B, R12C	5n22x.0†	06	G40Z, G48A, G48B, G48C
	17	R01A, R01B, R01C, R01D, R02Z, R12A, R12B, R12C		06	G01Z, G04A, G04B, G07A, G07B, G07C, G38Z	5n22x.1†	06	G40Z, G48A, G48B, G48C
5n217.10†	06	G40Z, G46A, G46B, G46C, G47Z, G50Z		10	K09A, K09B	5n22x.2†	06	G40Z, G48A, G48B, G48C
5n217.11†	06	G40Z, G46A, G46B, G46C, G47Z, G50Z	5n222.0†	06	G40Z, G48A, G48B, G48C	5n22x.4†	06	G40Z, G48A, G48B, G48C
5n217.12†	06	G40Z, G46A, G46B, G46C, G47Z, G50Z	5n222.1†	06	G40Z, G48A, G48B, G48C	5n22x.x†	06	G40Z, G48A, G48B, G48C
5n217.13†	06	G40Z, G46A, G46B, G46C, G47Z, G50Z	5n222.2†	06	G40Z, G48A, G48B, G48C	5n22x.0		BOP, KOP, KOPV, KVT, UOP4
5n217.1x†	06	G40Z, G46A, G46B, G46C, G47Z, G50Z	5n222.3†	06	G40Z, G48A, G48B, G48C		05	F36A, F36B
5n217.4†	06	G40Z, G46A, G46B, G46C, G47Z, G50Z	5n222.4†	06	G40Z, G48A, G48B		06	G01Z, G02Z, G15Z, G18A, G18B, G33Z, G38Z
5n217.5†	06	G40Z, G46A, G46B, G46C, G47Z, G50Z	5n222.5†	06	G40Z, G48A, G48B		07	H33Z, H38Z
5n219.0		BOP, KVT, UOP4	5n222.x†	06	G40Z, G48A, G48B, G48C		10	K09A, K09B
	06	G13Z, G21A, G21B	5n223.0		BOP, KVT, UOP4		11	L10Z, L33Z, L38Z
	16	Q03A, Q03B		06	G13Z, G21A, G21B		12	M37Z, M38Z
	17	R01A, R01B, R01C, R01D, R02Z, R12A, R12B, R12C		10	K09A, K09B		13	N01A, N01B, N01C, N01D, N01E, N34Z, N38Z
5n219.1†	06	G40Z, G46A, G46B, G46C, G47Z, G50Z	5n223.1		BOP, KVT, UOP4		14	O04A
5n219.2		BOP, KVT, UOP4		06	G13Z, G21A, G21B		17	R01A, R01B, R01C, R01D, R02Z, R12A, R12B, R12C
	06	G13Z, G21A, G21B		10	K09A, K09B		21A	W04A, W04B
	16	Q03A, Q03B		17	R01A, R01B, R01C, R01D, R02Z, R12A, R12B, R12C		21B	X06A, X06B, X33Z
	17	R01A, R01B, R01C, R01D, R02Z, R12A, R12B, R12C	5n223.2		BOP, KVT, UOP4		23	Z01A
5n219.4†	06	G40Z, G46A, G46B, G46C, G47Z, G50Z		06	G13Z, G21A, G21B		Pre	A07A, A11A, A13A, A13B, A13D
5n219.x†	06	G40Z, G46A, G46B, G46C, G47Z, G50Z		10	K09A, K09B	5n230.2		BOP, KOP, KOPV, KVT, UOP4
5n21a.0		BOP, KVT, UOP4		17	R01A, R01B, R01C, R01D, R02Z, R12A, R12B, R12C		05	F36A, F36B
	06	G13Z, G21A, G21B		06	G13Z, G21A, G21B		06	G01Z, G02Z, G15Z, G18A, G18B, G33Z, G38Z
	17	R01A, R01B, R01C, R01D, R02Z, R12A, R12B, R12C		10	K09A, K09B		07	H33Z, H38Z
5n21a.1†	06	G40Z, G46A, G46B, G46C, G47Z, G50Z	5n223.4		BOP, KVT, UOP4		10	K09A, K09B
5n21a.2		BOP, KVT, UOP4		06	G13Z, G21A, G21B		11	L10Z, L33Z, L38Z
	06	G13Z, G21A, G21B		10	K09A, K09B		12	M37Z, M38Z
	17	R01A, R01B, R01C, R01D, R02Z, R12A, R12B, R12C		17	R01A, R01B, R01C, R01D, R02Z, R12A, R12B, R12C		13	N01A, N01B, N01C, N01D, N01E, N34Z, N38Z
5n21a.4†	06	G40Z, G46A, G46B, G46C, G47Z, G50Z		06	G13Z, G21A, G21B		14	O04A
5n21a.x†	06	G40Z, G46A, G46B, G46C, G47Z, G50Z	5n224.0		BOP, KVT, UOP4		17	R01A, R01B, R01C, R01D, R02Z, R12A, R12B, R12C
				06	G13Z, G21A, G21B		21A	W04A, W04B
				10	K09A, K09B		21B	X06A, X06B, X33Z
				17	R01A, R01B, R01C, R01D, R02Z, R12A, R12B, R12C		23	Z01A
			5n224.1		BOP, KVT, UOP4		Pre	A07A, A11A, A13A, A13B, A13D
				06	G13Z, G21A, G21B			
				10	K09A, K09B			
				17	R01A, R01B, R01C, R01D, R02Z, R12A, R12B, R12C			

VYK

ZZV	MDC	DRG	ZZV	MDC	DRG	ZZV	MDC	DRG			
5n230.4		BOP, KOP, KOPV, KVT, UOP4	5n231.4		BOP, KOP, KOPV, KVT, UOP4	5n232.4		BOP, KOP, KOPV, KVT, UOP4			
	05	F36A, F36B		05	F36A, F36B		05	F36A, F36B			
	06	G01Z, G02Z, G15Z, G18A, G18B, G33Z, G38Z		06	G01Z, G02Z, G15Z, G18A, G18B, G33Z, G38Z		06	G01Z, G02Z, G15Z, G18A, G18B, G33Z, G38Z			
	07	H33Z, H38Z		07	H33Z, H38Z		07	H33Z, H38Z			
	10	K09A, K09B		10	K09A, K09B		10	K09A, K09B			
	11	L10Z, L33Z, L38Z		11	L10Z, L33Z, L38Z		11	L10Z, L33Z, L38Z			
	12	M37Z, M38Z		12	M37Z, M38Z		12	M37Z, M38Z			
	13	N01A, N01B, N01C, N01D, N01E, N34Z, N38Z		13	N01A, N01B, N01C, N01D, N01E, N34Z, N38Z		13	N01A, N01B, N01C, N01D, N01E, N34Z, N38Z			
	14	O04A		14	O04A		14	O04A			
	17	R01A, R01B, R01C, R01D, R02Z, R12A, R12B, R12C		17	R01A, R01B, R01C, R01D, R02Z, R12A, R12B, R12C		17	R01A, R01B, R01C, R01D, R02Z, R12A, R12B, R12C			
	21A	W04A, W04B		21A	W04A, W04B		21A	W04A, W04B			
	21B	X06A, X06B, X33Z		21B	X06A, X06B, X33Z		21B	X06A, X06B, X33Z			
	23	Z01A		23	Z01A		23	Z01A			
	Pre	A07A, A11A, A13A, A13B, A13D		Pre	A07A, A11A, A13A, A13B, A13D		Pre	A07A, A11A, A13A, A13B, A13D			
	5n231.0			BOP, KOP, KOPV, KVT, UOP4	5n232.0			BOP, KOP, KOPV, KVT, UOP4	5n233.0		BOP, KOP, KOPV, KVT, UOP4
		05		F36A, F36B			05	F36A, F36B		05	F36A, F36B
06		G01Z, G02Z, G15Z, G18A, G18B, G33Z, G38Z	06	G01Z, G02Z, G15Z, G18A, G18B, G33Z, G38Z		06	G01Z, G02Z, G03A, G15Z, G33Z, G38Z				
07		H33Z, H38Z	07	H33Z, H38Z		07	H33Z, H38Z				
10		K09A, K09B	10	K09A, K09B		10	K09A, K09B				
11		L10Z, L33Z, L38Z	11	L10Z, L33Z, L38Z		11	L10Z, L33Z, L38Z				
12		M37Z, M38Z	12	M37Z, M38Z		12	M37Z, M38Z				
13		N01A, N01B, N01C, N01D, N01E, N34Z, N38Z	13	N01A, N01B, N01C, N01D, N01E, N34Z, N38Z		13	N01A, N01B, N01C, N01D, N01E, N34Z, N38Z				
14		O04A	14	O04A		14	O04A				
17		R01A, R01B, R01C, R01D, R02Z, R12A, R12B, R12C	17	R01A, R01B, R01C, R01D, R02Z, R12A, R12B, R12C		17	R01A, R01B, R01C, R01D, R02Z, R12A, R12B, R12C				
21A		W01A, W01B, W01C, W02A, W02B, W04A, W04B	21A	W01A, W01B, W01C, W02A, W02B, W04A, W04B		21A	W01A, W01B, W01C, W02A, W02B, W04A, W04B				
21B		X06A, X06B, X33Z	21B	X06A, X06B, X33Z		21B	X06A, X06B, X33Z				
23		Z01A	23	Z01A		23	Z01A				
Pre		A07A, A11A, A13A, A13B, A13D	Pre	A07A, A11A, A13A, A13B, A13D		Pre	A07A, A11A, A13A, A13B, A13D				
5n231.2			BOP, KOP, KOPV, KVT, UOP4	5n232.2			BOP, KOP, KOPV, KVT, UOP4	5n233.2			BOP, KOP, KOPV, KVT, UOP4
		05	F36A, F36B			05	F36A, F36B			05	F36A, F36B
	06	G01Z, G02Z, G15Z, G18A, G18B, G33Z, G38Z	06		G01Z, G02Z, G15Z, G18A, G18B, G33Z, G38Z	06	G01Z, G02Z, G15Z, G33Z, G38Z				
	07	H33Z, H38Z	07		H33Z, H38Z	07	H33Z, H38Z				
	10	K09A, K09B	10		K09A, K09B	10	K09A, K09B				
	11	L10Z, L33Z, L38Z	11		L10Z, L33Z, L38Z	11	L10Z, L33Z, L38Z				
	12	M37Z, M38Z	12		M37Z, M38Z	12	M37Z, M38Z				
	13	N01A, N01B, N01C, N01D, N01E, N34Z, N38Z	13		N01A, N01B, N01C, N01D, N01E, N34Z, N38Z	13	N01A, N01B, N01C, N01D, N01E, N34Z, N38Z				
	14	O04A	14		O04A	14	O04A				
	17	R01A, R01B, R01C, R01D, R02Z, R12A, R12B, R12C	17		R01A, R01B, R01C, R01D, R02Z, R12A, R12B, R12C	17	R01A, R01B, R01C, R01D, R02Z, R12A, R12B, R12C				
	21A	W04A, W04B	21A		W04A, W04B	21A	W04A, W04B				
	21B	X06A, X06B, X33Z	21B		X06A, X06B, X33Z	21B	X06A, X06B, X33Z				
	23	Z01A	23		Z01A	23	Z01A				
	Pre	A07A, A11A, A13A, A13B, A13D	Pre		A07A, A11A, A13A, A13B, A13D	Pre	A07A, A11A, A13A, A13B, A13D				

VYK

ZZV	MDC	DRG	ZZV	MDC	DRG	ZZV	MDC	DRG			
5n233.4		BOP, KOP, KOPV, KVT, UOP4	5n234.4		BOP, KOP, KOPV, KVT, UOP4	5n235.4		BOP, KOP, KOPV, KVT, UOP4			
	05	F36A, F36B		05	F36A, F36B		05	F36A, F36B			
	06	G01Z, G02Z, G15Z, G33Z, G38Z		06	G01Z, G02Z, G15Z, G18A, G18B, G33Z, G38Z		06	G01Z, G02Z, G15Z, G18A, G18B, G33Z, G38Z			
	07	H33Z, H38Z		07	H33Z, H38Z		07	H33Z, H38Z			
	10	K09A, K09B		10	K09A, K09B		10	K09A, K09B			
	11	L10Z, L33Z, L38Z		11	L10Z, L33Z, L38Z		11	L10Z, L33Z, L38Z			
	12	M37Z, M38Z		12	M37Z, M38Z		12	M37Z, M38Z			
	13	N01A, N01B, N01C, N01D, N01E, N34Z, N38Z		13	N01A, N01B, N01C, N01D, N01E, N34Z, N38Z		13	N01A, N01B, N01C, N01D, N01E, N34Z, N38Z			
	14	O04A		14	O04A		14	O04A			
	17	R01A, R01B, R01C, R01D, R02Z, R12A, R12B, R12C		17	R01A, R01B, R01C, R01D, R02Z, R12A, R12B, R12C		17	R01A, R01B, R01C, R01D, R02Z, R12A, R12B, R12C			
	21A	W04A, W04B		21A	W04A, W04B		21A	W04A, W04B			
	21B	X06A, X06B, X33Z		21B	X06A, X06B, X33Z		21B	X06A, X06B, X33Z			
	23	Z01A		23	Z01A		23	Z01A			
	Pre	A07A, A11A, A13A, A13B, A13D		Pre	A07A, A11A, A13A, A13B, A13D		Pre	A07A, A11A, A13A, A13B, A13D			
	5n234.0			BOP, KOP, KOPV, KVT, UOP4	5n235.0			BOP, KOP, KOPV, KVT, UOP4	5n236.0		BOP, KOP, KOPV, KVT, UOP4
		05		F36A, F36B			05	F36A, F36B		05	F36A, F36B
		06		G01Z, G02Z, G15Z, G18A, G18B, G33Z, G38Z			06	G01Z, G02Z, G15Z, G18A, G18B, G33Z, G38Z		06	G01Z, G02Z, G15Z, G18A, G18B, G33Z, G38Z
07		H33Z, H38Z	07	H33Z, H38Z		07	H33Z, H38Z				
10		K09A, K09B	10	K09A, K09B		10	K09A, K09B				
11		L10Z, L33Z, L38Z	11	L10Z, L33Z, L38Z		11	L10Z, L33Z, L38Z				
12		M37Z, M38Z	12	M37Z, M38Z		12	M37Z, M38Z				
13		N01A, N01B, N01C, N01D, N01E, N34Z, N38Z	13	N01A, N01B, N01C, N01D, N01E, N34Z, N38Z		13	N01A, N01B, N01C, N01D, N01E, N34Z, N38Z				
14		O04A	14	O04A		14	O04A				
17		R01A, R01B, R01C, R01D, R02Z, R12A, R12B, R12C	17	R01A, R01B, R01C, R01D, R02Z, R12A, R12B, R12C		17	R01A, R01B, R01C, R01D, R02Z, R12A, R12B, R12C				
21A		W04A, W04B	21A	W04A, W04B		21A	W04A, W04B				
21B		X06A, X06B, X33Z	21B	X06A, X06B, X33Z		21B	X06A, X06B, X33Z				
23		Z01A	23	Z01A		23	Z01A				
Pre		A07A, A11A, A13A, A13B, A13D	Pre	A07A, A11A, A13A, A13B, A13D		Pre	A07A, A11A, A13A, A13B, A13D				
5n234.2			BOP, KOP, KOPV, KVT, UOP4	5n235.2			BOP, KOP, KOPV, KVT, UOP4	5n236.2			BOP, KOP, KOPV, KVT, UOP4
		05	F36A, F36B			05	F36A, F36B			05	F36A, F36B
		06	G01Z, G02Z, G15Z, G18A, G18B, G33Z, G38Z			06	G01Z, G02Z, G15Z, G18A, G18B, G33Z, G38Z			06	G01Z, G02Z, G15Z, G18A, G18B, G33Z, G38Z
	07	H33Z, H38Z	07		H33Z, H38Z	07	H33Z, H38Z				
	10	K09A, K09B	10		K09A, K09B	10	K09A, K09B				
	11	L10Z, L33Z, L38Z	11		L10Z, L33Z, L38Z	11	L10Z, L33Z, L38Z				
	12	M37Z, M38Z	12		M37Z, M38Z	12	M37Z, M38Z				
	13	N01A, N01B, N01C, N01D, N01E, N34Z, N38Z	13		N01A, N01B, N01C, N01D, N01E, N34Z, N38Z	13	N01A, N01B, N01C, N01D, N01E, N34Z, N38Z				
	14	O04A	14		O04A	14	O04A				
	17	R01A, R01B, R01C, R01D, R02Z, R12A, R12B, R12C	17		R01A, R01B, R01C, R01D, R02Z, R12A, R12B, R12C	17	R01A, R01B, R01C, R01D, R02Z, R12A, R12B, R12C				
	21A	W04A, W04B	21A		W04A, W04B	21A	W04A, W04B				
	21B	X06A, X06B, X33Z	21B		X06A, X06B, X33Z	21B	X06A, X06B, X33Z				
	23	Z01A	23		Z01A	23	Z01A				
	Pre	A07A, A11A, A13A, A13B, A13D	Pre		A07A, A11A, A13A, A13B, A13D	Pre	A07A, A11A, A13A, A13B, A13D				

VYK

ZZV	MDC	DRG	ZZV	MDC	DRG	ZZV	MDC	DRG			
5n236.4		BOP, KOP, KOPV, KVT, UOP4	5n240.02		BOP, KOP, KOPV, KVT, UOP4	5n240.21		BOP, KOP, KOPV, KVT, UOP4			
	05	F36A, F36B		05	F36A, F36B		05	F36A, F36B			
	06	G01Z, G02Z, G15Z, G18A, G18B, G33Z, G38Z		06	G01Z, G02Z, G15Z, G18A, G18B, G33Z, G38Z		06	G01Z, G02Z, G15Z, G18A, G18B, G33Z, G38Z			
	07	H33Z, H38Z		07	H33Z, H38Z		07	H33Z, H38Z			
	10	K09A, K09B		10	K09A, K09B		10	K09A, K09B			
	11	L10Z, L33Z, L38Z		11	L10Z, L33Z, L38Z		11	L10Z, L33Z, L38Z			
	12	M37Z, M38Z		12	M37Z, M38Z		12	M37Z, M38Z			
	13	N01A, N01B, N01C, N01D, N01E, N34Z, N38Z		13	N01A, N01B, N01C, N01D, N01E, N34Z, N38Z		13	N01A, N01B, N01C, N01D, N01E, N34Z, N38Z			
	17	R01A, R01B, R01C, R01D, R02Z, R12A, R12B, R12C		17	R01A, R01B, R01C, R01D, R02Z, R12A, R12B, R12C		17	R01A, R01B, R01C, R01D, R02Z, R12A, R12B, R12C			
	21A	W04A, W04B		21A	W04A, W04B		21A	W04A, W04B			
	21B	X06A, X06B, X33Z		21B	X06A, X06B, X33Z		21B	X06A, X06B, X33Z			
	23	Z01A		23	Z01A		23	Z01A			
	Pre	A07A, A11A, A13A, A13B, A13D		Pre	A07A, A11A, A13A, A13B, A13D		Pre	A07A, A11A, A13A, A13B, A13D			
	5n238			BOP, KOP, KOPV, KVT, UOP4	5n240.03			BOP, KOP, KOPV, KVT, UOP4	5n240.25		BOP, KOP, KOPV, KVT, UOP4
		05		F36A, F36B			05	F36A, F36B		05	F36A, F36B
06		G01Z, G02Z, G15Z, G18A, G18B, G33Z, G38Z	06	G01Z, G02Z, G15Z, G18A, G18B, G33Z, G38Z		06	G01Z, G02Z, G15Z, G18A, G18B, G33Z, G38Z				
07		H33Z, H38Z	07	H33Z, H38Z		07	H33Z, H38Z				
10		K09A, K09B	10	K09A, K09B		10	K09A, K09B				
11		L10Z, L33Z, L38Z	11	L10Z, L33Z, L38Z		11	L10Z, L33Z, L38Z				
12		M37Z, M38Z	12	M37Z, M38Z		12	M37Z, M38Z				
13		N01A, N01B, N01C, N01D, N01E, N34Z, N38Z	13	N01A, N01B, N01C, N01D, N01E, N34Z, N38Z		13	N01A, N01B, N01C, N01D, N01E, N34Z, N38Z				
17		R01A, R01B, R01C, R01D, R02Z, R12A, R12B, R12C	17	R01A, R01B, R01C, R01D, R02Z, R12A, R12B, R12C		17	R01A, R01B, R01C, R01D, R02Z, R12A, R12B, R12C				
21A		W04A, W04B	21A	W04A, W04B		21A	W04A, W04B				
21B		X06A, X06B, X33Z	21B	X06A, X06B, X33Z		21B	X06A, X06B, X33Z				
23		Z01A	23	Z01A		23	Z01A				
Pre		A07A	Pre	A07A, A11A, A13A, A13B, A13D		Pre	A07A, A11A, A13A, A13B, A13D				
5n23x			BOP, KOP, KOPV, KVT, UOP4	5n240.04			BOP, KOP, KOPV, KVT, UOP4	5n240.4			BOP, KOP, KOPV, KVT, UOP4
		05	F36A, F36B			05	F36A, F36B			05	F36A, F36B
	06	G01Z, G02Z, G15Z, G18A, G18B, G33Z, G38Z	06		G01Z, G02Z, G15Z, G18A, G18B, G33Z, G38Z	06	G01Z, G02Z, G15Z, G18A, G18B, G33Z, G38Z				
	07	H33Z, H38Z	07		H33Z, H38Z	07	H33Z, H38Z				
	10	K09A, K09B	10		K09A, K09B	10	K09A, K09B				
	11	L33Z	11		L10Z, L33Z, L38Z	11	L10Z, L33Z, L38Z				
	17	R01A, R01B, R01C, R01D, R02Z, R12A, R12B, R12C	12		M37Z, M38Z	12	M37Z, M38Z				
	21A	W04A, W04B	13		N01A, N01B, N01C, N01D, N01E, N34Z, N38Z	13	N01A, N01B, N01C, N01D, N01E, N34Z, N38Z				
	21B	X06A, X06B	17		R01A, R01B, R01C, R01D, R02Z, R12A, R12B, R12C	17	R01A, R01B, R01C, R01D, R02Z, R12A, R12B, R12C				
	23	Z01A	21A		W04A, W04B	21A	W04A, W04B				
	Pre	A07A, A11A, A13A, A13B, A13D	21B		X06A, X06B, X33Z	21B	X06A, X06B, X33Z				
	5n240.01		BOP, KOP, KOPV, KVT, UOP4								
		05	F36A, F36B								
		06	G01Z, G02Z, G15Z, G18A, G18B, G33Z, G38Z								
		07	H33Z, H38Z								
10		K09A, K09B									
11		L10Z, L33Z, L38Z									
12		M37Z, M38Z									
13		N01A, N01B, N01C, N01D, N01E, N34Z, N38Z									
17		R01A, R01B, R01C, R01D, R02Z, R12A, R12B, R12C									
21A		W04A, W04B									
21B		X06A, X06B, X33Z									
23		Z01A									
Pre		A07A, A11A, A13A, A13B, A13D									

VYK

ZZV	MDC	DRG	ZZV	MDC	DRG	ZZV	MDC	DRG				
5n240.x		BOP, KOP, KOPV, KVT, UOP4	5n241.04		BOP, KOP, KOPV, KVT, UOP4	5n241.x		BOP, KOP, KOPV, KVT, UOP4				
	05	F36A, F36B		05	F36A, F36B		05	F36A, F36B				
	06	G01Z, G02Z, G15Z, G18A, G18B, G33Z, G38Z		06	G01Z, G02Z, G15Z, G33Z, G38Z		06	G01Z, G02Z, G15Z, G33Z, G38Z				
	07	H33Z, H38Z		07	H33Z, H38Z		07	H33Z, H38Z				
	10	K09A, K09B		10	K09A, K09B		10	K09A, K09B				
	11	L10Z, L33Z, L38Z		11	L10Z, L33Z, L38Z		11	L10Z, L33Z, L38Z				
	12	M37Z, M38Z		12	M37Z, M38Z		12	M37Z, M38Z				
	13	N01A, N01B, N01C, N01D, N01E, N34Z, N38Z		13	N01A, N01B, N01C, N01D, N01E, N34Z, N38Z		13	N01A, N01B, N01C, N01D, N01E, N34Z, N38Z				
	17	R01A, R01B, R01C, R01D, R02Z, R12A, R12B, R12C		17	R01A, R01B, R01C, R01D, R02Z, R12A, R12B, R12C		17	R01A, R01B, R01C, R01D, R02Z, R12A, R12B, R12C				
	21A	W04A, W04B		21A	W04A, W04B		21A	W04A, W04B				
	21B	X06A, X06B, X33Z		21B	X06A, X06B, X33Z		21B	X06A, X06B, X33Z				
	23	Z01A		23	Z01A		23	Z01A				
	Pre	A07A, A11A, A13A, A13B, A13D		Pre	A07A		Pre	A07A				
	5n241.01			BOP, KOP, KOPV, KVT, UOP4	5n241.21			BOP, KOP, KOPV, KVT, UOP4	5n242.01		BOP, KVT, UOP4	
		05		F36A, F36B			05	F36A, F36B		06	G01Z, G02Z, G15Z, G18A, G18B, G38Z	
		06		G01Z, G02Z, G03A, G15Z, G33Z, G38Z			06	G01Z, G02Z, G15Z, G33Z, G38Z		10	K09A, K09B	
		07		H33Z, H38Z			07	H33Z, H38Z		11	L10Z, L38Z	
10		K09A, K09B	10	K09A, K09B		12	M37Z, M38Z					
11		L10Z, L33Z, L38Z	11	L10Z, L33Z, L38Z		13	N01A, N01B, N01C, N01D, N01E, N34Z, N38Z					
12		M37Z, M38Z	12	M37Z, M38Z		17	R01A, R01B, R01C, R01D, R02Z, R12A, R12B, R12C					
13		N01A, N01B, N01C, N01D, N01E, N34Z, N38Z	13	N01A, N01B, N01C, N01D, N01E, N34Z, N38Z		21A	W04A, W04B					
17		R01A, R01B, R01C, R01D, R02Z, R12A, R12B, R12C	17	R01A, R01B, R01C, R01D, R02Z, R12A, R12B, R12C		21B	X06A, X06B					
21A		W04A, W04B	21A	W04A, W04B		Pre	A11A, A13A, A13B, A13D					
21B		X06A, X06B, X33Z	21B	X06A, X06B, X33Z			BOP, KVT, UOP4					
23		Z01A	23	Z01A		06	G01Z, G02Z, G15Z, G18A, G18B, G38Z					
Pre		A07A	Pre	A07A		10	K09A, K09B					
5n241.02			BOP, KOP, KOPV, KVT, UOP4	5n241.25			BOP, KOP, KOPV, KVT, UOP4	5n242.02			G01Z, G02Z, G15Z, G18A, G18B, G38Z	
		05	F36A, F36B			05	F36A, F36B			10	K09A, K09B	
		06	G01Z, G02Z, G15Z, G33Z, G38Z			06	G01Z, G02Z, G15Z, G33Z, G38Z			11	L10Z, L38Z	
		07	H33Z, H38Z			07	H33Z, H38Z			12	M37Z, M38Z	
	10	K09A, K09B	10		K09A, K09B	13	N01A, N01B, N01C, N01D, N01E, N34Z, N38Z					
	11	L10Z, L33Z, L38Z	11		L10Z, L33Z, L38Z	17	R01A, R01B, R01C, R01D, R02Z, R12A, R12B, R12C					
	12	M37Z, M38Z	12		M37Z, M38Z	21A	W04A, W04B					
	13	N01A, N01B, N01C, N01D, N01E, N34Z, N38Z	13		N01A, N01B, N01C, N01D, N01E, N34Z, N38Z	21B	X06A, X06B					
	17	R01A, R01B, R01C, R01D, R02Z, R12A, R12B, R12C	17		R01A, R01B, R01C, R01D, R02Z, R12A, R12B, R12C	Pre	A11A, A13A, A13B, A13D					
	21A	W04A, W04B	21A		W04A, W04B		BOP, KVT, UOP4					
	21B	X06A, X06B, X33Z	21B		X06A, X06B, X33Z	06	G01Z, G02Z, G15Z, G18A, G18B, G38Z					
	23	Z01A	23		Z01A	10	K09A, K09B					
	Pre	A07A	Pre		A07A	11	L10Z, L38Z					
	5n241.03		BOP, KOP, KOPV, KVT, UOP4		5n241.4		BOP, KOP, KOPV, KVT, UOP4		5n242.03		M37Z, M38Z	
		05	F36A, F36B			05	F36A, F36B			13	N01A, N01B, N01C, N01D, N01E, N34Z, N38Z	
		06	G01Z, G02Z, G15Z, G33Z, G38Z			06	G01Z, G02Z, G15Z, G33Z, G38Z			17	R01A, R01B, R01C, R01D, R02Z, R12A, R12B, R12C	
		07	H33Z, H38Z			07	H33Z, H38Z			21A	W04A, W04B	
10		K09A, K09B	10	K09A, K09B		21B	X06A, X06B					
11		L10Z, L33Z, L38Z	11	L10Z, L33Z, L38Z		Pre	A11A, A13A, A13B, A13D					
12		M37Z, M38Z	12	M37Z, M38Z			BOP, KVT, UOP4					
13		N01A, N01B, N01C, N01D, N01E, N34Z, N38Z	13	N01A, N01B, N01C, N01D, N01E, N34Z, N38Z		06	G01Z, G02Z, G15Z, G18A, G18B, G38Z					
17		R01A, R01B, R01C, R01D, R02Z, R12A, R12B, R12C	17	R01A, R01B, R01C, R01D, R02Z, R12A, R12B, R12C		10	K09A, K09B					
21A		W04A, W04B	21A	W04A, W04B		11	L10Z, L38Z					
21B		X06A, X06B, X33Z	21B	X06A, X06B, X33Z		12	M37Z, M38Z					
23		Z01A	23	Z01A		13	N01A, N01B, N01C, N01D, N01E, N34Z, N38Z					
Pre		A07A	Pre	A07A		17	R01A, R01B, R01C, R01D, R02Z, R12A, R12B, R12C					
5n241.04			BOP, KOP, KOPV, KVT, UOP4	5n241.4			BOP, KOP, KOPV, KVT, UOP4	5n242.04			21A	W04A, W04B
		05	F36A, F36B			05	F36A, F36B			21B	X06A, X06B	
		06	G01Z, G02Z, G15Z, G33Z, G38Z			06	G01Z, G02Z, G15Z, G33Z, G38Z			Pre	A11A, A13A, A13B, A13D	
		07	H33Z, H38Z			07	H33Z, H38Z				BOP, KVT, UOP4	
	10	K09A, K09B	10		K09A, K09B	06	G01Z, G02Z, G15Z, G18A, G18B, G38Z					
	11	L10Z, L33Z, L38Z	11		L10Z, L33Z, L38Z	10	K09A, K09B					
	12	M37Z, M38Z	12		M37Z, M38Z	11	L10Z, L38Z					
	13	N01A, N01B, N01C, N01D, N01E, N34Z, N38Z	13		N01A, N01B, N01C, N01D, N01E, N34Z, N38Z	12	M37Z, M38Z					
	17	R01A, R01B, R01C, R01D, R02Z, R12A, R12B, R12C	17		R01A, R01B, R01C, R01D, R02Z, R12A, R12B, R12C	13	N01A, N01B, N01C, N01D, N01E, N34Z, N38Z					
	21A	W04A, W04B	21A		W04A, W04B	17	R01A, R01B, R01C, R01D, R02Z, R12A, R12B, R12C					
	21B	X06A, X06B, X33Z	21B		X06A, X06B, X33Z	21A	W04A, W04B					
	23	Z01A	23		Z01A	21B	X06A, X06B					
	Pre	A07A	Pre		A07A	Pre	A11A, A13A, A13B, A13D					

VYK

ZZV	MDC	DRG	ZZV	MDC	DRG	ZZV	MDC	DRG
5n242.21		BOP, KVT, UOP4	5n243.2		BOP, KVT, UOP4	5n244.03		BOP, KOP, KOPV, KVT, UOP4
	06	G01Z, G02Z, G15Z, G18A, G18B, G38Z		06	G01Z, G02Z, G15Z, G18A, G18B, G18C, G38Z		05	F36A, F36B
	10	K09A, K09B		10	K09A, K09B		06	G01Z, G02Z, G15Z, G18A, G18B, G33Z, G38Z
	11	L10Z, L38Z		11	L10Z, L38Z		07	H33Z, H38Z
	12	M37Z, M38Z		12	M37Z, M38Z		11	L10Z, L33Z, L38Z
	13	N01A, N01B, N01C, N01D, N01E, N34Z, N38Z		13	N01A, N01B, N01C, N01D, N01E, N34Z, N38Z		12	M37Z, M38Z
	17	R01A, R01B, R01C, R01D, R02Z, R12A, R12B, R12C		17	R01A, R01B, R01C, R01D, R02Z, R12A, R12B, R12C		13	N01A, N01B, N01C, N01D, N01E, N34Z, N38Z
	21A	W04A, W04B		21A	W04A, W04B		17	R01A, R01B, R01C, R01D, R02Z, R12A, R12B, R12C
	21B	X06A, X06B		21B	X06A, X06B		21A	W04A, W04B
	Pre	A11A, A13A, A13B, A13D		Pre	A11A, A13A, A13B, A13D		21B	X06A, X06B, X33Z
	5n242.25			BOP, KVT, UOP4	5n243.4			BOP, KVT, UOP4
06		G01Z, G02Z, G15Z, G18A, G18B, G38Z	06	G01Z, G02Z, G15Z, G18A, G18B, G18C, G38Z		05	F36A, F36B	
10		K09A, K09B	10	K09A, K09B		06	G01Z, G02Z, G15Z, G18A, G18B, G33Z, G38Z	
11		L10Z, L38Z	11	L10Z, L38Z		07	H33Z, H38Z	
12		M37Z, M38Z	12	M37Z, M38Z		11	L10Z, L33Z, L38Z	
13		N01A, N01B, N01C, N01D, N01E, N34Z, N38Z	13	N01A, N01B, N01C, N01D, N01E, N34Z, N38Z		12	M37Z, M38Z	
17		R01A, R01B, R01C, R01D, R02Z, R12A, R12B, R12C	17	R01A, R01B, R01C, R01D, R02Z, R12A, R12B, R12C		13	N01A, N01B, N01C, N01D, N01E, N34Z, N38Z	
21A		W04A, W04B	21A	W04A, W04B		17	R01A, R01B, R01C, R01D, R02Z, R12A, R12B, R12C	
21B		X06A, X06B	21B	X06A, X06B		21A	W04A, W04B	
Pre		A11A, A13A, A13B, A13D	Pre	A11A, A13A, A13B, A13D		21B	X06A, X06B, X33Z	
5n242.4			BOP, KVT, UOP4	5n244.01			BOP, KOP, KOPV, KVT, UOP4	5n244.21
	06	G01Z, G02Z, G15Z, G18A, G18B, G38Z	05		F36A, F36B	05	F36A, F36B	
	10	K09A, K09B	06		G01Z, G02Z, G03A, G15Z, G18A, G18B, G33Z, G38Z	06	G01Z, G02Z, G15Z, G18A, G18B, G33Z, G38Z	
	11	L10Z, L38Z	07		H33Z, H38Z	07	H33Z, H38Z	
	12	M37Z, M38Z	11		L10Z, L33Z, L38Z	11	L10Z, L33Z, L38Z	
	13	N01A, N01B, N01C, N01D, N01E, N34Z, N38Z	12		M37Z, M38Z	12	M37Z, M38Z	
	17	R01A, R01B, R01C, R01D, R02Z, R12A, R12B, R12C	13		N01A, N01B, N01C, N01D, N01E, N34Z, N38Z	13	N01A, N01B, N01C, N01D, N01E, N34Z, N38Z	
	21A	W04A, W04B	17		R01A, R01B, R01C, R01D, R02Z, R12A, R12B, R12C	17	R01A, R01B, R01C, R01D, R02Z, R12A, R12B, R12C	
	21B	X06A, X06B	21A		W04A, W04B	21A	W04A, W04B	
	Pre	A11A, A13A, A13B, A13D	21B		X06A, X06B, X33Z	21B	X06A, X06B, X33Z	
	5n242.x		BOP, KVT, UOP4		5n244.02		BOP, KOP, KOPV, KVT, UOP4	
06		G01Z, G02Z, G15Z, G18A, G18B, G38Z	05	F36A, F36B		05	F36A, F36B	
10		K09A, K09B	06	G01Z, G02Z, G15Z, G18A, G18B, G33Z, G38Z		06	G01Z, G02Z, G15Z, G18A, G18B, G33Z, G38Z	
11		L10Z, L38Z	07	H33Z, H38Z		07	H33Z, H38Z	
12		M37Z, M38Z	11	L10Z, L33Z, L38Z		11	L10Z, L33Z, L38Z	
13		N01A, N01B, N01C, N01D, N01E, N34Z, N38Z	12	M37Z, M38Z		12	M37Z, M38Z	
17		R01A, R01B, R01C, R01D, R02Z, R12A, R12B, R12C	13	N01A, N01B, N01C, N01D, N01E, N34Z, N38Z		13	N01A, N01B, N01C, N01D, N01E, N34Z, N38Z	
21A		W04A, W04B	17	R01A, R01B, R01C, R01D, R02Z, R12A, R12B, R12C		17	R01A, R01B, R01C, R01D, R02Z, R12A, R12B, R12C	
21B		X06A, X06B	21A	W04A, W04B		21A	W04A, W04B	
Pre		A11A, A13A, A13B, A13D	21B	X06A, X06B, X33Z		21B	X06A, X06B, X33Z	
5n243.0			BOP, KVT, UOP4	5n244.02			BOP, KOP, KOPV, KVT, UOP4	5n244.25
	06	G01Z, G02Z, G15Z, G18A, G18B, G18C, G38Z	05		F36A, F36B	05	F36A, F36B	
	10	K09A, K09B	06		G01Z, G02Z, G15Z, G18A, G18B, G33Z, G38Z	06	G01Z, G02Z, G15Z, G18A, G18B, G33Z, G38Z	
	11	L10Z, L38Z	07		H33Z, H38Z	07	H33Z, H38Z	
	12	M37Z, M38Z	11		L10Z, L33Z, L38Z	11	L10Z, L33Z, L38Z	
	13	N01A, N01B, N01C, N01D, N01E, N34Z, N38Z	12		M37Z, M38Z	12	M37Z, M38Z	
	17	R01A, R01B, R01C, R01D, R02Z, R12A, R12B, R12C	13		N01A, N01B, N01C, N01D, N01E, N34Z, N38Z	13	N01A, N01B, N01C, N01D, N01E, N34Z, N38Z	
	21A	W04A, W04B	17		R01A, R01B, R01C, R01D, R02Z, R12A, R12B, R12C	17	R01A, R01B, R01C, R01D, R02Z, R12A, R12B, R12C	
	21B	X06A, X06B	21A		W04A, W04B	21A	W04A, W04B	
	Pre	A11A, A13A, A13B, A13D	21B		X06A, X06B, X33Z	21B	X06A, X06B, X33Z	
			23		Z01A	23	Z01A	
		Pre	A07A, A11A, A13A, A13B, A13D	Pre	A07A, A11A, A13A, A13B, A13D			

VYK

ZZV	MDC	DRG	ZZV	MDC	DRG	ZZV	MDC	DRG
5n244.4		BOP, KOP, KOPV, KVT, UOP4	5n245.03		BOP, KOP, KOPV, KVT, UOP4	5n245.25		BOP, KOP, KOPV, KVT, UOP4
	05	F36A, F36B		05	F36A, F36B		05	F36A, F36B
	06	G01Z, G02Z, G15Z, G18A, G18B, G33Z, G38Z		06	G01Z, G02Z, G15Z, G33Z, G38Z		06	G01Z, G02Z, G15Z, G33Z, G38Z
	07	H33Z, H38Z		07	H33Z, H38Z		07	H33Z, H38Z
	11	L10Z, L33Z, L38Z		10	K09A, K09B		10	K09A, K09B
	12	M37Z, M38Z		11	L10Z, L33Z, L38Z		11	L10Z, L33Z, L38Z
	13	N01A, N01B, N01C, N01D, N01E, N34Z, N38Z		12	M37Z, M38Z		12	M37Z, M38Z
	17	R01A, R01B, R01C, R01D, R02Z, R12A, R12B, R12C		13	N01A, N01B, N01C, N01D, N01E, N34Z, N38Z		13	N01A, N01B, N01C, N01D, N01E, N34Z, N38Z
	21A	W04A, W04B		17	R01A, R01B, R01C, R01D, R02Z, R12A, R12B, R12C		17	R01A, R01B, R01C, R01D, R02Z, R12A, R12B, R12C
	21B	X06A, X06B, X33Z		21A	W04A, W04B		21A	W04A, W04B
	23	Z01A		21B	X06A, X06B, X33Z		21B	X06A, X06B, X33Z
	Pre	A07A, A11A, A13A, A13B, A13D		23	Z01A		23	Z01A
				Pre	A07A, A11A, A13A, A13B, A13D		Pre	A07A, A11A, A13A, A13B, A13D
	5n244.x			BOP, KOP, KOPV, KVT, UOP4	5n245.04			BOP, KOP, KOPV, KVT, UOP4
05		F36A, F36B	05	F36A, F36B		05	F36A, F36B	
06		G01Z, G02Z, G15Z, G18A, G18B, G33Z, G38Z	06	G01Z, G02Z, G15Z, G33Z, G38Z		06	G01Z, G02Z, G15Z, G33Z, G38Z	
07		H33Z, H38Z	07	H33Z, H38Z		07	H33Z, H38Z	
11		L10Z, L33Z, L38Z	10	K09A, K09B		10	K09A, K09B	
12		M37Z, M38Z	11	L10Z, L33Z, L38Z		11	L10Z, L33Z, L38Z	
13		N01A, N01B, N01C, N01D, N01E, N34Z, N38Z	12	M37Z, M38Z		12	M37Z, M38Z	
17		R01A, R01B, R01C, R01D, R02Z, R12A, R12B, R12C	13	N01A, N01B, N01C, N01D, N01E, N34Z, N38Z		13	N01A, N01B, N01C, N01D, N01E, N34Z, N38Z	
21A		W04A, W04B	17	R01A, R01B, R01C, R01D, R02Z, R12A, R12B, R12C		17	R01A, R01B, R01C, R01D, R02Z, R12A, R12B, R12C	
21B		X06A, X06B, X33Z	21A	W04A, W04B		21A	W04A, W04B	
23		Z01A	21B	X06A, X06B, X33Z		21B	X06A, X06B, X33Z	
Pre		A07A, A11A, A13A, A13B, A13D	23	Z01A		23	Z01A	
			Pre	A07A, A11A, A13A, A13B, A13D		Pre	A07A, A11A, A13A, A13B, A13D	
5n245.01			BOP, KOP, KOPV, KVT, UOP4	5n245.21			BOP, KOP, KOPV, KVT, UOP4	5n245.x
	05	F36A, F36B	05		F36A, F36B	05	F36A, F36B	
	06	G01Z, G02Z, G15Z, G33Z, G38Z	06		G01Z, G02Z, G15Z, G33Z, G38Z	06	G01Z, G02Z, G15Z, G33Z, G38Z	
	07	H33Z, H38Z	07		H33Z, H38Z	07	H33Z, H38Z	
	10	K09A, K09B	10		K09A, K09B	10	K09A, K09B	
	11	L10Z, L33Z, L38Z	11		L10Z, L33Z, L38Z	11	L10Z, L33Z, L38Z	
	12	M37Z, M38Z	12		M37Z, M38Z	12	M37Z, M38Z	
	13	N01A, N01B, N01C, N01D, N01E, N34Z, N38Z	13		N01A, N01B, N01C, N01D, N01E, N34Z, N38Z	13	N01A, N01B, N01C, N01D, N01E, N34Z, N38Z	
	17	R01A, R01B, R01C, R01D, R02Z, R12A, R12B, R12C	17		R01A, R01B, R01C, R01D, R02Z, R12A, R12B, R12C	17	R01A, R01B, R01C, R01D, R02Z, R12A, R12B, R12C	
	21A	W04A, W04B	21A		W04A, W04B	21A	W04A, W04B	
	21B	X06A, X06B, X33Z	21B		X06A, X06B, X33Z	21B	X06A, X06B, X33Z	
	23	Z01A	23		Z01A	23	Z01A	
	Pre	A07A, A11A, A13A, A13B, A13D	Pre		A07A, A11A, A13A, A13B, A13D	Pre	A07A, A11A, A13A, A13B, A13D	
5n245.02		BOP, KOP, KOPV, KVT, UOP4						
	05	F36A, F36B						
	06	G01Z, G02Z, G15Z, G18A, G18B, G33Z, G38Z						
	07	H33Z, H38Z						
	10	K09A, K09B						
	11	L10Z, L33Z, L38Z						
	12	M37Z, M38Z						
	13	N01A, N01B, N01C, N01D, N01E, N34Z, N38Z						
	17	R01A, R01B, R01C, R01D, R02Z, R12A, R12B, R12C						
	21A	W04A, W04B						
	21B	X06A, X06B, X33Z						
	23	Z01A						
	Pre	A07A, A11A, A13A, A13B, A13D						

ZZV	MDC	DRG	ZZV	MDC	DRG	ZZV	MDC	DRG
5n246.01		BOP, KOP, KOPV, KVT, UOP4	5n246.04		BOP, KOP, KOPV, KVT, UOP4	5n246.4		BOP, KOP, KOPV, KVT, UOP4
	05	F36A, F36B		05	F36A, F36B		05	F36A, F36B
	06	G01Z, G02Z, G15Z, G18A, G18B, G33Z, G38Z		06	G01Z, G02Z, G15Z, G18A, G18B, G33Z, G38Z		06	G01Z, G02Z, G15Z, G18A, G18B, G33Z, G38Z
	07	H33Z, H38Z		07	H33Z, H38Z		07	H33Z, H38Z
	10	K09A, K09B		10	K09A, K09B		10	K09A, K09B
	11	L10Z, L33Z, L38Z		11	L10Z, L33Z, L38Z		11	L10Z, L33Z, L38Z
	12	M37Z, M38Z		12	M37Z, M38Z		12	M37Z, M38Z
	13	N01A, N01B, N01C, N01D, N01E, N34Z, N38Z		13	N01A, N01B, N01C, N01D, N01E, N34Z, N38Z		13	N01A, N01B, N01C, N01D, N01E, N34Z, N38Z
	17	R01A, R01B, R01C, R01D, R02Z, R12A, R12B, R12C		17	R01A, R01B, R01C, R01D, R02Z, R12A, R12B, R12C		17	R01A, R01B, R01C, R01D, R02Z, R12A, R12B, R12C
	21A	W04A, W04B		21A	W04A, W04B		21A	W04A, W04B
	21B	X06A, X06B, X33Z		21B	X06A, X06B, X33Z		21B	X06A, X06B, X33Z
	23	Z01A		23	Z01A		23	Z01A
	Pre	A07A, A11A, A13A, A13B, A13D		Pre	A07A, A11A, A13A, A13B, A13D		Pre	A07A, A11A, A13A, A13B, A13D
	5n246.02			BOP, KOP, KOPV, KVT, UOP4	5n246.21			BOP, KOP, KOPV, KVT, UOP4
05		F36A, F36B	05	F36A, F36B		05	F36A, F36B	
06		G01Z, G02Z, G15Z, G33Z, G38Z	06	G01Z, G02Z, G15Z, G18A, G18B, G33Z, G38Z		06	G01Z, G02Z, G15Z, G18A, G18B, G33Z, G38Z	
07		H33Z, H38Z	07	H33Z, H38Z		07	H33Z, H38Z	
10		K09A, K09B	10	K09A, K09B		10	K09A, K09B	
11		L10Z, L33Z, L38Z	11	L10Z, L33Z, L38Z		11	L10Z, L33Z, L38Z	
12		M37Z, M38Z	12	M37Z, M38Z		12	M37Z, M38Z	
13		N01A, N01B, N01C, N01D, N01E, N34Z, N38Z	13	N01A, N01B, N01C, N01D, N01E, N34Z, N38Z		13	N01A, N01B, N01C, N01D, N01E, N34Z, N38Z	
17		R01A, R01B, R01C, R01D, R02Z, R12A, R12B, R12C	17	R01A, R01B, R01C, R01D, R02Z, R12A, R12B, R12C		17	R01A, R01B, R01C, R01D, R02Z, R12A, R12B, R12C	
21A		W04A, W04B	21A	W04A, W04B		21A	W04A, W04B	
21B		X06A, X06B, X33Z	21B	X06A, X06B, X33Z		21B	X06A, X06B, X33Z	
23		Z01A	23	Z01A		23	Z01A	
Pre		A07A, A11A, A13A, A13B, A13D	Pre	A07A, A11A, A13A, A13B, A13D		Pre	A07A, A11A, A13A, A13B, A13D	
5n246.03			BOP, KOP, KOPV, KVT, UOP4	5n246.25			BOP, KOP, KOPV, KVT, UOP4	5n247.01
	05	F36A, F36B	05		F36A, F36B	05	F36A, F36B	
	06	G01Z, G02Z, G15Z, G18A, G18B, G33Z, G38Z	06		G01Z, G02Z, G15Z, G18A, G18B, G33Z, G38Z	06	G01Z, G02Z, G15Z, G18A, G18B, G33Z, G38Z	
	07	H33Z, H38Z	07		H33Z, H38Z	07	H33Z, H38Z	
	10	K09A, K09B	10		K09A, K09B	10	K09A, K09B	
	11	L10Z, L33Z, L38Z	11		L10Z, L33Z, L38Z	11	L10Z, L33Z, L38Z	
	12	M37Z, M38Z	12		M37Z, M38Z	12	M37Z, M38Z	
	13	N01A, N01B, N01C, N01D, N01E, N34Z, N38Z	13		N01A, N01B, N01C, N01D, N01E, N34Z, N38Z	13	N01A, N01B, N01C, N01D, N01E, N34Z, N38Z	
	17	R01A, R01B, R01C, R01D, R02Z, R12A, R12B, R12C	17		R01A, R01B, R01C, R01D, R02Z, R12A, R12B, R12C	17	R01A, R01B, R01C, R01D, R02Z, R12A, R12B, R12C	
	21A	W04A, W04B	21A		W04A, W04B	21A	W04A, W04B	
	21B	X06A, X06B, X33Z	21B		X06A, X06B, X33Z	21B	X06A, X06B, X33Z	
	23	Z01A	23		Z01A	23	Z01A	
	Pre	A07A, A11A, A13A, A13B, A13D	Pre		A07A, A11A, A13A, A13B, A13D	Pre	A07A, A11A, A13A, A13B, A13D	

VYK

ZZV	MDC	DRG	ZZV	MDC	DRG	ZZV	MDC	DRG
5n247.02		BOP, KOP, KOPV, KVT, UOP4	5n247.21		BOP, KOP, KOPV, KVT, UOP4	5n247.x		BOP, KOP, KOPV, KVT, UOP4
	05	F36A, F36B		05	F36A, F36B		05	F36A, F36B
	06	G01Z, G02Z, G15Z, G18A, G18B, G33Z, G38Z		06	G01Z, G02Z, G15Z, G18A, G18B, G33Z, G38Z		06	G01Z, G02Z, G15Z, G18A, G18B, G33Z, G38Z
	07	H33Z, H38Z		07	H33Z, H38Z		07	H33Z, H38Z
	10	K09A, K09B		10	K09A, K09B		10	K09A, K09B
	11	L10Z, L33Z, L38Z		11	L10Z, L33Z, L38Z		11	L10Z, L33Z, L38Z
	12	M37Z, M38Z		12	M37Z, M38Z		12	M37Z, M38Z
	13	N01A, N01B, N01C, N01D, N01E, N34Z, N38Z		13	N01A, N01B, N01C, N01D, N01E, N34Z, N38Z		13	N01A, N01B, N01C, N01D, N01E, N34Z, N38Z
	17	R01A, R01B, R01C, R01D, R02Z, R12A, R12B, R12C		17	R01A, R01B, R01C, R01D, R02Z, R12A, R12B, R12C		17	R01A, R01B, R01C, R01D, R02Z, R12A, R12B, R12C
	21A	W04A, W04B		21A	W04A, W04B		21A	W04A, W04B
	21B	X06A, X06B, X33Z		21B	X06A, X06B, X33Z		21B	X06A, X06B, X33Z
	23	Z01A		23	Z01A		23	Z01A
	Pre	A07A, A11A, A13A, A13B, A13D		Pre	A07A, A11A, A13A, A13B, A13D		Pre	A07A, A11A, A13A, A13B, A13D
	5n247.03			BOP, KOP, KOPV, KVT, UOP4	5n247.25			BOP, KOP, KOPV, KVT, UOP4
05		F36A, F36B	05	F36A, F36B		05	F36A, F36B	
06		G01Z, G02Z, G15Z, G18A, G18B, G33Z, G38Z	06	G01Z, G02Z, G15Z, G18A, G18B, G33Z, G38Z		06	G01Z, G02Z, G03A, G15Z, G33Z, G38Z	
07		H33Z, H38Z	07	H33Z, H38Z		07	H33Z, H38Z	
10		K09A, K09B	10	K09A, K09B		10	K09A, K09B	
11		L10Z, L33Z, L38Z	11	L10Z, L33Z, L38Z		11	L10Z, L33Z, L38Z	
12		M37Z, M38Z	12	M37Z, M38Z		12	M37Z, M38Z	
13		N01A, N01B, N01C, N01D, N01E, N34Z, N38Z	13	N01A, N01B, N01C, N01D, N01E, N34Z, N38Z		13	N01A, N01B, N01C, N01D, N01E, N34Z, N38Z	
17		R01A, R01B, R01C, R01D, R02Z, R12A, R12B, R12C	17	R01A, R01B, R01C, R01D, R02Z, R12A, R12B, R12C		17	R01A, R01B, R01C, R01D, R02Z, R12A, R12B, R12C	
21A		W04A, W04B	21A	W04A, W04B		21A	W04A, W04B	
21B		X06A, X06B, X33Z	21B	X06A, X06B, X33Z		21B	X06A, X06B, X33Z	
23		Z01A	23	Z01A		23	Z01A	
Pre		A07A, A11A, A13A, A13B, A13D	Pre	A07A, A11A, A13A, A13B, A13D		Pre	A07A, A11A, A13A, A13B, A13D	
5n247.04			BOP, KOP, KOPV, KVT, UOP4	5n247.4			BOP, KOP, KOPV, KVT, UOP4	5n248.02
	05	F36A, F36B	05		F36A, F36B	05	F36A, F36B	
	06	G01Z, G02Z, G15Z, G18A, G18B, G33Z, G38Z	06		G01Z, G02Z, G15Z, G18A, G18B, G33Z, G38Z	06	G01Z, G02Z, G15Z, G33Z, G38Z	
	07	H33Z, H38Z	07		H33Z, H38Z	07	H33Z, H38Z	
	10	K09A, K09B	10		K09A, K09B	10	K09A, K09B	
	11	L10Z, L33Z, L38Z	11		L10Z, L33Z, L38Z	11	L10Z, L33Z, L38Z	
	12	M37Z, M38Z	12		M37Z, M38Z	12	M37Z, M38Z	
	13	N01A, N01B, N01C, N01D, N01E, N34Z, N38Z	13		N01A, N01B, N01C, N01D, N01E, N34Z, N38Z	13	N01A, N01B, N01C, N01D, N01E, N34Z, N38Z	
	17	R01A, R01B, R01C, R01D, R02Z, R12A, R12B, R12C	17		R01A, R01B, R01C, R01D, R02Z, R12A, R12B, R12C	17	R01A, R01B, R01C, R01D, R02Z, R12A, R12B, R12C	
	21A	W04A, W04B	21A		W04A, W04B	21A	W04A, W04B	
	21B	X06A, X06B, X33Z	21B		X06A, X06B, X33Z	21B	X06A, X06B, X33Z	
	23	Z01A	23		Z01A	23	Z01A	
	Pre	A07A, A11A, A13A, A13B, A13D	Pre		A07A, A11A, A13A, A13B, A13D	Pre	A07A, A11A, A13A, A13B, A13D	

ZZV	MDC	DRG	ZZV	MDC	DRG	ZZV	MDC	DRG			
5n248.03		BOP, KOP, KOPV, KVT, UOP4	5n248.25		BOP, KOP, KOPV, KVT, UOP4	5n24x.02		BOP, KVT, UOP4			
	05	F36A, F36B		05	F36A, F36B		06	G01Z, G02Z, G15Z, G18A, G18B, G38Z			
	06	G01Z, G02Z, G15Z, G33Z, G38Z		06	G01Z, G02Z, G15Z, G33Z, G38Z		10	K09A, K09B			
	07	H33Z, H38Z		07	H33Z, H38Z		11	L10Z, L38Z			
	10	K09A, K09B		10	K09A, K09B		12	M37Z, M38Z			
	11	L10Z, L33Z, L38Z		11	L10Z, L33Z, L38Z		13	N01A, N01B, N01C, N01D, N01E, N34Z, N38Z			
	12	M37Z, M38Z		12	M37Z, M38Z		17	R01A, R01B, R01C, R01D, R02Z, R12A, R12B, R12C			
	13	N01A, N01B, N01C, N01D, N01E, N34Z, N38Z		13	N01A, N01B, N01C, N01D, N01E, N34Z, N38Z		21A	W04A, W04B			
	17	R01A, R01B, R01C, R01D, R02Z, R12A, R12B, R12C		17	R01A, R01B, R01C, R01D, R02Z, R12A, R12B, R12C		21B	X06A, X06B			
	21A	W04A, W04B		21A	W04A, W04B		Pre	A11A, A13A, A13B, A13D			
	21B	X06A, X06B, X33Z		21B	X06A, X06B, X33Z		5n24x.03		BOP, KVT, UOP4		
	23	Z01A		23	Z01A			06	G01Z, G02Z, G15Z, G18A, G18B, G38Z		
	Pre	A07A, A11A, A13A, A13B, A13D		Pre	A07A, A11A, A13A, A13B, A13D			10	K09A, K09B		
	5n248.04			BOP, KOP, KOPV, KVT, UOP4	5n248.4				BOP, KOP, KOPV, KVT, UOP4	11	L10Z, L38Z
		05		F36A, F36B				05	F36A, F36B	12	M37Z, M38Z
06		G01Z, G02Z, G15Z, G33Z, G38Z	06	G01Z, G02Z, G15Z, G33Z, G38Z		13		N01A, N01B, N01C, N01D, N01E, N34Z, N38Z			
07		H33Z, H38Z	07	H33Z, H38Z		17		R01A, R01B, R01C, R01D, R02Z, R12A, R12B, R12C			
10		K09A, K09B	10	K09A, K09B		21A		W04A, W04B			
11		L10Z, L33Z, L38Z	11	L10Z, L33Z, L38Z		21B		X06A, X06B			
12		M37Z, M38Z	12	M37Z, M38Z		Pre		A11A, A13A, A13B, A13D			
13		N01A, N01B, N01C, N01D, N01E, N34Z, N38Z	13	N01A, N01B, N01C, N01D, N01E, N34Z, N38Z		5n24x.04			BOP, KVT, UOP4		
17		R01A, R01B, R01C, R01D, R02Z, R12A, R12B, R12C	17	R01A, R01B, R01C, R01D, R02Z, R12A, R12B, R12C				06	G01Z, G02Z, G15Z, G18A, G18B, G38Z		
21A		W04A, W04B	21A	W04A, W04B				10	K09A, K09B		
21B		X06A, X06B, X33Z	21B	X06A, X06B, X33Z				11	L10Z, L38Z		
23		Z01A	23	Z01A				12	M37Z, M38Z		
Pre		A07A, A11A, A13A, A13B, A13D	Pre	A07A, A11A, A13A, A13B, A13D			13	N01A, N01B, N01C, N01D, N01E, N34Z, N38Z			
5n248.21			BOP, KOP, KOPV, KVT, UOP4	5n248.x				BOP, KOP, KOPV, KVT, UOP4	17	R01A, R01B, R01C, R01D, R02Z, R12A, R12B, R12C	
		05	F36A, F36B				05	F36A, F36B	21A	W04A, W04B	
	06	G01Z, G02Z, G15Z, G33Z, G38Z	06		G01Z, G02Z, G15Z, G33Z, G38Z		21B	X06A, X06B			
	07	H33Z, H38Z	07		H33Z, H38Z		Pre	A11A, A13A, A13B, A13D			
	10	K09A, K09B	10		K09A, K09B		5n24x.21		BOP, KVT, UOP4		
	11	L10Z, L33Z, L38Z	11		L10Z, L33Z, L38Z			06	G01Z, G02Z, G15Z, G18A, G18B, G38Z		
	12	M37Z, M38Z	12		M37Z, M38Z			10	K09A, K09B		
	13	N01A, N01B, N01C, N01D, N01E, N34Z, N38Z	13		N01A, N01B, N01C, N01D, N01E, N34Z, N38Z			11	L10Z, L38Z		
	17	R01A, R01B, R01C, R01D, R02Z, R12A, R12B, R12C	17		R01A, R01B, R01C, R01D, R02Z, R12A, R12B, R12C			12	M37Z, M38Z		
	21A	W04A, W04B	21A		W04A, W04B	13		N01A, N01B, N01C, N01D, N01E, N34Z, N38Z			
	21B	X06A, X06B, X33Z	21B		X06A, X06B, X33Z	17		R01A, R01B, R01C, R01D, R02Z, R12A, R12B, R12C			
	23	Z01A	23		Z01A	21A		W04A, W04B			
	Pre	A07A, A11A, A13A, A13B, A13D	Pre		A07A, A11A, A13A, A13B, A13D	21B		X06A, X06B			
	5n24x.01		BOP, KVT, UOP4		5n24x.01			BOP, KVT, UOP4	Pre	A11A, A13A, A13B, A13D	
		06	G01Z, G02Z, G15Z, G18A, G18B, G38Z			06		G01Z, G02Z, G15Z, G18A, G18B, G38Z	5n24x.25		BOP, KVT, UOP4
10		K09A, K09B	10	K09A, K09B		06		G01Z, G02Z, G15Z, G18A, G18B, G38Z			
11		L10Z, L38Z	11	L10Z, L38Z		10		K09A, K09B			
12		M37Z, M38Z	12	M37Z, M38Z		11		L10Z, L38Z			
13		N01A, N01B, N01C, N01D, N01E, N34Z, N38Z	13	N01A, N01B, N01C, N01D, N01E, N34Z, N38Z		12		M37Z, M38Z			
17		R01A, R01B, R01C, R01D, R02Z, R12A, R12B, R12C	17	R01A, R01B, R01C, R01D, R02Z, R12A, R12B, R12C		13	N01A, N01B, N01C, N01D, N01E, N34Z, N38Z				
21A		W04A, W04B	21A	W04A, W04B		17	R01A, R01B, R01C, R01D, R02Z, R12A, R12B, R12C				
21B		X06A, X06B	21B	X06A, X06B		21A	W04A, W04B				
Pre		A11A, A13A, A13B, A13D	Pre	A11A, A13A, A13B, A13D		21B	X06A, X06B				
						Pre	A11A, A13A, A13B, A13D				

ZZV	MDC	DRG	ZZV	MDC	DRG	ZZV	MDC	DRG			
5n24x.4		BOP, KVT, UOP4	5n250.04		BOP, KOP, KOPV, KVT, MVV, UOP4	5n250.27		BOP, KOP, KOPV, KVT, MVV, UOP4			
	06	G01Z, G02Z, G15Z, G18A, G18B, G38Z		05	F36A, F36B		05	F36A, F36B			
	10	K09A, K09B		06	G15Z, G16A, G16B, G33Z, G38Z		06	G15Z, G16A, G16B, G33Z, G38Z			
	11	L10Z, L38Z		07	H33Z, H38Z		07	H33Z, H38Z			
	12	M37Z, M38Z		10	K09A, K09B		11	L10Z, L33Z, L38Z			
	13	N01A, N01B, N01C, N01D, N01E, N34Z, N38Z		11	L10Z, L33Z, L38Z		12	M37Z, M38Z			
	17	R01A, R01B, R01C, R01D, R02Z, R12A, R12B, R12C		12	M37Z, M38Z		13	N01A, N01B, N01C, N01D, N01E, N34Z, N38Z			
	21A	W04A, W04B		13	N01A, N01B, N01C, N01D, N01E, N34Z, N38Z		17	R01A, R01B, R01C, R01D, R02Z, R12A, R12B, R12C			
	21B	X06A, X06B		17	R01A, R01B, R01C, R01D, R02Z, R12A, R12B, R12C		21A	W04A, W04B			
	Pre	A11A, A13A, A13B, A13D		21A	W04A, W04B		21B	X06A, X06B, X06C, X33Z			
	5n24x.x			BOP, KVT, UOP4	5n250.05			BOP, KOP, KOPV, KVT, MVV, UOP4	5n250.28		BOP, KOP, KOPV, KVT, MVV, UOP4
		06		G01Z, G02Z, G15Z, G18A, G18B, G38Z			05	F36A, F36B		05	F36A, F36B
		10		K09A, K09B			06	G15Z, G16A, G16B, G33Z, G38Z		06	G15Z, G16A, G16B, G33Z, G38Z
		11		L10Z, L38Z			07	H33Z, H38Z		07	H33Z, H38Z
12		M37Z, M38Z	11	L10Z, L33Z, L38Z		11	L10Z, L33Z, L38Z				
13		N01A, N01B, N01C, N01D, N01E, N34Z, N38Z	12	M37Z, M38Z		12	M37Z, M38Z				
17		R01A, R01B, R01C, R01D, R02Z, R12A, R12B, R12C	13	N01A, N01B, N01C, N01D, N01E, N34Z, N38Z		13	N01A, N01B, N01C, N01D, N01E, N34Z, N38Z				
21A		W04A, W04B	17	R01A, R01B, R01C, R01D, R02Z, R12A, R12B, R12C		17	R01A, R01B, R01C, R01D, R02Z, R12A, R12B, R12C				
21B		X06A, X06B	21A	W04A, W04B		21A	W04A, W04B				
Pre		A11A, A13A, A13B, A13D	21B	X06A, X06B, X06C, X33Z		21B	X06A, X06B, X06C, X33Z				
5n250.02			BOP, KOP, KOPV, KVT, MVV, UOP4	5n250.08			BOP, KOP, KOPV, KVT, MVV, UOP4	5n250.4			BOP, KOP, KOPV, KVT, MVV, UOP4
		05	F36A, F36B			05	F36A, F36B			05	F36A, F36B
		06	G15Z, G16A, G16B, G33Z, G38Z			06	G15Z, G16A, G16B, G33Z, G38Z			06	G15Z, G16A, G16B, G33Z, G38Z
		07	H33Z, H38Z			07	H33Z, H38Z			07	H33Z, H38Z
	10	K09A, K09B	11		L10Z, L33Z, L38Z	11	L10Z, L33Z, L38Z				
	11	L10Z, L33Z, L38Z	12		M37Z, M38Z	12	M37Z, M38Z				
	12	M37Z, M38Z	13		N01A, N01B, N01C, N01D, N01E, N34Z, N38Z	13	N01A, N01B, N01C, N01D, N01E, N34Z, N38Z				
	13	N01A, N01B, N01C, N01D, N01E, N34Z, N38Z	17		R01A, R01B, R01C, R01D, R02Z, R12A, R12B, R12C	17	R01A, R01B, R01C, R01D, R02Z, R12A, R12B, R12C				
	17	R01A, R01B, R01C, R01D, R02Z, R12A, R12B, R12C	21A		W04A, W04B	21A	W04A, W04B				
	21A	W04A, W04B	21B		X06A, X06B, X06C, X33Z	21B	X06A, X06B, X06C, X33Z				
	21B	X06A, X06B, X06C, X33Z	23		Z01A	23	Z01A				
	23	Z01A	Pre		A07A	Pre	A07A				
	Pre	A07A	5n250.26			BOP, KOP, KOPV, KVT, MVV, UOP4	5n250.x			BOP, KOP, KOPV, KVT, MVV, UOP4	
	05	F36A, F36B			05	F36A, F36B			05	F36A, F36B	
06	G15Z, G16A, G16B, G33Z, G38Z	06		G15Z, G16A, G16B, G33Z, G38Z	06	G15Z, G16A, G16B, G33Z, G38Z					
07	H33Z, H38Z	07		H33Z, H38Z	07	H33Z, H38Z					
11	L10Z, L33Z, L38Z	10		K09A, K09B	11	L10Z, L33Z, L38Z					
12	M37Z, M38Z	11		L10Z, L33Z, L38Z	12	M37Z, M38Z					
13	N01A, N01B, N01C, N01D, N01E, N34Z, N38Z	12		M37Z, M38Z	13	N01A, N01B, N01C, N01D, N01E, N34Z, N38Z					
17	R01A, R01B, R01C, R01D, R02Z, R12A, R12B, R12C	13		N01A, N01B, N01C, N01D, N01E, N34Z, N38Z	17	R01A, R01B, R01C, R01D, R02Z, R12A, R12B, R12C					
21A	W04A, W04B	17		R01A, R01B, R01C, R01D, R02Z, R12A, R12B, R12C	21A	W04A, W04B					
21B	X06A, X06B, X06C, X33Z	21A		W04A, W04B	21B	X06A, X06B, X06C, X33Z					
23	Z01A	21B		X06A, X06B, X06C, X33Z	23	Z01A					
Pre	A07A	23		Z01A	Pre	A07A					
		Pre		A07A							

ZZV	MDC	DRG	ZZV	MDC	DRG	ZZV	MDC	DRG
5n251.02		BOP, KOP, KOPV, KVT, MVV, UOP4	5n251.08		BOP, KOP, KOPV, KVT, MVV, UOP4	5n251.4		BOP, KOP, KOPV, KVT, MVV, UOP4
	05	F36A, F36B		05	F36A, F36B		05	F36A, F36B
	06	G15Z, G16A, G16B, G33Z, G38Z		06	G15Z, G16A, G16B, G33Z, G38Z		06	G15Z, G16A, G16B, G33Z, G38Z
	07	H33Z, H38Z		07	H33Z, H38Z		07	H33Z, H38Z
	11	L10Z, L33Z, L38Z		11	L10Z, L33Z, L38Z		11	L10Z, L33Z, L38Z
	12	M37Z, M38Z		12	M37Z, M38Z		12	M37Z, M38Z
	13	N01A, N01B, N01C, N01D, N01E, N34Z, N38Z		13	N01A, N01B, N01C, N01D, N01E, N34Z, N38Z		13	N01A, N01B, N01C, N01D, N01E, N34Z, N38Z
	17	R01A, R01B, R01C, R01D, R02Z, R12A, R12B, R12C		17	R01A, R01B, R01C, R01D, R02Z, R12A, R12B, R12C		17	R01A, R01B, R01C, R01D, R02Z, R12A, R12B, R12C
	21A	W04A, W04B		21A	W04A, W04B		21A	W04A, W04B
	21B	X06A, X06B, X06C, X33Z		21B	X06A, X06B, X06C, X33Z		21B	X06A, X06B, X06C, X33Z
	23	Z01A		23	Z01A		23	Z01A
	Pre	A07A		Pre	A07A		Pre	A07A
	5n251.03			BOP, KOP, KOPV, KVT, MVV, UOP4	5n251.26			BOP, KOP, KOPV, KVT, MVV, UOP4
05		F36A, F36B	05	F36A, F36B		05	F36A, F36B	
06		G15Z, G16A, G16B, G33Z, G38Z	06	G15Z, G16A, G16B, G33Z, G38Z		06	G15Z, G16A, G16B, G33Z, G38Z	
07		H33Z, H38Z	07	H33Z, H38Z		07	H33Z, H38Z	
11		L10Z, L33Z, L38Z	11	L10Z, L33Z, L38Z		11	L10Z, L33Z, L38Z	
12		M37Z, M38Z	12	M37Z, M38Z		12	M37Z, M38Z	
13		N01A, N01B, N01C, N01D, N01E, N34Z, N38Z	13	N01A, N01B, N01C, N01D, N01E, N34Z, N38Z		13	N01A, N01B, N01C, N01D, N01E, N34Z, N38Z	
17		R01A, R01B, R01C, R01D, R02Z, R12A, R12B, R12C	17	R01A, R01B, R01C, R01D, R02Z, R12A, R12B, R12C		17	R01A, R01B, R01C, R01D, R02Z, R12A, R12B, R12C	
21A		W04A, W04B	21A	W04A, W04B		21A	W04A, W04B	
21B		X06A, X06B, X06C, X33Z	21B	X06A, X06B, X06C, X33Z		21B	X06A, X06B, X06C, X33Z	
23		Z01A	23	Z01A		23	Z01A	
Pre		A07A	Pre	A07A		Pre	A07A	
5n251.04			BOP, KOP, KOPV, KVT, MVV, UOP4	5n251.27			BOP, KOP, KOPV, KVT, MVV, UOP4	5n252.02
	05	F36A, F36B	05		F36A, F36B	05	F36A, F36B	
	06	G15Z, G16A, G16B, G33Z, G38Z	06		G15Z, G16A, G16B, G33Z, G38Z	06	G15Z, G16A, G16B, G33Z, G38Z	
	07	H33Z, H38Z	07		H33Z, H38Z	07	H33Z, H38Z	
	11	L10Z, L33Z, L38Z	11		L10Z, L33Z, L38Z	11	L10Z, L33Z, L38Z	
	12	M37Z, M38Z	12		M37Z, M38Z	12	M37Z, M38Z	
	13	N01A, N01B, N01C, N01D, N01E, N34Z, N38Z	13		N01A, N01B, N01C, N01D, N01E, N34Z, N38Z	13	N01A, N01B, N01C, N01D, N01E, N34Z, N38Z	
	17	R01A, R01B, R01C, R01D, R02Z, R12A, R12B, R12C	17		R01A, R01B, R01C, R01D, R02Z, R12A, R12B, R12C	17	R01A, R01B, R01C, R01D, R02Z, R12A, R12B, R12C	
	21A	W04A, W04B	21A		W04A, W04B	21A	W04A, W04B	
	21B	X06A, X06B, X06C, X33Z	21B		X06A, X06B, X06C, X33Z	21B	X06A, X06B, X06C, X33Z	
	23	Z01A	23		Z01A	23	Z01A	
	Pre	A07A	Pre		A07A	Pre	A07A	
	5n251.05		BOP, KOP, KOPV, KVT, MVV, UOP4		5n251.28		BOP, KOP, KOPV, KVT, MVV, UOP4	
05		F36A, F36B	05	F36A, F36B		05	F36A, F36B	
06		G15Z, G16A, G16B, G33Z, G38Z	06	G15Z, G16A, G16B, G33Z, G38Z		06	G15Z, G16A, G16B, G33Z, G38Z	
07		H33Z, H38Z	07	H33Z, H38Z		07	H33Z, H38Z	
11		L10Z, L33Z, L38Z	11	L10Z, L33Z, L38Z		11	L10Z, L33Z, L38Z	
12		M37Z, M38Z	12	M37Z, M38Z		12	M37Z, M38Z	
13		N01A, N01B, N01C, N01D, N01E, N34Z, N38Z	13	N01A, N01B, N01C, N01D, N01E, N34Z, N38Z		13	N01A, N01B, N01C, N01D, N01E, N34Z, N38Z	
17		R01A, R01B, R01C, R01D, R02Z, R12A, R12B, R12C	17	R01A, R01B, R01C, R01D, R02Z, R12A, R12B, R12C		17	R01A, R01B, R01C, R01D, R02Z, R12A, R12B, R12C	
21A		W04A, W04B	21A	W04A, W04B		21A	W04A, W04B	
21B		X06A, X06B, X06C, X33Z	21B	X06A, X06B, X06C, X33Z		21B	X06A, X06B, X06C, X33Z	
23		Z01A	23	Z01A		23	Z01A	
Pre		A07A	Pre	A07A		Pre	A07A	

ZZV	MDC	DRG	ZZV	MDC	DRG	ZZV	MDC	DRG
5n252.04		BOP, KOP, KOPV, KVT, MVV, UOP4	5n252.27		BOP, KOP, KOPV, KVT, MVV, UOP4	5n25x.02		BOP, KOP, KOPV, KVT, MVV, UOP4
	05	F36A, F36B		05	F36A, F36B		05	F36A, F36B
	06	G15Z, G16A, G16B, G33Z, G38Z		06	G15Z, G16A, G16B, G33Z, G38Z		06	G01Z, G02Z, G15Z, G33Z, G38Z
	07	H33Z, H38Z		07	H33Z, H38Z		07	H33Z, H38Z
	11	L10Z, L33Z, L38Z		11	L10Z, L33Z, L38Z		11	L10Z, L33Z, L38Z
	12	M37Z, M38Z		12	M37Z, M38Z		12	M37Z, M38Z
	13	N01A, N01B, N01C, N01D, N01E, N34Z, N38Z		13	N01A, N01B, N01C, N01D, N01E, N34Z, N38Z		13	N01A, N01B, N01C, N01D, N01E, N34Z, N38Z
	17	R01A, R01B, R01C, R01D, R02Z, R12A, R12B, R12C		17	R01A, R01B, R01C, R01D, R02Z, R12A, R12B, R12C		17	R01A, R01B, R01C, R01D, R02Z, R12A, R12B, R12C
	21A	W04A, W04B		21A	W04A, W04B		21A	W04A, W04B
	21B	X06A, X06B, X06C, X33Z		21B	X06A, X06B, X06C, X33Z		21B	X06A, X06B, X06C, X33Z
	23	Z01A		23	Z01A		23	Z01A
	Pre	A07A		Pre	A07A		Pre	A07A
	5n252.05			BOP, KOP, KOPV, KVT, MVV, UOP4	5n252.28			BOP, KOP, KOPV, KVT, MVV, UOP4
05		F36A, F36B	05	F36A, F36B		05	F36A, F36B	
06		G15Z, G16A, G16B, G33Z, G38Z	06	G15Z, G16A, G16B, G33Z, G38Z		06	G01Z, G02Z, G15Z, G33Z, G38Z	
07		H33Z, H38Z	07	H33Z, H38Z		07	H33Z, H38Z	
11		L10Z, L33Z, L38Z	11	L10Z, L33Z, L38Z		11	L10Z, L33Z, L38Z	
12		M37Z, M38Z	12	M37Z, M38Z		12	M37Z, M38Z	
13		N01A, N01B, N01C, N01D, N01E, N34Z, N38Z	13	N01A, N01B, N01C, N01D, N01E, N34Z, N38Z		13	N01A, N01B, N01C, N01D, N01E, N34Z, N38Z	
17		R01A, R01B, R01C, R01D, R02Z, R12A, R12B, R12C	17	R01A, R01B, R01C, R01D, R02Z, R12A, R12B, R12C		17	R01A, R01B, R01C, R01D, R02Z, R12A, R12B, R12C	
21A		W04A, W04B	21A	W04A, W04B		21A	W04A, W04B	
21B		X06A, X06B, X06C, X33Z	21B	X06A, X06B, X06C, X33Z		21B	X06A, X06B, X06C, X33Z	
23		Z01A	23	Z01A		23	Z01A	
Pre		A07A	Pre	A07A		Pre	A07A	
5n252.08			BOP, KOP, KOPV, KVT, MVV, UOP4	5n252.4			BOP, KOP, KOPV, KVT, MVV, UOP4	5n25x.04
	05	F36A, F36B	05		F36A, F36B	05	F36A, F36B	
	06	G15Z, G16A, G16B, G33Z, G38Z	06		G15Z, G16A, G16B, G33Z, G38Z	06	G15Z, G16A, G16B, G33Z, G38Z	
	07	H33Z, H38Z	07		H33Z, H38Z	07	H33Z, H38Z	
	11	L10Z, L33Z, L38Z	11		L10Z, L33Z, L38Z	10	K09A, K09B	
	12	M37Z, M38Z	12		M37Z, M38Z	11	L10Z, L33Z, L38Z	
	13	N01A, N01B, N01C, N01D, N01E, N34Z, N38Z	13		N01A, N01B, N01C, N01D, N01E, N34Z, N38Z	12	M37Z, M38Z	
	17	R01A, R01B, R01C, R01D, R02Z, R12A, R12B, R12C	17		R01A, R01B, R01C, R01D, R02Z, R12A, R12B, R12C	13	N01A, N01B, N01C, N01D, N01E, N34Z, N38Z	
	21A	W04A, W04B	21A		W04A, W04B	17	R01A, R01B, R01C, R01D, R02Z, R12A, R12B, R12C	
	21B	X06A, X06B, X06C, X33Z	21B		X06A, X06B, X06C, X33Z	21A	W04A, W04B	
	23	Z01A	23		Z01A	21B	X06A, X06B, X06C, X33Z	
	Pre	A07A	Pre		A07A	23	Z01A	
	5n252.26		BOP, KOP, KOPV, KVT, MVV, UOP4		5n252.x		BOP, KOP, KOPV, KVT, MVV, UOP4	
05		F36A, F36B	05	F36A, F36B		05	F36A, F36B	
06		G15Z, G16A, G16B, G33Z, G38Z	06	G15Z, G16A, G16B, G33Z, G38Z		06	G15Z, G16A, G16B, G33Z, G38Z	
07		H33Z, H38Z	07	H33Z, H38Z		07	H33Z, H38Z	
11		L10Z, L33Z, L38Z	11	L10Z, L33Z, L38Z		11	L10Z, L33Z, L38Z	
12		M37Z, M38Z	12	M37Z, M38Z		12	M37Z, M38Z	
13		N01A, N01B, N01C, N01D, N01E, N34Z, N38Z	13	N01A, N01B, N01C, N01D, N01E, N34Z, N38Z		13	N01A, N01B, N01C, N01D, N01E, N34Z, N38Z	
17		R01A, R01B, R01C, R01D, R02Z, R12A, R12B, R12C	17	R01A, R01B, R01C, R01D, R02Z, R12A, R12B, R12C		17	R01A, R01B, R01C, R01D, R02Z, R12A, R12B, R12C	
21A		W04A, W04B	21A	W04A, W04B		21A	W04A, W04B	
21B		X06A, X06B, X06C, X33Z	21B	X06A, X06B, X06C, X33Z		21B	X06A, X06B, X06C, X33Z	
23		Z01A	23	Z01A		23	Z01A	
Pre		A07A	Pre	A07A		Pre	A07A	

VYK

ZZV	MDC	DRG	ZZV	MDC	DRG	ZZV	MDC	DRG			
5n25x.08		BOP, KOP, KOPV, KVT, MVV, UOP4	5n25x.4		BOP, KOP, KOPV, KVT, MVV, UOP4	5n260.03		BOP, KOP, KOPV, KVT, MVV, UOP4			
	05	F36A, F36B		05	F36A, F36B		05	F36A, F36B			
	06	G01Z, G02Z, G15Z, G33Z, G38Z		06	G01Z, G02Z, G15Z, G33Z, G38Z		06	G01Z, G02Z, G15Z, G33Z, G38Z			
	07	H33Z, H38Z		07	H33Z, H38Z		07	H33Z, H38Z			
	11	L10Z, L33Z, L38Z		11	L10Z, L33Z, L38Z		10	K09A, K09B			
	12	M37Z, M38Z		12	M37Z, M38Z		11	L10Z, L33Z, L38Z			
	13	N01A, N01B, N01C, N01D, N01E, N34Z, N38Z		13	N01A, N01B, N01C, N01D, N01E, N34Z, N38Z		12	M37Z, M38Z			
	17	R01A, R01B, R01C, R01D, R02Z, R12A, R12B, R12C		17	R01A, R01B, R01C, R01D, R02Z, R12A, R12B, R12C		13	N01A, N01B, N01C, N01D, N01E, N34Z, N38Z			
	21A	W04A, W04B		21A	W04A, W04B		17	R01A, R01B, R01C, R01D, R02Z, R12A, R12B, R12C			
	21B	X06A, X06B, X06C, X33Z		21B	X06A, X06B, X06C, X33Z		21A	W04A, W04B			
	23	Z01A		23	Z01A		21B	X06A, X06B, X06C, X33Z			
	Pre	A07A		Pre	A07A		23	Z01A			
	5n25x.26			BOP, KOP, KOPV, KVT, MVV, UOP4	5n25x.x			BOP, KOP, KOPV, KVT, MVV, UOP4	5n260.04		BOP, KOP, KOPV, KVT, MVV, UOP4
		05		F36A, F36B			05	F36A, F36B		05	F36A, F36B
06		G01Z, G02Z, G15Z, G33Z, G38Z	06	G01Z, G02Z, G15Z, G33Z, G38Z		06	G01Z, G02Z, G15Z, G33Z, G38Z				
07		H33Z, H38Z	07	H33Z, H38Z		07	H33Z, H38Z				
10		K09A, K09B	11	L10Z, L33Z, L38Z		10	K09A, K09B				
11		L10Z, L33Z, L38Z	12	M37Z, M38Z		11	L10Z, L33Z, L38Z				
12		M37Z, M38Z	13	N01A, N01B, N01C, N01D, N01E, N34Z, N38Z		12	M37Z, M38Z				
13		N01A, N01B, N01C, N01D, N01E, N34Z, N38Z	17	R01A, R01B, R01C, R01D, R02Z, R12A, R12B, R12C		13	N01A, N01B, N01C, N01D, N01E, N34Z, N38Z				
17		R01A, R01B, R01C, R01D, R02Z, R12A, R12B, R12C	21A	W04A, W04B		17	R01A, R01B, R01C, R01D, R02Z, R12A, R12B, R12C				
21A		W04A, W04B	21B	X06A, X06B, X06C, X33Z		21A	W04A, W04B				
21B		X06A, X06B, X06C, X33Z	23	Z01A		21B	X06A, X06B, X06C, X33Z				
23		Z01A	Pre	A07A		23	Z01A				
Pre		A07A	5n260.01			BOP, KOP, KOPV, KVT, MVV, UOP4	5n260.20			BOP, KOP, KOPV, KVT, MVV, UOP4	
05		F36A, F36B		05		F36A, F36B		05		F36A, F36B	
06	G01Z, G02Z, G15Z, G33Z, G38Z	06		G01Z, G02Z, G15Z, G33Z, G38Z	06	G01Z, G02Z, G15Z, G33Z, G38Z					
07	H33Z, H38Z	07		H33Z, H38Z	07	H33Z, H38Z					
11	L10Z, L33Z, L38Z	10		K09A, K09B	10	K09A, K09B					
12	M37Z, M38Z	11		L10Z, L33Z, L38Z	11	L10Z, L33Z, L38Z					
13	N01A, N01B, N01C, N01D, N01E, N34Z, N38Z	12		M37Z, M38Z	12	M37Z, M38Z					
17	R01A, R01B, R01C, R01D, R02Z, R12A, R12B, R12C	13		N01A, N01B, N01C, N01D, N01E, N34Z, N38Z	13	N01A, N01B, N01C, N01D, N01E, N34Z, N38Z					
21A	W04A, W04B	17		R01A, R01B, R01C, R01D, R02Z, R12A, R12B, R12C	17	R01A, R01B, R01C, R01D, R02Z, R12A, R12B, R12C					
21B	X06A, X06B, X06C, X33Z	21A		W04A, W04B	21A	W04A, W04B					
23	Z01A	21B		X06A, X06B, X06C, X33Z	21B	X06A, X06B, X06C, X33Z					
Pre	A07A	23		Z01A	23	Z01A					
5n25x.27		BOP, KOP, KOPV, KVT, MVV, UOP4		5n260.02		BOP, KOP, KOPV, KVT, MVV, UOP4		5n260.21		BOP, KOP, KOPV, KVT, MVV, UOP4	
	05	F36A, F36B			05	F36A, F36B			05	F36A, F36B	
	06	G01Z, G02Z, G15Z, G33Z, G38Z	06		G01Z, G02Z, G15Z, G33Z, G38Z	06	G01Z, G02Z, G15Z, G33Z, G38Z				
	07	H33Z, H38Z	07		H33Z, H38Z	07	H33Z, H38Z				
	11	L10Z, L33Z, L38Z	10		K09A, K09B	10	K09A, K09B				
	12	M37Z, M38Z	11		L10Z, L33Z, L38Z	11	L10Z, L33Z, L38Z				
	13	N01A, N01B, N01C, N01D, N01E, N34Z, N38Z	12		M37Z, M38Z	12	M37Z, M38Z				
	17	R01A, R01B, R01C, R01D, R02Z, R12A, R12B, R12C	13		N01A, N01B, N01C, N01D, N01E, N34Z, N38Z	13	N01A, N01B, N01C, N01D, N01E, N34Z, N38Z				
	21A	W04A, W04B	17		R01A, R01B, R01C, R01D, R02Z, R12A, R12B, R12C	17	R01A, R01B, R01C, R01D, R02Z, R12A, R12B, R12C				
	21B	X06A, X06B, X06C, X33Z	21A		W04A, W04B	21A	W04A, W04B				
	23	Z01A	21B		X06A, X06B, X06C, X33Z	21B	X06A, X06B, X06C, X33Z				
	Pre	A07A	23		Z01A	23	Z01A				
	5n25x.28		BOP, KOP, KOPV, KVT, MVV, UOP4		5n260.02		BOP, KOP, KOPV, KVT, MVV, UOP4		5n260.21		BOP, KOP, KOPV, KVT, MVV, UOP4
		05	F36A, F36B			05	F36A, F36B			05	F36A, F36B
06		G01Z, G02Z, G15Z, G33Z, G38Z	06	G01Z, G02Z, G15Z, G33Z, G38Z		06	G01Z, G02Z, G15Z, G33Z, G38Z				
07		H33Z, H38Z	07	H33Z, H38Z		07	H33Z, H38Z				
11		L10Z, L33Z, L38Z	10	K09A, K09B		10	K09A, K09B				
12		M37Z, M38Z	11	L10Z, L33Z, L38Z		11	L10Z, L33Z, L38Z				
13		N01A, N01B, N01C, N01D, N01E, N34Z, N38Z	12	M37Z, M38Z		12	M37Z, M38Z				
17		R01A, R01B, R01C, R01D, R02Z, R12A, R12B, R12C	13	N01A, N01B, N01C, N01D, N01E, N34Z, N38Z		13	N01A, N01B, N01C, N01D, N01E, N34Z, N38Z				
21A		W04A, W04B	17	R01A, R01B, R01C, R01D, R02Z, R12A, R12B, R12C		17	R01A, R01B, R01C, R01D, R02Z, R12A, R12B, R12C				
21B		X06A, X06B, X06C, X33Z	21A	W04A, W04B		21A	W04A, W04B				
23		Z01A	21B	X06A, X06B, X06C, X33Z		21B	X06A, X06B, X06C, X33Z				
Pre		A07A	23	Z01A		23	Z01A				
			Pre	A07A		Pre	A07A				

ZZV	MDC	DRG	ZZV	MDC	DRG	ZZV	MDC	DRG
5n260.4		BOP, KOP, KOPV, KVT, MVV, UOP4	5n261.03		BOP, KOP, KOPV, KVT, MVV, UOP4	5n261.4		BOP, KOP, KOPV, KVT, MVV, UOP4
	05	F36A, F36B		05	F36A, F36B		05	F36A, F36B
	06	G01Z, G02Z, G15Z, G33Z, G38Z		06	G01Z, G02Z, G15Z, G33Z, G38Z		06	G01Z, G02Z, G15Z, G33Z, G38Z
	07	H33Z, H38Z		07	H33Z, H38Z		07	H33Z, H38Z
	10	K09A, K09B		10	K09A, K09B		10	K09A, K09B
	11	L10Z, L33Z, L38Z		11	L10Z, L33Z, L38Z		11	L10Z, L33Z, L38Z
	12	M37Z, M38Z		12	M37Z, M38Z		12	M37Z, M38Z
	13	N01A, N01B, N01C, N01D, N01E, N34Z, N38Z		13	N01A, N01B, N01C, N01D, N01E, N34Z, N38Z		13	N01A, N01B, N01C, N01D, N01E, N34Z, N38Z
	17	R01A, R01B, R01C, R01D, R02Z, R12A, R12B, R12C		17	R01A, R01B, R01C, R01D, R02Z, R12A, R12B, R12C		17	R01A, R01B, R01C, R01D, R02Z, R12A, R12B, R12C
	21A	W04A, W04B		21A	W04A, W04B		21A	W04A, W04B
	21B	X06A, X06B, X06C, X33Z		21B	X06A, X06B, X06C, X33Z		21B	X06A, X06B, X06C, X33Z
	23	Z01A		23	Z01A		23	Z01A
	Pre	A07A		Pre	A07A		Pre	A07A
	5n260.x			BOP, KOP, KOPV, KVT, MVV, UOP4	5n261.04			BOP, KOP, KOPV, KVT, MVV, UOP4
05		F36A, F36B	05	F36A, F36B		05	F36A, F36B	
06		G01Z, G02Z, G15Z, G33Z, G38Z	06	G01Z, G02Z, G15Z, G33Z, G38Z		06	G01Z, G02Z, G15Z, G33Z, G38Z	
07		H33Z, H38Z	07	H33Z, H38Z		07	H33Z, H38Z	
10		K09A, K09B	10	K09A, K09B		10	K09A, K09B	
11		L10Z, L33Z, L38Z	11	L10Z, L33Z, L38Z		11	L10Z, L33Z, L38Z	
12		M37Z, M38Z	12	M37Z, M38Z		12	M37Z, M38Z	
13		N01A, N01B, N01C, N01D, N01E, N34Z, N38Z	13	N01A, N01B, N01C, N01D, N01E, N34Z, N38Z		13	N01A, N01B, N01C, N01D, N01E, N34Z, N38Z	
17		R01A, R01B, R01C, R01D, R02Z, R12A, R12B, R12C	17	R01A, R01B, R01C, R01D, R02Z, R12A, R12B, R12C		17	R01A, R01B, R01C, R01D, R02Z, R12A, R12B, R12C	
21A		W04A, W04B	21A	W04A, W04B		21A	W04A, W04B	
21B		X06A, X06B, X06C, X33Z	21B	X06A, X06B, X06C, X33Z		21B	X06A, X06B, X06C, X33Z	
23		Z01A	23	Z01A		23	Z01A	
Pre		A07A	Pre	A07A		Pre	A07A	
5n261.01			BOP, KOP, KOPV, KVT, MVV, UOP4	5n261.20			BOP, KOP, KOPV, KVT, MVV, UOP4	5n262.01
	05	F36A, F36B	05		F36A, F36B	05	F36A, F36B	
	06	G01Z, G02Z, G15Z, G33Z, G38Z	06		G01Z, G02Z, G15Z, G33Z, G38Z	06	G01Z, G02Z, G15Z, G18A, G18B, G33Z, G38Z	
	07	H33Z, H38Z	07		H33Z, H38Z	07	H33Z, H38Z	
	10	K09A, K09B	10		K09A, K09B	10	K09A, K09B	
	11	L10Z, L33Z, L38Z	11		L10Z, L33Z, L38Z	11	L10Z, L33Z, L38Z	
	12	M37Z, M38Z	12		M37Z, M38Z	12	M37Z, M38Z	
	13	N01A, N01B, N01C, N01D, N01E, N34Z, N38Z	13		N01A, N01B, N01C, N01D, N01E, N34Z, N38Z	13	N01A, N01B, N01C, N01D, N01E, N34Z, N38Z	
	17	R01A, R01B, R01C, R01D, R02Z, R12A, R12B, R12C	17		R01A, R01B, R01C, R01D, R02Z, R12A, R12B, R12C	17	R01A, R01B, R01C, R01D, R02Z, R12A, R12B, R12C	
	21A	W04A, W04B	21A		W04A, W04B	21A	W04A, W04B	
	21B	X06A, X06B, X06C, X33Z	21B		X06A, X06B, X06C, X33Z	21B	X06A, X06B, X06C, X33Z	
	23	Z01A	23		Z01A	23	Z01A	
	Pre	A07A	Pre		A07A	Pre	A07A	
	5n261.02		BOP, KOP, KOPV, KVT, MVV, UOP4		5n261.21		BOP, KOP, KOPV, KVT, MVV, UOP4	
05		F36A, F36B	05	F36A, F36B		05	F36A, F36B	
06		G01Z, G02Z, G15Z, G33Z, G38Z	06	G01Z, G02Z, G15Z, G33Z, G38Z		06	G01Z, G02Z, G15Z, G18A, G18B, G33Z, G38Z	
07		H33Z, H38Z	07	H33Z, H38Z		07	H33Z, H38Z	
10		K09A, K09B	10	K09A, K09B		10	K09A, K09B	
11		L10Z, L33Z, L38Z	11	L10Z, L33Z, L38Z		11	L10Z, L33Z, L38Z	
12		M37Z, M38Z	12	M37Z, M38Z		12	M37Z, M38Z	
13		N01A, N01B, N01C, N01D, N01E, N34Z, N38Z	13	N01A, N01B, N01C, N01D, N01E, N34Z, N38Z		13	N01A, N01B, N01C, N01D, N01E, N34Z, N38Z	
17		R01A, R01B, R01C, R01D, R02Z, R12A, R12B, R12C	17	R01A, R01B, R01C, R01D, R02Z, R12A, R12B, R12C		17	R01A, R01B, R01C, R01D, R02Z, R12A, R12B, R12C	
21A		W04A, W04B	21A	W04A, W04B		21A	W04A, W04B	
21B		X06A, X06B, X06C, X33Z	21B	X06A, X06B, X06C, X33Z		21B	X06A, X06B, X06C, X33Z	
23		Z01A	23	Z01A		23	Z01A	
Pre		A07A	Pre	A07A		Pre	A07A	

VYK

ZZV	MDC	DRG	ZZV	MDC	DRG	ZZV	MDC	DRG
5n262.03		BOP, KOP, KOPV, KVT, MVV, UOP4	5n262.4		BOP, KOP, KOPV, KVT, MVV, UOP4	5n263.03		BOP, KOP, KOPV, KVT, MVV, UOP4
	05	F36A, F36B		05	F36A, F36B		05	F36A, F36B
	06	G01Z, G02Z, G15Z, G18A, G18B, G33Z, G38Z		06	G01Z, G02Z, G15Z, G18A, G18B, G33Z, G38Z		06	G01Z, G02Z, G15Z, G18A, G18B, G33Z, G38Z
	07	H33Z, H38Z		07	H33Z, H38Z		07	H33Z, H38Z
	10	K09A, K09B		10	K09A, K09B		10	K09A, K09B
	11	L10Z, L33Z, L38Z		11	L10Z, L33Z, L38Z		11	L10Z, L33Z, L38Z
	12	M37Z, M38Z		12	M37Z, M38Z		12	M37Z, M38Z
	13	N01A, N01B, N01C, N01D, N01E, N34Z, N38Z		13	N01A, N01B, N01C, N01D, N01E, N34Z, N38Z		13	N01A, N01B, N01C, N01D, N01E, N34Z, N38Z
	17	R01A, R01B, R01C, R01D, R02Z, R12A, R12B, R12C		17	R01A, R01B, R01C, R01D, R02Z, R12A, R12B, R12C		17	R01A, R01B, R01C, R01D, R02Z, R12A, R12B, R12C
	21A	W04A, W04B		21A	W04A, W04B		21A	W04A, W04B
	21B	X06A, X06B, X06C, X33Z		21B	X06A, X06B, X06C, X33Z		21B	X06A, X06B, X06C, X33Z
	23	Z01A		23	Z01A		23	Z01A
	Pre	A07A		Pre	A07A		Pre	A07A
	5n262.04			BOP, KOP, KOPV, KVT, MVV, UOP4	5n262.x			BOP, KOP, KOPV, KVT, MVV, UOP4
05		F36A, F36B	05	F36A, F36B		05	F36A, F36B	
06		G01Z, G02Z, G15Z, G18A, G18B, G33Z, G38Z	06	G01Z, G02Z, G15Z, G18A, G18B, G33Z, G38Z		06	G01Z, G02Z, G15Z, G18A, G18B, G33Z, G38Z	
07		H33Z, H38Z	07	H33Z, H38Z		07	H33Z, H38Z	
10		K09A, K09B	10	K09A, K09B		10	K09A, K09B	
11		L10Z, L33Z, L38Z	11	L10Z, L33Z, L38Z		11	L10Z, L33Z, L38Z	
12		M37Z, M38Z	12	M37Z, M38Z		12	M37Z, M38Z	
13		N01A, N01B, N01C, N01D, N01E, N34Z, N38Z	13	N01A, N01B, N01C, N01D, N01E, N34Z, N38Z		13	N01A, N01B, N01C, N01D, N01E, N34Z, N38Z	
17		R01A, R01B, R01C, R01D, R02Z, R12A, R12B, R12C	17	R01A, R01B, R01C, R01D, R02Z, R12A, R12B, R12C		17	R01A, R01B, R01C, R01D, R02Z, R12A, R12B, R12C	
21A		W04A, W04B	21A	W04A, W04B		21A	W04A, W04B	
21B		X06A, X06B, X06C, X33Z	21B	X06A, X06B, X06C, X33Z		21B	X06A, X06B, X06C, X33Z	
23		Z01A	23	Z01A		23	Z01A	
Pre		A07A	Pre	A07A		Pre	A07A	
5n262.20			BOP, KOP, KOPV, KVT, MVV, UOP4	5n263.01			BOP, KOP, KOPV, KVT, MVV, UOP4	5n263.20
	05	F36A, F36B	05		F36A, F36B	05	F36A, F36B	
	06	G01Z, G02Z, G15Z, G18A, G18B, G33Z, G38Z	06		G01Z, G02Z, G15Z, G18A, G18B, G33Z, G38Z	06	G01Z, G02Z, G15Z, G18A, G18B, G33Z, G38Z	
	07	H33Z, H38Z	07		H33Z, H38Z	07	H33Z, H38Z	
	10	K09A, K09B	10		K09A, K09B	10	K09A, K09B	
	11	L10Z, L33Z, L38Z	11		L10Z, L33Z, L38Z	11	L10Z, L33Z, L38Z	
	12	M37Z, M38Z	12		M37Z, M38Z	12	M37Z, M38Z	
	13	N01A, N01B, N01C, N01D, N01E, N34Z, N38Z	13		N01A, N01B, N01C, N01D, N01E, N34Z, N38Z	13	N01A, N01B, N01C, N01D, N01E, N34Z, N38Z	
	17	R01A, R01B, R01C, R01D, R02Z, R12A, R12B, R12C	17		R01A, R01B, R01C, R01D, R02Z, R12A, R12B, R12C	17	R01A, R01B, R01C, R01D, R02Z, R12A, R12B, R12C	
	21A	W04A, W04B	21A		W04A, W04B	21A	W04A, W04B	
	21B	X06A, X06B, X06C, X33Z	21B		X06A, X06B, X06C, X33Z	21B	X06A, X06B, X06C, X33Z	
	23	Z01A	23		Z01A	23	Z01A	
	Pre	A07A	Pre		A07A	Pre	A07A	
	5n262.21		BOP, KOP, KOPV, KVT, MVV, UOP4		5n263.02		BOP, KOP, KOPV, KVT, MVV, UOP4	
05		F36A, F36B	05	F36A, F36B		05	F36A, F36B	
06		G01Z, G02Z, G15Z, G18A, G18B, G33Z, G38Z	06	G01Z, G02Z, G15Z, G18A, G18B, G33Z, G38Z		06	G01Z, G02Z, G15Z, G18A, G18B, G33Z, G38Z	
07		H33Z, H38Z	07	H33Z, H38Z		07	H33Z, H38Z	
10		K09A, K09B	10	K09A, K09B		10	K09A, K09B	
11		L10Z, L33Z, L38Z	11	L10Z, L33Z, L38Z		11	L10Z, L33Z, L38Z	
12		M37Z, M38Z	12	M37Z, M38Z		12	M37Z, M38Z	
13		N01A, N01B, N01C, N01D, N01E, N34Z, N38Z	13	N01A, N01B, N01C, N01D, N01E, N34Z, N38Z		13	N01A, N01B, N01C, N01D, N01E, N34Z, N38Z	
17		R01A, R01B, R01C, R01D, R02Z, R12A, R12B, R12C	17	R01A, R01B, R01C, R01D, R02Z, R12A, R12B, R12C		17	R01A, R01B, R01C, R01D, R02Z, R12A, R12B, R12C	
21A		W04A, W04B	21A	W04A, W04B		21A	W04A, W04B	
21B		X06A, X06B, X06C, X33Z	21B	X06A, X06B, X06C, X33Z		21B	X06A, X06B, X06C, X33Z	
23		Z01A	23	Z01A		23	Z01A	
Pre		A07A	Pre	A07A		Pre	A07A	

VYK

ZZV	MDC	DRG	ZZV	MDC	DRG	ZZV	MDC	DRG
5n263.4		BOP, KOP, KOPV, KVT, MVV, UOP4	5n264.03		BOP, KOP, KOPV, KVT, MVV, UOP4	5n264.4		BOP, KOP, KOPV, KVT, MVV, UOP4
	05	F36A, F36B		05	F36A, F36B		05	F36A, F36B
	06	G01Z, G02Z, G15Z, G18A, G18B, G33Z, G38Z		06	G15Z, G16A, G16B, G33Z, G38Z		06	G15Z, G16A, G16B, G33Z, G38Z
	07	H33Z, H38Z		07	H33Z, H38Z		07	H33Z, H38Z
	10	K09A, K09B		10	K09A, K09B		10	K09A, K09B
	11	L10Z, L33Z, L38Z		11	L10Z, L33Z, L38Z		11	L10Z, L33Z, L38Z
	12	M37Z, M38Z		12	M37Z, M38Z		12	M37Z, M38Z
	13	N01A, N01B, N01C, N01D, N01E, N34Z, N38Z		13	N01A, N01B, N01C, N01D, N01E, N34Z, N38Z		13	N01A, N01B, N01C, N01D, N01E, N34Z, N38Z
	17	R01A, R01B, R01C, R01D, R02Z, R12A, R12B, R12C		17	R01A, R01B, R01C, R01D, R02Z, R12A, R12B, R12C		17	R01A, R01B, R01C, R01D, R02Z, R12A, R12B, R12C
	21A	W04A, W04B		21A	W04A, W04B		21A	W04A, W04B
	21B	X06A, X06B, X06C, X33Z		21B	X06A, X06B, X06C, X33Z		21B	X06A, X06B, X06C, X33Z
	23	Z01A		23	Z01A		23	Z01A
	Pre	A07A		Pre	A07A		Pre	A07A
	5n263.x			BOP, KOP, KOPV, KVT, MVV, UOP4	5n264.04			BOP, KOP, KOPV, KVT, MVV, UOP4
05		F36A, F36B	05	F36A, F36B		05	F36A, F36B	
06		G01Z, G02Z, G15Z, G18A, G18B, G33Z, G38Z	06	G15Z, G16A, G16B, G33Z, G38Z		06	G15Z, G16A, G16B, G33Z, G38Z	
07		H33Z, H38Z	07	H33Z, H38Z		07	H33Z, H38Z	
10		K09A, K09B	10	K09A, K09B		10	K09A, K09B	
11		L10Z, L33Z, L38Z	11	L10Z, L33Z, L38Z		11	L10Z, L33Z, L38Z	
12		M37Z, M38Z	12	M37Z, M38Z		12	M37Z, M38Z	
13		N01A, N01B, N01C, N01D, N01E, N34Z, N38Z	13	N01A, N01B, N01C, N01D, N01E, N34Z, N38Z		13	N01A, N01B, N01C, N01D, N01E, N34Z, N38Z	
17		R01A, R01B, R01C, R01D, R02Z, R12A, R12B, R12C	17	R01A, R01B, R01C, R01D, R02Z, R12A, R12B, R12C		17	R01A, R01B, R01C, R01D, R02Z, R12A, R12B, R12C	
21A		W04A, W04B	21A	W04A, W04B		21A	W04A, W04B	
21B		X06A, X06B, X06C, X33Z	21B	X06A, X06B, X06C, X33Z		21B	X06A, X06B, X06C, X33Z	
23		Z01A	23	Z01A		23	Z01A	
Pre		A07A	Pre	A07A		Pre	A07A	
5n264.01			BOP, KOP, KOPV, KVT, MVV, UOP4	5n264.20			BOP, KOP, KOPV, KVT, MVV, UOP4	5n265.01
	05	F36A, F36B	05		F36A, F36B	05	F36A, F36B	
	06	G15Z, G16A, G16B, G33Z, G38Z	06		G15Z, G16A, G16B, G33Z, G38Z	06	G01Z, G02Z, G15Z, G18A, G18B, G33Z, G38Z	
	07	H33Z, H38Z	07		H33Z, H38Z	07	H33Z, H38Z	
	10	K09A, K09B	10		K09A, K09B	10	K09A, K09B	
	11	L10Z, L33Z, L38Z	11		L10Z, L33Z, L38Z	11	L10Z, L33Z, L38Z	
	12	M37Z, M38Z	12		M37Z, M38Z	12	M37Z, M38Z	
	13	N01A, N01B, N01C, N01D, N01E, N34Z, N38Z	13		N01A, N01B, N01C, N01D, N01E, N34Z, N38Z	13	N01A, N01B, N01C, N01D, N01E, N34Z, N38Z	
	17	R01A, R01B, R01C, R01D, R02Z, R12A, R12B, R12C	17		R01A, R01B, R01C, R01D, R02Z, R12A, R12B, R12C	17	R01A, R01B, R01C, R01D, R02Z, R12A, R12B, R12C	
	21A	W04A, W04B	21A		W04A, W04B	21A	W04A, W04B	
	21B	X06A, X06B, X06C, X33Z	21B		X06A, X06B, X06C, X33Z	21B	X06A, X06B, X06C, X33Z	
	23	Z01A	23		Z01A	23	Z01A	
	Pre	A07A	Pre		A07A	Pre	A07A	
	5n264.02		BOP, KOP, KOPV, KVT, MVV, UOP4		5n264.21		BOP, KOP, KOPV, KVT, MVV, UOP4	
05		F36A, F36B	05	F36A, F36B		05	F36A, F36B	
06		G15Z, G16A, G16B, G33Z, G38Z	06	G15Z, G16A, G16B, G33Z, G38Z		06	G01Z, G02Z, G15Z, G18A, G18B, G33Z, G38Z	
07		H33Z, H38Z	07	H33Z, H38Z		07	H33Z, H38Z	
10		K09A, K09B	10	K09A, K09B		10	K09A, K09B	
11		L10Z, L33Z, L38Z	11	L10Z, L33Z, L38Z		11	L10Z, L33Z, L38Z	
12		M37Z, M38Z	12	M37Z, M38Z		12	M37Z, M38Z	
13		N01A, N01B, N01C, N01D, N01E, N34Z, N38Z	13	N01A, N01B, N01C, N01D, N01E, N34Z, N38Z		13	N01A, N01B, N01C, N01D, N01E, N34Z, N38Z	
17		R01A, R01B, R01C, R01D, R02Z, R12A, R12B, R12C	17	R01A, R01B, R01C, R01D, R02Z, R12A, R12B, R12C		17	R01A, R01B, R01C, R01D, R02Z, R12A, R12B, R12C	
21A		W04A, W04B	21A	W04A, W04B		21A	W04A, W04B	
21B		X06A, X06B, X06C, X33Z	21B	X06A, X06B, X06C, X33Z		21B	X06A, X06B, X06C, X33Z	
23		Z01A	23	Z01A		23	Z01A	
Pre		A07A	Pre	A07A		Pre	A07A	

VYK

ZZV	MDC	DRG	ZZV	MDC	DRG	ZZV	MDC	DRG			
5n265.03		BOP, KOP, KOPV, KVT, MVV, UOP4	5n265.4		BOP, KOP, KOPV, KVT, MVV, UOP4	5n291		BOP, KOP, KOPV, KVT, UOP4			
	05	F36A, F36B		05	F36A, F36B		05	F36A, F36B			
	06	G01Z, G02Z, G15Z, G18A, G18B, G33Z, G38Z		06	G01Z, G02Z, G15Z, G18A, G18B, G33Z, G38Z		06	G01Z, G02Z, G15Z, G18A, G18B, G33Z, G38Z			
	07	H33Z, H38Z		07	H33Z, H38Z		07	H33Z, H38Z			
	10	K09A, K09B		10	K09A, K09B		11	L33Z			
	11	L10Z, L33Z, L38Z		11	L10Z, L33Z, L38Z		21B	X33Z			
	12	M37Z, M38Z		12	M37Z, M38Z		23	Z01A			
	13	N01A, N01B, N01C, N01D, N01E, N34Z, N38Z		13	N01A, N01B, N01C, N01D, N01E, N34Z, N38Z		Pre	A07A			
	17	R01A, R01B, R01C, R01D, R02Z, R12A, R12B, R12C		17	R01A, R01B, R01C, R01D, R02Z, R12A, R12B, R12C		5n292	BOP, KOP, KOPV, KVT, UOP4			
	21A	W04A, W04B		21A	W04A, W04B		05	F36A, F36B			
	21B	X06A, X06B, X06C, X33Z		21B	X06A, X06B, X06C, X33Z		06	G01Z, G02Z, G15Z, G18A, G18B, G33Z, G38Z			
	23	Z01A		23	Z01A		07	H33Z, H38Z			
	Pre	A07A		Pre	A07A		11	L33Z			
	5n265.04			BOP, KOP, KOPV, KVT, MVV, UOP4	5n265.x			BOP, KOP, KOPV, KVT, MVV, UOP4	5n29x		BOP, KOP, KOPV, KVT, UOP4
		05		F36A, F36B			05	F36A, F36B		05	F36A, F36B
		06		G01Z, G02Z, G15Z, G18A, G18B, G33Z, G38Z			06	G01Z, G02Z, G15Z, G18A, G18B, G33Z, G38Z		06	G01Z, G02Z, G15Z, G18A, G18B, G33Z, G38Z
		07		H33Z, H38Z			07	H33Z, H38Z		07	H33Z, H38Z
10		K09A, K09B	10	K09A, K09B		11	L33Z				
11		L10Z, L33Z, L38Z	11	L10Z, L33Z, L38Z		21B	X33Z				
12		M37Z, M38Z	12	M37Z, M38Z		23	Z01A				
13		N01A, N01B, N01C, N01D, N01E, N34Z, N38Z	13	N01A, N01B, N01C, N01D, N01E, N34Z, N38Z		Pre	A07A				
17		R01A, R01B, R01C, R01D, R02Z, R12A, R12B, R12C	17	R01A, R01B, R01C, R01D, R02Z, R12A, R12B, R12C		5n300.0	BOP, KOP, KOPV, KVT, UOP4				
21A		W04A, W04B	21A	W04A, W04B		06	G01Z, G02Z, G15Z, G18A, G18B, G38Z				
21B		X06A, X06B, X06C, X33Z	21B	X06A, X06B, X06C, X33Z		11	L09A, L10Z, L38Z				
23		Z01A	23	Z01A		12	M37Z, M38Z				
Pre		A07A	Pre	A07A		13	N11A				
5n265.20			BOP, KOP, KOPV, KVT, MVV, UOP4	5n26x.x			BOP, KOP, KOPV, KVT, MVV, UOP4	5n300.2			BOP, KVT, UOP4
		05	F36A, F36B			05	F36A, F36B			06	G01Z, G02Z, G15Z, G18A, G18B, G38Z
		06	G01Z, G02Z, G15Z, G18A, G18B, G33Z, G38Z			06	G01Z, G02Z, G15Z, G18A, G18B, G33Z, G38Z			11	L09A, L10Z, L38Z
		07	H33Z, H38Z			07	H33Z, H38Z			12	M37Z, M38Z
	10	K09A, K09B	10		K09A, K09B	13	N11A				
	11	L10Z, L33Z, L38Z	11		L10Z, L33Z, L38Z	17	R01A, R01B, R01C, R01D, R02Z, R12A, R12B, R12C				
	12	M37Z, M38Z	12		M37Z, M38Z	21A	W04A, W04B				
	13	N01A, N01B, N01C, N01D, N01E, N34Z, N38Z	13		N01A, N01B, N01C, N01D, N01E, N34Z, N38Z	21B	X06A, X06B, X06C				
	17	R01A, R01B, R01C, R01D, R02Z, R12A, R12B, R12C	17		R01A, R01B, R01C, R01D, R02Z, R12A, R12B, R12C	Pre	A11A, A13A, A13B, A13D				
	21A	W04A, W04B	21A		W04A, W04B	Pre	BOP, KVT, UOP4				
	21B	X06A, X06B, X06C, X33Z	21B		X06A, X06B, X06C, X33Z	06	G01Z, G02Z, G15Z, G18A, G18B, G38Z				
	23	Z01A	23		Z01A	11	L09A, L10Z, L38Z				
	Pre	A07A	Pre		A07A	12	M37Z, M38Z				
	5n265.21		BOP, KOP, KOPV, KVT, MVV, UOP4		5n290		BOP, KOP, KOPV, KVT, UOP4		5n300.4		BOP, KVT, UOP4
		05	F36A, F36B			05	F36A, F36B			06	G01Z, G02Z, G15Z, G18A, G18B, G38Z
		06	G01Z, G02Z, G15Z, G18A, G18B, G33Z, G38Z			06	G01Z, G02Z, G15Z, G18A, G18B, G33Z, G38Z			11	L09A, L10Z, L38Z
		07	H33Z, H38Z			07	H33Z, H38Z			12	M37Z, M38Z
10		K09A, K09B	11	L33Z		13	N11A				
11		L10Z, L33Z, L38Z	21B	X33Z		17	R01A, R01B, R01C, R01D, R02Z, R12A, R12B, R12C				
12		M37Z, M38Z	23	Z01A		21A	W04A, W04B				
13		N01A, N01B, N01C, N01D, N01E, N34Z, N38Z	Pre	A07A		21B	X06A, X06B, X06C				
17		R01A, R01B, R01C, R01D, R02Z, R12A, R12B, R12C				Pre	A11A, A13A, A13B, A13D				
21A		W04A, W04B				Pre	BOP, KVT, UOP4				
21B		X06A, X06B, X06C, X33Z				06	G01Z, G02Z, G15Z, G18A, G18B, G38Z				
23		Z01A				11	L09A, L10Z, L38Z				
Pre		A07A				12	M37Z, M38Z				

VYK

ZZV	MDC	DRG	ZZV	MDC	DRG	ZZV	MDC	DRG		
5n315.0		BOP, KOP, KOPV, KVT, UOP4	5n31x.4		BOP, KOP, KOPV, KVT, UOP4	5n322.2		BOP, KVT, UOP4		
	06	G01Z, G02Z, G15Z, G38Z		06	G01Z, G02Z, G15Z, G38Z		06	G01Z, G02Z, G15Z, G18A, G18B, G38Z		
	07	H33Z, H38Z		07	H33Z, H38Z		13	N11A		
	11	L10Z, L33Z, L38Z		11	L10Z, L33Z, L38Z		17	R01A, R01B, R01C, R01D, R02Z, R12A, R12B, R12C		
	12	M37Z, M38Z		12	M37Z, M38Z		21A	W04A, W04B		
	13	N11A		13	N11A		21B	X06A, X06B, X06C		
	17	R01A, R01B, R01C, R01D, R02Z, R12A, R12B, R12C		17	R01A, R01B, R01C, R01D, R02Z, R12A, R12B, R12C		Pre	A11A, A13A, A13B, A13D		
	21A	W04A, W04B		21A	W04A, W04B			BOP, KVT, UOP4		
	21B	X06A, X06B, X06C, X33Z		21B	X06A, X06B, X06C, X33Z		5n322.3	06	G01Z, G02Z, G15Z, G18A, G18B, G38Z	
	Pre	A07A, A11A, A13A, A13B, A13D		Pre	A07A, A11A, A13A, A13B, A13D		13	N11A		
5n315.2		BOP, KOP, KOPV, KVT, UOP4	5n320.0		BOP, KVT, UOP4	5n322.3	17	R01A, R01B, R01C, R01D, R02Z, R12A, R12B, R12C		
	06	G01Z, G02Z, G15Z, G38Z		06	G15Z, G18A, G18B, G38Z		21A	W04A, W04B		
	07	H33Z, H38Z		13	N11A		21B	X06A, X06B, X06C		
	11	L10Z, L33Z, L38Z		17	R01A, R01B, R01C, R01D, R02Z, R12A, R12B, R12C		Pre	A11A, A13A, A13B, A13D		
	12	M37Z, M38Z		21A	W04A, W04B		5n322.4	06	G01Z, G02Z, G15Z, G18A, G18B, G38Z	
	13	N11A		21B	X06A, X06B, X06C		13	N11A		
	17	R01A, R01B, R01C, R01D, R02Z, R12A, R12B, R12C		5n320.2	06		G15Z, G18A, G18B, G38Z	17	R01A, R01B, R01C, R01D, R02Z, R12A, R12B, R12C	
	21A	W04A, W04B		13	N11A		21A	W04A, W04B		
	21B	X06A, X06B, X06C, X33Z		17	R01A, R01B, R01C, R01D, R02Z, R12A, R12B, R12C		21B	X06A, X06B, X06C		
	Pre	A07A, A11A, A13A, A13B, A13D		21A	W04A, W04B		Pre	A11A, A13A, A13B, A13D		
5n315.4		BOP, KOP, KOPV, KVT, UOP4	5n320.4		BOP, KVT, UOP4	5n322.5	06	G01Z, G02Z, G15Z, G18A, G18B, G38Z		
	06	G01Z, G02Z, G15Z, G38Z		06	G15Z, G18A, G18B, G38Z		13	N11A		
	07	H33Z, H38Z		13	N11A		17	R01A, R01B, R01C, R01D, R02Z, R12A, R12B, R12C		
	11	L10Z, L33Z, L38Z		17	R01A, R01B, R01C, R01D, R02Z, R12A, R12B, R12C		21A	W04A, W04B		
	12	M37Z, M38Z		21B	X06A, X06B, X06C		21B	X06A, X06B, X06C		
	13	N11A		21B	X06A, X06B, X06C		Pre	A11A, A13A, A13B, A13D		
	17	R01A, R01B, R01C, R01D, R02Z, R12A, R12B, R12C		5n321.0	06		G15Z, G18A, G18B, G38Z	5n322.6	06	G01Z, G02Z, G15Z, G18A, G18B, G38Z
	21A	W04A, W04B		13	N11A		13	N11A		
	21B	X06A, X06B, X06C, X33Z		17	R01A, R01B, R01C, R01D, R02Z, R12A, R12B, R12C		17	R01A, R01B, R01C, R01D, R02Z, R12A, R12B, R12C		
	Pre	A07A, A11A, A13A, A13B, A13D		21A	W04A, W04B		21A	W04A, W04B		
5n31x.0		BOP, KOP, KOPV, KVT, UOP4	5n321.2		BOP, KVT, UOP4	5n322.7	21B	X06A, X06B, X06C		
	06	G01Z, G02Z, G15Z, G38Z		06	G15Z, G18A, G18B, G38Z		Pre	A11A, A13A, A13B, A13D		
	07	H33Z, H38Z		13	N11A		5n322.7	06	G01Z, G02Z, G15Z, G18A, G18B, G38Z	
	11	L10Z, L33Z, L38Z		17	R01A, R01B, R01C, R01D, R02Z, R12A, R12B, R12C		13	N11A		
	12	M37Z, M38Z		21A	W04A, W04B		17	R01A, R01B, R01C, R01D, R02Z, R12A, R12B, R12C		
	13	N11A		21B	X06A, X06B, X06C		21A	W04A, W04B		
	17	R01A, R01B, R01C, R01D, R02Z, R12A, R12B, R12C		5n321.4	06		G15Z, G18A, G18B, G38Z	21B	X06A, X06B, X06C	
	21A	W04A, W04B		13	N11A		Pre	A11A, A13A, A13B, A13D		
	21B	X06A, X06B, X06C, X33Z		17	R01A, R01B, R01C, R01D, R02Z, R12A, R12B, R12C		5n322.x	06	G01Z, G02Z, G15Z, G18A, G18B, G38Z	
	Pre	A07A, A11A, A13A, A13B, A13D		21A	W04A, W04B		13	N11A		
5n31x.2		BOP, KOP, KOPV, KVT, UOP4	5n322.1		BOP, KVT, UOP4	5n330.0	17	R01A, R01B, R01C, R01D, R02Z, R12A, R12B, R12C		
	06	G01Z, G02Z, G15Z, G38Z		06	G01Z, G02Z, G15Z, G18A, G18B, G38Z		21A	W04A, W04B		
	07	H33Z, H38Z		13	N11A		21B	X06A, X06B, X06C		
	11	L10Z, L33Z, L38Z		17	R01A, R01B, R01C, R01D, R02Z, R12A, R12B, R12C		Pre	A11A, A13A, A13B, A13D		
	12	M37Z, M38Z		21A	W04A, W04B		06	G13Z, G21A, G21B		
	13	N11A		21B	X06A, X06B, X06C		17	R01A, R01B, R01C, R01D, R02Z, R12A, R12B, R12C		
	17	R01A, R01B, R01C, R01D, R02Z, R12A, R12B, R12C		5n322.1	06		G01Z, G02Z, G15Z, G18A, G18B, G38Z	21A	W04A, W04B	
	21A	W04A, W04B		13	N11A		21B	X06A, X06B, X06C		
	21B	X06A, X06B, X06C, X33Z		17	R01A, R01B, R01C, R01D, R02Z, R12A, R12B, R12C		Pre	A11A, A13A, A13B, A13D		
	Pre	A07A, A11A, A13A, A13B, A13D		21A	W04A, W04B		06	G13Z, G21A, G21B		

ZZV	MDC	DRG	ZZV	MDC	DRG	ZZV	MDC	DRG
5n330.1		BOP, KVT, UOP4	5n332.2		BOP, KVT, UOP4	5n334.2		BOP, KVT, UOP4
	06	G13Z, G21A, G21B		05	F13A		06	G15Z, G18A, G18B, G38Z
	17	R01A, R01B, R01C, R01D, R02Z, R12A, R12B, R12C		06	G01Z, G02Z, G13Z, G21A, G21B, G38Z		17	R01A, R01B, R01C, R01D, R02Z, R12A, R12B, R12C
	21A	W04A, W04B		11	L09A, L38Z		21A	W04A, W04B
5n330.2	21B	X06A, X06B, X06C	5n332.3	13	N11A	5n334.3	21B	X06A, X06B, X06C
		BOP, KVT, UOP4		17	R01A, R01B, R01C, R01D, R02Z, R12A, R12B, R12C			BOP, KVT, UOP4
	06	G13Z, G21A, G21B		21A	W04A, W04B		06	G15Z, G18A, G18B, G38Z
	17	R01A, R01B, R01C, R01D, R02Z, R12A, R12B, R12C		Pre	A11A, A13A, A13B, A13D		10	K09A, K09B
5n330.3	21A	W04A, W04B	5n332.x		BOP, KVT, UOP4	5n334.x	17	R01A, R01B, R01C, R01D, R02Z, R12A, R12B, R12C
	21B	X06A, X06B, X06C		05	F13A		21A	W04A, W04B
		BOP, KVT, UOP4		06	G01Z, G02Z, G13Z, G21A, G21B, G38Z		21B	X06A, X06B, X06C
	06	G13Z, G21A, G21B		11	L09A, L38Z			BOP, KVT, UOP4
5n330.x	21A	W04A, W04B	5n333.0	13	N11A	5n335.0	06	G15Z, G18A, G18B, G38Z
	21B	X06A, X06B, X06C		21A	W04A, W04B		17	R01A, R01B, R01C, R01D, R02Z, R12A, R12B, R12C
		BOP, KVT, UOP4		21B	X06A, X06B, X06C		21A	W04A, W04B
	06	G13Z, G21A, G21B		Pre	A11A, A13A, A13B, A13D		21B	X06A, X06B, X06C
5n331.0	21B	X06A, X06B, X06C	5n333.1		BOP, KVT, UOP4	5n335.1		BOP, KVT, UOP4
		BOP, KVT, UOP4		05	F13A		06	G13Z, G21A, G21B
	06	G13Z, G21A, G21B		06	G01Z, G02Z, G13Z, G21A, G21B, G38Z		11	L09A, L38Z
	17	R01A, R01B, R01C, R01D, R02Z, R12A, R12B, R12C		13	N11A		17	R01A, R01B, R01C, R01D, R02Z, R12A, R12B, R12C
5n331.1	21A	W04A, W04B	5n333.2	21A	W04A, W04B	5n335.2	21A	W04A, W04B
	21B	X06A, X06B, X06C		21B	X06A, X06B, X06C		21B	X06A, X06B, X06C
		BOP, KVT, UOP4		Pre	A11A, A13A, A13B, A13D			BOP, KVT, UOP4
	06	G13Z, G21A, G21B			BOP, KVT, UOP4		06	G13Z, G21A, G21B
5n331.2	17	R01A, R01B, R01C, R01D, R02Z, R12A, R12B, R12C	5n333.3	06	G01Z, G02Z, G13Z, G21A, G21B, G38Z	5n335.3	11	L09A, L38Z
	21A	W04A, W04B		06	G01Z, G02Z, G13Z, G21A, G21B, G38Z		17	R01A, R01B, R01C, R01D, R02Z, R12A, R12B, R12C
	21B	X06A, X06B, X06C		17	R01A, R01B, R01C, R01D, R02Z, R12A, R12B, R12C		21A	W04A, W04B
		BOP, KVT, UOP4		21A	W04A, W04B		21B	X06A, X06B, X06C
5n331.3	06	G13Z, G21A, G21B	5n333.x	21B	X06A, X06B, X06C	5n335.x		BOP, KVT, UOP4
	17	R01A, R01B, R01C, R01D, R02Z, R12A, R12B, R12C		Pre	A11A, A13A, A13B, A13D		06	G13Z, G21A, G21B
	21A	W04A, W04B			BOP, KVT, UOP4		17	R01A, R01B, R01C, R01D, R02Z, R12A, R12B, R12C
	21B	X06A, X06B, X06C		06	G01Z, G02Z, G13Z, G21A, G21B, G38Z		21A	W04A, W04B
5n331.x		BOP, KVT, UOP4	5n333.3	21B	X06A, X06B, X06C	5n339.0	21B	X06A, X06B, X06C
	06	G13Z, G21A, G21B		Pre	A11A, A13A, A13B, A13D			BOP, KVT, UOP4
	21A	W04A, W04B			BOP, KVT, UOP4		06	G13Z, G21A, G21B
	21B	X06A, X06B, X06C		06	G01Z, G02Z, G13Z, G21A, G21B, G38Z		17	R01A, R01B, R01C, R01D, R02Z, R12A, R12B, R12C
5n332.0		BOP, KVT, UOP4	5n333.3	17	R01A, R01B, R01C, R01D, R02Z, R12A, R12B, R12C	5n339.1	21A	W04A, W04B
	05	F13A		21A	W04A, W04B		21B	X06A, X06B, X06C
	06	G01Z, G02Z, G13Z, G21A, G21B, G38Z		21B	X06A, X06B, X06C			BOP, KVT, UOP4
	11	L09A, L38Z		Pre	A11A, A13A, A13B, A13D		06	G13Z, G21A, G21B
5n332.1	13	N11A	5n334.1	Pre	A11A, A13A, A13B, A13D	5n339.1	17	R01A, R01B, R01C, R01D, R02Z, R12A, R12B, R12C
	17	R01A, R01B, R01C, R01D, R02Z, R12A, R12B, R12C		06	G01Z, G02Z, G13Z, G21A, G21B, G38Z		21A	W04A, W04B
	21A	W04A, W04B		21A	W04A, W04B		21B	X06A, X06B, X06C
	21B	X06A, X06B, X06C		21B	X06A, X06B, X06C			BOP, KVT, UOP4
	Pre	A11A, A13A, A13B, A13D		Pre	A11A, A13A, A13B, A13D		06	G13Z, G21A, G21B
		BOP, KVT, UOP4		06	G01Z, G02Z, G13Z, G21A, G21B, G38Z		17	R01A, R01B, R01C, R01D, R02Z, R12A, R12B, R12C
	05	F13A		21A	W04A, W04B		21A	W04A, W04B
	06	G01Z, G02Z, G13Z, G21A, G21B, G38Z		21B	X06A, X06B, X06C		21B	X06A, X06B, X06C
	11	L09A, L38Z		Pre	A11A, A13A, A13B, A13D			BOP, KVT, UOP4
	13	N11A			BOP, KVT, UOP4		06	G13Z, G21A, G21B
	17	R01A, R01B, R01C, R01D, R02Z, R12A, R12B, R12C		06	G01Z, G02Z, G13Z, G21A, G21B, G38Z		17	R01A, R01B, R01C, R01D, R02Z, R12A, R12B, R12C
	21A	W04A, W04B		21A	W04A, W04B		21A	W04A, W04B
21B	X06A, X06B, X06C	21B	X06A, X06B, X06C	21B	X06A, X06B, X06C			
Pre	A11A, A13A, A13B, A13D	21B	X06A, X06B, X06C		BOP, KVT, UOP4			

VYK

ZZV	MDC	DRG	ZZV	MDC	DRG	ZZV	MDC	DRG
5n339.2		BOP, KVT, UOP4	5n33b.1		BOP, KVT, UOP4	5n341.3		BOP, KVT, UOP4
	06	G01Z, G02Z, G13Z, G21A, G21B, G38Z		05	F13A		06	G15Z, G18A, G18B, G38Z
	17	R01A, R01B, R01C, R01D, R02Z, R12A, R12B, R12C		06	G01Z, G02Z, G04A, G04B, G07A, G07B, G07C, G15Z, G18A, G18B, G38Z		21A	W04A, W04B
	21A	W04A, W04B		11	L09A, L38Z		21B	X06A, X06B
	21B	X06A, X06B, X06C		13	N11A		5n341.x	BOP, KVT, UOP4
5n339.3	Pre	A11A, A13A, A13B, A13D	21A	W04A, W04B	06	G15Z, G18A, G18B, G38Z		
		BOP, KVT, UOP4	21B	X06A, X06B	21A	W04A, W04B		
	06	G01Z, G02Z, G13Z, G21A, G21B, G38Z	Pre	A11A, A13A, A13B, A13D	21B	X06A, X06B		
	21A	W04A, W04B	5n33b.2		06	G40Z, G46A, G46B, G46C, G47Z, G50Z		
5n339.x	21B	X06A, X06B, X06C	05	F13A	5n342.2†	06	G40Z, G48A, G48B, G48C	
	Pre	A11A, A13A, A13B, A13D	06	G01Z, G02Z, G04A, G04B, G07A, G07B, G07C, G15Z, G18A, G18B, G38Z	5n342.3†	06	G40Z, G48A, G48B, G48C	
	06	G01Z, G02Z, G13Z, G21A, G21B, G38Z	11	L09A, L38Z	5n342.x†	06	G40Z, G48A, G48B, G48C	
	21A	W04A, W04B	13	N11A	5n343.0	BOP, KVT, UOP4		
5n33a.0	21B	X06A, X06B, X06C	21A	W04A, W04B	06	G15Z, G18A, G18B, G38Z		
	Pre	A11A, A13A, A13B, A13D	21B	X06A, X06B	21A	W04A, W04B		
		BOP, KVT, UOP4	Pre	A11A, A13A, A13B, A13D	21B	X06A, X06B		
	05	F13A	5n33b.x		06	BOP, KVT, UOP4		
5n33a.1	06	G01Z, G02Z, G04A, G04B, G07A, G07B, G07C, G38Z	05	F13A	5n343.1	06	G15Z, G18A, G18B, G38Z	
	11	L09A, L38Z	06	G01Z, G02Z, G04A, G04B, G07A, G07B, G07C, G38Z	21A	W04A, W04B		
	13	N11A	11	L09A, L38Z	21B	X06A, X06B		
	21A	W04A, W04B	13	N11A	Pre	A11A, A13A, A13B, A13D		
	21B	X06A, X06B	21A	W04A, W04B	BOP, KVT, UOP4	06	G15Z, G18A, G18B, G38Z	
	Pre	A11A, A13A, A13B, A13D	21B	X06A, X06B	21A	W04A, W04B		
		BOP, KVT, UOP4	Pre	A11A, A13A, A13B, A13D	21B	X06A, X06B		
	05	F13A	5n340.0		06	BOP, KVT, UOP4		
	06	G01Z, G02Z, G04A, G04B, G07A, G07B, G07C, G38Z	06	G15Z, G18A, G18B, G38Z	5n343.x	06	G15Z, G18A, G18B, G38Z	
	11	L09A, L38Z	21A	W01A, W01B, W01C, W02A, W02B, W04A, W04B	21A	W04A, W04B		
13	N11A	21B	X06A, X06B	21B	X06A, X06B			
21A	W04A, W04B	23	Z01A	5n344.0	BOP, KVT, UOP4			
21B	X06A, X06B	5n340.1		06	G15Z, G18A, G18B, G38Z			
Pre	A11A, A13A, A13B, A13D	06	G15Z, G18A, G18B, G38Z	21A	W04A, W04B			
5n33a.2		BOP, KVT, UOP4	21A	W01A, W01B, W01C, W02A, W02B, W04A, W04B	21B	X06A, X06B		
	05	F13A	21B	X06A, X06B	5n344.1	06	G15Z, G18A, G18B, G38Z	
	06	G01Z, G02Z, G04A, G04B, G07A, G07B, G07C, G38Z	23	Z01A	21A	W04A, W04B		
	11	L09A, L38Z	5n340.2		21B	X06A, X06B		
	13	N11A	06	G15Z, G18A, G18B, G38Z	5n344.2	BOP, KVT, UOP4		
	21A	W04A, W04B	21A	W01A, W01B, W01C, W02A, W02B, W04A, W04B	06	G15Z, G18A, G18B, G38Z		
	21B	X06A, X06B	21B	X06A, X06B	21A	W04A, W04B		
	Pre	A11A, A13A, A13B, A13D	23	Z01A	21B	X06A, X06B		
		BOP, KVT, UOP4	5n340.3		5n344.3	BOP, KVT, UOP4		
	05	F13A	06	G15Z, G18A, G18B, G38Z	06	G15Z, G18A, G18B, G38Z		
5n33a.x	06	G01Z, G02Z, G04A, G04B, G07A, G07B, G07C, G38Z	21A	W01A, W01B, W01C, W02A, W02B, W04A, W04B	21A	W04A, W04B		
	13	N11A	21B	X06A, X06B	21B	X06A, X06B		
	21A	W04A, W04B	23	Z01A	5n344.x	BOP, KVT, UOP4		
	21B	X06A, X06B	5n340.x		06	G15Z, G18A, G18B, G38Z		
	Pre	A11A, A13A, A13B, A13D	06	G15Z, G18A, G18B, G38Z	21A	W04A, W04B		
		BOP, KVT, UOP4	21B	X06A, X06B	21B	X06A, X06B		
	05	F13A	5n341.0		5n345.0	BOP, KVT, UOP4		
	06	G01Z, G02Z, G04A, G04B, G07A, G07B, G07C, G15Z, G18A, G18B, G38Z	06	G15Z, G18A, G18B, G38Z	05	F13A		
	13	N11A	21A	W04A, W04B	06	G15Z, G18A, G18B, G38Z		
	21A	W04A, W04B	21B	X06A, X06B	21A	W04A, W04B		
21B	X06A, X06B	5n341.1		21B	X06A, X06B			
5n33b.0	Pre	A11A, A13A, A13B, A13D	06	G15Z, G18A, G18B, G38Z	5n345.1	BOP, KVT, UOP4		
		BOP, KVT, UOP4	21A	W04A, W04B	05	F13A		
	05	F13A	21B	X06A, X06B	06	G15Z, G18A, G18B, G38Z		
	06	G01Z, G02Z, G04A, G04B, G07A, G07B, G07C, G15Z, G18A, G18B, G38Z	5n341.2		21A	W04A, W04B		
	13	N11A	06	G15Z, G18A, G18B, G38Z	21B	X06A, X06B		
21A	W04A, W04B							
21B	X06A, X06B							
Pre	A11A, A13A, A13B, A13D							

VYK

Príloha B: Index Výkon-MDC-DRG

ZZV	MDC	DRG	ZZV	MDC	DRG	ZZV	MDC	DRG	
5n345.3		BOP, KVT, UOP4	5n34x.1‡	06	G40Z, G46A, G46B, G46C, G47Z, G50Z	5n35x.x		BOP, KVT, UOP4	
	05	F13A			G15Z, G18A, G18B, G38Z		06	G15Z, G18A, G18B, G38Z	
	06	G15Z, G18A, G18B, G38Z		5n34x.2‡	06		G40Z, G48A, G48B, G48C	07	H06A, H06B, H06C
	21A	W04A, W04B		5n34x.3‡	06		G40Z, G48A, G48B, G48C	17	R01A, R01B, R01C, R01D, R02Z, R12A, R12B, R12C
	21B	X06A, X06B		5n34x.x‡	06		G40Z, G48A, G48B, G48C	21A	W04A, W04B
5n345.x		BOP, KVT, UOP4	5n350.1		BOP, KVT, UOP4	21B	X06A, X06B, X06C		
	05	F13A		G15Z, G18A, G18B, G38Z	5n360		BOP, KVT, UOP4		
	06	G15Z, G18A, G18B, G38Z		H06A, H06B, H06C	06	G07A, G07B, G07C, G22A, G22B, G22C, G23A, G23B, G23C			
	21A	W04A, W04B		R01A, R01B, R01C, R01D, R02Z, R12A, R12B, R12C	13	N11A, N11B			
	21B	X06A, X06B	21A	W04A, W04B	5n361.0		BOP, KVT, UOP4		
5n346.0		BOP, KVT, MVV, UOP4	21B	X06A, X06B, X06C	06	G07A, G07B, G07C, G22A, G22B, G22C, G23A, G23B, G23C			
	06	G15Z, G18A, G18B, G38Z	5n350.2		06	G15Z, G18A, G18B, G38Z			
	07	H06A, H06B, H06C		H06A, H06B, H06C	07	H06A, H06B, H06C			
	10	K09A, K09B		R01A, R01B, R01C, R01D, R02Z, R12A, R12B, R12C	17	R01A, R01B, R01C, R01D, R02Z, R12A, R12B, R12C			
	17	R01A, R01B, R01C, R01D, R02Z, R12A, R12B, R12C	21A	W04A, W04B	21A	W04A, W04B			
5n346.1	21A	W04A, W04B	21B	X06A, X06B, X06C	21B	X06A, X06B, X06C			
	21B	X06A, X06B	5n350.3		BOP, KVT, UOP4				
	Pre	A06A, A07A, A09A, A16A	06	G15Z, G18A, G18B, G38Z	06	G15Z, G18A, G18B, G38Z			
	BOP, KVT, MVV, UOP4	07	H06A, H06B, H06C	07	H06A, H06B, H06C				
	06	G15Z, G18A, G18B, G38Z	10	K09A, K09B	17	R01A, R01B, R01C, R01D, R02Z, R12A, R12B, R12C			
5n346.2	07	H06A, H06B, H06C	17	R01A, R01B, R01C, R01D, R02Z, R12A, R12B, R12C	21A	W04A, W04B			
	10	K09A, K09B	21A	W04A, W04B	21B	X06A, X06B			
	17	R01A, R01B, R01C, R01D, R02Z, R12A, R12B, R12C	21B	X06A, X06B, X06C	Pre	A06A, A07A, A09A, A16A			
	21A	W04A, W04B	5n350.x		BOP, KVT, MVV, UOP4				
	21B	X06A, X06B	06	G15Z, G18A, G18B, G38Z	06	G15Z, G18A, G18B, G38Z			
5n346.x	Pre	A06A, A07A, A09A, A16A	07	H06A, H06B, H06C	07	H06A, H06B, H06C			
	BOP, KVT, MVV, UOP4	17	R01A, R01B, R01C, R01D, R02Z, R12A, R12B, R12C	17	R01A, R01B, R01C, R01D, R02Z, R12A, R12B, R12C				
	06	G15Z, G18A, G18B, G38Z	21A	W04A, W04B	21A	W04A, W04B			
	07	H06A, H06B, H06C	21B	X06A, X06B, X06C	21B	X06A, X06B, X06C			
	10	K09A, K09B	5n351.1		06	G15Z, G18A, G18B, G18C, G38Z			
5n34a.0	17	R01A, R01B, R01C, R01D, R02Z, R12A, R12B, R12C	06	G15Z, G18A, G18B, G18C, G38Z	07	H06A, H06B, H06C			
	21A	W04A, W04B	07	H06A, H06B, H06C	17	R01A, R01B, R01C, R01D, R02Z, R12A, R12B, R12C			
	21B	X06A, X06B	17	R01A, R01B, R01C, R01D, R02Z, R12A, R12B, R12C	21A	W04A, W04B			
	Pre	A06A, A07A, A09A, A16A	21A	W04A, W04B	21B	X06A, X06B, X06C			
	BOP, KOP, KOPV, KVT, UOP4	05	F36A, F36B	21B	X06A, X06B, X06C	BOP, KVT, UOP4			
5n34a.1‡	06	G01Z, G02Z, G15Z, G33Z, G38Z	5n351.3		06	G15Z, G18A, G18B, G18C, G38Z			
	07	H33Z, H38Z	06	G15Z, G18A, G18B, G18C, G38Z	07	H06A, H06B, H06C			
	10	K09A, K09B	07	H06A, H06B, H06C	17	R01A, R01B, R01C, R01D, R02Z, R12A, R12B, R12C			
	11	L10Z, L33Z, L38Z	17	R01A, R01B, R01C, R01D, R02Z, R12A, R12B, R12C	21A	W04A, W04B			
	12	M37Z, M38Z	21A	W04A, W04B	21B	X06A, X06B, X06C			
5n34a.x‡	13	N01A, N01B, N01C, N01D, N01E, N34Z, N38Z	21B	X06A, X06B, X06C	BOP, KVT, UOP4				
	17	R01A, R01B, R01C, R01D, R02Z, R12A, R12B, R12C	5n351.x		06	G15Z, G18A, G18B, G18C, G38Z			
	21A	W04A, W04B	06	G15Z, G18A, G18B, G18C, G38Z	07	H06A, H06B, H06C			
	21B	X06A, X06B, X33Z	07	H06A, H06B, H06C	17	R01A, R01B, R01C, R01D, R02Z, R12A, R12B, R12C			
	23	Z01A	17	R01A, R01B, R01C, R01D, R02Z, R12A, R12B, R12C	21A	W04A, W04B			
5n34x.0‡	Pre	A07A, A11A, A13A, A13B, A13D	21A	W04A, W04B	21B	X06A, X06B			
	06	G40Z, G46A, G46B, G46C, G47Z, G50Z	21B	X06A, X06B, X06C	Pre	A11A, A13A, A13B, A13D			

ZZV	MDC	DRG	ZZV	MDC	DRG	ZZV	MDC	DRG
5n390.2		BOP, KVT, UOP4	5n392.x		BOP, KVT, UOP4	5n394.x		BOP, KVT, UOP4
	06	G01Z, G02Z, G13Z, G18B, G21A, G21B, G38Z		06	G01Z, G04A, G04B, G21A, G21B, G38Z		06	G01Z, G04A, G04B, G07A, G07B, G07C, G38Z
	07	H06A, H06B, H06C		07	H06A, H06B, H06C		17	R01A, R01B, R01C, R01D, R02Z, R12A, R12B, R12C
	17	R01A, R01B, R01C, R01D, R02Z, R12A, R12B, R12C		13	N11A, N11B		21A	W04A, W04B
	21A	W04A, W04B		21A	W04A, W04B		21B	X06A, X06B
	21B	X06A, X06B	5n393.0		BOP, KVT, UOP4	5n395.0		BOP, KVT, UOP4
	Pre	A11A, A13A, A13B, A13D		06	G01Z, G02Z, G15Z, G18A, G18B, G38Z		06	G15Z, G18A, G18B, G38Z
5n390.4		BOP, KVT, UOP4		07	H06A, H06B, H06C		07	H06A, H06B, H06C
	06	G01Z, G02Z, G13Z, G18B, G21A, G21B, G38Z		17	R01A, R01B, R01C, R01D, R02Z, R12A, R12B, R12C		21A	W04A, W04B
	07	H06A, H06B, H06C		21A	W04A, W04B	5n395.2		BOP, KVT, UOP4
	17	R01A, R01B, R01C, R01D, R02Z, R12A, R12B, R12C		21B	X06A, X06B		06	G15Z, G18A, G18B, G38Z
	21A	W04A, W04B		Pre	A11A, A13A, A13B, A13D		07	H06A, H06B, H06C
	21B	X06A, X06B	5n393.2		BOP, KVT, UOP4		21A	W04A, W04B
	Pre	A11A, A13A, A13B, A13D		06	G01Z, G02Z, G15Z, G18A, G18B, G38Z	5n395.4		BOP, KVT, UOP4
5n390.6‡		G40Z, G48A, G48B, G48C		07	H06A, H06B, H06C		06	G15Z, G18A, G18B, G38Z
5n390.x‡		G40Z, G48A, G48B, G48C		17	R01A, R01B, R01C, R01D, R02Z, R12A, R12B, R12C		07	H06A, H06B, H06C
5n391.0		BOP, KVT, UOP4		21A	W04A, W04B		21A	W04A, W04B
	06	G01Z, G04A, G04B, G07A, G07B, G07C, G38Z		21B	X06A, X06B	5n395.x		BOP, KVT, UOP4
	17	R01A, R01B, R01C, R01D, R02Z, R12A, R12B, R12C		Pre	A11A, A13A, A13B, A13D		06	G15Z, G18A, G18B, G38Z
	21A	W04A, W04B	5n393.4		BOP, KVT, UOP4		07	H06A, H06B, H06C
	21B	X06A, X06B		06	G01Z, G02Z, G15Z, G18A, G18B, G38Z		21A	W04A, W04B
5n391.2		BOP, KVT, UOP4		07	H06A, H06B, H06C	5n396.0		BOP, KVT, UOP4
	06	G01Z, G04A, G04B, G07A, G07B, G07C, G38Z		17	R01A, R01B, R01C, R01D, R02Z, R12A, R12B, R12C		06	G15Z, G18A, G18B, G38Z
	17	R01A, R01B, R01C, R01D, R02Z, R12A, R12B, R12C		21A	W04A, W04B		07	H06A, H06B, H06C
	21A	W04A, W04B		21B	X06A, X06B		21A	W04A, W04B
	21B	X06A, X06B		Pre	A11A, A13A, A13B, A13D	5n396.2		BOP, KVT, UOP4
5n391.4		BOP, KVT, UOP4	5n393.x		BOP, KVT, UOP4		06	G15Z, G18A, G18B, G38Z
	06	G01Z, G04A, G04B, G07A, G07B, G07C, G38Z		06	G01Z, G02Z, G15Z, G18A, G18B, G38Z		07	H06A, H06B, H06C
	17	R01A, R01B, R01C, R01D, R02Z, R12A, R12B, R12C		07	H06A, H06B, H06C		21A	W04A, W04B
	21A	W04A, W04B		17	R01A, R01B, R01C, R01D, R02Z, R12A, R12B, R12C	5n396.4		BOP, KVT, UOP4
	21B	X06A, X06B		21A	W04A, W04B		06	G15Z, G18A, G18B, G38Z
	21B	X06A, X06B		21B	X06A, X06B		07	H06A, H06B, H06C
5n391.6‡		G40Z, G48A, G48B, G48C		Pre	A11A, A13A, A13B, A13D		21A	W04A, W04B
5n391.x‡		G40Z, G48A, G48B, G48C		BOP, KVT, UOP4		5n396.x		X06A, X06B
5n392.0		BOP, KVT, UOP4	5n394.0		BOP, KVT, UOP4		06	G15Z, G18A, G18B, G38Z
	06	G01Z, G04A, G04B, G21A, G21B, G38Z		06	G01Z, G04A, G04B, G07A, G07B, G07C, G38Z		07	H06A, H06B, H06C
	07	H06A, H06B, H06C		17	R01A, R01B, R01C, R01D, R02Z, R12A, R12B, R12C		21A	W04A, W04B
	13	N11A, N11B		21A	W04A, W04B	5n397.0		X06A, X06B
	21A	W04A, W04B		21B	X06A, X06B		06	G15Z, G19A, G19B, G38Z
	21B	X06A, X06B	5n394.2		BOP, KVT, UOP4		07	H33Z, H38Z
5n392.2		BOP, KVT, UOP4		06	G01Z, G04A, G04B, G07A, G07B, G07C, G38Z		21B	X33Z
	06	G01Z, G04A, G04B, G21A, G21B, G38Z		17	R01A, R01B, R01C, R01D, R02Z, R12A, R12B, R12C		23	Z01A
	07	H06A, H06B, H06C		21A	W04A, W04B	5n397.2		Pre A07A
	13	N08Z		21B	X06A, X06B		06	G15Z, G19A, G19B, G38Z
	21A	W04A, W04B		BOP, KVT, UOP4		07	H33Z, H38Z	
	21B	X06A, X06B	5n394.4		BOP, KVT, UOP4		21B	X33Z
5n392.4		BOP, KVT, UOP4		06	G01Z, G04A, G04B, G07A, G07B, G07C, G38Z		23	Z01A
	06	G01Z, G04A, G04B, G21A, G21B, G38Z		17	R01A, R01B, R01C, R01D, R02Z, R12A, R12B, R12C	5n397.4		Pre A07A
	07	H06A, H06B, H06C		21A	W04A, W04B		06	G15Z, G19A, G19B, G38Z
	13	N11A, N11B		21B	X06A, X06B		07	H33Z, H38Z
	21A	W04A, W04B		BOP, KVT, UOP4		21B	X33Z	
	21B	X06A, X06B		06	G01Z, G04A, G04B, G07A, G07B, G07C, G38Z		23	Z01A
				17	R01A, R01B, R01C, R01D, R02Z, R12A, R12B, R12C		Pre A07A	
				21A	W04A, W04B		06	G15Z, G19A, G19B, G38Z
				21B	X06A, X06B		07	H33Z, H38Z

Príloha B: Index Výkon-MDC-DRG

ZZV	MDC	DRG	ZZV	MDC	DRG	ZZV	MDC	DRG		
5n397.x		BOP, KOP, KOPV, KVT, UOP4	5n39h.4		BOP, KVT, UOP4	5n410.0	06	G13Z, G21A, G21B		
	06	G15Z, G19A, G19B, G38Z		06	G01Z, G04A, G04B, G07A, G07B, G07C, G38Z		09	J03A, J03B, J04A, J04B, J08A, J08B, J08C, J11A, J11B, J16Z		
	07	H33Z, H38Z		17	R01A, R01B, R01C, R01D, R02Z, R12A, R12B, R12C		21A	W04A, W04B		
	21B	X33Z		21A	W04A, W04B		21B	X06A, X06B, X06C		
	23	Z01A		21B	X06A, X06B		5n410.6‡	06	G40Z, G48A, G48B, G48C	
5n398.0	Pre	A07A	5n39h.6‡	06	G40Z, G46A, G46B, G46C, G47Z, G50Z	5n410.7	06	G13Z, G21A, G21B		
	06	G15Z, G19A, G19B, G38Z		5n39h.x‡	06	G40Z, G46A, G46B, G46C, G47Z, G50Z	09	J03A, J03B, J04A, J04B, J08A, J08B, J08C, J11A, J11B, J16Z		
	07	H33Z, H38Z			5n39j.0		BOP, KVT, UOP4	21A	W04A, W04B	
	21B	X33Z				06	G01Z, G04A, G04B, G07A, G07B, G07C, G38Z	21B	X06A, X06B, X06C	
	23	Z01A				17	R01A, R01B, R01C, R01D, R02Z, R12A, R12B, R12C	5n410.x	06	G13Z, G21A, G21B
Pre	A07A	21A	W04A, W04B			09	J03A, J03B, J04A, J04B, J08A, J08B, J08C, J11A, J11B, J16Z			
5n398.2		BOP, KOP, KOPV, KVT, UOP4	5n39j.2	21B		X06A, X06B	21A	W04A, W04B		
	06	G15Z, G19A, G19B, G38Z			BOP, KVT, UOP4	21B	X06A, X06B, X06C			
	07	H33Z, H38Z		06	G01Z, G04A, G04B, G07A, G07B, G07C, G38Z	5n411.0	06	G13Z, G21A, G21B		
	21B	X33Z		17	R01A, R01B, R01C, R01D, R02Z, R12A, R12B, R12C	09	J03A, J03B, J04A, J04B, J08A, J08B, J08C, J11A, J11B, J16Z			
	23	Z01A		21A	W04A, W04B	21A	W04A, W04B			
5n398.4	Pre	A07A	5n39j.4	21B	X06A, X06B	21B	X06A, X06B, X06C			
	06	G15Z, G19A, G19B, G38Z			BOP, KVT, UOP4	5n411.6‡	06	G40Z, G48A, G48B, G48C		
	07	H33Z, H38Z		06	G01Z, G04A, G04B, G07A, G07B, G07C, G38Z	5n411.7	06	G13Z, G21A, G21B		
	21B	X33Z		17	R01A, R01B, R01C, R01D, R02Z, R12A, R12B, R12C	09	J03A, J03B, J04A, J04B, J08A, J08B, J08C, J11A, J11B, J16Z			
	23	Z01A		21A	W04A, W04B	21A	W04A, W04B			
5n398.x	Pre	A07A	5n39j.6‡	21B	X06A, X06B	21B	X06A, X06B, X06C			
	06	G15Z, G19A, G19B, G38Z		06	G40Z, G48A, G48B, G48C	5n411.x	06	G13Z, G21A, G21B		
	07	H33Z, H38Z		5n39j.x‡	06	G40Z, G48A, G48B, G48C	09	J03A, J03B, J04A, J04B, J08A, J08B, J08C, J11A, J11B, J16Z		
	21B	X33Z		5n39k	06	G07A, G07B, G07C, G22A, G22B, G22C, G23A, G23B, G23C	21A	W04A, W04B		
	23	Z01A					21B	X06A, X06B, X06C		
5n399.0‡	Pre	A07A	5n39l	13	N11A, N11B	5n412.0‡	06	G40Z, G48A, G48B, G48C		
	06	G40Z, G46A, G46B, G46C, G47Z, G50Z			BOP, KVT, UOP4	5n412.1‡	06	G40Z, G48A, G48B, G48C		
	06	G40Z, G48A, G48B, G48C		06	G07A, G07B, G07C, G22A, G22B, G22C, G23A, G23B, G23C	5n412.2‡	06	G40Z, G48A, G48B, G48C		
	5n399.1‡	06		G40Z, G47Z	5n39x.0	13	N11A, N11B	5n412.3‡	06	G40Z, G48A, G48B, G48C
	5n399.2‡	06		G40Z, G46A, G46B, G46C, G47Z, G50Z			BOP, KVT, UOP4	5n412.4‡	06	G40Z, G48A, G48B, G48C
5n39b.6‡	06	G40Z, G48A, G48B, G48C	06	G01Z, G04A, G04B, G07A, G07B, G07C, G38Z		5n412.x‡	06	G40Z, G48A, G48B, G48C		
5n39b.x‡	06	G40Z, G46A, G46B, G46C, G47Z, G50Z	17	R01A, R01B, R01C, R01D, R02Z, R12A, R12B, R12C		5n413.0‡	06	G40Z, G48A, G48B, G48C		
	5n39c.6‡	06	G40Z, G48A, G48B, G48C	5n39x.2		21A	W04A, W04B	5n413.6‡	06	G40Z, G48A, G48B, G48C
		5n39c.x‡	06		G40Z, G48A, G48B, G48C	21B	X06A, X06B	5n413.7‡	06	G40Z, G48A, G48B, G48C
		5n39d.6‡	06		G40Z, G48A, G48B, G48C	06	G01Z, G04A, G04B, G07A, G07B, G07C, G38Z	5n413.x‡	06	G40Z, G48A, G48B, G48C
		5n39d.x‡	06		G40Z, G48A, G48B, G48C	17	R01A, R01B, R01C, R01D, R02Z, R12A, R12B, R12C	5n414.0‡	06	G40Z, G48A, G48B, G48C
5n39g.6‡		06	G40Z, G46A, G46B, G46C, G47Z, G50Z		21A	W04A, W04B	5n414.6‡	06	G40Z, G48A, G48B, G48C	
5n39g.x‡	07	H41A, H41B, H41C	5n39x.4	21B	X06A, X06B	5n414.7‡	06	G40Z, G48A, G48B, G48C		
	06	G40Z, G46A, G46B, G46C, G47Z, G50Z		06	G01Z, G04A, G04B, G07A, G07B, G07C, G38Z	5n414.x‡	06	G40Z, G48A, G48B, G48C		
	5n39h.0	07		H41A, H41B, H41C	17	R01A, R01B, R01C, R01D, R02Z, R12A, R12B, R12C	5n415.0‡	06	G40Z, G48A, G48B, G48C	
				BOP, KVT, UOP4	21A	W04A, W04B	5n415.6‡	06	G40Z, G48A, G48B, G48C	
		06		G01Z, G04A, G04B, G07A, G07B, G07C, G38Z	21B	X06A, X06B	5n415.7‡	06	G40Z, G48A, G48B, G48C	
17		R01A, R01B, R01C, R01D, R02Z, R12A, R12B, R12C	5n39x.6‡		BOP, KVT, UOP4	5n415.x‡	06	G40Z, G48A, G48B, G48C		
21A		W04A, W04B		06	G01Z, G04A, G04B, G07A, G07B, G07C, G38Z	5n416.0‡	06	G40Z, G48A, G48B, G48C		
21B	X06A, X06B	17		R01A, R01B, R01C, R01D, R02Z, R12A, R12B, R12C	5n416.6‡	06	G40Z, G48A, G48B, G48C			
5n39h.2		BOP, KVT, UOP4		21A	W04A, W04B	5n416.7‡	06	G40Z, G48A, G48B, G48C		
	06	G01Z, G04A, G04B, G07A, G07B, G07C, G38Z		21B	X06A, X06B	5n416.x‡	06	G40Z, G48A, G48B, G48C		
	17	R01A, R01B, R01C, R01D, R02Z, R12A, R12B, R12C	5n39x.x‡	06	G40Z, G48A, G48B, G48C	5n418.0	06	G13Z, G21A, G21B		
	21A	W04A, W04B		06	G40Z, G48A, G48B, G48C	09	J03A, J03B, J04A, J04B, J08A, J08B, J08C, J11A, J11B, J16Z			
	21B	X06A, X06B		06	G40Z, G48A, G48B, G48C	21A	W04A, W04B			
	BOP, KVT, UOP4	21B		X06A, X06B	21B	X06A, X06B, X06C				
06	G15Z, G19A, G19B, G38Z	06		G40Z, G48A, G48B, G48C	5n418.6‡	06	G40Z, G48A, G48B, G48C			

ZZV	MDC	DRG	ZZV	MDC	DRG	ZZV	MDC	DRG
5n418.7	06	G13Z, G21A, G21B	5n420.01		BOP, KOP, KOPV, KVT, UOP4	5n420.x		BOP, KOP, KOPV, KVT, UOP4
	09	J03A, J03B, J04A, J04B, J08A, J08B, J08C, J11A, J11B, J16Z		05	F36A, F36B		05	F36A, F36B
	21A	W04A, W04B		06	G15Z, G16A, G16B, G17A, G17B, G33Z, G38Z		06	G15Z, G16A, G16B, G17A, G17B, G33Z, G38Z
5n418.8	21B	X06A, X06B, X06C	5n420.02	07	H33Z, H38Z	5n421.01	07	H33Z, H38Z
	06	G13Z, G21A, G21B		11	L10Z, L33Z, L38Z		11	L10Z, L33Z, L38Z
	09	J03A, J03B, J04A, J04B, J08A, J08B, J08C, J11A, J11B, J16Z		12	M37Z, M38Z		12	M37Z, M38Z
5n418.x	21A	W04A, W04B	5n420.21	13	N01A, N01B, N01C, N01D, N01E, N34Z, N38Z	5n421.02	13	N01A, N01B, N01C, N01D, N01E, N34Z, N38Z
	21B	X06A, X06B, X06C		17	R01A, R01B, R01C, R01D, R02Z, R12A, R12B, R12C		17	R01A, R01B, R01C, R01D, R02Z, R12A, R12B, R12C
	06	G13Z, G21A, G21B		21A	W04A, W04B		21A	W04A, W04B
5n419.0	09	J03A, J03B, J04A, J04B, J08A, J08B, J08C, J11A, J11B, J16Z	5n420.22	21B	X06A, X06B, X06C, X33Z	5n421.x	21B	X06A, X06B, X06C, X33Z
	13	N06Z		23	Z01A		23	Z01A
	21A	W04A, W04B		Pre	A07A		Pre	A07A
5n419.6‡	21B	X06A, X06B, X06C	5n420.21		BOP, KOP, KOPV, KVT, UOP4	5n421.02		BOP, KOP, KOPV, KVT, UOP4
	06	G40Z, G48A, G48B, G48C		05	F36A, F36B		05	F36A, F36B
	06	G13Z, G21A, G21B		06	G15Z, G16A, G16B, G17A, G17B, G33Z, G38Z		06	G15Z, G16A, G16B, G17A, G17B, G33Z, G38Z
5n419.7	09	J03A, J03B, J04A, J04B, J08A, J08B, J08C, J11A, J11B, J16Z	5n420.21	07	H33Z, H38Z	5n421.02	07	H33Z, H38Z
	13	N06Z		11	L10Z, L33Z, L38Z		11	L10Z, L33Z, L38Z
	21A	W04A, W04B		12	M01A, M01B, M37Z, M38Z		12	M01A, M01B, M37Z, M38Z
5n419.x	21B	X06A, X06B, X06C	5n420.21	13	N01A, N01B, N01C, N01D, N01E, N34Z, N38Z	5n421.02	13	N01A, N01B, N01C, N01D, N01E, N34Z, N38Z
	06	G13Z, G21A, G21B		17	R01A, R01B, R01C, R01D, R02Z, R12A, R12B, R12C		17	R01A, R01B, R01C, R01D, R02Z, R12A, R12B, R12C
	09	J03A, J03B, J04A, J04B, J08A, J08B, J08C, J11A, J11B, J16Z		21A	W04A, W04B		21A	W04A, W04B
5n41a.7	21B	X06A, X06B, X06C	5n420.21	21B	X06A, X06B, X06C, X33Z	5n421.02	21B	X06A, X06B, X06C, X33Z
	06	G13Z, G21A, G21B		23	Z01A		23	Z01A
	09	J03A, J03B, J04A, J04B, J08A, J08B, J08C, J11A, J11B, J16Z		Pre	A07A		Pre	A07A
5n41a.7	13	N06Z	5n420.21		BOP, KOP, KOPV, KVT, UOP4	5n421.02		BOP, KOP, KOPV, KVT, UOP4
	21A	W04A, W04B		05	F36A, F36B		05	F36A, F36B
	21B	X06A, X06B, X06C		06	G15Z, G16A, G16B, G17A, G17B, G33Z, G38Z		06	G15Z, G16A, G16B, G17A, G17B, G33Z, G38Z
5n41b.0	06	G13Z, G21A, G21B	5n420.22	07	H33Z, H38Z	5n421.x	07	H33Z, H38Z
	09	J03A, J03B, J04A, J04B, J08A, J08B, J08C, J11A, J11B, J16Z		11	L10Z, L33Z, L38Z		11	L10Z, L33Z, L38Z
	13	N06Z		12	M01A, M01B, M37Z, M38Z		12	M01A, M01B, M37Z, M38Z
5n41b.1	21A	W04A, W04B	5n420.22	13	N01A, N01B, N01C, N01D, N01E, N34Z, N38Z	5n421.x	13	N01A, N01B, N01C, N01D, N01E, N34Z, N38Z
	21B	X06A, X06B, X06C		17	R01A, R01B, R01C, R01D, R02Z, R12A, R12B, R12C		17	R01A, R01B, R01C, R01D, R02Z, R12A, R12B, R12C
	06	G13Z, G21A, G21B		21A	W04A, W04B		21A	W04A, W04B
5n41x.2‡	09	J03A, J03B, J04A, J04B, J08A, J08B, J08C, J11A, J11B, J16Z	5n420.22	21B	X06A, X06B, X06C, X33Z	5n421.x	21B	X06A, X06B, X06C, X33Z
	13	N06Z		23	Z01A		23	Z01A
	21A	W04A, W04B		Pre	A07A		Pre	A07A
5n41x.6‡	06	G40Z, G48A, G48B, G48C	5n420.22		BOP, KOP, KOPV, KVT, UOP4	5n421.x		BOP, KOP, KOPV, KVT, UOP4
5n41x.7‡	06	G40Z, G48A, G48B, G48C		05	F36A, F36B		05	F36A, F36B
5n41x.x‡	06	G40Z, G48A, G48B, G48C		06	G15Z, G16A, G16B, G17A, G17B, G33Z, G38Z		06	G15Z, G16A, G16B, G17A, G17B, G33Z, G38Z

VYK

ZZV	MDC	DRG	ZZV	MDC	DRG	ZZV	MDC	DRG
5n422.01		BOP, KOP, KOPV, KVT, UOP4	5n422.7		BOP, KOP, KOPV, KVT, UOP4	5n423.21		BOP, KOP, KOPV, KVT, UOP4
	05	F36A, F36B		05	F36A, F36B		05	F36A, F36B
	06	G15Z, G16A, G16B, G17A, G17B, G33Z, G38Z		06	G15Z, G16A, G16B, G17A, G17B, G33Z, G38Z		06	G15Z, G16A, G16B, G17A, G17B, G33Z, G38Z
	07	H33Z, H38Z		07	H33Z, H38Z		07	H33Z, H38Z
	11	L10Z, L33Z, L38Z		11	L10Z, L33Z, L38Z		11	L10Z, L33Z, L38Z
	12	M37Z, M38Z		12	M37Z, M38Z		12	M37Z, M38Z
	13	N01A, N01B, N01C, N01D, N01E, N34Z, N38Z		13	N01A, N01B, N01C, N01D, N01E, N34Z, N38Z		13	N01A, N01B, N01C, N01D, N01E, N34Z, N38Z
	17	R01A, R01B, R01C, R01D, R02Z, R12A, R12B, R12C		17	R01A, R01B, R01C, R01D, R02Z, R12A, R12B, R12C		17	R01A, R01B, R01C, R01D, R02Z, R12A, R12B, R12C
	21A	W04A, W04B		21A	W04A, W04B		21A	W04A, W04B
	21B	X06A, X06B, X06C, X33Z		21B	X06A, X06B, X06C, X33Z		21B	X06A, X06B, X06C, X33Z
	23	Z01A		23	Z01A		23	Z01A
	Pre	A07A		Pre	A07A		Pre	A07A
	5n422.02			BOP, KOP, KOPV, KVT, UOP4	5n422.x			BOP, KOP, KOPV, KVT, UOP4
05		F36A, F36B	05	F36A, F36B		05	F36A, F36B	
06		G15Z, G16A, G16B, G17A, G17B, G33Z, G38Z	06	G15Z, G16A, G16B, G17A, G17B, G33Z, G38Z		06	G15Z, G16A, G16B, G17A, G17B, G33Z, G38Z	
07		H33Z, H38Z	07	H33Z, H38Z		07	H33Z, H38Z	
11		L10Z, L33Z, L38Z	11	L10Z, L33Z, L38Z		11	L10Z, L33Z, L38Z	
12		M01A, M01B, M37Z, M38Z	12	M37Z, M38Z		12	M01A, M01B, M37Z, M38Z	
13		N01A, N01B, N01C, N01D, N01E, N34Z, N38Z	13	N01A, N01B, N01C, N01D, N01E, N34Z, N38Z		13	N01A, N01B, N01C, N01D, N01E, N34Z, N38Z	
17		R01A, R01B, R01C, R01D, R02Z, R12A, R12B, R12C	17	R01A, R01B, R01C, R01D, R02Z, R12A, R12B, R12C		17	R01A, R01B, R01C, R01D, R02Z, R12A, R12B, R12C	
21A		W04A, W04B	21A	W04A, W04B		21A	W04A, W04B	
21B		X06A, X06B, X06C, X33Z	21B	X06A, X06B, X06C, X33Z		21B	X06A, X06B, X06C, X33Z	
23		Z01A	23	Z01A		23	Z01A	
Pre		A07A	Pre	A07A		Pre	A07A	
5n422.21			BOP, KOP, KOPV, KVT, UOP4	5n423.01			BOP, KOP, KOPV, KVT, UOP4	5n423.x
	05	F36A, F36B	05		F36A, F36B	05	F36A, F36B	
	06	G15Z, G16A, G16B, G17A, G17B, G33Z, G38Z	06		G15Z, G16A, G16B, G17A, G17B, G33Z, G38Z	06	G15Z, G16A, G16B, G17A, G17B, G33Z, G38Z	
	07	H33Z, H38Z	07		H33Z, H38Z	07	H33Z, H38Z	
	11	L10Z, L33Z, L38Z	11		L10Z, L33Z, L38Z	11	L10Z, L33Z, L38Z	
	12	M37Z, M38Z	12		M37Z, M38Z	12	M37Z, M38Z	
	13	N01A, N01B, N01C, N01D, N01E, N34Z, N38Z	13		N01A, N01B, N01C, N01D, N01E, N34Z, N38Z	13	N01A, N01B, N01C, N01D, N01E, N34Z, N38Z	
	17	R01A, R01B, R01C, R01D, R02Z, R12A, R12B, R12C	17		R01A, R01B, R01C, R01D, R02Z, R12A, R12B, R12C	17	R01A, R01B, R01C, R01D, R02Z, R12A, R12B, R12C	
	21A	W04A, W04B	21A		W04A, W04B	21A	W04A, W04B	
	21B	X06A, X06B, X06C, X33Z	21B		X06A, X06B, X06C, X33Z	21B	X06A, X06B, X06C, X33Z	
	23	Z01A	23		Z01A	23	Z01A	
	Pre	A07A	Pre		A07A	Pre	A07A	
	5n422.22		BOP, KOP, KOPV, KVT, UOP4		5n423.02		BOP, KOP, KOPV, KVT, UOP4	
05		F36A, F36B	05	F36A, F36B		05	F36A, F36B	
06		G15Z, G16A, G16B, G17A, G17B, G33Z, G38Z	06	G15Z, G16A, G16B, G17A, G17B, G33Z, G38Z		06	G15Z, G16A, G16B, G17A, G17B, G33Z, G38Z	
07		H33Z, H38Z	07	H33Z, H38Z		07	H33Z, H38Z	
11		L10Z, L33Z, L38Z	11	L10Z, L33Z, L38Z		11	L10Z, L33Z, L38Z	
12		M01A, M01B, M37Z, M38Z	12	M01A, M01B, M37Z, M38Z		12	M37Z, M38Z	
13		N01A, N01B, N01C, N01D, N01E, N34Z, N38Z	13	N01A, N01B, N01C, N01D, N01E, N34Z, N38Z		13	N01A, N01B, N01C, N01D, N01E, N34Z, N38Z	
17		R01A, R01B, R01C, R01D, R02Z, R12A, R12B, R12C	17	R01A, R01B, R01C, R01D, R02Z, R12A, R12B, R12C		17	R01A, R01B, R01C, R01D, R02Z, R12A, R12B, R12C	
21A		W04A, W04B	21A	W04A, W04B		21A	W04A, W04B	
21B		X06A, X06B, X06C, X33Z	21B	X06A, X06B, X06C, X33Z		21B	X06A, X06B, X06C, X33Z	
23		Z01A	23	Z01A		23	Z01A	
Pre		A07A	Pre	A07A		Pre	A07A	

ZZV	MDC	DRG	ZZV	MDC	DRG	ZZV	MDC	DRG
5n424.02		BOP, KOP, KOPV, KVT, UOP4	5n425.01		BOP, KOP, KOPV, KVT, MVV, UOP4	5n425.x		BOP, KOP, KOPV, KVT, MVV, UOP4
	05	F36A, F36B		05	F36A, F36B		05	F36A, F36B
	06	G15Z, G16A, G16B, G17A, G17B, G33Z, G38Z		06	G15Z, G16A, G16B, G17A, G17B, G33Z, G38Z		06	G15Z, G16A, G16B, G17A, G17B, G33Z, G38Z
	07	H33Z, H38Z		07	H33Z, H38Z		07	H33Z, H38Z
	11	L10Z, L33Z, L38Z		11	L10Z, L33Z, L38Z		11	L10Z, L33Z, L38Z
	12	M01A, M01B, M37Z, M38Z		12	M37Z, M38Z		12	M37Z, M38Z
	13	N01A, N01B, N01C, N01D, N01E, N34Z, N38Z		13	N01A, N01B, N01C, N01D, N01E, N34Z, N38Z		13	N01A, N01B, N01C, N01D, N01E, N34Z, N38Z
	17	R01A, R01B, R01C, R01D, R02Z, R12A, R12B, R12C		17	R01A, R01B, R01C, R01D, R02Z, R12A, R12B, R12C		17	R01A, R01B, R01C, R01D, R02Z, R12A, R12B, R12C
	21A	W04A, W04B		21A	W04A, W04B		21A	W04A, W04B
	21B	X06A, X06B, X06C, X33Z		21B	X06A, X06B, X06C, X33Z		21B	X06A, X06B, X06C, X33Z
	23	Z01A		23	Z01A		23	Z01A
	Pre	A07A		Pre	A07A		Pre	A07A
	5n424.21			BOP, KOP, KOPV, KVT, UOP4	5n425.02			BOP, KOP, KOPV, KVT, MVV, UOP4
05		F36A, F36B	05	F36A, F36B		05	F36A, F36B	
06		G15Z, G16A, G16B, G17A, G17B, G33Z, G38Z	06	G15Z, G16A, G16B, G17A, G17B, G33Z, G38Z		06	G15Z, G16A, G16B, G17A, G17B, G33Z, G38Z	
07		H33Z, H38Z	07	H33Z, H38Z		07	H33Z, H38Z	
11		L10Z, L33Z, L38Z	11	L10Z, L33Z, L38Z		11	L10Z, L33Z, L38Z	
12		M37Z, M38Z	12	M01A, M01B, M37Z, M38Z		12	M37Z, M38Z	
13		N01A, N01B, N01C, N01D, N01E, N34Z, N38Z	13	N01A, N01B, N01C, N01D, N01E, N34Z, N38Z		13	N01A, N01B, N01C, N01D, N01E, N34Z, N38Z	
17		R01A, R01B, R01C, R01D, R02Z, R12A, R12B, R12C	17	R01A, R01B, R01C, R01D, R02Z, R12A, R12B, R12C		17	R01A, R01B, R01C, R01D, R02Z, R12A, R12B, R12C	
21A		W04A, W04B	21A	W04A, W04B		21A	W04A, W04B	
21B		X06A, X06B, X06C, X33Z	21B	X06A, X06B, X06C, X33Z		21B	X06A, X06B, X06C, X33Z	
23		Z01A	23	Z01A		23	Z01A	
Pre		A07A	Pre	A07A		Pre	A07A	
5n424.22			BOP, KOP, KOPV, KVT, UOP4	5n425.21			BOP, KOP, KOPV, KVT, MVV, UOP4	5n426.21
	05	F36A, F36B	05		F36A, F36B	05	F36A, F36B	
	06	G15Z, G16A, G16B, G17A, G17B, G33Z, G38Z	06		G15Z, G16A, G16B, G17A, G17B, G33Z, G38Z	06	G15Z, G16A, G16B, G17A, G17B, G33Z, G38Z	
	07	H33Z, H38Z	07		H33Z, H38Z	07	H33Z, H38Z	
	11	L10Z, L33Z, L38Z	11		L10Z, L33Z, L38Z	11	L10Z, L33Z, L38Z	
	12	M01A, M01B, M37Z, M38Z	12		M37Z, M38Z	12	M37Z, M38Z	
	13	N01A, N01B, N01C, N01D, N01E, N34Z, N38Z	13		N01A, N01B, N01C, N01D, N01E, N34Z, N38Z	13	N01A, N01B, N01C, N01D, N01E, N34Z, N38Z	
	17	R01A, R01B, R01C, R01D, R02Z, R12A, R12B, R12C	17		R01A, R01B, R01C, R01D, R02Z, R12A, R12B, R12C	17	R01A, R01B, R01C, R01D, R02Z, R12A, R12B, R12C	
	21A	W04A, W04B	21A		W04A, W04B	21A	W04A, W04B	
	21B	X06A, X06B, X06C, X33Z	21B		X06A, X06B, X06C, X33Z	21B	X06A, X06B, X06C, X33Z	
	23	Z01A	23		Z01A	23	Z01A	
	Pre	A07A	Pre		A07A	Pre	A07A	
	5n424.x		BOP, KOP, KOPV, KVT, UOP4		5n425.22		BOP, KOP, KOPV, KVT, MVV, UOP4	
05		F36A, F36B	05	F36A, F36B		05	F36A, F36B	
06		G15Z, G16A, G16B, G17A, G17B, G33Z, G38Z	06	G15Z, G16A, G16B, G17A, G17B, G33Z, G38Z		06	G15Z, G16A, G16B, G17A, G17B, G33Z, G38Z	
07		H33Z, H38Z	07	H33Z, H38Z		07	H33Z, H38Z	
11		L10Z, L33Z, L38Z	11	L10Z, L33Z, L38Z		11	L10Z, L33Z, L38Z	
12		M37Z, M38Z	12	M01A, M01B, M37Z, M38Z		12	M37Z, M38Z	
13		N01A, N01B, N01C, N01D, N01E, N34Z, N38Z	13	N01A, N01B, N01C, N01D, N01E, N34Z, N38Z		13	N01A, N01B, N01C, N01D, N01E, N34Z, N38Z	
17		R01A, R01B, R01C, R01D, R02Z, R12A, R12B, R12C	17	R01A, R01B, R01C, R01D, R02Z, R12A, R12B, R12C		17	R01A, R01B, R01C, R01D, R02Z, R12A, R12B, R12C	
21A		W04A, W04B	21A	W04A, W04B		21A	W04A, W04B	
21B		X06A, X06B, X06C, X33Z	21B	X06A, X06B, X06C, X33Z		21B	X06A, X06B, X06C, X33Z	
23		Z01A	23	Z01A		23	Z01A	
Pre		A07A	Pre	A07A		Pre	A07A	

ZZV	MDC	DRG	ZZV	MDC	DRG	ZZV	MDC	DRG
5n426.x		BOP, KOP, KOPV, KVT, MVV, UOP4	5n427.22		BOP, KOP, KOPV, KVT, MVV, UOP4	5n429.21		BOP, KOP, KOPV, KVT, UOP4
	05	F36A, F36B		05	F36A, F36B		05	F36A, F36B
	06	G15Z, G16A, G16B, G17A, G17B, G33Z, G38Z		06	G15Z, G16A, G16B, G33Z, G38Z		06	G15Z, G16A, G16B, G17A, G17B, G33Z, G38Z
	07	H33Z, H38Z		07	H33Z, H38Z		07	H33Z, H38Z
	11	L10Z, L33Z, L38Z		11	L10Z, L33Z, L38Z		11	L10Z, L33Z, L38Z
	12	M37Z, M38Z		12	M01A, M01B, M37Z, M38Z		12	M37Z, M38Z
	13	N01A, N01B, N01C, N01D, N01E, N34Z, N38Z		13	N01A, N01B, N01C, N01D, N01E, N34Z, N38Z		13	N01A, N01B, N01C, N01D, N01E, N34Z, N38Z
	17	R01A, R01B, R01C, R01D, R02Z, R12A, R12B, R12C		17	R01A, R01B, R01C, R01D, R02Z, R12A, R12B, R12C		17	R01A, R01B, R01C, R01D, R02Z, R12A, R12B, R12C
	21A	W04A, W04B		21A	W04A, W04B		21A	W04A, W04B
	21B	X06A, X06B, X06C, X33Z		21B	X06A, X06B, X06C, X33Z		21B	X06A, X06B, X06C, X33Z
	23	Z01A		23	Z01A		23	Z01A
	Pre	A07A		Pre	A07A		Pre	A07A
	5n427.01			BOP, KOP, KOPV, KVT, MVV, UOP4	5n427.x			BOP, KOP, KOPV, KVT, MVV, UOP4
05		F36A, F36B	05	F36A, F36B		05	F36A, F36B	
06		G15Z, G16A, G16B, G33Z, G38Z	06	G15Z, G16A, G16B, G33Z, G38Z		06	G15Z, G16A, G16B, G17A, G17B, G33Z, G38Z	
07		H33Z, H38Z	07	H33Z, H38Z		07	H33Z, H38Z	
11		L10Z, L33Z, L38Z	11	L10Z, L33Z, L38Z		11	L10Z, L33Z, L38Z	
12		M01A, M01B, M37Z, M38Z	12	M01A, M01B, M37Z, M38Z		12	M01A, M01B, M37Z, M38Z	
13		N01A, N01B, N01C, N01D, N01E, N34Z, N38Z	13	N01A, N01B, N01C, N01D, N01E, N34Z, N38Z		13	N01A, N01B, N01C, N01D, N01E, N34Z, N38Z	
17		R01A, R01B, R01C, R01D, R02Z, R12A, R12B, R12C	17	R01A, R01B, R01C, R01D, R02Z, R12A, R12B, R12C		17	R01A, R01B, R01C, R01D, R02Z, R12A, R12B, R12C	
21A		W04A, W04B	21A	W04A, W04B		21A	W04A, W04B	
21B		X06A, X06B, X06C, X33Z	21B	X06A, X06B, X06C, X33Z		21B	X06A, X06B, X06C, X33Z	
23		Z01A	23	Z01A		23	Z01A	
Pre		A07A	Pre	A07A		Pre	A07A	
5n427.02			BOP, KOP, KOPV, KVT, MVV, UOP4	5n429.01			BOP, KOP, KOPV, KVT, UOP4	5n429.x
	05	F36A, F36B	05		F36A, F36B	05	F36A, F36B	
	06	G15Z, G16A, G16B, G33Z, G38Z	06		G15Z, G16A, G16B, G17A, G17B, G33Z, G38Z	06	G15Z, G16A, G16B, G17A, G17B, G33Z, G38Z	
	07	H33Z, H38Z	07		H33Z, H38Z	07	H33Z, H38Z	
	11	L10Z, L33Z, L38Z	11		L10Z, L33Z, L38Z	11	L10Z, L33Z, L38Z	
	12	M01A, M01B, M37Z, M38Z	12		M37Z, M38Z	12	M37Z, M38Z	
	13	N01A, N01B, N01C, N01D, N01E, N34Z, N38Z	13		N01A, N01B, N01C, N01D, N01E, N34Z, N38Z	13	N01A, N01B, N01C, N01D, N01E, N34Z, N38Z	
	17	R01A, R01B, R01C, R01D, R02Z, R12A, R12B, R12C	17		R01A, R01B, R01C, R01D, R02Z, R12A, R12B, R12C	17	R01A, R01B, R01C, R01D, R02Z, R12A, R12B, R12C	
	21A	W04A, W04B	21A		W04A, W04B	21A	W04A, W04B	
	21B	X06A, X06B, X06C, X33Z	21B		X06A, X06B, X06C, X33Z	21B	X06A, X06B, X06C, X33Z	
	23	Z01A	23		Z01A	23	Z01A	
	Pre	A07A	Pre		A07A	Pre	A07A	
	5n427.21		BOP, KOP, KOPV, KVT, MVV, UOP4		5n429.02		BOP, KOP, KOPV, KVT, UOP4	
05		F36A, F36B	05	F36A, F36B		05	F36A, F36B	
06		G15Z, G16A, G16B, G33Z, G38Z	06	G15Z, G16A, G16B, G17A, G17B, G33Z, G38Z		06	G15Z, G16A, G16B, G33Z, G38Z	
07		H33Z, H38Z	07	H33Z, H38Z		07	H33Z, H38Z	
11		L10Z, L33Z, L38Z	11	L10Z, L33Z, L38Z		11	L10Z, L33Z, L38Z	
12		M01A, M01B, M37Z, M38Z	12	M01A, M01B, M37Z, M38Z		12	M01A, M01B, M37Z, M38Z	
13		N01A, N01B, N01C, N01D, N01E, N34Z, N38Z	13	N01A, N01B, N01C, N01D, N01E, N34Z, N38Z		13	N01A, N01B, N01C, N01D, N01E, N34Z, N38Z	
17		R01A, R01B, R01C, R01D, R02Z, R12A, R12B, R12C	17	R01A, R01B, R01C, R01D, R02Z, R12A, R12B, R12C		17	R01A, R01B, R01C, R01D, R02Z, R12A, R12B, R12C	
21A		W04A, W04B	21A	W04A, W04B		21A	W04A, W04B	
21B		X06A, X06B, X06C, X33Z	21B	X06A, X06B, X06C, X33Z		21B	X06A, X06B, X06C, X33Z	
23		Z01A	23	Z01A		23	Z01A	
Pre		A07A	Pre	A07A		Pre	A07A	

ZZV	MDC	DRG	ZZV	MDC	DRG	ZZV	MDC	DRG		
5n42a.2		BOP, KOP, KOPV, KVT, UOP4	5n42c.2		BOP, KOP, KOPV, KVT, UOP4	5n42f		BOP, KOP, KOPV, KVT, UOP4		
	05	F36A, F36B		05	F36A, F36B		05	F36A, F36B		
	06	G15Z, G16A, G16B, G33Z, G38Z		06	G15Z, G16A, G16B, G33Z, G38Z		06	G15Z, G16A, G16B, G33Z, G38Z		
	07	H33Z, H38Z		07	H33Z, H38Z		07	H33Z, H38Z		
	11	L10Z, L33Z, L38Z		11	L10Z, L33Z, L38Z		11	L10Z, L33Z, L38Z		
	12	M01A, M01B, M37Z, M38Z		12	M01A, M01B, M37Z, M38Z		12	M01A, M01B, M37Z, M38Z		
	13	N01A, N01B, N01C, N01D, N01E, N34Z, N38Z		13	N01A, N01B, N01C, N01D, N01E, N34Z, N38Z		13	N01A, N01B, N01C, N01D, N01E, N34Z, N38Z		
	17	R01A, R01B, R01C, R01D, R02Z, R12A, R12B, R12C		17	R01A, R01B, R01C, R01D, R02Z, R12A, R12B, R12C		17	R01A, R01B, R01C, R01D, R02Z, R12A, R12B, R12C		
	21A	W04A, W04B		21A	W04A, W04B		21A	W04A, W04B		
	21B	X06A, X06B, X06C, X33Z		21B	X06A, X06B, X06C, X33Z		21B	X06A, X06B, X06C, X33Z		
	23	Z01A		23	Z01A		23	Z01A		
	Pre	A07A		Pre	A07A		Pre	A07A		
	5n42a.x			BOP, KOP, KOPV, KVT, UOP4	5n42c.x			BOP, KOP, KOPV, KVT, UOP4	5n42x	
05		F36A, F36B	05	F36A, F36B		05	F36A, F36B			
06		G15Z, G16A, G16B, G33Z, G38Z	06	G15Z, G16A, G16B, G33Z, G38Z		06	G15Z, G16A, G16B, G33Z, G38Z			
07		H33Z, H38Z	07	H33Z, H38Z		07	H33Z, H38Z			
11		L10Z, L33Z, L38Z	11	L10Z, L33Z, L38Z		11	L10Z, L33Z, L38Z			
12		M01A, M01B, M37Z, M38Z	12	M01A, M01B, M37Z, M38Z		12	M01A, M01B, M37Z, M38Z			
13		N01A, N01B, N01C, N01D, N01E, N34Z, N38Z	13	N01A, N01B, N01C, N01D, N01E, N34Z, N38Z		13	N01A, N01B, N01C, N01D, N01E, N34Z, N38Z			
17		R01A, R01B, R01C, R01D, R02Z, R12A, R12B, R12C	17	R01A, R01B, R01C, R01D, R02Z, R12A, R12B, R12C		17	R01A, R01B, R01C, R01D, R02Z, R12A, R12B, R12C			
21A		W04A, W04B	21A	W04A, W04B		21A	W04A, W04B			
21B		X06A, X06B, X06C, X33Z	21B	X06A, X06B, X06C, X33Z		21B	X06A, X06B, X06C, X33Z			
23		Z01A	23	Z01A		23	Z01A			
Pre		A07A	Pre	A07A		Pre	A07A			
5n42b			BOP, KOP, KOPV, KVT, UOP4	5n42d			BOP, KOP, KOPV, KVT, UOP4	5n430		
	05	F36A, F36B	05		F36A, F36B	06	G15Z, G18A, G18B, G38Z			
	06	G15Z, G16A, G16B, G33Z, G38Z	06		G15Z, G16A, G16B, G33Z, G38Z	14	O04A			
	07	H33Z, H38Z	07		H33Z, H38Z	21A	W04A, W04B			
	11	L10Z, L33Z, L38Z	11		L10Z, L33Z, L38Z	21B	X06A, X06B			
	12	M01A, M01B, M37Z, M38Z	12		M01A, M01B, M37Z, M38Z	5n431			BOP, KVT, UOP4	
	13	N01A, N01B, N01C, N01D, N01E, N34Z, N38Z	13		N01A, N01B, N01C, N01D, N01E, N34Z, N38Z		06		G13Z, G21A, G21B	
	17	R01A, R01B, R01C, R01D, R02Z, R12A, R12B, R12C	17		R01A, R01B, R01C, R01D, R02Z, R12A, R12B, R12C		09		J03A, J03B, J04A, J04B, J08A, J08B, J08C, J11A, J11B, J16Z	
	21A	W04A, W04B	21A		W04A, W04B		13		N06Z	
	21B	X06A, X06B, X06C, X33Z	21B		X06A, X06B, X06C, X33Z		14		962Z, O02A, O02B, O04A	
	23	Z01A	23		Z01A		21A		W04A, W04B	
	Pre	A07A	Pre		A07A		21B		X06A, X06B	
	5n42c.1		BOP, KOP, KOPV, KVT, UOP4		5n42e				BOP, KOP, KOPV, KVT, UOP4	5n432
05		F36A, F36B	05	F36A, F36B			06	G15Z, G18A, G18B, G38Z		
06		G15Z, G16A, G16B, G33Z, G38Z	06	G15Z, G16A, G16B, G33Z, G38Z			21A	W04A, W04B		
07		H33Z, H38Z	07	H33Z, H38Z			21B	X06A, X06B		
11		L10Z, L33Z, L38Z	11	L10Z, L33Z, L38Z			5n433		BOP, KVT, UOP4	
12		M01A, M01B, M37Z, M38Z	12	M01A, M01B, M37Z, M38Z				06	G15Z, G18A, G18B, G38Z	
13		N01A, N01B, N01C, N01D, N01E, N34Z, N38Z	13	N01A, N01B, N01C, N01D, N01E, N34Z, N38Z		13		N04Z, N06Z		
17		R01A, R01B, R01C, R01D, R02Z, R12A, R12B, R12C	17	R01A, R01B, R01C, R01D, R02Z, R12A, R12B, R12C		21A		W04A, W04B		
21A		W04A, W04B	21A	W04A, W04B		21B		X06A, X06B		
21B		X06A, X06B, X06C, X33Z	21B	X06A, X06B, X06C, X33Z		5n434			BOP, KVT, UOP4	
23		Z01A	23	Z01A				06	G15Z, G18A, G18B, G38Z	
Pre		A07A	Pre	A07A				13	N04Z, N06Z	
5n42c.2			BOP, KOP, KOPV, KVT, UOP4	5n42e					BOP, KOP, KOPV, KVT, UOP4	
	05	F36A, F36B	05		F36A, F36B			06	G15Z, G18A, G18B, G38Z	
	06	G15Z, G16A, G16B, G33Z, G38Z	06		G15Z, G16A, G16B, G33Z, G38Z			13	N04Z, N06Z	
	07	H33Z, H38Z	07		H33Z, H38Z			21A	W04A, W04B	
	11	L10Z, L33Z, L38Z	11		L10Z, L33Z, L38Z			21B	X06A, X06B	
	12	M01A, M01B, M37Z, M38Z	12		M01A, M01B, M37Z, M38Z		5n435		BOP, KVT, UOP4	
	13	N01A, N01B, N01C, N01D, N01E, N34Z, N38Z	13		N01A, N01B, N01C, N01D, N01E, N34Z, N38Z			06	G15Z, G18A, G18B, G38Z	
	17	R01A, R01B, R01C, R01D, R02Z, R12A, R12B, R12C	17		R01A, R01B, R01C, R01D, R02Z, R12A, R12B, R12C			13	N04Z, N06Z	
	21A	W04A, W04B	21A		W04A, W04B			21A	W04A, W04B	
	21B	X06A, X06B, X06C, X33Z	21B		X06A, X06B, X06C, X33Z			21B	X06A, X06B	
	23	Z01A	23		Z01A	5n435			BOP, KVT, UOP4	
	Pre	A07A	Pre		A07A			06	G15Z, G18A, G18B, G38Z	
								13	N04Z, N06Z	
				21A	W04A, W04B					
				21B	X06A, X06B					

ZZV	MDC	DRG	ZZV	MDC	DRG	ZZV	MDC	DRG
5n436		BOP, KVT, UOP4	5n43g.1		BOP, KVT, UOP4	5n44a.1	06	G26Z
	06	G15Z, G18A, G18B, G18C, G38Z		06	G11A, G11B		09	J03A, J03B, J04A, J04B, J08A, J08B, J08C, J11A, J11B, J16Z
	21A	W04A, W04B		09	J03A, J03B, J04A, J04B, J08A, J08B, J08C, J11A, J11B, J16Z		14	962Z, O02A, O02B
5n439	21B	X06A, X06B		13	N06Z		21A	W04A, W04B
		BOP, KVT, UOP4		14	962Z, O02A, O02B	5n44a.2	21B	X06A, X06B, X06C
	06	G13Z, G21A, G21B		21A	W04A, W04B		06	G26Z
	09	J03A, J03B, J04A, J04B, J08A, J08B, J08C, J11A, J11B, J16Z	5n43g.2	21B	X06A, X06B, X06C		09	J03A, J03B, J04A, J04B, J08A, J08B, J08C, J11A, J11B, J16Z
	13	N06Z		06	BOP, KVT, UOP4		14	962Z, O02A, O02B
	14	962Z, O02A, O02B		09	G11A, G11B		21A	W04A, W04B
	21A	W04A, W04B		09	J03A, J03B, J04A, J04B, J08A, J08B, J08C, J11A, J11B, J16Z		21B	X06A, X06B, X06C
5n43a	21B	X06A, X06B		13	N06Z	5n44a.x	06	G26Z
		BOP, KVT, UOP4		14	962Z, O02A, O02B		09	J03A, J03B, J04A, J04B, J08A, J08B, J08C, J11A, J11B, J16Z
	06	G11A, G11B		21A	W04A, W04B		14	962Z, O02A, O02B
	09	J03A, J03B, J04A, J04B, J08A, J08B, J08C, J11A, J11B, J16Z	5n43g.x	21B	X06A, X06B, X06C		21A	W04A, W04B
	21A	W04A, W04B		06	BOP, KVT, UOP4		21B	X06A, X06B, X06C
5n43b	21B	X06A, X06B, X06C		09	G11A, G11B	5n44b	06	G26Z
		BOP, KVT, UOP4		09	J03A, J03B, J04A, J04B, J08A, J08B, J08C, J11A, J11B, J16Z		09	J03A, J03B, J04A, J04B, J08A, J08B, J08C, J09A, J09B, J16Z
	06	G11A, G11B		13	N06Z		14	962Z, O02A, O02B
	09	J03A, J03B, J04A, J04B, J08A, J08B, J08C, J11A, J11B, J16Z		14	962Z, O02A, O02B	5n450	06	G26Z
5n43c		BOP, KVT, UOP4		21A	W04A, W04B		09	J03A, J03B, J04A, J04B, J08A, J08B, J08C, J09A, J09B, J16Z
5n43d	06	G11A, G11B	5n43h	21B	X06A, X06B, X06C		21A	W04A, W04B
		BOP, KVT, UOP4		06	BOP, KVT, UOP4		21B	X06A, X06B, X06C
	06	G11A, G11B		06	G15Z, G16A, G16B, G38Z	5n451.0	06	G26Z
	09	J03A, J03B, J04A, J04B, J08A, J08B, J08C, J09A, J09B, J16Z	5n43j.0	06	BOP, KVT, UOP4		09	J03A, J03B, J04A, J04B, J08A, J08B, J08C, J11A, J11B, J16Z
	14	962Z, O02A, O02B, O04A		06	G11A, G11B		21A	W04A, W04B
	21A	W04A, W04B	5n43j.1	06	BOP, KVT, UOP4		21B	X06A, X06B, X06C
	21B	X06A, X06B, X06C		06	G11A, G11B		06	G26Z
5n43e		BOP, KVT, UOP4	5n43j.2	06	BOP, KVT, UOP4		09	J03A, J03B, J04A, J04B, J08A, J08B, J08C, J11A, J11B, J16Z
	06	G11A, G11B		06	G11A, G11B		21A	W04A, W04B
	09	J03A, J03B, J04A, J04B, J08A, J08B, J08C, J09A, J09B, J16Z	5n43j.3	06	BOP, KVT, UOP4		21B	X06A, X06B, X06C
	14	962Z, O02A, O02B		06	G11A, G11B	5n451.1	06	G26Z
	21A	W04A, W04B	5n43j.4	06	BOP, KVT, UOP4		09	J03A, J03B, J04A, J04B, J08A, J08B, J08C, J11A, J11B, J16Z
	21B	X06A, X06B, X06C		06	G11A, G11B		21A	W04A, W04B
5n43f		BOP, KOP, KOPV, KVT, UOP4	5n43k	06	BOP, KVT, UOP4		21B	X06A, X06B, X06C
	05	F36A, F36B		06	G11A, G11B	5n451.2	06	G26Z
	06	G01Z, G02Z, G15Z, G33Z, G38Z	5n43x	06	BOP, KVT, UOP4		09	J03A, J03B, J04A, J04B, J08A, J08B, J08C, J11A, J11B, J16Z
	07	H33Z, H38Z		06	G11A, G11B		21A	W04A, W04B
	11	L33Z	5n440	06	G26Z		21B	X06A, X06B, X06C
	21B	X33Z		09	J03A, J03B, J04A, J04B, J08A, J08B, J08C, J09A, J09B, J16Z	5n451.3	06	G26Z
	23	Z01A		21A	W04A, W04B		09	J03A, J03B, J04A, J04B, J08A, J08B, J08C, J11A, J11B, J16Z
	Pre	A07A		21B	X06A, X06B, X06C		21A	W04A, W04B
5n43g.0		BOP, KVT, UOP4	5n441	06	G26Z		21B	X06A, X06B, X06C
	06	G11A, G11B		09	J03A, J03B, J04A, J04B, J08A, J08B, J08C, J09A, J09B, J16Z		06	G26Z
	09	J03A, J03B, J04A, J04B, J08A, J08B, J08C, J11A, J11B, J16Z		14	962Z, O02A, O02B		09	J03A, J03B, J04A, J04B, J08A, J08B, J08C, J11A, J11B, J16Z
	13	N06Z		21A	W04A, W04B	5n451.4	21A	W04A, W04B
	14	962Z, O02A, O02B		21B	X06A, X06B, X06C		21B	X06A, X06B, X06C
	21A	W04A, W04B	5n449	06	G26Z		06	G26Z
	21B	X06A, X06B, X06C		09	J03A, J03B, J04A, J04B, J08A, J08B, J08C, J09A, J09B, J16Z		09	J03A, J03B, J04A, J04B, J08A, J08B, J08C, J11A, J11B, J16Z
				14	962Z, O02A, O02B		21A	W04A, W04B
				21A	W04A, W04B	5n451.5	21B	X06A, X06B, X06C
				21B	X06A, X06B, X06C		06	G26Z
			5n44a.0	06	G26Z		09	J03A, J03B, J04A, J04B, J08A, J08B, J08C, J11A, J11B, J16Z
				09	J03A, J03B, J04A, J04B, J08A, J08B, J08C, J11A, J11B, J16Z		21A	W04A, W04B
				14	962Z, O02A, O02B		21B	X06A, X06B, X06C
				21A	W04A, W04B			
				21B	X06A, X06B, X06C			

ZZV	MDC	DRG	ZZV	MDC	DRG	ZZV	MDC	DRG
5n451.6	06	G26Z	5n470.0		BOP, KVT, UOP4	5n472.1		BOP, KVT, UOP4
	09	J03A, J03B, J04A, J04B, J08A, J08B, J08C, J11A, J11B, J16Z		06	G01Z, G02Z, G11A, G11B, G38Z		06	G01Z, G02Z, G15Z, G16A, G16B, G38Z
	21A	W04A, W04B		09	J03A, J03B, J04A, J04B, J08A, J08B, J08C, J09A, J09B, J16Z		09	J03A, J03B, J04A, J04B, J08A, J08B, J08C, J09A, J09B, J16Z
5n451.x	21B	X06A, X06B, X06C		21A	W04A, W04B		21A	W04A, W04B
	06	G26Z		21B	X06A, X06B, X06C		21B	X06A, X06B, X06C
	09	J03A, J03B, J04A, J04B, J08A, J08B, J08C, J11A, J11B, J16Z	5n470.1	Pre	A11A, A13A, A13B, A13D	5n472.x	Pre	A11A, A13A, A13B, A13D
	21A	W04A, W04B		06	BOP, KVT, UOP4		06	BOP, KVT, UOP4
	21B	X06A, X06B, X06C		06	G01Z, G02Z, G11A, G11B, G38Z		06	G01Z, G02Z, G15Z, G16A, G16B, G38Z
5n452	06	G26Z		09	J03A, J03B, J04A, J04B, J08A, J08B, J08C, J09A, J09B, J16Z		09	J03A, J03B, J04A, J04B, J08A, J08B, J08C, J11A, J11B, J16Z
	09	J03A, J03B, J04A, J04B, J08A, J08B, J08C, J09A, J09B, J16Z		21A	W04A, W04B		13	N13A, N13B
	21A	W04A, W04B		21B	X06A, X06B, X06C		14	962Z, O02A, O02B
	21B	X06A, X06B, X06C		Pre	A11A, A13A, A13B, A13D		21A	W04A, W04B
5n453	06	G26Z	5n470.x	06	BOP, KVT, UOP4		21B	X06A, X06B, X06C
	09	J03A, J03B, J04A, J04B, J08A, J08B, J08C, J11A, J11B, J16Z		06	G01Z, G02Z, G11A, G11B, G38Z	5n473.0	Pre	A11A, A13A, A13B, A13D
	21A	W04A, W04B		09	J03A, J03B, J04A, J04B, J08A, J08B, J08C, J09A, J09B, J16Z		06	BOP, KVT, UOP4
	21B	X06A, X06B, X06C		21A	W04A, W04B		06	G01Z, G02Z, G15Z, G16A, G16B, G38Z
5n459	06	G26Z		21B	X06A, X06B, X06C		09	J03A, J03B, J04A, J04B, J08A, J08B, J08C, J09A, J09B, J16Z
	09	J03A, J03B, J04A, J04B, J08A, J08B, J08C, J11A, J11B, J16Z		Pre	A11A, A13A, A13B, A13D		21A	W04A, W04B
	21A	W04A, W04B	5n471.0	06	BOP, KVT, UOP4		21B	X06A, X06B, X06C
	21B	X06A, X06B, X06C		06	G01Z, G02Z, G11A, G11B, G38Z	5n473.1	Pre	A11A, A13A, A13B, A13D
5n45a		BOP, KVT, UOP4		09	J03A, J03B, J04A, J04B, J08A, J08B, J08C, J09A, J09B, J16Z		06	BOP, KVT, UOP4
	06	G26Z		21A	W04A, W04B		06	G01Z, G02Z, G15Z, G16A, G16B, G38Z
	14	962Z, O02A, O02B		21B	X06A, X06B, X06C		09	J03A, J03B, J04A, J04B, J08A, J08B, J08C, J09A, J09B, J16Z
	16	Q03A, Q03B		Pre	A11A, A13A, A13B, A13D		21A	W04A, W04B
5n45c		BOP, KVT, UOP4		06	BOP, KVT, UOP4		21B	X06A, X06B, X06C
	06	G26Z	5n471.1	06	G01Z, G02Z, G11A, G11B, G38Z		Pre	A11A, A13A, A13B, A13D
	14	962Z, O02A, O02B		09	J03A, J03B, J04A, J04B, J08A, J08B, J08C, J09A, J09B, J16Z	5n473.x	06	BOP, KVT, UOP4
	16	Q03A, Q03B		21A	W04A, W04B		06	G01Z, G02Z, G15Z, G16A, G16B, G38Z
5n45d		BOP, KVT, UOP4		21B	X06A, X06B, X06C		09	J03A, J03B, J04A, J04B, J08A, J08B, J08C, J09A, J09B, J16Z
	06	G26Z		Pre	A11A, A13A, A13B, A13D		21A	W04A, W04B
	14	962Z, O02A, O02B		06	BOP, KVT, UOP4		21B	X06A, X06B, X06C
	16	Q03A, Q03B	5n471.x	06	G01Z, G02Z, G11A, G11B, G38Z		Pre	A11A, A13A, A13B, A13D
5n45e		BOP, KVT, UOP4		09	J03A, J03B, J04A, J04B, J08A, J08B, J08C, J09A, J09B, J16Z	5n474	06	BOP, KVT, UOP4
	06	G26Z		21A	W04A, W04B		06	G01Z, G02Z, G15Z, G16A, G16B, G38Z
	14	962Z, O02A, O02B		21B	X06A, X06B, X06C		09	J03A, J03B, J04A, J04B, J08A, J08B, J08C, J09A, J09B, J16Z
	16	Q03A, Q03B		Pre	A11A, A13A, A13B, A13D		21A	W04A, W04B
5n45f		BOP, KVT, UOP4		06	BOP, KVT, UOP4		21B	X06A, X06B, X06C
	06	G26Z		06	G01Z, G02Z, G11A, G11B, G38Z		Pre	A11A, A13A, A13B, A13D
	16	Q03A, Q03B		09	J03A, J03B, J04A, J04B, J08A, J08B, J08C, J09A, J09B, J16Z	5n475	06	BOP, KVT, UOP4
5n45g.0		BOP, KVT, UOP4		21A	W04A, W04B		06	G01Z, G02Z, G15Z, G16A, G16B, G38Z
	06	G26Z		21B	X06A, X06B, X06C		09	J03A, J03B, J04A, J04B, J08A, J08B, J08C, J09A, J09B, J16Z
	14	962Z, O02A, O02B		Pre	A11A, A13A, A13B, A13D		21A	W04A, W04B
	16	Q03A, Q03B		06	BOP, KVT, UOP4		21B	X06A, X06B, X06C
5n45g.1		BOP, KVT, UOP4	5n472.0	06	G01Z, G02Z, G15Z, G16A, G16B, G38Z		Pre	A11A, A13A, A13B, A13D
	06	G26Z		09	J03A, J03B, J04A, J04B, J08A, J08B, J08C, J09A, J09B, J16Z		06	BOP, KVT, UOP4
	14	962Z, O02A, O02B		21A	W04A, W04B		06	G01Z, G02Z, G15Z, G16A, G16B, G38Z
	16	Q03A, Q03B		21B	X06A, X06B, X06C		09	J03A, J03B, J04A, J04B, J08A, J08B, J08C, J09A, J09B, J16Z
5n461		BOP, KVT, UOP4		Pre	A11A, A13A, A13B, A13D		21A	W04A, W04B
	06	G26Z		06	BOP, KVT, UOP4		21B	X06A, X06B, X06C
5n462		BOP, KVT, UOP4		09	J03A, J03B, J04A, J04B, J08A, J08B, J08C, J09A, J09B, J16Z		Pre	A11A, A13A, A13B, A13D
	06	G26Z		21A	W04A, W04B		06	G01Z, G02Z, G15Z, G16A, G16B, G38Z
5n46x		BOP, KVT, UOP4		21B	X06A, X06B, X06C		09	J03A, J03B, J04A, J04B, J08A, J08B, J08C, J09A, J09B, J16Z
	06	G26Z		Pre	A11A, A13A, A13B, A13D		21A	W04A, W04B

VYK

ZZV	MDC	DRG	ZZV	MDC	DRG	ZZV	MDC	DRG
5n476		BOP, KVT, UOP4	5n510.4		BOP, KOP, KOPV, KVT, UOP4	5n512.0		BOP, KOP, KOPV, KVT, UOP4
	06	G01Z, G02Z, G11A, G11B, G38Z		06	G10Z, G18A, G33Z, G38Z		06	G03B, G10Z, G18A, G33Z, G38Z
	09	J03A, J03B, J04A, J04B, J08A, J08B, J08C, J09A, J09B, J16Z		07	H01A, H01B, H09A, H09B, H09C, H33Z, H38Z		07	H01A, H01B, H09A, H09B, H09C, H33Z, H38Z
	21A	W04A, W04B		09	J26Z		09	J26Z
	21B	X06A, X06B, X06C		11	L33Z		11	L33Z
	Pre	A11A, A13A, A13B, A13D		21B	X33Z		21B	X33Z
5n47x.0		BOP, KVT, UOP4	5n510.x		BOP, KOP, KOPV, KVT, UOP4	5n512.2		BOP, KOP, KOPV, KVT, UOP4
	06	G01Z, G02Z, G11A, G11B, G38Z		06	G10Z, G18A, G33Z, G38Z		06	G03B, G10Z, G18A, G33Z, G38Z
	09	J03A, J03B, J04A, J04B, J08A, J08B, J08C, J09A, J09B, J16Z		07	H01A, H01B, H09A, H09B, H09C, H33Z, H38Z		07	H01A, H01B, H09A, H09B, H09C, H33Z, H38Z
	21A	W04A, W04B		09	J26Z		09	J26Z
	21B	X06A, X06B, X06C		11	L33Z		11	L33Z
	Pre	A11A, A13A, A13B, A13D		23	Z01A		23	Z01A
5n47x.1		BOP, KVT, UOP4	5n511.0		BOP, KOP, KOPV, KVT, UOP4	5n512.4		BOP, KOP, KOPV, KVT, UOP4
	06	G01Z, G02Z, G11A, G11B, G38Z		06	G10Z, G33Z, G38Z		06	G03B, G10Z, G18A, G33Z, G38Z
	09	J03A, J03B, J04A, J04B, J08A, J08B, J08C, J09A, J09B, J16Z		07	H01A, H01B, H09A, H09B, H09C, H33Z, H38Z		07	H01A, H01B, H09A, H09B, H09C, H33Z, H38Z
	21A	W04A, W04B		09	J26Z		09	J26Z
	21B	X06A, X06B, X06C		11	L33Z		11	L33Z
	Pre	A11A, A13A, A13B, A13D		21B	X33Z		21B	X33Z
5n47x.x		BOP, KVT, UOP4	5n511.2		BOP, KOP, KOPV, KVT, UOP4	5n512.x		BOP, KOP, KOPV, KVT, UOP4
	06	G01Z, G02Z, G11A, G11B, G38Z		06	G10Z, G33Z, G38Z		06	G03B, G10Z, G18A, G33Z, G38Z
	09	J03A, J03B, J04A, J04B, J08A, J08B, J08C, J09A, J09B, J16Z		07	H01A, H01B, H09A, H09B, H09C, H33Z, H38Z		07	H01A, H01B, H09A, H09B, H09C, H33Z, H38Z
	21A	W04A, W04B		09	J26Z		09	J26Z
	21B	X06A, X06B, X06C		11	L33Z		11	L33Z
	Pre	A11A, A13A, A13B, A13D		21B	X33Z		21B	X33Z
5n49a		BOP, KVT, UOP4	5n511.3†		BOP, KOP, KOPV, KVT, UOP4	5n514.0		BOP, KOP, KOPV, KVT, UOP4
	06	G15Z, G18A, G18B, G18C, G38Z	5n511.4		BOP, KOP, KOPV, KVT, UOP4		06	G18A, G33Z, G38Z
	21A	W04A, W04B		06	G10Z, G33Z, G38Z		07	H01A, H01B, H09A, H09B, H09C, H33Z, H38Z
	21B	X06A, X06B, X06C		07	H01A, H01B, H09A, H09B, H09C, H33Z, H38Z		09	J26Z
5n49e†		G40Z, G48A, G48B, G48C		09	J26Z		11	L33Z
5n49f†		G40Z, G48A, G48B, G48C		11	L33Z		21B	X33Z
5n49g†		G40Z, G48A, G48B, G48C		21B	X33Z		23	Z01A
5n510.0		BOP, KOP, KOPV, KVT, UOP4		Pre	A07A		Pre	A07A
	06	G10Z, G18A, G33Z, G38Z	5n511.x		BOP, KOP, KOPV, KVT, UOP4	5n514.2		BOP, KOP, KOPV, KVT, UOP4
	07	H01A, H01B, H09A, H09B, H09C, H33Z, H38Z		06	G10Z, G33Z, G38Z		06	G18A, G33Z, G38Z
	09	J26Z		07	H01A, H01B, H09A, H09B, H09C, H33Z, H38Z		07	H01A, H01B, H09A, H09B, H09C, H33Z, H38Z
	10	K03A, K03B		09	J26Z		09	J26Z
	11	L33Z		11	L33Z		11	L33Z
	21B	X33Z		21B	X33Z		21B	X33Z
	23	Z01A		23	Z01A		23	Z01A
	Pre	A07A		Pre	A07A		Pre	A07A
5n510.2		BOP, KOP, KOPV, KVT, UOP4		09	J26Z	5n514.3†		BOP, KOP, KOPV, KVT, UOP4
	06	G10Z, G18A, G33Z, G38Z		11	L33Z		06	G18A, G33Z, G38Z
	07	H12A, H12B, H33Z, H38Z		21B	X33Z		07	H01A, H01B, H09A, H09B, H09C, H33Z, H38Z
	09	J26Z		23	Z01A		09	J26Z
	11	L33Z		Pre	A07A		11	L33Z
	21B	X33Z					21B	X33Z
	23	Z01A					23	Z01A
	Pre	A07A					Pre	A07A
							07	H41A, H41B, H41C

ZZV	MDC	DRG	ZZV	MDC	DRG	ZZV	MDC	DRG	
5n514.4		BOP, KOP, KOPV, KVT, UOP4	5n51x.0		BOP, KOP, KOPV, KVT, UOP4	5n520.2		BOP, KOP, KOPV, KVT, MVV, UOP4	
	06	G18A, G33Z, G38Z		06	G18A, G33Z, G38Z		06	G03B, G10Z, G16A, G18A, G33Z, G38Z	
	07	H01A, H01B, H09A, H09B, H09C, H33Z, H38Z		07	H01A, H01B, H09A, H09B, H09C, H33Z, H38Z		07	H01A, H01B, H09A, H09B, H09C, H33Z, H38Z	
	09	J26Z		09	J26Z		09	J14A, J26Z	
	11	L33Z		11	L33Z		11	L33Z	
	21B	X33Z		21B	X33Z		13	N11A	
	23	Z01A		23	Z01A		21A	W01A, W01B, W01C, W02A, W02B, W04A, W04B	
	Pre	A07A		Pre	A07A		21B	X06A, X06B, X06C, X33Z	
5n514.x		BOP, KOP, KOPV, KVT, UOP4	5n51x.2		BOP, KOP, KOPV, KVT, UOP4	5n521.10		BOP, KOP, KOPV, KVT, MVV, UOP4	
	06	G18A, G33Z, G38Z		06	G18A, G33Z, G38Z		06	G03B, G10Z, G16A, G18A, G33Z, G38Z	
	07	H01A, H01B, H09A, H09B, H09C, H33Z, H38Z		07	H01A, H01B, H09A, H09B, H09C, H33Z, H38Z		07	H01A, H01B, H09A, H09B, H09C, H33Z, H38Z	
	09	J26Z		09	J26Z		09	J14A, J26Z	
	11	L33Z		11	L33Z		11	L33Z	
	21B	X33Z		21B	X33Z		13	N11A	
	23	Z01A		23	Z01A		21A	W01A, W01B, W01C, W02A, W02B, W04A, W04B	
	Pre	A07A		Pre	A07A		21B	X06A, X06B, X06C, X33Z	
5n515.0		BOP, KOP, KOPV, KVT, UOP4	5n51x.3†		H41A, H41B, H41C	5n521.12		BOP, KOP, KOPV, KVT, MVV, UOP4	
	06	G18A, G33Z, G38Z	5n51x.4		BOP, KOP, KOPV, KVT, UOP4		06	G03B, G10Z, G16A, G18A, G33Z, G38Z	
	07	H01A, H01B, H09A, H09B, H09C, H33Z, H38Z		06	G18A, G33Z, G38Z		07	H01A, H01B, H09A, H09B, H09C, H33Z, H38Z	
	09	J26Z		07	H01A, H01B, H09A, H09B, H09C, H33Z, H38Z		09	J14A, J26Z	
	11	L33Z		09	J26Z		11	L33Z	
	21B	X33Z		11	L33Z		13	N11A	
	23	Z01A		21B	X33Z		21A	W01A, W01B, W01C, W02A, W02B, W04A, W04B	
	Pre	A07A		23	Z01A		21B	X06A, X06B, X06C, X33Z	
5n515.2		BOP, KOP, KOPV, KVT, UOP4	5n51x.x		BOP, KOP, KOPV, KVT, UOP4	5n521.20		BOP, KOP, KOPV, KVT, MVV, UOP4	
	06	G18A, G33Z, G38Z			06		G18A, G33Z, G38Z	06	G03B, G10Z, G16A, G18A, G33Z, G38Z
	07	H01A, H01B, H09A, H09B, H09C, H33Z, H38Z			07		H01A, H01B, H09A, H09B, H09C, H33Z, H38Z	07	H01A, H01B, H09A, H09B, H09C, H33Z, H38Z
	09	J26Z			09		J26Z	09	J14A, J26Z
	11	L33Z			11		L33Z	11	L33Z
	21B	X33Z			11		L33Z	13	N11A
	23	Z01A			21B		X33Z	21A	W01A, W01B, W01C, W02A, W02B, W04A, W04B
	Pre	A07A			23		Z01A	21B	X06A, X06B, X06C, X33Z
5n515.3†		H41A, H41B, H41C	5n520.0		BOP, KOP, KOPV, KVT, MVV, UOP4	5n521.20		BOP, KOP, KOPV, KVT, MVV, UOP4	
	07	H41A, H41B, H41C			06		G03B, G10Z, G16A, G18A, G33Z, G38Z	06	G03B, G10Z, G16A, G18A, G33Z, G38Z
5n515.4		BOP, KOP, KOPV, KVT, UOP4	5n515.x		BOP, KOP, KOPV, KVT, UOP4	5n521.20		BOP, KOP, KOPV, KVT, MVV, UOP4	
	06	G18A, G33Z, G38Z			06		G03B, G10Z, G16A, G18A, G33Z, G38Z	06	G03B, G10Z, G16A, G18A, G33Z, G38Z
	07	H01A, H01B, H09A, H09B, H09C, H33Z, H38Z			07		H01A, H01B, H09A, H09B, H09C, H33Z, H38Z	07	H01A, H01B, H09A, H09B, H09C, H33Z, H38Z
	09	J26Z			09		J14A, J26Z	09	J14A, J26Z
	11	L33Z			11		L33Z	11	L33Z
	21B	X33Z			13		N11A	13	N11A
	23	Z01A			21A		W01A, W01B, W01C, W02A, W02B, W04A, W04B	21A	W01A, W01B, W01C, W02A, W02B, W04A, W04B
	Pre	A07A			21B		X06A, X06B, X06C, X33Z	21B	X06A, X06B, X06C, X33Z
5n515.x		BOP, KOP, KOPV, KVT, UOP4		23	Z01A, Z02Z	5n521.20		BOP, KOP, KOPV, KVT, MVV, UOP4	
	06	G18A, G33Z, G38Z		Pre	A07A, A09B, A11A, A11B, A13B		06	G03B, G10Z, G16A, G18A, G33Z, G38Z	
	07	H01A, H01B, H09A, H09B, H09C, H33Z, H38Z			07		H01A, H01B, H09A, H09B, H09C, H33Z, H38Z	07	H01A, H01B, H09A, H09B, H09C, H33Z, H38Z
	09	J26Z			09		J14A, J26Z	09	J14A, J26Z
	11	L33Z			11		L33Z	11	L33Z
	21B	X33Z			21A		W01A, W01B, W01C, W02A, W02B, W04A, W04B	13	N11A
	23	Z01A			21B		X06A, X06B, X06C, X33Z	21A	W01A, W01B, W01C, W02A, W02B, W04A, W04B
	Pre	A07A			Pre		A07A, A09B, A11A, A11B, A13B	21B	X06A, X06B, X06C, X33Z

VYK

ZZV	MDC	DRG	ZZV	MDC	DRG	ZZV	MDC	DRG
5n521.22		BOP, KOP, KOPV, KVT, MVV, UOP4	5n522.20		BOP, KOP, KOPV, KVT, MVV, UOP4	5n522.5		BOP, KOP, KOPV, KVT, MVV, UOP4
	06	G03B, G10Z, G16A, G18A, G33Z, G38Z		06	G03B, G10Z, G16A, G18A, G33Z, G38Z		06	G03B, G10Z, G16A, G18A, G33Z, G38Z
	07	H01A, H01B, H09A, H09B, H09C, H33Z, H38Z		07	H01A, H09A, H09B, H09C, H33Z, H38Z		07	H01A, H01B, H09A, H09B, H09C, H33Z, H38Z
	09	J14A, J26Z		09	J14A, J26Z		09	J14A, J26Z
	11	L33Z		11	L33Z		11	L33Z
	13	N11A		13	N11A		13	N11A
	21A	W01A, W01B, W01C, W02A, W02B, W04A, W04B		21A	W01A, W01B, W01C, W02A, W02B, W04A, W04B		21A	W01A, W01B, W01C, W02A, W02B, W04A, W04B
	21B	X06A, X06B, X06C, X33Z		21B	X06A, X06B, X06C, X33Z		21B	X06A, X06B, X06C, X33Z
	23	Z01A, Z02Z		23	Z01A, Z02Z		23	Z01A, Z02Z
	Pre	A07A, A09B, A11A, A11B, A13B		Pre	A07A, A09B, A11A, A11B, A13B		Pre	A07A, A09B, A11A, A11B, A13B
5n521.3		BOP, KOP, KOPV, KVT, MVV, UOP4	5n522.22		BOP, KOP, KOPV, KVT, MVV, UOP4	5n523.20		BOP, KOP, KOPV, KVT, MVV, UOP4
	06	G03B, G10Z, G16A, G18A, G33Z, G38Z		06	G03B, G10Z, G16A, G18A, G33Z, G38Z		06	G03B, G10Z, G16A, G18A, G33Z, G38Z
	07	H01A, H01B, H09A, H09B, H09C, H33Z, H38Z		07	H01A, H09A, H09B, H09C, H33Z, H38Z		07	H01A, H09A, H09B, H09C, H33Z, H38Z
	09	J14A, J26Z		09	J14A, J26Z		09	J14A, J26Z
	11	L33Z		11	L33Z		11	L33Z
	13	N11A		13	N11A		13	N11A
	21A	W01A, W01B, W01C, W02A, W02B, W04A, W04B		21A	W01A, W01B, W01C, W02A, W02B, W04A, W04B		21A	W01A, W01B, W01C, W02A, W02B, W04A, W04B
	21B	X06A, X06B, X06C, X33Z		21B	X06A, X06B, X06C, X33Z		21B	X06A, X06B, X06C, X33Z
	23	Z01A, Z02Z		23	Z01A, Z02Z		23	Z01A, Z02Z
	Pre	A07A, A09B, A11A, A11B, A13B		Pre	A07A, A09B, A11A, A11B, A13B		Pre	A07A, A09B, A11A, A11B, A13B
5n522.10		BOP, KOP, KOPV, KVT, MVV, UOP4	5n522.3		BOP, KOP, KOPV, KVT, MVV, UOP4	5n523.22		BOP, KOP, KOPV, KVT, MVV, UOP4
	06	G03B, G10Z, G16A, G18A, G33Z, G38Z		06	G03B, G10Z, G16A, G18A, G33Z, G38Z		06	G03B, G10Z, G16A, G18A, G33Z, G38Z
	07	H01A, H01B, H09A, H09B, H09C, H33Z, H38Z		07	H01A, H01B, H09A, H09B, H09C, H33Z, H38Z		07	H01A, H09A, H09B, H09C, H33Z, H38Z
	09	J14A, J26Z		09	J14A, J26Z		09	J14A, J26Z
	11	L33Z		11	L33Z		11	L33Z
	13	N11A		13	N11A		13	N11A
	21A	W01A, W01B, W01C, W02A, W02B, W04A, W04B		21A	W01A, W01B, W01C, W02A, W02B, W04A, W04B		21A	W01A, W01B, W01C, W02A, W02B, W04A, W04B
	21B	X06A, X06B, X06C, X33Z		21B	X06A, X06B, X06C, X33Z		21B	X06A, X06B, X06C, X33Z
	23	Z01A, Z02Z		23	Z01A, Z02Z		23	Z01A, Z02Z
	Pre	A07A, A09B, A11A, A11B, A13B		Pre	A07A, A09B, A11A, A11B, A13B		Pre	A07A, A09B, A11A, A11B, A13B
5n522.12		BOP, KOP, KOPV, KVT, MVV, UOP4	5n522.4		BOP, KOP, KOPV, KVT, MVV, UOP4	5n523.30		BOP, KOP, KOPV, KVT, MVV, UOP4
	06	G03B, G10Z, G16A, G18A, G33Z, G38Z		06	G03B, G10Z, G16A, G18A, G33Z, G38Z		06	G03B, G10Z, G16A, G18A, G33Z, G38Z
	07	H01A, H01B, H09A, H09B, H09C, H33Z, H38Z		07	H01A, H01B, H09A, H09B, H09C, H33Z, H38Z		07	H01A, H01B, H09A, H09B, H09C, H33Z, H38Z
	09	J14A, J26Z		09	J14A, J26Z		09	J14A, J26Z
	11	L33Z		11	L33Z		11	L33Z
	13	N11A		13	N11A		13	N11A
	21A	W01A, W01B, W01C, W02A, W02B, W04A, W04B		21A	W01A, W01B, W01C, W02A, W02B, W04A, W04B		21A	W01A, W01B, W01C, W02A, W02B, W04A, W04B
	21B	X06A, X06B, X06C, X33Z		21B	X06A, X06B, X06C, X33Z		21B	X06A, X06B, X06C, X33Z
	23	Z01A, Z02Z		23	Z01A, Z02Z		23	Z01A, Z02Z
	Pre	A07A, A09B, A11A, A11B, A13B		Pre	A07A, A09B, A11A, A11B, A13B		Pre	A07A, A09B, A11A, A11B, A13B

ZZV	MDC	DRG	ZZV	MDC	DRG	ZZV	MDC	DRG					
5n523.32		BOP, KOP, KOPV, KVT, MVV, UOP4	5n533		BOP, KOP, KOPV, KVT, UOP4	5n550.10		BOP, KOP, KOPV, KVT, UOP4					
	06	G03B, G10Z, G16A, G18A, G33Z, G38Z		06	G03B, G10Z, G33Z, G38Z		06	G03B, G33Z, G38Z					
	07	H01A, H01B, H09A, H09B, H09C, H33Z, H38Z		07	H01A, H01B, H09A, H09B, H09C, H33Z, H38Z		07	H01A, H01B, H09A, H09B, H09C, H33Z, H38Z					
	09	J14A, J26Z		09	J26Z		11	L33Z					
	11	L33Z		11	L33Z		21A	W01A, W01B, W01C, W02A, W02B, W04A, W04B					
	13	N11A		21A	W04A, W04B		21B	X06A, X06B, X06C, X33Z					
	21A	W01A, W01B, W01C, W02A, W02B, W04A, W04B		21B	X06A, X06B, X06C, X33Z		23	Z01A					
	21B	X06A, X06B, X06C, X33Z		Pre	A07A		Pre	A07A					
	23	Z01A, Z02Z		5n534			BOP, KOP, KOPV, KVT, UOP4	5n550.11		BOP, KOP, KOPV, KVT, UOP4			
	Pre	A07A, A09B, A11A, A11B, A13B			06		G03B, G10Z, G33Z, G38Z		06	G03B, G33Z, G38Z			
	5n52x.0				BOP, KOP, KOPV, KVT, MVV, UOP4		07		H01A, H01B, H09A, H09B, H09C, H33Z, H38Z	07	H01A, H01B, H09A, H09B, H09C, H33Z, H38Z		
		06			G03B, G10Z, G16A, G18A, G33Z, G38Z		09		J26Z	11	L33Z		
		07			H01A, H01B, H09A, H09B, H09C, H33Z, H38Z		11		L33Z	21A	W01A, W01B, W01C, W02A, W02B, W04A, W04B		
09		J14A, J26Z	21A		W04A, W04B	21B	X06A, X06B, X06C, X33Z						
11		L33Z	21B		X06A, X06B, X06C, X33Z	23	Z01A						
13		N11A	23		Z01A, Z02Z	Pre	A07A						
21A		W01A, W01B, W01C, W02A, W02B, W04A, W04B	Pre		A07A	5n550.20			BOP, KOP, KOPV, KVT, UOP4				
21B		X06A, X06B, X06C, X33Z	5n535				BOP, KOP, KOPV, KVT, UOP4		06	G03B, G33Z, G38Z			
23		Z01A, Z02Z			06		G03B, G10Z, G33Z, G38Z		07	H01A, H01B, H09A, H09B, H09C, H33Z, H38Z			
Pre		A07A			07		H01A, H01B, H09A, H09B, H09C, H33Z, H38Z		11	L33Z			
5n52x.2					BOP, KOP, KOPV, KVT, MVV, UOP4		09		J26Z	21A	W01A, W01B, W01C, W02A, W02B, W04A, W04B		
		06		G03B, G10Z, G16A, G18A, G33Z, G38Z	11		L33Z	21B	X06A, X06B, X06C, X33Z				
		07		H01A, H01B, H09A, H09B, H09C, H33Z, H38Z	21A		W04A, W04B	23	Z01A				
	09	J14A, J26Z		21B	X06A, X06B, X06C, X33Z		Pre	A07A					
	11	L33Z		23	Z01A, Z02Z		5n550.22		BOP, KOP, KOPV, KVT, UOP4				
	13	N11A		Pre	A07A			06	G03B, G33Z, G38Z				
	21A	W01A, W01B, W01C, W02A, W02B, W04A, W04B		5n536				BOP, KOP, KOPV, KVT, UOP4	07	H01A, H01B, H09A, H09B, H09C, H33Z, H38Z			
	21B	X06A, X06B, X06C, X33Z			06			G03B, G10Z, G33Z, G38Z	11	L33Z			
	23	Z01A, Z02Z			07			H01A, H01B, H09A, H09B, H09C, H33Z, H38Z	21A	W01A, W01B, W01C, W02A, W02B, W04A, W04B			
	Pre	A07A			09	J26Z		21B	X06A, X06B, X06C, X33Z				
	5n531		BOP, KOP, KOPV, KVT, UOP4		11	L33Z		23	Z01A				
		06	G03B, G10Z, G33Z, G38Z		21A	W04A, W04B		Pre	A07A				
		07	H01A, H01B, H09A, H09B, H09C, H33Z, H38Z		21B	X06A, X06B, X06C, X33Z		5n551		BOP, KOP, KOPV, KVT, UOP4			
09		J26Z	23		Z01A, Z02Z	07			H12A, H12B				
11		L33Z	Pre		A07A	21A			W04A, W04B				
21A		W04A, W04B	5n53x			BOP, KOP, KOPV, KVT, UOP4			21B	X06A, X06B, X06C			
21B		X06A, X06B, X06C, X33Z			06	G03B, G10Z, G33Z, G38Z			5n552		BOP, KOP, KOPV, KVT, UOP4		
23		Z01A			07	H01A, H01B, H09A, H09B, H09C, H33Z, H38Z	06			G03B, G33Z, G38Z			
Pre		A07A			09	J26Z	07			H01A, H01B, H09A, H09B, H09C, H33Z, H38Z			
5n532				BOP, KOP, KOPV, KVT, UOP4	11	L33Z	11			L33Z			
		06		G03B, G10Z, G33Z, G38Z	21A	W04A, W04B	21A			W01A, W01B, W01C, W02A, W02B, W04A, W04B			
		07		H01A, H01B, H09A, H09B, H09C, H33Z, H38Z	21B	X06A, X06B, X06C, X33Z	21B			X06A, X06B, X06C, X33Z			
		09		J26Z	23	Z01A, Z02Z	23			Z01A			
	11	L33Z		Pre	A07A	Pre	A07A						
	21A	W04A, W04B		5n540		BOP, KVT, UOP4	5n552				BOP, KOP, KOPV, KVT, UOP4		
	21B	X06A, X06B, X06C, X33Z			Pre	A01A, A01B, A01C, A18Z		06		G03B, G33Z, G38Z			
	23	Z01A			5n541			BOP, KVT, UOP4		07	H01A, H01B, H09A, H09B, H09C, H33Z, H38Z		
	Pre	A07A				Pre		A01A, A01B, A01C, A18Z		11	L33Z		
	5n532		BOP, KOP, KOPV, KVT, UOP4			5n542				BOP, KVT, UOP4	5n54x		BOP, KVT, UOP4
		06	G03B, G10Z, G33Z, G38Z					Pre	A01A, A01B, A01C, A18Z	Pre		A01A, A01B, A01C, A18Z	
		07	H01A, H01B, H09A, H09B, H09C, H33Z, H38Z					5n54x		BOP, KVT, UOP4		Pre	A01A, A01B, A01C, A18Z
		09	J26Z						Pre	A01A, A01B, A01C, A18Z			
11		L33Z											
21A		W04A, W04B											
21B		X06A, X06B, X06C, X33Z											
23		Z01A											
Pre		A07A											

VYK

ZZV	MDC	DRG	ZZV	MDC	DRG	ZZV	MDC	DRG		
5n590.0		BOP, KVT, UOP4	5n591.22		BOP, KOP, KOPV, KVT, UOP4	5n613.3		BOP, KOP, KOPV, KVT, MVV, UOP4		
	05	F13A, F21A, F21B		06	G33Z		06	G03A, G10Z, G33Z, G38Z		
	06	G10Z, G12A, G12B		07	H01A, H01B, H09A, H09B, H09C, H33Z, H38Z		07	H01A, H02A, H02B, H33Z, H38Z		
	07	H05Z		11	L33Z		11	L33Z		
	09	J03A, J03B, J04A, J04B, J08A, J08B, J08C, J11A, J11B, J16Z		21A	W04A, W04B		17	R01A, R01B, R01C, R01D, R02Z, R12A, R12B, R12C		
	10	K09A, K09B		21B	X06A, X06B, X06C, X33Z		21A	W04A, W04B		
	11	L09A, L09B, L09C, L09D, L38Z		23	Z01A		21B	X06A, X06B, X06C, X33Z		
	12	M01A, M01B, M38Z		Pre	A07A		23	Z01A		
	13	N11A, N11B		5n591.x			Pre	A07A		
	14	962Z, O02A, O02B, O04A			06		G33Z	5n613.4		BOP, KOP, KOPV, KVT, MVV, UOP4
	17	R01A, R01B, R01C, R01D, R02Z, R12A, R12B, R12C			07		H01A, H01B, H09A, H09B, H09C, H33Z, H38Z	06	G03A, G10Z, G33Z, G38Z	
	21A	W04A, W04B			11		L33Z	07	H01A, H02A, H02B, H33Z, H38Z	
	21B	X06A, X06B			21A		W04A, W04B	11	L33Z	
	22	Y01Z, Y03A, Y03B			21B		X06A, X06B, X06C	17	R01A, R01B, R01C, R01D, R02Z, R12A, R12B, R12C	
	23	Z01A			Pre		A07A	21A	W04A, W04B	
	Pre	A07A						21B	X06A, X06B, X06C, X33Z	
	5n590.2	04		E02A, E02B, E02C	5n592†		09	J11A, J11B	5n613.5	
05		F21A, F21B	09	J11A, J11B		06	G03A, G10Z, G33Z, G38Z			
06		G10Z, G12A, G12B	5n593†			07	H02A, H02B, H33Z, H38Z			
07		H12A, H12B	5n610			11	L33Z			
08		I28A, I28B		06		G10Z, G12A, G12B	17	R01A, R01B, R01C, R01D, R02Z, R12A, R12B, R12C		
09		J03A, J03B, J04A, J04B, J08A, J08B, J08C, J11A, J11B, J16Z, J21Z		07		H05Z	21A	W04A, W04B		
10		K09A, K09B		17		R01A, R01B, R01C, R01D, R02Z, R12A, R12B, R12C	21B	X06A, X06B, X06C, X33Z		
11		L09A, L09B, L09C, L09D, L38Z		21A		W04A, W04B	23	Z01A		
13		N11A		21B		X06A, X06B, X06C	Pre	A07A		
14		962Z, O02A, O02B	5n611.0			BOP, KVT, UOP4	5n61x			BOP, KVT, UOP4
17		R01A, R01B, R01C, R01D, R02Z, R12A, R12B, R12C		07		H05Z	06	G10Z, G12A, G12B		
21A		W04A, W04B		07		H05Z	07	H05Z		
21B		X06A, X06B, X06C		5n611.2			5n620.0			BOP, KVT, UOP4
22		Y01Z, Y03A, Y03B		07		H05Z	07	H07A, H07B		
Pre		A07A		5n611.3			17	R01A, R01B, R01C, R01D, R02Z, R12A, R12B, R12C		
5n591.0			BOP, KOP, KOPV, KVT, UOP4				21A	W04A, W04B		
		06	G33Z				21B	X06A, X06B		
	07	H01A, H01B, H09A, H09B, H09C, H33Z, H38Z	5n612		5n620.2		BOP, KVT, UOP4			
	11	L33Z			07	H08A, H08B				
	21A	W04A, W04B			17	R01A, R01B, R01C, R01D, R02Z, R12A, R12B, R12C				
	21B	X06A, X06B, X06C			21A	W04A, W04B				
	23	Z01A			21B	X06A, X06B				
	Pre	A07A	5n613.1		5n620.4		BOP, KVT, UOP4			
	5n591.1		BOP, KOP, KOPV, KVT, UOP4			07	H07A, H07B			
		06	G33Z			17	R01A, R01B, R01C, R01D, R02Z, R12A, R12B, R12C			
		07	H01A, H01B, H09A, H09B, H09C, H33Z, H38Z			21A	W04A, W04B			
		11	L33Z			21B	X06A, X06B			
		21A	W04A, W04B			5n621.0		BOP, KVT, UOP4		
		21B	X06A, X06B, X06C, X33Z			07	H05Z			
		23	Z01A			17	R01A, R01B, R01C, R01D, R02Z, R12A, R12B, R12C			
		Pre	A07A	5n613.2		21A	W04A, W04B			
		5n591.20		BOP, KOP, KOPV, KVT, UOP4			21B	X06A, X06B, X06C, X33Z		
06			G33Z			23	Z01A			
07			H01A, H01B, H09A, H09B, H09C, H33Z, H38Z			Pre	A07A			
11			L33Z							
21A			W04A, W04B			5n621.2		BOP, KVT, UOP4		
21B			X06A, X06B, X06C, X33Z			07	H08A, H08B			
23			Z01A			17	R01A, R01B, R01C, R01D, R02Z, R12A, R12B, R12C			
Pre			A07A			21A	W04A, W04B			
5n591.22				BOP, KOP, KOPV, KVT, UOP4			21B	X06A, X06B		
	06		G33Z			5n621.0		BOP, KVT, UOP4		
	07		H01A, H01B, H09A, H09B, H09C, H33Z, H38Z			07	H05Z			
	11		L33Z			17	R01A, R01B, R01C, R01D, R02Z, R12A, R12B, R12C			
	21A		W04A, W04B			21A	W04A, W04B			
	21B		X06A, X06B, X06C, X33Z			21B	X06A, X06B			
	23		Z01A			5n621.2		BOP, KVT, UOP4		
	Pre		A07A			07	H08A, H08B			
	5n591.x			BOP, KOP, KOPV, KVT, UOP4			17	R01A, R01B, R01C, R01D, R02Z, R12A, R12B, R12C		
		06	G33Z			21A	W04A, W04B			
		07	H01A, H01B, H09A, H09B, H09C, H33Z, H38Z			21B	X06A, X06B, X06C, X33Z			
		11	L33Z			23	Z01A			
		21A	W04A, W04B			Pre	A07A			
		21B	X06A, X06B, X06C, X33Z							
		23	Z01A							
		Pre	A07A							
		5n592†		BOP, KOP, KOPV, KVT, UOP4						
09			J11A, J11B							
09			J11A, J11B							
5n593†										
5n610										
06			G10Z, G12A, G12B							
07			H05Z							
17			R01A, R01B, R01C, R01D, R02Z, R12A, R12B, R12C							
21A			W04A, W04B							
21B	X06A, X06B, X06C									
Pre	A07A									
5n611.0										
5n611.2										
5n611.3										
5n612										
5n613.1										
06	G03A, G10Z, G33Z, G38Z									
07	H02A, H02B, H33Z, H38Z									
11	L33Z									
17	R01A, R01B, R01C, R01D, R02Z, R12A, R12B, R12C									
21A	W04A, W04B									
21B	X06A, X06B, X06C, X33Z									
23	Z01A									
Pre	A07A									
5n613.2										
06	G03A, G10Z, G33Z, G38Z									
07	H01A, H02A, H02B, H33Z, H38Z									
11	L33Z									
17	R01A, R01B, R01C, R01D, R02Z, R12A, R12B, R12C									
21A	W04A, W04B									
21B	X06A, X06B, X06C, X33Z									
23	Z01A									
Pre	A07A									



ZZV	MDC	DRG	ZZV	MDC	DRG	ZZV	MDC	DRG
5n621.4		BOP, KVT, UOP4	5n63m.01‡	07	H41A, H41B, H41C	5n640.12		BOP, KOP, KOPV, KVT, UOP4
	07	H05Z	5n63m.02‡	07	H41A, H41B, H41C		06	G10Z, G12A, G12B, G33Z, G38Z
	17	R01A, R01B, R01C, R01D, R02Z, R12A, R12B, R12C	5n63m.03‡	07	H41A, H41B, H41C		07	H01A, H01B, H09A, H09B, H09C, H38Z
	21A	W04A, W04B	5n63m.11‡	07	H41A, H41B, H41C		17	R01A, R01B, R01C, R01D, R02Z, R12A, R12B, R12C
5n623	21B	X06A, X06B	5n63m.12‡	07	H41A, H41B, H41C		21A	W04A, W04B
		BOP, KOP, KOPV, KVT, UOP4	5n63m.13‡	07	H41A, H41B, H41C		21B	X06A, X06B, X06C
	06	G10Z, G33Z, G38Z	5n63x‡	07	H41A, H41B, H41C	5n640.13‡	07	H41A, H41B, H41C
	07	H01A, H01B, H09A, H09B, H09C, H33Z, H38Z	5n640.00		BOP, KOP, KOPV, KVT, UOP4	5n640.1x‡	07	H41A, H41B, H41C
	11	L33Z		06	G10Z, G12A, G12B, G33Z, G38Z	5n640.20		BOP, KOP, KOPV, KVT, UOP4
	17	R01A, R01B, R01C, R01D, R02Z, R12A, R12B, R12C		07	H01A, H01B, H09A, H09B, H09C, H38Z		06	G10Z, G12A, G12B, G33Z, G38Z
	21A	W04A, W04B		17	R01A, R01B, R01C, R01D, R02Z, R12A, R12B, R12C		07	H01A, H01B, H09A, H09B, H09C, H38Z
	21B	X06A, X06B		21A	W04A, W04B		17	R01A, R01B, R01C, R01D, R02Z, R12A, R12B, R12C
	23	Z01A		21B	X06A, X06B, X06C		21A	W04A, W04B
	Pre	A07A		Pre	A07A		21B	X06A, X06B, X06C
5n624.1		BOP, KVT, UOP4	5n640.01		BOP, KOP, KOPV, KVT, UOP4		Pre	A07A
	07	H07A, H07B		06	G10Z, G12A, G12B, G33Z, G38Z		06	G10Z, G12A, G12B, G33Z, G38Z
	17	R01A, R01B, R01C, R01D, R02Z, R12A, R12B, R12C		07	H01A, H01B, H09A, H09B, H09C, H38Z		07	H01A, H01B, H09A, H09B, H09C, H38Z
	21A	W04A, W04B		17	R01A, R01B, R01C, R01D, R02Z, R12A, R12B, R12C		17	R01A, R01B, R01C, R01D, R02Z, R12A, R12B, R12C
	21B	X06A, X06B		21A	W04A, W04B		21A	W04A, W04B
5n624.2		BOP, KVT, UOP4		21B	X06A, X06B, X06C		21B	X06A, X06B, X06C
	07	H05Z		Pre	A07A	5n640.21		BOP, KOP, KOPV, KVT, UOP4
	17	R01A, R01B, R01C, R01D, R02Z, R12A, R12B, R12C		06	G10Z, G12A, G12B, G33Z, G38Z		06	G10Z, G12A, G12B, G33Z, G38Z
	21A	W04A, W04B		07	H01A, H01B, H09A, H09B, H09C, H38Z		07	H01A, H01B, H09A, H09B, H09C, H38Z
	21B	X06A, X06B		17	R01A, R01B, R01C, R01D, R02Z, R12A, R12B, R12C		17	R01A, R01B, R01C, R01D, R02Z, R12A, R12B, R12C
5n625.1		BOP, KVT, UOP4	5n640.02		BOP, KOP, KOPV, KVT, UOP4		21A	W04A, W04B
	07	H08A, H08B		06	G10Z, G12A, G12B, G33Z, G38Z		21B	X06A, X06B, X06C
	17	R01A, R01B, R01C, R01D, R02Z, R12A, R12B, R12C		07	H01A, H01B, H09A, H09B, H09C, H38Z		Pre	A07A
	21A	W04A, W04B		17	R01A, R01B, R01C, R01D, R02Z, R12A, R12B, R12C		06	G10Z, G12A, G12B, G33Z, G38Z
	21B	X06A, X06B		21A	W04A, W04B		07	H01A, H01B, H09A, H09B, H09C, H38Z
5n625.2		BOP, KVT, UOP4		21B	X06A, X06B, X06C		17	R01A, R01B, R01C, R01D, R02Z, R12A, R12B, R12C
	07	H08A, H08B		Pre	A07A		21A	W04A, W04B
	17	R01A, R01B, R01C, R01D, R02Z, R12A, R12B, R12C		07	H41A, H41B, H41C		21B	X06A, X06B, X06C
	21A	W04A, W04B	5n640.03‡	07	H41A, H41B, H41C		Pre	A07A
	21B	X06A, X06B	5n640.0x‡	07	H41A, H41B, H41C		06	G10Z, G12A, G12B, G33Z, G38Z
5n62x		BOP, KVT, UOP4	5n640.10		BOP, KOP, KOPV, KVT, UOP4		07	H01A, H01B, H09A, H09B, H09C, H38Z
	07	H08A, H08B		06	G10Z, G12A, G12B, G33Z, G38Z		17	R01A, R01B, R01C, R01D, R02Z, R12A, R12B, R12C
	17	R01A, R01B, R01C, R01D, R02Z, R12A, R12B, R12C		07	H01A, H01B, H09A, H09B, H09C, H38Z		21A	W04A, W04B
	21A	W04A, W04B		17	R01A, R01B, R01C, R01D, R02Z, R12A, R12B, R12C		21B	X06A, X06B, X06C
	21B	X06A, X06B		21A	W04A, W04B		Pre	A07A
5n631‡	07	H08A, H41A, H41B, H41C		21B	X06A, X06B, X06C		07	H41A, H41B, H41C
5n632.0‡	07	H08A, H41A, H41B, H41C		Pre	A07A		07	H41A, H41B, H41C
5n632.1‡	07	H08A, H41A, H41B, H41C		06	G10Z, G12A, G12B, G33Z, G38Z		06	G10Z, G12A, G12B, G33Z, G38Z
5n632.2‡	07	H08A, H41A, H41B, H41C		07	H01A, H01B, H09A, H09B, H09C, H38Z		07	H01A, H01B, H09A, H09B, H09C, H38Z
5n632.3‡	07	H08A, H41A, H41B, H41C		17	R01A, R01B, R01C, R01D, R02Z, R12A, R12B, R12C		17	R01A, R01B, R01C, R01D, R02Z, R12A, R12B, R12C
5n632.x‡	07	H08A, H41A, H41B, H41C		21A	W04A, W04B		21A	W04A, W04B
5n633‡	07	H41A, H41B, H41C		21B	X06A, X06B, X06C		21B	X06A, X06B, X06C
5n634.0‡	07	H41A, H41B, H41C		Pre	A07A		Pre	A07A
5n634.1‡	06	G40Z, G46A, G46B, G46C, G47Z, G50Z		06	G10Z, G12A, G12B, G33Z, G38Z		06	G10Z, G12A, G12B, G33Z, G38Z
	07	H41A, H41B		07	H01A, H01B, H09A, H09B, H09C, H38Z		07	H01A, H01B, H09A, H09B, H09C, H38Z
	07	H41A, H41B, H41C		17	R01A, R01B, R01C, R01D, R02Z, R12A, R12B, R12C		17	R01A, R01B, R01C, R01D, R02Z, R12A, R12B, R12C
5n635‡	07	H41A, H41B, H41C		21A	W04A, W04B		21A	W04A, W04B
5n63a‡	07	H41A, H41B, H41C		21B	X06A, X06B, X06C		21B	X06A, X06B, X06C
5n63b‡	07	H41A, H41B, H41C		Pre	A07A		Pre	A07A
5n63c‡	07	H41A, H41B, H41C		06	G10Z, G12A, G12B, G33Z, G38Z		06	G10Z, G12A, G12B, G33Z, G38Z
5n63d‡	07	H41A, H41B, H41C		07	H01A, H01B, H09A, H09B, H09C, H38Z		07	H01A, H01B, H09A, H09B, H09C, H38Z
5n63f.1‡	07	H41A, H41B, H41C		17	R01A, R01B, R01C, R01D, R02Z, R12A, R12B, R12C		17	R01A, R01B, R01C, R01D, R02Z, R12A, R12B, R12C
5n63f.2‡	07	H41A, H41B, H41C		21A	W04A, W04B		21A	W04A, W04B
5n63h.1‡	07	H41A, H41B, H41C		21B	X06A, X06B, X06C		21B	X06A, X06B, X06C
5n63h.2‡	07	H41A, H41B, H41C		Pre	A07A		Pre	A07A

ZZV	MDC	DRG	ZZV	MDC	DRG	ZZV	MDC	DRG
5n640.32		BOP, KOP, KOPV, KVT, UOP4	5n641.12		BOP, KOP, KOPV, KVT, UOP4	5n641.32		BOP, KOP, KOPV, KVT, UOP4
	06	G10Z, G12A, G12B, G33Z, G38Z		06	G10Z, G12A, G12B, G33Z, G38Z		06	G10Z, G12A, G12B, G33Z, G38Z
	07	H01A, H01B, H09A, H09B, H09C, H38Z		07	H01A, H01B, H09A, H09B, H09C, H38Z		07	H01A, H01B, H09A, H09B, H09C, H38Z
	17	R01A, R01B, R01C, R01D, R02Z, R12A, R12B, R12C		17	R01A, R01B, R01C, R01D, R02Z, R12A, R12B, R12C		17	R01A, R01B, R01C, R01D, R02Z, R12A, R12B, R12C
	21A	W04A, W04B		21A	W04A, W04B		21A	W04A, W04B
	21B	X06A, X06B, X06C		21B	X06A, X06B, X06C		21B	X06A, X06B, X06C
	Pre	A07A		Pre	A07A		Pre	A07A
5n640.33†	07	H41A, H41B, H41C	5n641.13†	07	H41A, H41B, H41C	5n641.33†	07	H41A, H41B, H41C
5n640.3x†	07	H41A, H41B, H41C	5n641.1x†	07	H41A, H41B, H41C	5n641.3x†	07	H41A, H41B, H41C
5n641.00		BOP, KOP, KOPV, KVT, UOP4	5n641.20		BOP, KOP, KOPV, KVT, UOP4	5n642.03†	07	H41A, H41B, H41C
	06	G10Z, G12A, G12B, G33Z, G38Z		06	G10Z, G12A, G12B, G33Z, G38Z	5n642.13†	07	H41A, H41B, H41C
	07	H01A, H01B, H09A, H09B, H09C, H38Z		07	H01A, H01B, H09A, H09B, H09C, H38Z	5n642.23†	07	H41A, H41B, H41C
	17	R01A, R01B, R01C, R01D, R02Z, R12A, R12B, R12C		17	R01A, R01B, R01C, R01D, R02Z, R12A, R12B, R12C	5n642.33†	07	H41A, H41B, H41C
	21A	W04A, W04B		21A	W04A, W04B	5n64x.0		BOP, KOP, KOPV, KVT, UOP4
	21B	X06A, X06B, X06C		21B	X06A, X06B, X06C		06	G10Z, G12A, G12B, G33Z, G38Z
	Pre	A07A		Pre	A07A		07	H02A, H02B, H38Z
5n641.01		BOP, KOP, KOPV, KVT, UOP4	5n641.21		BOP, KOP, KOPV, KVT, UOP4		17	R01A, R01B, R01C, R01D, R02Z, R12A, R12B, R12C
	06	G10Z, G12A, G12B, G33Z, G38Z		06	G10Z, G12A, G12B, G33Z, G38Z		21A	W04A, W04B
	07	H01A, H01B, H09A, H09B, H09C, H38Z		07	H01A, H01B, H09A, H09B, H09C, H38Z	5n64x.1	21B	X06A, X06B, X06C
	17	R01A, R01B, R01C, R01D, R02Z, R12A, R12B, R12C		17	R01A, R01B, R01C, R01D, R02Z, R12A, R12B, R12C		Pre	A07A
	21A	W04A, W04B		21A	W04A, W04B			BOP, KOP, KOPV, KVT, UOP4
	21B	X06A, X06B, X06C		21B	X06A, X06B, X06C		06	G10Z, G12A, G12B, G33Z, G38Z
	Pre	A07A		Pre	A07A		07	H05Z
5n641.02		BOP, KOP, KOPV, KVT, UOP4	5n641.22		BOP, KOP, KOPV, KVT, UOP4		17	R01A, R01B, R01C, R01D, R02Z, R12A, R12B, R12C
	06	G10Z, G12A, G12B, G33Z, G38Z		06	G10Z, G12A, G12B, G33Z, G38Z	5n64x.2	21A	W04A, W04B
	07	H01A, H01B, H09A, H09B, H09C, H38Z		07	H01A, H01B, H09A, H09B, H09C, H38Z		21B	X06A, X06B, X06C
	17	R01A, R01B, R01C, R01D, R02Z, R12A, R12B, R12C		17	R01A, R01B, R01C, R01D, R02Z, R12A, R12B, R12C		Pre	A07A
	21A	W04A, W04B		21A	W04A, W04B			BOP, KOP, KOPV, KVT, UOP4
	21B	X06A, X06B, X06C		21B	X06A, X06B, X06C		06	G10Z, G12A, G12B, G33Z, G38Z
	Pre	A07A		Pre	A07A		07	H02A, H02B, H38Z
5n641.03†	07	H41A, H41B, H41C	5n641.23†	07	H41A, H41B, H41C		17	R01A, R01B, R01C, R01D, R02Z, R12A, R12B, R12C
5n641.0x†	07	H41A, H41B, H41C	5n641.2x†	07	H41A, H41B, H41C	5n64x.3†	21A	W04A, W04B
5n641.10		BOP, KOP, KOPV, KVT, UOP4	5n641.30		BOP, KOP, KOPV, KVT, UOP4	5n64x.x†	21B	X06A, X06B, X06C
	06	G10Z, G12A, G12B, G33Z, G38Z		06	G10Z, G12A, G12B, G33Z, G38Z	5n650.0	Pre	A07A
	07	H01A, H01B, H09A, H09B, H09C, H38Z		07	H01A, H01B, H09A, H09B, H09C, H38Z			BOP, KVT, UOP4
	17	R01A, R01B, R01C, R01D, R02Z, R12A, R12B, R12C		17	R01A, R01B, R01C, R01D, R02Z, R12A, R12B, R12C		06	G10Z, G12A, G12B
	21A	W04A, W04B		21A	W04A, W04B		07	H05Z
	21B	X06A, X06B, X06C		21B	X06A, X06B, X06C		17	R01A, R01B, R01C, R01D, R02Z, R12A, R12B, R12C
	Pre	A07A		Pre	A07A		21A	W04A, W04B
5n641.11		BOP, KOP, KOPV, KVT, UOP4	5n641.31		BOP, KOP, KOPV, KVT, UOP4	5n650.4	21B	X06A, X06B, X06C
	06	G10Z, G12A, G12B, G33Z, G38Z		06	G10Z, G12A, G12B, G33Z, G38Z			BOP, KVT, UOP4
	07	H01A, H01B, H09A, H09B, H09C, H38Z		07	H01A, H01B, H09A, H09B, H09C, H38Z		06	G10Z, G12A, G12B
	17	R01A, R01B, R01C, R01D, R02Z, R12A, R12B, R12C		17	R01A, R01B, R01C, R01D, R02Z, R12A, R12B, R12C		07	H05Z
	21A	W04A, W04B		21A	W04A, W04B		17	R01A, R01B, R01C, R01D, R02Z, R12A, R12B, R12C
	21B	X06A, X06B, X06C		21B	X06A, X06B, X06C		21A	W04A, W04B
	Pre	A07A		Pre	A07A		21B	X06A, X06B, X06C
								BOP, KVT, UOP4
							06	G10Z, G12A, G12B
							07	H05Z
							17	R01A, R01B, R01C, R01D, R02Z, R12A, R12B, R12C
							21A	W04A, W04B
							21B	X06A, X06B, X06C
								BOP, KVT, UOP4
							06	G10Z, G12A, G12B
							07	H05Z
							17	R01A, R01B, R01C, R01D, R02Z, R12A, R12B, R12C
							21A	W04A, W04B
							21B	X06A, X06B, X06C
								BOP, KVT, UOP4
							06	G10Z, G12A, G12B
							07	H05Z
							17	R01A, R01B, R01C, R01D, R02Z, R12A, R12B, R12C
							21A	W04A, W04B
							21B	X06A, X06B, X06C

ZZV	MDC	DRG	ZZV	MDC	DRG	ZZV	MDC	DRG
5n651.0		BOP, KOP, KOPV, KVT, UOP4	5n652.x		BOP, KOP, KOPV, KVT, UOP4	5n692.0		BOP, KVT, UOP4
	06	G10Z, G15Z, G19A, G19B, G33Z, G38Z		06	G10Z, G15Z, G19A, G19B, G33Z, G38Z		07	H05Z
	07	H01A, H01B, H09A, H09B, H09C, H33Z, H38Z		07	H01A, H01B, H09A, H09B, H09C, H33Z, H38Z	17	R01A, R01B, R01C, R01D, R02Z, R12A, R12B, R12C	
	11	L33Z		11	L33Z	5n692.2		BOP, KVT, UOP4
	21B	X06A, X06B, X06C		21B	X06A, X06B, X06C	07	H05Z	
	23	Z01A		23	Z01A	17	R01A, R01B, R01C, R01D, R02Z, R12A, R12B, R12C	
	Pre	A07A		Pre	A07A	5n692.4		BOP, KVT, UOP4
5n651.2		BOP, KOP, KOPV, KVT, UOP4	5n653.0		BOP, KVT, UOP4	5n692.x†		H05Z
	06	G10Z, G15Z, G19A, G19B, G33Z, G38Z		06	G10Z, G12A, G12B		17	R01A, R01B, R01C, R01D, R02Z, R12A, R12B, R12C
	07	H01A, H01B, H09A, H09B, H09C, H33Z, H38Z		5n653.2		BOP, KVT, UOP4	07	H41A, H41B, H41C
	11	L33Z		06	G10Z, G12A, G12B	5n693.0		BOP, KVT, UOP4
	21B	X06A, X06B, X06C		07	H05Z	06	G10Z, G12A, G12B	
	23	Z01A		5n653.4		BOP, KVT, UOP4	07	H05Z
	Pre	A07A		06	G10Z, G12A, G12B	5n693.2		BOP, KVT, UOP4
5n651.4		BOP, KOP, KOPV, KVT, UOP4	5n653.x		BOP, KVT, UOP4	5n693.3†		H05Z
	06	G10Z, G15Z, G19A, G19B, G33Z, G38Z		06	G10Z, G12A, G12B		07	H41A, H41B, H41C
	07	H01A, H01B, H09A, H09B, H09C, H33Z, H38Z		07	H05Z	5n693.4		BOP, KVT, UOP4
	11	L33Z		5n655.0		BOP, KVT, UOP4	06	G10Z, G12A, G12B
	21B	X06A, X06B, X06C		06	G10Z, G12A, G12B	07	H05Z	
	23	Z01A		07	H05Z	5n693.x†		H41A, H41B, H41C
	Pre	A07A		5n655.2		BOP, KVT, UOP4	5n694.0	
5n651.x		BOP, KOP, KOPV, KVT, UOP4	5n655.4		BOP, KVT, UOP4	5n694.2		G10Z, G12A, G12B, G33Z, G38Z
	06	G10Z, G15Z, G19A, G19B, G33Z, G38Z		06	G10Z, G12A, G12B		07	H02A, H02B, H38Z
	07	H01A, H01B, H09A, H09B, H09C, H33Z, H38Z		07	H05Z	23	Z01A	
	11	L33Z		06	G10Z, G12A, G12B	Pre	A07A	
	21B	X06A, X06B, X06C		07	H05Z	06	BOP, KOP, KOPV, KVT, UOP4	
	23	Z01A		5n655.x		G10Z, G12A, G12B	06	G10Z, G12A, G12B, G33Z, G38Z
	Pre	A07A		06	G10Z, G12A, G12B	07	H05Z	
5n652.0		BOP, KOP, KOPV, KVT, UOP4	5n65x.0		BOP, KVT, UOP4	5n694.3†		H41A, H41B, H41C
	06	G10Z, G15Z, G19A, G19B, G33Z, G38Z		06	G10Z, G12A, G12B		5n694.4	
	07	H01A, H01B, H09A, H09B, H09C, H33Z, H38Z		07	H05Z	06	G10Z, G12A, G12B, G33Z, G38Z	
	11	L33Z		5n65x.2		BOP, KVT, UOP4	07	H02A, H02B, H38Z
	21B	X06A, X06B, X06C		06	G10Z, G12A, G12B	07	H05Z	
	23	Z01A		07	H05Z	23	Z01A	
	Pre	A07A		5n65x.4		BOP, KVT, UOP4	Pre	A07A
5n652.2		BOP, KOP, KOPV, KVT, UOP4	5n690.0		BOP, KVT, UOP4	5n694.x†		H41A, H41B, H41C
	06	G10Z, G15Z, G19A, G19B, G33Z, G38Z		06	G10Z, G12A, G12B		5n695.0	
	07	H01A, H01B, H09A, H09B, H09C, H33Z, H38Z		07	H05Z	06	G10Z, G12A, G12B, G33Z, G38Z	
	11	L33Z		17	R01A, R01B, R01C, R01D, R02Z, R12A, R12B, R12C	07	H02A, H02B, H38Z	
	21B	X06A, X06B, X06C		21A	W04A, W04B	17	R01A, R01B, R01C, R01D, R02Z, R12A, R12B, R12C	
	23	Z01A		21B	X06A, X06B, X06C	21A	W04A, W04B	
	Pre	A07A		06	G10Z, G12A, G12B	21B	X06A, X06B, X06C	
5n652.4		BOP, KOP, KOPV, KVT, UOP4	5n690.2		BOP, KVT, UOP4	5n695.2		BOP, KOP, KOPV, KVT, UOP4
	06	G10Z, G15Z, G19A, G19B, G33Z, G38Z		06	G10Z, G12A, G12B		06	G10Z, G12A, G12B, G33Z, G38Z
	07	H01A, H01B, H09A, H09B, H09C, H33Z, H38Z		07	H05Z	07	H05Z	
	11	L33Z		17	R01A, R01B, R01C, R01D, R02Z, R12A, R12B, R12C	17	R01A, R01B, R01C, R01D, R02Z, R12A, R12B, R12C	
	21B	X06A, X06B, X06C		21A	W04A, W04B	21A	W04A, W04B	
	23	Z01A		21B	X06A, X06B, X06C	21B	X06A, X06B, X06C	
	Pre	A07A		07	H05Z	23	Z01A	
5n652.4		BOP, KOP, KOPV, KVT, UOP4	5n690.3†		BOP, KVT, UOP4	5n695.2		BOP, KOP, KOPV, KVT, UOP4
	06	G10Z, G15Z, G19A, G19B, G33Z, G38Z		06	G10Z, G12A, G12B		06	G10Z, G12A, G12B, G33Z, G38Z
	07	H01A, H01B, H09A, H09B, H09C, H33Z, H38Z		07	H05Z	07	H05Z	
	11	L33Z		17	R01A, R01B, R01C, R01D, R02Z, R12A, R12B, R12C	17	R01A, R01B, R01C, R01D, R02Z, R12A, R12B, R12C	
	21B	X06A, X06B, X06C		21A	W04A, W04B	21A	W04A, W04B	
	23	Z01A		21B	X06A, X06B, X06C	21B	X06A, X06B, X06C	
	Pre	A07A		07	H41A, H41B, H41C	23	Z01A	
5n652.4		BOP, KOP, KOPV, KVT, UOP4	5n690.4		BOP, KVT, UOP4	5n695.2		A07A
	06	G10Z, G15Z, G19A, G19B, G33Z, G38Z		06	G10Z, G12A, G12B		06	G10Z, G12A, G12B, G33Z, G38Z
	07	H01A, H01B, H09A, H09B, H09C, H33Z, H38Z		07	H05Z	07	H05Z	
	11	L33Z		17	R01A, R01B, R01C, R01D, R02Z, R12A, R12B, R12C	17	R01A, R01B, R01C, R01D, R02Z, R12A, R12B, R12C	
	21B	X06A, X06B, X06C		21A	W04A, W04B	21A	W04A, W04B	
	23	Z01A		21B	X06A, X06B, X06C	21B	X06A, X06B, X06C	
	Pre	A07A		07	H41A, H41B, H41C	Pre	A07A	
5n652.4		BOP, KOP, KOPV, KVT, UOP4	5n690.x†		BOP, KVT, UOP4	5n695.2		BOP, KOP, KOPV, KVT, UOP4
	06	G10Z, G15Z, G19A, G19B, G33Z, G38Z		06	G10Z, G12A, G12B		06	G10Z, G12A, G12B, G33Z, G38Z
	07	H01A, H01B, H09A, H09B, H09C, H33Z, H38Z		07	H05Z	07	H05Z	
	11	L33Z		17	R01A, R01B, R01C, R01D, R02Z, R12A, R12B, R12C	17	R01A, R01B, R01C, R01D, R02Z, R12A, R12B, R12C	
	21B	X06A, X06B, X06C		21A	W04A, W04B	21A	W04A, W04B	
	23	Z01A		21B	X06A, X06B, X06C	21B	X06A, X06B, X06C	
	Pre	A07A		07	H41A, H41B, H41C	Pre	A07A	

Príloha B: Index Výkon-MDC-DRG

ZZV	MDC	DRG	ZZV	MDC	DRG	ZZV	MDC	DRG
5n695.3‡		KKI, KKP	5n69b.4		BOP, KOP, KOPV, KVT, UOP4	5n69d.4		BOP, KOP, KOPV, KVT, UOP4
5n695.4	07	H41A, H41B, H41C		06	G10Z, G12A, G12B, G33Z, G38Z	06	G10Z, G12A, G12B, G33Z, G38Z	
	06	BOP, KOP, KOPV, KVT, UOP4		07	H02A, H02B, H38Z	07	H01A, H01B, H09A, H09B, H09C, H38Z	
	07	G10Z, G12A, G12B, G33Z, G38Z		17	R01A, R01B, R01C, R01D, R02Z, R12A, R12B, R12C	17	R01A, R01B, R01C, R01D, R02Z, R12A, R12B, R12C	
	17	H02A, H02B, H38Z		21A	W04A, W04B	21A	W04A, W04B	
	21A	R01A, R01B, R01C, R01D, R02Z, R12A, R12B, R12C		21B	X06A, X06B, X06C	21B	X06A, X06B, X06C	
	21B	W04A, W04B		23	Z01A	21B	X06A, X06B, X06C	
	23	X06A, X06B, X06C	5n69b.x‡	Pre	A07A	Pre	A07A	
	Pre	A07A	5n69c.0	07	H41A, H41B, H41C	5n69d.x‡	07	H41A, H41B, H41C
5n695.x‡	07	H41A, H41B, H41C		06	BOP, KOP, KOPV, KVT, UOP4	5n69e.0	06	BOP, KOP, KOPV, KVT, UOP4
5n69a.0		BOP, KOP, KOPV, KVT, UOP4		07	G10Z, G12A, G12B, G33Z, G38Z		07	G10Z, G12A, G12B, G33Z, G38Z
	06	G33Z		07	H02A, H02B, H38Z		07	H01A, H01B, H09A, H09B, H09C, H38Z
	07	H02A, H02B, H38Z		17	R01A, R01B, R01C, R01D, R02Z, R12A, R12B, R12C		17	R01A, R01B, R01C, R01D, R02Z, R12A, R12B, R12C
	17	R01A, R01B, R01C, R01D, R02Z, R12A, R12B, R12C		21A	W04A, W04B		21A	W04A, W04B
	21A	W04A, W04B		21B	X06A, X06B, X06C		21B	X06A, X06B, X06C
	21B	X06A, X06B, X06C		23	Z01A		21B	X06A, X06B, X06C
	23	Z01A		Pre	A07A		Pre	A07A
	Pre	A07A	5n69c.2	06	BOP, KOP, KOPV, KVT, UOP4	5n69e.2	06	BOP, KOP, KOPV, KVT, UOP4
5n69a.2		BOP, KOP, KOPV, KVT, UOP4		07	G10Z, G12A, G12B, G33Z, G38Z		07	G10Z, G12A, G12B, G33Z, G38Z
	06	G33Z		07	H05Z		07	H01A, H01B, H09A, H09B, H09C, H38Z
	07	H05Z		17	R01A, R01B, R01C, R01D, R02Z, R12A, R12B, R12C		17	R01A, R01B, R01C, R01D, R02Z, R12A, R12B, R12C
	17	R01A, R01B, R01C, R01D, R02Z, R12A, R12B, R12C		21A	W04A, W04B		21A	W04A, W04B
	21A	W04A, W04B		21B	X06A, X06B, X06C		21A	W04A, W04B
	21B	X06A, X06B, X06C		23	Z01A		21B	X06A, X06B, X06C
	23	Z01A		Pre	A07A		Pre	A07A
	Pre	A07A	5n69c.3‡	07	H41A, H41B, H41C	5n69e.3‡	07	H41A, H41B, H41C
5n69a.3‡	07	H41A, H41B, H41C		06	BOP, KOP, KOPV, KVT, UOP4	5n69e.4	06	BOP, KOP, KOPV, KVT, UOP4
5n69a.4		BOP, KOP, KOPV, KVT, UOP4		07	G10Z, G12A, G12B, G33Z, G38Z		07	G10Z, G12A, G12B, G33Z, G38Z
	06	G33Z		07	H02A, H02B, H38Z		07	H01A, H01B, H09A, H09B, H09C, H38Z
	07	H02A, H02B, H38Z		17	R01A, R01B, R01C, R01D, R02Z, R12A, R12B, R12C		17	R01A, R01B, R01C, R01D, R02Z, R12A, R12B, R12C
	17	R01A, R01B, R01C, R01D, R02Z, R12A, R12B, R12C		21A	W04A, W04B		21A	W04A, W04B
	21A	W04A, W04B		21B	X06A, X06B, X06C		21A	W04A, W04B
	21B	X06A, X06B, X06C		23	Z01A		21B	X06A, X06B, X06C
	23	Z01A		Pre	A07A		Pre	A07A
	Pre	A07A	5n69c.4	07	H41A, H41B, H41C	5n69e.x‡	07	H41A, H41B, H41C
5n69a.3‡	07	H41A, H41B, H41C		06	BOP, KOP, KOPV, KVT, UOP4	5n69f.0	06	BOP, KOP, KOPV, KVT, UOP4
5n69a.4		BOP, KOP, KOPV, KVT, UOP4		07	G10Z, G12A, G12B, G33Z, G38Z		07	G10Z, G12A, G12B, G33Z, G38Z
	06	G33Z		07	H02A, H02B, H38Z		07	H01A, H01B, H09A, H09B, H09C, H38Z
	07	H02A, H02B, H38Z		17	R01A, R01B, R01C, R01D, R02Z, R12A, R12B, R12C		17	R01A, R01B, R01C, R01D, R02Z, R12A, R12B, R12C
	17	R01A, R01B, R01C, R01D, R02Z, R12A, R12B, R12C		21A	W04A, W04B		21A	W04A, W04B
	21A	W04A, W04B		21B	X06A, X06B, X06C		21A	W04A, W04B
	21B	X06A, X06B, X06C		23	Z01A		21B	X06A, X06B, X06C
	23	Z01A		Pre	A07A		Pre	A07A
	Pre	A07A	5n69c.x‡	07	H41A, H41B, H41C	5n69e.x‡	07	H41A, H41B, H41C
5n69a.x‡	07	H41A, H41B, H41C		06	BOP, KOP, KOPV, KVT, UOP4	5n69f.0	06	BOP, KOP, KOPV, KVT, UOP4
5n69b.0		BOP, KOP, KOPV, KVT, UOP4		07	G10Z, G12A, G12B, G33Z, G38Z		07	G10Z, G12A, G12B, G33Z, G38Z
	06	G10Z, G12A, G12B, G33Z, G38Z	5n69c.x‡	07	H02A, H02B, H38Z		07	H01A, H01B, H09A, H09B, H09C, H38Z
	07	H02A, H02B, H38Z	5n69d.0	17	R01A, R01B, R01C, R01D, R02Z, R12A, R12B, R12C		17	R01A, R01B, R01C, R01D, R02Z, R12A, R12B, R12C
	17	R01A, R01B, R01C, R01D, R02Z, R12A, R12B, R12C		21A	W04A, W04B		21A	W04A, W04B
	21A	W04A, W04B		21B	X06A, X06B, X06C		21A	W04A, W04B
	21B	X06A, X06B, X06C		23	Z01A		21B	X06A, X06B, X06C
	23	Z01A		Pre	A07A		Pre	A07A
	Pre	A07A	5n69d.2	06	BOP, KOP, KOPV, KVT, UOP4	5n69f.2	06	BOP, KOP, KOPV, KVT, UOP4
5n69b.2		BOP, KOP, KOPV, KVT, UOP4		07	G10Z, G12A, G12B, G33Z, G38Z		07	G10Z, G12A, G12B, G33Z, G38Z
	06	G10Z, G12A, G12B, G33Z, G38Z		07	H01A, H01B, H09A, H09B, H09C, H38Z		07	H01A, H01B, H09A, H09B, H09C, H38Z
	07	H05Z		17	R01A, R01B, R01C, R01D, R02Z, R12A, R12B, R12C		17	R01A, R01B, R01C, R01D, R02Z, R12A, R12B, R12C
	17	R01A, R01B, R01C, R01D, R02Z, R12A, R12B, R12C		21A	W04A, W04B		21A	W04A, W04B
	21A	W04A, W04B		21B	X06A, X06B, X06C		21A	W04A, W04B
	21B	X06A, X06B, X06C		23	Z01A		21B	X06A, X06B, X06C
	23	Z01A		Pre	A07A		Pre	A07A
	Pre	A07A	5n69d.3‡	07	H41A, H41B, H41C	5n69f.3‡	07	H41A, H41B, H41C
5n69b.3‡	07	H41A, H41B, H41C						

VYK

ZZV	MDC	DRG	ZZV	MDC	DRG	ZZV	MDC	DRG		
5n69f.4		BOP, KOP, KOPV, KVT, UOP4	5n69x.2		BOP, KOP, KOPV, KVT, UOP4	5n712.1		BOP, KOP, KOPV, KVT, UOP4		
	06	G10Z, G12A, G12B, G33Z, G38Z		06	G10Z, G12A, G12B, G33Z, G38Z		06	G33Z		
	07	H01A, H01B, H09A, H09B, H09C, H38Z		07	H05Z		07	H01A, H01B, H09A, H09B, H09C, H33Z, H38Z		
	17	R01A, R01B, R01C, R01D, R02Z, R12A, R12B, R12C		17	R01A, R01B, R01C, R01D, R02Z, R12A, R12B, R12C		10	K09A, K09B		
	21A	W04A, W04B		21A	W04A, W04B		23	Z01A		
	21B	X06A, X06B, X06C		21B	X06A, X06B, X06C		Pre	A07A		
	Pre	A07A		Pre	A07A		5n715	BOP, KOP, KOPV, KVT, UOP4		
	5n69f.x†			5n69x.3†			07	H41A, H41B, H41C	06	G33Z
	5n69g			5n69x.4				BOP, KOP, KOPV, KVT, UOP4	07	H01A, H01B, H09A, H09B, H09C, H33Z, H38Z
		06		G10Z, G12A, G12B, G33Z, G38Z			06	G10Z, G12A, G12B, G33Z, G38Z	10	K09A, K09B
	07	H02A, H02B, H38Z		07	H02A, H02B, H38Z	23	Z01A			
	17	R01A, R01B, R01C, R01D, R02Z, R12A, R12B, R12C		17	R01A, R01B, R01C, R01D, R02Z, R12A, R12B, R12C	Pre	A07A			
	21A	W04A, W04B		21A	W04A, W04B	5n716.1	BOP, KOP, KOPV, KVT, UOP4			
	21B	X06A, X06B, X06C		21B	X06A, X06B, X06C	06	G03A, G10Z, G33Z, G38Z			
	Pre	A07A		Pre	A07A	07	H01A, H01B, H09A, H09B, H33Z, H38Z			
5n69j		BOP, KVT, UOP4	5n69x.x†		H41A, H41B, H41C		11	L33Z		
	06	G10Z, G12A, G12B	5n710.0		BOP, KOP, KOPV, KVT, UOP4	21A	W04A, W04B			
	07	H05Z		06	G33Z	21B	X06A, X06B, X06C			
	17	R01A, R01B, R01C, R01D, R02Z, R12A, R12B, R12C		07	H01A, H01B, H09A, H09B, H09C, H33Z, H38Z	23	Z01A			
	21A	W04A, W04B		23	Z01A	Pre	A07A			
	21B	X06A, X06B, X06C		Pre	A07A	5n716.2	BOP, KOP, KOPV, KVT, UOP4			
	Pre	A07A		Pre	A07A	06	G03A, G10Z, G33Z, G38Z			
	5n69k		5n710.1			07	H01A, H01B, H09A, H09B, H33Z, H38Z			
		06	G10Z, G12A, G12B		06	G33Z	11	L33Z		
		07	H05Z		07	H01A, H01B, H09A, H09B, H09C, H33Z, H38Z	21A	W04A, W04B		
	17	R01A, R01B, R01C, R01D, R02Z, R12A, R12B, R12C		23	Z01A	21B	X06A, X06B, X06C			
	21A	W04A, W04B		Pre	A07A	23	Z01A			
	21B	X06A, X06B, X06C		Pre	A07A	Pre	A07A			
5n69l		BOP, KVT, UOP4	5n710.2		BOP, KOP, KOPV, KVT, UOP4	5n716.3		BOP, KOP, KOPV, KVT, UOP4		
	06	G10Z, G12A, G12B		06	G33Z	06	G03A, G10Z, G33Z, G38Z			
	07	H05Z		07	H01A, H01B, H09A, H09B, H09C, H33Z, H38Z	07	H01A, H01B, H09A, H09B, H33Z, H38Z			
	17	R01A, R01B, R01C, R01D, R02Z, R12A, R12B, R12C		23	Z01A	11	L33Z			
	21A	W04A, W04B		Pre	A07A	21A	W04A, W04B			
	21B	X06A, X06B, X06C		Pre	A07A	21B	X06A, X06B, X06C			
	Pre	A07A		Pre	A07A	23	Z01A			
	5n69m		5n710.x			Pre	A07A	5n716.40	BOP, KOP, KOPV, KVT, UOP4	
		06	G10Z, G12A, G12B		06	G33Z	06	G03A, G10Z, G33Z, G38Z		
		07	H05Z		07	H01A, H01B, H09A, H09B, H09C, H33Z, H38Z	07	H01A, H01B, H09A, H09B, H33Z, H38Z		
	17	R01A, R01B, R01C, R01D, R02Z, R12A, R12B, R12C		23	Z01A	11	L33Z			
	21A	W04A, W04B		Pre	A07A	21A	W04A, W04B			
	21B	X06A, X06B, X06C		Pre	A07A	21B	X06A, X06B, X06C			
5n69n†		BOP, KVT, UOP4	5n711		BOP, KOP, KOPV, KVT, UOP4	23	Z01A	Pre	A07A	
	06	G10Z, G12A, G12B, G33Z, G38Z		06	G33Z	5n716.41	BOP, KOP, KOPV, KVT, UOP4			
	07	H02A, H02B, H38Z		07	H01A, H01B, H09A, H09B, H09C, H33Z, H38Z	06	G03A, G10Z, G33Z, G38Z			
	17	R01A, R01B, R01C, R01D, R02Z, R12A, R12B, R12C		10	K09A, K09B	07	H01A, H01B, H09A, H09B, H33Z, H38Z			
	21A	W04A, W04B		23	Z01A	11	L33Z			
	21B	X06A, X06B, X06C		Pre	A07A	21A	W04A, W04B			
	Pre	A07A		Pre	A07A	21B	X06A, X06B, X06C			
	5n69x.0		5n712.0			23	Z01A	Pre	A07A	
		06	G10Z, G12A, G12B, G33Z, G38Z		06	G33Z	5n716.41	BOP, KOP, KOPV, KVT, UOP4		
		07	H02A, H02B, H38Z		07	H01A, H01B, H09A, H09B, H09C, H33Z, H38Z	06	G03A, G10Z, G33Z, G38Z		
	17	R01A, R01B, R01C, R01D, R02Z, R12A, R12B, R12C		10	K09A, K09B	07	H01A, H01B, H09A, H09B, H33Z, H38Z			
	21A	W04A, W04B		23	Z01A	11	L33Z			
	21B	X06A, X06B, X06C		Pre	A07A	21A	W04A, W04B			
	Pre	A07A		Pre	A07A	21B	X06A, X06B, X06C			
						23	Z01A	Pre	A07A	

VYK

ZZV	MDC	DRG	ZZV	MDC	DRG	ZZV	MDC	DRG			
5n716.x		BOP, KOP, KOPV, KVT, UOP4	5n722		BOP, KOP, KOPV, KVT, UOP4	5n72c		BOP, KOP, KOPV, KVT, MVV, UOP4			
	06	G03A, G10Z, G33Z, G38Z		06	G03A, G03B, G33Z, G38Z		06	G03A, G10Z, G12A, G12B, G33Z, G38Z			
	07	H01A, H01B, H09A, H09B, H09C, H33Z, H38Z		07	H01A, H01B, H09A, H09B, H09C, H33Z, H38Z		07	H01A, H01B, H09A, H09B, H09C, H33Z, H38Z			
	11	L33Z		11	L33Z		11	L33Z			
	21A	W04A, W04B		21A	W04A, W04B		21A	W04A, W04B			
	21B	X06A, X06B, X06C		21B	X06A, X06B, X06C, X33Z		21B	X06A, X06B, X06C, X33Z			
	23	Z01A		23	Z01A		23	Z01A			
	Pre	A07A		Pre	A07A		Pre	A07A			
	5n720.0			BOP, KOP, KOPV, KVT, UOP4	5n723			BOP, KOP, KOPV, KVT, UOP4	5n72d		BOP, KOP, KOPV, KVT, MVV, UOP4
		06		G03A, G10Z, G12A, G12B, G33Z, G38Z			06	G03A, G10Z, G12A, G12B, G33Z, G38Z		06	G03A, G10Z, G12A, G12B, G33Z, G38Z
07		H01A, H01B, H09A, H09B, H33Z, H38Z	07	H01A, H01B, H09A, H09B, H09C, H33Z, H38Z		07	H01A, H01B, H09A, H09B, H09C, H33Z, H38Z				
10		K09A, K09B	11	L33Z		11	L33Z				
11		L33Z	21A	W04A, W04B		11	L33Z				
21A		W04A, W04B	21A	W04A, W04B		21A	W04A, W04B				
21B		X06A, X06B, X06C, X33Z	21B	X06A, X06B, X06C, X33Z		21B	X06A, X06B, X06C, X33Z				
23		Z01A	23	Z01A		23	Z01A				
Pre		A07A	Pre	A07A		Pre	A07A				
5n720.2			BOP, KOP, KOPV, KVT, UOP4	5n724			BOP, KOP, KOPV, KVT, UOP4	5n72x.0			BOP, KOP, KOPV, KVT, UOP4
	06	G03A, G10Z, G12A, G12B, G33Z, G38Z	06		G03A, G10Z, G12A, G12B, G33Z, G38Z	06	G03A, G10Z, G12A, G12B, G33Z, G38Z				
	07	H01A, H01B, H09A, H09B, H33Z, H38Z	07		H01A, H01B, H09A, H09B, H33Z, H38Z	07	H01A, H01B, H09A, H09B, H33Z, H38Z				
	10	K09A, K09B	11		L33Z	11	L33Z				
	11	L33Z	21A		W04A, W04B	11	L33Z				
	21A	W04A, W04B	21A		W04A, W04B	21A	W04A, W04B				
	21B	X06A, X06B, X06C, X33Z	21B		X06A, X06B, X06C, X33Z	21B	X06A, X06B, X06C, X33Z				
	23	Z01A	23		Z01A	23	Z01A				
	Pre	A07A	Pre		A07A	Pre	A07A				
	5n721.0		BOP, KOP, KOPV, KVT, UOP4		5n725		BOP, KOP, KOPV, KVT, UOP4		5n72x.1		BOP, KOP, KOPV, KVT, MVV, UOP4
06		G03A, G10Z, G12A, G12B, G33Z, G38Z	06	G03A, G03B, G33Z, G38Z		06	G03A, G10Z, G12A, G12B, G33Z, G38Z				
07		H01A, H01B, H09A, H09B, H33Z, H38Z	07	H01A, H01B, H09A, H09B, H09C, H33Z, H38Z		07	H01A, H01B, H09A, H09B, H09C, H33Z, H38Z				
10		K09A, K09B	11	L33Z		11	L33Z				
11		L33Z	21A	W04A, W04B		11	L33Z				
21A		W04A, W04B	21A	W04A, W04B		21A	W04A, W04B				
21B		X06A, X06B, X06C, X33Z	21B	X06A, X06B, X06C, X33Z		21B	X06A, X06B, X06C, X33Z				
23		Z01A	23	Z01A		23	Z01A				
Pre		A07A	Pre	A07A		Pre	A07A				
5n721.2			BOP, KOP, KOPV, KVT, UOP4	5n72a			BOP, KOP, KOPV, KVT, MVV, UOP4	5n731†			H08A, H41A, H41B, H41C
	06	G03A, G10Z, G12A, G12B, G33Z, G38Z	06		G03A, G03B, G33Z, G38Z	5n732.0†	H08A, H41A, H41B, H41C				
	07	H01A, H01B, H09A, H09B, H33Z, H38Z	07		H01A, H01B, H09A, H09B, H09C, H33Z, H38Z	5n732.1†	H08A, H41A, H41B, H41C				
	10	K09A, K09B	11		L33Z	5n732.2†	H08A, H41A, H41B, H41C				
	11	L33Z	21A		W04A, W04B	5n732.3†	H08A, H41A, H41B, H41C				
	21A	W04A, W04B	21A		W04A, W04B	5n732.4†	H08A, H41A, H41B, H41C				
	21B	X06A, X06B, X06C, X33Z	21B		X06A, X06B, X06C, X33Z	5n732.5†	H08A, H41A, H41B, H41C				
	23	Z01A	23		Z01A	5n732.x†	H08A, H41A, H41B, H41C				
	Pre	A07A	Pre		A07A	5n733†	H41A, H41B, H41C				
	5n721.4		BOP, KOP, KOPV, KVT, UOP4		5n72b		BOP, KOP, KOPV, KVT, MVV, UOP4		5n734†	H41A, H41B, H41C	
06		G03A, G10Z, G12A, G12B, G33Z, G38Z	06	G03A, G10Z, G12A, G12B, G33Z, G38Z		5n735†	H41A, H41B, H41C				
07		H01A, H01B, H09A, H09B, H33Z, H38Z	07	H01A, H01B, H09A, H09B, H09C, H33Z, H38Z		5n736†	H41A, H41B, H41C				
10		K09A, K09B	11	L33Z		5n737†	H41A, H41B, H41C				
11		L33Z	21A	W04A, W04B		5n738†	H41A, H41B, H41C				
21A		W04A, W04B	21A	W04A, W04B		5n739†	H41A, H41B, H41C				
21B		X06A, X06B, X06C, X33Z	21B	X06A, X06B, X06C, X33Z		5n73a.0†	H41A, H41B, H41C				
23		Z01A	23	Z01A		5n73a.1†	H41A, H41B, H41C				
Pre		A07A	Pre	A07A		5n73b.0†	H41A, H41B, H41C				
						5n73b.1†	H41A, H41B, H41C				
				5n73x†	H41A, H41B, H41C						

ZZV	MDC	DRG	ZZV	MDC	DRG	ZZV	MDC	DRG
5n740		BOP, KOP, KOPV, KVT, UOP4	5n790.0		BOP, KOP, KOPV, KVT, UOP4	5n792.x		BOP, KOP, KOPV, KVT, UOP4
	06	G10Z, G33Z, G38Z		06	G10Z, G15Z, G19A, G19B, G33Z, G38Z		06	G10Z, G33Z, G38Z
	07	H01A, H01B, H09A, H09B, H09C, H33Z, H38Z		07	H01A, H01B, H09A, H09B, H09C, H33Z, H38Z		07	H01A, H01B, H09A, H09B, H09C, H33Z, H38Z
	11	L33Z		11	L33Z		11	L33Z
	21A	W04A, W04B		21B	X06A, X06B, X06C		23	Z01A
	21B	X06A, X06B, X06C, X33Z		Pre	A07A		Pre	A07A
	23	Z01A						
	Pre	A07A						
5n741		BOP, KOP, KOPV, KVT, UOP4	5n790.2		BOP, KOP, KOPV, KVT, UOP4	5n793.0		BOP, KOP, KOPV, KVT, UOP4
	06	G10Z, G33Z, G38Z		06	G10Z, G15Z, G19A, G19B, G33Z, G38Z		06	G10Z, G33Z, G38Z
	07	H01A, H01B, H09A, H09B, H09C, H33Z, H38Z		07	H01A, H01B, H09A, H09B, H09C, H33Z, H38Z		07	H01A, H01B, H09A, H09B, H09C, H33Z, H38Z
	11	L33Z		11	L33Z		10	K09A, K09B
	21A	W04A, W04B		21B	X06A, X06B, X06C		11	L33Z
	21B	X06A, X06B, X06C, X33Z		23	Z01A		23	Z01A
	23	Z01A		Pre	A07A		Pre	A07A
	Pre	A07A						
5n742		BOP, KOP, KOPV, KVT, UOP4	5n790.4		BOP, KOP, KOPV, KVT, UOP4	5n793.x		BOP, KOP, KOPV, KVT, UOP4
	06	G10Z, G33Z, G38Z		06	G10Z, G15Z, G19A, G19B, G33Z, G38Z		06	G10Z, G33Z, G38Z
	07	H01A, H01B, H09A, H09B, H09C, H33Z, H38Z		07	H01A, H01B, H09A, H09B, H09C, H33Z, H38Z		07	H01A, H01B, H09A, H09B, H09C, H33Z, H38Z
	11	L33Z		11	L33Z		10	K09A, K09B
	21A	W04A, W04B		21B	X06A, X06B, X06C		11	L33Z
	21B	X06A, X06B, X06C, X33Z		23	Z01A		23	Z01A
	23	Z01A		Pre	A07A		Pre	A07A
	Pre	A07A						
5n743		BOP, KOP, KOPV, KVT, UOP4	5n790.x		BOP, KOP, KOPV, KVT, UOP4	5n794.0		BOP, KOP, KOPV, KVT, UOP4
	06	G10Z, G33Z, G38Z		06	G10Z, G15Z, G19A, G19B, G33Z, G38Z		06	G10Z, G33Z, G38Z
	07	H01A, H01B, H09A, H09B, H09C, H33Z, H38Z		07	H01A, H01B, H09A, H09B, H09C, H33Z, H38Z		07	H01A, H01B, H09A, H09B, H09C, H33Z, H38Z
	11	L33Z		11	L33Z		10	K09A, K09B
	21A	W04A, W04B		21B	X06A, X06B, X06C		11	L33Z
	21B	X06A, X06B, X06C, X33Z		23	Z01A		23	Z01A
	23	Z01A		Pre	A07A		Pre	A07A
	Pre	A07A						
5n743a		BOP, KVT, UOP4	5n791.0		BOP, KOP, KOPV, KVT, UOP4	5n794.x		BOP, KOP, KOPV, KVT, UOP4
	Pre	A06A, A07A, A09A, A16A, A16B		06	G10Z, G15Z, G19A, G19B, G33Z, G38Z		06	G10Z, G33Z, G38Z
				07	H01A, H01B, H09A, H09B, H09C, H33Z, H38Z		07	H01A, H01B, H09A, H09B, H09C, H33Z, H38Z
5n743b		BOP, KVT, UOP4	5n791.x		BOP, KOP, KOPV, KVT, UOP4	5n795.0		BOP, KOP, KOPV, KVT, UOP4
	07	H01A, H01B, H09A, H09B, H09C, H38Z		11	L33Z		06	G10Z, G12A, G12B, G33Z, G38Z
	Pre	A02Z, A06A, A07A, A09A, A16A		21B	X06A, X06B, X06C		07	H01A, H01B, H09A, H09B, H09C, H33Z, H38Z
5n743c		BOP, KVT, UOP4	5n791.x		BOP, KOP, KOPV, KVT, UOP4	5n795.x		BOP, KOP, KOPV, KVT, UOP4
	Pre	A02Z, A06A, A07A, A09A, A16A, A16B		06	G10Z, G15Z, G19A, G19B, G33Z, G38Z		07	H01A, H01B, H09A, H09B, H09C, H33Z, H38Z
				07	H01A, H01B, H09A, H09B, H09C, H33Z, H38Z		11	L33Z
5n743x		BOP, KOP, KOPV, KVT, UOP4	5n792.0		BOP, KOP, KOPV, KVT, UOP4	5n795.x		BOP, KOP, KOPV, KVT, UOP4
	06	G10Z, G33Z, G38Z		06	G10Z, G15Z, G19A, G19B, G33Z, G38Z		17	R01A, R01B, R01C, R01D, R02Z, R12A, R12B, R12C
	07	H01A, H01B, H09A, H09B, H09C, H33Z, H38Z		07	H01A, H01B, H09A, H09B, H09C, H33Z, H38Z		21A	W04A, W04B
	11	L33Z		11	L33Z		21B	X06A, X06B, X06C
	21A	W04A, W04B		21B	X06A, X06B, X06C		23	Z01A
	21B	X06A, X06B, X06C, X33Z		Pre	A07A		Pre	A07A
	23	Z01A						
	Pre	A07A						

VYK

ZZV	MDC	DRG	ZZV	MDC	DRG	ZZV	MDC	DRG
5n79a.0		BOP, KOP, KOPV, KVT, UOP4	5n79d.0		BOP, KOP, KOPV, KVT, UOP4	5n79h.x		BOP, KOP, KOPV, KVT, UOP4
	06	G10Z, G33Z, G38Z		06	G10Z, G12A, G12B, G33Z, G38Z		06	G10Z, G12A, G12B, G33Z, G38Z
	07	H01A, H01B, H09A, H09B, H09C, H33Z, H38Z		07	H01A, H01B, H09A, H09B, H09C, H33Z, H38Z		07	H01A, H01B, H09A, H09B, H09C, H33Z, H38Z
	11	L33Z		10	K09A, K09B		11	L33Z
	21A	W04A, W04B		11	L33Z		17	R01A, R01B, R01C, R01D, R02Z, R12A, R12B, R12C
	21B	X06A, X06B, X06C		17	R01A, R01B, R01C, R01D, R02Z, R12A, R12B, R12C		21A	W04A, W04B
	23	Z01A		21A	W04A, W04B		21B	X06A, X06B, X06C
	Pre	A07A		21B	X06A, X06B, X06C		23	Z01A
5n79a.x		BOP, KOP, KOPV, KVT, UOP4	5n79d.x		BOP, KOP, KOPV, KVT, UOP4	5n79j.0		BOP, KOP, KOPV, KVT, UOP4
	06	G10Z, G33Z, G38Z		06	G10Z, G12A, G12B, G33Z, G38Z		06	G10Z, G12A, G12B, G33Z, G38Z
	07	H01A, H01B, H09A, H09B, H09C, H33Z, H38Z		07	H01A, H01B, H09A, H09B, H09C, H33Z, H38Z		07	H01A, H01B, H09A, H09B, H09C, H33Z, H38Z
	11	L33Z		10	K09A, K09B		11	L33Z
	21A	W04A, W04B		11	L33Z		17	R01A, R01B, R01C, R01D, R02Z, R12A, R12B, R12C
	21B	X06A, X06B, X06C		17	R01A, R01B, R01C, R01D, R02Z, R12A, R12B, R12C		21A	W04A, W04B
	23	Z01A		21A	W04A, W04B		21B	X06A, X06B, X06C
	Pre	A07A		21B	X06A, X06B, X06C		23	Z01A
5n79b.0		BOP, KVT, UOP4	5n79g.0		BOP, KOP, KOPV, KVT, UOP4	5n79j.x		BOP, KOP, KOPV, KVT, UOP4
	07	H05Z		06	G10Z, G12A, G12B, G33Z, G38Z		06	G10Z, G12A, G12B, G33Z, G38Z
	17	R01A, R01B, R01C, R01D, R02Z, R12A, R12B, R12C		07	H01A, H01B, H09A, H09B, H09C, H33Z, H38Z		07	H01A, H01B, H09A, H09B, H09C, H33Z, H38Z
	21A	W04A, W04B		11	L33Z		11	L33Z
	21B	X06A, X06B, X06C		17	R01A, R01B, R01C, R01D, R02Z, R12A, R12B, R12C		17	R01A, R01B, R01C, R01D, R02Z, R12A, R12B, R12C
				21A	W04A, W04B		21A	W04A, W04B
				21B	X06A, X06B, X06C		21B	X06A, X06B, X06C
				23	Z01A		23	Z01A
5n79b.x		BOP, KVT, UOP4	5n79g.x		BOP, KOP, KOPV, KVT, UOP4	5n79k.0		BOP, KOP, KOPV, KVT, UOP4
	07	H05Z		06	G10Z, G12A, G12B, G33Z, G38Z		06	G10Z, G12A, G12B, G33Z, G38Z
	17	R01A, R01B, R01C, R01D, R02Z, R12A, R12B, R12C		07	H01A, H01B, H09A, H09B, H09C, H33Z, H38Z		07	H01A, H01B, H09A, H09B, H09C, H33Z, H38Z
	21A	W04A, W04B		11	L33Z		11	L33Z
	21B	X06A, X06B, X06C		17	R01A, R01B, R01C, R01D, R02Z, R12A, R12B, R12C		17	R01A, R01B, R01C, R01D, R02Z, R12A, R12B, R12C
				21A	W04A, W04B		21A	W04A, W04B
				21B	X06A, X06B, X06C		21B	X06A, X06B, X06C
				23	Z01A		23	Z01A
5n79c.0		BOP, KOP, KOPV, KVT, UOP4	5n79h.0		BOP, KOP, KOPV, KVT, UOP4	5n79k.x		BOP, KOP, KOPV, KVT, UOP4
	06	G10Z, G12A, G12B, G33Z, G38Z		06	G10Z, G12A, G12B, G33Z, G38Z		06	G10Z, G12A, G12B, G33Z, G38Z
	07	H01A, H01B, H09A, H09B, H09C, H33Z, H38Z		07	H01A, H01B, H09A, H09B, H09C, H33Z, H38Z		07	H01A, H01B, H09A, H09B, H09C, H33Z, H38Z
	10	K09A, K09B		11	L33Z		11	L33Z
	11	L33Z		17	R01A, R01B, R01C, R01D, R02Z, R12A, R12B, R12C		17	R01A, R01B, R01C, R01D, R02Z, R12A, R12B, R12C
	17	R01A, R01B, R01C, R01D, R02Z, R12A, R12B, R12C		21A	W04A, W04B		21A	W04A, W04B
	21A	W04A, W04B		21B	X06A, X06B, X06C		21B	X06A, X06B, X06C
	21B	X06A, X06B, X06C		23	Z01A		23	Z01A
5n79c.x		BOP, KOP, KOPV, KVT, UOP4	5n79h.x		BOP, KOP, KOPV, KVT, UOP4	5n79l.0		BOP, KOP, KOPV, KVT, UOP4
	06	G10Z, G12A, G12B, G33Z, G38Z		06	G10Z, G12A, G12B, G33Z, G38Z		06	G10Z, G12A, G12B, G33Z, G38Z
	07	H01A, H01B, H09A, H09B, H09C, H33Z, H38Z		07	H01A, H01B, H09A, H09B, H09C, H33Z, H38Z		07	H01A, H01B, H09A, H09B, H09C, H33Z, H38Z
	10	K09A, K09B		11	L33Z		11	L33Z
	11	L33Z		17	R01A, R01B, R01C, R01D, R02Z, R12A, R12B, R12C		17	R01A, R01B, R01C, R01D, R02Z, R12A, R12B, R12C
	17	R01A, R01B, R01C, R01D, R02Z, R12A, R12B, R12C		21A	W04A, W04B		21A	W04A, W04B
	21A	W04A, W04B		21B	X06A, X06B, X06C		21B	X06A, X06B, X06C
	21B	X06A, X06B, X06C		23	Z01A		23	Z01A
		Pre	A07A	Pre	A07A			

ZZV	MDC	DRG	ZZV	MDC	DRG	ZZV	MDC	DRG			
5n79m.0		BOP, KOP, KOPV, KVT, UOP4	5n79x.0		BOP, KOP, KOPV, KVT, UOP4	5n810.1↔		BOP, KVT, UOP4			
	06	G10Z, G12A, G12B, G33Z, G38Z		06	G10Z, G12A, G12B, G33Z, G38Z		05	F21A, F21B			
	07	H01A, H01B, H09A, H09B, H09C, H33Z, H38Z		07	H01A, H01B, H09A, H09B, H09C, H33Z, H38Z		06	G09Z, G24Z, G25Z			
	10	K09A, K09B		10	K09A, K09B		07	H06A, H06B, H06C			
	11	L33Z		11	L33Z		12	M04A, M04B, M04C, M04D, M37Z, M38Z			
	17	R01A, R01B, R01C, R01D, R02Z, R12A, R12B, R12C		17	R01A, R01B, R01C, R01D, R02Z, R12A, R12B, R12C		15	P60A, P60B, P60C, P66C, P67B, P67C			
	21A	W04A, W04B		21A	W04A, W04B		5n810.2↔	BOP, KVT, UOP4			
	21B	X06A, X06B, X06C		21B	X06A, X06B, X06C		05	F21A, F21B			
	23	Z01A		23	Z01A		06	G09Z, G24Z, G25Z			
	Pre	A07A		Pre	A07A		07	H06A, H06B, H06C			
	5n79m.2			BOP, KOP, KOPV, KVT, UOP4	5n79x.2			BOP, KOP, KOPV, KVT, UOP4	5n810.3↔		BOP, KVT, UOP4
		06		G10Z, G12A, G12B, G33Z, G38Z			06	G10Z, G12A, G12B, G33Z, G38Z		05	F21A, F21B
		07		H01A, H01B, H09A, H09B, H09C, H33Z, H38Z			07	H01A, H01B, H09A, H09B, H09C, H33Z, H38Z		06	G09Z, G24Z, G25Z
		10		K09A, K09B			10	K09A, K09B		07	H06A, H06B, H06C
11		L33Z	11	L33Z		12	M04A, M04B, M04C, M04D, M37Z, M38Z				
17		R01A, R01B, R01C, R01D, R02Z, R12A, R12B, R12C	17	R01A, R01B, R01C, R01D, R02Z, R12A, R12B, R12C		15	P60A, P60B, P60C, P66C, P67B, P67C				
21A		W04A, W04B	21A	W04A, W04B		5n810.x↔	BOP, KVT, UOP4				
21B		X06A, X06B, X06C	21B	X06A, X06B, X06C		05	F21A, F21B				
23		Z01A	23	Z01A		06	G09Z, G24Z, G25Z				
Pre		A07A	Pre	A07A		07	H06A, H06B, H06C				
5n79m.4			BOP, KOP, KOPV, KVT, UOP4	5n79x.4			BOP, KOP, KOPV, KVT, UOP4	5n811↔			BOP, KVT, UOP4
		06	G10Z, G12A, G12B, G33Z, G38Z			06	G10Z, G12A, G12B, G33Z, G38Z			05	F21A, F21B
		07	H01A, H01B, H09A, H09B, H09C, H33Z, H38Z			07	H01A, H01B, H09A, H09B, H09C, H33Z, H38Z			06	G09Z, G24Z, G25Z
		10	K09A, K09B			10	K09A, K09B			07	H06A, H06B, H06C
	11	L33Z	11		L33Z	12	M04A, M04B, M04C, M04D, M37Z, M38Z				
	17	R01A, R01B, R01C, R01D, R02Z, R12A, R12B, R12C	17		R01A, R01B, R01C, R01D, R02Z, R12A, R12B, R12C	15	P60A, P60B, P60C, P66C, P67B, P67C				
	21A	W04A, W04B	21A		W04A, W04B	5n812↔	BOP, KVT, UOP4				
	21B	X06A, X06B, X06C	21B		X06A, X06B, X06C	05	F21A, F21B				
	23	Z01A	23		Z01A	06	G09Z, G24Z, G25Z				
	Pre	A07A	Pre		A07A	07	H06A, H06B, H06C				
	5n79m.x		BOP, KOP, KOPV, KVT, UOP4		5n79x.x		BOP, KOP, KOPV, KVT, UOP4		5n813.0↔		BOP, KVT, UOP4
		06	G10Z, G12A, G12B, G33Z, G38Z			06	G10Z, G12A, G12B, G33Z, G38Z			05	F21A, F21B
		07	H01A, H01B, H09A, H09B, H09C, H33Z, H38Z			07	H01A, H01B, H09A, H09B, H09C, H33Z, H38Z			06	G09Z, G24Z, G25Z
		10	K09A, K09B			10	K09A, K09B			07	H06A, H06B, H06C
11		L33Z	11	L33Z		12	M04A, M04B, M04C, M04D, M37Z, M38Z				
17		R01A, R01B, R01C, R01D, R02Z, R12A, R12B, R12C	17	R01A, R01B, R01C, R01D, R02Z, R12A, R12B, R12C		15	P60A, P60B, P60C, P66C, P67B, P67C				
21A		W04A, W04B	21A	W04A, W04B		5n813.1↔	BOP, KVT, UOP4				
21B		X06A, X06B, X06C	21B	X06A, X06B, X06C		05	F21A, F21B				
23		Z01A	23	Z01A		06	G09Z, G24Z, G25Z				
Pre		A07A	Pre	A07A		07	H06A, H06B, H06C				
5n79n.0			H12A	5n810.0↔			BOP, KVT, UOP4	5n813.1↔			BOP, KVT, UOP4
5n79n.6‡			G40Z, G46A, G46B, G46C, G47Z, G50Z				05	F21A, F21B		05	F21A, F21B
			H41A, H41B				06	G09Z, G24Z, G25Z		06	G09Z, G24Z, G25Z
5n79n.x‡			G40Z, G46A, G46B, G46C, G47Z, G50Z				07	H06A, H06B, H06C		07	H06A, H06B, H06C
		H41A, H41B, H41C			12	M04A, M04B, M04C, M04D, M37Z, M38Z	12	M04A, M04B, M04C, M04D, M37Z, M38Z			
5n79p‡		G40Z, G46A, G46B, G46C, G47Z, G50Z			15	P60A, P60B, P60C, P66C, P67B, P67C	15	P60A, P60B, P60C, P66C, P67B, P67C			
		H41A, H41B, H41C									

VYK

ZZV	MDC	DRG	ZZV	MDC	DRG	ZZV	MDC	DRG
5n813.2↔		BOP, KVT, UOP4	5n817.x↔		BOP, KVT, UOP4	5n827.2↔		BOP, KVT, UOP4
	05	F21A, F21B		05	F21A, F21B		05	F21A, F21B
	06	G09Z, G24Z, G25Z		06	G09Z, G24Z, G25Z		06	G09Z, G24Z, G25Z
	07	H06A, H06B, H06C		07	H06A, H06B, H06C		07	H06A, H06B, H06C
	12	M04A, M04B, M04C, M04D, M37Z, M38Z		12	M04A, M04B, M04C, M04D, M37Z, M38Z	5n827.x↔		BOP, KVT, UOP4
	15	P60A, P60B, P60C, P66C, P67B, P67C		15	P60A, P60B, P60C, P66C, P67B, P67C		05	F21A, F21B
5n813.x↔		BOP, KVT, UOP4	5n818↔		BOP, KVT, UOP4	5n828↔		BOP, KVT, UOP4
	05	F21A, F21B		05	F21A, F21B		05	F21A, F21B
	06	G09Z, G24Z, G25Z		06	G09Z, G24Z, G25Z		06	G09Z, G24Z, G25Z
	07	H06A, H06B, H06C		07	H06A, H06B, H06C		07	H06A, H06B, H06C
	12	M04A, M04B, M04C, M04D, M37Z, M38Z	5n81x↔		BOP, KVT, UOP4	5n82x↔		BOP, KVT, UOP4
	15	P60A, P60B, P60C, P66C, P67B, P67C		05	F21A, F21B		05	F21A, F21B
5n814↔		BOP, KVT, UOP4		06	G09Z, G24Z, G25Z		06	G09Z, G24Z, G25Z
	05	F21A, F21B		07	H06A, H06B, H06C		07	H06A, H06B, H06C
	06	G09Z, G24Z, G25Z		12	M04A, M04B, M04C, M04D, M37Z, M38Z	5n830.1		BOP, KVT, UOP4
	07	H06A, H06B, H06C		15	P60A, P60B, P60C, P66C, P67B, P67C		06	G24Z, G25Z
5n815.0↔		BOP, KVT, UOP4	5n820↔		BOP, KVT, UOP4	5n830.2		BOP, KVT, UOP4
	05	F21A, F21B		05	F21A, F21B		06	G24Z, G25Z
	06	G09Z, G24Z, G25Z		06	G09Z, G24Z, G25Z		21A	W04A, W04B
	07	H06A, H06B, H06C		07	H06A, H06B, H06C		21B	X06A, X06B
	12	M04A, M04B, M04C, M04D, M37Z, M38Z	5n821↔		BOP, KVT, UOP4			BOP, KVT, UOP4
	15	P60A, P60B, P60C, P66C, P67B, P67C		05	F21A, F21B	5n830.3		BOP, KVT, UOP4
5n815.1↔		BOP, KVT, UOP4		06	G09Z, G24Z, G25Z		06	G24Z, G25Z
	05	F21A, F21B	5n822↔		BOP, KVT, UOP4	5n830.x		BOP, KVT, UOP4
	06	G09Z, G24Z, G25Z		05	F21A, F21B		06	G24Z, G25Z
	07	H06A, H06B, H06C		06	G09Z, G24Z, G25Z		21A	W04A, W04B
	12	M04A, M04B, M04C, M04D, M37Z, M38Z		07	H06A, H06B, H06C		21B	X06A, X06B
	15	P60A, P60B, P60C, P66C, P67B, P67C	5n823.0↔		BOP, KVT, UOP4	5n831		BOP, KVT, UOP4
5n816↔		BOP, KVT, UOP4		05	F21A, F21B		06	G24Z, G25Z
	05	F21A, F21B	5n823.1↔		BOP, KVT, UOP4	5n832		BOP, KVT, UOP4
	06	G09Z, G24Z, G25Z		05	F21A, F21B		06	G24Z, G25Z
	07	H06A, H06B, H06C		06	G09Z, G24Z, G25Z		21A	W04A, W04B
	12	M04A, M04B, M04C, M04D, M37Z, M38Z		07	H06A, H06B, H06C		21B	X06A, X06B
	15	P60A, P60B, P60C, P66C, P67B, P67C	5n823.2↔		BOP, KVT, UOP4	5n833.0		BOP, KVT, UOP4
5n817.0↔		BOP, KVT, UOP4		05	F21A, F21B		06	G24Z, G25Z
	05	F21A, F21B	5n823.x↔		BOP, KVT, UOP4	5n833.1		BOP, KVT, UOP4
	06	G09Z, G24Z, G25Z		05	F21A, F21B		06	G24Z, G25Z
	07	H06A, H06B, H06C		06	G09Z, G24Z, G25Z		21A	W04A, W04B
	12	M04A, M04B, M04C, M04D, M37Z, M38Z		07	H06A, H06B, H06C		21B	X06A, X06B
	15	P60A, P60B, P60C, P66C, P67B, P67C	5n824↔		BOP, KVT, UOP4	5n833.2		BOP, KVT, UOP4
5n817.1↔		BOP, KVT, UOP4		05	F21A, F21B		06	G24Z, G25Z
	05	F21A, F21B	5n825↔		BOP, KVT, UOP4	5n833.x		BOP, KVT, UOP4
	06	G09Z, G24Z, G25Z		05	F21A, F21B		06	G24Z, G25Z
	07	H06A, H06B, H06C		06	G09Z, G24Z, G25Z		21A	W04A, W04B
	12	M04A, M04B, M04C, M04D, M37Z, M38Z		07	H06A, H06B, H06C		21B	X06A, X06B
	15	P60A, P60B, P60C, P66C, P67B, P67C	5n826↔		BOP, KVT, UOP4	5n83x		BOP, KVT, UOP4
5n817.2↔		BOP, KVT, UOP4		05	F21A, F21B		06	G24Z, G25Z
	05	F21A, F21B	5n827.0↔		BOP, KVT, UOP4	5n840		BOP, KVT, UOP4
	06	G09Z, G24Z, G25Z		05	F21A, F21B		06	G24Z, G25Z
	07	H06A, H06B, H06C		06	G09Z, G24Z, G25Z	5n841		BOP, KVT, UOP4
	12	M04A, M04B, M04C, M04D, M37Z, M38Z		07	H06A, H06B, H06C		06	G24Z, G25Z
	15	P60A, P60B, P60C, P66C, P67B, P67C	5n827.1↔		BOP, KVT, UOP4	5n842		BOP, KVT, UOP4
				05	F21A, F21B		06	G24Z, G25Z
				06	G09Z, G24Z, G25Z	5n843.0		BOP, KVT, UOP4
				07	H06A, H06B, H06C		06	G24Z, G25Z

ZZV	MDC	DRG	ZZV	MDC	DRG	ZZV	MDC	DRG
5n843.1		BOP, KVT, UOP4	5n864		BOP, KVT, UOP4	5n874.0		BOP, KOP, KOPV, KVT, UOP4
	06	G24Z, G25Z		06	G01Z, G02Z, G08A, G08B, G25Z, G38Z		04	E05A, E05B, E05C, E08A, E08B, E08C
5n843.2		BOP, KVT, UOP4		21A	W04A, W04B		06	G01Z, G02Z, G15Z, G19A, G19B, G33Z, G38Z
	06	G24Z, G25Z		21B	X06A, X06B, X06C		07	H33Z, H38Z
5n843.x		BOP, KVT, UOP4		Pre	A11A, A13A, A13B, A13D		11	L33Z
	06	G24Z, G25Z	5n86x		BOP, KVT, UOP4		21A	W04A, W04B
5n84x		BOP, KVT, UOP4		06	G01Z, G02Z, G24Z, G25Z, G38Z		21B	X06A, X06B, X06C
	06	G24Z, G25Z		21A	W04A, W04B		23	Z01A
5n850		BOP, KVT, UOP4		21B	X06A, X06B, X06C		Pre	A07A, A11A, A13A, A13B, A13D
	06	G24Z, G25Z	5n870		BOP, KOP, KOPV, KVT, UOP4	5n874.1		BOP, KOP, KOPV, KVT, UOP4
5n851		BOP, KVT, UOP4		04	E05A, E05B, E05C, E08A, E08B, E08C		04	E05A, E05B, E05C, E08A, E08B, E08C
	06	G24Z, G25Z		06	G01Z, G02Z, G15Z, G19A, G19B, G19C, G33Z, G38Z		06	G01Z, G02Z, G15Z, G19A, G19B, G19C, G33Z, G38Z
5n852		BOP, KVT, UOP4		07	H33Z, H38Z		07	H33Z, H38Z
	06	G24Z, G25Z		11	L33Z		11	L33Z
5n853		BOP, KVT, UOP4		21A	W04A, W04B		21A	W04A, W04B
	06	G08A, G08B, G25Z		21B	X06A, X06B, X06C		21B	X06A, X06B, X06C
	21A	W04A, W04B		23	Z01A		23	Z01A
	21B	X06A, X06B, X06C		Pre	A07A, A11A, A13A, A13B, A13D		Pre	A07A, A11A, A13A, A13B, A13D
	22	Y01Z, Y03A, Y03B	5n871		BOP, KOP, KOPV, KVT, UOP4	5n874.2		BOP, KOP, KOPV, KVT, UOP4
5n854.1		BOP, KVT, UOP4		04	E05A, E05B, E05C, E08A, E08B, E08C		04	E05A, E05B, E05C, E08A, E08B, E08C
	06	G08A, G08B, G25Z		06	G01Z, G02Z, G15Z, G19A, G19B, G19C, G33Z, G38Z		06	G01Z, G02Z, G15Z, G19A, G19B, G19C, G33Z, G38Z
	21A	W04A, W04B		07	H33Z, H38Z		07	H33Z, H38Z
	21B	X06A, X06B, X06C		11	L33Z		11	L33Z
	22	Y01Z, Y03A, Y03B		21A	W04A, W04B		21A	W04A, W04B
5n854.3		BOP, KVT, UOP4		21B	X06A, X06B, X06C		21B	X06A, X06B, X06C
	06	G08A, G08B, G25Z		23	Z01A		23	Z01A
	21A	W04A, W04B	5n872		BOP, KOP, KOPV, KVT, UOP4	5n874.3		BOP, KOP, KOPV, KVT, UOP4
	21B	X06A, X06B, X06C		04	E05A, E05B, E05C, E08A, E08B, E08C		04	E05A, E05B, E05C, E08A, E08B, E08C
	22	Y01Z, Y03A, Y03B		06	G01Z, G02Z, G15Z, G19A, G19B, G19C, G33Z, G38Z		06	G01Z, G02Z, G15Z, G19A, G19B, G19C, G33Z, G38Z
5n854.4		BOP, KVT, UOP4		07	H33Z, H38Z		07	H33Z, H38Z
	06	G08A, G08B, G25Z		11	L33Z		11	L33Z
	21A	W04A, W04B		21A	W04A, W04B		21A	W04A, W04B
	21B	X06A, X06B, X06C		21B	X06A, X06B, X06C		21B	X06A, X06B, X06C
	22	Y01Z, Y03A, Y03B		23	Z01A		23	Z01A
5n854.x		BOP, KVT, UOP4		Pre	A07A, A11A, A13A, A13B, A13D		Pre	A07A, A11A, A13A, A13B, A13D
	06	G08A, G08B, G25Z	5n873		BOP, KOP, KOPV, KVT, UOP4	5n874.4		BOP, KOP, KOPV, KVT, UOP4
	21A	W04A, W04B		04	E05A, E05B, E05C, E08A, E08B, E08C		04	E05A, E05B, E05C, E08A, E08B, E08C
	21B	X06A, X06B, X06C		06	G01Z, G02Z, G15Z, G19A, G19B, G19C, G33Z, G38Z		06	G01Z, G02Z, G15Z, G19A, G19B, G19C, G33Z, G38Z
	22	Y01Z, Y03A, Y03B		07	H33Z, H38Z		07	H33Z, H38Z
5n85x		BOP, KVT, UOP4		11	L33Z		11	L33Z
	06	G24Z, G25Z		21A	W04A, W04B		21A	W04A, W04B
5n860		BOP, KVT, UOP4		21B	X06A, X06B, X06C		21B	X06A, X06B, X06C
	06	G01Z, G02Z, G24Z, G25Z, G38Z		23	Z01A		23	Z01A
	21A	W04A, W04B		Pre	A07A, A11A, A13A, A13B, A13D		Pre	A07A, A11A, A13A, A13B, A13D
	21B	X06A, X06B, X06C		04	E05A, E05B, E05C, E08A, E08B, E08C		04	E05A, E05B, E05C, E08A, E08B, E08C
	Pre	A11A, A13A, A13B, A13D		06	G01Z, G02Z, G15Z, G19A, G19B, G19C, G33Z, G38Z		06	G01Z, G02Z, G15Z, G19A, G19B, G19C, G33Z, G38Z
5n861		BOP, KVT, UOP4		07	H33Z, H38Z		07	H33Z, H38Z
	06	G01Z, G02Z, G24Z, G25Z, G38Z		11	L33Z		11	L33Z
	21A	W04A, W04B		21A	W04A, W04B		21A	W04A, W04B
	21B	X06A, X06B, X06C		21B	X06A, X06B, X06C		21B	X06A, X06B, X06C
	Pre	A11A, A13A, A13B, A13D		23	Z01A		23	Z01A
5n862		BOP, KVT, UOP4		Pre	A07A, A11A, A13A, A13B, A13D		Pre	A07A, A11A, A13A, A13B, A13D
	06	G01Z, G02Z, G08A, G08B, G25Z, G38Z		04	E05A, E05B, E05C, E08A, E08B, E08C		04	E05A, E05B, E05C, E08A, E08B, E08C
	21A	W04A, W04B		06	G01Z, G02Z, G15Z, G19A, G19B, G19C, G33Z, G38Z		06	G01Z, G02Z, G15Z, G19A, G19B, G19C, G33Z, G38Z
	21B	X06A, X06B, X06C		07	H33Z, H38Z		07	H33Z, H38Z
	Pre	A11A, A13A, A13B, A13D		11	L33Z		11	L33Z
5n863		BOP, KVT, UOP4		21A	W04A, W04B		21A	W04A, W04B
	06	G01Z, G02Z, G08A, G08B, G25Z, G38Z		21B	X06A, X06B, X06C		21B	X06A, X06B, X06C
	21A	W04A, W04B		23	Z01A		23	Z01A
	21B	X06A, X06B, X06C		Pre	A07A, A11A, A13A, A13B, A13D		Pre	A07A, A11A, A13A, A13B, A13D
	Pre	A11A, A13A, A13B, A13D						

VYK

ZZV	MDC	DRG	ZZV	MDC	DRG	ZZV	MDC	DRG	
5n874.5		BOP, KOP, KOPV, KVT, UOP4	5n878		BOP, KOP, KOPV, KVT, UOP4	5n879.4		BOP, KOP, KOPV, KVT, UOP4	
	04	E05A, E05B, E05C, E08A, E08B, E08C		04	E05A, E05B, E05C, E08A, E08B, E08C		04	E05A, E05B, E05C, E08A, E08B, E08C	
	06	G01Z, G02Z, G15Z, G19A, G19B, G33Z, G38Z		06	G01Z, G02Z, G15Z, G19A, G19B, G33Z, G38Z		06	G01Z, G02Z, G15Z, G19A, G19B, G33Z, G38Z	
	07	H33Z, H38Z		07	H33Z, H38Z		07	H33Z, H38Z	
	11	L33Z		11	L33Z		11	L33Z	
	21A	W04A, W04B		21A	W04A, W04B		21A	W04A, W04B	
	21B	X06A, X06B, X06C		21B	X06A, X06B, X06C		21B	X06A, X06B, X06C	
	23	Z01A		23	Z01A		23	Z01A	
	Pre	A07A, A11A, A13A, A13B, A13D		Pre	A07A, A11A, A13A, A13B, A13D		Pre	A07A, A11A, A13A, A13B, A13D	
	5n874.x			BOP, KOP, KOPV, KVT, UOP4	5n879.0			BOP, KOP, KOPV, KVT, UOP4	5n879.5
04		E05A, E05B, E05C, E08A, E08B, E08C	04	E05A, E05B, E05C, E08A, E08B, E08C		04	E05A, E05B, E05C, E08A, E08B, E08C		
06		G01Z, G02Z, G15Z, G19A, G19B, G19C, G33Z, G38Z	06	G01Z, G02Z, G15Z, G19A, G19B, G33Z, G38Z		06	G01Z, G02Z, G15Z, G19A, G19B, G33Z, G38Z		
07		H33Z, H38Z	07	H33Z, H38Z		07	H33Z, H38Z		
11		L33Z	11	L33Z		11	L33Z		
21A		W04A, W04B	21A	W04A, W04B		21A	W04A, W04B		
21B		X06A, X06B, X06C	21B	X06A, X06B, X06C		21B	X06A, X06B, X06C		
23		Z01A	23	Z01A		23	Z01A		
Pre		A07A, A11A, A13A, A13B, A13D	Pre	A07A, A11A, A13A, A13B, A13D		Pre	A07A, A11A, A13A, A13B, A13D		
5n875			BOP, KOP, KOPV, KVT, UOP4	5n879.1			BOP, KOP, KOPV, KVT, UOP4	5n879.x	
	04	E05A, E05B, E05C, E08A, E08B, E08C	04		E05A, E05B, E05C, E08A, E08B, E08C	04	E05A, E05B, E05C, E08A, E08B, E08C		
	06	G01Z, G02Z, G15Z, G19A, G19B, G33Z, G38Z	06		G01Z, G02Z, G15Z, G19A, G19B, G33Z, G38Z	06	G01Z, G02Z, G15Z, G19A, G19B, G33Z, G38Z		
	07	H33Z, H38Z	07		H33Z, H38Z	07	H33Z, H38Z		
	11	L33Z	11		L33Z	11	L33Z		
	21A	W04A, W04B	21A		W04A, W04B	21A	W04A, W04B		
	21B	X06A, X06B, X06C	21B		X06A, X06B, X06C	21B	X06A, X06B, X06C		
	23	Z01A	23		Z01A	23	Z01A		
	Pre	A07A, A11A, A13A, A13B, A13D	Pre		A07A, A11A, A13A, A13B, A13D	Pre	A07A, A11A, A13A, A13B, A13D		
	5n876		BOP, KOP, KOPV, KVT, UOP4		5n879.2		BOP, KOP, KOPV, KVT, UOP4		5n87x
04		E05A, E05B, E05C, E08A, E08B, E08C	04	E05A, E05B, E05C, E08A, E08B, E08C		04	E05A, E05B, E05C, E08A, E08B, E08C		
06		G01Z, G02Z, G15Z, G19A, G19B, G33Z, G38Z	06	G01Z, G02Z, G15Z, G19A, G19B, G33Z, G38Z		06	G01Z, G02Z, G15Z, G19A, G19B, G19C, G33Z, G38Z		
07		H33Z, H38Z	07	H33Z, H38Z		07	H33Z, H38Z		
11		L33Z	11	L33Z		11	L33Z		
21A		W04A, W04B	21A	W04A, W04B		21A	W04A, W04B		
21B		X06A, X06B, X06C	21B	X06A, X06B, X06C		21B	X06A, X06B, X06C		
23		Z01A	23	Z01A		23	Z01A		
Pre		A07A, A11A, A13A, A13B, A13D	Pre	A07A, A11A, A13A, A13B, A13D		Pre	A07A, A11A, A13A, A13B, A13D		
5n877			BOP, KOP, KOPV, KVT, UOP4	5n879.3			BOP, KOP, KOPV, KVT, UOP4	5n890	
	04	E05A, E05B, E05C, E08A, E08B, E08C	04		E05A, E05B, E05C, E08A, E08B, E08C	5n891	06		G24Z, G25Z
	06	G01Z, G02Z, G15Z, G19A, G19B, G33Z, G38Z	06		G01Z, G02Z, G15Z, G19A, G19B, G33Z, G38Z	5n892	06		BOP, KVT, UOP4
	07	H33Z, H38Z	07		H33Z, H38Z	5n893.0	06		G24Z, G25Z
	11	L33Z	11		L33Z	5n893.1	06		BOP, KVT, UOP4
	21A	W04A, W04B	21A		W04A, W04B	5n893.2	06		G24Z, G25Z
	21B	X06A, X06B, X06C	21B		X06A, X06B, X06C	5n893.2	06		BOP, KVT, UOP4
	23	Z01A	23		Z01A	5n893.2	06		G24Z, G25Z
	Pre	A07A, A11A, A13A, A13B, A13D	Pre		A07A, A11A, A13A, A13B, A13D	5n893.x	06		BOP, KVT, UOP4
						5n893.x	06		G24Z, G25Z
				5n89x	06	BOP, KVT, UOP4			
					06	G24Z, G25Z			

VYK

ZZV	MDC	DRG	ZZV	MDC	DRG	ZZV	MDC	DRG				
5n910		BOP, KVT, UOP4	5n914		BOP, KVT, UOP4	5n920.1		BOP, UOP4				
	05	F13A, F21A, F21B		05	F13A, F21A, F21B		06	G10Z, G12A, G12B, G12C				
	06	G10Z, G12A, G12B		06	G10Z, G12A, G12B		07	H06A, H06B, H06C				
	07	H05Z		07	H05Z		09	J03A, J03B, J04A, J04B, J08A, J08B, J08C, J11A, J11B, J16Z				
	09	J03A, J03B, J04A, J04B, J08A, J08B, J08C, J11A, J11B, J16Z		09	J03A, J03B, J04A, J04B, J08A, J08B, J08C, J11A, J11B, J16Z		10	K09A, K09B				
	10	K09A, K09B		10	K09A, K09B		21A	W04A, W04B				
	11	L09A, L09B, L09C, L09D, L38Z		11	L09A, L09B, L09C, L09D, L38Z		21B	X06A, X06B				
	12	M01A, M01B, M38Z		12	M01A, M01B, M38Z		5n920.2		BOP, KVT, UOP4			
	13	N11A, N11B		13	N11A, N11B			06	G10Z, G12A, G12B			
	14	962Z, O02A, O02B, O04A		14	962Z, O02A, O02B, O04A		07	H06A, H06B, H06C				
	17	R01A, R01B, R01C, R01D, R02Z, R12A, R12B, R12C		17	R01A, R01B, R01C, R01D, R02Z, R12A, R12B, R12C		5n920.3		BOP, UOP4			
	21A	W04A, W04B		21A	W04A, W04B			06	G10Z, G12A, G12B			
	21B	X06A, X06B		21B	X06A, X06B		07	H06A, H06B, H06C				
	22	Y01Z, Y03A, Y03B		22	Y01Z, Y03A, Y03B		09	J03A, J03B, J04A, J04B, J08A, J08B, J08C, J11A, J11B, J16Z				
	5n911			BOP, KVT, UOP4	5n915			BOP, KVT, UOP4	5n920.x		BOP, UOP4	
		05		F13A, F21A, F21B			05	F13A		06	G10Z, G12A, G12B, G12C	
		06		G10Z, G12A, G12B			06	G10Z, G12A, G12B		07	H06A, H06B, H06C	
		07		H05Z			07	H06A, H06B, H06C		09	J03A, J03B, J04A, J04B, J08A, J08B, J08C, J11A, J11B, J16Z	
		09		J03A, J03B, J04A, J04B, J08A, J08B, J08C, J11A, J11B, J16Z			09	J03A, J03B, J04A, J04B, J08A, J08B, J08C, J11A, J11B, J16Z		10	K09A, K09B	
		10		K09A, K09B			10	K09A, K09B		21A	W04A, W04B	
		11		L09A, L09B, L09C, L09D, L38Z			11	L03Z, L04A, L04B, L04C, L10Z, L13A, L13B, L38Z		21B	X06A, X06B	
		12		M01A, M01B, M38Z			12	M06Z, M09A, M09B, M38Z		5n921		BOP, UOP4
13		N11A, N11B	13	N11A, N11B		06	G10Z, G12A, G12B, G12C					
14		962Z, O02A, O02B, O04A	17	R01A, R01B, R01C, R01D, R02Z, R12A, R12B, R12C		07	H06A, H06B, H06C					
17		R01A, R01B, R01C, R01D, R02Z, R12A, R12B, R12C	21A	W04A, W04B		08	I27A, I27B, I27C, I27D					
21A		W04A, W04B	21B	X06A, X06B		09	J03A, J03B, J04A, J04B, J08A, J08B, J08C, J11A, J11B, J16Z					
21B		X06A, X06B	5n916				10	K09A, K09B				
22		Y01Z, Y03A, Y03B		05		F13A	21A	W04A, W04B				
5n912			BOP, KVT, UOP4	5n91x			BOP, KVT, UOP4	5n922			BOP, UOP4	
		05	F13A, F21A, F21B			06	G10Z, G12A, G12B			06	G10Z, G12A, G12B, G12C	
		06	G01Z, G02Z, G10Z, G12A, G12B, G38Z			07	H06A, H06B, H06C			08	I27A, I27B, I27C, I27D	
		07	H05Z			09	J03A, J03B, J04A, J04B, J08A, J08B, J08C, J11A, J11B, J16Z			09	J03A, J03B, J04A, J04B, J08A, J08B, J08C, J11A, J11B, J16Z	
		11	L09A, L09B, L09C, L09D, L38Z			10	K09A, K09B			10	K09A, K09B	
		13	N11A, N11B			21A	W04A, W04B			21A	W04A, W04B	
		14	O04A			21B	X06A, X06B			21B	X06A, X06B, X06C	
		17	R01A, R01B, R01C, R01D, R02Z, R12A, R12B, R12C			5n91x					5n923	
	21A	W04A, W04B	05		F13A, F21A, F21B		06		G10Z, G12A, G12B, G12C			
	21B	X06A, X06B	06		G10Z, G12A, G12B	08	I27A, I27B, I27C, I27D					
	22	Y01Z, Y03A, Y03B	07		H05Z	09	J03A, J03B, J04A, J04B, J08A, J08B, J08C, J11A, J11B, J16Z					
	Pre	A11A, A13A, A13B, A13D	09		J03A, J03B, J04A, J04B, J08A, J08B, J08C, J11A, J11B, J16Z	10	K09A, K09B					
	5n913		BOP, KVT, UOP4		5n91x		BOP, KVT, UOP4		5n929		BOP, UOP4	
		05	F13A, F21A, F21B			05	F13A, F21A, F21B			06	G10Z, G12A, G12B, G12C	
		06	G10Z, G12A, G12B			06	G10Z, G12A, G12B			07	H06A, H06B, H06C	
		07	H06A, H06B, H06C			07	H05Z			09	J03A, J03B, J04A, J04B, J08A, J08B, J08C, J11A, J11B, J16Z	
		09	J03A, J03B, J04A, J04B, J08A, J08B, J08C, J11A, J11B, J16Z			09	J03A, J03B, J04A, J04B, J08A, J08B, J08C, J11A, J11B, J16Z			10	K09A, K09B	
		10	K09A, K09B			10	K09A, K09B			21A	W04A, W04B	
		11	L09A, L09B, L09C, L09D, L38Z			11	L09A, L09B, L09C, L09D, L38Z			21B	X06A, X06B, X06C	
		12	M01A, M01B, M38Z			12	M01A, M01B, M38Z			5n92a		BOP, KVT, UOP4
		13	N11A, N11B			13	N11A, N11B				06	G10Z, G12A, G12B
		14	962Z, O02A, O02B, O04A			14	962Z, O02A, O02B			07	H06A, H06B, H06C	
17		R01A, R01B, R01C, R01D, R02Z, R12A, R12B, R12C	17	R01A, R01B, R01C, R01D, R02Z, R12A, R12B, R12C		09	J03A, J03B, J04A, J04B, J08A, J08B, J08C, J11A, J11B, J16Z					
21A		W04A, W04B	21A	W04A, W04B		10	K09A, K09B					
21B		X06A, X06B	21B	X06A, X06B		21A	W04A, W04B					
22		Y01Z, Y03A, Y03B	22	Y01Z, Y03A, Y03B		21B	X06A, X06B, X06C					
23		Z01A										

VYK

ZZV	MDC	DRG	ZZV	MDC	DRG	ZZV	MDC	DRG
5n92b		BOP, KVT, UOP4	5n930		BOP, UOP4	5n933		BOP, KVT, UOP4
	06	G10Z, G12A, G12B		06	G10Z, G12A, G12B		05	F13A
	07	H06A, H06B, H06C		07	H06A, H06B, H06C		06	G10Z, G12A, G12B, G18A, G38Z
	10	K09A, K09B		09	J03A, J03B, J04A, J04B, J08A, J08B, J08C, J11A, J11B, J16Z		07	H06A, H06B, H06C
	11	L09A, L38Z		13	N11A, N11B		10	K09A, K09B
	17	R01A, R01B, R01C, R01D, R02Z, R12A, R12B, R12C		17	R01A, R01B, R01C, R01D, R02Z, R12A, R12B, R12C		11	L09A, L38Z
	23	Z01A		21A	W04A, W04B		17	R01A, R01B, R01C, R01D, R02Z, R12A, R12B, R12C
5n92c		BOP, KVT, UOP4		21B	X06A, X06B	5n934.1	21A	W04A, W04B
	06	G10Z, G12A, G12B, G38Z		22	Y01Z, Y03A, Y03B		21B	X06A, X06B
	07	H06A, H06B, H06C	5n931		BOP, KVT, UOP4		06	G01Z, G02Z, G24Z, G25Z, G38Z
	10	K09A, K09B		06	G01Z, G02Z, G10Z, G12A, G12B, G38Z		07	H06A, H06B, H06C
	11	L09A, L38Z		07	H06A, H06B, H06C		08	I27A, I27B, I27C, I27D
	13	N01A, N01B, N01C, N01D, N01E, N11A, N38Z		17	R01A, R01B, R01C, R01D, R02Z, R12A, R12B, R12C		09	J03A, J03B, J04A, J04B, J08A, J08B, J08C, J11A, J11B, J16Z
	17	R01A, R01B, R01C, R01D, R02Z, R12A, R12B, R12C		21A	W04A, W04B		17	R01A, R01B, R01C, R01D, R02Z, R12A, R12B, R12C
	23	Z01A		21B	X06A, X06B		21A	W04A, W04B
5n92d.0		BOP, KOP, KVT, UOP4		Pre	A11A, A13A, A13B, A13D		21B	X06A, X06B
	06	G03B, G10Z, G12A, G12B, G18A, G38Z	5n932.1		BOP, KVT, UOP4		Pre	A11A, A13A, A13B, A13D
	07	H06A, H06B, H06C		06	G01Z, G02Z, G24Z, G25Z, G38Z	5n934.2	06	G01Z, G02Z, G24Z, G25Z, G38Z
	10	K09A, K09B		07	H06A, H06B, H06C		07	H06A, H06B, H06C
	11	L09A, L38Z		08	I27A, I27B, I27C, I27D		08	I27A, I27B, I27C, I27D
	13	N11A		09	J03A, J03B, J04A, J04B, J08A, J08B, J08C, J11A, J11B, J16Z		09	J03A, J03B, J04A, J04B, J08A, J08B, J08C, J11A, J11B, J16Z
	17	R01A, R01B, R01C, R01D, R02Z, R12A, R12B, R12C		17	R01A, R01B, R01C, R01D, R02Z, R12A, R12B, R12C		17	R01A, R01B, R01C, R01D, R02Z, R12A, R12B, R12C
5n92d.1		BOP, KOP, KVT, MVV, UOP4		21A	W04A, W04B		21A	W04A, W04B
	06	G03B, G10Z, G12A, G12B, G18A, G38Z		21B	X06A, X06B		21B	X06A, X06B
	07	H06A, H06B, H06C	5n932.2	Pre	A11A, A13A, A13B, A13D		Pre	A11A, A13A, A13B, A13D
	10	K09A, K09B			BOP, KVT, UOP4	5n93x	06	G24Z, G25Z
	13	N11A		06	G01Z, G02Z, G24Z, G25Z, G38Z		07	H06A, H06B, H06C
	17	R01A, R01B, R01C, R01D, R02Z, R12A, R12B, R12C		07	H06A, H06B, H06C		09	J03A, J03B, J04A, J04B, J08A, J08B, J08C, J11A, J11B, J16Z
5n92d.2		BOP, KOP, KVT, UOP4		08	I27A, I27B, I27C, I27D		17	R01A, R01B, R01C, R01D, R02Z, R12A, R12B, R12C
	06	G03B, G10Z, G12A, G12B, G18A, G38Z		09	J03A, J03B, J04A, J04B, J08A, J08B, J08C, J11A, J11B, J16Z		21A	W04A, W04B
	07	H06A, H06B, H06C		17	R01A, R01B, R01C, R01D, R02Z, R12A, R12B, R12C		21B	X06A, X06B
	10	K09A, K09B		21A	W04A, W04B	5n991.1	05	F13A
	11	L09A, L38Z		21B	X06A, X06B		06	G01Z, G02Z, G10Z, G12A, G12B, G38Z
	13	N11A		Pre	A11A, A13A, A13B, A13D		07	H06A, H06B, H06C
	17	R01A, R01B, R01C, R01D, R02Z, R12A, R12B, R12C			BOP, KVT, UOP4		09	J03A, J03B, J04A, J04B, J08A, J08B, J08C, J11A, J11B, J16Z
5n92e		BOP, KVT, UOP4		06	G01Z, G02Z, G24Z, G25Z, G38Z		13	N11A, N11B
	06	G10Z, G12A, G12B	5n932.x		BOP, KVT, UOP4		14	O04A
	07	H06A, H06B, H06C		06	G01Z, G02Z, G24Z, G25Z, G38Z		17	R01A, R01B, R01C, R01D, R02Z, R12A, R12B, R12C
	10	K03A, K03B, K09A, K09B		07	H06A, H06B, H06C		21A	W04A, W04B
	11	L09A, L38Z		08	I27A, I27B, I27C, I27D		21B	X06A, X06B, X06C
	13	N01A, N01B, N01C, N01D, N01E, N02A, N02B, N02C, N03A, N03B, N04Z, N14Z, N21Z, N38Z		09	J03A, J03B, J04A, J04B, J08A, J08B, J08C, J11A, J11B, J16Z		22	Y01Z, Y03A, Y03B
	17	R01A, R01B, R01C, R01D, R02Z, R12A, R12B, R12C		17	R01A, R01B, R01C, R01D, R02Z, R12A, R12B, R12C		Pre	A11A, A13A, A13B, A13D
5n92x		BOP, KVT, UOP4		21A	W04A, W04B			
	06	G10Z, G12A, G12B		21B	X06A, X06B			
	07	H06A, H06B, H06C		Pre	A11A, A13A, A13B, A13D			
	10	K09A, K09B						
	13	N11A, N11B						
	17	R01A, R01B, R01C, R01D, R02Z, R12A, R12B, R12C						

ZZV	MDC	DRG	ZZV	MDC	DRG	ZZV	MDC	DRG
5n991.2		BOP, KVT, UOP4	5n997		BOP, KVT, UOP4	5o100.4↔		BOP, KVT, UOP4
	05	F13A		05	F21A, F21B, F21C		08	I28A, I28B
	06	G01Z, G02Z, G10Z, G12A, G12B, G38Z		06	G10Z, G12A, G12B		11	L03Z, L04A, L04B, L04C, L10Z, L13A, L13B, L38Z
	07	H06A, H06B, H06C		07	H06A, H06B, H06C		17	R01A, R01B, R01C, R01D, R02Z, R12A, R12B, R12C
	09	J03A, J03B, J04A, J04B, J08A, J08B, J08C, J11A, J11B, J16Z		11	L09A, L09B, L09C, L09D, L38Z		21A	W04A, W04B
	13	N11A, N11B		13	N11A, N11B		21B	X06A, X06B, X06C
	14	O04A		17	R01A, R01B, R01C, R01D, R02Z, R12A, R12B, R12C			BOP, KVT, UOP4
	17	R01A, R01B, R01C, R01D, R02Z, R12A, R12B, R12C		21A	W04A, W04B		08	I28A, I28B
	21A	W04A, W04B		21B	X06A, X06B, X06C		11	L03Z, L04A, L04B, L04C, L10Z, L13A, L13B, L38Z
	21B	X06A, X06B, X06C		22	Y01Z, Y03A, Y03B		17	R01A, R01B, R01C, R01D, R02Z, R12A, R12B, R12C
	22	Y01Z, Y03A, Y03B			BOP, KVT, UOP4		21A	W04A, W04B
	Pre	A11A, A13A, A13B, A13D		05	F21A, F21B		21B	X06A, X06B, X06C
		BOP, KVT, UOP4		06	G10Z, G12A, G12B			BOP, KVT, UOP4
		F13A		07	H12A, H12B		11	L03Z, L04A, L04B, L04C, L10Z, L13A, L13B, L38Z
		G10Z, G12A, G12B		11	L09A, L09B, L09C, L09D, L38Z			BOP, KVT, UOP4
		H06A, H06B, H06C		13	N11A, N11B			L03Z, L04A, L04B, L04C, L10Z, L13A, L13B, L38Z
		N11A, N11B		14	O04A			W01A, W01B, W01C, W02A, W02B, W04A, W04B
	W04A, W04B	17	R01A, R01B, R01C, R01D, R02Z, R12A, R12B, R12C		X06A, X06B, X06C			
	X06A, X06B, X06C	21A	W04A, W04B		BOP, KVT, UOP4			
	Y01Z, Y03A, Y03B	21B	X06A, X06B, X06C		L03Z, L04A, L04B, L04C, L10Z, L13A, L13B, L38Z			
	BOP, KVT, UOP4	22	Y01Z, Y03A, Y03B		W01A, W01B, W01C, W02A, W02B, W04A, W04B			
	F21A, F21B		BOP, KVT, UOP4		X06A, X06B, X06C			
	G10Z, G12A, G12B		F21A, F21B		BOP, KVT, UOP4			
	H12A, H12B		G10Z, G12A, G12B		L03Z, L04A, L04B, L04C, L10Z, L13A, L13B, L38Z			
	L09A, L09B, L09C, L09D, L38Z		H12A, H12B		W04A, W04B			
	N11A, N11B		L09A, L09B, L09C, L09D, L38Z		X06A, X06B, X06C			
	R01A, R01B, R01C, R01D, R02Z, R12A, R12B, R12C		N11A, N11B		BOP, KVT, UOP4			
	W04A, W04B		O04A		L03Z, L04A, L04B, L04C, L10Z, L13A, L13B, L38Z			
	X06A, X06B, X06C		R01A, R01B, R01C, R01D, R02Z, R12A, R12B, R12C		W04A, W04B			
	Y01Z, Y03A, Y03B		W04A, W04B		X06A, X06B, X06C			
	BOP, KOP, KOPV, KVT, UOP4		X06A, X06B, X06C		BOP, KVT, UOP4			
	G10Z, G12A, G12B, G33Z		Y01Z, Y03A, Y03B		L03Z, L04A, L04B, L04C, L10Z, L13A, L13B, L38Z			
	H01A, H01B, H09A, H09B, H09C, H33Z, H38Z		BOP, KVT, UOP4		W04A, W04B			
	L33Z		F21A, F21B		X06A, X06B, X06C			
	R01A, R01B, R01C, R01D, R02Z, R12A, R12B, R12C		G10Z, G12A, G12B		BOP, KVT, UOP4			
	Z01A		H12A, H12B		L03Z, L04A, L04B, L04C, L10Z, L13A, L13B, L38Z			
	A07A		L09A, L09B, L09C, L09D, L38Z		W04A, W04B			
	BOP, KVT, UOP4		N11A, N11B		X06A, X06B, X06C			
	F21A, F21B		O04A		BOP, KVT, UOP4			
	G10Z, G12A, G12B		R01A, R01B, R01C, R01D, R02Z, R12A, R12B, R12C		L03Z, L04A, L04B, L04C, L10Z, L13A, L13B, L38Z			
	H06A, H06B, H06C		W04A, W04B		W04A, W04B			
	K09A, K09B		X06A, X06B, X06C		X06A, X06B, X06C			
	L02A, L02B, L02C, L38Z		Y01Z, Y03A, Y03B		BOP, KVT, UOP4			
	R01A, R01B, R01C, R01D, R02Z, R12A, R12B, R12C		BOP, KVT, UOP4		L03Z, L04A, L04B, L04C, L10Z, L13A, L13B, L38Z			
	W04A, W04B		F21A, F21B		W04A, W04B			
	X06A, X06B, X06C		G10Z, G12A, G12B		X06A, X06B, X06C			
	BOP, KVT, UOP4		H12A, H12B		BOP, KVT, UOP4			
	E02A, E02B, E02C		L09A, L09B, L09C, L09D, L38Z		L03Z, L04A, L04B, L04C, L10Z, L13A, L13B, L38Z			
	F21A, F21B		N11A, N11B		W04A, W04B			
	G10Z, G12A, G12B		O04A		X06A, X06B, X06C			
	H06A, H06B, H06C		R01A, R01B, R01C, R01D, R02Z, R12A, R12B, R12C		BOP, KVT, UOP4			
	L02A, L02B, L02C, L38Z		W04A, W04B		L03Z, L04A, L04B, L04C, L10Z, L13A, L13B, L38Z			
	R01A, R01B, R01C, R01D, R02Z, R12A, R12B, R12C		X06A, X06B, X06C		W04A, W04B			
	W04A, W04B		Y01Z, Y03A, Y03B		X06A, X06B, X06C			
	X06A, X06B, X06C		BOP, KVT, UOP4		BOP, KVT, UOP4			
			I28A, I28B		L03Z, L04A, L04B, L04C, L10Z, L13A, L13B, L38Z			
			L03Z, L04A, L04B, L04C, L10Z, L13A, L13B, L38Z		W04A, W04B			
			R01A, R01B, R01C, R01D, R02Z, R12A, R12B, R12C		X06A, X06B, X06C			
			W01A, W01B, W01C, W02A, W02B, W04A, W04B		BOP, KVT, UOP4			
			X06A, X06B, X06C		L03Z, L04A, L04B, L04C, L10Z, L13A, L13B, L38Z			
			BOP, KVT, UOP4		W04A, W04B			
			I28A, I28B		X06A, X06B, X06C			
			L03Z, L04A, L04B, L04C, L10Z, L13A, L13B, L38Z		BOP, KVT, UOP4			
			R01A, R01B, R01C, R01D, R02Z, R12A, R12B, R12C		L03Z, L04A, L04B, L04C, L10Z, L13A, L13B, L38Z			
			W01A, W01B, W01C, W02A, W02B, W04A, W04B		W04A, W04B			
			X06A, X06B, X06C		X06A, X06B, X06C			
			BOP, KVT, UOP4		BOP, KVT, UOP4			
			I28A, I28B		L03Z, L04A, L04B, L04C, L10Z, L13A, L13B, L38Z			
			L03Z, L04A, L04B, L04C, L10Z, L13A, L13B, L38Z		W04A, W04B			
			R01A, R01B, R01C, R01D, R02Z, R12A, R12B, R12C		X06A, X06B, X06C			
			W01A, W01B, W01C, W02A, W02B, W04A, W04B		BOP, KVT, UOP4			
			X06A, X06B, X06C		L03Z, L04A, L04B, L04C, L10Z, L13A, L13B, L38Z			
			BOP, KVT, UOP4		W04A, W04B			
			I28A, I28B		X06A, X06B, X06C			
			L03Z, L04A, L04B, L04C, L10Z, L13A, L13B, L38Z		BOP, KVT, UOP4			
			R01A, R01B, R01C, R01D, R02Z, R12A, R12B, R12C		L03Z, L04A, L04B, L04C, L10Z, L13A, L13B, L38Z			
			W01A, W01B, W01C, W02A, W02B, W04A, W04B		W04A, W04B			
			X06A, X06B, X06C		X06A, X06B, X06C			

ZZV	MDC	DRG	ZZV	MDC	DRG	ZZV	MDC	DRG
5o122.1↔		BOP, KVT, UOP4	5o132.0↔		BOP, KVT, UOP4	5o153.1↔		BOP, KVT, UOP4
	06	G18A, G38Z		06	G18A, G38Z		08	I28A, I28B
	11	L03Z, L04A, L04B, L04C, L10Z, L13A, L13B, L38Z		11	L03Z, L04A, L04B, L04C, L10Z, L13A, L13B, L38Z		11	L03Z, L04A, L04B, L04C, L10Z, L13A, L13B, L38Z
	21A	W04A, W04B		21A	W04A, W04B		17	R01A, R01B, R01C, R01D, R02Z, R12A, R12B, R12C
5o122.2↔	21B	X06A, X06B, X06C	5o132.1†↔	11	L11Z, L18A, L18B, L38Z	21A	W04A, W04B	
	06	G18A, G38Z	5o132.6†↔	11	L19Z, L20A, L20B, L20C	21B	X06A, X06B, X06C	
	11	L03Z, L04A, L04B, L04C, L10Z, L13A, L13B, L38Z	5o132.x†↔	11	L11Z, L18A, L18B, L38Z	5o153.2↔	BOP, KVT, UOP4	
	21A	W04A, W04B	5o133.1†↔	11	L11Z, L18A, L18B, L38Z		08	I28A, I28B
	21B	X06A, X06B, X06C	5o133.6†↔	11	L19Z, L20A, L20B, L20C		11	L03Z, L04A, L04B, L04C, L10Z, L13A, L13B, L38Z
5o122.4↔		BOP, KVT, UOP4	5o133.x†↔	11	L11Z, L18A, L18B, L38Z		17	R01A, R01B, R01C, R01D, R02Z, R12A, R12B, R12C
	06	G18A, G38Z	5o134†↔	11	L11Z, L18A, L18B, L38Z		21A	W04A, W04B
	11	L03Z, L04A, L04B, L04C, L10Z, L13A, L13B, L38Z	5o135†↔	11	L11Z, L18A, L18B, L38Z		21B	X06A, X06B, X06C
	21A	W04A, W04B	5o136†↔	11	L40Z	5o154↔	BOP, KVT, UOP4	
	21B	X06A, X06B, X06C	5o137†↔	11	L11Z, L18A, L18B, L38Z		08	I28A, I28B
5o122.x↔		BOP, KVT, UOP4	5o138†↔	11	L11Z, L18A, L18B, L38Z		11	L03Z, L04A, L04B, L04C, L10Z, L13A, L13B, L38Z
	06	G18A, G38Z	5o139†↔	11	L19Z, L20A, L20B, L20C		17	R01A, R01B, R01C, R01D, R02Z, R12A, R12B, R12C
	11	L03Z, L04A, L04B, L04C, L10Z, L13A, L13B, L38Z	5o13x†↔	11	L11Z, L18A, L18B, L38Z		21A	W04A, W04B
	21A	W04A, W04B	5o140↔		BOP, KVT, UOP4		21B	X06A, X06B, X06C
	21B	X06A, X06B, X06C		Pre	A01B, A02Z, A06A, A07A, A09A, A11A, A13A, A17A, A17B	5o155↔	BOP, KVT, UOP4	
5o12x.1↔		BOP, KVT, UOP4	5o141↔		BOP, KVT, UOP4		08	I28A, I28B
	06	G18A, G38Z		Pre	A01B, A02Z, A06A, A07A, A09A, A11A, A13A, A17A, A17B		11	L03Z, L04A, L04B, L04C, L10Z, L13A, L13B, L38Z
	11	L03Z, L04A, L04B, L04C, L10Z, L13A, L13B, L38Z	5o142↔		BOP, KVT, UOP4		17	R01A, R01B, R01C, R01D, R02Z, R12A, R12B, R12C
	21A	W04A, W04B		Pre	A01B, A02Z, A06A, A07A, A09A, A11A, A13A, A17A, A17B		21A	W04A, W04B
	21B	X06A, X06B, X06C	5o143↔		BOP, KVT, UOP4		21B	X06A, X06B, X06C
5o12x.2↔		BOP, KVT, UOP4		11	L03Z, L04A, L04B, L04C, L10Z, L13A, L13B, L38Z	5o156↔	BOP, KVT, UOP4	
	06	G18A, G38Z		21A	W04A, W04B		08	I28A, I28B
	11	L03Z, L04A, L04B, L04C, L10Z, L13A, L13B, L38Z		21B	X06A, X06B, X06C		11	L03Z, L04A, L04B, L04C, L10Z, L13A, L13B, L38Z
	21A	W04A, W04B	5o144↔		BOP, KVT, UOP4		17	R01A, R01B, R01C, R01D, R02Z, R12A, R12B, R12C
	21B	X06A, X06B, X06C		11	L03Z, L04A, L04B, L04C, L10Z, L13A, L13B, L38Z		21A	W04A, W04B
5o12x.4↔		BOP, KVT, UOP4		21A	W04A, W04B		21B	X06A, X06B, X06C
	06	G18A, G38Z	5o145↔		BOP, KVT, UOP4	5o157↔	BOP, KVT, UOP4	
	11	L03Z, L04A, L04B, L04C, L10Z, L13A, L13B, L38Z		Pre	A01B, A02Z, A06A, A07A, A09A, A11A, A13A, A17A, A17B		08	I28A, I28B
	21A	W04A, W04B		11	L03Z, L04A, L04B, L04C, L10Z, L13A, L13B, L38Z		11	L03Z, L04A, L04B, L04C, L10Z, L13A, L13B, L38Z
	21B	X06A, X06B, X06C	5o14x↔		BOP, KVT, UOP4		17	R01A, R01B, R01C, R01D, R02Z, R12A, R12B, R12C
5o12x.5↔		BOP, KVT, UOP4		21A	W04A, W04B		21A	W04A, W04B
	06	G18A, G38Z		21B	X06A, X06B, X06C	5o158↔	BOP, KVT, UOP4	
	11	L03Z, L04A, L04B, L04C, L10Z, L13A, L13B, L38Z	5o150↔		BOP, KVT, UOP4		08	I28A, I28B
	21A	W04A, W04B		08	I28A, I28B		11	L03Z, L04A, L04B, L04C, L10Z, L13A, L13B, L38Z
	21B	X06A, X06B, X06C		11	L03Z, L04A, L04B, L04C, L10Z, L13A, L13B, L38Z		17	R01A, R01B, R01C, R01D, R02Z, R12A, R12B, R12C
5o12x.x↔		BOP, KVT, UOP4		17	R01A, R01B, R01C, R01D, R02Z, R12A, R12B, R12C	5o15a†↔	11	L40Z
	06	G18A, G38Z	5o151↔		BOP, KVT, UOP4	5o15b†↔	11	L40Z
	11	L03Z, L04A, L04B, L04C, L10Z, L13A, L13B, L38Z		11	L03Z, L04A, L04B, L04C, L10Z, L13A, L13B, L38Z	5o15x↔	BOP, KVT, UOP4	
	21A	W04A, W04B		21A	W04A, W04B		11	L03Z, L04A, L04B, L04C, L10Z, L13A, L13B, L38Z
	21B	X06A, X06B, X06C		21B	X06A, X06B, X06C		21A	W04A, W04B
5o130†↔	11	L11Z, L18A, L18B, L38Z		08	I28A, I28B	5o161↔	BOP, KVT, UOP4	
5o131.0†↔	11	L11Z, L18A, L18B, L38Z, L42A	5o152↔		BOP, KVT, UOP4		10	K03A, K03B, K14Z
5o131.1↔		BOP, KVT, UOP4		08	I28A, I28B		21A	W04A, W04B
	08	I28A, I28B		11	L03Z, L04A, L04B, L04C, L10Z, L13A, L13B, L38Z		21B	X06A, X06B, X06C
	11	L03Z, L04A, L04B, L04C, L10Z, L13A, L13B, L38Z		17	R01A, R01B, R01C, R01D, R02Z, R12A, R12B, R12C		BOP, KVT, UOP4	
	17	R01A, R01B, R01C, R01D, R02Z, R12A, R12B, R12C		21A	W04A, W04B		21A	W04A, W04B
5o131.2†↔	11	L11Z, L18A, L18B, L38Z, L42A		21B	X06A, X06B, X06C		21B	X06A, X06B, X06C
5o131.3†↔	11	L11Z, L18A, L18B, L38Z, L42A		08	I28A, I28B	5o162.1↔	BOP, KVT, UOP4	
				11	L03Z, L04A, L04B, L04C, L10Z, L13A, L13B, L38Z		11	L03Z, L04A, L04B, L04C, L10Z, L13A, L13B, L38Z
				17	R01A, R01B, R01C, R01D, R02Z, R12A, R12B, R12C		21A	W04A, W04B
				21A	W04A, W04B		21B	X06A, X06B, X06C
				21B	X06A, X06B, X06C			

VYK

ZZV	MDC	DRG	ZZV	MDC	DRG	ZZV	MDC	DRG
5o162.4↔		BOP, KVT, UOP4	5o192.1↔		BOP, KVT, UOP4	5o196↔		BOP, KVT, UOP4
	11	L03Z, L04A, L04B, L04C, L10Z, L13A, L13B, L38Z		11	L03Z, L04A, L04B, L04C, L10Z, L13A, L13B, L38Z		09	J03A, J03B, J04A, J04B, J08A, J08B, J08C, J11A, J11B, J16Z
	21A	W04A, W04B		21A	W04A, W04B			
	21B	X06A, X06B, X06C		21B	X06A, X06B, X06C	5o19x.1↔		BOP, KVT, UOP4
5o162.6‡↔	11	L20B, L40Z	5o192.2↔		BOP, KVT, UOP4		11	L03Z, L04A, L04B, L04C, L10Z, L13A, L13B, L38Z
5o163.1↔		BOP, KVT, UOP4		11	L03Z, L04A, L04B, L04C, L10Z, L13A, L13B, L38Z		21A	W04A, W04B
	11	L03Z, L04A, L04B, L04C, L10Z, L13A, L13B, L38Z		21A	W04A, W04B		21B	X06A, X06B, X06C
	21A	W04A, W04B		21B	X06A, X06B, X06C	5o19x.2↔		BOP, KVT, UOP4
	21B	X06A, X06B, X06C	5o192.4↔		BOP, KVT, UOP4		11	L03Z, L04A, L04B, L04C, L10Z, L13A, L13B, L38Z
5o163.4↔		BOP, KVT, UOP4		11	L03Z, L04A, L04B, L04C, L10Z, L13A, L13B, L38Z		21A	W04A, W04B
	11	L03Z, L04A, L04B, L04C, L10Z, L13A, L13B, L38Z		21A	W04A, W04B		21B	X06A, X06B, X06C
	21A	W04A, W04B		21B	X06A, X06B, X06C	5o19x.3↔		BOP, KVT, UOP4
	21B	X06A, X06B, X06C	5o192.x↔		BOP, KVT, UOP4		11	L03Z, L04A, L04B, L04C, L10Z, L13A, L13B, L38Z
5o163.6‡↔	11	L18A, L18B, L19Z, L20A, L20B, L20C, L38Z		11	L03Z, L04A, L04B, L04C, L10Z, L13A, L13B, L38Z		21A	W04A, W04B
5o163.7‡↔	11	L18A, L18B, L19Z, L20A, L20B, L20C, L38Z		21A	W04A, W04B		21B	X06A, X06B, X06C
5o165.0↔		BOP, KVT, UOP4		21B	X06A, X06B, X06C	5o19x.4↔		BOP, KVT, UOP4
	11	L03Z, L04A, L04B, L04C, L10Z, L13A, L13B, L38Z	5o193.1↔		BOP, KVT, UOP4		11	L03Z, L04A, L04B, L04C, L10Z, L13A, L13B, L38Z
	21A	W04A, W04B		11	L03Z, L04A, L04B, L04C, L10Z, L13A, L13B, L38Z		21A	W04A, W04B
	21B	X06A, X06B, X06C		21A	W04A, W04B		21B	X06A, X06B, X06C
5o165.4↔		BOP, KVT, UOP4		21B	X06A, X06B, X06C	5o19x.x↔		BOP, KVT, UOP4
	11	L03Z, L04A, L04B, L04C, L10Z, L13A, L13B, L38Z	5o193.2↔		BOP, KVT, UOP4		11	L03Z, L04A, L04B, L04C, L10Z, L13A, L13B, L38Z
	21A	W04A, W04B		11	L03Z, L04A, L04B, L04C, L10Z, L13A, L13B, L38Z		21A	W04A, W04B
	21B	X06A, X06B, X06C		21A	W04A, W04B		21B	X06A, X06B, X06C
5o166‡↔	11	L18A, L18B, L19Z, L20A, L20B, L20C, L38Z	5o193.4↔		BOP, KVT, UOP4	5o200.0↔		BOP, KVT, UOP4
5o16x‡↔	11	L18A, L18B, L19Z, L20A, L20B, L20C, L38Z		11	L03Z, L04A, L04B, L04C, L10Z, L13A, L13B, L38Z		11	L03Z, L04A, L04B, L04C, L10Z, L13A, L13B, L38Z
5o190↔		BOP, KVT, UOP4		21A	W04A, W04B		21A	W04A, W04B
	11	L03Z, L04A, L04B, L04C, L10Z, L13A, L13B, L38Z		21B	X06A, X06B, X06C	5o200.4↔		BOP, KVT, UOP4
	21A	W04A, W04B	5o193.x↔		BOP, KVT, UOP4		11	L03Z, L04A, L04B, L04C, L10Z, L13A, L13B, L38Z
	21B	X06A, X06B, X06C		11	L03Z, L04A, L04B, L04C, L10Z, L13A, L13B, L38Z		21A	W04A, W04B
5o191.1↔		BOP, KVT, UOP4		21A	W04A, W04B		21B	X06A, X06B, X06C
	08	I28A, I28B	5o194.1↔		BOP, KVT, UOP4	5o200.x↔		BOP, KVT, UOP4
	11	L03Z, L04A, L04B, L04C, L10Z, L13A, L13B, L38Z		11	L03Z, L04A, L04B, L04C, L10Z, L13A, L13B, L38Z		11	L03Z, L04A, L04B, L04C, L10Z, L13A, L13B, L38Z
	17	R01A, R01B, R01C, R01D, R02Z, R12A, R12B, R12C		21A	W04A, W04B		21A	W04A, W04B
5o191.2↔		BOP, KVT, UOP4		21B	X06A, X06B, X06C		21B	X06A, X06B, X06C
	08	I28A, I28B	5o194.2↔		BOP, KVT, UOP4	5o201.0↔		BOP, KVT, UOP4
	11	L03Z, L04A, L04B, L04C, L10Z, L13A, L13B, L38Z		11	L03Z, L04A, L04B, L04C, L10Z, L13A, L13B, L38Z		11	L03Z, L04A, L04B, L04C, L10Z, L13A, L13B, L38Z
	17	R01A, R01B, R01C, R01D, R02Z, R12A, R12B, R12C		21A	W04A, W04B		21A	W04A, W04B
5o191.3↔		BOP, KVT, UOP4		21B	X06A, X06B, X06C	5o201.4↔		BOP, KVT, UOP4
	08	I28A, I28B	5o194.3↔		BOP, KVT, UOP4		11	L03Z, L04A, L04B, L04C, L10Z, L13A, L13B, L38Z
	11	L03Z, L04A, L04B, L04C, L10Z, L13A, L13B, L38Z		11	L03Z, L04A, L04B, L04C, L10Z, L13A, L13B, L38Z		21A	W04A, W04B
	17	R01A, R01B, R01C, R01D, R02Z, R12A, R12B, R12C		21A	W04A, W04B		21B	X06A, X06B, X06C
5o191.4↔		BOP, KVT, UOP4	5o194.4↔		BOP, KVT, UOP4	5o201.x↔		BOP, KVT, UOP4
	08	I28A, I28B		11	L03Z, L04A, L04B, L04C, L10Z, L13A, L13B, L38Z		11	L03Z, L04A, L04B, L04C, L10Z, L13A, L13B, L38Z
	11	L03Z, L04A, L04B, L04C, L10Z, L13A, L13B, L38Z		21A	W04A, W04B		21A	W04A, W04B
	17	R01A, R01B, R01C, R01D, R02Z, R12A, R12B, R12C		21B	X06A, X06B, X06C	5o202.0↔		BOP, KVT, UOP4
5o191.x↔		BOP, KVT, UOP4	5o194.x↔		BOP, KVT, UOP4		11	L03Z, L04A, L04B, L04C, L10Z, L13A, L13B, L38Z
	08	I28A, I28B		11	L03Z, L04A, L04B, L04C, L10Z, L13A, L13B, L38Z		12	M06Z, M09A, M09B, M38Z
	11	L03Z, L04A, L04B, L04C, L10Z, L13A, L13B, L38Z		21A	W04A, W04B		13	N11A
	17	R01A, R01B, R01C, R01D, R02Z, R12A, R12B, R12C	5o195↔		BOP, KVT, UOP4		17	R01A, R01B, R01C, R01D, R02Z, R12A, R12B, R12C
				11	L03Z, L04A, L04B, L04C, L10Z, L13A, L13B, L38Z		21A	W04A, W04B
				21A	W04A, W04B		21B	X06A, X06B, X06C
				21B	X06A, X06B, X06C			

ZZV	MDC	DRG	ZZV	MDC	DRG	ZZV	MDC	DRG
5o202.4↔		BOP, KVT, UOP4	5o206.0↔		BOP, KVT, UOP4	5o209.x↔		BOP, KVT, UOP4
	11	L03Z, L04A, L04B, L04C, L10Z, L13A, L13B, L38Z		11	L03Z, L04A, L04B, L04C, L10Z, L13A, L13B, L38Z		06	G18A, G38Z
	12	M06Z, M09A, M09B, M38Z		12	M06Z, M09A, M09B, M38Z		11	L03Z, L04A, L04B, L04C, L10Z, L13A, L13B, L38Z
	13	N08Z		13	N11A		13	N11A
	17	R01A, R01B, R01C, R01D, R02Z, R12A, R12B, R12C		17	R01A, R01B, R01C, R01D, R02Z, R12A, R12B, R12C		21A	W04A, W04B
	21A	W04A, W04B		21A	W04A, W04B	5o20a.0↔	21B	X06A, X06B, X06C
	21B	X06A, X06B, X06C		21B	X06A, X06B, X06C			BOP, KVT, UOP4
5o202.x↔		BOP, KVT, UOP4	5o206.4↔		BOP, KVT, UOP4		06	G18A, G38Z
	11	L03Z, L04A, L04B, L04C, L10Z, L13A, L13B, L38Z		11	L03Z, L04A, L04B, L04C, L10Z, L13A, L13B, L38Z		11	L03Z, L04A, L04B, L04C, L10Z, L13A, L13B, L38Z
	12	M06Z, M09A, M09B, M38Z		12	M06Z, M09A, M09B, M38Z		21A	W04A, W04B
	13	N11A		13	N11A	5o20a.4↔	21B	X06A, X06B, X06C
	17	R01A, R01B, R01C, R01D, R02Z, R12A, R12B, R12C		17	R01A, R01B, R01C, R01D, R02Z, R12A, R12B, R12C			BOP, KVT, UOP4
	21A	W04A, W04B		21A	W04A, W04B		06	G18A, G38Z
	21B	X06A, X06B, X06C		21B	X06A, X06B, X06C		11	L03Z, L04A, L04B, L04C, L10Z, L13A, L13B, L38Z
5o203.0↔		BOP, KVT, UOP4	5o206.x↔		BOP, KVT, UOP4		21A	W04A, W04B
	11	L03Z, L04A, L04B, L04C, L10Z, L13A, L13B, L38Z		11	L03Z, L04A, L04B, L04C, L10Z, L13A, L13B, L38Z	5o20a.x↔	21B	X06A, X06B, X06C
	21A	W04A, W04B		12	M06Z, M09A, M09B, M38Z			BOP, KVT, UOP4
	21B	X06A, X06B, X06C		13	N11A		06	G18A, G38Z
5o203.4↔		BOP, KVT, UOP4		17	R01A, R01B, R01C, R01D, R02Z, R12A, R12B, R12C		11	L03Z, L04A, L04B, L04C, L10Z, L13A, L13B, L38Z
	11	L03Z, L04A, L04B, L04C, L10Z, L13A, L13B, L38Z		21A	W04A, W04B		21A	W04A, W04B
	21A	W04A, W04B		21B	X06A, X06B, X06C	5o20b.0↔	21B	X06A, X06B, X06C
	21B	X06A, X06B, X06C			BOP, KVT, UOP4			BOP, KVT, UOP4
5o203.x↔		BOP, KVT, UOP4	5o207.0↔		BOP, KVT, UOP4		06	G18A, G38Z
	11	L03Z, L04A, L04B, L04C, L10Z, L13A, L13B, L38Z		11	L03Z, L04A, L04B, L04C, L10Z, L13A, L13B, L38Z		11	L03Z, L04A, L04B, L04C, L10Z, L13A, L13B, L38Z
	21A	W04A, W04B		13	N11A		21A	W04A, W04B
	21B	X06A, X06B, X06C		21A	W04A, W04B		21B	X06A, X06B, X06C
5o204.0↔		BOP, KVT, UOP4	5o207.4↔		BOP, KVT, UOP4	5o20b.4↔		BOP, KVT, UOP4
	11	L03Z, L04A, L04B, L04C, L10Z, L13A, L13B, L38Z		11	L03Z, L04A, L04B, L04C, L10Z, L13A, L13B, L38Z		06	G18A, G38Z
	21A	W04A, W04B		13	N11A		11	L03Z, L04A, L04B, L04C, L10Z, L13A, L13B, L38Z
	21B	X06A, X06B, X06C		21A	W04A, W04B		21A	W04A, W04B
5o204.4↔		BOP, KVT, UOP4	5o207.x↔		BOP, KVT, UOP4		21B	X06A, X06B, X06C
	11	L03Z, L04A, L04B, L04C, L10Z, L13A, L13B, L38Z		11	L03Z, L04A, L04B, L04C, L10Z, L13A, L13B, L38Z	5o20b.x↔		BOP, KVT, UOP4
	21A	W04A, W04B		13	N11A		06	G18A, G38Z
	21B	X06A, X06B, X06C		21A	W04A, W04B		11	L03Z, L04A, L04B, L04C, L10Z, L13A, L13B, L38Z
5o204.x↔		BOP, KVT, UOP4	5o208↔		BOP, KVT, UOP4		21A	W04A, W04B
	11	L03Z, L04A, L04B, L04C, L10Z, L13A, L13B, L38Z		11	L03Z, L04A, L04B, L04C, L10Z, L13A, L13B, L38Z		21B	X06A, X06B, X06C
	21A	W04A, W04B		13	N11A			BOP, KVT, UOP4
	21B	X06A, X06B, X06C		21A	W04A, W04B	5o20c.0↔	06	G18A, G38Z
5o205.0↔		BOP, KVT, UOP4	5o209.0↔		BOP, KVT, UOP4		11	L03Z, L04A, L04B, L04C, L10Z, L13A, L13B, L38Z
	11	L03Z, L04A, L04B, L04C, L10Z, L13A, L13B, L38Z		06	G18A, G38Z		21A	W04A, W04B
	21A	W04A, W04B		11	L03Z, L04A, L04B, L04C, L10Z, L13A, L13B, L38Z		21B	X06A, X06B, X06C
	21B	X06A, X06B, X06C		13	N11A	5o20d.0↔		BOP, KVT, UOP4
5o205.4↔		BOP, KVT, UOP4	5o209.4↔		BOP, KVT, UOP4		06	G18A, G38Z
	11	L03Z, L04A, L04B, L04C, L10Z, L13A, L13B, L38Z		06	G18A, G38Z		11	L03Z, L04A, L04B, L04C, L10Z, L13A, L13B, L38Z
	13	N08Z		11	L03Z, L04A, L04B, L04C, L10Z, L13A, L13B, L38Z		13	N11A
	21A	W04A, W04B		13	N11A	5o20d.4↔	21A	W04A, W04B
	21B	X06A, X06B, X06C		21A	W04A, W04B		21B	X06A, X06B, X06C
5o205.x↔		BOP, KVT, UOP4		21B	X06A, X06B, X06C			BOP, KVT, UOP4
	11	L03Z, L04A, L04B, L04C, L10Z, L13A, L13B, L38Z			BOP, KVT, UOP4		06	G18A, G38Z
	21A	W04A, W04B		06	G18A, G38Z		11	L03Z, L04A, L04B, L04C, L10Z, L13A, L13B, L38Z
	21B	X06A, X06B, X06C		11	L03Z, L04A, L04B, L04C, L10Z, L13A, L13B, L38Z		13	N11A
				13	N11A		21A	W04A, W04B
				21A	W04A, W04B		21B	X06A, X06B, X06C
				21B	X06A, X06B, X06C			BOP, KVT, UOP4

ZZV	MDC	DRG	ZZV	MDC	DRG	ZZV	MDC	DRG
5o20d.x↔		BOP, KVT, UOP4	5o211.4		BOP, KVT, MVV, UOP4	5o213.x		BOP, KVT, MVV, UOP4
	06	G18A, G38Z		06	G18A, G38Z		06	G18A, G38Z
	11	L03Z, L04A, L04B, L04C, L10Z, L13A, L13B, L38Z		11	L02A, L02B, L02C, L03Z, L04A, L04B, L04C, L10Z, L33Z, L38Z		11	L02A, L02B, L02C, L03Z, L04A, L04B, L04C, L10Z, L33Z, L38Z
	13	N11A		12	M37Z, M38Z		12	M37Z, M38Z
	21A	W04A, W04B		13	N01A, N01B, N01C, N01D, N01E, N34Z, N38Z		13	N01A, N01B, N01C, N01D, N01E, N34Z, N38Z
5o20x.0↔		BOP, KVT, UOP4	5o211.x		BOP, KVT, MVV, UOP4	5o214.0		BOP, KVT, MVV, UOP4
	11	L03Z, L04A, L04B, L04C, L10Z, L13A, L13B, L38Z		21A	W04A, W04B		21A	W04A, W04B
	21B	X06A, X06B, X06C		21B	X06A, X06B, X06C		21B	X06A, X06B, X06C
5o20x.4↔		BOP, KVT, UOP4	5o212.0		BOP, KVT, MVV, UOP4	5o214.4		BOP, KVT, MVV, UOP4
	11	L03Z, L04A, L04B, L04C, L10Z, L13A, L13B, L38Z		06	G18A, G38Z		06	G18A, G38Z
	21A	W04A, W04B		11	L02A, L02B, L02C, L03Z, L04A, L04B, L04C, L10Z, L33Z, L38Z		11	L02A, L02B, L02C, L03Z, L04A, L04B, L04C, L10Z, L33Z, L38Z
5o20x.x↔		BOP, KVT, UOP4	5o212.4		BOP, KVT, MVV, UOP4	5o214.x		BOP, KVT, MVV, UOP4
	11	L03Z, L04A, L04B, L04C, L10Z, L13A, L13B, L38Z		11	L02A, L02B, L02C, L03Z, L04A, L04B, L04C, L10Z, L33Z, L38Z		11	L02A, L02B, L02C, L03Z, L04A, L04B, L04C, L10Z, L33Z, L38Z
	21B	X06A, X06B, X06C		12	M37Z, M38Z		12	M06Z, M09A, M09B, M37Z, M38Z
5o210.0		BOP, KVT, MVV, UOP4	5o212.x		BOP, KVT, MVV, UOP4	5o215.0		BOP, KVT, MVV, UOP4
	06	G18A, G38Z		06	G18A, G38Z		06	G18A, G38Z
	11	L02A, L02B, L02C, L03Z, L04A, L04B, L04C, L10Z, L33Z, L38Z		11	L02A, L02B, L02C, L03Z, L04A, L04B, L04C, L10Z, L33Z, L38Z		11	L02A, L02B, L02C, L03Z, L04A, L04B, L04C, L10Z, L33Z, L38Z
	12	M37Z, M38Z		12	M37Z, M38Z		12	M06Z, M09A, M09B, M37Z, M38Z
	13	N01A, N01B, N01C, N01D, N01E, N34Z, N38Z		13	N01A, N01B, N01C, N01D, N01E, N34Z, N38Z		13	N01A, N01B, N01C, N01D, N01E, N11A, N11B, N34Z, N38Z
5o210.4		BOP, KVT, MVV, UOP4	5o213.0		BOP, KVT, MVV, UOP4	5o215.0		BOP, KVT, MVV, UOP4
	06	G18A, G38Z		06	G18A, G38Z		06	G18A, G38Z
	11	L02A, L02B, L02C, L03Z, L04A, L04B, L04C, L10Z, L33Z, L38Z		11	L02A, L02B, L02C, L03Z, L04A, L04B, L04C, L10Z, L33Z, L38Z		11	L02A, L02B, L02C, L03Z, L04A, L04B, L04C, L10Z, L33Z, L38Z
	12	M37Z, M38Z		12	M37Z, M38Z		12	M06Z, M09A, M09B, M37Z, M38Z
	13	N01A, N01B, N01C, N01D, N01E, N34Z, N38Z		13	N01A, N01B, N01C, N01D, N01E, N34Z, N38Z		13	N01A, N01B, N01C, N01D, N01E, N11A, N11B, N34Z, N38Z
5o210.x		BOP, KVT, MVV, UOP4	5o213.4		BOP, KVT, MVV, UOP4	5o215.0		BOP, KVT, MVV, UOP4
	06	G18A, G38Z		06	G18A, G38Z		06	G18A, G38Z
	11	L02A, L02B, L02C, L03Z, L04A, L04B, L04C, L10Z, L33Z, L38Z		11	L02A, L02B, L02C, L03Z, L04A, L04B, L04C, L10Z, L33Z, L38Z		11	L02A, L02B, L02C, L03Z, L04A, L04B, L04C, L10Z, L33Z, L38Z
	12	M37Z, M38Z		12	M37Z, M38Z		12	M06Z, M09A, M09B, M37Z, M38Z
	13	N01A, N01B, N01C, N01D, N01E, N34Z, N38Z		13	N01A, N01B, N01C, N01D, N01E, N34Z, N38Z		13	N01A, N01B, N01C, N01D, N01E, N11A, N11B, N34Z, N38Z
5o211.0		BOP, KVT, MVV, UOP4	5o213.4		BOP, KVT, MVV, UOP4	5o215.0		BOP, KVT, MVV, UOP4
	06	G18A, G38Z		06	G18A, G38Z		06	G18A, G38Z
	11	L02A, L02B, L02C, L03Z, L04A, L04B, L04C, L10Z, L33Z, L38Z		11	L02A, L02B, L02C, L03Z, L04A, L04B, L04C, L10Z, L33Z, L38Z		11	L02A, L02B, L02C, L03Z, L04A, L04B, L04C, L10Z, L33Z, L38Z
	12	M37Z, M38Z		12	M37Z, M38Z		12	M06Z, M09A, M09B, M37Z, M38Z
	13	N01A, N01B, N01C, N01D, N01E, N34Z, N38Z		13	N01A, N01B, N01C, N01D, N01E, N34Z, N38Z		13	N01A, N01B, N01C, N01D, N01E, N11A, N11B, N34Z, N38Z
5o211.0		BOP, KVT, MVV, UOP4	5o213.4		BOP, KVT, MVV, UOP4	5o215.0		BOP, KVT, MVV, UOP4
	21A	W04A, W04B		21A	W04A, W04B		21A	W04A, W04B
	21B	X06A, X06B, X06C		21B	X06A, X06B, X06C		21B	X06A, X06B, X06C

ZZV	MDC	DRG	ZZV	MDC	DRG	ZZV	MDC	DRG			
5o215.4		BOP, KVT, MVV, UOP4	5o217.0		BOP, KVT, MVV, UOP4	5o21a.x		BOP, KVT, MVV, UOP4			
	06	G18A, G38Z		06	G18A, G38Z		06	G18A, G38Z			
	11	L02A, L02B, L02C, L03Z, L04A, L04B, L04C, L10Z, L33Z, L38Z		11	L02A, L02B, L02C, L03Z, L04A, L04B, L04C, L10Z, L33Z, L38Z		11	L02A, L02B, L02C, L03Z, L04A, L04B, L04C, L10Z, L33Z, L38Z			
	12	M06Z, M09A, M09B, M37Z, M38Z		12	M37Z, M38Z		12	M06Z, M09A, M09B, M37Z, M38Z			
	13	N01A, N01B, N01C, N01D, N01E, N11A, N11B, N34Z, N38Z		13	N01A, N01B, N01C, N01D, N01E, N34Z, N38Z		13	N01A, N01B, N01C, N01D, N01E, N11A, N11B, N34Z, N38Z			
	17	R01A, R01B, R01C, R01D, R02Z, R12A, R12B, R12C		21A	W04A, W04B		17	R01A, R01B, R01C, R01D, R02Z, R12A, R12B, R12C			
	21A	W04A, W04B		21B	X06A, X06B, X06C		21A	W04A, W04B			
	21B	X06A, X06B, X06C		5o217.4			BOP, KVT, MVV, UOP4	21B	X06A, X06B, X06C		
	5o215.x				BOP, KVT, MVV, UOP4		06	G18A, G38Z	5o21b.0		BOP, KVT, MVV, UOP4
		06			G18A, G38Z		11	L02A, L02B, L02C, L03Z, L04A, L04B, L04C, L10Z, L33Z, L38Z		06	G18A, G38Z
11		L02A, L02B, L02C, L03Z, L04A, L04B, L04C, L10Z, L33Z, L38Z	12		M37Z, M38Z	11	L02A, L02B, L02C, L03Z, L04A, L04B, L04C, L10Z, L33Z, L38Z				
12		M06Z, M09A, M09B, M37Z, M38Z	13		N01A, N01B, N01C, N01D, N01E, N34Z, N38Z	12	M37Z, M38Z				
13		N01A, N01B, N01C, N01D, N01E, N11A, N11B, N34Z, N38Z	21A		W04A, W04B	13	N01A, N01B, N01C, N01D, N01E, N34Z, N38Z				
17		R01A, R01B, R01C, R01D, R02Z, R12A, R12B, R12C	21B		X06A, X06B, X06C	21A	W04A, W04B				
21A		W04A, W04B	5o217.x			BOP, KVT, MVV, UOP4	21B	X06A, X06B, X06C			
21B		X06A, X06B, X06C			06	G18A, G38Z	5o21b.4			BOP, KVT, MVV, UOP4	
5o216.0					BOP, KVT, MVV, UOP4	11		L02A, L02B, L02C, L03Z, L04A, L04B, L04C, L10Z, L33Z, L38Z		06	G18A, G38Z
		06		G18A, G38Z	12	M37Z, M38Z		11		L02A, L02B, L02C, L03Z, L04A, L04B, L04C, L10Z, L33Z, L38Z	
	11	L02A, L02B, L02C, L03Z, L04A, L04B, L04C, L10Z, L33Z, L38Z		13	N01A, N01B, N01C, N01D, N01E, N34Z, N38Z	12		M37Z, M38Z			
	12	M06Z, M09A, M09B, M37Z, M38Z		21A	W04A, W04B	13		N01A, N01B, N01C, N01D, N01E, N34Z, N38Z			
	13	N01A, N01B, N01C, N01D, N01E, N11A, N11B, N34Z, N38Z		21B	X06A, X06B, X06C	21A		W04A, W04B			
	17	R01A, R01B, R01C, R01D, R02Z, R12A, R12B, R12C		5o21a.0		BOP, KVT, MVV, UOP4		21B	X06A, X06B, X06C		
	21A	W04A, W04B			06	G18A, G38Z		5o21b.x		BOP, KVT, MVV, UOP4	
	21B	X06A, X06B, X06C			11	L02A, L02B, L02C, L03Z, L04A, L04B, L04C, L10Z, L33Z, L38Z			06	G18A, G38Z	
	5o216.4		BOP, KVT, MVV, UOP4		12	M06Z, M09A, M09B, M37Z, M38Z			11	L02A, L02B, L02C, L03Z, L04A, L04B, L04C, L10Z, L33Z, L38Z	
		06	G18A, G38Z		13	N01A, N01B, N01C, N01D, N01E, N11A, N11B, N34Z, N38Z	12		M37Z, M38Z		
11		L02A, L02B, L02C, L03Z, L04A, L04B, L04C, L10Z, L33Z, L38Z	17		R01A, R01B, R01C, R01D, R02Z, R12A, R12B, R12C	13	N01A, N01B, N01C, N01D, N01E, N34Z, N38Z				
12		M06Z, M09A, M09B, M37Z, M38Z	5o21a.4			BOP, KVT, MVV, UOP4	21A		W04A, W04B		
13		N01A, N01B, N01C, N01D, N01E, N11A, N11B, N34Z, N38Z			21A	W04A, W04B	21B		X06A, X06B, X06C		
17		R01A, R01B, R01C, R01D, R02Z, R12A, R12B, R12C			21B	X06A, X06B, X06C	5o21c.0			BOP, KVT, MVV, UOP4	
21A		W04A, W04B			06	G18A, G38Z			06	G18A, G38Z	
21B		X06A, X06B, X06C		11	L02A, L02B, L02C, L03Z, L04A, L04B, L04C, L10Z, L33Z, L38Z	11			L02A, L02B, L02C, L03Z, L04A, L04B, L04C, L10Z, L33Z, L38Z		
5o216.x				BOP, KVT, MVV, UOP4	12	M06Z, M09A, M09B, M37Z, M38Z		12	M37Z, M38Z		
		06		G18A, G38Z	13	N01A, N01B, N01C, N01D, N01E, N11A, N11B, N34Z, N38Z		13	N01A, N01B, N01C, N01D, N01E, N34Z, N38Z		
	11	L02A, L02B, L02C, L03Z, L04A, L04B, L04C, L10Z, L33Z, L38Z		17	R01A, R01B, R01C, R01D, R02Z, R12A, R12B, R12C	21A		W04A, W04B			
	12	M06Z, M09A, M09B, M37Z, M38Z		5o21a.4		BOP, KVT, MVV, UOP4		21B	X06A, X06B, X06C		
	13	N01A, N01B, N01C, N01D, N01E, N11A, N11B, N34Z, N38Z			06	G18A, G38Z		5o21c.4		BOP, KVT, MVV, UOP4	
	17	R01A, R01B, R01C, R01D, R02Z, R12A, R12B, R12C	11		L02A, L02B, L02C, L03Z, L04A, L04B, L04C, L10Z, L33Z, L38Z	06			G18A, G38Z		
	21A	W04A, W04B	12		M06Z, M09A, M09B, M37Z, M38Z	11			L02A, L02B, L02C, L03Z, L04A, L04B, L04C, L10Z, L33Z, L38Z		
	21B	X06A, X06B, X06C	13		N01A, N01B, N01C, N01D, N01E, N11A, N11B, N34Z, N38Z	12	M37Z, M38Z				
	06	G18A, G38Z	17		R01A, R01B, R01C, R01D, R02Z, R12A, R12B, R12C	13	N01A, N01B, N01C, N01D, N01E, N34Z, N38Z				
	11	L02A, L02B, L02C, L03Z, L04A, L04B, L04C, L10Z, L33Z, L38Z	21A		W04A, W04B	21A	W04A, W04B				
12	M06Z, M09A, M09B, M37Z, M38Z	21B	X06A, X06B, X06C		21B	X06A, X06B, X06C					
13	N01A, N01B, N01C, N01D, N01E, N11A, N11B, N34Z, N38Z										
17	R01A, R01B, R01C, R01D, R02Z, R12A, R12B, R12C										
21A	W04A, W04B										
21B	X06A, X06B, X06C										

VYK

ZZV	MDC	DRG	ZZV	MDC	DRG	ZZV	MDC	DRG
5o21c.x		BOP, KVT, MVV, UOP4	5o220.x		BOP, KVT, MVV, UOP4	5o222.4		BOP, KVT, MVV, UOP4
	06	G18A, G38Z		06	G18A, G38Z		06	G18A, G38Z
	11	L02A, L02B, L02C, L03Z, L04A, L04B, L04C, L10Z, L33Z, L38Z		11	L03Z, L04A, L04B, L04C, L10Z, L13A, L13B, L33Z, L38Z		11	L03Z, L04A, L04B, L04C, L10Z, L13A, L13B, L33Z, L38Z
	12	M37Z, M38Z		12	M06Z, M09A, M09B, M37Z, M38Z		12	M06Z, M09A, M09B, M37Z, M38Z
	13	N01A, N01B, N01C, N01D, N01E, N34Z, N38Z		13	N01A, N01B, N01C, N01D, N01E, N11A, N11B, N34Z, N38Z		13	N01A, N01B, N01C, N01D, N01E, N11A, N11B, N34Z, N38Z
5o21x.0	21A	W04A, W04B	5o221.0	17	R01A, R01B, R01C, R01D, R02Z, R12A, R12B, R12C	5o222.x	17	R01A, R01B, R01C, R01D, R02Z, R12A, R12B, R12C
	21B	X06A, X06B, X06C		21A	W04A, W04B		21A	W04A, W04B
		BOP, KVT, MVV, UOP4		21B	X06A, X06B, X06C		21B	X06A, X06B, X06C
	06	G18A, G38Z		06	G18A, G38Z		06	G18A, G38Z
	11	L02A, L02B, L02C, L03Z, L04A, L04B, L04C, L10Z, L33Z, L38Z		11	L03Z, L04A, L04B, L04C, L10Z, L13A, L13B, L33Z, L38Z		11	L03Z, L04A, L04B, L04C, L10Z, L13A, L13B, L33Z, L38Z
5o21x.4	12	M37Z, M38Z	5o221.4	12	M06Z, M09A, M09B, M37Z, M38Z	5o223.0	12	M06Z, M09A, M09B, M37Z, M38Z
	13	N01A, N01B, N01C, N01D, N01E, N34Z, N38Z		13	N01A, N01B, N01C, N01D, N01E, N11A, N11B, N34Z, N38Z		13	N01A, N01B, N01C, N01D, N01E, N11A, N11B, N34Z, N38Z
	21A	W04A, W04B		17	R01A, R01B, R01C, R01D, R02Z, R12A, R12B, R12C		17	R01A, R01B, R01C, R01D, R02Z, R12A, R12B, R12C
	21B	X06A, X06B, X06C		21A	W04A, W04B		21A	W04A, W04B
		BOP, KVT, MVV, UOP4		21B	X06A, X06B, X06C		21B	X06A, X06B, X06C
5o21x.x	06	G18A, G38Z	5o221.x	06	G18A, G38Z	5o223.4	06	G18A, G38Z
	11	L02A, L02B, L02C, L03Z, L04A, L04B, L04C, L10Z, L33Z, L38Z		11	L03Z, L04A, L04B, L04C, L10Z, L13A, L13B, L33Z, L38Z		11	L03Z, L04A, L04B, L04C, L10Z, L13A, L13B, L33Z, L38Z
	12	M37Z, M38Z		12	M06Z, M09A, M09B, M37Z, M38Z		12	M06Z, M09A, M09B, M37Z, M38Z
	13	N01A, N01B, N01C, N01D, N01E, N34Z, N38Z		13	N01A, N01B, N01C, N01D, N01E, N11A, N11B, N34Z, N38Z		13	N01A, N01B, N01C, N01D, N01E, N11A, N11B, N34Z, N38Z
	21A	W04A, W04B		17	R01A, R01B, R01C, R01D, R02Z, R12A, R12B, R12C		17	R01A, R01B, R01C, R01D, R02Z, R12A, R12B, R12C
5o220.0	21B	X06A, X06B, X06C	5o222.0	21A	W04A, W04B	5o223.x	21A	W04A, W04B
		BOP, KVT, MVV, UOP4		21B	X06A, X06B, X06C		21B	X06A, X06B, X06C
	06	G18A, G38Z		06	G18A, G38Z		06	G18A, G38Z
	11	L03Z, L04A, L04B, L04C, L10Z, L13A, L13B, L33Z, L38Z		11	L03Z, L04A, L04B, L04C, L10Z, L13A, L13B, L33Z, L38Z		11	L03Z, L04A, L04B, L04C, L10Z, L13A, L13B, L33Z, L38Z
	12	M06Z, M09A, M09B, M37Z, M38Z		12	M06Z, M09A, M09B, M37Z, M38Z		12	M06Z, M09A, M09B, M37Z, M38Z
5o220.4	13	N01A, N01B, N01C, N01D, N01E, N11A, N11B, N34Z, N38Z	5o222.x	13	N01A, N01B, N01C, N01D, N01E, N11A, N11B, N34Z, N38Z	5o223.4	13	N01A, N01B, N01C, N01D, N01E, N11A, N11B, N34Z, N38Z
	17	R01A, R01B, R01C, R01D, R02Z, R12A, R12B, R12C		17	R01A, R01B, R01C, R01D, R02Z, R12A, R12B, R12C		17	R01A, R01B, R01C, R01D, R02Z, R12A, R12B, R12C
	21A	W04A, W04B		21A	W04A, W04B		21A	W04A, W04B
	21B	X06A, X06B, X06C		21B	X06A, X06B, X06C		21B	X06A, X06B, X06C
		BOP, KVT, MVV, UOP4		21B	X06A, X06B, X06C		21B	X06A, X06B, X06C
5o220.x	06	G18A, G38Z	5o222.0	06	G18A, G38Z	5o223.x	06	G18A, G38Z
	11	L03Z, L04A, L04B, L04C, L10Z, L13A, L13B, L33Z, L38Z		11	L03Z, L04A, L04B, L04C, L10Z, L13A, L13B, L33Z, L38Z		11	L03Z, L04A, L04B, L04C, L10Z, L13A, L13B, L33Z, L38Z
	12	M06Z, M09A, M09B, M37Z, M38Z		12	M06Z, M09A, M09B, M37Z, M38Z		12	M06Z, M09A, M09B, M37Z, M38Z
	13	N01A, N01B, N01C, N01D, N01E, N08Z, N34Z, N38Z		13	N01A, N01B, N01C, N01D, N01E, N11A, N11B, N34Z, N38Z		13	N01A, N01B, N01C, N01D, N01E, N11A, N11B, N34Z, N38Z
	17	R01A, R01B, R01C, R01D, R02Z, R12A, R12B, R12C		17	R01A, R01B, R01C, R01D, R02Z, R12A, R12B, R12C		17	R01A, R01B, R01C, R01D, R02Z, R12A, R12B, R12C
5o220.4	21A	W04A, W04B	5o222.0	21A	W04A, W04B	5o223.x	21A	W04A, W04B
	21B	X06A, X06B, X06C		21B	X06A, X06B, X06C		21B	X06A, X06B, X06C
		BOP, KVT, MVV, UOP4		21B	X06A, X06B, X06C		21B	X06A, X06B, X06C
	06	G18A, G38Z		06	G18A, G38Z		06	G18A, G38Z
	11	L03Z, L04A, L04B, L04C, L10Z, L13A, L13B, L33Z, L38Z		11	L03Z, L04A, L04B, L04C, L10Z, L13A, L13B, L33Z, L38Z		11	L03Z, L04A, L04B, L04C, L10Z, L13A, L13B, L33Z, L38Z
5o220.4	12	M06Z, M09A, M09B, M37Z, M38Z	5o222.0	12	M06Z, M09A, M09B, M37Z, M38Z	5o223.x	12	M06Z, M09A, M09B, M37Z, M38Z
	13	N01A, N01B, N01C, N01D, N01E, N08Z, N34Z, N38Z		13	N01A, N01B, N01C, N01D, N01E, N11A, N11B, N34Z, N38Z		13	N01A, N01B, N01C, N01D, N01E, N11A, N11B, N34Z, N38Z
	17	R01A, R01B, R01C, R01D, R02Z, R12A, R12B, R12C		17	R01A, R01B, R01C, R01D, R02Z, R12A, R12B, R12C		17	R01A, R01B, R01C, R01D, R02Z, R12A, R12B, R12C
	21A	W04A, W04B		21A	W04A, W04B		21A	W04A, W04B
	21B	X06A, X06B, X06C		21B	X06A, X06B, X06C		21B	X06A, X06B, X06C

ZZV	MDC	DRG	ZZV	MDC	DRG	ZZV	MDC	DRG		
5o224.0		BOP, KVT, MVV, UOP4	5o225.x		BOP, KVT, MVV, UOP4	5o230.4		BOP, KVT, UOP4		
	06	G18A, G38Z		06	G18A, G38Z		06	G18A, G38Z		
	11	L03Z, L04A, L04B, L04C, L10Z, L13A, L13B, L33Z, L38Z		11	L03Z, L04A, L04B, L04C, L10Z, L13A, L13B, L33Z, L38Z		11	L03Z, L04A, L04B, L04C, L10Z, L13A, L13B, L33Z, L38Z		
	12	M06Z, M09A, M09B, M37Z, M38Z		12	M37Z, M38Z		12	M06Z, M09A, M09B, M38Z		
	13	N01A, N01B, N01C, N01D, N01E, N11A, N11B, N34Z, N38Z		13	N01A, N01B, N01C, N01D, N01E, N34Z, N38Z		13	N11A		
	17	R01A, R01B, R01C, R01D, R02Z, R12A, R12B, R12C		21A	W04A, W04B		17	R01A, R01B, R01C, R01D, R02Z, R12A, R12B, R12C		
	21A	W04A, W04B		21B	X06A, X06B, X06C		21A	W04A, W04B		
	21B	X06A, X06B, X06C		5o22x.0			21B	X06A, X06B, X06C		
	5o224.4			BOP, KVT, MVV, UOP4				5o230.x		BOP, KVT, UOP4
		06		G18A, G38Z				06	G18A, G38Z	
11		L03Z, L04A, L04B, L04C, L10Z, L13A, L13B, L33Z, L38Z			11	L03Z, L04A, L04B, L04C, L10Z, L13A, L13B, L33Z, L38Z				
12		M06Z, M09A, M09B, M37Z, M38Z			12	M06Z, M09A, M09B, M38Z				
13		N01A, N01B, N01C, N01D, N01E, N11A, N11B, N34Z, N38Z			13	N11A				
17		R01A, R01B, R01C, R01D, R02Z, R12A, R12B, R12C			17	R01A, R01B, R01C, R01D, R02Z, R12A, R12B, R12C				
21A		W04A, W04B			21A	W04A, W04B				
21B		X06A, X06B, X06C			21B	X06A, X06B, X06C				
5o224.x			BOP, KVT, MVV, UOP4			5o231.1		BOP, KVT, UOP4		
		06	G18A, G38Z			06	G18A, G38Z			
	11	L03Z, L04A, L04B, L04C, L10Z, L13A, L13B, L33Z, L38Z			11	L03Z, L04A, L04B, L04C, L10Z, L13A, L13B, L33Z, L38Z				
	12	M06Z, M09A, M09B, M37Z, M38Z			12	M06Z, M09A, M09B, M38Z				
	13	N01A, N01B, N01C, N01D, N01E, N11A, N11B, N34Z, N38Z			13	N11A				
	17	R01A, R01B, R01C, R01D, R02Z, R12A, R12B, R12C			17	R01A, R01B, R01C, R01D, R02Z, R12A, R12B, R12C				
	21A	W04A, W04B			21A	W04A, W04B				
	21B	X06A, X06B, X06C			21B	X06A, X06B, X06C				
	5o225.0		BOP, KVT, MVV, UOP4			5o231.2		BOP, KVT, UOP4		
		06	G18A, G38Z			06	G18A, G38Z			
11		L03Z, L04A, L04B, L04C, L10Z, L13A, L13B, L33Z, L38Z			11	L03Z, L04A, L04B, L04C, L10Z, L13A, L13B, L33Z, L38Z				
12		M06Z, M09A, M09B, M37Z, M38Z			12	M06Z, M09A, M09B, M38Z				
13		N01A, N01B, N01C, N01D, N01E, N11A, N11B, N34Z, N38Z			13	N11A				
17		R01A, R01B, R01C, R01D, R02Z, R12A, R12B, R12C			17	R01A, R01B, R01C, R01D, R02Z, R12A, R12B, R12C				
21A		W04A, W04B			21A	W04A, W04B				
21B		X06A, X06B, X06C			21B	X06A, X06B, X06C				
5o225.4			BOP, KVT, MVV, UOP4			5o231.4		BOP, KVT, UOP4		
		06	G18A, G38Z			06	G18A, G38Z			
	11	L03Z, L04A, L04B, L04C, L10Z, L13A, L13B, L33Z, L38Z			11	L03Z, L04A, L04B, L04C, L10Z, L13A, L13B, L33Z, L38Z				
	12	M37Z, M38Z			12	M06Z, M09A, M09B, M38Z				
	13	N01A, N01B, N01C, N01D, N01E, N34Z, N38Z			13	N08Z				
	17	R01A, R01B, R01C, R01D, R02Z, R12A, R12B, R12C			17	R01A, R01B, R01C, R01D, R02Z, R12A, R12B, R12C				
	21A	W04A, W04B			21A	W04A, W04B				
	21B	X06A, X06B, X06C			21B	X06A, X06B, X06C				
	5o225.x		BOP, KVT, MVV, UOP4			5o231.x		BOP, KVT, UOP4		
		06	G18A, G38Z			06	G18A, G38Z			
11		L03Z, L04A, L04B, L04C, L10Z, L13A, L13B, L33Z, L38Z			11	L03Z, L04A, L04B, L04C, L10Z, L13A, L13B, L33Z, L38Z				
12		M37Z, M38Z			12	M06Z, M09A, M09B, M38Z				
13		N01A, N01B, N01C, N01D, N01E, N34Z, N38Z			13	N11A				
17		R01A, R01B, R01C, R01D, R02Z, R12A, R12B, R12C			17	R01A, R01B, R01C, R01D, R02Z, R12A, R12B, R12C				
21A		W04A, W04B			21A	W04A, W04B				
21B		X06A, X06B, X06C			21B	X06A, X06B, X06C				

VYK

ZZV	MDC	DRG	ZZV	MDC	DRG	ZZV	MDC	DRG					
5o232.1		BOP, KVT, UOP4	5o233.4		BOP, KVT, UOP4	5o235.2		BOP, KVT, UOP4					
	06	G18A, G38Z		06	G18A, G38Z		06	G18A, G38Z					
	11	L03Z, L04A, L04B, L04C, L10Z, L13A, L13B, L33Z, L38Z		11	L03Z, L04A, L04B, L04C, L10Z, L13A, L13B, L33Z, L38Z		11	L03Z, L04A, L04B, L04C, L10Z, L13A, L13B, L33Z, L38Z					
	12	M06Z, M09A, M09B, M38Z		12	M06Z, M09A, M09B, M38Z		12	M06Z, M09A, M09B, M38Z					
	13	N11A, N11B		13	N11A, N11B		13	N11A					
	17	R01A, R01B, R01C, R01D, R02Z, R12A, R12B, R12C		17	R01A, R01B, R01C, R01D, R02Z, R12A, R12B, R12C		17	R01A, R01B, R01C, R01D, R02Z, R12A, R12B, R12C					
	21A	W04A, W04B		21A	W04A, W04B		21A	W04A, W04B					
5o232.2	21B	X06A, X06B, X06C	5o233.x	21B	X06A, X06B, X06C	5o235.4	21B	X06A, X06B, X06C					
		BOP, KVT, UOP4			BOP, KVT, UOP4			BOP, KVT, UOP4					
	06	G18A, G38Z		06	G18A, G38Z		06	G18A, G38Z					
	11	L03Z, L04A, L04B, L04C, L10Z, L13A, L13B, L33Z, L38Z		11	L03Z, L04A, L04B, L04C, L10Z, L13A, L13B, L33Z, L38Z		11	L03Z, L04A, L04B, L04C, L10Z, L13A, L13B, L33Z, L38Z					
	12	M06Z, M09A, M09B, M38Z		12	M06Z, M09A, M09B, M38Z		12	M06Z, M09A, M09B, M38Z					
	13	N11A, N11B		13	N11A, N11B		13	N08Z					
	17	R01A, R01B, R01C, R01D, R02Z, R12A, R12B, R12C		17	R01A, R01B, R01C, R01D, R02Z, R12A, R12B, R12C		17	R01A, R01B, R01C, R01D, R02Z, R12A, R12B, R12C					
5o232.4	21A	W04A, W04B	5o234.1	21A	W04A, W04B	5o235.x	21A	W04A, W04B					
	21B	X06A, X06B, X06C		21B	X06A, X06B, X06C		21B	X06A, X06B, X06C					
		BOP, KVT, UOP4			BOP, KVT, UOP4			BOP, KVT, UOP4					
	06	G18A, G38Z		06	G18A, G38Z		06	G18A, G38Z					
	11	L03Z, L04A, L04B, L04C, L10Z, L13A, L13B, L33Z, L38Z		11	L03Z, L04A, L04B, L04C, L10Z, L13A, L13B, L33Z, L38Z		11	L03Z, L04A, L04B, L04C, L10Z, L13A, L13B, L33Z, L38Z					
	12	M06Z, M09A, M09B, M38Z		21A	W04A, W04B		12	M06Z, M09A, M09B, M38Z					
	13	N11A, N11B		21B	X06A, X06B, X06C		13	N11A					
5o232.x	17	R01A, R01B, R01C, R01D, R02Z, R12A, R12B, R12C	5o234.2		BOP, KVT, UOP4	5o23x.1	17	R01A, R01B, R01C, R01D, R02Z, R12A, R12B, R12C					
	21A	W04A, W04B		06	G18A, G38Z		21A	W04A, W04B					
	21B	X06A, X06B, X06C		11	L03Z, L04A, L04B, L04C, L10Z, L13A, L13B, L33Z, L38Z		21B	X06A, X06B, X06C					
		BOP, KVT, UOP4		5o234.4			BOP, KVT, UOP4	5o23x.2		BOP, KVT, UOP4			
	06	G18A, G38Z			06		G18A, G38Z		06	G18A, G38Z			
	11	L03Z, L04A, L04B, L04C, L10Z, L13A, L13B, L33Z, L38Z			11		L03Z, L04A, L04B, L04C, L10Z, L13A, L13B, L33Z, L38Z		11	L03Z, L04A, L04B, L04C, L10Z, L13A, L13B, L33Z, L38Z			
	12	M06Z, M09A, M09B, M38Z			21A		W04A, W04B		21A	W04A, W04B			
13	N11A, N11B	21B	X06A, X06B, X06C		21B	X06A, X06B, X06C							
17	R01A, R01B, R01C, R01D, R02Z, R12A, R12B, R12C	5o234.x			BOP, KVT, UOP4	5o23x.4			BOP, KVT, UOP4				
21A	W04A, W04B		06		G18A, G38Z		06		G18A, G38Z				
21B	X06A, X06B, X06C		11	L03Z, L04A, L04B, L04C, L10Z, L13A, L13B, L33Z, L38Z	11		L03Z, L04A, L04B, L04C, L10Z, L13A, L13B, L33Z, L38Z						
5o233.1			BOP, KVT, UOP4	5o235.1			BOP, KVT, UOP4	5o23x.x		BOP, KVT, UOP4			
	06		G18A, G38Z		06		G18A, G38Z		06	G18A, G38Z			
	11		L03Z, L04A, L04B, L04C, L10Z, L13A, L13B, L33Z, L38Z		11		L03Z, L04A, L04B, L04C, L10Z, L13A, L13B, L33Z, L38Z		11	L03Z, L04A, L04B, L04C, L10Z, L13A, L13B, L33Z, L38Z			
	12		M06Z, M09A, M09B, M38Z		12		M06Z, M09A, M09B, M38Z		11	L03Z, L04A, L04B, L04C, L10Z, L13A, L13B, L33Z, L38Z			
	13	N11A, N11B	13		N11A	21A	W04A, W04B						
	17	R01A, R01B, R01C, R01D, R02Z, R12A, R12B, R12C	17		R01A, R01B, R01C, R01D, R02Z, R12A, R12B, R12C	21B	X06A, X06B, X06C						
	21A	W04A, W04B	21A		W04A, W04B	06	G18A, G38Z						
5o233.2	21B	X06A, X06B, X06C	5o235.4	21B	X06A, X06B, X06C	5o240.6†↔	11	L40Z					
		BOP, KVT, UOP4			BOP, KVT, UOP4		5o240.a†↔	11	L18A, L18B, L19Z, L20A, L20B, L20C, L38Z				
	06	G18A, G38Z		12	M06Z, M09A, M09B, M38Z			5o240.r†↔	11	L18A, L18B, L19Z, L20A, L20B, L20C, L38Z			
	11	L03Z, L04A, L04B, L04C, L10Z, L13A, L13B, L33Z, L38Z		13	N11A				5o241.†↔	11	L64A, L74Z		
	12	M06Z, M09A, M09B, M38Z		17	R01A, R01B, R01C, R01D, R02Z, R12A, R12B, R12C					5o242.a†↔	11	L64A, L74Z	
	13	N11A, N11B		21A	W04A, W04B						5o242.r†↔	11	L64A, L74Z
	17	R01A, R01B, R01C, R01D, R02Z, R12A, R12B, R12C		21B	X06A, X06B, X06C								
21A	W04A, W04B												
21B	X06A, X06B, X06C												

ZZV	MDC	DRG	ZZV	MDC	DRG	ZZV	MDC	DRG
5o243.a1†↔	11	L20A, L20B	5o260.1↔		BOP, KVT, UOP4	5o263↔		BOP, KVT, UOP4
↔			11		L03Z, L04A, L04B, L04C, L10Z, L13A, L13B, L38Z	11		L03Z, L04A, L04B, L04C, L10Z, L13A, L13B, L38Z
5o243.a2†↔	11	L64A, L74Z		12	M06Z, M09A, M09B, M38Z	21A		W04A, W04B
↔				13	N11A	21B		X06A, X06B, X06C
5o243.r1†↔	11	L20A, L20B		21A	W04A, W04B	5o264↔		BOP, KVT, UOP4
5o243.r2†↔	11	L64A, L74Z		21B	X06A, X06B, X06C	11		L03Z, L04A, L04B, L04C, L10Z, L13A, L13B, L38Z
5o244.a†↔	11	L64A, L74Z	5o260.2↔		BOP, KVT, UOP4	21A		W04A, W04B
5o244.r†↔	11	L64A, L74Z	11		L03Z, L04A, L04B, L04C, L10Z, L13A, L13B, L38Z	21B		X06A, X06B, X06C
5o245.a†↔	11	L64A, L74Z		12	M06Z, M09A, M09B, M38Z	5o265↔		BOP, KVT, UOP4
5o245.r†↔	11	L64A, L74Z		13	N11A	11		L03Z, L04A, L04B, L04C, L10Z, L13A, L13B, L38Z
5o246.a1†↔	11	L20A, L20B		21A	W04A, W04B	21A		W04A, W04B
↔				21B	X06A, X06B, X06C	21B		X06A, X06B, X06C
5o246.a2†↔	11	L64A, L74Z	5o260.4↔		BOP, KVT, UOP4	21A		W04A, W04B
↔			11		L03Z, L04A, L04B, L04C, L10Z, L13A, L13B, L38Z	21B		X06A, X06B, X06C
5o246.r1†↔	11	L20A, L20B		12	M06Z, M09A, M09B, M38Z	5o26x.1↔		BOP, KVT, UOP4
5o246.r2†↔	11	L64A, L74Z		13	N08Z	11		L03Z, L04A, L04B, L04C, L10Z, L13A, L13B, L38Z
5o247.a†↔	11	L64A, L74Z		21A	W04A, W04B	21A		W04A, W04B
5o247.r†↔	11	L64A, L74Z		21B	X06A, X06B, X06C	21B		X06A, X06B, X06C
5o24x.a†↔	11	L64A, L74Z		21A	W04A, W04B	5o26x.2↔		BOP, KVT, UOP4
5o24x.r†↔	11	L64A, L74Z	5o260.x↔		BOP, KVT, UOP4	11		L03Z, L04A, L04B, L04C, L10Z, L13A, L13B, L38Z
5o250.0↔		BOP, KVT, UOP4	11		L03Z, L04A, L04B, L04C, L10Z, L13A, L13B, L38Z	21A		W04A, W04B
	11	L03Z, L04A, L04B, L04C, L10Z, L13A, L13B, L38Z		12	M06Z, M09A, M09B, M38Z	21B		X06A, X06B, X06C
	21A	W04A, W04B		13	N11A	5o26x.4↔		BOP, KVT, UOP4
	21B	X06A, X06B, X06C		21A	W04A, W04B	11		L03Z, L04A, L04B, L04C, L10Z, L13A, L13B, L38Z
5o250.4↔		BOP, KVT, UOP4		21B	X06A, X06B, X06C	21A		W04A, W04B
	11	L03Z, L04A, L04B, L04C, L10Z, L13A, L13B, L38Z		21B	X06A, X06B, X06C	21B		X06A, X06B, X06C
	21A	W04A, W04B	5o261.1↔		BOP, KVT, UOP4	21A		W04A, W04B
	21B	X06A, X06B, X06C	11		L03Z, L04A, L04B, L04C, L10Z, L13A, L13B, L38Z	21B		X06A, X06B, X06C
5o251↔		BOP, KVT, UOP4		21A	W04A, W04B	5o26x.x↔		BOP, KVT, UOP4
	11	L18A, L18B, L19Z, L20A, L20B, L20C, L38Z		21B	X06A, X06B, X06C	11		L03Z, L04A, L04B, L04C, L10Z, L13A, L13B, L38Z
	21A	W04A, W04B	5o261.2↔		BOP, KVT, UOP4	21A		W04A, W04B
	21B	X06A, X06B, X06C	11		L03Z, L04A, L04B, L04C, L10Z, L13A, L13B, L38Z	21B		X06A, X06B, X06C
5o252↔		BOP, KVT, UOP4		21A	W04A, W04B	5o270.0↔		BOP, KVT, UOP4
	11	L18A, L18B, L19Z, L20A, L20B, L20C, L38Z		21B	X06A, X06B, X06C	11		L03Z, L04A, L04B, L04C, L10Z, L13A, L13B, L38Z
	21A	W04A, W04B	5o261.4↔		BOP, KVT, UOP4	21A		W04A, W04B
	21B	X06A, X06B, X06C	11		L03Z, L04A, L04B, L04C, L10Z, L13A, L13B, L38Z	21B		X06A, X06B, X06C
5o253.6↔		BOP, KVT, UOP4		21A	W04A, W04B	5o270.2†↔		L18A, L18B, L19Z, L20A, L20B, L20C, L38Z
	11	L18A, L18B, L19Z, L20A, L20B, L20C, L38Z		21B	X06A, X06B, X06C	11		L18A, L18B, L19Z, L20A, L20B, L20C, L38Z
	21A	W04A, W04B	5o261.x↔		BOP, KVT, UOP4	5o270.t†↔		L18A, L18B, L19Z, L20A, L20B, L20C, L38Z
	21B	X06A, X06B, X06C	11		L03Z, L04A, L04B, L04C, L10Z, L13A, L13B, L38Z	5o271.0↔		BOP, KVT, UOP4
5o253.a†↔	11	L11Z, L18A, L18B, L38Z		21A	W04A, W04B	11		L03Z, L04A, L04B, L04C, L10Z, L13A, L13B, L38Z
5o254↔		BOP, KVT, UOP4		21B	X06A, X06B, X06C	12		M06Z, M09A, M09B, M38Z
	11	L18A, L18B, L19Z, L20A, L20B, L20C, L38Z	5o262.1↔		BOP, KVT, UOP4	13		N11A
	21A	W04A, W04B	11		L03Z, L04A, L04B, L04C, L10Z, L13A, L13B, L38Z	21A		W04A, W04B
	21B	X06A, X06B, X06C		21A	W04A, W04B	21B		X06A, X06B, X06C
5o255↔		BOP, KVT, UOP4		21B	X06A, X06B, X06C	5o271.2↔		BOP, KVT, UOP4
	11	L18A, L18B, L19Z, L20A, L20B, L20C, L38Z		21A	W04A, W04B	11		L18A, L18B, L19Z, L20A, L20B, L20C, L38Z
	21A	W04A, W04B	5o262.2↔		BOP, KVT, UOP4	12		M06Z, M09A, M09B, M38Z
	21B	X06A, X06B, X06C	11		L03Z, L04A, L04B, L04C, L10Z, L13A, L13B, L38Z	5o271.t↔		BOP, KVT, UOP4
5o256.6↔		BOP, KVT, UOP4		21A	W04A, W04B	11		L18A, L18B, L19Z, L20A, L20B, L20C, L38Z
	11	L18A, L18B, L19Z, L20A, L20B, L20C, L38Z		21B	X06A, X06B, X06C	12		M06Z, M09A, M09B, M38Z
	21A	W04A, W04B	5o262.4↔		BOP, KVT, UOP4	5o272.t†↔		L64A, L74Z
	21B	X06A, X06B, X06C	11		L03Z, L04A, L04B, L04C, L10Z, L13A, L13B, L38Z	5o273.t†↔		L64A, L74Z
5o256.a†↔	11	L11Z, L18A, L18B, L38Z		21A	W04A, W04B	5o274.4↔		BOP, KVT, UOP4
5o256.r†↔	11	L11Z, L18A, L18B, L38Z		21B	X06A, X06B, X06C	11		L18A, L18B, L19Z, L20A, L20B, L20C, L38Z
5o25x.a†↔	11	L40Z	5o262.x↔		BOP, KVT, UOP4	12		M06Z, M09A, M09B, M38Z
5o25x.r†↔	11	L40Z	11		L03Z, L04A, L04B, L04C, L10Z, L13A, L13B, L38Z	5o27x†↔		L64A, L74Z
				21A	W04A, W04B			
				21B	X06A, X06B, X06C			

VYK

ZZV	MDC	DRG	ZZV	MDC	DRG	ZZV	MDC	DRG	
5o294.4↔		BOP, KVT, UOP4	5o297.4↔		BOP, KVT, UOP4	5o300.0		BOP, KVT, UOP4	
	11	L03Z, L04A, L04B, L04C, L10Z, L13A, L13B, L38Z		11	L03Z, L04A, L04B, L04C, L10Z, L13A, L13B, L38Z		11	L06A, L06B	
	12	M06Z, M09A, M09B, M38Z		12	M06Z, M09A, M09B, M38Z		12	M06Z, M09A, M09B, M38Z	
	13	N08Z		13	N11A		13	N11A, N11B	
	17	R01A, R01B, R01C, R01D, R02Z, R12A, R12B, R12C		17	R01A, R01B, R01C, R01D, R02Z, R12A, R12B, R12C		14	962Z, O02A, O02B	
	21A	W04A, W04B		21A	W04A, W04B		21A	W01A, W01B, W01C, W02A, W02B, W04A, W04B	
5o294.x↔	21B	X06A, X06B, X06C	5o297.t↔	21B	X06A, X06B, X06C	5o300.4	21B	X06A, X06B, X06C	
		BOP, KVT, UOP4			BOP, KVT, UOP4			BOP, KVT, UOP4	
	11	L03Z, L04A, L04B, L04C, L10Z, L13A, L13B, L38Z		11	L03Z, L04A, L04B, L04C, L10Z, L13A, L13B, L38Z		11	L06A, L06B	
	12	M06Z, M09A, M09B, M38Z		12	M06Z, M09A, M09B, M38Z		12	M06Z, M09A, M09B, M38Z	
	13	N11A, N11B		13	N11A		13	N11A, N11B	
	17	R01A, R01B, R01C, R01D, R02Z, R12A, R12B, R12C		17	R01A, R01B, R01C, R01D, R02Z, R12A, R12B, R12C		14	962Z, O02A, O02B	
5o295.0↔	21A	W04A, W04B	5o297.x↔	21A	W04A, W04B	5o300.x	21B	X06A, X06B, X06C	
	21B	X06A, X06B, X06C		21B	X06A, X06B, X06C			BOP, KVT, UOP4	
		BOP, KVT, UOP4			BOP, KVT, UOP4		11	L06A, L06B	
	11	L03Z, L04A, L04B, L04C, L10Z, L13A, L13B, L38Z		11	L03Z, L04A, L04B, L04C, L10Z, L13A, L13B, L38Z		12	M06Z, M09A, M09B, M38Z	
	12	M06Z, M09A, M09B, M38Z		12	M06Z, M09A, M09B, M38Z		13	N11A, N11B	
	13	N01A, N01B, N01C, N01D, N01E, N02A, N02B, N02C, N03A, N03B, N04Z, N14Z, N21Z, N38Z		13	N11A		14	962Z, O02A, O02B	
5o295.4↔	17	R01A, R01B, R01C, R01D, R02Z, R12A, R12B, R12C	5o297.t↔	17	R01A, R01B, R01C, R01D, R02Z, R12A, R12B, R12C	5o301.0	21A	W04A, W04B	
	21A	W04A, W04B		21A	W04A, W04B			BOP, KVT, UOP4	
	21B	X06A, X06B, X06C		21B	X06A, X06B, X06C		11	L06A, L06B	
		BOP, KVT, UOP4		5o298t↔	11		L18A, L18B, L19Z, L20A, L20B, L20C, L38Z	12	M06Z, M09A, M09B, M38Z
	11	L03Z, L04A, L04B, L04C, L10Z, L13A, L13B, L38Z		5o299t↔	11		L18A, L18B, L19Z, L20A, L20B, L20C, L38Z	13	N11A, N11B
	12	M06Z, M09A, M09B, M38Z		5o29a↔	11		L18A, L18B, L19Z, L20A, L20B, L20C, L38Z	14	962Z, O02A, O02B
5o295.x↔	13	N08Z	5o29b↔	12	M06Z, M09A, M09B, M38Z	5o301.4	21A	W04A, W04B	
	17	R01A, R01B, R01C, R01D, R02Z, R12A, R12B, R12C		11	L18A, L18B, L19Z, L20A, L20B, L20C, L38Z		21B	X06A, X06B, X06C	
	21A	W04A, W04B		5o29c↔	11		L17A, L17B, L20A, L20B, L20C		BOP, KVT, UOP4
	21B	X06A, X06B, X06C		11	L18A, L18B, L19Z, L20A, L20B, L20C, L38Z		11	L06A, L06B	
		BOP, KVT, UOP4		12	M06Z, M09A, M09B, M38Z		12	M06Z, M09A, M09B, M38Z	
	11	L03Z, L04A, L04B, L04C, L10Z, L13A, L13B, L38Z		5o29x.0↔	11		L17A, L17B, L20A, L20B, L20C	13	N11A, N11B
5o296.0↔	12	M06Z, M09A, M09B, M38Z	5o29x.4↔	13	N11A, N11B	5o301.x	17	R01A, R01B, R01C, R01D, R02Z, R12A, R12B, R12C	
	13	N11A, N11B		11	L03Z, L04A, L04B, L04C, L10Z, L13A, L13B, L38Z		21A	W04A, W04B	
	17	R01A, R01B, R01C, R01D, R02Z, R12A, R12B, R12C		21A	W04A, W04B		21B	X06A, X06B, X06C	
	21A	W04A, W04B		21B	X06A, X06B, X06C			BOP, KVT, UOP4	
	21B	X06A, X06B, X06C		5o29x.t↔	11		L03Z, L04A, L04B, L04C, L10Z, L13A, L13B, L38Z	11	L06A, L06B
		BOP, KVT, UOP4		11	L03Z, L04A, L04B, L04C, L10Z, L13A, L13B, L38Z		12	M06Z, M09A, M09B, M38Z	
5o296.4↔	11	L06A, L06B	5o29x.t↔	12	M06Z, M09A, M09B, M38Z	5o302.0	13	N11A	
	21A	W04A, W04B		11	L03Z, L04A, L04B, L04C, L10Z, L13A, L13B, L38Z		17	R01A, R01B, R01C, R01D, R02Z, R12A, R12B, R12C	
	21B	X06A, X06B, X06C		21A	W04A, W04B		21A	W04A, W04B	
		BOP, KVT, UOP4		21B	X06A, X06B, X06C		21B	X06A, X06B, X06C	
	11	L06A, L06B		5o29x.x↔	11		L03Z, L04A, L04B, L04C, L10Z, L13A, L13B, L38Z		BOP, KVT, UOP4
	21A	W04A, W04B		11	L03Z, L04A, L04B, L04C, L10Z, L13A, L13B, L38Z		11	L06A, L06B	
5o296.x↔	21B	X06A, X06B, X06C	5o297.0↔	21A	W04A, W04B	5o302.4	12	M06Z, M09A, M09B, M38Z	
		BOP, KVT, UOP4		21B	X06A, X06B, X06C		13	N11A	
	11	L06A, L06B		11	L03Z, L04A, L04B, L04C, L10Z, L13A, L13B, L38Z		17	R01A, R01B, R01C, R01D, R02Z, R12A, R12B, R12C	
	21A	W04A, W04B		21A	W04A, W04B		21A	W04A, W04B	
	21B	X06A, X06B, X06C		21B	X06A, X06B, X06C		21B	X06A, X06B, X06C	
		BOP, KVT, UOP4		21B	X06A, X06B, X06C			BOP, KVT, UOP4	



ZZV	MDC	DRG	ZZV	MDC	DRG	ZZV	MDC	DRG
5o302.x		BOP, KVT, UOP4	5o305.4		BOP, KVT, UOP4	5o30b.0		BOP, KVT, UOP4
	11	L06A, L06B		11	L06A, L06B		11	L06A, L06B
	12	M06Z, M09A, M09B, M38Z		12	M01A, M01B, M09A, M38Z		12	M06Z, M09A, M09B, M38Z
	13	N11A		13	N11A		13	N11A
	17	R01A, R01B, R01C, R01D, R02Z, R12A, R12B, R12C		17	R01A, R01B, R01C, R01D, R02Z, R12A, R12B, R12C		17	R01A, R01B, R01C, R01D, R02Z, R12A, R12B, R12C
	21A	W04A, W04B		21A	W04A, W04B		21A	W04A, W04B
5o303.0	21B	X06A, X06B, X06C	5o305.x	21B	X06A, X06B, X06C	5o30b.4	21B	X06A, X06B, X06C
		BOP, KVT, UOP4			BOP, KVT, UOP4			BOP, KVT, UOP4
	06	G01Z, G04A, G04B, G07A, G07B, G07C, G16A, G16B, G18A, G38Z		11	L06A, L06B		11	L06A, L06B
	11	L03Z, L04A, L04B, L04C, L10Z, L13A, L13B, L38Z		12	M01A, M01B, M09A, M38Z		12	M06Z, M09A, M09B, M38Z
	12	M06Z, M09A, M09B, M38Z		13	N11A		13	N11A
	13	N11A		17	R01A, R01B, R01C, R01D, R02Z, R12A, R12B, R12C		17	R01A, R01B, R01C, R01D, R02Z, R12A, R12B, R12C
5o303.4	17	R01A, R01B, R01C, R01D, R02Z, R12A, R12B, R12C	5o307.4	21A	W04A, W04B	5o30b.x	21A	W04A, W04B
	21A	W04A, W04B		21B	X06A, X06B, X06C		21B	X06A, X06B, X06C
	21B	X06A, X06B, X06C			BOP, KVT, UOP4			BOP, KVT, UOP4
		BOP, KVT, UOP4		11	L03Z, L04A, L04B, L04C, L10Z, L13A, L13B, L38Z		11	L06A, L06B
	06	G01Z, G04A, G04B, G07A, G07B, G07C, G18A, G38Z		21A	W04A, W04B		12	M06Z, M09A, M09B, M38Z
	11	L03Z, L04A, L04B, L04C, L10Z, L13A, L13B, L38Z		21B	X06A, X06B, X06C		13	N11A
5o303.x	12	M06Z, M09A, M09B, M38Z	5o307.x		BOP, KVT, UOP4	5o30c	17	R01A, R01B, R01C, R01D, R02Z, R12A, R12B, R12C
	13	N11A		11	L03Z, L04A, L04B, L04C, L10Z, L13A, L13B, L38Z		21A	W04A, W04B
	17	R01A, R01B, R01C, R01D, R02Z, R12A, R12B, R12C		21A	W04A, W04B		21B	X06A, X06B, X06C
	21A	W04A, W04B		21B	X06A, X06B, X06C			BOP, KVT, UOP4
	21B	X06A, X06B, X06C			BOP, KVT, UOP4		11	L06A, L06B
		BOP, KVT, UOP4		11	L03Z, L04A, L04B, L04C, L10Z, L13A, L13B, L38Z		12	M06Z, M09A, M09B, M38Z
5o304.0	06	G01Z, G04A, G04B, G07A, G07B, G07C, G38Z	5o308.1	21A	W04A, W04B	5o30x.0	17	R01A, R01B, R01C, R01D, R02Z, R12A, R12B, R12C
	11	L03Z, L04A, L04B, L04C, L10Z, L13A, L13B, L38Z		21B	X06A, X06B, X06C		21A	W04A, W04B
	12	M06Z, M09A, M09B, M38Z			BOP, KVT, UOP4		21B	X06A, X06B, X06C
	13	N11A			BOP, KVT, UOP4			BOP, KVT, UOP4
	17	R01A, R01B, R01C, R01D, R02Z, R12A, R12B, R12C		11	L03Z, L04A, L04B, L04C, L10Z, L13A, L13B, L38Z		11	L06A, L06B
	21A	W04A, W04B		21A	W04A, W04B		12	M06Z, M09A, M09B, M38Z
5o304.4	21B	X06A, X06B, X06C	5o308.4	21B	X06A, X06B, X06C	5o30x.4	13	N11A
		BOP, KVT, UOP4			BOP, KVT, UOP4		14	962Z, O02A, O02B
	06	G01Z, G04A, G04B, G07A, G07B, G07C, G38Z		11	L03Z, L04A, L04B, L04C, L10Z, L13A, L13B, L38Z		21A	W04A, W04B
	11	L03Z, L04A, L04B, L04C, L10Z, L13A, L13B, L38Z		21A	W04A, W04B		21B	X06A, X06B, X06C
	12	M06Z, M09A, M09B, M38Z		21B	X06A, X06B, X06C			BOP, KVT, UOP4
	13	N11A			BOP, KVT, UOP4		11	L06A, L06B
5o304.x	17	R01A, R01B, R01C, R01D, R02Z, R12A, R12B, R12C	5o308.x	21A	W04A, W04B	5o30x.x	12	M06Z, M09A, M09B, M38Z
	21A	W04A, W04B		21B	X06A, X06B, X06C		13	N11A
	21B	X06A, X06B, X06C			BOP, KVT, UOP4		14	962Z, O02A, O02B
		BOP, KVT, UOP4		11	L03Z, L04A, L04B, L04C, L10Z, L13A, L13B, L38Z		21A	W04A, W04B
	06	G01Z, G04A, G04B, G07A, G07B, G07C, G38Z		21A	W04A, W04B		21B	X06A, X06B, X06C
	11	L03Z, L04A, L04B, L04C, L10Z, L13A, L13B, L38Z		21B	X06A, X06B, X06C			BOP, KVT, UOP4
5o304.4	12	M06Z, M09A, M09B, M38Z	5o309		BOP, KVT, UOP4	5o30a.0	11	L06A, L06B
	13	N11A		11	L08A, L08B		12	M06Z, M09A, M09B, M38Z
	17	R01A, R01B, R01C, R01D, R02Z, R12A, R12B, R12C		12	M03A, M03B, M03C, M38Z		13	N11A
	21A	W04A, W04B		19	U01Z		14	962Z, O02A, O02B
	21B	X06A, X06B, X06C		21A	W04A, W04B		21A	W04A, W04B
		BOP, KVT, UOP4		21B	X06A, X06B, X06C		21B	X06A, X06B, X06C
5o304.4	11	L08A, L08B	5o30a.4		BOP, KVT, UOP4	5o30x.4		BOP, KVT, UOP4
	12	M03A, M03B, M03C, M38Z		06	G01Z, G02Z, G38Z		11	L06A, L06B
	13	N04Z, N06Z		11	L03Z, L04A, L04B, L04C, L10Z, L13A, L13B, L38Z		12	M06Z, M09A, M09B, M38Z
	21A	W04A, W04B		Pre	A11A, A13A, A13B, A13D		13	N11A
	21B	X06A, X06B, X06C			BOP, KVT, UOP4		14	962Z, O02A, O02B
		BOP, KVT, UOP4		06	G01Z, G02Z, G38Z		21A	W04A, W04B
5o304.x	11	L08A, L08B	5o30a.x		BOP, KVT, UOP4	5o310	21A	W04A, W04B
	12	M03A, M03B, M03C, M38Z		06	G01Z, G02Z, G38Z		21B	X06A, X06B, X06C
	13	N04Z, N06Z		11	L03Z, L04A, L04B, L04C, L10Z, L13A, L13B, L38Z			BOP, KVT, UOP4
	21A	W04A, W04B		Pre	A11A, A13A, A13B, A13D		11	L06A, L06B
	21B	X06A, X06B, X06C			BOP, KVT, UOP4		12	M06Z, M09A, M09B, M38Z
		BOP, KVT, UOP4		06	G01Z, G02Z, G38Z		13	N13A, N13B
5o305.0	11	L06A, L06B	5o30a.x	11	L03Z, L04A, L04B, L04C, L10Z, L13A, L13B, L38Z	5o30x.x	17	R01A, R01B, R01C, R01D, R02Z, R12A, R12B, R12C
	12	M01A, M01B, M09A, M38Z		Pre	A11A, A13A, A13B, A13D		21A	W04A, W04B
	13	N11A			BOP, KVT, UOP4		21B	X06A, X06B, X06C
	17	R01A, R01B, R01C, R01D, R02Z, R12A, R12B, R12C		06	G01Z, G02Z, G38Z			BOP, KVT, UOP4
	21A	W04A, W04B		11	L03Z, L04A, L04B, L04C, L10Z, L13A, L13B, L38Z		11	L06A, L06B
	21B	X06A, X06B, X06C		Pre	A11A, A13A, A13B, A13D		12	M06Z, M09A, M09B, M38Z

ZZV	MDC	DRG	ZZV	MDC	DRG	ZZV	MDC	DRG
5o311.0		BOP, KVT, UOP4	5o313.4		BOP, KVT, MVV, UOP4	5o315.4		BOP, KOP, KOPV, KVT, MVV, UOP4
	06	G18A, G38Z		06	G18A, G38Z		06	G01Z, G18A, G33Z, G38Z
	11	L03Z, L04A, L04B, L04C, L10Z, L13A, L13B, L38Z		11	L03Z, L04A, L04B, L04C, L10Z, L13A, L13B, L33Z, L38Z		07	H33Z, H38Z
	12	M01A, M01B, M37Z, M38Z		12	M01A, M01B, M37Z, M38Z		11	L03Z, L04A, L04B, L04C, L10Z, L13A, L13B, L33Z, L38Z
	17	R01A, R01B, R01C, R01D, R02Z, R12A, R12B, R12C		13	N01A, N38Z		12	M01A, M01B, M37Z, M38Z
	21A	W04A, W04B		17	R01A, R01B, R01C, R01D, R02Z, R12A, R12B, R12C		13	N01A, N01B, N01C, N01D, N01E, N34Z, N38Z
5o311.4	21B	X06A, X06B, X06C	5o313.x	21A	W04A, W04B	5o315.x	17	R01A, R01B, R01C, R01D, R02Z, R12A, R12B, R12C
		BOP, KVT, UOP4		21B	X06A, X06B, X06C		21A	W04A, W04B
	06	G18A, G38Z			BOP, KVT, MVV, UOP4		21B	X06A, X06B, X06C, X33Z
	11	L03Z, L04A, L04B, L04C, L10Z, L13A, L13B, L38Z		06	G18A, G38Z		23	Z01A
	12	M01A, M01B, M37Z, M38Z		11	L03Z, L04A, L04B, L04C, L10Z, L13A, L13B, L33Z, L38Z		Pre	A07A
	17	R01A, R01B, R01C, R01D, R02Z, R12A, R12B, R12C		12	M01A, M01B, M37Z, M38Z			BOP, KOP, KOPV, KVT, MVV, UOP4
5o311.x	21A	W04A, W04B	5o314.0	13	N01A, N38Z	5o315.a.0	06	G01Z, G18A, G33Z, G38Z
	21B	X06A, X06B, X06C		17	R01A, R01B, R01C, R01D, R02Z, R12A, R12B, R12C		07	H33Z, H38Z
		BOP, KVT, UOP4		21A	W04A, W04B		11	L03Z, L04A, L04B, L04C, L10Z, L13A, L13B, L33Z, L38Z
	06	G18A, G38Z		21B	X06A, X06B, X06C		12	M01A, M01B, M37Z, M38Z
	11	L03Z, L04A, L04B, L04C, L10Z, L13A, L13B, L38Z			BOP, KVT, MVV, UOP4		13	N01A, N01B, N01C, N01D, N01E, N34Z, N38Z
	12	M01A, M01B, M37Z, M38Z		06	G18A, G38Z		17	R01A, R01B, R01C, R01D, R02Z, R12A, R12B, R12C
5o312.0	17	R01A, R01B, R01C, R01D, R02Z, R12A, R12B, R12C	5o314.4	11	L03Z, L04A, L04B, L04C, L10Z, L13A, L13B, L33Z, L38Z	5o31a.0	21A	W04A, W04B
	21A	W04A, W04B		12	M01A, M01B, M37Z, M38Z		21B	X06A, X06B, X06C, X33Z
	21B	X06A, X06B, X06C		17	R01A, R01B, R01C, R01D, R02Z, R12A, R12B, R12C		23	Z01A
		BOP, KVT, MVV, UOP4		21A	W04A, W04B		Pre	A07A
	06	G18A, G38Z		21B	X06A, X06B, X06C			BOP, KVT, UOP4
	11	L03Z, L04A, L04B, L04C, L10Z, L13A, L13B, L33Z, L38Z		06	G18A, G38Z		06	G18A, G38Z
5o312.4	12	M01A, M01B, M37Z, M38Z	5o314.x	11	L03Z, L04A, L04B, L04C, L10Z, L13A, L13B, L33Z, L38Z	5o31a.4	11	L03Z, L04A, L04B, L04C, L10Z, L13A, L13B, L38Z
	17	R01A, R01B, R01C, R01D, R02Z, R12A, R12B, R12C		12	M01A, M01B, M37Z, M38Z		13	N01A, N01B, N01C, N01D, N01E, N11A, N11B, N34Z, N38Z
	21A	W04A, W04B		17	R01A, R01B, R01C, R01D, R02Z, R12A, R12B, R12C		17	R01A, R01B, R01C, R01D, R02Z, R12A, R12B, R12C
	21B	X06A, X06B, X06C		21A	W04A, W04B		21A	W04A, W04B
		BOP, KVT, MVV, UOP4		21B	X06A, X06B, X06C		21B	X06A, X06B, X06C
	06	G18A, G38Z			BOP, KVT, MVV, UOP4			BOP, KVT, UOP4
5o312.x	11	L03Z, L04A, L04B, L04C, L10Z, L13A, L13B, L33Z, L38Z	5o315.0	06	G18A, G38Z	5o31a.x	06	G18A, G38Z
	12	M01A, M01B, M37Z, M38Z		11	L03Z, L04A, L04B, L04C, L10Z, L13A, L13B, L33Z, L38Z		11	L03Z, L04A, L04B, L04C, L10Z, L13A, L13B, L38Z
	17	R01A, R01B, R01C, R01D, R02Z, R12A, R12B, R12C		12	M01A, M01B, M37Z, M38Z		13	N01A, N01B, N01C, N01D, N01E, N11A, N11B, N34Z, N38Z
	21A	W04A, W04B		17	R01A, R01B, R01C, R01D, R02Z, R12A, R12B, R12C		17	R01A, R01B, R01C, R01D, R02Z, R12A, R12B, R12C
	21B	X06A, X06B, X06C		21A	W04A, W04B		21A	W04A, W04B
		BOP, KVT, MVV, UOP4		21B	X06A, X06B, X06C		21B	X06A, X06B, X06C
5o313.0	06	G18A, G38Z	5o315.4		BOP, KOP, KOPV, KVT, MVV, UOP4	5o31a.x		BOP, KVT, UOP4
	11	L03Z, L04A, L04B, L04C, L10Z, L13A, L13B, L33Z, L38Z		06	G01Z, G18A, G33Z, G38Z		06	G18A, G38Z
	12	M01A, M01B, M37Z, M38Z		07	H33Z, H38Z		11	L03Z, L04A, L04B, L04C, L10Z, L13A, L13B, L38Z
	13	N01A, N38Z		11	L03Z, L04A, L04B, L04C, L10Z, L13A, L13B, L33Z, L38Z		13	N01A, N01B, N01C, N01D, N01E, N11A, N11B, N34Z, N38Z
	17	R01A, R01B, R01C, R01D, R02Z, R12A, R12B, R12C		12	M01A, M01B, M37Z, M38Z		17	R01A, R01B, R01C, R01D, R02Z, R12A, R12B, R12C
	21A	W04A, W04B		13	N01A, N01B, N01C, N01D, N01E, N34Z, N38Z		21A	W04A, W04B
5o313.4	21B	X06A, X06B, X06C	5o315.4	17	R01A, R01B, R01C, R01D, R02Z, R12A, R12B, R12C	5o31a.x	21B	X06A, X06B, X06C
		BOP, KVT, MVV, UOP4		21A	W04A, W04B			BOP, KVT, UOP4
	06	G18A, G38Z		21B	X06A, X06B, X06C, X33Z		06	G18A, G38Z
	11	L03Z, L04A, L04B, L04C, L10Z, L13A, L13B, L38Z		23	Z01A		11	L03Z, L04A, L04B, L04C, L10Z, L13A, L13B, L38Z
	12	M01A, M01B, M37Z, M38Z		Pre	A07A		13	N01A, N01B, N01C, N01D, N01E, N11A, N11B, N34Z, N38Z
	17	R01A, R01B, R01C, R01D, R02Z, R12A, R12B, R12C			BOP, KOP, KOPV, KVT, MVV, UOP4		17	R01A, R01B, R01C, R01D, R02Z, R12A, R12B, R12C
5o313.x	21A	W04A, W04B	5o315.4	06	G01Z, G18A, G33Z, G38Z	5o31a.x	21A	W04A, W04B
	21B	X06A, X06B, X06C		07	H33Z, H38Z		21B	X06A, X06B, X06C
		BOP, KVT, UOP4		11	L03Z, L04A, L04B, L04C, L10Z, L13A, L13B, L33Z, L38Z			BOP, KVT, UOP4
	06	G18A, G38Z		12	M01A, M01B, M37Z, M38Z		06	G18A, G38Z
	11	L03Z, L04A, L04B, L04C, L10Z, L13A, L13B, L38Z		13	N01A, N01B, N01C, N01D, N01E, N34Z, N38Z		11	L03Z, L04A, L04B, L04C, L10Z, L13A, L13B, L38Z
	12	M01A, M01B, M37Z, M38Z		17	R01A, R01B, R01C, R01D, R02Z, R12A, R12B, R12C		13	N01A, N01B, N01C, N01D, N01E, N11A, N11B, N34Z, N38Z
5o313.4	17	R01A, R01B, R01C, R01D, R02Z, R12A, R12B, R12C	5o315.4	21A	W04A, W04B	5o31a.x	17	R01A, R01B, R01C, R01D, R02Z, R12A, R12B, R12C
	21A	W04A, W04B		21A	W04A, W04B		21A	W04A, W04B
	21B	X06A, X06B, X06C		21B	X06A, X06B, X06C, X33Z		21B	X06A, X06B, X06C
		BOP, KVT, UOP4		23	Z01A			BOP, KVT, UOP4
	06	G18A, G38Z		Pre	A07A			BOP, KVT, UOP4
	11	L03Z, L04A, L04B, L04C, L10Z, L13A, L13B, L38Z			BOP, KOP, KOPV, KVT, MVV, UOP4			BOP, KVT, UOP4

VYK

ZZV	MDC	DRG	ZZV	MDC	DRG	ZZV	MDC	DRG
5o31b.0		BOP, KVT, MVV, UOP4	5o31d.0		BOP, KVT, MVV, UOP4	5o31x.x		BOP, KVT, UOP4
	06	G18A, G38Z		06	G18A, G38Z		06	G18A, G38Z
	11	L03Z, L04A, L04B, L04C, L10Z, L13A, L13B, L33Z, L38Z		11	L03Z, L04A, L04B, L04C, L10Z, L13A, L13B, L33Z, L38Z		11	L03Z, L04A, L04B, L04C, L10Z, L13A, L13B, L38Z
	13	N01A, N01B, N01C, N01D, N01E, N11A, N11B, N34Z, N38Z		13	N01A, N01B, N01C, N01D, N01E, N11A, N11B, N34Z, N38Z		12	M01A, M01B, M37Z, M38Z
	17	R01A, R01B, R01C, R01D, R02Z, R12A, R12B, R12C		17	R01A, R01B, R01C, R01D, R02Z, R12A, R12B, R12C		13	N01A, N01B, N01C, N01D, N01E, N11A, N11B, N34Z, N38Z
	21A	W04A, W04B		21A	W04A, W04B		17	R01A, R01B, R01C, R01D, R02Z, R12A, R12B, R12C
5o31b.4	21B	X06A, X06B, X06C	5o31d.4	21B	X06A, X06B, X06C	5o320.0	21A	W04A, W04B
		BOP, KVT, MVV, UOP4			BOP, KVT, MVV, UOP4		21B	X06A, X06B, X06C
	06	G18A, G38Z		06	G18A, G38Z			BOP, KVT, UOP4
	11	L03Z, L04A, L04B, L04C, L10Z, L13A, L13B, L33Z, L38Z		11	L03Z, L04A, L04B, L04C, L10Z, L13A, L13B, L33Z, L38Z		06	G18A, G38Z
	13	N01A, N01B, N01C, N01D, N01E, N11A, N11B, N34Z, N38Z		13	N01A, N01B, N01C, N01D, N01E, N11A, N11B, N34Z, N38Z		10	K03A, K03B
	17	R01A, R01B, R01C, R01D, R02Z, R12A, R12B, R12C		17	R01A, R01B, R01C, R01D, R02Z, R12A, R12B, R12C		11	L06A, L06B
5o31b.x	21A	W04A, W04B	5o31d.x	21A	W04A, W04B	5o320.4	12	M01A, M01B, M38Z
	21B	X06A, X06B, X06C		21B	X06A, X06B, X06C		13	N01A, N01B, N01C, N01D, N01E, N08Z, N34Z, N38Z
		BOP, KVT, MVV, UOP4			BOP, KVT, MVV, UOP4		17	R01A, R01B, R01C, R01D, R02Z, R12A, R12B, R12C
	06	G18A, G38Z		06	G18A, G38Z		21A	W04A, W04B
	11	L03Z, L04A, L04B, L04C, L10Z, L13A, L13B, L33Z, L38Z		11	L03Z, L04A, L04B, L04C, L10Z, L13A, L13B, L33Z, L38Z		21B	X06A, X06B, X06C
	13	N01A, N01B, N01C, N01D, N01E, N11A, N11B, N34Z, N38Z		13	N01A, N01B, N01C, N01D, N01E, N11A, N11B, N34Z, N38Z			BOP, KVT, UOP4
5o31c.0	17	R01A, R01B, R01C, R01D, R02Z, R12A, R12B, R12C	5o31x.0	17	R01A, R01B, R01C, R01D, R02Z, R12A, R12B, R12C	5o320.x	06	G18A, G38Z
	21A	W04A, W04B		21A	W04A, W04B		11	L06A, L06B
	21B	X06A, X06B, X06C		21B	X06A, X06B, X06C		12	M01A, M01B, M38Z
		BOP, KVT, MVV, UOP4			BOP, KVT, UOP4		13	N01A, N01B, N01C, N01D, N01E, N11A, N11B, N34Z, N38Z
	06	G18A, G38Z		06	G18A, G38Z		17	R01A, R01B, R01C, R01D, R02Z, R12A, R12B, R12C
	11	L03Z, L04A, L04B, L04C, L10Z, L13A, L13B, L33Z, L38Z		11	L03Z, L04A, L04B, L04C, L10Z, L13A, L13B, L38Z		21A	W04A, W04B
5o31c.4	12	M01A, M01B, M37Z, M38Z	5o31x.4	12	M01A, M01B, M37Z, M38Z	5o321.0	21B	X06A, X06B, X06C
	17	R01A, R01B, R01C, R01D, R02Z, R12A, R12B, R12C		13	N01A, N01B, N01C, N01D, N01E, N11A, N11B, N34Z, N38Z			BOP, KVT, UOP4
	21A	W04A, W04B		17	R01A, R01B, R01C, R01D, R02Z, R12A, R12B, R12C		06	G18A, G38Z
	21B	X06A, X06B, X06C		21A	W04A, W04B		11	L03Z, L04A, L04B, L04C, L10Z, L13A, L13B, L38Z
		BOP, KVT, MVV, UOP4		21B	X06A, X06B, X06C		12	M01A, M01B, M37Z, M38Z
	06	G18A, G38Z		06	G18A, G38Z		13	N01A, N01B, N01C, N01D, N01E, N11A, N11B, N34Z, N38Z
5o31c.x	11	L03Z, L04A, L04B, L04C, L10Z, L13A, L13B, L33Z, L38Z	5o31x.4	11	L03Z, L04A, L04B, L04C, L10Z, L13A, L13B, L38Z	5o321.4	17	R01A, R01B, R01C, R01D, R02Z, R12A, R12B, R12C
	12	M01A, M01B, M37Z, M38Z		12	M01A, M01B, M37Z, M38Z		21A	W04A, W04B
	17	R01A, R01B, R01C, R01D, R02Z, R12A, R12B, R12C		13	N01A, N01B, N01C, N01D, N01E, N11A, N11B, N34Z, N38Z		21B	X06A, X06B, X06C
	21A	W04A, W04B		17	R01A, R01B, R01C, R01D, R02Z, R12A, R12B, R12C			BOP, KVT, UOP4
	21B	X06A, X06B, X06C		21A	W04A, W04B		06	G18A, G38Z
		BOP, KVT, MVV, UOP4		21B	X06A, X06B, X06C		11	L03Z, L04A, L04B, L04C, L10Z, L13A, L13B, L38Z

ZZV	MDC	DRG	ZZV	MDC	DRG	ZZV	MDC	DRG				
5o333.4		BOP, KOP, KOPV, KVT, MVV, UOP4	5o335.x		BOP, KOP, KOPV, KVT, MVV, UOP4	5o345.0		BOP, KVT, UOP4				
	06	G18A, G33Z, G38Z		06	G18A, G33Z, G38Z		11	L18A, L18B, L19Z, L20A, L20B, L20C, L38Z				
	07	H33Z, H38Z		07	H33Z, H38Z		12	M06Z, M09A, M09B, M38Z				
	11	L02A, L02B, L02C, L03Z, L10Z, L33Z, L38Z		11	L02A, L02B, L02C, L03Z, L10Z, L33Z, L38Z		13	N11A, N11B				
	12	M37Z, M38Z		12	M37Z, M38Z		5o345.1	BOP, KVT, UOP4				
	13	N01A, N01B, N01C, N01D, N01E, N34Z, N38Z		13	N01A, N01B, N01C, N01D, N01E, N34Z, N38Z		11	L18A, L18B, L19Z, L20A, L20B, L38Z				
	21A	W04A, W04B		21A	W04A, W04B		12	M06Z, M09A, M09B, M38Z				
	21B	X06A, X06B, X06C, X33Z		21B	X06A, X06B, X06C, X33Z		13	N11A, N11B				
	23	Z01A		23	Z01A		5o345.2	BOP, KVT, UOP4				
	Pre	A07A		Pre	A07A		11	L18A, L18B, L19Z, L20A, L20B, L20C, L38Z				
	5o333.x			BOP, KOP, KOPV, KVT, MVV, UOP4	5o33x.0			BOP, KOP, KOPV, KVT, MVV, UOP4	5o346		M06Z, M09A, M09B, M38Z	
		06		G18A, G33Z, G38Z			06	G18A, G33Z, G38Z		13	N11A, N11B	
		07		H33Z, H38Z			07	H33Z, H38Z		BOP, KVT, UOP4		
11		L02A, L02B, L02C, L03Z, L10Z, L33Z, L38Z	11	L02A, L02B, L02C, L03Z, L10Z, L33Z, L38Z		11	L18A, L18B, L19Z, L20A, L20B, L20C, L38Z					
12		M37Z, M38Z	12	M37Z, M38Z		12	M06Z, M09A, M09B, M38Z					
13		N01A, N01B, N01C, N01D, N01E, N34Z, N38Z	13	N01A, N01B, N01C, N01D, N01E, N34Z, N38Z		13	N11A, N11B					
21A		W04A, W04B	21A	W04A, W04B		5o34x	BOP, KVT, UOP4					
21B		X06A, X06B, X06C, X33Z	21B	X06A, X06B, X06C, X33Z		11	L18A, L18B, L19Z, L20A, L20B, L20C, L38Z					
23		Z01A	23	Z01A		5o350.2†	11	L18A, L18B, L19Z, L20A, L20B, L20C, L38Z				
Pre		A07A	Pre	A07A		5o350.†	11	L18A, L18B, L19Z, L20A, L20B, L20C, L38Z				
5o334			BOP, KOP, KOPV, KVT, MVV, UOP4	5o33x.4			BOP, KOP, KOPV, KVT, MVV, UOP4	5o351.2†			L18A, L18B, L19Z, L20A, L20B, L20C, L38Z	
		06	G18A, G33Z, G38Z			06	G18A, G33Z, G38Z			5o352†	11	L18A, L18B, L19Z, L20A, L20B, L20C, L38Z
		07	H33Z, H38Z			07	H33Z, H38Z			5o353		
	11	L02A, L02B, L02C, L03Z, L10Z, L33Z, L38Z	11		L02A, L02B, L02C, L03Z, L10Z, L33Z, L38Z	11	L06A, L06B					
	12	M37Z, M38Z	12		M37Z, M38Z	16	Q03A, Q03B					
	13	N01A, N01B, N01C, N01D, N01E, N34Z, N38Z	13		N01A, N01B, N01C, N01D, N01E, N34Z, N38Z	21A	W04A, W04B					
	21A	W04A, W04B	21A		W04A, W04B	21B	X06A, X06B, X06C					
	21B	X06A, X06B, X06C, X33Z	21B		X06A, X06B, X06C, X33Z	5o354	BOP, KVT, UOP4					
	23	Z01A	23		Z01A	11	L06A, L06B					
	Pre	A07A	Pre		A07A	12	M06Z, M09A, M09B, M38Z					
	5o335.0		BOP, KOP, KOPV, KVT, MVV, UOP4		5o33x.x		BOP, KOP, KOPV, KVT, MVV, UOP4		5o355		13	N13A, N13B
		06	G18A, G33Z, G38Z			06	G18A, G33Z, G38Z			17	R01A, R01B, R01C, R01D, R02Z, R12A, R12B, R12C	
		07	H33Z, H38Z			07	H33Z, H38Z			21A	W04A, W04B	
11		L02A, L02B, L02C, L03Z, L10Z, L33Z, L38Z	11	L02A, L02B, L02C, L03Z, L10Z, L33Z, L38Z		21B	X06A, X06B, X06C					
12		M37Z, M38Z	12	M37Z, M38Z		BOP, KVT, UOP4						
13		N01A, N01B, N01C, N01D, N01E, N34Z, N38Z	13	N01A, N01B, N01C, N01D, N01E, N34Z, N38Z		11	L06A, L06B					
21A		W04A, W04B	21A	W04A, W04B		12	M06Z, M09A, M09B, M38Z					
21B		X06A, X06B, X06C, X33Z	21B	X06A, X06B, X06C, X33Z		13	N13A, N13B					
23		Z01A	23	Z01A		17	R01A, R01B, R01C, R01D, R02Z, R12A, R12B, R12C					
Pre		A07A	Pre	A07A		21A	W04A, W04B					
5o335.4			BOP, KOP, KOPV, KVT, MVV, UOP4	5o340			BOP, KVT, UOP4	5o356			21B	X06A, X06B, X06C
		06	G18A, G33Z, G38Z			11	L18A, L18B, L19Z, L20A, L20B, L20C, L38Z			BOP, KVT, UOP4		
		07	H33Z, H38Z			5o341				11	L06A, L06B	
	11	L02A, L02B, L02C, L03Z, L10Z, L33Z, L38Z	11		L06A, L06B	12	M06Z, M09A, M09B, M38Z					
	12	M37Z, M38Z	12		M06Z, M09A, M09B, M38Z	13	N13A, N13B					
	13	N01A, N01B, N01C, N01D, N01E, N34Z, N38Z	5o342			17	R01A, R01B, R01C, R01D, R02Z, R12A, R12B, R12C					
	21A	W04A, W04B	11		L18A, L18B, L19Z, L20A, L20B, L20C, L38Z	21A	W04A, W04B					
	21B	X06A, X06B, X06C, X33Z	12		M06Z, M09A, M09B, M38Z	21B	X06A, X06B, X06C					
	23	Z01A	5o343			BOP, KVT, UOP4						
	Pre	A07A	11		L18A, L18B, L19Z, L20A, L20B, L20C, L38Z	5o357						
	5o335.4		BOP, KOP, KOPV, KVT, MVV, UOP4		5o344		BOP, KVT, UOP4		5o357		11	L06A, L06B
		06	G18A, G33Z, G38Z			12	M06Z, M09A, M09B, M38Z			12	M06Z, M09A, M09B, M38Z	
		07	H33Z, H38Z			11	L18A, L18B, L19Z, L20A, L20B, L20C, L38Z			13	N13A, N13B	
11		L02A, L02B, L02C, L03Z, L10Z, L33Z, L38Z	12	M06Z, M09A, M09B, M38Z		17	R01A, R01B, R01C, R01D, R02Z, R12A, R12B, R12C					
12		M37Z, M38Z	BOP, KVT, UOP4	21A		W04A, W04B	21B	X06A, X06B, X06C				
13		N01A, N01B, N01C, N01D, N01E, N34Z, N38Z	11	L18A, L18B, L19Z, L20A, L20B, L20C, L38Z		BOP, KVT, UOP4						
21A		W04A, W04B	12	M06Z, M09A, M09B, M38Z		11	L06A, L06B					
21B		X06A, X06B, X06C, X33Z	11	L18A, L18B, L19Z, L20A, L20B, L20C, L38Z		12	M06Z, M09A, M09B, M38Z					
23		Z01A	12	M06Z, M09A, M09B, M38Z		13	N13A, N13B					
Pre		A07A	BOP, KVT, UOP4	17		R01A, R01B, R01C, R01D, R02Z, R12A, R12B, R12C	21A	W04A, W04B				
			11	L18A, L18B, L19Z, L20A, L20B, L20C, L38Z		21B	X06A, X06B, X06C					
			12	M06Z, M09A, M09B, M38Z								

ZZV	MDC	DRG	ZZV	MDC	DRG	ZZV	MDC	DRG
5o360		BOP, KVT, UOP4	5o371.4		BOP, KVT, UOP4	5o394.1		BOP, KVT, UOP4
	06	G18A, G38Z		11	L06A, L06B		11	L06A, L06B
	11	L03Z, L04A, L04B, L04C, L10Z, L13A, L13B, L38Z		12	M06Z, M09A, M09B, M38Z		21A	W04A, W04B
	21A	W04A, W04B		13	N08Z		21B	X06A, X06B, X06C
	21B	X06A, X06B, X06C		17	R01A, R01B, R01C, R01D, R02Z, R12A, R12B, R12C	5o394.3		BOP, KVT, UOP4
5o361.0		BOP, KVT, UOP4	5o372		BOP, KVT, UOP4		11	L11Z, L18A, L18B, L38Z
	11	L06A, L06B		11	L06A, L06B	5o394.4		M06Z, M09A, M09B, M38Z
	12	M06Z, M09A, M09B, M38Z		12	M06Z, M09A, M09B, M38Z		11	L06A, L06B
	13	N13A, N13B		13	N11A, N11B		21A	W04A, W04B
	17	R01A, R01B, R01C, R01D, R02Z, R12A, R12B, R12C		17	R01A, R01B, R01C, R01D, R02Z, R12A, R12B, R12C		21B	X06A, X06B, X06C
	21A	W04A, W04B	5o37x		BOP, KVT, UOP4	5o394.t		BOP, KVT, UOP4
	21B	X06A, X06B, X06C		11	L06A, L06B		11	L11Z, L18A, L18B, L38Z
5o362.0		BOP, KVT, UOP4		12	M06Z, M09A, M09B, M38Z		12	M06Z, M09A, M09B, M38Z
	11	L06A, L06B		13	N11A, N11B	5o394.x		BOP, KVT, UOP4
	12	M06Z, M09A, M09B, M38Z		17	R01A, R01B, R01C, R01D, R02Z, R12A, R12B, R12C		11	L11Z, L18A, L18B, L38Z
	13	N13A, N13B	5o390		BOP, KVT, UOP4	5o395.0		M06Z, M09A, M09B, M38Z
	17	R01A, R01B, R01C, R01D, R02Z, R12A, R12B, R12C		11	L03Z, L04A, L04B, L04C, L10Z, L13A, L13B, L38Z		11	L06A, L06B
	21A	W04A, W04B		21A	W04A, W04B		21A	W04A, W04B
	21B	X06A, X06B, X06C		21B	X06A, X06B, X06C	5o395.1		X06A, X06B, X06C
5o362.1		BOP, KVT, UOP4	5o391.0		BOP, KVT, UOP4		21B	BOP, KVT, UOP4
	11	L06A, L06B		11	L06A, L06B		11	L06A, L06B
	12	M06Z, M09A, M09B, M38Z		21A	W04A, W04B		21A	W04A, W04B
	13	N13A, N13B		21B	X06A, X06B, X06C	5o395.3		X06A, X06B, X06C
	17	R01A, R01B, R01C, R01D, R02Z, R12A, R12B, R12C	5o391.1†	11	L18A, L18B, L19Z, L20A, L20B, L20C, L38Z		21B	BOP, KVT, UOP4
	21A	W04A, W04B		11	L18A, L18B, L19Z, L20A, L20B, L20C, L38Z	5o395.4		L06A, L06B
	21B	X06A, X06B, X06C	5o391.3†	11	L18A, L18B, L19Z, L20A, L20B, L20C, L38Z		21A	W04A, W04B
5o363		BOP, KVT, UOP4	5o391.4		BOP, KVT, UOP4		21B	X06A, X06B, X06C
	11	L06A, L06B		11	L06A, L06B	5o395.t		BOP, KVT, UOP4
	12	M06Z, M09A, M09B, M38Z		21A	W04A, W04B		11	L06A, L06B
	13	N13A, N13B		21B	X06A, X06B, X06C		21A	W04A, W04B
	17	R01A, R01B, R01C, R01D, R02Z, R12A, R12B, R12C	5o391.t†	11	L18A, L18B, L19Z, L20A, L20B, L20C, L38Z		21B	X06A, X06B, X06C
	21A	W04A, W04B		11	L18A, L18B, L19Z, L20A, L20B, L20C, L38Z	5o395.x		BOP, KVT, UOP4
	21B	X06A, X06B, X06C	5o391.x†	11	L18A, L18B, L19Z, L20A, L20B, L20C, L38Z		11	L06A, L06B
5o364		BOP, KVT, UOP4	5o392.0		BOP, KVT, UOP4		21A	W04A, W04B
	11	L06A, L06B		11	L06A, L06B	5o396.0		X06A, X06B, X06C
	12	M06Z, M09A, M09B, M38Z		12	M06Z, M09A, M09B, M38Z		11	L06A, L06B
	13	N13A, N13B		13	N13A, N13B		21A	W04A, W04B
	17	R01A, R01B, R01C, R01D, R02Z, R12A, R12B, R12C		17	R01A, R01B, R01C, R01D, R02Z, R12A, R12B, R12C		21B	X06A, X06B, X06C
	21A	W04A, W04B		21A	W04A, W04B	5o396.4		BOP, KVT, UOP4
	21B	X06A, X06B, X06C	5o392.4		BOP, KVT, UOP4		11	L06A, L06B
5o370.0		BOP, KVT, UOP4		11	L06A, L06B		21A	W04A, W04B
	11	L06A, L06B		12	M06Z, M09A, M09B, M38Z	5o397.0		X06A, X06B, X06C
	12	M06Z, M09A, M09B, M38Z		13	N13A, N13B		11	L06A, L06B
	13	N11A, N11B		17	R01A, R01B, R01C, R01D, R02Z, R12A, R12B, R12C		21A	W04A, W04B
	17	R01A, R01B, R01C, R01D, R02Z, R12A, R12B, R12C		21A	W04A, W04B	5o397.3		X06A, X06B, X06C
	21A	W04A, W04B	5o393.0		BOP, KVT, UOP4		21B	BOP, KVT, UOP4
	21B	X06A, X06B, X06C		11	L06A, L06B		11	L06A, L06B
5o370.4		BOP, KVT, UOP4		21A	W04A, W04B	5o397.4		W04A, W04B
	11	L06A, L06B		12	M06Z, M09A, M09B, M38Z		21B	X06A, X06B, X06C
	12	M06Z, M09A, M09B, M38Z		13	N13A, N13B		11	L06A, L06B
	13	N08Z	5o393.4		BOP, KVT, UOP4		21A	W04A, W04B
	17	R01A, R01B, R01C, R01D, R02Z, R12A, R12B, R12C		11	L06A, L06B	5o397.t		X06A, X06B, X06C
	21A	W04A, W04B		21A	W04A, W04B		11	L06A, L06B
	21B	X06A, X06B, X06C		21B	X06A, X06B, X06C		21A	W04A, W04B
5o371.0		BOP, KVT, UOP4	5o394.0		BOP, KVT, UOP4	5o398.0		X06A, X06B, X06C
	11	L06A, L06B		11	L06A, L06B		11	L06A, L06B
	12	M06Z, M09A, M09B, M38Z		21A	W04A, W04B		21A	W04A, W04B
	13	N11A, N11B		21B	X06A, X06B, X06C		21B	X06A, X06B, X06C
	17	R01A, R01B, R01C, R01D, R02Z, R12A, R12B, R12C		21B	X06A, X06B, X06C		11	L06A, L06B

ZZV	MDC	DRG	ZZV	MDC	DRG	ZZV	MDC	DRG
5o398.4		BOP, KVT, UOP4	5o408.1		BOP, KVT, UOP4	5o40a.5		BOP, KVT, UOP4
	11	L06A, L06B		11	L08A, L08B		11	L08A, L08B
	21A	W04A, W04B		12	M03A, M03B, M03C, M38Z		12	M03A, M03B, M03C, M38Z
5o39x.0	21B	X06A, X06B, X06C				13	N11A	
		BOP, KVT, UOP4				14	962Z, O02A, O02B	
	11	L06A, L06B	5o408.2		BOP, KVT, UOP4	19	U01Z	
21A	W04A, W04B	11		L08A, L08B	21A	W04A, W04B		
21B	X06A, X06B, X06C	12		M03A, M03B, M03C, M38Z	21B	X06A, X06B, X06C		
5o39x.4		BOP, KVT, UOP4				5o40a.x		BOP, KVT, UOP4
	11	L06A, L06B					11	L08A, L08B
	21A	W04A, W04B	13	N11A	12		M03A, M03B, M03C, M38Z	
5o400	21B	X06A, X06B, X06C				13	N11A	
		BOP, KVT, UOP4				14	962Z, O02A, O02B	
	11	L08A, L08B	5o408.x		BOP, KVT, UOP4	19	U01Z	
12	M03A, M03B, M03C, M38Z	11		L08A, L08B	21A	W04A, W04B		
19	U01Z	12		M03A, M03B, M03C, M38Z	21B	X06A, X06B, X06C		
5o401	21A	W04A, W04B				5o40b.1		BOP, KVT, UOP4
	21B	X06A, X06B, X06C					11	L08A, L08B
		BOP, KVT, UOP4	19	U01Z	12		M03A, M03B, M03C, M38Z	
5o401	11	L08A, L08B	5o409.1		BOP, KVT, UOP4	19	U01Z	
	12	M03A, M03B, M03C, M38Z		11	L08A, L08B	21A	W04A, W04B	
	13	N11A, N11B		12	M03A, M03B, M03C, M38Z	21B	X06A, X06B, X06C	
5o402	14	962Z, O02A, O02B				5o40b.2		BOP, KVT, UOP4
	19	U01Z					11	L08A, L08B
	21A	W04A, W04B	19	U01Z	12		M03A, M03B, M03C, M38Z	
5o402	21B	X06A, X06B, X06C	5o409.x		BOP, KVT, UOP4	19	U01Z	
		BOP, KVT, UOP4		11	L08A, L08B	21A	W04A, W04B	
	11	L08A, L08B		12	M03A, M03B, M03C, M38Z	21B	X06A, X06B, X06C	
5o404	12	M03A, M03B, M03C, M38Z				5o40b.3		BOP, KVT, UOP4
	13	N11A, N11B					11	L08A, L08B
	14	962Z, O02A, O02B	19	U01Z	12		M03A, M03B, M03C, M38Z	
5o404	19	U01Z	5o40a.1		BOP, KVT, UOP4	13	N11A	
	21A	W04A, W04B		11	L08A, L08B	14	962Z, O02A, O02B	
	21B	X06A, X06B, X06C		12	M03A, M03B, M03C, M38Z	19	U01Z	
5o404		BOP, KVT, UOP4				5o40b.4		BOP, KVT, UOP4
	11	L08A, L08B					11	L08A, L08B
	12	M03A, M03B, M03C, M38Z	14	962Z, O02A, O02B	12		M03A, M03B, M03C, M38Z	
5o405	13	N11A	5o40a.2		BOP, KVT, UOP4	13	N11A	
	17	R01A, R01B, R01C, R01D, R02Z, R12A, R12B, R12C		11	L08A, L08B	14	962Z, O02A, O02B	
	19	U01Z		12	M03A, M03B, M03C, M38Z	19	U01Z	
5o405	21A	W04A, W04B				5o40b.5		BOP, KVT, UOP4
	21B	X06A, X06B, X06C					11	L08A, L08B
		BOP, KVT, UOP4	14	962Z, O02A, O02B	12		M03A, M03B, M03C, M38Z	
5o406	11	L08A, L08B	5o40a.3		BOP, KVT, UOP4	13	N11A	
	12	M03A, M03B, M03C, M38Z		11	L08A, L08B	14	962Z, O02A, O02B	
	13	N11A, N11B		12	M03A, M03B, M03C, M38Z	19	U01Z	
5o406	14	962Z, O02A, O02B				5o40b.6		BOP, KVT, UOP4
	19	U01Z					11	L08A, L08B
	21A	W04A, W04B	13	N11A	12		M03A, M03B, M03C, M38Z	
5o407	21B	X06A, X06B, X06C	5o40a.4		BOP, KVT, UOP4	13	N11A	
		BOP, KVT, UOP4		11	L08A, L08B	14	962Z, O02A, O02B	
	11	L08A, L08B		12	M03A, M03B, M03C, M38Z	19	U01Z	
5o407	12	M03A, M03B, M03C, M38Z				5o40b.x		BOP, KVT, UOP4
	13	N11A, N11B					11	L08A, L08B
	14	962Z, O02A, O02B	14	962Z, O02A, O02B	12		M03A, M03B, M03C, M38Z	
5o407	19	U01Z				13	N11A	
	21A	W04A, W04B	19	U01Z	14	962Z, O02A, O02B		
	21B	X06A, X06B, X06C	21A	W04A, W04B	19	U01Z		
				21B	X06A, X06B, X06C			

VYK

ZZV	MDC	DRG	ZZV	MDC	DRG	ZZV	MDC	DRG			
5o40c		BOP, KVT, UOP4	5o41d		BOP, KVT, UOP4	5o43x		BOP, KVT, UOP4			
	11	L08A, L08B		11	L03Z, L04A, L04B, L04C, L10Z, L13A, L13B, L33Z, L38Z		11	L17A, L17B, L20A, L20B, L20C			
	13	N11A		13	N04Z, N06Z		12	M06Z, M09A, M09B, M38Z			
	14	962Z, O02A, O02B		21A	W04A, W04B		13	N11A, N11B			
	19	U01Z		21A	W04A, W04B		21A	W04A, W04B			
	21A	W04A, W04B		21B	X06A, X06B, X06C		21B	X06A, X06B, X06C			
5o40d		BOP, KVT, UOP4	5o41x		BOP, KVT, UOP4	5o440		BOP, KVT, UOP4			
	11	L08A, L08B		11	L03Z, L04A, L04B, L04C, L10Z, L13A, L13B, L38Z		11	L17A, L17B, L20A, L20B, L20C			
	13	N11A		13	N04Z, N06Z		12	M06Z, M09A, M09B, M38Z			
	14	962Z, O02A, O02B		21A	W04A, W04B		21A	W04A, W04B			
	19	U01Z		21B	X06A, X06B, X06C		21B	X06A, X06B, X06C			
	21A	W04A, W04B									
5o40x		BOP, KVT, UOP4	5o421		BOP, KVT, UOP4	5o441		BOP, KVT, UOP4			
	11	L08A, L08B		11	L17A, L17B, L20A, L20B, L20C		11	L17A, L17B, L20A, L20B, L20C			
	12	M03A, M03B, M03C, M38Z		12	M03A, M03B, M03C, M38Z		12	M03A, M03B, M03C, M38Z			
	19	U01Z		13	N11A, N11B		13	N11A, N11B			
	21A	W04A, W04B		21A	W04A, W04B		14	962Z, O02A, O02B			
	21B	X06A, X06B, X06C		21B	X06A, X06B, X06C		21A	W04A, W04B			
5o410†		L40Z	5o422.2		BOP, KVT, UOP4	5o442		BOP, KVT, UOP4			
	11	L40Z		11	L17A, L17B, L20A, L20B, L20C		11	L17A, L17B, L20A, L20B, L20C			
5o411.0		BOP, KVT, UOP4	5o422.t		BOP, KVT, UOP4	5o443		BOP, KVT, UOP4			
	11	L08A, L08B		11	L17A, L17B, L20A, L20B, L20C		11	L17A, L17B, L20A, L20B, L20C			
	13	N11A, N11B		12	M03A, M03B, M03C, M38Z		12	M06Z, M09A, M09B, M38Z			
	21A	W04A, W04B		13	N11A, N11B		21A	W04A, W04B			
	21B	X06A, X06B, X06C		21A	W04A, W04B		21A	W04A, W04B			
	5o411.1			BOP, KVT, UOP4	5o430.0			BOP, KVT, UOP4	5o44x		BOP, KVT, UOP4
11		L08A, L08B	11	L17A, L17B, L20A, L20B, L20C		11	L17A, L17B, L20A, L20B, L20C				
13		N11A, N11B	12	M06Z, M09A, M09B, M38Z		12	M06Z, M09A, M09B, M38Z				
21A		W04A, W04B	13	N11A, N11B		21A	W04A, W04B				
21B		X06A, X06B, X06C	21A	W04A, W04B		21B	X06A, X06B, X06C				
5o411.2			BOP, KVT, UOP4	5o430.1			BOP, KVT, UOP4	5o450†			L64A, L74Z
	11	L08A, L08B	11		L17A, L17B, L20A, L20B, L20C	11	L17A, L17B, L20A, L20B, L20C				
	13	N11A, N11B	12		M06Z, M09A, M09B, M38Z	12	M06Z, M09A, M09B, M38Z				
	21A	W04A, W04B	13		N11A, N11B	21A	W04A, W04B				
	21B	X06A, X06B, X06C	21A		W04A, W04B	21B	X06A, X06B, X06C				
	5o412.0		BOP, KVT, UOP4		5o430.2		BOP, KVT, UOP4		5o451		BOP, KVT, UOP4
11		L08A, L08B	11	L17A, L17B, L20A, L20B, L20C		11	L17A, L17B, L20A, L20B, L20C				
13		N11A, N11B	12	M06Z, M09A, M09B, M38Z		12	M06Z, M09A, M09B, M38Z				
21A		W04A, W04B	13	N11A, N11B		21A	W04A, W04B				
21B		X06A, X06B, X06C	21A	W04A, W04B		21B	X06A, X06B, X06C				
5o412.1			BOP, KVT, UOP4	5o431			BOP, KVT, UOP4	5o452			BOP, KVT, UOP4
	11	L08A, L08B	11		L17A, L17B, L20A, L20B, L20C	11	L17A, L17B, L20A, L20B, L20C				
	13	N11A, N11B	12		M06Z, M09A, M09B, M38Z	13	N11A, N11B				
	21A	W04A, W04B	13		N11A, N11B	21A	W04A, W04B				
	21B	X06A, X06B, X06C	21A		W04A, W04B	21B	X06A, X06B, X06C				
	5o413		BOP, KVT, UOP4		5o432		BOP, KVT, UOP4		5o45x		BOP, KVT, UOP4
10		K03A, K03B	11	L17A, L17B, L20A, L20B, L20C		11	L17A, L17B, L20A, L20B, L20C				
11		L03Z, L04A, L04B, L04C, L10Z, L13A, L13B, L38Z	12	M06Z, M09A, M09B, M38Z		13	N11A, N11B				
21A		W04A, W04B	13	N11A, N11B		21A	W04A, W04B				
21B		X06A, X06B, X06C	21A	W04A, W04B		21B	X06A, X06B, X06C				
5o414			BOP, KVT, UOP4	5o431			BOP, KVT, UOP4	5o490			BOP, KVT, UOP4
	11	L03Z, L04A, L04B, L04C, L10Z, L13A, L13B, L33Z, L38Z	11		L17A, L17B, L20A, L20B, L20C	11	L03Z, L04A, L04B, L04C, L10Z, L13A, L13B, L38Z				
	21A	W04A, W04B	12		M06Z, M09A, M09B, M38Z	21A	W04A, W04B				
	21B	X06A, X06B, X06C	13		N08Z	21B	X06A, X06B, X06C				
	5o41c		BOP, KVT, UOP4		5o432		BOP, KVT, UOP4		5o490		BOP, KVT, UOP4
		10	K03A, K03B			11	L17A, L17B, L20A, L20B, L20C			11	L03Z, L04A, L04B, L04C, L10Z, L13A, L13B, L38Z
11		L03Z, L04A, L04B, L04C, L10Z, L13A, L13B, L38Z	12	M06Z, M09A, M09B, M38Z		21A	W04A, W04B				
13		N04Z, N06Z	13	N11A, N11B		21B	X06A, X06B, X06C				
21A		W04A, W04B	21A	W04A, W04B							
21B		X06A, X06B, X06C	21B	X06A, X06B, X06C							

ZZV	MDC	DRG	ZZV	MDC	DRG	ZZV	MDC	DRG
5o491		BOP, KVT, UOP4	5o900.2		BOP, KVT, UOP4	5o902.2		BOP, KVT, UOP4
	11	L06A, L06B		11	L03Z, L04A, L04B, L04C, L10Z, L13A, L13B, L38Z	06		G10Z, G12A, G12B
	12	M06Z, M09A, M09B, M38Z		12	M06Z, M09A, M09B, M38Z	07		H06A, H06B, H06C
	13	N11A		13	N11A, N11B	10		K09A, K09B
	14	962Z, O02A, O02B		17	R01A, R01B, R01C, R01D, R02Z, R12A, R12B, R12C	11		L03Z, L04A, L04B, L04C, L10Z, L13A, L13B, L38Z
	21A	W04A, W04B		21A	W04A, W04B	12		M06Z, M09A, M09B, M38Z
	21B	X06A, X06B, X06C		21B	X06A, X06B, X06C	13		N11A, N11B
5o492		BOP, KVT, UOP4	5o900.3†		BOP, KVT, UOP4	17		R01A, R01B, R01C, R01D, R02Z, R12A, R12B, R12C
	11	L18A, L18B, L19Z, L20A, L20B, L20C, L38Z	5o900.4		L11Z, L18A, L18B, L38Z	21A		W04A, W04B
	12	M06Z, M09A, M09B, M38Z		11	L03Z, L04A, L04B, L04C, L10Z, L13A, L13B, L38Z	21B		X06A, X06B, X06C
5o493		BOP, KVT, UOP4		12	M06Z, M09A, M09B, M38Z	5o902.3†		L11Z, L18A, L18B, L38Z
	11	L18A, L18B, L19Z, L20A, L20B, L20C, L38Z		13	N11A, N11B	5o902.4		BOP, KVT, UOP4
	12	M06Z, M09A, M09B, M38Z		17	R01A, R01B, R01C, R01D, R02Z, R12A, R12B, R12C	06		G10Z, G12A, G12B
5o494†		BOP, KVT, UOP4		21A	W04A, W04B	07		H06A, H06B, H06C
	11	L18A, L18B, L19Z, L20A, L20B, L20C, L38Z		21B	X06A, X06B, X06C	10		K09A, K09B
	12	M06Z, M09A, M09B, M38Z		11	L11Z, L18A, L18B, L38Z	11		L03Z, L04A, L04B, L04C, L10Z, L13A, L13B, L38Z
5o495†		BOP, KVT, UOP4	5o900.x†		BOP, KVT, UOP4	12		M06Z, M09A, M09B, M38Z
	11	L18A, L18B, L19Z, L20A, L20B, L20C, L38Z	5o901.1		L03Z, L04A, L04B, L04C, L10Z, L13A, L13B, L38Z	13		N11A, N11B
	12	M06Z, M09A, M09B, M38Z		12	M06Z, M09A, M09B, M38Z	17		R01A, R01B, R01C, R01D, R02Z, R12A, R12B, R12C
5o496		BOP, KVT, UOP4		13	N11A, N11B	21A		W04A, W04B
	11	L17A, L17B, L20A, L20B, L20C		17	R01A, R01B, R01C, R01D, R02Z, R12A, R12B, R12C	21B		X06A, X06B, X06C
	13	N11A, N11B		21A	W04A, W04B	5o902.x†		L11Z, L18A, L18B, L38Z
	21A	W04A, W04B		21B	X06A, X06B, X06C	5o903.1		BOP, KVT, UOP4
	21B	X06A, X06B, X06C		11	L03Z, L04A, L04B, L04C, L10Z, L13A, L13B, L38Z	06		G10Z, G12A, G12B
5o497		BOP, KVT, UOP4	5o901.2		BOP, KVT, UOP4	07		H06A, H06B, H06C
	11	L17A, L17B, L20A, L20B, L20C		11	L03Z, L04A, L04B, L04C, L10Z, L13A, L13B, L38Z	10		K09A, K09B
	13	N11A, N11B		12	M06Z, M09A, M09B, M38Z	11		L03Z, L04A, L04B, L04C, L10Z, L13A, L13B, L38Z
	21A	W04A, W04B		13	N11A, N11B	12		M06Z, M09A, M09B, M38Z
	21B	X06A, X06B, X06C		17	R01A, R01B, R01C, R01D, R02Z, R12A, R12B, R12C	13		N11A, N11B
5o498		BOP, KVT, UOP4		21A	W04A, W04B	17		R01A, R01B, R01C, R01D, R02Z, R12A, R12B, R12C
	11	L17A, L17B, L20A, L20B, L20C		21B	X06A, X06B, X06C	21A		W04A, W04B
	13	N11A, N11B		11	L03Z, L04A, L04B, L04C, L10Z, L13A, L13B, L38Z	21B		X06A, X06B, X06C
	21A	W04A, W04B		12	M06Z, M09A, M09B, M38Z	5o903.2		BOP, KVT, UOP4
	21B	X06A, X06B, X06C	5o901.3†		BOP, KVT, UOP4	06		G10Z, G12A, G12B
5o499†		BOP, KVT, UOP4	5o901.4		L11Z, L18A, L18B, L38Z	07		H06A, H06B, H06C
	11	L18A, L18B, L19Z, L20A, L20B, L20C, L38Z		11	L03Z, L04A, L04B, L04C, L10Z, L13A, L13B, L38Z	10		K09A, K09B
	12	M06Z, M09A, M09B, M38Z		12	M06Z, M09A, M09B, M38Z	11		L03Z, L04A, L04B, L04C, L10Z, L13A, L13B, L38Z
5o49a.1†		BOP, KVT, UOP4		13	N11A, N11B	12		M06Z, M09A, M09B, M38Z
	11	L18A, L18B, L19Z, L20A, L20B, L20C, L38Z		17	R01A, R01B, R01C, R01D, R02Z, R12A, R12B, R12C	13		N11A, N11B
	12	M06Z, M09A, M09B, M38Z		21A	W04A, W04B	17		R01A, R01B, R01C, R01D, R02Z, R12A, R12B, R12C
5o49a.2†		BOP, KVT, UOP4		21B	X06A, X06B, X06C	21A		W04A, W04B
	11	L18A, L18B, L19Z, L20A, L20B, L20C, L38Z		11	L11Z, L18A, L18B, L38Z	21B		X06A, X06B, X06C
	12	M06Z, M09A, M09B, M38Z	5o901.x†		BOP, KVT, UOP4	5o903.3†		L11Z, L18A, L18B, L38Z
5o49b		BOP, KVT, UOP4	5o902.1		G10Z, G12A, G12B	5o903.4		BOP, KVT, UOP4
	06	G01Z, G02Z, G38Z		06	G10Z, G12A, G12B	06		G10Z, G12A, G12B
	11	L08A, L08B		07	H06A, H06B, H06C	07		H06A, H06B, H06C
	12	M03A, M03B, M03C, M38Z		10	K09A, K09B	10		K09A, K09B
	Pre	A11A, A13A, A13B, A13D		11	L03Z, L04A, L04B, L04C, L10Z, L13A, L13B, L38Z	11		L03Z, L04A, L04B, L04C, L10Z, L13A, L13B, L38Z
5o49c		BOP, KVT, UOP4		12	M06Z, M09A, M09B, M38Z	12		M06Z, M09A, M09B, M38Z
	06	G01Z, G02Z, G38Z		13	N11A, N11B	13		N11A, N11B
	11	L08A, L08B		17	R01A, R01B, R01C, R01D, R02Z, R12A, R12B, R12C	17		R01A, R01B, R01C, R01D, R02Z, R12A, R12B, R12C
	12	M03A, M03B, M03C, M38Z		21A	W04A, W04B	21A		W04A, W04B
	Pre	A11A, A13A, A13B, A13D		21B	X06A, X06B, X06C	21B		X06A, X06B, X06C
5o49x†		BOP, KVT, UOP4		11	L11Z, L18A, L18B, L38Z	5o903.x†		L11Z, L18A, L18B, L38Z
	11	L18A, L18B, L19Z, L20A, L20B, L20C, L38Z		06	G10Z, G12A, G12B	5o904†		L11Z, L18A, L18B, L38Z
	12	M06Z, M09A, M09B, M38Z		07	H06A, H06B, H06C			
5o900.1		BOP, KVT, UOP4		10	K09A, K09B			
	11	L03Z, L04A, L04B, L04C, L10Z, L13A, L13B, L38Z		11	L03Z, L04A, L04B, L04C, L10Z, L13A, L13B, L38Z			
	12	M06Z, M09A, M09B, M38Z		12	M06Z, M09A, M09B, M38Z			
	13	N11A, N11B		13	N11A, N11B			
	17	R01A, R01B, R01C, R01D, R02Z, R12A, R12B, R12C		17	R01A, R01B, R01C, R01D, R02Z, R12A, R12B, R12C			
	21A	W04A, W04B		21A	W04A, W04B			
	21B	X06A, X06B, X06C		21B	X06A, X06B, X06C			

ZZV	MDC	DRG	ZZV	MDC	DRG	ZZV	MDC	DRG				
5o905.1		BOP, KVT, UOP4	5o906.4		BOP, KVT, UOP4	5o907.2		BOP, KOP, KOPV, KVT, UOP4				
	06	G15Z		06	G10Z, G12A, G12B, G15Z		04	E05A, E05B, E05C, E08A, E08B, E08C				
	10	K03A, K03B		07	H06A, H06B, H06C		06	G10Z, G12A, G12B, G15Z, G18A, G33Z, G38Z				
	11	L03Z, L04A, L04B, L04C, L10Z, L13A, L13B, L38Z		10	K03A, K03B, K09A, K09B		07	H33Z, H38Z				
	12	M06Z, M09A, M09B, M38Z		11	L03Z, L04A, L04B, L04C, L10Z, L13A, L13B, L38Z		08	I28A, I28B				
	13	N11A, N11B		12	M06Z, M09A, M09B, M38Z		09	J03A, J03B, J04A, J04B, J08A, J08B, J08C, J10A, J10B, J16Z				
	17	R01A, R01B, R01C, R01D, R02Z, R12A, R12B, R12C		13	N11A, N11B		10	K09A, K09B				
	21A	W04A, W04B		17	R01A, R01B, R01C, R01D, R02Z, R12A, R12B, R12C		11	L03Z, L04A, L04B, L04C, L10Z, L13A, L13B, L33Z, L38Z				
	21B	X06A, X06B, X06C		21A	W04A, W04B		12	M01A, M01B, M38Z				
	5o905.2			BOP, KVT, UOP4	5o906.50			BOP, KOP, KVT, MVV, UOP4	5o907.4		BOP, KOP, KOPV, KVT, UOP4	
		06		G15Z			06	G03B, G10Z, G12A, G12B, G18A, G38Z		04	E05A, E05B, E05C, E08A, E08B, E08C	
11		L03Z, L04A, L04B, L04C, L10Z, L13A, L13B, L38Z	07	H06A, H06B, H06C		06	G10Z, G12A, G12B, G15Z, G18A, G33Z, G38Z					
12		M06Z, M09A, M09B, M38Z	10	K09A, K09B		07	H33Z, H38Z					
13		N11A, N11B	13	N11A		08	I28A, I28B					
17		R01A, R01B, R01C, R01D, R02Z, R12A, R12B, R12C	17	R01A, R01B, R01C, R01D, R02Z, R12A, R12B, R12C		09	J03A, J03B, J04A, J04B, J08A, J08B, J08C, J10A, J10B, J16Z					
21A		W04A, W04B	23	Z01A		10	K09A, K09B					
21B		X06A, X06B, X06C	5o906.51			BOP, KOP, KVT, MVV, UOP4	11	L03Z, L04A, L04B, L04C, L10Z, L13A, L13B, L33Z, L38Z				
5o905.3† 5o905.4				BOP, KVT, UOP4		5o906.x† 5o907.1		BOP, KOP, KOPV, KVT, UOP4		5o907.x		BOP, KOP, KOPV, KVT, UOP4
		06		G15Z			04	E05A, E05B, E05C, E08A, E08B, E08C			04	E05A, E05B, E05C, E08A, E08B, E08C
		11		L03Z, L04A, L04B, L04C, L10Z, L13A, L13B, L38Z			06	G10Z, G12A, G12B, G15Z, G18A, G33Z, G38Z			06	G10Z, G12A, G12B, G15Z, G33Z
	12	M06Z, M09A, M09B, M38Z		07	H33Z, H38Z		07	H33Z, H38Z				
	13	N11A, N11B		08	I28A, I28B		08	I28A, I28B				
	17	R01A, R01B, R01C, R01D, R02Z, R12A, R12B, R12C		09	J03A, J03B, J04A, J04B, J08A, J08B, J08C, J10A, J10B, J16Z		09	J03A, J03B, J04A, J04B, J08A, J08B, J08C, J10A, J10B, J16Z				
	21A	W04A, W04B		10	K09A, K09B		10	K09A, K09B				
	21B	X06A, X06B, X06C		11	L03Z, L04A, L04B, L04C, L10Z, L13A, L13B, L38Z		11	L03Z, L04A, L04B, L04C, L10Z, L13A, L13B, L33Z, L38Z				
	5o905.x† 5o906.1			BOP, KVT, UOP4	5o906.3†			L11Z, L18A, L18B, L38Z	5o906.3†			L11Z, L18A, L18B, L38Z
		06		G10Z, G12A, G12B, G15Z			04	E05A, E05B, E05C, E08A, E08B, E08C			12	M01A, M01B, M38Z
		07	H06A, H06B, H06C	06			G10Z, G12A, G12B, G15Z, G18A, G33Z, G38Z	13			N01A, N01B, N01C, N01D, N01E, N38Z	
10		K03A, K03B, K09A, K09B	07	H33Z, H38Z		17	R01A, R01B, R01C, R01D, R02Z, R12A, R12B, R12C					
11		L03Z, L04A, L04B, L04C, L10Z, L13A, L13B, L38Z	08	I28A, I28B		21B	X33Z					
12		M06Z, M09A, M09B, M38Z	09	J03A, J03B, J04A, J04B, J08A, J08B, J08C, J10A, J10B, J16Z		23	Z01A					
13		N11A, N11B	10	K09A, K09B		Pre	A07A					
17		R01A, R01B, R01C, R01D, R02Z, R12A, R12B, R12C	11	L03Z, L04A, L04B, L04C, L10Z, L13A, L13B, L38Z		5o907.2		BOP, KOP, KOPV, KVT, UOP4				
21A		W04A, W04B	12	M01A, M01B, M38Z			04	E05A, E05B, E05C, E08A, E08B, E08C				
21B		X06A, X06B, X06C	13	N01A, N01B, N01C, N01D, N01E, N38Z			06	G10Z, G12A, G12B, G15Z, G33Z				
5o906.2			BOP, KVT, UOP4	5o907.1				BOP, KOP, KOPV, KVT, UOP4		5o907.2		BOP, KOP, KOPV, KVT, UOP4
	06	G10Z, G12A, G12B, G15Z	04		E05A, E05B, E05C, E08A, E08B, E08C		06	G10Z, G12A, G12B, G15Z, G33Z				
	07	H06A, H06B, H06C	06		G10Z, G12A, G12B, G15Z, G18A, G33Z, G38Z		07	H33Z, H38Z				
	10	K09A, K09B	07		H33Z, H38Z		08	I28A, I28B				
	11	L03Z, L04A, L04B, L04C, L10Z, L13A, L13B, L38Z	08		I28A, I28B		09	J03A, J03B, J04A, J04B, J08A, J08B, J08C, J10A, J10B, J16Z				
	12	M06Z, M09A, M09B, M38Z	09		J03A, J03B, J04A, J04B, J08A, J08B, J08C, J10A, J10B, J16Z		10	K09A, K09B				
	13	N11A, N11B	10		K09A, K09B		11	L03Z, L04A, L04B, L04C, L10Z, L13A, L13B, L33Z, L38Z				
	17	R01A, R01B, R01C, R01D, R02Z, R12A, R12B, R12C	11		L03Z, L04A, L04B, L04C, L10Z, L13A, L13B, L38Z		12	M01A, M01B, M38Z				
	21A	W04A, W04B	12		M01A, M01B, M38Z	13	N01A, N01B, N01C, N01D, N01E, N38Z					
	21B	X06A, X06B, X06C	13		N01A, N01B, N01C, N01D, N01E, N38Z	17	R01A, R01B, R01C, R01D, R02Z, R12A, R12B, R12C					
	5o906.3†		BOP, KVT, UOP4		5o907.1		BOP, KOP, KOPV, KVT, UOP4	5o907.2			BOP, KOP, KOPV, KVT, UOP4	
06		G10Z, G12A, G12B, G15Z	04	E05A, E05B, E05C, E08A, E08B, E08C		04	E05A, E05B, E05C, E08A, E08B, E08C					
07		H06A, H06B, H06C	06	G10Z, G12A, G12B, G15Z, G18A, G33Z, G38Z		06	G10Z, G12A, G12B, G15Z, G33Z					
10		K09A, K09B	07	H33Z, H38Z		07	H33Z, H38Z					
11		L03Z, L04A, L04B, L04C, L10Z, L13A, L13B, L38Z	08	I28A, I28B		08	I28A, I28B					
12		M06Z, M09A, M09B, M38Z	09	J03A, J03B, J04A, J04B, J08A, J08B, J08C, J10A, J10B, J16Z		09	J03A, J03B, J04A, J04B, J08A, J08B, J08C, J10A, J10B, J16Z					
13		N11A, N11B	10	K09A, K09B		10	K09A, K09B					
17		R01A, R01B, R01C, R01D, R02Z, R12A, R12B, R12C	11	L03Z, L04A, L04B, L04C, L10Z, L13A, L13B, L38Z		11	L03Z, L04A, L04B, L04C, L10Z, L13A, L13B, L33Z, L38Z					
21A		W04A, W04B	12	M01A, M01B, M38Z		12	M01A, M01B, M38Z					
21B		X06A, X06B, X06C	13	N01A, N01B, N01C, N01D, N01E, N38Z		13	N01A, N01B, N01C, N01D, N01E, N38Z					
			17	R01A, R01B, R01C, R01D, R02Z, R12A, R12B, R12C		17	R01A, R01B, R01C, R01D, R02Z, R12A, R12B, R12C					

ZZV	MDC	DRG	ZZV	MDC	DRG	ZZV	MDC	DRG			
5o908.1		BOP, KOP, KOPV, KVT, UOP4	5o908.x		BOP, KOP, KOPV, KVT, UOP4	5o909.x		BOP, KVT, UOP4			
	04	E05A, E05B, E05C, E08A, E08B, E08C		04	E05A, E05B, E05C, E08A, E08B, E08C		06	G10Z, G12A, G12B, G15Z, G18A, G33Z, G38Z			
	06	G10Z, G12A, G12B, G15Z, G18A, G33Z, G38Z		06	G10Z, G12A, G12B, G15Z, G33Z		07	H06A, H06B, H06C			
	07	H33Z, H38Z		07	H33Z, H38Z		10	K09A, K09B			
	08	I28A, I28B		08	I28A, I28B		13	N11A, N11B			
	09	J03A, J03B, J04A, J04B, J08A, J08B, J08C, J10A, J10B, J16Z		09	J03A, J03B, J04A, J04B, J08A, J08B, J08C, J10A, J10B, J16Z		17	R01A, R01B, R01C, R01D, R02Z, R12A, R12B, R12C			
	10	K09A, K09B		10	K09A, K09B			BOP, KVT, UOP4			
	11	L03Z, L04A, L04B, L04C, L10Z, L13A, L13B, L33Z, L38Z		11	L03Z, L04A, L04B, L04C, L10Z, L13A, L13B, L33Z, L38Z		11	L03Z, L04A, L04B, L04C, L10Z, L13A, L13B, L38Z			
	12	M01A, M01B, M38Z		12	M01A, M01B, M38Z		12	M06Z, M09A, M09B, M38Z			
	13	N01A, N01B, N01C, N01D, N01E, N38Z		13	N01A, N01B, N01C, N01D, N01E, N38Z		13	N11A, N11B			
	17	R01A, R01B, R01C, R01D, R02Z, R12A, R12B, R12C		17	R01A, R01B, R01C, R01D, R02Z, R12A, R12B, R12C		17	R01A, R01B, R01C, R01D, R02Z, R12A, R12B, R12C			
	21B	X33Z		21B	X33Z		21A	W04A, W04B			
	23	Z01A		23	Z01A		21B	X06A, X06B, X06C			
	Pre	A07A		Pre	A07A			BOP, KVT, UOP4			
	5o908.2			BOP, KOP, KOPV, KVT, UOP4	5o909.1			BOP, KVT, UOP4	5o90x.1		L03Z, L04A, L04B, L04C, L10Z, L13A, L13B, L38Z
		04		E05A, E05B, E05C, E08A, E08B, E08C			06	G10Z, G12A, G12B, G15Z		11	L03Z, L04A, L04B, L04C, L10Z, L13A, L13B, L38Z
		06		G10Z, G12A, G12B, G15Z, G18A, G33Z, G38Z			07	H06A, H06B, H06C		12	M06Z, M09A, M09B, M38Z
07		H33Z, H38Z	10	K03A, K03B, K09A, K09B		13	N11A, N11B				
08		I28A, I28B	11	L03Z, L04A, L04B, L04C, L10Z, L13A, L13B, L38Z		17	R01A, R01B, R01C, R01D, R02Z, R12A, R12B, R12C				
09		J03A, J03B, J04A, J04B, J08A, J08B, J08C, J10A, J10B, J16Z	12	M06Z, M09A, M09B, M38Z			BOP, KVT, UOP4				
10		K09A, K09B	13	N01A, N01B, N01C, N01D, N01E, N02A, N02B, N02C, N03A, N03B, N07Z, N11A, N11B, N25Z, N38Z		11	L03Z, L04A, L04B, L04C, L10Z, L13A, L13B, L38Z				
11		L03Z, L04A, L04B, L04C, L10Z, L13A, L13B, L33Z, L38Z	17	R01A, R01B, R01C, R01D, R02Z, R12A, R12B, R12C		12	M06Z, M09A, M09B, M38Z				
12		M01A, M01B, M38Z				13	N11A, N11B				
13		N01A, N01B, N01C, N01D, N01E, N38Z	21A	W04A, W04B		17	R01A, R01B, R01C, R01D, R02Z, R12A, R12B, R12C				
17		R01A, R01B, R01C, R01D, R02Z, R12A, R12B, R12C	21B	X06A, X06B, X06C		21A	W04A, W04B				
21B		X33Z				21B	X06A, X06B, X06C				
23		Z01A					BOP, KVT, UOP4				
Pre		A07A				11	L03Z, L04A, L04B, L04C, L10Z, L13A, L13B, L38Z				
5o908.4			BOP, KOP, KOPV, KVT, UOP4	5o909.2			BOP, KVT, UOP4	5o90x.4			L03Z, L04A, L04B, L04C, L10Z, L13A, L13B, L38Z
		04	E05A, E05B, E05C, E08A, E08B, E08C			06	G10Z, G12A, G12B, G15Z			12	M06Z, M09A, M09B, M38Z
		06	G10Z, G12A, G12B, G15Z, G18A, G33Z, G38Z			07	H06A, H06B, H06C			13	N11A, N11B
	07	H33Z, H38Z	10		K09A, K09B	17	R01A, R01B, R01C, R01D, R02Z, R12A, R12B, R12C				
	08	I28A, I28B	11		L03Z, L04A, L04B, L04C, L10Z, L13A, L13B, L38Z	21A	W04A, W04B				
	09	J03A, J03B, J04A, J04B, J08A, J08B, J08C, J10A, J10B, J16Z	12		M06Z, M09A, M09B, M38Z	21B	X06A, X06B, X06C				
	10	K09A, K09B	13		N01A, N01B, N01C, N01D, N01E, N02A, N02B, N02C, N03A, N03B, N07Z, N25Z, N38Z	11	L11Z, L18A, L18B, L38Z				
	11	L03Z, L04A, L04B, L04C, L10Z, L13A, L13B, L33Z, L38Z	17		R01A, R01B, R01C, R01D, R02Z, R12A, R12B, R12C	11	L11Z, L18A, L18B, L38Z				
	12	M01A, M01B, M38Z	21A		W04A, W04B	5o910†	L11Z, L18A, L18B, L38Z				
	13	N01A, N01B, N01C, N01D, N01E, N38Z	21B		X06A, X06B, X06C	5o911	BOP, KVT, UOP4				
	17	R01A, R01B, R01C, R01D, R02Z, R12A, R12B, R12C				11	L06A, L06B				
	21B	X33Z				12	M06Z, M09A, M09B, M38Z				
	23	Z01A				13	N11A, N11B				
	Pre	A07A				17	R01A, R01B, R01C, R01D, R02Z, R12A, R12B, R12C				
	5o908.4		BOP, KOP, KOPV, KVT, UOP4		5o909.4		BOP, KVT, UOP4		5o912		W04A, W04B
		04	E05A, E05B, E05C, E08A, E08B, E08C			06	G10Z, G12A, G12B, G15Z			21B	X06A, X06B, X06C
		06	G10Z, G12A, G12B, G15Z, G18A, G33Z, G38Z			07	H06A, H06B, H06C				BOP, KVT, UOP4
07		H33Z, H38Z	10	K09A, K09B		11	L06A, L06B				
08		I28A, I28B	11	L03Z, L04A, L04B, L04C, L10Z, L13A, L13B, L38Z		12	M06Z, M09A, M09B, M38Z				
09		J03A, J03B, J04A, J04B, J08A, J08B, J08C, J10A, J10B, J16Z	12	M06Z, M09A, M09B, M38Z		13	N11A, N11B				
10		K09A, K09B	13	N01A, N01B, N01C, N01D, N01E, N02A, N02B, N02C, N03A, N03B, N07Z, N11A, N11B, N25Z, N38Z		17	R01A, R01B, R01C, R01D, R02Z, R12A, R12B, R12C				
11		L03Z, L04A, L04B, L04C, L10Z, L13A, L13B, L33Z, L38Z	17	R01A, R01B, R01C, R01D, R02Z, R12A, R12B, R12C		21A	W04A, W04B				
12		M01A, M01B, M38Z				21B	X06A, X06B, X06C				
13		N01A, N01B, N01C, N01D, N01E, N38Z	21A	W04A, W04B			BOP, KVT, UOP4				
17		R01A, R01B, R01C, R01D, R02Z, R12A, R12B, R12C	21B	X06A, X06B, X06C		11	L06A, L06B				
21B		X33Z				12	M06Z, M09A, M09B, M38Z				
23		Z01A				13	N11A, N11B				
Pre		A07A				17	R01A, R01B, R01C, R01D, R02Z, R12A, R12B, R12C				

VYK

ZZV	MDC	DRG	ZZV	MDC	DRG	ZZV	MDC	DRG		
5o91x		BOP, KVT, UOP4	5o923		BOP, KVT, UOP4	5o950.2		BOP, KVT, UOP4		
	11	L06A, L06B		11	L03Z, L04A, L04B, L04C, L10Z, L13A, L13B, L38Z		11	L17A, L17B, L20A, L20B, L20C		
	12	M06Z, M09A, M09B, M38Z		12	M01A, M01B, M38Z		12	M06Z, M09A, M09B, M38Z		
	13	N11A, N11B		13	N04Z, N06Z		13	N13A, N13B		
	17	R01A, R01B, R01C, R01D, R02Z, R12A, R12B, R12C		21A	W04A, W04B		5o951		BOP, KVT, UOP4	
	21A	W04A, W04B		21B	X06A, X06B, X06C			11	L08A, L08B	
	21B	X06A, X06B, X06C		5o92x			BOP, KVT, UOP4	12	M03A, M03B, M03C, M38Z	
5o920.1		BOP, KVT, UOP4	11		L03Z, L04A, L04B, L04C, L10Z, L13A, L13B, L38Z	13	N11A			
	11	L03Z, L04A, L04B, L04C, L10Z, L13A, L13B, L38Z	12		M06Z, M09A, M09B, M38Z	14	962Z, O02A, O02B			
	12	M01A, M01B, M38Z	13		N11A	21A	W04A, W04B			
	13	N04Z, N06Z	5o930.1			BOP, KVT, UOP4	21B	X06A, X06B, X06C		
	21A	W04A, W04B			11	L06A, L06B	5o952.1		BOP, KVT, UOP4	
	21B	X06A, X06B, X06C	13		N04Z, N06Z	11		L08A, L08B		
	5o920.2		BOP, KVT, UOP4	5o930.2		BOP, KVT, UOP4	12	M03A, M03B, M03C, M38Z		
11		L03Z, L04A, L04B, L04C, L10Z, L13A, L13B, L38Z	11		L06A, L06B	13	N11A			
12		M01A, M01B, M38Z	13		N04Z, N06Z	14	962Z, O02A, O02B			
13		N04Z, N06Z	5o930.3			BOP, KVT, UOP4	21A	W04A, W04B		
21A		W04A, W04B			11	L06A, L06B	21B	X06A, X06B, X06C		
21B		X06A, X06B, X06C	5o930.x			BOP, KVT, UOP4	5o952.2		BOP, KVT, UOP4	
5o920.3					BOP, KVT, UOP4	11		L06A, L06B	11	L08A, L08B
	11	L03Z, L04A, L04B, L04C, L10Z, L13A, L13B, L38Z	13	N04Z, N06Z	12	M03A, M03B, M03C, M38Z				
	12	M01A, M01B, M38Z	5o931.1		BOP, KVT, UOP4	13	N11A			
	13	N04Z, N06Z		11	L06A, L06B	14	962Z, O02A, O02B			
	21A	W04A, W04B	5o931.2		BOP, KVT, UOP4	21A	W04A, W04B			
	21B	X06A, X06B, X06C		11	L06A, L06B	21B	X06A, X06B, X06C			
	5o920.x		BOP, KVT, UOP4	5o931.x		BOP, KVT, UOP4	5o953		BOP, KVT, UOP4	
11		L03Z, L04A, L04B, L04C, L10Z, L13A, L13B, L38Z	11		L06A, L06B	11		L06A, L06B		
12		M01A, M01B, M38Z	13		N04Z, N23Z	13		N13A, N13B		
13		N04Z, N06Z	5o932.1			BOP, KVT, UOP4		5o954		BOP, KVT, UOP4
21A		W04A, W04B			11	L06A, L06B			11	L06A, L06B
21B		X06A, X06B, X06C	13		N04Z, N23Z	13		N04Z, N06Z		
5o921			BOP, KVT, UOP4		5o932.x			BOP, KVT, UOP4	5o955	
	11	L03Z, L04A, L04B, L04C, L10Z, L13A, L13B, L38Z	11	L06A, L06B		11	L06A, L06B			
	12	M06Z, M09A, M09B, M38Z	13	N04Z, N23Z		13	N04Z, N06Z			
	13	N11A	5o93x			BOP, KVT, UOP4	5o956.1			BOP, KVT, UOP4
	5o922.1			BOP, KVT, UOP4		11		L06A, L06B		11
		11	L03Z, L04A, L04B, L04C, L10Z, L13A, L13B, L38Z	13		N04Z, N23Z	13	N13A, N13B		
		12	M01A, M01B, M38Z	5o941.1			BOP, KVT, UOP4	5o956.x		
13		N04Z, N06Z	11		L06A, L06B	11	L06A, L06B			
21A		W04A, W04B	5o941.2		BOP, KVT, UOP4	5o95a		BOP, KVT, UOP4		
21B		X06A, X06B, X06C		13	N04Z, N06Z		11	L06A		
5o922.2			BOP, KVT, UOP4	5o941.3		BOP, KVT, UOP4	5o95b		BOP, KVT, UOP4	
	11	L03Z, L04A, L04B, L04C, L10Z, L13A, L13B, L38Z	11		L06A, L06B	11		L06A, L06B		
	12	M01A, M01B, M38Z	13		N04Z, N06Z	13		N13A, N13B		
	13	N04Z, N06Z	5o942.0			BOP, KVT, UOP4		5o95c		BOP, KVT, UOP4
	21A	W04A, W04B			11	L06A, L06B			11	L06A, L06B
	21B	X06A, X06B, X06C	5o942.1			BOP, KVT, UOP4		5o95d		BOP, KVT, UOP4
	5o922.3				BOP, KVT, UOP4	11			L06A	11
11		L03Z, L04A, L04B, L04C, L10Z, L13A, L13B, L38Z	13	N04Z, N23Z	13	N13A, N13B				
12		M01A, M01B, M38Z	5o94x		BOP, KVT, UOP4	5o95x		BOP, KVT, UOP4		
13		N04Z, N06Z		11	L06A, L06B		11	L06A, L06B		
21A		W04A, W04B	5o950.1		BOP, KVT, UOP4	5o960		BOP, KVT, UOP4		
21B		X06A, X06B, X06C		13	N04Z, N23Z		11	L06A, L06B		
5o922.x			BOP, KVT, UOP4	5o950.2		BOP, KVT, UOP4	5o961		BOP, KVT, UOP4	
	11	L03Z, L04A, L04B, L04C, L10Z, L13A, L13B, L38Z	11		L17A, L17B, L20A, L20B, L20C	11		L06A, L06B		
	12	M01A, M01B, M38Z	12		M06Z, M09A, M09B, M38Z	13		N04Z, N06Z		
	13	N04Z, N06Z	13		N13A, N13B	5o962			BOP, KVT, UOP4	
	21A	W04A, W04B	5o963					BOP, KVT, UOP4	11	L06A, L06B
	21B	X06A, X06B, X06C			11	L06A, L06B		13	N04Z, N06Z	

ZZV	MDC	DRG	ZZV	MDC	DRG	ZZV	MDC	DRG
5o96x		BOP, KVT, UOP4	5o993.41		BOP, KVT, UOP4	5o995.1		BOP, KVT, UOP4
	11	L06A, L06B		11	L06A, L06B		11	L06A, L06B
	13	N04Z, N06Z		12	M06Z, M09A, M09B, M38Z		12	M06Z, M09A, M09B, M38Z
5o990		BOP, KVT, UOP4		17	R01A, R01B, R01C, R01D, R02Z, R12A, R12B, R12C		17	R01A, R01B, R01C, R01D, R02Z, R12A, R12B, R12C
	11	L06A, L06B		21A	W04A, W04B		21A	W04A, W04B
	13	N13A, N13B		21B	X06A, X06B, X06C		21B	X06A, X06B, X06C
5o992.10		BOP, KVT, UOP4	5o993.70		BOP, KVT, UOP4	5o995.2		BOP, KVT, UOP4
	11	L06A, L06B		11	L06A, L06B		11	L06A, L06B
	12	M06Z, M09A, M09B, M38Z		12	M06Z, M09A, M09B, M38Z		12	M06Z, M09A, M09B, M38Z
	17	R01A, R01B, R01C, R01D, R02Z, R12A, R12B, R12C		17	R01A, R01B, R01C, R01D, R02Z, R12A, R12B, R12C		17	R01A, R01B, R01C, R01D, R02Z, R12A, R12B, R12C
	21A	W04A, W04B		21A	W04A, W04B		21A	W04A, W04B
	21B	X06A, X06B, X06C		21B	X06A, X06B, X06C		21B	X06A, X06B, X06C
5o992.11		BOP, KVT, UOP4	5o993.71		BOP, KVT, UOP4	5o995.3		BOP, KVT, UOP4
	11	L06A, L06B		11	L06A, L06B		11	L06A, L06B
	12	M06Z, M09A, M09B, M38Z		12	M06Z, M09A, M09B, M38Z		12	M06Z, M09A, M09B, M38Z
	17	R01A, R01B, R01C, R01D, R02Z, R12A, R12B, R12C		17	R01A, R01B, R01C, R01D, R02Z, R12A, R12B, R12C		17	R01A, R01B, R01C, R01D, R02Z, R12A, R12B, R12C
	21A	W04A, W04B		21A	W04A, W04B		21A	W04A, W04B
	21B	X06A, X06B, X06C		21B	X06A, X06B, X06C		21B	X06A, X06B, X06C
5o992.40		BOP, KVT, UOP4	5o994.10		BOP, KVT, UOP4	5o995.4		BOP, KVT, UOP4
	11	L06A, L06B		11	L06A, L06B		11	L06A, L06B
	12	M06Z, M09A, M09B, M38Z		12	M06Z, M09A, M09B, M38Z		12	M06Z, M09A, M09B, M38Z
	17	R01A, R01B, R01C, R01D, R02Z, R12A, R12B, R12C		17	R01A, R01B, R01C, R01D, R02Z, R12A, R12B, R12C		17	R01A, R01B, R01C, R01D, R02Z, R12A, R12B, R12C
	21A	W04A, W04B		21A	W04A, W04B		21A	W04A, W04B
	21B	X06A, X06B, X06C		21B	X06A, X06B, X06C		21B	X06A, X06B, X06C
5o992.41		BOP, KVT, UOP4	5o994.11		BOP, KVT, UOP4	5o995.7		BOP, KVT, UOP4
	11	L06A, L06B		11	L06A, L06B		11	L06A, L06B
	12	M06Z, M09A, M09B, M38Z		12	M06Z, M09A, M09B, M38Z		12	M06Z, M09A, M09B, M38Z
	17	R01A, R01B, R01C, R01D, R02Z, R12A, R12B, R12C		17	R01A, R01B, R01C, R01D, R02Z, R12A, R12B, R12C		17	R01A, R01B, R01C, R01D, R02Z, R12A, R12B, R12C
	21A	W04A, W04B		21A	W04A, W04B		21A	W04A, W04B
	21B	X06A, X06B, X06C		21B	X06A, X06B, X06C		21B	X06A, X06B, X06C
5o992.70		BOP, KVT, UOP4	5o994.40		BOP, KVT, UOP4	5o995.x		BOP, KVT, UOP4
	11	L06A, L06B		11	L06A, L06B		11	L06A, L06B
	12	M06Z, M09A, M09B, M38Z		12	M06Z, M09A, M09B, M38Z		12	M06Z, M09A, M09B, M38Z
	17	R01A, R01B, R01C, R01D, R02Z, R12A, R12B, R12C		17	R01A, R01B, R01C, R01D, R02Z, R12A, R12B, R12C		17	R01A, R01B, R01C, R01D, R02Z, R12A, R12B, R12C
	21A	W04A, W04B		21A	W04A, W04B		21A	W04A, W04B
	21B	X06A, X06B, X06C		21B	X06A, X06B, X06C		21B	X06A, X06B, X06C
5o992.71		BOP, KVT, UOP4	5o994.41		BOP, KVT, UOP4	5o99x		BOP, KVT, UOP4
	11	L06A, L06B		11	L06A, L06B		11	L06A, L06B
	12	M06Z, M09A, M09B, M38Z		12	M06Z, M09A, M09B, M38Z		12	M06Z, M09A, M09B, M38Z
	17	R01A, R01B, R01C, R01D, R02Z, R12A, R12B, R12C		17	R01A, R01B, R01C, R01D, R02Z, R12A, R12B, R12C		17	R01A, R01B, R01C, R01D, R02Z, R12A, R12B, R12C
	21A	W04A, W04B		21A	W04A, W04B		21A	W04A, W04B
	21B	X06A, X06B, X06C		21B	X06A, X06B, X06C		21B	X06A, X06B, X06C
5o993.10		BOP, KVT, UOP4	5o994.70		BOP, KVT, UOP4	5p111.t		BOP, KVT, UOP4
	11	L06A, L06B		11	L06A, L06B		12	M06Z, M09A, M09B, M38Z
	12	M06Z, M09A, M09B, M38Z		12	M06Z, M09A, M09B, M38Z		5p111.x	BOP, KVT, UOP4
	17	R01A, R01B, R01C, R01D, R02Z, R12A, R12B, R12C		17	R01A, R01B, R01C, R01D, R02Z, R12A, R12B, R12C		12	M06Z, M09A, M09B, M38Z
	21A	W04A, W04B		21A	W04A, W04B		5p112	BOP, KVT, UOP4
	21B	X06A, X06B, X06C		21B	X06A, X06B, X06C		12	M06Z, M09A, M09B, M38Z
5o993.11		BOP, KVT, UOP4	5o994.71		BOP, KVT, UOP4	5p113		BOP, KVT, UOP4
	11	L06A, L06B		11	L06A, L06B		12	M06Z, M09A, M09B, M38Z
	12	M06Z, M09A, M09B, M38Z		12	M06Z, M09A, M09B, M38Z		5p114	BOP, KVT, UOP4
	17	R01A, R01B, R01C, R01D, R02Z, R12A, R12B, R12C		17	R01A, R01B, R01C, R01D, R02Z, R12A, R12B, R12C		12	M06Z, M09A, M09B, M38Z
	21A	W04A, W04B		21A	W04A, W04B		5p115	BOP, KVT, UOP4
	21B	X06A, X06B, X06C		21A	W04A, W04B		12	M06Z, M09A, M09B, M38Z
5o993.40		BOP, KVT, UOP4		21B	X06A, X06B, X06C		5p116	BOP, KVT, UOP4
	11	L06A, L06B					12	M06Z, M09A, M09B, M38Z
	12	M06Z, M09A, M09B, M38Z					5p11x	BOP, KVT, UOP4
	17	R01A, R01B, R01C, R01D, R02Z, R12A, R12B, R12C					12	M06Z, M09A, M09B, M38Z
	21A	W04A, W04B					5p121.1	BOP, KVT, UOP4
	21B	X06A, X06B, X06C					11	L03Z, L04A, L04B, L04C, L10Z, L13A, L13B, L38Z
							12	M01A, M01B, M09A, M38Z

VYK

ZZV	MDC	DRG	ZZV	MDC	DRG	ZZV	MDC	DRG	
5p121.2		BOP, KVT, UOP4	5p124.8		BOP, KVT, MVV, UOP4	5p131		BOP, KVT, UOP4	
	11	L03Z, L04A, L04B, L04C, L10Z, L13A, L13B, L38Z		11	L03Z, L04A, L04B, L04C, L10Z, L13A, L13B, L38Z		12	M06Z, M09A, M09B, M38Z	
	12	M01A, M01B, M09A, M38Z		12	M01A, M01B, M38Z	5p132		BOP, KVT, UOP4	
5p121.3		BOP, KVT, UOP4		23	Z01A		12	M06Z, M09A, M09B, M38Z	
	12	M06Z, M09A, M09B, M38Z	5p125.2		BOP, KVT, MVV, UOP4	5p133		BOP, KVT, UOP4	
5p121.4		BOP, KVT, UOP4		11	L03Z, L04A, L04B, L04C, L10Z, L13A, L13B, L38Z		12	M06Z, M09A, M09B, M38Z	
	11	L05A, L05B		12	M01A, M01B, M38Z	5p134		BOP, KVT, UOP4	
	12	M02A, M02B, M38Z		23	Z01A		12	M06Z, M09A, M09B, M38Z	
5p121.x		BOP, KVT, UOP4	5p125.3		BOP, KVT, MVV, UOP4	5p135		M06Z, M09A, M09B, M38Z	
	11	L05A, L05B		11	L03Z, L04A, L04B, L04C, L10Z, L13A, L13B, L38Z	5p136		BOP, KVT, UOP4	
	12	M02A, M02B, M38Z		12	M01A, M01B, M38Z		12	M06Z, M09A, M09B, M38Z	
5p122.2		BOP, KVT, MVV, UOP4		23	Z01A	5p13x		BOP, KVT, UOP4	
	11	L03Z, L04A, L04B, L04C, L10Z, L13A, L13B, L38Z	5p125.4		BOP, KVT, MVV, UOP4		12	M06Z, M09A, M09B, M38Z	
	12	M01A, M01B, M38Z		11	L03Z, L04A, L04B, L04C, L10Z, L13A, L13B, L38Z	5p140.1		L05A, L05B	
	23	Z01A		12	M01A, M01B, M38Z		12	M02A, M02B, M38Z	
5p122.3		BOP, KVT, MVV, UOP4		23	Z01A	5p140.2		BOP, KVT, UOP4	
	11	L03Z, L04A, L04B, L04C, L10Z, L13A, L13B, L38Z	5p125.5		BOP, KVT, MVV, UOP4		11	L05A, L05B	
	12	M01A, M01B, M38Z		11	L03Z, L04A, L04B, L04C, L10Z, L13A, L13B, L38Z		12	M02A, M02B, M38Z	
	23	Z01A		12	M01A, M01B, M38Z	5p141		BOP, KVT, UOP4	
5p122.4		BOP, KVT, MVV, UOP4		23	Z01A		12	M06Z, M09A, M09B, M38Z	
	11	L03Z, L04A, L04B, L04C, L10Z, L13A, L13B, L38Z	5p126.2		BOP, KVT, MVV, UOP4	5p142		BOP, KVT, UOP4	
	12	M01A, M01B, M38Z		11	L03Z, L04A, L04B, L04C, L10Z, L13A, L13B, L38Z		12	M06Z, M09A, M09B, M38Z	
	23	Z01A		12	M01A, M01B, M38Z	5p143.1		BOP, KVT, UOP4	
5p122.8		BOP, KVT, MVV, UOP4		23	Z01A		12	M06Z, M09A, M09B, M11Z, M38Z	
	11	L03Z, L04A, L04B, L04C, L10Z, L13A, L13B, L38Z	5p126.3		BOP, KVT, MVV, UOP4	5p143.2		BOP, KVT, UOP4	
	12	M01A, M01B, M38Z		11	L03Z, L04A, L04B, L04C, L10Z, L13A, L13B, L38Z		12	M06Z, M09A, M09B, M11Z, M38Z	
	23	Z01A		12	M01A, M01B, M38Z	5p143.3		BOP, KVT, UOP4	
5p123.2		BOP, KVT, MVV, UOP4		23	Z01A		12	M06Z, M09A, M09B, M11Z, M38Z	
	11	L03Z, L04A, L04B, L04C, L10Z, L13A, L13B, L38Z	5p126.4		BOP, KVT, MVV, UOP4	5p143.x		BOP, KVT, UOP4	
	12	M01A, M01B, M38Z		11	L03Z, L04A, L04B, L04C, L10Z, L13A, L13B, L38Z		12	M06Z, M09A, M09B, M11Z, M38Z	
	23	Z01A		12	M01A, M01B, M38Z	5p144		BOP, KVT, UOP4	
5p123.3		BOP, KVT, MVV, UOP4		23	Z01A		12	M06Z, M09A, M09B, M38Z	
	11	L03Z, L04A, L04B, L04C, L10Z, L13A, L13B, L38Z	5p126.8		BOP, KVT, MVV, UOP4	5p145		BOP, KVT, UOP4	
	12	M01A, M01B, M38Z		11	L03Z, L04A, L04B, L04C, L10Z, L13A, L13B, L38Z		12	M06Z, M09A, M09B, M38Z	
	23	Z01A		12	M01A, M01B, M38Z	5p146		BOP, KVT, UOP4	
5p123.4		BOP, KVT, MVV, UOP4		23	Z01A		12	M06Z, M09A, M09B, M11Z, M38Z	
	11	L03Z, L04A, L04B, L04C, L10Z, L13A, L13B, L38Z	5p127.2		BOP, KVT, MVV, UOP4	5p14x		BOP, KVT, UOP4	
	12	M01A, M01B, M38Z		11	L03Z, L04A, L04B, L04C, L10Z, L13A, L13B, L38Z		12	M06Z, M09A, M09B, M38Z	
	23	Z01A		12	M01A, M01B, M38Z	5p151↔		BOP, KVT, UOP4	
5p123.8		BOP, KVT, MVV, UOP4		23	Z01A		12	M06Z, M09A, M09B, M38Z	
	11	L03Z, L04A, L04B, L04C, L10Z, L13A, L13B, L38Z	5p127.3		BOP, KVT, MVV, UOP4	5p152↔		BOP, KVT, UOP4	
	12	M01A, M01B, M38Z		11	L03Z, L04A, L04B, L04C, L10Z, L13A, L13B, L38Z		12	M06Z, M09A, M09B, M38Z	
	23	Z01A		12	M01A, M01B, M38Z	5p153↔		BOP, KVT, UOP4	
5p124.2		BOP, KVT, MVV, UOP4		23	Z01A		12	M06Z, M09A, M09B, M38Z	
	11	L03Z, L04A, L04B, L04C, L10Z, L13A, L13B, L38Z	5p127.4		BOP, KVT, MVV, UOP4	5p15x↔		BOP, KVT, UOP4	
	12	M01A, M01B, M38Z		11	L03Z, L04A, L04B, L04C, L10Z, L13A, L13B, L38Z		12	M06Z, M09A, M09B, M38Z	
	23	Z01A		12	M01A, M01B, M38Z	5p190.1		BOP, KVT, UOP4	
5p124.3		BOP, KVT, MVV, UOP4		23	Z01A		12	M06Z, M09A, M09B, M38Z	
	11	L03Z, L04A, L04B, L04C, L10Z, L13A, L13B, L38Z	5p127.5		BOP, KVT, MVV, UOP4		21A	W04A, W04B	
	12	M01A, M01B, M38Z		11	L03Z, L04A, L04B, L04C, L10Z, L13A, L13B, L38Z		21B	X06A, X06B, X06C	
	23	Z01A		12	M01A, M01B, M38Z	5p190.t		BOP, KVT, UOP4	
5p124.4		BOP, KVT, MVV, UOP4		23	Z01A		12	M06Z, M09A, M09B, M38Z	
	11	L03Z, L04A, L04B, L04C, L10Z, L13A, L13B, L38Z		11	L03Z, L04A, L04B, L04C, L10Z, L13A, L13B, L38Z		21A	W04A, W04B	
	12	M01A, M01B, M38Z		12	M01A, M01B, M38Z		21B	X06A, X06B, X06C	
	23	Z01A	5p12x		BOP, KVT, MVV, UOP4	5p191		BOP, KVT, UOP4	
				11	L03Z, L04A, L04B, L04C, L10Z, L13A, L13B, L38Z		12	M06Z, M09A, M09B, M38Z	
				12	M01A, M01B, M38Z		21A	W04A, W04B	
						5p192		21B	X06A, X06B, X06C
							11	BOP, KVT, UOP4	
								L18A, L18B, L19Z, L20A, L20B, L20C, L38Z	
							12	M06Z, M09A, M09B, M38Z	

ZZV	MDC	DRG	ZZV	MDC	DRG	ZZV	MDC	DRG
5p193		BOP, KVT, UOP4	5p301.0↔	08	I28A, I28B	5p306↔	10	K09A, K09B
	11	L18A, L18B, L19Z, L20A, L20B, L20C, L38Z		10	K09A, K09B		12	M04A, M04B, M04C, M04D, M37Z, M38Z
5p194	12	M06Z, M09A, M09B, M38Z		12	M04A, M04B, M04C, M37Z, M38Z		21A	W04A, W04B
		BOP, KVT, UOP4		21A	W04A, W04B		21B	X06A, X06B, X06C
	11	L18A, L18B, L19Z, L20A, L20B, L20C, L38Z		21B	X06A, X06B, X06C		22	Y01Z, Y03A, Y03B
	12	M06Z, M09A, M09B, M38Z		22	Y01Z, Y03A, Y03B	5p30x↔		BOP, KVT, UOP4
5p195‡	11	L18A, L18B, L19Z, L20A, L20B, L20C, L38Z	5p301.2↔	08	I28A, I28B		10	K09A, K09B
	12	M06Z, M09A, M09B, M38Z		10	K09A, K09B		12	M04A, M04B, M04C, M04D, M37Z, M38Z
5p196		BOP, KVT, UOP4		12	M04A, M04B, M04C, M04D, M37Z, M38Z		21A	W04A, W04B
	12	M06Z, M09A, M09B, M38Z		21A	W04A, W04B		21B	X06A, X06B, X06C
	21A	W04A, W04B		21B	X06A, X06B, X06C		22	Y01Z, Y03A, Y03B
	21B	X06A, X06B, X06C		22	Y01Z, Y03A, Y03B	5p311↔		BOP, KVT, UOP4
5p197		BOP, KVT, UOP4		22	Y01Z, Y03A, Y03B		10	K09A, K09B
	11	L18A, L18B, L19Z, L20A, L20B, L20C, L38Z	5p302.0↔	08	I28A, I28B		12	M04A, M04B, M04C, M04D, M37Z, M38Z
	12	M06Z, M09A, M09B, M38Z		10	K09A, K09B			BOP, KVT, UOP4
5p198‡	11	L18A, L18B, L19Z, L20A, L20B, L20C, L38Z		12	M04A, M04B, M04C, M37Z, M38Z	5p312↔		BOP, KVT, UOP4
	12	M06Z, M09A, M09B, M38Z		21A	W04A, W04B		10	K09A, K09B
	21A	W04A, W04B		21B	X06A, X06B, X06C		12	M04A, M04B, M04C, M04D, M37Z, M38Z
	21B	X06A, X06B, X06C		22	Y01Z, Y03A, Y03B			BOP, KVT, UOP4
5p19x‡	11	L18A, L18B, L19Z, L20A, L20B, L20C, L38Z		22	Y01Z, Y03A, Y03B	5p31x↔		BOP, KVT, UOP4
	12	M06Z, M09A, M09B, M38Z	5p302.2↔	08	I28A, I28B		10	K09A, K09B
	21A	W04A, W04B		10	K09A, K09B		12	M04A, M04B, M04C, M04D, M37Z, M38Z
5p201		BOP, KVT, UOP4		12	M04A, M04B, M04C, M04D, M37Z, M38Z	5p320.1↔		BOP, KVT, UOP4
	10	K09A, K09B		21A	W04A, W04B		10	K09A, K09B
	12	M04A, M04B, M04C, M04D, M37Z, M38Z		21B	X06A, X06B, X06C		12	M04A, M04B, M04C, M37Z, M38Z
	21A	W04A, W04B		22	Y01Z, Y03A, Y03B			BOP, KVT, UOP4
	21B	X06A, X06B, X06C		22	Y01Z, Y03A, Y03B	5p320.4↔		BOP, KVT, UOP4
5p20x		BOP, KVT, UOP4	5p303.1↔	08	I28A, I28B		10	K09A, K09B
	12	M04A, M04B, M04C, M04D, M37Z, M38Z		10	K09A, K09B		12	M04A, M04B, M04C, M37Z, M38Z
5p211		BOP, KVT, UOP4		12	M04A, M04B, M04C, M37Z, M38Z	5p321.1↔		BOP, KVT, UOP4
	12	M04A, M04B, M04C, M04D, M37Z, M38Z		21A	W04A, W04B		10	K09A, K09B
	21A	W04A, W04B		21B	X06A, X06B, X06C		12	M04A, M04B, M04C, M37Z, M38Z
	21B	X06A, X06B, X06C		22	Y01Z, Y03A, Y03B	5p321.4↔		BOP, KVT, UOP4
5p212		BOP, KVT, UOP4		22	Y01Z, Y03A, Y03B		10	K09A, K09B
	10	K09A, K09B	5p303.4↔	08	I28A, I28B		12	M04A, M04B, M04C, M37Z, M38Z
	12	M04A, M04B, M04C, M04D, M37Z, M38Z		10	K09A, K09B			BOP, KVT, UOP4
	21A	W04A, W04B		12	M04A, M04B, M04C, M37Z, M38Z	5p32x↔		BOP, KVT, UOP4
	21B	X06A, X06B, X06C		21A	W04A, W04B		10	K09A, K09B
5p221		BOP, KVT, UOP4		21B	X06A, X06B, X06C		12	M04A, M04B, M04C, M04D, M37Z, M38Z
	12	M04A, M04B, M04C, M04D, M37Z, M38Z		22	Y01Z, Y03A, Y03B	5p341‡↔	12	M04A, M04B, M04C, M04D, M37Z, M38Z
	21A	W04A, W04B		22	Y01Z, Y03A, Y03B			BOP, KVT, UOP4
	21B	X06A, X06B, X06C	5p304↔	08	I28A, I28B	5p342‡↔	12	M04A, M04B, M04C, M04D, M37Z, M38Z
5p233		BOP, KVT, UOP4		10	K09A, K09B			BOP, KVT, UOP4
	12	M04A, M04B, M04C, M04D, M37Z, M38Z		12	M01A, M04A, M04B, M04C, M37Z, M38Z	5p343‡↔	12	M04A, M04B, M04C, M04D, M37Z, M38Z
	21A	W04A, W04B		21A	W04A, W04B			BOP, KVT, UOP4
	21B	X06A, X06B, X06C		21B	X06A, X06B, X06C	5p34x‡↔	12	M04A, M04B, M04C, M04D, M37Z, M38Z
5p241		BOP, KVT, UOP4		22	Y01Z, Y03A, Y03B			BOP, KVT, UOP4
	10	K09A, K09B	5p305.0↔	10	K09A, K09B	5p351↔		BOP, KVT, UOP4
	12	M04A, M04B, M04C, M04D, M37Z, M38Z		12	M04A, M04B, M04C, M37Z, M38Z		12	M04A, M04B, M04C, M04D, M37Z, M38Z
	19	U01Z		21A	W04A, W04B		21A	W04A, W04B
	21A	W04A, W04B		21B	X06A, X06B, X06C		21B	X06A, X06B, X06C
	21B	X06A, X06B, X06C		22	Y01Z, Y03A, Y03B		22	Y01Z, Y03A, Y03B
5p242		BOP, KVT, UOP4		22	Y01Z, Y03A, Y03B	5p35x↔		BOP, KVT, UOP4
	10	K09A, K09B	5p305.2↔	10	K09A, K09B		12	M04A, M04B, M04C, M04D, M37Z, M38Z
	12	M04A, M04B, M04C, M04D, M37Z, M38Z		12	M04A, M04B, M04C, M37Z, M38Z		21A	W04A, W04B
	19	U01Z		21A	W04A, W04B		21B	X06A, X06B, X06C
	21A	W04A, W04B		21B	X06A, X06B, X06C		22	Y01Z, Y03A, Y03B
	21B	X06A, X06B, X06C		22	Y01Z, Y03A, Y03B	5p391.0		BOP, KVT, UOP4
	21A	W04A, W04B		21A	W04A, W04B		12	M06Z, M09A, M09B, M38Z
	21B	X06A, X06B, X06C		21B	X06A, X06B, X06C			
	21B	X06A, X06B, X06C		22	Y01Z, Y03A, Y03B			

ZZV	MDC	DRG	ZZV	MDC	DRG	ZZV	MDC	DRG
5p391.1↔		BOP, KVT, UOP4	5p431↔		BOP, KVT, UOP4	5p504		BOP, KVT, UOP4
	10	K09A, K09B		12	M04A, M04B, M04C, M04D, M37Z, M38Z		11	L09A, L09B, L09C, L09D, L38Z
	12	M01A, M01B, M04A, M04B, M04C, M04D, M09A, M09B, M37Z, M38Z		21A	W04A, W04B		12	M05Z, M38Z
5p391.4		BOP, KVT, UOP4	5p432↔		BOP, KVT, UOP4		15	P60A, P60B, P60C, P67B, P67C
	10	K09A, K09B		12	M04A, M04B, M04C, M04D, M37Z, M38Z		22	Y01Z, Y03A, Y03B
	12	M04A, M04B, M04C, M04D, M37Z, M38Z		21A	W04A, W04B	5p505.1		BOP, KVT, UOP4
5p391.x		BOP, KVT, UOP4		21B	X06A, X06B, X06C		11	L09A, L09B, L09C, L09D, L38Z
	10	K09A, K09B	5p433±↔		M04A, M04B, M04C, M04D, M37Z, M38Z		12	M05Z, M38Z
	12	M04A, M04B, M04C, M04D, M37Z, M38Z		12	M04A, M04B, M04C, M04D, M37Z, M38Z		22	Y01Z, Y03A, Y03B
5p392↔		BOP, KVT, UOP4	5p434±↔		M04A, M04B, M04C, M04D, M37Z, M38Z	5p505.2		BOP, KVT, UOP4
	12	M04A, M04B, M04C, M04D, M37Z, M38Z		12	M04A, M04B, M04C, M04D, M37Z, M38Z		11	L09A, L09B, L09C, L09D, L38Z
5p393↔		BOP, KVT, UOP4	5p43x±↔		M04A, M04B, M04C, M04D, M37Z, M38Z		12	M05Z, M38Z
	12	M04A, M04B, M04C, M04D, M37Z, M38Z		5p461↔	BOP, KVT, UOP4		22	Y01Z, Y03A, Y03B
	21A	W04A, W04B		12	M04A, M04B, M04C, M04D, M37Z, M38Z	5p506		BOP, KVT, UOP4
	21B	X06A, X06B, X06C		21A	W04A, W04B		11	L09A, L09B, L09C, L09D, L38Z
5p394↔		BOP, KVT, UOP4		21B	X06A, X06B, X06C		12	M05Z, M38Z
	10	K09A, K09B	5p462↔		BOP, KVT, UOP4		15	P60A, P60B, P60C, P67B, P67C
	12	M04A, M04B, M04C, M04D, M37Z, M38Z		12	M04A, M04B, M04C, M04D, M37Z, M38Z		22	Y01Z, Y03A, Y03B
	12	M04A, M04B, M04C, M04D, M37Z, M38Z		21A	W04A, W04B	5p511		BOP, KVT, UOP4
5p39x±↔		M04A, M04B, M04C, M04D, M37Z, M38Z		21B	X06A, X06B, X06C		09	J03A, J03B, J04A, J04B, J08A, J08B, J08C, J11A, J11B, J11C, J16Z
5p401.2↔		BOP, KVT, UOP4	5p463↔		BOP, KVT, UOP4		12	M05Z, M38Z
	12	M04A, M04B, M04C, M04D, M37Z, M38Z		12	M04A, M04B, M04C, M04D, M37Z, M38Z	5p512		BOP, KVT, UOP4
5p402.0↔		BOP, KVT, UOP4		5p464↔	BOP, KVT, UOP4		09	J03A, J03B, J04A, J04B, J08A, J08B, J08C, J11A, J11B, J11C, J16Z
	12	M04A, M04B, M04C, M04D, M37Z, M38Z		12	M04A, M04B, M04C, M04D, M37Z, M38Z		12	M05Z, M38Z
5p402.1↔		BOP, KVT, UOP4		5p465↔	BOP, KVT, UOP4		12	M05Z, M38Z
	12	M04A, M04B, M04C, M04D, M37Z, M38Z		12	M04A, M04B, M04C, M04D, M37Z, M38Z	5p51x		BOP, KVT, UOP4
	12	M04A, M04B, M04C, M04D, M37Z, M38Z		21A	W04A, W04B		09	J03A, J03B, J04A, J04B, J08A, J08B, J08C, J11A, J11B, J11C, J16Z
5p402.3↔		BOP, KVT, UOP4		21B	X06A, X06B, X06C		12	M05Z, M38Z
	12	M04A, M04B, M04C, M04D, M37Z, M38Z	5p46x↔		BOP, KVT, UOP4		12	M05Z, M38Z
	12	M04A, M04B, M04C, M04D, M37Z, M38Z		12	M04A, M04B, M04C, M04D, M37Z, M38Z	5p521		BOP, KVT, UOP4
5p402.4↔		BOP, KVT, UOP4		5p491↔	BOP, KVT, UOP4		10	K09A, K09B
	12	M04A, M04B, M04C, M04D, M37Z, M38Z		12	M04A, M04B, M04C, M04D, M37Z, M38Z		12	M03A, M03B, M03C, M38Z
5p403↔		BOP, KVT, UOP4		5p492↔	BOP, KVT, UOP4		22	Y01Z, Y02A, Y02B, Y03A, Y03B
	12	M04A, M04B, M04C, M04D, M37Z, M38Z		12	M04A, M04B, M04C, M04D, M37Z, M38Z	5p522		BOP, KVT, UOP4
	12	M04A, M04B, M04C, M04D, M37Z, M38Z		5p493↔	BOP, KVT, UOP4		10	K09A, K09B
5p40x↔		BOP, KVT, UOP4		12	M04A, M04B, M04C, M04D, M37Z, M38Z		12	M03A, M03B, M03C, M38Z
	12	M04A, M04B, M04C, M04D, M37Z, M38Z		12	M04A, M04B, M04C, M04D, M37Z, M38Z		22	Y01Z, Y02A, Y02B, Y03A, Y03B
5p411↔		BOP, KVT, UOP4		21A	W04A, W04B	5p523		BOP, KVT, UOP4
	12	M04A, M04B, M04C, M04D, M37Z, M38Z		21B	X06A, X06B, X06C		10	K09A, K09B
	12	M04A, M04B, M04C, M04D, M37Z, M38Z	5p494↔		BOP, KVT, UOP4		12	M03A, M03B, M03C, M38Z
5p412↔		BOP, KVT, UOP4		12	M04A, M04B, M04C, M04D, M37Z, M38Z		21A	W04A, W04B
	12	M04A, M04B, M04C, M04D, M37Z, M38Z		12	M04A, M04B, M04C, M04D, M37Z, M38Z		21B	X06A, X06B, X06C
5p413↔		BOP, KVT, UOP4		5p49x↔	BOP, KVT, UOP4		22	Y01Z, Y02A, Y02B, Y03A, Y03B
	12	M04A, M04B, M04C, M04D, M37Z, M38Z		12	M04A, M04B, M04C, M04D, M37Z, M38Z	5p530		BOP, KVT, UOP4
	12	M04A, M04B, M04C, M04D, M37Z, M38Z		5p503	BOP, KVT, UOP4		09	J03A, J03B, J04A, J04B, J08A, J08B, J08C, J11A, J11B, J11C, J16Z
5p41x↔		BOP, KVT, UOP4		11	L09A, L09B, L09C, L09D, L38Z		12	M03A, M03B, M03C, M38Z
	12	M04A, M04B, M04C, M04D, M37Z, M38Z		12	M05Z, M38Z		19	U01Z
5p421↔		BOP, KVT, UOP4		15	P60A, P60B, P60C, P67B, P67C		21A	W04A, W04B
	12	M04A, M04B, M04C, M04D, M37Z, M38Z		22	Y01Z, Y03A, Y03B		21B	X06A, X06B, X06C
5p422↔		BOP, KVT, UOP4					22	Y01Z, Y03A, Y03B
	12	M04A, M04B, M04C, M04D, M37Z, M38Z						
5p42x↔		BOP, KVT, UOP4						
	12	M04A, M04B, M04C, M04D, M37Z, M38Z						

VYK

ZZV	MDC	DRG	ZZV	MDC	DRG	ZZV	MDC	DRG
5p531		BOP, KVT, UOP4	5p543.0	06	G01Z, G02Z, G38Z	5p554	06	G01Z, G02Z, G38Z
	12	M03A, M03B, M03C, M38Z		11	L08A, L08B		11	L08A, L08B
	19	U01Z		12	M03A, M03B, M03C, M38Z		12	M03A, M03B, M03C, M38Z
	21A	W04A, W04B		Pre	A11A, A13A, A13B, A13D		Pre	A11A, A13A, A13B, A13D
	21B	X06A, X06B, X06C			BOP, KVT, UOP4			BOP, KVT, UOP4
5p532	22	Y01Z, Y03A, Y03B	5p543.1	06	G01Z, G02Z, G38Z	5p555	06	G01Z, G02Z, G38Z
		BOP, KVT, UOP4		11	L08A, L08B		11	L08A, L08B
	09	J03A, J03B, J04A, J04B, J08A, J08B, J08C, J11A, J11B, J16Z		12	M03A, M03B, M03C, M38Z		12	M03A, M03B, M03C, M38Z
	12	M03A, M03B, M03C, M38Z		Pre	A11A, A13A, A13B, A13D		Pre	A11A, A13A, A13B, A13D
	19	U01Z			BOP, KVT, UOP4			BOP, KVT, UOP4
5p533	21A	W04A, W04B	5p543.2	06	G01Z, G02Z, G38Z	5p556	06	G01Z, G02Z, G38Z
	21B	X06A, X06B, X06C		11	L08A, L08B		11	L08A, L08B
	22	Y01Z, Y03A, Y03B		12	M03A, M03B, M03C, M38Z		12	M03A, M03B, M03C, M38Z
		BOP, KVT, UOP4		Pre	A11A, A13A, A13B, A13D		Pre	A11A, A13A, A13B, A13D
	09	J03A, J03B, J04A, J04B, J08A, J08B, J08C, J11A, J11B, J16Z			BOP, KVT, UOP4			BOP, KVT, UOP4
5p534	12	M03A, M03B, M03C, M38Z	5p543.3	06	G01Z, G02Z, G38Z	5p55x	06	G01Z, G02Z, G38Z
	19	U01Z		11	L08A, L08B		11	L08A, L08B
	21A	W04A, W04B		12	M03A, M03B, M03C, M38Z		12	M03A, M03B, M03C, M38Z
	21B	X06A, X06B, X06C		Pre	A11A, A13A, A13B, A13D		Pre	A11A, A13A, A13B, A13D
	22	Y01Z, Y03A, Y03B			BOP, KVT, UOP4			BOP, KVT, UOP4
5p535		BOP, KVT, UOP4	5p543.x	06	G01Z, G02Z, G38Z	5p590	12	M03A, M03B, M03C, M38Z
	09	J03A, J03B, J04A, J04B, J08A, J08B, J08C, J11A, J11B, J16Z		11	L08A, L08B		21B	X06A, X06B, X06C
	12	M03A, M03B, M03C, M38Z		12	M03A, M03B, M03C, M38Z			BOP, KVT, UOP4
	19	U01Z		Pre	A11A, A13A, A13B, A13D		12	M03A, M03B, M03C, M38Z
	21A	W04A, W04B			BOP, KVT, UOP4		12	M03A, M03B, M03C, M38Z
5p536	21B	X06A, X06B, X06C	5p54x	06	G01Z, G02Z, G38Z	5p591	05	F01A, F01B, F01D, F05Z, F07A, F07B, F14A, F14B, F28A, F42Z, F54Z, F59A, F59B
	22	Y01Z, Y03A, Y03B		11	L08A, L08B		12	M03A, M03B, M03C, M38Z
		BOP, KVT, UOP4		12	M03A, M03B, M03C, M38Z			BOP, KVT, UOP4
	09	J03A, J03B, J04A, J04B, J08A, J08B, J08C, J11A, J11B, J11C, J16Z		Pre	A11A, A13A, A13B, A13D			BOP, KVT, UOP4
	12	M03A, M03B, M03C, M38Z			BOP, KVT, UOP4			BOP, KVT, UOP4
5p537	19	U01Z	5p551	06	G01Z, G02Z, G38Z	5p592	12	M03A, M03B, M03C, M38Z
	21A	W04A, W04B		10	K09A, K09B			BOP, KVT, UOP4
	21B	X06A, X06B, X06C		11	L08A, L08B			M03A, M03B, M03C, M38Z
	22	Y01Z, Y03A, Y03B		12	M03A, M03B, M03C, M38Z			BOP, KVT, UOP4
		BOP, KVT, UOP4		Pre	A11A, A13A, A13B, A13D			L09A, L09B, L09C, L09D, L38Z
5p538	12	M03A, M03B, M03C, M38Z	5p552	06	G01Z, G02Z, G38Z	5p593	05	F01A, F01B, F01D, F05Z, F07A, F07B, F14A, F14B, F28A, F42Z, F54Z, F59A, F59B
	19	U01Z		10	K09A, K09B		12	M03A, M03B, M03C, M38Z
	21A	W04A, W04B		11	L08A, L08B			BOP, KVT, UOP4
	21B	X06A, X06B, X06C		12	M03A, M03B, M03C, M38Z			M03A, M03B, M03C, M38Z
	22	Y01Z, Y03A, Y03B		Pre	A11A, A13A, A13B, A13D			BOP, KVT, UOP4
5p539		BOP, KVT, UOP4	5p553.0	06	G01Z, G02Z, G38Z	5p594	12	M03A, M03B, M03C, M38Z
	12	M03A, M03B, M03C, M38Z		11	L08A, L08B			BOP, KVT, UOP4
	19	U01Z		12	M03A, M03B, M03C, M38Z			L09A, L09B, L09C, L09D, L38Z
	21A	W04A, W04B		Pre	A11A, A13A, A13B, A13D			M03A, M03B, M03C, M38Z
	21B	X06A, X06B, X06C			BOP, KVT, UOP4			BOP, KVT, UOP4
5p540	22	Y01Z, Y03A, Y03B	5p553.1	06	G01Z, G02Z, G38Z	5p595.1	11	L09A, L09B, L09C, L09D, L38Z
		BOP, KVT, UOP4		11	L08A, L08B		12	M03A, M03B, M03C, M38Z
	12	M03A, M03B, M03C, M38Z		12	M03A, M03B, M03C, M38Z			BOP, KVT, UOP4
	19	U01Z		Pre	A11A, A13A, A13B, A13D			L09A, L09B, L09C, L09D, L38Z
	21A	W04A, W04B			BOP, KVT, UOP4			M03A, M03B, M03C, M38Z
5p541	21B	X06A, X06B, X06C	5p553.2	06	G01Z, G02Z, G38Z	5p595.2	11	L09A, L09B, L09C, L09D, L38Z
	22	Y01Z, Y03A, Y03B		11	L08A, L08B		12	M03A, M03B, M03C, M38Z
		BOP, KVT, UOP4		12	M03A, M03B, M03C, M38Z			BOP, KVT, UOP4
	10	K09A, K09B		Pre	A11A, A13A, A13B, A13D			L09A, L09B, L09C, L09D, L38Z
	11	L08A, L08B			BOP, KVT, UOP4			M03A, M03B, M03C, M38Z
5p542	12	M03A, M03B, M03C, M38Z	5p553.3	06	G01Z, G02Z, G38Z	5p597.1	11	L09A, L09B, L09C, L09D, L38Z
		BOP, KVT, UOP4		11	L08A, L08B		12	M03A, M03B, M03C, M38Z
	06	G01Z, G02Z, G38Z		12	M03A, M03B, M03C, M38Z			BOP, KVT, UOP4
	11	L08A, L08B		Pre	A11A, A13A, A13B, A13D			L09A, L09B, L09C, L09D, L38Z
	12	M03A, M03B, M03C, M38Z			BOP, KVT, UOP4			M03A, M03B, M03C, M38Z
5p543	Pre	A11A, A13A, A13B, A13D	5p553.x	06	G01Z, G02Z, G38Z	5p597.2	11	L09A, L09B, L09C, L09D, L38Z
				11	L08A, L08B		12	M03A, M03B, M03C, M38Z
				12	M03A, M03B, M03C, M38Z			BOP, KVT, UOP4
				Pre	A11A, A13A, A13B, A13D			L09A, L09B, L09C, L09D, L38Z
					BOP, KVT, UOP4			M03A, M03B, M03C, M38Z

VYK

ZZV	MDC	DRG	ZZV	MDC	DRG	ZZV	MDC	DRG
5p598		BOP, KVT, UOP4	5q003		BOP, KVT, UOP4	5q012.7↔		BOP, KVT, UOP4
	11	L09A, L09B, L09C, L09D, L38Z		13	N01A, N01B, N01C, N01D, N01E, N02A, N02B, N02C, N03A, N03B, N07Z, N25Z, N38Z		09	J03A, J03B, J04A, J04B, J08A, J08B, J08C, J11A, J11B, J16Z
5p599		BOP, KVT, UOP4			BOP, KVT, UOP4		10	K09A, K09B
	09	J03A, J03B, J04A, J04B, J08A, J08B, J08C, J11A, J11B, J16Z	5q010.0↔		BOP, KVT, UOP4		13	N01A, N01B, N01C, N01D, N01E, N02A, N02B, N02C, N03A, N03B, N05A, N05B, N38Z
	12	M03A, M03B, M03C, M38Z		13	N01A, N01B, N01C, N01D, N01E, N02A, N02B, N02C, N03A, N03B, N07Z, N25Z, N38Z		14	O04A
	21A	W04A, W04B	5q010.4↔		BOP, KVT, UOP4	5q013.0↔		BOP, KVT, UOP4
	21B	X06A, X06B, X06C		13	N01A, N01B, N01C, N01D, N01E, N02A, N02B, N02C, N03A, N03B, N07Z, N25Z, N38Z		09	J03A, J03B, J04A, J04B, J08A, J08B, J08C, J11A, J11B, J16Z
5p59x		BOP, KVT, UOP4			BOP, KVT, UOP4		10	K09A, K09B
	12	M03A, M03B, M03C, M38Z	5q010.8↔		BOP, KVT, UOP4		13	N01A, N01B, N01C, N01D, N01E, N02A, N02B, N02C, N03A, N03B, N05A, N05B, N38Z
5p5a0		BOP, KVT, UOP4		13	N01A, N01B, N01C, N01D, N01E, N02A, N02B, N02C, N03A, N03B, N07Z, N25Z, N38Z		14	O04A
	10	K09A, K09B	5q011.0↔		BOP, KVT, UOP4	5q013.4↔		BOP, KVT, UOP4
	13	N11A		10	K09A, K09B		09	J03A, J03B, J04A, J04B, J08A, J08B, J08C, J11A, J11B, J16Z
	19	U01Z		13	N01A, N01B, N01C, N01D, N01E, N02A, N02B, N02C, N03A, N03B, N05A, N05B, N38Z		10	K09A, K09B
5p5a1		BOP, KVT, UOP4	5q011.4↔		BOP, KVT, UOP4		13	N01A, N01B, N01C, N01D, N01E, N02A, N02B, N02C, N03A, N03B, N05A, N05B, N38Z
	10	K09A, K09B		10	K09A, K09B		14	O04A
	12	M03A, M03B, M03C, M38Z		13	N01A, N01B, N01C, N01D, N01E, N02A, N02B, N02C, N03A, N03B, N05A, N05B, N38Z	5q013.8↔		BOP, KVT, UOP4
	19	U01Z	5q011.8↔		BOP, KVT, UOP4		09	J03A, J03B, J04A, J04B, J08A, J08B, J08C, J11A, J11B, J16Z
5q001.0↔		BOP, KVT, UOP4		10	K09A, K09B		10	K09A, K09B
	13	N01A, N01B, N01C, N01D, N01E, N02A, N02B, N02C, N03A, N03B, N07Z, N25Z, N38Z	5q012.0		BOP, KVT, UOP4		13	N01A, N01B, N01C, N01D, N01E, N02A, N02B, N02C, N03A, N03B, N05A, N05B, N38Z
5q001.1↔		BOP, KVT, UOP4		09	J03A, J03B, J04A, J04B, J08A, J08B, J08C, J11A, J11B, J16Z	5q014.0↔		BOP, KVT, UOP4
	13	N01A, N01B, N01C, N01D, N01E, N02A, N02B, N02C, N03A, N03B, N07Z, N25Z, N38Z		10	K09A, K09B		13	N01A, N01B, N01C, N01D, N01E, N02A, N02B, N02C, N03A, N03B, N04Z, N14Z, N21Z, N38Z
5q001.2		BOP, KVT, UOP4	5q012.1↔		BOP, KVT, UOP4		14	962Z, O02A, O02B, O04A
	13	N01A, N01B, N01C, N01D, N01E, N02A, N02B, N02C, N03A, N03B, N07Z, N25Z, N38Z		09	J03A, J03B, J04A, J04B, J08A, J08B, J08C, J11A, J11B, J16Z	5q014.4↔		BOP, KVT, UOP4
5q001.4↔		BOP, KVT, UOP4		10	K09A, K09B		13	N01A, N01B, N01C, N01D, N01E, N02A, N02B, N02C, N03A, N03B, N04Z, N14Z, N21Z, N38Z
	13	N01A, N01B, N01C, N01D, N01E, N02A, N02B, N02C, N03A, N03B, N07Z, N25Z, N38Z	5q012.4↔		BOP, KVT, UOP4		14	962Z, O02A, O02B, O04A
5q001.8↔		BOP, KVT, UOP4		09	J03A, J03B, J04A, J04B, J08A, J08B, J08C, J11A, J11B, J16Z	5q014.8↔		BOP, KVT, UOP4
	13	N01A, N01B, N01C, N01D, N01E, N02A, N02B, N02C, N03A, N03B, N07Z, N25Z, N38Z		10	K09A, K09B		13	N01A, N01B, N01C, N01D, N01E, N02A, N02B, N02C, N03A, N03B, N04Z, N14Z, N21Z, N38Z
5q002.0		BOP, KVT, UOP4		13	N01A, N01B, N01C, N01D, N01E, N02A, N02B, N02C, N03A, N03B, N05A, N05B, N38Z		14	962Z, O02A, O02B, O04A
	13	N01A, N01B, N01C, N01D, N01E, N02A, N02B, N02C, N03A, N03B, N07Z, N25Z, N38Z	5q012.4↔		BOP, KVT, UOP4		19	U01Z
5q002.1		BOP, KVT, UOP4		09	J03A, J03B, J04A, J04B, J08A, J08B, J08C, J11A, J11B, J16Z	5q030.0↔		BOP, KVT, UOP4
	13	N01A, N01B, N01C, N01D, N01E, N02A, N02B, N02C, N03A, N03B, N07Z, N25Z, N38Z		10	K09A, K09B		09	J03A, J03B, J04A, J04B, J08A, J08B, J08C, J11A, J11B, J16Z
5q002.4		BOP, KVT, UOP4		13	N01A, N01B, N01C, N01D, N01E, N02A, N02B, N02C, N03A, N03B, N05A, N05B, N38Z		13	N01A, N01B, N01C, N01D, N01E, N02A, N02B, N02C, N03A, N03B, N05A, N05B, N38Z
	13	N01A, N01B, N01C, N01D, N01E, N02A, N02B, N02C, N03A, N03B, N07Z, N25Z, N38Z		14	O04A		14	962Z, O03Z
5q002.8		BOP, KVT, UOP4		09	J03A, J03B, J04A, J04B, J08A, J08B, J08C, J11A, J11B, J16Z		19	U01Z
	13	N01A, N01B, N01C, N01D, N01E, N02A, N02B, N02C, N03A, N03B, N07Z, N25Z, N38Z		10	K09A, K09B		09	J03A, J03B, J04A, J04B, J08A, J08B, J08C, J11A, J11B, J16Z
				13	N01A, N01B, N01C, N01D, N01E, N02A, N02B, N02C, N03A, N03B, N05A, N05B, N38Z		13	N01A, N01B, N01C, N01D, N01E, N02A, N02B, N02C, N03A, N03B, N05A, N05B, N38Z
				14	O04A		14	962Z, O03Z

VYK

ZZV	MDC	DRG	ZZV	MDC	DRG	ZZV	MDC	DRG
5q030.4↔		BOP, KVT, UOP4	5q042.4↔		BOP, KVT, UOP4	5q110.3		BOP, KVT, UOP4
	09	J03A, J03B, J04A, J04B, J08A, J08B, J08C, J11A, J11B, J16Z		13	N01A, N01B, N01C, N01D, N01E, N02A, N02B, N02C, N03A, N03B, N07Z, N25Z, N38Z		13	N10Z, N11A, N11B
	13	N01A, N01B, N01C, N01D, N01E, N02A, N02B, N02C, N03A, N03B, N05A, N05B, N38Z		21A	W04A, W04B	5q110.4	14	O02A, O02B, O40Z
	14	962Z, O03Z		21B	X06A, X06B, X06C			BOP, KVT, UOP4
5q030.8↔		BOP, KVT, UOP4	5q043.0↔		BOP, KVT, UOP4	5q110.7	13	N10Z, N11A, N11B
	09	J03A, J03B, J04A, J04B, J08A, J08B, J08C, J11A, J11B, J16Z		13	N01A, N01B, N01C, N01D, N01E, N02A, N02B, N02C, N03A, N03B, N07Z, N25Z, N38Z		14	O02A, O02B, O40Z
	13	N01A, N01B, N01C, N01D, N01E, N02A, N02B, N02C, N03A, N03B, N05A, N05B, N38Z		21A	W04A, W04B	5q120.0↔	13	N01A, N01B, N01C, N01D, N01E, N02A, N02B, N02C, N03A, N03B, N07Z, N25Z, N38Z
	14	962Z, O03Z		21B	X06A, X06B, X06C			BOP, KVT, UOP4
5q031.0↔		BOP, KVT, UOP4	5q043.4↔		BOP, KVT, UOP4	5q120.4↔	14	O02A, O02B
	09	J03A, J03B, J04A, J04B, J08A, J08B, J08C, J11A, J11B, J16Z		13	N01A, N01B, N01C, N01D, N01E, N02A, N02B, N02C, N03A, N03B, N07Z, N25Z, N38Z		13	N01A, N01B, N01C, N01D, N01E, N02A, N02B, N02C, N03A, N03B, N07Z, N25Z, N38Z
	13	N01A, N01B, N01C, N01D, N01E, N02A, N02B, N02C, N03A, N03B, N05A, N05B, N38Z		21A	W04A, W04B	5q120.8↔	14	O02A, O02B
	14	962Z, O03Z		21B	X06A, X06B, X06C			BOP, KVT, UOP4
5q031.4↔		BOP, KVT, UOP4	5q043.8↔		BOP, KVT, UOP4	5q130.0↔	13	N01A, N01B, N01C, N01D, N01E, N02A, N02B, N02C, N03A, N03B, N07Z, N25Z, N38Z
	09	J03A, J03B, J04A, J04B, J08A, J08B, J08C, J11A, J11B, J16Z		13	N01A, N01B, N01C, N01D, N01E, N02A, N02B, N02C, N03A, N03B, N07Z, N25Z, N38Z		14	962Z, O03Z
	13	N01A, N01B, N01C, N01D, N01E, N02A, N02B, N02C, N03A, N03B, N05A, N05B, N38Z		21A	W04A, W04B	5q130.4↔	13	N01A, N01B, N01C, N01D, N01E, N02A, N02B, N02C, N03A, N03B, N07Z, N25Z, N38Z
	14	962Z, O03Z		21B	X06A, X06B, X06C			BOP, KVT, UOP4
5q031.5↔		BOP, KVT, UOP4	5q090.0↔		BOP, KVT, UOP4	5q130.8↔	13	N01A, N01B, N01C, N01D, N01E, N02A, N02B, N02C, N03A, N03B, N07Z, N25Z, N38Z
	09	J03A, J03B, J04A, J04B, J08A, J08B, J08C, J11A, J11B, J16Z		13	N01A, N01B, N01C, N01D, N01E, N02A, N02B, N02C, N03A, N03B, N07Z, N25Z, N38Z		14	962Z, O03Z
	13	N01A, N01B, N01C, N01D, N01E, N02A, N02B, N02C, N03A, N03B, N05A, N05B, N38Z		21A	W04A, W04B	5q131.0↔	13	N01A, N01B, N01C, N01D, N01E, N02A, N02B, N02C, N03A, N03B, N07Z, N25Z, N38Z
	14	962Z, O03Z		21B	X06A, X06B, X06C			BOP, KVT, UOP4
5q031.7↔		BOP, KVT, UOP4	5q090.4↔		BOP, KVT, UOP4	5q131.4↔	13	N01A, N01B, N01C, N01D, N01E, N02A, N02B, N02C, N03A, N03B, N07Z, N25Z, N38Z
	09	J03A, J03B, J04A, J04B, J08A, J08B, J08C, J11A, J11B, J16Z		13	N01A, N01B, N01C, N01D, N01E, N02A, N02B, N02C, N03A, N03B, N07Z, N25Z, N38Z		14	962Z, O03Z
	13	N01A, N01B, N01C, N01D, N01E, N02A, N02B, N02C, N03A, N03B, N05A, N05B, N38Z		21A	W04A, W04B	5q131.8↔	13	N01A, N01B, N01C, N01D, N01E, N02A, N02B, N02C, N03A, N03B, N07Z, N25Z, N38Z
	14	962Z, O03Z		21B	X06A, X06B, X06C			BOP, KVT, UOP4
5q031.8↔		BOP, KVT, UOP4	5q090.8↔		BOP, KVT, UOP4	5q132.0		BOP, KVT, UOP4
	09	J03A, J03B, J04A, J04B, J08A, J08B, J08C, J11A, J11B, J16Z		13	N01A, N01B, N01C, N01D, N01E, N02A, N02B, N02C, N03A, N03B, N07Z, N25Z, N38Z		13	N01A, N01B, N01C, N01D, N01E, N02A, N02B, N02C, N03A, N03B, N05A, N05B, N38Z
	13	N01A, N01B, N01C, N01D, N01E, N02A, N02B, N02C, N03A, N03B, N05A, N05B, N38Z		21A	W04A, W04B		21A	W04A, W04B
	14	962Z, O03Z		21B	X06A, X06B, X06C		21B	X06A, X06B, X06C
5q042.0↔		BOP, KVT, UOP4	5q101.0↔		BOP, KVT, UOP4			BOP, KVT, UOP4
	13	N01A, N01B, N01C, N01D, N01E, N02A, N02B, N02C, N03A, N03B, N07Z, N25Z, N38Z		13	N01A, N01B, N01C, N01D, N01E, N02A, N02B, N02C, N03A, N03B, N07Z, N25Z, N38Z			BOP, KVT, UOP4
	21A	W04A, W04B		14	O02A, O02B, O03Z, O04A			BOP, KVT, UOP4
	21B	X06A, X06B, X06C		13	N01A, N01B, N01C, N01D, N01E, N02A, N02B, N02C, N03A, N03B, N07Z, N25Z, N38Z			BOP, KVT, UOP4
			5q101.4↔		BOP, KVT, UOP4			BOP, KVT, UOP4
				13	N01A, N01B, N01C, N01D, N01E, N02A, N02B, N02C, N03A, N03B, N07Z, N25Z, N38Z			BOP, KVT, UOP4
				14	O02A, O02B, O03Z, O04A			BOP, KVT, UOP4
			5q101.8↔		BOP, KVT, UOP4			BOP, KVT, UOP4
				13	N01A, N01B, N01C, N01D, N01E, N02A, N02B, N02C, N03A, N03B, N07Z, N25Z, N38Z			BOP, KVT, UOP4
				14	O02A, O02B, O03Z, O04A			BOP, KVT, UOP4
			5q110.0		BOP, KVT, UOP4			BOP, KVT, UOP4
				13	N10Z			BOP, KVT, UOP4
				14	O02A, O02B, O40Z			BOP, KVT, UOP4

VYK

ZZV	MDC	DRG	ZZV	MDC	DRG	ZZV	MDC	DRG	
5q132.4		BOP, KVT, UOP4	5q221.7		BOP, KVT, UOP4	5q403		BOP, KVT, UOP4	
	13	N01A, N01B, N01C, N01D, N01E, N02A, N02B, N02C, N03A, N03B, N05A, N05B, N38Z		09	J03A, J03B, J04A, J04B, J08A, J08B, J08C, J11A, J11B, J16Z		13	N01A, N01B, N01C, N01D, N01E, N02A, N02B, N02C, N03A, N03B, N07Z, N25Z, N38Z	
5q132.8		BOP, KVT, UOP4		13	N01A, N01B, N01C, N01D, N01E, N02A, N02B, N02C, N03A, N03B, N09A, N09B, N38Z	5q404.0		14	962Z, O02A, O02B
	13	N01A, N01B, N01C, N01D, N01E, N02A, N02B, N02C, N03A, N03B, N05A, N05B, N38Z		14	962Z, O02A, O02B		13	N01A, N01B, N01C, N01D, N01E, N02A, N02B, N02C, N03A, N03B, N07Z, N25Z, N38Z	
5q133↔		BOP, KVT, UOP4	5q223		BOP, KVT, UOP4		14	962Z, O02A, O02B	
	13	N01A, N01B, N01C, N01D, N01E, N02A, N02B, N02C, N03A, N03B, N07Z, N25Z, N38Z		13	N13A, N13B	5q404.4		13	N01A, N01B, N01C, N01D, N01E, N02A, N02B, N02C, N03A, N03B, N07Z, N25Z, N38Z
	21A	W04A, W04B	5q230		BOP, KVT, UOP4		13	N01A, N01B, N01C, N01D, N01E, N02A, N02B, N02C, N03A, N03B, N07Z, N25Z, N38Z	
	21B	X06A, X06B, X06C		13	N13A, N13B		14	962Z, O02A, O02B	
5q140↔		BOP, KVT, UOP4		14	962Z, O02A, O02B, O05A	5q404.8		13	N01A, N01B, N01C, N01D, N01E, N02A, N02B, N02C, N03A, N03B, N07Z, N25Z, N38Z
	13	N10Z	5q231.0		BOP, KVT, UOP4		14	962Z, O02A, O02B	
5q141↔		BOP, KVT, UOP4		13	N13A, N13B		13	N01A, N01B, N01C, N01D, N01E, N02A, N02B, N02C, N03A, N03B, N07Z, N25Z, N38Z	
	13	N10Z		14	962Z, O02A, O02B, O05A		14	962Z, O02A, O02B	
5q142↔		BOP, KVT, UOP4		21A	W04A, W04B	5q405.0		13	N09A, N09B
	13	N10Z		21B	X06A, X06B, X06C		13	N09A, N09B	
5q210		BOP, KVT, UOP4	5q231.4		BOP, KVT, UOP4	5q405.4		13	N09A, N09B
	13	N09A, N09B		13	N13A, N13B		13	N09A, N09B	
5q211		BOP, KVT, UOP4		14	962Z, O02A, O02B, O05A	5q405.8		13	N09A, N09B
	13	N09A, N09B	5q291		BOP, KVT, UOP4		13	N09A, N09B	
5q212		BOP, KVT, UOP4		13	N13A, N13B	5q410.0		13	N01A, N01B, N01C, N01D, N01E, N02A, N02B, N02C, N03A, N03B, N04Z, N14Z, N21Z, N38Z
	13	N09A, N09B		14	962Z, O02A, O02B		14	962Z, O02A, O02B	
5q213		BOP, KVT, UOP4		21A	W04A, W04B	5q410.4		13	N01A, N01B, N01C, N01D, N01E, N02A, N02B, N02C, N03A, N03B, N04Z, N14Z, N21Z, N38Z
	13	N09A, N09B		21B	X06A, X06B, X06C		13	N01A, N01B, N01C, N01D, N01E, N02A, N02B, N02C, N03A, N03B, N04Z, N14Z, N21Z, N38Z	
5q220		BOP, KVT, UOP4	5q293		BOP, KVT, UOP4		14	962Z, O02A, O02B	
	09	J03A, J03B, J04A, J04B, J08A, J08B, J08C, J11A, J11B, J16Z		12	M06Z, M09A, M09B, M11Z, M38Z	5q410.7		13	N01A, N01B, N01C, N01D, N01E, N02A, N02B, N02C, N03A, N03B, N04Z, N14Z, N21Z, N38Z
	13	N09A, N09B		13	N13A, N13B		14	962Z, O02A, O02B	
	14	962Z, O02A, O02B	5q401.0		BOP, KVT, UOP4	5q420		13	N01A, N01B, N01C, N01D, N01E, N02A, N02B, N02C, N03A, N03B, N04Z, N14Z, N21Z, N38Z
	21B	X06A, X06B, X06C		13	N21Z, N23Z		13	N01A, N01B, N01C, N01D, N01E, N02A, N02B, N02C, N03A, N03B, N04Z, N14Z, N21Z, N38Z	
5q221.0		BOP, KVT, UOP4	5q401.1		BOP, KVT, UOP4		14	962Z, O02A, O02B	
	09	J03A, J03B, J04A, J04B, J08A, J08B, J08C, J11A, J11B, J16Z		13	N21Z, N23Z	5q426.10		13	N01A, N01B, N01C, N01D, N01E, N02A, N02B, N02C, N03A, N03B, N04Z, N14Z, N21Z, N38Z
	13	N01A, N01B, N01C, N01D, N01E, N02A, N02B, N02C, N03A, N03B, N09A, N09B, N38Z	5q401.2		BOP, KVT, UOP4		14	962Z, O02A, O02B	
	14	962Z, O02A, O02B		13	N21Z, N23Z	5q426.14		13	N01A, N01B, N01C, N01D, N01E, N02A, N02B, N02C, N03A, N03B, N04Z, N14Z, N21Z, N38Z
	21B	X06A, X06B, X06C	5q401.4		BOP, KVT, UOP4		14	962Z, O02A, O02B	
5q221.1		BOP, KVT, UOP4		13	N21Z, N23Z		13	N01A, N01B, N01C, N01D, N01E, N02A, N02B, N02C, N03A, N03B, N04Z, N14Z, N21Z, N38Z	
	09	J03A, J03B, J04A, J04B, J08A, J08B, J08C, J11A, J11B, J16Z	5q401.7		BOP, KVT, UOP4		14	962Z, O02A, O02B	
	13	N01A, N01B, N01C, N01D, N01E, N02A, N02B, N02C, N03A, N03B, N09A, N09B, N38Z		13	N23Z		13	N01A, N01B, N01C, N01D, N01E, N02A, N02B, N02C, N03A, N03B, N04Z, N14Z, N21Z, N38Z	
	14	962Z, O02A, O02B	5q401.8		BOP, KVT, UOP4		14	962Z, O02A, O02B	
	21B	X06A, X06B, X06C		13	N21Z, N23Z		13	N01A, N01B, N01C, N01D, N01E, N02A, N02B, N02C, N03A, N03B, N04Z, N14Z, N21Z, N38Z	
5q221.4		BOP, KVT, UOP4	5q402.2		BOP, KVT, UOP4		14	962Z, O02A, O02B	
	09	J03A, J03B, J04A, J04B, J08A, J08B, J08C, J11A, J11B, J16Z		13	N01A, N01B, N01C, N01D, N01E, N02A, N02B, N02C, N03A, N03B, N07Z, N25Z, N38Z		14	962Z, O02A, O02B	
	13	N01A, N01B, N01C, N01D, N01E, N02A, N02B, N02C, N03A, N03B, N09A, N09B, N38Z	5q402.7		BOP, KVT, UOP4		13	N01A, N01B, N01C, N01D, N01E, N02A, N02B, N02C, N03A, N03B, N04Z, N14Z, N21Z, N38Z	
	14	962Z, O02A, O02B		13	N01A, N01B, N01C, N01D, N01E, N02A, N02B, N02C, N03A, N03B, N07Z, N25Z, N38Z		14	962Z, O02A, O02B	
	21B	X06A, X06B, X06C		14	962Z, O02A, O02B		14	962Z, O02A, O02B	

ZZV	MDC	DRG	ZZV	MDC	DRG	ZZV	MDC	DRG
5q426.18		BOP, KVT, UOP4	5q427.17		BOP, KVT, UOP4	5q428.30		BOP, KVT, MVV, UOP4
	13	N01A, N01B, N01C, N01D, N01E, N02A, N02B, N02C, N03A, N03B, N04Z, N14Z, N21Z, N38Z		13	N01A, N01B, N01C, N01D, N01E, N02A, N02B, N02C, N03A, N03B, N04Z, N14Z, N21Z, N38Z		13	N01A, N01B, N01C, N01D, N01E, N38Z
	14	962Z, O02A, O02B		14	962Z, O02A, O02B, O04A	5q428.34	14	962Z, O02A, O02B
5q426.20		BOP, KVT, UOP4	5q427.18		BOP, KVT, UOP4		13	BOP, KVT, MVV, UOP4
	13	N01A, N01B, N01C, N01D, N01E, N02A, N02B, N02C, N03A, N03B, N04Z, N14Z, N21Z, N38Z		13	N01A, N01B, N01C, N01D, N01E, N02A, N02B, N02C, N03A, N03B, N04Z, N14Z, N21Z, N38Z		14	N01A, N01B, N01C, N01D, N01E, N38Z
	14	962Z, O02A, O02B, O04A		14	962Z, O02A, O02B, O04A	5q428.37	13	962Z, O02A, O02B
5q426.24		BOP, KVT, UOP4	5q427.21		BOP, KVT, UOP4		13	BOP, KVT, MVV, UOP4
	13	N01A, N01B, N01C, N01D, N01E, N02A, N02B, N02C, N03A, N03B, N04Z, N14Z, N21Z, N38Z		11	L06A, L06B		14	N01A, N01B, N01C, N01D, N01E, N38Z
	14	962Z, O02A, O02B, O04A		13	N06Z, N14Z	5q428.38	13	962Z, O02A, O02B
5q426.28		BOP, KVT, UOP4	5q427.22		BOP, KVT, UOP4		14	BOP, KVT, MVV, UOP4
	13	N01A, N01B, N01C, N01D, N01E, N02A, N02B, N02C, N03A, N03B, N04Z, N14Z, N21Z, N38Z		11	L06A, L06B	5q501	13	N01A, N01B, N01C, N01D, N01E, N38Z
	14	962Z, O02A, O02B, O04A		13	N06Z, N14Z		14	962Z, O02A, O02B
5q426.30		BOP, KVT, UOP4		14	O04A	5q502	13	N10Z
	13	N01A, N01B, N01C, N01D, N01E, N02A, N02B, N02C, N03A, N03B, N04Z, N14Z, N21Z, N38Z	5q428.00		BOP, KVT, UOP4		14	962Z, O02A, O02B, O40Z
	14	962Z, O02A, O02B, O04A		13	N01A, N01B, N01C, N01D, N01E, N02A, N02B, N02C, N03A, N03B, N04Z, N14Z, N21Z, N38Z	5q520	13	N10Z
5q426.31		BOP, KVT, UOP4		14	962Z, O02A, O02B, O04A		14	962Z, O02A, O02B, O40Z
	13	N01A, N01B, N01C, N01D, N01E, N02A, N02B, N02C, N03A, N03B, N04Z, N14Z, N21Z, N38Z	5q428.04		U01Z		14	962Z, O02A, O02B, O40Z
	14	962Z, O02A, O02B		13	BOP, KVT, UOP4	5q530.0	13	BOP, KVT, UOP4
5q426.34		BOP, KVT, UOP4		13	N01A, N01B, N01C, N01D, N01E, N02A, N02B, N02C, N03A, N03B, N04Z, N14Z, N21Z, N38Z		14	N04Z, N06Z
	13	N01A, N01B, N01C, N01D, N01E, N02A, N02B, N02C, N03A, N03B, N04Z, N14Z, N21Z, N38Z		14	962Z, O02A, O02B, O04A		21A	962Z, O02A, O02B
	14	962Z, O02A, O02B	5q428.07		U01Z	5q530.3	21B	W04A, W04B
5q426.37		BOP, KVT, UOP4		13	BOP, KVT, UOP4		13	X06A, X06B, X06C
	13	N01A, N01B, N01C, N01D, N01E, N02A, N02B, N02C, N03A, N03B, N04Z, N14Z, N21Z, N38Z		13	N01A, N01B, N01C, N01D, N01E, N02A, N02B, N02C, N03A, N03B, N04Z, N14Z, N21Z, N38Z		BOP, KVT, UOP4	
	14	962Z, O02A, O02B		14	962Z, O02A, O02B, O04A		13	N01A, N01B, N01C, N01D, N01E, N02A, N02B, N02C, N03A, N03B, N07Z, N25Z, N38Z
5q426.38		BOP, KVT, UOP4	5q428.08		U01Z	5q530.4	14	962Z, O02A, O02B
	13	N01A, N01B, N01C, N01D, N01E, N02A, N02B, N02C, N03A, N03B, N04Z, N14Z, N21Z, N38Z		13	BOP, KVT, UOP4		21A	W04A, W04B
	14	962Z, O02A, O02B		13	N01A, N01B, N01C, N01D, N01E, N02A, N02B, N02C, N03A, N03B, N04Z, N14Z, N21Z, N38Z		21B	X06A, X06B, X06C
5q427.10		BOP, KVT, UOP4		14	962Z, O02A, O02B, O04A		13	BOP, KVT, UOP4
	13	N01A, N01B, N01C, N01D, N01E, N02A, N02B, N02C, N03A, N03B, N04Z, N14Z, N21Z, N38Z	5q428.10		U01Z	5q530.8	14	N04Z, N06Z
	14	962Z, O02A, O02B		13	BOP, KVT, UOP4		14	962Z, O02A, O02B
5q427.11		BOP, KVT, UOP4		13	N01A, N01B, N01C, N01D, N01E, N02A, N02B, N02C, N03A, N03B, N04Z, N14Z, N21Z, N38Z		21A	W04A, W04B
	13	N01A, N01B, N01C, N01D, N01E, N02A, N02B, N02C, N03A, N03B, N04Z, N14Z, N21Z, N38Z		14	962Z, O02A, O02B, O04A		21B	X06A, X06B, X06C
	14	962Z, O02A, O02B, O04A	5q428.20		U01Z		13	BOP, KVT, UOP4
5q427.14		BOP, KVT, UOP4		13	BOP, KVT, MVV, UOP4	5q593	14	962Z, O02A, O02B, O40Z
	13	N01A, N01B, N01C, N01D, N01E, N02A, N02B, N02C, N03A, N03B, N04Z, N14Z, N21Z, N38Z		13	N01A, N01B, N01C, N01D, N01E, N38Z		13	N10Z
	14	962Z, O02A, O02B, O04A	5q428.24		962Z, O02A, O02B	5q594	14	962Z, O02A, O02B, O40Z
	13	N01A, N01B, N01C, N01D, N01E, N02A, N02B, N02C, N03A, N03B, N04Z, N14Z, N21Z, N38Z		13	BOP, KVT, MVV, UOP4		14	962Z, O02A, O02B
	14	962Z, O02A, O02B, O04A	5q428.27		N01A, N01B, N01C, N01D, N01E, N38Z	5q595	13	BOP, KVT, UOP4
	13	N01A, N01B, N01C, N01D, N01E, N02A, N02B, N02C, N03A, N03B, N04Z, N14Z, N21Z, N38Z		13	N01A, N01B, N01C, N01D, N01E, N38Z		13	N01A, N01B, N01C, N01D, N01E, N02A, N02B, N02C, N03A, N03B, N07Z, N25Z, N38Z
	14	962Z, O02A, O02B, O04A	5q428.28		962Z, O02A, O02B		14	962Z, O02A, O02B
	13	N01A, N01B, N01C, N01D, N01E, N02A, N02B, N02C, N03A, N03B, N04Z, N14Z, N21Z, N38Z		14	BOP, KVT, MVV, UOP4			
	14	962Z, O02A, O02B, O04A		13	N01A, N01B, N01C, N01D, N01E, N38Z			
				14	962Z, O02A, O02B			

ZZV	MDC	DRG	ZZV	MDC	DRG	ZZV	MDC	DRG
5q596		BOP, KVT, UOP4	5q634.0		BOP, KVT, UOP4	5q692		BOP, KVT, UOP4
	05	F21A, F21B		06	G18A, G38Z		09	J03A, J03B, J04A, J04B, J08A, J08B, J08C, J11A, J11B, J16Z
	06	G10Z, G12A, G12B		13	N04Z, N06Z		10	K09A, K09B
	07	H12A, H12B		19	U01Z		13	N13A, N13B
	11	L09A, L09B, L09C, L09D, L38Z	5q634.7		BOP, KVT, UOP4		14	962Z, O60A, O60B, O60C, O60D
	13	N11A, N11B		06	G18A, G38Z		21A	W04A, W04B
	14	O04A		13	N04Z, N06Z	5q693	21B	X06A, X06B, X06C
	17	R01A, R01B, R01C, R01D, R02Z, R12A, R12B, R12C	5q640		BOP, KVT, UOP4			BOP, KVT, UOP4
	21A	W04A, W04B		11	L06A, L06B		09	J03A, J03B, J04A, J04B, J08A, J08B, J08C, J11A, J11B, J16Z
	21B	X06A, X06B, X06C		13	N06Z, N14Z		10	K09A, K09B
	22	Y01Z, Y03A, Y03B	5q641		O04A		13	N13A, N13B
5q597.0		BOP, KVT, UOP4			BOP, KVT, UOP4		14	962Z, O60A, O60B, O60C, O60D
	11	L06A, L06B		11	L06A, L06B		21A	W04A, W04B
	13	N06Z, N14Z		13	N06Z, N14Z		21B	X06A, X06B, X06C
5q597.4		BOP, KVT, UOP4	5q642		BOP, KVT, UOP4			BOP, UOP4
	11	L06A, L06B		11	L06A, L06B		09	J03A, J03B, J04A, J04B, J08A, J08B, J08C, J11A, J11B, J16Z
	13	N06Z, N14Z		13	N04Z, N06Z, N14Z		13	N09A, N09B
5q597.7		BOP, KVT, UOP4	5q650.4		BOP, KVT, UOP4	5q710	14	962Z, O02A, O02B
	11	L06A, L06B		13	N03A, N04Z, N06Z, N38Z			BOP, UOP4
	13	N06Z, N14Z		19	U01Z		09	J03A, J03B, J04A, J04B, J08A, J08B, J08C, J11A, J11B, J16Z
5q597.8		BOP, KVT, UOP4		21A	W04A, W04B		13	N09A, N09B
	11	L06A, L06B	5q650.7		X06A, X06B, X06C		14	962Z, O02A, O02B
	13	N06Z, N14Z			BOP, KVT, UOP4	5q711		BOP, UOP4
5q598†		N10Z		13	N03A, N04Z, N06Z, N38Z		09	J03A, J03B, J04A, J04B, J08A, J08B, J08C, J11A, J11B, J16Z
5q610		BOP, UOP4		19	U01Z		13	N09A, N09B
	13	N09A, N09B		21A	W04A, W04B		14	962Z, O02A, O02B
	14	962Z, O02A, O02B		21B	X06A, X06B, X06C			BOP, UOP4
5q620.1		BOP, UOP4	5q651		BOP, KVT, UOP4		09	J03A, J03B, J04A, J04B, J08A, J08B, J08C, J11A, J11B, J16Z
	09	J03A, J03B, J04A, J04B, J08A, J08B, J08C, J11A, J11B, J11C, J16Z	5q652		BOP, KVT, UOP4		13	N09A, N09B
	13	N09A, N09B		13	N04Z, N06Z	5q712	09	J03A, J03B, J04A, J04B, J08A, J08B, J08C, J11A, J11B, J16Z
	14	962Z, O60A, O60B, O60C, O60D		19	U01Z		13	N09A, N09B
5q620.2		BOP, UOP4	5q653		W04A, W04B		14	962Z, O02A, O02B
	09	J03A, J03B, J04A, J04B, J08A, J08B, J08C, J11A, J11B, J11C, J16Z		21B	X06A, X06B, X06C	5q720.1		BOP, UOP4
	11	L09A, L09B, L09C, L09D, L38Z			BOP, KVT, UOP4		09	J03A, J03B, J04A, J04B, J08A, J08B, J08C, J11A, J11B, J11C, J16Z
	13	N13A, N13B	5q654		BOP, KVT, UOP4		13	N09A, N09B
	14	962Z, O02A, O02B		13	N04Z, N06Z		14	962Z, O60A, O60B, O60C, O60D
	21A	W04A, W04B		19	U01Z	5q720.2		BOP, UOP4
	21B	X06A, X06B, X06C		21A	W04A, W04B		09	J03A, J03B, J04A, J04B, J08A, J08B, J08C, J11A, J11B, J11C, J16Z
5q621		BOP, UOP4	5q690		X06A, X06B, X06C		11	L09A, L09B, L09C, L09D, L38Z
	09	J03A, J03B, J04A, J04B, J08A, J08B, J08C, J11A, J11B, J11C, J16Z			BOP, KVT, UOP4		13	N13A, N13B
	13	N13A, N13B		11	L06A, L06B		14	962Z, O02A, O02B
	14	962Z, O02A, O02B		12	M06Z, M09A, M09B, M38Z		21A	W04A, W04B
	21B	X06A, X06B, X06C		13	N04Z, N06Z		21B	X06A, X06B, X06C
5q630		BOP, KVT, UOP4		17	R01A, R01B, R01C, R01D, R02Z, R12A, R12B, R12C	5q721		BOP, UOP4
	13	N04Z, N06Z		21A	W04A, W04B		09	J03A, J03B, J04A, J04B, J08A, J08B, J08C, J11A, J11B, J11C, J16Z
	21A	W04A, W04B	5q691		X06A, X06B, X06C		13	N09A, N09B
	21B	X06A, X06B, X06C			BOP, KVT, UOP4		14	962Z, O60A, O60B, O60C, O60D
5q632		BOP, KVT, UOP4		09	J03A, J03B, J04A, J04B, J08A, J08B, J08C, J11A, J11B, J16Z	5q722		BOP, KVT, UOP4
	06	G18A, G38Z		10	K09A, K09B		13	N09A, N09B
	13	N04Z, N06Z		13	N13A, N13B		21A	W04A, W04B
	19	U01Z		14	962Z, O60A, O60B, O60C, O60D		21B	X06A, X06B, X06C
5q633.0		BOP, KVT, UOP4		21A	W04A, W04B			BOP, UOP4
	06	G18A, G38Z		21B	X06A, X06B, X06C		09	J03A, J03B, J04A, J04B, J08A, J08B, J08C, J11A, J11B, J11C, J16Z
	13	N04Z, N06Z					13	N09A, N09B
	19	U01Z					14	962Z, O60A, O60B, O60C, O60D
5q633.7		BOP, KVT, UOP4				5q723		BOP, UOP4
	06	G18A, G38Z					10	K09A, K09B
	13	N04Z, N06Z					13	N13A, N13B
	19	U01Z						

ZZV	MDC	DRG	ZZV	MDC	DRG	ZZV	MDC	DRG
5q731		BOP, UOP4	5r212†	14	962Z	5r323.2		BOP, KVT, UOP4
	10	K09A, K09B	5r213†	14	962Z		14	962Z, O01A, O01B, O01C, O01D, O01E, O01F, O02A
	13	N13A, N13B	5r214†	14	962Z			BOP, KVT, UOP4
5q732		BOP, UOP4	5r215†	14	962Z	5r331.0↔		
	10	K09A, K09B	5r216†	14	962Z		13	N01A, N01B, N01C, N01D, N01E, N02A, N02B, N02C, N03A, N03B, N07Z, N25Z, N38Z
	13	N13A, N13B	5r217†	14	962Z			962Z, O03Z
	19	U01Z	5r221†	14	962Z			BOP, KVT, UOP4
5q740		BOP, KVT, UOP4	5r222†	14	962Z			
	13	N13A, N13B	5r223†	14	962Z	5r331.1↔		
5q741		BOP, KOP, KOPV, KVT, UOP4	5r224†	14	962Z		13	N01A, N01B, N01C, N01D, N01E, N02A, N02B, N02C, N03A, N03B, N07Z, N25Z, N38Z
	06	G33Z	5r231†	14	962Z			962Z, O03Z
	07	H33Z, H38Z	5r232†	14	962Z			BOP, KVT, UOP4
	11	L33Z	5r233†	14	962Z			
	13	N01A, N01B, N01C, N01D, N01E, N38Z	5r234†	14	962Z			
	21B	X33Z	5r311.1		BOP, KVT, UOP4	5r331.4↔		
	23	Z01A		14	962Z, O01A, O01B, O01C, O01D, O01E, O01F, O01G, O01H		13	N01A, N01B, N01C, N01D, N01E, N02A, N02B, N02C, N03A, N03B, N07Z, N25Z, N38Z
	Pre	A07A	5r311.2		BOP, KVT, UOP4			962Z, O03Z
5q742		BOP, UOP4		14	962Z, O01A, O01B, O01C, O01D, O01E, O01F	5r331.6↔		
	09	J03A, J03B, J04A, J04B, J08A, J08B, J08C, J11A, J11B, J16Z	5r312.1		BOP, KVT, UOP4		13	N01A, N01B, N01C, N01D, N01E, N02A, N02B, N02C, N03A, N03B, N07Z, N25Z, N38Z
	10	K09A, K09B		14	962Z, O01A, O01B, O01C, O01D, O01E, O01F, O01G, O01H			962Z, O03Z
	13	N09A, N09B	5r312.2		BOP, KVT, UOP4			BOP, KVT, UOP4
	14	962Z, O60A, O60B, O60C, O60D		14	962Z, O01A, O01B, O01C, O01D, O01E, O01F	5r331.7↔		
	21A	W04A, W04B	5r314		BOP, KVT, UOP4		13	N01A, N01B, N01C, N01D, N01E, N02A, N02B, N02C, N03A, N03B, N07Z, N25Z, N38Z
	21B	X06A, X06B, X06C		14	962Z, O01A, O01B, O01C, O01D, O01E, O01F, O01G, O01H			962Z, O03Z
5q743		BOP, KVT, UOP4		14	BOP, KVT, UOP4	5r331.x↔		
	13	N13A, N13B	5r315.1		BOP, KVT, UOP4		13	N01A, N01B, N01C, N01D, N01E, N02A, N02B, N02C, N03A, N03B, N07Z, N25Z, N38Z
5q750		BOP, KVT, UOP4		14	962Z, O01A, O01B, O01C, O01D, O01E, O01F, O01G, O01H			962Z, O03Z
	13	N09A, N09B	5r315.2		BOP, KVT, UOP4			BOP, KVT, UOP4
	21A	W04A, W04B		14	962Z, O01A, O01B, O01C, O01D, O01E, O01F	5r332.0↔		
	21B	X06A, X06B, X06C	5r316.1		BOP, KVT, UOP4		13	N01A, N01B, N01C, N01D, N01E, N02A, N02B, N02C, N03A, N03B, N07Z, N25Z, N38Z
5q751		BOP, KVT, UOP4		14	962Z, O01A, O01B, O01C, O01D, O01E, O01F, O01G, O01H			962Z, O03Z
	13	N09A, N09B	5r316.2		BOP, KVT, UOP4			BOP, KVT, UOP4
	21A	W04A, W04B		14	962Z, O01A, O01B, O01C, O01D, O01E, O01F	5r332.1↔		
	21B	X06A, X06B, X06C	5r317.1		BOP, KVT, UOP4		13	N01A, N01B, N01C, N01D, N01E, N02A, N02B, N02C, N03A, N03B, N07Z, N25Z, N38Z
5q752		BOP, KVT, UOP4		14	962Z, O01A, O01B, O01C, O01D, O01E, O01F, O01G, O01H			962Z, O03Z
	13	N09A, N09B	5r317.2		BOP, KVT, UOP4			BOP, KVT, UOP4
	21A	W04A, W04B		14	962Z, O01A, O01B, O01C, O01D, O01E, O01F	5r332.4↔		
	21B	X06A, X06B, X06C	5r321.1		BOP, KVT, UOP4		13	N01A, N01B, N01C, N01D, N01E, N02A, N02B, N02C, N03A, N03B, N07Z, N25Z, N38Z
5q790		BOP, UOP4		14	962Z, O01A, O01B, O01C, O01D, O01E, O01F, O01G, O01H			962Z, O03Z
	09	J03A, J03B, J04A, J04B, J08A, J08B, J08C, J11A, J11B, J16Z	5r317.1		BOP, KVT, UOP4			BOP, KVT, UOP4
	10	K09A, K09B		14	962Z, O01A, O01B, O01C, O01D, O01E, O01F, O01G, O01H	5r332.6↔		
	13	N09A, N09B	5r317.2		BOP, KVT, UOP4		13	N01A, N01B, N01C, N01D, N01E, N02A, N02B, N02C, N03A, N03B, N07Z, N25Z, N38Z
	14	962Z, O60A, O60B, O60C, O60D		14	962Z, O01A, O01B, O01C, O01D, O01E, O01F			962Z, O03Z
	21A	W04A, W04B	5r321.2		BOP, KVT, UOP4			BOP, KVT, UOP4
	21B	X06A, X06B, X06C		14	962Z, O01A, O01B, O01C, O01D, O01E, O01F, O01G, O01H, O02A	5r332.7↔		
5r111†	14	962Z	5r322.1		BOP, KVT, UOP4			
5r112†	14	962Z		14	962Z, O01A, O01B, O01C, O01D, O01E, O01F, O01G, O01H			
5r113†	14	962Z	5r322.2		BOP, KVT, UOP4			
5r114†	14	962Z		14	962Z, O01A, O01B, O01C, O01D, O01E, O01F, O02A			
5r11x†	14	962Z	5r323.1		BOP, KVT, UOP4			
5r121†	14	962Z		14	962Z, O01A, O01B, O01C, O01D, O01E, O01F, O02A			
5r122†	14	962Z		14	962Z, O01A, O01B, O01C, O01D, O01E, O01F, O01G, O01H, O02A			
5r12x†	14	962Z		14	BOP, KVT, UOP4			
5r131†	14	962Z		14	962Z, O01A, O01B, O01C, O01D, O01E, O01F, O02A			
5r132†	14	962Z		14	962Z, O01A, O01B, O01C, O01D, O01E, O01F, O01G, O01H, O02A			
5r133†	14	962Z		14	BOP, KVT, UOP4			
5r13x†	14	962Z		14	962Z, O01A, O01B, O01C, O01D, O01E, O01F, O02A			
5r141†	14	962Z		14	BOP, KVT, UOP4			
5r142†	14	962Z		14	962Z, O01A, O01B, O01C, O01D, O01E, O01F, O01G, O01H, O02A			
5r14x†	14	962Z		14	962Z, O01A, O01B, O01C, O01D, O01E, O01F, O01G, O01H, O02A			
5r211†	14	962Z		14	962Z, O01A, O01B, O01C, O01D, O01E, O01F, O01G, O01H, O02A			

VYK

ZZV	MDC	DRG	ZZV	MDC	DRG	ZZV	MDC	DRG
5r332.x↔		BOP, KVT, UOP4	5r334.x↔		BOP, KVT, UOP4	5r414‡	14	962Z, O01A, O02A, O06Z, O60A
	13	N01A, N01B, N01C, N01D, N01E, N02A, N02B, N02C, N03A, N03B, N07Z, N25Z, N38Z		13	N01A, N01B, N01C, N01D, N01E, N02A, N02B, N02C, N03A, N03B, N07Z, N25Z, N38Z	5r415‡	14	962Z, O01A, O02A, O06Z, O60A
	14	962Z, O03Z		14	962Z, O03Z	5r416‡	14	962Z, O01A, O02A, O06Z, O60A
5r333.0↔		BOP, KVT, UOP4	5r335.0↔		BOP, KVT, UOP4	5r417‡	14	962Z, O01A, O02A, O06Z, O60A
	13	N01A, N01B, N01C, N01D, N01E, N02A, N02B, N02C, N03A, N03B, N07Z, N25Z, N38Z		13	N01A, N01B, N01C, N01D, N01E, N02A, N02B, N02C, N03A, N03B, N07Z, N25Z, N38Z	5r418‡	14	962Z, O01A, O02A, O06Z, O60A
	14	962Z, O03Z		14	962Z, O03Z	5r421‡	14	962Z
5r333.1↔		BOP, KVT, UOP4	5r335.1↔		BOP, KVT, UOP4	5r422‡	14	962Z
	13	N01A, N01B, N01C, N01D, N01E, N02A, N02B, N02C, N03A, N03B, N07Z, N25Z, N38Z		13	N01A, N01B, N01C, N01D, N01E, N02A, N02B, N02C, N03A, N03B, N07Z, N25Z, N38Z	5r423‡	14	962Z
	14	962Z, O03Z		14	962Z, O03Z	5r491		BOP, KVT, UOP4
5r333.4↔		BOP, KVT, UOP4	5r335.4↔		BOP, KVT, UOP4		14	962Z, O01A, O02A, O06Z, O60A
	13	N01A, N01B, N01C, N01D, N01E, N02A, N02B, N02C, N03A, N03B, N07Z, N25Z, N38Z		13	N01A, N01B, N01C, N01D, N01E, N02A, N02B, N02C, N03A, N03B, N07Z, N25Z, N38Z	5r492		BOP, KVT, UOP4
	14	962Z, O03Z		14	962Z, O03Z		14	962Z, O01A, O02A, O06Z, O60A
5r333.6↔		BOP, KVT, UOP4	5r335.6↔		BOP, KVT, UOP4	5r493‡	14	962Z
	13	N01A, N01B, N01C, N01D, N01E, N02A, N02B, N02C, N03A, N03B, N07Z, N25Z, N38Z		13	N01A, N01B, N01C, N01D, N01E, N02A, N02B, N02C, N03A, N03B, N07Z, N25Z, N38Z	5r912		BOP, KVT, UOP4
	14	962Z, O03Z		14	962Z, O03Z		14	962Z, O02A, O02B
5r333.7↔		BOP, KVT, UOP4	5r335.7↔		BOP, KVT, UOP4	5r913‡	14	962Z
	13	N01A, N01B, N01C, N01D, N01E, N02A, N02B, N02C, N03A, N03B, N07Z, N25Z, N38Z		13	N01A, N01B, N01C, N01D, N01E, N02A, N02B, N02C, N03A, N03B, N07Z, N25Z, N38Z	5r914.1‡	14	962Z
	14	962Z, O03Z		14	962Z, O03Z	5r914.2‡	14	962Z
5r333.x↔		BOP, KVT, UOP4	5r335.x↔		BOP, KVT, UOP4	5r914.3‡	14	962Z
	13	N01A, N01B, N01C, N01D, N01E, N02A, N02B, N02C, N03A, N03B, N07Z, N25Z, N38Z		13	N01A, N01B, N01C, N01D, N01E, N02A, N02B, N02C, N03A, N03B, N07Z, N25Z, N38Z	5r914.4‡	14	962Z
	14	962Z, O03Z		14	962Z, O03Z	5r921‡	14	962Z
5r334.0↔		BOP, KVT, UOP4	5r336.0		BOP, KVT, UOP4	5r922‡	14	962Z
	13	N01A, N01B, N01C, N01D, N01E, N02A, N02B, N02C, N03A, N03B, N07Z, N25Z, N38Z		13	N01A, N01B, N01C, N01D, N01E, N02A, N02B, N02C, N03A, N03B, N07Z, N25Z, N38Z	5r923‡	14	962Z
	14	962Z, O03Z	5r336.1		BOP, KVT, UOP4	5r924		BOP, KVT, UOP4
5r334.1↔		BOP, KVT, UOP4	5r336.4		BOP, KVT, UOP4		14	962Z, O02A, O02B, O40Z
	13	N01A, N01B, N01C, N01D, N01E, N02A, N02B, N02C, N03A, N03B, N07Z, N25Z, N38Z		13	N01A, N01B, N01C, N01D, N01E, N02A, N02B, N02C, N03A, N03B, N07Z, N25Z, N38Z	5r925‡	14	962Z
	14	962Z, O03Z	5r336.6		BOP, KVT, UOP4	5r931		BOP, KVT, UOP4
5r334.4↔		BOP, KVT, UOP4	5r336.7		BOP, KVT, UOP4		14	962Z, O02A, O02B
	13	N01A, N01B, N01C, N01D, N01E, N02A, N02B, N02C, N03A, N03B, N07Z, N25Z, N38Z		13	N01A, N01B, N01C, N01D, N01E, N02A, N02B, N02C, N03A, N03B, N07Z, N25Z, N38Z	5r932‡	14	962Z
	14	962Z, O03Z	5r336.x		BOP, KVT, UOP4	5r991		BOP, KVT, UOP4
5r334.6↔		BOP, KVT, UOP4	5r339		BOP, KVT, UOP4		14	962Z, O40Z
	13	N01A, N01B, N01C, N01D, N01E, N02A, N02B, N02C, N03A, N03B, N07Z, N25Z, N38Z		13	N01A, N01B, N01C, N01D, N01E, N02A, N02B, N02C, N03A, N03B, N07Z, N25Z, N38Z	5s101.10		BOP, KVT, UOP4
	14	962Z, O03Z	5r341		BOP, KVT, UOP4		03	D04Z, D18Z, D28Z, D29Z
5r334.7↔		BOP, KVT, UOP4	5r342		BOP, KVT, UOP4		08	I17Z
	13	N01A, N01B, N01C, N01D, N01E, N02A, N02B, N02C, N03A, N03B, N07Z, N25Z, N38Z		13	N01A, N01B, N01C, N01D, N01E, N02A, N02B, N02C, N03A, N03B, N07Z, N25Z, N38Z		09	J08A, J08B, J08C
	14	962Z, O03Z	5r343		BOP, KVT, UOP4		21A	W04A, W04B
	14	962Z, O03Z	5r34x		BOP, KVT, UOP4		21B	X06A, X06B, X06C
	13	N01A, N01B, N01C, N01D, N01E, N02A, N02B, N02C, N03A, N03B, N07Z, N25Z, N38Z		13	N01A, N01B, N01C, N01D, N01E, N02A, N02B, N02C, N03A, N03B, N07Z, N25Z, N38Z	5s101.11		BOP, KVT, UOP4
	14	962Z, O03Z	5r411‡		962Z, O03Z		03	D04Z, D18Z, D28Z, D29Z
	13	N01A, N01B, N01C, N01D, N01E, N02A, N02B, N02C, N03A, N03B, N07Z, N25Z, N38Z		13	N01A, N01B, N01C, N01D, N01E, N02A, N02B, N02C, N03A, N03B, N07Z, N25Z, N38Z		08	I17Z
	14	962Z, O03Z	5r412‡		962Z, O01A, O02A, O06Z, O60A		09	J08A, J08B, J08C
	14	962Z, O03Z	5r413		BOP, KVT, UOP4		21A	W04A, W04B
	14	962Z, O03Z		14	962Z, O01A, O02A, O06Z, O60A	5s102.21		BOP, KVT, UOP4
	14	962Z, O03Z		14	962Z, O01A, O02A, O06Z, O60A		03	D04Z, D18Z, D28Z, D29Z
	14	962Z, O03Z		14	962Z, O01A, O02A, O06Z, O60A		08	I17Z
	14	962Z, O03Z		14	962Z, O01A, O02A, O06Z, O60A		09	J08A, J08B, J08C
	14	962Z, O03Z		14	962Z, O01A, O02A, O06Z, O60A		21A	W04A, W04B
	14	962Z, O03Z		14	962Z, O01A, O02A, O06Z, O60A		21B	X06A, X06B, X06C
	14	962Z, O03Z		14	962Z, O01A, O02A, O06Z, O60A	5s102.22		BOP, KVT, UOP4
	14	962Z, O03Z		14	962Z, O01A, O02A, O06Z, O60A		03	D04Z, D18Z, D28Z, D29Z
	14	962Z, O03Z		14	962Z, O01A, O02A, O06Z, O60A		08	I17Z
	14	962Z, O03Z		14	962Z, O01A, O02A, O06Z, O60A		09	J08A, J08B, J08C
	14	962Z, O03Z		14	962Z, O01A, O02A, O06Z, O60A		21A	W04A, W04B
	14	962Z, O03Z		14	962Z, O01A, O02A, O06Z, O60A		21B	X06A, X06B, X06C

ZZV	MDC	DRG	ZZV	MDC	DRG	ZZV	MDC	DRG
5s102.23		BOP, KVT, UOP4	5s210.2		BOP, KVT, UOP4	5s221.4		BOP, KVT, UOP4
	03	D04Z, D18Z, D28Z, D29Z		03	D18Z, D28Z, D29Z		03	D04Z, D18Z, D28Z, D29Z
	08	I17Z		08	I17Z		08	I17Z
	09	J08A, J08B, J08C		09	J08A, J08B		09	J08A, J08B, J08C
	21A	W04A, W04B		21A	W04A, W04B		21A	W04A, W04B
	21B	X06A, X06B, X06C		21B	X06A, X06B, X06C		21B	X06A, X06B, X06C
5s102.x		BOP, KVT, UOP4	5s210.3		BOP, KVT, UOP4	5s222.00		BOP, KVT, UOP4
	03	D04Z, D18Z, D28Z, D29Z		03	D18Z, D28Z, D29Z		03	D04Z, D18Z, D28Z, D29Z
	08	I17Z		08	I17Z		08	I17Z
	09	J08A, J08B, J08C		09	J08A, J08B		09	J08A, J08B, J08C
	21A	W04A, W04B		21A	W04A, W04B		21A	W04A, W04B
	21B	X06A, X06B, X06C		21B	X06A, X06B, X06C		21B	X06A, X06B, X06C
5s103.12		BOP, KVT, UOP4	5s211.1		BOP, KVT, UOP4	5s222.01		BOP, KVT, UOP4
	03	D18Z, D28Z, D29Z		03	D18Z, D28Z, D29Z		03	D04Z, D18Z, D28Z, D29Z
	08	I17Z		08	I17Z		08	I17Z
	09	J08A, J08B, J08C		09	J08A, J08B, J08C		09	J08A, J08B, J08C
	21A	W04A, W04B		21A	W04A, W04B		21A	W04A, W04B
	21B	X06A, X06B, X06C		21B	X06A, X06B, X06C		21B	X06A, X06B, X06C
5s103.31		BOP, KVT, UOP4	5s211.2		BOP, KVT, UOP4	5s222.10↔		BOP, KVT, UOP4
	03	D18Z, D28Z, D29Z		03	D18Z, D28Z, D29Z		03	D04Z, D18Z, D28Z, D29Z
	08	I17Z		08	I17Z		08	I17Z
	09	J08A, J08B, J08C		09	J08A, J08B, J08C		09	J08A, J08B, J08C
	21A	W04A, W04B		21A	W04A, W04B		21A	W04A, W04B
	21B	X06A, X06B, X06C		21B	X06A, X06B, X06C		21B	X06A, X06B, X06C
5s103.32		BOP, KVT, UOP4	5s211.3		BOP, KVT, UOP4	5s222.11↔		BOP, KVT, UOP4
	03	D04Z		03	D18Z, D28Z, D29Z		03	D04Z, D18Z, D28Z, D29Z
	08	I17Z		08	I17Z		08	I17Z
	09	J08A, J08B, J08C		09	J08A, J08B, J08C		09	J08A, J08B, J08C
	21A	W04A, W04B		21A	W04A, W04B		21A	W04A, W04B
	21B	X06A, X06B, X06C		21B	X06A, X06B, X06C		21B	X06A, X06B, X06C
5s105.2		BOP, KVT, UOP4	5s212		BOP, KVT, UOP4	5s222.20		BOP, KVT, UOP4
	03	D04Z, D18Z, D28Z, D29Z		08	I23A, I23B		03	D04Z, D18Z, D28Z, D29Z
	08	I17Z		09	J08A		08	I17Z
	09	J08A, J08B		09	J08A, J08B, J08C		09	J08A, J08B, J08C
	21A	W04A, W04B		21A	W04A, W04B		21A	W04A, W04B
	21B	X06A, X06B, X06C		21B	X06A, X06B, X06C		21B	X06A, X06B, X06C
5s105.3		BOP, KVT, UOP4	5s220.1		BOP, KVT, UOP4	5s222.21		BOP, KVT, UOP4
	03	D04Z, D18Z, D28Z, D29Z		03	D18Z, D28Z, D29Z		03	D04Z, D18Z, D28Z, D29Z
	08	I17Z		08	I17Z		08	I17Z
	09	J08A, J08B, J08C		09	J08A, J08B		09	J08A, J08B, J08C
	21A	W04A, W04B		21A	W04A, W04B		21A	W04A, W04B
	21B	X06A, X06B, X06C		21B	X06A, X06B, X06C		21B	X06A, X06B, X06C
5s105.4		BOP, KVT, UOP4	5s220.2		BOP, KVT, UOP4	5s222.30		BOP, KVT, UOP4
	01	B09A, B09B		03	D18Z, D28Z, D29Z		03	D04Z, D18Z, D28Z, D29Z
	08	I15A, I15B		08	I17Z		08	I17Z
	21A	W01A, W01B, W01C, W36Z		09	J08A, J08B		09	J08A, J08B, J08C
	21B	X06A, X06B, X06C		09	J08A, J08B, J08C		21A	W04A, W04B
	21B	X06A, X06B, X06C		09	J08A, J08B		21B	X06A, X06B, X06C
5s105.5		BOP, KVT, UOP4	5s220.3		BOP, KVT, UOP4	5s222.31		BOP, KVT, UOP4
	03	D18Z, D24A, D24B		03	D18Z, D28Z, D29Z		03	D04Z, D18Z, D28Z, D29Z
	08	I17Z		08	I17Z		08	I17Z
	09	J08A, J08B, J08C		09	J08A, J08B		09	J08A, J08B, J08C
	21A	W04A, W04B		21A	W04A, W04B		21A	W04A, W04B
	21B	X06A, X06B, X06C		21B	X06A, X06B, X06C		21B	X06A, X06B, X06C
5s11f.3		BOP, KVT, UOP4	5s221.1		BOP, KVT, UOP4	5s222.40		BOP, KVT, UOP4
	03	D04Z, D18Z, D28Z, D29Z		03	D18Z, D28Z, D29Z		03	D04Z, D18Z, D28Z, D29Z
	08	I17Z		08	I17Z		08	I17Z
	09	J08A, J08B		09	J08A, J08B, J08C		09	J08A, J08B, J08C
	21A	W04A, W04B		21A	W04A, W04B		21A	W04A, W04B
	21B	X06A, X06B, X06C		21B	X06A, X06B, X06C		21B	X06A, X06B, X06C
5s11f.5		BOP, KVT, UOP4	5s221.2		BOP, KVT, UOP4	5s222.41		BOP, KVT, UOP4
	01	B09A, B09B		03	D18Z, D28Z, D29Z		03	D04Z, D18Z, D28Z, D29Z
	03	D16Z		08	I17Z		08	I17Z
	08	I23A		09	J08A, J08B, J08C		09	J08A, J08B, J08C
	21A	W04A, W04B		21A	W04A, W04B		21A	W04A, W04B
	21B	X06A, X06B, X06C		21B	X06A, X06B, X06C		21B	X06A, X06B, X06C
5s210.1		BOP, KVT, UOP4	5s221.3		BOP, KVT, UOP4			
	03	D18Z, D28Z, D29Z		03	D18Z, D28Z, D29Z		03	D04Z, D18Z, D28Z, D29Z
	08	I17Z		08	I17Z		08	I17Z
	09	J08A, J08B		09	J08A, J08B, J08C		09	J08A, J08B, J08C
	21A	W04A, W04B		21A	W04A, W04B		21A	W04A, W04B
	21B	X06A, X06B, X06C		21B	X06A, X06B, X06C		21B	X06A, X06B, X06C

VYK

ZZV	MDC	DRG	ZZV	MDC	DRG	ZZV	MDC	DRG
5s222.50		BOP, KVT, UOP4	5s224		BOP, KVT, UOP4	5s300.0		BOP, KVT, UOP4
	03	D04Z, D18Z, D28Z, D29Z		03	D18Z, D25A, D25B, D25C, D25D		03	D03Z, D12A
	08	I17Z		08	I17Z		08	I17Z
	09	J08A, J08B, J08C		09	J03A, J03B, J04A, J04B, J08A, J08B, J08C, J11A, J11B, J16Z		09	J03A, J03B, J04A, J04B, J08A, J08B, J08C, J11A, J11B, J16Z
	21A	W04A, W04B		21A	W04A, W04B		21A	W04A, W04B
5s222.51	21B	X06A, X06B, X06C	5s225.0a↔	21B	X06A, X06B, X06C	5s300.1	21B	X06A, X06B, X06C
		BOP, KVT, UOP4			BOP, KVT, UOP4			BOP, KVT, UOP4
	03	D04Z, D18Z, D28Z, D29Z		03	D18Z, D25A, D25B, D25C, D25D		03	D03Z, D12A
	08	I17Z		08	I17Z		08	I17Z
	09	J08A, J08B, J08C		09	J03A, J03B, J04A, J04B, J08A, J08B, J08C, J11A, J11B, J16Z		09	J03A, J03B, J04A, J04B, J08A, J08B, J08C, J11A, J11B, J16Z
5s222.60	21A	W04A, W04B	5s225.0b↔	21A	W04A, W04B	5s300.2	21A	W04A, W04B
	21B	X06A, X06B, X06C		21B	X06A, X06B, X06C		21B	X06A, X06B, X06C
		BOP, KVT, UOP4			BOP, KVT, UOP4			BOP, KVT, UOP4
	03	D18Z, D24A, D24B		03	D18Z, D25A, D25B, D25C, D25D		03	D03Z, D12A
	08	I17Z		08	I17Z		08	I17Z
5s222.61	09	J08A, J08B, J08C	5s225.0c↔	09	J03A, J03B, J04A, J04B, J08A, J08B, J08C, J11A, J11B, J16Z	5s302.10	09	J03A, J03B, J04A, J04B, J08A, J08B, J08C, J11A, J11B, J16Z
	21A	W04A, W04B		21A	W04A, W04B		21A	W04A, W04B
	21B	X06A, X06B, X06C		21B	X06A, X06B, X06C		21B	X06A, X06B, X06C
		BOP, KVT, UOP4			BOP, KVT, UOP4			BOP, KVT, UOP4
	03	D18Z, D24A, D24B		03	D18Z, D25A, D25B, D25C, D25D		03	D18Z, D25A, D25B, D25C, D25D
5s222.70	08	I17Z	5s22a	08	I17Z	5s302.11	08	I17Z
	09	J08A, J08B, J08C		09	J03A, J03B, J04A, J04B, J08A, J08B, J08C, J11A, J11B, J16Z		09	J08A, J08B, J08C
	21A	W04A, W04B		21A	W04A, W04B		21A	W04A, W04B
	21B	X06A, X06B, X06C		21B	X06A, X06B, X06C		21B	X06A, X06B, X06C
		BOP, KVT, UOP4			BOP, KVT, UOP4			BOP, KVT, UOP4
5s222.71	03	D18Z, D24A, D24B	5s22b	03	D18Z, D28Z, D29Z	5s302.12	03	D18Z, D25A, D25B, D25C, D25D
	08	I17Z		08	I17Z		08	I17Z
	09	J08A, J08B, J08C		09	J08A, J08B		09	J08A, J08B, J08C
	21A	W04A, W04B		21A	W04A, W04B		21A	W04A, W04B
	21B	X06A, X06B, X06C		21B	X06A, X06B, X06C		21B	X06A, X06B, X06C
5s222.80		BOP, KVT, UOP4	5s290		BOP, KVT, UOP4	5s302.2		BOP, KVT, UOP4
	03	D18Z, D24A, D24B		03	D18Z, D25A, D25B, D25C, D25D		03	D18Z, D25A, D25B, D25C, D25D
	08	I17Z		08	I23A		08	I17Z
	09	J08A, J08B, J08C		09	J08A, J08B		09	J08A, J08B, J08C
	21A	W04A, W04B		21A	W04A, W04B		21A	W04A, W04B
5s222.81	21B	X06A, X06B, X06C	5s291	21B	X06A, X06B, X06C	5s302.3	21B	X06A, X06B, X06C
		BOP, KVT, UOP4			BOP, KVT, UOP4			BOP, KVT, UOP4
	03	D18Z, D24A, D24B		03	D18Z, D28Z, D29Z		03	D18Z, D25A, D25B, D25C, D25D
	08	I17Z		08	I17Z		08	I17Z
	09	J08A, J08B, J08C		09	J08A, J08B, J08C		09	J08A, J08B, J08C
5s222.90	21A	W04A, W04B	5s298	21A	W04A, W04B	5s302.4	21A	W04A, W04B
	21B	X06A, X06B, X06C		21B	X06A, X06B, X06C		21B	X06A, X06B, X06C
		BOP, KVT, UOP4			BOP, KVT, UOP4			BOP, KVT, UOP4
	03	D18Z, D24A, D24B		03	D18Z, D25A, D25B, D25C, D25D		03	D18Z, D25A, D25B, D25C, D25D
	08	I17Z		08	I17Z		08	I17Z
5s222.91	09	J08A, J08B, J08C		09	J08A, J08B		09	J08A, J08B, J08C
	21A	W04A, W04B		21A	W04A, W04B		21A	W04A, W04B
	21B	X06A, X06B, X06C		21B	X06A, X06B, X06C		21B	X06A, X06B, X06C
		BOP, KVT, UOP4			BOP, KVT, UOP4			BOP, KVT, UOP4
	03	D18Z, D24A, D24B						
5s222.x	08	I17Z						
	09	J08A, J08B, J08C						
	21A	W04A, W04B						
	21B	X06A, X06B, X06C						
		BOP, KVT, UOP4						
5s222.x	03	D18Z, D24A, D24B						
	08	I17Z						
	09	J08A, J08B, J08C						
	21A	W04A, W04B						
	21B	X06A, X06B, X06C						

VYK

ZZV	MDC	DRG	ZZV	MDC	DRG	ZZV	MDC	DRG
5s302.5		BOP, KVT, UOP4	5s30f.0		BOP, KVT, UOP4	5s30f.71		BOP, KVT, UOP4
	03	D18Z, D24A, D24B		03	D18Z, D25A, D25B, D25C, D25D		03	D18Z, D25A, D25B, D25C, D25D
	08	I17Z		08	I17Z		08	I17Z
	09	J08A, J08B, J08C		09	J08A, J08B, J08C		09	J08A, J08B, J08C
	21A	W04A, W04B		21A	W04A, W04B		21A	W04A, W04B
5s302.60	21B	X06A, X06B, X06C	5s30f.1	21B	X06A, X06B, X06C	5s30f.72	21B	X06A, X06B, X06C
		BOP, KVT, UOP4			BOP, KVT, UOP4			BOP, KVT, UOP4
	03	D18Z, D25A, D25B, D25C, D25D		03	D18Z, D25A, D25B, D25C, D25D		03	D18Z, D25A, D25B, D25C, D25D
	08	I17Z		08	I17Z		08	I17Z
	09	J08A, J08B, J08C		09	J08A, J08B, J08C		09	J08A, J08B, J08C
5s302.61	21A	W04A, W04B	5s30f.2	21A	W04A, W04B	5s30f.73	21A	W04A, W04B
	21B	X06A, X06B, X06C		21B	X06A, X06B, X06C		21B	X06A, X06B, X06C
		BOP, KVT, UOP4			BOP, KVT, UOP4			BOP, KVT, UOP4
	03	D18Z, D25A, D25B, D25C, D25D		03	D18Z, D25A, D25B, D25C, D25D		03	D18Z, D25A, D25B, D25C, D25D
	08	I17Z		08	I17Z		08	I17Z
5s302.62	09	J08A, J08B, J08C	5s30f.3	09	J08A, J08B, J08C	5s311.0	09	J08A, J08B, J08C
	21A	W04A, W04B		21A	W04A, W04B		21A	W04A, W04B
	21B	X06A, X06B, X06C		21B	X06A, X06B, X06C		21B	X06A, X06B, X06C
		BOP, KVT, UOP4			BOP, KVT, UOP4			BOP, KVT, UOP4
	03	D18Z, D25A, D25B, D25C, D25D		03	D18Z, D25A, D25B, D25C, D25D		03	D18Z, D25A, D25B, D25C, D25D
5s302.7	08	I17Z	5s30f.4	08	I17Z	5s311.1	08	I17Z
	09	J08A, J08B, J08C		09	J08A, J08B, J08C		09	J08A, J08B
	21A	W04A, W04B		21A	W04A, W04B		21A	W04A, W04B
	21B	X06A, X06B, X06C		21B	X06A, X06B, X06C		21B	X06A, X06B, X06C
		BOP, KVT, UOP4			BOP, KVT, UOP4			BOP, KVT, UOP4
5s302.80	03	D18Z, D25A, D25B, D25C, D25D	5s30f.50	03	D18Z, D25A, D25B, D25C, D25D	5s311.2	03	D18Z, D25A, D25B, D25C, D25D
	08	I17Z		08	I17Z		08	I17Z
	09	J08A, J08B, J08C		09	J08A, J08B, J08C		09	J08A, J08B
	21A	W04A, W04B		21A	W04A, W04B		21A	W04A, W04B
	21B	X06A, X06B, X06C		21B	X06A, X06B, X06C		21B	X06A, X06B, X06C
5s302.81		BOP, KVT, UOP4	5s30f.51		BOP, KVT, UOP4	5s311.3		BOP, KVT, UOP4
	03	D18Z, D25A, D25B, D25C, D25D		03	D18Z, D25A, D25B, D25C, D25D		03	D18Z, D25A, D25B, D25C, D25D
	08	I17Z		08	I17Z		08	I17Z
	09	J08A, J08B, J08C		09	J08A, J08B, J08C		09	J08A, J08B
	21A	W04A, W04B		21A	W04A, W04B		21A	W04A, W04B
5s302.a	21B	X06A, X06B, X06C	5s30f.6	21B	X06A, X06B, X06C	5s312	21B	X06A, X06B, X06C
		BOP, KVT, UOP4			BOP, KVT, UOP4			BOP, KVT, UOP4
	03	D18Z, D25A, D25B, D25C, D25D		03	D18Z, D25A, D25B, D25C, D25D		03	D18Z, D25A, D25B, D25C, D25D
	08	I17Z		08	I17Z		08	I17Z
	09	J08A, J08B, J08C		09	J08A, J08B, J08C		09	J08A, J08B
5s302.h	21A	W04A, W04B	5s30f.70	21A	W04A, W04B	5s313.1	21A	W04A, W04B
	21B	X06A, X06B, X06C		21B	X06A, X06B, X06C		21B	X06A, X06B, X06C
		BOP, KVT, UOP4			BOP, KVT, UOP4			BOP, KVT, UOP4
	03	D18Z, D25A, D25B, D25C, D25D		03	D18Z, D25A, D25B, D25C, D25D		03	D18Z, D25A, D25B, D25C, D25D
	08	I17Z		08	I17Z		08	I17Z
5s302.j	09	J08A, J08B, J08C		09	J08A, J08B, J08C	5s313.x	09	J08A, J08B, J08C
	21A	W04A, W04B		21A	W04A, W04B		21A	W04A, W04B
	21B	X06A, X06B, X06C		21B	X06A, X06B, X06C		21B	X06A, X06B, X06C
		BOP, KVT, UOP4			BOP, KVT, UOP4			BOP, KVT, UOP4
	03	D18Z, D25A, D25B, D25C, D25D					03	D18Z, D25A, D25B, D25C, D25D
	I17Z			08	I06A, I06B, I06C, I06D, I06E			
	J08A, J08B, J08C			09	J08A, J08B, J08C			
	W04A, W04B							
	X06A, X06B, X06C							

VYK

ZZV	MDC	DRG	ZZV	MDC	DRG	ZZV	MDC	DRG
5s314		BOP, KVT, UOP4	5s31b.2		BOP, KVT, UOP4	5s901.20		BOP, KVT, UOP4
	03	D18Z, D25A, D25B, D25C, D25D		03	D18Z, D25A, D25B, D25C, D25D		03	D18Z, D28Z, D29Z
	08	I17Z		08	I06A, I06B, I06C, I06D, I06E		08	I17Z
	09	J08A, J08B		09	J08A, J08B		09	J08A, J08B, J08C
	21A	W04A, W04B		21A	W04A, W04B		21A	W04A, W04B
5s315	21B	X06A, X06B, X06C	5s390	21B	X06A, X06B, X06C	5s901.21	21B	X06A, X06B, X06C
		BOP, KVT, UOP4			BOP, KVT, UOP4			BOP, KVT, UOP4
	03	D18Z, D25A, D25B, D25C, D25D		03	D18Z, D25A, D25B, D25C, D25D		03	D18Z, D28Z, D29Z
	08	I17Z		08	I17Z		08	I17Z
	09	J08A, J08B		09	J08A, J08B		09	J08A, J08B, J08C
5s316	21A	W04A, W04B	5s391	21A	W04A, W04B	5s901.x	21A	W04A, W04B
	21B	X06A, X06B, X06C		21B	X06A, X06B, X06C		21B	X06A, X06B, X06C
		BOP, KVT, UOP4			BOP, KVT, UOP4			BOP, KVT, UOP4
	03	D18Z, D25A, D25B, D25C, D25D		03	D18Z, D25A, D25B, D25C, D25D		03	D18Z, D28Z, D29Z
	08	I17Z		08	I17Z		08	I17Z
5s317	09	J08A, J08B	5s392	09	J08A, J08B	5s902	09	J08A, J08B, J08C
	21A	W04A, W04B		21A	W04A, W04B		03	D04Z, D15A, D18Z
	21B	X06A, X06B, X06C		21B	X06A, X06B, X06C		08	I17Z
		BOP, KVT, UOP4			BOP, KVT, UOP4		09	J08A, J08B, J08C
	03	D18Z, D25A, D25B, D25C, D25D		03	D18Z, D25A, D25B, D25C, D25D		21A	W04A, W04B
5s318	08	I17Z	5s393	08	I17Z	5s903	21B	X06A, X06B, X06C
	09	J08A, J08B		09	J08A, J08B			BOP, KVT, UOP4
	21A	W04A, W04B		21A	W04A, W04B		03	D18Z, D25A, D25B, D25C, D25D
	21B	X06A, X06B, X06C		21B	X06A, X06B, X06C		08	I17Z
		BOP, KVT, UOP4			BOP, KVT, UOP4		09	J08A, J08B, J08C
5s319	03	D18Z, D25A, D25B, D25C, D25D	5s394	03	D18Z, D25A, D25B, D25C, D25D	5s904.10	21A	W04A, W04B
	08	I17Z		08	I17Z		21B	X06A, X06B, X06C
	09	J08A, J08B		09	J08A, J08B			BOP, KVT, UOP4
	21A	W04A, W04B		21A	W04A, W04B		03	D04Z, D18Z, D28Z, D29Z
	21B	X06A, X06B, X06C		21B	X06A, X06B, X06C		08	I17Z
5s31a.1		BOP, KVT, UOP4	5s395		BOP, KVT, UOP4	5s904.11	09	J08A, J08B, J08C
	03	D18Z, D25A, D25B, D25C, D25D		03	D18Z, D25A, D25B, D25C, D25D		21A	W04A, W04B
	08	I06A, I06B, I06C, I06D, I06E		08	I23A		21B	X06A, X06B, X06C
	09	J08A, J08B		09	J08A, J08B			BOP, KVT, UOP4
	21A	W04A, W04B			BOP, KVT, UOP4		03	D28Z
5s31a.2	21B	X06A, X06B, X06C	5s900	03	D18Z, D28Z, D29Z	5s991† 5s992	03	D18Z, D28Z, D29Z
		BOP, KVT, UOP4		08	I17Z		08	I17Z
	03	D18Z, D25A, D25B, D25C, D25D		09	J08A, J08B, J08C		09	J08A, J08B
	08	I06A, I06B, I06C, I06D, I06E		21A	W04A, W04B		21A	W04A, W04B
	09	J08A, J08B		21B	X06A, X06B, X06C		21B	X06A, X06B, X06C
5s31b.1	21A	W04A, W04B	5s901.10	03	D18Z, D28Z, D29Z	5s99b.10		BOP, KVT, UOP4
	21B	X06A, X06B, X06C		08	I17Z		03	D04Z, D18Z, D28Z, D29Z
		BOP, KVT, UOP4		09	J08A, J08B, J08C		08	I17Z
	03	D18Z, D25A, D25B, D25C, D25D		21A	W04A, W04B		09	J08A, J08B, J08C
	08	I06A, I06B, I06C, I06D, I06E		21B	X06A, X06B, X06C		21A	W04A, W04B
5s31b.2	09	J08A, J08B	5s901.11	03	D18Z, D28Z, D29Z	5s99b.11	21B	X06A, X06B, X06C
	21A	W04A, W04B		08	I17Z		03	D04Z, D18Z, D28Z, D29Z
	21B	X06A, X06B, X06C		09	J08A, J08B, J08C		08	I17Z
		BOP, KVT, UOP4		21A	W04A, W04B		09	J08A, J08B, J08C
	03	D18Z, D25A, D25B, D25C, D25D		21B	X06A, X06B, X06C		21A	W04A, W04B
5s31b.2	08	I06A, I06B, I06C, I06D, I06E	5s901.11	03	D18Z, D28Z, D29Z	5s99b.20	21B	X06A, X06B, X06C
	09	J08A, J08B		08	I17Z		03	D04Z, D18Z, D28Z, D29Z
	21A	W04A, W04B		09	J08A, J08B, J08C		08	I17Z
	21B	X06A, X06B, X06C		21A	W04A, W04B		09	J08A, J08B, J08C
		BOP, KVT, UOP4		21B	X06A, X06B, X06C		21A	W04A, W04B

ZZV	MDC	DRG	ZZV	MDC	DRG	ZZV	MDC	DRG
5s99b.21		BOP, KVT, UOP4	5t001.b↔		BOP, KVT, UOP4	5t001.m↔		BOP, KVT, UOP4
	03	D04Z, D18Z, D28Z, D29Z		05	F13A		05	F13A
	08	I17Z		08	I12A, I12B, I12C, I32A, I32B, I32C, I32D, I32E, I32F		08	I12A, I12B, I12C, I13A, I13B, I13C, I13D, I13E
	09	J08A, J08B, J08C		21A	W04A, W04B		21A	W04A, W04B
	21A	W04A, W04B		21B	X05A, X05B		21B	X04Z
	21B	X06A, X06B, X06C	5t001.c↔		BOP, KVT, UOP4	5t001.n↔		BOP, KVT, UOP4
5t001.0↔		BOP, KVT, UOP4		05	F13A		05	F13A
	04	E02A, E02B, E02C		08	I12A, I12B, I12C, I32A, I32B, I32C, I32D, I32E, I32F		08	I12A, I12B, I12C, I13A, I13B, I13C, I13D, I13E
	05	F13A		21A	W04A, W04B		21A	W04A, W04B
	08	I12A, I12B, I12C, I28A, I28B		21B	X05A, X05B		21B	X04Z
	21A	W04A, W04B	5t001.d		BOP, KVT, UOP4	5t001.p↔		BOP, KVT, UOP4
	21B	X06A, X06B, X06C		05	F13A		05	F13A
5t001.1↔		BOP, KVT, UOP4		08	I08A, I08B, I08C, I08D, I08E, I08F, I12A, I12B, I12C		08	I12A, I12B, I12C, I13A, I13B, I13C, I13D, I13E
	05	F13A		21A	W04A, W04B		21A	W04A, W04B
	08	I12A, I12B, I12C, I13A, I13B, I13C, I13D, I13E		21B	X06A, X06B, X06C		21B	X04Z
	21A	W04A, W04B	5t001.e↔		BOP, KVT, UOP4	5t001.q↔		BOP, KVT, UOP4
	21B	X06A, X06B, X06C		01	B03A, B03B, B06A, B06B, B17A, B17B, B17C		05	F13A
5t001.2↔		BOP, KVT, UOP4		05	F13A		08	I12A, I12B, I12C, I13A, I13B, I13C, I13D, I13E
	05	F13A		08	I08A, I08B, I08C, I08D, I08E, I08F		21A	W04A, W04B
	08	I12A, I12B, I12C, I13A, I13B, I13C, I13D, I13E		21A	W01A, W01B, W01C, W02A, W02B		21B	X04Z
	21A	W04A, W04B	5t001.f↔		BOP, KVT, UOP4	5t001.r↔		BOP, KVT, UOP4
	21B	X06A, X06B, X06C		01	B03A, B03B, B06A, B06B, B17A, B17B, B17C		05	F13A
5t001.3↔		BOP, KVT, UOP4		05	F13A		08	I12A, I12B, I12C, I13A, I13B, I13C, I13D, I13E
	05	F13A		08	I08A, I08B, I08C, I08D, I08E, I08F		21A	W04A, W04B
	08	I12A, I12B, I12C, I13A, I13B, I13C, I13D, I13E		21A	W01A, W01B, W01C, W02A, W02B		21B	X04Z
	21A	W04A, W04B	5t001.g↔		BOP, KVT, UOP4	5t001.s↔		BOP, KVT, UOP4
	21B	X06A, X06B, X06C		01	B03A, B03B, B06A, B06B, B17A, B17B, B17C		05	F13A, F27A, F27B, F27C
5t001.4↔		BOP, KVT, UOP4		05	F13A		08	I12A, I12B, I12C, I20A, I20B, I20C, I20D, I20E, I20F
	05	F13A		08	I08A, I08B, I08C, I08D, I08E, I08F		10	K01Z
	08	I12A, I12B, I12C, I21Z, I31Z		21A	W01A, W01B, W01C, W02A, W02B		21A	W04A, W04B
	21A	W04A, W04B		21B	X04Z		21B	X04Z
	21B	X06A, X06B, X06C	5t001.h↔		BOP, KVT, UOP4	5t001.t↔		BOP, KVT, UOP4
5t001.5↔		BOP, KVT, UOP4		01	B03A, B03B, B06A, B06B, B17A, B17B, B17C		05	F13A, F27A, F27B, F27C
	05	F13A		05	F13A		08	I12A, I12B, I12C, I20A, I20B, I20C, I20D, I20E, I20F
	08	I12A, I12B, I12C, I21Z, I31Z		08	I08A, I08B, I08C, I08D, I08E, I08F		10	K01Z
	21A	W04A, W04B		21A	W01A, W01B, W01C, W02A, W02B		21A	W04A, W04B
	21B	X06A, X06B, X06C		21B	X04Z		21B	X04Z
5t001.6↔		BOP, KVT, UOP4	5t001.i↔		BOP, KVT, UOP4	5t001.u↔		BOP, KVT, UOP4
	05	F13A		01	B03A, B03B, B06A, B06B, B17A, B17B, B17C		05	F13A, F27A, F27B, F27C
	08	I12A, I12B, I12C, I21Z, I31Z		05	F13A		08	I12A, I12B, I12C, I20A, I20B, I20C, I20D, I20E, I20F
	21A	W04A, W04B		08	I08A, I08B, I08C, I08D, I08E, I08F		10	K01Z
	21B	X06A, X06B, X06C		21A	W01A, W01B, W01C, W02A, W02B		21A	W04A, W04B
5t001.7↔		BOP, KVT, UOP4		21B	X04Z		21B	X04Z
	05	F13A	5t001.j↔		BOP, KVT, UOP4	5t001.v↔		BOP, KVT, UOP4
	08	I12A, I12B, I12C, I21Z, I31Z		01	B03A, B03B, B06A, B06B, B17A, B17B, B17C		05	F13A, F27A, F27B, F27C
	21A	W04A, W04B		05	F13A		08	I12A, I12B, I12C, I20A, I20B, I20C, I20D, I20E, I20F
	21B	X06A, X06B, X06C		08	I08A, I08B, I08C, I08D, I08E, I08F		10	K01Z
5t001.8↔		BOP, KVT, UOP4		21A	W01A, W01B, W01C, W02A, W02B		21A	W04A, W04B
	05	F13A	5t001.k↔		BOP, KVT, UOP4	5t001.w↔		BOP, KVT, UOP4
	08	I12A, I12B, I12C, I21Z, I31Z		01	B03A, B03B, B06A, B06B, B17A, B17B, B17C		05	F13A
	21A	W04A, W04B		05	F13A		08	I12A, I12B, I12C, I20A, I20B, I20C, I20D, I20E, I20F
	21B	X06A, X06B, X06C		08	I12A, I12B, I12C, I18A, I18B, I30Z		10	K01Z
5t001.9↔		BOP, KVT, UOP4		21A	W04A, W04B		21A	W04A, W04B
	05	F13A		21B	X04Z		21B	X04Z
	08	I12A, I12B, I12C, I21Z, I31Z		5t001.l↔		5t001.x↔		BOP, KVT, UOP4
	21A	W04A, W04B		01	B03A, B03B, B06A, B06B, B17A, B17B, B17C		05	F13A
	21B	X06A, X06B, X06C		05	F13A		08	I12A, I12B, I12C, I20A, I20B, I20C, I20D, I20E, I20F
5t001.a↔		BOP, KVT, UOP4		08	I12A, I12B, I12C, I18A, I18B, I13C, I13D, I13E		21A	W04A, W04B
	05	F13A		21A	W04A, W04B		21B	X04Z
	08	I12A, I12B, I12C, I32A, I32B, I32C, I32D, I32E, I32F		21B	X04Z			
	21A	W04A, W04B						
	21B	X05A, X05B						

VYK

ZZV	MDC	DRG	ZZV	MDC	DRG	ZZV	MDC	DRG
5t001.x		BOP, KVT, UOP4	5t002.a↔	05	F13A	5t002.m↔	05	F13A
	01	B03A, B03B, B06A, B06B, B17A, B17B, B17C		08	I12A, I12B, I12C, I32A, I32B, I32C, I32D, I32E, I32F		08	I12A, I12B, I12C, I13A, I13B, I13C, I13D, I13E
	05	F13A		21A	W04A, W04B		21A	W04A, W04B
	08	I12A, I12B, I12C, I28A, I28B		21B	X05A, X05B		21B	X04Z
	21A	W04A, W04B		5t002.b↔	BOP, KVT, UOP4		5t002.n↔	BOP, KVT, UOP4
21B	X06A, X06B, X06C	05	F13A		05	F13A		
5t001.z↔	BOP, KVT, UOP4	08	I12A, I12B, I12C, I32A, I32B, I32C, I32D, I32E, I32F		08	I12A, I12B, I12C, I13A, I13B, I13C, I13D, I13E		
	04	E02A, E02B, E02C	21A		W04A, W04B	21A		W04A, W04B
	05	F13A	21B		X05A, X05B	21B		X04Z
	08	I12A, I12B, I12C, I28A, I28B	5t002.c↔	BOP, KVT, UOP4	5t002.p↔	BOP, KVT, UOP4		
	21A	W04A, W04B		05		F13A	05	F13A
21B	X06A, X06B, X06C	08		I12A, I12B, I12C, I32A, I32B, I32C, I32D, I32E, I32F		08	I12A, I12B, I12C, I13A, I13B, I13C, I13D, I13E	
5t002.0↔	BOP, KVT, UOP4	21A		W04A, W04B		21A	W04A, W04B	
	04	E02A, E02B, E02C		21B		X05A, X05B	21B	X04Z
	05	F13A	5t002.d	BOP, KVT, UOP4	5t002.q↔	BOP, KVT, UOP4		
	08	I12A, I12B, I12C, I28A, I28B		05		F13A	05	F13A
	21A	W04A, W04B		08		I12A, I12B, I12C, I32A, I32B, I32C, I32D, I32E, I32F	08	I12A, I12B, I12C, I13A, I13B, I13C, I13D, I13E
21B	X06A, X06B, X06C	21A		W04A, W04B		21A	W04A, W04B	
5t002.1↔	BOP, KVT, UOP4	21B		X05A, X05B		21B	X04Z	
	05	F13A	5t002.e↔	BOP, KVT, UOP4	5t002.r↔	BOP, KVT, UOP4		
	08	I12A, I12B, I12C, I13A, I13B, I13C, I13D, I13E		05		F13A	05	F13A
	21A	W04A, W04B		08		I12A, I12B, I12C, I21Z	08	I12A, I12B, I12C, I13A, I13B, I13C, I13D, I13E
	21B	X06A, X06B, X06C		21A		W04A, W04B	21A	W04A, W04B
5t002.2↔	BOP, KVT, UOP4	21B		X06A, X06B, X06C		21B	X04Z	
	05	F13A	5t002.f↔	BOP, KVT, UOP4	5t002.s↔	BOP, KVT, UOP4		
	08	I12A, I12B, I12C, I13A, I13B, I13C, I13D, I13E		01		B03A, B03B, B06A, B06B, B17A, B17B, B17C	05	F13A, F27A, F27B, F27C
	21A	W04A, W04B		05		F13A	08	I12A, I12B, I12C, I20A, I20B, I20C, I20D, I20E, I20F
	21B	X06A, X06B, X06C		08		I08A, I08B, I08C, I08D, I08E, I08F	10	K01Z
5t002.3↔	BOP, KVT, UOP4	5t002.g↔		BOP, KVT, UOP4		5t002.t↔	BOP, KVT, UOP4	
	05		F13A	01	B03A, B03B, B06A, B06B, B17A, B17B, B17C		05	F13A, F27A, F27B, F27C
	08		I12A, I12B, I12C, I21Z, I31Z	05	F13A		08	I12A, I12B, I12C, I20A, I20B, I20C, I20D, I20E, I20F
	21A		W04A, W04B	08	I08A, I08B, I08C, I08D, I08E, I08F		10	K01Z
	21B		X06A, X06B, X06C	21A	W01A, W01B, W01C, W02A, W02B		21A	W04A, W04B
5t002.4↔	BOP, KVT, UOP4	5t002.h↔	BOP, KVT, UOP4	5t002.u↔	BOP, KVT, UOP4			
	05		F13A		01	B03A, B03B, B06A, B06B, B17A, B17B, B17C	05	F13A, F27A, F27B, F27C
	08		I12A, I12B, I12C, I21Z, I31Z		05	F13A	08	I12A, I12B, I12C, I20A, I20B, I20C, I20D, I20E, I20F
	21A		W04A, W04B		08	I08A, I08B, I08C, I08D, I08E, I08F	10	K01Z
	21B		X06A, X06B, X06C		21A	W01A, W01B, W01C, W02A, W02B	21A	W04A, W04B
5t002.5↔	BOP, KVT, UOP4	5t002.i↔	BOP, KVT, UOP4	5t002.v↔	BOP, KVT, UOP4			
	05		F13A		01	B03A, B03B, B06A, B06B, B17A, B17B, B17C	05	F13A, F27A, F27B, F27C
	08		I12A, I12B, I12C, I21Z, I31Z		05	F13A	08	I12A, I12B, I12C, I20A, I20B, I20C, I20D, I20E, I20F
	21A		W04A, W04B		08	I08A, I08B, I08C, I08D, I08E, I08F	10	K01Z
	21B		X06A, X06B, X06C		21A	W01A, W01B, W01C, W02A, W02B	21A	W04A, W04B
5t002.6↔	BOP, KVT, UOP4	5t002.j↔	BOP, KVT, UOP4	5t002.w↔	BOP, KVT, UOP4			
	05		F13A		01	B03A, B03B, B06A, B06B, B17A, B17B, B17C	05	F13A
	08		I12A, I12B, I12C, I21Z, I31Z		05	F13A	08	I12A, I12B, I12C, I20A, I20B, I20C, I20D, I20E, I20F
	21A		W04A, W04B		08	I08A, I08B, I08C, I08D, I08E, I08F	10	K01Z
	21B		X06A, X06B, X06C		21A	W01A, W01B, W01C, W02A, W02B	21A	W04A, W04B
5t002.7↔	BOP, KVT, UOP4	5t002.k↔	BOP, KVT, UOP4	5t002.x	BOP, KVT, UOP4			
	05		F13A		01	B03A, B03B, B06A, B06B, B17A, B17B, B17C	05	F13A
	08		I12A, I12B, I12C, I21Z, I31Z		05	F13A	08	I12A, I12B, I12C, I20A, I20B, I20C, I20D, I20E, I20F
	21A		W04A, W04B		08	I12A, I12B, I12C, I18A, I18B, I30Z	10	K01Z
	21B		X06A, X06B, X06C		21A	W04A, W04B	21A	W04A, W04B
5t002.8↔	BOP, KVT, UOP4	5t002.l↔	BOP, KVT, UOP4	5t002.y	BOP, KVT, UOP4			
	05		F13A		01	B03A, B03B, B06A, B06B, B17A, B17B, B17C	05	F13A
	08		I12A, I12B, I12C, I21Z, I31Z		05	F13A	08	I12A, I12B, I12C, I28A, I28B
	21A		W04A, W04B		08	I12A, I12B, I12C, I18A, I18B, I30Z	21A	W04A, W04B
	21B		X06A, X06B, X06C		21A	W04A, W04B	21B	X06A, X06B, X06C
5t002.9↔	BOP, KVT, UOP4	5t002.m↔	BOP, KVT, UOP4	5t002.z	BOP, KVT, UOP4			
	05		F13A		05	F13A	05	F13A
	08		I12A, I12B, I12C, I21Z, I31Z		08	I12A, I12B, I12C, I13A, I13B, I13C, I13D, I13E	08	I12A, I12B, I12C, I28A, I28B
	21A		W04A, W04B		21A	W04A, W04B	21A	W04A, W04B
	21B		X06A, X06B, X06C		21B	X04Z	21B	X06A, X06B, X06C

VYK

ZZV	MDC	DRG	ZZV	MDC	DRG	ZZV	MDC	DRG
5t002.z↔		BOP, KVT, UOP4	5t003.c↔		BOP, KVT, UOP4, VIAL	5t003.s↔		BOP, KVT, UOP4, VIAL
	04	E02A, E02B, E02C		05	F13A		05	F13A
	05	F13A		08	I12A, I12B, I12C, I23A, I23B		08	I12A, I12B, I12C, I20A, I20B, I20C, I20D, I20E, I20F
	08	I12A, I12B, I12C, I28A, I28B		21A	W04A, W04B		21A	W04A, W04B
	21A	W04A, W04B		21B	X05A, X05B		21B	X04Z
	21B	X06A, X06B, X06C	5t003.d		BOP, KVT, UOP4, VIAL	5t003.t↔		BOP, KVT, UOP4, VIAL
5t003.0↔		BOP, KVT, UOP4, VIAL		05	F13A		05	F13A
	04	E02A, E02B, E02C		08	I12A, I12B, I12C, I23A, I23B		08	I12A, I12B, I12C, I20A, I20B, I20C, I20D, I20E, I20F
	05	F13A		21A	W04A, W04B		21A	W04A, W04B
	08	I23A, I23B		21B	X04Z, X05A, X05B, X06A, X06B, X06C		21B	X04Z
5t003.1↔		BOP, KVT, UOP4, VIAL	5t003.e↔		BOP, KVT, UOP4, VIAL	5t003.u↔		BOP, KVT, UOP4, VIAL
	05	F13A		05	F13A		05	F13A
	08	I08A, I08B, I08C, I08D, I08E, I08F, I12A, I12B, I12C, I23A, I23B		08	I12A, I12B, I12C, I21Z		08	I12A, I12B, I12C, I20A, I20B, I20C, I20D, I20E, I20F
	21A	W04A, W04B		21A	W04A, W04B		21A	W04A, W04B
	21B	X06A, X06B, X06C		21B	X04Z		21B	X04Z
5t003.2↔		BOP, KVT, UOP4, VIAL	5t003.f↔		BOP, KVT, UOP4, VIAL	5t003.v↔		BOP, KVT, UOP4, VIAL
	05	F13A		05	F13A		05	F13A
	08	I08A, I08B, I08C, I08D, I08E, I08F, I12A, I12B, I12C, I23A, I23B		08	I12A, I12B, I12C, I21Z		08	I12A, I12B, I12C, I20A, I20B, I20C, I20D, I20E, I20F
	21A	W04A, W04B		21A	W04A, W04B		21A	W04A, W04B
	21B	X06A, X06B, X06C		21B	X04Z		21B	X04Z
5t003.3↔		BOP, KVT, UOP4, VIAL	5t003.g↔		BOP, KVT, UOP4, VIAL	5t003.w↔		BOP, KVT, UOP4, VIAL
	05	F13A		05	F13A		05	F13A
	08	I08A, I08B, I08C, I08D, I08E, I08F, I12A, I12B, I12C, I23A, I23B		08	I12A, I12B, I12C, I21Z		08	I12A, I12B, I12C, I23A, I23B
	21A	W04A, W04B		21A	W04A, W04B		21A	W04A, W04B
	21B	X06A, X06B, X06C		21B	X04Z		21B	X04Z
5t003.4↔		BOP, KVT, UOP4, VIAL	5t003.h↔		BOP, KVT, UOP4, VIAL	5t003.x		BOP, KVT, UOP4
	05	F13A		05	F13A		05	F13A
	08	I08A, I08B, I08C, I08D, I08E, I08F, I23A, I23B		08	I12A, I12B, I12C, I21Z		08	I12A, I12B, I12C, I23A, I23B
	21A	W04A, W04B		21A	W04A, W04B		21A	W04A, W04B
	21B	X06A, X06B, X06C		21B	X04Z		21B	X06A, X06B, X06C
5t003.5↔		BOP, KVT, UOP4, VIAL	5t003.i↔		BOP, KVT, UOP4, VIAL	5t003.z↔		BOP, KVT, UOP4, VIAL
	05	F13A		05	F13A		04	E02A, E02B, E02C
	08	I08A, I08B, I08C, I08D, I08E, I08F, I23A, I23B		08	I12A, I12B, I12C, I23A, I23B		05	F13A
	21A	W04A, W04B		21A	W04A, W04B		08	I23A, I23B
	21B	X06A, X06B, X06C		21B	X04Z		08	I23A, I23B
5t003.6↔		BOP, KVT, UOP4, VIAL	5t003.j↔		BOP, KVT, UOP4, VIAL	5t004.0↔		BOP, KVT, UOP4, VIAL
	05	F13A		05	F13A		04	E02A, E02B, E02C
	08	I08A, I08B, I08C, I08D, I08E, I08F, I23A, I23B		08	I12A, I12B, I12C, I23A, I23B		05	F13A
	21A	W04A, W04B		21A	W04A, W04B		08	I23A, I23B
	21B	X06A, X06B, X06C		21B	X04Z		08	I23A, I23B
5t003.7↔		BOP, KVT, UOP4, VIAL	5t003.k↔		BOP, KVT, UOP4, VIAL	5t004.1↔		BOP, KVT, UOP4, VIAL
	05	F13A		05	F13A		05	F13A
	08	I08A, I08B, I08C, I08D, I08E, I08F, I23A, I23B		08	I12A, I12B, I12C, I23A, I23B		08	I08A, I08B, I08C, I08D, I08E, I08F, I12A, I12B, I12C, I23A
	21A	W04A, W04B		21A	W04A, W04B		21A	W04A, W04B
	21B	X06A, X06B, X06C		21B	X04Z		21B	X06A, X06B, X06C
5t003.8↔		BOP, KVT, UOP4, VIAL	5t003.l↔		BOP, KVT, UOP4, VIAL	5t004.2↔		BOP, KVT, UOP4, VIAL
	05	F13A		05	F13A		05	F13A
	08	I08A, I08B, I08C, I08D, I08E, I08F, I23A, I23B		08	I12A, I12B, I12C, I23A, I23B		08	I08A, I08B, I08C, I08D, I08E, I08F, I12A, I12B, I12C, I23A
	21A	W04A, W04B		21A	W04A, W04B		21A	W04A, W04B
	21B	X06A, X06B, X06C		21B	X04Z		21B	X06A, X06B, X06C
5t003.9↔		BOP, KVT, UOP4, VIAL	5t003.m↔		BOP, KVT, UOP4, VIAL	5t004.3↔		BOP, KVT, UOP4, VIAL
	05	F13A		05	F13A		05	F13A
	08	I08A, I08B, I08C, I08D, I08E, I08F, I23A, I23B		08	I12A, I12B, I12C, I23A, I23B		08	I08A, I08B, I08C, I08D, I08E, I08F, I12A, I12B, I12C, I23A
	21A	W04A, W04B		21A	W04A, W04B		21A	W04A, W04B
	21B	X05A, X05B		21B	X04Z		21B	X06A, X06B, X06C
5t003.a↔		BOP, KVT, UOP4, VIAL	5t003.n↔		BOP, KVT, UOP4, VIAL	5t004.4↔		BOP, KVT, UOP4, VIAL
	05	F13A		05	F13A		05	F13A
	08	I12A, I12B, I12C, I32A, I32B, I32C, I32D, I32E, I32F		08	I12A, I12B, I12C, I23A, I23B		08	I08A, I08B, I08C, I08D, I08E, I08F, I23A
	21A	W04A, W04B		21A	W04A, W04B		08	I08A, I08B, I08C, I08D, I08E, I08F, I23A
	21B	X05A, X05B		21B	X04Z		08	I08A, I08B, I08C, I08D, I08E, I08F, I23A
5t003.b↔		BOP, KVT, UOP4, VIAL	5t003.o↔		BOP, KVT, UOP4, VIAL	5t004.5↔		BOP, KVT, UOP4, VIAL
	05	F13A		05	F13A		05	F13A
	08	I12A, I12B, I12C, I32A, I32B, I32C, I32D, I32E, I32F		08	I12A, I12B, I12C, I23A, I23B		08	I08A, I08B, I08C, I08D, I08E, I08F, I23A
	21A	W04A, W04B		21A	W04A, W04B		08	I08A, I08B, I08C, I08D, I08E, I08F, I23A
	21B	X05A, X05B		21B	X04Z		08	I08A, I08B, I08C, I08D, I08E, I08F, I23A

ZZV	MDC	DRG	ZZV	MDC	DRG	ZZV	MDC	DRG
5t004.6↔		BOP, KVT, UOP4, VIAL	5t004.m↔		BOP, KVT, UOP4, VIAL	5t005.1↔		BOP, KVT, UOP4, VIAL
	05	F13A		05	F13A		05	F13A
	08	I08A, I08B, I08C, I08D, I08E, I08F, I23A		08	I12A, I12B, I12C, I23A		08	I08A, I08B, I08C, I08D, I08E, I08F, I12A, I12B, I12C, I13A, I13B, I13C, I13D, I13E
5t004.7↔		BOP, KVT, UOP4, VIAL	5t004.n↔		BOP, KVT, UOP4, VIAL		21A	W04A, W04B
	05	F13A		05	F13A	5t005.2↔		BOP, KVT, UOP4, VIAL
	08	I08A, I08B, I08C, I08D, I08E, I08F, I23A		08	I12A, I12B, I12C, I23A		05	F13A
5t004.8↔		BOP, KVT, UOP4, VIAL	5t004.p↔		BOP, KVT, UOP4, VIAL		08	I08A, I08B, I08C, I08D, I08E, I08F, I12A, I12B, I12C, I13A, I13B, I13C, I13D, I13E
	05	F13A		05	F13A		21A	W04A, W04B
	08	I08A, I08B, I08C, I08D, I08E, I08F, I23A		08	I12A, I12B, I12C, I23A	5t005.3↔		BOP, KVT, UOP4, VIAL
5t004.9↔		BOP, KVT, UOP4, VIAL	5t004.q↔		BOP, KVT, UOP4, VIAL		05	F13A
	05	F13A		05	F13A		08	I08A, I08B, I08C, I08D, I08E, I08F, I12A, I12B, I12C, I13A, I13B, I13C, I13D, I13E
	08	I08A, I08B, I08C, I08D, I08E, I08F, I23A		08	I12A, I12B, I12C, I23A		21A	W04A, W04B
5t004.a↔		BOP, KVT, UOP4, VIAL	5t004.r↔		BOP, KVT, UOP4, VIAL		21B	X06A, X06B, X06C
	05	F13A		05	F13A	5t005.4↔		BOP, KVT, UOP4, VIAL
	08	I12A, I12B, I12C, I32A, I32B, I32C, I32D, I32E, I32F		08	I12A, I12B, I12C, I23A		05	F13A
5t004.b↔		BOP, KVT, UOP4, VIAL	5t004.s↔		BOP, KVT, UOP4, VIAL		08	I08A, I08B, I08C, I08D, I08E, I08F, I12A, I12B, I12C, I21Z, I31Z
	05	F13A		05	F13A		21A	W04A, W04B
	08	I12A, I12B, I12C, I32A, I32B, I32C, I32D, I32E, I32F		08	I12A, I12B, I12C, I20A, I20B, I20C, I20D, I20E, I20F	5t005.5↔		BOP, KVT, UOP4, VIAL
5t004.c↔		BOP, KVT, UOP4, VIAL	5t004.t↔		BOP, KVT, UOP4, VIAL		05	F13A
	05	F13A		05	F13A		08	I08A, I08B, I08C, I08D, I08E, I08F, I12A, I12B, I12C, I21Z, I31Z
	08	I12A, I12B, I12C, I32A, I32B, I32C, I32D, I32E, I32F		08	I12A, I12B, I12C, I20A, I20B, I20C, I20D, I20E, I20F		21A	W04A, W04B
5t004.d		BOP, KVT, UOP4, VIAL	5t004.u↔		BOP, KVT, UOP4, VIAL		21B	X06A, X06B, X06C
	05	F13A		05	F13A	5t005.6↔		BOP, KVT, UOP4, VIAL
	08	I12A, I12B, I12C, I23A		08	I12A, I12B, I12C, I20A, I20B, I20C, I20D, I20E, I20F		05	F13A
	21A	W04A, W04B		21A	W04A, W04B		08	I08A, I08B, I08C, I08D, I08E, I08F, I12A, I12B, I12C, I21Z, I31Z
	21B	X04Z, X05A, X05B, X06A, X06B, X06C		21B	X04Z		21A	W04A, W04B
5t004.e↔		BOP, KVT, UOP4, VIAL	5t004.v↔		BOP, KVT, UOP4, VIAL		21B	X06A, X06B, X06C
	05	F13A		05	F13A	5t005.7↔		BOP, KVT, UOP4, VIAL
	08	I12A, I12B, I12C, I21Z		08	I12A, I12B, I12C, I20A, I20B, I20C, I20D, I20E, I20F		05	F13A
	21A	W04A, W04B		21A	W04A, W04B		08	I08A, I08B, I08C, I08D, I08E, I08F, I12A, I12B, I12C, I21Z, I31Z
	21B	X04Z		21B	X04Z		21A	W04A, W04B
5t004.f↔		BOP, KVT, UOP4, VIAL	5t004.w↔		BOP, KVT, UOP4, VIAL		21B	X06A, X06B, X06C
	05	F13A		05	F13A	5t005.8↔		BOP, KVT, UOP4, VIAL
	08	I12A, I12B, I12C, I21Z		08	I12A, I12B, I12C, I20A, I20B, I20C, I20D, I20E, I20F		05	F13A
	21A	W04A, W04B		21A	W04A, W04B		08	I08A, I08B, I08C, I08D, I08E, I08F, I12A, I12B, I12C, I21Z, I31Z
	21B	X04Z		21B	X04Z		21A	W04A, W04B
5t004.g↔		BOP, KVT, UOP4, VIAL	5t004.x		BOP, KVT, UOP4		21B	X06A, X06B, X06C
	05	F13A		05	F13A	5t005.9↔		BOP, KVT, UOP4, VIAL
	08	I12A, I12B, I12C, I21Z		08	I12A, I12B, I12C, I23A, I23B		05	F13A
	21A	W04A, W04B		21A	W04A, W04B		08	I08A, I08B, I08C, I08D, I08E, I08F, I12A, I12B, I12C, I21Z, I31Z
	21B	X04Z		21B	X04Z		21A	W04A, W04B
5t004.h↔		BOP, KVT, UOP4, VIAL	5t004.y		BOP, KVT, UOP4		21B	X06A, X06B, X06C
	05	F13A		05	F13A	5t005.a↔		BOP, KVT, UOP4, VIAL
	08	I12A, I12B, I12C, I21Z		08	I12A, I12B, I12C, I23A, I23B		05	F13A
	21A	W04A, W04B		21A	W04A, W04B		08	I08A, I08B, I08C, I08D, I08E, I08F, I12A, I12B, I12C, I21Z, I31Z
	21B	X04Z		21B	X06A, X06B, X06C		21A	W04A, W04B
5t004.i↔		BOP, KVT, UOP4, VIAL	5t004.z↔		BOP, KVT, UOP4, VIAL		21B	X06A, X06B, X06C
	05	F13A		04	E02A, E02B, E02C			
	08	I12A, I12B, I12C, I23A		05	F13A			
	21A	W04A, W04B		08	I23A, I23B			
	21B	X04Z, X06A, X06B, X06C	5t005.0↔		BOP, KVT, UOP4, VIAL			
5t004.k↔		BOP, KVT, UOP4, VIAL		04	E02A, E02B, E02C			
	05	F13A		05	F13A			
	08	I12A, I12B, I12C, I23A		08	I12A, I12B, I12C, I28A, I28B			
	21A	W04A, W04B		21A	W04A, W04B			
	21B	X04Z		21B	X06A, X06B, X06C			

ZZV	MDC	DRG	ZZV	MDC	DRG	ZZV	MDC	DRG			
5t005.b↔		BOP, KVT, UOP4, VIAL	5t005.m↔		BOP, KVT, UOP4, VIAL	5t005.z↔		BOP, KVT, UOP4, VIAL			
	05	F13A		05	F13A		04	E02A, E02B, E02C			
	08	I12A, I12B, I12C, I32A, I32B, I32C, I32D, I32E, I32F		08	I12A, I12B, I12C, I13A, I13B, I13C, I13D, I13E		05	F13A			
	21A	W04A, W04B		21A	W04A, W04B		08	I12A, I12B, I12C, I28A, I28B			
5t005.c↔	21B	X05A, X05B	5t005.n↔	21B	X04Z	21A	W04A, W04B	5t006.0↔	21A	W04A, W04B	
		BOP, KVT, UOP4, VIAL			BOP, KVT, UOP4, VIAL	21B	X06A, X06B, X06C		21B	X06A, X06B, X06C	
	05	F13A		05	F13A	01	B03A, B03B, B18Z		01	B03A, B03B, B18Z	
	08	I12A, I12B, I12C, I32A, I32B, I32C, I32D, I32E, I32F		08	I12A, I12B, I12C, I13A, I13B, I13C, I13D, I13E	04	E02A, E02B, E02C		04	E02A, E02B, E02C	
5t005.d	21A	W04A, W04B	5t005.p↔	21A	W04A, W04B	05	F13A	5t006.1↔	05	F13A	
	21B	X05A, X05B		21B	X04Z	08	I12A, I12B, I12C, I28A, I28B		08	I12A, I12B, I12C, I28A, I28B	
		BOP, KVT, UOP4, VIAL			BOP, KVT, UOP4, VIAL	21A	W04A, W04B		21A	W04A, W04B	
	05	F13A		05	F13A	21B	X06A, X06B, X06C		21B	X06A, X06B, X06C	
5t005.e↔	08	I08A, I08B, I08C, I08D, I08E, I08F, I12A, I12B, I12C	5t005.q↔	08	I12A, I12B, I12C, I13A, I13B, I13C, I13D, I13E	5t006.2↔		BOP, KVT, UOP4, VIAL	5t006.2↔		BOP, KVT, UOP4, VIAL
	21A	W04A, W04B		21A	W04A, W04B		05	F13A		05	F13A
	21B	X06A, X06B, X06C		21B	X04Z		08	I08A, I08B, I08C, I08D, I08E, I08F, I12A, I12B, I12C, I13A, I13B, I13C, I13D, I13E		08	I08A, I08B, I08C, I08D, I08E, I08F, I12A, I12B, I12C, I13A, I13B, I13C, I13D, I13E
		BOP, KVT, UOP4, VIAL			BOP, KVT, UOP4, VIAL		21A	W04A, W04B		21A	W04A, W04B
5t005.f↔	01	B03A, B03B, B06A, B06B, B17A, B17B, B17C	5t005.r↔	05	F13A	5t006.3↔	21B	X06A, X06B, X06C	5t006.3↔	21B	X06A, X06B, X06C
	05	F13A		08	I12A, I12B, I12C, I13A, I13B, I13C, I13D, I13E		05	F13A		05	F13A
	08	I08A, I08B, I08C, I08D, I08E, I08F		21A	W04A, W04B		08	I08A, I08B, I08C, I08D, I08E, I08F, I12A, I12B, I12C, I13A, I13B, I13C, I13D, I13E		08	I08A, I08B, I08C, I08D, I08E, I08F, I12A, I12B, I12C, I13A, I13B, I13C, I13D, I13E
	21A	W01A, W01B, W01C, W02A, W02B		21B	X04Z		21A	W04A, W04B		21A	W04A, W04B
5t005.g↔	21B	X04Z	5t005.s↔	08	I12A, I12B, I12C, I13A, I13B, I13C, I13D, I13E	5t006.4↔	21B	X06A, X06B, X06C	5t006.4↔	21B	X06A, X06B, X06C
		BOP, KVT, UOP4, VIAL			BOP, KVT, UOP4, VIAL		05	F13A		05	F13A
	01	B03A, B03B, B06A, B06B, B17A, B17B, B17C		05	F13A, F27A, F27B, F27C		08	I08A, I08B, I08C, I08D, I08E, I08F, I12A, I12B, I12C, I13A, I13B, I13C, I13D, I13E		08	I08A, I08B, I08C, I08D, I08E, I08F, I12A, I12B, I12C, I13A, I13B, I13C, I13D, I13E
	05	F13A		08	I12A, I12B, I12C, I20A, I20B, I20C, I20D, I20E, I20F		21A	W04A, W04B		21A	W04A, W04B
5t005.h↔	08	I08A, I08B, I08C, I08D, I08E, I08F	5t005.t↔	10	K01Z	5t006.5↔	21B	X04Z	5t006.5↔	21B	X06A, X06B, X06C
	21A	W01A, W01B, W01C, W02A, W02B		05	F13A, F27A, F27B, F27C		05	F13A		05	F13A
	21B	X04Z		08	I12A, I12B, I12C, I20A, I20B, I20C, I20D, I20E, I20F		08	I08A, I08B, I08C, I08D, I08E, I08F, I12A, I12B, I12C, I21Z, I31Z		08	I08A, I08B, I08C, I08D, I08E, I08F, I12A, I12B, I12C, I21Z, I31Z
		BOP, KVT, UOP4, VIAL		10	K01Z		21A	W04A, W04B		21A	W04A, W04B
5t005.i↔	01	B03A, B03B, B06A, B06B, B17A, B17B, B17C	5t005.u↔	21A	W04A, W04B	5t006.6↔	21B	X04Z	5t006.6↔	21B	X06A, X06B, X06C
	05	F13A		05	F13A, F27A, F27B, F27C		05	F13A		05	F13A
	08	I08A, I08B, I08C, I08D, I08E, I08F		08	I12A, I12B, I12C, I20A, I20B, I20C, I20D, I20E, I20F		08	I08A, I08B, I08C, I08D, I08E, I08F, I12A, I12B, I12C, I21Z, I31Z		08	I08A, I08B, I08C, I08D, I08E, I08F, I12A, I12B, I12C, I21Z, I31Z
	21A	W01A, W01B, W01C, W02A, W02B		10	K01Z		21A	W04A, W04B		21A	W04A, W04B
5t005.j↔	21B	X04Z	5t005.v↔	21B	X04Z	5t006.7↔	21B	X06A, X06B, X06C	5t006.7↔	21B	X06A, X06B, X06C
		BOP, KVT, UOP4, VIAL			BOP, KVT, UOP4, VIAL		05	F13A		05	F13A
	01	B03A, B03B, B06A, B06B, B17A, B17B, B17C		05	F13A, F27A, F27B, F27C		08	I08A, I08B, I08C, I08D, I08E, I08F, I12A, I12B, I12C, I21Z, I31Z		08	I08A, I08B, I08C, I08D, I08E, I08F, I12A, I12B, I12C, I21Z, I31Z
	05	F13A		08	I12A, I12B, I12C, I20A, I20B, I20C, I20D, I20E, I20F		21A	W04A, W04B		21A	W04A, W04B
5t005.k↔	08	I12A, I12B, I12C, I18A, I18B, I30Z	5t005.w↔	10	K01Z	5t006.8↔	21B	X04Z	5t006.8↔	21B	X06A, X06B, X06C
	21A	W04A, W04B		21A	W04A, W04B		05	F13A		05	F13A
	21B	X04Z		21B	X04Z		08	I08A, I08B, I08C, I08D, I08E, I08F, I12A, I12B, I12C, I21Z, I31Z		08	I08A, I08B, I08C, I08D, I08E, I08F, I12A, I12B, I12C, I21Z, I31Z
		BOP, KVT, UOP4, VIAL			BOP, KVT, UOP4, VIAL		21A	W04A, W04B		21A	W04A, W04B
5t005.l↔	05	F13A	5t005.x	05	F13A	5t006.8↔	21B	X06A, X06B, X06C	5t006.8↔	21B	X06A, X06B, X06C
	08	I12A, I12B, I12C, I13A, I13B, I13C, I13D, I13E		08	I12A, I12B, I12C, I20A, I20B, I20C, I20D, I20E, I20F		05	F13A		05	F13A
	21A	W04A, W04B		21A	W04A, W04B		08	I08A, I08B, I08C, I08D, I08E, I08F, I12A, I12B, I12C, I21Z, I31Z		08	I08A, I08B, I08C, I08D, I08E, I08F, I12A, I12B, I12C, I21Z, I31Z
	21B	X04Z		21B	X04Z		21A	W04A, W04B		21A	W04A, W04B
5t005.m↔	05	F13A	5t005.y	05	F13A	5t006.8↔	21B	X06A, X06B, X06C	5t006.8↔	21B	X06A, X06B, X06C
	08	I12A, I12B, I12C, I13A, I13B, I13C, I13D, I13E		08	I12A, I12B, I12C, I28A, I28B		08	I08A, I08B, I08C, I08D, I08E, I08F, I12A, I12B, I12C, I21Z, I31Z		08	I08A, I08B, I08C, I08D, I08E, I08F, I12A, I12B, I12C, I21Z, I31Z
	21A	W04A, W04B		21A	W04A, W04B		21A	W04A, W04B		21A	W04A, W04B
	21B	X04Z		21B	X04Z		21B	X06A, X06B, X06C		21B	X06A, X06B, X06C

ZZV	MDC	DRG	ZZV	MDC	DRG	ZZV	MDC	DRG
5t006.9↔		BOP, KVT, UOP4, VIAL	5t006.k↔		BOP, KVT, UOP4, VIAL	5t006.w↔		BOP, KVT, UOP4, VIAL
	05	F13A		05	F13A		05	F13A, F27A, F27B, F27C
	08	I08A, I08B, I08C, I08D, I08E, I08F, I12A, I12B, I12C, I21Z, I31Z		08	I12A, I12B, I12C, I13A, I13B, I13C, I13D, I13E		08	I12A, I12B, I12C, I20A, I20B, I20C, I20D, I20E, I20F
	21A	W04A, W04B		21A	W04A, W04B		10	K09A, K09B
5t006.a↔	21B	X06A, X06B, X06C	5t006.m↔	21B	X04Z	5t006.x	21A	W04A, W04B
		BOP, KVT, UOP4, VIAL			BOP, KVT, UOP4, VIAL		21B	X04Z
	05	F13A		05	F13A			BOP, KVT, UOP4
	08	I12A, I12B, I12C, I32A, I32B, I32C, I32D, I32E, I32F		08	I12A, I12B, I12C, I13A, I13B, I13C, I13D, I13E		05	F13A
5t006.b↔	21A	W04A, W04B	5t006.n↔	21A	W04A, W04B	5t006.z↔	08	I12A, I12B, I12C, I28A, I28B
	21B	X05A, X05B		21B	X04Z		21A	W04A, W04B
		BOP, KVT, UOP4, VIAL			BOP, KVT, UOP4, VIAL		21B	X06A, X06B, X06C
	05	F13A		05	F13A			BOP, KVT, UOP4, VIAL
5t006.c↔	08	I12A, I12B, I12C, I32A, I32B, I32C, I32D, I32E, I32F	5t006.p↔	08	I12A, I12B, I12C, I13A, I13B, I13C, I13D, I13E	5t007.0↔	01	B03A, B03B, B18Z
	21A	W04A, W04B		21A	W04A, W04B		04	E02A, E02B, E02C
	21B	X05A, X05B		21B	X04Z		05	F13A
		BOP, KVT, UOP4, VIAL			BOP, KVT, UOP4, VIAL		08	I12A, I12B, I12C, I28A, I28B
5t006.d	05	F13A, F27A, F27B, F27C	5t006.q↔	05	F13A	5t007.1↔	21A	W04A, W04B
	08	I08A, I08B, I08C, I08D, I08E, I08F, I12A, I12B, I12C		08	I12A, I12B, I12C, I13A, I13B, I13C, I13D, I13E		21B	X06A, X06B, X06C
	10	K09A, K09B		21A	W04A, W04B			BOP, KVT, UOP4, VIAL
	21A	W04A, W04B		21B	X04Z		05	F13A
5t006.e↔	21B	X05A, X05B, X06A, X06B, X06C	5t006.r↔	05	F13A	5t007.2↔	08	I08A, I08B, I08C, I08D, I08E, I08F, I12A, I12B, I12C, I23A
		BOP, KVT, UOP4, VIAL			BOP, KVT, UOP4, VIAL		21A	W04A, W04B
	05	F13A		05	F13A		21B	X06A, X06B, X06C
	08	I08A, I08B, I08C, I08D, I08E, I08F, I12A, I12B, I12C		08	I12A, I12B, I12C, I13A, I13B, I13C, I13D, I13E			BOP, KVT, UOP4, VIAL
5t006.f↔	21A	W01A, W01B, W01C, W02A, W02B	5t006.s↔	21A	W04A, W04B	5t007.3↔	05	F13A
	21B	X04Z		21B	X04Z		08	I08A, I08B, I08C, I08D, I08E, I08F, I12A, I12B, I12C, I23A
		BOP, KVT, UOP4, VIAL			BOP, KVT, UOP4, VIAL		21A	W04A, W04B
	05	F13A		05	F13A, F27A, F27B, F27C		21B	X06A, X06B, X06C
5t006.g↔	08	I08A, I08B, I08C, I08D, I08E, I08F, I12A, I12B, I12C	5t006.t↔	08	I12A, I12B, I12C, I20A, I20B, I20C, I20D, I20E, I20F	5t007.4↔		BOP, KVT, UOP4, VIAL
	21A	W01A, W01B, W01C, W02A, W02B		10	K01Z		05	F13A
	21B	X04Z		21A	W04A, W04B		08	I08A, I08B, I08C, I08D, I08E, I08F, I23A
		BOP, KVT, UOP4, VIAL		21B	X04Z			BOP, KVT, UOP4, VIAL
5t006.h↔	05	F13A	5t006.u↔	05	F13A, F27A, F27B, F27C	5t007.5↔	05	F13A
	08	I08A, I08B, I08C, I08D, I08E, I08F, I12A, I12B, I12C		08	I12A, I12B, I12C, I20A, I20B, I20C, I20D, I20E, I20F		08	I08A, I08B, I08C, I08D, I08E, I08F, I23A
	21A	W01A, W01B, W01C, W02A, W02B		10	K01Z			BOP, KVT, UOP4, VIAL
	21B	X04Z		21A	W04A, W04B		05	F13A
5t006.i↔	05	F13A	5t006.v↔	21A	W04A, W04B	5t007.6↔	08	I08A, I08B, I08C, I08D, I08E, I08F, I23A
	08	I08A, I08B, I08C, I08D, I08E, I08F, I12A, I12B, I12C		21B	X04Z			BOP, KVT, UOP4, VIAL
	21A	W01A, W01B, W01C, W02A, W02B			BOP, KVT, UOP4, VIAL		05	F13A
	21B	X04Z		05	F13A, F27A, F27B, F27C		08	I08A, I08B, I08C, I08D, I08E, I08F, I23A
5t006.j↔		BOP, KVT, UOP4, VIAL	5t006.w↔	08	I12A, I12B, I12C, I20A, I20B, I20C, I20D, I20E, I20F	5t007.7↔		BOP, KVT, UOP4, VIAL
	05	F13A		10	K01Z		05	F13A
	08	I12A, I12B, I12C, I18A, I18B, I30Z		21A	W04A, W04B		08	I08A, I08B, I08C, I08D, I08E, I08F, I23A
	21A	W04A, W04B		21B	X04Z			BOP, KVT, UOP4, VIAL
	BOP, KVT, UOP4, VIAL		BOP, KVT, UOP4, VIAL	05	F13A			
05	F13A		BOP, KVT, UOP4, VIAL	08	I08A, I08B, I08C, I08D, I08E, I08F, I23A			
08	I12A, I12B, I12C, I18A, I18B, I30Z		BOP, KVT, UOP4, VIAL		BOP, KVT, UOP4, VIAL			
21A	W04A, W04B		BOP, KVT, UOP4, VIAL	05	F13A			
21B	X04Z		BOP, KVT, UOP4, VIAL	08	I08A, I08B, I08C, I08D, I08E, I08F, I23A			

VYK

ZZV	MDC	DRG	ZZV	MDC	DRG	ZZV	MDC	DRG
5t007.a↔		BOP, KVT, UOP4, VIAL	5t007.p↔		BOP, KVT, UOP4, VIAL	5t008.2↔		BOP, KVT, UOP4, VIAL
	05	F13A		05	F13A		05	F13A
	08	I12A, I12B, I12C, I32A, I32B, I32C, I32D, I32E, I32F		08	I12A, I12B, I12C, I23A		08	I08A, I08B, I08C, I08D, I08E, I08F, I12A, I12B, I12C, I23A
	21A	W04A, W04B		21A	W04A, W04B		21A	W04A, W04B
5t007.b↔	21B	X05A, X05B	5t007.q↔		BOP, KVT, UOP4, VIAL	5t008.3↔		BOP, KVT, UOP4, VIAL
		BOP, KVT, UOP4, VIAL		05	F13A		05	F13A
	05	F13A		08	I12A, I12B, I12C, I23A		08	I08A, I08B, I08C, I08D, I08E, I08F, I12A, I12B, I12C, I23A
	08	I12A, I12B, I12C, I32A, I32B, I32C, I32D, I32E, I32F		21A	W04A, W04B		21A	W04A, W04B
	21A	W04A, W04B	5t007.r↔		BOP, KVT, UOP4, VIAL	5t008.4↔		BOP, KVT, UOP4, VIAL
	21B	X05A, X05B		05	F13A		05	F13A
5t007.c↔		BOP, KVT, UOP4, VIAL		08	I12A, I12B, I12C, I23A		08	I08A, I08B, I08C, I08D, I08E, I08F, I23A
	05	F13A		21A	W04A, W04B		21A	W04A, W04B
	08	I12A, I12B, I12C, I23A, I23B		21B	X04Z		21B	X06A, X06B, X06C
	21A	W04A, W04B	5t007.s↔		BOP, KVT, UOP4, VIAL	5t008.5↔		BOP, KVT, UOP4, VIAL
	21B	X05A, X05B		05	F13A, F27A, F27B, F27C		05	F13A
5t007.d		BOP, KVT, UOP4, VIAL		08	I12A, I12B, I12C, I20A, I20B, I20C, I20D, I20E, I20F		08	I08A, I08B, I08C, I08D, I08E, I08F, I23A
	05	F13A		10	K09A, K09B, K09C		5t008.6↔	BOP, KVT, UOP4, VIAL
	08	I08A, I08B, I08C, I08D, I08E, I08F, I12A, I12B, I12C, I23A		21A	W04A, W04B		05	F13A
	21A	W04A, W04B		21B	X04Z		08	I08A, I08B, I08C, I08D, I08E, I08F, I23A
	21B	X04Z, X05A, X05B, X06A, X06B, X06C	5t007.t↔		BOP, KVT, UOP4, VIAL	5t008.7↔		BOP, KVT, UOP4, VIAL
5t007.e↔		BOP, KVT, UOP4, VIAL		05	F13A, F27A, F27B, F27C		05	F13A
	05	F13A		08	I12A, I12B, I12C, I20A, I20B, I20C, I20D, I20E, I20F		08	I08A, I08B, I08C, I08D, I08E, I08F, I23A
	08	I08A, I08B, I08C, I08D, I08E, I08F, I12A, I12B, I12C, I21Z		10	K09A, K09B, K09C		5t008.8↔	BOP, KVT, UOP4, VIAL
	21A	W04A, W04B		21A	W04A, W04B		05	F13A
	21B	X04Z		21B	X04Z		08	I08A, I08B, I08C, I08D, I08E, I08F, I23A
5t007.f↔		BOP, KVT, UOP4, VIAL	5t007.u↔		BOP, KVT, UOP4, VIAL	5t008.9↔		BOP, KVT, UOP4, VIAL
	05	F13A		05	F13A, F27A, F27B, F27C		05	F13A
	08	I08A, I08B, I08C, I08D, I08E, I08F, I12A, I12B, I12C, I21Z		08	I12A, I12B, I12C, I20A, I20B, I20C, I20D, I20E, I20F		08	I08A, I08B, I08C, I08D, I08E, I08F, I23A
	21A	W04A, W04B		10	K09A, K09B, K09C		5t008.a↔	BOP, KVT, UOP4, VIAL
	21B	X04Z		21A	W04A, W04B		05	F13A
5t007.g↔		BOP, KVT, UOP4, VIAL		21B	X04Z		08	I08A, I08B, I08C, I08D, I08E, I08F, I23A
	05	F13A	5t007.v↔		BOP, KVT, UOP4, VIAL		5t008.b↔	BOP, KVT, UOP4, VIAL
	08	I08A, I08B, I08C, I08D, I08E, I08F, I12A, I12B, I12C, I21Z		05	F13A, F27A, F27B, F27C		05	F13A
	21A	W04A, W04B		08	I12A, I12B, I12C, I20A, I20B, I20C, I20D, I20E, I20F		08	I12A, I12B, I12C, I32A, I32B, I32C, I32D, I32E, I32F
	21B	X04Z		10	K09A, K09B, K09C		21A	W04A, W04B
5t007.h↔		BOP, KVT, UOP4, VIAL		21A	W04A, W04B		21B	X05A, X05B
	05	F13A		21B	X04Z		5t008.c↔	BOP, KVT, UOP4, VIAL
	08	I08A, I08B, I08C, I08D, I08E, I08F, I12A, I12B, I12C, I21Z	5t007.w↔		BOP, KVT, UOP4, VIAL		05	F13A
	21A	W04A, W04B		05	F13A, F27A, F27B, F27C		08	I12A, I12B, I12C, I32A, I32B, I32C, I32D, I32E, I32F
	21B	X04Z		08	I12A, I12B, I12C, I23A		21A	W04A, W04B
5t007.i↔		BOP, KVT, UOP4, VIAL		10	K09A, K09B, K09C		21B	X05A, X05B
	05	F13A		21A	W04A, W04B		5t008.d	BOP, KVT, UOP4, VIAL
	08	I12A, I12B, I12C, I23A		21B	X04Z		05	F13A
	21A	W04A, W04B	5t007.x		BOP, KVT, UOP4		08	I08A, I08B, I08C, I08D, I08E, I08F, I12A, I12B, I12C, I23A
	21B	X04Z, X06A, X06B, X06C		05	F13A		21A	W04A, W04B
5t007.k↔		BOP, KVT, UOP4, VIAL		08	I12A, I12B, I12C, I23A, I23B		21B	X05A, X05B
	05	F13A		21A	W04A, W04B		5t008.e↔	BOP, KVT, UOP4, VIAL
	08	I12A, I12B, I12C, I23A		21B	X06A, X06B, X06C		05	F13A
	21A	W04A, W04B	5t007.z↔		BOP, KVT, UOP4, VIAL		08	I08A, I08B, I08C, I08D, I08E, I08F, I12A, I12B, I12C, I23A
	21B	X04Z		04	E02A, E02B, E02C		21A	W04A, W04B
5t007.l↔		BOP, KVT, UOP4, VIAL		05	F13A		21B	X04Z
	05	F13A		08	I23A, I23B			
	08	I12A, I12B, I12C, I23A	5t008.0↔		BOP, KVT, UOP4, VIAL			
	21A	W04A, W04B		04	E02A, E02B, E02C			
	21B	X04Z		05	F13A			
5t007.m↔		BOP, KVT, UOP4, VIAL		08	I23A, I23B			
	05	F13A		5t008.1↔		BOP, KVT, UOP4, VIAL		
	08	I12A, I12B, I12C, I23A		05	F13A			
	21A	W04A, W04B		08	I23A, I23B			
	21B	X04Z		05	F13A			
5t007.n↔		BOP, KVT, UOP4, VIAL		08	I08A, I08B, I08C, I08D, I08E, I08F, I12A, I12B, I12C, I23A			
	05	F13A		21A	W04A, W04B			
	08	I12A, I12B, I12C, I23A		21B	X06A, X06B, X06C			
	21A	W04A, W04B						
	21B	X04Z						

ZZV	MDC	DRG	ZZV	MDC	DRG	ZZV	MDC	DRG
5t008.f↔		BOP, KVT, UOP4, VIAL	5t008.u↔		BOP, KVT, UOP4, VIAL	5t00a.8↔		BOP, KVT, UOP4, VIAL
	05	F13A		05	F13A		05	F13A
	08	I08A, I08B, I08C, I08D, I08E, I08F, I12A, I12B, I12C, I21Z		08	I12A, I12B, I12C, I20A, I20B, I20C, I20D, I20E, I20F		08	I08A, I08B, I08C, I08D, I08E, I08F, I23A, I23B
	21A	W04A, W04B		21A	W04A, W04B		21A	W04A, W04B
5t008.g↔	21B	X04Z	5t008.v↔	21B	X04Z	5t00a.9↔		BOP, KVT, UOP4, VIAL
		BOP, KVT, UOP4, VIAL			BOP, KVT, UOP4, VIAL		05	F13A
	05	F13A		05	F13A		08	I08A, I08B, I08C, I08D, I08E, I08F, I23A, I23B
	08	I08A, I08B, I08C, I08D, I08E, I08F, I12A, I12B, I12C, I21Z		08	I12A, I12B, I12C, I20A, I20B, I20C, I20D, I20E, I20F			BOP, KVT, UOP4, VIAL
5t008.h↔	21A	W04A, W04B	5t008.w↔	21A	W04A, W04B	5t00a.a↔	05	F13A
	21B	X04Z		21B	X04Z		08	I12A, I12B, I12C, I32A, I32B, I32C, I32D, I32E, I32F
		BOP, KVT, UOP4, VIAL			BOP, KVT, UOP4, VIAL		21A	W04A, W04B
	05	F13A		05	F13A		21B	X05A, X05B
5t008.i↔	08	I08A, I08B, I08C, I08D, I08E, I08F, I12A, I12B, I12C, I21Z	5t008.x	08	I12A, I12B, I12C, I23A	5t00a.b↔		BOP, KVT, UOP4, VIAL
	21A	W04A, W04B		21A	W04A, W04B		05	F13A
	21B	X04Z		21B	X04Z		08	I12A, I12B, I12C, I32A, I32B, I32C, I32D, I32E, I32F
		BOP, KVT, UOP4, VIAL			BOP, KVT, UOP4		21A	W04A, W04B
5t008.j↔	05	F13A	5t008.z↔	05	F13A	5t00a.c↔	21B	X05A, X05B
	08	I12A, I12B, I12C, I23A		08	I12A, I12B, I12C, I23A			BOP, KVT, UOP4, VIAL
	21A	W04A, W04B		21A	W04A, W04B		05	F13A
	21B	X04Z, X06A, X06B, X06C		21B	X06A, X06B, X06C		08	I12A, I12B, I12C, I23A, I23B, I32A, I32B, I32C, I32D
5t008.k↔		BOP, KVT, UOP4, VIAL	5t00a.0↔	04	E02A, E02B, E02C	5t00a.d	21A	W04A, W04B
	05	F13A		05	F13A		21B	X05A, X05B
	08	I12A, I12B, I12C, I23A		08	I23A, I23B			BOP, KVT, UOP4, VIAL
	21A	W04A, W04B			BOP, KVT, UOP4, VIAL		05	F13A
5t008.l↔	21B	X04Z	5t00a.1↔	04	E02A, E02B, E02C	5t00a.e↔	08	I12A, I12B, I12C, I23A, I23B, I32A, I32B, I32C, I32D
		BOP, KVT, UOP4, VIAL		05	F13A		21A	W04A, W04B
	05	F13A		08	I23A, I23B		21B	X04Z, X05A, X05B, X06A, X06B, X06C
	08	I12A, I12B, I12C, I23A			BOP, KVT, UOP4, VIAL			BOP, KVT, UOP4, VIAL
5t008.m↔	21A	W04A, W04B	5t00a.2↔	05	F13A	5t00a.f↔	05	F13A
	21B	X04Z		08	I08A, I08B, I08C, I08D, I08E, I08F, I12A, I12B, I12C, I23A, I23B		08	I12A, I12B, I12C, I21Z
		BOP, KVT, UOP4, VIAL		21A	W04A, W04B		21A	W04A, W04B
	05	F13A		21B	X06A, X06B, X06C		21B	X04Z
5t008.n↔	08	I12A, I12B, I12C, I23A	5t00a.3↔		BOP, KVT, UOP4, VIAL	5t00a.g↔		BOP, KVT, UOP4, VIAL
	21A	W04A, W04B		05	F13A		05	F13A
	21B	X04Z		08	I08A, I08B, I08C, I08D, I08E, I08F, I12A, I12B, I12C, I23A, I23B		08	I12A, I12B, I12C, I21Z
		BOP, KVT, UOP4, VIAL		21A	W04A, W04B		21A	W04A, W04B
5t008.o↔	05	F13A	5t00a.4↔	21B	X06A, X06B, X06C	5t00a.h↔	21B	X04Z
	08	I12A, I12B, I12C, I23A			BOP, KVT, UOP4, VIAL		05	F13A
	21A	W04A, W04B		05	F13A		08	I12A, I12B, I12C, I21Z
	21B	X04Z		08	I08A, I08B, I08C, I08D, I08E, I08F, I23A, I23B		21A	W04A, W04B
5t008.p↔		BOP, KVT, UOP4, VIAL	5t00a.5↔		BOP, KVT, UOP4, VIAL	5t00a.i↔		BOP, KVT, UOP4, VIAL
	05	F13A		05	F13A		05	F13A
	08	I12A, I12B, I12C, I23A		08	I08A, I08B, I08C, I08D, I08E, I08F, I23A, I23B		08	I12A, I12B, I12C, I23A, I23B
	21A	W04A, W04B		21A	W04A, W04B		21A	W04A, W04B
5t008.q↔	21B	X04Z	5t00a.6↔	21B	X06A, X06B, X06C	5t00a.j↔	21B	X04Z
		BOP, KVT, UOP4, VIAL			BOP, KVT, UOP4, VIAL			BOP, KVT, UOP4, VIAL
	05	F13A		05	F13A		05	F13A
	08	I12A, I12B, I12C, I23A		08	I08A, I08B, I08C, I08D, I08E, I08F, I23A, I23B		08	I12A, I12B, I12C, I23A, I23B
5t008.r↔	21A	W04A, W04B	5t00a.7↔		BOP, KVT, UOP4, VIAL	5t00a.k↔	21A	W04A, W04B
	21B	X04Z		05	F13A		21B	X04Z
		BOP, KVT, UOP4, VIAL		08	I08A, I08B, I08C, I08D, I08E, I08F, I23A, I23B			BOP, KVT, UOP4, VIAL
	05	F13A			BOP, KVT, UOP4, VIAL		05	F13A
5t008.s↔	08	I12A, I12B, I12C, I20A, I20B, I20C, I20D, I20E, I20F	5t00a.8↔	05	F13A	5t00a.l↔	08	I12A, I12B, I12C, I23A, I23B
	21A	W04A, W04B		08	I08A, I08B, I08C, I08D, I08E, I08F, I23A, I23B		21A	W04A, W04B
	21B	X04Z			BOP, KVT, UOP4, VIAL		21B	X04Z
		BOP, KVT, UOP4, VIAL			BOP, KVT, UOP4, VIAL			BOP, KVT, UOP4, VIAL
5t008.t↔	05	F13A	5t00a.9↔	05	F13A	5t00a.m↔	05	F13A
	08	I12A, I12B, I12C, I20A, I20B, I20C, I20D, I20E, I20F		08	I08A, I08B, I08C, I08D, I08E, I08F, I23A, I23B		08	I12A, I12B, I12C, I23A, I23B
	21A	W04A, W04B			BOP, KVT, UOP4, VIAL		21A	W04A, W04B
	21B	X04Z			BOP, KVT, UOP4, VIAL		21B	X04Z

VYK

ZZV	MDC	DRG	ZZV	MDC	DRG	ZZV	MDC	DRG
5t00a.n↔		BOP, KVT, UOP4, VIAL	5t00b.2↔		BOP, KVT, UOP4, VIAL	5t00b.f↔		BOP, KVT, UOP4, VIAL
05		F13A	05		F13A	05		F13A
08		I12A, I12B, I12C, I23A, I23B	08		I08A, I08B, I08C, I08D, I08E, I08F, I12A, I12B, I12C, I23A, I23B	08		I12A, I12B, I12C, I21Z
21A		W04A, W04B	21A		W04A, W04B	21A		W04A, W04B
21B		X04Z	21B		X06A, X06B, X06C	21B		X04Z
5t00a.p↔		BOP, KVT, UOP4, VIAL	5t00b.3↔		BOP, KVT, UOP4, VIAL	5t00b.g↔		BOP, KVT, UOP4, VIAL
05		F13A	05		F13A	05		F13A
08		I12A, I12B, I12C, I23A, I23B	08		I08A, I08B, I08C, I08D, I08E, I08F, I12A, I12B, I12C, I23A, I23B	08		I12A, I12B, I12C, I21Z
21A		W04A, W04B	21A		W04A, W04B	21A		W04A, W04B
21B		X04Z	21B		X06A, X06B, X06C	21B		X04Z
5t00a.q↔		BOP, KVT, UOP4, VIAL	5t00b.4↔		BOP, KVT, UOP4, VIAL	5t00b.h↔		BOP, KVT, UOP4, VIAL
05		F13A	05		F13A	05		F13A
08		I12A, I12B, I12C, I23A, I23B	08		I08A, I08B, I08C, I08D, I08E, I08F, I12A, I12B, I12C, I23A, I23B	08		I12A, I12B, I12C, I21Z
21A		W04A, W04B	21A		W04A, W04B	21A		W04A, W04B
21B		X04Z	21B		X06A, X06B, X06C	21B		X04Z
5t00a.r↔		BOP, KVT, UOP4, VIAL	5t00b.5↔		BOP, KVT, UOP4, VIAL	5t00b.i↔		BOP, KVT, UOP4, VIAL
05		F13A	05		F13A	05		F13A
08		I12A, I12B, I12C, I23A, I23B	08		I08A, I08B, I08C, I08D, I08E, I08F, I12A, I12B, I12C, I23A, I23B	08		I12A, I12B, I12C, I23A, I23B
21A		W04A, W04B	21A		W04A, W04B	21A		W04A, W04B
21B		X04Z	21B		X06A, X06B, X06C	21B		X04Z, X06A, X06B, X06C
5t00a.s↔		BOP, KVT, UOP4, VIAL	5t00b.6↔		BOP, KVT, UOP4, VIAL	5t00b.k↔		BOP, KVT, UOP4, VIAL
05		F13A	05		F13A	05		F13A
08		I12A, I12B, I12C, I20A, I20B, I20C, I20D, I20E, I20F	08		I08A, I08B, I08C, I08D, I08E, I08F, I12A, I12B, I12C, I23A, I23B	08		I12A, I12B, I12C, I23A, I23B
21A		W04A, W04B	21A		W04A, W04B	21A		W04A, W04B
21B		X04Z	21B		X04Z	21B		X04Z
5t00a.t↔		BOP, KVT, UOP4, VIAL	5t00b.7↔		BOP, KVT, UOP4, VIAL	5t00b.m↔		BOP, KVT, UOP4, VIAL
05		F13A	05		F13A	05		F13A
08		I12A, I12B, I12C, I20A, I20B, I20C, I20D, I20E, I20F	08		I08A, I08B, I08C, I08D, I08E, I08F, I12A, I12B, I12C, I23A, I23B	08		I12A, I12B, I12C, I23A, I23B
21A		W04A, W04B	21A		W04A, W04B	21A		W04A, W04B
21B		X04Z	21B		X04Z	21B		X04Z
5t00a.u↔		BOP, KVT, UOP4, VIAL	5t00b.8↔		BOP, KVT, UOP4, VIAL	5t00b.n↔		BOP, KVT, UOP4, VIAL
05		F13A	05		F13A	05		F13A
08		I12A, I12B, I12C, I20A, I20B, I20C, I20D, I20E, I20F	08		I08A, I08B, I08C, I08D, I08E, I08F, I12A, I12B, I12C, I23A, I23B	08		I12A, I12B, I12C, I23A, I23B
21A		W04A, W04B	21A		W04A, W04B	21A		W04A, W04B
21B		X04Z	21B		X04Z	21B		X04Z
5t00a.v↔		BOP, KVT, UOP4, VIAL	5t00b.9↔		BOP, KVT, UOP4, VIAL	5t00b.o↔		BOP, KVT, UOP4, VIAL
05		F13A	05		F13A	05		F13A
08		I12A, I12B, I12C, I20A, I20B, I20C, I20D, I20E, I20F	08		I08A, I08B, I08C, I08D, I08E, I08F, I12A, I12B, I12C, I23A, I23B	08		I12A, I12B, I12C, I23A, I23B
21A		W04A, W04B	21A		W04A, W04B	21A		W04A, W04B
21B		X04Z	21B		X04Z	21B		X04Z
5t00a.w↔		BOP, KVT, UOP4, VIAL	5t00b.a↔		BOP, KVT, UOP4, VIAL	5t00b.p↔		BOP, KVT, UOP4, VIAL
05		F13A	05		F13A	05		F13A
08		I12A, I12B, I12C, I23A, I23B	08		I12A, I12B, I12C, I32A, I32B, I32C, I32D, I32E, I32F	08		I12A, I12B, I12C, I23A, I23B
21A		W04A, W04B	21A		W04A, W04B	21A		W04A, W04B
21B		X04Z	21B		X05A, X05B	21B		X04Z
5t00a.x		BOP, KVT, UOP4	5t00b.b↔		BOP, KVT, UOP4, VIAL	5t00b.q↔		BOP, KVT, UOP4, VIAL
05		F13A	05		F13A	05		F13A
08		I12A, I12B, I12C, I23A, I23B	08		I12A, I12B, I12C, I32A, I32B, I32C, I32D, I32E, I32F	08		I12A, I12B, I12C, I23A, I23B
21A		W04A, W04B	21A		W04A, W04B	21A		W04A, W04B
21B		X06A, X06B, X06C	21B		X05A, X05B	21B		X04Z
5t00a.z↔		BOP, KVT, UOP4, VIAL	5t00b.c↔		BOP, KVT, UOP4, VIAL	5t00b.r↔		BOP, KVT, UOP4, VIAL
04		E02A, E02B, E02C	05		F13A	05		F13A
05		F13A	08		I12A, I12B, I12C, I23A, I23B, I32A, I32B, I32C, I32D	08		I12A, I12B, I12C, I23A, I23B
08		I23A, I23B	21A		W04A, W04B	21A		W04A, W04B
5t00b.0↔		BOP, KVT, UOP4, VIAL	21B		X05A, X05B	21B		X04Z
04		E02A, E02B, E02C	5t00b.d		BOP, KVT, UOP4, VIAL	5t00b.s↔		BOP, KVT, UOP4, VIAL
05		F13A	05		F13A	05		F13A
08		I23A, I23B	08		I12A, I12B, I12C, I23A, I23B	08		I12A, I12B, I12C, I20A, I20B, I20C, I20D, I20E, I20F
5t00b.1↔		BOP, KVT, UOP4, VIAL	5t00b.e↔		BOP, KVT, UOP4, VIAL	21A		W04A, W04B
05		F13A	05		F13A	21B		X04Z
08		I08A, I08B, I08C, I08D, I08E, I08F, I12A, I12B, I12C, I23A, I23B	08		I12A, I12B, I12C, I21Z	5t00b.t↔		BOP, KVT, UOP4, VIAL
21A		W04A, W04B	21A		W04A, W04B	05		F13A
21B		X06A, X06B, X06C	21B		X04Z	08		I12A, I12B, I12C, I20A, I20B, I20C, I20D, I20E, I20F

ZZV	MDC	DRG	ZZV	MDC	DRG	ZZV	MDC	DRG
5t00b.v↔		BOP, KVT, UOP4, VIAL	5t00x.a↔		BOP, KVT, UOP4, VIAL	5t00x.q↔		BOP, KVT, UOP4, VIAL
	05	F13A		05	F13A		05	F13A
	08	I12A, I12B, I12C, I20A, I20B, I20C, I20D, I20E, I20F		08	I32A, I32B, I32C, I32D, I32E, I32F		08	I23A, I23B
	21A	W04A, W04B		21A	W04A, W04B		21A	W04A, W04B
	21B	X04Z		21B	X05A, X05B	5t00x.r↔		BOP, KVT, UOP4, VIAL
5t00b.w↔		BOP, KVT, UOP4, VIAL	5t00x.b↔		BOP, KVT, UOP4, VIAL		05	F13A
	05	F13A		05	F13A		08	I23A, I23B
	08	I12A, I12B, I12C, I23A, I23B		08	I32A, I32B, I32C, I32D, I32E, I32F		21A	W04A, W04B
	21A	W04A, W04B		21A	W04A, W04B		21B	X04Z
	21B	X04Z		21B	X05A, X05B	5t00x.s↔		BOP, KVT, UOP4, VIAL
5t00b.x		BOP, KVT, UOP4	5t00x.c↔		BOP, KVT, UOP4, VIAL		05	F13A
	05	F13A		05	F13A		08	I20A, I20B, I20C, I20D, I20E, I20F
	08	I12A, I12B, I12C, I23A, I23B		08	I23A, I23B		21A	W04A, W04B
	21A	W04A, W04B		08	I23A, I23B		21B	X04Z
	21B	X06A, X06B, X06C		21A	W04A, W04B			
5t00b.z↔		BOP, KVT, UOP4, VIAL	5t00x.d		BOP, KVT, UOP4, VIAL	5t00x.t↔		BOP, KVT, UOP4, VIAL
	04	E02A, E02B, E02C		05	F13A		05	F13A
	05	F13A		08	I23A, I23B		08	I20A, I20B, I20C, I20D, I20E, I20F
	08	I23A, I23B		21A	W04A, W04B		21A	W04A, W04B
5t00x.0↔		BOP, KVT, UOP4, VIAL	5t00x.e↔		BOP, KVT, UOP4, VIAL		21B	X04Z
	04	E02A, E02B, E02C		05	F13A	5t00x.u↔		BOP, KVT, UOP4, VIAL
	05	F13A		08	I21Z		05	F13A
	08	I23A, I23B		21A	W04A, W04B		08	I20A, I20B, I20C, I20D, I20E, I20F
5t00x.1↔		BOP, KVT, UOP4, VIAL	5t00x.f↔		BOP, KVT, UOP4, VIAL		21A	W04A, W04B
	05	F13A		05	F13A		21B	X04Z
	08	I08A, I08B, I08C, I08D, I08E, I08F, I23A, I23B		08	I21Z	5t00x.v↔		BOP, KVT, UOP4, VIAL
	21A	W04A, W04B		21A	W04A, W04B		05	F13A
	21B	X06A, X06B, X06C		21B	X04Z		08	I20A, I20B, I20C, I20D, I20E, I20F
5t00x.2↔		BOP, KVT, UOP4, VIAL	5t00x.g↔		BOP, KVT, UOP4, VIAL		21A	W04A, W04B
	05	F13A		05	F13A		21B	X04Z
	08	I08A, I08B, I08C, I08D, I08E, I08F, I23A, I23B		08	I21Z	5t00x.w↔		BOP, KVT, UOP4, VIAL
	21A	W04A, W04B		21A	W04A, W04B		05	F13A
	21B	X06A, X06B, X06C		21B	X04Z		08	I23A, I23B
5t00x.3↔		BOP, KVT, UOP4, VIAL	5t00x.h↔		BOP, KVT, UOP4, VIAL		21A	W04A, W04B
	05	F13A		05	F13A		21B	X04Z
	08	I08A, I08B, I08C, I08D, I08E, I08F, I23A, I23B		08	I21Z	5t00x.x		BOP, KVT, UOP4
	21A	W04A, W04B		21A	W04A, W04B		05	F13A
	21B	X06A, X06B, X06C		21B	X04Z		08	I23A, I23B
5t00x.4↔		BOP, KVT, UOP4, VIAL	5t00x.i↔		BOP, KVT, UOP4, VIAL		21A	W04A, W04B
	05	F13A		05	F13A		21B	X06A, X06B, X06C
	08	I08A, I08B, I08C, I08D, I08E, I08F, I23A, I23B		08	I23A, I23B	5t00x.z↔		BOP, KVT, UOP4, VIAL
	21A	W04A, W04B		21A	W04A, W04B		04	E02A, E02B, E02C
	21B	X06A, X06B, X06C		21B	X04Z		05	F13A
5t00x.5↔		BOP, KVT, UOP4, VIAL	5t00x.j↔		BOP, KVT, UOP4, VIAL		08	I23A, I23B
	05	F13A		05	F13A	5t010.1↔		BOP, KVT, UOP4, VIAL
	08	I08A, I08B, I08C, I08D, I08E, I08F, I23A, I23B		08	I23A, I23B		08	I08A, I08B, I08C, I08D, I08E, I08F, I13A, I13B, I13C, I13D, I33Z
	21A	W04A, W04B		21A	W04A, W04B		21A	W04A, W04B
	21B	X06A, X06B, X06C		21B	X04Z		21B	X06A, X06B, X06C
5t00x.6↔		BOP, KVT, UOP4, VIAL	5t00x.k↔		BOP, KVT, UOP4, VIAL			
	05	F13A		05	F13A	5t010.2↔		BOP, KVT, UOP4, VIAL
	08	I08A, I08B, I08C, I08D, I08E, I08F, I23A, I23B		08	I23A, I23B		08	I08A, I08B, I08C, I08D, I08E, I08F, I13A, I13B, I13C, I13D, I33Z
	21A	W04A, W04B		21A	W04A, W04B		21A	W04A, W04B
	21B	X04Z		21B	X04Z		21B	X06A, X06B, X06C
5t00x.7↔		BOP, KVT, UOP4, VIAL	5t00x.l↔		BOP, KVT, UOP4, VIAL			
	05	F13A		05	F13A	5t010.3↔		BOP, KVT, UOP4, VIAL
	08	I08A, I08B, I08C, I08D, I08E, I08F, I23A, I23B		08	I23A, I23B		08	I08A, I08B, I08C, I08D, I08E, I08F, I13A, I13B, I13C, I13D, I33Z
	21A	W04A, W04B		21A	W04A, W04B		21A	W04A, W04B
	21B	X04Z		21B	X04Z		21B	X06A, X06B, X06C
5t00x.8↔		BOP, KVT, UOP4, VIAL	5t00x.m↔		BOP, KVT, UOP4, VIAL			
	05	F13A		05	F13A			
	08	I08A, I08B, I08C, I08D, I08E, I08F, I23A, I23B		08	I23A, I23B			
	21A	W04A, W04B		21A	W04A, W04B			
	21B	X04Z		21B	X04Z			
5t00x.9↔		BOP, KVT, UOP4, VIAL	5t00x.n↔		BOP, KVT, UOP4, VIAL			
	05	F13A		05	F13A			
	08	I08A, I08B, I08C, I08D, I08E, I08F, I23A, I23B		08	I23A, I23B			
	21A	W04A, W04B		21A	W04A, W04B			
	21B	X04Z		21B	X04Z			
	05	F13A	5t00x.p↔		BOP, KVT, UOP4, VIAL			
	08	I08A, I08B, I08C, I08D, I08E, I08F, I23A, I23B		05	F13A			
	21A	W04A, W04B		08	I23A, I23B			
	21B	X04Z		21A	W04A, W04B			
				21B	X04Z			

ZZV	MDC	DRG	ZZV	MDC	DRG	ZZV	MDC	DRG
5t010.4↔		BOP, KVT, UOP4, VIAL	5t010.k↔	01	BOP, KVT, UOP4, VIAL B03A, B03B, B06A, B06B, B17A, B17B, B17C	5t011.1↔	08	BOP, KVT, UOP4, VIAL I08A, I08B, I08C, I08D, I08E, I08F, I21Z, I31Z, I33Z
	08	I08A, I08B, I08C, I08D, I08E, I08F, I21Z, I31Z, I33Z		08	I13A, I13B, I13C, I13D, I33Z		21A	W04A, W04B
	21A	W04A, W04B		10	K09A, K09B		21B	X06A, X06B, X06C
5t010.5↔	21B	X06A, X06B, X06C	5t010.m↔	21A	W04A, W04B	5t011.2↔	21A	W04A, W04B
	08	BOP, KVT, UOP4, VIAL I08A, I08B, I08C, I08D, I08E, I08F, I21Z, I31Z, I33Z		21B	X04Z		08	I08A, I08B, I08C, I08D, I08E, I08F, I13A, I13B, I13C, I13D, I33Z
	21A	W04A, W04B		01	BOP, KVT, UOP4, VIAL B03A, B03B, B06A, B06B, B17A, B17B, B17C		21A	W04A, W04B
5t010.6↔	21B	X06A, X06B, X06C	5t010.n↔	08	I13A, I13B, I13C, I13D, I33Z	5t011.3↔	21B	X06A, X06B, X06C
	08	BOP, KVT, UOP4, VIAL I08A, I08B, I08C, I08D, I08E, I08F, I21Z, I31Z, I33Z		10	K09A, K09B		08	I08A, I08B, I08C, I08D, I08E, I08F, I13A, I13B, I13C, I13D, I33Z
	21A	W04A, W04B		21A	W04A, W04B		21A	W04A, W04B
5t010.7↔	21B	X06A, X06B, X06C	5t010.o↔	21B	X04Z	5t011.4↔	08	BOP, KVT, UOP4, VIAL I08A, I08B, I08C, I08D, I08E, I08F, I13A, I13B, I13C, I13D, I33Z
	08	BOP, KVT, UOP4, VIAL I08A, I08B, I08C, I08D, I08E, I08F, I21Z, I31Z, I33Z		01	BOP, KVT, UOP4, VIAL B03A, B03B, B06A, B06B, B17A, B17B, B17C		21A	W04A, W04B
	21A	W04A, W04B		08	I13A, I13B, I13C, I13D, I33Z		21B	X06A, X06B, X06C
5t010.8↔	21B	X06A, X06B, X06C	5t010.p↔	10	K09A, K09B	5t011.5↔	08	I08A, I08B, I08C, I08D, I08E, I08F, I21Z, I31Z, I33Z
	08	BOP, KVT, UOP4, VIAL I08A, I08B, I08C, I08D, I08E, I08F, I21Z, I31Z, I33Z		21A	W04A, W04B		21A	W04A, W04B
	21A	W04A, W04B		21B	X04Z		21B	X06A, X06B, X06C
5t010.9↔	21B	X06A, X06B, X06C	5t010.q↔	08	BOP, KVT, UOP4, VIAL I13A, I13B, I13C, I13D, I33Z	5t011.6↔	08	I08A, I08B, I08C, I08D, I08E, I08F, I21Z, I31Z, I33Z
	08	BOP, KVT, UOP4, VIAL I08A, I08B, I08C, I08D, I08E, I08F, I21Z, I31Z, I33Z		21A	W04A, W04B		21A	W04A, W04B
	21A	W04A, W04B		21B	X04Z		21B	X06A, X06B, X06C
5t010.b↔	21B	X06A, X06B, X06C	5t010.r↔	08	BOP, KVT, UOP4, VIAL I13A, I13B, I13C, I13D, I33Z	5t011.7↔	21A	W04A, W04B
	08	BOP, KVT, UOP4, VIAL I32A, I32B, I32C, I32D, I32E, I32F, I33Z		21A	W04A, W04B		08	I08A, I08B, I08C, I08D, I08E, I08F, I21Z, I31Z, I33Z
	21A	W04A, W04B		21B	X04Z		21A	W04A, W04B
5t010.c↔	21B	X05A, X05B	5t010.s↔	08	BOP, KVT, UOP4, VIAL I20A, I20B, I20C, I20D, I33Z	5t011.8↔	21B	X06A, X06B, X06C
	08	BOP, KVT, UOP4, VIAL I32A, I32B, I32C, I32D, I32E, I32F, I33Z		05	BOP, KVT, UOP4, VIAL F27A, F27B, F27C		08	I08A, I08B, I08C, I08D, I08E, I08F, I21Z, I31Z, I33Z
	21A	W04A, W04B		08	I20A, I20B, I20C, I20D, I33Z		21A	W04A, W04B
5t010.d	21B	X05A, X05B	5t010.t↔	10	K01Z	5t011.9↔	21B	X06A, X06B, X06C
	08	BOP, KVT, UOP4, VIAL I08A, I08B, I08C, I08D, I08E, I08F, I33Z, I47A		21A	W04A, W04B		08	I08A, I08B, I08C, I08D, I08E, I08F, I21Z, I31Z, I33Z
	21A	W04A, W04B		21B	X04Z		21A	W04A, W04B
5t010.e↔	08	BOP, KVT, UOP4, VIAL I08A, I08B, I08C, I08D, I08E, I08F, I33Z	5t010.u↔	05	BOP, KVT, UOP4, VIAL F27A, F27B, F27C	5t011.b↔	21B	X06A, X06B, X06C
	08	I08A, I08B, I08C, I08D, I08E, I08F, I33Z		08	I20A, I20B, I20C, I20D, I33Z		08	I08A, I08B, I08C, I08D, I08E, I08F, I21Z, I31Z, I33Z
	21A	W01A, W01B, W01C, W02A, W02B		10	K01Z		21A	W04A, W04B
5t010.f↔	21B	X04Z	5t010.v↔	21A	W04A, W04B	5t011.c↔	21B	X05A, X05B
	01	B03A, B03B, B06A, B06B, B17A, B17B, B17C		05	BOP, KVT, UOP4, VIAL F27A, F27B, F27C		08	BOP, KVT, UOP4, VIAL I32A, I32B, I32C, I32D, I32E, I32F, I33Z
	08	I08A, I08B, I08C, I08D, I08E, I08F, I33Z		08	I20A, I20B, I20C, I20D, I33Z		21A	W04A, W04B
5t010.g↔	21A	W01A, W01B, W01C, W02A, W02B	5t010.w↔	10	K01Z	5t011.d	21B	X05A, X05B
	21B	X04Z		21A	W04A, W04B		08	BOP, KVT, UOP4, VIAL I08A, I08B, I08C, I08D, I08E, I08F, I33Z, I47A
	01	B03A, B03B, B06A, B06B, B17A, B17B, B17C		21B	X04Z		08	BOP, KVT, UOP4, VIAL I08A, I08B, I08C, I08D, I08E, I08F, I33Z
5t010.h↔	08	I08A, I08B, I08C, I08D, I08E, I08F, I33Z	5t010.x	01	BOP, KVT, UOP4 B03A, B03B, B06A, B06B, B17A, B17B, B17C	5t011.e↔	08	I08A, I08B, I08C, I08D, I08E, I08F, I33Z
	21A	W01A, W01B, W01C, W02A, W02B		08	I28A, I28B, I33Z			
	21B	X04Z		21A	W04A, W04B			
				21B	X06A, X06B, X06C			

VYK

ZZV	MDC	DRG	ZZV	MDC	DRG	ZZV	MDC	DRG
5t011.f↔		BOP, KVT, UOP4, VIAL	5t011.x		BOP, KVT, UOP4	5t012.f↔		BOP, KVT, UOP4, VIAL
01		B03A, B03B, B06A, B06B, B17A, B17B, B17C	01		B03A, B03B, B06A, B06B, B17A, B17B, B17C	01		B03A, B03B, B06A, B06B, B17A, B17B, B17C
08		I08A, I08B, I08C, I08D, I08E, I08F, I33Z	08		I28A, I28B, I33Z	08		I08A, I08B, I08C, I08D, I08E, I27B, I33Z, I37Z
21A		W01A, W01B, W01C, W02A, W02B	21A		W04A, W04B	21A		W01A, W01B, W01C, W02A, W02B
21B		X04Z	21B		X06A, X06B, X06C	21B		X04Z
5t011.g↔		BOP, KVT, UOP4, VIAL	5t012.0↔		BOP, KVT, UOP4, VIAL	5t012.g↔		BOP, KVT, UOP4, VIAL
01		B03A, B03B, B06A, B06B, B17A, B17B, B17C	04		E02A, E02B, E02C	01		B03A, B03B, B06A, B06B, B17A, B17B, B17C
08		I08A, I08B, I08C, I08D, I08E, I08F, I33Z	08		I28A, I28B, I33Z	08		I08A, I08B, I08C, I08D, I08E, I27B, I33Z, I37Z
21A		W01A, W01B, W01C, W02A, W02B	21A		W04A, W04B	21A		W01A, W01B, W01C, W02A, W02B
21B		X04Z	21B		X06A, X06B, X06C	21B		X04Z
5t011.h↔		BOP, KVT, UOP4, VIAL	5t012.1↔		BOP, KVT, UOP4, VIAL	5t012.h↔		BOP, KVT, UOP4, VIAL
01		B03A, B03B, B06A, B06B, B17A, B17B, B17C	08		I08A, I08B, I08C, I08D, I08E, I08F, I13A, I13B, I13C, I13D, I33Z	01		B03A, B03B, B06A, B06B, B17A, B17B, B17C
08		I08A, I08B, I08C, I08D, I08E, I08F, I33Z	08		I08A, I08B, I08C, I08D, I08E, I08F, I13A, I13B, I13C, I13D, I33Z	08		I08A, I08B, I08C, I08D, I08E, I27B, I33Z, I37Z
21A		W01A, W01B, W01C, W02A, W02B	21A		W04A, W04B	21A		W01A, W01B, W01C, W02A, W02B
21B		X04Z	21B		X06A, X06B, X06C	21B		X04Z
5t011.i↔		BOP, KVT, UOP4, VIAL	5t012.2↔		BOP, KVT, UOP4, VIAL	5t012.i↔		BOP, KVT, UOP4, VIAL
01		B03A, B03B, B06A, B06B, B17A, B17B, B17C	08		I08A, I08B, I08C, I08D, I08E, I08F, I13A, I13B, I13C, I13D, I33Z	01		B03A, B03B, B06A, B06B, B17A, B17B, B17C
08		I08A, I08B, I08C, I08D, I08E, I08F, I33Z	21A		W04A, W04B	08		I08A, I08B, I08C, I08D, I08E, I27B, I33Z, I37Z
21A		W01A, W01B, W01C, W02A, W02B	21B		X06A, X06B, X06C	21A		W01A, W01B, W01C, W02A, W02B
21B		X04Z	5t012.3↔		BOP, KVT, UOP4, VIAL	21B		X04Z
5t011.j↔		BOP, KVT, UOP4, VIAL	08		I08A, I08B, I08C, I08D, I08E, I08F, I13A, I13B, I13C, I13D, I33Z	5t012.j↔		BOP, KVT, UOP4, VIAL
01		B03A, B03B, B06A, B06B, B17A, B17B, B17C	21A		W04A, W04B	08		I08A, I08B, I08C, I08D, I08E, I13A, I13B, I13C, I13D, I27B, I33Z, I37Z
08		I13A, I13B, I13C, I13D, I33Z	21B		X06A, X06B, X06C	21A		W04A, W04B
10		K09A, K09B	5t012.4↔		BOP, KVT, UOP4, VIAL	21B		X04Z
21A		W04A, W04B	08		I08A, I08B, I08C, I08D, I08E, I08F, I21Z, I31Z, I33Z	5t012.k↔		BOP, KVT, UOP4, VIAL
21B		X04Z	21A		W04A, W04B	08		I08A, I08B, I08C, I08D, I08E, I13A, I13B, I13C, I13D, I27B, I33Z, I37Z
5t011.k↔		BOP, KVT, UOP4, VIAL	21B		X06A, X06B, X06C	21A		W04A, W04B
01		B03A, B03B, B06A, B06B, B17A, B17B, B17C	5t012.5↔		BOP, KVT, UOP4, VIAL	21B		X04Z
08		I13A, I13B, I13C, I13D, I33Z	08		I08A, I08B, I08C, I08D, I08E, I08F, I21Z, I31Z, I33Z	5t012.l↔		BOP, KVT, UOP4, VIAL
10		K09A, K09B	21A		W04A, W04B	08		I08A, I08B, I08C, I08D, I08E, I13A, I13B, I13C, I13D, I27B, I33Z, I37Z
21A		W04A, W04B	21B		X06A, X06B, X06C	21A		W04A, W04B
21B		X04Z	5t012.6↔		BOP, KVT, UOP4, VIAL	21B		X04Z
5t011.l↔		BOP, KVT, UOP4, VIAL	08		I08A, I08B, I08C, I08D, I08E, I08F, I21Z, I31Z, I33Z	5t012.m↔		BOP, KVT, UOP4, VIAL
01		B03A, B03B, B06A, B06B, B17A, B17B, B17C	21A		W04A, W04B	08		I08A, I08B, I08C, I08D, I08E, I13A, I13B, I13C, I13D, I27B, I33Z, I37Z
08		I13A, I13B, I13C, I13D, I33Z	21B		X06A, X06B, X06C	21A		W04A, W04B
10		K09A, K09B	5t012.7↔		BOP, KVT, UOP4, VIAL	21B		X04Z
21A		W04A, W04B	08		I08A, I08B, I08C, I08D, I08E, I08F, I21Z, I31Z, I33Z	5t012.n↔		BOP, KVT, UOP4, VIAL
21B		X04Z	21A		W04A, W04B	08		I08A, I08B, I08C, I08D, I08E, I13A, I13B, I13C, I13D, I27B, I33Z, I37Z
5t011.m↔		BOP, KVT, UOP4, VIAL	21B		X06A, X06B, X06C	21A		W04A, W04B
01		B03A, B03B, B06A, B06B, B17A, B17B, B17C	5t012.8↔		BOP, KVT, UOP4, VIAL	21B		X04Z
08		I13A, I13B, I13C, I13D, I33Z	08		I08A, I08B, I08C, I08D, I08E, I08F, I21Z, I31Z, I33Z	5t012.o↔		BOP, KVT, UOP4, VIAL
10		K09A, K09B	21A		W04A, W04B	08		I13A, I13B, I13C, I13D, I33Z, I37Z
21A		W04A, W04B	21B		X06A, X06B, X06C	21A		W04A, W04B
21B		X04Z	5t012.9↔		BOP, KVT, UOP4, VIAL	21B		X04Z
5t011.n↔		BOP, KVT, UOP4, VIAL	08		I08A, I08B, I08C, I08D, I08E, I08F, I21Z, I31Z, I33Z	5t012.p↔		BOP, KVT, UOP4, VIAL
01		B03A, B03B, B06A, B06B, B17A, B17B, B17C	21A		W04A, W04B	08		I13A, I13B, I13C, I13D, I33Z
08		I13A, I13B, I13C, I13D, I33Z	21B		X06A, X06B, X06C	21A		W04A, W04B
10		K09A, K09B	5t012.a↔		BOP, KVT, UOP4, VIAL	21B		X04Z
21A		W04A, W04B	08		I32A, I32B, I32C, I32D, I32E, I32F, I33Z	5t011.p↔		BOP, KVT, UOP4, VIAL
21B		X04Z	21A		W04A, W04B	08		I13A, I13B, I13C, I13D, I33Z
5t011.o↔		BOP, KVT, UOP4, VIAL	21B		X05A, X05B	21A		W04A, W04B
01		B03A, B03B, B06A, B06B, B17A, B17B, B17C	5t012.b↔		BOP, KVT, UOP4, VIAL	21B		X04Z
08		I28A, I28B, I33Z	08		I32A, I32B, I32C, I32D, I32E, I32F, I33Z	5t011.q↔		BOP, KVT, UOP4, VIAL
21A		W04A, W04B	21A		W04A, W04B	08		I13A, I13B, I13C, I13D, I33Z
21B		X06A, X06B, X06C	21B		X05A, X05B	21A		W04A, W04B
5t011.p↔		BOP, KVT, UOP4, VIAL	5t012.c↔		BOP, KVT, UOP4, VIAL	21B		X04Z
08		I13A, I13B, I13C, I13D, I33Z	08		I32A, I32B, I32C, I32D, I32E, I32F, I33Z	5t011.r↔		BOP, KVT, UOP4, VIAL
21A		W04A, W04B	21A		W04A, W04B	08		I13A, I13B, I13C, I13D, I33Z
21B		X04Z	21B		X05A, X05B	21A		W04A, W04B
5t011.q↔		BOP, KVT, UOP4, VIAL	5t012.d		BOP, KVT, UOP4, VIAL	21B		X04Z
08		I13A, I13B, I13C, I13D, I33Z	08		I08A, I08B, I08C, I08D, I08E, I27B, I33Z, I37Z, I47A	5t011.s↔		BOP, KVT, UOP4, VIAL
21A		W04A, W04B	21A		W04A, W04B	08		I20A, I20B, I20C, I20D, I33Z
21B		X04Z	21B		X05A, X05B	21A		W04A, W04B
5t011.r↔		BOP, KVT, UOP4, VIAL	5t012.e↔		BOP, KVT, UOP4, VIAL	21B		X04Z
08		I13A, I13B, I13C, I13D, I33Z	08		I08A, I08B, I08C, I08D, I08E, I27B, I33Z, I37Z	5t011.t↔		BOP, KVT, UOP4, VIAL
21A		W04A, W04B	21A		W04A, W04B	05		F27A, F27B, F27C
21B		X04Z	21B		X05A, X05B	08		I20A, I20B, I20C, I20D, I33Z
5t011.s↔		BOP, KVT, UOP4, VIAL	5t012.f↔		BOP, KVT, UOP4, VIAL	10		K01Z
08		I20A, I20B, I20C, I20D, I33Z	08		I28A, I28B, I33Z	21A		W04A, W04B
5t011.t↔		BOP, KVT, UOP4, VIAL	21A		W04A, W04B	21B		X04Z
05		F27A, F27B, F27C	21B		X05A, X05B	5t011.u↔		BOP, KVT, UOP4, VIAL
08		I20A, I20B, I20C, I20D, I33Z	5t012.g↔		BOP, KVT, UOP4, VIAL	08		I20A, I20B, I20C, I20D, I33Z
10		K01Z	04		E02A, E02B, E02C			
21A		W04A, W04B	08		I28A, I28B, I33Z			
21B		X04Z	21A		W04A, W04B			
5t011.u↔		BOP, KVT, UOP4, VIAL	21B		X06A, X06B, X06C			
08		I20A, I20B, I20C, I20D, I33Z	5t012.h↔		BOP, KVT, UOP4, VIAL			
			04		E02A, E02B, E02C			
			08		I28A, I28B, I33Z			
			21A		W04A, W04B			
			21B		X06A, X06B, X06C			
			5t012.i↔		BOP, KVT, UOP4, VIAL			
			04		E02A, E02B, E02C			
			08		I28A, I28B, I33Z			
			21A		W04A, W04B			
			21B		X06A, X06B, X06C			
			5t012.j↔		BOP, KVT, UOP4, VIAL			
			04		E02A, E02B, E02C			
			08		I28A, I28B, I33Z			
			21A		W04A, W04B			
			21B		X06A, X06B, X06C			

ZZV	MDC	DRG	ZZV	MDC	DRG	ZZV	MDC	DRG	
5t013.1↔		BOP, KVT, UOP4, VIAL	5t013.f↔		BOP, KVT, UOP4, VIAL	5t014.0↔		BOP, KVT, UOP4, VIAL	
	08	I08A, I08B, I08C, I08D, I08E, I08F, I13A, I13B, I13C, I13D, I33Z		01	B03A, B03B, B06A, B06B, B17A, B17B, B17C		04	E02A, E02B, E02C	
	21A	W04A, W04B		08	I08A, I08B, I08C, I08D, I08E, I08F, I33Z		08	I28A, I28B, I33Z	
	21B	X06A, X06B, X06C		21A	W01A, W01B, W01C, W02A, W02B		21A	W04A, W04B	
5t013.2↔		BOP, KVT, UOP4, VIAL		21B	X04Z	5t014.1↔		BOP, KVT, UOP4, VIAL	
	08	I08A, I08B, I08C, I08D, I08E, I08F, I13A, I13B, I13C, I13D, I33Z	5t013.g↔		BOP, KVT, UOP4, VIAL		08	I08A, I08B, I08C, I08D, I08E, I08F, I11Z, I33Z	
	21A	W04A, W04B		01	B03A, B03B, B06A, B06B, B17A, B17B, B17C		21A	W04A, W04B	
	21B	X06A, X06B, X06C		08	I08A, I08B, I08C, I08D, I08E, I08F, I33Z	5t014.2↔		BOP, KVT, UOP4, VIAL	
5t013.3↔		BOP, KVT, UOP4, VIAL		21A	W01A, W01B, W01C, W02A, W02B		08	I08A, I08B, I08C, I08D, I08E, I08F, I11Z, I33Z	
	08	I08A, I08B, I08C, I08D, I08E, I08F, I13A, I13B, I13C, I13D, I33Z		21B	X04Z		21A	W04A, W04B	
	21A	W04A, W04B	5t013.h↔		BOP, KVT, UOP4, VIAL		21B	X06A, X06B, X06C	
	21B	X06A, X06B, X06C		01	B03A, B03B, B06A, B06B, B17A, B17B, B17C	5t014.3↔		BOP, KVT, UOP4, VIAL	
5t013.4↔		BOP, KVT, UOP4, VIAL		08	I08A, I08B, I08C, I08D, I08E, I08F, I33Z		08	I08A, I08B, I08C, I08D, I08E, I08F, I11Z, I33Z	
	08	I08A, I08B, I08C, I08D, I08E, I08F, I21Z, I31Z, I33Z		21A	W01A, W01B, W01C, W02A, W02B		21A	W04A, W04B	
	21A	W04A, W04B		21B	X04Z	5t014.4↔		X06A, X06B, X06C	
	21B	X06A, X06B, X06C		5t013.k↔		BOP, KVT, UOP4, VIAL		BOP, KVT, UOP4, VIAL	
5t013.5↔		BOP, KVT, UOP4, VIAL		08	I13A, I13B, I13C, I13D, I33Z		08	I08A, I08B, I08C, I08D, I08E, I08F, I11Z, I33Z	
	08	I08A, I08B, I08C, I08D, I08E, I08F, I21Z, I31Z, I33Z		21A	W04A, W04B		21A	W04A, W04B	
	21A	W04A, W04B		21B	X04Z	5t014.5↔		X06A, X06B, X06C	
	21B	X06A, X06B, X06C		5t013.l↔		BOP, KVT, UOP4, VIAL		BOP, KVT, UOP4, VIAL	
5t013.6↔		BOP, KVT, UOP4, VIAL		08	I13A, I13B, I13C, I13D, I33Z		08	I08A, I08B, I08C, I08D, I08E, I08F, I11Z, I33Z	
	08	I08A, I08B, I08C, I08D, I08E, I08F, I21Z, I31Z, I33Z		21A	W04A, W04B		21A	W04A, W04B	
	21A	W04A, W04B		21B	X04Z	5t014.6↔		X06A, X06B, X06C	
	21B	X06A, X06B, X06C		5t013.m↔		BOP, KVT, UOP4, VIAL		BOP, KVT, UOP4, VIAL	
5t013.7↔		BOP, KVT, UOP4, VIAL		08	I13A, I13B, I13C, I13D, I33Z		08	I08A, I08B, I08C, I08D, I08E, I08F, I11Z, I33Z	
	08	I08A, I08B, I08C, I08D, I08E, I08F, I21Z, I31Z, I33Z		21A	W04A, W04B		21A	W04A, W04B	
	21A	W04A, W04B		21B	X04Z	5t014.7↔		X06A, X06B, X06C	
	21B	X06A, X06B, X06C		5t013.n↔		BOP, KVT, UOP4, VIAL		BOP, KVT, UOP4, VIAL	
5t013.8↔		BOP, KVT, UOP4, VIAL		08	I13A, I13B, I13C, I13D, I33Z		08	I08A, I08B, I08C, I08D, I08E, I08F, I11Z, I33Z	
	08	I08A, I08B, I08C, I08D, I08E, I08F, I21Z, I31Z, I33Z		21A	W04A, W04B		21A	W04A, W04B	
	21A	W04A, W04B		21B	X04Z	5t014.8↔		X06A, X06B, X06C	
	21B	X06A, X06B, X06C		5t013.o↔		BOP, KVT, UOP4, VIAL		BOP, KVT, UOP4, VIAL	
5t013.9↔		BOP, KVT, UOP4, VIAL		08	I13A, I13B, I13C, I13D, I33Z		08	I08A, I08B, I08C, I08D, I08E, I08F, I11Z, I33Z	
	08	I08A, I08B, I08C, I08D, I08E, I08F, I21Z, I31Z, I33Z		21A	W04A, W04B		21A	W04A, W04B	
	21A	W04A, W04B		21B	X04Z	5t014.9↔		X06A, X06B, X06C	
	21B	X06A, X06B, X06C		5t013.p↔		BOP, KVT, UOP4, VIAL		BOP, KVT, UOP4, VIAL	
5t013.b↔		BOP, KVT, UOP4, VIAL		08	I13A, I13B, I13C, I13D, I33Z		08	I08A, I08B, I08C, I08D, I08E, I08F, I11Z, I33Z	
	08	I32A, I32B, I32C, I32D, I32E, I32F, I33Z		21A	W04A, W04B		21A	W04A, W04B	
	21A	W04A, W04B		21B	X04Z	5t014.b↔		X06A, X06B, X06C	
	21B	X05A, X05B		5t013.q↔		BOP, KVT, UOP4, VIAL		BOP, KVT, UOP4, VIAL	
5t013.c↔		BOP, KVT, UOP4, VIAL		08	I13A, I13B, I13C, I13D, I33Z		08	I08A, I08B, I08C, I08D, I08E, I08F, I11Z, I33Z	
	08	I32A, I32B, I32C, I32D, I32E, I32F, I33Z		21A	W04A, W04B		21A	W04A, W04B	
	21A	W04A, W04B		21B	X04Z	5t014.c↔		X05A, X05B	
	21B	X05A, X05B		5t013.r↔		BOP, KVT, UOP4, VIAL		BOP, KVT, UOP4, VIAL	
5t013.d		BOP, KVT, UOP4, VIAL		08	I20A, I20B, I20C, I20D, I33Z		08	I32A, I32B, I32C, I32D, I32E, I32F, I33Z	
	08	I08A, I08B, I08C, I08D, I08E, I08F, I33Z, I47A		5t013.s↔		BOP, KVT, UOP4, VIAL		BOP, KVT, UOP4, VIAL	
5t013.e↔		BOP, KVT, UOP4, VIAL		08	I20A, I20B, I20C, I20D, I33Z		08	I32A, I32B, I32C, I32D, I32E, I32F, I33Z	
	08	I08A, I08B, I08C, I08D, I08E, I08F, I33Z		5t013.t↔		BOP, KVT, UOP4, VIAL		BOP, KVT, UOP4, VIAL	
				05	F27A, F27B, F27C		08	I32A, I32B, I32C, I32D, I32E, I32F, I33Z	
				08	I20A, I20B, I20C, I20D, I33Z		21A	W04A, W04B	
				10	K01Z		21B	X05A, X05B	
				21A	W04A, W04B	5t014.d		BOP, KVT, UOP4, VIAL	
				21B	X04Z		08	I32A, I32B, I32C, I32D, I32E, I32F, I33Z	
				5t013.u↔		BOP, KVT, UOP4, VIAL		BOP, KVT, UOP4, VIAL	
				08	I20A, I20B, I20C, I20D, I33Z		21A	W04A, W04B	
				5t013.x		BOP, KVT, UOP4		21B	X05A, X05B
				01	B03A, B03B, B06A, B06B, B17A, B17B, B17C		5t014.e↔	BOP, KVT, UOP4, VIAL	
				08	I28A, I28B, I33Z		08	I08A, I08B, I08C, I08D, I08E, I08F, I33Z, I47A	
				21A	W04A, W04B			BOP, KVT, UOP4, VIAL	
				21B	X06A, X06B, X06C		08	I08A, I08B, I08C, I08D, I08E, I08F, I33Z	
				5t013.z↔		BOP, KVT, UOP4, VIAL			
				04	E02A, E02B, E02C				
				08	I28A, I28B, I33Z				
				21A	W04A, W04B				
				21B	X06A, X06B, X06C				

VYK

ZZV	MDC	DRG	ZZV	MDC	DRG	ZZV	MDC	DRG
5t014.f↔		BOP, KVT, UOP4, VIAL	5t015.1↔		BOP, KVT, UOP4, VIAL	5t015.f↔		BOP, KVT, UOP4, VIAL
	01	B03A, B03B, B06A, B06B, B17A, B17B, B17C		08	I08A, I08B, I08C, I08D, I08E, I08F, I13A, I13B, I13C, I13D, I33Z		01	B03A, B03B, B06A, B06B, B17A, B17B, B17C
	08	I11Z, I33Z		21A	W04A, W04B		08	I08A, I08B, I08C, I08D, I08E, I27B, I33Z, I37Z
	21A	W01A, W01B, W01C, W02A, W02B		21B	X06A, X06B, X06C		21A	W01A, W01B, W01C, W02A, W02B
	21B	X04Z	5t015.2↔		BOP, KVT, UOP4, VIAL		21B	X04Z
5t014.g↔		BOP, KVT, UOP4, VIAL		08	I08A, I08B, I08C, I08D, I08E, I08F, I13A, I13B, I13C, I13D, I33Z	5t015.g↔		BOP, KVT, UOP4, VIAL
	01	B03A, B03B, B06A, B06B, B17A, B17B, B17C		21A	W04A, W04B		01	B03A, B03B, B06A, B06B, B17A, B17B, B17C
	08	I11Z, I33Z		21B	X06A, X06B, X06C		08	I08A, I08B, I08C, I08D, I08E, I27B, I33Z, I37Z
	21A	W01A, W01B, W01C, W02A, W02B	5t015.3↔		BOP, KVT, UOP4, VIAL		21A	W01A, W01B, W01C, W02A, W02B
	21B	X04Z		08	I08A, I08B, I08C, I08D, I08E, I08F, I13A, I13B, I13C, I13D, I33Z		21B	X04Z
5t014.h↔		BOP, KVT, UOP4, VIAL		21A	W04A, W04B	5t015.h↔		BOP, KVT, UOP4, VIAL
	01	B03A, B03B, B06A, B06B, B17A, B17B, B17C		21B	X06A, X06B, X06C		01	B03A, B03B, B06A, B06B, B17A, B17B, B17C
	08	I11Z, I33Z	5t015.4↔		BOP, KVT, UOP4, VIAL		08	I08A, I08B, I08C, I08D, I08E, I27B, I33Z, I37Z
	21A	W01A, W01B, W01C, W02A, W02B		08	I08A, I08B, I08C, I08D, I08E, I08F, I21Z, I31Z, I33Z		21A	W01A, W01B, W01C, W02A, W02B
	21B	X04Z		21A	W04A, W04B		21B	X04Z
5t014.k↔		BOP, KVT, UOP4, VIAL		21B	X06A, X06B, X06C	5t015.k↔		BOP, KVT, UOP4, VIAL
	08	I11Z, I33Z	5t015.5↔		BOP, KVT, UOP4, VIAL		01	B03A, B03B, B06A, B06B, B17A, B17B, B17C
	21A	W04A, W04B		08	I08A, I08B, I08C, I08D, I08E, I08F, I21Z, I31Z, I33Z		08	I08A, I08B, I08E, I13A, I13B, I13C, I13D, I27B, I33Z, I37Z
	21B	X04Z		21A	W04A, W04B		10	K09A, K09B
5t014.m↔		BOP, KVT, UOP4, VIAL		21B	X06A, X06B, X06C		21A	W04A, W04B
	08	I11Z, I33Z	5t015.6↔		BOP, KVT, UOP4, VIAL		21B	X04Z
	21A	W04A, W04B		08	I08A, I08B, I08C, I08D, I08E, I08F, I21Z, I31Z, I33Z	5t015.m↔		BOP, KVT, UOP4, VIAL
	21B	X04Z		21A	W04A, W04B		01	B03A, B03B, B06A, B06B, B17A, B17B, B17C
5t014.n↔		BOP, KVT, UOP4, VIAL		21B	X06A, X06B, X06C		08	I08A, I08D, I08E, I13A, I13B, I13C, I13D, I27B, I33Z, I37Z
	08	I11Z, I33Z	5t015.7↔		BOP, KVT, UOP4, VIAL		10	K09A, K09B
	21A	W04A, W04B		08	I08A, I08B, I08C, I08D, I08E, I08F, I21Z, I31Z, I33Z		21A	W04A, W04B
	21B	X04Z		21A	W04A, W04B		21B	X04Z
5t014.p↔		BOP, KVT, UOP4, VIAL		21B	X06A, X06B, X06C		01	B03A, B03B, B06A, B06B, B17A, B17B, B17C
	08	I11Z, I33Z	5t015.8↔		BOP, KVT, UOP4, VIAL		08	I08A, I08D, I08E, I13A, I13B, I13C, I13D, I27B, I33Z, I37Z
	21A	W04A, W04B		08	I08A, I08B, I08C, I08D, I08E, I08F, I21Z, I31Z, I33Z		10	K09A, K09B
	21B	X04Z		21A	W04A, W04B		21A	W04A, W04B
5t014.q↔		BOP, KVT, UOP4, VIAL		21B	X06A, X06B, X06C		21B	X04Z
	08	I11Z, I33Z	5t015.9↔		BOP, KVT, UOP4, VIAL	5t015.n↔		BOP, KVT, UOP4, VIAL
	21A	W04A, W04B		08	I08A, I08B, I08C, I08D, I08E, I08F, I21Z, I31Z, I33Z		01	B03A, B03B, B06A, B06B, B17A, B17B, B17C
	21B	X04Z		21A	W04A, W04B		08	I08A, I08D, I08E, I13A, I13B, I13C, I13D, I27B, I33Z, I37Z
5t014.r↔		BOP, KVT, UOP4, VIAL		21B	X06A, X06B, X06C		10	K09A, K09B
	08	I11Z, I33Z	5t015.b↔		BOP, KVT, UOP4, VIAL		21A	W04A, W04B
	21A	W04A, W04B		08	I32A, I32B, I32C, I32D, I32E, I32F, I33Z		21B	X04Z
	21B	X04Z		21A	W04A, W04B	5t015.s↔		BOP, KVT, UOP4, VIAL
5t014.s↔		BOP, KVT, UOP4, VIAL		21B	X05A, X05B		08	I20A, I20B, I20C, I20D, I33Z, I37Z
	08	I20A, I20B, I20C, I20D, I33Z	5t015.c↔		BOP, KVT, UOP4, VIAL		01	B03A, B03B, B06A, B06B, B17A, B17B, B17C
5t014.t↔		BOP, KVT, UOP4, VIAL		08	I32A, I32B, I32C, I32D, I32E, I32F, I33Z		08	I08A, I08B, I20C, I20D, I33Z, I37Z
	05	F27A, F27B, F27C		21A	W04A, W04B	5t015.t↔		BOP, KVT, UOP4, VIAL
	08	I20A, I20B, I20C, I20D, I33Z		21B	X05A, X05B		08	I20A, I20B, I20C, I20D, I33Z, I37Z
	10	K01Z	5t015.d		BOP, KVT, UOP4, VIAL		08	I28A, I28B, I33Z
	21A	W04A, W04B		08	I08A, I08B, I08C, I08D, I08E, I27B, I33Z, I37Z, I47A	5t015.u↔		BOP, KVT, UOP4, VIAL
	21B	X04Z		08	I08A, I08B, I08C, I08D, I08E, I27B, I33Z, I37Z, I47A		08	I20A, I20B, I20C, I20D, I33Z, I37Z
5t014.u↔		BOP, KVT, UOP4, VIAL	5t015.e↔		BOP, KVT, UOP4, VIAL	5t015.x		BOP, KVT, UOP4
	08	I20A, I20B, I20C, I20D, I33Z		08	I08A, I08B, I08C, I08D, I08E, I27B, I33Z, I37Z		01	B03A, B03B, B06A, B06B, B17A, B17B, B17C
5t014.x		BOP, KVT, UOP4					08	I28A, I28B, I33Z
	01	B03A, B03B, B06A, B06B, B17A, B17B, B17C					21A	W04A, W04B
	08	I28A, I28B, I33Z					21B	X06A, X06B, X06C
	21A	W04A, W04B						
	21B	X06A, X06B, X06C						
5t014.z↔		BOP, KVT, UOP4, VIAL						
	04	E02A, E02B, E02C						
	08	I28A, I28B, I33Z						
	21A	W04A, W04B						
	21B	X06A, X06B, X06C						

VYK

ZZV	MDC	DRG	ZZV	MDC	DRG	ZZV	MDC	DRG	
5t016.1↔		BOP, KVT, UOP4, VIAL	5t016.f↔		BOP, KVT, UOP4, VIAL	5t017.0↔		BOP, KVT, UOP4, VIAL	
	08	I08A, I08B, I08C, I08D, I08E, I08F, I13A, I13B, I13C, I13D, I33Z		01	B03A, B03B, B06A, B06B, B17A, B17B, B17C		04	E02A, E02B, E02C	
	21A	W04A, W04B		08	I08A, I08B, I08C, I08D, I08E, I27B, I33Z, I37Z		08	I28A, I28B, I33Z	
	21B	X06A, X06B, X06C		21A	W01A, W01B, W01C, W02A, W02B		21A	W04A, W04B	
5t016.2↔		BOP, KVT, UOP4, VIAL		21B	X04Z	5t017.1↔		X06A, X06B, X06C	
	08	I08A, I08B, I08C, I08D, I08E, I08F, I13A, I13B, I13C, I13D, I33Z	5t016.g↔		BOP, KVT, UOP4, VIAL		08	BOP, KVT, UOP4, VIAL	
	21A	W04A, W04B		01	B03A, B03B, B06A, B06B, B17A, B17B, B17C		21A	I08A, I08B, I08C, I08D, I08E, I08F, I13A, I13B, I13C, I13D, I33Z	
	21B	X06A, X06B, X06C		08	I08A, I08B, I08C, I08D, I08E, I27B, I33Z, I37Z	5t017.2↔		X06A, X06B, X06C	
5t016.3↔		BOP, KVT, UOP4, VIAL		21A	W01A, W01B, W01C, W02A, W02B		08	BOP, KVT, UOP4, VIAL	
	08	I08A, I08B, I08C, I08D, I08E, I08F, I13A, I13B, I13C, I13D, I33Z		21B	X04Z		21A	I08A, I08B, I08C, I08D, I08E, I08F, I13A, I13B, I13C, I13D, I33Z	
	21A	W04A, W04B	5t016.h↔		BOP, KVT, UOP4, VIAL		21B	W04A, W04B	
	21B	X06A, X06B, X06C		01	B03A, B03B, B06A, B06B, B17A, B17B, B17C	5t017.3↔		X06A, X06B, X06C	
5t016.4↔		BOP, KVT, UOP4, VIAL		08	I08A, I08B, I08C, I08D, I08E, I27B, I33Z, I37Z		08	BOP, KVT, UOP4, VIAL	
	08	I08A, I08B, I08C, I08D, I08E, I08F, I21Z, I31Z, I33Z		21A	W01A, W01B, W01C, W02A, W02B		21A	I08A, I08B, I08C, I08D, I08E, I08F, I13A, I13B, I13C, I13D, I33Z	
	21A	W04A, W04B		21B	X04Z		21B	W04A, W04B	
	21B	X06A, X06B, X06C	5t016.i↔		BOP, KVT, UOP4, VIAL		21B	X06A, X06B, X06C	
5t016.5↔		BOP, KVT, UOP4, VIAL		01	B03A, B03B, B06A, B06B, B17A, B17B, B17C	5t017.4↔		BOP, KVT, UOP4, VIAL	
	08	I08A, I08B, I08C, I08D, I08E, I08F, I21Z, I31Z, I33Z		08	I08A, I08B, I08C, I08D, I08E, I27B, I33Z, I37Z		08	I08A, I08B, I08C, I08D, I08E, I08F, I21Z, I31Z, I33Z	
	21A	W04A, W04B		21A	W04A, W04B		21A	W04A, W04B	
	21B	X06A, X06B, X06C	5t016.k↔		BOP, KVT, UOP4, VIAL		21B	X06A, X06B, X06C	
5t016.6↔		BOP, KVT, UOP4, VIAL		01	B03A, B03B, B06A, B06B, B17A, B17B, B17C	5t017.5↔		BOP, KVT, UOP4, VIAL	
	08	I08A, I08B, I08C, I08D, I08E, I08F, I21Z, I31Z, I33Z		08	I08A, I08B, I08E, I13A, I13B, I13C, I13D, I27B, I33Z, I37Z		08	I08A, I08B, I08C, I08D, I08E, I08F, I21Z, I31Z, I33Z	
	21A	W04A, W04B		10	K09A, K09B		21A	W04A, W04B	
	21B	X06A, X06B, X06C		21A	W04A, W04B		21B	X06A, X06B, X06C	
5t016.7↔		BOP, KVT, UOP4, VIAL	5t016.l↔		BOP, KVT, UOP4, VIAL	5t017.6↔		BOP, KVT, UOP4, VIAL	
	08	I08A, I08B, I08C, I08D, I08E, I08F, I21Z, I31Z, I33Z		01	B03A, B03B, B06A, B06B, B17A, B17B, B17C		08	I08A, I08B, I08C, I08D, I08E, I08F, I21Z, I31Z, I33Z	
	21A	W04A, W04B		08	I08A, I08D, I08E, I13A, I13B, I13C, I13D, I27B, I33Z, I37Z		21A	W04A, W04B	
	21B	X06A, X06B, X06C		10	K09A, K09B		21B	X06A, X06B, X06C	
5t016.8↔		BOP, KVT, UOP4, VIAL		21A	W04A, W04B	5t017.7↔		BOP, KVT, UOP4, VIAL	
	08	I08A, I08B, I08C, I08D, I08E, I08F, I21Z, I31Z, I33Z		21B	X04Z		08	I08A, I08B, I08C, I08D, I08E, I08F, I21Z, I31Z, I33Z	
	21A	W04A, W04B	5t016.n↔		BOP, KVT, UOP4, VIAL		21A	W04A, W04B	
	21B	X06A, X06B, X06C		01	B03A, B03B, B06A, B06B, B17A, B17B, B17C		21B	X06A, X06B, X06C	
5t016.9↔		BOP, KVT, UOP4, VIAL		08	I08A, I08D, I08E, I13A, I13B, I13C, I13D, I27B, I33Z, I37Z	5t017.8↔		BOP, KVT, UOP4, VIAL	
	08	I08A, I08B, I08C, I08D, I08E, I08F, I21Z, I31Z, I33Z		10	K09A, K09B		08	I08A, I08B, I08C, I08D, I08E, I08F, I21Z, I31Z, I33Z	
	21A	W04A, W04B		21A	W04A, W04B		21A	W04A, W04B	
	21B	X06A, X06B, X06C		21B	X04Z		21B	X06A, X06B, X06C	
5t016.b↔		BOP, KVT, UOP4, VIAL	5t016.o↔		BOP, KVT, UOP4, VIAL	5t017.9↔		BOP, KVT, UOP4, VIAL	
	08	I32A, I32B, I32C, I32D, I32E, I32F, I33Z		08	I13A, I13B, I13C, I13D, I33Z, I37Z		08	I08A, I08B, I08C, I08D, I08E, I08F, I21Z, I31Z, I33Z	
	21A	W04A, W04B		21A	W04A, W04B		21A	W04A, W04B	
	21B	X05A, X05B		21B	X04Z		21B	X06A, X06B, X06C	
5t016.c↔		BOP, KVT, UOP4, VIAL	5t016.p↔		BOP, KVT, UOP4, VIAL	5t017.a↔		BOP, KVT, UOP4, VIAL	
	08	I32A, I32B, I32C, I32D, I32E, I32F, I33Z		08	I20A, I20B, I20C, I20D, I33Z, I37Z		08	I32A, I32B, I32C, I32D, I32E, I32F, I33Z	
	21A	W04A, W04B		5t016.t↔		BOP, KVT, UOP4, VIAL		21A	W04A, W04B
	21B	X05A, X05B		08	I20A, I20B, I20C, I20D, I33Z, I37Z		21B	X05A, X05B	
5t016.d		BOP, KVT, UOP4, VIAL	5t016.u↔		BOP, KVT, UOP4, VIAL	5t017.b↔		BOP, KVT, UOP4, VIAL	
	08	I08A, I08B, I08C, I08D, I08E, I27B, I33Z, I37Z, I47A		08	I20A, I20B, I20C, I20D, I33Z, I37Z		08	I32A, I32B, I32C, I32D, I32E, I32F, I33Z	
5t016.e↔		BOP, KVT, UOP4, VIAL	5t016.v		BOP, KVT, UOP4		21A	W04A, W04B	
	08	I08A, I08B, I08C, I08D, I08E, I27B, I33Z, I37Z		01	B03A, B03B, B06A, B06B, B17A, B17B, B17C	5t017.c↔		X05A, X05B	
				08	I28A, I28B, I33Z		08	BOP, KVT, UOP4, VIAL	
				21A	W04A, W04B		21A	I32A, I32B, I32C, I32D, I32E, I32F, I33Z	
				21B	X06A, X06B, X06C		21B	W04A, W04B	

VYK

ZZV	MDC	DRG	ZZV	MDC	DRG	ZZV	MDC	DRG
5t017.d		BOP, KVT, UOP4, VIAL	5t017.u↔		BOP, KVT, UOP4, VIAL	5t018.a↔		BOP, KVT, UOP4, VIAL
	08	I08A, I08B, I08C, I08D, I08E, I08F, I33Z, I47A		05	F27A, F27B, F27C		08	I32A, I32B, I32C, I32D, I32E, I32F, I33Z
	21A	W04A, W04B		08	I20A, I20B, I20C, I20D, I33Z		21A	W04A, W04B
	21B	X06A, X06B, X06C		10	K01Z		21B	X05A, X05B
5t017.e↔		BOP, KVT, UOP4, VIAL	5t017.x		BOP, KVT, UOP4	5t018.b↔		BOP, KVT, UOP4, VIAL
	08	I08A, I08B, I08C, I08D, I08E, I08F, I33Z		01	B03A, B03B, B06A, B06B, B17A, B17B, B17C		08	I32A, I32B, I32C, I32D, I32E, I32F, I33Z
5t017.f↔		BOP, KVT, UOP4, VIAL		08	I28A, I28B, I33Z		21A	W04A, W04B
	01	B03A, B03B, B06A, B06B, B17A, B17B, B17C		21A	W04A, W04B	5t018.c↔		BOP, KVT, UOP4, VIAL
	08	I08A, I08B, I08C, I08D, I08E, I08F, I33Z		21B	X06A, X06B, X06C		08	I32A, I32B, I32C, I32D, I32E, I32F, I33Z
	21A	W01A, W01B, W01C, W02A, W02B	5t017.z↔		BOP, KVT, UOP4, VIAL		21A	W04A, W04B
	21B	X04Z		04	E02A, E02B, E02C		21B	X05A, X05B
5t017.g↔		BOP, KVT, UOP4, VIAL		08	I28A, I28B, I33Z	5t018.d		BOP, KVT, UOP4, VIAL
	01	B03A, B03B, B06A, B06B, B17A, B17B, B17C	5t018.0↔		BOP, KVT, UOP4, VIAL		08	I08A, I08B, I08C, I08D, I08E, I27B, I33Z, I37Z, I47A
	08	I08A, I08B, I08C, I08D, I08E, I08F, I33Z		04	E02A, E02B, E02C		21A	W04A, W04B
	21A	W01A, W01B, W01C, W02A, W02B		08	I28A, I28B, I33Z	5t018.e↔		BOP, KVT, UOP4, VIAL
	21B	X04Z		21A	W04A, W04B		08	I08A, I08B, I08C, I08D, I08E, I27B, I33Z, I37Z
5t017.h↔		BOP, KVT, UOP4, VIAL	5t018.1↔		BOP, KVT, UOP4, VIAL	5t018.f↔		BOP, KVT, UOP4, VIAL
	01	B03A, B03B, B06A, B06B, B17A, B17B, B17C		08	I08A, I08B, I08C, I08D, I08E, I08F, I13A, I13B, I13C, I13D, I33Z		01	B03A, B03B, B06A, B06B, B17A, B17B, B17C
	08	I08A, I08B, I08C, I08D, I08E, I08F, I33Z		21A	W04A, W04B		08	I08A, I08B, I08C, I08D, I08E, I27B, I33Z, I37Z
	21A	W01A, W01B, W01C, W02A, W02B	5t018.2↔		BOP, KVT, UOP4, VIAL		21A	W01A, W01B, W01C, W02A, W02B
	21B	X04Z		08	I08A, I08B, I08C, I08D, I08E, I08F, I13A, I13B, I13C, I13D, I33Z		21B	X04Z
5t017.k↔		BOP, KVT, UOP4, VIAL		21A	W04A, W04B	5t018.g↔		BOP, KVT, UOP4, VIAL
	08	I13A, I13B, I13C, I13D, I33Z	5t018.3↔		BOP, KVT, UOP4, VIAL		01	B03A, B03B, B06A, B06B, B17A, B17B, B17C
	21A	W04A, W04B		08	I08A, I08B, I08C, I08D, I08E, I08F, I13A, I13B, I13C, I13D, I33Z		08	I08A, I08B, I08C, I08D, I08E, I27B, I33Z, I37Z
	21B	X04Z		21A	W04A, W04B		21A	W01A, W01B, W01C, W02A, W02B
5t017.m↔		BOP, KVT, UOP4, VIAL		21B	X06A, X06B, X06C		21B	X04Z
	08	I13A, I13B, I13C, I13D, I33Z	5t018.4↔		BOP, KVT, UOP4, VIAL	5t018.h↔		BOP, KVT, UOP4, VIAL
	21A	W04A, W04B		08	I08A, I08B, I08C, I08D, I08E, I08F, I21Z, I31Z, I33Z		01	B03A, B03B, B06A, B06B, B17A, B17B, B17C
	21B	X04Z		21A	W04A, W04B		08	I08A, I08B, I08C, I08D, I08E, I27B, I33Z, I37Z
5t017.n↔		BOP, KVT, UOP4, VIAL		21B	X06A, X06B, X06C		21A	W01A, W01B, W01C, W02A, W02B
	08	I13A, I13B, I13C, I13D, I33Z	5t018.5↔		BOP, KVT, UOP4, VIAL		21B	X04Z
	21A	W04A, W04B		08	I08A, I08B, I08C, I08D, I08E, I08F, I21Z, I31Z, I33Z	5t018.i↔		BOP, KVT, UOP4, VIAL
	21B	X04Z		21A	W04A, W04B		08	I08A, I08D, I08E, I13A, I13B, I13C, I13D, I27B, I33Z, I37Z
5t017.p↔		BOP, KVT, UOP4, VIAL		21B	X06A, X06B, X06C		21A	W04A, W04B
	08	I13A, I13B, I13C, I13D, I33Z	5t018.6↔		BOP, KVT, UOP4, VIAL		21B	X04Z
	21A	W04A, W04B		08	I08A, I08B, I08C, I08D, I08E, I08F, I21Z, I31Z, I33Z	5t018.j↔		BOP, KVT, UOP4, VIAL
	21B	X04Z		21A	W04A, W04B		08	I08A, I08D, I08E, I13A, I13B, I13C, I13D, I27B, I33Z, I37Z
5t017.q↔		BOP, KVT, UOP4, VIAL		21B	X06A, X06B, X06C		21A	W04A, W04B
	08	I13A, I13B, I13C, I13D, I33Z	5t018.7↔		BOP, KVT, UOP4, VIAL		21B	X04Z
	21A	W04A, W04B		08	I08A, I08B, I08C, I08D, I08E, I08F, I21Z, I31Z, I33Z	5t018.k↔		BOP, KVT, UOP4, VIAL
	21B	X04Z		21A	W04A, W04B		08	I08A, I08D, I08E, I13A, I13B, I13C, I13D, I27B, I33Z, I37Z
5t017.r↔		BOP, KVT, UOP4, VIAL		21B	X06A, X06B, X06C		21A	W04A, W04B
	08	I13A, I13B, I13C, I13D, I33Z	5t018.8↔		BOP, KVT, UOP4, VIAL		21B	X04Z
	21A	W04A, W04B		08	I08A, I08B, I08C, I08D, I08E, I08F, I21Z, I31Z, I33Z	5t018.l↔		BOP, KVT, UOP4, VIAL
	21B	X04Z		21A	W04A, W04B		08	I13A, I13B, I13C, I13D, I33Z
5t017.s↔		BOP, KVT, UOP4, VIAL		21B	X06A, X06B, X06C		21A	W04A, W04B
	05	F27A, F27B, F27C	5t018.9↔		BOP, KVT, UOP4, VIAL		21B	X04Z
	08	I20A, I20B, I20C, I20D, I33Z		08	I08A, I08B, I08C, I08D, I08E, I08F, I21Z, I31Z, I33Z	5t018.m↔		BOP, KVT, UOP4, VIAL
	10	K01Z		21A	W04A, W04B		08	I08A, I08D, I08E, I13A, I13B, I13C, I13D, I27B, I33Z, I37Z
	21A	W04A, W04B		21B	X06A, X06B, X06C		21A	W04A, W04B
	21B	X04Z					21B	X04Z
5t017.t↔		BOP, KVT, UOP4, VIAL		08	I08A, I08B, I08C, I08D, I08E, I08F, I21Z, I31Z, I33Z	5t018.n↔		BOP, KVT, UOP4, VIAL
	05	F27A, F27B, F27C		21A	W04A, W04B		08	I08A, I08D, I08E, I13A, I13B, I13C, I13D, I27B, I33Z, I37Z
	08	I20A, I20B, I20C, I20D, I33Z		21B	X06A, X06B, X06C		21A	W04A, W04B
	10	K01Z					21B	X04Z
	21A	W04A, W04B		08	I08A, I08B, I08C, I08D, I08E, I08F, I21Z, I31Z, I33Z	5t018.o↔		BOP, KVT, UOP4, VIAL
	21B	X04Z		21A	W04A, W04B		08	I13A, I13B, I13C, I13D, I33Z
				21B	X06A, X06B, X06C		21A	W04A, W04B
							21B	X04Z

ZZV	MDC	DRG	ZZV	MDC	DRG	ZZV	MDC	DRG		
5t018.r↔		BOP, KVT, UOP4, VIAL	5t019.6↔		BOP, KVT, UOP4, VIAL	5t019.m↔		BOP, KVT, UOP4, VIAL		
	08	I13A, I13B, I13C, I13D, I33Z, I37Z		08	I08A, I08B, I08C, I08D, I08E, I08F, I21Z, I31Z, I33Z		08	I08A, I08D, I08E, I13A, I13B, I13C, I13D, I27B, I33Z, I37Z		
	21A	W04A, W04B		21A	W04A, W04B		21A	W04A, W04B		
5t018.s↔	21B	X04Z	5t019.7↔	21B	X06A, X06B, X06C	5t019.n↔	21B	X04Z		
		BOP, KVT, UOP4, VIAL			BOP, KVT, UOP4, VIAL			BOP, KVT, UOP4, VIAL		
	08	I20A, I20B, I20C, I20D, I33Z, I37Z		08	I08A, I08B, I08C, I08D, I08E, I08F, I21Z, I31Z, I33Z		08	I08A, I08D, I08E, I13A, I13B, I13C, I13D, I27B, I33Z, I37Z		
5t018.t↔		BOP, KVT, UOP4, VIAL	5t019.8↔	21A	W04A, W04B	5t019.p↔	21A	W04A, W04B		
	05	F27A, F27B, F27C		21B	X06A, X06B, X06C		21B	X04Z		
	08	I20A, I20B, I20C, I20D, I33Z, I37Z			BOP, KVT, UOP4, VIAL			BOP, KVT, UOP4, VIAL		
	10	K01Z		08	I08A, I08B, I08C, I08D, I08E, I08F, I21Z, I31Z, I33Z		08	I13A, I13B, I13C, I13D, I33Z		
	21A	W04A, W04B		21A	W04A, W04B		21A	W04A, W04B		
	21B	X04Z		21B	X06A, X06B, X06C		21B	X04Z		
5t018.u↔		BOP, KVT, UOP4, VIAL	5t019.9↔		BOP, KVT, UOP4, VIAL	5t019.q↔		BOP, KVT, UOP4, VIAL		
	05	F27A, F27B, F27C		08	I08A, I08B, I08C, I08D, I08E, I08F, I21Z, I31Z, I33Z		08	I13A, I13B, I13C, I13D, I33Z		
	08	I20A, I20B, I20C, I20D, I33Z, I37Z		21A	W04A, W04B		21A	W04A, W04B		
	10	K01Z		21B	X06A, X06B, X06C		21B	X04Z		
	21A	W04A, W04B		5t019.a↔	08		I32A, I32B, I32C, I32D	5t019.r↔	08	I13A, I13B, I13C, I13D, I33Z, I37Z
	21B	X04Z		5t019.b↔	08		I32A, I32B, I32C, I32D, I32E, I32F, I33Z		21A	W04A, W04B
5t018.x		BOP, KVT, UOP4	5t019.c↔	21A	W04A, W04B	5t019.t↔	21B	X04Z		
	01	B03A, B03B, B06A, B06B, B17A, B17B, B17C		21B	X05A, X05B		05	F27A, F27B, F27C		
	08	I28A, I28B, I33Z		08	I32A, I32B, I32C, I32D, I32E, I32F, I33Z		08	I20A, I20B, I20C, I20D, I33Z, I37Z		
	21A	W04A, W04B		21A	W04A, W04B		10	K01Z		
	21B	X06A, X06B, X06C		21B	X05A, X05B		21A	W04A, W04B		
	5t018.z↔			BOP, KVT, UOP4, VIAL	5t019.d			BOP, KVT, UOP4, VIAL	5t019.u↔	21B
04		E02A, E02B, E02C	08	I08A, I08B, I08C, I08D, I08E, I27B, I33Z, I37Z, I47A		05	F27A, F27B, F27C			
08		I28A, I28B, I33Z	21A	W04A, W04B		08	I20A, I20B, I20C, I20D, I33Z, I37Z			
21A		W04A, W04B	21B	X06A, X06B, X06C		10	K01Z			
5t019.0↔	21B	X06A, X06B, X06C	5t019.e↔	08	I08A, I08B, I08C, I08D, I08E, I27B, I33Z, I37Z	5t019.x	21A	W04A, W04B		
		BOP, KVT, UOP4, VIAL		21A	W04A, W04B		21B	X04Z		
	04	E02A, E02B, E02C		21B	X06A, X06B, X06C		01	B03A, B03B, B06A, B06B, B17A, B17B, B17C		
	08	I28A, I28B, I33Z		08	I08A, I08B, I08C, I08D, I08E, I27B, I33Z, I37Z		08	I28A, I28B, I33Z		
5t019.1↔	21A	W04A, W04B	5t019.f↔	01	B03A, B03B, B06A, B06B, B17A, B17B, B17C	5t019.z↔	21A	W04A, W04B		
	21B	X06A, X06B, X06C		08	I08A, I08B, I08C, I08D, I08E, I27B, I33Z, I37Z		21B	X06A, X06B, X06C		
		BOP, KVT, UOP4, VIAL		21A	W01A, W01B, W01C, W02A, W02B		04	E02A, E02B, E02C		
5t019.2↔	08	I08A, I08B, I08C, I08D, I08E, I08F, I13A, I13B, I13C, I13D, I33Z	5t019.g↔	21B	X04Z	5t01a.1↔	08	I28A, I28B, I33Z		
	21A	W04A, W04B		01	B03A, B03B, B06A, B06B, B17A, B17B, B17C		21A	W04A, W04B		
	21B	X06A, X06B, X06C		08	I08A, I08B, I08C, I08D, I08E, I27B, I33Z, I37Z		21B	X06A, X06B, X06C		
5t019.3↔		BOP, KVT, UOP4, VIAL	5t019.h↔		BOP, KVT, UOP4, VIAL	5t01a.2↔	08	I08A, I08B, I08C, I08D, I08E, I08F, I11Z, I33Z		
	08	I08A, I08B, I08C, I08D, I08E, I08F, I13A, I13B, I13C, I13D, I33Z		01	B03A, B03B, B06A, B06B, B17A, B17B, B17C		21A	W04A, W04B		
	21A	W04A, W04B		08	I08A, I08B, I08C, I08D, I08E, I27B, I33Z, I37Z		21B	X06A, X06B, X06C		
5t019.4↔	21B	X06A, X06B, X06C	5t019.i↔	21A	W01A, W01B, W01C, W02A, W02B	5t01a.3↔	08	I08A, I08B, I08C, I08D, I08E, I08F, I11Z, I33Z		
		BOP, KVT, UOP4, VIAL		21B	X04Z		21A	W04A, W04B		
	08	I08A, I08B, I08C, I08D, I08E, I08F, I21Z, I31Z, I33Z		01	B03A, B03B, B06A, B06B, B17A, B17B, B17C		21B	X06A, X06B, X06C		
5t019.5↔	21A	W04A, W04B	5t019.k↔	08	I08A, I08B, I08C, I08D, I08E, I27B, I33Z, I37Z	5t01a.5↔	08	I08A, I08B, I08C, I08D, I08E, I08F, I11Z, I33Z		
	21B	X06A, X06B, X06C		21A	W01A, W01B, W01C, W02A, W02B		21A	W04A, W04B		
		BOP, KVT, UOP4, VIAL		21B	X04Z		21B	X06A, X06B, X06C		
5t019.6↔	08	I08A, I08B, I08C, I08D, I08E, I08F, I21Z, I31Z, I33Z		BOP, KVT, UOP4, VIAL	5t01a.5↔	08	I08A, I08B, I08C, I08D, I08E, I08F, I11Z, I33Z			
	21A	W04A, W04B	08	I08A, I08D, I08E, I13A, I13B, I13C, I13D, I27B, I33Z, I37Z		21A	W04A, W04B			
	21B	X06A, X06B, X06C	21B	X04Z		21B	X06A, X06B, X06C			

VYK

ZZV	MDC	DRG	ZZV	MDC	DRG	ZZV	MDC	DRG
5t01a.6↔		BOP, KVT, UOP4, VIAL	5t01a.x		BOP, KVT, UOP4	5t01x.c↔		BOP, KVT, UOP4, VIAL
	08	I08A, I08B, I08C, I08D, I08E, I08F, I11Z, I33Z		01	B03A, B03B, B06A, B06B, B17A, B17B, B17C		08	I32A, I32B, I32C, I32D, I32E, I32F, I33Z
	21A	W04A, W04B		08	I28A, I28B, I33Z		21A	W04A, W04B
	21B	X06A, X06B, X06C		21A	W04A, W04B		21B	X05A, X05B
5t01a.8↔		BOP, KVT, UOP4, VIAL	5t01x.0↔		BOP, KVT, UOP4, VIAL	5t01x.d		BOP, KVT, UOP4, VIAL
	08	I08A, I08B, I08C, I08D, I08E, I08F, I11Z, I33Z		04	E02A, E02B, E02C		08	I08A, I08B, I08C, I08D, I08E, I08F, I33Z, I47A
	21A	W04A, W04B		08	I28A, I28B, I33Z		21A	W04A, W04B
	21B	X06A, X06B, X06C		21A	W04A, W04B		21B	X06A, X06B, X06C
5t01a.d		BOP, KVT, UOP4, VIAL	5t01x.1↔		BOP, KVT, UOP4, VIAL	5t01x.e↔		BOP, KVT, UOP4, VIAL
	08	I08A, I08B, I08C, I08D, I08E, I08F, I33Z, I47A		08	I08A, I08B, I08C, I08D, I08E, I08F, I13A, I13B, I13C, I13D, I33Z		01	B03A, B03B, B06A, B06B, B17A, B17B, B17C
5t01a.e↔		BOP, KVT, UOP4, VIAL		21A	W04A, W04B		08	I08A, I08B, I08C, I08D, I08E, I08F, I33Z
	08	I08A, I08B, I08C, I08D, I08E, I08F, I33Z		21B	X06A, X06B, X06C		21A	W01A, W01B, W01C, W02A, W02B
5t01a.f↔		BOP, KVT, UOP4, VIAL	5t01x.2↔		BOP, KVT, UOP4, VIAL		21B	X04Z
	01	B03A, B03B, B06A, B06B, B17A, B17B, B17C		08	I08A, I08B, I08C, I08D, I08E, I08F, I13A, I13B, I13C, I13D, I33Z	5t01x.f↔		BOP, KVT, UOP4, VIAL
	08	I11Z, I33Z		21A	W04A, W04B		01	B03A, B03B, B06A, B06B, B17A, B17B, B17C
	21A	W01A, W01B, W01C, W02A, W02B		21B	X06A, X06B, X06C		08	I08A, I08B, I08C, I08D, I08E, I08F, I33Z
	21B	X04Z	5t01x.3↔		BOP, KVT, UOP4, VIAL		21A	W01A, W01B, W01C, W02A, W02B
5t01a.g↔		BOP, KVT, UOP4, VIAL		08	I08A, I08B, I08C, I08D, I08E, I08F, I13A, I13B, I13C, I13D, I33Z	5t01x.g↔		BOP, KVT, UOP4, VIAL
	01	B03A, B03B, B06A, B06B, B17A, B17B, B17C		21A	W04A, W04B		01	B03A, B03B, B06A, B06B, B17A, B17B, B17C
	08	I11Z, I33Z		21B	X06A, X06B, X06C		08	I08A, I08B, I08C, I08D, I08E, I08F, I33Z
	21A	W01A, W01B, W01C, W02A, W02B	5t01x.4↔		BOP, KVT, UOP4, VIAL		21A	W01A, W01B, W01C, W02A, W02B
	21B	X04Z		08	I08A, I08B, I08C, I08D, I08E, I08F, I21Z, I31Z, I33Z		21B	X04Z
5t01a.h↔		BOP, KVT, UOP4, VIAL		21A	W04A, W04B	5t01x.h↔		BOP, KVT, UOP4, VIAL
	01	B03A, B03B, B06A, B06B, B17A, B17B, B17C		21B	X06A, X06B, X06C		01	B03A, B03B, B06A, B06B, B17A, B17B, B17C
	08	I11Z, I33Z	5t01x.5↔		BOP, KVT, UOP4, VIAL		08	I08A, I08B, I08C, I08D, I08E, I08F, I33Z
	21A	W01A, W01B, W01C, W02A, W02B		08	I08A, I08B, I08C, I08D, I08E, I08F, I21Z, I31Z, I33Z		21A	W01A, W01B, W01C, W02A, W02B
	21B	X04Z		21A	W04A, W04B		21B	X04Z
5t01a.i↔		BOP, KVT, UOP4, VIAL		21B	X06A, X06B, X06C	5t01x.i↔		BOP, KVT, UOP4, VIAL
	01	B03A, B03B, B06A, B06B, B17A, B17B, B17C	5t01x.6↔		BOP, KVT, UOP4, VIAL		08	I13A, I13B, I13C, I13D, I33Z
	08	I11Z, I33Z		08	I08A, I08B, I08C, I08D, I08E, I08F, I21Z, I31Z, I33Z		21A	W04A, W04B
	21A	W04A, W04B		21A	W04A, W04B		21A	W04A, W04B
	21B	X04Z		21B	X06A, X06B, X06C	5t01x.j↔		BOP, KVT, UOP4, VIAL
5t01a.k↔		BOP, KVT, UOP4, VIAL		21B	X06A, X06B, X06C		08	I13A, I13B, I13C, I13D, I33Z
	08	I11Z, I33Z	5t01x.7↔		BOP, KVT, UOP4, VIAL		21A	W04A, W04B
	21A	W04A, W04B		08	I08A, I08B, I08C, I08D, I08E, I08F, I21Z, I31Z, I33Z		21B	X04Z
	21B	X04Z		21A	W04A, W04B	5t01x.k↔		BOP, KVT, UOP4, VIAL
5t01a.l↔		BOP, KVT, UOP4, VIAL		21B	X06A, X06B, X06C		08	I13A, I13B, I13C, I13D, I33Z
	08	I11Z, I33Z	5t01x.8↔		BOP, KVT, UOP4, VIAL		21A	W04A, W04B
	21A	W04A, W04B		08	I08A, I08B, I08C, I08D, I08E, I08F, I18A, I18B, I30Z, I33Z		21B	X04Z
	21B	X04Z		21A	W04A, W04B	5t01x.l↔		BOP, KVT, UOP4, VIAL
5t01a.m↔		BOP, KVT, UOP4, VIAL		21B	X06A, X06B, X06C		08	I13A, I13B, I13C, I13D, I33Z
	08	I11Z, I33Z	5t01x.9↔		BOP, KVT, UOP4, VIAL		21A	W04A, W04B
	21A	W04A, W04B		08	I08A, I08B, I08C, I08D, I08E, I08F, I18A, I18B, I30Z, I33Z		21B	X04Z
	21B	X04Z		21A	W04A, W04B	5t01x.m↔		BOP, KVT, UOP4, VIAL
5t01a.n↔		BOP, KVT, UOP4, VIAL		21B	X06A, X06B, X06C		08	I13A, I13B, I13C, I13D, I33Z
	08	I11Z, I33Z	5t01x.a↔		BOP, KVT, UOP4, VIAL		21A	W04A, W04B
	21A	W04A, W04B		08	I32A, I32B, I32C, I32D, I32E, I32F, I33Z		21B	X04Z
	21B	X04Z		21A	W04A, W04B	5t01x.n↔		BOP, KVT, UOP4, VIAL
5t01a.o↔		BOP, KVT, UOP4, VIAL		21B	X06A, X06B, X06C		08	I13A, I13B, I13C, I13D, I33Z
	08	I11Z, I33Z	5t01x.b↔		BOP, KVT, UOP4, VIAL		21A	W04A, W04B
	21A	W04A, W04B		08	I32A, I32B, I32C, I32D, I32E, I32F, I33Z		21B	X04Z
	21B	X04Z		21A	W04A, W04B	5t01x.o↔		BOP, KVT, UOP4, VIAL
5t01a.p↔		BOP, KVT, UOP4, VIAL		21B	X05A, X05B		08	I13A, I13B, I13C, I13D, I33Z
	08	I11Z, I33Z		08	I32A, I32B, I32C, I32D, I32E, I32F, I33Z		21A	W04A, W04B
	21A	W04A, W04B		21A	W04A, W04B	5t01x.p↔		BOP, KVT, UOP4, VIAL
	21B	X04Z		21B	X06A, X06B, X06C		08	I13A, I13B, I13C, I13D, I33Z
5t01a.q↔		BOP, KVT, UOP4, VIAL		21B	X06A, X06B, X06C		21A	W04A, W04B
	08	I11Z, I33Z		08	I08A, I08B, I08C, I08D, I08E, I08F, I18A, I18B, I30Z, I33Z		21B	X04Z
	21A	W04A, W04B	5t01x.c↔		BOP, KVT, UOP4, VIAL		21B	X04Z
	21B	X04Z		08	I08A, I08B, I08C, I08D, I08E, I08F, I18A, I18B, I30Z, I33Z	5t01x.q↔		BOP, KVT, UOP4, VIAL
5t01a.r↔		BOP, KVT, UOP4, VIAL		21A	W04A, W04B		08	I13A, I13B, I13C, I13D, I33Z
	08	I11Z, I33Z		21B	X06A, X06B, X06C		21A	W04A, W04B
	21A	W04A, W04B	5t01x.d		BOP, KVT, UOP4, VIAL		21B	X04Z
	21B	X04Z		08	I08A, I08B, I08C, I08D, I08E, I08F, I18A, I18B, I30Z, I33Z	5t01x.r↔		BOP, KVT, UOP4, VIAL
5t01a.s↔		BOP, KVT, UOP4, VIAL		21A	W04A, W04B		08	I13A, I13B, I13C, I13D, I33Z
	08	I20A, I20B, I20C, I20D, I33Z		21B	X05A, X05B		21A	W04A, W04B
5t01a.t↔		BOP, KVT, UOP4, VIAL		08	I32A, I32B, I32C, I32D, I32E, I32F, I33Z		21B	X04Z
	08	I20A, I20B, I20C, I20D, I33Z		21A	W04A, W04B	5t01x.s↔		BOP, KVT, UOP4, VIAL
	08	I20A, I20B, I20C, I20D, I33Z		21B	X05A, X05B		08	I13A, I13B, I13C, I13D, I33Z
5t01a.u↔		BOP, KVT, UOP4, VIAL		08	I32A, I32B, I32C, I32D, I32E, I32F, I33Z		21A	W04A, W04B
	08	I20A, I20B, I20C, I20D, I33Z		21A	W04A, W04B		21B	X04Z
				21B	X05A, X05B			

ZZV	MDC	DRG	ZZV	MDC	DRG	ZZV	MDC	DRG
5t01x.s↔		BOP, KVT, UOP4, VIAL	5t020.8↔		BOP, KVT, UOP4	5t020.p↔		BOP, KVT, UOP4
	05	F27A, F27B, F27C		08	I12A, I12B, I12C, I18A, I30Z		08	I12A, I12B, I12C, I13A, I13B, I13C, I13D, I13E
	08	I20A, I20B, I20C, I20D, I33Z		21A	W04A, W04B		21A	W04A, W04B
	10	K01Z		21B	X06A, X06B, X06C		21B	X04Z
	21A	W04A, W04B	5t020.9↔		BOP, KVT, UOP4	5t020.q↔		BOP, KVT, UOP4
	21B	X04Z		08	I12A, I12B, I12C, I18A, I30Z		08	I12A, I12B, I12C, I13A, I13B, I13C, I13D, I13E
5t01x.t↔		BOP, KVT, UOP4, VIAL		21A	W04A, W04B		21A	W04A, W04B
	05	F27A, F27B, F27C		21B	X06A, X06B, X06C		21B	X04Z
	08	I20A, I20B, I20C, I20D, I20E, I20F, I33Z	5t020.a↔		BOP, KVT, UOP4	5t020.r↔		BOP, KVT, UOP4
	10	K01Z		08	I12A, I12B, I12C, I32A, I32B, I32C, I32D, I32E, I32F		08	I12A, I12B, I12C, I13A, I13B, I13C, I13D, I13E
	21A	W04A, W04B		21A	W04A, W04B		21A	W04A, W04B
	21B	X04Z		21B	X05A, X05B		21B	X04Z
5t01x.u↔		BOP, KVT, UOP4, VIAL	5t020.b↔		BOP, KVT, UOP4	5t020.s↔		BOP, KVT, UOP4
	05	F27A, F27B, F27C		08	I12A, I12B, I12C, I32A, I32B, I32C, I32D, I32E, I32F		05	F27A, F27B, F27C
	08	I20A, I20B, I20C, I20D, I20E, I20F, I33Z		21A	W04A, W04B		08	I12A, I12B, I12C, I20A, I20B, I20C, I20D, I20E, I20F
	10	K01Z		21B	X05A, X05B		10	K01Z
	21A	W04A, W04B	5t020.c↔		BOP, KVT, UOP4		21A	W04A, W04B
	21B	X04Z		08	I12A, I12B, I12C, I32A, I32B, I32C, I32D, I32E, I32F		21B	X04Z
5t01x.x		BOP, KVT, UOP4		10	K09A, K09B	5t020.t↔		BOP, KVT, UOP4
	01	B03A, B03B, B06A, B06B, B17A, B17B, B17C		21A	W04A, W04B		05	F27A, F27B, F27C
	08	I28A, I28B, I33Z		21B	X06A, X06B, X06C		08	I12A, I12B, I12C, I20A, I20B, I20C, I20D, I20E, I20F
	21A	W04A, W04B	5t020.d		BOP, KVT, UOP4		10	K01Z
	21B	X06A, X06B, X06C		08	I08A, I08B, I08C, I08D, I08E, I08F, I12A, I12B, I12C		21A	W04A, W04B
5t01x.z↔		BOP, KVT, UOP4, VIAL		10	K09A, K09B		21B	X04Z
	04	E02A, E02B, E02C		21A	W04A, W04B	5t020.u↔		BOP, KVT, UOP4
	08	I28A, I28B, I33Z		21B	X06A, X06B, X06C		05	F27A, F27B, F27C
	21A	W04A, W04B	5t020.e↔		BOP, KVT, UOP4		08	I12A, I12B, I12C, I20A, I20B, I20C, I20D, I20E, I20F
	21B	X06A, X06B, X06C		08	I08A, I08B, I08C, I08D, I08E, I08F		10	K01Z
5t020.0↔		BOP, KVT, UOP4		21A	W01A, W01B, W01C, W02A, W02B		21A	W04A, W04B
	01	B03A, B03B, B18Z		21B	X04Z		21B	X04Z
	04	E02A, E02B, E02C	5t020.f↔		BOP, KVT, UOP4	5t020.x		BOP, KVT, UOP4
	08	I12A, I12B, I12C, I28A, I28B, I28C		08	I08A, I08B, I08C, I08D, I08E, I08F		08	I12A, I12B, I12C, I28A, I28B, I28C
	21A	W04A, W04B		21A	W01A, W01B, W01C, W02A, W02B		21A	W04A, W04B
	21B	X06A, X06B, X06C		21B	X04Z		21B	X06A, X06B, X06C
5t020.1↔		BOP, KVT, UOP4		21A	W01A, W01B, W01C, W02A, W02B	5t020.z↔		BOP, KVT, UOP4
	08	I12A, I12B, I12C, I13A, I13B, I13C, I13D, I13E		21B	X04Z		01	B03A, B03B, B18Z
	21A	W04A, W04B	5t020.g↔		BOP, KVT, UOP4		04	E02A, E02B, E02C
	21B	X06A, X06B, X06C		08	I08A, I08B, I08C, I08D, I08E, I08F		08	I12A, I12B, I12C, I28A, I28B, I28C
5t020.2↔		BOP, KVT, UOP4		21A	W01A, W01B, W01C, W02A, W02B		21A	W04A, W04B
	08	I12A, I12B, I12C, I13A, I13B, I13C, I13D, I13E		21B	X04Z		21B	X06A, X06B, X06C
	21A	W04A, W04B	5t020.h↔		BOP, KVT, UOP4	5t021.0↔		BOP, KVT, UOP4
	21B	X06A, X06B, X06C		08	I08A, I08B, I08C, I08D, I08E, I08F		01	B03A, B03B, B18Z
5t020.3↔		BOP, KVT, UOP4		21A	W01A, W01B, W01C, W02A, W02B		04	E02A, E02B, E02C
	08	I12A, I12B, I12C, I13A, I13B, I13C, I13D, I13E		21B	X04Z		08	I12A, I12B, I12C, I28A, I28B, I28C
	21A	W04A, W04B		21A	W01A, W01B, W01C, W02A, W02B		21A	W04A, W04B
	21B	X06A, X06B, X06C	5t020.i↔		BOP, KVT, UOP4		21B	X06A, X06B, X06C
5t020.4↔		BOP, KVT, UOP4		08	I12A, I12B, I12C, I18A, I30Z	5t021.1↔		BOP, KVT, UOP4
	08	I12A, I12B, I12C, I18A, I30Z		21A	W04A, W04B		08	I12A, I12B, I12C, I13A, I13B, I13C, I13D, I13E
	21A	W04A, W04B		21B	X04Z		21A	W04A, W04B
	21B	X06A, X06B, X06C	5t020.j↔		BOP, KVT, UOP4		21B	X06A, X06B, X06C
5t020.5↔		BOP, KVT, UOP4		08	I12A, I12B, I12C, I13A, I13B, I13C, I13D, I13E	5t021.2↔		BOP, KVT, UOP4
	08	I12A, I12B, I12C, I18A, I30Z		21A	W04A, W04B		08	I12A, I12B, I12C, I13A, I13B, I13C, I13D, I13E
	21A	W04A, W04B		21B	X04Z		21A	W04A, W04B
	21B	X06A, X06B, X06C	5t020.k↔		BOP, KVT, UOP4		21B	X06A, X06B, X06C
5t020.6↔		BOP, KVT, UOP4		08	I12A, I12B, I12C, I13A, I13B, I13C, I13D, I13E		21A	W04A, W04B
	08	I12A, I12B, I12C, I18A, I30Z		21A	W04A, W04B		21B	X06A, X06B, X06C
	21A	W04A, W04B	5t020.l↔		BOP, KVT, UOP4		21A	W04A, W04B
	21B	X06A, X06B, X06C		08	I12A, I12B, I12C, I13A, I13B, I13C, I13D, I13E		21B	X06A, X06B, X06C
5t020.7↔		BOP, KVT, UOP4		21A	W04A, W04B		21A	W04A, W04B
	08	I12A, I12B, I12C, I18A, I30Z		21B	X04Z		21B	X06A, X06B, X06C
	21A	W04A, W04B		21A	W04A, W04B			
	21B	X06A, X06B, X06C		21B	X04Z			

ZZV	MDC	DRG	ZZV	MDC	DRG	ZZV	MDC	DRG
5t021.3↔		BOP, KVT, UOP4	5t021.h↔		BOP, KVT, UOP4	5t022.0↔		BOP, KVT, UOP4
	08	I12A, I12B, I12C, I13A, I13B, I13C, I13D, I13E		08	I08A, I08B, I08C, I08D, I08E, I08F		01	B03A, B03B, B18Z
	21A	W04A, W04B		21A	W01A, W01B, W01C, W02A, W02B		04	E02A, E02B, E02C
	21B	X06A, X06B, X06C		21B	X04Z		08	I12A, I12B, I12C, I28A, I28B, I28C
5t021.4↔		BOP, KVT, UOP4	5t021.k↔		BOP, KVT, UOP4	5t022.1↔		BOP, KVT, UOP4
	08	I12A, I12B, I12C, I18A, I30Z		08	I12A, I12B, I12C, I13A, I13B, I13C, I13D, I13E		08	I12A, I12B, I12C, I13A, I13B, I13C, I13D, I13E
	21A	W04A, W04B		21A	W04A, W04B		21A	W04A, W04B
	21B	X06A, X06B, X06C		21B	X04Z		21B	X06A, X06B, X06C
5t021.5↔		BOP, KVT, UOP4	5t021.m↔		BOP, KVT, UOP4	5t022.2↔		BOP, KVT, UOP4
	08	I12A, I12B, I12C, I21Z, I31Z		08	I12A, I12B, I12C, I13A, I13B, I13C, I13D, I13E		08	I12A, I12B, I12C, I13A, I13B, I13C, I13D, I13E
	21A	W04A, W04B		21A	W04A, W04B		21A	W04A, W04B
	21B	X06A, X06B, X06C		21B	X04Z		21B	X06A, X06B, X06C
5t021.6↔		BOP, KVT, UOP4	5t021.n↔		BOP, KVT, UOP4	5t022.3↔		BOP, KVT, UOP4
	08	I12A, I12B, I12C, I21Z, I31Z		08	I12A, I12B, I12C, I13A, I13B, I13C, I13D, I13E		08	I12A, I12B, I12C, I13A, I13B, I13C, I13D, I13E
	21A	W04A, W04B		21A	W04A, W04B		21A	W04A, W04B
	21B	X06A, X06B, X06C		21B	X04Z		21B	X06A, X06B, X06C
5t021.7↔		BOP, KVT, UOP4	5t021.p↔		BOP, KVT, UOP4	5t022.4↔		BOP, KVT, UOP4
	08	I12A, I12B, I12C, I21Z, I31Z		08	I12A, I12B, I12C, I13A, I13B, I13C, I13D, I13E		08	I12A, I12B, I12C, I21Z, I31Z
	21A	W04A, W04B		21A	W04A, W04B		21A	W04A, W04B
	21B	X06A, X06B, X06C		21B	X04Z		21B	X06A, X06B, X06C
5t021.8↔		BOP, KVT, UOP4	5t021.q↔		BOP, KVT, UOP4	5t022.5↔		BOP, KVT, UOP4
	08	I12A, I12B, I12C, I21Z, I31Z		08	I12A, I12B, I12C, I13A, I13B, I13C, I13D, I13E		08	I12A, I12B, I12C, I21Z, I31Z
	21A	W04A, W04B		21A	W04A, W04B		21A	W04A, W04B
	21B	X06A, X06B, X06C		21B	X04Z		21B	X06A, X06B, X06C
5t021.9↔		BOP, KVT, UOP4	5t021.r↔		BOP, KVT, UOP4	5t022.6↔		BOP, KVT, UOP4
	08	I12A, I12B, I12C, I21Z, I31Z		08	I12A, I12B, I12C, I13A, I13B, I13C, I13D, I13E		08	I12A, I12B, I12C, I21Z, I31Z
	21A	W04A, W04B		21A	W04A, W04B		21A	W04A, W04B
	21B	X06A, X06B, X06C		21B	X04Z		21B	X06A, X06B, X06C
5t021.a↔		BOP, KVT, UOP4	5t021.s↔		BOP, KVT, UOP4	5t022.7↔		BOP, KVT, UOP4
	08	I12A, I12B, I12C, I32A, I32B, I32C, I32D, I32E, I32F		05	F27A, F27B, F27C		08	I12A, I12B, I12C, I21Z, I31Z
	21A	W04A, W04B		08	I12A, I12B, I12C, I20A, I20B, I20C, I20D, I20E, I20F		21A	W04A, W04B
	21B	X05A, X05B		10	K01Z		21B	X06A, X06B, X06C
5t021.b↔		BOP, KVT, UOP4	5t021.t↔		BOP, KVT, UOP4	5t022.8↔		BOP, KVT, UOP4
	08	I12A, I12B, I12C, I32A, I32B, I32C, I32D, I32E, I32F		05	F27A, F27B, F27C		08	I12A, I12B, I12C, I21Z, I31Z
	21A	W04A, W04B		08	I12A, I12B, I12C, I20A, I20B, I20C, I20D, I20E, I20F		21A	W04A, W04B
	21B	X05A, X05B		10	K01Z		21B	X06A, X06B, X06C
5t021.c↔		BOP, KVT, UOP4	5t021.u↔		BOP, KVT, UOP4	5t022.9↔		BOP, KVT, UOP4
	08	I12A, I12B, I12C, I32A, I32B, I32C, I32D, I32E, I32F		05	F27A, F27B, F27C		08	I12A, I12B, I12C, I21Z, I31Z
	10	K09A, K09B		08	I12A, I12B, I12C, I20A, I20B, I20C, I20D, I20E, I20F		21A	W04A, W04B
	21A	W04A, W04B		10	K01Z		21B	X06A, X06B, X06C
	21B	X06A, X06B, X06C		21A	W04A, W04B		21B	X05A, X05B
5t021.d		BOP, KVT, UOP4	5t021.x		BOP, KVT, UOP4	5t022.a↔		BOP, KVT, UOP4
	08	I08A, I08B, I08C, I08D, I08E, I08F, I12A, I12B, I12C		08	I12A, I12B, I12C, I28A, I28B, I28C		08	I12A, I12B, I12C, I32A, I32B, I32C, I32D, I32E, I32F
	10	K09A, K09B		21A	W04A, W04B		21A	W04A, W04B
	21A	W04A, W04B		21B	X04Z		21B	X05A, X05B
	21B	X06A, X06B, X06C		5t021.z↔	BOP, KVT, UOP4	5t022.b↔		BOP, KVT, UOP4
5t021.e↔		BOP, KVT, UOP4		01	B03A, B03B, B18Z		08	I12A, I12B, I12C, I32A, I32B, I32C, I32D, I32E, I32F
	08	I08A, I08B, I08C, I08D, I08E, I08F		04	E02A, E02B, E02C		10	K09A, K09B
	21A	W01A, W01B, W01C, W02A, W02B		08	I12A, I12B, I12C, I28A, I28B, I28C		21A	W04A, W04B
	21B	X04Z		21A	W04A, W04B		21B	X06A, X06B, X06C
5t021.f↔		BOP, KVT, UOP4		21B	X06A, X06B, X06C	5t022.c↔		BOP, KVT, UOP4
	08	I08A, I08B, I08C, I08D, I08E, I08F		5t021.z↔	BOP, KVT, UOP4		08	I12A, I12B, I12C, I32A, I32B, I32C, I32D, I32E, I32F
	21A	W01A, W01B, W01C, W02A, W02B		01	B03A, B03B, B18Z		10	K09A, K09B
	21B	X04Z		04	E02A, E02B, E02C		21A	W04A, W04B
5t021.g↔		BOP, KVT, UOP4		08	I12A, I12B, I12C, I28A, I28B, I28C	5t022.d		BOP, KVT, UOP4
	08	I08A, I08B, I08C, I08D, I08E, I08F		21A	W04A, W04B		08	I08A, I08B, I08C, I08D, I08E, I08F, I12A, I12B, I12C, I37Z
	21A	W01A, W01B, W01C, W02A, W02B		21B	X06A, X06B, X06C		10	K09A, K09B
	21B	X04Z					21A	W04A, W04B

ZZV	MDC	DRG	ZZV	MDC	DRG	ZZV	MDC	DRG		
5t022.e↔		BOP, KVT, UOP4	5t022.u↔	05	F27A, F27B, F27C	5t023.a↔	08	I12A, I12B, I12C, I32A, I32B, I32C, I32D, I32E, I32F		
	08	I08A, I08B, I08C, I08D, I08E, I08F		08	I12A, I12B, I12C, I20A, I20B, I20C, I20D, I20E, I20F		21A	W04A, W04B		
	21A	W01A, W01B, W01C, W02A, W02B		10	K01Z		21B	X05A, X05B		
5t022.f↔	21B	X04Z	5t022.x	21A	W04A, W04B	5t023.b↔	BOP, KVT, UOP4	08	I12A, I12B, I12C, I32A, I32B, I32C, I32D, I32E, I32F	
	08	BOP, KVT, UOP4		21B	X04Z		21A	W04A, W04B		
	08	I08A, I08B, I08C, I08D, I08E, I08F		08	BOP, KVT, UOP4		21B	X05A, X05B		
5t022.g↔	21A	W01A, W01B, W01C, W02A, W02B	5t022.z↔	21A	W04A, W04B	5t023.c↔	BOP, KVT, UOP4	08	I12A, I12B, I12C, I32A, I32B, I32C, I32D, I32E, I32F	
	21B	X04Z		21B	X06A, X06B, X06C		08	I12A, I12B, I12C, I32A, I32B, I32C, I32D, I32E, I32F		
	BOP, KVT, UOP4	01		B03A, B03B, B18Z	10		K09A, K09B			
5t022.h↔	08	I08A, I08B, I08C, I08D, I08E, I08F	5t022.0↔	04	E02A, E02B, E02C	5t023.d	21A	W04A, W04B	21A	W04A, W04B
	21A	W01A, W01B, W01C, W02A, W02B		08	I12A, I12B, I12C, I28A, I28B, I28C		21B	X06A, X06B, X06C	21B	X06A, X06B, X06C
	21B	X04Z		21A	W04A, W04B		08	I08A, I08B, I08C, I08D, I08E, I08F, I12A, I12B, I12C, I37Z		
5t022.k↔	08	I12A, I12B, I12C, I13A, I13B, I13C, I13D, I13E	5t023.1↔	01	B03A, B03B, B18Z	5t023.e↔	10	K09A, K09B	21A	W01A, W01B, W01C, W02A, W02B
	21A	W04A, W04B		04	E02A, E02B, E02C		21A	W04A, W04B		
	21B	X04Z		08	I12A, I12B, I12C, I28A, I28B, I28C		21B	X06A, X06B, X06C		
5t022.m↔	08	I12A, I12B, I12C, I13A, I13B, I13C, I13D, I13E	5t023.2↔	21A	W04A, W04B	5t023.f↔	BOP, KVT, UOP4	08	I08A, I08B, I08C, I08D, I08E, I08F	
	21A	W04A, W04B		08	I12A, I12B, I12C, I13A, I13B, I13C, I13D, I13E		21A	W01A, W01B, W01C, W02A, W02B		
	21B	X04Z		21A	W04A, W04B		21B	X04Z		
5t022.n↔	08	I12A, I12B, I12C, I13A, I13B, I13C, I13D, I13E	5t023.3↔	21B	X06A, X06B, X06C	5t023.g↔	BOP, KVT, UOP4	08	I08A, I08B, I08C, I08D, I08E, I08F	
	21A	W04A, W04B		08	I12A, I12B, I12C, I13A, I13B, I13C, I13D, I13E		21A	W01A, W01B, W01C, W02A, W02B		
	21B	X04Z		21A	W04A, W04B		21B	X04Z		
5t022.p↔	08	I12A, I12B, I12C, I13A, I13B, I13C, I13D, I13E	5t023.4↔	21B	X06A, X06B, X06C	5t023.h↔	BOP, KVT, UOP4	08	I08A, I08B, I08C, I08D, I08E, I08F	
	21A	W04A, W04B		08	I12A, I12B, I12C, I21Z, I31Z		21A	W01A, W01B, W01C, W02A, W02B		
	21B	X04Z		21A	W04A, W04B		21B	X04Z		
5t022.q↔	08	I12A, I12B, I12C, I13A, I13B, I13C, I13D, I13E	5t023.5↔	21B	X06A, X06B, X06C	5t023.k↔	BOP, KVT, UOP4	08	I12A, I12B, I12C, I13A, I13B, I13C, I13D, I13E	
	21A	W04A, W04B		08	I12A, I12B, I12C, I21Z, I31Z		21A	W04A, W04B		
	21B	X04Z		21A	W04A, W04B		21B	X04Z		
5t022.r↔	08	I12A, I12B, I12C, I13A, I13B, I13C, I13D, I13E	5t023.6↔	21B	X06A, X06B, X06C	5t023.m↔	BOP, KVT, UOP4	08	I12A, I12B, I12C, I13A, I13B, I13C, I13D, I13E	
	21A	W04A, W04B		08	I12A, I12B, I12C, I21Z, I31Z		21A	W04A, W04B		
	21B	X04Z		21A	W04A, W04B		21B	X04Z		
5t022.s↔	05	F27A, F27B, F27C	5t023.7↔	21B	X06A, X06B, X06C	5t023.n↔	BOP, KVT, UOP4	08	I12A, I12B, I12C, I13A, I13B, I13C, I13D, I13E	
	08	I12A, I12B, I12C, I20A, I20B, I20C, I20D, I20E, I20F		08	I12A, I12B, I12C, I21Z, I31Z		21A	W04A, W04B		
	10	K01Z		21A	W04A, W04B		21B	X04Z		
5t022.t↔	21A	W04A, W04B	5t023.8↔	21B	X06A, X06B, X06C	5t023.p↔	BOP, KVT, UOP4	08	I12A, I12B, I12C, I13A, I13B, I13C, I13D, I13E	
	21B	X04Z		08	I12A, I12B, I12C, I21Z, I31Z		21A	W04A, W04B		
	05	F27A, F27B, F27C		21A	W04A, W04B		21B	X04Z		
	08	I12A, I12B, I12C, I20A, I20B, I20C, I20D, I20E, I20F	5t023.9↔	21B	X06A, X06B, X06C		08	I12A, I12B, I12C, I13A, I13B, I13C, I13D, I13E		
	10	K01Z		08	BOP, KVT, UOP4		21A	W04A, W04B		
	21A	W04A, W04B		08	I12A, I12B, I12C, I21Z, I31Z		21B	X04Z		
	21B	X04Z		21A	W04A, W04B					

ZZV	MDC	DRG	ZZV	MDC	DRG	ZZV	MDC	DRG
5t023.q↔		BOP, KVT, UOP4	5t024.5↔		BOP, KVT, UOP4	5t024.k↔		BOP, KVT, UOP4
	08	I12A, I12B, I12C, I13A, I13B, I13C, I13D, I13E		08	I12A, I12B, I12C, I21Z, I31Z		08	I12A, I12B, I12C, I13A, I13B, I13C, I13D, I13E
	21A	W04A, W04B		21A	W04A, W04B		21A	W04A, W04B
5t023.r↔	21B	X04Z	5t024.6↔	21B	X06A, X06B, X06C	5t024.m↔	21B	X04Z
	08	BOP, KVT, UOP4		08	BOP, KVT, UOP4		08	BOP, KVT, UOP4
	08	I12A, I12B, I12C, I13A, I13B, I13C, I13D, I13E		21A	I12A, I12B, I12C, I21Z, I31Z		08	I12A, I12B, I12C, I13A, I13B, I13C, I13D, I13E
5t023.s↔	21A	W04A, W04B	5t024.7↔	21B	X06A, X06B, X06C	5t024.n↔	21A	W04A, W04B
	21B	X04Z		08	BOP, KVT, UOP4		21B	X04Z
	05	F27A, F27B, F27C		21A	I12A, I12B, I12C, I21Z, I31Z		08	BOP, KVT, UOP4
5t023.t↔	08	I12A, I12B, I12C, I20A, I20B, I20C, I20D, I20E, I20F	5t024.8↔	21B	X06A, X06B, X06C	5t024.p↔	08	I12A, I12B, I12C, I13A, I13B, I13C, I13D, I13E
	10	K01Z		08	BOP, KVT, UOP4		21A	W04A, W04B
	21A	W04A, W04B		21A	W04A, W04B		21B	X04Z
5t023.u↔	21B	X04Z	5t024.9↔	21B	X06A, X06B, X06C	5t024.q↔	08	BOP, KVT, UOP4
	05	F27A, F27B, F27C		08	BOP, KVT, UOP4		08	I12A, I12B, I12C, I13A, I13B, I13C, I13D, I13E
	08	I12A, I12B, I12C, I20A, I20B, I20C, I20D, I20E, I20F		21A	I12A, I12B, I12C, I21Z, I31Z		21A	W04A, W04B
5t023.v↔	10	K01Z	5t024.a↔	21B	X06A, X06B, X06C	5t024.r↔	21B	X04Z
	21A	W04A, W04B		08	BOP, KVT, UOP4		08	BOP, KVT, UOP4
	21B	X04Z		08	I12A, I12B, I12C, I32A, I32B, I32C, I32D, I32E, I32F		08	I12A, I12B, I12C, I13A, I13B, I13C, I13D, I13E
5t023.w↔	05	F27A, F27B, F27C	5t024.b↔	21A	W04A, W04B	5t024.s↔	21A	W04A, W04B
	08	I12A, I12B, I12C, I20A, I20B, I20C, I20D, I20E, I20F		21B	X06A, X06B, X06C		08	I12A, I12B, I12C, I13A, I13B, I13C, I13D, I13E
	10	K01Z		08	BOP, KVT, UOP4		21A	W04A, W04B
5t023.x↔	21A	W04A, W04B	5t024.c↔	21B	X05A, X05B	5t024.t↔	21B	X04Z
	21B	X04Z		08	BOP, KVT, UOP4		05	F27A, F27B, F27C
	08	I12A, I12B, I12C, I28A, I28B, I28C		08	I12A, I12B, I12C, I32A, I32B, I32C, I32D, I32E, I32F		08	I12A, I12B, I12C, I20A, I20B, I20C, I20D, I20E, I20F
5t023.y↔	21A	W04A, W04B	5t024.d↔	21A	W04A, W04B	5t024.u↔	10	K01Z
	21B	X06A, X06B, X06C		21B	X06A, X06B, X06C		21A	W04A, W04B
	01	B03A, B03B, B18Z		08	BOP, KVT, UOP4		21B	X04Z
5t024.0↔	04	E02A, E02B, E02C	5t024.e↔	08	I08A, I08B, I08C, I08D, I08E, I08F, I12A, I12B, I12C, I37Z	5t024.v↔	05	F27A, F27B, F27C
	08	I12A, I12B, I12C, I28A, I28B, I28C		10	K09A, K09B		08	I12A, I12B, I12C, I20A, I20B, I20C, I20D, I20E, I20F
	21A	W04A, W04B		21A	W04A, W04B		10	K01Z
5t024.1↔	21B	X06A, X06B, X06C	5t024.f↔	21B	X06A, X06B, X06C	5t024.w↔	21A	W04A, W04B
	01	B03A, B03B, B18Z		08	BOP, KVT, UOP4		21B	X04Z
	04	E02A, E02B, E02C		08	I08A, I08B, I08C, I08D, I08E, I08F		05	F27A, F27B, F27C
5t024.2↔	08	I12A, I12B, I12C, I28A, I28B, I28C	5t024.g↔	21A	W01A, W01B, W01C, W02A, W02B	5t024.x↔	08	I12A, I12B, I12C, I20A, I20B, I20C, I20D, I20E, I20F
	21A	W04A, W04B		21B	X04Z		10	K01Z
	21B	X06A, X06B, X06C		08	BOP, KVT, UOP4		21A	W04A, W04B
5t024.3↔	21B	X06A, X06B, X06C	5t024.h↔	08	I08A, I08B, I08C, I08D, I08E, I08F	5t024.y↔	21B	X04Z
	08	BOP, KVT, UOP4		21A	W01A, W01B, W01C, W02A, W02B		08	I12A, I12B, I12C, I28A, I28B, I28C
	08	I12A, I12B, I12C, I13A, I13B, I13C, I13D, I13E		21B	X04Z		21A	W04A, W04B
5t024.4↔	21A	W04A, W04B	5t024.i↔	08	I08A, I08B, I08C, I08D, I08E, I08F	5t024.z↔	21B	X06A, X06B, X06C
	21B	X06A, X06B, X06C		08	BOP, KVT, UOP4		01	B03A, B03B, B18Z
	08	BOP, KVT, UOP4		21A	W01A, W01B, W01C, W02A, W02B		04	E02A, E02B, E02C
5t024.5↔	08	I12A, I12B, I12C, I21Z, I31Z	5t024.j↔	21B	X04Z	5t024.aa↔	08	I12A, I12B, I12C, I28A, I28B, I28C
	21A	W04A, W04B		08	BOP, KVT, UOP4		21A	W04A, W04B
	21B	X06A, X06B, X06C		08	I08A, I08B, I08C, I08D, I08E, I08F		21B	X06A, X06B, X06C

ZZV	MDC	DRG	ZZV	MDC	DRG	ZZV	MDC	DRG
5t025.0↔		BOP, KVT, UOP4	5t025.e↔		BOP, KVT, UOP4	5t025.u↔		BOP, KVT, UOP4
	01	B03A, B03B, B18Z		08	I08A, I08B, I08C, I08D, I08E, I08F		05	F27A, F27B, F27C
	04	E02A, E02B, E02C		21A	W01A, W01B, W01C, W02A, W02B		08	I12A, I12B, I12C, I20A, I20B, I20C, I20D, I20E, I20F
	08	I12A, I12B, I12C, I28A, I28B, I28C		21B	X04Z		10	K01Z
	21A	W04A, W04B	5t025.f↔		BOP, KVT, UOP4		21A	W04A, W04B
	21B	X06A, X06B, X06C		08	I08A, I08B, I08C, I08D, I08E, I08F	5t025.x		BOP, KVT, UOP4
5t025.1↔		BOP, KVT, UOP4		21A	W01A, W01B, W01C, W02A, W02B		08	I12A, I12B, I12C, I28A, I28B, I28C
	08	I12A, I12B, I12C, I13A, I13B, I13C, I13D, I13E		21B	X04Z		21A	W04A, W04B
	21A	W04A, W04B	5t025.g↔		BOP, KVT, UOP4		21B	X06A, X06B, X06C
	21B	X06A, X06B, X06C		08	I08A, I08B, I08C, I08D, I08E, I08F	5t025.z↔		BOP, KVT, UOP4
5t025.2↔		BOP, KVT, UOP4		21A	W01A, W01B, W01C, W02A, W02B		01	B03A, B03B, B18Z
	08	I12A, I12B, I12C, I13A, I13B, I13C, I13D, I13E		21B	X04Z		04	E02A, E02B, E02C
	21A	W04A, W04B	5t025.h↔		BOP, KVT, UOP4		08	I12A, I12B, I12C, I28A, I28B, I28C
	21B	X06A, X06B, X06C		08	I08A, I08B, I08C, I08D, I08E, I08F		21A	W04A, W04B
5t025.3↔		BOP, KVT, UOP4		21A	W01A, W01B, W01C, W02A, W02B	5t026.0↔		BOP, KVT, UOP4
	08	I12A, I12B, I12C, I13A, I13B, I13C, I13D, I13E		21B	X04Z		01	B03A, B03B, B18Z
	21A	W04A, W04B	5t025.i↔		BOP, KVT, UOP4		04	E02A, E02B, E02C
	21B	X06A, X06B, X06C		08	I12A, I12B, I12C, I13A, I13B, I13C, I13D, I13E		08	I12A, I12B, I12C, I28A, I28B, I28C
5t025.4↔		BOP, KVT, UOP4		21A	W04A, W04B		21A	W04A, W04B
	08	I12A, I12B, I12C, I21Z, I31Z	5t025.k↔		BOP, KVT, UOP4		21B	X06A, X06B, X06C
	21A	W04A, W04B		08	I12A, I12B, I12C, I13A, I13B, I13C, I13D, I13E	5t026.2↔		BOP, KVT, UOP4
	21B	X06A, X06B, X06C		21A	W04A, W04B		08	I12A, I12B, I12C, I13A, I13B, I13C, I13D, I13E
5t025.5↔		BOP, KVT, UOP4		21B	X04Z		21A	W04A, W04B
	08	I12A, I12B, I12C, I21Z, I31Z	5t025.m↔		BOP, KVT, UOP4		21B	X06A, X06B, X06C
	21A	W04A, W04B		08	I12A, I12B, I12C, I13A, I13B, I13C, I13D, I13E	5t026.5↔		BOP, KVT, UOP4
	21B	X06A, X06B, X06C		21A	W04A, W04B		08	I12A, I12B, I12C, I21Z, I31Z
5t025.6↔		BOP, KVT, UOP4		21B	X04Z		21A	W04A, W04B
	08	I12A, I12B, I12C, I21Z, I31Z	5t025.n↔		BOP, KVT, UOP4		21B	X06A, X06B, X06C
	21A	W04A, W04B		08	I12A, I12B, I12C, I13A, I13B, I13C, I13D, I13E	5t026.8↔		BOP, KVT, UOP4
	21B	X06A, X06B, X06C		21A	W04A, W04B		08	I12A, I12B, I12C, I21Z, I31Z
5t025.7↔		BOP, KVT, UOP4		21B	X04Z		21A	W04A, W04B
	08	I12A, I12B, I12C, I21Z, I31Z	5t025.p↔		BOP, KVT, UOP4		21B	X06A, X06B, X06C
	21A	W04A, W04B		08	I12A, I12B, I12C, I13A, I13B, I13C, I13D, I13E	5t026.a↔		BOP, KVT, UOP4
	21B	X06A, X06B, X06C		21A	W04A, W04B		08	I12A, I12B, I12C, I32A, I32B, I32C, I32D, I32E, I32F
5t025.8↔		BOP, KVT, UOP4		21B	X04Z		21A	W04A, W04B
	08	I12A, I12B, I12C, I21Z, I31Z	5t025.q↔		BOP, KVT, UOP4		21B	X05A, X05B
	21A	W04A, W04B		08	I12A, I12B, I12C, I13A, I13B, I13C, I13D, I13E	5t026.b↔		BOP, KVT, UOP4
	21B	X06A, X06B, X06C		21A	W04A, W04B		08	I12A, I12B, I12C, I32A, I32B, I32C, I32D, I32E, I32F
5t025.9↔		BOP, KVT, UOP4		21B	X04Z		21A	W04A, W04B
	08	I12A, I12B, I12C, I21Z, I31Z	5t025.r↔		BOP, KVT, UOP4		21B	X05A, X05B
	21A	W04A, W04B		08	I12A, I12B, I12C, I13A, I13B, I13C, I13D, I13E	5t026.c↔		BOP, KVT, UOP4
	21B	X06A, X06B, X06C		21A	W04A, W04B		08	I12A, I12B, I12C, I32A, I32B, I32C, I32D, I32E, I32F
5t025.a↔		BOP, KVT, UOP4		21B	X04Z		10	K09A, K09B
	08	I12A, I12B, I12C, I32A, I32B, I32C, I32D, I32E, I32F	5t025.s↔		BOP, KVT, UOP4		21A	W04A, W04B
	21A	W04A, W04B		05	F27A, F27B, F27C	5t026.d		BOP, KVT, UOP4
	21B	X05A, X05B		08	I12A, I12B, I12C, I20A, I20B, I20C, I20D, I20E, I20F		08	I08A, I08B, I08C, I08D, I08E, I08F, I12A, I12B, I12C, I37Z
5t025.b↔		BOP, KVT, UOP4		10	K01Z		10	K09A, K09B
	08	I12A, I12B, I12C, I32A, I32B, I32C, I32D, I32E, I32F		21A	W04A, W04B		21A	W04A, W04B
	21A	W04A, W04B		21B	X04Z		21B	X06A, X06B, X06C
	21B	X05A, X05B	5t025.t↔		BOP, KVT, UOP4		21A	W04A, W04B
5t025.c↔		BOP, KVT, UOP4		05	F27A, F27B, F27C	5t026.g↔		BOP, KVT, UOP4
	08	I12A, I12B, I12C, I32A, I32B, I32C, I32D, I32E, I32F		08	I12A, I12B, I12C, I20A, I20B, I20C, I20D, I20E, I20F		08	I08A, I08B, I08C, I08D, I08E, I08F
	10	K09A, K09B		10	K01Z		21A	W01A, W01B, W01C, W02A, W02B
	21A	W04A, W04B		21A	W04A, W04B		21B	X04Z
	21B	X06A, X06B, X06C		21B	X04Z			
5t025.d		BOP, KVT, UOP4		05	F27A, F27B, F27C			
	08	I08A, I08B, I08C, I08D, I08E, I08F, I12A, I12B, I12C, I37Z		08	I12A, I12B, I12C, I20A, I20B, I20C, I20D, I20E, I20F			
	10	K09A, K09B		10	K01Z			
	21A	W04A, W04B		21A	W04A, W04B			
	21B	X06A, X06B, X06C		21B	X04Z			

VYK

ZZV	MDC	DRG	ZZV	MDC	DRG	ZZV	MDC	DRG
5t026.m↔		BOP, KVT, UOP4	5t027.b↔		BOP, KVT, UOP4	5t028.2↔		BOP, KVT, UOP4
	08	I12A, I12B, I12C, I13A, I13B, I13C, I13D, I13E		08	I12A, I12B, I12C, I32A, I32B, I32C, I32D, I32E, I32F		08	I12A, I12B, I12C, I13A, I13B, I13C, I13D, I13E
	21A	W04A, W04B		21A	W04A, W04B		21A	W04A, W04B
	21B	X04Z		21B	X05A, X05B		21B	X06A, X06B, X06C
5t026.q↔		BOP, KVT, UOP4	5t027.c↔		BOP, KVT, UOP4	5t028.5↔		BOP, KVT, UOP4
	08	I12A, I12B, I12C, I13A, I13B, I13C, I13D, I13E		08	I12A, I12B, I12C, I32A, I32B, I32C, I32D, I32E, I32F		08	I12A, I12B, I12C, I21Z, I31Z
	21A	W04A, W04B		10	K09A, K09B		21A	W04A, W04B
	21B	X04Z		21A	W04A, W04B		21B	X06A, X06B, X06C
5t026.s↔		BOP, KVT, UOP4	5t027.d		BOP, KVT, UOP4	5t028.8↔		BOP, KVT, UOP4
	05	F27A, F27B, F27C		08	I08A, I08B, I08C, I08D, I08E, I08F, I12A, I12B, I12C, I37Z		08	I12A, I12B, I12C, I21Z, I31Z
	08	I12A, I12B, I12C, I20A, I20B, I20C, I20D		10	K09A, K09B		21A	W04A, W04B
	10	K01Z		21A	W04A, W04B		21B	X06A, X06B, X06C
	21A	W04A, W04B		21B	X06A, X06B, X06C		5t028.a↔	BOP, KVT, UOP4
	21B	X04Z		5t027.g↔	BOP, KVT, UOP4		08	I12A, I12B, I12C, I32A, I32B, I32C, I32D, I32E, I32F
5t026.t↔		BOP, KVT, UOP4		08	I08A, I08B, I08C, I08D, I08E, I08F		21A	W04A, W04B
	05	F27A, F27B, F27C		21A	W01A, W01B, W01C, W02A, W02B		21B	X05A, X05B
	08	I12A, I12B, I12C, I20A, I20B, I20C, I20D		21B	X04Z	5t028.b↔		BOP, KVT, UOP4
	10	K01Z		5t027.m↔	BOP, KVT, UOP4		08	I20A, I20B, I20C, I20D, I20E, I20F
	21A	W04A, W04B		08	I12A, I12B, I12C, I13A, I13B, I13C, I13D, I13E		5t028.c↔	BOP, KVT, UOP4
	21B	X04Z		21A	W04A, W04B		08	I12A, I12B, I12C, I32A, I32B, I32C, I32D, I32E, I32F
5t026.u↔		BOP, KVT, UOP4		21B	X04Z		10	K09A, K09B
	05	F27A, F27B, F27C		5t027.q↔	BOP, KVT, UOP4		21A	W04A, W04B
	08	I12A, I12B, I12C, I20A, I20B, I20C, I20D		08	I12A, I12B, I12C, I13A, I13B, I13C, I13D, I13E		21B	X05A, X05B
	10	K01Z		21A	W04A, W04B	5t028.d		BOP, KVT, UOP4
	21A	W04A, W04B		21B	X04Z		08	I08A, I08B, I08C, I08D, I08E, I08F, I37Z
	21B	X04Z		5t027.s↔	BOP, KVT, UOP4		5t028.g↔	BOP, KVT, UOP4
5t026.x		BOP, KVT, UOP4		05	F27A, F27B, F27C		08	I08A, I08B, I08C, I08D, I08E, I08F
	08	I12A, I12B, I12C, I28A, I28B, I28C		08	I12A, I12B, I12C, I20A, I20B, I20C, I20D		21A	W01A, W01B, W01C, W02A, W02B
	21A	W04A, W04B		10	K01Z		21B	X04Z
	21B	X06A, X06B, X06C		21A	W04A, W04B	5t028.m↔		BOP, KVT, UOP4
5t026.z↔		BOP, KVT, UOP4		21B	X04Z		08	I12A, I12B, I12C, I13A, I13B, I13C, I13D, I13E
	01	B03A, B03B, B18Z		5t027.t↔	BOP, KVT, UOP4		21A	W04A, W04B
	04	E02A, E02B, E02C		05	F27A, F27B, F27C		21B	X04Z
	08	I12A, I12B, I12C, I28A, I28B, I28C		08	I12A, I12B, I12C, I20A, I20B, I20C, I20D	5t028.q↔		BOP, KVT, UOP4
	21A	W04A, W04B		10	K01Z		08	I13A, I13B, I13C, I13D, I13E
	21B	X06A, X06B, X06C		21A	W04A, W04B	5t028.s↔		BOP, KVT, UOP4
5t027.0↔		BOP, KVT, UOP4		21B	X04Z		08	I20A, I20B, I20C, I20D
	01	B03A, B03B, B18Z		5t027.u↔	BOP, KVT, UOP4		5t028.t↔	BOP, KVT, UOP4
	04	E02A, E02B, E02C		05	F27A, F27B, F27C		08	I20A, I20B, I20C, I20D
	08	I12A, I12B, I12C, I28A, I28B, I28C		08	I12A, I12B, I12C, I20A, I20B, I20C, I20D	5t028.u↔		BOP, KVT, UOP4
	21A	W04A, W04B		10	K01Z		08	I20A, I20B, I20C, I20D
	21B	X06A, X06B, X06C		21A	W04A, W04B	5t028.x		BOP, KVT, UOP4
5t027.2↔		BOP, KVT, UOP4		21B	X04Z		08	I12A, I12B, I12C, I28A, I28B, I28C
	08	I12A, I12B, I12C, I13A, I13B, I13C, I13D, I13E		5t027.x	BOP, KVT, UOP4		21A	W04A, W04B
	21A	W04A, W04B		08	I12A, I12B, I12C, I28A, I28B, I28C	5t029.2↔		BOP, KVT, UOP4
	21B	X06A, X06B, X06C		21A	W04A, W04B		08	I12A, I12B, I12C, I13A, I13B, I13C, I13D, I13E
5t027.5↔		BOP, KVT, UOP4		21B	X04Z		21A	W04A, W04B
	08	I12A, I12B, I12C, I21Z, I31Z		5t027.z↔	BOP, KVT, UOP4		21B	X06A, X06B, X06C
	21A	W04A, W04B		01	B03A, B03B, B18Z	5t029.5↔		BOP, KVT, UOP4
	21B	X06A, X06B, X06C		04	E02A, E02B, E02C		08	I12A, I12B, I12C, I21Z, I31Z
5t027.8↔		BOP, KVT, UOP4		08	I12A, I12B, I12C, I28A, I28B, I28C		21A	W04A, W04B
	08	I12A, I12B, I12C, I21Z, I31Z		21A	W04A, W04B		21B	X06A, X06B, X06C
	21A	W04A, W04B		5t027.a↔	BOP, KVT, UOP4		5t029.8↔	BOP, KVT, UOP4
	21B	X06A, X06B, X06C		08	I12A, I12B, I12C, I32A, I32B, I32C, I32D, I32E, I32F		08	I12A, I12B, I12C, I21Z, I31Z
5t027.a↔		BOP, KVT, UOP4		21A	W04A, W04B		21A	W04A, W04B
	08	I12A, I12B, I12C, I32A, I32B, I32C, I32D, I32E, I32F		21B	X06A, X06B, X06C		21B	X06A, X06B, X06C
	21A	W04A, W04B						
	21B	X05A, X05B						

ZZV	MDC	DRG	ZZV	MDC	DRG	ZZV	MDC	DRG
5t029.a↔		BOP, KVT, UOP4	5t02x.6↔		BOP, KVT, UOP4	5t02x.m↔		BOP, KVT, UOP4
	08	I12A, I12B, I12C, I32A, I32B, I32C, I32D, I32E, I32F		08	I12A, I12B, I12C, I18A, I30Z		08	I12A, I12B, I12C, I13A, I13B, I13C, I13D, I13E
	21A	W04A, W04B		21A	W04A, W04B		21A	W04A, W04B
	21B	X05A, X05B	5t02x.7↔		BOP, KVT, UOP4		21B	X04Z
5t029.c↔		BOP, KVT, UOP4		08	I12A, I12B, I12C, I18A, I30Z	5t02x.n↔		BOP, KVT, UOP4
	08	I12A, I12B, I12C, I32A, I32B, I32C, I32D, I32E, I32F		21A	W04A, W04B		08	I12A, I12B, I12C, I13A, I13B, I13C, I13D, I13E
	10	K09A, K09B		21B	X06A, X06B, X06C		21A	W04A, W04B
	21A	W04A, W04B	5t02x.8↔		BOP, KVT, UOP4		21B	X04Z
	21B	X05A, X05B		08	I12A, I12B, I12C, I18A, I30Z	5t02x.p↔		BOP, KVT, UOP4
5t029.d		BOP, KVT, UOP4		21A	W04A, W04B		08	I12A, I12B, I12C, I13A, I13B, I13C, I13D, I13E
	08	I08A, I08B, I08C, I08D, I08E, I08F, I37Z	5t02x.9↔		X06A, X06B, X06C		21A	W04A, W04B
5t029.g↔		BOP, KVT, UOP4		08	I12A, I12B, I12C, I18A, I30Z		21B	X04Z
	08	I08A, I08B, I08C, I08D, I08E, I08F		21A	W04A, W04B	5t02x.q↔		BOP, KVT, UOP4
	21A	W01A, W01B, W01C, W02A, W02B	5t02x.a↔		X06A, X06B, X06C		08	I12A, I12B, I12C, I13A, I13B, I13C, I13D, I13E
	21B	X04Z		08	I12A, I12B, I12C, I32A, I32B, I32C, I32D, I32E, I32F		21A	W04A, W04B
5t029.m↔		BOP, KVT, UOP4		21A	W04A, W04B		21B	X04Z
	08	I12A, I12B, I12C, I13A, I13B, I13C, I13D, I13E	5t02x.b↔		X05A, X05B	5t02x.r↔		BOP, KVT, UOP4
	21A	W04A, W04B		08	I12A, I12B, I12C, I32A, I32B, I32C, I32D, I32E, I32F		08	I12A, I12B, I12C, I13A, I13B, I13C, I13D, I13E
	21B	X04Z		21A	W04A, W04B		21A	W04A, W04B
5t029.q↔		BOP, KVT, UOP4		21B	X05A, X05B		21B	X04Z
	08	I13A, I13B, I13C, I13D, I13E	5t02x.c↔		BOP, KVT, UOP4	5t02x.s↔		BOP, KVT, UOP4
5t029.s↔		BOP, KVT, UOP4		08	I12A, I12B, I12C, I32A, I32B, I32C, I32D, I32E, I32F		05	F27A, F27B, F27C
	08	I20A, I20B, I20C, I20D		10	K09A, K09B		08	I12A, I12B, I12C, I20A, I20B, I20C, I20D, I20E, I20F
5t029.t↔		BOP, KVT, UOP4		21A	W04A, W04B		10	K01Z
	08	I20A, I20B, I20C, I20D		21B	X06A, X06B, X06C		21A	W04A, W04B
5t029.u↔		BOP, KVT, UOP4	5t02x.d		BOP, KVT, UOP4		21B	X04Z
	08	I20A, I20B, I20C, I20D		08	I08A, I08B, I08C, I08D, I08E, I08F, I12A, I12B, I12C	5t02x.t↔		BOP, KVT, UOP4
5t029.x		BOP, KVT, UOP4		10	K09A, K09B		05	F27A, F27B, F27C
	08	I12A, I12B, I12C, I28A, I28B, I28C		21A	W04A, W04B		08	I12A, I12B, I12C, I20A, I20B, I20C, I20D, I20E, I20F
	21A	W04A, W04B		21B	X06A, X06B, X06C		10	K01Z
	21B	X06A, X06B, X06C	5t02x.e↔		BOP, KVT, UOP4		21A	W04A, W04B
5t02x.0↔		BOP, KVT, UOP4		08	I08A, I08B, I08C, I08D, I08E, I08F		21B	X04Z
	01	B03A, B03B, B18Z		21A	W01A, W01B, W01C, W02A, W02B	5t02x.u↔		BOP, KVT, UOP4
	04	E02A, E02B, E02C		21B	X04Z		05	F27A, F27B, F27C
	08	I12A, I12B, I12C, I28A, I28B, I28C	5t02x.f↔		BOP, KVT, UOP4		08	I12A, I12B, I12C, I20A, I20B, I20C, I20D, I20E, I20F
	21A	W04A, W04B		08	I08A, I08B, I08C, I08D, I08E, I08F		10	K01Z
	21B	X06A, X06B, X06C		21A	W01A, W01B, W01C, W02A, W02B		21A	W04A, W04B
5t02x.1↔		BOP, KVT, UOP4		21B	X04Z	5t02x.x		BOP, KVT, UOP4
	08	I12A, I12B, I12C, I13A, I13B, I13C, I13D, I13E		08	I08A, I08B, I08C, I08D, I08E, I08F		08	I12A, I12B, I12C, I28A, I28B, I28C
	21A	W04A, W04B	5t02x.g↔		BOP, KVT, UOP4		21A	W04A, W04B
	21B	X06A, X06B, X06C		08	I08A, I08B, I08C, I08D, I08E, I08F		21B	X06A, X06B, X06C
5t02x.2↔		BOP, KVT, UOP4		21A	W01A, W01B, W01C, W02A, W02B	5t02x.z↔		BOP, KVT, UOP4
	08	I12A, I12B, I12C, I13A, I13B, I13C, I13D, I13E		21B	X04Z		01	B03A, B03B, B18Z
	21A	W04A, W04B	5t02x.h↔		BOP, KVT, UOP4		04	E02A, E02B, E02C
	21B	X06A, X06B, X06C		08	I08A, I08B, I08C, I08D, I08E, I08F		08	I12A, I12B, I12C, I28A, I28B, I28C
5t02x.3↔		BOP, KVT, UOP4		21A	W01A, W01B, W01C, W02A, W02B		21A	W04A, W04B
	08	I12A, I12B, I12C, I13A, I13B, I13C, I13D, I13E		21B	X04Z	5t040.0↔		BOP, KVT, UOP4, VIAL
	21A	W04A, W04B	5t02x.i↔		BOP, KVT, UOP4		04	E02A, E02B, E02C
	21B	X06A, X06B, X06C		08	I12A, I12B, I12C, I13A, I13B, I13C, I13D, I13E		08	I12A, I12B, I12C, I28A, I28B
5t02x.4↔		BOP, KVT, UOP4		21A	W04A, W04B		21A	W04A, W04B
	08	I12A, I12B, I12C, I18A, I30Z	5t02x.j↔		X06A, X06B, X06C	5t040.1↔		BOP, KVT, UOP4, VIAL
	21A	W04A, W04B		08	I12A, I12B, I12C, I13A, I13B, I13C, I13D, I13E		08	I08A, I08B, I08C, I08D, I08E, I08F, I12A, I12B, I12C, I13A, I13B, I13C, I13D
	21B	X06A, X06B, X06C		21A	W04A, W04B		21A	W04A, W04B
5t02x.5↔		BOP, KVT, UOP4		21B	X04Z		21B	X06A, X06B, X06C
	08	I12A, I12B, I12C, I18A, I30Z						
	21A	W04A, W04B						
	21B	X06A, X06B, X06C						

VYK

ZZV	MDC	DRG	ZZV	MDC	DRG	ZZV	MDC	DRG
5t040.2↔		BOP, KVT, UOP4, VIAL	5t040.e↔	01	BOP, KVT, UOP4, VIAL	5t040.t↔	08	BOP, KVT, UOP4, VIAL
	08	I08A, I08B, I08C, I08D, I08E, I08F, I12A, I12B, I12C, I13A, I13B, I13C, I13D		08	B03A, B03B, B06A, B06B, B17A, B17B, B17C		08	I12A, I12B, I12C, I20C, I28A, I28B
	21A	W04A, W04B		21A	W01A, W01B, W01C, W02A, W02B		21A	W04A, W04B
5t040.3↔	21B	X06A, X06B, X06C	5t040.f↔	21B	X04Z	5t040.u↔	21B	X04Z, X06A, X06B, X06C
	08	BOP, KVT, UOP4, VIAL		01	BOP, KVT, UOP4, VIAL		08	BOP, KVT, UOP4, VIAL
	08	I08A, I08B, I08C, I08D, I08E, I08F, I12A, I12B, I12C, I13A, I13B, I13C, I13D		08	B03A, B03B, B06A, B06B, B17A, B17B, B17C		08	I12A, I12B, I12C, I20C, I28A, I28B
5t040.4↔	21A	W04A, W04B	5t040.g↔	21A	W01A, W01B, W01C, W02A, W02B	5t040.v↔	21A	W04A, W04B
	21B	X06A, X06B, X06C		21B	X04Z		21B	X04Z, X06A, X06B, X06C
	08	BOP, KVT, UOP4, VIAL		01	BOP, KVT, UOP4, VIAL		08	BOP, KVT, UOP4, VIAL
5t040.5↔	08	I08A, I08B, I08C, I08D, I08E, I08F, I12A, I12B, I12C, I18A, I30Z	5t040.h↔	08	I08A, I08B, I08C, I08D, I08E, I08F	5t040.w↔	08	I12A, I12B, I12C, I20C, I28A, I28B
	21A	W04A, W04B		21A	W01A, W01B, W01C, W02A, W02B		21A	W04A, W04B
	21B	X06A, X06B, X06C		21B	X04Z		21B	X04Z, X06A, X06B, X06C
5t040.6↔	08	BOP, KVT, UOP4, VIAL	5t040.i↔	08	I08A, I08B, I08C, I08D, I08E, I08F	5t040.x	08	BOP, KVT, UOP4
	08	I08A, I08B, I08C, I08D, I08E, I08F, I12A, I12B, I12C, I18A, I30Z		21A	W01A, W01B, W01C, W02A, W02B		08	I12A, I12B, I12C, I28A, I28B
	21A	W04A, W04B		21B	X04Z		21A	W04A, W04B
5t040.7↔	21B	X06A, X06B, X06C	5t040.j↔	21A	W01A, W01B, W01C, W02A, W02B	5t040.y↔	21B	X06A, X06B, X06C
	08	BOP, KVT, UOP4, VIAL		01	BOP, KVT, UOP4, VIAL		04	E02A, E02B, E02C
	08	I08A, I08B, I08C, I08D, I08E, I08F, I12A, I12B, I12C, I21Z, I31Z		08	B03A, B03B, B06A, B06B, B17A, B17B, B17C		08	I12A, I12B, I12C, I28A, I28B
5t040.8↔	21A	W04A, W04B	5t040.k↔	08	I08A, I08B, I08C, I08D, I08E, I08F	5t041.0↔	21A	W04A, W04B
	21B	X06A, X06B, X06C		21A	W01A, W01B, W01C, W02A, W02B		21B	X06A, X06B, X06C
	08	BOP, KVT, UOP4, VIAL		21B	X04Z		04	E02A, E02B, E02C
5t040.9↔	08	I08A, I08B, I08C, I08D, I08E, I08F, I12A, I12B, I12C, I21Z, I31Z	5t040.l↔	08	I12A, I12B, I12C, I28A, I28B	5t041.1↔	08	I12A, I12B, I12C, I28A, I28B
	21A	W04A, W04B		21A	W04A, W04B		21A	W04A, W04B
	21B	X06A, X06B, X06C		21B	X04Z, X06A, X06B, X06C		21B	X06A, X06B, X06C
5t040.a↔	08	BOP, KVT, UOP4, VIAL	5t040.m↔	08	BOP, KVT, UOP4, VIAL	5t041.2↔	08	BOP, KVT, UOP4, VIAL
	08	I08A, I08B, I08C, I08D, I08E, I08F, I12A, I12B, I12C, I21Z, I31Z		08	I12A, I12B, I12C, I13A, I13B, I13C, I13D		08	I08A, I08B, I08C, I08D, I08E, I08F, I12A, I12B, I12C, I13A, I13B, I13C, I13D
	21A	W04A, W04B		21A	W04A, W04B		21A	W04A, W04B
5t040.b↔	21B	X06A, X06B, X06C	5t040.n↔	21B	X04Z	5t041.3↔	21B	X06A, X06B, X06C
	08	BOP, KVT, UOP4, VIAL		08	I12A, I12B, I12C, I13A, I13B, I13C, I13D		08	BOP, KVT, UOP4, VIAL
	08	I08A, I08B, I08C, I08D, I08E, I08F, I12A, I12B, I12C, I21Z, I31Z		21A	W04A, W04B		08	I08A, I08B, I08C, I08D, I08E, I08F, I12A, I12B, I12C, I13A, I13B, I13C, I13D
5t040.c↔	21A	W04A, W04B	5t040.o↔	21B	X04Z	5t041.4↔	21A	W04A, W04B
	21B	X05A, X05B		08	I12A, I12B, I12C, I13A, I13B, I13C, I13D, I13E		21B	X06A, X06B, X06C
	08	BOP, KVT, UOP4, VIAL		21A	W04A, W04B		08	BOP, KVT, UOP4, VIAL
5t040.d	08	I12A, I12B, I12C, I32A, I32B, I32C, I32D, I32E, I32F	5t040.p↔	21B	X04Z	5t041.5↔	08	I08A, I08B, I08C, I08D, I08E, I08F, I12A, I12B, I12C, I21Z, I31Z
	21A	W04A, W04B		08	I12A, I12B, I12C, I13A, I13B, I13C, I13D, I13E		21A	W04A, W04B
	21B	X05A, X05B		21A	W04A, W04B		21B	X06A, X06B, X06C
5t040.e↔	08	BOP, KVT, UOP4, VIAL	5t040.q↔	08	BOP, KVT, UOP4, VIAL	5t041.6↔	08	BOP, KVT, UOP4, VIAL
	08	I12A, I12B, I12C, I32A, I32B, I32C, I32D, I32E, I32F		08	I12A, I12B, I12C, I13A, I13B, I13C, I13D, I13E		08	I08A, I08B, I08C, I08D, I08E, I08F, I12A, I12B, I12C, I21Z, I31Z
	21A	W04A, W04B		21A	W04A, W04B		21A	W04A, W04B
5t040.f↔	21B	X05A, X05B	5t040.r↔	21B	X04Z	5t041.7↔	21B	X06A, X06B, X06C
	08	BOP, KVT, UOP4, VIAL		08	I12A, I12B, I12C, I13A, I13B, I13C, I13D, I13E		08	BOP, KVT, UOP4, VIAL
	08	I12A, I12B, I12C, I32A, I32B, I32C, I32D, I32E, I32F		21A	W04A, W04B		08	I08A, I08B, I08C, I08D, I08E, I08F, I12A, I12B, I12C, I21Z, I31Z
5t040.g↔	21A	W04A, W04B	5t040.s↔	21B	X04Z	5t041.8↔	21A	W04A, W04B
	21B	X05A, X05B		08	BOP, KVT, UOP4, VIAL		21B	X06A, X06B, X06C
	08	BOP, KVT, UOP4, VIAL		08	I12A, I12B, I12C, I20C, I28A, I28B		21A	W04A, W04B
5t040.h↔	08	I08A, I08B, I08C, I08D, I08E, I08F, I12A, I12B, I12C	5t040.t↔	21A	W04A, W04B	5t041.9↔	21B	X06A, X06B, X06C
	21A	W04A, W04B		21B	X04Z, X06A, X06B, X06C			
	21B	X06A, X06B, X06C						

VYK

ZZV	MDC	DRG	ZZV	MDC	DRG	ZZV	MDC	DRG
5t041.7↔		BOP, KVT, UOP4, VIAL	5t041.j↔		BOP, KVT, UOP4, VIAL	5t042.0↔		BOP, KVT, UOP4, VIAL
08		I08A, I08B, I08C, I08D, I08E, I08F, I12A, I12B, I12C, I21Z, I31Z	08		I12A, I12B, I12C, I28A, I28B	04		E02A, E02B, E02C
21A		W04A, W04B	21A		W04A, W04B	08		I12A, I12B, I12C, I28A, I28B
21B		X06A, X06B, X06C	21B		X04Z, X06A, X06B, X06C	21A		W04A, W04B
5t041.8↔		BOP, KVT, UOP4, VIAL	5t041.k↔		BOP, KVT, UOP4, VIAL	21B		X06A, X06B, X06C
08		I08A, I08B, I08C, I08D, I08E, I08F, I12A, I12B, I12C, I21Z, I31Z	08		I12A, I12B, I12C, I13A, I13B, I13C, I13D	5t042.1↔		BOP, KVT, UOP4, VIAL
21A		W04A, W04B	21A		W04A, W04B	08		I08A, I08B, I08C, I08D, I08E, I08F, I12A, I12B, I12C, I13A, I13B, I13C, I13D
21B		X06A, X06B, X06C	21B		X04Z	21A		W04A, W04B
5t041.9↔		BOP, KVT, UOP4, VIAL	5t041.m↔		BOP, KVT, UOP4, VIAL	21B		X06A, X06B, X06C
08		I08A, I08B, I08C, I08D, I08E, I08F, I12A, I12B, I12C, I21Z, I31Z	08		I12A, I12B, I12C, I13A, I13B, I13C, I13D	5t042.2↔		BOP, KVT, UOP4, VIAL
21A		W04A, W04B	21A		W04A, W04B	08		I08A, I08B, I08C, I08D, I08E, I08F, I12A, I12B, I12C, I13A, I13B, I13C, I13D, I13E
21B		X06A, X06B, X06C	21B		X04Z	21A		W04A, W04B
5t041.a↔		BOP, KVT, UOP4, VIAL	5t041.n↔		BOP, KVT, UOP4, VIAL	21B		X06A, X06B, X06C
08		I12A, I12B, I12C, I32A, I32B, I32C, I32D, I32E, I32F	08		I12A, I12B, I12C, I13A, I13B, I13C, I13D	5t042.3↔		BOP, KVT, UOP4, VIAL
21A		W04A, W04B	21A		W04A, W04B	08		I08A, I08B, I08C, I08D, I08E, I08F, I12A, I12B, I12C, I13A, I13B, I13C, I13D
21B		X05A, X05B	21B		X04Z	21A		W04A, W04B
5t041.b↔		BOP, KVT, UOP4, VIAL	5t041.p↔		BOP, KVT, UOP4, VIAL	21B		X06A, X06B, X06C
08		I12A, I12B, I12C, I32A, I32B, I32C, I32D, I32E, I32F	08		I12A, I12B, I12C, I13A, I13B, I13C, I13D, I13E	5t042.4↔		BOP, KVT, UOP4, VIAL
21A		W04A, W04B	21A		W04A, W04B	08		I08A, I08B, I08C, I08D, I08E, I08F, I12A, I12B, I12C, I21Z, I31Z
21B		X05A, X05B	21B		X04Z	21A		W04A, W04B
5t041.c↔		BOP, KVT, UOP4, VIAL	5t041.q↔		BOP, KVT, UOP4, VIAL	21B		X06A, X06B, X06C
08		I12A, I12B, I12C, I32A, I32B, I32C, I32D, I32E, I32F	08		I12A, I12B, I12C, I13A, I13B, I13C, I13D, I13E	5t042.5↔		BOP, KVT, UOP4, VIAL
21A		W04A, W04B	21A		W04A, W04B	08		I08A, I08B, I08C, I08D, I08E, I08F, I12A, I12B, I12C, I21Z, I31Z
21B		X05A, X05B	21B		X04Z	21A		W04A, W04B
5t041.d		BOP, KVT, UOP4, VIAL	5t041.r↔		BOP, KVT, UOP4, VIAL	21B		X06A, X06B, X06C
08		I08A, I08B, I08C, I08D, I08E, I08F, I12A, I12B, I12C	08		I12A, I12B, I12C, I13A, I13B, I13C, I13D, I13E	5t042.6↔		BOP, KVT, UOP4, VIAL
21A		W04A, W04B	21A		W04A, W04B	08		I08A, I08B, I08C, I08D, I08E, I08F, I12A, I12B, I12C, I21Z, I31Z
21B		X06A, X06B, X06C	21B		X04Z	21A		W04A, W04B
5t041.e↔		BOP, KVT, UOP4, VIAL	5t041.s↔		BOP, KVT, UOP4, VIAL	21B		X06A, X06B, X06C
01		B03A, B03B, B06A, B06B, B17A, B17B, B17C	08		I12A, I12B, I12C, I20C, I28A, I28B	5t042.7↔		BOP, KVT, UOP4, VIAL
08		I08A, I08B, I08C, I08D, I08E, I08F	21A		W04A, W04B	08		I08A, I08B, I08C, I08D, I08E, I08F, I12A, I12B, I12C, I21Z, I31Z
21A		W01A, W01B, W01C, W02A, W02B	21B		X04Z, X06A, X06B, X06C	21A		W04A, W04B
21B		X04Z	5t041.t↔		BOP, KVT, UOP4, VIAL	21B		X06A, X06B, X06C
5t041.f↔		BOP, KVT, UOP4, VIAL	08		I12A, I12B, I12C, I20C, I28A, I28B	5t042.8↔		BOP, KVT, UOP4, VIAL
01		B03A, B03B, B06A, B06B, B17A, B17B, B17C	21A		W04A, W04B	08		I08A, I08B, I08C, I08D, I08E, I08F, I12A, I12B, I12C, I21Z, I31Z
08		I08A, I08B, I08C, I08D, I08E, I08F	21B		X04Z, X06A, X06B, X06C	21A		W04A, W04B
21A		W01A, W01B, W01C, W02A, W02B	5t041.u↔		BOP, KVT, UOP4, VIAL	21B		X06A, X06B, X06C
21B		X04Z	08		I12A, I12B, I12C, I20C, I28A, I28B	5t042.9↔		BOP, KVT, UOP4, VIAL
5t041.g↔		BOP, KVT, UOP4, VIAL	21A		W04A, W04B	08		I08A, I08B, I08C, I08D, I08E, I08F, I12A, I12B, I12C, I21Z, I31Z
01		B03A, B03B, B06A, B06B, B17A, B17B, B17C	21B		X04Z, X06A, X06B, X06C	21A		W04A, W04B
08		I08A, I08B, I08C, I08D, I08E, I08F	5t041.v↔		BOP, KVT, UOP4, VIAL	21B		X06A, X06B, X06C
21A		W01A, W01B, W01C, W02A, W02B	08		I12A, I12B, I12C, I20C, I28A, I28B	5t042.a↔		BOP, KVT, UOP4, VIAL
21B		X04Z	21A		W04A, W04B	08		I12A, I12B, I12C, I32A, I32B, I32C, I32D, I32E, I32F
5t041.h↔		BOP, KVT, UOP4, VIAL	21B		X04Z, X06A, X06B, X06C	21A		W04A, W04B
01		B03A, B03B, B06A, B06B, B17A, B17B, B17C	5t041.w↔		BOP, KVT, UOP4, VIAL	21B		X05A, X05B
08		I08A, I08B, I08C, I08D, I08E, I08F	08		I12A, I12B, I12C, I20C, I28A, I28B	5t042.b↔		BOP, KVT, UOP4, VIAL
21A		W01A, W01B, W01C, W02A, W02B	21A		W04A, W04B	08		I12A, I12B, I12C, I32A, I32B, I32C, I32D, I32E, I32F
21B		X04Z	21B		X06A, X06B, X06C	21A		W04A, W04B
5t041.i↔		BOP, KVT, UOP4, VIAL	5t041.x		BOP, KVT, UOP4	21B		X05A, X05B
01		B03A, B03B, B06A, B06B, B17A, B17B, B17C	08		I12A, I12B, I12C, I28A, I28B			
08		I08A, I08B, I08C, I08D, I08E, I08F	21A		W04A, W04B			
21A		W01A, W01B, W01C, W02A, W02B	21B		X04Z, X06A, X06B, X06C			
21B		X04Z	5t041.y↔		BOP, KVT, UOP4, VIAL			
			04		E02A, E02B, E02C			
			08		I12A, I12B, I12C, I28A, I28B			
			21A		W04A, W04B			
			21B		X06A, X06B, X06C			

ZZV	MDC	DRG	ZZV	MDC	DRG	ZZV	MDC	DRG
5t042.c↔		BOP, KVT, UOP4, VIAL	5t042.q↔		BOP, KVT, UOP4, VIAL	5t043.4↔		BOP, KVT, UOP4, VIAL
	08	I12A, I12B, I12C, I32A, I32B, I32C, I32D, I32E, I32F		08	I12A, I12B, I12C, I13A, I13B, I13C, I13D, I13E		08	I08A, I08B, I08C, I08D, I08E, I08F, I12A, I12B, I12C, I21Z, I31Z
	21A	W04A, W04B		21A	W04A, W04B		21A	W04A, W04B
	21B	X05A, X05B		21B	X04Z		21B	X06A, X06B, X06C
5t042.d		BOP, KVT, UOP4, VIAL	5t042.r↔		BOP, KVT, UOP4, VIAL	5t043.5↔		BOP, KVT, UOP4, VIAL
	08	I08A, I08B, I08C, I08D, I08E, I08F, I12A, I12B, I12C		08	I12A, I12B, I12C, I13A, I13B, I13C, I13D, I13E		08	I08A, I08B, I08C, I08D, I08E, I08F, I12A, I12B, I12C, I21Z, I31Z
	21A	W04A, W04B		21A	W04A, W04B		21A	W04A, W04B
	21B	X06A, X06B, X06C		21B	X04Z		21B	X06A, X06B, X06C
5t042.e↔		BOP, KVT, UOP4, VIAL	5t042.s↔		BOP, KVT, UOP4, VIAL	5t043.6↔		BOP, KVT, UOP4, VIAL
	01	B03A, B03B, B06A, B06B, B17A, B17B, B17C		08	I12A, I12B, I12C, I20C, I28A, I28B		08	I08A, I08B, I08C, I08D, I08E, I08F, I12A, I12B, I12C, I21Z, I31Z
	08	I08A, I08B, I08C, I08D, I08E, I08F		21A	W04A, W04B		21A	W04A, W04B
	21A	W01A, W01B, W01C, W02A, W02B		21B	X04Z, X06A, X06B, X06C		21B	X06A, X06B, X06C
	21B	X04Z	5t042.t↔		BOP, KVT, UOP4, VIAL		08	I08A, I08B, I08C, I08D, I08E, I08F, I12A, I12B, I12C, I21Z, I31Z
5t042.f↔		BOP, KVT, UOP4, VIAL		08	I12A, I12B, I12C, I20C, I28A, I28B		21A	W04A, W04B
	01	B03A, B03B, B06A, B06B, B17A, B17B, B17C		21A	W04A, W04B		21B	X06A, X06B, X06C
	08	I08A, I08B, I08C, I08D, I08E, I08F		21B	X04Z, X06A, X06B, X06C	5t043.7↔		BOP, KVT, UOP4, VIAL
	21A	W01A, W01B, W01C, W02A, W02B	5t042.u↔		BOP, KVT, UOP4, VIAL		08	I08A, I08B, I08C, I08D, I08E, I08F, I12A, I12B, I12C, I21Z, I31Z
	21B	X04Z		08	I12A, I12B, I12C, I20C, I28A, I28B		21A	W04A, W04B
5t042.g↔		BOP, KVT, UOP4, VIAL		21A	W04A, W04B		21B	X06A, X06B, X06C
	01	B03A, B03B, B06A, B06B, B17A, B17B, B17C	5t042.v↔		BOP, KVT, UOP4, VIAL	5t043.8↔		BOP, KVT, UOP4, VIAL
	08	I08A, I08B, I08C, I08D, I08E, I08F		08	I12A, I12B, I12C, I20C, I28A, I28B		08	I08A, I08B, I08C, I08D, I08E, I08F, I12A, I12B, I12C, I21Z, I31Z
	21A	W01A, W01B, W01C, W02A, W02B		21A	W04A, W04B		21A	W04A, W04B
	21B	X04Z		21B	X04Z, X06A, X06B, X06C		21B	X06A, X06B, X06C
5t042.h↔		BOP, KVT, UOP4, VIAL	5t042.w↔		BOP, KVT, UOP4, VIAL	5t043.9↔		BOP, KVT, UOP4, VIAL
	01	B03A, B03B, B06A, B06B, B17A, B17B, B17C		08	I12A, I12B, I12C, I20C, I28A, I28B		08	I08A, I08B, I08C, I08D, I08E, I08F, I12A, I12B, I12C, I21Z, I31Z
	08	I08A, I08B, I08C, I08D, I08E, I08F		21A	W04A, W04B		21A	W04A, W04B
	21A	W01A, W01B, W01C, W02A, W02B		21B	X04Z, X06A, X06B, X06C		21B	X06A, X06B, X06C
	21B	X04Z	5t042.x		BOP, KVT, UOP4	5t043.a↔		BOP, KVT, UOP4, VIAL
5t042.i↔		BOP, KVT, UOP4, VIAL		08	I12A, I12B, I12C, I28A, I28B		08	I12A, I12B, I12C, I32A, I32B, I32C, I32D, I32E, I32F
	08	I12A, I12B, I12C, I28A, I28B		21A	W04A, W04B		21A	W04A, W04B
	21A	W04A, W04B		21B	X06A, X06B, X06C		21B	X05A, X05B
	21B	X04Z, X06A, X06B, X06C	5t042.z↔		BOP, KVT, UOP4, VIAL	5t043.b↔		BOP, KVT, UOP4, VIAL
5t042.k↔		BOP, KVT, UOP4, VIAL		04	E02A, E02B, E02C		08	I12A, I12B, I12C, I28A, I28B
	08	I12A, I12B, I12C, I13A, I13B, I13C, I13D		08	I12A, I12B, I12C, I28A, I28B		21A	W04A, W04B
	21A	W04A, W04B		21A	W04A, W04B		21A	W04A, W04B
	21B	X04Z		21B	X06A, X06B, X06C		21B	X05A, X05B
5t042.l↔		BOP, KVT, UOP4, VIAL	5t043.0↔		BOP, KVT, UOP4, VIAL	5t043.c↔		BOP, KVT, UOP4, VIAL
	08	I12A, I12B, I12C, I13A, I13B, I13C, I13D		04	E02A, E02B, E02C		08	I12A, I12B, I12C, I32A, I32B, I32C, I32D, I32E, I32F
	21A	W04A, W04B		08	I12A, I12B, I12C, I28A, I28B		21A	W04A, W04B
	21B	X04Z		21A	W04A, W04B		21B	X05A, X05B
5t042.m↔		BOP, KVT, UOP4, VIAL		21B	X06A, X06B, X06C	5t043.d		BOP, KVT, UOP4, VIAL
	08	I12A, I12B, I12C, I13A, I13B, I13C, I13D	5t043.1↔		BOP, KVT, UOP4, VIAL		08	I08A, I08B, I08C, I08D, I08E, I08F, I12A, I12B, I12C, I47A
	21A	W04A, W04B		08	I08A, I08B, I08C, I08D, I08E, I08F, I12A, I12B, I12C, I13A, I13B, I13C, I13D		21A	W04A, W04B
	21B	X04Z		21A	W04A, W04B		21B	X06A, X06B, X06C
5t042.n↔		BOP, KVT, UOP4, VIAL		21B	X06A, X06B, X06C	5t043.e↔		BOP, KVT, UOP4, VIAL
	08	I12A, I12B, I12C, I13A, I13B, I13C, I13D		08	I08A, I08B, I08C, I08D, I08E, I08F, I12A, I12B, I12C, I13A, I13B, I13C, I13D, I13E		01	B03A, B03B, B06A, B06B, B17A, B17B, B17C
	21A	W04A, W04B		21A	W04A, W04B		08	I08A, I08B, I08C, I08D, I08E, I08F
	21B	X04Z		21B	X06A, X06B, X06C		21A	W01A, W01B, W01C, W02A, W02B
5t042.o↔		BOP, KVT, UOP4, VIAL	5t043.2↔		BOP, KVT, UOP4, VIAL		21B	X04Z
	08	I12A, I12B, I12C, I13A, I13B, I13C, I13D, I13E		08	I08A, I08B, I08C, I08D, I08E, I08F, I12A, I12B, I12C, I13A, I13B, I13C, I13D, I13E			
	21A	W04A, W04B		21A	W04A, W04B			
	21B	X04Z		21B	X06A, X06B, X06C			
5t042.p↔		BOP, KVT, UOP4, VIAL	5t043.3↔		BOP, KVT, UOP4, VIAL			
	08	I12A, I12B, I12C, I13A, I13B, I13C, I13D, I13E		08	I08A, I08B, I08C, I08D, I08E, I08F, I12A, I12B, I12C, I13A, I13B, I13C, I13D, I13E			
	21A	W04A, W04B		21A	W04A, W04B			
	21B	X04Z		21B	X06A, X06B, X06C			

Príloha B: Index Výkon-MDC-DRG

ZZV	MDC	DRG	ZZV	MDC	DRG	ZZV	MDC	DRG
5t044.g↔		BOP, KVT, UOP4, VIAL	5t044.x↔		BOP, KVT, UOP4	5t045.x		BOP, KVT, UOP4
	01	B03A, B03B, B06A, B06B, B17A, B17B, B17C		08	I02A, I02B, I02C, I02D, I12A, I12B, I12C, I22A, I28A, I28B, I32A, I32B, I32C, I32D, I32E, I32F, I50Z		08	I12A, I12B, I12C, I28A, I28B
	08	I02A, I02B, I02C, I02D, I08A, I08B, I08C, I08D, I08E, I08F, I22A, I32A, I32B, I32C, I32D, I50Z		21A	W04A, W04B	5t046.1↔	21A	W04A, W04B
	21A	W01A, W01B, W01C, W02A, W02B	5t044.z↔	08	I32A, I32B, I32C, I32D		21B	X06A, X06B, X06C
	21B	X01A, X01B, X01C	5t045.1↔		BOP, KVT, UOP4, VIAL		08	BOP, KVT, UOP4, VIAL
5t044.h↔		BOP, KVT, UOP4, VIAL	5t045.3↔	08	I08A, I08B, I08C, I08D, I08E, I08F, I13A, I13B, I13C, I13D	5t046.3↔	08	I08A, I08B, I08C, I08D, I08E, I08F, I13A, I13B, I13C, I13D, I46A, I47A
	01	B03A, B03B, B06A, B06B, B17A, B17B, B17C		08	I08A, I08B, I08C, I08D, I08E, I08F, I12A, I12B, I12C, I13A, I13B, I13C, I13D	5t046.d		BOP, KVT, UOP4, VIAL
	08	I02A, I02B, I02C, I02D, I08A, I08B, I08C, I08D, I08E, I08F, I22A, I32A, I32B, I32C, I32D, I50Z		21A	W04A, W04B		08	I08A, I08B, I08C, I08D, I08E, I08F, I46A, I47A
	21A	W01A, W01B, W01C, W02A, W02B	5t045.4↔	21B	X06A, X06B, X06C	5t046.e↔		BOP, KVT, UOP4, VIAL
	21B	X01A, X01B, X01C		08	I08A, I08B, I08C, I08D, I08E, I08F, I12A, I12B, I12C, I21Z, I31Z		08	I08A, I08B, I08C, I08D, I08E, I08F, I46A, I47A
5t044.j↔	08	I32A, I32B, I32C, I32D		21A	W04A, W04B	5t046.h↔		BOP, KVT, UOP4, VIAL
5t044.k↔		BOP, KVT, UOP4, VIAL	5t045.d	21B	X06A, X06B, X06C		08	I08A, I08B, I08C, I08D, I08E, I08F, I30Z, I46A, I47A
	08	I02A, I02B, I02C, I02D, I12A, I12B, I12C, I13A, I13B, I13C, I13D, I13E, I22A, I32A, I32B, I32C, I32D, I50Z		08	I08A, I08B, I08C, I08D, I08E, I08F, I47A	5t046.k↔		BOP, KVT, UOP4, VIAL
	21A	W04A, W04B	5t045.e↔		BOP, KVT, UOP4, VIAL		08	I13A, I13B, I13C, I13D, I46A, I47A
	21B	X01A, X01B, X01C		01	B03A, B03B, B06A, B06B, B17A, B17B, B17C	5t046.n↔		BOP, KVT, UOP4, VIAL
5t044.m↔		BOP, KVT, UOP4, VIAL		08	I08A, I08B, I08C, I08D, I08E, I08F		08	I13A, I13B, I13C, I13D, I46A, I47A
	08	I02A, I02B, I02C, I02D, I12A, I12B, I12C, I13A, I13B, I13C, I13D, I13E, I22A, I32A, I32B, I32C, I32D, I50Z	5t045.h↔	21A	W01A, W01B, W01C, W02A, W02B	5t046.p↔		BOP, KVT, UOP4, VIAL
	21A	W04A, W04B		21B	X04Z		08	I13A, I13B, I13C, I13D, I13E, I46A, I47A
	21B	X01A, X01B, X01C		01	BOP, KVT, UOP4, VIAL	5t046.r↔		BOP, KVT, UOP4, VIAL
5t044.n↔		BOP, KVT, UOP4, VIAL		01	B03A, B03B, B06A, B06B, B17A, B17B, B17C		08	I13A, I13B, I13C, I13D, I13E, I46A, I47A
	08	I02A, I02B, I02C, I02D, I12A, I12B, I12C, I13A, I13B, I13C, I13D, I13E, I22A, I32A, I32B, I32C, I32D, I50Z		08	I08A, I08B, I08C, I08D, I08E, I08F, I30Z	5t046.s↔		BOP, KVT, UOP4, VIAL
	21A	W04A, W04B	5t045.j↔	21A	W01A, W01B, W01C, W02A, W02B		08	I20A, I20B, I20C, I20D, I46A, I47A
	21B	X01A, X01B, X01C		21B	X04Z	5t046.t↔		BOP, KVT, UOP4, VIAL
5t044.p↔		BOP, KVT, UOP4, VIAL		08	I12A, I12B, I12C, I28A, I28B		08	I20A, I20B, I20C, I20D, I46A, I47A
	08	I13A, I13B, I13C, I13D, I13E, I32A, I32B, I32C, I32D	5t045.k↔	21A	W04A, W04B	5t046.u↔		BOP, KVT, UOP4, VIAL
5t044.q↔		BOP, KVT, UOP4, VIAL		21B	X04Z		08	I20A, I20B, I20C, I20D, I46A, I47A
	08	I13A, I13B, I13C, I13D, I13E, I32A, I32B, I32C, I32D		08	I12A, I12B, I12C, I13A, I13B, I13C, I13D	5t046.v↔		BOP, KVT, UOP4, VIAL
5t044.r↔		BOP, KVT, UOP4, VIAL	5t045.l↔		BOP, KVT, UOP4, VIAL		08	I20A, I20B, I20C, I20D, I46A, I47A
	08	I02A, I02B, I02C, I02D, I12A, I12B, I12C, I13A, I13B, I13C, I13D, I13E, I22A, I32A, I32B, I32C, I32D, I50Z		08	I13A, I13B, I13C, I13D, I13E	5t046.w↔		BOP, KVT, UOP4, VIAL
	21A	W04A, W04B	5t045.n↔		BOP, KVT, UOP4, VIAL		08	I20A, I20B, I20C, I20D, I46A, I47A
	21B	X01A, X01B, X01C		08	I13A, I13B, I13C, I13D	5t047.0↔	04	E02A, E02B, E02C
5t044.s↔		BOP, KVT, UOP4, VIAL	5t045.p↔		BOP, KVT, UOP4, VIAL		08	I12A, I12B, I12C, I28A, I28B, I46A, I47A
	08	I20A, I20B, I20C, I20D, I32A, I32B, I32C, I32D		08	I13A, I13B, I13C, I13D, I13E	5t047.1↔	21A	W04A, W04B
5t044.t↔		BOP, KVT, UOP4, VIAL	5t045.r↔		BOP, KVT, UOP4, VIAL		21B	X06A, X06B, X06C
	08	I20A, I20B, I20C, I20D, I32A, I32B, I32C, I32D		08	I13A, I13B, I13C, I13D, I13E			BOP, KVT, UOP4, VIAL
5t044.u↔		BOP, KVT, UOP4, VIAL	5t045.s↔		BOP, KVT, UOP4, VIAL	5t047.2↔	08	I08A, I08B, I08C, I08D, I08E, I08F, I12A, I12B, I12C, I13A, I13B, I13C, I13D, I46A, I47A
	08	I20A, I20B, I20C, I20D, I32A, I32B, I32C, I32D		08	I12A, I12B, I12C, I20C, I28A, I28B		21A	W04A, W04B
5t044.v↔		BOP, KVT, UOP4, VIAL		21A	W04A, W04B		21B	X06A, X06B, X06C
	08	I20A, I20B, I20C, I20D, I32A, I32B, I32C, I32D	5t045.t↔		X04Z, X06A, X06B, X06C			BOP, KVT, UOP4, VIAL
5t044.w↔		BOP, KVT, UOP4, VIAL		08	I20A, I20B, I20C, I20D	5t047.1↔	08	I08A, I08B, I08C, I08D, I08E, I08F, I12A, I12B, I12C, I13A, I13B, I13C, I13D, I46A, I47A
	08	I20A, I20B, I20C, I20D, I32A, I32B, I32C, I32D	5t045.u↔		BOP, KVT, UOP4, VIAL		21A	W04A, W04B
				08	I20A, I20B, I20C, I20D		21B	X06A, X06B, X06C
			5t045.v↔		BOP, KVT, UOP4, VIAL			BOP, KVT, UOP4, VIAL
				08	I20A, I20B, I20C, I20D			
			5t045.w↔		BOP, KVT, UOP4, VIAL			
				08	I20A, I20B, I20C, I20D			

ZZV	MDC	DRG	ZZV	MDC	DRG	ZZV	MDC	DRG
5t047.3↔		BOP, KVT, UOP4, VIAL	5t047.e↔	01	BOP, KVT, UOP4, VIAL	5t047.s↔	08	BOP, KVT, UOP4, VIAL
	08	I08A, I08B, I08C, I08D, I08E, I08F, I12A, I12B, I12C, I13A, I13B, I13C, I13D, I46A, I47A		08	B03A, B03B, B06A, B06B, B17A, B17B, B17C		08	I12A, I12B, I12C, I20C, I28A, I28B, I46A, I47A
	21A	W04A, W04B		21A	W01A, W01B, W01C, W02A, W02B		21A	W04A, W04B
5t047.4↔	21B	X06A, X06B, X06C	5t047.f↔	21B	X04Z	5t047.t↔	21B	X04Z, X06A, X06B, X06C
	08	BOP, KVT, UOP4, VIAL		01	BOP, KVT, UOP4, VIAL		08	BOP, KVT, UOP4, VIAL
	08	I08A, I08B, I08C, I08D, I08E, I08F, I12A, I12B, I12C, I21Z, I31Z, I46A, I47A		08	B03A, B03B, B06A, B06B, B17A, B17B, B17C		08	I12A, I12B, I12C, I20C, I28A, I28B, I46A, I47A
5t047.5↔	21A	W04A, W04B	5t047.g↔	21A	W01A, W01B, W01C, W02A, W02B	5t047.u↔	21A	W04A, W04B
	21B	X06A, X06B, X06C		21B	X04Z		21B	X04Z, X06A, X06B, X06C
	08	BOP, KVT, UOP4, VIAL		01	BOP, KVT, UOP4, VIAL		08	BOP, KVT, UOP4, VIAL
5t047.6↔	08	I08A, I08B, I08C, I08D, I08E, I08F, I12A, I12B, I12C, I21Z, I31Z, I46A, I47A	5t047.h↔	08	I08A, I08B, I08C, I08D, I08E, I08F, I46A, I47A	5t047.v↔	08	I12A, I12B, I12C, I20C, I28A, I28B, I46A, I47A
	21A	W04A, W04B		08	I08A, I08B, I08C, I08D, I08E, I08F, I12A, I12B, I12C, I21Z, I31Z, I46A, I47A		21A	W04A, W04B
	21B	X06A, X06B, X06C		21A	W01A, W01B, W01C, W02A, W02B		21B	X04Z, X06A, X06B, X06C
5t047.7↔	08	BOP, KVT, UOP4, VIAL	5t047.i↔	21B	X04Z	5t047.w↔	08	BOP, KVT, UOP4, VIAL
	08	I08A, I08B, I08C, I08D, I08E, I08F, I12A, I12B, I12C, I21Z, I31Z, I46A, I47A		01	BOP, KVT, UOP4, VIAL		08	I12A, I12B, I12C, I20C, I28A, I28B, I46A, I47A
	21A	W04A, W04B		08	B03A, B03B, B06A, B06B, B17A, B17B, B17C		21A	W04A, W04B
5t047.8↔	21B	X06A, X06B, X06C	5t047.j↔	08	I08A, I08B, I08C, I08D, I08E, I08F, I46A, I47A	5t047.x	21B	X04Z, X06A, X06B, X06C
	08	BOP, KVT, UOP4, VIAL		21A	W01A, W01B, W01C, W02A, W02B		08	BOP, KVT, UOP4, VIAL
	08	I08A, I08B, I08C, I08D, I08E, I08F, I12A, I12B, I12C, I21Z, I31Z, I46A, I47A		21B	X04Z		08	I12A, I12B, I12C, I28A, I28B, I46A, I47A
5t047.9↔	21A	W04A, W04B	5t047.k↔	21A	W01A, W01B, W01C, W02A, W02B	5t048.0↔	21A	W04A, W04B
	21B	X06A, X06B, X06C		21B	X04Z		21B	X06A, X06B, X06C
	08	BOP, KVT, UOP4, VIAL		08	I08A, I08B, I08C, I08D, I08E, I08F, I12A, I12B, I12C, I21Z, I31Z, I46A, I47A		04	E02A, E02B, E02C
5t047.a↔	08	I08A, I08B, I08C, I08D, I08E, I08F, I12A, I12B, I12C, I21Z, I31Z, I46A, I47A	5t047.l↔	21A	W04A, W04B	5t048.1↔	08	I12A, I12B, I12C, I28A, I28B, I46A, I47A
	21A	W04A, W04B		21B	X04Z, X06A, X06B, X06C		21A	W04A, W04B
	21B	X06A, X06B, X06C		08	I12A, I12B, I12C, I13A, I13B, I13C, I13D, I46A, I47A		21B	X06A, X06B, X06C
5t047.b↔	08	BOP, KVT, UOP4, VIAL	5t047.m↔	21B	X04Z	5t048.2↔	08	BOP, KVT, UOP4, VIAL
	08	I12A, I12B, I12C, I32A, I32B, I32C, I32D, I32E, I32F, I46A, I47A		08	I12A, I12B, I12C, I13A, I13B, I13C, I13D, I46A, I47A		08	I08A, I08B, I08C, I08D, I08E, I08F, I12A, I12B, I12C, I13A, I13B, I13C, I13D, I46A, I47A
	21A	W04A, W04B		21A	W04A, W04B		21A	W04A, W04B
5t047.c↔	21B	X05A, X05B	5t047.n↔	21B	X04Z	5t048.3↔	21B	X06A, X06B, X06C
	08	BOP, KVT, UOP4, VIAL		08	I12A, I12B, I12C, I13A, I13B, I13C, I13D, I46A, I47A		08	BOP, KVT, UOP4, VIAL
	08	I12A, I12B, I12C, I32A, I32B, I32C, I32D, I32E, I32F, I46A, I47A		21A	W04A, W04B		08	I08A, I08B, I08C, I08D, I08E, I08F, I12A, I12B, I12C, I13A, I13B, I13C, I13D, I13E, I46A, I47A
5t047.d	21A	W04A, W04B	5t047.o↔	21B	X04Z	5t048.4↔	21A	W04A, W04B
	21B	X05A, X05B		08	I12A, I12B, I12C, I13A, I13B, I13C, I13D, I13E, I46A, I47A		21B	X06A, X06B, X06C
	08	BOP, KVT, UOP4, VIAL		21A	W04A, W04B		08	BOP, KVT, UOP4, VIAL
5t047.e↔	08	I12A, I12B, I12C, I32A, I32B, I32C, I32D, I32E, I32F, I46A, I47A	5t047.p↔	21B	X04Z	5t048.5↔	08	I08A, I08B, I08C, I08D, I08E, I08F, I12A, I12B, I12C, I13A, I13B, I13C, I13D, I13E, I46A, I47A
	21A	W04A, W04B		08	BOP, KVT, UOP4, VIAL		21A	W04A, W04B
	21B	X05A, X05B		08	I12A, I12B, I12C, I13A, I13B, I13C, I13D, I13E, I46A, I47A		21B	X06A, X06B, X06C
5t047.f↔	08	BOP, KVT, UOP4, VIAL	5t047.q↔	21A	W04A, W04B	5t048.6↔	08	I08A, I08B, I08C, I08D, I08E, I08F, I12A, I12B, I12C, I13A, I13B, I13C, I13D, I13E, I46A, I47A
	08	I08A, I08B, I08C, I08D, I08E, I08F, I12A, I12B, I12C, I46A, I47A		08	I12A, I12B, I12C, I13A, I13B, I13C, I13D, I13E, I46A, I47A		21A	W04A, W04B
	21A	W04A, W04B		21B	X04Z		21B	X06A, X06B, X06C
5t047.g↔	21B	X06A, X06B, X06C	5t047.r↔	08	BOP, KVT, UOP4, VIAL	5t048.7↔	08	I08A, I08B, I08C, I08D, I08E, I08F, I12A, I12B, I12C, I21Z, I31Z, I46A, I47A
	08	BOP, KVT, UOP4, VIAL		08	I12A, I12B, I12C, I13A, I13B, I13C, I13D, I13E, I46A, I47A		21A	W04A, W04B
	08	I08A, I08B, I08C, I08D, I08E, I08F, I12A, I12B, I12C, I46A, I47A		21A	W04A, W04B		21B	X06A, X06B, X06C

VYK

ZZV	MDC	DRG	ZZV	MDC	DRG	ZZV	MDC	DRG				
5t048.5↔		BOP, KVT, UOP4, VIAL	5t048.g↔	01	BOP, KVT, UOP4, VIAL B03A, B03B, B06A, B06B, B17A, B17B, B17C	5t048.v↔	08	BOP, KVT, UOP4, VIAL 112A, 112B, 112C, 120C, 128A, 128B, 146A, 147A				
	08	I08A, I08B, I08C, I08D, I08E, I08F, I12A, I12B, I12C, I21Z, I31Z, I46A, I47A		08	I08A, I08B, I08C, I08D, I08E, I08F, I46A, I47A		21A	W04A, W04B				
	21A	W04A, W04B		21B	X04Z		21B	X04Z, X06A, X06B, X06C				
5t048.6↔	21B	X06A, X06B, X06C	5t048.h↔	21A	W01A, W01B, W01C, W02A, W02B	5t048.w↔	BOP, KVT, UOP4, VIAL	08	I12A, I12B, I12C, 120C, 128A, 128B, 146A, 147A			
	08	BOP, KVT, UOP4, VIAL I08A, I08B, I08C, I08D, I08E, I08F, I12A, I12B, I12C, I21Z, I31Z, I46A, I47A		21B	X04Z		21A	W04A, W04B				
	21A	W04A, W04B		01	BOP, KVT, UOP4, VIAL B03A, B03B, B06A, B06B, B17A, B17B, B17C		21B	X04Z, X06A, X06B, X06C				
5t048.7↔	21B	X06A, X06B, X06C	5t048.i↔	08	I08A, I08B, I08C, I08D, I08E, I08F, I46A, I47A	5t048.x	BOP, KVT, UOP4, VIAL	08	I12A, I12B, I12C, 128A, 128B, 146A, 147A			
	08	BOP, KVT, UOP4, VIAL I08A, I08B, I08C, I08D, I08E, I08F, I12A, I12B, I12C, I21Z, I31Z, I46A, I47A		21A	W01A, W01B, W01C, W02A, W02B		21A	W04A, W04B				
	21A	W04A, W04B		21B	X04Z		21B	X06A, X06B, X06C				
5t048.8↔	21B	X06A, X06B, X06C	5t048.j↔	BOP, KVT, UOP4, VIAL	5t048.l↔	BOP, KVT, UOP4, VIAL	5t048.z↔	BOP, KVT, UOP4, VIAL	04	E02A, E02B, E02C		
	08	BOP, KVT, UOP4, VIAL I08A, I08B, I08C, I08D, I08E, I08F, I12A, I12B, I12C, I21Z, I31Z, I46A, I47A		08		I12A, I12B, I12C, 128A, 128B, 146A, 147A		08	I12A, I12B, I12C, 128A, 128B, 146A, 147A	08	I12A, I12B, I12C, 128A, 128B, 146A, 147A	
	21A	W04A, W04B		21A		W04A, W04B		21A	W04A, W04B	21A	W04A, W04B	
5t048.9↔	21B	X06A, X06B, X06C	5t048.k↔	21B	X04Z	5t049.2↔	21B	X06A, X06B, X06C	5t049.5↔	21B	X06A, X06B, X06C	
	08	BOP, KVT, UOP4, VIAL I08A, I08B, I08C, I08D, I08E, I08F, I12A, I12B, I12C, I21Z, I31Z, I46A, I47A		08	I12A, I12B, I12C, 113A, 113B, 113C, 113D, 146A, 147A		08	I12A, I12B, I12C, 113A, 113B, 113C, 113D, 113E, 146A, 147A		08	BOP, KVT, UOP4, VIAL I08A, I08B, I08C, I08D, I08E, I08F, I12A, I12B, I12C, 113A, 113B, 113C, 113D, 113E, 146A, 147A	
	21A	W04A, W04B		21A	W04A, W04B		21A	W04A, W04B		21A	W04A, W04B	
5t048.a↔	21B	X06A, X06B, X06C	5t048.m↔	BOP, KVT, UOP4, VIAL	5t048.n↔	BOP, KVT, UOP4, VIAL	5t049.8↔	21B	X06A, X06B, X06C	5t049.d	21B	X06A, X06B, X06C
	08	BOP, KVT, UOP4, VIAL I12A, I12B, I12C, I32A, I32B, I32C, I32D, I32E, I32F, I46A, I47A		08		I12A, I12B, I12C, 113A, 113B, 113C, 113D, 146A, 147A		08	I12A, I12B, I12C, 113A, 113B, 113C, 113D, 113E, 146A, 147A		08	BOP, KVT, UOP4, VIAL I08A, I08B, I08C, I08D, I08E, I08F, I12A, I12B, I12C, I21Z, I31Z, I46A, I47A
	21A	W04A, W04B		21A		W04A, W04B		21A	W04A, W04B		21A	W04A, W04B
5t048.b↔	21B	X05A, X05B	5t048.p↔	21B	X04Z	5t048.q↔	21B	X04Z	5t049.g↔	08	I08A, I08B, I08C, I08D, I08E, I08F, I12A, I12B, I12C, I21Z, I31Z, I46A, I47A	
	08	BOP, KVT, UOP4, VIAL I12A, I12B, I12C, I32A, I32B, I32C, I32D, I32E, I32F, I46A, I47A		08	BOP, KVT, UOP4, VIAL I12A, I12B, I12C, 113A, 113B, 113C, 113D, 113E, 146A, 147A		08	BOP, KVT, UOP4, VIAL I12A, I12B, I12C, 113A, 113B, 113C, 113D, 113E, 146A, 147A		21A	W04A, W04B	
	21A	W04A, W04B		21A	W04A, W04B		21A	W04A, W04B		21B	X06A, X06B, X06C	
5t048.c↔	21B	X05A, X05B	5t048.r↔	BOP, KVT, UOP4, VIAL	5t048.s↔	BOP, KVT, UOP4, VIAL	5t049.m↔	08	I08A, I08B, I08C, I08D, I08E, I08F, I12A, I12B, I12C, I21Z, I31Z, I46A, I47A	5t049.q↔	08	I08A, I08B, I08C, I08D, I08E, I08F, I46A, I47A
	08	BOP, KVT, UOP4, VIAL I12A, I12B, I12C, I32A, I32B, I32C, I32D, I32E, I32F, I46A, I47A		08		I12A, I12B, I12C, 113A, 113B, 113C, 113D, 113E, 146A, 147A		08	I12A, I12B, I12C, 120C, 128A, 128B, 146A, 147A		21A	W01A, W01B, W01C, W02A, W02B
	21A	W04A, W04B		21A		W04A, W04B		21A	W04A, W04B		21B	X04Z
5t048.d	21B	X05A, X05B	5t048.t↔	08	I12A, I12B, I12C, 113A, 113B, 113C, 113D, 113E, 146A, 147A	5t049.s↔	08	I12A, I12B, I12C, 113A, 113B, 113C, 113D, 113E, 146A, 147A	5t049.t↔	08	I12A, I12B, I12C, 120D, 146A, 147A	
	08	BOP, KVT, UOP4, VIAL I08A, I08B, I08C, I08D, I08E, I08F, I12A, I12B, I12C, I46A, I47A		21A	W04A, W04B		21A	W04A, W04B		08	I20A, I20B, I20C, I20D, 146A, 147A	
	21A	W04A, W04B		21B	X04Z		21B	X04Z		08	I20A, I20B, I20C, I20D, 146A, 147A	
5t048.e↔	21B	X06A, X06B, X06C	5t048.u↔	BOP, KVT, UOP4, VIAL	5t049.u↔	BOP, KVT, UOP4, VIAL	5t049.u↔	08	I20A, I20B, I20C, I20D, 146A, 147A			
	01	BOP, KVT, UOP4, VIAL B03A, B03B, B06A, B06B, B17A, B17B, B17C		08		I12A, I12B, I12C, 120C, 128A, 128B, 146A, 147A		08	I12A, I12B, I12C, 120C, 128A, 128B, 146A, 147A	08	I20A, I20B, I20C, I20D, 146A, 147A	
	08	I08A, I08B, I08C, I08D, I08E, I08F, I46A, I47A		21A		W04A, W04B		21A	W04A, W04B	08	I20A, I20B, I20C, I20D, 146A, 147A	
5t048.f↔	21A	W01A, W01B, W01C, W02A, W02B	5t049.v↔	21B	X04Z, X06A, X06B, X06C	5t049.w↔	21B	X04Z, X06A, X06B, X06C	5t049.x↔	21A	W04A, W04B	
	21B	X04Z		08	I12A, I12B, I12C, 120C, 128A, 128B, 146A, 147A		08	I12A, I12B, I12C, 120C, 128A, 128B, 146A, 147A		21B	X06A, X06B, X06C	
	01	BOP, KVT, UOP4, VIAL B03A, B03B, B06A, B06B, B17A, B17B, B17C		21A	W04A, W04B		21A	W04A, W04B		21B	X06A, X06B, X06C	
5t048.g↔	08	I08A, I08B, I08C, I08D, I08E, I08F, I46A, I47A	5t049.y↔	21B	X04Z, X06A, X06B, X06C	5t049.z↔	21B	X04Z, X06A, X06B, X06C	5t049.aa↔	21A	W04A, W04B	
	21A	W01A, W01B, W01C, W02A, W02B		08	I12A, I12B, I12C, 120C, 128A, 128B, 146A, 147A		08	I12A, I12B, I12C, 120C, 128A, 128B, 146A, 147A		21A	W04A, W04B	
	21B	X04Z		21A	W04A, W04B		21A	W04A, W04B		21B	X06A, X06B, X06C	

VYK

ZZV	MDC	DRG	ZZV	MDC	DRG	ZZV	MDC	DRG
5t049.v↔		BOP, KVT, UOP4, VIAL	5t04a.e↔		BOP, KVT, UOP4, VIAL	5t04b.0↔		BOP, KVT, UOP4, VIAL
	08	I20A, I20B, I20C, I20D, I46A, I47A		01	B03A, B03B, B06A, B06B, B17A, B17B, B17C		04	E02A, E02B, E02C
5t049.w↔		BOP, KVT, UOP4, VIAL		08	I08A, I08B, I08C, I08D, I08E, I08F		08	I12A, I12B, I12C, I28A, I28B
	08	I20A, I20B, I20C, I20D, I46A, I47A		21A	W01A, W01B, W01C, W02A, W02B		21A	W04A, W04B
5t04a.1↔		BOP, KVT, UOP4, VIAL		21B	X04Z	5t04b.1↔		BOP, KVT, UOP4, VIAL
	08	I08A, I08B, I08C, I08D, I08E, I08F, I12A, I12B, I12C, I13A, I13B, I13C, I13D, I13E	5t04a.f↔		BOP, KVT, UOP4, VIAL		08	I08A, I08B, I08C, I08D, I08E, I08F, I12A, I12B, I12C, I13A, I13B, I13C, I13D, I13E
	21A	W04A, W04B		01	B03A, B03B, B06A, B06B, B17A, B17B, B17C		21A	W04A, W04B
	21B	X06A, X06B, X06C		08	I08A, I08B, I08C, I08D, I08E, I08F	5t04b.2↔		BOP, KVT, UOP4, VIAL
5t04a.2↔		BOP, KVT, UOP4, VIAL		21A	W01A, W01B, W01C, W02A, W02B		08	I08A, I08B, I08C, I08D, I08E, I08F, I12A, I12B, I12C, I13A, I13B, I13C, I13D, I13E
	08	I08A, I08B, I08C, I08D, I08E, I08F, I12A, I12B, I12C, I13A, I13B, I13C, I13D, I13E		21B	X04Z		21A	W04A, W04B
	21A	W04A, W04B	5t04a.g↔		BOP, KVT, UOP4, VIAL		21B	X06A, X06B, X06C
	21B	X06A, X06B, X06C		01	B03A, B03B, B06A, B06B, B17A, B17B, B17C	5t04b.3↔		BOP, KVT, UOP4, VIAL
5t04a.3↔		BOP, KVT, UOP4, VIAL		08	I08A, I08B, I08C, I08D, I08E, I08F		08	I08A, I08B, I08C, I08D, I08E, I08F, I12A, I12B, I12C, I13A, I13B, I13C, I13D, I13E
	08	I08A, I08B, I08C, I08D, I08E, I08F, I12A, I12B, I12C, I13A, I13B, I13C, I13D, I13E		21A	W01A, W01B, W01C, W02A, W02B		21A	W04A, W04B
	21A	W04A, W04B		21B	X04Z		21B	X06A, X06B, X06C
	21B	X06A, X06B, X06C	5t04a.h↔		BOP, KVT, UOP4, VIAL	5t04b.4↔		BOP, KVT, UOP4, VIAL
5t04a.4↔		BOP, KVT, UOP4, VIAL		01	B03A, B03B, B06A, B06B, B17A, B17B, B17C		08	I08A, I08B, I08C, I08D, I08E, I08F, I12A, I12B, I12C, I21Z, I31Z
	08	I08A, I08B, I08C, I08D, I08E, I08F, I12A, I12B, I12C, I21Z, I31Z		08	I08A, I08B, I08C, I08D, I08E, I08F		21A	W04A, W04B
	21A	W04A, W04B		21A	W01A, W01B, W01C, W02A, W02B		21B	X06A, X06B, X06C
	21B	X06A, X06B, X06C		21B	X04Z	5t04b.5↔		BOP, KVT, UOP4, VIAL
5t04a.5↔		BOP, KVT, UOP4, VIAL	5t04a.k↔		BOP, KVT, UOP4, VIAL		08	I08A, I08B, I08C, I08D, I08E, I08F, I12A, I12B, I12C, I21Z, I31Z
	08	I08A, I08B, I08C, I08D, I08E, I08F, I12A, I12B, I12C, I21Z, I31Z		08	I12A, I12B, I12C, I13A, I13B, I13C, I13D, I13E		21A	W04A, W04B
	21A	W04A, W04B		21A	W04A, W04B		21B	X06A, X06B, X06C
	21B	X06A, X06B, X06C		21B	X04Z	5t04b.6↔		BOP, KVT, UOP4, VIAL
5t04a.6↔		BOP, KVT, UOP4, VIAL	5t04a.m↔		BOP, KVT, UOP4, VIAL		08	I08A, I08B, I08C, I08D, I08E, I08F, I12A, I12B, I12C, I21Z, I31Z
	08	I08A, I08B, I08C, I08D, I08E, I08F, I12A, I12B, I12C, I21Z, I31Z		08	I12A, I12B, I12C, I13A, I13B, I13C, I13D, I13E		21A	W04A, W04B
	21A	W04A, W04B		21A	W04A, W04B		21B	X06A, X06B, X06C
	21B	X06A, X06B, X06C	5t04a.n↔		BOP, KVT, UOP4, VIAL	5t04b.7↔		BOP, KVT, UOP4, VIAL
5t04a.7↔		BOP, KVT, UOP4, VIAL		08	I12A, I12B, I12C, I13A, I13B, I13C, I13D, I13E		08	I08A, I08B, I08C, I08D, I08E, I08F, I12A, I12B, I12C, I21Z, I31Z
	08	I08A, I08B, I08C, I08D, I08E, I08F, I12A, I12B, I12C, I21Z, I31Z		21A	W04A, W04B		21A	W04A, W04B
	21A	W04A, W04B		21B	X04Z		21B	X06A, X06B, X06C
	21B	X06A, X06B, X06C	5t04a.p↔		BOP, KVT, UOP4, VIAL	5t04b.8↔		BOP, KVT, UOP4, VIAL
5t04a.8↔		BOP, KVT, UOP4, VIAL		08	I13A, I13B, I13C, I13D, I13E		08	I08A, I08B, I08C, I08D, I08E, I08F, I12A, I12B, I12C, I21Z, I31Z
	08	I08A, I08B, I08C, I08D, I08E, I08F, I12A, I12B, I12C, I21Z, I31Z	5t04a.q↔		BOP, KVT, UOP4, VIAL		21A	W04A, W04B
	21A	W04A, W04B		08	I13A, I13B, I13C, I13D, I13E		21B	X06A, X06B, X06C
	21B	X06A, X06B, X06C	5t04a.r↔		BOP, KVT, UOP4, VIAL	5t04b.9↔		BOP, KVT, UOP4, VIAL
5t04a.9↔		BOP, KVT, UOP4, VIAL		08	I12A, I12B, I12C, I13A, I13B, I13C, I13D, I13E		08	I08A, I08B, I08C, I08D, I08E, I08F, I12A, I12B, I12C, I21Z, I31Z
	08	I08A, I08B, I08C, I08D, I08E, I08F, I12A, I12B, I12C, I21Z, I31Z	5t04a.s↔		BOP, KVT, UOP4, VIAL		21A	W04A, W04B
	21A	W04A, W04B		08	I20A, I20B, I20C, I20D		21B	X06A, X06B, X06C
	21B	X06A, X06B, X06C	5t04a.t↔		BOP, KVT, UOP4, VIAL	5t04b.a↔		BOP, KVT, UOP4, VIAL
5t04a.a↔		BOP, KVT, UOP4, VIAL		08	I20A, I20B, I20C, I20D		08	I12A, I12B, I12C, I32A, I32B, I32C, I32D, I32E, I32F
	08	I12A, I12B, I12C, I32A, I32B, I32C, I32D, I32E, I32F	5t04a.u↔		BOP, KVT, UOP4, VIAL		21A	W04A, W04B
	21A	W04A, W04B		08	I20A, I20B, I20C, I20D		21B	X05A, X05B
	21B	X05A, X05B	5t04a.v↔		BOP, KVT, UOP4, VIAL	5t04b.b↔		BOP, KVT, UOP4, VIAL
5t04a.d		BOP, KVT, UOP4, VIAL		08	I20A, I20B, I20C, I20D		08	I12A, I12B, I12C, I32A, I32B, I32C, I32D, I32E, I32F
	08	I08A, I08B, I08C, I08D, I08E, I08F, I47A	5t04a.w↔		BOP, KVT, UOP4, VIAL		21A	W04A, W04B
			5t04a.x		BOP, KVT, UOP4		21B	X05A, X05B
				08	I12A, I12B, I12C, I28A, I28B			
				21A	W04A, W04B			
				21B	X06A, X06B, X06C			

VYK

ZZV	MDC	DRG	ZZV	MDC	DRG	ZZV	MDC	DRG
5t04b.c↔		BOP, KVT, UOP4, VIAL	5t04b.q↔		BOP, KVT, UOP4, VIAL	5t04x.4↔		BOP, KVT, UOP4, VIAL
	08	I12A, I12B, I12C, I32A, I32B, I32C, I32D, I32E, I32F		08	I12A, I12B, I12C, I13A, I13B, I13C, I13D, I13E		08	I08A, I08B, I08C, I08D, I08E, I08F, I12A, I12B, I12C, I21Z, I31Z
	21A	W04A, W04B		21A	W04A, W04B		21A	W04A, W04B
5t04b.d	21B	X05A, X05B	5t04b.r↔	21B	X04Z	5t04x.5↔	21B	X06A, X06B, X06C
		BOP, KVT, UOP4, VIAL			BOP, KVT, UOP4, VIAL			BOP, KVT, UOP4, VIAL
	08	I08A, I08B, I08C, I08D, I08E, I08F, I12A, I12B, I12C		08	I12A, I12B, I12C, I13A, I13B, I13C, I13D, I13E		08	I08A, I08B, I08C, I08D, I08E, I08F, I12A, I12B, I12C, I21Z, I31Z
5t04b.e↔	21A	W04A, W04B	5t04b.s↔	21A	W04A, W04B	5t04x.6↔	21A	W04A, W04B
	21B	X06A, X06B, X06C		21B	X04Z		21B	X06A, X06B, X06C
		BOP, KVT, UOP4, VIAL			BOP, KVT, UOP4, VIAL			BOP, KVT, UOP4, VIAL
5t04b.f↔	01	B03A, B03B, B06A, B06B, B17A, B17B, B17C	5t04b.t↔	08	I12A, I12B, I12C, I20C, I28A, I28B	5t04x.7↔	08	I08A, I08B, I08C, I08D, I08E, I08F, I12A, I12B, I12C, I21Z, I31Z
	08	I08A, I08B, I08C, I08D, I08E, I08F		21A	W04A, W04B		21A	W04A, W04B
	21A	W01A, W01B, W01C, W02A, W02B		21B	X04Z, X06A, X06B, X06C		21B	X06A, X06B, X06C
5t04b.g↔	21B	X04Z	5t04b.u↔	08	I12A, I12B, I12C, I20C, I28A, I28B	5t04x.8↔	21A	W04A, W04B
		BOP, KVT, UOP4, VIAL		21A	W04A, W04B		21B	X06A, X06B, X06C
	01	B03A, B03B, B06A, B06B, B17A, B17B, B17C		21B	X04Z, X06A, X06B, X06C		08	I08A, I08B, I08C, I08D, I08E, I08F, I12A, I12B, I12C, I21Z, I31Z
5t04b.h↔	08	I08A, I08B, I08C, I08D, I08E, I08F	5t04b.v↔	08	I12A, I12B, I12C, I20C, I28A, I28B	5t04x.9↔	21A	W04A, W04B
	21A	W01A, W01B, W01C, W02A, W02B		21A	W04A, W04B		21B	X06A, X06B, X06C
	21B	X04Z		21B	X04Z, X06A, X06B, X06C		08	I08A, I08B, I08C, I08D, I08E, I08F, I12A, I12B, I12C, I21Z, I31Z
5t04b.i↔		BOP, KVT, UOP4, VIAL	5t04b.w↔		BOP, KVT, UOP4, VIAL	5t04x.a↔		BOP, KVT, UOP4, VIAL
	01	B03A, B03B, B06A, B06B, B17A, B17B, B17C			BOP, KVT, UOP4, VIAL			BOP, KVT, UOP4, VIAL
	08	I08A, I08B, I08C, I08D, I08E, I08F		08	I12A, I12B, I12C, I20C, I28A, I28B		08	I12A, I12B, I12C, I32A, I32B, I32C, I32D, I32E, I32F
5t04b.j↔	21A	W01A, W01B, W01C, W02A, W02B	5t04b.x	21A	W04A, W04B	5t04x.b↔	21A	W04A, W04B
	21B	X04Z		21B	X04Z, X06A, X06B, X06C		21B	X05A, X05B
		BOP, KVT, UOP4, VIAL			BOP, KVT, UOP4, VIAL			BOP, KVT, UOP4, VIAL
5t04b.k↔	08	I12A, I12B, I12C, I28A, I28B	5t04b.z↔	08	I12A, I12B, I12C, I28A, I28B	5t04x.c↔	08	I12A, I12B, I12C, I32A, I32B, I32C, I32D, I32E, I32F
	21A	W04A, W04B		21A	W04A, W04B		21A	W04A, W04B
	21B	X04Z, X06A, X06B, X06C		21B	X06A, X06B, X06C		21B	X05A, X05B
5t04b.l↔		BOP, KVT, UOP4, VIAL	5t04x.0↔		BOP, KVT, UOP4, VIAL	5t04x.d		BOP, KVT, UOP4, VIAL
	08	I12A, I12B, I12C, I13A, I13B, I13C, I13D, I13E		04	E02A, E02B, E02C		08	I12A, I12B, I12C, I28A, I28B
	21A	W04A, W04B		08	I12A, I12B, I12C, I28A, I28B		21A	W04A, W04B
5t04b.m↔	21B	X04Z	5t04x.1↔	21B	X06A, X06B, X06C	5t04x.e↔	21B	X05A, X05B
		BOP, KVT, UOP4, VIAL		08	I08A, I08B, I08C, I08D, I08E, I08F, I12A, I12B, I12C, I13A, I13B, I13C, I13D, I13E		08	I08A, I08B, I08C, I08D, I08E, I08F, I12A, I12B, I12C
	08	I12A, I12B, I12C, I13A, I13B, I13C, I13D, I13E		21A	W04A, W04B		21A	W04A, W04B
5t04b.n↔	21A	W04A, W04B	5t04x.2↔	21B	X06A, X06B, X06C	5t04x.f↔	21B	X06A, X06B, X06C
	21B	X04Z			BOP, KVT, UOP4, VIAL		01	B03A, B03B, B06A, B06B, B17A, B17B, B17C
		BOP, KVT, UOP4, VIAL		08	I08A, I08B, I08C, I08D, I08E, I08F, I12A, I12B, I12C, I13A, I13B, I13C, I13D, I13E		08	I08A, I08B, I08C, I08D, I08E, I08F
5t04b.o↔	08	I12A, I12B, I12C, I13A, I13B, I13C, I13D, I13E	5t04x.3↔		BOP, KVT, UOP4, VIAL	5t04x.g↔	21A	W01A, W01B, W01C, W02A, W02B
	21A	W04A, W04B		08	I08A, I08B, I08C, I08D, I08E, I08F, I12A, I12B, I12C, I13A, I13B, I13C, I13D, I13E		21B	X04Z
	21B	X04Z		21A	W04A, W04B			
5t04b.p↔		BOP, KVT, UOP4, VIAL		BOP, KVT, UOP4, VIAL				
	08	I12A, I12B, I12C, I13A, I13B, I13C, I13D, I13E	21B	X06A, X06B, X06C				
	21A	W04A, W04B						

ZZV	MDC	DRG	ZZV	MDC	DRG	ZZV	MDC	DRG
5t050.m↔		BOP, KVT, UOP4, VIAL	5t051.5↔		BOP, KVT, UOP4, VIAL	5t051.g↔		BOP, KVT, UOP4, VIAL
	08	I12A, I12B, I12C, I13A, I13B, I13C, I13D		08	I08A, I08B, I08C, I08D, I08E, I08F, I12A, I12B, I12C, I21Z, I31Z		01	B03A, B03B, B06A, B06B, B17A, B17B, B17C
	21A	W04A, W04B		21A	W04A, W04B		08	I08A, I08B, I08C, I08D, I08E, I08F
	21B	X04Z		21B	X06A, X06B, X06C		21A	W01A, W01B, W01C, W02A, W02B
5t050.n↔		BOP, KVT, UOP4, VIAL	5t051.6↔		BOP, KVT, UOP4, VIAL		21B	X04Z
	08	I12A, I12B, I12C, I13A, I13B, I13C, I13D		08	I08A, I08B, I08C, I08D, I08E, I08F, I12A, I12B, I12C, I21Z, I31Z	5t051.h↔		BOP, KVT, UOP4, VIAL
	21A	W04A, W04B		21A	W04A, W04B		01	B03A, B03B, B06A, B06B, B17A, B17B, B17C
	21B	X04Z		21B	X06A, X06B, X06C		08	I08A, I08B, I08C, I08D, I08E, I08F
5t050.p↔		BOP, KVT, UOP4, VIAL	5t051.7↔		BOP, KVT, UOP4, VIAL		21A	W01A, W01B, W01C, W02A, W02B
	08	I13A, I13B, I13C, I13D		08	I08A, I08B, I08C, I08D, I08E, I08F, I12A, I12B, I12C, I21Z, I31Z		21B	X04Z
5t050.q↔		BOP, KVT, UOP4, VIAL		21A	W04A, W04B	5t051.j↔		BOP, KVT, UOP4, VIAL
	08	I13A, I13B, I13C, I13D		21B	X06A, X06B, X06C		08	I12A, I12B, I12C, I28A, I28B
5t050.r↔		BOP, KVT, UOP4, VIAL	5t051.8↔		BOP, KVT, UOP4, VIAL		21A	W04A, W04B
	08	I13A, I13B, I13C, I13D		08	I08A, I08B, I08C, I08D, I08E, I08F, I12A, I12B, I12C, I21Z, I31Z		21B	X04Z, X06A, X06B, X06C
5t050.s↔		BOP, KVT, UOP4, VIAL		21A	W04A, W04B	5t051.k↔		BOP, KVT, UOP4, VIAL
	08	I20A, I20B, I20C, I20D, I20E, I20F		21B	X06A, X06B, X06C		08	I12A, I12B, I12C, I13A, I13B, I13C, I13D
5t050.t↔		BOP, KVT, UOP4, VIAL	5t051.9↔		BOP, KVT, UOP4, VIAL		21A	W04A, W04B
	08	I20A, I20B, I20C, I20D, I20E, I20F		08	I08A, I08B, I08C, I08D, I08E, I08F, I12A, I12B, I12C, I21Z, I31Z	5t051.m↔		BOP, KVT, UOP4, VIAL
5t050.u↔		BOP, KVT, UOP4, VIAL		21A	W04A, W04B		08	I12A, I12B, I12C, I13A, I13B, I13C, I13D
	08	I20A, I20B, I20C, I20D, I20E, I20F		21B	X06A, X06B, X06C		21A	W04A, W04B
5t050.v↔		BOP, KVT, UOP4, VIAL	5t051.a↔		BOP, KVT, UOP4, VIAL		21B	X04Z
	08	I20A, I20B, I20C, I20D, I20E, I20F		08	I12A, I12B, I12C, I32A, I32B, I32C, I32D, I32E, I32F	5t051.n↔		BOP, KVT, UOP4, VIAL
5t050.w↔		BOP, KVT, UOP4, VIAL		21A	W04A, W04B		08	I12A, I12B, I12C, I13A, I13B, I13C, I13D
	08	I20A, I20B, I20C, I20D, I20E, I20F		21B	X05A, X05B		21A	W04A, W04B
5t050.x		BOP, KVT, UOP4	5t051.b↔		BOP, KVT, UOP4, VIAL		21B	X04Z
	03	D12A, D12B		08	I12A, I12B, I12C, I32A, I32B, I32C, I32D, I32E, I32F	5t051.p↔		BOP, KVT, UOP4, VIAL
	08	I12A, I12B, I12C, I28A, I28B		21A	W04A, W04B		08	I12A, I12B, I12C, I13A, I13B, I13C, I13D
	21A	W04A, W04B		21B	X05A, X05B		21A	W04A, W04B
	21B	X06A, X06B, X06C	5t051.c↔		BOP, KVT, UOP4, VIAL		21B	X04Z
5t050.z↔		BOP, KVT, UOP4, VIAL		08	I12A, I12B, I12C, I32A, I32B, I32C, I32D, I32E, I32F	5t051.q↔		BOP, KVT, UOP4, VIAL
	04	E02A, E02B, E02C		21A	W04A, W04B		08	I12A, I12B, I12C, I13A, I13B, I13C, I13D
	08	I12A, I12B, I12C, I28A, I28B		21B	X05A, X05B		21A	W04A, W04B
	21A	W04A, W04B	5t051.d		BOP, KVT, UOP4, VIAL		21B	X04Z
	21B	X06A, X06B, X06C		08	I08A, I08B, I08C, I08D, I08E, I08F, I12A, I12B, I12C	5t051.r↔		BOP, KVT, UOP4, VIAL
5t051.0↔		BOP, KVT, UOP4, VIAL		21A	W04A, W04B		08	I12A, I12B, I12C, I13A, I13B, I13C, I13D
	04	E02A, E02B, E02C		21B	X06A, X06B, X06C		21A	W04A, W04B
	08	I12A, I12B, I12C, I28A, I28B	5t051.e↔		BOP, KVT, UOP4, VIAL		21B	X04Z
	21A	W04A, W04B		01	B03A, B03B, B06A, B06B, B17A, B17B, B17C	5t051.s↔		BOP, KVT, UOP4, VIAL
	21B	X06A, X06B, X06C		08	I08A, I08B, I08C, I08D, I08E, I08F		08	I12A, I12B, I12C, I28A, I28B
5t051.1↔		BOP, KVT, UOP4, VIAL		21A	W04A, W04B		21A	W04A, W04B
	08	I08A, I08B, I08C, I08D, I08E, I08F, I12A, I12B, I12C, I13A, I13B, I13C, I13D		21B	X06A, X06B, X06C	5t051.t↔		BOP, KVT, UOP4, VIAL
	21A	W04A, W04B	5t051.f↔		BOP, KVT, UOP4, VIAL		08	I12A, I12B, I12C, I28A, I28B
	21B	X06A, X06B, X06C		01	B03A, B03B, B06A, B06B, B17A, B17B, B17C		21A	W04A, W04B
5t051.2↔		BOP, KVT, UOP4, VIAL		08	I08A, I08B, I08C, I08D, I08E, I08F		21B	X04Z, X06A, X06B, X06C
	08	I08A, I08B, I08C, I08D, I08E, I08F, I12A, I12B, I12C, I13A, I13B, I13C, I13D		21A	W01A, W01B, W01C, W02A, W02B		08	I12A, I12B, I12C, I28A, I28B
	21A	W04A, W04B		21B	X04Z	5t051.u↔		BOP, KVT, UOP4, VIAL
	21B	X06A, X06B, X06C		01	B03A, B03B, B06A, B06B, B17A, B17B, B17C		08	I12A, I12B, I12C, I28A, I28B
5t051.3↔		BOP, KVT, UOP4, VIAL		08	I08A, I08B, I08C, I08D, I08E, I08F		21A	W04A, W04B
	08	I08A, I08B, I08C, I08D, I08E, I08F, I12A, I12B, I12C, I13A, I13B, I13C, I13D		21A	W01A, W01B, W01C, W02A, W02B		21B	X04Z, X06A, X06B, X06C
	21A	W04A, W04B		21B	X04Z	5t051.v↔		BOP, KVT, UOP4, VIAL
	21B	X06A, X06B, X06C		01	B03A, B03B, B06A, B06B, B17A, B17B, B17C		08	I12A, I12B, I12C, I28A, I28B
5t051.4↔		BOP, KVT, UOP4, VIAL		08	I08A, I08B, I08C, I08D, I08E, I08F		21A	W04A, W04B
	08	I08A, I08B, I08C, I08D, I08E, I08F, I12A, I12B, I12C, I21Z, I31Z		21A	W01A, W01B, W01C, W02A, W02B		21B	X04Z, X06A, X06B, X06C
	21A	W04A, W04B		21B	X04Z			
	21B	X06A, X06B, X06C						

ZZV	MDC	DRG	ZZV	MDC	DRG	ZZV	MDC	DRG	
5t051.w↔		BOP, KVT, UOP4, VIAL	5t052.9↔		BOP, KVT, UOP4, VIAL	5t052.m↔		BOP, KVT, UOP4, VIAL	
	08	I12A, I12B, I12C, I28A, I28B		08	I08A, I08B, I08C, I08D, I08E, I08F, I12A, I12B, I12C, I21Z, I31Z		08	I12A, I12B, I12C, I13A, I13B, I13C, I13D	
	21A	W04A, W04B		21A	W04A, W04B		21A	W04A, W04B	
	21B	X04Z, X06A, X06B, X06C		21B	X06A, X06B, X06C		21B	X04Z	
5t051.x		BOP, KVT, UOP4	5t052.a↔		BOP, KVT, UOP4, VIAL	5t052.n↔		BOP, KVT, UOP4, VIAL	
	03	D12A, D12B		08	I12A, I12B, I12C, I32A, I32B, I32C, I32D, I32E, I32F		08	I12A, I12B, I12C, I13A, I13B, I13C, I13D	
	08	I12A, I12B, I12C, I28A, I28B		21A	W04A, W04B		21A	W04A, W04B	
	21A	W04A, W04B		21B	X05A, X05B		21B	X04Z	
	21B	X06A, X06B, X06C	5t052.b↔		BOP, KVT, UOP4, VIAL	5t052.p↔		BOP, KVT, UOP4, VIAL	
5t051.z↔		BOP, KVT, UOP4, VIAL		08	I12A, I12B, I12C, I32A, I32B, I32C, I32D, I32E, I32F		08	I12A, I12B, I12C, I13A, I13B, I13C, I13D	
	04	E02A, E02B, E02C		21A	W04A, W04B		21A	W04A, W04B	
	08	I12A, I12B, I12C, I28A, I28B		21B	X05A, X05B		21B	X04Z	
	21A	W04A, W04B	5t052.c↔		BOP, KVT, UOP4, VIAL	5t052.q↔		BOP, KVT, UOP4, VIAL	
	21B	X06A, X06B, X06C		08	I12A, I12B, I12C, I32A, I32B, I32C, I32D, I32E, I32F		08	I12A, I12B, I12C, I13A, I13B, I13C, I13D	
5t052.0↔		BOP, KVT, UOP4, VIAL		21A	W04A, W04B		21A	W04A, W04B	
	04	E02A, E02B, E02C		21B	X05A, X05B		21B	X04Z	
	08	I12A, I12B, I12C, I28A, I28B	5t052.d		BOP, KVT, UOP4, VIAL		08	I12A, I12B, I12C, I13A, I13B, I13C, I13D	
	21A	W04A, W04B		08	I08A, I08B, I08C, I08D, I08E, I08F, I12A, I12B, I12C		21A	W04A, W04B	
	21B	X06A, X06B, X06C		21A	W04A, W04B		21B	X04Z	
5t052.1↔		BOP, KVT, UOP4, VIAL		21B	X06A, X06B, X06C	5t052.r↔		BOP, KVT, UOP4, VIAL	
	08	I08A, I08B, I08C, I08D, I08E, I08F, I12A, I12B, I12C, I13A, I13B, I13C, I13D	5t052.e↔		BOP, KVT, UOP4, VIAL		08	I12A, I12B, I12C, I13A, I13B, I13C, I13D	
	21A	W04A, W04B		01	B03A, B03B, B06A, B06B, B17A, B17B, B17C		21A	W04A, W04B	
	21B	X06A, X06B, X06C		08	I08A, I08B, I08C, I08D, I08E, I08F		21B	X04Z	
5t052.2↔		BOP, KVT, UOP4, VIAL		21A	W01A, W01B, W01C, W02A, W02B	5t052.s↔		BOP, KVT, UOP4, VIAL	
	08	I08A, I08B, I08C, I08D, I08E, I08F, I12A, I12B, I12C, I13A, I13B, I13C, I13D		21B	X04Z		08	I12A, I12B, I12C, I28A, I28B	
	21A	W04A, W04B	5t052.f↔		BOP, KVT, UOP4, VIAL		21A	W04A, W04B	
	21B	X06A, X06B, X06C		01	B03A, B03B, B06A, B06B, B17A, B17B, B17C		21B	X04Z, X06A, X06B, X06C	
5t052.3↔		BOP, KVT, UOP4, VIAL		08	I08A, I08B, I08C, I08D, I08E, I08F	5t052.t↔		BOP, KVT, UOP4, VIAL	
	08	I08A, I08B, I08C, I08D, I08E, I08F, I12A, I12B, I12C, I13A, I13B, I13C, I13D		21A	W01A, W01B, W01C, W02A, W02B		08	I12A, I12B, I12C, I28A, I28B	
	21A	W04A, W04B		21B	X04Z		21A	W04A, W04B	
	21B	X06A, X06B, X06C	5t052.g↔		BOP, KVT, UOP4, VIAL		21B	X04Z, X06A, X06B, X06C	
5t052.4↔		BOP, KVT, UOP4, VIAL		01	B03A, B03B, B06A, B06B, B17A, B17B, B17C	5t052.u↔		BOP, KVT, UOP4, VIAL	
	08	I08A, I08B, I08C, I08D, I08E, I08F, I12A, I12B, I12C, I21Z, I31Z		08	I08A, I08B, I08C, I08D, I08E, I08F		08	I12A, I12B, I12C, I28A, I28B	
	21A	W04A, W04B		21A	W01A, W01B, W01C, W02A, W02B		21A	W04A, W04B	
	21B	X06A, X06B, X06C		21B	X04Z		21B	X04Z, X06A, X06B, X06C	
5t052.5↔		BOP, KVT, UOP4, VIAL	5t052.h↔		BOP, KVT, UOP4, VIAL	5t052.v↔		BOP, KVT, UOP4, VIAL	
	08	I08A, I08B, I08C, I08D, I08E, I08F, I12A, I12B, I12C, I21Z, I31Z		01	B03A, B03B, B06A, B06B, B17A, B17B, B17C		08	I12A, I12B, I12C, I28A, I28B	
	21A	W04A, W04B		08	I08A, I08B, I08C, I08D, I08E, I08F		21A	W04A, W04B	
	21B	X06A, X06B, X06C		21A	W01A, W01B, W01C, W02A, W02B		21B	X04Z, X06A, X06B, X06C	
5t052.6↔		BOP, KVT, UOP4, VIAL		21B	X04Z	5t052.w↔		BOP, KVT, UOP4, VIAL	
	08	I08A, I08B, I08C, I08D, I08E, I08F, I12A, I12B, I12C, I21Z, I31Z		21A	W01A, W01B, W01C, W02A, W02B		08	I12A, I12B, I12C, I28A, I28B	
	21A	W04A, W04B		21B	X04Z		21A	W04A, W04B	
	21B	X06A, X06B, X06C	5t052.i↔		BOP, KVT, UOP4, VIAL		21B	X04Z, X06A, X06B, X06C	
5t052.7↔		BOP, KVT, UOP4, VIAL		01	B03A, B03B, B06A, B06B, B17A, B17B, B17C	5t052.x		BOP, KVT, UOP4, VIAL	
	08	I08A, I08B, I08C, I08D, I08E, I08F, I12A, I12B, I12C, I21Z, I31Z		08	I08A, I08B, I08C, I08D, I08E, I08F		03	D12A, D12B	
	21A	W04A, W04B		21A	W01A, W01B, W01C, W02A, W02B		08	I12A, I12B, I12C, I28A, I28B	
	21B	X06A, X06B, X06C		21B	X04Z		21A	W04A, W04B	
5t052.8↔		BOP, KVT, UOP4, VIAL	5t052.j↔		BOP, KVT, UOP4, VIAL		21B	X06A, X06B, X06C	
	08	I08A, I08B, I08C, I08D, I08E, I08F, I12A, I12B, I12C, I21Z, I31Z		08	I12A, I12B, I12C, I28A, I28B	5t052.z↔		BOP, KVT, UOP4, VIAL	
	21A	W04A, W04B		21A	W04A, W04B		04	E02A, E02B, E02C	
	21B	X06A, X06B, X06C		21B	X04Z, X06A, X06B, X06C		08	I12A, I12B, I12C, I28A, I28B	
	08	I08A, I08B, I08C, I08D, I08E, I08F, I12A, I12B, I12C, I21Z, I31Z	5t052.k↔		BOP, KVT, UOP4, VIAL		21A	W04A, W04B	
	21A	W04A, W04B		08	I12A, I12B, I12C, I13A, I13B, I13C, I13D		21B	X06A, X06B, X06C	
	21B	X06A, X06B, X06C		21A	W04A, W04B	5t053.0↔		BOP, KVT, UOP4, VIAL	
	08	I08A, I08B, I08C, I08D, I08E, I08F, I12A, I12B, I12C, I21Z, I31Z		21B	X04Z		04	E02A, E02B, E02C	
	21A	W04A, W04B		5t052.l↔		BOP, KVT, UOP4, VIAL		08	I12A, I12B, I12C, I28A, I28B
	21B	X06A, X06B, X06C		08	I12A, I12B, I12C, I28A, I28B		21A	W04A, W04B	
	08	I08A, I08B, I08C, I08D, I08E, I08F, I12A, I12B, I12C, I21Z, I31Z		21A	W04A, W04B		21B	X06A, X06B, X06C	
	21A	W04A, W04B		21B	X04Z, X06A, X06B, X06C	5t053.1↔		BOP, KVT, UOP4, VIAL	
	21B	X06A, X06B, X06C		5t052.m↔		BOP, KVT, UOP4, VIAL		08	I08A, I08B, I08C, I08D, I08E, I08F, I12A, I12B, I12C, I13A, I13B, I13C, I13D
	08	I08A, I08B, I08C, I08D, I08E, I08F, I12A, I12B, I12C, I21Z, I31Z		08	I12A, I12B, I12C, I28A, I28B		21A	W04A, W04B	
	21A	W04A, W04B		21A	W04A, W04B		21B	X06A, X06B, X06C	
	21B	X06A, X06B, X06C		21B	X04Z		08	I08A, I08B, I08C, I08D, I08E, I08F, I12A, I12B, I12C, I13A, I13B, I13C, I13D	

VYK

ZZV	MDC	DRG	ZZV	MDC	DRG	ZZV	MDC	DRG
5t053.2↔		BOP, KVT, UOP4, VIAL	5t053.e↔	01	BOP, KVT, UOP4, VIAL	5t053.t↔	08	BOP, KVT, UOP4, VIAL
	08	I08A, I08B, I08C, I08D, I08E, I08F, I12A, I12B, I12C, I13A, I13B, I13C, I13D		08	B03A, B03B, B06A, B06B, B17A, B17B, B17C		08	I12A, I12B, I12C, I28A, I28B
	21A	W04A, W04B		21A	W01A, W01B, W01C, W02A, W02B		21A	W04A, W04B
5t053.3↔	21B	X06A, X06B, X06C	5t053.f↔	21B	X04Z	5t053.u↔	21B	X04Z, X06A, X06B, X06C
	08	BOP, KVT, UOP4, VIAL		01	BOP, KVT, UOP4, VIAL		08	BOP, KVT, UOP4, VIAL
	08	I08A, I08B, I08C, I08D, I08E, I08F, I12A, I12B, I12C, I13A, I13B, I13C, I13D		08	B03A, B03B, B06A, B06B, B17A, B17B, B17C		08	I12A, I12B, I12C, I28A, I28B
5t053.4↔	21A	W04A, W04B	5t053.g↔	08	I08A, I08B, I08C, I08D, I08E, I08F	5t053.v↔	21A	W04A, W04B
	21B	X06A, X06B, X06C		21A	W01A, W01B, W01C, W02A, W02B		21A	W04A, W04B
	08	BOP, KVT, UOP4, VIAL		21B	X04Z		21B	X04Z, X06A, X06B, X06C
5t053.5↔	08	I08A, I08B, I08C, I08D, I08E, I08F, I12A, I12B, I12C, I21Z, I31Z	5t053.h↔	01	BOP, KVT, UOP4, VIAL	5t053.w↔	08	I12A, I12B, I12C, I28A, I28B
	21A	W04A, W04B		08	B03A, B03B, B06A, B06B, B17A, B17B, B17C		21A	W04A, W04B
	21B	X06A, X06B, X06C		08	I08A, I08B, I08C, I08D, I08E, I08F		21B	X04Z, X06A, X06B, X06C
5t053.6↔	08	BOP, KVT, UOP4, VIAL	5t053.i↔	21A	W01A, W01B, W01C, W02A, W02B	5t053.x	03	D12A, D12B
	08	I08A, I08B, I08C, I08D, I08E, I08F, I12A, I12B, I12C, I21Z, I31Z		21B	X04Z		08	I12A, I12B, I12C, I28A, I28B
	21A	W04A, W04B		01	BOP, KVT, UOP4, VIAL		21A	W04A, W04B
5t053.7↔	21B	X06A, X06B, X06C	5t053.j↔	08	I08A, I08B, I08C, I08D, I08E, I08F	5t053.z↔	21B	X06A, X06B, X06C
	08	BOP, KVT, UOP4, VIAL		21A	W01A, W01B, W01C, W02A, W02B		04	E02A, E02B, E02C
	08	I08A, I08B, I08C, I08D, I08E, I08F, I12A, I12B, I12C, I21Z, I31Z		21B	X04Z		08	I12A, I12B, I12C, I28A, I28B
5t053.8↔	21A	W04A, W04B	5t053.k↔	21A	W01A, W01B, W01C, W02A, W02B	5t054.0↔	21A	W04A, W04B
	21B	X06A, X06B, X06C		21B	X04Z		21B	X06A, X06B, X06C
	08	BOP, KVT, UOP4, VIAL		08	I08A, I08B, I08C, I08D, I08E, I08F		04	E02A, E02B, E02C
5t053.9↔	08	I08A, I08B, I08C, I08D, I08E, I08F, I12A, I12B, I12C, I21Z, I31Z	5t053.l↔	21A	W01A, W01B, W01C, W02A, W02B	5t054.1↔	08	I12A, I12B, I12C, I28A, I28B
	21A	W04A, W04B		21B	X04Z		08	I08A, I08B, I08C, I08D, I08E, I08F, I12A, I12B, I12C, I13A, I13B, I13C, I13D
	21B	X06A, X06B, X06C		08	I12A, I12B, I12C, I13A, I13B, I13C, I13D		21A	W04A, W04B
5t053.a↔	21B	X06A, X06B, X06C	5t053.m↔	08	BOP, KVT, UOP4, VIAL	5t054.2↔	21B	X06A, X06B, X06C
	08	I08A, I08B, I08C, I08D, I08E, I08F, I12A, I12B, I12C, I21Z, I31Z		08	I12A, I12B, I12C, I13A, I13B, I13C, I13D		08	BOP, KVT, UOP4, VIAL
	21A	W04A, W04B		21A	W04A, W04B		08	I08A, I08B, I08C, I08D, I08E, I08F, I12A, I12B, I12C, I13A, I13B, I13C, I13D
5t053.b↔	21B	X06A, X06B, X06C	5t053.n↔	21B	X04Z	5t054.3↔	21A	W04A, W04B
	08	BOP, KVT, UOP4, VIAL		08	BOP, KVT, UOP4, VIAL		21B	X06A, X06B, X06C
	08	I08A, I08B, I08C, I08D, I08E, I08F, I12A, I12B, I12C, I21Z, I31Z		08	I12A, I12B, I12C, I13A, I13B, I13C, I13D		08	I08A, I08B, I08C, I08D, I08E, I08F, I12A, I12B, I12C, I13A, I13B, I13C, I13D
5t053.c↔	21A	W04A, W04B	5t053.o↔	21A	W04A, W04B	5t054.4↔	21A	W04A, W04B
	21B	X05A, X05B		21B	X04Z		21B	X06A, X06B, X06C
	08	BOP, KVT, UOP4, VIAL		08	I12A, I12B, I12C, I13A, I13B, I13C, I13D		08	BOP, KVT, UOP4, VIAL
5t053.d	08	I12A, I12B, I12C, I32A, I32B, I32C, I32D, I32E, I32F	5t053.p↔	21A	W04A, W04B	5t054.5↔	08	I08A, I08B, I08C, I08D, I08E, I08F, I12A, I12B, I12C, I21Z, I31Z
	21A	W04A, W04B		21B	X04Z		08	I08A, I08B, I08C, I08D, I08E, I08F, I12A, I12B, I12C, I21Z, I31Z
	21B	X05A, X05B		08	I12A, I12B, I12C, I13A, I13B, I13C, I13D		21A	W04A, W04B
5t053.e↔	08	BOP, KVT, UOP4, VIAL	5t053.q↔	21A	W04A, W04B	5t054.6↔	21B	X06A, X06B, X06C
	08	I12A, I12B, I12C, I32A, I32B, I32C, I32D, I32E, I32F		21B	X04Z		08	BOP, KVT, UOP4, VIAL
	21A	W04A, W04B		08	I12A, I12B, I12C, I13A, I13B, I13C, I13D		08	I08A, I08B, I08C, I08D, I08E, I08F, I12A, I12B, I12C, I21Z, I31Z
5t053.f↔	21B	X05A, X05B	5t053.r↔	21A	W04A, W04B	5t054.7↔	21A	W04A, W04B
	08	BOP, KVT, UOP4, VIAL		21B	X04Z		21B	X06A, X06B, X06C
	08	I08A, I08B, I08C, I08D, I08E, I08F, I12A, I12B, I12C		08	I12A, I12B, I12C, I13A, I13B, I13C, I13D		08	BOP, KVT, UOP4, VIAL
5t053.g↔	21A	W04A, W04B	5t053.s↔	21A	W04A, W04B	5t054.8↔	21A	W04A, W04B
	21B	X05A, X05B		21B	X04Z		21B	X06A, X06B, X06C
	08	BOP, KVT, UOP4, VIAL		08	I12A, I12B, I12C, I28A, I28B			
5t053.h↔	08	I08A, I08B, I08C, I08D, I08E, I08F, I12A, I12B, I12C						
	21A	W04A, W04B						
	21B	X06A, X06B, X06C						

VYK

ZZV	MDC	DRG	ZZV	MDC	DRG	ZZV	MDC	DRG
5t054.7↔		BOP, KVT, UOP4, VIAL	5t054.j↔		BOP, KVT, UOP4, VIAL	5t05x.1↔		BOP, KVT, UOP4, VIAL
	08	I08A, I08B, I08C, I08D, I08E, I08F, I12A, I12B, I12C, I21Z, I31Z		08	I12A, I12B, I12C, I28A, I28B		08	I08A, I08B, I08C, I08D, I08E, I08F, I12A, I12B, I12C, I13A, I13B, I13C, I13D
	21A	W04A, W04B		21A	W04A, W04B		21A	W04A, W04B
5t054.8↔	21B	X06A, X06B, X06C	5t054.k↔		BOP, KVT, UOP4, VIAL	5t05x.2↔		BOP, KVT, UOP4, VIAL
	08	I08A, I08B, I08C, I08D, I08E, I08F, I12A, I12B, I12C, I21Z, I31Z		08	I12A, I12B, I12C, I13A, I13B, I13C, I13D		08	I08A, I08B, I08C, I08D, I08E, I08F, I12A, I12B, I12C, I13A, I13B, I13C, I13D
	21A	W04A, W04B		21A	W04A, W04B		21A	W04A, W04B
5t054.9↔	21B	X06A, X06B, X06C	5t054.m↔		BOP, KVT, UOP4, VIAL	5t05x.3↔		BOP, KVT, UOP4, VIAL
	08	I08A, I08B, I08C, I08D, I08E, I08F, I12A, I12B, I12C, I21Z, I31Z		08	I12A, I12B, I12C, I13A, I13B, I13C, I13D		08	I08A, I08B, I08C, I08D, I08E, I08F, I12A, I12B, I12C, I13A, I13B, I13C, I13D
	21A	W04A, W04B		21A	W04A, W04B		21A	W04A, W04B
5t054.a↔	21B	X06A, X06B, X06C	5t054.n↔		BOP, KVT, UOP4, VIAL	5t05x.4↔		BOP, KVT, UOP4, VIAL
	08	I12A, I12B, I12C, I32A, I32B, I32C, I32D, I32E, I32F		08	I12A, I12B, I12C, I13A, I13B, I13C, I13D		08	I08A, I08B, I08C, I08D, I08E, I08F, I12A, I12B, I12C, I21Z, I31Z
	21A	W04A, W04B		21A	W04A, W04B		21A	W04A, W04B
5t054.b↔	21B	X05A, X05B	5t054.p↔		BOP, KVT, UOP4, VIAL	5t05x.5↔		BOP, KVT, UOP4, VIAL
	08	I12A, I12B, I12C, I32A, I32B, I32C, I32D, I32E, I32F		08	I12A, I12B, I12C, I13A, I13B, I13C, I13D		08	I08A, I08B, I08C, I08D, I08E, I08F, I12A, I12B, I12C, I21Z, I31Z
	21A	W04A, W04B		21A	W04A, W04B		21A	W04A, W04B
5t054.c↔	21B	X05A, X05B	5t054.q↔		BOP, KVT, UOP4, VIAL	5t05x.6↔		BOP, KVT, UOP4, VIAL
	08	I12A, I12B, I12C, I32A, I32B, I32C, I32D, I32E, I32F		08	I12A, I12B, I12C, I13A, I13B, I13C, I13D		08	I08A, I08B, I08C, I08D, I08E, I08F, I12A, I12B, I12C, I21Z, I31Z
	21A	W04A, W04B		21A	W04A, W04B		21A	W04A, W04B
5t054.d	21B	X05A, X05B	5t054.r↔		BOP, KVT, UOP4, VIAL	5t05x.7↔		BOP, KVT, UOP4, VIAL
	08	I12A, I12B, I12C, I32A, I32B, I32C, I32D, I32E, I32F		08	I12A, I12B, I12C, I13A, I13B, I13C, I13D		08	I08A, I08B, I08C, I08D, I08E, I08F, I12A, I12B, I12C, I21Z, I31Z
	21A	W04A, W04B		21A	W04A, W04B		21A	W04A, W04B
5t054.e↔	21B	X05A, X05B	5t054.s↔		BOP, KVT, UOP4, VIAL	5t05x.8↔		BOP, KVT, UOP4, VIAL
	08	I08A, I08B, I08C, I08D, I08E, I08F, I12A, I12B, I12C		08	I12A, I12B, I12C, I28A, I28B		08	I08A, I08B, I08C, I08D, I08E, I08F, I12A, I12B, I12C, I21Z, I31Z
	21A	W04A, W04B		21A	W04A, W04B		21A	W04A, W04B
5t054.f↔	21B	X06A, X06B, X06C	5t054.t↔		BOP, KVT, UOP4, VIAL	5t05x.9↔		BOP, KVT, UOP4, VIAL
	01	B03A, B03B, B06A, B06B, B17A, B17B, B17C		08	I12A, I12B, I12C, I28A, I28B		08	I08A, I08B, I08C, I08D, I08E, I08F, I12A, I12B, I12C, I21Z, I31Z
	08	I08A, I08B, I08C, I08D, I08E, I08F		21A	W04A, W04B		21A	W04A, W04B
5t054.g↔	21B	X04Z	5t054.u↔		BOP, KVT, UOP4, VIAL	5t05x.a↔		BOP, KVT, UOP4, VIAL
	01	B03A, B03B, B06A, B06B, B17A, B17B, B17C		08	I12A, I12B, I12C, I28A, I28B		08	I08A, I08B, I08C, I08D, I08E, I08F, I12A, I12B, I12C, I21Z, I31Z
	08	I08A, I08B, I08C, I08D, I08E, I08F		21A	W04A, W04B		21A	W04A, W04B
5t054.h↔	21B	X04Z	5t054.v↔		BOP, KVT, UOP4, VIAL	5t05x.b↔		BOP, KVT, UOP4, VIAL
	01	B03A, B03B, B06A, B06B, B17A, B17B, B17C		08	I12A, I12B, I12C, I28A, I28B		08	I12A, I12B, I12C, I32A, I32B, I32C, I32D, I32E, I32F
	08	I08A, I08B, I08C, I08D, I08E, I08F		21A	W04A, W04B		21A	W04A, W04B
5t054.i↔	21B	X04Z	5t054.w↔		BOP, KVT, UOP4, VIAL	5t05x.c↔		BOP, KVT, UOP4, VIAL
	01	B03A, B03B, B06A, B06B, B17A, B17B, B17C		08	I12A, I12B, I12C, I28A, I28B		08	I12A, I12B, I12C, I32A, I32B, I32C, I32D, I32E, I32F
	08	I08A, I08B, I08C, I08D, I08E, I08F		21A	W04A, W04B		21A	W04A, W04B
5t054.j↔	21B	X04Z	5t054.x		BOP, KVT, UOP4	5t05x.d↔		BOP, KVT, UOP4, VIAL
	01	B03A, B03B, B06A, B06B, B17A, B17B, B17C		03	D12A, D12B		08	I12A, I12B, I12C, I28A, I28B
	08	I08A, I08B, I08C, I08D, I08E, I08F		08	I12A, I12B, I12C, I28A, I28B		21A	W04A, W04B
5t054.k↔	21A	W01A, W01B, W01C, W02A, W02B	5t054.y		BOP, KVT, UOP4, VIAL	5t05x.e↔		BOP, KVT, UOP4, VIAL
	21B	X04Z		04	E02A, E02B, E02C		21A	W04A, W04B
	01	B03A, B03B, B06A, B06B, B17A, B17B, B17C		08	I12A, I12B, I12C, I28A, I28B		21B	X06A, X06B, X06C
5t054.l↔	21B	X04Z	5t054.z↔		BOP, KVT, UOP4, VIAL	5t05x.f↔		BOP, KVT, UOP4, VIAL
	01	B03A, B03B, B06A, B06B, B17A, B17B, B17C		04	E02A, E02B, E02C		08	I12A, I12B, I12C, I28A, I28B
	08	I08A, I08B, I08C, I08D, I08E, I08F		08	I12A, I12B, I12C, I28A, I28B		21A	W04A, W04B
5t054.m↔	21A	W01A, W01B, W01C, W02A, W02B	5t05x.0↔		BOP, KVT, UOP4, VIAL	5t05x.g↔		BOP, KVT, UOP4, VIAL
	21B	X04Z		04	E02A, E02B, E02C		21A	W04A, W04B
	01	B03A, B03B, B06A, B06B, B17A, B17B, B17C		08	I12A, I12B, I12C, I28A, I28B		21B	X06A, X06B, X06C

ZZV	MDC	DRG	ZZV	MDC	DRG	ZZV	MDC	DRG
5t05x.d		BOP, KVT, UOP4, VIAL	5t05x.r↔		BOP, KVT, UOP4, VIAL	5t066		BOP, KVT, UOP4
	08	I08A, I08B, I08C, I08D, I08E, I08F, I12A, I12B, I12C		08	I12A, I12B, I12C, I13A, I13B, I13C, I13D		03	D18Z, D28Z, D29Z
	21A	W04A, W04B		21A	W04A, W04B		04	E02A, E02B, E02C
	21B	X06A, X06B, X06C		21B	X04Z		08	I12A, I12B, I12C, I28A, I28B
5t05x.e↔		BOP, KVT, UOP4, VIAL	5t05x.s↔		BOP, KVT, UOP4, VIAL		09	J08A, J08B, J08C
	01	B03A, B03B, B06A, B06B, B17A, B17B, B17C		08	I12A, I12B, I12C, I28A, I28B		21A	W04A, W04B
	08	I08A, I08B, I08C, I08D, I08E, I08F		21A	W04A, W04B		21B	X04Z, X05A, X05B, X06A, X06B, X06C
	21A	W01A, W01B, W01C, W02A, W02B	5t05x.t↔		BOP, KVT, UOP4, VIAL	5t067		BOP, KVT, UOP4
	21B	X04Z		08	I12A, I12B, I12C, I28A, I28B		03	D18Z, D28Z, D29Z
5t05x.f↔		BOP, KVT, UOP4, VIAL		21A	W04A, W04B		04	E02A, E02B, E02C
	01	B03A, B03B, B06A, B06B, B17A, B17B, B17C	5t05x.u↔		BOP, KVT, UOP4, VIAL		08	I12A, I12B, I12C, I28A, I28B
	08	I08A, I08B, I08C, I08D, I08E, I08F		08	I12A, I12B, I12C, I28A, I28B		09	J08A, J08B, J08C
	21A	W01A, W01B, W01C, W02A, W02B		21A	W04A, W04B		21A	W04A, W04B
	21B	X04Z	5t05x.v↔		BOP, KVT, UOP4, VIAL		21B	X04Z, X05A, X05B, X06A, X06B, X06C
5t05x.g↔		BOP, KVT, UOP4, VIAL		08	I12A, I12B, I12C, I28A, I28B	5t068		BOP, KVT, UOP4
	01	B03A, B03B, B06A, B06B, B17A, B17B, B17C	5t05x.w↔		BOP, KVT, UOP4, VIAL		03	D18Z, D28Z, D29Z
	08	I08A, I08B, I08C, I08D, I08E, I08F		08	I12A, I12B, I12C, I28A, I28B		04	E02A, E02B, E02C
	21A	W01A, W01B, W01C, W02A, W02B		21A	W04A, W04B		08	I12A, I12B, I12C, I28A, I28B
	21B	X04Z		21B	X04Z, X06A, X06B, X06C		09	J08A, J08B, J08C
5t05x.h↔		BOP, KVT, UOP4, VIAL	5t05x.x		BOP, KVT, UOP4, VIAL		21A	W04A, W04B
	01	B03A, B03B, B06A, B06B, B17A, B17B, B17C		08	I12A, I12B, I12C, I28A, I28B		21B	X04Z, X05A, X05B, X06A, X06B, X06C
	08	I08A, I08B, I08C, I08D, I08E, I08F		21A	W04A, W04B	5t069		BOP, KVT, UOP4
	21A	W01A, W01B, W01C, W02A, W02B		21B	X04Z, X06A, X06B, X06C		03	D18Z, D28Z, D29Z
	21B	X04Z		03	D12A, D12B		04	E02A, E02B, E02C
5t05x.i↔		BOP, KVT, UOP4, VIAL		08	I12A, I12B, I12C, I28A, I28B		08	I12A, I12B, I12C, I28A, I28B
	01	B03A, B03B, B06A, B06B, B17A, B17B, B17C	5t05x.z↔		BOP, KVT, UOP4, VIAL		09	J08A, J08B, J08C
	08	I08A, I08B, I08C, I08D, I08E, I08F		04	E02A, E02B, E02C		21A	W04A, W04B
	21A	W01A, W01B, W01C, W02A, W02B		08	I12A, I12B, I12C, I28A, I28B	5t06a		BOP, KVT, UOP4
	21B	X04Z		21A	W04A, W04B		03	D18Z, D28Z, D29Z
5t05x.j↔		BOP, KVT, UOP4, VIAL		21B	X06A, X06B, X06C		04	E02A, E02B, E02C
	08	I12A, I12B, I12C, I28A, I28B	5t061		BOP, KVT, UOP4		08	I12A, I12B, I12C, I28A, I28B
	21A	W04A, W04B		03	D18Z, D28Z, D29Z		09	J08A, J08B, J08C
	21B	X04Z, X06A, X06B, X06C		04	E02A, E02B, E02C		21A	W04A, W04B
5t05x.k↔		BOP, KVT, UOP4, VIAL		08	I12A, I12B, I12C, I28A, I28B		21B	X04Z, X05A, X05B, X06A, X06B, X06C
	08	I12A, I12B, I12C, I13A, I13B, I13C, I13D		09	J08A, J08B, J08C	5t06b		BOP, KVT, UOP4
	21A	W04A, W04B		21A	W04A, W04B		03	D18Z, D28Z, D29Z
	21B	X04Z	5t063		BOP, KVT, UOP4		04	E02A, E02B, E02C
5t05x.l↔		BOP, KVT, UOP4, VIAL		03	D18Z, D28Z, D29Z		08	I12A, I12B, I12C, I28A, I28B
	08	I12A, I12B, I12C, I13A, I13B, I13C, I13D		04	E02A, E02B, E02C		09	J08A, J08B, J08C
	21A	W04A, W04B		08	I12A, I12B, I12C, I28A, I28B		21A	W04A, W04B
	21B	X04Z		09	J08A, J08B, J08C		21B	X04Z, X05A, X05B, X06A, X06B, X06C
5t05x.m↔		BOP, KVT, UOP4, VIAL		21A	W04A, W04B	5t06c		BOP, KVT, UOP4
	08	I12A, I12B, I12C, I13A, I13B, I13C, I13D		21B	X04Z, X05A, X05B, X06A, X06B, X06C		03	D18Z, D28Z, D29Z
	21A	W04A, W04B	5t064		BOP, KVT, UOP4		04	E02A, E02B, E02C
	21B	X04Z		03	D18Z, D28Z, D29Z		08	I12A, I12B, I12C, I28A, I28B
5t05x.n↔		BOP, KVT, UOP4, VIAL		04	E02A, E02B, E02C		09	J08A, J08B, J08C
	08	I12A, I12B, I12C, I13A, I13B, I13C, I13D		08	I12A, I12B, I12C, I28A, I28B		21A	W04A, W04B
	21A	W04A, W04B		09	J08A, J08B, J08C		21B	X04Z, X05A, X05B, X06A, X06B, X06C
	21B	X04Z	5t065		BOP, KVT, UOP4	5t06d		BOP, KVT, UOP4
5t05x.o↔		BOP, KVT, UOP4, VIAL		03	D18Z, D28Z, D29Z		03	D18Z, D28Z, D29Z
	08	I12A, I12B, I12C, I13A, I13B, I13C, I13D		04	E02A, E02B, E02C		04	E02A, E02B, E02C
	21A	W04A, W04B		08	I12A, I12B, I12C, I28A, I28B		08	I12A, I12B, I12C, I28A, I28B
	21B	X04Z		09	J08A, J08B, J08C		09	J08A, J08B, J08C
5t05x.p↔		BOP, KVT, UOP4, VIAL		21A	W04A, W04B		21A	W04A, W04B
	08	I12A, I12B, I12C, I13A, I13B, I13C, I13D		21B	X04Z, X05A, X05B, X06A, X06B, X06C		21B	X04Z, X05A, X05B, X06A, X06B, X06C
	21A	W04A, W04B		03	D18Z, D28Z, D29Z		03	D18Z, D28Z, D29Z
	21B	X04Z		04	E02A, E02B, E02C		04	E02A, E02B, E02C
5t05x.q↔		BOP, KVT, UOP4, VIAL		08	I12A, I12B, I12C, I28A, I28B		08	I12A, I12B, I12C, I28A, I28B
	08	I12A, I12B, I12C, I13A, I13B, I13C, I13D		09	J08A, J08B, J08C		09	J08A, J08B, J08C
	21A	W04A, W04B		21A	W04A, W04B		21A	W04A, W04B
	21B	X04Z		21B	X04Z, X05A, X05B, X06A, X06B, X06C		21B	X04Z, X05A, X05B, X06A, X06B, X06C

ZZV	MDC	DRG	ZZV	MDC	DRG	ZZV	MDC	DRG		
5t06f.0		BOP, KVT, UOP4	5t070.5↔	08	BOP, KVT, UOP4, VIAL I08A, I08B, I08C, I08D, I08E, I08F, I12A, I12B, I12C, I21Z, I31Z	5t070.h↔	08	BOP, KVT, UOP4, VIAL I08A, I08B, I08C, I08D, I08E, I08F		
	03	D18Z, D28Z, D29Z		21A	W04A, W04B		21A	W01A, W01B, W01C, W02A, W02B		
	04	E02A, E02B, E02C		21B	X06A, X06B, X06C		21B	X04Z		
	08	I12A, I12B, I12C, I28A, I28B		5t070.6↔	BOP, KVT, UOP4, VIAL		5t070.j↔	BOP, KVT, UOP4, VIAL		
	09	J08A, J08B, J08C			08			I08A, I08B, I08C, I08D, I08E, I08F, I12A, I12B, I12C, I21Z, I31Z	08	I12A, I12B, I12C, I18A, I18B, I30Z
	21A	W04A, W04B			21A			W04A, W04B	21A	W04A, W04B
5t06f.1	21B	X04Z, X05A, X05B, X06A, X06B, X06C	5t070.7↔	21B	X06A, X06B, X06C	5t070.k↔	21B	X04Z		
	BOP, KVT, UOP4	BOP, KVT, UOP4, VIAL		BOP, KVT, UOP4, VIAL						
	03	D18Z, D28Z, D29Z		08	I08A, I08B, I08C, I08D, I08E, I08F, I12A, I12B, I12C, I21Z, I31Z		08	I12A, I12B, I12C, I13A, I13B, I13C, I13D, I13E		
	04	E02A, E02B, E02C		21A	W04A, W04B		21A	W04A, W04B		
	08	I12A, I12B, I12C, I28A, I28B		21B	X06A, X06B, X06C		21B	X04Z		
	09	J08A, J08B, J08C		5t070.8↔	BOP, KVT, UOP4, VIAL		5t070.m↔	BOP, KVT, UOP4, VIAL		
21A	W04A, W04B	08	I08A, I08B, I08C, I08D, I08E, I08F, I12A, I12B, I12C, I21Z, I31Z		08	I12A, I12B, I12C, I13A, I13B, I13C, I13D, I13E				
21B	X04Z, X05A, X05B, X06A, X06B, X06C	21A	W04A, W04B		21A	W04A, W04B				
5t06v	BOP, KVT, UOP4	5t070.9↔	21B	X06A, X06B, X06C	5t070.n↔	21B	X04Z			
	03		D18Z, D28Z, D29Z	BOP, KVT, UOP4, VIAL		BOP, KVT, UOP4, VIAL				
	04		E02A, E02B, E02C	08		I08A, I08B, I08C, I08D, I08E, I08F, I12A, I12B, I12C, I21Z, I31Z	08	I12A, I12B, I12C, I13A, I13B, I13C, I13D, I13E		
	08		I12A, I12B, I12C, I28A, I28B, I33Z	21A		W04A, W04B	21A	W04A, W04B		
	09		J08A, J08B, J08C	21B		X06A, X06B, X06C	21B	X04Z		
	21A		W04A, W04B	5t070.a↔		BOP, KVT, UOP4, VIAL	5t070.p↔	BOP, KVT, UOP4, VIAL		
21B	X04Z, X05A, X05B, X06A, X06B, X06C	08	I08A, I08B, I08C, I08D, I08E, I08F, I12A, I12B, I12C, I21Z, I31Z		08	I12A, I12B, I12C, I13A, I13B, I13C, I13D, I13E				
5t06x	BOP, KVT, UOP4	5t070.b↔	21A		W04A, W04B	5t070.q↔		21A	W04A, W04B	
	03		D18Z, D28Z, D29Z	21B	X06A, X06B, X06C		21B	X04Z		
	04		E02A, E02B, E02C	BOP, KVT, UOP4, VIAL	BOP, KVT, UOP4, VIAL					
	08		I12A, I12B, I12C, I28A, I28B	08	I12A, I12B, I12C, I32A, I32B, I32C, I32D, I32E, I32F		08	I12A, I12B, I12C, I13A, I13B, I13C, I13D, I13E		
	09		J08A, J08B, J08C	21A	W04A, W04B		21A	W04A, W04B		
	21A		W04A, W04B	21B	X05A, X05B		21B	X04Z		
5t06z	21B	X04Z, X05A, X05B, X06A, X06B, X06C	5t070.c↔	BOP, KVT, UOP4, VIAL	5t070.r↔	BOP, KVT, UOP4, VIAL				
	BOP, KVT, UOP4	BOP, KVT, UOP4, VIAL		BOP, KVT, UOP4, VIAL						
	03	D18Z, D28Z, D29Z		08		I12A, I12B, I12C, I32A, I32B, I32C, I32D, I32E, I32F	08	I12A, I12B, I12C, I13A, I13B, I13C, I13D, I13E		
	04	E02A, E02B, E02C		21A		W04A, W04B	21A	W04A, W04B		
	08	I12A, I12B, I12C, I28A, I28B		21B		X05A, X05B	21B	X04Z		
	09	J08A, J08B, J08C		5t070.d		BOP, KVT, UOP4, VIAL	5t070.s↔	BOP, KVT, UOP4, VIAL		
21A	W04A, W04B	08	I08A, I08B, I08C, I08D, I08E, I08F, I12A, I12B, I12C		08	I12A, I12B, I12C, I20A, I20B, I20C, I20D, I20E, I20F				
21B	X04Z, X05A, X05B, X06A, X06B, X06C	21A	W04A, W04B		21A	W04A, W04B				
5t070.0↔	BOP, KVT, UOP4, VIAL	5t070.e↔	21B	X06A, X06B, X06C	5t070.t↔	21B	X04Z			
	08		I12A, I12B, I12C, I28A, I28B	08		I08A, I08B, I08C, I08D, I08E, I08F, I12A, I12B, I12C	08	I12A, I12B, I12C, I20A, I20B, I20C, I20D, I20E, I20F		
	21A		W04A, W04B	21A		W04A, W04B	21A	W04A, W04B		
	21B		X06A, X06B, X06C	21B		X06A, X06B, X06C	21B	X04Z		
	5t070.1↔		BOP, KVT, UOP4, VIAL	5t070.f↔		BOP, KVT, UOP4, VIAL	5t070.u↔	BOP, KVT, UOP4, VIAL		
			08			I08A, I08B, I08C, I08D, I08E, I08F, I12A, I12B, I12C, I13A, I13B, I13C, I13D, I13E		08	I08A, I08B, I08C, I08D, I08E, I08F	08
21A		W04A, W04B	21A		W01A, W01B, W01C, W02A, W02B	21A		W04A, W04B		
21B		X06A, X06B, X06C	21B		X04Z	21B		X04Z		
5t070.2↔		BOP, KVT, UOP4, VIAL	5t070.g↔		BOP, KVT, UOP4, VIAL	5t070.v↔		BOP, KVT, UOP4, VIAL		
		08			I08A, I08B, I08C, I08D, I08E, I08F, I12A, I12B, I12C, I13A, I13B, I13C, I13D, I13E			08	I08A, I08B, I08C, I08D, I08E, I08F	08
	21A	W04A, W04B		21A	W01A, W01B, W01C, W02A, W02B		21A	W04A, W04B		
	21B	X06A, X06B, X06C		21B	X04Z		21B	X04Z		
	5t070.3↔	BOP, KVT, UOP4, VIAL		5t070.h↔	BOP, KVT, UOP4, VIAL		5t070.w↔	BOP, KVT, UOP4, VIAL		
		08			I08A, I08B, I08C, I08D, I08E, I08F, I12A, I12B, I12C, I13A, I13B, I13C, I13D, I13E			08	I08A, I08B, I08C, I08D, I08E, I08F	08
21A		W04A, W04B	21A		W01A, W01B, W01C, W02A, W02B	21A		W04A, W04B		
21B		X06A, X06B, X06C	21B		X04Z	21B		X04Z		
5t070.4↔		BOP, KVT, UOP4, VIAL	5t070.i↔		BOP, KVT, UOP4, VIAL	5t070.x		BOP, KVT, UOP4		
		08			I08A, I08B, I08C, I08D, I08E, I08F, I12A, I12B, I12C, I21Z, I31Z			08	I08A, I08B, I08C, I08D, I08E, I08F	08
	21A	W04A, W04B		21A	W01A, W01B, W01C, W02A, W02B		21A	W04A, W04B		
	21B	X06A, X06B, X06C		21B	X04Z		21B	X06A, X06B, X06C		

VYK

Príloha B: Index Výkon-MDC-DRG

ZZV	MDC	DRG	ZZV	MDC	DRG	ZZV	MDC	DRG
5t075.g↔		BOP, KVT, UOP4	5t076.5↔		BOP, KVT, UOP4	5t076.n↔		BOP, KVT, UOP4
	01	B03A, B03B, B06A, B06B, B17A, B17B, B17C		01	B03A, B03B, B06A, B06B, B17A, B17B, B17C		01	B03A, B03B, B06A, B06B, B17A, B17B, B17C
	08	I12A, I12B, I12C, I21Z		08	I12A, I12B, I12C, I23A, I23B		08	I12A, I12B, I12C, I23A, I23B
	21A	W04A, W04B		21A	W04A, W04B		21A	W04A, W04B
	21B	X04Z, X06A, X06B, X06C		21B	X06A, X06B, X06C		21B	X04Z, X06A, X06B, X06C
5t075.h↔		BOP, KVT, UOP4	5t076.6↔		BOP, KVT, UOP4	5t076.p↔		BOP, KVT, UOP4
	01	B03A, B03B, B06A, B06B, B17A, B17B, B17C		01	B03A, B03B, B06A, B06B, B17A, B17B, B17C		01	B03A, B03B, B06A, B06B, B17A, B17B, B17C
	08	I12A, I12B, I12C, I21Z		08	I12A, I12B, I12C, I23A, I23B		08	I12A, I12B, I12C, I23A, I23B
	21A	W04A, W04B		21A	W04A, W04B		21A	W04A, W04B
	21B	X04Z, X06A, X06B, X06C		21B	X06A, X06B, X06C		21B	X04Z, X06A, X06B, X06C
5t075.k↔		BOP, KVT, UOP4	5t076.7↔		BOP, KVT, UOP4	5t076.q↔		BOP, KVT, UOP4
	08	I13A, I13B, I59Z		01	B03A, B03B, B06A, B06B, B17A, B17B, B17C		08	I59Z
5t075.n↔		BOP, KVT, UOP4		08	I12A, I12B, I12C, I23A, I23B	5t076.r↔		BOP, KVT, UOP4
	08	I13A, I13B, I59Z		21A	W04A, W04B		01	B03A, B03B, B06A, B06B, B17A, B17B, B17C
5t075.p↔		BOP, KVT, UOP4		21B	X06A, X06B, X06C		08	I12A, I12B, I12C, I23A, I23B
	08	I59Z	5t076.8↔		BOP, KVT, UOP4		21A	W04A, W04B
5t075.q↔		BOP, KVT, UOP4		01	B03A, B03B, B06A, B06B, B17A, B17B, B17C		21B	X04Z, X06A, X06B, X06C
	08	I59Z		08	I12A, I12B, I12C, I23A, I23B	5t076.x		BOP, KVT, UOP4
5t075.r↔		BOP, KVT, UOP4		21A	W04A, W04B		01	B03A, B03B, B06A, B06B, B17A, B17B, B17C
	08	I59Z		21B	X06A, X06B, X06C		08	I12A, I12B, I12C, I23A, I23B
5t075.s↔		BOP, KVT, UOP4	5t076.9↔		BOP, KVT, UOP4		21A	W04A, W04B
	08	I20A, I20B, I20C, I20D, I20E, I20F		01	B03A, B03B, B06A, B06B, B17A, B17B, B17C		21B	X06A, X06B, X06C
5t075.t↔		BOP, KVT, UOP4		08	I12A, I12B, I12C, I23A, I23B	5t077.1↔		BOP, KVT, UOP4
	08	I20A, I20B, I20C, I20D, I20E, I20F		21A	W04A, W04B		01	B03A, B03B, B06A, B06B, B17A, B17B, B17C
5t075.u↔		BOP, KVT, UOP4		21B	X06A, X06B, X06C		08	I12A, I12B, I12C, I23A, I23B
	08	I20A, I20B, I20C, I20D, I20E, I20F	5t076.e↔		BOP, KVT, UOP4		21A	W04A, W04B
5t075.v↔		BOP, KVT, UOP4		01	B03A, B03B, B06A, B06B, B17A, B17B, B17C		21B	X06A, X06B, X06C
	08	I20A, I20B, I20C, I20D, I20E, I20F		08	I12A, I12B, I12C, I21Z	5t077.2↔		BOP, KVT, UOP4
5t075.w↔		BOP, KVT, UOP4		21A	W04A, W04B		01	B03A, B03B, B06A, B06B, B17A, B17B, B17C
	08	I20A, I20B, I20C, I20D, I20E, I20F		21B	X04Z, X06A, X06B, X06C		08	I12A, I12B, I12C, I23A, I23B
5t075.x		BOP, KVT, UOP4	5t076.f↔		BOP, KVT, UOP4		21A	W04A, W04B
	01	B03A, B03B, B06A, B06B, B17A, B17B, B17C		01	B03A, B03B, B06A, B06B, B17A, B17B, B17C	5t077.3↔		BOP, KVT, UOP4
	08	I12A, I12B, I12C, I23A, I23B		08	I12A, I12B, I12C, I21Z		01	B03A, B03B, B06A, B06B, B17A, B17B, B17C
	21A	W04A, W04B		21A	W04A, W04B		08	I12A, I12B, I12C, I23A, I23B
	21B	X06A, X06B, X06C		21B	X04Z, X06A, X06B, X06C		21A	W04A, W04B
5t076.1↔		BOP, KVT, UOP4	5t076.g↔		BOP, KVT, UOP4		21B	X06A, X06B, X06C
	01	B03A, B03B, B06A, B06B, B17A, B17B, B17C		01	B03A, B03B, B06A, B06B, B17A, B17B, B17C	5t077.4↔		BOP, KVT, UOP4
	08	I12A, I12B, I12C, I23A, I23B		08	I12A, I12B, I12C, I21Z		01	B03A, B03B, B06A, B06B, B17A, B17B, B17C
	21A	W04A, W04B		21A	W04A, W04B		08	I12A, I12B, I12C, I23A, I23B
	21B	X06A, X06B, X06C		21B	X04Z, X06A, X06B, X06C		21A	W04A, W04B
5t076.2↔		BOP, KVT, UOP4	5t076.h↔		BOP, KVT, UOP4		21B	X06A, X06B, X06C
	01	B03A, B03B, B06A, B06B, B17A, B17B, B17C		01	B03A, B03B, B06A, B06B, B17A, B17B, B17C	5t077.5↔		BOP, KVT, UOP4
	08	I12A, I12B, I12C, I23A, I23B		08	I12A, I12B, I12C, I21Z		01	B03A, B03B, B06A, B06B, B17A, B17B, B17C
	21A	W04A, W04B		21A	W04A, W04B		08	I12A, I12B, I12C, I23A, I23B
	21B	X06A, X06B, X06C		21B	X04Z, X06A, X06B, X06C		21A	W04A, W04B
5t076.3↔		BOP, KVT, UOP4	5t076.k↔		BOP, KVT, UOP4		21B	X06A, X06B, X06C
	01	B03A, B03B, B06A, B06B, B17A, B17B, B17C		01	B03A, B03B, B06A, B06B, B17A, B17B, B17C	5t077.6↔		BOP, KVT, UOP4
	08	I12A, I12B, I12C, I23A, I23B		08	I12A, I12B, I12C, I23A, I23B		01	B03A, B03B, B06A, B06B, B17A, B17B, B17C
	21A	W04A, W04B		21A	W04A, W04B		08	I12A, I12B, I12C, I23A, I23B
	21B	X06A, X06B, X06C		21B	X04Z, X06A, X06B, X06C		21A	W04A, W04B
5t076.4↔		BOP, KVT, UOP4	5t076.m↔		BOP, KVT, UOP4		21B	X06A, X06B, X06C
	01	B03A, B03B, B06A, B06B, B17A, B17B, B17C		01	B03A, B03B, B06A, B06B, B17A, B17B, B17C	5t077.7↔		BOP, KVT, UOP4
	08	I12A, I12B, I12C, I23A, I23B		08	I12A, I12B, I12C, I23A, I23B		01	B03A, B03B, B06A, B06B, B17A, B17B, B17C
	21A	W04A, W04B		21A	W04A, W04B		08	I12A, I12B, I12C, I23A, I23B
	21B	X06A, X06B, X06C		21B	X04Z, X06A, X06B, X06C		21A	W04A, W04B
							21B	X06A, X06B, X06C

VYK

ZZV	MDC	DRG	ZZV	MDC	DRG	ZZV	MDC	DRG
5t077.8↔		BOP, KVT, UOP4	5t077.x		BOP, KVT, UOP4	5t079.5↔		BOP, KVT, UOP4
	01	B03A, B03B, B06A, B06B, B17A, B17B, B17C		01	B03A, B03B, B06A, B06B, B17A, B17B, B17C		01	B03A, B03B, B06A, B06B, B17A, B17B, B17C
	08	I12A, I12B, I12C, I23A, I23B		08	I12A, I12B, I12C, I23A, I23B		08	I12A, I12B, I12C, I23A, I23B
	21A	W04A, W04B		21A	W04A, W04B		21A	W04A, W04B
	21B	X06A, X06B, X06C		21B	X06A, X06B, X06C		21B	X06A, X06B, X06C
5t077.9↔		BOP, KVT, UOP4	5t078.1↔		BOP, KVT, UOP4	5t079.6↔		BOP, KVT, UOP4
	01	B03A, B03B, B06A, B06B, B17A, B17B, B17C		08	I13A, I13B, I59Z		01	B03A, B03B, B06A, B06B, B17A, B17B, B17C
	08	I12A, I12B, I12C, I23A, I23B	5t078.2↔		BOP, KVT, UOP4		08	I12A, I12B, I12C, I23A, I23B
	21A	W04A, W04B		08	I13A, I13B, I59Z		21A	W04A, W04B
	21B	X06A, X06B, X06C	5t078.e↔		BOP, KVT, UOP4		21B	X06A, X06B, X06C
5t077.e↔		BOP, KVT, UOP4		01	B03A, B03B, B06A, B06B, B17A, B17B, B17C	5t079.7↔		BOP, KVT, UOP4
	08	I08A, I08B, I08C, I08D, I08E, I08F		08	I12A, I12B, I12C, I21Z		01	B03A, B03B, B06A, B06B, B17A, B17B, B17C
5t077.f↔		BOP, KVT, UOP4		21A	W04A, W04B		08	I12A, I12B, I12C, I23A, I23B
	01	B03A, B03B, B06A, B06B, B17A, B17B, B17C	5t078.f↔		BOP, KVT, UOP4		21A	W04A, W04B
	08	I12A, I12B, I12C, I21Z		01	B03A, B03B, B06A, B06B, B17A, B17B, B17C		21B	X06A, X06B, X06C
	21A	W04A, W04B		08	I12A, I12B, I12C, I21Z	5t079.8↔		BOP, KVT, UOP4
	21B	X04Z, X06A, X06B, X06C		21A	W04A, W04B		01	B03A, B03B, B06A, B06B, B17A, B17B, B17C
5t077.g↔		BOP, KVT, UOP4		21B	X04Z, X06A, X06B, X06C		08	I12A, I12B, I12C, I23A, I23B
	01	B03A, B03B, B06A, B06B, B17A, B17B, B17C	5t078.g↔		BOP, KVT, UOP4		21A	W04A, W04B
	08	I12A, I12B, I12C, I21Z		01	B03A, B03B, B06A, B06B, B17A, B17B, B17C		21B	X06A, X06B, X06C
	21A	W04A, W04B		08	I12A, I12B, I12C, I21Z	5t079.9↔		BOP, KVT, UOP4
	21B	X04Z, X06A, X06B, X06C		21A	W04A, W04B		01	B03A, B03B, B06A, B06B, B17A, B17B, B17C
5t077.h↔		BOP, KVT, UOP4		21B	X04Z, X06A, X06B, X06C		08	I12A, I12B, I12C, I23A, I23B
	01	B03A, B03B, B06A, B06B, B17A, B17B, B17C	5t078.h↔		BOP, KVT, UOP4		21A	W04A, W04B
	08	I12A, I12B, I12C, I21Z		01	B03A, B03B, B06A, B06B, B17A, B17B, B17C		21B	X06A, X06B, X06C
	21A	W04A, W04B		08	I12A, I12B, I12C, I21Z	5t079.d		BOP, KVT, UOP4
	21B	X04Z, X06A, X06B, X06C		21A	W04A, W04B		08	I08A, I08B, I08C, I08D, I08E, I08F
5t077.k↔		BOP, KVT, UOP4		21B	X04Z, X06A, X06B, X06C	5t079.e↔		BOP, KVT, UOP4
	01	B03A, B03B, B06A, B06B, B17A, B17B, B17C	5t078.x		BOP, KVT, UOP4		08	I08A, I08B, I08C, I08D, I08E, I08F
	08	I12A, I12B, I12C, I23A, I23B		01	B03A, B03B, B06A, B06B, B17A, B17B, B17C	5t079.f↔		BOP, KVT, UOP4
	21A	W04A, W04B		08	I12A, I12B, I12C, I23A, I23B		01	B03A, B03B, B06A, B06B, B17A, B17B, B17C
	21B	X04Z, X06A, X06B, X06C		21A	W04A, W04B		08	I12A, I12B, I12C, I21Z
5t077.m↔		BOP, KVT, UOP4		21B	X06A, X06B, X06C		21A	W04A, W04B
	01	B03A, B03B, B06A, B06B, B17A, B17B, B17C	5t079.1↔		BOP, KVT, UOP4		21B	X04Z, X06A, X06B, X06C
	08	I12A, I12B, I12C, I23A, I23B		01	B03A, B03B, B06A, B06B, B17A, B17B, B17C	5t079.g↔		BOP, KVT, UOP4
	21A	W04A, W04B		08	I12A, I12B, I12C, I23A, I23B		01	B03A, B03B, B06A, B06B, B17A, B17B, B17C
	21B	X04Z, X06A, X06B, X06C		21A	W04A, W04B		08	I12A, I12B, I12C, I21Z
5t077.n↔		BOP, KVT, UOP4		21B	X06A, X06B, X06C		21A	W04A, W04B
	01	B03A, B03B, B06A, B06B, B17A, B17B, B17C	5t079.2↔		BOP, KVT, UOP4		21B	X04Z, X06A, X06B, X06C
	08	I12A, I12B, I12C, I23A, I23B		01	B03A, B03B, B06A, B06B, B17A, B17B, B17C	5t079.h↔		BOP, KVT, UOP4
	21A	W04A, W04B		08	I12A, I12B, I12C, I23A, I23B		01	B03A, B03B, B06A, B06B, B17A, B17B, B17C
	21B	X04Z, X06A, X06B, X06C		21A	W04A, W04B		08	I12A, I12B, I12C, I21Z
5t077.p↔		BOP, KVT, UOP4		21B	X06A, X06B, X06C		21A	W04A, W04B
	01	B03A, B03B, B06A, B06B, B17A, B17B, B17C	5t079.3↔		BOP, KVT, UOP4		21B	X04Z, X06A, X06B, X06C
	08	I12A, I12B, I12C, I23A, I23B		01	B03A, B03B, B06A, B06B, B17A, B17B, B17C	5t079.k↔		BOP, KVT, UOP4
	21A	W04A, W04B		08	I12A, I12B, I12C, I23A, I23B		01	B03A, B03B, B06A, B06B, B17A, B17B, B17C
	21B	X04Z, X06A, X06B, X06C		21A	W04A, W04B		08	I12A, I12B, I12C, I23A, I23B
5t077.q↔		BOP, KVT, UOP4		21B	X06A, X06B, X06C		21A	W04A, W04B
	08	I59Z	5t079.4↔		BOP, KVT, UOP4		21B	X04Z, X06A, X06B, X06C
5t077.r↔		BOP, KVT, UOP4		01	B03A, B03B, B06A, B06B, B17A, B17B, B17C	5t079.m↔		BOP, KVT, UOP4
	01	B03A, B03B, B06A, B06B, B17A, B17B, B17C		08	I12A, I12B, I12C, I23A, I23B		01	B03A, B03B, B06A, B06B, B17A, B17B, B17C
	08	I12A, I12B, I12C, I23A, I23B		21A	W04A, W04B		08	I12A, I12B, I12C, I23A, I23B
	21A	W04A, W04B		21B	X06A, X06B, X06C		21A	W04A, W04B
	21B	X04Z, X06A, X06B, X06C					21B	X04Z, X06A, X06B, X06C

VYK

ZZV	MDC	DRG	ZZV	MDC	DRG	ZZV	MDC	DRG
5t07c.d		BOP, KVT, UOP4	5t07d.3↔	01	BOP, KVT, UOP4	5t07d.e↔	01	BOP, KVT, UOP4
	08	I08A, I08B, I08C, I08D, I08E, I08F		08	B03A, B03B, B06A, B06B, B17A, B17B, B17C		08	B03A, B03B, B06A, B06B, B17A, B17B, B17C
5t07c.e↔		BOP, KVT, UOP4		21A	W04A, W04B		21A	W04A, W04B
	01	B03A, B03B, B06A, B06B, B17A, B17B, B17C		21B	X06A, X06B, X06C		21B	X04Z, X06A, X06B, X06C
	08	I12A, I12B, I12C, I21Z	5t07d.4↔		BOP, KVT, UOP4	5t07d.f↔		BOP, KVT, UOP4
	21A	W04A, W04B		01	B03A, B03B, B06A, B06B, B17A, B17B, B17C		01	B03A, B03B, B06A, B06B, B17A, B17B, B17C
	21B	X04Z, X06A, X06B, X06C		08	I12A, I12B, I12C, I23A, I23B		08	I12A, I12B, I12C, I21Z
5t07c.f↔		BOP, KVT, UOP4		21A	W04A, W04B		21A	W04A, W04B
	01	B03A, B03B, B06A, B06B, B17A, B17B, B17C		21B	X06A, X06B, X06C		21B	X04Z, X06A, X06B, X06C
	08	I12A, I12B, I12C, I21Z	5t07d.5↔		BOP, KVT, UOP4	5t07d.g↔		BOP, KVT, UOP4
	21A	W04A, W04B		01	B03A, B03B, B06A, B06B, B17A, B17B, B17C		01	B03A, B03B, B06A, B06B, B17A, B17B, B17C
	21B	X04Z, X06A, X06B, X06C		08	I12A, I12B, I12C, I23A, I23B		08	I12A, I12B, I12C, I21Z
5t07c.g↔		BOP, KVT, UOP4		21A	W04A, W04B		21A	W04A, W04B
	01	B03A, B03B, B06A, B06B, B17A, B17B, B17C		21B	X06A, X06B, X06C		21B	X04Z, X06A, X06B, X06C
	08	I12A, I12B, I12C, I21Z	5t07d.6↔		BOP, KVT, UOP4	5t07d.h↔		BOP, KVT, UOP4
	21A	W04A, W04B		01	B03A, B03B, B06A, B06B, B17A, B17B, B17C		01	B03A, B03B, B06A, B06B, B17A, B17B, B17C
	21B	X04Z, X06A, X06B, X06C		08	I12A, I12B, I12C, I23A, I23B		08	I12A, I12B, I12C, I21Z
5t07c.h↔		BOP, KVT, UOP4		21A	W04A, W04B		21A	W04A, W04B
	01	B03A, B03B, B06A, B06B, B17A, B17B, B17C		21B	X06A, X06B, X06C		21B	X04Z, X06A, X06B, X06C
	08	I12A, I12B, I12C, I21Z	5t07d.7↔		BOP, KVT, UOP4	5t07d.j↔		BOP, KVT, UOP4
	21A	W04A, W04B		01	B03A, B03B, B06A, B06B, B17A, B17B, B17C		01	B03A, B03B, B06A, B06B, B17A, B17B, B17C
	21B	X04Z, X06A, X06B, X06C		08	I12A, I12B, I12C, I23A, I23B		08	I12A, I12B, I12C, I23A, I23B
5t07c.k↔		BOP, KVT, UOP4		21A	W04A, W04B		21A	W04A, W04B
	01	B03A, B03B, B06A, B06B, B17A, B17B, B17C		21B	X06A, X06B, X06C		21B	X04Z, X06A, X06B, X06C
	08	I12A, I12B, I12C, I23A	5t07d.8↔		BOP, KVT, UOP4	5t07d.k↔		BOP, KVT, UOP4
	21A	W04A, W04B		01	B03A, B03B, B06A, B06B, B17A, B17B, B17C		01	B03A, B03B, B06A, B06B, B17A, B17B, B17C
	21B	X04Z, X06A, X06B, X06C		08	I12A, I12B, I12C, I23A, I23B		08	I12A, I12B, I12C, I23A, I23B
5t07c.n↔		BOP, KVT, UOP4		21A	W04A, W04B		21A	W04A, W04B
	01	B03A, B03B, B06A, B06B, B17A, B17B, B17C		21B	X06A, X06B, X06C		21B	X04Z, X06A, X06B, X06C
	08	I12A, I12B, I12C, I23A	5t07d.9↔		BOP, KVT, UOP4	5t07d.m↔		BOP, KVT, UOP4
	21A	W04A, W04B		01	B03A, B03B, B06A, B06B, B17A, B17B, B17C		01	B03A, B03B, B06A, B06B, B17A, B17B, B17C
	21B	X04Z, X06A, X06B, X06C		08	I12A, I12B, I12C, I23A, I23B		08	I12A, I12B, I12C, I23A, I23B
5t07c.x		BOP, KVT, UOP4		21A	W04A, W04B		21A	W04A, W04B
	01	B03A, B03B, B06A, B06B, B17A, B17B, B17C		21B	X06A, X06B, X06C		21B	X04Z, X06A, X06B, X06C
	08	I12A, I12B, I12C, I23A	5t07d.a↔		BOP, KVT, UOP4	5t07d.n↔		BOP, KVT, UOP4
	21A	W04A, W04B		01	B03A, B03B, B06A, B06B, B17A, B17B, B17C		01	B03A, B03B, B06A, B06B, B17A, B17B, B17C
	21B	X06A, X06B, X06C		08	I12A, I12B, I12C, I23A, I23B		08	I12A, I12B, I12C, I23A, I23B
5t07d.0↔		BOP, KVT, UOP4		21A	W04A, W04B		21A	W04A, W04B
	01	B03A, B03B, B06A, B06B, B17A, B17B, B17C		21B	X05A, X05B, X06A, X06B, X06C		21B	X04Z, X06A, X06B, X06C
	04	E02A, E02B, E02C	5t07d.b↔		BOP, KVT, UOP4	5t07d.p↔		BOP, KVT, UOP4
	08	I12A, I12B, I12C, I23A, I23B		01	B03A, B03B, B06A, B06B, B17A, B17B, B17C		01	B03A, B03B, B06A, B06B, B17A, B17B, B17C
	21A	W04A, W04B		08	I12A, I12B, I12C, I23A, I23B		08	I12A, I12B, I12C, I23A, I23B
	21B	X06A, X06B, X06C		21A	W04A, W04B		21A	W04A, W04B
5t07d.1↔		BOP, KVT, UOP4		21B	X05A, X05B, X06A, X06B, X06C		21B	X04Z, X06A, X06B, X06C
	01	B03A, B03B, B06A, B06B, B17A, B17B, B17C		5t07d.c↔		5t07d.q↔		BOP, KVT, UOP4
	08	I12A, I12B, I12C, I23A, I23B			BOP, KVT, UOP4		01	B03A, B03B, B06A, B06B, B17A, B17B, B17C
	21A	W04A, W04B		01	B03A, B03B, B06A, B06B, B17A, B17B, B17C		08	I12A, I12B, I12C, I23A, I23B
	21B	X06A, X06B, X06C		08	I12A, I12B, I12C, I23A, I23B		21A	W04A, W04B
5t07d.2↔		BOP, KVT, UOP4		21A	W04A, W04B		21B	X04Z, X06A, X06B, X06C
	01	B03A, B03B, B06A, B06B, B17A, B17B, B17C		21B	X05A, X05B, X06A, X06B, X06C		5t07d.r↔	
	08	I12A, I12B, I12C, I23A, I23B		5t07d.d			01	B03A, B03B, B06A, B06B, B17A, B17B, B17C
	21A	W04A, W04B			BOP, KVT, UOP4		08	I12A, I12B, I12C, I23A, I23B
	21B	X06A, X06B, X06C		01	B03A, B03B, B06A, B06B, B17A, B17B, B17C		21A	W04A, W04B
				08	I12A, I12B, I12C, I23A, I23B		21B	X04Z, X06A, X06B, X06C
				21A	W04A, W04B			
				21B	X04Z, X06A, X06B, X06C			

ZZV	MDC	DRG	ZZV	MDC	DRG	ZZV	MDC	DRG
5t07x.0↔		BOP, KVT, UOP4	5t07x.b↔	01	BOP, KVT, UOP4	5t07x.p↔	01	BOP, KVT, UOP4
	01	B03A, B03B, B06A, B06B, B17A, B17B, B17C		01	B03A, B03B, B06A, B06B, B17A, B17B, B17C		01	B03A, B03B, B06A, B06B, B17A, B17B, B17C
	04	E02A, E02B, E02C		08	I23A, I23B		08	I23A, I23B
	08	I23A, I23B		21A	W04A, W04B		21A	W04A, W04B
	21A	W04A, W04B		21B	X05A, X05B, X06A, X06B, X06C		21B	X04Z, X06A, X06B, X06C
5t07x.1↔		BOP, KVT, UOP4	5t07x.c↔		BOP, KVT, UOP4	5t07x.q↔		BOP, KVT, UOP4
	01	B03A, B03B, B06A, B06B, B17A, B17B, B17C		01	B03A, B03B, B06A, B06B, B17A, B17B, B17C		01	B03A, B03B, B06A, B06B, B17A, B17B, B17C
	08	I23A, I23B		08	I23A, I23B		08	I23A, I23B
	21A	W04A, W04B		21A	W04A, W04B		21A	W04A, W04B
	21B	X06A, X06B, X06C		21B	X05A, X05B, X06A, X06B, X06C		21B	X04Z, X06A, X06B, X06C
5t07x.2↔		BOP, KVT, UOP4	5t07x.d		BOP, KVT, UOP4	5t07x.r↔		BOP, KVT, UOP4
	01	B03A, B03B, B06A, B06B, B17A, B17B, B17C		01	B03A, B03B, B06A, B06B, B17A, B17B, B17C		01	B03A, B03B, B06A, B06B, B17A, B17B, B17C
	08	I23A, I23B		08	I23A, I23B		08	I23A, I23B
	21A	W04A, W04B		21A	W04A, W04B		21A	W04A, W04B
	21B	X06A, X06B, X06C		21B	X05A, X05B, X06A, X06B, X06C		21B	X04Z, X06A, X06B, X06C
5t07x.3↔		BOP, KVT, UOP4	5t07x.e↔		BOP, KVT, UOP4	5t07x.s↔		BOP, KVT, UOP4
	01	B03A, B03B, B06A, B06B, B17A, B17B, B17C		01	B03A, B03B, B06A, B06B, B17A, B17B, B17C		01	B03A, B03B, B06A, B06B, B17A, B17B, B17C
	08	I23A, I23B		08	I21Z		08	I23A, I23B
	21A	W04A, W04B		21A	W04A, W04B		21A	W04A, W04B
	21B	X06A, X06B, X06C		21B	X04Z, X06A, X06B, X06C		21B	X04Z, X06A, X06B, X06C
5t07x.4↔		BOP, KVT, UOP4	5t07x.f↔		BOP, KVT, UOP4	5t07x.t↔		BOP, KVT, UOP4
	01	B03A, B03B, B06A, B06B, B17A, B17B, B17C		01	B03A, B03B, B06A, B06B, B17A, B17B, B17C		01	B03A, B03B, B06A, B06B, B17A, B17B, B17C
	08	I23A, I23B		08	I21Z		08	I23A, I23B
	21A	W04A, W04B		21A	W04A, W04B		21A	W04A, W04B
	21B	X06A, X06B, X06C		21B	X04Z, X06A, X06B, X06C		21B	X04Z, X06A, X06B, X06C
5t07x.5↔		BOP, KVT, UOP4	5t07x.g↔		BOP, KVT, UOP4	5t07x.u↔		BOP, KVT, UOP4
	01	B03A, B03B, B06A, B06B, B17A, B17B, B17C		01	B03A, B03B, B06A, B06B, B17A, B17B, B17C		01	B03A, B03B, B06A, B06B, B17A, B17B, B17C
	08	I23A, I23B		08	I21Z		08	I23A, I23B
	21A	W04A, W04B		21A	W04A, W04B		21A	W04A, W04B
	21B	X06A, X06B, X06C		21B	X04Z, X06A, X06B, X06C		21B	X04Z, X06A, X06B, X06C
5t07x.6↔		BOP, KVT, UOP4	5t07x.h↔		BOP, KVT, UOP4	5t07x.v↔		BOP, KVT, UOP4
	01	B03A, B03B, B06A, B06B, B17A, B17B, B17C		01	B03A, B03B, B06A, B06B, B17A, B17B, B17C		01	B03A, B03B, B06A, B06B, B17A, B17B, B17C
	08	I23A, I23B		08	I21Z		08	I23A, I23B
	21A	W04A, W04B		21A	W04A, W04B		21A	W04A, W04B
	21B	X06A, X06B, X06C		21B	X04Z, X06A, X06B, X06C		21B	X04Z, X06A, X06B, X06C
5t07x.7↔		BOP, KVT, UOP4	5t07x.j↔		BOP, KVT, UOP4	5t07x.w↔		BOP, KVT, UOP4
	01	B03A, B03B, B06A, B06B, B17A, B17B, B17C		01	B03A, B03B, B06A, B06B, B17A, B17B, B17C		01	B03A, B03B, B06A, B06B, B17A, B17B, B17C
	08	I23A, I23B		08	I23A, I23B		08	I23A, I23B
	21A	W04A, W04B		21A	W04A, W04B		21A	W04A, W04B
	21B	X06A, X06B, X06C		21B	X04Z, X06A, X06B, X06C		21B	X04Z, X06A, X06B, X06C
5t07x.8↔		BOP, KVT, UOP4	5t07x.k↔		BOP, KVT, UOP4	5t07x.x		BOP, KVT, UOP4
	01	B03A, B03B, B06A, B06B, B17A, B17B, B17C		01	B03A, B03B, B06A, B06B, B17A, B17B, B17C		01	B03A, B03B, B06A, B06B, B17A, B17B, B17C
	08	I23A, I23B		08	I23A, I23B		08	I23A, I23B
	21A	W04A, W04B		21A	W04A, W04B		21A	W04A, W04B
	21B	X06A, X06B, X06C		21B	X04Z, X06A, X06B, X06C		21B	X06A, X06B, X06C
5t07x.9↔		BOP, KVT, UOP4	5t07x.m↔		BOP, KVT, UOP4	5t07x.z↔		BOP, KVT, UOP4
	01	B03A, B03B, B06A, B06B, B17A, B17B, B17C		01	B03A, B03B, B06A, B06B, B17A, B17B, B17C		01	B03A, B03B, B06A, B06B, B17A, B17B, B17C
	08	I23A, I23B		08	I23A, I23B		04	E02A, E02B, E02C
	21A	W04A, W04B		21A	W04A, W04B		08	I23A, I23B
	21B	X06A, X06B, X06C		21B	X04Z, X06A, X06B, X06C		21A	W04A, W04B
5t07x.a↔		BOP, KVT, UOP4	5t07x.n↔		BOP, KVT, UOP4	5t080.0↔		BOP, KVT, UOP4, VIAL
	01	B03A, B03B, B06A, B06B, B17A, B17B, B17C		01	B03A, B03B, B06A, B06B, B17A, B17B, B17C		05	F27A, F27B, F27C
	08	I23A, I23B		08	I23A, I23B		08	I20A, I20B, I20C, I20D, I20E, I20F
	21A	W04A, W04B		21A	W04A, W04B		10	K01Z
	21B	X05A, X05B, X06A, X06B, X06C		21B	X04Z, X06A, X06B, X06C		21A	W04A, W04B
						21B	X04Z	

VYK

ZZV	MDC	DRG	ZZV	MDC	DRG	ZZV	MDC	DRG			
5t080.1↔		BOP, KVT, UOP4, VIAL	5t080.x↔		BOP, KVT, UOP4, VIAL	5t082.2b		BOP, KVT, UOP4, VIAL			
	05	F27A, F27B, F27C		05	F27A, F27B, F27C		08	I20A, I20B, I20C, I20D, I20E, I20F			
	08	I20A, I20B, I20C, I20D, I20E, I20F		08	I20A, I20B, I20C, I20D, I20E, I20F		21A	W04A, W04B			
	10	K01Z		10	K09A, K09B		21B	X04Z			
	21A	W04A, W04B		21A	W04A, W04B		5t082.2c		BOP, KVT, UOP4, VIAL		
21B	X04Z	21B	X04Z	08	I20A, I20B, I20C, I20D, I20E, I20F						
5t080.2↔		BOP, KVT, UOP4, VIAL	5t081.0↔		BOP, KVT, UOP4, VIAL	5t082.2d		BOP, KVT, UOP4, VIAL			
	05	F27A, F27B, F27C		08	I20A, I20B, I20C, I20D, I20E, I20F		08	I20A, I20B, I20C, I20D, I20E, I20F			
	08	I20A, I20B, I20C, I20D, I20E, I20F		5t081.1↔			BOP, KVT, UOP4, VIAL	21A		W04A, W04B	
	10	K01Z			08		I20A, I20B, I20C, I20D, I20E, I20F		21B	X04Z	
	21A	W04A, W04B		5t081.2↔			BOP, KVT, UOP4, VIAL	5t082.2e		BOP, KVT, UOP4, VIAL	
21B	X04Z	08	I20A, I20B, I20C, I20D, I20E, I20F		08	I20A, I20B, I20C, I20D, I20E, I20F					
5t080.3↔		BOP, KVT, UOP4, VIAL	5t081.3↔		BOP, KVT, UOP4, VIAL	21A		W04A, W04B			
	05	F27A, F27B, F27C		5t081.4↔			BOP, KVT, UOP4, VIAL	21B		X04Z	
	08	I20A, I20B, I20C, I20D			08		I20A, I20B, I20C, I20D, I20E, I20F		5t082.2f		BOP, KVT, UOP4, VIAL
	10	K01Z		5t082.01			BOP, KVT, UOP4, VIAL	08			I20A, I20B, I20C, I20D, I20E, I20F
	21A	W04A, W04B			05		F27A, F27B, F27C			21A	
21B	X04Z	08	I20A, I20B, I20C, I20D, I20E, I20F	21B		X04Z					
5t080.4↔		BOP, KVT, UOP4, VIAL	5t082.02↔			BOP, KVT, UOP4, VIAL	5t082.2x		BOP, KVT, UOP4, VIAL		
	05	F27A, F27B, F27C		5t082.11		BOP, KVT, UOP4, VIAL		08		I20A, I20B, I20C, I20D, I20E, I20F	
	08	I20A, I20B, I20C, I20D			05	F27A, F27B, F27C			21A		W04A, W04B
	10	K01Z		08	I20A, I20B, I20C, I20D, I20E, I20F	21B				X04Z	
	21A	W04A, W04B		5t082.12				BOP, KVT, UOP4, VIAL	5t083.0↔		BOP, KVT, UOP4, VIAL
21B	X04Z	05	F27A, F27B, F27C		08		I20A, I20B, I20C, I20D, I20E, I20F				
5t080.a↔		BOP, KVT, UOP4, VIAL	5t082.13			BOP, KVT, UOP4, VIAL	10		K01Z		
	05	F27A, F27B, F27C		5t082.14		BOP, KVT, UOP4, VIAL		21A		W04A, W04B	
	08	I20A, I20B, I20C, I20D, I20E, I20F			05	F27A, F27B, F27C			21B		X04Z
	10	K09A, K09B		08	I20A, I20B, I20C, I20D, I20E, I20F	5t083.1↔				BOP, KVT, UOP4, VIAL	
	21A	W04A, W04B		10	K01Z			05		F27A, F27B, F27C	
21B	X04Z	08	I20A, I20B, I20C, I20D, I20E, I20F	08			I20A, I20B, I20C, I20D, I20E, I20F				
5t080.b↔		BOP, KVT, UOP4, VIAL	5t082.2a			BOP, KVT, UOP4, VIAL	10		K01Z		
	05	F27A, F27B, F27C		5t083.2↔		BOP, KVT, UOP4, VIAL		21A		W04A, W04B	
	08	I20A, I20B, I20C, I20D, I20E, I20F			05	F27A, F27B, F27C			21B		X04Z
	10	K09A, K09B		08	I20A, I20B, I20C, I20D, I20E, I20F	5t083.3↔				BOP, KVT, UOP4, VIAL	
	21A	W04A, W04B		10	K01Z			05		F27A, F27B, F27C	
21B	X04Z	08	I20A, I20B, I20C, I20D	08			I20A, I20B, I20C, I20D				
5t080.c↔		BOP, KVT, UOP4, VIAL	5t083.4↔			BOP, KVT, UOP4, VIAL	10		K01Z		
	05	F27A, F27B, F27C		5t083.3↔		BOP, KVT, UOP4, VIAL		21A		W04A, W04B	
	08	I20A, I20B, I20C, I20D, I20E, I20F			05	F27A, F27B, F27C			21B		X04Z
	10	K09A, K09B		08	I20A, I20B, I20C, I20D	5t083.4↔				BOP, KVT, UOP4, VIAL	
	21A	W04A, W04B		10	K01Z			05		F27A, F27B, F27C	
21B	X04Z	08	I20A, I20B, I20C, I20D	08			I20A, I20B, I20C, I20D				
5t080.d↔		BOP, KVT, UOP4, VIAL	5t083.3↔			BOP, KVT, UOP4, VIAL	10		K01Z		
	05	F27A, F27B, F27C		5t083.4↔		BOP, KVT, UOP4, VIAL		21A		W04A, W04B	
	08	I20A, I20B, I20C, I20D, I20E, I20F			05	F27A, F27B, F27C			21B		X04Z
	10	K09A, K09B		08	I20A, I20B, I20C, I20D	5t083.4↔				BOP, KVT, UOP4, VIAL	
	21A	W04A, W04B		10	K01Z			05		F27A, F27B, F27C	
21B	X04Z	08	I20A, I20B, I20C, I20D	08			I20A, I20B, I20C, I20D				
5t080.e↔		BOP, KVT, UOP4, VIAL	5t083.4↔			BOP, KVT, UOP4, VIAL	10		K01Z		
	05	F27A, F27B, F27C		5t083.4↔		BOP, KVT, UOP4, VIAL		21A		W04A, W04B	
	08	I20A, I20B, I20C, I20D, I20E, I20F			05	F27A, F27B, F27C			21B		X04Z
	10	K09A, K09B		08	I20A, I20B, I20C, I20D	5t083.4↔				BOP, KVT, UOP4, VIAL	
	21A	W04A, W04B		10	K01Z			05		F27A, F27B, F27C	
21B	X04Z	08	I20A, I20B, I20C, I20D	08			I20A, I20B, I20C, I20D				
5t080.f↔		BOP, KVT, UOP4, VIAL	5t083.4↔			BOP, KVT, UOP4, VIAL	10		K01Z		
	05	F27A, F27B, F27C		5t083.4↔		BOP, KVT, UOP4, VIAL		21A		W04A, W04B	
	08	I20A, I20B, I20C, I20D, I20E, I20F			05	F27A, F27B, F27C			21B		X04Z
	10	K09A, K09B		08	I20A, I20B, I20C, I20D	5t083.4↔				BOP, KVT, UOP4, VIAL	
	21A	W04A, W04B		10	K01Z			05		F27A, F27B, F27C	
21B	X04Z	08	I20A, I20B, I20C, I20D	08			I20A, I20B, I20C, I20D				

VYK

ZZV	MDC	DRG	ZZV	MDC	DRG	ZZV	MDC	DRG
5t083.a↔		BOP, KVT, UOP4, VIAL	5t090.7↔		BOP, KVT, UOP4	5t090.k↔		BOP, KVT, UOP4
	05	F27A, F27B, F27C		08	I21Z, I31Z		08	I13A, I13B, I13C, I13D, I13E
	08	I20A, I20B, I20C, I20D, I20E, I20F		21A	W04A, W04B		21A	W04A, W04B
				21B	X06A, X06B, X06C		21B	X04Z
	10	K09A, K09B	5t090.8↔		BOP, KVT, UOP4	5t090.m↔		BOP, KVT, UOP4
	21A	W04A, W04B		08	I21Z, I31Z		08	I13A, I13B, I13C, I13D, I13E
	21B	X04Z		21A	W04A, W04B		21A	W04A, W04B
5t083.b↔		BOP, KVT, UOP4, VIAL		21B	X06A, X06B, X06C		21B	X04Z
	05	F27A, F27B, F27C	5t090.9↔		BOP, KVT, UOP4	5t090.n↔		BOP, KVT, UOP4
	08	I20A, I20B, I20C, I20D, I20E, I20F		08	I21Z, I31Z		08	I13A, I13B, I13C, I13D, I13E
	10	K09A, K09B		21A	W04A, W04B		21A	W04A, W04B
	21A	W04A, W04B		21B	X06A, X06B, X06C		21B	X04Z
	21B	X04Z	5t090.a↔		BOP, KVT, UOP4	5t090.p↔		BOP, KVT, UOP4
5t083.c↔		BOP, KVT, UOP4, VIAL		08	I32A, I32B, I32C, I32D, I32E, I32F		08	I13A, I13B, I13C, I13D, I13E
	05	F27A, F27B, F27C		21A	W04A, W04B		21A	W04A, W04B
	08	I20A, I20B, I20C, I20D, I20E, I20F		21B	X05A, X05B		21B	X04Z
	10	K09A, K09B	5t090.b↔		BOP, KVT, UOP4	5t090.q↔		BOP, KVT, UOP4
	21A	W04A, W04B		08	I32A, I32B, I32C, I32D, I32E, I32F		08	I13A, I13B, I13C, I13D, I13E
	21B	X04Z		21A	W04A, W04B		21A	W04A, W04B
5t083.d↔		BOP, KVT, UOP4, VIAL		21B	X05A, X05B	5t090.r↔		BOP, KVT, UOP4
	05	F27A, F27B, F27C	5t090.c↔		BOP, KVT, UOP4		08	I13A, I13B, I13C, I13D, I13E
	08	I20A, I20B, I20C, I20D, I20E, I20F		08	I32A, I32B, I32C, I32D, I32E, I32F		21A	W04A, W04B
	10	K09A, K09B		21A	W04A, W04B		21B	X04Z
	21A	W04A, W04B	5t090.d		BOP, KVT, UOP4	5t090.s↔		BOP, KVT, UOP4
	21B	X04Z		08	I08A, I08B, I08C, I08D, I08E, I08F		05	F27A, F27B, F27C
5t083.e↔		BOP, KVT, UOP4, VIAL		21A	W04A, W04B		08	I20A, I20B, I20C, I20D, I20E, I20F
	05	F27A, F27B, F27C		21B	X06A, X06B, X06C		10	K01Z
	08	I20A, I20B, I20C, I20D, I20E, I20F	5t090.e↔		BOP, KVT, UOP4		21A	W04A, W04B
	10	K09A, K09B		01	B03A, B03B, B06A, B06B, B17A, B17B, B17C		21B	X04Z
	21A	W04A, W04B		08	I08A, I08B, I08C, I08D, I08E, I08F	5t090.t↔		BOP, KVT, UOP4
	21B	X04Z		21A	W01A, W01B, W01C, W02A, W02B		05	F27A, F27B, F27C
5t08x↔		BOP, KVT, UOP4, VIAL		21B	X04Z		08	I20A, I20B, I20C, I20D, I20E, I20F
	08	I20A, I20B, I20C, I20D, I20E, I20F	5t090.f↔		BOP, KVT, UOP4		10	K01Z
5t090.0↔		BOP, KVT, UOP4		01	B03A, B03B, B06A, B06B, B17A, B17B, B17C		21A	W04A, W04B
	04	E02A, E02B, E02C		08	I08A, I08B, I08C, I08D, I08E, I08F		21B	X04Z
	08	I28A, I28B		21A	W01A, W01B, W01C, W02A, W02B	5t090.u↔		BOP, KVT, UOP4
	21A	W04A, W04B		21B	X04Z		05	F27A, F27B, F27C
	21B	X06A, X06B, X06C	5t090.g↔		BOP, KVT, UOP4		08	I20A, I20B, I20C, I20D, I20E, I20F
5t090.1↔		BOP, KVT, UOP4		01	B03A, B03B, B06A, B06B, B17A, B17B, B17C		10	K01Z
	08	I13A, I13B, I13C, I13D, I13E		08	I08A, I08B, I08C, I08D, I08E, I08F		21A	W04A, W04B
	21A	W04A, W04B		21A	W01A, W01B, W01C, W02A, W02B		21B	X04Z
	21B	X06A, X06B, X06C	5t090.h↔		BOP, KVT, UOP4	5t090.v↔		BOP, KVT, UOP4
5t090.2↔		BOP, KVT, UOP4		01	B03A, B03B, B06A, B06B, B17A, B17B, B17C		05	F27A, F27B, F27C
	08	I13A, I13B, I13C, I13D, I13E		08	I08A, I08B, I08C, I08D, I08E, I08F		08	I20A, I20B, I20C, I20D, I20E, I20F
	21A	W04A, W04B		21A	W01A, W01B, W01C, W02A, W02B		10	K01Z
	21B	X06A, X06B, X06C	5t090.i↔		BOP, KVT, UOP4		21A	W04A, W04B
5t090.3↔		BOP, KVT, UOP4		01	B03A, B03B, B06A, B06B, B17A, B17B, B17C		21B	X04Z
	08	I13A, I13B, I13C, I13D, I13E		08	I08A, I08B, I08C, I08D, I08E, I08F	5t090.w↔		BOP, KVT, UOP4
	21A	W04A, W04B		21A	W01A, W01B, W01C, W02A, W02B		08	I20A, I20B, I20C, I20D, I20E, I20F
	21B	X06A, X06B, X06C		21B	X04Z		21A	W04A, W04B
5t090.4↔		BOP, KVT, UOP4	5t090.j↔		BOP, KVT, UOP4		21B	X04Z
	08	I21Z, I31Z		01	B03A, B03B, B06A, B06B, B17A, B17B, B17C	5t090.x		BOP, KVT, UOP4
	21A	W04A, W04B		08	I08A, I08B, I08C, I08D, I08E, I08F		01	B03A, B03B, B06A, B06B, B17A, B17B, B17C
	21B	X06A, X06B, X06C		21A	W01A, W01B, W01C, W02A, W02B		08	I28A, I28B
5t090.5↔		BOP, KVT, UOP4		21B	X04Z		21A	W04A, W04B
	08	I21Z, I31Z		21B	X04Z		21B	X06A, X06B, X06C
	21A	W04A, W04B		01	B03A, B03B, B06A, B06B, B17A, B17B, B17C	5t090.z↔		BOP, KVT, UOP4
	21B	X06A, X06B, X06C		08	I18A, I18B, I30Z		04	E02A, E02B, E02C
5t090.6↔		BOP, KVT, UOP4		21A	W04A, W04B		08	I28A, I28B
	08	I21Z, I31Z		21B	X04Z		21A	W04A, W04B
	21A	W04A, W04B					21B	X06A, X06B, X06C
	21B	X06A, X06B, X06C						

VYK

ZZV	MDC	DRG	ZZV	MDC	DRG	ZZV	MDC	DRG
5t091.0↔		BOP, KVT, UOP4	5t091.h↔		BOP, KVT, UOP4, VIAL	5t092.3↔		BOP, KVT, UOP4, VIAL
	08	I12A, I12B, I12C, I28A, I28B		01	B03A, B03B, B06A, B06B, B17A, B17B, B17C		08	I08A, I08B, I08C, I08D, I08E, I08F, I13A, I13B, I13C, I13D, I13E
	21A	W04A, W04B		08	I08A, I08B, I08C, I08D, I08E, I08F, I12A, I12B, I12C		21A	W04A, W04B
	21B	X06A, X06B, X06C		21A	W04A, W04B		21B	X06A, X06B, X06C
5t091.1↔		BOP, KVT, UOP4, VIAL		21B	X04Z	5t092.4↔		BOP, KVT, UOP4, VIAL
	08	I08A, I08B, I08C, I08D, I08E, I08F, I12A, I12B, I12C, I13A, I13B, I13C, I13D, I13E	5t091.k↔		BOP, KVT, UOP4, VIAL		08	I08A, I08B, I08C, I08D, I08E, I08F, I21Z, I31Z
	21A	W04A, W04B		08	I12A, I12B, I12C, I13A, I13B, I13C, I13D, I13E		21A	W04A, W04B
	21B	X06A, X06B, X06C		21A	W04A, W04B		21B	X06A, X06B, X06C
5t091.3↔		BOP, KVT, UOP4, VIAL		21B	X04Z	5t092.6↔		BOP, KVT, UOP4, VIAL
	08	I08A, I08B, I08C, I08D, I08E, I08F, I12A, I12B, I12C, I13A, I13B, I13C, I13D, I13E	5t091.n↔		BOP, KVT, UOP4, VIAL		08	I08A, I08B, I08C, I08D, I08E, I08F, I21Z, I31Z
	21A	W04A, W04B		08	I12A, I12B, I12C, I13A, I13B, I13C, I13D, I13E		21A	W04A, W04B
	21B	X06A, X06B, X06C		21A	W04A, W04B		21B	X06A, X06B, X06C
5t091.4↔		BOP, KVT, UOP4, VIAL		21B	X04Z	5t092.7↔		BOP, KVT, UOP4, VIAL
	08	I08A, I08B, I08C, I08D, I08E, I08F, I12A, I12B, I12C, I21Z, I31Z	5t091.p↔		BOP, KVT, UOP4, VIAL		08	I08A, I08B, I08C, I08D, I08E, I08F, I21Z, I31Z
	21A	W04A, W04B		08	I12A, I12B, I12C, I13A, I13B, I13C, I13D, I13E		21A	W04A, W04B
	21B	X06A, X06B, X06C		21A	W04A, W04B		21B	X06A, X06B, X06C
5t091.6↔		BOP, KVT, UOP4, VIAL		21B	X04Z	5t092.9↔		BOP, KVT, UOP4, VIAL
	08	I08A, I08B, I08C, I08D, I08E, I08F, I12A, I12B, I12C, I21Z, I31Z	5t091.r↔		BOP, KVT, UOP4, VIAL		08	I08A, I08B, I08C, I08D, I08E, I08F, I21Z, I31Z
	21A	W04A, W04B		08	I12A, I12B, I12C, I13A, I13B, I13C, I13D, I13E		21A	W04A, W04B
	21B	X06A, X06B, X06C		21A	W04A, W04B		21B	X06A, X06B, X06C
5t091.7↔		BOP, KVT, UOP4, VIAL		21B	X04Z	5t092.b↔		BOP, KVT, UOP4, VIAL
	08	I08A, I08B, I08C, I08D, I08E, I08F, I12A, I12B, I12C, I21Z, I31Z	5t091.s↔		BOP, KVT, UOP4, VIAL		08	I32A, I32B, I32C, I32D, I32E, I32F
	21A	W04A, W04B		08	I12A, I12B, I12C, I20A, I20B, I20C, I20D, I20E, I20F		21A	W04A, W04B
	21B	X06A, X06B, X06C		21A	W04A, W04B		21B	X05A, X05B
5t091.9↔		BOP, KVT, UOP4, VIAL		21B	X04Z	5t092.c↔		BOP, KVT, UOP4, VIAL
	08	I08A, I08B, I08C, I08D, I08E, I08F, I12A, I12B, I12C, I21Z, I31Z	5t091.t↔		BOP, KVT, UOP4, VIAL		08	I32A, I32B, I32C, I32D, I32E, I32F
	21A	W04A, W04B		08	I12A, I12B, I12C, I20A, I20B, I20C, I20D, I20E, I20F		21A	W04A, W04B
	21B	X06A, X06B, X06C		21A	W04A, W04B		21B	X05A, X05B
5t091.b↔		BOP, KVT, UOP4, VIAL		21B	X04Z	5t092.d		BOP, KVT, UOP4, VIAL
	08	I12A, I12B, I12C, I32A, I32B, I32C, I32D, I32E, I32F	5t091.v↔		BOP, KVT, UOP4, VIAL		08	I08A, I08B, I08C, I08D, I08E, I08F
	21A	W04A, W04B		08	I12A, I12B, I12C, I20A, I20B, I20C, I20D, I20E, I20F		21A	W04A, W04B
	21B	X05A, X05B		21A	W04A, W04B		21B	X06A, X06B, X06C
5t091.c↔		BOP, KVT, UOP4, VIAL		21B	X04Z	5t092.e↔		BOP, KVT, UOP4, VIAL
	08	I12A, I12B, I12C, I32A, I32B, I32C, I32D, I32E, I32F	5t091.w↔		BOP, KVT, UOP4, VIAL		01	B03A, B03B, B06A, B06B, B17A, B17B, B17C
	21A	W04A, W04B		08	I12A, I12B, I12C, I20A, I20B, I20C, I20D, I20E, I20F		08	I08A, I08B, I08C, I08D, I08E, I08F
	21B	X05A, X05B		21A	W04A, W04B		21A	W04A, W04B
5t091.d		BOP, KVT, UOP4, VIAL		21B	X04Z	5t092.f↔		BOP, KVT, UOP4, VIAL
	08	I08A, I08B, I08C, I08D, I08E, I08F, I12A, I12B, I12C	5t091.x		BOP, KVT, UOP4		01	B03A, B03B, B06A, B06B, B17A, B17B, B17C
	21A	W04A, W04B		08	I12A, I12B, I12C, I28A, I28B		08	I08A, I08B, I08C, I08D, I08E, I08F
	21B	X06A, X06B, X06C		21A	W04A, W04B		21A	W04A, W04B
5t091.e↔		BOP, KVT, UOP4, VIAL		21B	X06A, X06B, X06C		21B	X04Z
	01	B03A, B03B, B06A, B06B, B17A, B17B, B17C	5t092.0↔		BOP, KVT, UOP4, VIAL		01	B03A, B03B, B06A, B06B, B17A, B17B, B17C
	08	I08A, I08B, I08C, I08D, I08E, I08F, I12A, I12B, I12C		08	I28A, I28B		08	I08A, I08B, I08C, I08D, I08E, I08F
	21A	W04A, W04B		21A	W04A, W04B		21A	W04A, W04B
	21B	X04Z		21B	X06A, X06B, X06C		21B	X04Z
5t091.f↔		BOP, KVT, UOP4, VIAL	5t092.1↔		BOP, KVT, UOP4, VIAL		08	I08A, I08B, I08C, I08D, I08E, I08F, I13A, I13B, I13C, I13D, I13E
	01	B03A, B03B, B06A, B06B, B17A, B17B, B17C		08	I08A, I08B, I08C, I08D, I08E, I08F, I13A, I13B, I13C, I13D, I13E		21A	W04A, W04B
	08	I08A, I08B, I08C, I08D, I08E, I08F, I12A, I12B, I12C		21A	W04A, W04B		21B	X06A, X06B, X06C
	21A	W04A, W04B		21B	X04Z			
	21B	X04Z						

VYK

ZZV	MDC	DRG	ZZV	MDC	DRG	ZZV	MDC	DRG
5t092.p↔		BOP, KVT, UOP4, VIAL	5t093.7↔		BOP, KVT, UOP4, VIAL	5t093.s↔		BOP, KVT, UOP4, VIAL
	08	I13A, I13B, I13C, I13D, I13E		08	I08A, I08B, I08C, I08D, I08E, I08F, I21Z, I31Z		05	F27A, F27B, F27C
	21A	W04A, W04B		21A	W04A, W04B		08	I20A, I20B, I20C, I20D, I20E, I20F
	21B	X04Z		21B	X06A, X06B, X06C		10	K01Z
5t092.r↔		BOP, KVT, UOP4, VIAL	5t093.9↔		BOP, KVT, UOP4, VIAL		21A	W04A, W04B
	08	I13A, I13B, I13C, I13D, I13E		08	I08A, I08B, I08C, I08D, I08E, I08F, I21Z, I31Z		21B	X04Z
	21A	W04A, W04B		21A	W04A, W04B	5t093.t↔		BOP, KVT, UOP4, VIAL
	21B	X04Z		21B	X06A, X06B, X06C		05	F27A, F27B, F27C
5t092.s↔		BOP, KVT, UOP4, VIAL	5t093.b↔		BOP, KVT, UOP4, VIAL		08	I20A, I20B, I20C, I20D, I20E, I20F
	08	I20A, I20B, I20C, I20D, I20E, I20F		08	I32A, I32B, I32C, I32D, I32E, I32F		10	K01Z
	21A	W04A, W04B		21A	W04A, W04B		21A	W04A, W04B
	21B	X04Z		21B	X05A, X05B		21B	X04Z
5t092.t↔		BOP, KVT, UOP4, VIAL	5t093.c↔		BOP, KVT, UOP4, VIAL	5t093.u↔		BOP, KVT, UOP4, VIAL
	08	I20A, I20B, I20C, I20D, I20E, I20F		08	I32A, I32B, I32C, I32D, I32E, I32F		05	F27A, F27B, F27C
	21A	W04A, W04B		21A	W04A, W04B		08	I20A, I20B, I20C, I20D, I20E, I20F
	21B	X04Z		21B	X05A, X05B		10	K01Z
5t092.u↔		BOP, KVT, UOP4, VIAL	5t093.d		BOP, KVT, UOP4, VIAL		21A	W04A, W04B
	08	I20A, I20B, I20C, I20D, I20E, I20F		08	I08A, I08B, I08C, I08D, I08E, I08F	5t093.v↔		BOP, KVT, UOP4, VIAL
	21A	W04A, W04B		21A	W04A, W04B		05	F27A, F27B, F27C
	21B	X04Z		21B	X06A, X06B, X06C		08	I20A, I20B, I20C, I20D, I20E, I20F
5t092.v↔		BOP, KVT, UOP4, VIAL	5t093.e↔		BOP, KVT, UOP4, VIAL		10	K01Z
	08	I20A, I20B, I20C, I20D, I20E, I20F		01	B03A, B03B, B06A, B06B, B17A, B17B, B17C		21A	W04A, W04B
	21A	W04A, W04B		08	I08A, I08B, I08C, I08D, I08E, I08F		21B	X04Z
	21B	X04Z		21A	W01A, W01B, W01C, W02A, W02B	5t093.w↔		BOP, KVT, UOP4, VIAL
5t092.w↔		BOP, KVT, UOP4, VIAL	5t093.f↔		BOP, KVT, UOP4, VIAL		08	I20A, I20B, I20C, I20D, I20E, I20F
	08	I20A, I20B, I20C, I20D, I20E, I20F		01	B03A, B03B, B06A, B06B, B17A, B17B, B17C		21A	W04A, W04B
	21A	W04A, W04B		08	I08A, I08B, I08C, I08D, I08E, I08F		21B	X04Z
	21B	X04Z		21A	W01A, W01B, W01C, W02A, W02B	5t093.x		BOP, KVT, UOP4
5t092.x		BOP, KVT, UOP4		21B	X04Z		08	I28A, I28B
	08	I28A, I28B		01	B03A, B03B, B06A, B06B, B17A, B17B, B17C		21A	W04A, W04B
	21A	W04A, W04B		08	I08A, I08B, I08C, I08D, I08E, I08F		21B	X06A, X06B, X06C
	21B	X06A, X06B, X06C		21A	W01A, W01B, W01C, W02A, W02B	5t093.z↔		BOP, KVT, UOP4, VIAL
5t092.z↔		BOP, KVT, UOP4, VIAL	5t093.h↔		BOP, KVT, UOP4, VIAL		04	E02A, E02B, E02C
	08	I28A, I28B		01	B03A, B03B, B06A, B06B, B17A, B17B, B17C		08	I28A, I28B
	21A	W04A, W04B		08	I08A, I08B, I08C, I08D, I08E, I08F		21A	W04A, W04B
	21B	X06A, X06B, X06C		21A	W01A, W01B, W01C, W02A, W02B	5t094±↔		I28A, I28B, I28C
5t093.0↔		BOP, KVT, UOP4, VIAL		21B	X04Z	5t095±↔		I28A, I28B, I28C
	04	E02A, E02B, E02C		01	B03A, B03B, B06A, B06B, B17A, B17B, B17C	5t096↔		BOP, UOP4
	08	I28A, I28B		08	I08A, I08B, I08C, I08D, I08E, I08F		08	I28A, I28B
	21A	W04A, W04B	5t093.k↔		BOP, KVT, UOP4, VIAL		21A	W04A, W04B
	21B	X06A, X06B, X06C		08	I13A, I13B, I13C, I13D, I13E		21B	X06A, X06B, X06C
5t093.1↔		BOP, KVT, UOP4, VIAL		21A	W04A, W04B	5t09x.0↔		BOP, UOP4
	08	I08A, I08B, I08C, I08D, I08E, I08F, I13A, I13B, I13C, I13D, I13E		21B	X04Z		08	I16Z
	21A	W04A, W04B		21A	W04A, W04B		21A	W04A, W04B
	21B	X06A, X06B, X06C		21B	X04Z	5t09x.1↔		X06A, X06B, X06C
5t093.3↔		BOP, KVT, UOP4, VIAL	5t093.n↔		BOP, KVT, UOP4, VIAL		21B	X06A, X06B, X06C
	08	I08A, I08B, I08C, I08D, I08E, I08F, I13A, I13B, I13C, I13D, I13E		08	I13A, I13B, I13C, I13D, I13E		08	I13A, I13B, I13C, I13D, I13E
	21A	W04A, W04B		21A	W04A, W04B		21A	W04A, W04B
	21B	X06A, X06B, X06C		21B	X04Z	5t09x.2↔		X06A, X06B, X06C
5t093.4↔		BOP, KVT, UOP4, VIAL	5t093.p↔		BOP, KVT, UOP4, VIAL		21B	X06A, X06B, X06C
	08	I08A, I08B, I08C, I08D, I08E, I08F, I21Z, I31Z		08	I13A, I13B, I13C, I13D, I13E		08	BOP, UOP4
	21A	W04A, W04B		21A	W04A, W04B		08	I13A, I13B, I13C, I13D, I13E
	21B	X06A, X06B, X06C		21B	X04Z	5t09x.3↔		W04A, W04B
5t093.6↔		BOP, KVT, UOP4, VIAL	5t093.r↔		BOP, KVT, UOP4, VIAL		21A	X06A, X06B, X06C
	08	I08A, I08B, I08C, I08D, I08E, I08F, I21Z, I31Z		08	I13A, I13B, I13C, I13D, I13E		21B	X06A, X06B, X06C
	21A	W04A, W04B		21A	W04A, W04B	5t09x.4↔		BOP, UOP4
	21B	X06A, X06B, X06C		21B	X04Z		08	I21Z, I31Z
							21A	W04A, W04B
							21B	X06A, X06B, X06C

VYK

ZZV	MDC	DRG	ZZV	MDC	DRG	ZZV	MDC	DRG
5t09x.5↔		BOP, UOP4	5t09x.h↔		BOP, UOP4	5t09x.w↔		BOP, UOP4
	08	I21Z, I31Z		01	B03A, B03B, B06A, B06B, B17A, B17B, B17C		08	I20A, I20B, I20C, I20D, I20E, I20F
	21A	W04A, W04B		08	I08A, I08B, I08C, I08D, I08E, I08F		21A	W04A, W04B
	21B	X06A, X06B, X06C		21A	W01A, W01B, W01C, W02A, W02B	5t09x.x	21B	X04Z
5t09x.6↔		BOP, UOP4		21B	X04Z			BOP, UOP4
	08	I18A, I18B, I30Z	5t09x.j↔		BOP, UOP4		08	I28A, I28B
	21A	W04A, W04B		01	B03A, B03B, B06A, B06B, B17A, B17B, B17C		21A	W04A, W04B
	21B	X06A, X06B, X06C		08	I18A, I18B, I30Z	5t09x.z↔	21B	X06A, X06B, X06C
5t09x.7↔		BOP, UOP4		21A	W04A, W04B			BOP, UOP4
	08	I18A, I18B, I30Z	5t09x.k↔	21B	X04Z		08	I16Z
	21A	W04A, W04B			BOP, UOP4		21A	W04A, W04B
	21B	X06A, X06B, X06C		08	I13A, I13B, I13C, I13D, I13E	5t100.2↔	21B	X06A, X06B, X06C
5t09x.8↔		BOP, UOP4		21A	W04A, W04B		08	I08A, I08B, I08C, I08D, I08E, I08F, I13A, I13B, I13C, I13D
	08	I18A, I18B, I30Z		21B	X04Z		21A	W04A, W04B
	21A	W04A, W04B	5t09x.l↔		BOP, UOP4		21B	X06A, X06B, X06C
	21B	X06A, X06B, X06C		08	I13A, I13B, I13C, I13D, I13E	5t100.5↔	08	I08A, I08B, I08C, I08D, I08E, I08F, I21Z, I31Z
5t09x.9↔		BOP, UOP4		21A	W04A, W04B		21A	W04A, W04B
	08	I18A, I18B, I30Z	5t09x.m↔	21B	X04Z		21B	X06A, X06B, X06C
	21A	W04A, W04B			BOP, UOP4		08	I08A, I08B, I08C, I08D, I08E, I08F, I21Z, I31Z
	21B	X06A, X06B, X06C		08	I13A, I13B, I13C, I13D, I13E	5t100.8↔	21A	W04A, W04B
5t09x.a↔		BOP, UOP4		21A	W04A, W04B		21B	X06A, X06B, X06C
	08	I32A, I32B, I32C, I32D, I32E, I32F	5t09x.n↔	21B	X04Z		08	I08A, I08B, I08C, I08D, I08E, I08F, I21Z, I31Z
	21A	W04A, W04B			BOP, UOP4	5t100.g↔	21A	W04A, W04B
	21B	X05A, X05B		08	I13A, I13B, I13C, I13D, I13E		21B	X06A, X06B, X06C
5t09x.b↔		BOP, UOP4		21A	W04A, W04B		08	I08A, I08B, I08C, I08D, I08E, I08F, I21Z, I31Z
	08	I32A, I32B, I32C, I32D, I32E, I32F	5t09x.p↔	21B	X04Z		21A	W04A, W04B
	21A	W04A, W04B			BOP, UOP4		21B	X06A, X06B, X06C
	21B	X05A, X05B		08	I13A, I13B, I13C, I13D, I13E	5t100.m↔	08	I13A, I13B, I13C, I13D
5t09x.c↔		BOP, UOP4		21A	W04A, W04B		21A	W04A, W04B
	08	I32A, I32B, I32C, I32D, I32E, I32F	5t09x.q↔	21B	X04Z		21B	X04Z
	21A	W04A, W04B			BOP, UOP4	5t100.q↔	08	I13A, I13B, I13C, I13D
	21B	X05A, X05B		08	I13A, I13B, I13C, I13D, I13E		21A	W04A, W04B
5t09x.d		BOP, UOP4	5t09x.r↔		BOP, UOP4		21B	X04Z
	01	B03A, B03B, B06A, B06B, B17A, B17B, B17C		08	I13A, I13B, I13C, I13D, I13E		08	I08A, I08B, I08C, I08D, I08E, I08F
	08	I08A, I08B, I08C, I08D, I08E, I08F		21A	W04A, W04B	5t100.x	21A	W04A, W04B
	21A	W01A, W01B, W01C, W02A, W02B		21B	X04Z		21B	X06A, X06B, X06C
	21B	X04Z	5t09x.s↔		BOP, UOP4		08	I08A, I08B, I08C, I08D, I08E, I08F
5t09x.e↔		BOP, UOP4		05	F27A, F27B, F27C		21A	W04A, W04B
	01	B03A, B03B, B06A, B06B, B17A, B17B, B17C		08	I20A, I20B, I20C, I20D, I20E, I20F		21B	X04Z
	08	I08A, I08B, I08C, I08D, I08E, I08F		10	K01Z	5t101.x	08	I28A, I28B
	21A	W01A, W01B, W01C, W02A, W02B		21A	W04A, W04B		21A	W04A, W04B
	21B	X04Z	5t09x.t↔	21B	X04Z		21B	X06A, X06B, X06C
5t09x.f↔		BOP, UOP4			BOP, UOP4	5t101.2↔	08	I08A, I08B, I08C, I08D, I08E, I08F, I13A, I13B, I13C, I13D
	01	B03A, B03B, B06A, B06B, B17A, B17B, B17C		05	F27A, F27B, F27C		21A	W04A, W04B
	08	I08A, I08B, I08C, I08D, I08E, I08F		08	I20A, I20B, I20C, I20D, I20E, I20F		21B	X06A, X06B, X06C
	21A	W01A, W01B, W01C, W02A, W02B		10	K01Z	5t101.5↔	08	I08A, I08B, I08C, I08D, I08E, I08F, I21Z, I31Z
	21B	X04Z		21A	W04A, W04B		21A	W04A, W04B
5t09x.g↔		BOP, UOP4	5t09x.u↔		BOP, UOP4		21B	X06A, X06B, X06C
	01	B03A, B03B, B06A, B06B, B17A, B17B, B17C		05	F27A, F27B, F27C		08	I08A, I08B, I08C, I08D, I08E, I08F, I21Z, I31Z
	08	I08A, I08B, I08C, I08D, I08E, I08F		08	I20A, I20B, I20C, I20D, I20E, I20F	5t101.8↔	21A	W04A, W04B
	21A	W01A, W01B, W01C, W02A, W02B		10	K01Z		21B	X06A, X06B, X06C
	21B	X04Z		21A	W04A, W04B		08	I08A, I08B, I08C, I08D, I08E, I08F, I21Z, I31Z
	01	B03A, B03B, B06A, B06B, B17A, B17B, B17C	5t09x.v↔	21B	X04Z		21A	W04A, W04B
	08	I08A, I08B, I08C, I08D, I08E, I08F			BOP, UOP4	5t101.g↔	21B	X06A, X06B, X06C
	21A	W01A, W01B, W01C, W02A, W02B		05	F27A, F27B, F27C		08	I08A, I08B, I08C, I08D, I08E, I08F
	21B	X04Z		08	I20A, I20B, I20C, I20D, I20E, I20F		10	K09A, K09B
	01	B03A, B03B, B06A, B06B, B17A, B17B, B17C		10	K01Z		21A	W01A, W01B, W01C, W02A, W02B
	08	I08A, I08B, I08C, I08D, I08E, I08F		21A	W04A, W04B		21B	X04Z
	21A	W01A, W01B, W01C, W02A, W02B		21B	X04Z			
	21B	X04Z			BOP, UOP4			

VYK

ZZV	MDC	DRG	ZZV	MDC	DRG	ZZV	MDC	DRG
5t101.m↔		BOP, KVT, UOP4, VIAL 08 I13A, I13B, I13C, I13D 21A W01A, W01B, W01C, W02A, W02B	5t104.g↔		BOP, KVT, UOP4, VIAL 08 I08A, I08B, I08C, I08D, I08E, I08F 10 K09A, K09B 21A W01A, W01B, W01C, W02A, W02B	5t107.2↔		BOP, KVT, UOP4, VIAL 08 I08A, I08B, I08C, I08D, I08E, I08F, I13A, I13B, I13C, I13D 21A W04A, W04B 21B X06A, X06B, X06C
5t101.q↔		BOP, KVT, UOP4, VIAL 08 I13A, I13B, I13C, I13D 21A W01A, W01B, W01C, W02A, W02B	5t104.m↔		BOP, KVT, UOP4, VIAL 08 I13A, I13B, I13C, I13D 21A W01A, W01B, W01C, W02A, W02B	5t107.5↔		BOP, KVT, UOP4, VIAL 08 I08A, I08B, I08C, I08D, I08E, I08F, I21Z, I31Z 21A W04A, W04B 21B X06A, X06B, X06C
5t101.x		BOP, KVT, UOP4 08 I28A, I28B 21A W04A, W04B 21B X06A, X06B, X06C	5t104.q↔		BOP, KVT, UOP4, VIAL 08 I13A, I13B, I13C, I13D 21A W01A, W01B, W01C, W02A, W02B	5t107.8↔		BOP, KVT, UOP4, VIAL 08 I08A, I08B, I08C, I08D, I08E, I08F, I21Z, I31Z 21A W04A, W04B 21B X06A, X06B, X06C
5t103.2↔		BOP, KVT, UOP4, VIAL 08 I08A, I08B, I08C, I08D, I08E, I08F, I13A, I13B, I13C, I13D 21A W04A, W04B 21B X06A, X06B, X06C	5t104.x		BOP, KVT, UOP4 08 I28A, I28B 21A W04A, W04B 21B X06A, X06B, X06C	5t107.g↔		BOP, KVT, UOP4, VIAL 08 I08A, I08B, I08C, I08D, I08E, I08F 10 K09A, K09B 21A W01A, W01B, W01C, W02A, W02B
5t103.5↔		BOP, KVT, UOP4, VIAL 08 I08A, I08B, I08C, I08D, I08E, I08F, I21Z, I31Z 21A W04A, W04B 21B X06A, X06B, X06C	5t105.2↔		BOP, KVT, UOP4, VIAL 08 I08A, I08B, I08C, I08D, I08E, I08F, I13A, I13B, I13C, I13D	5t107.m↔		BOP, KVT, UOP4, VIAL 08 I13A, I13B, I13C, I13D 21A W01A, W01B, W01C, W02A, W02B
5t103.8↔		BOP, KVT, UOP4, VIAL 08 I08A, I08B, I08C, I08D, I08E, I08F, I21Z, I31Z 21A W04A, W04B 21B X06A, X06B, X06C	5t105.g↔		BOP, KVT, UOP4, VIAL 08 I08A, I08B, I08C, I08D, I08E, I08F 10 K09A, K09B 21A W01A, W01B, W01C, W02A, W02B	5t107.q↔		BOP, KVT, UOP4, VIAL 08 I13A, I13B, I13C, I13D 21A W04A, W04B 21B X06A, X06B, X06C
5t103.g↔		BOP, KVT, UOP4, VIAL 08 I08A, I08B, I08C, I08D, I08E, I08F 10 K09A, K09B 21A W01A, W01B, W01C, W02A, W02B 21B X04Z	5t105.x		BOP, KVT, UOP4 08 I28A, I28B 21A W04A, W04B 21B X06A, X06B, X06C	5t107.x		BOP, KVT, UOP4 08 I28A, I28B 21A W04A, W04B 21B X06A, X06B, X06C
5t103.m↔		BOP, KVT, UOP4, VIAL 08 I13A, I13B, I13C, I13D 21A W01A, W01B, W01C, W02A, W02B 21B X04Z	5t106.2↔		BOP, KVT, UOP4, VIAL 08 I08A, I08B, I08C, I08D, I08E, I08F, I13A, I13B, I13C, I13D 21A W04A, W04B 21B X06A, X06B, X06C	5t108.2↔		BOP, KVT, UOP4, VIAL 08 I08A, I08B, I08C, I08D, I08E, I08F, I13A, I13B, I13C, I13D 21A W04A, W04B 21B X06A, X06B, X06C
5t103.q↔		BOP, KVT, UOP4, VIAL 08 I13A, I13B, I13C, I13D 21A W01A, W01B, W01C, W02A, W02B 21B X04Z	5t106.5↔		BOP, KVT, UOP4, VIAL 08 I08A, I08B, I08C, I08D, I08E, I08F, I21Z, I31Z 21A W04A, W04B 21B X06A, X06B, X06C	5t108.g↔		BOP, KVT, UOP4, VIAL 08 I08A, I08B, I08C, I08D, I08E, I08F 10 K09A, K09B 21A W01A, W01B, W01C, W02A, W02B
5t103.x		BOP, KVT, UOP4 08 I28A, I28B 21A W04A, W04B 21B X06A, X06B, X06C	5t106.8↔		BOP, KVT, UOP4, VIAL 08 I08A, I08B, I08C, I08D, I08E, I08F, I21Z, I31Z 21A W04A, W04B 21B X06A, X06B, X06C	5t108.m↔		BOP, KVT, UOP4, VIAL 08 I13A, I13B, I13C, I13D 21A W01A, W01B, W01C, W02A, W02B 21B X04Z
5t104.2↔		BOP, KVT, UOP4, VIAL 08 I08A, I08B, I08C, I08D, I08E, I08F, I13A, I13B, I13C, I13D 21A W04A, W04B 21B X06A, X06B, X06C	5t106.g↔		BOP, KVT, UOP4, VIAL 08 I08A, I08B, I08C, I08D, I08E, I08F 10 K09A, K09B 21A W01A, W01B, W01C, W02A, W02B	5t108.x		BOP, KVT, UOP4 08 I28A, I28B 21A W04A, W04B 21B X06A, X06B, X06C
5t104.5↔		BOP, KVT, UOP4, VIAL 08 I08A, I08B, I08C, I08D, I08E, I08F, I21Z, I31Z 21A W04A, W04B 21B X06A, X06B, X06C	5t106.m↔		BOP, KVT, UOP4, VIAL 08 I13A, I13B, I13C, I13D 21A W01A, W01B, W01C, W02A, W02B 21B X04Z	5t109.g↔		BOP, KVT, UOP4, VIAL 08 I08A, I08B, I08C, I08D, I08E, I08F 10 K09A, K09B 21A W01A, W01B, W01C, W02A, W02B
5t104.8↔		BOP, KVT, UOP4, VIAL 08 I08A, I08B, I08C, I08D, I08E, I08F, I21Z, I31Z 21A W04A, W04B 21B X06A, X06B, X06C	5t106.q↔		BOP, KVT, UOP4, VIAL 08 I13A, I13B, I13C, I13D 21A W01A, W01B, W01C, W02A, W02B 21B X04Z	5t109.m↔		BOP, KVT, UOP4, VIAL 08 I13A, I13B, I13C, I13D 21A W01A, W01B, W01C, W02A, W02B 21B X04Z
			5t106.x		BOP, KVT, UOP4 08 I28A, I28B 21A W04A, W04B 21B X06A, X06B, X06C	5t109.x		BOP, KVT, UOP4 08 I28A, I28B 21A W04A, W04B 21B X06A, X06B, X06C

VYK

ZZV	MDC	DRG	ZZV	MDC	DRG	ZZV	MDC	DRG
5t10a.2↔		BOP, KVT, UOP4, VIAL	5t10b.x		BOP, KVT, UOP4	5t10v.8↔		BOP, KVT, UOP4, VIAL
	08	I08A, I08B, I08C, I08D, I08E, I08F, I13A, I13B, I13C, I13D		08	I28A, I28B		08	I08A, I08B, I08C, I08D, I08E, I08F, I13A, I21Z, I31Z
	21A	W04A, W04B		21A	W04A, W04B		21A	W04A, W04B
	21B	X06A, X06B, X06C	5t10c.2↔		X06A, X06B, X06C	5t10v.g↔		X06A, X06B, X06C
5t10a.5↔		BOP, KVT, UOP4, VIAL		08	BOP, KVT, UOP4, VIAL		08	BOP, KVT, UOP4, VIAL
	08	I08A, I08B, I08C, I08D, I08E, I08F, I21Z, I31Z		21A	I08A, I08B, I08C, I08D, I08E, I08F, I13A, I13B, I13C, I13D		08	I08A, I08B, I08C, I08D, I08E, I08F, I13A
	21A	W04A, W04B		21B	W04A, W04B		10	K09A, K09B
	21B	X06A, X06B, X06C	5t10c.g↔		X06A, X06B, X06C		21A	W01A, W01B, W01C, W02A, W02B
5t10a.8↔		BOP, KVT, UOP4, VIAL		08	BOP, KVT, UOP4, VIAL		21B	X04Z
	08	I08A, I08B, I08C, I08D, I08E, I08F, I21Z, I31Z		10	I08A, I08B, I08C, I08D, I08E, I08F	5t10v.m↔		BOP, KVT, UOP4, VIAL
	21A	W04A, W04B		21A	K09A, K09B		08	I13A, I13B, I13C, I13D
	21B	X06A, X06B, X06C		21B	W01A, W01B, W01C, W02A, W02B		21A	W01A, W01B, W01C, W02A, W02B
5t10a.g↔		BOP, KVT, UOP4, VIAL		21B	X04Z		21B	X04Z
	08	I08A, I08B, I08C, I08D, I08E, I08F	5t10c.x		BOP, KVT, UOP4	5t10v.q↔		BOP, KVT, UOP4, VIAL
	10	K09A, K09B		08	I28A, I28B		08	I13A, I13B, I13C, I13D
	21A	W01A, W01B, W01C, W02A, W02B		21A	W04A, W04B		21A	W01A, W01B, W01C, W02A, W02B
	21B	X04Z		21B	X06A, X06B, X06C		21B	X04Z
5t10a.m↔		BOP, KVT, UOP4, VIAL	5t10t.2↔		BOP, KVT, UOP4, VIAL	5t10v.x		BOP, KVT, UOP4
	08	I13A, I13B, I13C, I13D		08	I08A, I08B, I08C, I08D, I08E, I08F, I13A, I13B, I13C, I13D		08	I13A, I28A, I28B
	21A	W01A, W01B, W01C, W02A, W02B		21A	W04A, W04B		21A	W04A, W04B
	21B	X04Z		21B	X06A, X06B, X06C		21B	X06A, X06B, X06C
5t10a.q↔		BOP, KVT, UOP4, VIAL	5t10t.5↔		BOP, KVT, UOP4, VIAL	5t10x.2↔		BOP, KVT, UOP4, VIAL
	08	I13A, I13B, I13C, I13D		08	I08A, I08B, I08C, I08D, I08E, I08F, I21Z, I31Z		08	I08A, I08B, I08C, I08D, I08E, I08F, I13A, I13B, I13C, I13D
	21A	W01A, W01B, W01C, W02A, W02B		21A	W04A, W04B		21A	W04A, W04B
	21B	X04Z		21B	X06A, X06B, X06C		21B	X06A, X06B, X06C
5t10a.x		BOP, KVT, UOP4	5t10t.8↔		BOP, KVT, UOP4, VIAL	5t10x.5↔		BOP, KVT, UOP4, VIAL
	08	I28A, I28B		08	I08A, I08B, I08C, I08D, I08E, I08F, I21Z, I31Z		08	I08A, I08B, I08C, I08D, I08E, I08F, I21Z, I31Z
	21A	W04A, W04B		21A	W04A, W04B		21A	W04A, W04B
	21B	X06A, X06B, X06C		21B	X06A, X06B, X06C		21B	X06A, X06B, X06C
5t10b.2↔		BOP, KVT, UOP4, VIAL	5t10t.g↔		BOP, KVT, UOP4, VIAL	5t10x.8↔		BOP, KVT, UOP4, VIAL
	08	I08A, I08B, I08C, I08D, I08E, I08F, I13A, I13B, I13C, I13D		08	I08A, I08B, I08C, I08D, I08E, I08F		08	I08A, I08B, I08C, I08D, I08E, I08F, I21Z, I31Z
	21A	W04A, W04B		10	K09A, K09B		21A	W04A, W04B
	21B	X06A, X06B, X06C		21A	W01A, W01B, W01C, W02A, W02B		21B	X06A, X06B, X06C
5t10b.5↔		BOP, KVT, UOP4, VIAL		21B	X04Z	5t10x.g↔		BOP, KVT, UOP4, VIAL
	08	I08A, I08B, I08C, I08D, I08E, I08F, I21Z, I31Z	5t10t.m↔		BOP, KVT, UOP4, VIAL		08	I08A, I08B, I08C, I08D, I08E, I08F
	21A	W04A, W04B		08	I13A, I13B, I13C, I13D		10	K09A, K09B
	21B	X06A, X06B, X06C		21A	W01A, W01B, W01C, W02A, W02B		21A	W01A, W01B, W01C, W02A, W02B
5t10b.8↔		BOP, KVT, UOP4, VIAL		21B	X04Z		21B	X04Z
	08	I08A, I08B, I08C, I08D, I08E, I08F, I21Z, I31Z	5t10t.q↔		BOP, KVT, UOP4, VIAL	5t10x.m↔		BOP, KVT, UOP4, VIAL
	21A	W04A, W04B		08	I13A, I13B, I13C, I13D		08	I13A, I13B, I13C, I13D
	21B	X06A, X06B, X06C		21A	W01A, W01B, W01C, W02A, W02B		21A	W01A, W01B, W01C, W02A, W02B
5t10b.g↔		BOP, KVT, UOP4, VIAL		21B	X04Z		21B	X04Z
	08	I08A, I08B, I08C, I08D, I08E, I08F	5t10t.x		BOP, KVT, UOP4	5t10x.q↔		BOP, KVT, UOP4, VIAL
	10	K09A, K09B		08	I28A, I28B		08	I13A, I13B, I13C, I13D
	21A	W01A, W01B, W01C, W02A, W02B		21A	W04A, W04B		21A	W01A, W01B, W01C, W02A, W02B
	21B	X04Z		21B	X06A, X06B, X06C		21B	X04Z
5t10b.m↔		BOP, KVT, UOP4, VIAL	5t10v.2↔		BOP, KVT, UOP4, VIAL	5t10x.x		BOP, KVT, UOP4
	08	I13A, I13B, I13C, I13D		08	I08A, I08B, I08C, I08D, I08E, I08F, I13A, I13B, I13C, I13D		08	I28A, I28B
	21A	W01A, W01B, W01C, W02A, W02B		21A	W04A, W04B		21A	W04A, W04B
	21B	X04Z		21B	X06A, X06B, X06C		21B	X06A, X06B, X06C
5t10b.q↔		BOP, KVT, UOP4, VIAL	5t10v.5↔		BOP, KVT, UOP4, VIAL	5t10z.2↔		BOP, KVT, UOP4, VIAL
	08	I13A, I13B, I13C, I13D		08	I08A, I08B, I08C, I08D, I08E, I08F, I13A, I21Z, I31Z		08	I08A, I08B, I08C, I08D, I08E, I08F, I13A, I13B, I13C, I13D
	21A	W01A, W01B, W01C, W02A, W02B		21A	W04A, W04B		21A	W04A, W04B
	21B	X04Z		21B	X06A, X06B, X06C		21B	X06A, X06B, X06C

VYK

ZZV	MDC	DRG	ZZV	MDC	DRG	ZZV	MDC	DRG
5t10z.5↔		BOP, KVT, UOP4, VIAL	5t113.5↔		BOP, KVT, UOP4, VIAL	5t115.g↔		BOP, KVT, UOP4, VIAL
	08	I08A, I08B, I08C, I08D, I08E, I08F, I21Z, I31Z		08	I08A, I08B, I08C, I08D, I08E, I08F, I21Z, I31Z		08	I08A, I08B, I08C, I08D, I08E, I08F
	21A	W04A, W04B		21A	W04A, W04B		10	K09A, K09B
	21B	X06A, X06B, X06C		21B	X06A, X06B, X06C		21A	W01A, W01B, W01C, W02A, W02B
5t10z.8↔		BOP, KVT, UOP4, VIAL	5t113.8↔		BOP, KVT, UOP4, VIAL		21B	X04Z
	08	I08A, I08B, I08C, I08D, I08E, I08F, I21Z, I31Z		08	I08A, I08B, I08C, I08D, I08E, I08F, I21Z, I31Z	5t115.x		BOP, KVT, UOP4
	21A	W04A, W04B		21A	W04A, W04B		08	I28A, I28B
	21B	X06A, X06B, X06C		21B	X06A, X06B, X06C		21A	W04A, W04B
5t10z.g↔		BOP, KVT, UOP4, VIAL	5t113.g↔		BOP, KVT, UOP4, VIAL		21B	X06A, X06B, X06C
	08	I08A, I08B, I08C, I08D, I08E, I08F		08	I08A, I08B, I08C, I08D, I08E, I08F	5t116.2↔		BOP, KVT, UOP4, VIAL
	10	K09A, K09B		10	K09A, K09B		08	I08A, I08B, I08C, I08D, I08E, I08F, I13A, I13B, I13C, I13D
	21A	W01A, W01B, W01C, W02A, W02B		21A	W01A, W01B, W01C, W02A, W02B		21A	W04A, W04B
	21B	X04Z		21B	X04Z		21B	X06A, X06B, X06C
5t10z.m↔		BOP, KVT, UOP4, VIAL	5t113.m↔		BOP, KVT, UOP4, VIAL	5t116.5↔		BOP, KVT, UOP4, VIAL
	08	I13A, I13B, I13C, I13D		08	I13A, I13B, I13C, I13D		08	I08A, I08B, I08C, I08D, I08E, I08F, I21Z, I31Z
	21A	W01A, W01B, W01C, W02A, W02B		21A	W01A, W01B, W01C, W02A, W02B		21A	W04A, W04B
	21B	X04Z		21B	X04Z		21B	X06A, X06B, X06C
5t10z.q↔		BOP, KVT, UOP4, VIAL	5t113.q↔		BOP, KVT, UOP4, VIAL	5t116.8↔		BOP, KVT, UOP4, VIAL
	08	I13A, I13B, I13C, I13D		08	I13A, I13B, I13C, I13D		08	I08A, I08B, I08C, I08D, I08E, I08F, I21Z, I31Z
	21A	W01A, W01B, W01C, W02A, W02B		21A	W04A, W04B		21A	W04A, W04B
	21B	X04Z		21B	X06A, X06B, X06C		21B	X06A, X06B, X06C
5t10z.x		BOP, KVT, UOP4	5t113.x		BOP, KVT, UOP4	5t116.g↔		BOP, KVT, UOP4, VIAL
	08	I28A, I28B		08	I28A, I28B		08	I08A, I08B, I08C, I08D, I08E, I08F
	21A	W04A, W04B		21A	W04A, W04B		10	K09A, K09B
	21B	X06A, X06B, X06C		21B	X06A, X06B, X06C		21A	W01A, W01B, W01C, W02A, W02B
5t110.2↔		BOP, KVT, UOP4, VIAL	5t114.2↔		BOP, KVT, UOP4, VIAL		21B	X04Z
	08	I08A, I08B, I08C, I08D, I08E, I08F, I13A, I13B, I13C, I13D		08	I08A, I08B, I08C, I08D, I08E, I08F, I13A, I13B, I13C, I13D	5t116.m↔		BOP, KVT, UOP4, VIAL
	21A	W04A, W04B		21A	W04A, W04B		08	I13A, I13B, I13C, I13D
	21B	X06A, X06B, X06C		21B	X06A, X06B, X06C		21A	W01A, W01B, W01C, W02A, W02B
5t110.5↔		BOP, KVT, UOP4, VIAL	5t114.5↔		BOP, KVT, UOP4, VIAL		21B	X04Z
	08	I08A, I08B, I08C, I08D, I08E, I08F, I21Z, I31Z		08	I08A, I08B, I08C, I08D, I08E, I08F, I21Z, I31Z	5t116.q↔		BOP, KVT, UOP4, VIAL
	21A	W04A, W04B		21A	W04A, W04B		08	I13A, I13B, I13C, I13D
	21B	X06A, X06B, X06C		21B	X06A, X06B, X06C		21A	W01A, W01B, W01C, W02A, W02B
5t110.8↔		BOP, KVT, UOP4, VIAL	5t114.8↔		BOP, KVT, UOP4, VIAL	5t116.x		BOP, KVT, UOP4
	08	I08A, I08B, I08C, I08D, I08E, I08F, I21Z, I31Z		08	I08A, I08B, I08C, I08D, I08E, I08F, I21Z, I31Z		08	I28A, I28B
	21A	W04A, W04B		21A	W04A, W04B		21A	W04A, W04B
	21B	X06A, X06B, X06C		21B	X06A, X06B, X06C		21B	X06A, X06B, X06C
5t110.g↔		BOP, KVT, UOP4, VIAL	5t114.g↔		BOP, KVT, UOP4, VIAL	5t117.2↔		BOP, KVT, UOP4, VIAL
	08	I08A, I08B, I08C, I08D, I08E, I08F		08	I08A, I08B, I08C, I08D, I08E, I08F		08	I08A, I08B, I08C, I08D, I08E, I08F, I13A, I13B, I13C, I13D
	21A	W01A, W01B, W01C, W02A, W02B		10	K09A, K09B		21A	W04A, W04B
	21B	X04Z		21A	W01A, W01B, W01C, W02A, W02B	5t117.5↔		BOP, KVT, UOP4, VIAL
5t110.m↔		BOP, KVT, UOP4, VIAL	5t114.m↔		BOP, KVT, UOP4, VIAL		08	I08A, I08B, I08C, I08D, I08E, I08F, I21Z, I31Z
	08	I13A, I13B, I13C, I13D		08	I13A, I13B, I13C, I13D		21A	W04A, W04B
	21A	W04A, W04B		21A	W01A, W01B, W01C, W02A, W02B	5t117.8↔		BOP, KVT, UOP4, VIAL
	21B	X04Z		21B	X04Z		08	I08A, I08B, I08C, I08D, I08E, I08F, I21Z, I31Z
5t110.q↔		BOP, KVT, UOP4, VIAL	5t114.q↔		BOP, KVT, UOP4, VIAL		21A	W04A, W04B
	08	I13A, I13B, I13C, I13D		08	I13A, I13B, I13C, I13D, I13E		21B	X06A, X06B, X06C
	21A	W04A, W04B		21A	W04A, W04B	5t117.g↔		BOP, KVT, UOP4, VIAL
	21B	X04Z		21B	X06A, X06B, X06C		08	I08A, I08B, I08C, I08D, I08E, I08F
5t110.x		BOP, KVT, UOP4	5t114.x		BOP, KVT, UOP4		10	K09A, K09B
	08	I28A, I28B		08	I28A, I28B		21A	W01A, W01B, W01C, W02A, W02B
	21A	W04A, W04B		21A	W04A, W04B		21B	X04Z
	21B	X06A, X06B, X06C		21B	X06A, X06B, X06C			
5t113.2↔		BOP, KVT, UOP4, VIAL	5t115.2↔		BOP, KVT, UOP4, VIAL			
	08	I08A, I08B, I08C, I08D, I08E, I08F, I13A, I13B, I13C, I13D		08	I08A, I08B, I08C, I08D, I08E, I08F, I13A, I13B, I13C, I13D			
	21A	W04A, W04B						
	21B	X06A, X06B, X06C						

ZZV	MDC	DRG	ZZV	MDC	DRG	ZZV	MDC	DRG
5t117.m↔		BOP, KVT, UOP4, VIAL	5t11b.5↔		BOP, KVT, UOP4, VIAL	5t11t.m↔		BOP, KVT, UOP4, VIAL
	08	I13A, I13B, I13C, I13D		08	I08A, I08B, I08C, I08D, I08E, I08F, I21Z, I31Z		08	I13A, I13B, I13C, I13D
	21A	W01A, W01B, W01C, W02A, W02B		21A	W04A, W04B		21A	W01A, W01B, W01C, W02A, W02B
	21B	X04Z		21B	X06A, X06B, X06C		21B	X04Z
5t117.q↔		BOP, KVT, UOP4, VIAL	5t11b.8↔		BOP, KVT, UOP4, VIAL	5t11t.q↔		BOP, KVT, UOP4, VIAL
	08	I13A, I13B, I13C, I13D		08	I08A, I08B, I08C, I08D, I08E, I08F, I21Z, I31Z		08	I13A, I13B, I13C, I13D, I13E
5t117.x		BOP, KVT, UOP4		21A	W04A, W04B		21A	W04A, W04B
	08	I28A, I28B		21B	X06A, X06B, X06C		21B	X06A, X06B, X06C
	21A	W04A, W04B	5t11b.g↔		BOP, KVT, UOP4, VIAL	5t11t.x		BOP, KVT, UOP4
	21B	X06A, X06B, X06C		08	I08A, I08B, I08C, I08D, I08E, I08F		08	I28A, I28B
5t118.2↔		BOP, KVT, UOP4, VIAL		10	K09A, K09B		21A	W04A, W04B
	08	I08A, I08B, I08C, I08D, I08E, I08F, I13A, I13B, I13C, I13D		21A	W01A, W01B, W01C, W02A, W02B		21B	X06A, X06B, X06C
	21A	W04A, W04B		21B	X04Z	5t11v.2↔		BOP, KVT, UOP4, VIAL
	21B	X06A, X06B, X06C	5t11b.m↔		BOP, KVT, UOP4, VIAL		08	I08A, I08B, I08C, I08D, I08E, I08F, I13A, I13B, I13C, I13D
5t118.g↔		BOP, KVT, UOP4, VIAL		08	I13A, I13B, I13C, I13D		21A	W04A, W04B
	08	I08A, I08B, I08C, I08D, I08E, I08F		21A	W01A, W01B, W01C, W02A, W02B		21B	X06A, X06B, X06C
	10	K09A, K09B		21B	X04Z	5t11v.5↔		BOP, KVT, UOP4, VIAL
	21A	W01A, W01B, W01C, W02A, W02B	5t11b.q↔		BOP, KVT, UOP4, VIAL		08	I08A, I08B, I08C, I08D, I08E, I08F, I13A, I21Z, I31Z
	21B	X04Z		08	I13A, I13B, I13C, I13D		21A	W04A, W04B
5t118.m↔		BOP, KVT, UOP4, VIAL		21A	W04A, W04B		21B	X06A, X06B, X06C
	08	I13A, I13B, I13C, I13D		21B	X06A, X06B, X06C	5t11v.8↔		BOP, KVT, UOP4, VIAL
	21A	W01A, W01B, W01C, W02A, W02B		5t11b.x			08	I08A, I08B, I08C, I08D, I08E, I08F, I13A, I21Z, I31Z
	21B	X04Z		08	I28A, I28B		21A	W04A, W04B
5t118.x		BOP, KVT, UOP4		21A	W04A, W04B		21B	X06A, X06B, X06C
	08	I28A, I28B		21B	X06A, X06B, X06C	5t11v.g↔		BOP, KVT, UOP4, VIAL
	21A	W04A, W04B		5t11c.2↔			08	I08A, I08B, I08C, I08D, I08E, I08F, I13A
	21B	X06A, X06B, X06C		08	I08A, I08B, I08C, I08D, I08E, I08F, I13A, I13B, I13C, I13D		10	K09A, K09B
5t11a.2↔		BOP, KVT, UOP4, VIAL		21A	W04A, W04B		21A	W01A, W01B, W01C, W02A, W02B
	08	I08A, I08B, I08C, I08D, I08E, I08F, I13A, I13B, I13C, I13D		21B	X06A, X06B, X06C		21B	X04Z
	21A	W04A, W04B		5t11c.g↔			5t11v.m↔	BOP, KVT, UOP4, VIAL
	21B	X06A, X06B, X06C		08	I08A, I08B, I08C, I08D, I08E, I08F		08	I13A, I13B, I13C, I13D
5t11a.5↔		BOP, KVT, UOP4, VIAL		10	K09A, K09B		21A	W01A, W01B, W01C, W02A, W02B
	08	I08A, I08B, I08C, I08D, I08E, I08F, I21Z, I31Z		21A	W01A, W01B, W01C, W02A, W02B		21B	X04Z
	21A	W04A, W04B		21B	X04Z		5t11v.q↔	BOP, KVT, UOP4, VIAL
	21B	X06A, X06B, X06C		5t11c.x			08	I13A, I13B, I13C, I13D, I13E
5t11a.8↔		BOP, KVT, UOP4, VIAL		08	I28A, I28B		21A	W04A, W04B
	08	I08A, I08B, I08C, I08D, I08E, I08F, I21Z, I31Z		21A	W04A, W04B		21B	X06A, X06B, X06C
	21A	W04A, W04B		21B	X06A, X06B, X06C	5t11v.x		BOP, KVT, UOP4
	21B	X06A, X06B, X06C		5t11t.2↔			08	I13A, I28A, I28B
5t11a.g↔		BOP, KVT, UOP4, VIAL		08	I08A, I08B, I08C, I08D, I08E, I08F, I13A, I13B, I13C, I13D		21A	W04A, W04B
	08	I08A, I08B, I08C, I08D, I08E, I08F		21A	W04A, W04B		21B	X06A, X06B, X06C
	10	K09A, K09B		21B	X06A, X06B, X06C	5t11x.2↔		BOP, KVT, UOP4, VIAL
	21A	W01A, W01B, W01C, W02A, W02B		5t11t.5↔			08	I08A, I08B, I08C, I08D, I08E, I08F, I13A, I13B, I13C, I13D
	21B	X04Z		08	I08A, I08B, I08C, I08D, I08E, I08F, I21Z, I31Z		21A	W04A, W04B
5t11a.m↔		BOP, KVT, UOP4, VIAL		21A	W04A, W04B		21B	X06A, X06B, X06C
	08	I13A, I13B, I13C, I13D		5t11t.8↔			5t11x.5↔	BOP, KVT, UOP4, VIAL
	21A	W01A, W01B, W01C, W02A, W02B		08	I08A, I08B, I08C, I08D, I08E, I08F, I21Z, I31Z		08	I08A, I08B, I08C, I08D, I08E, I08F, I21Z, I31Z
	21B	X04Z		21A	W04A, W04B		21A	W04A, W04B
5t11a.q↔		BOP, KVT, UOP4, VIAL		21B	X06A, X06B, X06C		21B	X06A, X06B, X06C
	08	I13A, I13B, I13C, I13D		5t11t.g↔			5t11x.8↔	BOP, KVT, UOP4, VIAL
5t11b.2↔		BOP, KVT, UOP4, VIAL		08	I08A, I08B, I08C, I08D, I08E, I08F		08	I08A, I08B, I08C, I08D, I08E, I08F, I21Z, I31Z
	08	I08A, I08B, I08C, I08D, I08E, I08F, I13A, I13B, I13C, I13D		10	K09A, K09B		21A	W04A, W04B
	21A	W04A, W04B		21A	W01A, W01B, W01C, W02A, W02B		21B	X06A, X06B, X06C
	21B	X06A, X06B, X06C		21B	X04Z			

ZZV	MDC	DRG	ZZV	MDC	DRG	ZZV	MDC	DRG
5t11x.g↔		BOP, KVT, UOP4, VIAL	5t120.4↔		BOP, KVT, UOP4, VIAL	5t121.3↔		BOP, KVT, UOP4, VIAL
	08	I08A, I08B, I08C, I08D, I08E, I08F		08	I08A, I08B, I08C, I08D, I08E, I08F, I21Z, I31Z		08	I08A, I08B, I08C, I08D, I08E, I08F, I13A, I13B, I13C, I13D, I13E
	10	K09A, K09B		21A	W04A, W04B		21A	W04A, W04B
5t11x.m↔	21A	W01A, W01B, W01C, W02A, W02B	5t120.6↔	21B	X06A, X06B, X06C	5t121.4↔	21A	W04A, W04B
	21B	X04Z		08	BOP, KVT, UOP4, VIAL		21B	X06A, X06B, X06C
		BOP, KVT, UOP4, VIAL		08	I08A, I08B, I08C, I08D, I08E, I08F, I13A, I13B, I21Z, I31Z		08	BOP, KVT, UOP4, VIAL
5t11x.q↔	08	I13A, I13B, I13C, I13D	5t120.7↔	21A	W04A, W04B	5t121.6↔	08	I08A, I08B, I08C, I08D, I08E, I08F, I21Z, I31Z
	21A	W01A, W01B, W01C, W02A, W02B		21B	X06A, X06B, X06C		21A	W04A, W04B
	21B	X04Z		08	BOP, KVT, UOP4, VIAL		21B	X06A, X06B, X06C
5t11x.x	08	I08A, I08B, I08C, I08D, I08E, I08F, I13A, I13B, I13C, I13D, I13E	5t120.9↔	21A	W04A, W04B	5t121.7↔	08	I08A, I08B, I08C, I08D, I08E, I08F, I13A, I13B, I21Z, I31Z
	21A	W04A, W04B		08	BOP, KVT, UOP4, VIAL		21A	W04A, W04B
	21B	X06A, X06B, X06C		08	I08A, I08B, I08C, I08D, I08E, I08F, I21Z, I31Z		21B	X06A, X06B, X06C
5t11y.2↔	21B	X04Z	5t120.e↔	21B	X06A, X06B, X06C	5t121.9↔	21A	W04A, W04B
		BOP, KVT, UOP4, VIAL		08	BOP, KVT, UOP4, VIAL		08	I08A, I08B, I08C, I08D, I08E, I08F
	08	I08A, I08B, I08C, I08D, I08E, I08F, I13A, I13B, I13C, I13D		21A	W01A, W01B, W01C, W02A, W02B		21A	W04A, W04B
5t11y.5↔	21A	W04A, W04B	5t120.f↔	21B	X04Z	5t121.e↔	21B	X06A, X06B, X06C
	21B	X06A, X06B, X06C		08	BOP, KVT, UOP4, VIAL		01	B03A, B03B, B06A, B06B, B17A, B17B, B17C
		BOP, KVT, UOP4, VIAL		08	I08A, I08B, I08C, I08D, I08E, I08F		08	I08A, I08B, I08C, I08D, I08E, I08F
5t11y.8↔	08	I08A, I08B, I08C, I08D, I08E, I08F, I21Z, I31Z	5t120.h↔	21A	W01A, W01B, W01C, W02A, W02B	5t121.f↔	10	K09A, K09B
	21A	W04A, W04B		21B	X04Z		21A	W01A, W01B, W01C, W02A, W02B
	21B	X06A, X06B, X06C		08	BOP, KVT, UOP4, VIAL		21B	X04Z
5t11y.g↔	08	I08A, I08B, I08C, I08D, I08E, I08F	5t120.j↔	21A	W01A, W01B, W01C, W02A, W02B	5t121.h↔	01	B03A, B03B, B06A, B06B, B17A, B17B, B17C
	10	K09A, K09B		21B	X04Z		08	I08A, I08B, I08C, I08D, I08E, I08F
	21A	W01A, W01B, W01C, W02A, W02B		08	I18A, I18B, I30Z		10	K09A, K09B
5t11y.m↔	21B	X04Z	5t120.k↔	21A	W04A, W04B	5t121.j↔	21A	W01A, W01B, W01C, W02A, W02B
		BOP, KVT, UOP4, VIAL		21B	X04Z		21B	X04Z
	08	I13A, I13B, I13C, I13D		08	BOP, KVT, UOP4, VIAL		08	I18A, I18B, I30Z
5t11y.q↔	21A	W01A, W01B, W01C, W02A, W02B	5t120.n↔	21A	W04A, W04B	5t121.k↔	21A	W04A, W04B
	21B	X04Z		08	BOP, KVT, UOP4, VIAL		08	I13A, I13B, I13C, I13D, I13E
		BOP, KVT, UOP4, VIAL		21A	W04A, W04B		21A	W01A, W01B, W01C, W02A, W02B
5t11y.x	08	I13A, I13B, I13C, I13D, I13E	5t120.p↔	21B	X04Z	5t121.l↔	21B	X04Z
	21A	W04A, W04B		08	I13A, I13B, I13C, I13D, I13E		08	BOP, KVT, UOP4, VIAL
	21B	X06A, X06B, X06C		21A	W04A, W04B		21A	W04A, W04B
5t120.1↔	21B	X04Z	5t120.r↔	08	BOP, KVT, UOP4, VIAL	5t121.m↔	21B	X04Z
		BOP, KVT, UOP4, VIAL		08	I13A, I13B, I13C, I13D, I13E		08	I13A, I13B, I13C, I13D
	08	I08A, I08B, I08C, I08D, I08E, I08F, I13A, I13B, I13C, I13D, I13E		21A	W04A, W04B		21A	W01A, W01B, W01C, W02A, W02B
5t120.3↔	21A	W04A, W04B	5t120.x	21B	X04Z	5t121.n↔	21B	X04Z
	21B	X06A, X06B, X06C		08	BOP, KVT, UOP4		08	BOP, KVT, UOP4, VIAL
		BOP, KVT, UOP4, VIAL		08	I28A, I28B		08	I13A, I13B, I13C, I13D, I13E
5t120.4↔	08	I08A, I08B, I08C, I08D, I08E, I08F, I13A, I13B, I13C, I13D, I13E	5t121.1↔	21A	W04A, W04B	5t121.o↔	21A	W01A, W01B, W01C, W02A, W02B
	21A	W04A, W04B		08	I08A, I08B, I08C, I08D, I08E, I08F, I13A, I13B, I13C, I13D, I13E		21B	X04Z
	21B	X06A, X06B, X06C		21A	W04A, W04B		21B	X06A, X06B, X06C

VYK

ZZV	MDC	DRG	ZZV	MDC	DRG	ZZV	MDC	DRG
5t121.p↔		BOP, KVT, UOP4, VIAL	5t123.k↔		BOP, KVT, UOP4, VIAL	5t124.f↔		BOP, KVT, UOP4, VIAL
	08	I13A, I13B, I13C, I13D, I13E		08	I13A, I13B, I13C, I13D		01	B03A, B03B, B06A, B06B, B17A, B17B, B17C
	21A	W01A, W01B, W01C, W02A, W02B		21A	W01A, W01B, W01C, W02A, W02B		08	I08A, I08B, I08C, I08D, I08E, I08F
	21B	X04Z		21B	X04Z		10	K09A, K09B
5t121.r↔		BOP, KVT, UOP4, VIAL	5t123.n↔		BOP, KVT, UOP4, VIAL		21A	W01A, W01B, W01C, W02A, W02B
	08	I13A, I13B, I13C, I13D, I13E		08	I13A, I13B, I13C, I13D		21B	X04Z
	21A	W01A, W01B, W01C, W02A, W02B		21A	W01A, W01B, W01C, W02A, W02B	5t124.h↔		BOP, KVT, UOP4, VIAL
	21B	X04Z		21B	X04Z		01	B03A, B03B, B06A, B06B, B17A, B17B, B17C
5t121.x		BOP, KVT, UOP4	5t123.p↔		BOP, KVT, UOP4, VIAL		08	I08A, I08B, I08C, I08D, I08E, I08F
	08	I28A, I28B		08	I13A, I13B, I13C, I13D, I13E		21A	W01A, W01B, W01C, W02A, W02B
	21A	W04A, W04B		21A	W01A, W01B, W01C, W02A, W02B		21B	X04Z
	21B	X06A, X06B, X06C		21B	X04Z		01	B03A, B03B, B06A, B06B, B17A, B17B, B17C
5t123.1↔		BOP, KVT, UOP4, VIAL	5t123.r↔		BOP, KVT, UOP4, VIAL		08	I08A, I08B, I08C, I08D, I08E, I08F
	08	I08A, I08B, I08C, I08D, I08E, I08F, I13A, I13B, I13C, I13D		08	I13A, I13B, I13C, I13D, I13E	5t124.j↔		BOP, KVT, UOP4, VIAL
	21A	W04A, W04B		21A	W01A, W01B, W01C, W02A, W02B		08	I18A, I18B, I30Z
	21B	X06A, X06B, X06C		21B	X04Z		21A	W04A, W04B
5t123.3↔		BOP, KVT, UOP4, VIAL	5t123.x		BOP, KVT, UOP4		21B	X04Z
	08	I08A, I08B, I08C, I08D, I08E, I08F, I13A, I13B, I13C, I13D		08	I28A, I28B	5t124.k↔		BOP, KVT, UOP4, VIAL
	21A	W04A, W04B		21A	W04A, W04B		08	I13A, I13B, I13C, I13D
	21B	X06A, X06B, X06C		21B	X06A, X06B, X06C		21A	W01A, W01B, W01C, W02A, W02B
5t123.4↔		BOP, KVT, UOP4, VIAL	5t124.1↔		BOP, KVT, UOP4, VIAL		21B	X04Z
	08	I08A, I08B, I08C, I08D, I08E, I08F, I21Z, I31Z		08	I08A, I08B, I08C, I08D, I08E, I08F, I13A, I13B, I13C, I13D, I13E	5t124.n↔		BOP, KVT, UOP4, VIAL
	21A	W04A, W04B		21A	W04A, W04B		08	I13A, I13B, I13C, I13D, I13E
	21B	X06A, X06B, X06C		21B	X06A, X06B, X06C		21A	W01A, W01B, W01C, W02A, W02B
5t123.6↔		BOP, KVT, UOP4, VIAL	5t124.3↔		BOP, KVT, UOP4, VIAL		21B	X04Z
	08	I08A, I08B, I08C, I08D, I08E, I08F, I13A, I13B, I21Z, I31Z		08	I08A, I08B, I08C, I08D, I08E, I08F, I13A, I13B, I13C, I13D, I13E	5t124.p↔		BOP, KVT, UOP4, VIAL
	21A	W04A, W04B		21A	W04A, W04B		08	I13A, I13B, I13C, I13D, I13E
	21B	X06A, X06B, X06C		21B	X06A, X06B, X06C		21A	W01A, W01B, W01C, W02A, W02B
5t123.7↔		BOP, KVT, UOP4, VIAL	5t124.4↔		BOP, KVT, UOP4, VIAL		21B	X04Z
	08	I08A, I08B, I08C, I08D, I08E, I08F, I21Z, I31Z		08	I08A, I08B, I08C, I08D, I08E, I08F, I21Z, I31Z	5t124.r↔		BOP, KVT, UOP4, VIAL
	21A	W04A, W04B		21A	W04A, W04B		08	I13A, I13B, I13C, I13D, I13E
	21B	X06A, X06B, X06C		21B	X06A, X06B, X06C		21A	W01A, W01B, W01C, W02A, W02B
5t123.9↔		BOP, KVT, UOP4, VIAL	5t124.6↔		BOP, KVT, UOP4, VIAL		21B	X04Z
	08	I08A, I08B, I08C, I08D, I08E, I08F, I21Z, I31Z		08	I08A, I08B, I08C, I08D, I08E, I08F, I13A, I13B, I21Z, I31Z	5t124.x		BOP, KVT, UOP4
	21A	W04A, W04B		21A	W04A, W04B		08	I28A, I28B
	21B	X06A, X06B, X06C		21B	X06A, X06B, X06C		21A	W04A, W04B
5t123.e↔		BOP, KVT, UOP4, VIAL	5t124.7↔		BOP, KVT, UOP4, VIAL		21B	X06A, X06B, X06C
	01	B03A, B03B, B06A, B06B, B17A, B17B, B17C		08	I08A, I08B, I08C, I08D, I08E, I08F, I21Z, I31Z	5t125.1↔		BOP, KVT, UOP4, VIAL
	08	I08A, I08B, I08C, I08D, I08E, I08F		21A	W04A, W04B		08	I08A, I08B, I08C, I08D, I08E, I08F, I13A, I13B, I13C, I13D
	10	K09A, K09B		21B	X06A, X06B, X06C		21B	X04Z
	21A	W01A, W01B, W01C, W02A, W02B	5t124.9↔		BOP, KVT, UOP4, VIAL	5t125.e↔		BOP, KVT, UOP4, VIAL
	21B	X04Z		08	I08A, I08B, I08C, I08D, I08E, I08F, I21Z, I31Z		01	B03A, B03B, B06A, B06B, B17A, B17B, B17C
5t123.f↔		BOP, KVT, UOP4, VIAL		21A	W04A, W04B		08	I08A, I08B, I08C, I08D, I08E, I08F
	01	B03A, B03B, B06A, B06B, B17A, B17B, B17C		21B	X06A, X06B, X06C		10	K09A, K09B
	08	I08A, I08B, I08C, I08D, I08E, I08F	5t124.e↔		BOP, KVT, UOP4, VIAL		21A	W01A, W01B, W01C, W02A, W02B
	10	K09A, K09B		01	B03A, B03B, B06A, B06B, B17A, B17B, B17C		21B	X04Z
	21A	W01A, W01B, W01C, W02A, W02B		08	I08A, I08B, I08C, I08D, I08E, I08F	5t125.f↔		BOP, KVT, UOP4, VIAL
	21B	X04Z		10	K09A, K09B		01	B03A, B03B, B06A, B06B, B17A, B17B, B17C
5t123.h↔		BOP, KVT, UOP4, VIAL		21A	W01A, W01B, W01C, W02A, W02B		08	I08A, I08B, I08C, I08D, I08E, I08F
	01	B03A, B03B, B06A, B06B, B17A, B17B, B17C		21B	X04Z		10	K09A, K09B
	08	I08A, I08B, I08C, I08D, I08E, I08F					21A	W01A, W01B, W01C, W02A, W02B
	21A	W01A, W01B, W01C, W02A, W02B					21B	X04Z
	21B	X04Z						

ZZV	MDC	DRG	ZZV	MDC	DRG	ZZV	MDC	DRG
5t125.h↔		BOP, KVT, UOP4, VIAL	5t129.n↔		BOP, KVT, UOP4, VIAL	5t12a.k↔		BOP, KVT, UOP4, VIAL
	01	B03A, B03B, B06A, B06B, B17A, B17B, B17C		08	I13A, I13B, I13C, I13D		08	I13A, I13B, I13C, I13D
	08	I08A, I08B, I08C, I08D, I08E, I08F		21A	W01A, W01B, W01C, W02A, W02B		21A	W01A, W01B, W01C, W02A, W02B
	21A	W01A, W01B, W01C, W02A, W02B	5t129.x		BOP, KVT, UOP4	5t12a.n↔		BOP, KVT, UOP4, VIAL
	21B	X04Z		08	I28A, I28B		08	I13A, I13B, I13C, I13D
5t125.k↔		BOP, KVT, UOP4, VIAL		21A	W04A, W04B		21A	W01A, W01B, W01C, W02A, W02B
	08	I13A, I13B, I13C, I13D		21B	X06A, X06B, X06C		21B	X04Z
5t125.x		BOP, KVT, UOP4	5t12a.1↔		BOP, KVT, UOP4, VIAL	5t12a.p↔		BOP, KVT, UOP4, VIAL
	08	I28A, I28B		08	I08A, I08B, I08C, I08D, I08E, I08F, I13A, I13B, I13C, I13D		08	I13A, I13B, I13C, I13D, I13E
	21A	W04A, W04B		21A	W04A, W04B		21A	W01A, W01B, W01C, W02A, W02B
	21B	X06A, X06B, X06C		21B	X06A, X06B, X06C		21B	X04Z
5t128.1↔		BOP, KVT, UOP4, VIAL	5t12a.3↔		BOP, KVT, UOP4, VIAL	5t12a.r↔		BOP, KVT, UOP4, VIAL
	08	I08A, I08B, I08C, I08D, I08E, I08F, I13A, I13B, I13C, I13D		08	I08A, I08B, I08C, I08D, I08E, I08F, I13A, I13B, I13C, I13D		08	I13A, I13B, I13C, I13D, I13E
5t128.e↔		BOP, KVT, UOP4, VIAL		21A	W04A, W04B		21A	W01A, W01B, W01C, W02A, W02B
	01	B03A, B03B, B06A, B06B, B17A, B17B, B17C		21B	X06A, X06B, X06C		21B	X04Z
	08	I08A, I08B, I08C, I08D, I08E, I08F	5t12a.4↔		BOP, KVT, UOP4, VIAL	5t12a.x		BOP, KVT, UOP4
	10	K09A, K09B		08	I08A, I08B, I08C, I08D, I08E, I08F, I21Z, I31Z		08	I28A, I28B
	21A	W01A, W01B, W01C, W02A, W02B		21A	W04A, W04B		21A	W04A, W04B
	21B	X04Z		21B	X06A, X06B, X06C		21B	X06A, X06B, X06C
5t128.f↔		BOP, KVT, UOP4, VIAL	5t12a.6↔		BOP, KVT, UOP4, VIAL	5t12b.1↔		BOP, KVT, UOP4, VIAL
	01	B03A, B03B, B06A, B06B, B17A, B17B, B17C		08	I08A, I08B, I08C, I08D, I08E, I08F, I13A, I13B, I21Z, I31Z		08	I08A, I08B, I08C, I08D, I08E, I08F, I13A, I13B, I13C, I13D
	08	I08A, I08B, I08C, I08D, I08E, I08F		21A	W04A, W04B		21A	W04A, W04B
	10	K09A, K09B		21B	X06A, X06B, X06C		21B	X06A, X06B, X06C
	21A	W01A, W01B, W01C, W02A, W02B	5t12a.7↔		BOP, KVT, UOP4, VIAL	5t12b.3↔		BOP, KVT, UOP4, VIAL
	21B	X04Z		08	I08A, I08B, I08C, I08D, I08E, I08F, I21Z, I31Z		08	I08A, I08B, I08C, I08D, I08E, I08F, I13A, I13B, I13C, I13D
5t128.x		BOP, KVT, UOP4		21A	W04A, W04B		21A	W04A, W04B
	08	I28A, I28B		21B	X06A, X06B, X06C		21B	X06A, X06B, X06C
	21A	W04A, W04B	5t12a.9↔		BOP, KVT, UOP4, VIAL	5t12b.4↔		BOP, KVT, UOP4, VIAL
	21B	X06A, X06B, X06C		08	I08A, I08B, I08C, I08D, I08E, I08F, I21Z, I31Z		08	I08A, I08B, I08C, I08D, I08E, I08F, I21Z, I31Z
5t129.e↔		BOP, KVT, UOP4, VIAL		21A	W04A, W04B		21A	W04A, W04B
	01	B03A, B03B, B06A, B06B, B17A, B17B, B17C	5t12a.e↔		BOP, KVT, UOP4, VIAL	5t12b.6↔		BOP, KVT, UOP4, VIAL
	08	I08A, I08B, I08C, I08D, I08E, I08F		01	B03A, B03B, B06A, B06B, B17A, B17B, B17C		08	I08A, I08B, I08C, I08D, I08E, I08F, I13A, I13B, I21Z, I31Z
	10	K09A, K09B		08	I08A, I08B, I08C, I08D, I08E, I08F		21A	W04A, W04B
	21A	W01A, W01B, W01C, W02A, W02B		10	K09A, K09B	5t12b.7↔		BOP, KVT, UOP4, VIAL
	21B	X04Z		21A	W01A, W01B, W01C, W02A, W02B		08	I08A, I08B, I08C, I08D, I08E, I08F, I21Z, I31Z
5t129.f↔		BOP, KVT, UOP4, VIAL		21B	X04Z		21A	W04A, W04B
	01	B03A, B03B, B06A, B06B, B17A, B17B, B17C	5t12a.f↔		BOP, KVT, UOP4, VIAL		21B	X06A, X06B, X06C
	08	I08A, I08B, I08C, I08D, I08E, I08F		01	B03A, B03B, B06A, B06B, B17A, B17B, B17C	5t12b.9↔		BOP, KVT, UOP4, VIAL
	10	K09A, K09B		08	I08A, I08B, I08C, I08D, I08E, I08F		08	I08A, I08B, I08C, I08D, I08E, I08F, I21Z, I31Z
	21A	W01A, W01B, W01C, W02A, W02B		10	K09A, K09B		21A	W04A, W04B
	21B	X04Z		21A	W01A, W01B, W01C, W02A, W02B	5t12b.e↔		BOP, KVT, UOP4, VIAL
5t129.h↔		BOP, KVT, UOP4, VIAL		21B	X04Z		01	B03A, B03B, B06A, B06B, B17A, B17B, B17C
	01	B03A, B03B, B06A, B06B, B17A, B17B, B17C	5t12a.h↔		BOP, KVT, UOP4, VIAL		08	I08A, I08B, I08C, I08D, I08E, I08F
	08	I08A, I08B, I08C, I08D, I08E, I08F		01	B03A, B03B, B06A, B06B, B17A, B17B, B17C		10	K09A, K09B
	21A	W01A, W01B, W01C, W02A, W02B		08	I08A, I08B, I08C, I08D, I08E, I08F		21A	W01A, W01B, W01C, W02A, W02B
	21B	X04Z		21A	W01A, W01B, W01C, W02A, W02B		21B	X04Z
5t129.k↔		BOP, KVT, UOP4, VIAL		21B	X04Z			
	08	I13A, I13B, I13C, I13D	5t12a.j↔		BOP, KVT, UOP4, VIAL			
	21A	W01A, W01B, W01C, W02A, W02B		08	I18A, I18B, I30Z			
	21B	X04Z		21A	W04A, W04B			
				21B	X04Z			

VYK

ZZV	MDC	DRG	ZZV	MDC	DRG	ZZV	MDC	DRG	
5t12b.f↔		BOP, KVT, UOP4, VIAL	5t12c.h↔	01	BOP, KVT, UOP4, VIAL	5t12t.6↔	08	BOP, KVT, UOP4, VIAL	
	01	B03A, B03B, B06A, B06B, B17A, B17B, B17C		01	B03A, B03B, B06A, B06B, B17A, B17B, B17C		08	I08A, I08B, I08C, I08D, I08E, I08F, I13A, I13B, I21Z, I31Z	
	08	I08A, I08B, I08C, I08D, I08E, I08F		08	I08A, I08B, I08C, I08D, I08E, I08F		21A	W04A, W04B	
	10	K09A, K09B		21A	W01A, W01B, W01C, W02A, W02B		21B	X06A, X06B, X06C	
	21A	W01A, W01B, W01C, W02A, W02B		21B	X04Z		5t12t.7↔	08	BOP, KVT, UOP4, VIAL
21B	X04Z	5t12c.k↔	08	BOP, KVT, UOP4, VIAL	08	I08A, I08B, I08C, I08D, I08E, I08F, I21Z, I31Z			
5t12b.h↔			BOP, KVT, UOP4, VIAL	5t12c.x	08	I13A, I13B, I13C, I13D	5t12t.9↔	21A	W04A, W04B
	01	B03A, B03B, B06A, B06B, B17A, B17B, B17C	21A		W01A, W01B, W01C, W02A, W02B	5t12t.e↔		08	BOP, KVT, UOP4, VIAL
	08	I08A, I08B, I08C, I08D, I08E, I08F	21B		X04Z		08	I08A, I08B, I08C, I08D, I08E, I08F, I21Z, I31Z	
	21A	W01A, W01B, W01C, W02A, W02B	5t12d.h↔		08	I28A, I28B	21A	W04A, W04B	
	21B	X04Z			21A	W04A, W04B		21B	X06A, X06B, X06C
5t12b.k↔		BOP, KVT, UOP4, VIAL	5t12d.j↔	08	I18A, I18B, I30Z	5t12t.f↔	01	BOP, KVT, UOP4, VIAL	
	08	I13A, I13B, I13C, I13D		21A	W04A, W04B		01	B03A, B03B, B06A, B06B, B17A, B17B, B17C	
	21A	W01A, W01B, W01C, W02A, W02B		21B	X04Z		08	I08A, I08B, I08C, I08D, I08E, I08F	
	21B	X04Z		5t12d.k↔	08		I13A, I13B, I13C, I13D	10	K09A, K09B
	5t12b.n↔				BOP, KVT, UOP4, VIAL		5t12d.n↔	21A	W01A, W01B, W01C, W02A, W02B
08		I13A, I13B, I13C, I13D	5t12d.p↔	21B	X04Z	21B		X04Z	
21A		W01A, W01B, W01C, W02A, W02B		08	I13A, I13B, I13C, I13D	5t12t.h↔		01	BOP, KVT, UOP4, VIAL
21B		X04Z	21A	W01A, W01B, W01C, W02A, W02B	01			B03A, B03B, B06A, B06B, B17A, B17B, B17C	
5t12b.p↔			BOP, KVT, UOP4, VIAL	5t12d.r↔	08	I13A, I13B, I13C, I13D		08	I08A, I08B, I08C, I08D, I08E, I08F
	08	I13A, I13B, I13C, I13D, I13E	5t12d.x		21A	W01A, W01B, W01C, W02A, W02B	21A		W01A, W01B, W01C, W02A, W02B
	21A	W01A, W01B, W01C, W02A, W02B			08	I28A, I28B		21B	X04Z
	21B	X04Z	21A		W04A, W04B	5t12t.j↔	08		BOP, KVT, UOP4, VIAL
	5t12b.r↔		BOP, KVT, UOP4, VIAL		5t12t.1↔		21B	X06A, X06B, X06C	08
08		I13A, I13B, I13C, I13D, I13E	5t12d.s↔	08		BOP, KVT, UOP4, VIAL	21A	W04A, W04B	
21A		W01A, W01B, W01C, W02A, W02B		08		I13A, I13B, I13C, I13D	21B	X04Z	
21B		X04Z	5t12t.3↔	21A		W01A, W01B, W01C, W02A, W02B	5t12t.k↔	08	BOP, KVT, UOP4, VIAL
5t12b.x				BOP, KVT, UOP4		5t12t.4↔		21B	X04Z
	08	I28A, I28B	5t12t.p↔	08	I08A, I08B, I08C, I08D, I08E, I08F, I13A, I13B, I13C, I13D		5t12t.n↔	08	BOP, KVT, UOP4, VIAL
	21A	W04A, W04B		21A	W04A, W04B			08	I13A, I13B, I13C, I13D
	21B	X06A, X06B, X06C	5t12t.2↔	21B	X06A, X06B, X06C		21A	W01A, W01B, W01C, W02A, W02B	
	5t12c.1↔			BOP, KVT, UOP4, VIAL	5t12t.5↔		08	I08A, I08B, I08C, I08D, I08E, I08F, I13A, I13B, I13C, I13D	21B
08		I08A, I08B, I08C, I08D, I08E, I08F, I13A, I13B, I13C, I13D	5t12t.q↔	21A		W04A, W04B	5t12t.o↔	08	
21A		W04A, W04B		08		I08A, I08B, I08C, I08D, I08E, I08F, I13A, I13B, I13C, I13D		08	I13A, I13B, I13C, I13D
21B		X06A, X06B, X06C	5t12t.r↔	21A		W01A, W01B, W01C, W02A, W02B	21A	W01A, W01B, W01C, W02A, W02B	
5t12c.3↔				BOP, KVT, UOP4, VIAL		5t12t.6↔	21B	X04Z	21B
	08	I08A, I08B, I08C, I08D, I08E, I08F, I13A, I13B, I13C, I13D	5t12t.t↔	08	I08A, I08B, I08C, I08D, I08E, I08F, I13A, I13B, I13C, I13D		5t12t.p↔	08	
	21A	W04A, W04B		21A	W04A, W04B			08	I13A, I13B, I13C, I13D
	21B	X06A, X06B, X06C	5t12t.7↔	21B	X06A, X06B, X06C		21A	W01A, W01B, W01C, W02A, W02B	
	5t12c.e↔			BOP, KVT, UOP4, VIAL	5t12t.8↔		08	I08A, I08B, I08C, I08D, I08E, I08F	21B
01		B03A, B03B, B06A, B06B, B17A, B17B, B17C	5t12t.9↔	21A		W01A, W01B, W01C, W02A, W02B	5t12t.q↔	08	
08		I08A, I08B, I08C, I08D, I08E, I08F		5t12t.0↔		08		I08A, I08B, I08C, I08D, I08E, I08F, I13A, I13B, I13C, I13D	08
10		K09A, K09B	5t12t.1↔			21A	W04A, W04B	21A	W01A, W01B, W01C, W02A, W02B
21A		W01A, W01B, W01C, W02A, W02B		5t12t.2↔		21B	X06A, X06B, X06C	21B	X04Z
5t12c.f↔		BOP, KVT, UOP4, VIAL	5t12t.3↔		08	I08A, I08B, I08C, I08D, I08E, I08F, I13A, I13B, I13C, I13D	5t12t.r↔	08	BOP, KVT, UOP4, VIAL
	01	B03A, B03B, B06A, B06B, B17A, B17B, B17C		5t12t.4↔	21A	W04A, W04B		5t12t.s↔	08
	08	I08A, I08B, I08C, I08D, I08E, I08F			5t12t.5↔	21B	X06A, X06B, X06C		21A
	10	K09A, K09B		5t12t.6↔		08	I08A, I08B, I08C, I08D, I08E, I08F, I21Z, I31Z	21B	X04Z
	21A	W01A, W01B, W01C, W02A, W02B			5t12t.7↔	21A	W04A, W04B		5t12t.t↔
21B	X04Z	5t12t.8↔	21B	X06A, X06B, X06C		08	I28A, I28B		
5t12c.g↔			BOP, KVT, UOP4, VIAL	5t12t.9↔	08	I08A, I08B, I08C, I08D, I08E, I08F, I21Z, I31Z	21A	W04A, W04B	
	01	B03A, B03B, B06A, B06B, B17A, B17B, B17C	5t12t.0↔		21A	W01A, W01B, W01C, W02A, W02B		21B	X06A, X06B, X06C
	08	I08A, I08B, I08C, I08D, I08E, I08F			5t12t.1↔	08	I08A, I08B, I08C, I08D, I08E, I08F, I13A, I13B, I13C, I13D		5t12t.u↔
	10	K09A, K09B	5t12t.2↔			21A	W04A, W04B	21A	
	21A	W01A, W01B, W01C, W02A, W02B			5t12t.3↔	21B	X06A, X06B, X06C	21B	X06A, X06B, X06C

VYK

ZZV	MDC	DRG	ZZV	MDC	DRG	ZZV	MDC	DRG
5t12v.1↔		BOP, KVT, UOP4, VIAL	5t12v.p↔		BOP, KVT, UOP4, VIAL	5t12x.j↔		BOP, KVT, UOP4, VIAL
	08	I08A, I08B, I08C, I08D, I08E, I08F, I13A, I13B, I13C, I13D		08	I13A, I13B, I13C, I13D, I13E		08	I18A, I18B, I30Z
	21A	W04A, W04B		21A	W01A, W01B, W01C, W02A, W02B		21A	W04A, W04B
	21B	X06A, X06B, X06C		21B	X04Z		21B	X04Z
5t12v.3↔		BOP, KVT, UOP4, VIAL	5t12v.r↔		BOP, KVT, UOP4, VIAL	5t12x.k↔		BOP, KVT, UOP4, VIAL
	08	I08A, I08B, I08C, I08D, I08E, I08F, I13A, I13B, I13C, I13D		08	I13A, I13B, I13C, I13D, I13E		08	I13A, I13B, I13C, I13D
	21A	W04A, W04B		21A	W01A, W01B, W01C, W02A, W02B		21A	W04A, W04B
	21B	X06A, X06B, X06C		21B	X04Z		21B	X04Z
5t12v.4↔		BOP, KVT, UOP4, VIAL	5t12v.x		BOP, KVT, UOP4	5t12x.n↔		BOP, KVT, UOP4, VIAL
	08	I08A, I08B, I08C, I08D, I08E, I08F, I13A, I21Z, I31Z		08	I13A, I28A, I28B		08	I13A, I13B, I13C, I13D
	21A	W04A, W04B		21A	W04A, W04B		21A	W04A, W04B
	21B	X06A, X06B, X06C		21B	X06A, X06B, X06C		21B	X04Z
5t12v.6↔		BOP, KVT, UOP4, VIAL	5t12x.1↔		BOP, KVT, UOP4, VIAL	5t12x.p↔		BOP, KVT, UOP4, VIAL
	08	I08A, I08B, I08C, I08D, I08E, I08F, I13A, I21Z, I31Z		08	I08A, I08B, I08C, I08D, I08E, I08F, I13A, I13B, I13C, I13D		08	I13A, I13B, I13C, I13D, I13E
	21A	W04A, W04B		21A	W04A, W04B		21A	W04A, W04B
	21B	X06A, X06B, X06C		21B	X06A, X06B, X06C		21B	X04Z
5t12v.7↔		BOP, KVT, UOP4, VIAL	5t12x.3↔		BOP, KVT, UOP4, VIAL	5t12x.r↔		BOP, KVT, UOP4, VIAL
	08	I08A, I08B, I08C, I08D, I08E, I08F, I13A, I21Z, I31Z		08	I08A, I08B, I08C, I08D, I08E, I08F, I13A, I13B, I13C, I13D		08	I13A, I13B, I13C, I13D, I13E
	21A	W04A, W04B		21A	W04A, W04B		21A	W04A, W04B
	21B	X06A, X06B, X06C		21B	X06A, X06B, X06C		21B	X04Z
5t12v.9↔		BOP, KVT, UOP4, VIAL	5t12x.4↔		BOP, KVT, UOP4, VIAL	5t12x.x		BOP, KVT, UOP4
	08	I08A, I08B, I08C, I08D, I08E, I08F, I13A, I21Z, I31Z		08	I08A, I08B, I08C, I08D, I08E, I08F, I21Z, I31Z		08	I28A, I28B
	21A	W04A, W04B		21A	W04A, W04B		21A	W04A, W04B
	21B	X06A, X06B, X06C		21B	X06A, X06B, X06C		21B	X06A, X06B, X06C
5t12v.e↔		BOP, KVT, UOP4, VIAL	5t12x.6↔		BOP, KVT, UOP4, VIAL	5t12z.1↔		BOP, KVT, UOP4, VIAL
	01	B03A, B03B, B06A, B06B, B17A, B17B, B17C		08	I08A, I08B, I08C, I08D, I08E, I08F, I13A, I13B, I13C, I13D		08	I08A, I08B, I08C, I08D, I08E, I08F, I13A, I13B, I13C, I13D
	08	I08A, I08B, I08C, I08D, I08E, I08F, I13A		21A	W04A, W04B		21A	W04A, W04B
	10	K09A, K09B		21B	X06A, X06B, X06C		21B	X06A, X06B, X06C
	21A	W01A, W01B, W01C, W02A, W02B		5t12x.7↔	BOP, KVT, UOP4, VIAL	5t12z.3↔		BOP, KVT, UOP4, VIAL
	21B	X04Z		08	I08A, I08B, I08C, I08D, I08E, I08F, I13A, I13B, I21Z, I31Z		08	I08A, I08B, I08C, I08D, I08E, I08F, I13A, I13B, I13C, I13D
5t12v.f↔		BOP, KVT, UOP4, VIAL	5t12x.9↔		BOP, KVT, UOP4, VIAL	5t12z.4↔		BOP, KVT, UOP4, VIAL
	01	B03A, B03B, B06A, B06B, B17A, B17B, B17C		08	I08A, I08B, I08C, I08D, I08E, I08F, I21Z, I31Z		08	I08A, I08B, I08C, I08D, I08E, I08F, I21Z, I31Z
	08	I08A, I08B, I08C, I08D, I08E, I08F, I13A		21A	W04A, W04B		21A	W04A, W04B
	10	K09A, K09B		21B	X06A, X06B, X06C		21B	X06A, X06B, X06C
	21A	W01A, W01B, W01C, W02A, W02B		5t12x.e↔	BOP, KVT, UOP4, VIAL	5t12z.6↔		BOP, KVT, UOP4, VIAL
	21B	X04Z		01	B03A, B03B, B06A, B06B, B17A, B17B, B17C		08	I08A, I08B, I08C, I08D, I08E, I08F, I21Z, I31Z
5t12v.h↔		BOP, KVT, UOP4, VIAL		08	I08A, I08B, I08C, I08D, I08E, I08F		21A	W04A, W04B
	01	B03A, B03B, B06A, B06B, B17A, B17B, B17C		10	K09A, K09B		21B	X06A, X06B, X06C
	08	I08A, I08B, I08C, I08D, I08E, I08F, I13A		21A	W01A, W01B, W01C, W02A, W02B		5t12z.9↔	BOP, KVT, UOP4, VIAL
	21A	W01A, W01B, W01C, W02A, W02B		21B	X04Z		08	I08A, I08B, I08C, I08D, I08E, I08F, I21Z, I31Z
	21B	X04Z	5t12x.f↔		BOP, KVT, UOP4, VIAL		21A	W04A, W04B
5t12v.j↔		BOP, KVT, UOP4, VIAL		01	B03A, B03B, B06A, B06B, B17A, B17B, B17C		21B	X06A, X06B, X06C
	08	I13A, I18A, I18B, I30Z		08	I08A, I08B, I08C, I08D, I08E, I08F		5t12z.e↔	BOP, KVT, UOP4, VIAL
	21A	W04A, W04B		10	K09A, K09B		01	B03A, B03B, B06A, B06B, B17A, B17B, B17C
	21B	X04Z		21A	W01A, W01B, W01C, W02A, W02B		08	I08A, I08B, I08C, I08D, I08E, I08F
5t12v.k↔		BOP, KVT, UOP4, VIAL		21B	X04Z		10	K09A, K09B
	08	I13A, I13B, I13C, I13D		5t12x.h↔	BOP, KVT, UOP4, VIAL		21A	W01A, W01B, W01C, W02A, W02B
	21A	W01A, W01B, W01C, W02A, W02B		01	B03A, B03B, B06A, B06B, B17A, B17B, B17C		21B	X04Z
	21B	X04Z		08	I08A, I08B, I08C, I08D, I08E, I08F		5t12z.n↔	BOP, KVT, UOP4, VIAL
5t12v.n↔		BOP, KVT, UOP4, VIAL		08	I08A, I08B, I08C, I08D, I08E, I08F		08	I13A, I13B, I13C, I13D
	08	I13A, I13B, I13C, I13D		21A	W01A, W01B, W01C, W02A, W02B		21A	W01A, W01B, W01C, W02A, W02B
	21A	W01A, W01B, W01C, W02A, W02B		21B	X04Z		21B	X04Z
	21B	X04Z						

ZZV	MDC	DRG	ZZV	MDC	DRG	ZZV	MDC	DRG
5t12z.f↔		BOP, KVT, UOP4, VIAL	5t131.9↔		BOP, KVT, UOP4, VIAL	5t133.4↔		BOP, KVT, UOP4, VIAL
	01	B03A, B03B, B06A, B06B, B17A, B17B, B17C		08	I08A, I08B, I08C, I08D, I08E, I08F, I21Z, I31Z		08	I08A, I08B, I08C, I08D, I08E, I08F, I21Z, I31Z
	08	I08A, I08B, I08C, I08D, I08E, I08F		21A	W04A, W04B		21A	W04A, W04B
	10	K09A, K09B		21B	X06A, X06B, X06C		21B	X06A, X06B, X06C
	21A	W01A, W01B, W01C, W02A, W02B	5t131.e↔		BOP, KVT, UOP4, VIAL	5t133.6↔		BOP, KVT, UOP4, VIAL
	21B	X04Z		01	B03A, B03B, B06A, B06B, B17A, B17B, B17C		08	I08A, I08B, I08C, I08D, I08E, I08F, I13A, I13B, I21Z, I31Z
5t12z.h↔		BOP, KVT, UOP4, VIAL		08	I08A, I08B, I08C, I08D, I08E, I08F		21A	W04A, W04B
	01	B03A, B03B, B06A, B06B, B17A, B17B, B17C		10	K09A, K09B		21B	X06A, X06B, X06C
	08	I08A, I08B, I08C, I08D, I08E, I08F		21A	W01A, W01B, W01C, W02A, W02B	5t133.7↔		BOP, KVT, UOP4, VIAL
	21A	W01A, W01B, W01C, W02A, W02B		21B	X04Z		08	I08A, I08B, I08C, I08D, I08E, I08F, I21Z, I31Z
	21B	X04Z	5t131.f↔		BOP, KVT, UOP4, VIAL		21A	W04A, W04B
5t12z.j↔		BOP, KVT, UOP4, VIAL		01	B03A, B03B, B06A, B06B, B17A, B17B, B17C		21B	X06A, X06B, X06C
	08	I18A, I18B, I30Z		08	I08A, I08B, I08C, I08D, I08E, I08F	5t133.9↔		BOP, KVT, UOP4, VIAL
	21A	W04A, W04B		10	K09A, K09B		08	I08A, I08B, I08C, I08D, I08E, I08F, I21Z, I31Z
	21B	X04Z		21A	W01A, W01B, W01C, W02A, W02B		21A	W04A, W04B
5t12z.k↔		BOP, KVT, UOP4, VIAL		21B	X04Z		21B	X06A, X06B, X06C
	08	I13A, I13B, I13C, I13D, I13E	5t131.h↔		BOP, KVT, UOP4, VIAL		01	B03A, B03B, B06A, B06B, B17A, B17B, B17C
	21A	W01A, W01B, W01C, W02A, W02B		01	B03A, B03B, B06A, B06B, B17A, B17B, B17C		08	I08A, I08B, I08C, I08D, I08E, I08F
	21B	X04Z		08	I08A, I08B, I08C, I08D, I08E, I08F		10	K09A, K09B
5t12z.n↔		BOP, KVT, UOP4, VIAL		08	I08A, I08B, I08C, I08D, I08E, I08F		21A	W01A, W01B, W01C, W02A, W02B
	08	I13A, I13B, I13C, I13D, I13E		21A	W01A, W01B, W01C, W02A, W02B	5t133.e↔		BOP, KVT, UOP4, VIAL
	21A	W01A, W01B, W01C, W02A, W02B		21B	X04Z		01	B03A, B03B, B06A, B06B, B17A, B17B, B17C
	21B	X04Z	5t131.j↔		BOP, KVT, UOP4, VIAL		08	I08A, I08B, I08C, I08D, I08E, I08F
5t12z.p↔		BOP, KVT, UOP4, VIAL		08	I24Z, I30Z		10	K09A, K09B
	08	I13A, I13B, I13C, I13D, I13E		21A	W04A, W04B		21A	W01A, W01B, W01C, W02A, W02B
	21A	W01A, W01B, W01C, W02A, W02B		21B	X04Z		21B	X04Z
	21B	X04Z	5t131.k↔		BOP, KVT, UOP4, VIAL		01	B03A, B03B, B06A, B06B, B17A, B17B, B17C
5t12z.r↔		BOP, KVT, UOP4, VIAL		08	I13A, I13B, I13C, I13D		08	I08A, I08B, I08C, I08D, I08E, I08F
	08	I13A, I13B, I13C, I13D, I13E		21A	W01A, W01B, W01C, W02A, W02B	5t133.f↔		BOP, KVT, UOP4, VIAL
	21A	W01A, W01B, W01C, W02A, W02B		21B	X04Z		01	B03A, B03B, B06A, B06B, B17A, B17B, B17C
	21B	X04Z	5t131.n↔		BOP, KVT, UOP4, VIAL		08	I08A, I08B, I08C, I08D, I08E, I08F
5t12z.x		BOP, KVT, UOP4		08	I13A, I13B, I13C, I13D		21A	W01A, W01B, W01C, W02A, W02B
	08	I28A, I28B		21A	W01A, W01B, W01C, W02A, W02B		21B	X04Z
	21A	W04A, W04B	5t131.p↔		BOP, KVT, UOP4, VIAL	5t133.k↔		BOP, KVT, UOP4, VIAL
	21B	X06A, X06B, X06C		08	I13A, I13B, I13C, I13D		08	I13A, I13B, I13C, I13D
5t131.1↔		BOP, KVT, UOP4, VIAL		21A	W01A, W01B, W01C, W02A, W02B		21A	W01A, W01B, W01C, W02A, W02B
	08	I08A, I08B, I08C, I08D, I08E, I08F, I13A, I13B, I13C, I13D		21B	X04Z		21B	X04Z
	21A	W04A, W04B	5t131.r↔		BOP, KVT, UOP4, VIAL		21B	X04Z
	21B	X06A, X06B, X06C		08	I13A, I13B, I13C, I13D	5t133.n↔		BOP, KVT, UOP4, VIAL
5t131.3↔		BOP, KVT, UOP4, VIAL		21A	W01A, W01B, W01C, W02A, W02B		08	I13A, I13B, I13C, I13D
	08	I08A, I08B, I08C, I08D, I08E, I08F, I13A, I13B, I13C, I13D		21B	X04Z		21A	W01A, W01B, W01C, W02A, W02B
	21A	W04A, W04B	5t131.x		BOP, KVT, UOP4		21B	X04Z
	21B	X06A, X06B, X06C		08	I28A, I28B	5t133.p↔		BOP, KVT, UOP4, VIAL
5t131.4↔		BOP, KVT, UOP4, VIAL		21A	W04A, W04B		08	I13A, I13B, I13C, I13D
	08	I08A, I08B, I08C, I08D, I08E, I08F, I21Z, I31Z		21B	X06A, X06B, X06C		21A	W01A, W01B, W01C, W02A, W02B
	21A	W04A, W04B	5t133.1↔		BOP, KVT, UOP4, VIAL		21B	X04Z
	21B	X06A, X06B, X06C		08	I08A, I08B, I08C, I08D, I08E, I08F, I13A, I13B, I13C, I13D	5t133.r↔		BOP, KVT, UOP4, VIAL
5t131.6↔		BOP, KVT, UOP4, VIAL		21A	W04A, W04B		08	I13A, I13B, I13C, I13D
	08	I08A, I08B, I08C, I08D, I08E, I08F, I13A, I13B, I21Z, I31Z		21B	X06A, X06B, X06C		21A	W01A, W01B, W01C, W02A, W02B
	21A	W04A, W04B	5t133.3↔		BOP, KVT, UOP4, VIAL		21B	X04Z
	21B	X06A, X06B, X06C		08	I08A, I08B, I08C, I08D, I08E, I08F, I13A, I13B, I13C, I13D	5t133.x		BOP, KVT, UOP4
5t131.7↔		BOP, KVT, UOP4, VIAL		21A	W04A, W04B		08	I28A, I28B
	08	I08A, I08B, I08C, I08D, I08E, I08F, I21Z, I31Z		21B	X06A, X06B, X06C		21A	W04A, W04B
	21A	W04A, W04B					21B	X06A, X06B, X06C
	21B	X06A, X06B, X06C						

ZZV	MDC	DRG	ZZV	MDC	DRG	ZZV	MDC	DRG
5t134.1↔		BOP, KVT, UOP4, VIAL	5t134.p↔		BOP, KVT, UOP4, VIAL	5t137.6↔		BOP, KVT, UOP4, VIAL
	08	I08A, I08B, I08C, I08D, I08E, I08F, I13A, I13B, I13C, I13D		08	I13A, I13B, I13C, I13D		08	I08A, I08B, I08C, I08D, I08E, I08F, I21Z, I31Z
	21A	W04A, W04B		21A	W01A, W01B, W01C, W02A, W02B		21A	W04A, W04B
	21B	X06A, X06B, X06C		21B	X04Z		21B	X06A, X06B, X06C
5t134.3↔		BOP, KVT, UOP4, VIAL	5t134.r↔		BOP, KVT, UOP4, VIAL	5t137.7↔		BOP, KVT, UOP4, VIAL
	08	I08A, I08B, I08C, I08D, I08E, I08F, I13A, I13B, I13C, I13D		08	I13A, I13B, I13C, I13D		08	I08A, I08B, I08C, I08D, I08E, I08F, I21Z, I31Z
	21A	W04A, W04B		21A	W01A, W01B, W01C, W02A, W02B		21A	W04A, W04B
	21B	X06A, X06B, X06C		21B	X04Z		21B	X06A, X06B, X06C
5t134.4↔		BOP, KVT, UOP4, VIAL	5t134.x		BOP, KVT, UOP4	5t137.9↔		BOP, KVT, UOP4, VIAL
	08	I08A, I08B, I08C, I08D, I08E, I08F, I21Z, I31Z		08	I28A, I28B		08	I08A, I08B, I08C, I08D, I08E, I08F, I21Z, I31Z
	21A	W04A, W04B		21A	W04A, W04B		21A	W04A, W04B
	21B	X06A, X06B, X06C		21B	X06A, X06B, X06C		21B	X06A, X06B, X06C
5t134.6↔		BOP, KVT, UOP4, VIAL	5t135.1↔		BOP, KVT, UOP4, VIAL	5t137.e↔		BOP, KVT, UOP4, VIAL
	08	I08A, I08B, I08C, I08D, I08E, I08F, I13A, I13B, I21Z, I31Z		08	I08A, I08B, I08C, I08D, I08E, I08F, I13A, I13B, I13C, I13D		01	B03A, B03B, B06A, B06B, B17A, B17B, B17C
	21A	W04A, W04B		5t135.3↔	BOP, KVT, UOP4, VIAL		08	I08A, I08B, I08C, I08D, I08E, I08F
	21B	X06A, X06B, X06C		08	I08A, I08B, I08C, I08D, I08E, I08F, I13A, I13B, I13C, I13D		10	K09A, K09B
5t134.7↔		BOP, KVT, UOP4, VIAL	5t135.e↔		BOP, KVT, UOP4, VIAL	5t137.f↔		BOP, KVT, UOP4, VIAL
	08	I08A, I08B, I08C, I08D, I08E, I08F, I21Z, I31Z		01	B03A, B03B, B06A, B06B, B17A, B17B, B17C		01	B03A, B03B, B06A, B06B, B17A, B17B, B17C
	21A	W04A, W04B		08	I08A, I08B, I08C, I08D, I08E, I08F		08	I08A, I08B, I08C, I08D, I08E, I08F
	21B	X06A, X06B, X06C		10	K09A, K09B		10	K09A, K09B
5t134.9↔		BOP, KVT, UOP4, VIAL	5t135.f↔		BOP, KVT, UOP4, VIAL	5t137.h↔		BOP, KVT, UOP4, VIAL
	08	I08A, I08B, I08C, I08D, I08E, I08F, I21Z, I31Z		01	B03A, B03B, B06A, B06B, B17A, B17B, B17C		01	B03A, B03B, B06A, B06B, B17A, B17B, B17C
	21A	W04A, W04B		08	I08A, I08B, I08C, I08D, I08E, I08F		08	I08A, I08B, I08C, I08D, I08E, I08F
	21B	X06A, X06B, X06C		10	K09A, K09B		08	I08A, I08B, I08C, I08D, I08E, I08F
5t134.e↔		BOP, KVT, UOP4, VIAL	5t135.h↔		BOP, KVT, UOP4, VIAL	5t137.j↔		KVT, VIAL
	01	B03A, B03B, B06A, B06B, B17A, B17B, B17C		01	B03A, B03B, B06A, B06B, B17A, B17B, B17C	5t137.k↔		BOP, KVT, UOP4, VIAL
	08	I08A, I08B, I08C, I08D, I08E, I08F		08	I08A, I08B, I08C, I08D, I08E, I08F		08	I13A, I13B, I13C, I13D
	10	K09A, K09B		10	K09A, K09B		21A	W01A, W01B, W01C, W02A, W02B
	21A	W01A, W01B, W01C, W02A, W02B		21A	W01A, W01B, W01C, W02A, W02B		21A	W01A, W01B, W01C, W02A, W02B
	21B	X04Z		21B	X04Z		21B	X04Z
5t134.f↔		BOP, KVT, UOP4, VIAL	5t135.k↔		BOP, KVT, UOP4, VIAL	5t137.n↔		BOP, KVT, UOP4, VIAL
	01	B03A, B03B, B06A, B06B, B17A, B17B, B17C		08	I13A, I13B, I13C, I13D		08	I13A, I13B, I13C, I13D
	08	I08A, I08B, I08C, I08D, I08E, I08F		08	I28A, I28B		21A	W01A, W01B, W01C, W02A, W02B
	10	K09A, K09B		21A	W04A, W04B		21B	X04Z
	21A	W01A, W01B, W01C, W02A, W02B		21B	X06A, X06B, X06C	5t137.p↔		BOP, KVT, UOP4, VIAL
	21B	X04Z		5t137.1↔	BOP, KVT, UOP4, VIAL		08	I13A, I13B, I13C, I13D
5t134.h↔		BOP, KVT, UOP4, VIAL		08	I08A, I08B, I08C, I08D, I08E, I08F, I13A, I13B, I13C, I13D		21A	W01A, W01B, W01C, W02A, W02B
	01	B03A, B03B, B06A, B06B, B17A, B17B, B17C		21A	W04A, W04B		21B	X04Z
	08	I08A, I08B, I08C, I08D, I08E, I08F		21B	X06A, X06B, X06C		08	I13A, I13B, I13C, I13D
	21A	W01A, W01B, W01C, W02A, W02B		5t137.3↔	BOP, KVT, UOP4, VIAL		21A	W01A, W01B, W01C, W02A, W02B
	21B	X04Z		08	I08A, I08B, I08C, I08D, I08E, I08F, I13A, I13B, I13C, I13D		21B	X04Z
5t134.j↔		BOP, KVT, UOP4, VIAL		21A	W04A, W04B	5t137.r↔		BOP, KVT, UOP4, VIAL
	08	I24Z, I30Z		21B	X06A, X06B, X06C		08	I13A, I13B, I13C, I13D
	21A	W04A, W04B		5t137.4↔	BOP, KVT, UOP4, VIAL		21A	W01A, W01B, W01C, W02A, W02B
	21B	X04Z		08	I08A, I08B, I08C, I08D, I08E, I08F, I21Z, I31Z		21B	X04Z
5t134.k↔		BOP, KVT, UOP4, VIAL		21A	W04A, W04B	5t137.x		BOP, KVT, UOP4
	08	I13A, I13B, I13C, I13D		21B	X06A, X06B, X06C		08	I28A, I28B
	21A	W01A, W01B, W01C, W02A, W02B		5t137.4↔	BOP, KVT, UOP4, VIAL		21A	W04A, W04B
	21B	X04Z		08	I08A, I08B, I08C, I08D, I08E, I08F, I21Z, I31Z		21B	X06A, X06B, X06C
5t134.n↔		BOP, KVT, UOP4, VIAL		21A	W04A, W04B			
	08	I13A, I13B, I13C, I13D		21B	X06A, X06B, X06C			
	21A	W01A, W01B, W01C, W02A, W02B						
	21B	X04Z						

VYK

ZZV	MDC	DRG	ZZV	MDC	DRG	ZZV	MDC	DRG
5t138.1↔		BOP, KVT, UOP4, VIAL	5t138.p↔		BOP, KVT, UOP4, VIAL	5t13a.7↔		BOP, KVT, UOP4, VIAL
	08	I08A, I08B, I08C, I08D, I08E, I08F, I13A, I13B, I13C, I13D		08	I13A, I13B, I13C, I13D		08	I08A, I08B, I08C, I08D, I08E, I08F, I21Z, I31Z
	21A	W04A, W04B		21A	W01A, W01B, W01C, W02A, W02B		21A	W04A, W04B
	21B	X06A, X06B, X06C		21B	X04Z		21B	X06A, X06B, X06C
5t138.3↔		BOP, KVT, UOP4, VIAL	5t138.r↔		BOP, KVT, UOP4, VIAL	5t13a.9↔		BOP, KVT, UOP4, VIAL
	08	I08A, I08B, I08C, I08D, I08E, I08F, I13A, I13B, I13C, I13D		08	I13A, I13B, I13C, I13D		08	I08A, I08B, I08C, I08D, I08E, I08F, I21Z, I31Z
	21A	W04A, W04B		21A	W01A, W01B, W01C, W02A, W02B		21A	W04A, W04B
	21B	X06A, X06B, X06C		21B	X04Z		21B	X06A, X06B, X06C
5t138.4↔		BOP, KVT, UOP4, VIAL	5t138.x		BOP, KVT, UOP4	5t13a.e↔		BOP, KVT, UOP4, VIAL
	08	I08A, I08B, I08C, I08D, I08E, I08F, I21Z, I31Z		08	I28A, I28B		01	B03A, B03B, B06A, B06B, B17A, B17B, B17C
	21A	W04A, W04B		21A	W04A, W04B		08	I08A, I08B, I08C, I08D, I08E, I08F
	21B	X06A, X06B, X06C		21B	X06A, X06B, X06C		10	K09A, K09B
5t138.6↔		BOP, KVT, UOP4, VIAL	5t139.e↔		BOP, KVT, UOP4, VIAL		21A	W01A, W01B, W01C, W02A, W02B
	08	I08A, I08B, I08C, I08D, I08E, I08F, I13A, I13B, I21Z, I31Z		01	B03A, B03B, B06A, B06B, B17A, B17B, B17C		21B	X04Z
	21A	W04A, W04B		08	I08A, I08B, I08C, I08D, I08E, I08F	5t13a.f↔		BOP, KVT, UOP4, VIAL
	21B	X06A, X06B, X06C		10	K09A, K09B		01	B03A, B03B, B06A, B06B, B17A, B17B, B17C
5t138.7↔		BOP, KVT, UOP4, VIAL		21A	W01A, W01B, W01C, W02A, W02B		08	I08A, I08B, I08C, I08D, I08E, I08F
	08	I08A, I08B, I08C, I08D, I08E, I08F, I21Z, I31Z	5t139.f↔		BOP, KVT, UOP4, VIAL		10	K09A, K09B
	21A	W04A, W04B		01	B03A, B03B, B06A, B06B, B17A, B17B, B17C		21A	W01A, W01B, W01C, W02A, W02B
	21B	X06A, X06B, X06C		08	I08A, I08B, I08C, I08D, I08E, I08F	5t13a.h↔		BOP, KVT, UOP4, VIAL
5t138.9↔		BOP, KVT, UOP4, VIAL		10	K09A, K09B		01	B03A, B03B, B06A, B06B, B17A, B17B, B17C
	08	I08A, I08B, I08C, I08D, I08E, I08F, I21Z, I31Z		21A	W01A, W01B, W01C, W02A, W02B		08	I08A, I08B, I08C, I08D, I08E, I08F
	21A	W04A, W04B	5t139.h↔		BOP, KVT, UOP4, VIAL		21A	W01A, W01B, W01C, W02A, W02B
	21B	X06A, X06B, X06C		01	B03A, B03B, B06A, B06B, B17A, B17B, B17C	5t13a.j↔		BOP, KVT, UOP4, VIAL
5t138.e↔		BOP, KVT, UOP4, VIAL		08	I08A, I08B, I08C, I08D, I08E, I08F		08	I24Z, I30Z
	01	B03A, B03B, B06A, B06B, B17A, B17B, B17C		10	K09A, K09B		21A	W04A, W04B
	08	I08A, I08B, I08C, I08D, I08E, I08F		21A	W01A, W01B, W01C, W02A, W02B		21B	X04Z
	10	K09A, K09B		21B	X04Z	5t13a.k↔		BOP, KVT, UOP4, VIAL
	21A	W01A, W01B, W01C, W02A, W02B	5t139.k↔		BOP, KVT, UOP4, VIAL		08	I13A, I13B, I13C, I13D
	21B	X04Z		08	I13A, I13B, I13C, I13D		21A	W01A, W01B, W01C, W02A, W02B
5t138.f↔		BOP, KVT, UOP4, VIAL		21A	W01A, W01B, W01C, W02A, W02B		21B	X04Z
	01	B03A, B03B, B06A, B06B, B17A, B17B, B17C		21B	X04Z	5t13a.l↔		BOP, KVT, UOP4, VIAL
	08	I08A, I08B, I08C, I08D, I08E, I08F	5t139.l↔		BOP, KVT, UOP4, VIAL		08	I13A, I13B, I13C, I13D
	10	K09A, K09B		08	I13A, I13B, I13C, I13D		21A	W01A, W01B, W01C, W02A, W02B
	21A	W01A, W01B, W01C, W02A, W02B		21A	W01A, W01B, W01C, W02A, W02B	5t13a.m↔		BOP, KVT, UOP4, VIAL
	21B	X04Z		21B	X04Z		08	I13A, I13B, I13C, I13D
5t138.g↔		BOP, KVT, UOP4, VIAL		21A	W01A, W01B, W01C, W02A, W02B		21A	W01A, W01B, W01C, W02A, W02B
	01	B03A, B03B, B06A, B06B, B17A, B17B, B17C	5t13a.1↔		BOP, KVT, UOP4		21B	X04Z
	08	I08A, I08B, I08C, I08D, I08E, I08F		08	I28A, I28B	5t13a.p↔		BOP, KVT, UOP4, VIAL
	21A	W01A, W01B, W01C, W02A, W02B		21A	W04A, W04B		08	I13A, I13B, I13C, I13D
	21B	X04Z		21B	X06A, X06B, X06C		21A	W01A, W01B, W01C, W02A, W02B
5t138.h↔		BOP, KVT, UOP4, VIAL	5t13a.3↔		BOP, KVT, UOP4, VIAL		21B	X04Z
	01	B03A, B03B, B06A, B06B, B17A, B17B, B17C		08	I08A, I08B, I08C, I08D, I08E, I08F, I13A, I13B, I13C, I13D	5t13a.r↔		BOP, KVT, UOP4, VIAL
	08	I08A, I08B, I08C, I08D, I08E, I08F		21A	W04A, W04B		08	I13A, I13B, I13C, I13D
	21A	W01A, W01B, W01C, W02A, W02B		21B	X06A, X06B, X06C		21A	W01A, W01B, W01C, W02A, W02B
	21B	X04Z		21B	X04Z		21B	X04Z
5t138.j↔		BOP, KVT, UOP4, VIAL	5t13a.4↔		BOP, KVT, UOP4, VIAL	5t13a.x		BOP, KVT, UOP4
	08	I24Z, I30Z		08	I08A, I08B, I08C, I08D, I08E, I08F, I21Z, I31Z		08	I28A, I28B
	21A	W04A, W04B		21A	W04A, W04B		21A	W04A, W04B
	21B	X04Z		21B	X06A, X06B, X06C		21B	X06A, X06B, X06C
5t138.k↔		BOP, KVT, UOP4, VIAL		21A	W04A, W04B	5t13b.1↔		BOP, KVT, UOP4, VIAL
	08	I13A, I13B, I13C, I13D		21B	X06A, X06B, X06C		08	I08A, I08B, I08C, I08D, I08E, I08F, I13A, I13B, I13C, I13D
	21A	W01A, W01B, W01C, W02A, W02B	5t13a.6↔		BOP, KVT, UOP4, VIAL		21A	W04A, W04B
	21B	X04Z		08	I08A, I08B, I08C, I08D, I08E, I08F, I13A, I13B, I21Z, I31Z		21B	X06A, X06B, X06C
5t138.l↔		BOP, KVT, UOP4, VIAL		21A	W04A, W04B			
	08	I13A, I13B, I13C, I13D		21B	X06A, X06B, X06C			
	21A	W01A, W01B, W01C, W02A, W02B						
	21B	X04Z						

VYK

ZZV	MDC	DRG	ZZV	MDC	DRG	ZZV	MDC	DRG	
5t13b.3↔		BOP, KVT, UOP4, VIAL	5t13b.r↔		BOP, KVT, UOP4, VIAL	5t13d.k↔		BOP, KVT, UOP4, VIAL	
	08	I08A, I08B, I08C, I08D, I08E, I08F, I13A, I13B, I13C, I13D		08	I13A, I13B, I13C, I13D		08	I13A, I13B, I13C, I13D	
	21A	W04A, W04B		21A	W01A, W01B, W01C, W02A, W02B		21A	W01A, W01B, W01C, W02A, W02B	
	21B	X06A, X06B, X06C		21B	X04Z		21B	X04Z	
5t13b.4↔		BOP, KVT, UOP4, VIAL	5t13b.x		BOP, KVT, UOP4	5t13d.n↔		BOP, KVT, UOP4, VIAL	
	08	I08A, I08B, I08C, I08D, I08E, I08F, I21Z, I31Z		08	I28A, I28B		08	I13A, I13B, I13C, I13D	
	21A	W04A, W04B		21A	W04A, W04B		21A	W01A, W01B, W01C, W02A, W02B	
	21B	X06A, X06B, X06C		21B	X06A, X06B, X06C		21B	X04Z	
5t13b.6↔		BOP, KVT, UOP4, VIAL	5t13c.1↔		BOP, KVT, UOP4, VIAL	5t13d.p↔		BOP, KVT, UOP4, VIAL	
	08	I08A, I08B, I08C, I08D, I08E, I08F, I13A, I13B, I21Z, I31Z		08	I08A, I08B, I08C, I08D, I08E, I08F, I13A, I13B, I13C, I13D		08	I13A, I13B, I13C, I13D	
	21A	W04A, W04B		21A	W04A, W04B		21A	W01A, W01B, W01C, W02A, W02B	
	21B	X06A, X06B, X06C		21B	X06A, X06B, X06C		21B	X04Z	
5t13b.7↔		BOP, KVT, UOP4, VIAL	5t13c.3↔		BOP, KVT, UOP4, VIAL	5t13d.r↔		BOP, KVT, UOP4, VIAL	
	08	I08A, I08B, I08C, I08D, I08E, I08F, I21Z, I31Z		08	I08A, I08B, I08C, I08D, I08E, I08F, I13A, I13B, I13C, I13D		08	I13A, I13B, I13C, I13D	
	21A	W04A, W04B		21A	W04A, W04B		21A	W01A, W01B, W01C, W02A, W02B	
	21B	X06A, X06B, X06C		21B	X06A, X06B, X06C		21B	X04Z	
5t13b.9↔		BOP, KVT, UOP4, VIAL	5t13c.e↔		BOP, KVT, UOP4, VIAL	5t13d.x		BOP, KVT, UOP4	
	08	I08A, I08B, I08C, I08D, I08E, I08F, I21Z, I31Z		01	B03A, B03B, B06A, B06B, B17A, B17B, B17C		08	I28A, I28B	
	21A	W04A, W04B		08	I08A, I08B, I08C, I08D, I08E, I08F		21A	W04A, W04B	
	21B	X06A, X06B, X06C		10	K09A, K09B		21B	X06A, X06B, X06C	
5t13b.e↔		BOP, KVT, UOP4, VIAL		21A	W01A, W01B, W01C, W02A, W02B	5t13v.1↔		BOP, KVT, UOP4, VIAL	
	01	B03A, B03B, B06A, B06B, B17A, B17B, B17C		21B	X04Z		08	I08A, I08B, I08C, I08D, I08E, I08F, I13A, I13B, I13C, I13D	
	08	I08A, I08B, I08C, I08D, I08E, I08F	5t13c.f↔		BOP, KVT, UOP4, VIAL		21A	W04A, W04B	
	10	K09A, K09B		01	B03A, B03B, B06A, B06B, B17A, B17B, B17C	5t13v.3↔		BOP, KVT, UOP4, VIAL	
	21A	W01A, W01B, W01C, W02A, W02B		08	I08A, I08B, I08C, I08D, I08E, I08F		08	I08A, I08B, I08C, I08D, I08E, I08F, I13A, I13B, I13C, I13D	
	21B	X04Z		10	K09A, K09B		21A	W04A, W04B	
5t13b.f↔		BOP, KVT, UOP4, VIAL		21A	W01A, W01B, W01C, W02A, W02B	5t13v.4↔		BOP, KVT, UOP4, VIAL	
	01	B03A, B03B, B06A, B06B, B17A, B17B, B17C		21B	X04Z		08	I08A, I08B, I08C, I08D, I08E, I08F, I13A, I21Z, I31Z	
	08	I08A, I08B, I08C, I08D, I08E, I08F	5t13c.h↔		BOP, KVT, UOP4, VIAL		21A	W04A, W04B	
	10	K09A, K09B		01	B03A, B03B, B06A, B06B, B17A, B17B, B17C	5t13v.6↔		BOP, KVT, UOP4, VIAL	
	21A	W01A, W01B, W01C, W02A, W02B		08	I08A, I08B, I08C, I08D, I08E, I08F		08	I08A, I08B, I08C, I08D, I08E, I08F, I13A, I21Z, I31Z	
	21B	X04Z		21A	W01A, W01B, W01C, W02A, W02B		21A	W04A, W04B	
5t13b.h↔		BOP, KVT, UOP4, VIAL		21B	X04Z	5t13v.7↔		BOP, KVT, UOP4, VIAL	
	01	B03A, B03B, B06A, B06B, B17A, B17B, B17C	5t13c.k↔		BOP, KVT, UOP4, VIAL		08	I08A, I08B, I08C, I08D, I08E, I08F, I13A, I21Z, I31Z	
	08	I08A, I08B, I08C, I08D, I08E, I08F		08	I13A, I13B, I13C, I13D		21A	W04A, W04B	
	21A	W01A, W01B, W01C, W02A, W02B		21A	W01A, W01B, W01C, W02A, W02B		21B	X06A, X06B, X06C	
	21B	X04Z		21B	X04Z	5t13v.9↔		BOP, KVT, UOP4, VIAL	
5t13b.j↔		KVT		5t13c.x		BOP, KVT, UOP4		08	I08A, I08B, I08C, I08D, I08E, I08F, I13A, I21Z, I31Z
5t13b.k↔		BOP, KVT, UOP4, VIAL		08	I28A, I28B		08	I08A, I08B, I08C, I08D, I08E, I08F, I13A, I21Z, I31Z	
	08	I13A, I13B, I13C, I13D		21A	W04A, W04B		21A	W04A, W04B	
	21A	W01A, W01B, W01C, W02A, W02B		21B	X06A, X06B, X06C		21B	X06A, X06B, X06C	
	21B	X04Z	5t13d.h↔		BOP, KVT, UOP4, VIAL	5t13v.e↔		BOP, KVT, UOP4, VIAL	
5t13b.n↔		BOP, KVT, UOP4, VIAL		01	B03A, B03B, B06A, B06B, B17A, B17B, B17C		01	B03A, B03B, B06A, B06B, B17A, B17B, B17C	
	08	I13A, I13B, I13C, I13D		08	I08A, I08B, I08C, I08D, I08E, I08F		08	I08A, I08B, I08C, I08D, I08E, I08F, I13A	
	21A	W01A, W01B, W01C, W02A, W02B		21A	W01A, W01B, W01C, W02A, W02B		10	K09A, K09B	
	21B	X04Z		21B	X04Z		21A	W01A, W01B, W01C, W02A, W02B	
5t13b.p↔		BOP, KVT, UOP4, VIAL	5t13d.j↔		BOP, KVT, UOP4, VIAL		21B	X04Z	
	08	I13A, I13B, I13C, I13D		08	I24Z, I30Z				
	21A	W01A, W01B, W01C, W02A, W02B		21A	W04A, W04B				
	21B	X04Z		21B	X04Z				

VYK

ZZV	MDC	DRG	ZZV	MDC	DRG	ZZV	MDC	DRG
5t13v.f↔		BOP, KVT, UOP4, VIAL	5t13x.9↔	08	I08A, I08B, I08C, I08D, I08E, I08F, I21Z, I31Z	5t13z.4↔	08	I08A, I08B, I08C, I08D, I08E, I08F, I21Z, I31Z
	01	B03A, B03B, B06A, B06B, B17A, B17B, B17C		21A	W04A, W04B		21A	W04A, W04B
	08	I08A, I08B, I08C, I08D, I08E, I08F, I13A		21B	X06A, X06B, X06C		21B	X06A, X06B, X06C
	10	K09A, K09B	5t13x.e↔		BOP, KVT, UOP4, VIAL	5t13z.6↔		BOP, KVT, UOP4, VIAL
	21A	W01A, W01B, W01C, W02A, W02B		01	B03A, B03B, B06A, B06B, B17A, B17B, B17C		08	I08A, I08B, I08C, I08D, I08E, I08F, I13A, I13B, I21Z, I31Z
	21B	X04Z		08	I08A, I08B, I08C, I08D, I08E, I08F		21A	W04A, W04B
5t13v.h↔		BOP, KVT, UOP4, VIAL		10	K09A, K09B		21B	X06A, X06B, X06C
	01	B03A, B03B, B06A, B06B, B17A, B17B, B17C		21A	W01A, W01B, W01C, W02A, W02B	5t13z.7↔		BOP, KVT, UOP4, VIAL
	08	I08A, I08B, I08C, I08D, I08E, I08F, I13A		21B	X04Z		08	I08A, I08B, I08C, I08D, I08E, I08F, I21Z, I31Z
	21A	W01A, W01B, W01C, W02A, W02B	5t13x.f↔		BOP, KVT, UOP4, VIAL		21A	W04A, W04B
	21B	X04Z		01	B03A, B03B, B06A, B06B, B17A, B17B, B17C		21B	X06A, X06B, X06C
5t13v.j↔		BOP, KVT, UOP4, VIAL		08	I08A, I08B, I08C, I08D, I08E, I08F	5t13z.9↔		BOP, KVT, UOP4, VIAL
	08	I13A, I24Z, I30Z		10	K09A, K09B		08	I08A, I08B, I08C, I08D, I08E, I08F, I21Z, I31Z
	21A	W04A, W04B		21A	W01A, W01B, W01C, W02A, W02B		21A	W04A, W04B
	21B	X04Z	5t13x.g↔		BOP, KVT, UOP4, VIAL		21B	X06A, X06B, X06C
5t13v.k↔		BOP, KVT, UOP4, VIAL		01	B03A, B03B, B06A, B06B, B17A, B17B, B17C	5t13z.e↔		BOP, KVT, UOP4, VIAL
	08	I13A, I13B, I13C, I13D		08	I08A, I08B, I08C, I08D, I08E, I08F		01	B03A, B03B, B06A, B06B, B17A, B17B, B17C
	21A	W01A, W01B, W01C, W02A, W02B	5t13x.h↔		BOP, KVT, UOP4, VIAL		08	I08A, I08B, I08C, I08D, I08E, I08F
	21B	X04Z		01	B03A, B03B, B06A, B06B, B17A, B17B, B17C		10	K09A, K09B
5t13v.n↔		BOP, KVT, UOP4, VIAL		08	I08A, I08B, I08C, I08D, I08E, I08F		21A	W01A, W01B, W01C, W02A, W02B
	08	I13A, I13B, I13C, I13D		21A	W01A, W01B, W01C, W02A, W02B	5t13z.f↔		BOP, KVT, UOP4, VIAL
	21A	W01A, W01B, W01C, W02A, W02B	5t13x.j↔		BOP, KVT, UOP4, VIAL		01	B03A, B03B, B06A, B06B, B17A, B17B, B17C
	21B	X04Z		08	I24Z, I30Z		08	I08A, I08B, I08C, I08D, I08E, I08F
5t13v.p↔		BOP, KVT, UOP4, VIAL		21A	W04A, W04B		10	K09A, K09B
	08	I13A, I13B, I13C, I13D		21B	X04Z		21A	W01A, W01B, W01C, W02A, W02B
	21A	W01A, W01B, W01C, W02A, W02B	5t13x.k↔		BOP, KVT, UOP4, VIAL		21B	X04Z
	21B	X04Z		08	I13A, I13B, I13C, I13D	5t13z.h↔		BOP, KVT, UOP4, VIAL
5t13v.r↔		BOP, KVT, UOP4, VIAL		21A	W01A, W01B, W01C, W02A, W02B		01	B03A, B03B, B06A, B06B, B17A, B17B, B17C
	08	I13A, I13B, I13C, I13D	5t13x.l↔		BOP, KVT, UOP4, VIAL		08	I08A, I08B, I08C, I08D, I08E, I08F
	21A	W01A, W01B, W01C, W02A, W02B		08	I13A, I13B, I13C, I13D		21A	W01A, W01B, W01C, W02A, W02B
	21B	X04Z		21A	W01A, W01B, W01C, W02A, W02B	5t13z.i↔		BOP, KVT, UOP4, VIAL
5t13v.x		BOP, KVT, UOP4		21B	X04Z		08	I24Z, I30Z
	08	I13A, I28A, I28B	5t13x.m↔		BOP, KVT, UOP4, VIAL		21A	W04A, W04B
	21A	W04A, W04B		08	I13A, I13B, I13C, I13D		21B	X04Z
	21B	X06A, X06B, X06C	5t13x.n↔		BOP, KVT, UOP4, VIAL		21A	W01A, W01B, W01C, W02A, W02B
5t13x.1↔		BOP, KVT, UOP4, VIAL		08	I13A, I13B, I13C, I13D	5t13z.j↔		BOP, KVT, UOP4, VIAL
	08	I08A, I08B, I08C, I08D, I08E, I08F, I13A, I13B, I13C, I13D		21A	W01A, W01B, W01C, W02A, W02B		08	I24Z, I30Z
	21A	W04A, W04B	5t13x.o↔		BOP, KVT, UOP4, VIAL		21A	W04A, W04B
	21B	X06A, X06B, X06C		08	I13A, I13B, I13C, I13D		21B	X04Z
5t13x.3↔		BOP, KVT, UOP4, VIAL		21A	W01A, W01B, W01C, W02A, W02B	5t13z.k↔		BOP, KVT, UOP4, VIAL
	08	I08A, I08B, I08C, I08D, I08E, I08F, I13A, I13B, I13C, I13D	5t13x.p↔		BOP, KVT, UOP4, VIAL		08	I13A, I13B, I13C, I13D
	21A	W04A, W04B		08	I13A, I13B, I13C, I13D		21A	W01A, W01B, W01C, W02A, W02B
	21B	X06A, X06B, X06C		21A	W01A, W01B, W01C, W02A, W02B		21B	X04Z
5t13x.4↔		BOP, KVT, UOP4, VIAL	5t13x.q↔		BOP, KVT, UOP4, VIAL		21A	W01A, W01B, W01C, W02A, W02B
	08	I08A, I08B, I08C, I08D, I08E, I08F, I21Z, I31Z		08	I13A, I13B, I13C, I13D	5t13z.l↔		BOP, KVT, UOP4, VIAL
	21A	W04A, W04B		21A	W01A, W01B, W01C, W02A, W02B		08	I13A, I13B, I13C, I13D
	21B	X06A, X06B, X06C	5t13x.r↔		BOP, KVT, UOP4, VIAL		21A	W01A, W01B, W01C, W02A, W02B
5t13x.6↔		BOP, KVT, UOP4, VIAL		08	I13A, I13B, I13C, I13D		21B	X04Z
	08	I08A, I08B, I08C, I08D, I08E, I08F, I13A, I13B, I21Z, I31Z	5t13x.s		BOP, KVT, UOP4		08	I13A, I13B, I13C, I13D
	21A	W04A, W04B		08	I28A, I28B		21A	W01A, W01B, W01C, W02A, W02B
	21B	X06A, X06B, X06C		21A	W04A, W04B		21B	X04Z
5t13x.7↔		BOP, KVT, UOP4, VIAL	5t13z.1↔		BOP, KVT, UOP4, VIAL		21A	W01A, W01B, W01C, W02A, W02B
	08	I08A, I08B, I08C, I08D, I08E, I08F, I21Z, I31Z		08	I08A, I08B, I08C, I08D, I08E, I08F, I13A, I13B, I13C, I13D	5t13z.p↔		BOP, KVT, UOP4, VIAL
	21A	W04A, W04B		21A	W04A, W04B		08	I13A, I13B, I13C, I13D
	21B	X06A, X06B, X06C	5t13z.3↔		BOP, KVT, UOP4, VIAL		21A	W01A, W01B, W01C, W02A, W02B
	08	I08A, I08B, I08C, I08D, I08E, I08F, I21Z, I31Z		08	I08A, I08B, I08C, I08D, I08E, I08F, I13A, I13B, I13C, I13D		21B	X04Z
	21A	W04A, W04B		21A	W04A, W04B	5t13z.q↔		BOP, KVT, UOP4, VIAL
	21B	X06A, X06B, X06C		21B	X06A, X06B, X06C		08	I13A, I13B, I13C, I13D
	08	I08A, I08B, I08C, I08D, I08E, I08F, I21Z, I31Z		08	I08A, I08B, I08C, I08D, I08E, I08F, I13A, I13B, I13C, I13D		21A	W01A, W01B, W01C, W02A, W02B
	21A	W04A, W04B		21A	W04A, W04B		21B	X04Z
	21B	X06A, X06B, X06C		21B	X06A, X06B, X06C		08	I13A, I13B, I13C, I13D

ZZV	MDC	DRG	ZZV	MDC	DRG	ZZV	MDC	DRG
5t13z.x		BOP, KVT, UOP4	5t141.u↔		BOP, KVT, UOP4, VIAL	5t144.a↔		BOP, KVT, UOP4, VIAL
	08	I28A, I28B		08	I20A, I20B, I20C, I20D, I20E, I20F		08	I32A, I32B, I32C, I32D, I32E, I32F
	21A	W04A, W04B		21A	W04A, W04B		21A	W04A, W04B
	21B	X06A, X06B, X06C		21B	X04Z		21B	X05A
5t140.0↔		BOP, KVT, UOP4, VIAL	5t141.v↔		BOP, KVT, UOP4, VIAL	5t144.b↔		BOP, KVT, UOP4, VIAL
	08	I29Z		08	I20A, I20B, I20C, I20D, I20E, I20F		08	I32A, I32B, I32C, I32D, I32E, I32F
	21A	W04A, W04B		21A	W04A, W04B		21A	W04A, W04B
	21B	X06A, X06B, X06C		21B	X04Z		21B	X05A
5t140.a↔		BOP, KVT, UOP4, VIAL	5t141.w↔		BOP, KVT, UOP4, VIAL	5t144.c↔		BOP, KVT, UOP4, VIAL
	08	I32A, I32B, I32C, I32D, I32E, I32F		08	I20A, I20B, I20C, I20D, I20E, I20F		08	I32A, I32B, I32C, I32D, I32E, I32F
	21A	W04A, W04B		21A	W04A, W04B		21A	W04A, W04B
	21B	X05A		21B	X04Z		21B	X05A
5t140.b↔		BOP, KVT, UOP4, VIAL	5t141.x		BOP, KVT, UOP4	5t144.u↔		BOP, KVT, UOP4, VIAL
	08	I32A, I32B, I32C, I32D, I32E, I32F		08	I28A, I28B		08	I20A, I20B, I20C, I20D, I20E, I20F
	21A	W04A, W04B		21A	W04A, W04B		21A	W04A, W04B
	21B	X05A		21B	X06A, X06B, X06C		21B	X04Z
5t140.c↔		BOP, KVT, UOP4, VIAL	5t141.z↔		BOP, KVT, UOP4, VIAL	5t144.v↔		BOP, KVT, UOP4, VIAL
	01	B03A, B03B, B06A, B06B, B07Z, B17A, B17B, B17C		08	I28A, I28B, I28C		08	I20A, I20B, I20C, I20D, I20E, I20F
	08	I32A, I32B, I32C, I32D, I32E, I32F		21A	W04A, W04B		21A	W04A, W04B
	21A	W04A, W04B		21B	X06A, X06B, X06C		21B	X04Z
	21B	X05A		5t143.0↔	BOP, KVT, UOP4, VIAL		5t144.w↔	BOP, KVT, UOP4, VIAL
5t140.u↔		BOP, KVT, UOP4, VIAL		08	I21Z		08	I20A, I20B, I20C, I20D, I20E, I20F
	08	I20A, I20B, I20C, I20D, I20E, I20F		21A	W04A, W04B		21A	W04A, W04B
	21A	W04A, W04B		21B	X06A, X06B, X06C		21B	X04Z
	21B	X04Z		5t143.a↔	BOP, KVT, UOP4, VIAL		21A	W04A, W04B
5t140.v↔		BOP, KVT, UOP4, VIAL		08	I32A, I32B, I32C, I32D, I32E, I32F		21B	X04Z
	08	I20A, I20B, I20C, I20D, I20E, I20F		21A	W04A, W04B		5t144.x	BOP, KVT, UOP4
	21A	W04A, W04B		21B	X05A		08	I28A, I28B
	21B	X04Z		5t143.b↔	BOP, KVT, UOP4, VIAL		21A	W04A, W04B
5t140.w↔		BOP, KVT, UOP4, VIAL		08	I32A, I32B, I32C, I32D, I32E, I32F		21B	X06A, X06B, X06C
	08	I20A, I20B, I20C, I20D, I20E, I20F		21A	W04A, W04B		5t144.z↔	BOP, KVT, UOP4, VIAL
	21A	W04A, W04B		21B	X05A		08	I28A, I28B, I28C
	21B	X04Z		5t143.c↔	BOP, KVT, UOP4, VIAL		21A	W04A, W04B
5t140.x		BOP, KVT, UOP4		08	I32A, I32B, I32C, I32D, I32E, I32F		21B	X06A, X06B, X06C
	08	I28A, I28B		21A	W04A, W04B		5t14a.0↔	BOP, KVT, UOP4, VIAL
	21A	W04A, W04B		21B	X05A		08	I21Z
	21B	X06A, X06B, X06C		5t143.u↔	BOP, KVT, UOP4, VIAL		21A	W04A, W04B
5t140.z↔		BOP, KVT, UOP4, VIAL		08	I20A, I20B, I20C, I20D, I20E, I20F		21B	X06A, X06B, X06C
	08	I28A, I28B, I28C		21A	W04A, W04B		5t14a.x	BOP, KVT, UOP4
	21A	W04A, W04B		21B	X04Z		08	I28A, I28B
	21B	X06A, X06B, X06C		5t143.v↔	BOP, KVT, UOP4, VIAL		21A	W04A, W04B
5t141.0↔		BOP, KVT, UOP4, VIAL		08	I20A, I20B, I20C, I20D, I20E, I20F		21B	X06A, X06B, X06C
	08	I21Z		21A	W04A, W04B		5t14b.0↔	BOP, KVT, UOP4, VIAL
	21A	W04A, W04B		21B	X04Z		08	I29Z
	21B	X06A, X06B, X06C		5t143.w↔	BOP, KVT, UOP4, VIAL		21A	W04A, W04B
5t141.a↔		BOP, KVT, UOP4, VIAL		08	I20A, I20B, I20C, I20D, I20E, I20F		21B	X06A, X06B, X06C
	08	I32A, I32B, I32C, I32D, I32E, I32F		21A	W04A, W04B		5t14b.a↔	BOP, KVT, UOP4, VIAL
	21A	W04A, W04B		21B	X04Z		08	I32A, I32B, I32C, I32D, I32E, I32F
	21B	X05A		5t143.x	BOP, KVT, UOP4		21A	W04A, W04B
5t141.b↔		BOP, KVT, UOP4, VIAL		08	I28A, I28B		21B	X05A
	08	I32A, I32B, I32C, I32D, I32E, I32F		21A	W04A, W04B		5t14b.b↔	BOP, KVT, UOP4, VIAL
	21A	W04A, W04B		21B	X06A, X06B, X06C		08	I32A, I32B, I32C, I32D, I32E, I32F
	21B	X05A		5t143.z↔	BOP, KVT, UOP4, VIAL		21A	W04A, W04B
5t141.c↔		BOP, KVT, UOP4, VIAL		08	I28A, I28B, I28C		21B	X05A
	08	I32A, I32B, I32C, I32D, I32E, I32F		21A	W04A, W04B		5t14b.c↔	BOP, KVT, UOP4, VIAL
	21A	W04A, W04B		21B	X06A, X06B, X06C		08	I32A, I32B, I32C, I32D, I32E, I32F
	21B	X05A		5t144.0↔	BOP, KVT, UOP4, VIAL		21A	W04A, W04B
				08	I21Z		21B	X05A
				21A	W04A, W04B			
				21B	X06A, X06B, X06C			

VYK

ZZV	MDC	DRG	ZZV	MDC	DRG	ZZV	MDC	DRG
5t14b.u↔		BOP, KVT, UOP4, VIAL	5t14t.v↔		BOP, KVT, UOP4, VIAL	5t14x.v↔		BOP, KVT, UOP4, VIAL
	08	I20A, I20B, I20C, I20D, I20E, I20F		08	I20A, I20B, I20C, I20D, I20E, I20F		08	I20A, I20B, I20C, I20D, I20E, I20F
	21A	W04A, W04B		21A	W04A, W04B		21A	W04A, W04B
	21B	X04Z		21B	X04Z		21B	X04Z
5t14b.v↔		BOP, KVT, UOP4, VIAL	5t14t.w↔		BOP, KVT, UOP4, VIAL	5t14x.w↔		BOP, KVT, UOP4, VIAL
	08	I20A, I20B, I20C, I20D, I20E, I20F		08	I20A, I20B, I20C, I20D, I20E, I20F		08	I20A, I20B, I20C, I20D, I20E, I20F
	21A	W04A, W04B		21A	W04A, W04B		21A	W04A, W04B
	21B	X04Z		21B	X04Z		21B	X04Z
5t14b.w↔		BOP, KVT, UOP4, VIAL	5t14t.x		BOP, KVT, UOP4	5t14x.x		BOP, KVT, UOP4
	08	I20A, I20B, I20C, I20D, I20E, I20F		08	I28A, I28B		08	I28A, I28B
	21A	W04A, W04B		21A	W04A, W04B		21A	W04A, W04B
	21B	X04Z		21B	X06A, X06B, X06C		21B	X06A, X06B, X06C
5t14b.x		BOP, KVT, UOP4	5t14t.z↔		BOP, KVT, UOP4, VIAL	5t14x.z↔		BOP, KVT, UOP4, VIAL
	08	I28A, I28B		08	I28A, I28B, I28C		08	I28A, I28B, I28C
	21A	W04A, W04B		21A	W04A, W04B		21A	W04A, W04B
	21B	X06A, X06B, X06C		21B	X06A, X06B, X06C		21B	X06A, X06B, X06C
5t14b.z↔		BOP, KVT, UOP4, VIAL	5t14v.a↔		BOP, KVT, UOP4, VIAL	5t14z.0↔		BOP, KVT, UOP4, VIAL
	08	I28A, I28B, I28C		08	I13A, I32A, I32B, I32C, I32D, I32E, I32F		08	I29Z
	21A	W04A, W04B		21A	W04A, W04B		21A	W04A, W04B
	21B	X06A, X06B, X06C		21B	X05A		21B	X06A, X06B, X06C
5t14d.0↔		BOP, KVT, UOP4, VIAL	5t14v.b↔		BOP, KVT, UOP4, VIAL	5t14z.a↔		BOP, KVT, UOP4, VIAL
	08	I29Z		08	I13A, I32A, I32B, I32C, I32D, I32E, I32F		08	I32A, I32B, I32C, I32D, I32E, I32F
	21A	W04A, W04B		21A	W04A, W04B		21A	W04A, W04B
	21B	X06A, X06B, X06C		21B	X05A		21B	X05A
5t14d.u↔		BOP, KVT, UOP4, VIAL	5t14v.u↔		BOP, KVT, UOP4, VIAL	5t14z.b↔		BOP, KVT, UOP4, VIAL
	08	I20A, I20B, I20C, I20D, I20E, I20F		08	I13A, I20A, I20B, I20C, I20D, I20E, I20F		08	I32A, I32B, I32C, I32D, I32E, I32F
	21A	W04A, W04B		21A	W04A, W04B		21A	W04A, W04B
	21B	X04Z		21B	X04Z		21B	X05A
5t14d.v↔		BOP, KVT, UOP4, VIAL	5t14v.v↔		BOP, KVT, UOP4, VIAL	5t14z.c↔		BOP, KVT, UOP4, VIAL
	08	I20A, I20B, I20C, I20D, I20E, I20F		08	I13A, I20A, I20B, I20C, I20D, I20E, I20F		08	I32A, I32B, I32C, I32D, I32E, I32F
	21A	W04A, W04B		21A	W04A, W04B		21A	W04A, W04B
	21B	X04Z		21B	X04Z		21B	X05A
5t14d.x		BOP, KVT, UOP4	5t14v.x		BOP, KVT, UOP4	5t14z.j↔		BOP, KVT, UOP4, VIAL
	08	I28A, I28B		08	I13A, I28A, I28B		08	I20A, I20B, I20C, I20D, I20E, I20F
	21A	W04A, W04B		21A	W04A, W04B		21A	W04A, W04B
	21B	X06A, X06B, X06C		21B	X06A, X06B, X06C		21B	X04Z
5t14d.z↔		BOP, KVT, UOP4, VIAL	5t14x.0↔		BOP, KVT, UOP4, VIAL	5t14z.u↔		BOP, KVT, UOP4, VIAL
	08	I28A, I28B, I28C		08	I29Z		08	I20A, I20B, I20C, I20D, I20E, I20F
	21A	W04A, W04B		21A	W04A, W04B		21A	W04A, W04B
	21B	X06A, X06B, X06C		21B	X06A, X06B, X06C		21B	X04Z
5t14t.0↔		BOP, KVT, UOP4, VIAL	5t14x.a↔		BOP, KVT, UOP4, VIAL	5t14z.v↔		BOP, KVT, UOP4, VIAL
	08	I29Z		08	I32A, I32B, I32C, I32D, I32E, I32F		08	I20A, I20B, I20C, I20D, I20E, I20F
	21A	W04A, W04B		21A	W04A, W04B		21A	W04A, W04B
	21B	X06A, X06B, X06C		21B	X05A, X05B		21B	X04Z
5t14t.a↔		BOP, KVT, UOP4, VIAL	5t14x.b↔		BOP, KVT, UOP4, VIAL	5t14z.w↔		BOP, KVT, UOP4, VIAL
	08	I32A, I32B, I32C, I32D, I32E, I32F		08	I32A, I32B, I32C, I32D, I32E, I32F		08	I20A, I20B, I20C, I20D, I20E, I20F
	21A	W04A, W04B		21A	W04A, W04B		21A	W04A, W04B
	21B	X05A		21B	X05A, X05B		21B	X04Z
5t14t.b↔		BOP, KVT, UOP4, VIAL	5t14x.c↔		BOP, KVT, UOP4, VIAL	5t14z.x		BOP, KVT, UOP4
	08	I32A, I32B, I32C, I32D, I32E, I32F		08	I32A, I32B, I32C, I32D, I32E, I32F		08	I28A, I28B
	21A	W04A, W04B		21A	W04A, W04B		21A	W04A, W04B
	21B	X05A		21B	X05A, X05B		21B	X06A, X06B, X06C
5t14t.c↔		BOP, KVT, UOP4, VIAL	5t14x.u↔		BOP, KVT, UOP4, VIAL	5t14z.z↔		BOP, KVT, UOP4, VIAL
	08	I32A, I32B, I32C, I32D, I32E, I32F		08	I20A, I20B, I20C, I20D, I20E, I20F		08	I28A, I28B, I28C
	21A	W04A, W04B		21A	W04A, W04B		21A	W04A, W04B
	21B	X05A		21B	X04Z		21B	X06A, X06B, X06C
5t14t.u↔		BOP, KVT, UOP4, VIAL				5t150.0↔		BOP, KVT, UOP4, VIAL
	08	I20A, I20B, I20C, I20D, I20E, I20F					08	I28B, I29Z
	21A	W04A, W04B					21A	W04A, W04B
	21B	X04Z					21B	X05A, X06A, X06B, X06C

VYK

ZZV	MDC	DRG	ZZV	MDC	DRG	ZZV	MDC	DRG
5t150.a↔		BOP, KVT, UOP4, VIAL	5t151.w↔		BOP, KVT, UOP4, VIAL	5t154.c↔		BOP, KVT, UOP4, VIAL
	08	I32A, I32B, I32C, I32D, I32E, I32F		08	I20A, I20B, I20C, I20D, I20E, I20F		08	I32A, I32B, I32C, I32D, I32E, I32F
	21A	W04A, W04B		21A	W04A, W04B		21A	W04A, W04B
	21B	X05A		21B	X04Z, X05A		21B	X05A
5t150.b↔		BOP, KVT, UOP4, VIAL	5t151.x		BOP, KVT, UOP4	5t154.u↔		BOP, KVT, UOP4, VIAL
	08	I32A, I32B, I32C, I32D, I32E, I32F		08	I28A, I28B		08	I20A, I20B, I20C, I20D
	21A	W04A, W04B		21A	W04A, W04B		21A	W04A, W04B
	21B	X05A		21B	X06A, X06B, X06C		21B	X04Z, X05A
5t150.c↔		BOP, KVT, UOP4, VIAL	5t151.z↔		BOP, KVT, UOP4, VIAL	5t154.v↔		BOP, KVT, UOP4, VIAL
	01	B03A, B03B, B06A, B06B, B07Z, B17A, B17B, B17C		08	I28A, I28B, I28C		08	I20A, I20B, I20C, I20D
	08	I32A, I32B, I32C, I32D, I32E, I32F		21A	W04A, W04B		21A	W04A, W04B
	21A	W04A, W04B		21B	X05A, X06A, X06B, X06C		21B	X04Z, X05A
	21B	X05A	5t153.0↔		BOP, KVT, UOP4, VIAL	5t154.w↔		BOP, KVT, UOP4, VIAL
5t150.u↔		BOP, KVT, UOP4, VIAL		08	I21Z, I28B		08	I20A, I20B, I20C, I20D, I20E, I20F
	08	I20A, I20B, I20C, I20D		21A	W04A, W04B		21A	W04A, W04B
	21A	W04A, W04B	5t153.a↔		BOP, KVT, UOP4, VIAL		21B	X04Z, X05A
	21B	X04Z, X05A		08	I32A, I32B, I32C, I32D, I32E, I32F	5t154.x		BOP, KVT, UOP4
5t150.v↔		BOP, KVT, UOP4, VIAL		21A	W04A, W04B		08	I28A, I28B
	08	I20A, I20B, I20C, I20D		21B	X05A		21A	W04A, W04B
	21A	W04A, W04B	5t153.b↔		BOP, KVT, UOP4, VIAL		21B	X06A, X06B, X06C
	21B	X04Z, X05A		08	I32A, I32B, I32C, I32D, I32E, I32F	5t154.z↔		BOP, KVT, UOP4, VIAL
5t150.w↔		BOP, KVT, UOP4, VIAL		21A	W04A, W04B		08	I28A, I28B
	08	I20A, I20B, I20C, I20D, I20E, I20F		21B	X05A		21A	W04A, W04B
	21A	W04A, W04B	5t153.c↔		BOP, KVT, UOP4, VIAL	5t15b.0↔		BOP, KVT, UOP4, VIAL
	21B	X04Z, X05A		08	I32A, I32B, I32C, I32D, I32E, I32F		08	I28B, I29Z
5t150.x		BOP, KVT, UOP4		21A	W04A, W04B		21A	W04A, W04B
	08	I28A, I28B		21B	X05A	5t15b.a↔		BOP, KVT, UOP4, VIAL
	21A	W04A, W04B	5t153.u↔		BOP, KVT, UOP4, VIAL		08	I32A, I32B, I32C, I32D, I32E, I32F
	21B	X06A, X06B, X06C		08	I20A, I20B, I20C, I20D		21A	W04A, W04B
5t150.z↔		BOP, KVT, UOP4, VIAL		21A	W04A, W04B		21B	X05A
	08	I28A, I28B		21B	X04Z, X05A	5t15b.b↔		BOP, KVT, UOP4, VIAL
	21A	W04A, W04B	5t153.v↔		BOP, KVT, UOP4, VIAL		08	I32A, I32B, I32C, I32D, I32E, I32F
	21B	X05A, X06A, X06B, X06C		08	I20A, I20B, I20C, I20D, I20E, I20F		21A	W04A, W04B
5t151.0↔		BOP, KVT, UOP4, VIAL		21A	W04A, W04B		21B	X05A
	08	I21Z		21B	X04Z, X05A	5t15b.c↔		BOP, KVT, UOP4, VIAL
	21A	W04A, W04B	5t153.w↔		BOP, KVT, UOP4, VIAL		08	I32A, I32B, I32C, I32D, I32E, I32F
	21B	X05A, X06A, X06B, X06C		08	I20A, I20B, I20C, I20D, I20E, I20F		21A	W04A, W04B
5t151.a↔		BOP, KVT, UOP4, VIAL		21A	W04A, W04B		21B	X05A
	08	I32A, I32B, I32C, I32D, I32E, I32F		21B	X04Z, X05A	5t15b.u↔		BOP, KVT, UOP4, VIAL
	21A	W04A, W04B	5t153.x		BOP, KVT, UOP4		08	I20A, I20B, I20C, I20D
	21B	X05A		08	I28A, I28B		21A	W04A, W04B
5t151.b↔		BOP, KVT, UOP4, VIAL		21A	W04A, W04B		21B	X04Z, X05A
	08	I32A, I32B, I32C, I32D, I32E, I32F		21B	X06A, X06B, X06C	5t15b.v↔		BOP, KVT, UOP4, VIAL
	21A	W04A, W04B		08	I28A, I28B		08	I20A, I20B, I20C, I20D, I20E, I20F
	21B	X05A	5t153.z↔		BOP, KVT, UOP4, VIAL		21A	W04A, W04B
5t151.c↔		BOP, KVT, UOP4, VIAL		21A	W04A, W04B		21B	X04Z, X05A
	08	I32A, I32B, I32C, I32D, I32E, I32F		21B	X05A, X06A, X06B, X06C	5t15b.w↔		BOP, KVT, UOP4, VIAL
	21A	W04A, W04B	5t154.0↔		BOP, KVT, UOP4, VIAL		08	I20A, I20B, I20C, I20D, I20E, I20F
	21B	X05A		08	I21Z, I28B		21A	W04A, W04B
5t151.u↔		BOP, KVT, UOP4, VIAL		21A	W04A, W04B		21B	X04Z, X05A
	08	I20A, I20B, I20C, I20D		21B	X05A, X06A, X06B, X06C	5t15b.x		BOP, KVT, UOP4
	21A	W04A, W04B	5t154.a↔		BOP, KVT, UOP4, VIAL		08	I28A, I28B
	21B	X04Z, X05A		08	I32A, I32B, I32C, I32D, I32E, I32F		21A	W04A, W04B
5t151.v↔		BOP, KVT, UOP4, VIAL		21A	W04A, W04B		21B	X06A, X06B, X06C
	08	I20A, I20B, I20C, I20D		21B	X05A	5t15b.z↔		BOP, KVT, UOP4, VIAL
	21A	W04A, W04B		08	I32A, I32B, I32C, I32D, I32E, I32F		08	I28A, I28B
	21B	X04Z, X05A		21A	W04A, W04B		21A	W04A, W04B
				21B	X05A		21B	X05A, X06A, X06B, X06C

VYK

ZZV	MDC	DRG	ZZV	MDC	DRG	ZZV	MDC	DRG
5t15d.0↔		BOP, KVT, UOP4, VIAL	5t15x.v↔		BOP, KVT, UOP4, VIAL	5t16s.3↔		BOP, KVT, UOP4, VIAL
	08	I28B, I29Z		08	I20A, I20B, I20C, I20D, I20E, I20F		08	I20A, I20B, I20C, I20D
	21A	W04A, W04B		21A	W04A, W04B		21A	W04A, W04B
	21B	X05A, X06A, X06B, X06C		21B	X04Z		21B	X04Z
5t15d.u↔		BOP, KVT, UOP4, VIAL	5t15x.w↔		BOP, KVT, UOP4, VIAL	5t16s.4↔		BOP, KVT, UOP4, VIAL
	08	I20A, I20B, I20C, I20D		08	I20A, I20B, I20C, I20D, I20E, I20F		08	I20A, I20B, I20C, I20D
	21A	W04A, W04B		21A	W04A, W04B		21A	W04A, W04B
	21B	X04Z, X05A		21B	X04Z		21B	X04Z
5t15d.v↔		BOP, KVT, UOP4, VIAL	5t15x.x		BOP, KVT, UOP4	5t16s.b↔		BOP, KVT, UOP4, VIAL
	08	I20A, I20B, I20C, I20D		08	I28A, I28B		08	I20A, I20B, I20C, I20D
	21A	W04A, W04B		21A	W04A, W04B		21A	W04A, W04B
	21B	X04Z, X05A		21B	X06A, X06B, X06C		21B	X04Z
5t15d.x		BOP, KVT, UOP4	5t15x.z↔		BOP, KVT, UOP4, VIAL	5t16s.d↔		BOP, KVT, UOP4, VIAL
	08	I28A, I28B		08	I28A, I28B		08	I20A, I20B, I20C, I20D
	21A	W04A, W04B		21A	W04A, W04B		21A	W04A, W04B
	21B	X06A, X06B, X06C		21B	X04Z		21B	X04Z
5t15d.z↔		BOP, KVT, UOP4, VIAL	5t15z.0↔		BOP, KVT, UOP4, VIAL	5t16s.v↔		BOP, KVT, UOP4, VIAL
	08	I28A, I28B		08	I28B, I29Z		08	I13A, I20A, I20B, I20C, I20D
	21A	W04A, W04B		21A	W04A, W04B		21A	W04A, W04B
	21B	X05A, X06A, X06B, X06C		21B	X05A, X06A, X06B, X06C		21B	X04Z
5t15v.a↔		BOP, KVT, UOP4, VIAL	5t15z.a↔		BOP, KVT, UOP4, VIAL	5t16s.x↔		BOP, KVT, UOP4, VIAL
	08	I13A, I32A, I32B, I32C, I32D, I32E, I32F		08	I32A, I32B, I32C, I32D, I32E, I32F		08	I20A, I20B, I20C, I20D, I20E, I20F
	21A	W04A, W04B		21A	W04A, W04B		21A	W04A, W04B
	21B	X05A		21B	X05A		21B	X04Z
5t15v.b↔		BOP, KVT, UOP4, VIAL	5t15z.b↔		BOP, KVT, UOP4, VIAL	5t16s.z↔		BOP, KVT, UOP4, VIAL
	08	I13A, I32A, I32B, I32C, I32D, I32E, I32F		08	I32A, I32B, I32C, I32D, I32E, I32F		08	I20A, I20B, I20C, I20D
	21A	W04A, W04B		21A	W04A, W04B		21A	W04A, W04B
	21B	X05A		21B	X05A		21B	X04Z
5t15v.u↔		BOP, KVT, UOP4, VIAL	5t15z.c↔		BOP, KVT, UOP4, VIAL	5t16t.0↔		BOP, KVT, UOP4, VIAL
	08	I13A, I20A, I20B, I20C, I20D		08	I32A, I32B, I32C, I32D, I32E, I32F		08	I20A, I20B, I20C, I20D
	21A	W04A, W04B		21A	W04A, W04B		21A	W04A, W04B
	21B	X04Z, X05A		21B	X05A		21B	X04Z
5t15v.v↔		BOP, KVT, UOP4, VIAL	5t15z.u↔		BOP, KVT, UOP4, VIAL	5t16t.1↔		BOP, KVT, UOP4, VIAL
	08	I13A, I20A, I20B, I20C, I20D		08	I20A, I20B, I20C, I20D		08	I20A, I20B, I20C, I20D
	21A	W04A, W04B		21A	W04A, W04B		21A	W04A, W04B
	21B	X04Z, X05A		21B	X05A		21B	X04Z
5t15v.x		BOP, KVT, UOP4	5t15z.v↔		BOP, KVT, UOP4, VIAL	5t16t.3↔		BOP, KVT, UOP4, VIAL
	08	I13A, I28A, I28B		08	I20A, I20B, I20C, I20D		08	I20A, I20B, I20C, I20D
	21A	W04A, W04B		21A	W04A, W04B		21A	W04A, W04B
	21B	X06A, X06B, X06C		21B	X04Z, X05A		21B	X04Z
5t15x.0↔		BOP, KVT, UOP4, VIAL	5t15z.w↔		BOP, KVT, UOP4, VIAL	5t16t.4↔		BOP, KVT, UOP4, VIAL
	08	I28B, I29Z		08	I20A, I20B, I20C, I20D		08	I20A, I20B, I20C, I20D
	21A	W04A, W04B		21A	W04A, W04B		21A	W04A, W04B
	21B	X06A, X06B, X06C		21B	X04Z, X05A		21B	X04Z
5t15x.a↔		BOP, KVT, UOP4, VIAL	5t15z.x		BOP, KVT, UOP4	5t16t.7↔		BOP, KVT, UOP4, VIAL
	08	I32A, I32B, I32C, I32D, I32E, I32F		08	I28A, I28B		08	I20A, I20B, I20C, I20D
	21A	W04A, W04B		21A	W04A, W04B		21A	W04A, W04B
	21B	X05A, X05B		21B	X04Z, X05A		21B	X04Z
5t15x.b↔		BOP, KVT, UOP4, VIAL	5t15z.y		BOP, KVT, UOP4	5t16t.b↔		BOP, KVT, UOP4, VIAL
	08	I32A, I32B, I32C, I32D, I32E, I32F		08	I28A, I28B		08	I20A, I20B, I20C, I20D
	21A	W04A, W04B		21A	W04A, W04B		21A	W04A, W04B
	21B	X05A, X05B		21B	X06A, X06B, X06C		21B	X04Z
5t15x.c↔		BOP, KVT, UOP4, VIAL	5t15z.z↔		BOP, KVT, UOP4, VIAL	5t16t.d↔		BOP, KVT, UOP4, VIAL
	08	I32A, I32B, I32C, I32D, I32E, I32F		08	I28A, I28B		08	I20A, I20B, I20C, I20D
	21A	W04A, W04B		21A	W04A, W04B		21A	W04A, W04B
	21B	X05A, X05B		21B	X05A, X06A, X06B, X06C		21B	X04Z
5t15x.d↔		BOP, KVT, UOP4, VIAL	5t16s.0↔		BOP, KVT, UOP4, VIAL	5t16t.v↔		BOP, KVT, UOP4, VIAL
	08	I20A, I20B, I20C, I20D, I20E, I20F		08	I20A, I20B, I20C, I20D		08	I13A, I20A, I20B, I20C, I20D
	21A	W04A, W04B		21A	W04A, W04B		21A	W04A, W04B
	21B	X04Z		21B	X04Z		21B	X04Z
			5t16s.1↔		BOP, KVT, UOP4, VIAL	5t16t.x↔		BOP, KVT, UOP4, VIAL
				08	I20A, I20B, I20C, I20D		08	I20A, I20B, I20C, I20D, I20E, I20F
				21A	W04A, W04B		21A	W04A, W04B
				21B	X04Z		21B	X04Z

ZZV	MDC	DRG	ZZV	MDC	DRG	ZZV	MDC	DRG
5t190.f		BOP, KVT, UOP4, VIAL	5t191.4↔		BOP, KVT, UOP4, VIAL	5t191.j↔		BOP, KVT, UOP4, VIAL
	01	B03A, B03B, B06A, B06B, B17A, B17B, B17C		08	I08A, I08B, I08C, I08D, I08E, I08F, I21Z, I31Z		08	I18A, I18B, I30Z
	08	I28A, I28B		21A	W04A, W04B		21A	W04A, W04B
	21A	W04A, W04B		21B	X06A, X06B, X06C		21B	X04Z
	21B	X06A, X06B, X06C	5t191.5↔		BOP, KVT, UOP4, VIAL	5t191.k↔		BOP, KVT, UOP4, VIAL
5t190.g↔		BOP, KVT, UOP4, VIAL		08	I08A, I08B, I08C, I08D, I08E, I08F, I21Z, I31Z		08	I13A, I13B, I13C, I13D, I13E
	08	I08A, I08B, I08C, I08D, I08E, I08F		21A	W04A, W04B		21A	W04A, W04B
	21A	W01A, W01B, W01C, W02A, W02B		21B	X06A, X06B, X06C		21B	X04Z
	21B	X04Z	5t191.6↔		BOP, KVT, UOP4, VIAL	5t191.m↔		BOP, KVT, UOP4, VIAL
5t190.h↔		BOP, KVT, UOP4, VIAL		08	I08A, I08B, I08C, I08D, I08E, I08F, I32A, I32B, I32C, I32D, I32E, I32F		08	I20A, I20B, I20C, I20D
	08	I18A, I18B, I30Z		21A	W04A, W04B		21A	W04A, W04B
	21A	W04A, W04B		21B	X05A, X05B		21B	X04Z
	21B	X04Z	5t191.8↔		BOP, KVT, UOP4, VIAL	5t191.n↔		BOP, KVT, UOP4, VIAL
5t190.j↔		BOP, KVT, UOP4, VIAL		08	I32A, I32B, I32C, I32D, I32E, I32F		08	I20A, I20B, I20C, I20D
	08	I18A, I18B, I30Z		21A	W04A, W04B		21A	W04A, W04B
	21A	W04A, W04B		21B	X05A, X05B		21B	X04Z
	21B	X04Z	5t191.9↔		BOP, KVT, UOP4, VIAL	5t191.p↔		BOP, KVT, UOP4, VIAL
5t190.k↔		BOP, KVT, UOP4, VIAL		08	I32A, I32B, I32C, I32D, I32E, I32F		08	I20A, I20B, I20C, I20D
	08	I13A, I13B, I13C, I13D, I13E		21A	W04A, W04B		21A	W04A, W04B
	21A	W04A, W04B		21B	X05A, X05B		21B	X04Z
	21B	X04Z	5t191.a↔		BOP, KVT, UOP4, VIAL	5t191.q↔		BOP, KVT, UOP4, VIAL
5t190.m↔		BOP, KVT, UOP4, VIAL		08	I32A, I32B, I32C, I32D, I32E, I32F		08	I20A, I20B, I20C, I20D, I20E, I20F
	08	I20A, I20B, I20C, I20D		21A	W04A, W04B		21A	W04A, W04B
	21A	W04A, W04B		21B	X05A, X05B		21B	X04Z
	21B	X04Z	5t191.b↔		BOP, KVT, UOP4, VIAL	5t191.r↔		BOP, KVT, UOP4, VIAL
5t190.n↔		BOP, KVT, UOP4, VIAL		08	I32A, I32B, I32C, I32D, I32E, I32F		08	I20A, I20B, I20C, I20D, I20E, I20F
	08	I20A, I20B, I20C, I20D		21A	W04A, W04B		21A	W04A, W04B
	21A	W04A, W04B		21B	X05A, X05B		21B	X04Z
	21B	X04Z	5t191.c↔		BOP, KVT, UOP4, VIAL	5t191.x		BOP, KVT, UOP4
5t190.p↔		BOP, KVT, UOP4, VIAL		08	I32A, I32B, I32C, I32D, I32E, I32F		01	B03A, B03B, B06A, B06B, B17A, B17B, B17C
	08	I20A, I20B, I20C, I20D		21A	W04A, W04B		08	I28A, I28B
	21A	W04A, W04B		21B	X05A, X05B		21A	W04A, W04B
	21B	X04Z	5t191.d↔		BOP, KVT, UOP4, VIAL		21B	X06A, X06B, X06C
5t190.q↔		BOP, KVT, UOP4, VIAL		08	I32A, I32B, I32C, I32D, I32E, I32F	5t193.0↔		BOP, KVT, UOP4, VIAL
	08	I20A, I20B, I20C, I20D, I20E, I20F		21A	W04A, W04B		08	I16Z
	21A	W04A, W04B		21B	X05A, X05B		21A	W04A, W04B
	21B	X04Z	5t191.e↔		BOP, KVT, UOP4, VIAL		21B	X06A, X06B, X06C
5t190.r↔		BOP, KVT, UOP4, VIAL		08	I32A, I32B, I32C, I32D, I32E, I32F	5t193.1↔		BOP, KVT, UOP4, VIAL
	08	I20A, I20B, I20C, I20D, I20E, I20F		21A	W04A, W04B		08	I16Z
	21A	W04A, W04B	5t191.f		BOP, KVT, UOP4, VIAL		21A	W04A, W04B
	21B	X04Z		01	B03A, B03B, B06A, B06B, B17A, B17B, B17C		21B	X06A, X06B, X06C
5t190.x		BOP, KVT, UOP4		08	I08A, I08B, I08C, I08D, I08E, I08F	5t193.2↔		BOP, KVT, UOP4, VIAL
	01	B03A, B03B, B06A, B06B, B17A, B17B, B17C		21A	W04A, W04B		08	I28A, I28B
	08	I28A, I28B		21B	X06A, X06B, X06C		21A	W04A, W04B
	21A	W04A, W04B		BOP, KVT, UOP4, VIAL		21B	X06A, X06B, X06C	
	21B	X06A, X06B, X06C	5t191.g↔		BOP, KVT, UOP4, VIAL	5t193.3↔		BOP, KVT, UOP4, VIAL
5t191.0↔		BOP, KVT, UOP4, VIAL		08	I08A, I08B, I08C, I08D, I08E, I08F		08	I28A, I28B
	08	I16Z		21A	W04A, W04B		21A	W04A, W04B
	21A	W04A, W04B		21B	X06A, X06B, X06C		21B	X06A, X06B, X06C
	21B	X06A, X06B, X06C		BOP, KVT, UOP4, VIAL	5t193.4↔		BOP, KVT, UOP4, VIAL	
5t191.1↔		BOP, KVT, UOP4, VIAL		08	I28A, I28B		08	I08A, I08B, I08C, I08D, I08E, I08F, I21Z, I31Z
	08	I16Z		21A	W04A, W04B		21A	W04A, W04B
	21A	W04A, W04B		21B	X06A, X06B, X06C		21B	X06A, X06B, X06C
	21B	X06A, X06B, X06C	5t191.h↔		BOP, KVT, UOP4, VIAL	5t193.5↔		BOP, KVT, UOP4, VIAL
5t191.2↔		BOP, KVT, UOP4, VIAL		08	I08A, I08B, I08C, I08D, I08E, I08F, I21Z, I31Z		08	I08A, I08B, I08C, I08D, I08E, I08F, I21Z, I31Z
	08	I28A, I28B		21A	W01A, W01B, W01C, W02A, W02B		21A	W04A, W04B
	21A	W04A, W04B		21B	X04Z		21B	X06A, X06B, X06C
	21B	X06A, X06B, X06C		BOP, KVT, UOP4, VIAL	5t193.6↔		BOP, KVT, UOP4, VIAL	
5t191.3↔		BOP, KVT, UOP4, VIAL		08	I18A, I18B, I30Z		08	I08A, I08B, I08C, I08D, I08E, I08F, I32A, I32B, I32C, I32D, I32E, I32F
	08	I28A, I28B		21A	W04A, W04B		21A	W04A, W04B
	21A	W04A, W04B		21B	X04Z		21B	X05A, X05B
	21B	X06A, X06B, X06C		BOP, KVT, UOP4, VIAL				

ZZV	MDC	DRG	ZZV	MDC	DRG	ZZV	MDC	DRG
5t193.8↔		BOP, KVT, UOP4, VIAL	5t193.p↔		BOP, KVT, UOP4, VIAL	5t194.b↔		BOP, KVT, UOP4, VIAL
	08	I32A, I32B, I32C, I32D, I32E, I32F		08	I20A, I20B, I20C, I20D		08	I32A, I32B, I32C, I32D, I32E, I32F
	21A	W04A, W04B		21A	W04A, W04B		21A	W04A, W04B
	21B	X05A, X05B		21B	X04Z		21B	X05A, X05B
5t193.9↔		BOP, KVT, UOP4, VIAL	5t193.q↔		BOP, KVT, UOP4, VIAL	5t194.c↔		BOP, KVT, UOP4, VIAL
	08	I32A, I32B, I32C, I32D, I32E, I32F		08	I20A, I20B, I20C, I20D, I20E, I20F		08	I32A, I32B, I32C, I32D, I32E, I32F
	21A	W04A, W04B		21A	W04A, W04B		21A	W04A, W04B
	21B	X05A, X05B		21B	X04Z		21B	X05A, X05B
5t193.a↔		BOP, KVT, UOP4, VIAL	5t193.r↔		BOP, KVT, UOP4, VIAL	5t194.d↔		BOP, KVT, UOP4, VIAL
	08	I32A, I32B, I32C, I32D, I32E, I32F		08	I20A, I20B, I20C, I20D, I20E, I20F		08	I32A, I32B, I32C, I32D, I32E, I32F
	21A	W04A, W04B		21A	W04A, W04B		21A	W04A, W04B
	21B	X05A, X05B		21B	X04Z		21B	X05A, X05B
5t193.b↔		BOP, KVT, UOP4, VIAL	5t193.x		BOP, KVT, UOP4	5t194.e↔		BOP, KVT, UOP4, VIAL
	08	I32A, I32B, I32C, I32D, I32E, I32F		01	B03A, B03B, B06A, B06B, B17A, B17B, B17C		08	I08A, I08B, I08C, I08D, I08E, I08F
	21A	W04A, W04B		08	I28A, I28B		21A	W04A, W04B
	21B	X05A, X05B		21A	W04A, W04B		21B	X06A, X06B, X06C
5t193.c↔		BOP, KVT, UOP4, VIAL	5t194.0↔		BOP, KVT, UOP4, VIAL	5t194.f		BOP, KVT, UOP4, VIAL
	08	I32A, I32B, I32C, I32D, I32E, I32F		08	I16Z		01	B03A, B03B, B06A, B06B, B17A, B17B, B17C
	21A	W04A, W04B		21A	W04A, W04B		08	I28A, I28B
	21B	X05A, X05B		21B	X06A, X06B, X06C		21A	W04A, W04B
5t193.d↔		BOP, KVT, UOP4, VIAL	5t194.1↔		BOP, KVT, UOP4, VIAL	5t194.g↔		BOP, KVT, UOP4, VIAL
	08	I32A, I32B, I32C, I32D, I32E, I32F		08	I16Z		08	I08A, I08B, I08C, I08D, I08E, I08F
	21A	W04A, W04B		21A	W04A, W04B		21A	W01A, W01B, W01C, W02A, W02B
	21B	X05A, X05B		21B	X06A, X06B, X06C		21B	X04Z
5t193.e↔		BOP, KVT, UOP4, VIAL	5t194.2↔		BOP, KVT, UOP4, VIAL	5t194.h↔		BOP, KVT, UOP4, VIAL
	08	I08A, I08B, I08C, I08D, I08E, I08F		08	I28A, I28B		08	I18A, I18B, I30Z
	21A	W04A, W04B		21A	W04A, W04B		21A	W04A, W04B
	21B	X06A, X06B, X06C		21B	X06A, X06B, X06C		21B	X04Z
5t193.f		BOP, KVT, UOP4, VIAL	5t194.3↔		BOP, KVT, UOP4, VIAL	5t194.j↔		BOP, KVT, UOP4, VIAL
	01	B03A, B03B, B06A, B06B, B17A, B17B, B17C		08	I28A, I28B		08	I18A, I18B, I30Z
	08	I28A, I28B		21A	W04A, W04B		21A	W04A, W04B
	21A	W04A, W04B		21B	X06A, X06B, X06C		21B	X04Z
	21B	X06A, X06B, X06C	5t194.4↔		BOP, KVT, UOP4, VIAL	5t194.k↔		BOP, KVT, UOP4, VIAL
5t193.g↔		BOP, KVT, UOP4, VIAL		08	I08A, I08B, I08C, I08D, I08E, I08F, I21Z, I31Z		08	I13A, I13B, I13C, I13D, I13E
	08	I08A, I08B, I08C, I08D, I08E, I08F	5t194.5↔		BOP, KVT, UOP4, VIAL		21A	W04A, W04B
	21A	W01A, W01B, W01C, W02A, W02B		08	I08A, I08B, I08C, I08D, I08E, I08F, I21Z, I31Z		21B	X04Z
	21B	X04Z		21A	W04A, W04B	5t194.m↔		BOP, KVT, UOP4, VIAL
5t193.h↔		BOP, KVT, UOP4, VIAL	5t194.6↔		BOP, KVT, UOP4, VIAL		08	I20A, I20B, I20C, I20D
	08	I18A, I18B, I30Z		08	I08A, I08B, I08C, I08D, I08E, I08F, I32A, I32B, I32C, I32D, I32E, I32F		21A	W04A, W04B
	21A	W04A, W04B		21A	W04A, W04B		21B	X04Z
	21B	X04Z		21B	X05A, X05B	5t194.n↔		BOP, KVT, UOP4, VIAL
5t193.j↔		BOP, KVT, UOP4, VIAL	5t194.8↔		BOP, KVT, UOP4, VIAL		08	I20A, I20B, I20C, I20D
	08	I18A, I18B, I30Z		08	I32A, I32B, I32C, I32D, I32E, I32F		21A	W04A, W04B
	21A	W04A, W04B		21A	W04A, W04B		21B	X04Z
	21B	X04Z		21B	X05A, X05B	5t194.p↔		BOP, KVT, UOP4, VIAL
5t193.k↔		BOP, KVT, UOP4, VIAL	5t194.9↔		BOP, KVT, UOP4, VIAL		08	I20A, I20B, I20C, I20D, I20E, I20F
	08	I13A, I13B, I13C, I13D, I13E		08	I32A, I32B, I32C, I32D, I32E, I32F		21A	W04A, W04B
	21A	W04A, W04B		21A	W04A, W04B		21B	X04Z
	21B	X04Z		21B	X05A, X05B	5t194.q↔		BOP, KVT, UOP4, VIAL
5t193.m↔		BOP, KVT, UOP4, VIAL	5t194.a↔		BOP, KVT, UOP4, VIAL		08	I20A, I20B, I20C, I20D, I20E, I20F
	08	I20A, I20B, I20C, I20D		08	I32A, I32B, I32C, I32D, I32E, I32F		21A	W04A, W04B
	21A	W04A, W04B		21A	W04A, W04B		21B	X04Z
	21B	X04Z		21B	X05A, X05B	5t194.r↔		BOP, KVT, UOP4, VIAL
5t193.n↔		BOP, KVT, UOP4, VIAL		08	I32A, I32B, I32C, I32D, I32E, I32F		08	I20A, I20B, I20C, I20D, I20E, I20F
	08	I20A, I20B, I20C, I20D		21A	W04A, W04B		21A	W04A, W04B
	21A	W04A, W04B		21B	X05A, X05B		21B	X04Z
	21B	X04Z		21B	X05A, X05B			

ZZV	MDC	DRG	ZZV	MDC	DRG	ZZV	MDC	DRG
5t194.x		BOP, KVT, UOP4	5t19a.a↔	08	I32A, I32B, I32C, I32D, I32E, I32F	5t19b.1↔	08	I16Z
	01	B03A, B03B, B06A, B06B, B17A, B17B, B17C		21A	W04A, W04B		21A	W04A, W04B
	08	I28A, I28B		21B	X05A, X05B		21B	X06A, X06B, X06C
	21A	W04A, W04B	5t19a.b↔		BOP, KVT, UOP4, VIAL	5t19b.2↔		BOP, KVT, UOP4, VIAL
	21B	X06A, X06B, X06C		08	I32A, I32B, I32C, I32D, I32E, I32F		08	I28A, I28B
5t199.h↔		BOP, KVT, UOP4, VIAL		21A	W04A, W04B		21A	W04A, W04B
	08	I18A, I18B, I30Z		21B	X05A, X05B	5t19b.3↔		BOP, KVT, UOP4, VIAL
	21A	W04A, W04B	5t19a.c↔		BOP, KVT, UOP4, VIAL		08	I28A, I28B
	21B	X04Z		08	I32A, I32B, I32C, I32D, I32E, I32F		21A	W04A, W04B
5t199.j↔		BOP, KVT, UOP4, VIAL		21A	W04A, W04B	5t19b.4↔		BOP, KVT, UOP4, VIAL
	08	I18A, I18B, I30Z		21B	X05A, X05B		08	I08A, I08B, I08C, I08D, I08E, I08F, I21Z, I31Z
	21A	W04A, W04B	5t19a.d↔		BOP, KVT, UOP4, VIAL		21A	W04A, W04B
	21B	X04Z		08	I32A, I32B, I32C, I32D, I32E, I32F	5t19b.5↔		BOP, KVT, UOP4, VIAL
5t199.k↔		BOP, KVT, UOP4, VIAL		21A	W04A, W04B		08	I08A, I08B, I08C, I08D, I08E, I08F, I21Z, I31Z
	08	I13A, I13B, I13C, I13D, I13E		21B	X05A, X05B		21A	W04A, W04B
	21A	W04A, W04B	5t19a.g↔		BOP, KVT, UOP4, VIAL		21B	X06A, X06B, X06C
	21B	X04Z		08	I08A, I08B, I08C, I08D, I08E, I08F	5t19b.6↔		BOP, KVT, UOP4, VIAL
5t199.m↔		BOP, KVT, UOP4, VIAL		21A	W01A, W01B, W01C, W02A, W02B		08	I08A, I08B, I08C, I08D, I08E, I08F, I32A, I32B, I32C, I32D, I32E, I32F
	08	I20A, I20B, I20C, I20D		21B	X04Z		21A	W04A, W04B
	21A	W04A, W04B	5t19a.h↔		BOP, KVT, UOP4, VIAL		21B	X05A, X05B
	21B	X04Z		08	I18A, I18B, I30Z	5t19b.8↔		BOP, KVT, UOP4, VIAL
5t199.x		BOP, KVT, UOP4		21A	W04A, W04B		08	I32A, I32B, I32C, I32D, I32E, I32F
	01	B03A, B03B, B06A, B06B, B17A, B17B, B17C		21B	X04Z		21A	W04A, W04B
	08	I28A, I28B			BOP, KVT, UOP4, VIAL		21B	X05A, X05B
	21A	W04A, W04B		08	I18A, I18B, I30Z	5t19b.9↔		BOP, KVT, UOP4, VIAL
	21B	X06A, X06B, X06C		21A	W04A, W04B		08	I32A, I32B, I32C, I32D, I32E, I32F
5t19a.0↔		BOP, KVT, UOP4, VIAL		21B	X04Z		21A	W04A, W04B
	08	I16Z	5t19a.j↔		BOP, KVT, UOP4, VIAL		21B	X05A, X05B
	21A	W04A, W04B		08	I18A, I18B, I30Z	5t19b.a↔		BOP, KVT, UOP4, VIAL
	21B	X06A, X06B, X06C		21A	W04A, W04B		08	I32A, I32B, I32C, I32D, I32E, I32F
5t19a.1↔		BOP, KVT, UOP4, VIAL		21B	X04Z		21A	W04A, W04B
	08	I28A, I28B			BOP, KVT, UOP4, VIAL	5t19b.b↔		BOP, KVT, UOP4, VIAL
	21A	W04A, W04B	5t19a.k↔		BOP, KVT, UOP4, VIAL		08	I32A, I32B, I32C, I32D, I32E, I32F
	21B	X06A, X06B, X06C		08	I13A, I13B, I13C, I13D, I13E		21A	W04A, W04B
5t19a.3↔		BOP, KVT, UOP4, VIAL		21A	W04A, W04B		21B	X05A, X05B
	08	I28A, I28B		21B	X04Z	5t19b.a↔		BOP, KVT, UOP4, VIAL
	21A	W04A, W04B			BOP, KVT, UOP4, VIAL		08	I20A, I20B, I20C, I20D
	21B	X06A, X06B, X06C	5t19a.m↔		BOP, KVT, UOP4, VIAL		21A	W04A, W04B
5t19a.4↔		BOP, KVT, UOP4, VIAL		08	I20A, I20B, I20C, I20D		21B	X04Z
	08	I08A, I08B, I08C, I08D, I08E, I08F, I21Z, I31Z		21A	W04A, W04B	5t19b.b↔		BOP, KVT, UOP4, VIAL
	21A	W04A, W04B		21B	X04Z		08	I32A, I32B, I32C, I32D, I32E, I32F
	21B	X06A, X06B, X06C	5t19a.p↔		BOP, KVT, UOP4, VIAL		21A	W04A, W04B
5t19a.5↔		BOP, KVT, UOP4, VIAL		08	I20A, I20B, I20C, I20D		21B	X05A, X05B
	08	I08A, I08B, I08C, I08D, I08E, I08F, I21Z, I31Z		21A	W04A, W04B	5t19b.c↔		BOP, KVT, UOP4, VIAL
	21A	W04A, W04B		21B	X04Z		08	I32A, I32B, I32C, I32D, I32E, I32F
	21B	X06A, X06B, X06C	5t19a.q↔		BOP, KVT, UOP4, VIAL		21A	W04A, W04B
5t19a.6↔		BOP, KVT, UOP4, VIAL		08	I20A, I20B, I20C, I20D, I20E, I20F		21B	X05A, X05B
	08	I08A, I08B, I08C, I08D, I08E, I08F, I32A, I32B, I32C, I32D, I32E, I32F		21A	W04A, W04B	5t19b.d↔		BOP, KVT, UOP4, VIAL
	21A	W04A, W04B		21B	X04Z		08	I32A, I32B, I32C, I32D, I32E, I32F
	21B	X05A, X05B	5t19a.r↔		BOP, KVT, UOP4, VIAL		21A	W04A, W04B
5t19a.8↔		BOP, KVT, UOP4, VIAL		08	I20A, I20B, I20C, I20D, I20E, I20F		21B	X05A, X05B
	08	I32A, I32B, I32C, I32D, I32E, I32F		21A	W04A, W04B	5t19b.e↔		BOP, KVT, UOP4, VIAL
	21A	W04A, W04B		21B	X04Z		08	I08A, I08B, I08C, I08D, I08E, I08F
	21B	X05A, X05B	5t19a.x		BOP, KVT, UOP4		21A	W04A, W04B
5t19a.9↔		BOP, KVT, UOP4, VIAL		01	B03A, B03B, B06A, B06B, B17A, B17B, B17C		21B	X05A, X05B
	08	I32A, I32B, I32C, I32D, I32E, I32F		08	I28A, I28B			BOP, KVT, UOP4, VIAL
	21A	W04A, W04B		21A	W04A, W04B		08	I08A, I08B, I08C, I08D, I08E, I08F
	21B	X05A, X05B		21B	X06A, X06B, X06C	5t19b.f		BOP, KVT, UOP4, VIAL
5t19b.0↔		BOP, KVT, UOP4, VIAL			BOP, KVT, UOP4, VIAL		01	B03A, B03B, B06A, B06B, B17A, B17B, B17C
	08	I16Z		08	I16Z		08	I28A, I28B
	21A	W04A, W04B		21A	W04A, W04B		21A	W04A, W04B
	21B	X06A, X06B, X06C		21B	X04Z		21B	X06A, X06B, X06C

ZZV	MDC	DRG	ZZV	MDC	DRG	ZZV	MDC	DRG
5t19b.g↔		BOP, KVT, UOP4, VIAL	5t19d.5↔		BOP, KVT, UOP4, VIAL	5t19d.m↔		BOP, KVT, UOP4, VIAL
	08	I08A, I08B, I08C, I08D, I08E, I08F		08	I08A, I08B, I08C, I08D, I08E, I08F, I21Z, I31Z		08	I20A, I20B, I20C, I20D
	21A	W01A, W01B, W01C, W02A, W02B		21A	W04A, W04B		21A	W04A, W04B
	21B	X04Z		21B	X06A, X06B, X06C		21B	X04Z
5t19b.h↔		BOP, KVT, UOP4, VIAL	5t19d.6↔		BOP, KVT, UOP4, VIAL	5t19d.n↔		BOP, KVT, UOP4, VIAL
	08	I18A, I18B, I30Z		08	I08A, I08B, I08C, I08D, I08E, I08F, I32A, I32B, I32C, I32D, I32E, I32F		08	I20A, I20B, I20C, I20D
	21A	W04A, W04B		21A	W04A, W04B		21A	W04A, W04B
	21B	X04Z		21B	X05A, X05B		21B	X04Z
5t19b.j↔		BOP, KVT, UOP4, VIAL	5t19d.8↔		BOP, KVT, UOP4, VIAL	5t19d.p↔		BOP, KVT, UOP4, VIAL
	08	I18A, I18B, I30Z		08	I32A, I32B, I32C, I32D, I32E, I32F		08	I20A, I20B, I20C, I20D
	21A	W04A, W04B		21A	W04A, W04B		21A	W04A, W04B
	21B	X04Z		21B	X05A, X05B		21B	X04Z
5t19b.k↔		BOP, KVT, UOP4, VIAL	5t19d.9↔		BOP, KVT, UOP4, VIAL	5t19d.q↔		BOP, KVT, UOP4, VIAL
	08	I13A, I13B, I13C, I13D, I13E		08	I32A, I32B, I32C, I32D, I32E, I32F		08	I20A, I20B, I20C, I20D, I20E, I20F
	21A	W04A, W04B		21A	W04A, W04B		21A	W04A, W04B
	21B	X04Z		21B	X05A, X05B		21B	X04Z
5t19b.m↔		BOP, KVT, UOP4, VIAL	5t19d.a↔		BOP, KVT, UOP4, VIAL	5t19d.r↔		BOP, KVT, UOP4, VIAL
	08	I20A, I20B, I20C, I20D		08	I32A, I32B, I32C, I32D, I32E, I32F		08	I20A, I20B, I20C, I20D, I20E, I20F
	21A	W04A, W04B		21A	W04A, W04B		21A	W04A, W04B
	21B	X04Z		21B	X05A, X05B		21B	X04Z
5t19b.n↔		BOP, KVT, UOP4, VIAL	5t19d.b↔		BOP, KVT, UOP4, VIAL	5t19d.x		BOP, KVT, UOP4
	08	I20A, I20B, I20C, I20D		08	I32A, I32B, I32C, I32D, I32E, I32F		01	B03A, B03B, B06A, B06B, B17A, B17B, B17C
	21A	W04A, W04B		21A	W04A, W04B		08	I28A, I28B
	21B	X04Z		21B	X05A, X05B		21A	W04A, W04B
5t19b.p↔		BOP, KVT, UOP4, VIAL	5t19d.c↔		BOP, KVT, UOP4, VIAL	5t19t.0↔		BOP, KVT, UOP4, VIAL
	08	I20A, I20B, I20C, I20D		08	I32A, I32B, I32C, I32D, I32E, I32F		08	I16Z
	21A	W04A, W04B		21A	W04A, W04B		21A	W04A, W04B
	21B	X04Z		21B	X05A, X05B		21B	X06A, X06B, X06C
5t19b.q↔		BOP, KVT, UOP4, VIAL	5t19d.d↔		BOP, KVT, UOP4, VIAL	5t19t.1↔		BOP, KVT, UOP4, VIAL
	08	I20A, I20B, I20C, I20D, I20E, I20F		08	I32A, I32B, I32C, I32D, I32E, I32F		08	I28A, I28B
	21A	W04A, W04B		21A	W04A, W04B		21A	W04A, W04B
	21B	X04Z		21B	X05A, X05B		21B	X06A, X06B, X06C
5t19b.r↔		BOP, KVT, UOP4, VIAL	5t19d.e↔		BOP, KVT, UOP4, VIAL	5t19t.4↔		BOP, KVT, UOP4, VIAL
	08	I20A, I20B, I20C, I20D, I20E, I20F		08	I08A, I08B, I08C, I08D, I08E, I08F		08	I08A, I08B, I08C, I08D, I08E, I08F, I21Z, I31Z
	21A	W04A, W04B		21A	W04A, W04B		21A	W04A, W04B
	21B	X04Z		21B	X05A, X05B		21B	X06A, X06B, X06C
5t19b.x		BOP, KVT, UOP4	5t19d.f		BOP, KVT, UOP4, VIAL	5t19t.5↔		BOP, KVT, UOP4, VIAL
	01	B03A, B03B, B06A, B06B, B17A, B17B, B17C		01	B03A, B03B, B06A, B06B, B17A, B17B, B17C		08	I08A, I08B, I08C, I08D, I08E, I08F, I21Z, I31Z
	08	I28A, I28B		08	I28A, I28B		21A	W04A, W04B
	21A	W04A, W04B		21A	W04A, W04B		21B	X06A, X06B, X06C
	21B	X06A, X06B, X06C		21B	X06A, X06B, X06C		21B	X06A, X06B, X06C
5t19d.0↔		BOP, KVT, UOP4, VIAL	5t19d.g↔		BOP, KVT, UOP4, VIAL	5t19t.6↔		BOP, KVT, UOP4, VIAL
	08	I16Z		08	I08A, I08B, I08C, I08D, I08E, I08F		08	I08A, I08B, I08C, I08D, I08E, I08F, I32A, I32B, I32C, I32D, I32E, I32F
	21A	W04A, W04B		21A	W04A, W04B		21A	W04A, W04B
	21B	X06A, X06B, X06C		21B	X06A, X06B, X06C		21B	X05A, X05B
5t19d.1↔		BOP, KVT, UOP4, VIAL	5t19d.h↔		BOP, KVT, UOP4, VIAL	5t19t.8↔		BOP, KVT, UOP4, VIAL
	08	I28A, I28B		08	I18A, I18B, I30Z		08	I32A, I32B, I32C, I32D, I32E, I32F
	21A	W04A, W04B		21A	W04A, W04B		21A	W04A, W04B
	21B	X06A, X06B, X06C		21B	X04Z		21B	X05A, X05B
5t19d.2↔		BOP, KVT, UOP4, VIAL	5t19d.i↔		BOP, KVT, UOP4, VIAL	5t19t.9↔		BOP, KVT, UOP4, VIAL
	08	I28A, I28B		08	I08A, I08B, I08C, I08D, I08E, I08F		08	I32A, I32B, I32C, I32D, I32E, I32F
	21A	W04A, W04B		21A	W01A, W01B, W01C, W02A, W02B		21A	W04A, W04B
	21B	X06A, X06B, X06C		21B	X04Z		21B	X05A, X05B
5t19d.3↔		BOP, KVT, UOP4, VIAL	5t19d.j↔		BOP, KVT, UOP4, VIAL	5t19t.a↔		BOP, KVT, UOP4, VIAL
	08	I28A, I28B		08	I18A, I18B, I30Z		08	I32A, I32B, I32C, I32D, I32E, I32F
	21A	W04A, W04B		21A	W04A, W04B		21A	W04A, W04B
	21B	X06A, X06B, X06C		21B	X04Z		21B	X05A, X05B
5t19d.4↔		BOP, KVT, UOP4, VIAL	5t19d.k↔		BOP, KVT, UOP4, VIAL		21A	W04A, W04B
	08	I08A, I08B, I08C, I08D, I08E, I08F, I21Z, I31Z		08	I13A, I13B, I13C, I13D, I13E		21B	X05A, X05B
	21A	W04A, W04B		21A	W04A, W04B			
	21B	X06A, X06B, X06C		21B	X04Z			

VYK

ZZV	MDC	DRG	ZZV	MDC	DRG	ZZV	MDC	DRG
5t19t.b↔		BOP, KVT, UOP4, VIAL	5t19t.x		BOP, KVT, UOP4	5t19x.e↔		BOP, KVT, UOP4, VIAL
	08	I32A, I32B, I32C, I32D, I32E, I32F		01	B03A, B03B, B06A, B06B, B17A, B17B, B17C		08	I08A, I08B, I08C, I08D, I08E, I08F
	21A	W04A, W04B		08	I28A, I28B		21A	W04A, W04B
	21B	X05A, X05B		21A	W04A, W04B		21B	X06A, X06B, X06C
5t19t.c↔		BOP, KVT, UOP4, VIAL	5t19x.0↔		BOP, KVT, UOP4, VIAL	5t19x.f		BOP, KVT, UOP4, VIAL
	08	I32A, I32B, I32C, I32D, I32E, I32F		08	I16Z		08	I28A, I28B
	21A	W04A, W04B		08	I16Z		21A	W04A, W04B
	21B	X05A, X05B		21A	W04A, W04B		21B	X06A, X06B, X06C
5t19t.d↔		BOP, KVT, UOP4, VIAL	5t19x.1↔		BOP, KVT, UOP4, VIAL	5t19x.g↔		BOP, KVT, UOP4, VIAL
	08	I32A, I32B, I32C, I32D, I32E, I32F		08	I28A, I28B		08	I08A, I08B, I08C, I08D, I08E, I08F
	21A	W04A, W04B		21A	W04A, W04B		21A	W01A, W01B, W01C, W02A, W02B
	21B	X05A, X05B		21B	X06A, X06B, X06C		21B	X04Z
5t19t.e↔		BOP, KVT, UOP4, VIAL	5t19x.2↔		BOP, KVT, UOP4, VIAL	5t19x.h↔		BOP, KVT, UOP4, VIAL
	08	I08A, I08B, I08C, I08D, I08E, I08F		08	I28A, I28B		08	I18A, I18B, I30Z
	21A	W04A, W04B		21A	W04A, W04B		21A	W04A, W04B
	21B	X06A, X06B, X06C		21B	X06A, X06B, X06C		21B	X04Z
5t19t.f		BOP, KVT, UOP4, VIAL	5t19x.3↔		BOP, KVT, UOP4, VIAL	5t19x.j↔		BOP, KVT, UOP4, VIAL
	01	B03A, B03B, B06A, B06B, B17A, B17B, B17C		08	I28A, I28B		08	I18A, I18B, I30Z
	08	I28A, I28B		21A	W04A, W04B		21A	W04A, W04B
	21A	W04A, W04B		21B	X06A, X06B, X06C		21B	X04Z
	21B	X06A, X06B, X06C	5t19x.4↔		BOP, KVT, UOP4, VIAL	5t19x.k↔		BOP, KVT, UOP4, VIAL
5t19t.g↔		BOP, KVT, UOP4, VIAL		08	I08A, I08B, I08C, I08D, I08E, I08F, I21Z, I31Z		08	I13A, I13B, I13C, I13D, I13E
	08	I08A, I08B, I08C, I08D, I08E, I08F		21A	W04A, W04B		21A	W04A, W04B
	21A	W01A, W01B, W01C, W02A, W02B		21B	X06A, X06B, X06C		21B	X04Z
	21B	X04Z	5t19x.5↔		BOP, KVT, UOP4, VIAL	5t19x.m↔		BOP, KVT, UOP4, VIAL
5t19t.h↔		BOP, KVT, UOP4, VIAL		08	I08A, I08B, I08C, I08D, I08E, I08F, I21Z, I31Z		08	I20A, I20B, I20C, I20D, I20E, I20F
	08	I18A, I18B, I30Z		21A	W04A, W04B		21A	W04A, W04B
	21A	W04A, W04B		21B	X06A, X06B, X06C		21B	X04Z
	21B	X04Z	5t19x.6↔		BOP, KVT, UOP4, VIAL	5t19x.n↔		BOP, KVT, UOP4, VIAL
5t19t.j↔		BOP, KVT, UOP4, VIAL		08	I08A, I08B, I08C, I08D, I08E, I08F, I32A, I32B, I32C, I32D, I32E, I32F		08	I20A, I20B, I20C, I20D
	08	I18A, I18B, I30Z		21A	W04A, W04B		21A	W04A, W04B
	21A	W04A, W04B		21B	X05A, X05B		21B	X04Z
	21B	X04Z	5t19x.8↔		BOP, KVT, UOP4, VIAL	5t19x.p↔		BOP, KVT, UOP4, VIAL
5t19t.k↔		BOP, KVT, UOP4, VIAL		08	I32A, I32B, I32C, I32D, I32E, I32F		08	I20A, I20B, I20C, I20D
	08	I13A, I13B, I13C, I13D, I13E		21A	W04A, W04B		21A	W04A, W04B
	21A	W04A, W04B		21B	X05A, X05B		21B	X04Z
	21B	X04Z	5t19x.9↔		BOP, KVT, UOP4, VIAL	5t19x.q↔		BOP, KVT, UOP4, VIAL
5t19t.m↔		BOP, KVT, UOP4, VIAL		08	I32A, I32B, I32C, I32D, I32E, I32F		08	I20A, I20B, I20C, I20D, I20E, I20F
	08	I20A, I20B, I20C, I20D		21A	W04A, W04B		21A	W04A, W04B
	21A	W04A, W04B		21B	X05A, X05B		21B	X04Z
	21B	X04Z	5t19x.a↔		BOP, KVT, UOP4, VIAL	5t19x.r↔		BOP, KVT, UOP4, VIAL
5t19t.n↔		BOP, KVT, UOP4, VIAL		08	I32A, I32B, I32C, I32D, I32E, I32F		08	I20A, I20B, I20C, I20D, I20E, I20F
	08	I20A, I20B, I20C, I20D		21A	W04A, W04B		21A	W04A, W04B
	21A	W04A, W04B		21B	X05A, X05B		21B	X04Z
	21B	X04Z	5t19x.b↔		BOP, KVT, UOP4, VIAL	5t19x.x		BOP, KVT, UOP4
5t19t.p↔		BOP, KVT, UOP4, VIAL		08	I32A, I32B, I32C, I32D, I32E, I32F		01	B03A, B03B, B06A, B06B, B17A, B17B, B17C
	08	I20A, I20B, I20C, I20D		21A	W04A, W04B		08	I28A, I28B
	21A	W04A, W04B		21B	X05A, X05B		21A	W04A, W04B
	21B	X04Z	5t19x.c↔		BOP, KVT, UOP4, VIAL		21B	X06A, X06B, X06C
5t19t.q↔		BOP, KVT, UOP4, VIAL		08	I32A, I32B, I32C, I32D, I32E, I32F	5t19z.0↔		BOP, KVT, UOP4, VIAL
	08	I20A, I20B, I20C, I20D, I20E, I20F		21A	W04A, W04B		08	I16Z
	21A	W04A, W04B		21B	X05A, X05B		21A	W04A, W04B
	21B	X04Z	5t19x.d↔		BOP, KVT, UOP4, VIAL		21B	X06A, X06B, X06C
5t19t.r↔		BOP, KVT, UOP4, VIAL		08	I32A, I32B, I32C, I32D, I32E, I32F	5t19z.1↔		BOP, KVT, UOP4, VIAL
	08	I20A, I20B, I20C, I20D, I20E, I20F		21A	W04A, W04B		08	I16Z
	21A	W04A, W04B		21B	X05A, X05B		21A	W04A, W04B
	21B	X04Z		08	I32A, I32B, I32C, I32D, I32E, I32F		21B	X06A, X06B, X06C
				21A	W04A, W04B	5t19z.2↔		BOP, KVT, UOP4, VIAL
				21B	X05A, X05B		08	I28A, I28B
							21A	W04A, W04B
							21B	X06A, X06B, X06C

ZZV	MDC	DRG	ZZV	MDC	DRG	ZZV	MDC	DRG
5t19z.3↔		BOP, KVT, UOP4, VIAL	5t19z.h↔		BOP, KVT, UOP4, VIAL	5t211.5↔		BOP, KVT, UOP4, VIAL
	08	I28A, I28B		08	I18A, I18B, I30Z		08	I08A, I08B, I08C, I08D, I08E, I08F, I18A, I18B, I30Z
	21A	W04A, W04B		21A	W04A, W04B		21A	W04A, W04B
	21B	X06A, X06B, X06C		21B	X04Z		21B	X06A, X06B, X06C
5t19z.4↔		BOP, KVT, UOP4, VIAL	5t19z.j↔		BOP, KVT, UOP4, VIAL	5t211.6↔		BOP, KVT, UOP4, VIAL
	08	I08A, I08B, I08C, I08D, I08E, I08F, I21Z, I31Z		08	I18A, I18B, I30Z		08	I08A, I08B, I08C, I08D, I08E, I08F, I13A, I13B, I18A, I18B, I30Z
	21A	W04A, W04B		21A	W04A, W04B		21A	W04A, W04B
	21B	X06A, X06B, X06C		21B	X04Z		21B	X06A, X06B, X06C
5t19z.5↔		BOP, KVT, UOP4, VIAL	5t19z.k↔		BOP, KVT, UOP4, VIAL	5t211.7↔		BOP, KVT, UOP4, VIAL
	08	I08A, I08B, I08C, I08D, I08E, I08F, I21Z, I31Z		08	I13A, I13B, I13C, I13D, I13E		08	I08A, I08B, I08C, I08D, I08E, I08F, I18A, I18B, I30Z
	21A	W04A, W04B		21A	W04A, W04B		21A	W04A, W04B
	21B	X06A, X06B, X06C		21B	X04Z		21B	X06A, X06B, X06C
5t19z.6↔		BOP, KVT, UOP4, VIAL	5t19z.m↔		BOP, KVT, UOP4, VIAL	5t211.8↔		BOP, KVT, UOP4, VIAL
	08	I08A, I08B, I08C, I08D, I08E, I08F, I32A, I32B, I32C, I32D, I32E, I32F		08	I20A, I20B, I20C, I20D		08	I08A, I08B, I08C, I08D, I08E, I08F, I18A, I18B, I30Z
	21A	W04A, W04B		21A	W04A, W04B		21A	W04A, W04B
	21B	X05A, X05B		21B	X04Z		21B	X06A, X06B, X06C
5t19z.8↔		BOP, KVT, UOP4, VIAL	5t19z.n↔		BOP, KVT, UOP4, VIAL	5t211.9↔		BOP, KVT, UOP4, VIAL
	08	I32A, I32B, I32C, I32D, I32E, I32F		08	I20A, I20B, I20C, I20D		08	I08A, I08B, I08C, I08D, I08E, I08F, I18A, I18B, I30Z
	21A	W04A, W04B		21A	W04A, W04B		21A	W04A, W04B
	21B	X05A, X05B		21B	X04Z		21B	X06A, X06B, X06C
5t19z.9↔		BOP, KVT, UOP4, VIAL	5t19z.p↔		BOP, KVT, UOP4, VIAL	5t211.a↔		BOP, KVT, UOP4, VIAL
	08	I32A, I32B, I32C, I32D, I32E, I32F		08	I20A, I20B, I20C, I20D		08	I08A, I08B, I08C, I08D, I08E, I08F, I18A, I18B, I30Z
	21A	W04A, W04B		21A	W04A, W04B		21A	W04A, W04B
	21B	X05A, X05B		21B	X04Z		21B	X06A, X06B, X06C
5t19z.a↔		BOP, KVT, UOP4, VIAL	5t19z.q↔		BOP, KVT, UOP4, VIAL	5t211.b↔		BOP, KVT, UOP4, VIAL
	08	I32A, I32B, I32C, I32D, I32E, I32F		08	I20A, I20B, I20C, I20D, I20E, I20F		08	I32A, I32B, I32C, I32D, I32E, I32F, I32G
	21A	W04A, W04B		21A	W04A, W04B		21A	W04A, W04B
	21B	X05A, X05B		21B	X04Z		21B	X05A, X05B
5t19z.b↔		BOP, KVT, UOP4, VIAL	5t19z.r↔		BOP, KVT, UOP4, VIAL	5t211.c↔		BOP, KVT, UOP4, VIAL
	08	I32A, I32B, I32C, I32D, I32E, I32F		08	I20A, I20B, I20C, I20D, I20E, I20F		08	I32A, I32B, I32C, I32D, I32E, I32F, I32G
	21A	W04A, W04B		21A	W04A, W04B		21A	W04A, W04B
	21B	X05A, X05B		21B	X04Z		21B	X05A, X05B
5t19z.c↔		BOP, KVT, UOP4, VIAL	5t19z.x		BOP, KVT, UOP4	5t211.d		BOP, KVT, UOP4, VIAL
	08	I32A, I32B, I32C, I32D, I32E, I32F		01	B03A, B03B, B06A, B06B, B17A, B17B, B17C		08	I08A, I08B, I08C, I08D, I08E, I08F, I13A, I13B, I13C, I13D, I13E
	21A	W04A, W04B		08	I28A, I28B		21A	W04A, W04B
	21B	X05A, X05B		21A	W04A, W04B		21B	X06A, X06B, X06C
5t19z.d↔		BOP, KVT, UOP4, VIAL	5t211.0↔		BOP, KVT, UOP4, VIAL	5t211.e↔		BOP, KVT, UOP4, VIAL
	08	I32A, I32B, I32C, I32D, I32E, I32F		08	I16Z		08	I08A, I08B, I08C, I08D, I08E, I08F
	21A	W04A, W04B		21A	W04A, W04B		21A	W04A, W04B
	21B	X05A, X05B		21B	X06A, X06B, X06C		21B	X06A, X06B, X06C
5t19z.e↔		BOP, KVT, UOP4, VIAL	5t211.1↔		BOP, KVT, UOP4, VIAL	5t211.f↔		BOP, KVT, UOP4, VIAL
	08	I08A, I08B, I08C, I08D, I08E, I08F		08	I08A, I08B, I08C, I08D, I08E, I08F, I13A, I13B, I13C, I13D, I13E		08	I08A, I08B, I08C, I08D, I08E, I08F
	21A	W04A, W04B		21A	W04A, W04B		21A	W01A, W01B, W01C, W02A, W02B
	21B	X05A, X05B		21B	X06A, X06B, X06C		21B	X04Z
5t19z.f		BOP, KVT, UOP4, VIAL	5t211.2↔		BOP, KVT, UOP4, VIAL	5t211.g↔		BOP, KVT, UOP4, VIAL
	01	B03A, B03B, B06A, B06B, B17A, B17B, B17C		08	I08A, I08B, I08C, I08D, I08E, I08F, I13A, I13B, I13C, I13D, I13E		08	I08A, I08B, I08C, I08D, I08E, I08F
	08	I28A, I28B		21A	W04A, W04B		21A	W01A, W01B, W01C, W02A, W02B
	21A	W04A, W04B		21B	X06A, X06B, X06C		21B	X04Z
	21B	X06A, X06B, X06C		5t211.3↔	BOP, KVT, UOP4, VIAL		21A	W01A, W01B, W01C, W02A, W02B
5t19z.g↔		BOP, KVT, UOP4, VIAL		08	I08A, I08B, I08C, I08D, I08E, I08F, I13A, I13B, I13C, I13D, I13E		21B	X04Z
	08	I08A, I08B, I08C, I08D, I08E, I08F		21A	W04A, W04B		08	I08A, I08B, I08C, I08D, I08E, I08F
	21A	W01A, W01B, W01C, W02A, W02B		21B	X06A, X06B, X06C		21A	W01A, W01B, W01C, W02A, W02B
	21B	X04Z		5t211.4↔	BOP, KVT, UOP4, VIAL		21B	X04Z
				08	I08A, I08B, I08C, I08D, I08E, I08F, I18A, I18B, I30Z			
				21A	W04A, W04B			
				21B	X06A, X06B, X06C			

VYK

ZZV	MDC	DRG	ZZV	MDC	DRG	ZZV	MDC	DRG
5t211.h↔		BOP, KVT, UOP4, VIAL	5t213.0↔		BOP, KVT, UOP4, VIAL	5t213.d		BOP, KVT, UOP4, VIAL
	01	B03A, B03B, B06A, B06B, B17A, B17B, B17C		08	I16Z		08	I08A, I08B, I08C, I08D, I08E, I08F
	08	I08A, I08B, I08C, I08D, I08E, I08F		21A	W04A, W04B		21A	W04A, W04B
	21A	W01A, W01B, W01C, W02A, W02B	5t213.1↔		BOP, KVT, UOP4, VIAL	5t213.e↔		BOP, KVT, UOP4, VIAL
	21B	X04Z		08	I08A, I08B, I08C, I08D, I08E, I08F, I13A, I13B, I13C, I13D, I13E		08	I08A, I08B, I08C, I08D, I08E, I08F
5t211.j↔		BOP, KVT, UOP4, VIAL		21A	W04A, W04B		21A	W01A, W01B, W01C, W02A, W02B
	08	I18A, I18B, I30Z		21B	X06A, X06B, X06C		21B	X04Z
	21A	W04A, W04B	5t213.2↔		BOP, KVT, UOP4, VIAL	5t213.f↔		BOP, KVT, UOP4, VIAL
	21B	X04Z		08	I08A, I08B, I08C, I08D, I08E, I08F, I13A, I13B, I13C, I13D, I13E		08	I08A, I08B, I08C, I08D, I08E, I08F
5t211.k↔		BOP, KVT, UOP4, VIAL		21A	W04A, W04B		21A	W01A, W01B, W01C, W02A, W02B
	08	I13A, I13B, I13C, I13D, I13E		21B	X06A, X06B, X06C		21B	X04Z
	21A	W04A, W04B	5t213.3↔		BOP, KVT, UOP4, VIAL	5t213.g↔		BOP, KVT, UOP4, VIAL
	21B	X04Z		08	I08A, I08B, I08C, I08D, I08E, I08F, I13A, I13B, I13C, I13D, I13E		08	I08A, I08B, I08C, I08D, I08E, I08F
5t211.m↔		BOP, KVT, UOP4, VIAL		21A	W04A, W04B		21A	W01A, W01B, W01C, W02A, W02B
	08	I13A, I13B, I13C, I13D, I13E		21B	X06A, X06B, X06C		21B	X04Z
	21A	W04A, W04B	5t213.4↔		BOP, KVT, UOP4, VIAL	5t213.h↔		BOP, KVT, UOP4, VIAL
	21B	X04Z		08	I08A, I08B, I08C, I08D, I08E, I08F, I18A, I18B, I30Z		01	B03A, B03B, B06A, B06B, B17A, B17B, B17C
5t211.n↔		BOP, KVT, UOP4, VIAL		21A	W04A, W04B		08	I08A, I08B, I08C, I08D, I08E, I08F
	08	I13A, I13B, I13C, I13D, I13E		21B	X06A, X06B, X06C		21A	W01A, W01B, W01C, W02A, W02B
	21A	W04A, W04B	5t213.5↔		BOP, KVT, UOP4, VIAL		21B	X04Z
	21B	X04Z		08	I08A, I08B, I08C, I08D, I08E, I08F, I18A, I18B, I30Z		08	I08A, I08B, I08C, I08D, I08E, I08F
5t211.p↔		BOP, KVT, UOP4, VIAL		21A	W04A, W04B		21A	W01A, W01B, W01C, W02A, W02B
	08	I13A, I13B, I13C, I13D, I13E		21B	X06A, X06B, X06C		21B	X04Z
	21A	W04A, W04B	5t213.6↔		BOP, KVT, UOP4, VIAL	5t213.i↔		BOP, KVT, UOP4, VIAL
	21B	X04Z		08	I08A, I08B, I08C, I08D, I08E, I08F, I13A, I13B, I18A, I18B, I30Z		08	I18A, I18B, I30Z
5t211.q↔		BOP, KVT, UOP4, VIAL		21A	W04A, W04B		21A	W04A, W04B
	08	I13A, I13B, I13C, I13D, I13E		21B	X06A, X06B, X06C		21B	X04Z
	21A	W04A, W04B	5t213.7↔		BOP, KVT, UOP4, VIAL	5t213.k↔		BOP, KVT, UOP4, VIAL
	21B	X04Z		08	I08A, I08B, I08C, I08D, I08E, I08F, I18A, I18B, I30Z		08	I13A, I13B, I13C, I13D, I13E
5t211.r↔		BOP, KVT, UOP4, VIAL		21A	W04A, W04B		21A	W04A, W04B
	08	I13A, I13B, I13C, I13D, I13E		21B	X06A, X06B, X06C		21B	X04Z
	21A	W04A, W04B	5t213.8↔		BOP, KVT, UOP4, VIAL	5t213.l↔		BOP, KVT, UOP4, VIAL
	21B	X04Z		08	I08A, I08B, I08C, I08D, I08E, I08F, I18A, I18B, I30Z		08	I13A, I13B, I13C, I13D, I13E
5t211.s↔		BOP, KVT, UOP4, VIAL		21A	W04A, W04B		21A	W04A, W04B
	08	I20A, I20B, I20C, I20D, I20E, I20F		21B	X06A, X06B, X06C		21B	X04Z
	21A	W04A, W04B	5t213.9↔		BOP, KVT, UOP4, VIAL	5t213.m↔		BOP, KVT, UOP4, VIAL
	21B	X04Z		08	I08A, I08B, I08C, I08D, I08E, I08F, I18A, I18B, I30Z		08	I13A, I13B, I13C, I13D, I13E
5t211.t↔		BOP, KVT, UOP4, VIAL		21A	W04A, W04B		21A	W04A, W04B
	08	I20A, I20B, I20C, I20D, I20E, I20F		21B	X06A, X06B, X06C		21B	X04Z
	21A	W04A, W04B	5t213.a↔		BOP, KVT, UOP4, VIAL	5t213.n↔		BOP, KVT, UOP4, VIAL
	21B	X04Z		08	I32A, I32B, I32C, I32D, I32E, I32F, I32G		08	I13A, I13B, I13C, I13D, I13E
5t211.u↔		BOP, KVT, UOP4, VIAL		21A	W04A, W04B		21A	W04A, W04B
	08	I20A, I20B, I20C, I20D, I20E, I20F		21B	X06A, X06B, X06C		21B	X04Z
	21A	W04A, W04B	5t213.b↔		BOP, KVT, UOP4, VIAL	5t213.o↔		BOP, KVT, UOP4, VIAL
	21B	X04Z		08	I32A, I32B, I32C, I32D, I32E, I32F, I32G		08	I13A, I13B, I13C, I13D, I13E
5t211.v↔		BOP, KVT, UOP4, VIAL		21A	W04A, W04B		21A	W04A, W04B
	08	I20A, I20B, I20C, I20D, I20E, I20F		21B	X06A, X06B, X06C		21B	X04Z
	21A	W04A, W04B	5t213.c↔		BOP, KVT, UOP4, VIAL	5t213.p↔		BOP, KVT, UOP4, VIAL
	21B	X04Z		08	I32A, I32B, I32C, I32D, I32E, I32F, I32G		08	I13A, I13B, I13C, I13D, I13E
5t211.w↔		BOP, KVT, UOP4, VIAL		21A	W04A, W04B		21A	W04A, W04B
	08	I20A, I20B, I20C, I20D, I20E, I20F		21B	X05A, X05B		21B	X04Z
	21A	W04A, W04B		08	I32A, I32B, I32C, I32D, I32E, I32F, I32G		08	I20A, I20B, I20C, I20D, I20E, I20F
	21B	X04Z		21A	W04A, W04B	5t213.q↔		BOP, KVT, UOP4, VIAL
5t211.x		BOP, KVT, UOP4		21B	X05A, X05B		08	I13A, I13B, I13C, I13D, I13E
	08	I28A, I28B		5t213.c↔			21A	W04A, W04B
	21A	W04A, W04B					21B	X04Z
	21B	X06A, X06B, X06C					08	I20A, I20B, I20C, I20D, I20E, I20F
5t211.z↔		BOP, KVT, UOP4, VIAL					21A	W04A, W04B
	08	I28A, I28B, I28C					21B	X04Z
	21A	W04A, W04B						
	21B	X06A, X06B, X06C						

ZZV	MDC	DRG	ZZV	MDC	DRG	ZZV	MDC	DRG
5t213.u↔		BOP, KVT, UOP4, VIAL	5t214.8↔		BOP, KVT, UOP4, VIAL	5t214.n↔		BOP, KVT, UOP4, VIAL
	08	I20A, I20B, I20C, I20D, I20E, I20F		08	I08A, I08B, I08C, I08D, I08E, I08F, I18A, I18B, I24Z		08	I13A, I13B, I13C, I13D, I13E
	21A	W04A, W04B		21A	W04A, W04B		21A	W04A, W04B
	21B	X04Z		21B	X06A, X06B, X06C	5t214.p↔		X04Z
5t213.v↔		BOP, KVT, UOP4, VIAL	5t214.9↔		BOP, KVT, UOP4, VIAL		08	BOP, KVT, UOP4, VIAL
	08	I20A, I20B, I20C, I20D, I20E, I20F		08	I08A, I08B, I08C, I08D, I08E, I08F, I18A, I18B, I24Z		08	I13A, I13B, I13C, I13D, I13E
	21A	W04A, W04B		21A	W04A, W04B		21A	W04A, W04B
	21B	X04Z		21B	X06A, X06B, X06C		21B	X04Z
5t213.w↔		BOP, KVT, UOP4, VIAL	5t214.a↔		BOP, KVT, UOP4, VIAL	5t214.q↔		BOP, KVT, UOP4, VIAL
	08	I20A, I20B, I20C, I20D, I20E, I20F		08	I32A, I32B, I32C, I32D, I32E, I32F, I32G		08	I13A, I13B, I13C, I13D, I13E
	21A	W04A, W04B		21A	W04A, W04B		21A	W04A, W04B
	21B	X04Z		21B	X05A, X05B		21B	X04Z
5t213.x		BOP, KVT, UOP4	5t214.b↔		BOP, KVT, UOP4, VIAL	5t214.r↔		BOP, KVT, UOP4, VIAL
	08	I28A, I28B		08	I32A, I32B, I32C, I32D, I32E, I32F, I32G		08	I13A, I13B, I13C, I13D, I13E
	21A	W04A, W04B		21A	W04A, W04B		21A	W04A, W04B
	21B	X06A, X06B, X06C		21B	X05A, X05B		21B	X04Z
5t213.z↔		BOP, KVT, UOP4, VIAL	5t214.c↔		BOP, KVT, UOP4, VIAL	5t214.s↔		BOP, KVT, UOP4, VIAL
	08	I28A, I28B, I28C		08	I32A, I32B, I32C, I32D, I32E, I32F, I32G		08	I20A, I20B, I20C, I20D, I20E, I20F
	21A	W04A, W04B		21A	W04A, W04B		21A	W04A, W04B
	21B	X06A, X06B, X06C		21B	X05A, X05B		21B	X04Z
5t214.0↔		BOP, KVT, UOP4, VIAL	5t214.d		BOP, KVT, UOP4, VIAL	5t214.t↔		BOP, KVT, UOP4, VIAL
	08	I16Z		08	I08A, I08B, I08C, I08D, I08E, I08F		08	I20A, I20B, I20C, I20D, I20E, I20F
	21A	W04A, W04B		21A	W04A, W04B		21A	W04A, W04B
	21B	X06A, X06B, X06C		21B	X06A, X06B, X06C		21B	X04Z
5t214.1↔		BOP, KVT, UOP4, VIAL	5t214.e↔		BOP, KVT, UOP4, VIAL	5t214.u↔		BOP, KVT, UOP4, VIAL
	08	I08A, I08B, I08C, I08D, I08E, I08F, I13A, I13B, I13C, I13D, I13E		08	I08A, I08B, I08C, I08D, I08E, I08F		08	I20A, I20B, I20C, I20D, I20E, I20F
	21A	W04A, W04B		21A	W01A, W01B, W01C, W02A, W02B		21A	W04A, W04B
	21B	X06A, X06B, X06C		21B	X04Z		21B	X04Z
5t214.2↔		BOP, KVT, UOP4, VIAL	5t214.f↔		BOP, KVT, UOP4, VIAL	5t214.v↔		BOP, KVT, UOP4, VIAL
	08	I08A, I08B, I08C, I08D, I08E, I08F, I13A, I13B, I13C, I13D, I13E		08	I08A, I08B, I08C, I08D, I08E, I08F		08	I20A, I20B, I20C, I20D, I20E, I20F
	21A	W04A, W04B		21A	W01A, W01B, W01C, W02A, W02B		21A	W04A, W04B
	21B	X06A, X06B, X06C		21B	X04Z		21B	X04Z
5t214.3↔		BOP, KVT, UOP4, VIAL	5t214.g↔		BOP, KVT, UOP4, VIAL	5t214.w↔		BOP, KVT, UOP4, VIAL
	08	I08A, I08B, I08C, I08D, I08E, I08F, I13A, I13B, I13C, I13D, I13E		08	I08A, I08B, I08C, I08D, I08E, I08F		08	I20A, I20B, I20C, I20D, I20E, I20F
	21A	W04A, W04B		21A	W01A, W01B, W01C, W02A, W02B		21A	W04A, W04B
	21B	X06A, X06B, X06C		21B	X04Z		21B	X04Z
5t214.4↔		BOP, KVT, UOP4, VIAL	5t214.h↔		BOP, KVT, UOP4, VIAL	5t214.x		BOP, KVT, UOP4
	08	I08A, I08B, I08C, I08D, I08E, I08F, I18A, I18B, I24Z		01	B03A, B03B, B06A, B06B, B17A, B17B, B17C		08	I28A, I28B
	21A	W04A, W04B		08	I08A, I08B, I08C, I08D, I08E, I08F		21A	W04A, W04B
	21B	X06A, X06B, X06C		21A	W01A, W01B, W01C, W02A, W02B		21A	W04A, W04B
5t214.5↔		BOP, KVT, UOP4, VIAL		21B	X04Z	5t214.z↔		X06A, X06B, X06C
	08	I08A, I08B, I08C, I08D, I08E, I08F, I18A, I18B, I24Z		21B	X04Z		08	BOP, KVT, UOP4, VIAL
	21A	W04A, W04B		21B	X04Z		08	I28A, I28B, I28C
	21B	X06A, X06B, X06C		21B	X04Z		21A	W04A, W04B
5t214.6↔		BOP, KVT, UOP4, VIAL	5t214.i↔		BOP, KVT, UOP4, VIAL	5t215.1↔		X06A, X06B, X06C
	08	I08A, I08B, I08C, I08D, I08E, I08F, I13A, I13B, I18A, I18B, I24Z		08	I24Z, I30Z		08	BOP, KVT, UOP4, VIAL
	21A	W04A, W04B		21A	W04A, W04B		08	I08A, I08B, I08C, I08D, I08E, I08F, I13A, I13B, I13C, I13D
	21B	X06A, X06B, X06C		21B	X04Z	5t215.2↔		BOP, KVT, UOP4, VIAL
5t214.7↔		BOP, KVT, UOP4, VIAL	5t214.k↔		BOP, KVT, UOP4, VIAL		08	I08A, I08B, I08C, I08D, I08E, I08F, I13A, I13B, I13C, I13D
	08	I08A, I08B, I08C, I08D, I08E, I08F, I18A, I18B, I24Z		08	I13A, I13B, I13C, I13D, I13E	5t215.e↔		BOP, KVT, UOP4, VIAL
	21A	W04A, W04B		21A	W04A, W04B		08	I08A, I08B, I08C, I08D, I08E, I08F
	21B	X06A, X06B, X06C		21B	X04Z		21A	W01A, W01B, W01C, W02A, W02B
	21B	X06A, X06B, X06C	5t214.l↔		BOP, KVT, UOP4, VIAL	5t215.f↔		X04Z
	08	I08A, I08B, I08C, I08D, I08E, I08F, I18A, I18B, I24Z		08	I13A, I13B, I13C, I13D, I13E		08	BOP, KVT, UOP4, VIAL
	21A	W04A, W04B		08	I08A, I08B, I08C, I08D, I08E, I08F		21A	W01A, W01B, W01C, W02A, W02B
	21B	X06A, X06B, X06C		21A	W04A, W04B		21B	X04Z
	21B	X06A, X06B, X06C	5t214.m↔		BOP, KVT, UOP4, VIAL		08	I08A, I08B, I08C, I08D, I08E, I08F
	08	I08A, I08B, I08C, I08D, I08E, I08F, I18A, I18B, I24Z		08	I13A, I13B, I13C, I13D, I13E		21A	W01A, W01B, W01C, W02A, W02B
	21A	W04A, W04B		21A	W04A, W04B		21B	X04Z
	21B	X06A, X06B, X06C		21B	X04Z			

ZZV	MDC	DRG	ZZV	MDC	DRG	ZZV	MDC	DRG
5t215.g↔		BOP, KVT, UOP4, VIAL	5t216.e↔		BOP, KVT, UOP4, VIAL	5t217.4↔		BOP, KVT, UOP4, VIAL
	08	I08A, I08B, I08C, I08D, I08E, I08F		08	I08A, I08B, I08C, I08D, I08E, I08F		08	I08A, I08B, I08C, I08D, I08E, I08F, I18A, I18B, I21Z, I31Z
	21A	W01A, W01B, W01C, W02A, W02B		21A	W01A, W01B, W01C, W02A, W02B		21A	W04A, W04B
	21B	X04Z		21B	X04Z	5t217.5↔	21B	X06A, X06B, X06C
5t215.h↔		BOP, KVT, UOP4, VIAL	5t216.f↔		BOP, KVT, UOP4, VIAL		08	I08A, I08B, I08C, I08D, I08E, I08F, I18A, I18B, I21Z, I31Z
	01	B03A, B03B, B06A, B06B, B17A, B17B, B17C		08	I08A, I08B, I08C, I08D, I08E, I08F		21A	W04A, W04B
	08	I08A, I08B, I08C, I08D, I08E, I08F		21A	W01A, W01B, W01C, W02A, W02B		21B	X06A, X06B, X06C
	21A	W01A, W01B, W01C, W02A, W02B		21B	X04Z	5t217.6↔	08	I08A, I08B, I08C, I08D, I08E, I08F, I13A, I13B, I18A, I18B, I21Z, I31Z
	21B	X04Z	5t216.g↔		BOP, KVT, UOP4, VIAL		21A	W04A, W04B
5t215.k↔		BOP, KVT, UOP4, VIAL		08	I08A, I08B, I08C, I08D, I08E, I08F		21B	X06A, X06B, X06C
	08	I13A, I13B, I13C, I13D		21A	W01A, W01B, W01C, W02A, W02B	5t217.7↔	21B	X06A, X06B, X06C
5t215.x		BOP, KVT, UOP4		21B	X04Z		08	I08A, I08B, I08C, I08D, I08E, I08F, I18A, I18B, I21Z, I31Z
	08	I28A, I28B	5t216.h↔		BOP, KVT, UOP4, VIAL		21A	W04A, W04B
	21A	W04A, W04B		01	B03A, B03B, B06A, B06B, B17A, B17B, B17C		21B	X06A, X06B, X06C
	21B	X06A, X06B, X06C		08	I08A, I08B, I08C, I08D, I08E, I08F	5t217.8↔	21B	X06A, X06B, X06C
5t216.1↔		BOP, KVT, UOP4, VIAL		21A	W01A, W01B, W01C, W02A, W02B		08	I08A, I08B, I08C, I08D, I08E, I08F, I18A, I18B, I21Z, I31Z
	08	I08A, I08B, I08C, I08D, I08E, I08F, I13A, I13B, I13C, I13D		21B	X04Z		21A	W04A, W04B
	21A	W04A, W04B	5t216.k↔		BOP, KVT, UOP4, VIAL		21B	X06A, X06B, X06C
	21B	X06A, X06B, X06C		08	I13A, I13B, I13C, I13D	5t217.9↔	08	I08A, I08B, I08C, I08D, I08E, I08F, I18A, I18B, I21Z, I31Z
5t216.2↔		BOP, KVT, UOP4, VIAL		21A	W04A, W04B		21A	W04A, W04B
	08	I08A, I08B, I08C, I08D, I08E, I08F, I13A, I13B, I13C, I13D		21B	X04Z		21B	X06A, X06B, X06C
	21A	W04A, W04B	5t216.m↔		BOP, KVT, UOP4, VIAL	5t217.e↔	08	I08A, I08B, I08C, I08D, I08E, I08F
	21B	X06A, X06B, X06C		08	I13A, I13B, I13C, I13D		21A	W01A, W01B, W01C, W02A, W02B
5t216.3↔		BOP, KVT, UOP4, VIAL		21A	W04A, W04B		21B	X04Z
	08	I08A, I08B, I08C, I08D, I08E, I08F, I13A, I13B, I13C, I13D		21B	X04Z		08	I08A, I08B, I08C, I08D, I08E, I08F
	21A	W04A, W04B	5t216.n↔		BOP, KVT, UOP4, VIAL		21A	W01A, W01B, W01C, W02A, W02B
	21B	X06A, X06B, X06C		08	I13A, I13B, I13C, I13D		21B	X04Z
5t216.4↔		BOP, KVT, UOP4, VIAL		21A	W04A, W04B	5t217.f↔	08	I08A, I08B, I08C, I08D, I08E, I08F
	08	I08A, I08B, I08C, I08D, I08E, I08F, I18A, I18B, I21Z, I31Z		21B	X04Z		21A	W01A, W01B, W01C, W02A, W02B
	21A	W04A, W04B	5t216.p↔		BOP, KVT, UOP4, VIAL		21B	X04Z
	21B	X06A, X06B, X06C		08	I13A, I13B, I13C, I13D		08	I08A, I08B, I08C, I08D, I08E, I08F
5t216.5↔		BOP, KVT, UOP4, VIAL		08	I08A, I08B, I08C, I08D, I08E, I08F, I18A, I18B, I21Z, I31Z	5t216.q↔	21A	W01A, W01B, W01C, W02A, W02B
	08	I08A, I08B, I08C, I08D, I08E, I08F, I18A, I18B, I21Z, I31Z		21A	W04A, W04B		21B	X04Z
	21A	W04A, W04B	5t216.r↔		BOP, KVT, UOP4, VIAL		21B	X06A, X06B, X06C
	21B	X06A, X06B, X06C		08	I13A, I13B, I13C, I13D	5t216.g↔	08	I08A, I08B, I08C, I08D, I08E, I08F
5t216.6↔		BOP, KVT, UOP4, VIAL		21A	W04A, W04B		21A	W01A, W01B, W01C, W02A, W02B
	08	I08A, I08B, I08C, I08D, I08E, I08F, I13A, I13B, I18A, I18B, I21Z, I31Z		21B	X04Z		21B	X04Z
	21A	W04A, W04B	5t216.t↔		BOP, KVT, UOP4, VIAL	5t217.h↔	08	I08A, I08B, I08C, I08D, I08E, I08F
	21B	X06A, X06B, X06C		08	I20A, I20B, I20C, I20D, I20E, I20F		01	B03A, B03B, B06A, B06B, B17A, B17B, B17C
5t216.7↔		BOP, KVT, UOP4, VIAL		21A	W04A, W04B		08	I08A, I08B, I08C, I08D, I08E, I08F
	08	I08A, I08B, I08C, I08D, I08E, I08F, I18A, I18B, I21Z, I31Z	5t216.x		BOP, KVT, UOP4		21A	W01A, W01B, W01C, W02A, W02B
	21A	W04A, W04B		08	I28A, I28B		21B	X04Z
	21B	X06A, X06B, X06C		21A	W04A, W04B	5t217.1↔	08	I08A, I08B, I08C, I08D, I08E, I08F, I13A, I13B, I13C, I13D
5t216.8↔		BOP, KVT, UOP4, VIAL		21B	X06A, X06B, X06C		21A	W04A, W04B
	08	I08A, I08B, I08C, I08D, I08E, I08F, I18A, I18B, I21Z, I31Z		08	I08A, I08B, I08C, I08D, I08E, I08F, I13A, I13B, I13C, I13D		21B	X04Z
	21A	W04A, W04B	5t217.2↔		BOP, KVT, UOP4, VIAL	5t217.k↔	08	I08A, I08B, I08C, I08D, I08E, I08F
	21B	X06A, X06B, X06C		08	I08A, I08B, I08C, I08D, I08E, I08F, I13A, I13B, I13C, I13D		21A	W01A, W01B, W01C, W02A, W02B
5t216.9↔		BOP, KVT, UOP4, VIAL		21A	W04A, W04B		21B	X04Z
	08	I08A, I08B, I08C, I08D, I08E, I08F, I18A, I18B, I21Z, I31Z		21B	X06A, X06B, X06C		08	I13A, I13B, I13C, I13D
	21A	W04A, W04B	5t217.3↔		BOP, KVT, UOP4, VIAL	5t217.l↔	21A	W04A, W04B
	21B	X06A, X06B, X06C		08	I08A, I08B, I08C, I08D, I08E, I08F, I13A, I13B, I13C, I13D		21B	X04Z
				21A	W04A, W04B	5t217.m↔	08	I08A, I08B, I08C, I08D, I08E, I08F
				21B	X06A, X06B, X06C		21A	W01A, W01B, W01C, W02A, W02B
							21B	X04Z
							08	I13A, I13B, I13C, I13D
							21A	W04A, W04B
							21B	X04Z
							08	I08A, I08B, I08C, I08D, I08E, I08F, I13A, I13B, I13C, I13D
							21A	W04A, W04B
							21B	X04Z

VYK

ZZV	MDC	DRG	ZZV	MDC	DRG	ZZV	MDC	DRG
5t217.p↔		BOP, KVT, UOP4, VIAL	5t218.f↔		BOP, KVT, UOP4, VIAL	5t219.k↔		BOP, KVT, UOP4, VIAL
	08	I13A, I13B, I13C, I13D		08	I08A, I08B, I08C, I08D, I08E, I08F		08	I13A, I13B, I13C, I13D
5t217.q↔		BOP, KVT, UOP4, VIAL		21A	W01A, W01B, W01C, W02A, W02B		21A	W04A, W04B
	08	I13A, I13B, I13C, I13D		21B	X04Z		21B	X04Z
5t217.r↔		BOP, KVT, UOP4, VIAL		21B	X04Z	5t219.m↔		BOP, KVT, UOP4, VIAL
	08	I13A, I13B, I13C, I13D	5t218.g↔		BOP, KVT, UOP4, VIAL		08	I13A, I13B, I13C, I13D
5t217.t↔		BOP, KVT, UOP4, VIAL		08	I08A, I08B, I08C, I08D, I08E, I08F		21A	W04A, W04B
	08	I20A, I20B, I20C, I20D, I20E, I20F		21A	W01A, W01B, W01C, W02A, W02B		21B	X04Z
	21A	W04A, W04B		21B	X04Z	5t219.n↔		BOP, KVT, UOP4, VIAL
	21B	X04Z	5t218.h↔		BOP, KVT, UOP4, VIAL		08	I13A, I13B, I13C, I13D
5t217.x		BOP, KVT, UOP4		01	B03A, B03B, B06A, B06B, B17A, B17B, B17C		21A	W04A, W04B
	08	I28A, I28B		08	I08A, I08B, I08C, I08D, I08E, I08F		21B	X04Z
	21A	W04A, W04B		21A	W01A, W01B, W01C, W02A, W02B	5t219.s↔		BOP, KVT, UOP4, VIAL
	21B	X06A, X06B, X06C		21B	X04Z		08	I20A, I20B, I20C, I20D, I20E, I20F
5t218.1↔		BOP, KVT, UOP4, VIAL		08	I08A, I08B, I08C, I08D, I08E, I08F, I13A, I13B, I13C, I13D	5t219.t↔		BOP, KVT, UOP4, VIAL
	08	I08A, I08B, I08C, I08D, I08E, I08F, I13A, I13B, I13C, I13D		21A	W04A, W04B		08	I20A, I20B, I20C, I20D, I20E, I20F
	21A	W04A, W04B		21B	X04Z		21A	W04A, W04B
	21B	X06A, X06B, X06C	5t218.k↔		BOP, KVT, UOP4, VIAL		08	I28A, I28B
5t218.2↔		BOP, KVT, UOP4, VIAL		08	I13A, I13B, I13C, I13D		21A	W04A, W04B
	08	I08A, I08B, I08C, I08D, I08E, I08F, I13A, I13B, I13C, I13D		21A	W04A, W04B		21B	X06A, X06B, X06C
	21A	W04A, W04B		21B	X04Z	5t21a.0↔		BOP, KVT, UOP4, VIAL
	21B	X06A, X06B, X06C	5t218.m↔		BOP, KVT, UOP4, VIAL		08	I16Z
5t218.3↔		BOP, KVT, UOP4, VIAL		08	I13A, I13B, I13C, I13D		21A	W04A, W04B
	08	I08A, I08B, I08C, I08D, I08E, I08F, I13A, I13B, I13C, I13D		21A	W04A, W04B		21B	X06A, X06B, X06C
	21A	W04A, W04B		21B	X04Z	5t21a.1↔		BOP, KVT, UOP4, VIAL
	21B	X06A, X06B, X06C	5t218.n↔		BOP, KVT, UOP4, VIAL		08	I08A, I08B, I08C, I08D, I08E, I08F, I13A, I13B, I13C, I13D, I13E
5t218.4↔		BOP, KVT, UOP4, VIAL		08	I13A, I13B, I13C, I13D		21A	W04A, W04B
	08	I08A, I08B, I08C, I08D, I08E, I08F, I18A, I18B, I30Z		21A	W04A, W04B		21B	X06A, X06B, X06C
	21A	W04A, W04B	5t218.p↔		BOP, KVT, UOP4, VIAL	5t21a.2↔		BOP, KVT, UOP4, VIAL
	21B	X06A, X06B, X06C		08	I13A, I13B, I13C, I13D		08	I08A, I08B, I08C, I08D, I08E, I08F, I13A, I13B, I13C, I13D, I13E
5t218.5↔		BOP, KVT, UOP4, VIAL		08	I13A, I13B, I13C, I13D		21A	W04A, W04B
	08	I08A, I08B, I08C, I08D, I08E, I08F, I18A, I18B, I30Z		08	I13A, I13B, I13C, I13D		21B	X06A, X06B, X06C
	21A	W04A, W04B	5t218.q↔		BOP, KVT, UOP4, VIAL	5t21a.3↔		BOP, KVT, UOP4, VIAL
	21B	X06A, X06B, X06C		08	I28A, I28B		08	I08A, I08B, I08C, I08D, I08E, I08F, I13A, I13B, I13C, I13D, I13E
5t218.6↔		BOP, KVT, UOP4, VIAL		21A	W04A, W04B		21A	W04A, W04B
	08	I08A, I08B, I08C, I08D, I08E, I08F, I13A, I13B, I18A, I18B, I30Z		21B	X06A, X06B, X06C	5t21a.4↔		BOP, KVT, UOP4, VIAL
	21A	W04A, W04B	5t219.d		BOP, KVT, UOP4, VIAL		08	I08A, I08B, I08C, I08D, I08E, I08F, I18A, I18B, I30Z, I59Z
	21B	X06A, X06B, X06C		08	I08A, I08B, I08C, I08D, I08E, I08F		21A	W04A, W04B
5t218.7↔		BOP, KVT, UOP4, VIAL		08	I08A, I08B, I08C, I08D, I08E, I08F		21B	X06A, X06B, X06C
	08	I08A, I08B, I08C, I08D, I08E, I08F, I18A, I18B, I30Z	5t219.e↔		BOP, KVT, UOP4, VIAL		08	I08A, I08B, I08C, I08D, I08E, I08F, I18A, I18B, I30Z, I59Z
	21A	W04A, W04B		08	I08A, I08B, I08C, I08D, I08E, I08F	5t21a.5↔		BOP, KVT, UOP4, VIAL
	21B	X06A, X06B, X06C		21A	W01A, W01B, W01C, W02A, W02B		08	I08A, I08B, I08C, I08D, I08E, I08F, I18A, I18B, I30Z, I59Z
5t218.8↔		BOP, KVT, UOP4, VIAL		21B	X04Z		21A	W04A, W04B
	08	I08A, I08B, I08C, I08D, I08E, I08F, I18A, I18B, I30Z		21B	X04Z		21B	X06A, X06B, X06C
	21A	W04A, W04B	5t219.g↔		BOP, KVT, UOP4, VIAL	5t21a.6↔		BOP, KVT, UOP4, VIAL
	21B	X06A, X06B, X06C		08	I08A, I08B, I08C, I08D, I08E, I08F		08	I08A, I08B, I08C, I08D, I08E, I08F, I13A, I13B, I18A, I18B, I30Z, I59Z
5t218.9↔		BOP, KVT, UOP4, VIAL		21A	W01A, W01B, W01C, W02A, W02B		21A	W04A, W04B
	08	I08A, I08B, I08C, I08D, I08E, I08F, I18A, I18B, I30Z		21B	X04Z		21B	X06A, X06B, X06C
	21A	W04A, W04B	5t219.h↔		BOP, KVT, UOP4, VIAL	5t21a.7↔		BOP, KVT, UOP4, VIAL
	21B	X06A, X06B, X06C		01	B03A, B03B, B06A, B06B, B17A, B17B, B17C		08	I08A, I08B, I08C, I08D, I08E, I08F, I18A, I18B, I30Z, I59Z
5t218.e↔		BOP, KVT, UOP4, VIAL		08	I08A, I08B, I08C, I08D, I08E, I08F		21A	W04A, W04B
	08	I08A, I08B, I08C, I08D, I08E, I08F		08	I08A, I08B, I08C, I08D, I08E, I08F		21B	X06A, X06B, X06C
	21A	W01A, W01B, W01C, W02A, W02B		21A	W01A, W01B, W01C, W02A, W02B	5t21a.8↔		BOP, KVT, UOP4, VIAL
	21B	X04Z		21B	X04Z		08	I08A, I08B, I08C, I08D, I08E, I08F, I18A, I18B, I30Z, I59Z
							21A	W04A, W04B
							21B	X06A, X06B, X06C

ZZV	MDC	DRG	ZZV	MDC	DRG	ZZV	MDC	DRG
5t21b.r↔		BOP, KVT, UOP4, VIAL	5t21c.k↔		BOP, KVT, UOP4, VIAL	5t21t.b↔		BOP, KVT, UOP4, VIAL
08		I13A, I13B, I13C, I13D, I13E	08		I13A, I13B, I13C, I13D	08		I32A, I32B, I32C, I32D, I32E, I32F
21A		W04A, W04B	21A		W04A, W04B	21A		W04A, W04B
21B		X04Z	21B		X04Z	21B		X05A, X05B
5t21b.s↔		BOP, KVT, UOP4, VIAL	5t21c.n↔		BOP, KVT, UOP4, VIAL	5t21t.c↔		BOP, KVT, UOP4, VIAL
08		I20A, I20B, I20C, I20D, I20E, I20F	08		I13A, I13B, I13C, I13D	08		I32A, I32B, I32C, I32D, I32E, I32F
21A		W04A, W04B	21A		W04A, W04B	21A		W04A, W04B
21B		X04Z	21B		X04Z	21B		X05A, X05B
5t21b.t↔		BOP, KVT, UOP4, VIAL	5t21c.x		BOP, KVT, UOP4	5t21t.d		BOP, KVT, UOP4, VIAL
08		I20A, I20B, I20C, I20D	08		I28A, I28B	08		I08A, I08B, I08C, I08D, I08E, I08F
21A		W04A, W04B	21A		W04A, W04B	21A		W04A, W04B
21B		X04Z	21B		X06A, X06B, X06C	21B		X06A, X06B, X06C
5t21b.u↔		BOP, KVT, UOP4, VIAL	5t21t.0↔		BOP, KVT, UOP4, VIAL	5t21t.e↔		BOP, KVT, UOP4, VIAL
08		I20A, I20B, I20C, I20D, I20E, I20F	08		I16Z	08		I08A, I08B, I08C, I08D, I08E, I08F
21A		W04A, W04B	21A		W04A, W04B	21A		W01A, W01B, W01C, W02A, W02B
21B		X04Z	21B		X06A, X06B, X06C	21B		X04Z
5t21b.v↔		BOP, KVT, UOP4, VIAL	5t21t.1↔		BOP, KVT, UOP4, VIAL	5t21t.f↔		BOP, KVT, UOP4, VIAL
08		I20A, I20B, I20C, I20D, I20E, I20F	08		I08A, I08B, I08C, I08D, I08E, I08F, I13A, I13B, I13C, I13D	08		I08A, I08B, I08C, I08D, I08E, I08F
21A		W04A, W04B	21A		W04A, W04B	21A		W01A, W01B, W01C, W02A, W02B
21B		X04Z	21B		X06A, X06B, X06C	21B		X04Z
5t21b.w↔		BOP, KVT, UOP4, VIAL	5t21t.2↔		BOP, KVT, UOP4, VIAL	5t21t.g↔		BOP, KVT, UOP4, VIAL
08		I20A, I20B, I20C, I20D, I20E, I20F	08		I08A, I08B, I08C, I08D, I08E, I08F, I13A, I13B, I13C, I13D	08		I08A, I08B, I08C, I08D, I08E, I08F
21A		W04A, W04B	21A		W04A, W04B	21A		W01A, W01B, W01C, W02A, W02B
21B		X04Z	21B		X06A, X06B, X06C	21B		X04Z
5t21b.x		BOP, KVT, UOP4	5t21t.3↔		BOP, KVT, UOP4, VIAL	5t21t.h↔		BOP, KVT, UOP4, VIAL
08		I28A, I28B	08		I08A, I08B, I08C, I08D, I08E, I08F, I13A, I13B, I13C, I13D	08		I08A, I08B, I08C, I08D, I08E, I08F
21A		W04A, W04B	21A		W04A, W04B	21A		W01A, W01B, W01C, W02A, W02B
21B		X06A, X06B, X06C	21B		X06A, X06B, X06C	21B		X04Z
5t21b.z↔		BOP, KVT, UOP4, VIAL	5t21t.4↔		BOP, KVT, UOP4, VIAL	5t21t.i↔		BOP, KVT, UOP4, VIAL
08		I28A, I28B, I28C	08		I08A, I08B, I08C, I08D, I08E, I08F, I18A, I18B, I30Z, I59Z	08		I08A, I08B, I08C, I08D, I08E, I08F
21A		W04A, W04B	21A		W04A, W04B	21A		W01A, W01B, W01C, W02A, W02B
21B		X06A, X06B, X06C	21B		X06A, X06B, X06C	21B		X04Z
5t21c.1↔		BOP, KVT, UOP4, VIAL	5t21t.5↔		BOP, KVT, UOP4, VIAL	5t21t.j↔		BOP, KVT, UOP4, VIAL
08		I08A, I08B, I08C, I08D, I08E, I08F, I13A, I13B, I13C, I13D	08		I08A, I08B, I08C, I08D, I08E, I08F, I18A, I18B, I30Z, I59Z	08		I13A, I13B, I30Z, I59Z
21A		W04A, W04B	21A		W04A, W04B	21A		W04A, W04B
21B		X06A, X06B, X06C	21B		X06A, X06B, X06C	21B		X04Z
5t21c.3↔		BOP, KVT, UOP4, VIAL	5t21t.6↔		BOP, KVT, UOP4, VIAL	5t21t.k↔		BOP, KVT, UOP4, VIAL
08		I08A, I08B, I08C, I08D, I08E, I08F, I13A, I13B, I13C, I13D	08		I08A, I08B, I08C, I08D, I08E, I08F, I13A, I13B, I18A, I18B, I30Z, I59Z	08		I13A, I13B, I13C, I13D
21A		W04A, W04B	21A		W04A, W04B	21A		W04A, W04B
21B		X06A, X06B, X06C	21B		X06A, X06B, X06C	21B		X04Z
5t21c.e↔		BOP, KVT, UOP4, VIAL	5t21t.7↔		BOP, KVT, UOP4, VIAL	5t21t.l↔		BOP, KVT, UOP4, VIAL
08		I08A, I08B, I08C, I08D, I08E, I08F	08		I08A, I08B, I08C, I08D, I08E, I08F, I18A, I18B, I30Z, I59Z	08		I13A, I13B, I13C, I13D
21A		W01A, W01B, W01C, W02A, W02B	21A		W04A, W04B	21A		W04A, W04B
21B		X04Z	21B		X06A, X06B, X06C	21B		X04Z
5t21c.f↔		BOP, KVT, UOP4, VIAL	5t21t.8↔		BOP, KVT, UOP4, VIAL	5t21t.m↔		BOP, KVT, UOP4, VIAL
08		I08A, I08B, I08C, I08D, I08E, I08F	08		I08A, I08B, I08C, I08D, I08E, I08F, I18A, I18B, I30Z, I59Z	08		I13A, I13B, I13C, I13D
21A		W01A, W01B, W01C, W02A, W02B	21A		W04A, W04B	21A		W04A, W04B
21B		X04Z	21B		X06A, X06B, X06C	21B		X04Z
5t21c.g↔		BOP, KVT, UOP4, VIAL	5t21t.9↔		BOP, KVT, UOP4, VIAL	5t21t.n↔		BOP, KVT, UOP4, VIAL
08		I08A, I08B, I08C, I08D, I08E, I08F	08		I08A, I08B, I08C, I08D, I08E, I08F, I18A, I18B, I30Z, I59Z	08		I13A, I13B, I13C, I13D
21A		W01A, W01B, W01C, W02A, W02B	21A		W04A, W04B	21A		W04A, W04B
21B		X04Z	21B		X06A, X06B, X06C	21B		X04Z
5t21c.h↔		BOP, KVT, UOP4, VIAL	5t21t.a↔		BOP, KVT, UOP4, VIAL	5t21t.o↔		BOP, KVT, UOP4, VIAL
01		B03A, B03B, B06A, B06B, B17A, B17B, B17C	08		I32A, I32B, I32C, I32D, I32E, I32F	08		I13A, I13B, I13C, I13D
08		I08A, I08B, I08C, I08D, I08E, I08F	21A		W04A, W04B	21A		W04A, W04B
21A		W01A, W01B, W01C, W02A, W02B	21B		X05A, X05B	21B		X04Z
21B		X04Z				21B		X04Z

VYK

ZZV	MDC	DRG	ZZV	MDC	DRG	ZZV	MDC	DRG
5t21t.s↔		BOP, KVT, UOP4, VIAL	5t21v.7↔		BOP, KVT, UOP4, VIAL	5t21v.q↔		BOP, KVT, UOP4, VIAL
	08	I20A, I20B, I20C, I20D, I20E, I20F		08	I08A, I08B, I08C, I08D, I08E, I08F, I13A, I18A, I18B, I30Z, I59Z		08	I13A, I13B, I13C, I13D
	21A	W04A, W04B		21A	W04A, W04B		21A	W04A, W04B
	21B	X04Z		21B	X06A, X06B, X06C	5t21v.r↔		BOP, KVT, UOP4, VIAL
5t21t.t↔		BOP, KVT, UOP4, VIAL	5t21v.8↔		BOP, KVT, UOP4, VIAL		08	I13A, I13B, I13C, I13D
	08	I20A, I20B, I20C, I20D		08	I08A, I08B, I08C, I08D, I08E, I08F, I13A, I18A, I18B, I30Z, I59Z		21A	W04A, W04B
	21A	W04A, W04B		21A	W04A, W04B	5t21v.s↔		BOP, KVT, UOP4, VIAL
	21B	X04Z		21B	X06A, X06B, X06C		08	I13A, I20A, I20B, I20C, I20D, I20E, I20F
5t21t.u↔		BOP, KVT, UOP4, VIAL	5t21v.9↔		BOP, KVT, UOP4, VIAL		21A	W04A, W04B
	08	I20A, I20B, I20C, I20D, I20E, I20F		08	I08A, I08B, I08C, I08D, I08E, I08F, I13A, I18A, I18B, I30Z, I59Z	5t21v.t↔		BOP, KVT, UOP4, VIAL
	21A	W04A, W04B		21A	W04A, W04B		08	I13A, I20A, I20B, I20C, I20D
	21B	X04Z		21B	X06A, X06B, X06C		21A	W04A, W04B
5t21t.v↔		BOP, KVT, UOP4, VIAL	5t21v.a↔		BOP, KVT, UOP4, VIAL	5t21v.u↔		BOP, KVT, UOP4, VIAL
	08	I20A, I20B, I20C, I20D, I20E, I20F		08	I13A, I32A, I32B, I32C, I32D, I32E, I32F		08	I13A, I20A, I20B, I20C, I20D, I20E, I20F
	21A	W04A, W04B		21A	W04A, W04B		21A	W04A, W04B
	21B	X04Z		21B	X05A, X05B	5t21v.v↔		BOP, KVT, UOP4, VIAL
5t21t.w↔		BOP, KVT, UOP4, VIAL	5t21v.b↔		BOP, KVT, UOP4, VIAL		08	I13A, I20A, I20B, I20C, I20D, I20E, I20F
	08	I20A, I20B, I20C, I20D, I20E, I20F		08	I13A, I32A, I32B, I32C, I32D, I32E, I32F		21A	W04A, W04B
	21A	W04A, W04B		21A	W04A, W04B	5t21v.x		BOP, KVT, UOP4
	21B	X04Z		21B	X05A, X05B		08	I13A, I28A, I28B
5t21t.x		BOP, KVT, UOP4	5t21v.d		BOP, KVT, UOP4, VIAL		21A	W04A, W04B
	08	I28A, I28B		08	I08A, I08B, I08C, I08D, I08E, I08F, I13A	5t21x.0↔		BOP, KVT, UOP4, VIAL
	21A	W04A, W04B		21A	W04A, W04B		08	I16Z
	21B	X06A, X06B, X06C		21B	X06A, X06B, X06C		21A	W04A, W04B
5t21t.z↔		BOP, KVT, UOP4, VIAL	5t21v.f↔		BOP, KVT, UOP4, VIAL		21B	X06A, X06B, X06C
	08	I28A, I28B, I28C		08	I08A, I08B, I08C, I08D, I08E, I08F, I13A	5t21x.1↔		BOP, KVT, UOP4, VIAL
	21A	W04A, W04B		21A	W01A, W01B, W01C, W02A, W02B		08	I08A, I08B, I08C, I08D, I08E, I08F, I13A, I13B, I13C, I13D, I13E
	21B	X06A, X06B, X06C		21B	X04Z		21A	W04A, W04B
5t21v.1↔		BOP, KVT, UOP4, VIAL	5t21v.g↔		BOP, KVT, UOP4, VIAL	5t21x.2↔		BOP, KVT, UOP4, VIAL
	08	I08A, I08B, I08C, I08D, I08E, I08F, I13A, I13B, I13C, I13D		08	I08A, I08B, I08C, I08D, I08E, I08F, I13A		08	I08A, I08B, I08C, I08D, I08E, I08F, I13A, I13B, I13C, I13D, I13E
	21A	W04A, W04B		21A	W01A, W01B, W01C, W02A, W02B		21A	W04A, W04B
	21B	X06A, X06B, X06C		21B	X04Z	5t21x.3↔		BOP, KVT, UOP4, VIAL
5t21v.2↔		BOP, KVT, UOP4, VIAL	5t21v.h↔		BOP, KVT, UOP4, VIAL		08	I08A, I08B, I08C, I08D, I08E, I08F, I13A, I13B, I13C, I13D, I13E
	08	I08A, I08B, I08C, I08D, I08E, I08F, I13A, I13B, I13C, I13D		01	B03A, B03B, B06A, B06B, B17A, B17B, B17C		21A	W04A, W04B
	21A	W04A, W04B		08	I08A, I08B, I08C, I08D, I08E, I08F, I13A		21B	X06A, X06B, X06C
	21B	X06A, X06B, X06C		21A	W01A, W01B, W01C, W02A, W02B			BOP, KVT, UOP4, VIAL
5t21v.3↔		BOP, KVT, UOP4, VIAL	5t21v.i↔		BOP, KVT, UOP4, VIAL		08	I08A, I08B, I08C, I08D, I08E, I08F, I13A, I13B, I13C, I13D, I13E
	08	I08A, I08B, I08C, I08D, I08E, I08F, I13A, I13B, I13C, I13D		08	I13A, I13B, I13C, I13D	5t21x.4↔		BOP, KVT, UOP4, VIAL
	21A	W04A, W04B		21A	W04A, W04B		08	I08A, I08B, I08C, I08D, I08E, I08F, I18A, I18B, I30Z
	21B	X06A, X06B, X06C		21B	X04Z		21A	W04A, W04B
5t21v.4↔		BOP, KVT, UOP4, VIAL	5t21v.j↔		BOP, KVT, UOP4, VIAL		21B	X06A, X06B, X06C
	08	I08A, I08B, I08C, I08D, I08E, I08F, I13A, I18A, I18B, I30Z, I59Z		08	I13A, I13B, I13C, I13D			BOP, KVT, UOP4, VIAL
	21A	W04A, W04B		21A	W04A, W04B	5t21x.5↔		BOP, KVT, UOP4, VIAL
	21B	X06A, X06B, X06C		21B	X04Z		08	I08A, I08B, I08C, I08D, I08E, I08F, I18A, I18B, I30Z
5t21v.5↔		BOP, KVT, UOP4, VIAL	5t21v.k↔		BOP, KVT, UOP4, VIAL		21A	W04A, W04B
	08	I08A, I08B, I08C, I08D, I08E, I08F, I13A, I18A, I18B, I30Z, I59Z		08	I13A, I13B, I13C, I13D	5t21x.6↔		BOP, KVT, UOP4, VIAL
	21A	W04A, W04B		21A	W04A, W04B		08	I08A, I08B, I08C, I08D, I08E, I08F, I13A, I13B, I18A, I18B, I30Z
	21B	X06A, X06B, X06C		21B	X04Z		21A	W04A, W04B
5t21v.6↔		BOP, KVT, UOP4, VIAL	5t21v.l↔		BOP, KVT, UOP4, VIAL		21B	X06A, X06B, X06C
	08	I08A, I08B, I08C, I08D, I08E, I08F, I13A, I18A, I18B, I30Z, I59Z		08	I13A, I13B, I13C, I13D			BOP, KVT, UOP4, VIAL
	21A	W04A, W04B		21A	W04A, W04B		08	I08A, I08B, I08C, I08D, I08E, I08F, I13A, I13B, I18A, I18B, I30Z
	21B	X06A, X06B, X06C		21B	X04Z		21A	W04A, W04B
			5t21v.m↔		BOP, KVT, UOP4, VIAL		21B	X06A, X06B, X06C
				08	I13A, I13B, I13C, I13D			BOP, KVT, UOP4, VIAL
				21A	W04A, W04B			BOP, KVT, UOP4, VIAL
				21B	X04Z			BOP, KVT, UOP4, VIAL
			5t21v.n↔		BOP, KVT, UOP4, VIAL			BOP, KVT, UOP4, VIAL
				08	I13A, I13B, I13C, I13D			BOP, KVT, UOP4, VIAL
				21A	W04A, W04B			BOP, KVT, UOP4, VIAL
				21B	X04Z			BOP, KVT, UOP4, VIAL
			5t21v.o↔		BOP, KVT, UOP4, VIAL			BOP, KVT, UOP4, VIAL
				08	I13A, I13B, I13C, I13D			BOP, KVT, UOP4, VIAL
				21A	W04A, W04B			BOP, KVT, UOP4, VIAL
				21B	X04Z			BOP, KVT, UOP4, VIAL

ZZV	MDC	DRG	ZZV	MDC	DRG	ZZV	MDC	DRG
5t21x.7↔		BOP, KVT, UOP4, VIAL	5t21x.m↔		BOP, KVT, UOP4, VIAL	5t21z.3↔		BOP, KVT, UOP4, VIAL
	08	I08A, I08B, I08C, I08D, I08E, I08F, I18A, I18B, I30Z		08	I13A, I13B, I13C, I13D, I13E		08	I08A, I08B, I08C, I08D, I08E, I08F, I13A, I13B, I13C, I13D, I13E
	21A	W04A, W04B		21A	W04A, W04B		21A	W04A, W04B
	21B	X06A, X06B, X06C		21B	X04Z		21B	X06A, X06B, X06C
5t21x.8↔		BOP, KVT, UOP4, VIAL	5t21x.n↔		BOP, KVT, UOP4, VIAL	5t21z.4↔		BOP, KVT, UOP4, VIAL
	08	I08A, I08B, I08C, I08D, I08E, I08F, I18A, I18B, I30Z		08	I13A, I13B, I13C, I13D, I13E		08	I08A, I08B, I08C, I08D, I08E, I08F, I18A, I18B, I30Z
	21A	W04A, W04B		21A	W04A, W04B		21A	W04A, W04B
	21B	X06A, X06B, X06C		21B	X04Z		21B	X06A, X06B, X06C
5t21x.9↔		BOP, KVT, UOP4, VIAL	5t21x.p↔		BOP, KVT, UOP4, VIAL	5t21z.5↔		BOP, KVT, UOP4, VIAL
	08	I08A, I08B, I08C, I08D, I08E, I08F, I18A, I18B, I30Z		08	I13A, I13B, I13C, I13D, I13E		08	I08A, I08B, I08C, I08D, I08E, I08F, I18A, I18B, I30Z
	21A	W04A, W04B		21A	W04A, W04B		21A	W04A, W04B
	21B	X06A, X06B, X06C		21B	X04Z		21B	X06A, X06B, X06C
5t21x.a↔		BOP, KVT, UOP4, VIAL	5t21x.q↔		BOP, KVT, UOP4, VIAL	5t21z.6↔		BOP, KVT, UOP4, VIAL
	08	I32A, I32B, I32C, I32D, I32E, I32F, I32G		08	I13A, I13B, I13C, I13D, I13E		08	I08A, I08B, I08C, I08D, I08E, I08F, I13A, I13B, I18A, I18B, I30Z
	21A	W04A, W04B		21A	W04A, W04B		21A	W04A, W04B
	21B	X05A, X05B		21B	X04Z		21B	X06A, X06B, X06C
5t21x.b↔		BOP, KVT, UOP4, VIAL	5t21x.r↔		BOP, KVT, UOP4, VIAL	5t21z.7↔		BOP, KVT, UOP4, VIAL
	08	I32A, I32B, I32C, I32D, I32E, I32F, I32G		08	I20A, I20B, I20C, I20D, I20E, I20F		08	I08A, I08B, I08C, I08D, I08E, I08F, I18A, I18B, I30Z
	21A	W04A, W04B		21A	W04A, W04B		21A	W04A, W04B
	21B	X05A, X05B		21B	X04Z		21B	X06A, X06B, X06C
5t21x.c↔		BOP, KVT, UOP4, VIAL	5t21x.s↔		BOP, KVT, UOP4, VIAL	5t21z.8↔		BOP, KVT, UOP4, VIAL
	08	I32A, I32B, I32C, I32D, I32E, I32F, I32G		08	I20A, I20B, I20C, I20D, I20E, I20F		08	I08A, I08B, I08C, I08D, I08E, I08F, I18A, I18B, I30Z
	21A	W04A, W04B		21A	W04A, W04B		21A	W04A, W04B
	21B	X05A, X05B		21B	X04Z		21B	X06A, X06B, X06C
5t21x.d		BOP, KVT, UOP4, VIAL	5t21x.t↔		BOP, KVT, UOP4, VIAL	5t21z.9↔		BOP, KVT, UOP4, VIAL
	08	I08A, I08B, I08C, I08D, I08E, I08F		08	I20A, I20B, I20C, I20D, I20E, I20F		08	I08A, I08B, I08C, I08D, I08E, I08F, I18A, I18B, I30Z
	21A	W04A, W04B		21A	W04A, W04B		21A	W04A, W04B
	21B	X06A, X06B, X06C		21B	X04Z		21B	X06A, X06B, X06C
5t21x.e↔		BOP, KVT, UOP4, VIAL	5t21x.u↔		BOP, KVT, UOP4, VIAL	5t21z.a↔		BOP, KVT, UOP4, VIAL
	08	I08A, I08B, I08C, I08D, I08E, I08F		08	I20A, I20B, I20C, I20D, I20E, I20F		08	I08A, I08B, I08C, I08D, I08E, I08F, I18A, I18B, I30Z
	21A	W01A, W01B, W01C, W02A, W02B		21A	W04A, W04B		21A	W04A, W04B
	21B	X04Z		21B	X04Z		21B	X06A, X06B, X06C
5t21x.f↔		BOP, KVT, UOP4, VIAL	5t21x.v↔		BOP, KVT, UOP4, VIAL	5t21z.b↔		BOP, KVT, UOP4, VIAL
	08	I08A, I08B, I08C, I08D, I08E, I08F		08	I20A, I20B, I20C, I20D, I20E, I20F		08	I32A, I32B, I32C, I32D, I32E, I32F, I32G
	21A	W01A, W01B, W01C, W02A, W02B		21A	W04A, W04B		21A	W04A, W04B
	21B	X04Z		21B	X04Z		21B	X05A, X05B
5t21x.g↔		BOP, KVT, UOP4, VIAL	5t21x.w↔		BOP, KVT, UOP4, VIAL	5t21z.c↔		BOP, KVT, UOP4, VIAL
	08	I08A, I08B, I08C, I08D, I08E, I08F		08	I20A, I20B, I20C, I20D, I20E, I20F		08	I32A, I32B, I32C, I32D, I32E, I32F, I32G
	21A	W01A, W01B, W01C, W02A, W02B		21A	W04A, W04B		21A	W04A, W04B
	21B	X04Z		21B	X04Z		21B	X05A, X05B
5t21x.h↔		BOP, KVT, UOP4, VIAL	5t21x.x		BOP, KVT, UOP4	5t21z.d		BOP, KVT, UOP4, VIAL
	01	B03A, B03B, B06A, B06B, B17A, B17B, B17C		08	I28A, I28B		08	I08A, I08B, I08C, I08D, I08E, I08F
	08	I08A, I08B, I08C, I08D, I08E, I08F		21A	W04A, W04B		21A	W04A, W04B
	21A	W01A, W01B, W01C, W02A, W02B		21B	X06A, X06B, X06C		21B	X06A, X06B, X06C
	21B	X04Z		5t21x.z↔	BOP, KVT, UOP4, VIAL	5t21z.e↔		BOP, KVT, UOP4, VIAL
	21A	W01A, W01B, W01C, W02A, W02B		08	I28A, I28B, I28C		08	I08A, I08B, I08C, I08D, I08E, I08F
	21B	X04Z		21A	W04A, W04B		21A	W01A, W01B, W01C, W02A, W02B
5t21x.i↔		BOP, KVT, UOP4, VIAL	5t21z.0↔		BOP, KVT, UOP4, VIAL	5t21z.f↔		BOP, KVT, UOP4, VIAL
	01	B03A, B03B, B06A, B06B, B17A, B17B, B17C		08	I16Z		08	I08A, I08B, I08C, I08D, I08E, I08F
	08	I08A, I08B, I08C, I08D, I08E, I08F		21A	W04A, W04B		21A	W01A, W01B, W01C, W02A, W02B
	21A	W01A, W01B, W01C, W02A, W02B		21B	X06A, X06B, X06C		21B	X04Z
	21B	X04Z		5t21z.1↔	BOP, KVT, UOP4, VIAL		21B	X04Z
5t21x.j↔		BOP, KVT, UOP4, VIAL		08	I08A, I08B, I08C, I08D, I08E, I08F, I13A, I13B, I13C, I13D, I13E		08	I08A, I08B, I08C, I08D, I08E, I08F
	08	I18A, I18B, I30Z		21A	W04A, W04B		21A	W01A, W01B, W01C, W02A, W02B
	21A	W04A, W04B		21B	X06A, X06B, X06C		21B	X04Z
	21B	X04Z		5t21z.2↔	BOP, KVT, UOP4, VIAL		08	I08A, I08B, I08C, I08D, I08E, I08F
5t21x.k↔		BOP, KVT, UOP4, VIAL		08	I08A, I08B, I08C, I08D, I08E, I08F, I13A, I13B, I13C, I13D, I13E		21A	W01A, W01B, W01C, W02A, W02B
	08	I13A, I13B, I13C, I13D, I13E		21A	W04A, W04B		21B	X04Z
	21A	W04A, W04B		21B	X06A, X06B, X06C			
	21B	X04Z						

VYK

ZZV	MDC	DRG	ZZV	MDC	DRG	ZZV	MDC	DRG
5t21z.g↔		BOP, KVT, UOP4, VIAL	5t21z.x		BOP, KVT, UOP4	5t22a.r↔		BOP, KVT, UOP4, VIAL
	08	I08A, I08B, I08C, I08D, I08E, I08F		08	I28A, I28B		08	I20A, I20B, I20C, I20D, I20E, I20F
	21A	W01A, W01B, W01C, W02A, W02B		21A	W04A, W04B	5t22d.h↔		BOP, KVT, UOP4, VIAL
	21B	X04Z	5t21z.z↔		X06A, X06B, X06C		08	I18A, I18B, I30Z
5t21z.h↔		BOP, KVT, UOP4, VIAL		08	BOP, KVT, UOP4, VIAL	5t22d.j↔		BOP, KVT, UOP4, VIAL
	01	B03A, B03B, B06A, B06B, B17A, B17B, B17C		21A	I28A, I28B, I28C		08	I59Z
	08	I08A, I08B, I08C, I08D, I08E, I08F		21B	W04A, W04B	5t22d.k↔		BOP, KVT, UOP4, VIAL
	21A	W01A, W01B, W01C, W02A, W02B	5t221.e↔		X06A, X06B, X06C		08	I59Z
	21B	X04Z		08	BOP, KVT, UOP4, VIAL	5t22d.n↔		BOP, KVT, UOP4, VIAL
5t21z.j↔		BOP, KVT, UOP4, VIAL		21A	I08A, I08B, I08C, I08D, I08E, I08F		08	I20A, I20B, I20C, I20D, I20E, I20F
	08	I18A, I18B, I30Z	5t221.k↔		W04A, W04B	5t22d.p↔		BOP, KVT, UOP4, VIAL
	21A	W04A, W04B		21B	X06A, X06B, X06C		08	I20A, I20B, I20C, I20D, I20E, I20F
	21B	X04Z		08	BOP, KVT, UOP4, VIAL	5t22d.q↔		BOP, KVT, UOP4, VIAL
5t21z.k↔		BOP, KVT, UOP4, VIAL	5t221.n↔		I59Z		08	I20A, I20B, I20C, I20D, I20E, I20F
	08	I13A, I13B, I13C, I13D, I13E		08	BOP, KVT, UOP4, VIAL	5t22d.r↔		BOP, KVT, UOP4, VIAL
	21A	W04A, W04B		08	I20A, I20B, I20C, I20D, I20E, I20F		08	I20A, I20B, I20C, I20D, I20E, I20F
	21B	X04Z	5t221.p↔		BOP, KVT, UOP4, VIAL	5t22t.e↔		BOP, KVT, UOP4, VIAL
5t21z.m↔		BOP, KVT, UOP4, VIAL		08	I20A, I20B, I20C, I20D, I20E, I20F		08	I08A, I08B, I08C, I08D, I08E, I08F
	08	I13A, I13B, I13C, I13D, I13E	5t221.q↔		BOP, KVT, UOP4, VIAL		21A	W04A, W04B
	21A	W04A, W04B		08	I20A, I20B, I20C, I20D, I20E, I20F	5t22t.h↔	21B	X06A, X06B, X06C
	21B	X04Z		08	BOP, KVT, UOP4, VIAL			BOP, KVT, UOP4, VIAL
5t21z.n↔		BOP, KVT, UOP4, VIAL	5t221.r↔		I20A, I20B, I20C, I20D, I20E, I20F	5t22t.j↔		BOP, KVT, UOP4, VIAL
	08	I13A, I13B, I13C, I13D, I13E		08	BOP, KVT, UOP4, VIAL		08	I59Z
	21A	W04A, W04B	5t224.e↔		I08A, I08B, I08C, I08D, I08E, I08F	5t22t.k↔		BOP, KVT, UOP4, VIAL
	21B	X04Z		08	I20A, I20B, I20C, I20D, I20E, I20F		08	I59Z
5t21z.p↔		BOP, KVT, UOP4, VIAL		21A	W04A, W04B	5t22t.n↔		BOP, KVT, UOP4, VIAL
	08	I13A, I13B, I13C, I13D, I13E	5t224.h↔		X06A, X06B, X06C		08	I20A, I20B, I20C, I20D, I20E, I20F
	21A	W04A, W04B		08	BOP, KVT, UOP4, VIAL	5t22t.p↔		BOP, KVT, UOP4, VIAL
	21B	X04Z		08	I18A, I18B, I30Z		08	I20A, I20B, I20C, I20D, I20E, I20F
5t21z.q↔		BOP, KVT, UOP4, VIAL	5t224.j↔		BOP, KVT, UOP4, VIAL	5t22t.q↔		BOP, KVT, UOP4, VIAL
	08	I13A, I13B, I13C, I13D, I13E		08	I59Z		08	I20A, I20B, I20C, I20D, I20E, I20F
	21A	W04A, W04B	5t224.k↔		BOP, KVT, UOP4, VIAL		08	I20A, I20B, I20C, I20D, I20E, I20F
	21B	X04Z		08	I59Z	5t22t.r↔		BOP, KVT, UOP4, VIAL
5t21z.r↔		BOP, KVT, UOP4, VIAL	5t224.n↔		BOP, KVT, UOP4, VIAL		08	I20A, I20B, I20C, I20D, I20E, I20F
	08	I13A, I13B, I13C, I13D, I13E		08	I20A, I20B, I20C, I20D, I20E, I20F	5t22x.e↔		BOP, KVT, UOP4, VIAL
	21A	W04A, W04B		08	BOP, KVT, UOP4, VIAL		08	I08A, I08B, I08C, I08D, I08E, I08F
	21B	X04Z	5t224.p↔		I20A, I20B, I20C, I20D, I20E, I20F		21A	W04A, W04B
5t21z.s↔		BOP, KVT, UOP4, VIAL		08	BOP, KVT, UOP4, VIAL		21B	X06A, X06B, X06C
	08	I20A, I20B, I20C, I20D, I20E, I20F	5t224.q↔		I20A, I20B, I20C, I20D, I20E, I20F	5t22x.h↔		BOP, KVT, UOP4, VIAL
	21A	W04A, W04B		08	I20A, I20B, I20C, I20D, I20E, I20F		08	I18A, I18B, I30Z
	21B	X04Z	5t224.r↔		BOP, KVT, UOP4, VIAL	5t22x.j↔		BOP, KVT, UOP4, VIAL
5t21z.t↔		BOP, KVT, UOP4, VIAL		08	I20A, I20B, I20C, I20D, I20E, I20F		08	I59Z
	08	I20A, I20B, I20C, I20D, I20E, I20F	5t229.h↔		BOP, KVT, UOP4, VIAL	5t22x.k↔		BOP, KVT, UOP4, VIAL
	21A	W04A, W04B		08	I18A, I18B, I30Z		08	I59Z
	21B	X04Z	5t229.k↔		BOP, KVT, UOP4, VIAL	5t22x.n↔		BOP, KVT, UOP4, VIAL
5t21z.u↔		BOP, KVT, UOP4, VIAL		08	I59Z		08	I20A, I20B, I20C, I20D, I20E, I20F
	08	I20A, I20B, I20C, I20D, I20E, I20F	5t22a.h↔		BOP, KVT, UOP4, VIAL	5t22x.p↔		BOP, KVT, UOP4, VIAL
	21A	W04A, W04B		08	I18A, I18B, I30Z		08	I20A, I20B, I20C, I20D, I20E, I20F
	21B	X04Z	5t22a.j↔		BOP, KVT, UOP4, VIAL	5t22x.q↔		BOP, KVT, UOP4, VIAL
5t21z.v↔		BOP, KVT, UOP4, VIAL		08	I59Z		08	I20A, I20B, I20C, I20D, I20E, I20F
	08	I20A, I20B, I20C, I20D, I20E, I20F	5t22a.k↔		BOP, KVT, UOP4, VIAL		08	I20A, I20B, I20C, I20D, I20E, I20F
	21A	W04A, W04B		08	I59Z	5t22x.r↔		BOP, KVT, UOP4, VIAL
	21B	X04Z	5t22a.n↔		BOP, KVT, UOP4, VIAL		08	I20A, I20B, I20C, I20D, I20E, I20F
5t21z.w↔		BOP, KVT, UOP4, VIAL		08	I20A, I20B, I20C, I20D, I20E, I20F	5t22z.e↔		BOP, KVT, UOP4, VIAL
	08	I20A, I20B, I20C, I20D, I20E, I20F	5t22a.p↔		BOP, KVT, UOP4, VIAL		08	I08A, I08B, I08C, I08D, I08E, I08F
	21A	W04A, W04B		08	I20A, I20B, I20C, I20D, I20E, I20F		21A	W04A, W04B
	21B	X04Z	5t22a.q↔		BOP, KVT, UOP4, VIAL		21B	X06A, X06B, X06C
				08	I20A, I20B, I20C, I20D, I20E, I20F			

VYK

ZZV	MDC	DRG	ZZV	MDC	DRG	ZZV	MDC	DRG
5t22z.h↔		BOP, KVT, UOP4, VIAL	5t300.8↔		BOP, KVT, UOP4, VIAL	5t300.p↔		BOP, KVT, UOP4, VIAL
	08	I18A, I18B, I30Z		05	F13A		05	F13A
5t22z.j↔		BOP, KVT, UOP4, VIAL		08	I12A, I12B, I12C, I32A, I32B, I32C, I32D, I32E, I32F		08	I12A, I12B, I12C, I20A, I20B, I20C, I20D
	08	I59Z		21A	W04A, W04B		10	K09A, K09B
5t22z.k↔		BOP, KVT, UOP4, VIAL		21B	X05A, X05B		21A	W04A, W04B
	08	I59Z			BOP, KVT, UOP4, VIAL		21B	X04Z
5t22z.m↔		BOP, KVT, UOP4, VIAL	5t300.9↔		BOP, KVT, UOP4, VIAL	5t300.q↔		BOP, KVT, UOP4, VIAL
	08	I59Z		05	F13A		05	F13A
5t22z.n↔		BOP, KVT, UOP4, VIAL		08	I12A, I12B, I12C, I32A, I32B, I32C, I32D, I32E, I32F		08	I12A, I12B, I12C, I20A, I20B, I20C, I20D, I20E, I20F
	08	I20A, I20B, I20C, I20D, I20E, I20F		21A	W04A, W04B		10	K09A, K09B
5t22z.p↔		BOP, KVT, UOP4, VIAL		21B	X05A, X05B		21A	W04A, W04B
	08	I20A, I20B, I20C, I20D, I20E, I20F	5t300.e↔		BOP, KVT, UOP4, VIAL		21B	X04Z
5t22z.q↔		BOP, KVT, UOP4, VIAL		05	F13A	5t300.r↔		BOP, KVT, UOP4, VIAL
	08	I20A, I20B, I20C, I20D, I20E, I20F		08	I08A, I08B, I08C, I08D, I08E, I08F, I12A, I12B, I12C, I28A, I28B		05	F13A
5t22z.r↔		BOP, KVT, UOP4, VIAL		10	K09A, K09B		08	I12A, I12B, I12C, I20A, I20B, I20C, I20D, I20E, I20F
	08	I20A, I20B, I20C, I20D, I20E, I20F		21A	W04A, W04B		10	K09A, K09B
5t300.0↔		BOP, KVT, UOP4, VIAL		21B	X04Z, X06A, X06B, X06C		21A	W04A, W04B
	05	F13A	5t300.f		BOP, KVT, UOP4, VIAL		21B	X04Z
	08	I12A, I12B, I12C, I16Z		05	F13A	5t300.x		BOP, KVT, UOP4
	21A	W04A, W04B		08	I12A, I12B, I12C, I28A, I28B		05	F13A
	21B	X06A, X06B, X06C		10	K09A, K09B		08	I12A, I12B, I12C, I28A, I28B
5t300.1↔		BOP, KVT, UOP4, VIAL		21A	W04A, W04B		10	K09A, K09B
	05	F13A		21B	X04Z, X06A, X06B, X06C		21A	W04A, W04B
	08	I12A, I12B, I12C, I16Z	5t300.g↔		BOP, KVT, UOP4, VIAL		21B	X06A, X06B, X06C
	21A	W04A, W04B		05	F13A	5t301.0↔		BOP, KVT, UOP4, VIAL
	21B	X06A, X06B, X06C		08	I08A, I08B, I08C, I08D, I08E, I08F		05	F13A
5t300.2↔		BOP, KVT, UOP4, VIAL		21A	W01A, W01B, W01C, W02A, W02B		08	I16Z
	05	F13A		21B	X04Z		21A	W04A, W04B
	08	I12A, I12B, I12C, I28A, I28B	5t300.h↔		BOP, KVT, UOP4, VIAL		21B	X06A, X06B, X06C
	10	K09A, K09B		05	F13A	5t301.1↔		BOP, KVT, UOP4, VIAL
	21A	W04A, W04B		08	I12A, I12B, I18A, I18B, I30Z		05	F13A
	21B	X06A, X06B, X06C		10	K09A, K09B		08	I16Z
5t300.3↔		BOP, KVT, UOP4, VIAL		21A	W04A, W04B		21A	W04A, W04B
	05	F13A		21B	X04Z		21B	X06A, X06B, X06C
	08	I12A, I12B, I12C, I28A, I28B	5t300.j↔		BOP, KVT, UOP4, VIAL	5t301.2↔		BOP, KVT, UOP4, VIAL
	10	K09A, K09B		05	F13A		05	F13A
	21A	W04A, W04B		08	I12A, I12B, I12C, I18A, I18B, I30Z		08	I28A, I28B
	21B	X06A, X06B, X06C		10	K09A, K09B		10	K09A, K09B
5t300.4↔		BOP, KVT, UOP4, VIAL		21A	W04A, W04B		21A	W04A, W04B
	05	F13A		21B	X04Z		21B	X06A, X06B, X06C
	08	I08A, I08B, I08C, I08D, I08E, I08F, I12A, I12B, I12C, I21Z, I31Z	5t300.k↔		BOP, KVT, UOP4, VIAL	5t301.3↔		BOP, KVT, UOP4, VIAL
	10	K09A, K09B		05	F13A		05	F13A
	21A	W04A, W04B		08	I12A, I12B, I12C, I13A, I13B, I13C, I13D		08	I28A, I28B
	21B	X06A, X06B, X06C		10	K09A, K09B		10	K09A, K09B
5t300.5↔		BOP, KVT, UOP4, VIAL		21A	W04A, W04B		21A	W04A, W04B
	05	F13A		21B	X04Z		21B	X06A, X06B, X06C
	08	I08A, I08B, I08C, I08D, I08E, I08F, I12A, I12B, I12C, I21Z, I31Z	5t300.m↔		BOP, KVT, UOP4, VIAL	5t301.4↔		BOP, KVT, UOP4, VIAL
	10	K09A, K09B		05	F13A		05	F13A
	21A	W04A, W04B		08	I12A, I12B, I12C, I20A, I20B, I20C, I20D		08	I08A, I08B, I08C, I08D, I08E, I08F, I21Z, I31Z
	21B	X06A, X06B, X06C		10	K09A, K09B		10	K09A, K09B
5t300.6↔		BOP, KVT, UOP4, VIAL		21A	W04A, W04B		21A	W04A, W04B
	05	F13A	5t300.n↔		BOP, KVT, UOP4, VIAL		21B	X06A, X06B, X06C
	08	I08A, I08B, I08C, I08D, I08E, I08F, I12A, I12B, I12C, I32A, I32B, I32C, I32D, I32E, I32F		05	F13A	5t301.5↔		BOP, KVT, UOP4, VIAL
	21A	W04A, W04B		08	I12A, I12B, I12C, I20A, I20B, I20C, I20D		05	F13A
	21B	X05A, X05B		10	K09A, K09B		08	I08A, I08B, I08C, I08D, I08E, I08F, I21Z, I31Z
				21A	W04A, W04B		10	K09A, K09B
				21B	X04Z		21A	W04A, W04B
							21B	X06A, X06B, X06C

VYK

ZZV	MDC	DRG	ZZV	MDC	DRG	ZZV	MDC	DRG
5t301.6↔		BOP, KVT, UOP4, VIAL	5t301.p↔		BOP, KVT, UOP4, VIAL	5t302.6↔		BOP, KVT, UOP4, VIAL
	05	F13A		05	F13A		05	F13A
	08	I08A, I08B, I08C, I08D, I08E, I08F, I32A, I32B, I32C, I32D, I32E, I32F		08	I20A, I20B, I20C, I20D, I20E, I20F		08	I08A, I08B, I08C, I08D, I08E, I08F, I12A, I12B, I12C, I32A, I32B, I32C, I32D, I32E, I32F
	21A	W04A, W04B		10	K09A, K09B		21A	W04A, W04B
	21B	X05A, X05B		21A	W04A, W04B		21B	X05A, X05B
5t301.8↔		BOP, KVT, UOP4, VIAL	5t301.q↔		BOP, KVT, UOP4, VIAL	5t302.8↔		BOP, KVT, UOP4, VIAL
	05	F13A		05	F13A		05	F13A
	08	I32A, I32B, I32C, I32D, I32E, I32F		08	I20A, I20B, I20C, I20D, I20E, I20F		08	I12A, I12B, I12C, I32A, I32B, I32C, I32D, I32E, I32F
	21A	W04A, W04B		10	K09A, K09B		21A	W04A, W04B
	21B	X05A, X05B		21A	W04A, W04B		21B	X05A, X05B
5t301.9↔		BOP, KVT, UOP4, VIAL	5t301.r↔		BOP, KVT, UOP4, VIAL	5t302.9↔		BOP, KVT, UOP4, VIAL
	05	F13A		05	F13A		05	F13A
	08	I32A, I32B, I32C, I32D, I32E, I32F		08	I20A, I20B, I20C, I20D, I20E, I20F		08	I12A, I12B, I12C, I32A, I32B, I32C, I32D, I32E, I32F
	21A	W04A, W04B		10	K09A, K09B		21A	W04A, W04B
	21B	X05A, X05B		21A	W04A, W04B		21B	X05A, X05B
5t301.e↔		BOP, KVT, UOP4, VIAL	5t301.x		BOP, KVT, UOP4	5t302.e↔		BOP, KVT, UOP4, VIAL
	05	F13A		05	F13A		05	F13A
	08	I08A, I08B, I08C, I08D, I08E, I08F, I28A, I28B		08	I28A, I28B		08	I08A, I08B, I08C, I08D, I08E, I08F, I12A, I12B, I12C, I28A, I28B
	10	K09A, K09B		10	K09A, K09B		10	K09A, K09B
	21A	W04A, W04B		21A	W04A, W04B		21A	W04A, W04B
	21B	X04Z, X06A, X06B, X06C		21B	X06A, X06B, X06C		21B	X04Z, X06A, X06B, X06C
5t301.f		BOP, KVT, UOP4, VIAL	5t302.0↔		BOP, KVT, UOP4, VIAL	5t302.f		BOP, KVT, UOP4, VIAL
	05	F13A		05	F13A		05	F13A
	08	I28A, I28B		08	I12A, I12B, I12C, I16Z		08	I12A, I12B, I12C, I28A, I28B
	10	K09A, K09B		21A	W04A, W04B		10	K09A, K09B
	21A	W04A, W04B		21B	X06A, X06B, X06C		21A	W04A, W04B
	21B	X04Z, X06A, X06B, X06C		5t302.1↔	BOP, KVT, UOP4, VIAL		21B	X04Z, X06A, X06B, X06C
5t301.g↔		BOP, KVT, UOP4, VIAL		05	F13A	5t302.g↔		BOP, KVT, UOP4, VIAL
	05	F13A		08	I12A, I12B, I12C, I16Z		05	F13A
	08	I08A, I08B, I08C, I08D, I08E, I08F		21A	W04A, W04B		08	I12A, I12B, I12C, I18A, I18B, I30Z
	21A	W01A, W01B, W01C, W02A, W02B		21B	X06A, X06B, X06C		21A	W04A, W04B
	21B	X04Z	5t302.2↔		BOP, KVT, UOP4, VIAL		21B	X06A, X06B, X06C
5t301.h↔		BOP, KVT, UOP4, VIAL		05	F13A	5t302.h↔		BOP, KVT, UOP4, VIAL
	05	F13A		08	I12A, I12B, I12C, I28A, I28B		05	F13A
	08	I18A, I18B, I30Z		10	K09A, K09B		08	I12A, I12B, I12C, I18A, I18B, I30Z
	21A	W04A, W04B		21A	W04A, W04B		21A	W04A, W04B
	21B	X04Z		21B	X06A, X06B, X06C		21B	X04Z
5t301.j↔		BOP, KVT, UOP4, VIAL	5t302.3↔		BOP, KVT, UOP4, VIAL	5t302.j↔		BOP, KVT, UOP4, VIAL
	05	F13A		05	F13A		05	F13A
	08	I18A, I18B, I30Z		08	I12A, I12B, I12C, I28A, I28B		08	I12A, I12B, I12C, I18A, I18B, I30Z
	21A	W04A, W04B		10	K09A, K09B		21A	W04A, W04B
	21B	X04Z		21A	W04A, W04B		21B	X04Z
5t301.k↔		BOP, KVT, UOP4, VIAL	5t302.4↔		BOP, KVT, UOP4, VIAL	5t302.k↔		BOP, KVT, UOP4, VIAL
	05	F13A		05	F13A		05	F13A
	21A	W04A, W04B		08	I08A, I08B, I08C, I08D, I08E, I08F, I12A, I12B, I12C, I21Z, I31Z		08	I12A, I12B, I12C
	21B	X04Z		10	K09A, K09B		21A	W04A, W04B
5t301.m↔		BOP, KVT, UOP4, VIAL		21A	W04A, W04B		21B	X04Z
	05	F13A		21B	X06A, X06B, X06C	5t302.m↔		BOP, KVT, UOP4, VIAL
	08	I20A, I20B, I20C, I20D, I20E, I20F	5t302.5↔		BOP, KVT, UOP4, VIAL		05	F13A
	10	K09A, K09B		05	F13A		08	I12A, I12B, I12C, I20A, I20B, I20C, I20D, I20E, I20F
	21A	W04A, W04B		08	I08A, I08B, I08C, I08D, I08E, I08F, I12A, I12B, I12C, I21Z, I31Z		10	K09A, K09B
	21B	X04Z		10	K09A, K09B		21A	W04A, W04B
5t301.n↔		BOP, KVT, UOP4, VIAL		21A	W04A, W04B		21B	X04Z
	05	F13A		21B	X06A, X06B, X06C			
	08	I20A, I20B, I20C, I20D, I20E, I20F						
	10	K09A, K09B						
	21A	W04A, W04B						
	21B	X04Z						

VYK

ZZV	MDC	DRG	ZZV	MDC	DRG	ZZV	MDC	DRG
5t302.n↔		BOP, KVT, UOP4, VIAL	5t303.6↔		BOP, KVT, UOP4, VIAL	5t303.m↔		BOP, KVT, UOP4, VIAL
	05	F13A		05	F13A		05	F13A
	08	I12A, I12B, I12C, I20A, I20B, I20C, I20D, I20E, I20F		08	I08A, I08B, I08C, I08D, I08E, I08F, I12A, I12B, I12C, I32A, I32B, I32C, I32D, I32E, I32F		08	I12A, I12B, I12C, I20A, I20B, I20C, I20D
	10	K09A, K09B		09	J03A, J03B, J04A, J04B, J08A, J08B, J08C, J11A, J11B, J16Z		21A	W04A, W04B
	21A	W04A, W04B		21A	W04A, W04B		21B	X04Z
	21B	X04Z		21B	X05A, X05B	5t303.n↔		BOP, KVT, UOP4, VIAL
5t302.p↔		BOP, KVT, UOP4, VIAL	5t303.8↔		BOP, KVT, UOP4, VIAL		05	F13A
	05	F13A		05	F13A		08	I12A, I12B, I12C, I20A, I20B, I20C, I20D
	08	I12A, I12B, I12C, I20A, I20B, I20C, I20D, I20E, I20F		08	I12A, I12B, I12C, I32A, I32B, I32C, I32D, I32E, I32F		21A	W04A, W04B
	10	K09A, K09B		09	J03A, J03B, J04A, J04B, J08A, J08B, J08C, J11A, J11B, J16Z		21B	X04Z
	21A	W04A, W04B		21A	W04A, W04B	5t303.p↔		BOP, KVT, UOP4, VIAL
	21B	X04Z		21B	X05A, X05B		05	F13A
5t302.q↔		BOP, KVT, UOP4, VIAL	5t303.9↔		BOP, KVT, UOP4, VIAL		08	I12A, I12B, I12C, I20A, I20B, I20C, I20D
	05	F13A		05	F13A		21A	W04A, W04B
	08	I12A, I12B, I12C, I20A, I20B, I20C, I20D, I20E, I20F		08	I12A, I12B, I12C, I32A, I32B, I32C, I32D, I32E, I32F		21B	X04Z
	10	K09A, K09B		09	J03A, J03B, J04A, J04B, J08A, J08B, J08C, J11A, J11B, J16Z	5t303.q↔		BOP, KVT, UOP4, VIAL
	21A	W04A, W04B		21A	W04A, W04B		05	F13A
	21B	X04Z		21B	X05A, X05B		08	I12A, I12B, I12C, I20A, I20B, I20C, I20D, I20E, I20F
5t302.r↔		BOP, KVT, UOP4, VIAL	5t303.e↔		BOP, KVT, UOP4, VIAL		21A	W04A, W04B
	05	F13A		05	F13A		21B	X04Z
	08	I12A, I12B, I12C, I20A, I20B, I20C, I20D, I20E, I20F		08	I08A, I08B, I08C, I08D, I08E, I08F, I12A, I12B, I12C, I28A, I28B	5t303.r↔		BOP, KVT, UOP4, VIAL
	10	K09A, K09B		09	J03A, J03B, J04A, J04B, J08A, J08B, J08C, J11A, J11B, J16Z		05	F13A
	21A	W04A, W04B		21A	W04A, W04B		08	I12A, I12B, I12C, I20A, I20B, I20C, I20D, I20E, I20F
	21B	X04Z		21B	X05A, X05B		21A	W04A, W04B
5t302.x		BOP, KVT, UOP4	5t303.f		BOP, KVT, UOP4, VIAL		21B	X04Z
	05	F13A		05	F13A	5t303.q↔		BOP, KVT, UOP4, VIAL
	08	I12A, I12B, I12C, I28A, I28B		08	I08A, I08B, I08C, I08D, I08E, I08F, I12A, I12B, I12C, I28A, I28B		05	F13A
	10	K09A, K09B		09	J03A, J03B, J04A, J04B, J08A, J08B, J08C, J11A, J11B, J16Z		08	I12A, I12B, I12C, I20A, I20B, I20C, I20D, I20E, I20F
	21A	W04A, W04B		21A	W04A, W04B		21A	W04A, W04B
	21B	X06A, X06B, X06C		21B	X04Z, X06A, X06B, X06C		21B	X04Z
5t303.0↔		BOP, KVT, UOP4, VIAL	5t303.g↔		BOP, KVT, UOP4, VIAL	5t303.x		BOP, KVT, UOP4
	05	F13A		05	F13A		05	F13A
	08	I12A, I12B, I12C, I16Z		08	I12A, I12B, I12C, I28A, I28B		08	I12A, I12B, I12C, I28A, I28B
	21A	W04A, W04B		21A	W04A, W04B		21A	W04A, W04B
	21B	X06A, X06B, X06C		21B	X04Z, X06A, X06B, X06C		21B	X06A, X06B, X06C
5t303.1↔		BOP, KVT, UOP4, VIAL	5t303.h↔		BOP, KVT, UOP4, VIAL	5t304.0↔		BOP, KVT, UOP4, VIAL
	05	F13A		05	F13A		05	F13A
	08	I12A, I12B, I12C, I16Z		08	I08A, I08B, I08C, I08D, I08E, I08F		08	I12A, I12B, I12C, I16Z
	21A	W04A, W04B		21A	W01A, W01B, W01C, W02A, W02B		21A	W04A, W04B
	21B	X06A, X06B, X06C		21B	X04Z		21B	X06A, X06B, X06C
5t303.2↔		BOP, KVT, UOP4, VIAL	5t303.i↔		BOP, KVT, UOP4, VIAL	5t304.1↔		BOP, KVT, UOP4, VIAL
	05	F13A		05	F13A		05	F13A
	08	I12A, I12B, I12C, I28A, I28B		08	I12A, I12B, I12C, I18A, I18B, I30Z		08	I12A, I12B, I12C, I16Z
	21A	W04A, W04B		21A	W04A, W04B		21A	W04A, W04B
	21B	X06A, X06B, X06C		21B	X04Z		21B	X06A, X06B, X06C
5t303.3↔		BOP, KVT, UOP4, VIAL	5t303.j↔		BOP, KVT, UOP4, VIAL	5t304.2↔		BOP, KVT, UOP4, VIAL
	05	F13A		05	F13A		05	F13A
	08	I12A, I12B, I12C, I28A, I28B		08	I12A, I12B, I12C, I18A, I18B, I30Z		08	I12A, I12B, I12C, I27A, I27B, I27C, I27D
	21A	W04A, W04B		21A	W04A, W04B		21A	W04A, W04B
	21B	X06A, X06B, X06C		21B	X04Z		21B	X06A, X06B, X06C
5t303.4↔		BOP, KVT, UOP4, VIAL	5t303.k↔		BOP, KVT, UOP4, VIAL	5t304.3↔		BOP, KVT, UOP4, VIAL
	05	F13A		05	F13A		05	F13A
	08	I08A, I08B, I08C, I08D, I08E, I08F, I12A, I12B, I12C, I21Z, I31Z		08	I12A, I12B, I12C, I13A, I13B, I13C, I13D		08	I12A, I12B, I12C, I27A, I27B, I27C, I27D
	21A	W04A, W04B		21A	W04A, W04B		21A	W04A, W04B
	21B	X06A, X06B, X06C		21B	X04Z		21B	X06A, X06B, X06C
5t303.5↔		BOP, KVT, UOP4, VIAL				5t304.4↔		BOP, KVT, UOP4, VIAL
	05	F13A					05	F13A
	08	I08A, I08B, I08C, I08D, I08E, I08F, I12A, I12B, I12C, I21Z, I31Z					08	I08A, I08B, I08C, I08D, I08E, I08F, I12A, I12B, I12C, I21Z, I31Z
	21A	W04A, W04B					21A	W04A, W04B
	21B	X06A, X06B, X06C					21B	X06A, X06B, X06C

VYK

ZZV	MDC	DRG	ZZV	MDC	DRG	ZZV	MDC	DRG
5t304.5↔		BOP, KVT, UOP4, VIAL	5t304.k↔		BOP, KVT, UOP4, VIAL	5t305.4↔		BOP, KVT, UOP4, VIAL
	05	F13A		05	F13A		05	F13A
	08	I08A, I08B, I08C, I08D, I08E, I08F, I12A, I12B, I12C, I21Z, I31Z		08	I12A, I12B, I12C, I13A, I13B, I13C, I13D		08	I08A, I08B, I08C, I08D, I08E, I08F, I12A, I12B, I12C, I21Z, I31Z
	21A	W04A, W04B		21A	W04A, W04B		21A	W04A, W04B
5t304.6↔	21B	X06A, X06B, X06C	5t304.m↔	21B	X04Z	5t305.5↔	21B	X06A, X06B, X06C
		BOP, KVT, UOP4, VIAL			BOP, KVT, UOP4, VIAL			BOP, KVT, UOP4, VIAL
	05	F13A		05	F13A		05	F13A
	08	I08A, I08B, I08C, I08D, I08E, I08F, I12A, I12B, I12C, I32A, I32B, I32C, I32D, I32E, I32F		08	I12A, I12B, I12C, I20A, I20B, I20C, I20D, I20E, I20F		08	I08A, I08B, I08C, I08D, I08E, I08F, I12A, I12B, I12C, I21Z, I31Z
5t304.7↔	09	J03A, J03B, J04A, J04B, J08A, J08B, J08C, J11A, J11B, J16Z	5t304.n↔	21A	W04A, W04B	5t305.6↔	21A	W04A, W04B
	21A	W04A, W04B		05	F13A		21B	X06A, X06B, X06C
	21B	X05A, X05B		08	I12A, I12B, I12C, I20A, I20B, I20C, I20D, I20E, I20F			BOP, KVT, UOP4, VIAL
		BOP, KVT, UOP4, VIAL		21A	W04A, W04B		05	F13A
5t304.8↔	05	F13A	5t304.p↔	21B	X04Z	5t305.8↔	08	I08A, I08B, I08C, I08D, I08E, I08F, I12A, I12B, I12C, I32A, I32B, I32C, I32D, I32E, I32F
	08	I12A, I12B, I12C, I32A, I32B, I32C, I32D, I32E, I32F			BOP, KVT, UOP4, VIAL		09	J03A, J03B, J04A, J04B, J08A, J08B, J08C, J11A, J11B, J16Z
	09	J03A, J03B, J04A, J04B, J08A, J08B, J08C, J11A, J11B, J16Z		05	F13A		21A	W04A, W04B
	21A	W04A, W04B		08	I12A, I12B, I12C, I20A, I20B, I20C, I20D, I20E, I20F		21B	X05A, X05B
5t304.9↔	21B	X05A, X05B	5t304.q↔	21A	W04A, W04B	5t305.9↔		BOP, KVT, UOP4, VIAL
		BOP, KVT, UOP4, VIAL		21B	X04Z		05	F13A
	05	F13A			BOP, KVT, UOP4, VIAL		08	I12A, I12B, I12C, I32A, I32B, I32C, I32D, I32E, I32F
	08	I12A, I12B, I12C, I32A, I32B, I32C, I32D, I32E, I32F		05	F13A		09	J03A, J03B, J04A, J04B, J08A, J08B, J08C, J11A, J11B, J16Z
5t304.e↔	09	J03A, J03B, J04A, J04B, J08A, J08B, J08C, J11A, J11B, J16Z	5t304.r↔	21A	W04A, W04B	5t305.e↔	21A	W04A, W04B
	21A	W04A, W04B		21B	X04Z		21B	X05A, X05B
	21B	X05A, X05B			BOP, KVT, UOP4, VIAL			BOP, KVT, UOP4, VIAL
		BOP, KVT, UOP4, VIAL		05	F13A		05	F13A
5t304.f	08	I08A, I08B, I08C, I08D, I08E, I08F, I12A, I12B, I12C, I27A, I27B, I27C, I27D	5t304.x	08	I12A, I12B, I12C, I20A, I20B, I20C, I20D, I20E, I20F	5t305.f	08	I12A, I12B, I12C, I32A, I32B, I32C, I32D, I32E, I32F
	21A	W04A, W04B		21A	W04A, W04B		09	J03A, J03B, J04A, J04B, J08A, J08B, J08C, J11A, J11B, J16Z
	21B	X04Z, X06A, X06B, X06C		21B	X04Z		21A	W04A, W04B
		BOP, KVT, UOP4, VIAL		21A	W04A, W04B		21B	X05A, X05B
5t304.g↔	05	F13A	5t305.0↔	21B	X06A, X06B, X06C	5t305.g↔		BOP, KVT, UOP4, VIAL
	08	I12A, I12B, I12C, I27A, I27B, I27C, I27D			BOP, KVT, UOP4, VIAL		05	F13A
	21A	W04A, W04B		05	F13A		08	I08A, I08B, I08C, I08D, I08E, I08F, I12A, I12B, I12C, I27A, I27B, I27C, I27D
	21B	X04Z, X06A, X06B, X06C		08	I12A, I12B, I12C, I16Z		21A	W04A, W04B
5t304.h↔	21B	X06A, X06B, X06C	5t305.1↔	21A	W04A, W04B	5t305.h↔	21A	W04A, W04B
		BOP, KVT, UOP4, VIAL			BOP, KVT, UOP4, VIAL		21B	X04Z, X06A, X06B, X06C
	05	F13A		05	F13A			BOP, KVT, UOP4, VIAL
	08	I12A, I12B, I12C, I18A, I18B, I30Z		08	I12A, I12B, I12C, I16Z		05	F13A
5t304.j↔	21A	W04A, W04B	5t305.2↔	21A	W04A, W04B	5t305.i↔	08	I12A, I12B, I12C, I27A, I27B, I27C, I27D
	21B	X04Z			BOP, KVT, UOP4, VIAL		08	I12A, I12B, I12C, I27A, I27B, I27C, I27D
		BOP, KVT, UOP4, VIAL		05	F13A		21A	W04A, W04B
	05	F13A		08	I12A, I12B, I12C, I27A, I27B, I27C, I27D		21B	X06A, X06B, X06C
5t304.k↔	08	I12A, I12B, I12C, I18A, I18B, I30Z	5t305.3↔		BOP, KVT, UOP4, VIAL	5t305.j↔	21A	W04A, W04B
	21A	W04A, W04B		05	F13A		21B	X04Z, X06A, X06B, X06C
	21B	X04Z		08	I12A, I12B, I12C, I27A, I27B, I27C, I27D			BOP, KVT, UOP4, VIAL
		BOP, KVT, UOP4, VIAL		21A	W04A, W04B		05	F13A
5t304.l↔	05	F13A	5t305.4↔	21B	X06A, X06B, X06C	5t305.k↔	08	I12A, I12B, I12C, I18A, I18B, I30Z
	08	I12A, I12B, I12C, I18A, I18B, I30Z			BOP, KVT, UOP4, VIAL		21A	W04A, W04B
	21A	W04A, W04B		05	F13A		21B	X06A, X06B, X06C
	21B	X04Z		08	I12A, I12B, I12C, I27A, I27B, I27C, I27D			

VYK

ZZV	MDC	DRG	ZZV	MDC	DRG	ZZV	MDC	DRG
5t305.j↔		BOP, KVT, UOP4, VIAL	5t306.4↔	08	BOP, KVT, UOP4, VIAL	5t306.q↔	08	BOP, KVT, UOP4, VIAL
	05	F13A			08A, I08B, I08C, I08D, I08E, I08F, I12A, I12B, I12C, I21Z, I31Z		08	I12A, I12B, I12C, I20A, I20B, I20C, I20D, I20E, I20F
	08	I12A, I12B, I12C, I18A, I18B, I30Z		21A	W04A, W04B		21A	W04A, W04B
5t305.k↔	21A	W04A, W04B	5t306.5↔	21B	X06A, X06B, X06C	5t306.r↔	21B	X04Z
	21B	X04Z			BOP, KVT, UOP4, VIAL			BOP, KVT, UOP4, VIAL
		BOP, KVT, UOP4, VIAL		08	I08A, I08B, I08C, I08D, I08E, I08F, I12A, I12B, I12C, I21Z, I31Z		08	I12A, I12B, I12C, I20A, I20B, I20C, I20D, I20E, I20F
5t305.l↔	05	F13A	5t306.6↔	21A	W04A, W04B	5t306.x	21A	W04A, W04B
	08	I12A, I12B, I12C, I13A, I13B, I13C, I13D		21B	X06A, X06B, X06C		08	I12A, I12B, I12C, I28A, I28B
	21A	W04A, W04B			BOP, KVT, UOP4, VIAL		21A	W04A, W04B
5t305.m↔	21B	X04Z	5t306.7↔	08	I08A, I08B, I08C, I08D, I08E, I08F, I12A, I12B, I12C, I32A, I32B, I32C, I32D, I32E, I32F	5t307.0↔	21B	X06A, X06B, X06C
		BOP, KVT, UOP4, VIAL		21A	W04A, W04B		08	BOP, KVT, UOP4, VIAL
	05	F13A		21B	X05A, X05B		21A	W04A, W04B
5t305.n↔	08	I12A, I12B, I12C, I20A, I20B, I20C, I20D	5t306.8↔		BOP, KVT, UOP4, VIAL	5t307.1↔	21B	X06A, X06B, X06C
	21A	W04A, W04B		08	I12A, I12B, I12C, I32A, I32B, I32C, I32D, I32E, I32F		08	BOP, KVT, UOP4, VIAL
	21B	X04Z		21A	W04A, W04B		21A	W04A, W04B
5t305.o↔		BOP, KVT, UOP4, VIAL	5t306.9↔	21B	X05A, X05B	5t307.2↔	21B	X06A, X06B, X06C
	05	F13A			BOP, KVT, UOP4, VIAL		08	I12A, I12B, I12C, I23A, I23B
	08	I12A, I12B, I12C, I20A, I20B, I20C, I20D		08	I12A, I12B, I12C, I32A, I32B, I32C, I32D, I32E, I32F		21A	W04A, W04B
5t305.p↔	21A	W04A, W04B	5t306.e↔	21A	W04A, W04B	5t307.3↔	21B	X06A, X06B, X06C
	21B	X04Z		08	I08A, I08B, I08C, I08D, I08E, I08F		08	I12A, I12B, I12C, I23A, I23B
		BOP, KVT, UOP4, VIAL			BOP, KVT, UOP4, VIAL		21A	W04A, W04B
5t305.q↔	05	F13A	5t306.g↔	08	I08A, I08B, I08C, I08D, I08E, I08F	5t307.4↔	21B	X06A, X06B, X06C
	08	I12A, I12B, I12C, I20A, I20B, I20C, I20D, I20E, I20F		21A	W01A, W01B, W01C, W02A, W02B		08	I08A, I08B, I08C, I08D, I08E, I08F, I12A, I12B, I12C, I21Z, I31Z
	21A	W04A, W04B		21B	X04Z		21A	W04A, W04B
5t305.r↔	21B	X04Z	5t306.h↔	01	B03A, B03B, B06A, B06B, B17A, B17B, B17C	5t307.5↔	21B	X06A, X06B, X06C
		BOP, KVT, UOP4, VIAL		08	I12A, I12B, I12C, I18A, I18B, I30Z		08	I08A, I08B, I08C, I08D, I08E, I08F, I12A, I12B, I12C, I21Z, I31Z
	05	F13A		21A	W04A, W04B		21A	W04A, W04B
5t305.s↔	08	I12A, I12B, I12C, I20A, I20B, I20C, I20D, I20E, I20F	5t306.i↔	21B	X04Z	5t307.6↔	21B	X06A, X06B, X06C
	21A	W04A, W04B			BOP, KVT, UOP4, VIAL		08	I08A, I08B, I08C, I08D, I08E, I08F, I12A, I12B, I12C, I32A, I32B, I32C, I32D, I32E, I32F
	21B	X04Z		08	I13A, I13B, I13C, I13D		09	J03A, J03B, J04A, J04B, J08A, J08B, J08C, J11A, J11B, J16Z
5t305.t↔		BOP, KVT, UOP4, VIAL	5t306.k↔	01	B03A, B03B, B06A, B06B, B17A, B17B, B17C	5t307.7↔	21A	W04A, W04B
	05	F13A		08	I12A, I12B, I12C, I13A, I13B, I13C, I13D		21A	W04A, W04B
	08	I12A, I12B, I12C, I27A, I27B, I27C, I27D		21A	W04A, W04B		21B	X05A, X05B
5t306.0↔	21A	W04A, W04B	5t306.l↔	21B	X04Z	5t307.8↔	21B	X06A, X06B, X06C
	21B	X06A, X06B, X06C			BOP, KVT, UOP4, VIAL		08	I12A, I12B, I12C, I32A, I32B, I32C, I32D, I32E, I32F
		BOP, KVT, UOP4, VIAL		08	I12A, I12B, I12C, I20A, I20B, I20C, I20D, I20E, I20F		09	J03A, J03B, J04A, J04B, J08A, J08B, J08C, J11A, J11B, J16Z
5t306.1↔	08	I12A, I12B, I12C, I16Z	5t306.m↔	21A	W04A, W04B	5t307.9↔	21A	W04A, W04B
	21A	W04A, W04B		21B	X04Z		21B	X05A, X05B
	21B	X06A, X06B, X06C			BOP, KVT, UOP4, VIAL		08	BOP, KVT, UOP4, VIAL
5t306.2↔		BOP, KVT, UOP4, VIAL	5t306.n↔	08	I12A, I12B, I12C, I20A, I20B, I20C, I20D, I20E, I20F	5t307.0↔	08	I12A, I12B, I12C, I32A, I32B, I32C, I32D, I32E, I32F
	08	I12A, I12B, I12C, I28A, I28B		21A	W04A, W04B		09	J03A, J03B, J04A, J04B, J08A, J08B, J08C, J11A, J11B, J16Z
	21A	W04A, W04B		21B	X04Z		21A	W04A, W04B
5t306.3↔	21B	X06A, X06B, X06C	5t306.o↔	08	I12A, I12B, I12C, I20A, I20B, I20C, I20D, I20E, I20F	5t307.1↔	21B	X05A, X05B
		BOP, KVT, UOP4, VIAL		21A	W04A, W04B		08	BOP, KVT, UOP4, VIAL
	08	I12A, I12B, I12C, I28A, I28B		21B	X04Z		21A	W04A, W04B
5t306.4↔	21A	W04A, W04B	5t306.p↔	08	I12A, I12B, I12C, I20A, I20B, I20C, I20D, I20E, I20F	5t307.2↔	21A	W04A, W04B
	21B	X06A, X06B, X06C		21A	W04A, W04B		21B	X05A, X05B
		BOP, KVT, UOP4, VIAL		21B	X04Z			

VYK

ZZV	MDC	DRG	ZZV	MDC	DRG	ZZV	MDC	DRG
5t307.e↔		BOP, KVT, UOP4, VIAL	5t308.2↔		BOP, KVT, UOP4, VIAL	5t308.k↔		BOP, KVT, UOP4, VIAL
	08	I08A, I08B, I08C, I08D, I08E, I08F, I12A, I12B, I12C, I23A		08	I28A, I28B		08	I13A, I13B, I13C, I13D
	21A	W04A, W04B		10	K09A, K09B		10	K09A, K09B
	21B	X04Z, X06A, X06B, X06C		21A	W04A, W04B		21A	W04A, W04B
5t307.f		BOP, KVT, UOP4, VIAL	5t308.3↔		BOP, KVT, UOP4, VIAL	5t308.m↔		BOP, KVT, UOP4, VIAL
	08	I12A, I12B, I12C, I23A, I23B		08	I28A, I28B		08	I20A, I20B, I20C, I20D, I20E, I20F
	21A	W04A, W04B		10	K09A, K09B		10	K09A, K09B
	21B	X04Z, X06A, X06B, X06C		21A	W04A, W04B		21A	W04A, W04B
5t307.g↔		BOP, KVT, UOP4, VIAL	5t308.4↔		BOP, KVT, UOP4, VIAL	5t308.n↔		BOP, KVT, UOP4, VIAL
	08	I08A, I08B, I08C, I08D, I08E, I08F		08	I08A, I08B, I08C, I08D, I08E, I08F, I21Z, I31Z		08	I20A, I20B, I20C, I20D, I20E, I20F
	21A	W01A, W01B, W01C, W02A, W02B		10	K09A, K09B		10	K09A, K09B
	21B	X04Z		21A	W04A, W04B		21A	W04A, W04B
5t307.h↔		BOP, KVT, UOP4, VIAL	5t308.5↔		BOP, KVT, UOP4, VIAL	5t308.p↔		BOP, KVT, UOP4, VIAL
	08	I12A, I12B, I12C, I18A, I18B, I30Z		08	I08A, I08B, I08C, I08D, I08E, I08F, I21Z, I31Z		08	I20A, I20B, I20C, I20D, I20E, I20F
	21A	W04A, W04B		10	K09A, K09B		10	K09A, K09B
	21B	X04Z		21A	W04A, W04B		21A	W04A, W04B
5t307.j↔		BOP, KVT, UOP4, VIAL	5t308.6↔		BOP, KVT, UOP4, VIAL	5t308.q↔		BOP, KVT, UOP4, VIAL
	08	I12A, I12B, I12C, I18A, I18B, I30Z		08	I08A, I08B, I08C, I08D, I08E, I08F, I32A, I32B, I32C, I32D, I32E, I32F		08	I20A, I20B, I20C, I20D, I20E, I20F
	21A	W04A, W04B		21A	W04A, W04B		10	K09A, K09B
	21B	X04Z		21B	X05A, X05B		21A	W04A, W04B
5t307.k↔		BOP, KVT, UOP4, VIAL	5t308.8↔		BOP, KVT, UOP4, VIAL	5t308.r↔		BOP, KVT, UOP4, VIAL
	08	I12A, I12B, I12C, I13A, I13B, I13C, I13D		08	I32A, I32B, I32C, I32D, I32E, I32F		08	I20A, I20B, I20C, I20D, I20E, I20F
	21A	W04A, W04B		21A	W04A, W04B		10	K09A, K09B
	21B	X04Z		21B	X05A, X05B		21A	W04A, W04B
5t307.m↔		BOP, KVT, UOP4, VIAL	5t308.9↔		BOP, KVT, UOP4, VIAL	5t308.x		BOP, KVT, UOP4
	08	I12A, I12B, I12C, I20A, I20B, I20C, I20D, I20E, I20F		08	I32A, I32B, I32C, I32D, I32E, I32F		08	I28A, I28B
	21A	W04A, W04B		21A	W04A, W04B		10	K09A, K09B
	21B	X04Z		21B	X05A, X05B		21A	W04A, W04B
5t307.n↔		BOP, KVT, UOP4, VIAL	5t308.e↔		BOP, KVT, UOP4, VIAL	5t309.0↔		BOP, KVT, UOP4, VIAL
	08	I12A, I12B, I12C, I20A, I20B, I20C, I20D, I20E, I20F		08	I08A, I08B, I08C, I08D, I08E, I08F, I28A, I28B		01	B03A, B03B, B06A, B06B, B07Z, B17A, B17B, B17C
	21A	W04A, W04B		10	K09A, K09B		08	I27A, I27B, I27C, I27D
	21B	X04Z		21A	W04A, W04B		09	J03A, J03B, J04A, J04B, J08A, J08B, J08C, J11A, J11B, J16Z
5t307.p↔		BOP, KVT, UOP4, VIAL	5t308.f		BOP, KVT, UOP4, VIAL		10	K09A, K09B
	08	I12A, I12B, I12C, I20A, I20B, I20C, I20D, I20E, I20F		08	I28A, I28B		21A	W04A, W04B
	21A	W04A, W04B		10	K09A, K09B		21B	X06A, X06B, X06C
	21B	X04Z		21A	W04A, W04B		21B	X06A, X06B, X06C
5t307.q↔		BOP, KVT, UOP4, VIAL	5t308.g↔		BOP, KVT, UOP4, VIAL	5t309.1↔		BOP, KVT, UOP4, VIAL
	08	I12A, I12B, I12C, I20A, I20B, I20C, I20D, I20E, I20F		08	I08A, I08B, I08C, I08D, I08E, I08F		01	B03A, B03B, B06A, B06B, B07Z, B17A, B17B, B17C
	21A	W04A, W04B		21A	W01A, W01B, W01C, W02A, W02B		08	I27A, I27B, I27C, I27D
	21B	X04Z		21B	X04Z		09	J03A, J03B, J04A, J04B, J08A, J08B, J08C, J11A, J11B, J16Z
5t307.r↔		BOP, KVT, UOP4, VIAL	5t308.h↔		BOP, KVT, UOP4, VIAL		10	K09A, K09B
	08	I12A, I12B, I12C, I20A, I20B, I20C, I20D, I20E, I20F		08	I18A, I18B, I30Z		21A	W04A, W04B
	21A	W04A, W04B		10	K09A, K09B		21B	X06A, X06B, X06C
	21B	X04Z		21A	W04A, W04B		21B	X06A, X06B, X06C
5t307.x		BOP, KVT, UOP4	5t308.j↔		BOP, KVT, UOP4, VIAL	5t309.2↔		BOP, KVT, UOP4, VIAL
	08	I12A, I12B, I12C, I23A, I23B		08	I18A, I18B, I30Z		01	B03A, B03B, B06A, B06B, B07Z, B17A, B17B, B17C
	21A	W04A, W04B		10	K09A, K09B		08	I27A, I27B, I27C, I27D
	21B	X06A, X06B, X06C		21A	W04A, W04B		09	J03A, J03B, J04A, J04B, J08A, J08B, J08C, J11A, J11B, J16Z
5t308.0↔		BOP, KVT, UOP4, VIAL		21B	X04Z		10	K09A, K09B
	08	I12A, I12B, I12C, I16Z		5t308.1↔			21A	W04A, W04B
	21A	W04A, W04B		08	I16Z		21B	X06A, X06B, X06C
	21B	X06A, X06B, X06C		21A	W04A, W04B			
5t308.1↔		BOP, KVT, UOP4, VIAL		21B	X04Z			
	08	I16Z						
	21A	W04A, W04B						
	21B	X06A, X06B, X06C						

ZZV	MDC	DRG	ZZV	MDC	DRG	ZZV	MDC	DRG
5t30a.3↔		BOP, KVT, UOP4, VIAL	5t30a.j↔		BOP, KVT, UOP4, VIAL	5t30b.2↔		BOP, KVT, UOP4, VIAL
05		F13A, F27A, F27B, F27C	05		F13A, F27A, F27B, F27C	05		F13A
08		I12A, I12B, I12C, I28A, I28B	08		I12A, I12B, I12C, I18A, I18B, I30Z	08		I12A, I12B, I12C, I28A, I28B
10		K09A, K09B	10		K09A, K09B	10		K09A, K09B
21A		W04A, W04B	21A		W04A, W04B	21A		W04A, W04B
21B		X06A, X06B, X06C	21B		X04Z	21B		X06A, X06B, X06C
5t30a.4↔		BOP, KVT, UOP4, VIAL	5t30a.k↔		BOP, KVT, UOP4, VIAL	5t30b.3↔		BOP, KVT, UOP4, VIAL
05		F13A, F27A, F27B, F27C	05		F13A, F27A, F27B, F27C	05		F13A
08		I08A, I08B, I08C, I08D, I08E, I08F, I12A, I12B, I12C, I21Z, I31Z	08		I12A, I12B, I12C, I13A, I13B, I13C, I13D	08		I12A, I12B, I12C, I28A, I28B
10		K09A, K09B	10		K09A, K09B	10		K09A, K09B
21A		W04A, W04B	21A		W04A, W04B	21A		W04A, W04B
21B		X06A, X06B, X06C	21B		X04Z	21B		X06A, X06B, X06C
5t30a.5↔		BOP, KVT, UOP4, VIAL	5t30a.m↔		BOP, KVT, UOP4, VIAL	5t30b.4↔		BOP, KVT, UOP4, VIAL
05		F13A, F27A, F27B, F27C	05		F13A, F27A, F27B, F27C	05		F13A
08		I08A, I08B, I08C, I08D, I08E, I08F, I12A, I12B, I12C, I21Z, I31Z	08		I12A, I12B, I12C, I20A, I20B, I20C, I20D, I20E, I20F	08		I08A, I08B, I08C, I08D, I08E, I08F, I12A, I12B, I12C, I21Z, I31Z
10		K09A, K09B	10		K09A, K09B	10		K09A, K09B
21A		W04A, W04B	21A		W04A, W04B	21A		W04A, W04B
21B		X06A, X06B, X06C	21B		X04Z	21B		X06A, X06B, X06C
5t30a.6↔		BOP, KVT, UOP4, VIAL	5t30a.n↔		BOP, KVT, UOP4, VIAL	5t30b.5↔		BOP, KVT, UOP4, VIAL
05		F13A	05		F13A, F27A, F27B, F27C	05		F13A
08		I08A, I08B, I08C, I08D, I08E, I08F, I12A, I12B, I12C, I32A, I32B, I32C, I32D, I32E, I32F	08		I12A, I12B, I12C, I20A, I20B, I20C, I20D, I20E, I20F	08		I08A, I08B, I08C, I08D, I08E, I08F, I12A, I12B, I12C, I21Z, I31Z
21A		W04A, W04B	21A		W04A, W04B	10		K09A, K09B
21B		X05A, X05B	21B		X04Z	21A		W04A, W04B
5t30a.8↔		BOP, KVT, UOP4, VIAL	5t30a.p↔		BOP, KVT, UOP4, VIAL	21B		X06A, X06B, X06C
05		F13A	05		F13A, F27A, F27B, F27C	5t30b.6↔		BOP, KVT, UOP4, VIAL
08		I12A, I12B, I12C, I32A, I32B, I32C, I32D, I32E, I32F	08		I12A, I12B, I12C, I20A, I20B, I20C, I20D, I20E, I20F	05		F13A
21A		W04A, W04B	10		K09A, K09B	08		I08A, I08B, I08C, I08D, I08E, I08F, I12A, I12B, I12C, I32A, I32B, I32C, I32D, I32E, I32F
21B		X05A, X05B	21A		W04A, W04B	21A		W04A, W04B
5t30a.9↔		BOP, KVT, UOP4, VIAL	21B		X04Z	21B		X06A, X06B, X06C
05		F13A	5t30a.q↔		BOP, KVT, UOP4, VIAL	5t30b.8↔		BOP, KVT, UOP4, VIAL
08		I12A, I12B, I12C, I32A, I32B, I32C, I32D, I32E, I32F	05		F13A, F27A, F27B, F27C	05		F13A
21A		W04A, W04B	08		I12A, I12B, I12C, I20A, I20B, I20C, I20D, I20E, I20F	08		I12A, I12B, I12C, I32A, I32B, I32C, I32D, I32E, I32F
21B		X05A, X05B	10		K09A, K09B	21A		W04A, W04B
5t30a.e↔		BOP, KVT, UOP4, VIAL	21A		W04A, W04B	21B		X05A, X05B
05		F13A, F27A, F27B, F27C	21B		X04Z	5t30b.9↔		BOP, KVT, UOP4, VIAL
08		I08A, I08B, I08C, I08D, I08E, I08F, I12A, I12B, I12C, I28A, I28B	5t30a.r↔		BOP, KVT, UOP4, VIAL	05		F13A
10		K09A, K09B	05		F13A, F27A, F27B, F27C	08		I12A, I12B, I12C, I32A, I32B, I32C, I32D, I32E, I32F
21A		W04A, W04B	08		I12A, I12B, I12C, I20A, I20B, I20C, I20D, I20E, I20F	21A		W04A, W04B
21B		X04Z, X06A, X06B, X06C	10		K09A, K09B	21B		X05A, X05B
5t30a.f		BOP, KVT, UOP4, VIAL	21A		W04A, W04B	5t30b.e↔		BOP, KVT, UOP4, VIAL
05		F13A, F27A, F27B, F27C	21B		X04Z	05		F13A
08		I12A, I12B, I12C, I28A, I28B	5t30a.x		BOP, KVT, UOP4	08		I08A, I08B, I08C, I08D, I08E, I08F, I12A, I12B, I12C, I28A, I28B
10		K09A, K09B	05		F13A, F27A, F27B, F27C	10		K09A, K09B
21A		W04A, W04B	08		I12A, I12B, I12C, I28A, I28B	21A		W04A, W04B
21B		X04Z, X06A, X06B, X06C	10		K09A, K09B	21B		X04Z, X06A, X06B, X06C
5t30a.g↔		BOP, KVT, UOP4, VIAL	21A		W04A, W04B	5t30b.f		BOP, KVT, UOP4, VIAL
05		F13A	21B		X06A, X06B, X06C	05		F13A
08		I08A, I08B, I08C, I08D, I08E, I08F	5t30b.0↔		BOP, KVT, UOP4, VIAL	08		I12A, I12B, I12C, I28A, I28B
21A		W01A, W01B, W01C, W02A, W02B	05		F13A	10		K09A, K09B
21B		X04Z	08		I12A, I12B, I12C, I16Z	21A		W04A, W04B
5t30a.h↔		BOP, KVT, UOP4, VIAL	21A		W04A, W04B	21B		X04Z, X06A, X06B, X06C
05		F13A, F27A, F27B, F27C	5t30b.1↔		BOP, KVT, UOP4, VIAL	5t30b.g↔		BOP, KVT, UOP4, VIAL
08		I12A, I12B, I18A, I18B, I30Z	05		F13A	05		F13A
10		K09A, K09B	08		I12A, I12B, I12C, I16Z	08		I08A, I08B, I08C, I08D, I08E, I08F
21A		W04A, W04B	21A		W04A, W04B	21A		W01A, W01B, W01C, W02A, W02B
21B		X04Z	21B		X06A, X06B, X06C	21B		X04Z

ZZV	MDC	DRG	ZZV	MDC	DRG	ZZV	MDC	DRG
5t30b.h↔		BOP, KVT, UOP4, VIAL	5t30c.1↔		BOP, KVT, UOP4, VIAL	5t30c.h↔		BOP, KVT, UOP4, VIAL
	05	F13A		08	I12A, I12B, I12C, I16Z		08	I12A, I12B, I12C, I18A, I18B, I30Z
	08	I12A, I12B, I12C, I18A, I18B, I30Z		21A	W04A, W04B		21A	W04A, W04B
	10	K09A, K09B	5t30c.2↔		BOP, KVT, UOP4, VIAL	5t30c.j↔		BOP, KVT, UOP4, VIAL
	21A	W04A, W04B		08	I12A, I12B, I12C, I27A, I27B, I27C, I27D		08	I12A, I12B, I12C, I18A, I18B, I30Z
	21B	X04Z		21A	W04A, W04B		21A	W04A, W04B
5t30b.j↔		BOP, KVT, UOP4, VIAL		21B	X06A, X06B, X06C		21B	X04Z
	05	F13A	5t30c.3↔		BOP, KVT, UOP4, VIAL	5t30c.k↔		BOP, KVT, UOP4, VIAL
	08	I12A, I12B, I12C, I18A, I18B, I30Z		08	I12A, I12B, I12C, I27A, I27B, I27C, I27D		08	I12A, I12B, I12C, I13A, I13B, I13C, I13D
	10	K09A, K09B		21A	W04A, W04B		21A	W04A, W04B
	21A	W04A, W04B		21B	X06A, X06B, X06C		21A	W04A, W04B
	21B	X04Z	5t30c.4↔		BOP, KVT, UOP4, VIAL		21B	X04Z
5t30b.k↔		BOP, KVT, UOP4, VIAL		08	I08A, I08B, I08C, I08D, I08E, I08F, I12A, I12B, I12C, I21Z, I31Z	5t30c.m↔		BOP, KVT, UOP4, VIAL
	05	F13A		21A	W04A, W04B		08	I12A, I12B, I12C, I20A, I20B, I20C, I20D
	08	I12A, I12B, I12C, I13A, I13B, I13C, I13D		21B	X06A, X06B, X06C		21A	W04A, W04B
	10	K09A, K09B	5t30c.5↔		BOP, KVT, UOP4, VIAL		21B	X04Z
	21A	W04A, W04B		08	I08A, I08B, I08C, I08D, I08E, I08F, I12A, I12B, I12C, I21Z, I31Z	5t30c.n↔		BOP, KVT, UOP4, VIAL
	21B	X04Z		21A	W04A, W04B		08	I12A, I12B, I12C, I20A, I20B, I20C, I20D
5t30b.m↔		BOP, KVT, UOP4, VIAL		21B	X06A, X06B, X06C		21A	W04A, W04B
	05	F13A	5t30c.6↔		BOP, KVT, UOP4, VIAL		21B	X04Z
	08	I12A, I12B, I12C, I20A, I20B, I20C, I20D, I20E, I20F		08	I08A, I08B, I08C, I08D, I08E, I08F, I12A, I12B, I12C, I32A, I32B, I32C, I32D, I32E, I32F	5t30c.p↔		BOP, KVT, UOP4, VIAL
	10	K09A, K09B		21A	W04A, W04B		08	I12A, I12B, I12C, I20A, I20B, I20C, I20D
	21A	W04A, W04B		21B	X06A, X06B, X06C		21A	W04A, W04B
	21B	X04Z		08	I08A, I08B, I08C, I08D, I08E, I08F, I12A, I12B, I12C, I32A, I32B, I32C, I32D, I32E, I32F		21B	X04Z
5t30b.n↔		BOP, KVT, UOP4, VIAL		09	J03A, J03B, J04A, J04B, J08A, J08B, J08C, J11A, J11B, J16Z	5t30c.q↔		BOP, KVT, UOP4, VIAL
	05	F13A		21A	W04A, W04B		08	I12A, I12B, I12C, I20A, I20B, I20C, I20D, I20E, I20F
	08	I12A, I12B, I12C, I20A, I20B, I20C, I20D, I20E, I20F		21B	X05A, X05B		21A	W04A, W04B
	10	K09A, K09B	5t30c.8↔		BOP, KVT, UOP4, VIAL		21B	X04Z
	21A	W04A, W04B		08	I12A, I12B, I12C, I32A, I32B, I32C, I32D, I32E, I32F	5t30c.r↔		BOP, KVT, UOP4, VIAL
	21B	X04Z		09	J03A, J03B, J04A, J04B, J08A, J08B, J08C, J11A, J11B, J16Z		08	I12A, I12B, I12C, I20A, I20B, I20C, I20D, I20E, I20F
5t30b.p↔		BOP, KVT, UOP4, VIAL		21A	W04A, W04B		21A	W04A, W04B
	05	F13A		21B	X05A, X05B	5t30c.x		BOP, KVT, UOP4
	08	I12A, I12B, I12C, I20A, I20B, I20C, I20D, I20E, I20F	5t30c.9↔		BOP, KVT, UOP4, VIAL		08	I12A, I12B, I12C, I27A, I27B, I27C, I27D
	10	K09A, K09B		08	I12A, I12B, I12C, I32A, I32B, I32C, I32D, I32E, I32F		21A	W04A, W04B
	21A	W04A, W04B		09	J03A, J03B, J04A, J04B, J08A, J08B, J08C, J11A, J11B, J16Z		21B	X04Z
	21B	X04Z		21A	W04A, W04B		21A	W04A, W04B
5t30b.q↔		BOP, KVT, UOP4, VIAL		21B	X05A, X05B		08	I12A, I12B, I12C, I27A, I27B, I27C, I27D
	05	F13A		08	I12A, I12B, I12C, I32A, I32B, I32C, I32D, I32E, I32F	5t30c.0↔		BOP, KVT, UOP4, VIAL
	08	I12A, I12B, I12C, I20A, I20B, I20C, I20D, I20E, I20F		09	J03A, J03B, J04A, J04B, J08A, J08B, J08C, J11A, J11B, J16Z		01	B03A, B03B, B06A, B06B, B07Z, B17A, B17B, B17C
	10	K09A, K09B		21A	W04A, W04B		08	I27A, I27B, I27C, I27D
	21A	W04A, W04B	5t30c.e↔		BOP, KVT, UOP4, VIAL		09	J03A, J03B, J04A, J04B, J08A, J08B, J08C, J11A, J11B, J16Z
	21B	X04Z		08	I08A, I08B, I08C, I08D, I08E, I08F, I12A, I12B, I12C, I27A, I27B, I27C, I27D		10	K09A, K09B
5t30b.r↔		BOP, KVT, UOP4, VIAL		21A	W04A, W04B		21A	W04A, W04B
	05	F13A		21B	X04Z, X06A, X06B, X06C	5t30x.1↔		BOP, KVT, UOP4, VIAL
	08	I12A, I12B, I12C, I20A, I20B, I20C, I20D, I20E, I20F		08	I12A, I12B, I12C, I27A, I27B, I27C, I27D		01	B03A, B03B, B06A, B06B, B07Z, B17A, B17B, B17C
	10	K09A, K09B	5t30c.f		BOP, KVT, UOP4, VIAL		08	I27A, I27B, I27C, I27D
	21A	W04A, W04B		08	I12A, I12B, I12C, I27A, I27B, I27C, I27D		09	J03A, J03B, J04A, J04B, J08A, J08B, J08C, J11A, J11B, J16Z
	21B	X04Z		21A	W04A, W04B		10	K09A, K09B
5t30b.x		BOP, KVT, UOP4		21B	X04Z, X06A, X06B, X06C		21A	W04A, W04B
	05	F13A	5t30c.g↔		BOP, KVT, UOP4, VIAL		21B	X06A, X06B, X06C
	08	I12A, I12B, I12C, I28A, I28B		08	I08A, I08B, I08C, I08D, I08E, I08F			
	10	K09A, K09B		21A	W01A, W01B, W01C, W02A, W02B			
	21A	W04A, W04B		21B	X04Z			
	21B	X06A, X06B, X06C						
5t30c.0↔		BOP, KVT, UOP4, VIAL						
	08	I12A, I12B, I12C, I16Z						
	21A	W04A, W04B						
	21B	X06A, X06B, X06C						

VYK

ZZV	MDC	DRG	ZZV	MDC	DRG	ZZV	MDC	DRG
5t310.3↔		BOP, KVT, UOP4, VIAL	5t310.h↔		BOP, KVT, UOP4, VIAL	5t311.7↔		BOP, KVT, UOP4, VIAL
	08	I12A, I12B, I12C, I23A, I23B		08	I12A, I12B, I12C, I18A, I18B, I30Z		01	B03A, B03B, B06A, B06B, B07Z, B17A, B17B, B17C
	21A	W04A, W04B		21A	W04A, W04B		08	I32A, I32B, I32C, I32D, I32E, I32F
	21B	X06A, X06B, X06C		21B	X04Z		21A	W04A, W04B
5t310.4↔		BOP, KVT, UOP4, VIAL	5t310.j↔		BOP, KVT, UOP4, VIAL		21B	X05A, X05B
	08	I08A, I08B, I08C, I08D, I08E, I08F, I12A, I12B, I12C, I21Z, I31Z		08	I12A, I12B, I12C, I18A, I18B, I30Z	5t311.8↔		BOP, KVT, UOP4, VIAL
	21A	W04A, W04B		21A	W04A, W04B		01	B03A, B03B, B06A, B06B, B07Z, B17A, B17B, B17C
	21B	X06A, X06B, X06C		21B	X04Z		08	I32A, I32B, I32C, I32D, I32E, I32F
5t310.5↔		BOP, KVT, UOP4, VIAL	5t310.k↔		BOP, KVT, UOP4, VIAL		21A	W04A, W04B
	08	I08A, I08B, I08C, I08D, I08E, I08F, I12A, I12B, I12C, I21Z, I31Z		08	I12A, I12B, I12C, I13A, I13B, I13C, I13D, I13E		21B	X05A, X05B
	21A	W04A, W04B		21A	W04A, W04B	5t311.9↔		BOP, KVT, UOP4, VIAL
	21B	X06A, X06B, X06C		21B	X04Z		01	B03A, B03B, B06A, B06B, B07Z, B17A, B17B, B17C
5t310.6↔		BOP, KVT, UOP4, VIAL	5t310.m↔		BOP, KVT, UOP4, VIAL		08	I32A, I32B, I32C, I32D, I32E, I32F
	08	I08A, I08B, I08C, I08D, I08E, I08F, I12A, I12B, I12C, I32A, I32B, I32C, I32D, I32E, I32F		08	I12A, I12B, I12C, I20A, I20B, I20C, I20D, I20E, I20F		21A	W04A, W04B
	09	J03A, J03B, J04A, J04B, J08A, J08B, J08C, J11A, J11B, J16Z		21A	W04A, W04B		21B	X05A, X05B
	21A	W04A, W04B	5t310.n↔		BOP, KVT, UOP4, VIAL	5t311.e↔		BOP, KVT, UOP4, VIAL
	21B	X05A, X05B		08	I12A, I12B, I12C, I20A, I20B, I20C, I20D, I20E, I20F		08	I08A, I08B, I08C, I08D, I08E, I08F, I28A, I28B
5t310.7↔		BOP, KVT, UOP4, VIAL		21A	W04A, W04B		21A	W04A, W04B
	08	I12A, I12B, I12C, I32A, I32B, I32C, I32D, I32E, I32F	5t310.p↔		BOP, KVT, UOP4, VIAL		21B	X04Z, X06A, X06B, X06C
	09	J03A, J03B, J04A, J04B, J08A, J08B, J08C, J11A, J11B, J16Z		08	I12A, I12B, I12C, I20A, I20B, I20C, I20D, I20E, I20F	5t311.f		BOP, KVT, UOP4, VIAL
	21A	W04A, W04B		21A	W04A, W04B		08	I28A, I28B
	21B	X05A, X05B		21B	X04Z		21A	W04A, W04B
5t310.8↔		BOP, KVT, UOP4, VIAL	5t310.q↔		BOP, KVT, UOP4, VIAL		21B	X04Z, X06A, X06B, X06C
	08	I12A, I12B, I12C, I32A, I32B, I32C, I32D, I32E, I32F		08	I12A, I12B, I12C, I20A, I20B, I20C, I20D, I20E, I20F	5t311.g↔		BOP, KVT, UOP4, VIAL
	09	J03A, J03B, J04A, J04B, J08A, J08B, J08C, J11A, J11B, J16Z		21A	W04A, W04B		01	B03A, B03B, B06A, B06B, B17A, B17B, B17C
	21A	W04A, W04B		21B	X04Z		08	I08A, I08B, I08C, I08D, I08E, I08F
	21B	X05A, X05B	5t310.r↔		BOP, KVT, UOP4, VIAL		21A	W01A, W01B, W01C, W02A, W02B
5t310.9↔		BOP, KVT, UOP4, VIAL		08	I12A, I12B, I12C, I20A, I20B, I20C, I20D, I20E, I20F		21B	X04Z
	08	I12A, I12B, I12C, I32A, I32B, I32C, I32D, I32E, I32F	5t310.x		BOP, KVT, UOP4	5t311.h↔		BOP, KVT, UOP4, VIAL
	09	J03A, J03B, J04A, J04B, J08A, J08B, J08C, J11A, J11B, J16Z		08	I12A, I12B, I12C, I23A, I23B		01	B03A, B03B, B06A, B06B, B17A, B17B, B17C
	21A	W04A, W04B		21A	W04A, W04B		08	I18A, I30Z
	21B	X05A, X05B	5t311.0↔		BOP, KVT, UOP4, VIAL		21A	W04A, W04B
5t310.e↔		BOP, KVT, UOP4, VIAL		08	I16Z	5t311.j↔		BOP, KVT, UOP4, VIAL
	08	I08A, I08B, I08C, I08D, I08E, I08F, I12A, I12B, I12C, I23A, I23B		21A	W04A, W04B		01	B03A, B03B, B06A, B06B, B17A, B17B, B17C
	21A	W04A, W04B		21B	X06A, X06B, X06C		08	I18A, I30Z
	21B	X04Z, X06A, X06B, X06C	5t311.4↔		BOP, KVT, UOP4, VIAL		21A	W04A, W04B
5t310.f		BOP, KVT, UOP4, VIAL		08	I08A, I08B, I08C, I08D, I08E, I08F, I21Z, I31Z		21B	X04Z
	08	I12A, I12B, I12C, I23A, I23B	5t311.5↔		BOP, KVT, UOP4, VIAL	5t311.k↔		BOP, KVT, UOP4, VIAL
	21A	W04A, W04B		08	I08A, I08B, I08C, I08D, I08E, I08F, I21Z, I31Z		01	B03A, B03B, B06A, B06B, B17A, B17B, B17C
	21B	X04Z, X06A, X06B, X06C		21A	W04A, W04B		05	F27A, F27B, F27C
5t310.g↔		BOP, KVT, UOP4, VIAL		21B	X06A, X06B, X06C		08	I13A, I13B, I13C, I13D, I13E
	01	B03A, B03B, B06A, B06B, B17A, B17B, B17C	5t311.6↔		BOP, KVT, UOP4, VIAL		10	K01Z
	08	I08A, I08B, I08C, I08D, I08E, I08F		01	B03A, B03B, B06A, B06B, B07Z, B17A, B17B, B17C		21A	W04A, W04B
	21A	W01A, W01B, W01C, W02A, W02B		08	I08A, I08B, I08C, I08D, I08E, I08F, I32A, I32B, I32C, I32D, I32E, I32F		21B	X04Z
	21B	X04Z		21A	W04A, W04B	5t311.m↔		BOP, KVT, UOP4, VIAL
				21B	X05A, X05B		08	I20A, I20B, I20C, I20D
							21A	W04A, W04B
							21B	X04Z
						5t311.n↔		BOP, KVT, UOP4, VIAL
							08	I20A, I20B, I20C, I20D
							21A	W04A, W04B
							21B	X04Z
						5t311.p↔		BOP, KVT, UOP4, VIAL
							08	I20A, I20B, I20C, I20D
							21A	W04A, W04B
							21B	X04Z

VYK

ZZV	MDC	DRG	ZZV	MDC	DRG	ZZV	MDC	DRG
5t311.q↔		BOP, KVT, UOP4, VIAL	5t312.g↔		BOP, KVT, UOP4, VIAL	5t313.2↔		BOP, KVT, UOP4, VIAL
	08	I20A, I20B, I20C, I20D, I20E, I20F		01	B03A, B03B, B06A, B06B, B17A, B17B, B17C		01	B03A, B03B, B06A, B06B, B17A, B17B, B17C
	21A	W04A, W04B		08	I08A, I08B, I08C, I08D, I08E, I08F		08	I12A, I12B, I12C, I18A, I18B, I30Z
	21B	X04Z		21A	W01A, W01B, W01C, W02A, W02B		21A	W04A, W04B
5t311.r↔		BOP, KVT, UOP4, VIAL		21B	X04Z	5t313.3↔		BOP, KVT, UOP4, VIAL
	08	I20A, I20B, I20C, I20D, I20E, I20F	5t312.h↔		BOP, KVT, UOP4, VIAL		08	I12A, I12B, I12C, I18A, I18B, I30Z
	21A	W04A, W04B		08	I12A, I12B, I12C, I18A, I30Z		10	K09A, K09B
	21B	X04Z		21A	W04A, W04B		21A	W04A, W04B
5t311.x		BOP, KVT, UOP4		21B	X04Z		21B	X04Z
	08	I28A, I28B	5t312.j↔		BOP, KVT, UOP4, VIAL	5t313.4↔		BOP, KVT, UOP4, VIAL
	21A	W04A, W04B		08	I13A, I13B, I13C, I13D, I13E		01	B03A, B03B, B06A, B06B, B17A, B17B, B17C
	21B	X06A, X06B, X06C	5t312.k↔		BOP, KVT, UOP4, VIAL		08	I12A, I12B, I12C, I18A, I18B, I30Z
5t312.0↔		BOP, KVT, UOP4, VIAL		01	B03A, B03B, B06A, B06B, B17A, B17B, B17C		21A	W04A, W04B
	08	I12A, I12B, I12C, I16Z		05	F27A, F27B, F27C		21B	X04Z
	21A	W04A, W04B		08	I12A, I12B, I12C, I13A, I13B, I13C, I13D, I13E	5t313.5↔		BOP, KVT, UOP4, VIAL
	21B	X06A, X06B, X06C		10	K01Z		08	I18A, I18B, I24Z, I30Z
5t312.4↔		BOP, KVT, UOP4, VIAL		21A	W04A, W04B		21A	W04A, W04B
	08	I08A, I08B, I08C, I08D, I08E, I08F, I12A, I12B, I12C, I21Z, I31Z		21B	X04Z		21B	X04Z
	21A	W04A, W04B	5t312.m↔		BOP, KVT, UOP4, VIAL	5t313.6↔		BOP, KVT, UOP4, VIAL
	21B	X06A, X06B, X06C		08	I12A, I12B, I12C, I20A, I20B, I20C, I20D		08	I18A, I18B, I30Z
5t312.5↔		BOP, KVT, UOP4, VIAL		21A	W04A, W04B		21A	W04A, W04B
	08	I08A, I08B, I08C, I08D, I08E, I08F, I12A, I12B, I12C, I21Z, I31Z		21B	X04Z		21B	X04Z
	21A	W04A, W04B	5t312.n↔		BOP, KVT, UOP4, VIAL	5t317.0↔		BOP, KVT, UOP4, VIAL
	21B	X06A, X06B, X06C		08	I12A, I12B, I12C, I20A, I20B, I20C, I20D		08	I16Z
5t312.6↔		BOP, KVT, UOP4, VIAL		21A	W04A, W04B		21A	W04A, W04B
	01	B03A, B03B, B06A, B06B, B07Z, B17A, B17B, B17C		21B	X04Z	5t317.4↔		BOP, KVT, UOP4, VIAL
	08	I08A, I08B, I08C, I08D, I08E, I08F, I12A, I12B, I12C, I32A, I32B, I32C, I32D, I32E, I32F	5t312.p↔		BOP, KVT, UOP4, VIAL		08	I08A, I08B, I08C, I08D, I08E, I08F, I21Z, I31Z
	21A	W04A, W04B		08	I12A, I12B, I12C, I20A, I20B, I20C, I20D		21A	W04A, W04B
	21B	X05A, X05B		21A	W04A, W04B		21B	X06A, X06B, X06C
5t312.7↔		BOP, KVT, UOP4, VIAL		21B	X04Z	5t317.5↔		BOP, KVT, UOP4, VIAL
	01	B03A, B03B, B06A, B06B, B07Z, B17A, B17B, B17C	5t312.q↔		BOP, KVT, UOP4, VIAL		08	I08A, I08B, I08C, I08D, I08E, I08F, I21Z, I31Z
	08	I12A, I12B, I12C, I32A, I32B, I32C, I32D, I32E, I32F		08	I12A, I12B, I12C, I20A, I20B, I20C, I20D, I20E, I20F		21A	W04A, W04B
	21A	W04A, W04B		21A	W04A, W04B		21B	X06A, X06B, X06C
	21B	X05A, X05B		21B	X04Z	5t317.7↔		BOP, KVT, UOP4, VIAL
5t312.8↔		BOP, KVT, UOP4, VIAL	5t312.r↔		BOP, KVT, UOP4, VIAL		01	B03A, B03B, B06A, B06B, B07Z, B17A, B17B, B17C
	01	B03A, B03B, B06A, B06B, B07Z, B17A, B17B, B17C		08	I12A, I12B, I12C, I20A, I20B, I20C, I20D, I20E, I20F		08	I32A, I32B, I32C, I32D, I32E, I32F
	08	I12A, I12B, I12C, I32A, I32B, I32C, I32D, I32E, I32F		21A	W04A, W04B		21A	W04A, W04B
	21A	W04A, W04B	5t312.x		BOP, KVT, UOP4		21B	X05A, X05B
	21B	X05A, X05B		08	I12A, I12B, I12C, I28A, I28B	5t317.8↔		BOP, KVT, UOP4, VIAL
5t312.9↔		BOP, KVT, UOP4, VIAL		21A	W04A, W04B		01	B03A, B03B, B06A, B06B, B07Z, B17A, B17B, B17C
	01	B03A, B03B, B06A, B06B, B07Z, B17A, B17B, B17C	5t313.0↔		BOP, KVT, UOP4, VIAL		08	I32A, I32B, I32C, I32D, I32E, I32F
	08	I12A, I12B, I12C, I32A, I32B, I32C, I32D, I32E, I32F		08	I12A, I12B, I12C, I18A, I18B, I30Z		21A	W04A, W04B
	21A	W04A, W04B		10	K09A, K09B		21B	X05A, X05B
	21B	X05A, X05B		21A	W04A, W04B	5t317.e↔		BOP, KVT, UOP4, VIAL
5t312.e↔		BOP, KVT, UOP4, VIAL		21B	X04Z		08	I08A, I08B, I08C, I08D, I08E, I08F
	08	I08A, I08B, I08C, I08D, I08E, I08F	5t313.1↔		BOP, KVT, UOP4, VIAL	5t317.g↔		BOP, KVT, UOP4, VIAL
5t312.f		BOP, KVT, UOP4, VIAL		08	I12A, I12B, I12C, I18A, I18B, I30Z		01	B03A, B03B, B06A, B06B, B17A, B17B, B17C
	08	I08A, I08B, I08C, I08D, I08E, I08F		10	K09A, K09B		08	I08A, I08B, I08C, I08D, I08E, I08F
				21A	W04A, W04B		21A	W01A, W01B, W01C, W02A, W02B
				21B	X04Z		21B	X04Z

ZZV	MDC	DRG	ZZV	MDC	DRG	ZZV	MDC	DRG
5t317.h↔		BOP, KVT, UOP4, VIAL	5t319↔		BOP, KVT, UOP4, VIAL	5t31a.q↔		BOP, KVT, UOP4, VIAL
	01	B03A, B03B, B06A, B06B, B17A, B17B, B17C		08	I32A, I32B, I32C, I32D, I32E, I32F, I32G		08	I20A, I20B, I20C, I20D, I20E, I20F
	08	I18A, I18B, I30Z		09	J03A, J03B, J04A, J04B, J08A, J08B, J08C, J11A, J11B, J16Z	5t31a.r↔		BOP, KVT, UOP4, VIAL
	21A	W04A, W04B		21A	W04A, W04B		08	I20A, I20B, I20C, I20D, I20E, I20F
	21B	X04Z		21B	X05A, X05B	5t31a.x		BOP, KVT, UOP4
5t317.j↔		BOP, KVT, UOP4, VIAL			BOP, KVT, UOP4, VIAL		08	I28A, I28B
	08	I13A, I13B, I13C, I13D, I13E	5t31a.0↔		I16Z		21A	W04A, W04B
5t317.k↔		BOP, KVT, UOP4, VIAL		08	W04A, W04B		21B	X06A, X06B, X06C
	01	B03A, B03B, B06A, B06B, B17A, B17B, B17C		21A	X06A, X06B, X06C	5t31b.h		BOP, KVT, UOP4, VIAL
	05	F27A, F27B, F27C		21B	X06A, X06B, X06C		08	I12A, I12B, I12C, I18A, I30Z
	08	I13A, I13B, I13C, I13D, I13E	5t31a.4↔		BOP, KVT, UOP4, VIAL		21A	W04A, W04B
	10	K01Z		08	I08A, I08B, I08C, I08D, I08E, I08F, I21Z, I31Z		21B	X04Z
	21A	W04A, W04B		21A	W04A, W04B	5t31b.m		BOP, KVT, UOP4, VIAL
	21B	X04Z		21B	X06A, X06B, X06C		01	B03A, B03B, B06A, B06B, B17A, B17B, B17C
5t317.n↔		BOP, KVT, UOP4, VIAL	5t31a.5↔		BOP, KVT, UOP4, VIAL		05	F27A, F27B, F27C
	08	I20A, I20B, I20C, I20D		08	I08A, I08B, I08C, I08D, I08E, I08F, I21Z, I31Z		08	I13A, I13B, I13C, I13D, I13E
5t317.p↔		BOP, KVT, UOP4, VIAL		21A	W04A, W04B		10	K01Z
	08	I20A, I20B, I20C, I20D		21B	X06A, X06B, X06C		21A	W04A, W04B
5t317.q↔		BOP, KVT, UOP4, VIAL			BOP, KVT, UOP4, VIAL		21B	X04Z
	08	I20A, I20B, I20C, I20D, I20E, I20F	5t31a.7↔		BOP, KVT, UOP4, VIAL	5t31c.0↔		BOP, KVT, UOP4, VIAL
5t317.r↔		BOP, KVT, UOP4, VIAL		01	B03A, B03B, B06A, B06B, B07Z, B17A, B17B, B17C		08	I16Z
	08	I20A, I20B, I20C, I20D, I20E, I20F		08	I32A, I32B, I32C, I32D, I32E, I32F		21A	W04A, W04B
5t317.x		BOP, KVT, UOP4		21A	W04A, W04B		21B	X06A, X06B, X06C
	08	I28A, I28B		21B	X05A, X05B	5t31c.1↔		BOP, KVT, UOP4, VIAL
	21A	W04A, W04B			BOP, KVT, UOP4, VIAL		08	I16Z
	21B	X06A, X06B, X06C	5t31a.8↔		BOP, KVT, UOP4, VIAL		21A	W04A, W04B
5t318.0↔		BOP, KVT, UOP4, VIAL		01	B03A, B03B, B06A, B06B, B07Z, B17A, B17B, B17C		21B	X06A, X06B, X06C
	08	I16Z		08	I32A, I32B, I32C, I32D, I32E, I32F	5t31c.3↔		BOP, KVT, UOP4, VIAL
	21A	W04A, W04B		21A	W04A, W04B		08	I23A, I23B
	21B	X06A, X06B, X06C		21B	X05A, X05B		21A	W04A, W04B
5t318.4↔		BOP, KVT, UOP4, VIAL			BOP, KVT, UOP4, VIAL		21B	X06A, X06B, X06C
	08	I08A, I08B, I08C, I08D, I08E, I08F, I21Z, I31Z		21A	W04A, W04B	5t31c.4↔		BOP, KVT, UOP4, VIAL
	21A	W04A, W04B	5t31a.e↔		BOP, KVT, UOP4, VIAL		08	I08A, I08B, I08C, I08D, I08E, I08F, I21Z, I31Z
	21B	X06A, X06B, X06C		08	I08A, I08B, I08C, I08D, I08E, I08F		21A	W04A, W04B
5t318.7↔		BOP, KVT, UOP4, VIAL			BOP, KVT, UOP4, VIAL		21B	X06A, X06B, X06C
	08	I32A, I32B, I32C, I32D, I32E, I32F	5t31a.g↔		BOP, KVT, UOP4, VIAL	5t31c.5↔		BOP, KVT, UOP4, VIAL
	09	J03A, J03B, J04A, J04B, J08A, J08B, J08C, J11A, J11B, J16Z		01	B03A, B03B, B06A, B06B, B17A, B17B, B17C		08	I08A, I08B, I08C, I08D, I08E, I08F, I21Z, I31Z
	21A	W04A, W04B		08	I08A, I08B, I08C, I08D, I08E, I08F		21A	W04A, W04B
	21B	X05A, X05B		21A	W01A, W01B, W01C, W02A, W02B		21B	X06A, X06B, X06C
5t318.g↔		BOP, KVT, UOP4, VIAL		21B	X04Z	5t31c.6↔		BOP, KVT, UOP4, VIAL
	08	I08A, I08B, I08C, I08D, I08E, I08F	5t31a.h↔		BOP, KVT, UOP4, VIAL		08	I08A, I08B, I08C, I08D, I08E, I08F, I32A, I32B, I32C, I32D, I32E, I32F
	21A	W01A, W01B, W01C, W02A, W02B		01	B03A, B03B, B06A, B06B, B17A, B17B, B17C		09	J03A, J03B, J04A, J04B, J08A, J08B, J08C, J11A, J11B, J16Z
	21B	X04Z		08	I08A, I08B, I08C, I08D, I08E, I08F		21A	W04A, W04B
5t318.h↔		BOP, KVT, UOP4, VIAL		21A	W04A, W04B		21B	X05A, X05B
	08	I18A, I18B, I30Z		21B	X04Z	5t31c.7↔		BOP, KVT, UOP4, VIAL
	10	K09A, K09B	5t31a.j↔		BOP, KVT, UOP4, VIAL		08	I32A, I32B, I32C, I32D, I32E, I32F
	21A	W04A, W04B		08	I13A, I13B, I13C, I13D, I13E		09	J03A, J03B, J04A, J04B, J08A, J08B, J08C, J11A, J11B, J16Z
	21B	X04Z			BOP, KVT, UOP4, VIAL		21A	W04A, W04B
5t318.k↔		BOP, KVT, UOP4, VIAL	5t31a.k↔		BOP, KVT, UOP4, VIAL		21B	X05A, X05B
	08	I13A, I13B, I13C, I13D, I13E		01	B03A, B03B, B06A, B06B, B17A, B17B, B17C	5t31c.8↔		BOP, KVT, UOP4, VIAL
	21A	W04A, W04B		05	F27A, F27B, F27C		08	I32A, I32B, I32C, I32D, I32E, I32F
	21B	X04Z		08	I13A, I13B, I13C, I13D, I13E		09	J03A, J03B, J04A, J04B, J08A, J08B, J08C, J11A, J11B, J16Z
5t318.x		BOP, KVT, UOP4		10	K01Z		21A	W04A, W04B
	08	I28A, I28B		21A	W04A, W04B		21B	X05A, X05B
	21A	W04A, W04B	5t31a.n↔		BOP, KVT, UOP4, VIAL			BOP, KVT, UOP4, VIAL
	21B	X06A, X06B, X06C		08	I20A, I20B, I20C, I20D			I32A, I32B, I32C, I32D, I32E, I32F
			5t31a.p↔		BOP, KVT, UOP4, VIAL			J03A, J03B, J04A, J04B, J08A, J08B, J08C, J11A, J11B, J16Z
				08	I20A, I20B, I20C, I20D			W04A, W04B
								X05A, X05B

VYK

ZZV	MDC	DRG	ZZV	MDC	DRG	ZZV	MDC	DRG
5t31c.9↔		BOP, KVT, UOP4, VIAL	5t31d.1↔		BOP, KVT, UOP4, VIAL	5t31d.k↔		BOP, KVT, UOP4, VIAL
	08	I32A, I32B, I32C, I32D, I32E, I32F		08	I16Z		01	B03A, B03B, B06A, B06B, B17A, B17B, B17C
	09	J03A, J03B, J04A, J04B, J08A, J08B, J08C, J11A, J11B, J16Z		21A	W04A, W04B		05	F27A, F27B, F27C
	21A	W04A, W04B	5t31d.3↔		BOP, KVT, UOP4, VIAL		08	I13A, I13B, I13C, I13D, I13E
	21B	X05A, X05B		08	I28A, I28B		10	K01Z
5t31c.e↔		BOP, KVT, UOP4, VIAL		21A	W04A, W04B		21A	W04A, W04B
	08	I08A, I08B, I08C, I08D, I08E, I08F, I23A, I23B	5t31d.4↔		BOP, KVT, UOP4, VIAL	5t31d.m↔		BOP, KVT, UOP4, VIAL
	21A	W04A, W04B		08	I08A, I08B, I08C, I08D, I08E, I08F, I21Z, I31Z		08	I20A, I20B, I20C, I20D
	21B	X04Z, X06A, X06B, X06C		21A	W04A, W04B		21A	W04A, W04B
5t31c.g↔		BOP, KVT, UOP4, VIAL		21B	X06A, X06B, X06C		21B	X04Z
	01	B03A, B03B, B06A, B06B, B17A, B17B, B17C	5t31d.5↔		BOP, KVT, UOP4, VIAL	5t31d.n↔		BOP, KVT, UOP4, VIAL
	08	I08A, I08B, I08C, I08D, I08E, I08F		08	I08A, I08B, I08C, I08D, I08E, I08F, I21Z, I31Z		08	I20A, I20B, I20C, I20D
	21A	W01A, W01B, W01C, W02A, W02B		21A	W04A, W04B		21A	W04A, W04B
	21B	X04Z	5t31d.6↔		BOP, KVT, UOP4, VIAL	5t31d.p↔		BOP, KVT, UOP4, VIAL
5t31c.h↔		BOP, KVT, UOP4, VIAL		01	B03A, B03B, B06A, B06B, B07Z, B17A, B17B, B17C		08	I20A, I20B, I20C, I20D
	01	B03A, B03B, B06A, B06B, B17A, B17B, B17C		08	I08A, I08B, I08C, I08D, I08E, I08F, I32A, I32B, I32C, I32D, I32E, I32F	5t31d.q↔		BOP, KVT, UOP4, VIAL
	08	I18A, I18B, I30Z		21A	W04A, W04B		08	I20A, I20B, I20C, I20D, I20E, I20F
	21A	W04A, W04B		21B	X05A, X05B		21A	W04A, W04B
	21B	X04Z	5t31d.7↔		BOP, KVT, UOP4, VIAL		21B	X04Z
5t31c.j↔		BOP, KVT, UOP4, VIAL		01	B03A, B03B, B06A, B06B, B07Z, B17A, B17B, B17C	5t31d.r↔		BOP, KVT, UOP4, VIAL
	01	B03A, B03B, B06A, B06B, B17A, B17B, B17C		08	I32A, I32B, I32C, I32D, I32E, I32F		08	I20A, I20B, I20C, I20D, I20E, I20F
	08	I18A, I18B, I30Z		21A	W04A, W04B		21A	W04A, W04B
	21A	W04A, W04B		21B	X05A, X05B	5t31d.x		BOP, KVT, UOP4
	21B	X04Z	5t31d.8↔		BOP, KVT, UOP4, VIAL		08	I28A, I28B
5t31c.k↔		BOP, KVT, UOP4, VIAL		01	B03A, B03B, B06A, B06B, B07Z, B17A, B17B, B17C		21A	W04A, W04B
	08	I13A, I13B, I13C, I13D, I13E		08	I32A, I32B, I32C, I32D, I32E, I32F	5t31g↔		BOP, KVT, UOP4, VIAL
	21A	W04A, W04B		21A	W04A, W04B		08	I18A, I18B, I30Z
	21B	X04Z		21B	X05A, X05B		21A	W04A, W04B
5t31c.m↔		BOP, KVT, UOP4, VIAL		21B	X05A, X05B		21B	X04Z
	08	I20A, I20B, I20C, I20D, I20E, I20F	5t31d.9↔		BOP, KVT, UOP4, VIAL	5t31h.0↔		BOP, KVT, UOP4, VIAL
	21A	W04A, W04B		01	B03A, B03B, B06A, B06B, B07Z, B17A, B17B, B17C		08	I16Z
	21B	X04Z		08	I32A, I32B, I32C, I32D, I32E, I32F		21A	W04A, W04B
5t31c.n↔		BOP, KVT, UOP4, VIAL		21A	W04A, W04B	5t31h.4↔		BOP, KVT, UOP4, VIAL
	08	I20A, I20B, I20C, I20D, I20E, I20F		21B	X05A, X05B		08	I08A, I08B, I08C, I08D, I08E, I08F, I21Z, I31Z
	21A	W04A, W04B	5t31d.e↔		BOP, KVT, UOP4, VIAL		21A	W04A, W04B
	21B	X04Z		08	I08A, I08B, I08C, I08D, I08E, I08F	5t31h.5↔		BOP, KVT, UOP4, VIAL
5t31c.p↔		BOP, KVT, UOP4, VIAL		08	I08A, I08B, I08C, I08D, I08E, I08F		08	I08A, I08B, I08C, I08D, I08E, I08F, I21Z, I31Z
	08	I20A, I20B, I20C, I20D, I20E, I20F	5t31d.g↔		BOP, KVT, UOP4, VIAL		21A	W04A, W04B
	21A	W04A, W04B		01	B03A, B03B, B06A, B06B, B17A, B17B, B17C	5t31h.7↔		BOP, KVT, UOP4, VIAL
	21B	X04Z		08	I08A, I08B, I08C, I08D, I08E, I08F		01	B03A, B03B, B06A, B06B, B07Z, B17A, B17B, B17C
5t31c.q↔		BOP, KVT, UOP4, VIAL		21A	W01A, W01B, W01C, W02A, W02B		08	I32A, I32B, I32C, I32D, I32E, I32F
	08	I20A, I20B, I20C, I20D, I20E, I20F		21B	X04Z		21A	W04A, W04B
	21A	W04A, W04B	5t31d.h↔		BOP, KVT, UOP4, VIAL		21B	X05A, X05B
	21B	X04Z		01	B03A, B03B, B06A, B06B, B17A, B17B, B17C	5t31h.8↔		BOP, KVT, UOP4, VIAL
5t31c.r↔		BOP, KVT, UOP4, VIAL		08	I18A, I18B, I30Z		01	B03A, B03B, B06A, B06B, B07Z, B17A, B17B, B17C
	08	I20A, I20B, I20C, I20D, I20E, I20F		21A	W04A, W04B		08	I32A, I32B, I32C, I32D, I32E, I32F
	21A	W04A, W04B		21B	X04Z		21A	W04A, W04B
	21B	X04Z	5t31d.i↔		BOP, KVT, UOP4, VIAL		21B	X05A, X05B
5t31c.x		BOP, KVT, UOP4		01	B03A, B03B, B06A, B06B, B17A, B17B, B17C	5t31h.e↔		BOP, KVT, UOP4, VIAL
	08	I23A, I23B		08	I18A, I18B, I30Z		08	I08A, I08B, I08C, I08D, I08E, I08F
	21A	W04A, W04B		21A	W04A, W04B			
	21B	X06A, X06B, X06C		21B	X04Z			
5t31d.0↔		BOP, KVT, UOP4, VIAL		01	B03A, B03B, B06A, B06B, B17A, B17B, B17C			
	08	I16Z		08	I18A, I18B, I30Z			
	21A	W04A, W04B		21A	W04A, W04B			
	21B	X06A, X06B, X06C		21B	X04Z			

ZZV	MDC	DRG	ZZV	MDC	DRG	ZZV	MDC	DRG
5t31h.g↔		BOP, KVT, UOP4, VIAL	5t31j.6↔		BOP, KVT, UOP4, VIAL	5t31j.n↔		BOP, KVT, UOP4, VIAL
	01	B03A, B03B, B06A, B06B, B17A, B17B, B17C		08	I08A, I08B, I08C, I08D, I08E, I08F, I32A, I32B, I32C, I32D, I32E, I32F		08	I20A, I20B, I20C, I20D, I20E, I20F
	08	I08A, I08B, I08C, I08D, I08E, I08F		09	J03A, J03B, J04A, J04B, J08A, J08B, J08C, J11A, J11B, J16Z	5t31j.p↔	21A	W04A, W04B
	21A	W01A, W01B, W01C, W02A, W02B		21A	W04A, W04B		21B	X04Z
	21B	X04Z		21B	X05A, X05B		08	I20A, I20B, I20C, I20D, I20E, I20F
5t31h.h↔		BOP, KVT, UOP4, VIAL	5t31j.7↔		BOP, KVT, UOP4, VIAL		21A	W04A, W04B
	01	B03A, B03B, B06A, B06B, B17A, B17B, B17C		08	I32A, I32B, I32C, I32D, I32E, I32F	5t31j.q↔	21B	X04Z
	08	I08A, I08B, I08C, I08D, I08E, I08F		09	J03A, J03B, J04A, J04B, J08A, J08B, J08C, J11A, J11B, J16Z		08	I20A, I20B, I20C, I20D, I20E, I20F
	21A	W04A, W04B		21A	W04A, W04B		21A	W04A, W04B
	21B	X04Z		21B	X05A, X05B		21B	X04Z
5t31h.j↔		BOP, KVT, UOP4, VIAL	5t31j.8↔		BOP, KVT, UOP4, VIAL	5t31j.r↔		BOP, KVT, UOP4, VIAL
	08	I13A, I13B, I13C, I13D, I13E		08	I32A, I32B, I32C, I32D, I32E, I32F		08	I20A, I20B, I20C, I20D, I20E, I20F
5t31h.k↔		BOP, KVT, UOP4, VIAL		09	J03A, J03B, J04A, J04B, J08A, J08B, J08C, J11A, J11B, J16Z		21A	W04A, W04B
	01	B03A, B03B, B06A, B06B, B17A, B17B, B17C		21A	W04A, W04B		21B	X04Z
	05	F27A, F27B, F27C		21B	X05A, X05B		08	I20A, I20B, I20C, I20D, I20E, I20F
	08	I13A, I13B, I13C, I13D, I13E		21B	X05A, X05B	5t31j.x	08	I23A, I23B
	10	K01Z		21A	W04A, W04B		21A	W04A, W04B
	21A	W04A, W04B		21B	X05A, X05B		21B	X06A, X06B, X06C
	21B	X04Z	5t31j.9↔		BOP, KVT, UOP4, VIAL	5t31k.0↔		BOP, KVT, UOP4, VIAL
5t31h.n↔		BOP, KVT, UOP4, VIAL		08	I32A, I32B, I32C, I32D, I32E, I32F		08	I16Z
	08	I20A, I20B, I20C, I20D		09	J03A, J03B, J04A, J04B, J08A, J08B, J08C, J11A, J11B, J16Z		21A	W04A, W04B
5t31h.p↔		BOP, KVT, UOP4, VIAL		21A	W04A, W04B		21B	X06A, X06B, X06C
	08	I20A, I20B, I20C, I20D		21B	X05A, X05B	5t31k.1↔		BOP, KVT, UOP4, VIAL
5t31h.q↔		BOP, KVT, UOP4, VIAL		21A	W04A, W04B		08	I16Z
	08	I20A, I20B, I20C, I20D, I20E, I20F		21B	X05A, X05B		21A	W04A, W04B
5t31h.r↔		BOP, KVT, UOP4, VIAL	5t31j.e↔		BOP, KVT, UOP4, VIAL		21B	X06A, X06B, X06C
	08	I20A, I20B, I20C, I20D, I20E, I20F		08	I08A, I08B, I08C, I08D, I08E, I08F, I23A, I23B	5t31k.3↔	08	I28A, I28B
5t31h.x		BOP, KVT, UOP4		21A	W04A, W04B		21A	W04A, W04B
	08	I28A, I28B		21B	X04Z, X06A, X06B, X06C		21B	X06A, X06B, X06C
	21A	W04A, W04B	5t31j.f		BOP, KVT, UOP4, VIAL	5t31k.4↔		BOP, KVT, UOP4, VIAL
	21B	X06A, X06B, X06C		08	I23A, I23B		08	I08A, I08B, I08C, I08D, I08E, I08F, I21Z, I31Z
5t31j.0↔		BOP, KVT, UOP4, VIAL		21A	W04A, W04B		21A	W04A, W04B
	08	I16Z		21B	X04Z, X06A, X06B, X06C	5t31k.5↔	21B	X06A, X06B, X06C
	21A	W04A, W04B	5t31j.g↔		BOP, KVT, UOP4, VIAL			BOP, KVT, UOP4, VIAL
	21B	X06A, X06B, X06C		01	B03A, B03B, B06A, B06B, B17A, B17B, B17C		08	I08A, I08B, I08C, I08D, I08E, I08F, I21Z, I31Z
5t31j.1↔		BOP, KVT, UOP4, VIAL		08	I08A, I08B, I08C, I08D, I08E, I08F		21A	W04A, W04B
	08	I16Z		21A	W01A, W01B, W01C, W02A, W02B		21B	X06A, X06B, X06C
	21A	W04A, W04B		21B	X04Z	5t31k.6↔		BOP, KVT, UOP4, VIAL
	21B	X06A, X06B, X06C		21A	W04A, W04B		01	B03A, B03B, B06A, B06B, B07Z, B17A, B17B, B17C
5t31j.2↔		BOP, KVT, UOP4, VIAL	5t31j.h↔		BOP, KVT, UOP4, VIAL		08	I08A, I08B, I08C, I08D, I08E, I08F, I32A, I32B, I32C, I32D, I32E, I32F
	08	I23A, I23B		08	I18A, I18B, I30Z		21A	W04A, W04B
	21A	W04A, W04B		21A	W04A, W04B		21B	X04Z
	21B	X06A, X06B, X06C		21B	X04Z	5t31k.7↔		BOP, KVT, UOP4, VIAL
5t31j.3↔		BOP, KVT, UOP4, VIAL		21A	W04A, W04B		01	B03A, B03B, B06A, B06B, B07Z, B17A, B17B, B17C
	08	I23A, I23B		21B	X04Z		08	I32A, I32B, I32C, I32D, I32E, I32F
	21A	W04A, W04B	5t31j.i↔		BOP, KVT, UOP4, VIAL		21A	W04A, W04B
	21B	X06A, X06B, X06C		08	I18A, I18B, I30Z		21B	X05A, X05B
5t31j.4↔		BOP, KVT, UOP4, VIAL		21A	W04A, W04B			BOP, KVT, UOP4, VIAL
	08	I08A, I08B, I08C, I08D, I08E, I08F, I21Z, I31Z		21B	X04Z		01	B03A, B03B, B06A, B06B, B07Z, B17A, B17B, B17C
	21A	W04A, W04B	5t31j.k↔		BOP, KVT, UOP4, VIAL		08	I32A, I32B, I32C, I32D, I32E, I32F
	21B	X06A, X06B, X06C		08	I13A, I13B, I13C, I13D, I13E		21A	W04A, W04B
5t31j.5↔		BOP, KVT, UOP4, VIAL		21A	W04A, W04B		21B	X05A, X05B
	08	I08A, I08B, I08C, I08D, I08E, I08F, I21Z, I31Z	5t31j.l↔		BOP, KVT, UOP4, VIAL	5t31k.8↔		BOP, KVT, UOP4, VIAL
	21A	W04A, W04B		08	I20A, I20B, I20C, I20D, I20E, I20F		01	B03A, B03B, B06A, B06B, B07Z, B17A, B17B, B17C
	21B	X06A, X06B, X06C		21A	W04A, W04B		08	I32A, I32B, I32C, I32D, I32E, I32F
				21B	X04Z		21A	W04A, W04B
							21B	X05A, X05B

ZZV	MDC	DRG	ZZV	MDC	DRG	ZZV	MDC	DRG
5t31k.9↔		BOP, KVT, UOP4, VIAL	5t31x.1↔		BOP, KVT, UOP4, VIAL	5t31x.g↔		BOP, KVT, UOP4, VIAL
	01	B03A, B03B, B06A, B06B, B07Z, B17A, B17B, B17C		08	I16Z		01	B03A, B03B, B06A, B06B, B17A, B17B, B17C
	08	I32A, I32B, I32C, I32D, I32E, I32F		21A	W04A, W04B		08	I08A, I08B, I08C, I08D, I08E, I08F
	21A	W04A, W04B	5t31x.2↔		BOP, KVT, UOP4, VIAL		21A	W01A, W01B, W01C, W02A, W02B
	21B	X05A, X05B		08	I23A, I23B		21B	X04Z
5t31k.e↔		BOP, KVT, UOP4, VIAL		21A	W04A, W04B	5t31x.h↔		BOP, KVT, UOP4, VIAL
	08	I08A, I08B, I08C, I08D, I08E, I08F	5t31x.3↔		BOP, KVT, UOP4, VIAL		08	I18A, I18B, I30Z
5t31k.g↔		BOP, KVT, UOP4, VIAL		08	I23A, I23B		21A	W04A, W04B
	01	B03A, B03B, B06A, B06B, B17A, B17B, B17C		21A	W04A, W04B		21B	X04Z
	08	I08A, I08B, I08C, I08D, I08E, I08F	5t31x.4↔		BOP, KVT, UOP4, VIAL	5t31x.j↔		BOP, KVT, UOP4, VIAL
	21A	W01A, W01B, W01C, W02A, W02B		08	I08A, I08B, I08C, I08D, I08E, I08F, I21Z, I31Z		08	I18A, I18B, I30Z
	21B	X04Z		21A	W04A, W04B		21A	W04A, W04B
5t31k.h↔		BOP, KVT, UOP4, VIAL	5t31x.5↔		BOP, KVT, UOP4, VIAL		21B	X04Z
	01	B03A, B03B, B06A, B06B, B17A, B17B, B17C		08	I08A, I08B, I08C, I08D, I08E, I08F, I21Z, I31Z	5t31x.k↔		BOP, KVT, UOP4, VIAL
	08	I18A, I18B, I30Z		21A	W04A, W04B		08	I13A, I13B, I13C, I13D, I13E
	21A	W04A, W04B		21B	X06A, X06B, X06C		21A	W04A, W04B
	21B	X04Z	5t31x.6↔		BOP, KVT, UOP4, VIAL	5t31x.m↔		BOP, KVT, UOP4, VIAL
5t31k.j↔		BOP, KVT, UOP4, VIAL		08	I08A, I08B, I08C, I08D, I08E, I08F, I32A, I32B, I32C, I32D, I32E, I32F		08	I20A, I20B, I20C, I20D, I20E, I20F
	01	B03A, B03B, B06A, B06B, B17A, B17B, B17C		09	J03A, J03B, J04A, J04B, J08A, J08B, J08C, J11A, J11B, J16Z		21A	W04A, W04B
	08	I18A, I18B, I30Z		21A	W04A, W04B	5t31x.n↔		BOP, KVT, UOP4, VIAL
	21A	W04A, W04B		21B	X05A, X05B		08	I20A, I20B, I20C, I20D, I20E, I20F
	21B	X04Z	5t31x.7↔		BOP, KVT, UOP4, VIAL		21A	W04A, W04B
5t31k.k↔		BOP, KVT, UOP4, VIAL		08	I32A, I32B, I32C, I32D, I32E, I32F	5t31x.p↔		BOP, KVT, UOP4, VIAL
	01	B03A, B03B, B06A, B06B, B17A, B17B, B17C		09	J03A, J03B, J04A, J04B, J08A, J08B, J08C, J11A, J11B, J16Z		08	I20A, I20B, I20C, I20D, I20E, I20F
	05	F27A, F27B, F27C		21A	W04A, W04B		21A	W04A, W04B
	08	I13A, I13B, I13C, I13D, I13E		21B	X05A, X05B	5t31x.q↔		BOP, KVT, UOP4, VIAL
	10	K01Z	5t31x.8↔		BOP, KVT, UOP4, VIAL		08	I20A, I20B, I20C, I20D, I20E, I20F
	21A	W04A, W04B		08	I32A, I32B, I32C, I32D, I32E, I32F		21A	W04A, W04B
	21B	X04Z		09	J03A, J03B, J04A, J04B, J08A, J08B, J08C, J11A, J11B, J16Z		21B	X04Z
5t31k.m↔		BOP, KVT, UOP4, VIAL		21A	W04A, W04B	5t31x.r↔		BOP, KVT, UOP4, VIAL
	08	I20A, I20B, I20C, I20D		21B	X05A, X05B		08	I20A, I20B, I20C, I20D, I20E, I20F
	21A	W04A, W04B					21A	W04A, W04B
	21B	X04Z					21B	X04Z
5t31k.n↔		BOP, KVT, UOP4, VIAL				5t31x.s↔		BOP, KVT, UOP4, VIAL
	08	I20A, I20B, I20C, I20D					08	I20A, I20B, I20C, I20D, I20E, I20F
	21A	W04A, W04B					21A	W04A, W04B
	21B	X04Z					21B	X04Z
5t31k.p↔		BOP, KVT, UOP4, VIAL				5t31x.t↔		BOP, KVT, UOP4, VIAL
	08	I20A, I20B, I20C, I20D	5t31x.9↔		BOP, KVT, UOP4, VIAL		08	I23A, I23B
	21A	W04A, W04B		08	I32A, I32B, I32C, I32D, I32E, I32F		21A	W04A, W04B
	21B	X04Z		09	J03A, J03B, J04A, J04B, J08A, J08B, J08C, J11A, J11B, J16Z		21B	X06A, X06B, X06C
5t31k.q↔		BOP, KVT, UOP4, VIAL		21A	W04A, W04B	5t320↔		BOP, KVT, UOP4, VIAL
	08	I20A, I20B, I20C, I20D, I20E, I20F		21B	X05A, X05B		01	B03A, B03B, B06A, B06B, B17A, B17B, B17C
	21A	W04A, W04B					08	I18A, I18B, I30Z
	21B	X04Z					21A	W04A, W04B
5t31k.r↔		BOP, KVT, UOP4, VIAL	5t31x.e↔		BOP, KVT, UOP4, VIAL		21B	X04Z
	08	I20A, I20B, I20C, I20D, I20E, I20F		08	I08A, I08B, I08C, I08D, I08E, I08F, I23A, I23B	5t321↔		BOP, KVT, UOP4, VIAL
	21A	W04A, W04B		21A	W04A, W04B		01	B03A, B03B, B06A, B06B, B17A, B17B, B17C
	21B	X04Z		21B	X04Z, X06A, X06B, X06C		08	I18A, I18B, I30Z
5t31k.x		BOP, KVT, UOP4					21A	W04A, W04B
	08	I28A, I28B	5t31x.f		BOP, KVT, UOP4, VIAL		21B	X04Z
	21A	W04A, W04B		08	I23A, I23B	5t322↔		BOP, KVT, UOP4, VIAL
	21B	X06A, X06B, X06C		21A	W04A, W04B		01	B03A, B03B, B06A, B06B, B17A, B17B, B17C
5t31x.0↔		BOP, KVT, UOP4, VIAL		21B	X04Z, X06A, X06B, X06C		08	I18A, I18B, I30Z
	08	I16Z					21A	W04A, W04B
	21A	W04A, W04B					21B	X04Z
	21B	X06A, X06B, X06C						

ZZV	MDC	DRG	ZZV	MDC	DRG	ZZV	MDC	DRG
5t323↔		BOP, KVT, UOP4, VIAL	5t333↔		BOP, KVT, UOP4, VIAL	5t342↔		BOP, KVT, UOP4, VIAL
	01	B03A, B03B, B06A, B06B, B17A, B17B, B17C		01	B03A, B03B, B06A, B06B, B07Z, B17A, B17B, B17C		01	B03A, B03B, B06A, B06B, B07Z, B17A, B17B, B17C
	08	I18A, I18B, I30Z		08	I18A, I18B, I30Z		08	I12A, I12B, I12C, I18A, I18B, I30Z
	21A	W04A, W04B		10	K09A, K09B		10	K09A, K09B
	21B	X04Z		21A	W04A, W04B		21A	W04A, W04B
5t324↔		BOP, KVT, UOP4, VIAL	5t334↔		BOP, KVT, UOP4, VIAL	5t343↔		BOP, KVT, UOP4, VIAL
	01	B03A, B03B, B06A, B06B, B17A, B17B, B17C		01	B03A, B03B, B06A, B06B, B07Z, B17A, B17B, B17C		01	B03A, B03B, B06A, B06B, B07Z, B17A, B17B, B17C
	08	I18A, I18B, I30Z		08	I18A, I18B, I30Z		08	I18A, I18B, I30Z
	21A	W04A, W04B		21A	W04A, W04B		10	K09A, K09B
	21B	X04Z		21B	X04Z		21A	W04A, W04B
5t325↔		BOP, KVT, UOP4, VIAL	5t335↔		BOP, KVT, UOP4, VIAL	5t34x↔		BOP, KVT, UOP4, VIAL
	01	B03A, B03B, B06A, B06B, B17A, B17B, B17C		01	B03A, B03B, B06A, B06B, B07Z, B17A, B17B, B17C		08	I12A, I12B, I12C, I18A, I18B, I30Z
	08	I18A, I18B, I30Z		08	I18A, I18B, I30Z		21A	W04A, W04B
	21A	W04A, W04B		21A	W04A, W04B		21B	X04Z
	21B	X04Z		21B	X04Z		21B	X04Z
5t326↔		BOP, KVT, UOP4, VIAL	5t336↔		BOP, KVT, UOP4, VIAL	5t350↔		BOP, KVT, UOP4, VIAL
	01	B03A, B03B, B06A, B06B, B17A, B17B, B17C		01	B03A, B03B, B06A, B06B, B17A, B17B, B17C		08	I29Z
	08	I18A, I18B, I30Z		08	I18A, I30Z		21A	W04A, W04B
	21A	W04A, W04B		21A	W04A, W04B		21B	X06A, X06B, X06C
	21B	X04Z		21B	X04Z		5t351↔	BOP, KVT, UOP4, VIAL
5t327↔		BOP, KVT, UOP4, VIAL	5t337↔		BOP, KVT, UOP4, VIAL		08	I29Z
	01	B03A, B03B, B06A, B06B, B17A, B17B, B17C		01	B03A, B03B, B06A, B06B, B17A, B17B, B17C		21A	W04A, W04B
	08	I18A, I18B, I30Z		08	I18A, I30Z		21B	X06A, X06B, X06C
	21A	W04A, W04B		21A	W04A, W04B		5t352↔	BOP, KVT, UOP4, VIAL
	21B	X04Z		21B	X04Z		08	I29Z
5t328↔		BOP, KVT, UOP4, VIAL	5t338↔		BOP, KVT, UOP4, VIAL		21A	W04A, W04B
	01	B03A, B03B, B06A, B06B, B17A, B17B, B17C		01	B03A, B03B, B06A, B06B, B17A, B17B, B17C		21B	X06A, X06B, X06C
	08	I18A, I18B, I30Z		08	I18A, I30Z		5t353↔	BOP, KVT, UOP4, VIAL
	21A	W04A, W04B		21A	W04A, W04B		08	I29Z
	21B	X04Z		21B	X04Z		21A	W04A, W04B
5t329↔		BOP, KVT, UOP4, VIAL	5t339↔		BOP, KVT, UOP4, VIAL		21B	X06A, X06B, X06C
	01	B03A, B03B, B06A, B06B, B17A, B17B, B17C		01	B03A, B03B, B06A, B06B, B17A, B17B, B17C		5t354↔	BOP, KVT, UOP4, VIAL
	08	I18A, I18B, I30Z		08	I18A, I30Z		08	I12A, I12B, I12C, I29Z
	21A	W04A, W04B		21A	W04A, W04B		21A	W04A, W04B
	21B	X04Z		21B	X04Z		21B	X06A, X06B, X06C
5t32x↔		BOP, KVT, UOP4	5t33a↔		BOP, KVT, UOP4, VIAL		5t355↔	BOP, KVT, UOP4, VIAL
	01	B03A, B03B, B06A, B06B, B17A, B17B, B17C		01	B03A, B03B, B06A, B06B, B17A, B17B, B17C		08	I12A, I12B, I12C, I29Z
	08	I18A, I18B, I30Z		08	I18A, I30Z		21A	W04A, W04B
	21A	W04A, W04B		21A	W04A, W04B		21B	X06A, X06B, X06C
	21B	X04Z		21B	X04Z		5t356↔	BOP, KVT, UOP4, VIAL
5t330↔		BOP, KVT, UOP4, VIAL	5t33x↔		BOP, KVT, UOP4, VIAL		08	I12A, I12B, I12C, I29Z
	01	B03A, B03B, B06A, B06B, B07Z, B17A, B17B, B17C		01	B03A, B03B, B06A, B06B, B17A, B17B, B17C		21A	W04A, W04B
	08	I18A, I18B, I30Z		08	I18A, I18B, I30Z		21B	X06A, X06B, X06C
	10	K09A, K09B		21A	W04A, W04B		5t357↔	BOP, KVT, UOP4, VIAL
	21A	W04A, W04B		21B	X04Z		08	I12A, I12B, I12C, I29Z
	21B	X04Z		5t340↔	BOP, KVT, UOP4, VIAL		21A	W04A, W04B
5t331↔		BOP, KVT, UOP4, VIAL		01	B03A, B03B, B06A, B06B, B17A, B17B, B17C		21B	X06A, X06B, X06C
	01	B03A, B03B, B06A, B06B, B07Z, B17A, B17B, B17C		08	I12A, I12B, I12C, I18A, I18B, I30Z		5t358↔	BOP, KVT, UOP4, VIAL
	08	I18A, I18B, I30Z		21A	W04A, W04B		08	I12A, I12B, I12C, I29Z
	21A	W04A, W04B		21B	X04Z		21A	W04A, W04B
	21B	X04Z		5t341↔	BOP, KVT, UOP4, VIAL		21B	X06A, X06B, X06C
5t332↔		BOP, KVT, UOP4, VIAL		01	B03A, B03B, B06A, B06B, B17A, B17B, B17C		5t359↔	BOP, KVT, UOP4, VIAL
	01	B03A, B03B, B06A, B06B, B07Z, B17A, B17B, B17C		08	I12A, I12B, I12C, I18A, I18B, I30Z		08	I12A, I12B, I12C, I29Z
	08	I18A, I18B, I30Z		21A	W04A, W04B		21A	W04A, W04B
	21A	W04A, W04B		21B	X04Z		21B	X06A, X06B, X06C
	21B	X04Z		5t35x↔	BOP, KVT, UOP4, VIAL		5t35a↔	BOP, KVT, UOP4, VIAL
				01	B03A, B03B, B06A, B06B, B17A, B17B, B17C		08	I12A, I12B, I12C, I29Z
				08	I12A, I12B, I12C, I18A, I18B, I30Z		21A	W04A, W04B
				21A	W04A, W04B		21B	X06A, X06B, X06C
				21B	X04Z		5t35x↔	BOP, KVT, UOP4, VIAL
							08	I12A, I12B, I12C, I29Z
							21A	W04A, W04B
							21B	X06A, X06B, X06C

VYK

ZZV	MDC	DRG	ZZV	MDC	DRG	ZZV	MDC	DRG
5t360↔		BOP, KVT, UOP4, VIAL	5t36x↔		BOP, KVT, UOP4, VIAL	5t381		BOP, KVT, UOP4, VIAL
	01	B03A, B03B, B06A, B06B, B17A, B17B, B17C		01	B03A, B03B, B06A, B06B, B17A, B17B, B17C		01	B03A, B03B, B06A, B06B, B17A, B17B, B17C
	05	F27A, F27B, F27C		05	F27A, F27B, F27C		08	I12A, I12B, I12C, I28A, I28B
	08	I12A, I12B, I12C, I59Z		08	I12A, I12B, I12C, I59Z		21A	W04A, W04B
	10	K01Z		10	K01Z	5t382↔	21B	X04Z, X06A, X06B, X06C
	21A	W04A, W04B		21A	W04A, W04B			BOP, KVT, UOP4, VIAL
	21B	X04Z		21B	X04Z		01	B03A, B03B, B06A, B06B, B17A, B17B, B17C
5t361↔		BOP, KVT, UOP4, VIAL	5t370↔		BOP, KVT, UOP4		08	I03A, I03B, I08A, I08B, I08C, I08D, I08E, I08F
	01	B03A, B03B, B06A, B06B, B17A, B17B, B17C		01	B03A, B03B, B06A, B06B, B17A, B17B, B17C		21A	W01A, W01B, W01C, W02A, W02B
	05	F27A, F27B, F27C		08	I12A, I12B, I12C, I27A, I27B, I27C, I27D		21B	X04Z
	08	I12A, I12B, I12C, I59Z		21A	W04A, W04B	5t383↔		BOP, KOP, KOPV, KVT, UOP4, VIAL
	10	K01Z		21B	X04Z, X05A, X05B, X06A, X06B, X06C		01	B03A, B03B, B06A, B06B, B17A, B17B, B17C
	21A	W04A, W04B	5t371↔		BOP, KVT, UOP4		06	G33Z
	21B	X04Z		01	B03A, B03B, B06A, B06B, B17A, B17B, B17C		07	H33Z, H38Z
5t362↔		BOP, KVT, UOP4, VIAL		08	I12A, I12B, I12C, I27A, I27B, I27C, I27D		08	I01Z, I03A, I03B, I04Z, I12A, I12B, I12C
	01	B03A, B03B, B06A, B06B, B17A, B17B, B17C		21A	W04A, W04B		11	L33Z
	05	F27A, F27B, F27C		21B	X04Z, X05A, X05B, X06A, X06B, X06C		21A	W04A, W04B
	08	I12A, I12B, I12C, I59Z	5t372↔		BOP, KVT, UOP4, VIAL		21B	X04Z, X33Z
	10	K01Z		08	I08A, I08B, I08C, I08D, I08E, I08F, I21Z, I31Z		23	Z01A
	21A	W04A, W04B		21A	W04A, W04B	5t384↔	Pre	A07A
	21B	X04Z		21B	X06A, X06B, X06C			BOP, KVT, UOP4, VIAL
5t363↔		BOP, KVT, UOP4, VIAL	5t373.0↔		BOP, KVT, UOP4, VIAL		01	B03A, B03B, B06A, B06B, B17A, B17B, B17C
	01	B03A, B03B, B06A, B06B, B17A, B17B, B17C		01	B03A, B03B, B06A, B06B, B07Z, B17A, B17B, B17C		08	I12A, I12B, I12C, I16Z
	05	F27A, F27B, F27C		08	I08A, I08B, I08C, I08D, I08E, I08F, I32A, I32B, I32C, I32D, I32E, I32F		10	K09A, K09B
	08	I12A, I12B, I12C, I59Z		21A	W04A, W04B		21A	W04A, W04B
	10	K01Z		21B	X06A, X06B, X06C		21B	X06A, X06B, X06C
	21A	W04A, W04B			BOP, KVT, UOP4, VIAL	5t385↔		BOP, KVT, UOP4, VIAL
	21B	X04Z	5t374↔		BOP, KVT, UOP4, VIAL		01	B03A, B03B, B06A, B06B, B17A, B17B, B17C
5t364↔		BOP, KVT, UOP4, VIAL		08	I12A, I12B, I12C, I16Z		08	I08A, I08B, I08C, I08D, I08E, I08F, I12A, I12B, I12C, I21Z, I31Z
	01	B03A, B03B, B06A, B06B, B17A, B17B, B17C		21A	W04A, W04B		21A	W04A, W04B
	05	F27A, F27B, F27C		21B	X05A, X05B		21B	X06A, X06B, X06C
	08	I12A, I12B, I12C, I59Z	5t375↔		BOP, KVT, UOP4, VIAL			BOP, KVT, UOP4, VIAL
	10	K01Z		08	I12A, I12B, I12C, I16Z		01	B03A, B03B, B06A, B06B, B17A, B17B, B17C
	21A	W04A, W04B		21A	W04A, W04B		08	I12A, I12B, I12C, I32A, I32B, I32C, I32D, I32E, I32F
	21B	X04Z		21B	X06A, X06B, X06C	5t386↔	21A	W04A, W04B
5t365↔		BOP, KVT, UOP4, VIAL			BOP, KVT, UOP4, VIAL		21B	X06A, X06B, X06C
	01	B03A, B03B, B06A, B06B, B17A, B17B, B17C		08	I12A, I12B, I12C, I16Z			BOP, KVT, UOP4, VIAL
	05	F27A, F27B, F27C	5t376↔		BOP, KVT, UOP4, VIAL		01	B03A, B03B, B06A, B06B, B17A, B17B, B17C
	08	I12A, I12B, I12C, I59Z		08	I12A, I12B, I12C, I16Z		08	I12A, I12B, I12C, I32A, I32B, I32C, I32D, I32E, I32F
	10	K01Z		21A	W04A, W04B		21A	W04A, W04B
	21A	W04A, W04B		21B	X06A, X06B, X06C	5t387.0↔	21B	X05A, X05B
	21B	X04Z	5t37x↔		BOP, KVT, UOP4			BOP, KOP, KOPV, KVT, UOP4, VIAL
5t366↔		BOP, KVT, UOP4, VIAL		01	B03A, B03B, B06A, B06B, B17A, B17B, B17C		01	B03A, B03B, B06A, B06B, B17A, B17B, B17C
	01	B03A, B03B, B06A, B06B, B17A, B17B, B17C		08	I12A, I12B, I12C, I27A, I27B, I27C, I27D		05	F27A, F27B, F27C
	05	F27A, F27B, F27C		21A	W04A, W04B		06	G33Z
	08	I12A, I12B, I12C, I59Z		21B	X06A, X06B, X06C		07	H33Z, H38Z
	10	K01Z	5t380		BOP, KOP, KOPV, KVT, UOP4, VIAL		08	I01Z, I03A, I03B, I12A, I12B, I12C, I13A, I13B, I13C, I13D
	21A	W04A, W04B		01	B03A, B03B, B18Z		10	K01Z
	21B	X04Z		06	G33Z		11	L33Z
5t367↔		BOP, KVT, UOP4, VIAL		07	H33Z, H38Z		21A	W04A, W04B
	01	B03A, B03B, B06A, B06B, B17A, B17B, B17C		08	I06A, I06B, I06C, I06D, I06E, I08A, I08B, I08C, I08D, I08E, I08F, I09A, I09B, I09C, I09D, I09E, I12A, I12B, I12C		21B	X04Z, X33Z
	05	F27A, F27B, F27C		11	L33Z		23	Z01A
	08	I12A, I12B, I12C, I59Z		21A	W04A, W04B		Pre	A07A
	10	K01Z		21B	X06A, X06B, X06C, X33Z			
	21A	W04A, W04B		23	Z01A			
	21B	X04Z		Pre	A07A			

ZZV	MDC	DRG	ZZV	MDC	DRG	ZZV	MDC	DRG			
5t387.1↔		BOP, KOP, KOPV, KVT, UOP4, VIAL	5t388.3↔		BOP, KOP, KOPV, KVT, UOP4, VIAL	5t390.0↔		BOP, KVT, UOP4, VIAL			
	01	B03A, B03B, B06A, B06B, B17A, B17B, B17C		01	B03A, B03B, B06A, B06B, B17A, B17B, B17C		08	I12A, I12B, I12C, I16Z			
	05	F27A, F27B, F27C		05	F27A, F27B, F27C		21A	W04A, W04B			
	06	G33Z		06	G33Z		21B	X06A, X06B, X06C			
	07	H33Z, H38Z		07	H33Z, H38Z		5t390.1↔	BOP, KVT, UOP4, VIAL			
	08	I01Z, I03A, I03B, I12A, I12B, I12C, I13A, I13B, I13C, I13D, I20A, I20B, I20C, I20D		08	I01Z, I03A, I03B, I12A, I12B, I12C, I13A, I13B, I13C, I13D, I20A, I20B, I20C, I20D			08	I12A, I12B, I12C, I16Z		
	10	K01Z		10	K01Z		21A	W04A, W04B			
	11	L33Z		11	L33Z		21B	X06A, X06B, X06C			
	21A	W04A, W04B		21A	W04A, W04B		5t390.3↔	BOP, KVT, UOP4, VIAL			
	21B	X04Z, X33Z		21B	X04Z, X33Z			08	I12A, I12B, I12C, I28A, I28B		
	23	Z01A		23	Z01A		21A	W04A, W04B			
	Pre	A07A		Pre	A07A		21B	X06A, X06B, X06C			
	5t387.2↔			BOP, KOP, KOPV, KVT, UOP4, VIAL	5t389.1↔			BOP, KVT, UOP4, VIAL	5t390.4↔		BOP, KVT, UOP4, VIAL
		01		B03A, B03B, B06A, B06B, B17A, B17B, B17C			01	B03A, B03B, B06A, B06B, B17A, B17B, B17C		08	I08A, I08B, I08C, I08D, I08E, I08F, I12A, I12B, I12C, I21Z, I31Z
05		F27A, F27B	05	F27A, F27B		21A	W04A, W04B				
06		G33Z	08	I12A, I12B, I12C, I20A, I20B, I20C, I20D		21B	X06A, X06B, X06C				
07		H33Z, H38Z	10	K01Z		5t390.5↔	BOP, KVT, UOP4, VIAL				
08		I01Z, I03A, I03B, I12A, I12B, I12C, I13A, I13B, I13C, I13D, I20A, I20B, I20C, I20D	21A	W04A, W04B			08	I08A, I08B, I08C, I08D, I08E, I08F, I12A, I12B, I12C, I21Z, I31Z			
10		K01Z	21B	X04Z		21A	W04A, W04B				
11		L33Z	5t389.3↔	BOP, KVT, UOP4, VIAL		21B	X06A, X06B, X06C				
21A		W04A, W04B		01		B03A, B03B, B06A, B06B, B17A, B17B, B17C	5t390.6↔	BOP, KVT, UOP4, VIAL			
21B		X04Z, X33Z	05	F27A, F27B		08		I08A, I08B, I08C, I08D, I08E, I08F, I12A, I12B, I12C, I32A, I32B, I32C, I32D, I32E, I32F			
23		Z01A	08	I12A, I12B, I12C, I20A, I20B, I20C, I20D		21A	W04A, W04B				
Pre		A07A	10	K01Z		21B	X05A, X05B				
5t388.1↔			BOP, KOP, KOPV, KVT, UOP4, VIAL	5t38a.1↔			BOP, KVT, UOP4, VIAL	5t390.7↔			BOP, KVT, UOP4, VIAL
		01	B03A, B03B, B06A, B06B, B17A, B17B, B17C			08	I20A, I20B, I20C, I20D, I20E, I20F			08	I12A, I12B, I12C, I32A, I32B, I32C, I32D, I32E, I32F
	05	F27A, F27B, F27C	21B		X04Z	21A	W04A, W04B				
	06	G33Z	5t38a.2↔		BOP, KVT, UOP4, VIAL	21B	X05A, X05B				
	07	H33Z, H38Z			08	I20A, I20B, I20C, I20D, I20E, I20F	5t390.8↔		BOP, KVT, UOP4, VIAL		
	08	I01Z, I03A, I03B, I12A, I12B, I12C, I13A, I13B, I13C, I13D, I20A, I20B, I20C, I20D	21B		X04Z	08			I12A, I12B, I12C, I32A, I32B, I32C, I32D, I32E, I32F		
	10	K01Z	5t38a.3↔		BOP, KVT, UOP4, VIAL	21A	W04A, W04B				
	11	L33Z			08	I20A, I20B, I20C, I20D, I20E, I20F	21B		X05A, X05B		
	21A	W04A, W04B	5t38a.4↔		BOP, KVT, UOP4, VIAL	5t390.9↔	BOP, KVT, UOP4, VIAL				
	21B	X04Z, X33Z			08		I20A, I20B, I20C, I20D, I20E, I20F		08	I12A, I12B, I12C, I32A, I32B, I32C, I32D, I32E, I32F	
	23	Z01A	5t38a.5↔		BOP, KVT, UOP4, VIAL	5t390.e↔	BOP, KVT, UOP4, VIAL				
	Pre	A07A			21B		X04Z		08	I08A, I08B, I08C, I08D, I08E, I08F, I12A, I12B, I12C, I28A, I28B	
	5t388.2↔		BOP, KOP, KOPV, KVT, UOP4, VIAL		5t38a.a↔		BOP, KVT, UOP4, VIAL		5t390.f		BOP, KVT, UOP4, VIAL
		01	B03A, B03B, B06A, B06B, B17A, B17B, B17C			08	I20A, I20B, I20C, I20D, I20E, I20F			08	I12A, I12B, I12C, I28A, I28B
05		F27A, F27B, F27C	21B	X04Z		21A	W04A, W04B				
06		G33Z	5t38a.b↔	BOP, KVT, UOP4, VIAL		21B	X04Z, X06A, X06B, X06C				
07		H33Z, H38Z		08		I20A, I20B, I20C, I20D, I20E, I20F	5t390.g↔	BOP, KVT, UOP4, VIAL			
08		I01Z, I03A, I03B, I12A, I12B, I12C, I13A, I13B, I13C, I13D, I20A, I20B, I20C, I20D	21B	X04Z		08		I08A, I08B, I08C, I08D, I08E, I08F			
10		K01Z	5t38x	BOP, KVT, UOP4, VIAL		21A	W01A, W01B, W01C, W02A, W02B				
11		L33Z		08		I20A, I20B, I20C, I20D, I20E, I20F	21B	X04Z			
21A		W04A, W04B	5t38x	BOP, KVT, UOP4		5t390.h↔	BOP, KVT, UOP4, VIAL				
21B		X04Z, X33Z		01			B03A, B03B, B06A, B06B, B17A, B17B, B17C	01		B03A, B03B, B06A, B06B, B17A, B17B, B17C	
23		Z01A		08			I12A, I12B, I12C, I28A, I28B	08		I12A, I12B, I12C, I18A, I18B, I30Z	
Pre		A07A		21A			W04A, W04B	21A		W04A, W04B	
				21B		X06A, X06B, X06C	21B	X04Z			

VYK

ZZV	MDC	DRG	ZZV	MDC	DRG	ZZV	MDC	DRG	
5t390.j↔		BOP, KVT, UOP4, VIAL	5t391.5↔	08	BOP, KVT, UOP4, VIAL	5t391.j↔	01	BOP, KVT, UOP4, VIAL	
	01	B03A, B03B, B06A, B06B, B17A, B17B, B17C			08		I08A, I08B, I08C, I08D, I08E, I08F, I12A, I12B, I12C, I21Z, I31Z	01	B03A, B03B, B06A, B06B, B17A, B17B, B17C
	08	I12A, I12B, I12C, I18A, I18B, I30Z		21A	W04A, W04B		08	I12A, I12B, I12C, I18A, I18B, I30Z	
	21A	W04A, W04B		21B	X06A, X06B, X06C		21A	W04A, W04B	
5t390.k↔		BOP, KVT, UOP4, VIAL	5t391.6↔		BOP, KVT, UOP4, VIAL	5t391.k↔		BOP, KVT, UOP4, VIAL	
	01	B03A, B03B, B06A, B06B, B17A, B17B, B17C		01	B03A, B03B, B06A, B06B, B07Z, B17A, B17B, B17C		01	B03A, B03B, B06A, B06B, B17A, B17B, B17C	
	08	I12A, I12B, I12C, I13A, I13B, I13C, I13D, I13E		08	I08A, I08B, I08C, I08D, I08E, I08F, I12A, I12B, I12C, I32A, I32B, I32C, I32D, I32E, I32F		05	F27A, F27B, F27C	
	21A	W04A, W04B		21A	W04A, W04B		08	I12A, I12B, I12C, I13A, I13B, I13C, I13D, I13E	
5t390.m↔		BOP, KVT, UOP4, VIAL	5t391.7↔		BOP, KVT, UOP4, VIAL	5t391.m↔		BOP, KVT, UOP4, VIAL	
	08	I12A, I12B, I12C, I20A, I20B, I20C, I20D, I20E, I20F		01	B03A, B03B, B06A, B06B, B07Z, B17A, B17B, B17C		08	I12A, I12B, I12C, I20A, I20B, I20C, I20D, I20E, I20F	
	21A	W04A, W04B		08	I12A, I12B, I12C, I32A, I32B, I32C, I32D, I32E, I32F		10	K01Z	
	21B	X04Z		21A	W04A, W04B		21A	W04A, W04B	
5t390.n↔		BOP, KVT, UOP4, VIAL	5t391.8↔		BOP, KVT, UOP4, VIAL	5t391.n↔		BOP, KVT, UOP4, VIAL	
	08	I12A, I12B, I12C, I20A, I20B, I20C, I20D, I20E, I20F		01	B03A, B03B, B06A, B06B, B07Z, B17A, B17B, B17C		08	I12A, I12B, I12C, I20A, I20B, I20C, I20D, I20E, I20F	
	21A	W04A, W04B		08	I12A, I12B, I12C, I32A, I32B, I32C, I32D, I32E, I32F		21A	W04A, W04B	
	21B	X04Z		21B	X05A, X05B		21B	X04Z	
5t390.p↔		BOP, KVT, UOP4, VIAL	5t391.9↔		BOP, KVT, UOP4, VIAL	5t391.p↔		BOP, KVT, UOP4, VIAL	
	08	I12A, I12B, I12C, I20A, I20B, I20C, I20D, I20E, I20F		01	B03A, B03B, B06A, B06B, B07Z, B17A, B17B, B17C		08	I12A, I12B, I12C, I20A, I20B, I20C, I20D, I20E, I20F	
	21A	W04A, W04B		08	I12A, I12B, I12C, I32A, I32B, I32C, I32D, I32E, I32F		21A	W04A, W04B	
	21B	X04Z		21A	W04A, W04B		21B	X04Z	
5t390.q↔		BOP, KVT, UOP4, VIAL	5t391.e↔		BOP, KVT, UOP4, VIAL	5t391.q↔		BOP, KVT, UOP4, VIAL	
	08	I12A, I12B, I12C, I20A, I20B, I20C, I20D, I20E, I20F		01	B03A, B03B, B06A, B06B, B07Z, B17A, B17B, B17C		08	I12A, I12B, I12C, I20A, I20B, I20C, I20D, I20E, I20F	
	21A	W04A, W04B		08	I08A, I08B, I08C, I08D, I08E, I08F, I12A, I12B, I12C, I28A, I28B		21A	W04A, W04B	
	21B	X04Z		21A	W04A, W04B		21B	X04Z	
5t390.r↔		BOP, KVT, UOP4, VIAL	5t391.f		BOP, KVT, UOP4, VIAL	5t391.r↔		BOP, KVT, UOP4, VIAL	
	08	I12A, I12B, I12C, I20A, I20B, I20C, I20D, I20E, I20F		01	B03A, B03B, B06A, B06B, B17A, B17B, B17C		08	I12A, I12B, I12C, I20A, I20B, I20C, I20D, I20E, I20F	
	21A	W04A, W04B		08	I12A, I12B, I12C, I28A, I28B		21A	W04A, W04B	
	21B	X04Z		21A	W04A, W04B		21B	X04Z	
5t390.x		BOP, KVT, UOP4	5t391.g↔		BOP, KVT, UOP4, VIAL	5t391.x		BOP, KVT, UOP4	
	08	I12A, I12B, I12C, I28A, I28B		01	B03A, B03B, B06A, B06B, B17A, B17B, B17C		01	B03A, B03B, B06A, B06B, B17A, B17B, B17C	
	21A	W04A, W04B		08	I08A, I08B, I08C, I08D, I08E, I08F, I12A, I12B, I12C, I28A, I28B		08	I12A, I12B, I12C, I28A, I28B	
	21B	X06A, X06B, X06C		21A	W04A, W04B		21A	W04A, W04B	
5t391.0↔		BOP, KVT, UOP4, VIAL	5t391.h↔		BOP, KVT, UOP4, VIAL	5t392.0↔		BOP, KVT, UOP4, VIAL	
	08	I12A, I12B, I12C, I16Z		01	B03A, B03B, B06A, B06B, B17A, B17B, B17C		08	I12A, I12B, I12C, I16Z	
	21A	W04A, W04B		08	I08A, I08B, I08C, I08D, I08E, I08F		21A	W04A, W04B	
	21B	X06A, X06B, X06C		21A	W01A, W01B, W01C, W02A, W02B		21A	W04A, W04B	
5t391.1↔		BOP, KVT, UOP4, VIAL	5t391.i↔		BOP, KVT, UOP4, VIAL	5t392.2↔		BOP, KVT, UOP4, VIAL	
	08	I12A, I12B, I12C, I16Z		01	B03A, B03B, B06A, B06B, B17A, B17B, B17C		01	B03A, B03B, B06A, B06B, B17A, B17B, B17C	
	21A	W04A, W04B		08	I08A, I08B, I08C, I08D, I08E, I08F		08	I12A, I12B, I12C, I28A, I28B	
	21B	X06A, X06B, X06C		21A	W04A, W04B		21A	W04A, W04B	
5t391.2↔		BOP, KVT, UOP4, VIAL	5t391.j↔		BOP, KVT, UOP4, VIAL	5t392.3↔		BOP, KVT, UOP4, VIAL	
	01	B03A, B03B, B06A, B06B, B17A, B17B, B17C		01	B03A, B03B, B06A, B06B, B17A, B17B, B17C		01	B03A, B03B, B06A, B06B, B17A, B17B, B17C	
	08	I12A, I12B, I12C, I28A, I28B		08	I12A, I12B, I12C, I18A, I18B, I30Z		08	I12A, I12B, I12C, I28A, I28B	
	21A	W04A, W04B		21A	W04A, W04B		21A	W04A, W04B	
5t391.3↔		BOP, KVT, UOP4, VIAL	5t391.k↔		BOP, KVT, UOP4, VIAL	5t392.4↔		BOP, KVT, UOP4, VIAL	
	01	B03A, B03B, B06A, B06B, B17A, B17B, B17C		01	B03A, B03B, B06A, B06B, B17A, B17B, B17C		01	B03A, B03B, B06A, B06B, B17A, B17B, B17C	
	08	I12A, I12B, I12C, I28A, I28B		08	I12A, I12B, I12C, I18A, I18B, I30Z		08	I12A, I12B, I12C, I28A, I28B	
	21A	W04A, W04B		21A	W04A, W04B		21A	W04A, W04B	
5t391.4↔		BOP, KVT, UOP4, VIAL	5t391.l↔		BOP, KVT, UOP4, VIAL	5t392.5↔		BOP, KVT, UOP4, VIAL	
	08	I08A, I08B, I08C, I08D, I08E, I08F, I12A, I12B, I12C, I21Z, I31Z		01	B03A, B03B, B06A, B06B, B17A, B17B, B17C		08	I08A, I08B, I08C, I08D, I08E, I08F, I12A, I12B, I12C, I21Z, I31Z	
	21A	W04A, W04B		08	I12A, I12B, I12C, I18A, I18B, I30Z		21A	W04A, W04B	
	21B	X06A, X06B, X06C		21B	X04Z		21B	X06A, X06B, X06C	

VYK

ZZV	MDC	DRG	ZZV	MDC	DRG	ZZV	MDC	DRG
5t392.5↔		BOP, KVT, UOP4, VIAL	5t392.j↔		BOP, KVT, UOP4, VIAL	5t39x.5↔		BOP, KVT, UOP4, VIAL
	08	I08A, I08B, I08C, I08D, I08E, I08F, I12A, I12B, I12C, I21Z, I31Z		01	B03A, B03B, B06A, B06B, B17A, B17B, B17C		08	I08A, I08B, I08C, I08D, I08E, I08F, I21Z, I31Z
	21A	W04A, W04B		08	I12A, I12B, I12C, I18A, I18B, I30Z		21A	W04A, W04B
	21B	X06A, X06B, X06C		21A	W04A, W04B	5t39x.6↔		X06A, X06B, X06C
5t392.6↔		BOP, KVT, UOP4, VIAL	5t392.k↔		BOP, KVT, UOP4, VIAL		08	BOP, KVT, UOP4, VIAL
	01	B03A, B03B, B06A, B06B, B07Z, B17A, B17B, B17C		01	B03A, B03B, B06A, B06B, B17A, B17B, B17C		08	I08A, I08B, I08C, I08D, I08E, I08F, I32A, I32B, I32C, I32D, I32E, I32F
	08	I08A, I08B, I08C, I08D, I08E, I08F, I12A, I12B, I12C, I32A, I32B, I32C, I32D, I32E, I32F		05	F27A, F27B, F27C		21A	W04A, W04B
	21A	W04A, W04B		08	I12A, I12B, I12C, I13A, I13B, I13C, I13D, I13E	5t39x.7↔		X05A, X05B
	21B	X05A, X05B		10	K01Z		08	BOP, KVT, UOP4, VIAL
5t392.7↔		BOP, KVT, UOP4, VIAL		21A	W04A, W04B		08	I32A, I32B, I32C, I32D, I32E, I32F
	01	B03A, B03B, B06A, B06B, B07Z, B17A, B17B, B17C		21A	X04Z		21A	W04A, W04B
	08	I12A, I12B, I12C, I32A, I32B, I32C, I32D, I32E, I32F	5t392.m↔		BOP, KVT, UOP4, VIAL	5t39x.8↔		X05A, X05B
	21A	W04A, W04B		08	I12A, I12B, I12C, I20A, I20B, I20C, I20D, I20E, I20F		08	BOP, KVT, UOP4, VIAL
	21B	X05A, X05B		21A	W04A, W04B		08	I32A, I32B, I32C, I32D, I32E, I32F
5t392.8↔		BOP, KVT, UOP4, VIAL		21B	X04Z		21A	W04A, W04B
	01	B03A, B03B, B06A, B06B, B07Z, B17A, B17B, B17C	5t392.n↔		BOP, KVT, UOP4, VIAL	5t39x.9↔		X05A, X05B
	08	I12A, I12B, I12C, I32A, I32B, I32C, I32D, I32E, I32F		08	I12A, I12B, I12C, I20A, I20B, I20C, I20D		08	BOP, KVT, UOP4, VIAL
	21A	W04A, W04B		21A	W04A, W04B		08	I32A, I32B, I32C, I32D, I32E, I32F
	21B	X05A, X05B		21B	X04Z		21A	W04A, W04B
5t392.9↔		BOP, KVT, UOP4, VIAL	5t392.p↔		BOP, KVT, UOP4, VIAL	5t39x.e↔		X05A, X05B
	01	B03A, B03B, B06A, B06B, B07Z, B17A, B17B, B17C		08	I12A, I12B, I12C, I20A, I20B, I20C, I20D, I20E, I20F		08	BOP, KVT, UOP4, VIAL
	08	I12A, I12B, I12C, I32A, I32B, I32C, I32D, I32E, I32F		21A	W04A, W04B		08	I08A, I08B, I08C, I08D, I08E, I08F, I28A, I28B
	21A	W04A, W04B		21B	X04Z		21A	W04A, W04B
	21B	X05A, X05B	5t392.q↔		BOP, KVT, UOP4, VIAL	5t39x.f		X04Z, X06A, X06B, X06C
5t392.e↔		BOP, KVT, UOP4, VIAL		08	I12A, I12B, I12C, I20A, I20B, I20C, I20D, I20E, I20F		08	BOP, KVT, UOP4, VIAL
	01	B03A, B03B, B06A, B06B, B17A, B17B, B17C		21A	W04A, W04B		08	I28A, I28B
	08	I08A, I08B, I08C, I08D, I08E, I08F, I12A, I12B, I12C, I28A, I28B		21B	X04Z		21A	W04A, W04B
	21A	W04A, W04B	5t392.r↔		BOP, KVT, UOP4, VIAL	5t39x.g↔		X04Z, X06A, X06B, X06C
	21B	X04Z, X06A, X06B, X06C		08	I12A, I12B, I12C, I20A, I20B, I20C, I20D, I20E, I20F		08	BOP, KVT, UOP4, VIAL
5t392.f		BOP, KVT, UOP4, VIAL		21A	W04A, W04B		08	I08A, I08B, I08C, I08D, I08E, I08F
	01	B03A, B03B, B06A, B06B, B17A, B17B, B17C	5t392.x		BOP, KVT, UOP4	5t39x.h↔		W01A, W01B, W01C, W02A, W02B
	08	I12A, I12B, I12C, I28A, I28B		01	B03A, B03B, B06A, B06B, B17A, B17B, B17C		21B	X04Z
	21A	W04A, W04B		08	I12A, I12B, I12C, I28A, I28B		08	BOP, KVT, UOP4, VIAL
	21B	X04Z, X06A, X06B, X06C		21A	W04A, W04B	5t39x.j↔		I18A, I18B, I30Z
5t392.g↔		BOP, KVT, UOP4, VIAL	5t39x.0↔		BOP, KVT, UOP4, VIAL		10	K09A, K09B
	01	B03A, B03B, B06A, B06B, B17A, B17B, B17C		08	I16Z		21A	W04A, W04B
	08	I08A, I08B, I08C, I08D, I08E, I08F		21A	W04A, W04B		21B	X04Z
	21A	W01A, W01B, W01C, W02A, W02B	5t39x.1↔		X06A, X06B, X06C	5t39x.k↔		X04Z
	21B	X04Z		08	I16Z		08	BOP, KVT, UOP4, VIAL
5t392.h↔		BOP, KVT, UOP4, VIAL	5t39x.2↔		BOP, KVT, UOP4, VIAL		08	I13A, I13B, I13C, I13D, I13E
	01	B03A, B03B, B06A, B06B, B17A, B17B, B17C		08	I28A, I28B	5t39x.m↔		K09A, K09B
	08	I12A, I12B, I12C, I18A, I18B, I30Z		21A	W04A, W04B		21A	W04A, W04B
	21A	W04A, W04B		21B	X06A, X06B, X06C		21B	X04Z
	21B	X04Z	5t39x.3↔		BOP, KVT, UOP4, VIAL		08	BOP, KVT, UOP4, VIAL
				08	I28A, I28B		08	I20A, I20B, I20C, I20D, I20E, I20F
				21B	X05A, X05B, X06A, X06B, X06C	5t39x.n↔		W04A, W04B
							08	X04Z
			5t39x.4↔		BOP, KVT, UOP4, VIAL		21A	BOP, KVT, UOP4, VIAL
				08	I08A, I08B, I08C, I08D, I08E, I08F, I21Z, I31Z		08	I20A, I20B, I20C, I20D, I20E, I20F
				21A	W04A, W04B		21A	W04A, W04B
				21B	X06A, X06B, X06C		21B	X04Z

VYK

ZZV	MDC	DRG	ZZV	MDC	DRG	ZZV	MDC	DRG
5t39x.p↔		BOP, KVT, UOP4, VIAL	5t400.e↔	05	BOP, KVT, UOP4, VIAL	5t401.2↔	05	BOP, KVT, UOP4, VIAL
	08	I20A, I20B, I20C, I20D, I20E, I20F		08	F13A		08	F13A
	21A	W04A, W04B		21A	I08A, I08B, I08C, I08D, I08E, I08F, I12A, I12B, I12C, I24Z		21A	I12A, I12B, I12C, I24Z
5t39x.q↔	21B	X04Z	5t400.f	21B	W04A, W04B	5t401.3↔	21B	W04A, W04B
	08	BOP, KVT, UOP4, VIAL		21B	X04Z, X06A, X06B, X06C		05	X06A, X06B, X06C
	08	I20A, I20B, I20C, I20D, I20E, I20F		05	BOP, KVT, UOP4, VIAL		08	BOP, KVT, UOP4, VIAL
5t39x.r↔	21A	W04A, W04B	5t400.g↔	08	F13A	5t401.4↔	21A	F13A
	21B	X04Z		21A	I12A, I12B, I12C, I24Z		08	I12A, I12B, I12C, I24Z
	08	BOP, KVT, UOP4, VIAL		21B	W04A, W04B		21A	W04A, W04B
5t39x.x	21B	X06A, X06B, X06C	5t400.h↔	21B	X04Z, X06A, X06B, X06C	5t401.5↔	21B	X06A, X06B, X06C
	08	I28A, I28B		05	BOP, KVT, UOP4, VIAL		05	BOP, KVT, UOP4, VIAL
	21A	W04A, W04B		08	F13A		08	F13A
5t400.0↔	21B	X06A, X06B, X06C	5t400.i↔	08	I12A, I12B, I12C, I24Z	5t401.6↔	08	I12A, I12B, I12C, I24Z
	05	BOP, KVT, UOP4, VIAL		10	K09A, K09B		21A	W04A, W04B
	05	F13A		21A	W04A, W04B		21B	X06A, X06B, X06C
5t400.1↔	08	I12A, I12B, I12C, I24Z	5t400.j↔	21B	X04Z	5t401.7↔	21B	X06A, X06B, X06C
	21A	W04A, W04B		05	BOP, KVT, UOP4, VIAL		05	BOP, KVT, UOP4, VIAL
	21B	X06A, X06B, X06C		08	F13A		08	F13A
5t400.2↔	05	BOP, KVT, UOP4, VIAL	5t400.k↔	08	I59Z	5t401.8↔	08	I08A, I08B, I08C, I08D, I08E, I08F, I12A, I12B, I12C, I24Z
	05	F13A		05	BOP, KVT, UOP4, VIAL		21A	W04A, W04B
	08	I12A, I12B, I12C, I24Z		08	F13A		21B	X05A, X05B
5t400.3↔	21A	W04A, W04B	5t400.l↔	08	I12A, I12B, I12C, I24Z	5t401.9↔	21A	W04A, W04B
	21B	X06A, X06B, X06C		21A	W04A, W04B		21B	X05A, X05B
	05	BOP, KVT, UOP4, VIAL		21B	X04Z, X06A, X06B, X06C		05	BOP, KVT, UOP4, VIAL
5t400.4↔	05	F13A	5t400.m↔	05	F13A	5t401.0↔	05	F13A
	08	I12A, I12B, I12C, I24Z		08	I12A, I12B, I12C, I24Z		08	I12A, I12B, I12C, I32A, I32B, I32C, I32D, I32E, I32F, I32G
	21A	W04A, W04B		21A	W04A, W04B		21A	W04A, W04B
5t400.5↔	21B	X06A, X06B, X06C	5t400.n↔	21B	X04Z, X06A, X06B, X06C	5t401.1↔	21B	X05A, X05B
	05	BOP, KVT, UOP4, VIAL		05	BOP, KVT, UOP4, VIAL		05	BOP, KVT, UOP4, VIAL
	05	F13A		08	F13A		08	F13A
5t400.6↔	08	I08A, I08B, I08C, I08D, I08E, I08F, I12A, I12B, I12C, I24Z	5t400.o↔	08	I12A, I12B, I12C, I24Z	5t401.2↔	08	I12A, I12B, I12C, I24Z
	21A	W04A, W04B		21A	W04A, W04B		21A	W04A, W04B
	21B	X06A, X06B, X06C		21B	X04Z, X06A, X06B, X06C		21B	X06A, X06B, X06C
5t400.7↔	05	BOP, KVT, UOP4, VIAL	5t400.p↔	05	BOP, KVT, UOP4, VIAL	5t401.3↔	05	BOP, KVT, UOP4, VIAL
	05	F13A		08	F13A		08	F13A
	08	I08A, I08B, I08C, I08D, I08E, I08F, I12A, I12B, I12C, I24Z		08	I20A, I20B, I20C, I20D, I20E, I20F		08	I08A, I08B, I08C, I08D, I08E, I08F, I12A, I12B, I12C, I24Z
5t400.8↔	21A	W04A, W04B	5t400.q↔	08	I20A, I20B, I20C, I20D, I20E, I20F	5t401.4↔	21A	W04A, W04B
	21B	X05A, X05B		05	BOP, KVT, UOP4, VIAL		21B	X04Z, X06A, X06B, X06C
	05	BOP, KVT, UOP4, VIAL		08	F13A		05	BOP, KVT, UOP4, VIAL
5t400.9↔	08	I08A, I08B, I08C, I08D, I08E, I08F, I12A, I12B, I12C, I24Z	5t400.r↔	08	I12A, I12B, I12C, I24Z	5t401.5↔	08	I12A, I12B, I12C, I24Z
	21A	W04A, W04B		21A	W04A, W04B		21A	W04A, W04B
	21B	X05A, X05B		21B	X04Z, X06A, X06B, X06C		21B	X04Z, X06A, X06B, X06C
5t401.0↔	05	F13A	5t400.s↔	05	BOP, KVT, UOP4, VIAL	5t401.6↔	05	BOP, KVT, UOP4, VIAL
	08	I12A, I12B, I12C, I32A, I32B, I32C, I32D, I32E, I32F, I32G		08	I12A, I12B, I12C, I24Z		08	I12A, I12B, I12C, I24Z
	21A	W04A, W04B		21A	W04A, W04B		21A	W04A, W04B
5t401.1↔	21B	X05A, X05B	5t400.t↔	21B	X04Z, X06A, X06B, X06C	5t401.7↔	21B	X06A, X06B, X06C
	05	BOP, KVT, UOP4, VIAL		05	F13A		05	F13A
	05	F13A		08	I12A, I12B, I12C, I24Z		08	I12A, I12B, I12C, I24Z
5t401.2↔	08	I12A, I12B, I12C, I32A, I32B, I32C, I32D, I32E, I32F, I32G	5t400.u↔	08	I12A, I12B, I12C, I24Z	5t401.8↔	08	I12A, I12B, I12C, I24Z
	21A	W04A, W04B		21A	W04A, W04B		21A	W04A, W04B
	21B	X05A, X05B		21B	X04Z, X06A, X06B, X06C		21B	X04Z, X06A, X06B, X06C
5t401.3↔	05	F13A	5t400.v↔	05	BOP, KVT, UOP4, VIAL	5t401.9↔	05	BOP, KVT, UOP4, VIAL
	08	I12A, I12B, I12C, I24Z		08	I12A, I12B, I12C, I24Z		08	I12A, I12B, I12C, I24Z
	21A	W04A, W04B		05	F13A		21A	W04A, W04B
5t401.4↔	21B	X05A, X05B	5t400.w↔	08	I12A, I12B, I12C, I24Z	5t401.0↔	21B	X05A, X05B
	05	BOP, KVT, UOP4, VIAL		21A	W04A, W04B		05	BOP, KVT, UOP4, VIAL
	05	F13A		21B	X04Z, X06A, X06B, X06C		08	I12A, I12B, I12C, I24Z
5t401.5↔	08	I12A, I12B, I12C, I32A, I32B, I32C, I32D, I32E, I32F, I32G	5t400.x	05	BOP, KVT, UOP4, VIAL	5t401.1↔	08	I12A, I12B, I12C, I24Z
	21A	W04A, W04B		08	I12A, I12B, I12C, I24Z		21A	W04A, W04B
	21B	X05A, X05B		21A	W04A, W04B		21B	X04Z, X06A, X06B, X06C
5t401.6↔	05	F13A	5t401.0↔	05	F13A	5t401.2↔	05	F13A
	08	I12A, I12B, I12C, I24Z		08	I12A, I12B, I12C, I24Z		08	I12A, I12B, I12C, I24Z
	21A	W04A, W04B		21A	W04A, W04B		21A	W04A, W04B
5t401.7↔	21B	X05A, X05B	5t401.1↔	21B	X06A, X06B, X06C	5t401.3↔	21B	X06A, X06B, X06C
	05	BOP, KVT, UOP4, VIAL		05	BOP, KVT, UOP4, VIAL		05	BOP, KVT, UOP4, VIAL
	05	F13A		08	F13A		08	F13A
5t401.8↔	08	I12A, I12B, I12C, I24Z	5t401.1↔	08	I12A, I12B, I12C, I24Z	5t401.4↔	08	I12A, I12B, I12C, I24Z
	21A	W04A, W04B		21A	W04A, W04B		21A	W04A, W04B
	21B	X05A, X05B		21B	X06A, X06B, X06C		21B	X06A, X06B, X06C
5t401.9↔	05	BOP, KVT, UOP4, VIAL	5t401.1↔	05	BOP, KVT, UOP4, VIAL	5t401.5↔	05	BOP, KVT, UOP4, VIAL
	05	F13A		08	F13A		08	F13A
	08	I12A, I12B, I12C, I32A, I32B, I32C, I32D, I32E, I32F, I32G		08	I12A, I12B, I12C, I24Z		08	I12A, I12B, I12C, I24Z



ZZV	MDC	DRG	ZZV	MDC	DRG	ZZV	MDC	DRG	
5t401.k↔		BOP, KVT, UOP4, VIAL	5t402.9↔		BOP, KVT, UOP4, VIAL	5t403.4↔		BOP, KVT, UOP4, VIAL	
	05	F13A		08	I12A, I12B, I12C, I32A, I32B, I32C, I32D, I32E, I32F		01	B03A, B03B, B06A, B06B, B17A, B17B, B17C	
	08	I12A, I12B, I12C, I24Z		21A	W04A, W04B		08	I08A, I08B, I08C, I08D, I08E, I08F, I12A, I12B, I12C, I23A, I23B	
	21A	W04A, W04B		21B	X05A, X05B		21A	W04A, W04B	
	21B	X04Z	5t402.e↔		BOP, KVT, UOP4, VIAL		21B	X06A, X06B, X06C	
5t401.m↔		BOP, KVT, UOP4, VIAL		08	I08A, I08B, I08C, I08D, I08E, I08F, I12A, I12B, I12C, I28A, I28B	5t403.5↔		BOP, KVT, UOP4, VIAL	
	05	F13A		21A	W04A, W04B		01	B03A, B03B, B06A, B06B, B17A, B17B, B17C	
	08	I12A, I12B, I12C, I24Z		21B	X04Z, X06A, X06B, X06C		08	I08A, I08B, I08C, I08D, I08E, I08F, I12A, I12B, I12C, I23A, I23B	
	21A	W04A, W04B	5t402.g↔		BOP, KVT, UOP4, VIAL		21A	W04A, W04B	
	21B	X04Z, X06A, X06B, X06C		08	I08A, I08B, I08C, I08D, I08E, I30Z		21B	X06A, X06B, X06C	
5t401.n↔		BOP, KVT, UOP4, VIAL		21A	W01A, W01B, W01C, W02A, W02B		01	B03A, B03B, B06A, B06B, B17A, B17B, B17C	
	05	F13A		21B	X04Z		08	I08A, I08B, I08C, I08D, I08E, I08F, I12A, I12B, I12C, I23A, I23B	
	08	I12A, I12B, I12C, I24Z	5t402.h↔		BOP, KVT, UOP4, VIAL		21A	W04A, W04B	
	21A	W04A, W04B		08	I12A, I12B, I12C, I18A, I18B, I30Z		21B	X06A, X06B, X06C	
	21B	X04Z, X06A, X06B, X06C		21A	W04A, W04B	5t403.8↔		BOP, KVT, UOP4, VIAL	
5t401.p↔		BOP, KVT, UOP4, VIAL		21B	X04Z		01	B03A, B03B, B06A, B06B, B17A, B17B, B17C	
	05	F13A	5t402.i↔		BOP, KVT, UOP4, VIAL		08	I12A, I12B, I12C, I23A, I23B	
	08	I20A, I20B, I20C, I20D, I20E, I20F		08	I12A, I12B, I12C, I18A, I18B, I30Z		21A	W04A, W04B	
5t401.q↔		BOP, KVT, UOP4, VIAL		21A	W04A, W04B		21B	X05A, X05B, X06A, X06B, X06C	
	05	F13A	5t402.j↔		BOP, KVT, UOP4, VIAL		01	B03A, B03B, B06A, B06B, B17A, B17B, B17C	
	08	I12A, I12B, I12C, I24Z		08	I12A, I12B, I12C, I18A, I18B, I30Z	5t403.9↔		BOP, KVT, UOP4, VIAL	
	21A	W04A, W04B		21A	W04A, W04B		01	B03A, B03B, B06A, B06B, B17A, B17B, B17C	
	21B	X04Z, X06A, X06B, X06C		21B	X04Z		08	I12A, I12B, I12C, I23A, I23B	
5t401.r↔		BOP, KVT, UOP4, VIAL		5t402.k↔		BOP, KVT, UOP4, VIAL		21A	W04A, W04B
	05	F13A		08	I12A, I12B, I12C, I59Z		21B	X05A, X05B, X06A, X06B, X06C	
	08	I12A, I12B, I12C, I24Z		21A	W04A, W04B	5t403.g↔		BOP, KVT, UOP4, VIAL	
	21A	W04A, W04B		21B	X04Z		08	I12A, I12B, I12C, I21Z	
	21B	X04Z, X06A, X06B, X06C	5t402.l↔		BOP, KVT, UOP4, VIAL		21A	W04A, W04B	
5t401.x		BOP, KVT, UOP4		08	I12A, I12B, I12C, I59Z		21B	X04Z	
	05	F13A	5t402.m↔		BOP, KVT, UOP4, VIAL		01	B03A, B03B, B06A, B06B, B17A, B17B, B17C	
	08	I12A, I12B, I12C, I24Z		08	I12A, I12B, I12C, I20A, I20B, I20C, I20D, I20E, I20F	5t403.h↔		BOP, KVT, UOP4, VIAL	
	21A	W04A, W04B		21A	W04A, W04B		01	B03A, B03B, B06A, B06B, B17A, B17B, B17C	
	21B	X05A, X05B		21B	X04Z		08	I12A, I12B, I12C, I23A, I23B	
5t402.0↔		BOP, KVT, UOP4, VIAL	5t402.n↔		BOP, KVT, UOP4, VIAL		21A	W04A, W04B	
	08	I12A, I12B, I12C, I16Z		08	I12A, I12B, I12C, I20A, I20B, I20C, I20D, I20E, I20F		21B	X04Z, X06A, X06B, X06C	
	21A	W04A, W04B		21A	W04A, W04B	5t403.i↔		BOP, KVT, UOP4, VIAL	
	21B	X06A, X06B, X06C		21B	X04Z		08	I59Z	
5t402.1↔		BOP, KVT, UOP4, VIAL	5t402.o↔		BOP, KVT, UOP4, VIAL		5t403.k↔		
	08	I12A, I12B, I12C, I16Z		08	I20A, I20B, I20C, I20D, I20E, I20F		01	B03A, B03B, B06A, B06B, B17A, B17B, B17C	
	21A	W04A, W04B		21A	W04A, W04B		08	I12A, I12B, I12C, I23A, I23B	
	21B	X06A, X06B, X06C	5t402.p↔		BOP, KVT, UOP4, VIAL		21A	W04A, W04B	
5t402.2↔		BOP, KVT, UOP4, VIAL		08	I20A, I20B, I20C, I20D, I20E, I20F		21B	X04Z, X06A, X06B, X06C	
	08	I12A, I12B, I12C, I28A, I28B	5t402.q↔		BOP, KVT, UOP4, VIAL		5t403.m↔		
	21A	W04A, W04B		08	I12A, I12B, I12C, I20A, I20B, I20C, I20D, I20E, I20F		01	B03A, B03B, B06A, B06B, B17A, B17B, B17C	
	21B	X06A, X06B, X06C		21A	W04A, W04B		08	I12A, I12B, I12C, I23A, I23B	
5t402.4↔		BOP, KVT, UOP4, VIAL		21B	X04Z		21A	W04A, W04B	
	08	I08A, I08B, I08C, I08D, I08E, I08F, I12A, I12B, I12C, I21Z, I31Z	5t402.r↔		BOP, KVT, UOP4, VIAL		21B	X04Z, X06A, X06B, X06C	
	21A	W04A, W04B		08	I12A, I12B, I12C, I20A, I20B, I20C, I20D, I20E, I20F		5t403.n↔		
	21B	X06A, X06B, X06C		21A	W04A, W04B		01	B03A, B03B, B06A, B06B, B17A, B17B, B17C	
5t402.5↔		BOP, KVT, UOP4, VIAL		21B	X04Z		08	I12A, I12B, I12C, I23A, I23B	
	08	I08A, I08B, I08C, I08D, I08E, I08F, I12A, I12B, I12C, I21Z, I31Z	5t402.x		BOP, KVT, UOP4		21A	W04A, W04B	
	21A	W04A, W04B		08	I12A, I12B, I12C, I28A, I28B		21B	X06A, X06B, X06C	
	21B	X06A, X06B, X06C		21A	W04A, W04B		5t403.o↔		
5t402.6↔		BOP, KVT, UOP4, VIAL		21B	X06A, X06B, X06C		01	B03A, B03B, B06A, B06B, B17A, B17B, B17C	
	08	I08A, I08B, I08C, I08D, I08E, I08F, I12A, I12B, I12C, I32A, I32B, I32C, I32D, I32E, I32F	5t403.0↔		BOP, KVT, UOP4, VIAL		08	I20A, I20B, I20C, I20D, I20E, I20F	
	21A	W04A, W04B		01	B03A, B03B, B06A, B06B, B17A, B17B, B17C		5t403.p↔		
	21B	X05A, X05B		08	I12A, I12B, I12C, I23A, I23B		01	BOP, KVT, UOP4, VIAL	
5t402.8↔		BOP, KVT, UOP4, VIAL		21A	W04A, W04B		5t403.q↔		
	08	I12A, I12B, I12C, I32A, I32B, I32C, I32D, I32E, I32F		21B	X06A, X06B, X06C		01	B03A, B03B, B06A, B06B, B17A, B17B, B17C	
	21A	W04A, W04B					08	I12A, I12B, I12C, I23A, I23B	
	21B	X05A, X05B					21A	W04A, W04B	
							21B	X04Z, X06A, X06B, X06C	
							5t403.r↔		
							08	I20A, I20B, I20C, I20D, I20E, I20F	

ZZV	MDC	DRG	ZZV	MDC	DRG	ZZV	MDC	DRG
5t403.x		BOP, KVT, UOP4	5t404.k↔		BOP, KVT, UOP4, VIAL	5t405.9↔		BOP, KVT, UOP4, VIAL
	01	B03A, B03B, B06A, B06B, B17A, B17B, B17C		08	I12A, I12B, I12C, I59Z		08	I12A, I12B, I12C, I32A, I32B, I32C, I32D, I32E, I32F
	08	I12A, I12B, I12C, I23A, I23B		10	K09A, K09B		09	J03A, J03B, J04A, J04B, J08A, J08B, J08C, J11A, J11B, J16Z
	21A	W04A, W04B		21A	W04A, W04B		21A	W04A, W04B
	21B	X06A, X06B, X06C		21B	X04Z		21B	X05A, X05B
5t404.0↔		BOP, KVT, UOP4, VIAL	5t404.m↔		BOP, KVT, UOP4, VIAL	5t405.e↔		BOP, KVT, UOP4, VIAL
	08	I12A, I12B, I12C, I16Z		08	I12A, I12B, I12C, I20A, I20B, I20C, I20D, I20E, I20F		08	I08A, I08B, I08C, I08D, I08E, I08F, I12A, I12B, I12C, I28A, I28B
	21A	W04A, W04B		21A	W04A, W04B		21A	W04A, W04B
	21B	X06A, X06B, X06C		21B	X04Z		21B	X04Z, X06A, X06B, X06C
5t404.1↔		BOP, KVT, UOP4, VIAL	5t404.n↔		BOP, KVT, UOP4, VIAL	5t405.f		BOP, KVT, UOP4, VIAL
	08	I12A, I12B, I12C, I16Z		08	I12A, I12B, I12C, I20A, I20B, I20C, I20D, I20E, I20F		08	I12A, I12B, I12C, I28A, I28B
	21A	W04A, W04B		21A	W04A, W04B		21A	W04A, W04B
	21B	X06A, X06B, X06C		21B	X04Z		21B	X04Z, X06A, X06B, X06C
5t404.3↔		BOP, KVT, UOP4, VIAL	5t404.p↔		BOP, KVT, UOP4, VIAL	5t405.g↔		BOP, KVT, UOP4, VIAL
	08	I12A, I12B, I12C, I28A, I28B		08	I12A, I12B, I12C, I20A, I20B, I20C, I20D, I20E, I20F		08	I08A, I08B, I08C, I08D, I08E, I30Z
	21A	W04A, W04B		21A	W04A, W04B		21A	W01A, W01B, W01C, W02A, W02B
	21B	X06A, X06B, X06C		21B	X04Z		21B	X04Z
5t404.4↔		BOP, KVT, UOP4, VIAL	5t404.q↔		BOP, KVT, UOP4, VIAL	5t405.h↔		BOP, KVT, UOP4, VIAL
	08	I08A, I08B, I08C, I08D, I08E, I08F, I12A, I12B, I12C, I21Z, I31Z		08	I12A, I12B, I12C, I20A, I20B, I20C, I20D, I20E, I20F		08	I12A, I12B, I12C, I18A, I18B, I30Z
	10	K09A, K09B		21A	W04A, W04B		21A	W04A, W04B
	21A	W04A, W04B		21B	X04Z		21B	X04Z
	21B	X06A, X06B, X06C	5t404.r↔		BOP, KVT, UOP4, VIAL	5t405.i↔		BOP, KVT, UOP4, VIAL
5t404.5↔		BOP, KVT, UOP4, VIAL		08	I12A, I12B, I12C, I20A, I20B, I20C, I20D, I20E, I20F		08	I59Z
	08	I08A, I08B, I08C, I08D, I08E, I08F, I12A, I12B, I12C, I21Z, I31Z		21A	W04A, W04B		5t405.k↔	BOP, KVT, UOP4, VIAL
	10	K09A, K09B		21B	X04Z			I12A, I12B, I12C, I59Z
	21A	W04A, W04B	5t404.x		BOP, KVT, UOP4		21A	W04A, W04B
	21B	X06A, X06B, X06C		08	I12A, I12B, I12C, I28A, I28B		21B	X04Z
5t404.6↔		BOP, KVT, UOP4, VIAL		21A	W04A, W04B	5t405.l↔		BOP, KVT, UOP4, VIAL
	08	I08A, I08B, I08C, I08D, I08E, I08F, I12A, I12B, I12C, I32A, I32B, I32C, I32D, I32E, I32F		21B	X06A, X06B, X06C		08	I12A, I12B, I12C, I59Z
	21A	W04A, W04B	5t405.0↔		BOP, KVT, UOP4, VIAL		21A	W04A, W04B
	21B	X05A, X05B		08	I12A, I12B, I12C, I16Z		21B	X04Z
5t404.8↔		BOP, KVT, UOP4, VIAL		21A	W04A, W04B	5t405.m↔		BOP, KVT, UOP4, VIAL
	08	I12A, I12B, I12C, I32A, I32B, I32C, I32D, I32E, I32F		21B	X06A, X06B, X06C		08	I12A, I12B, I12C, I20A, I20B, I20C, I20D, I20E, I20F
	21A	W04A, W04B	5t405.4↔		BOP, KVT, UOP4, VIAL		21A	W04A, W04B
	21B	X05A, X05B		08	I08A, I08B, I08C, I08D, I08E, I08F, I12A, I12B, I12C, I21Z, I31Z		21B	X04Z
5t404.9↔		BOP, KVT, UOP4, VIAL		21A	W04A, W04B	5t405.n↔		BOP, KVT, UOP4, VIAL
	08	I12A, I12B, I12C, I32A, I32B, I32C, I32D, I32E, I32F		21B	X06A, X06B, X06C		08	I12A, I12B, I12C, I20A, I20B, I20C, I20D, I20E, I20F
	21A	W04A, W04B	5t405.5↔		BOP, KVT, UOP4, VIAL		21A	W04A, W04B
	21B	X05A, X05B		08	I08A, I08B, I08C, I08D, I08E, I08F, I12A, I12B, I12C, I21Z, I31Z		21B	X04Z
5t404.g↔		BOP, KVT, UOP4, VIAL		21A	W04A, W04B	5t405.o↔		BOP, KVT, UOP4, VIAL
	08	I08A, I08B, I08C, I08D, I08E, I30Z		21B	X06A, X06B, X06C		08	I12A, I12B, I12C, I20A, I20B, I20C, I20D, I20E, I20F
	21A	W01A, W01B, W01C, W02A, W02B	5t405.6↔		BOP, KVT, UOP4, VIAL		21A	W04A, W04B
	21B	X04Z		08	I08A, I08B, I08C, I08D, I08E, I08F, I12A, I12B, I12C, I32A, I32B, I32C, I32D, I32E, I32F		21B	X04Z
5t404.h↔		BOP, KVT, UOP4, VIAL		09	J03A, J03B, J04A, J04B, J08A, J08B, J08C, J11A, J11B, J16Z	5t405.q↔		BOP, KVT, UOP4, VIAL
	08	I12A, I12B, I12C, I18A, I18B, I30Z		21A	W04A, W04B		08	I20A, I20B, I20C, I20D, I20E, I20F
	10	K09A, K09B		21B	X05A, X05B		5t405.r↔	BOP, KVT, UOP4, VIAL
	21A	W04A, W04B	5t405.8↔		BOP, KVT, UOP4, VIAL			I20A, I20B, I20C, I20D, I20E, I20F
	21B	X04Z		08	I12A, I12B, I12C, I32A, I32B, I32C, I32D, I32E, I32F	5t405.x		BOP, KVT, UOP4
5t404.j↔		BOP, KVT, UOP4, VIAL		09	J03A, J03B, J04A, J04B, J08A, J08B, J08C, J11A, J11B, J16Z		08	I12A, I12B, I12C, I28A, I28B
	08	I12A, I12B, I12C, I18A, I18B, I30Z		21A	W04A, W04B		21A	W04A, W04B
	10	K09A, K09B		21B	X05A, X05B		21B	X06A, X06B, X06C
	21A	W04A, W04B		08	I12A, I12B, I12C, I32A, I32B, I32C, I32D, I32E, I32F	5t406.0↔		BOP, KVT, UOP4, VIAL
	21B	X04Z		09	J03A, J03B, J04A, J04B, J08A, J08B, J08C, J11A, J11B, J16Z		08	I12A, I12B, I12C, I24Z
				21A	W04A, W04B		21A	W04A, W04B
				21B	X05A, X05B	5t406.4↔		BOP, KVT, UOP4, VIAL
							08	I08A, I08B, I08C, I08D, I08E, I08F, I12A, I12B, I12C, I24Z
							21A	W04A, W04B
							21B	X06A, X06B, X06C

ZZV	MDC	DRG	ZZV	MDC	DRG	ZZV	MDC	DRG
5t406.5↔		BOP, KVT, UOP4, VIAL	5t407.4↔		BOP, KVT, UOP4, VIAL	5t407.j↔		BOP, KVT, UOP4, VIAL
	08	I08A, I08B, I08C, I08D, I08E, I08F, I12A, I12B, I12C, I24Z		05	F13A		05	F13A
	21A	W04A, W04B		08	I08A, I08B, I08C, I08D, I08E, I08F, I12A, I12B, I12C, I21Z, I31Z		08	I12A, I12B, I12C, I18A, I18B, I30Z
5t406.6↔	21B	X06A, X06B, X06C		21A	W04A, W04B		21A	W04A, W04B
		BOP, KVT, UOP4, VIAL		21B	X06A, X06B, X06C	5t407.k↔		BOP, KVT, UOP4, VIAL
	08	I08A, I08B, I08C, I08D, I08E, I08F, I12A, I12B, I12C, I24Z	5t407.5↔		BOP, KVT, UOP4, VIAL		05	F13A
	21A	W04A, W04B		05	F13A		08	I12A, I12B, I12C, I59Z
	21B	X05A, X05B		08	I08A, I08B, I08C, I08D, I08E, I08F, I12A, I12B, I12C, I18A, I18B, I30Z		21A	W04A, W04B
5t406.8↔		BOP, KVT, UOP4, VIAL		21A	W04A, W04B	5t407.m↔		BOP, KVT, UOP4, VIAL
	08	I12A, I12B, I12C, I32A, I32B, I32C, I32D, I32E, I32F, I32G		21B	X06A, X06B, X06C		05	F13A
	21A	W04A, W04B	5t407.6↔		BOP, KVT, UOP4, VIAL		08	I12A, I12B, I12C, I20A, I20B, I20C, I20D, I20E, I20F
	21B	X05A, X05B		05	F13A		21A	W04A, W04B
5t406.9↔		BOP, KVT, UOP4, VIAL		08	I08A, I08B, I08C, I08D, I08E, I08F, I12A, I12B, I12C, I32A, I32B, I32C, I32D, I32E, I32F	5t407.n↔		BOP, KVT, UOP4, VIAL
	08	I12A, I12B, I12C, I32A, I32B, I32C, I32D, I32E, I32F, I32G		09	J03A, J03B, J04A, J04B, J08A, J08B, J08C, J11A, J11B, J16Z		05	F13A
	21A	W04A, W04B		21A	W04A, W04B		08	I12A, I12B, I12C, I20A, I20B, I20C, I20D, I20E, I20F
	21B	X05A, X05B		21B	X05A, X05B		21A	W04A, W04B
5t406.g↔		BOP, KVT, UOP4, VIAL	5t407.8↔		BOP, KVT, UOP4, VIAL		21B	X04Z
	08	I12A, I12B, I12C, I24Z		05	F13A	5t407.p↔		BOP, KVT, UOP4, VIAL
	21A	W04A, W04B		08	I12A, I12B, I12C, I32A, I32B, I32C, I32D, I32E, I32F		05	F13A
	21B	X04Z		09	J03A, J03B, J04A, J04B, J08A, J08B, J08C, J11A, J11B, J16Z		08	I12A, I12B, I12C, I20A, I20B, I20C, I20D, I20E, I20F
5t406.h↔		BOP, KVT, UOP4, VIAL		21A	W04A, W04B		21A	W04A, W04B
	08	I12A, I12B, I12C, I24Z	5t407.9↔		BOP, KVT, UOP4, VIAL	5t407.q↔		BOP, KVT, UOP4, VIAL
	10	K09A, K09B		05	F13A		05	F13A
	21A	W04A, W04B		08	I12A, I12B, I12C, I32A, I32B, I32C, I32D, I32E, I32F		08	I12A, I12B, I12C, I20A, I20B, I20C, I20D, I20E, I20F
	21B	X04Z		09	J03A, J03B, J04A, J04B, J08A, J08B, J08C, J11A, J11B, J16Z		21A	W04A, W04B
5t406.k↔		BOP, KVT, UOP4, VIAL		21A	W04A, W04B		21B	X04Z
	08	I12A, I12B, I12C, I24Z		21B	X05A, X05B	5t407.r↔		BOP, KVT, UOP4, VIAL
	21A	W04A, W04B			BOP, KVT, UOP4, VIAL		05	F13A
	21B	X04Z		05	F13A		08	I12A, I12B, I12C, I20A, I20B, I20C, I20D, I20E, I20F
5t406.n↔		BOP, KVT, UOP4, VIAL		08	I12A, I12B, I12C, I32A, I32B, I32C, I32D, I32E, I32F		21A	W04A, W04B
	08	I20A, I20B, I20C, I20D, I20E, I20F		09	J03A, J03B, J04A, J04B, J08A, J08B, J08C, J11A, J11B, J16Z		21B	X04Z
5t406.p↔		BOP, KVT, UOP4, VIAL		21A	W04A, W04B	5t407.s↔		BOP, KVT, UOP4, VIAL
	08	I20A, I20B, I20C, I20D, I20E, I20F		21B	X05A, X05B		05	F13A
5t406.q↔		BOP, KVT, UOP4, VIAL	5t407.e↔		BOP, KVT, UOP4, VIAL		08	I12A, I12B, I12C, I20A, I20B, I20C, I20D, I20E, I20F
	08	I20A, I20B, I20C, I20D, I20E, I20F		05	F13A	5t407.t↔		BOP, KVT, UOP4, VIAL
5t406.r↔		BOP, KVT, UOP4, VIAL		08	I12A, I12B, I12C, I28A, I28B, I28C, I28D, I28E, I28F		05	F13A
	08	I20A, I20B, I20C, I20D, I20E, I20F		08	I08A, I08B, I08C, I08D, I08E, I08F, I12A, I12B, I12C, I28A, I28B		08	I12A, I12B, I12C, I28A, I28B
5t406.x		BOP, KVT, UOP4		21A	W04A, W04B		21A	W04A, W04B
	08	I12A, I12B, I12C, I24Z		21B	X04Z, X06A, X06B, X06C	5t408.0↔		BOP, KVT, UOP4, VIAL
	21A	W04A, W04B	5t407.f		BOP, KVT, UOP4, VIAL		05	F13A
	21B	X06A, X06B, X06C		05	F13A		08	I12A, I12B, I12C, I16Z
5t407.0↔		BOP, KVT, UOP4, VIAL		08	I12A, I12B, I12C, I28A, I28B		21A	W04A, W04B
	05	F13A		21A	W04A, W04B	5t408.1↔		BOP, KVT, UOP4, VIAL
	08	I12A, I12B, I12C, I16Z		21B	X04Z, X06A, X06B, X06C		05	F13A
	21A	W04A, W04B			BOP, KVT, UOP4, VIAL		08	I12A, I12B, I12C, I16Z
	21B	X06A, X06B, X06C	5t407.g↔		BOP, KVT, UOP4, VIAL		21A	W04A, W04B
5t407.1↔		BOP, KVT, UOP4, VIAL		05	F13A		21B	X06A, X06B, X06C
	05	F13A		08	I08A, I08B, I08C, I08D, I08E, I30Z	5t408.2↔		BOP, KVT, UOP4, VIAL
	08	I12A, I12B, I12C, I16Z		21A	W01A, W01B, W01C, W02A, W02B		05	F13A
	21A	W04A, W04B			X04Z		08	I12A, I12B, I12C, I28A, I28B
	21B	X06A, X06B, X06C	5t407.h↔		BOP, KVT, UOP4, VIAL		21A	W04A, W04B
5t407.2↔		BOP, KVT, UOP4, VIAL		05	F13A	5t408.3↔		BOP, KVT, UOP4, VIAL
	05	F13A		08	I12A, I12B, I12C, I18A, I30Z		05	F13A
	08	I12A, I12B, I12C, I28A, I28B		21A	W04A, W04B		08	I12A, I12B, I12C, I28A, I28B
	21A	W04A, W04B		21B	X04Z		21A	W04A, W04B
	21B	X06A, X06B, X06C					21B	X06A, X06B, X06C
5t407.3↔		BOP, KVT, UOP4, VIAL						
	05	F13A						
	08	I12A, I12B, I12C, I28A, I28B						
	21A	W04A, W04B						
	21B	X06A, X06B, X06C						

VYK

ZZV	MDC	DRG	ZZV	MDC	DRG	ZZV	MDC	DRG
5t408.4↔		BOP, KVT, UOP4, VIAL	5t408.j↔		BOP, KVT, UOP4, VIAL	5t409.5↔		BOP, KVT, UOP4, VIAL
05		F13A	05		F13A	08		I08A, I08B, I08C, I08D, I08E, I08F, I12A, I12B, I12C, I18A, I18B, I30Z
08		I08A, I08B, I08C, I08D, I08E, I08F, I12A, I12B, I12C, I18A, I18B, I30Z	08		I12A, I12B, I12C, I18A, I18B, I30Z	21A		W04A, W04B
21A		W04A, W04B	21A		W04A, W04B	21B		X06A, X06B, X06C
21B		X06A, X06B, X06C	21B		X04Z	5t409.6↔		BOP, KVT, UOP4, VIAL
5t408.5↔		BOP, KVT, UOP4, VIAL	5t408.k↔		BOP, KVT, UOP4, VIAL	08		I08A, I08B, I08C, I08D, I08E, I08F, I12A, I12B, I12C, I32A, I32B, I32C, I32D, I32E, I32F
05		F13A	05		F13A	09		J03A, J03B, J04A, J04B, J08A, J08B, J08C, J11A, J11B, J16Z
08		I08A, I08B, I08C, I08D, I08E, I08F, I12A, I12B, I12C, I18A, I18B, I30Z	08		I12A, I12B, I12C, I59Z	21A		W04A, W04B
21A		W04A, W04B	21A		W04A, W04B	21B		X05A, X05B
21B		X06A, X06B, X06C	21B		X04Z	5t409.8↔		BOP, KVT, UOP4, VIAL
5t408.6↔		BOP, KVT, UOP4, VIAL	5t408.m↔		BOP, KVT, UOP4, VIAL	08		I12A, I12B, I12C, I32A, I32B, I32C, I32D, I32E, I32F
05		F13A	05		F13A	09		J03A, J03B, J04A, J04B, J08A, J08B, J08C, J11A, J11B, J16Z
08		I08A, I08B, I08C, I08D, I08E, I08F, I12A, I12B, I12C, I32A, I32B, I32C, I32D, I32E, I32F	08		I12A, I12B, I12C, I20A, I20B, I20C, I20D, I20E, I20F	21A		W04A, W04B
09		J03A, J03B, J04A, J04B, J08A, J08B, J08C, J11A, J11B, J16Z	21A		W04A, W04B	21B		X05A, X05B
21A		W04A, W04B	21B		X04Z	5t409.9↔		BOP, KVT, UOP4, VIAL
21B		X05A, X05B	5t408.n↔		BOP, KVT, UOP4, VIAL	08		I12A, I12B, I12C, I32A, I32B, I32C, I32D, I32E, I32F, I32G
5t408.8↔		BOP, KVT, UOP4, VIAL	05		F13A	09		J03A, J03B, J04A, J04B, J08A, J08B, J08C, J11A, J11B, J16Z
05		F13A	08		I12A, I12B, I12C, I20A, I20B, I20C, I20D, I20E, I20F	21A		W04A, W04B
08		I12A, I12B, I12C, I32A, I32B, I32C, I32D, I32E, I32F	21A		W04A, W04B	21B		X05A, X05B
09		J03A, J03B, J04A, J04B, J08A, J08B, J08C, J11A, J11B, J16Z	21B		X04Z	5t409.e↔		BOP, KVT, UOP4, VIAL
21A		W04A, W04B	5t408.p↔		BOP, KVT, UOP4, VIAL	08		I08A, I08B, I08C, I08D, I08E, I08F, I12A, I12B, I12C, I28A, I28B
21B		X05A, X05B	05		F13A	21A		W04A, W04B
5t408.9↔		BOP, KVT, UOP4, VIAL	08		I12A, I12B, I12C, I20A, I20B, I20C, I20D, I20E, I20F	21B		X04Z, X06A, X06B, X06C
05		F13A	21A		W04A, W04B	5t409.f		BOP, KVT, UOP4, VIAL
08		I12A, I12B, I12C, I32A, I32B, I32C, I32D, I32E, I32F	21B		X04Z	08		I12A, I12B, I12C, I28A, I28B
09		J03A, J03B, J04A, J04B, J08A, J08B, J08C, J11A, J11B, J16Z	5t408.q↔		BOP, KVT, UOP4, VIAL	21A		W04A, W04B
21A		W04A, W04B	05		F13A	21B		X04Z, X06A, X06B, X06C
21B		X05A, X05B	08		I12A, I12B, I12C, I20A, I20B, I20C, I20D, I20E, I20F	5t409.g↔		BOP, KVT, UOP4, VIAL
5t408.e↔		BOP, KVT, UOP4, VIAL	21A		W04A, W04B	08		I08A, I08B, I08C, I08D, I08E, I30Z
05		F13A	21B		X04Z	21A		W01A, W01B, W01C, W02A, W02B
08		I08A, I08B, I08C, I08D, I08E, I08F, I12A, I12B, I12C, I28A, I28B	5t408.r↔		BOP, KVT, UOP4, VIAL	21B		X04Z
21A		W04A, W04B	05		F13A	5t409.h↔		BOP, KVT, UOP4, VIAL
21B		X04Z, X06A, X06B, X06C	08		I12A, I12B, I12C, I20A, I20B, I20C, I20D, I20E, I20F	08		I12A, I12B, I12C, I18A, I18B, I30Z
5t408.f		BOP, KVT, UOP4, VIAL	21A		W04A, W04B	21A		W04A, W04B
05		F13A	21B		X04Z	21B		X04Z, X06A, X06B, X06C
08		I12A, I12B, I12C, I28A, I28B	5t408.x		BOP, KVT, UOP4	5t409.i↔		BOP, KVT, UOP4, VIAL
21A		W04A, W04B	05		F13A	08		I12A, I12B, I12C, I16Z
21B		X04Z, X06A, X06B, X06C	08		I12A, I12B, I12C, I28A, I28B	5t409.j↔		BOP, KVT, UOP4, VIAL
5t408.g↔		BOP, KVT, UOP4, VIAL	21A		W04A, W04B	08		I12A, I12B, I12C, I18A, I18B, I30Z
05		F13A	21B		X06A, X06B, X06C	21A		W04A, W04B
08		I08A, I08B, I08C, I08D, I08E, I30Z	5t409.0↔		BOP, KVT, UOP4, VIAL	21B		X04Z
21A		W01A, W01B, W01C, W02A, W02B	08		I12A, I12B, I12C, I16Z	5t409.1↔		BOP, KVT, UOP4, VIAL
21B		X04Z	21A		W04A, W04B	08		I12A, I12B, I12C, I16Z
5t408.h↔		BOP, KVT, UOP4, VIAL	21B		X06A, X06B, X06C	21A		W04A, W04B
05		F13A	5t409.3↔		BOP, KVT, UOP4, VIAL	21B		X06A, X06B, X06C
08		I12A, I12B, I12C, I18A, I18B, I30Z	08		I12A, I12B, I12C, I28A, I28B	5t409.4↔		BOP, KVT, UOP4, VIAL
21A		W04A, W04B	21A		W04A, W04B	08		I08A, I08B, I08C, I08D, I08E, I08F, I12A, I12B, I12C, I18A, I18B, I30Z
21B		X04Z	21B		X06A, X06B, X06C	21A		W04A, W04B
5t409.0↔		BOP, KVT, UOP4, VIAL	5t409.4↔		BOP, KVT, UOP4, VIAL	21B		X06A, X06B, X06C
08		I12A, I12B, I12C, I16Z	08		I08A, I08B, I08C, I08D, I08E, I08F, I12A, I12B, I12C, I18A, I18B, I30Z	5t409.m↔		BOP, KVT, UOP4, VIAL
21A		W04A, W04B	21A		W04A, W04B	08		I12A, I12B, I12C, I20A, I20B, I20C, I20D, I20E, I20F
21B		X06A, X06B, X06C	21B		X06A, X06B, X06C	21A		W04A, W04B
5t409.1↔		BOP, KVT, UOP4, VIAL	5t409.3↔		BOP, KVT, UOP4, VIAL	21B		X04Z
08		I12A, I12B, I12C, I16Z	08		I12A, I12B, I12C, I28A, I28B	5t409.k↔		BOP, KVT, UOP4, VIAL
21A		W04A, W04B	21A		W04A, W04B	08		I12A, I12B, I12C, I59Z
21B		X06A, X06B, X06C	21B		X06A, X06B, X06C	21A		W04A, W04B
5t409.3↔		BOP, KVT, UOP4, VIAL	5t409.4↔		BOP, KVT, UOP4, VIAL	21B		X04Z
08		I12A, I12B, I12C, I28A, I28B	08		I08A, I08B, I08C, I08D, I08E, I08F, I12A, I12B, I12C, I18A, I18B, I30Z	5t409.l↔		BOP, KVT, UOP4, VIAL
21A		W04A, W04B	21A		W04A, W04B	08		I12A, I12B, I12C, I20A, I20B, I20C, I20D, I20E, I20F
21B		X04Z	21B		X06A, X06B, X06C	21A		W04A, W04B
5t409.4↔		BOP, KVT, UOP4, VIAL	5t409.4↔		BOP, KVT, UOP4, VIAL	21B		X04Z
08		I08A, I08B, I08C, I08D, I08E, I08F, I12A, I12B, I12C, I18A, I18B, I30Z	08		I08A, I08B, I08C, I08D, I08E, I08F, I12A, I12B, I12C, I18A, I18B, I30Z	5t409.n↔		BOP, KVT, UOP4, VIAL
21A		W04A, W04B	21A		W04A, W04B	08		I12A, I12B, I12C, I20A, I20B, I20C, I20D, I20E, I20F
21B		X04Z	21B		X06A, X06B, X06C	21A		W04A, W04B

ZZV	MDC	DRG	ZZV	MDC	DRG	ZZV	MDC	DRG
5t409.n↔		BOP, KVT, UOP4, VIAL	5t40x.e↔		BOP, KVT, UOP4, VIAL	5t411.x		BOP, KVT, UOP4
	08	I12A, I12B, I12C, I20A, I20B, I20C, I20D, I20E, I20F		08	I08A, I08B, I08C, I08D, I08E, I08F, I24Z		08	I24Z
	21A	W04A, W04B		21A	W04A, W04B		21A	W04A, W04B
	21B	X04Z		21B	X04Z, X06A, X06B, X06C	5t412.0↔		X06A, X06B, X06C
5t409.p↔		BOP, KVT, UOP4, VIAL	5t40x.f		BOP, KVT, UOP4, VIAL			BOP, KVT, UOP4, VIAL
	08	I12A, I12B, I12C, I20A, I20B, I20C, I20D, I20E, I20F		08	I24Z		05	F13A
	21A	W04A, W04B		21A	W04A, W04B		08	I12A, I12B, I12C, I16Z
	21B	X04Z		21B	X04Z, X06A, X06B, X06C		21A	W04A, W04B
5t409.q↔		BOP, KVT, UOP4, VIAL	5t40x.g↔		BOP, KVT, UOP4, VIAL	5t412.1↔		BOP, KVT, UOP4, VIAL
	08	I12A, I12B, I12C, I20A, I20B, I20C, I20D, I20E, I20F		08	I24Z		05	F13A
	21A	W04A, W04B		21A	W04A, W04B		08	I12A, I12B, I12C, I16Z
	21B	X04Z		21B	X04Z		21A	W04A, W04B
5t409.r↔		BOP, KVT, UOP4, VIAL	5t40x.h↔		BOP, KVT, UOP4, VIAL	5t412.3↔		BOP, KVT, UOP4, VIAL
	08	I12A, I12B, I12C, I20A, I20B, I20C, I20D, I20E, I20F		08	I24Z		05	F13A
	21A	W04A, W04B		10	K09A, K09B		08	I12A, I12B, I12C, I28A, I28B
	21B	X04Z		21A	W04A, W04B		21A	W04A, W04B
5t409.x		BOP, KVT, UOP4	5t40x.j↔		BOP, KVT, UOP4, VIAL	5t412.4↔		X06A, X06B, X06C
	08	I12A, I12B, I12C, I28A, I28B		08	I24Z		21B	X06A, X06B, X06C
	21A	W04A, W04B		21A	W04A, W04B			BOP, KVT, UOP4, VIAL
	21B	X06A, X06B, X06C	5t40x.k↔		BOP, KVT, UOP4, VIAL		05	F13A
5t40x.0↔		BOP, KVT, UOP4, VIAL		08	I24Z		08	I08A, I08B, I08C, I08D, I08E, I08F, I12A, I12B, I12C, I18A, I18B, I30Z
	08	I24Z		21A	W04A, W04B		21A	W04A, W04B
	21A	W04A, W04B	5t40x.m↔		BOP, KVT, UOP4, VIAL	5t412.5↔	21B	X06A, X06B, X06C
	21B	X06A, X06B, X06C		08	I24Z			BOP, KVT, UOP4, VIAL
5t40x.1↔		BOP, KVT, UOP4, VIAL		21A	W04A, W04B		05	F13A
	08	I24Z	5t40x.n↔		X04Z, X06A, X06B, X06C		08	I08A, I08B, I08C, I08D, I08E, I08F, I12A, I12B, I12C, I18A, I18B, I30Z
	21A	W04A, W04B		08	I24Z		21A	W04A, W04B
	21B	X06A, X06B, X06C		21A	W04A, W04B	5t412.6↔	21B	X06A, X06B, X06C
5t40x.2↔		BOP, KVT, UOP4, VIAL		21B	X04Z, X06A, X06B, X06C			BOP, KVT, UOP4, VIAL
	08	I24Z	5t40x.p↔		BOP, KVT, UOP4, VIAL		05	F13A
	21A	W04A, W04B		08	I24Z		08	I08A, I08B, I08C, I08D, I08E, I08F, I12A, I12B, I12C, I32A, I32B, I32C, I32D, I32E, I32F
	21B	X06A, X06B, X06C		21A	W04A, W04B		09	J03A, J03B, J04A, J04B, J08A, J08B, J08C, J11A, J11B, J16Z
5t40x.3↔		BOP, KVT, UOP4, VIAL		21B	X04Z, X06A, X06B, X06C		21A	W04A, W04B
	08	I24Z	5t40x.q↔		BOP, KVT, UOP4, VIAL	5t412.8↔	21B	X05A, X05B
	21A	W04A, W04B		08	I24Z			BOP, KVT, UOP4, VIAL
	21B	X06A, X06B, X06C		21A	W04A, W04B		05	F13A
5t40x.4↔		BOP, KVT, UOP4, VIAL		21B	X04Z, X06A, X06B, X06C		08	I12A, I12B, I12C, I32A, I32B, I32C, I32D, I32E, I32F
	08	I08A, I08B, I08C, I08D, I08E, I08F, I24Z	5t40x.r↔		BOP, KVT, UOP4, VIAL		09	J03A, J03B, J04A, J04B, J08A, J08B, J08C, J11A, J11B, J16Z
	21A	W04A, W04B		08	I24Z		21A	W04A, W04B
	21B	X06A, X06B, X06C		21A	W04A, W04B	5t412.9↔	21B	X05A, X05B
5t40x.5↔		BOP, KVT, UOP4, VIAL		21B	X04Z, X06A, X06B, X06C			BOP, KVT, UOP4, VIAL
	08	I08A, I08B, I08C, I08D, I08E, I08F, I24Z	5t40x.x		BOP, KVT, UOP4		05	F13A
	21A	W04A, W04B		08	I24Z		08	I12A, I12B, I12C, I32A, I32B, I32C, I32D, I32E, I32F, I32G
	21B	X06A, X06B, X06C		21A	W04A, W04B		09	J03A, J03B, J04A, J04B, J08A, J08B, J08C, J11A, J11B, J16Z
5t40x.6↔		BOP, KVT, UOP4, VIAL		21B	X06A, X06B, X06C		21A	W04A, W04B
	08	I08A, I08B, I08C, I08D, I08E, I08F, I24Z	5t410.h↔		BOP, KVT, UOP4, VIAL		21B	X05A, X05B
	21A	W04A, W04B		08	I24Z, I30Z	5t410.x		BOP, KVT, UOP4, VIAL
	21B	X05A, X05B		21A	W04A, W04B		08	I28A, I28B
5t40x.8↔		BOP, KVT, UOP4, VIAL		21B	X04Z, X06A, X06B, X06C		21A	W04A, W04B
	08	I32A, I32B, I32C, I32D, I32E, I32F, I32G	5t411.g↔		BOP, KVT, UOP4, VIAL		21B	X06A, X06B, X06C
	21A	W04A, W04B		08	I08A, I08B, I08C, I08D, I08E, I30Z			BOP, KVT, UOP4, VIAL
	21B	X05A, X05B		21A	W01A, W01B, W01C, W02A, W02B	5t412.g↔	21A	W04A, W04B
5t40x.9↔		BOP, KVT, UOP4, VIAL		21B	X04Z		21B	X05A, X05B
	08	I32A, I32B, I32C, I32D, I32E, I32F, I32G	5t411.h↔		BOP, KVT, UOP4, VIAL			BOP, KVT, UOP4, VIAL
	21A	W04A, W04B		08	I24Z, I30Z		05	F13A
	21B	X05A, X05B		21A	W04A, W04B		08	I08A, I08B, I08C, I08D, I08E, I30Z
				21B	X04Z		21A	W01A, W01B, W01C, W02A, W02B
							21B	X04Z

VYK

ZZV	MDC	DRG	ZZV	MDC	DRG	ZZV	MDC	DRG
5t412.h↔		BOP, KVT, UOP4, VIAL	5t413.4↔		BOP, KVT, UOP4, VIAL	5t413.m↔		BOP, KVT, UOP4, VIAL
	05	F13A		05	F13A		05	F13A
	08	I12A, I12B, I12C, I18A, I18B, I30Z		08	I08A, I08B, I08C, I08D, I08E, I08F, I12A, I12B, I12C, I21Z, I31Z		08	I12A, I12B, I12C, I20A, I20B, I20C, I20D, I20E, I20F
	21A	W04A, W04B		21A	W04A, W04B		21A	W04A, W04B
	21B	X04Z		21B	X06A, X06B, X06C		21B	X04Z
5t412.j↔		BOP, KVT, UOP4, VIAL	5t413.5↔		BOP, KVT, UOP4, VIAL	5t413.n↔		BOP, KVT, UOP4, VIAL
	05	F13A		05	F13A		05	F13A
	08	I12A, I12B, I12C, I18A, I18B, I30Z		08	I08A, I08B, I08C, I08D, I08E, I08F, I12A, I12B, I12C, I21Z, I31Z		08	I12A, I12B, I12C, I20A, I20B, I20C, I20D, I20E, I20F
	21A	W04A, W04B		21A	W04A, W04B		21A	W04A, W04B
	21B	X04Z		21B	X06A, X06B, X06C		21B	X04Z
5t412.k↔		BOP, KVT, UOP4, VIAL	5t413.6↔		BOP, KVT, UOP4, VIAL	5t413.p↔		BOP, KVT, UOP4, VIAL
	05	F13A		05	F13A		05	F13A
	08	I12A, I12B, I12C, I59Z		08	I08A, I08B, I08C, I08D, I08E, I08F, I12A, I12B, I12C, I32A, I32B, I32C, I32D, I32E, I32F		08	I12A, I12B, I12C, I20A, I20B, I20C, I20D, I20E, I20F
	21A	W04A, W04B		09	J03A, J03B, J04A, J04B, J08A, J08B, J08C, J11A, J11B, J16Z		21A	W04A, W04B
	21B	X04Z		21A	W04A, W04B		21B	X04Z
5t412.m↔		BOP, KVT, UOP4, VIAL	5t413.8↔		BOP, KVT, UOP4, VIAL	5t413.q↔		BOP, KVT, UOP4, VIAL
	05	F13A		05	F13A		05	F13A
	08	I12A, I12B, I12C, I20A, I20B, I20C, I20D, I20E, I20F		08	I12A, I12B, I12C, I32A, I32B, I32C, I32D, I32E, I32F, I32G		08	I12A, I12B, I12C, I20A, I20B, I20C, I20D, I20E, I20F
	21A	W04A, W04B		09	J03A, J03B, J04A, J04B, J08A, J08B, J08C, J11A, J11B, J16Z		21A	W04A, W04B
	21B	X04Z		21A	W04A, W04B		21B	X04Z
5t412.n↔		BOP, KVT, UOP4, VIAL	5t413.9↔		BOP, KVT, UOP4, VIAL	5t413.r↔		BOP, KVT, UOP4, VIAL
	05	F13A		05	F13A		05	F13A
	08	I12A, I12B, I12C, I20A, I20B, I20C, I20D, I20E, I20F		08	I12A, I12B, I12C, I32A, I32B, I32C, I32D, I32E, I32F, I32G		08	I12A, I12B, I12C, I20A, I20B, I20C, I20D, I20E, I20F
	21A	W04A, W04B		09	J03A, J03B, J04A, J04B, J08A, J08B, J08C, J11A, J11B, J16Z		21A	W04A, W04B
	21B	X04Z		21A	W04A, W04B		21B	X04Z
5t412.p↔		BOP, KVT, UOP4, VIAL	5t413.g↔		BOP, KVT, UOP4, VIAL	5t413.x		BOP, KVT, UOP4
	05	F13A		05	F13A		05	F13A
	08	I12A, I12B, I12C, I20A, I20B, I20C, I20D, I20E, I20F		08	I08A, I08B, I08C, I08D, I08E, I30Z		08	I12A, I12B, I12C, I28A, I28B
	21A	W04A, W04B		21A	W01A, W01B, W01C, W02A, W02B		21A	W04A, W04B
	21B	X04Z		21B	X04Z		21B	X06A, X06B, X06C
5t412.q↔		BOP, KVT, UOP4, VIAL	5t413.h↔		BOP, KVT, UOP4, VIAL	5t414.0↔		BOP, KVT, UOP4, VIAL
	05	F13A		05	F13A		08	I16Z
	08	I12A, I12B, I12C, I20A, I20B, I20C, I20D, I20E, I20F		08	I12A, I12B, I12C, I18A, I18B, I30Z		21A	W04A, W04B
	21A	W04A, W04B		21A	W04A, W04B		21B	X06A, X06B, X06C
	21B	X04Z		21B	X05A, X05B		21B	X06A, X06B, X06C
5t412.r↔		BOP, KVT, UOP4, VIAL	5t413.j↔		BOP, KVT, UOP4, VIAL	5t414.1↔		BOP, KVT, UOP4, VIAL
	05	F13A		05	F13A		08	I16Z
	08	I12A, I12B, I12C, I20A, I20B, I20C, I20D, I20E, I20F		08	I08A, I08B, I08C, I08D, I08E, I30Z		21A	W04A, W04B
	21A	W04A, W04B		21A	W01A, W01B, W01C, W02A, W02B		21B	X06A, X06B, X06C
	21B	X04Z		21B	X04Z		21B	X06A, X06B, X06C
5t412.x		BOP, KVT, UOP4	5t413.k↔		BOP, KVT, UOP4, VIAL	5t414.2↔		BOP, KVT, UOP4, VIAL
	05	F13A		05	F13A		08	I28A, I28B
	08	I12A, I12B, I12C, I28A, I28B		08	I12A, I12B, I12C, I18A, I18B, I30Z		21A	W04A, W04B
	21A	W04A, W04B		21A	W04A, W04B		21A	W04A, W04B
	21B	X06A, X06B, X06C		21B	X04Z		21B	X06A, X06B, X06C
5t413.0↔		BOP, KVT, UOP4, VIAL	5t413.k↔		BOP, KVT, UOP4, VIAL	5t414.3↔		BOP, KVT, UOP4, VIAL
	05	F13A		05	F13A		08	I28A, I28B
	08	I12A, I12B, I12C, I16Z		08	I12A, I12B, I12C, I18A, I18B, I30Z		21A	W04A, W04B
	21A	W04A, W04B		21A	W04A, W04B		21B	X06A, X06B, X06C
	21B	X06A, X06B, X06C		21B	X04Z		21B	X06A, X06B, X06C
5t413.1↔		BOP, KVT, UOP4, VIAL	5t413.l↔		BOP, KVT, UOP4, VIAL	5t414.4↔		BOP, KVT, UOP4, VIAL
	05	F13A		05	F13A		08	I08A, I08B, I08C, I08D, I08E, I08F, I18A, I18B, I30Z
	08	I12A, I12B, I12C, I16Z		08	I12A, I12B, I12C, I18A, I18B, I30Z		21A	W04A, W04B
	21A	W04A, W04B		21A	W04A, W04B		21B	X06A, X06B, X06C
	21B	X06A, X06B, X06C		21B	X04Z		21B	X06A, X06B, X06C
5t413.3↔		BOP, KVT, UOP4, VIAL	5t413.m↔		BOP, KVT, UOP4, VIAL	5t414.5↔		BOP, KVT, UOP4, VIAL
	05	F13A		05	F13A		08	I08A, I08B, I08C, I08D, I08E, I08F, I18A, I18B, I30Z
	08	I12A, I12B, I12C, I28A, I28B		08	I12A, I12B, I12C, I59Z		21A	W04A, W04B
	21A	W04A, W04B		21A	W04A, W04B		21B	X06A, X06B, X06C
	21B	X06A, X06B, X06C		21B	X04Z		21B	X06A, X06B, X06C

ZZV	MDC	DRG	ZZV	MDC	DRG	ZZV	MDC	DRG		
5t414.6↔	08	BOP, KVT, UOP4, VIAL	5t414.q↔	08	BOP, KVT, UOP4, VIAL	5t41x.f	08	BOP, KVT, UOP4, VIAL		
		I08A, I08B, I08C, I08D, I08E, I08F, I32A, I32B, I32C, I32D, I32E, I32F			I20A, I20B, I20C, I20D, I20E, I20F			I28A, I28B		
	09	J03A, J03B, J04A, J04B, J08A, J08B, J08C, J11A, J11B, J16Z		21A	W04A, W04B		21A	W04A, W04B	21A	W04A, W04B
		W04A, W04B			X04Z			X04Z, X06A, X06B, X06C		
5t414.8↔	08	BOP, KVT, UOP4, VIAL	5t414.r↔	08	BOP, KVT, UOP4, VIAL	5t41x.g↔	08	I08A, I08B, I08C, I08D, I08E, I30Z		
		I32A, I32B, I32C, I32D, I32E, I32F, I32G			I20A, I20B, I20C, I20D, I20E, I20F			I28A, I28B		
	09	J03A, J03B, J04A, J04B, J08A, J08B, J08C, J11A, J11B, J16Z		21A	W04A, W04B		21A	W04A, W04B	21A	W01A, W01B, W01C, W02A, W02B
		W04A, W04B			X04Z			X04Z		
5t414.9↔	08	BOP, KVT, UOP4, VIAL	5t414.x	08	BOP, KVT, UOP4	5t41x.h↔	08	BOP, KVT, UOP4, VIAL		
		I32A, I32B, I32C, I32D, I32E, I32F, I32G			I28A, I28B			I24Z, I30Z		
	09	J03A, J03B, J04A, J04B, J08A, J08B, J08C, J11A, J11B, J16Z		21A	W04A, W04B		21A	W04A, W04B	21A	W04A, W04B
		W04A, W04B			X04Z			X04Z		
5t414.e↔	08	BOP, KVT, UOP4, VIAL	5t41x.0↔	08	BOP, KVT, UOP4, VIAL	5t41x.j↔	08	BOP, KVT, UOP4, VIAL		
		I08A, I08B, I08C, I08D, I08E, I08F, I28A, I28B			I16Z			I18A, I18B, I30Z		
	21A	W04A, W04B		21A	W04A, W04B		21A	W04A, W04B	21A	W04A, W04B
		X04Z, X06A, X06B, X06C			X06A, X06B, X06C			X04Z		
5t414.f	08	BOP, KVT, UOP4, VIAL	5t41x.1↔	08	BOP, KVT, UOP4, VIAL	5t41x.k↔	08	BOP, KVT, UOP4, VIAL		
		I28A, I28B			I16Z			I59Z		
	21A	W04A, W04B		21A	W04A, W04B		21A	W04A, W04B	21A	W04A, W04B
		X04Z, X06A, X06B, X06C			X06A, X06B, X06C			X04Z		
5t414.g↔	08	BOP, KVT, UOP4, VIAL	5t41x.2↔	08	BOP, KVT, UOP4, VIAL	5t41x.m↔	08	BOP, KVT, UOP4, VIAL		
		I08A, I08B, I08C, I08D, I08E, I30Z			I28A, I28B			I20A, I20B, I20C, I20D, I20E, I20F		
	21A	W01A, W01B, W01C, W02A, W02B		21A	W04A, W04B		21A	W04A, W04B	21A	W04A, W04B
		W04A, W04B			X04Z, X06A, X06B, X06C			X04Z		
5t414.h↔	08	BOP, KVT, UOP4, VIAL	5t41x.3↔	08	BOP, KVT, UOP4, VIAL	5t41x.n↔	08	BOP, KVT, UOP4, VIAL		
		I24Z, I30Z			I28A, I28B			I20A, I20B, I20C, I20D, I20E, I20F		
	21A	W04A, W04B		21A	W04A, W04B		21A	W04A, W04B	21A	W04A, W04B
		X04Z			X04Z			X04Z		
5t414.i↔	08	BOP, KVT, UOP4, VIAL	5t41x.4↔	08	I08A, I08B, I08C, I08D, I08E, I08F, I18A, I18B, I30Z	5t41x.p↔	08	BOP, KVT, UOP4, VIAL		
		I08A, I08B, I08C, I08D, I08E, I08F, I28A, I28B			I08A, I08B, I08C, I08D, I08E, I08F, I18A, I18B, I30Z			I20A, I20B, I20C, I20D, I20E, I20F		
	21A	W04A, W04B		21A	W04A, W04B		21A	W04A, W04B	21A	W04A, W04B
		X04Z, X06A, X06B, X06C			X06A, X06B, X06C			X04Z		
5t414.j↔	08	BOP, KVT, UOP4, VIAL	5t41x.5↔	08	BOP, KVT, UOP4, VIAL	5t41x.q↔	08	BOP, KVT, UOP4, VIAL		
		I18A, I18B, I30Z			I08A, I08B, I08C, I08D, I08E, I08F, I18A, I18B, I30Z			I20A, I20B, I20C, I20D, I20E, I20F		
	21A	W04A, W04B		21A	W04A, W04B		21A	W04A, W04B	21A	W04A, W04B
		X04Z			X06A, X06B, X06C			X04Z		
5t414.k↔	08	BOP, KVT, UOP4, VIAL	5t41x.6↔	08	I08A, I08B, I08C, I08D, I08E, I08F, I32A, I32B, I32C, I32D, I32E, I32F	5t41x.r↔	08	BOP, KVT, UOP4, VIAL		
		I59Z			J03A, J03B, J04A, J04B, J08A, J08B, J08C, J11A, J11B, J16Z			I20A, I20B, I20C, I20D, I20E, I20F		
	21A	W04A, W04B		21A	W04A, W04B		21A	W04A, W04B	21A	W04A, W04B
		X04Z			X04Z			X04Z		
5t414.l↔	08	BOP, KVT, UOP4, VIAL	5t41x.7↔	08	BOP, KVT, UOP4, VIAL	5t41x.s↔	08	BOP, KVT, UOP4, VIAL		
		I20A, I20B, I20C, I20D, I20E, I20F			I08A, I08B, I08C, I08D, I08E, I08F, I32A, I32B, I32C, I32D, I32E, I32F			I20A, I20B, I20C, I20D, I20E, I20F		
	21A	W04A, W04B		21A	W04A, W04B		21A	W04A, W04B	21A	W04A, W04B
		X04Z			X05A, X05B			X04Z		
5t414.m↔	08	BOP, KVT, UOP4, VIAL	5t41x.8↔	08	BOP, KVT, UOP4, VIAL	5t420.0↔	08	BOP, KVT, UOP4, VIAL		
		I20A, I20B, I20C, I20D, I20E, I20F			I32A, I32B, I32C, I32D, I32E, I32F, I32G			I12A, I12B, I12C, I16Z		
	21A	W04A, W04B		21A	W04A, W04B		21A	W04A, W04B	21A	W04A, W04B
		X04Z			X05A, X05B			X06A, X06B, X06C		
5t414.n↔	08	BOP, KVT, UOP4, VIAL	5t41x.9↔	08	BOP, KVT, UOP4, VIAL	5t420.1↔	08	BOP, KVT, UOP4, VIAL		
		I20A, I20B, I20C, I20D, I20E, I20F			I32A, I32B, I32C, I32D, I32E, I32F, I32G			I12A, I12B, I12C, I16Z		
	21A	W04A, W04B		21A	W04A, W04B		21A	W04A, W04B	21A	W04A, W04B
		X04Z			X06A, X06B, X06C			X06A, X06B, X06C		
5t414.o↔	08	BOP, KVT, UOP4, VIAL	5t41x.e↔	08	BOP, KVT, UOP4, VIAL	5t420.3↔	08	BOP, KVT, UOP4, VIAL		
		I20A, I20B, I20C, I20D, I20E, I20F			J03A, J03B, J04A, J04B, J08A, J08B, J08C, J11A, J11B, J16Z			I12A, I12B, I12C, I28A, I28B		
	21A	W04A, W04B		21A	W04A, W04B		21A	W04A, W04B	21A	W04A, W04B
		X04Z			X05A, X05B			X06A, X06B, X06C		
5t414.p↔	08	BOP, KVT, UOP4, VIAL	5t41x.f↔	08	BOP, KVT, UOP4, VIAL	5t420.4↔	08	BOP, KVT, UOP4, VIAL		
		I20A, I20B, I20C, I20D, I20E, I20F			I08A, I08B, I08C, I08D, I08E, I08F, I28A, I28B			I08A, I08B, I08C, I08D, I08E, I08F, I12A, I12B, I12C, I18A, I18B, I30Z		
	21A	W04A, W04B		21A	W04A, W04B		21A	W04A, W04B	21A	W04A, W04B
		X04Z			X04Z, X06A, X06B, X06C			X06A, X06B, X06C		

VYK

ZZV	MDC	DRG	ZZV	MDC	DRG	ZZV	MDC	DRG
5t420.5↔		BOP, KVT, UOP4, VIAL	5t420.n↔		BOP, KVT, UOP4, VIAL	5t421.h↔		BOP, KVT, UOP4, VIAL
	08	I08A, I08B, I08C, I08D, I08E, I08F, I12A, I12B, I12C, I18A, I18B, I30Z		08	I12A, I12B, I12C, I20A, I20B, I20C, I20D, I20E, I20F		08	I18A, I18B, I30Z
	21A	W04A, W04B		21A	W04A, W04B		21A	W04A, W04B
	21B	X06A, X06B, X06C		21B	X04Z		21B	X04Z
5t420.6↔		BOP, KVT, UOP4, VIAL	5t420.p↔		BOP, KVT, UOP4, VIAL	5t421.j↔		BOP, KVT, UOP4, VIAL
	08	I08A, I08B, I08C, I08D, I08E, I08F, I12A, I12B, I12C, I32A, I32B, I32C, I32D, I32E, I32F		08	I12A, I12B, I12C, I20A, I20B, I20C, I20D, I20E, I20F		08	I59Z
	09	J03A, J03B, J04A, J04B, J08A, J08B, J08C, J11A, J11B, J16Z		21A	W04A, W04B		01	B03A, B03B, B06A, B06B, B17A, B17B, B17C
	21A	W04A, W04B		21B	X04Z		05	F27A, F27B, F27C
	21B	X05A, X05B	5t420.q↔		BOP, KVT, UOP4, VIAL		08	I59Z
5t420.8↔		BOP, KVT, UOP4, VIAL		08	I12A, I12B, I12C, I20A, I20B, I20C, I20D, I20E, I20F		10	K01Z
	08	I12A, I12B, I12C, I32A, I32B, I32C, I32D, I32E, I32F, I32G		21A	W04A, W04B		21A	W04A, W04B
	09	J03A, J03B, J04A, J04B, J08A, J08B, J08C, J11A, J11B, J16Z		21B	X04Z		21B	X04Z
	21A	W04A, W04B	5t420.r↔		BOP, KVT, UOP4, VIAL	5t421.m↔		BOP, KVT, UOP4, VIAL
	21B	X05A, X05B		08	I12A, I12B, I12C, I20A, I20B, I20C, I20D, I20E, I20F		08	I20A, I20B, I20C, I20D, I20E, I20F
5t420.9↔		BOP, KVT, UOP4, VIAL		21A	W04A, W04B		21A	W04A, W04B
	08	I12A, I12B, I12C, I32A, I32B, I32C, I32D, I32E, I32F, I32G	5t420.x		BOP, KVT, UOP4		21B	X04Z
	09	J03A, J03B, J04A, J04B, J08A, J08B, J08C, J11A, J11B, J16Z		08	I12A, I12B, I12C, I28A, I28B	5t421.n↔		BOP, KVT, UOP4, VIAL
	21A	W04A, W04B		21A	W04A, W04B		08	I20A, I20B, I20C, I20D, I20E, I20F
	21B	X05A, X05B		21B	X06A, X06B, X06C		21A	W04A, W04B
5t420.e↔		BOP, KVT, UOP4, VIAL	5t421.0↔		BOP, KVT, UOP4, VIAL		21B	X04Z
	08	I08A, I08B, I08C, I08D, I08E, I08F, I12A, I12B, I12C, I28A, I28B		08	I16Z	5t421.p↔		BOP, KVT, UOP4, VIAL
	21A	W04A, W04B		21A	W04A, W04B		08	I20A, I20B, I20C, I20D, I20E, I20F
	21B	X04Z, X06A, X06B, X06C		21B	X06A, X06B, X06C		21A	W04A, W04B
5t420.f		BOP, KVT, UOP4, VIAL	5t421.1↔		BOP, KVT, UOP4, VIAL		21B	X04Z
	08	I12A, I12B, I12C, I28A, I28B		08	I16Z	5t421.q↔		BOP, KVT, UOP4, VIAL
	21A	W04A, W04B		21A	W04A, W04B		08	I20A, I20B, I20C, I20D, I20E, I20F
	21B	X04Z, X06A, X06B, X06C		21B	X06A, X06B, X06C		21A	W04A, W04B
5t420.g↔		BOP, KVT, UOP4, VIAL	5t421.4↔		BOP, KVT, UOP4, VIAL		21B	X04Z
	08	I08A, I08B, I08C, I08D, I08E, I30Z		08	I08A, I08B, I08C, I08D, I08E, I08F, I21Z, I31Z	5t421.r↔		BOP, KVT, UOP4, VIAL
	21A	W01A, W01B, W01C, W02A, W02B		21A	W04A, W04B		08	I20A, I20B, I20C, I20D, I20E, I20F
	21B	X04Z		21B	X06A, X06B, X06C		21A	W04A, W04B
5t420.h↔		BOP, KVT, UOP4, VIAL	5t421.5↔		BOP, KVT, UOP4, VIAL		21B	X04Z
	01	B03A, B03B, B06A, B06B, B17A, B17B, B17C		08	I08A, I08B, I08C, I08D, I08E, I08F, I21Z, I31Z	5t421.x		BOP, KVT, UOP4
	08	I12A, I12B, I12C, I24Z, I30Z		21A	W04A, W04B		08	I28A, I28B
	21A	W04A, W04B		21B	X06A, X06B, X06C		21A	W04A, W04B
	21B	X04Z	5t421.6↔		BOP, KVT, UOP4, VIAL		21B	X06A, X06B, X06C
5t420.j↔		BOP, KVT, UOP4, VIAL		08	I08A, I08B, I08C, I08D, I08E, I08F, I32A, I32B, I32C, I32D, I32E, I32F	5t422.0↔		BOP, KVT, UOP4, VIAL
	01	B03A, B03B, B06A, B06B, B17A, B17B, B17C		21A	W04A, W04B		08	I12A, I12B, I12C, I16Z
	08	I12A, I12B, I12C, I18A, I18B, I30Z		21B	X05A, X05B		21A	W04A, W04B
	21A	W04A, W04B	5t421.8↔		BOP, KVT, UOP4, VIAL		21B	X06A, X06B, X06C
	21B	X04Z		08	I32A, I32B, I32C, I32D, I32E, I32F	5t422.1↔		BOP, KVT, UOP4, VIAL
5t420.k↔		BOP, KVT, UOP4, VIAL		21A	W04A, W04B		08	I12A, I12B, I12C, I16Z
	08	I12A, I12B, I12C, I59Z		21B	X05A, X05B		21A	W04A, W04B
	21A	W04A, W04B	5t421.9↔		BOP, KVT, UOP4, VIAL		21B	X06A, X06B, X06C
	21B	X04Z		08	I32A, I32B, I32C, I32D, I32E, I32F	5t422.4↔		BOP, KVT, UOP4, VIAL
5t420.m↔		BOP, KVT, UOP4, VIAL		21A	W04A, W04B		08	I08A, I08B, I08C, I08D, I08E, I08F, I12A, I12B, I12C, I21Z, I31Z
	08	I12A, I12B, I12C, I20A, I20B, I20C, I20D, I20E, I20F		21B	X05A, X05B	5t422.5↔		BOP, KVT, UOP4, VIAL
	21A	W04A, W04B	5t421.e↔		BOP, KVT, UOP4, VIAL		08	I08A, I08B, I08C, I08D, I08E, I08F, I12A, I12B, I12C, I21Z, I31Z
	21B	X04Z		08	I08A, I08B, I08C, I08D, I08E, I08F, I28A, I28B		21A	W04A, W04B
				21A	W04A, W04B		21B	X06A, X06B, X06C
				21B	X04Z, X06A, X06B, X06C	5t422.6↔		BOP, KVT, UOP4, VIAL
			5t421.g↔		BOP, KVT, UOP4, VIAL		08	I08A, I08B, I08C, I08D, I08E, I08F, I12A, I12B, I12C, I32A, I32B, I32C, I32D, I32E, I32F
				08	I08A, I08B, I08C, I08D, I08E, I30Z		21A	W04A, W04B
				21A	W01A, W01B, W01C, W02A, W02B		21B	X05A, X05B
				21B	X04Z			

ZZV	MDC	DRG	ZZV	MDC	DRG	ZZV	MDC	DRG	
5t422.8↔		BOP, KVT, UOP4, VIAL	5t423.20↔		BOP, KVT, UOP4, VIAL	5t427.4↔		BOP, KVT, UOP4, VIAL	
	08	I12A, I12B, I12C, I32A, I32B, I32C, I32D, I32E, I32F		01	B03A, B03B, B06A, B06B, B17A, B17B, B17C		08	I08A, I08B, I08C, I08D, I08E, I08F, I21Z, I31Z, I32A, I32B, I32C, I32D	
	21A	W04A, W04B		08	I18A, I30Z		21A	W04A, W04B	
	21B	X05A, X05B		21A	W04A, W04B		21B	X06A, X06B, X06C	
5t422.9↔		BOP, KVT, UOP4, VIAL	5t423.21↔		BOP, KVT, UOP4, VIAL	5t427.5↔		BOP, KVT, UOP4, VIAL	
	08	I12A, I12B, I12C, I32A, I32B, I32C, I32D, I32E, I32F		01	B03A, B03B, B06A, B06B, B17A, B17B, B17C		08	I08A, I08B, I08C, I08D, I08E, I08F, I21Z, I31Z, I32A, I32B, I32C, I32D	
	21A	W04A, W04B		08	I18A, I30Z		21A	W04A, W04B	
	21B	X05A, X05B		21A	W04A, W04B		21B	X06A, X06B, X06C	
5t422.g↔		BOP, KVT, UOP4, VIAL	5t423.22↔		BOP, KVT, UOP4, VIAL	5t427.6↔		BOP, KVT, UOP4, VIAL	
	08	I08A, I08B, I08C, I08D, I08E, I30Z		01	B03A, B03B, B06A, B06B, B17A, B17B, B17C		08	I08A, I08B, I08C, I08D, I08E, I08F, I32A, I32B, I32C, I32D, I32E, I32F	
	21A	W01A, W01B, W01C, W02A, W02B		08	I18A, I30Z		21A	W04A, W04B	
	21B	X04Z		21A	W04A, W04B		21B	X05A, X05B	
5t422.h↔		BOP, KVT, UOP4, VIAL	5t423.3↔		BOP, KVT, UOP4, VIAL	5t427.8↔		BOP, KVT, UOP4, VIAL	
	08	I12A, I12B, I12C, I18A, I18B, I30Z		01	B03A, B03B, B06A, B06B, B17A, B17B, B17C		08	I32A, I32B, I32C, I32D, I32E, I32F	
	21A	W04A, W04B		08	I18A, I18B, I24Z, I30Z		21A	W04A, W04B	
	21B	X04Z		21A	W04A, W04B		21B	X05A, X05B	
5t422.j↔		BOP, KVT, UOP4, VIAL	5t423.4↔		BOP, KVT, UOP4, VIAL	5t427.9↔		BOP, KVT, UOP4, VIAL	
	08	I59Z		01	B03A, B03B, B06A, B06B, B17A, B17B, B17C		08	I32A, I32B, I32C, I32D, I32E, I32F	
5t422.k↔		BOP, KVT, UOP4, VIAL	5t423.x↔		BOP, KVT, UOP4, VIAL	5t427.e↔		BOP, KVT, UOP4, VIAL	
	08	I12A, I12B, I12C, I59Z		01	B03A, B03B, B06A, B06B, B17A, B17B, B17C		08	I32A, I32B, I32C, I32D	
	21A	W04A, W04B		08	I24Z, I30Z	5t427.f		08	I32A, I32B, I32C, I32D
	21B	X04Z		21A	W04A, W04B	5t427.g↔		08	I08A, I08B, I08C, I08D, I08E, I30Z, I32A, I32B, I32C, I32D
5t422.m↔		BOP, KVT, UOP4, VIAL	5t426.0↔		BOP, KVT, UOP4, VIAL	5t427.h↔		21A	W01A, W01B, W01C, W02A, W02B
	08	I12A, I12B, I12C, I20A, I20B, I20C, I20D, I20E, I20F		08	I16Z		01	B03A, B03B, B06A, B06B, B17A, B17B, B17C	
	21A	W04A, W04B		21A	W04A, W04B		08	I18A, I30Z, I32A, I32B, I32C, I32D	
	21B	X04Z	5t426.4↔		BOP, KVT, UOP4, VIAL		21A	W04A, W04B	
5t422.n↔		BOP, KVT, UOP4, VIAL		08	I08A, I08B, I08C, I08D, I08E, I08F, I18A, I18B, I30Z		21B	X04Z	
	08	I12A, I12B, I12C, I20A, I20B, I20C, I20D, I20E, I20F		21A	W04A, W04B	5t427.j↔		08	I32A, I32B, I32C, I32D, I59Z
	21A	W04A, W04B	5t426.g↔		BOP, KVT, UOP4, VIAL	5t427.k↔		08	I32A, I32B, I32C, I32D, I59Z
	21B	X04Z		08	I08A, I08B, I08C, I08D, I08E, I30Z		21A	W04A, W04B	
5t422.p↔		BOP, KVT, UOP4, VIAL	5t426.h↔		BOP, KVT, UOP4, VIAL	5t427.m↔		21B	X04Z
	08	I12A, I12B, I12C, I20A, I20B, I20C, I20D, I20E, I20F		08	I18A, I30Z		08	I32A, I32B, I32C, I32D	
	21A	W04A, W04B		21A	W04A, W04B	5t427.n↔		08	I20A, I20B, I20C, I20D, I20E, I20F, I32A, I32B, I32C, I32D
	21B	X04Z	5t426.k↔		BOP, KVT, UOP4, VIAL	5t427.p↔		08	I20A, I20B, I20C, I20D, I20E, I20F, I32A, I32B, I32C, I32D
5t422.q↔		BOP, KVT, UOP4, VIAL		08	I59Z	5t427.q↔		08	I20A, I20B, I20C, I20D, I20E, I20F, I32A, I32B, I32C, I32D
	08	I12A, I12B, I12C, I20A, I20B, I20C, I20D, I20E, I20F	5t426.g↔		BOP, KVT, UOP4, VIAL	5t427.r↔		08	I20A, I20B, I20C, I20D, I20E, I20F, I32A, I32B, I32C, I32D
	21A	W04A, W04B		08	I08A, I08B, I08C, I08D, I08E, I30Z		08	I20A, I20B, I20C, I20D, I20E, I20F, I32A, I32B, I32C, I32D	
	21B	X04Z	5t426.x		BOP, KVT, UOP4	5t427.x		08	I28A, I28B, I32A, I32B, I32C, I32D
5t422.r↔		BOP, KVT, UOP4, VIAL		08	I28A, I28B		08	I28A, I28B, I32A, I32B, I32C, I32D	
	08	I12A, I12B, I12C, I20A, I20B, I20C, I20D, I20E, I20F	5t427.0↔		BOP, KVT, UOP4, VIAL		21A	W04A, W04B	
	21A	W04A, W04B		08	I16Z, I32A, I32B, I32C, I32D		21B	X06A, X06B, X06C	
	21B	X04Z	5t427.1↔		I32A, I32B, I32C, I32D				
5t422.x		BOP, KVT, UOP4	5t427.3↔		I32A, I32B, I32C, I32D				
	08	I12A, I12B, I12C, I28A, I28B							
	21A	W04A, W04B							
	21B	X06A, X06B, X06C							
5t423.10↔		BOP, KVT, UOP4, VIAL							
	08	I12A, I12B, I12C, I24Z, I30Z							
	10	K09A, K09B							
	21A	W04A, W04B							
	21B	X04Z							
5t423.11↔		BOP, KVT, UOP4, VIAL							
	08	I12A, I12B, I12C, I18A, I18B, I30Z							
	10	K09A, K09B							
	21A	W04A, W04B							
	21B	X04Z							

VYK

ZZV	MDC	DRG	ZZV	MDC	DRG	ZZV	MDC	DRG
5t428.0↔		BOP, KVT, UOP4, VIAL	5t428.x		BOP, KVT, UOP4	5t42c.g↔		BOP, KVT, UOP4, VIAL
	08	I16Z, I32A, I32B, I32C, I32D		08	I28A, I28B, I32A, I32B, I32C, I32D		08	I08A, I08B, I08C, I08D, I08E, I30Z
	21A	W04A, W04B		21A	W04A, W04B		21A	W01A, W01B, W01C, W02A, W02B
	21B	X06A, X06B, X06C		21B	X06A, X06B, X06C		21B	X04Z
5t428.1↔	08	I32A, I32B, I32C, I32D	5t429↔		BOP, KVT, UOP4, VIAL	5t42c.h↔		BOP, KVT, UOP4, VIAL
5t428.3↔	08	I32A, I32B, I32C, I32D		08	I32A, I32B, I32C, I32D, I32E, I32F, I32G		01	B03A, B03B, B06A, B06B, B17A, B17B, B17C
5t428.4↔		BOP, KVT, UOP4, VIAL		09	J03A, J03B, J04A, J04B, J08A, J08B, J08C, J11A, J11B, J16Z		08	I24Z, I30Z
	08	I08A, I08B, I08C, I08D, I08E, I08F, I21Z, I31Z, I32A, I32B, I32C, I32D		21A	W04A, W04B		21A	W04A, W04B
	21A	W04A, W04B		21B	X05A, X05B		21B	X04Z
	21B	X06A, X06B, X06C	5t42c.0↔		BOP, KVT, UOP4, VIAL	5t42c.j↔		BOP, KVT, UOP4, VIAL
5t428.5↔		BOP, KVT, UOP4, VIAL		08	I16Z		08	I59Z
	08	I08A, I08B, I08C, I08D, I08E, I08F, I21Z, I31Z, I32A, I32B, I32C, I32D		21A	W04A, W04B	5t42c.k↔		BOP, KVT, UOP4, VIAL
	21A	W04A, W04B		21B	X06A, X06B, X06C		08	I59Z
	21B	X06A, X06B, X06C	5t42c.1↔		BOP, KVT, UOP4, VIAL		21A	W04A, W04B
5t428.6↔		BOP, KVT, UOP4, VIAL		08	I16Z		21B	X04Z
	08	I08A, I08B, I08C, I08D, I08E, I08F, I32A, I32B, I32C, I32D, I32E, I32F		21A	W04A, W04B	5t42c.m↔		BOP, KVT, UOP4, VIAL
	21A	W04A, W04B		21B	X06A, X06B, X06C		08	I20A, I20B, I20C, I20D, I20E, I20F
	21B	X05A, X05B	5t42c.3↔		BOP, KVT, UOP4, VIAL		21A	W04A, W04B
5t428.8↔		BOP, KVT, UOP4, VIAL		08	I28A, I28B		21B	X04Z
	08	I32A, I32B, I32C, I32D, I32E, I32F		21A	W04A, W04B	5t42c.n↔		BOP, KVT, UOP4, VIAL
	21A	W04A, W04B		21B	X06A, X06B, X06C		08	I20A, I20B, I20C, I20D, I20E, I20F
	21B	X05A, X05B	5t42c.4↔		BOP, KVT, UOP4, VIAL		21A	W04A, W04B
5t428.9↔		BOP, KVT, UOP4, VIAL		08	I08A, I08B, I08C, I08D, I08E, I08F, I18A, I18B, I30Z		21B	X04Z
	08	I32A, I32B, I32C, I32D, I32E, I32F		21A	W04A, W04B	5t42c.p↔		BOP, KVT, UOP4, VIAL
	21A	W04A, W04B		21B	X06A, X06B, X06C		08	I20A, I20B, I20C, I20D, I20E, I20F
	21B	X05A, X05B	5t42c.5↔		BOP, KVT, UOP4, VIAL		21A	W04A, W04B
5t428.e↔	08	I32A, I32B, I32C, I32D		08	I08A, I08B, I08C, I08D, I08E, I08F, I18A, I18B, I30Z		21B	X04Z
5t428.f	08	I32A, I32B, I32C, I32D		21A	W04A, W04B	5t42c.q↔		BOP, KVT, UOP4, VIAL
5t428.g↔		BOP, KVT, UOP4, VIAL		21B	X06A, X06B, X06C		08	I20A, I20B, I20C, I20D, I20E, I20F
	08	I08A, I08B, I08C, I08D, I08E, I30Z, I32A, I32B, I32C, I32D	5t42c.6↔		BOP, KVT, UOP4, VIAL		21A	W04A, W04B
	21A	W01A, W01B, W01C, W02A, W02B		08	I08A, I08B, I08C, I08D, I08E, I08F, I32A, I32B, I32C, I32D, I32E, I32F		21B	X04Z
	21B	X04Z		09	J03A, J03B, J04A, J04B, J08A, J08B, J08C, J11A, J11B, J16Z	5t42c.r↔		BOP, KVT, UOP4, VIAL
5t428.h↔		BOP, KVT, UOP4, VIAL		21A	W04A, W04B		08	I20A, I20B, I20C, I20D, I20E, I20F
	01	B03A, B03B, B06A, B06B, B17A, B17B, B17C		21B	X05A, X05B	5t42c.x		BOP, KVT, UOP4
	08	I18A, I30Z, I32A, I32B, I32C, I32D	5t42c.8↔		BOP, KVT, UOP4, VIAL		08	I28A, I28B
	21A	W04A, W04B		08	I32A, I32B, I32C, I32D, I32E, I32F, I32G		21A	W04A, W04B
	21B	X04Z		09	J03A, J03B, J04A, J04B, J08A, J08B, J08C, J11A, J11B, J16Z	5t42d.0↔		X06A, X06B, X06C
5t428.j↔		BOP, KVT, UOP4, VIAL		21A	W04A, W04B		08	I16Z
	08	I32A, I32B, I32C, I32D, I59Z		21B	X05A, X05B		21A	W04A, W04B
5t428.k↔		BOP, KVT, UOP4, VIAL		21B	X05A, X05B	5t42d.1↔		X06A, X06B, X06C
	08	I32A, I32B, I32C, I32D, I59Z	5t42c.9↔		BOP, KVT, UOP4, VIAL		08	I16Z
	21A	W04A, W04B		08	I32A, I32B, I32C, I32D, I32E, I32F, I32G		21A	W04A, W04B
	21B	X04Z		09	J03A, J03B, J04A, J04B, J08A, J08B, J08C, J11A, J11B, J16Z	5t42d.3↔		X06A, X06B, X06C
5t428.m↔	08	I32A, I32B, I32C, I32D		21A	W04A, W04B		08	I28A, I28B
5t428.n↔		BOP, KVT, UOP4, VIAL		21B	X05A, X05B	5t42d.4↔		W04A, W04B
	08	I20A, I20B, I20C, I20D, I20E, I20F, I32A, I32B, I32C, I32D	5t42c.e↔		BOP, KVT, UOP4, VIAL		21B	X06A, X06B, X06C
	08	I20A, I20B, I20C, I20D, I20E, I20F, I32A, I32B, I32C, I32D		08	I08A, I08B, I08C, I08D, I08E, I08F, I28A, I28B		08	I08A, I08B, I08C, I08D, I08E, I08F, I18A, I18B, I30Z
5t428.p↔		BOP, KVT, UOP4, VIAL		21A	W04A, W04B		21A	W04A, W04B
	08	I20A, I20B, I20C, I20D, I20E, I20F, I32A, I32B, I32C, I32D		21B	X04Z, X06A, X06B, X06C	5t42d.5↔		X06A, X06B, X06C
5t428.q↔		BOP, KVT, UOP4, VIAL		21B	X04Z, X06A, X06B, X06C		08	I08A, I08B, I08C, I08D, I08E, I08F, I18A, I18B, I30Z
	08	I20A, I20B, I20C, I20D, I20E, I20F, I32A, I32B, I32C, I32D					21A	W04A, W04B
5t428.r↔		BOP, KVT, UOP4, VIAL					21B	X06A, X06B, X06C
	08	I20A, I20B, I20C, I20D, I20E, I20F, I32A, I32B, I32C, I32D						

ZZV	MDC	DRG	ZZV	MDC	DRG	ZZV	MDC	DRG
5t42d.6↔		BOP, KVT, UOP4, VIAL	5t42d.r↔		BOP, KVT, UOP4, VIAL	5t42e.k↔		BOP, KVT, UOP4, VIAL
	08	I08A, I08B, I08C, I08D, I08E, I08F, I32A, I32B, I32C, I32D, I32E, I32F		08	I20A, I20B, I20C, I20D, I20E, I20F		08	I59Z
	09	J03A, J03B, J04A, J04B, J08A, J08B, J08C, J11A, J11B, J16Z		21A	W04A, W04B		21A	W04A, W04B
	21A	W04A, W04B		21B	X04Z		21B	X04Z
	21B	X05A, X05B	5t42d.x		BOP, KVT, UOP4	5t42e.m↔		BOP, KVT, UOP4, VIAL
5t42d.8↔		BOP, KVT, UOP4, VIAL		08	I28A, I28B		08	I20A, I20B, I20C, I20D, I20E, I20F
	08	I32A, I32B, I32C, I32D, I32E, I32F, I32G		21A	W04A, W04B		21A	W04A, W04B
	09	J03A, J03B, J04A, J04B, J08A, J08B, J08C, J11A, J11B, J16Z		21B	X06A, X06B, X06C		21B	X04Z
	21A	W04A, W04B	5t42e.0↔		BOP, KVT, UOP4, VIAL	5t42e.n↔		BOP, KVT, UOP4, VIAL
	21B	X05A, X05B		08	I16Z		08	I20A, I20B, I20C, I20D, I20E, I20F
5t42d.9↔		BOP, KVT, UOP4, VIAL		21A	W04A, W04B		21A	W04A, W04B
	08	I32A, I32B, I32C, I32D, I32E, I32F, I32G		21B	X06A, X06B, X06C		21B	X04Z
	09	J03A, J03B, J04A, J04B, J08A, J08B, J08C, J11A, J11B, J16Z	5t42e.1↔		BOP, KVT, UOP4, VIAL	5t42e.p↔		BOP, KVT, UOP4, VIAL
	21A	W04A, W04B		08	I16Z		08	I20A, I20B, I20C, I20D, I20E, I20F
	21B	X05A, X05B		21A	W04A, W04B		21A	W04A, W04B
5t42d.e↔		BOP, KVT, UOP4, VIAL		21B	X06A, X06B, X06C		21B	X04Z
	08	I08A, I08B, I08C, I08D, I08E, I08F, I28A, I28B	5t42e.3↔		BOP, KVT, UOP4, VIAL	5t42e.q↔		BOP, KVT, UOP4, VIAL
	21A	W04A, W04B		08	I28A, I28B		08	I20A, I20B, I20C, I20D, I20E, I20F
	21B	X04Z, X06A, X06B, X06C		21A	W04A, W04B		21A	W04A, W04B
5t42d.g↔		BOP, KVT, UOP4, VIAL		21B	X06A, X06B, X06C		21B	X04Z
	08	I08A, I08B, I08C, I08D, I08E, I30Z	5t42e.4↔		BOP, KVT, UOP4, VIAL	5t42e.r↔		BOP, KVT, UOP4, VIAL
	21A	W01A, W01B, W01C, W02A, W02B		08	I08A, I08B, I08C, I08D, I08E, I08F, I21Z, I31Z		08	I20A, I20B, I20C, I20D, I20E, I20F
	21B	X04Z		21A	W04A, W04B		21A	W04A, W04B
5t42d.h↔		BOP, KVT, UOP4, VIAL		21B	X06A, X06B, X06C		21B	X04Z
	01	B03A, B03B, B06A, B06B, B17A, B17B, B17C	5t42e.5↔		BOP, KVT, UOP4, VIAL	5t42e.x		BOP, KVT, UOP4
	08	I18A, I18B, I30Z		08	I08A, I08B, I08C, I08D, I08E, I08F, I21Z, I31Z		08	I28A, I28B
	21A	W04A, W04B		21A	W04A, W04B		21A	W04A, W04B
	21B	X04Z		21B	X06A, X06B, X06C		21B	X06A, X06B, X06C
5t42d.j↔		BOP, KVT, UOP4, VIAL	5t42e.6↔		BOP, KVT, UOP4, VIAL	5t42f.0↔		BOP, KVT, UOP4, VIAL
	08	I59Z		08	I08A, I08B, I08C, I08D, I08E, I32A, I32B, I32C, I32D, I32E, I32F		08	I16Z, I32A, I32B, I32C, I32D
5t42d.k↔		BOP, KVT, UOP4, VIAL		21A	W04A, W04B		21A	W04A, W04B
	08	I59Z		21B	X05A, X05B		21B	X06A, X06B, X06C
	21A	W04A, W04B	5t42e.8↔		BOP, KVT, UOP4, VIAL	5t42f.1↔		I32A, I32B, I32C, I32D
	21B	X04Z		08	I32A, I32B, I32C, I32D, I32E, I32F	5t42f.3↔		I32A, I32B, I32C, I32D
5t42d.m↔		BOP, KVT, UOP4, VIAL		21A	W04A, W04B	5t42f.4↔		BOP, KVT, UOP4, VIAL
	08	I20A, I20B, I20C, I20D, I20E, I20F		21B	X05A, X05B		08	I08A, I08B, I08C, I08D, I08E, I08F, I21Z, I31Z, I32A, I32B, I32C, I32D
	21A	W04A, W04B	5t42e.9↔		BOP, KVT, UOP4, VIAL		21A	W04A, W04B
	21B	X04Z		08	I32A, I32B, I32C, I32D, I32E, I32F		21B	X06A, X06B, X06C
5t42d.n↔		BOP, KVT, UOP4, VIAL		21A	W04A, W04B	5t42f.5↔		BOP, KVT, UOP4, VIAL
	08	I20A, I20B, I20C, I20D, I20E, I20F		21B	X05A, X05B		08	I08A, I08B, I08C, I08D, I08E, I08F, I21Z, I31Z, I32A, I32B, I32C, I32D
	21A	W04A, W04B	5t42e.e↔		BOP, KVT, UOP4, VIAL		21A	W04A, W04B
	21B	X04Z		08	I08A, I08B, I08C, I08D, I08E, I08F, I28A, I28B		21B	X06A, X06B, X06C
5t42d.p↔		BOP, KVT, UOP4, VIAL		21A	W04A, W04B	5t42f.6↔		BOP, KVT, UOP4, VIAL
	08	I20A, I20B, I20C, I20D, I20E, I20F		21B	X04Z, X06A, X06B, X06C		08	I08A, I08B, I08C, I08D, I08E, I08F, I32A, I32B, I32C, I32D, I32E, I32F
	21A	W04A, W04B		08	I18A, I18B, I30Z		21A	W04A, W04B
	21B	X04Z	5t42e.g↔		BOP, KVT, UOP4, VIAL		21B	X05A, X05B
5t42d.q↔		BOP, KVT, UOP4, VIAL		08	I18A, I18B, I30Z	5t42f.8↔		BOP, KVT, UOP4, VIAL
	08	I20A, I20B, I20C, I20D, I20E, I20F		21A	W04A, W04B		08	I32A, I32B, I32C, I32D, I32E, I32F
	21A	W04A, W04B		21B	X04Z		21A	W04A, W04B
	21B	X04Z	5t42e.h↔		BOP, KVT, UOP4, VIAL		21B	X05A, X05B
				01	B03A, B03B, B06A, B06B, B17A, B17B, B17C	5t42f.9↔		BOP, KVT, UOP4, VIAL
				08	I18A, I18B, I24Z, I30Z		08	I32A, I32B, I32C, I32D, I32E, I32F
				21A	W04A, W04B		21A	W04A, W04B
				21B	X04Z		21B	X05A, X05B
			5t42e.i↔		BOP, KVT, UOP4, VIAL		21A	W04A, W04B
				08	I28A, I28B		21B	X05A, X05B
				21A	W04A, W04B	5t42f.e↔		I32A, I32B, I32C, I32D
				21B	X04Z, X06A, X06B, X06C	5t42f.f		I32A, I32B, I32C, I32D

ZZV	MDC	DRG	ZZV	MDC	DRG	ZZV	MDC	DRG	
5t42f.g↔		BOP, KVT, UOP4, VIAL	5t42h.6↔		BOP, KVT, UOP4, VIAL	5t42h.x		BOP, KVT, UOP4	
	08	I08A, I08B, I08C, I08D, I08E, I30Z, I32A, I32B, I32C, I32D		08	I08A, I08B, I08C, I08D, I08E, I08F, I32A, I32B, I32C, I32D, I32E, I32F		08	I28A, I28B	
	21A	W01A, W01B, W01C, W02A, W02B		21A	W04A, W04B		21A	W04A, W04B	
	21B	X04Z		21B	X05A, X05B	5t42i.0↔		X06A, X06B, X06C	
5t42f.h↔		BOP, KVT, UOP4, VIAL	5t42h.8↔		BOP, KVT, UOP4, VIAL		08	BOP, KVT, UOP4, VIAL	
	01	B03A, B03B, B06A, B06B, B17A, B17B, B17C		08	I32A, I32B, I32C, I32D, I32E, I32F		21A	I16Z	
	08	I18A, I30Z, I32A, I32B, I32C, I32D		21A	W04A, W04B	5t42i.1↔		21A	W04A, W04B
	21A	W04A, W04B	5t42h.9↔		BOP, KVT, UOP4, VIAL		21A	X06A, X06B, X06C	
	21B	X04Z		08	I32A, I32B, I32C, I32D, I32E, I32F	5t42i.2↔		21B	BOP, KVT, UOP4, VIAL
5t42f.j↔		BOP, KVT, UOP4, VIAL		21A	W04A, W04B		08	I28A, I28B	
	08	I32A, I32B, I32C, I32D, I59Z		21B	X05A, X05B		21A	W04A, W04B	
5t42f.k↔		BOP, KVT, UOP4, VIAL	5t42h.e↔		BOP, KVT, UOP4, VIAL		21B	X06A, X06B, X06C	
	08	I32A, I32B, I32C, I32D, I59Z		08	I08A, I08B, I08C, I08D, I08E, I08F, I28A, I28B	5t42i.3↔		BOP, KVT, UOP4, VIAL	
	21A	W04A, W04B		21A	W04A, W04B		08	I28A, I28B	
	21B	X04Z		21B	X04Z, X06A, X06B, X06C		21A	W04A, W04B	
5t42f.m↔		I32A, I32B, I32C, I32D	5t42h.f		BOP, KVT, UOP4, VIAL	5t42i.4↔		21B	X06A, X06B, X06C
5t42f.n↔		BOP, KVT, UOP4, VIAL		08	I28A, I28B		08	BOP, KVT, UOP4, VIAL	
	08	I20A, I20B, I20C, I20D, I20E, I20F, I32A, I32B, I32C, I32D		21A	W04A, W04B		21A	I08A, I08B, I08C, I08D, I08E, I08F, I21Z, I31Z	
5t42f.p↔		BOP, KVT, UOP4, VIAL		21B	X04Z, X06A, X06B, X06C		21A	W04A, W04B	
	08	I20A, I20B, I20C, I20D, I20E, I20F, I32A, I32B, I32C, I32D	5t42h.g↔		BOP, KVT, UOP4, VIAL	5t42i.5↔		21B	X06A, X06B, X06C
5t42f.q↔		BOP, KVT, UOP4, VIAL		08	I18A, I18B, I30Z		08	BOP, KVT, UOP4, VIAL	
	08	I20A, I20B, I20C, I20D, I20E, I20F, I32A, I32B, I32C, I32D		10	K09A, K09B		21A	I08A, I08B, I08C, I08D, I08E, I08F, I21Z, I31Z	
5t42f.r↔		BOP, KVT, UOP4, VIAL		21A	W04A, W04B		21A	W04A, W04B	
	08	I20A, I20B, I20C, I20D, I20E, I20F, I32A, I32B, I32C, I32D	5t42h.h↔		X04Z	5t42i.6↔		21B	X06A, X06B, X06C
5t42f.x		BOP, KVT, UOP4		01	B03A, B03B, B06A, B06B, B17A, B17B, B17C		08	BOP, KVT, UOP4, VIAL	
	08	I28A, I28B, I32A, I32B, I32C, I32D		08	I24Z, I30Z		21A	I08A, I08B, I08C, I08D, I08E, I08F, I32A, I32B, I32C, I32D, I32E, I32F	
	21A	W04A, W04B		21A	W04A, W04B		21A	W04A, W04B	
	21B	X06A, X06B, X06C	5t42h.j↔		X04Z	5t42i.8↔		21B	X05A, X05B
5t42g↔		BOP, KVT, UOP4, VIAL		08	BOP, KVT, UOP4, VIAL		08	BOP, KVT, UOP4, VIAL	
	08	I32A, I32B, I32C, I32D, I32E, I32F		08	I28A, I28B		21A	I32A, I32B, I32C, I32D, I32E, I32F	
	21A	W04A, W04B		21A	W04A, W04B		21A	W04A, W04B	
	21B	X05A, X05B	5t42h.k↔		X04Z	5t42i.9↔		21B	X05A, X05B
5t42h.0↔		BOP, KVT, UOP4, VIAL		08	I59Z		08	BOP, KVT, UOP4, VIAL	
	08	I16Z		21A	W04A, W04B		08	I32A, I32B, I32C, I32D, I32E, I32F	
	21A	W04A, W04B	5t42h.m↔		X04Z		21A	W04A, W04B	
	21B	X06A, X06B, X06C		08	BOP, KVT, UOP4, VIAL	5t42i.e↔		21B	X05A, X05B
5t42h.1↔		BOP, KVT, UOP4, VIAL		08	I20A, I20B, I20C, I20D, I20E, I20F		08	BOP, KVT, UOP4, VIAL	
	08	I16Z		21A	W04A, W04B		21A	I08A, I08B, I08C, I08D, I08E, I08F, I28A, I28B	
	21A	W04A, W04B	5t42h.n↔		X04Z		21A	W04A, W04B	
	21B	X06A, X06B, X06C		08	BOP, KVT, UOP4, VIAL	5t42i.f		21B	X04Z, X06A, X06B, X06C
5t42h.2↔		BOP, KVT, UOP4, VIAL		08	I20A, I20B, I20C, I20D, I20E, I20F		08	BOP, KVT, UOP4, VIAL	
	08	I28A, I28B		21A	W04A, W04B		21A	I28A, I28B	
	21A	W04A, W04B	5t42h.p↔		X04Z		21A	W04A, W04B	
	21B	X06A, X06B, X06C		08	BOP, KVT, UOP4, VIAL	5t42i.g↔		21B	X04Z, X06A, X06B, X06C
5t42h.3↔		BOP, KVT, UOP4, VIAL		08	I20A, I20B, I20C, I20D, I20E, I20F		08	BOP, KVT, UOP4, VIAL	
	08	I28A, I28B		21A	W04A, W04B		10	I18A, I18B, I30Z	
	21A	W04A, W04B	5t42h.q↔		X04Z		21A	K09A, K09B	
	21B	X06A, X06B, X06C		08	BOP, KVT, UOP4, VIAL	5t42i.h↔		21A	W04A, W04B
5t42h.4↔		BOP, KVT, UOP4, VIAL		08	I20A, I20B, I20C, I20D, I20E, I20F		08	X04Z	
	08	I08A, I08B, I08C, I08D, I08E, I08F, I21Z, I31Z		21A	W04A, W04B		01	BOP, KVT, UOP4, VIAL	
	21A	W04A, W04B	5t42h.r↔		X04Z		08	B03A, B03B, B06A, B06B, B17A, B17B, B17C	
	21B	X06A, X06B, X06C		08	BOP, KVT, UOP4, VIAL		21A	I24Z, I30Z	
5t42h.5↔		BOP, KVT, UOP4, VIAL		08	I20A, I20B, I20C, I20D, I20E, I20F		21A	W04A, W04B	
	08	I08A, I08B, I08C, I08D, I08E, I08F, I21Z, I31Z		21A	W04A, W04B		21B	X04Z	
	21A	W04A, W04B		21B	X04Z				
	21B	X06A, X06B, X06C							

ZZV	MDC	DRG	ZZV	MDC	DRG	ZZV	MDC	DRG
5t42i.j↔		BOP, KVT, UOP4, VIAL	5t435↔		BOP, KVT, UOP4, VIAL	5t43f↔		BOP, KVT, UOP4, VIAL
	08	I28A, I28B		01	B03A, B03B, B06A, B06B, B17A, B17B, B17C		01	B03A, B03B, B06A, B06B, B17A, B17B, B17C
	21A	W04A, W04B		08	I12A, I12B, I12C, I18A, I18B, I30Z		08	I12A, I12B, I12C, I18A, I18B, I30Z
	21B	X04Z, X06A, X06B, X06C		21A	W04A, W04B		21A	W04A, W04B
5t42i.k↔		BOP, KVT, UOP4, VIAL		21B	X04Z		21B	X04Z
	08	I59Z	5t436↔		BOP, KVT, UOP4, VIAL	5t43g↔		BOP, KVT, UOP4, VIAL
	21A	W04A, W04B		01	B03A, B03B, B06A, B06B, B17A, B17B, B17C		01	B03A, B03B, B06A, B06B, B17A, B17B, B17C
	21B	X04Z		08	I12A, I12B, I12C, I18A, I18B, I30Z		08	I12A, I12B, I12C, I18A, I18B, I30Z
5t42i.m↔		BOP, KVT, UOP4, VIAL		21A	W04A, W04B		21A	W04A, W04B
	08	I20A, I20B, I20C, I20D, I20E, I20F		21B	X04Z		21B	X04Z
	21A	W04A, W04B	5t437↔		BOP, KVT, UOP4, VIAL	5t43h↔		BOP, KVT, UOP4, VIAL
	21B	X04Z		01	B03A, B03B, B06A, B06B, B17A, B17B, B17C		01	B03A, B03B, B06A, B06B, B17A, B17B, B17C
5t42i.n↔		BOP, KVT, UOP4, VIAL		08	I12A, I12B, I12C, I18A, I18B, I30Z		08	I12A, I12B, I12C, I18A, I18B, I30Z
	08	I20A, I20B, I20C, I20D, I20E, I20F		21A	W04A, W04B		21A	W04A, W04B
	21A	W04A, W04B		21B	X04Z		21B	X04Z
	21B	X04Z	5t438↔		BOP, KVT, UOP4, VIAL	5t43x↔		BOP, KVT, UOP4, VIAL
5t42i.p↔		BOP, KVT, UOP4, VIAL		01	B03A, B03B, B06A, B06B, B17A, B17B, B17C		01	B03A, B03B, B06A, B06B, B17A, B17B, B17C
	08	I20A, I20B, I20C, I20D, I20E, I20F		08	I18A, I18B, I30Z		08	I12A, I12B, I12C, I18A, I18B, I30Z
	21A	W04A, W04B		21A	W04A, W04B		21A	W04A, W04B
	21B	X04Z		21B	X04Z		21B	X04Z
5t42i.q↔		BOP, KVT, UOP4, VIAL	5t439↔		BOP, KVT, UOP4, VIAL	5t440↔		BOP, KVT, UOP4, VIAL
	08	I20A, I20B, I20C, I20D, I20E, I20F		01	B03A, B03B, B06A, B06B, B17A, B17B, B17C		01	B03A, B03B, B06A, B06B, B17A, B17B, B17C
	21A	W04A, W04B		08	I12A, I12B, I12C, I18A, I18B, I30Z		08	I29Z
	21B	X04Z		21A	W04A, W04B		10	K09A, K09B
5t42i.r↔		BOP, KVT, UOP4, VIAL		21B	X04Z		21A	W04A, W04B
	08	I20A, I20B, I20C, I20D, I20E, I20F	5t43a↔		BOP, KVT, UOP4, VIAL		21B	X06A, X06B, X06C
	21A	W04A, W04B		01	B03A, B03B, B06A, B06B, B17A, B17B, B17C	5t441↔		BOP, KVT, UOP4, VIAL
	21B	X04Z		08	I12A, I12B, I12C, I18A, I18B, I30Z		01	B03A, B03B, B06A, B06B, B17A, B17B, B17C
5t42i.x		BOP, KVT, UOP4		21A	W04A, W04B		08	I29Z
	08	I28A, I28B	5t43b↔		BOP, KVT, UOP4, VIAL		10	K09A, K09B
	21A	W04A, W04B		01	B03A, B03B, B06A, B06B, B17A, B17B, B17C		21A	W04A, W04B
	21B	X06A, X06B, X06C		08	I12A, I12B, I12C, I18A, I18B, I30Z		21B	X06A, X06B, X06C
5t430↔		BOP, KVT, UOP4, VIAL		21A	W04A, W04B	5t442↔		BOP, KVT, UOP4, VIAL
	01	B03A, B03B, B06A, B06B, B17A, B17B, B17C		21B	X04Z		01	B03A, B03B, B06A, B06B, B17A, B17B, B17C
	08	I18A, I18B, I30Z	5t43c↔		BOP, KVT, UOP4, VIAL		08	I29Z
	21A	W04A, W04B		01	B03A, B03B, B06A, B06B, B17A, B17B, B17C		10	K09A, K09B
	21B	X04Z		08	I12A, I12B, I12C, I18A, I18B, I30Z		21A	W04A, W04B
5t431↔		BOP, KVT, UOP4, VIAL		21A	W04A, W04B		21B	X06A, X06B, X06C
	01	B03A, B03B, B06A, B06B, B17A, B17B, B17C	5t43d↔		BOP, KVT, UOP4, VIAL	5t443↔		BOP, KVT, UOP4, VIAL
	08	I18A, I18B, I30Z		01	B03A, B03B, B06A, B06B, B17A, B17B, B17C		08	I12A, I12B, I12C, I18A, I18B, I30Z
	21A	W04A, W04B		08	I12A, I12B, I12C, I18A, I18B, I30Z		21A	W04A, W04B
	21B	X04Z		21A	W04A, W04B		21B	X06A, X06B, X06C
5t432↔		BOP, KVT, UOP4, VIAL		21B	X04Z	5t444.0↔		BOP, KVT, UOP4, VIAL
	01	B03A, B03B, B06A, B06B, B17A, B17B, B17C	5t43e↔		BOP, KVT, UOP4, VIAL		08	I12A, I12B, I12C, I29Z
	08	I12A, I12B, I12C, I18A, I18B, I30Z		01	B03A, B03B, B06A, B06B, B17A, B17B, B17C		21A	W04A, W04B
	21A	W04A, W04B		08	I12A, I12B, I12C, I18A, I18B, I30Z		21B	X06A, X06B, X06C
	21B	X04Z		21A	W04A, W04B	5t444.1↔		BOP, KVT, UOP4, VIAL
5t433↔		BOP, KVT, UOP4, VIAL		21B	X04Z		08	I12A, I12B, I12C, I29Z
	01	B03A, B03B, B06A, B06B, B17A, B17B, B17C		01	B03A, B03B, B06A, B06B, B17A, B17B, B17C		21A	W04A, W04B
	08	I12A, I12B, I12C, I18A, I18B, I30Z		08	I12A, I12B, I12C, I18A, I18B, I30Z		21B	X06A, X06B, X06C
	21A	W04A, W04B		21A	W04A, W04B	5t444.2↔		BOP, KVT, UOP4, VIAL
	21B	X04Z		21B	X04Z		08	I12A, I12B, I12C, I29Z
5t434↔		BOP, KVT, UOP4, VIAL		01	B03A, B03B, B06A, B06B, B17A, B17B, B17C		21A	W04A, W04B
	01	B03A, B03B, B06A, B06B, B17A, B17B, B17C		08	I12A, I12B, I12C, I18A, I18B, I30Z		21B	X06A, X06B, X06C
	08	I12A, I12B, I12C, I18A, I18B, I30Z		21A	W04A, W04B	5t444.x↔		BOP, KVT, UOP4, VIAL
	21A	W04A, W04B		21B	X04Z		08	I12A, I12B, I12C, I29Z
	21B	X04Z		01	B03A, B03B, B06A, B06B, B17A, B17B, B17C		21A	W04A, W04B
				08	I12A, I12B, I12C, I18A, I18B, I30Z		21B	X06A, X06B, X06C
				21A	W04A, W04B			
				21B	X04Z			

VYK

ZZV	MDC	DRG	ZZV	MDC	DRG	ZZV	MDC	DRG
5t445↔		BOP, KVT, UOP4, VIAL	5t452.3↔		BOP, KVT, UOP4, VIAL	5t490.4↔		BOP, KVT, UOP4, VIAL
	01	B03A, B03B, B06A, B06B, B17A, B17B, B17C		01	B03A, B03B, B06A, B06B, B17A, B17B, B17C		08	I08A, I08B, I08C, I08D, I08E, I08F, I12A, I12B, I12C, I18A, I18B, I30Z
	08	I29Z		08	I12A, I12B, I12C, I18A, I18B, I30Z		21A	W04A, W04B
	10	K09A, K09B		21A	W04A, W04B		21B	X06A, X06B, X06C
	21A	W04A, W04B		21B	X04Z	5t490.5↔		BOP, KVT, UOP4, VIAL
	21B	X06A, X06B, X06C	5t452.x↔		BOP, KVT, UOP4, VIAL		08	I08A, I08B, I08C, I08D, I08E, I08F, I12A, I12B, I12C, I18A, I18B, I30Z
5t446↔		BOP, KVT, UOP4, VIAL		01	B03A, B03B, B06A, B06B, B17A, B17B, B17C		21A	W04A, W04B
	08	I29Z		08	I12A, I12B, I12C, I18A, I18B, I30Z		21B	X06A, X06B, X06C
	21A	W04A, W04B		21A	W04A, W04B	5t490.6↔		BOP, KVT, UOP4, VIAL
	21B	X06A, X06B, X06C	5t453.0↔		BOP, KVT, UOP4, VIAL		08	I08A, I08B, I08C, I08D, I08E, I08F, I12A, I12B, I12C, I32A, I32B, I32C, I32D, I32E, I32F
5t447↔		BOP, KVT, UOP4, VIAL		01	B03A, B03B, B06A, B06B, B17A, B17B, B17C		21A	W04A, W04B
	08	I16Z		08	I12A, I12B, I12C, I18A, I18B, I30Z		21B	X05A, X05B
	21A	W04A, W04B		21A	W04A, W04B	5t490.8↔		BOP, KVT, UOP4, VIAL
	21B	X06A, X06B, X06C		21B	X04Z		08	I12A, I12B, I12C, I32A, I32B, I32C, I32D, I32E, I32F
5t448↔		BOP, KVT, UOP4, VIAL	5t453.1↔		BOP, KVT, UOP4, VIAL		21A	W04A, W04B
	08	I16Z		01	B03A, B03B, B06A, B06B, B17A, B17B, B17C		21B	X05A, X05B
	21A	W04A, W04B		08	I12A, I12B, I12C, I18A, I18B, I30Z	5t490.9↔		BOP, KVT, UOP4, VIAL
	21B	X06A, X06B, X06C		21A	W04A, W04B		08	I12A, I12B, I12C, I32A, I32B, I32C, I32D, I32E, I32F
5t449↔		BOP, KVT, UOP4, VIAL		21B	X04Z		21A	W04A, W04B
	08	I16Z	5t453.2↔		BOP, KVT, UOP4, VIAL		21B	X05A, X05B
	21A	W04A, W04B		01	B03A, B03B, B06A, B06B, B17A, B17B, B17C	5t490.g↔		BOP, KVT, UOP4, VIAL
	21B	X06A, X06B, X06C		08	I18A, I18B, I30Z		08	I08A, I08B, I08C, I08D, I08E, I30Z
5t44a↔		BOP, KVT, UOP4, VIAL		21A	W04A, W04B		21A	W01A, W01B, W01C, W02A, W02B
	08	I16Z		21B	X04Z		21B	X04Z
	21A	W04A, W04B	5t453.3↔		BOP, KVT, UOP4, VIAL	5t490.h↔		BOP, KVT, UOP4, VIAL
	21B	X06A, X06B, X06C		01	B03A, B03B, B06A, B06B, B17A, B17B, B17C		01	B03A, B03B, B06A, B06B, B17A, B17B, B17C
5t44b↔		BOP, KVT, UOP4, VIAL		08	I12A, I12B, I12C, I18A, I18B, I30Z		08	I12A, I12B, I12C, I32A, I32B, I32C, I32D, I32E, I32F
	08	I16Z		21A	W04A, W04B	5t490.j↔		BOP, KVT, UOP4, VIAL
	21A	W04A, W04B	5t453.x↔		BOP, KVT, UOP4, VIAL		08	I59Z
	21B	X06A, X06B, X06C		01	B03A, B03B, B06A, B06B, B17A, B17B, B17C	5t490.k↔		BOP, KVT, UOP4, VIAL
5t44x↔		BOP, KVT, UOP4, VIAL		08	I12A, I12B, I12C, I18A, I18B, I30Z		08	I12A, I12B, I12C, I59Z
	08	I16Z		21A	W04A, W04B		21A	W04A, W04B
	21A	W04A, W04B		21B	X04Z	5t490.m↔		BOP, KVT, UOP4, VIAL
	21B	X06A, X06B, X06C		5t453.3↔			08	I12A, I12B, I12C, I20A, I20B, I20C, I20D, I20E, I20F
5t44y↔		BOP, KVT, UOP4, VIAL		01	B03A, B03B, B06A, B06B, B17A, B17B, B17C		21A	W04A, W04B
	08	I16Z		08	I18A, I18B, I30Z	5t490.n↔		BOP, KVT, UOP4, VIAL
	21A	W04A, W04B		21A	W04A, W04B		08	I20A, I20B, I20C, I20D, I20E, I20F
	21B	X06A, X06B, X06C		21B	X04Z	5t490.p↔		BOP, KVT, UOP4, VIAL
5t450↔		BOP, KVT, UOP4, VIAL		5t453.x↔			08	I20A, I20B, I20C, I20D, I20E, I20F
	01	B03A, B03B, B06A, B06B, B17A, B17B, B17C		01	B03A, B03B, B06A, B06B, B17A, B17B, B17C	5t490.q↔		BOP, KVT, UOP4, VIAL
	08	I18A, I18B, I30Z		08	I12A, I12B, I12C, I18A, I18B, I30Z		08	I20A, I20B, I20C, I20D, I20E, I20F
	21A	W04A, W04B		21A	W04A, W04B	5t490.r↔		BOP, KVT, UOP4, VIAL
	21B	X04Z		21B	X04Z		08	I20A, I20B, I20C, I20D, I20E, I20F
5t451↔		BOP, KVT, UOP4, VIAL		5t453.x↔		5t490.x		BOP, KVT, UOP4, VIAL
	01	B03A, B03B, B06A, B06B, B17A, B17B, B17C		01	B03A, B03B, B06A, B06B, B17A, B17B, B17C		08	I12A, I12B, I12C, I28A, I28B
	08	I18A, I18B, I30Z		08	I12A, I12B, I12C, I18A, I18B, I30Z		21A	W04A, W04B
	21A	W04A, W04B		21A	W04A, W04B		21B	X06A, X06B, X06C
	21B	X04Z		21B	X04Z			
5t452.0↔		BOP, KVT, UOP4, VIAL		5t45x↔				
	01	B03A, B03B, B06A, B06B, B17A, B17B, B17C		01	B03A, B03B, B06A, B06B, B17A, B17B, B17C			
	08	I12A, I12B, I12C, I18A, I18B, I30Z		08	I18A, I18B, I30Z			
	21A	W04A, W04B		21A	W04A, W04B			
	21B	X04Z		21B	X04Z			
5t452.1↔		BOP, KVT, UOP4, VIAL		5t490.0↔				
	01	B03A, B03B, B06A, B06B, B17A, B17B, B17C		08	I12A, I12B, I12C, I16Z			
	08	I12A, I12B, I12C, I18A, I18B, I30Z		21A	W04A, W04B			
	21A	W04A, W04B		21B	X06A, X06B, X06C			
	21B	X04Z		5t490.1↔				
5t452.2↔		BOP, KVT, UOP4, VIAL		08	I12A, I12B, I12C, I16Z			
	01	B03A, B03B, B06A, B06B, B17A, B17B, B17C		21A	W04A, W04B			
	08	I12A, I12B, I12C, I18A, I18B, I30Z		21B	X06A, X06B, X06C			
	21A	W04A, W04B		5t490.3↔				
	21B	X04Z		08	I12A, I12B, I12C, I28A, I28B			
				21A	W04A, W04B			
				21B	X06A, X06B, X06C			

ZZV	MDC	DRG	ZZV	MDC	DRG	ZZV	MDC	DRG
5t491.0↔		BOP, KVT, UOP4, VIAL	5t49x.6↔		BOP, KVT, UOP4, VIAL	5t49x.r↔		BOP, KVT, UOP4, VIAL
	08	I16Z		08	I08A, I08B, I08C, I08D, I08E, I08F, I32A, I32B, I32C, I32D, I32E, I32F		08	I20A, I20B, I20C, I20D, I20E, I20F
	21A	W04A, W04B		21A	W04A, W04B		10	K09A, K09B
	21B	X06A, X06B, X06C		21B	X05A, X05B		21A	W04A, W04B
5t491.4↔		BOP, KVT, UOP4, VIAL	5t49x.8↔		BOP, KVT, UOP4, VIAL	5t49x.x		BOP, KVT, UOP4
	08	I08A, I08B, I08C, I08D, I08E, I08F, I18A, I18B, I30Z		08	I32A, I32B, I32C, I32D, I32E, I32F		08	I28A, I28B
	21A	W04A, W04B		21A	W04A, W04B		21A	W04A, W04B
	21B	X06A, X06B, X06C		21B	X05A, X05B		21B	X06A, X06B, X06C
5t491.5↔		BOP, KVT, UOP4, VIAL	5t49x.9↔		BOP, KVT, UOP4, VIAL	5t500.0↔		BOP, KOP, KOPV, KVT, UOP4, VIAL
	08	I08A, I08B, I08C, I08D, I08E, I08F, I18A, I18B, I30Z		08	I32A, I32B, I32C, I32D, I32E, I32F		06	G33Z
	21A	W04A, W04B		21A	W04A, W04B		07	H33Z, H38Z
	21B	X06A, X06B, X06C		21B	X05A, X05B		08	I01Z, I03A, I03B, I05Z, I08A, I08B, I08C, I08D, I08E, I08F, I12A, I12B, I12C, I36Z, I47A, I47B
5t491.h↔		BOP, KVT, UOP4, VIAL	5t49x.e↔		BOP, KVT, UOP4, VIAL		11	L33Z
	01	B03A, B03B, B06A, B06B, B17A, B17B, B17C		08	I08A, I08B, I08C, I08D, I08E, I08F, I28A, I28B		21A	W01A, W01B, W01C, W02A, W02B
	08	I18A, I18B, I30Z		21A	W04A, W04B		21B	X04Z, X33Z
	21A	W04A, W04B		21B	X04Z, X06A, X06B, X06C		23	Z01A
	21B	X04Z		5t49x.f	BOP, KVT, UOP4, VIAL		Pre	A07A
5t491.k↔		BOP, KVT, UOP4, VIAL		08	I28A, I28B	5t500.1↔		BOP, KOP, KOPV, KVT, UOP4, VIAL
	08	I59Z		21A	W04A, W04B		06	G33Z
	21A	W04A, W04B		21A	W04A, W04B		07	H33Z, H38Z
	21B	X04Z		21B	X04Z, X06A, X06B, X06C		08	I01Z, I03A, I03B, I05Z, I08A, I08B, I08C, I08D, I08E, I08F, I12A, I12B, I12C, I36Z, I47A, I47B
5t491.x↔		BOP, KVT, UOP4	5t49x.g↔		BOP, KVT, UOP4, VIAL		11	L33Z
	08	I28A, I28B		08	I30Z		21A	W01A, W01B, W01C, W02A, W02B
	21A	W04A, W04B		21A	W01A, W01B, W01C, W02A, W02B		21B	X04Z, X33Z
	21B	X06A, X06B, X06C		21B	X04Z		23	Z01A
5t492.0↔		BOP, KVT, UOP4, VIAL	5t49x.h↔		BOP, KVT, UOP4, VIAL	5t500.2↔		BOP, KOP, KOPV, KVT, UOP4, VIAL
	08	I16Z		01	B03A, B03B, B06A, B06B, B17A, B17B, B17C		06	G33Z
	21A	W04A, W04B		08	I18A, I18B, I30Z		07	H33Z, H38Z
	21B	X06A, X06B, X06C		21A	W04A, W04B		08	I01Z, I03A, I03B, I05Z, I08A, I08B, I08C, I08D, I08E, I08F, I12A, I12B, I12C, I36Z, I47A, I47B
5t492.h↔		BOP, KVT, UOP4, VIAL		21B	X04Z		11	L33Z
	01	B03A, B03B, B06A, B06B, B17A, B17B, B17C		5t49x.j↔	BOP, KVT, UOP4, VIAL		21A	W01A, W01B, W01C, W02A, W02B
	08	I18A, I18B, I30Z		01	B03A, B03B, B06A, B06B, B17A, B17B, B17C		21B	X04Z, X33Z
	21A	W04A, W04B		08	I18A, I18B, I30Z		23	Z01A
	21B	X04Z		21A	W04A, W04B		Pre	A07A
5t492.x↔		BOP, KVT, UOP4	5t49x.k↔		BOP, KVT, UOP4, VIAL	5t502.0↔		BOP, KOP, KOPV, KVT, UOP4, VIAL
	08	I28A, I28B		08	I59Z		06	G33Z
	21A	W04A, W04B		21A	W04A, W04B		07	H33Z, H38Z
	21B	X06A, X06B, X06C		21B	X04Z		08	I01Z, I03A, I03B, I05Z, I08A, I08B, I08C, I08D, I08E, I08F, I12A, I12B, I12C, I36Z, I47A, I47B
5t49x.0↔		BOP, KVT, UOP4, VIAL		5t49x.m↔	BOP, KVT, UOP4, VIAL		11	L33Z
	08	I16Z		08	I20A, I20B, I20C, I20D, I20E, I20F		21A	W01A, W01B, W01C, W02A, W02B
	21A	W04A, W04B		21A	W04A, W04B		21B	X04Z, X33Z
	21B	X06A, X06B, X06C		21B	X04Z		23	Z01A
5t49x.1↔		BOP, KVT, UOP4, VIAL		5t49x.n↔	BOP, KVT, UOP4, VIAL		Pre	A07A
	08	I16Z		08	I20A, I20B, I20C, I20D, I20E, I20F		06	G33Z
	21A	W04A, W04B		21A	W04A, W04B		07	H33Z, H38Z
	21B	X06A, X06B, X06C		21B	X04Z		08	I01Z, I03A, I03B, I05Z, I08A, I08B, I08C, I08D, I08E, I08F, I12A, I12B, I12C, I36Z, I47A, I47B
5t49x.2↔		BOP, KVT, UOP4, VIAL		5t49x.p↔	BOP, KVT, UOP4, VIAL		11	L33Z
	08	I28A, I28B		08	I20A, I20B, I20C, I20D, I20E, I20F		21A	W01A, W01B, W01C, W02A, W02B
	21A	W04A, W04B		21A	W04A, W04B		21B	X04Z, X33Z
	21B	X06A, X06B, X06C		21B	X04Z		23	Z01A
5t49x.3↔		BOP, KVT, UOP4, VIAL		5t49x.q↔	BOP, KVT, UOP4, VIAL		Pre	A07A
	08	I28A, I28B		08	I20A, I20B, I20C, I20D, I20E, I20F		06	G33Z
	21A	W04A, W04B		21A	W04A, W04B		07	H33Z, H38Z
	21B	X06A, X06B, X06C		21B	X04Z		08	I01Z, I03A, I03B, I05Z, I08A, I08B, I08C, I08D, I08E, I08F, I12A, I12B, I12C, I36Z, I47A, I47B
5t49x.4↔		BOP, KVT, UOP4, VIAL					11	L33Z
	08	I08A, I08B, I08C, I08D, I08E, I08F, I18A, I18B, I30Z					21A	W01A, W01B, W01C, W02A, W02B
	21A	W04A, W04B					21B	X04Z, X33Z
	21B	X06A, X06B, X06C					23	Z01A
5t49x.5↔		BOP, KVT, UOP4, VIAL					Pre	A07A
	08	I08A, I08B, I08C, I08D, I08E, I08F, I18A, I18B, I30Z						
	21A	W04A, W04B						
	21B	X06A, X06B, X06C						

VYK

ZZV	MDC	DRG	ZZV	MDC	DRG	ZZV	MDC	DRG
5t502.1↔		BOP, KOP, KOPV, KVT, UOP4, VIAL	5t504.0↔		BOP, KOP, KOPV, KVT, UOP4, VIAL	5t508.0↔		BOP, KOP, KOPV, KVT, UOP4, VIAL
	06	G33Z		06	G33Z		06	G33Z
	07	H33Z, H38Z		07	H33Z, H38Z		07	H33Z, H38Z
	08	I01Z, I03A, I03B, I05Z, I08A, I08B, I08C, I08D, I08E, I08F, I12A, I12B, I12C, I36Z, I47A, I47B		08	I01Z, I03A, I03B, I05Z, I08A, I08B, I08C, I08D, I08E, I08F, I12A, I12B, I12C, I36Z, I47A, I47B		08	I01Z, I03A, I03B, I05Z, I08A, I08B, I08C, I08D, I08E, I08F, I12A, I12B, I12C, I36Z, I47A, I47B
	11	L33Z		10	K09A, K09B		11	L33Z
	21A	W01A, W01B, W01C, W02A, W02B		11	L33Z		21A	W01A, W01B, W01C, W02A, W02B
	21B	X04Z, X33Z		21A	W01A, W01B, W01C, W02A, W02B		21B	X04Z, X33Z
	23	Z01A		21B	X04Z, X33Z		23	Z01A
	Pre	A07A		23	Z01A		Pre	A07A
				Pre	A07A			
5t502.2↔		BOP, KOP, KOPV, KVT, UOP4, VIAL	5t504.1↔		BOP, KOP, KOPV, KVT, UOP4, VIAL	5t508.1↔		BOP, KOP, KOPV, KVT, UOP4, VIAL
	06	G33Z		06	G33Z		06	G33Z
	07	H33Z, H38Z		07	H33Z, H38Z		07	H33Z, H38Z
	08	I01Z, I03A, I03B, I05Z, I08A, I08B, I08C, I08D, I08E, I08F, I12A, I12B, I12C, I36Z, I47A, I47B		08	I01Z, I03A, I03B, I05Z, I08A, I08B, I08C, I08D, I08E, I08F, I12A, I12B, I12C, I36Z, I47A, I47B		08	I01Z, I03A, I03B, I05Z, I08A, I08B, I08C, I08D, I08E, I08F, I12A, I12B, I12C, I36Z, I47A, I47B
	11	L33Z		10	K09A, K09B		11	L33Z
	21A	W01A, W01B, W01C, W02A, W02B		11	L33Z		21A	W01A, W01B, W01C, W02A, W02B
	21B	X04Z, X33Z		21A	W01A, W01B, W01C, W02A, W02B		21B	X04Z, X33Z
	23	Z01A		21B	X04Z, X33Z		23	Z01A
	Pre	A07A		23	Z01A		Pre	A07A
				Pre	A07A			
5t503.0↔		BOP, KOP, KOPV, KVT, UOP4, VIAL	5t505.0↔		BOP, KVT, UOP4, VIAL	5t508.2↔		BOP, KOP, KOPV, KVT, UOP4, VIAL
	06	G33Z		08	I03A, I03B, I05Z, I08A, I08B, I08C, I08D, I08E, I08F, I12A, I12B, I12C, I47A, I47B		06	G33Z
	07	H33Z, H38Z		10	K09A, K09B		07	H33Z, H38Z
	08	I01Z, I03A, I03B, I05Z, I08A, I08B, I08C, I08D, I08E, I08F, I12A, I12B, I12C, I36Z, I47A, I47B		21A	W01A, W01B, W01C, W02A, W02B		08	I01Z, I03A, I03B, I05Z, I08A, I08B, I08C, I08D, I08E, I08F, I12A, I12B, I12C, I36Z, I47A, I47B
	10	K09A, K09B		21A	W01A, W01B, W01C, W02A, W02B		11	L33Z
	11	L33Z		21B	X04Z		21A	W01A, W01B, W01C, W02A, W02B
	21A	W01A, W01B, W01C, W02A, W02B		5t505.1↔	BOP, KVT, UOP4, VIAL		21B	X04Z, X33Z
	21B	X04Z, X33Z		08	I03A, I03B, I05Z, I08A, I08B, I08C, I08D, I08E, I08F, I12A, I12B, I12C, I47A, I47B		23	Z01A
	23	Z01A		10	K09A, K09B		Pre	A07A
	Pre	A07A		21A	W01A, W01B, W01C, W02A, W02B		5t509.00↔	BOP, KOP, KOPV, KVT, UOP4, VIAL
				21B	X04Z			06
		5t507.0↔	BOP, KVT, UOP4, VIAL	07	H33Z, H38Z			
		08	I03A, I03B, I05Z, I08A, I08B, I08C, I08D, I08E, I08F, I12A, I12B, I12C, I47A, I47B	08	I01Z, I03A, I03B, I05Z, I08A, I08B, I08C, I08D, I08E, I08F, I12A, I12B, I12C, I36Z, I47A, I47B			
		10	K09A, K09B	10	K09A, K09B			
		21A	W01A, W01B, W01C, W02A, W02B	11	L33Z			
		21B	X04Z	21A	W01A, W01B, W01C, W02A, W02B			
		5t507.1↔	BOP, KVT, UOP4, VIAL	21B	X04Z, X33Z			
		08	I03A, I03B, I05Z, I08A, I08B, I08C, I08D, I08E, I08F, I12A, I12B, I12C, I47A, I47B	23	Z01A			
		10	K09A, K09B	Pre	A07A			
		21A	W01A, W01B, W01C, W02A, W02B					
		21B	X04Z					
5t503.1↔		BOP, KOP, KOPV, KVT, UOP4, VIAL	5t507.1↔		BOP, KVT, UOP4, VIAL	5t507.2↔		BOP, KVT, UOP4, VIAL
	06	G33Z		08	I03A, I03B, I05Z, I08A, I08B, I08C, I08D, I08E, I08F, I12A, I12B, I12C, I47A, I47B		08	I03A, I03B, I05Z, I08A, I08B, I08C, I08D, I08E, I08F, I12A, I12B, I12C, I47A, I47B
	07	H33Z, H38Z		10	K09A, K09B		10	K09A, K09B
	08	I01Z, I03A, I03B, I05Z, I08A, I08B, I08C, I08D, I08E, I08F, I12A, I12B, I12C, I36Z, I47A, I47B		21A	W01A, W01B, W01C, W02A, W02B		21A	W01A, W01B, W01C, W02A, W02B
	10	K09A, K09B		21B	X04Z		21B	X04Z
	11	L33Z		5t507.1↔	BOP, KVT, UOP4, VIAL		23	Z01A
	21A	W01A, W01B, W01C, W02A, W02B		08	I03A, I03B, I05Z, I08A, I08B, I08C, I08D, I08E, I08F, I12A, I12B, I12C, I47A, I47B		Pre	A07A
	21B	X04Z, X33Z		10	K09A, K09B			
	23	Z01A		21A	W01A, W01B, W01C, W02A, W02B			
	Pre	A07A		21B	X04Z			

VYK

ZZV	MDC	DRG	ZZV	MDC	DRG	ZZV	MDC	DRG
5t509.01↔		BOP, KOP, KOPV, KVT, UOP4, VIAL	5t50x.1↔		BOP, KOP, KOPV, KVT, UOP4, VIAL	5t511.2↔		BOP, KOP, KOPV, KVT, UOP4, VIAL
	06	G33Z		06	G33Z		05	F13A
	07	H33Z, H38Z		07	H33Z, H38Z		06	G33Z
	08	I01Z, I03A, I03B, I05Z, I08A, I08B, I08C, I08D, I08E, I08F, I12A, I12B, I12C, I36Z, I47A, I47B		08	I01Z, I03A, I03B, I05Z, I08A, I08B, I08C, I08D, I08E, I08F, I12A, I12B, I12C, I36Z, I47A, I47B		07	H33Z, H38Z
	10	K09A, K09B		11	L33Z		08	I01Z, I03A, I03B, I08A, I08B, I08C, I08D, I08E, I08F, I12A, I12B, I12C, I46A, I46B
	11	L33Z		21A	W01A, W01B, W01C, W02A, W02B		10	K09A, K09B
	21A	W01A, W01B, W01C, W02A, W02B		21B	X04Z, X33Z		11	L33Z
	21B	X04Z, X33Z		23	Z01A		21A	W04A, W04B
	23	Z01A		Pre	A07A		21B	X04Z, X33Z
	Pre	A07A					23	Z01A
							Pre	A07A
	5t509.10↔			BOP, KOP, KOPV, KVT, UOP4, VIAL	5t50x.2↔			BOP, KOP, KOPV, KVT, UOP4, VIAL
06		G33Z	06	G33Z		05	F13A	
07		H33Z, H38Z	07	H33Z, H38Z		06	G33Z	
08		I01Z, I03A, I03B, I05Z, I08A, I08B, I08C, I08D, I08E, I08F, I12A, I12B, I12C, I36Z, I47A, I47B	08	I01Z, I03A, I03B, I05Z, I08A, I08B, I08C, I08D, I08E, I08F, I12A, I12B, I12C, I36Z, I47A, I47B		07	H33Z, H38Z	
11		L33Z	11	L33Z		08	I01Z, I03A, I03B, I08A, I08B, I08C, I08D, I08E, I08F, I12A, I12B, I12C, I46A, I46B	
21A		W01A, W01B, W01C, W02A, W02B	21A	W01A, W01B, W01C, W02A, W02B		10	K09A, K09B	
21B		X04Z, X33Z	21B	X04Z, X33Z		11	L33Z	
23		Z01A	23	Z01A		21A	W04A, W04B	
Pre		A07A	Pre	A07A		21B	X04Z, X33Z	
						23	Z01A	
						Pre	A07A	
5t509.11↔			BOP, KOP, KOPV, KVT, UOP4, VIAL	5t510↔			BOP, KOP, KOPV, KVT, UOP4, VIAL	5t511.4↔
	06	G33Z	05		F13A	05	F13A	
	07	H33Z, H38Z	06		G33Z	06	G33Z	
	08	I01Z, I03A, I03B, I05Z, I08A, I08B, I08C, I08D, I08E, I08F, I12A, I12B, I12C, I36Z, I47A, I47B	07		H33Z, H38Z	07	H33Z, H38Z	
	11	L33Z	08		I01Z, I03A, I03B, I05Z, I12A, I12B, I12C, I47A, I47B	08	I01Z, I03A, I03B, I08A, I08B, I08C, I08D, I08E, I08F, I12A, I12B, I12C, I46A, I46B	
	21A	W01A, W01B, W01C, W02A, W02B	10		K09A, K09B	10	K09A, K09B	
	21B	X04Z, X33Z	11		L33Z	11	L33Z	
	23	Z01A	21A		W04A, W04B	21A	W04A, W04B	
	Pre	A07A	21B		X04Z, X33Z	21B	X04Z, X33Z	
			Pre		A07A	23	Z01A	
						Pre	A07A	
	5t509.12↔		BOP, KOP, KOPV, KVT, UOP4, VIAL		5t511.00↔		BOP, KOP, KOPV, KVT, UOP4, VIAL	
06		G33Z	05	F13A		05	F13A	
07		H33Z, H38Z	06	G33Z		06	G33Z	
08		I01Z, I03A, I03B, I05Z, I08A, I08B, I08C, I08D, I08E, I08F, I12A, I12B, I12C, I36Z, I47A, I47B	07	H33Z, H38Z		07	H33Z, H38Z	
11		L33Z	08	I12A, I12B, I12C, I46A, I46B		08	I01Z, I03A, I03B, I08A, I08B, I08C, I08D, I08E, I08F, I12A, I12B, I12C, I46A, I46B	
21A		W01A, W01B, W01C, W02A, W02B	10	K09A, K09B		10	K09A, K09B	
21B		X04Z, X33Z	11	L33Z		11	L33Z	
23		Z01A	21A	W04A, W04B		21A	W04A, W04B	
Pre		A07A	21B	X04Z, X33Z		21B	X04Z, X33Z	
			Pre	A07A		23	Z01A	
						Pre	A07A	
5t50x.0↔			BOP, KOP, KOPV, KVT, UOP4, VIAL	5t511.01↔			BOP, KOP, KOPV, KVT, UOP4, VIAL	5t511.81↔
	06	G33Z	05		F13A	05	F13A	
	07	H33Z, H38Z	06		G33Z	06	G33Z	
	08	I01Z, I03A, I03B, I05Z, I08A, I08B, I08C, I08D, I08E, I08F, I12A, I12B, I12C, I36Z, I47A, I47B	07		H33Z, H38Z	07	H33Z, H38Z	
	11	L33Z	08		I12A, I12B, I12C, I46A, I46B	08	I01Z, I03A, I03B, I08A, I08B, I08C, I08D, I08E, I08F, I12A, I12B, I12C, I46A, I46B	
	21A	W01A, W01B, W01C, W02A, W02B	10		K09A, K09B	10	K09A, K09B	
	21B	X04Z, X33Z	11		L33Z	11	L33Z	
	23	Z01A	21A		W04A, W04B	21A	W04A, W04B	
	Pre	A07A	21B		X04Z, X33Z	21B	X04Z, X33Z	
			Pre		A07A	23	Z01A	
						Pre	A07A	

VYK

ZZV	MDC	DRG	ZZV	MDC	DRG	ZZV	MDC	DRG
5t511.82↔		BOP, KOP, KOPV, KVT, UOP4, VIAL	5t512.21↔		BOP, KOP, KOPV, KVT, UOP4, VIAL	5t512.81↔		BOP, KOP, KOPV, KVT, UOP4, VIAL
	05	F13A		05	F13A		05	F13A
	06	G33Z		06	G33Z		06	G33Z
	07	H33Z, H38Z		07	H33Z, H38Z		07	H33Z, H38Z
	08	I01Z, I03A, I03B, I08A, I08B, I08C, I08D, I08E, I08F, I12A, I12B, I12C, I46A, I46B		08	I01Z, I03A, I03B, I08A, I08B, I08C, I08D, I08E, I08F, I12A, I12B, I12C, I46A, I46B		08	I01Z, I03A, I03B, I08A, I08B, I08C, I08D, I08E, I08F, I12A, I12B, I12C, I46A, I46B
	10	K09A, K09B		10	K09A, K09B		10	K09A, K09B
	11	L33Z		11	L33Z		11	L33Z
	21A	W04A, W04B		21A	W04A, W04B		21A	W04A, W04B
	21B	X04Z, X33Z		21B	X04Z, X33Z		21B	X04Z, X33Z
	23	Z01A		23	Z01A		23	Z01A
	Pre	A07A		Pre	A07A		Pre	A07A
5t511.x↔		BOP, KOP, KOPV, KVT, UOP4, VIAL	5t512.3↔		BOP, KOP, KOPV, KVT, UOP4, VIAL	5t512.82↔		BOP, KOP, KOPV, KVT, UOP4, VIAL
	05	F13A		05	F13A		05	F13A
	06	G33Z		06	G33Z		06	G33Z
	07	H33Z, H38Z		07	H33Z, H38Z		07	H33Z, H38Z
	08	I01Z, I03A, I03B, I08A, I08B, I08C, I08D, I08E, I08F, I12A, I12B, I12C, I46A, I46B		08	I01Z, I03A, I03B, I08A, I08B, I08C, I08D, I08E, I08F, I12A, I12B, I12C, I46A, I46B		08	I01Z, I03A, I03B, I08A, I08B, I08C, I08D, I08E, I08F, I12A, I12B, I12C, I46A, I46B
	10	K09A, K09B		10	K09A, K09B		10	K09A, K09B
	11	L33Z		11	L33Z		11	L33Z
	21A	W04A, W04B		21A	W04A, W04B		21A	W04A, W04B
	21B	X04Z, X33Z		21B	X04Z, X33Z		21B	X04Z, X33Z
	23	Z01A		23	Z01A		23	Z01A
	Pre	A07A		Pre	A07A		Pre	A07A
5t512.10↔		BOP, KOP, KOPV, KVT, UOP4, VIAL	5t512.60↔		BOP, KOP, KOPV, KVT, UOP4, VIAL	5t512.x↔		BOP, KOP, KOPV, KVT, UOP4, VIAL
	05	F13A		05	F13A		05	F13A
	06	G33Z		06	G33Z		06	G33Z
	07	H33Z, H38Z		07	H33Z, H38Z		07	H33Z, H38Z
	08	I01Z, I03A, I03B, I08A, I08B, I08C, I08D, I08E, I08F, I12A, I12B, I12C, I46A, I46B		08	I12A, I12B, I12C, I46A, I46B		08	I01Z, I03A, I03B, I08A, I08B, I08C, I08D, I08E, I08F, I12A, I12B, I12C, I46A, I46B
	10	K09A, K09B		10	K09A, K09B		10	K09A, K09B
	11	L33Z		11	L33Z		11	L33Z
	21A	W04A, W04B		21A	W04A, W04B		21A	W04A, W04B
	21B	X04Z, X33Z		21B	X04Z, X33Z		21B	X04Z, X33Z
	23	Z01A		23	Z01A		23	Z01A
	Pre	A07A		Pre	A07A		Pre	A07A
5t512.11↔		BOP, KOP, KOPV, KVT, UOP4, VIAL	5t512.61↔		BOP, KOP, KOPV, KVT, UOP4, VIAL	5t513.2↔		BOP, KOP, KOPV, KVT, UOP4, VIAL
	05	F13A		05	F13A		05	F13A
	06	G33Z		06	G33Z		06	G33Z
	07	H33Z, H38Z		07	H33Z, H38Z		07	H33Z, H38Z
	08	I01Z, I03A, I03B, I08A, I08B, I08C, I08D, I08E, I08F, I12A, I12B, I12C, I46A, I46B		08	I12A, I12B, I12C, I46A, I46B		08	I01Z, I03A, I03B, I08A, I08B, I08C, I08D, I08E, I08F, I12A, I12B, I12C, I46A, I46B
	10	K09A, K09B		10	K09A, K09B		10	K09A, K09B
	11	L33Z		11	L33Z		11	L33Z
	21A	W04A, W04B		21A	W04A, W04B		21A	W04A, W04B
	21B	X04Z, X33Z		21B	X04Z, X33Z		21B	X04Z, X33Z
	23	Z01A		23	Z01A		23	Z01A
	Pre	A07A		Pre	A07A		Pre	A07A
5t512.20↔		BOP, KOP, KOPV, KVT, UOP4, VIAL	5t512.80↔		BOP, KOP, KOPV, KVT, UOP4, VIAL	5t513.80↔		BOP, KOP, KOPV, KVT, UOP4, VIAL
	05	F13A		05	F13A		05	F13A
	06	G33Z		06	G33Z		06	G33Z
	07	H33Z, H38Z		07	H33Z, H38Z		07	H33Z, H38Z
	08	I01Z, I03A, I03B, I08A, I08B, I08C, I08D, I08E, I08F, I12A, I12B, I12C, I46A, I46B		08	I01Z, I03A, I03B, I08A, I08B, I08C, I08D, I08E, I08F, I12A, I12B, I12C, I46A, I46B		08	I01Z, I03A, I03B, I08A, I08B, I08C, I08D, I08E, I08F, I12A, I12B, I12C, I46A, I46B
	10	K09A, K09B		10	K09A, K09B		10	K09A, K09B
	11	L33Z		11	L33Z		11	L33Z
	21A	W04A, W04B		21A	W04A, W04B		21A	W04A, W04B
	21B	X04Z, X33Z		21B	X04Z, X33Z		21B	X04Z, X33Z
	23	Z01A		23	Z01A		23	Z01A
	Pre	A07A		Pre	A07A		Pre	A07A

VYK

ZZV	MDC	DRG	ZZV	MDC	DRG	ZZV	MDC	DRG			
5t513.81↔		BOP, KOP, KOPV, KVT, UOP4, VIAL	5t514.81↔		BOP, KOP, KOPV, KVT, UOP4, VIAL	5t515.81↔		BOP, KOP, KOPV, KVT, UOP4, VIAL			
	05	F13A		05	F13A		05	F13A			
	06	G33Z		06	G33Z		06	G33Z			
	07	H33Z, H38Z		07	H33Z, H38Z		07	H33Z, H38Z			
	08	I01Z, I03A, I03B, I08A, I08B, I08C, I08D, I08E, I08F, I12A, I12B, I12C, I46A, I46B		08	I01Z, I03A, I03B, I08A, I08B, I08C, I08D, I08E, I08F, I12A, I12B, I12C, I46A, I46B		08	I01Z, I03A, I03B, I08A, I08B, I08C, I08D, I08E, I08F, I12A, I12B, I12C, I46A, I46B			
	10	K09A, K09B		10	K09A, K09B		10	K09A, K09B			
	11	L33Z		11	L33Z		11	L33Z			
	21A	W04A, W04B		21A	W04A, W04B		21A	W04A, W04B			
	21B	X04Z, X33Z		21B	X04Z, X33Z		21B	X04Z, X33Z			
	23	Z01A		23	Z01A		23	Z01A			
	Pre	A07A		Pre	A07A		Pre	A07A			
	5t513.82↔			BOP, KOP, KOPV, KVT, UOP4, VIAL	5t514.82↔			BOP, KOP, KOPV, KVT, UOP4, VIAL	5t515.82↔		BOP, KOP, KOPV, KVT, UOP4, VIAL
		05		F13A			05	F13A		05	F13A
06		G33Z	06	G33Z		06	G33Z				
07		H33Z, H38Z	07	H33Z, H38Z		07	H33Z, H38Z				
08		I01Z, I03A, I03B, I08A, I08B, I08C, I08D, I08E, I08F, I12A, I12B, I12C, I46A, I46B	08	I01Z, I03A, I03B, I08A, I08B, I08C, I08D, I08E, I08F, I12A, I12B, I12C, I46A, I46B		08	I01Z, I03A, I03B, I08A, I08B, I08C, I08D, I08E, I08F, I12A, I12B, I12C, I46A, I46B				
10		K09A, K09B	10	K09A, K09B		10	K09A, K09B				
11		L33Z	11	L33Z		11	L33Z				
21A		W04A, W04B	21A	W04A, W04B		21A	W04A, W04B				
21B		X04Z, X33Z	21B	X04Z, X33Z		21B	X04Z, X33Z				
23		Z01A	23	Z01A		23	Z01A				
Pre		A07A	Pre	A07A		Pre	A07A				
5t513.x↔			BOP, KOP, KOPV, KVT, UOP4, VIAL	5t514.x↔			BOP, KOP, KOPV, KVT, UOP4, VIAL	5t515.x↔			BOP, KOP, KOPV, KVT, UOP4, VIAL
		05	F13A			05	F13A			05	F13A
	06	G33Z	06		G33Z	06	G33Z				
	07	H33Z, H38Z	07		H33Z, H38Z	07	H33Z, H38Z				
	08	I01Z, I03A, I03B, I08A, I08B, I08C, I08D, I08E, I08F, I12A, I12B, I12C, I46A, I46B	08		I01Z, I03A, I03B, I08A, I08B, I08C, I08D, I08E, I08F, I12A, I12B, I12C, I46A, I46B	08	I01Z, I03A, I03B, I08A, I08B, I08C, I08D, I08E, I08F, I12A, I12B, I12C, I46A, I46B				
	10	K09A, K09B	10		K09A, K09B	10	K09A, K09B				
	11	L33Z	11		L33Z	11	L33Z				
	21A	W04A, W04B	21A		W04A, W04B	21A	W04A, W04B				
	21B	X04Z, X33Z	21B		X04Z, X33Z	21B	X04Z, X33Z				
	23	Z01A	23		Z01A	23	Z01A				
	Pre	A07A	Pre		A07A	Pre	A07A				
	5t514.2↔		BOP, KOP, KOPV, KVT, UOP4, VIAL		5t515.2↔		BOP, KOP, KOPV, KVT, UOP4, VIAL		5t516.2↔		BOP, KOP, KOPV, KVT, UOP4, VIAL
		05	F13A			05	F13A			05	F13A
06		G33Z	06	G33Z		06	G33Z				
07		H33Z, H38Z	07	H33Z, H38Z		07	H33Z, H38Z				
08		I01Z, I03A, I03B, I08A, I08B, I08C, I08D, I08E, I08F, I12A, I12B, I12C, I46A, I46B	08	I01Z, I03A, I03B, I08A, I08B, I08C, I08D, I08E, I08F, I12A, I12B, I12C, I46A, I46B		08	I01Z, I03A, I03B, I08A, I08B, I08C, I08D, I08E, I08F, I12A, I12B, I12C, I46A, I46B				
10		K09A, K09B	10	K09A, K09B		10	K09A, K09B				
11		L33Z	11	L33Z		11	L33Z				
21A		W04A, W04B	21A	W04A, W04B		21A	W04A, W04B				
21B		X04Z, X33Z	21B	X04Z, X33Z		21B	X04Z, X33Z				
23		Z01A	23	Z01A		23	Z01A				
Pre		A07A	Pre	A07A		Pre	A07A				
5t514.80↔			BOP, KOP, KOPV, KVT, UOP4, VIAL	5t515.80↔			BOP, KOP, KOPV, KVT, UOP4, VIAL	5t516.80↔			BOP, KOP, KOPV, KVT, UOP4, VIAL
		05	F13A			05	F13A			05	F13A
	06	G33Z	06		G33Z	06	G33Z				
	07	H33Z, H38Z	07		H33Z, H38Z	07	H33Z, H38Z				
	08	I01Z, I03A, I03B, I08A, I08B, I08C, I08D, I08E, I08F, I12A, I12B, I12C, I46A, I46B	08		I01Z, I03A, I03B, I08A, I08B, I08C, I08D, I08E, I08F, I12A, I12B, I12C, I46A, I46B	08	I01Z, I03A, I03B, I08A, I08B, I08C, I08D, I08E, I08F, I12A, I12B, I12C, I46A, I46B				
	10	K09A, K09B	10		K09A, K09B	10	K09A, K09B				
	11	L33Z	11		L33Z	11	L33Z				
	21A	W04A, W04B	21A		W04A, W04B	21A	W04A, W04B				
	21B	X04Z, X33Z	21B		X04Z, X33Z	21B	X04Z, X33Z				
	23	Z01A	23		Z01A	23	Z01A				
	Pre	A07A	Pre		A07A	Pre	A07A				

VYK

ZZV	MDC	DRG	ZZV	MDC	DRG	ZZV	MDC	DRG					
5t516.81↔		BOP, KOP, KOPV, KVT, UOP4, VIAL	5t51a↔		BOP, KVT, UOP4, VIAL	5t51f.80↔		BOP, KVT, UOP4, VIAL					
	05	F13A		01	B03A, B03B, B06A, B06B, B17A, B17B, B17C		01	B03A, B03B, B06A, B06B, B17A, B17B, B17C					
	06	G33Z		05	F13A		05	F13A					
	07	H33Z, H38Z		08	I08A, I08B, I08C, I08D, I08E, I08F		08	I01Z, I03A, I03B, I08A, I08B, I08C, I08D, I08E, I08F, I12A, I12B, I12C, I46A, I46B					
	08	I01Z, I03A, I03B, I08A, I08B, I08C, I08D, I08E, I08F, I12A, I12B, I12C, I46A, I46B		21A	W01A, W01B, W01C, W02A, W02B		21A	W01A, W01B, W01C, W02A, W02B					
	10	K09A, K09B		21B	X04Z		21B	X04Z					
	11	L33Z		5t51b↔			BOP, KVT, UOP4, VIAL	5t51f.81↔		BOP, KVT, UOP4, VIAL			
	21A	W04A, W04B			01		B03A, B03B, B06A, B06B, B17A, B17B, B17C		01	B03A, B03B, B06A, B06B, B17A, B17B, B17C			
	21B	X04Z, X33Z			05		F13A		05	F13A			
	23	Z01A			08		I08A, I08B, I08C, I08D, I08E, I08F		08	I01Z, I03A, I03B, I08A, I08B, I08C, I08D, I08E, I08F, I12A, I12B, I12C, I46A, I46B			
	Pre	A07A			21A		W01A, W01B, W01C, W02A, W02B		21A	W01A, W01B, W01C, W02A, W02B			
	5t516.82↔				BOP, KOP, KOPV, KVT, UOP4, VIAL		5t51c↔			BOP, KVT, UOP4, VIAL	5t51f.82↔		BOP, KVT, UOP4, VIAL
		05			F13A				01	B03A, B03B, B06A, B06B, B17A, B17B, B17C		01	B03A, B03B, B06A, B06B, B17A, B17B, B17C
		06			G33Z				05	F13A		05	F13A
07		H33Z, H38Z	08		I08A, I08B, I08C, I08D, I08E, I08F	08			I01Z, I03A, I03B, I08A, I08B, I08C, I08D, I08E, I08F, I12A, I12B, I12C, I46A, I46B				
08		I01Z, I03A, I03B, I08A, I08B, I08C, I08D, I08E, I08F, I12A, I12B, I12C, I46A, I46B	21A		W01A, W01B, W01C, W02A, W02B	21A			W01A, W01B, W01C, W02A, W02B				
10		K09A, K09B	21B		X04Z	21B			X04Z				
11		L33Z	5t51d↔			BOP, KVT, UOP4, VIAL			5t51f.x↔			BOP, KVT, UOP4, VIAL	
21A		W04A, W04B			01	B03A, B03B, B06A, B06B, B17A, B17B, B17C				01		B03A, B03B, B06A, B06B, B17A, B17B, B17C	
21B		X04Z, X33Z			05	F13A				05		F13A	
23		Z01A		08	I08A, I08B, I08C, I08D, I08E, I08F	08		I01Z, I03A, I03B, I08A, I08B, I08C, I08D, I08E, I08F, I12A, I12B, I12C, I46A, I46B					
Pre		A07A		21A	W01A, W01B, W01C, W02A, W02B	21A		W01A, W01B, W01C, W02A, W02B					
5t516.x↔				BOP, KOP, KOPV, KVT, UOP4, VIAL	5t51e↔			BOP, KVT, UOP4, VIAL		5t51g.2↔			BOP, KVT, UOP4, VIAL
		05		F13A		01		B03A, B03B, B06A, B06B, B17A, B17B, B17C				01	B03A, B03B, B06A, B06B, B17A, B17B, B17C
		06		G33Z		05		F13A				05	F13A
	07	H33Z, H38Z		08		I08A, I08B, I08C, I08D, I08E, I08F	08	I01Z, I03A, I03B, I08A, I08B, I08C, I08D, I08E, I08F, I12A, I12B, I12C, I46A, I46B					
	08	I01Z, I03A, I03B, I08A, I08B, I08C, I08D, I08E, I08F, I12A, I12B, I12C, I46A, I46B		21A		W01A, W01B, W01C, W02A, W02B	21A	W01A, W01B, W01C, W02A, W02B					
	10	K09A, K09B		21B		X04Z	21B	X04Z					
	11	L33Z		5t51f.2↔			BOP, KVT, UOP4, VIAL	5t51g.50↔				BOP, KVT, UOP4, VIAL	
	21A	W04A, W04B				01	B03A, B03B, B06A, B06B, B17A, B17B, B17C				01	B03A, B03B, B06A, B06B, B17A, B17B, B17C	
	21B	X04Z, X33Z				05	F13A				05	F13A	
	23	Z01A	08			I03A, I03B, I05Z, I47A, I47B	08		I01Z, I03A, I03B, I08A, I08B, I08C, I08D, I08E, I08F, I12A, I12B, I12C, I46A, I46B				
	Pre	A07A	21A			W01A, W01B, W01C, W02A, W02B	21A		W01A, W01B, W01C, W02A, W02B				
	5t517↔		BOP, KVT, UOP4, VIAL			5t51f.31↔			BOP, KVT, UOP4, VIAL		5t51g.51↔		BOP, KVT, UOP4, VIAL
		01	B03A, B03B, B06A, B06B, B17A, B17B, B17C				01		B03A, B03B, B06A, B06B, B17A, B17B, B17C			01	B03A, B03B, B06A, B06B, B17A, B17B, B17C
		05	F13A				05		F13A			05	F13A
08		I03A, I03B, I05Z, I47A, I47B	08		I01Z, I03A, I03B, I08A, I08B, I08C, I08D, I08E, I08F, I12A, I12B, I12C, I46A, I46B		08		I01Z, I03A, I03B, I08A, I08B, I08C, I08D, I08E, I08F, I12A, I12B, I12C, I46A, I46B				
21A		W01A, W01B, W01C, W02A, W02B	21A		W01A, W01B, W01C, W02A, W02B		21A		W01A, W01B, W01C, W02A, W02B				
21B		X04Z	21B		X04Z		21B		X04Z				
5t518↔			BOP, KVT, UOP4, VIAL		5t519↔				BOP, KVT, UOP4, VIAL	5t51g.51↔			BOP, KVT, UOP4, VIAL
		01	B03A, B03B, B06A, B06B, B17A, B17B, B17C				01		B03A, B03B, B06A, B06B, B17A, B17B, B17C			01	B03A, B03B, B06A, B06B, B17A, B17B, B17C
		05	F13A				05		F13A			05	F13A
		08	I03A, I03B, I05Z, I47A, I47B	08			I03A, I03B, I05Z, I47A, I47B	08	I01Z, I03A, I03B, I08A, I08B, I08C, I08D, I08E, I08F, I12A, I12B, I12C, I46A, I46B				
		21A	W01A, W01B, W01C, W02A, W02B	21A			W01A, W01B, W01C, W02A, W02B	21A	W01A, W01B, W01C, W02A, W02B				
		21B	X04Z	21B			X04Z	21B	X04Z				
		5t519↔		BOP, KVT, UOP4, VIAL									
			01	B03A, B03B, B06A, B06B, B17A, B17B, B17C									
	05		F13A										
	08		I03A, I03B, I05Z, I47A, I47B										
	21A		W01A, W01B, W01C, W02A, W02B										
	21B		X04Z										

VYK

ZZV	MDC	DRG	ZZV	MDC	DRG	ZZV	MDC	DRG
5t51g.80↔		BOP, KVT, UOP4, VIAL	5t51j.80↔		BOP, KOP, KOPV, KVT, UOP4, VIAL	5t51x↔		BOP, KVT, UOP4, VIAL
	01	B03A, B03B, B06A, B06B, B17A, B17B, B17C		05	F13A		01	B03A, B03B, B06A, B06B, B17A, B17B, B17C
	05	F13A		06	G33Z		05	F13A
	08	I01Z, I03A, I03B, I08A, I08B, I08C, I08D, I08E, I08F, I12A, I12B, I12C, I46A, I46B		07	H33Z, H38Z		08	I08A, I08B, I08C, I08D, I08E, I08F
	21A	W01A, W01B, W01C, W02A, W02B		08	I01Z, I03A, I03B, I08A, I08B, I08C, I08D, I08E, I08F, I12A, I12B, I12C, I46A, I46B		21A	W01A, W01B, W01C, W02A, W02B
5t51g.81↔		BOP, KVT, UOP4, VIAL	5t51j.81↔		BOP, KOP, KOPV, KVT, UOP4, VIAL	5t520.0↔		BOP, KOP, KOPV, KVT, UOP4, VIAL
	01	B03A, B03B, B06A, B06B, B17A, B17B, B17C		10	K09A, K09B		06	G33Z
	05	F13A		11	L33Z		07	H33Z, H38Z
	08	I01Z, I03A, I03B, I08A, I08B, I08C, I08D, I08E, I08F, I12A, I12B, I12C, I46A, I46B		21A	W04A, W04B		08	I01Z, I03A, I03B, I04Z, I12A, I12B, I12C, I36Z, I44A, I44B, I44C
	21A	W01A, W01B, W01C, W02A, W02B		21B	X04Z, X33Z		11	L33Z
5t51g.82↔		BOP, KVT, UOP4, VIAL	5t51j.82↔		BOP, KOP, KOPV, KVT, UOP4, VIAL	5t520.1↔		BOP, KOP, KOPV, KVT, UOP4, VIAL
	01	B03A, B03B, B06A, B06B, B17A, B17B, B17C		05	F13A		06	G33Z
	05	F13A		06	G33Z		07	H33Z, H38Z
	08	I01Z, I03A, I03B, I08A, I08B, I08C, I08D, I08E, I08F, I12A, I12B, I12C, I46A, I46B		07	H33Z, H38Z		08	I01Z, I03A, I03B, I04Z, I12A, I12B, I12C, I36Z, I44A, I44B, I44C
	21A	W01A, W01B, W01C, W02A, W02B		08	I01Z, I03A, I03B, I08A, I08B, I08C, I08D, I08E, I08F, I12A, I12B, I12C, I46A, I46B		11	L33Z
5t51g.x↔		BOP, KVT, UOP4, VIAL	5t51j.x↔		BOP, KOP, KOPV, KVT, UOP4, VIAL	5t520.2↔		BOP, KOP, KOPV, KVT, UOP4, VIAL
	01	B03A, B03B, B06A, B06B, B17A, B17B, B17C		10	K09A, K09B		06	G33Z
	05	F13A		11	L33Z		07	H33Z, H38Z
	08	I01Z, I03A, I03B, I08A, I08B, I08C, I08D, I08E, I08F, I12A, I12B, I12C, I46A, I46B		21A	W04A, W04B		08	I01Z, I03A, I03B, I04Z, I12A, I12B, I12C, I36Z, I44A, I44B, I44C
	21A	W01A, W01B, W01C, W02A, W02B		21B	X04Z, X33Z		11	L33Z
5t51h↔		BOP, KVT, UOP4, VIAL	5t51j.2↔		BOP, KOP, KOPV, KVT, UOP4, VIAL	5t521.0↔		BOP, KOP, KOPV, KVT, UOP4, VIAL
	01	B03A, B03B, B06A, B06B, B17A, B17B, B17C		05	F13A		06	G33Z
	05	F13A		06	G33Z		07	H33Z, H38Z
	08	I08A, I08B, I08C, I08D, I08E, I08F		07	H33Z, H38Z		08	I01Z, I03A, I03B, I04Z, I12A, I12B, I12C, I36Z, I44A, I44B
	21A	W01A, W01B, W01C, W02A, W02B		08	I01Z, I03A, I03B, I08A, I08B, I08C, I08D, I08E, I08F, I12A, I12B, I12C, I46A, I46B		11	L33Z
5t51j.2↔		BOP, KOP, KOPV, KVT, UOP4, VIAL	5t51k↔		BOP, KVT, UOP4, VIAL	5t521.1↔		BOP, KOP, KOPV, KVT, UOP4, VIAL
	05	F13A		01	B03A, B03B, B06A, B06B, B17A, B17B, B17C		06	G33Z
	06	G33Z		05	F13A		07	H33Z, H38Z
	07	H33Z, H38Z		08	I03A, I03B, I05Z, I47A, I47B		08	I01Z, I03A, I03B, I04Z, I12A, I12B, I12C, I36Z, I44A, I44B
	08	I01Z, I03A, I03B, I08A, I08B, I08C, I08D, I08E, I08F, I12A, I12B, I12C, I46A, I46B		21A	W01A, W01B, W01C, W02A, W02B		11	L33Z
	10	K09A, K09B		21B	X04Z		21A	W04A, W04B
	11	L33Z					21B	X04Z, X33Z
	21A	W04A, W04B					23	Z01A
	21B	X04Z, X33Z					Pre	A07A
	23	Z01A						
	Pre	A07A						

VYK

ZZV	MDC	DRG	ZZV	MDC	DRG	ZZV	MDC	DRG
5t521.2↔		BOP, KOP, KOPV, KVT, UOP4, VIAL	5t523.2↔		BOP, KOP, KOPV, KVT, UOP4, VIAL	5t525.2↔		BOP, KOP, KOPV, KVT, UOP4, VIAL
	06	G33Z		06	G33Z		06	G33Z
	07	H33Z, H38Z		07	H33Z, H38Z		07	H33Z, H38Z
	08	I01Z, I03A, I03B, I04Z, I12A, I12B, I12C, I36Z, I44A, I44B		08	I01Z, I03A, I03B, I04Z, I12A, I12B, I12C, I36Z, I44A, I44B		08	I01Z, I03A, I03B, I04Z, I12A, I12B, I12C, I36Z, I43A, I43B
	11	L33Z		11	L33Z		11	L33Z
	21A	W04A, W04B		21A	W04A, W04B		21A	W04A, W04B
	21B	X04Z, X33Z		21B	X04Z, X33Z		21B	X04Z, X33Z
	23	Z01A		23	Z01A		23	Z01A
	Pre	A07A		Pre	A07A		Pre	A07A
5t522.0↔		BOP, KOP, KOPV, KVT, UOP4, VIAL	5t524.0↔		BOP, KOP, KOPV, KVT, UOP4, VIAL	5t526.0↔		BOP, KOP, KOPV, KVT, UOP4, VIAL
	06	G33Z		06	G33Z		06	G33Z
	07	H33Z, H38Z		07	H33Z, H38Z		07	H33Z, H38Z
	08	I01Z, I03A, I03B, I04Z, I12A, I12B, I12C, I36Z, I44A, I44B		08	I01Z, I03A, I03B, I04Z, I12A, I12B, I12C, I36Z, I44A, I44B		08	I01Z, I03A, I03B, I04Z, I12A, I12B, I12C, I36Z, I43A, I43B
	11	L33Z		11	L33Z		11	L33Z
	21A	W04A, W04B		21A	W04A, W04B		21A	W04A, W04B
	21B	X04Z, X33Z		21B	X04Z, X33Z		21B	X04Z, X33Z
	23	Z01A		23	Z01A		23	Z01A
	Pre	A07A		Pre	A07A		Pre	A07A
5t522.1↔		BOP, KOP, KOPV, KVT, UOP4, VIAL	5t524.1↔		BOP, KOP, KOPV, KVT, UOP4, VIAL	5t526.1↔		BOP, KOP, KOPV, KVT, UOP4, VIAL
	06	G33Z		06	G33Z		06	G33Z
	07	H33Z, H38Z		07	H33Z, H38Z		07	H33Z, H38Z
	08	I01Z, I03A, I03B, I04Z, I12A, I12B, I12C, I36Z, I44A, I44B		08	I01Z, I03A, I03B, I04Z, I12A, I12B, I12C, I36Z, I44A, I44B		08	I01Z, I03A, I03B, I04Z, I12A, I12B, I12C, I36Z, I43A, I43B
	11	L33Z		11	L33Z		11	L33Z
	21A	W04A, W04B		21A	W04A, W04B		21A	W04A, W04B
	21B	X04Z, X33Z		21B	X04Z, X33Z		21B	X04Z, X33Z
	23	Z01A		23	Z01A		23	Z01A
	Pre	A07A		Pre	A07A		Pre	A07A
5t522.2↔		BOP, KOP, KOPV, KVT, UOP4, VIAL	5t524.2↔		BOP, KOP, KOPV, KVT, UOP4, VIAL	5t526.2↔		BOP, KOP, KOPV, KVT, UOP4, VIAL
	06	G33Z		06	G33Z		06	G33Z
	07	H33Z, H38Z		07	H33Z, H38Z		07	H33Z, H38Z
	08	I01Z, I03A, I03B, I04Z, I12A, I12B, I12C, I36Z, I44A, I44B		08	I01Z, I03A, I03B, I04Z, I12A, I12B, I12C, I36Z, I44A, I44B		08	I01Z, I03A, I03B, I04Z, I12A, I12B, I12C, I36Z, I43A, I43B
	11	L33Z		11	L33Z		11	L33Z
	21A	W04A, W04B		21A	W04A, W04B		21A	W04A, W04B
	21B	X04Z, X33Z		21B	X04Z, X33Z		21B	X04Z, X33Z
	23	Z01A		23	Z01A		23	Z01A
	Pre	A07A		Pre	A07A		Pre	A07A
5t523.0↔		BOP, KOP, KOPV, KVT, UOP4, VIAL	5t525.0↔		BOP, KOP, KOPV, KVT, UOP4, VIAL	5t527.10↔		BOP, KOP, KOPV, KVT, UOP4, VIAL
	06	G33Z		06	G33Z		06	G33Z
	07	H33Z, H38Z		07	H33Z, H38Z		07	H33Z, H38Z
	08	I01Z, I03A, I03B, I04Z, I12A, I12B, I12C, I36Z, I44A, I44B		08	I01Z, I03A, I03B, I04Z, I12A, I12B, I12C, I36Z, I43A, I43B		08	I01Z, I03A, I03B, I04Z, I12A, I12B, I12C, I36Z, I44A, I44B, I44C
	11	L33Z		11	L33Z		11	L33Z
	21A	W04A, W04B		21A	W04A, W04B		21A	W04A, W04B
	21B	X04Z, X33Z		21B	X04Z, X33Z		21B	X04Z, X33Z
	23	Z01A		23	Z01A		23	Z01A
	Pre	A07A		Pre	A07A		Pre	A07A
5t523.1↔		BOP, KOP, KOPV, KVT, UOP4, VIAL	5t525.1↔		BOP, KOP, KOPV, KVT, UOP4, VIAL	5t527.11↔		BOP, KOP, KOPV, KVT, UOP4, VIAL
	06	G33Z		06	G33Z		06	G33Z
	07	H33Z, H38Z		07	H33Z, H38Z		07	H33Z, H38Z
	08	I01Z, I03A, I03B, I04Z, I12A, I12B, I12C, I36Z, I44A, I44B		08	I01Z, I03A, I03B, I04Z, I12A, I12B, I12C, I36Z, I43A, I43B		08	I01Z, I03A, I03B, I04Z, I12A, I12B, I12C, I36Z, I44A, I44B, I44C
	11	L33Z		11	L33Z		11	L33Z
	21A	W04A, W04B		21A	W04A, W04B		21A	W04A, W04B
	21B	X04Z, X33Z		21B	X04Z, X33Z		21B	X04Z, X33Z
	23	Z01A		23	Z01A		23	Z01A
	Pre	A07A		Pre	A07A		Pre	A07A

ZZV	MDC	DRG	ZZV	MDC	DRG	ZZV	MDC	DRG
5t527.20↔		BOP, KOP, KOPV, KVT, UOP4, VIAL	5t528.0↔		BOP, KOP, KOPV, KVT, UOP4, VIAL	5t52a.2↔		BOP, KOP, KOPV, KVT, UOP4, VIAL
	06	G33Z		06	G33Z		06	G33Z
	07	H33Z, H38Z		07	H33Z, H38Z		07	H33Z, H38Z
	08	I01Z, I03A, I03B, I04Z, I12A, I12B, I12C, I36Z, I44A, I44B, I44C		08	I01Z, I03A, I03B, I04Z, I12A, I12B, I12C, I36Z, I43A, I43B		08	I01Z, I03A, I03B, I04Z, I12A, I12B, I12C, I36Z, I44A, I44B
	11	L33Z		11	L33Z		11	L33Z
	21A	W04A, W04B		21A	W04A, W04B		21A	W04A, W04B
	21B	X04Z, X33Z		21B	X04Z, X33Z		21B	X04Z, X33Z
	23	Z01A		23	Z01A		23	Z01A
	Pre	A07A		Pre	A07A		Pre	A07A
	5t527.21↔			BOP, KOP, KOPV, KVT, UOP4, VIAL	5t528.1↔			BOP, KOP, KOPV, KVT, UOP4, VIAL
06		G33Z	06	G33Z		06	G33Z	
07		H33Z, H38Z	07	H33Z, H38Z		07	H33Z, H38Z	
08		I01Z, I03A, I03B, I04Z, I12A, I12B, I12C, I36Z, I44A, I44B, I44C	08	I01Z, I03A, I03B, I04Z, I12A, I12B, I12C, I36Z, I43A, I43B		08	I01Z, I03A, I03B, I04Z, I12A, I12B, I12C, I36Z, I44A, I44B	
11		L33Z	11	L33Z		11	L33Z	
21A		W04A, W04B	21A	W04A, W04B		21A	W04A, W04B	
21B		X04Z, X33Z	21B	X04Z, X33Z		21B	X04Z, X33Z	
23		Z01A	23	Z01A		23	Z01A	
Pre		A07A	Pre	A07A		Pre	A07A	
5t527.22↔			BOP, KOP, KOPV, KVT, UOP4, VIAL	5t528.2↔			BOP, KOP, KOPV, KVT, UOP4, VIAL	5t52c.0↔
	06	G33Z	06		G33Z	06	G33Z	
	07	H33Z, H38Z	07		H33Z, H38Z	07	H33Z, H38Z	
	08	I01Z, I03A, I03B, I04Z, I12A, I12B, I12C, I36Z, I44A, I44B, I44C	08		I01Z, I03A, I03B, I04Z, I12A, I12B, I12C, I36Z, I43A, I43B	08	I01Z, I03A, I03B, I04Z, I12A, I12B, I12C, I36Z, I44A, I44B	
	11	L33Z	11		L33Z	11	L33Z	
	21A	W04A, W04B	21A		W04A, W04B	21A	W04A, W04B	
	21B	X04Z, X33Z	21B		X04Z, X33Z	21B	X04Z, X33Z	
	23	Z01A	23		Z01A	23	Z01A	
	Pre	A07A	Pre		A07A	Pre	A07A	
	5t527.30↔		BOP, KOP, KOPV, KVT, UOP4, VIAL		5t529.1↔		BOP, KOP, KOPV, KVT, UOP4, VIAL	
06		G33Z	06	G33Z		06	G33Z	
07		H33Z, H38Z	07	H33Z, H38Z		07	H33Z, H38Z	
08		I01Z, I03A, I03B, I04Z, I12A, I12B, I12C, I36Z, I44A, I44B, I44C	08	I01Z, I03A, I03B, I04Z, I12A, I12B, I12C, I36Z, I44A, I44B		08	I01Z, I03A, I03B, I04Z, I12A, I12B, I12C, I36Z, I44A, I44B	
11		L33Z	11	L33Z		11	L33Z	
21A		W04A, W04B	21A	W04A, W04B		21A	W04A, W04B	
21B		X04Z, X33Z	21B	X04Z, X33Z		21B	X04Z, X33Z	
23		Z01A	23	Z01A		23	Z01A	
Pre		A07A	Pre	A07A		Pre	A07A	
5t527.31↔			BOP, KOP, KOPV, KVT, UOP4, VIAL	5t529.2↔			BOP, KOP, KOPV, KVT, UOP4, VIAL	5t52c.2↔
	06	G33Z	06		G33Z	06	G33Z	
	07	H33Z, H38Z	07		H33Z, H38Z	07	H33Z, H38Z	
	08	I01Z, I03A, I03B, I04Z, I12A, I12B, I12C, I36Z, I44A, I44B, I44C	08		I01Z, I03A, I03B, I04Z, I12A, I12B, I12C, I36Z, I44A, I44B	08	I01Z, I03A, I03B, I04Z, I12A, I12B, I12C, I36Z, I44A, I44B	
	11	L33Z	11		L33Z	11	L33Z	
	21A	W04A, W04B	21A		W04A, W04B	21A	W04A, W04B	
	21B	X04Z, X33Z	21B		X04Z, X33Z	21B	X04Z, X33Z	
	23	Z01A	23		Z01A	23	Z01A	
	Pre	A07A	Pre		A07A	Pre	A07A	
	5t527.31↔		BOP, KOP, KOPV, KVT, UOP4, VIAL		5t52a.1↔		BOP, KOP, KOPV, KVT, UOP4, VIAL	
06		G33Z	06	G33Z		06	G33Z	
07		H33Z, H38Z	07	H33Z, H38Z		07	H33Z, H38Z	
08		I01Z, I03A, I03B, I04Z, I12A, I12B, I12C, I36Z, I44A, I44B, I44C	08	I01Z, I03A, I03B, I04Z, I12A, I12B, I12C, I36Z, I44A, I44B		08	I01Z, I03A, I03B, I04Z, I12A, I12B, I12C, I36Z, I44A, I44B	
11		L33Z	11	L33Z		11	L33Z	
21A		W04A, W04B	21A	W04A, W04B		21A	W04A, W04B	
21B		X04Z, X33Z	21B	X04Z, X33Z		21B	X04Z, X33Z	
23		Z01A	23	Z01A		23	Z01A	
Pre		A07A	Pre	A07A		Pre	A07A	

VYK

ZZV	MDC	DRG	ZZV	MDC	DRG	ZZV	MDC	DRG
5t52d.1↔		BOP, KOP, KOPV, KVT, UOP4, VIAL	5t52x.1↔		BOP, KOP, KOPV, KVT, UOP4, VIAL	5t531.20↔		BOP, KOP, KOPV, KVT, UOP4, VIAL
	06	G33Z		06	G33Z		05	F13A
	07	H33Z, H38Z		07	H33Z, H38Z		06	G33Z
	08	I01Z, I03A, I03B, I04Z, I12A, I12B, I12C, I36Z, I44A, I44B		08	I01Z, I03A, I03B, I04Z, I12A, I12B, I12C, I36Z, I44A, I44B		07	H33Z, H38Z
	11	L33Z		11	L33Z		08	I01Z, I03A, I03B, I04Z, I12A, I12B, I12C, I43A, I43B
	21A	W04A, W04B		21A	W04A, W04B		11	L33Z
	21B	X04Z, X33Z		21B	X04Z, X33Z		21A	W04A, W04B
	23	Z01A		23	Z01A		21B	X04Z, X33Z
	Pre	A07A		Pre	A07A		23	Z01A
	Pre	A07A		Pre	A07A		Pre	A07A
5t52d.2↔		BOP, KOP, KOPV, KVT, UOP4, VIAL	5t52x.2↔		BOP, KOP, KOPV, KVT, UOP4, VIAL	5t531.21↔		BOP, KOP, KOPV, KVT, UOP4, VIAL
	06	G33Z		06	G33Z		05	F13A
	07	H33Z, H38Z		07	H33Z, H38Z		06	G33Z
	08	I01Z, I03A, I03B, I04Z, I12A, I12B, I12C, I36Z, I44A, I44B		08	I01Z, I03A, I03B, I04Z, I12A, I12B, I12C, I36Z, I44A, I44B		07	H33Z, H38Z
	11	L33Z		11	L33Z		08	I01Z, I03A, I03B, I04Z, I12A, I12B, I12C, I43A, I43B
	21A	W04A, W04B		21A	W04A, W04B		11	L33Z
	21B	X04Z, X33Z		21B	X04Z, X33Z		21A	W04A, W04B
	23	Z01A		23	Z01A		21B	X04Z, X33Z
	Pre	A07A		Pre	A07A		23	Z01A
	Pre	A07A		Pre	A07A		Pre	A07A
5t52e.0↔		BOP, KOP, KOPV, KVT, UOP4, VIAL	5t530↔		BOP, KOP, KOPV, KVT, UOP4, VIAL	5t531.30↔		BOP, KOP, KOPV, KVT, UOP4, VIAL
	06	G33Z		05	F13A		05	F13A
	07	H33Z, H38Z		06	G33Z		06	G33Z
	08	I01Z, I03A, I03B, I04Z, I12A, I12B, I12C, I36Z, I44A, I44B		07	H33Z, H38Z		07	H33Z, H38Z
	11	L33Z		08	I01Z, I03A, I03B, I12A, I12B, I12C, I44A, I44B, I44C		08	I01Z, I03A, I03B, I04Z, I12A, I12B, I12C, I43A, I43B
	21A	W04A, W04B		11	L33Z		11	L33Z
	21B	X04Z, X33Z		21A	W04A, W04B		21A	W04A, W04B
	23	Z01A		21B	X04Z, X33Z		21B	X04Z, X33Z
	Pre	A07A		23	Z01A		23	Z01A
	Pre	A07A		Pre	A07A		Pre	A07A
5t52e.1↔		BOP, KOP, KOPV, KVT, UOP4, VIAL	5t531.10↔		BOP, KOP, KOPV, KVT, UOP4, VIAL	5t531.31↔		BOP, KOP, KOPV, KVT, UOP4, VIAL
	06	G33Z		05	F13A		05	F13A
	07	H33Z, H38Z		06	G33Z		06	G33Z
	08	I01Z, I03A, I03B, I04Z, I12A, I12B, I12C, I36Z, I44A, I44B		07	H33Z, H38Z		07	H33Z, H38Z
	11	L33Z		08	I01Z, I03A, I03B, I04Z, I12A, I12B, I12C, I43A, I43B		08	I01Z, I03A, I03B, I04Z, I12A, I12B, I12C, I43A, I43B
	21A	W04A, W04B		11	L33Z		11	L33Z
	21B	X04Z, X33Z		21A	W04A, W04B		21A	W04A, W04B
	23	Z01A		21B	X04Z, X33Z		21B	X04Z, X33Z
	Pre	A07A		23	Z01A		23	Z01A
	Pre	A07A		Pre	A07A		Pre	A07A
5t52e.2↔		BOP, KOP, KOPV, KVT, UOP4, VIAL	5t531.11↔		BOP, KOP, KOPV, KVT, UOP4, VIAL	5t531.50↔		BOP, KOP, KOPV, KVT, UOP4, VIAL
	06	G33Z		05	F13A		05	F13A
	07	H33Z, H38Z		06	G33Z		06	G33Z
	08	I01Z, I03A, I03B, I04Z, I12A, I12B, I12C, I36Z, I44A, I44B		07	H33Z, H38Z		07	H33Z, H38Z
	11	L33Z		08	I01Z, I03A, I03B, I04Z, I12A, I12B, I12C, I43A, I43B		08	I01Z, I03A, I03B, I04Z, I12A, I12B, I12C, I43A, I43B
	21A	W04A, W04B		11	L33Z		11	L33Z
	21B	X04Z, X33Z		21A	W04A, W04B		21A	W04A, W04B
	23	Z01A		21B	X04Z, X33Z		21B	X04Z, X33Z
	Pre	A07A		23	Z01A		23	Z01A
	Pre	A07A		Pre	A07A		Pre	A07A
5t52x.0↔		BOP, KOP, KOPV, KVT, UOP4, VIAL						
	06	G33Z						
	07	H33Z, H38Z						
	08	I01Z, I03A, I03B, I04Z, I12A, I12B, I12C, I36Z, I44A, I44B						
	11	L33Z						
	21A	W04A, W04B						
	21B	X04Z, X33Z						
	23	Z01A						
	Pre	A07A						
	Pre	A07A						

VYK

ZZV	MDC	DRG	ZZV	MDC	DRG	ZZV	MDC	DRG
5t531.51↔		BOP, KOP, KOPV, KVT, UOP4, VIAL	5t532.40↔		BOP, KOP, KOPV, KVT, UOP4, VIAL	5t532.7↔		BOP, KOP, KOPV, KVT, UOP4, VIAL
	05	F13A		05	F13A		05	F13A
	06	G33Z		06	G33Z		06	G33Z
	07	H33Z, H38Z		07	H33Z, H38Z		07	H33Z, H38Z
	08	I01Z, I03A, I03B, I04Z, I12A, I12B, I12C, I43A, I43B		08	I01Z, I03A, I03B, I04Z, I12A, I12B, I12C, I43A, I43B		08	I01Z, I03A, I03B, I04Z, I12A, I12B, I12C, I43A, I43B
	11	L33Z		11	L33Z		11	L33Z
	21A	W04A, W04B		21A	W04A, W04B		21A	W04A, W04B
	21B	X04Z, X33Z		21B	X04Z, X33Z		21B	X04Z, X33Z
	23	Z01A		23	Z01A		23	Z01A
	Pre	A07A		Pre	A07A		Pre	A07A
	5t531.52↔			BOP, KOP, KOPV, KVT, UOP4, VIAL	5t532.42↔			BOP, KOP, KOPV, KVT, UOP4, VIAL
05		F13A	05	F13A		05	F13A	
06		G33Z	06	G33Z		06	G33Z	
07		H33Z, H38Z	07	H33Z, H38Z		07	H33Z, H38Z	
08		I01Z, I03A, I03B, I04Z, I12A, I12B, I12C, I43A, I43B	08	I01Z, I03A, I03B, I04Z, I12A, I12B, I12C, I43A, I43B		08	I01Z, I03A, I03B, I04Z, I12A, I12B, I12C, I43A, I43B	
11		L33Z	11	L33Z		11	L33Z	
21A		W04A, W04B	21A	W04A, W04B		21A	W04A, W04B	
21B		X04Z, X33Z	21B	X04Z, X33Z		21B	X04Z, X33Z	
23		Z01A	23	Z01A		23	Z01A	
Pre		A07A	Pre	A07A		Pre	A07A	
5t531.6↔			BOP, KOP, KOPV, KVT, UOP4, VIAL	5t532.50↔			BOP, KOP, KOPV, KVT, UOP4, VIAL	5t532.a0↔
	05	F13A	05		F13A	05	F13A	
	06	G33Z	06		G33Z	06	G33Z	
	07	H33Z, H38Z	07		H33Z, H38Z	07	H33Z, H38Z	
	08	I01Z, I03A, I03B, I04Z, I12A, I12B, I12C, I43A, I43B	08		I01Z, I03A, I03B, I04Z, I12A, I12B, I12C, I43A, I43B	08	I01Z, I03A, I03B, I04Z, I12A, I12B, I12C, I43A, I43B	
	11	L33Z	11		L33Z	11	L33Z	
	21A	W04A, W04B	21A		W04A, W04B	21A	W04A, W04B	
	21B	X04Z, X33Z	21B		X04Z, X33Z	21B	X04Z, X33Z	
	23	Z01A	23		Z01A	23	Z01A	
	Pre	A07A	Pre		A07A	Pre	A07A	
	5t531.x↔		BOP, KOP, KOPV, KVT, UOP4, VIAL		5t532.52↔		BOP, KOP, KOPV, KVT, UOP4, VIAL	
05		F13A	05	F13A		05	F13A	
06		G33Z	06	G33Z		06	G33Z	
07		H33Z, H38Z	07	H33Z, H38Z		07	H33Z, H38Z	
08		I01Z, I03A, I03B, I04Z, I12A, I12B, I12C, I43A, I43B	08	I01Z, I03A, I03B, I04Z, I12A, I12B, I12C, I43A, I43B		08	I01Z, I03A, I03B, I04Z, I12A, I12B, I12C, I43A, I43B	
11		L33Z	11	L33Z		11	L33Z	
21A		W04A, W04B	21A	W04A, W04B		21A	W04A, W04B	
21B		X04Z, X33Z	21B	X04Z, X33Z		21B	X04Z, X33Z	
23		Z01A	23	Z01A		23	Z01A	
Pre		A07A	Pre	A07A		Pre	A07A	
5t532.0↔			BOP, KOP, KOPV, KVT, UOP4, VIAL	5t532.6↔			BOP, KOP, KOPV, KVT, UOP4, VIAL	5t532.x↔
	05	F13A	05		F13A	05	F13A	
	06	G33Z	06		G33Z	06	G33Z	
	07	H33Z, H38Z	07		H33Z, H38Z	07	H33Z, H38Z	
	08	I01Z, I03A, I03B, I04Z, I12A, I12B, I12C, I43A, I43B	08		I01Z, I03A, I03B, I04Z, I12A, I12B, I12C, I44A, I44B	08	I01Z, I03A, I03B, I04Z, I12A, I12B, I12C, I43A, I43B	
	11	L33Z	11		L33Z	11	L33Z	
	21A	W04A, W04B	21A		W04A, W04B	21A	W04A, W04B	
	21B	X04Z, X33Z	21B		X04Z, X33Z	21B	X04Z, X33Z	
	23	Z01A	23		Z01A	23	Z01A	
	Pre	A07A	Pre		A07A	Pre	A07A	

ZZV	MDC	DRG	ZZV	MDC	DRG	ZZV	MDC	DRG
5t533.0↔		BOP, KOP, KOPV, KVT, UOP4, VIAL	5t533.9↔		BOP, KOP, KOPV, KVT, UOP4, VIAL	5t534.7↔		BOP, KOP, KOPV, KVT, UOP4, VIAL
	05	F13A		05	F13A		05	F13A
	06	G33Z		06	G33Z		06	G33Z
	07	H33Z, H38Z		07	H33Z, H38Z		07	H33Z, H38Z
	08	I01Z, I03A, I03B, I04Z, I12A, I12B, I12C, I43A, I43B		08	I01Z, I03A, I03B, I04Z, I12A, I12B, I12C, I43A, I43B		08	I01Z, I03A, I03B, I04Z, I12A, I12B, I12C, I43A, I43B
	11	L33Z		11	L33Z		11	L33Z
	21A	W04A, W04B		21A	W04A, W04B		21A	W04A, W04B
	21B	X04Z, X33Z		21B	X04Z, X33Z		21B	X04Z, X33Z
	23	Z01A		23	Z01A		23	Z01A
	Pre	A07A		Pre	A07A		Pre	A07A
	5t533.50↔			BOP, KOP, KOPV, KVT, UOP4, VIAL	5t533.a0↔			BOP, KOP, KOPV, KVT, UOP4, VIAL
05		F13A	05	F13A		05	F13A	
06		G33Z	06	G33Z		06	G33Z	
07		H33Z, H38Z	07	H33Z, H38Z		07	H33Z, H38Z	
08		I01Z, I03A, I03B, I04Z, I12A, I12B, I12C, I43A, I43B	08	I01Z, I03A, I03B, I04Z, I12A, I12B, I12C, I43A, I43B		08	I01Z, I03A, I03B, I04Z, I12A, I12B, I12C, I43A, I43B	
11		L33Z	11	L33Z		11	L33Z	
21A		W04A, W04B	21A	W04A, W04B		21A	W04A, W04B	
21B		X04Z, X33Z	21B	X04Z, X33Z		21B	X04Z, X33Z	
23		Z01A	23	Z01A		23	Z01A	
Pre		A07A	Pre	A07A		Pre	A07A	
5t533.52↔			BOP, KOP, KOPV, KVT, UOP4, VIAL	5t533.a1↔			BOP, KOP, KOPV, KVT, UOP4, VIAL	5t534.9↔
	05	F13A	05		F13A	05	F13A	
	06	G33Z	06		G33Z	06	G33Z	
	07	H33Z, H38Z	07		H33Z, H38Z	07	H33Z, H38Z	
	08	I01Z, I03A, I03B, I04Z, I12A, I12B, I12C, I43A, I43B	08		I01Z, I03A, I03B, I04Z, I12A, I12B, I12C, I43A, I43B	08	I01Z, I03A, I03B, I04Z, I12A, I12B, I12C, I43A, I43B	
	11	L33Z	11		L33Z	11	L33Z	
	21A	W04A, W04B	21A		W04A, W04B	21A	W04A, W04B	
	21B	X04Z, X33Z	21B		X04Z, X33Z	21B	X04Z, X33Z	
	23	Z01A	23		Z01A	23	Z01A	
	Pre	A07A	Pre		A07A	Pre	A07A	
	5t533.7↔		BOP, KOP, KOPV, KVT, UOP4, VIAL		5t533.x↔		BOP, KOP, KOPV, KVT, UOP4, VIAL	
05		F13A	05	F13A		05	F13A	
06		G33Z	06	G33Z		06	G33Z	
07		H33Z, H38Z	07	H33Z, H38Z		07	H33Z, H38Z	
08		I01Z, I03A, I03B, I04Z, I12A, I12B, I12C, I43A, I43B	08	I01Z, I03A, I03B, I04Z, I12A, I12B, I12C, I43A, I43B		08	I01Z, I03A, I03B, I04Z, I12A, I12B, I12C, I43A, I43B	
11		L33Z	11	L33Z		11	L33Z	
21A		W04A, W04B	21A	W04A, W04B		21A	W04A, W04B	
21B		X04Z, X33Z	21B	X04Z, X33Z		21B	X04Z, X33Z	
23		Z01A	23	Z01A		23	Z01A	
Pre		A07A	Pre	A07A		Pre	A07A	
5t533.8↔			BOP, KOP, KOPV, KVT, UOP4, VIAL	5t534.0↔			BOP, KOP, KOPV, KVT, UOP4, VIAL	5t535.10↔
	05	F13A	05		F13A	05	F13A	
	06	G33Z	06		G33Z	06	G33Z	
	07	H33Z, H38Z	07		H33Z, H38Z	07	H33Z, H38Z	
	08	I01Z, I03A, I03B, I04Z, I12A, I12B, I12C, I43A, I43B	08		I01Z, I03A, I03B, I04Z, I12A, I12B, I12C, I43A, I43B	08	I01Z, I03A, I03B, I04Z, I12A, I12B, I12C, I44A, I44B, I44C	
	11	L33Z	11		L33Z	11	L33Z	
	21A	W04A, W04B	21A		W04A, W04B	21A	W04A, W04B	
	21B	X04Z, X33Z	21B		X04Z, X33Z	21B	X04Z, X33Z	
	23	Z01A	23		Z01A	23	Z01A	
	Pre	A07A	Pre		A07A	Pre	A07A	

VYK

ZZV	MDC	DRG	ZZV	MDC	DRG	ZZV	MDC	DRG
5t535.11↔		BOP, KOP, KOPV, KVT, UOP4, VIAL	5t535.31↔		BOP, KOP, KOPV, KVT, UOP4, VIAL	5t536.70↔		BOP, KOP, KOPV, KVT, UOP4, VIAL
	05	F13A		05	F13A		05	F13A
	06	G33Z		06	G33Z		06	G33Z
	07	H33Z, H38Z		07	H33Z, H38Z		07	H33Z, H38Z
	08	I01Z, I03A, I03B, I04Z, I12A, I12B, I12C, I44A, I44B, I44C		08	I01Z, I03A, I03B, I04Z, I12A, I12B, I12C, I44A, I44B, I44C		08	I01Z, I03A, I03B, I04Z, I12A, I12B, I12C, I43A, I43B
	11	L33Z		11	L33Z		11	L33Z
	21A	W04A, W04B		21A	W04A, W04B		21A	W04A, W04B
	21B	X04Z, X33Z		21B	X04Z, X33Z		21B	X04Z, X33Z
	23	Z01A		23	Z01A		23	Z01A
	Pre	A07A		Pre	A07A		Pre	A07A
	5t535.20↔			BOP, KOP, KOPV, KVT, UOP4, VIAL	5t536.42↔			BOP, KOP, KOPV, KVT, UOP4, VIAL
05		F13A	05	F13A		05	F13A	
06		G33Z	06	G33Z		06	G33Z	
07		H33Z, H38Z	07	H33Z, H38Z		07	H33Z, H38Z	
08		I01Z, I03A, I03B, I04Z, I12A, I12B, I12C, I44A, I44B, I44C	08	I01Z, I03A, I03B, I04Z, I12A, I12B, I12C, I43A, I43B		08	I01Z, I03A, I03B, I04Z, I12A, I12B, I12C, I43A, I43B	
11		L33Z	11	L33Z		11	L33Z	
21A		W04A, W04B	21A	W04A, W04B		21A	W04A, W04B	
21B		X04Z, X33Z	21B	X04Z, X33Z		21B	X04Z, X33Z	
23		Z01A	23	Z01A		23	Z01A	
Pre		A07A	Pre	A07A		Pre	A07A	
5t535.21↔			BOP, KOP, KOPV, KVT, UOP4, VIAL	5t536.52↔			BOP, KOP, KOPV, KVT, UOP4, VIAL	5t536.90↔
	05	F13A	05		F13A	05	F13A	
	06	G33Z	06		G33Z	06	G33Z	
	07	H33Z, H38Z	07		H33Z, H38Z	07	H33Z, H38Z	
	08	I01Z, I03A, I03B, I04Z, I12A, I12B, I12C, I44A, I44B, I44C	08		I01Z, I03A, I03B, I04Z, I12A, I12B, I12C, I43A, I43B	08	I01Z, I03A, I03B, I04Z, I12A, I12B, I12C, I43A, I43B	
	11	L33Z	11		L33Z	11	L33Z	
	21A	W04A, W04B	21A		W04A, W04B	21A	W04A, W04B	
	21B	X04Z, X33Z	21B		X04Z, X33Z	21B	X04Z, X33Z	
	23	Z01A	23		Z01A	23	Z01A	
	Pre	A07A	Pre		A07A	Pre	A07A	
	5t535.22↔		BOP, KOP, KOPV, KVT, UOP4, VIAL		5t536.60↔		BOP, KOP, KOPV, KVT, UOP4, VIAL	
05		F13A	05	F13A		05	F13A	
06		G33Z	06	G33Z		06	G33Z	
07		H33Z, H38Z	07	H33Z, H38Z		07	H33Z, H38Z	
08		I01Z, I03A, I03B, I04Z, I12A, I12B, I12C, I44A, I44B, I44C	08	I01Z, I03A, I03B, I04Z, I12A, I12B, I12C, I43A, I43B		08	I01Z, I03A, I03B, I04Z, I12A, I12B, I12C, I43A, I43B	
11		L33Z	11	L33Z		11	L33Z	
21A		W04A, W04B	21A	W04A, W04B		21A	W04A, W04B	
21B		X04Z, X33Z	21B	X04Z, X33Z		21B	X04Z, X33Z	
23		Z01A	23	Z01A		23	Z01A	
Pre		A07A	Pre	A07A		Pre	A07A	
5t535.30↔			BOP, KOP, KOPV, KVT, UOP4, VIAL	5t536.61↔			BOP, KOP, KOPV, KVT, UOP4, VIAL	5t536.x↔
	05	F13A	05		F13A	05	F13A	
	06	G33Z	06		G33Z	06	G33Z	
	07	H33Z, H38Z	07		H33Z, H38Z	07	H33Z, H38Z	
	08	I01Z, I03A, I03B, I04Z, I12A, I12B, I12C, I44A, I44B, I44C	08		I01Z, I03A, I03B, I04Z, I12A, I12B, I12C, I43A, I43B	08	I01Z, I03A, I03B, I04Z, I12A, I12B, I12C, I43A, I43B	
	11	L33Z	11		L33Z	11	L33Z	
	21A	W04A, W04B	21A		W04A, W04B	21A	W04A, W04B	
	21B	X04Z, X33Z	21B		X04Z, X33Z	21B	X04Z, X33Z	
	23	Z01A	23		Z01A	23	Z01A	
	Pre	A07A	Pre		A07A	Pre	A07A	
						5t537↔		
					05	F13A		
					08	I04Z, I12A, I12B, I12C, I44A, I44B		
					21A	W04A, W04B		
					21B	X04Z		

VYK

ZZV	MDC	DRG	ZZV	MDC	DRG	ZZV	MDC	DRG
5t538.20↔		BOP, KVT, UOP4, VIAL	5t538.x↔		BOP, KVT, UOP4, VIAL	5t53x↔		BOP, KVT, UOP4, VIAL
	05	F13A		05	F13A		05	F13A
	08	I12A, I12B, I12C, I44A, I44B		08	I12A, I12B, I12C, I44A, I44B		08	I12A, I12B, I12C, I44A, I44B
	21A	W04A, W04B		21A	W04A, W04B		21A	W04A, W04B
	21B	X04Z		21B	X04Z		21B	X04Z
5t538.22↔		BOP, KVT, UOP4, VIAL	5t539.0↔		BOP, KVT, UOP4, VIAL	5t540.0↔		BOP, KVT, UOP4, VIAL
	05	F13A		05	F13A		08	I05Z, I12A, I12B, I12C
	08	I12A, I12B, I12C, I44A, I44B		08	I12A, I12B, I12C, I44A, I44B		21A	W04A, W04B
	21A	W04A, W04B		21A	W04A, W04B		21B	X06A, X06B, X06C
	21B	X04Z		21B	X04Z	5t540.1↔		BOP, KVT, UOP4, VIAL
5t538.30↔		BOP, KVT, UOP4, VIAL	5t539.1↔		BOP, KVT, UOP4, VIAL		08	I05Z, I12A, I12B, I12C
	05	F13A		05	F13A		21A	W04A, W04B
	08	I12A, I12B, I12C, I44A, I44B		08	I12A, I12B, I12C, I44A, I44B		21B	X06A, X06B, X06C
	21A	W04A, W04B		21A	W04A, W04B	5t540.x↔		BOP, KVT, UOP4, VIAL
	21B	X04Z		21B	X04Z		08	I05Z, I12A, I12B, I12C
5t538.32↔		BOP, KVT, UOP4, VIAL	5t53a↔		BOP, KVT, UOP4, VIAL		21A	W04A, W04B
	05	F13A		05	F13A		21B	X06A, X06B, X06C
	08	I12A, I12B, I12C, I44A, I44B		08	I04Z, I12A, I12B, I12C, I44A, I44B, I44C	5t541↔		BOP, KVT, UOP4, VIAL
	21A	W04A, W04B		21A	W04A, W04B		08	I05Z, I12A, I12B, I12C
	21B	X04Z		21B	X04Z		21A	W04A, W04B
5t538.60↔		BOP, KVT, UOP4, VIAL	5t53b↔		BOP, KVT, UOP4, VIAL		21B	X06A, X06B, X06C
	05	F13A		05	F13A	5t542.0↔		BOP, KVT, UOP4, VIAL
	08	I12A, I12B, I12C, I44A, I44B		08	I04Z, I12A, I12B, I12C, I44A, I44B, I44C		08	I05Z, I12A, I12B, I12C
	21A	W04A, W04B		21A	W04A, W04B		21A	W04A, W04B
	21B	X04Z		21B	X04Z		21B	X06A, X06B, X06C
5t538.62↔		BOP, KVT, UOP4, VIAL	5t53c↔		BOP, KVT, UOP4, VIAL	5t542.1↔		BOP, KVT, UOP4, VIAL
	05	F13A		05	F13A		08	I05Z, I12A, I12B, I12C
	08	I12A, I12B, I12C, I44A, I44B		08	I04Z, I12A, I12B, I12C, I44A, I44B, I44C		21A	W04A, W04B
	21A	W04A, W04B		21A	W04A, W04B		21B	X06A, X06B, X06C
	21B	X04Z		21B	X04Z	5t543↔		BOP, KVT, UOP4, VIAL
5t538.70↔		BOP, KVT, UOP4, VIAL	5t53d↔		BOP, KVT, UOP4, VIAL		08	I05Z, I08A, I08B, I08C, I08D, I08E, I08F, I12A, I12B, I12C
	05	F13A		05	F13A		21A	W04A, W04B
	08	I12A, I12B, I12C, I44A, I44B		08	I04Z, I12A, I12B, I12C, I44A, I44B, I44C		21B	X06A, X06B, X06C
	21A	W04A, W04B		21A	W04A, W04B	5t544↔		BOP, KVT, UOP4, VIAL
	21B	X04Z		21B	X04Z		08	I05Z, I08A, I08B, I08C, I08D, I08E, I08F, I12A, I12B, I12C
5t538.72↔		BOP, KVT, UOP4, VIAL	5t53e↔		BOP, KVT, UOP4, VIAL		21A	W04A, W04B
	05	F13A		05	F13A		21B	X06A, X06B, X06C
	08	I12A, I12B, I12C, I44A, I44B		08	I04Z, I12A, I12B, I12C, I44A, I44B, I44C	5t545↔		BOP, KVT, UOP4, VIAL
	21A	W04A, W04B		21A	W04A, W04B		08	I05Z, I08A, I08B, I08C, I08D, I08E, I08F, I12A, I12B, I12C
	21B	X04Z		21B	X04Z		21A	W04A, W04B
5t538.8↔		BOP, KVT, UOP4, VIAL	5t53f↔		BOP, KVT, UOP4, VIAL		21B	X06A, X06B, X06C
	05	F13A		05	F13A	5t546↔		BOP, KVT, UOP4, VIAL
	08	I12A, I12B, I12C, I44A, I44B		08	I04Z, I12A, I12B, I12C, I44A, I44B, I44C		08	I05Z, I08A, I08B, I08C, I08D, I08E, I08F, I12A, I12B, I12C
	21A	W04A, W04B		21A	W04A, W04B		21A	W04A, W04B
	21B	X04Z		21B	X04Z		21B	X06A, X06B, X06C
5t538.9↔		BOP, KVT, UOP4, VIAL	5t53g↔		BOP, KVT, UOP4, VIAL	5t547↔		BOP, KVT, UOP4, VIAL
	05	F13A		05	F13A		08	I08A, I08B, I08C, I08D, I08E, I08F, I12A, I12B, I12C, I21Z, I31Z, I32A, I32B, I32C, I32D, I32E, I32F
	08	I12A, I12B, I12C, I44A, I44B		08	I04Z, I12A, I12B, I12C, I44A, I44B		21A	W04A, W04B
	21A	W04A, W04B		21A	W04A, W04B		21B	X06A, X06B, X06C
	21B	X04Z		21B	X04Z	5t548↔		BOP, KVT, UOP4, VIAL
5t538.a↔		BOP, KVT, UOP4, VIAL	5t53h↔		BOP, KVT, UOP4, VIAL		08	I05Z, I12A, I12B, I12C
	05	F13A		05	F13A		21A	W04A, W04B
	08	I12A, I12B, I12C, I44A, I44B		08	I04Z, I12A, I12B, I12C, I44A, I44B, I44C		21B	X05A, X05B
	21A	W04A, W04B		21A	W04A, W04B	5t549.1↔		BOP, KVT, UOP4, VIAL
	21B	X04Z		21B	X04Z		01	B03A, B03B, B06A, B06B, B07Z, B17A, B17B, B17C
5t538.b↔		BOP, KVT, UOP4, VIAL	5t53i↔		BOP, KVT, UOP4, VIAL		08	I12A, I12B, I12C, I32A, I32B, I32C, I32D, I32E, I32F
	05	F13A		05	F13A		21A	W04A, W04B
	08	I12A, I12B, I12C, I44A, I44B		08	I04Z, I12A, I12B, I12C, I44A, I44B, I44C		21B	X05A, X05B
	21A	W04A, W04B		21A	W04A, W04B			
	21B	X04Z		21B	X04Z			
5t538.c↔		BOP, KVT, UOP4, VIAL	5t53j↔		BOP, KVT, UOP4, VIAL			
	05	F13A		05	F13A			
	08	I12A, I12B, I12C, I44A, I44B		08	I04Z, I12A, I12B, I12C, I44A, I44B, I44C			
	21A	W04A, W04B		21A	W04A, W04B			
	21B	X04Z		21B	X04Z			

ZZV	MDC	DRG	ZZV	MDC	DRG	ZZV	MDC	DRG
5t549.2↔		BOP, KVT, UOP4, VIAL	5t550.v↔	05	BOP, KVT, UOP4	5t55a↔	05	BOP, KVT, UOP4, VIAL
	01	B03A, B03B, B06A, B06B, B07Z, B17A, B17B, B17C		08	F13A		08	F13A
	08	I12A, I12B, I12C, I32A, I32B, I32C, I32D, I32E, I32F		21A	I05Z, I12A, I12B, I12C		21A	I08A, I08B, I08C, I08D, I08E, I08F, I12A, I12B, I12C, I23A, I23B
	21A	W04A, W04B		21B	W04A, W04B		21B	W04A, W04B
5t549.3↔		BOP, KVT, UOP4, VIAL	5t551↔	05	F13A	5t55b↔	21B	X06A, X06B, X06C
	01	B03A, B03B, B06A, B06B, B07Z, B17A, B17B, B17C		08	BOP, KVT, UOP4, VIAL		05	BOP, KVT, UOP4, VIAL
	08	I12A, I12B, I12C, I32A, I32B, I32C, I32D, I32E, I32F		08	F13A		08	F13A
	21A	W04A, W04B		21A	I05Z, I08A, I08B, I08C, I08D, I08E, I08F, I12A, I12B, I12C		08	F13A
5t549.4↔		BOP, KVT, UOP4, VIAL	5t552.0↔	21A	W04A, W04B	5t55c↔	21A	W04A, W04B
	01	B03A, B03B, B06A, B06B, B07Z, B17A, B17B, B17C		21B	X06A, X06B, X06C		21A	W04A, W04B
	08	I12A, I12B, I12C, I32A, I32B, I32C, I32D, I32E, I32F		05	BOP, KVT, UOP4, VIAL		21B	X06A, X06B, X06C
	21A	W04A, W04B		08	F13A		21B	X05A, X05B, X06A, X06B, X06C
5t549.5↔		BOP, KVT, UOP4, VIAL	5t552.1↔	08	I05Z, I12A, I12B, I12C, I43A, I43B	5t55d↔	05	BOP, KVT, UOP4, VIAL
	01	B03A, B03B, B06A, B06B, B07Z, B17A, B17B, B17C		21A	W04A, W04B		08	F13A
	08	I12A, I12B, I12C, I32A, I32B, I32C, I32D, I32E, I32F		21B	X06A, X06B, X06C		08	I12A, I12B, I12C, I23A, I23B
	21A	W04A, W04B		05	BOP, KVT, UOP4, VIAL		21A	W04A, W04B
5t549.6↔		BOP, KVT, UOP4, VIAL	5t553↔	08	I05Z, I12A, I12B, I12C, I43A, I43B	5t55e↔	21B	X05A, X05B, X06A, X06B, X06C
	01	B03A, B03B, B06A, B06B, B07Z, B17A, B17B, B17C		21A	W04A, W04B		05	BOP, KVT, UOP4, VIAL
	08	I12A, I12B, I12C, I32A, I32B, I32C, I32D, I32E, I32F		21B	X06A, X06B, X06C		08	F13A
	21A	W04A, W04B		05	BOP, KVT, UOP4, VIAL		21A	W04A, W04B
5t549.7↔		BOP, KVT, UOP4, VIAL	5t554↔	08	I05Z, I08A, I08B, I08C, I08D, I08E, I08F, I12A, I12B, I12C	5t55f↔	21B	X05A, X05B, X06A, X06B, X06C
	01	B03A, B03B, B06A, B06B, B07Z, B17A, B17B, B17C		21A	W04A, W04B		05	BOP, KVT, UOP4, VIAL
	08	I12A, I12B, I12C, I32A, I32B, I32C, I32D, I32E, I32F		21B	X06A, X06B, X06C		08	F13A
	21A	W04A, W04B		05	BOP, KVT, UOP4, VIAL		08	I12A, I12B, I12C, I28A, I28B
5t54a↔		BOP, KVT, UOP4	5t555↔	08	I05Z, I08A, I08B, I08C, I08D, I08E, I08F, I12A, I12B, I12C	5t55g↔	21A	W04A, W04B
	08	I12A, I12B, I12C, I28A, I28B, I32A, I32B, I32C, I32D, I32E, I32F		21A	W04A, W04B		05	F13A
	21A	W04A, W04B		21B	X06A, X06B, X06C		08	I12A, I12B, I12C, I28A, I28B
	21B	X05A, X05B, X06A, X06B, X06C		05	BOP, KVT, UOP4, VIAL		21A	W04A, W04B
5t54x↔		BOP, KVT, UOP4	5t556↔	08	I05Z, I08A, I08B, I08C, I08D, I08E, I08F, I12A, I12B, I12C	5t55h↔	21B	X05A, X05B, X06A, X06B, X06C
	08	I12A, I12B, I12C, I28A, I28B		01	B03A, B03B, B06A, B06B, B07Z, B17A, B17B, B17C		05	F13A
	21A	W04A, W04B		05	F13A		08	I12A, I12B, I12C, I32A, I32B, I32C, I32D, I32E, I32F
	21B	X05A, X05B, X06A, X06B, X06C		08	I12A, I12B, I12C, I32A, I32B, I32C, I32D, I32E, I32F		21A	W04A, W04B
5t550.0↔		BOP, KVT, UOP4	5t557↔	21A	W04A, W04B	5t55i↔	21B	X06A, X06B, X06C
	05	F13A		21B	X05A, X05B		08	I05Z, I12A, I12B, I12C
	08	I05Z, I12A, I12B, I12C		05	BOP, KVT, UOP4, VIAL		21A	W04A, W04B
	21A	W04A, W04B		08	F13A		21B	X06A, X06B, X06C
5t550.4↔		BOP, KVT, UOP4	5t558↔	08	I08A, I08B, I08C, I08D, I08E, I08F, I12A, I12B, I12C, I23A, I23B	5t55j↔	05	F13A
	05	F13A		05	F13A		08	I12A, I12B, I12C, I28A, I28B
	08	I05Z, I12A, I12B, I12C		21A	W04A, W04B		21A	W04A, W04B
	21A	W04A, W04B		21B	X06A, X06B, X06C		21B	X05A, X05B, X06A, X06B, X06C
5t550.7↔		BOP, KVT, UOP4	5t559↔	05	BOP, KVT, UOP4, VIAL	5t55k.1↔	21B	X06A, X06B, X06C
	05	F13A		05	F13A		05	BOP, KVT, UOP4, VIAL
	08	I05Z, I12A, I12B, I12C		08	I12A, I12B, I12C, I23A		08	I05Z, I12A, I12B, I12C
	21A	W04A, W04B		21A	W04A, W04B		21A	W04A, W04B
5t550.u↔		BOP, KVT, UOP4	5t55k.2↔	21B	X06A, X06B, X06C	5t55k.3↔	21B	X06A, X06B, X06C
	05	F13A		05	F13A		08	I05Z, I12A, I12B, I12C
	08	I05Z, I12A, I12B, I12C		08	I08A, I08B, I08C, I08D, I08E, I08F, I12A, I12B, I12C, I23A, I23B		21A	W04A, W04B
	21A	W04A, W04B		21A	W04A, W04B		21B	X06A, X06B, X06C

VYK

ZZV	MDC	DRG	ZZV	MDC	DRG	ZZV	MDC	DRG
5t55x↔		BOP, KVT, UOP4	5t571.00↔		BOP, KOP, KOPV, KVT, UOP4, VIAL	5t57x↔		BOP, KVT, UOP4
	05	F13A		05	F13A		05	F13A
	08	I12A, I12B, I12C, I28A, I28B		06	G33Z		08	I12A, I12B, I12C, I23A
	21A	W04A, W04B		07	H33Z, H38Z		21A	W04A, W04B
	21B	X05A, X05B, X06A, X06B, X06C		08	I01Z, I03A, I03B, I12A, I12B, I12C, I43A, I43B	5t580	21B	X04Z, X06A, X06B, X06C BOP, KVT, UOP4
5t560.0↔		BOP, KOP, KOPV, KVT, UOP4, VIAL		11	L33Z		04	E02A, E02B, E02C
	06	G33Z		21A	W04A, W04B		08	I12A, I12B, I12C, I28A, I28B
	07	H33Z, H38Z		21B	X04Z, X33Z		21A	W04A, W04B
	08	I01Z, I03A, I03B, I05Z, I12A, I12B, I12C		23	Z01A		21B	X04Z, X05A, X05B, X06A, X06B, X06C
	11	L33Z	5t571.01↔	Pre	A07A	5t581.2		BOP, KVT, UOP4
	21A	W04A, W04B			BOP, KOP, KOPV, KVT, UOP4, VIAL		04	E02A, E02B, E02C
	21B	X04Z, X33Z		05	F13A		08	I12A, I12B, I12C, I28A, I28B
	23	Z01A		06	G33Z		21A	W04A, W04B
	Pre	A07A		07	H33Z, H38Z		21B	X04Z, X05A, X05B, X06A, X06B, X06C
5t560.1↔		BOP, KOP, KOPV, KVT, UOP4, VIAL		08	I01Z, I03A, I03B, I12A, I12B, I12C, I43A, I43B	5t581.g		BOP, KOP, KVT, UOP4
	06	G33Z		11	L33Z		04	E02A, E02B, E02C, E36Z
	07	H33Z, H38Z		21A	W04A, W04B		06	G36Z
	08	I01Z, I03A, I03B, I05Z, I12A, I12B, I12C		21B	X04Z, X33Z		08	I12A, I12B, I12C, I26Z, I28A, I28B, I95Z
	11	L33Z		23	Z01A		11	L33Z
	21A	W04A, W04B	5t571.1↔	Pre	A07A		21A	W04A, W04B
	21B	X04Z, X33Z			BOP, KVT, UOP4		21B	X04Z, X05A, X05B, X06A, X06B, X06C
	23	Z01A		05	F13A		Pre	A06A, A07A, A09A, A11A, A13A
	Pre	A07A		08	I12A, I12B, I12C, I23A	5t581.x		BOP, KVT, UOP4
5t560.2↔		BOP, KOP, KOPV, KVT, UOP4, VIAL		21A	W04A, W04B		04	E02A, E02B, E02C
	06	G33Z	5t571.2↔	21B	X04Z, X06A, X06B, X06C		08	I12A, I12B, I12C, I28A, I28B
	07	H33Z, H38Z			BOP, KVT, UOP4		21A	W04A, W04B
	08	I01Z, I03A, I03B, I05Z, I12A, I12B, I12C		05	F13A		21B	X04Z, X05A, X05B, X06A, X06B, X06C
	11	L33Z		08	I12A, I12B, I12C, I23A	5t582		BOP, KVT, UOP4
	21A	W04A, W04B	5t571.3↔	21A	W04A, W04B		04	E02A, E02B, E02C
	21B	X04Z, X33Z		21B	X04Z, X06A, X06B, X06C		08	I12A, I12B, I12C, I28A, I28B
	23	Z01A			BOP, KVT, UOP4		21A	W04A, W04B
	Pre	A07A		05	F13A		21B	X04Z, X05A, X05B, X06A, X06B, X06C
5t561↔		BOP, KVT, UOP4, VIAL	5t572↔	08	I12A, I12B, I12C, I20A, I20B, I20C, I20D	5t583		BOP, KVT, UOP4
	08	I12A, I12B, I12C, I20A, I20B, I20C, I20D		21A	W04A, W04B		04	E02A, E02B, E02C
	21A	W04A, W04B		21B	X04Z		08	I12A, I12B, I12C, I28A, I28B
	21B	X04Z			BOP, KVT, UOP4, VIAL		21A	W04A, W04B
5t562↔		BOP, KVT, UOP4, VIAL	5t573↔	05	F13A		21B	X04Z, X05A, X05B, X06A, X06B, X06C
	08	I12A, I12B, I12C, I20A, I20B, I20C, I20D		08	I12A, I12B, I12C, I20A, I20B, I20C, I20D	5t584.2		BOP, KVT, UOP4
	21A	W04A, W04B		21A	W04A, W04B		04	E02A, E02B, E02C
	21B	X04Z		21B	X04Z		08	I12A, I12B, I12C, I28A, I28B
5t56x↔		BOP, KVT, UOP4	5t575↔		BOP, KVT, UOP4, VIAL		21A	W04A, W04B
	08	I12A, I12B, I12C, I28A, I28B		05	F13A	5t584.g		X04Z, X05A, X05B, X06A, X06B, X06C
	21A	W04A, W04B		08	I12A, I12B, I12C, I23A		04	E02A, E02B, E02C, E36Z
	21B	X04Z, X06A, X06B, X06C		21A	W04A, W04B		06	G36Z
5t570↔		BOP, KVT, UOP4	5t576↔	21B	X04Z, X06A, X06B, X06C		08	I12A, I12B, I12C, I26Z, I28A, I28B, I95Z
	05	F13A			BOP, KVT, UOP4, VIAL		11	L33Z
	08	I12A, I12B, I12C, I28A, I28B		05	F13A		21A	W04A, W04B
	21A	W04A, W04B		08	I12A, I12B, I12C, I23A, I23B		21B	X04Z, X05A, X05B, X06A, X06B, X06C
	21B	X04Z, X06A, X06B, X06C		21A	W04A, W04B		Pre	A06A, A07A, A09A, A11A, A13A
				21B	X04Z, X06A, X06B, X06C	5t584.x		BOP, KVT, UOP4
			5t577↔		BOP, KVT, UOP4, VIAL		04	E02A, E02B, E02C
				05	F13A		08	I12A, I12B, I12C, I28A, I28B
				08	I12A, I12B, I12C, I23A, I23B		21A	W04A, W04B
				21A	W04A, W04B		21B	X04Z, X05A, X05B, X06A, X06B, X06C
				21B	X04Z, X06A, X06B, X06C			

ZZV	MDC	DRG	ZZV	MDC	DRG	ZZV	MDC	DRG
5t585		BOP, KVT, UOP4	5t595↔		BOP, KVT, UOP4, VIAL	5t603		BOP, KVT, UOP4, VIAL
	08	I12A, I12B, I12C, I28A, I28B		08	I12A, I12B, I12C, I32A, I32B, I32C, I32D, I32E, I32F		01	B03A, B03B, B18Z
	21A	W04A, W04B		21A	W04A, W04B		08	I08A, I08B, I08C, I08D, I08E, I08F, I10A, I10B, I10C, I10D, I10E, I23A, I23B
	21B	X04Z, X05A, X05B, X06A, X06B, X06C		21B	X05A, X05B		11	L09A, L38Z
5t586.2		BOP, KVT, UOP4	5t596↔		BOP, KVT, UOP4, VIAL		17	R01A, R01B, R01C, R01D, R02Z, R12A, R12B, R12C
	08	I12A, I12B, I12C, I28A, I28B		01	B03A, B03B, B06A, B06B, B17A, B17B, B17C		21A	W04A, W04B
	21A	W04A, W04B		08	I12A, I12B, I12C, I18A, I30Z		21B	X06A, X06B, X06C
	21B	X04Z, X05A, X05B, X06A, X06B, X06C		21A	W04A, W04B		Pre	B61A
5t586.g		BOP, KVT, UOP4	5t597↔		BOP, KVT, UOP4, VIAL	5t604		BOP, KVT, UOP4, VIAL
	08	I12A, I12B, I12C, I28A, I28B		01	B03A, B03B, B06A, B06B, B17A, B17B, B17C		01	B03A, B03B, B18Z
	21A	W04A, W04B		05	F27A, F27B, F27C		05	F13A
	21B	X04Z, X05A, X05B, X06A, X06B, X06C		08	I12A, I12B, I12C, I59Z		08	I08A, I08B, I08C, I08D, I08E, I08F, I10A, I10B, I10C, I10D, I10E, I12A, I12B, I12C, I23A, I23B
5t586.x		BOP, KVT, UOP4		10	K01Z		11	L09A, L38Z
	08	I12A, I12B, I12C, I28A, I28B		21A	W04A, W04B		21A	W04A, W04B
	21A	W04A, W04B		21B	X04Z		21B	X04Z, X05A, X05B, X06A, X06B, X06C
	21B	X04Z, X05A, X05B, X06A, X06B, X06C	5t598↔		BOP, KVT, UOP4, VIAL	5t605		BOP, KVT, UOP4, VIAL
5t587		BOP, KVT, UOP4		08	I12A, I12B, I12C, I20A, I20B, I20C, I20D		01	B03A, B03B, B18Z
	04	E02A, E02B, E02C		21A	W04A, W04B		05	F13A
	08	I12A, I12B, I12C, I28A, I28B		21B	X04Z		08	I08A, I08B, I08C, I08D, I08E, I08F, I10A, I10B, I10C, I10D, I10E, I12A, I12B, I12C, I23A, I23B
	21A	W04A, W04B	5t599		BOP, KVT, UOP4		11	L09A, L38Z
	21B	X04Z, X05A, X05B, X06A, X06B, X06C		08	I12A, I12B, I12C, I28A, I28B		21A	W04A, W04B
5t58x		BOP, KVT, UOP4		21A	W04A, W04B		21B	X04Z, X05A, X05B, X06A, X06B, X06C
	08	I28A, I28B		21B	X04Z, X05A, X05B, X06A, X06B, X06C	5t606		BOP, KVT, UOP4, VIAL
	21A	W04A, W04B	5t59g		BOP, KVT, UOP4		01	B03A, B03B, B18Z
	21B	X04Z, X05A, X05B, X06A, X06B, X06C		08	I12A, I12B, I12C, I28A, I28B		05	F13A
5t590.0↔		BOP, KVT, UOP4, VIAL		21A	W04A, W04B		08	I08A, I08B, I08C, I08D, I08E, I08F, I10A, I10B, I10C, I10D, I10E, I12A, I12B, I12C, I23A
	08	I08A, I08B, I08C, I08D, I08E, I12A, I12B, I12C, I27B, I37Z		21B	X06A, X06B, X06C		11	L09A, L38Z
	21A	W04A, W04B	5t59x		BOP, KVT, UOP4		21A	W04A, W04B
	21B	X06A, X06B, X06C		08	I12A, I12B, I12C, I28A, I28B		21B	X04Z, X05A, X05B, X06A, X06B, X06C
5t590.1↔		BOP, KVT, UOP4, VIAL		21A	W04A, W04B	5t60x		BOP, KVT, UOP4, VIAL
	08	I08A, I08B, I08C, I08D, I08E, I12A, I12B, I12C, I27B, I37Z		21B	X06A, X06B, X06C		01	B03A, B03B, B18Z
	21A	W04A, W04B	5t600		BOP, KVT, UOP4, VIAL		05	F13A
	21B	X06A, X06B, X06C		01	B03A, B03B, B18Z		08	I08A, I08B, I08C, I08D, I08E, I08F, I10A, I10B, I10C, I10D, I10E, I12A, I12B, I12C
5t590.x↔		BOP, KVT, UOP4, VIAL		05	F13A		11	L09A, L38Z
	08	I08A, I08B, I08C, I08D, I08E, I12A, I12B, I12C, I27B, I37Z		08	I08A, I08B, I08C, I08D, I08E, I08F, I10A, I10B, I10C, I10D, I10E, I12A, I12B, I12C		17	R01A, R01B, R01C, R01D, R02Z, R12A, R12B, R12C
	21A	W04A, W04B		11	L09A, L38Z		21A	W04A, W04B
	21B	X06A, X06B, X06C		17	R01A, R01B, R01C, R01D, R02Z, R12A, R12B, R12C		21B	X06A, X06B, X06C
5t591↔		BOP, KVT, UOP4, VIAL		21A	W04A, W04B		08	I08A, I08B, I08C, I08D, I08E, I08F, I10A, I10B, I10C, I10D, I10E, I12A, I12B, I12C
	08	I08A, I08B, I08C, I08D, I08E, I12A, I12B, I12C, I27B, I37Z, I47A		21B	X06A, X06B, X06C		11	L09A, L38Z
	21A	W04A, W04B	5t601		BOP, KVT, UOP4, VIAL		17	R01A, R01B, R01C, R01D, R02Z, R12A, R12B, R12C
	21B	X06A, X06B, X06C		01	B03A, B03B, B18Z		21A	W04A, W04B
5t592↔		BOP, KVT, UOP4, VIAL		05	F13A		21B	X06A, X06B, X06C
	01	B03A, B03B, B06A, B06B, B17A, B17B, B17C		08	I08A, I08B, I08C, I08D, I08E, I08F, I10A, I10B, I10C, I10D, I10E, I12A, I12B, I12C	5t61a.1		BOP, KVT, UOP4, VIAL
	08	I08A, I08B, I08C, I08D, I08E, I08F		11	L09A, L38Z		01	B03A, B03B, B18Z
	21A	W01A, W01B, W01C, W02A, W02B		21A	W04A, W04B		08	I08A, I08B, I08C, I08D, I08E, I08F, I10A, I10B, I10C, I10D, I10E
	21B	X04Z		21B	X04Z, X05A, X05B, X06A, X06B, X06C		11	L09A, L38Z
5t593↔		BOP, KVT, UOP4, VIAL		5t602	VIAL		21A	W04A, W04B
	08	I12A, I12B, I12C, I16Z		01	B03A, B03B, B18Z		21B	X06A, X06B, X06C
	21A	W04A, W04B		08	I08A, I08B, I08C, I08D, I08E, I08F, I10A, I10B, I10C, I10D, I10E, I10F	5t61a.2		BOP, KVT, UOP4, VIAL
	21B	X06A, X06B, X06C		11	L09A, L38Z		01	B03A, B03B, B18Z
5t594↔		BOP, KVT, UOP4, VIAL					08	I08A, I08B, I08C, I08D, I08E, I08F, I10A, I10B, I10C, I10D, I10E, I12A, I12B, I12C
	08	I08A, I08B, I08C, I08D, I08E, I08F, I12A, I12B, I12C, I21Z, I31Z					11	L09A, L38Z
	21A	W04A, W04B					21A	W04A, W04B
	21B	X06A, X06B, X06C					21B	X06A, X06B, X06C

VYK

ZZV	MDC	DRG	ZZV	MDC	DRG	ZZV	MDC	DRG		
5t61a.3		BOP, KVT, UOP4, VIAL	5t61x		BOP, KVT, UOP4, VIAL	5t625		BOP, KVT, UOP4, VIAL		
	01	B03A, B03B, B18Z		01	B03A, B03B, B18Z		01	B03A, B03B, B18Z		
	08	I08A, I08B, I08C, I08D, I08E, I08F, I10A, I10B, I10C, I10D, I10E		08	I08A, I08B, I08C, I08D, I08E, I08F, I10A, I10B, I10C, I10D, I10E, I10F		08	I08A, I08B, I08C, I08D, I08E, I08F, I10A, I10B, I10C, I10D, I10E		
	11	L09A, L38Z		11	L09A, L38Z		11	L09A, L38Z		
	21A	W04A, W04B		21A	W04A, W04B		17	R01A, R01B, R01C, R01D, R02Z, R12A, R12B, R12C		
5t61a.4	21B	X06A, X06B, X06C	5t620	21B	X06A, X06B, X06C	5t626	21A	W04A, W04B		
		BOP, KVT, UOP4, VIAL			BOP, KVT, UOP4, VIAL		21B	X06A, X06B, X06C		
	01	B03A, B03B, B18Z		01	B03A, B03B, B18Z		5t626		BOP, KVT, UOP4, VIAL	
	08	I08A, I08B, I08C, I08D, I08E, I08F, I10A, I10B, I10C, I10D, I10E		08	I08A, I08B, I08C, I08D, I08E, I08F, I10A, I10B, I10C, I10D, I10E			01	B03A, B03B, B18Z	
	11	L09A, L38Z		11	L09A, L38Z			08	I08A, I08B, I08C, I08D, I08E, I08F, I10A, I10B, I10C, I10D, I10E	
21A	W04A, W04B	17	R01A, R01B, R01C, R01D, R02Z, R12A, R12B, R12C	11	L09A, L38Z					
21B	X06A, X06B, X06C	21A	W04A, W04B	17	R01A, R01B, R01C, R01D, R02Z, R12A, R12B, R12C					
5t61b.1	21B	X06A, X06B, X06C	5t621	21B	X06A, X06B, X06C	5t627	21A	W04A, W04B		
		BOP, KVT, UOP4, VIAL			BOP, KVT, UOP4, VIAL		21B	X06A, X06B, X06C		
	01	B03A, B03B, B18Z		01	B03A, B03B, B18Z		5t627		BOP, KVT, UOP4, VIAL	
	08	I08A, I08B, I08C, I08D, I08E, I08F, I10A, I10B, I10C, I10D, I10E, I10F		08	I08A, I08B, I08C, I08D, I08E, I08F, I10A, I10B, I10C, I10D, I10E			01	B03A, B03B, B18Z	
	11	L09A, L38Z		11	L09A, L38Z			08	I08A, I08B, I08C, I08D, I08E, I08F, I10A, I10B, I10C, I10D, I10E	
21A	W04A, W04B	17	R01A, R01B, R01C, R01D, R02Z, R12A, R12B, R12C	11	L09A, L38Z					
21B	X06A, X06B, X06C	21A	W04A, W04B	17	R01A, R01B, R01C, R01D, R02Z, R12A, R12B, R12C					
5t61b.2		BOP, KVT, UOP4, VIAL	5t622	21B	X06A, X06B, X06C	5t628	21A	W04A, W04B		
	01	B03A, B03B, B18Z		01	B02A, B02B, B02C, B02D, B20A, B20B, B20C, B20D, B20E, B39A, B39B		21B	X06A, X06B, X06C		
	08	I08A, I08B, I08C, I08D, I08E, I08F, I10A, I10B, I10C, I10D, I10E, I10F		08	I08A, I08B, I08C, I08D, I08E, I08F, I10A, I10B, I10C, I10D, I10E		Pre	B61A		
	11	L09A, L38Z		11	L09A, L38Z		5t628		BOP, KVT, UOP4, VIAL	
	21A	W04A, W04B		17	R01A, R01B, R01C, R01D, R02Z, R12A, R12B, R12C			01	B03A, B03B, B18Z	
21B	X06A, X06B, X06C	21A	W04A, W04B	08	I08A, I08B, I08C, I08D, I08E, I08F, I10A, I10B, I10C, I10D, I10E					
5t61c.1		BOP, KVT, UOP4, VIAL	5t623	21B	X06A, X06B, X06C	5t629		11	L09A, L38Z	
	01	B03A, B03B, B18Z		01	B02A, B02B, B02C, B02D, B20A, B20B, B20C, B20D, B20E, B39A, B39B			17	R01A, R01B, R01C, R01D, R02Z, R12A, R12B, R12C	
	08	I08A, I08B, I08C, I08D, I08E, I08F, I10A, I10B, I10C, I10D, I10E		08	I08A, I08B, I08C, I08D, I08E, I08F, I10A, I10B, I10C, I10D, I10E		21A	W04A, W04B		
	11	L09A, L38Z		11	L09A, L38Z		21B	X06A, X06B, X06C		
	21A	W04A, W04B		17	R01A, R01B, R01C, R01D, R02Z, R12A, R12B, R12C		5t629		BOP, KVT, UOP4, VIAL	
21B	X06A, X06B, X06C	21A	W04A, W04B	01	B03A, B03B, B18Z					
5t61c.2		BOP, KVT, UOP4, VIAL	5t624	21B	X06A, X06B, X06C	5t62x		08	I08A, I08B, I08C, I08D, I08E, I08F, I10A, I10B, I10C, I10D, I10E	
	01	B03A, B03B, B18Z		01	B02A, B02B, B02C, B02D, B20A, B20B, B20C, B20D, B20E, B39A, B39B			5t62x	11	L09A, L38Z
	08	I08A, I08B, I08C, I08D, I08E, I08F, I10A, I10B, I10C, I10D, I10E		08	I08A, I08B, I08C, I08D, I08E, I08F, I10A, I10B, I10C, I10D, I10E				17	R01A, R01B, R01C, R01D, R02Z, R12A, R12B, R12C
	11	L09A, L38Z		11	L09A, L38Z		21A		W04A, W04B	
	17	R01A, R01B, R01C, R01D, R02Z, R12A, R12B, R12C		17	R01A, R01B, R01C, R01D, R02Z, R12A, R12B, R12C		21B		X06A, X06B, X06C	
21A	W04A, W04B	21A	W04A, W04B	5t62x		BOP, KVT, UOP4, VIAL				
21B	X06A, X06B, X06C	21B	X06A, X06B, X06C		01	B03A, B03B, B18Z				
5t61c.3		BOP, KVT, UOP4, VIAL	5t624		21B	X06A, X06B, X06C	5t62x	08	I08A, I08B, I08C, I08D, I08E, I08F, I10A, I10B, I10C, I10D, I10E	
	01	B03A, B03B, B18Z			01	B02A, B02B, B02C, B02D, B20A, B20B, B20C, B20D, B20E, B39A, B39B		5t62x	11	L09A, L38Z
	08	I08A, I08B, I08C, I08D, I08E, I08F, I10A, I10B, I10C, I10D, I10E			08	I08A, I08B, I08C, I08D, I08E, I08F, I10A, I10B, I10C, I10D, I10E			17	R01A, R01B, R01C, R01D, R02Z, R12A, R12B, R12C
	11	L09A, L38Z		11	L09A, L38Z	21A			W04A, W04B	
	17	R01A, R01B, R01C, R01D, R02Z, R12A, R12B, R12C		17	R01A, R01B, R01C, R01D, R02Z, R12A, R12B, R12C	21B			X06A, X06B, X06C	
21A	W04A, W04B	21A	W04A, W04B	5t639	09	J26Z				
21B	X06A, X06B, X06C	21B	X06A, X06B, X06C		Pre	B61A				
5t61d		BOP, KVT, UOP4, VIAL	5t624		21B	X06A, X06B, X06C	5t63c†	08	I09C	
	01	B03A, B03B, B18Z			01	B02A, B02B, B02C, B02D, B20A, B20B, B20C, B20D, B20E, B39A, B39B	5t63d†	08	I09C	
	08	I08A, I08B, I08C, I08D, I08E, I08F, I10A, I10B, I10C, I10D, I10E			08	I08A, I08B, I08C, I08D, I08E, I08F, I10A, I10B, I10C, I10D, I10E	5t63e†	08	I09C	
	11	L09A, L38Z		11	L09A, L38Z					
	17	R01A, R01B, R01C, R01D, R02Z, R12A, R12B, R12C		17	R01A, R01B, R01C, R01D, R02Z, R12A, R12B, R12C					
21A	W04A, W04B	21A	W04A, W04B							
21B	X06A, X06B, X06C	21B	X06A, X06B, X06C							

ZZV	MDC	DRG	ZZV	MDC	DRG	ZZV	MDC	DRG
5t63x		BOP, KOP, KOPV, KVT, UOP4, VIAL	5t641.4		BOP, KOP, KOPV, KVT, UOP4, VIAL	5t642.2		BOP, KOP, KOPV, KVT, UOP4, VIAL
	01	B03A, B03B, B18Z		01	B02A, B02B, B02C, B02D, B20A, B20B, B20C, B20D, B20E, B39A, B39B		01	B03A, B03B, B18Z
	06	G33Z		06	G33Z		06	G33Z
	07	H33Z, H38Z		07	H33Z, H38Z		07	H33Z, H38Z
	08	I06A, I06B, I06C, I06D, I06E, I08A, I08B, I08C, I08D, I08E, I08F, I09A, I09B, I09C, I09D, I09E, I10A, I10B, I10C, I10D, I10E		08	I06A, I06B, I06C, I06D, I06E, I08A, I08B, I08C, I08D, I08E, I08F, I09A, I09B, I09C, I09D		08	I06A, I06B, I06C, I06D, I06E, I08A, I08B, I08C, I08D, I08E, I08F, I09A, I09B, I09C, I09D, I09E
	09	J26Z		09	J26Z		09	J26Z
	11	L33Z		11	L33Z		11	L33Z
	21A	W01A, W01B, W01C, W02A, W02B		17	R01A, R01B, R01C, R01D, R02Z, R12A, R12B, R12C		17	R01A, R01B, R01C, R01D, R02Z, R12A, R12B, R12C
	21B	X06A, X06B, X06C		21A	W04A, W04B		21A	W04A, W04B
	23	Z01A		21B	X06A, X06B, X06C, X33Z		21B	X06A, X06B, X06C, X33Z
	Pre	A07A		23	Z01A		23	Z01A
	Pre	A07A		Pre	A07A		Pre	A07A
	5t641.1			BOP, KOP, KOPV, KVT, UOP4, VIAL	5t641.5			BOP, KOP, KOPV, KVT, UOP4, VIAL
01		B03A, B03B, B18Z	01	B02A, B02B, B02C, B02D, B20A, B20B, B20C, B20D, B20E, B39A, B39B		01	B03A, B03B, B18Z	
06		G33Z	06	G33Z		06	G33Z	
07		H33Z, H38Z	07	H33Z, H38Z		07	H33Z, H38Z	
08		I06A, I06B, I06C, I06D, I06E, I08A, I08B, I08C, I08D, I08E, I08F, I09A, I09B, I09C, I09D, I09E	08	I06A, I06B, I06C, I06D, I06E, I08A, I08B, I08C, I08D, I08E, I08F, I09A, I09B, I09C, I09D		08	I06A, I06B, I06C, I06D, I06E, I08A, I08B, I08C, I08D, I08E, I08F, I09A, I09B, I09C, I09D, I09E	
09		J26Z	09	J26Z		09	J26Z	
11		L33Z	11	L33Z		11	L33Z	
17		R01A, R01B, R01C, R01D, R02Z, R12A, R12B, R12C	09	J26Z		17	R01A, R01B, R01C, R01D, R02Z, R12A, R12B, R12C	
21A		W04A, W04B	11	L33Z		17	R01A, R01B, R01C, R01D, R02Z, R12A, R12B, R12C	
21B		X06A, X06B, X06C, X33Z	17	R01A, R01B, R01C, R01D, R02Z, R12A, R12B, R12C		21A	W04A, W04B	
23		Z01A	21A	W04A, W04B		21B	X06A, X06B, X06C, X33Z	
Pre		A07A	21B	X06A, X06B, X06C, X33Z		23	Z01A	
Pre		A07A	23	Z01A		Pre	A07A	
Pre	A07A	Pre	A07A	Pre	A07A			
5t641.2		BOP, KOP, KOPV, KVT, UOP4, VIAL	5t641.6		BOP, KOP, KOPV, KVT, UOP4, VIAL	5t642.4		BOP, KOP, KOPV, KVT, UOP4, VIAL
	01	B03A, B03B, B18Z		01	B02A, B02B, B02C, B02D, B20A, B20B, B20C, B20D, B20E, B39A, B39B		01	B03A, B03B, B18Z
	06	G33Z		06	G33Z		06	G33Z
	07	H33Z, H38Z		07	H33Z, H38Z		07	H33Z, H38Z
	08	I06A, I06B, I06C, I06D, I06E, I08A, I08B, I08C, I08D, I08E, I08F, I09A, I09B, I09C, I09D, I09E		08	I06A, I06B, I06C, I08A, I08B, I08C, I08D, I08E, I08F		08	I06A, I06B, I06C, I06D, I06E, I08A, I08B, I08C, I08D, I08E, I08F, I09A, I09B, I09C, I09D, I09E
	09	J26Z		09	J26Z		09	J26Z
	11	L33Z		07	H33Z, H38Z		11	L33Z
	17	R01A, R01B, R01C, R01D, R02Z, R12A, R12B, R12C		08	I06A, I06B, I06C, I08A, I08B, I08C, I08D, I08E, I08F		17	R01A, R01B, R01C, R01D, R02Z, R12A, R12B, R12C
	21A	W04A, W04B		09	J26Z		17	R01A, R01B, R01C, R01D, R02Z, R12A, R12B, R12C
	21B	X06A, X06B, X06C, X33Z		11	L33Z		21A	W04A, W04B
	23	Z01A		17	R01A, R01B, R01C, R01D, R02Z, R12A, R12B, R12C		21B	X06A, X06B, X06C, X33Z
	Pre	A07A		21A	W04A, W04B		23	Z01A
	Pre	A07A		21B	X06A, X06B, X06C, X33Z		Pre	A07A
Pre	A07A	23	Z01A	Pre	A07A			
Pre	A07A	Pre	A07A	Pre	A07A			
5t641.3		BOP, KOP, KOPV, KVT, UOP4, VIAL	5t642.1		BOP, KOP, KOPV, KVT, UOP4, VIAL	5t642.5		BOP, KOP, KOPV, KVT, UOP4, VIAL
	01	B02A, B02B, B02C, B02D, B20A, B20B, B20C, B20D, B20E, B39A, B39B		01	B03A, B03B, B18Z		01	B03A, B03B, B18Z
	06	G33Z		06	G33Z		06	G33Z
	07	H33Z, H38Z		07	H33Z, H38Z		07	H33Z, H38Z
	08	I06A, I06B, I06C, I06D, I06E, I08A, I08B, I08C, I08D, I08E, I08F, I09A, I09B, I09C, I09D		08	I06A, I06B, I06C, I06D, I06E, I08A, I08B, I08C, I08D, I08E, I08F, I09A, I09B, I09C, I09D, I09E		08	I06A, I06B, I06C, I06D, I06E, I08A, I08B, I08C, I08D, I08E, I08F, I09A, I09B, I09C, I09D, I09E
	09	J26Z		09	J26Z		09	J26Z
	11	L33Z		09	J26Z		11	L33Z
	17	R01A, R01B, R01C, R01D, R02Z, R12A, R12B, R12C		11	L33Z		17	R01A, R01B, R01C, R01D, R02Z, R12A, R12B, R12C
	21A	W04A, W04B		17	R01A, R01B, R01C, R01D, R02Z, R12A, R12B, R12C		21A	W04A, W04B
	21B	X06A, X06B, X06C, X33Z		21A	W04A, W04B		21B	X06A, X06B, X06C, X33Z
	23	Z01A		21B	X06A, X06B, X06C, X33Z		23	Z01A
	Pre	A07A		23	Z01A		Pre	A07A
	Pre	A07A		Pre	A07A		Pre	A07A

VYK

ZZV	MDC	DRG	ZZV	MDC	DRG	ZZV	MDC	DRG			
5t642.6		BOP, KOP, KOPV, KVT, UOP4, VIAL	5t643.4		BOP, KOP, KOPV, KVT, UOP4, VIAL	5t64x		BOP, KOP, KOPV, KVT, UOP4, VIAL			
	01	B03A, B03B, B18Z		01	B02A, B02B, B02C, B02D, B20A, B20B, B20C, B20D, B20E, B39A, B39B		01	B03A, B03B, B18Z			
	06	G33Z		06	G33Z		06	G33Z			
	07	H33Z, H38Z		07	H33Z, H38Z		07	H33Z, H38Z			
	08	I06A, I06B, I06C, I06D, I06E, I08A, I08B, I08C, I08D, I08E, I08F, I09A, I09B, I09C, I09D, I09E		08	I06A, I06B, I06C, I06D, I06E, I08A, I08B, I08C, I08D, I08E, I08F, I09A, I09B, I09C, I09D		08	I06A, I06B, I06C, I06D, I06E, I08A, I08B, I08C, I08D, I08E, I08F, I09A, I09B, I09C, I09D, I09E			
	09	J26Z		09	J26Z		09	J26Z			
	11	L33Z		11	L33Z		11	L33Z			
	17	R01A, R01B, R01C, R01D, R02Z, R12A, R12B, R12C		17	R01A, R01B, R01C, R01D, R02Z, R12A, R12B, R12C		17	R01A, R01B, R01C, R01D, R02Z, R12A, R12B, R12C			
	21A	W04A, W04B		21A	W04A, W04B		21A	W04A, W04B			
	21B	X06A, X06B, X06C, X33Z		21B	X06A, X06B, X06C, X33Z		21B	X06A, X06B, X06C			
	23	Z01A		23	Z01A		23	Z01A			
	Pre	A07A		Pre	A07A		Pre	A07A			
	5t643.1			BOP, KOP, KOPV, KVT, UOP4, VIAL	5t643.5			BOP, KOP, KOPV, KVT, UOP4, VIAL	5t650.1		BOP, KOP, KOPV, KVT, UOP4, VIAL
		01		B03A, B03B, B18Z			01	B02A, B02B, B02C, B02D, B20A, B20B, B20C, B20D, B20E, B39A, B39B		01	B03A, B03B, B18Z
		06		G33Z			06	G33Z		06	G33Z
		07		H33Z, H38Z			07	H33Z, H38Z		07	H33Z, H38Z
		08		I06A, I06B, I06C, I06D, I06E, I08A, I08B, I08C, I08D, I08E, I08F, I09A, I09B, I09C, I09D, I09E			08	I06A, I06B, I06C, I06D, I06E, I08A, I08B, I08C, I08D, I08E, I08F, I09A, I09B, I09C, I09D		08	I06A, I06B, I06C, I06D, I06E, I08A, I08B, I08C, I08D, I08E, I08F, I09A, I09B, I09C, I09D
09		J26Z	09	J26Z		09	J26Z				
11		L33Z	11	L33Z		11	L33Z				
17		R01A, R01B, R01C, R01D, R02Z, R12A, R12B, R12C	17	R01A, R01B, R01C, R01D, R02Z, R12A, R12B, R12C		17	R01A, R01B, R01C, R01D, R02Z, R12A, R12B, R12C				
21A		W04A, W04B	21A	W04A, W04B		21A	W04A, W04B				
21B		X06A, X06B, X06C, X33Z	21B	X06A, X06B, X06C, X33Z		21B	X06A, X06B, X06C, X33Z				
23		Z01A	23	Z01A		23	Z01A				
Pre		A07A	Pre	A07A		Pre	A07A				
5t643.2			BOP, KOP, KOPV, KVT, UOP4, VIAL	5t643.6			BOP, KOP, KOPV, KVT, UOP4, VIAL	5t650.2			BOP, KOP, KOPV, KVT, UOP4, VIAL
		01	B03A, B03B, B18Z			01	B02A, B02B, B02C, B02D, B20A, B20B, B20C, B20D, B20E, B39A, B39B			01	B03A, B03B, B18Z
		06	G33Z			06	G33Z			06	G33Z
		07	H33Z, H38Z			07	H33Z, H38Z			07	H33Z, H38Z
		08	I06A, I06B, I06C, I06D, I06E, I08A, I08B, I08C, I08D, I08E, I08F, I09A, I09B, I09C, I09D, I09E			08	I06A, I06B, I06C, I06D, I06E, I08A, I08B, I08C, I08D, I08E, I08F, I09A, I09B, I09C, I09D			08	I06A, I06B, I06C, I06D, I06E, I08A, I08B, I08C, I08D, I08E, I08F, I09A, I09B, I09C, I09D
	09	J26Z	09		J26Z	09	J26Z				
	11	L33Z	11		L33Z	11	L33Z				
	17	R01A, R01B, R01C, R01D, R02Z, R12A, R12B, R12C	17		R01A, R01B, R01C, R01D, R02Z, R12A, R12B, R12C	17	R01A, R01B, R01C, R01D, R02Z, R12A, R12B, R12C				
	21A	W04A, W04B	21A		W04A, W04B	21A	W04A, W04B				
	21B	X06A, X06B, X06C, X33Z	21B		X06A, X06B, X06C, X33Z	21B	X06A, X06B, X06C, X33Z				
	23	Z01A	23		Z01A	23	Z01A				
	Pre	A07A	Pre		A07A	Pre	A07A				
	5t643.3		BOP, KOP, KOPV, KVT, UOP4, VIAL				BOP, KOP, KOPV, KVT, UOP4, VIAL		5t650.3		BOP, KOP, KOPV, KVT, UOP4, VIAL
		01	B02A, B02B, B02C, B02D, B20A, B20B, B20C, B20D, B20E, B39A, B39B			01	B02A, B02B, B02C, B02D, B20A, B20B, B20C, B20D, B20E, B39A, B39B			01	B03A, B03B, B18Z
		06	G33Z			06	G33Z			06	G33Z
		07	H33Z, H38Z			07	H33Z, H38Z			07	H33Z, H38Z
		08	I06A, I06B, I06C, I06D, I06E, I08A, I08B, I08C, I08D, I08E, I08F, I09A, I09B, I09C, I09D			08	I06A, I06B, I06C, I06D, I06E, I08A, I08B, I08C, I08D, I08E, I08F, I09A, I09B, I09C, I09D			08	I06A, I06B, I06C, I06D, I06E, I08A, I08B, I08C, I08D, I08E, I08F, I09A, I09B, I09C, I09D
09		J26Z	09	J26Z		09	J26Z				
11		L33Z	11	L33Z		11	L33Z				
17		R01A, R01B, R01C, R01D, R02Z, R12A, R12B, R12C	17	R01A, R01B, R01C, R01D, R02Z, R12A, R12B, R12C		17	R01A, R01B, R01C, R01D, R02Z, R12A, R12B, R12C				
21A		W04A, W04B	21A	W04A, W04B		21A	W04A, W04B				
21B		X06A, X06B, X06C, X33Z	21B	X06A, X06B, X06C, X33Z		21B	X06A, X06B, X06C, X33Z				
23		Z01A	23	Z01A		23	Z01A				
Pre		A07A	Pre	A07A		Pre	A07A				

ZZV	MDC	DRG	ZZV	MDC	DRG	ZZV	MDC	DRG			
5t650.4		BOP, KOP, KOPV, KVT, UOP4, VIAL	5t651.4		BOP, KOP, KOPV, KVT, UOP4, VIAL	5t655		BOP, KOP, KOPV, KVT, UOP4, VIAL			
	01	B03A, B03B, B18Z		01	B03A, B03B, B18Z		01	B02A, B02B, B02C, B02D, B20A, B20B, B20C, B20D, B20E, B39A, B39B			
	06	G33Z		06	G33Z		06	G33Z			
	07	H33Z, H38Z		07	H33Z, H38Z		07	H33Z, H38Z			
	08	I06A, I06B, I06C, I06D, I06E, I08A, I08B, I08C, I08D, I08E, I08F, I09A, I09B, I09C, I09D		08	I06A, I06B, I06C, I06D, I06E, I08A, I08B, I08C, I08D, I08E, I08F, I09A, I09B, I09C, I09D		08	I06A, I06B, I06C, I06D, I06E, I08A, I08B, I08C, I08D, I08E, I08F, I09A, I09B, I09C, I09D, I09E			
	09	J26Z		09	J26Z		09	J26Z			
	11	L33Z		11	L33Z		11	L33Z			
	21A	W04A, W04B		21A	W04A, W04B		21A	W04A, W04B			
	21B	X06A, X06B, X06C, X33Z		21B	X06A, X06B, X06C, X33Z		21B	X06A, X06B, X06C, X33Z			
	23	Z01A		23	Z01A		23	Z01A			
	Pre	A07A		Pre	A07A		Pre	A07A			
	5t650.5			BOP, KOP, KOPV, KVT, UOP4, VIAL	5t651.5			BOP, KOP, KOPV, KVT, UOP4, VIAL	5t656		BOP, KOP, KOPV, KVT, UOP4, VIAL
		01		B03A, B03B, B18Z			01	B03A, B03B, B18Z		01	B02A, B02B, B02C, B02D, B20A, B20B, B20C, B20D, B20E, B39A, B39B
06		G33Z	06	G33Z		06	G33Z				
07		H33Z, H38Z	07	H33Z, H38Z		07	H33Z, H38Z				
08		I06A, I06B, I06C, I06D, I06E, I08A, I08B, I08C, I08D, I08E, I08F, I09A, I09B, I09C, I09D	08	I06A, I06B, I06C, I06D, I06E, I08A, I08B, I08C, I08D, I08E, I08F, I09A, I09B, I09C, I09D		08	I06A, I06B, I06C, I06D, I06E, I08A, I08B, I08C, I08D, I08E, I08F				
09		J26Z	09	J26Z		09	J26Z				
11		L33Z	11	L33Z		11	L33Z				
21A		W04A, W04B	21A	W04A, W04B		21A	W04A, W04B				
21B		X06A, X06B, X06C, X33Z	21B	X06A, X06B, X06C, X33Z		21B	X06A, X06B, X06C, X33Z				
23		Z01A	23	Z01A		23	Z01A				
Pre		A07A	Pre	A07A		Pre	A07A				
5t651.1			BOP, KOP, KOPV, KVT, UOP4, VIAL	5t652			BOP, KOP, KOPV, KVT, UOP4, VIAL	5t657			BOP, KOP, KOPV, KVT, UOP4, VIAL
		01	B03A, B03B, B18Z			01	B03A, B03B, B18Z			01	B02A, B02B, B02C, B02D, B20A, B20B, B20C, B20D, B20E, B39A, B39B
	06	G33Z	06		G33Z	06	G33Z				
	07	H33Z, H38Z	07		H33Z, H38Z	07	H33Z, H38Z				
	08	I06A, I06B, I06C, I06D, I06E, I08A, I08B, I08C, I08D, I08E, I08F, I09A, I09B, I09C, I09D	08		I06A, I06B, I06C, I06D, I06E, I08A, I08B, I08C, I08D, I08E, I08F, I09A, I09B, I09C, I09D	08	I06A, I06B, I06C, I06D, I06E, I08A, I08B, I08C, I08D, I08E, I08F, I09A, I09B, I09C, I09D				
	09	J26Z	09		J26Z	09	J26Z				
	11	L33Z	11		L33Z	11	L33Z				
	21A	W04A, W04B	21A		W04A, W04B	21A	W04A, W04B				
	21B	X06A, X06B, X06C, X33Z	21B		X06A, X06B, X06C, X33Z	21B	X06A, X06B, X06C, X33Z				
	23	Z01A	23		Z01A	23	Z01A				
	Pre	A07A	Pre		A07A	Pre	A07A				
	5t651.2		BOP, KOP, KOPV, KVT, UOP4, VIAL		5t653		BOP, KOP, KOPV, KVT, UOP4, VIAL		5t658		BOP, KOP, KOPV, KVT, UOP4, VIAL
		01	B03A, B03B, B18Z			01	B03A, B03B, B18Z			01	B03A, B03B, B18Z
06		G33Z	06	G33Z		06	G33Z				
07		H33Z, H38Z	07	H33Z, H38Z		07	H33Z, H38Z				
08		I06A, I06B, I06C, I06D, I06E, I08A, I08B, I08C, I08D, I08E, I08F, I09A, I09B, I09C, I09D	08	I06A, I06B, I06C, I06D, I06E, I08A, I08B, I08C, I08D, I08E, I08F, I09A, I09B, I09C, I09D		08	I06A, I06B, I06C, I06D, I06E, I08A, I08B, I08C, I08D, I08E, I08F, I09A, I09B, I09C, I09D				
09		J26Z	09	J26Z		09	J26Z				
11		L33Z	11	L33Z		11	L33Z				
21A		W04A, W04B	21A	W04A, W04B		21A	W04A, W04B				
21B		X06A, X06B, X06C, X33Z	21B	X06A, X06B, X06C, X33Z		21B	X06A, X06B, X06C, X33Z				
23		Z01A	23	Z01A		23	Z01A				
Pre		A07A	Pre	A07A		Pre	A07A				
5t651.3			BOP, KOP, KOPV, KVT, UOP4, VIAL	5t654			BOP, KOP, KOPV, KVT, UOP4, VIAL				
		01	B03A, B03B, B18Z			01	B03A, B03B, B18Z			01	B03A, B03B, B18Z
	06	G33Z	06		G33Z	06	G33Z				
	07	H33Z, H38Z	07		H33Z, H38Z	07	H33Z, H38Z				
	08	I06A, I06B, I06C, I06D, I06E, I08A, I08B, I08C, I08D, I08E, I08F, I09A, I09B, I09C, I09D	08		I06A, I06B, I06C, I06D, I06E, I08A, I08B, I08C, I08D, I08E, I08F	08	I06A, I06B, I06C, I06D, I06E, I08A, I08B, I08C, I08D, I08E, I08F				
	09	J26Z	09		J26Z	09	J26Z				
	11	L33Z	11		L33Z	11	L33Z				
	21A	W04A, W04B	21A		W04A, W04B	21A	W04A, W04B				
	21B	X06A, X06B, X06C, X33Z	21B		X06A, X06B, X06C, X33Z	21B	X06A, X06B, X06C, X33Z				
	23	Z01A	23		Z01A	23	Z01A				
	Pre	A07A	Pre		A07A	Pre	A07A				

VYK

ZZV	MDC	DRG	ZZV	MDC	DRG	ZZV	MDC	DRG			
5t659		BOP, KOP, KOPV, KVT, UOP4, VIAL	5t65e.1		BOP, KOP, KOPV, KVT, UOP4, VIAL	5t65e.6		BOP, KOP, KOPV, KVT, UOP4, VIAL			
	01	B03A, B03B, B18Z		01	B03A, B03B, B18Z		01	B03A, B03B, B18Z			
	06	G33Z		06	G33Z		06	G33Z			
	07	H33Z, H38Z		07	H33Z, H38Z		07	H33Z, H38Z			
	08	I06A, I06B, I06C, I06D, I06E, I08A, I08B, I08C, I08D, I08E, I08F, I09A, I09B, I09C, I09D		08	I06A, I06B, I06C, I06D, I06E, I08A, I08B, I08C, I08D, I08E, I08F, I09A, I09B, I09C, I09D, I09E		08	I06A, I06B, I06C, I06D, I06E, I08A, I08B, I08C, I08D, I08E, I08F, I09A, I09B, I09C, I09D, I09E			
	09	J26Z		09	J26Z		09	J26Z			
	11	L33Z		11	L33Z		11	L33Z			
	21A	W04A, W04B		21A	W04A, W04B		21A	W04A, W04B			
	21B	X06A, X06B, X06C, X33Z		21B	X06A, X06B, X06C		21B	X06A, X06B, X06C			
	23	Z01A		23	Z01A		23	Z01A			
	Pre	A07A		Pre	A07A		Pre	A07A			
	5t65a			BOP, KOP, KOPV, KVT, UOP4, VIAL	5t65e.2			BOP, KOP, KOPV, KVT, UOP4, VIAL	5t65e.7		BOP, KOP, KOPV, KVT, UOP4, VIAL
		01		B03A, B03B, B18Z			01	B03A, B03B, B18Z		01	B03A, B03B, B18Z
06		G33Z	06	G33Z		06	G33Z				
07		H33Z, H38Z	07	H33Z, H38Z		07	H33Z, H38Z				
08		I06A, I06B, I06C, I06D, I06E, I08A, I08B, I08C, I08D, I08E, I08F, I09A, I09B, I09C, I09D	08	I06A, I06B, I06C, I06D, I06E, I08A, I08B, I08C, I08D, I08E, I08F, I09A, I09B, I09C, I09D, I09E		08	I06A, I06B, I06C, I06D, I06E, I08A, I08B, I08C, I08D, I08E, I08F, I09A, I09B, I09C, I09D, I09E				
09		J26Z	09	J26Z		09	J26Z				
11		L33Z	11	L33Z		11	L33Z				
21A		W04A, W04B	21A	W04A, W04B		21A	W04A, W04B				
21B		X06A, X06B, X06C, X33Z	21B	X06A, X06B, X06C		21B	X06A, X06B, X06C				
23		Z01A	23	Z01A		23	Z01A				
Pre		A07A	Pre	A07A		Pre	A07A				
5t65b			BOP, KVT, UOP4, VIAL	5t65e.3			BOP, KOP, KOPV, KVT, UOP4, VIAL	5t65e.8			BOP, KOP, KOPV, KVT, UOP4, VIAL
		08	I08A, I08B, I08C, I08D, I08E, I08F, I28A, I28B			01	B03A, B03B, B18Z			01	B03A, B03B, B18Z
	09	J26Z	06		G33Z	06	G33Z				
	21A	W04A, W04B	07		H33Z, H38Z	07	H33Z, H38Z				
	21B	X06A, X06B, X06C	08		I06A, I06B, I06C, I06D, I06E, I08A, I08B, I08C, I08D, I08E, I08F, I09A, I09B, I09C, I09D, I09E	08	I06A, I06B, I06C, I06D, I06E, I08A, I08B, I08C, I08D, I08E, I08F, I09A, I09B, I09C, I09D, I09E				
			09		J26Z	09	J26Z				
5t65c		BOP, KOP, KOPV, KVT, UOP4, VIAL	5t65e.4		BOP, KOP, KOPV, KVT, UOP4, VIAL	5t65e.9		BOP, KOP, KOPV, KVT, UOP4, VIAL			
	01	B03A, B03B, B18Z		01	B03A, B03B, B18Z		01	B03A, B03B, B18Z			
	06	G33Z		06	G33Z		06	G33Z			
	07	H33Z, H38Z		07	H33Z, H38Z		07	H33Z, H38Z			
	08	I06A, I06B, I06C, I06D, I06E, I08A, I08B, I08C, I08D, I08E, I08F, I09A, I09B, I09C, I09D, I09E		08	I06A, I06B, I06C, I06D, I06E, I08A, I08B, I08C, I08D, I08E, I08F, I09A, I09B, I09C, I09D, I09E		08	I06A, I06B, I06C, I06D, I06E, I08A, I08B, I08C, I08D, I08E, I08F, I09A, I09B, I09C, I09D, I09E			
	09	J26Z		09	J26Z		09	J26Z			
	11	L33Z		11	L33Z		11	L33Z			
	21A	W04A, W04B		21A	W04A, W04B		21A	W04A, W04B			
	21B	X06A, X06B, X06C, X33Z		21B	X06A, X06B, X06C		21B	X06A, X06B, X06C			
	23	Z01A		23	Z01A		23	Z01A			
	Pre	A07A		Pre	A07A		Pre	A07A			
	5t65d			BOP, KOP, KOPV, KVT, UOP4, VIAL	5t65e.5			BOP, KOP, KOPV, KVT, UOP4, VIAL	5t65e.a		BOP, KOP, KOPV, KVT, UOP4, VIAL
		01		B03A, B03B, B18Z			01	B03A, B03B, B18Z		01	B03A, B03B, B18Z
06		G33Z	06	G33Z		06	G33Z				
07		H33Z, H38Z	07	H33Z, H38Z		07	H33Z, H38Z				
08		I06A, I06B, I06C, I06D, I06E, I08A, I08B, I08C, I08D, I08E, I08F, I09A, I09B, I09C, I09D, I09E	08	I06A, I06B, I06C, I06D, I06E, I08A, I08B, I08C, I08D, I08E, I08F, I09A, I09B, I09C, I09D, I09E		08	I06A, I06B, I06C, I06D, I06E, I08A, I08B, I08C, I08D, I08E, I08F, I09A, I09B, I09C, I09D, I09E				
09		J26Z	09	J26Z		09	J26Z				
11		L33Z	11	L33Z		11	L33Z				
21A		W04A, W04B	21A	W04A, W04B		21A	W04A, W04B				
21B		X06A, X06B, X06C, X33Z	21B	X06A, X06B, X06C		21B	X06A, X06B, X06C				
23		Z01A	23	Z01A		23	Z01A				
Pre		A07A	Pre	A07A		Pre	A07A				

VYK

ZZV	MDC	DRG	ZZV	MDC	DRG	ZZV	MDC	DRG
5t65e.b		BOP, KOP, KOPV, KVT, UOP4, VIAL	5t65g.a0		BOP, KOP, KOPV, KVT, UOP4, VIAL	5t65g.c1		BOP, KOP, KOPV, KVT, UOP4, VIAL
	01	B03A, B03B, B18Z		01	B03A, B03B, B18Z		01	B03A, B03B, B18Z
	06	G33Z		06	G33Z		06	G33Z
	07	H33Z, H38Z		07	H33Z, H38Z		07	H33Z, H38Z
	08	I06A, I06B, I06C, I06D, I06E, I08A, I08B, I08C, I08D, I08E, I08F, I09A, I09B, I09C, I09D, I09E		08	I06A, I06B, I06C, I06D, I06E, I08A, I08B, I08C, I08D, I08E, I08F, I09A, I09B, I09C, I09D		08	I06A, I06B, I06C, I06D, I06E, I08A, I08B, I08C, I08D, I08E, I08F, I09A, I09B, I09C, I09D
	09	J26Z		09	J26Z		09	J26Z
	11	L33Z		11	L33Z		11	L33Z
	21A	W04A, W04B		21A	W04A, W04B		21A	W04A, W04B
	21B	X06A, X06B, X06C		21B	X06A, X06B, X06C, X33Z		21B	X06A, X06B, X06C, X33Z
	23	Z01A		23	Z01A		23	Z01A
	Pre	A07A		Pre	A07A		Pre	A07A
5t65e.c		BOP, KOP, KOPV, KVT, UOP4, VIAL	5t65g.a1		BOP, KOP, KOPV, KVT, UOP4, VIAL	5t65h.a0		BOP, KOP, KOPV, KVT, UOP4, VIAL
	01	B03A, B03B, B18Z		01	B03A, B03B, B18Z		01	B03A, B03B, B18Z
	06	G33Z		06	G33Z		06	G33Z
	07	H33Z, H38Z		07	H33Z, H38Z		07	H33Z, H38Z
	08	I06A, I06B, I06C, I06D, I06E, I08A, I08B, I08C, I08D, I08E, I08F, I09A, I09B, I09C, I09D, I09E		08	I06A, I06B, I06C, I06D, I06E, I08A, I08B, I08C, I08D, I08E, I08F, I09A, I09B, I09C, I09D		08	I06A, I06B, I06C, I06D, I06E, I08A, I08B, I08C, I08D, I08E, I08F, I09A, I09B, I09C, I09D, I09E
	09	J26Z		09	J26Z		09	J26Z
	11	L33Z		11	L33Z		11	L33Z
	21A	W04A, W04B		21A	W04A, W04B		21A	W04A, W04B
	21B	X06A, X06B, X06C		21B	X06A, X06B, X06C, X33Z		21B	X06A, X06B, X06C, X33Z
	23	Z01A		23	Z01A		23	Z01A
	Pre	A07A		Pre	A07A		Pre	A07A
5t65e.d		BOP, KOP, KOPV, KVT, UOP4, VIAL	5t65g.b0		BOP, KOP, KOPV, KVT, UOP4, VIAL	5t65h.a1		BOP, KOP, KOPV, KVT, UOP4, VIAL
	01	B03A, B03B, B18Z		01	B03A, B03B, B18Z		01	B03A, B03B, B18Z
	06	G33Z		06	G33Z		06	G33Z
	07	H33Z, H38Z		07	H33Z, H38Z		07	H33Z, H38Z
	08	I06A, I06B, I06C, I06D, I06E, I08A, I08B, I08C, I08D, I08E, I08F, I09A, I09B, I09C, I09D, I09E		08	I06A, I06B, I06C, I06D, I06E, I08A, I08B, I08C, I08D, I08E, I08F, I09A, I09B, I09C, I09D		08	I06A, I06B, I06C, I06D, I06E, I08A, I08B, I08C, I08D, I08E, I08F, I09A, I09B, I09C, I09D, I09E
	09	J26Z		09	J26Z		09	J26Z
	11	L33Z		11	L33Z		11	L33Z
	21A	W04A, W04B		21A	W04A, W04B		21A	W04A, W04B
	21B	X06A, X06B, X06C		21B	X06A, X06B, X06C, X33Z		21B	X06A, X06B, X06C, X33Z
	23	Z01A		23	Z01A		23	Z01A
	Pre	A07A		Pre	A07A		Pre	A07A
5t65f		BOP, KOP, KOPV, KVT, UOP4, VIAL	5t65g.b1		BOP, KOP, KOPV, KVT, UOP4, VIAL	5t65h.b0		BOP, KOP, KOPV, KVT, UOP4, VIAL
	01	B03A, B03B, B18Z		01	B03A, B03B, B18Z		01	B03A, B03B, B18Z
	06	G33Z		06	G33Z		06	G33Z
	07	H33Z, H38Z		07	H33Z, H38Z		07	H33Z, H38Z
	08	I06A, I06B, I06C, I06D, I06E, I08A, I08B, I08C, I08D, I08E, I08F, I09A, I09B, I09C, I09D, I09E		08	I06A, I06B, I06C, I06D, I06E, I08A, I08B, I08C, I08D, I08E, I08F, I09A, I09B, I09C, I09D		08	I06A, I06B, I06C, I06D, I06E, I08A, I08B, I08C, I08D, I08E, I08F, I09A, I09B, I09C, I09D, I09E
	09	J26Z		09	J26Z		09	J26Z
	11	L33Z		11	L33Z		11	L33Z
	21A	W04A, W04B		21A	W04A, W04B		09	J26Z
	21B	X06A, X06B, X06C, X33Z		21B	X06A, X06B, X06C, X33Z		11	L33Z
	23	Z01A		23	Z01A		21A	W04A, W04B
	Pre	A07A		Pre	A07A		21B	X06A, X06B, X06C, X33Z
		5t65g.c0						
			01	B03A, B03B, B18Z	Pre	A07A		
			06	G33Z				
			07	H33Z, H38Z				
			08	I06A, I06B, I06C, I06D, I06E, I08A, I08B, I08C, I08D, I08E, I08F, I09A, I09B, I09C, I09D				
			09	J26Z				
			11	L33Z				
			21A	W04A, W04B				
			21B	X06A, X06B, X06C, X33Z				
			23	Z01A				
			Pre	A07A				

VYK

ZZV	MDC	DRG	ZZV	MDC	DRG	ZZV	MDC	DRG
5t664.4	01	B03A, B03B, B18Z	5t666.2	01	B03A, B03B, B18Z	5t667.4	01	B03A, B03B, B18Z
	08	I06A, I08A, I08B, I08C, I08D, I08E, I08F, I09A, I10A, I10B, I10C, I10D, I10E		08	I06A, I08A, I08B, I08C, I08D, I08E, I08F, I09A, I10A, I10B, I10C, I10D, I10E		08	I06A, I06B, I06C, I06D, I06E, I08A, I08B, I08C, I08D, I08E, I08F, I09A, I09B, I09C, I09D, I09E, I10A, I10B, I10C, I10D, I10E
	09	J26Z		09	J26Z		09	J26Z
	17	R01A, R01B, R01C, R01D, R02Z, R12A, R12B, R12C		17	R01A, R01B, R01C, R01D, R02Z, R12A, R12B, R12C		09	J26Z
	21A	W01A, W01B, W01C, W02A, W02B		21A	W01A, W01B, W01C, W02A, W02B		21A	W01A, W01B, W01C, W02A, W02B
5t665.1	21B	X06A, X06B, X06C	5t666.3	21B	X06A, X06B, X06C	5t668.1	21B	X06A, X06B, X06C, X33Z
	Pre	B61A		Pre	B61A		01	B03A, B03B, B18Z
	01	B03A, B03B, B18Z		01	B03A, B03B, B18Z		08	I06A, I06B, I06C, I06D, I06E, I08A, I08B, I08C, I08D, I08E, I08F, I09A, I09B, I09C, I09D, I10A, I10B, I10C, I10D, I10E
	08	I06A, I08A, I08B, I08C, I08D, I08E, I08F, I09A, I10A, I10B, I10C, I10D, I10E		08	I06A, I08A, I08B, I08C, I08D, I08E, I08F, I09A, I10A, I10B, I10C, I10D, I10E		09	J26Z
	09	J26Z		09	J26Z		17	R01A, R01B, R01C, R01D, R02Z, R12A, R12B, R12C
5t665.2	17	R01A, R01B, R01C, R01D, R02Z, R12A, R12B, R12C	5t666.4	17	R01A, R01B, R01C, R01D, R02Z, R12A, R12B, R12C	5t668.2	17	R01A, R01B, R01C, R01D, R02Z, R12A, R12B, R12C
	21A	W01A, W01B, W01C, W02A, W02B		21A	W01A, W01B, W01C, W02A, W02B		21A	W01A, W01B, W01C, W02A, W02B
	21B	X06A, X06B, X06C		21B	X06A, X06B, X06C		21B	X06A, X06B, X06C
	Pre	B61A		Pre	B61A		Pre	B61A
	01	B03A, B03B, B18Z		01	B03A, B03B, B18Z		01	B03A, B03B, B18Z
5t665.3	08	I06A, I08A, I08B, I08C, I08D, I08E, I08F, I09A, I10A, I10B, I10C, I10D, I10E	5t667.1	08	I06A, I08A, I08B, I08C, I08D, I08E, I08F, I09A, I10A, I10B, I10C, I10D, I10E	5t668.3	08	I06A, I06B, I06C, I06D, I06E, I08A, I08B, I08C, I08D, I08E, I08F, I09A, I09B, I09C, I09D, I09E, I10A, I10B, I10C, I10D, I10E
	09	J26Z		09	J26Z		09	J26Z
	17	R01A, R01B, R01C, R01D, R02Z, R12A, R12B, R12C		17	R01A, R01B, R01C, R01D, R02Z, R12A, R12B, R12C		17	R01A, R01B, R01C, R01D, R02Z, R12A, R12B, R12C
	21A	W01A, W01B, W01C, W02A, W02B		21A	W01A, W01B, W01C, W02A, W02B		21A	W01A, W01B, W01C, W02A, W02B
	21B	X06A, X06B, X06C		21B	X06A, X06B, X06C		21B	X06A, X06B, X06C
5t665.4	Pre	B61A	5t667.2	Pre	B61A	5t668.4	Pre	B61A
	01	B03A, B03B, B18Z		01	B03A, B03B, B18Z		01	B03A, B03B, B18Z
	08	I06A, I08A, I08B, I08C, I08D, I08E, I08F, I09A, I10A, I10B, I10C, I10D, I10E		08	I06A, I06B, I06C, I06D, I06E, I08A, I08B, I08C, I08D, I08E, I08F, I09A, I09B, I09C, I09D, I09E, I10A, I10B, I10C, I10D, I10E		08	I06A, I06B, I06C, I06D, I06E, I08A, I08B, I08C, I08D, I08E, I08F, I09A, I09B, I09C, I09D, I10A, I10B, I10C, I10D, I10E
	09	J26Z		09	J26Z		09	J26Z
	17	R01A, R01B, R01C, R01D, R02Z, R12A, R12B, R12C		17	R01A, R01B, R01C, R01D, R02Z, R12A, R12B, R12C		17	R01A, R01B, R01C, R01D, R02Z, R12A, R12B, R12C
5t666.1	21A	W01A, W01B, W01C, W02A, W02B	5t667.3	21A	W01A, W01B, W01C, W02A, W02B	5t66x.1	21A	W01A, W01B, W01C, W02A, W02B
	21B	X06A, X06B, X06C		21B	X06A, X06B, X06C, X33Z		21B	X06A, X06B, X06C
	Pre	B61A		01	B03A, B03B, B18Z		Pre	B61A
	01	B03A, B03B, B18Z		08	I06A, I06B, I06C, I06D, I06E, I08A, I08B, I08C, I08D, I08E, I08F, I09A, I09B, I09C, I09D, I09E, I10A, I10B, I10C, I10D, I10E		01	B03A, B03B, B18Z
	08	I06A, I08A, I08B, I08C, I08D, I08E, I08F, I09A, I10A, I10B, I10C, I10D, I10E		09	J26Z		08	I08A, I08B, I08C, I08D, I08E, I08F, I10A, I10B, I10C, I10D, I10E

VYK

ZZV	MDC	DRG	ZZV	MDC	DRG	ZZV	MDC	DRG
5t66x.2	01	B03A, B03B, B18Z	5t691.4		BOP, KVT, UOP4, VIAL	5t696.2		BOP, KVT, UOP4, VIAL
	08	I08A, I08B, I08C, I08D, I08E, I08F, I10A, I10B, I10C, I10D, I10E		01	B03A, B03B, B18Z		01	B03A, B03B, B18Z
	09	J26Z		08	I08A, I08B, I08C, I08D, I08E, I08F, I10C, I10D, I45A		08	I08A, I08B, I08C, I08D, I08E, I08F, I10A, I10B, I10C, I10D, I10E
	17	R01A, R01B, R01C, R01D, R02Z, R12A, R12B, R12C		09	J26Z		09	J26Z
	21A	W01A, W01B, W01C, W02A, W02B		11	L09A, L38Z		11	L09A, L38Z
5t66x.3	21B	X06A, X06B, X06C	5t692	21A	W04A, W04B	5t696.3	21A	W04A, W04B
	01	B03A, B03B, B18Z		21B	X06A, X06B, X06C		21B	X06A, X06B, X06C
	08	I08A, I08B, I08C, I08D, I08E, I08F, I10A, I10B, I10C, I10D, I10E		Pre	B61A		Pre	B61A
	09	J26Z		01	BOP, KVT, UOP4, VIAL		01	BOP, KVT, UOP4, VIAL
	17	R01A, R01B, R01C, R01D, R02Z, R12A, R12B, R12C		05	F13A		05	F13A
5t66x.4	21A	W01A, W01B, W01C, W02A, W02B	5t693	08	I08A, I08B, I08C, I08D, I08E, I08F, I10A, I10B, I10C, I10D, I10E	5t696.4	08	I08A, I08B, I08C, I08D, I08E, I08F, I10A, I10B, I10C, I10D, I10E
	21B	X06A, X06B, X06C		09	J26Z		09	J26Z
	01	B03A, B03B, B18Z		11	L09A, L38Z		11	L09A, L38Z
	08	I08A, I08B, I08C, I08D, I08E, I08F, I10A, I10B, I10C, I10D, I10E		17	R01A, R01B, R01C, R01D, R02Z, R12A, R12B, R12C		17	R01A, R01B, R01C, R01D, R02Z, R12A, R12B, R12C
	09	J26Z		21A	W04A, W04B		21A	W04A, W04B
5t690	21B	X06A, X06B, X06C	5t694	21B	X06A, X06B, X06C	5t697	21B	X06A, X06B, X06C
		BOP, KVT, UOP4, VIAL			BOP, KVT, UOP4, VIAL			BOP, KVT, UOP4, VIAL
	01	B03A, B03B, B18Z		01	B03A, B03B, B18Z		01	B03A, B03B, B18Z
	08	I08A, I08B, I08C, I08D, I08E, I08F, I10C, I10D, I12A, I12B, I12C, I23A		05	F13A		08	I06A, I06B, I06C, I08A, I08B, I08C, I08D, I08E, I08F, I10A, I10B, I10C, I10D, I10E
	09	J26Z		08	I08A, I08B, I08C, I08D, I08E, I08F, I10A, I10B, I10C, I10D, I10E		09	J26Z
5t691.1	11	L09A, L38Z	5t695	09	J26Z	5t698	09	J26Z
	21A	W04A, W04B		11	L09A, L38Z		11	L09A, L38Z
	21B	X06A, X06B, X06C		21A	W04A, W04B		21A	W04A, W04B
		BOP, KVT, UOP4, VIAL		21B	X06A, X06B, X06C		21B	X06A, X06B, X06C
	01	B03A, B03B, B18Z		Pre	B61A		Pre	B61A
5t691.2	08	I08A, I08B, I08C, I08D, I08E, I08F, I10C, I10D, I45A, I45B	5t696.1	01	BOP, KVT, UOP4, VIAL	5t699.1	01	BOP, KVT, UOP4, VIAL
	09	J26Z		05	F13A		01	B03A, B03B, B18Z
	11	L09A, L38Z		08	I08A, I08B, I08C, I08D, I08E, I08F, I09A, I09B, I09C, I09D, I09E, I10A, I10B, I10C, I10D, I10E		08	I08A, I08B, I08C, I08D, I08E, I08F, I10A, I10B, I10C, I10D, I10E
	21A	W04A, W04B		09	J26Z		09	J26Z
	21B	X06A, X06B, X06C		11	L09A, L38Z		11	L09A, L38Z
5t691.3	Pre	B61A	5t699.2	17	R01A, R01B, R01C, R01D, R02Z, R12A, R12B, R12C	5t699.2	17	R01A, R01B, R01C, R01D, R02Z, R12A, R12B, R12C
		BOP, KVT, UOP4, VIAL		21A	W04A, W04B		21A	W04A, W04B
	01	B03A, B03B, B18Z		21B	X06A, X06B, X06C		21B	X06A, X06B, X06C
	08	I08A, I08B, I08C, I08D, I08E, I08F, I10C, I10D, I45A		Pre	B61A		Pre	B61A
	09	J26Z		01	BOP, KVT, UOP4, VIAL		01	BOP, KVT, UOP4, VIAL
	BOP, KVT, UOP4, VIAL	08	I08A, I08B, I08C, I08D, I08E, I08F, I10A, I10B, I10C, I10D, I10E	08	I08A, I08B, I08C, I08D, I08E, I08F, I10A, I10B, I10C, I10D, I10E			
	B03A, B03B, B18Z	09	J26Z	11	L09A, L38Z	11	L09A, L38Z	
	I08A, I08B, I08C, I08D, I08E, I08F, I10C, I10D, I45A	11	L09A, L38Z	21A	W04A, W04B	21A	W04A, W04B	
	J26Z	21A	W04A, W04B	21B	X06A, X06B, X06C	21B	X06A, X06B, X06C	
	L09A, L38Z	Pre	B61A	Pre	B61A	Pre	B61A	
	L09A, L38Z	01	BOP, KVT, UOP4, VIAL	01	B03A, B03B, B18Z	01	B03A, B03B, B18Z	
	W04A, W04B	08	I08A, I08B, I08C, I08D, I08E, I08F, I10A, I10B, I10C, I10D, I10E	08	I08A, I08B, I08C, I08D, I08E, I08F, I10A, I10B, I10C, I10D, I10E	08	I08A, I08B, I08C, I08D, I08E, I08F, I10A, I10B, I10C, I10D, I10E	
	X06A, X06B, X06C	09	J26Z	11	L09A, L38Z	11	L09A, L38Z	
	B61A	11	L09A, L38Z	21A	W04A, W04B	21A	W04A, W04B	
		21A	W04A, W04B	21B	X06A, X06B, X06C	21B	X06A, X06B, X06C	
		Pre	B61A	Pre	B61A	Pre	B61A	

VYK

ZZV	MDC	DRG	ZZV	MDC	DRG	ZZV	MDC	DRG							
5t699.3		BOP, KVT, UOP4, VIAL	5t69c.2	08	BOP, KVT, UOP4	5t69x.1	01	BOP, KVT, UOP4, VIAL							
	01	B03A, B03B, B18Z		11	I10A, I10B, I10C, I10D, I10E, I10F		08	B03A, B03B, B18Z							
	08	I08A, I08B, I08C, I08D, I08E, I08F, I10A, I10B, I10C, I10D, I10E	5t69c.3	08	BOP, KVT, UOP4	5t69x.x	08	I08A, I08B, I08C, I08D, I08E, I08F, I10A, I10B, I10C, I10D, I10E							
	11	L09A, L38Z		11	I10A, I10B, I10C, I10D, I10E, I10F		21A	W04A, W04B							
	21A	W04A, W04B		11	L09A, L38Z	21B	X06A, X06B, X06C								
5t699.4	21B	X06A, X06B, X06C	5t69d.1	08	BOP, KVT, UOP4, VIAL	5t701.0↔	BOP, KVT, UOP4, VIAL								
	5t69a.1			BOP, KVT, UOP4, VIAL	01		B03A, B03B, B18Z	01	B03A, B03B, B18Z						
		01		B03A, B03B, B18Z	08		I08A, I08B, I08C, I08D, I08E, I08F, I10A, I10B, I10C, I10D, I10E	08	I08A, I08B, I08C, I08D, I08E, I08F, I10A, I10B, I10C, I10D, I10E						
		08		I08A, I08B, I08C, I08D, I08E, I08F, I09A, I09B, I09C, I09D, I09E	5t69d.2		11	L09A, L38Z	5t701.1↔	21A	W04A, W04B				
		11		L09A, L38Z			21A	W04A, W04B		21B	X06A, X06B, X06C				
21A		W04A, W04B	5t69d.3	21B		X06A, X06B, X06C	5t701.2↔	BOP, KVT, UOP4, VIAL							
21B	X06A, X06B, X06C	01		BOP, KVT, UOP4, VIAL	08	I32A, I32B, I32C, I32D, I32E, I32F									
5t69a.2	Pre	B61A		5t69e	01	B03A, B03B, B18Z		5t701.3↔	09	J03A, J03B, J04A, J04B, J08A, J08B, J08C, J11A, J11B, J16Z					
	5t69a.3				BOP, KVT, UOP4, VIAL	08			I08A, I08B, I08C, I08D, I08E, I08F, I10A, I10B, I10C, I10D, I10E	5t701.4↔	21A	W04A, W04B			
		01			B03A, B03B, B18Z	5t69f.1			11		L09A, L38Z	21B	X05A		
		08	I08A, I08B, I08C, I08D, I08E, I08F, I09A, I09B, I09C, I09D		21A		W04A, W04B		5t701.5↔	BOP, KVT, UOP4, VIAL					
		09	J26Z		21B		X06A, X06B, X06C			08	I32A, I32B, I32C, I32D, I32E, I32F				
11		L09A, L38Z	5t69f.2	BOP, KVT, UOP4, VIAL	5t701.6↔	09	J03A, J03B, J04A, J04B, J08A, J08B, J08C, J11A, J11B, J16Z								
21A	W04A, W04B	01		B03A, B03B, B18Z		21A	W04A, W04B								
21B	X06A, X06B, X06C	08		I08A, I08B, I08C, I08D, I08E, I08F, I10A, I10B, I10C, I10D, I10E		21B	X05A								
5t69a.4		BOP, KVT, UOP4, VIAL		5t69f.3		11	L09A, L38Z	5t701.6↔	BOP, KVT, UOP4, VIAL						
	01	B03A, B03B, B18Z				21A	W04A, W04B		08	I32A, I32B, I32C, I32D, I32E, I32F					
	08	I06A, I06B, I06C, I06D, I06E, I08A, I08B, I08C, I08D, I08E, I08F, I09A, I09B, I09C, I09D	21B		X06A, X06B, X06C	5t701.6↔	09		J03A, J03B, J04A, J04B, J08A, J08B, J08C, J11A, J11B, J16Z						
	09	J26Z	5t69g.1		BOP, KVT, UOP4, VIAL		21A		W04A, W04B						
	11	L09A, L38Z			01		B03A, B03B, B18Z		21B	X05A					
21A	W04A, W04B	08		I08A, I08B, I08C, I08D, I08E, I08F, I10A, I10B, I10C, I10D, I10E	5t701.6↔		BOP, KVT, UOP4, VIAL								
21B	X06A, X06B, X06C	5t69g.2		11			L09A, L38Z	08	I32A, I32B, I32C, I32D, I32E, I32F						
5t69a.3				BOP, KVT, UOP4, VIAL		5t69g.3	21A	W04A, W04B	5t701.6↔	09	J03A, J03B, J04A, J04B, J08A, J08B, J08C, J11A, J11B, J16Z				
	01		B03A, B03B, B18Z	5t69g.4			BOP, KVT, UOP4, VIAL	5t701.6↔		21A	W04A, W04B				
	08		I06A, I06B, I06C, I06D, I06E, I08A, I08B, I08C, I08D, I08E, I08F, I09A, I09B, I09C, I09D				01			B03A, B03B, B18Z	21B	X05A			
	09		J26Z		08		I08A, I08B, I08C, I08D, I08E, I08F, I10A, I10B, I10C, I10D, I10E			5t701.6↔	BOP, KVT, UOP4, VIAL				
	11	L09A, L38Z	5t69g.5		11		L09A, L38Z				08	I32A, I32B, I32C, I32D, I32E, I32F			
21A	W04A, W04B	21A			W04A, W04B	5t701.6↔	09		J03A, J03B, J04A, J04B, J08A, J08B, J08C, J11A, J11B, J16Z						
21B	X06A, X06B, X06C	5t69g.6		21B	X06A, X06B, X06C		21A	W04A, W04B							
5t69a.4	Pre			B61A	5t69g.6		BOP, KVT, UOP4, VIAL	21B	X05A						
	5t69b.1						BOP, KVT, UOP4	5t69g.7	01	B03A, B03B, B18Z	5t701.6↔	BOP, KVT, UOP4, VIAL			
			08	I10A, I10B, I10C, I10D, I10E, I10F			08		I08A, I08B, I08C, I08D, I08E, I08F, I10A, I10B, I10C, I10D, I10E	5t701.6↔		08	I32A, I32B, I32C, I32D, I32E, I32F		
			11	L09A, L38Z		5t69g.8	11		L09A, L38Z			5t701.6↔	09	J03A, J03B, J04A, J04B, J08A, J08B, J08C, J11A, J11B, J16Z	
		5t69b.2		BOP, KVT, UOP4			5t69g.9		21A				W04A, W04B	5t701.6↔	21A
08			I10A, I10B, I10C, I10D, I10E, I10F	5t69g.10	21B				X06A, X06B, X06C				5t701.6↔		21B
11	L09A, L38Z		5t69g.10		BOP, KVT, UOP4, VIAL			5t701.6↔	BOP, KVT, UOP4, VIAL						
5t69b.3					BOP, KVT, UOP4				5t69g.11	01	B03A, B03B, B18Z				5t701.6↔
	08				I10A, I10B, I10C, I10D, I10E, I10F	5t69g.11				08	I08A, I08B, I08C, I08D, I08E, I08F, I10A, I10B, I10C, I10D, I10E	5t701.6↔			
	11	L09A, L38Z			5t69g.12		11			L09A, L38Z	5t701.6↔			21A	
	5t69c.1			BOP, KVT, UOP4			5t69g.12			21A			W04A, W04B	5t701.6↔	
		08	I10A, I10B, I10C, I10D, I10E, I10F	5t69g.13				21B		X06A, X06B, X06C			5t701.6↔		
11		L09A, L38Z	5t69g.13							5t701.6↔					
5t69c.1						BOP, KVT, UOP4		5t69g.14							5t701.6↔
		08			I10A, I10B, I10C, I10D, I10E, I10F	5t69g.14						5t701.6↔			
	11	L09A, L38Z			5t69g.14						5t701.6↔				

VYK

ZZV	MDC	DRG	ZZV	MDC	DRG	ZZV	MDC	DRG
5t70k.5↔		BOP, KVT, UOP4, VIAL	5t70m.2↔	08	BOP, KVT, UOP4, VIAL I12A, I12B, I12C, I32A, I32B, I32C, I32D, I32E, I32F	5t70n.4↔	08	BOP, KVT, UOP4, VIAL I12A, I12B, I12C, I32A, I32B, I32C, I32D, I32E, I32F
	01	B03A, B03B, B06A, B06B, B07Z, B17A, B17B, B17C		09	J03A, J03B, J04A, J04B, J08A, J08B, J08C, J11A, J11B, J16Z		09	J03A, J03B, J04A, J04B, J08A, J08B, J08C, J11A, J11B, J16Z
	08	I12A, I12B, I12C, I32A, I32B, I32C, I32D, I32E, I32F		21A	W04A, W04B		21A	W04A, W04B
	09	J03A, J03B, J04A, J04B, J08A, J08B, J08C, J11A, J11B, J16Z		21B	X05A		21B	X05A
	21A	W04A, W04B						
5t70l.0↔	21B	X05A	5t70m.3↔	08	BOP, KVT, UOP4, VIAL I12A, I12B, I12C, I32A, I32B, I32C, I32D, I32E, I32F	5t70n.5↔	08	BOP, KVT, UOP4, VIAL I12A, I12B, I12C, I32A, I32B, I32C, I32D, I32E, I32F
	08	BOP, KVT, UOP4, VIAL I12A, I12B, I12C, I32A, I32B, I32C, I32D, I32E, I32F		09	J03A, J03B, J04A, J04B, J08A, J08B, J08C, J11A, J11B, J16Z		09	J03A, J03B, J04A, J04B, J08A, J08B, J08C, J11A, J11B, J16Z
	09	J03A, J03B, J04A, J04B, J08A, J08B, J08C, J11A, J11B, J16Z		21A	W04A, W04B		21A	W04A, W04B
	21A	W04A, W04B		21B	X05A		21B	X05A
	21B	X05A						
5t70l.1↔	01	BOP, KVT, UOP4, VIAL B03A, B03B, B06A, B06B, B17A, B17B, B17C	5t70m.4↔	08	BOP, KVT, UOP4, VIAL I12A, I12B, I12C, I32A, I32B, I32C, I32D, I32E, I32F	5t70x.0↔	08	BOP, KVT, UOP4, VIAL I32A, I32B, I32C, I32D, I32E, I32F
	08	I12A, I12B, I12C, I32A, I32B, I32C, I32D, I32E, I32F		09	J03A, J03B, J04A, J04B, J08A, J08B, J08C, J11A, J11B, J16Z		21A	W04A, W04B
	21A	W04A, W04B		21B	X05A		21B	X05A, X05B
	21B	X05A						
5t70l.2↔	01	BOP, KVT, UOP4, VIAL B03A, B03B, B06A, B06B, B17A, B17B, B17C	5t70m.5↔	08	BOP, KVT, UOP4, VIAL I12A, I12B, I12C, I32A, I32B, I32C, I32D, I32E, I32F	5t70x.1↔	21A	W04A, W04B
	08	I12A, I12B, I12C, I32A, I32B, I32C, I32D, I32E, I32F		09	J03A, J03B, J04A, J04B, J08A, J08B, J08C, J11A, J11B, J16Z		21B	X05A, X05B
	21A	W04A, W04B		21A	W04A, W04B		08	I32A, I32B, I32C, I32D, I32E, I32F
	21B	X05A		21B	X05A		21A	W04A, W04B
							21B	X05A, X05B
5t70l.3↔	08	BOP, KVT, UOP4, VIAL I12A, I12B, I12C, I32A, I32B, I32C, I32D, I32E, I32F	5t70n.0↔	08	BOP, KVT, UOP4, VIAL I12A, I12B, I12C, I32A, I32B, I32C, I32D, I32E, I32F	5t70x.2↔	08	BOP, KVT, UOP4, VIAL I32A, I32B, I32C, I32D, I32E, I32F
	09	J03A, J03B, J04A, J04B, J08A, J08B, J08C, J11A, J11B, J16Z		09	J03A, J03B, J04A, J04B, J08A, J08B, J08C, J11A, J11B, J16Z		21A	W04A, W04B
	21A	W04A, W04B		21A	W04A, W04B		21B	X05A, X05B
	21B	X05A		21B	X05A		08	I32A, I32B, I32C, I32D, I32E, I32F
							21A	W04A, W04B
5t70l.4↔	01	BOP, KVT, UOP4, VIAL B03A, B03B, B06A, B06B, B17A, B17B, B17C	5t70n.1↔	08	BOP, KVT, UOP4, VIAL I12A, I12B, I12C, I32A, I32B, I32C, I32D, I32E, I32F	5t70x.3↔	21B	X05A, X05B
	08	I12A, I12B, I12C, I32A, I32B, I32C, I32D, I32E, I32F		09	J03A, J03B, J04A, J04B, J08A, J08B, J08C, J11A, J11B, J16Z		08	I32A, I32B, I32C, I32D, I32E, I32F
	21A	W04A, W04B		21A	W04A, W04B		21A	W04A, W04B
	21B	X05A		21B	X05A		21B	X05A, X05B
							21B	X05A, X05B
5t70l.5↔	01	BOP, KVT, UOP4, VIAL B03A, B03B, B06A, B06B, B17A, B17B, B17C	5t70n.2↔	08	BOP, KVT, UOP4, VIAL I12A, I12B, I12C, I32A, I32B, I32C, I32D, I32E, I32F	5t70x.4↔	08	BOP, KVT, UOP4, VIAL I32A, I32B, I32C, I32D, I32E, I32F
	08	I12A, I12B, I12C, I32A, I32B, I32C, I32D, I32E, I32F		09	J03A, J03B, J04A, J04B, J08A, J08B, J08C, J11A, J11B, J16Z		21A	W04A, W04B
	21A	W04A, W04B		21A	W04A, W04B		21B	X05A, X05B
	21B	X05A		21B	X05A		08	I32A, I32B, I32C, I32D, I32E, I32F
							21A	W04A, W04B
5t70m.0↔	08	BOP, KVT, UOP4, VIAL I12A, I12B, I12C, I32A, I32B, I32C, I32D, I32E, I32F	5t70n.3↔	08	BOP, KVT, UOP4, VIAL I12A, I12B, I12C, I32A, I32B, I32C, I32D, I32E, I32F	5t70x.5↔	21B	X05A, X05B
	09	J03A, J03B, J04A, J04B, J08A, J08B, J08C, J11A, J11B, J16Z		09	J03A, J03B, J04A, J04B, J08A, J08B, J08C, J11A, J11B, J16Z		08	BOP, KVT, UOP4, VIAL I32A, I32B, I32C, I32D, I32E, I32F
	21A	W04A, W04B		21A	W04A, W04B		21A	W04A, W04B
	21B	X05A		21B	X05A		21B	X05A, X05B
							21B	X05A, X05B
5t70m.1↔	08	BOP, KVT, UOP4, VIAL I12A, I12B, I12C, I32A, I32B, I32C, I32D, I32E, I32F	5t70n.4↔	08	BOP, KVT, UOP4, VIAL I12A, I12B, I12C, I32A, I32B, I32C, I32D, I32E, I32F	5t70x.6↔	08	BOP, KVT, UOP4, VIAL I32A, I32B, I32C, I32D, I32E, I32F
	09	J03A, J03B, J04A, J04B, J08A, J08B, J08C, J11A, J11B, J16Z		09	J03A, J03B, J04A, J04B, J08A, J08B, J08C, J11A, J11B, J16Z		21A	W04A, W04B
	21A	W04A, W04B		21A	W04A, W04B		21B	X05A, X05B
	21B	X05A		21B	X05A		08	I32A, I32B, I32C, I32D, I32E, I32F
							21A	W04A, W04B

Príloha B: Index Výkon-MDC-DRG

ZZV	MDC	DRG	ZZV	MDC	DRG	ZZV	MDC	DRG
5t713.1↔		BOP, KVT, UOP4, VIAL	5t714.2↔	01	BOP, KVT, UOP4, VIAL	5t715.2↔	01	BOP, KVT, UOP4, VIAL
	08	I32A, I32B, I32C, I32D, I32E, I32F		08	B03A, B03B, B06A, B06B, B07Z, B17A, B17B, B17C		08	B03A, B03B, B06A, B06B, B07Z, B17A, B17B, B17C
	09	J03A, J03B, J04A, J04B, J08A, J08B, J08C, J11A, J11B, J16Z		09	I32A, I32B, I32C, I32D, I32E, I32F		09	I32A, I32B, I32C, I32D, I32E, I32F
5t713.2↔	21A	W04A, W04B	5t714.3↔	21A	J03A, J03B, J04A, J04B, J08A, J08B, J08C, J11A, J11B, J16Z	5t715.3↔	21A	J03A, J03B, J04A, J04B, J08A, J08B, J08C, J11A, J11B, J16Z
	21B	X05A		21A	W04A, W04B		21A	W04A, W04B
				21B	X05A		21B	X05A
5t713.3↔	08	BOP, KVT, UOP4, VIAL	5t714.4↔	01	BOP, KVT, UOP4, VIAL	5t715.4↔	01	BOP, KVT, UOP4, VIAL
	09	I32A, I32B, I32C, I32D, I32E, I32F		08	B03A, B03B, B06A, B06B, B07Z, B17A, B17B, B17C		08	B03A, B03B, B06A, B06B, B07Z, B17A, B17B, B17C
	21A	J03A, J03B, J04A, J04B, J08A, J08B, J08C, J11A, J11B, J16Z		21A	I32A, I32B, I32C, I32D, I32E, I32F		21A	I32A, I32B, I32C, I32D, I32E, I32F
5t713.4↔	21B	W04A, W04B	5t714.5↔	21A	J03A, J03B, J04A, J04B, J08A, J08B, J08C, J11A, J11B, J16Z	5t715.5↔	21A	J03A, J03B, J04A, J04B, J08A, J08B, J08C, J11A, J11B, J16Z
				21B	W04A, W04B		21B	W04A, W04B
					X05A			X05A
5t713.5↔	08	BOP, KVT, UOP4, VIAL	5t714.6↔	01	BOP, KVT, UOP4, VIAL	5t715.6↔	01	BOP, KVT, UOP4, VIAL
	09	I32A, I32B, I32C, I32D, I32E, I32F		08	B03A, B03B, B06A, B06B, B07Z, B17A, B17B, B17C		08	B03A, B03B, B06A, B06B, B07Z, B17A, B17B, B17C
	21A	J03A, J03B, J04A, J04B, J08A, J08B, J08C, J11A, J11B, J16Z		21A	I32A, I32B, I32C, I32D, I32E, I32F		21A	I32A, I32B, I32C, I32D, I32E, I32F
5t713.6↔	21B	W04A, W04B	5t714.7↔	21A	J03A, J03B, J04A, J04B, J08A, J08B, J08C, J11A, J11B, J16Z	5t715.7↔	21A	J03A, J03B, J04A, J04B, J08A, J08B, J08C, J11A, J11B, J16Z
				21B	W04A, W04B		21B	W04A, W04B
					X05A			X05A
5t713.7↔	08	BOP, KVT, UOP4, VIAL	5t715.0↔	01	BOP, KVT, UOP4, VIAL	5t716.0↔	01	BOP, KVT, UOP4, VIAL
	09	I32A, I32B, I32C, I32D, I32E, I32F		08	B03A, B03B, B06A, B06B, B07Z, B17A, B17B, B17C, B17D		08	B03A, B03B, B06A, B06B, B07Z, B17A, B17B, B17C, B17D
	21A	J03A, J03B, J04A, J04B, J08A, J08B, J08C, J11A, J11B, J16Z		21A	I32A, I32B, I32C, I32D, I32E, I32F		21A	I32A, I32B, I32C, I32D, I32E, I32F
5t714.0↔	21B	W04A, W04B	5t715.1↔	21A	J03A, J03B, J04A, J04B, J08A, J08B, J08C, J11A, J11B, J16Z	5t716.1↔	21A	J03A, J03B, J04A, J04B, J08A, J08B, J08C, J11A, J11B, J16Z
				21B	W04A, W04B		21B	W04A, W04B
					X05A			X05A
5t714.1↔	01	BOP, KVT, UOP4, VIAL	5t715.2↔	01	BOP, KVT, UOP4, VIAL	5t716.2↔	01	BOP, KVT, UOP4, VIAL
	08	I32A, I32B, I32C, I32D, I32E, I32F		08	B03A, B03B, B06A, B06B, B07Z, B17A, B17B, B17C		08	B03A, B03B, B06A, B06B, B07Z, B17A, B17B, B17C
	09	J03A, J03B, J04A, J04B, J08A, J08B, J08C, J11A, J11B, J16Z		09	I32A, I32B, I32C, I32D, I32E, I32F		09	I32A, I32B, I32C, I32D, I32E, I32F
5t714.2↔	21A	W04A, W04B	5t715.3↔	21A	J03A, J03B, J04A, J04B, J08A, J08B, J08C, J11A, J11B, J16Z	5t716.3↔	21A	J03A, J03B, J04A, J04B, J08A, J08B, J08C, J11A, J11B, J16Z
	21B	X05A		21A	W04A, W04B		21A	W04A, W04B
				21B	X05A		21B	X05A

VYK

ZZV	MDC	DRG	ZZV	MDC	DRG	ZZV	MDC	DRG	
5t719.2↔		BOP, KVT, UOP4, VIAL	5t71a.2↔	01	BOP, KVT, UOP4, VIAL	5t71x.4↔	08	BOP, KVT, UOP4, VIAL	
	08	I32A, I32B, I32C, I32D, I32E, I32F		08	B03A, B03B, B06A, B06B, B07Z, B17A, B17B, B17C		08	I32A, I32B, I32C, I32D, I32E, I32F	
5t719.3↔	09	J03A, J03B, J04A, J04B, J08A, J08B, J08C, J11A, J11B, J16Z	5t71a.3↔	08	I32A, I32B, I32C, I32D, I32E, I32F	5t71x.5↔	21A	W04A, W04B	
	21A	W04A, W04B		09	J03A, J03B, J04A, J04B, J08A, J08B, J08C, J10A, J10B, J16Z		21B	X05A, X05B	
	21B	X05A		21A	W04A, W04B	08	I32A, I32B, I32C, I32D, I32E, I32F	21A	W04A, W04B
				21B	X05A	09	J03A, J03B, J04A, J04B, J08A, J08B, J08C, J10A, J10B, J16Z	21B	X05A, X05B
5t719.4↔		BOP, KVT, UOP4, VIAL	5t71a.4↔	01	BOP, KVT, UOP4, VIAL	5t71x.6↔	08	BOP, KVT, UOP4, VIAL	
	08	I32A, I32B, I32C, I32D, I32E, I32F		08	B03A, B03B, B06A, B06B, B07Z, B17A, B17B, B17C		08	I32A, I32B, I32C, I32D, I32E, I32F	
	09	J03A, J03B, J04A, J04B, J08A, J08B, J08C, J11A, J11B, J16Z		08	I32A, I32B, I32C, I32D, I32E, I32F	21A	W04A, W04B	21A	W04A, W04B
	21A	W04A, W04B		09	J03A, J03B, J04A, J04B, J08A, J08B, J08C, J10A, J10B, J16Z	21B	X05A, X05B	21B	X05A, X05B
5t719.5↔		BOP, KVT, UOP4, VIAL	5t71a.5↔	01	BOP, KVT, UOP4, VIAL	5t720.1↔	01	BOP, KVT, UOP4, VIAL	
	08	I32A, I32B, I32C, I32D, I32E, I32F		08	B03A, B03B, B06A, B06B, B07Z, B17A, B17B, B17C		08	I32A, I32B, I32C, I32D, I32E, I32F, I32G	
	09	J03A, J03B, J04A, J04B, J08A, J08B, J08C, J11A, J11B, J16Z		08	I32A, I32B, I32C, I32D, I32E, I32F	09	J03A, J03B, J04A, J04B, J08A, J08B, J08C, J11A, J11B, J16Z	21A	W04A, W04B
	21A	W04A, W04B		09	J03A, J03B, J04A, J04B, J08A, J08B, J08C, J10A, J10B, J16Z	21B	X05A, X05B	21B	X05A, X05B
5t719.6↔		BOP, KVT, UOP4, VIAL	5t71a.6↔	01	BOP, KVT, UOP4, VIAL	5t720.2↔	01	BOP, KVT, UOP4, VIAL	
	08	I32A, I32B, I32C, I32D, I32E, I32F		08	B03A, B03B, B06A, B06B, B07Z, B17A, B17B, B17C		01	B03A, B03B, B06A, B06B, B07Z, B17A, B17B, B17C, B17D	
	09	J03A, J03B, J04A, J04B, J08A, J08B, J08C, J11A, J11B, J16Z		08	I32A, I32B, I32C, I32D, I32E, I32F	08	I32A, I32B, I32C, I32D, I32E, I32F, I32G		
	21A	W04A, W04B		09	J03A, J03B, J04A, J04B, J08A, J08B, J08C, J11A, J11B, J16Z	09	J03A, J03B, J04A, J04B, J08A, J08B, J08C, J11A, J11B, J16Z		
5t719.7↔		BOP, KVT, UOP4, VIAL	5t71a.7↔	01	BOP, KVT, UOP4, VIAL	5t721.1↔	21A	W04A, W04B	
	08	I32A, I32B, I32C, I32D, I32E, I32F		08	B03A, B03B, B06A, B06B, B07Z, B17A, B17B, B17C		21B	X05A, X05B	
	09	J03A, J03B, J04A, J04B, J08A, J08B, J08C, J11A, J11B, J16Z		08	I32A, I32B, I32C, I32D, I32E, I32F	01	B03A, B03B, B06A, B06B, B07Z, B17A, B17B, B17C, B17D		
	21A	W04A, W04B		09	J03A, J03B, J04A, J04B, J08A, J08B, J08C, J10A, J10B, J16Z	08	I32A, I32B, I32C, I32D, I32E, I32F, I32G		
5t71a.0↔		BOP, KVT, UOP4, VIAL	5t71x.0↔	01	BOP, KVT, UOP4, VIAL	5t721.2↔	09	J03A, J03B, J04A, J04B, J08A, J08B, J08C, J11A, J11B, J16Z	
	01	B03A, B03B, B06A, B06B, B07Z, B17A, B17B, B17C		08	I32A, I32B, I32C, I32D, I32E, I32F		21A	W04A, W04B	
	08	I32A, I32B, I32C, I32D, I32E, I32F		08	I32A, I32B, I32C, I32D, I32E, I32F	21B	X05A, X05B		
	09	J03A, J03B, J04A, J04B, J08A, J08B, J08C, J10A, J10B, J16Z		09	J03A, J03B, J04A, J04B, J08A, J08B, J08C, J10A, J10B, J16Z	01	B03A, B03B, B06A, B06B, B07Z, B17A, B17B, B17C, B17D		
5t71a.1↔		BOP, KVT, UOP4, VIAL	5t71x.1↔	01	BOP, KVT, UOP4, VIAL	5t721.1↔	08	I32A, I32B, I32C, I32D, I32E, I32F, I32G	
	01	B03A, B03B, B06A, B06B, B07Z, B17A, B17B, B17C		08	I32A, I32B, I32C, I32D, I32E, I32F		09	J03A, J03B, J04A, J04B, J08A, J08B, J08C, J11A, J11B, J16Z	
	08	I32A, I32B, I32C, I32D, I32E, I32F		08	I32A, I32B, I32C, I32D, I32E, I32F	21A	W04A, W04B		
	09	J03A, J03B, J04A, J04B, J08A, J08B, J08C, J10A, J10B, J16Z		09	J03A, J03B, J04A, J04B, J08A, J08B, J08C, J10A, J10B, J16Z	21B	X05A, X05B		
5t71a.1↔		BOP, KVT, UOP4, VIAL	5t71x.2↔	01	BOP, KVT, UOP4, VIAL	5t721.2↔	01	BOP, KVT, UOP4, VIAL	
	01	B03A, B03B, B06A, B06B, B07Z, B17A, B17B, B17C		08	I32A, I32B, I32C, I32D, I32E, I32F		01	B03A, B03B, B06A, B06B, B07Z, B17A, B17B, B17C, B17D	
	08	I32A, I32B, I32C, I32D, I32E, I32F		08	I32A, I32B, I32C, I32D, I32E, I32F	08	I32A, I32B, I32C, I32D, I32E, I32F, I32G		
	09	J03A, J03B, J04A, J04B, J08A, J08B, J08C, J10A, J10B, J16Z		09	J03A, J03B, J04A, J04B, J08A, J08B, J08C, J10A, J10B, J16Z	09	J03A, J03B, J04A, J04B, J08A, J08B, J08C, J11A, J11B, J16Z		
5t71a.1↔		BOP, KVT, UOP4, VIAL	5t71x.3↔	01	BOP, KVT, UOP4, VIAL	5t721.2↔	21A	W04A, W04B	
	01	B03A, B03B, B06A, B06B, B07Z, B17A, B17B, B17C		08	I32A, I32B, I32C, I32D, I32E, I32F		21B	X05A, X05B	
	08	I32A, I32B, I32C, I32D, I32E, I32F		08	I32A, I32B, I32C, I32D, I32E, I32F	01	B03A, B03B, B06A, B06B, B07Z, B17A, B17B, B17C, B17D		
	09	J03A, J03B, J04A, J04B, J08A, J08B, J08C, J10A, J10B, J16Z		09	J03A, J03B, J04A, J04B, J08A, J08B, J08C, J10A, J10B, J16Z	08	I32A, I32B, I32C, I32D, I32E, I32F, I32G		

VYK

ZZV	MDC	DRG	ZZV	MDC	DRG	ZZV	MDC	DRG
5t722.0↔		BOP, KVT, UOP4, VIAL	5t725.2↔	01	BOP, KVT, UOP4, VIAL	5t727.2↔	01	BOP, KVT, UOP4, VIAL
	08	I32A, I32B, I32C, I32D, I32E, I32F, I32G			B03A, B03B, B06A, B06B, B07Z, B17A, B17B, B17C, B17D		05	F01A, F01B, F01D, F05Z, F07A, F07B, F14A, F14B, F28A, F42Z, F54Z, F59A, F59B
	09	J03A, J03B, J04A, J04B, J08A, J08B, J08C, J11A, J11B, J16Z		08	I32A, I32B, I32C, I32D, I32E, I32F		08	I32A, I32B, I32C, I32D, I32E, I32F
	21A	W04A, W04B		09	J03A, J03B, J04A, J04B, J08A, J08B, J08C, J11A, J11B, J16Z		09	J03A, J03B, J04A, J04B, J08A, J08B, J08C, J11A, J11B, J16Z
	21B	X05A		21A	W04A, W04B		21A	W04A, W04B
5t722.3↔		BOP, KVT, UOP4, VIAL	5t726.1↔	21B	X05A	5t728.1↔	21B	X05A
	08	I32A, I32B, I32C, I32D, I32E, I32F, I32G		01	BOP, KVT, UOP4, VIAL		01	BOP, KVT, UOP4, VIAL
	09	J03A, J03B, J04A, J04B, J08A, J08B, J08C, J11A, J11B, J16Z			B03A, B03B, B06A, B06B, B07Z, B17A, B17B, B17C, B17D		05	F01A, F01B, F01D, F05Z, F07A, F07B, F14A, F14B, F28A, F42Z, F54Z, F59A, F59B
	21A	W04A, W04B		05	F01A, F01B, F01D, F05Z, F07A, F07B, F14A, F14B, F28A, F42Z, F54Z, F59A, F59B		08	I32A, I32B, I32C, I32D, I32E, I32F
	21B	X05A		10	K09A, K09B		09	J03A, J03B, J04A, J04B, J08A, J08B, J08C, J11A, J11B, J16Z
5t723.0↔		BOP, KVT, UOP4, VIAL	5t726.2↔	21A	W04A, W04B	5t728.2↔	08	I32A, I32B, I32C, I32D, I32E, I32F
	08	I32A, I32B, I32C, I32D, I32E, I32F, I32G		21B	X05A		09	J03A, J03B, J04A, J04B, J08A, J08B, J08C, J11A, J11B, J16Z
	09	J03A, J03B, J04A, J04B, J08A, J08B, J08C, J11A, J11B, J16Z		01	BOP, KVT, UOP4, VIAL		10	K09A, K09B
	21A	W04A, W04B			B03A, B03B, B06A, B06B, B07Z, B17A, B17B, B17C, B17D		21A	W04A, W04B
	21B	X05A		05	F01A, F01B, F01D, F05Z, F07A, F07B, F14A, F14B, F28A, F42Z, F54Z, F59A, F59B		21B	X05A
5t723.4↔		BOP, KVT, UOP4, VIAL	5t727.1↔	08	I32A, I32B, I32C, I32D, I32E, I32F	5t729.3↔	08	I32A, I32B, I32C, I32D, I32E, I32F
	08	I32A, I32B, I32C, I32D, I32E, I32F, I32G		09	J03A, J03B, J04A, J04B, J08A, J08B, J08C, J11A, J11B, J16Z		09	J03A, J03B, J04A, J04B, J08A, J08B, J08C, J11A, J11B, J16Z
	09	J03A, J03B, J04A, J04B, J08A, J08B, J08C, J11A, J11B, J16Z		10	K09A, K09B		21A	W04A, W04B
	21A	W04A, W04B		21A	W04A, W04B		21B	X05A
	21B	X05A		21B	X05A			BOP, KVT, UOP4, VIAL
5t724.1↔		BOP, KVT, UOP4, VIAL	5t727.2↔	01	BOP, KVT, UOP4, VIAL	5t729.4↔		BOP, KVT, UOP4, VIAL
	01	B03A, B03B, B06A, B06B, B07Z, B17A, B17B, B17C, B17D		01	B03A, B03B, B06A, B06B, B07Z, B17A, B17B, B17C, B17D		08	I32A, I32B, I32C, I32D, I32E, I32F, I32G
	08	I32A, I32B, I32C, I32D, I32E, I32F		05	F01A, F01B, F01D, F05Z, F07A, F07B, F14A, F14B, F28A, F42Z, F54Z, F59A, F59B		09	J03A, J03B, J04A, J04B, J08A, J08B, J08C, J11A, J11B, J16Z
	09	J03A, J03B, J04A, J04B, J08A, J08B, J08C, J11A, J11B, J16Z		08	I32A, I32B, I32C, I32D, I32E, I32F		21A	W04A, W04B
	21A	W04A, W04B		09	J03A, J03B, J04A, J04B, J08A, J08B, J08C, J11A, J11B, J16Z		21B	X05A
5t724.2↔		BOP, KVT, UOP4, VIAL	5t727.3↔	21B	X05A	5t729.4↔	08	I32A, I32B, I32C, I32D, I32E, I32F, I32G
	01	B03A, B03B, B06A, B06B, B07Z, B17A, B17B, B17C, B17D		01	BOP, KVT, UOP4, VIAL		09	J03A, J03B, J04A, J04B, J08A, J08B, J08C, J11A, J11B, J16Z
	08	I32A, I32B, I32C, I32D, I32E, I32F			B03A, B03B, B06A, B06B, B07Z, B17A, B17B, B17C, B17D		21A	W04A, W04B
	09	J03A, J03B, J04A, J04B, J08A, J08B, J08C, J11A, J11B, J16Z		05	F01A, F01B, F01D, F05Z, F07A, F07B, F14A, F14B, F28A, F42Z, F54Z, F59A, F59B		21B	X05A
	21A	W04A, W04B		08	I32A, I32B, I32C, I32D, I32E, I32F			BOP, KVT, UOP4, VIAL
5t725.1↔		BOP, KVT, UOP4, VIAL	5t727.4↔	08	I32A, I32B, I32C, I32D, I32E, I32F	5t729.4↔		BOP, KVT, UOP4, VIAL
	01	B03A, B03B, B06A, B06B, B07Z, B17A, B17B, B17C, B17D		09	J03A, J03B, J04A, J04B, J08A, J08B, J08C, J11A, J11B, J16Z		08	I32A, I32B, I32C, I32D, I32E, I32F, I32G
	08	I32A, I32B, I32C, I32D, I32E, I32F		10	K09A, K09B		09	J03A, J03B, J04A, J04B, J08A, J08B, J08C, J11A, J11B, J16Z
	09	J03A, J03B, J04A, J04B, J08A, J08B, J08C, J11A, J11B, J16Z		21A	W04A, W04B		21A	W04A, W04B
	21A	W04A, W04B		21B	X05A		21B	X05A

VYK

ZZV	MDC	DRG	ZZV	MDC	DRG	ZZV	MDC	DRG
5t72a.3↔		BOP, KVT, UOP4, VIAL	5t736↔		BOP, KVT, UOP4, VIAL	5t740.0↔		BOP, KVT, UOP4, VIAL
08		I32A, I32B, I32C, I32D, I32E, I32F, I32G	01		B03A, B03B, B06A, B06B, B07Z, B17A, B17B, B17C	08		I32A, I32B, I32C, I32D, I32E, I32F
09		J03A, J03B, J04A, J04B, J08A, J08B, J08C, J11A, J11B, J16Z	08		I32A, I32B, I32C, I32D, I32E, I32F	21A		W04A, W04B
21A		W04A, W04B	09		J03A, J03B, J04A, J04B, J08A, J08B, J08C, J10A, J10B, J16Z	21B		X05A
21B		X05A	10		K09A, K09B	5t740.1↔		BOP, KVT, UOP4, VIAL
5t72a.4↔		BOP, KVT, UOP4, VIAL	21A		W04A, W04B	08		I32A, I32B, I32C, I32D, I32E, I32F
08		I32A, I32B, I32C, I32D, I32E, I32F, I32G	21B		X05A	21A		W04A, W04B
09		J03A, J03B, J04A, J04B, J08A, J08B, J08C, J11A, J11B, J16Z	5t737↔		BOP, KVT, UOP4, VIAL	21B		X05A
21A		W04A, W04B	01		B03A, B03B, B06A, B06B, B07Z, B17A, B17B, B17C	5t740.2↔		BOP, KVT, UOP4, VIAL
21B		X05A	08		I32A, I32B, I32C, I32D, I32E, I32F	08		I32A, I32B, I32C, I32D, I32E, I32F
5t72x.1↔		BOP, KVT, UOP4, VIAL	09		J03A, J03B, J04A, J04B, J08A, J08B, J08C, J10A, J10B, J16Z	21A		W04A, W04B
08		I32A, I32B, I32C, I32D, I32E, I32F	21A		W04A, W04B	21B		X05A
09		J03A, J03B, J04A, J04B, J08A, J08B, J08C, J11A, J11B, J16Z	21B		X05A	5t740.3↔		BOP, KVT, UOP4, VIAL
21A		W04A, W04B	5t738↔		BOP, KVT, UOP4, VIAL	08		I32A, I32B, I32C, I32D, I32E, I32F
21B		X05A, X05B	01		B03A, B03B, B06A, B06B, B07Z, B17A, B17B, B17C	21A		W04A, W04B
5t730↔		BOP, KVT, UOP4, VIAL	08		I32A, I32B, I32C, I32D, I32E, I32F	21B		X05A
08		I32A, I32B, I32C, I32D, I32E, I32F	09		J03A, J03B, J04A, J04B, J08A, J08B, J08C, J10A, J10B, J16Z	5t740.4↔		BOP, KVT, UOP4, VIAL
09		J03A, J03B, J04A, J04B, J08A, J08B, J08C, J11A, J11B, J16Z	10		K09A, K09B	08		I32A, I32B, I32C, I32D, I32E, I32F
21A		W04A, W04B	21A		W04A, W04B	21A		W04A, W04B
21B		X05A	21B		X05A	21B		X05A
5t731↔		BOP, KVT, UOP4, VIAL	5t739↔		BOP, KVT, UOP4, VIAL	5t740.5↔		BOP, KVT, UOP4, VIAL
08		I32A, I32B, I32C, I32D, I32E, I32F	01		B03A, B03B, B06A, B06B, B07Z, B17A, B17B, B17C	08		I32A, I32B, I32C, I32D, I32E, I32F
09		J03A, J03B, J04A, J04B, J08A, J08B, J08C, J11A, J11B, J16Z	08		I32A, I32B, I32C, I32D, I32E, I32F	21A		W04A, W04B
21A		W04A, W04B	09		J03A, J03B, J04A, J04B, J08A, J08B, J08C, J10A, J10B, J16Z	21B		X05A
21B		X05A	10		K09A, K09B	5t740.6↔		BOP, KVT, UOP4, VIAL
5t732↔		BOP, KVT, UOP4, VIAL	21A		W04A, W04B	08		I32A, I32B, I32C, I32D, I32E, I32F
08		I32A, I32B, I32C, I32D, I32E, I32F	21B		X05A	21A		W04A, W04B
09		J03A, J03B, J04A, J04B, J08A, J08B, J08C, J11A, J11B, J16Z	5t73a↔		BOP, KVT, UOP4, VIAL	21B		X05A, X05B
21A		W04A, W04B	01		B03A, B03B, B06A, B06B, B07Z, B17A, B17B, B17C	5t741.0↔		BOP, KVT, UOP4, VIAL
21B		X05A	08		I32A, I32B, I32C, I32D, I32E, I32F	08		I32A, I32B, I32C, I32D, I32E, I32F
5t733↔		BOP, KVT, UOP4, VIAL	09		J03A, J03B, J04A, J04B, J08A, J08B, J08C, J10A, J10B, J16Z	09		J03A, J03B, J04A, J04B, J08A, J08B, J08C, J11A, J11B, J16Z
08		I32A, I32B, I32C, I32D, I32E, I32F	21A		W04A, W04B	21A		W04A, W04B
21A		W04A, W04B	21B		X05A	21B		X05A
21B		X05A	5t73b↔		BOP, KVT, UOP4, VIAL	5t741.1↔		BOP, KVT, UOP4, VIAL
5t734↔		BOP, KVT, UOP4, VIAL	01		B03A, B03B, B06A, B06B, B07Z, B17A, B17B, B17C	08		I32A, I32B, I32C, I32D, I32E, I32F
08		I32A, I32B, I32C, I32D, I32E, I32F	08		I32A, I32B, I32C, I32D, I32E, I32F	09		J03A, J03B, J04A, J04B, J08A, J08B, J08C, J11A, J11B, J16Z
21A		W04A, W04B	09		J03A, J03B, J04A, J04B, J08A, J08B, J08C, J10A, J10B, J16Z	21A		W04A, W04B
21B		X05A	21A		W04A, W04B	21B		X05A
5t735↔		BOP, KVT, UOP4, VIAL	21B		X05A	5t741.2↔		BOP, KVT, UOP4, VIAL
08		I32A, I32B, I32C, I32D, I32E, I32F	5t73x↔		BOP, KVT, UOP4, VIAL	08		I32A, I32B, I32C, I32D, I32E, I32F
09		J03A, J03B, J04A, J04B, J08A, J08B, J08C, J11A, J11B, J16Z	08		I32A, I32B, I32C, I32D, I32E, I32F	09		J03A, J03B, J04A, J04B, J08A, J08B, J08C, J11A, J11B, J16Z
21A		W04A, W04B	21A		W04A, W04B	21A		W04A, W04B
21B		X05A	21B		X05A, X05B	21B		X05A

ZZV	MDC	DRG	ZZV	MDC	DRG	ZZV	MDC	DRG
5t77x.5↔		BOP, KVT, UOP4, VIAL	5t782.1↔		BOP, KVT, UOP4, VIAL	5t785.03↔		BOP, KVT, UOP4, VIAL
	01	B03A, B03B, B06A, B06B, B07Z, B17A, B17B, B17C		01	B03A, B03B, B06A, B06B, B07Z, B17A, B17B, B17C		01	B03A, B03B, B06A, B06B, B07Z, B17A, B17B, B17C
	08	I32A, I32B, I32C, I32D, I32E, I32F		05	F21A, F21B		08	I32A, I32B, I32C, I32D, I32E, I32F
	21A	W04A, W04B		08	I32A, I32B, I32C, I32D, I32E, I32F		09	J03A, J03B, J04A, J04B, J08A, J08B, J08C, J10A, J10B, J16Z
	21B	X05A, X05B		09	J02A, J02B, J02C, J04A, J04B, J08A, J08B, J08C, J16Z, J21Z, J22A, J22B		21A	W04A, W04B
5t77x.6↔		BOP, KVT, UOP4, VIAL	5t783.0↔		BOP, KVT, UOP4, VIAL	5t785.0x↔		BOP, KVT, UOP4, VIAL
	01	B03A, B03B, B06A, B06B, B07Z, B17A, B17B, B17C		01	B03A, B03B, B06A, B06B, B07Z, B17A, B17B, B17C		01	B03A, B03B, B06A, B06B, B07Z, B17A, B17B, B17C
	08	I32A, I32B, I32C, I32D, I32E, I32F		08	I32A, I32B, I32C, I32D, I32E, I32F		08	I32A, I32B, I32C, I32D, I32E, I32F
	21A	W04A, W04B		09	J03A, J03B, J04A, J04B, J08A, J08B, J08C, J10A, J10B, J16Z		09	J03A, J03B, J04A, J04B, J08A, J08B, J08C, J10A, J10B, J16Z
	21B	X05A, X05B		21A	W04A, W04B		21A	W04A, W04B
5t77x.7↔		BOP, KVT, UOP4, VIAL	5t783.1↔		BOP, KVT, UOP4, VIAL	5t785.13↔		BOP, KVT, UOP4, VIAL
	01	B03A, B03B, B06A, B06B, B07Z, B17A, B17B, B17C		01	B03A, B03B, B06A, B06B, B07Z, B17A, B17B, B17C		01	B03A, B03B, B06A, B06B, B07Z, B17A, B17B, B17C
	08	I32A, I32B, I32C, I32D, I32E, I32F		08	I32A, I32B, I32C, I32D, I32E, I32F		08	I32A, I32B, I32C, I32D, I32E, I32F
	21A	W04A, W04B		09	J03A, J03B, J04A, J04B, J08A, J08B, J08C, J10A, J10B, J16Z		09	J03A, J03B, J04A, J04B, J08A, J08B, J08C, J10A, J10B, J16Z
	21B	X05A, X05B		21A	W04A, W04B		21A	W04A, W04B
5t77x.x↔		BOP, KVT, UOP4, VIAL	5t784.01↔		BOP, KVT, UOP4, VIAL	5t785.1x↔		BOP, KVT, UOP4, VIAL
	01	B03A, B03B, B06A, B06B, B07Z, B17A, B17B, B17C		01	B03A, B03B, B06A, B06B, B07Z, B17A, B17B, B17C		01	B03A, B03B, B06A, B06B, B07Z, B17A, B17B, B17C
	08	I32A, I32B, I32C, I32D, I32E, I32F		08	I32A, I32B, I32C, I32D, I32E, I32F		08	I32A, I32B, I32C, I32D, I32E, I32F
	21A	W04A, W04B		09	J03A, J03B, J04A, J04B, J08A, J08B, J08C, J10A, J10B, J16Z		09	J03A, J03B, J04A, J04B, J08A, J08B, J08C, J10A, J10B, J16Z
	21B	X05A, X05B		21A	W04A, W04B		21A	W04A, W04B
5t780.0↔		BOP, KVT, UOP4, VIAL	5t784.0x↔		BOP, KVT, UOP4, VIAL	5t786.01↔		BOP, KVT, UOP4, VIAL
	01	B03A, B03B, B06A, B06B, B07Z, B17A, B17B, B17C		01	B03A, B03B, B06A, B06B, B07Z, B17A, B17B, B17C		01	B03A, B03B, B06A, B06B, B07Z, B17A, B17B, B17C
	08	I31Z, I32A, I32B, I32C, I32D, I32E, I32F		08	I32A, I32B, I32C, I32D, I32E, I32F		08	I32A, I32B, I32C, I32D, I32E, I32F
	09	J03A, J03B, J04A, J04B, J08A, J08B, J08C, J10A, J10B, J16Z		09	J03A, J03B, J04A, J04B, J08A, J08B, J08C, J10A, J10B, J16Z		09	J03A, J03B, J04A, J04B, J08A, J08B, J08C, J10A, J10B, J16Z
	21A	W04A, W04B		21A	W04A, W04B		21A	W04A, W04B
5t780.1↔		BOP, KVT, UOP4, VIAL	5t784.11↔		BOP, KVT, UOP4, VIAL	5t786.03↔		BOP, KVT, UOP4, VIAL
	01	B03A, B03B, B06A, B06B, B07Z, B17A, B17B, B17C		01	B03A, B03B, B06A, B06B, B07Z, B17A, B17B, B17C		01	B03A, B03B, B06A, B06B, B07Z, B17A, B17B, B17C
	08	I31Z, I32A, I32B, I32C, I32D, I32E, I32F		08	I32A, I32B, I32C, I32D, I32E, I32F		08	I32A, I32B, I32C, I32D, I32E, I32F
	09	J03A, J03B, J04A, J04B, J08A, J08B, J08C, J10A, J10B, J16Z		09	J03A, J03B, J04A, J04B, J08A, J08B, J08C, J10A, J10B, J16Z		09	J03A, J03B, J04A, J04B, J08A, J08B, J08C, J10A, J10B, J16Z
	21A	W04A, W04B		21A	W04A, W04B		21A	W04A, W04B
5t781.0↔		BOP, KVT, UOP4, VIAL	5t784.1x↔		BOP, KVT, UOP4, VIAL	5t786.0x↔		BOP, KVT, UOP4, VIAL
	08	I21Z, I31Z, I32A		01	B03A, B03B, B06A, B06B, B07Z, B17A, B17B, B17C		01	B03A, B03B, B06A, B06B, B07Z, B17A, B17B, B17C
	21A	W04A, W04B		08	I32A, I32B, I32C, I32D, I32E, I32F		08	I32A, I32B, I32C, I32D, I32E, I32F
	21B	X06A, X06B, X06C		09	J03A, J03B, J04A, J04B, J08A, J08B, J08C, J10A, J10B, J16Z		09	J03A, J03B, J04A, J04B, J08A, J08B, J08C, J10A, J10B, J16Z
		BOP, KVT, UOP4, VIAL		21A	W04A, W04B		21A	W04A, W04B
5t782.0↔		BOP, KVT, UOP4, VIAL	5t784.1x↔		BOP, KVT, UOP4, VIAL	5t786.0x↔		BOP, KVT, UOP4, VIAL
	01	B03A, B03B, B06A, B06B, B07Z, B17A, B17B, B17C		01	B03A, B03B, B06A, B06B, B07Z, B17A, B17B, B17C		01	B03A, B03B, B06A, B06B, B07Z, B17A, B17B, B17C
	05	F21A, F21B		08	I32A, I32B, I32C, I32D, I32E, I32F		08	I32A, I32B, I32C, I32D, I32E, I32F
	08	I32A, I32B, I32C, I32D, I32E, I32F		09	J03A, J03B, J04A, J04B, J08A, J08B, J08C, J10A, J10B, J16Z		09	J03A, J03B, J04A, J04B, J08A, J08B, J08C, J10A, J10B, J16Z
	09	J02A, J02B, J02C, J04A, J04B, J08A, J08B, J08C, J16Z, J21Z, J22A, J22B		21A	W04A, W04B		21A	W04A, W04B
21A	W04A, W04B	21B	X05A, X05B	21B	X05A, X05B			
21B	X01A, X01B, X01C							

ZZV	MDC	DRG	ZZV	MDC	DRG	ZZV	MDC	DRG		
5t793↔		BOP, KVT, UOP4, VIAL	5t79x↔	08	BOP, KVT, UOP4, VIAL	5t800.7↔	01	BOP, KVT, UOP4		
	01	B03A, B03B, B06A, B06B, B07Z, B17A, B17B, B17C			08		I32A, I32B, I32C, I32D, I32E, I32F	01	B03A, B03B, B06A, B06B, B17A, B17B, B17C	
	05	F01A, F01B, F01D, F05Z, F07A, F07B, F14A, F14B, F28A, F42Z, F54Z, F59A, F59B			21A		W04A, W04B	08	I27A, I27B, I27C, I27D	
	08	I28A, I28B, I28C			21B		X05A, X05B	09	J03A, J03B, J04A, J04B, J08A, J08B, J08C, J11A, J11B, J16Z	
	09	J03A, J03B, J04A, J04B, J08A, J08B, J08C, J11A, J11B, J16Z		5t800.0↔	01		BOP, KVT, UOP4	21A	W04A, W04B	
	10	K09A, K09B			01		B03A, B03B, B06A, B06B, B07Z, B17A, B17B, B17C	21B	X04Z, X06A, X06B, X06C	
	21A	W04A, W04B			03		D18Z, D28Z, D29Z		BOP, KVT, UOP4	
	21B	X05A, X05B			08		I27A, I27B, I27C, I27D	5t800.8↔	01	B03A, B03B, B06A, B06B, B17A, B17B, B17C
					09		J03A, J03B, J04A, J04B, J08A, J08B, J08C, J11A, J11B, J16Z	08	I27A, I27B, I27C, I27D	
					21A		W04A, W04B	09	J03A, J03B, J04A, J04B, J08A, J08B, J08C, J11A, J11B, J16Z	
			21B	X06A, X06B, X06C	21A	W04A, W04B				
5t794↔		BOP, KVT, UOP4, VIAL	5t800.1↔		BOP, KVT, UOP4	5t800.a↔	21B	X04Z, X06A, X06B, X06C		
	01	B03A, B03B, B06A, B06B, B07Z, B17A, B17B, B17C		01	B03A, B03B, B06A, B06B, B17A, B17B, B17C			BOP, KVT, UOP4		
	05	F01A, F01B, F01D, F05Z, F07A, F07B, F14A, F14B, F28A, F42Z, F54Z, F59A, F59B		08	I27A, I27B, I27C, I27D		01	B03A, B03B, B06A, B06B, B17A, B17B, B17C		
	08	I28A, I28B, I28C		09	J03A, J03B, J04A, J04B, J08A, J08B, J08C, J11A, J11B, J16Z		08	I27A, I27B, I27C, I27D		
	09	J03A, J03B, J04A, J04B, J08A, J08B, J08C, J11A, J11B, J16Z		21A	W04A, W04B		09	J03A, J03B, J04A, J04B, J08A, J08B, J08C, J11A, J11B, J16Z		
	10	K09A, K09B		21B	X06A, X06B, X06C		21A	W04A, W04B		
	21A	W04A, W04B			BOP, KVT, UOP4		21B	X04Z, X06A, X06B, X06C		
	21B	X05A, X05B		01	B03A, B03B, B06A, B06B, B17A, B17B, B17C			BOP, KVT, UOP4		
				08	I27A, I27B, I27C, I27D		5t800.b	01	B03A, B03B, B06A, B06B, B17A, B17B, B17C	
				09	J03A, J03B, J04A, J04B, J08A, J08B, J08C, J11A, J11B, J16Z		08	I27A, I27B, I27C, I27D		
5t795↔		BOP, KVT, UOP4, VIAL	5t800.2↔		BOP, KVT, UOP4	5t800.x↔	09	J03A, J03B, J04A, J04B, J08A, J08B, J08C, J11A, J11B, J16Z		
	08	I32A, I32B, I32C, I32D, I32E, I32F		01	B03A, B03B, B06A, B06B, B17A, B17B, B17C		01	B03A, B03B, B06A, B06B, B17A, B17B, B17C		
	21A	W04A, W04B		08	I27A, I27B, I27C, I27D		08	I27A, I27B, I27C, I27D		
	21B	X05A, X05B		09	J03A, J03B, J04A, J04B, J08A, J08B, J08C, J11A, J11B, J16Z		09	J03A, J03B, J04A, J04B, J08A, J08B, J08C, J11A, J11B, J16Z		
5t796↔		BOP, KVT, UOP4, VIAL	5t800.3↔		BOP, KVT, UOP4	5t801.0↔	01	B03A, B03B, B06A, B06B, B17A, B17B, B17C		
	01	B03A, B03B, B06A, B06B, B07Z, B17A, B17B, B17C		01	B03A, B03B, B06A, B06B, B17A, B17B, B17C		01	B03A, B03B, B06A, B06B, B17A, B17B, B17C		
	08	I32A, I32B, I32C, I32D, I32E, I32F		08	I27A, I27B, I27C, I27D		08	I27A, I27B, I27C, I27D		
	21A	W04A, W04B		09	J03A, J03B, J04A, J04B, J08A, J08B, J08C, J11A, J11B, J16Z		09	J03A, J03B, J04A, J04B, J08A, J08B, J08C, J11A, J11B, J16Z		
5t797.0↔		BOP, KVT, UOP4, VIAL	5t800.4↔		BOP, KVT, UOP4	5t801.1↔	01	B03A, B03B, B06A, B06B, B17A, B17B, B17C		
	01	B03A, B03B, B06A, B06B, B07Z, B17A, B17B, B17C		01	B03A, B03B, B06A, B06B, B17A, B17B, B17C		01	B03A, B03B, B06A, B06B, B17A, B17B, B17C		
	08	I32A, I32B, I32C, I32D, I32E, I32F		08	I27A, I27B, I27C, I27D		08	I27A, I27B, I27C, I27D		
	21A	W04A, W04B		09	J03A, J03B, J04A, J04B, J08A, J08B, J08C, J11A, J11B, J16Z		09	J03A, J03B, J04A, J04B, J08A, J08B, J08C, J11A, J11B, J16Z		
5t797.1↔		BOP, KVT, UOP4, VIAL	5t800.5↔		BOP, KVT, UOP4	5t801.6↔	01	B03A, B03B, B06A, B06B, B17A, B17B, B17C		
	01	B03A, B03B, B06A, B06B, B07Z, B17A, B17B, B17C		01	B03A, B03B, B06A, B06B, B17A, B17B, B17C		01	B03A, B03B, B06A, B06B, B17A, B17B, B17C		
	08	I32A, I32B, I32C, I32D, I32E, I32F		08	I27A, I27B, I27C, I27D		08	I27A, I27B, I27C, I27D		
	21A	W04A, W04B		09	J03A, J03B, J04A, J04B, J08A, J08B, J08C, J11A, J11B, J16Z		09	J03A, J03B, J04A, J04B, J08A, J08B, J08C, J11A, J11B, J16Z		
5t798↔		BOP, KVT, UOP4, VIAL	5t800.6↔		BOP, KVT, UOP4		21A	W04A, W04B		
	01	B03A, B03B, B06A, B06B, B07Z, B17A, B17B, B17C		01	B03A, B03B, B06A, B06B, B17A, B17B, B17C		21B	X06A, X06B, X06C		
	08	I32A, I32B, I32C, I32D, I32E, I32F		08	I27A, I27B, I27C, I27D			BOP, KVT, UOP4		
	21A	W04A, W04B		09	J03A, J03B, J04A, J04B, J08A, J08B, J08C, J11A, J11B, J16Z		01	B03A, B03B, B06A, B06B, B17A, B17B, B17C		
5t799↔		BOP, KVT, UOP4, VIAL			BOP, KVT, UOP4		08	I27A, I27B, I27C, I27D		
	01	B03A, B03B, B06A, B06B, B07Z, B17A, B17B, B17C		01	B03A, B03B, B06A, B06B, B17A, B17B, B17C		09	J03A, J03B, J04A, J04B, J08A, J08B, J08C, J11A, J11B, J16Z		
	08	I32A, I32B, I32C, I32D, I32E, I32F		08	I27A, I27B, I27C, I27D		21A	W04A, W04B		
	21A	W04A, W04B		09	J03A, J03B, J04A, J04B, J08A, J08B, J08C, J11A, J11B, J16Z		21B	X06A, X06B, X06C		

VYK

ZZV	MDC	DRG	ZZV	MDC	DRG	ZZV	MDC	DRG
5t801.2↔		BOP, KVT, UOP4	5t801.a↔		BOP, KVT, UOP4	5t802.6↔		BOP, KVT, UOP4
	01	B03A, B03B, B06A, B06B, B17A, B17B, B17C		01	B03A, B03B, B06A, B06B, B17A, B17B, B17C		01	B03A, B03B, B06A, B06B, B07Z, B17A, B17B, B17C
	08	I27A, I27B, I27C, I27D		08	I27A, I27B, I27C, I27D		08	I27A, I27B, I27C, I27D
	09	J03A, J03B, J04A, J04B, J08A, J08B, J08C, J11A, J11B, J16Z		09	J03A, J03B, J04A, J04B, J08A, J08B, J08C, J11A, J11B, J16Z		10	K09A, K09B
	21A	W04A, W04B		21A	W04A, W04B		21A	W04A, W04B
5t801.3↔	21B	X06A, X06B, X06C	5t801.b↔	21B	X04Z, X06A, X06B, X06C	5t802.7↔	21B	X04Z, X06A, X06B, X06C
		BOP, KVT, UOP4			BOP, KVT, UOP4			BOP, KVT, UOP4
	01	B03A, B03B, B06A, B06B, B17A, B17B, B17C		01	B03A, B03B, B06A, B06B, B17A, B17B, B17C		01	B03A, B03B, B06A, B06B, B07Z, B17A, B17B, B17C
	08	I27A, I27B, I27C, I27D		08	I27A, I27B, I27C, I27D		08	I27A, I27B, I27C, I27D
	09	J03A, J03B, J04A, J04B, J08A, J08B, J08C, J11A, J11B, J16Z		09	J03A, J03B, J04A, J04B, J08A, J08B, J08C, J11A, J11B, J16Z		10	K09A, K09B
5t801.4↔	21A	W04A, W04B	5t801.x	21A	W04A, W04B	5t802.8↔	21A	W04A, W04B
	21B	X05A, X05B, X06A, X06B, X06C		21B	X04Z, X06A, X06B, X06C		01	B03A, B03B, B06A, B06B, B07Z, B17A, B17B, B17C
		BOP, KVT, UOP4			BOP, KVT, UOP4		08	I27A, I27B, I27C, I27D
	01	B03A, B03B, B06A, B06B, B17A, B17B, B17C		01	B03A, B03B, B06A, B06B, B17A, B17B, B17C		10	K09A, K09B
	08	I27A, I27B, I27C, I27D		08	I27A, I27B, I27C, I27D		21A	W04A, W04B
5t801.5↔	09	J03A, J03B, J04A, J04B, J08A, J08B, J08C, J11A, J11B, J16Z	5t802.0↔	09	J03A, J03B, J04A, J04B, J08A, J08B, J08C, J11A, J11B, J16Z	5t802.a↔	21B	X04Z, X06A, X06B, X06C
	21A	W04A, W04B		21A	W04A, W04B			BOP, KVT, UOP4
	21B	X06A, X06B, X06C		21B	X06A, X06B, X06C		01	B03A, B03B, B06A, B06B, B07Z, B17A, B17B, B17C
		BOP, KVT, UOP4			BOP, KVT, UOP4		08	I27A, I27B, I27C, I27D
	01	B03A, B03B, B06A, B06B, B17A, B17B, B17C		01	B03A, B03B, B06A, B06B, B07Z, B17A, B17B, B17C		10	K09A, K09B
5t801.6↔	08	I27A, I27B, I27C, I27D	5t802.1↔	08	I27A, I27B, I27C, I27D	5t802.b↔	21A	W04A, W04B
	09	J03A, J03B, J04A, J04B, J08A, J08B, J08C, J11A, J11B, J16Z		10	K09A, K09B		21B	X04Z
	21A	W04A, W04B		21A	W04A, W04B			BOP, KVT, UOP4
	21B	X06A, X06B, X06C		21B	X06A, X06B, X06C		01	B03A, B03B, B06A, B06B, B07Z, B17A, B17B, B17C
		BOP, KVT, UOP4			BOP, KVT, UOP4		08	I27A, I27B, I27C, I27D
5t801.7↔	01	B03A, B03B, B06A, B06B, B17A, B17B, B17C	5t802.2↔	01	B03A, B03B, B06A, B06B, B07Z, B17A, B17B, B17C	5t802.x	10	K09A, K09B
	08	I27A, I27B, I27C, I27D		08	I27A, I27B, I27C, I27D		08	I27A, I27B, I27C, I27D
	09	J03A, J03B, J04A, J04B, J08A, J08B, J08C, J11A, J11B, J16Z		10	K09A, K09B		10	K09A, K09B
	21A	W04A, W04B		21A	W04A, W04B		21A	W04A, W04B
	21B	X04Z, X06A, X06B, X06C		21B	X06A, X06B, X06C		21B	X06A, X06B, X06C
5t801.8↔		BOP, KVT, UOP4	5t802.3↔		BOP, KVT, UOP4	5t803.0↔		BOP, KVT, UOP4
	01	B03A, B03B, B06A, B06B, B17A, B17B, B17C		01	B03A, B03B, B06A, B06B, B07Z, B17A, B17B, B17C		01	B03A, B03B, B06A, B06B, B07Z, B17A, B17B, B17C
	08	I27A, I27B, I27C, I27D		08	I27A, I27B, I27C, I27D		08	I27A, I27B, I27C, I27D
	09	J03A, J03B, J04A, J04B, J08A, J08B, J08C, J11A, J11B, J16Z		10	K09A, K09B		10	K09A, K09B
	21A	W04A, W04B		21A	W04A, W04B		21A	W04A, W04B
5t801.8↔	21B	X04Z, X06A, X06B, X06C	5t802.4↔	21B	X05A, X05B, X06A, X06B, X06C	5t803.1↔	21B	X06A, X06B, X06C
		BOP, KVT, UOP4			BOP, KVT, UOP4			BOP, KVT, UOP4
	01	B03A, B03B, B06A, B06B, B17A, B17B, B17C		01	B03A, B03B, B06A, B06B, B07Z, B17A, B17B, B17C		01	B03A, B03B, B06A, B06B, B07Z, B17A, B17B, B17C
	08	I27A, I27B, I27C, I27D		08	I27A, I27B, I27C, I27D		08	I27A, I27B, I27C, I27D
	09	J03A, J03B, J04A, J04B, J08A, J08B, J08C, J11A, J11B, J16Z		10	K09A, K09B		10	K09A, K09B
5t801.8↔	21A	W04A, W04B	5t802.5↔	21A	W04A, W04B	5t803.2↔	21A	W04A, W04B
	21B	X04Z, X06A, X06B, X06C		21B	X06A, X06B, X06C		21B	X06A, X06B, X06C
		BOP, KVT, UOP4			BOP, KVT, UOP4			BOP, KVT, UOP4
	01	B03A, B03B, B06A, B06B, B17A, B17B, B17C		01	B03A, B03B, B06A, B06B, B07Z, B17A, B17B, B17C		01	B03A, B03B, B06A, B06B, B07Z, B17A, B17B, B17C
	08	I27A, I27B, I27C, I27D		08	I27A, I27B, I27C, I27D		08	I27A, I27B, I27C, I27D
5t801.8↔	09	J03A, J03B, J04A, J04B, J08A, J08B, J08C, J11A, J11B, J16Z	5t802.5↔	10	K09A, K09B	5t803.2↔	10	K09A, K09B
	21A	W04A, W04B		21A	W04A, W04B		21A	W04A, W04B
	21B	X04Z, X06A, X06B, X06C		21B	X06A, X06B, X06C		21B	X06A, X06B, X06C
		BOP, KVT, UOP4			BOP, KVT, UOP4			BOP, KVT, UOP4
	01	B03A, B03B, B06A, B06B, B17A, B17B, B17C		01	B03A, B03B, B06A, B06B, B07Z, B17A, B17B, B17C		01	B03A, B03B, B06A, B06B, B07Z, B17A, B17B, B17C
5t801.8↔	08	I27A, I27B, I27C, I27D	5t802.5↔	08	I27A, I27B, I27C, I27D	5t803.2↔	08	I27A, I27B, I27C, I27D
	09	J03A, J03B, J04A, J04B, J08A, J08B, J08C, J11A, J11B, J16Z		10	K09A, K09B		10	K09A, K09B
	21A	W04A, W04B		21A	W04A, W04B		21A	W04A, W04B
	21B	X04Z, X06A, X06B, X06C		21B	X06A, X06B, X06C		21B	X06A, X06B, X06C
		BOP, KVT, UOP4			BOP, KVT, UOP4			BOP, KVT, UOP4

VYK

ZZV	MDC	DRG	ZZV	MDC	DRG	ZZV	MDC	DRG
5t806.5↔		BOP, KVT, UOP4	5t807.0↔		BOP, KVT, UOP4	5t807.7↔		BOP, KVT, UOP4
	01	B03A, B03B, B06A, B06B, B07Z, B17A, B17B, B17C		01	B03A, B03B, B06A, B06B, B07Z, B17A, B17B, B17C		01	B03A, B03B, B06A, B06B, B07Z, B17A, B17B, B17C
	08	I27A, I27B, I27C, I27D		08	I27A, I27B, I27C, I27D		08	I27A, I27B, I27C, I27D
	09	J03A, J03B, J04A, J04B, J08A, J08B, J08C, J11A, J11B, J16Z		09	J03A, J03B, J04A, J04B, J08A, J08B, J08C, J11A, J11B, J16Z		09	J03A, J03B, J04A, J04B, J08A, J08B, J08C, J11A, J11B, J16Z
	21A	W04A, W04B		21A	W04A, W04B		21A	W04A, W04B
5t806.6↔	21B	X06A, X06B, X06C	5t807.1↔	21B	X06A, X06B, X06C	5t807.8↔	21B	X04Z, X06A, X06B, X06C
		BOP, KVT, UOP4			BOP, KVT, UOP4			BOP, KVT, UOP4
	01	B03A, B03B, B06A, B06B, B07Z, B17A, B17B, B17C		01	B03A, B03B, B06A, B06B, B07Z, B17A, B17B, B17C		01	B03A, B03B, B06A, B06B, B07Z, B17A, B17B, B17C
	08	I27A, I27B, I27C, I27D		08	I27A, I27B, I27C, I27D		08	I27A, I27B, I27C, I27D
	09	J03A, J03B, J04A, J04B, J08A, J08B, J08C, J11A, J11B, J16Z		09	J03A, J03B, J04A, J04B, J08A, J08B, J08C, J11A, J11B, J16Z		09	J03A, J03B, J04A, J04B, J08A, J08B, J08C, J11A, J11B, J16Z
5t806.7↔	21A	W04A, W04B	5t807.2↔	21A	W04A, W04B	5t807.9↔	21A	W04A, W04B
	21B	X04Z, X06A, X06B, X06C		21B	X06A, X06B, X06C		21B	X04Z
		BOP, KVT, UOP4			BOP, KVT, UOP4			BOP, KVT, UOP4
	01	B03A, B03B, B06A, B06B, B07Z, B17A, B17B, B17C		01	B03A, B03B, B06A, B06B, B07Z, B17A, B17B, B17C		01	B03A, B03B, B06A, B06B, B07Z, B17A, B17B, B17C
	08	I27A, I27B, I27C, I27D		08	I27A, I27B, I27C, I27D		08	I27A, I27B, I27C, I27D
5t806.8↔	09	J03A, J03B, J04A, J04B, J08A, J08B, J08C, J11A, J11B, J16Z	5t807.3↔	09	J03A, J03B, J04A, J04B, J08A, J08B, J08C, J11A, J11B, J16Z	5t807.x	09	J03A, J03B, J04A, J04B, J08A, J08B, J08C, J11A, J11B, J16Z
	21A	W04A, W04B		21A	W04A, W04B		21A	W04A, W04B
	21B	X04Z, X06A, X06B, X06C		21B	X06A, X06B, X06C		21B	X04Z
		BOP, KVT, UOP4			BOP, KVT, UOP4			BOP, KVT, UOP4
	01	B03A, B03B, B06A, B06B, B07Z, B17A, B17B, B17C		01	B03A, B03B, B06A, B06B, B07Z, B17A, B17B, B17C		01	B03A, B03B, B06A, B06B, B07Z, B17A, B17B, B17C
5t806.a↔	08	I27A, I27B, I27C, I27D	5t807.4↔	08	I27A, I27B, I27C, I27D	5t808.0↔	08	I27A, I27B, I27C, I27D
	09	J03A, J03B, J04A, J04B, J08A, J08B, J08C, J11A, J11B, J16Z		09	J03A, J03B, J04A, J04B, J08A, J08B, J08C, J11A, J11B, J16Z		09	J03A, J03B, J04A, J04B, J08A, J08B, J08C, J11A, J11B, J16Z
	21A	W04A, W04B		21A	W04A, W04B		21A	W04A, W04B
	21B	X04Z		21B	X05A, X05B, X06A, X06B, X06C		21B	X06A, X06B, X06C
		BOP, KVT, UOP4			BOP, KVT, UOP4			BOP, KVT, UOP4
5t806.b↔	01	B03A, B03B, B06A, B06B, B07Z, B17A, B17B, B17C	5t807.5↔	01	B03A, B03B, B06A, B06B, B07Z, B17A, B17B, B17C	5t808.1↔	01	B03A, B03B, B06A, B06B, B07Z, B17A, B17B, B17C
	08	I27A, I27B, I27C, I27D		08	I27A, I27B, I27C, I27D		08	I12A, I12B, I12C, I27A, I27B, I27C, I27D
	09	J03A, J03B, J04A, J04B, J08A, J08B, J08C, J11A, J11B, J16Z		09	J03A, J03B, J04A, J04B, J08A, J08B, J08C, J11A, J11B, J16Z		09	J03A, J03B, J04A, J04B, J08A, J08B, J08C, J11A, J11B, J16Z
	21A	W04A, W04B		21A	W04A, W04B		21A	W04A, W04B
	21B	X04Z		21B	X06A, X06B, X06C		21B	X06A, X06B, X06C
5t806.x		BOP, KVT, UOP4	5t807.6↔		BOP, KVT, UOP4	5t808.2↔		BOP, KVT, UOP4
	01	B03A, B03B, B06A, B06B, B07Z, B17A, B17B, B17C		01	B03A, B03B, B06A, B06B, B07Z, B17A, B17B, B17C		01	B03A, B03B, B06A, B06B, B07Z, B17A, B17B, B17C
	08	I27A, I27B, I27C, I27D		08	I27A, I27B, I27C, I27D		08	I12A, I12B, I12C, I27A, I27B, I27C, I27D
	09	J03A, J03B, J04A, J04B, J08A, J08B, J08C, J11A, J11B, J16Z		09	J03A, J03B, J04A, J04B, J08A, J08B, J08C, J11A, J11B, J16Z		09	J03A, J03B, J04A, J04B, J08A, J08B, J08C, J11A, J11B, J16Z
	21A	W04A, W04B		21A	W04A, W04B		21A	W04A, W04B
21B	X06A, X06B, X06C	21B	X04Z, X06A, X06B, X06C	21B	X06A, X06B, X06C			

VYK

ZZV	MDC	DRG	ZZV	MDC	DRG	ZZV	MDC	DRG			
5t80a.2↔		BOP, KVT, UOP4	5t80a.9↔		BOP, KVT, UOP4	5t80b.2↔		BOP, KVT, UOP4			
	01	B03A, B03B, B06A, B06B, B07Z, B17A, B17B, B17C		01	B03A, B03B, B06A, B06B, B07Z, B17A, B17B, B17C		01	B03A, B03B, B06A, B06B, B07Z, B17A, B17B, B17C			
	08	I12A, I12B, I12C, I27A, I27B, I27C, I27D		08	I12A, I12B, I12C, I27A, I27B, I27C, I27D		03	D12A, D12B			
	09	J03A, J03B, J04A, J04B, J08A, J08B, J08C, J11A, J11B, J16Z		09	J03A, J03B, J04A, J04B, J08A, J08B, J08C, J11A, J11B, J16Z		04	E02A, E02B, E02C			
	21A	W04A, W04B		21A	W04A, W04B		05	F21A, F21B, F21C			
5t80a.3↔	21B	X06A, X06B, X06C	5t80a.x	21B	X04Z, X06A, X06B, X06C	06	G10Z, G12A, G12B, G12C				
		BOP, KVT, UOP4			BOP, KVT, UOP4	07	H06A, H06B, H06C				
	01	B03A, B03B, B06A, B06B, B07Z, B17A, B17B, B17C		01	B03A, B03B, B06A, B06B, B07Z, B17A, B17B, B17C	08	I12A, I12B, I12C, I28A, I28B				
	08	I12A, I12B, I12C, I27A, I27B, I27C, I27D		08	I12A, I12B, I12C, I27A, I27B, I27C, I27D	09	J03A, J03B, J04A, J04B, J08A, J08B, J08C, J16Z, J21Z, J22A, J22B				
	09	J03A, J03B, J04A, J04B, J08A, J08B, J08C, J11A, J11B, J16Z		09	J03A, J03B, J04A, J04B, J08A, J08B, J08C, J11A, J11B, J16Z	10	K09A, K09B				
5t80a.4↔	21A	W04A, W04B	5t80b.0↔	21A	W04A, W04B	5t80b.3↔	11	L09A, L09B, L09C, L09D, L38Z			
	21B	X05A, X05B, X06A, X06B, X06C		21B	X06A, X06B, X06C		13	N11A, N11B			
		BOP, KVT, UOP4			BOP, KVT, UOP4		21A	W04A, W04B			
	01	B03A, B03B, B06A, B06B, B07Z, B17A, B17B, B17C		01	B03A, B03B, B06A, B06B, B07Z, B17A, B17B, B17C		21B	X06A, X06B, X06C			
	08	I12A, I12B, I12C, I27A, I27B, I27C, I27D		03	D12A, D12B		01	BOP, KVT, UOP4			
5t80a.5↔	09	J03A, J03B, J04A, J04B, J08A, J08B, J08C, J11A, J11B, J16Z	5t80b.1↔	04	E02A, E02B, E02C	5t80b.4↔	03	D12A, D12B			
	21A	W04A, W04B		05	F21A, F21B, F21C		04	E02A, E02B, E02C			
	21B	X06A, X06B, X06C		06	G10Z, G12A, G12B, G12C		05	F21A, F21B, F21C			
		BOP, KVT, UOP4		07	H06A, H06B, H06C		06	G10Z, G12A, G12B, G12C			
	01	B03A, B03B, B06A, B06B, B07Z, B17A, B17B, B17C		08	I12A, I12B, I12C, I28A, I28B		07	H06A, H06B, H06C			
5t80a.6↔	08	I12A, I12B, I12C, I27A, I27B, I27C, I27D	5t80b.2↔	09	J03A, J03B, J04A, J04B, J08A, J08B, J08C, J16Z, J21Z, J22A, J22B	5t80b.3↔	08	I12A, I12B, I12C, I28A, I28B			
	09	J03A, J03B, J04A, J04B, J08A, J08B, J08C, J11A, J11B, J16Z		10	K09A, K09B		5t80b.4↔	09	J03A, J03B, J04A, J04B, J08A, J08B, J08C, J16Z, J21Z, J22A, J22B		
	21A	W04A, W04B		11	L09A, L09B, L09C, L09D, L38Z			10	K09A, K09B		
	21B	X06A, X06B, X06C		13	N11A, N11B			11	L09A, L09B, L09C, L09D, L38Z		
		BOP, KVT, UOP4		21A	W04A, W04B			13	N11A, N11B		
01	B03A, B03B, B06A, B06B, B07Z, B17A, B17B, B17C	21B	X06A, X06B, X06C	21A	W04A, W04B						
5t80a.7↔	08	I12A, I12B, I12C, I27A, I27B, I27C, I27D	5t80b.3↔	01	B03A, B03B, B06A, B06B, B07Z, B17A, B17B, B17C	5t80b.4↔	21B	X06A, X06B, X06C			
	09	J03A, J03B, J04A, J04B, J08A, J08B, J08C, J11A, J11B, J16Z		03	D12A, D12B		01	BOP, KVT, UOP4			
	21A	W04A, W04B		04	E02A, E02B, E02C		03	D12A, D12B			
	21B	X04Z, X06A, X06B, X06C		05	F21A, F21B, F21C		04	E02A, E02B, E02C			
		BOP, KVT, UOP4		06	G10Z, G12A, G12B, G12C		05	F21A, F21B, F21C			
5t80a.8↔	01	B03A, B03B, B06A, B06B, B07Z, B17A, B17B, B17C	5t80b.4↔	07	H06A, H06B, H06C	5t80b.4↔	06	G10Z, G12A, G12B, G12C			
	08	I12A, I12B, I12C, I27A, I27B, I27C, I27D		08	I12A, I12B, I12C, I28A, I28B		5t80b.4↔	07	H06A, H06B, H06C		
	09	J03A, J03B, J04A, J04B, J08A, J08B, J08C, J11A, J11B, J16Z		09	J03A, J03B, J04A, J04B, J08A, J08B, J08C, J16Z, J21Z, J22A, J22B			5t80b.4↔	08	I12A, I12B, I12C, I28A, I28B	
	21A	W04A, W04B		10	K09A, K09B				5t80b.4↔	09	J03A, J03B, J04A, J04B, J08A, J08B, J08C, J16Z, J21Z, J22A, J22B
	21B	X04Z, X06A, X06B, X06C		11	L09A, L09B, L09C, L09D, L38Z					5t80b.4↔	10
	BOP, KVT, UOP4	13	N11A, N11B	5t80b.4↔	11	L09A, L09B, L09C, L09D, L38Z					
01	B03A, B03B, B06A, B06B, B07Z, B17A, B17B, B17C	21A	W04A, W04B		5t80b.4↔	13	N11A, N11B				
08	I12A, I12B, I12C, I27A, I27B, I27C, I27D	21B	X06A, X06B, X06C			5t80b.4↔	21A	W04A, W04B			
09	J03A, J03B, J04A, J04B, J08A, J08B, J08C, J11A, J11B, J16Z						5t80b.4↔	21B	X06A, X06B, X06C		
21A	W04A, W04B							5t80b.4↔			
21B	X04Z, X06A, X06B, X06C			5t80b.4↔							

ZZV	MDC	DRG	ZZV	MDC	DRG	ZZV	MDC	DRG
5t80b.5↔		BOP, KVT, UOP4	5t80b.8↔		BOP, KVT, UOP4	5t80c.0↔		BOP, KVT, UOP4
	01	B03A, B03B, B06A, B06B, B07Z, B17A, B17B, B17C		01	B03A, B03B, B06A, B06B, B07Z, B17A, B17B, B17C		01	B03A, B03B, B06A, B06B, B07Z, B17A, B17B, B17C
	03	D12A, D12B		03	D12A, D12B		03	D12A, D12B
	04	E02A, E02B, E02C		04	E02A, E02B, E02C		04	E02A, E02B, E02C
	05	F21A, F21B, F21C		05	F21A, F21B, F21C, F27A, F27B, F27C		05	F21A, F21B, F21C
	06	G10Z, G12A, G12B, G12C		06	G10Z, G12A, G12B, G12C		06	G10Z, G12A, G12B, G12C
	07	H06A, H06B, H06C		07	H06A, H06B, H06C		07	H06A, H06B, H06C
	08	I12A, I12B, I12C, I28A, I28B		08	I12A, I12B, I12C, I28A, I28B		08	I12A, I12B, I12C, I28A, I28B
	09	J03A, J03B, J04A, J04B, J08A, J08B, J08C, J16Z, J21Z, J22A, J22B		09	J03A, J03B, J04A, J04B, J08A, J08B, J08C, J16Z, J21Z, J22A, J22B		09	J03A, J03B, J04A, J04B, J08A, J08B, J08C, J16Z, J21Z, J22A, J22B
	10	K09A, K09B		10	K01Z		10	K09A, K09B
	11	L09A, L09B, L09C, L09D, L38Z		11	L09A, L09B, L09C, L09D, L38Z		11	L09A, L09B, L09C, L09D, L38Z
	13	N11A, N11B		13	N11A, N11B		13	N11A, N11B
	21A	W04A, W04B		21A	W04A, W04B		21A	W04A, W04B
	21B	X06A, X06B, X06C		21B	X06A, X06B, X06C		21B	X06A, X06B, X06C
5t80b.6↔		BOP, KVT, UOP4	5t80b.9↔		BOP, KVT, UOP4	5t80c.1↔		BOP, KVT, UOP4
	01	B03A, B03B, B06A, B06B, B07Z, B17A, B17B, B17C		01	B03A, B03B, B06A, B06B, B07Z, B17A, B17B, B17C		01	B03A, B03B, B06A, B06B, B07Z, B17A, B17B, B17C
	03	D12A, D12B		03	D12A, D12B		03	D12A, D12B
	04	E02A, E02B, E02C		04	E02A, E02B, E02C		04	E02A, E02B, E02C
	05	F21A, F21B, F21C, F27A, F27B, F27C		05	F21A, F21B, F21C, F27A, F27B, F27C		05	F21A, F21B, F21C
	06	G10Z, G12A, G12B, G12C		06	G10Z, G12A, G12B, G12C		06	G10Z, G12A, G12B, G12C
	07	H06A, H06B, H06C		07	H06A, H06B, H06C		07	H06A, H06B, H06C
	08	I12A, I12B, I12C, I28A, I28B		08	I12A, I12B, I12C, I28A, I28B		08	I12A, I12B, I12C, I28A, I28B
	09	J03A, J03B, J04A, J04B, J08A, J08B, J08C, J16Z, J21Z, J22A, J22B		09	J03A, J03B, J04A, J04B, J08A, J08B, J08C, J16Z, J21Z, J22A, J22B		09	J03A, J03B, J04A, J04B, J08A, J08B, J08C, J16Z, J21Z, J22A, J22B
	10	K01Z		10	K01Z		10	K09A, K09B
	11	L09A, L09B, L09C, L09D, L38Z		11	L09A, L09B, L09C, L09D, L38Z		11	L09A, L09B, L09C, L09D, L38Z
	13	N11A, N11B		13	N11A, N11B		13	N11A, N11B
	21A	W04A, W04B		21A	W04A, W04B		21A	W04A, W04B
	21B	X06A, X06B, X06C		21B	X06A, X06B, X06C		21B	X06A, X06B, X06C
5t80b.7↔		BOP, KVT, UOP4	5t80b.x		BOP, KVT, UOP4	5t80c.2↔		BOP, KVT, UOP4
	01	B03A, B03B, B06A, B06B, B07Z, B17A, B17B, B17C		01	B03A, B03B, B06A, B06B, B07Z, B17A, B17B, B17C		01	B03A, B03B, B06A, B06B, B07Z, B17A, B17B, B17C
	03	D12A, D12B		03	D12A, D12B		03	D12A, D12B
	04	E02A, E02B, E02C		04	E02A, E02B, E02C		04	E02A, E02B, E02C
	05	F21A, F21B, F21C, F27A, F27B, F27C		05	F21A, F21B, F21C		05	F21A, F21B, F21C
	06	G10Z, G12A, G12B, G12C		06	G10Z, G12A, G12B, G12C		06	G10Z, G12A, G12B, G12C
	07	H06A, H06B, H06C		07	H06A, H06B, H06C		07	H06A, H06B, H06C
	08	I12A, I12B, I12C, I28A, I28B		08	I12A, I12B, I12C, I28A, I28B		08	I12A, I12B, I12C, I28A, I28B
	09	J03A, J03B, J04A, J04B, J08A, J08B, J08C, J16Z, J21Z, J22A, J22B		09	J03A, J03B, J04A, J04B, J08A, J08B, J08C, J16Z, J21Z, J22A, J22B		09	J03A, J03B, J04A, J04B, J08A, J08B, J08C, J16Z, J21Z, J22A, J22B
	10	K01Z		10	K09A, K09B		10	K09A, K09B
	11	L09A, L09B, L09C, L09D, L38Z		11	L09A, L09B, L09C, L09D, L38Z		11	L09A, L09B, L09C, L09D, L38Z
	13	N11A, N11B		13	N11A, N11B		13	N11A, N11B
	21A	W04A, W04B		21A	W04A, W04B		21A	W04A, W04B
	21B	X06A, X06B, X06C		21B	X06A, X06B, X06C		21B	X06A, X06B, X06C

ZZV	MDC	DRG	ZZV	MDC	DRG	ZZV	MDC	DRG
5t80c.3↔		BOP, KVT, UOP4	5t80c.6↔		BOP, KVT, UOP4	5t80c.9↔		BOP, KVT, UOP4
	01	B03A, B03B, B06A, B06B, B07Z, B17A, B17B, B17C		01	B03A, B03B, B06A, B06B, B07Z, B17A, B17B, B17C		01	B03A, B03B, B06A, B06B, B07Z, B17A, B17B, B17C
	03	D12A, D12B		03	D12A, D12B		03	D12A, D12B
	04	E02A, E02B, E02C		04	E02A, E02B, E02C		04	E02A, E02B, E02C
	05	F21A, F21B, F21C		05	F21A, F21B, F21C, F27A, F27B, F27C		05	F21A, F21B, F21C, F27A, F27B, F27C
	06	G10Z, G12A, G12B, G12C		06	G10Z, G12A, G12B, G12C		06	G10Z, G12A, G12B, G12C
	07	H06A, H06B, H06C		07	H06A, H06B, H06C		07	H06A, H06B, H06C
	08	I12A, I12B, I12C, I28A, I28B		08	I12A, I12B, I12C, I28A, I28B		08	I12A, I12B, I12C, I20D, I28A, I28B
	09	J03A, J03B, J04A, J04B, J08A, J08B, J08C, J16Z, J21Z, J22A, J22B		09	J03A, J03B, J04A, J04B, J08A, J08B, J08C, J16Z, J21Z, J22A, J22B		09	J03A, J03B, J04A, J04B, J08A, J08B, J08C, J16Z, J21Z, J22A, J22B
	10	K09A, K09B		10	K01Z		10	K01Z
	11	L09A, L09B, L09C, L09D, L38Z		11	L09A, L09B, L09C, L09D, L38Z		11	L09A, L09B, L09C, L09D, L38Z
	13	N11A, N11B		13	N11A, N11B		13	N11A, N11B
	21A	W04A, W04B		21A	W04A, W04B		21A	W04A, W04B
21B	X06A, X06B, X06C	21B	X06A, X06B, X06C	21B	X06A, X06B, X06C			
5t80c.4↔		BOP, KVT, UOP4	5t80c.7↔		BOP, KVT, UOP4	5t80c.x		BOP, KVT, UOP4
	01	B03A, B03B, B06A, B06B, B07Z, B17A, B17B, B17C		01	B03A, B03B, B06A, B06B, B07Z, B17A, B17B, B17C		01	B03A, B03B, B06A, B06B, B07Z, B17A, B17B, B17C
	03	D12A, D12B		03	D12A, D12B		03	D12A, D12B
	04	E02A, E02B, E02C		04	E02A, E02B, E02C		04	E02A, E02B, E02C
	05	F21A, F21B, F21C		05	F21A, F21B, F21C, F27A, F27B, F27C		05	F21A, F21B, F21C
	06	G10Z, G12A, G12B, G12C		06	G10Z, G12A, G12B, G12C		06	G10Z, G12A, G12B, G12C
	07	H06A, H06B, H06C		07	H06A, H06B, H06C		07	H06A, H06B, H06C
	08	I12A, I12B, I12C, I28A, I28B		08	I12A, I12B, I12C, I28A, I28B		08	I12A, I12B, I12C, I28A, I28B
	09	J03A, J03B, J04A, J04B, J08A, J08B, J08C, J16Z, J21Z, J22A, J22B		09	J03A, J03B, J04A, J04B, J08A, J08B, J08C, J16Z, J21Z, J22A, J22B		09	J03A, J03B, J04A, J04B, J08A, J08B, J08C, J16Z, J21Z, J22A, J22B
	10	K09A, K09B		10	K01Z		11	L09A, L09B, L09C, L09D, L38Z
	11	L09A, L09B, L09C, L09D, L38Z		11	L09A, L09B, L09C, L09D, L38Z		13	N11A, N11B
	13	N11A, N11B		13	N11A, N11B		21A	W04A, W04B
	21A	W04A, W04B		21A	W04A, W04B		21B	X06A, X06B, X06C
21B	X06A, X06B, X06C	21B	X06A, X06B, X06C		BOP, KVT, UOP4			
5t80c.5↔		BOP, KVT, UOP4	5t80c.8↔		BOP, KVT, UOP4	5t80d.0↔		BOP, KVT, UOP4
	01	B03A, B03B, B06A, B06B, B07Z, B17A, B17B, B17C		01	B03A, B03B, B06A, B06B, B07Z, B17A, B17B, B17C		01	B03A, B03B, B06A, B06B, B07Z, B17A, B17B, B17C
	03	D12A, D12B		03	D12A, D12B		03	D12A, D12B
	04	E02A, E02B, E02C		04	E02A, E02B, E02C		04	E02A, E02B, E02C
	05	F21A, F21B, F21C		05	F21A, F21B, F21C, F27A, F27B, F27C		05	F21A, F21B, F21C
	06	G10Z, G12A, G12B, G12C		06	G10Z, G12A, G12B, G12C		06	G10Z, G12A, G12B, G12C
	07	H06A, H06B, H06C		07	H06A, H06B, H06C		07	H06A, H06B, H06C
	08	I12A, I12B, I12C, I28A, I28B		08	I12A, I12B, I12C, I28A, I28B		08	I12A, I12B, I12C, I28A, I28B
	09	J03A, J03B, J04A, J04B, J08A, J08B, J08C, J16Z, J21Z, J22A, J22B		09	J03A, J03B, J04A, J04B, J08A, J08B, J08C, J16Z, J21Z, J22A, J22B		09	J03A, J03B, J04A, J04B, J08A, J08B, J08C, J16Z, J21Z, J22A, J22B
	10	K09A, K09B		10	K01Z		10	K09A, K09B
	11	L09A, L09B, L09C, L09D, L38Z		11	L09A, L09B, L09C, L09D, L38Z		11	L09A, L09B, L09C, L09D, L38Z
	13	N11A, N11B		13	N11A, N11B		13	N11A, N11B
	21A	W04A, W04B		21A	W04A, W04B		21A	W04A, W04B
21B	X06A, X06B, X06C	21B	X06A, X06B, X06C	21B	X06A, X06B, X06C			

VYK

ZZV	MDC	DRG	ZZV	MDC	DRG	ZZV	MDC	DRG
5t80d.1↔		BOP, KVT, UOP4	5t80d.4↔		BOP, KVT, UOP4	5t80d.7↔		BOP, KVT, UOP4
	01	B03A, B03B, B06A, B06B, B07Z, B17A, B17B, B17C		01	B03A, B03B, B06A, B06B, B07Z, B17A, B17B, B17C		01	B03A, B03B, B06A, B06B, B07Z, B17A, B17B, B17C
	03	D12A, D12B		03	D12A, D12B		03	D12A, D12B
	04	E02A, E02B, E02C		04	E02A, E02B, E02C		04	E02A, E02B, E02C
	05	F21A, F21B, F21C		05	F21A, F21B, F21C		05	F21A, F21B, F21C, F27A, F27B, F27C
	06	G10Z, G12A, G12B, G12C		06	G10Z, G12A, G12B, G12C		06	G10Z, G12A, G12B, G12C
	07	H06A, H06B, H06C		07	H06A, H06B, H06C		07	H06A, H06B, H06C
	08	I12A, I12B, I12C, I28A, I28B		08	I12A, I12B, I12C, I28A, I28B		08	I12A, I12B, I12C, I28A, I28B
	09	J03A, J03B, J04A, J04B, J08A, J08B, J08C, J16Z, J21Z, J22A, J22B		09	J03A, J03B, J04A, J04B, J08A, J08B, J08C, J16Z, J21Z, J22A, J22B		09	J03A, J03B, J04A, J04B, J08A, J08B, J08C, J16Z, J21Z, J22A, J22B
	10	K09A, K09B		10	K09A, K09B		10	K01Z
	11	L09A, L09B, L09C, L09D, L38Z		11	L09A, L09B, L09C, L09D, L38Z		11	L09A, L09B, L09C, L09D, L38Z
	13	N11A, N11B		13	N11A, N11B		13	N11A, N11B
	21A	W04A, W04B		21A	W04A, W04B		21A	W04A, W04B
21B	X06A, X06B, X06C	21B	X06A, X06B, X06C	21B	X06A, X06B, X06C			
5t80d.2↔		BOP, KVT, UOP4	5t80d.5↔		BOP, KVT, UOP4	5t80d.8↔		BOP, KVT, UOP4
	01	B03A, B03B, B06A, B06B, B07Z, B17A, B17B, B17C		01	B03A, B03B, B06A, B06B, B07Z, B17A, B17B, B17C		01	B03A, B03B, B06A, B06B, B07Z, B17A, B17B, B17C
	03	D12A, D12B		03	D12A, D12B		03	D12A, D12B
	04	E02A, E02B, E02C		04	E02A, E02B, E02C		04	E02A, E02B, E02C
	05	F21A, F21B, F21C		05	F21A, F21B, F21C		05	F21A, F21B, F21C, F27A, F27B, F27C
	06	G10Z, G12A, G12B, G12C		06	G10Z, G12A, G12B, G12C		06	G10Z, G12A, G12B, G12C
	07	H06A, H06B, H06C		07	H06A, H06B, H06C		07	H06A, H06B, H06C
	08	I12A, I12B, I12C, I28A, I28B		08	I12A, I12B, I12C, I28A, I28B		08	I12A, I12B, I12C, I28A, I28B
	09	J03A, J03B, J04A, J04B, J08A, J08B, J08C, J16Z, J21Z, J22A, J22B		09	J03A, J03B, J04A, J04B, J08A, J08B, J08C, J16Z, J21Z, J22A, J22B		09	J03A, J03B, J04A, J04B, J08A, J08B, J08C, J16Z, J21Z, J22A, J22B
	10	K09A, K09B		10	K09A, K09B		10	K01Z
	11	L09A, L09B, L09C, L09D, L38Z		11	L09A, L09B, L09C, L09D, L38Z		11	L09A, L09B, L09C, L09D, L38Z
	13	N11A, N11B		13	N11A, N11B		13	N11A, N11B
	21A	W04A, W04B		21A	W04A, W04B		21A	W04A, W04B
21B	X06A, X06B, X06C	21B	X06A, X06B, X06C	21B	X06A, X06B, X06C			
5t80d.3↔		BOP, KVT, UOP4	5t80d.6↔		BOP, KVT, UOP4	5t80d.9↔		BOP, KVT, UOP4
	01	B03A, B03B, B06A, B06B, B07Z, B17A, B17B, B17C		01	B03A, B03B, B06A, B06B, B07Z, B17A, B17B, B17C		01	B03A, B03B, B06A, B06B, B07Z, B17A, B17B, B17C
	03	D12A, D12B		03	D12A, D12B		03	D12A, D12B
	04	E02A, E02B, E02C		04	E02A, E02B, E02C		04	E02A, E02B, E02C
	05	F21A, F21B, F21C		05	F21A, F21B, F21C, F27A, F27B, F27C		05	F21A, F21B, F21C, F27A, F27B, F27C
	06	G10Z, G12A, G12B, G12C		06	G10Z, G12A, G12B, G12C		06	G10Z, G12A, G12B, G12C
	07	H06A, H06B, H06C		07	H06A, H06B, H06C		07	H06A, H06B, H06C
	08	I12A, I12B, I12C, I28A, I28B		08	I12A, I12B, I12C, I28A, I28B		08	I12A, I12B, I12C, I28A, I28B
	09	J03A, J03B, J04A, J04B, J08A, J08B, J08C, J16Z, J21Z, J22A, J22B		09	J03A, J03B, J04A, J04B, J08A, J08B, J08C, J16Z, J21Z, J22A, J22B		09	J03A, J03B, J04A, J04B, J08A, J08B, J08C, J16Z, J21Z, J22A, J22B
	10	K09A, K09B		10	K01Z		10	K01Z
	11	L09A, L09B, L09C, L09D, L38Z		11	L09A, L09B, L09C, L09D, L38Z		11	L09A, L09B, L09C, L09D, L38Z
	13	N11A, N11B		13	N11A		13	N11A, N11B
	21A	W04A, W04B		21A	W04A, W04B		21A	W04A, W04B
21B	X06A, X06B, X06C	21B	X06A, X06B, X06C	21B	X06A, X06B, X06C			

VYK

ZZV	MDC	DRG	ZZV	MDC	DRG	ZZV	MDC	DRG					
5t80d.x		BOP, KVT, UOP4	5t80x.5		BOP, KVT, UOP4	5t810.1↔		BOP, KVT, UOP4					
	01	B03A, B03B, B06A, B06B, B07Z, B17A, B17B, B17C		01	B03A, B03B, B06A, B06B, B07Z, B17A, B17B, B17C		01	B03A, B03B, B06A, B06B, B17A, B17B, B17C					
	03	D12A, D12B		08	I27A, I27B, I27C, I27D		08	I27A, I27B, I27C, I27D					
	04	E02A, E02B, E02C		09	J03A, J03B, J04A, J04B, J08A, J08B, J08C, J11A, J11B, J16Z		09	J03A, J03B, J04A, J04B, J08A, J08B, J11A, J11B, J16Z					
	05	F21A, F21B, F21C					21A	W04A, W04B					
	06	G10Z, G12A, G12B, G12C					21B	X06A, X06B, X06C					
	07	H06A, H06B, H06C		5t80x.6↔			BOP, KVT, UOP4	5t810.2↔		BOP, KVT, UOP4			
	08	I12A, I12B, I12C, I28A, I28B			01		B03A, B03B, B06A, B06B, B07Z, B17A, B17B, B17C		01	B03A, B03B, B06A, B06B, B17A, B17B, B17C			
	09	J03A, J03B, J04A, J04B, J08A, J08B, J08C, J16Z, J21Z, J22A, J22B			08		I27A, I27B, I27C, I27D		08	I27A, I27B, I27C, I27D			
	10	K09A, K09B			09		J03A, J03B, J04A, J04B, J08A, J08B, J08C, J11A, J11B, J16Z		09	J03A, J03B, J04A, J04B, J08A, J08B, J11A, J11B, J16Z			
	11	L09A, L09B, L09C, L09D, L38Z							21A	W04A, W04B			
	13	N11A, N11B							21B	X04Z, X06A, X06B, X06C			
	21A	W04A, W04B			5t80x.7↔				BOP, KVT, UOP4	5t810.3↔		BOP, KVT, UOP4	
	21B	X06A, X06B, X06C					01		B03A, B03B, B06A, B06B, B07Z, B17A, B17B, B17C		01	B03A, B03B, B06A, B06B, B17A, B17B, B17C	
5t80x.0↔		BOP, KVT, UOP4	08			I27A, I27B, I27C, I27D	08		I27A, I27B, I27C, I27D				
	01	B03A, B03B, B06A, B06B, B07Z, B17A, B17B, B17C	09			J03A, J03B, J04A, J04B, J08A, J08B, J08C, J11A, J11B, J16Z	09		J03A, J03B, J04A, J04B, J08A, J08B, J11A, J11B, J16Z				
	08	I27A, I27B, I27C, I27D					21A		W04A, W04B				
	09	J03A, J03B, J04A, J04B, J08A, J08B, J08C, J11A, J11B, J16Z					21B		X05A, X05B, X06A, X06B, X06C				
	21A	W04A, W04B	5t80x.8↔				BOP, KVT, UOP4		5t810.4↔			BOP, KVT, UOP4	
	21B	X06A, X06B, X06C				01	B03A, B03B, B06A, B06B, B07Z, B17A, B17B, B17C				01	B03A, B03B, B06A, B06B, B17A, B17B, B17C	
	5t80x.1↔			BOP, KVT, UOP4		08	I27A, I27B, I27C, I27D	08			I27A, I27B, I27C, I27D		
		01		B03A, B03B, B06A, B06B, B07Z, B17A, B17B, B17C		09	J03A, J03B, J04A, J04B, J08A, J08B, J08C, J11A, J11B, J16Z	09			J03A, J03B, J04A, J04B, J08A, J08B, J11A, J11B, J16Z		
		08		I27A, I27B, I27C, I27D				21A			W04A, W04B		
		09		J03A, J03B, J04A, J04B, J08A, J08B, J08C, J11A, J11B, J16Z				21B			X06A, X06B, X06C		
		21A		W04A, W04B		5t80x.9↔		BOP, KVT, UOP4			5t810.5↔		BOP, KVT, UOP4
		21B		X06A, X06B, X06C			01	B03A, B03B, B06A, B06B, B07Z, B17A, B17B, B17C				01	B03A, B03B, B06A, B06B, B17A, B17B, B17C
		5t80x.2↔			BOP, KVT, UOP4		08	I27A, I27B, I27C, I27D		08		I27A, I27B, I27C, I27D	
				01	B03A, B03B, B06A, B06B, B07Z, B17A, B17B, B17C		09	J03A, J03B, J04A, J04B, J08A, J08B, J08C, J11A, J11B, J16Z		09		J03A, J03B, J04A, J04B, J08A, J08B, J11A, J11B, J16Z	
08				I27A, I27B, I27C, I27D				21A		W04A, W04B			
09				J03A, J03B, J04A, J04B, J08A, J08B, J08C, J11A, J11B, J16Z				21B		X06A, X06B, X06C			
21A				W04A, W04B	5t80x.x			BOP, KVT, UOP4		5t810.6↔			BOP, KVT, UOP4
21B				X06A, X06B, X06C			01	B03A, B03B, B06A, B06B, B07Z, B17A, B17B, B17C				01	B03A, B03B, B06A, B06B, B17A, B17B, B17C
5t80x.3↔				BOP, KVT, UOP4			08	I27A, I27B, I27C, I27D	08			I27A, I27B, I27C, I27D	
			01	B03A, B03B, B06A, B06B, B07Z, B17A, B17B, B17C			09	J03A, J03B, J04A, J04B, J08A, J08B, J08C, J11A, J11B, J16Z	09			J03A, J03B, J04A, J04B, J08A, J08B, J11A, J11B, J16Z	
	08		I27A, I27B, I27C, I27D					21A	W04A, W04B				
	09		J03A, J03B, J04A, J04B, J08A, J08B, J08C, J11A, J11B, J16Z					21B	X06A, X06B, X06C				
	21A		W04A, W04B	5t810.0↔				BOP, KVT, UOP4	5t810.7↔				BOP, KVT, UOP4
	21B		X05A, X05B, X06A, X06B, X06C				01	B03A, B03B, B06A, B06B, B17A, B17B, B17C				01	B03A, B03B, B06A, B06B, B17A, B17B, B17C
	5t80x.4↔					BOP, KVT, UOP4	03	D18Z, D28Z, D29Z			01	B03A, B03B, B06A, B06B, B17A, B17B, B17C	
			01			B03A, B03B, B06A, B06B, B07Z, B17A, B17B, B17C	08	I27A, I27B, I27C, I27D			08	I27A, I27B, I27C, I27D	
		08	I27A, I27B, I27C, I27D			09	J03A, J03B, J04A, J04B, J08A, J08B, J11A, J11B, J16Z	09			J03A, J03B, J04A, J04B, J08A, J08B, J11A, J11B, J16Z		
		09	J03A, J03B, J04A, J04B, J08A, J08B, J08C, J11A, J11B, J16Z					21A			W04A, W04B		
		21A	W04A, W04B					21B			X04Z, X06A, X06B, X06C		
		21B	X06A, X06B, X06C										

ZZV	MDC	DRG	ZZV	MDC	DRG	ZZV	MDC	DRG			
5t810.8↔		BOP, KVT, UOP4	5t811.4↔		BOP, KVT, UOP4	5t812.0↔		BOP, KVT, UOP4			
	01	B03A, B03B, B06A, B06B, B17A, B17B, B17C		01	B03A, B03B, B06A, B06B, B07Z, B17A, B17B, B17C		01	B03A, B03B, B06A, B06B, B07Z, B17A, B17B, B17C			
	08	I27A, I27B, I27C, I27D		05	F27A, F27B, F27C		05	F27A, F27B, F27C			
	09	J03A, J03B, J04A, J04B, J08A, J08B, J11A, J11B, J16Z		08	I12A, I12B, I12C, I27A, I27B, I27C, I27D		08	I12A, I12B, I12C, I27A, I27B, I27C, I27D			
	21A	W04A, W04B		09	J08A		09	J08A			
	21B	X04Z, X06A, X06B, X06C		10	K09A, K09B		10	K09A, K09B			
	5t810.9↔			BOP, KVT, UOP4	5t811.5↔			BOP, KVT, UOP4	5t812.1↔		BOP, KVT, UOP4
		01		B03A, B03B, B06A, B06B, B17A, B17B, B17C			01	B03A, B03B, B06A, B06B, B07Z, B17A, B17B, B17C		01	B03A, B03B, B06A, B06B, B07Z, B17A, B17B, B17C
		08		I27A, I27B, I27C, I27D			05	F27A, F27B, F27C		05	F27A, F27B, F27C
09		J03A, J03B, J04A, J04B, J08A, J08B, J11A, J11B, J16Z	08	I12A, I12B, I12C, I27A, I27B, I27C, I27D		08	I12A, I12B, I12C, I27A, I27B, I27C, I27D				
21A		W04A, W04B	09	J08A		09	J08A				
21B		X04Z, X06A, X06B, X06C	10	K09A, K09B		10	K09A, K09B				
5t810.x			BOP, KVT, UOP4	5t811.6↔			BOP, KVT, UOP4	5t812.2↔			BOP, KVT, UOP4
		01	B03A, B03B, B06A, B06B, B17A, B17B, B17C			01	B03A, B03B, B06A, B06B, B07Z, B17A, B17B, B17C			01	B03A, B03B, B06A, B06B, B07Z, B17A, B17B, B17C
		08	I27A, I27B, I27C, I27D			05	F27A, F27B, F27C			05	F27A, F27B, F27C
	09	J03A, J03B, J04A, J04B, J08A, J08B, J11A, J11B, J16Z	08		I12A, I12B, I12C, I27A, I27B, I27C, I27D	08	I12A, I12B, I12C, I27A, I27B, I27C, I27D				
	21A	W04A, W04B	09		J08A	09	J08A				
	21B	X06A, X06B, X06C	10		K09A, K09B	10	K09A, K09B				
	5t811.0↔		BOP, KVT, UOP4		5t811.7↔		BOP, KVT, UOP4		5t812.3↔		BOP, KVT, UOP4
		01	B03A, B03B, B06A, B06B, B07Z, B17A, B17B, B17C			01	B03A, B03B, B06A, B06B, B07Z, B17A, B17B, B17C			01	B03A, B03B, B06A, B06B, B07Z, B17A, B17B, B17C
		05	F27A, F27B, F27C			05	F27A, F27B, F27C			05	F27A, F27B, F27C
08		I12A, I12B, I12C, I27A, I27B, I27C, I27D	08	I12A, I12B, I12C, I27A, I27B, I27C, I27D		08	I12A, I12B, I12C, I27A, I27B, I27C, I27D				
09		J08A	09	J08A		09	J08A				
10		K09A, K09B	10	K09A, K09B		10	K09A, K09B				
21A		W04A, W04B	21A	W04A, W04B		21A	W04A, W04B				
21B		X06A, X06B, X06C	21B	X04Z, X06A, X06B, X06C		21B	X06A, X06B, X06C				
5t811.1↔			BOP, KVT, UOP4	5t811.8↔			BOP, KVT, UOP4	5t812.4↔			BOP, KVT, UOP4
	01	B03A, B03B, B06A, B06B, B07Z, B17A, B17B, B17C	01		B03A, B03B, B06A, B06B, B07Z, B17A, B17B, B17C	01	B03A, B03B, B06A, B06B, B07Z, B17A, B17B, B17C				
	05	F27A, F27B, F27C	05		F27A, F27B, F27C	05	F27A, F27B, F27C				
	08	I12A, I12B, I12C, I27A, I27B, I27C, I27D	08		I12A, I12B, I12C, I27A, I27B, I27C, I27D	08	I12A, I12B, I12C, I27A, I27B, I27C, I27D				
	09	J08A	09		J08A	09	J08A				
	10	K09A, K09B	10		K09A, K09B	10	K09A, K09B				
	21A	W04A, W04B	21A		W04A, W04B	21A	W04A, W04B				
	21B	X06A, X06B, X06C	21B		X04Z, X06A, X06B, X06C	21B	X05A, X05B, X06A, X06B, X06C				
	5t811.2↔		BOP, KVT, UOP4		5t811.9↔		BOP, KVT, UOP4		5t812.5↔		BOP, KVT, UOP4
01		B03A, B03B, B06A, B06B, B07Z, B17A, B17B, B17C	01	B03A, B03B, B06A, B06B, B07Z, B17A, B17B, B17C		01	B03A, B03B, B06A, B06B, B07Z, B17A, B17B, B17C				
05		F27A, F27B, F27C	05	F27A, F27B, F27C		05	F27A, F27B, F27C				
08		I12A, I12B, I12C, I27A, I27B, I27C, I27D	08	I12A, I12B, I12C, I27A, I27B, I27C, I27D		08	I12A, I12B, I12C, I27A, I27B, I27C, I27D				
09		J08A	09	J08A		09	J08A				
10		K09A, K09B	10	K09A, K09B		10	K09A, K09B				
21A		W04A, W04B	21A	W04A, W04B		21A	W04A, W04B				
21B		X06A, X06B, X06C	21B	X04Z, X06A, X06B, X06C		21B	X06A, X06B, X06C				
5t811.3↔			BOP, KVT, UOP4	5t811.x			BOP, KVT, UOP4	5t812.5↔			BOP, KVT, UOP4
	01	B03A, B03B, B06A, B06B, B07Z, B17A, B17B, B17C	01		B03A, B03B, B06A, B06B, B07Z, B17A, B17B, B17C	01	B03A, B03B, B06A, B06B, B07Z, B17A, B17B, B17C				
	05	F27A, F27B, F27C	05		F27A, F27B, F27C	05	F27A, F27B, F27C				
	08	I12A, I12B, I12C, I27A, I27B, I27C, I27D	08		I12A, I12B, I12C, I27A, I27B, I27C, I27D	08	I12A, I12B, I12C, I27A, I27B, I27C, I27D				
	09	J08A	09		J08A	09	J08A				
	10	K09A, K09B	10		K09A, K09B	10	K09A, K09B				
	21A	W04A, W04B	21A		W04A, W04B	21A	W04A, W04B				
	21B	X05A, X05B, X06A, X06B, X06C	21B		X06A, X06B, X06C	21B	X06A, X06B, X06C				

ZZV	MDC	DRG	ZZV	MDC	DRG	ZZV	MDC	DRG					
5t812.6↔		BOP, KVT, UOP4	5t813.3↔	08	I27A, I27B, I27C, I27D	5t814.7↔	08	I27A, I27B, I27C, I27D					
	01	B03A, B03B, B06A, B06B, B07Z, B17A, B17B, B17C		09	J08A		09	J08A					
	05	F27A, F27B, F27C		21A	W04A, W04B		21A	W04A, W04B					
	08	I12A, I12B, I12C, I27A, I27B, I27C, I27D		21B	X05A, X05B, X06A, X06B, X06C		21B	X04Z, X06A, X06B, X06C					
	09	J08A		5t813.4↔			BOP, KVT, UOP4	5t814.8↔		BOP, KVT, UOP4			
	10	K09A, K09B			08		I27A, I27B, I27C, I27D		08	I27A, I27B, I27C, I27D			
	21A	W04A, W04B			09		J08A		09	J08A			
	21B	X04Z, X06A, X06B, X06C			21A		W04A, W04B		21A	W04A, W04B			
	5t812.7↔				BOP, KVT, UOP4		5t813.6↔		21B	X06A, X06B, X06C	5t814.9↔	21B	X04Z, X06A, X06B, X06C
		01			B03A, B03B, B06A, B06B, B07Z, B17A, B17B, B17C					BOP, KVT, UOP4		08	I27A, I27B, I27C, I27D
05		F27A, F27B, F27C	08		I27A, I27B, I27C, I27D	09			J08A				
08		I12A, I12B, I12C, I27A, I27B, I27C, I27D	09		J08A	21A			W04A, W04B				
09		J08A	21A		W04A, W04B	21B			X04Z, X06A, X06B, X06C				
10		K09A, K09B	21B		X04Z, X06A, X06B, X06C	5t814.x			08	I27A, I27B, I27C, I27D			
21A		W04A, W04B	5t813.7↔		BOP, KVT, UOP4			09	J08A				
21B		X04Z, X06A, X06B, X06C		08	I27A, I27B, I27C, I27D			21A	W04A, W04B				
5t812.8↔				BOP, KVT, UOP4	09			J08A	21B	X06A, X06B, X06C			
		01		B03A, B03B, B06A, B06B, B07Z, B17A, B17B, B17C	21A			W04A, W04B	5t815.0↔			BOP, KVT, UOP4	
	05	F27A, F27B, F27C		21B	X04Z, X06A, X06B, X06C		01	B03A, B03B, B06A, B06B, B07Z, B17A, B17B, B17C					
	08	I12A, I12B, I12C, I27A, I27B, I27C, I27D		5t813.8↔			BOP, KVT, UOP4	08		I12A, I12B, I12C, I27A, I27B, I27C, I27D			
	09	J08A			08		I27A, I27B, I27C, I27D	09		J03A, J03B, J04A, J04B, J08A, J08B, J11A, J11B, J16Z			
	10	K09A, K09B			09		J08A	21A		W04A, W04B			
	21A	W04A, W04B			21A		W04A, W04B	21B		X06A, X06B, X06C			
	21B	X04Z, X06A, X06B, X06C			21B	X04Z, X06A, X06B, X06C	5t815.1↔			BOP, KVT, UOP4			
	5t812.9↔		BOP, KVT, UOP4		5t813.9↔			BOP, KVT, UOP4		5t815.2↔		BOP, KVT, UOP4	
		01	B03A, B03B, B06A, B06B, B07Z, B17A, B17B, B17C			08		I27A, I27B, I27C, I27D			01	B03A, B03B, B06A, B06B, B07Z, B17A, B17B, B17C	
05		F27A, F27B, F27C	09			J08A		08			I12A, I12B, I12C, I27A, I27B, I27C, I27D		
08		I12A, I12B, I12C, I27A, I27B, I27C, I27D	21A			W04A, W04B		09	J03A, J03B, J04A, J04B, J08A, J08B, J11A, J11B, J16Z				
09		J08A	21B			X04Z, X06A, X06B, X06C		21A	W04A, W04B				
10		K09A, K09B	21A	W04A, W04B		21B		X06A, X06B, X06C					
21A		W04A, W04B	5t813.x			BOP, KVT, UOP4		5t815.3↔			BOP, KVT, UOP4		
21B		X04Z		08		I27A, I27B, I27C, I27D			01		B03A, B03B, B06A, B06B, B07Z, B17A, B17B, B17C		
5t812.x				BOP, KVT, UOP4		09			J08A		08	I12A, I12B, I12C, I27A, I27B, I27C, I27D	
		01		B03A, B03B, B06A, B06B, B07Z, B17A, B17B, B17C		21A	W04A, W04B		09		J03A, J03B, J04A, J04B, J08A, J08B, J11A, J11B, J16Z		
	05	F27A, F27B, F27C		21B	X06A, X06B, X06C	21A	W04A, W04B						
	08	I12A, I12B, I12C, I27A, I27B, I27C, I27D		5t814.0↔		BOP, KVT, UOP4	21B		X06A, X06B, X06C				
	09	J08A			08	I27A, I27B, I27C, I27D	5t815.4↔			BOP, KVT, UOP4			
	10	K09A, K09B			09	J08A			01	B03A, B03B, B06A, B06B, B07Z, B17A, B17B, B17C			
	21A	W04A, W04B			21A	W04A, W04B			08	I12A, I12B, I12C, I27A, I27B, I27C, I27D			
	21B	X06A, X06B, X06C			21B	X06A, X06B, X06C			09	J03A, J03B, J04A, J04B, J08A, J08B, J11A, J11B, J16Z			
	5t813.0↔		BOP, KVT, UOP4		5t814.1↔			BOP, KVT, UOP4	5t815.5↔		BOP, KVT, UOP4		
		08	I27A, I27B, I27C, I27D			08		I27A, I27B, I27C, I27D		01	B03A, B03B, B06A, B06B, B07Z, B17A, B17B, B17C		
09		J08A	09			J08A		08		I12A, I12B, I12C, I27A, I27B, I27C, I27D			
21A		W04A, W04B	21A			W04A, W04B		09		J03A, J03B, J04A, J04B, J08A, J08B, J11A, J11B, J16Z			
21B		X06A, X06B, X06C	21B			X06A, X06B, X06C		21A		W04A, W04B			
5t813.1↔			BOP, KVT, UOP4	5t814.2↔				BOP, KVT, UOP4		5t815.6↔		BOP, KVT, UOP4	
		08	I27A, I27B, I27C, I27D			08	I27A, I27B, I27C, I27D	01			B03A, B03B, B06A, B06B, B07Z, B17A, B17B, B17C		
		09	J08A			09	J08A	08			I12A, I12B, I12C, I27A, I27B, I27C, I27D		
		21A	W04A, W04B			21A	W04A, W04B	09			J03A, J03B, J04A, J04B, J08A, J08B, J11A, J11B, J16Z		
		21B	X06A, X06B, X06C			21B	X06A, X06B, X06C	21A			W04A, W04B		
	5t813.2↔		BOP, KVT, UOP4		5t814.3↔		BOP, KVT, UOP4	5t815.7↔			BOP, KVT, UOP4		
		08	I27A, I27B, I27C, I27D			08	I27A, I27B, I27C, I27D		01		B03A, B03B, B06A, B06B, B07Z, B17A, B17B, B17C		
		09	J08A			09	J08A		08		I12A, I12B, I12C, I27A, I27B, I27C, I27D		
		21A	W04A, W04B			21A	W04A, W04B		09		J03A, J03B, J04A, J04B, J08A, J08B, J11A, J11B, J16Z		
		21B	X06A, X06B, X06C			21B	X05A, X05B, X06A, X06B, X06C		21A		W04A, W04B		
5t813.3↔			BOP, KVT, UOP4	5t814.4↔			BOP, KVT, UOP4		5t815.8↔		BOP, KVT, UOP4		
		08	I27A, I27B, I27C, I27D			08	I27A, I27B, I27C, I27D			01	B03A, B03B, B06A, B06B, B07Z, B17A, B17B, B17C		
		09	J08A			09	J08A			08	I12A, I12B, I12C, I27A, I27B, I27C, I27D		
		21A	W04A, W04B			21A	W04A, W04B			09	J03A, J03B, J04A, J04B, J08A, J08B, J11A, J11B, J16Z		
		21B	X06A, X06B, X06C			21B	X06A, X06B, X06C			21A	W04A, W04B		
	5t813.4↔		BOP, KVT, UOP4		5t814.5↔		BOP, KVT, UOP4	5t815.9↔			BOP, KVT, UOP4		
		08	I27A, I27B, I27C, I27D			08	I27A, I27B, I27C, I27D			01	B03A, B03B, B06A, B06B, B07Z, B17A, B17B, B17C		
		09	J08A			09	J08A			08	I12A, I12B, I12C, I27A, I27B, I27C, I27D		
		21A	W04A, W04B			21A	W04A, W04B			09	J03A, J03B, J04A, J04B, J08A, J08B, J11A, J11B, J16Z		
		21B	X06A, X06B, X06C			21B	X06A, X06B, X06C			21A	W04A, W04B		
5t813.5↔			BOP, KVT, UOP4	5t814.6↔			BOP, KVT, UOP4		5t816.0↔		BOP, KVT, UOP4		
		08	I27A, I27B, I27C, I27D			08	I27A, I27B, I27C, I27D			01	B03A, B03B, B06A, B06B, B07Z, B17A, B17B, B17C		
		09	J08A			09	J08A			08	I12A, I12B, I12C, I27A, I27B, I27C, I27D		
		21A	W04A, W04B			21A	W04A, W04B			09	J03A, J03B, J04A, J04B, J08A, J08B, J11A, J11B, J16Z		
		21B	X06A, X06B, X06C			21B	X04Z, X06A, X06B, X06C			21A	W04A, W04B		

ZZV	MDC	DRG	ZZV	MDC	DRG	ZZV	MDC	DRG
5t815.5↔		BOP, KVT, UOP4	5t816.1↔		BOP, KVT, UOP4	5t816.8↔		BOP, KVT, UOP4
	01	B03A, B03B, B06A, B06B, B07Z, B17A, B17B, B17C		01	B03A, B03B, B06A, B06B, B07Z, B17A, B17B, B17C		01	B03A, B03B, B06A, B06B, B07Z, B17A, B17B, B17C
	08	I12A, I12B, I12C, I27A, I27B, I27C, I27D		08	I12A, I12B, I12C, I27A, I27B, I27C, I27D		08	I12A, I12B, I12C, I27A, I27B, I27C, I27D
	09	J03A, J03B, J04A, J04B, J08A, J08B, J11A, J11B, J16Z		09	J03A, J03B, J04A, J04B, J08A, J08B, J11A, J11B, J16Z		09	J03A, J03B, J04A, J04B, J08A, J08B, J11A, J11B, J16Z
	21A	W04A, W04B		21A	W04A, W04B		21A	W04A, W04B
5t815.6↔	21B	X06A, X06B, X06C	5t816.2↔	21B	X06A, X06B, X06C	5t816.9↔	21B	X04Z, X06A, X06B, X06C
		BOP, KVT, UOP4			BOP, KVT, UOP4			BOP, KVT, UOP4
	01	B03A, B03B, B06A, B06B, B07Z, B17A, B17B, B17C		01	B03A, B03B, B06A, B06B, B07Z, B17A, B17B, B17C		01	B03A, B03B, B06A, B06B, B07Z, B17A, B17B, B17C
	08	I12A, I12B, I12C, I27A, I27B, I27C, I27D		08	I12A, I12B, I12C, I27A, I27B, I27C, I27D		08	I12A, I12B, I12C, I27A, I27B, I27C, I27D
	09	J03A, J03B, J04A, J04B, J08A, J08B, J11A, J11B, J16Z		09	J03A, J03B, J04A, J04B, J08A, J08B, J11A, J11B, J16Z		09	J03A, J03B, J04A, J04B, J08A, J08B, J11A, J11B, J16Z
5t815.7↔	21A	W04A, W04B	5t816.3↔	21A	W04A, W04B	5t816.x	21A	W04A, W04B
	21B	X04Z, X06A, X06B, X06C		21B	X06A, X06B, X06C		21B	X04Z
		BOP, KVT, UOP4			BOP, KVT, UOP4			BOP, KVT, UOP4
	01	B03A, B03B, B06A, B06B, B07Z, B17A, B17B, B17C		01	B03A, B03B, B06A, B06B, B07Z, B17A, B17B, B17C		01	B03A, B03B, B06A, B06B, B07Z, B17A, B17B, B17C
	08	I12A, I12B, I12C, I27A, I27B, I27C, I27D		08	I12A, I12B, I12C, I27A, I27B, I27C, I27D		08	I12A, I12B, I12C, I27A, I27B, I27C, I27D
5t815.8↔	09	J03A, J03B, J04A, J04B, J08A, J08B, J11A, J11B, J16Z	5t816.4↔	09	J03A, J03B, J04A, J04B, J08A, J08B, J11A, J11B, J16Z	5t817.0↔	09	J03A, J03B, J04A, J04B, J08A, J08B, J11A, J11B, J16Z
	21A	W04A, W04B		21A	W04A, W04B		21A	W04A, W04B
	21B	X04Z, X06A, X06B, X06C		21B	X04Z, X06A, X06B, X06C		21B	X06A, X06B, X06C
		BOP, KVT, UOP4			BOP, KVT, UOP4			BOP, KVT, UOP4
	01	B03A, B03B, B06A, B06B, B07Z, B17A, B17B, B17C		01	B03A, B03B, B06A, B06B, B07Z, B17A, B17B, B17C		01	B03A, B03B, B06A, B06B, B07Z, B17A, B17B, B17C
5t815.9↔	08	I12A, I12B, I12C, I27A, I27B, I27C, I27D	5t816.5↔	08	I12A, I12B, I12C, I27A, I27B, I27C, I27D	5t817.1↔	08	I12A, I12B, I12C, I27A, I27B, I27C, I27D
	09	J03A, J03B, J04A, J04B, J08A, J08B, J11A, J11B, J16Z		09	J03A, J03B, J04A, J04B, J08A, J08B, J11A, J11B, J16Z		09	J03A, J03B, J04A, J04B, J08A, J08B, J11A, J11B, J16Z
	21A	W04A, W04B		21A	W04A, W04B		21A	W04A, W04B
	21B	X04Z		21B	X06A, X06B, X06C		21B	X06A, X06B, X06C
		BOP, KVT, UOP4			BOP, KVT, UOP4			BOP, KVT, UOP4
5t815.x	01	B03A, B03B, B06A, B06B, B07Z, B17A, B17B, B17C	5t816.6↔	01	B03A, B03B, B06A, B06B, B07Z, B17A, B17B, B17C	5t817.2↔	01	B03A, B03B, B06A, B06B, B07Z, B17A, B17B, B17C
	08	I12A, I12B, I12C, I27A, I27B, I27C, I27D		08	I12A, I12B, I12C, I27A, I27B, I27C, I27D		08	I12A, I12B, I12C, I27A, I27B, I27C, I27D
	09	J03A, J03B, J04A, J04B, J08A, J08B, J11A, J11B, J16Z		09	J03A, J03B, J04A, J04B, J08A, J08B, J11A, J11B, J16Z		09	J03A, J03B, J04A, J04B, J08A, J08B, J11A, J11B, J16Z
	21A	W04A, W04B		21A	W04A, W04B		21A	W04A, W04B
	21B	X06A, X06B, X06C		21B	X04Z, X06A, X06B, X06C		21B	X06A, X06B, X06C
5t816.0↔		BOP, KVT, UOP4	5t816.7↔		BOP, KVT, UOP4	5t817.3↔		BOP, KVT, UOP4
	01	B03A, B03B, B06A, B06B, B07Z, B17A, B17B, B17C		01	B03A, B03B, B06A, B06B, B07Z, B17A, B17B, B17C		01	B03A, B03B, B06A, B06B, B07Z, B17A, B17B, B17C
	08	I12A, I12B, I12C, I27A, I27B, I27C, I27D		08	I12A, I12B, I12C, I27A, I27B, I27C, I27D		08	I12A, I12B, I12C, I27A, I27B, I27C, I27D
	09	J03A, J03B, J04A, J04B, J08A, J08B, J11A, J11B, J16Z		09	J03A, J03B, J04A, J04B, J08A, J08B, J11A, J11B, J16Z		09	J03A, J03B, J04A, J04B, J08A, J08B, J11A, J11B, J16Z
	21A	W04A, W04B		21A	W04A, W04B		21A	W04A, W04B
21B	X06A, X06B, X06C	21B	X04Z, X06A, X06B, X06C	21B	X04Z, X06A, X06B, X06C			

VYK

ZZV	MDC	DRG	ZZV	MDC	DRG	ZZV	MDC	DRG
5t817.4↔		BOP, KVT, UOP4	5t818.0↔		BOP, KVT, UOP4	5t818.7↔		BOP, KVT, UOP4
	01	B03A, B03B, B06A, B06B, B07Z, B17A, B17B, B17C		01	B03A, B03B, B06A, B06B, B07Z, B17A, B17B, B17C		01	B03A, B03B, B06A, B06B, B07Z, B17A, B17B, B17C
	08	I12A, I12B, I12C, I27A, I27B, I27C, I27D		08	I12A, I12B, I12C, I27A, I27B, I27C, I27D		08	I12A, I12B, I12C, I27A, I27B, I27C, I27D
	09	J03A, J03B, J04A, J04B, J08A, J08B, J11A, J11B, J16Z		09	J03A, J03B, J04A, J04B, J08A, J08B, J11A, J11B, J16Z		09	J03A, J03B, J04A, J04B, J08A, J08B, J11A, J11B, J16Z
	21A	W04A, W04B		21A	W04A, W04B		21A	W04A, W04B
5t817.5↔	21B	X06A, X06B, X06C	5t818.1↔	21B	X06A, X06B, X06C	5t818.8↔	21B	X04Z, X06A, X06B, X06C
		BOP, KVT, UOP4			BOP, KVT, UOP4			BOP, KVT, UOP4
	01	B03A, B03B, B06A, B06B, B07Z, B17A, B17B, B17C		01	B03A, B03B, B06A, B06B, B07Z, B17A, B17B, B17C		01	B03A, B03B, B06A, B06B, B07Z, B17A, B17B, B17C
	08	I12A, I12B, I12C, I27A, I27B, I27C, I27D		08	I12A, I12B, I12C, I27A, I27B, I27C, I27D		08	I12A, I12B, I12C, I27A, I27B, I27C, I27D
	09	J03A, J03B, J04A, J04B, J08A, J08B, J11A, J11B, J16Z		09	J03A, J03B, J04A, J04B, J08A, J08B, J11A, J11B, J16Z		09	J03A, J03B, J04A, J04B, J08A, J08B, J11A, J11B, J16Z
5t817.6↔	21A	W04A, W04B	5t818.2↔	21A	W04A, W04B	5t818.9↔	21A	W04A, W04B
	21B	X06A, X06B, X06C		21B	X06A, X06B, X06C		21B	X04Z, X06A, X06B, X06C
		BOP, KVT, UOP4			BOP, KVT, UOP4			BOP, KVT, UOP4
	01	B03A, B03B, B06A, B06B, B07Z, B17A, B17B, B17C		01	B03A, B03B, B06A, B06B, B07Z, B17A, B17B, B17C		01	B03A, B03B, B06A, B06B, B07Z, B17A, B17B, B17C
	08	I12A, I12B, I12C, I27A, I27B, I27C, I27D		08	I12A, I12B, I12C, I27A, I27B, I27C, I27D		08	I12A, I12B, I12C, I27A, I27B, I27C, I27D
5t817.7↔	09	J03A, J03B, J04A, J04B, J08A, J08B, J11A, J11B, J16Z	5t818.3↔	09	J03A, J03B, J04A, J04B, J08A, J08B, J11A, J11B, J16Z	5t818.x	09	J03A, J03B, J04A, J04B, J08A, J08B, J11A, J11B, J16Z
	21A	W04A, W04B		21A	W04A, W04B		21A	W04A, W04B
	21B	X04Z, X06A, X06B, X06C		21B	X06A, X06B, X06C		21B	X04Z
		BOP, KVT, UOP4			BOP, KVT, UOP4			BOP, KVT, UOP4
	01	B03A, B03B, B06A, B06B, B07Z, B17A, B17B, B17C		01	B03A, B03B, B06A, B06B, B07Z, B17A, B17B, B17C		01	B03A, B03B, B06A, B06B, B07Z, B17A, B17B, B17C
5t817.8↔	08	I12A, I12B, I12C, I27A, I27B, I27C, I27D	5t818.4↔	08	I12A, I12B, I12C, I27A, I27B, I27C, I27D	5t819.0↔	08	I12A, I12B, I12C, I27A, I27B, I27C, I27D
	09	J03A, J03B, J04A, J04B, J08A, J08B, J11A, J11B, J16Z		09	J03A, J03B, J04A, J04B, J08A, J08B, J11A, J11B, J16Z		09	J03A, J03B, J04A, J04B, J08A, J08B, J11A, J11B, J16Z
	21A	W04A, W04B		21A	W04A, W04B		21A	W04A, W04B
	21B	X04Z, X06A, X06B, X06C		21B	X05A, X05B, X06A, X06B, X06C		21B	X06A, X06B, X06C
		BOP, KVT, UOP4			BOP, KVT, UOP4			BOP, KVT, UOP4
5t817.9↔	01	B03A, B03B, B06A, B06B, B07Z, B17A, B17B, B17C	5t818.5↔	01	B03A, B03B, B06A, B06B, B07Z, B17A, B17B, B17C	5t819.1↔	01	B03A, B03B, B06A, B06B, B07Z, B17A, B17B, B17C
	08	I12A, I12B, I12C, I27A, I27B, I27C, I27D		08	I12A, I12B, I12C, I27A, I27B, I27C, I27D		08	I12A, I12B, I12C, I27A, I27B, I27C, I27D
	09	J03A, J03B, J04A, J04B, J08A, J08B, J11A, J11B, J16Z		09	J03A, J03B, J04A, J04B, J08A, J08B, J11A, J11B, J16Z		09	J03A, J03B, J04A, J04B, J08A, J08B, J11A, J11B, J16Z
	21A	W04A, W04B		21A	W04A, W04B		21A	W04A, W04B
	21B	X04Z		21B	X06A, X06B, X06C		21B	X06A, X06B, X06C
5t817.x		BOP, KVT, UOP4	5t818.6↔		BOP, KVT, UOP4	5t819.2↔		BOP, KVT, UOP4
	01	B03A, B03B, B06A, B06B, B07Z, B17A, B17B, B17C		01	B03A, B03B, B06A, B06B, B07Z, B17A, B17B, B17C		01	B03A, B03B, B06A, B06B, B07Z, B17A, B17B, B17C
	08	I12A, I12B, I12C, I27A, I27B, I27C, I27D		08	I12A, I12B, I12C, I27A, I27B, I27C, I27D		08	I12A, I12B, I12C, I27A, I27B, I27C, I27D
	09	J03A, J03B, J04A, J04B, J08A, J08B, J11A, J11B, J16Z		09	J03A, J03B, J04A, J04B, J08A, J08B, J11A, J11B, J16Z		09	J03A, J03B, J04A, J04B, J08A, J08B, J11A, J11B, J16Z
	21A	W04A, W04B		21A	W04A, W04B		21A	W04A, W04B
21B	X06A, X06B, X06C	21B	X04Z, X06A, X06B, X06C	21B	X06A, X06B, X06C			

ZZV	MDC	DRG	ZZV	MDC	DRG	ZZV	MDC	DRG
5t819.3↔		BOP, KVT, UOP4	5t819.x		BOP, KVT, UOP4	5t81a.6↔		BOP, KVT, UOP4
	01	B03A, B03B, B06A, B06B, B07Z, B17A, B17B, B17C		01	B03A, B03B, B06A, B06B, B07Z, B17A, B17B, B17C		01	B03A, B03B, B06A, B06B, B07Z, B17A, B17B, B17C
	08	I12A, I12B, I12C, I27A, I27B, I27C, I27D		08	I12A, I12B, I12C, I27A, I27B, I27C, I27D		08	I12A, I12B, I12C, I27A, I27B, I27C, I27D
	09	J03A, J03B, J04A, J04B, J08A, J08B, J11A, J11B, J16Z		09	J03A, J03B, J04A, J04B, J08A, J08B, J11A, J11B, J16Z		09	J03A, J03B, J04A, J04B, J08A, J08B, J11A, J11B, J16Z
	21A	W04A, W04B		21A	W04A, W04B		21A	W04A, W04B
5t819.4↔	21B	X05A, X05B, X06A, X06B, X06C	5t81a.0↔	21B	X06A, X06B, X06C	5t81a.7↔	21B	X04Z, X06A, X06B, X06C
		BOP, KVT, UOP4			BOP, KVT, UOP4			BOP, KVT, UOP4
	01	B03A, B03B, B06A, B06B, B07Z, B17A, B17B, B17C		01	B03A, B03B, B06A, B06B, B07Z, B17A, B17B, B17C		01	B03A, B03B, B06A, B06B, B07Z, B17A, B17B, B17C
	08	I12A, I12B, I12C, I27A, I27B, I27C, I27D		08	I12A, I12B, I12C, I27A, I27B, I27C, I27D		08	I12A, I12B, I12C, I27A, I27B, I27C, I27D
	09	J03A, J03B, J04A, J04B, J08A, J08B, J11A, J11B, J16Z		09	J03A, J03B, J04A, J04B, J08A, J08B, J11A, J11B, J16Z		09	J03A, J03B, J04A, J04B, J08A, J08B, J11A, J11B, J16Z
5t819.5↔	21A	W04A, W04B	5t81a.1↔	21A	W04A, W04B	5t81a.8↔	21A	W04A, W04B
	21B	X06A, X06B, X06C		21B	X06A, X06B, X06C		21B	X04Z, X06A, X06B, X06C
		BOP, KVT, UOP4			BOP, KVT, UOP4			BOP, KVT, UOP4
	01	B03A, B03B, B06A, B06B, B07Z, B17A, B17B, B17C		01	B03A, B03B, B06A, B06B, B07Z, B17A, B17B, B17C		01	B03A, B03B, B06A, B06B, B07Z, B17A, B17B, B17C
	08	I12A, I12B, I12C, I27A, I27B, I27C, I27D		08	I12A, I12B, I12C, I27A, I27B, I27C, I27D		08	I12A, I12B, I12C, I27A, I27B, I27C, I27D
5t819.6↔	09	J03A, J03B, J04A, J04B, J08A, J08B, J11A, J11B, J16Z	5t81a.2↔	09	J03A, J03B, J04A, J04B, J08A, J08B, J11A, J11B, J16Z	5t81a.9↔	09	J03A, J03B, J04A, J04B, J08A, J08B, J11A, J11B, J16Z
	21A	W04A, W04B		21A	W04A, W04B		21A	W04A, W04B
	21B	X06A, X06B, X06C		21B	X06A, X06B, X06C		21B	X04Z, X06A, X06B, X06C
		BOP, KVT, UOP4			BOP, KVT, UOP4			BOP, KVT, UOP4
	01	B03A, B03B, B06A, B06B, B07Z, B17A, B17B, B17C		01	B03A, B03B, B06A, B06B, B07Z, B17A, B17B, B17C		01	B03A, B03B, B06A, B06B, B07Z, B17A, B17B, B17C
5t819.7↔	08	I12A, I12B, I12C, I27A, I27B, I27C, I27D	5t81a.3↔	08	I12A, I12B, I12C, I27A, I27B, I27C, I27D	5t81a.x	08	I12A, I12B, I12C, I27A, I27B, I27C, I27D
	09	J03A, J03B, J04A, J04B, J08A, J08B, J11A, J11B, J16Z		09	J03A, J03B, J04A, J04B, J08A, J08B, J11A, J11B, J16Z		09	J03A, J03B, J04A, J04B, J08A, J08B, J11A, J11B, J16Z
	21A	W04A, W04B		21A	W04A, W04B		21A	W04A, W04B
	21B	X04Z, X06A, X06B, X06C		21B	X06A, X06B, X06C		21B	X04Z
		BOP, KVT, UOP4			BOP, KVT, UOP4			BOP, KVT, UOP4
5t819.8↔	01	B03A, B03B, B06A, B06B, B07Z, B17A, B17B, B17C	5t81a.4↔	01	B03A, B03B, B06A, B06B, B07Z, B17A, B17B, B17C	5t81b.0↔	01	B03A, B03B, B06A, B06B, B07Z, B17A, B17B, B17C
	08	I12A, I12B, I12C, I27A, I27B, I27C, I27D		08	I12A, I12B, I12C, I27A, I27B, I27C, I27D		08	I12A, I12B, I12C, I27A, I27B, I27C, I27D
	09	J03A, J03B, J04A, J04B, J08A, J08B, J11A, J11B, J16Z		09	J03A, J03B, J04A, J04B, J08A, J08B, J11A, J11B, J16Z		09	J03A, J03B, J04A, J04B, J08A, J08B, J11A, J11B, J16Z
	21A	W04A, W04B		21A	W04A, W04B		21A	W04A, W04B
	21B	X04Z, X06A, X06B, X06C		21B	X06A, X06B, X06C		21B	X06A, X06B, X06C
5t819.9↔		BOP, KVT, UOP4	5t81a.5↔		BOP, KVT, UOP4	5t81b.1↔		BOP, KVT, UOP4
	01	B03A, B03B, B06A, B06B, B07Z, B17A, B17B, B17C		01	B03A, B03B, B06A, B06B, B07Z, B17A, B17B, B17C		01	B03A, B03B, B06A, B06B, B07Z, B17A, B17B, B17C
	08	I12A, I12B, I12C, I27A, I27B, I27C, I27D		08	I12A, I12B, I12C, I27A, I27B, I27C, I27D		08	I12A, I12B, I12C, I27A, I27B, I27C, I27D
	09	J03A, J03B, J04A, J04B, J08A, J08B, J11A, J11B, J16Z		09	J03A, J03B, J04A, J04B, J08A, J08B, J11A, J11B, J16Z		09	J03A, J03B, J04A, J04B, J08A, J08B, J11A, J11B, J16Z
	21A	W04A, W04B		21A	W04A, W04B		21A	W04A, W04B
21B	X04Z	21B	X06A, X06B, X06C	21B	X06A, X06B, X06C			

VYK

ZZV	MDC	DRG	ZZV	MDC	DRG	ZZV	MDC	DRG
5t81b.2↔		BOP, KVT, UOP4	5t81b.9↔		BOP, KVT, UOP4	5t81c.5↔		BOP, KVT, UOP4
	01	B03A, B03B, B06A, B06B, B07Z, B17A, B17B, B17C		01	B03A, B03B, B06A, B06B, B07Z, B17A, B17B, B17C		01	B03A, B03B, B06A, B06B, B07Z, B17A, B17B, B17C
	08	I12A, I12B, I12C, I27A, I27B, I27C, I27D		08	I12A, I12B, I12C, I27A, I27B, I27C, I27D		08	I12A, I12B, I12C, I27A, I27B, I27C, I27D
	09	J03A, J03B, J04A, J04B, J08A, J08B, J11A, J11B, J16Z		09	J03A, J03B, J04A, J04B, J08A, J08B, J11A, J11B, J16Z		09	J03A, J03B, J04A, J04B, J08A, J08B, J11A, J11B, J16Z
	21A	W04A, W04B		21A	W04A, W04B		21A	W04A, W04B
5t81b.3↔	21B	X06A, X06B, X06C	5t81b.x	21B	X04Z	5t81c.6↔	21B	X06A, X06B, X06C
		BOP, KVT, UOP4			BOP, KVT, UOP4			BOP, KVT, UOP4
	01	B03A, B03B, B06A, B06B, B07Z, B17A, B17B, B17C		01	B03A, B03B, B06A, B06B, B07Z, B17A, B17B, B17C		01	B03A, B03B, B06A, B06B, B07Z, B17A, B17B, B17C
	08	I12A, I12B, I12C, I27A, I27B, I27C, I27D		08	I12A, I12B, I12C, I27A, I27B, I27C, I27D		08	I12A, I12B, I12C, I27A, I27B, I27C, I27D
	09	J03A, J03B, J04A, J04B, J08A, J08B, J11A, J11B, J16Z		09	J03A, J03B, J04A, J04B, J08A, J08B, J11A, J11B, J16Z		09	J03A, J03B, J04A, J04B, J08A, J08B, J11A, J11B, J16Z
5t81b.4↔	21A	W04A, W04B	5t81c.0↔	21A	W04A, W04B	5t81c.7↔	21A	W04A, W04B
	21B	X05A, X05B, X06A, X06B, X06C		21B	X06A, X06B, X06C		21B	X05A, X05B, X06A, X06B, X06C
		BOP, KVT, UOP4			BOP, KVT, UOP4			BOP, KVT, UOP4
	01	B03A, B03B, B06A, B06B, B07Z, B17A, B17B, B17C		01	B03A, B03B, B06A, B06B, B07Z, B17A, B17B, B17C		01	B03A, B03B, B06A, B06B, B07Z, B17A, B17B, B17C
	08	I12A, I12B, I12C, I27A, I27B, I27C, I27D		08	I12A, I12B, I12C, I27A, I27B, I27C, I27D		08	I12A, I12B, I12C, I27A, I27B, I27C, I27D
5t81b.5↔	09	J03A, J03B, J04A, J04B, J08A, J08B, J11A, J11B, J16Z	5t81c.1↔	09	J03A, J03B, J04A, J04B, J08A, J08B, J11A, J11B, J16Z	5t81c.8↔	09	J03A, J03B, J04A, J04B, J08A, J08B, J11A, J11B, J16Z
	21A	W04A, W04B		21A	W04A, W04B		21A	W04A, W04B
	21B	X06A, X06B, X06C		21B	X06A, X06B, X06C		21B	X04Z, X06A, X06B, X06C
		BOP, KVT, UOP4			BOP, KVT, UOP4			BOP, KVT, UOP4
	01	B03A, B03B, B06A, B06B, B07Z, B17A, B17B, B17C		01	B03A, B03B, B06A, B06B, B07Z, B17A, B17B, B17C		01	B03A, B03B, B06A, B06B, B07Z, B17A, B17B, B17C
5t81b.6↔	08	I12A, I12B, I12C, I27A, I27B, I27C, I27D	5t81c.2↔	08	I12A, I12B, I12C, I27A, I27B, I27C, I27D	5t81c.9↔	08	I12A, I12B, I12C, I27A, I27B, I27C, I27D
	09	J03A, J03B, J04A, J04B, J08A, J08B, J11A, J11B, J16Z		09	J03A, J03B, J04A, J04B, J08A, J08B, J11A, J11B, J16Z		09	J03A, J03B, J04A, J04B, J08A, J08B, J11A, J11B, J16Z
	21A	W04A, W04B		21A	W04A, W04B		21A	W04A, W04B
	21B	X04Z, X06A, X06B, X06C		21B	X06A, X06B, X06C		21B	X04Z, X06A, X06B, X06C
		BOP, KVT, UOP4			BOP, KVT, UOP4			BOP, KVT, UOP4
5t81b.7↔	01	B03A, B03B, B06A, B06B, B07Z, B17A, B17B, B17C	5t81c.3↔	01	B03A, B03B, B06A, B06B, B07Z, B17A, B17B, B17C	5t81c.x	01	B03A, B03B, B06A, B06B, B07Z, B17A, B17B, B17C
	08	I12A, I12B, I12C, I27A, I27B, I27C, I27D		08	I12A, I12B, I12C, I27A, I27B, I27C, I27D		08	I12A, I12B, I12C, I27A, I27B, I27C, I27D
	09	J03A, J03B, J04A, J04B, J08A, J08B, J11A, J11B, J16Z		09	J03A, J03B, J04A, J04B, J08A, J08B, J11A, J11B, J16Z		09	J03A, J03B, J04A, J04B, J08A, J08B, J11A, J11B, J16Z
	21A	W04A, W04B		21A	W04A, W04B		21A	W04A, W04B
	21B	X04Z, X06A, X06B, X06C		21B	X05A, X05B, X06A, X06B, X06C		21B	X06A, X06B, X06C
5t81b.8↔		BOP, KVT, UOP4	5t81c.4↔		BOP, KVT, UOP4	5t81d.0↔		BOP, KVT, UOP4
	01	B03A, B03B, B06A, B06B, B07Z, B17A, B17B, B17C		01	B03A, B03B, B06A, B06B, B07Z, B17A, B17B, B17C		01	B03A, B03B, B06A, B06B, B07Z, B17A, B17B, B17C
	08	I12A, I12B, I12C, I27A, I27B, I27C, I27D		08	I12A, I12B, I12C, I27A, I27B, I27C, I27D		08	I27A, I27B, I27C, I27D
	09	J03A, J03B, J04A, J04B, J08A, J08B, J11A, J11B, J16Z		09	J03A, J03B, J04A, J04B, J08A, J08B, J11A, J11B, J16Z		09	J03A, J03B, J04A, J04B, J08A, J08B, J11A, J11B, J16Z
	21A	W04A, W04B		21A	W04A, W04B		21A	W04A, W04B
21B	X04Z, X06A, X06B, X06C	21B	X06A, X06B, X06C	21B	X06A, X06B, X06C			

ZZV	MDC	DRG	ZZV	MDC	DRG	ZZV	MDC	DRG	
5t81d.1↔		BOP, KVT, UOP4	5t81d.8↔	01	BOP, KVT, UOP4	5t81x.8↔	08	I27A, I27B, I27C, I27D	
	01	B03A, B03B, B06A, B06B, B07Z, B17A, B17B, B17C		01	B03A, B03B, B06A, B06B, B07Z, B17A, B17B, B17C		09	J08A	
	08	I27A, I27B, I27C, I27D		08	I27A, I27B, I27C, I27D		21A	W04A, W04B	
	09	J03A, J03B, J04A, J04B, J08A, J08B, J11A, J11B, J16Z		09	J03A, J03B, J04A, J04B, J08A, J08B, J11A, J11B, J16Z		21B	X04Z, X06A, X06B, X06C	
	21A	W04A, W04B		21A	W04A, W04B		5t81x.9↔	08	I27A, I27B, I27C, I27D
21B	X05A, X05B, X06A, X06B, X06C	21B	X04Z, X06A, X06B, X06C	09	J08A				
5t81d.2↔		BOP, KVT, UOP4	5t81d.9↔		BOP, KVT, UOP4	5t81x.x	21A	W04A, W04B	
	01	B03A, B03B, B06A, B06B, B07Z, B17A, B17B, B17C		01	B03A, B03B, B06A, B06B, B07Z, B17A, B17B, B17C		21B	X04Z, X06A, X06B, X06C	
	08	I27A, I27B, I27C, I27D		08	I27A, I27B, I27C, I27D		5t820.0↔	08	I27A, I27B, I27C, I27D
	09	J03A, J03B, J04A, J04B, J08A, J08B, J11A, J11B, J16Z		09	J03A, J03B, J04A, J04B, J08A, J08B, J11A, J11B, J16Z		09	J08A	
	21A	W04A, W04B		21A	W04A, W04B		21A	W04A, W04B	
21B	X05A, X05B, X06A, X06B, X06C	21B	X04Z, X06A, X06B, X06C	21B	X06A, X06B, X06C				
5t81d.3↔		BOP, KVT, UOP4	5t81d.x		BOP, KVT, UOP4	5t820.1↔	08	I12A, I12B, I12C, I27A, I27B, I27C, I27D	
	01	B03A, B03B, B06A, B06B, B07Z, B17A, B17B, B17C		01	B03A, B03B, B06A, B06B, B07Z, B17A, B17B, B17C		21A	W04A, W04B	
	08	I27A, I27B, I27C, I27D		08	I27A, I27B, I27C, I27D		21B	X06A, X06B, X06C	
	09	J03A, J03B, J04A, J04B, J08A, J08B, J11A, J11B, J16Z		09	J03A, J03B, J04A, J04B, J08A, J08B, J11A, J11B, J16Z		5t820.2↔	01	B03A, B03B, B06A, B06B, B17A, B17B, B17C
	21A	W04A, W04B		21A	W04A, W04B		08	I12A, I12B, I12C, I27A, I27B, I27C, I27D	
21B	X05A, X05B, X06A, X06B, X06C	21B	X06A, X06B, X06C	21A	W04A, W04B				
5t81d.4↔		BOP, KVT, UOP4	5t81x.0↔		BOP, KVT, UOP4	5t820.2↔	21B	X06A, X06B, X06C	
	01	B03A, B03B, B06A, B06B, B07Z, B17A, B17B, B17C		08	I27A, I27B, I27C, I27D		01	B03A, B03B, B06A, B06B, B17A, B17B, B17C	
	08	I27A, I27B, I27C, I27D		09	J08A		08	I12A, I12B, I12C, I27A, I27B, I27C, I27D	
	09	J03A, J03B, J04A, J04B, J08A, J08B, J11A, J11B, J16Z		21A	W04A, W04B		21A	W04A, W04B	
	21A	W04A, W04B		21B	X06A, X06B, X06C		21B	X06A, X06B, X06C	
21B	X06A, X06B, X06C	21B	X06A, X06B, X06C	5t820.3↔	01	B03A, B03B, B06A, B06B, B17A, B17B, B17C			
5t81d.5↔		BOP, KVT, UOP4	5t81x.1↔		BOP, KVT, UOP4	5t820.3↔	08	I12A, I12B, I12C, I27A, I27B, I27C, I27D	
	01	B03A, B03B, B06A, B06B, B07Z, B17A, B17B, B17C		08	I27A, I27B, I27C, I27D		21A	W04A, W04B	
	08	I27A, I27B, I27C, I27D		09	J08A		21B	X06A, X06B, X06C	
	09	J03A, J03B, J04A, J04B, J08A, J08B, J11A, J11B, J16Z		21A	W04A, W04B		5t820.4↔	01	B03A, B03B, B06A, B06B, B17A, B17B, B17C
	21A	W04A, W04B		21B	X06A, X06B, X06C		08	I12A, I12B, I12C, I27A, I27B, I27C, I27D	
21B	X06A, X06B, X06C	21B	X06A, X06B, X06C	21A	W04A, W04B				
5t81d.6↔		BOP, KVT, UOP4	5t81x.2↔		BOP, KVT, UOP4	5t820.4↔	21B	X05A, X05B, X06A, X06B, X06C	
	01	B03A, B03B, B06A, B06B, B07Z, B17A, B17B, B17C		08	I27A, I27B, I27C, I27D		01	B03A, B03B, B06A, B06B, B17A, B17B, B17C	
	08	I27A, I27B, I27C, I27D		09	J08A		08	I12A, I12B, I12C, I27A, I27B, I27C, I27D	
	09	J03A, J03B, J04A, J04B, J08A, J08B, J11A, J11B, J16Z		21A	W04A, W04B		21A	W04A, W04B	
	21A	W04A, W04B		21B	X06A, X06B, X06C		21B	X06A, X06B, X06C	
21B	X06A, X06B, X06C	21B	X06A, X06B, X06C	5t820.5↔	01	B03A, B03B, B06A, B06B, B17A, B17B, B17C			
5t81d.7↔		BOP, KVT, UOP4	5t81x.3↔		BOP, KVT, UOP4	5t820.5↔	08	I12A, I12B, I12C, I27A, I27B, I27C, I27D	
	01	B03A, B03B, B06A, B06B, B07Z, B17A, B17B, B17C		08	I27A, I27B, I27C, I27D		21A	W04A, W04B	
	08	I27A, I27B, I27C, I27D		09	J08A		21B	X06A, X06B, X06C	
	09	J03A, J03B, J04A, J04B, J08A, J08B, J11A, J11B, J16Z		21A	W04A, W04B		5t820.6↔	01	B03A, B03B, B06A, B06B, B17A, B17B, B17C
	21A	W04A, W04B		21B	X06A, X06B, X06C		08	I12A, I12B, I12C, I27A, I27B, I27C, I27D	
21B	X04Z, X06A, X06B, X06C	21B	X06A, X06B, X06C	21A	W04A, W04B				
5t81d.8↔		BOP, KVT, UOP4	5t81x.4		BOP, KVT, UOP4	5t820.6↔	21B	X06A, X06B, X06C	
	01	B03A, B03B, B06A, B06B, B07Z, B17A, B17B, B17C		08	I27A, I27B, I27C, I27D		01	B03A, B03B, B06A, B06B, B17A, B17B, B17C	
	08	I27A, I27B, I27C, I27D		09	J08A		08	I12A, I12B, I12C, I27A, I27B, I27C, I27D	
	09	J03A, J03B, J04A, J04B, J08A, J08B, J11A, J11B, J16Z		21A	W04A, W04B		21A	W04A, W04B	
	21A	W04A, W04B		21B	X06A, X06B, X06C		21B	X06A, X06B, X06C	
21B	X04Z, X06A, X06B, X06C	21B	X06A, X06B, X06C	5t820.7↔	01	B03A, B03B, B06A, B06B, B17A, B17B, B17C			
5t81d.9↔		BOP, KVT, UOP4	5t81x.5		BOP, KVT, UOP4	5t820.7↔	08	I12A, I12B, I12C, I27A, I27B, I27C, I27D	
	01	B03A, B03B, B06A, B06B, B07Z, B17A, B17B, B17C		08	I27A, I27B, I27C, I27D		21A	W04A, W04B	
	08	I27A, I27B, I27C, I27D		09	J08A		21B	X06A, X06B, X06C	
	09	J03A, J03B, J04A, J04B, J08A, J08B, J11A, J11B, J16Z		21A	W04A, W04B		21B	X06A, X06B, X06C	
	21A	W04A, W04B		21B	X06A, X06B, X06C		5t820.8↔	01	B03A, B03B, B06A, B06B, B17A, B17B, B17C
21B	X05A, X05B, X06A, X06B, X06C	21B	X06A, X06B, X06C	08	I12A, I12B, I12C, I27A, I27B, I27C, I27D				
5t81d.x		BOP, KVT, UOP4	5t81x.6↔		BOP, KVT, UOP4	5t820.8↔	21A	W04A, W04B	
	01	B03A, B03B, B06A, B06B, B07Z, B17A, B17B, B17C		08	I27A, I27B, I27C, I27D		21B	X06A, X06B, X06C	
	08	I27A, I27B, I27C, I27D		09	J08A		21A	W04A, W04B	
	09	J03A, J03B, J04A, J04B, J08A, J08B, J11A, J11B, J16Z		21B	X06A, X06B, X06C		21B	X06A, X06B, X06C	
	21A	W04A, W04B		21B	X06A, X06B, X06C		5t820.9↔	01	B03A, B03B, B06A, B06B, B17A, B17B, B17C
21B	X05A, X05B, X06A, X06B, X06C	21B	X06A, X06B, X06C	08	I12A, I12B, I12C, I27A, I27B, I27C, I27D				
5t81d.x		BOP, KVT, UOP4	5t81x.7↔		BOP, KVT, UOP4	5t820.9↔	21A	W04A, W04B	
	01	B03A, B03B, B06A, B06B, B07Z, B17A, B17B, B17C		08	I27A, I27B, I27C, I27D		21B	X04Z, X06A, X06B, X06C	
	08	I27A, I27B, I27C, I27D		09	J08A		21A	W04A, W04B	
	09	J03A, J03B, J04A, J04B, J08A, J08B, J11A, J11B, J16Z		21B	X06A, X06B, X06C		21B	X06A, X06B, X06C	
	21A	W04A, W04B		21B	X06A, X06B, X06C				
21B	X05A, X05B, X06A, X06B, X06C	21B	X06A, X06B, X06C						

VYK

ZZV	MDC	DRG	ZZV	MDC	DRG	ZZV	MDC	DRG
5t820.7↔		BOP, KVT, UOP4	5t821.5↔		BOP, KVT, UOP4	5t822.4↔		BOP, KVT, UOP4
	01	B03A, B03B, B06A, B06B, B17A, B17B, B17C		01	B03A, B03B, B06A, B06B, B17A, B17B, B17C		08	I12A, I12B, I12C, I27A, I27B, I27C, I27D
	08	I12A, I12B, I12C, I27A, I27B, I27C, I27D		08	I12A, I12B, I12C, I27A, I27B, I27C, I27D		10	K09A, K09B
	21A	W04A, W04B		21A	W04A, W04B		21A	W04A, W04B
5t820.8↔	21B	X04Z, X06A, X06B, X06C	5t821.6↔	21B	X06A, X06B, X06C	5t822.6↔	21B	X06A, X06B, X06C
		BOP, KVT, UOP4			BOP, KVT, UOP4			BOP, KVT, UOP4
	01	B03A, B03B, B06A, B06B, B17A, B17B, B17C		01	B03A, B03B, B06A, B06B, B17A, B17B, B17C		08	I12A, I12B, I12C, I27A, I27B, I27C, I27D
	08	I12A, I12B, I12C, I27A, I27B, I27C, I27D		08	I12A, I12B, I12C, I27A, I27B, I27C, I27D		10	K09A, K09B
5t820.9↔	21A	W04A, W04B	5t821.7↔	21A	W04A, W04B	5t822.7↔	21A	W04A, W04B
	21B	X04Z, X06A, X06B, X06C		21B	X04Z, X06A, X06B, X06C		21B	X04Z, X06A, X06B, X06C
		BOP, KVT, UOP4			BOP, KVT, UOP4			BOP, KVT, UOP4
	01	B03A, B03B, B06A, B06B, B17A, B17B, B17C		01	B03A, B03B, B06A, B06B, B17A, B17B, B17C		08	I12A, I12B, I12C, I27A, I27B, I27C, I27D
5t820.x	08	I12A, I12B, I12C, I27A, I27B, I27C, I27D	5t821.8↔	08	I12A, I12B, I12C, I27A, I27B, I27C, I27D	5t822.8↔	08	I12A, I12B, I12C, I27A, I27B, I27C, I27D
	21A	W04A, W04B		21A	W04A, W04B		10	K09A, K09B
	21B	X04Z, X06A, X06B, X06C		21B	X04Z, X06A, X06B, X06C		21A	W04A, W04B
		BOP, KVT, UOP4			BOP, KVT, UOP4		21B	X04Z, X06A, X06B, X06C
5t821.0↔	01	B03A, B03B, B06A, B06B, B17A, B17B, B17C	5t821.9↔	01	B03A, B03B, B06A, B06B, B17A, B17B, B17C	5t822.9↔	08	I12A, I12B, I12C, I27A, I27B, I27C, I27D
	08	I12A, I12B, I12C, I27A, I27B, I27C, I27D		08	I12A, I12B, I12C, I27A, I27B, I27C, I27D		10	K09A, K09B
	21A	W04A, W04B		21A	W04A, W04B		21A	W04A, W04B
	21B	X06A, X06B, X06C		21B	X04Z, X06A, X06B, X06C		21B	X04Z, X06A, X06B, X06C
5t821.1↔		BOP, KVT, UOP4	5t821.x		BOP, KVT, UOP4	5t822.x		BOP, KVT, UOP4
	01	B03A, B03B, B06A, B06B, B17A, B17B, B17C		01	B03A, B03B, B06A, B06B, B17A, B17B, B17C		08	I12A, I12B, I12C, I27A, I27B, I27C, I27D
	08	I12A, I12B, I12C, I27A, I27B, I27C, I27D		08	I12A, I12B, I12C, I27A, I27B, I27C, I27D		10	K09A, K09B
	21A	W04A, W04B		21A	W04A, W04B		21A	W04A, W04B
5t821.2↔	21B	X06A, X06B, X06C	5t822.0↔	21B	X04Z, X06A, X06B, X06C	5t823.0↔	21B	X06A, X06B, X06C
		BOP, KVT, UOP4			BOP, KVT, UOP4		08	I12A, I12B, I12C, I27A, I27B, I27C, I27D
	01	B03A, B03B, B06A, B06B, B17A, B17B, B17C		08	I12A, I12B, I12C, I27A, I27B, I27C, I27D		10	K09A, K09B
	08	I12A, I12B, I12C, I27A, I27B, I27C, I27D		10	K09A, K09B		21A	W04A, W04B
5t821.3↔	21A	W04A, W04B	5t822.1↔	21A	W04A, W04B	5t823.1↔	21A	W04A, W04B
	21B	X06A, X06B, X06C		21B	X06A, X06B, X06C		21B	X06A, X06B, X06C
		BOP, KVT, UOP4			BOP, KVT, UOP4			BOP, KVT, UOP4
	01	B03A, B03B, B06A, B06B, B17A, B17B, B17C		08	I12A, I12B, I12C, I27A, I27B, I27C, I27D		08	I12A, I12B, I12C, I27A, I27B, I27C, I27D
5t821.4↔	08	I12A, I12B, I12C, I27A, I27B, I27C, I27D	5t822.2↔	10	K09A, K09B	5t823.2↔	10	K09A, K09B
	21A	W04A, W04B		21A	W04A, W04B		21A	W04A, W04B
	21B	X05A, X05B, X06A, X06B, X06C		21B	X06A, X06B, X06C		21B	X06A, X06B, X06C
		BOP, KVT, UOP4			BOP, KVT, UOP4			BOP, KVT, UOP4
5t821.5↔	01	B03A, B03B, B06A, B06B, B17A, B17B, B17C	5t822.3↔	08	I12A, I12B, I12C, I27A, I27B, I27C, I27D	5t823.3↔	08	I12A, I12B, I12C, I27A, I27B, I27C, I27D
	08	I12A, I12B, I12C, I27A, I27B, I27C, I27D		10	K09A, K09B		10	K09A, K09B
	21A	W04A, W04B		21A	W04A, W04B		21A	W04A, W04B
	21B	X06A, X06B, X06C		21B	X06A, X06B, X06C		21B	X05A, X05B, X06A, X06B, X06C

VYK

ZZV	MDC	DRG	ZZV	MDC	DRG	ZZV	MDC	DRG
5t823.6↔		BOP, KVT, UOP4	5t824.3↔	01	BOP, KVT, UOP4	5t824.x	01	BOP, KVT, UOP4
	08	I12A, I12B, I12C, I27A, I27B, I27C, I27D		01	B03A, B03B, B06A, B06B, B07Z, B17A, B17B, B17C		01	B03A, B03B, B06A, B06B, B07Z, B17A, B17B, B17C
	10	K09A, K09B		08	I12A, I12B, I12C, I27A, I27B, I27C, I27D		08	I12A, I12B, I12C, I27A, I27B, I27C, I27D
	21A	W04A, W04B		09	J03A, J03B, J04A, J04B, J08A, J08B, J08C, J11A, J11B, J16Z		09	J03A, J03B, J04A, J04B, J08A, J08B, J08C, J11A, J11B, J16Z
	21B	X04Z, X06A, X06B, X06C		21A	W04A, W04B		21A	W04A, W04B
5t823.7↔		BOP, KVT, UOP4	5t824.4↔	21B	X05A, X05B, X06A, X06B, X06C	5t825.0↔	21B	X06A, X06B, X06C
	08	I12A, I12B, I12C, I27A, I27B, I27C, I27D			BOP, KVT, UOP4		01	B03A, B03B, B06A, B06B, B07Z, B17A, B17B, B17C
	10	K09A, K09B		01	B03A, B03B, B06A, B06B, B07Z, B17A, B17B, B17C		08	I12A, I12B, I12C, I27A, I27B, I27C, I27D
	21A	W04A, W04B		08	I12A, I12B, I12C, I27A, I27B, I27C, I27D		09	J03A, J03B, J04A, J04B, J08A, J08B, J08C, J11A, J11B, J16Z
	21B	X04Z, X06A, X06B, X06C		09	J03A, J03B, J04A, J04B, J08A, J08B, J08C, J11A, J11B, J16Z		21A	W04A, W04B
5t823.8↔		BOP, KVT, UOP4	5t824.5↔	21A	W04A, W04B	5t825.1↔	21B	X06A, X06B, X06C
	08	I12A, I12B, I12C, I27A, I27B, I27C, I27D		01	B03A, B03B, B06A, B06B, B07Z, B17A, B17B, B17C		01	B03A, B03B, B06A, B06B, B07Z, B17A, B17B, B17C
	10	K09A, K09B		08	I12A, I12B, I12C, I27A, I27B, I27C, I27D		08	I12A, I12B, I12C, I27A, I27B, I27C, I27D
	21A	W04A, W04B		09	J03A, J03B, J04A, J04B, J08A, J08B, J08C, J11A, J11B, J16Z		09	J03A, J03B, J04A, J04B, J08A, J08B, J08C, J11A, J11B, J16Z
	21B	X04Z, X06A, X06B, X06C		21A	W04A, W04B		21A	W04A, W04B
5t823.9↔		BOP, KVT, UOP4	5t824.6↔	21B	X06A, X06B, X06C	5t825.2↔	21B	X06A, X06B, X06C
	08	I12A, I12B, I12C, I27A, I27B, I27C, I27D			BOP, KVT, UOP4		01	B03A, B03B, B06A, B06B, B07Z, B17A, B17B, B17C
	10	K09A, K09B		01	B03A, B03B, B06A, B06B, B07Z, B17A, B17B, B17C		08	I12A, I12B, I12C, I27A, I27B, I27C, I27D
	21A	W04A, W04B		08	I12A, I12B, I12C, I27A, I27B, I27C, I27D		09	J03A, J03B, J04A, J04B, J08A, J08B, J08C, J11A, J11B, J16Z
	21B	X04Z, X06A, X06B, X06C		09	J03A, J03B, J04A, J04B, J08A, J08B, J08C, J11A, J11B, J16Z		21A	W04A, W04B
5t823.x		BOP, KVT, UOP4	5t824.7↔	21A	W04A, W04B	5t825.3↔	21B	X06A, X06B, X06C
	08	I12A, I12B, I12C, I27A, I27B, I27C, I27D			BOP, KVT, UOP4		01	B03A, B03B, B06A, B06B, B07Z, B17A, B17B, B17C
	10	K09A, K09B		01	B03A, B03B, B06A, B06B, B07Z, B17A, B17B, B17C		08	I12A, I12B, I12C, I27A, I27B, I27C, I27D
	21A	W04A, W04B		08	I12A, I12B, I12C, I27A, I27B, I27C, I27D		09	J03A, J03B, J04A, J04B, J08A, J08B, J08C, J11A, J11B, J16Z
	21B	X06A, X06B, X06C		09	J03A, J03B, J04A, J04B, J08A, J08B, J08C, J11A, J11B, J16Z		21A	W04A, W04B
5t824.0↔		BOP, KVT, UOP4	5t824.8↔	21B	X04Z, X06A, X06B, X06C	5t825.4↔	21B	X05A, X05B, X06A, X06B, X06C
	01	B03A, B03B, B06A, B06B, B07Z, B17A, B17B, B17C			BOP, KVT, UOP4		01	B03A, B03B, B06A, B06B, B07Z, B17A, B17B, B17C
	08	I12A, I12B, I12C, I27A, I27B, I27C, I27D		01	B03A, B03B, B06A, B06B, B07Z, B17A, B17B, B17C		08	I12A, I12B, I12C, I27A, I27B, I27C, I27D
	09	J03A, J03B, J04A, J04B, J08A, J08B, J08C, J11A, J11B, J16Z		08	I12A, I12B, I12C, I27A, I27B, I27C, I27D		09	J03A, J03B, J04A, J04B, J08A, J08B, J08C, J11A, J11B, J16Z
	21A	W04A, W04B		09	J03A, J03B, J04A, J04B, J08A, J08B, J08C, J11A, J11B, J16Z		21A	W04A, W04B
5t824.1↔		BOP, KVT, UOP4	5t824.9↔	21B	X04Z, X06A, X06B, X06C	5t825.5↔	21B	X06A, X06B, X06C
	01	B03A, B03B, B06A, B06B, B07Z, B17A, B17B, B17C			BOP, KVT, UOP4		01	B03A, B03B, B06A, B06B, B07Z, B17A, B17B, B17C
	08	I12A, I12B, I12C, I27A, I27B, I27C, I27D		01	B03A, B03B, B06A, B06B, B07Z, B17A, B17B, B17C		08	I12A, I12B, I12C, I27A, I27B, I27C, I27D
	09	J03A, J03B, J04A, J04B, J08A, J08B, J08C, J11A, J11B, J16Z		08	I12A, I12B, I12C, I27A, I27B, I27C, I27D		09	J03A, J03B, J04A, J04B, J08A, J08B, J08C, J11A, J11B, J16Z
	21A	W04A, W04B		09	J03A, J03B, J04A, J04B, J08A, J08B, J08C, J11A, J11B, J16Z		21A	W04A, W04B
5t824.2↔		BOP, KVT, UOP4			21B	X06A, X06B, X06C		
	01	B03A, B03B, B06A, B06B, B07Z, B17A, B17B, B17C						
	08	I12A, I12B, I12C, I27A, I27B, I27C, I27D						
	09	J03A, J03B, J04A, J04B, J08A, J08B, J08C, J11A, J11B, J16Z						
	21A	W04A, W04B						
21B	X06A, X06B, X06C							

VYK

ZZV	MDC	DRG	ZZV	MDC	DRG	ZZV	MDC	DRG
5t825.6↔		BOP, KVT, UOP4	5t826.2↔		BOP, KVT, UOP4	5t826.9↔		BOP, KVT, UOP4
	01	B03A, B03B, B06A, B06B, B07Z, B17A, B17B, B17C		01	B03A, B03B, B06A, B06B, B07Z, B17A, B17B, B17C		01	B03A, B03B, B06A, B06B, B07Z, B17A, B17B, B17C
	08	I12A, I12B, I12C, I27A, I27B, I27C, I27D		08	I12A, I12B, I12C, I27A, I27B, I27C, I27D		08	I12A, I12B, I12C, I27A, I27B, I27C, I27D
	09	J03A, J03B, J04A, J04B, J08A, J08B, J08C, J11A, J11B, J16Z		09	J03A, J03B, J04A, J04B, J08A, J08B, J08C, J11A, J11B, J16Z		09	J03A, J03B, J04A, J04B, J08A, J08B, J08C, J11A, J11B, J16Z
	21A	W04A, W04B		21A	W04A, W04B		21A	W04A, W04B
5t825.7↔	21B	X04Z, X06A, X06B, X06C	5t826.3↔	21B	X06A, X06B, X06C	5t826.x	21B	X04Z, X06A, X06B, X06C
		BOP, KVT, UOP4			BOP, KVT, UOP4			BOP, KVT, UOP4
	01	B03A, B03B, B06A, B06B, B07Z, B17A, B17B, B17C		01	B03A, B03B, B06A, B06B, B07Z, B17A, B17B, B17C		01	B03A, B03B, B06A, B06B, B07Z, B17A, B17B, B17C
	08	I12A, I12B, I12C, I27A, I27B, I27C, I27D		08	I12A, I12B, I12C, I27A, I27B, I27C, I27D		08	I12A, I12B, I12C, I27A, I27B, I27C, I27D
	09	J03A, J03B, J04A, J04B, J08A, J08B, J08C, J11A, J11B, J16Z		09	J03A, J03B, J04A, J04B, J08A, J08B, J08C, J11A, J11B, J16Z		09	J03A, J03B, J04A, J04B, J08A, J08B, J08C, J11A, J11B, J16Z
5t825.8↔	21A	W04A, W04B	5t826.4↔	21A	W04A, W04B	5t827.0↔	21A	W04A, W04B
	21B	X04Z, X06A, X06B, X06C		21B	X05A, X05B, X06A, X06B, X06C		21B	X06A, X06B, X06C
		BOP, KVT, UOP4			BOP, KVT, UOP4			BOP, KVT, UOP4
	01	B03A, B03B, B06A, B06B, B07Z, B17A, B17B, B17C		01	B03A, B03B, B06A, B06B, B07Z, B17A, B17B, B17C		01	B03A, B03B, B06A, B06B, B07Z, B17A, B17B, B17C
	08	I12A, I12B, I12C, I27A, I27B, I27C, I27D		08	I12A, I12B, I12C, I27A, I27B, I27C, I27D		08	I12A, I12B, I12C, I27A, I27B, I27C, I27D
5t825.9↔	09	J03A, J03B, J04A, J04B, J08A, J08B, J08C, J11A, J11B, J16Z	5t826.5↔	09	J03A, J03B, J04A, J04B, J08A, J08B, J08C, J11A, J11B, J16Z	5t827.1↔	09	J03A, J03B, J04A, J04B, J08A, J08B, J08C, J11A, J11B, J16Z
	21A	W04A, W04B		21A	W04A, W04B		21A	W04A, W04B
	21B	X04Z, X06A, X06B, X06C		21B	X06A, X06B, X06C		21B	X06A, X06B, X06C
		BOP, KVT, UOP4			BOP, KVT, UOP4			BOP, KVT, UOP4
	01	B03A, B03B, B06A, B06B, B07Z, B17A, B17B, B17C		01	B03A, B03B, B06A, B06B, B07Z, B17A, B17B, B17C		01	B03A, B03B, B06A, B06B, B07Z, B17A, B17B, B17C
5t825.x	08	I12A, I12B, I12C, I27A, I27B, I27C, I27D	5t826.6↔	08	I12A, I12B, I12C, I27A, I27B, I27C, I27D	5t827.2↔	08	I12A, I12B, I12C, I27A, I27B, I27C, I27D
	09	J03A, J03B, J04A, J04B, J08A, J08B, J08C, J11A, J11B, J16Z		09	J03A, J03B, J04A, J04B, J08A, J08B, J08C, J11A, J11B, J16Z		09	J03A, J03B, J04A, J04B, J08A, J08B, J08C, J11A, J11B, J16Z
	21A	W04A, W04B		21A	W04A, W04B		21A	W04A, W04B
	21B	X06A, X06B, X06C		21B	X06A, X06B, X06C		21B	X06A, X06B, X06C
		BOP, KVT, UOP4			BOP, KVT, UOP4			BOP, KVT, UOP4
5t826.0↔	01	B03A, B03B, B06A, B06B, B07Z, B17A, B17B, B17C	5t826.7↔	01	B03A, B03B, B06A, B06B, B07Z, B17A, B17B, B17C	5t827.3↔	01	B03A, B03B, B06A, B06B, B07Z, B17A, B17B, B17C
	08	I12A, I12B, I12C, I27A, I27B, I27C, I27D		08	I12A, I12B, I12C, I27A, I27B, I27C, I27D		08	I12A, I12B, I12C, I27A, I27B, I27C, I27D
	09	J03A, J03B, J04A, J04B, J08A, J08B, J08C, J11A, J11B, J16Z		09	J03A, J03B, J04A, J04B, J08A, J08B, J08C, J11A, J11B, J16Z		09	J03A, J03B, J04A, J04B, J08A, J08B, J08C, J11A, J11B, J16Z
	21A	W04A, W04B		21A	W04A, W04B		21A	W04A, W04B
	21B	X06A, X06B, X06C		21B	X04Z, X06A, X06B, X06C		21B	X06A, X06B, X06C
5t826.1↔		BOP, KVT, UOP4	5t826.8↔		BOP, KVT, UOP4	5t827.4↔		BOP, KVT, UOP4
	01	B03A, B03B, B06A, B06B, B07Z, B17A, B17B, B17C		01	B03A, B03B, B06A, B06B, B07Z, B17A, B17B, B17C		01	B03A, B03B, B06A, B06B, B07Z, B17A, B17B, B17C
	08	I12A, I12B, I12C, I27A, I27B, I27C, I27D		08	I12A, I12B, I12C, I27A, I27B, I27C, I27D		08	I12A, I12B, I12C, I27A, I27B, I27C, I27D
	09	J03A, J03B, J04A, J04B, J08A, J08B, J08C, J11A, J11B, J16Z		09	J03A, J03B, J04A, J04B, J08A, J08B, J08C, J11A, J11B, J16Z		09	J03A, J03B, J04A, J04B, J08A, J08B, J08C, J11A, J11B, J16Z
	21A	W04A, W04B		21A	W04A, W04B		21A	W04A, W04B
	X06A, X06B, X06C	21B	X04Z, X06A, X06B, X06C	21B	X06A, X06B, X06C			

ZZV	MDC	DRG	ZZV	MDC	DRG	ZZV	MDC	DRG
5t827.5↔		BOP, KVT, UOP4	5t828.1↔		BOP, KVT, UOP4	5t828.8↔		BOP, KVT, UOP4
	01	B03A, B03B, B06A, B06B, B07Z, B17A, B17B, B17C		01	B03A, B03B, B06A, B06B, B07Z, B17A, B17B, B17C		01	B03A, B03B, B06A, B06B, B07Z, B17A, B17B, B17C
	08	I12A, I12B, I12C, I27A, I27B, I27C, I27D		08	I12A, I12B, I12C, I27A, I27B, I27C, I27D		08	I12A, I12B, I12C, I27A, I27B, I27C, I27D
	09	J03A, J03B, J04A, J04B, J08A, J08B, J08C, J11A, J11B, J16Z		09	J03A, J03B, J04A, J04B, J08A, J08B, J08C, J11A, J11B, J16Z		09	J03A, J03B, J04A, J04B, J08A, J08B, J08C, J11A, J11B, J16Z
	21A	W04A, W04B		21A	W04A, W04B		21A	W04A, W04B
5t827.6↔	21B	X06A, X06B, X06C	5t828.2↔	21B	X06A, X06B, X06C	5t828.9↔	21B	X04Z, X06A, X06B, X06C
		BOP, KVT, UOP4			BOP, KVT, UOP4			BOP, KVT, UOP4
	01	B03A, B03B, B06A, B06B, B07Z, B17A, B17B, B17C		01	B03A, B03B, B06A, B06B, B07Z, B17A, B17B, B17C		01	B03A, B03B, B06A, B06B, B07Z, B17A, B17B, B17C
	08	I12A, I12B, I12C, I27A, I27B, I27C, I27D		08	I12A, I12B, I12C, I27A, I27B, I27C, I27D		08	I12A, I12B, I12C, I27A, I27B, I27C, I27D
	09	J03A, J03B, J04A, J04B, J08A, J08B, J08C, J11A, J11B, J16Z		09	J03A, J03B, J04A, J04B, J08A, J08B, J08C, J11A, J11B, J16Z		09	J03A, J03B, J04A, J04B, J08A, J08B, J08C, J11A, J11B, J16Z
5t827.7↔	21A	W04A, W04B	5t828.3↔	21A	W04A, W04B	5t828.x	21A	W04A, W04B
	21B	X04Z, X06A, X06B, X06C		21B	X06A, X06B, X06C		21B	X04Z, X06A, X06B, X06C
		BOP, KVT, UOP4			BOP, KVT, UOP4			BOP, KVT, UOP4
	01	B03A, B03B, B06A, B06B, B07Z, B17A, B17B, B17C		01	B03A, B03B, B06A, B06B, B07Z, B17A, B17B, B17C		01	B03A, B03B, B06A, B06B, B07Z, B17A, B17B, B17C
	08	I12A, I12B, I12C, I27A, I27B, I27C, I27D		08	I12A, I12B, I12C, I27A, I27B, I27C, I27D		08	I12A, I12B, I12C, I27A, I27B, I27C, I27D
5t827.8↔	09	J03A, J03B, J04A, J04B, J08A, J08B, J08C, J11A, J11B, J16Z	5t828.4↔	09	J03A, J03B, J04A, J04B, J08A, J08B, J08C, J11A, J11B, J16Z	5t829.0↔	09	J03A, J03B, J04A, J04B, J08A, J08B, J08C, J11A, J11B, J16Z
	21A	W04A, W04B		21A	W04A, W04B		21A	W04A, W04B
	21B	X04Z, X06A, X06B, X06C		21B	X05A, X05B, X06A, X06B, X06C		21B	X06A, X06B, X06C
		BOP, KVT, UOP4			BOP, KVT, UOP4			BOP, KVT, UOP4
	01	B03A, B03B, B06A, B06B, B07Z, B17A, B17B, B17C		01	B03A, B03B, B06A, B06B, B07Z, B17A, B17B, B17C		01	B03A, B03B, B06A, B06B, B07Z, B17A, B17B, B17C
5t827.9↔	08	I12A, I12B, I12C, I27A, I27B, I27C, I27D	5t828.5↔	08	I12A, I12B, I12C, I27A, I27B, I27C, I27D	5t829.1↔	08	I12A, I12B, I12C, I27A, I27B, I27C, I27D
	09	J03A, J03B, J04A, J04B, J08A, J08B, J08C, J11A, J11B, J16Z		09	J03A, J03B, J04A, J04B, J08A, J08B, J08C, J11A, J11B, J16Z		09	J03A, J03B, J04A, J04B, J08A, J08B, J08C, J11A, J11B, J16Z
	21A	W04A, W04B		21A	W04A, W04B		21A	W04A, W04B
	21B	X04Z, X06A, X06B, X06C		21B	X06A, X06B, X06C		21B	X06A, X06B, X06C
		BOP, KVT, UOP4			BOP, KVT, UOP4			BOP, KVT, UOP4
5t827.x	01	B03A, B03B, B06A, B06B, B07Z, B17A, B17B, B17C	5t828.6↔	01	B03A, B03B, B06A, B06B, B07Z, B17A, B17B, B17C	5t829.2↔	01	B03A, B03B, B06A, B06B, B07Z, B17A, B17B, B17C
	08	I12A, I12B, I12C, I27A, I27B, I27C, I27D		08	I12A, I12B, I12C, I27A, I27B, I27C, I27D		08	I12A, I12B, I12C, I27A, I27B, I27C, I27D
	09	J03A, J03B, J04A, J04B, J08A, J08B, J08C, J11A, J11B, J16Z		09	J03A, J03B, J04A, J04B, J08A, J08B, J08C, J11A, J11B, J16Z		09	J03A, J03B, J04A, J04B, J08A, J08B, J08C, J11A, J11B, J16Z
	21A	W04A, W04B		21A	W04A, W04B		21A	W04A, W04B
	21B	X06A, X06B, X06C		21B	X06A, X06B, X06C		21B	X06A, X06B, X06C
5t828.0↔		BOP, KVT, UOP4	5t828.7↔		BOP, KVT, UOP4	5t829.3↔		BOP, KVT, UOP4
	01	B03A, B03B, B06A, B06B, B07Z, B17A, B17B, B17C		01	B03A, B03B, B06A, B06B, B07Z, B17A, B17B, B17C		01	B03A, B03B, B06A, B06B, B07Z, B17A, B17B, B17C
	08	I12A, I12B, I12C, I27A, I27B, I27C, I27D		08	I12A, I12B, I12C, I27A, I27B, I27C, I27D		08	I12A, I12B, I12C, I27A, I27B, I27C, I27D
	09	J03A, J03B, J04A, J04B, J08A, J08B, J08C, J11A, J11B, J16Z		09	J03A, J03B, J04A, J04B, J08A, J08B, J08C, J11A, J11B, J16Z		09	J03A, J03B, J04A, J04B, J08A, J08B, J08C, J11A, J11B, J16Z
	21A	W04A, W04B		21A	W04A, W04B		21A	W04A, W04B
21B	X06A, X06B, X06C	21B	X04Z, X06A, X06B, X06C	21B	X05A, X05B, X06A, X06B, X06C			

VYK

ZZV	MDC	DRG	ZZV	MDC	DRG	ZZV	MDC	DRG
5t829.4↔		BOP, KVT, UOP4	5t82a.0↔	08	I12A, I12B, I12C, I27A, I27B, I27C, I27D	5t82b.1↔	01	B03A, B03B, B06A, B06B, B07Z, B17A, B17B, B17C
	01	B03A, B03B, B06A, B06B, B07Z, B17A, B17B, B17C		21A	W04A, W04B		08	I12A, I12B, I12C, I27A, I27B, I27C, I27D
	08	I12A, I12B, I12C, I27A, I27B, I27C, I27D		21B	X06A, X06B, X06C		09	J03A, J03B, J04A, J04B, J08A, J08B, J08C, J11A, J11B, J16Z
	09	J03A, J03B, J04A, J04B, J08A, J08B, J08C, J11A, J11B, J16Z	5t82a.1↔	08	I12A, I12B, I12C, I27A, I27B, I27C, I27D		10	K09A, K09B
	21A	W04A, W04B		21A	W04A, W04B		21A	W04A, W04B
	21B	X06A, X06B, X06C		21B	X06A, X06B, X06C	5t82b.2↔	21B	X06A, X06B, X06C
5t829.5↔		BOP, KVT, UOP4	5t82a.2↔	08	I12A, I12B, I12C, I27A, I27B, I27C, I27D		01	B03A, B03B, B06A, B06B, B07Z, B17A, B17B, B17C
	01	B03A, B03B, B06A, B06B, B07Z, B17A, B17B, B17C		21A	W04A, W04B		08	I12A, I12B, I12C, I27A, I27B, I27C, I27D
	08	I12A, I12B, I12C, I27A, I27B, I27C, I27D		21B	X06A, X06B, X06C		09	J03A, J03B, J04A, J04B, J08A, J08B, J08C, J11A, J11B, J16Z
	09	J03A, J03B, J04A, J04B, J08A, J08B, J08C, J11A, J11B, J16Z	5t82a.3↔	08	I12A, I12B, I12C, I27A, I27B, I27C, I27D		10	K09A, K09B
	21A	W04A, W04B		21A	W04A, W04B		21A	W04A, W04B
	21B	X06A, X06B, X06C		21B	X05A, X05B, X06A, X06B, X06C		21B	X06A, X06B, X06C
5t829.6↔		BOP, KVT, UOP4	5t82a.4↔	08	I12A, I12B, I12C, I27A, I27B, I27C, I27D	5t82b.3↔	01	B03A, B03B, B06A, B06B, B07Z, B17A, B17B, B17C
	01	B03A, B03B, B06A, B06B, B07Z, B17A, B17B, B17C		21A	W04A, W04B		08	I12A, I12B, I12C, I27A, I27B, I27C, I27D
	08	I12A, I12B, I12C, I27A, I27B, I27C, I27D		21B	X06A, X06B, X06C		09	J03A, J03B, J04A, J04B, J08A, J08B, J08C, J11A, J11B, J16Z
	09	J03A, J03B, J04A, J04B, J08A, J08B, J08C, J11A, J11B, J16Z	5t82a.5↔	08	I12A, I12B, I12C, I27A, I27B, I27C, I27D		10	K09A, K09B
	21A	W04A, W04B		21A	W04A, W04B		21A	W04A, W04B
	21B	X04Z, X06A, X06B, X06C		21B	X06A, X06B, X06C		21B	X05A, X05B, X06A, X06B, X06C
5t829.7↔		BOP, KVT, UOP4	5t82a.6↔	08	I12A, I12B, I12C, I27A, I27B, I27C, I27D	5t82b.4↔	01	B03A, B03B, B06A, B06B, B07Z, B17A, B17B, B17C
	01	B03A, B03B, B06A, B06B, B07Z, B17A, B17B, B17C		21A	W04A, W04B		08	I12A, I12B, I12C, I27A, I27B, I27C, I27D
	08	I12A, I12B, I12C, I27A, I27B, I27C, I27D		21B	X04Z, X06A, X06B, X06C		09	J03A, J03B, J04A, J04B, J08A, J08B, J08C, J11A, J11B, J16Z
	09	J03A, J03B, J04A, J04B, J08A, J08B, J08C, J11A, J11B, J16Z	5t82a.7↔	08	I12A, I12B, I12C, I27A, I27B, I27C, I27D		10	K09A, K09B
	21A	W04A, W04B		21A	W04A, W04B		21A	W04A, W04B
	21B	X04Z, X06A, X06B, X06C		21B	X04Z, X06A, X06B, X06C		21B	X06A, X06B, X06C
5t829.8↔		BOP, KVT, UOP4	5t82a.8↔	08	I12A, I12B, I12C, I27A, I27B, I27C, I27D	5t82b.5↔	01	B03A, B03B, B06A, B06B, B07Z, B17A, B17B, B17C
	01	B03A, B03B, B06A, B06B, B07Z, B17A, B17B, B17C		21A	W04A, W04B		08	I12A, I12B, I12C, I27A, I27B, I27C, I27D
	08	I12A, I12B, I12C, I27A, I27B, I27C, I27D		21B	X04Z, X06A, X06B, X06C		09	J03A, J03B, J04A, J04B, J08A, J08B, J08C, J11A, J11B, J16Z
	09	J03A, J03B, J04A, J04B, J08A, J08B, J08C, J11A, J11B, J16Z	5t82a.9↔	08	I12A, I12B, I12C, I27A, I27B, I27C, I27D		10	K09A, K09B
	21A	W04A, W04B		21A	W04A, W04B		21A	W04A, W04B
	21B	X04Z, X06A, X06B, X06C		21B	X04Z		21B	X06A, X06B, X06C
5t829.9↔		BOP, KVT, UOP4	5t82a.x	08	I12A, I12B, I12C, I27A, I27B, I27C, I27D	5t82b.6↔	01	B03A, B03B, B06A, B06B, B07Z, B17A, B17B, B17C
	01	B03A, B03B, B06A, B06B, B07Z, B17A, B17B, B17C		21A	W04A, W04B		08	I12A, I12B, I12C, I27A, I27B, I27C, I27D
	08	I12A, I12B, I12C, I27A, I27B, I27C, I27D		21B	X06A, X06B, X06C		09	J03A, J03B, J04A, J04B, J08A, J08B, J08C, J11A, J11B, J16Z
	09	J03A, J03B, J04A, J04B, J08A, J08B, J08C, J11A, J11B, J16Z	5t82b.0↔	01	B03A, B03B, B06A, B06B, B07Z, B17A, B17B, B17C		10	K09A, K09B
	21A	W04A, W04B		03	D12A		21A	W04A, W04B
	21B	X04Z, X06A, X06B, X06C		08	I12A, I12B, I12C, I27A, I27B, I27C, I27D		21B	X06A, X06B, X06C
5t829.x		BOP, KVT, UOP4		09	J03A, J03B, J04A, J04B, J08A, J08B, J08C, J11A, J11B, J16Z		01	B03A, B03B, B06A, B06B, B07Z, B17A, B17B, B17C
	01	B03A, B03B, B06A, B06B, B07Z, B17A, B17B, B17C		10	K09A, K09B		08	I12A, I12B, I12C, I27A, I27B, I27C, I27D
	08	I12A, I12B, I12C, I27A, I27B, I27C, I27D		21A	W04A, W04B		09	J03A, J03B, J04A, J04B, J08A, J08B, J08C, J11A, J11B, J16Z
	09	J03A, J03B, J04A, J04B, J08A, J08B, J08C, J11A, J11B, J16Z		21A	W04A, W04B		10	K09A, K09B
	21A	W04A, W04B		21A	W04A, W04B		21A	W04A, W04B
	21B	X06A, X06B, X06C		21B	X06A, X06B, X06C		21B	X04Z, X06A, X06B, X06C



ZZV	MDC	DRG	ZZV	MDC	DRG	ZZV	MDC	DRG
5t82j.0↔		BOP, KVT, UOP4	5t82x.5		BOP, KVT, UOP4	5t830.6↔		BOP, KVT, UOP4
	08	I27A, I27B, I27C, I27D		08	I27A, I27B, I27C, I27D		01	B03A, B03B, B06A, B06B, B07Z, B17A, B17B, B17C
	21A	W04A, W04B		21A	W04A, W04B		08	I12A, I12B, I12C, I27A, I27B, I27C, I27D
	21B	X06A, X06B, X06C		21B	X06A, X06B, X06C		21A	W04A, W04B
5t82j.1↔		BOP, KVT, UOP4	5t82x.6		BOP, KVT, UOP4		21B	X04Z, X06A, X06B, X06C
	08	I27A, I27B, I27C, I27D		08	I27A, I27B, I27C, I27D	5t830.7↔		BOP, KVT, UOP4
	21A	W04A, W04B		21A	W04A, W04B		01	B03A, B03B, B06A, B06B, B07Z, B17A, B17B, B17C
	21B	X06A, X06B, X06C		21B	X04Z, X06A, X06B, X06C		08	I12A, I12B, I12C, I27A, I27B, I27C, I27D
5t82j.2↔		BOP, KVT, UOP4	5t82x.7↔		BOP, KVT, UOP4		21A	W04A, W04B
	08	I27A, I27B, I27C, I27D		08	I27A, I27B, I27C, I27D		21B	X04Z, X06A, X06B, X06C
	21A	W04A, W04B		21A	W04A, W04B		01	B03A, B03B, B06A, B06B, B07Z, B17A, B17B, B17C
	21B	X06A, X06B, X06C		21B	X04Z, X06A, X06B, X06C		08	I12A, I12B, I12C, I27A, I27B, I27C, I27D
5t82j.3↔		BOP, KVT, UOP4	5t82x.8↔		BOP, KVT, UOP4		21A	W04A, W04B
	08	I27A, I27B, I27C, I27D		08	I27A, I27B, I27C, I27D		21B	X04Z, X06A, X06B, X06C
	21A	W04A, W04B		21A	W04A, W04B	5t830.8↔		BOP, KVT, UOP4
	21B	X05A, X05B, X06A, X06B, X06C		21B	X04Z, X06A, X06B, X06C		01	B03A, B03B, B06A, B06B, B07Z, B17A, B17B, B17C
5t82j.4↔		BOP, KVT, UOP4	5t82x.9↔		BOP, KVT, UOP4		08	I12A, I12B, I12C, I27A, I27B, I27C, I27D
	08	I27A, I27B, I27C, I27D		08	I27A, I27B, I27C, I27D		21A	W04A, W04B
	21A	W04A, W04B		21A	W04A, W04B		21B	X04Z, X06A, X06B, X06C
	21B	X06A, X06B, X06C		21B	X04Z, X06A, X06B, X06C	5t830.9↔		BOP, KVT, UOP4
5t82j.5↔		BOP, KVT, UOP4	5t82x.x		BOP, KVT, UOP4		01	B03A, B03B, B06A, B06B, B07Z, B17A, B17B, B17C
	08	I27A, I27B, I27C, I27D		08	I27A, I27B, I27C, I27D		08	I12A, I12B, I12C, I27A, I27B, I27C, I27D
	21A	W04A, W04B		21A	W04A, W04B		21A	W04A, W04B
	21B	X06A, X06B, X06C		21B	X06A, X06B, X06C		21B	X04Z, X06A, X06B, X06C
5t82j.6↔		BOP, KVT, UOP4	5t830.0↔		BOP, KVT, UOP4	5t830.x		BOP, KVT, UOP4
	08	I27A, I27B, I27C, I27D		01	B03A, B03B, B06A, B06B, B07Z, B17A, B17B, B17C		01	B03A, B03B, B06A, B06B, B07Z, B17A, B17B, B17C
	21A	W04A, W04B		08	I12A, I12B, I12C, I27A, I27B, I27C, I27D		08	I12A, I12B, I12C, I27A, I27B, I27C, I27D
	21B	X04Z, X06A, X06B, X06C		21A	W04A, W04B		21A	W04A, W04B
5t82j.7↔		BOP, KVT, UOP4	5t830.1↔		BOP, KVT, UOP4		21B	X06A, X06B, X06C
	08	I27A, I27B, I27C, I27D		01	B03A, B03B, B06A, B06B, B07Z, B17A, B17B, B17C		01	B03A, B03B, B06A, B06B, B07Z, B17A, B17B, B17C
	21A	W04A, W04B		08	I12A, I12B, I12C, I27A, I27B, I27C, I27D		08	I12A, I12B, I12C, I27A, I27B, I27C, I27D
	21B	X04Z, X06A, X06B, X06C		21A	W04A, W04B		21A	W04A, W04B
5t82j.8↔		BOP, KVT, UOP4	5t830.2↔		BOP, KVT, UOP4	5t831.0↔		BOP, KVT, UOP4
	08	I27A, I27B, I27C, I27D		01	B03A, B03B, B06A, B06B, B07Z, B17A, B17B, B17C		08	I12A, I12B, I12C, I27A, I27B, I27C, I27D
	21A	W04A, W04B		08	I12A, I12B, I12C, I27A, I27B, I27C, I27D		09	J03A, J03B, J04A, J04B, J08A, J08B, J08C, J11A, J11B, J16Z
	21B	X04Z, X06A, X06B, X06C		21A	W04A, W04B		10	K09A, K09B
5t82j.9↔		BOP, KVT, UOP4	5t830.3↔		BOP, KVT, UOP4		21A	W04A, W04B
	08	I27A, I27B, I27C, I27D		01	B03A, B03B, B06A, B06B, B07Z, B17A, B17B, B17C		21B	X06A, X06B, X06C
	21A	W04A, W04B		08	I12A, I12B, I12C, I27A, I27B, I27C, I27D	5t831.1↔		BOP, KVT, UOP4
	21B	X04Z, X06A, X06B, X06C		21A	W04A, W04B		08	I12A, I12B, I12C, I27A, I27B, I27C, I27D
5t82j.x		BOP, KVT, UOP4	5t830.4↔		BOP, KVT, UOP4		09	J03A, J03B, J04A, J04B, J08A, J08B, J08C, J11A, J11B, J16Z
	08	I27A, I27B, I27C, I27D		01	B03A, B03B, B06A, B06B, B07Z, B17A, B17B, B17C		10	K09A, K09B
	21A	W04A, W04B		08	I12A, I12B, I12C, I27A, I27B, I27C, I27D		21A	W04A, W04B
	21B	X06A, X06B, X06C		21A	W04A, W04B	5t831.2↔		X06A, X06B, X06C
5t82x.0↔		BOP, KVT, UOP4	5t830.5↔		BOP, KVT, UOP4		08	I12A, I12B, I12C, I27A, I27B, I27C, I27D
	08	I27A, I27B, I27C, I27D		01	B03A, B03B, B06A, B06B, B07Z, B17A, B17B, B17C		09	J03A, J03B, J04A, J04B, J08A, J08B, J08C, J11A, J11B, J16Z
	21A	W04A, W04B		08	I12A, I12B, I12C, I27A, I27B, I27C, I27D		10	K09A, K09B
	21B	X06A, X06B, X06C		21A	W04A, W04B		21A	W04A, W04B
5t82x.1		BOP, KVT, UOP4		21B	X05A, X05B, X06A, X06B, X06C		21B	X06A, X06B, X06C
	08	I27A, I27B, I27C, I27D			BOP, KVT, UOP4			
	21A	W04A, W04B		01	B03A, B03B, B06A, B06B, B07Z, B17A, B17B, B17C			
	21B	X06A, X06B, X06C		08	I12A, I12B, I12C, I27A, I27B, I27C, I27D			
5t82x.2↔		BOP, KVT, UOP4		21A	W04A, W04B			
	08	I27A, I27B, I27C, I27D		21B	X06A, X06B, X06C			
	21A	W04A, W04B			BOP, KVT, UOP4			
	21B	X06A, X06B, X06C		01	B03A, B03B, B06A, B06B, B07Z, B17A, B17B, B17C			
5t82x.3↔		BOP, KVT, UOP4		08	I12A, I12B, I12C, I27A, I27B, I27C, I27D			
	08	I27A, I27B, I27C, I27D		21A	W04A, W04B			
	21A	W04A, W04B		21B	X06A, X06B, X06C			
	21B	X05A, X05B, X06A, X06B, X06C			BOP, KVT, UOP4			
5t82x.4		BOP, KVT, UOP4		01	B03A, B03B, B06A, B06B, B07Z, B17A, B17B, B17C			
	08	I27A, I27B, I27C, I27D		08	I12A, I12B, I12C, I27A, I27B, I27C, I27D			
	21A	W04A, W04B		21A	W04A, W04B			
	21B	X06A, X06B, X06C		21B	X06A, X06B, X06C			

ZZV	MDC	DRG	ZZV	MDC	DRG	ZZV	MDC	DRG
5t836.9↔		BOP, KVT, UOP4	5t837.5↔		BOP, KVT, UOP4	5t838.1↔		BOP, KVT, UOP4
	01	B03A, B03B, B06A, B06B, B07Z, B17A, B17B, B17C		01	B03A, B03B, B06A, B06B, B07Z, B17A, B17B, B17C		01	B03A, B03B, B06A, B06B, B07Z, B17A, B17B, B17C
	08	I08A, I08B, I08C, I08D, I08E, I12A, I12B, I12C, I13A, I13B, I27A, I27B, I27C, I27D		08	I08A, I08B, I08C, I08D, I08E, I12A, I12B, I12C, I13A, I13B, I27A, I27B, I27C, I27D		08	I08A, I08B, I08C, I08D, I08E, I12A, I12B, I12C, I13A, I13B, I27A, I27B, I27C, I27D
	10	K09A, K09B		10	K09A, K09B		10	K09A, K09B
	21A	W04A, W04B		21A	W04A, W04B		21A	W04A, W04B
5t836.x	21B	X04Z, X06A, X06B, X06C	5t837.6↔	21B	X06A, X06B, X06C	5t838.2↔	21B	X06A, X06B, X06C
		BOP, KVT, UOP4			BOP, KVT, UOP4			BOP, KVT, UOP4
	01	B03A, B03B, B06A, B06B, B07Z, B17A, B17B, B17C		01	B03A, B03B, B06A, B06B, B07Z, B17A, B17B, B17C		01	B03A, B03B, B06A, B06B, B07Z, B17A, B17B, B17C
	08	I08A, I08B, I08C, I08D, I08E, I12A, I12B, I12C, I13A, I13B, I27A, I27B, I27C, I27D		08	I08A, I08B, I08C, I08D, I08E, I12A, I12B, I12C, I13A, I13B, I27A, I27B, I27C, I27D		08	I08A, I08B, I08C, I08D, I08E, I12A, I12B, I12C, I13A, I13B, I27A, I27B, I27C, I27D
	10	K09A, K09B		10	K09A, K09B		10	K09A, K09B
5t837.0↔	21A	W04A, W04B	5t837.7↔	21A	W04A, W04B	5t838.3↔	21A	W04A, W04B
	21B	X06A, X06B, X06C		21B	X04Z, X06A, X06B, X06C		21B	X06A, X06B, X06C
		BOP, KVT, UOP4			BOP, KVT, UOP4			BOP, KVT, UOP4
	01	B03A, B03B, B06A, B06B, B07Z, B17A, B17B, B17C		01	B03A, B03B, B06A, B06B, B07Z, B17A, B17B, B17C		01	B03A, B03B, B06A, B06B, B07Z, B17A, B17B, B17C
	08	I08A, I08B, I08C, I08D, I08E, I12A, I12B, I12C, I13A, I13B, I27A, I27B, I27C, I27D		08	I08A, I08B, I08C, I08D, I08E, I12A, I12B, I12C, I13A, I13B, I27A, I27B, I27C, I27D		08	I08A, I08B, I08C, I08D, I08E, I12A, I12B, I12C, I13A, I13B, I27A, I27B, I27C, I27D
5t837.1↔	10	K09A, K09B	5t837.8↔	10	K09A, K09B	5t838.4↔	10	K09A, K09B
	21A	W04A, W04B		21A	W04A, W04B		21A	W04A, W04B
	21B	X06A, X06B, X06C		21B	X04Z, X06A, X06B, X06C		21B	X05A, X05B, X06A, X06B, X06C
		BOP, KVT, UOP4			BOP, KVT, UOP4			BOP, KVT, UOP4
	01	B03A, B03B, B06A, B06B, B07Z, B17A, B17B, B17C		01	B03A, B03B, B06A, B06B, B07Z, B17A, B17B, B17C		01	B03A, B03B, B06A, B06B, B07Z, B17A, B17B, B17C
5t837.2↔	08	I08A, I08B, I08C, I08D, I08E, I12A, I12B, I12C, I13A, I13B, I27A, I27B, I27C, I27D	5t837.9↔	08	I08A, I08B, I08C, I08D, I08E, I12A, I12B, I12C, I13A, I13B, I27A, I27B, I27C, I27D	5t838.5↔	08	I08A, I08B, I08C, I08D, I08E, I12A, I12B, I12C, I13A, I13B, I27A, I27B, I27C, I27D
	10	K09A, K09B		10	K09A, K09B		10	K09A, K09B
	21A	W04A, W04B		21A	W04A, W04B		21A	W04A, W04B
	21B	X06A, X06B, X06C		21B	X04Z, X06A, X06B, X06C		21B	X06A, X06B, X06C
		BOP, KVT, UOP4			BOP, KVT, UOP4			BOP, KVT, UOP4
5t837.3↔	01	B03A, B03B, B06A, B06B, B07Z, B17A, B17B, B17C	5t837.x	01	B03A, B03B, B06A, B06B, B07Z, B17A, B17B, B17C	5t838.6↔	01	B03A, B03B, B06A, B06B, B07Z, B17A, B17B, B17C
	08	I08A, I08B, I08C, I08D, I08E, I12A, I12B, I12C, I13A, I13B, I27A, I27B, I27C, I27D		08	I08A, I08B, I08C, I08D, I08E, I12A, I12B, I12C, I13A, I13B, I27A, I27B, I27C, I27D		08	I08A, I08B, I08C, I08D, I08E, I12A, I12B, I12C, I13A, I13B, I27A, I27B, I27C, I27D
	10	K09A, K09B		10	K09A, K09B		10	K09A, K09B
	21A	W04A, W04B		21A	W04A, W04B		21A	W04A, W04B
	21B	X05A, X05B, X06A, X06B, X06C		21B	X06A, X06B, X06C		21B	X04Z, X06A, X06B, X06C
5t837.4↔		BOP, KVT, UOP4	5t838.0↔		BOP, KVT, UOP4	5t838.7↔		BOP, KVT, UOP4
	01	B03A, B03B, B06A, B06B, B07Z, B17A, B17B, B17C		01	B03A, B03B, B06A, B06B, B07Z, B17A, B17B, B17C		01	B03A, B03B, B06A, B06B, B07Z, B17A, B17B, B17C
	08	I08A, I08B, I08C, I08D, I08E, I12A, I12B, I12C, I13A, I13B, I27A, I27B, I27C, I27D		08	I08A, I08B, I08C, I08D, I08E, I12A, I12B, I12C, I13A, I13B, I27A, I27B, I27C, I27D		08	I08A, I08B, I08C, I08D, I08E, I12A, I12B, I12C, I13A, I13B, I27A, I27B, I27C, I27D
	10	K09A, K09B		10	K09A, K09B		10	K09A, K09B
	21A	W04A, W04B		21A	W04A, W04B		21A	W04A, W04B
21B	X06A, X06B, X06C	21B	X06A, X06B, X06C	21B	X04Z, X06A, X06B, X06C			

ZZV	MDC	DRG	ZZV	MDC	DRG	ZZV	MDC	DRG
5t838.8↔		BOP, KVT, UOP4	5t839.4↔		BOP, KVT, UOP4	5t83x.0↔		BOP, KVT, UOP4
	01	B03A, B03B, B06A, B06B, B07Z, B17A, B17B, B17C		01	B03A, B03B, B06A, B06B, B07Z, B17A, B17B, B17C		01	B03A, B03B, B06A, B06B, B07Z, B17A, B17B, B17C
	08	I08A, I08B, I08C, I08D, I08E, I12A, I12B, I12C, I13A, I13B, I27A, I27B, I27C, I27D		08	I12A, I12B, I12C, I27A, I27B, I27C, I27D		08	I12A, I12B, I12C, I27A, I27B, I27C, I27D
	10	K09A, K09B		09	J03A, J03B, J04A, J04B, J08A, J08B, J08C, J11A, J11B, J16Z		21A	W04A, W04B
	21A	W04A, W04B		21A	W04A, W04B		21B	X06A, X06B, X06C
5t838.9↔	21B	X04Z, X06A, X06B, X06C	5t839.5↔	21B	X06A, X06B, X06C	5t83x.1↔		BOP, KVT, UOP4
		BOP, KVT, UOP4			BOP, KVT, UOP4		01	B03A, B03B, B06A, B06B, B07Z, B17A, B17B, B17C
	01	B03A, B03B, B06A, B06B, B07Z, B17A, B17B, B17C		01	B03A, B03B, B06A, B06B, B07Z, B17A, B17B, B17C		08	I12A, I12B, I12C, I27A, I27B, I27C, I27D
	08	I08A, I08B, I08C, I08D, I08E, I12A, I12B, I12C, I13A, I13B, I27A, I27B, I27C, I27D		08	I12A, I12B, I12C, I27A, I27B, I27C, I27D		21A	W04A, W04B
	10	K09A, K09B		09	J03A, J03B, J04A, J04B, J08A, J08B, J08C, J11A, J11B, J16Z		21B	X06A, X06B, X06C
5t838.x	21A	W04A, W04B	5t839.6↔	21A	W04A, W04B	5t83x.2↔		BOP, KVT, UOP4
	21B	X04Z, X06A, X06B, X06C		21B	X06A, X06B, X06C		01	B03A, B03B, B06A, B06B, B07Z, B17A, B17B, B17C
		BOP, KVT, UOP4			BOP, KVT, UOP4		08	I12A, I12B, I12C, I27A, I27B, I27C, I27D
	01	B03A, B03B, B06A, B06B, B07Z, B17A, B17B, B17C		01	B03A, B03B, B06A, B06B, B07Z, B17A, B17B, B17C		21A	W04A, W04B
	08	I08A, I08B, I08C, I08D, I08E, I12A, I12B, I12C, I13A, I13B, I27A, I27B, I27C, I27D		08	I12A, I12B, I12C, I27A, I27B, I27C, I27D		21B	X06A, X06B, X06C
5t839.0↔	10	K09A, K09B	5t839.7↔	09	J03A, J03B, J04A, J04B, J08A, J08B, J08C, J11A, J11B, J16Z	5t83x.3↔		BOP, KVT, UOP4
	21A	W04A, W04B		21A	W04A, W04B		01	B03A, B03B, B06A, B06B, B07Z, B17A, B17B, B17C
	21B	X06A, X06B, X06C		21B	X04Z, X06A, X06B, X06C		08	I12A, I12B, I12C, I27A, I27B, I27C, I27D
		BOP, KVT, UOP4			BOP, KVT, UOP4		21A	W04A, W04B
	01	B03A, B03B, B06A, B06B, B07Z, B17A, B17B, B17C		01	B03A, B03B, B06A, B06B, B07Z, B17A, B17B, B17C		21B	X06A, X06B, X06C
5t839.1↔	08	I12A, I12B, I12C, I27A, I27B, I27C, I27D	5t839.8↔	08	I12A, I12B, I12C, I27A, I27B, I27C, I27D	5t83x.4		BOP, KVT, UOP4
	09	J03A, J03B, J04A, J04B, J08A, J08B, J08C, J11A, J11B, J16Z		09	J03A, J03B, J04A, J04B, J08A, J08B, J08C, J11A, J11B, J16Z		01	B03A, B03B, B06A, B06B, B07Z, B17A, B17B, B17C
	21A	W04A, W04B		21A	W04A, W04B		08	I12A, I12B, I12C, I27A, I27B, I27C, I27D
	21B	X06A, X06B, X06C		21B	X04Z, X06A, X06B, X06C		21A	W04A, W04B
		BOP, KVT, UOP4			BOP, KVT, UOP4		21B	X06A, X06B, X06C
5t839.2↔	01	B03A, B03B, B06A, B06B, B07Z, B17A, B17B, B17C	5t839.9↔	01	B03A, B03B, B06A, B06B, B07Z, B17A, B17B, B17C	5t83x.5		BOP, KVT, UOP4
	08	I12A, I12B, I12C, I27A, I27B, I27C, I27D		08	I12A, I12B, I12C, I27A, I27B, I27C, I27D		01	B03A, B03B, B06A, B06B, B07Z, B17A, B17B, B17C
	09	J03A, J03B, J04A, J04B, J08A, J08B, J08C, J11A, J11B, J16Z		09	J03A, J03B, J04A, J04B, J08A, J08B, J08C, J11A, J11B, J16Z		08	I12A, I12B, I12C, I27A, I27B, I27C, I27D
	21A	W04A, W04B		21A	W04A, W04B		21A	W04A, W04B
	21B	X06A, X06B, X06C		21B	X04Z, X06A, X06B, X06C		21B	X06A, X06B, X06C
5t839.3↔		BOP, KVT, UOP4	5t839.x		BOP, KVT, UOP4	5t83x.6↔		BOP, KVT, UOP4
	01	B03A, B03B, B06A, B06B, B07Z, B17A, B17B, B17C		01	B03A, B03B, B06A, B06B, B07Z, B17A, B17B, B17C		01	B03A, B03B, B06A, B06B, B07Z, B17A, B17B, B17C
	08	I12A, I12B, I12C, I27A, I27B, I27C, I27D		08	I12A, I12B, I12C, I27A, I27B, I27C, I27D		08	I12A, I12B, I12C, I27A, I27B, I27C, I27D
	09	J03A, J03B, J04A, J04B, J08A, J08B, J08C, J11A, J11B, J16Z		09	J03A, J03B, J04A, J04B, J08A, J08B, J08C, J11A, J11B, J16Z		21A	W04A, W04B
	21A	W04A, W04B		21A	W04A, W04B		21B	X06A, X06B, X06C
	X06A, X06B, X06C		X04Z, X06A, X06B, X06C		X04Z, X06A, X06B, X06C			
5t839.3↔		BOP, KVT, UOP4	5t839.x		BOP, KVT, UOP4	5t83x.7↔		BOP, KVT, UOP4
	01	B03A, B03B, B06A, B06B, B07Z, B17A, B17B, B17C		01	B03A, B03B, B06A, B06B, B07Z, B17A, B17B, B17C		01	B03A, B03B, B06A, B06B, B07Z, B17A, B17B, B17C
	08	I12A, I12B, I12C, I27A, I27B, I27C, I27D		08	I12A, I12B, I12C, I27A, I27B, I27C, I27D		08	I12A, I12B, I12C, I27A, I27B, I27C, I27D
	09	J03A, J03B, J04A, J04B, J08A, J08B, J08C, J11A, J11B, J16Z		09	J03A, J03B, J04A, J04B, J08A, J08B, J08C, J11A, J11B, J16Z		21A	W04A, W04B
	21A	W04A, W04B		21A	W04A, W04B		21B	X04Z, X06A, X06B, X06C
	X06A, X06B, X06C		X04Z, X06A, X06B, X06C		X04Z, X06A, X06B, X06C			
5t839.3↔		BOP, KVT, UOP4	5t839.x		BOP, KVT, UOP4	5t83x.8↔		BOP, KVT, UOP4
	01	B03A, B03B, B06A, B06B, B07Z, B17A, B17B, B17C		01	B03A, B03B, B06A, B06B, B07Z, B17A, B17B, B17C		01	B03A, B03B, B06A, B06B, B07Z, B17A, B17B, B17C
	08	I12A, I12B, I12C, I27A, I27B, I27C, I27D		08	I12A, I12B, I12C, I27A, I27B, I27C, I27D		08	I12A, I12B, I12C, I27A, I27B, I27C, I27D
	09	J03A, J03B, J04A, J04B, J08A, J08B, J08C, J11A, J11B, J16Z		09	J03A, J03B, J04A, J04B, J08A, J08B, J08C, J11A, J11B, J16Z		21A	W04A, W04B
	21A	W04A, W04B		21A	W04A, W04B		21B	X04Z, X06A, X06B, X06C
	X05A, X05B, X06A, X06B, X06C		X06A, X06B, X06C		X04Z, X06A, X06B, X06C			

ZZV	MDC	DRG	ZZV	MDC	DRG	ZZV	MDC	DRG
5t843.6↔		BOP, KVT, UOP4	5t844.0↔		BOP, KVT, UOP4	5t844.6↔		BOP, KVT, UOP4
	01	B03A, B03B, B06A, B06B, B07Z, B17A, B17B, B17C		01	B03A, B03B, B06A, B06B, B07Z, B17A, B17B, B17C		01	B03A, B03B, B06A, B06B, B07Z, B17A, B17B, B17C
	08	I08A, I08B, I08C, I08D, I12A, I12B, I12C, I13A, I13B, I27A, I27B, I27C, I27D		08	I08A, I08B, I08C, I08D, I12A, I12B, I12C, I13A, I13B, I27A, I27B, I27C, I27D		08	I08A, I08B, I08C, I08D, I12A, I12B, I12C, I13A, I13B, I27A, I27B, I27C, I27D
	09	J03A, J03B, J04A, J04B, J08A, J08B, J08C, J11A, J11B, J16Z		09	J03A, J03B, J04A, J04B, J08A, J08B, J08C, J11A, J11B, J16Z		09	J03A, J03B, J04A, J04B, J08A, J08B, J08C, J11A, J11B, J16Z
	21A	W04A, W04B		21A	W04A, W04B		21A	W04A, W04B
5t843.7↔	21B	X04Z, X06A, X06B, X06C	5t844.1↔	21B	X06A, X06B, X06C	5t844.7↔	21B	X04Z, X06A, X06B, X06C
		BOP, KVT, UOP4			BOP, KVT, UOP4			BOP, KVT, UOP4
	01	B03A, B03B, B06A, B06B, B07Z, B17A, B17B, B17C		01	B03A, B03B, B06A, B06B, B07Z, B17A, B17B, B17C		01	B03A, B03B, B06A, B06B, B07Z, B17A, B17B, B17C
	08	I08A, I08B, I08C, I08D, I12A, I12B, I12C, I13A, I13B, I27A, I27B, I27C, I27D		08	I08A, I08B, I08C, I08D, I12A, I12B, I12C, I13A, I13B, I27A, I27B, I27C, I27D		08	I08A, I08B, I08C, I08D, I12A, I12B, I12C, I13A, I13B, I27A, I27B, I27C, I27D
	09	J03A, J03B, J04A, J04B, J08A, J08B, J08C, J11A, J11B, J16Z		09	J03A, J03B, J04A, J04B, J08A, J08B, J08C, J11A, J11B, J16Z		09	J03A, J03B, J04A, J04B, J08A, J08B, J08C, J11A, J11B, J16Z
5t843.8↔	21A	W04A, W04B	5t844.2↔	21A	W04A, W04B	5t844.8↔	21A	W04A, W04B
	21B	X04Z, X06A, X06B, X06C		21B	X06A, X06B, X06C		21B	X04Z, X06A, X06B, X06C
		BOP, KVT, UOP4			BOP, KVT, UOP4			BOP, KVT, UOP4
	01	B03A, B03B, B06A, B06B, B07Z, B17A, B17B, B17C		01	B03A, B03B, B06A, B06B, B07Z, B17A, B17B, B17C		01	B03A, B03B, B06A, B06B, B07Z, B17A, B17B, B17C
	08	I08A, I08B, I08C, I08D, I12A, I12B, I12C, I13A, I13B, I27A, I27B, I27C, I27D		08	I08A, I08B, I08C, I08D, I12A, I12B, I12C, I13A, I13B, I27A, I27B, I27C, I27D		08	I08A, I08B, I08C, I08D, I12A, I12B, I12C, I13A, I13B, I27A, I27B, I27C, I27D
5t843.a↔	09	J03A, J03B, J04A, J04B, J08A, J08B, J08C, J11A, J11B, J16Z	5t844.3↔	09	J03A, J03B, J04A, J04B, J08A, J08B, J08C, J11A, J11B, J16Z	5t844.a↔	09	J03A, J03B, J04A, J04B, J08A, J08B, J08C, J11A, J11B, J16Z
	21A	W04A, W04B		21A	W04A, W04B		21A	W04A, W04B
	21B	X04Z, X06A, X06B, X06C		21B	X06A, X06B, X06C		21B	X04Z, X06A, X06B, X06C
		BOP, KVT, UOP4			BOP, KVT, UOP4			BOP, KVT, UOP4
	01	B03A, B03B, B06A, B06B, B07Z, B17A, B17B, B17C		01	B03A, B03B, B06A, B06B, B07Z, B17A, B17B, B17C		01	B03A, B03B, B06A, B06B, B07Z, B17A, B17B, B17C
5t843.b↔	08	I08A, I08B, I08C, I08D, I12A, I12B, I12C, I13A, I13B, I20D, I27A, I27B, I27C, I27D	5t844.4↔	08	I08A, I08B, I08C, I08D, I12A, I12B, I12C, I13A, I13B, I27A, I27B, I27C, I27D	5t844.b↔	08	I08A, I08B, I08C, I08D, I12A, I12B, I12C, I13A, I13B, I20D, I27A, I27B, I27C, I27D
	09	J03A, J03B, J04A, J04B, J08A, J08B, J08C, J11A, J11B, J16Z		09	J03A, J03B, J04A, J04B, J08A, J08B, J08C, J11A, J11B, J16Z		09	J03A, J03B, J04A, J04B, J08A, J08B, J08C, J11A, J11B, J16Z
	21A	W04A, W04B		21A	W04A, W04B		21A	W04A, W04B
	21B	X04Z, X06A, X06B, X06C		21B	X05A, X05B, X06A, X06B, X06C		21B	X04Z, X06A, X06B, X06C
		BOP, KVT, UOP4			BOP, KVT, UOP4			BOP, KVT, UOP4
5t843.x	01	B03A, B03B, B06A, B06B, B07Z, B17A, B17B, B17C	5t844.5↔	01	B03A, B03B, B06A, B06B, B07Z, B17A, B17B, B17C	5t844.x	01	B03A, B03B, B06A, B06B, B07Z, B17A, B17B, B17C
	08	I08A, I08B, I08C, I08D, I12A, I12B, I12C, I13A, I13B, I27A, I27B, I27C, I27D		08	I08A, I08B, I08C, I08D, I12A, I12B, I12C, I13A, I13B, I27A, I27B, I27C, I27D		08	I08A, I08B, I08C, I08D, I12A, I12B, I12C, I13A, I13B, I27A, I27B, I27C, I27D
	09	J03A, J03B, J04A, J04B, J08A, J08B, J08C, J11A, J11B, J16Z		09	J03A, J03B, J04A, J04B, J08A, J08B, J08C, J11A, J11B, J16Z		09	J03A, J03B, J04A, J04B, J08A, J08B, J08C, J11A, J11B, J16Z
	21A	W04A, W04B		21A	W04A, W04B		21A	W04A, W04B
	21B	X06A, X06B, X06C		21B	X06A, X06B, X06C		21B	X06A, X06B, X06C

VYK

ZZV	MDC	DRG	ZZV	MDC	DRG	ZZV	MDC	DRG
5t845.0↔		BOP, KVT, UOP4	5t845.6↔		BOP, KVT, UOP4	5t846.0↔		BOP, KVT, UOP4
	01	B03A, B03B, B06A, B06B, B07Z, B17A, B17B, B17C		01	B03A, B03B, B06A, B06B, B07Z, B17A, B17B, B17C		01	B03A, B03B, B06A, B06B, B07Z, B17A, B17B, B17C
	08	I08A, I08B, I08C, I08D, I12A, I12B, I12C, I13A, I13B, I27A, I27B, I27C, I27D		08	I08A, I08B, I08C, I08D, I12A, I12B, I12C, I13A, I13B, I27A, I27B, I27C, I27D		08	I08A, I08B, I08C, I08D, I08E, I12A, I12B, I12C, I13A, I13B, I27A, I27B, I27C, I27D
	09	J03A, J03B, J04A, J04B, J08A, J08B, J08C, J11A, J11B, J16Z		09	J03A, J03B, J04A, J04B, J08A, J08B, J08C, J11A, J11B, J16Z		10	K09A, K09B
	21A	W04A, W04B		21A	W04A, W04B		21A	W04A, W04B
5t845.1↔	21B	X06A, X06B, X06C	5t845.7↔	21B	X04Z, X06A, X06B, X06C	5t846.1↔	21B	X06A, X06B, X06C
		BOP, KVT, UOP4			BOP, KVT, UOP4			BOP, KVT, UOP4
	01	B03A, B03B, B06A, B06B, B07Z, B17A, B17B, B17C		01	B03A, B03B, B06A, B06B, B07Z, B17A, B17B, B17C		01	B03A, B03B, B06A, B06B, B07Z, B17A, B17B, B17C
	08	I08A, I08B, I08C, I08D, I12A, I12B, I12C, I13A, I13B, I27A, I27B, I27C, I27D		08	I08A, I08B, I08C, I08D, I12A, I12B, I12C, I13A, I13B, I27A, I27B, I27C, I27D		08	I08A, I08B, I08C, I08D, I08E, I12A, I12B, I12C, I13A, I13B, I27A, I27B, I27C, I27D
	09	J03A, J03B, J04A, J04B, J08A, J08B, J08C, J11A, J11B, J16Z		09	J03A, J03B, J04A, J04B, J08A, J08B, J08C, J11A, J11B, J16Z		10	K09A, K09B
5t845.2↔	21A	W04A, W04B	5t845.8↔	21A	W04A, W04B	5t846.2↔	21A	W04A, W04B
	21B	X06A, X06B, X06C		21B	X04Z, X06A, X06B, X06C		21B	X06A, X06B, X06C
		BOP, KVT, UOP4			BOP, KVT, UOP4			BOP, KVT, UOP4
	01	B03A, B03B, B06A, B06B, B07Z, B17A, B17B, B17C		01	B03A, B03B, B06A, B06B, B07Z, B17A, B17B, B17C		01	B03A, B03B, B06A, B06B, B07Z, B17A, B17B, B17C
	08	I08A, I08B, I08C, I08D, I12A, I12B, I12C, I13A, I13B, I27A, I27B, I27C, I27D		08	I08A, I08B, I08C, I08D, I12A, I12B, I12C, I13A, I13B, I27A, I27B, I27C, I27D		08	I08A, I08B, I08C, I08D, I08E, I12A, I12B, I12C, I13A, I13B, I27A, I27B, I27C, I27D
5t845.3↔	09	J03A, J03B, J04A, J04B, J08A, J08B, J08C, J11A, J11B, J16Z	5t845.a↔	09	J03A, J03B, J04A, J04B, J08A, J08B, J08C, J11A, J11B, J16Z	5t846.3↔	09	J03A, J03B, J04A, J04B, J08A, J08B, J08C, J11A, J11B, J16Z
	21A	W04A, W04B		21A	W04A, W04B		21A	W04A, W04B
	21B	X06A, X06B, X06C		21B	X04Z, X06A, X06B, X06C		21B	X06A, X06B, X06C
		BOP, KVT, UOP4			BOP, KVT, UOP4			BOP, KVT, UOP4
	01	B03A, B03B, B06A, B06B, B07Z, B17A, B17B, B17C		01	B03A, B03B, B06A, B06B, B07Z, B17A, B17B, B17C		01	B03A, B03B, B06A, B06B, B07Z, B17A, B17B, B17C
5t845.4↔	08	I08A, I08B, I08C, I08D, I12A, I12B, I12C, I13A, I13B, I27A, I27B, I27C, I27D	5t845.b↔	08	I08A, I08B, I08C, I08D, I12A, I12B, I12C, I13A, I13B, I20D, I27A, I27B, I27C, I27D	5t846.4↔	08	I08A, I08B, I08C, I08D, I08E, I12A, I12B, I12C, I13A, I13B, I27A, I27B, I27C, I27D
	09	J03A, J03B, J04A, J04B, J08A, J08B, J08C, J11A, J11B, J16Z		09	J03A, J03B, J04A, J04B, J08A, J08B, J08C, J11A, J11B, J16Z		09	J03A, J03B, J04A, J04B, J08A, J08B, J08C, J11A, J11B, J16Z
	21A	W04A, W04B		21A	W04A, W04B		21A	W04A, W04B
	21B	X05A, X05B, X06A, X06B, X06C		21B	X04Z, X06A, X06B, X06C		21B	X04Z, X06A, X06B, X06C
		BOP, KVT, UOP4			BOP, KVT, UOP4			BOP, KVT, UOP4
5t845.5↔	01	B03A, B03B, B06A, B06B, B07Z, B17A, B17B, B17C	5t845.x	01	B03A, B03B, B06A, B06B, B07Z, B17A, B17B, B17C	5t846.5↔	01	B03A, B03B, B06A, B06B, B07Z, B17A, B17B, B17C
	08	I08A, I08B, I08C, I08D, I12A, I12B, I12C, I13A, I13B, I27A, I27B, I27C, I27D		08	I08A, I08B, I08C, I08D, I12A, I12B, I12C, I13A, I13B, I20D, I27A, I27B, I27C, I27D		08	I08A, I08B, I08C, I08D, I08E, I12A, I12B, I12C, I13A, I13B, I27A, I27B, I27C, I27D
	09	J03A, J03B, J04A, J04B, J08A, J08B, J08C, J11A, J11B, J16Z		09	J03A, J03B, J04A, J04B, J08A, J08B, J08C, J11A, J11B, J16Z		10	K09A, K09B
	21A	W04A, W04B		21A	W04A, W04B		21A	W04A, W04B
	21B	X06A, X06B, X06C		21B	X04Z, X06A, X06B, X06C		21B	X06A, X06B, X06C
	BOP, KVT, UOP4		BOP, KVT, UOP4		BOP, KVT, UOP4			
5t845.6↔	01	B03A, B03B, B06A, B06B, B07Z, B17A, B17B, B17C	5t846.6↔	01	B03A, B03B, B06A, B06B, B07Z, B17A, B17B, B17C	5t846.6↔	01	B03A, B03B, B06A, B06B, B07Z, B17A, B17B, B17C
	08	I08A, I08B, I08C, I08D, I12A, I12B, I12C, I13A, I13B, I27A, I27B, I27C, I27D		08	I08A, I08B, I08C, I08D, I12A, I12B, I12C, I13A, I13B, I27A, I27B, I27C, I27D		08	I08A, I08B, I08C, I08D, I08E, I12A, I12B, I12C, I13A, I13B, I27A, I27B, I27C, I27D
	09	J03A, J03B, J04A, J04B, J08A, J08B, J08C, J11A, J11B, J16Z		09	J03A, J03B, J04A, J04B, J08A, J08B, J08C, J11A, J11B, J16Z		10	K09A, K09B
	21A	W04A, W04B		21A	W04A, W04B		21A	W04A, W04B
	21B	X06A, X06B, X06C		21B	X06A, X06B, X06C		21B	X04Z, X06A, X06B, X06C

VYK

ZZV	MDC	DRG	ZZV	MDC	DRG	ZZV	MDC	DRG
5t848.4↔		BOP, KVT, UOP4	5t848.x		BOP, KVT, UOP4	5t849.8↔		BOP, KVT, UOP4
	01	B03A, B03B, B06A, B06B, B07Z, B17A, B17B, B17C		01	B03A, B03B, B06A, B06B, B07Z, B17A, B17B, B17C		01	B03A, B03B, B06A, B06B, B17A, B17B, B17C
	08	I08A, I08B, I08C, I08D, I08E, I12A, I12B, I12C, I13A, I13B, I27A, I27B, I27C, I27D		08	I08A, I08B, I08C, I08D, I08E, I12A, I12B, I12C, I13A, I13B, I27A, I27B, I27C, I27D		08	I12A, I12B, I12C, I27A, I27B, I27C, I27D
	10	K09A, K09B		10	K09A, K09B		21A	W04A, W04B
	21A	W04A, W04B		21A	W04A, W04B		21B	X04Z, X06A, X06B, X06C
5t848.5↔	21B	X06A, X06B, X06C	5t849.0↔	21B	X06A, X06B, X06C	5t849.a↔		BOP, KVT, UOP4
		BOP, KVT, UOP4			BOP, KVT, UOP4		01	B03A, B03B, B06A, B06B, B17A, B17B, B17C
	01	B03A, B03B, B06A, B06B, B07Z, B17A, B17B, B17C		01	B03A, B03B, B06A, B06B, B17A, B17B, B17C		08	I12A, I12B, I12C, I20D, I27A, I27B, I27C, I27D
	08	I08A, I08B, I08C, I08D, I08E, I12A, I12B, I12C, I13A, I13B, I27A, I27B, I27C, I27D		08	I12A, I12B, I12C, I27A, I27B, I27C, I27D		21A	W04A, W04B
	10	K09A, K09B		21A	W04A, W04B		21B	X04Z, X06A, X06B, X06C
5t848.6↔	21A	W04A, W04B	5t849.1↔	21B	X06A, X06B, X06C	5t849.b↔		BOP, KVT, UOP4
	21B	X06A, X06B, X06C			BOP, KVT, UOP4		01	B03A, B03B, B06A, B06B, B17A, B17B, B17C
		BOP, KVT, UOP4		01	B03A, B03B, B06A, B06B, B17A, B17B, B17C		08	I12A, I12B, I12C, I20D, I27A, I27B, I27C, I27D
	01	B03A, B03B, B06A, B06B, B07Z, B17A, B17B, B17C		08	I12A, I12B, I12C, I27A, I27B, I27C, I27D		21A	W04A, W04B
	08	I08A, I08B, I08C, I08D, I08E, I12A, I12B, I12C, I13A, I13B, I27A, I27B, I27C, I27D		21A	W04A, W04B		21B	X04Z, X06A, X06B, X06C
5t848.7↔	10	K09A, K09B	5t849.2↔	21B	X06A, X06B, X06C	5t849.x		BOP, KVT, UOP4
	21A	W04A, W04B			BOP, KVT, UOP4		01	B03A, B03B, B06A, B06B, B17A, B17B, B17C
	21B	X04Z, X06A, X06B, X06C		01	B03A, B03B, B06A, B06B, B17A, B17B, B17C		08	I12A, I12B, I12C, I27A, I27B, I27C, I27D
		BOP, KVT, UOP4		08	I12A, I12B, I12C, I27A, I27B, I27C, I27D		21A	W04A, W04B
	01	B03A, B03B, B06A, B06B, B07Z, B17A, B17B, B17C		21A	W04A, W04B		21B	X06A, X06B, X06C
5t848.8↔	08	I08A, I08B, I08C, I08D, I08E, I12A, I12B, I12C, I13A, I13B, I27A, I27B, I27C, I27D	5t849.3↔	21B	X06A, X06B, X06C	5t84x.0↔		BOP, KVT, UOP4
	10	K09A, K09B			BOP, KVT, UOP4		01	B03A, B03B, B06A, B06B, B07Z, B17A, B17B, B17C
	21A	W04A, W04B		01	B03A, B03B, B06A, B06B, B17A, B17B, B17C		08	I12A, I12B, I12C, I27A, I27B, I27C, I27D
	21B	X04Z, X06A, X06B, X06C		08	I12A, I12B, I12C, I27A, I27B, I27C, I27D		21A	W04A, W04B
		BOP, KVT, UOP4		21A	W04A, W04B		21B	X06A, X06B, X06C
5t848.a↔	01	B03A, B03B, B06A, B06B, B07Z, B17A, B17B, B17C	5t849.4↔	21B	X05A, X05B, X06A, X06B, X06C	5t84x.1↔		BOP, KVT, UOP4
	08	I08A, I08B, I08C, I08D, I08E, I12A, I12B, I12C, I13A, I13B, I27A, I27B, I27C, I27D			BOP, KVT, UOP4		01	B03A, B03B, B06A, B06B, B07Z, B17A, B17B, B17C
	10	K09A, K09B		01	B03A, B03B, B06A, B06B, B17A, B17B, B17C		08	I12A, I12B, I12C, I27A, I27B, I27C, I27D
	21A	W04A, W04B		08	I12A, I12B, I12C, I27A, I27B, I27C, I27D		21A	W04A, W04B
	21B	X04Z, X06A, X06B, X06C		21A	W04A, W04B		21B	X06A, X06B, X06C
5t848.b↔		BOP, KVT, UOP4	5t849.5↔	21B	X06A, X06B, X06C	5t84x.2↔		BOP, KVT, UOP4
	01	B03A, B03B, B06A, B06B, B07Z, B17A, B17B, B17C			BOP, KVT, UOP4		01	B03A, B03B, B06A, B06B, B07Z, B17A, B17B, B17C
	08	I08A, I08B, I08C, I08D, I08E, I12A, I12B, I12C, I13A, I13B, I20D, I27A, I27B, I27C, I27D		01	B03A, B03B, B06A, B06B, B17A, B17B, B17C		08	I12A, I12B, I12C, I27A, I27B, I27C, I27D
	10	K09A, K09B		08	I12A, I12B, I12C, I27A, I27B, I27C, I27D		21A	W04A, W04B
	21A	W04A, W04B		21A	W04A, W04B		21B	X06A, X06B, X06C
5t848.8↔	21B	X04Z, X06A, X06B, X06C	5t849.6↔	21B	X06A, X06B, X06C	5t84x.3↔		BOP, KVT, UOP4
		BOP, KVT, UOP4			BOP, KVT, UOP4		01	B03A, B03B, B06A, B06B, B07Z, B17A, B17B, B17C
	01	B03A, B03B, B06A, B06B, B07Z, B17A, B17B, B17C		01	B03A, B03B, B06A, B06B, B17A, B17B, B17C		08	I12A, I12B, I12C, I27A, I27B, I27C, I27D
	08	I08A, I08B, I08C, I08D, I08E, I12A, I12B, I12C, I13A, I13B, I20D, I27A, I27B, I27C, I27D		08	I12A, I12B, I12C, I27A, I27B, I27C, I27D		21A	W04A, W04B
	10	K09A, K09B		21A	W04A, W04B		21B	X06A, X06B, X06C
5t848.a↔	21A	W04A, W04B	5t849.7↔	21B	X06A, X06B, X06C	5t84x.4↔		BOP, KVT, UOP4
	21B	X04Z, X06A, X06B, X06C			BOP, KVT, UOP4		01	B03A, B03B, B06A, B06B, B07Z, B17A, B17B, B17C
		BOP, KVT, UOP4		01	B03A, B03B, B06A, B06B, B17A, B17B, B17C		08	I12A, I12B, I12C, I27A, I27B, I27C, I27D
	01	B03A, B03B, B06A, B06B, B07Z, B17A, B17B, B17C		08	I12A, I12B, I12C, I27A, I27B, I27C, I27D		21A	W04A, W04B
	08	I08A, I08B, I08C, I08D, I08E, I12A, I12B, I12C, I13A, I13B, I20D, I27A, I27B, I27C, I27D		21A	W04A, W04B		21B	X06A, X06B, X06C
5t848.b↔	10	K09A, K09B		BOP, KVT, UOP4		BOP, KVT, UOP4		
	21A	W04A, W04B	01	B03A, B03B, B06A, B06B, B17A, B17B, B17C	01	B03A, B03B, B06A, B06B, B07Z, B17A, B17B, B17C		
	21B	X04Z, X06A, X06B, X06C	08	I12A, I12B, I12C, I27A, I27B, I27C, I27D	08	I12A, I12B, I12C, I27A, I27B, I27C, I27D		
		BOP, KVT, UOP4	21A	W04A, W04B	21A	W04A, W04B		
	01	B03A, B03B, B06A, B06B, B07Z, B17A, B17B, B17C	21B	X04Z, X06A, X06B, X06C	21B	X06A, X06B, X06C		

VYK

ZZV	MDC	DRG	ZZV	MDC	DRG	ZZV	MDC	DRG
5t858.5↔		BOP, KVT, UOP4	5t859.1↔		BOP, KVT, UOP4	5t859.8↔		BOP, KVT, UOP4
	01	B03A, B03B, B06A, B06B, B07Z, B17A, B17B, B17C		01	B03A, B03B, B06A, B06B, B07Z, B17A, B17B, B17C		01	B03A, B03B, B06A, B06B, B07Z, B17A, B17B, B17C
	08	I12A, I12B, I12C, I20D, I27A, I27B, I27C, I27D		08	I12A, I12B, I12C, I27A, I27B, I27C, I27D		08	I12A, I12B, I12C, I27A, I27B, I27C, I27D
	09	J03A, J03B, J04A, J04B, J08A, J08B, J08C, J11A, J11B, J16Z		09	J03A, J03B, J04A, J04B, J08A, J08B, J08C, J11A, J11B, J16Z		09	J03A, J03B, J04A, J04B, J08A, J08B, J08C, J11A, J11B, J16Z
	21A	W04A, W04B		21A	W04A, W04B		21A	W04A, W04B
5t858.6↔		X04Z, X06A, X06B, X06C	5t859.2↔		X06A, X06B, X06C	5t859.9↔		X04Z, X06A, X06B, X06C
		BOP, KVT, UOP4			BOP, KVT, UOP4			BOP, KVT, UOP4
	01	B03A, B03B, B06A, B06B, B07Z, B17A, B17B, B17C		01	B03A, B03B, B06A, B06B, B07Z, B17A, B17B, B17C		01	B03A, B03B, B06A, B06B, B07Z, B17A, B17B, B17C
	08	I12A, I12B, I12C, I27A, I27B, I27C, I27D		08	I12A, I12B, I12C, I27A, I27B, I27C, I27D		08	I12A, I12B, I12C, I20D, I27A, I27B, I27C, I27D
	09	J03A, J03B, J04A, J04B, J08A, J08B, J08C, J11A, J11B, J16Z		09	J03A, J03B, J04A, J04B, J08A, J08B, J08C, J11A, J11B, J16Z		09	J03A, J03B, J04A, J04B, J08A, J08B, J08C, J11A, J11B, J16Z
5t858.7↔		W04A, W04B	5t859.3↔		W04A, W04B	5t859.x		W04A, W04B
	21B	X04Z, X06A, X06B, X06C		21B	X06A, X06B, X06C		21B	X04Z, X06A, X06B, X06C
		BOP, KVT, UOP4			BOP, KVT, UOP4			BOP, KVT, UOP4
	01	B03A, B03B, B06A, B06B, B07Z, B17A, B17B, B17C		01	B03A, B03B, B06A, B06B, B07Z, B17A, B17B, B17C		01	B03A, B03B, B06A, B06B, B07Z, B17A, B17B, B17C
	08	I12A, I12B, I12C, I27A, I27B, I27C, I27D		08	I12A, I12B, I12C, I27A, I27B, I27C, I27D		08	I12A, I12B, I12C, I27A, I27B, I27C, I27D
5t858.8↔		J03A, J03B, J04A, J04B, J08A, J08B, J08C, J11A, J11B, J16Z	5t859.4↔		J03A, J03B, J04A, J04B, J08A, J08B, J08C, J11A, J11B, J16Z	5t85a.0↔		J03A, J03B, J04A, J04B, J08A, J08B, J08C, J11A, J11B, J16Z
	21A	W04A, W04B		21A	W04A, W04B		21A	W04A, W04B
	21B	X04Z, X06A, X06B, X06C		21B	X05A, X05B, X06A, X06B, X06C		21B	X06A, X06B, X06C
		BOP, KVT, UOP4			BOP, KVT, UOP4			BOP, KVT, UOP4
	01	B03A, B03B, B06A, B06B, B07Z, B17A, B17B, B17C		01	B03A, B03B, B06A, B06B, B07Z, B17A, B17B, B17C		01	B03A, B03B, B06A, B06B, B07Z, B17A, B17B, B17C
5t858.9↔		I12A, I12B, I12C, I27A, I27B, I27C, I27D	5t859.5↔		I12A, I12B, I12C, I27A, I27B, I27C, I27D	5t85a.1↔		I12A, I12B, I12C, I27A, I27B, I27C, I27D
	08	I12A, I12B, I12C, I27A, I27B, I27C, I27D		08	I12A, I12B, I12C, I27A, I27B, I27C, I27D		08	I12A, I12B, I12C, I27A, I27B, I27C, I27D
	09	J03A, J03B, J04A, J04B, J08A, J08B, J08C, J11A, J11B, J16Z		09	J03A, J03B, J04A, J04B, J08A, J08B, J08C, J11A, J11B, J16Z		09	J03A, J03B, J04A, J04B, J08A, J08B, J08C, J11A, J11B, J16Z
	21A	W04A, W04B		21A	W04A, W04B		21A	W04A, W04B
	21B	X04Z, X06A, X06B, X06C		21B	X06A, X06B, X06C		21B	X06A, X06B, X06C
5t858.x		BOP, KVT, UOP4	5t859.6↔		BOP, KVT, UOP4	5t85a.2↔		BOP, KVT, UOP4
	01	B03A, B03B, B06A, B06B, B07Z, B17A, B17B, B17C		01	B03A, B03B, B06A, B06B, B07Z, B17A, B17B, B17C		01	B03A, B03B, B06A, B06B, B07Z, B17A, B17B, B17C
	08	I12A, I12B, I12C, I27A, I27B, I27C, I27D		08	I12A, I12B, I12C, I27A, I27B, I27C, I27D		08	I12A, I12B, I12C, I27A, I27B, I27C, I27D
	09	J03A, J03B, J04A, J04B, J08A, J08B, J08C, J11A, J11B, J16Z		09	J03A, J03B, J04A, J04B, J08A, J08B, J08C, J11A, J11B, J16Z		09	J03A, J03B, J04A, J04B, J08A, J08B, J08C, J11A, J11B, J16Z
	21A	W04A, W04B		21A	W04A, W04B		21A	W04A, W04B
5t859.0↔		X06A, X06B, X06C	5t859.7↔		X04Z, X06A, X06B, X06C	5t85a.3↔		X06A, X06B, X06C
		BOP, KVT, UOP4			BOP, KVT, UOP4			BOP, KVT, UOP4
	01	B03A, B03B, B06A, B06B, B07Z, B17A, B17B, B17C		01	B03A, B03B, B06A, B06B, B07Z, B17A, B17B, B17C		01	B03A, B03B, B06A, B06B, B07Z, B17A, B17B, B17C
	08	I12A, I12B, I12C, I27A, I27B, I27C, I27D		08	I12A, I12B, I12C, I27A, I27B, I27C, I27D		08	I12A, I12B, I12C, I27A, I27B, I27C, I27D
	09	J03A, J03B, J04A, J04B, J08A, J08B, J08C, J11A, J11B, J16Z		09	J03A, J03B, J04A, J04B, J08A, J08B, J08C, J11A, J11B, J16Z		09	J03A, J03B, J04A, J04B, J08A, J08B, J08C, J11A, J11B, J16Z
	W04A, W04B		W04A, W04B		W04A, W04B			
	X06A, X06B, X06C		W04A, W04B		X05A, X05B, X06A, X06B, X06C			

ZZV	MDC	DRG	ZZV	MDC	DRG	ZZV	MDC	DRG
5t85a.4↔		BOP, KVT, UOP4	5t85b.2↔	08	I12A, I12B, I12C, I27A, I27B, I27C, I27D	5t85x.4	08	I12A, I12B, I12C, I27A, I27B, I27C, I27D
	01	B03A, B03B, B06A, B06B, B07Z, B17A, B17B, B17C		21A	W04A, W04B		21A	W04A, W04B
	08	I12A, I12B, I12C, I27A, I27B, I27C, I27D	21B	X06A, X06B, X06C	21B	X06A, X06B, X06C		
	09	J03A, J03B, J04A, J04B, J08A, J08B, J08C, J11A, J11B, J16Z	5t85b.3↔	08	I12A, I12B, I12C, I27A, I27B, I27C, I27D	5t85x.5	08	I12A, I12B, I12C, I27A, I27B, I27C, I27D
	21A	W04A, W04B		21A	W04A, W04B		21A	W04A, W04B
5t85a.6↔	21B	X06A, X06B, X06C	5t85b.4↔	21B	X05A, X05B, X06A, X06B, X06C	5t85x.6	21B	X06A, X06B, X06C
		BOP, KVT, UOP4			BOP, KVT, UOP4			BOP, KVT, UOP4
	01	B03A, B03B, B06A, B06B, B07Z, B17A, B17B, B17C	08	I12A, I12B, I12C, I27A, I27B, I27C, I27D	08	I12A, I12B, I12C, I27A, I27B, I27C, I27D		
	08	I12A, I12B, I12C, I27A, I27B, I27C, I27D	21A	W04A, W04B	21A	W04A, W04B		
	09	J03A, J03B, J04A, J04B, J08A, J08B, J08C, J11A, J11B, J16Z	21B	X06A, X06B, X06C	21B	X04Z, X06A, X06B, X06C		
5t85a.7↔	21A	W04A, W04B	5t85b.5↔	08	I12A, I12B, I12C, I27A, I27B, I27C, I27D	5t85x.7↔	08	I12A, I12B, I12C, I27A, I27B, I27C, I27D
	21B	X04Z, X06A, X06B, X06C		21A	W04A, W04B		21A	W04A, W04B
		BOP, KVT, UOP4	5t85b.6↔	21B	X06A, X06B, X06C	5t85x.8↔	21B	X04Z, X06A, X06B, X06C
	01	B03A, B03B, B06A, B06B, B07Z, B17A, B17B, B17C		08	I12A, I12B, I12C, I27A, I27B, I27C, I27D		08	I12A, I12B, I12C, I27A, I27B, I27C, I27D
	08	I12A, I12B, I12C, I27A, I27B, I27C, I27D	21A	W04A, W04B	21A	W04A, W04B		
09	J03A, J03B, J04A, J04B, J08A, J08B, J08C, J11A, J11B, J16Z	21B	X04Z, X06A, X06B, X06C	21B	X04Z, X06A, X06B, X06C			
5t85a.8↔	21A	W04A, W04B	5t85b.7↔	08	I12A, I12B, I12C, I27A, I27B, I27C, I27D	5t85x.9↔	08	I12A, I12B, I12C, I27A, I27B, I27C, I27D
	21B	X04Z, X06A, X06B, X06C		21A	W04A, W04B		21A	W04A, W04B
		BOP, KVT, UOP4	5t85b.8↔	21B	X04Z, X06A, X06B, X06C	5t85x.x	21B	X04Z, X06A, X06B, X06C
	01	B03A, B03B, B06A, B06B, B07Z, B17A, B17B, B17C		08	I12A, I12B, I12C, I27A, I27B, I27C, I27D		08	I12A, I12B, I12C, I27A, I27B, I27C, I27D
	08	I12A, I12B, I12C, I27A, I27B, I27C, I27D	21A	W04A, W04B	21A	W04A, W04B		
09	J03A, J03B, J04A, J04B, J08A, J08B, J08C, J11A, J11B, J16Z	21B	X04Z, X06A, X06B, X06C	21B	X06A, X06B, X06C			
5t85a.9↔	21A	W04A, W04B	5t85b.9↔	08	I12A, I12B, I12C, I27A, I27B, I27C, I27D	5t860.0↔	08	I12A, I12B, I12C, I27A, I27B, I27C, I27D
	21B	X04Z, X06A, X06B, X06C		21A	W04A, W04B		09	J03A, J03B, J04A, J04B, J08A, J08B, J08C, J11A, J11B, J16Z
		BOP, KVT, UOP4	5t85b.x	21B	X04Z, X06A, X06B, X06C	10	K09A, K09B	
	01	B03A, B03B, B06A, B06B, B07Z, B17A, B17B, B17C		08	I12A, I12B, I12C, I27A, I27B, I27C, I27D	21A	W04A, W04B	
	08	I12A, I12B, I12C, I27A, I27B, I27C, I27D	21A	W04A, W04B	21B	X06A, X06B, X06C		
09	J03A, J03B, J04A, J04B, J08A, J08B, J08C, J11A, J11B, J16Z	21B	X06A, X06B, X06C		BOP, KVT, UOP4			
5t85a.x	21A	W04A, W04B	5t85x.0↔	08	I12A, I12B, I12C, I27A, I27B, I27C, I27D	5t860.1↔	08	I12A, I12B, I12C, I27A, I27B, I27C, I27D
	21B	X04Z, X06A, X06B, X06C		21A	W04A, W04B		09	J03A, J03B, J04A, J04B, J08A, J08B, J08C, J11A, J11B, J16Z
		BOP, KVT, UOP4	5t85x.1↔	21B	X06A, X06B, X06C	10	K09A, K09B	
	01	B03A, B03B, B06A, B06B, B07Z, B17A, B17B, B17C		08	I12A, I12B, I12C, I27A, I27B, I27C, I27D	21A	W04A, W04B	
	08	I12A, I12B, I12C, I27A, I27B, I27C, I27D	21A	W04A, W04B	21B	X06A, X06B, X06C		
09	J03A, J03B, J04A, J04B, J08A, J08B, J08C, J11A, J11B, J16Z	21B	X06A, X06B, X06C		BOP, KVT, UOP4			
5t85b.0↔	21A	W04A, W04B	5t85x.2↔	08	I12A, I12B, I12C, I27A, I27B, I27C, I27D	5t860.2↔	08	I12A, I12B, I12C, I27A, I27B, I27C, I27D
	21B	X06A, X06B, X06C		21A	W04A, W04B		09	J03A, J03B, J04A, J04B, J08A, J08B, J08C, J11A, J11B, J16Z
		BOP, KVT, UOP4	5t85x.3↔	21B	X06A, X06B, X06C	10	K09A, K09B	
	08	I12A, I12B, I12C, I27A, I27B, I27C, I27D		08	I12A, I12B, I12C, I27A, I27B, I27C, I27D	21A	W04A, W04B	
	21A	W04A, W04B		BOP, KVT, UOP4	21B	X06A, X06B, X06C		
21B	X06A, X06B, X06C		I12A, I12B, I12C, I27A, I27B, I27C, I27D					
5t85b.1↔		BOP, KVT, UOP4		21A	W04A, W04B			
	08	I12A, I12B, I12C, I27A, I27B, I27C, I27D		21B	X05A, X05B, X06A, X06B, X06C			
	21A	W04A, W04B						
	21B	X06A, X06B, X06C						

ZZV	MDC	DRG	ZZV	MDC	DRG	ZZV	MDC	DRG		
5t866.x		BOP, KVT, UOP4	5t867.5↔		BOP, KVT, UOP4	5t868.0↔		BOP, KVT, UOP4		
	01	B03A, B03B, B06A, B06B, B07Z, B17A, B17B, B17C		01	B03A, B03B, B06A, B06B, B07Z, B17A, B17B, B17C		08	I08A, I08B, I08C, I08D, I08E, I12A, I12B, I12C, I13A, I13B, I27A, I27B, I27C, I27D		
	08	I08A, I08B, I08C, I08D, I08E, I12A, I12B, I12C, I13A, I13B, I27A, I27B, I27C, I27D		08	I08A, I08B, I08C, I08D, I08E, I12A, I12B, I12C, I13A, I13B, I27A, I27B, I27C, I27D		21A	W04A, W04B		
	09	J02A, J02B, J02C, J04A, J04B, J08A, J08B, J08C, J16Z, J21Z, J22A, J22B		09	J02A, J02B, J02C, J04A, J04B, J08A, J08B, J08C, J16Z, J21Z, J22A, J22B		21B	X06A, X06B, X06C		
	21A	W04A, W04B		21A	W04A, W04B		5t868.1↔		BOP, KVT, UOP4	
5t867.0↔	21B	X06A, X06B, X06C	5t867.6↔	21B	X06A, X06B, X06C	5t868.2↔	08	I08A, I08B, I08C, I08D, I08E, I12A, I12B, I12C, I13A, I13B, I27A, I27B, I27C, I27D		
		BOP, KVT, UOP4			BOP, KVT, UOP4		5t868.3↔	21A	W04A, W04B	
	01	B03A, B03B, B06A, B06B, B07Z, B17A, B17B, B17C		01	B03A, B03B, B06A, B06B, B07Z, B17A, B17B, B17C			21B	X06A, X06B, X06C	
	08	I08A, I08B, I08C, I08D, I08E, I12A, I12B, I12C, I13A, I13B, I27A, I27B, I27C, I27D		08	I08A, I08B, I08C, I08D, I08E, I12A, I12B, I12C, I13A, I13B, I27A, I27B, I27C, I27D			08	I08A, I08B, I08C, I08D, I08E, I12A, I12B, I12C, I13A, I13B, I27A, I27B, I27C, I27D	
	09	J02A, J02B, J02C, J04A, J04B, J08A, J08B, J08C, J16Z, J21Z, J22A, J22B		09	J02A, J02B, J02C, J04A, J04B, J08A, J08B, J08C, J16Z, J21Z, J22A, J22B			21A	W04A, W04B	
5t867.1↔	21A	W04A, W04B	5t867.7↔	21A	W04A, W04B	5t868.4↔	21B	X06A, X06B, X06C		
	21B	X06A, X06B, X06C		21B	X04Z, X06A, X06B, X06C		5t868.5↔		BOP, KVT, UOP4	
		BOP, KVT, UOP4			BOP, KVT, UOP4			08	I08A, I08B, I08C, I08D, I08E, I12A, I12B, I12C, I13A, I13B, I27A, I27B, I27C, I27D	
	01	B03A, B03B, B06A, B06B, B07Z, B17A, B17B, B17C		01	B03A, B03B, B06A, B06B, B07Z, B17A, B17B, B17C			21A	W04A, W04B	
	08	I08A, I08B, I08C, I08D, I08E, I12A, I12B, I12C, I13A, I13B, I27A, I27B, I27C, I27D		08	I08A, I08B, I08C, I08D, I08E, I12A, I12B, I12C, I13A, I13B, I27A, I27B, I27C, I27D			21B	X05A, X05B, X06A, X06B, X06C	
5t867.2↔	09	J02A, J02B, J02C, J04A, J04B, J08A, J08B, J08C, J16Z, J21Z, J22A, J22B	5t867.8↔	09	J02A, J02B, J02C, J04A, J04B, J08A, J08B, J08C, J16Z, J21Z, J22A, J22B	5t868.6↔	08	I08A, I08B, I08C, I08D, I08E, I12A, I12B, I12C, I13A, I13B, I27A, I27B, I27C, I27D		
	21A	W04A, W04B		21A	W04A, W04B		5t868.7↔	21A	W04A, W04B	
	21B	X06A, X06B, X06C		21B	X04Z, X06A, X06B, X06C			21B	X06A, X06B, X06C	
		BOP, KVT, UOP4			BOP, KVT, UOP4			5t868.8↔		BOP, KVT, UOP4
	01	B03A, B03B, B06A, B06B, B07Z, B17A, B17B, B17C		01	B03A, B03B, B06A, B06B, B07Z, B17A, B17B, B17C				08	I08A, I08B, I08C, I08D, I08E, I12A, I12B, I12C, I13A, I13B, I27A, I27B, I27C, I27D
08	I08A, I08B, I08C, I08D, I08E, I12A, I12B, I12C, I13A, I13B, I27A, I27B, I27C, I27D	08	I08A, I08B, I08C, I08D, I08E, I12A, I12B, I12C, I13A, I13B, I27A, I27B, I27C, I27D	21A	W04A, W04B					
5t867.3↔	09	J02A, J02B, J02C, J04A, J04B, J08A, J08B, J08C, J16Z, J21Z, J22A, J22B	5t867.9↔	09	J02A, J02B, J02C, J04A, J04B, J08A, J08B, J08C, J16Z, J21Z, J22A, J22B	5t868.9↔	21B	X04Z, X06A, X06B, X06C		
	21A	W04A, W04B		21A	W04A, W04B		5t868.x		BOP, KVT, UOP4	
	21B	X06A, X06B, X06C		21B	X04Z, X06A, X06B, X06C			08	I08A, I08B, I08C, I08D, I08E, I12A, I12B, I12C, I13A, I13B, I27A, I27B, I27C, I27D	
		BOP, KVT, UOP4			BOP, KVT, UOP4			21A	W04A, W04B	
	01	B03A, B03B, B06A, B06B, B07Z, B17A, B17B, B17C		01	B03A, B03B, B06A, B06B, B07Z, B17A, B17B, B17C			21B	X04Z, X06A, X06B, X06C	
5t867.4↔	08	I08A, I08B, I08C, I08D, I08E, I12A, I12B, I12C, I13A, I13B, I27A, I27B, I27C, I27D	5t867.x	08	I08A, I08B, I08C, I08D, I08E, I12A, I12B, I12C, I13A, I13B, I27A, I27B, I27C, I27D	5t868.9↔	08	I08A, I08B, I08C, I08D, I08E, I12A, I12B, I12C, I13A, I13B, I27A, I27B, I27C, I27D		
	09	J02A, J02B, J02C, J04A, J04B, J08A, J08B, J08C, J16Z, J21Z, J22A, J22B		09	J02A, J02B, J02C, J04A, J04B, J08A, J08B, J08C, J16Z, J21Z, J22A, J22B		5t868.x	21A	W04A, W04B	
	21A	W04A, W04B		21A	W04A, W04B			5t868.x	21B	X06A, X06B, X06C
	21B	X05A, X05B, X06A, X06B, X06C		21B	X04Z, X06A, X06B, X06C				08	I08A, I08B, I08C, I08D, I08E, I12A, I12B, I12C, I13A, I13B, I27A, I27B, I27C, I27D
		BOP, KVT, UOP4			BOP, KVT, UOP4				21A	W04A, W04B
5t867.5↔	01	B03A, B03B, B06A, B06B, B07Z, B17A, B17B, B17C	5t867.x	01	B03A, B03B, B06A, B06B, B07Z, B17A, B17B, B17C	5t868.x	21B	X06A, X06B, X06C		
	08	I08A, I08B, I08C, I08D, I08E, I12A, I12B, I12C, I13A, I13B, I27A, I27B, I27C, I27D		08	I08A, I08B, I08C, I08D, I08E, I12A, I12B, I12C, I13A, I13B, I27A, I27B, I27C, I27D		5t868.x	08	I08A, I08B, I08C, I08D, I08E, I12A, I12B, I12C, I13A, I13B, I27A, I27B, I27C, I27D	
	09	J02A, J02B, J02C, J04A, J04B, J08A, J08B, J08C, J16Z, J21Z, J22A, J22B		09	J02A, J02B, J02C, J04A, J04B, J08A, J08B, J08C, J16Z, J21Z, J22A, J22B			21A	W04A, W04B	
	21A	W04A, W04B		21A	W04A, W04B			5t868.x	21B	X06A, X06B, X06C
	21B	X06A, X06B, X06C		21B	X06A, X06B, X06C				08	I08A, I08B, I08C, I08D, I08E, I12A, I12B, I12C, I13A, I13B, I27A, I27B, I27C, I27D

VYK

ZZV	MDC	DRG	ZZV	MDC	DRG	ZZV	MDC	DRG
5t869.0↔		BOP, KVT, UOP4	5t869.6↔		BOP, KVT, UOP4	5t86a.1↔		BOP, KVT, UOP4
	01	B03A, B03B, B06A, B06B, B07Z, B17A, B17B, B17C		01	B03A, B03B, B06A, B06B, B07Z, B17A, B17B, B17C		01	B03A, B03B, B06A, B06B, B07Z, B17A, B17B, B17C
	08	I08A, I08B, I08C, I08D, I08E, I12A, I12B, I12C, I13A, I13B, I27A, I27B, I27C, I27D		08	I08A, I08B, I08C, I08D, I08E, I12A, I12B, I12C, I13A, I13B, I27A, I27B, I27C, I27D		08	I08A, I08B, I08C, I08D, I08E, I12A, I12B, I12C, I13A, I13B, I27A, I27B, I27C, I27D
	09	J02A, J02B, J02C, J04A, J04B, J08A, J08B, J08C, J16Z, J21Z, J22A, J22B		09	J02A, J02B, J02C, J04A, J04B, J08A, J08B, J08C, J16Z, J21Z, J22A, J22B		09	J02A, J02B, J02C, J04A, J04B, J08A, J08B, J08C, J16Z, J21Z, J22A, J22B
	21A	W04A, W04B		21A	W04A, W04B		21A	W04A, W04B
5t869.1↔	21B	X06A, X06B, X06C	5t869.7↔	21B	X04Z, X06A, X06B, X06C	5t86a.2↔	21B	X06A, X06B, X06C
		BOP, KVT, UOP4			BOP, KVT, UOP4			BOP, KVT, UOP4
	01	B03A, B03B, B06A, B06B, B07Z, B17A, B17B, B17C		01	B03A, B03B, B06A, B06B, B07Z, B17A, B17B, B17C		01	B03A, B03B, B06A, B06B, B07Z, B17A, B17B, B17C
	08	I08A, I08B, I08C, I08D, I08E, I12A, I12B, I12C, I13A, I13B, I27A, I27B, I27C, I27D		08	I08A, I08B, I08C, I08D, I08E, I12A, I12B, I12C, I13A, I13B, I27A, I27B, I27C, I27D		08	I08A, I08B, I08C, I08D, I08E, I12A, I12B, I12C, I13A, I13B, I27A, I27B, I27C, I27D
	09	J02A, J02B, J02C, J04A, J04B, J08A, J08B, J08C, J16Z, J21Z, J22A, J22B		09	J02A, J02B, J02C, J04A, J04B, J08A, J08B, J08C, J16Z, J21Z, J22A, J22B		09	J02A, J02B, J02C, J04A, J04B, J08A, J08B, J08C, J16Z, J21Z, J22A, J22B
5t869.2↔	21A	W04A, W04B	5t869.8↔	21A	W04A, W04B	5t86a.3↔	21A	W04A, W04B
	21B	X06A, X06B, X06C		21B	X04Z, X06A, X06B, X06C		21B	X06A, X06B, X06C
		BOP, KVT, UOP4			BOP, KVT, UOP4			BOP, KVT, UOP4
	01	B03A, B03B, B06A, B06B, B07Z, B17A, B17B, B17C		01	B03A, B03B, B06A, B06B, B07Z, B17A, B17B, B17C		01	B03A, B03B, B06A, B06B, B07Z, B17A, B17B, B17C
	08	I08A, I08B, I08C, I08D, I08E, I12A, I12B, I12C, I13A, I13B, I27A, I27B, I27C, I27D		08	I08A, I08B, I08C, I08D, I08E, I12A, I12B, I12C, I13A, I13B, I27A, I27B, I27C, I27D		08	I08A, I08B, I08C, I08D, I08E, I12A, I12B, I12C, I13A, I13B, I27A, I27B, I27C, I27D
5t869.3↔	09	J02A, J02B, J02C, J04A, J04B, J08A, J08B, J08C, J16Z, J21Z, J22A, J22B	5t869.9↔	09	J02A, J02B, J02C, J04A, J04B, J08A, J08B, J08C, J16Z, J21Z, J22A, J22B	5t86a.4↔	09	J02A, J02B, J02C, J04A, J04B, J08A, J08B, J08C, J16Z, J21Z, J22A, J22B
	21A	W04A, W04B		21A	W04A, W04B		21A	W04A, W04B
	21B	X06A, X06B, X06C		21B	X04Z, X06A, X06B, X06C		21B	X05A, X05B, X06A, X06B, X06C
		BOP, KVT, UOP4			BOP, KVT, UOP4			BOP, KVT, UOP4
	01	B03A, B03B, B06A, B06B, B07Z, B17A, B17B, B17C		01	B03A, B03B, B06A, B06B, B07Z, B17A, B17B, B17C		01	B03A, B03B, B06A, B06B, B07Z, B17A, B17B, B17C
5t869.4↔	08	I08A, I08B, I08C, I08D, I08E, I12A, I12B, I12C, I13A, I13B, I27A, I27B, I27C, I27D	5t869.x	08	I08A, I08B, I08C, I08D, I08E, I12A, I12B, I12C, I13A, I13B, I27A, I27B, I27C, I27D	5t86a.5↔	08	I08A, I08B, I08C, I08D, I08E, I12A, I12B, I12C, I13A, I13B, I27A, I27B, I27C, I27D
	09	J02A, J02B, J02C, J04A, J04B, J08A, J08B, J08C, J16Z, J21Z, J22A, J22B		09	J02A, J02B, J02C, J04A, J04B, J08A, J08B, J08C, J16Z, J21Z, J22A, J22B		09	J02A, J02B, J02C, J04A, J04B, J08A, J08B, J08C, J16Z, J21Z, J22A, J22B
	21A	W04A, W04B		21A	W04A, W04B		21A	W04A, W04B
	21B	X06A, X06B, X06C		21B	X04Z, X06A, X06B, X06C		21B	X06A, X06B, X06C
		BOP, KVT, UOP4			BOP, KVT, UOP4			BOP, KVT, UOP4
5t869.5↔	01	B03A, B03B, B06A, B06B, B07Z, B17A, B17B, B17C	5t86a.0↔	01	B03A, B03B, B06A, B06B, B07Z, B17A, B17B, B17C	5t86a.6↔	01	B03A, B03B, B06A, B06B, B07Z, B17A, B17B, B17C
	08	I08A, I08B, I08C, I08D, I08E, I12A, I12B, I12C, I13A, I13B, I27A, I27B, I27C, I27D		08	I08A, I08B, I08C, I08D, I08E, I12A, I12B, I12C, I13A, I13B, I27A, I27B, I27C, I27D		08	I08A, I08B, I08C, I08D, I08E, I12A, I12B, I12C, I13A, I13B, I27A, I27B, I27C, I27D
	09	J02A, J02B, J02C, J04A, J04B, J08A, J08B, J08C, J16Z, J21Z, J22A, J22B		09	J02A, J02B, J02C, J04A, J04B, J08A, J08B, J08C, J16Z, J21Z, J22A, J22B		09	J02A, J02B, J02C, J04A, J04B, J08A, J08B, J08C, J16Z, J21Z, J22A, J22B
	21A	W04A, W04B		21A	W04A, W04B		21A	W04A, W04B
	21B	X06A, X06B, X06C		21B	X06A, X06B, X06C		21B	X04Z, X06A, X06B, X06C

VYK

ZZV	MDC	DRG	ZZV	MDC	DRG	ZZV	MDC	DRG
5t870.8↔		BOP, KVT, UOP4	5t871.3↔		BOP, KVT, UOP4	5t871.9↔		BOP, KVT, UOP4
	01	B03A, B03B, B06A, B06B, B07Z, B17A, B17B, B17C		01	B03A, B03B, B06A, B06B, B07Z, B17A, B17B, B17C		01	B03A, B03B, B06A, B06B, B07Z, B17A, B17B, B17C
	08	I08A, I08B, I08C, I08D, I08E, I12A, I12B, I12C, I13A, I13B, I27A, I27B, I27C, I27D		08	I08A, I08B, I08C, I08D, I08E, I12A, I12B, I12C, I13A, I13B, I27A, I27B, I27C, I27D		08	I08A, I08B, I08C, I08D, I08E, I12A, I12B, I12C, I13A, I13B, I27A, I27B, I27C, I27D
	09	J02A, J02B, J04A, J04B, J08A, J08B, J08C, J16Z, J21Z, J22A, J22B		09	J02A, J02B, J04A, J04B, J08A, J08B, J08C, J16Z, J21Z, J22A, J22B		09	J02A, J02B, J04A, J04B, J08A, J08B, J08C, J16Z, J21Z, J22A, J22B
	21A	W04A, W04B		21A	W04A, W04B		21A	W04A, W04B
5t870.9↔	21B	X04Z, X06A, X06B, X06C	5t871.4↔	21B	X05A, X05B, X06A, X06B, X06C	5t871.x	21B	X04Z, X06A, X06B, X06C
		BOP, KVT, UOP4			BOP, KVT, UOP4			BOP, KVT, UOP4
	01	B03A, B03B, B06A, B06B, B07Z, B17A, B17B, B17C		01	B03A, B03B, B06A, B06B, B07Z, B17A, B17B, B17C		01	B03A, B03B, B06A, B06B, B07Z, B17A, B17B, B17C
	08	I08A, I08B, I08C, I08D, I08E, I12A, I12B, I12C, I13A, I13B, I27A, I27B, I27C, I27D		08	I08A, I08B, I08C, I08D, I08E, I12A, I12B, I12C, I13A, I13B, I27A, I27B, I27C, I27D		08	I08A, I08B, I08C, I08D, I08E, I12A, I12B, I12C, I13A, I13B, I27A, I27B, I27C, I27D
	09	J02A, J02B, J04A, J04B, J08A, J08B, J08C, J16Z, J21Z, J22A, J22B		09	J02A, J02B, J04A, J04B, J08A, J08B, J08C, J16Z, J21Z, J22A, J22B		09	J02A, J02B, J04A, J04B, J08A, J08B, J08C, J16Z, J21Z, J22A, J22B
5t870.x	21A	W04A, W04B	5t871.5↔	21A	W04A, W04B	5t872.0↔	21A	W04A, W04B
	21B	X04Z, X06A, X06B, X06C		21B	X06A, X06B, X06C		21B	X06A, X06B, X06C
		BOP, KVT, UOP4			BOP, KVT, UOP4			BOP, KVT, UOP4
	01	B03A, B03B, B06A, B06B, B07Z, B17A, B17B, B17C		01	B03A, B03B, B06A, B06B, B07Z, B17A, B17B, B17C		01	B03A, B03B, B06A, B06B, B07Z, B17A, B17B, B17C
	08	I08A, I08B, I08C, I08D, I08E, I12A, I12B, I12C, I13A, I13B, I27A, I27B, I27C, I27D		08	I08A, I08B, I08C, I08D, I08E, I12A, I12B, I12C, I13A, I13B, I27A, I27B, I27C, I27D		08	I08A, I08B, I08C, I08D, I08E, I12A, I12B, I12C, I13A, I13B, I27A, I27B, I27C, I27D
5t871.0↔	09	J02A, J02B, J04A, J04B, J08A, J08B, J08C, J16Z, J21Z, J22A, J22B	5t871.6↔	09	J02A, J02B, J04A, J04B, J08A, J08B, J08C, J16Z, J21Z, J22A, J22B	5t872.1↔	09	J02A, J02B, J04A, J04B, J08A, J08B, J08C, J16Z, J21Z, J22A, J22B
	21A	W04A, W04B		21A	W04A, W04B		21A	W04A, W04B
	21B	X06A, X06B, X06C		21B	X06A, X06B, X06C		21B	X06A, X06B, X06C
		BOP, KVT, UOP4			BOP, KVT, UOP4			BOP, KVT, UOP4
	01	B03A, B03B, B06A, B06B, B07Z, B17A, B17B, B17C		01	B03A, B03B, B06A, B06B, B07Z, B17A, B17B, B17C		01	B03A, B03B, B06A, B06B, B07Z, B17A, B17B, B17C
5t871.1↔	08	I08A, I08B, I08C, I08D, I08E, I12A, I12B, I12C, I13A, I13B, I27A, I27B, I27C, I27D	5t871.7↔	08	I08A, I08B, I08C, I08D, I08E, I12A, I12B, I12C, I13A, I13B, I27A, I27B, I27C, I27D	5t872.2↔	08	I08A, I08B, I08C, I08D, I08E, I12A, I12B, I12C, I13A, I13B, I27A, I27B, I27C, I27D
	09	J02A, J02B, J04A, J04B, J08A, J08B, J08C, J16Z, J21Z, J22A, J22B		09	J02A, J02B, J04A, J04B, J08A, J08B, J08C, J16Z, J21Z, J22A, J22B		09	J02A, J02B, J04A, J04B, J08A, J08B, J08C, J16Z, J21Z, J22A, J22B
	21A	W04A, W04B		21A	W04A, W04B		21A	W04A, W04B
	21B	X06A, X06B, X06C		21B	X04Z, X06A, X06B, X06C		21B	X06A, X06B, X06C
		BOP, KVT, UOP4			BOP, KVT, UOP4			BOP, KVT, UOP4
5t871.2↔	01	B03A, B03B, B06A, B06B, B07Z, B17A, B17B, B17C	5t871.8↔	01	B03A, B03B, B06A, B06B, B07Z, B17A, B17B, B17C	5t872.3↔	01	B03A, B03B, B06A, B06B, B07Z, B17A, B17B, B17C
	08	I08A, I08B, I08C, I08D, I08E, I12A, I12B, I12C, I13A, I13B, I27A, I27B, I27C, I27D		08	I08A, I08B, I08C, I08D, I08E, I12A, I12B, I12C, I13A, I13B, I27A, I27B, I27C, I27D		08	I08A, I08B, I08C, I08D, I08E, I12A, I12B, I12C, I13A, I13B, I27A, I27B, I27C, I27D
	09	J02A, J02B, J04A, J04B, J08A, J08B, J08C, J16Z, J21Z, J22A, J22B		09	J02A, J02B, J04A, J04B, J08A, J08B, J08C, J16Z, J21Z, J22A, J22B		09	J02A, J02B, J04A, J04B, J08A, J08B, J08C, J16Z, J21Z, J22A, J22B
	21A	W04A, W04B		21A	W04A, W04B		21A	W04A, W04B
	21B	X06A, X06B, X06C		21B	X04Z, X06A, X06B, X06C		21B	X05A, X05B, X06A, X06B, X06C

ZZV	MDC	DRG	ZZV	MDC	DRG	ZZV	MDC	DRG
5t872.4↔		BOP, KVT, UOP4	5t872.x		BOP, KVT, UOP4	5t873.5↔		BOP, KVT, UOP4
	01	B03A, B03B, B06A, B06B, B07Z, B17A, B17B, B17C		01	B03A, B03B, B06A, B06B, B07Z, B17A, B17B, B17C		01	B03A, B03B, B06A, B06B, B07Z, B17A, B17B, B17C
	08	I08A, I08B, I08C, I08D, I08E, I12A, I12B, I12C, I13A, I13B, I27A, I27B, I27C, I27D		08	I08A, I08B, I08C, I08D, I08E, I12A, I12B, I12C, I13A, I13B, I27A, I27B, I27C, I27D		08	I08A, I08B, I08C, I08D, I08E, I12A, I12B, I12C, I13A, I13B, I27A, I27B, I27C, I27D
	09	J02A, J02B, J04A, J04B, J08A, J08B, J08C, J16Z, J21Z, J22A, J22B		09	J02A, J02B, J04A, J04B, J08A, J08B, J08C, J16Z, J21Z, J22A, J22B		09	J02A, J02B, J04A, J04B, J08A, J08B, J08C, J16Z, J21Z, J22A, J22B
	21A	W04A, W04B		21A	W04A, W04B		21A	W04A, W04B
5t872.5↔	21B	X06A, X06B, X06C	5t873.0↔	21B	X06A, X06B, X06C	5t873.6↔	21B	X06A, X06B, X06C
		BOP, KVT, UOP4			BOP, KVT, UOP4			BOP, KVT, UOP4
	01	B03A, B03B, B06A, B06B, B07Z, B17A, B17B, B17C		01	B03A, B03B, B06A, B06B, B07Z, B17A, B17B, B17C		01	B03A, B03B, B06A, B06B, B07Z, B17A, B17B, B17C
	08	I08A, I08B, I08C, I08D, I08E, I12A, I12B, I12C, I13A, I13B, I27A, I27B, I27C, I27D		08	I08A, I08B, I08C, I08D, I08E, I12A, I12B, I12C, I13A, I13B, I27A, I27B, I27C, I27D		08	I08A, I08B, I08C, I08D, I08E, I12A, I12B, I12C, I13A, I13B, I27A, I27B, I27C, I27D
	09	J02A, J02B, J04A, J04B, J08A, J08B, J08C, J16Z, J21Z, J22A, J22B		09	J02A, J02B, J04A, J04B, J08A, J08B, J08C, J16Z, J21Z, J22A, J22B		09	J02A, J02B, J04A, J04B, J08A, J08B, J08C, J16Z, J21Z, J22A, J22B
5t872.6↔	21A	W04A, W04B	5t873.1↔	21A	W04A, W04B	5t873.7↔	21A	W04A, W04B
	21B	X06A, X06B, X06C		21B	X06A, X06B, X06C		21B	X04Z, X06A, X06B, X06C
		BOP, KVT, UOP4			BOP, KVT, UOP4			BOP, KVT, UOP4
	01	B03A, B03B, B06A, B06B, B07Z, B17A, B17B, B17C		01	B03A, B03B, B06A, B06B, B07Z, B17A, B17B, B17C		01	B03A, B03B, B06A, B06B, B07Z, B17A, B17B, B17C
	08	I08A, I08B, I08C, I08D, I08E, I12A, I12B, I12C, I13A, I13B, I27A, I27B, I27C, I27D		08	I08A, I08B, I08C, I08D, I08E, I12A, I12B, I12C, I13A, I13B, I27A, I27B, I27C, I27D		08	I08A, I08B, I08C, I08D, I08E, I12A, I12B, I12C, I13A, I13B, I27A, I27B, I27C, I27D
5t872.7↔	09	J02A, J02B, J04A, J04B, J08A, J08B, J08C, J16Z, J21Z, J22A, J22B	5t873.2↔	09	J02A, J02B, J04A, J04B, J08A, J08B, J08C, J16Z, J21Z, J22A, J22B	5t873.8↔	09	J02A, J02B, J04A, J04B, J08A, J08B, J08C, J16Z, J21Z, J22A, J22B
	21A	W04A, W04B		21A	W04A, W04B		21A	W04A, W04B
	21B	X04Z, X06A, X06B, X06C		21B	X06A, X06B, X06C		21B	X04Z, X06A, X06B, X06C
		BOP, KVT, UOP4			BOP, KVT, UOP4			BOP, KVT, UOP4
	01	B03A, B03B, B06A, B06B, B07Z, B17A, B17B, B17C		01	B03A, B03B, B06A, B06B, B07Z, B17A, B17B, B17C		01	B03A, B03B, B06A, B06B, B07Z, B17A, B17B, B17C
5t872.8↔	08	I08A, I08B, I08C, I08D, I08E, I12A, I12B, I12C, I13A, I13B, I27A, I27B, I27C, I27D	5t873.3↔	08	I08A, I08B, I08C, I08D, I08E, I12A, I12B, I12C, I13A, I13B, I27A, I27B, I27C, I27D	5t873.9↔	08	I08A, I08B, I08C, I08D, I08E, I12A, I12B, I12C, I13A, I13B, I27A, I27B, I27C, I27D
	09	J02A, J02B, J04A, J04B, J08A, J08B, J08C, J16Z, J21Z, J22A, J22B		09	J02A, J02B, J04A, J04B, J08A, J08B, J08C, J16Z, J21Z, J22A, J22B		09	J02A, J02B, J04A, J04B, J08A, J08B, J08C, J16Z, J21Z, J22A, J22B
	21A	W04A, W04B		21A	W04A, W04B		21A	W04A, W04B
	21B	X04Z, X06A, X06B, X06C		21B	X06A, X06B, X06C		21B	X04Z, X06A, X06B, X06C
		BOP, KVT, UOP4			BOP, KVT, UOP4			BOP, KVT, UOP4
5t872.9↔	01	B03A, B03B, B06A, B06B, B07Z, B17A, B17B, B17C	5t873.4↔	01	B03A, B03B, B06A, B06B, B07Z, B17A, B17B, B17C	5t873.x	01	B03A, B03B, B06A, B06B, B07Z, B17A, B17B, B17C
	08	I08A, I08B, I08C, I08D, I08E, I12A, I12B, I12C, I13A, I13B, I27A, I27B, I27C, I27D		08	I08A, I08B, I08C, I08D, I08E, I12A, I12B, I12C, I13A, I13B, I27A, I27B, I27C, I27D		08	I08A, I08B, I08C, I08D, I08E, I12A, I12B, I12C, I13A, I13B, I27A, I27B, I27C, I27D
	09	J02A, J02B, J04A, J04B, J08A, J08B, J08C, J16Z, J21Z, J22A, J22B		09	J02A, J02B, J04A, J04B, J08A, J08B, J08C, J16Z, J21Z, J22A, J22B		09	J02A, J02B, J04A, J04B, J08A, J08B, J08C, J16Z, J21Z, J22A, J22B
	21A	W04A, W04B		21A	W04A, W04B		21A	W04A, W04B
	21B	X04Z, X06A, X06B, X06C		21B	X05A, X05B, X06A, X06B, X06C		21B	X06A, X06B, X06C

VYK

ZZV	MDC	DRG	ZZV	MDC	DRG	ZZV	MDC	DRG
5t874.0↔		BOP, KVT, UOP4	5t874.6↔		BOP, KVT, UOP4	5t875.1↔		BOP, KVT, UOP4
	01	B03A, B03B, B06A, B06B, B07Z, B17A, B17B, B17C		01	B03A, B03B, B06A, B06B, B07Z, B17A, B17B, B17C		01	B03A, B03B, B06A, B06B, B07Z, B17A, B17B, B17C
	08	I08A, I08B, I08C, I08D, I08E, I12A, I12B, I12C, I13A, I13B, I27A, I27B, I27C, I27D		08	I08A, I08B, I08C, I08D, I08E, I12A, I12B, I12C, I13A, I13B, I27A, I27B, I27C, I27D		08	I08A, I08B, I08C, I08D, I08E, I12A, I12B, I12C, I13A, I13B, I27A, I27B, I27C
	09	J02A, J02B, J04A, J04B, J08A, J08B, J08C, J16Z, J21Z, J22A, J22B		09	J02A, J02B, J04A, J04B, J08A, J08B, J08C, J16Z, J21Z, J22A, J22B		09	J02A, J02B, J04A, J04B, J08A, J08B, J08C, J16Z, J21Z, J22A, J22B
	21A	W04A, W04B		21A	W04A, W04B		21A	W04A, W04B
5t874.1↔	21B	X06A, X06B, X06C	5t874.7↔	21B	X04Z, X06A, X06B, X06C	5t875.2↔	21B	X06A, X06B, X06C
		BOP, KVT, UOP4			BOP, KVT, UOP4			BOP, KVT, UOP4
	01	B03A, B03B, B06A, B06B, B07Z, B17A, B17B, B17C		01	B03A, B03B, B06A, B06B, B07Z, B17A, B17B, B17C		01	B03A, B03B, B06A, B06B, B07Z, B17A, B17B, B17C
	08	I08A, I08B, I08C, I08D, I08E, I12A, I12B, I12C, I13A, I13B, I27A, I27B, I27C, I27D		08	I08A, I08B, I08C, I08D, I08E, I12A, I12B, I12C, I13A, I13B, I27A, I27B, I27C, I27D		08	I08A, I08B, I08C, I08D, I08E, I12A, I12B, I12C, I13A, I13B, I27A, I27B, I27C
	09	J02A, J02B, J04A, J04B, J08A, J08B, J08C, J16Z, J21Z, J22A, J22B		09	J02A, J02B, J04A, J04B, J08A, J08B, J08C, J16Z, J21Z, J22A, J22B		09	J02A, J02B, J04A, J04B, J08A, J08B, J08C, J16Z, J21Z, J22A, J22B
5t874.2↔	21A	W04A, W04B	5t874.8↔	21A	W04A, W04B	5t875.3↔	21A	W04A, W04B
	21B	X06A, X06B, X06C		21B	X04Z, X06A, X06B, X06C		21B	X06A, X06B, X06C
		BOP, KVT, UOP4			BOP, KVT, UOP4			BOP, KVT, UOP4
	01	B03A, B03B, B06A, B06B, B07Z, B17A, B17B, B17C		01	B03A, B03B, B06A, B06B, B07Z, B17A, B17B, B17C		01	B03A, B03B, B06A, B06B, B07Z, B17A, B17B, B17C
	08	I08A, I08B, I08C, I08D, I08E, I12A, I12B, I12C, I13A, I13B, I27A, I27B, I27C, I27D		08	I08A, I08B, I08C, I08D, I08E, I12A, I12B, I12C, I13A, I13B, I27A, I27B, I27C, I27D		08	I08A, I08B, I08C, I08D, I08E, I12A, I12B, I12C, I13A, I13B, I27A, I27B, I27C
5t874.3↔	09	J02A, J02B, J04A, J04B, J08A, J08B, J08C, J16Z, J21Z, J22A, J22B	5t874.9↔	09	J02A, J02B, J04A, J04B, J08A, J08B, J08C, J16Z, J21Z, J22A, J22B	5t875.4↔	09	J02A, J02B, J04A, J04B, J08A, J08B, J08C, J16Z, J21Z, J22A, J22B
	21A	W04A, W04B		21A	W04A, W04B		21A	W04A, W04B
	21B	X06A, X06B, X06C		21B	X04Z, X06A, X06B, X06C		21B	X05A, X05B, X06A, X06B, X06C
		BOP, KVT, UOP4			BOP, KVT, UOP4			BOP, KVT, UOP4
	01	B03A, B03B, B06A, B06B, B07Z, B17A, B17B, B17C		01	B03A, B03B, B06A, B06B, B07Z, B17A, B17B, B17C		01	B03A, B03B, B06A, B06B, B07Z, B17A, B17B, B17C
5t874.4↔	08	I08A, I08B, I08C, I08D, I08E, I12A, I12B, I12C, I13A, I13B, I27A, I27B, I27C, I27D	5t874.x	08	I08A, I08B, I08C, I08D, I08E, I12A, I12B, I12C, I13A, I13B, I27A, I27B, I27C, I27D	5t875.5↔	08	I08A, I08B, I08C, I08D, I08E, I12A, I12B, I12C, I13A, I13B, I27A, I27B, I27C
	09	J02A, J02B, J04A, J04B, J08A, J08B, J08C, J16Z, J21Z, J22A, J22B		09	J02A, J02B, J04A, J04B, J08A, J08B, J08C, J16Z, J21Z, J22A, J22B		09	J02A, J02B, J04A, J04B, J08A, J08B, J08C, J16Z, J21Z, J22A, J22B
	21A	W04A, W04B		21A	W04A, W04B		21A	W04A, W04B
	21B	X06A, X06B, X06C		21B	X04Z, X06A, X06B, X06C		21B	X06A, X06B, X06C
		BOP, KVT, UOP4			BOP, KVT, UOP4			BOP, KVT, UOP4
5t874.5↔	01	B03A, B03B, B06A, B06B, B07Z, B17A, B17B, B17C	5t875.0↔	01	B03A, B03B, B06A, B06B, B07Z, B17A, B17B, B17C	5t875.6↔	01	B03A, B03B, B06A, B06B, B07Z, B17A, B17B, B17C
	08	I08A, I08B, I08C, I08D, I08E, I12A, I12B, I12C, I13A, I13B, I27A, I27B, I27C, I27D		08	I08A, I08B, I08C, I08D, I08E, I12A, I12B, I12C, I13A, I13B, I27A, I27B, I27C, I27D		08	I08A, I08B, I08C, I08D, I08E, I12A, I12B, I12C, I13A, I13B, I27A, I27B, I27C
	09	J02A, J02B, J04A, J04B, J08A, J08B, J08C, J16Z, J21Z, J22A, J22B		09	J02A, J02B, J04A, J04B, J08A, J08B, J08C, J16Z, J21Z, J22A, J22B		09	J02A, J02B, J04A, J04B, J08A, J08B, J08C, J16Z, J21Z, J22A, J22B
	21A	W04A, W04B		21A	W04A, W04B		21A	W04A, W04B
	21B	X06A, X06B, X06C		21B	X06A, X06B, X06C		21B	X04Z, X06A, X06B, X06C

ZZV	MDC	DRG	ZZV	MDC	DRG	ZZV	MDC	DRG
5t875.7↔		BOP, KVT, UOP4	5t876.2↔		BOP, KVT, UOP4	5t876.8↔		BOP, KVT, UOP4
	01	B03A, B03B, B06A, B06B, B07Z, B17A, B17B, B17C		01	B03A, B03B, B06A, B06B, B07Z, B17A, B17B, B17C		01	B03A, B03B, B06A, B06B, B07Z, B17A, B17B, B17C
	08	I08A, I08B, I08C, I08D, I08E, I12A, I12B, I12C, I13A, I13B, I27A, I27B, I27C		08	I08A, I08B, I08C, I08D, I08E, I12A, I12B, I12C, I13A, I13B, I27A, I27B, I27C		08	I08A, I08B, I08C, I08D, I08E, I12A, I12B, I12C, I13A, I13B, I27A, I27B, I27C
	09	J02A, J02B, J04A, J04B, J08A, J08B, J08C, J16Z, J21Z, J22A, J22B		09	J02A, J02B, J04A, J04B, J08A, J08B, J08C, J16Z, J21Z, J22A, J22B		09	J02A, J02B, J04A, J04B, J08A, J08B, J08C, J16Z, J21Z, J22A, J22B
	21A	W04A, W04B		21A	W04A, W04B		21A	W04A, W04B
5t875.8↔	21B	X04Z, X06A, X06B, X06C	5t876.3↔	21B	X06A, X06B, X06C	5t876.9↔	21B	X04Z, X06A, X06B, X06C
		BOP, KVT, UOP4			BOP, KVT, UOP4			BOP, KVT, UOP4
	01	B03A, B03B, B06A, B06B, B07Z, B17A, B17B, B17C		01	B03A, B03B, B06A, B06B, B07Z, B17A, B17B, B17C		01	B03A, B03B, B06A, B06B, B07Z, B17A, B17B, B17C
	08	I08A, I08B, I08C, I08D, I08E, I12A, I12B, I12C, I13A, I13B, I27A, I27B, I27C		08	I08A, I08B, I08C, I08D, I08E, I12A, I12B, I12C, I13A, I13B, I27A, I27B, I27C		08	I08A, I08B, I08C, I08D, I08E, I12A, I12B, I12C, I13A, I13B, I27A, I27B, I27C
	09	J02A, J02B, J04A, J04B, J08A, J08B, J08C, J16Z, J21Z, J22A, J22B		09	J02A, J02B, J04A, J04B, J08A, J08B, J08C, J16Z, J21Z, J22A, J22B		09	J02A, J02B, J04A, J04B, J08A, J08B, J08C, J16Z, J21Z, J22A, J22B
5t875.9↔	21A	W04A, W04B	5t876.4↔	21A	W04A, W04B	5t876.x	21A	W04A, W04B
	21B	X04Z, X06A, X06B, X06C		21B	X05A, X05B, X06A, X06B, X06C		21B	X04Z, X06A, X06B, X06C
		BOP, KVT, UOP4			BOP, KVT, UOP4			BOP, KVT, UOP4
	01	B03A, B03B, B06A, B06B, B07Z, B17A, B17B, B17C		01	B03A, B03B, B06A, B06B, B07Z, B17A, B17B, B17C		01	B03A, B03B, B06A, B06B, B07Z, B17A, B17B, B17C
	08	I08A, I08B, I08C, I08D, I08E, I12A, I12B, I12C, I13A, I13B, I27A, I27B, I27C		08	I08A, I08B, I08C, I08D, I08E, I12A, I12B, I12C, I13A, I13B, I27A, I27B, I27C		08	I08A, I08B, I08C, I08D, I08E, I12A, I12B, I12C, I13A, I13B, I27A, I27B, I27C
5t875.x	09	J02A, J02B, J04A, J04B, J08A, J08B, J08C, J16Z, J21Z, J22A, J22B	5t876.5↔	09	J02A, J02B, J04A, J04B, J08A, J08B, J08C, J16Z, J21Z, J22A, J22B	5t877.0↔	09	J02A, J02B, J04A, J04B, J08A, J08B, J08C, J16Z, J21Z, J22A, J22B
	21A	W04A, W04B		21A	W04A, W04B		21A	W04A, W04B
	21B	X04Z, X06A, X06B, X06C		21B	X06A, X06B, X06C		21B	X06A, X06B, X06C
		BOP, KVT, UOP4			BOP, KVT, UOP4			BOP, KVT, UOP4
	01	B03A, B03B, B06A, B06B, B07Z, B17A, B17B, B17C		01	B03A, B03B, B06A, B06B, B07Z, B17A, B17B, B17C		01	B03A, B03B, B06A, B06B, B07Z, B17A, B17B, B17C
5t876.0↔	08	I08A, I08B, I08C, I08D, I08E, I12A, I12B, I12C, I13A, I13B, I27A, I27B, I27C	5t876.6↔	08	I08A, I08B, I08C, I08D, I08E, I12A, I12B, I12C, I13A, I13B, I27A, I27B, I27C	5t877.1↔	08	I08A, I08B, I08C, I08D, I08E, I12A, I12B, I12C, I13A, I13B, I27A, I27B, I27C
	09	J02A, J02B, J04A, J04B, J08A, J08B, J08C, J16Z, J21Z, J22A, J22B		09	J02A, J02B, J04A, J04B, J08A, J08B, J08C, J16Z, J21Z, J22A, J22B		09	J02A, J02B, J04A, J04B, J08A, J08B, J08C, J16Z, J21Z, J22A, J22B
	21A	W04A, W04B		21A	W04A, W04B		21A	W04A, W04B
	21B	X06A, X06B, X06C		21B	X06A, X06B, X06C		21B	X06A, X06B, X06C
		BOP, KVT, UOP4			BOP, KVT, UOP4			BOP, KVT, UOP4
5t876.1↔	01	B03A, B03B, B06A, B06B, B07Z, B17A, B17B, B17C	5t876.7↔	01	B03A, B03B, B06A, B06B, B07Z, B17A, B17B, B17C	5t877.2↔	01	B03A, B03B, B06A, B06B, B07Z, B17A, B17B, B17C
	08	I08A, I08B, I08C, I08D, I08E, I12A, I12B, I12C, I13A, I13B, I27A, I27B, I27C		08	I08A, I08B, I08C, I08D, I08E, I12A, I12B, I12C, I13A, I13B, I27A, I27B, I27C		08	I08A, I08B, I08C, I08D, I08E, I12A, I12B, I12C, I13A, I13B, I27A, I27B, I27C
	09	J02A, J02B, J04A, J04B, J08A, J08B, J08C, J16Z, J21Z, J22A, J22B		09	J02A, J02B, J04A, J04B, J08A, J08B, J08C, J16Z, J21Z, J22A, J22B		09	J02A, J02B, J04A, J04B, J08A, J08B, J08C, J16Z, J21Z, J22A, J22B
	21A	W04A, W04B		21A	W04A, W04B		21A	W04A, W04B
	21B	X06A, X06B, X06C		21B	X04Z, X06A, X06B, X06C		21B	X06A, X06B, X06C

VYK

ZZV	MDC	DRG	ZZV	MDC	DRG	ZZV	MDC	DRG
5t878.x		BOP, KVT, UOP4	5t879.5↔		BOP, KVT, UOP4	5t87a.0↔		BOP, KVT, UOP4
	01	B03A, B03B, B06A, B06B, B07Z, B17A, B17B, B17C		01	B03A, B03B, B06A, B06B, B07Z, B17A, B17B, B17C		01	B03A, B03B, B06A, B06B, B07Z, B17A, B17B, B17C
	08	I08A, I08B, I08C, I08D, I08E, I12A, I12B, I12C, I13A, I13B, I27A, I27B, I27C		08	I08A, I08B, I08C, I08D, I08E, I12A, I12B, I12C, I13A, I13B, I27A, I27B, I27C		03	D12A
	09	J02A, J02B, J04A, J04B, J08A, J08B, J08C, J16Z, J21Z, J22A, J22B		09	J02A, J02B, J04A, J04B, J08A, J08B, J08C, J16Z, J21Z, J22A, J22B		05	F21A, F21B, F21C
	21A	W04A, W04B		21A	W04A, W04B		08	I02A, I02B, I02C, I02D, I08A, I08B, I08C, I08D, I08E, I12A, I12B, I12C, I13A, I13B, I22A, I32A, I32B, I32C, I32D, I32E, I32F, I50Z
5t879.0↔	21B	X04Z	5t879.6↔	21B	X06A, X06B, X06C	5t87a.1↔	09	J02A, J02B, J04A, J04B, J08A, J08B, J08C, J16Z, J21Z, J22A, J22B
		BOP, KVT, UOP4			BOP, KVT, UOP4		21A	W04A, W04B
	01	B03A, B03B, B06A, B06B, B07Z, B17A, B17B, B17C		01	B03A, B03B, B06A, B06B, B07Z, B17A, B17B, B17C		21B	X01A, X01B, X01C
	08	I08A, I08B, I08C, I08D, I08E, I12A, I12B, I12C, I13A, I13B, I27A, I27B, I27C		08	I08A, I08B, I08C, I08D, I08E, I12A, I12B, I12C, I13A, I13B, I27A, I27B, I27C		01	BOP, KVT, UOP4
	09	J02A, J02B, J04A, J04B, J08A, J08B, J08C, J16Z, J21Z, J22A, J22B		09	J02A, J02B, J04A, J04B, J08A, J08B, J08C, J16Z, J21Z, J22A, J22B		05	F21A, F21B, F21C
5t879.1↔	21A	W04A, W04B	5t879.7↔	21A	W04A, W04B	5t87a.2↔	08	I02A, I02B, I02C, I02D, I08A, I08B, I08C, I08D, I08E, I12A, I12B, I12C, I13A, I13B, I22A, I32A, I32B, I32C, I32D, I32E, I32F, I50Z
	21B	X06A, X06B, X06C		21B	X05A, X05B, X06A, X06B, X06C		09	J02A, J02B, J04A, J04B, J08A, J08B, J08C, J16Z, J21Z, J22A, J22B
		BOP, KVT, UOP4			BOP, KVT, UOP4		21A	W04A, W04B
	01	B03A, B03B, B06A, B06B, B07Z, B17A, B17B, B17C		01	B03A, B03B, B06A, B06B, B07Z, B17A, B17B, B17C		21B	X01A, X01B, X01C
	08	I08A, I08B, I08C, I08D, I08E, I12A, I12B, I12C, I13A, I13B, I27A, I27B, I27C		08	I08A, I08B, I08C, I08D, I08E, I12A, I12B, I12C, I13A, I13B, I27A, I27B, I27C		01	BOP, KVT, UOP4
5t879.2↔	09	J02A, J02B, J04A, J04B, J08A, J08B, J08C, J16Z, J21Z, J22A, J22B	5t879.8↔	09	J02A, J02B, J04A, J04B, J08A, J08B, J08C, J16Z, J21Z, J22A, J22B	5t87a.3↔	05	F21A, F21B, F21C
	21A	W04A, W04B		21A	W04A, W04B		08	I02A, I02B, I02C, I02D, I08A, I08B, I08C, I08D, I08E, I12A, I12B, I12C, I13A, I13B, I22A, I32A, I32B, I32C, I32D, I32E, I32F, I50Z
	21B	X06A, X06B, X06C		21B	X05A, X05B, X06A, X06B, X06C		09	J02A, J02B, J04A, J04B, J08A, J08B, J08C, J16Z, J21Z, J22A, J22B
		BOP, KVT, UOP4			BOP, KVT, UOP4		21A	W04A, W04B
	01	B03A, B03B, B06A, B06B, B07Z, B17A, B17B, B17C		01	B03A, B03B, B06A, B06B, B07Z, B17A, B17B, B17C		21B	X01A, X01B, X01C
5t879.3↔	08	I08A, I08B, I08C, I08D, I08E, I12A, I12B, I12C, I13A, I13B, I27A, I27B, I27C	5t879.9↔	08	I08A, I08B, I08C, I08D, I08E, I12A, I12B, I12C, I13A, I13B, I27A, I27B, I27C	5t879.x	01	BOP, KVT, UOP4
	09	J02A, J02B, J04A, J04B, J08A, J08B, J08C, J16Z, J21Z, J22A, J22B		09	J02A, J02B, J04A, J04B, J08A, J08B, J08C, J16Z, J21Z, J22A, J22B		01	B03A, B03B, B06A, B06B, B07Z, B17A, B17B, B17C
	21A	W04A, W04B		21A	W04A, W04B		08	I08A, I08B, I08C, I08D, I08E, I12A, I12B, I12C, I13A, I13B, I27A, I27B, I27C
	21B	X06A, X06B, X06C		21B	X05A, X05B, X06A, X06B, X06C		09	J02A, J02B, J04A, J04B, J08A, J08B, J08C, J16Z, J21Z, J22A, J22B
		BOP, KVT, UOP4			BOP, KVT, UOP4		21A	W04A, W04B
5t879.4↔	01	B03A, B03B, B06A, B06B, B07Z, B17A, B17B, B17C	5t879.x	21B	X06A, X06B, X06C	5t879.x	01	B03A, B03B, B06A, B06B, B07Z, B17A, B17B, B17C
	08	I08A, I08B, I08C, I08D, I08E, I12A, I12B, I12C, I13A, I13B, I27A, I27B, I27C		01	B03A, B03B, B06A, B06B, B07Z, B17A, B17B, B17C		08	I08A, I08B, I08C, I08D, I08E, I12A, I12B, I12C, I13A, I13B, I27A, I27B, I27C
	09	J02A, J02B, J04A, J04B, J08A, J08B, J08C, J16Z, J21Z, J22A, J22B		08	I08A, I08B, I08C, I08D, I08E, I12A, I12B, I12C, I13A, I13B, I27A, I27B, I27C		09	J02A, J02B, J04A, J04B, J08A, J08B, J08C, J16Z, J21Z, J22A, J22B
	21A	W04A, W04B		09	J02A, J02B, J04A, J04B, J08A, J08B, J08C, J16Z, J21Z, J22A, J22B		21A	W04A, W04B
	21B	X06A, X06B, X06C		21B	X06A, X06B, X06C		21B	X01A, X01B, X01C

VYK

ZZV	MDC	DRG	ZZV	MDC	DRG	ZZV	MDC	DRG	
5t87x.8↔		BOP, KVT, UOP4	5t880.2↔		BOP, KVT, UOP4	5t880.6↔		BOP, KVT, UOP4	
	01	B03A, B03B, B06A, B06B, B07Z, B17A, B17B, B17C		01	B03A, B03B, B06A, B06B, B07Z, B17A, B17B, B17C		01	B03A, B03B, B06A, B06B, B07Z, B17A, B17B, B17C	
	08	I08A, I08B, I08C, I08D, I08E, I12A, I12B, I12C, I13A, I13B, I27A, I27B, I27C, I27D		03	D12A		03	D12A	
	09	J02A, J02B, J02C, J04A, J04B, J08A, J08B, J08C, J16Z, J21Z, J22A, J22B		05	F21A, F21B, F21C, F27A, F27B, F27C		05	F21A, F21B, F21C, F27A, F27B, F27C	
	21A	W04A, W04B		08	I08A, I08B, I08C, I08D, I08E, I12A, I12B, I12C, I13A, I13B, I32A, I32B, I32C, I32D		08	I08A, I08B, I08C, I08D, I08E, I12A, I12B, I12C, I13A, I13B, I32A, I32B, I32C, I32D	
	21B	X04Z, X06A, X06B, X06C		09	J02A, J02B, J02C, J04A, J04B, J08A, J08B, J08C, J16Z, J21Z, J22A, J22B		09	J02A, J02B, J02C, J04A, J04B, J08A, J08B, J08C, J16Z, J21Z, J22A, J22B	
	5t87x.9↔			BOP, KVT, UOP4			K01Z	10	K01Z
		01		B03A, B03B, B06A, B06B, B07Z, B17A, B17B, B17C	21A		W04A, W04B	21A	W04A, W04B
		08		I08A, I08B, I08C, I08D, I08E, I12A, I12B, I12C, I13A, I13B, I27A, I27B, I27C, I27D	21B		X04Z, X05A, X05B, X06A, X06B, X06C	21B	X04Z, X05A, X05B, X06A, X06B, X06C
		09		J02A, J02B, J02C, J04A, J04B, J08A, J08B, J08C, J16Z, J21Z, J22A, J22B	22		Y01Z, Y03A, Y03B	22	Y01Z, Y03A, Y03B
21A		W04A, W04B	5t880.3↔		BOP, KVT, UOP4	5t880.7↔		BOP, KVT, UOP4	
21B	X06A, X06B, X06C	01		B03A, B03B, B06A, B06B, B07Z, B17A, B17B, B17C	01		B03A, B03B, B06A, B06B, B07Z, B17A, B17B, B17C		
5t87x.x		BOP, KVT, UOP4		03	D12A		03	D12A	
	01	B03A, B03B, B06A, B06B, B07Z, B17A, B17B, B17C		05	F21A, F21B, F21C, F27A, F27B, F27C		05	F21A, F21B, F21C, F27A, F27B, F27C	
	08	I08A, I08B, I08C, I08D, I08E, I12A, I12B, I12C, I13A, I13B, I27A, I27B, I27C, I27D		08	I08A, I08B, I08C, I08D, I08E, I12A, I12B, I12C, I13A, I13B, I32A, I32B, I32C, I32D		08	I08A, I08B, I08C, I08D, I08E, I12A, I12B, I12C, I13A, I13B, I32A, I32B, I32C, I32D	
	09	J02A, J02B, J02C, J04A, J04B, J08A, J08B, J08C, J16Z, J21Z, J22A, J22B	09	J02A, J02B, J02C, J04A, J04B, J08A, J08B, J08C, J16Z, J21Z, J22A, J22B	09	J02A, J02B, J02C, J04A, J04B, J08A, J08B, J08C, J16Z, J21Z, J22A, J22B			
	21A	W04A, W04B	10	K01Z	10	K01Z			
21B	X06A, X06B, X06C	21A	W04A, W04B	21A	W04A, W04B				
5t880.0↔		BOP, KVT, UOP4	21B	X04Z, X05A, X05B, X06A, X06B, X06C	21B	X04Z, X05A, X05B, X06A, X06B, X06C			
	01	B03A, B03B, B06A, B06B, B07Z, B17A, B17B, B17C	22	Y01Z, Y03A, Y03B	22	Y01Z, Y03A, Y03B			
	03	D12A	5t880.4↔		BOP, KVT, UOP4	5t880.8↔		BOP, KVT, UOP4	
	05	F21A, F21B, F21C, F27A, F27B, F27C		01	B03A, B03B, B06A, B06B, B07Z, B17A, B17B, B17C		01	B03A, B03B, B06A, B06B, B07Z, B17A, B17B, B17C	
	08	I08A, I08B, I08C, I08D, I08E, I12A, I12B, I12C, I13A, I13B, I32A, I32B, I32C, I32D		03	D12A		03	D12A	
	09	J02A, J02B, J02C, J04A, J04B, J08A, J08B, J08C, J16Z, J21Z, J22A, J22B		05	F21A, F21B, F21C, F27A, F27B, F27C		05	F21A, F21B, F21C, F27A, F27B, F27C	
	10	K01Z		08	I08A, I08B, I08C, I08D, I08E, I12A, I12B, I12C, I13A, I13B, I32A, I32B, I32C, I32D		08	I08A, I08B, I08C, I08D, I08E, I12A, I12B, I12C, I13A, I13B, I32A, I32B, I32C, I32D	
	21A	W04A, W04B		09	J02A, J02B, J02C, J04A, J04B, J08A, J08B, J08C, J16Z, J21Z, J22A, J22B		09	J02A, J02B, J02C, J04A, J04B, J08A, J08B, J08C, J16Z, J21Z, J22A, J22B	
	21B	X04Z, X05A, X05B, X06A, X06B, X06C		10	K01Z		10	K01Z	
	5t880.1↔			BOP, KVT, UOP4	21A		W04A, W04B	21A	W04A, W04B
01		B03A, B03B, B06A, B06B, B07Z, B17A, B17B, B17C		21B	X04Z, X05A, X05B, X06A, X06B, X06C		21B	X04Z, X05A, X05B, X06A, X06B, X06C	
03		D12A		22	Y01Z, Y03A, Y03B		22	Y01Z, Y03A, Y03B	
05		F21A, F21B, F21C, F27A, F27B, F27C	5t880.5↔		BOP, KVT, UOP4	5t880.9↔		BOP, KVT, UOP4	
08		I08A, I08B, I08C, I08D, I08E, I12A, I12B, I12C, I13A, I13B, I32A, I32B, I32C, I32D		01	B03A, B03B, B06A, B06B, B07Z, B17A, B17B, B17C		01	B03A, B03B, B06A, B06B, B07Z, B17A, B17B, B17C	
09	J02A, J02B, J02C, J04A, J04B, J08A, J08B, J08C, J16Z, J21Z, J22A, J22B	03		D12A	03		D12A		
10	K01Z	05		F21A, F21B, F21C, F27A, F27B, F27C	05		F21A, F21B, F21C, F27A, F27B, F27C		
21A	W04A, W04B	08		I08A, I08B, I08C, I08D, I08E, I12A, I12B, I12C, I13A, I13B, I32A, I32B, I32C, I32D	08		I08A, I08B, I08C, I08D, I08E, I12A, I12B, I12C, I13A, I13B, I32A, I32B, I32C, I32D		
21B	X04Z, X05A, X05B, X06A, X06B, X06C	09	J02A, J02B, J02C, J04A, J04B, J08A, J08B, J08C, J16Z, J21Z, J22A, J22B	09	J02A, J02B, J02C, J04A, J04B, J08A, J08B, J08C, J16Z, J21Z, J22A, J22B				
22	Y01Z, Y03A, Y03B	10	K01Z	10	K01Z				
		21A	W04A, W04B	21A	W04A, W04B				
		21B	X04Z, X05A, X05B, X06A, X06B, X06C	21B	X04Z, X05A, X05B, X06A, X06B, X06C				
		22	Y01Z, Y03A, Y03B	22	Y01Z, Y03A, Y03B				

VYK

ZZV	MDC	DRG	ZZV	MDC	DRG	ZZV	MDC	DRG
5t884.2↔		BOP, KVT, UOP4	5t884.6↔		BOP, KVT, UOP4	5t884.x		BOP, KVT, UOP4
	01	B03A, B03B, B06A, B06B, B07Z, B17A, B17B, B17C		01	B03A, B03B, B06A, B06B, B07Z, B17A, B17B, B17C		01	B03A, B03B, B06A, B06B, B07Z, B17A, B17B, B17C
	03	D12A		03	D12A		03	D12A
	05	F21A, F21B, F21C, F27A, F27B, F27C		05	F21A, F21B, F21C, F27A, F27B, F27C		05	F21A, F21B, F21C, F27A, F27B, F27C
	08	I08A, I08B, I08C, I08D, I08E, I12A, I12B, I12C, I13A, I13B, I32A, I32B, I32C, I32D		08	I08A, I08B, I08C, I08D, I08E, I12A, I12B, I12C, I13A, I13B, I32A, I32B, I32C, I32D		08	I08A, I08B, I08C, I08D, I08E, I12A, I12B, I12C, I13A, I13B, I32A, I32B, I32C, I32D
	09	J02A, J02B, J02C, J04A, J04B, J08A, J08B, J08C, J16Z, J21Z, J22A, J22B		09	J02A, J02B, J02C, J04A, J04B, J08A, J08B, J08C, J16Z, J21Z, J22A, J22B		09	J02A, J02B, J02C, J04A, J04B, J08A, J08B, J08C, J16Z, J21Z, J22A, J22B
	10	K01Z		10	K01Z		10	K01Z
	21A	W04A, W04B		21A	W04A, W04B		21A	W04A, W04B
	21B	X04Z, X05A, X05B, X06A, X06B, X06C		21B	X04Z, X05A, X05B, X06A, X06B, X06C		21B	X04Z, X05A, X05B, X06A, X06B, X06C
	22	Y01Z, Y03A, Y03B		22	Y01Z, Y03A, Y03B		22	Y01Z, Y03A, Y03B
	5t884.3↔			BOP, KVT, UOP4	5t884.7↔			BOP, KVT, UOP4
01		B03A, B03B, B06A, B06B, B07Z, B17A, B17B, B17C	01	B03A, B03B, B06A, B06B, B07Z, B17A, B17B, B17C		03	D02A, D02B	
03		D12A	03	D12A		06	G33Z	
05		F21A, F21B, F21C, F27A, F27B, F27C	05	F21A, F21B, F21C, F27A, F27B, F27C		07	H33Z, H38Z	
08		I08A, I08B, I08C, I08D, I08E, I12A, I12B, I12C, I13A, I13B, I32A, I32B, I32C, I32D	08	I08A, I08B, I08C, I08D, I08E, I12A, I12B, I12C, I13A, I13B, I32A, I32B, I32C, I32D		08	I02A, I02B, I02C, I02D, I22A, I32A, I32B, I32C, I32D, I34Z, I50Z	
09		J02A, J02B, J02C, J04A, J04B, J08A, J08B, J08C, J16Z, J21Z, J22A, J22B	09	J02A, J02B, J02C, J04A, J04B, J08A, J08B, J08C, J16Z, J21Z, J22A, J22B		09	J01Z, J02A, J02B	
10		K01Z	10	K01Z		11	L33Z	
21A		W04A, W04B	21A	W04A, W04B		21B	X01A, X01B, X01C, X33Z	
21B		X04Z, X05A, X05B, X06A, X06B, X06C	21B	X04Z, X05A, X05B, X06A, X06B, X06C		Pre	A07A	
22		Y01Z, Y03A, Y03B	22	Y01Z, Y03A, Y03B		5t885.1↔	KOP, KOPV	
5t884.4↔			BOP, KVT, UOP4	5t884.8↔			BOP, KVT, UOP4	5t885.2↔
	01	B03A, B03B, B06A, B06B, B07Z, B17A, B17B, B17C	01		B03A, B03B, B06A, B06B, B07Z, B17A, B17B, B17C	06	G33Z	
	03	D12A	03		D12A	07	H33Z, H38Z	
	05	F21A, F21B, F21C, F27A, F27B, F27C	05		F21A, F21B, F21C, F27A, F27B, F27C	08	I02A, I02B, I02C, I02D, I22A, I32A, I32B, I32C, I32D, I34Z, I50Z	
	08	I08A, I08B, I08C, I08D, I08E, I12A, I12B, I12C, I13A, I13B, I32A, I32B, I32C, I32D	08		I08A, I08B, I08C, I08D, I08E, I12A, I12B, I12C, I13A, I13B, I32A, I32B, I32C, I32D	09	J01Z, J02A, J02B	
	09	J02A, J02B, J02C, J04A, J04B, J08A, J08B, J08C, J16Z, J21Z, J22A, J22B	09		J02A, J02B, J02C, J04A, J04B, J08A, J08B, J08C, J16Z, J21Z, J22A, J22B	11	L33Z	
	10	K01Z	10		K01Z	21B	X01A, X01B, X01C, X33Z	
	21A	W04A, W04B	21A		W04A, W04B	Pre	A07A	
	21B	X04Z, X05A, X05B, X06A, X06B, X06C	21B		X04Z, X05A, X05B, X06A, X06B, X06C	5t885.3↔	KOP, KOPV	
	22	Y01Z, Y03A, Y03B	22		Y01Z, Y03A, Y03B	06	G33Z	
	5t884.5↔		BOP, KVT, UOP4		5t884.9↔		BOP, KVT, UOP4	
01		B03A, B03B, B06A, B06B, B07Z, B17A, B17B, B17C	01	B03A, B03B, B06A, B06B, B07Z, B17A, B17B, B17C		07	H33Z, H38Z	
03		D12A	03	D12A		08	I02A, I02B, I02C, I02D, I22A, I32A, I32B, I32C, I32D, I32E, I32F, I34Z, I50Z	
05		F21A, F21B, F21C, F27A, F27B, F27C	05	F21A, F21B, F21C, F27A, F27B, F27C		09	J01Z, J02A, J02B	
08		I08A, I08B, I08C, I08D, I08E, I12A, I12B, I12C, I13A, I13B, I32A, I32B, I32C, I32D	08	I08A, I08B, I08C, I08D, I08E, I12A, I12B, I12C, I13A, I13B, I32A, I32B, I32C, I32D		11	L33Z	
09		J02A, J02B, J02C, J04A, J04B, J08A, J08B, J08C, J16Z, J21Z, J22A, J22B	09	J02A, J02B, J02C, J04A, J04B, J08A, J08B, J08C, J16Z, J21Z, J22A, J22B		21B	X01A, X01B, X01C, X33Z	
10		K01Z	10	K01Z		Pre	A07A	
21A		W04A, W04B	21A	W04A, W04B		5t885.4↔	KOP, KOPV	
21B		X04Z, X05A, X05B, X06A, X06B, X06C	21B	X04Z, X05A, X05B, X06A, X06B, X06C		06	G33Z	
22		Y01Z, Y03A, Y03B	22	Y01Z, Y03A, Y03B		07	H33Z, H38Z	

VYK

ZZV	MDC	DRG	ZZV	MDC	DRG	ZZV	MDC	DRG
5t885.5↔		KOP, KOPV	5t886.0↔		KOP, KOPV	5t886.6↔		KOP, KOPV
	06	G33Z		03	D02A, D02B		06	G33Z
	07	H33Z, H38Z		06	G33Z		07	H33Z, H38Z
	08	I02A, I02B, I02C, I02D, I22A, I32A, I32B, I32C, I32D, I34Z, I50Z		07	H33Z, H38Z		08	I02A, I02B, I02C, I02D, I22A, I32A, I32B, I32C, I32D, I34Z, I50Z
	09	J01Z, J02A, J02B		08	I02A, I02B, I02C, I02D, I22A, I32A, I32B, I32C, I32D, I34Z, I50Z		09	J01Z, J02A, J02B
	11	L33Z		09	J01Z, J02A, J02B		11	L33Z
	21B	X01A, X01B, X01C, X33Z		11	L33Z		21B	X01A, X01B, X01C, X33Z
	Pre	A07A		21B	X01A, X01B, X01C, X33Z		Pre	A07A
				Pre	A07A			
				Pre	A07A			
5t885.6↔		KOP, KOPV	5t886.1↔		KOP, KOPV	5t886.7↔		KOP, KOPV
	06	G33Z		06	G33Z		06	G33Z
	07	H33Z, H38Z		07	H33Z, H38Z		07	H33Z, H38Z
	08	I02A, I02B, I02C, I02D, I22A, I32A, I32B, I32C, I32D, I34Z, I50Z		08	I02A, I02B, I02C, I02D, I22A, I32A, I32B, I32C, I32D, I34Z, I50Z		08	I02A, I02B, I02C, I02D, I22A, I32A, I32B, I32C, I32D, I34Z, I50Z
	09	J01Z, J02A, J02B		09	J01Z, J02A, J02B		09	J01Z, J02A, J02B
	11	L33Z		11	L33Z		11	L33Z
	21B	X01A, X01B, X01C, X33Z		11	L33Z		21B	X01A, X01B, X01C, X33Z
	Pre	A07A		21B	X01A, X01B, X01C, X33Z		Pre	A07A
				Pre	A07A			
				Pre	A07A			
5t885.7↔		KOP, KOPV	5t886.2↔		KOP, KOPV	5t886.8↔		KOP, KOPV
	06	G33Z		06	G33Z		06	G33Z
	07	H33Z, H38Z		07	H33Z, H38Z		07	H33Z, H38Z
	08	I02A, I02B, I02C, I02D, I22A, I32A, I32B, I32C, I32D, I34Z, I50Z		08	I02A, I02B, I02C, I02D, I22A, I32A, I32B, I32C, I32D, I34Z, I50Z		08	I02A, I02B, I02C, I02D, I22A, I32A, I32B, I32C, I32D, I34Z, I50Z
	09	J01Z, J02A, J02B		09	J01Z, J02A, J02B		09	J01Z, J02A, J02B
	11	L33Z		11	L33Z		11	L33Z
	21B	X01A, X01B, X01C, X33Z		11	L33Z		21B	X01A, X01B, X01C, X33Z
	Pre	A07A		21B	X01A, X01B, X01C, X33Z		Pre	A07A
				Pre	A07A			
				Pre	A07A			
5t885.8↔		KOP, KOPV	5t886.3↔		KOP, KOPV	5t886.9↔		KOP, KOPV
	06	G33Z		06	G33Z		06	G33Z
	07	H33Z, H38Z		07	H33Z, H38Z		07	H33Z, H38Z
	08	I02A, I02B, I02C, I02D, I22A, I32A, I32B, I32C, I32D, I34Z, I50Z		08	I02A, I02B, I02C, I02D, I22A, I32A, I32B, I32C, I32D, I32E, I32F, I34Z, I50Z		08	I02A, I02B, I02C, I02D, I22A, I32A, I32B, I32C, I32D, I34Z, I50Z
	09	J01Z, J02A, J02B		09	J01Z, J02A, J02B		09	J01Z, J02A, J02B
	11	L33Z		11	L33Z		11	L33Z
	21B	X01A, X01B, X01C, X33Z		11	L33Z		21B	X01A, X01B, X01C, X33Z
	Pre	A07A		21B	X01A, X01B, X01C, X33Z		Pre	A07A
				Pre	A07A			
				Pre	A07A			
5t885.9↔		KOP, KOPV	5t886.4↔		KOP, KOPV	5t886.x↔		KOP, KOPV
	06	G33Z		06	G33Z		06	G33Z
	07	H33Z, H38Z		07	H33Z, H38Z		07	H33Z, H38Z
	08	I02A, I02B, I02C, I02D, I22A, I32A, I32B, I32C, I32D, I34Z, I50Z		08	I02A, I02B, I02C, I02D, I22A, I32A, I32B, I32C, I32D, I34Z, I50Z		08	I02A, I02B, I02C, I02D, I22A, I32A, I32B, I32C, I32D, I32E, I32F, I34Z, I50Z
	09	J01Z, J02A, J02B		09	J01Z, J02A, J02B		09	J01Z, J02A, J02B
	11	L33Z		11	L33Z		11	L33Z
	21B	X01A, X01B, X01C, X33Z		11	L33Z		21B	X01A, X01B, X01C, X33Z
	Pre	A07A		21B	X01A, X01B, X01C, X33Z		Pre	A07A
				Pre	A07A			
				Pre	A07A			
5t885.x↔		KOP, KOPV	5t886.5↔		KOP, KOPV	5t887.0↔		KOP, KOPV
	06	G33Z		06	G33Z		03	D02A, D02B
	07	H33Z, H38Z		07	H33Z, H38Z		06	G33Z
	08	I02A, I02B, I02C, I02D, I22A, I32A, I32B, I32C, I32D, I32E, I32F, I34Z, I50Z		08	I02A, I02B, I02C, I02D, I22A, I32A, I32B, I32C, I32D, I34Z, I50Z		07	H33Z, H38Z
	09	J01Z, J02A, J02B		09	J01Z, J02A, J02B		08	I02A, I02B, I02C, I02D, I22A, I32A, I32B, I32C, I32D, I34Z, I50Z
	11	L33Z		11	L33Z		09	J01Z, J02A, J02B
	21B	X01A, X01B, X01C, X33Z		11	L33Z		11	L33Z
	Pre	A07A		21B	X01A, X01B, X01C, X33Z		21B	X01A, X01B, X01C, X33Z
				Pre	A07A		Pre	A07A
				Pre	A07A			

VYK

ZZV	MDC	DRG	ZZV	MDC	DRG	ZZV	MDC	DRG			
5t887.1↔		KOP, KOPV	5t887.8↔		KOP, KOPV	5t888.2↔		BOP, KOP, KOPV, KVT, UOP4			
	06	G33Z		06	G33Z		06	G33Z			
	07	H33Z, H38Z		07	H33Z, H38Z		07	H33Z, H38Z			
	08	I02A, I02B, I02C, I02D, I22A, I32A, I32B, I32C, I32D, I34Z, I50Z		08	I02A, I02B, I02C, I02D, I22A, I32A, I32B, I32C, I32D, I34Z, I50Z		08	I02A, I02B, I02C, I02D, I08A, I08B, I08C, I08D, I08E, I12A, I12B, I12C, I13A, I13B, I22A, I28A, I28B, I32A, I32B, I32C, I32D, I50Z			
	09	J01Z, J02A, J02B		09	J01Z, J02A, J02B		09	J01Z, J02A, J02B, J16Z			
	11	L33Z		11	L33Z		11	L33Z			
	21B	X01A, X01B, X01C, X33Z		21B	X01A, X01B, X01C, X33Z		21A	W04A, W04B			
	Pre	A07A		Pre	A07A		21B	X01A, X01B, X01C, X33Z			
	5t887.2↔			KOP, KOPV	5t887.9↔			KOP, KOPV	5t888.3↔		BOP, KOP, KOPV, KVT, UOP4
		06		G33Z			06	G33Z		06	G33Z
07		H33Z, H38Z	07	H33Z, H38Z		07	H33Z, H38Z				
08		I02A, I02B, I02C, I02D, I22A, I32A, I32B, I32C, I32D, I34Z, I50Z	08	I02A, I02B, I02C, I02D, I22A, I32A, I32B, I32C, I32D, I34Z, I50Z		08	I02A, I02B, I02C, I02D, I08A, I08B, I08C, I08D, I08E, I12A, I12B, I12C, I13A, I13B, I22A, I28A, I28B, I32A, I32B, I32C, I32D, I32E, I32F, I50Z				
09		J01Z, J02A, J02B	09	J01Z, J02A, J02B		09	J01Z, J02A, J02B, J16Z				
11		L33Z	11	L33Z		11	L33Z				
21B		X01A, X01B, X01C, X33Z	21B	X01A, X01B, X01C, X33Z		21A	W04A, W04B				
Pre		A07A	Pre	A07A		21B	X01A, X01B, X01C, X33Z				
5t887.3↔			KOP, KOPV	5t887.x↔			KOP, KOPV	5t888.4↔			BOP, KOP, KOPV, KVT, UOP4
		06	G33Z			06	G33Z			04	E02A, E02B, E02C
	07	H33Z, H38Z	07		H33Z, H38Z	06	G33Z				
	08	I02A, I02B, I02C, I02D, I22A, I32A, I32B, I32C, I32D, I32E, I32F, I34Z, I50Z	08		I02A, I02B, I02C, I02D, I22A, I32A, I32B, I32C, I32D, I32E, I32F, I34Z, I50Z	07	H33Z, H38Z				
	09	J01Z, J02A, J02B	09		J01Z, J02A, J02B	08	I02A, I02B, I02C, I02D, I08A, I08B, I08C, I08D, I08E, I12A, I12B, I12C, I13A, I13B, I22A, I28A, I28B, I32A, I32B, I32C, I32D, I50Z				
	11	L33Z	11		L33Z	09	J01Z, J02A, J02B, J16Z				
	21B	X01A, X01B, X01C, X33Z	21B		X01A, X01B, X01C, X33Z	11	L33Z				
	Pre	A07A	Pre		A07A	21A	W04A, W04B				
	5t887.4↔		KOP, KOPV		5t888.0↔		BOP, KOP, KOPV, KVT, UOP4		5t888.5↔		BOP, KOP, KOPV, KVT, UOP4
		06	G33Z			03	D02A			04	E02A, E02B, E02C
07		H33Z, H38Z	06	G33Z		06	G33Z				
08		I02A, I02B, I02C, I02D, I22A, I32A, I32B, I32C, I32D, I34Z, I50Z	07	H33Z, H38Z		07	H33Z, H38Z				
09		J01Z, J02A, J02B	08	I02A, I02B, I02C, I02D, I08A, I08B, I08C, I08D, I08E, I12A, I12B, I12C, I13A, I13B, I22A, I28A, I28B, I32A, I32B, I32C, I32D, I50Z		08	I02A, I02B, I02C, I02D, I08A, I08B, I08C, I08D, I08E, I12A, I12B, I12C, I13A, I13B, I22A, I28A, I28B, I32A, I32B, I32C, I32D, I50Z				
11		L33Z	09	J01Z, J02A, J02B, J16Z		09	J01Z, J02A, J02B, J16Z				
21B		X01A, X01B, X01C, X33Z	11	L33Z		11	L33Z				
Pre		A07A	21A	W04A, W04B		21A	W04A, W04B				
5t887.5↔			KOP, KOPV	5t888.1↔			BOP, KOP, KOPV, KVT, UOP4	5t888.5↔			BOP, KOP, KOPV, KVT, UOP4
		06	G33Z			06	G33Z			06	G33Z
	07	H33Z, H38Z	07		H33Z, H38Z	07	H33Z, H38Z				
	08	I02A, I02B, I02C, I02D, I22A, I32A, I32B, I32C, I32D, I34Z, I50Z	08		I02A, I02B, I02C, I02D, I08A, I08B, I08C, I08D, I08E, I12A, I12B, I12C, I13A, I13B, I22A, I28A, I28B, I32A, I32B, I32C, I32D, I50Z	08	I02A, I02B, I02C, I02D, I08A, I08B, I08C, I08D, I08E, I12A, I12B, I12C, I13A, I13B, I22A, I28A, I28B, I32A, I32B, I32C, I32D, I50Z				
	09	J01Z, J02A, J02B	09		J01Z, J02A, J02B, J16Z	09	J01Z, J02A, J02B, J16Z				
	11	L33Z	11		L33Z	11	L33Z				
	21B	X01A, X01B, X01C, X33Z	21A		W04A, W04B	21A	W04A, W04B				
	Pre	A07A	21B		X01A, X01B, X01C, X33Z	21B	X01A, X01B, X01C, X33Z				
	5t887.6↔		KOP, KOPV		5t888.1↔		BOP, KOP, KOPV, KVT, UOP4		5t888.5↔		BOP, KOP, KOPV, KVT, UOP4
		06	G33Z			06	G33Z			04	E02A, E02B, E02C
07		H33Z, H38Z	07	H33Z, H38Z		06	G33Z				
08		I02A, I02B, I02C, I02D, I22A, I32A, I32B, I32C, I32D, I34Z, I50Z	08	I02A, I02B, I02C, I02D, I08A, I08B, I08C, I08D, I08E, I12A, I12B, I12C, I13A, I13B, I22A, I28A, I28B, I32A, I32B, I32C, I32D, I50Z		07	H33Z, H38Z				
09		J01Z, J02A, J02B	09	J01Z, J02A, J02B, J16Z		08	I02A, I02B, I02C, I02D, I08A, I08B, I08C, I08D, I08E, I12A, I12B, I12C, I13A, I13B, I22A, I28A, I28B, I32A, I32B, I32C, I32D, I50Z				
11		L33Z	11	L33Z		09	J01Z, J02A, J02B, J16Z				
21B		X01A, X01B, X01C, X33Z	21A	W04A, W04B		11	L33Z				
Pre		A07A	21B	X01A, X01B, X01C, X33Z		21A	W04A, W04B				
5t887.7↔			KOP, KOPV	5t888.1↔			BOP, KOP, KOPV, KVT, UOP4	5t888.5↔			BOP, KOP, KOPV, KVT, UOP4
		06	G33Z			06	G33Z			06	G33Z
	07	H33Z, H38Z	07		H33Z, H38Z	07	H33Z, H38Z				
	08	I02A, I02B, I02C, I02D, I22A, I32A, I32B, I32C, I32D, I34Z, I50Z	08		I02A, I02B, I02C, I02D, I08A, I08B, I08C, I08D, I08E, I12A, I12B, I12C, I13A, I13B, I22A, I28A, I28B, I32A, I32B, I32C, I32D, I50Z	08	I02A, I02B, I02C, I02D, I08A, I08B, I08C, I08D, I08E, I12A, I12B, I12C, I13A, I13B, I22A, I28A, I28B, I32A, I32B, I32C, I32D, I50Z				
	09	J01Z, J02A, J02B	09		J01Z, J02A, J02B, J16Z	09	J01Z, J02A, J02B, J16Z				
	11	L33Z	11		L33Z	11	L33Z				
	21B	X01A, X01B, X01C, X33Z	21A		W04A, W04B	21A	W04A, W04B				
	Pre	A07A	21B		X01A, X01B, X01C, X33Z	21B	X01A, X01B, X01C, X33Z				

VYK

ZZV	MDC	DRG	ZZV	MDC	DRG	ZZV	MDC	DRG			
5t888.6↔		BOP, KOP, KOPV, KVT, UOP4	5t889.0↔		KOP, KOPV	5t889.6↔		KOP, KOPV			
	04	E02A, E02B, E02C		03	D02A, D02B		06	G33Z			
	06	G33Z		06	G33Z		07	H33Z, H38Z			
	07	H33Z, H38Z		07	H33Z, H38Z		08	I02A, I02B, I02C, I02D, I22A, I32A, I32B, I32C, I32D, I34Z, I50Z			
	08	I02A, I02B, I02C, I02D, I08A, I08B, I08C, I08D, I08E, I12A, I12B, I12C, I13A, I13B, I22A, I28A, I28B, I32A, I32B, I32C, I32D, I50Z		08	I02A, I02B, I02C, I02D, I22A, I32A, I32B, I32C, I32D, I34Z, I50Z		09	J01Z, J02A, J02B			
	09	J01Z, J02A, J02B, J16Z		09	J01Z, J02A, J02B		11	L33Z			
	11	L33Z		11	L33Z		21B	X01A, X01B, X01C, X33Z			
	21A	W04A, W04B		21B	X01A, X01B, X01C, X33Z		Pre	A07A			
	21B	X01A, X01B, X01C, X33Z		Pre	A07A		5t889.7↔		KOP, KOPV		
	Pre	A07A		5t889.1↔				KOP, KOPV	06	G33Z	
	5t888.7↔				BOP, KOP, KOPV, KVT, UOP4			06	G33Z	07	H33Z, H38Z
		06			G33Z			07	H33Z, H38Z	08	I02A, I02B, I02C, I02D, I22A, I32A, I32B, I32C, I32D, I34Z, I50Z
		07			H33Z, H38Z			08	I02A, I02B, I02C, I02D, I22A, I32A, I32B, I32C, I32D, I34Z, I50Z	09	J01Z, J02A, J02B
		08			I02A, I02B, I02C, I02D, I08A, I08B, I08C, I08D, I08E, I12A, I12B, I12C, I13A, I13B, I22A, I28A, I28B, I32A, I32B, I32C, I32D, I50Z			09	J01Z, J02A, J02B	11	L33Z
09		J01Z, J02A, J02B, J16Z	11		L33Z	21B		X01A, X01B, X01C, X33Z			
11		L33Z	21B		X01A, X01B, X01C, X33Z	Pre		A07A			
21A		W04A, W04B	Pre		A07A	5t889.8↔			KOP, KOPV		
21B		X01A, X01B, X01C, X33Z	5t889.2↔					KOP, KOPV	06	G33Z	
Pre		A07A			06			G33Z	07	H33Z, H38Z	
5t888.8↔					BOP, KOP, KOPV, KVT, UOP4			07	H33Z, H38Z	08	I02A, I02B, I02C, I02D, I22A, I32A, I32B, I32C, I32D, I34Z, I50Z
		06			G33Z			08	I02A, I02B, I02C, I02D, I22A, I32A, I32B, I32C, I32D, I34Z, I50Z	09	J01Z, J02A, J02B
		07			H33Z, H38Z			09	J01Z, J02A, J02B	11	L33Z
		08			I02A, I02B, I02C, I02D, I08A, I08B, I08C, I08D, I08E, I12A, I12B, I12C, I13A, I13B, I22A, I28A, I28B, I32A, I32B, I32C, I32D, I50Z		11	L33Z	21B	X01A, X01B, X01C, X33Z	
		09		J01Z, J02A, J02B, J16Z	21B		X01A, X01B, X01C, X33Z	Pre	A07A		
	11	L33Z		Pre	A07A		5t889.9↔		KOP, KOPV		
	21A	W04A, W04B		5t889.3↔				KOP, KOPV	06	G33Z	
	21B	X01A, X01B, X01C, X33Z			06			G33Z	07	H33Z, H38Z	
	Pre	A07A			07			H33Z, H38Z	08	I02A, I02B, I02C, I02D, I22A, I32A, I32B, I32C, I32D, I32E, I32F, I34Z, I50Z	
	5t888.9↔				BOP, KOP, KOPV, KVT, UOP4			08	I02A, I02B, I02C, I02D, I22A, I32A, I32B, I32C, I32D, I32E, I32F, I34Z, I50Z	09	J01Z, J02A, J02B
		06			G33Z			09	J01Z, J02A, J02B	11	L33Z
		07			H33Z, H38Z	11		L33Z	21B	X01A, X01B, X01C, X33Z	
		08	I02A, I02B, I02C, I02D, I08A, I08B, I08C, I08D, I08E, I12A, I12B, I12C, I13A, I13B, I22A, I28A, I28B, I32A, I32B, I32C, I32D, I50Z		21B	X01A, X01B, X01C, X33Z		Pre	A07A		
		09	J01Z, J02A, J02B, J16Z		Pre	A07A		5t889.x↔		KOP, KOPV	
11		L33Z	5t889.4↔			KOP, KOPV			06	G33Z	
21A		W04A, W04B			06	G33Z			07	H33Z, H38Z	
21B		X01A, X01B, X01C, X33Z			07	H33Z, H38Z			08	I02A, I02B, I02C, I02D, I22A, I32A, I32B, I32C, I32D, I32E, I32F, I34Z, I50Z	
Pre		A07A			08	I02A, I02B, I02C, I02D, I22A, I32A, I32B, I32C, I32D, I34Z, I50Z			09	J01Z, J02A, J02B	
5t888.x↔					BOP, KOP, KOPV, KVT, UOP4	09			J01Z, J02A, J02B	11	L33Z
		06			G33Z	11	L33Z		21B	X01A, X01B, X01C, X33Z	
		07		H33Z, H38Z	21B	X01A, X01B, X01C, X33Z	Pre		A07A		
		08		I02A, I02B, I02C, I02D, I08A, I08B, I08C, I08D, I08E, I12A, I12B, I12C, I13A, I13B, I22A, I28A, I28B, I32A, I32B, I32C, I32D, I32E, I32F, I50Z	Pre	A07A	5t88x.0↔			KOP, KOPV	
		09		J01Z, J02A, J02B, J16Z	5t889.5↔				KOP, KOPV	06	G33Z
	11	L33Z		06		G33Z			07	H33Z, H38Z	
	21A	W04A, W04B		07		H33Z, H38Z			08	I02A, I02B, I02C, I02D, I22A, I32A, I32B, I32C, I32D, I34Z, I50Z	
	21B	X01A, X01B, X01C, X33Z		08		I02A, I02B, I02C, I02D, I22A, I32A, I32B, I32C, I32D, I34Z, I50Z			09	J01Z, J02A, J02B	
	Pre	A07A		09		J01Z, J02A, J02B			11	L33Z	
	5t888.x↔			BOP, KOP, KOPV, KVT, UOP4		09		J01Z, J02A, J02B	21B	X01A, X01B, X01C, X33Z	
		06	G33Z	11		L33Z		Pre	A07A		
		07	H33Z, H38Z	21B		X01A, X01B, X01C, X33Z		5t88x.1↔		KOP, KOPV	
		08	I02A, I02B, I02C, I02D, I08A, I08B, I08C, I08D, I08E, I12A, I12B, I12C, I13A, I13B, I22A, I28A, I28B, I32A, I32B, I32C, I32D, I32E, I32F, I50Z	Pre		A07A			06	G33Z	
		09	J01Z, J02A, J02B, J16Z	5t889.5↔					KOP, KOPV	07	H33Z, H38Z
11		L33Z	06			G33Z			08	I02A, I02B, I02C, I02D, I22A, I32A, I32B, I32C, I32D, I34Z, I50Z	
21A		W04A, W04B	07			H33Z, H38Z			09	J01Z, J02A, J02B	
21B		X01A, X01B, X01C, X33Z	08			I02A, I02B, I02C, I02D, I22A, I32A, I32B, I32C, I32D, I34Z, I50Z			11	L33Z	
Pre		A07A	09			J01Z, J02A, J02B	21B		X01A, X01B, X01C, X33Z		



ZZV	MDC	DRG	ZZV	MDC	DRG	ZZV	MDC	DRG
5t892.6↔		BOP, KVT, UOP4	5t893.8↔		BOP, KVT, UOP4	5t89x.x		BOP, KVT, UOP4
	08	I12A, I12B, I12C, I27A, I27B, I27C, I27D		08	I12A, I12B, I12C, I27A, I27B, I27C, I27D		08	I12A, I12B, I12C, I27A, I27B, I27C, I27D
	21A	W04A, W04B		21A	W04A, W04B		21A	W04A, W04B
	21B	X04Z, X06A, X06B, X06C		21B	X04Z, X06A, X06B, X06C		21B	X06A, X06B, X06C
5t892.7↔		BOP, KVT, UOP4	5t893.9↔		BOP, KVT, UOP4	5t900↔		BOP, KVT, UOP4, VIAL
	08	I12A, I12B, I12C, I27A, I27B, I27C, I27D		08	I12A, I12B, I12C, I27A, I27B, I27C, I27D		05	F13A
	21A	W04A, W04B		21A	W04A, W04B		08	I02A, I02B, I02C, I02D, I08A, I08B, I08C, I08D, I08E, I08F, I22A, I50Z
	21B	X04Z, X06A, X06B, X06C		21B	X04Z, X06A, X06B, X06C		11	L09A, L38Z
5t892.8↔		BOP, KVT, UOP4	5t893.x		BOP, KVT, UOP4		21A	W04A, W04B
	08	I12A, I12B, I12C, I27A, I27B, I27C, I27D		08	I12A, I12B, I12C, I27A, I27B, I27C, I27D		21B	X01A, X01B, X01C, X07A
	21A	W04A, W04B		21A	W04A, W04B	5t901↔		BOP, KVT, UOP4, VIAL
	21B	X04Z, X06A, X06B, X06C		21B	X06A, X06B, X06C		05	F13A
5t892.9↔		BOP, KVT, UOP4	5t89x.0↔		BOP, KVT, UOP4		08	I02A, I02B, I02C, I02D, I08A, I08B, I08C, I08D, I08E, I08F, I22A, I50Z
	08	I12A, I12B, I12C, I27A, I27B, I27C, I27D		08	I12A, I12B, I12C, I27A, I27B, I27C, I27D		11	L09A, L38Z
	21A	W04A, W04B		21A	W04A, W04B		21A	W04A, W04B
	21B	X04Z, X06A, X06B, X06C		21B	X06A, X06B, X06C		21B	X01A, X01B, X01C, X07A
5t892.x		BOP, KVT, UOP4	5t89x.1↔		BOP, KVT, UOP4	5t902↔		BOP, KVT, UOP4, VIAL
	08	I12A, I12B, I12C, I27A, I27B, I27C, I27D		08	I12A, I12B, I12C, I27A, I27B, I27C, I27D		05	F13A
	21A	W04A, W04B		21A	W04A, W04B		08	I02A, I02B, I02C, I02D, I08A, I08B, I08C, I08D, I08E, I08F, I22A, I50Z
	21B	X06A, X06B, X06C		21B	X06A, X06B, X06C		11	L09A, L38Z
5t893.0↔		BOP, KVT, UOP4	5t89x.2↔		BOP, KVT, UOP4		21A	W04A, W04B
	08	I12A, I12B, I12C, I27A, I27B, I27C, I27D		08	I12A, I12B, I12C, I27A, I27B, I27C, I27D		21B	X01A, X01B, X01C, X07A
	21A	W04A, W04B		21A	W04A, W04B	5t903↔		BOP, KVT, UOP4, VIAL
	21B	X06A, X06B, X06C		21B	X06A, X06B, X06C		05	F13A
5t893.1↔		BOP, KVT, UOP4	5t89x.3↔		BOP, KVT, UOP4		08	I02A, I02B, I02C, I02D, I22A, I32A, I32B, I32C, I32D, I32E, I32F, I50Z
	08	I12A, I12B, I12C, I27A, I27B, I27C, I27D		08	I12A, I12B, I12C, I27A, I27B, I27C, I27D		11	L09A, L38Z
	21A	W04A, W04B		21A	W04A, W04B		21A	W04A, W04B
	21B	X06A, X06B, X06C		21B	X05A, X05B, X06A, X06B, X06C		21B	X01A, X01B, X01C, X05A, X05B, X07A
5t893.2↔		BOP, KVT, UOP4	5t89x.4		BOP, KVT, UOP4	5t904↔		BOP, KVT, UOP4, VIAL
	08	I12A, I12B, I12C, I27A, I27B, I27C, I27D		08	I12A, I12B, I12C, I27A, I27B, I27C, I27D		05	F13A
	21A	W04A, W04B		21A	W04A, W04B		08	I02A, I02B, I02C, I02D, I22A, I32A, I32B, I32C, I32D, I32E, I32F, I50Z
	21B	X06A, X06B, X06C		21B	X06A, X06B, X06C		11	L09A, L38Z
5t893.3↔		BOP, KVT, UOP4	5t89x.5		BOP, KVT, UOP4		21A	W04A, W04B
	08	I12A, I12B, I12C, I27A, I27B, I27C, I27D		08	I12A, I12B, I12C, I27A, I27B, I27C, I27D		21B	X01A, X01B, X01C, X05A, X05B, X07A
	21A	W04A, W04B		21A	W04A, W04B	5t905↔		BOP, KVT, UOP4, VIAL
	21B	X05A, X05B, X06A, X06B, X06C		21B	X06A, X06B, X06C		05	F13A
5t893.4↔		BOP, KVT, UOP4	5t89x.6		BOP, KVT, UOP4		08	I02A, I02B, I02C, I02D, I22A, I22B, I32A, I32B, I32C, I32D, I32E, I32F, I50Z
	08	I12A, I12B, I12C, I27A, I27B, I27C, I27D		08	I12A, I12B, I12C, I27A, I27B, I27C, I27D		11	L09A, L38Z
	21A	W04A, W04B		21A	W04A, W04B		21A	W04A, W04B
	21B	X06A, X06B, X06C		21B	X04Z, X06A, X06B, X06C		21B	X01A, X01B, X01C, X05A, X05B, X07A, X07B
5t893.5↔		BOP, KVT, UOP4	5t89x.7↔		BOP, KVT, UOP4	5t906↔		BOP, KVT, UOP4, VIAL
	08	I12A, I12B, I12C, I27A, I27B, I27C, I27D		08	I12A, I12B, I12C, I27A, I27B, I27C, I27D		05	F13A
	21A	W04A, W04B		21A	W04A, W04B		08	I02A, I02B, I02C, I02D, I22A, I22B, I32A, I32B, I32C, I32D, I32E, I32F, I50Z
	21B	X06A, X06B, X06C		21B	X04Z, X06A, X06B, X06C		11	L09A, L38Z
5t893.6↔		BOP, KVT, UOP4	5t89x.8↔		BOP, KVT, UOP4		21A	W04A, W04B
	08	I12A, I12B, I12C, I27A, I27B, I27C, I27D		08	I12A, I12B, I12C, I27A, I27B, I27C, I27D		21B	X01A, X01B, X01C, X05A, X05B, X07A, X07B
	21A	W04A, W04B		21A	W04A, W04B		21B	X01A, X01B, X01C, X05A, X05B, X07A, X07B
	21B	X04Z, X06A, X06B, X06C		21B	X04Z, X06A, X06B, X06C		11	L09A, L38Z
5t893.7↔		BOP, KVT, UOP4	5t89x.9↔		BOP, KVT, UOP4		21A	W04A, W04B
	08	I12A, I12B, I12C, I27A, I27B, I27C, I27D		08	I12A, I12B, I12C, I27A, I27B, I27C, I27D		21B	X01A, X01B, X01C, X05A, X05B, X07A, X07B
	21A	W04A, W04B		21A	W04A, W04B			
	21B	X04Z, X06A, X06B, X06C		21B	X04Z, X06A, X06B, X06C			

VYK

ZZV	MDC	DRG	ZZV	MDC	DRG	ZZV	MDC	DRG
5t90x↔		BOP, KVT, UOP4	5t920↔		BOP, KVT, UOP4	5t930↔		BOP, KVT, UOP4
	05	F13A		05	F13A, F13C		05	F13A, F13C
	08	I28A, I28B, I32A, I32B, I32C, I32D, I32E, I32F		08	I07Z		08	I07Z
	11	L09A, L38Z		09	J03A, J03B, J04A, J04B, J08A, J08B, J08C, J11A, J11B, J16Z		09	J03A, J03B, J04A, J04B, J08A, J08B, J08C, J11A, J11B, J16Z
	21A	W04A, W04B		11	L09A, L38Z		11	L09A, L38Z
5t910↔		BOP, KVT, UOP4, VIAL	5t921↔		BOP, KVT, UOP4	5t931↔		BOP, KVT, UOP4
	05	F13A		05	F13A, F13C		05	F13A, F13C
	08	I02A, I02B, I02C, I02D, I08A, I08B, I08C, I08D, I08E, I08F, I22A, I50Z		08	I07Z		08	I07Z
	11	L09A, L38Z		09	J03A, J03B, J04A, J04B, J08A, J08B, J08C, J11A, J11B, J16Z		09	J03A, J03B, J04A, J04B, J08A, J08B, J08C, J11A, J11B, J16Z
	21A	W01A, W01B, W01C, W02A, W02B		11	L09A, L38Z		21A	W04A, W04B
5t911↔		BOP, KVT, UOP4, VIAL	5t922↔		BOP, KVT, UOP4	5t932↔		BOP, KVT, UOP4
	05	F13A		05	F13A, F13C		05	F13A, F13C
	08	I02A, I02B, I02C, I02D, I18A, I18B, I22A, I30Z, I50Z		08	I07Z		08	I07Z
	11	L09A, L38Z		09	J03A, J03B, J04A, J04B, J08A, J08B, J08C, J11A, J11B, J16Z		09	J03A, J03B, J04A, J04B, J08A, J08B, J08C, J11A, J11B, J16Z
	21A	W04A, W04B		11	L09A, L38Z		21A	W04A, W04B
5t912↔		BOP, KVT, UOP4, VIAL	5t923↔		BOP, KVT, UOP4	5t933↔		BOP, KVT, UOP4
	05	F13A		05	F13A, F13C		05	F13A, F13C
	08	I02A, I02B, I02C, I02D, I22A, I50Z		08	I07Z		08	I32A, I32B, I32C, I32D, I32E, I32F
	11	L09A, L38Z		09	J03A, J03B, J04A, J04B, J08A, J08B, J08C, J11A, J11B, J16Z		09	J03A, J03B, J04A, J04B, J08A, J08B, J08C, J11A, J11B, J16Z
	21A	W01A, W01B, W01C, W02A, W02B		11	L09A, L38Z		21A	W04A, W04B
5t913↔		BOP, KVT, UOP4, VIAL	5t924↔		BOP, KVT, UOP4	5t934↔		BOP, KVT, UOP4
	05	F13A		05	F13A, F13C		05	F13A, F13C
	08	I02A, I02B, I02C, I02D, I20A, I20B, I20C, I20D, I22A, I50Z		08	I07Z		08	I32A, I32B, I32C, I32D, I32E, I32F
	11	L09A, L38Z		09	J03A, J03B, J04A, J04B, J08A, J08B, J08C, J11A, J11B, J16Z		09	J03A, J03B, J04A, J04B, J08A, J08B, J08C, J11A, J11B, J16Z
	21A	W04A, W04B		11	L09A, L38Z		21A	W04A, W04B
5t914↔		BOP, KVT, UOP4, VIAL	5t92x↔		BOP, KVT, UOP4	5t935↔		BOP, KVT, UOP4
	05	F13A		05	F13A, F13C		05	F13A, F13C
	08	I02A, I02B, I02C, I02D, I20A, I20B, I20C, I20D, I22A, I50Z		08	I07Z		08	I32A, I32B, I32C, I32D, I32E, I32F
	11	L09A, L38Z		09	J03A, J03B, J04A, J04B, J08A, J08B, J08C, J11A, J11B, J16Z		09	J03A, J03B, J04A, J04B, J08A, J08B, J08C, J11A, J11B, J16Z
	21A	W04A, W04B		11	L09A, L38Z		21A	W04A, W04B
5t915↔		BOP, KVT, UOP4, VIAL	5t91x↔		BOP, KVT, UOP4			
	05	F13A		05	F13A		05	F13A
	08	I02A, I02B, I02C, I02D, I20A, I20B, I20C, I20D, I22A, I22B, I50Z		08	I02A, I02B, I02C, I02D, I22A, I22B, I50Z		08	I02A, I02B, I02C, I02D, I22A, I22B, I50Z
	11	L09A, L38Z		11	L09A, L38Z		11	L09A, L38Z
	21A	W04A, W04B		21A	W04A, W04B		21A	W04A, W04B
5t91x↔		BOP, KVT, UOP4						
	05	F13A						
	08	I02A, I02B, I02C, I02D, I22A, I22B, I28A, I28B, I50Z						
	11	L09A, L38Z						
	21A	W04A, W04B						



ZZV	MDC	DRG	ZZV	MDC	DRG	ZZV	MDC	DRG
5t936↔		BOP, KVT, UOP4	5t940↔		BOP, KVT, UOP4	5t945↔		BOP, KVT, UOP4
	05	F13A, F13C		05	F13A, F28A, F28B, F28C		05	F13A, F27A, F27B, F27C, F28A, F28B, F28C
	08	I32A, I32B, I32C, I32D, I32E, I32F		08	I07Z, I37Z		08	I07Z
	09	J03A, J03B, J04A, J04B, J08A, J08B, J08C, J11A, J11B, J16Z		09	J03A, J03B, J04A, J04B, J08A, J08B, J08C, J11A, J11B, J16Z		09	J03A, J03B, J04A, J04B, J08A, J08B, J08C, J11A, J11B, J16Z
	21A	W04A, W04B		11	L09A, L38Z		10	K01Z
	21B	X05A, X05B		21A	W01A, W01B, W01C, W02A, W02B		11	L09A, L38Z
	22	Y01Z, Y02A, Y02B, Y03A, Y03B		21B	X04Z		21A	W01A, W01B, W01C, W02A, W02B
5t937↔		BOP, KVT, UOP4	5t941↔		BOP, KVT, UOP4	5t946↔		BOP, KVT, UOP4
	05	F13A, F13C		05	F13A, F28A, F28B, F28C		05	F13A, F27A, F27B, F27C, F28A, F28B, F28C
	08	I32A, I32B, I32C, I32D, I32E, I32F		08	I07Z, I37Z		08	I07Z
	09	J03A, J03B, J04A, J04B, J08A, J08B, J08C, J11A, J11B, J16Z		09	J03A, J03B, J04A, J04B, J08A, J08B, J08C, J11A, J11B, J16Z		09	J03A, J03B, J04A, J04B, J08A, J08B, J08C, J11A, J11B, J16Z
	21A	W04A, W04B		11	L09A, L38Z		10	K01Z
	21B	X05A, X05B		21A	W01A, W01B, W01C, W02A, W02B		11	L09A, L38Z
	22	Y01Z, Y02A, Y02B, Y03A, Y03B		21B	X04Z		21A	W01A, W01B, W01C, W02A, W02B
5t938↔		BOP, KVT, UOP4	5t942↔		BOP, KVT, UOP4	5t947↔		BOP, KVT, UOP4
	05	F13A, F13C		05	F13A, F28A, F28B, F28C		05	F13A, F27A, F27B, F27C, F28A, F28B, F28C
	08	I32A, I32B, I32C, I32D, I32E, I32F		08	I07Z		08	I07Z
	09	J03A, J03B, J04A, J04B, J08A, J08B, J08C, J11A, J11B, J16Z		09	J03A, J03B, J04A, J04B, J08A, J08B, J08C, J11A, J11B, J16Z		09	J03A, J03B, J04A, J04B, J08A, J08B, J08C, J11A, J11B, J16Z
	21A	W04A, W04B		11	L09A, L38Z		10	K01Z
	21B	X05A, X05B		21A	W01A, W01B, W01C, W02A, W02B		11	L09A, L38Z
	22	Y01Z, Y02A, Y02B, Y03A, Y03B		21B	X04Z		21A	W04A, W04B
5t939↔		BOP, KVT, UOP4	5t943↔		BOP, KVT, UOP4	5t948↔		BOP, KVT, UOP4
	05	F13A, F13C		05	F13A, F27A, F27B, F27C, F28A, F28B, F28C		05	F13A, F27A, F27B, F27C, F28A, F28B, F28C
	08	I32A, I32B, I32C, I32D, I32E, I32F		08	I07Z		08	I07Z
	09	J03A, J03B, J04A, J04B, J08A, J08B, J08C, J11A, J11B, J16Z		09	J03A, J03B, J04A, J04B, J08A, J08B, J08C, J11A, J11B, J16Z		09	J03A, J03B, J04A, J04B, J08A, J08B, J08C, J11A, J11B, J16Z
	21A	W04A, W04B		10	K01Z		10	K01Z
	21B	X05A, X05B		11	L09A, L38Z		11	L09A, L38Z
	22	Y01Z, Y02A, Y02B, Y03A, Y03B		21A	W01A, W01B, W01C, W02A, W02B		21A	W04A, W04B
5t93a↔		BOP, KVT, UOP4	5t944↔		BOP, KVT, UOP4	5t949↔		BOP, KVT, UOP4
	05	F13A, F13C		05	F13A, F27A, F27B, F27C, F28A, F28B, F28C		05	F13A, F27A, F27B, F27C, F28A, F28B, F28C
	08	I07Z		08	I07Z		08	I07Z
	09	J03A, J03B, J04A, J04B, J08A, J08B, J08C, J11A, J11B, J16Z		09	J03A, J03B, J04A, J04B, J08A, J08B, J08C, J11A, J11B, J16Z		09	J03A, J03B, J04A, J04B, J08A, J08B, J08C, J11A, J11B, J16Z
	21A	W04A, W04B		10	K01Z		10	K01Z
	21B	X05A, X05B		11	L09A, L38Z		11	L09A, L38Z
	22	Y01Z, Y02A, Y02B, Y03A, Y03B		21A	W01A, W01B, W01C, W02A, W02B		21A	W04A, W04B
5t93x↔		BOP, KVT, UOP4	5t945↔		BOP, KVT, UOP4	5t946↔		BOP, KVT, UOP4
	05	F13A, F13C		05	F13A, F27A, F27B, F27C, F28A, F28B, F28C		05	F13A, F27A, F27B, F27C, F28A, F28B, F28C
	08	I32A, I32B, I32C, I32D, I32E, I32F		08	I07Z		08	I07Z
	09	J03A, J03B, J04A, J04B, J08A, J08B, J08C, J11A, J11B, J16Z		09	J03A, J03B, J04A, J04B, J08A, J08B, J08C, J11A, J11B, J16Z		09	J03A, J03B, J04A, J04B, J08A, J08B, J08C, J11A, J11B, J16Z
	21A	W04A, W04B		10	K01Z		10	K01Z
	21B	X05A, X05B		11	L09A, L38Z		11	L09A, L38Z
	22	Y01Z, Y02A, Y02B, Y03A, Y03B		21A	W01A, W01B, W01C, W02A, W02B		21A	W04A, W04B

VYK

ZZV	MDC	DRG	ZZV	MDC	DRG	ZZV	MDC	DRG			
5t94a↔		BOP, KVT, UOP4	5t953↔		BOP, KVT, UOP4	5t958↔		BOP, KVT, UOP4			
	05	F13A, F27A, F27B, F27C, F28A, F28B, F28C		05	F13A, F27A, F27B, F27C, F28A, F28B, F28C		05	F13A, F13C, F27A, F27B, F27C			
	08	I07Z		08	I07Z		08	I20A, I20B, I20C, I20D, I20E, I20F			
	09	J03A, J03B, J04A, J04B, J08A, J08B, J08C, J11A, J11B, J16Z		09	J03A, J03B, J04A, J04B, J08A, J08B, J08C, J11A, J11B, J16Z		09	J03A, J03B, J04A, J04B, J08A, J08B, J08C, J11A, J11B, J16Z			
	10	K01Z		10	K01Z		10	K01Z			
	11	L09A, L38Z		21A	W04A, W04B		21A	W04A, W04B			
	21A	W04A, W04B		21B	X04Z		21B	X04Z			
	21B	X04Z		22	Y01Z, Y02A, Y02B, Y03A, Y03B		21B	X04Z			
	22	Y01Z, Y02A, Y02B, Y03A, Y03B		5t954↔			BOP, KVT, UOP4	22	Y01Z, Y02A, Y02B, Y03A, Y03B		
	5t94x↔			BOP, KVT, UOP4			05	F13A, F27A, F27B, F27C, F28A, F28B, F28C	5t95x↔		BOP, KVT, UOP4
		05		F13A, F27A, F27B, F27C, F28A, F28B, F28C	05		F13A, F27A, F27B, F27C, F28A, F28B, F28C	05		F13A, F13C, F27A, F27B, F27C	
		08		I07Z	08		I07Z	08		I20A, I20B, I20C, I20D, I20E, I20F	
09		J03A, J03B, J04A, J04B, J08A, J08B, J08C, J11A, J11B, J16Z	09	J03A, J03B, J04A, J04B, J08A, J08B, J08C, J11A, J11B, J16Z	09	J03A, J03B, J04A, J04B, J08A, J08B, J08C, J11A, J11B, J16Z					
10		K01Z	10	K01Z	10	K01Z					
21A		W04A, W04B	21A	W04A, W04B	21A	W04A, W04B					
21B		X04Z	21B	X04Z	21B	X04Z					
22		Y01Z, Y02A, Y02B, Y03A, Y03B	22	Y01Z, Y02A, Y02B, Y03A, Y03B	22	Y01Z, Y02A, Y02B, Y03A, Y03B					
5t950↔			BOP, KVT, UOP4	5t955↔		BOP, KVT, UOP4	5t960↔			BOP, KVT, UOP4	
		05	F13A, F27A, F27B, F27C, F28A, F28B, F28C		05	F13A, F27A, F27B, F27C, F28A, F28B, F28C		05		F13A, F13C, F27A, F27B, F27C	
		08	I07Z		08	I07Z		08		I14Z	
		09	J03A, J03B, J04A, J04B, J08A, J08B, J08C, J11A, J11B, J16Z		09	J03A, J03B, J04A, J04B, J08A, J08B, J08C, J11A, J11B, J16Z		09		J03A, J03B, J04A, J04B, J08A, J08B, J08C, J11A, J11B, J16Z	
	10	K01Z	10		K01Z	10		K01Z			
	21A	W04A, W04B	21A		W04A, W04B	21A		W04A, W04B			
	21B	X04Z	21B		X04Z	21B		X06A, X06B, X06C			
	22	Y01Z, Y02A, Y02B, Y03A, Y03B	22		Y01Z, Y02A, Y02B, Y03A, Y03B	22		Y01Z, Y03A, Y03B			
	5t951↔		BOP, KVT, UOP4		5t956↔			BOP, KVT, UOP4	5t961↔		BOP, KVT, UOP4
		05	F13A, F27A, F27B, F27C, F28A, F28B, F28C			05		F13A, F27A, F27B, F27C, F28A, F28B, F28C		05	F13A, F13C, F27A, F27B, F27C
		08	I07Z			08		I07Z		08	I14Z
		09	J03A, J03B, J04A, J04B, J08A, J08B, J08C, J11A, J11B, J16Z			09		J03A, J03B, J04A, J04B, J08A, J08B, J08C, J11A, J11B, J16Z		09	J03A, J03B, J04A, J04B, J08A, J08B, J08C, J11A, J11B, J16Z
10		K01Z	10	K01Z		10	K01Z				
21A		W04A, W04B	21A	W04A, W04B		21A	W04A, W04B				
21B		X04Z	21B	X04Z		21B	X05A, X05B, X06A, X06B, X06C				
22		Y01Z, Y02A, Y02B, Y03A, Y03B	22	Y01Z, Y02A, Y02B, Y03A, Y03B		22	Y01Z, Y03A, Y03B				
5t952↔			BOP, KVT, UOP4	5t957↔			BOP, KVT, UOP4	5t962↔			BOP, KVT, UOP4
		05	F13A, F27A, F27B, F27C, F28A, F28B, F28C			05	F13A, F13C, F27A, F27B, F27C			05	F13A, F13C, F27A, F27B, F27C
		08	I07Z			08	I20A, I20B, I20C, I20D, I20E, I20F			08	I14Z
		09	J03A, J03B, J04A, J04B, J08A, J08B, J08C, J11A, J11B, J16Z			09	J03A, J03B, J04A, J04B, J08A, J08B, J08C, J11A, J11B, J16Z			09	J03A, J03B, J04A, J04B, J08A, J08B, J08C, J11A, J11B, J16Z
	10	K01Z	10		K01Z	10	K01Z				
	21A	W04A, W04B	21A		W04A, W04B	21A	W04A, W04B				
	21B	X04Z	21B		X04Z	21B	X05A, X05B				
	22	Y01Z, Y02A, Y02B, Y03A, Y03B	22		Y01Z, Y02A, Y02B, Y03A, Y03B	22	Y01Z, Y03A, Y03B				

VYK

ZZV	MDC	DRG	ZZV	MDC	DRG	ZZV	MDC	DRG	
5t963↔		BOP, KVT, UOP4	5t991	01	B03A, B03B, B06A, B06B, B07Z, B17A, B17B, B17C	5t994.6↔	01	B03A, B03B, B06A, B06B, B07Z, B17A, B17B, B17C	
	05	F13A, F13C, F27A, F27B, F27C		03	D12A		08	I32A, I32B, I32C, I32D, I32E, I32F	
	08	I14Z		04	E02A, E02B, E02C		09	J03A, J03B, J04A, J04B, J08A, J08B, J08C, J10A, J10B, J16Z	
	09	J03A, J03B, J04A, J04B, J08A, J08B, J08C, J11A, J11B, J16Z		05	F21A, F21B, F21C, F27A, F27B, F27C		21A	W04A, W04B	
	10	K01Z		06	G10Z, G12A, G12B		21B	X05A, X05B	
	21A	W04A, W04B		07	H06A, H06B, H06C		5t995.2↔	BOP, KVT, UOP4	
	21B	X04Z, X06A, X06B, X06C		08	I28A, I28B			08	I20A, I20B, I20C
	22	Y01Z, Y03A, Y03B		09	J03A, J03B, J04A, J04B, J08A, J08B, J08C, J16Z, J21Z, J22A, J22B		21A	W04A, W04B	
	5t964↔			BOP, KVT, UOP4	10		K01Z	21B	X04Z, X06A, X06B, X06C
		05		F13A, F13C, F27A, F27B, F27C	11		L09A, L09B, L09C, L09D, L38Z	5t995.3↔	BOP, KVT, UOP4
		08		I14Z	13		N11A, N11B		08
		09		J03A, J03B, J04A, J04B, J08A, J08B, J08C, J11A, J11B, J16Z	21A		W04A, W04B	21A	W04A, W04B
10		K01Z	21B	X06A, X06B, X06C	21B	X04Z, X06A, X06B, X06C			
21A		W04A, W04B	5t992	BOP, KVT, UOP4	5t995.4↔	BOP, KVT, UOP4			
21B		X04Z, X06A, X06B, X06C		08		I28A, I28B	08	I20A, I20B, I20C	
22		Y01Z, Y03A, Y03B	21A	W04A, W04B	21A	W04A, W04B			
5t965↔			BOP, KVT, UOP4	21B	X04Z, X05A, X05B, X06A, X06B, X06C	5t995.5↔	BOP, KVT, UOP4		
		05	F13A, F13C, F27A, F27B, F27C	5t993	BOP, KVT, UOP4		08	I20A, I20B, I20C	
		08	I14Z		08	I28A, I28B	21A	W04A, W04B	
		09	J03A, J03B, J04A, J04B, J08A, J08B, J08C, J11A, J11B, J16Z	11	L09A, L38Z	5t995.6↔	BOP, KVT, UOP4		
	10	K01Z	21A	W04A, W04B	08		I20A, I20B, I20C		
	21A	W04A, W04B	21B	X04Z, X05A, X05B, X06A, X06B, X06C	21A	W04A, W04B			
	21B	X04Z, X06A, X06B, X06C	5t994.2↔	BOP, KVT, UOP4, VIAL	5u110.0↔	BOP, KVT, UOP4			
	22	Y01Z, Y03A, Y03B		01		B03A, B03B, B06A, B06B, B07Z, B17A, B17B, B17C	09	J03A, J03B, J04A, J04B, J06Z, J07A, J07B, J08A, J08B, J08C, J16Z, J24A, J24B, J24C, J24D, J25Z	
	5t96x		BOP, KVT, UOP4	08	I32A, I32B, I32C, I32D, I32E, I32F	5u110.1↔	BOP, KVT, UOP4		
		05	F13A, F13C, F27A, F27B, F27C	09	J03A, J03B, J04A, J04B, J08A, J08B, J08C, J10A, J10B, J16Z		09	J03A, J03B, J04A, J04B, J06Z, J07A, J07B, J08A, J08B, J08C, J16Z, J24A, J24B, J24C, J24D, J25Z	
		08	I14Z	21A	W04A, W04B	5u111↔	BOP, KVT, UOP4		
		09	J03A, J03B, J04A, J04B, J08A, J08B, J08C, J11A, J11B, J16Z	21B	X05A, X05B		09	J03A, J03B, J04A, J04B, J06Z, J07A, J07B, J08A, J08B, J08C, J16Z, J24A, J24B, J24C, J24D, J25Z	
10		K01Z	5t994.3↔	BOP, KVT, UOP4, VIAL	5u112↔	BOP, KVT, UOP4			
21A		W04A, W04B		01		B03A, B03B, B06A, B06B, B07Z, B17A, B17B, B17C	10	K09A, K09B	
21B		X06A, X06B, X06C	08	I32A, I32B, I32C, I32D, I32E, I32F	16	Q03A, Q03B			
22		Y01Z, Y03A, Y03B	09	J03A, J03B, J04A, J04B, J08A, J08B, J08C, J10A, J10B, J16Z	21A	W04A, W04B			
5t970↔			BOP, KVT, UOP4	21A	W04A, W04B	5u111↔	X06A, X06B, X06C		
		08	I20A, I20B, I20C, I20D	21B	X05A, X05B		BOP, KVT, UOP4		
		21A	W04A, W04B	5t994.4↔	BOP, KVT, UOP4, VIAL	5u111↔	BOP, KVT, UOP4		
		21B	X04Z, X06A, X06B, X06C		01		B03A, B03B, B06A, B06B, B07Z, B17A, B17B, B17C	09	J03A, J03B, J04A, J04B, J06Z, J07A, J07B, J08A, J08B, J08C, J16Z, J24A, J24B, J24C, J24D, J25Z
	5t971		BOP, KVT, UOP4	08	I32A, I32B, I32C, I32D, I32E, I32F	5u111↔	BOP, KVT, UOP4		
		08	I28A, I28B	09	J03A, J03B, J04A, J04B, J08A, J08B, J08C, J10A, J10B, J16Z		10	K09A, K09B	
	Pre	A22Z	5t994.4↔	BOP, KVT, UOP4, VIAL	5u112↔	16	Q03A, Q03B		
	5t97x			BOP, KVT, UOP4		01	B03A, B03B, B06A, B06B, B07Z, B17A, B17B, B17C	21A	W04A, W04B
		08	I28A, I28B	08	I32A, I32B, I32C, I32D, I32E, I32F	21B	X06A, X06B, X06C		
	5t990		BOP, KVT, UOP4	09	J03A, J03B, J04A, J04B, J08A, J08B, J08C, J10A, J10B, J16Z	5u112↔	BOP, KVT, UOP4		
		08	I08A, I08B, I08C, I08D, I08E, I08F	21A	W04A, W04B		09	J03A, J03B, J04A, J04B, J06Z, J07A, J07B, J08A, J08B, J08C, J16Z, J24A, J24B, J24C, J24D, J25Z	
		11	L09A, L38Z	21B	X05A, X05B		10	K09A, K09B	
21A		W01A, W01B, W01C, W02A, W02B	5t994.5↔	BOP, KVT, UOP4, VIAL	21A		W04A, W04B		
21B	X04Z	01		B03A, B03B, B06A, B06B, B07Z, B17A, B17B, B17C	21B	X06A, X06B, X06C			
			08	I32A, I32B, I32C, I32D, I32E, I32F					
			09	J03A, J03B, J04A, J04B, J08A, J08B, J08C, J10A, J10B, J16Z					
			21A	W04A, W04B					
			21B	X05A, X05B					

VYK

ZZV	MDC	DRG	ZZV	MDC	DRG	ZZV	MDC	DRG
5u113↔		BOP, KVT, UOP4	5u123.02		BOP, KVT, UOP4	5u210.1↔		BOP, KVT, UOP4
	09	J03A, J03B, J04A, J04B, J06Z, J07A, J07B, J08A, J08B, J08C, J16Z, J24A, J24B, J24C, J24D, J25Z		09	J03A, J03B, J04A, J04B, J06Z, J08A, J08B, J08C, J14A, J16Z, J23Z, J24A, J24B, J24C, J26Z		09	J03A, J03B, J04A, J04B, J06Z, J08A, J08B, J08C, J16Z, J23Z, J24A, J24B, J24C, J26Z
	21A	W04A, W04B		11	L09A, L38Z		11	L09A, L38Z
5u114↔	21B	X06A, X06B, X06C	5u123.1	21A	W04A, W04B	5u210.2↔	19	U01Z
		BOP, KVT, UOP4		21B	X06A, X06B, X06C		21A	W04A, W04B
	09	J03A, J03B, J04A, J04B, J06Z, J07A, J07B, J08A, J08B, J08C, J16Z, J24A, J24B, J24C, J24D, J25Z			BOP, KVT, UOP4		21B	X06A, X06B
5u115.0↔	10	K09A, K09B	5u123.2	03	D12A	5u210.3↔		BOP, KVT, UOP4
	21A	W04A, W04B		04	E02A, E02B, E02C		09	J03A, J03B, J04A, J04B, J06Z, J08A, J08B, J08C, J16Z, J23Z, J24A, J24B, J24C, J26Z
	21B	X06A, X06B, X06C		06	G10Z, G12A, G12B		11	L09A, L38Z
5u115.1↔	10	K07Z	5u123.x	08	I28A, I28B	5u210.4↔	19	U01Z
	21A	W04A, W04B		09	J03A, J03B, J04A, J04B, J08A, J08B, J08C, J11A, J11B, J16Z, J21Z, J23Z, J24A, J24B, J24C, J24D, J26Z		21A	W04A, W04B
	21B	X06A, X06B, X06C		10	K09A, K09B		21B	X06A, X06B
5u121↔		BOP, KVT, UOP4	5u124.0	13	N11A	5u210.7↔		BOP, KVT, UOP4
	09	J03A, J03B, J04A, J04B, J08A, J08B, J08C, J16Z, J23Z, J24A, J24B, J24C, J24D, J26Z		14	962Z, O02A, O02B		09	J03A, J03B, J04A, J04B, J06Z, J08A, J08B, J08C, J16Z, J23Z, J24A, J24B, J24C, J26Z
	10	K07Z		16	Q03A, Q03B		10	K07Z
5u122	21A	W04A, W04B	5u124.1		BOP, KVT, UOP4	5u211.1↔	21A	W04A, W04B
	21B	X06A, X06B, X06C		09	J03A, J03B, J04A, J04B, J06Z, J08A, J08B, J08C, J16Z, J23Z, J24A, J24B, J24C, J26Z		21B	X06A, X06B
		BOP, KVT, UOP4		11	L09A, L38Z		09	J03A, J03B, J04A, J04B, J07A, J07B, J08A, J08B, J08C, J16Z, J24A, J24B, J24C, J25Z
5u123.01	03	D12A	5u191↔	21A	W04A, W04B	5u211.2↔	21A	W04A, W04B
	04	E02A, E02B, E02C		21B	X06A, X06B, X06C		21B	X06A, X06B
	06	G10Z, G12A, G12B			BOP, KVT, UOP4		09	J03A, J03B, J04A, J04B, J08A, J08B, J08C, J16Z, J23Z, J24A, J24B, J24C, J26Z
5u123.02	08	I28A, I28B	5u124.1	09	J03A, J03B, J04A, J04B, J06Z, J08A, J08B, J08C, J16Z, J23Z, J24A, J24B, J24C, J24D, J26Z	5u211.3↔		BOP, KVT, UOP4
	09	J03A, J03B, J04A, J04B, J08A, J08B, J08C, J11A, J11B, J16Z, J21Z, J23Z, J24A, J24B, J24C, J24D, J26Z		11	L09A, L38Z		09	J03A, J03B, J04A, J04B, J08A, J08B, J08C, J14A, J14B, J16Z, J23Z, J24A, J24B, J24C, J26Z
	10	K09A, K09B		21A	W04A, W04B		11	L09A, L38Z
5u123.03	11	L09A, L09B, L09C, L09D, L38Z	5u124.1	21B	X06A, X06B, X06C	5u211.3↔	19	U01Z
	13	N11A			BOP, KVT, UOP4		21A	W04A, W04B
	14	962Z, O02A, O02B		09	J03A, J03B, J04A, J04B, J07A, J07B, J08A, J08B, J08C, J16Z, J24A, J24B, J24C, J24D, J25Z		21B	X06A, X06B
5u123.04	16	Q03A, Q03B	5u124.1	11	L09A, L38Z	5u211.3↔		BOP, KVT, UOP4
		BOP, KVT, UOP4		21A	W04A, W04B		09	J03A, J03B, J04A, J04B, J08A, J08B, J08C, J14A, J14B, J16Z, J23Z, J24A, J24B, J24C, J26Z
	09	J03A, J03B, J04A, J04B, J06Z, J08A, J08B, J08C, J14A, J16Z, J23Z, J24A, J24B, J24C, J26Z		21B	X06A, X06B, X06C		11	L09A, L38Z
5u123.05	21A	W04A, W04B	5u124.1	21A	W04A, W04B	5u211.3↔	19	U01Z
	21B	X06A, X06B, X06C		21B	X06A, X06B, X06C		21A	W04A, W04B
		BOP, KVT, UOP4			BOP, KVT, UOP4		21B	X06A, X06B

VYK

ZZV	MDC	DRG	ZZV	MDC	DRG	ZZV	MDC	DRG
5u211.4↔		BOP, KVT, UOP4	5u213.3↔		BOP, KVT, UOP4	5u217.1↔		BOP, KVT, UOP4
	09	J03A, J03B, J04A, J04B, J08A, J08B, J08C, J14A, J14B, J16Z, J23Z, J24A, J24B, J24C, J26Z		09	J14A, J26Z		09	J03A, J03B, J04A, J04B, J06Z, J07A, J07B, J08A, J08B, J08C, J16Z, J24A, J24B, J24C, J25Z
	11	L09A, L38Z		11	L09A, L38Z		21A	W04A, W04B
	19	U01Z		19	U01Z		21B	X06A, X06B
	21A	W04A, W04B		21A	W04A, W04B			
	21B	X06A, X06B		21B	X06A, X06B			
5u211.5↔		BOP, KVT, UOP4	5u213.4↔		BOP, KVT, UOP4	5u220.1↔		BOP, KVT, UOP4
	09	J03A, J03B, J04A, J04B, J08A, J08B, J08C, J14A, J14B, J16Z, J23Z, J24A, J24B, J24C, J26Z		09	J03A, J03B, J04A, J04B, J08A, J08B, J08C, J14A, J14B, J16Z, J23Z, J24A, J24B, J24C, J26Z		09	J03A, J03B, J04A, J04B, J08A, J08B, J08C, J16Z, J23Z, J24A, J24B, J24C, J26Z
	11	L09A, L38Z		11	L09A, L38Z		21A	W04A, W04B
	19	U01Z		19	U01Z		21B	X06A, X06B
	21A	W04A, W04B		21A	W04A, W04B			
	21B	X06A, X06B		21B	X06A, X06B			
5u211.7↔		BOP, KVT, UOP4	5u213.5↔		BOP, KVT, UOP4	5u220.2↔		BOP, KVT, UOP4
	09	J01Z, J02A, J02B, J14A		09	J03A, J03B, J04A, J04B, J08A, J08B, J08C, J14A, J14B, J16Z, J23Z, J24A, J24B, J24C, J26Z		09	J03A, J03B, J04A, J04B, J08A, J08B, J08C, J16Z, J23Z, J24A, J24B, J24C, J26Z
	11	L09A, L38Z		11	L09A, L38Z		21A	W04A, W04B
	19	U01Z		19	U01Z		21B	X06A, X06B
	21A	W04A, W04B		21A	W04A, W04B			
	21B	X06A, X06B		21B	X06A, X06B			
5u211.x↔		BOP, KVT, UOP4	5u214.1↔		BOP, KVT, UOP4	5u220.3↔		BOP, KVT, UOP4
	09	J03A, J03B, J04A, J04B, J08A, J08B, J08C, J14A, J14B, J16Z, J23Z, J24A, J24B, J24C, J26Z		09	J03A, J03B, J04A, J04B, J06Z, J08A, J08B, J08C, J16Z, J23Z, J24A, J24B, J24C, J26Z		09	J03A, J03B, J04A, J04B, J08A, J08B, J08C, J16Z, J23Z, J24A, J24B, J24C, J26Z
	11	L09A, L38Z		10	K07Z		21A	W04A, W04B
	19	U01Z		21A	W04A, W04B		21B	X06A, X06B
	21A	W04A, W04B		21B	X06A, X06B			
	21B	X06A, X06B		21B	X06A, X06B			
5u212.1↔		BOP, KVT, UOP4	5u214.2↔		BOP, KVT, UOP4	5u221.0↔		BOP, KVT, UOP4
	09	J01Z, J02A, J02B, J14A		09	J03A, J03B, J04A, J04B, J06Z, J08A, J08B, J08C, J16Z, J23Z, J24A, J24B, J24C, J26Z		09	J03A, J03B, J04A, J04B, J08A, J08B, J08C, J16Z, J23Z, J24A, J24B, J24C, J26Z
	11	L09A, L38Z		10	K07Z		21A	W04A, W04B
	19	U01Z		11	L09A, L38Z		21B	X06A, X06B
	21A	W04A, W04B		21A	W04A, W04B			
	21B	X06A, X06B		21B	X06A, X06B			
5u212.2↔		BOP, KVT, UOP4	5u215↔		BOP, KVT, UOP4	5u221.1↔		BOP, KVT, UOP4
	09	J03A, J03B, J04A, J04B, J08A, J08B, J08C, J14A, J14B, J16Z, J23Z, J24A, J24B, J24C, J26Z		09	J03A, J03B, J04A, J04B, J08A, J08B, J08C, J16Z, J23Z, J24A, J24B, J24C, J26Z		09	J03A, J03B, J04A, J04B, J08A, J08B, J08C, J16Z, J23Z, J24A, J24B, J24C, J26Z
	19	U01Z		10	K07Z		21A	W04A, W04B
	21A	W04A, W04B		11	L09A, L38Z		21B	X06A, X06B
	21B	X06A, X06B		21A	W04A, W04B			
				21B	X06A, X06B			
5u213.1↔		BOP, KVT, UOP4	5u216.1↔		BOP, KVT, UOP4	5u222.0↔		BOP, KVT, UOP4
	09	J03A, J03B, J04A, J04B, J08A, J08B, J08C, J14A, J14B, J16Z, J23Z, J24A, J24B, J24C, J26Z		09	J03A, J03B, J04A, J04B, J06Z, J08A, J08B, J08C, J16Z, J23Z, J24A, J24B, J24C, J26Z		09	J03A, J03B, J04A, J04B, J07A, J07B, J08A, J08B, J08C, J16Z, J24A, J24B, J24C, J24D, J25Z
	11	L09A, L38Z		11	L09A, L38Z		10	K09A, K09B
	19	U01Z		19	U01Z		21A	W04A, W04B
	21A	W04A, W04B		21A	W04A, W04B		21B	X06A, X06B
	21B	X06A, X06B		21B	X06A, X06B			
5u213.2↔		BOP, KVT, UOP4	5u216.7		BOP, KVT, UOP4	5u222.1↔		BOP, KVT, UOP4
	09	J03A, J03B, J04A, J04B, J08A, J08B, J08C, J14A, J14B, J16Z, J23Z, J24A, J24B, J24C, J26Z		09	J01Z, J02A, J02B, J14A		09	J03A, J03B, J04A, J04B, J07A, J07B, J08A, J08B, J08C, J16Z, J24A, J24B, J24C, J24D, J25Z
	11	L09A, L38Z		11	L09A, L38Z		10	K09A, K09B
	19	U01Z		19	U01Z		21A	W04A, W04B
	21A	W04A, W04B		21A	W04A, W04B		21B	X06A, X06B
	21B	X06A, X06B		21B	X06A, X06B			
5u217.0↔		BOP, KVT, UOP4	5u217.0↔		BOP, KVT, UOP4	5u222.2↔		BOP, KVT, UOP4
	09	J03A, J03B, J04A, J04B, J06Z, J07A, J07B, J08A, J08B, J08C, J16Z, J24A, J24B, J24C, J25Z		09	J03A, J03B, J04A, J04B, J06Z, J07A, J07B, J08A, J08B, J08C, J16Z, J24A, J24B, J24C, J25Z		09	J03A, J03B, J04A, J04B, J08A, J08B, J08C, J16Z, J23Z, J24A, J24B, J24C, J26Z
	21A	W04A, W04B		21A	W04A, W04B		21A	W04A, W04B
	21B	X06A, X06B		21B	X06A, X06B		21B	X06A, X06B

ZZV	MDC	DRG	ZZV	MDC	DRG	ZZV	MDC	DRG
5u222.3↔		BOP, KVT, UOP4	5u921↔		BOP, KVT, UOP4	5v131.0	03	D08A, D08B, D18Z, D22A, D22B, D30A, D30B
	09	J03A, J03B, J04A, J04B, J08A, J08B, J08C, J16Z, J23Z, J24A, J24B, J24C, J26Z		09	J03A, J03B, J04A, J04B, J07A, J07B, J08A, J08B, J08C, J16Z, J24A, J24B, J24C, J24D, J25Z		05	F13A
	21A	W04A, W04B		19	U01Z		09	J03A, J03B, J04A, J04B, J08A, J08B, J08C, J11A, J11B, J11C, J16Z
5u222.4↔	21B	X06A, X06B	5u922↔	21A	W04A, W04B	5v131.4‡	02	C14Z
		BOP, KVT, UOP4		21B	X06A, X06B	09	J11A, J11B, J11C	
	09	J03A, J03B, J04A, J04B, J08A, J08B, J08C, J16Z, J23Z, J24A, J24B, J24C, J26Z		09	BOP, KVT, UOP4	5v131.5‡	09	J11A, J11B, J11C
5u222.5↔	21A	W04A, W04B	5u923↔	09	J03A, J03B, J04A, J04B, J07A, J07B, J08A, J08B, J08C, J16Z, J24A, J24B, J24C, J24D, J25Z	5v131.6‡↔	09	J11A, J11B, J11C
	21B	X06A, X06B		19	U01Z	5v131.7‡↔	09	J11A, J11B, J11C
	09	BOP, KVT, UOP4		21A	W04A, W04B	5v131.8‡↔	09	J11A, J11B, J11C
5u222.6↔	09	J03A, J03B, J04A, J04B, J08A, J08B, J08C, J16Z, J23Z, J24A, J24B, J24C, J26Z	5v110‡	21B	X06A, X06B	5v131.9‡↔	09	J11A, J11B, J11C
	21A	W04A, W04B		03	D40Z	5v131.a‡	09	J11A, J11B, J11C
	21B	X06A, X06B		02	C14Z	5v131.b‡	09	J11A, J11B, J11C
5u223.1↔	09	BOP, KVT, UOP4	5v111.4‡	02	C14Z	5v131.c‡	09	J11A, J11B, J11C
	09	J03A, J03B, J04A, J04B, J08A, J08B, J08C, J16Z, J23Z, J24A, J24B, J24C, J26Z	5v112.4‡	02	C14Z	5v131.d‡	09	J11A, J11B, J11C
	21A	W04A, W04B	5v113.0‡	09	J11A, J11B	5v131.e‡↔	09	J11A, J11B, J11C
5u223.2↔	21B	X06A, X06B	5v113.4‡	02	C14Z	5v131.f‡↔	09	J11A, J11B, J11C
	09	BOP, KVT, UOP4	09	J11A, J11B	5v132.4‡	02	C14Z	
	09	J03A, J03B, J04A, J04B, J08A, J08B, J08C, J16Z, J23Z, J24A, J24B, J24C, J26Z	5v113.5‡	09	J11A, J11B	5v132.6‡↔	09	J11A, J11B, J11C
5u224↔	21A	W04A, W04B	5v113.6‡↔	09	J11A, J11B, J11C	5v132.c‡	09	J11A, J11B, J11C
	21B	X06A, X06B	5v113.7‡↔	09	J11A, J11B	5v132.x‡	09	J11A, J11B
	09	BOP, KVT, UOP4	5v113.8‡↔	09	J11A, J11B	5v13x.x‡	09	J11A, J11B
5u230.1↔	09	J03A, J03B, J04A, J04B, J08A, J08B, J08C, J16Z, J23Z, J24A, J24B, J24C, J26Z	5v113.9‡↔	09	J11A, J11B	5v140.0	03	BOP, KVT, UOP4 D08A, D08B, D18Z, D22A, D22B, D30A, D30B
	21A	W04A, W04B	5v113.a‡	09	J11A, J11B, J11C	05	F13A	
	21B	X06A, X06B	5v113.b‡	09	J11A, J11B	09	J03A, J03B, J04A, J04B, J08A, J08B, J08C, J11A, J11B, J11C, J16Z	
5u230.2↔	09	BOP, KVT, UOP4	5v113.c‡	09	J11A, J11B	5v140.4‡	02	C20A, C20B
	09	J03A, J03B, J04A, J04B, J07A, J07B, J08A, J08B, J08C, J16Z, J24A, J24B, J24C, J24D, J25Z	5v113.d‡	09	J11A, J11B, J11C		09	J11A, J11B, J11C
	19	U01Z	5v113.e‡↔	09	J11A, J11B		5v140.5‡	09
5u230.1↔	21A	W04A, W04B	5v113.f‡↔	09	J11A, J11B	5v140.6‡↔	09	J11A, J11B, J11C
	21B	X06A, X06B	5v113.g‡↔	09	J11A, J11B	5v140.7‡↔	09	J11A, J11B, J11C
	09	J03A, J03B, J04A, J04B, J07A, J07B, J08A, J08B, J08C, J16Z, J24A, J24B, J24C, J24D, J25Z	5v114.4‡	02	C14Z	5v140.8‡↔	09	J11A, J11B, J11C
5u230.2↔	09	BOP, KVT, UOP4	5v130.0	03	D08A, D08B, D18Z, D22A, D22B, D30A, D30B	5v140.9‡↔	09	J11A, J11B, J11C
	09	J03A, J03B, J04A, J04B, J07A, J07B, J08A, J08B, J08C, J16Z, J24A, J24B, J24C, J24D, J25Z	05	F13A	5v140.a‡	09	J11A, J11B, J11C	
	19	U01Z	09	J03A, J03B, J04A, J04B, J08A, J08B, J08C, J11A, J11B, J11C, J16Z	5v140.b‡	09	J11A, J11B, J11C	
5u230.1↔	21A	W04A, W04B	5v130.4‡	02	C14Z	5v140.c‡	09	J11A, J11B, J11C
	21B	X06A, X06B	09	J11A, J11B, J11C	5v140.d‡	09	J11A, J11B, J11C	
	09	BOP, KVT, UOP4	5v130.5‡	09	J11A, J11B, J11C	5v140.e‡↔	09	J11A, J11B, J11C
5u230.2↔	09	J03A, J03B, J04A, J04B, J07A, J07B, J08A, J08B, J08C, J16Z, J24A, J24B, J24C, J24D, J25Z	5v130.6‡↔	09	J11A, J11B, J11C	5v140.f‡↔	09	J11A, J11B, J11C
	19	U01Z	5v130.7‡↔	09	J11A, J11B, J11C	5v140.g‡↔	09	J11A, J11B, J11C
	21A	W04A, W04B	5v130.8‡↔	09	J11A, J11B, J11C	5v140.x‡	09	J11A, J11B, J11C
5u230.2↔	21B	X06A, X06B	5v130.9‡↔	09	J11A, J11B, J11C	5v141.0	01	BOP, KVT, UOP4 B03A, B03B, B06A, B06B, B07Z, B17A, B17B, B17C
	09	BOP, KVT, UOP4	5v130.a‡	09	J11A, J11B, J11C	03	D12A	
	09	J03A, J03B, J04A, J04B, J07A, J07B, J08A, J08B, J08C, J16Z, J24A, J24B, J24C, J24D, J25Z	5v130.b‡	09	J11A, J11B, J11C	05	F13A, F21A, F21B, F21C	
5u230.2↔	19	U01Z	5v130.c‡	09	J11A, J11B, J11C	09	J03A, J03B, J04A, J04B, J08A, J08B, J08C, J11A, J11B, J11C, J16Z, J21Z	
	21A	W04A, W04B	5v130.d‡	09	J11A, J11B, J11C	10	K09A, K09B	
	21B	X06A, X06B	5v130.e‡↔	09	J11A, J11B, J11C	21A	W04A, W04B	
5u230.2↔	09	BOP, KVT, UOP4	5v130.f‡↔	09	J11A, J11B, J11C	21B	X06A, X06B, X06C	
	09	J03A, J03B, J04A, J04B, J07A, J07B, J08A, J08B, J08C, J16Z, J24A, J24B, J24C, J24D, J25Z	5v130.g‡↔	09	J11A, J11B, J11C	22	Y01Z, Y03A, Y03B	
	19	U01Z	5v130.x‡	09	J11A, J11B, J11C			

VYK

ZZV	MDC	DRG	ZZV	MDC	DRG	ZZV	MDC	DRG					
5v141.4		BOP, KVT, UOP4	5v141.9↔		BOP, KVT, UOP4	5v141.e↔		BOP, KVT, UOP4					
	01	B03A, B03B, B06A, B06B, B07Z, B17A, B17B, B17C		01	B03A, B03B, B06A, B06B, B07Z, B17A, B17B, B17C		01	B03A, B03B, B06A, B06B, B07Z, B17A, B17B, B17C					
	02	C20A, C20B		05	F13A, F21A, F21B, F21C		05	F13A, F21A, F21B, F21C					
	03	D12A		08	I27A, I27B, I27C, I27D		08	I27A, I27B, I27C, I27D					
	05	F13A, F21A, F21B, F21C		09	J03A, J03B, J04A, J04B, J08A, J08B, J08C, J11A, J11B, J11C, J16Z, J21Z		09	J03A, J03B, J04A, J04B, J08A, J08B, J08C, J11A, J11B, J11C, J16Z, J21Z					
	08	I27A, I27B, I27C, I27D		10	K09A, K09B		10	K09A, K09B					
	09	J03A, J03B, J04A, J04B, J08A, J08B, J08C, J11A, J11B, J11C, J16Z, J21Z		21A	W04A, W04B		21A	W04A, W04B					
	10	K09A, K09B		21B	X06A, X06B, X06C		21B	X04Z, X06A, X06B, X06C					
	21A	W04A, W04B		22	Y01Z, Y03A, Y03B		22	Y01Z, Y03A, Y03B					
	21B	X06A, X06B, X06C		5v141.a			BOP, KVT, UOP4	5v141.f↔		BOP, KVT, UOP4			
	22	Y01Z, Y03A, Y03B			01		B03A, B03B, B06A, B06B, B07Z, B17A, B17B, B17C		01	B03A, B03B, B06A, B06B, B07Z, B17A, B17B, B17C			
	5v141.5				BOP, KVT, UOP4		05		F13A, F21A, F21B, F21C	05	F13A, F21A, F21B, F21C		
		01			B03A, B03B, B06A, B06B, B07Z, B17A, B17B, B17C		08		I27A, I27B, I27C, I27D	08	I27A, I27B, I27C, I27D		
		03			D12A		09		J03A, J03B, J04A, J04B, J08A, J08B, J08C, J11A, J11B, J11C, J16Z, J21Z	09	J03A, J03B, J04A, J04B, J08A, J08B, J08C, J11A, J11B, J11C, J16Z, J21Z		
		05			F13A, F21A, F21B, F21C		10		K09A, K09B	10	K09A, K09B		
		08			I27A, I27B, I27C, I27D		21A		W04A, W04B	21A	W04A, W04B		
		09			J03A, J03B, J04A, J04B, J08A, J08B, J08C, J11A, J11B, J11C, J16Z, J21Z		21B		X06A, X06B, X06C	21B	X04Z, X06A, X06B, X06C		
		10			K09A, K09B		22		Y01Z, Y03A, Y03B	22	Y01Z, Y03A, Y03B		
		21A			W04A, W04B		5v141.b			BOP, KVT, UOP4	5v141.g↔		BOP, KVT, UOP4
		21B			X06A, X06B, X06C				01	B03A, B03B, B06A, B06B, B07Z, B17A, B17B, B17C		01	B03A, B03B, B06A, B06B, B07Z, B17A, B17B, B17C
		22			Y01Z, Y03A, Y03B				05	F13A, F21A, F21B, F21C		05	F13A, F21A, F21B, F21C
		5v141.6↔							BOP, KVT, UOP4	08		I27A, I27B, I27C, I27D	08
01			B03A, B03B, B06A, B06B, B07Z, B17A, B17B, B17C		09	J03A, J03B, J04A, J04B, J08A, J08B, J08C, J11A, J11B, J11C, J16Z, J21Z			09	J03A, J03B, J04A, J04B, J08A, J08B, J08C, J11A, J11B, J11C, J16Z, J21Z			
05			F13A, F21A, F21B, F21C		10	K09A, K09B			10	K09A, K09B			
08			I27A, I27B, I27C, I27D		21A	W04A, W04B			21A	W04A, W04B			
09			J03A, J03B, J04A, J04B, J08A, J08B, J08C, J11A, J11B, J11C, J16Z, J21Z		21B	X06A, X06B, X06C			21B	X04Z, X06A, X06B, X06C			
10			K09A, K09B		22	Y01Z, Y03A, Y03B			22	Y01Z, Y03A, Y03B			
21A			W04A, W04B		5v141.c				BOP, KVT, UOP4	5v141.x			BOP, KVT, UOP4
21B			X06A, X06B, X06C			01			B03A, B03B, B06A, B06B, B07Z, B17A, B17B, B17C			01	B03A, B03B, B06A, B06B, B07Z, B17A, B17B, B17C
22			Y01Z, Y03A, Y03B			05			F13A, F21A, F21B, F21C			05	F13A, F21A, F21B, F21C
5v141.7↔						BOP, KVT, UOP4			08			I27A, I27B, I27C, I27D	08
			01	B03A, B03B, B06A, B06B, B07Z, B17A, B17B, B17C		09		J03A, J03B, J04A, J04B, J08A, J08B, J08C, J11A, J11B, J11C, J16Z, J21Z	09			J03A, J03B, J04A, J04B, J08A, J08B, J08C, J11A, J11B, J11C, J16Z, J21Z	
			05	F13A, F21A, F21B, F21C		10		K09A, K09B	10			K09A, K09B	
	08		I27A, I27B, I27C, I27D	21A		W04A, W04B		21A	W04A, W04B				
	09		J03A, J03B, J04A, J04B, J08A, J08B, J08C, J11A, J11B, J11C, J16Z, J21Z	21B		X06A, X06B, X06C		21B	X06A, X06B, X06C				
	10		K09A, K09B	22		Y01Z, Y03A, Y03B		22	Y01Z, Y03A, Y03B				
	21A		W04A, W04B	5v141.d				BOP, KVT, UOP4	5v142.0				BOP, KVT, UOP4
	21B		X06A, X06B, X06C			01		B03A, B03B, B06A, B06B, B07Z, B17A, B17B, B17C				03	D08A, D08B, D18Z, D22A, D22B, D30A, D30B
	22		Y01Z, Y03A, Y03B			05		F13A, F21A, F21B, F21C				05	F13A
	5v141.8↔					BOP, KVT, UOP4		08				I27A, I27B, I27C, I27D	09
			01			B03A, B03B, B06A, B06B, B07Z, B17A, B17B, B17C	09	J03A, J03B, J04A, J04B, J08A, J08B, J08C, J11A, J11B, J11C, J16Z, J21Z			02	C20A, C20B	
			05			F13A, F21A, F21B, F21C	10	K09A, K09B			09	J11A, J11B, J11C	
			08			I27A, I27B, I27C, I27D	21A	W04A, W04B			09	J11A, J11B, J11C	
		09	J03A, J03B, J04A, J04B, J08A, J08B, J08C, J11A, J11B, J11C, J16Z, J21Z			21B	X04Z, X06A, X06B, X06C	09			J11A, J11B, J11C		
		10	K09A, K09B			22	Y01Z, Y03A, Y03B	09			J11A, J11B, J11C		
		21A	W04A, W04B			5v142.4‡		BOP, KVT, UOP4			5v142.5‡		BOP, KVT, UOP4
		21B	X05A, X05B, X06A, X06B, X06C				01	B03A, B03B, B06A, B06B, B07Z, B17A, B17B, B17C				09	J11A, J11B, J11C
		22	Y01Z, Y03A, Y03B				05	F13A, F21A, F21B, F21C				09	J11A, J11B, J11C
		5v141.8↔					BOP, KVT, UOP4	08				I27A, I27B, I27C, I27D	09
			01		B03A, B03B, B06A, B06B, B07Z, B17A, B17B, B17C		09	J03A, J03B, J04A, J04B, J08A, J08B, J08C, J11A, J11B, J11C, J16Z		09		J11A, J11B, J11C	
			05		F13A, F21A, F21B, F21C		10	K09A, K09B		09		J11A, J11B, J11C	
			08		I27A, I27B, I27C, I27D		21A	W04A, W04B		09		J11A, J11B, J11C	
09			J03A, J03B, J04A, J04B, J08A, J08B, J08C, J11A, J11B, J11C, J16Z, J21Z		21B		X04Z, X06A, X06B, X06C	09		J11A, J11B, J11C			
10			K09A, K09B		22		Y01Z, Y03A, Y03B	09		J11A, J11B, J11C			
21A			W04A, W04B		5v142.8‡↔			BOP, KVT, UOP4		5v142.9‡↔			BOP, KVT, UOP4
21B			X05A, X05B, X06A, X06B, X06C				01	B03A, B03B, B06A, B06B, B07Z, B17A, B17B, B17C				08	I10A, I10B, I10C, I10D, I10E
22			Y01Z, Y03A, Y03B				05	F13A, F21A, F21B, F21C				09	J11A, J11B, J11C
5v141.8↔							BOP, KVT, UOP4	08				I27A, I27B, I27C, I27D	09
			01	B03A, B03B, B06A, B06B, B07Z, B17A, B17B, B17C			09	J03A, J03B, J04A, J04B, J08A, J08B, J08C, J11A, J11B, J11C, J16Z	09			J11A, J11B, J11C	
			05	F13A, F21A, F21B, F21C			10	K09A, K09B	09			J11A, J11B, J11C	
			08	I27A, I27B, I27C, I27D			21A	W04A, W04B	09			J11A, J11B, J11C	
	09		J03A, J03B, J04A, J04B, J08A, J08B, J08C, J11A, J11B, J11C, J16Z, J21Z	21B			X04Z, X06A, X06B, X06C	09	J11A, J11B, J11C				
	10		K09A, K09B	22			Y01Z, Y03A, Y03B	09	J11A, J11B, J11C				
	21A		W04A, W04B	5v142.g‡↔				BOP, KVT, UOP4	5v142.g‡↔				BOP, KVT, UOP4
	21B		X05A, X05B, X06A, X06B, X06C				01	B03A, B03B, B06A, B06B, B07Z, B17A, B17B, B17C				09	J11A, J11B, J11C
	22		Y01Z, Y03A, Y03B				05	F13A, F21A, F21B, F21C				09	J11A, J11B, J11C

ZZV	MDC	DRG	ZZV	MDC	DRG	ZZV	MDC	DRG
5v142.x†	09	J11A, J11B, J11C	5v143.8↔		BOP, KVT, UOP4	5v143.d		BOP, KVT, UOP4
5v143.0		BOP, KVT, UOP4	01		B03A, B03B, B06A, B06B, B07Z, B17A, B17B, B17C	01		B03A, B03B, B06A, B06B, B07Z, B17A, B17B, B17C
	01	B03A, B03B, B06A, B06B, B07Z, B17A, B17B, B17C	05		F13A, F21A, F21B, F21C	05		F13A, F21A, F21B, F21C
	03	D12A	08		I27A, I27B, I27C, I27D	08		I27A, I27B, I27C, I27D
	05	F13A, F21A, F21B, F21C	09		J03A, J03B, J04A, J04B, J08A, J08B, J08C, J11A, J11B, J11C, J16Z, J21Z	09		J03A, J03B, J04A, J04B, J08A, J08B, J08C, J11A, J11B, J11C, J16Z, J21Z
	09	J03A, J03B, J04A, J04B, J08A, J08B, J08C, J11A, J11B, J11C, J16Z, J21Z	10		K09A, K09B	10		K09A, K09B
	10	K09A, K09B	21A		W04A, W04B	21A		W04A, W04B
	21A	W04A, W04B	21B		X05A, X05B, X06A, X06B, X06C	21B		X04Z, X06A, X06B, X06C
	21B	X06A, X06B, X06C	22		Y01Z, Y03A, Y03B	22		Y01Z, Y03A, Y03B
	22	Y01Z, Y03A, Y03B				5v143.e↔		BOP, KVT, UOP4
5v143.4		BOP, KVT, UOP4	5v143.9↔		BOP, KVT, UOP4	01		B03A, B03B, B06A, B06B, B07Z, B17A, B17B, B17C
	01	B03A, B03B, B06A, B06B, B07Z, B17A, B17B, B17C	01		B03A, B03B, B06A, B06B, B07Z, B17A, B17B, B17C	05		F13A, F21A, F21B, F21C
	02	C20A, C20B	05		F13A, F21A, F21B, F21C	08		I27A, I27B, I27C, I27D
	03	D12A	08		I27A, I27B, I27C, I27D	09		J03A, J03B, J04A, J04B, J08A, J08B, J08C, J11A, J11B, J11C, J16Z, J21Z
	05	F13A, F21A, F21B, F21C	09		J03A, J03B, J04A, J04B, J08A, J08B, J08C, J11A, J11B, J11C, J16Z, J21Z	10		K09A, K09B
	08	I27A, I27B, I27C, I27D	10		K09A, K09B	21A		W04A, W04B
	09	J03A, J03B, J04A, J04B, J08A, J08B, J08C, J11A, J11B, J11C, J16Z, J21Z	21A		W04A, W04B	21B		X04Z, X06A, X06B, X06C
	10	K09A, K09B	21B		X05A, X05B, X06A, X06B, X06C	22		Y01Z, Y03A, Y03B
	21A	W04A, W04B				5v143.f↔		BOP, KVT, UOP4
	21B	X06A, X06B, X06C	5v143.a		Y01Z, Y03A, Y03B	01		B03A, B03B, B06A, B06B, B07Z, B17A, B17B, B17C
	22	Y01Z, Y03A, Y03B			BOP, KVT, UOP4	05		F13A, F21A, F21B, F21C
5v143.5		BOP, KVT, UOP4	01		B03A, B03B, B06A, B06B, B07Z, B17A, B17B, B17C	08		I27A, I27B, I27C, I27D
	01	B03A, B03B, B06A, B06B, B07Z, B17A, B17B, B17C	05		F13A, F21A, F21B, F21C	09		J03A, J03B, J04A, J04B, J08A, J08B, J08C, J11A, J11B, J11C, J16Z, J21Z
	03	D12A	08		I27A, I27B, I27C, I27D	10		K09A, K09B
	05	F13A, F21A, F21B, F21C	09		J03A, J03B, J04A, J04B, J08A, J08B, J08C, J11A, J11B, J11C, J16Z, J21Z	21A		W04A, W04B
	08	I27A, I27B, I27C, I27D	10		K09A, K09B	21B		X04Z, X06A, X06B, X06C
	09	J03A, J03B, J04A, J04B, J08A, J08B, J08C, J11A, J11B, J11C, J16Z, J21Z	21A		W04A, W04B	22		Y01Z, Y03A, Y03B
	10	K09A, K09B	21B		X06A, X06B, X06C	5v143.g↔		BOP, KVT, UOP4
	21A	W04A, W04B	22		Y01Z, Y03A, Y03B	01		B03A, B03B, B06A, B06B, B07Z, B17A, B17B, B17C
	21B	X06A, X06B, X06C	5v143.b		BOP, KVT, UOP4	05		F13A, F21A, F21B, F21C
	22	Y01Z, Y03A, Y03B			BOP, KVT, UOP4	08		I27A, I27B, I27C, I27D
5v143.6↔		BOP, KVT, UOP4	01		B03A, B03B, B06A, B06B, B07Z, B17A, B17B, B17C	09		J03A, J03B, J04A, J04B, J08A, J08B, J08C, J11A, J11B, J11C, J16Z, J21Z
	01	B03A, B03B, B06A, B06B, B07Z, B17A, B17B, B17C	05		F13A, F21A, F21B, F21C	10		K09A, K09B
	05	F13A, F21A, F21B, F21C	08		I27A, I27B, I27C, I27D	21A		W04A, W04B
	08	I27A, I27B, I27C, I27D	09		J03A, J03B, J04A, J04B, J08A, J08B, J08C, J11A, J11B, J11C, J16Z, J21Z	21B		X04Z, X06A, X06B, X06C
	09	J03A, J03B, J04A, J04B, J08A, J08B, J08C, J11A, J11B, J11C, J16Z, J21Z	10		K09A, K09B	22		Y01Z, Y03A, Y03B
	10	K09A, K09B	21A		W04A, W04B	5v143.x†		J11A, J11B, J11C
	21A	W04A, W04B	21B		X06A, X06B, X06C	5v144.0		BOP, KVT, UOP4
	21B	X06A, X06B, X06C	22		Y01Z, Y03A, Y03B	03		D08A, D08B, D18Z, D22A, D22B, D30A, D30B
	22	Y01Z, Y03A, Y03B	5v143.c		BOP, KVT, UOP4	05		F13A
5v143.7↔		BOP, KVT, UOP4	01		B03A, B03B, B06A, B06B, B07Z, B17A, B17B, B17C	09		J03A, J03B, J04A, J04B, J08A, J08B, J08C, J10A, J10B, J16Z
	01	B03A, B03B, B06A, B06B, B07Z, B17A, B17B, B17C	05		F13A, F21A, F21B, F21C	21A		W04A, W04B
	05	F13A, F21A, F21B, F21C	08		I27A, I27B, I27C, I27D	21B		X06A, X06B, X06C
	08	I27A, I27B, I27C, I27D	09		J03A, J03B, J04A, J04B, J08A, J08B, J08C, J11A, J11B, J11C, J16Z, J21Z			
	09	J03A, J03B, J04A, J04B, J08A, J08B, J08C, J11A, J11B, J11C, J16Z, J21Z	10		K09A, K09B			
	10	K09A, K09B	21A		W04A, W04B			
	21A	W04A, W04B	21B		X04Z, X06A, X06B, X06C			
	21B	X06A, X06B, X06C	22		Y01Z, Y03A, Y03B			
	22	Y01Z, Y03A, Y03B						

VYK

ZZV	MDC	DRG	ZZV	MDC	DRG	ZZV	MDC	DRG			
5v144.4		BOP, KVT, UOP4	5v144.9↔		BOP, KVT, UOP4	5v144.e↔		BOP, KVT, UOP4			
	01	B03A, B03B, B06A, B06B, B07Z, B17A, B17B, B17C		01	B03A, B03B, B06A, B06B, B07Z, B17A, B17B, B17C		01	B03A, B03B, B06A, B06B, B07Z, B17A, B17B, B17C			
	02	C20A, C20B		05	F13A, F21A, F21B		05	F13A, F21A, F21B, F27A, F27B, F27C			
	03	D12A		08	I32A, I32B, I32C, I32D, I32E, I32F		08	I02A, I02B, I02C, I02D, I22A, I22B, I50Z			
	05	F13A, F21A, F21B		09	J03A, J03B, J04A, J04B, J08A, J08B, J08C, J16Z, J21Z, J22A, J22B		09	J02A, J02B, J02C, J04A, J04B, J08A, J08B, J08C, J16Z, J21Z, J22A, J22B			
	08	I02A, I02B, I02C, I02D, I22A, I22B, I50Z		21A	W04A, W04B		10	K01Z			
	09	J02A, J02B, J02C, J04A, J04B, J08A, J08B, J08C, J16Z, J21Z, J22A, J22B		21B	X01A, X01B, X01C		21A	W04A, W04B			
	21A	W04A, W04B		01	B03A, B03B, B06A, B06B, B07Z, B17A, B17B, B17C		21B	X01A, X01B, X01C			
	21B	X01A, X01B, X01C		05	F13A, F21A, F21B		01	B03A, B03B, B06A, B06B, B07Z, B17A, B17B, B17C			
	5v144.5			BOP, KVT, UOP4	5v144.a			BOP, KVT, UOP4	5v144.f↔		BOP, KVT, UOP4
		01		B03A, B03B, B06A, B06B, B07Z, B17A, B17B, B17C			05	F13A, F21A, F21B		01	B03A, B03B, B06A, B06B, B07Z, B17A, B17B, B17C
		03		D12A			06	G10Z, G12A, G12B		05	F13A, F21A, F21B, F27A, F27B, F27C
05		F13A, F21A, F21B	08	I02A, I02B, I02C, I02D, I22A, I22B, I50Z		08	I02A, I02B, I02C, I02D, I22A, I22B, I50Z				
06		G10Z, G12A, G12B	09	J02A, J02B, J02C, J04A, J04B, J08A, J08B, J08C, J14A, J16Z, J21Z, J22A, J22B		09	J02A, J02B, J02C, J04A, J04B, J08A, J08B, J08C, J16Z, J21Z, J22A, J22B				
08		I28A, I28B	21A	W04A, W04B		10	K01Z				
09		J02A, J02B, J02C, J04A, J04B, J08A, J08B, J08C, J16Z, J21Z, J22A, J22B	21B	X01A, X01B, X01C		21A	W04A, W04B				
21A		W04A, W04B	01	B03A, B03B, B06A, B06B, B07Z, B17A, B17B, B17C		21B	X01A, X01B, X01C				
21B		X01A, X01B, X01C	05	F13A, F21A, F21B		01	B03A, B03B, B06A, B06B, B07Z, B17A, B17B, B17C				
5v144.6↔			BOP, KVT, UOP4	5v144.b			BOP, KVT, UOP4	5v144.g↔			BOP, KVT, UOP4
		01	B03A, B03B, B06A, B06B, B07Z, B17A, B17B, B17C			05	F13A, F21A, F21B			01	B03A, B03B, B06A, B06B, B07Z, B17A, B17B, B17C
		05	F13A, F21A, F21B, F27A, F27B, F27C			06	G10Z, G12A, G12B			05	F13A, F21A, F21B, F27A, F27B, F27C
	08	I02A, I02B, I02C, I02D, I22A, I22B, I50Z	08		I02A, I02B, I02C, I02D, I22A, I22B, I50Z	08	I02A, I02B, I02C, I02D, I22A, I22B, I50Z				
	09	J02A, J02B, J02C, J04A, J04B, J08A, J08B, J08C, J16Z, J21Z, J22A, J22B	09		J02A, J02B, J02C, J04A, J04B, J08A, J08B, J08C, J16Z, J21Z, J22A, J22B	09	J02A, J02B, J02C, J04A, J04B, J08A, J08B, J08C, J16Z, J21Z, J22A, J22B				
	10	K01Z	21A		W04A, W04B	10	K01Z				
	21A	W04A, W04B	21B		X01A, X01B, X01C	21A	W04A, W04B				
	21B	X01A, X01B, X01C	01		B03A, B03B, B06A, B06B, B07Z, B17A, B17B, B17C	21B	X01A, X01B, X01C				
	5v144.7↔		BOP, KVT, UOP4		5v144.c		BOP, KVT, UOP4		5v144.x↔		BOP, KVT, UOP4
		01	B03A, B03B, B06A, B06B, B07Z, B17A, B17B, B17C			05	F13A, F21A, F21B			01	B03A, B03B, B06A, B06B, B07Z, B17A, B17B, B17C
		05	F13A, F21A, F21B			06	G10Z, G12A, G12B			05	F13A, F21A, F21B
		08	I02A, I02B, I02C, I02D, I22A, I22B, I50Z			08	I02A, I02B, I02C, I02D, I22A, I22B, I50Z			08	I02A, I02B, I02C, I02D, I22A, I22B, I32A, I32B, I32C, I32D, I32E, I32F, I50Z
09		J02A, J02B, J02C, J04A, J04B, J08A, J08B, J08C, J16Z, J21Z, J22A, J22B	09	J02A, J02B, J02C, J04A, J04B, J08A, J08B, J08C, J16Z, J21Z, J22A, J22B		09	J02A, J02B, J02C, J04A, J04B, J08A, J08B, J08C, J16Z, J21Z, J22A, J22B				
21A		W04A, W04B	10	K09A, K09B		09	J02A, J02B, J02C, J04A, J04B, J08A, J08B, J08C, J16Z, J21Z, J22A, J22B				
21B		X01A, X01B, X01C	12	M04A, M04B, M04C, M04D, M37Z, M38Z		21A	W04A, W04B				
5v144.8↔			BOP, KVT, UOP4	5v144.d			BOP, KVT, UOP4	5v145.0			BOP, KVT, UOP4
		01	B03A, B03B, B06A, B06B, B07Z, B17A, B17B, B17C			01	B03A, B03B, B06A, B06B, B07Z, B17A, B17B, B17C			03	D08A, D08B, D18Z, D22A, D22B, D30A, D30B
		05	F13A, F21A, F21B			05	F13A, F21A, F21B			05	F13A
		08	I02A, I02B, I02C, I02D, I22A, I22B, I32A, I32B, I32C, I32D, I32E, I32F, I50Z			06	G10Z, G12A, G12B			09	J03A, J03B, J04A, J04B, J08A, J08B, J08C, J10A, J10B, J16Z
		09	J02A, J02B, J02C, J04A, J04B, J08A, J08B, J08C, J16Z, J21Z, J22A, J22B			08	I02A, I02B, I02C, I02D, I22A, I22B, I50Z			21A	W04A, W04B
	21A	W04A, W04B	09		J02A, J02B, J02C, J04A, J04B, J08A, J08B, J08C, J16Z, J21Z, J22A, J22B	21B	X06A, X06B, X06C				
	21B	X01A, X01B, X01C	21A		W04A, W04B						
			21B		X01A, X01B, X01C						

VYK

ZZV	MDC	DRG	ZZV	MDC	DRG	ZZV	MDC	DRG
5v146.f↔	09	J11A, J11B, J11C	5v150.7↔	01	B03A, B03B, B06A, B06B, B07Z, B17A, B17B, B17C, B17D	5v150.b	01	B03A, B03B, B06A, B06B, B07Z, B17A, B17B, B17C, B17D
5v146.g↔	09	J11A, J11B, J11C		03	D13Z		03	D13Z
5v146.x‡	09	J11A, J11B, J11C		04	E02A, E02B, E02C		04	E02A, E02B, E02C
5v14x.x‡	09	J11A, J11B, J11C		05	F21A, F21B, F21C		05	F21A, F21B, F21C
5v150.0	01	B03A, B03B, B06A, B06B, B07Z, B17A, B17B, B17C, B17D		06	G10Z, G12A, G12B		06	G10Z, G12A, G12B
	03	D13Z		07	H06A, H06B, H06C		07	H06A, H06B, H06C
	04	E02A, E02B, E02C		08	I28A, I28B, I28C		08	I28A, I28B, I28C
	05	F21A, F21B, F21C		09	J11A, J11B, J11C		09	J11A, J11B, J11C
	06	G10Z, G12A, G12B		10	K09A, K09B		10	K09A, K09B
	07	H06A, H06B, H06C		11	L09A, L09B, L09C, L09D, L38Z		11	L09A, L09B, L09C, L09D, L38Z
	08	I28A, I28B, I28C		13	N11A, N11B		13	N11A, N11B
	09	J11A, J11B, J11C		21A	W04A, W04B		21A	W04A, W04B
	10	K09A, K09B		21B	X06A, X06B, X06C		21B	X06A, X06B, X06C
	11	L09A, L09B, L09C, L09D, L38Z	5v150.8↔	01	B03A, B03B, B06A, B06B, B07Z, B17A, B17B, B17C, B17D	5v150.c	01	B03A, B03B, B06A, B06B, B07Z, B17A, B17B, B17C, B17D
	13	N11A, N11B		03	D13Z		03	D13Z
	21A	W04A, W04B		04	E02A, E02B, E02C		04	E02A, E02B, E02C
	21B	X06A, X06B, X06C		05	F21A, F21B, F21C		05	F21A, F21B, F21C
5v150.4	01	B03A, B03B, B06A, B06B, B07Z, B17A, B17B, B17C, B17D		06	G10Z, G12A, G12B		06	G10Z, G12A, G12B
	02	C14Z		07	H06A, H06B, H06C		07	H06A, H06B, H06C
	03	D13Z		08	I28A, I28B, I28C		08	I28A, I28B, I28C
	04	E02A, E02B, E02C		09	J11A, J11B, J11C		09	J11A, J11B, J11C
	05	F21A, F21B, F21C		10	K09A, K09B		10	K09A, K09B
	06	G10Z, G12A, G12B		11	L09A, L09B, L09C, L09D, L38Z		11	L09A, L09B, L09C, L09D, L38Z
	07	H06A, H06B, H06C		13	N11A, N11B		12	M06Z, M09A, M09B, M38Z
	08	I28A, I28B, I28C		21A	W04A, W04B		13	N11A, N11B
	09	J11A, J11B, J11C		21B	X06A, X06B, X06C		21A	W04A, W04B
	10	K09A, K09B	5v150.9↔	01	B03A, B03B, B06A, B06B, B07Z, B17A, B17B, B17C, B17D	5v150.d	01	B03A, B03B, B06A, B06B, B07Z, B17A, B17B, B17C, B17D
	11	L09A, L09B, L09C, L09D, L38Z		03	D13Z		03	D13Z
	13	N11A, N11B		04	E02A, E02B, E02C		04	E02A, E02B, E02C
	21A	W04A, W04B		05	F21A, F21B, F21C		05	F21A, F21B, F21C
	21B	X06A, X06B, X06C		06	G10Z, G12A, G12B		06	G10Z, G12A, G12B
5v150.5	01	B03A, B03B, B06A, B06B, B07Z, B17A, B17B, B17C, B17D		07	H06A, H06B, H06C		06	G10Z, G12A, G12B
	03	D13Z		08	I28A, I28B, I28C		07	H06A, H06B, H06C
	04	E02A, E02B, E02C		09	J22A, J22B		08	I28A, I28B, I28C
	05	F21A, F21B, F21C		10	K09A, K09B		09	J11A, J11B, J11C
	06	G10Z, G12A, G12B		11	L09A, L09B, L09C, L09D, L38Z		10	K09A, K09B
	07	H06A, H06B, H06C		13	N11A, N11B		11	L09A, L09B, L09C, L09D, L38Z
	08	I28A, I28B, I28C		21A	W04A, W04B		13	N11A, N11B
	09	J11A, J11B, J11C	5v150.a	01	B03A, B03B, B06A, B06B, B07Z, B17A, B17B, B17C, B17D	5v150.e↔	01	B03A, B03B, B06A, B06B, B07Z, B17A, B17B, B17C, B17D
	10	K09A, K09B		03	D13Z		03	D13Z
	11	L09A, L09B, L09C, L09D, L38Z		04	E02A, E02B, E02C		04	E02A, E02B, E02C
	13	N11A, N11B		05	F21A, F21B, F21C		05	F21A, F21B, F21C
	21A	W04A, W04B		06	G10Z, G12A, G12B		06	G10Z, G12A, G12B
	21B	X06A, X06B, X06C		07	H06A, H06B, H06C		07	H06A, H06B, H06C
5v150.6↔	01	B03A, B03B, B06A, B06B, B07Z, B17A, B17B, B17C, B17D		08	I28A, I28B, I28C		08	I28A, I28B, I28C
	03	D13Z		09	J11A, J11B, J11C		09	J11A, J11B, J11C
	04	E02A, E02B, E02C		10	K09A, K09B		10	K09A, K09B, K09C
	05	F21A, F21B, F21C		11	L09A, L09B, L09C, L09D, L38Z		10	K09A, K09B, K09C
	06	G10Z, G12A, G12B		13	N11A, N11B		11	L09A, L09B, L09C, L09D, L38Z
	07	H06A, H06B, H06C		21A	W04A, W04B		13	N11A, N11B
	08	I28A, I28B, I28C		21B	X06A, X06B, X06C		21A	W04A, W04B
	09	J11A, J11B, J11C					21B	X06A, X06B, X06C
	10	K09A, K09B						
	11	L09A, L09B, L09C, L09D, L38Z						
	13	N11A, N11B						
	21A	W04A, W04B						
	21B	X06A, X06B, X06C						

VYK

ZZV	MDC	DRG	ZZV	MDC	DRG	ZZV	MDC	DRG
5v150.f↔	01	B03A, B03B, B06A, B06B, B07Z, B17A, B17B, B17C, B17D	5v151.4	01	B03A, B03B, B06A, B06B, B07Z, B17A, B17B, B17C, B17D	5v151.7↔	01	B03A, B03B, B06A, B06B, B07Z, B17A, B17B, B17C, B17D
	03	D13Z		02	C14Z		03	D13Z
	04	E02A, E02B, E02C		03	D13Z		04	E02A, E02B, E02C
	05	F21A, F21B, F21C		04	E02A, E02B, E02C		05	F13A, F21A, F21B, F21C
	06	G10Z, G12A, G12B		05	F13A, F21A, F21B, F21C		06	G10Z, G12A, G12B
	07	H06A, H06B, H06C		06	G10Z, G12A, G12B		07	H06A, H06B, H06C
	08	I28A, I28B, I28C		07	H06A, H06B, H06C		08	I12A, I12B, I12C, I28A, I28B
	09	J11A, J11B, J11C		08	I12A, I12B, I12C, I28A, I28B		09	J03A, J03B, J04A, J04B, J08A, J08B, J08C, J16Z, J21Z, J22A, J22B
	10	K09A, K09B, K09C		09	J03A, J03B, J04A, J04B, J08A, J08B, J08C, J16Z, J21Z, J22A, J22B		10	K09A, K09B
	11	L09A, L09B, L09C, L09D, L38Z		10	K09A, K09B		11	L09A, L09B, L09C, L09D, L38Z
	13	N11A, N11B		11	L09A, L09B, L09C, L09D, L38Z		13	N11A, N11B
	21A	W04A, W04B		13	N11A, N11B		21A	W04A, W04B
	21B	X06A, X06B, X06C		21A	W04A, W04B		21B	X06A, X06B, X06C
5v150.g↔	01	B03A, B03B, B06A, B06B, B07Z, B17A, B17B, B17C, B17D	5v151.5	01	B03A, B03B, B06A, B06B, B07Z, B17A, B17B, B17C, B17D	5v151.8↔	01	B03A, B03B, B06A, B06B, B07Z, B17A, B17B, B17C, B17D
	03	D13Z		03	D13Z		03	D13Z
	04	E02A, E02B, E02C		04	E02A, E02B, E02C		04	E02A, E02B, E02C
	05	F21A, F21B, F21C		05	F13A, F21A, F21B, F21C		05	F13A, F21A, F21B, F21C
	06	G10Z, G12A, G12B		06	G10Z, G12A, G12B		06	G10Z, G12A, G12B
	07	H06A, H06B, H06C		07	H06A, H06B, H06C		07	H06A, H06B, H06C
	08	I28A, I28B, I28C		08	I12A, I12B, I12C, I28A, I28B		08	I12A, I12B, I12C, I28A, I28B
	09	J11A, J11B, J11C		09	J03A, J03B, J04A, J04B, J08A, J08B, J08C, J16Z, J21Z, J22A, J22B		09	J03A, J03B, J04A, J04B, J08A, J08B, J08C, J16Z, J21Z, J22A, J22B
	10	K09A, K09B, K09C		10	K09A, K09B		10	K09A, K09B
	11	L09A, L09B, L09C, L09D, L38Z		11	L09A, L09B, L09C, L09D, L38Z		11	L09A, L09B, L09C, L09D, L38Z
	13	N11A, N11B		13	N11A, N11B		13	N11A, N11B
	21A	W04A, W04B		21A	W04A, W04B		21A	W04A, W04B
	21B	X06A, X06B, X06C		21B	X06A, X06B, X06C		21B	X06A, X06B, X06C
5v150.x	01	B03A, B03B, B06A, B06B, B07Z, B17A, B17B, B17C, B17D	5v151.6↔	01	B03A, B03B, B06A, B06B, B07Z, B17A, B17B, B17C, B17D	5v151.9↔	01	B03A, B03B, B06A, B06B, B07Z, B17A, B17B, B17C, B17D
	03	D13Z		03	D13Z		03	D13Z
	04	E02A, E02B, E02C		04	E02A, E02B, E02C		04	E02A, E02B, E02C
	05	F21A, F21B, F21C		05	F13A, F21A, F21B, F21C		05	F13A, F21A, F21B, F21C
	06	G10Z, G12A, G12B		06	G10Z, G12A, G12B		06	G10Z, G12A, G12B
	07	H06A, H06B, H06C		07	H06A, H06B, H06C		07	H06A, H06B, H06C
	08	I28A, I28B, I28C		08	I12A, I12B, I12C, I28A, I28B		08	I12A, I12B, I12C, I28A, I28B
	09	J11A, J11B, J11C		09	J03A, J03B, J04A, J04B, J08A, J08B, J08C, J16Z, J21Z, J22A, J22B		09	J03A, J03B, J04A, J04B, J08A, J08B, J08C, J16Z, J21Z, J22A, J22B
	10	K09A, K09B		10	K09A, K09B		10	K09A, K09B
	11	L09A, L09B, L09C, L09D, L38Z		11	L09A, L09B, L09C, L09D, L38Z		11	L09A, L09B, L09C, L09D, L38Z
	13	N11A, N11B		13	N11A, N11B		13	N11A, N11B
	21A	W04A, W04B		21A	W04A, W04B		21A	W04A, W04B
	21B	X06A, X06B, X06C		21B	X06A, X06B, X06C		21B	X06A, X06B, X06C
5v151.0	01	B03A, B03B, B06A, B06B, B07Z, B17A, B17B, B17C, B17D						
	03	D13Z						
	04	E02A, E02B, E02C						
	05	F13A, F21A, F21B, F21C						
	06	G10Z, G12A, G12B						
	07	H06A, H06B, H06C						
	08	I12A, I12B, I12C, I28A, I28B						
	09	J03A, J03B, J04A, J04B, J08A, J08B, J08C, J16Z, J21Z, J22A, J22B						
	10	K09A, K09B						
	11	L09A, L09B, L09C, L09D, L38Z						
	13	N11A, N11B						
	21A	W04A, W04B						
	21B	X06A, X06B, X06C						

VYK

ZZV	MDC	DRG	ZZV	MDC	DRG	ZZV	MDC	DRG
5v151.a	01	B03A, B03B, B06A, B06B, B07Z, B17A, B17B, B17C, B17D	5v151.d	01	B03A, B03B, B06A, B06B, B07Z, B17A, B17B, B17C, B17D	5v151.g↔	01	B03A, B03B, B06A, B06B, B07Z, B17A, B17B, B17C, B17D
	03	D13Z		03	D13Z		03	D13Z
	04	E02A, E02B, E02C		04	E02A, E02B, E02C		04	E02A, E02B, E02C
	05	F13A, F21A, F21B, F21C		05	F13A, F21A, F21B, F21C		05	F13A, F21A, F21B, F21C, F27A, F27B, F27C
	06	G10Z, G12A, G12B		06	G10Z, G12A, G12B		06	G10Z, G12A, G12B
	07	H06A, H06B, H06C		07	H06A, H06B, H06C		07	H06A, H06B, H06C
	08	I12A, I12B, I12C, I28A, I28B		08	I12A, I12B, I12C, I28A, I28B		08	I12A, I12B, I12C, I28A, I28B
	09	J03A, J03B, J04A, J04B, J08A, J08B, J08C, J16Z, J21Z, J22A, J22B		09	J03A, J03B, J04A, J04B, J08A, J08B, J08C, J16Z, J21Z, J22A, J22B		09	J03A, J03B, J04A, J04B, J08A, J08B, J08C, J16Z, J21Z, J22A, J22B
	10	K09A, K09B		10	K09A, K09B		10	K01Z
	11	L09A, L09B, L09C, L09D, L38Z		11	L09A, L09B, L09C, L09D, L38Z		11	L09A, L09B, L09C, L09D, L38Z
	13	N11A, N11B		13	N11A, N11B		13	N11A, N11B
	21A	W04A, W04B		21A	W04A, W04B		21A	W04A, W04B
	21B	X06A, X06B, X06C		21B	X06A, X06B, X06C		21B	X06A, X06B, X06C
5v151.b	01	B03A, B03B, B06A, B06B, B07Z, B17A, B17B, B17C, B17D	5v151.e↔	01	B03A, B03B, B06A, B06B, B07Z, B17A, B17B, B17C, B17D	5v151.x	01	B03A, B03B, B06A, B06B, B07Z, B17A, B17B, B17C, B17D
	03	D13Z		03	D13Z		03	D13Z
	04	E02A, E02B, E02C		04	E02A, E02B, E02C		04	E02A, E02B, E02C
	05	F13A, F21A, F21B, F21C		05	F13A, F21A, F21B, F21C, F27A, F27B, F27C		05	F13A, F21A, F21B, F21C
	06	G10Z, G12A, G12B		06	G10Z, G12A, G12B		06	G10Z, G12A, G12B
	07	H06A, H06B, H06C		07	H06A, H06B, H06C		07	H06A, H06B, H06C
	08	I12A, I12B, I12C, I28A, I28B		08	I12A, I12B, I12C, I28A, I28B		08	I12A, I12B, I12C, I28A, I28B
	09	J03A, J03B, J04A, J04B, J08A, J08B, J08C, J16Z, J21Z, J22A, J22B		09	J03A, J03B, J04A, J04B, J08A, J08B, J08C, J16Z, J21Z, J22A, J22B		09	J03A, J03B, J04A, J04B, J08A, J08B, J08C, J16Z, J21Z, J22A, J22B
	10	K09A, K09B		10	K01Z		10	K09A, K09B
	11	L09A, L09B, L09C, L09D, L38Z		11	L09A, L09B, L09C, L09D, L38Z		11	L09A, L09B, L09C, L09D, L38Z
	13	N11A, N11B		13	N11A, N11B		13	N11A, N11B
	21A	W04A, W04B		21A	W04A, W04B		21A	W04A, W04B
	21B	X06A, X06B, X06C		21B	X06A, X06B, X06C		21B	X06A, X06B, X06C
5v151.c	01	B03A, B03B, B06A, B06B, B07Z, B17A, B17B, B17C, B17D	5v151.f↔	01	B03A, B03B, B06A, B06B, B07Z, B17A, B17B, B17C, B17D	5v152.0	01	B03A, B03B, B06A, B06B, B07Z, B17A, B17B, B17C, B17D
	03	D13Z		03	D13Z		03	D13Z
	04	E02A, E02B, E02C		04	E02A, E02B, E02C		04	E02A, E02B, E02C
	05	F13A, F21A, F21B, F21C		05	F13A, F21A, F21B, F21C, F27A, F27B, F27C		05	F13A, F21A, F21B, F21C
	06	G10Z, G12A, G12B		06	G10Z, G12A, G12B		06	G10Z, G12A, G12B
	07	H06A, H06B, H06C		07	H06A, H06B, H06C		07	H06A, H06B, H06C
	08	I12A, I12B, I12C, I28A, I28B		08	I12A, I12B, I12C, I28A, I28B		08	I12A, I12B, I12C, I28A, I28B
	09	J03A, J03B, J04A, J04B, J08A, J08B, J08C, J16Z, J21Z, J22A, J22B		09	J03A, J03B, J04A, J04B, J08A, J08B, J08C, J16Z, J21Z, J22A, J22B		09	J03A, J03B, J04A, J04B, J08A, J08B, J08C, J16Z, J21Z, J22A, J22B
	10	K09A, K09B		10	K01Z		10	K09A, K09B
	11	L09A, L09B, L09C, L09D, L38Z		11	L09A, L09B, L09C, L09D, L38Z		11	L09A, L09B, L09C, L09D, L38Z
	12	M06Z, M09A, M09B, M38Z		11	L09A, L09B, L09C, L09D, L38Z		13	N11A, N11B
	13	N11A, N11B		13	N11A, N11B		21A	W04A, W04B
	21A	W04A, W04B		21A	W04A, W04B		21B	X06A, X06B, X06C
21B	X06A, X06B, X06C	21B	X06A, X06B, X06C					

VYK

ZZV	MDC	DRG	ZZV	MDC	DRG	ZZV	MDC	DRG
5v152.4	01	B03A, B03B, B06A, B06B, B07Z, B17A, B17B, B17C	5v152.8↔	01	B03A, B03B, B06A, B06B, B07Z, B17A, B17B, B17C	5v152.c	01	B03A, B03B, B06A, B06B, B07Z, B17A, B17B, B17C
	02	C14Z		03	D13Z		03	D13Z
	03	D13Z		04	E02A, E02B, E02C		04	E02A, E02B, E02C
	04	E02A, E02B, E02C		05	F13A, F21A, F21B, F21C		05	F13A, F21A, F21B, F21C
	05	F13A, F21A, F21B, F21C		06	G10Z, G12A, G12B		06	G10Z, G12A, G12B
	06	G10Z, G12A, G12B		07	H06A, H06B, H06C		07	H06A, H06B, H06C
	07	H06A, H06B, H06C		08	I12A, I12B, I12C, I28A, I28B		08	I12A, I12B, I12C, I28A, I28B
	08	I12A, I12B, I12C, I28A, I28B		09	J03A, J03B, J04A, J04B, J08A, J08B, J08C, J16Z, J21Z, J22A, J22B		09	J03A, J03B, J04A, J04B, J08A, J08B, J08C, J16Z, J21Z, J22A, J22B
	09	J03A, J03B, J04A, J04B, J08A, J08B, J08C, J16Z, J21Z, J22A, J22B		10	K09A, K09B		10	K09A, K09B
	10	K09A, K09B		11	L09A, L09B, L09C, L09D, L38Z		11	L09A, L09B, L09C, L09D, L38Z
	11	L09A, L09B, L09C, L09D, L38Z		13	N11A, N11B		12	M06Z, M09A, M09B, M38Z
	13	N11A, N11B		21A	W04A, W04B		13	N11A, N11B
	21A	W04A, W04B		21B	X06A, X06B, X06C		21A	W04A, W04B
	21B	X06A, X06B, X06C		21B	X06A, X06B, X06C		21B	X06A, X06B, X06C
5v152.5	01	B03A, B03B, B06A, B06B, B07Z, B17A, B17B, B17C	5v152.9↔	01	B03A, B03B, B06A, B06B, B07Z, B17A, B17B, B17C	5v152.d	01	B03A, B03B, B06A, B06B, B07Z, B17A, B17B, B17C
	03	D13Z		03	D13Z		03	D13Z
	04	E02A, E02B, E02C		04	E02A, E02B, E02C		04	E02A, E02B, E02C
	05	F13A, F21A, F21B, F21C		05	F13A, F21A, F21B, F21C		05	F13A, F21A, F21B, F21C
	06	G10Z, G12A, G12B		06	G10Z, G12A, G12B		06	G10Z, G12A, G12B
	07	H06A, H06B, H06C		07	H06A, H06B, H06C		07	H06A, H06B, H06C
	08	I12A, I12B, I12C, I28A, I28B		08	I12A, I12B, I12C, I28A, I28B		08	I12A, I12B, I12C, I28A, I28B
	09	J03A, J03B, J04A, J04B, J08A, J08B, J08C, J16Z, J21Z, J22A, J22B		09	J03A, J03B, J04A, J04B, J08A, J08B, J08C, J16Z, J21Z, J22A, J22B		09	J03A, J03B, J04A, J04B, J08A, J08B, J08C, J16Z, J21Z, J22A, J22B
	10	K09A, K09B		10	K09A, K09B		10	K09A, K09B
	11	L09A, L09B, L09C, L09D, L38Z		11	L09A, L09B, L09C, L09D, L38Z		11	L09A, L09B, L09C, L09D, L38Z
	13	N11A, N11B		13	N11A, N11B		13	N11A, N11B
	21A	W04A, W04B		21A	W04A, W04B		21A	W04A, W04B
	21B	X06A, X06B, X06C		21B	X06A, X06B, X06C		21B	X06A, X06B, X06C
	5v152.6↔	01		B03A, B03B, B06A, B06B, B07Z, B17A, B17B, B17C	5v152.a		01	B03A, B03B, B06A, B06B, B07Z, B17A, B17B, B17C
03		D13Z	03	D13Z		03	D13Z	
04		E02A, E02B, E02C	04	E02A, E02B, E02C		04	E02A, E02B, E02C	
05		F13A, F21A, F21B, F21C	05	F13A, F21A, F21B, F21C		05	F13A, F21A, F21B, F21C, F27A, F27B, F27C	
06		G10Z, G12A, G12B	06	G10Z, G12A, G12B		06	G10Z, G12A, G12B	
07		H06A, H06B, H06C	07	H06A, H06B, H06C		07	H06A, H06B, H06C	
08		I12A, I12B, I12C, I28A, I28B	08	I12A, I12B, I12C, I28A, I28B		08	I12A, I12B, I12C, I28A, I28B	
09		J03A, J03B, J04A, J04B, J08A, J08B, J08C, J16Z, J21Z, J22A, J22B	09	J03A, J03B, J04A, J04B, J08A, J08B, J08C, J16Z, J21Z, J22A, J22B		09	J03A, J03B, J04A, J04B, J08A, J08B, J08C, J16Z, J21Z, J22A, J22B	
10		K09A, K09B	10	K09A, K09B		10	K01Z	
11		L09A, L09B, L09C, L09D, L38Z	11	L09A, L09B, L09C, L09D, L38Z		11	L09A, L09B, L09C, L09D, L38Z	
13		N11A, N11B	13	N11A, N11B		13	N11A, N11B	
21A		W04A, W04B	21A	W04A, W04B		21A	W04A, W04B	
21B		X06A, X06B, X06C	21B	X06A, X06B, X06C		21B	X06A, X06B, X06C	
5v152.7↔		01	B03A, B03B, B06A, B06B, B07Z, B17A, B17B, B17C	5v152.b		01	B03A, B03B, B06A, B06B, B07Z, B17A, B17B, B17C	
	03	D13Z	03		D13Z	03	D13Z	
	04	E02A, E02B, E02C	04		E02A, E02B, E02C	04	E02A, E02B, E02C	
	05	F13A, F21A, F21B, F21C	05		F13A, F21A, F21B, F21C	05	F13A, F21A, F21B, F21C	
	06	G10Z, G12A, G12B	06		G10Z, G12A, G12B	06	G10Z, G12A, G12B	
	07	H06A, H06B, H06C	07		H06A, H06B, H06C	07	H06A, H06B, H06C	
	08	I12A, I12B, I12C, I28A, I28B	08		I12A, I12B, I12C, I28A, I28B	08	I12A, I12B, I12C, I28A, I28B	
	09	J03A, J03B, J04A, J04B, J08A, J08B, J08C, J16Z, J21Z, J22A, J22B	09		J03A, J03B, J04A, J04B, J08A, J08B, J08C, J16Z, J21Z, J22A, J22B	09	J03A, J03B, J04A, J04B, J08A, J08B, J08C, J16Z, J21Z, J22A, J22B	
	10	K09A, K09B	10		K09A, K09B	10	K09A, K09B	
	11	L09A, L09B, L09C, L09D, L38Z	11		L09A, L09B, L09C, L09D, L38Z	11	L09A, L09B, L09C, L09D, L38Z	
	13	N11A, N11B	13		N11A, N11B	13	N11A, N11B	
	21A	W04A, W04B	21A		W04A, W04B	21A	W04A, W04B	
	21B	X06A, X06B, X06C	21B		X06A, X06B, X06C	21B	X06A, X06B, X06C	

VYK

ZZV	MDC	DRG	ZZV	MDC	DRG	ZZV	MDC	DRG	
5v152.f↔	01	B03A, B03B, B06A, B06B, B07Z, B17A, B17B, B17C	5v15x.x	01	B03A, B03B, B06A, B06B, B07Z, B17A, B17B, B17C, B17D	5v193		BOP, KVT, UOP4	
	03	D13Z		03	D13Z		09	J03A, J03B, J04A, J04B, J08A, J08B, J08C, J09A, J09B, J16Z	
	04	E02A, E02B, E02C		04	E02A, E02B, E02C		21A	W04A, W04B	
	05	F13A, F21A, F21B, F21C, F27A, F27B, F27C		05	F21A, F21B, F21C		21B	X06A, X06B, X06C	
	06	G10Z, G12A, G12B		06	G10Z, G12A, G12B		5v194‡	09	J09A, J09B
	07	H06A, H06B, H06C		07	H06A, H06B, H06C		5v201.1‡	05	F13A
	08	I12A, I12B, I12C, I28A, I28B		08	I28A, I28B		5v210.0		BOP, KVT, UOP4
	09	J03A, J03B, J04A, J04B, J08A, J08B, J08C, J16Z, J21Z, J22A, J22B		09	J11A, J11B		01	B03A, B03B, B06A, B06B, B07Z, B17A, B17B, B17C	
	10	K01Z		10	K09A, K09B		03	D12A, D12B	
	11	L09A, L09B, L09C, L09D, L38Z		11	L09A, L09B, L09C, L09D, L38Z		05	F13A, F21A, F21B, F21C, F27A, F27B, F27C	
	13	N11A, N11B		13	N11A, N11B		08	I12A, I12B, I12C	
	21A	W04A, W04B		21A	W04A, W04B		09	J02A, J02B, J02C, J04A, J04B, J08A, J08B, J08C, J16Z, J21Z, J22A, J22B	
	21B	X06A, X06B, X06C		21B	X06A, X06B, X06C		10	K01Z	
5v152.g↔	01	B03A, B03B, B06A, B06B, B07Z, B17A, B17B, B17C	5v171↔	08	I32A, I32B, I32C, I32D, I32E, I32F, I32G	5v210.4	21A	W04A, W04B	
	03	D13Z		09	J03A, J03B, J04A, J04B, J08A, J08B, J08C, J11A, J11B, J11C, J16Z		01	B03A, B03B, B06A, B06B, B07Z, B17A, B17B, B17C	
	04	E02A, E02B, E02C		21A	W04A, W04B		03	D12A, D12B	
	05	F13A, F21A, F21B, F21C, F27A, F27B, F27C		21B	X05A, X05B		05	F13A, F21A, F21B, F21C, F27A, F27B, F27C	
	06	G10Z, G12A, G12B		5v173↔			08	I12A, I12B, I12C	
	07	H06A, H06B, H06C		08	I32A, I32B, I32C, I32D, I32E, I32F, I32G		09	J02A, J02B, J02C, J04A, J04B, J08A, J08B, J08C, J16Z, J21Z, J22A, J22B	
	08	I12A, I12B, I12C, I28A, I28B		09	J03A, J03B, J04A, J04B, J08A, J08B, J08C, J11A, J11B, J11C, J16Z		10	K01Z	
	09	J03A, J03B, J04A, J04B, J08A, J08B, J08C, J16Z, J21Z, J22A, J22B		21A	W04A, W04B		21A	W04A, W04B	
	10	K01Z		21B	X05A, X05B		21B	X04Z, X05A, X05B, X06A, X06B, X06C	
	11	L09A, L09B, L09C, L09D, L38Z		5v177↔			01	BOP, KVT, UOP4	
	13	N11A, N11B		08	I32A, I32B, I32C, I32D, I32E, I32F		01	B03A, B03B, B06A, B06B, B07Z, B17A, B17B, B17C	
	21A	W04A, W04B		09	J03A, J03B, J04A, J04B, J08A, J08B, J08C, J11A, J11B, J11C, J16Z		03	D12A, D12B	
	21B	X06A, X06B, X06C		21A	W04A, W04B		05	F13A, F21A, F21B, F21C, F27A, F27B, F27C	
5v152.x	01	B03A, B03B, B06A, B06B, B07Z, B17A, B17B, B17C	5v178↔	08	I32A, I32B, I32C, I32D, I32E, I32F	5v210.5	08	I12A, I12B, I12C	
	03	D13Z		09	J03A, J03B, J04A, J04B, J08A, J08B, J08C, J11A, J11B, J11C, J16Z		09	J02A, J02B, J02C, J04A, J04B, J08A, J08B, J08C, J16Z, J21Z, J22A, J22B	
	04	E02A, E02B, E02C		21A	W04A, W04B		10	K01Z	
	05	F13A, F21A, F21B, F21C		21B	X05A, X05B		21A	W04A, W04B	
	06	G10Z, G12A, G12B		5v179↔			21B	X04Z, X05A, X05B, X06A, X06B, X06C	
	07	H06A, H06B, H06C		08	I32A, I32B, I32C, I32D, I32E, I32F			BOP, KVT, UOP4	
	08	I12A, I12B, I12C, I28A, I28B		09	J03A, J03B, J04A, J04B, J08A, J08B, J08C, J11A, J11B, J11C, J16Z		01	B03A, B03B, B06A, B06B, B07Z, B17A, B17B, B17C	
	09	J03A, J03B, J04A, J04B, J08A, J08B, J08C, J16Z, J21Z, J22A, J22B		21A	W04A, W04B		03	D12A, D12B	
	10	K09A, K09B		21B	X05A, X05B		05	F13A, F21A, F21B, F21C, F27A, F27B, F27C	
	11	L09A, L09B, L09C, L09D, L38Z		5v191			08	I12A, I12B, I12C	
	13	N11A, N11B		09	J03A, J03B, J04A, J04B, J08A, J08B, J08C, J09A, J09B, J16Z		09	J02A, J02B, J02C, J04A, J04B, J08A, J08B, J08C, J16Z, J21Z, J22A, J22B	
	21A	W04A, W04B		21A	W04A, W04B		10	K01Z	
	21B	X06A, X06B, X06C		21B	X06A, X06B, X06C		21A	W04A, W04B	
5v153	01	B03A, B03B, B06A, B06B, B07Z, B17A, B17B, B17C, B17D	5v192	09	J03A, J03B, J04A, J04B, J08A, J08B, J08C, J09A, J09B, J16Z	5v210.6↔	21B	X04Z, X05A, X05B, X06A, X06B, X06C	
	03	D13Z		21A	W04A, W04B		01	B03A, B03B, B06A, B06B, B07Z, B17A, B17B, B17C	
	04	E02A, E02B, E02C		21B	X05A, X05B		03	D12A, D12B	
	05	F21A, F21B, F21C		5v191			05	F13A, F21A, F21B, F21C, F27A, F27B, F27C	
	06	G10Z, G12A, G12B		09	J03A, J03B, J04A, J04B, J08A, J08B, J08C, J09A, J09B, J16Z		08	I12A, I12B, I12C	
	07	H06A, H06B, H06C		21A	W04A, W04B		09	J02A, J02B, J02C, J04A, J04B, J08A, J08B, J08C, J16Z, J21Z, J22A, J22B	
	08	I28A, I28B		21B	X06A, X06B, X06C		10	K01Z	
	09	J11A, J11B		5v192			21A	W04A, W04B	
	10	K09A, K09B		09	J03A, J03B, J04A, J04B, J08A, J08B, J08C, J09A, J09B, J16Z		21B	X04Z, X05A, X05B, X06A, X06B, X06C	
	11	L09A, L09B, L09C, L09D, L38Z		21A	W04A, W04B				
	13	N11A, N11B		21B	X06A, X06B, X06C				
	21A	W04A, W04B							
	21B	X06A, X06B, X06C							

ZZV	MDC	DRG	ZZV	MDC	DRG	ZZV	MDC	DRG
5v212.7↔		BOP, KVT, UOP4	5v212.c		BOP, KVT, UOP4	5v212.x		BOP, KVT, UOP4
	01	B03A, B03B, B06A, B06B, B07Z, B17A, B17B, B17C		01	B03A, B03B, B06A, B06B, B07Z, B17A, B17B, B17C		01	B03A, B03B, B06A, B06B, B07Z, B17A, B17B, B17C
	03	D12A, D12B		03	D12A, D12B		03	D12A, D12B
	05	F13A, F21A, F21B, F21C, F27A, F27B, F27C		05	F13A, F21A, F21B, F21C, F27A, F27B, F27C		05	F13A, F21A, F21B, F21C, F27A, F27B, F27C
	08	I12A, I12B, I12C		08	I12A, I12B, I12C		08	I12A, I12B, I12C
	09	J02A, J02B, J02C, J04A, J04B, J08A, J08B, J08C, J16Z, J21Z, J22A, J22B		09	J02A, J02B, J02C, J04A, J04B, J08A, J08B, J08C, J16Z, J21Z, J22A, J22B		09	J02A, J02B, J02C, J04A, J04B, J08A, J08B, J08C, J16Z, J21Z, J22A, J22B
	10	K01Z		10	K01Z		10	K01Z
	21A	W04A, W04B		21A	W04A, W04B		21A	W04A, W04B
	21B	X04Z, X05A, X05B, X06A, X06B, X06C		21B	X04Z, X05A, X05B, X06A, X06B, X06C		21B	X04Z, X05A, X05B, X06A, X06B, X06C
	5v212.8↔			BOP, KVT, UOP4	5v212.d			BOP, KVT, UOP4
01		B03A, B03B, B06A, B06B, B07Z, B17A, B17B, B17C	01	B03A, B03B, B06A, B06B, B07Z, B17A, B17B, B17C		01	B03A, B03B, B06A, B06B, B07Z, B17A, B17B, B17C	
03		D12A, D12B	03	D12A, D12B		03	D12A, D12B	
05		F13A, F21A, F21B, F21C, F27A, F27B, F27C	05	F13A, F21A, F21B, F21C, F27A, F27B, F27C		05	F13A, F21A, F21B, F21C, F27A, F27B, F27C	
08		I12A, I12B, I12C	08	I12A, I12B, I12C		08	I12A, I12B, I12C	
09		J02A, J02B, J02C, J04A, J04B, J08A, J08B, J08C, J16Z, J21Z, J22A, J22B	09	J02A, J02B, J02C, J04A, J04B, J08A, J08B, J08C, J16Z, J21Z, J22A, J22B		09	J02A, J02B, J02C, J04A, J04B, J08A, J08B, J08C, J16Z, J21Z, J22A, J22B	
10		K01Z	10	K01Z		10	K01Z	
21A		W04A, W04B	21A	W04A, W04B		21A	W04A, W04B	
21B		X04Z, X05A, X05B, X06A, X06B, X06C	21B	X04Z, X05A, X05B, X06A, X06B, X06C		21B	X04Z, X05A, X05B, X06A, X06B, X06C	
5v212.9↔			BOP, KVT, UOP4	5v212.e↔			BOP, KVT, UOP4	5v220.0
	01	B03A, B03B, B06A, B06B, B07Z, B17A, B17B, B17C	01		B03A, B03B, B06A, B06B, B07Z, B17A, B17B, B17C	03	D08A, D08B, D18Z, D22A, D22B, D30A, D30B	
	03	D12A, D12B	03		D12A, D12B	05	F13A, F28A	
	05	F13A, F21A, F21B, F21C, F27A, F27B, F27C	05		F13A, F21A, F21B, F21C, F27A, F27B, F27C	09	J03A, J03B, J04A, J04B, J08A, J08B, J08C, J10A, J10B, J16Z	
	08	I12A, I12B, I12C	08		I12A, I12B, I12C	21A	W04A, W04B	
	09	J02A, J02B, J02C, J04A, J04B, J08A, J08B, J08C, J16Z, J21Z, J22A, J22B	09		J02A, J02B, J02C, J04A, J04B, J08A, J08B, J08C, J16Z, J21Z, J22A, J22B	21B	X06A, X06B, X06C	
	10	K01Z	10		K01Z	5v220.4	BOP, KVT, UOP4	
	21A	W04A, W04B	21A		W04A, W04B	01	B03A, B03B, B06A, B06B, B07Z, B17A, B17B, B17C	
	21B	X04Z, X05A, X05B, X06A, X06B, X06C	21B		X04Z, X05A, X05B, X06A, X06B, X06C	02	C20A, C20B	
	5v212.a		BOP, KVT, UOP4		5v212.f↔		BOP, KVT, UOP4	
01		B03A, B03B, B06A, B06B, B07Z, B17A, B17B, B17C	01	B03A, B03B, B06A, B06B, B07Z, B17A, B17B, B17C		01	B03A, B03B, B06A, B06B, B07Z, B17A, B17B, B17C	
03		D12A, D12B	03	D12A, D12B		02	C20A, C20B	
05		F13A, F21A, F21B, F21C, F27A, F27B, F27C	05	F13A, F21A, F21B, F21C, F27A, F27B, F27C		03	D18Z, D28Z, D29Z	
08		I12A, I12B, I12C	08	I12A, I12B, I12C		05	F13A, F21A, F21B, F28A	
09		J02A, J02B, J02C, J04A, J04B, J08A, J08B, J08C, J16Z, J21Z, J22A, J22B	09	J02A, J02B, J02C, J04A, J04B, J08A, J08B, J08C, J16Z, J21Z, J22A, J22B		08	I02A, I02B, I02C, I02D, I22A, I22B, I50Z	
10		K01Z	10	K01Z		09	J02A, J02B, J02C, J04A, J04B, J08A, J08B, J08C, J16Z, J21Z, J22A, J22B	
21A		W04A, W04B	10	K01Z		21A	W04A, W04B	
21B		X04Z, X05A, X05B, X06A, X06B, X06C	21A	W04A, W04B		21B	X01A, X01B, X01C	
5v212.b			BOP, KVT, UOP4	5v212.g↔			BOP, KVT, UOP4	
	01	B03A, B03B, B06A, B06B, B07Z, B17A, B17B, B17C	01		B03A, B03B, B06A, B06B, B07Z, B17A, B17B, B17C	01	B03A, B03B, B06A, B06B, B07Z, B17A, B17B, B17C	
	03	D12A, D12B	03		D12A, D12B	03	D12A, D12B	
	05	F13A, F21A, F21B, F21C, F27A, F27B, F27C	05		F13A, F21A, F21B, F21C, F27A, F27B, F27C	05	F13A, F21A, F21B, F21C, F27A, F27B, F27C	
	08	I12A, I12B, I12C	08		I12A, I12B, I12C	08	I12A, I12B, I12C	
	09	J02A, J02B, J02C, J04A, J04B, J08A, J08B, J08C, J16Z, J21Z, J22A, J22B	09		J02A, J02B, J02C, J04A, J04B, J08A, J08B, J08C, J16Z, J21Z, J22A, J22B	09	J02A, J02B, J02C, J04A, J04B, J08A, J08B, J08C, J16Z, J21Z, J22A, J22B	
	10	K01Z	10		K01Z	10	K01Z	
	21A	W04A, W04B	10		K01Z	21A	W04A, W04B	
	21B	X04Z, X05A, X05B, X06A, X06B, X06C	21A		W04A, W04B	21B	X01A, X01B, X01C	
			21B		X04Z, X05A, X05B, X06A, X06B, X06C			

VYK

ZZV	MDC	DRG	ZZV	MDC	DRG	ZZV	MDC	DRG				
5v220.6↔		BOP, KVT, UOP4	5v220.c		BOP, KVT, UOP4	5v220.x↔		BOP, KVT, UOP4				
	01	B03A, B03B, B06A, B06B, B07Z, B17A, B17B, B17C		01	B03A, B03B, B06A, B06B, B07Z, B17A, B17B, B17C		01	B03A, B03B, B06A, B06B, B07Z, B17A, B17B, B17C				
	05	F13A, F21A, F21B, F28A		05	F13A, F21A, F21B, F28A		05	F13A, F21A, F21B, F28A				
	08	I02A, I02B, I02C, I02D, I22A, I22B, I50Z		06	G10Z, G12A, G12B		08	I02A, I02B, I02C, I02D, I22A, I22B, I50Z				
	09	J02A, J02B, J02C, J04A, J04B, J08A, J08B, J08C, J16Z, J21Z, J22A, J22B		08	I02A, I02B, I02C, I02D, I22A, I22B, I50Z		09	J02A, J02B, J02C, J04A, J04B, J08A, J08B, J08C, J16Z, J21Z, J22A, J22B				
	21A	W04A, W04B		09	J02A, J02B, J02C, J04A, J04B, J08A, J08B, J08C, J16Z, J21Z, J22A, J22B		09	J02A, J02B, J02C, J04A, J04B, J08A, J08B, J08C, J16Z, J21Z, J22A, J22B				
	21B	X01A, X01B, X01C		10	K09A, K09B		21A	W04A, W04B				
	5v220.7↔			BOP, KVT, UOP4	5v220.d			BOP, KVT, UOP4	5v221.0		BOP, KVT, UOP4	
		01		B03A, B03B, B06A, B06B, B07Z, B17A, B17B, B17C			12	M04A, M04B, M04C, M04D, M37Z, M38Z		01	B03A, B03B, B06A, B06B, B07Z, B17A, B17B, B17C	
		05		F13A, F21A, F21B, F28A			21A	W04A, W04B		03	D18Z, D28Z, D29Z	
08		I02A, I02B, I02C, I02D, I22A, I22B, I50Z	21B	X01A, X01B, X01C		05	F13A, F21A, F21B, F28A					
09		J02A, J02B, J02C, J04A, J04B, J08A, J08B, J08C, J16Z, J21Z, J22A, J22B	01	B03A, B03B, B06A, B06B, B07Z, B17A, B17B, B17C		09	J02A, J02B, J02C, J04A, J04B, J08A, J08B, J08C, J16Z, J21Z, J22A, J22B					
21A		W04A, W04B	05	F13A, F21A, F21B, F28A		21A	W04A, W04B					
21B		X01A, X01B, X01C	06	G10Z, G12A, G12B		21B	X01A, X01B, X01C					
5v220.8↔			BOP, KVT, UOP4	5v220.e↔			BOP, KVT, UOP4	5v221.4			BOP, KVT, UOP4	
		01	B03A, B03B, B06A, B06B, B07Z, B17A, B17B, B17C			08	I02A, I02B, I02C, I02D, I22A, I22B, I50Z			01	B03A, B03B, B06A, B06B, B07Z, B17A, B17B, B17C	
		05	F13A, F21A, F21B, F28A			09	J02A, J02B, J02C, J04A, J04B, J08A, J08B, J08C, J16Z, J21Z, J22A, J22B			02	C20A, C20B	
	08	I02A, I02B, I02C, I02D, I22A, I22B, I32A, I32B, I32C, I32D, I32E, I32F, I50Z	21A		W04A, W04B	03	D18Z, D28Z, D29Z					
	09	J02A, J02B, J02C, J04A, J04B, J08A, J08B, J08C, J16Z, J21Z, J22A, J22B	21B		X01A, X01B, X01C	05	F13A, F21A, F21B, F28A					
	21A	W04A, W04B	01		B03A, B03B, B06A, B06B, B07Z, B17A, B17B, B17C	08	I02A, I02B, I02C, I02D, I22A, I22B, I50Z					
	21B	X01A, X01B, X01C	05		F13A, F21A, F21B, F27A, F27B, F27C, F28A	09	J02A, J02B, J02C, J04A, J04B, J08A, J08B, J08C, J16Z, J21Z, J22A, J22B					
	5v220.9↔		BOP, KVT, UOP4		5v220.f↔		BOP, KVT, UOP4		5v221.5		BOP, KVT, UOP4	
		01	B03A, B03B, B06A, B06B, B07Z, B17A, B17B, B17C			08	I02A, I02B, I02C, I02D, I22A, I22B, I50Z			01	B03A, B03B, B06A, B06B, B07Z, B17A, B17B, B17C	
		05	F13A, F21A, F21B, F28A			09	J02A, J02B, J02C, J04A, J04B, J08A, J08B, J08C, J16Z, J21Z, J22A, J22B			03	D18Z, D28Z, D29Z	
08		I12A, I12B, I12C, I32A, I32B, I32C, I32D, I32E, I32F	10	K01Z		05	F13A, F21A, F21B, F28A					
09		J03A, J03B, J04A, J04B, J08A, J08B, J08C, J16Z, J21Z, J22A, J22B	21A	W04A, W04B		08	I02A, I02B, I02C, I02D, I22A, I22B, I50Z					
21A		W04A, W04B	21B	X01A, X01B, X01C		09	J02A, J02B, J02C, J04A, J04B, J08A, J08B, J08C, J16Z, J21Z, J22A, J22B					
21B		X01A, X01B, X01C	01	B03A, B03B, B06A, B06B, B07Z, B17A, B17B, B17C		21A	W04A, W04B					
5v220.a			BOP, KVT, UOP4	5v220.g↔			BOP, KVT, UOP4	5v221.6↔			BOP, KVT, UOP4	
		01	B03A, B03B, B06A, B06B, B07Z, B17A, B17B, B17C			05	F13A, F21A, F21B, F27A, F27B, F27C, F28A			01	B03A, B03B, B06A, B06B, B07Z, B17A, B17B, B17C	
		05	F13A, F21A, F21B, F28A			08	I02A, I02B, I02C, I02D, I12A, I12B, I12C, I22A, I22B, I50Z			05	F13A, F21A, F21B, F28A	
	06	G10Z, G12A, G12B	09		J02A, J02B, J02C, J04A, J04B, J08A, J08B, J08C, J16Z, J21Z, J22A, J22B	08	I02A, I02B, I02C, I02D, I22A, I22B, I50Z					
	08	I02A, I02B, I02C, I02D, I22A, I22B, I50Z	01		B03A, B03B, B06A, B06B, B07Z, B17A, B17B, B17C	09	J02A, J02B, J02C, J04A, J04B, J08A, J08B, J08C, J16Z, J21Z, J22A, J22B					
	09	J02A, J02B, J02C, J04A, J04B, J08A, J08B, J08C, J16Z, J21Z, J22A, J22B	05		F13A, F21A, F21B, F27A, F27B, F27C, F28A	21A	W04A, W04B					
	21A	W04A, W04B	08		I02A, I02B, I02C, I02D, I12A, I12B, I12C, I22A, I22B, I50Z	21B	X01A, X01B, X01C					
	21B	X01A, X01B, X01C	09		J02A, J02B, J02C, J04A, J04B, J08A, J08B, J08C, J16Z, J21Z, J22A, J22B	5v221.7↔			BOP, KVT, UOP4			
	5v220.b		BOP, KVT, UOP4		5v220.h↔				BOP, KVT, UOP4	5v221.8↔		BOP, KVT, UOP4
		01	B03A, B03B, B06A, B06B, B07Z, B17A, B17B, B17C				01		B03A, B03B, B06A, B06B, B07Z, B17A, B17B, B17C		01	B03A, B03B, B06A, B06B, B07Z, B17A, B17B, B17C
05		F13A, F21A, F21B, F28A	05	F13A, F21A, F21B, F27A, F27B, F27C, F28A			05	F13A, F21A, F21B, F28A				
06		G10Z, G12A, G12B	08	I02A, I02B, I02C, I02D, I12A, I12B, I12C, I22A, I22B, I50Z			08	I02A, I02B, I02C, I02D, I22A, I22B, I50Z				
08		I02A, I02B, I02C, I02D, I22A, I22B, I50Z	09	J02A, J02B, J02C, J04A, J04B, J08A, J08B, J08C, J16Z, J21Z, J22A, J22B			09	J02A, J02B, J02C, J04A, J04B, J08A, J08B, J08C, J16Z, J21Z, J22A, J22B				
09		J02A, J02B, J02C, J04A, J04B, J08A, J08B, J08C, J16Z, J21Z, J22A, J22B	10	K01Z			21A	W04A, W04B				
21A		W04A, W04B	21A	W04A, W04B			21A	W04A, W04B				
21B		X01A, X01B, X01C	21B	X01A, X01B, X01C			21B	X01A, X01B, X01C				

VYK

ZZV	MDC	DRG	ZZV	MDC	DRG	ZZV	MDC	DRG			
5v221.8↔		BOP, KVT, UOP4	5v221.e↔		BOP, KVT, UOP4	5v222.4		BOP, KVT, UOP4			
	01	B03A, B03B, B06A, B06B, B07Z, B17A, B17B, B17C		01	B03A, B03B, B06A, B06B, B07Z, B17A, B17B, B17C		01	B03A, B03B, B06A, B06B, B07Z, B17A, B17B, B17C			
	05	F13A, F21A, F21B, F28A		05	F13A, F21A, F21B, F27A, F27B, F27C, F28A		02	C20A, C20B			
	08	I02A, I02B, I02C, I02D, I22A, I22B, I32A, I32B, I32C, I32D, I32E, I32F, I50Z		08	I02A, I02B, I02C, I02D, I22A, I22B, I50Z		03	D12A, D12B			
	09	J02A, J02B, J02C, J04A, J04B, J08A, J08B, J08C, J16Z, J21Z, J22A, J22B		09	J02A, J02B, J02C, J04A, J04B, J08A, J08B, J08C, J16Z, J21Z, J22A, J22B		05	F13A, F21A, F21B, F21C			
	21A	W04A, W04B		10	K01Z		08	I02A, I02B, I02C, I02D, I22A, I22B, I50Z			
	21B	X01A, X01B, X01C		21A	W04A, W04B		09	J02A, J02B, J02C, J04A, J04B, J08A, J08B, J08C, J16Z, J21Z, J22A, J22B			
	5v221.9↔			BOP, KVT, UOP4	5v221.f↔			BOP, KVT, UOP4	5v222.5		BOP, KVT, UOP4
		01		B03A, B03B, B06A, B06B, B07Z, B17A, B17B, B17C			01	B03A, B03B, B06A, B06B, B07Z, B17A, B17B, B17C		01	B03A, B03B, B06A, B06B, B07Z, B17A, B17B, B17C
		05		F13A, F21A, F21B, F28A			05	F13A, F21A, F21B, F27A, F27B, F27C, F28A		03	D12A, D12B
08		I12A, I12B, I12C, I32A, I32B, I32C, I32D, I32E, I32F	08	I02A, I02B, I02C, I02D, I22A, I22B, I50Z		05	F13A, F21A, F21B, F21C				
09		J02A, J02B, J02C, J04A, J04B, J08A, J08B, J08C, J16Z, J21Z, J22A, J22B	09	J02A, J02B, J02C, J04A, J04B, J08A, J08B, J08C, J16Z, J21Z, J22A, J22B		06	G10Z, G12A, G12B				
21A		W04A, W04B	10	K01Z		08	I28A, I28B				
21B		X01A, X01B, X01C	21A	W04A, W04B		09	J02A, J02B, J02C, J04A, J04B, J08A, J08B, J08C, J16Z, J21Z, J22A, J22B				
5v221.a			BOP, KVT, UOP4	5v221.g↔			BOP, KVT, UOP4	5v222.6↔			BOP, KVT, UOP4
		01	B03A, B03B, B06A, B06B, B07Z, B17A, B17B, B17C			01	B03A, B03B, B06A, B06B, B07Z, B17A, B17B, B17C			01	B03A, B03B, B06A, B06B, B07Z, B17A, B17B, B17C
		05	F13A, F21A, F21B, F28A			05	F13A, F21A, F21B, F27A, F27B, F27C, F28A			05	F13A, F21A, F21B, F21C
	06	G10Z, G12A, G12B	08		I02A, I02B, I02C, I02D, I12A, I12B, I12C, I22A, I22B, I50Z	08	I02A, I02B, I02C, I02D, I22A, I22B, I50Z				
	08	I02A, I02B, I02C, I02D, I22A, I22B, I50Z	09		J02A, J02B, J02C, J04A, J04B, J08A, J08B, J08C, J16Z, J21Z, J22A, J22B	09	J02A, J02B, J02C, J04A, J04B, J08A, J08B, J08C, J16Z, J21Z, J22A, J22B				
	09	J02A, J02B, J02C, J04A, J04B, J08A, J08B, J08C, J16Z, J21Z, J22A, J22B	10		K01Z	21A	W04A, W04B				
	21A	W04A, W04B	21A		W04A, W04B	21B	X01A, X01B, X01C				
	21B	X01A, X01B, X01C	21B		X01A, X01B, X01C		BOP, KVT, UOP4				
	5v221.b		BOP, KVT, UOP4		5v221.x↔		BOP, KVT, UOP4		5v222.7↔		BOP, KVT, UOP4
		01	B03A, B03B, B06A, B06B, B07Z, B17A, B17B, B17C			01	B03A, B03B, B06A, B06B, B07Z, B17A, B17B, B17C			01	B03A, B03B, B06A, B06B, B07Z, B17A, B17B, B17C
05		F13A, F21A, F21B, F28A	05	F13A, F21A, F21B, F28A		05	F13A, F21A, F21B, F21C				
06		G10Z, G12A, G12B	08	I02A, I02B, I02C, I02D, I22A, I22B, I50Z		08	I02A, I02B, I02C, I02D, I22A, I22B, I50Z				
08		I02A, I02B, I02C, I02D, I22A, I22B, I50Z	09	J02A, J02B, J02C, J04A, J04B, J08A, J08B, J08C, J16Z, J21Z, J22A, J22B		09	J02A, J02B, J02C, J04A, J04B, J08A, J08B, J08C, J16Z, J21Z, J22A, J22B				
09		J02A, J02B, J02C, J04A, J04B, J08A, J08B, J08C, J16Z, J21Z, J22A, J22B	10	K01Z		21A	W04A, W04B				
21A		W04A, W04B	21A	W04A, W04B		21B	X01A, X01B, X01C				
21B		X01A, X01B, X01C	21B	X01A, X01B, X01C			BOP, KVT, UOP4				
5v221.c			BOP, KVT, UOP4	5v222.0			BOP, KVT, UOP4	5v222.8↔			BOP, KVT, UOP4
		01	B03A, B03B, B06A, B06B, B07Z, B17A, B17B, B17C			01	B03A, B03B, B06A, B06B, B07Z, B17A, B17B, B17C			01	B03A, B03B, B06A, B06B, B07Z, B17A, B17B, B17C
	05	F13A, F21A, F21B, F28A	03		D08A, D08B, D18Z, D22A, D22B, D30A, D30B	05	F13A, F21A, F21B, F21C				
	06	G10Z, G12A, G12B	05		F13A	08	I02A, I02B, I02C, I02D, I22A, I22B, I32A, I32B, I32C, I32D, I32E, I32F, I50Z				
	08	I02A, I02B, I02C, I02D, I22A, I22B, I50Z	09		J03A, J03B, J04A, J04B, J08A, J08B, J08C, J10A, J10B, J16Z	09	J02A, J02B, J02C, J04A, J04B, J08A, J08B, J08C, J16Z, J21Z, J22A, J22B				
	09	J02A, J02B, J02C, J04A, J04B, J08A, J08B, J08C, J16Z, J21Z, J22A, J22B	21A		W04A, W04B	21A	W04A, W04B				
	21A	W04A, W04B	21B		X01A, X01B, X01C	21B	X01A, X01B, X01C				
	21B	X01A, X01B, X01C			BOP, KVT, UOP4		BOP, KVT, UOP4				
	5v221.d		BOP, KVT, UOP4		5v222.9↔		BOP, KVT, UOP4		5v222.9↔		BOP, KVT, UOP4
		01	B03A, B03B, B06A, B06B, B07Z, B17A, B17B, B17C			01	B03A, B03B, B06A, B06B, B07Z, B17A, B17B, B17C			01	B03A, B03B, B06A, B06B, B07Z, B17A, B17B, B17C
05		F13A, F21A, F21B, F28A	05	F13A, F21A, F21B, F28A		05	F13A, F21A, F21B, F21C				
06		G10Z, G12A, G12B	08	I02A, I02B, I02C, I02D, I22A, I22B, I50Z		08	I12A, I12B, I12C, I32A, I32B, I32C, I32D, I32E, I32F				
08		I02A, I02B, I02C, I02D, I22A, I22B, I50Z	09	J03A, J03B, J04A, J04B, J08A, J08B, J08C, J16Z, J21Z, J22A, J22B		09	J03A, J03B, J04A, J04B, J08A, J08B, J08C, J16Z, J21Z, J22A, J22B				
09		J02A, J02B, J02C, J04A, J04B, J08A, J08B, J08C, J16Z, J21Z, J22A, J22B	21A	W04A, W04B		21A	W04A, W04B				
21A		W04A, W04B	21B	X01A, X01B, X01C		21B	X01A, X01B, X01C				
21B		X01A, X01B, X01C		BOP, KVT, UOP4			BOP, KVT, UOP4				

VYK

ZZV	MDC	DRG	ZZV	MDC	DRG	ZZV	MDC	DRG			
5v222.a		BOP, KVT, UOP4	5v222.f↔		BOP, KVT, UOP4	5v224.4		BOP, KVT, UOP4			
	01	B03A, B03B, B06A, B06B, B07Z, B17A, B17B, B17C		01	B03A, B03B, B06A, B06B, B07Z, B17A, B17B, B17C		01	B03A, B03B, B06A, B06B, B07Z, B17A, B17B, B17C			
	05	F13A, F21A, F21B, F21C		05	F13A, F21A, F21B, F21C, F27A, F27B, F27C		02	C20A, C20B			
	06	G10Z, G12A, G12B		08	I02A, I02B, I02C, I02D, I22A, I22B, I50Z		03	D18Z, D25A, D25B, D25C, D25D			
	08	I02A, I02B, I02C, I02D, I22A, I22B, I50Z		09	J02A, J02B, J02C, J04A, J04B, J08A, J08B, J08C, J16Z, J21Z, J22A, J22B		05	F13A, F21A, F21B, F28A			
	09	J02A, J02B, J02C, J04A, J04B, J08A, J08B, J08C, J16Z, J21Z, J22A, J22B		10	K01Z		08	I02A, I02B, I02C, I02D, I12A, I12B, I12C, I22A, I50Z			
	21A	W04A, W04B		21A	W04A, W04B		09	J02A, J02B, J02C, J04A, J04B, J08A, J08B, J08C, J16Z, J21Z, J22A, J22B			
	21B	X01A, X01B, X01C		21B	X01A, X01B, X01C		21A	W04A, W04B			
	5v222.b			BOP, KVT, UOP4	5v222.g↔			BOP, KVT, UOP4	5v224.5		BOP, KVT, UOP4
		01		B03A, B03B, B06A, B06B, B07Z, B17A, B17B, B17C			01	B03A, B03B, B06A, B06B, B07Z, B17A, B17B, B17C		01	B03A, B03B, B06A, B06B, B07Z, B17A, B17B, B17C
05		F13A, F21A, F21B, F21C	05	F13A, F21A, F21B, F21C, F27A, F27B, F27C		03	D18Z, D25A, D25B, D25C, D25D				
06		G10Z, G12A, G12B	08	I02A, I02B, I02C, I02D, I12A, I12B, I12C, I22A, I22B, I50Z		05	F13A, F21A, F21B, F28A				
08		I02A, I02B, I02C, I02D, I22A, I22B, I50Z	09	J02A, J02B, J02C, J04A, J04B, J08A, J08B, J08C, J16Z, J21Z, J22A, J22B		08	I02A, I02B, I02C, I02D, I12A, I12B, I12C, I22A, I50Z				
09		J02A, J02B, J02C, J04A, J04B, J08A, J08B, J08C, J16Z, J21Z, J22A, J22B	10	K01Z		09	J02A, J02B, J02C, J04A, J04B, J08A, J08B, J08C, J16Z, J21Z, J22A, J22B				
21A		W04A, W04B	21A	W04A, W04B		21A	W04A, W04B				
21B		X01A, X01B, X01C	21B	X01A, X01B, X01C		21B	X01A, X01B				
5v222.c			BOP, KVT, UOP4	5v222.x↔			BOP, KVT, UOP4	5v224.6↔			BOP, KVT, UOP4
		01	B03A, B03B, B06A, B06B, B07Z, B17A, B17B, B17C			01	B03A, B03B, B06A, B06B, B07Z, B17A, B17B, B17C			01	B03A, B03B, B06A, B06B, B07Z, B17A, B17B, B17C
	05	F13A, F21A, F21B, F21C	05		F13A, F21A, F21B, F21C	05	F13A, F21A, F21B, F28A				
	06	G10Z, G12A, G12B	08		I02A, I02B, I02C, I02D, I22A, I22B, I32A, I32B, I32C, I32D, I32E, I32F, I50Z	08	I02A, I02B, I02C, I02D, I12A, I12B, I12C, I22A, I50Z				
	08	I02A, I02B, I02C, I02D, I22A, I22B, I50Z	09		J02A, J02B, J02C, J04A, J04B, J08A, J08B, J08C, J16Z, J21Z, J22A, J22B	09	J02A, J02B, J02C, J04A, J04B, J08A, J08B, J08C, J16Z, J21Z, J22A, J22B				
	09	J02A, J02B, J02C, J04A, J04B, J08A, J08B, J08C, J16Z, J21Z, J22A, J22B	21A		W04A, W04B	21A	W04A, W04B				
	10	K09A, K09B	21B		X01A, X01B, X01C	21B	X01A, X01B				
	12	M04A, M04B, M04C, M04D, M37Z, M38Z	09		J11A, J11B	01	B03A, B03B, B06A, B06B, B07Z, B17A, B17B, B17C				
	21A	W04A, W04B	02		C20A, C20B	05	F13A, F21A, F21B, F28A				
	21B	X01A, X01B, X01C	09		J11A, J11B	08	I02A, I02B, I02C, I02D, I12A, I12B, I12C, I22A, I50Z				
5v222.d		BOP, KVT, UOP4	5v223.0†		J11A, J11B	5v224.7↔		BOP, KVT, UOP4			
	01	B03A, B03B, B06A, B06B, B07Z, B17A, B17B, B17C	5v223.4†		J11A, J11B		01	B03A, B03B, B06A, B06B, B07Z, B17A, B17B, B17C			
	05	F13A, F21A, F21B, F21C	5v223.5†		J11A, J11B		05	F13A, F21A, F21B, F28A			
	06	G10Z, G12A, G12B	5v223.6†↔		J11A, J11B		08	I02A, I02B, I02C, I02D, I12A, I12B, I12C, I22A, I50Z			
	08	I02A, I02B, I02C, I02D, I22A, I22B, I50Z	5v223.7†↔		J11A, J11B		09	J02A, J02B, J02C, J04A, J04B, J08A, J08B, J08C, J16Z, J21Z, J22A, J22B			
	09	J02A, J02B, J02C, J04A, J04B, J08A, J08B, J08C, J16Z, J21Z, J22A, J22B	5v223.8†↔		J11A, J11B		21A	W04A, W04B			
	21A	W04A, W04B	5v223.9†↔		J11A, J11B		21B	X01A, X01B			
	21B	X01A, X01B, X01C	5v223.a†		J11A, J11B		5v224.8↔		BOP, KVT, UOP4		
	5v222.e↔		BOP, KVT, UOP4	5v223.b†				J11A, J11B	01	B03A, B03B, B06A, B06B, B07Z, B17A, B17B, B17C	
		01	B03A, B03B, B06A, B06B, B07Z, B17A, B17B, B17C	5v223.c†				J11A, J11B	05	F13A, F21A, F21B, F28A	
05		F13A, F21A, F21B, F21C, F27A, F27B, F27C	5v223.d†		J11A, J11B	08		I02A, I02B, I02C, I02D, I12A, I12B, I12C, I22A, I32A, I32B, I32C, I32D, I32E, I32F, I50Z			
08		I02A, I02B, I02C, I02D, I22A, I22B, I50Z	5v223.e†↔		J11A, J11B	09		J02A, J02B, J02C, J04A, J04B, J08A, J08B, J08C, J16Z, J21Z, J22A, J22B			
09		J02A, J02B, J02C, J04A, J04B, J08A, J08B, J08C, J16Z, J21Z, J22A, J22B	5v223.f†↔		J11A, J11B	21A		W04A, W04B			
10		K01Z	5v223.g†↔		J11A, J11B	21B		X01A, X01B			
21A		W04A, W04B	5v223.x†		J11A, J11B						
21B		X01A, X01B, X01C	5v224.0		BOP, KVT, UOP4						
			01	B03A, B03B, B06A, B06B, B07Z, B17A, B17B, B17C							
			03	D18Z, D25A, D25B, D25C, D25D							
		05	F13A, F21A, F21B, F28A								
		08	I12A, I12B, I12C								
		09	J02A, J02B, J02C, J04A, J04B, J08A, J08B, J08C, J16Z, J21Z, J22A, J22B								
		21A	W04A, W04B								
		21B	X01A, X01B								

VYK

ZZV	MDC	DRG	ZZV	MDC	DRG	ZZV	MDC	DRG				
5v224.9↔		BOP, KVT, UOP4	5v224.e↔		BOP, KVT, UOP4	5v225.4		BOP, KVT, UOP4				
	01	B03A, B03B, B06A, B06B, B07Z, B17A, B17B, B17C		01	B03A, B03B, B06A, B06B, B07Z, B17A, B17B, B17C		01	B03A, B03B, B06A, B06B, B07Z, B17A, B17B, B17C				
	05	F13A, F21A, F21B, F28A		05	F13A, F21A, F21B, F27A, F27B, F27C, F28A		02	C20A, C20B				
	08	I12A, I12B, I12C, I32A, I32B, I32C, I32D, I32E, I32F		08	I02A, I02B, I02C, I02D, I12A, I12B, I12C, I22A, I50Z		03	D18Z, D25A, D25B, D25C, D25D				
	09	J02A, J02B, J02C, J04A, J04B, J08A, J08B, J08C, J16Z, J21Z, J22A, J22B		09	J02A, J02B, J02C, J04A, J04B, J08A, J08B, J08C, J16Z, J21Z, J22A, J22B		05	F13A, F21A, F21B, F28A				
	21A	W04A, W04B		10	K01Z		08	I02A, I02B, I02C, I02D, I12A, I12B, I12C, I22A, I50Z				
	21B	X01A, X01B		21A	W04A, W04B		09	J02A, J02B, J02C, J04A, J04B, J08A, J08B, J08C, J16Z, J21Z, J22A, J22B				
	5v224.a			BOP, KVT, UOP4	5v224.f↔			BOP, KVT, UOP4	5v225.5		BOP, KVT, UOP4	
		01		B03A, B03B, B06A, B06B, B07Z, B17A, B17B, B17C			01	B03A, B03B, B06A, B06B, B07Z, B17A, B17B, B17C		01	B03A, B03B, B06A, B06B, B07Z, B17A, B17B, B17C	
		05		F13A, F21A, F21B, F28A			05	F13A, F21A, F21B, F27A, F27B, F27C, F28A		03	D18Z, D25A, D25B, D25C, D25D	
06		G10Z, G12A, G12B	08	I02A, I02B, I02C, I02D, I12A, I12B, I12C, I22A, I50Z		05	F13A, F21A, F21B, F28A					
08		I02A, I02B, I02C, I02D, I12A, I12B, I12C, I22A, I50Z	09	J02A, J02B, J02C, J04A, J04B, J08A, J08B, J08C, J16Z, J21Z, J22A, J22B		08	I02A, I02B, I02C, I02D, I12A, I12B, I12C, I22A, I50Z					
09		J02A, J02B, J02C, J04A, J04B, J08A, J08B, J08C, J16Z, J21Z, J22A, J22B	10	K01Z		09	J02A, J02B, J02C, J04A, J04B, J08A, J08B, J08C, J16Z, J21Z, J22A, J22B					
21A		W04A, W04B	21A	W04A, W04B		21A	W04A, W04B					
21B		X01A, X01B	21B	X01A, X01B		21B	X01A, X01B					
5v224.b			BOP, KVT, UOP4	5v224.g↔			BOP, KVT, UOP4	5v225.6↔			BOP, KVT, UOP4	
		01	B03A, B03B, B06A, B06B, B07Z, B17A, B17B, B17C			01	B03A, B03B, B06A, B06B, B07Z, B17A, B17B, B17C			01	B03A, B03B, B06A, B06B, B07Z, B17A, B17B, B17C	
	05	F13A, F21A, F21B, F28A	05		F13A, F21A, F21B, F27A, F27B, F27C, F28A	05	F13A, F21A, F21B, F28A					
	06	G10Z, G12A, G12B	08		I02A, I02B, I02C, I02D, I12A, I12B, I12C, I22A, I50Z	08	I02A, I02B, I02C, I02D, I12A, I12B, I12C, I22A, I50Z					
	08	I02A, I02B, I02C, I02D, I12A, I12B, I12C, I22A, I50Z	09		J02A, J02B, J02C, J04A, J04B, J08A, J08B, J08C, J16Z, J21Z, J22A, J22B	09	J02A, J02B, J02C, J04A, J04B, J08A, J08B, J08C, J16Z, J21Z, J22A, J22B					
	09	J02A, J02B, J02C, J04A, J04B, J08A, J08B, J08C, J16Z, J21Z, J22A, J22B	10		K01Z	21A	W04A, W04B					
	21A	W04A, W04B	21A		W04A, W04B	21B	X01A, X01B					
	21B	X01A, X01B	21B		X01A, X01B	5v225.7↔			BOP, KVT, UOP4			
	5v224.c		BOP, KVT, UOP4		5v224.x↔				BOP, KVT, UOP4	5v225.8↔		BOP, KVT, UOP4
		01	B03A, B03B, B06A, B06B, B07Z, B17A, B17B, B17C				01		B03A, B03B, B06A, B06B, B07Z, B17A, B17B, B17C		01	B03A, B03B, B06A, B06B, B07Z, B17A, B17B, B17C
05		F13A, F21A, F21B, F28A	05	F13A, F21A, F21B, F27A, F27B, F27C, F28A			05	F13A, F21A, F21B, F28A				
06		G10Z, G12A, G12B	08	I02A, I02B, I02C, I02D, I12A, I12B, I12C, I22A, I32A, I32B, I32C, I32D, I32E, I32F, I50Z			08	I02A, I02B, I02C, I02D, I12A, I12B, I12C, I22A, I32A, I32B, I32C, I32D, I32E, I32F, I50Z				
08		I02A, I02B, I02C, I02D, I12A, I12B, I12C, I22A, I50Z	09	J02A, J02B, J02C, J04A, J04B, J08A, J08B, J08C, J16Z, J21Z, J22A, J22B			09	J02A, J02B, J02C, J04A, J04B, J08A, J08B, J08C, J16Z, J21Z, J22A, J22B				
09		J02A, J02B, J02C, J04A, J04B, J08A, J08B, J08C, J16Z, J21Z, J22A, J22B	10	K01Z			21A	W04A, W04B				
21A		W04A, W04B	21A	W04A, W04B			21B	X01A, X01B				
21B		X01A, X01B	21B	X01A, X01B			5v225.0		BOP, KVT, UOP4			
5v224.d			BOP, KVT, UOP4	5v225.0					BOP, KVT, UOP4		5v225.0	
		01	B03A, B03B, B06A, B06B, B07Z, B17A, B17B, B17C			01		B03A, B03B, B06A, B06B, B07Z, B17A, B17B, B17C	01			B03A, B03B, B06A, B06B, B07Z, B17A, B17B, B17C
	05	F13A, F21A, F21B, F28A	03		D18Z, D25A, D25B, D25C, D25D	03		D18Z, D25A, D25B, D25C, D25D				
	06	G10Z, G12A, G12B	05		F13A, F21A, F21B, F28A	05		F13A, F21A, F21B, F28A				
	08	I02A, I02B, I02C, I02D, I12A, I12B, I12C, I22A, I50Z	08		I12A, I12B, I12C	08		I12A, I12B, I12C				
	09	J02A, J02B, J02C, J04A, J04B, J08A, J08B, J08C, J16Z, J21Z, J22A, J22B	09		J02A, J02B, J02C, J04A, J04B, J08A, J08B, J08C, J16Z, J21Z, J22A, J22B	09		J02A, J02B, J02C, J04A, J04B, J08A, J08B, J08C, J16Z, J21Z, J22A, J22B				
	21A	W04A, W04B	21A		W04A, W04B	21A		W04A, W04B				
	21B	X01A, X01B	21B		X01A, X01B	21B		X01A, X01B				

VYK

ZZV	MDC	DRG	ZZV	MDC	DRG	ZZV	MDC	DRG					
5v225.9↔		BOP, KVT, UOP4	5v225.e↔		BOP, KVT, UOP4	5v226.4		BOP, KVT, UOP4					
	01	B03A, B03B, B06A, B06B, B07Z, B17A, B17B, B17C		01	B03A, B03B, B06A, B06B, B07Z, B17A, B17B, B17C		01	B03A, B03B, B06A, B06B, B07Z, B17A, B17B, B17C					
	05	F13A, F21A, F21B, F28A		05	F13A, F21A, F21B, F27A, F27B, F27C, F28A		02	C20A, C20B					
	08	I12A, I12B, I12C, I32A, I32B, I32C, I32D, I32E, I32F		08	I02A, I02B, I02C, I02D, I12A, I12B, I12C, I22A, I50Z		03	D12A, D12B					
	09	J02A, J02B, J02C, J04A, J04B, J08A, J08B, J08C, J16Z, J21Z, J22A, J22B		09	J02A, J02B, J02C, J04A, J04B, J08A, J08B, J08C, J16Z, J21Z, J22A, J22B		05	F13A, F21A, F21B, F28A					
	21A	W04A, W04B		10	K01Z		08	I02A, I02B, I02C, I02D, I12A, I12B, I12C, I22A, I50Z					
	21B	X01A, X01B		21A	W04A, W04B		09	J02A, J02B, J02C, J04A, J04B, J08A, J08B, J08C, J16Z, J21Z, J22A, J22B					
	5v225.a			BOP, KVT, UOP4	5v225.f↔			BOP, KVT, UOP4	5v226.5		BOP, KVT, UOP4		
		01		B03A, B03B, B06A, B06B, B07Z, B17A, B17B, B17C			01	B03A, B03B, B06A, B06B, B07Z, B17A, B17B, B17C		01	B03A, B03B, B06A, B06B, B07Z, B17A, B17B, B17C		
		05		F13A, F21A, F21B, F28A			05	F13A, F21A, F21B, F27A, F27B, F27C, F28A		03	D12A, D12B		
06		G10Z, G12A, G12B	08	I02A, I02B, I02C, I02D, I12A, I12B, I12C, I22A, I50Z		05	F13A, F21A, F21B, F28A						
08		I02A, I02B, I02C, I02D, I12A, I12B, I12C, I22A, I50Z	09	J02A, J02B, J02C, J04A, J04B, J08A, J08B, J08C, J16Z, J21Z, J22A, J22B		06	G10Z, G12A, G12B						
09		J02A, J02B, J02C, J04A, J04B, J08A, J08B, J08C, J16Z, J21Z, J22A, J22B	10	K01Z		08	I12A, I12B, I12C, I28A, I28B						
21A		W04A, W04B	21A	W04A, W04B		09	J02A, J02B, J02C, J04A, J04B, J08A, J08B, J08C, J16Z, J21Z, J22A, J22B						
21B		X01A, X01B	21B	X01A, X01B		21A	W04A, W04B						
5v225.b			BOP, KVT, UOP4	5v225.g↔			BOP, KVT, UOP4	5v226.6↔			BOP, KVT, UOP4		
		01	B03A, B03B, B06A, B06B, B07Z, B17A, B17B, B17C			01	B03A, B03B, B06A, B06B, B07Z, B17A, B17B, B17C			01	B03A, B03B, B06A, B06B, B07Z, B17A, B17B, B17C		
	05	F13A, F21A, F21B, F28A	05		F13A, F21A, F21B, F27A, F27B, F27C, F28A	05	F13A, F21A, F21B, F28A						
	06	G10Z, G12A, G12B	08		I02A, I02B, I02C, I02D, I12A, I12B, I12C, I22A, I50Z	08	I02A, I02B, I02C, I02D, I12A, I12B, I12C, I22A, I50Z						
	08	I02A, I02B, I02C, I02D, I12A, I12B, I12C, I22A, I50Z	09		J02A, J02B, J02C, J04A, J04B, J08A, J08B, J08C, J16Z, J21Z, J22A, J22B	09	J02A, J02B, J02C, J04A, J04B, J08A, J08B, J08C, J16Z, J21Z, J22A, J22B						
	09	J02A, J02B, J02C, J04A, J04B, J08A, J08B, J08C, J16Z, J21Z, J22A, J22B	10		K01Z	21A	W04A, W04B						
	21A	W04A, W04B	21A		W04A, W04B	21B	X01A, X01B						
	21B	X01A, X01B	5v225.x↔			BOP, KVT, UOP4	5v226.7↔			BOP, KVT, UOP4			
	5v225.c				BOP, KVT, UOP4	5v226.0				BOP, KVT, UOP4	5v226.8↔		BOP, KVT, UOP4
		01			B03A, B03B, B06A, B06B, B07Z, B17A, B17B, B17C				01	B03A, B03B, B06A, B06B, B07Z, B17A, B17B, B17C		01	B03A, B03B, B06A, B06B, B07Z, B17A, B17B, B17C
05		F13A, F21A, F21B, F28A		05	F13A, F21A, F21B, F28A			05	F13A, F21A, F21B, F28A				
06		G10Z, G12A, G12B		08	I02A, I02B, I02C, I02D, I12A, I12B, I12C, I22A, I32A, I32B, I32C, I32D, I32E, I32F, I50Z			08	I02A, I02B, I02C, I02D, I12A, I12B, I12C, I22A, I32A, I32B, I32C, I32D, I32E, I32F, I50Z				
08		I02A, I02B, I02C, I02D, I12A, I12B, I12C, I22A, I50Z		09	J02A, J02B, J02C, J04A, J04B, J08A, J08B, J08C, J16Z, J21Z, J22A, J22B			09	J02A, J02B, J02C, J04A, J04B, J08A, J08B, J08C, J16Z, J21Z, J22A, J22B				
09		J02A, J02B, J02C, J04A, J04B, J08A, J08B, J08C, J16Z, J21Z, J22A, J22B		21A	W04A, W04B			21A	W04A, W04B				
21A		W04A, W04B		21B	X01A, X01B			21B	X01A, X01B				
21B		X01A, X01B		5v226.9↔				BOP, KVT, UOP4	5v226.9↔			BOP, KVT, UOP4	
5v225.d					BOP, KVT, UOP4			5v226.0				BOP, KVT, UOP4	5v226.9↔
		01	B03A, B03B, B06A, B06B, B07Z, B17A, B17B, B17C		03		D08A, D08B, D18Z, D22A, D22B, D30A, D30B			01		B03A, B03B, B06A, B06B, B07Z, B17A, B17B, B17C	
	05	F13A, F21A, F21B, F28A	05		F13A, F28A	05	F13A, F21A, F21B, F28A						
	06	G10Z, G12A, G12B	08		I12A, I12B, I12C	08	I02A, I02B, I02C, I02D, I12A, I12B, I12C, I22A, I32A, I32B, I32C, I32D, I32E, I32F, I50Z						
	08	I02A, I02B, I02C, I02D, I12A, I12B, I12C, I22A, I50Z	09		J03A, J03B, J04A, J04B, J08A, J08B, J08C, J10A, J10B, J16Z	09	J02A, J02B, J02C, J04A, J04B, J08A, J08B, J08C, J16Z, J21Z, J22A, J22B						
	09	J02A, J02B, J02C, J04A, J04B, J08A, J08B, J08C, J16Z, J21Z, J22A, J22B	21A		W04A, W04B	21A	W04A, W04B						
	21A	W04A, W04B	21B		X01A, X01B, X06A, X06B, X06C	21B	X01A, X01B						
	21B	X01A, X01B				21B	X01A, X01B						

Príloha B: Index Výkon-MDC-DRG

ZZV	MDC	DRG	ZZV	MDC	DRG	ZZV	MDC	DRG			
5v22a.7↔		BOP, KVT, UOP4	5v22a.d		BOP, KVT, UOP4	5v22b.4		BOP, KVT, UOP4			
	01	B03A, B03B, B06A, B06B, B07Z, B17A, B17B, B17C		01	B03A, B03B, B06A, B06B, B07Z, B17A, B17B, B17C		01	B03A, B03B, B06A, B06B, B07Z, B17A, B17B, B17C			
	05	F13A, F21A, F21B, F21C		05	F13A, F21A, F21B, F21C		02	C20A, C20B			
	08	I02A, I02B, I02C, I02D, I22A, I22B, I50Z		06	G10Z, G12A, G12B		03	D12A			
	09	J02A, J02B, J02C, J04A, J04B, J08A, J08B, J08C, J16Z, J21Z, J22A, J22B		08	I02A, I02B, I02C, I02D, I22A, I22B, I50Z		05	F13A, F21A, F21B			
	21A	W04A, W04B		09	J02A, J02B, J02C, J04A, J04B, J08A, J08B, J08C, J16Z, J21Z, J22A, J22B		08	I02A, I02B, I02C, I02D, I12A, I12B, I12C, I22A, I22B, I50Z			
	21B	X01A, X01B, X01C		21A	W04A, W04B		09	J02A, J02B, J02C, J04A, J04B, J08A, J08B, J08C, J16Z, J21Z, J22A, J22B			
	5v22a.8↔			BOP, KVT, UOP4	5v22a.e↔			BOP, KVT, UOP4	5v22b.5		BOP, KVT, UOP4
		01		B03A, B03B, B06A, B06B, B07Z, B17A, B17B, B17C			01	B03A, B03B, B06A, B06B, B07Z, B17A, B17B, B17C		01	B03A, B03B, B06A, B06B, B07Z, B17A, B17B, B17C
		05		F13A, F21A, F21B, F21C			05	F13A, F21A, F21B, F21C		03	D12A
08		I02A, I02B, I02C, I02D, I22A, I22B, I32A, I32B, I32C, I32D, I32E, I32F, I50Z	08	I02A, I02B, I02C, I02D, I22A, I22B, I50Z		05	F13A, F21A, F21B				
09		J02A, J02B, J02C, J04A, J04B, J08A, J08B, J08C, J16Z, J21Z, J22A, J22B	09	J02A, J02B, J02C, J04A, J04B, J08A, J08B, J08C, J16Z, J21Z, J22A, J22B		08	I02A, I02B, I02C, I02D, I12A, I12B, I12C, I22A, I22B, I50Z				
21A		W04A, W04B	21A	W04A, W04B		09	J02A, J02B, J02C, J04A, J04B, J08A, J08B, J08C, J16Z, J21Z, J22A, J22B				
21B		X01A, X01B, X01C	21B	X01A, X01B, X01C		21A	W04A, W04B				
5v22a.9↔			BOP, KVT, UOP4	5v22a.f↔			BOP, KVT, UOP4	5v22b.6↔			BOP, KVT, UOP4
		01	B03A, B03B, B06A, B06B, B07Z, B17A, B17B, B17C			01	B03A, B03B, B06A, B06B, B07Z, B17A, B17B, B17C			01	B03A, B03B, B06A, B06B, B07Z, B17A, B17B, B17C
		05	F13A, F21A, F21B, F21C			05	F13A, F21A, F21B, F21C			05	F13A, F21A, F21B
	08	I12A, I12B, I12C, I32A, I32B, I32C, I32D, I32E, I32F	08		I02A, I02B, I02C, I02D, I22A, I22B, I50Z	08	I02A, I02B, I02C, I02D, I12A, I12B, I12C, I22A, I22B, I50Z				
	09	J02A, J02B, J02C, J04A, J04B, J08A, J08B, J08C, J16Z, J21Z, J22A, J22B	09		J02A, J02B, J02C, J04A, J04B, J08A, J08B, J08C, J16Z, J21Z, J22A, J22B	09	J02A, J02B, J02C, J04A, J04B, J08A, J08B, J08C, J16Z, J21Z, J22A, J22B				
	21A	W04A, W04B	21A		W04A, W04B	21A	W04A, W04B				
	21B	X01A, X01B, X01C	21B		X01A, X01B, X01C	21B	X01A, X01B, X01C				
	5v22a.a		BOP, KVT, UOP4		5v22a.g↔		BOP, KVT, UOP4		5v22b.7↔		BOP, KVT, UOP4
		01	B03A, B03B, B06A, B06B, B07Z, B17A, B17B, B17C			01	B03A, B03B, B06A, B06B, B07Z, B17A, B17B, B17C			01	B03A, B03B, B06A, B06B, B07Z, B17A, B17B, B17C
		05	F13A, F21A, F21B, F21C			05	F13A, F21A, F21B, F21C			05	F13A, F21A, F21B
06		G10Z, G12A, G12B	08	I02A, I02B, I02C, I02D, I12A, I12B, I12C, I22A, I22B, I50Z		08	I02A, I02B, I02C, I02D, I12A, I12B, I12C, I22A, I22B, I50Z				
08		I02A, I02B, I02C, I02D, I22A, I22B, I50Z	09	J02A, J02B, J02C, J04A, J04B, J08A, J08B, J08C, J16Z, J21Z, J22A, J22B		09	J02A, J02B, J02C, J04A, J04B, J08A, J08B, J08C, J16Z, J21Z, J22A, J22B				
09		J02A, J02B, J02C, J04A, J04B, J08A, J08B, J08C, J16Z, J21Z, J22A, J22B	21A	W04A, W04B		21A	W04A, W04B				
21A		W04A, W04B	21B	X01A, X01B, X01C		21A	W04A, W04B				
21B		X01A, X01B, X01C	5v22a.x↔			BOP, KVT, UOP4	5v22b.8↔			BOP, KVT, UOP4	
5v22a.b				BOP, KVT, UOP4		01		B03A, B03B, B06A, B06B, B07Z, B17A, B17B, B17C		01	B03A, B03B, B06A, B06B, B07Z, B17A, B17B, B17C
		01		B03A, B03B, B06A, B06B, B07Z, B17A, B17B, B17C		05		F13A, F21A, F21B, F21C		05	F13A, F21A, F21B
	05	F13A, F21A, F21B, F21C		08	I02A, I02B, I02C, I02D, I22A, I22B, I32A, I32B, I32C, I32D, I32E, I32F, I50Z	08		I02A, I02B, I02C, I02D, I12A, I12B, I12C, I22A, I22B, I50Z			
	06	G10Z, G12A, G12B		09	J02A, J02B, J02C, J04A, J04B, J08A, J08B, J08C, J16Z, J21Z, J22A, J22B	09		J02A, J02B, J02C, J04A, J04B, J08A, J08B, J08C, J16Z, J21Z, J22A, J22B			
	08	I02A, I02B, I02C, I02D, I22A, I22B, I50Z		21A	W04A, W04B	21A		W04A, W04B			
	09	J02A, J02B, J02C, J04A, J04B, J08A, J08B, J08C, J16Z, J21Z, J22A, J22B		21B	X01A, X01B, X01C	21B		X01A, X01B, X01C			
	21A	W04A, W04B		5v22b.0		BOP, KVT, UOP4		5v22b.9↔		BOP, KVT, UOP4	
	21B	X01A, X01B, X01C			01	B03A, B03B, B06A, B06B, B07Z, B17A, B17B, B17C			01	B03A, B03B, B06A, B06B, B07Z, B17A, B17B, B17C	
	5v22a.c				BOP, KVT, UOP4	03			D12A	05	F13A, F21A, F21B
		01	B03A, B03B, B06A, B06B, B07Z, B17A, B17B, B17C		05	F13A, F21A, F21B	08		I12A, I12B, I12C, I32A, I32B, I32C, I32D, I32E, I32F		
05		F13A, F21A, F21B, F21C	08		I12A, I12B, I12C	09	J02A, J02B, J02C, J04A, J04B, J08A, J08B, J08C, J16Z, J21Z, J22A, J22B				
06		G10Z, G12A, G12B	09		J02A, J02B, J02C, J04A, J04B, J08A, J08B, J08C, J16Z, J21Z, J22A, J22B	21A	W04A, W04B				
08		I02A, I02B, I02C, I02D, I22A, I22B, I50Z	21B		X01A, X01B, X01C	21B	X01A, X01B, X01C				
09		J02A, J02B, J02C, J04A, J04B, J08A, J08B, J08C, J16Z, J21Z, J22A, J22B									
21A		W04A, W04B									
21B		X01A, X01B, X01C									

VYK

ZZV	MDC	DRG	ZZV	MDC	DRG	ZZV	MDC	DRG		
5v22b.a		BOP, KVT, UOP4	5v22b.g↔		BOP, KVT, UOP4	5v230.4		BOP, KVT, UOP4		
	01	B03A, B03B, B06A, B06B, B07Z, B17A, B17B, B17C		01	B03A, B03B, B06A, B06B, B07Z, B17A, B17B, B17C		01	B03A, B03B, B06A, B06B, B07Z, B17A, B17B, B17C		
	05	F13A, F21A, F21B		05	F13A, F21A, F21B		02	C20A, C20B		
	06	G10Z, G12A, G12B		08	I02A, I02B, I02C, I02D, I12A, I12B, I12C, I22A, I22B, I50Z		03	D12A, D12B		
	08	I02A, I02B, I02C, I02D, I12A, I12B, I12C, I22A, I22B, I50Z		09	J02A, J02B, J02C, J04A, J04B, J08A, J08B, J08C, J16Z, J21Z, J22A, J22B		05	F13A, F21A, F21B, F21C		
	09	J02A, J02B, J02C, J04A, J04B, J08A, J08B, J08C, J16Z, J21Z, J22A, J22B		21A	W04A, W04B		08	I02A, I02B, I02C, I02D, I22A, I22B, I50Z		
	21A	W04A, W04B		21B	X01A, X01B, X01C		09	J02A, J02B, J02C, J04A, J04B, J08A, J08B, J08C, J16Z, J21Z, J22A, J22B		
	21B	X01A, X01B, X01C		5v22b.x↔			BOP, KVT, UOP4	21A	W04A, W04B	
	5v22b.b				BOP, KVT, UOP4		01	B03A, B03B, B06A, B06B, B07Z, B17A, B17B, B17C	21B	X01A, X01B, X01C
		01			B03A, B03B, B06A, B06B, B07Z, B17A, B17B, B17C		05	F13A, F21A, F21B	5v230.5	
05		F13A, F21A, F21B	08		I02A, I02B, I02C, I02D, I12A, I12B, I12C, I22A, I22B, I32A, I32B, I32C, I32D, I32E, I32F, I50Z	01	B03A, B03B, B06A, B06B, B07Z, B17A, B17B, B17C			
06		G10Z, G12A, G12B	09		J02A, J02B, J02C, J04A, J04B, J08A, J08B, J08C, J16Z, J21Z, J22A, J22B	03	D12A, D12B			
08		I02A, I02B, I02C, I02D, I12A, I12B, I12C, I22A, I22B, I50Z	21A		W04A, W04B	05	F13A, F21A, F21B, F21C, F27A, F27B, F27C			
09		J02A, J02B, J02C, J04A, J04B, J08A, J08B, J08C, J16Z, J21Z, J22A, J22B	21B		X01A, X01B, X01C	06	G10Z, G12A, G12B			
21A		W04A, W04B	5v22c.0†		09	J11A, J11B	08	I28A, I28B		
21B		X01A, X01B, X01C			02	C20A, C20B	09	J02A, J02B, J02C, J04A, J04B, J08A, J08B, J08C, J16Z, J21Z, J22A, J22B		
5v22b.c					BOP, KVT, UOP4	09	J11A, J11B	10		K01Z
		01		B03A, B03B, B06A, B06B, B07Z, B17A, B17B, B17C	09	J11A, J11B	21A	W04A, W04B		
	05	F13A, F21A, F21B		09	J11A, J11B	21B	X01A, X01B, X01C			
	06	G10Z, G12A, G12B		09	J11A, J11B	5v230.6↔		BOP, KVT, UOP4		
	08	I02A, I02B, I02C, I02D, I12A, I12B, I12C, I22A, I22B, I50Z		09	J11A, J11B		01	B03A, B03B, B06A, B06B, B07Z, B17A, B17B, B17C		
	09	J02A, J02B, J02C, J04A, J04B, J08A, J08B, J08C, J16Z, J21Z, J22A, J22B		09	J11A, J11B		05	F13A, F21A, F21B, F21C		
	21A	W04A, W04B		09	J11A, J11B		08	I02A, I02B, I02C, I02D, I22A, I22B, I50Z		
	21B	X01A, X01B, X01C		09	J11A, J11B		09	J02A, J02B, J02C, J04A, J04B, J08A, J08B, J08C, J16Z, J21Z, J22A, J22B		
	5v22b.d		BOP, KVT, UOP4	09	J11A, J11B		21A	W04A, W04B		
		01	B03A, B03B, B06A, B06B, B07Z, B17A, B17B, B17C	09	J11A, J11B		21B	X01A, X01B, X01C		
05		F13A, F21A, F21B	09	J11A, J11B	5v230.7↔			BOP, KVT, UOP4		
06		G10Z, G12A, G12B	09	J11A, J11B			01	B03A, B03B, B06A, B06B, B07Z, B17A, B17B, B17C		
08		I02A, I02B, I02C, I02D, I12A, I12B, I12C, I22A, I22B, I50Z	09	J11A, J11B			05	F13A, F21A, F21B, F21C		
09		J02A, J02B, J02C, J04A, J04B, J08A, J08B, J08C, J16Z, J21Z, J22A, J22B	09	J11A, J11B		08	I02A, I02B, I02C, I02D, I22A, I22B, I50Z			
21A		W04A, W04B	09	J11A, J11B		09	J02A, J02B, J02C, J04A, J04B, J08A, J08B, J08C, J16Z, J21Z, J22A, J22B			
21B		X01A, X01B, X01C	09	J11A, J11B		21A	W04A, W04B			
5v22b.e↔			BOP, KVT, UOP4	09		J11A, J11B	21B	X01A, X01B, X01C		
		01	B03A, B03B, B06A, B06B, B07Z, B17A, B17B, B17C	09		J11A, J11B	5v230.8↔		BOP, KVT, UOP4	
	05	F13A, F21A, F21B	09	J11A, J11B		01		B03A, B03B, B06A, B06B, B07Z, B17A, B17B, B17C		
	08	I02A, I02B, I02C, I02D, I12A, I12B, I12C, I22A, I22B, I50Z	09	J11A, J11B		05		F13A, F21A, F21B, F21C		
	09	J02A, J02B, J02C, J04A, J04B, J08A, J08B, J08C, J16Z, J21Z, J22A, J22B	09	J11A, J11B	08	I02A, I02B, I02C, I02D, I22A, I22B, I32A, I32B, I32C, I32D, I32E, I32F, I50Z				
	21A	W04A, W04B	09	J11A, J11B	09	J02A, J02B, J02C, J04A, J04B, J08A, J08B, J08C, J16Z, J21Z, J22A, J22B				
	21B	X01A, X01B, X01C	09	J11A, J11B	21A	W04A, W04B				
	5v22b.f↔		BOP, KVT, UOP4	09	J11A, J11B	21B		X01A, X01B, X01C		
		01	B03A, B03B, B06A, B06B, B07Z, B17A, B17B, B17C	09	J11A, J11B	5v230.0			BOP, KVT, UOP4	
		05	F13A, F21A, F21B	09	J11A, J11B			03	D18Z, D28Z, D29Z	
08		I02A, I02B, I02C, I02D, I12A, I12B, I12C, I22A, I22B, I50Z	09	J11A, J11B	05			F13A		
09		J02A, J02B, J02C, J04A, J04B, J08A, J08B, J08C, J16Z, J21Z, J22A, J22B	09	J11A, J11B	09		J03A, J03B, J04A, J04B, J08A, J08B, J08C, J11A, J11B, J11C, J16Z			
21A		W04A, W04B	21A	W04A, W04B	21B		X06A, X06B, X06C			
21B		X01A, X01B, X01C								



ZZV	MDC	DRG	ZZV	MDC	DRG	ZZV	MDC	DRG			
5v230.9↔		BOP, KVT, UOP4	5v230.e↔		BOP, KVT, UOP4	5v231.4		BOP, KVT, UOP4			
	01	B03A, B03B, B06A, B06B, B07Z, B17A, B17B, B17C		01	B03A, B03B, B06A, B06B, B07Z, B17A, B17B, B17C		01	B03A, B03B, B06A, B06B, B07Z, B17A, B17B, B17C			
	05	F13A, F21A, F21B, F21C		05	F13A, F21A, F21B, F21C, F27A, F27B, F27C		02	C20A, C20B			
	08	I12A, I12B, I12C, I32A, I32B, I32C, I32D, I32E, I32F		08	I02A, I02B, I02C, I02D, I22A, I22B, I50Z		03	D12A, D12B			
	09	J03A, J03B, J04A, J04B, J08A, J08B, J08C, J16Z, J21Z, J22A, J22B		09	J02A, J02B, J02C, J04A, J04B, J08A, J08B, J08C, J16Z, J21Z, J22A, J22B		05	F13A, F21A, F21B			
	21A	W04A, W04B		10	K01Z		08	I02A, I02B, I02C, I02D, I22A, I22B, I50Z			
	21B	X01A, X01B, X01C		21A	W04A, W04B		09	J02A, J02B, J02C, J04A, J04B, J08A, J08B, J08C, J16Z, J21Z, J22A, J22B			
	5v230.a			BOP, KVT, UOP4	5v230.f↔			BOP, KVT, UOP4	5v231.5		BOP, KVT, UOP4
		01		B03A, B03B, B06A, B06B, B07Z, B17A, B17B, B17C			01	B03A, B03B, B06A, B06B, B07Z, B17A, B17B, B17C		01	B03A, B03B, B06A, B06B, B07Z, B17A, B17B, B17C
		05		F13A, F21A, F21B, F21C			05	F13A, F21A, F21B, F21C, F27A, F27B, F27C		03	D12A, D12B
06		G10Z, G12A, G12B	08	I02A, I02B, I02C, I02D, I22A, I22B, I50Z		05	F13A, F21A, F21B, F27A, F27B, F27C				
08		I02A, I02B, I02C, I02D, I22A, I22B, I50Z	09	J02A, J02B, J02C, J04A, J04B, J08A, J08B, J08C, J16Z, J21Z, J22A, J22B		06	G10Z, G12A, G12B				
09		J02A, J02B, J02C, J04A, J04B, J08A, J08B, J08C, J16Z, J21Z, J22A, J22B	10	K01Z		08	I28A, I28B				
21A		W04A, W04B	21A	W04A, W04B		09	J02A, J02B, J02C, J04A, J04B, J08A, J08B, J08C, J16Z, J21Z, J22A, J22B				
21B		X01A, X01B, X01C	21B	X01A, X01B, X01C		10	K01Z				
5v230.b			BOP, KVT, UOP4	5v230.g↔			BOP, KVT, UOP4	5v231.6↔			BOP, KVT, UOP4
		01	B03A, B03B, B06A, B06B, B07Z, B17A, B17B, B17C			01	B03A, B03B, B06A, B06B, B07Z, B17A, B17B, B17C			01	B03A, B03B, B06A, B06B, B07Z, B17A, B17B, B17C
	05	F13A, F21A, F21B, F21C	05		F13A, F21A, F21B, F21C, F27A, F27B, F27C	05	F13A, F21A, F21B				
	06	G10Z, G12A, G12B	08		I02A, I02B, I02C, I02D, I12A, I12B, I12C, I22A, I22B, I50Z	08	I02A, I02B, I02C, I02D, I22A, I22B, I50Z				
	08	I02A, I02B, I02C, I02D, I22A, I22B, I32A, I32B, I32C, I32D, I32E, I32F, I50Z	09		J02A, J02B, J02C, J04A, J04B, J08A, J08B, J08C, J16Z, J21Z, J22A, J22B	09	J02A, J02B, J02C, J04A, J04B, J08A, J08B, J08C, J16Z, J21Z, J22A, J22B				
	09	J02A, J02B, J02C, J04A, J04B, J08A, J08B, J08C, J16Z, J21Z, J22A, J22B	10		K01Z	09	J02A, J02B, J02C, J04A, J04B, J08A, J08B, J08C, J16Z, J21Z, J22A, J22B				
	21A	W04A, W04B	21A		W04A, W04B	21A	W04A, W04B				
	21B	X01A, X01B, X01C	21B		X01A, X01B, X01C	21B	X01A, X01B, X01C				
	5v230.c		BOP, KVT, UOP4		5v230.x↔		BOP, KVT, UOP4		5v231.7↔		BOP, KVT, UOP4
		01	B03A, B03B, B06A, B06B, B07Z, B17A, B17B, B17C			01	B03A, B03B, B06A, B06B, B07Z, B17A, B17B, B17C			01	B03A, B03B, B06A, B06B, B07Z, B17A, B17B, B17C
05		F13A, F21A, F21B, F21C	05	F13A, F21A, F21B, F21C		05	F13A, F21A, F21B				
06		G10Z, G12A, G12B	08	I02A, I02B, I02C, I02D, I22A, I22B, I50Z		08	I02A, I02B, I02C, I02D, I22A, I22B, I50Z				
08		I02A, I02B, I02C, I02D, I22A, I22B, I50Z	09	J02A, J02B, J02C, J04A, J04B, J08A, J08B, J08C, J16Z, J21Z, J22A, J22B		09	J02A, J02B, J02C, J04A, J04B, J08A, J08B, J08C, J16Z, J21Z, J22A, J22B				
09		J02A, J02B, J02C, J04A, J04B, J08A, J08B, J08C, J16Z, J21Z, J22A, J22B	09	J02A, J02B, J02C, J04A, J04B, J08A, J08B, J08C, J16Z, J21Z, J22A, J22B		09	J02A, J02B, J02C, J04A, J04B, J08A, J08B, J08C, J16Z, J21Z, J22A, J22B				
10		K09A, K09B	09	J02A, J02B, J02C, J04A, J04B, J08A, J08B, J08C, J16Z, J21Z, J22A, J22B		21A	W04A, W04B				
12		M04A, M04B, M04C, M04D, M37Z, M38Z	21A	W04A, W04B		21B	X01A, X01B, X01C				
21A		W04A, W04B	21B	X01A, X01B, X01C			BOP, KVT, UOP4				
21B		X01A, X01B, X01C	5v231.0			BOP, KVT, UOP4	5v231.8↔			BOP, KVT, UOP4	
5v230.d		BOP, KVT, UOP4			BOP, KVT, UOP4	01		B03A, B03B, B06A, B06B, B07Z, B17A, B17B, B17C			
	01	B03A, B03B, B06A, B06B, B07Z, B17A, B17B, B17C		03	D18Z, D28Z, D29Z	05		F13A, F21A, F21B			
	05	F13A, F21A, F21B, F21C		05	F13A	08		I02A, I02B, I02C, I02D, I22A, I22B, I32A, I32B, I32C, I32D, I32E, I32F, I50Z			
	06	G10Z, G12A, G12B		09	J03A, J03B, J04A, J04B, J08A, J08B, J08C, J11A, J11B, J16Z	09		J02A, J02B, J02C, J04A, J04B, J08A, J08B, J08C, J16Z, J21Z, J22A, J22B			
	08	I02A, I02B, I02C, I02D, I22A, I22B, I50Z		21A	W04A, W04B	21A		W04A, W04B			
	09	J02A, J02B, J02C, J04A, J04B, J08A, J08B, J08C, J16Z, J21Z, J22A, J22B		21B	X06A, X06B, X06C	21B		X01A, X01B, X01C			
	21A	W04A, W04B									
	21B	X01A, X01B, X01C									

VYK

ZZV	MDC	DRG	ZZV	MDC	DRG	ZZV	MDC	DRG			
5v231.9↔		BOP, KVT, UOP4	5v231.e↔		BOP, KVT, UOP4	5v232.4		BOP, KVT, UOP4			
	01	B03A, B03B, B06A, B06B, B07Z, B17A, B17B, B17C		01	B03A, B03B, B06A, B06B, B07Z, B17A, B17B, B17C		01	B03A, B03B, B06A, B06B, B07Z, B17A, B17B, B17C			
	05	F13A, F21A, F21B		05	F13A, F21A, F21B, F27A, F27B, F27C		02	C20A, C20B			
	08	I12A, I12B, I12C, I32A, I32B, I32C, I32D, I32E, I32F		08	I02A, I02B, I02C, I02D, I22A, I22B, I50Z		03	D12A, D12B			
	09	J03A, J03B, J04A, J04B, J08A, J08B, J08C, J16Z, J21Z, J22A, J22B		09	J02A, J02B, J02C, J04A, J04B, J08A, J08B, J08C, J16Z, J21Z, J22A, J22B		05	F13A, F21A, F21B			
	21A	W04A, W04B		10	K01Z		08	I02A, I02B, I02C, I02D, I22A, I22B, I50Z			
	21B	X01A, X01B, X01C		21A	W04A, W04B		09	J02A, J02B, J02C, J04A, J04B, J08A, J08B, J08C, J16Z, J21Z, J22A, J22B			
	5v231.a			BOP, KVT, UOP4	5v231.f↔			BOP, KVT, UOP4	5v232.5		BOP, KVT, UOP4
		01		B03A, B03B, B06A, B06B, B07Z, B17A, B17B, B17C			01	B03A, B03B, B06A, B06B, B07Z, B17A, B17B, B17C		01	B03A, B03B, B06A, B06B, B07Z, B17A, B17B, B17C
		05		F13A, F21A, F21B			05	F13A, F21A, F21B, F27A, F27B, F27C		03	D12A, D12B
06		G10Z, G12A, G12B	08	I02A, I02B, I02C, I02D, I22A, I22B, I50Z		05	F13A, F21A, F21B, F27A, F27B, F27C				
08		I02A, I02B, I02C, I02D, I22A, I22B, I50Z	09	J02A, J02B, J02C, J04A, J04B, J08A, J08B, J08C, J16Z, J21Z, J22A, J22B		06	G10Z, G12A, G12B				
09		J02A, J02B, J02C, J04A, J04B, J08A, J08B, J08C, J16Z, J21Z, J22A, J22B	10	K01Z		08	I28A, I28B				
21A		W04A, W04B	21A	W04A, W04B		09	J02A, J02B, J02C, J04A, J04B, J08A, J08B, J08C, J16Z, J21Z, J22A, J22B				
21B		X01A, X01B, X01C	21B	X01A, X01B, X01C		10	K01Z				
5v231.b			BOP, KVT, UOP4	5v231.g↔			BOP, KVT, UOP4	5v232.6↔			BOP, KVT, UOP4
		01	B03A, B03B, B06A, B06B, B07Z, B17A, B17B, B17C			01	B03A, B03B, B06A, B06B, B07Z, B17A, B17B, B17C			01	B03A, B03B, B06A, B06B, B07Z, B17A, B17B, B17C
	05	F13A, F21A, F21B	05		F13A, F21A, F21B, F27A, F27B, F27C	05	F13A, F21A, F21B				
	06	G10Z, G12A, G12B	08		I02A, I02B, I02C, I02D, I12A, I12B, I12C, I22A, I22B, I50Z	08	I02A, I02B, I02C, I02D, I22A, I22B, I50Z				
	08	I02A, I02B, I02C, I02D, I22A, I22B, I32A, I32B, I32C, I32D, I32E, I32F, I50Z	09		J02A, J02B, J02C, J04A, J04B, J08A, J08B, J08C, J16Z, J21Z, J22A, J22B	09	J02A, J02B, J02C, J04A, J04B, J08A, J08B, J08C, J16Z, J21Z, J22A, J22B				
	09	J02A, J02B, J02C, J04A, J04B, J08A, J08B, J08C, J16Z, J21Z, J22A, J22B	10		K01Z	09	J02A, J02B, J02C, J04A, J04B, J08A, J08B, J08C, J16Z, J21Z, J22A, J22B				
	21A	W04A, W04B	21A		W04A, W04B	21A	W04A, W04B				
	21B	X01A, X01B, X01C	21B		X01A, X01B, X01C	21B	X01A, X01B, X01C				
	5v231.c		BOP, KVT, UOP4		5v231.x↔		BOP, KVT, UOP4		5v232.7↔		BOP, KVT, UOP4
		01	B03A, B03B, B06A, B06B, B07Z, B17A, B17B, B17C			01	B03A, B03B, B06A, B06B, B07Z, B17A, B17B, B17C			01	B03A, B03B, B06A, B06B, B07Z, B17A, B17B, B17C
05		F13A, F21A, F21B	05	F13A, F21A, F21B		05	F13A, F21A, F21B				
06		G10Z, G12A, G12B	08	I02A, I02B, I02C, I02D, I22A, I22B, I50Z		08	I02A, I02B, I02C, I02D, I22A, I22B, I50Z				
08		I02A, I02B, I02C, I02D, I22A, I22B, I50Z	09	J02A, J02B, J02C, J04A, J04B, J08A, J08B, J08C, J16Z, J21Z, J22A, J22B		09	J02A, J02B, J02C, J04A, J04B, J08A, J08B, J08C, J16Z, J21Z, J22A, J22B				
09		J02A, J02B, J02C, J04A, J04B, J08A, J08B, J08C, J16Z, J21Z, J22A, J22B	09	J02A, J02B, J02C, J04A, J04B, J08A, J08B, J08C, J16Z, J21Z, J22A, J22B		09	J02A, J02B, J02C, J04A, J04B, J08A, J08B, J08C, J16Z, J21Z, J22A, J22B				
10		K09A, K09B	09	J02A, J02B, J02C, J04A, J04B, J08A, J08B, J08C, J16Z, J21Z, J22A, J22B		21A	W04A, W04B				
12		M04A, M04B, M04C, M04D, M37Z, M38Z	21A	W04A, W04B		21B	X01A, X01B, X01C				
21A		W04A, W04B	21B	X01A, X01B, X01C		21B	X01A, X01B, X01C				
21B		X01A, X01B, X01C	5v232.0			BOP, KVT, UOP4	5v232.8↔			BOP, KVT, UOP4	
5v231.d		BOP, KVT, UOP4		03	D18Z, D28Z, D29Z	01		B03A, B03B, B06A, B06B, B07Z, B17A, B17B, B17C			
	01	B03A, B03B, B06A, B06B, B07Z, B17A, B17B, B17C		05	F13A	05		F13A, F21A, F21B			
	05	F13A, F21A, F21B		09	J03A, J03B, J04A, J04B, J08A, J08B, J08C, J11A, J11B, J16Z	08		I02A, I02B, I02C, I02D, I22A, I22B, I32A, I32B, I32C, I32D, I32E, I32F, I50Z			
	06	G10Z, G12A, G12B		21A	W04A, W04B	09		J02A, J02B, J02C, J04A, J04B, J08A, J08B, J08C, J16Z, J21Z, J22A, J22B			
	08	I02A, I02B, I02C, I02D, I22A, I22B, I50Z		21B	X06A, X06B, X06C	09		J02A, J02B, J02C, J04A, J04B, J08A, J08B, J08C, J16Z, J21Z, J22A, J22B			
	09	J02A, J02B, J02C, J04A, J04B, J08A, J08B, J08C, J16Z, J21Z, J22A, J22B				21A		W04A, W04B			
	21A	W04A, W04B				21B		X01A, X01B, X01C			
	21B	X01A, X01B, X01C									

VYK

ZZV	MDC	DRG	ZZV	MDC	DRG	ZZV	MDC	DRG				
5v232.9↔		BOP, KVT, UOP4	5v232.e↔		BOP, KVT, UOP4	5v233.4		BOP, KVT, UOP4				
	01	B03A, B03B, B06A, B06B, B07Z, B17A, B17B, B17C		01	B03A, B03B, B06A, B06B, B07Z, B17A, B17B, B17C		01	B03A, B03B, B06A, B06B, B07Z, B17A, B17B, B17C				
	05	F13A, F21A, F21B		05	F13A, F21A, F21B, F27A, F27B, F27C		02	C20A, C20B				
	08	I12A, I12B, I12C, I32A, I32B, I32C, I32D, I32E, I32F		08	I02A, I02B, I02C, I02D, I22A, I22B, I50Z		03	D12A, D12B				
	09	J03A, J03B, J04A, J04B, J08A, J08B, J08C, J16Z, J21Z, J22A, J22B		09	J02A, J02B, J02C, J04A, J04B, J08A, J08B, J08C, J16Z, J21Z, J22A, J22B		05	F13A, F21A, F21B, F21C				
	21A	W04A, W04B		10	K01Z		08	I02A, I02B, I02C, I02D, I22A, I22B, I50Z				
	21B	X01A, X01B, X01C		21A	W04A, W04B		09	J02A, J02B, J02C, J04A, J04B, J08A, J08B, J08C, J16Z, J21Z, J22A, J22B				
	5v232.a			BOP, KVT, UOP4	5v232.f↔			BOP, KVT, UOP4	5v233.5		BOP, KVT, UOP4	
		01		B03A, B03B, B06A, B06B, B07Z, B17A, B17B, B17C			01	B03A, B03B, B06A, B06B, B07Z, B17A, B17B, B17C		01	B03A, B03B, B06A, B06B, B07Z, B17A, B17B, B17C	
		05		F13A, F21A, F21B			05	F13A, F21A, F21B, F27A, F27B, F27C		03	D12A, D12B	
06		G10Z, G12A, G12B	08	I02A, I02B, I02C, I02D, I22A, I22B, I50Z		05	F13A, F21A, F21B, F21C					
08		I02A, I02B, I02C, I02D, I22A, I22B, I50Z	09	J02A, J02B, J02C, J04A, J04B, J08A, J08B, J08C, J16Z, J21Z, J22A, J22B		08	I02A, I02B, I02C, I02D, I22A, I22B, I50Z					
09		J02A, J02B, J02C, J04A, J04B, J08A, J08B, J08C, J16Z, J21Z, J22A, J22B	10	K01Z		09	J02A, J02B, J02C, J04A, J04B, J08A, J08B, J08C, J16Z, J21Z, J22A, J22B					
21A		W04A, W04B	21A	W04A, W04B		21A	W04A, W04B					
21B		X01A, X01B, X01C	21B	X01A, X01B, X01C		21B	X01A, X01B, X01C					
5v232.b			BOP, KVT, UOP4	5v232.g↔			BOP, KVT, UOP4	5v233.6↔			BOP, KVT, UOP4	
		01	B03A, B03B, B06A, B06B, B07Z, B17A, B17B, B17C			01	B03A, B03B, B06A, B06B, B07Z, B17A, B17B, B17C			01	B03A, B03B, B06A, B06B, B07Z, B17A, B17B, B17C	
	05	F13A, F21A, F21B	05		F13A, F21A, F21B, F27A, F27B, F27C	05	F13A, F21A, F21B, F21C					
	06	G10Z, G12A, G12B	08		I02A, I02B, I02C, I02D, I12A, I12B, I12C, I22A, I22B, I50Z	08	I02A, I02B, I02C, I02D, I22A, I22B, I50Z					
	08	I02A, I02B, I02C, I02D, I22A, I22B, I32A, I32B, I32C, I32D, I32E, I32F, I50Z	09		J02A, J02B, J02C, J04A, J04B, J08A, J08B, J08C, J16Z, J21Z, J22A, J22B	09	J02A, J02B, J02C, J04A, J04B, J08A, J08B, J08C, J16Z, J21Z, J22A, J22B					
	09	J02A, J02B, J02C, J04A, J04B, J08A, J08B, J08C, J16Z, J21Z, J22A, J22B	10		K01Z	21A	W04A, W04B					
	21A	W04A, W04B	21A		W04A, W04B	21B	X01A, X01B, X01C					
	21B	X01A, X01B, X01C	21B		X01A, X01B, X01C	5v233.7↔			BOP, KVT, UOP4			
	5v232.c		BOP, KVT, UOP4		5v232.x↔				BOP, KVT, UOP4	5v233.8↔		BOP, KVT, UOP4
		01	B03A, B03B, B06A, B06B, B07Z, B17A, B17B, B17C				01		B03A, B03B, B06A, B06B, B07Z, B17A, B17B, B17C		01	B03A, B03B, B06A, B06B, B07Z, B17A, B17B, B17C
05		F13A, F21A, F21B	05	F13A, F21A, F21B			05	F13A, F21A, F21B, F21C				
06		G10Z, G12A, G12B	08	I02A, I02B, I02C, I02D, I22A, I22B, I50Z			08	I02A, I02B, I02C, I02D, I22A, I22B, I50Z				
08		I02A, I02B, I02C, I02D, I22A, I22B, I50Z	08	I02A, I02B, I02C, I02D, I22A, I22B, I32A, I32B, I32C, I32D, I32E, I32F, I50Z			09	J02A, J02B, J02C, J04A, J04B, J08A, J08B, J08C, J16Z, J21Z, J22A, J22B				
09		J02A, J02B, J02C, J04A, J04B, J08A, J08B, J08C, J16Z, J21Z, J22A, J22B	09	J02A, J02B, J02C, J04A, J04B, J08A, J08B, J08C, J16Z, J21Z, J22A, J22B			21A	W04A, W04B				
10		K09A, K09B	09	J02A, J02B, J02C, J04A, J04B, J08A, J08B, J08C, J16Z, J21Z, J22A, J22B			21B	X01A, X01B, X01C				
12		M04A, M04B, M04C, M04D, M37Z, M38Z	21A	W04A, W04B			5v233.9↔		BOP, KVT, UOP4			
21A		W04A, W04B	21B	X01A, X01B, X01C				01	B03A, B03B, B06A, B06B, B07Z, B17A, B17B, B17C			
21B		X01A, X01B, X01C	5v233.0			BOP, KVT, UOP4		05	F13A, F21A, F21B, F21C			
5v232.d		BOP, KVT, UOP4		03	D18Z, D28Z, D29Z	08		I02A, I02B, I02C, I02D, I22A, I22B, I32A, I32B, I32C, I32D, I32E, I32F, I50Z				
	01	B03A, B03B, B06A, B06B, B07Z, B17A, B17B, B17C		05	F13A	09		J02A, J02B, J02C, J04A, J04B, J08A, J08B, J08C, J16Z, J21Z, J22A, J22B				
	05	F13A, F21A, F21B		09	J03A, J03B, J04A, J04B, J08A, J08B, J08C, J11A, J11B, J16Z	21A		W04A, W04B				
	06	G10Z, G12A, G12B		21A	W04A, W04B	21B		X01A, X01B, X01C				
	08	I02A, I02B, I02C, I02D, I22A, I22B, I50Z		21B	X06A, X06B, X06C	BOP, KVT, UOP4						
	09	J02A, J02B, J02C, J04A, J04B, J08A, J08B, J08C, J16Z, J21Z, J22A, J22B				01		B03A, B03B, B06A, B06B, B07Z, B17A, B17B, B17C				
	21A	W04A, W04B				05		F13A, F21A, F21B, F21C				
	21B	X01A, X01B, X01C				08	I02A, I02B, I02C, I02D, I22A, I22B, I32A, I32B, I32C, I32D, I32E, I32F, I50Z					
						09	J02A, J02B, J02C, J03A, J03B, J04A, J04B, J08A, J08B, J08C, J16Z, J21Z, J22A, J22B					
					21A	W04A, W04B						
				21B	X01A, X01B, X01C							

ZZV	MDC	DRG	ZZV	MDC	DRG	ZZV	MDC	DRG					
5v233.a		BOP, KVT, UOP4	5v233.f↔		BOP, KVT, UOP4	5v234.5		BOP, KVT, UOP4					
	01	B03A, B03B, B06A, B06B, B07Z, B17A, B17B, B17C		01	B03A, B03B, B06A, B06B, B07Z, B17A, B17B, B17C		01	B03A, B03B, B06A, B06B, B07Z, B17A, B17B, B17C					
	05	F13A, F21A, F21B, F21C		05	F13A, F21A, F21B, F21C, F27A, F27B, F27C		03	D12A, D12B					
	06	G10Z, G12A, G12B		08	I02A, I02B, I02C, I02D, I22A, I22B, I50Z		05	F13A, F21A, F21B, F21C, F27A, F27B, F27C					
	08	I02A, I02B, I02C, I02D, I22A, I22B, I50Z		09	J02A, J02B, J02C, J04A, J04B, J08A, J08B, J08C, J16Z, J21Z, J22A, J22B		06	G10Z, G12A, G12B					
	09	J02A, J02B, J02C, J04A, J04B, J08A, J08B, J08C, J16Z, J21Z, J22A, J22B		10	K01Z		08	I28A, I28B					
	21A	W04A, W04B		21A	W04A, W04B		09	J02A, J02B, J02C, J04A, J04B, J08A, J08B, J08C, J16Z, J21Z, J22A, J22B					
	21B	X01A, X01B, X01C		21B	X01A, X01B, X01C		10	K01Z					
	5v233.b			BOP, KVT, UOP4	5v233.g↔			BOP, KVT, UOP4	5v234.6↔		BOP, KVT, UOP4		
		01		B03A, B03B, B06A, B06B, B07Z, B17A, B17B, B17C			01	B03A, B03B, B06A, B06B, B07Z, B17A, B17B, B17C		01	B03A, B03B, B06A, B06B, B07Z, B17A, B17B, B17C		
05		F13A, F21A, F21B, F21C	05	F13A, F21A, F21B, F21C, F27A, F27B, F27C		05	F13A, F21A, F21B, F21C						
06		G10Z, G12A, G12B	08	I02A, I02B, I02C, I02D, I12A, I12B, I12C, I22A, I22B, I50Z		08	I02A, I02B, I02C, I02D, I22A, I22B, I50Z						
08		I02A, I02B, I02C, I02D, I22A, I22B, I50Z	09	J02A, J02B, J02C, J04A, J04B, J08A, J08B, J08C, J16Z, J21Z, J22A, J22B		09	J02A, J02B, J02C, J04A, J04B, J08A, J08B, J08C, J16Z, J21Z, J22A, J22B						
09		J02A, J02B, J02C, J04A, J04B, J08A, J08B, J08C, J16Z, J21Z, J22A, J22B	10	K01Z		21A	W04A, W04B						
21A		W04A, W04B	21A	W04A, W04B		21B	X01A, X01B, X01C						
21B		X01A, X01B, X01C	21B	X01A, X01B, X01C		5v234.7↔		BOP, KVT, UOP4					
5v233.c			BOP, KVT, UOP4	5v233.x↔				BOP, KVT, UOP4		5v234.8↔		BOP, KVT, UOP4	
		01	B03A, B03B, B06A, B06B, B07Z, B17A, B17B, B17C				01	B03A, B03B, B06A, B06B, B07Z, B17A, B17B, B17C			01	B03A, B03B, B06A, B06B, B07Z, B17A, B17B, B17C	
	05	F13A, F21A, F21B, F21C	05		F13A, F21A, F21B, F21C		05	F13A, F21A, F21B, F21C					
	06	G10Z, G12A, G12B	08		I02A, I02B, I02C, I02D, I22A, I22B, I50Z		08	I02A, I02B, I02C, I02D, I22A, I22B, I50Z					
	08	I02A, I02B, I02C, I02D, I22A, I22B, I50Z	09		J02A, J02B, J02C, J04A, J04B, J08A, J08B, J08C, J16Z, J21Z, J22A, J22B		09	J02A, J02B, J02C, J04A, J04B, J08A, J08B, J08C, J16Z, J21Z, J22A, J22B					
	09	J02A, J02B, J02C, J04A, J04B, J08A, J08B, J08C, J16Z, J21Z, J22A, J22B	21A		W04A, W04B		21A	W04A, W04B					
	21A	W04A, W04B	21B		X01A, X01B, X01C		21B	X01A, X01B, X01C					
	21B	X01A, X01B, X01C	5v234.0				BOP, KVT, UOP4	5v234.9↔			BOP, KVT, UOP4		
	5v233.d				BOP, KVT, UOP4		5v234.4				BOP, KVT, UOP4	5v234.a	
		01			B03A, B03B, B06A, B06B, B07Z, B17A, B17B, B17C	01			B03A, B03B, B06A, B06B, B07Z, B17A, B17B, B17C		01		B03A, B03B, B06A, B06B, B07Z, B17A, B17B, B17C
05		F13A, F21A, F21B, F21C		03	D18Z, D28Z, D29Z	05			F13A, F21A, F21B, F21C				
06		G10Z, G12A, G12B		05	F13A	08			I02A, I02B, I02C, I02D, I22A, I22B, I32A, I32B, I32C, I32D, I32E, I32F, I50Z				
08		I02A, I02B, I02C, I02D, I22A, I22B, I50Z		09	J03A, J03B, J04A, J04B, J08A, J08B, J08C, J11A, J11B, J16Z	08			I02A, I02B, I02C, I02D, I22A, I22B, I32A, I32B, I32C, I32D, I32E, I32F, I50Z				
09		J02A, J02B, J02C, J04A, J04B, J08A, J08B, J08C, J16Z, J21Z, J22A, J22B		21A	W04A, W04B	09			J02A, J02B, J02C, J04A, J04B, J08A, J08B, J08C, J16Z, J21Z, J22A, J22B				
21A		W04A, W04B		21B	X06A, X06B, X06C	21A			W04A, W04B				
21B		X01A, X01B, X01C		BOP, KVT, UOP4	21B	X01A, X01B, X01C			21B	X01A, X01B, X01C			
5v233.e↔				BOP, KVT, UOP4	5v234.9↔				BOP, KVT, UOP4	5v234.a			BOP, KVT, UOP4
		01	B03A, B03B, B06A, B06B, B07Z, B17A, B17B, B17C	02		C20A, C20B		01	B03A, B03B, B06A, B06B, B07Z, B17A, B17B, B17C				
	05	F13A, F21A, F21B, F21C, F27A, F27B, F27C	03	D12A, D12B		05	F13A, F21A, F21B, F21C						
	08	I02A, I02B, I02C, I02D, I22A, I22B, I50Z	05	F13A, F21A, F21B, F21C		08	I12A, I12B, I12C, I32A, I32B, I32C, I32D, I32E, I32F						
	09	J02A, J02B, J02C, J04A, J04B, J08A, J08B, J08C, J16Z, J21Z, J22A, J22B	08	I02A, I02B, I02C, I02D, I22A, I22B, I50Z		09	J03A, J03B, J04A, J04B, J08A, J08B, J08C, J16Z, J21Z, J22A, J22B						
	10	K01Z	09	J02A, J02B, J02C, J04A, J04B, J08A, J08B, J08C, J16Z, J21Z, J22A, J22B		21A	W04A, W04B						
	21A	W04A, W04B	21A	W04A, W04B		21B	X01A, X01B, X01C						
	21B	X01A, X01B, X01C	21B	X01A, X01B, X01C		01	B03A, B03B, B06A, B06B, B07Z, B17A, B17B, B17C						
						05	F13A, F21A, F21B, F21C						
						06	G10Z, G12A, G12B						
				08	I02A, I02B, I02C, I02D, I22A, I22B, I50Z								
				09	J02A, J02B, J02C, J04A, J04B, J08A, J08B, J08C, J16Z, J21Z, J22A, J22B								
				21A	W04A, W04B								
				21B	X01A, X01B, X01C								

VYK

ZZV	MDC	DRG	ZZV	MDC	DRG	ZZV	MDC	DRG			
5v234.b		BOP, KVT, UOP4	5v234.g↔		BOP, KVT, UOP4	5v235.6↔		BOP, KVT, UOP4			
	01	B03A, B03B, B06A, B06B, B07Z, B17A, B17B, B17C		01	B03A, B03B, B06A, B06B, B07Z, B17A, B17B, B17C		01	B03A, B03B, B06A, B06B, B07Z, B17A, B17B, B17C			
	05	F13A, F21A, F21B, F21C		05	F13A, F21A, F21B, F21C, F27A, F27B, F27C		05	F13A, F21A, F21B			
	06	G10Z, G12A, G12B		08	I02A, I02B, I02C, I02D, I12A, I12B, I12C, I22A, I22B, I50Z		08	I02A, I02B, I02C, I02D, I12A, I12B, I12C, I22A, I22B, I50Z			
	08	I02A, I02B, I02C, I02D, I22A, I22B, I32A, I32B, I32C, I32D, I32E, I32F, I50Z		09	J02A, J02B, J02C, J04A, J04B, J08A, J08B, J08C, J16Z, J21Z, J22A, J22B		09	J02A, J02B, J02C, J04A, J04B, J08A, J08B, J08C, J16Z, J21Z, J22A, J22B			
	09	J02A, J02B, J02C, J04A, J04B, J08A, J08B, J08C, J16Z, J21Z, J22A, J22B		10	K01Z		21A	W04A, W04B			
	21A	W04A, W04B		21A	W04A, W04B		21A	W04A, W04B			
	21B	X01A, X01B, X01C		21B	X01A, X01B, X01C		21B	X01A, X01B			
	5v234.c			BOP, KVT, UOP4	5v234.x↔			BOP, KVT, UOP4	5v235.7↔		BOP, KVT, UOP4
		01		B03A, B03B, B06A, B06B, B07Z, B17A, B17B, B17C			01	B03A, B03B, B06A, B06B, B07Z, B17A, B17B, B17C		01	B03A, B03B, B06A, B06B, B07Z, B17A, B17B, B17C
		05		F13A, F21A, F21B, F21C			05	F13A, F21A, F21B, F21C		05	F13A, F21A, F21B
		06		G10Z, G12A, G12B			08	I02A, I02B, I02C, I02D, I22A, I22B, I32A, I32B, I32C, I32D, I32E, I32F, I50Z		08	I02A, I02B, I02C, I02D, I12A, I12B, I12C, I22A, I22B, I32A, I32B, I32C, I32D, I32E, I32F, I50Z
08		I02A, I02B, I02C, I02D, I22A, I22B, I50Z	09	J02A, J02B, J02C, J04A, J04B, J08A, J08B, J08C, J16Z, J21Z, J22A, J22B		09	J02A, J02B, J02C, J04A, J04B, J08A, J08B, J08C, J16Z, J21Z, J22A, J22B				
09		J02A, J02B, J02C, J04A, J04B, J08A, J08B, J08C, J16Z, J21Z, J22A, J22B	21A	W04A, W04B		21A	W04A, W04B				
10		K09A, K09B	21B	X01A, X01B, X01C		21B	X01A, X01B				
12		M04A, M04B, M04C, M04D, M37Z, M38Z	5v235.0			BOP, KVT, UOP4	5v235.8↔			BOP, KVT, UOP4	
21A		W04A, W04B		03		D18Z, D25A, D25B, D25C, D25D		01		B03A, B03B, B06A, B06B, B07Z, B17A, B17B, B17C	
21B		X01A, X01B, X01C		05		F13A		05		F13A, F21A, F21B	
5v234.d				BOP, KVT, UOP4		08		I12A, I12B, I12C		08	I02A, I02B, I02C, I02D, I12A, I12B, I12C, I22A, I22B, I32A, I32B, I32C, I32D, I32E, I32F, I50Z
		01		B03A, B03B, B06A, B06B, B07Z, B17A, B17B, B17C		09		J03A, J03B, J04A, J04B, J08A, J08B, J08C, J11A, J11B, J11C, J16Z		09	J02A, J02B, J02C, J04A, J04B, J08A, J08B, J08C, J16Z, J21Z, J22A, J22B
	05	F13A, F21A, F21B, F21C		21A	W04A, W04B	21A		W04A, W04B			
	06	G10Z, G12A, G12B		21B	X01A, X01B, X06A, X06B, X06C	21B		X01A, X01B			
	08	I02A, I02B, I02C, I02D, I22A, I22B, I50Z		5v235.4		BOP, KVT, UOP4		5v235.9↔		BOP, KVT, UOP4	
	09	J02A, J02B, J02C, J04A, J04B, J08A, J08B, J08C, J16Z, J21Z, J22A, J22B			01	B03A, B03B, B06A, B06B, B07Z, B17A, B17B, B17C			01	B03A, B03B, B06A, B06B, B07Z, B17A, B17B, B17C	
	21A	W04A, W04B			02	C20A, C20B			05	F13A, F21A, F21B	
	21B	X01A, X01B, X01C			03	D12A, D12B			08	I12A, I12B, I12C, I32A, I32B, I32C, I32D, I32E, I32F	
	5v234.e↔				BOP, KVT, UOP4	05			F13A, F21A, F21B	09	J02A, J02B, J02C, J04A, J04B, J08A, J08B, J08C, J16Z, J21Z, J22A, J22B
		01	B03A, B03B, B06A, B06B, B07Z, B17A, B17B, B17C		08	I02A, I02B, I02C, I02D, I12A, I12B, I12C, I22A, I22B, I32A, I32B, I32C, I32D, I50Z	21A		W04A, W04B		
		05	F13A, F21A, F21B, F21C, F27A, F27B, F27C		09	J02A, J02B, J02C, J04A, J04B, J08A, J08B, J08C, J16Z, J21Z, J22A, J22B	21B		X01A, X01B		
		08	I02A, I02B, I02C, I02D, I22A, I22B, I50Z		21A	W04A, W04B			BOP, KVT, UOP4		
09		J02A, J02B, J02C, J04A, J04B, J08A, J08B, J08C, J16Z, J21Z, J22A, J22B	21B		X01A, X01B	01	B03A, B03B, B06A, B06B, B07Z, B17A, B17B, B17C				
10		K01Z	5v235.5			BOP, KVT, UOP4	05		F13A, F21A, F21B		
21A		W04A, W04B			01	B03A, B03B, B06A, B06B, B07Z, B17A, B17B, B17C	06		G10Z, G12A, G12B		
21B		X01A, X01B, X01C			03	D12A, D12B	08		I02A, I02B, I02C, I02D, I12A, I12B, I12C, I22A, I22B, I50Z		
5v234.f↔				BOP, KVT, UOP4	05	F13A, F21A, F21B	09	J02A, J02B, J02C, J04A, J04B, J08A, J08B, J08C, J16Z, J21Z, J22A, J22B			
		01		B03A, B03B, B06A, B06B, B07Z, B17A, B17B, B17C	08	I02A, I02B, I02C, I02D, I12A, I12B, I12C, I22A, I22B, I50Z	21A	W04A, W04B			
		05		F13A, F21A, F21B, F21C, F27A, F27B, F27C	09	J02A, J02B, J02C, J04A, J04B, J08A, J08B, J08C, J16Z, J21Z, J22A, J22B	21B	X01A, X01B			
		08		I02A, I02B, I02C, I02D, I22A, I22B, I50Z	21A	W04A, W04B		BOP, KVT, UOP4			
	09	J02A, J02B, J02C, J04A, J04B, J08A, J08B, J08C, J16Z, J21Z, J22A, J22B		21B	X01A, X01B	01	B03A, B03B, B06A, B06B, B07Z, B17A, B17B, B17C				
	10	K01Z		01	B03A, B03B, B06A, B06B, B07Z, B17A, B17B, B17C	05	F13A, F21A, F21B				
	21A	W04A, W04B		03	D12A, D12B	06	G10Z, G12A, G12B				
	21B	X01A, X01B, X01C		05	F13A, F21A, F21B	08	I02A, I02B, I02C, I02D, I12A, I12B, I12C, I22A, I22B, I50Z				

VYK

ZZV	MDC	DRG	ZZV	MDC	DRG	ZZV	MDC	DRG			
5v235.b		BOP, KVT, UOP4	5v235.g↔		BOP, KVT, UOP4	5v236.6↔		BOP, KVT, UOP4			
	01	B03A, B03B, B06A, B06B, B07Z, B17A, B17B, B17C		01	B03A, B03B, B06A, B06B, B07Z, B17A, B17B, B17C		01	B03A, B03B, B06A, B06B, B07Z, B17A, B17B, B17C			
	05	F13A, F21A, F21B		05	F13A, F21A, F21B, F27A, F27B, F27C		05	F13A, F21A, F21B			
	06	G10Z, G12A, G12B		08	I02A, I02B, I02C, I02D, I12A, I12B, I12C, I22A, I22B, I50Z		08	I02A, I02B, I02C, I02D, I12A, I12B, I12C, I22A, I22B, I32A, I32B, I32C, I32D, I50Z			
	08	I02A, I02B, I02C, I02D, I12A, I12B, I12C, I22A, I22B, I50Z		09	J02A, J02B, J02C, J04A, J04B, J08A, J08B, J08C, J16Z, J21Z, J22A, J22B		09	J02A, J02B, J04A, J04B, J08A, J08B, J08C, J16Z, J21Z, J22A, J22B			
	09	J02A, J02B, J02C, J04A, J04B, J08A, J08B, J08C, J16Z, J21Z, J22A, J22B		21A	W04A, W04B		21A	W04A, W04B			
	21A	W04A, W04B		21B	X01A, X01B		21B	X01A, X01B			
	21B	X01A, X01B		10	K01Z						
	5v235.c			BOP, KVT, UOP4	5v235.x↔			BOP, KVT, UOP4	5v236.7↔		BOP, KVT, UOP4
		01		B03A, B03B, B06A, B06B, B07Z, B17A, B17B, B17C			01	B03A, B03B, B06A, B06B, B07Z, B17A, B17B, B17C		01	B03A, B03B, B06A, B06B, B07Z, B17A, B17B, B17C
05		F13A, F21A, F21B	05	F13A, F21A, F21B		05	F13A, F21A, F21B				
06		G10Z, G12A, G12B	08	I02A, I02B, I02C, I02D, I12A, I12B, I12C, I22A, I22B, I50Z		08	I02A, I02B, I02C, I02D, I12A, I12B, I12C, I22A, I22B, I32A, I32B, I32C, I32D, I32E, I32F, I50Z				
08		I02A, I02B, I02C, I02D, I12A, I12B, I12C, I22A, I22B, I50Z	09	J02A, J02B, J02C, J04A, J04B, J08A, J08B, J08C, J16Z, J21Z, J22A, J22B		09	J02A, J02B, J04A, J04B, J08A, J08B, J08C, J16Z, J21Z, J22A, J22B				
09		J02A, J02B, J02C, J04A, J04B, J08A, J08B, J08C, J16Z, J21Z, J22A, J22B	21A	W04A, W04B		21A	W04A, W04B				
21A		W04A, W04B	21B	X01A, X01B		21B	X01A, X01B				
21B		X01A, X01B	21A	W04A, W04B							
5v235.d			BOP, KVT, UOP4	5v236.0			BOP, KVT, UOP4	5v236.8↔			BOP, KVT, UOP4
		01	B03A, B03B, B06A, B06B, B07Z, B17A, B17B, B17C			01	B03A, B03B, B06A, B06B, B07Z, B17A, B17B, B17C			01	B03A, B03B, B06A, B06B, B07Z, B17A, B17B, B17C
	05	F13A, F21A, F21B	05		F13A, F21A, F21B	05	F13A, F21A, F21B				
	06	G10Z, G12A, G12B	03		D18Z, D25A, D25B, D25C, D25D	08	I02A, I02B, I02C, I02D, I12A, I12B, I12C, I22A, I22B, I32A, I32B, I32C, I32D, I32E, I32F, I50Z				
	08	I02A, I02B, I02C, I02D, I12A, I12B, I12C, I22A, I22B, I50Z	05		F13A	09	J02A, J02B, J04A, J04B, J08A, J08B, J08C, J11A, J11B, J16Z				
	09	J02A, J02B, J02C, J04A, J04B, J08A, J08B, J08C, J16Z, J21Z, J22A, J22B	08		I12A, I12B, I12C	21A	W04A, W04B				
	21A	W04A, W04B	09		J03A, J03B, J04A, J04B, J08A, J08B, J08C, J11A, J11B, J16Z	21B	X01A, X01B				
	21B	X01A, X01B	21A		W04A, W04B						
	5v235.e↔		BOP, KVT, UOP4		5v236.4		BOP, KVT, UOP4		5v236.9↔		BOP, KVT, UOP4
		01	B03A, B03B, B06A, B06B, B07Z, B17A, B17B, B17C			01	B03A, B03B, B06A, B06B, B07Z, B17A, B17B, B17C			01	B03A, B03B, B06A, B06B, B07Z, B17A, B17B, B17C
05		F13A, F21A, F21B, F27A, F27B, F27C	02	C20A, C20B		05	F13A, F21A, F21B				
08		I02A, I02B, I02C, I02D, I12A, I12B, I12C, I22A, I22B, I50Z	03	D12A, D12B		08	I12A, I12B, I12C, I32A, I32B, I32C, I32D, I32E, I32F				
09		J02A, J02B, J02C, J04A, J04B, J08A, J08B, J08C, J16Z, J21Z, J22A, J22B	05	F13A, F21A, F21B		09	J02A, J02B, J04A, J04B, J08A, J08B, J08C, J16Z, J21Z, J22A, J22B				
10		K01Z	08	I02A, I02B, I02C, I02D, I12A, I12B, I12C, I22A, I22B, I50Z		21A	W04A, W04B				
21A		W04A, W04B	09	J02A, J02B, J04A, J04B, J08A, J08B, J08C, J16Z, J21Z, J22A		21B	X01A, X01B				
21B		X01A, X01B	21A	W04A, W04B							
5v235.f↔			BOP, KVT, UOP4	5v236.5			BOP, KVT, UOP4	5v236.a			BOP, KVT, UOP4
		01	B03A, B03B, B06A, B06B, B07Z, B17A, B17B, B17C			01	B03A, B03B, B06A, B06B, B07Z, B17A, B17B, B17C			01	B03A, B03B, B06A, B06B, B07Z, B17A, B17B, B17C
	05	F13A, F21A, F21B, F27A, F27B, F27C	03		D12A	05	F13A, F21A, F21B				
	08	I02A, I02B, I02C, I02D, I12A, I12B, I12C, I22A, I22B, I50Z	05		F13A, F21A, F21B	06	G10Z, G12A, G12B				
	09	J02A, J02B, J02C, J04A, J04B, J08A, J08B, J08C, J16Z, J21Z, J22A, J22B	08		I02A, I02B, I02C, I02D, I12A, I12B, I12C, I22A, I22B, I50Z	08	I02A, I02B, I02C, I02D, I12A, I12B, I12C, I22A, I22B, I50Z				
	10	K01Z	09		J02A, J02B, J04A, J04B, J08A, J08B, J08C, J16Z, J21Z, J22A, J22B	09	J02A, J02B, J04A, J04B, J08A, J08B, J08C, J16Z, J21Z, J22A, J22B				
	21A	W04A, W04B	21A		W04A, W04B	21A	W04A, W04B				
	21B	X01A, X01B	21B		X01A, X01B	21B	X01A, X01B				

VYK

ZZV	MDC	DRG	ZZV	MDC	DRG	ZZV	MDC	DRG			
5v236.b		BOP, KVT, UOP4	5v236.g↔		BOP, KVT, UOP4	5v237.6↔		BOP, KVT, UOP4			
	01	B03A, B03B, B06A, B06B, B07Z, B17A, B17B, B17C		01	B03A, B03B, B06A, B06B, B07Z, B17A, B17B, B17C		01	B03A, B03B, B06A, B06B, B07Z, B17A, B17B, B17C			
	05	F13A, F21A, F21B		05	F13A, F21A, F21B, F27A, F27B, F27C		05	F13A, F21A, F21B			
	06	G10Z, G12A, G12B		08	I02A, I02B, I02C, I02D, I12A, I12B, I12C, I22A, I22B, I50Z		08	I02A, I02B, I02C, I02D, I12A, I12B, I12C, I22A, I22B, I50Z			
	08	I02A, I02B, I02C, I02D, I12A, I12B, I12C, I22A, I22B, I50Z		09	J02A, J02B, J04A, J04B, J08A, J08B, J08C, J16Z, J21Z, J22A, J22B		09	J02A, J02B, J04A, J04B, J08A, J08B, J08C, J16Z, J21Z, J22A, J22B			
	09	J02A, J02B, J04A, J04B, J08A, J08B, J08C, J16Z, J21Z, J22A, J22B		10	K01Z		21A	W04A, W04B			
	13	N11A		21A	W04A, W04B		21B	X01A, X01B			
	21A	W04A, W04B									
	21B	X01A, X01B									
	5v236.c			BOP, KVT, UOP4	5v236.x↔			BOP, KVT, UOP4	5v237.7↔		BOP, KVT, UOP4
		01		B03A, B03B, B06A, B06B, B07Z, B17A, B17B, B17C			01	B03A, B03B, B06A, B06B, B07Z, B17A, B17B, B17C		01	B03A, B03B, B06A, B06B, B07Z, B17A, B17B, B17C
		05		F13A, F21A, F21B			05	F13A, F21A, F21B		05	F13A, F21A, F21B
		06		G10Z, G12A, G12B			08	I02A, I02B, I02C, I02D, I12A, I12B, I12C, I22A, I22B, I32A, I32B, I32C, I32D, I32E, I32F, I50Z		08	I02A, I02B, I02C, I02D, I12A, I12B, I12C, I22A, I32A, I32B, I32C, I32D, I32E, I32F, I50Z
08		I02A, I02B, I02C, I02D, I12A, I12B, I12C, I22A, I22B, I50Z	09	J02A, J02B, J04A, J04B, J08A, J08B, J08C, J16Z, J21Z, J22A, J22B		09	J02A, J02B, J04A, J04B, J08A, J08B, J08C, J16Z, J21Z, J22A, J22B				
09		J02A, J02B, J04A, J04B, J08A, J08B, J08C, J16Z, J21Z, J22A, J22B	09	J02A, J02B, J04A, J04B, J08A, J08B, J08C, J16Z, J21Z, J22A, J22B		21A	W04A, W04B				
13		N11A	21A	W04A, W04B		21B	X01A, X01B				
21A		W04A, W04B									
21B		X01A, X01B									
5v236.d			BOP, KVT, UOP4	5v237.0			BOP, KVT, UOP4	5v237.8↔			BOP, KVT, UOP4
		01	B03A, B03B, B06A, B06B, B07Z, B17A, B17B, B17C			03	D18Z, D25A, D25B, D25C, D25D			01	B03A, B03B, B06A, B06B, B07Z, B17A, B17B, B17C
		05	F13A, F21A, F21B			05	F13A			05	F13A, F21A, F21B
		06	G10Z, G12A, G12B			08	I12A, I12B, I12C			08	I02A, I02B, I02C, I02D, I12A, I12B, I12C, I22A, I32A, I32B, I32C, I32D, I32E, I32F, I50Z
	08	I02A, I02B, I02C, I02D, I12A, I12B, I12C, I22A, I22B, I50Z	09		J03A, J03B, J04A, J04B, J08A, J08B, J08C, J11A, J11B, J16Z	09	J02A, J02B, J04A, J04B, J08A, J08B, J08C, J16Z, J21Z, J22A, J22B				
	09	J02A, J02B, J04A, J04B, J08A, J08B, J08C, J16Z, J21Z, J22A, J22B	21A		W04A, W04B	21A	W04A, W04B				
	13	N11A	21B		X01A, X01B, X06A, X06B, X06C	21B	X01A, X01B				
	21A	W04A, W04B									
	21B	X01A, X01B									
	5v236.e↔		BOP, KVT, UOP4		5v237.4		BOP, KVT, UOP4		5v237.9↔		BOP, KVT, UOP4
		01	B03A, B03B, B06A, B06B, B07Z, B17A, B17B, B17C			01	B03A, B03B, B06A, B06B, B07Z, B17A, B17B, B17C			01	B03A, B03B, B06A, B06B, B07Z, B17A, B17B, B17C
		05	F13A, F21A, F21B, F27A, F27B, F27C			02	C20A, C20B			05	F13A, F21A, F21B
		08	I02A, I02B, I02C, I02D, I12A, I12B, I12C, I22A, I22B, I50Z			03	D12A, D12B			08	I12A, I12B, I12C, I32A, I32B, I32C, I32D, I32E, I32F
09		J02A, J02B, J04A, J04B, J08A, J08B, J08C, J16Z, J21Z, J22A, J22B	05	F13A, F21A, F21B		09	J02A, J02B, J04A, J04B, J08A, J08B, J08C, J16Z, J21Z, J22A, J22B				
10		K01Z	08	I02A, I02B, I02C, I02D, I12A, I12B, I12C, I22A, I50Z		21A	W04A, W04B				
21A		W04A, W04B	09	J02A, J02B, J04A, J04B, J08A, J08B, J08C, J16Z, J21Z, J22A, J22B		21B	X01A, X01B				
21B		X01A, X01B	21A	W04A, W04B							
5v236.f↔			BOP, KVT, UOP4	5v237.5			BOP, KVT, UOP4	5v237.a			BOP, KVT, UOP4
		01	B03A, B03B, B06A, B06B, B07Z, B17A, B17B, B17C			01	B03A, B03B, B06A, B06B, B07Z, B17A, B17B, B17C			01	B03A, B03B, B06A, B06B, B07Z, B17A, B17B, B17C
		05	F13A, F21A, F21B, F27A, F27B, F27C			03	D12A, D12B			05	F13A, F21A, F21B
		08	I02A, I02B, I02C, I02D, I12A, I12B, I12C, I22A, I22B, I50Z			05	F13A, F21A, F21B			06	G10Z, G12A, G12B
		09	J02A, J02B, J04A, J04B, J08A, J08B, J08C, J16Z, J21Z, J22A, J22B			08	I02A, I02B, I02C, I02D, I12A, I12B, I12C, I22A, I50Z			08	I02A, I02B, I02C, I02D, I12A, I12B, I12C, I22A, I50Z
	10	K01Z	09		J02A, J02B, J04A, J04B, J08A, J08B, J08C, J16Z, J21Z, J22A, J22B	09	J02A, J02B, J04A, J04B, J08A, J08B, J08C, J16Z, J21Z, J22A, J22B				
	21A	W04A, W04B	21A		W04A, W04B	21A	W04A, W04B				
	21B	X01A, X01B	21B		X01A, X01B	21B	X01A, X01B				
	5v236.g↔		BOP, KVT, UOP4		5v237.6↔		BOP, KVT, UOP4		5v237.b		BOP, KVT, UOP4
		01	B03A, B03B, B06A, B06B, B07Z, B17A, B17B, B17C			01	B03A, B03B, B06A, B06B, B07Z, B17A, B17B, B17C			01	B03A, B03B, B06A, B06B, B07Z, B17A, B17B, B17C
		05	F13A, F21A, F21B			03	D12A, D12B			05	F13A, F21A, F21B
		06	G10Z, G12A, G12B			05	F13A, F21A, F21B			06	G10Z, G12A, G12B
		08	I02A, I02B, I02C, I02D, I12A, I12B, I12C, I22A, I22B, I50Z			08	I02A, I02B, I02C, I02D, I12A, I12B, I12C, I22A, I50Z			08	I02A, I02B, I02C, I02D, I12A, I12B, I12C, I22A, I50Z
09		J02A, J02B, J04A, J04B, J08A, J08B, J08C, J16Z, J21Z, J22A, J22B	09	J02A, J02B, J04A, J04B, J08A, J08B, J08C, J16Z, J21Z, J22A, J22B		09	J02A, J02B, J04A, J04B, J08A, J08B, J08C, J16Z, J21Z, J22A, J22B				
13		N11A	21A	W04A, W04B		13	N11A				
21A		W04A, W04B	21B	X01A, X01B		21A	W04A, W04B				
21B		X01A, X01B				21B	X01A, X01B				

VYK

ZZV	MDC	DRG	ZZV	MDC	DRG	ZZV	MDC	DRG			
5v237.c		BOP, KVT, UOP4	5v237.x↔		BOP, KVT, UOP4	5v238.8↔		BOP, KVT, UOP4			
	01	B03A, B03B, B06A, B06B, B07Z, B17A, B17B, B17C		01	B03A, B03B, B06A, B06B, B07Z, B17A, B17B, B17C		01	B03A, B03B, B06A, B06B, B07Z, B17A, B17B, B17C			
	05	F13A, F21A, F21B		05	F13A, F21A, F21B		05	F13A, F21A, F21B			
	06	G10Z, G12A, G12B		08	I02A, I02B, I02C, I02D, I12A, I12B, I12C, I22A, I32A, I32B, I32C, I32D, I32E, I32F, I50Z		08	I02A, I02B, I02C, I02D, I12A, I12B, I12C, I22A, I32A, I32B, I32C, I32D, I32E, I32F, I50Z			
	08	I02A, I02B, I02C, I02D, I12A, I12B, I12C, I22A, I50Z		09	J02A, J02B, J04A, J04B, J08A, J08B, J08C, J16Z, J21Z, J22A, J22B		09	J02A, J02B, J04A, J04B, J08A, J08B, J08C, J16Z, J21Z, J22A, J22B			
	09	J02A, J02B, J04A, J04B, J08A, J08B, J08C, J16Z, J21Z, J22A, J22B		21A	W04A, W04B		21A	W04A, W04B			
	13	N11A		21B	X01A, X01B		21B	X01A, X01B			
	21A	W04A, W04B		5v238.0			BOP, KVT, UOP4	5v238.9↔		BOP, KVT, UOP4	
	21B	X01A, X01B			03		D18Z, D25A, D25B, D25C, D25D		01	B03A, B03B, B06A, B06B, B07Z, B17A, B17B, B17C	
	5v237.d			BOP, KVT, UOP4	5v238.4			BOP, KVT, UOP4	5v238.a		BOP, KVT, UOP4
01		B03A, B03B, B06A, B06B, B07Z, B17A, B17B, B17C	01	B03A, B03B, B06A, B06B, B07Z, B17A, B17B, B17C		01	B03A, B03B, B06A, B06B, B07Z, B17A, B17B, B17C				
05		F13A, F21A, F21B	02	C20A, C20B		05	F13A, F21A, F21B				
06		G10Z, G12A, G12B	03	D12A, D12B		06	G10Z, G12A, G12B				
08		I02A, I02B, I02C, I02D, I12A, I12B, I12C, I22A, I50Z	05	F13A, F21A, F21B		08	I02A, I02B, I02C, I02D, I12A, I12B, I12C, I22A, I50Z				
09		J02A, J02B, J04A, J04B, J08A, J08B, J08C, J16Z, J21Z, J22A, J22B	08	I02A, I02B, I02C, I02D, I12A, I12B, I12C, I22A, I50Z		08	I02A, I02B, I02C, I02D, I12A, I12B, I12C, I22A, I50Z				
13		N11A	09	J02A, J02B, J04A, J04B, J08A, J08B, J08C, J16Z, J21Z, J22A, J22B		09	J02A, J02B, J04A, J04B, J08A, J08B, J08C, J16Z, J21Z, J22A, J22B				
21A		W04A, W04B	21A	W04A, W04B		21A	W04A, W04B				
21B		X01A, X01B	21B	X01A, X01B		21B	X01A, X01B				
5v237.e↔			BOP, KVT, UOP4	5v238.5			BOP, KVT, UOP4	5v238.b			BOP, KVT, UOP4
	01	B03A, B03B, B06A, B06B, B07Z, B17A, B17B, B17C	01		B03A, B03B, B06A, B06B, B07Z, B17A, B17B, B17C	01	B03A, B03B, B06A, B06B, B07Z, B17A, B17B, B17C				
	05	F13A, F21A, F21B, F27A, F27B, F27C	03		D12A, D12B	05	F13A, F21A, F21B				
	08	I02A, I02B, I02C, I02D, I12A, I12B, I12C, I22A, I50Z	05		F13A, F21A, F21B	06	G10Z, G12A, G12B				
	09	J02A, J02B, J04A, J04B, J08A, J08B, J08C, J16Z, J21Z, J22A, J22B	08		I02A, I02B, I02C, I02D, I12A, I12B, I12C, I22A, I50Z	08	I02A, I02B, I02C, I02D, I12A, I12B, I12C, I22A, I50Z				
	10	K01Z	09		J02A, J02B, J04A, J04B, J08A, J08B, J08C, J16Z, J21Z, J22A, J22B	09	J02A, J02B, J04A, J04B, J08A, J08B, J08C, J16Z, J21Z, J22A, J22B				
	21A	W04A, W04B	21A		W04A, W04B	21A	W04A, W04B				
	21B	X01A, X01B	21B		X01A, X01B	21B	X01A, X01B				
	5v237.f↔		BOP, KVT, UOP4		5v238.6↔		BOP, KVT, UOP4		5v238.c		BOP, KVT, UOP4
		01	B03A, B03B, B06A, B06B, B07Z, B17A, B17B, B17C			01	B03A, B03B, B06A, B06B, B07Z, B17A, B17B, B17C			01	B03A, B03B, B06A, B06B, B07Z, B17A, B17B, B17C
05		F13A, F21A, F21B, F27A, F27B, F27C	05	F13A, F21A, F21B		05	F13A, F21A, F21B				
08		I02A, I02B, I02C, I02D, I12A, I12B, I12C, I22A, I50Z	08	I02A, I02B, I02C, I02D, I12A, I12B, I12C, I22A, I50Z		06	G10Z, G12A, G12B				
09		J02A, J02B, J04A, J04B, J08A, J08B, J08C, J16Z, J21Z, J22A, J22B	09	J02A, J02B, J04A, J04B, J08A, J08B, J08C, J16Z, J21Z, J22A, J22B		08	I02A, I02B, I02C, I02D, I12A, I12B, I12C, I22A, I50Z				
10		K01Z	21A	W04A, W04B		09	J02A, J02B, J04A, J04B, J08A, J08B, J08C, J16Z, J21Z, J22A, J22B				
21A		W04A, W04B	21B	X01A, X01B		13	N11A				
21B		X01A, X01B	5v238.7↔			BOP, KVT, UOP4	21A	W04A, W04B			
5v237.g↔				BOP, KVT, UOP4		01	B03A, B03B, B06A, B06B, B07Z, B17A, B17B, B17C	21B		X01A, X01B	
		01	B03A, B03B, B06A, B06B, B07Z, B17A, B17B, B17C	05		F13A, F21A, F21B	01	B03A, B03B, B06A, B06B, B07Z, B17A, B17B, B17C			
	05	F13A, F21A, F21B, F27A, F27B, F27C	08	I02A, I02B, I02C, I02D, I12A, I12B, I12C, I22A, I50Z	05	F13A, F21A, F21B					
	08	I02A, I02B, I02C, I02D, I12A, I12B, I12C, I22A, I50Z	09	J02A, J02B, J04A, J04B, J08A, J08B, J08C, J16Z, J21Z, J22A, J22B	06	G10Z, G12A, G12B					
09	J02A, J02B, J04A, J04B, J08A, J08B, J08C, J16Z, J21Z, J22A, J22B	21A	W04A, W04B	08	I02A, I02B, I02C, I02D, I12A, I12B, I12C, I22A, I50Z						
10	K01Z	21B	X01A, X01B	09	J02A, J02B, J04A, J04B, J08A, J08B, J08C, J16Z, J21Z, J22A, J22B						
21A	W04A, W04B	5v238.7↔		BOP, KVT, UOP4	13	N11A					
21B	X01A, X01B		01	B03A, B03B, B06A, B06B, B07Z, B17A, B17B, B17C	21A	W04A, W04B					
			05	F13A, F21A, F21B	21B	X01A, X01B					
			08	I02A, I02B, I02C, I02D, I12A, I12B, I12C, I22A, I50Z							
			09	J02A, J02B, J04A, J04B, J08A, J08B, J08C, J16Z, J21Z, J22A, J22B							
			21A	W04A, W04B							
			21B	X01A, X01B							

VYK

ZZV	MDC	DRG	ZZV	MDC	DRG	ZZV	MDC	DRG			
5v238.d		BOP, KVT, UOP4	5v239.0		BOP, KVT, UOP4	5v239.8↔		BOP, KVT, UOP4			
	01	B03A, B03B, B06A, B06B, B07Z, B17A, B17B, B17C		03	D18Z, D25A, D25B, D25C, D25D		01	B03A, B03B, B06A, B06B, B07Z, B17A, B17B, B17C			
	05	F13A, F21A, F21B		05	F13A		05	F13A, F21A, F21B			
	06	G10Z, G12A, G12B		08	I12A, I12B, I12C		08	I02A, I02B, I02C, I02D, I12A, I12B, I12C, I22A, I22B, I32A, I32B, I32C, I32D, I32E, I32F, I50Z			
	08	I02A, I02B, I02C, I02D, I12A, I12B, I12C, I22A, I50Z		09	J03A, J03B, J04A, J04B, J08A, J08B, J08C, J11A, J11B, J16Z		09	J02A, J02B, J04A, J04B, J08A, J08B, J08C, J16Z, J21Z, J22A, J22B			
	09	J02A, J02B, J04A, J04B, J08A, J08B, J08C, J16Z, J21Z, J22A, J22B		21A	W04A, W04B		21A	W04A, W04B			
	13	N11A		21B	X01A, X01B, X06A, X06B, X06C		21B	X01A, X01B			
	21A	W04A, W04B		5v239.4			21A	W04A, W04B			
	21B	X01A, X01B		01	B03A, B03B, B06A, B06B, B07Z, B17A, B17B, B17C		21B	X01A, X01B			
	5v238.e↔			BOP, KVT, UOP4	5v239.4			BOP, KVT, UOP4	5v239.9↔		BOP, KVT, UOP4
01		B03A, B03B, B06A, B06B, B07Z, B17A, B17B, B17C	01	B03A, B03B, B06A, B06B, B07Z, B17A, B17B, B17C		01	B03A, B03B, B06A, B06B, B07Z, B17A, B17B, B17C				
05		F13A, F21A, F21B, F27A, F27B, F27C	02	C20A, C20B		05	F13A, F21A, F21B				
08		I02A, I02B, I02C, I02D, I12A, I12B, I12C, I22A, I50Z	03	D12A, D12B		08	I12A, I12B, I12C, I32A, I32B, I32C, I32D, I32E, I32F				
09		J02A, J02B, J04A, J04B, J08A, J08B, J08C, J16Z, J21Z, J22A, J22B	05	F13A, F21A, F21B		09	J02A, J02B, J04A, J04B, J08A, J08B, J08C, J16Z, J21Z, J22A, J22B				
10		K01Z	08	I02A, I02B, I02C, I02D, I12A, I12B, I12C, I22A, I22B, I50Z		21A	W04A, W04B				
21A		W04A, W04B	09	J02A, J02B, J04A, J04B, J08A, J08B, J08C, J16Z, J21Z, J22A, J22B		21A	W04A, W04B				
21B		X01A, X01B	21A	W04A, W04B		21B	X01A, X01B				
5v238.f↔			BOP, KVT, UOP4	5v239.5			BOP, KVT, UOP4	5v239.a			BOP, KVT, UOP4
		01	B03A, B03B, B06A, B06B, B07Z, B17A, B17B, B17C			01	B03A, B03B, B06A, B06B, B07Z, B17A, B17B, B17C			01	B03A, B03B, B06A, B06B, B07Z, B17A, B17B, B17C
	05	F13A, F21A, F21B, F27A, F27B, F27C	03		D12A, D12B	05	F13A, F21A, F21B				
	08	I02A, I02B, I02C, I02D, I12A, I12B, I12C, I22A, I50Z	05		F13A, F21A, F21B	06	G10Z, G12A, G12B				
	09	J02A, J02B, J04A, J04B, J08A, J08B, J08C, J16Z, J21Z, J22A, J22B	08		I02A, I02B, I02C, I02D, I12A, I12B, I12C, I22A, I22B, I50Z	08	I02A, I02B, I02C, I02D, I12A, I12B, I12C, I22A, I22B, I50Z				
	10	K01Z	09		J02A, J02B, J04A, J04B, J08A, J08B, J08C, J16Z, J21Z, J22A, J22B	09	J02A, J02B, J04A, J04B, J08A, J08B, J08C, J16Z, J21Z, J22A, J22B				
	21A	W04A, W04B	21A		W04A, W04B	21A	W04A, W04B				
	21B	X01A, X01B	21B		X01A, X01B	21B	X01A, X01B				
	5v238.g↔		BOP, KVT, UOP4		5v239.6↔		BOP, KVT, UOP4		5v239.b		BOP, KVT, UOP4
		01	B03A, B03B, B06A, B06B, B07Z, B17A, B17B, B17C			01	B03A, B03B, B06A, B06B, B07Z, B17A, B17B, B17C			01	B03A, B03B, B06A, B06B, B07Z, B17A, B17B, B17C
05		F13A, F21A, F21B, F27A, F27B, F27C	05	F13A, F21A, F21B		05	F13A, F21A, F21B				
08		I02A, I02B, I02C, I02D, I12A, I12B, I12C, I22A, I50Z	08	I02A, I02B, I02C, I02D, I12A, I12B, I12C, I22A, I22B, I50Z		06	G10Z, G12A, G12B				
09		J02A, J02B, J04A, J04B, J08A, J08B, J08C, J16Z, J21Z, J22A, J22B	09	J02A, J02B, J04A, J04B, J08A, J08B, J08C, J16Z, J21Z, J22A, J22B		08	I02A, I02B, I02C, I02D, I12A, I12B, I12C, I22A, I22B, I50Z				
10		K01Z	21A	W04A, W04B		09	J02A, J02B, J04A, J04B, J08A, J08B, J08C, J16Z, J21Z, J22A, J22B				
21A		W04A, W04B	21B	X01A, X01B		13	N11A				
21B		X01A, X01B	5v239.7↔			21A	W04A, W04B				
5v238.x↔			BOP, KVT, UOP4	5v239.7↔			BOP, KVT, UOP4	5v239.c			BOP, KVT, UOP4
		01	B03A, B03B, B06A, B06B, B07Z, B17A, B17B, B17C			01	B03A, B03B, B06A, B06B, B07Z, B17A, B17B, B17C			01	B03A, B03B, B06A, B06B, B07Z, B17A, B17B, B17C
	05	F13A, F21A, F21B	05		F13A, F21A, F21B	05	F13A, F21A, F21B				
	08	I02A, I02B, I02C, I02D, I12A, I12B, I12C, I22A, I32A, I32B, I32C, I32D, I32E, I32F, I50Z	08		I02A, I02B, I02C, I02D, I12A, I12B, I12C, I22A, I22B, I32A, I32B, I32C, I32D, I32E, I32F, I50Z	06	G10Z, G12A, G12B				
	09	J02A, J02B, J04A, J04B, J08A, J08B, J08C, J16Z, J21Z, J22A, J22B	09		J02A, J02B, J04A, J04B, J08A, J08B, J08C, J16Z, J21Z, J22A, J22B	08	I02A, I02B, I02C, I02D, I12A, I12B, I12C, I22A, I22B, I50Z				
	21A	W04A, W04B	21A		W04A, W04B	09	J02A, J02B, J04A, J04B, J08A, J08B, J08C, J16Z, J21Z, J22A, J22B				
	21B	X01A, X01B	21B		X01A, X01B	13	N11A				
						21A	W04A, W04B				
						21B	X01A, X01B				

VYK

ZZV	MDC	DRG	ZZV	MDC	DRG	ZZV	MDC	DRG			
5v239.d		BOP, KVT, UOP4	5v23a.0		BOP, KVT, UOP4	5v23a.9↔		BOP, KVT, UOP4			
	01	B03A, B03B, B06A, B06B, B07Z, B17A, B17B, B17C		03	D18Z, D28Z, D29Z		01	B03A, B03B, B06A, B06B, B07Z, B17A, B17B, B17C			
	05	F13A, F21A, F21B		05	F13A		05	F13A, F21A, F21B, F21C			
	06	G10Z, G12A, G12B		09	J03A, J03B, J04A, J04B, J08A, J08B, J08C, J11A, J11B, J16Z		08	I12A, I12B, I12C, I32A, I32B, I32C, I32D, I32E, I32F			
	08	I02A, I02B, I02C, I02D, I12A, I12B, I12C, I22A, I22B, I50Z		21A	W04A, W04B		09	J03A, J03B, J04A, J04B, J08A, J08B, J08C, J16Z, J21Z, J22A, J22B			
	09	J02A, J02B, J04A, J04B, J08A, J08B, J08C, J16Z, J21Z, J22A, J22B		21B	X06A, X06B, X06C		21A	W04A, W04B			
	13	N11A		5v23a.4			BOP, KVT, UOP4	21B	X01A, X01B, X01C		
	21A	W04A, W04B			01		B03A, B03B, B06A, B06B, B07Z, B17A, B17B, B17C	5v23a.a		BOP, KVT, UOP4	
	21B	X01A, X01B			02		C20A, C20B		01	B03A, B03B, B06A, B06B, B07Z, B17A, B17B, B17C	
	5v239.e↔				BOP, KVT, UOP4		03		D12A, D12B	05	F13A, F21A, F21B, F21C
		01			B03A, B03B, B06A, B06B, B07Z, B17A, B17B, B17C		05		F13A, F21A, F21B, F21C	08	I02A, I02B, I02C, I02D, I22A, I22B, I50Z
		05			F13A, F21A, F21B, F27A, F27B, F27C		08		I02A, I02B, I02C, I02D, I22A, I22B, I50Z	09	J02A, J02B, J02C, J04A, J04B, J08A, J08B, J08C, J16Z, J21Z, J22A, J22B
08		I02A, I02B, I02C, I02D, I12A, I12B, I12C, I22A, I22B, I50Z	09		J02A, J02B, J02C, J04A, J04B, J08A, J08B, J08C, J16Z, J21Z, J22A, J22B	21A	W04A, W04B				
09		J02A, J02B, J04A, J04B, J08A, J08B, J08C, J16Z, J21Z, J22A, J22B	21B		X01A, X01B, X01C	5v23a.b			BOP, KVT, UOP4		
10		K01Z	5v23a.5				BOP, KVT, UOP4		01	B03A, B03B, B06A, B06B, B07Z, B17A, B17B, B17C	
21A		W04A, W04B			01		B03A, B03B, B06A, B06B, B07Z, B17A, B17B, B17C		03	D12A, D12B	
21B		X01A, X01B			03		D12A, D12B		05	F13A, F21A, F21B, F21C, F27A, F27B, F27C	
5v239.f↔					BOP, KVT, UOP4		05		F13A, F21A, F21B, F21C, F27A, F27B, F27C	06	G10Z, G12A, G12B
		01		B03A, B03B, B06A, B06B, B07Z, B17A, B17B, B17C	06		G10Z, G12A, G12B		08	I28A, I28B	
		05		F13A, F21A, F21B, F27A, F27B, F27C	08		I28A, I28B	09	J02A, J02B, J02C, J04A, J04B, J08A, J08B, J08C, J16Z, J21Z, J22A, J22B		
		08		I02A, I02B, I02C, I02D, I12A, I12B, I12C, I22A, I22B, I50Z	09		J02A, J02B, J02C, J04A, J04B, J08A, J08B, J08C, J16Z, J21Z, J22A, J22B	10	K01Z		
	09	J02A, J02B, J04A, J04B, J08A, J08B, J08C, J16Z, J21Z, J22A, J22B		21A	W04A, W04B		21A	W04A, W04B			
	10	K01Z		21B	X01A, X01B, X01C		5v23a.c		BOP, KVT, UOP4		
	21A	W04A, W04B		5v23a.6↔				BOP, KVT, UOP4	01	B03A, B03B, B06A, B06B, B07Z, B17A, B17B, B17C	
	21B	X01A, X01B			01			B03A, B03B, B06A, B06B, B07Z, B17A, B17B, B17C	05	F13A, F21A, F21B, F21C	
	5v239.g↔				BOP, KVT, UOP4	05		F13A, F21A, F21B, F21C	08	I02A, I02B, I02C, I02D, I22A, I22B, I50Z	
		01	B03A, B03B, B06A, B06B, B07Z, B17A, B17B, B17C		08	I02A, I02B, I02C, I02D, I22A, I22B, I50Z		09	J02A, J02B, J02C, J04A, J04B, J08A, J08B, J08C, J16Z, J21Z, J22A, J22B		
		05	F13A, F21A, F21B, F27A, F27B, F27C		09	J02A, J02B, J02C, J04A, J04B, J08A, J08B, J08C, J16Z, J21Z, J22A, J22B		21A	W04A, W04B		
		08	I02A, I02B, I02C, I02D, I12A, I12B, I12C, I22A, I22B, I50Z		21A	W04A, W04B		21B	X01A, X01B, X01C		
09		J02A, J02B, J04A, J04B, J08A, J08B, J08C, J16Z, J21Z, J22A, J22B	5v23a.7↔			BOP, KVT, UOP4		01	B03A, B03B, B06A, B06B, B07Z, B17A, B17B, B17C		
10		K01Z			01	B03A, B03B, B06A, B06B, B07Z, B17A, B17B, B17C		05	F13A, F21A, F21B, F21C		
21A		W04A, W04B			05	F13A, F21A, F21B, F21C		08	I02A, I02B, I02C, I02D, I22A, I22B, I50Z		
21B		X01A, X01B			08	I02A, I02B, I02C, I02D, I22A, I22B, I50Z		09	J02A, J02B, J02C, J04A, J04B, J08A, J08B, J08C, J16Z, J21Z, J22A, J22B		
5v239.x↔					BOP, KVT, UOP4	09		J02A, J02B, J02C, J04A, J04B, J08A, J08B, J08C, J16Z, J21Z, J22A, J22B	21A	W04A, W04B	
		01			B03A, B03B, B06A, B06B, B07Z, B17A, B17B, B17C	21A	W04A, W04B	21B	X01A, X01B, X01C		
		05		F13A, F21A, F21B	5v23a.8↔		BOP, KVT, UOP4	01	B03A, B03B, B06A, B06B, B07Z, B17A, B17B, B17C		
		08		I02A, I02B, I02C, I02D, I12A, I12B, I12C, I22A, I22B, I32A, I32B, I32C, I32D, I32E, I32F, I50Z		01	B03A, B03B, B06A, B06B, B07Z, B17A, B17B, B17C	05	F13A, F21A, F21B, F21C		
	09	J02A, J02B, J04A, J04B, J08A, J08B, J08C, J16Z, J21Z, J22A, J22B		05		F13A, F21A, F21B, F21C	08	I02A, I02B, I02C, I02D, I22A, I22B, I32A, I32B, I32C, I32D, I32E, I32F, I50Z			
	21A	W04A, W04B		08		I02A, I02B, I02C, I02D, I22A, I22B, I32A, I32B, I32C, I32D, I32E, I32F, I50Z	09	J02A, J02B, J02C, J04A, J04B, J08A, J08B, J08C, J16Z, J21Z, J22A, J22B			
	21B	X01A, X01B		09		J02A, J02B, J02C, J04A, J04B, J08A, J08B, J08C, J16Z, J21Z, J22A, J22B	21A	W04A, W04B			
				21A		W04A, W04B	21B	X01A, X01B, X01C			
			21B	X01A, X01B, X01C							

VYK

ZZV	MDC	DRG	ZZV	MDC	DRG	ZZV	MDC	DRG		
5v23a.e↔		BOP, KVT, UOP4	5v23b.4		BOP, KVT, UOP4	5v23b.9↔		BOP, KVT, UOP4		
	01	B03A, B03B, B06A, B06B, B07Z, B17A, B17B, B17C		01	B03A, B03B, B06A, B06B, B07Z, B17A, B17B, B17C		01	B03A, B03B, B06A, B06B, B07Z, B17A, B17B, B17C		
	05	F13A, F21A, F21B, F21C, F27A, F27B, F27C		02	C20A, C20B		05	F13A, F21A, F21B		
	08	I02A, I02B, I02C, I02D, I22A, I22B, I50Z		03	D12A, D12B		08	I12A, I12B, I12C, I32A, I32B, I32C, I32D, I32E, I32F		
	09	J02A, J02B, J02C, J04A, J04B, J08A, J08B, J08C, J16Z, J21Z, J22A, J22B		05	F13A, F21A, F21B		09	J02A, J02B, J04A, J04B, J08A, J08B, J08C, J16Z, J21Z, J22A, J22B		
	10	K01Z		08	I02A, I02B, I02C, I02D, I12A, I12B, I12C, I22A, I22B, I50Z		21A	W04A, W04B		
	21A	W04A, W04B		09	J02A, J02B, J04A, J04B, J08A, J08B, J08C, J16Z, J21Z, J22A, J22B		21B	X01A, X01B		
	21B	X01A, X01B, X01C		21A	W04A, W04B		5v23b.a	BOP, KVT, UOP4		
	5v23a.f↔			BOP, KVT, UOP4	5v23b.5			BOP, KVT, UOP4	01	B03A, B03B, B06A, B06B, B07Z, B17A, B17B, B17C
		01		B03A, B03B, B06A, B06B, B07Z, B17A, B17B, B17C			01	B03A, B03B, B06A, B06B, B07Z, B17A, B17B, B17C	05	F13A, F21A, F21B
		05		F13A, F21A, F21B, F21C, F27A, F27B, F27C			03	D12A, D12B	06	G10Z, G12A, G12B
		08		I02A, I02B, I02C, I02D, I22A, I22B, I50Z			05	F13A, F21A, F21B	08	I02A, I02B, I02C, I02D, I12A, I12B, I12C, I22A, I22B, I50Z
		09		J02A, J02B, J02C, J04A, J04B, J08A, J08B, J08C, J16Z, J21Z, J22A, J22B			08	I02A, I02B, I02C, I02D, I12A, I12B, I12C, I22A, I22B, I50Z	09	J02A, J02B, J04A, J04B, J08A, J08B, J08C, J16Z, J21Z, J22A, J22B
10		K01Z	09	J02A, J02B, J04A, J04B, J08A, J08B, J08C, J16Z, J21Z, J22A, J22B		21A	W04A, W04B			
21A		W04A, W04B	21A	W04A, W04B		21B	X01A, X01B			
21B		X01A, X01B, X01C	21B	X01A, X01B		5v23b.b	BOP, KVT, UOP4			
5v23a.g↔			BOP, KVT, UOP4	5v23b.6↔			BOP, KVT, UOP4	01	B03A, B03B, B06A, B06B, B07Z, B17A, B17B, B17C	
		01	B03A, B03B, B06A, B06B, B07Z, B17A, B17B, B17C			01	B03A, B03B, B06A, B06B, B07Z, B17A, B17B, B17C	05	F13A, F21A, F21B	
		05	F13A, F21A, F21B, F21C, F27A, F27B, F27C			05	F13A, F21A, F21B	06	G10Z, G12A, G12B	
		08	I02A, I02B, I02C, I02D, I12A, I12B, I12C, I22A, I22B, I50Z			08	I02A, I02B, I02C, I02D, I12A, I12B, I12C, I22A, I22B, I50Z	08	I02A, I02B, I02C, I02D, I12A, I12B, I12C, I22A, I22B, I50Z	
		09	J02A, J02B, J02C, J04A, J04B, J08A, J08B, J08C, J16Z, J21Z, J22A, J22B			09	J02A, J02B, J04A, J04B, J08A, J08B, J08C, J16Z, J21Z, J22A, J22B	09	J02A, J02B, J04A, J04B, J08A, J08B, J08C, J16Z, J21Z, J22A, J22B	
	10	K01Z	21A		W04A, W04B	13	N11A			
	21A	W04A, W04B	21B		X01A, X01B	21A	W04A, W04B			
	21B	X01A, X01B, X01C	5v23b.7↔			21B	X01A, X01B			
	5v23a.x↔		BOP, KVT, UOP4		5v23b.7↔		BOP, KVT, UOP4	5v23b.c	BOP, KVT, UOP4	
		01	B03A, B03B, B06A, B06B, B07Z, B17A, B17B, B17C			01	B03A, B03B, B06A, B06B, B07Z, B17A, B17B, B17C	01	B03A, B03B, B06A, B06B, B07Z, B17A, B17B, B17C	
		05	F13A, F21A, F21B, F21C			05	F13A, F21A, F21B	05	F13A, F21A, F21B	
		08	I02A, I02B, I02C, I02D, I22A, I22B, I32A, I32B, I32C, I32D, I32E, I32F, I50Z			08	I02A, I02B, I02C, I02D, I12A, I12B, I12C, I22A, I22B, I32A, I32B, I32C, I32D, I32E, I32F, I50Z	06	G10Z, G12A, G12B	
		09	J02A, J02B, J02C, J04A, J04B, J08A, J08B, J08C, J16Z, J21Z, J22A, J22B			09	J02A, J02B, J04A, J04B, J08A, J08B, J08C, J16Z, J21Z, J22A, J22B	08	I02A, I02B, I02C, I02D, I12A, I12B, I12C, I22A, I22B, I50Z	
21A		W04A, W04B	21A	W04A, W04B		09	J02A, J02B, J04A, J04B, J08A, J08B, J08C, J16Z, J21Z, J22A, J22B			
21B		X01A, X01B, X01C	21B	X01A, X01B		13	N11A			
5v23b.0			BOP, KVT, UOP4	5v23b.8↔			BOP, KVT, UOP4	21A	W04A, W04B	
		03	D18Z, D25A, D25B, D25C, D25D			01	B03A, B03B, B06A, B06B, B07Z, B17A, B17B, B17C	21B	X01A, X01B	
		05	F13A			05	F13A, F21A, F21B	5v23b.d	BOP, KVT, UOP4	
		08	I12A, I12B, I12C			08	I02A, I02B, I02C, I02D, I12A, I12B, I12C, I22A, I22B, I32A, I32B, I32C, I32D, I32E, I32F, I50Z	01	B03A, B03B, B06A, B06B, B07Z, B17A, B17B, B17C	
		09	J03A, J03B, J04A, J04B, J08A, J08B, J08C, J11A, J11B, J16Z			09	J02A, J02B, J04A, J04B, J08A, J08B, J08C, J16Z, J21Z, J22A, J22B	05	F13A, F21A, F21B	
		21A	W04A, W04B			21A	W04A, W04B	06	G10Z, G12A, G12B	
	21B	X01A, X01B, X06A, X06B, X06C	21B		X01A, X01B	08	I02A, I02B, I02C, I02D, I12A, I12B, I12C, I22A, I22B, I50Z			

VYK

ZZV	MDC	DRG	ZZV	MDC	DRG	ZZV	MDC	DRG			
5v23b.e↔		BOP, KVT, UOP4	5v240.0		BOP, KVT, UOP4	5v240.8↔		BOP, KVT, UOP4			
	01	B03A, B03B, B06A, B06B, B07Z, B17A, B17B, B17C		01	B03A, B03B, B06A, B06B, B07Z, B17A, B17B, B17C		01	B03A, B03B, B06A, B06B, B07Z, B17A, B17B, B17C			
	05	F13A, F21A, F21B, F27A, F27B, F27C		03	D12A		03	D12A			
	08	I02A, I02B, I02C, I02D, I12A, I12B, I12C, I22A, I22B, I50Z		05	F13A, F21A, F21B, F21C, F27A, F27B, F27C		05	F13A, F21A, F21B, F21C, F27A, F27B, F27C			
	09	J02A, J02B, J04A, J04B, J08A, J08B, J08C, J16Z, J21Z, J22A, J22B		08	I12A, I12B, I12C		08	I12A, I12B, I12C			
	10	K01Z		09	J02A, J02B, J02C, J04A, J04B, J08A, J08B, J08C, J16Z, J21Z, J22A, J22B		09	J02A, J02B, J02C, J04A, J04B, J08A, J08B, J08C, J16Z, J21Z, J22A, J22B			
	21A	W04A, W04B		10	K01Z		10	K01Z			
	21B	X01A, X01B		21A	W04A, W04B		21A	W04A, W04B			
	5v23b.f↔			BOP, KVT, UOP4	5v240.4			BOP, KVT, UOP4	5v240.9↔		BOP, KVT, UOP4
		01		B03A, B03B, B06A, B06B, B07Z, B17A, B17B, B17C			01	B03A, B03B, B06A, B06B, B07Z, B17A, B17B, B17C		01	B03A, B03B, B06A, B06B, B07Z, B17A, B17B, B17C
05		F13A, F21A, F21B, F27A, F27B, F27C	03	D12A		03	D12A				
08		I02A, I02B, I02C, I02D, I12A, I12B, I12C, I22A, I22B, I50Z	05	F13A, F21A, F21B, F21C, F27A, F27B, F27C		05	F13A, F21A, F21B, F21C, F27A, F27B, F27C				
09		J02A, J02B, J04A, J04B, J08A, J08B, J08C, J16Z, J21Z, J22A, J22B	08	I12A, I12B, I12C		08	I12A, I12B, I12C				
10		K01Z	09	J02A, J02B, J02C, J04A, J04B, J08A, J08B, J08C, J16Z, J21Z, J22A, J22B		09	J02A, J02B, J02C, J04A, J04B, J08A, J08B, J08C, J16Z, J21Z, J22A, J22B				
21A		W04A, W04B	10	K01Z		10	K01Z				
21B		X01A, X01B	21A	W04A, W04B		21A	W04A, W04B				
5v23b.g↔			BOP, KVT, UOP4	5v240.5			BOP, KVT, UOP4	5v240.a			BOP, KVT, UOP4
		01	B03A, B03B, B06A, B06B, B07Z, B17A, B17B, B17C			01	B03A, B03B, B06A, B06B, B07Z, B17A, B17B, B17C			01	B03A, B03B, B06A, B06B, B07Z, B17A, B17B, B17C
	05	F13A, F21A, F21B, F27A, F27B, F27C	03		D12A	03	D12A				
	08	I02A, I02B, I02C, I02D, I12A, I12B, I12C, I22A, I22B, I50Z	05		F13A, F21A, F21B, F21C, F27A, F27B, F27C	05	F13A, F21A, F21B, F21C, F27A, F27B, F27C				
	09	J02A, J02B, J04A, J04B, J08A, J08B, J08C, J16Z, J21Z, J22A, J22B	08		I12A, I12B, I12C	08	I12A, I12B, I12C				
	10	K01Z	09		J02A, J02B, J02C, J04A, J04B, J08A, J08B, J08C, J16Z, J21Z, J22A, J22B	09	J02A, J02B, J02C, J04A, J04B, J08A, J08B, J08C, J16Z, J21Z, J22A, J22B				
	21A	W04A, W04B	10		K01Z	10	K01Z				
	21B	X01A, X01B	21A		W04A, W04B	21A	W04A, W04B				
	5v23b.x↔		BOP, KVT, UOP4		5v240.6↔		BOP, KVT, UOP4		5v240.b		BOP, KVT, UOP4
		01	B03A, B03B, B06A, B06B, B07Z, B17A, B17B, B17C			01	B03A, B03B, B06A, B06B, B07Z, B17A, B17B, B17C			01	B03A, B03B, B06A, B06B, B07Z, B17A, B17B, B17C
05		F13A, F21A, F21B	03	D12A		03	D12A				
08		I02A, I02B, I02C, I02D, I12A, I12B, I12C, I22A, I22B, I32A, I32B, I32C, I32D, I32E, I32F, I50Z	05	F13A, F21A, F21B, F21C, F27A, F27B, F27C		05	F13A, F21A, F21B, F21C, F27A, F27B, F27C				
09		J02A, J02B, J04A, J04B, J08A, J08B, J08C, J16Z, J21Z, J22A, J22B	08	I12A, I12B, I12C		08	I12A, I12B, I12C				
21A		W04A, W04B	09	J02A, J02B, J02C, J04A, J04B, J08A, J08B, J08C, J16Z, J21Z, J22A, J22B		09	J02A, J02B, J02C, J04A, J04B, J08A, J08B, J08C, J16Z, J21Z, J22A, J22B				
21B		X01A, X01B	10	K01Z		10	K01Z				
5v23x.x↔			BOP, KVT, UOP4	5v240.7↔			BOP, KVT, UOP4	5v240.c			BOP, KVT, UOP4
		01	B03A, B03B, B06A, B06B, B07Z, B17A, B17B, B17C			01	B03A, B03B, B06A, B06B, B07Z, B17A, B17B, B17C			01	B03A, B03B, B06A, B06B, B07Z, B17A, B17B, B17C
		05	F13A, F21A, F21B, F21C			03	D12A			03	D12A
	08	I02A, I02B, I02C, I02D, I22A, I22B, I32A, I32B, I32C, I32D, I32E, I32F, I50Z	05		F13A, F21A, F21B, F21C, F27A, F27B, F27C	05	F13A, F21A, F21B, F21C, F27A, F27B, F27C				
	09	J02A, J02B, J02C, J04A, J04B, J08A, J08B, J08C, J16Z, J21Z, J22A, J22B	08		I12A, I12B, I12C	08	I12A, I12B, I12C				
	21A	W04A, W04B	09		J02A, J02B, J02C, J04A, J04B, J08A, J08B, J08C, J16Z, J21Z, J22A, J22B	09	J02A, J02B, J02C, J04A, J04B, J08A, J08B, J08C, J16Z, J21Z, J22A, J22B				
	21B	X01A, X01B, X01C	10		K01Z	10	K01Z				
			21A		W04A, W04B	21A	W04A, W04B				
			21B		X04Z, X05A, X05B, X06A, X06B, X06C	21B	X04Z, X05A, X05B, X06A, X06B, X06C				

VYK

ZZV	MDC	DRG	ZZV	MDC	DRG	ZZV	MDC	DRG			
5v242.d		BOP, KVT, UOP4	5v250.0		KOP, KOPV	5v250.9↔		KOP, KOPV			
	01	B03A, B03B, B06A, B06B, B07Z, B17A, B17B, B17C		03	D02A, D02B, D18Z, D24A, D24B		06	G33Z			
	03	D12A		06	G33Z		07	H33Z, H38Z			
	05	F13A, F21A, F21B, F21C, F27A, F27B, F27C		07	H33Z, H38Z		08	I32A, I32B, I32C, I32D, I32E, I32F, I34Z			
	08	I12A, I12B, I12C		08	I32A, I32B, I32C, I32D		09	J01Z, J02A, J02B			
	09	J02A, J02B, J02C, J04A, J04B, J08A, J08B, J08C, J16Z, J21Z, J22A, J22B		09	J01Z, J02A, J02B		11	L33Z			
	10	K01Z		11	L33Z		21B	X01A, X01B, X33Z			
	21A	W04A, W04B		21B	X01A, X01B, X33Z		Pre	A07A			
	21B	X04Z, X05A, X05B, X06A, X06B, X06C		Pre	A07A		5v250.a	KOP, KOPV			
	5v242.e↔			BOP, KVT, UOP4	5v250.4			KOP, KOPV	5v250.a		G33Z
		01		B03A, B03B, B06A, B06B, B07Z, B17A, B17B, B17C			02	C20A, C20B		06	G33Z
03		D12A	03	D02A, D02B, D18Z, D24A, D24B		07	H33Z, H38Z				
05		F13A, F21A, F21B, F21C, F27A, F27B, F27C	06	G33Z		08	I02A, I02B, I02C, I02D, I22A, I32A, I32B, I32C, I32D, I34Z, I50Z				
08		I12A, I12B, I12C	07	H33Z, H38Z		09	J01Z, J02A, J02B				
09		J02A, J02B, J02C, J04A, J04B, J08A, J08B, J08C, J16Z, J21Z, J22A, J22B	08	I02A, I02B, I02C, I02D, I22A, I32A, I32B, I32C, I32D, I34Z, I50Z		11	L33Z				
10		K01Z	09	J01Z, J02A, J02B		21B	X01A, X01B, X33Z				
21A		W04A, W04B	11	L33Z		Pre	A07A				
21B		X04Z, X05A, X05B, X06A, X06B, X06C	21B	X01A, X01B, X33Z		5v250.b	KOP, KOPV				
5v242.f↔			BOP, KVT, UOP4	5v250.5			KOP, KOPV	5v250.b			G33Z
		01	B03A, B03B, B06A, B06B, B07Z, B17A, B17B, B17C			03	D02A, D02B, D18Z, D24A, D24B			06	G33Z
	03	D12A	06		G33Z	07	H33Z, H38Z				
	05	F13A, F21A, F21B, F21C, F27A, F27B, F27C	07		H33Z, H38Z	08	I02A, I02B, I02C, I02D, I22A, I32A, I32B, I32C, I32D, I34Z, I50Z				
	08	I12A, I12B, I12C	07		H33Z, H38Z	09	J01Z, J02A, J02B				
	09	J02A, J02B, J02C, J04A, J04B, J08A, J08B, J08C, J16Z, J21Z, J22A, J22B	08		I02A, I02B, I02C, I02D, I22A, I32A, I32B, I32C, I32D, I34Z, I50Z	11	L33Z				
	10	K01Z	09		J01Z, J02A, J02B	21B	X01A, X01B, X33Z				
	21A	W04A, W04B	11		L33Z	Pre	A07A				
	21B	X04Z, X05A, X05B, X06A, X06B, X06C	21B		X01A, X01B, X33Z	5v250.c	KOP, KOPV				
	5v242.g↔		BOP, KVT, UOP4		5v250.6↔		KOP, KOPV		5v250.c		G33Z
		01	B03A, B03B, B06A, B06B, B07Z, B17A, B17B, B17C			06	G33Z			06	G33Z
03		D12A	07	H33Z, H38Z		07	H33Z, H38Z				
05		F13A, F21A, F21B, F21C, F27A, F27B, F27C	07	H33Z, H38Z		08	I02A, I02B, I02C, I02D, I22A, I32A, I32B, I32C, I32D, I34Z, I50Z				
08		I12A, I12B, I12C	08	I02A, I02B, I02C, I02D, I22A, I32A, I32B, I32C, I32D, I34Z, I50Z		09	J01Z, J02A, J02B				
09		J02A, J02B, J02C, J04A, J04B, J08A, J08B, J08C, J16Z, J21Z, J22A, J22B	11	L33Z		11	L33Z				
10		K01Z	21B	X01A, X01B, X33Z		21B	X01A, X01B, X33Z				
21A		W04A, W04B	Pre	A07A		Pre	A07A				
21B		X04Z, X05A, X05B, X06A, X06B, X06C	Pre	A07A		5v250.d	KOP, KOPV				
5v242.x			BOP, KVT, UOP4	5v250.7↔			KOP, KOPV	5v250.d			G33Z
		01	B03A, B03B, B06A, B06B, B07Z, B17A, B17B, B17C			06	G33Z			06	G33Z
	03	D12A	07		H33Z, H38Z	07	H33Z, H38Z				
	05	F13A, F21A, F21B, F21C, F27A, F27B, F27C	08		I02A, I02B, I02C, I02D, I22A, I32A, I32B, I32C, I32D, I34Z, I50Z	08	I02A, I02B, I02C, I02D, I22A, I32A, I32B, I32C, I32D, I34Z, I50Z				
	08	I12A, I12B, I12C	09		J01Z, J02A, J02B	09	J01Z, J02A, J02B				
	09	J02A, J02B, J02C, J04A, J04B, J08A, J08B, J08C, J16Z, J21Z, J22A, J22B	11		L33Z	11	L33Z				
	10	K01Z	21B		X01A, X01B, X33Z	21B	X01A, X01B, X33Z				
	21A	W04A, W04B	Pre		A07A	Pre	A07A				
	21B	X04Z, X05A, X05B, X06A, X06B, X06C	Pre		A07A	5v250.e↔	KOP, KOPV				
	5v242.x		BOP, KVT, UOP4		5v250.8↔		KOP, KOPV		5v250.e↔		G33Z
		01	B03A, B03B, B06A, B06B, B07Z, B17A, B17B, B17C			06	G33Z			06	G33Z
03		D12A	07	H33Z, H38Z		07	H33Z, H38Z				
05		F13A, F21A, F21B, F21C, F27A, F27B, F27C	08	I02A, I02B, I02C, I02D, I22A, I32A, I32B, I32C, I32D, I32E, I32F, I34Z, I50Z		08	I02A, I02B, I02C, I02D, I22A, I32A, I32B, I32C, I32D, I34Z, I50Z				
08		I12A, I12B, I12C	09	J01Z, J02A, J02B		09	J01Z, J02A, J02B				
09		J02A, J02B, J02C, J04A, J04B, J08A, J08B, J08C, J16Z, J21Z, J22A, J22B	11	L33Z		11	L33Z				
10		K01Z	21B	X01A, X01B, X33Z		21B	X01A, X01B, X33Z				
21A		W04A, W04B	Pre	A07A		Pre	A07A				
21B		X04Z, X05A, X05B, X06A, X06B, X06C	Pre	A07A		5v250.f↔	KOP, KOPV				

ZZV	MDC	DRG	ZZV	MDC	DRG	ZZV	MDC	DRG			
5v250.g↔		KOP, KOPV	5v251.7↔		BOP, KVT, UOP4	5v251.d		BOP, KVT, UOP4			
	06	G33Z		01	B03A, B03B, B06A, B06B, B07Z, B17A, B17B, B17C		01	B03A, B03B, B06A, B06B, B07Z, B17A, B17B, B17C			
	07	H33Z, H38Z		05	F13A, F21A, F21B		05	F13A, F21A, F21B			
	08	I02A, I02B, I02C, I02D, I22A, I32A, I32B, I32C, I32D, I34Z, I50Z		08	I02A, I02B, I02C, I02D, I12A, I12B, I12C, I22A, I50Z		06	G10Z, G12A, G12B			
	09	J01Z, J02A, J02B		09	J02A, J02B, J04A, J04B, J08A, J08B, J08C, J16Z, J21Z, J22A, J22B		08	I02A, I02B, I02C, I02D, I12A, I12B, I12C, I22A, I50Z			
	11	L33Z		21A	W04A, W04B		09	J02A, J02B, J04A, J04B, J08A, J08B, J08C, J16Z, J21Z, J22A, J22B			
	21B	X01A, X01B, X33Z		21B	X01A, X01B		21A	W04A, W04B			
	Pre	A07A			BOP, KVT, UOP4		21B	X01A, X01B			
	5v250.x↔			KOP, KOPV	5v251.8↔			BOP, KVT, UOP4	5v251.e↔		BOP, KVT, UOP4
		06		G33Z			01	B03A, B03B, B06A, B06B, B07Z, B17A, B17B, B17C		01	B03A, B03B, B06A, B06B, B07Z, B17A, B17B, B17C
07		H33Z, H38Z	05	F13A, F21A, F21B		05	F13A, F21A, F21B				
08		I02A, I02B, I02C, I02D, I22A, I32A, I32B, I32C, I32D, I32E, I32F, I34Z, I50Z	08	I02A, I02B, I02C, I02D, I12A, I12B, I12C, I22A, I32A, I32B, I32C, I32D, I32E, I32F, I50Z		08	I02A, I02B, I02C, I02D, I12A, I12B, I12C, I22A, I50Z				
09		J01Z, J02A, J02B	09	J02A, J02B, J04A, J04B, J08A, J08B, J08C, J16Z, J21Z, J22A, J22B		09	J02A, J02B, J04A, J04B, J08A, J08B, J08C, J16Z, J21Z, J22A, J22B				
11		L33Z	21A	W04A, W04B		10	K01Z				
21B		X01A, X01B, X33Z	21B	X01A, X01B		21A	W04A, W04B				
Pre		A07A		BOP, KVT, UOP4		21B	X01A, X01B				
5v251.0			BOP, KVT, UOP4	5v251.9↔			BOP, KVT, UOP4	5v251.f↔			BOP, KVT, UOP4
		03	D02A, D02B, D18Z, D24A, D24B			01	B03A, B03B, B06A, B06B, B07Z, B17A, B17B, B17C			01	B03A, B03B, B06A, B06B, B07Z, B17A, B17B, B17C
	05	F13A	05		F13A, F21A, F21B	05	F13A, F21A, F21B				
	08	I12A, I12B, I12C	08		I12A, I12B, I12C, I32A, I32B, I32C, I32D, I32E, I32F	08	I02A, I02B, I02C, I02D, I12A, I12B, I12C, I22A, I50Z				
	09	J03A, J03B, J04A, J04B, J08A, J08B, J08C, J11A, J11B, J16Z	09		J02A, J02B, J04A, J04B, J08A, J08B, J08C, J16Z, J21Z, J22A, J22B	09	J02A, J02B, J04A, J04B, J08A, J08B, J08C, J16Z, J21Z, J22A, J22B				
	21A	W04A, W04B	21A		W04A, W04B	10	K01Z				
	21B	X01A, X01B, X06A, X06B, X06C	21B		X01A, X01B	21A	W04A, W04B				
	5v251.4		BOP, KVT, UOP4		5v251.a		BOP, KVT, UOP4		5v251.g↔		BOP, KVT, UOP4
		01	B03A, B03B, B06A, B06B, B07Z, B17A, B17B, B17C			01	B03A, B03B, B06A, B06B, B07Z, B17A, B17B, B17C			01	B03A, B03B, B06A, B06B, B07Z, B17A, B17B, B17C
		02	C20A, C20B			05	F13A, F21A, F21B			05	F13A, F21A, F21B
03		D02A, D02B, D18Z, D24A, D24B	06	G10Z, G12A, G12B		06	G10Z, G12A, G12B				
05		F13A, F21A, F21B	08	I02A, I02B, I02C, I02D, I12A, I12B, I12C, I22A, I50Z		08	I02A, I02B, I02C, I02D, I12A, I12B, I12C, I22A, I50Z				
08		I02A, I02B, I02C, I02D, I12A, I12B, I12C, I22A, I50Z	09	J02A, J02B, J04A, J04B, J08A, J08B, J08C, J16Z, J21Z, J22A, J22B		09	J02A, J02B, J04A, J04B, J08A, J08B, J08C, J16Z, J21Z, J22A, J22B				
09		J02A, J02B, J04A, J04B, J08A, J08B, J08C, J16Z, J21Z, J22A, J22B	21A	W04A, W04B		08	I02A, I02B, I02C, I02D, I12A, I12B, I12C, I22A, I50Z				
21A		W04A, W04B	21B	X01A, X01B		09	J02A, J02B, J04A, J04B, J08A, J08B, J08C, J16Z, J21Z, J22A, J22B				
21B		X01A, X01B		BOP, KVT, UOP4		10	K01Z				
5v251.5			BOP, KVT, UOP4	5v251.b			BOP, KVT, UOP4	5v251.x↔			BOP, KVT, UOP4
	01	B03A, B03B, B06A, B06B, B07Z, B17A, B17B, B17C	01		B03A, B03B, B06A, B06B, B07Z, B17A, B17B, B17C	01	B03A, B03B, B06A, B06B, B07Z, B17A, B17B, B17C				
	03	D02A, D02B, D18Z, D24A, D24B	05		F13A, F21A, F21B	05	F13A, F21A, F21B				
	05	F13A, F21A, F21B	06		G10Z, G12A, G12B	05	F13A, F21A, F21B				
	08	I02A, I02B, I02C, I02D, I12A, I12B, I12C, I22A, I50Z	06		G10Z, G12A, G12B	08	I02A, I02B, I02C, I02D, I12A, I12B, I12C, I22A, I50Z				
	09	J02A, J02B, J04A, J04B, J08A, J08B, J08C, J16Z, J21Z, J22A, J22B	08		I02A, I02B, I02C, I02D, I12A, I12B, I12C, I22A, I50Z	08	I02A, I02B, I02C, I02D, I12A, I12B, I12C, I22A, I50Z				
	21A	W04A, W04B	09		J02A, J02B, J04A, J04B, J08A, J08B, J08C, J16Z, J21Z, J22A, J22B	09	J02A, J02B, J04A, J04B, J08A, J08B, J08C, J16Z, J21Z, J22A, J22B				
	21B	X01A, X01B	21A		W04A, W04B	08	I02A, I02B, I02C, I02D, I12A, I12B, I12C, I22A, I50Z				
	5v251.6↔		BOP, KVT, UOP4		5v251.c		BOP, KVT, UOP4		5v251.y↔		BOP, KVT, UOP4
		01	B03A, B03B, B06A, B06B, B07Z, B17A, B17B, B17C			01	B03A, B03B, B06A, B06B, B07Z, B17A, B17B, B17C			01	B03A, B03B, B06A, B06B, B07Z, B17A, B17B, B17C
05		F13A, F21A, F21B	05	F13A, F21A, F21B		05	F13A, F21A, F21B				
08		I02A, I02B, I02C, I02D, I12A, I12B, I12C, I22A, I50Z	06	G10Z, G12A, G12B		08	I02A, I02B, I02C, I02D, I12A, I12B, I12C, I22A, I50Z				
09		J02A, J02B, J04A, J04B, J08A, J08B, J08C, J16Z, J21Z, J22A, J22B	08	I02A, I02B, I02C, I02D, I12A, I12B, I12C, I22A, I50Z		08	I02A, I02B, I02C, I02D, I12A, I12B, I12C, I22A, I50Z				
21A		W04A, W04B	09	J02A, J02B, J04A, J04B, J08A, J08B, J08C, J16Z, J21Z, J22A, J22B		09	J02A, J02B, J04A, J04B, J08A, J08B, J08C, J16Z, J21Z, J22A, J22B				
21B		X01A, X01B	21A	W04A, W04B		21A	W04A, W04B				
		BOP, KVT, UOP4	21B	X01A, X01B		21B	X01A, X01B				

ZZV	MDC	DRG	ZZV	MDC	DRG	ZZV	MDC	DRG				
5v252.0		BOP, KVT, UOP4	5v252.8↔	01	BOP, KVT, UOP4	5v252.e↔	01	BOP, KVT, UOP4				
	03	D02A, D02B, D18Z, D24A, D24B		05	B03A, B03B, B06A, B06B, B07Z, B17A, B17B, B17C		05	B03A, B03B, B06A, B06B, B07Z, B17A, B17B, B17C				
	05	F13A		08	F13A, F21A, F21B		08	F13A, F21A, F21B, F27A, F27B, F27C				
	08	I12A, I12B, I12C		08	I02A, I02B, I02C, I02D, I12A, I12B, I12C, I22A, I32A, I32B, I32C, I32D, I32E, I32F, I50Z		08	I02A, I02B, I02C, I02D, I12A, I12B, I12C, I22A, I50Z				
	09	J03A, J03B, J04A, J04B, J08A, J08B, J08C, J11A, J11B, J16Z		09	J02A, J02B, J04A, J04B, J08A, J08B, J08C, J16Z, J21Z, J22A, J22B		09	J02A, J02B, J04A, J04B, J08A, J08B, J08C, J16Z, J21Z, J22A, J22B				
	21A	W04A, W04B		21A	W04A, W04B		10	K01Z				
	21B	X01A, X01B, X06A, X06B, X06C		21B	X01A, X01B		21A	W04A, W04B				
	5v252.4			BOP, KVT, UOP4	5v252.9↔			BOP, KVT, UOP4	5v252.f↔		BOP, KVT, UOP4	
		01		B03A, B03B, B06A, B06B, B07Z, B17A, B17B, B17C			01	B03A, B03B, B06A, B06B, B07Z, B17A, B17B, B17C		01	B03A, B03B, B06A, B06B, B07Z, B17A, B17B, B17C	
		02		C20A, C20B			05	F13A, F21A, F21B		05	F13A, F21A, F21B, F27A, F27B, F27C	
03		D02A, D02B, D18Z, D24A, D24B	08	I12A, I12B, I12C, I32A, I32B, I32C, I32D, I32E, I32F		08	I02A, I02B, I02C, I02D, I12A, I12B, I12C, I22A, I50Z					
05		F13A, F21A, F21B	09	J02A, J02B, J04A, J04B, J08A, J08B, J08C, J16Z, J21Z, J22A, J22B		09	J02A, J02B, J04A, J04B, J08A, J08B, J08C, J16Z, J21Z, J22A, J22B					
08		I02A, I02B, I02C, I02D, I12A, I12B, I12C, I22A, I50Z	21A	W04A, W04B		10	K01Z					
09		J02A, J02B, J04A, J04B, J08A, J08B, J08C, J16Z, J21Z, J22A, J22B	21B	X01A, X01B		21A	W04A, W04B					
21A		W04A, W04B	5v252.a			BOP, KVT, UOP4	21B	X01A, X01B				
21B		X01A, X01B		01		B03A, B03B, B06A, B06B, B07Z, B17A, B17B, B17C	21A	W04A, W04B				
5v252.5				BOP, KVT, UOP4		5v252.b	05	F13A, F21A, F21B		5v252.g↔		BOP, KVT, UOP4
	01	B03A, B03B, B06A, B06B, B07Z, B17A, B17B, B17C		06	G10Z, G12A, G12B		01	B03A, B03B, B06A, B06B, B07Z, B17A, B17B, B17C				
	03	D02A, D02B, D18Z, D24A, D24B		08	I02A, I02B, I02C, I02D, I12A, I12B, I12C, I22A, I50Z		05	F13A, F21A, F21B, F27A, F27B, F27C				
	05	F13A, F21A, F21B		09	J02A, J02B, J04A, J04B, J08A, J08B, J08C, J16Z, J21Z, J22A, J22B		08	I02A, I02B, I02C, I02D, I12A, I12B, I12C, I22A, I50Z				
	08	I02A, I02B, I02C, I02D, I12A, I12B, I12C, I22A, I50Z		21A	W04A, W04B		09	J02A, J02B, J04A, J04B, J08A, J08B, J08C, J16Z, J21Z, J22A, J22B				
	09	J02A, J02B, J04A, J04B, J08A, J08B, J08C, J16Z, J21Z, J22A, J22B		21B	X01A, X01B		10	K01Z				
	21A	W04A, W04B		5v252.c			BOP, KVT, UOP4	21A	W04A, W04B			
	21B	X01A, X01B			01		B03A, B03B, B06A, B06B, B07Z, B17A, B17B, B17C	21B	X01A, X01B			
	5v252.6↔		BOP, KVT, UOP4		5v252.d		05	F13A, F21A, F21B	5v252.x↔			BOP, KVT, UOP4
		01	B03A, B03B, B06A, B06B, B07Z, B17A, B17B, B17C				06	G10Z, G12A, G12B			01	B03A, B03B, B06A, B06B, B07Z, B17A, B17B, B17C
05		F13A, F21A, F21B	08			I02A, I02B, I02C, I02D, I12A, I12B, I12C, I22A, I50Z	05	F13A, F21A, F21B				
08		I02A, I02B, I02C, I02D, I12A, I12B, I12C, I22A, I50Z	09			J02A, J02B, J04A, J04B, J08A, J08B, J08C, J16Z, J21Z, J22A, J22B	08	I02A, I02B, I02C, I02D, I12A, I12B, I12C, I22A, I32A, I32B, I32C, I32D, I32E, I32F, I50Z				
09		J02A, J02B, J04A, J04B, J08A, J08B, J08C, J16Z, J21Z, J22A, J22B	21A			W04A, W04B	09	J02A, J02B, J04A, J04B, J08A, J08B, J08C, J16Z, J21Z, J22A, J22B				
21A		W04A, W04B	21B			X01A, X01B	21A	W04A, W04B				
21B		X01A, X01B	5v252.0				BOP, KVT, UOP4	21B		X01A, X01B		
5v252.7↔						BOP, KVT, UOP4	5v252.e↔	01		BOP, KVT, UOP4	5v260.0	
		01		B03A, B03B, B06A, B06B, B07Z, B17A, B17B, B17C		05		F13A, F21A, F21B		03		D18Z, D25A, D25B, D25C, D25D
		05		F13A, F21A, F21B		06		G10Z, G12A, G12B		05		F13A
	08	I02A, I02B, I02C, I02D, I12A, I12B, I12C, I22A, I50Z		08	I02A, I02B, I02C, I02D, I12A, I12B, I12C, I22A, I50Z	08		I12A, I12B, I12C				
	09	J02A, J02B, J04A, J04B, J08A, J08B, J08C, J16Z, J21Z, J22A, J22B		09	J02A, J02B, J04A, J04B, J08A, J08B, J08C, J16Z, J21Z, J22A, J22B	09		J03A, J03B, J04A, J04B, J08A, J08B, J11A, J11B, J16Z				
	21A	W04A, W04B		21A	W04A, W04B	21A		W04A, W04B				
	21B	X01A, X01B		21B	X01A, X01B	21B		X01A, X01B, X06A, X06B, X06C				

ZZV	MDC	DRG	ZZV	MDC	DRG	ZZV	MDC	DRG			
5v261.5		BOP, KVT, UOP4	5v261.b		BOP, KVT, UOP4	5v261.g↔		BOP, KVT, UOP4			
	01	B03A, B03B, B06A, B06B, B07Z, B17A, B17B, B17C		01	B03A, B03B, B06A, B06B, B07Z, B17A, B17B, B17C		01	B03A, B03B, B06A, B06B, B07Z, B17A, B17B, B17C			
	03	D12A		05	F13A, F21A, F21B		05	F13A, F21A, F21B, F27A, F27B, F27C			
	05	F13A, F21A, F21B		06	G10Z, G12A, G12B		08	I02A, I02B, I02C, I02D, I12A, I12B, I12C, I22A, I50Z			
	08	I02A, I02B, I02C, I02D, I12A, I12B, I12C, I22A, I50Z		08	I02A, I02B, I02C, I02D, I12A, I12B, I12C, I22A, I50Z		09	J02A, J02B, J04A, J04B, J08A, J08B, J16Z, J21Z, J22A, J22B			
	09	J02A, J02B, J04A, J04B, J08A, J08B, J16Z, J21Z, J22A, J22B		09	J02A, J02B, J04A, J04B, J08A, J08B, J16Z, J21Z, J22A, J22B		10	K01Z			
	21A	W04A, W04B		21A	W04A, W04B		21A	W04A, W04B			
	21B	X01A, X01B, X33Z		21B	X01A, X01B, X33Z		21B	X01A, X01B, X33Z			
	5v261.6↔			BOP, KVT, UOP4	5v261.c			BOP, KVT, UOP4	5v261.x↔		BOP, KVT, UOP4
		01		B03A, B03B, B06A, B06B, B07Z, B17A, B17B, B17C			01	B03A, B03B, B06A, B06B, B07Z, B17A, B17B, B17C		01	B03A, B03B, B06A, B06B, B07Z, B17A, B17B, B17C
05		F13A, F21A, F21B	05	F13A, F21A, F21B		05	F13A, F21A, F21B				
08		I02A, I02B, I02C, I02D, I12A, I12B, I12C, I22A, I50Z	06	G10Z, G12A, G12B		08	I02A, I02B, I02C, I02D, I12A, I12B, I12C, I22A, I32A, I32B, I32C, I32D, I32E, I32F, I50Z				
09		J02A, J02B, J04A, J04B, J08A, J08B, J16Z, J21Z, J22A, J22B	08	I02A, I02B, I02C, I02D, I12A, I12B, I12C, I22A, I50Z		09	J02A, J02B, J04A, J04B, J08A, J08B, J16Z, J21Z, J22A, J22B				
21A		W04A, W04B	09	J02A, J02B, J04A, J04B, J08A, J08B, J16Z, J21Z, J22A, J22B		21A	W04A, W04B				
21B		X01A, X01B, X33Z	10	K09A, K09B		21B	X01A, X01B, X33Z				
5v261.7↔			BOP, KVT, UOP4	5v261.d			M04A, M04B, M04C, M04D, M37Z, M38Z	5v262.0			BOP, KVT, UOP4
		01	B03A, B03B, B06A, B06B, B07Z, B17A, B17B, B17C			21A	W04A, W04B			03	D02A, D02B, D18Z, D24A, D24B
		05	F13A, F21A, F21B			21B	X01A, X01B, X33Z			05	F13A
	08	I02A, I02B, I02C, I02D, I12A, I12B, I12C, I22A, I50Z	01		B03A, B03B, B06A, B06B, B07Z, B17A, B17B, B17C	08	I12A, I12B, I12C				
	09	J02A, J02B, J04A, J04B, J08A, J08B, J16Z, J21Z, J22A, J22B	05		F13A, F21A, F21B	09	J03A, J03B, J04A, J04B, J08A, J08B, J11A, J11B, J16Z				
	21A	W04A, W04B	06		G10Z, G12A, G12B	21A	W04A, W04B				
	21B	X01A, X01B, X33Z	08		I02A, I02B, I02C, I02D, I12A, I12B, I12C, I22A, I50Z	21B	X01A, X01B, X06A, X06B, X06C, X33Z				
	5v261.8↔		BOP, KVT, UOP4		5v261.e↔		J02A, J02B, J04A, J04B, J08A, J08B, J16Z, J21Z, J22A, J22B		5v262.4		Y01Z, Y03A, Y03B
		01	B03A, B03B, B06A, B06B, B07Z, B17A, B17B, B17C			21A	W04A, W04B			01	B03A, B03B, B06A, B06B, B07Z, B17A, B17B, B17C
		05	F13A, F21A, F21B			21B	X01A, X01B, X33Z			02	C20A, C20B
08		I02A, I02B, I02C, I02D, I12A, I12B, I12C, I22A, I32A, I32B, I32C, I32D, I32E, I32F, I50Z	01	B03A, B03B, B06A, B06B, B07Z, B17A, B17B, B17C		03	D12A				
09		J02A, J02B, J04A, J04B, J08A, J08B, J16Z, J21Z, J22A, J22B	05	F13A, F21A, F21B, F27A, F27B, F27C		05	F13A, F21A, F21B				
21A		W04A, W04B	08	I02A, I02B, I02C, I02D, I12A, I12B, I12C, I22A, I50Z		08	I02A, I02B, I02C, I02D, I12A, I12B, I12C, I22A, I50Z				
21B		X01A, X01B, X33Z	09	J02A, J02B, J04A, J04B, J08A, J08B, J16Z, J21Z, J22A, J22B		09	J02A, J02B, J04A, J04B, J08A, J08B, J16Z, J21Z, J22A, J22B				
5v261.9↔			BOP, KVT, UOP4	5v261.f↔			K01Z	5v262.5			W04A, W04B
		01	B03A, B03B, B06A, B06B, B07Z, B17A, B17B, B17C			21A	W04A, W04B			21B	X01A, X01B, X33Z
		05	F13A, F21A, F21B			21B	X01A, X01B, X33Z			01	B03A, B03B, B06A, B06B, B07Z, B17A, B17B, B17C
	08	I12A, I12B, I12C, I32A, I32B, I32C, I32D, I32E, I32F	01		BOP, KVT, UOP4	03	D12A				
	09	J02A, J02B, J04A, J04B, J08A, J08B, J16Z, J21Z, J22A, J22B	01		B03A, B03B, B06A, B06B, B07Z, B17A, B17B, B17C	05	F13A, F21A, F21B				
	21A	W04A, W04B	05		F13A, F21A, F21B, F27A, F27B, F27C	08	I02A, I02B, I02C, I02D, I12A, I12B, I12C, I22A, I50Z				
	21B	X01A, X01B, X33Z	08		I02A, I02B, I02C, I02D, I12A, I12B, I12C, I22A, I50Z	09	J02A, J02B, J04A, J04B, J08A, J08B, J16Z, J21Z, J22A, J22B				
	5v261.a		BOP, KVT, UOP4		5v261.g↔		J02A, J02B, J04A, J04B, J08A, J08B, J16Z, J21Z, J22A, J22B		5v262.5		W04A, W04B
		01	B03A, B03B, B06A, B06B, B07Z, B17A, B17B, B17C			01	B03A, B03B, B06A, B06B, B07Z, B17A, B17B, B17C			21A	W04A, W04B
		05	F13A, F21A, F21B			05	F13A, F21A, F21B, F27A, F27B, F27C			21B	X01A, X01B, X33Z
06		G10Z, G12A, G12B	08	I02A, I02B, I02C, I02D, I12A, I12B, I12C, I22A, I50Z							
08		I02A, I02B, I02C, I02D, I12A, I12B, I12C, I22A, I50Z	09	J02A, J02B, J04A, J04B, J08A, J08B, J16Z, J21Z, J22A, J22B							
09		J02A, J02B, J04A, J04B, J08A, J08B, J16Z, J21Z, J22A, J22B	10	K01Z							
21A		W04A, W04B	21A	W04A, W04B							
21B		X01A, X01B, X33Z	21B	X01A, X01B, X33Z							

VYK

ZZV	MDC	DRG	ZZV	MDC	DRG	ZZV	MDC	DRG			
5v262.6↔		BOP, KVT, UOP4	5v262.c		BOP, KVT, UOP4	5v262.x↔		BOP, KVT, UOP4			
	01	B03A, B03B, B06A, B06B, B07Z, B17A, B17B, B17C		01	B03A, B03B, B06A, B06B, B07Z, B17A, B17B, B17C		01	B03A, B03B, B06A, B06B, B07Z, B17A, B17B, B17C			
	05	F13A, F21A, F21B		05	F13A, F21A, F21B		05	F13A, F21A, F21B			
	08	I02A, I02B, I02C, I02D, I12A, I12B, I12C, I22A, I50Z		06	G10Z, G12A, G12B		08	I02A, I02B, I02C, I02D, I12A, I12B, I12C, I22A, I50Z			
	09	J02A, J02B, J04A, J04B, J08A, J08B, J16Z, J21Z, J22A, J22B		08	I02A, I02B, I02C, I02D, I12A, I12B, I12C, I22A, I50Z		09	J02A, J02B, J04A, J04B, J08A, J08B, J16Z, J21Z, J22A, J22B			
	21A	W04A, W04B		09	J02A, J02B, J04A, J04B, J08A, J08B, J16Z, J21Z, J22A, J22B		09	J02A, J02B, J04A, J04B, J08A, J08B, J16Z, J21Z, J22A, J22B			
	21B	X01A, X01B, X33Z		10	K09A, K09B		21A	W04A, W04B			
	5v262.7↔			BOP, KVT, UOP4	5v262.d			BOP, KVT, UOP4	5v263.0		BOP, KVT, UOP4
		01		B03A, B03B, B06A, B06B, B07Z, B17A, B17B, B17C			12	M04A, M04B, M04C, M04D, M37Z, M38Z		03	D02A, D02B, D18Z, D24A, D24B
		05		F13A, F21A, F21B			21A	W04A, W04B		05	F13A
08		I02A, I02B, I02C, I02D, I12A, I12B, I12C, I22A, I50Z	21B	X01A, X01B, X33Z		08	I12A, I12B, I12C				
09		J02A, J02B, J04A, J04B, J08A, J08B, J16Z, J21Z, J22A, J22B	01	B03A, B03B, B06A, B06B, B07Z, B17A, B17B, B17C		09	J03A, J03B, J04A, J04B, J08A, J08B, J10A, J10B, J16Z				
21A		W04A, W04B	05	F13A, F21A, F21B		21A	W04A, W04B				
21B		X01A, X01B, X33Z	06	G10Z, G12A, G12B		21B	X01A, X01B, X06A, X06B, X06C, X33Z				
5v262.8↔			BOP, KVT, UOP4	5v262.e↔			BOP, KVT, UOP4	5v263.4			BOP, KVT, UOP4
		01	B03A, B03B, B06A, B06B, B07Z, B17A, B17B, B17C			01	B03A, B03B, B06A, B06B, B07Z, B17A, B17B, B17C			01	B03A, B03B, B06A, B06B, B07Z, B17A, B17B, B17C
		05	F13A, F21A, F21B			05	F13A, F21A, F21B, F27A, F27B, F27C			02	C20A, C20B
	08	I02A, I02B, I02C, I02D, I12A, I12B, I12C, I22A, I32A, I32B, I32C, I32D, I32E, I32F, I50Z	08		I02A, I02B, I02C, I02D, I12A, I12B, I12C, I22A, I50Z	03	D12A				
	09	J02A, J02B, J04A, J04B, J08A, J08B, J16Z, J21Z, J22A, J22B	08		I02A, I02B, I02C, I02D, I12A, I12B, I12C, I22A, I50Z	05	F13A, F21A, F21B				
	21A	W04A, W04B	09		J02A, J02B, J04A, J04B, J08A, J08B, J16Z, J21Z, J22A, J22B	08	I02A, I02B, I02C, I02D, I12A, I12B, I12C, I22A, I50Z				
	21B	X01A, X01B, X33Z	09		J02A, J02B, J04A, J04B, J08A, J08B, J16Z, J21Z, J22A, J22B	09	J02A, J02B, J04A, J04B, J08A, J08B, J16Z, J21Z, J22A, J22B				
	5v262.9↔		BOP, KVT, UOP4		5v262.f↔		BOP, KVT, UOP4		5v263.5		BOP, KVT, UOP4
		01	B03A, B03B, B06A, B06B, B07Z, B17A, B17B, B17C			10	K01Z			01	B03A, B03B, B06A, B06B, B07Z, B17A, B17B, B17C
		05	F13A, F21A, F21B			21A	W04A, W04B			03	D12A
08		I12A, I12B, I12C, I32A, I32B, I32C, I32D, I32E, I32F	21B	X01A, X01B, X33Z		05	F13A, F21A, F21B				
09		J02A, J02B, J04A, J04B, J08A, J08B, J16Z, J21Z, J22A, J22B	01	B03A, B03B, B06A, B06B, B07Z, B17A, B17B, B17C		08	I02A, I02B, I02C, I02D, I12A, I12B, I12C, I22A, I50Z				
21A		W04A, W04B	05	F13A, F21A, F21B, F27A, F27B, F27C		09	J02A, J02B, J04A, J04B, J08A, J08B, J16Z, J21Z, J22A, J22B				
21B		X01A, X01B, X33Z	08	I02A, I02B, I02C, I02D, I12A, I12B, I12C, I22A, I50Z		21A	W04A, W04B				
5v262.a			BOP, KVT, UOP4	5v262.g↔			BOP, KVT, UOP4	5v263.6↔			BOP, KVT, UOP4
		01	B03A, B03B, B06A, B06B, B07Z, B17A, B17B, B17C			01	B03A, B03B, B06A, B06B, B07Z, B17A, B17B, B17C			01	B03A, B03B, B06A, B06B, B07Z, B17A, B17B, B17C
		05	F13A, F21A, F21B			05	F13A, F21A, F21B, F27A, F27B, F27C			05	F13A, F21A, F21B
	06	G10Z, G12A, G12B	08		I02A, I02B, I02C, I02D, I12A, I12B, I12C, I22A, I50Z	08	I02A, I02B, I02C, I02D, I12A, I12B, I12C, I22A, I50Z				
	08	I02A, I02B, I02C, I02D, I12A, I12B, I12C, I22A, I50Z	09		J02A, J02B, J04A, J04B, J08A, J08B, J16Z, J21Z, J22A, J22B	09	J02A, J02B, J04A, J04B, J08A, J08B, J16Z, J21Z, J22A, J22B				
	09	J02A, J02B, J04A, J04B, J08A, J08B, J16Z, J21Z, J22A, J22B	09		J02A, J02B, J04A, J04B, J08A, J08B, J16Z, J21Z, J22A, J22B	09	J02A, J02B, J04A, J04B, J08A, J08B, J16Z, J21Z, J22A, J22B				
	21A	W04A, W04B	10		K01Z	21A	W04A, W04B				
	21B	X01A, X01B, X33Z	21A		W04A, W04B	21B	X01A, X01B, X33Z				
	5v262.b		BOP, KVT, UOP4		5v263.7↔		BOP, KVT, UOP4		5v263.7↔		BOP, KVT, UOP4
		01	B03A, B03B, B06A, B06B, B07Z, B17A, B17B, B17C			01	B03A, B03B, B06A, B06B, B07Z, B17A, B17B, B17C			01	B03A, B03B, B06A, B06B, B07Z, B17A, B17B, B17C
05		F13A, F21A, F21B	05	F13A, F21A, F21B, F27A, F27B, F27C		05	F13A, F21A, F21B				
06		G10Z, G12A, G12B	08	I02A, I02B, I02C, I02D, I12A, I12B, I12C, I22A, I50Z		08	I02A, I02B, I02C, I02D, I12A, I12B, I12C, I22A, I50Z				
08		I02A, I02B, I02C, I02D, I12A, I12B, I12C, I22A, I50Z	09	J02A, J02B, J04A, J04B, J08A, J08B, J16Z, J21Z, J22A, J22B		08	I02A, I02B, I02C, I02D, I12A, I12B, I12C, I22A, I50Z				
09		J02A, J02B, J04A, J04B, J08A, J08B, J16Z, J21Z, J22A, J22B	09	J02A, J02B, J04A, J04B, J08A, J08B, J16Z, J21Z, J22A, J22B		09	J02A, J02B, J04A, J04B, J08A, J08B, J16Z, J21Z, J22A, J22B				
21A		W04A, W04B	10	K01Z		21A	W04A, W04B				
21B		X01A, X01B, X33Z	21A	W04A, W04B		21B	X01A, X01B, X33Z				
			21B	X01A, X01B, X33Z							

VYK

ZZV	MDC	DRG	ZZV	MDC	DRG	ZZV	MDC	DRG
5v263.8↔		BOP, KVT, UOP4	5v263.d		BOP, KVT, UOP4	5v26x.x↔		BOP, KVT, UOP4
	01	B03A, B03B, B06A, B06B, B07Z, B17A, B17B, B17C		01	B03A, B03B, B06A, B06B, B07Z, B17A, B17B, B17C		01	B03A, B03B, B06A, B06B, B07Z, B17A, B17B, B17C
	05	F13A, F21A, F21B		05	F13A, F21A, F21B		05	F13A, F21A, F21B
	08	I02A, I02B, I02C, I02D, I12A, I12B, I12C, I22A, I32A, I32B, I32C, I32D, I32E, I32F, I50Z		06	G10Z, G12A, G12B		08	I02A, I02B, I02C, I02D, I12A, I12B, I12C, I22A, I50Z
	09	J02A, J02B, J04A, J04B, J08A, J08B, J16Z, J21Z, J22A, J22B		08	I02A, I02B, I02C, I02D, I12A, I12B, I12C, I22A, I50Z		09	J02A, J02B, J04A, J04B, J08A, J08B, J16Z, J21Z, J22A, J22B
	21A	W04A, W04B		09	J02A, J02B, J04A, J04B, J08A, J08B, J16Z, J21Z, J22A, J22B		21A	W04A, W04B
	21B	X01A, X01B, X33Z		21A	W04A, W04B		21B	X01A, X01B
				21B	X01A, X01B, X33Z			
5v263.9↔		BOP, KVT, UOP4	5v263.e↔		BOP, KVT, UOP4	5v270.0		BOP, KVT, UOP4
	01	B03A, B03B, B06A, B06B, B07Z, B17A, B17B, B17C		01	B03A, B03B, B06A, B06B, B07Z, B17A, B17B, B17C		03	D12A, D12B
	05	F13A, F21A, F21B		05	F13A, F21A, F21B, F27A, F27B, F27C		05	F13A
	08	I12A, I12B, I12C, I32A, I32B, I32C, I32D, I32E, I32F		08	I02A, I02B, I02C, I02D, I12A, I12B, I12C, I22A, I50Z		09	J03A, J03B, J04A, J04B, J08A, J08B, J08C, J10A, J10B, J16Z
	09	J02A, J02B, J04A, J04B, J08A, J08B, J16Z, J21Z, J22A, J22B		09	J02A, J02B, J04A, J04B, J08A, J08B, J16Z, J21Z, J22A, J22B		21A	W04A, W04B
	21A	W04A, W04B		10	K01Z		21B	X06A, X06B, X06C
	21B	X01A, X01B, X33Z		21A	W04A, W04B			
				21B	X01A, X01B, X33Z			
5v263.a		BOP, KVT, UOP4	5v263.f↔		BOP, KVT, UOP4	5v270.4		BOP, KVT, UOP4
	01	B03A, B03B, B06A, B06B, B07Z, B17A, B17B, B17C		01	B03A, B03B, B06A, B06B, B07Z, B17A, B17B, B17C		03	D12A, D12B
	05	F13A, F21A, F21B		05	F13A, F21A, F21B, F27A, F27B, F27C		05	F13A
	06	G10Z, G12A, G12B		08	I02A, I02B, I02C, I02D, I12A, I12B, I12C, I22A, I50Z		09	J03A, J03B, J04A, J04B, J08A, J08B, J08C, J10A, J10B, J16Z
	08	I02A, I02B, I02C, I02D, I12A, I12B, I12C, I22A, I50Z		09	J02A, J02B, J04A, J04B, J08A, J08B, J16Z, J21Z, J22A, J22B		21A	W04A, W04B
	09	J02A, J02B, J04A, J04B, J08A, J08B, J16Z, J21Z, J22A, J22B		10	K01Z		21B	X06A, X06B, X06C
	21A	W04A, W04B		21A	W04A, W04B			
	21B	X01A, X01B, X33Z		21B	X01A, X01B, X33Z			
5v263.b		BOP, KVT, UOP4	5v263.g↔		BOP, KVT, UOP4	5v270.5		BOP, KVT, UOP4
	01	B03A, B03B, B06A, B06B, B07Z, B17A, B17B, B17C		01	B03A, B03B, B06A, B06B, B07Z, B17A, B17B, B17C		03	D12A, D12B
	05	F13A, F21A, F21B		05	F13A, F21A, F21B, F27A, F27B, F27C		05	F13A
	06	G10Z, G12A, G12B		08	I02A, I02B, I02C, I02D, I12A, I12B, I12C, I22A, I50Z		09	J03A, J03B, J04A, J04B, J08A, J08B, J08C, J10A, J10B, J16Z
	08	I02A, I02B, I02C, I02D, I12A, I12B, I12C, I22A, I50Z		09	J02A, J02B, J04A, J04B, J08A, J08B, J16Z, J21Z, J22A, J22B		21A	W04A, W04B
	09	J02A, J02B, J04A, J04B, J08A, J08B, J16Z, J21Z, J22A, J22B		10	K01Z		21B	X06A, X06B, X06C
	21A	W04A, W04B		21A	W04A, W04B			
	21B	X01A, X01B, X33Z		21B	X01A, X01B, X33Z			
5v263.c		BOP, KVT, UOP4	5v263.x↔		BOP, KVT, UOP4	5v270.6↔		BOP, KVT, UOP4
	01	B03A, B03B, B06A, B06B, B07Z, B17A, B17B, B17C		01	B03A, B03B, B06A, B06B, B07Z, B17A, B17B, B17C		05	F13A
	05	F13A, F21A, F21B		05	F13A, F21A, F21B, F27A, F27B, F27C		09	J03A, J03B, J04A, J04B, J08A, J08B, J08C, J10A, J10B, J16Z
	06	G10Z, G12A, G12B		08	I02A, I02B, I02C, I02D, I12A, I12B, I12C, I22A, I50Z		21A	W04A, W04B
	08	I02A, I02B, I02C, I02D, I12A, I12B, I12C, I22A, I50Z		09	J02A, J02B, J04A, J04B, J08A, J08B, J16Z, J21Z, J22A, J22B		21B	X06A, X06B, X06C
	09	J02A, J02B, J04A, J04B, J08A, J08B, J16Z, J21Z, J22A, J22B		10	K01Z			
	21A	W04A, W04B		21A	W04A, W04B			
	21B	X01A, X01B, X33Z		21B	X01A, X01B, X33Z			

VYK

ZZV	MDC	DRG	ZZV	MDC	DRG	ZZV	MDC	DRG
5v270.a		BOP, KVT, UOP4	5v272.0		BOP, KVT, UOP4	5v272.9↔		BOP, KVT, UOP4
	05	F13A		01	B03A, B03B, B06A, B06B, B07Z, B17A, B17B, B17C		01	B03A, B03B, B06A, B06B, B07Z, B17A, B17B, B17C
	09	J03A, J03B, J04A, J04B, J08A, J08B, J08C, J10A, J10B, J16Z		03	D12A, D12B		05	F13A, F21A, F21B, F21C
	21A	W04A, W04B		05	F13A, F21A, F21B, F21C		08	I12A, I12B, I12C
5v270.b	21B	X06A, X06B, X06C	08	I12A, I12B, I12C	08	I12A, I12B, I12C, I32A, I32B, I32C, I32D, I32E, I32F		
		BOP, KVT, UOP4	09	J02A, J02B, J02C, J04A, J04B, J08A, J08B, J08C, J16Z, J21Z, J22A, J22B	09	J02A, J02B, J02C, J04A, J04B, J08A, J08B, J08C, J16Z, J21Z, J22A, J22B		
	05	F13A	21A	W04A, W04B	21A	W04A, W04B		
	09	J03A, J03B, J04A, J04B, J08A, J08B, J08C, J10A, J10B, J16Z	21B	X01A, X01B	21B	X01A, X01B		
5v270.c	21A	W04A, W04B	5v272.4		BOP, KVT, UOP4	5v272.a		BOP, KVT, UOP4
	21B	X06A, X06B, X06C		01	B03A, B03B, B06A, B06B, B07Z, B17A, B17B, B17C		01	B03A, B03B, B06A, B06B, B07Z, B17A, B17B, B17C
		BOP, KVT, UOP4		03	D12A, D12B		05	F13A, F21A, F21B, F21C
	05	F13A		05	F13A, F21A, F21B, F21C		06	G10Z, G12A, G12B
5v270.d	09	J03A, J03B, J04A, J04B, J08A, J08B, J08C, J10A, J10B, J16Z	08	I02A, I02B, I02C, I02D, I12A, I12B, I12C, I22A, I50Z	08	I02A, I02B, I02C, I02D, I12A, I12B, I12C, I22A, I50Z		
	21A	W04A, W04B	09	J02A, J02B, J02C, J04A, J04B, J08A, J08B, J08C, J16Z, J21Z, J22A, J22B	09	J02A, J02B, J02C, J04A, J04B, J08A, J08B, J08C, J16Z, J21Z, J22A, J22B		
	21B	X04Z, X06A, X06B, X06C	21A	W04A, W04B	21A	W04A, W04B		
		BOP, KVT, UOP4	21B	X01A, X01B	21B	X01A, X01B		
5v270.e↔	05	F13A	5v272.5		BOP, KVT, UOP4	5v272.b		BOP, KVT, UOP4
	09	J03A, J03B, J04A, J04B, J08A, J08B, J08C, J10A, J10B, J16Z		01	B03A, B03B, B06A, B06B, B07Z, B17A, B17B, B17C		01	B03A, B03B, B06A, B06B, B07Z, B17A, B17B, B17C
	21A	W04A, W04B		03	D12A, D12B		05	F13A, F21A, F21B, F21C
	21B	X04Z, X06A, X06B, X06C		05	F13A, F21A, F21B, F21C		06	G10Z, G12A, G12B
5v270.f↔		BOP, KVT, UOP4	08	I02A, I02B, I02C, I02D, I12A, I12B, I12C, I22A, I50Z	08	I02A, I02B, I02C, I02D, I12A, I12B, I12C, I22A, I50Z		
	05	F13A	09	J02A, J02B, J02C, J04A, J04B, J08A, J08B, J08C, J16Z, J21Z, J22A, J22B	09	J02A, J02B, J02C, J04A, J04B, J08A, J08B, J08C, J16Z, J21Z, J22A, J22B		
	09	J03A, J03B, J04A, J04B, J08A, J08B, J08C, J10A, J10B, J16Z	21A	W04A, W04B	21A	W04A, W04B		
	21A	W04A, W04B	21B	X01A, X01B	21B	X01A, X01B		
5v270.g↔	21B	X04Z, X06A, X06B, X06C	5v272.6↔		BOP, KVT, UOP4	5v272.c		BOP, KVT, UOP4
		BOP, KVT, UOP4		01	B03A, B03B, B06A, B06B, B07Z, B17A, B17B, B17C		01	B03A, B03B, B06A, B06B, B07Z, B17A, B17B, B17C
	05	F13A		05	F13A, F21A, F21B, F21C		05	F13A, F21A, F21B, F21C
	09	J03A, J03B, J04A, J04B, J08A, J08B, J08C, J10A, J10B, J16Z		08	I02A, I02B, I02C, I02D, I12A, I12B, I12C, I22A, I50Z		06	G10Z, G12A, G12B
5v270.x	21A	W04A, W04B	09	J02A, J02B, J02C, J04A, J04B, J08A, J08B, J08C, J16Z, J21Z, J22A, J22B	08	I02A, I02B, I02C, I02D, I12A, I12B, I12C, I22A, I50Z		
	21B	X04Z, X06A, X06B, X06C	21A	W04A, W04B	09	J02A, J02B, J02C, J04A, J04B, J08A, J08B, J08C, J16Z, J21Z, J22A, J22B		
		BOP, KVT, UOP4	21B	X01A, X01B	21A	W04A, W04B		
	05	F13A	5v272.7↔		BOP, KVT, UOP4	21B	X01A, X01B	
09	J03A, J03B, J04A, J04B, J08A, J08B, J08C, J10A, J10B, J16Z	01		B03A, B03B, B06A, B06B, B07Z, B17A, B17B, B17C	5v272.d		BOP, KVT, UOP4	
21A	W04A, W04B	05		F13A, F21A, F21B, F21C		01	B03A, B03B, B06A, B06B, B07Z, B17A, B17B, B17C	
21B	X06A, X06B, X06C	08		I02A, I02B, I02C, I02D, I12A, I12B, I12C, I22A, I50Z		05	F13A, F21A, F21B, F21C	
5v271		BOP, KVT, UOP4	09	J02A, J02B, J02C, J04A, J04B, J08A, J08B, J08C, J16Z, J21Z, J22A, J22B		06	G10Z, G12A, G12B	
	05	F13A	21A	W04A, W04B	08	I02A, I02B, I02C, I02D, I12A, I12B, I12C, I22A, I50Z		
	09	J03A, J03B, J04A, J04B, J08A, J08B, J08C, J10A, J10B, J16Z	21B	X01A, X01B	09	J02A, J02B, J02C, J04A, J04B, J08A, J08B, J08C, J16Z, J21Z, J22A, J22B		
	21A	W04A, W04B	5v272.8↔		BOP, KVT, UOP4	21A	W04A, W04B	
21B	X06A, X06B, X06C	01		B03A, B03B, B06A, B06B, B07Z, B17A, B17B, B17C	21B	X01A, X01B		
	BOP, KVT, UOP4	05		F13A, F21A, F21B, F21C				
05	F13A	08		I02A, I02B, I02C, I02D, I12A, I12B, I12C, I22A, I32A, I32B, I32C, I32D, I32E, I32F, I50Z				
			09	J02A, J02B, J02C, J04A, J04B, J08A, J08B, J08C, J16Z, J21Z, J22A, J22B				
			21A	W04A, W04B				
			21B	X01A, X01B				

VYK

ZZV	MDC	DRG	ZZV	MDC	DRG	ZZV	MDC	DRG			
5v276.0		BOP, KVT, UOP4	5v276.9↔		BOP, KVT, UOP4	5v276.e↔		BOP, KVT, UOP4			
	01	B03A, B03B, B06A, B06B, B07Z, B17A, B17B, B17C		01	B03A, B03B, B06A, B06B, B07Z, B17A, B17B, B17C		01	B03A, B03B, B06A, B06B, B07Z, B17A, B17B, B17C			
	03	D12A, D12B		05	F13A, F21A, F21B, F21C		05	F13A, F21A, F21B, F21C, F27A, F27B, F27C			
	05	F13A, F21A, F21B, F21C		08	I12A, I12B, I12C, I32A, I32B, I32C, I32D, I32E, I32F		08	I02A, I02B, I02C, I02D, I12A, I12B, I12C, I22A, I50Z			
	08	I12A, I12B, I12C		09	J02A, J02B, J02C, J04A, J04B, J08A, J08B, J08C, J16Z, J21Z, J22A, J22B		09	J02A, J02B, J02C, J04A, J04B, J08A, J08B, J08C, J16Z, J21Z, J22A, J22B			
	09	J02A, J02B, J02C, J04A, J04B, J08A, J08B, J08C, J16Z, J21Z, J22A, J22B		21A	W04A, W04B		10	K01Z			
	21A	W04A, W04B		21A	W04A, W04B		21A	W04A, W04B			
	21B	X01A, X01B		21B	X01A, X01B		21B	X01A, X01B			
	5v276.4			BOP, KVT, UOP4	5v276.a			BOP, KVT, UOP4	5v276.f↔		BOP, KVT, UOP4
		01		B03A, B03B, B06A, B06B, B07Z, B17A, B17B, B17C			01	B03A, B03B, B06A, B06B, B07Z, B17A, B17B, B17C		01	B03A, B03B, B06A, B06B, B07Z, B17A, B17B, B17C
03		D12A, D12B	05	F13A, F21A, F21B, F21C		05	F13A, F21A, F21B, F21C, F27A, F27B, F27C				
05		F13A, F21A, F21B, F21C	06	G10Z, G12A, G12B		08	I02A, I02B, I02C, I02D, I12A, I12B, I12C, I22A, I50Z				
08		I02A, I02B, I02C, I02D, I12A, I12B, I12C, I22A, I50Z	08	I02A, I02B, I02C, I02D, I12A, I12B, I12C, I22A, I50Z		08	I02A, I02B, I02C, I02D, I12A, I12B, I12C, I22A, I50Z				
09		J02A, J02B, J02C, J04A, J04B, J08A, J08B, J08C, J16Z, J21Z, J22A, J22B	09	J02A, J02B, J02C, J04A, J04B, J08A, J08B, J08C, J16Z, J21Z, J22A, J22B		09	J02A, J02B, J02C, J04A, J04B, J08A, J08B, J08C, J16Z, J21Z, J22A, J22B				
21A		W04A, W04B	21A	W04A, W04B		10	K01Z				
21B		X01A, X01B	21B	X01A, X01B		21A	W04A, W04B				
5v276.5			BOP, KVT, UOP4	5v276.b			BOP, KVT, UOP4	5v276.g↔			BOP, KVT, UOP4
		01	B03A, B03B, B06A, B06B, B07Z, B17A, B17B, B17C			01	B03A, B03B, B06A, B06B, B07Z, B17A, B17B, B17C			01	B03A, B03B, B06A, B06B, B07Z, B17A, B17B, B17C
	03	D12A, D12B	05		F13A, F21A, F21B, F21C	05	F13A, F21A, F21B, F21C, F27A, F27B, F27C				
	05	F13A, F21A, F21B, F21C	06		G10Z, G12A, G12B	08	I02A, I02B, I02C, I02D, I12A, I12B, I12C, I22A, I50Z				
	08	I02A, I02B, I02C, I02D, I12A, I12B, I12C, I22A, I50Z	08		I02A, I02B, I02C, I02D, I12A, I12B, I12C, I22A, I50Z	08	I02A, I02B, I02C, I02D, I12A, I12B, I12C, I22A, I50Z				
	09	J02A, J02B, J02C, J04A, J04B, J08A, J08B, J08C, J16Z, J21Z, J22A, J22B	09		J02A, J02B, J02C, J04A, J04B, J08A, J08B, J08C, J16Z, J21Z, J22A, J22B	09	J02A, J02B, J02C, J04A, J04B, J08A, J08B, J08C, J16Z, J21Z, J22A, J22B				
	21A	W04A, W04B	21A		W04A, W04B	10	K01Z				
	21B	X01A, X01B	21B		X01A, X01B	21A	W04A, W04B				
	5v276.6↔		BOP, KVT, UOP4		5v276.c		BOP, KVT, UOP4		5v276.x↔		BOP, KVT, UOP4
		01	B03A, B03B, B06A, B06B, B07Z, B17A, B17B, B17C			01	B03A, B03B, B06A, B06B, B07Z, B17A, B17B, B17C			01	B03A, B03B, B06A, B06B, B07Z, B17A, B17B, B17C
05		F13A, F21A, F21B, F21C	05	F13A, F21A, F21B, F21C		05	F13A, F21A, F21B, F21C				
08		I02A, I02B, I02C, I02D, I12A, I12B, I12C, I22A, I50Z	06	G10Z, G12A, G12B		08	I02A, I02B, I02C, I02D, I12A, I12B, I12C, I22A, I50Z				
09		J02A, J02B, J02C, J04A, J04B, J08A, J08B, J08C, J16Z, J21Z, J22A, J22B	08	I02A, I02B, I02C, I02D, I12A, I12B, I12C, I22A, I50Z		08	I02A, I02B, I02C, I02D, I12A, I12B, I12C, I22A, I32A, I32B, I32C, I32D, I32E, I32F, I50Z				
21A		W04A, W04B	09	J02A, J02B, J02C, J04A, J04B, J08A, J08B, J08C, J16Z, J21Z, J22A, J22B		09	J02A, J02B, J02C, J04A, J04B, J08A, J08B, J08C, J16Z, J21Z, J22A, J22B				
21B		X01A, X01B	21A	W04A, W04B		09	J02A, J02B, J02C, J04A, J04B, J08A, J08B, J08C, J16Z, J21Z, J22A, J22B				
5v276.7↔			BOP, KVT, UOP4	5v276.d			BOP, KVT, UOP4	5v27x.x			BOP, KVT, UOP4
		01	B03A, B03B, B06A, B06B, B07Z, B17A, B17B, B17C			01	B03A, B03B, B06A, B06B, B07Z, B17A, B17B, B17C			05	F13A
		05	F13A, F21A, F21B, F21C			03	D12A, D12B			08	I12A, I12B, I12C
	08	I02A, I02B, I02C, I02D, I12A, I12B, I12C, I22A, I50Z	05		F13A, F21A, F21B, F21C	09	J03A, J03B, J04A, J04B, J08A, J08B, J08C, J10A, J10B, J16Z				
	09	J02A, J02B, J02C, J04A, J04B, J08A, J08B, J08C, J16Z, J21Z, J22A, J22B	06		G10Z, G12A, G12B	21A	W04A, W04B				
	21A	W04A, W04B	08		I02A, I02B, I02C, I02D, I12A, I12B, I12C, I22A, I50Z	21B	X06A, X06B, X06C				
	21B	X01A, X01B	09		J02A, J02B, J02C, J04A, J04B, J08A, J08B, J08C, J16Z, J21Z, J22A, J22B		BOP, KVT, UOP4				
	5v276.8↔		BOP, KVT, UOP4		5v281		BOP, KVT, UOP4		5v281		BOP, KVT, UOP4
		01	B03A, B03B, B06A, B06B, B07Z, B17A, B17B, B17C			01	B03A, B03B, B06A, B06B, B07Z, B17A, B17B, B17C			03	D08A, D08B, D18Z, D22A, D22B, D30A, D30B
		05	F13A, F21A, F21B, F21C			03	D12A, D12B			05	F13A
08		I02A, I02B, I02C, I02D, I12A, I12B, I12C, I22A, I32A, I32B, I32C, I32D, I32E, I32F, I50Z	05	F13A, F21A, F21B, F21C		09	J03A, J03B, J04A, J04B, J08A, J08B, J08C, J10A, J10B, J16Z				
09		J02A, J02B, J02C, J04A, J04B, J08A, J08B, J08C, J16Z, J21Z, J22A, J22B	06	G10Z, G12A, G12B		21A	W04A, W04B				
21A		W04A, W04B	08	I02A, I02B, I02C, I02D, I12A, I12B, I12C, I22A, I50Z		21B	X06A, X06B, X06C				
21B		X01A, X01B	09	J02A, J02B, J02C, J04A, J04B, J08A, J08B, J08C, J16Z, J21Z, J22A, J22B			BOP, KVT, UOP4				
5v276.9↔			BOP, KVT, UOP4	5v281			BOP, KVT, UOP4	5v281			BOP, KVT, UOP4
		01	B03A, B03B, B06A, B06B, B07Z, B17A, B17B, B17C			01	B03A, B03B, B06A, B06B, B07Z, B17A, B17B, B17C			09	J03A, J03B, J04A, J04B, J08A, J08B, J08C, J10A, J10B, J16Z
		05	F13A, F21A, F21B, F21C			03	D12A, D12B			21A	W04A, W04B
	08	I02A, I02B, I02C, I02D, I12A, I12B, I12C, I22A, I32A, I32B, I32C, I32D, I32E, I32F, I50Z	05		F13A, F21A, F21B, F21C	21B	X06A, X06B, X06C				
	09	J02A, J02B, J02C, J04A, J04B, J08A, J08B, J08C, J16Z, J21Z, J22A, J22B	06		G10Z, G12A, G12B	22	Y01Z, Y03A, Y03B				
	21A	W04A, W04B	08		I02A, I02B, I02C, I02D, I12A, I12B, I12C, I22A, I50Z		BOP, KVT, UOP4				
	21B	X01A, X01B	09		J02A, J02B, J02C, J04A, J04B, J08A, J08B, J08C, J16Z, J21Z, J22A, J22B		BOP, KVT, UOP4				

VYK

ZZV	MDC	DRG	ZZV	MDC	DRG	ZZV	MDC	DRG			
5v282		BOP, KVT, UOP4	5v290.8↔		BOP, KVT, UOP4	5v290.d		BOP, KVT, UOP4			
	03	D08A, D08B, D18Z, D22A, D22B, D30A, D30B		01	B03A, B03B, B06A, B06B, B07Z, B17A, B17B, B17C		01	B03A, B03B, B06A, B06B, B07Z, B17A, B17B, B17C			
	05	F13A		05	F21A, F21B, F21C		05	F21A, F21B, F21C			
	09	J03A, J03B, J04A, J04B, J08A, J08B, J08C, J10A, J10B, J16Z		08	I02A, I02B, I02C, I02D, I22A, I22B, I32A, I32B, I32C, I32D, I32E, I32F, I50Z		06	G10Z, G12A, G12B			
	21A	W04A, W04B		09	J02A, J02B, J02C, J04A, J04B, J08A, J08B, J08C, J16Z, J21Z, J22A, J22B		08	I02A, I02B, I02C, I02D, I22A, I22B, I50Z			
	21B	X06A, X06B, X06C		21A	W04A, W04B		09	J02A, J02B, J02C, J04A, J04B, J08A, J08B, J08C, J16Z, J21Z, J22A, J22B			
	22	Y01Z, Y03A, Y03B		21B	X01A, X01B, X01C		21A	W04A, W04B			
	5v283			BOP, KVT, UOP4	5v290.9↔			BOP, KVT, UOP4	5v290.e↔		BOP, KVT, UOP4
		03		D08A, D08B, D18Z, D22A, D22B, D30A, D30B			01	B03A, B03B, B06A, B06B, B07Z, B17A, B17B, B17C		01	B03A, B03B, B06A, B06B, B07Z, B17A, B17B, B17C
		05		F13A			05	F21A, F21B, F21C		05	F21A, F21B, F21C, F27A, F27B, F27C
09		J03A, J03B, J04A, J04B, J08A, J08B, J08C, J10A, J10B, J16Z	08	I32A, I32B, I32C, I32D, I32E, I32F		08	I02A, I02B, I02C, I02D, I22A, I22B, I50Z				
21A		W04A, W04B	09	J02A, J02B, J02C, J04A, J04B, J08A, J08B, J08C, J16Z, J21Z, J22A, J22B		09	J02A, J02B, J02C, J04A, J04B, J08A, J08B, J08C, J16Z, J21Z, J22A, J22B				
21B		X06A, X06B, X06C	21A	W04A, W04B		10	K01Z				
22		Y01Z, Y03A, Y03B	21B	X01A, X01B, X01C		21A	W04A, W04B				
5v290.0			BOP, KVT, UOP4	5v290.a			BOP, KVT, UOP4	5v290.f↔			BOP, KVT, UOP4
		01	B03A, B03B, B06A, B06B, B07Z, B17A, B17B, B17C			01	B03A, B03B, B06A, B06B, B07Z, B17A, B17B, B17C			01	B03A, B03B, B06A, B06B, B07Z, B17A, B17B, B17C
		03	D12A			05	F21A, F21B, F21C			05	F21A, F21B, F21C, F27A, F27B, F27C
	05	F21A, F21B, F21C	06		G10Z, G12A, G12B	08	I02A, I02B, I02C, I02D, I22A, I22B, I50Z				
	09	J02A, J02B, J02C, J04A, J04B, J08A, J08B, J08C, J16Z, J21Z, J22A, J22B	08		I02A, I02B, I02C, I02D, I22A, I22B, I50Z	09	J02A, J02B, J02C, J04A, J04B, J08A, J08B, J08C, J16Z, J21Z, J22A, J22B				
	21A	W04A, W04B	21A		W04A, W04B	10	K01Z				
	21B	X01A, X01B, X01C	21B		X01A, X01B, X01C	21A	W04A, W04B				
	22	Y01Z, Y02A, Y02B, Y02C	22		Y01Z, Y02A, Y02B, Y02C	21B	X01A, X01B, X01C				
	5v290.5		BOP, KVT, UOP4		5v290.b		BOP, KVT, UOP4		5v290.g↔		BOP, KVT, UOP4
		01	B03A, B03B, B06A, B06B, B07Z, B17A, B17B, B17C			01	B03A, B03B, B06A, B06B, B07Z, B17A, B17B, B17C			01	B03A, B03B, B06A, B06B, B07Z, B17A, B17B, B17C
03		D12A	05	F21A, F21B, F21C		05	F21A, F21B, F21C, F27A, F27B, F27C				
05		F21A, F21B, F21C	06	G10Z, G12A, G12B		08	I02A, I02B, I02C, I02D, I22A, I22B, I50Z				
08		I02A, I02B, I02C, I02D, I22A, I22B, I50Z	08	I02A, I02B, I02C, I02D, I22A, I22B, I50Z		09	J02A, J02B, J02C, J04A, J04B, J08A, J08B, J08C, J16Z, J21Z, J22A, J22B				
09		J02A, J02B, J02C, J04A, J04B, J08A, J08B, J08C, J16Z, J21Z, J22A, J22B	21A	W04A, W04B		10	K01Z				
21A		W04A, W04B	21B	X01A, X01B, X01C		21A	W04A, W04B				
21B		X01A, X01B, X01C	22	Y01Z, Y02A, Y02B, Y02C		21B	X01A, X01B, X01C				
22		Y01Z, Y02A, Y02B, Y02C	22	Y01Z, Y02A, Y02B, Y02C		22	Y01Z, Y02A, Y02B, Y02C				
5v290.6↔			BOP, KVT, UOP4	5v290.c			BOP, KVT, UOP4	5v290.x↔			BOP, KVT, UOP4
	01	B03A, B03B, B06A, B06B, B07Z, B17A, B17B, B17C	01		B03A, B03B, B06A, B06B, B07Z, B17A, B17B, B17C	01	B03A, B03B, B06A, B06B, B07Z, B17A, B17B, B17C				
	05	F21A, F21B, F21C	05		F21A, F21B, F21C	05	F21A, F21B, F21C				
	08	I02A, I02B, I02C, I02D, I22A, I22B, I50Z	06		G10Z, G12A, G12B	08	I02A, I02B, I02C, I02D, I22A, I22B, I50Z				
	09	J02A, J02B, J02C, J04A, J04B, J08A, J08B, J08C, J16Z, J21Z, J22A, J22B	08		I02A, I02B, I02C, I02D, I22A, I22B, I50Z	09	J02A, J02B, J02C, J04A, J04B, J08A, J08B, J08C, J16Z, J21Z, J22A, J22B				
	21A	W04A, W04B	21A		W04A, W04B	10	K01Z				
	21B	X01A, X01B, X01C	21B		X01A, X01B, X01C	21A	W04A, W04B				
	22	Y01Z, Y02A, Y02B, Y02C	22		Y01Z, Y02A, Y02B, Y02C	21B	X01A, X01B, X01C				
	5v290.7↔		BOP, KVT, UOP4		5v290.d		BOP, KVT, UOP4		5v290.y↔		BOP, KVT, UOP4
		01	B03A, B03B, B06A, B06B, B07Z, B17A, B17B, B17C			01	B03A, B03B, B06A, B06B, B07Z, B17A, B17B, B17C			01	B03A, B03B, B06A, B06B, B07Z, B17A, B17B, B17C
05		F21A, F21B, F21C	05	F21A, F21B, F21C		05	F21A, F21B, F21C				
08		I02A, I02B, I02C, I02D, I22A, I22B, I50Z	08	I02A, I02B, I02C, I02D, I22A, I22B, I50Z		08	I02A, I02B, I02C, I02D, I22A, I22B, I50Z				
09		J02A, J02B, J02C, J04A, J04B, J08A, J08B, J08C, J16Z, J21Z, J22A, J22B	21A	W04A, W04B		09	J02A, J02B, J02C, J04A, J04B, J08A, J08B, J08C, J16Z, J21Z, J22A, J22B				
21A		W04A, W04B	21B	X01A, X01B, X01C		10	K01Z				
21B		X01A, X01B, X01C	22	Y01Z, Y02A, Y02B, Y02C		21A	W04A, W04B				
22		Y01Z, Y02A, Y02B, Y02C	22	Y01Z, Y02A, Y02B, Y02C		21B	X01A, X01B, X01C				

VYK

ZZV	MDC	DRG	ZZV	MDC	DRG	ZZV	MDC	DRG			
5v292.0		BOP, KVT, UOP4	5v292.8↔		BOP, KVT, UOP4	5v292.d		BOP, KVT, UOP4			
	01	B03A, B03B, B06A, B06B, B07Z, B17A, B17B, B17C		01	B03A, B03B, B06A, B06B, B07Z, B17A, B17B, B17C		01	B03A, B03B, B06A, B06B, B07Z, B17A, B17B, B17C			
	03	D12A		05	F13A, F21A, F21B, F21C		05	F13A, F21A, F21B, F21C, F27A, F27B, F27C			
	05	F13A, F21A, F21B, F21C		08	I02A, I02B, I02C, I02D, I22A, I22B, I32A, I32B, I32C, I32D, I32E, I32F, I50Z		06	G10Z, G12A, G12B			
	09	J02A, J02B, J02C, J04A, J04B, J08A, J08B, J08C, J16Z, J21Z, J22A, J22B		09	J02A, J02B, J02C, J04A, J04B, J08A, J08B, J08C, J16Z, J21Z, J22A, J22B		08	I02A, I02B, I02C, I02D, I22A, I22B, I32A, I32B, I32C, I32D, I32E, I32F, I50Z			
	21A	W04A, W04B		21A	W04A, W04B		09	J02A, J02B, J02C, J04A, J04B, J08A, J08B, J08C, J16Z, J21Z, J22A, J22B			
	21B	X01A, X01B, X01C		21B	X01A, X01B, X01C		10	K01Z			
	5v292.4			BOP, KVT, UOP4	5v292.9↔			BOP, KVT, UOP4	5v292.e↔		BOP, KVT, UOP4
		01		B03A, B03B, B06A, B06B, B07Z, B17A, B17B, B17C			01	B03A, B03B, B06A, B06B, B07Z, B17A, B17B, B17C		01	B03A, B03B, B06A, B06B, B07Z, B17A, B17B, B17C
		03		D12A			05	F13A, F21A, F21B, F21C		05	F13A, F21A, F21B, F21C, F27A, F27B, F27C
05		F13A, F21A, F21B, F21C	08	I32A, I32B, I32C, I32D, I32E, I32F		06	G10Z, G12A, G12B				
08		I02A, I02B, I02C, I02D, I22A, I22B, I50Z	09	J02A, J02B, J02C, J04A, J04B, J08A, J08B, J08C, J16Z, J21Z, J22A, J22B		08	I02A, I02B, I02C, I02D, I22A, I22B, I32A, I32B, I32C, I32D, I32E, I32F, I50Z				
09		J02A, J02B, J02C, J04A, J04B, J08A, J08B, J08C, J16Z, J21Z, J22A, J22B	21A	W04A, W04B		09	J02A, J02B, J02C, J04A, J04B, J08A, J08B, J08C, J16Z, J21Z, J22A, J22B				
21A		W04A, W04B	21A	W04A, W04B		10	K01Z				
21B		X01A, X01B, X01C	21B	X01A, X01B, X01C		21A	W04A, W04B				
5v292.5			BOP, KVT, UOP4	5v292.a			BOP, KVT, UOP4	5v292.f↔			BOP, KVT, UOP4
		01	B03A, B03B, B06A, B06B, B07Z, B17A, B17B, B17C			01	B03A, B03B, B06A, B06B, B07Z, B17A, B17B, B17C			01	B03A, B03B, B06A, B06B, B07Z, B17A, B17B, B17C
	03	D12A	03		D12A	05	F13A, F21A, F21B, F21C, F27A, F27B, F27C				
	05	F13A, F21A, F21B, F21C	05		F13A, F21A, F21B, F21C, F27A, F27B, F27C	06	G10Z, G12A, G12B				
	08	I02A, I02B, I02C, I02D, I22A, I22B, I50Z	06		G10Z, G12A, G12B	08	I02A, I02B, I02C, I02D, I22A, I22B, I32A, I32B, I32C, I32D, I32E, I32F, I50Z				
	09	J02A, J02B, J02C, J04A, J04B, J08A, J08B, J08C, J16Z, J21Z, J22A, J22B	08		I02A, I02B, I02C, I02D, I22A, I22B, I32A, I32B, I32C, I32D, I32E, I32F, I50Z	09	J02A, J02B, J02C, J04A, J04B, J08A, J08B, J08C, J16Z, J21Z, J22A, J22B				
	21A	W04A, W04B	09		J02A, J02B, J02C, J04A, J04B, J08A, J08B, J08C, J16Z, J21Z, J22A, J22B	10	K01Z				
	21B	X01A, X01B, X01C	21A		W04A, W04B	21A	W04A, W04B				
	5v292.6↔		BOP, KVT, UOP4		5v292.b		BOP, KVT, UOP4		5v292.g↔		BOP, KVT, UOP4
		01	B03A, B03B, B06A, B06B, B07Z, B17A, B17B, B17C			01	B03A, B03B, B06A, B06B, B07Z, B17A, B17B, B17C			01	B03A, B03B, B06A, B06B, B07Z, B17A, B17B, B17C
03		D12A	03	D12A		05	F13A, F21A, F21B, F21C, F27A, F27B, F27C				
05		F13A, F21A, F21B, F21C	05	F13A, F21A, F21B, F21C, F27A, F27B, F27C		06	G10Z, G12A, G12B				
06		G10Z, G12A, G12B	06	G10Z, G12A, G12B		08	I02A, I02B, I02C, I02D, I22A, I22B, I32A, I32B, I32C, I32D, I32E, I32F, I50Z				
08		I02A, I02B, I02C, I02D, I22A, I22B, I32A, I32B, I32C, I32D, I32E, I32F, I50Z	08	I02A, I02B, I02C, I02D, I22A, I22B, I32A, I32B, I32C, I32D, I32E, I32F, I50Z		09	J02A, J02B, J02C, J04A, J04B, J08A, J08B, J08C, J16Z, J21Z, J22A, J22B				
09		J02A, J02B, J02C, J04A, J04B, J08A, J08B, J08C, J16Z, J21Z, J22A, J22B	09	J02A, J02B, J02C, J04A, J04B, J08A, J08B, J08C, J16Z, J21Z, J22A, J22B		10	K01Z				
21A		W04A, W04B	21A	W04A, W04B		21A	W04A, W04B				
21B		X01A, X01B, X01C	21B	X01A, X01B, X01C		21B	X01A, X01B, X01C				
5v292.7↔			BOP, KVT, UOP4	5v292.c			BOP, KVT, UOP4				BOP, KVT, UOP4
	01	B03A, B03B, B06A, B06B, B07Z, B17A, B17B, B17C	01		B03A, B03B, B06A, B06B, B07Z, B17A, B17B, B17C	01	B03A, B03B, B06A, B06B, B07Z, B17A, B17B, B17C				
	03	D12A	05		F13A, F21A, F21B, F21C	05	F13A, F21A, F21B, F21C				
	05	F13A, F21A, F21B, F21C	06		G10Z, G12A, G12B	06	G10Z, G12A, G12B				
	08	I02A, I02B, I02C, I02D, I22A, I22B, I32A, I32B, I32C, I32D, I32E, I32F, I50Z	08		I02A, I02B, I02C, I02D, I22A, I22B, I50Z	08	I02A, I02B, I02C, I02D, I22A, I22B, I50Z				
	09	J02A, J02B, J02C, J04A, J04B, J08A, J08B, J08C, J16Z, J21Z, J22A, J22B	09		J02A, J02B, J02C, J04A, J04B, J08A, J08B, J08C, J16Z, J21Z, J22A, J22B	09	J02A, J02B, J02C, J04A, J04B, J08A, J08B, J08C, J16Z, J21Z, J22A, J22B				
	21A	W04A, W04B	10		K01Z	10	K01Z				
	21B	X01A, X01B, X01C	21A		W04A, W04B	21A	W04A, W04B				
			21B		X01A, X01B, X01C	21B	X01A, X01B, X01C				

VYK

ZZV	MDC	DRG	ZZV	MDC	DRG	ZZV	MDC	DRG			
5v292.x↔		BOP, KVT, UOP4	5v297.2		BOP, KVT, UOP4	5v400.6↔		BOP, KVT, UOP4			
	01	B03A, B03B, B06A, B06B, B07Z, B17A, B17B, B17C		01	B03A, B03B, B06A, B06B, B07Z, B17A, B17B, B17C		09	J03A, J03B, J04A, J04B, J08A, J08B, J08C, J10A, J10B, J16Z			
	03	D12A		05	F13A, F21A, F21B, F21C		10	K07Z			
	05	F13A, F21A, F21B, F21C, F27A, F27B, F27C		06	G10Z, G12A, G12B		21A	W04A, W04B			
	06	G10Z, G12A, G12B		08	I02A, I02B, I02C, I02D, I12A, I12B, I12C, I22A, I22B, I50Z		21B	X06A, X06B, X06C			
	08	I02A, I02B, I02C, I02D, I22A, I22B, I32A, I32B, I32C, I32D, I32E, I32F, I50Z		09	J02A, J02B, J02C, J04A, J04B, J08A, J08B, J08C, J16Z, J21Z, J22A, J22B		5v400.7↔		BOP, KVT, UOP4		
	09	J02A, J02B, J02C, J04A, J04B, J08A, J08B, J08C, J16Z, J21Z, J22A, J22B		21A	W04A, W04B			09	J03A, J03B, J04A, J04B, J08A, J08B, J08C, J10A, J10B, J16Z		
	10	K01Z		21B	X01A, X01B		10	K07Z			
	21A	W04A, W04B		5v297.3			BOP, KVT, UOP4	21A	W04A, W04B		
	21B	X01A, X01B, X01C			01		B03A, B03B, B06A, B06B, B07Z, B17A, B17B, B17C	21B	X06A, X06B, X06C		
	5v294‡ 5v295	09		J11A, J11B	05		F13A, F21A, F21B, F21C	5v400.8↔		BOP, KVT, UOP4	
		01		B03A, B03B, B06A, B06B, B07Z, B17A, B17B, B17C, B17D	06		G10Z, G12A, G12B		09	J03A, J03B, J04A, J04B, J08A, J08B, J08C, J10A, J10B, J16Z	
		03		D13Z	08		I02A, I02B, I02C, I02D, I12A, I12B, I12C, I22A, I22B, I32A, I32B, I32C, I32D, I32E, I32F, I50Z		10	K07Z	
		04		E02A, E02B, E02C	09		J02A, J02B, J02C, J04A, J04B, J08A, J08B, J08C, J16Z, J21Z, J22A, J22B		21A	W04A, W04B	
		05		F21A, F21B, F21C	21A		W04A, W04B		21B	X05A, X05B, X06A, X06B, X06C	
		06		G10Z, G12A, G12B			21B		X01A, X01B	5v400.9↔	
		07		H06A, H06B, H06C	5v297.x				BOP, KVT, UOP4		09
		08		I28A, I28B, I28C			01		B03A, B03B, B06A, B06B, B07Z, B17A, B17B, B17C	10	K07Z
		09		J11A, J11B, J11C	05		F13A, F21A, F21B, F21C		21A	W04A, W04B	
		10		K09A, K09B	08		I02A, I02B, I02C, I02D, I12A, I12B, I12C, I22A, I22B, I32A, I32B, I32C, I32D, I32E, I32F, I50Z		21B	X05A, X05B, X06A, X06B, X06C	
		11		L09A, L09B, L09C, L09D, L38Z	5v400.0				BOP, KVT, UOP4	5v400.a	
13	N11A, N11B	01	B03A, B03B, B06A, B06B, B07Z, B17A, B17B, B17C	09		J03A, J03B, J04A, J04B, J08A, J08B, J08C, J10A, J10B, J16Z					
21A	W04A, W04B	05	F13A, F21A, F21B, F21C	10	K07Z						
21B	X06A, X06B, X06C	08	I02A, I02B, I02C, I02D, I12A, I12B, I12C, I22A, I22B, I32A, I32B, I32C, I32D, I32E, I32F, I50Z	21A	W04A, W04B						
5v296‡ 5v297.0↔	05	F13A	09	J02A, J02B, J02C, J04A, J04B, J08A, J08B, J08C, J16Z, J21Z, J22A, J22B	21B	X06A, X06B, X06C					
	01	B03A, B03B, B06A, B06B, B07Z, B17A, B17B, B17C	21A	W04A, W04B	5v400.b		BOP, KVT, UOP4				
05	F13A, F21A, F21B, F21C, F27A, F27B, F27C	21B		X01A, X01B		09	J03A, J03B, J04A, J04B, J08A, J08B, J08C, J10A, J10B, J16Z				
5v297.1	08	I02A, I02B, I02C, I02D, I12A, I12B, I12C, I22A, I22B, I32A, I32B, I32C, I32D, I50Z	5v400.4		BOP, KVT, UOP4	5v400.c		BOP, KVT, UOP4			
	09	J02A, J02B, J02C, J04A, J04B, J08A, J08B, J08C, J16Z, J21Z, J22A, J22B		01	B03A, B03B, B06A, B06B, B07Z, B17A, B17B, B17C		09	J03A, J03B, J04A, J04B, J08A, J08B, J08C, J10A, J10B, J16Z			
	10	K01Z		03	D08A, D08B, D18Z, D22A, D22B, D30A, D30B		10	K07Z			
	21A	W04A, W04B		09	J03A, J03B, J04A, J04B, J08A, J08B, J08C, J11A, J11B, J16Z		21A	W04A, W04B			
	21B	X01A, X01B		5v400.5			BOP, KVT, UOP4	21B	X06A, X06B, X06C		
	01	B03A, B03B, B06A, B06B, B07Z, B17A, B17B, B17C			01		B03A, B03B, B06A, B06B, B07Z, B17A, B17B, B17C	5v400.d		BOP, KVT, UOP4	
	05	F13A, F21A, F21B, F21C		03	D12A		09		J03A, J03B, J04A, J04B, J08A, J08B, J08C, J10A, J10B, J16Z		
	06	G10Z, G12A, G12B		09	J03A, J03B, J04A, J04B, J08A, J08B, J08C, J10A, J10B, J16Z		10	K09A, K09B			
	08	I02A, I02B, I02C, I02D, I12A, I12B, I12C, I22A, I22B, I50Z		10	K09A, K09B		21A	W04A, W04B			
	09	J02A, J02B, J02C, J04A, J04B, J08A, J08B, J08C, J16Z, J21Z, J22A, J22B		21A	W04A, W04B		21B	X06A, X06B, X06C			
	21A	W04A, W04B		5v400.e↔			BOP, KVT, UOP4	5v400.e↔		BOP, KVT, UOP4	
21B	X01A, X01B	03	D12A		09	J03A, J03B, J04A, J04B, J08A, J08B, J08C, J10A, J10B, J16Z					
		09	J03A, J03B, J04A, J04B, J08A, J08B, J08C, J10A, J10B, J16Z	10	K09A, K09B						
		10	K09A, K09B	21A	W04A, W04B						
		21A	W04A, W04B	21B	X06A, X06B, X06C						

VYK

ZZV	MDC	DRG	ZZV	MDC	DRG	ZZV	MDC	DRG
5v400.f↔		BOP, KVT, UOP4	5v401.9↔		BOP, KVT, UOP4	5v401.x		BOP, KVT, UOP4
	09	J03A, J03B, J04A, J04B, J08A, J08B, J08C, J10A, J10B, J16Z		09	J03A, J03B, J04A, J04B, J08A, J08B, J08C, J10A, J10B, J16Z		09	J03A, J03B, J04A, J04B, J08A, J08B, J08C, J10A, J10B, J16Z
	10	K07Z		10	K07Z		10	K07Z
	21A	W04A, W04B		21A	W04A, W04B		21A	W04A, W04B
5v400.g↔	21B	X04Z, X06A, X06B, X06C	5v401.a	21B	X05A, X05B, X06A, X06B, X06C	5v402.0	21B	X06A, X06B, X06C
		BOP, KVT, UOP4			BOP, KVT, UOP4			BOP, KVT, UOP4
	09	J03A, J03B, J04A, J04B, J08A, J08B, J08C, J10A, J10B, J16Z		09	J03A, J03B, J04A, J04B, J08A, J08B, J08C, J10A, J10B, J16Z		09	J03A, J03B, J04A, J04B, J08A, J08B, J08C, J10A, J10B, J16Z
	10	K07Z		10	K07Z		10	K07Z
5v400.x	21A	W04A, W04B	5v401.b	21A	W04A, W04B	5v402.4	21A	W04A, W04B
	21B	X04Z, X06A, X06B, X06C		21B	X06A, X06B, X06C		21B	X06A, X06B, X06C
		BOP, KVT, UOP4			BOP, KVT, UOP4			BOP, KVT, UOP4
	09	J03A, J03B, J04A, J04B, J08A, J08B, J08C, J10A, J10B, J16Z		09	J03A, J03B, J04A, J04B, J08A, J08B, J08C, J10A, J10B, J16Z		09	J03A, J03B, J04A, J04B, J08A, J08B, J08C, J10A, J10B, J16Z
5v401.0	10	K07Z	5v401.c	10	K07Z	5v402.5	10	K07Z
	21A	W04A, W04B		21A	W04A, W04B		21A	W04A, W04B
	21B	X06A, X06B, X06C		21B	X06A, X06B, X06C		21B	X06A, X06B, X06C
		BOP, KVT, UOP4			BOP, KVT, UOP4			BOP, KVT, UOP4
5v401.4	09	J03A, J03B, J04A, J04B, J08A, J08B, J08C, J10A, J10B, J16Z	5v401.d	09	J03A, J03B, J04A, J04B, J08A, J08B, J08C, J10A, J10B, J16Z	5v402.6↔	09	J03A, J03B, J04A, J04B, J08A, J08B, J08C, J10A, J10B, J16Z
	10	K07Z		10	K07Z		10	K07Z
	21A	W04A, W04B		21A	W04A, W04B		21A	W04A, W04B
	21B	X06A, X06B, X06C		21B	X04Z, X06A, X06B, X06C		21B	X06A, X06B, X06C
5v401.5		BOP, KVT, UOP4	5v401.e↔		BOP, KVT, UOP4	5v402.7↔		BOP, KVT, UOP4
	09	J03A, J03B, J04A, J04B, J08A, J08B, J08C, J10A, J10B, J16Z		09	J03A, J03B, J04A, J04B, J08A, J08B, J08C, J10A, J10B, J16Z		09	J03A, J03B, J04A, J04B, J08A, J08B, J08C, J10A, J10B, J16Z
	10	K07Z		10	K07Z		10	K07Z
	21A	W04A, W04B		21A	W04A, W04B		21A	W04A, W04B
5v401.6↔	21B	X06A, X06B, X06C	5v401.f↔	21B	X04Z, X06A, X06B, X06C	5v402.8↔	21B	X06A, X06B, X06C
		BOP, KVT, UOP4			BOP, KVT, UOP4			BOP, KVT, UOP4
	09	J03A, J03B, J04A, J04B, J08A, J08B, J08C, J10A, J10B, J16Z		09	J03A, J03B, J04A, J04B, J08A, J08B, J08C, J10A, J10B, J16Z		09	J03A, J03B, J04A, J04B, J08A, J08B, J08C, J10A, J10B, J16Z
	10	K07Z		10	K07Z		10	K07Z
5v401.7↔	21A	W04A, W04B	5v401.g↔	21A	W04A, W04B	5v402.9↔	21A	W04A, W04B
	21B	X06A, X06B, X06C		21B	X04Z, X06A, X06B, X06C		21B	X05A, X05B, X06A, X06B, X06C
		BOP, KVT, UOP4			BOP, KVT, UOP4			BOP, KVT, UOP4
	09	J03A, J03B, J04A, J04B, J08A, J08B, J08C, J10A, J10B, J16Z		09	J03A, J03B, J04A, J04B, J08A, J08B, J08C, J10A, J10B, J16Z		09	J03A, J03B, J04A, J04B, J08A, J08B, J08C, J10A, J10B, J16Z
5v401.8↔	10	K07Z	5v401.n	10	K07Z	5v402.a	10	K07Z
	21A	W04A, W04B		21A	W04A, W04B		21A	W04A, W04B
	21B	X06A, X06B, X06C		21B	X04Z, X06A, X06B, X06C		21B	X05A, X05B, X06A, X06B, X06C
		BOP, KVT, UOP4			BOP, KVT, UOP4			BOP, KVT, UOP4
	J03A, J03B, J04A, J04B, J08A, J08B, J08C, J10A, J10B, J16Z		J03A, J03B, J04A, J04B, J08A, J08B, J08C, J10A, J10B, J16Z		J03A, J03B, J04A, J04B, J08A, J08B, J08C, J10A, J10B, J16Z			
	K07Z		K07Z		K07Z			
	W04A, W04B		W04A, W04B		W04A, W04B			
	X05A, X05B, X06A, X06B, X06C		X06A, X06B, X06C		X06A, X06B, X06C			

VYK

ZZV	MDC	DRG	ZZV	MDC	DRG	ZZV	MDC	DRG
5v402.b		BOP, KVT, UOP4	5v420.a†	09	J11A, J11B	5v425.c†	06	G26Z
	09	J03A, J03B, J04A, J04B, J08A, J08B, J08C, J10A, J10B, J16Z	5v420.b†	09	J11A, J11B		09	J11A, J11B, J11C
	10	K07Z	5v420.c†	09	J11A, J11B		13	N09A, N09B
	21A	W04A, W04B	5v420.d†	09	J11A, J11B	5v425.d†	06	G26Z
	21B	X06A, X06B, X06C	5v420.e†↔	09	J11A, J11B		09	J11A, J11B, J11C
5v402.c		BOP, KVT, UOP4	5v420.f†↔	09	J11A, J11B		13	N09A, N09B
	09	J03A, J03B, J04A, J04B, J08A, J08B, J08C, J10A, J10B, J16Z	5v420.g†↔	09	J11A, J11B	5v425.e†↔	09	J11A, J11B, J11C
	10	K07Z	5v420.x†	09	J11A, J11B	5v425.f†↔	09	J11A, J11B, J11C
	21A	W04A, W04B	5v421.0†	09	J11A, J11B	5v425.g†↔	09	J11A, J11B, J11C
	21B	X04Z, X06A, X06B, X06C	5v421.4†	02	C14Z	5v425.x†	06	G26Z
5v402.d		BOP, KVT, UOP4		09	J11A, J11B		09	J11A, J11B, J11C
	09	J03A, J03B, J04A, J04B, J08A, J08B, J08C, J10A, J10B, J16Z	5v421.5†	09	J11A, J11B	5v426.0		BOP, KVT, UOP4
	10	K07Z	5v421.6†↔	09	J11A, J11B		09	J03A, J03B, J04A, J04B, J08A, J08B, J08C, J10A, J10B, J16Z
	21A	W04A, W04B	5v421.7†↔	09	J11A, J11B		22	Y01Z, Y03A, Y03B
	21B	X04Z, X06A, X06B, X06C	5v421.8†↔	09	J11A, J11B	5v426.4		BOP, KVT, UOP4
5v402.e↔		BOP, KVT, UOP4	5v421.9†↔	09	J11A, J11B		02	C20A, C20B
	09	J03A, J03B, J04A, J04B, J08A, J08B, J08C, J10A, J10B, J16Z	5v421.a†	09	J11A, J11B		09	J03A, J03B, J04A, J04B, J08A, J08B, J08C, J10A, J10B, J16Z
	10	K07Z	5v421.b†	09	J11A, J11B		22	Y01Z, Y03A, Y03B
	21A	W04A, W04B	5v421.c†	09	J11A, J11B	5v426.5		BOP, KVT, UOP4
	21B	X04Z, X06A, X06B, X06C	5v421.d†	09	J11A, J11B		09	J03A, J03B, J04A, J04B, J08A, J08B, J08C, J10A, J10B, J16Z
5v402.f↔		BOP, KVT, UOP4	5v421.e†↔	09	J11A, J11B		22	Y01Z, Y03A, Y03B
	09	J03A, J03B, J04A, J04B, J08A, J08B, J08C, J10A, J10B, J16Z	5v421.f†↔	09	J11A, J11B	5v426.6↔		BOP, KVT, UOP4
	10	K07Z	5v421.g†↔	09	J11A, J11B		09	J03A, J03B, J04A, J04B, J08A, J08B, J08C, J10A, J10B, J16Z
	21A	W04A, W04B	5v421.x†	09	J11A, J11B		22	Y01Z, Y03A, Y03B
	21B	X04Z, X06A, X06B, X06C	5v422.0†	09	J11A, J11B	5v426.7↔		BOP, KVT, UOP4
5v402.g↔		BOP, KVT, UOP4	5v422.4†	02	C14Z		09	J03A, J03B, J04A, J04B, J08A, J08B, J08C, J10A, J10B, J16Z
	09	J03A, J03B, J04A, J04B, J08A, J08B, J08C, J10A, J10B, J16Z		09	J11A, J11B, J11C		22	Y01Z, Y03A, Y03B
	10	K07Z	5v422.5†	09	J11A, J11B, J11C	5v426.8↔		BOP, KVT, UOP4
	21A	W04A, W04B	5v422.6†↔	09	J11A, J11B, J11C		09	J03A, J03B, J04A, J04B, J08A, J08B, J08C, J10A, J10B, J16Z
	21B	X04Z, X06A, X06B, X06C	5v422.7†↔	09	J11A, J11B, J11C		22	Y01Z, Y03A, Y03B
5v402.h↔		BOP, KVT, UOP4	5v422.8†↔	09	J11A, J11B, J11C	5v426.9↔		BOP, KVT, UOP4
	09	J03A, J03B, J04A, J04B, J08A, J08B, J08C, J10A, J10B, J16Z	5v422.9†↔	09	J11A, J11B, J11C		09	J03A, J03B, J04A, J04B, J08A, J08B, J08C, J10A, J10B, J16Z
	10	K07Z	5v422.a†	09	J11A, J11B, J11C		22	Y01Z, Y03A, Y03B
	21A	W04A, W04B	5v422.b†	09	J11A, J11B, J11C	5v426.a		BOP, KVT, UOP4
	21B	X04Z, X06A, X06B, X06C	5v422.c†	09	J11A, J11B, J11C		09	J03A, J03B, J04A, J04B, J08A, J08B, J08C, J10A, J10B, J16Z
5v402.i↔		BOP, KVT, UOP4	5v422.d†	09	J11A, J11B, J11C		22	Y01Z, Y03A, Y03B
	09	J03A, J03B, J04A, J04B, J08A, J08B, J08C, J10A, J10B, J16Z	5v422.e†↔	09	J11A, J11B, J11C	5v426.b		BOP, KVT, UOP4
	10	K07Z	5v422.f†↔	09	J11A, J11B, J11C		09	J03A, J03B, J04A, J04B, J08A, J08B, J08C, J10A, J10B, J16Z
	21A	W04A, W04B	5v422.g†↔	09	J11A, J11B, J11C		22	Y01Z, Y03A, Y03B
	21B	X04Z, X06A, X06B, X06C	5v422.x†	09	J11A, J11B	5v426.c		BOP, KVT, UOP4
5v402.j↔		BOP, KVT, UOP4	5v423.4†	02	C14Z		06	G26Z
	09	J03A, J03B, J04A, J04B, J08A, J08B, J08C, J10A, J10B, J16Z	5v424.0†	09	J11A, J11B, J11C		09	J03A, J03B, J04A, J04B, J08A, J08B, J08C, J10A, J10B, J16Z
	10	K07Z	5v424.4†	02	C14Z		13	N09A, N09B
	21A	W04A, W04B		09	J11A, J11B, J11C		22	Y01Z, Y03A, Y03B
	21B	X06A, X06B, X06C	5v424.5†	09	J11A, J11B			
5v403		BOP, KVT, UOP4	5v424.6†↔	09	J11A, J11B			
	09	J03A, J03B, J04A, J04B, J08A, J08B, J08C, J10A, J10B, J16Z	5v424.7†↔	09	J11A, J11B			
	10	K07Z	5v424.8†↔	09	J11A, J11B			
	21A	W04A, W04B	5v424.9†↔	09	J11A, J11B, J11C			
	21B	X06A, X06B, X06C	5v424.a†	09	J11A, J11B, J11C			
5v40x.x		BOP, KVT, UOP4	5v424.b†	09	J11A, J11B			
	03	D08A, D08B, D18Z, D22A, D22B, D30A, D30B	5v424.c†	09	J11A, J11B			
	09	J03A, J03B, J04A, J04B, J08A, J08B, J08C, J11A, J11B, J16Z	5v424.d†	09	J11A, J11B			
5v420.0†	09	J11A, J11B	5v424.e†↔	09	J11A, J11B			
5v420.4†	02	C14Z	5v424.f†↔	09	J11A, J11B			
	09	J11A, J11B, J11C	5v424.g†↔	09	J11A, J11B, J11C			
5v420.5†	09	J11A, J11B	5v424.x†	09	J11A, J11B			
5v420.6†↔	09	J11A, J11B	5v425.0†	09	J11A, J11B, J11C			
5v420.7†↔	09	J11A, J11B	5v425.4†	02	C14Z			
5v420.8†↔	09	J11A, J11B		09	J11A, J11B, J11C			
5v420.9†↔	09	J11A, J11B	5v425.5†	09	J11A, J11B, J11C			
			5v425.6†↔	09	J11A, J11B, J11C			
			5v425.7†↔	09	J11A, J11B, J11C			
			5v425.8†↔	09	J11A, J11B, J11C			
			5v425.9†↔	09	J11A, J11B, J11C			
			5v425.a†	09	J11A, J11B, J11C			
			5v425.b†	09	J11A, J11B, J11C			

ZZV	MDC	DRG	ZZV	MDC	DRG	ZZV	MDC	DRG
5v426.d		BOP, KVT, UOP4	5v427.b		BOP, KVT, UOP4	5v428.8↔		BOP, KVT, UOP4
	06	G26Z		09	J03A, J03B, J04A, J04B, J08A, J08B, J08C, J10A, J10B, J16Z		09	J03A, J03B, J04A, J04B, J08A, J08B, J08C, J10A, J10B, J16Z
	09	J03A, J03B, J04A, J04B, J08A, J08B, J08C, J10A, J10B, J16Z		22	Y01Z, Y03A, Y03B		22	Y01Z, Y03A, Y03B
5v426.e↔	13	N09A, N09B	5v427.c		BOP, KVT, UOP4	5v428.9↔		BOP, KVT, UOP4
	22	Y01Z, Y03A, Y03B		06	G26Z		09	J03A, J03B, J04A, J04B, J08A, J08B, J08C, J10A, J10B, J16Z
		BOP, KVT, UOP4		09	J03A, J03B, J04A, J04B, J08A, J08B, J08C, J10A, J10B, J16Z		22	Y01Z, Y03A, Y03B
5v426.f↔	09	J03A, J03B, J04A, J04B, J08A, J08B, J08C, J10A, J10B, J16Z	5v427.d	13	N09A, N09B	5v428.a		BOP, KVT, UOP4
	22	Y01Z, Y03A, Y03B		22	Y01Z, Y03A, Y03B		09	J03A, J03B, J04A, J04B, J08A, J08B, J08C, J10A, J10B, J16Z
		BOP, KVT, UOP4		06	G26Z		22	Y01Z, Y03A, Y03B
5v426.g↔	09	J03A, J03B, J04A, J04B, J08A, J08B, J08C, J10A, J10B, J16Z	5v427.e↔	09	J03A, J03B, J04A, J04B, J08A, J08B, J08C, J10A, J10B, J16Z	5v428.b		BOP, KVT, UOP4
	22	Y01Z, Y03A, Y03B		13	N09A, N09B		09	J03A, J03B, J04A, J04B, J08A, J08B, J08C, J10A, J10B, J16Z
		BOP, KVT, UOP4		22	Y01Z, Y03A, Y03B		22	Y01Z, Y03A, Y03B
5v426.x	09	J03A, J03B, J04A, J04B, J08A, J08B, J08C, J10A, J10B, J16Z	5v427.f↔		BOP, KVT, UOP4	5v428.c		BOP, KVT, UOP4
	22	Y01Z, Y03A, Y03B		09	J03A, J03B, J04A, J04B, J08A, J08B, J08C, J10A, J10B, J16Z		06	G26Z
		BOP, KVT, UOP4		22	Y01Z, Y03A, Y03B		09	J03A, J03B, J04A, J04B, J08A, J08B, J08C, J10A, J10B, J16Z
5v427.0	06	G26Z	5v427.g↔	09	J03A, J03B, J04A, J04B, J08A, J08B, J08C, J10A, J10B, J16Z	5v428.d	13	N09A, N09B
	09	J03A, J03B, J04A, J04B, J08A, J08B, J08C, J10A, J10B, J16Z		22	Y01Z, Y03A, Y03B		22	Y01Z, Y03A, Y03B
	13	N09A, N09B			BOP, KVT, UOP4		06	G26Z
5v427.4	22	Y01Z, Y03A, Y03B	5v427.x	09	J03A, J03B, J04A, J04B, J08A, J08B, J08C, J10A, J10B, J16Z	5v428.e↔	09	J03A, J03B, J04A, J04B, J08A, J08B, J08C, J10A, J10B, J16Z
		BOP, KVT, UOP4		06	G26Z		22	Y01Z, Y03A, Y03B
	02	C20A, C20B		09	J03A, J03B, J04A, J04B, J08A, J08B, J08C, J10A, J10B, J16Z		09	J03A, J03B, J04A, J04B, J08A, J08B, J08C, J10A, J10B, J16Z
5v427.5	09	J03A, J03B, J04A, J04B, J08A, J08B, J08C, J10A, J10B, J16Z	5v428.0	13	N09A, N09B	5v428.f↔		BOP, KVT, UOP4
	22	Y01Z, Y03A, Y03B		22	Y01Z, Y03A, Y03B		09	J03A, J03B, J04A, J04B, J08A, J08B, J08C, J10A, J10B, J16Z
		BOP, KVT, UOP4			BOP, KVT, UOP4		22	Y01Z, Y03A, Y03B
5v427.6↔	09	J03A, J03B, J04A, J04B, J08A, J08B, J08C, J10A, J10B, J16Z	5v428.4	09	J03A, J03B, J04A, J04B, J08A, J08B, J08C, J10A, J10B, J16Z	5v428.g↔		BOP, KVT, UOP4
	22	Y01Z, Y03A, Y03B		02	C20A, C20B		09	J03A, J03B, J04A, J04B, J08A, J08B, J08C, J10A, J10B, J16Z
		BOP, KVT, UOP4		09	J03A, J03B, J04A, J04B, J08A, J08B, J08C, J10A, J10B, J16Z		22	Y01Z, Y03A, Y03B
5v427.7↔	09	J03A, J03B, J04A, J04B, J08A, J08B, J08C, J10A, J10B, J16Z	5v428.5	09	J03A, J03B, J04A, J04B, J08A, J08B, J08C, J10A, J10B, J16Z	5v428.x	06	G26Z
	22	Y01Z, Y03A, Y03B		22	Y01Z, Y03A, Y03B		09	J03A, J03B, J04A, J04B, J08A, J08B, J08C, J10A, J10B, J16Z
		BOP, KVT, UOP4			BOP, KVT, UOP4		22	Y01Z, Y03A, Y03B
5v427.8↔	09	J03A, J03B, J04A, J04B, J08A, J08B, J08C, J10A, J10B, J16Z	5v428.6↔		BOP, KVT, UOP4	5v429.4‡	02	C20A, C20B
	22	Y01Z, Y03A, Y03B		09	J03A, J03B, J04A, J04B, J08A, J08B, J08C, J10A, J10B, J16Z		06	G26Z
		BOP, KVT, UOP4		22	Y01Z, Y03A, Y03B		06	G26Z
5v427.9↔	09	J03A, J03B, J04A, J04B, J08A, J08B, J08C, J10A, J10B, J16Z	5v428.7↔	09	J03A, J03B, J04A, J04B, J08A, J08B, J08C, J10A, J10B, J16Z	5v429.d‡	06	G26Z
	22	Y01Z, Y03A, Y03B		22	Y01Z, Y03A, Y03B		06	G26Z
		BOP, KVT, UOP4			BOP, KVT, UOP4		06	G26Z
5v427.a	09	J03A, J03B, J04A, J04B, J08A, J08B, J08C, J10A, J10B, J16Z	5v428.7↔	09	J03A, J03B, J04A, J04B, J08A, J08B, J08C, J10A, J10B, J16Z	5v42a.0		BOP, KVT, UOP4
	22	Y01Z, Y03A, Y03B		09	J03A, J03B, J04A, J04B, J08A, J08B, J08C, J10A, J10B, J16Z		09	J03A, J03B, J04A, J04B, J08A, J08B, J08C, J10A, J10B, J16Z
		BOP, KVT, UOP4		22	Y01Z, Y03A, Y03B		22	Y01Z, Y03A, Y03B
5v427.a	09	J03A, J03B, J04A, J04B, J08A, J08B, J08C, J10A, J10B, J16Z	5v428.7↔	09	J03A, J03B, J04A, J04B, J08A, J08B, J08C, J10A, J10B, J16Z	5v42a.4	02	C20A, C20B
	22	Y01Z, Y03A, Y03B		22	Y01Z, Y03A, Y03B		09	J03A, J03B, J04A, J04B, J08A, J08B, J08C, J10A, J10B, J16Z
		BOP, KVT, UOP4			BOP, KVT, UOP4		22	Y01Z, Y03A, Y03B

ZZV	MDC	DRG	ZZV	MDC	DRG	ZZV	MDC	DRG
5v42a.5		BOP, KVT, UOP4	5v42b.0		BOP, KVT, UOP4	5v42b.x		BOP, KVT, UOP4
	09	J03A, J03B, J04A, J04B, J08A, J08B, J08C, J10A, J10B, J16Z		09	J03A, J03B, J04A, J04B, J08A, J08B, J08C, J10A, J10B, J16Z		06	G26Z
	22	Y01Z, Y03A, Y03B		22	Y01Z, Y03A, Y03B		09	J03A, J03B, J04A, J04B, J08A, J08B, J08C, J10A, J10B, J16Z
5v42a.6↔		BOP, KVT, UOP4	5v42b.4		BOP, KVT, UOP4		13	N09A, N09B
	09	J03A, J03B, J04A, J04B, J08A, J08B, J08C, J10A, J10B, J16Z		02	C20A, C20B		22	Y01Z, Y03A, Y03B
	22	Y01Z, Y03A, Y03B		09	J03A, J03B, J04A, J04B, J08A, J08B, J08C, J10A, J10B, J16Z	5v440.0†	09	J11A, J11B, J11C
5v42a.7↔		BOP, KVT, UOP4		22	Y01Z, Y03A, Y03B	5v440.4†	02	C14Z
	09	J03A, J03B, J04A, J04B, J08A, J08B, J08C, J10A, J10B, J16Z	5v42b.5		BOP, KVT, UOP4		09	J11A, J11B, J11C
	22	Y01Z, Y03A, Y03B		09	J03A, J03B, J04A, J04B, J08A, J08B, J08C, J10A, J10B, J16Z	5v440.5†	09	J11A, J11B, J11C
5v42a.8↔		BOP, KVT, UOP4		22	Y01Z, Y03A, Y03B	5v440.6†↔	09	J11A, J11B, J11C
	09	J03A, J03B, J04A, J04B, J08A, J08B, J08C, J10A, J10B, J16Z	5v42b.6↔		BOP, KVT, UOP4	5v440.7†↔	09	J11A, J11B, J11C
	22	Y01Z, Y03A, Y03B		09	J03A, J03B, J04A, J04B, J08A, J08B, J08C, J10A, J10B, J16Z	5v440.8†↔	09	J11A, J11B, J11C
5v42a.9↔		BOP, KVT, UOP4		22	Y01Z, Y03A, Y03B	5v440.9†↔	09	J11A, J11B, J11C
	09	J03A, J03B, J04A, J04B, J08A, J08B, J08C, J10A, J10B, J16Z	5v42b.7↔		BOP, KVT, UOP4	5v440.a†	09	J11A, J11B, J11C
	22	Y01Z, Y03A, Y03B		09	J03A, J03B, J04A, J04B, J08A, J08B, J08C, J10A, J10B, J16Z	5v440.b†	09	J11A, J11B, J11C
5v42a.a		BOP, KVT, UOP4		22	Y01Z, Y03A, Y03B	5v440.c†	09	J11A, J11B, J11C
	09	J03A, J03B, J04A, J04B, J08A, J08B, J08C, J10A, J10B, J16Z	5v42b.8↔		BOP, KVT, UOP4	5v440.d†	09	J11A, J11B, J11C
	22	Y01Z, Y03A, Y03B		09	J03A, J03B, J04A, J04B, J08A, J08B, J08C, J10A, J10B, J16Z	5v440.e†↔	09	J11A, J11B, J11C
5v42a.b		BOP, KVT, UOP4		22	Y01Z, Y03A, Y03B	5v440.f†↔	09	J11A, J11B, J11C
	09	J03A, J03B, J04A, J04B, J08A, J08B, J08C, J10A, J10B, J16Z	5v42b.9↔		BOP, KVT, UOP4	5v440.g†↔	09	J11A, J11B, J11C
	22	Y01Z, Y03A, Y03B		09	J03A, J03B, J04A, J04B, J08A, J08B, J08C, J10A, J10B, J16Z	5v440.x†	09	J11A, J11B, J11C
5v42a.c		BOP, KVT, UOP4		22	Y01Z, Y03A, Y03B	5v441.0†	09	J11A, J11B, J11C
	06	G26Z	5v42b.a		BOP, KVT, UOP4	5v441.4†	02	C14Z
	09	J03A, J03B, J04A, J04B, J08A, J08B, J08C, J10A, J10B, J16Z		09	J03A, J03B, J04A, J04B, J08A, J08B, J08C, J10A, J10B, J16Z		09	J11A, J11B, J11C
	13	N09A, N09B		22	Y01Z, Y03A, Y03B	5v441.5†	09	J11A, J11B, J11C
	22	Y01Z, Y03A, Y03B	5v42b.b		BOP, KVT, UOP4	5v441.6†↔	09	J11A, J11B, J11C
5v42a.d		BOP, KVT, UOP4		09	J03A, J03B, J04A, J04B, J08A, J08B, J08C, J10A, J10B, J16Z	5v441.7†↔	09	J11A, J11B, J11C
	06	G26Z		22	Y01Z, Y03A, Y03B	5v441.8†↔	09	J11A, J11B, J11C
	09	J03A, J03B, J04A, J04B, J08A, J08B, J08C, J10A, J10B, J16Z	5v42b.c		BOP, KVT, UOP4	5v441.9†↔	09	J11A, J11B, J11C
	13	N09A, N09B		06	G26Z	5v441.a†	09	J11A, J11B, J11C
	22	Y01Z, Y03A, Y03B		09	J03A, J03B, J04A, J04B, J08A, J08B, J08C, J10A, J10B, J16Z	5v441.b†	09	J11A, J11B, J11C
5v42a.e↔		BOP, KVT, UOP4		13	N09A, N09B	5v441.c†	09	J11A, J11B, J11C
	09	J03A, J03B, J04A, J04B, J08A, J08B, J08C, J10A, J10B, J16Z	5v42b.d		BOP, KVT, UOP4	5v441.d†	09	J11A, J11B, J11C
	22	Y01Z, Y03A, Y03B		06	G26Z	5v441.e†↔	09	J11A, J11B, J11C
5v42a.f↔		BOP, KVT, UOP4		09	J03A, J03B, J04A, J04B, J08A, J08B, J08C, J10A, J10B, J16Z	5v441.f†↔	09	J11A, J11B, J11C
	09	J03A, J03B, J04A, J04B, J08A, J08B, J08C, J10A, J10B, J16Z		22	Y01Z, Y03A, Y03B	5v441.g†↔	09	J11A, J11B, J11C
	22	Y01Z, Y03A, Y03B		13	N09A, N09B	5v441.x†	09	J11A, J11B, J11C
5v42a.g↔		BOP, KVT, UOP4		22	Y01Z, Y03A, Y03B	5v442.0†	09	J11A, J11B, J11C
	09	J03A, J03B, J04A, J04B, J08A, J08B, J08C, J10A, J10B, J16Z	5v42b.e↔		BOP, KVT, UOP4	5v442.4†	02	C14Z
	22	Y01Z, Y03A, Y03B		06	G26Z		09	J11A, J11B, J11C
5v42a.x		BOP, KVT, UOP4		09	J03A, J03B, J04A, J04B, J08A, J08B, J08C, J10A, J10B, J16Z	5v442.5†	09	J11A, J11B, J11C
	06	G26Z		13	N09A, N09B	5v442.6†↔	09	J11A, J11B, J11C
	09	J03A, J03B, J04A, J04B, J08A, J08B, J08C, J10A, J10B, J16Z		22	Y01Z, Y03A, Y03B	5v442.7†↔	09	J11A, J11B, J11C
	13	N09A, N09B		22	Y01Z, Y03A, Y03B	5v442.8†↔	09	J11A, J11B, J11C
	22	Y01Z, Y03A, Y03B		06	G26Z	5v442.9†↔	09	J11A, J11B, J11C
				09	J03A, J03B, J04A, J04B, J08A, J08B, J08C, J10A, J10B, J16Z	5v442.a†	09	J11A, J11B, J11C
				13	N09A, N09B	5v442.b†	09	J11A, J11B, J11C
				22	Y01Z, Y03A, Y03B	5v442.c†	09	J11A, J11B, J11C
						5v442.d†	09	J11A, J11B, J11C
						5v442.e†↔	09	J11A, J11B, J11C
						5v442.f†↔	09	J11A, J11B, J11C
						5v442.g†↔	09	J11A, J11B, J11C
						5v442.x†	09	J11A, J11B, J11C
						5v443.0†	09	J11A, J11B, J11C
						5v443.4†	02	C14Z
							09	J11A, J11B, J11C
						5v443.5†	09	J11A, J11B, J11C
						5v443.6†↔	09	J11A, J11B, J11C
						5v443.7†↔	09	J11A, J11B, J11C
						5v443.8†↔	09	J11A, J11B, J11C
						5v443.9†↔	09	J11A, J11B, J11C
						5v443.a†	09	J11A, J11B, J11C
						5v443.b†	09	J11A, J11B, J11C
						5v443.c†	09	J11A, J11B, J11C
						5v443.d†	09	J11A, J11B, J11C
						5v443.e†↔	09	J11A, J11B, J11C
						5v443.f†↔	09	J11A, J11B, J11C

ZZV	MDC	DRG	ZZV	MDC	DRG	ZZV	MDC	DRG
5v443.g↔	09	J11A, J11B, J11C	5v445.0		BOP, KVT, UOP4	5v446.4		BOP, KVT, UOP4
5v443.x‡	09	J11A, J11B, J11C		09	J03A, J03B, J04A, J04B, J08A, J08B, J08C, J11A, J11B, J11C, J16Z		02	C20A, C20B
5v444.0		BOP, KVT, UOP4					09	J03A, J03B, J04A, J04B, J08A, J08B, J08C, J11A, J11B, J11C, J16Z
	09	J03A, J03B, J04A, J04B, J08A, J08B, J08C, J10A, J10B, J16Z	5v445.4		BOP, KVT, UOP4	5v446.5		BOP, KVT, UOP4
5v444.4		BOP, KVT, UOP4		02	C20A, C20B		09	J03A, J03B, J04A, J04B, J08A, J08B, J08C, J11A, J11B, J11C, J16Z
	02	C20A, C20B		09	J03A, J03B, J04A, J04B, J08A, J08B, J08C, J11A, J11B, J11C, J16Z	5v446.6↔		BOP, KVT, UOP4
	09	J03A, J03B, J04A, J04B, J08A, J08B, J08C, J10A, J10B, J16Z	5v445.5		BOP, KVT, UOP4		09	J03A, J03B, J04A, J04B, J08A, J08B, J08C, J11A, J11B, J11C, J16Z
5v444.5		BOP, KVT, UOP4		09	J03A, J03B, J04A, J04B, J08A, J08B, J08C, J11A, J11B, J11C, J16Z	5v446.6↔		BOP, KVT, UOP4
	09	J03A, J03B, J04A, J04B, J08A, J08B, J08C, J10A, J10B, J16Z	5v445.6↔		BOP, KVT, UOP4		09	J03A, J03B, J04A, J04B, J08A, J08B, J08C, J11A, J11B, J11C, J16Z
5v444.6↔		BOP, KVT, UOP4		09	J03A, J03B, J04A, J04B, J08A, J08B, J08C, J11A, J11B, J11C, J16Z	5v446.7↔		BOP, KVT, UOP4
	09	J03A, J03B, J04A, J04B, J08A, J08B, J08C, J10A, J10B, J16Z	5v445.7↔		BOP, KVT, UOP4		09	J03A, J03B, J04A, J04B, J08A, J08B, J08C, J11A, J11B, J11C, J16Z
5v444.7↔		BOP, KVT, UOP4		09	J03A, J03B, J04A, J04B, J08A, J08B, J08C, J11A, J11B, J11C, J16Z	5v446.8↔		BOP, KVT, UOP4
	09	J03A, J03B, J04A, J04B, J08A, J08B, J08C, J10A, J10B, J16Z	5v445.8↔		BOP, KVT, UOP4		09	J03A, J03B, J04A, J04B, J08A, J08B, J08C, J11A, J11B, J11C, J16Z
5v444.8↔		BOP, KVT, UOP4		09	J03A, J03B, J04A, J04B, J08A, J08B, J08C, J11A, J11B, J11C, J16Z	5v446.9↔		BOP, KVT, UOP4
	09	J03A, J03B, J04A, J04B, J08A, J08B, J08C, J10A, J10B, J16Z	5v445.9↔		BOP, KVT, UOP4		09	J03A, J03B, J04A, J04B, J08A, J08B, J08C, J11A, J11B, J11C, J16Z
5v444.9↔		BOP, KVT, UOP4		09	J03A, J03B, J04A, J04B, J08A, J08B, J08C, J11A, J11B, J11C, J16Z	5v446.a		BOP, KVT, UOP4
	09	J03A, J03B, J04A, J04B, J08A, J08B, J08C, J10A, J10B, J16Z	5v445.a		BOP, KVT, UOP4		09	J03A, J03B, J04A, J04B, J08A, J08B, J08C, J11A, J11B, J11C, J16Z
5v444.a		BOP, KVT, UOP4		09	J03A, J03B, J04A, J04B, J08A, J08B, J08C, J11A, J11B, J11C, J16Z	5v446.b		BOP, KVT, UOP4
	09	J03A, J03B, J04A, J04B, J08A, J08B, J08C, J10A, J10B, J16Z	5v445.b		BOP, KVT, UOP4		09	J03A, J03B, J04A, J04B, J08A, J08B, J08C, J11A, J11B, J11C, J16Z
5v444.b		BOP, KVT, UOP4		09	J03A, J03B, J04A, J04B, J08A, J08B, J08C, J11A, J11B, J11C, J16Z	5v446.c		BOP, KVT, UOP4
	09	J03A, J03B, J04A, J04B, J08A, J08B, J08C, J10A, J10B, J16Z	5v445.c		BOP, KVT, UOP4		06	G26Z
5v444.c		BOP, KVT, UOP4		06	G26Z		09	J03A, J03B, J04A, J04B, J08A, J08B, J08C, J11A, J11B, J11C, J16Z
	06	G26Z		09	J03A, J03B, J04A, J04B, J08A, J08B, J08C, J11A, J11B, J11C, J16Z	5v446.d		BOP, KVT, UOP4
	09	J03A, J03B, J04A, J04B, J08A, J08B, J08C, J10A, J10B, J16Z		13	N09A, N09B		06	G26Z
5v444.d		N09A, N09B	5v445.d		BOP, KVT, UOP4		09	J03A, J03B, J04A, J04B, J08A, J08B, J08C, J11A, J11B, J11C, J16Z
	13	N09A, N09B		06	G26Z		13	N09A, N09B
	06	G26Z		09	J03A, J03B, J04A, J04B, J08A, J08B, J08C, J11A, J11B, J11C, J16Z	5v446.e↔		BOP, KVT, UOP4
	09	J03A, J03B, J04A, J04B, J08A, J08B, J08C, J10A, J10B, J16Z		13	N09A, N09B		09	J03A, J03B, J04A, J04B, J08A, J08B, J08C, J11A, J11B, J11C, J16Z
5v444.e↔		N09A, N09B	5v445.e↔		BOP, KVT, UOP4		5v446.f↔	BOP, KVT, UOP4
	13	N09A, N09B		09	J03A, J03B, J04A, J04B, J08A, J08B, J08C, J11A, J11B, J11C, J16Z		09	J03A, J03B, J04A, J04B, J08A, J08B, J08C, J11A, J11B, J11C, J16Z
	09	J03A, J03B, J04A, J04B, J08A, J08B, J08C, J10A, J10B, J16Z		09	J03A, J03B, J04A, J04B, J08A, J08B, J08C, J11A, J11B, J11C, J16Z	5v446.g↔		BOP, KVT, UOP4
5v444.f↔		BOP, KVT, UOP4	5v445.f↔		BOP, KVT, UOP4		09	J03A, J03B, J04A, J04B, J08A, J08B, J08C, J11A, J11B, J11C, J16Z
	09	J03A, J03B, J04A, J04B, J08A, J08B, J08C, J10A, J10B, J16Z		09	J03A, J03B, J04A, J04B, J08A, J08B, J08C, J11A, J11B, J11C, J16Z	5v446.g↔		BOP, KVT, UOP4
5v444.g↔		BOP, KVT, UOP4	5v445.g↔		BOP, KVT, UOP4		09	J03A, J03B, J04A, J04B, J08A, J08B, J08C, J11A, J11B, J11C, J16Z
	09	J03A, J03B, J04A, J04B, J08A, J08B, J08C, J10A, J10B, J16Z		09	J03A, J03B, J04A, J04B, J08A, J08B, J08C, J11A, J11B, J11C, J16Z	5v446.x		BOP, KVT, UOP4
5v444.x		BOP, KVT, UOP4	5v445.x		BOP, KVT, UOP4		06	G26Z
	06	G26Z		06	G26Z		09	J03A, J03B, J04A, J04B, J08A, J08B, J08C, J11A, J11B, J11C, J16Z
	09	J03A, J03B, J04A, J04B, J08A, J08B, J08C, J10A, J10B, J16Z		09	J03A, J03B, J04A, J04B, J08A, J08B, J08C, J11A, J11B, J11C, J16Z	5v447.0		BOP, KVT, UOP4
5v444.x		BOP, KVT, UOP4		13	N09A, N09B		09	J03A, J03B, J04A, J04B, J08A, J08B, J08C, J10A, J10B, J16Z
	13	N09A, N09B	5v446.0		BOP, KVT, UOP4			
				09	J03A, J03B, J04A, J04B, J08A, J08B, J08C, J11A, J11B, J11C, J16Z			

VYK

ZZV	MDC	DRG	ZZV	MDC	DRG	ZZV	MDC	DRG
5v447.4		BOP, KVT, UOP4	5v448.a†	09	J11A, J11B	5v450.7↔		BOP, KVT, UOP4
	02	C20A, C20B	5v448.b†	09	J11A, J11B		01	B03A, B03B, B06A, B06B, B07Z, B17A, B17B, B17C
	09	J03A, J03B, J04A, J04B, J08A, J08B, J08C, J10A, J10B, J16Z	5v448.c†	09	J11A, J11B		05	F13A, F21A, F21B, F21C
5v447.5		BOP, KVT, UOP4	5v448.d†	09	J11A, J11B		08	I02A, I02B, I02C, I02D, I22A, I22B, I50Z
	09	J03A, J03B, J04A, J04B, J08A, J08B, J08C, J10A, J10B, J16Z	5v448.e†↔	09	J11A, J11B		09	J02A, J02B, J02C, J04A, J04B, J08A, J08B, J08C, J16Z, J21Z, J22A, J22B
5v447.6↔		BOP, KVT, UOP4	5v448.f†↔	09	J11A, J11B		21A	W04A, W04B
	09	J03A, J03B, J04A, J04B, J08A, J08B, J08C, J10A, J10B, J16Z	5v448.g†↔	09	J11A, J11B		21B	X01A, X01B, X01C
5v447.7↔		BOP, KVT, UOP4	5v448.x†	09	J11A, J11B	5v450.8↔		BOP, KVT, UOP4
	09	J03A, J03B, J04A, J04B, J08A, J08B, J08C, J10A, J10B, J16Z	5v449.0†	09	J11A, J11B		01	B03A, B03B, B06A, B06B, B07Z, B17A, B17B, B17C
5v447.8↔		BOP, KVT, UOP4	5v449.4†	02	C20A, C20B		05	F13A, F21A, F21B, F21C
	09	J03A, J03B, J04A, J04B, J08A, J08B, J08C, J10A, J10B, J16Z		09	J11A, J11B, J11C		08	I12A, I12B, I12C, I32A, I32B, I32C, I32D, I32E, I32F, I50Z
5v447.9↔		BOP, KVT, UOP4	5v449.5†	09	J11A, J11B		09	J02A, J02B, J02C, J04A, J04B, J08A, J08B, J08C, J16Z, J21Z, J22A, J22B
	09	J03A, J03B, J04A, J04B, J08A, J08B, J08C, J10A, J10B, J16Z	5v449.6†↔	09	J11A, J11B		21A	W04A, W04B
5v447.a		BOP, KVT, UOP4	5v449.7†↔	09	J11A, J11B		21B	X01A, X01B, X01C
	09	J03A, J03B, J04A, J04B, J08A, J08B, J08C, J10A, J10B, J16Z	5v449.8†↔	09	J11A, J11B	5v450.9↔		BOP, KVT, UOP4
5v447.b		BOP, KVT, UOP4	5v449.9†↔	09	J11A, J11B		01	B03A, B03B, B06A, B06B, B07Z, B17A, B17B, B17C
	09	J03A, J03B, J04A, J04B, J08A, J08B, J08C, J10A, J10B, J16Z	5v449.a†	09	J11A, J11B		05	F13A, F21A, F21B, F21C
5v447.c		BOP, KVT, UOP4	5v449.b†	09	J11A, J11B		08	I12A, I12B, I12C, I32A, I32B, I32C, I32D, I32E, I32F
	06	G26Z	5v449.c†	09	J11A, J11B		09	J02A, J02B, J02C, J04A, J04B, J08A, J08B, J08C, J16Z, J21Z, J22A, J22B
	09	J03A, J03B, J04A, J04B, J08A, J08B, J08C, J10A, J10B, J16Z	5v449.d†	09	J11A, J11B		21A	W04A, W04B
5v447.d		BOP, KVT, UOP4	5v449.e†↔	09	J11A, J11B		21B	X01A, X01B, X01C
	06	G26Z	5v449.f†↔	09	J11A, J11B	5v450.a		BOP, KVT, UOP4
	09	J03A, J03B, J04A, J04B, J08A, J08B, J08C, J10A, J10B, J16Z	5v449.g†↔	09	J11A, J11B		01	B03A, B03B, B06A, B06B, B07Z, B17A, B17B, B17C
5v447.e↔		BOP, KVT, UOP4	5v449.x†	09	J11A, J11B		05	F13A, F21A, F21B, F21C
	09	J03A, J03B, J04A, J04B, J08A, J08B, J08C, J10A, J10B, J16Z	5v450.0		BOP, KVT, UOP4		06	G10Z, G12A, G12B
5v447.f↔		BOP, KVT, UOP4		01	B03A, B03B, B06A, B06B, B07Z, B17A, B17B, B17C		08	I02A, I02B, I02C, I02D, I22A, I22B, I50Z
	09	J03A, J03B, J04A, J04B, J08A, J08B, J08C, J10A, J10B, J16Z		03	D12A		09	J02A, J02B, J02C, J04A, J04B, J08A, J08B, J08C, J16Z, J21Z, J22A, J22B
5v447.g↔		BOP, KVT, UOP4		05	F13A, F21A, F21B, F21C		21A	W04A, W04B
	09	J03A, J03B, J04A, J04B, J08A, J08B, J08C, J10A, J10B, J16Z		09	J02A, J02B, J02C, J04A, J04B, J08A, J08B, J08C, J16Z, J21Z, J22A, J22B		21B	X01A, X01B, X01C
5v447.x		BOP, KVT, UOP4		21A	W04A, W04B	5v450.b		BOP, KVT, UOP4
	06	G26Z		21B	X01A, X01B, X01C		01	B03A, B03B, B06A, B06B, B07Z, B17A, B17B, B17C
	09	J03A, J03B, J04A, J04B, J08A, J08B, J08C, J10A, J10B, J16Z		01	B03A, B03B, B06A, B06B, B07Z, B17A, B17B, B17C		05	F13A, F21A, F21B, F21C
5v448.0†		BOP, KVT, UOP4		03	D12A		06	G10Z, G12A, G12B
5v448.4†		C20A, C20B		05	F13A, F21A, F21B, F21C		08	I02A, I02B, I02C, I02D, I22A, I22B, I50Z
	02	C20A, C20B		08	I02A, I02B, I02C, I02D, I22A, I22B, I50Z		09	J02A, J02B, J02C, J04A, J04B, J08A, J08B, J08C, J16Z, J21Z, J22A, J22B
	09	J11A, J11B, J11C		09	J02A, J02B, J02C, J04A, J04B, J08A, J08B, J08C, J16Z, J21Z, J22A, J22B		21A	W04A, W04B
5v448.5†		BOP, KVT, UOP4		21A	W04A, W04B		21B	X01A, X01B, X01C
5v448.6†↔		BOP, KVT, UOP4		21B	X01A, X01B, X01C	5v450.c		BOP, KVT, UOP4
5v448.7†↔		BOP, KVT, UOP4		01	B03A, B03B, B06A, B06B, B07Z, B17A, B17B, B17C		01	B03A, B03B, B06A, B06B, B07Z, B17A, B17B, B17C
5v448.8†↔		BOP, KVT, UOP4		05	F13A, F21A, F21B, F21C		05	F13A, F21A, F21B, F21C
5v448.9†↔		BOP, KVT, UOP4		08	I02A, I02B, I02C, I02D, I22A, I22B, I50Z		06	G10Z, G12A, G12B
	09	J11A, J11B		09	J02A, J02B, J02C, J04A, J04B, J08A, J08B, J08C, J16Z, J21Z, J22A, J22B		08	I02A, I02B, I02C, I02D, I22A, I22B, I50Z
	09	J11A, J11B		21A	W04A, W04B		09	J02A, J02B, J02C, J04A, J04B, J08A, J08B, J08C, J16Z, J21Z, J22A, J22B
	09	J11A, J11B		21B	X01A, X01B, X01C		21A	W04A, W04B
	09	J11A, J11B		21B	X01A, X01B, X01C		21B	X01A, X01B, X01C

Príloha B: Index Výkon-MDC-DRG

ZZV	MDC	DRG	ZZV	MDC	DRG	ZZV	MDC	DRG			
5v451.x↔		BOP, KVT, UOP4	5v452.8↔		BOP, UOP4	5v452.e↔		BOP, UOP4			
	01	B03A, B03B, B06A, B06B, B07Z, B17A, B17B, B17C		01	B03A, B03B, B06A, B06B, B07Z, B17A, B17B, B17C		01	B03A, B03B, B06A, B06B, B07Z, B17A, B17B, B17C			
	05	F13A, F21A, F21B, F21C		05	F13A, F21A, F21B, F21C		05	F13A, F21A, F21B, F21C, F27A, F27B, F27C			
	08	I02A, I02B, I02C, I02D, I22A, I22B, I32A, I32B, I32C, I32D, I32E, I32F, I50Z		08	I02A, I02B, I02C, I02D, I22A, I22B, I32A, I32B, I32C, I32D, I32E, I32F, I50Z		08	I02A, I02B, I02C, I02D, I22A, I22B, I50Z			
	09	J02A, J02B, J02C, J04A, J04B, J08A, J08B, J08C, J16Z, J21Z, J22A, J22B		09	J02A, J02B, J02C, J04A, J04B, J08A, J08B, J08C, J16Z, J21Z, J22A, J22B		09	J02A, J02B, J02C, J04A, J04B, J08A, J08B, J08C, J16Z, J21Z, J22A, J22B			
	21A	W04A, W04B		21A	W04A, W04B		10	K01Z			
	21B	X01A, X01B, X01C		21B	X01A, X01B, X01C		21A	W04A, W04B			
	5v452.0			BOP, UOP4	5v452.9↔			BOP, UOP4	5v452.f↔		BOP, UOP4
		01		B03A, B03B, B06A, B06B, B07Z, B17A, B17B, B17C			01	B03A, B03B, B06A, B06B, B07Z, B17A, B17B, B17C		01	B03A, B03B, B06A, B06B, B07Z, B17A, B17B, B17C
		03		D18Z, D28Z, D29Z			05	F13A, F21A, F21B, F21C		05	F13A, F21A, F21B, F21C, F27A, F27B, F27C
05		F13A, F21A, F21B, F21C	08	I12A, I12B, I12C, I32A, I32B, I32C, I32D, I32E, I32F		08	I02A, I02B, I02C, I02D, I22A, I22B, I50Z				
09		J02A, J02B, J02C, J04A, J04B, J08A, J08B, J08C, J16Z, J21Z, J22A, J22B	09	J02A, J02B, J02C, J04A, J04B, J08A, J08B, J08C, J16Z, J21Z, J22A, J22B		09	J02A, J02B, J02C, J04A, J04B, J08A, J08B, J08C, J16Z, J21Z, J22A, J22B				
21A		W04A, W04B	21A	W04A, W04B		10	K01Z				
21B		X01A, X01B, X01C	21B	X01A, X01B, X01C		21A	W04A, W04B				
5v452.4			BOP, UOP4	5v452.a			BOP, UOP4	5v452.g↔			BOP, UOP4
		01	B03A, B03B, B06A, B06B, B07Z, B17A, B17B, B17C			01	B03A, B03B, B06A, B06B, B07Z, B17A, B17B, B17C			01	B03A, B03B, B06A, B06B, B07Z, B17A, B17B, B17C
		02	C20A, C20B			05	F13A, F21A, F21B, F21C			05	F13A, F21A, F21B, F21C, F27A, F27B, F27C
	03	D18Z, D28Z, D29Z	06		G10Z, G12A, G12B	08	I02A, I02B, I02C, I02D, I22A, I22B, I50Z				
	05	F13A, F21A, F21B, F21C	08		I02A, I02B, I02C, I02D, I22A, I22B, I50Z	09	J02A, J02B, J02C, J04A, J04B, J08A, J08B, J08C, J16Z, J21Z, J22A, J22B				
	08	I02A, I02B, I02C, I02D, I22A, I22B, I50Z	09		J02A, J02B, J02C, J04A, J04B, J08A, J08B, J08C, J16Z, J21Z, J22A, J22B	09	J02A, J02B, J02C, J04A, J04B, J08A, J08B, J08C, J16Z, J21Z, J22A, J22B				
	09	J02A, J02B, J02C, J04A, J04B, J08A, J08B, J08C, J16Z, J21Z, J22A, J22B	21A		W04A, W04B	10	K01Z				
	21A	W04A, W04B	21B		X01A, X01B, X01C	21A	W04A, W04B				
	21B	X01A, X01B, X01C	21B		X01A, X01B, X01C	21B	X01A, X01B, X01C				
	5v452.5		BOP, UOP4		5v452.b		BOP, UOP4		5v452.x↔		BOP, UOP4
01		B03A, B03B, B06A, B06B, B07Z, B17A, B17B, B17C	01	B03A, B03B, B06A, B06B, B07Z, B17A, B17B, B17C		01	B03A, B03B, B06A, B06B, B07Z, B17A, B17B, B17C				
03		D18Z, D28Z, D29Z	05	F13A, F21A, F21B, F21C		05	F13A, F21A, F21B, F21C				
05		F13A, F21A, F21B, F21C	06	G10Z, G12A, G12B		08	I02A, I02B, I02C, I02D, I22A, I22B, I50Z				
08		I02A, I02B, I02C, I02D, I22A, I22B, I50Z	08	I02A, I02B, I02C, I02D, I22A, I22B, I50Z		09	J02A, J02B, J02C, J04A, J04B, J08A, J08B, J08C, J16Z, J21Z, J22A, J22B				
09		J02A, J02B, J02C, J04A, J04B, J08A, J08B, J08C, J16Z, J21Z, J22A, J22B	09	J02A, J02B, J02C, J04A, J04B, J08A, J08B, J08C, J16Z, J21Z, J22A, J22B		09	J02A, J02B, J02C, J04A, J04B, J08A, J08B, J08C, J16Z, J21Z, J22A, J22B				
21A		W04A, W04B	21A	W04A, W04B		10	K01Z				
21B		X01A, X01B, X01C	21B	X01A, X01B, X01C		21A	W04A, W04B				
5v452.6↔			BOP, UOP4	5v452.c			BOP, UOP4	5v453.0			BOP, UOP4
		01	B03A, B03B, B06A, B06B, B07Z, B17A, B17B, B17C			01	B03A, B03B, B06A, B06B, B07Z, B17A, B17B, B17C			01	B03A, B03B, B06A, B06B, B07Z, B17A, B17B, B17C
	05	F13A, F21A, F21B, F21C	05		F13A, F21A, F21B, F21C	03	D12A				
	08	I02A, I02B, I02C, I02D, I22A, I22B, I50Z	06		G10Z, G12A, G12B	05	F13A, F21A, F21B, F21C				
	09	J02A, J02B, J02C, J04A, J04B, J08A, J08B, J08C, J16Z, J21Z, J22A, J22B	08		I02A, I02B, I02C, I02D, I22A, I22B, I50Z	09	J02A, J02B, J02C, J04A, J04B, J08A, J08B, J08C, J16Z, J21Z, J22A, J22B				
	21A	W04A, W04B	09		J02A, J02B, J02C, J04A, J04B, J08A, J08B, J08C, J16Z, J21Z, J22A, J22B	21A	W04A, W04B				
	21B	X01A, X01B, X01C	21A		W04A, W04B	21B	X01A, X01B, X01C				
	5v452.7↔		BOP, UOP4		5v452.d		BOP, UOP4				BOP, UOP4
		01	B03A, B03B, B06A, B06B, B07Z, B17A, B17B, B17C			01	B03A, B03B, B06A, B06B, B07Z, B17A, B17B, B17C			01	B03A, B03B, B06A, B06B, B07Z, B17A, B17B, B17C
		05	F13A, F21A, F21B, F21C			05	F13A, F21A, F21B, F21C			05	F13A, F21A, F21B, F21C
08		I02A, I02B, I02C, I02D, I22A, I22B, I50Z	06	G10Z, G12A, G12B		06	G10Z, G12A, G12B				
09		J02A, J02B, J02C, J04A, J04B, J08A, J08B, J08C, J16Z, J21Z, J22A, J22B	08	I02A, I02B, I02C, I02D, I22A, I22B, I50Z		08	I02A, I02B, I02C, I02D, I22A, I22B, I50Z				
21A		W04A, W04B	09	J02A, J02B, J02C, J04A, J04B, J08A, J08B, J08C, J16Z, J21Z, J22A, J22B		09	J02A, J02B, J02C, J04A, J04B, J08A, J08B, J08C, J16Z, J21Z, J22A, J22B				
21B		X01A, X01B, X01C	21A	W04A, W04B		21A	W04A, W04B				
			21B	X01A, X01B, X01C		21B	X01A, X01B, X01C				

VYK

ZZV	MDC	DRG	ZZV	MDC	DRG	ZZV	MDC	DRG			
5v453.4		BOP, KVT, UOP4	5v453.a		BOP, KVT, UOP4	5v453.g↔		BOP, KVT, UOP4			
	01	B03A, B03B, B06A, B06B, B07Z, B17A, B17B, B17C		01	B03A, B03B, B06A, B06B, B07Z, B17A, B17B, B17C		01	B03A, B03B, B06A, B06B, B07Z, B17A, B17B, B17C			
	02	C20A, C20B		05	F13A, F21A, F21B, F21C		05	F13A, F21A, F21B, F21C			
	03	D12A		06	G10Z, G12A, G12B		08	I02A, I02B, I02C, I02D, I22A, I22B, I50Z			
	05	F13A, F21A, F21B, F21C		08	I02A, I02B, I02C, I02D, I22A, I22B, I50Z		09	J02A, J02B, J02C, J04A, J04B, J08A, J08B, J08C, J16Z, J21Z, J22A, J22B			
	08	I02A, I02B, I02C, I02D, I22A, I22B, I50Z		09	J02A, J02B, J02C, J04A, J04B, J08A, J08B, J08C, J16Z, J21Z, J22A, J22B		21A	W04A, W04B			
	09	J02A, J02B, J02C, J04A, J04B, J08A, J08B, J08C, J16Z, J21Z, J22A, J22B		21A	W04A, W04B		21B	X01A, X01B, X01C			
	21A	W04A, W04B		21B	X01A, X01B, X01C						
	21B	X01A, X01B, X01C		5v453.b			BOP, KVT, UOP4	5v453.x↔		BOP, KVT, UOP4	
	5v453.5				BOP, KVT, UOP4		01		B03A, B03B, B06A, B06B, B07Z, B17A, B17B, B17C	01	B03A, B03B, B06A, B06B, B07Z, B17A, B17B, B17C
		01			B03A, B03B, B06A, B06B, B07Z, B17A, B17B, B17C		05		F13A, F21A, F21B, F21C	05	F13A, F21A, F21B, F21C
03		D12A	06		G10Z, G12A, G12B	08	I02A, I02B, I02C, I02D, I22A, I22B, I32A, I32B, I32C, I32D, I32E, I32F, I50Z				
05		F13A, F21A, F21B, F21C	08		I02A, I02B, I02C, I02D, I22A, I22B, I50Z	09	J02A, J02B, J02C, J04A, J04B, J08A, J08B, J08C, J16Z, J21Z, J22A, J22B				
08		I02A, I02B, I02C, I02D, I22A, I22B, I50Z	09		J02A, J02B, J02C, J04A, J04B, J08A, J08B, J08C, J16Z, J21Z, J22A, J22B	21A	W04A, W04B				
09		J02A, J02B, J02C, J04A, J04B, J08A, J08B, J08C, J16Z, J21Z, J22A, J22B	21A		W04A, W04B	21B	X01A, X01B, X01C				
21A		W04A, W04B	21B		X01A, X01B, X01C						
21B		X01A, X01B, X01C	5v453.c			BOP, KVT, UOP4	5v454.0			BOP, KVT, UOP4	
5v453.6↔					BOP, KVT, UOP4	01			B03A, B03B, B06A, B06B, B07Z, B17A, B17B, B17C	01	B03A, B03B, B06A, B06B, B07Z, B17A, B17B, B17C
		01			B03A, B03B, B06A, B06B, B07Z, B17A, B17B, B17C	05			F13A, F21A, F21B, F21C	03	D18Z, D28Z, D29Z
		05		F13A, F21A, F21B, F21C	06	G10Z, G12A, G12B		05	F13A, F21A, F21B, F21C		
	08	I02A, I02B, I02C, I02D, I22A, I22B, I50Z		08	I02A, I02B, I02C, I02D, I22A, I22B, I50Z	09		J02A, J02B, J02C, J04A, J04B, J08A, J08B, J08C, J16Z, J21Z, J22A, J22B			
	09	J02A, J02B, J02C, J04A, J04B, J08A, J08B, J08C, J16Z, J21Z, J22A, J22B		09	J02A, J02B, J02C, J04A, J04B, J08A, J08B, J08C, J16Z, J21Z, J22A, J22B	21A		W04A, W04B			
	21A	W04A, W04B		21A	W04A, W04B	21B		X01A, X01B, X01C			
	21B	X01A, X01B, X01C		21B	X01A, X01B, X01C						
	5v453.7↔			BOP, KVT, UOP4	5v453.d			BOP, KVT, UOP4	5v454.4		BOP, KVT, UOP4
		01		B03A, B03B, B06A, B06B, B07Z, B17A, B17B, B17C		01		B03A, B03B, B06A, B06B, B07Z, B17A, B17B, B17C		01	B03A, B03B, B06A, B06B, B07Z, B17A, B17B, B17C
		05		F13A, F21A, F21B, F21C		05		F13A, F21A, F21B, F21C		02	C20A, C20B
		08	I02A, I02B, I02C, I02D, I22A, I22B, I50Z	06		G10Z, G12A, G12B	03	D18Z, D28Z, D29Z			
09		J02A, J02B, J02C, J04A, J04B, J08A, J08B, J08C, J16Z, J21Z, J22A, J22B	08	I02A, I02B, I02C, I02D, I22A, I22B, I50Z		05	F13A, F21A, F21B, F21C				
21A		W04A, W04B	09	J02A, J02B, J02C, J04A, J04B, J08A, J08B, J08C, J16Z, J21Z, J22A, J22B		08	I02A, I02B, I02C, I02D, I22A, I22B, I50Z				
21B		X01A, X01B, X01C	09	J02A, J02B, J02C, J04A, J04B, J08A, J08B, J08C, J16Z, J21Z, J22A, J22B		09	J02A, J02B, J02C, J04A, J04B, J08A, J08B, J08C, J16Z, J21Z, J22A, J22B				
5v453.8↔			BOP, KVT, UOP4	5v453.e↔			BOP, KVT, UOP4	5v454.5			BOP, KVT, UOP4
		01	B03A, B03B, B06A, B06B, B07Z, B17A, B17B, B17C			01	B03A, B03B, B06A, B06B, B07Z, B17A, B17B, B17C			01	B03A, B03B, B06A, B06B, B07Z, B17A, B17B, B17C
		05	F13A, F21A, F21B, F21C			05	F13A, F21A, F21B, F21C			03	D18Z, D28Z, D29Z
		08	I02A, I02B, I02C, I02D, I22A, I22B, I32A, I32B, I32C, I32D, I32E, I32F, I50Z			05	F13A, F21A, F21B, F21C			05	F13A, F21A, F21B, F21C
	09	J02A, J02B, J02C, J04A, J04B, J08A, J08B, J08C, J16Z, J21Z, J22A, J22B	08		I02A, I02B, I02C, I02D, I22A, I22B, I50Z	08	I02A, I02B, I02C, I02D, I22A, I22B, I50Z				
	21A	W04A, W04B	08		I02A, I02B, I02C, I02D, I22A, I22B, I50Z	09	J02A, J02B, J02C, J04A, J04B, J08A, J08B, J08C, J16Z, J21Z, J22A, J22B				
	21B	X01A, X01B, X01C	09		J02A, J02B, J02C, J04A, J04B, J08A, J08B, J08C, J16Z, J21Z, J22A, J22B	21A	W04A, W04B				
	5v453.9↔		BOP, KVT, UOP4		5v453.f↔		BOP, KVT, UOP4		5v454.6↔		BOP, KVT, UOP4
		01	B03A, B03B, B06A, B06B, B07Z, B17A, B17B, B17C			01	B03A, B03B, B06A, B06B, B07Z, B17A, B17B, B17C			01	B03A, B03B, B06A, B06B, B07Z, B17A, B17B, B17C
		05	F13A, F21A, F21B, F21C			05	F13A, F21A, F21B, F21C			05	F13A, F21A, F21B, F21C
		08	I12A, I12B, I12C, I32A, I32B, I32C, I32D, I32E, I32F			08	I02A, I02B, I02C, I02D, I22A, I22B, I50Z			08	I02A, I02B, I02C, I02D, I22A, I22B, I50Z
09		J02A, J02B, J02C, J04A, J04B, J08A, J08B, J08C, J16Z, J21Z, J22A, J22B	08	I02A, I02B, I02C, I02D, I22A, I22B, I50Z		09	J02A, J02B, J02C, J04A, J04B, J08A, J08B, J08C, J16Z, J21Z, J22A, J22B				
21A		W04A, W04B	09	J02A, J02B, J02C, J04A, J04B, J08A, J08B, J08C, J16Z, J21Z, J22A, J22B		21A	W04A, W04B				
21B		X01A, X01B, X01C	21A	W04A, W04B		21B	X01A, X01B, X01C				
			21B	X01A, X01B, X01C							

VYK

Príloha B: Index Výkon-MDC-DRG

ZZV	MDC	DRG	ZZV	MDC	DRG	ZZV	MDC	DRG			
5v454.7↔		BOP, KVT, UOP4	5v454.c		BOP, KVT, UOP4	5v454.x↔		BOP, KVT, UOP4			
	01	B03A, B03B, B06A, B06B, B07Z, B17A, B17B, B17C		01	B03A, B03B, B06A, B06B, B07Z, B17A, B17B, B17C		01	B03A, B03B, B06A, B06B, B07Z, B17A, B17B, B17C			
	05	F13A, F21A, F21B, F21C		05	F13A, F21A, F21B, F21C, F27A, F27B, F27C		05	F13A, F21A, F21B, F21C			
	08	I02A, I02B, I02C, I02D, I22A, I22B, I50Z		06	G10Z, G12A, G12B		08	I02A, I02B, I02C, I02D, I22A, I22B, I50Z			
	09	J02A, J02B, J02C, J04A, J04B, J08A, J08B, J08C, J16Z, J21Z, J22A, J22B		08	I02A, I02B, I02C, I02D, I22A, I22B, I50Z		09	J02A, J02B, J02C, J04A, J04B, J08A, J08B, J08C, J16Z, J21Z, J22A, J22B			
	21A	W04A, W04B		09	J02A, J02B, J02C, J04A, J04B, J08A, J08B, J08C, J16Z, J21Z, J22A, J22B		21A	W04A, W04B			
	21B	X01A, X01B, X01C		10	K01Z		21B	X01A, X01B, X01C			
	5v454.8↔			BOP, KVT, UOP4	5v454.d			BOP, KVT, UOP4	5v455.0		BOP, KVT, UOP4
		01		B03A, B03B, B06A, B06B, B07Z, B17A, B17B, B17C			21A	W04A, W04B		01	B03A, B03B, B06A, B06B, B07Z, B17A, B17B, B17C
		05		F13A, F21A, F21B, F21C			21B	X01A, X01B, X01C		03	D12A
08		I02A, I02B, I02C, I02D, I22A, I22B, I32A, I32B, I32C, I32D, I32E, I32F, I50Z	01	B03A, B03B, B06A, B06B, B07Z, B17A, B17B, B17C		05	F13A, F21A, F21B, F21C				
09		J02A, J02B, J02C, J04A, J04B, J08A, J08B, J08C, J16Z, J21Z, J22A, J22B	05	F13A, F21A, F21B, F21C		08	I12A, I12B, I12C				
21A		W04A, W04B	06	G10Z, G12A, G12B		09	J02A, J02B, J02C, J04A, J04B, J08A, J08B, J08C, J16Z, J21Z, J22A, J22B				
21B		X01A, X01B, X01C	08	I02A, I02B, I02C, I02D, I22A, I22B, I50Z		21A	W04A, W04B				
5v454.9↔			BOP, KVT, UOP4	5v454.e↔			BOP, KVT, UOP4	5v455.4			BOP, KVT, UOP4
		01	B03A, B03B, B06A, B06B, B07Z, B17A, B17B, B17C			21A	W04A, W04B			01	B03A, B03B, B06A, B06B, B07Z, B17A, B17B, B17C
		05	F13A, F21A, F21B, F21C			21B	X01A, X01B, X01C			02	C20A, C20B
	08	I12A, I12B, I12C, I32A, I32B, I32C, I32D, I32E, I32F	01		B03A, B03B, B06A, B06B, B07Z, B17A, B17B, B17C	03	D12A				
	09	J02A, J02B, J02C, J04A, J04B, J08A, J08B, J08C, J16Z, J21Z, J22A, J22B	05		F13A, F21A, F21B, F21C, F27A, F27B, F27C	05	F13A, F21A, F21B, F21C				
	21A	W04A, W04B	08		I02A, I02B, I02C, I02D, I22A, I22B, I50Z	08	I02A, I02B, I02C, I02D, I12A, I12B, I12C, I22A, I22B, I50Z				
	21B	X01A, X01B, X01C	09		J02A, J02B, J02C, J04A, J04B, J08A, J08B, J08C, J16Z, J21Z, J22A, J22B	09	J02A, J02B, J02C, J04A, J04B, J08A, J08B, J08C, J16Z, J21Z, J22A, J22B				
	5v454.a		BOP, KVT, UOP4		5v454.f↔		BOP, KVT, UOP4		5v455.5		BOP, KVT, UOP4
		01	B03A, B03B, B06A, B06B, B07Z, B17A, B17B, B17C			10	K01Z			01	B03A, B03B, B06A, B06B, B07Z, B17A, B17B, B17C
		05	F13A, F21A, F21B, F21C			21A	W04A, W04B			03	D12A
06		G10Z, G12A, G12B	21B	X01A, X01B, X01C		05	F13A, F21A, F21B, F21C				
08		I02A, I02B, I02C, I02D, I22A, I22B, I50Z	01	B03A, B03B, B06A, B06B, B07Z, B17A, B17B, B17C		08	I02A, I02B, I02C, I02D, I12A, I12B, I12C, I22A, I22B, I50Z				
09		J02A, J02B, J02C, J04A, J04B, J08A, J08B, J08C, J16Z, J21Z, J22A, J22B	05	F13A, F21A, F21B, F21C, F27A, F27B, F27C		09	J02A, J02B, J02C, J04A, J04B, J08A, J08B, J08C, J16Z, J21Z, J22A, J22B				
21A		W04A, W04B	08	I02A, I02B, I02C, I02D, I22A, I22B, I50Z		21A	W04A, W04B				
21B		X01A, X01B, X01C	09	J02A, J02B, J02C, J04A, J04B, J08A, J08B, J08C, J16Z, J21Z, J22A, J22B		21B	X01A, X01B, X01C				
5v454.b			BOP, KVT, UOP4	5v454.g↔			BOP, KVT, UOP4	5v455.6↔			BOP, KVT, UOP4
		01	B03A, B03B, B06A, B06B, B07Z, B17A, B17B, B17C			10	K01Z			01	B03A, B03B, B06A, B06B, B07Z, B17A, B17B, B17C
	05	F13A, F21A, F21B, F21C	21A		W04A, W04B	05	F13A, F21A, F21B, F21C				
	06	G10Z, G12A, G12B	21B		X01A, X01B, X01C	08	I02A, I02B, I02C, I02D, I12A, I12B, I12C, I22A, I22B, I50Z				
	08	I02A, I02B, I02C, I02D, I22A, I22B, I50Z	01		B03A, B03B, B06A, B06B, B07Z, B17A, B17B, B17C	09	J02A, J02B, J02C, J04A, J04B, J08A, J08B, J08C, J16Z, J21Z, J22A, J22B				
	09	J02A, J02B, J02C, J04A, J04B, J08A, J08B, J08C, J16Z, J21Z, J22A, J22B	05		F13A, F21A, F21B, F21C, F27A, F27B, F27C	21A	W04A, W04B				
	21A	W04A, W04B	08		I02A, I02B, I02C, I02D, I12A, I12B, I12C, I22A, I22B, I50Z	21B	X01A, X01B, X01C				
	21B	X01A, X01B, X01C	09		J02A, J02B, J02C, J04A, J04B, J08A, J08B, J08C, J16Z, J21Z, J22A, J22B	5v455.7↔			BOP, KVT, UOP4		
			10		K01Z		01		B03A, B03B, B06A, B06B, B07Z, B17A, B17B, B17C		
			21A		W04A, W04B	05	F13A, F21A, F21B, F21C				
		21B	X01A, X01B, X01C	08	I02A, I02B, I02C, I02D, I12A, I12B, I12C, I22A, I22B, I50Z						
				09	J02A, J02B, J02C, J04A, J04B, J08A, J08B, J08C, J16Z, J21Z, J22A, J22B						
				21A	W04A, W04B						
				21B	X01A, X01B, X01C						

VYK

ZZV	MDC	DRG	ZZV	MDC	DRG	ZZV	MDC	DRG			
5v458.e↔		BOP, KVT, UOP4	5v459.4		BOP, KVT, UOP4	5v459.9↔		BOP, KVT, UOP4			
	01	B03A, B03B, B06A, B06B, B07Z, B17A, B17B, B17C		01	B03A, B03B, B06A, B06B, B07Z, B17A, B17B, B17C		01	B03A, B03B, B06A, B06B, B07Z, B17A, B17B, B17C			
	05	F13A, F21A, F21B		02	C20A, C20B		05	F13A, F21A, F21B			
	08	I02A, I02B, I02C, I02D, I12A, I12B, I12C, I22A, I22B, I50Z		03	D18Z, D25A, D25B, D25C, D25D		08	I12A, I12B, I12C, I32A, I32B, I32C, I32D, I32E, I32F			
	09	J02A, J02B, J02C, J04A, J04B, J08A, J08B, J08C, J16Z, J21Z, J22A, J22B		05	F13A, F21A, F21B		09	J02A, J02B, J02C, J04A, J04B, J08A, J08B, J08C, J16Z, J21Z, J22A, J22B			
	21A	W04A, W04B		08	I02A, I02B, I02C, I02D, I12A, I12B, I12C, I22A, I22B, I50Z		21A	W04A, W04B			
	21B	X01A, X01B, X01C		09	J02A, J02B, J02C, J04A, J04B, J08A, J08B, J08C, J16Z, J21Z, J22A, J22B		21B	X01A, X01B, X01C			
	5v458.f↔			BOP, KVT, UOP4	5v459.5			BOP, KVT, UOP4	5v459.a		BOP, KVT, UOP4
		01		B03A, B03B, B06A, B06B, B07Z, B17A, B17B, B17C			21A	W04A, W04B		01	B03A, B03B, B06A, B06B, B07Z, B17A, B17B, B17C
		05		F13A, F21A, F21B			21B	X01A, X01B, X01C		05	F13A, F21A, F21B
08		I02A, I02B, I02C, I02D, I12A, I12B, I12C, I22A, I22B, I50Z	01	B03A, B03B, B06A, B06B, B07Z, B17A, B17B, B17C		06	G10Z, G12A, G12B				
09		J02A, J02B, J02C, J04A, J04B, J08A, J08B, J08C, J16Z, J21Z, J22A, J22B	03	D18Z, D25A, D25B, D25C, D25D		08	I02A, I02B, I02C, I02D, I12A, I12B, I12C, I22A, I22B, I50Z				
21A		W04A, W04B	05	F13A, F21A, F21B		09	J02A, J02B, J02C, J04A, J04B, J08A, J08B, J08C, J16Z, J21Z, J22A, J22B				
21B		X01A, X01B, X01C	08	I02A, I02B, I02C, I02D, I12A, I12B, I12C, I22A, I22B, I50Z		21A	W04A, W04B				
5v458.g↔			BOP, KVT, UOP4	5v459.6↔			BOP, KVT, UOP4	5v459.b			BOP, KVT, UOP4
		01	B03A, B03B, B06A, B06B, B07Z, B17A, B17B, B17C			01	B03A, B03B, B06A, B06B, B07Z, B17A, B17B, B17C			01	B03A, B03B, B06A, B06B, B07Z, B17A, B17B, B17C
		05	F13A, F21A, F21B			05	F13A, F21A, F21B			05	F13A, F21A, F21B
	08	I02A, I02B, I02C, I02D, I12A, I12B, I12C, I22A, I22B, I50Z	08		I02A, I02B, I02C, I02D, I12A, I12B, I12C, I22A, I22B, I50Z	06	G10Z, G12A, G12B				
	09	J02A, J02B, J02C, J04A, J04B, J08A, J08B, J08C, J16Z, J21Z, J22A, J22B	01		B03A, B03B, B06A, B06B, B07Z, B17A, B17B, B17C	08	I02A, I02B, I02C, I02D, I12A, I12B, I12C, I22A, I22B, I50Z				
	21A	W04A, W04B	05		F13A, F21A, F21B	09	J02A, J02B, J02C, J04A, J04B, J08A, J08B, J08C, J16Z, J21Z, J22A, J22B				
	21B	X01A, X01B, X01C	08		I02A, I02B, I02C, I02D, I12A, I12B, I12C, I22A, I22B, I50Z	21A	W04A, W04B				
	5v458.x↔		BOP, KVT, UOP4		5v459.7↔		BOP, KVT, UOP4		5v459.c		BOP, KVT, UOP4
		01	B03A, B03B, B06A, B06B, B07Z, B17A, B17B, B17C			01	B03A, B03B, B06A, B06B, B07Z, B17A, B17B, B17C			01	B03A, B03B, B06A, B06B, B07Z, B17A, B17B, B17C
		05	F13A, F21A, F21B			05	F13A, F21A, F21B			05	F13A, F21A, F21B, F27A, F27B, F27C
08		I02A, I02B, I02C, I02D, I12A, I12B, I12C, I22A, I22B, I32A, I32B, I32C, I32D, I32E, I32F, I50Z	08	I02A, I02B, I02C, I02D, I12A, I12B, I12C, I22A, I22B, I50Z		06	G10Z, G12A, G12B				
09		J02A, J02B, J02C, J04A, J04B, J08A, J08B, J08C, J16Z, J21Z, J22A, J22B	08	I02A, I02B, I02C, I02D, I12A, I12B, I12C, I22A, I22B, I50Z		08	I02A, I02B, I02C, I02D, I12A, I12B, I12C, I22A, I22B, I50Z				
21A		W04A, W04B	09	J02A, J02B, J02C, J04A, J04B, J08A, J08B, J08C, J16Z, J21Z, J22A, J22B		09	J02A, J02B, J02C, J04A, J04B, J08A, J08B, J08C, J16Z, J21Z, J22A, J22B				
21B		X01A, X01B, X01C	09	J02A, J02B, J02C, J04A, J04B, J08A, J08B, J08C, J16Z, J21Z, J22A, J22B		10	K01Z				
5v459.0			BOP, KVT, UOP4	5v459.8↔			BOP, KVT, UOP4	5v459.d			BOP, KVT, UOP4
		01	B03A, B03B, B06A, B06B, B07Z, B17A, B17B, B17C			21A	W04A, W04B			01	B03A, B03B, B06A, B06B, B07Z, B17A, B17B, B17C
		03	D18Z, D25A, D25B, D25C, D25D			21B	X01A, X01B, X01C			05	F13A, F21A, F21B
	05	F13A, F21A, F21B	01		B03A, B03B, B06A, B06B, B07Z, B17A, B17B, B17C	05	F13A, F21A, F21B				
	08	I12A, I12B, I12C	05		F13A, F21A, F21B	06	G10Z, G12A, G12B				
	09	J02A, J02B, J02C, J04A, J04B, J08A, J08B, J08C, J16Z, J21Z, J22A, J22B	08		I02A, I02B, I02C, I02D, I12A, I12B, I12C, I22A, I22B, I32A, I32B, I32C, I32D, I32E, I32F, I50Z	08	I02A, I02B, I02C, I02D, I12A, I12B, I12C, I22A, I22B, I50Z				
	21A	W04A, W04B	09		J02A, J02B, J02C, J04A, J04B, J08A, J08B, J08C, J16Z, J21Z, J22A, J22B	09	J02A, J02B, J02C, J04A, J04B, J08A, J08B, J08C, J16Z, J21Z, J22A, J22B				
	21B	X01A, X01B, X01C	21A		W04A, W04B	21A	W04A, W04B				
			21B		X01A, X01B, X01C	21B	X01A, X01B, X01C				

VYK

ZZV	MDC	DRG	ZZV	MDC	DRG	ZZV	MDC	DRG			
5v459.e↔		BOP, KVT, UOP4	5v45a.2		BOP, KK11, KKI, KKII, KKP, KVT, UOP4	5v460.0↔		BOP, KVT, UOP4			
	01	B03A, B03B, B06A, B06B, B07Z, B17A, B17B, B17C		01	B03A, B03B, B06A, B06B, B07Z, B17A, B17B, B17C		08	I20A, I20B, I20C, I20D, I20E, I20F, I32A, I32B, I32C, I32D, I32E, I32F			
	05	F13A, F21A, F21B, F27A, F27B, F27C		05	F13A, F21A, F21B, F21C		09	J03A, J03B, J04A, J04B, J08A, J08B, J08C, J10A, J10B, J16Z			
	08	I02A, I02B, I02C, I02D, I12A, I12B, I12C, I22A, I22B, I50Z		06	G10Z, G12A, G12B		21A	W04A, W04B			
	09	J02A, J02B, J02C, J04A, J04B, J08A, J08B, J08C, J16Z, J21Z, J22A, J22B		08	I02A, I02B, I02C, I02D, I12A, I12B, I12C, I22A, I22B, I50Z		21B	X05A, X05B			
	10	K01Z		09	J02A, J02B, J02C, J04A, J04B, J08A, J08B, J08C, J16Z, J21Z, J22A, J22B		5v460.x↔	BOP, KVT, UOP4			
	21A	W04A, W04B		21A	W04A, W04B		08	I20A, I20B, I20C, I20D, I20E, I20F, I32A, I32B, I32C, I32D, I32E, I32F			
	21B	X01A, X01B, X01C		21B	X01A, X01B		09	J03A, J03B, J04A, J04B, J08A, J08B, J08C, J10A, J10B, J16Z			
	5v459.f↔			BOP, KVT, UOP4	5v45a.3			BOP, KVT, UOP4	5v461.0↔		BOP, KVT, UOP4
		01		B03A, B03B, B06A, B06B, B07Z, B17A, B17B, B17C			01	B03A, B03B, B06A, B06B, B07Z, B17A, B17B, B17C		08	I20A, I20B, I20C, I20D, I32A, I32B, I32C, I32D, I32E, I32F
05		F13A, F21A, F21B, F27A, F27B, F27C	05	F13A, F21A, F21B, F21C		09	J03A, J03B, J04A, J04B, J08A, J08B, J08C, J10A, J10B, J16Z				
08		I02A, I02B, I02C, I02D, I12A, I12B, I12C, I22A, I22B, I50Z	06	G10Z, G12A, G12B		21A	W04A, W04B				
09		J02A, J02B, J02C, J04A, J04B, J08A, J08B, J08C, J16Z, J21Z, J22A, J22B	08	I02A, I02B, I02C, I02D, I12A, I12B, I12C, I22A, I22B, I50Z		21B	X05A, X05B				
10		K01Z	09	J02A, J02B, J02C, J04A, J04B, J08A, J08B, J08C, J16Z, J21Z, J22A, J22B		5v461.x↔	BOP, KVT, UOP4				
21A		W04A, W04B	21A	W04A, W04B		08	I20A, I20B, I20C, I20D, I20E, I20F, I32A, I32B, I32C, I32D, I32E, I32F				
21B		X01A, X01B, X01C	21B	X01A, X01B		09	J03A, J03B, J04A, J04B, J08A, J08B, J08C, J10A, J10B, J16Z				
5v459.g↔			BOP, KVT, UOP4	5v45a.4			BOP, KVT, UOP4	5v462.0↔			BOP, KVT, UOP4
		01	B03A, B03B, B06A, B06B, B07Z, B17A, B17B, B17C			01	B03A, B03B, B06A, B06B, B07Z, B17A, B17B, B17C			08	I20A, I20B, I20C, I20D, I20E, I20F, I32A, I32B, I32C, I32D, I32E, I32F
	05	F13A, F21A, F21B, F27A, F27B, F27C	05		F13A, F21A, F21B, F21C	09	J03A, J03B, J04A, J04B, J08A, J08B, J08C, J10A, J10B, J16Z				
	08	I02A, I02B, I02C, I02D, I12A, I12B, I12C, I22A, I22B, I50Z	06		G10Z, G12A, G12B	21A	W04A, W04B				
	09	J02A, J02B, J02C, J04A, J04B, J08A, J08B, J08C, J16Z, J21Z, J22A, J22B	08		I02A, I02B, I02C, I02D, I12A, I12B, I12C, I22A, I22B, I32A, I32B, I32C, I32D, I32E, I32F, I50Z	21B	X05A, X05B				
	10	K01Z	09		J02A, J02B, J02C, J04A, J04B, J08A, J08B, J08C, J16Z, J21Z, J22A, J22B	5v462.x↔	BOP, KVT, UOP4				
	21A	W04A, W04B	21A		W04A, W04B	08	I20A, I20B, I20C, I20D, I32A, I32B, I32C, I32D, I32E, I32F				
	21B	X01A, X01B, X01C	21B		X01A, X01B	09	J03A, J03B, J04A, J04B, J08A, J08B, J08C, J10A, J10B, J16Z				
	5v459.x↔		BOP, KVT, UOP4		5v45a.x		BOP, KVT, UOP4		5v462.1↔		BOP, KVT, UOP4
		01	B03A, B03B, B06A, B06B, B07Z, B17A, B17B, B17C			01	B03A, B03B, B06A, B06B, B07Z, B17A, B17B, B17C			08	I20A, I20B, I20C, I20D, I32A, I32B, I32C, I32D, I32E, I32F, I50Z
05		F13A, F21A, F21B	05	F13A, F21A, F21B, F21C		09	J03A, J03B, J04A, J04B, J08A, J08B, J08C, J10A, J10B, J16Z				
08		I02A, I02B, I02C, I02D, I12A, I12B, I12C, I22A, I22B, I32A, I32B, I32C, I32D, I32E, I32F, I50Z	08	I02A, I02B, I02C, I02D, I12A, I12B, I12C, I22A, I22B, I32A, I32B, I32C, I32D, I32E, I32F, I50Z		21A	W04A, W04B				
09		J02A, J02B, J02C, J04A, J04B, J08A, J08B, J08C, J16Z, J21Z, J22A, J22B	09	J02A, J02B, J02C, J04A, J04B, J08A, J08B, J08C, J16Z, J21Z, J22A, J22B		21B	X05A, X05B				
21A		W04A, W04B	21A	W04A, W04B		5v462.x↔	BOP, KVT, UOP4				
21B		X01A, X01B, X01C	21B	X01A, X01B		08	I20A, I20B, I20C, I20D, I20E, I20F, I32A, I32B, I32C, I32D, I32E, I32F				
5v45a.1			BOP, KVT, UOP4	5v45x.x↔			BOP, KVT, UOP4	5v463↔			BOP, KVT, UOP4
		01	B03A, B03B, B06A, B06B, B07Z, B17A, B17B, B17C			01	B03A, B03B, B06A, B06B, B07Z, B17A, B17B, B17C			08	I20A, I20B, I20C, I20D, I20E, I20F, I32A, I32B, I32C, I32D, I32E, I32F
		05	F13A, F21A, F21B, F21C, F27A, F27B, F27C			05	F13A, F21A, F21B, F21C			09	J03A, J03B, J04A, J04B, J08A, J08B, J08C, J10A, J10B, J16Z
	08	I02A, I02B, I02C, I02D, I12A, I12B, I12C, I22A, I22B, I32A, I32B, I32C, I32D, I50Z	08		I02A, I02B, I02C, I02D, I22A, I22B, I32A, I32B, I32C, I32D, I32E, I32F, I50Z	21A	W04A, W04B				
	09	J02A, J02B, J02C, J04A, J04B, J08A, J08B, J08C, J16Z, J21Z, J22A, J22B	09		J02A, J02B, J02C, J04A, J04B, J08A, J08B, J08C, J16Z, J21Z, J22A, J22B	21B	X05A, X05B				
	10	K01Z	21A		W04A, W04B	5v463↔	BOP, KVT, UOP4				
	21A	W04A, W04B	21B		X01A, X01B, X01C	08	I20A, I20B, I20C, I20D, I20E, I20F, I32A, I32B, I32C, I32D, I32E, I32F				
	21B	X01A, X01B				09	J03A, J03B, J04A, J04B, J08A, J08B, J08C, J10A, J10B, J16Z				
						21A	W04A, W04B				
						21B	X05A, X05B				

VYK

ZZV	MDC	DRG	ZZV	MDC	DRG	ZZV	MDC	DRG		
5v464.0↔		BOP, KVT, UOP4	5v47x↔		BOP, KVT, UOP4	5v501.9↔		BOP, KVT, UOP4		
	08	I20A, I20B, I20C, I20D, I20E, I20F, I32A, I32B, I32C, I32D, I32E, I32F		08	I20A, I20B, I20C, I20D, I20E, I20F, I32A, I32B, I32C, I32D, I32E, I32F		09	J08A, J08B, J08C, J16Z, J21Z, J22A, J22B		
	09	J03A, J03B, J04A, J04B, J08A, J08B, J08C, J10A, J10B, J16Z		09	J03A, J03B, J04A, J04B, J08A, J08B, J08C, J10A, J10B, J16Z		22	Y01Z, Y03A, Y03B		
	21A	W04A, W04B		21A	W04A, W04B		5v501.a	BOP, KVT, UOP4		
	21B	X05A, X05B		21B	X05A, X05B	09	J08A, J08B, J08C, J16Z, J21Z, J22A, J22B			
5v464.1↔		BOP, KVT, UOP4	5v500.5		BOP, KVT, UOP4	5v501.b		BOP, KVT, UOP4		
	08	I20A, I20B, I20C, I20D, I32A, I32B, I32C, I32D, I32E, I32F		09	J08A, J08B, J08C, J16Z, J21Z, J22A, J22B		09	J08A, J08B, J08C, J16Z, J21Z, J22A, J22B		
	09	J03A, J03B, J04A, J04B, J08A, J08B, J08C, J10A, J10B, J16Z		22	Y01Z, Y03A, Y03B		22	Y01Z, Y03A, Y03B		
	21A	W04A, W04B		22	Y01Z, Y03A, Y03B		5v501.e↔	BOP, KVT, UOP4		
	21B	X05A, X05B	5v500.6↔		BOP, KVT, UOP4	09	J08A, J08B, J08C, J16Z, J21Z, J22A, J22B			
5v465↔		BOP, KVT, UOP4		5v500.7↔			BOP, KVT, UOP4	22	Y01Z, Y03A, Y03B	
	08	I20A, I20B, I20C, I20D, I32A, I32B, I32C, I32D, I32E, I32F			09		J08A, J08B, J08C, J16Z, J21Z, J22A, J22B		5v501.f↔	BOP, KVT, UOP4
	09	J03A, J03B, J04A, J04B, J08A, J08B, J08C, J10A, J10B, J16Z			22		Y01Z, Y03A, Y03B		09	J08A, J08B, J08C, J16Z, J21Z, J22A, J22B
	21A	W04A, W04B	22		Y01Z, Y03A, Y03B	22	Y01Z, Y03A, Y03B			
	21B	X05A, X05B	5v500.8↔		BOP, KVT, UOP4	5v501.g↔		BOP, KVT, UOP4		
5v466↔		BOP, KVT, UOP4		5v500.9↔			BOP, KVT, UOP4	09	J08A, J08B, J08C, J16Z, J21Z, J22A, J22B	
	08	I20A, I20B, I20C, I20D, I32A, I32B, I32C, I32D, I32E, I32F			09		J08A, J08B, J08C, J16Z, J21Z, J22A, J22B		22	Y01Z, Y03A, Y03B
	09	J03A, J03B, J04A, J04B, J08A, J08B, J08C, J10A, J10B, J16Z			22		Y01Z, Y03A, Y03B		5v501.j	BOP, KVT, UOP4
	21A	W04A, W04B	22		Y01Z, Y03A, Y03B	09	J08A, J08B, J08C, J16Z, J21Z, J22A, J22B			
	21B	X05A, X05B	5v500.a		BOP, KVT, UOP4	22	Y01Z, Y03A, Y03B			
5v467↔		BOP, KVT, UOP4		5v500.b			BOP, KVT, UOP4	5v502.5		BOP, KVT, UOP4
	08	I20A, I20B, I20C, I20D, I20E, I20F, I32A, I32B, I32C, I32D, I32E, I32F			09		J08A, J08B, J08C, J16Z, J21Z, J22A, J22B		09	J08A, J08B, J08C, J16Z, J21Z, J22A, J22B
	09	J03A, J03B, J04A, J04B, J08A, J08B, J08C, J10A, J10B, J16Z			22		Y01Z, Y03A, Y03B		22	Y01Z, Y03A, Y03B
	21A	W04A, W04B	22		Y01Z, Y03A, Y03B	5v502.6↔	BOP, KVT, UOP4			
	21B	X05A, X05B	5v500.e↔		BOP, KVT, UOP4	09	J08A, J08B, J08C, J16Z, J21Z, J22A, J22B			
5v468↔		BOP, KVT, UOP4		5v500.f↔			BOP, KVT, UOP4	22	Y01Z, Y03A, Y03B	
	08	I20A, I20B, I20C, I20D, I20E, I20F, I32A, I32B, I32C, I32D, I32E, I32F			09		J08A, J08B, J08C, J16Z, J21Z, J22A, J22B		5v502.7↔	BOP, KVT, UOP4
	09	J03A, J03B, J04A, J04B, J08A, J08B, J08C, J10A, J10B, J16Z			22		Y01Z, Y03A, Y03B		09	J08A, J08B, J08C, J16Z, J21Z, J22A, J22B
	21A	W04A, W04B	22		Y01Z, Y03A, Y03B	22	Y01Z, Y03A, Y03B			
	21B	X05A, X05B	5v500.g↔		BOP, KVT, UOP4	5v502.8↔		BOP, KVT, UOP4		
5v469↔		BOP, KVT, UOP4		5v500.h			BOP, KVT, UOP4	09	J08A, J08B, J08C, J16Z, J21Z, J22A, J22B	
	08	I20A, I20B, I20C, I20D, I32A, I32B, I32C, I32D, I32E, I32F			09		J08A, J08B, J08C, J16Z, J21Z, J22A, J22B		22	Y01Z, Y03A, Y03B
	09	J03A, J03B, J04A, J04B, J08A, J08B, J08C, J10A, J10B, J16Z			22		Y01Z, Y03A, Y03B		5v502.9↔	BOP, KVT, UOP4
	21A	W04A, W04B	22		Y01Z, Y03A, Y03B	09	J08A, J08B, J08C, J16Z, J21Z, J22A, J22B			
	21B	X05A, X05B	5v500.i		BOP, KVT, UOP4	22	Y01Z, Y03A, Y03B			
5v470↔		BOP, KVT, UOP4		5v500.j			BOP, KVT, UOP4	5v502.a		BOP, KVT, UOP4
	08	I20A, I20B, I20C, I20D, I32A, I32B, I32C, I32D, I32E, I32F			09		J08A, J08B, J08C, J16Z, J21Z, J22A, J22B		09	J08A, J08B, J08C, J16Z, J21Z, J22A, J22B
	09	J03A, J03B, J04A, J04B, J08A, J08B, J08C, J10A, J10B, J16Z			22		Y01Z, Y03A, Y03B		22	Y01Z, Y03A, Y03B
	21A	W04A, W04B	22		Y01Z, Y03A, Y03B	5v502.b	BOP, KVT, UOP4			
	21B	X05A, X05B	5v501.5		BOP, KVT, UOP4	09	J08A, J08B, J08C, J16Z, J21Z, J22A, J22B			
5v471↔		BOP, KVT, UOP4		5v501.6↔			BOP, KVT, UOP4	22	Y01Z, Y03A, Y03B	
	08	I20A, I20B, I20C, I20D, I32A, I32B, I32C, I32D, I32E, I32F			09		J08A, J08B, J08C, J16Z, J21Z, J22A, J22B		5v502.c	BOP, KVT, UOP4
	09	J03A, J03B, J04A, J04B, J08A, J08B, J08C, J10A, J10B, J16Z			22		Y01Z, Y03A, Y03B		09	J08A, J08B, J08C, J16Z, J21Z, J22A, J22B
	21A	W04A, W04B	22		Y01Z, Y03A, Y03B	22	Y01Z, Y03A, Y03B			
	21B	X05A, X05B	5v501.7↔		BOP, KVT, UOP4	5v502.e↔		BOP, KVT, UOP4		
5v472↔		BOP, KVT, UOP4		5v501.8↔			BOP, KVT, UOP4	09	J08A, J08B, J08C, J16Z, J21Z, J22A, J22B	
	08	I20A, I20B, I20C, I20D, I20E, I20F, I32A, I32B, I32C, I32D, I32E, I32F			09		J08A, J08B, J08C, J16Z, J21Z, J22A, J22B		22	Y01Z, Y03A, Y03B
	09	J03A, J03B, J04A, J04B, J08A, J08B, J08C, J10A, J10B, J16Z			22		Y01Z, Y03A, Y03B		5v502.f↔	BOP, KVT, UOP4
	21A	W04A, W04B	22		Y01Z, Y03A, Y03B	09	J08A, J08B, J08C, J16Z, J21Z, J22A, J22B			
	21B	X05A, X05B		22	Y01Z, Y03A, Y03B					

ZZV	MDC	DRG	ZZV	MDC	DRG	ZZV	MDC	DRG
5v512.a		BOP, KVT, UOP4	5v513.2↔		BOP, KVT, UOP4	5v513.g↔		BOP, KVT, UOP4
	05	F13A		05	F13A		05	F13A
	09	J08A, J08B, J08C, J16Z, J21Z, J22A, J22B		09	J08A, J08B, J08C, J16Z, J21Z, J22A, J22B		09	J08A, J08B, J08C, J16Z, J21Z, J22A, J22B
5v512.b	22	Y01Z, Y03A, Y03B	5v513.3↔	22	Y01Z, Y03A, Y03B	5v513.h	22	Y01Z, Y03A, Y03B
		BOP, KVT, UOP4			BOP, KVT, UOP4			BOP, KVT, UOP4
	05	F13A		05	F13A		05	F13A
5v512.c	09	J08A, J08B, J08C, J16Z, J21Z, J22A, J22B	5v513.4	09	J08A, J08B, J08C, J16Z, J21Z, J22A, J22B	5v513.j	09	J08A, J08B, J08C, J16Z, J21Z, J22A, J22B
	22	Y01Z, Y03A, Y03B		22	Y01Z, Y03A, Y03B		22	Y01Z, Y03A, Y03B
		BOP, KVT, UOP4			BOP, KVT, UOP4			BOP, KVT, UOP4
5v512.d	05	F13A	5v513.5	05	F13A	5v513.k	05	F13A
	09	J08A, J08B, J08C, J16Z, J21Z, J22A, J22B		09	J08A, J08B, J08C, J16Z, J21Z, J22A, J22B		09	J08A, J08B, J08C, J16Z, J21Z, J22A, J22B
	22	Y01Z, Y03A, Y03B		22	Y01Z, Y03A, Y03B		22	Y01Z, Y03A, Y03B
5v512.e↔		BOP, KVT, UOP4	5v513.6↔		BOP, KVT, UOP4	5v513.m		BOP, KVT, UOP4
	05	F13A		05	F13A		05	F13A
	09	J08A, J08B, J08C, J16Z, J21Z, J22A, J22B		09	J08A, J08B, J08C, J16Z, J21Z, J22A, J22B		09	J08A, J08B, J08C, J16Z, J21Z, J22A, J22B
5v512.f↔	22	Y01Z, Y03A, Y03B	5v513.7↔	22	Y01Z, Y03A, Y03B	5v513.x	22	Y01Z, Y03A, Y03B
		BOP, KVT, UOP4			BOP, KVT, UOP4			BOP, KVT, UOP4
	05	F13A		05	F13A		05	F13A
5v512.g↔	09	J08A, J08B, J08C, J16Z, J21Z, J22A, J22B	5v513.8↔	09	J08A, J08B, J08C, J16Z, J21Z, J22A, J22B	5v514.0	09	J08A, J08B, J08C, J16Z, J21Z, J22A, J22B
	22	Y01Z, Y03A, Y03B		22	Y01Z, Y03A, Y03B		22	Y01Z, Y03A, Y03B
		BOP, KVT, UOP4			BOP, KVT, UOP4			BOP, KVT, UOP4
5v512.h	05	F13A	5v513.9↔	05	F13A	5v514.1	05	F13A
	09	J08A, J08B, J08C, J16Z, J21Z, J22A, J22B		09	J08A, J08B, J08C, J16Z, J21Z, J22A, J22B		09	J08A, J08B, J08C, J16Z, J21Z, J22A, J22B
	22	Y01Z, Y03A, Y03B		22	Y01Z, Y03A, Y03B		22	Y01Z, Y03A, Y03B
5v512.j		BOP, KVT, UOP4	5v513.a		BOP, KVT, UOP4	5v514.2↔		BOP, KVT, UOP4
	05	F13A		05	F13A		05	F13A
	09	J08A, J08B, J08C, J16Z, J21Z, J22A, J22B		09	J08A, J08B, J08C, J16Z, J21Z, J22A, J22B		09	J08A, J08B, J08C, J16Z, J21Z, J22A, J22B
5v512.k	22	Y01Z, Y03A, Y03B	5v513.b	22	Y01Z, Y03A, Y03B	5v514.3↔	22	Y01Z, Y03A, Y03B
		BOP, KVT, UOP4			BOP, KVT, UOP4			BOP, KVT, UOP4
	05	F13A		05	F13A		05	F13A
5v512.m	09	J08A, J08B, J08C, J16Z, J21Z, J22A, J22B	5v513.c	09	J08A, J08B, J08C, J16Z, J21Z, J22A, J22B	5v514.4	09	J08A, J08B, J08C, J16Z, J21Z, J22A, J22B
	22	Y01Z, Y03A, Y03B		22	Y01Z, Y03A, Y03B		22	Y01Z, Y03A, Y03B
		BOP, KVT, UOP4			BOP, KVT, UOP4			BOP, KVT, UOP4
5v512.x	05	F13A	5v513.d	05	F13A	5v514.5	05	F13A
	09	J08A, J08B, J08C, J16Z, J21Z, J22A, J22B		09	J08A, J08B, J08C, J16Z, J21Z, J22A, J22B		09	J08A, J08B, J08C, J16Z, J21Z, J22A, J22B
	22	Y01Z, Y03A, Y03B		22	Y01Z, Y03A, Y03B		22	Y01Z, Y03A, Y03B
5v513.0		BOP, KVT, UOP4	5v513.e↔		BOP, KVT, UOP4	5v514.6↔		BOP, KVT, UOP4
	05	F13A		05	F13A		05	F13A
	09	J08A, J08B, J08C, J16Z, J21Z, J22A, J22B		09	J08A, J08B, J08C, J16Z, J21Z, J22A, J22B		09	J08A, J08B, J08C, J16Z, J21Z, J22A, J22B
5v513.1	22	Y01Z, Y03A, Y03B	5v513.f↔	22	Y01Z, Y03A, Y03B	5v514.7↔	22	Y01Z, Y03A, Y03B
		BOP, KVT, UOP4			BOP, KVT, UOP4			BOP, KVT, UOP4
	05	F13A		05	F13A		05	F13A
	09	J08A, J08B, J08C, J16Z, J21Z, J22A, J22B		09	J08A, J08B, J08C, J16Z, J21Z, J22A, J22B		09	J08A, J08B, J08C, J16Z, J21Z, J22A, J22B
	22	Y01Z, Y03A, Y03B		22	Y01Z, Y03A, Y03B		22	Y01Z, Y03A, Y03B

ZZV	MDC	DRG	ZZV	MDC	DRG	ZZV	MDC	DRG
5v514.8↔		BOP, KVT, UOP4	5v522		BOP, KVT, UOP4	5v530.7↔		BOP, KVT, UOP4
	05	F13A		05	F13A		05	F13A
	09	J08A, J08B, J08C, J16Z, J21Z, J22A, J22B		09	J08A, J08B, J08C, J16Z, J21Z, J22A, J22B		08	I02A, I02B, I02C, I02D, I22A, I22B, I50Z
5v514.9↔	22	Y01Z, Y03A, Y03B	5v523	22	Y01Z, Y03A, Y03B		09	J08A, J08B, J08C, J16Z, J21Z, J22A, J22B
		BOP, KVT, UOP4			BOP, KVT, UOP4		21B	X01A, X01B, X01C
	05	F13A		05	F13A		22	Y01Z, Y02A, Y02B, Y02C
	09	J08A, J08B, J08C, J16Z, J21Z, J22A, J22B		09	J08A, J08B, J08C, J16Z, J21Z, J22A, J22B	5v530.8↔		BOP, KVT, UOP4
5v514.a	22	Y01Z, Y03A, Y03B	5v52x	22	Y01Z, Y03A, Y03B		05	F13A
		BOP, KVT, UOP4			BOP, KVT, UOP4		08	I02A, I02B, I02C, I02D, I22A, I22B, I32A, I32B, I32C, I32D, I32E, I32F, I50Z
	05	F13A		05	F13A		09	J08A, J08B, J08C, J16Z, J21Z, J22A, J22B
	09	J08A, J08B, J08C, J16Z, J21Z, J22A, J22B		09	J08A, J08B, J08C, J16Z, J21Z, J22A, J22B		21B	X01A, X01B, X01C
5v514.b	22	Y01Z, Y03A, Y03B	5v530.0	22	Y01Z, Y03A, Y03B		22	Y01Z, Y02A, Y02B, Y02C
		BOP, KVT, UOP4			BOP, KVT, UOP4	5v530.9↔		BOP, KVT, UOP4
	05	F13A		05	F13A		05	F13A
	09	J08A, J08B, J08C, J16Z, J21Z, J22A, J22B		09	J08A, J08B, J08C, J16Z, J21Z, J22A, J22B		08	I32A, I32B, I32C, I32D, I32E, I32F
5v514.c	22	Y01Z, Y03A, Y03B	5v530.1	22	Y01Z, Y02A, Y02B, Y02C		09	J08A, J08B, J08C, J16Z, J21Z, J22A, J22B
		BOP, KVT, UOP4			BOP, KVT, UOP4		22	Y01Z, Y02A, Y02B, Y02C
	05	F13A		05	F13A	5v530.a		BOP, KVT, UOP4
	09	J08A, J08B, J08C, J16Z, J21Z, J22A, J22B		08	I02A, I02B, I02C, I02D, I22A, I22B, I50Z		05	F13A
5v514.d	22	Y01Z, Y03A, Y03B		09	J08A, J08B, J08C, J16Z, J21Z, J22A, J22B		08	I02A, I02B, I02C, I02D, I22A, I22B, I50Z
		BOP, KVT, UOP4			X01A, X01B, X01C		09	J08A, J08B, J08C, J16Z, J21Z, J22A, J22B
	05	F13A	5v530.2↔	22	Y01Z, Y02A, Y02B, Y02C		21B	X01A, X01B, X01C
	09	J08A, J08B, J08C, J16Z, J21Z, J22A, J22B			BOP, KVT, UOP4		22	Y01Z, Y02A, Y02B, Y02C
5v514.e↔	22	Y01Z, Y03A, Y03B		05	F13A	5v530.b		BOP, KVT, UOP4
		BOP, KVT, UOP4		08	I02A, I02B, I02C, I02D, I22A, I22B, I50Z		05	F13A
	05	F13A		09	J08A, J08B, J08C, J16Z, J21Z, J22A, J22B		08	I02A, I02B, I02C, I02D, I22A, I22B, I50Z
	09	J08A, J08B, J08C, J16Z, J21Z, J22A, J22B		21B	X01A, X01B, X01C		09	J08A, J08B, J08C, J16Z, J21Z, J22A, J22B
5v514.f↔	22	Y01Z, Y03A, Y03B	5v530.3↔	22	Y01Z, Y02A, Y02B, Y02C		21B	X01A, X01B, X01C
		BOP, KVT, UOP4			BOP, KVT, UOP4		22	Y01Z, Y02A, Y02B, Y02C
	05	F13A		05	F13A	5v530.c		BOP, KVT, UOP4
	09	J08A, J08B, J08C, J16Z, J21Z, J22A, J22B		08	I02A, I02B, I02C, I02D, I22A, I22B, I50Z		05	F13A
5v514.g↔	22	Y01Z, Y03A, Y03B		09	J08A, J08B, J08C, J16Z, J21Z, J22A, J22B		08	I02A, I02B, I02C, I02D, I22A, I22B, I50Z
		BOP, KVT, UOP4			X01A, X01B, X01C		09	J08A, J08B, J08C, J16Z, J21Z, J22A, J22B
	05	F13A	5v530.4	22	Y01Z, Y02A, Y02B, Y02C		21B	X01A, X01B, X01C
	09	J08A, J08B, J08C, J16Z, J21Z, J22A, J22B			BOP, KVT, UOP4		22	Y01Z, Y02A, Y02B, Y02C
5v514.h	22	Y01Z, Y03A, Y03B		05	F13A	5v530.d		BOP, KVT, UOP4
		BOP, KVT, UOP4		08	I02A, I02B, I02C, I02D, I22A, I22B, I50Z		05	F13A
	05	F13A		09	J08A, J08B, J08C, J16Z, J21Z, J22A, J22B		08	I02A, I02B, I02C, I02D, I22A, I22B, I50Z
	09	J08A, J08B, J08C, J16Z, J21Z, J22A, J22B		21B	X01A, X01B, X01C		09	J08A, J08B, J08C, J16Z, J21Z, J22A, J22B
5v514.j	22	Y01Z, Y03A, Y03B	5v530.5	22	Y01Z, Y02A, Y02B, Y02C		21B	X01A, X01B, X01C
		BOP, KVT, UOP4			BOP, KVT, UOP4		22	Y01Z, Y02A, Y02B, Y02C
	05	F13A		05	F13A	5v530.e↔		BOP, KVT, UOP4
	09	J08A, J08B, J08C, J16Z, J21Z, J22A, J22B		08	I02A, I02B, I02C, I02D, I22A, I22B, I50Z		05	F13A
5v514.k	22	Y01Z, Y03A, Y03B	5v530.6↔	22	Y01Z, Y02A, Y02B, Y02C		08	I02A, I02B, I02C, I02D, I22A, I22B, I50Z
		BOP, KVT, UOP4			BOP, KVT, UOP4		09	J08A, J08B, J08C, J16Z, J21Z, J22A, J22B
	05	F13A		05	F13A		21B	X01A, X01B, X01C
	09	J08A, J08B, J08C, J16Z, J21Z, J22A, J22B		08	I02A, I02B, I02C, I02D, I22A, I22B, I50Z		22	Y01Z, Y02A, Y02B, Y02C
5v520	22	Y01Z, Y03A, Y03B		09	J08A, J08B, J08C, J16Z, J21Z, J22A, J22B			
		BOP, KVT, UOP4			X01A, X01B, X01C			
	05	F13A		21B	X01A, X01B, X01C			
	09	J08A, J08B, J08C, J16Z, J21Z, J22A, J22B		22	Y01Z, Y02A, Y02B, Y02C			
5v521	22	Y01Z, Y03A, Y03B			BOP, KVT, UOP4			
		BOP, KVT, UOP4			F13A			
	05	F13A			I02A, I02B, I02C, I02D, I22A, I22B, I50Z			
	09	J08A, J08B, J08C, J16Z, J21Z, J22A, J22B			J08A, J08B, J08C, J16Z, J21Z, J22A, J22B			
	22	Y01Z, Y03A, Y03B			X01A, X01B, X01C			

Príloha B: Index Výkon-MDC-DRG

ZZV	MDC	DRG	ZZV	MDC	DRG	ZZV	MDC	DRG
5v530.f↔		BOP, KVT, UOP4	5v531.6↔		BOP, KVT, UOP4	5v531.e↔		BOP, KVT, UOP4
	05	F13A		05	F13A		05	F13A
	08	I02A, I02B, I02C, I02D, I22A, I22B, I50Z		08	I02A, I02B, I02C, I02D, I22A, I22B, I50Z		08	I02A, I02B, I02C, I02D, I22A, I22B, I50Z
	09	J08A, J08B, J08C, J16Z, J21Z, J22A, J22B		09	J08A, J08B, J08C, J16Z, J21Z, J22A, J22B		09	J08A, J08B, J08C, J16Z, J21Z, J22A, J22B
	21B	X01A, X01B, X01C		21B	X01A, X01B, X01C		21B	X01A, X01B, X01C
5v530.g↔	22	Y01Z, Y02A, Y02B, Y02C	5v531.7↔	22	Y01Z, Y02A, Y02B, Y02C	5v531.f↔	22	Y01Z, Y02A, Y02B, Y02C
		BOP, KVT, UOP4			BOP, KVT, UOP4			BOP, KVT, UOP4
	05	F13A		05	F13A		05	F13A
	08	I02A, I02B, I02C, I02D, I22A, I22B, I50Z		08	I02A, I02B, I02C, I02D, I22A, I22B, I50Z		08	I02A, I02B, I02C, I02D, I22A, I22B, I50Z
	09	J08A, J08B, J08C, J16Z, J21Z, J22A, J22B		09	J08A, J08B, J08C, J16Z, J21Z, J22A, J22B		09	J08A, J08B, J08C, J16Z, J21Z, J22A, J22B
5v530.x↔	21B	X01A, X01B, X01C	5v531.8↔	21B	X01A, X01B, X01C	5v531.g↔	21B	X01A, X01B, X01C
	22	Y01Z, Y02A, Y02B, Y02C		22	Y01Z, Y02A, Y02B, Y02C		22	Y01Z, Y02A, Y02B, Y02C
		BOP, KVT, UOP4			BOP, KVT, UOP4			BOP, KVT, UOP4
	05	F13A		05	F13A		05	F13A
	08	I02A, I02B, I02C, I02D, I22A, I22B, I32A, I32B, I32C, I32D, I32E, I32F, I50Z		08	I02A, I02B, I02C, I02D, I22A, I22B, I32A, I32B, I32C, I32D, I32E, I32F, I50Z		08	I02A, I02B, I02C, I02D, I22A, I22B, I50Z
5v531.0	09	J08A, J08B, J08C, J16Z, J21Z, J22A, J22B	5v531.9↔	09	J08A, J08B, J08C, J16Z, J21Z, J22A, J22B	5v531.h	09	J08A, J08B, J08C, J16Z, J21Z, J22A, J22B
	21B	X01A, X01B, X01C		21B	X01A, X01B, X01C		21B	X01A, X01B, X01C
	22	Y01Z, Y02A, Y02B, Y02C		22	Y01Z, Y02A, Y02B, Y02C		22	Y01Z, Y02A, Y02B, Y02C
		BOP, KVT, UOP4			BOP, KVT, UOP4			BOP, KVT, UOP4
	05	F13A		05	F13A		05	F13A
5v531.1	08	I02A, I02B, I02C, I02D, I22A, I22B, I50Z	5v531.a	08	I32A, I32B, I32C, I32D, I32E, I32F	5v531.x	08	I02A, I02B, I02C, I02D, I22A, I22B, I50Z
	09	J08A, J08B, J08C, J16Z, J21Z, J22A, J22B		09	J08A, J08B, J08C, J16Z, J21Z, J22A, J22B		09	J08A, J08B, J08C, J16Z, J21Z, J22A, J22B
	21B	X01A, X01B, X01C		09	J08A, J08B, J08C, J16Z, J21Z, J22A, J22B		21B	X01A, X01B, X01C
	22	Y01Z, Y02A, Y02B, Y02C		22	Y01Z, Y02A, Y02B, Y02C		22	Y01Z, Y02A, Y02B, Y02C
		BOP, KVT, UOP4			BOP, KVT, UOP4			BOP, KVT, UOP4
5v531.2↔	05	F13A	5v531.b	05	F13A	5v532.0	05	F13A
	08	I02A, I02B, I02C, I02D, I22A, I22B, I50Z		08	I02A, I02B, I02C, I02D, I22A, I22B, I50Z		08	I02A, I02B, I02C, I02D, I22A, I22B, I32A, I32B, I32C, I32D, I32E, I32F, I50Z
	09	J08A, J08B, J08C, J16Z, J21Z, J22A, J22B		09	J08A, J08B, J08C, J16Z, J21Z, J22A, J22B		09	J08A, J08B, J08C, J16Z, J21Z, J22A, J22B
	21B	X01A, X01B, X01C		09	J08A, J08B, J08C, J16Z, J21Z, J22A, J22B		21B	X01A, X01B, X01C
	22	Y01Z, Y02A, Y02B, Y02C		22	Y01Z, Y02A, Y02B, Y02C		22	Y01Z, Y02A, Y02B, Y02C
5v531.3↔		BOP, KVT, UOP4	5v531.c		BOP, KVT, UOP4	5v532.1		BOP, KVT, UOP4
	05	F13A		05	F13A		05	F13A
	08	I02A, I02B, I02C, I02D, I22A, I22B, I50Z		08	I02A, I02B, I02C, I02D, I22A, I22B, I50Z		08	I02A, I02B, I02C, I02D, I22A, I22B, I50Z
	09	J08A, J08B, J08C, J16Z, J21Z, J22A, J22B		09	J08A, J08B, J08C, J16Z, J21Z, J22A, J22B		09	J08A, J08B, J08C, J16Z, J21Z, J22A, J22B
	21B	X01A, X01B, X01C		09	J08A, J08B, J08C, J16Z, J21Z, J22A, J22B		21B	X01A, X01B, X01C
5v531.4	22	Y01Z, Y02A, Y02B, Y02C	5v531.d	21B	X01A, X01B, X01C	5v532.2↔	22	Y01Z, Y02A, Y02B, Y02C
		BOP, KVT, UOP4			BOP, KVT, UOP4			BOP, KVT, UOP4
	05	F13A		05	F13A		05	F13A
	08	I02A, I02B, I02C, I02D, I22A, I22B, I50Z		08	I02A, I02B, I02C, I02D, I22A, I22B, I50Z		08	I02A, I02B, I02C, I02D, I22A, I22B, I50Z
	09	J08A, J08B, J08C, J16Z, J21Z, J22A, J22B		09	J08A, J08B, J08C, J16Z, J21Z, J22A, J22B		09	J08A, J08B, J08C, J16Z, J21Z, J22A, J22B
5v531.5	21B	X01A, X01B, X01C	5v531.5	21B	X01A, X01B, X01C	5v532.3↔	21B	X01A, X01B, X01C
	22	Y01Z, Y02A, Y02B, Y02C		22	Y01Z, Y02A, Y02B, Y02C		22	Y01Z, Y02A, Y02B, Y02C
		BOP, KVT, UOP4			BOP, KVT, UOP4			BOP, KVT, UOP4
	05	F13A		05	F13A		05	F13A
	08	I02A, I02B, I02C, I02D, I22A, I22B, I50Z		08	I02A, I02B, I02C, I02D, I22A, I22B, I50Z		08	I02A, I02B, I02C, I02D, I22A, I22B, I50Z
09	J08A, J08B, J08C, J16Z, J21Z, J22A, J22B	09	J08A, J08B, J08C, J16Z, J21Z, J22A, J22B	09	J08A, J08B, J08C, J16Z, J21Z, J22A, J22B			
21B	X01A, X01B, X01C	21B	X01A, X01B, X01C	21B	X01A, X01B, X01C			
22	Y01Z, Y02A, Y02B, Y02C	22	Y01Z, Y02A, Y02B, Y02C	22	Y01Z, Y02A, Y02B, Y02C			

VYK

ZZV	MDC	DRG	ZZV	MDC	DRG	ZZV	MDC	DRG
5v533.b		BOP, KVT, UOP4	5v534.2↔		BOP, KVT, UOP4	5v534.a		BOP, KVT, UOP4
	05	F13A		05	F13A		05	F13A
	08	I02A, I02B, I02C, I02D, I22A, I22B, I50Z		08	I02A, I02B, I02C, I02D, I22A, I22B, I50Z		08	I02A, I02B, I02C, I02D, I22A, I22B, I50Z
	09	J08A, J08B, J08C, J16Z, J21Z, J22A, J22B		09	J08A, J08B, J08C, J16Z, J21Z, J22A, J22B		09	J08A, J08B, J08C, J16Z, J21Z, J22A, J22B
	21B	X01A, X01B, X01C		21B	X01A, X01B, X01C		21B	X01A, X01B, X01C
5v533.c	22	Y01Z, Y02A, Y02B, Y02C	5v534.3↔	22	Y01Z, Y02A, Y02B, Y02C	5v534.b	22	Y01Z, Y02A, Y02B, Y02C
		BOP, KVT, UOP4			BOP, KVT, UOP4			BOP, KVT, UOP4
	05	F13A		05	F13A		05	F13A
	08	I02A, I02B, I02C, I02D, I22A, I22B, I50Z		08	I02A, I02B, I02C, I02D, I22A, I22B, I50Z		08	I02A, I02B, I02C, I02D, I22A, I22B, I50Z
	09	J08A, J08B, J08C, J16Z, J21Z, J22A, J22B		09	J08A, J08B, J08C, J16Z, J21Z, J22A, J22B		09	J08A, J08B, J08C, J16Z, J21Z, J22A, J22B
5v533.d	21B	X01A, X01B, X01C	5v534.4	21B	X01A, X01B, X01C	5v534.c	21B	X01A, X01B, X01C
	22	Y01Z, Y02A, Y02B, Y02C		22	Y01Z, Y02A, Y02B, Y02C		22	Y01Z, Y02A, Y02B, Y02C
		BOP, KVT, UOP4			BOP, KVT, UOP4			BOP, KVT, UOP4
	05	F13A		05	F13A		05	F13A
	08	I02A, I02B, I02C, I02D, I22A, I22B, I50Z		08	I02A, I02B, I02C, I02D, I22A, I22B, I50Z		08	I02A, I02B, I02C, I02D, I22A, I22B, I50Z
5v533.e↔	09	J08A, J08B, J08C, J16Z, J21Z, J22A, J22B	5v534.5	09	J08A, J08B, J08C, J16Z, J21Z, J22A, J22B	5v534.d	09	J08A, J08B, J08C, J16Z, J21Z, J22A, J22B
	21B	X01A, X01B, X01C		21B	X01A, X01B, X01C		21B	X01A, X01B, X01C
	22	Y01Z, Y02A, Y02B, Y02C		22	Y01Z, Y02A, Y02B, Y02C		22	Y01Z, Y02A, Y02B, Y02C
		BOP, KVT, UOP4			BOP, KVT, UOP4			BOP, KVT, UOP4
	05	F13A		05	F13A		05	F13A
5v533.f↔	08	I02A, I02B, I02C, I02D, I22A, I22B, I50Z	5v534.6↔	08	I02A, I02B, I02C, I02D, I22A, I22B, I50Z	5v534.e↔	08	I02A, I02B, I02C, I02D, I22A, I22B, I50Z
	09	J08A, J08B, J08C, J16Z, J21Z, J22A, J22B		09	J08A, J08B, J08C, J16Z, J21Z, J22A, J22B		09	J08A, J08B, J08C, J16Z, J21Z, J22A, J22B
	21B	X01A, X01B, X01C		21B	X01A, X01B, X01C		21B	X01A, X01B, X01C
	22	Y01Z, Y02A, Y02B, Y02C		22	Y01Z, Y02A, Y02B, Y02C		22	Y01Z, Y02A, Y02B, Y02C
		BOP, KVT, UOP4			BOP, KVT, UOP4			BOP, KVT, UOP4
5v533.g↔	05	F13A	5v534.7↔	05	F13A	5v534.f↔	05	F13A
	08	I02A, I02B, I02C, I02D, I22A, I22B, I50Z		08	I02A, I02B, I02C, I02D, I22A, I22B, I50Z		08	I02A, I02B, I02C, I02D, I22A, I22B, I50Z
	09	J08A, J08B, J08C, J16Z, J21Z, J22A, J22B		09	J08A, J08B, J08C, J16Z, J21Z, J22A, J22B		09	J08A, J08B, J08C, J16Z, J21Z, J22A, J22B
	21B	X01A, X01B, X01C		21B	X01A, X01B, X01C		21B	X01A, X01B, X01C
	22	Y01Z, Y02A, Y02B, Y02C		22	Y01Z, Y02A, Y02B, Y02C		22	Y01Z, Y02A, Y02B, Y02C
5v533.x↔		BOP, KVT, UOP4	5v534.8↔		BOP, KVT, UOP4	5v534.g↔		BOP, KVT, UOP4
	05	F13A		05	F13A		05	F13A
	08	I02A, I02B, I02C, I02D, I22A, I22B, I32A, I32B, I32C, I32D, I32E, I32F, I50Z		08	I02A, I02B, I02C, I02D, I22A, I22B, I32A, I32B, I32C, I32D, I32E, I32F, I50Z		08	I02A, I02B, I02C, I02D, I22A, I22B, I50Z
	09	J08A, J08B, J08C, J16Z, J21Z, J22A, J22B		09	J08A, J08B, J08C, J16Z, J21Z, J22A, J22B		09	J08A, J08B, J08C, J16Z, J21Z, J22A, J22B
	21B	X01A, X01B, X01C		21B	X01A, X01B, X01C		21B	X01A, X01B, X01C
5v534.0	22	Y01Z, Y02A, Y02B, Y02C	5v534.9↔	22	Y01Z, Y02A, Y02B, Y02C	5v534.x↔	22	Y01Z, Y02A, Y02B, Y02C
		BOP, KVT, UOP4			BOP, KVT, UOP4			BOP, KVT, UOP4
	05	F13A		05	F13A		05	F13A
	08	I02A, I02B, I02C, I02D, I22A, I22B, I32A, I32B, I32C, I32D, I32E, I32F, I50Z		08	I32A, I32B, I32C, I32D, I32E, I32F		08	I02A, I02B, I02C, I02D, I22A, I22B, I32A, I32B, I32C, I32D, I32E, I32F, I50Z
	09	J08A, J08B, J08C, J16Z, J21Z, J22A, J22B		09	J08A, J08B, J08C, J16Z, J21Z, J22A, J22B		09	J08A, J08B, J08C, J16Z, J21Z, J22A, J22B
5v534.1	21B	X01A, X01B, X01C		21B	X01A, X01B, X01C	5v535.0	21B	X01A, X01B, X01C
	22	Y01Z, Y02A, Y02B, Y02C		22	Y01Z, Y02A, Y02B, Y02C		22	Y01Z, Y02A, Y02B, Y02C
		BOP, KVT, UOP4			BOP, KVT, UOP4			BOP, KVT, UOP4
	05	F13A					05	F13A
	08	I02A, I02B, I02C, I02D, I22A, I22B, I50Z					08	I02A, I02B, I02C, I02D, I22A, I22B, I50Z
	J08A, J08B, J08C, J16Z, J21Z, J22A, J22B			09	J08A, J08B, J08C, J16Z, J21Z, J22A, J22B			
	X01A, X01B, X01C			21B	X01A, X01B, X01C			
	Y01Z, Y02A, Y02B, Y02C			22	Y01Z, Y02A, Y02B, Y02C			

ZZV	MDC	DRG	ZZV	MDC	DRG	ZZV	MDC	DRG	
5v535.1		BOP, KVT, UOP4	5v535.9↔		BOP, KVT, UOP4	5v535.x↔		BOP, KVT, UOP4	
	05	F13A		05	F13A		05	F13A	
	08	I02A, I02B, I02C, I02D, I22A, I22B, I50Z		08	I32A, I32B, I32C, I32D, I32E, I32F		08	I02A, I02B, I02C, I02D, I22A, I22B, I32A, I32B, I32C, I32D, I32E, I32F, I50Z	
	09	J08A, J08B, J08C, J16Z, J21Z, J22A, J22B		09	J08A, J08B, J08C, J16Z, J21Z, J22A, J22B		09	J08A, J08B, J08C, J16Z, J21Z, J22A, J22B	
	21B	X01A, X01B, X01C		22	Y01Z, Y02A, Y02B, Y02C		21B	X01A, X01B, X01C	
5v535.2↔	22	Y01Z, Y02A, Y02B, Y02C	5v535.a		BOP, KVT, UOP4	5v536.0		BOP, KVT, UOP4	
	05	F13A		05	F13A		05	F13A	
	08	I02A, I02B, I02C, I02D, I22A, I22B, I50Z		08	I02A, I02B, I02C, I02D, I22A, I22B, I50Z		09	J08A, J08B, J08C, J16Z, J21Z, J22A, J22B	
	09	J08A, J08B, J08C, J16Z, J21Z, J22A, J22B		21B	X01A, X01B, X01C		22	Y01Z, Y02A, Y02B, Y02C	
	21B	X01A, X01B, X01C		22	Y01Z, Y02A, Y02B, Y02C		5v536.1	05	F13A
5v535.3↔	22	Y01Z, Y02A, Y02B, Y02C	5v535.b		BOP, KVT, UOP4	08		I02A, I02B, I02C, I02D, I22A, I22B, I50Z	
	05	F13A		05	F13A	09		J08A, J08B, J08C, J16Z, J21Z, J22A, J22B	
	08	I02A, I02B, I02C, I02D, I22A, I22B, I50Z		08	I02A, I02B, I02C, I02D, I22A, I22B, I50Z	21B		X01A, X01B, X01C	
	09	J08A, J08B, J08C, J16Z, J21Z, J22A, J22B		21B	X01A, X01B, X01C	22		Y01Z, Y02A, Y02B, Y02C	
	21B	X01A, X01B, X01C		5v535.c		BOP, KVT, UOP4	5v536.2↔	05	F13A
5v535.4	22	Y01Z, Y02A, Y02B, Y02C	5v535.c			BOP, KVT, UOP4		08	I02A, I02B, I02C, I02D, I22A, I22B, I50Z
	05	F13A			05	F13A		09	J08A, J08B, J08C, J16Z, J21Z, J22A, J22B
	08	I02A, I02B, I02C, I02D, I22A, I22B, I50Z			08	I02A, I02B, I02C, I02D, I22A, I22B, I50Z		21B	X01A, X01B, X01C
	09	J08A, J08B, J08C, J16Z, J21Z, J22A, J22B			21B	X01A, X01B, X01C		22	Y01Z, Y02A, Y02B, Y02C
	21B	X01A, X01B, X01C		5v535.d		BOP, KVT, UOP4	5v536.3↔	05	F13A
5v535.5	22	Y01Z, Y02A, Y02B, Y02C	5v535.d			BOP, KVT, UOP4		08	I02A, I02B, I02C, I02D, I22A, I22B, I50Z
	05	F13A			05	F13A		09	J08A, J08B, J08C, J16Z, J21Z, J22A, J22B
	08	I02A, I02B, I02C, I02D, I22A, I22B, I50Z			08	I02A, I02B, I02C, I02D, I22A, I22B, I50Z		21B	X01A, X01B, X01C
	09	J08A, J08B, J08C, J16Z, J21Z, J22A, J22B			21B	X01A, X01B, X01C		22	Y01Z, Y02A, Y02B, Y02C
	21B	X01A, X01B, X01C		5v535.e↔		BOP, KVT, UOP4	5v536.4	05	F13A
5v535.6↔	22	Y01Z, Y02A, Y02B, Y02C	5v535.e↔			BOP, KVT, UOP4		08	I02A, I02B, I02C, I02D, I22A, I22B, I50Z
	05	F13A			05	F13A		09	J08A, J08B, J08C, J16Z, J21Z, J22A, J22B
	08	I02A, I02B, I02C, I02D, I22A, I22B, I50Z			08	I02A, I02B, I02C, I02D, I22A, I22B, I50Z		21B	X01A, X01B, X01C
	09	J08A, J08B, J08C, J16Z, J21Z, J22A, J22B			21B	X01A, X01B, X01C		22	Y01Z, Y02A, Y02B, Y02C
	21B	X01A, X01B, X01C		5v535.f↔		BOP, KVT, UOP4	5v536.5	05	F13A
5v535.7↔	22	Y01Z, Y02A, Y02B, Y02C	5v535.f↔			BOP, KVT, UOP4		08	I02A, I02B, I02C, I02D, I22A, I22B, I50Z
	05	F13A			05	F13A		09	J08A, J08B, J08C, J16Z, J21Z, J22A, J22B
	08	I02A, I02B, I02C, I02D, I22A, I22B, I50Z			08	I02A, I02B, I02C, I02D, I22A, I22B, I50Z		21B	X01A, X01B, X01C
	09	J08A, J08B, J08C, J16Z, J21Z, J22A, J22B			21B	X01A, X01B, X01C		22	Y01Z, Y02A, Y02B, Y02C
	21B	X01A, X01B, X01C		5v535.g↔		BOP, KVT, UOP4	5v536.6↔	05	F13A
5v535.8↔	22	Y01Z, Y02A, Y02B, Y02C	5v535.g↔			BOP, KVT, UOP4		08	I02A, I02B, I02C, I02D, I22A, I22B, I50Z
	05	F13A			05	F13A		09	J08A, J08B, J08C, J16Z, J21Z, J22A, J22B
	08	I02A, I02B, I02C, I02D, I22A, I22B, I50Z			08	I02A, I02B, I02C, I02D, I22A, I22B, I50Z		21B	X01A, X01B, X01C
	09	J08A, J08B, J08C, J16Z, J21Z, J22A, J22B			21B	X01A, X01B, X01C		22	Y01Z, Y02A, Y02B, Y02C
	21B	X01A, X01B, X01C		5v536.7↔		BOP, KVT, UOP4	5v536.7↔	05	F13A
22	Y01Z, Y02A, Y02B, Y02C	22	Y01Z, Y02A, Y02B, Y02C		08	I02A, I02B, I02C, I02D, I22A, I22B, I50Z			
		05	F13A		09	J08A, J08B, J08C, J16Z, J21Z, J22A, J22B			
		08	I02A, I02B, I02C, I02D, I22A, I22B, I50Z		21B	X01A, X01B, X01C			
		09	J08A, J08B, J08C, J16Z, J21Z, J22A, J22B		22	Y01Z, Y02A, Y02B, Y02C			
		21B	X01A, X01B, X01C			05	F13A		
		22	Y01Z, Y02A, Y02B, Y02C			08	I02A, I02B, I02C, I02D, I22A, I22B, I50Z		
						09	J08A, J08B, J08C, J16Z, J21Z, J22A, J22B		
						21B	X01A, X01B, X01C		
						22	Y01Z, Y02A, Y02B, Y02C		

VYK

ZZV	MDC	DRG	ZZV	MDC	DRG	ZZV	MDC	DRG
5v539.5		BOP, KVT, UOP4	5v539.d		BOP, KVT, UOP4	5v540.a		BOP, KVT, UOP4
	05	F13A		05	F13A		05	F13A
	08	I02A, I02B, I02C, I02D, I22A, I22B, I50Z		08	I02A, I02B, I02C, I02D, I22A, I22B, I50Z		09	J02A, J02B, J02C, J04A, J04B, J08A, J08B, J08C, J16Z, J21Z, J22A, J22B
	09	J08A, J08B, J08C, J16Z, J21Z, J22A, J22B		09	J08A, J08B, J08C, J16Z, J21Z, J22A, J22B		22	Y01Z, Y03A, Y03B
	21B	X01A, X01B, X01C		21B	X01A, X01B, X01C			BOP, KVT, UOP4
5v539.6↔	22	Y01Z, Y02A, Y02B, Y02C	5v539.e↔	22	Y01Z, Y02A, Y02B, Y02C	5v540.b	05	F13A
		BOP, KVT, UOP4			BOP, KVT, UOP4		09	J02A, J02B, J02C, J04A, J04B, J08A, J08B, J08C, J16Z, J21Z, J22A, J22B
	05	F13A		05	F13A		22	Y01Z, Y03A, Y03B
	08	I02A, I02B, I02C, I02D, I22A, I22B, I50Z		08	I02A, I02B, I02C, I02D, I22A, I22B, I50Z			BOP, KVT, UOP4
	09	J08A, J08B, J08C, J16Z, J21Z, J22A, J22B		09	J08A, J08B, J08C, J16Z, J21Z, J22A, J22B		05	F13A
5v539.7↔	21B	X01A, X01B, X01C	5v539.f↔	21B	X01A, X01B, X01C	5v540.c	09	J02A, J02B, J02C, J04A, J04B, J08A, J08B, J08C, J16Z, J21Z, J22A, J22B
	22	Y01Z, Y02A, Y02B, Y02C		22	Y01Z, Y02A, Y02B, Y02C		22	Y01Z, Y03A, Y03B
		BOP, KVT, UOP4			BOP, KVT, UOP4			BOP, KVT, UOP4
	05	F13A		05	F13A		05	F13A
	08	I02A, I02B, I02C, I02D, I22A, I22B, I50Z		08	I02A, I02B, I02C, I02D, I22A, I22B, I50Z		09	J02A, J02B, J02C, J04A, J04B, J08A, J08B, J08C, J16Z, J21Z, J22A, J22B
5v539.8↔	09	J08A, J08B, J08C, J16Z, J21Z, J22A, J22B	5v539.g↔	09	J08A, J08B, J08C, J16Z, J21Z, J22A, J22B	5v540.d	22	Y01Z, Y03A, Y03B
	21B	X01A, X01B, X01C		21B	X01A, X01B, X01C			BOP, KVT, UOP4
	22	Y01Z, Y02A, Y02B, Y02C		22	Y01Z, Y02A, Y02B, Y02C		05	F13A
		BOP, KVT, UOP4			BOP, KVT, UOP4		09	J02A, J02B, J02C, J04A, J04B, J08A, J08B, J08C, J16Z, J21Z, J22A, J22B
	05	F13A		05	F13A		22	Y01Z, Y03A, Y03B
5v539.9↔	08	I02A, I02B, I02C, I02D, I22A, I22B, I32A, I32B, I32C, I32D, I32E, I32F, I50Z	5v539.x↔	08	I02A, I02B, I02C, I02D, I22A, I22B, I50Z	5v540.e↔	05	F13A
	09	J08A, J08B, J08C, J16Z, J21Z, J22A, J22B		09	J08A, J08B, J08C, J16Z, J21Z, J22A, J22B		09	J02A, J02B, J02C, J04A, J04B, J08A, J08B, J08C, J16Z, J21Z, J22A, J22B
	21B	X01A, X01B, X01C		21B	X01A, X01B, X01C		22	Y01Z, Y03A, Y03B
	22	Y01Z, Y02A, Y02B, Y02C		22	Y01Z, Y02A, Y02B, Y02C			BOP, KVT, UOP4
		BOP, KVT, UOP4			BOP, KVT, UOP4		05	F13A
5v539.a	05	F13A	5v53x.x↔	05	F13A	5v540.f↔	09	J02A, J02B, J02C, J04A, J04B, J08A, J08B, J08C, J16Z, J21Z, J22A, J22B
	08	I02A, I02B, I02C, I02D, I22A, I22B, I50Z		08	I02A, I02B, I02C, I02D, I22A, I22B, I50Z		22	Y01Z, Y03A, Y03B
	09	J08A, J08B, J08C, J16Z, J21Z, J22A, J22B		09	J08A, J08B, J08C, J16Z, J21Z, J22A, J22B			BOP, KVT, UOP4
	21B	X01A, X01B, X01C		21B	X01A, X01B, X01C		05	F13A
	22	Y01Z, Y02A, Y02B, Y02C		22	Y01Z, Y02A, Y02B, Y02C		09	J02A, J02B, J02C, J04A, J04B, J08A, J08B, J08C, J16Z, J21Z, J22A, J22B
5v539.b		BOP, KVT, UOP4	5v540.6↔		BOP, KVT, UOP4	5v540.g	22	Y01Z, Y03A, Y03B
	05	F13A		05	F13A			BOP, KVT, UOP4
	08	I02A, I02B, I02C, I02D, I22A, I22B, I50Z		08	I02A, I02B, I02C, I02D, I22A, I22B, I32A, I32B, I32C, I32D, I32E, I32F, I50Z		05	F13A
	09	J08A, J08B, J08C, J16Z, J21Z, J22A, J22B		09	J08A, J08B, J08C, J16Z, J21Z, J22A, J22B		09	J02A, J02B, J02C, J04A, J04B, J08A, J08B, J08C, J16Z, J21Z, J22A, J22B
	21B	X01A, X01B, X01C		21B	X01A, X01B, X01C		22	Y01Z, Y03A, Y03B
5v539.c	22	Y01Z, Y02A, Y02B, Y02C	5v540.7↔	22	Y01Z, Y02A, Y02B, Y02C	5v540.h		BOP, KVT, UOP4
		BOP, KVT, UOP4			BOP, KVT, UOP4		05	F13A
	05	F13A		05	F13A		09	J02A, J02B, J02C, J04A, J04B, J08A, J08B, J08C, J16Z, J21Z, J22A, J22B
	08	I02A, I02B, I02C, I02D, I22A, I22B, I50Z		08	I02A, I02B, I02C, I02D, I22A, I22B, I50Z		22	Y01Z, Y03A, Y03B
	09	J08A, J08B, J08C, J16Z, J21Z, J22A, J22B		09	J08A, J08B, J08C, J16Z, J21Z, J22A, J22B			BOP, KVT, UOP4
5v540.8↔	21B	X01A, X01B, X01C	5v540.8↔	21B	X01A, X01B, X01C	5v540.i	05	F13A
	22	Y01Z, Y02A, Y02B, Y02C		22	Y01Z, Y02A, Y02B, Y02C		09	J02A, J02B, J02C, J04A, J04B, J08A, J08B, J08C, J16Z, J21Z, J22A, J22B
		BOP, KVT, UOP4			BOP, KVT, UOP4		22	Y01Z, Y03A, Y03B
	05	F13A		05	F13A			BOP, KVT, UOP4
	08	I02A, I02B, I02C, I02D, I22A, I22B, I50Z		08	I02A, I02B, I02C, I02D, I22A, I22B, I50Z		05	F13A
5v540.9↔	09	J08A, J08B, J08C, J16Z, J21Z, J22A, J22B	5v540.9↔	09	J02A, J02B, J02C, J04A, J04B, J08A, J08B, J08C, J16Z, J21Z, J22A, J22B	5v540.j	09	J02A, J02B, J02C, J04A, J04B, J08A, J08B, J08C, J16Z, J21Z, J22A, J22B
	21B	X01A, X01B, X01C		21B	X01A, X01B, X01C		22	Y01Z, Y03A, Y03B
	22	Y01Z, Y02A, Y02B, Y02C		22	Y01Z, Y02A, Y02B, Y02C			BOP, KVT, UOP4
		BOP, KVT, UOP4			BOP, KVT, UOP4		05	F13A
	05	F13A		05	F13A		09	J02A, J02B, J02C, J04A, J04B, J08A, J08B, J08C, J16Z, J21Z, J22A, J22B
5v541.5	08	I02A, I02B, I02C, I02D, I22A, I22B, I50Z	5v541.5	08	I02A, I02B, I02C, I02D, I22A, I22B, I50Z	5v541.5	22	Y01Z, Y03A, Y03B
	09	J08A, J08B, J08C, J16Z, J21Z, J22A, J22B		09	J08A, J08B, J08C, J16Z, J21Z, J22A, J22B			BOP, KVT, UOP4
	21B	X01A, X01B, X01C		21B	X01A, X01B, X01C		05	F13A
	22	Y01Z, Y02A, Y02B, Y02C		22	Y01Z, Y02A, Y02B, Y02C		09	J02A, J02B, J02C, J04A, J04B, J08A, J08B, J08C, J16Z, J21Z, J22A, J22B
		BOP, KVT, UOP4			BOP, KVT, UOP4		22	Y01Z, Y03A, Y03B

ZZV	MDC	DRG	ZZV	MDC	DRG	ZZV	MDC	DRG
5v541.6↔		BOP, KVT, UOP4	5v541.m		BOP, KVT, UOP4	5v543.9↔		BOP, KVT, UOP4
	05	F13A		05	F13A		05	F13A
	09	J02A, J02B, J02C, J04A, J04B, J08A, J08B, J08C, J16Z, J21Z, J22A, J22B		09	J02A, J02B, J02C, J04A, J04B, J08A, J08B, J08C, J16Z, J21Z, J22A, J22B		09	J02A, J02B, J02C, J04A, J04B, J08A, J08B, J08C, J16Z, J21Z, J22A, J22B
5v541.7↔	22	Y01Z, Y03A, Y03B	5v541.x	22	Y01Z, Y03A, Y03B	5v543.a	22	Y01Z, Y03A, Y03B
		BOP, KVT, UOP4			BOP, KVT, UOP4			BOP, KVT, UOP4
	05	F13A		05	F13A		05	F13A
5v541.8↔	09	J02A, J02B, J02C, J04A, J04B, J08A, J08B, J08C, J16Z, J21Z, J22A, J22B	5v542.1	09	J02A, J02B, J02C, J04A, J04B, J08A, J08B, J08C, J16Z, J21Z, J22A, J22B	5v543.b	09	J02A, J02B, J02C, J04A, J04B, J08A, J08B, J08C, J16Z, J21Z, J22A, J22B
	22	Y01Z, Y03A, Y03B		22	Y01Z, Y03A, Y03B		22	Y01Z, Y03A, Y03B
		BOP, KVT, UOP4			BOP, KVT, UOP4			BOP, KVT, UOP4
5v541.a	05	F13A	5v542.2↔	05	F13A	5v543.c	05	F13A
	09	J02A, J02B, J02C, J04A, J04B, J08A, J08B, J08C, J16Z, J21Z, J22A, J22B		09	J02A, J02B, J02C, J04A, J04B, J08A, J08B, J08C, J16Z, J21Z, J22A, J22B		09	J02A, J02B, J02C, J04A, J04B, J08A, J08B, J08C, J16Z, J21Z, J22A, J22B
	22	Y01Z, Y03A, Y03B		22	Y01Z, Y03A, Y03B		22	Y01Z, Y03A, Y03B
5v541.b		BOP, KVT, UOP4	5v542.h		BOP, KVT, UOP4	5v543.d		BOP, KVT, UOP4
	05	F13A		05	F13A		05	F13A
	09	J02A, J02B, J02C, J04A, J04B, J08A, J08B, J08C, J16Z, J21Z, J22A, J22B		09	J02A, J02B, J02C, J04A, J04B, J08A, J08B, J08C, J16Z, J21Z, J22A, J22B		09	J02A, J02B, J02C, J04A, J04B, J08A, J08B, J08C, J16Z, J21Z, J22A, J22B
5v541.c	22	Y01Z, Y03A, Y03B	5v542.x	22	Y01Z, Y03A, Y03B	5v543.e↔	22	Y01Z, Y03A, Y03B
		BOP, KVT, UOP4			BOP, KVT, UOP4			BOP, KVT, UOP4
	05	F13A		05	F13A		05	F13A
5v541.d	09	J02A, J02B, J02C, J04A, J04B, J08A, J08B, J08C, J16Z, J21Z, J22A, J22B	5v543.4	09	J02A, J02B, J02C, J04A, J04B, J08A, J08B, J08C, J16Z, J21Z, J22A, J22B	5v543.f↔	09	J02A, J02B, J02C, J04A, J04B, J08A, J08B, J08C, J16Z, J21Z, J22A, J22B
	22	Y01Z, Y03A, Y03B		22	Y01Z, Y03A, Y03B		22	Y01Z, Y03A, Y03B
		BOP, KVT, UOP4			BOP, KVT, UOP4			BOP, KVT, UOP4
5v541.e↔	05	F13A	5v543.5	05	F13A	5v543.g↔	05	F13A
	09	J02A, J02B, J02C, J04A, J04B, J08A, J08B, J08C, J16Z, J21Z, J22A, J22B		09	J02A, J02B, J02C, J04A, J04B, J08A, J08B, J08C, J16Z, J21Z, J22A, J22B		09	J02A, J02B, J02C, J04A, J04B, J08A, J08B, J08C, J16Z, J21Z, J22A, J22B
	22	Y01Z, Y03A, Y03B		22	Y01Z, Y03A, Y03B		22	Y01Z, Y03A, Y03B
5v541.f↔		BOP, KVT, UOP4	5v543.6↔		BOP, KVT, UOP4	5v543.h		BOP, KVT, UOP4
	05	F13A		05	F13A		05	F13A
	09	J02A, J02B, J02C, J04A, J04B, J08A, J08B, J08C, J16Z, J21Z, J22A, J22B		09	J02A, J02B, J02C, J04A, J04B, J08A, J08B, J08C, J16Z, J21Z, J22A, J22B		09	J02A, J02B, J02C, J04A, J04B, J08A, J08B, J08C, J16Z, J21Z, J22A, J22B
5v541.h	22	Y01Z, Y03A, Y03B	5v543.7↔	22	Y01Z, Y03A, Y03B	5v543.j	22	Y01Z, Y03A, Y03B
		BOP, KVT, UOP4			BOP, KVT, UOP4			BOP, KVT, UOP4
	05	F13A		05	F13A		05	F13A
5v541.k	09	J02A, J02B, J02C, J04A, J04B, J08A, J08B, J08C, J16Z, J21Z, J22A, J22B	5v543.8↔	09	J02A, J02B, J02C, J04A, J04B, J08A, J08B, J08C, J16Z, J21Z, J22A, J22B	5v543.x	09	J02A, J02B, J02C, J04A, J04B, J08A, J08B, J08C, J16Z, J21Z, J22A, J22B
	22	Y01Z, Y03A, Y03B		22	Y01Z, Y03A, Y03B		22	Y01Z, Y03A, Y03B
		BOP, KVT, UOP4			BOP, KVT, UOP4			BOP, KVT, UOP4

VYK

ZZV	MDC	DRG	ZZV	MDC	DRG	ZZV	MDC	DRG
5v545.k		BOP, KVT, UOP4	5v551.6↔		BOP, KVT, UOP4	5v551.e↔		BOP, KVT, UOP4
	05	F13A		05	F13A		05	F13A
	09	J02A, J02B, J02C, J04A, J04B, J08A, J08B, J08C, J16Z, J21Z, J22A, J22B		08	I02A, I02B, I02C, I02D, I22A, I22B, I50Z		08	I02A, I02B, I02C, I02D, I22A, I22B, I50Z
5v545.m	22	Y01Z, Y03A, Y03B	5v551.7↔	09	J08A, J08B, J08C, J16Z, J21Z, J22A, J22B	5v551.f↔	09	J08A, J08B, J08C, J16Z, J21Z, J22A, J22B
		BOP, KVT, UOP4		21B	X01A, X01B, X01C		21B	X01A, X01B, X01C
	05	F13A		22	Y01Z, Y02A, Y02B, Y02C		22	Y01Z, Y02A, Y02B, Y02C
5v545.x	09	J02A, J02B, J02C, J04A, J04B, J08A, J08B, J08C, J16Z, J21Z, J22A, J22B	5v551.8↔	05	BOP, KVT, UOP4	5v551.g↔	05	BOP, KVT, UOP4
	22	Y01Z, Y03A, Y03B		08	F13A		08	F13A
		BOP, KVT, UOP4		09	I02A, I02B, I02C, I02D, I22A, I22B, I50Z		09	I02A, I02B, I02C, I02D, I22A, I22B, I50Z
5v54x	05	F13A	5v551.9↔	21B	J08A, J08B, J08C, J16Z, J21Z, J22A, J22B	5v551.h	21B	J08A, J08B, J08C, J16Z, J21Z, J22A, J22B
	09	J02A, J02B, J02C, J04A, J04B, J08A, J08B, J08C, J16Z, J21Z, J22A, J22B		22	X01A, X01B, X01C		22	X01A, X01B, X01C
	22	Y01Z, Y03A, Y03B		22	Y01Z, Y02A, Y02B, Y02C		22	Y01Z, Y02A, Y02B, Y02C
5v551.0		BOP, KVT, UOP4	5v551.a		BOP, KVT, UOP4	5v551.j		BOP, KVT, UOP4
	03	D08A, D08B, D18Z, D22A, D22B, D30A, D30B		05	F13A		05	F13A
	05	F13A		08	I32A, I32B, I32C, I32D, I32E, I32F		08	I02A, I02B, I02C, I02D, I22A, I22B, I50Z
5v551.1	09	J03A, J03B, J04A, J04B, J08A, J08B, J08C, J10A, J10B, J16Z, J21Z, J22A, J22B	5v551.b	09	J08A, J08B, J08C, J16Z, J21Z, J22A, J22B	5v551.k	09	J08A, J08B, J08C, J16Z, J21Z, J22A, J22B
	21A	W04A, W04B		22	Y01Z, Y02A, Y02B, Y02C		21B	X01A, X01B, X01C
	21B	X06A, X06B, X06C			BOP, KVT, UOP4		22	Y01Z, Y02A, Y02B, Y02C
5v551.2↔	22	Y01Z, Y03A, Y03B	5v551.c		BOP, KVT, UOP4	5v551.m		BOP, KVT, UOP4
		BOP, KVT, UOP4		05	F13A		05	F13A
	05	F13A		09	J08A, J08B, J08C, J16Z, J21Z, J22A, J22B		09	J08A, J08B, J08C, J16Z, J21Z, J22A, J22B
5v551.3↔	09	J08A, J08B, J08C, J16Z, J21Z, J22A, J22B	5v551.d	21B	X01A, X01B, X01C	5v551.x↔	21B	X01A, X01B, X01C
	22	Y01Z, Y02A, Y02B, Y03A, Y03B		22	Y01Z, Y02A, Y02B, Y02C		22	Y01Z, Y02A, Y02B, Y02C
		BOP, KVT, UOP4			BOP, KVT, UOP4			BOP, KVT, UOP4
5v551.4		BOP, KVT, UOP4	5v551.5		BOP, KVT, UOP4	5v551.x↔		BOP, KVT, UOP4
	05	F13A		05	F13A		05	F13A
	09	J08A, J08B, J08C, J16Z, J21Z, J22A, J22B		08	I02A, I02B, I02C, I02D, I22A, I22B, I50Z		08	I02A, I02B, I02C, I02D, I22A, I22B, I50Z
5v551.5	22	Y01Z, Y03A, Y03B	5v551.5	09	J08A, J08B, J08C, J16Z, J21Z, J22A, J22B	5v551.x↔	09	J08A, J08B, J08C, J16Z, J21Z, J22A, J22B
	21B	X01A, X01B, X01C		21A	W04A, W04B		21B	X01A, X01B, X01C
	22	Y01Z, Y02A, Y02B, Y02C		21B	X06A, X06B, X06C		22	Y01Z, Y03A, Y03B
	BOP, KVT, UOP4		BOP, KVT, UOP4		BOP, KVT, UOP4			
05	F13A		F13A		F13A			
08	I02A, I02B, I02C, I02D, I22A, I22B, I50Z		I02A, I02B, I02C, I02D, I22A, I22B, I50Z		I02A, I02B, I02C, I02D, I22A, I22B, I50Z			
09	J08A, J08B, J08C, J16Z, J21Z, J22A, J22B		J08A, J08B, J08C, J16Z, J21Z, J22A, J22B		J08A, J08B, J08C, J16Z, J21Z, J22A, J22B			
21B	X01A, X01B, X01C		X01A, X01B, X01C		X01A, X01B, X01C			
22	Y01Z, Y02A, Y02B, Y02C		Y01Z, Y03A, Y03B		Y01Z, Y02A, Y02B, Y02C			
	BOP, KVT, UOP4		BOP, KVT, UOP4		BOP, KVT, UOP4			
05	F13A		F13A		F13A			
08	I02A, I02B, I02C, I02D, I22A, I22B, I50Z		I02A, I02B, I02C, I02D, I22A, I22B, I50Z		I02A, I02B, I02C, I02D, I22A, I22B, I50Z			
09	J08A, J08B, J08C, J16Z, J21Z, J22A, J22B		J08A, J08B, J08C, J16Z, J21Z, J22A, J22B		J08A, J08B, J08C, J16Z, J21Z, J22A, J22B			
21B	X01A, X01B, X01C		X01A, X01B, X01C		X01A, X01B, X01C			
22	Y01Z, Y02A, Y02B, Y02C		Y01Z, Y02A, Y02B, Y02C		Y01Z, Y02A, Y02B, Y02C			

VYK

ZZV	MDC	DRG	ZZV	MDC	DRG	ZZV	MDC	DRG
5v552.0		BOP, KVT, UOP4	5v552.9↔	05	BOP, KVT, UOP4	5v552.h	05	BOP, KVT, UOP4
	03	D08A, D08B, D18Z, D22A, D22B, D30A, D30B		08	F13A		05	F13A
	05	F13A		08	I32A, I32B, I32C, I32D, I32E, I32F		08	I02A, I02B, I02C, I02D, I22A, I22B, I50Z
	09	J03A, J03B, J04A, J04B, J08A, J08B, J08C, J10A, J10B, J16Z, J21Z, J22A, J22B		09	J08A, J08B, J08C, J16Z, J21Z, J22A, J22B		09	J08A, J08B, J08C, J16Z, J21Z, J22A, J22B
	21A	W04A, W04B		22	Y01Z, Y02A, Y02B, Y02C		21B	X01A, X01B, X01C
5v552.1	21B	X06A, X06B, X06C	5v552.a	05	BOP, KVT, UOP4	5v552.j	22	Y01Z, Y02A, Y02B, Y02C
	22	Y01Z, Y03A, Y03B		05	F13A		05	BOP, KVT, UOP4
		BOP, KVT, UOP4		08	F13A		05	F13A
	05	F13A		08	I02A, I02B, I02C, I02D, I22A, I22B, I50Z		08	I02A, I02B, I02C, I02D, I22A, I22B, I50Z
	09	J08A, J08B, J08C, J16Z, J21Z, J22A, J22B		09	J08A, J08B, J08C, J16Z, J21Z, J22A, J22B		09	J08A, J08B, J08C, J16Z, J21Z, J22A, J22B
5v552.2↔	22	Y01Z, Y03A, Y03B	5v552.b	21B	X01A, X01B, X01C	5v552.k	21B	X01A, X01B, X01C
		BOP, KVT, UOP4		22	Y01Z, Y02A, Y02B, Y02C		22	Y01Z, Y02A, Y02B, Y02C
	05	F13A		05	BOP, KVT, UOP4		22	Y01Z, Y02A, Y02B, Y02C
	09	J08A, J08B, J08C, J16Z, J21Z, J22A, J22B		05	F13A		05	BOP, KVT, UOP4
	22	Y01Z, Y03A, Y03B		08	I02A, I02B, I02C, I02D, I22A, I22B, I50Z		05	F13A
5v552.3↔		BOP, KVT, UOP4	5v552.c	08	I02A, I02B, I02C, I02D, I22A, I22B, I50Z	5v552.l	09	J08A, J08B, J08C, J16Z, J21Z, J22A, J22B
	05	F13A		09	J08A, J08B, J08C, J16Z, J21Z, J22A, J22B		10	K09A, K09B
	09	J08A, J08B, J08C, J16Z, J21Z, J22A, J22B		21B	X01A, X01B, X01C		12	M04A, M04B, M04C, M04D, M37Z, M38Z
	22	Y01Z, Y03A, Y03B		22	Y01Z, Y02A, Y02B, Y02C		21A	W04A, W04B
		BOP, KVT, UOP4		05	BOP, KVT, UOP4		21B	X06A, X06B, X06C
5v552.4	05	F13A	5v552.d	05	F13A	5v552.m	22	Y01Z, Y03A, Y03B
	08	I02A, I02B, I02C, I02D, I22A, I22B, I50Z		09	J08A, J08B, J08C, J16Z, J21Z, J22A, J22B		05	BOP, KVT, UOP4
	09	J08A, J08B, J08C, J16Z, J21Z, J22A, J22B		10	K09A, K09B		05	F13A
	21B	X01A, X01B, X01C		12	M04A, M04B, M04C, M04D, M37Z, M38Z		08	I02A, I02B, I02C, I02D, I22A, I22B, I32A, I32B, I32C, I32D, I32E, I32F, I50Z
	22	Y01Z, Y02A, Y02B, Y02C		21A	W04A, W04B		09	J08A, J08B, J08C, J16Z, J21Z, J22A, J22B
5v552.5	22	Y01Z, Y02A, Y02B, Y02C	5v552.e↔	21B	X06A, X06B, X06C	5v552.n	21B	X01A, X01B, X01C
		BOP, KVT, UOP4		22	Y01Z, Y03A, Y03B		22	Y01Z, Y02A, Y02B, Y02C
	05	F13A		05	BOP, KVT, UOP4		22	Y01Z, Y02A, Y02B, Y02C
	08	I02A, I02B, I02C, I02D, I22A, I22B, I50Z		05	F13A		05	BOP, KVT, UOP4
	09	J08A, J08B, J08C, J16Z, J21Z, J22A, J22B		08	I02A, I02B, I02C, I02D, I22A, I22B, I50Z		05	F13A
5v552.6↔	21B	X01A, X01B, X01C	5v552.f↔	09	J08A, J08B, J08C, J16Z, J21Z, J22A, J22B	5v552.o†	08	I02A, I02B, I02C, I02D, I22A, I22B, I32A, I32B, I32C, I32D, I32E, I32F, I50Z
	22	Y01Z, Y02A, Y02B, Y02C		21B	X01A, X01B, X01C		09	J08A, J08B, J08C, J16Z, J21Z, J22A, J22B
		BOP, KVT, UOP4		22	Y01Z, Y02A, Y02B, Y02C		21B	X01A, X01B, X01C
	05	F13A		05	BOP, KVT, UOP4		22	Y01Z, Y02A, Y02B, Y02C
	08	I02A, I02B, I02C, I02D, I22A, I22B, I50Z		08	I02A, I02B, I02C, I02D, I22A, I22B, I50Z		22	Y01Z, Y02A, Y02B, Y02C
5v552.7↔	09	J08A, J08B, J08C, J16Z, J21Z, J22A, J22B	5v552.g↔	09	J08A, J08B, J08C, J16Z, J21Z, J22A, J22B	5v553.1	09	J11A, J11B
	21B	X01A, X01B, X01C		21B	X01A, X01B, X01C		22	Y01Z, Y03A, Y03B
	22	Y01Z, Y02A, Y02B, Y02C		22	Y01Z, Y02A, Y02B, Y02C			BOP, KVT, UOP4
		BOP, KVT, UOP4		05	F13A		03	D09Z, D30A
	05	F13A		08	I02A, I02B, I02C, I02D, I22A, I22B, I50Z		05	F13A
5v552.8↔	08	I02A, I02B, I02C, I02D, I22A, I22B, I50Z	5v552.h↔	09	J08A, J08B, J08C, J16Z, J21Z, J22A, J22B	5v553.2↔	08	I28A, I28B
	09	J08A, J08B, J08C, J16Z, J21Z, J22A, J22B		21B	X01A, X01B, X01C		09	J03A, J03B, J04A, J04B, J08A, J08B, J08C, J10A, J10B, J16Z, J21Z, J22A, J22B
	21B	X01A, X01B, X01C		22	Y01Z, Y02A, Y02B, Y02C		21A	W04A, W04B
	22	Y01Z, Y02A, Y02B, Y02C		05	BOP, KVT, UOP4		21B	X06A, X06B, X06C
		BOP, KVT, UOP4		05	F13A		22	Y01Z, Y02A, Y02B, Y03A, Y03B
	F13A	08	I02A, I02B, I02C, I02D, I22A, I22B, I50Z		BOP, KVT, UOP4			
	I02A, I02B, I02C, I02D, I22A, I22B, I32A, I32B, I32C, I32D, I32E, I32F, I50Z	09	J08A, J08B, J08C, J16Z, J21Z, J22A, J22B		D09Z, D30A			
	J08A, J08B, J08C, J16Z, J21Z, J22A, J22B	21B	X01A, X01B, X01C		F13A			
	X01A, X01B, X01C	22	Y01Z, Y02A, Y02B, Y02C		J03A, J03B, J04A, J04B, J08A, J08B, J08C, J10A, J10B, J16Z, J21Z, J22A, J22B			
	Y01Z, Y02A, Y02B, Y02C		F13A		W04A, W04B			
			I02A, I02B, I02C, I02D, I22A, I22B, I50Z		X06A, X06B, X06C			
			J08A, J08B, J08C, J16Z, J21Z, J22A, J22B		Y01Z, Y03A, Y03B			
			X01A, X01B, X01C		BOP, KVT, UOP4			
			Y01Z, Y02A, Y02B, Y02C		D09Z, D30A			
					F13A			
					J03A, J03B, J04A, J04B, J08A, J08B, J08C, J10A, J10B, J16Z, J21Z, J22A, J22B			
					W04A, W04B			
					X06A, X06B, X06C			
					Y01Z, Y03A, Y03B			

VYK

ZZV	MDC	DRG	ZZV	MDC	DRG	ZZV	MDC	DRG
5v553.3↔		BOP, KVT, UOP4	5v554.2↔		KOP, KOPV	5v554.8↔		KOP, KOPV
	02	C01A, C01B, C16Z, C20A, C20B		06	G33Z		06	G33Z
	05	F13A		07	H33Z, H38Z		07	H33Z, H38Z
	08	I17Z		08	I02A, I02B, I02C, I02D, I22A, I22B, I32A, I32B, I32C, I32D, I34Z, I50Z		08	I02A, I02B, I02C, I02D, I22A, I22B, I32A, I32B, I32C, I32D, I32E, I32F, I34Z, I50Z
	09	J03A, J03B, J04A, J04B, J08A, J08B, J08C, J10A, J10B, J16Z, J21Z, J22A, J22B		09	J01Z, J02A, J02B		09	J01Z, J02A, J02B
	10	K09A, K09B		11	L33Z		11	L33Z
	21A	W04A, W04B		21B	X01A, X01B, X01C, X33Z		21B	X01A, X01B, X01C, X33Z
	21B	X06A, X06B, X06C		22	Y01Z, Y03A, Y03B		22	Y01Z, Y02A, Y02B, Y02C
	22	Y01Z, Y03A, Y03B	5v554.3↔	Pre	A07A	5v554.9↔	Pre	A07A
5v553.4‡	09	J11A, J11B		KOP, KOPV		KOP, KOPV		KOP, KOPV
	22	Y01Z, Y02A, Y02B, Y02C		06	G33Z		06	G33Z
5v553.5‡	09	J11A, J11B		07	H33Z, H38Z		07	H33Z, H38Z
	22	Y01Z, Y02A, Y02B, Y02C		08	I02A, I02B, I02C, I02D, I22A, I22B, I32A, I32B, I32C, I32D, I34Z, I50Z		08	I32A, I32B, I32C, I32D, I32E, I32F, I34Z
5v553.6‡↔	09	J11A, J11B		09	J01Z, J02A, J02B		09	J01Z, J02A, J02B
	22	Y01Z, Y02A, Y02B, Y02C		11	L33Z		11	L33Z
5v553.7‡↔	09	J11A, J11B		21B	X01A, X01B, X01C, X33Z		21B	X01A, X01B, X01C, X33Z
	22	Y01Z, Y02A, Y02B, Y02C		22	Y01Z, Y03A, Y03B		22	Y01Z, Y02A, Y02B, Y02C
5v553.8‡↔	09	J11A, J11B		Pre	A07A	5v554.a	Pre	A07A
	22	Y01Z, Y02A, Y02B, Y02C	5v554.4	KOP, KOPV		KOP, KOPV		KOP, KOPV
5v553.9‡↔	09	J11A, J11B		06	G33Z		06	G33Z
	22	Y01Z, Y02A, Y02B, Y02C		07	H33Z, H38Z		07	H33Z, H38Z
5v553.a‡	09	J11A, J11B		08	I02A, I02B, I02C, I02D, I22A, I22B, I32A, I32B, I32C, I32D, I34Z, I50Z		08	I02A, I02B, I02C, I02D, I22A, I22B, I32A, I32B, I32C, I32D, I34Z, I50Z
	22	Y01Z, Y02A, Y02B, Y02C		09	J01Z, J02A, J02B		09	J01Z, J02A, J02B
5v553.b‡	09	J11A, J11B		11	L33Z		11	L33Z
	22	Y01Z, Y02A, Y02B, Y02C		21B	X01A, X01B, X01C, X33Z		21B	X01A, X01B, X01C, X33Z
5v553.c‡	09	J11A, J11B		22	Y01Z, Y02A, Y02B, Y02C		22	Y01Z, Y02A, Y02B, Y02C
	22	Y01Z, Y02A, Y02B, Y02C		Pre	A07A	5v554.b	Pre	A07A
5v553.d‡	09	J11A, J11B		KOP, KOPV		KOP, KOPV		KOP, KOPV
	22	Y01Z, Y02A, Y02B, Y02C	5v554.5	KOP, KOPV		G33Z		G33Z
5v553.e‡↔	09	J11A, J11B		06	G33Z		06	G33Z
	22	Y01Z, Y02A, Y02B, Y02C		07	H33Z, H38Z		07	H33Z, H38Z
5v553.f‡↔	09	J11A, J11B		08	I02A, I02B, I02C, I02D, I22A, I22B, I32A, I32B, I32C, I32D, I34Z, I50Z		08	I02A, I02B, I02C, I02D, I22A, I22B, I32A, I32B, I32C, I32D, I34Z, I50Z
	22	Y01Z, Y02A, Y02B, Y02C		09	J01Z, J02A, J02B		09	J01Z, J02A, J02B
5v553.g‡↔	09	J11A, J11B		11	L33Z		11	L33Z
	22	Y01Z, Y02A, Y02B, Y02C		21B	X01A, X01B, X01C, X33Z		21B	X01A, X01B, X01C, X33Z
5v553.h‡	09	J11A, J11B		22	Y01Z, Y02A, Y02B, Y02C		22	Y01Z, Y02A, Y02B, Y02C
	22	Y01Z, Y02A, Y02B, Y02C		Pre	A07A	5v554.c	Pre	A07A
5v553.j‡	09	J11A, J11B		KOP, KOPV		KOP, KOPV		KOP, KOPV
	22	Y01Z, Y02A, Y02B, Y02C	5v554.6↔	KOP, KOPV		G33Z		G33Z
5v553.k‡	09	J11A, J11B		06	G33Z		06	G33Z
	22	Y01Z, Y02A, Y02B, Y02C		07	H33Z, H38Z		07	H33Z, H38Z
5v553.m‡	09	J11A, J11B		08	I02A, I02B, I02C, I02D, I22A, I22B, I32A, I32B, I32C, I32D, I34Z, I50Z		08	I02A, I02B, I02C, I02D, I22A, I22B, I32A, I32B, I32C, I32D, I34Z, I50Z
	22	Y01Z, Y02A, Y02B, Y02C		09	J01Z, J02A, J02B		09	J01Z, J02A, J02B
5v553.x‡	09	J11A, J11B		11	L33Z		11	L33Z
	22	Y01Z, Y02A, Y02B, Y02C		21B	X01A, X01B, X01C, X33Z		21B	X01A, X01B, X01C, X33Z
5v554.0		KOP, KOPV		22	Y01Z, Y02A, Y02B, Y02C		22	Y01Z, Y03A, Y03B
	06	G33Z		Pre	A07A	5v554.d	Pre	A07A
	07	H33Z, H38Z	5v554.7↔	KOP, KOPV		KOP, KOPV		KOP, KOPV
	08	I32A, I32B, I32C, I32D		06	G33Z		06	G33Z
	09	J01Z, J02A, J02B		07	H33Z, H38Z		07	H33Z, H38Z
	11	L33Z		08	I02A, I02B, I02C, I02D, I22A, I22B, I32A, I32B, I32C, I32D, I34Z, I50Z		08	I02A, I02B, I02C, I02D, I22A, I22B, I32A, I32B, I32C, I32D, I34Z, I50Z
	21B	X01A, X01B, X01C, X33Z		09	J01Z, J02A, J02B		09	J01Z, J02A, J02B
	22	Y01Z, Y03A, Y03B		11	L33Z		11	L33Z
	Pre	A07A		21B	X01A, X01B, X01C, X33Z		21B	X01A, X01B, X01C, X33Z
5v554.1		KOP, KOPV		22	Y01Z, Y02A, Y02B, Y02C		22	Y01Z, Y03A, Y03B
	06	G33Z		Pre	A07A		Pre	A07A
	07	H33Z, H38Z		KOP, KOPV		G33Z		G33Z
	08	I02A, I02B, I02C, I02D, I22A, I22B, I32A, I32B, I32C, I32D, I34Z, I50Z		06	G33Z		06	G33Z
	09	J01Z, J02A, J02B		07	H33Z, H38Z		07	H33Z, H38Z
	11	L33Z		08	I02A, I02B, I02C, I02D, I22A, I22B, I32A, I32B, I32C, I32D, I34Z, I50Z		08	I02A, I02B, I02C, I02D, I22A, I22B, I32A, I32B, I32C, I32D, I34Z, I50Z
	21B	X01A, X01B, X01C, X33Z		09	J01Z, J02A, J02B		09	J01Z, J02A, J02B
	22	Y01Z, Y03A, Y03B		11	L33Z		11	L33Z
	Pre	A07A		21B	X01A, X01B, X01C, X33Z		21B	X01A, X01B, X01C, X33Z
				22	Y01Z, Y02A, Y02B, Y02C		22	Y01Z, Y03A, Y03B
				Pre	A07A		Pre	A07A

ZZV	MDC	DRG	ZZV	MDC	DRG	ZZV	MDC	DRG			
5v554.e↔		KOP, KOPV	5v555.2↔		BOP, KVT, UOP4	5v555.8↔		BOP, KVT, UOP4			
	06	G33Z		03	D12A		05	F13A			
	07	H33Z, H38Z		05	F13A		08	I02A, I02B, I02C, I02D, I22A, I22B, I32A, I32B, I32C, I32D, I32E, I32F, I50Z			
	08	I02A, I02B, I02C, I02D, I22A, I22B, I32A, I32B, I32C, I32D, I34Z, I50Z		09	J02A, J02B, J02C, J04A, J04B, J08A, J08B, J08C, J16Z, J21Z, J22A, J22B		09	J02A, J02B, J02C, J04A, J04B, J08A, J08B, J08C, J16Z, J21Z, J22A, J22B			
	09	J01Z, J02A, J02B		21A	W04A, W04B		21A	W04A, W04B			
	11	L33Z		21B	X01A, X01B, X01C		21B	X01A, X01B, X01C			
	21B	X01A, X01B, X01C, X33Z		22	Y01Z, Y03A, Y03B		21B	W04A, W04B			
	22	Y01Z, Y02A, Y02B, Y02C		5v555.3↔			21B	X01A, X01B, X01C			
	Pre	A07A		02	BOP, KVT, UOP4		22	Y01Z, Y02A, Y02B, Y02C			
	5v554.f↔			KOP, KOPV	5v555.4			C01A, C01B, C16Z, C20A, C20B	5v555.9↔		BOP, KVT, UOP4
		06		G33Z			05	F13A		05	F13A
		07		H33Z, H38Z			08	I17Z		08	I32A, I32B, I32C, I32D, I32E, I32F
		08		I02A, I02B, I02C, I02D, I22A, I22B, I32A, I32B, I32C, I32D, I34Z, I50Z			09	J03A, J03B, J04A, J04B, J08A, J08B, J08C, J10A, J10B, J16Z, J21Z, J22A, J22B		09	J02A, J02B, J02C, J04A, J04B, J08A, J08B, J08C, J16Z, J21Z, J22A, J22B
09		J01Z, J02A, J02B	21A	W04A, W04B		21A	W04A, W04B				
11		L33Z	21B	X06A, X06B, X06C		21B	X01A, X01B, X01C				
21B		X01A, X01B, X01C, X33Z	22	Y01Z, Y03A, Y03B		22	Y01Z, Y02A, Y02B, Y02C				
22		Y01Z, Y02A, Y02B, Y02C	5v555.5			22	Y01Z, Y02A, Y02B, Y02C				
Pre		A07A	03	BOP, KVT, UOP4		5v555.a					
5v554.g↔			KOP, KOPV	5v555.5			D12A	5v555.b			BOP, KVT, UOP4
		06	G33Z			05	F13A			05	F13A
		07	H33Z, H38Z			08	I02A, I02B, I02C, I02D, I22A, I22B, I50Z			08	I02A, I02B, I02C, I02D, I22A, I22B, I50Z
		08	I02A, I02B, I02C, I02D, I22A, I22B, I32A, I32B, I32C, I32D, I34Z, I50Z			09	J02A, J02B, J02C, J04A, J04B, J08A, J08B, J08C, J16Z, J21Z, J22A, J22B			09	J02A, J02B, J02C, J04A, J04B, J08A, J08B, J08C, J16Z, J21Z, J22A, J22B
	09	J01Z, J02A, J02B	21A		W04A, W04B	21A	W04A, W04B				
	11	L33Z	21B		X01A, X01B, X01C	21B	X01A, X01B, X01C				
	21B	X01A, X01B, X01C, X33Z	22		Y01Z, Y02A, Y02B, Y02C	22	Y01Z, Y02A, Y02B, Y02C				
	22	Y01Z, Y02A, Y02B, Y02C	5v555.6↔			22	Y01Z, Y02A, Y02B, Y02C				
	Pre	A07A	05		BOP, KVT, UOP4	5v555.c					
	5v554.x↔		KOP, KOPV		5v555.6↔		D12A		5v555.c		BOP, KVT, UOP4
		06	G33Z			03	D12A			05	F13A
		07	H33Z, H38Z			05	F13A			08	I02A, I02B, I02C, I02D, I22A, I22B, I50Z
		08	I02A, I02B, I02C, I02D, I22A, I22B, I32A, I32B, I32C, I32D, I32E, I32F, I34Z, I50Z			08	I02A, I02B, I02C, I02D, I22A, I22B, I50Z			09	J02A, J02B, J02C, J04A, J04B, J08A, J08B, J08C, J16Z, J21Z, J22A, J22B
09		J01Z, J02A, J02B	09	J02A, J02B, J02C, J04A, J04B, J08A, J08B, J08C, J16Z, J21Z, J22A, J22B		21A	W04A, W04B				
11		L33Z	21A	W04A, W04B		21B	X01A, X01B, X01C				
21B		X01A, X01B, X01C, X33Z	21B	X01A, X01B, X01C		22	Y01Z, Y02A, Y02B, Y02C				
22		Y01Z, Y03A, Y03B	22	Y01Z, Y02A, Y02B, Y02C		22	Y01Z, Y02A, Y02B, Y02C				
Pre		A07A	5v555.7↔			5v555.d					
5v555.0			BOP, KVT, UOP4	5v555.7↔			BOP, KVT, UOP4	5v555.d			BOP, KVT, UOP4
		03	D18Z, D25A, D25B, D25C, D25D			05	F13A			05	F13A
		05	F13A			08	I02A, I02B, I02C, I02D, I22A, I22B, I50Z			08	I02A, I02B, I02C, I02D, I22A, I22B, I50Z
		09	J03A, J03B, J04A, J04B, J08A, J08B, J08C, J11A, J11B, J16Z, J21Z, J22A, J22B			09	J02A, J02B, J02C, J04A, J04B, J08A, J08B, J08C, J16Z, J21Z, J22A, J22B			09	J02A, J02B, J02C, J04A, J04B, J08A, J08B, J08C, J16Z, J21Z, J22A, J22B
	21A	W04A, W04B	21A		W04A, W04B	21A	W04A, W04B				
	21B	X06A, X06B, X06C	21B		X01A, X01B, X01C	21B	X01A, X01B, X01C				
	22	Y01Z, Y03A, Y03B	22		Y01Z, Y02A, Y02B, Y02C	22	Y01Z, Y03A, Y03B				
	Pre	A07A	5v555.8↔			22	Y01Z, Y02A, Y02B, Y02C				
	5v555.1		BOP, KVT, UOP4		5v555.8↔		F13A		5v555.d		BOP, KVT, UOP4
		03	D12A			05	F13A			05	F13A
		05	F13A			08	I02A, I02B, I02C, I02D, I22A, I22B, I50Z			08	I02A, I02B, I02C, I02D, I22A, I22B, I50Z
		09	J02A, J02B, J02C, J04A, J04B, J08A, J08B, J08C, J16Z, J21Z, J22A, J22B			09	J02A, J02B, J02C, J04A, J04B, J08A, J08B, J08C, J16Z, J21Z, J22A, J22B			09	J02A, J02B, J02C, J04A, J04B, J08A, J08B, J08C, J16Z, J21Z, J22A, J22B
		21A	W04A, W04B			21A	W04A, W04B			21A	W04A, W04B
21B		X01A, X01B, X01C	21B	X01A, X01B, X01C		21B	X01A, X01B, X01C				
22		Y01Z, Y02A, Y02B, Y03A, Y03B	22	Y01Z, Y02A, Y02B, Y02C		22	Y01Z, Y03A, Y03B				

ZZV	MDC	DRG	ZZV	MDC	DRG	ZZV	MDC	DRG	
5v555.e↔		BOP, KVT, UOP4	5v556.2↔		BOP, KVT, UOP4	5v556.8↔		BOP, KVT, UOP4	
	05	F13A		03	D12A		05	F13A	
	08	I02A, I02B, I02C, I02D, I22A, I22B, I50Z		05	F13A		08	I02A, I02B, I02C, I02D, I22A, I22B, I32A, I32B, I32C, I32D, I32E, I32F, I50Z	
	09	J02A, J02B, J02C, J04A, J04B, J08A, J08B, J08C, J16Z, J21Z, J22A, J22B		09	J02A, J02B, J02C, J04A, J04B, J08A, J08B, J08C, J10A, J10B, J16Z, J21Z, J22A, J22B		09	J02A, J02B, J02C, J04A, J04B, J08A, J08B, J08C, J16Z, J21Z, J22A, J22B	
	21A	W04A, W04B		21A	W04A, W04B		21A	W04A, W04B	
	21B	X01A, X01B, X01C		21B	X01A, X01B, X01C		21B	X01A, X01B, X01C	
	22	Y01Z, Y02A, Y02B, Y02C		22	Y01Z, Y03A, Y03B		21B	X01A, X01B, X01C	
		BOP, KVT, UOP4		22	BOP, KVT, UOP4		22	Y01Z, Y02A, Y02B, Y02C	
		BOP, KVT, UOP4		02	C01A, C01B, C16Z, C20A, C20B		22	BOP, KVT, UOP4	
		F13A		05	F13A		05	F13A	
5v555.f↔	08	I02A, I02B, I02C, I02D, I22A, I22B, I50Z	5v556.3↔	08	I17Z	5v556.9↔	08	I32A, I32B, I32C, I32D, I32E, I32F	
	09	J02A, J02B, J02C, J04A, J04B, J08A, J08B, J08C, J16Z, J21Z, J22A, J22B		09	J03A, J03B, J04A, J04B, J08A, J08B, J08C, J10A, J10B, J16Z, J21Z, J22A, J22B		09	J02A, J02B, J02C, J04A, J04B, J08A, J08B, J08C, J16Z, J21Z, J22A, J22B	
	21A	W04A, W04B		10	K09A, K09B		21A	W04A, W04B	
	21B	X01A, X01B, X01C		21A	W04A, W04B		21B	X01A, X01B, X01C	
	22	Y01Z, Y02A, Y02B, Y02C		21B	X06A, X06B, X06C		22	Y01Z, Y02A, Y02B, Y02C	
		BOP, KVT, UOP4		22	Y01Z, Y03A, Y03B		22	BOP, KVT, UOP4	
		F13A		5v556.4	BOP, KVT, UOP4		5v556.a	F13A	
	08	I02A, I02B, I02C, I02D, I22A, I22B, I50Z		03	D12A		08	I02A, I02B, I02C, I02D, I22A, I22B, I50Z	
	09	J02A, J02B, J02C, J04A, J04B, J08A, J08B, J08C, J16Z, J21Z, J22A, J22B		05	F13A		09	J02A, J02B, J02C, J04A, J04B, J08A, J08B, J08C, J16Z, J21Z, J22A, J22B	
	21A	W04A, W04B		08	I02A, I02B, I02C, I02D, I22A, I22B, I50Z		21A	W04A, W04B	
21B	X01A, X01B, X01C	09	J02A, J02B, J02C, J04A, J04B, J08A, J08B, J08C, J16Z, J21Z, J22A, J22B	21B	X01A, X01B, X01C				
22	Y01Z, Y02A, Y02B, Y02C	21A	W04A, W04B	22	Y01Z, Y02A, Y02B, Y02C				
5v555.g↔		BOP, KVT, UOP4	5v556.5	21B	X01A, X01B, X01C	5v556.b		BOP, KVT, UOP4	
	05	F13A		22	Y01Z, Y02A, Y02B, Y02C		05	F13A	
	08	I02A, I02B, I02C, I02D, I22A, I22B, I32A, I32B, I32C, I32D, I32E, I32F, I50Z		BOP, KVT, UOP4	08		I02A, I02B, I02C, I02D, I22A, I22B, I50Z	08	I02A, I02B, I02C, I02D, I22A, I22B, I50Z
	09	J02A, J02B, J02C, J04A, J04B, J08A, J08B, J08C, J16Z, J21Z, J22A, J22B		03	D12A		09	J02A, J02B, J02C, J04A, J04B, J08A, J08B, J08C, J16Z, J21Z, J22A, J22B	
	21A	W04A, W04B		05	F13A		21A	W04A, W04B	
	21B	X01A, X01B, X01C		08	I02A, I02B, I02C, I02D, I22A, I22B, I50Z		21B	X01A, X01B, X01C	
	22	Y01Z, Y02A, Y02B, Y02C		09	J02A, J02B, J02C, J04A, J04B, J08A, J08B, J08C, J16Z, J21Z, J22A, J22B		22	Y01Z, Y02A, Y02B, Y02C	
		BOP, KVT, UOP4		21A	W04A, W04B		22	BOP, KVT, UOP4	
		F13A		21B	X01A, X01B, X01C		5v556.c	F13A	
		I02A, I02B, I02C, I02D, I22A, I22B, I32A, I32B, I32C, I32D, I32E, I32F, I50Z		22	Y01Z, Y02A, Y02B, Y02C		05	F13A	
5v555.x↔	05	F13A	5v556.6↔		BOP, KVT, UOP4	5v556.c	08	I02A, I02B, I02C, I02D, I22A, I22B, I50Z	
	08	I02A, I02B, I02C, I02D, I22A, I22B, I32A, I32B, I32C, I32D, I32E, I32F, I50Z		05	F13A		09	J02A, J02B, J02C, J04A, J04B, J08A, J08B, J08C, J16Z, J21Z, J22A, J22B	
	09	J02A, J02B, J02C, J04A, J04B, J08A, J08B, J08C, J16Z, J21Z, J22A, J22B		08	I02A, I02B, I02C, I02D, I22A, I22B, I50Z		21A	W04A, W04B	
	21A	W04A, W04B		09	J02A, J02B, J02C, J04A, J04B, J08A, J08B, J08C, J16Z, J21Z, J22A, J22B		21B	X01A, X01B, X01C	
	21B	X01A, X01B, X01C		21A	W04A, W04B		22	Y01Z, Y03A, Y03B	
	22	Y01Z, Y02A, Y02B, Y02C		21B	X01A, X01B, X01C		22	Y01Z, Y02A, Y02B, Y02C	
		BOP, KVT, UOP4		22	Y01Z, Y02A, Y02B, Y02C		22	BOP, KVT, UOP4	
		F13A		5v556.7↔	BOP, KVT, UOP4		5v556.d	F13A	
		J03A, J03B, J04A, J04B, J08A, J08B, J08C, J11A, J11B, J16Z, J21Z, J22A, J22B		05	F13A		05	F13A	
	21A	W04A, W04B		08	I02A, I02B, I02C, I02D, I22A, I22B, I50Z		08	I02A, I02B, I02C, I02D, I22A, I22B, I50Z	
21B	X06A, X06B, X06C	09	J02A, J02B, J02C, J04A, J04B, J08A, J08B, J08C, J16Z, J21Z, J22A, J22B	09	J02A, J02B, J02C, J04A, J04B, J08A, J08B, J08C, J16Z, J21Z, J22A, J22B				
22	Y01Z, Y03A, Y03B	21A	W04A, W04B	21A	W04A, W04B				
5v556.0		BOP, KVT, UOP4	5v556.7↔		BOP, KVT, UOP4	5v556.d		BOP, KVT, UOP4	
	03	D12A		05	F13A		05	F13A	
	05	F13A		08	I02A, I02B, I02C, I02D, I22A, I22B, I50Z		08	I02A, I02B, I02C, I02D, I22A, I22B, I50Z	
	09	J02A, J02B, J02C, J04A, J04B, J08A, J08B, J08C, J16Z, J21Z, J22A, J22B		08	I02A, I02B, I02C, I02D, I22A, I22B, I50Z		09	J02A, J02B, J02C, J04A, J04B, J08A, J08B, J08C, J16Z, J21Z, J22A, J22B	
	21A	W04A, W04B		09	J02A, J02B, J02C, J04A, J04B, J08A, J08B, J08C, J16Z, J21Z, J22A, J22B		21A	W04A, W04B	
	21B	X01A, X01B, X01C		21A	W04A, W04B		21B	X01A, X01B, X01C	
	22	Y01Z, Y03A, Y03B		21B	X01A, X01B, X01C		22	Y01Z, Y03A, Y03B	
		BOP, KVT, UOP4		22	Y01Z, Y02A, Y02B, Y02C		22	Y01Z, Y03A, Y03B	
		D12A		5v556.7↔	BOP, KVT, UOP4		22	Y01Z, Y03A, Y03B	
		F13A		05	F13A				
5v556.1	09	J02A, J02B, J02C, J04A, J04B, J08A, J08B, J08C, J16Z, J21Z, J22A, J22B	08	I02A, I02B, I02C, I02D, I22A, I22B, I50Z					
	21A	W04A, W04B	09	J02A, J02B, J02C, J04A, J04B, J08A, J08B, J08C, J16Z, J21Z, J22A, J22B					
	21B	X01A, X01B, X01C	21A	W04A, W04B					
	22	Y01Z, Y02A, Y02B, Y03A, Y03B	21B	X01A, X01B, X01C					
		BOP, KVT, UOP4	22	Y01Z, Y02A, Y02B, Y02C					
		D12A							
		F13A							
		J02A, J02B, J02C, J04A, J04B, J08A, J08B, J08C, J16Z, J21Z, J22A, J22B							
	21A	W04A, W04B							
	21B	X01A, X01B, X01C							
22	Y01Z, Y02A, Y02B, Y03A, Y03B								

VYK

ZZV	MDC	DRG	ZZV	MDC	DRG	ZZV	MDC	DRG
5v556.e↔		BOP, KVT, UOP4	5v557.3↔		BOP, KVT, UOP4	5v558.3↔		BOP, KVT, UOP4
	05	F13A		02	C01A, C01B, C16Z, C20A, C20B		02	C01A, C01B, C16Z, C20A, C20B
	08	I02A, I02B, I02C, I02D, I22A, I22B, I50Z		05	F13A		05	F13A
	09	J02A, J02B, J02C, J04A, J04B, J08A, J08B, J08C, J16Z, J21Z, J22A, J22B		08	I17Z		08	I17Z
	21A	W04A, W04B		09	J03A, J03B, J04A, J04B, J08A, J08B, J08C, J10A, J10B, J16Z, J21Z, J22A, J22B		09	J03A, J03B, J04A, J04B, J08A, J08B, J08C, J10A, J10B, J16Z, J21Z, J22A, J22B
	21B	X01A, X01B, X01C		10	K09A, K09B		10	K09A, K09B
	22	Y01Z, Y02A, Y02B, Y02C		21A	W04A, W04B		21A	W04A, W04B
5v556.f↔		BOP, KVT, UOP4		21B	X06A, X06B, X06C		21B	X06A, X06B, X06C
	05	F13A		22	Y01Z, Y03A, Y03B		22	Y01Z, Y02A, Y03A, Y03B
	08	I02A, I02B, I02C, I02D, I22A, I22B, I50Z	5v557.4‡	09	J11A, J11B	5v558.4‡	09	J11A, J11B
	09	J02A, J02B, J02C, J04A, J04B, J08A, J08B, J08C, J16Z, J21Z, J22A, J22B		22	Y01Z, Y02A, Y02B, Y02C		22	Y01Z, Y02A, Y02B, Y02C
	21A	W04A, W04B	5v557.5‡	09	J11A, J11B	5v558.5‡	09	J11A, J11B
	21B	X01A, X01B, X01C		22	Y01Z, Y02A, Y02B, Y02C		22	Y01Z, Y02A, Y02B, Y02C
	22	Y01Z, Y02A, Y02B, Y02C	5v557.6‡↔	09	J11A, J11B	5v558.6‡↔	09	J11A, J11B
5v556.g↔		BOP, KVT, UOP4		22	Y01Z, Y02A, Y02B, Y02C		22	Y01Z, Y02A, Y02B, Y02C
	05	F13A	5v557.7‡↔	09	J11A, J11B	5v558.7‡↔	09	J11A, J11B
	08	I02A, I02B, I02C, I02D, I22A, I22B, I50Z		22	Y01Z, Y02A, Y02B, Y02C		22	Y01Z, Y02A, Y02B, Y02C
	09	J02A, J02B, J02C, J04A, J04B, J08A, J08B, J08C, J16Z, J21Z, J22A, J22B	5v557.8‡↔	09	J11A, J11B	5v558.8‡↔	09	J11A, J11B
	21A	W04A, W04B		22	Y01Z, Y02A, Y02B, Y02C		22	Y01Z, Y02A, Y02B, Y02C
	21B	X01A, X01B, X01C	5v557.9‡↔	09	J11A, J11B	5v558.9‡↔	09	J11A, J11B
	22	Y01Z, Y02A, Y02B, Y02C		22	Y01Z, Y02A, Y02B, Y02C		22	Y01Z, Y02A, Y02B, Y02C
5v556.x↔		BOP, KVT, UOP4	5v557.a‡	09	J11A, J11B	5v558.a‡	09	J11A, J11B
	05	F13A		22	Y01Z, Y02A, Y02B, Y02C		22	Y01Z, Y02A, Y02B, Y02C
	08	I02A, I02B, I02C, I02D, I22A, I22B, I32A, I32B, I32C, I32D, I32E, I32F, I50Z	5v557.b‡	09	J11A, J11B	5v558.b‡	09	J11A, J11B
	09	J02A, J02B, J02C, J04A, J04B, J08A, J08B, J08C, J16Z, J21Z, J22A, J22B		22	Y01Z, Y02A, Y02B, Y02C		22	Y01Z, Y02A, Y02B, Y02C
	21A	W04A, W04B	5v557.c‡	09	J11A, J11B	5v558.c‡	09	J11A, J11B
	21B	X01A, X01B, X01C		22	Y01Z, Y03A, Y03B		22	Y01Z, Y02A, Y03A, Y03B
	22	Y01Z, Y02A, Y02B, Y02C	5v557.d‡	09	J11A, J11B	5v558.d‡	09	J11A, J11B
5v557.0‡	09	J11A, J11B		22	Y01Z, Y02A, Y02B, Y02C		22	Y01Z, Y02A, Y02B, Y02C
5v557.1	22	Y01Z, Y03A, Y03B	5v557.e‡↔	09	J11A, J11B	5v558.e‡↔	09	J11A, J11B
		BOP, KVT, UOP4		22	Y01Z, Y02A, Y02B, Y02C		22	Y01Z, Y02A, Y02B, Y02C
	03	D09Z, D30A	5v557.f‡↔	09	J11A, J11B	5v558.f‡↔	09	J11A, J11B
	05	F13A		22	Y01Z, Y02A, Y02B, Y02C		22	Y01Z, Y02A, Y02B, Y02C
	08	I28A, I28B	5v557.g‡↔	09	J11A, J11B	5v558.g‡↔	09	J11A, J11B
	09	J03A, J03B, J04A, J04B, J08A, J08B, J08C, J10A, J10B, J16Z, J21Z, J22A, J22B		22	Y01Z, Y02A, Y02B, Y02C		22	Y01Z, Y02A, Y02B, Y02C
	21A	W04A, W04B	5v557.x‡	09	J11A, J11B	5v558.x‡	09	J11A, J11B
	21B	X06A, X06B, X06C		22	Y01Z, Y02A, Y02B, Y02C		22	Y01Z, Y02A, Y02B, Y02C
	22	Y01Z, Y02A, Y02B, Y03A, Y03B	5v558.0‡	09	J11A, J11B	5v559.0‡	09	J11A, J11B
5v557.2↔		BOP, KVT, UOP4		22	Y01Z, Y02A, Y03A, Y03B		22	Y01Z, Y02A, Y03A, Y03B
	03	D09Z, D30A	5v558.1		BOP, KVT, UOP4	5v559.1		BOP, KVT, UOP4
	05	F13A		03	D09Z, D30A		03	D09Z, D30A
	08	I28A, I28B		05	F13A		05	F13A
	09	J03A, J03B, J04A, J04B, J08A, J08B, J08C, J10A, J10B, J16Z, J21Z, J22A, J22B		08	I28A, I28B		08	I28A, I28B
	21A	W04A, W04B		09	J03A, J03B, J04A, J04B, J08A, J08B, J08C, J10A, J10B, J16Z, J21Z, J22A, J22B		09	J03A, J03B, J04A, J04B, J08A, J08B, J08C, J10A, J10B, J16Z, J21Z, J22A, J22B
	21B	X06A, X06B, X06C		21A	W04A, W04B		21A	W04A, W04B
	22	Y01Z, Y02A, Y02B, Y03A, Y03B		21B	X06A, X06B, X06C		21B	X06A, X06B, X06C
			5v558.2↔		BOP, KVT, UOP4	5v559.2↔		BOP, KVT, UOP4
	03	D09Z, D30A		03	D09Z, D30A		03	D09Z, D30A
	05	F13A		05	F13A		05	F13A
	09	J03A, J03B, J04A, J04B, J08A, J08B, J08C, J10A, J10B, J16Z, J21Z, J22A, J22B		09	J03A, J03B, J04A, J04B, J08A, J08B, J08C, J10A, J10B, J16Z, J21Z, J22A, J22B		09	J03A, J03B, J04A, J04B, J08A, J08B, J08C, J10A, J10B, J16Z, J21Z, J22A, J22B
	21A	W04A, W04B		21A	W04A, W04B		21A	W04A, W04B
	21B	X06A, X06B, X06C		21B	X06A, X06B, X06C		21B	X06A, X06B, X06C
	22	Y01Z, Y03A, Y03B		22	Y01Z, Y02A, Y03A, Y03B		22	Y01Z, Y02A, Y03A, Y03B

ZZV	MDC	DRG	ZZV	MDC	DRG	ZZV	MDC	DRG
5v559.3↔		BOP, KVT, UOP4	5v55a.3↔		BOP, KVT, UOP4	5v55b.3↔		BOP, KVT, UOP4
	02	C01A, C01B, C16Z, C20A, C20B		02	C01A, C01B, C16Z, C20A, C20B		02	C01A, C01B, C16Z, C20A, C20B
	05	F13A		05	F13A		05	F13A
	08	I17Z		08	I17Z		08	I17Z
	09	J03A, J03B, J04A, J04B, J08A, J08B, J08C, J10A, J10B, J16Z, J21Z, J22A, J22B		09	J03A, J03B, J04A, J04B, J08A, J08B, J08C, J10A, J10B, J16Z, J21Z, J22A, J22B		09	J03A, J03B, J04A, J04B, J08A, J08B, J08C, J10A, J10B, J16Z, J21Z, J22A, J22B
	10	K09A, K09B		10	K09A, K09B		10	K09A, K09B
	21A	W04A, W04B		21A	W04A, W04B		21A	W04A, W04B
	21B	X06A, X06B, X06C		21B	X06A, X06B, X06C		21B	X06A, X06B, X06C
	22	Y01Z, Y02A, Y03A, Y03B		22	Y01Z, Y03A, Y03B		22	Y01Z, Y03A, Y03B
5v559.4‡	09	J11A, J11B	5v55a.4‡	09	J11A, J11B	5v55b.4‡	09	J11A, J11B
	22	Y01Z, Y02A, Y02B, Y02C		22	Y01Z, Y02A, Y02B, Y02C		22	Y01Z, Y02A, Y02B, Y02C
5v559.5‡	09	J11A, J11B	5v55a.5‡	09	J11A, J11B	5v55b.5‡	09	J11A, J11B
	22	Y01Z, Y02A, Y02B, Y02C		22	Y01Z, Y02A, Y02B, Y02C		22	Y01Z, Y02A, Y02B, Y02C
5v559.6‡↔	09	J11A, J11B	5v55a.6‡↔	09	J11A, J11B	5v55b.6‡↔	09	J11A, J11B
	22	Y01Z, Y02A, Y02B, Y02C		22	Y01Z, Y02A, Y02B, Y02C		22	Y01Z, Y02A, Y02B, Y02C
5v559.7‡↔	09	J11A, J11B	5v55a.7‡↔	09	J11A, J11B	5v55b.7‡↔	09	J11A, J11B
	22	Y01Z, Y02A, Y02B, Y02C		22	Y01Z, Y02A, Y02B, Y02C		22	Y01Z, Y02A, Y02B, Y02C
5v559.8‡↔	09	J11A, J11B	5v55a.8‡↔	09	J11A, J11B	5v55b.8‡↔	09	J11A, J11B
	22	Y01Z, Y02A, Y02B, Y02C		22	Y01Z, Y02A, Y02B, Y02C		22	Y01Z, Y02A, Y02B, Y02C
5v559.9‡↔	09	J11A, J11B	5v55a.9‡↔	09	J11A, J11B	5v55b.9‡↔	09	J11A, J11B
	22	Y01Z, Y02A, Y02B, Y02C		22	Y01Z, Y02A, Y02B, Y02C		22	Y01Z, Y02A, Y02B, Y02C
5v559.a‡	09	J11A, J11B	5v55a.a‡	09	J11A, J11B	5v55b.a‡	09	J11A, J11B
	22	Y01Z, Y02A, Y02B, Y02C		22	Y01Z, Y02A, Y02B, Y02C		22	Y01Z, Y02A, Y02B, Y02C
5v559.b‡	09	J11A, J11B	5v55a.b‡	09	J11A, J11B	5v55b.b‡	09	J11A, J11B
	22	Y01Z, Y02A, Y02B, Y02C		22	Y01Z, Y02A, Y02B, Y02C		22	Y01Z, Y02A, Y02B, Y02C
5v559.c‡	09	J11A, J11B	5v55a.c‡	09	J11A, J11B	5v55b.c‡	09	J11A, J11B
	22	Y01Z, Y02A, Y03A, Y03B		22	Y01Z, Y03A, Y03B		22	Y01Z, Y03A, Y03B
5v559.d‡	09	J11A, J11B	5v55a.d‡	09	J11A, J11B	5v55b.d‡	09	J11A, J11B
	22	Y01Z, Y02A, Y02B, Y02C		22	Y01Z, Y02A, Y02B, Y02C		22	Y01Z, Y02A, Y02B, Y02C
5v559.e‡↔	09	J11A, J11B	5v55a.e‡↔	09	J11A, J11B	5v55b.e‡↔	09	J11A, J11B
	22	Y01Z, Y02A, Y02B, Y02C		22	Y01Z, Y02A, Y02B, Y02C		22	Y01Z, Y02A, Y02B, Y02C
5v559.f‡↔	09	J11A, J11B	5v55a.f‡↔	09	J11A, J11B	5v55b.f‡↔	09	J11A, J11B
	22	Y01Z, Y02A, Y02B, Y02C		22	Y01Z, Y02A, Y02B, Y02C		22	Y01Z, Y02A, Y02B, Y02C
5v559.g‡↔	09	J11A, J11B	5v55a.g‡↔	09	J11A, J11B	5v55b.g‡↔	09	J11A, J11B
	22	Y01Z, Y02A, Y02B, Y02C		22	Y01Z, Y02A, Y02B, Y02C		22	Y01Z, Y02A, Y02B, Y02C
5v559.x‡	09	J11A, J11B	5v55a.x‡	09	J11A, J11B	5v55b.x‡	09	J11A, J11B
	22	Y01Z, Y02A, Y02B, Y02C		22	Y01Z, Y02A, Y02B, Y02C		22	Y01Z, Y02A, Y02B, Y02C
5v55a.0‡	09	J11A, J11B	5v55b.0‡	09	J11A, J11B	5v55c.0‡	09	J11A, J11B
	22	Y01Z, Y03A, Y03B		22	Y01Z, Y03A, Y03B		22	Y01Z, Y03A, Y03B
5v55a.1		BOP, KVT, UOP4	5v55b.1		BOP, KVT, UOP4	5v55c.1		BOP, KVT, UOP4
	03	D09Z, D30A		03	D09Z, D30A		03	D09Z, D30A
	05	F13A		05	F13A		05	F13A
	08	I28A, I28B		08	I28A, I28B		08	I28A, I28B
	09	J03A, J03B, J04A, J04B, J08A, J08B, J08C, J10A, J10B, J16Z, J21Z, J22A, J22B		09	J03A, J03B, J04A, J04B, J08A, J08B, J08C, J10A, J10B, J16Z, J21Z, J22A, J22B		09	J03A, J03B, J04A, J04B, J08A, J08B, J08C, J10A, J10B, J16Z, J21Z, J22A, J22B
	21A	W04A, W04B		21A	W04A, W04B		21A	W04A, W04B
	21B	X06A, X06B, X06C		21B	X06A, X06B, X06C		21B	X06A, X06B, X06C
	22	Y01Z, Y02A, Y02B, Y03A, Y03B		22	Y01Z, Y02A, Y02B, Y03A, Y03B		22	Y01Z, Y02A, Y02B, Y03A, Y03B
5v55a.2↔		BOP, KVT, UOP4	5v55b.2↔		BOP, KVT, UOP4	5v55c.2↔		BOP, KVT, UOP4
	03	D09Z, D30A		03	D09Z, D30A		03	D09Z, D30A
	05	F13A		05	F13A		05	F13A
	09	J03A, J03B, J04A, J04B, J08A, J08B, J08C, J10A, J10B, J16Z, J21Z, J22A, J22B		09	J03A, J03B, J04A, J04B, J08A, J08B, J08C, J10A, J10B, J16Z, J21Z, J22A, J22B		09	J03A, J03B, J04A, J04B, J08A, J08B, J08C, J10A, J10B, J16Z, J21Z, J22A, J22B
	21A	W04A, W04B		21A	W04A, W04B		21A	W04A, W04B
	21B	X06A, X06B, X06C		21B	X06A, X06B, X06C		21B	X06A, X06B, X06C
	22	Y01Z, Y03A, Y03B		22	Y01Z, Y03A, Y03B		22	Y01Z, Y03A, Y03B

VYK

ZZV	MDC	DRG	ZZV	MDC	DRG	ZZV	MDC	DRG
5v55c.3↔		BOP, KVT, UOP4	5v55d.3↔		BOP, KVT, UOP4	5v560.2↔		BOP, KVT, UOP4
	02	C01A, C01B, C16Z, C20A, C20B		02	C01A, C01B, C16Z, C20A, C20B		03	D12A
	05	F13A		05	F13A		05	F13A
	08	I17Z		08	I17Z		09	J02A, J02B, J02C, J04A, J04B, J08A, J08B, J08C, J10A, J10B, J16Z, J21Z, J22A, J22B
	09	J03A, J03B, J04A, J04B, J08A, J08B, J08C, J10A, J10B, J16Z, J21Z, J22A, J22B		09	J03A, J03B, J04A, J04B, J08A, J08B, J08C, J10A, J10B, J16Z, J21Z, J22A, J22B		21A	W04A, W04B
	10	K09A, K09B		10	K09A, K09B	5v560.3↔		BOP, KVT, UOP4
	21A	W04A, W04B		21A	W04A, W04B		02	C01A, C01B, C16Z, C20A, C20B
	21B	X06A, X06B, X06C		21B	X06A, X06B, X06C		05	F13A
	22	Y01Z, Y03A, Y03B		22	Y01Z, Y03A, Y03B		08	I17Z
5v55c.4‡	09	J11A, J11B	5v55d.4‡	09	J11A, J11B		09	J03A, J03B, J04A, J04B, J08A, J08B, J08C, J10A, J10B, J16Z, J21Z, J22A, J22B
	22	Y01Z, Y02A, Y02B, Y02C		22	Y01Z, Y02A, Y02B, Y02C		21A	W04A, W04B
5v55c.5‡	09	J11A, J11B	5v55d.5‡	09	J11A, J11B		21B	X01A, X01B, X01C
	22	Y01Z, Y02A, Y02B, Y02C		22	Y01Z, Y02A, Y02B, Y02C		22	Y01Z, Y03A, Y03B
5v55c.6‡↔	09	J11A, J11B	5v55d.6‡↔	09	J11A, J11B	5v560.4		BOP, KVT, UOP4
	22	Y01Z, Y02A, Y02B, Y02C		22	Y01Z, Y02A, Y02B, Y02C		03	D12A
5v55c.7‡↔	09	J11A, J11B	5v55d.7‡↔	09	J11A, J11B		05	F13A
	22	Y01Z, Y02A, Y02B, Y02C		22	Y01Z, Y02A, Y02B, Y02C		08	I02A, I02B, I02C, I02D, I22A, I22B, I50Z
5v55c.8‡↔	09	J11A, J11B	5v55d.8‡↔	09	J11A, J11B		09	J02A, J02B, J02C, J04A, J04B, J08A, J08B, J08C, J10A, J10B, J16Z, J21Z, J22A, J22B
	22	Y01Z, Y02A, Y02B, Y02C		22	Y01Z, Y02A, Y02B, Y02C		21A	W04A, W04B
5v55c.9‡↔	09	J11A, J11B	5v55d.9‡↔	09	J11A, J11B		21B	X01A, X01B, X01C
	22	Y01Z, Y02A, Y02B, Y02C		22	Y01Z, Y02A, Y02B, Y02C	5v560.5		BOP, KVT, UOP4
5v55c.a‡	09	J11A, J11B	5v55d.a‡	09	J11A, J11B		03	D12A
	22	Y01Z, Y02A, Y02B, Y02C		22	Y01Z, Y02A, Y02B, Y02C		05	F13A
5v55c.b‡	09	J11A, J11B	5v55d.b‡	09	J11A, J11B		08	I02A, I02B, I02C, I02D, I22A, I22B, I50Z
	22	Y01Z, Y02A, Y02B, Y02C		22	Y01Z, Y02A, Y02B, Y02C		09	J02A, J02B, J02C, J04A, J04B, J08A, J08B, J08C, J10A, J10B, J16Z, J21Z, J22A, J22B
5v55c.c‡	09	J11A, J11B	5v55d.c‡	09	J11A, J11B		21A	W04A, W04B
	22	Y01Z, Y03A, Y03B		22	Y01Z, Y03A, Y03B		21B	X01A, X01B, X01C
5v55c.d‡	09	J11A, J11B	5v55d.d‡	09	J11A, J11B		22	Y01Z, Y02A, Y02B, Y02C
	22	Y01Z, Y02A, Y02B, Y02C		22	Y01Z, Y02A, Y02B, Y02C	5v560.6↔		BOP, KVT, UOP4
5v55c.e‡↔	09	J11A, J11B	5v55d.e‡↔	09	J11A, J11B		05	F13A
	22	Y01Z, Y02A, Y02B, Y02C		22	Y01Z, Y02A, Y02B, Y02C		08	I02A, I02B, I02C, I02D, I22A, I22B, I50Z
5v55c.f‡↔	09	J11A, J11B	5v55d.f‡↔	09	J11A, J11B		09	J02A, J02B, J02C, J04A, J04B, J08A, J08B, J08C, J10A, J10B, J16Z, J21Z, J22A, J22B
	22	Y01Z, Y02A, Y02B, Y02C		22	Y01Z, Y02A, Y02B, Y02C		21A	W04A, W04B
5v55c.g‡↔	09	J11A, J11B	5v55d.g‡↔	09	J11A, J11B		21B	X01A, X01B, X01C
	22	Y01Z, Y02A, Y02B, Y02C		22	Y01Z, Y02A, Y02B, Y02C	5v560.7↔		BOP, KVT, UOP4
5v55c.x‡	09	J11A, J11B	5v55d.x‡	09	J11A, J11B		05	F13A
	22	Y01Z, Y02A, Y02B, Y02C		22	Y01Z, Y02A, Y02B, Y02C		08	I02A, I02B, I02C, I02D, I22A, I22B, I50Z
5v55d.0‡	09	J11A, J11B	5v560.0		BOP, KVT, UOP4		09	J02A, J02B, J02C, J04A, J04B, J08A, J08B, J08C, J10A, J10B, J16Z, J21Z, J22A, J22B
	22	Y01Z, Y03A, Y03B		03	D18Z, D25A, D25B, D25C, D25D		21A	W04A, W04B
5v55d.1		BOP, KVT, UOP4		05	F13A		21B	X01A, X01B, X01C
	03	D09Z, D30A		09	J03A, J03B, J04A, J04B, J08A, J08B, J08C, J11A, J11B, J16Z, J21Z, J22A, J22B		22	Y01Z, Y02A, Y02B, Y02C
	05	F13A						BOP, KVT, UOP4
	08	I28A, I28B						F13A
	09	J03A, J03B, J04A, J04B, J08A, J08B, J08C, J10A, J10B, J16Z, J21Z, J22A, J22B		21A	W04A, W04B			I02A, I02B, I02C, I02D, I22A, I22B, I50Z
	21A	W04A, W04B		21B	X06A, X06B, X06C			J02A, J02B, J02C, J04A, J04B, J08A, J08B, J08C, J10A, J10B, J16Z, J21Z, J22A, J22B
	21B	X06A, X06B, X06C	5v560.1		BOP, KVT, UOP4		21A	W04A, W04B
	22	Y01Z, Y02A, Y02B, Y03A, Y03B		03	D12A		21B	X01A, X01B, X01C
5v55d.2↔		BOP, KVT, UOP4		05	F13A		22	Y01Z, Y02A, Y02B, Y03A, Y03B
	03	D09Z, D30A		09	J02A, J02B, J02C, J04A, J04B, J08A, J08B, J08C, J16Z, J21Z, J22A, J22B			W04A, W04B
	05	F13A						X01A, X01B, X01C
	09	J03A, J03B, J04A, J04B, J08A, J08B, J08C, J10A, J10B, J16Z, J21Z, J22A, J22B		21A	W04A, W04B			Y01Z, Y02A, Y02B, Y02C
	21A	W04A, W04B		21B	X01A, X01B, X01C			
	21B	X06A, X06B, X06C		22	Y01Z, Y02A, Y02B, Y03A, Y03B			
	22	Y01Z, Y03A, Y03B						

VYK

ZZV	MDC	DRG	ZZV	MDC	DRG	ZZV	MDC	DRG
5v560.8↔		BOP, KVT, UOP4	5v560.f↔		BOP, KVT, UOP4	5v561.3↔		BOP, KVT, UOP4
	05	F13A		05	F13A		02	C01A, C01B, C16Z, C20A, C20B
	08	I02A, I02B, I02C, I02D, I22A, I22B, I32A, I32B, I32C, I32D, I32E, I32F, I50Z		08	I02A, I02B, I02C, I02D, I22A, I22B, I50Z		05	F13A
	09	J02A, J02B, J02C, J04A, J04B, J08A, J08B, J08C, J16Z, J21Z, J22A, J22B		09	J02A, J02B, J02C, J04A, J04B, J08A, J08B, J08C, J16Z, J21Z, J22A, J22B		08	I17Z
	21A	W04A, W04B		21A	W04A, W04B		09	J03A, J03B, J04A, J04B, J08A, J08B, J08C, J10A, J10B, J16Z, J21Z, J22A, J22B
	21B	X01A, X01B, X01C		21B	X01A, X01B, X01C		10	K09A, K09B
	22	Y01Z, Y02A, Y02B, Y02C		22	Y01Z, Y02A, Y02B, Y02C		21A	W04A, W04B
	5v560.9↔			BOP, KVT, UOP4	5v560.g↔			BOP, KVT, UOP4
05		F13A	05	F13A		21B	X06A, X06B, X06C	
08		I32A, I32B, I32C, I32D, I32E, I32F	08	I02A, I02B, I02C, I02D, I22A, I22B, I50Z		22	Y01Z, Y03A, Y03B	
09		J02A, J02B, J02C, J04A, J04B, J08A, J08B, J08C, J16Z, J21Z, J22A, J22B	09	J02A, J02B, J02C, J04A, J04B, J08A, J08B, J08C, J16Z, J21Z, J22A, J22B		03	D12A	
21A		W04A, W04B	21A	W04A, W04B		05	F13A	
21B		X01A, X01B, X01C	21B	X01A, X01B, X01C		08	I02A, I02B, I02C, I02D, I22A, I22B, I50Z	
22		Y01Z, Y02A, Y02B, Y02C	22	Y01Z, Y02A, Y02B, Y02C		09	J02A, J02B, J02C, J04A, J04B, J08A, J08B, J08C, J16Z, J21Z, J22A, J22B	
5v560.a			BOP, KVT, UOP4	5v560.x↔			BOP, KVT, UOP4	5v561.5
	05	F13A	05		F13A	21A	W04A, W04B	
	08	I02A, I02B, I02C, I02D, I22A, I22B, I50Z	08		I02A, I02B, I02C, I02D, I22A, I22B, I32A, I32B, I32C, I32D, I32E, I32F, I50Z	21B	X01A, X01B, X01C	
	09	J02A, J02B, J02C, J04A, J04B, J08A, J08B, J08C, J16Z, J21Z, J22A, J22B	09		J02A, J02B, J02C, J04A, J04B, J08A, J08B, J08C, J16Z, J21Z, J22A, J22B	22	Y01Z, Y02A, Y02B, Y02C	
	21A	W04A, W04B	21A		W04A, W04B	03	D12A	
	21B	X01A, X01B, X01C	21B		X01A, X01B, X01C	05	F13A	
	22	Y01Z, Y02A, Y02B, Y02C	22		Y01Z, Y02A, Y02B, Y02C	08	I02A, I02B, I02C, I02D, I22A, I22B, I50Z	
	5v560.b		BOP, KVT, UOP4		5v561.0		BOP, KVT, UOP4	
05		F13A	03	D18Z, D25A, D25B, D25C, D25D		05	F13A	
08		I02A, I02B, I02C, I02D, I22A, I22B, I50Z	05	F13A		08	I02A, I02B, I02C, I02D, I22A, I22B, I50Z	
09		J02A, J02B, J02C, J04A, J04B, J08A, J08B, J08C, J16Z, J21Z, J22A, J22B	09	J03A, J03B, J04A, J04B, J08A, J08B, J08C, J11A, J11B, J16Z, J21Z, J22A, J22B		09	J02A, J02B, J02C, J04A, J04B, J08A, J08B, J08C, J16Z, J21Z, J22A, J22B	
21A		W04A, W04B	21A	W04A, W04B		21A	W04A, W04B	
21B		X01A, X01B, X01C	21B	X01A, X01B, X01C		21B	X01A, X01B, X01C	
22		Y01Z, Y02A, Y02B, Y02C	22	Y01Z, Y03A, Y03B		22	Y01Z, Y02A, Y02B, Y02C	
5v560.c			BOP, KVT, UOP4	5v561.1			BOP, KVT, UOP4	5v561.7↔
	05	F13A	03		D12A	05	F13A	
	08	I02A, I02B, I02C, I02D, I22A, I22B, I50Z	05		F13A	08	I02A, I02B, I02C, I02D, I22A, I22B, I50Z	
	09	J02A, J02B, J02C, J04A, J04B, J08A, J08B, J08C, J16Z, J21Z, J22A, J22B	09		J02A, J02B, J02C, J04A, J04B, J08A, J08B, J08C, J16Z, J21Z, J22A, J22B	09	J02A, J02B, J02C, J04A, J04B, J08A, J08B, J08C, J16Z, J21Z, J22A, J22B	
	21A	W04A, W04B	21A		W04A, W04B	21A	W04A, W04B	
	21B	X01A, X01B, X01C	21B		X01A, X01B, X01C	21B	X01A, X01B, X01C	
	22	Y01Z, Y02A, Y02B, Y02C	22		Y01Z, Y02A, Y02B, Y03A, Y03B	22	Y01Z, Y02A, Y02B, Y02C	
	5v560.d		BOP, KVT, UOP4		5v561.2↔		BOP, KVT, UOP4	
05		F13A	03	D12A		05	F13A	
08		I02A, I02B, I02C, I02D, I22A, I22B, I50Z	05	F13A		08	I02A, I02B, I02C, I02D, I22A, I22B, I32A, I32B, I32C, I32D, I32E, I32F, I50Z	
09		J02A, J02B, J02C, J04A, J04B, J08A, J08B, J08C, J16Z, J21Z, J22A, J22B	09	J02A, J02B, J02C, J04A, J04B, J08A, J08B, J08C, J16Z, J21Z, J22A, J22B		09	J02A, J02B, J02C, J04A, J04B, J08A, J08B, J08C, J16Z, J21Z, J22A, J22B	
21A		W04A, W04B	21A	W04A, W04B		21A	W04A, W04B	
21B		X01A, X01B, X01C	21B	X01A, X01B, X01C		21B	X01A, X01B, X01C	
22		Y01Z, Y02A, Y02B, Y02C	22	Y01Z, Y03A, Y03B		22	Y01Z, Y02A, Y02B, Y02C	
5v560.e↔			BOP, KVT, UOP4					
	05	F13A						
	09	J02A, J02B, J02C, J04A, J04B, J08A, J08B, J08C, J16Z, J21Z, J22A, J22B						
	21A	W04A, W04B						
	21B	X01A, X01B, X01C						
	22	Y01Z, Y02A, Y02B, Y02C						

VYK

ZZV	MDC	DRG	ZZV	MDC	DRG	ZZV	MDC	DRG
5v562.a		BOP, KVT, UOP4	5v562.x↔		BOP, KVT, UOP4	5v563.5		BOP, KVT, UOP4
	05	F13A		05	F13A		03	D12A
	08	I02A, I02B, I02C, I02D, I22A, I22B, I50Z		08	I02A, I02B, I02C, I02D, I22A, I22B, I32A, I32B, I32C, I32D, I32E, I32F, I50Z		05	F13A
	09	J02A, J02B, J02C, J04A, J04B, J08A, J08B, J08C, J16Z, J21Z, J22A, J22B		09	J02A, J02B, J02C, J04A, J04B, J08A, J08B, J08C, J16Z, J21Z, J22A, J22B		08	I02A, I02B, I02C, I02D, I22A, I22B, I50Z
	21A	W04A, W04B		21A	W04A, W04B		09	J02A, J02B, J02C, J04A, J04B, J08A, J08B, J08C, J16Z, J21Z, J22A, J22B
	21B	X01A, X01B, X01C		21B	X01A, X01B, X01C		21A	W04A, W04B
	22	Y01Z, Y02A, Y02B, Y02C		22	Y01Z, Y02A, Y02B, Y02C		21B	X01A, X01B, X01C
5v562.b		BOP, KVT, UOP4	5v563.0		BOP, KVT, UOP4	5v563.6↔		BOP, KVT, UOP4
	05	F13A		03	D18Z, D25A, D25B, D25C, D25D		05	F13A, F21A, F21B
	08	I02A, I02B, I02C, I02D, I22A, I22B, I50Z		05	F13A		09	J02A, J02B, J02C, J04A, J04B, J08A, J08B, J08C, J16Z, J21Z, J22A, J22B
	09	J02A, J02B, J02C, J04A, J04B, J08A, J08B, J08C, J16Z, J21Z, J22A, J22B		09	J03A, J03B, J04A, J04B, J08A, J08B, J08C, J11A, J11B, J16Z, J21Z, J22A, J22B		21A	W04A, W04B
	21A	W04A, W04B		21A	W04A, W04B		21B	X01A, X01B, X01C
	21B	X01A, X01B, X01C		21B	X06A, X06B, X06C		22	Y01Z, Y02A, Y02B, Y02C
	22	Y01Z, Y02A, Y02B, Y02C		22	Y01Z, Y03A, Y03B		22	Y01Z, Y02A, Y02B, Y02C
5v562.c		BOP, KVT, UOP4	5v563.1		BOP, KVT, UOP4	5v563.7↔		BOP, KVT, UOP4
	05	F13A		03	D12A		05	F13A
	08	I02A, I02B, I02C, I02D, I22A, I22B, I50Z		05	F13A		08	I02A, I02B, I02C, I02D, I22A, I22B, I50Z
	09	J02A, J02B, J02C, J04A, J04B, J08A, J08B, J08C, J16Z, J21Z, J22A, J22B		09	J02A, J02B, J02C, J04A, J04B, J08A, J08B, J08C, J16Z, J21Z, J22A, J22B		09	J02A, J02B, J02C, J04A, J04B, J08A, J08B, J08C, J16Z, J21Z, J22A, J22B
	21A	W04A, W04B		21A	W04A, W04B		21A	W04A, W04B
	21B	X01A, X01B, X01C		21B	X01A, X01B, X01C		21B	X01A, X01B, X01C
	22	Y01Z, Y02A, Y02B, Y02C		22	Y01Z, Y02A, Y02B, Y03A, Y03B		22	Y01Z, Y02A, Y02B, Y02C
5v562.d		BOP, KVT, UOP4	5v563.2↔		BOP, KVT, UOP4	5v563.8↔		BOP, KVT, UOP4
	05	F13A		03	D12A		05	F13A
	08	I02A, I02B, I02C, I02D, I22A, I22B, I50Z		05	F13A		08	I02A, I02B, I02C, I02D, I22A, I22B, I32A, I32B, I32C, I32D, I32E, I32F, I50Z
	09	J02A, J02B, J02C, J04A, J04B, J08A, J08B, J08C, J16Z, J21Z, J22A, J22B		09	J02A, J02B, J02C, J04A, J04B, J08A, J08B, J08C, J16Z, J21Z, J22A, J22B		09	J02A, J02B, J02C, J04A, J04B, J08A, J08B, J08C, J16Z, J21Z, J22A, J22B
	21A	W04A, W04B		21A	W04A, W04B		21A	W04A, W04B
	21B	X01A, X01B, X01C		21B	X01A, X01B, X01C		21B	X01A, X01B, X01C
	22	Y01Z, Y02A, Y02B, Y02C		22	Y01Z, Y03A, Y03B		22	Y01Z, Y02A, Y02B, Y02C
5v562.e↔		BOP, KVT, UOP4	5v563.3↔		BOP, KVT, UOP4	5v563.9↔		BOP, KVT, UOP4
	05	F13A		02	C01A, C01B, C16Z, C20A, C20B		05	F13A
	08	I02A, I02B, I02C, I02D, I22A, I22B, I50Z		05	F13A		08	I32A, I32B, I32C, I32D, I32E, I32F
	09	J02A, J02B, J02C, J04A, J04B, J08A, J08B, J08C, J16Z, J21Z, J22A, J22B		08	I17Z		09	J02A, J02B, J02C, J04A, J04B, J08A, J08B, J08C, J16Z, J21Z, J22A, J22B
	21A	W04A, W04B		09	J03A, J03B, J04A, J04B, J08A, J08B, J08C, J10A, J10B, J16Z, J21Z, J22A, J22B		21A	W04A, W04B
	21B	X01A, X01B, X01C		10	K09A, K09B		21B	X01A, X01B, X01C
	22	Y01Z, Y02A, Y02B, Y02C		21A	W04A, W04B		22	Y01Z, Y02A, Y02B, Y02C
5v562.f↔		BOP, KVT, UOP4	5v563.4		BOP, KVT, UOP4	5v563.a		BOP, KVT, UOP4
	05	F13A		21B	X06A, X06B, X06C		05	F13A
	09	J02A, J02B, J02C, J04A, J04B, J08A, J08B, J08C, J16Z, J21Z, J22A, J22B		22	Y01Z, Y03A, Y03B		08	I02A, I02B, I02C, I02D, I22A, I22B, I50Z
	21A	W04A, W04B		22	Y01Z, Y03A, Y03B		09	J02A, J02B, J02C, J04A, J04B, J08A, J08B, J08C, J16Z, J21Z, J22A, J22B
	21B	X01A, X01B, X01C		03	D12A		21A	W04A, W04B
	22	Y01Z, Y02A, Y02B, Y02C		05	F13A		21B	X01A, X01B, X01C
	22	Y01Z, Y02A, Y02B, Y02C		08	I02A, I02B, I02C, I02D, I22A, I22B, I50Z		22	Y01Z, Y02A, Y02B, Y02C
5v562.g↔		BOP, KVT, UOP4	5v563.4		BOP, KVT, UOP4	5v563.b		BOP, KVT, UOP4
	05	F13A		03	D12A		05	F13A
	08	I02A, I02B, I02C, I02D, I22A, I22B, I50Z		05	F13A		08	I02A, I02B, I02C, I02D, I22A, I22B, I50Z
	09	J02A, J02B, J02C, J04A, J04B, J08A, J08B, J08C, J16Z, J21Z, J22A, J22B		08	I02A, I02B, I02C, I02D, I22A, I22B, I50Z		09	J02A, J02B, J02C, J04A, J04B, J08A, J08B, J08C, J16Z, J21Z, J22A, J22B
	21A	W04A, W04B		09	J02A, J02B, J02C, J04A, J04B, J08A, J08B, J08C, J16Z, J21Z, J22A, J22B		21A	W04A, W04B
	21B	X01A, X01B, X01C		21A	W04A, W04B		21B	X01A, X01B, X01C
	22	Y01Z, Y02A, Y02B, Y02C		21B	X01A, X01B, X01C		22	Y01Z, Y02A, Y02B, Y02C

VYK

ZZV	MDC	DRG	ZZV	MDC	DRG	ZZV	MDC	DRG
5v563.c		BOP, KVT, UOP4	5v564.0		BOP, KVT, UOP4	5v564.6↔		BOP, KVT, UOP4
	05	F13A		03	D18Z, D25A, D25B, D25C, D25D		05	F13A
	08	I02A, I02B, I02C, I02D, I22A, I22B, I50Z		05	F13A		08	I02A, I02B, I02C, I02D, I22A, I22B, I50Z
	09	J02A, J02B, J02C, J04A, J04B, J08A, J08B, J08C, J16Z, J21Z, J22A, J22B		09	J03A, J03B, J04A, J04B, J08A, J08B, J08C, J11A, J11B, J16Z, J21Z, J22A, J22B		09	J02A, J02B, J02C, J04A, J04B, J08A, J08B, J08C, J16Z, J21Z, J22A, J22B
	21A	W04A, W04B		21A	W04A, W04B		21A	W04A, W04B
	21B	X01A, X01B, X01C		21B	X06A, X06B, X06C		21B	X01A, X01B, X01C
	22	Y01Z, Y02A, Y02B, Y02C		22	Y01Z, Y03A, Y03B		22	Y01Z, Y02A, Y02B, Y02C
5v563.d		BOP, KVT, UOP4	5v564.1		BOP, KVT, UOP4	5v564.7↔		BOP, KVT, UOP4
	05	F13A		03	D12A		05	F13A
	08	I02A, I02B, I02C, I02D, I22A, I22B, I50Z		05	F13A		08	I02A, I02B, I02C, I02D, I22A, I22B, I50Z
	09	J02A, J02B, J02C, J04A, J04B, J08A, J08B, J08C, J16Z, J21Z, J22A, J22B		09	J02A, J02B, J02C, J04A, J04B, J08A, J08B, J08C, J16Z, J21Z, J22A, J22B		09	J02A, J02B, J02C, J04A, J04B, J08A, J08B, J08C, J16Z, J21Z, J22A, J22B
	21A	W04A, W04B		21A	W04A, W04B		21A	W04A, W04B
	21B	X01A, X01B, X01C		21B	X01A, X01B, X01C		21B	X01A, X01B, X01C
	22	Y01Z, Y02A, Y02B, Y02C		22	Y01Z, Y02A, Y02B, Y03A, Y03B		22	Y01Z, Y02A, Y02B, Y02C
5v563.e↔		BOP, KVT, UOP4	5v564.2↔		BOP, KVT, UOP4	5v564.8↔		BOP, KVT, UOP4
	05	F13A		03	D12A		05	F13A
	08	I02A, I02B, I02C, I02D, I22A, I22B, I50Z		05	F13A		08	I02A, I02B, I02C, I02D, I22A, I22B, I32A, I32B, I32C, I32D, I32E, I32F, I50Z
	09	J02A, J02B, J02C, J04A, J04B, J08A, J08B, J08C, J16Z, J21Z, J22A, J22B		09	J02A, J02B, J02C, J04A, J04B, J08A, J08B, J08C, J16Z, J21Z, J22A, J22B		09	J02A, J02B, J02C, J04A, J04B, J08A, J08B, J08C, J16Z, J21Z, J22A, J22B
	21A	W04A, W04B		21A	W04A, W04B		21A	W04A, W04B
	21B	X01A, X01B, X01C		21B	X01A, X01B, X01C		21B	X01A, X01B, X01C
	22	Y01Z, Y02A, Y02B, Y02C		22	Y01Z, Y03A, Y03B		22	Y01Z, Y02A, Y02B, Y02C
5v563.f↔		BOP, KVT, UOP4	5v564.3↔		BOP, KVT, UOP4	5v564.9↔		BOP, KVT, UOP4
	05	F13A		02	C01A, C01B, C16Z, C20A, C20B		05	F13A
	08	I02A, I02B, I02C, I02D, I22A, I22B, I50Z		05	F13A		08	I32A, I32B, I32C, I32D, I32E, I32F
	09	J02A, J02B, J02C, J04A, J04B, J08A, J08B, J08C, J16Z, J21Z, J22A, J22B		08	I17Z		09	J02A, J02B, J02C, J04A, J04B, J08A, J08B, J08C, J16Z, J21Z, J22A, J22B
	21A	W04A, W04B		09	J03A, J03B, J04A, J04B, J08A, J08B, J08C, J10A, J10B, J16Z, J21Z, J22A, J22B		21A	W04A, W04B
	21B	X01A, X01B, X01C		10	K09A, K09B		21B	X01A, X01B, X01C
	22	Y01Z, Y02A, Y02B, Y02C		21A	W04A, W04B		22	Y01Z, Y02A, Y02B, Y02C
5v563.g↔		BOP, KVT, UOP4	5v564.4		BOP, KVT, UOP4	5v564.a		BOP, KVT, UOP4
	05	F13A		21B	X06A, X06B, X06C		05	F13A
	08	I02A, I02B, I02C, I02D, I22A, I22B, I50Z		22	Y01Z, Y03A, Y03B		08	I02A, I02B, I02C, I02D, I22A, I22B, I50Z
	09	J02A, J02B, J02C, J04A, J04B, J08A, J08B, J08C, J16Z, J21Z, J22A, J22B		03	D12A		09	J02A, J02B, J02C, J04A, J04B, J08A, J08B, J08C, J16Z, J21Z, J22A, J22B
	21A	W04A, W04B		05	F13A		21A	W04A, W04B
	21B	X01A, X01B, X01C		08	I02A, I02B, I02C, I02D, I22A, I22B, I50Z		21B	X01A, X01B, X01C
	22	Y01Z, Y02A, Y02B, Y02C		09	J02A, J02B, J02C, J04A, J04B, J08A, J08B, J08C, J16Z, J21Z, J22A, J22B		22	Y01Z, Y02A, Y02B, Y02C
5v563.x↔		BOP, KVT, UOP4	5v564.5		BOP, KVT, UOP4	5v564.b		BOP, KVT, UOP4
	05	F13A		21A	W04A, W04B		05	F13A
	08	I02A, I02B, I02C, I02D, I22A, I22B, I32A, I32B, I32C, I32D, I32E, I32F, I50Z		21B	X01A, X01B, X01C		08	I02A, I02B, I02C, I02D, I22A, I22B, I50Z
	09	J02A, J02B, J02C, J04A, J04B, J08A, J08B, J08C, J16Z, J21Z, J22A, J22B		22	Y01Z, Y02A, Y02B, Y02C		09	J02A, J02B, J02C, J04A, J04B, J08A, J08B, J08C, J16Z, J21Z, J22A, J22B
	21A	W04A, W04B		03	D12A		21A	W04A, W04B
	21B	X01A, X01B, X01C		05	F13A		21B	X01A, X01B, X01C
	22	Y01Z, Y02A, Y02B, Y02C		08	I02A, I02B, I02C, I02D, I22A, I22B, I50Z		22	Y01Z, Y02A, Y02B, Y02C



ZZV	MDC	DRG	ZZV	MDC	DRG	ZZV	MDC	DRG
5v564.c		BOP, KVT, UOP4	5v565.0		BOP, KVT, UOP4	5v565.6↔		BOP, KVT, UOP4
	05	F13A		03	D18Z, D25A, D25B, D25C, D25D		05	F13A
	08	I02A, I02B, I02C, I02D, I22A, I22B, I50Z		05	F13A		08	I02A, I02B, I02C, I02D, I22A, I22B, I50Z
	09	J02A, J02B, J02C, J04A, J04B, J08A, J08B, J08C, J16Z, J21Z, J22A, J22B		09	J03A, J03B, J04A, J04B, J08A, J08B, J08C, J11A, J11B, J16Z, J21Z, J22A, J22B		09	J02A, J02B, J02C, J04A, J04B, J08A, J08B, J08C, J16Z, J21Z, J22A, J22B
	21A	W04A, W04B		21A	W04A, W04B		21A	W04A, W04B
	21B	X01A, X01B, X01C		21B	X06A, X06B, X06C		21B	X01A, X01B, X01C
	22	Y01Z, Y02A, Y02B, Y02C		22	Y01Z, Y03A, Y03B		22	Y01Z, Y02A, Y02B, Y02C
5v564.d		BOP, KVT, UOP4	5v565.1		BOP, KVT, UOP4	5v565.7↔		BOP, KVT, UOP4
	05	F13A		03	D12A		05	F13A
	08	I02A, I02B, I02C, I02D, I22A, I22B, I50Z		05	F13A		08	I02A, I02B, I02C, I02D, I22A, I22B, I50Z
	09	J02A, J02B, J02C, J04A, J04B, J08A, J08B, J08C, J16Z, J21Z, J22A, J22B		09	J02A, J02B, J02C, J04A, J04B, J08A, J08B, J08C, J16Z, J21Z, J22A, J22B		09	J02A, J02B, J02C, J04A, J04B, J08A, J08B, J08C, J16Z, J21Z, J22A, J22B
	21A	W04A, W04B		21A	W04A, W04B		21A	W04A, W04B
	21B	X01A, X01B, X01C		21B	X01A, X01B, X01C		21B	X01A, X01B, X01C
	22	Y01Z, Y02A, Y02B, Y02C		22	Y01Z, Y02A, Y02B, Y03A, Y03B		22	Y01Z, Y02A, Y02B, Y02C
5v564.e↔		BOP, KVT, UOP4	5v565.2↔		BOP, KVT, UOP4	5v565.8↔		BOP, KVT, UOP4
	05	F13A		03	D12A		05	F13A
	08	I02A, I02B, I02C, I02D, I22A, I22B, I50Z		05	F13A		08	I02A, I02B, I02C, I02D, I22A, I22B, I32A, I32B, I32C, I32D, I32E, I32F, I50Z
	09	J02A, J02B, J02C, J04A, J04B, J08A, J08B, J08C, J16Z, J21Z, J22A, J22B		09	J02A, J02B, J02C, J04A, J04B, J08A, J08B, J08C, J16Z, J21Z, J22A, J22B		09	J02A, J02B, J02C, J04A, J04B, J08A, J08B, J08C, J16Z, J21Z, J22A, J22B
	21A	W04A, W04B		21A	W04A, W04B		21A	W04A, W04B
	21B	X01A, X01B, X01C		21B	X01A, X01B, X01C		21B	X01A, X01B, X01C
	22	Y01Z, Y02A, Y02B, Y02C		22	Y01Z, Y03A, Y03B		22	Y01Z, Y02A, Y02B, Y02C
5v564.f↔		BOP, KVT, UOP4	5v565.3↔		BOP, KVT, UOP4	5v565.9↔		BOP, KVT, UOP4
	05	F13A		02	C01A, C01B, C16Z, C20A, C20B		05	F13A
	08	I02A, I02B, I02C, I02D, I22A, I22B, I50Z		05	F13A		08	I32A, I32B, I32C, I32D, I32E, I32F
	09	J02A, J02B, J02C, J04A, J04B, J08A, J08B, J08C, J16Z, J21Z, J22A, J22B		09	J03A, J03B, J04A, J04B, J08A, J08B, J08C, J10A, J10B, J16Z, J21Z, J22A, J22B		09	J02A, J02B, J02C, J04A, J04B, J08A, J08B, J08C, J16Z, J21Z, J22A, J22B
	21A	W04A, W04B		10	K09A, K09B		21A	W04A, W04B
	21B	X01A, X01B, X01C		21A	W04A, W04B		21B	X01A, X01B, X01C
	22	Y01Z, Y02A, Y02B, Y02C		21B	X06A, X06B, X06C		22	Y01Z, Y02A, Y02B, Y02C
5v564.g↔		BOP, KVT, UOP4	5v565.4		BOP, KVT, UOP4	5v565.a		BOP, KVT, UOP4
	05	F13A		22	Y01Z, Y03A, Y03B		05	F13A
	08	I02A, I02B, I02C, I02D, I22A, I22B, I50Z			BOP, KVT, UOP4		08	I02A, I02B, I02C, I02D, I22A, I22B, I50Z
	09	J02A, J02B, J02C, J04A, J04B, J08A, J08B, J08C, J16Z, J21Z, J22A, J22B		03	D12A		09	J02A, J02B, J02C, J04A, J04B, J08A, J08B, J08C, J16Z, J21Z, J22A, J22B
	21A	W04A, W04B		05	F13A		21A	W04A, W04B
	21B	X01A, X01B, X01C		08	I02A, I02B, I02C, I02D, I22A, I22B, I50Z		21B	X01A, X01B, X01C
	22	Y01Z, Y02A, Y02B, Y02C		09	J02A, J02B, J02C, J04A, J04B, J08A, J08B, J08C, J16Z, J21Z, J22A, J22B		22	Y01Z, Y02A, Y02B, Y02C
5v564.x↔		BOP, KVT, UOP4	5v565.5		BOP, KVT, UOP4	5v565.b		BOP, KVT, UOP4
	05	F13A		21A	W04A, W04B		05	F13A
	08	I02A, I02B, I02C, I02D, I22A, I22B, I32A, I32B, I32C, I32D, I32E, I32F, I50Z		21B	X01A, X01B, X01C		08	I02A, I02B, I02C, I02D, I22A, I22B, I50Z
	09	J02A, J02B, J02C, J04A, J04B, J08A, J08B, J08C, J16Z, J21Z, J22A, J22B		22	Y01Z, Y02A, Y02B, Y02C		09	J02A, J02B, J02C, J04A, J04B, J08A, J08B, J08C, J16Z, J21Z, J22A, J22B
	21A	W04A, W04B			BOP, KVT, UOP4		21A	W04A, W04B
	21B	X01A, X01B, X01C		03	D12A		21B	X01A, X01B, X01C
	22	Y01Z, Y02A, Y02B, Y02C		05	F13A		22	Y01Z, Y02A, Y02B, Y02C

VYK

ZZV	MDC	DRG	ZZV	MDC	DRG	ZZV	MDC	DRG
5v565.c		BOP, KVT, UOP4	5v570.0		BOP, KVT, UOP4	5v570.6↔		BOP, KVT, UOP4
	05	F13A		03	D18Z, D25A, D25B, D25C, D25D		05	F13A
	08	I02A, I02B, I02C, I02D, I22A, I22B, I50Z		05	F13A		08	I02A, I02B, I02C, I02D, I22A, I22B, I50Z
	09	J02A, J02B, J02C, J04A, J04B, J08A, J08B, J08C, J16Z, J21Z, J22A, J22B		09	J03A, J03B, J04A, J04B, J08A, J08B, J08C, J11A, J11B, J16Z, J21Z, J22A, J22B		09	J02A, J02B, J02C, J04A, J04B, J08A, J08B, J08C, J16Z, J21Z, J22A, J22B
	21A	W04A, W04B		21A	W04A, W04B		21A	W04A, W04B
	21B	X01A, X01B, X01C		21B	X06A, X06B, X06C		21B	X01A, X01B, X01C
	22	Y01Z, Y03A, Y03B		22	Y01Z, Y03A, Y03B		22	Y01Z, Y02A, Y02B, Y02C
5v565.d		BOP, KVT, UOP4	5v570.1		BOP, KVT, UOP4	5v570.7↔		BOP, KVT, UOP4
	05	F13A		03	D12A		05	F13A
	08	I02A, I02B, I02C, I02D, I22A, I22B, I50Z		05	F13A		08	I02A, I02B, I02C, I02D, I22A, I22B, I50Z
	09	J02A, J02B, J02C, J04A, J04B, J08A, J08B, J08C, J16Z, J21Z, J22A, J22B		09	J02A, J02B, J02C, J04A, J04B, J08A, J08B, J08C, J16Z, J21Z, J22A, J22B		09	J02A, J02B, J02C, J04A, J04B, J08A, J08B, J08C, J16Z, J21Z, J22A, J22B
	21A	W04A, W04B		21A	W04A, W04B		21A	W04A, W04B
	21B	X01A, X01B, X01C		21B	X01A, X01B, X01C		21B	X01A, X01B, X01C
	22	Y01Z, Y02A, Y02B, Y02C		22	Y01Z, Y02A, Y02B, Y03A, Y03B		22	Y01Z, Y02A, Y02B, Y02C
5v565.e↔		BOP, KVT, UOP4	5v570.2↔		BOP, KVT, UOP4	5v570.8↔		BOP, KVT, UOP4
	05	F13A		03	D12A		05	F13A
	08	I02A, I02B, I02C, I02D, I22A, I22B, I50Z		05	F13A		08	I02A, I02B, I02C, I02D, I22A, I22B, I32A, I32B, I32C, I32D, I32E, I32F, I50Z
	09	J02A, J02B, J02C, J04A, J04B, J08A, J08B, J08C, J16Z, J21Z, J22A, J22B		09	J02A, J02B, J02C, J04A, J04B, J08A, J08B, J08C, J16Z, J21Z, J22A, J22B		09	J02A, J02B, J02C, J04A, J04B, J08A, J08B, J08C, J16Z, J21Z, J22A, J22B
	21A	W04A, W04B		21A	W04A, W04B		21A	W04A, W04B
	21B	X01A, X01B, X01C		21B	X01A, X01B, X01C		21B	X01A, X01B, X01C
	22	Y01Z, Y02A, Y02B, Y02C		22	Y01Z, Y03A, Y03B		22	Y01Z, Y02A, Y02B, Y02C
5v565.f↔		BOP, KVT, UOP4	5v570.3↔		BOP, KVT, UOP4	5v570.9↔		BOP, KVT, UOP4
	05	F13A		02	C01A, C01B, C16Z, C20A, C20B		05	F13A
	08	I02A, I02B, I02C, I02D, I22A, I22B, I50Z		05	F13A		08	I32A, I32B, I32C, I32D, I32E, I32F
	09	J02A, J02B, J02C, J04A, J04B, J08A, J08B, J08C, J16Z, J21Z, J22A, J22B		08	I17Z		09	J02A, J02B, J02C, J04A, J04B, J08A, J08B, J08C, J16Z, J21Z, J22A, J22B
	21A	W04A, W04B		21A	W04A, W04B		21A	W04A, W04B
	21B	X01A, X01B, X01C		21B	X01A, X01B, X01C		21B	X01A, X01B, X01C
	22	Y01Z, Y02A, Y02B, Y02C		22	Y01Z, Y03A, Y03B		22	Y01Z, Y02A, Y02B, Y02C
5v565.g↔		BOP, KVT, UOP4	5v570.4		BOP, KVT, UOP4	5v570.a		BOP, KVT, UOP4
	05	F13A		21A	W04A, W04B		05	F13A
	08	I02A, I02B, I02C, I02D, I22A, I22B, I50Z		21B	X06A, X06B, X06C		08	I02A, I02B, I02C, I02D, I22A, I22B, I50Z
	09	J02A, J02B, J02C, J04A, J04B, J08A, J08B, J08C, J16Z, J21Z, J22A, J22B		22	Y01Z, Y03A, Y03B		09	J02A, J02B, J02C, J04A, J04B, J08A, J08B, J08C, J16Z, J21Z, J22A, J22B
	21A	W04A, W04B			BOP, KVT, UOP4		21A	W04A, W04B
	21B	X01A, X01B, X01C		03	D12A		21B	X01A, X01B, X01C
	22	Y01Z, Y02A, Y02B, Y02C		05	F13A		22	Y01Z, Y02A, Y02B, Y02C
5v565.x↔		BOP, KVT, UOP4	5v570.5		BOP, KVT, UOP4	5v570.b		BOP, KVT, UOP4
	05	F13A		03	D12A		05	F13A
	08	I02A, I02B, I02C, I02D, I22A, I22B, I32A, I32B, I32C, I32D, I32E, I32F, I50Z		05	F13A		08	I02A, I02B, I02C, I02D, I22A, I22B, I50Z
	09	J02A, J02B, J02C, J04A, J04B, J08A, J08B, J08C, J16Z, J21Z, J22A, J22B		08	I02A, I02B, I02C, I02D, I22A, I22B, I50Z		09	J02A, J02B, J02C, J04A, J04B, J08A, J08B, J08C, J16Z, J21Z, J22A, J22B
	21A	W04A, W04B		09	J02A, J02B, J02C, J04A, J04B, J08A, J08B, J08C, J16Z, J21Z, J22A, J22B		21A	W04A, W04B
	21B	X01A, X01B, X01C		21A	W04A, W04B		21B	X01A, X01B, X01C
	22	Y01Z, Y02A, Y02B, Y02C		21B	X01A, X01B, X01C		22	Y01Z, Y02A, Y02B, Y02C
				22	Y01Z, Y02A, Y02B, Y02C			

ZZV	MDC	DRG	ZZV	MDC	DRG	ZZV	MDC	DRG
5v570.c		BOP, KVT, UOP4	5v571.0		BOP, KVT, UOP4	5v571.6↔		BOP, KVT, UOP4
	05	F13A		03	D18Z, D25A, D25B, D25C, D25D		05	F13A
	08	I02A, I02B, I02C, I02D, I22A, I22B, I50Z		05	F13A		08	I02A, I02B, I02C, I02D, I22A, I22B, I50Z
	09	J02A, J02B, J02C, J04A, J04B, J08A, J08B, J08C, J16Z, J21Z, J22A, J22B		09	J03A, J03B, J04A, J04B, J08A, J08B, J08C, J11A, J11B, J16Z, J21Z, J22A, J22B		09	J02A, J02B, J02C, J04A, J04B, J08A, J08B, J08C, J16Z, J21Z, J22A, J22B
	21A	W04A, W04B		21A	W04A, W04B		21A	W04A, W04B
	21B	X01A, X01B, X01C		21B	X06A, X06B, X06C		21B	X01A, X01B, X01C
	22	Y01Z, Y03A, Y03B		22	Y01Z, Y03A, Y03B		22	Y01Z, Y02A, Y02B, Y02C
5v570.d		BOP, KVT, UOP4	5v571.1		BOP, KVT, UOP4	5v571.7↔		BOP, KVT, UOP4
	05	F13A		03	D12A		05	F13A
	08	I02A, I02B, I02C, I02D, I22A, I22B, I50Z		05	F13A		08	I02A, I02B, I02C, I02D, I22A, I22B, I50Z
	09	J02A, J02B, J02C, J04A, J04B, J08A, J08B, J08C, J16Z, J21Z, J22A, J22B		09	J02A, J02B, J02C, J04A, J04B, J08A, J08B, J08C, J16Z, J21Z, J22A, J22B		09	J02A, J02B, J02C, J04A, J04B, J08A, J08B, J08C, J16Z, J21Z, J22A, J22B
	21A	W04A, W04B		21A	W04A, W04B		21A	W04A, W04B
	21B	X01A, X01B, X01C		21B	X01A, X01B, X01C		21B	X01A, X01B, X01C
	22	Y01Z, Y02A, Y02B, Y02C		22	Y01Z, Y02A, Y02B, Y03A, Y03B		22	Y01Z, Y02A, Y02B, Y02C
5v570.e↔		BOP, KVT, UOP4	5v571.2↔		BOP, KVT, UOP4	5v571.8↔		BOP, KVT, UOP4
	05	F13A		03	D12A		05	F13A
	08	I02A, I02B, I02C, I02D, I22A, I22B, I50Z		05	F13A		08	I02A, I02B, I02C, I02D, I22A, I22B, I32A, I32B, I32C, I32D, I32E, I32F, I50Z
	09	J02A, J02B, J02C, J04A, J04B, J08A, J08B, J08C, J16Z, J21Z, J22A, J22B		09	J02A, J02B, J02C, J04A, J04B, J08A, J08B, J08C, J16Z, J21Z, J22A, J22B		09	J02A, J02B, J02C, J04A, J04B, J08A, J08B, J08C, J16Z, J21Z, J22A, J22B
	21A	W04A, W04B		21A	W04A, W04B		21A	W04A, W04B
	21B	X01A, X01B, X01C		21B	X01A, X01B, X01C		21B	X01A, X01B, X01C
	22	Y01Z, Y02A, Y02B, Y02C		22	Y01Z, Y03A, Y03B		22	Y01Z, Y02A, Y02B, Y02C
5v570.f↔		BOP, KVT, UOP4	5v571.3↔		BOP, KVT, UOP4	5v571.9↔		BOP, KVT, UOP4
	05	F13A		02	C01A, C01B, C16Z, C20A, C20B		05	F13A
	08	I02A, I02B, I02C, I02D, I22A, I22B, I50Z		05	F13A		08	I32A, I32B, I32C, I32D, I32E, I32F
	09	J02A, J02B, J02C, J04A, J04B, J08A, J08B, J08C, J16Z, J21Z, J22A, J22B		08	I17Z		09	J02A, J02B, J02C, J04A, J04B, J08A, J08B, J08C, J16Z, J21Z, J22A, J22B
	21A	W04A, W04B		21A	W04A, W04B		21A	W04A, W04B
	21B	X01A, X01B, X01C		21B	X01A, X01B, X01C		21B	X01A, X01B, X01C
	22	Y01Z, Y02A, Y02B, Y02C		22	Y01Z, Y03A, Y03B		22	Y01Z, Y02A, Y02B, Y02C
5v570.g↔		BOP, KVT, UOP4	5v571.4		BOP, KVT, UOP4	5v571.a		BOP, KVT, UOP4
	05	F13A		03	D12A		05	F13A
	08	I02A, I02B, I02C, I02D, I22A, I22B, I50Z		05	F13A		08	I02A, I02B, I02C, I02D, I22A, I22B, I50Z
	09	J02A, J02B, J02C, J04A, J04B, J08A, J08B, J08C, J16Z, J21Z, J22A, J22B		08	I02A, I02B, I02C, I02D, I22A, I22B, I50Z		09	J02A, J02B, J02C, J04A, J04B, J08A, J08B, J08C, J16Z, J21Z, J22A, J22B
	21A	W04A, W04B		09	J02A, J02B, J02C, J04A, J04B, J08A, J08B, J08C, J16Z, J21Z, J22A, J22B		21A	W04A, W04B
	21B	X01A, X01B, X01C		21A	W04A, W04B		21B	X01A, X01B, X01C
	22	Y01Z, Y02A, Y02B, Y02C		21B	X06A, X06B, X06C		22	Y01Z, Y02A, Y02B, Y02C
5v570.x↔		BOP, KVT, UOP4	5v571.5		BOP, KVT, UOP4	5v571.b		BOP, KVT, UOP4
	05	F13A		03	D12A		05	F13A
	08	I02A, I02B, I02C, I02D, I22A, I22B, I32A, I32B, I32C, I32D, I32E, I32F, I50Z		05	F13A		08	I02A, I02B, I02C, I02D, I22A, I22B, I50Z
	09	J02A, J02B, J02C, J04A, J04B, J08A, J08B, J08C, J16Z, J21Z, J22A, J22B		08	I02A, I02B, I02C, I02D, I22A, I22B, I50Z		09	J02A, J02B, J02C, J04A, J04B, J08A, J08B, J08C, J16Z, J21Z, J22A, J22B
	21A	W04A, W04B		09	J02A, J02B, J02C, J04A, J04B, J08A, J08B, J08C, J16Z, J21Z, J22A, J22B		21A	W04A, W04B
	21B	X01A, X01B, X01C		21A	W04A, W04B		21B	X01A, X01B, X01C
	22	Y01Z, Y02A, Y02B, Y02C		21B	X01A, X01B, X01C		22	Y01Z, Y02A, Y02B, Y02C

VYK

ZZV	MDC	DRG	ZZV	MDC	DRG	ZZV	MDC	DRG
5v571.c		BOP, KVT, UOP4	5v572.0		BOP, KVT, UOP4	5v572.6↔		BOP, KVT, UOP4
	05	F13A		03	D02A, D02B, D18Z, D24A, D24B		05	F13A
	08	I02A, I02B, I02C, I02D, I22A, I22B, I50Z		05	F13A		08	I02A, I02B, I02C, I02D, I22A, I22B, I50Z
	09	J02A, J02B, J02C, J04A, J04B, J08A, J08B, J08C, J16Z, J21Z, J22A, J22B		09	J03A, J03B, J04A, J04B, J08A, J08B, J08C, J11A, J11B, J16Z, J21Z, J22A, J22B		09	J02A, J02B, J02C, J04A, J04B, J08A, J08B, J08C, J16Z, J21Z, J22A, J22B
	21A	W04A, W04B		21A	W04A, W04B		21A	W04A, W04B
	21B	X01A, X01B, X01C		21B	X06A, X06B, X06C		21B	X01A, X01B, X01C
	22	Y01Z, Y03A, Y03B		22	Y01Z, Y03A, Y03B		22	Y01Z, Y02A, Y02B, Y02C
5v571.d		BOP, KVT, UOP4	5v572.1		BOP, KVT, UOP4	5v572.7↔		BOP, KVT, UOP4
	05	F13A		03	D12A		05	F13A
	08	I02A, I02B, I02C, I02D, I22A, I22B, I50Z		05	F13A		08	I02A, I02B, I02C, I02D, I22A, I22B, I50Z
	09	J02A, J02B, J02C, J04A, J04B, J08A, J08B, J08C, J16Z, J21Z, J22A, J22B		09	J02A, J02B, J02C, J04A, J04B, J08A, J08B, J08C, J16Z, J21Z, J22A, J22B		09	J02A, J02B, J02C, J04A, J04B, J08A, J08B, J08C, J16Z, J21Z, J22A, J22B
	21A	W04A, W04B		21A	W04A, W04B		21A	W04A, W04B
	21B	X01A, X01B, X01C		21B	X01A, X01B, X01C		21B	X01A, X01B, X01C
	22	Y01Z, Y02A, Y02B, Y02C		22	Y01Z, Y02A, Y02B, Y03A, Y03B		22	Y01Z, Y02A, Y02B, Y02C
5v571.e↔		BOP, KVT, UOP4	5v572.2↔		BOP, KVT, UOP4	5v572.8↔		BOP, KVT, UOP4
	05	F13A		03	D12A		05	F13A
	08	I02A, I02B, I02C, I02D, I22A, I22B, I50Z		05	F13A		08	I02A, I02B, I02C, I02D, I22A, I22B, I32A, I32B, I32C, I32D, I32E, I32F, I50Z
	09	J02A, J02B, J02C, J04A, J04B, J08A, J08B, J08C, J16Z, J21Z, J22A, J22B		09	J02A, J02B, J02C, J04A, J04B, J08A, J08B, J08C, J16Z, J21Z, J22A, J22B		09	J02A, J02B, J02C, J04A, J04B, J08A, J08B, J08C, J16Z, J21Z, J22A, J22B
	21A	W04A, W04B		21A	W04A, W04B		21A	W04A, W04B
	21B	X01A, X01B, X01C		21B	X01A, X01B, X01C		21B	X01A, X01B, X01C
	22	Y01Z, Y02A, Y02B, Y02C		22	Y01Z, Y03A, Y03B		22	Y01Z, Y02A, Y02B, Y02C
5v571.f↔		BOP, KVT, UOP4	5v572.3↔		BOP, KVT, UOP4	5v572.9↔		BOP, KVT, UOP4
	05	F13A		02	C01A, C01B, C16Z, C20A, C20B		05	F13A
	08	I02A, I02B, I02C, I02D, I22A, I22B, I50Z		05	F13A		08	I32A, I32B, I32C, I32D, I32E, I32F
	09	J02A, J02B, J02C, J04A, J04B, J08A, J08B, J08C, J16Z, J21Z, J22A, J22B		08	I17Z		09	J02A, J02B, J02C, J04A, J04B, J08A, J08B, J08C, J16Z, J21Z, J22A, J22B
	21A	W04A, W04B		09	J03A, J03B, J04A, J04B, J08A, J08B, J08C, J10A, J10B, J16Z, J21Z, J22A, J22B		21A	W04A, W04B
	21B	X01A, X01B, X01C		10	K09A, K09B		21B	X01A, X01B, X01C
	22	Y01Z, Y02A, Y02B, Y02C		21A	W04A, W04B		22	Y01Z, Y02A, Y02B, Y02C
5v571.g↔		BOP, KVT, UOP4	5v572.4		BOP, KVT, UOP4	5v572.a		BOP, KVT, UOP4
	05	F13A		21B	X06A, X06B, X06C		05	F13A
	08	I02A, I02B, I02C, I02D, I22A, I22B, I50Z		22	Y01Z, Y03A, Y03B		08	I02A, I02B, I02C, I02D, I22A, I22B, I50Z
	09	J02A, J02B, J02C, J04A, J04B, J08A, J08B, J08C, J16Z, J21Z, J22A, J22B		03	D12A		09	J02A, J02B, J02C, J04A, J04B, J08A, J08B, J08C, J16Z, J21Z, J22A, J22B
	21A	W04A, W04B		05	F13A		21A	W04A, W04B
	21B	X01A, X01B, X01C		08	I02A, I02B, I02C, I02D, I22A, I22B, I50Z		21B	X01A, X01B, X01C
	22	Y01Z, Y02A, Y02B, Y02C		09	J02A, J02B, J02C, J04A, J04B, J08A, J08B, J08C, J16Z, J21Z, J22A, J22B		22	Y01Z, Y02A, Y02B, Y02C
5v571.x↔		BOP, KVT, UOP4	5v572.5		BOP, KVT, UOP4	5v572.b		BOP, KVT, UOP4
	05	F13A		21A	W04A, W04B		05	F13A
	08	I02A, I02B, I02C, I02D, I22A, I22B, I32A, I32B, I32C, I32D, I32E, I32F, I50Z		21B	X01A, X01B, X01C		08	I02A, I02B, I02C, I02D, I22A, I22B, I50Z
	09	J02A, J02B, J02C, J04A, J04B, J08A, J08B, J08C, J16Z, J21Z, J22A, J22B		22	Y01Z, Y02A, Y02B, Y02C		09	J02A, J02B, J02C, J04A, J04B, J08A, J08B, J08C, J16Z, J21Z, J22A, J22B
	21A	W04A, W04B		03	D12A		21A	W04A, W04B
	21B	X01A, X01B, X01C		05	F13A		21B	X01A, X01B, X01C
	22	Y01Z, Y02A, Y02B, Y02C		08	I02A, I02B, I02C, I02D, I22A, I22B, I50Z		22	Y01Z, Y02A, Y02B, Y02C

VYK

ZZV	MDC	DRG	ZZV	MDC	DRG	ZZV	MDC	DRG
5v572.c		BOP, KVT, UOP4	5v573.0		BOP, KVT, UOP4	5v573.6↔		BOP, KVT, UOP4
	05	F13A		03	D02A, D02B, D18Z, D24A, D24B		05	F13A
	08	I02A, I02B, I02C, I02D, I22A, I22B, I50Z		05	F13A		08	I02A, I02B, I02C, I02D, I22A, I22B, I50Z
	09	J02A, J02B, J02C, J04A, J04B, J08A, J08B, J08C, J16Z, J21Z, J22A, J22B		09	J03A, J03B, J04A, J04B, J08A, J08B, J08C, J11A, J11B, J16Z, J21Z, J22A, J22B		09	J02A, J02B, J02C, J04A, J04B, J08A, J08B, J08C, J16Z, J21Z, J22A, J22B
	21A	W04A, W04B		21A	W04A, W04B		21A	W04A, W04B
	21B	X01A, X01B, X01C		21B	X06A, X06B, X06C		21B	X01A, X01B, X01C
	22	Y01Z, Y03A, Y03B		22	Y01Z, Y03A, Y03B		22	Y01Z, Y02A, Y02B, Y02C
5v572.d		BOP, KVT, UOP4	5v573.1		BOP, KVT, UOP4	5v573.7↔		BOP, KVT, UOP4
	05	F13A		03	D12A		05	F13A
	08	I02A, I02B, I02C, I02D, I22A, I22B, I50Z		05	F13A		08	I02A, I02B, I02C, I02D, I22A, I22B, I50Z
	09	J02A, J02B, J02C, J04A, J04B, J08A, J08B, J08C, J16Z, J21Z, J22A, J22B		09	J02A, J02B, J02C, J04A, J04B, J08A, J08B, J08C, J16Z, J21Z, J22A, J22B		09	J02A, J02B, J02C, J04A, J04B, J08A, J08B, J08C, J16Z, J21Z, J22A, J22B
	21A	W04A, W04B		21A	W04A, W04B		21A	W04A, W04B
	21B	X01A, X01B, X01C		21B	X01A, X01B, X01C		21B	X01A, X01B, X01C
	22	Y01Z, Y02A, Y02B, Y02C		22	Y01Z, Y02A, Y02B, Y03A, Y03B		22	Y01Z, Y02A, Y02B, Y02C
5v572.e↔		BOP, KVT, UOP4	5v573.2↔		BOP, KVT, UOP4	5v573.8↔		BOP, KVT, UOP4
	05	F13A		03	D12A		05	F13A
	08	I02A, I02B, I02C, I02D, I22A, I22B, I50Z		05	F13A		08	I02A, I02B, I02C, I02D, I22A, I22B, I32A, I32B, I32C, I32D, I32E, I32F, I50Z
	09	J02A, J02B, J02C, J04A, J04B, J08A, J08B, J08C, J16Z, J21Z, J22A, J22B		09	J02A, J02B, J02C, J04A, J04B, J08A, J08B, J08C, J16Z, J21Z, J22A, J22B		09	J02A, J02B, J02C, J04A, J04B, J08A, J08B, J08C, J16Z, J21Z, J22A, J22B
	21A	W04A, W04B		21A	W04A, W04B		21A	W04A, W04B
	21B	X01A, X01B, X01C		21B	X01A, X01B, X01C		21B	X01A, X01B, X01C
	22	Y01Z, Y02A, Y02B, Y02C		22	Y01Z, Y03A, Y03B		22	Y01Z, Y02A, Y02B, Y02C
5v572.f↔		BOP, KVT, UOP4	5v573.3↔		BOP, KVT, UOP4	5v573.9↔		BOP, KVT, UOP4
	05	F13A		02	C01A, C01B, C16Z, C20A, C20B		05	F13A
	08	I02A, I02B, I02C, I02D, I22A, I22B, I50Z		05	F13A		08	I32A, I32B, I32C, I32D, I32E, I32F
	09	J02A, J02B, J02C, J04A, J04B, J08A, J08B, J08C, J16Z, J21Z, J22A, J22B		09	J03A, J03B, J04A, J04B, J08A, J08B, J08C, J10A, J10B, J16Z, J21Z, J22A, J22B		09	J02A, J02B, J02C, J04A, J04B, J08A, J08B, J08C, J16Z, J21Z, J22A, J22B
	21A	W04A, W04B		10	K09A, K09B		21A	W04A, W04B
	21B	X01A, X01B, X01C		21A	W04A, W04B		21B	X01A, X01B, X01C
	22	Y01Z, Y02A, Y02B, Y02C		21B	X06A, X06B, X06C		22	Y01Z, Y02A, Y02B, Y02C
5v572.g↔		BOP, KVT, UOP4	5v573.4		BOP, KVT, UOP4	5v573.a		BOP, KVT, UOP4
	05	F13A		22	Y01Z, Y03A, Y03B		05	F13A
	08	I02A, I02B, I02C, I02D, I22A, I22B, I50Z		03	D12A		08	I02A, I02B, I02C, I02D, I22A, I22B, I50Z
	09	J02A, J02B, J02C, J04A, J04B, J08A, J08B, J08C, J16Z, J21Z, J22A, J22B		05	F13A		09	J02A, J02B, J02C, J04A, J04B, J08A, J08B, J08C, J16Z, J21Z, J22A, J22B
	21A	W04A, W04B		08	I02A, I02B, I02C, I02D, I22A, I22B, I50Z		21A	W04A, W04B
	21B	X01A, X01B, X01C		09	J02A, J02B, J02C, J04A, J04B, J08A, J08B, J08C, J16Z, J21Z, J22A, J22B		21B	X01A, X01B, X01C
	22	Y01Z, Y02A, Y02B, Y02C		21A	W04A, W04B		22	Y01Z, Y02A, Y02B, Y02C
5v572.x↔		BOP, KVT, UOP4	5v573.5		BOP, KVT, UOP4	5v573.b		BOP, KVT, UOP4
	05	F13A		21A	W04A, W04B		05	F13A
	08	I02A, I02B, I02C, I02D, I22A, I22B, I32A, I32B, I32C, I32D, I32E, I32F, I50Z		21B	X01A, X01B, X01C		08	I02A, I02B, I02C, I02D, I22A, I22B, I50Z
	09	J02A, J02B, J02C, J04A, J04B, J08A, J08B, J08C, J16Z, J21Z, J22A, J22B		22	Y01Z, Y02A, Y02B, Y02C		09	J02A, J02B, J02C, J04A, J04B, J08A, J08B, J08C, J16Z, J21Z, J22A, J22B
	21A	W04A, W04B		03	D12A		21A	W04A, W04B
	21B	X01A, X01B, X01C		05	F13A		21B	X01A, X01B, X01C
	22	Y01Z, Y02A, Y02B, Y02C		08	I02A, I02B, I02C, I02D, I22A, I22B, I50Z		22	Y01Z, Y02A, Y02B, Y02C

VYK

ZZV	MDC	DRG	ZZV	MDC	DRG	ZZV	MDC	DRG
5v573.c		BOP, KVT, UOP4	5v580.3↔		BOP, KVT, UOP4	5v584.3↔		BOP, KVT, UOP4
	05	F13A		02	C01A, C01B, C16Z, C20A, C20B		03	D12A, D12B
	08	I02A, I02B, I02C, I02D, I22A, I22B, I50Z		05	F13A		05	F13A
	09	J02A, J02B, J02C, J04A, J04B, J08A, J08B, J08C, J16Z, J21Z, J22A, J22B		08	I17Z		08	I02A, I02B, I02C, I02D, I22A, I22B, I50Z
	21A	W04A, W04B		09	J03A, J03B, J04A, J04B, J08A, J08B, J08C, J10A, J10B, J16Z, J21Z, J22A, J22B		09	J02A, J02B, J02C, J04A, J04B, J08A, J08B, J08C, J16Z, J21Z, J22A, J22B
	21B	X01A, X01B, X01C		21A	W04A, W04B		21A	W04A, W04B
	22	Y01Z, Y03A, Y03B		21B	X06A, X06B, X06C		21B	X01A, X01B, X01C
5v573.d		BOP, KVT, UOP4	5v581.3↔		BOP, KVT, UOP4	5v584.4		BOP, KVT, UOP4
	05	F13A		02	C01A, C01B, C16Z, C20A, C20B		03	D12A, D12B
	08	I02A, I02B, I02C, I02D, I22A, I22B, I50Z		05	F13A		05	F13A
	09	J02A, J02B, J02C, J04A, J04B, J08A, J08B, J08C, J16Z, J21Z, J22A, J22B		08	I17Z		08	I02A, I02B, I02C, I02D, I22A, I22B, I50Z
	21A	W04A, W04B		09	J03A, J03B, J04A, J04B, J08A, J08B, J08C, J10A, J10B, J16Z, J21Z, J22A, J22B		09	J02A, J02B, J02C, J04A, J04B, J08A, J08B, J08C, J16Z, J21Z, J22A, J22B
	21B	X01A, X01B, X01C		21A	W04A, W04B		21A	W04A, W04B
	22	Y01Z, Y02A, Y02B, Y02C		21B	X06A, X06B, X06C		21B	X01A, X01B, X01C
5v573.e↔		BOP, KVT, UOP4	5v582.3↔		BOP, KVT, UOP4	5v584.5		BOP, KVT, UOP4
	05	F13A		02	C01A, C01B, C16Z, C20A, C20B		03	D12A, D12B
	08	I02A, I02B, I02C, I02D, I22A, I22B, I50Z		05	F13A		05	F13A
	09	J02A, J02B, J02C, J04A, J04B, J08A, J08B, J08C, J16Z, J21Z, J22A, J22B		08	I17Z		08	I02A, I02B, I02C, I02D, I22A, I22B, I50Z
	21A	W04A, W04B		09	J03A, J03B, J04A, J04B, J08A, J08B, J08C, J10A, J10B, J16Z, J21Z, J22A, J22B		09	J02A, J02B, J02C, J04A, J04B, J08A, J08B, J08C, J16Z, J21Z, J22A, J22B
	21B	X01A, X01B, X01C		21A	W04A, W04B		21A	W04A, W04B
	22	Y01Z, Y02A, Y02B, Y02C		21B	X06A, X06B, X06C		21B	X01A, X01B, X01C
5v573.f↔		BOP, KVT, UOP4	5v584.0		BOP, KVT, UOP4	5v584.6↔		BOP, KVT, UOP4
	05	F13A		03	D12A, D12B		05	F13A
	08	I02A, I02B, I02C, I02D, I22A, I22B, I50Z		05	F13A		08	I02A, I02B, I02C, I02D, I22A, I22B, I50Z
	09	J02A, J02B, J02C, J04A, J04B, J08A, J08B, J08C, J16Z, J21Z, J22A, J22B		09	J02A, J02B, J02C, J04A, J04B, J08A, J08B, J08C, J16Z, J21Z, J22A, J22B		09	J02A, J02B, J02C, J04A, J04B, J08A, J08B, J08C, J16Z, J21Z, J22A, J22B
	21A	W04A, W04B		09	J02A, J02B, J02C, J04A, J04B, J08A, J08B, J08C, J16Z, J21Z, J22A, J22B		21A	W04A, W04B
	21B	X01A, X01B, X01C		21A	W04A, W04B		21B	X01A, X01B, X01C
	22	Y01Z, Y02A, Y02B, Y02C		21B	X06A, X06B, X06C		22	Y01Z, Y02A, Y02B, Y02C
5v573.g↔		BOP, KVT, UOP4	5v584.1		BOP, KVT, UOP4	5v584.7↔		BOP, KVT, UOP4
	05	F13A		03	D12A, D12B		05	F13A
	08	I02A, I02B, I02C, I02D, I22A, I22B, I50Z		05	F13A		08	I02A, I02B, I02C, I02D, I22A, I22B, I50Z
	09	J02A, J02B, J02C, J04A, J04B, J08A, J08B, J08C, J16Z, J21Z, J22A, J22B		09	J02A, J02B, J02C, J04A, J04B, J08A, J08B, J08C, J16Z, J21Z, J22A, J22B		09	J02A, J02B, J02C, J04A, J04B, J08A, J08B, J08C, J16Z, J21Z, J22A, J22B
	21A	W04A, W04B		09	J02A, J02B, J02C, J04A, J04B, J08A, J08B, J08C, J16Z, J21Z, J22A, J22B		21A	W04A, W04B
	21B	X01A, X01B, X01C		21A	W04A, W04B		21B	X01A, X01B, X01C
	22	Y01Z, Y02A, Y02B, Y02C		21B	X06A, X06B, X06C		22	Y01Z, Y02A, Y02B, Y02C
5v573.x↔		BOP, KVT, UOP4	5v584.2↔		BOP, KVT, UOP4	5v584.8↔		BOP, KVT, UOP4
	05	F13A		03	D12A, D12B		05	F13A
	08	I02A, I02B, I02C, I02D, I22A, I22B, I32A, I32B, I32C, I32D, I32E, I32F, I50Z		05	F13A		08	I02A, I02B, I02C, I02D, I22A, I22B, I32A, I32B, I32C, I32D, I32E, I32F, I50Z
	09	J02A, J02B, J02C, J04A, J04B, J08A, J08B, J08C, J16Z, J21Z, J22A, J22B		09	J02A, J02B, J02C, J04A, J04B, J08A, J08B, J08C, J16Z, J21Z, J22A, J22B		09	J02A, J02B, J02C, J04A, J04B, J08A, J08B, J08C, J16Z, J21Z, J22A, J22B
	21A	W04A, W04B		09	J02A, J02B, J02C, J04A, J04B, J08A, J08B, J08C, J16Z, J21Z, J22A, J22B		21A	W04A, W04B
	21B	X01A, X01B, X01C		21A	W04A, W04B		21B	X01A, X01B, X01C
	22	Y01Z, Y02A, Y02B, Y02C		21B	X06A, X06B, X06C		22	Y01Z, Y02A, Y02B, Y02C



ZZV	MDC	DRG	ZZV	MDC	DRG	ZZV	MDC	DRG
5v585.b		BOP, KVT, UOP4	5v585.x↔		BOP, KVT, UOP4	5v586.5		BOP, KVT, UOP4
	05	F13A		05	F13A		03	D12A, D12B
	08	I02A, I02B, I02C, I02D, I22A, I22B, I50Z		08	I02A, I02B, I02C, I02D, I22A, I22B, I32A, I32B, I32C, I32D, I32E, I32F, I50Z		05	F13A
	09	J02A, J02B, J02C, J04A, J04B, J08A, J08B, J08C, J16Z, J21Z, J22A, J22B		09	J02A, J02B, J02C, J04A, J04B, J08A, J08B, J08C, J16Z, J21Z, J22A, J22B		08	I02A, I02B, I02C, I02D, I22A, I22B, I50Z
	21A	W04A, W04B		21A	W04A, W04B		09	J02A, J02B, J02C, J04A, J04B, J08A, J08B, J08C, J16Z, J21Z, J22A, J22B
	21B	X01A, X01B, X01C		21B	X01A, X01B, X01C		21A	W04A, W04B
	22	Y01Z, Y02A, Y02B, Y02C		22	Y01Z, Y02A, Y02B, Y02C		21B	X01A, X01B, X01C
5v585.c		BOP, KVT, UOP4	5v586.0		BOP, KVT, UOP4	5v586.6↔		BOP, KVT, UOP4
	05	F13A		03	D12A, D12B		05	F13A
	08	I02A, I02B, I02C, I02D, I22A, I22B, I50Z		05	F13A		08	I02A, I02B, I02C, I02D, I22A, I22B, I50Z
	09	J02A, J02B, J02C, J04A, J04B, J08A, J08B, J08C, J16Z, J21Z, J22A, J22B		09	J02A, J02B, J02C, J04A, J04B, J08A, J08B, J08C, J16Z, J21Z, J22A, J22B		09	J02A, J02B, J02C, J04A, J04B, J08A, J08B, J08C, J16Z, J21Z, J22A, J22B
	21A	W04A, W04B		21A	W04A, W04B		21A	W04A, W04B
	21B	X01A, X01B, X01C		21B	X01A, X01B, X01C		21B	X01A, X01B, X01C
	22	Y01Z, Y02A, Y02B, Y02C		22	Y01Z, Y02A, Y02B, Y02C		22	Y01Z, Y02A, Y02B, Y02C
5v585.d		BOP, KVT, UOP4	5v586.1		BOP, KVT, UOP4	5v586.7↔		BOP, KVT, UOP4
	05	F13A		03	D12A, D12B		05	F13A
	08	I02A, I02B, I02C, I02D, I22A, I22B, I50Z		05	F13A		08	I02A, I02B, I02C, I02D, I22A, I22B, I50Z
	09	J02A, J02B, J02C, J04A, J04B, J08A, J08B, J08C, J16Z, J21Z, J22A, J22B		09	J02A, J02B, J02C, J04A, J04B, J08A, J08B, J08C, J16Z, J21Z, J22A, J22B		09	J02A, J02B, J02C, J04A, J04B, J08A, J08B, J08C, J16Z, J21Z, J22A, J22B
	21A	W04A, W04B		21A	W04A, W04B		21A	W04A, W04B
	21B	X01A, X01B, X01C		21B	X01A, X01B, X01C		21B	X01A, X01B, X01C
	22	Y01Z, Y02A, Y02B, Y02C		22	Y01Z, Y02A, Y02B, Y02C		22	Y01Z, Y02A, Y02B, Y02C
5v585.e↔		BOP, KVT, UOP4	5v586.2↔		BOP, KVT, UOP4	5v586.8↔		BOP, KVT, UOP4
	05	F13A		03	D12A, D12B		05	F13A
	08	I02A, I02B, I02C, I02D, I22A, I22B, I50Z		05	F13A		08	I02A, I02B, I02C, I02D, I22A, I22B, I50Z
	09	J02A, J02B, J02C, J04A, J04B, J08A, J08B, J08C, J16Z, J21Z, J22A, J22B		09	J02A, J02B, J02C, J04A, J04B, J08A, J08B, J08C, J16Z, J21Z, J22A, J22B		09	J02A, J02B, J02C, J04A, J04B, J08A, J08B, J08C, J16Z, J21Z, J22A, J22B
	21A	W04A, W04B		21A	W04A, W04B		21A	W04A, W04B
	21B	X01A, X01B, X01C		21B	X01A, X01B, X01C		21B	X01A, X01B, X01C
	22	Y01Z, Y02A, Y02B, Y02C		22	Y01Z, Y02A, Y02B, Y02C		22	Y01Z, Y02A, Y02B, Y02C
5v585.f↔		BOP, KVT, UOP4	5v586.3↔		BOP, KVT, UOP4	5v586.9↔		BOP, KVT, UOP4
	05	F13A		03	D12A, D12B		05	F13A
	08	I02A, I02B, I02C, I02D, I22A, I22B, I50Z		05	F13A		08	I02A, I02B, I02C, I02D, I22A, I22B, I50Z
	09	J02A, J02B, J02C, J04A, J04B, J08A, J08B, J08C, J16Z, J21Z, J22A, J22B		09	J02A, J02B, J02C, J04A, J04B, J08A, J08B, J08C, J16Z, J21Z, J22A, J22B		09	J02A, J02B, J02C, J04A, J04B, J08A, J08B, J08C, J16Z, J21Z, J22A, J22B
	21A	W04A, W04B		21A	W04A, W04B		21A	W04A, W04B
	21B	X01A, X01B, X01C		21B	X01A, X01B, X01C		21B	X01A, X01B, X01C
	22	Y01Z, Y02A, Y02B, Y02C		22	Y01Z, Y02A, Y02B, Y02C		22	Y01Z, Y02A, Y02B, Y02C
5v585.g↔		BOP, KVT, UOP4	5v586.4		BOP, KVT, UOP4	5v586.a		BOP, KVT, UOP4
	05	F13A		03	D12A, D12B		05	F13A
	08	I02A, I02B, I02C, I02D, I22A, I22B, I50Z		05	F13A		08	I02A, I02B, I02C, I02D, I22A, I22B, I50Z
	09	J02A, J02B, J02C, J04A, J04B, J08A, J08B, J08C, J16Z, J21Z, J22A, J22B		09	J02A, J02B, J02C, J04A, J04B, J08A, J08B, J08C, J16Z, J21Z, J22A, J22B		09	J02A, J02B, J02C, J04A, J04B, J08A, J08B, J08C, J16Z, J21Z, J22A, J22B
	21A	W04A, W04B		21A	W04A, W04B		21A	W04A, W04B
	21B	X01A, X01B, X01C		21B	X01A, X01B, X01C		21B	X01A, X01B, X01C
	22	Y01Z, Y02A, Y02B, Y02C		22	Y01Z, Y02A, Y02B, Y02C		22	Y01Z, Y02A, Y02B, Y02C

ZZV	MDC	DRG	ZZV	MDC	DRG	ZZV	MDC	DRG
5v586.b		BOP, KVT, UOP4	5v586.x↔		BOP, KVT, UOP4	5v587.5		BOP, KVT, UOP4
	05	F13A		05	F13A		03	D12A, D12B
	08	I02A, I02B, I02C, I02D, I22A, I22B, I50Z		08	I02A, I02B, I02C, I02D, I22A, I22B, I32A, I32B, I32C, I32D, I32E, I32F, I50Z		05	F13A
	09	J02A, J02B, J02C, J04A, J04B, J08A, J08B, J08C, J16Z, J21Z, J22A, J22B		09	J02A, J02B, J02C, J04A, J04B, J08A, J08B, J08C, J16Z, J21Z, J22A, J22B		08	I02A, I02B, I02C, I02D, I22A, I22B, I50Z
	21A	W04A, W04B		21A	W04A, W04B		09	J02A, J02B, J02C, J04A, J04B, J08A, J08B, J08C, J16Z, J21Z, J22A, J22B
	21B	X01A, X01B, X01C		21B	X01A, X01B, X01C		21A	W04A, W04B
	22	Y01Z, Y02A, Y02B, Y02C		22	Y01Z, Y02A, Y02B, Y02C		21B	X01A, X01B, X01C
5v586.c		BOP, KVT, UOP4	5v587.0		BOP, KVT, UOP4	5v587.6↔		BOP, KVT, UOP4
	05	F13A		03	D12A, D12B		05	F13A
	08	I02A, I02B, I02C, I02D, I22A, I22B, I50Z		05	F13A		08	I02A, I02B, I02C, I02D, I22A, I22B, I50Z
	09	J02A, J02B, J02C, J04A, J04B, J08A, J08B, J08C, J16Z, J21Z, J22A, J22B		09	J02A, J02B, J02C, J04A, J04B, J08A, J08B, J08C, J16Z, J21Z, J22A, J22B		09	J02A, J02B, J02C, J04A, J04B, J08A, J08B, J08C, J16Z, J21Z, J22A, J22B
	21A	W04A, W04B		21A	W04A, W04B		21A	W04A, W04B
	21B	X01A, X01B, X01C		21B	X01A, X01B, X01C		21B	X01A, X01B, X01C
	22	Y01Z, Y02A, Y02B, Y02C		22	Y01Z, Y02A, Y02B, Y02C		22	Y01Z, Y02A, Y02B, Y02C
5v586.d		BOP, KVT, UOP4	5v587.1		BOP, KVT, UOP4	5v587.7↔		BOP, KVT, UOP4
	05	F13A		03	D12A, D12B		05	F13A
	08	I02A, I02B, I02C, I02D, I22A, I22B, I50Z		05	F13A		08	I02A, I02B, I02C, I02D, I22A, I22B, I50Z
	09	J02A, J02B, J02C, J04A, J04B, J08A, J08B, J08C, J16Z, J21Z, J22A, J22B		09	J02A, J02B, J02C, J04A, J04B, J08A, J08B, J08C, J16Z, J21Z, J22A, J22B		09	J02A, J02B, J02C, J04A, J04B, J08A, J08B, J08C, J16Z, J21Z, J22A, J22B
	21A	W04A, W04B		21A	W04A, W04B		21A	W04A, W04B
	21B	X01A, X01B, X01C		21B	X01A, X01B, X01C		21B	X01A, X01B, X01C
	22	Y01Z, Y02A, Y02B, Y02C		22	Y01Z, Y02A, Y02B, Y02C		22	Y01Z, Y02A, Y02B, Y02C
5v586.e↔		BOP, KVT, UOP4	5v587.2↔		BOP, KVT, UOP4	5v587.8↔		BOP, KVT, UOP4
	05	F13A		03	D12A, D12B		05	F13A
	08	I02A, I02B, I02C, I02D, I22A, I22B, I50Z		05	F13A		08	I02A, I02B, I02C, I02D, I22A, I22B, I50Z
	09	J02A, J02B, J02C, J04A, J04B, J08A, J08B, J08C, J16Z, J21Z, J22A, J22B		09	J02A, J02B, J02C, J04A, J04B, J08A, J08B, J08C, J16Z, J21Z, J22A, J22B		09	J02A, J02B, J02C, J04A, J04B, J08A, J08B, J08C, J16Z, J21Z, J22A, J22B
	21A	W04A, W04B		21A	W04A, W04B		21A	W04A, W04B
	21B	X01A, X01B, X01C		21B	X01A, X01B, X01C		21B	X01A, X01B, X01C
	22	Y01Z, Y02A, Y02B, Y02C		22	Y01Z, Y02A, Y02B, Y02C		22	Y01Z, Y02A, Y02B, Y02C
5v586.f↔		BOP, KVT, UOP4	5v587.3↔		BOP, KVT, UOP4	5v587.9↔		BOP, KVT, UOP4
	05	F13A		03	D12A, D12B		05	F13A
	08	I02A, I02B, I02C, I02D, I22A, I22B, I50Z		05	F13A		08	I02A, I02B, I02C, I02D, I22A, I22B, I50Z
	09	J02A, J02B, J02C, J04A, J04B, J08A, J08B, J08C, J16Z, J21Z, J22A, J22B		09	J02A, J02B, J02C, J04A, J04B, J08A, J08B, J08C, J16Z, J21Z, J22A, J22B		09	J02A, J02B, J02C, J04A, J04B, J08A, J08B, J08C, J16Z, J21Z, J22A, J22B
	21A	W04A, W04B		21A	W04A, W04B		21A	W04A, W04B
	21B	X01A, X01B, X01C		21B	X01A, X01B, X01C		21B	X01A, X01B, X01C
	22	Y01Z, Y02A, Y02B, Y02C		22	Y01Z, Y02A, Y02B, Y02C		22	Y01Z, Y02A, Y02B, Y02C
5v586.g↔		BOP, KVT, UOP4	5v587.4		BOP, KVT, UOP4	5v587.a		BOP, KVT, UOP4
	05	F13A		03	D12A, D12B		05	F13A
	08	I02A, I02B, I02C, I02D, I22A, I22B, I50Z		05	F13A		08	I02A, I02B, I02C, I02D, I22A, I22B, I50Z
	09	J02A, J02B, J02C, J04A, J04B, J08A, J08B, J08C, J16Z, J21Z, J22A, J22B		09	J02A, J02B, J02C, J04A, J04B, J08A, J08B, J08C, J16Z, J21Z, J22A, J22B		09	J02A, J02B, J02C, J04A, J04B, J08A, J08B, J08C, J16Z, J21Z, J22A, J22B
	21A	W04A, W04B		21A	W04A, W04B		21A	W04A, W04B
	21B	X01A, X01B, X01C		21B	X01A, X01B, X01C		21B	X01A, X01B, X01C
	22	Y01Z, Y02A, Y02B, Y02C		22	Y01Z, Y02A, Y02B, Y02C		22	Y01Z, Y02A, Y02B, Y02C

VYK

ZZV	MDC	DRG	ZZV	MDC	DRG	ZZV	MDC	DRG
5v590.g↔		BOP, KVT, UOP4	5v591.7↔		BOP, KVT, UOP4	5v591.d		BOP, KVT, UOP4
	05	F13A		05	F13A		05	F13A
	08	I02A, I02B, I02C, I02D, I22A, I22B, I50Z		08	I02A, I02B, I02C, I02D, I22A, I22B, I50Z		08	I02A, I02B, I02C, I02D, I22A, I22B, I50Z
	09	J02A, J02B, J02C, J04A, J04B, J08A, J08B, J08C, J16Z, J21Z, J22A, J22B		09	J02A, J02B, J02C, J04A, J04B, J08A, J08B, J08C, J16Z, J21Z, J22A, J22B		09	J02A, J02B, J02C, J04A, J04B, J08A, J08B, J08C, J16Z, J21Z, J22A, J22B
	21A	W04A, W04B		21A	W04A, W04B		21A	W04A, W04B
	21B	X01A, X01B, X01C		21B	X01A, X01B, X01C		21B	X01A, X01B, X01C
	22	Y01Z, Y03A, Y03B		22	Y01Z, Y03A, Y03B		22	Y01Z, Y03A, Y03B
5v590.x↔		BOP, KVT, UOP4	5v591.8↔		BOP, KVT, UOP4	5v591.e↔		BOP, KVT, UOP4
	03	D12A, D12B		05	F13A		05	F13A
	05	F13A		08	I02A, I02B, I02C, I02D, I22A, I22B, I32A, I32B, I32C, I32D, I32E, I32F, I50Z		08	I02A, I02B, I02C, I02D, I22A, I22B, I50Z
	08	I02A, I02B, I02C, I02D, I22A, I22B, I32A, I32B, I32C, I32D, I32E, I32F, I50Z		09	J02A, J02B, J02C, J04A, J04B, J08A, J08B, J08C, J16Z, J21Z, J22A, J22B		09	J02A, J02B, J02C, J04A, J04B, J08A, J08B, J08C, J16Z, J21Z, J22A, J22B
	09	J02A, J02B, J02C, J04A, J04B, J08A, J08B, J08C, J16Z, J21Z, J22A, J22B		21A	W04A, W04B		21A	W04A, W04B
	21A	W04A, W04B		21B	X01A, X01B, X01C		21B	X01A, X01B, X01C
	21B	X01A, X01B, X01C		22	Y01Z, Y03A, Y03B		22	Y01Z, Y03A, Y03B
5v591.0		BOP, KVT, UOP4	5v591.9↔		BOP, KVT, UOP4	5v591.f↔		BOP, KVT, UOP4
	03	D12A, D12B		05	F13A		05	F13A
	05	F13A		08	I32A, I32B, I32C, I32D, I32E, I32F		08	I02A, I02B, I02C, I02D, I22A, I22B, I50Z
	09	J02A, J02B, J02C, J04A, J04B, J08A, J08B, J08C, J16Z, J21Z, J22A, J22B		09	J02A, J02B, J02C, J04A, J04B, J08A, J08B, J08C, J16Z, J21Z, J22A, J22B		09	J02A, J02B, J02C, J04A, J04B, J08A, J08B, J08C, J16Z, J21Z, J22A, J22B
	21A	W04A, W04B		21A	W04A, W04B		21A	W04A, W04B
	21B	X01A, X01B, X01C		21B	X01A, X01B, X01C		21B	X01A, X01B, X01C
	22	Y01Z, Y03A, Y03B		22	Y01Z, Y03A, Y03B		22	Y01Z, Y03A, Y03B
5v591.4		BOP, KVT, UOP4	5v591.a		BOP, KVT, UOP4	5v591.g↔		BOP, KVT, UOP4
	03	D12A, D12B		05	F13A		05	F13A
	05	F13A		08	I02A, I02B, I02C, I02D, I22A, I22B, I50Z		08	I02A, I02B, I02C, I02D, I22A, I22B, I50Z
	08	I02A, I02B, I02C, I02D, I22A, I22B, I50Z		09	J02A, J02B, J02C, J04A, J04B, J08A, J08B, J08C, J16Z, J21Z, J22A, J22B		09	J02A, J02B, J02C, J04A, J04B, J08A, J08B, J08C, J16Z, J21Z, J22A, J22B
	09	J02A, J02B, J02C, J04A, J04B, J08A, J08B, J08C, J16Z, J21Z, J22A, J22B		21A	W04A, W04B		21A	W04A, W04B
	21A	W04A, W04B		21B	X01A, X01B, X01C		21B	X01A, X01B, X01C
	21B	X01A, X01B, X01C		22	Y01Z, Y03A, Y03B		22	Y01Z, Y03A, Y03B
5v591.5		BOP, KVT, UOP4	5v591.b		BOP, KVT, UOP4	5v591.x↔		BOP, KVT, UOP4
	03	D12A, D12B		05	F13A		05	F13A
	05	F13A		08	I02A, I02B, I02C, I02D, I22A, I22B, I50Z		08	I02A, I02B, I02C, I02D, I22A, I22B, I50Z
	08	I02A, I02B, I02C, I02D, I22A, I22B, I50Z		09	J02A, J02B, J02C, J04A, J04B, J08A, J08B, J08C, J16Z, J21Z, J22A, J22B		09	J02A, J02B, J02C, J04A, J04B, J08A, J08B, J08C, J16Z, J21Z, J22A, J22B
	09	J02A, J02B, J02C, J04A, J04B, J08A, J08B, J08C, J16Z, J21Z, J22A, J22B		21A	W04A, W04B		21A	W04A, W04B
	21A	W04A, W04B		21B	X01A, X01B, X01C		21B	X01A, X01B, X01C
	21B	X01A, X01B, X01C		22	Y01Z, Y03A, Y03B		22	Y01Z, Y03A, Y03B
5v591.6↔		BOP, KVT, UOP4	5v591.c		BOP, KVT, UOP4	5v611.10		BOP, KVT, UOP4
	05	F13A		05	F13A		09	J03A, J03B, J04A, J04B, J08A, J08B, J08C, J10A, J10B, J16Z
	08	I02A, I02B, I02C, I02D, I22A, I22B, I50Z		08	I02A, I02B, I02C, I02D, I22A, I22B, I50Z		10	K07Z
	09	J02A, J02B, J02C, J04A, J04B, J08A, J08B, J08C, J16Z, J21Z, J22A, J22B		09	J02A, J02B, J02C, J04A, J04B, J08A, J08B, J08C, J16Z, J21Z, J22A, J22B		21A	W04A, W04B
	21A	W04A, W04B		21A	W04A, W04B		21B	X06A, X06B, X06C
	21B	X01A, X01B, X01C		21B	X01A, X01B, X01C		21B	X06A, X06B, X06C
	22	Y01Z, Y03A, Y03B		22	Y01Z, Y03A, Y03B		09	J03A, J03B, J04A, J04B, J08A, J08B, J08C, J10A, J10B, J16Z
5v591.6↔		BOP, KVT, UOP4	5v591.c		BOP, KVT, UOP4	5v611.11		BOP, KVT, UOP4
	05	F13A		05	F13A		09	J03A, J03B, J04A, J04B, J08A, J08B, J08C, J10A, J10B, J16Z
	08	I02A, I02B, I02C, I02D, I22A, I22B, I50Z		08	I02A, I02B, I02C, I02D, I22A, I22B, I50Z		10	K07Z
	09	J02A, J02B, J02C, J04A, J04B, J08A, J08B, J08C, J16Z, J21Z, J22A, J22B		09	J02A, J02B, J02C, J04A, J04B, J08A, J08B, J08C, J16Z, J21Z, J22A, J22B		21A	W04A, W04B
	21A	W04A, W04B		21A	W04A, W04B		21B	X06A, X06B, X06C
	21B	X01A, X01B, X01C		21B	X01A, X01B, X01C		09	J03A, J03B, J04A, J04B, J08A, J08B, J08C, J10A, J10B, J16Z
	22	Y01Z, Y03A, Y03B		22	Y01Z, Y03A, Y03B		10	K07Z

ZZV	MDC	DRG	ZZV	MDC	DRG	ZZV	MDC	DRG	
5v611.20		BOP, KVT, UOP4	5v620.6↔		BOP, KVT, UOP4	5v620.c		BOP, KVT, UOP4	
	09	J03A, J03B, J04A, J04B, J08A, J08B, J08C, J10A, J10B, J16Z		01	B03A, B03B, B06A, B06B, B07Z, B17A, B17B, B17C		01	B03A, B03B, B06A, B06B, B07Z, B17A, B17B, B17C	
	10	K07Z		05	F13A, F21A, F21B, F28A		05	F13A, F21A, F21B, F28A	
	21A	W04A, W04B		08	I02A, I02B, I02C, I02D, I22A, I22B, I50Z		06	G10Z, G12A, G12B	
5v611.21	21B	X06A, X06B, X06C		09	J02A, J02B, J02C, J04A, J04B, J08A, J08B, J08C, J16Z, J21Z, J22A, J22B	08	I02A, I02B, I02C, I02D, I22A, I22B, I50Z		
		BOP, KVT, UOP4	5v620.7↔		21A	W04A, W04B	09	J02A, J02B, J02C, J04A, J04B, J08A, J08B, J08C, J16Z, J21Z, J22A, J22B	
	09	J03A, J03B, J04A, J04B, J08A, J08B, J08C, J10A, J10B, J16Z		01	B03A, B03B, B06A, B06B, B07Z, B17A, B17B, B17C	21B	X01A, X01B, X01C	10	K09A, K09B
	10	K07Z		05	F13A, F21A, F21B, F28A		BOP, KVT, UOP4	12	M04A, M04B, M04C, M04D, M37Z, M38Z
21A	W04A, W04B	08		I02A, I02B, I02C, I02D, I22A, I22B, I50Z	01	B03A, B03B, B06A, B06B, B07Z, B17A, B17B, B17C	21A	W04A, W04B	
5v611.30	21B	X06A, X06B, X06C		05	F13A, F21A, F21B, F28A	5v620.d	21B	X01A, X01B, X01C	
		BOP, KVT, UOP4	08	I02A, I02B, I02C, I02D, I22A, I22B, I50Z	01		B03A, B03B, B06A, B06B, B07Z, B17A, B17B, B17C		
	09	J03A, J03B, J04A, J04B, J08A, J08B, J08C, J10A, J10B, J16Z	09	J02A, J02B, J02C, J04A, J04B, J08A, J08B, J08C, J16Z, J21Z, J22A, J22B	05		F13A, F21A, F21B, F28A		
	10	K07Z	21A	W04A, W04B	06		G10Z, G12A, G12B		
5v611.31	21A	W04A, W04B	5v620.8↔	21B	X01A, X01B, X01C	08	I02A, I02B, I02C, I02D, I22A, I22B, I50Z		
	21B	X06A, X06B, X06C			BOP, KVT, UOP4	09	J02A, J02B, J02C, J04A, J04B, J08A, J08B, J08C, J16Z, J21Z, J22A, J22B		
		BOP, KVT, UOP4		01	B03A, B03B, B06A, B06B, B07Z, B17A, B17B, B17C	21A	W04A, W04B		
	09	J03A, J03B, J04A, J04B, J08A, J08B, J08C, J10A, J10B, J16Z		05	F13A, F21A, F21B, F28A	21B	X01A, X01B, X01C		
5v611.x0	10	K07Z		08	I02A, I02B, I02C, I02D, I22A, I22B, I32A, I32B, I32C, I32D, I32E, I32F, I50Z	5v620.e↔	01	B03A, B03B, B06A, B06B, B07Z, B17A, B17B, B17C	
	21A	W04A, W04B	09	J02A, J02B, J02C, J04A, J04B, J08A, J08B, J08C, J16Z, J21Z, J22A, J22B	05		F13A, F21A, F21B, F27A, F27B, F27C, F28A		
	21B	X06A, X06B, X06C	21A	W04A, W04B	08		I02A, I02B, I02C, I02D, I22A, I22B, I50Z		
		BOP, KVT, UOP4	21B	X01A, X01B, X01C	09		J02A, J02B, J02C, J04A, J04B, J08A, J08B, J08C, J16Z, J21Z, J22A, J22B		
5v611.x1	09	J03A, J03B, J04A, J04B, J08A, J08B, J08C, J10A, J10B, J16Z	5v620.9↔		BOP, KVT, UOP4	5v620.f↔	21A	W04A, W04B	
	10	K07Z		01	B03A, B03B, B06A, B06B, B07Z, B17A, B17B, B17C		21B	X01A, X01B, X01C	
	21A	W04A, W04B		05	F13A, F21A, F21B, F28A		01	B03A, B03B, B06A, B06B, B07Z, B17A, B17B, B17C	
	21B	X06A, X06B, X06C		08	I12A, I12B, I12C, I32A, I32B, I32C, I32D, I32E, I32F		05	F13A, F21A, F21B, F27A, F27B, F27C, F28A	
5v620.4		BOP, KVT, UOP4	5v620.a	09	J03A, J03B, J04A, J04B, J08A, J08B, J08C, J16Z, J21Z, J22A, J22B	08	I02A, I02B, I02C, I02D, I22A, I22B, I50Z		
	01	B03A, B03B, B06A, B06B, B07Z, B17A, B17B, B17C		21A	W04A, W04B	09	J02A, J02B, J02C, J04A, J04B, J08A, J08B, J08C, J16Z, J21Z, J22A, J22B		
	02	C20A, C20B		21B	X01A, X01B, X01C	10	K01Z		
	03	D18Z, D28Z, D29Z			BOP, KVT, UOP4	21A	W04A, W04B		
5v620.5	05	F13A, F21A, F21B, F28A	01	B03A, B03B, B06A, B06B, B07Z, B17A, B17B, B17C	21B	X01A, X01B, X01C			
	08	I02A, I02B, I02C, I02D, I22A, I22B, I50Z	05	F13A, F21A, F21B, F28A	01	B03A, B03B, B06A, B06B, B07Z, B17A, B17B, B17C			
	09	J02A, J02B, J02C, J04A, J04B, J08A, J08B, J08C, J16Z, J21Z, J22A, J22B	06	G10Z, G12A, G12B	05	F13A, F21A, F21B, F27A, F27B, F27C, F28A			
	21A	W04A, W04B	08	I02A, I02B, I02C, I02D, I22A, I22B, I50Z	08	I02A, I02B, I02C, I02D, I22A, I22B, I50Z			
5v620.5	21B	X01A, X01B, X01C	09	J02A, J02B, J02C, J04A, J04B, J08A, J08B, J08C, J16Z, J21Z, J22A, J22B	5v620.g↔	09	J02A, J02B, J02C, J04A, J04B, J08A, J08B, J08C, J16Z, J21Z, J22A, J22B		
		BOP, KVT, UOP4	21A	W04A, W04B		10	K01Z		
	01	B03A, B03B, B06A, B06B, B07Z, B17A, B17B, B17C	21B	X01A, X01B, X01C		21A	W04A, W04B		
	03	D18Z, D28Z, D29Z		BOP, KVT, UOP4		21B	X01A, X01B, X01C		
5v620.5	05	F13A, F21A, F21B, F28A	5v620.b	01	B03A, B03B, B06A, B06B, B07Z, B17A, B17B, B17C	5v620.g↔	01	B03A, B03B, B06A, B06B, B07Z, B17A, B17B, B17C	
	06	G10Z, G12A, G12B		05	F13A, F21A, F21B, F28A		05	F13A, F21A, F21B, F27A, F27B, F27C, F28A	
	08	I28A, I28B		06	G10Z, G12A, G12B		08	I02A, I02B, I02C, I02D, I12A, I12B, I12C, I22A, I22B, I50Z	
	09	J02A, J02B, J02C, J04A, J04B, J08A, J08B, J08C, J16Z, J21Z, J22A, J22B		08	I02A, I02B, I02C, I02D, I22A, I22B, I50Z		09	J02A, J02B, J02C, J04A, J04B, J08A, J08B, J08C, J16Z, J21Z, J22A, J22B	
5v620.5	21A	W04A, W04B		09	J02A, J02B, J02C, J04A, J04B, J08A, J08B, J08C, J16Z, J21Z, J22A, J22B	10	K01Z		
	21B	X01A, X01B, X01C	21A	W04A, W04B	21A	W04A, W04B			
		BOP, KVT, UOP4	21B	X01A, X01B, X01C	21B	X01A, X01B, X01C			
	01	B03A, B03B, B06A, B06B, B07Z, B17A, B17B, B17C		BOP, KVT, UOP4					

VYK

ZZV	MDC	DRG	ZZV	MDC	DRG	ZZV	MDC	DRG			
5v620.s↔		BOP, KVT, UOP4	5v621.e↔		BOP, KVT, UOP4	5v622.5		BOP, KVT, UOP4			
	01	B03A, B03B, B06A, B06B, B07Z, B17A, B17B, B17C		01	B03A, B03B, B06A, B06B, B07Z, B17A, B17B, B17C		01	B03A, B03B, B06A, B06B, B07Z, B17A, B17B, B17C			
	05	F13A, F21A, F21B, F28A		05	F13A, F21A, F21B, F27A, F27B, F27C, F28A		03	D18Z, D28Z, D29Z			
	08	I02A, I02B, I02C, I02D, I22A, I22B, I32A, I32B, I32C, I32D, I32E, I32F, I50Z		08	I02A, I02B, I02C, I02D, I22A, I22B, I50Z		05	F13A, F21A, F21B, F28A			
	09	J02A, J02B, J02C, J04A, J04B, J08A, J08B, J08C, J16Z, J21Z, J22A, J22B		09	J02A, J02B, J02C, J04A, J04B, J08A, J08B, J08C, J16Z, J21Z, J22A, J22B		06	G10Z, G12A, G12B			
	21A	W04A, W04B		10	K01Z		08	I28A, I28B			
	21B	X01A, X01B, X01C		21A	W04A, W04B		09	J02A, J02B, J02C, J04A, J04B, J08A, J08B, J08C, J16Z, J21Z, J22A, J22B			
	5v620.x↔			BOP, KVT, UOP4	5v621.f↔			BOP, KVT, UOP4	5v622.6↔		BOP, KVT, UOP4
		01		B03A, B03B, B06A, B06B, B07Z, B17A, B17B, B17C			01	B03A, B03B, B06A, B06B, B07Z, B17A, B17B, B17C		01	B03A, B03B, B06A, B06B, B07Z, B17A, B17B, B17C
		05		F13A, F21A, F21B, F28A			05	F13A, F21A, F21B, F27A, F27B, F27C, F28A		05	F13A, F21A, F21B, F28A
08		I02A, I02B, I02C, I02D, I22A, I22B, I32A, I32B, I32C, I32D, I32E, I32F, I50Z	08	I02A, I02B, I02C, I02D, I22A, I22B, I50Z		08	I02A, I02B, I02C, I02D, I22A, I22B, I50Z				
09		J02A, J02B, J02C, J04A, J04B, J08A, J08B, J08C, J16Z, J21Z, J22A, J22B	09	J02A, J02B, J02C, J04A, J04B, J08A, J08B, J08C, J16Z, J21Z, J22A, J22B		09	J02A, J02B, J02C, J04A, J04B, J08A, J08B, J08C, J16Z, J21Z, J22A, J22B				
21A		W04A, W04B	10	K01Z		21A	W04A, W04B				
21B		X01A, X01B, X01C	21A	W04A, W04B		21B	X01A, X01B, X01C				
5v621.6↔			BOP, KVT, UOP4	5v621.g↔			BOP, KVT, UOP4	5v622.7↔			BOP, KVT, UOP4
		01	B03A, B03B, B06A, B06B, B07Z, B17A, B17B, B17C			01	B03A, B03B, B06A, B06B, B07Z, B17A, B17B, B17C			01	B03A, B03B, B06A, B06B, B07Z, B17A, B17B, B17C
		05	F13A, F21A, F21B, F28A			05	F13A, F21A, F21B, F27A, F27B, F27C, F28A			05	F13A, F21A, F21B, F28A
	08	I02A, I02B, I02C, I02D, I22A, I22B, I50Z	08		I02A, I02B, I02C, I02D, I12A, I12B, I12C, I22A, I22B, I50Z	08	I02A, I02B, I02C, I02D, I22A, I22B, I50Z				
	09	J02A, J02B, J02C, J04A, J04B, J08A, J08B, J08C, J16Z, J21Z, J22A, J22B	09		J02A, J02B, J02C, J04A, J04B, J08A, J08B, J08C, J16Z, J21Z, J22A, J22B	09	J02A, J02B, J02C, J04A, J04B, J08A, J08B, J08C, J16Z, J21Z, J22A, J22B				
	21A	W04A, W04B	10		K01Z	21A	W04A, W04B				
	21B	X01A, X01B, X01C	21A		W04A, W04B	21B	X01A, X01B, X01C				
	5v621.7↔		BOP, KVT, UOP4		5v621.x↔		BOP, KVT, UOP4		5v622.8↔		BOP, KVT, UOP4
		01	B03A, B03B, B06A, B06B, B07Z, B17A, B17B, B17C			01	B03A, B03B, B06A, B06B, B07Z, B17A, B17B, B17C			01	B03A, B03B, B06A, B06B, B07Z, B17A, B17B, B17C
		05	F13A, F21A, F21B, F28A			05	F13A, F21A, F21B, F28A			05	F13A, F21A, F21B, F28A
08		I02A, I02B, I02C, I02D, I22A, I22B, I50Z	08	I02A, I02B, I02C, I02D, I22A, I22B, I32A, I32B, I32C, I32D, I32E, I32F, I50Z		08	I02A, I02B, I02C, I02D, I22A, I22B, I32A, I32B, I32C, I32D, I32E, I32F, I50Z				
09		J02A, J02B, J02C, J04A, J04B, J08A, J08B, J08C, J16Z, J21Z, J22A, J22B	09	J02A, J02B, J02C, J04A, J04B, J08A, J08B, J08C, J16Z, J21Z, J22A, J22B		09	J02A, J02B, J02C, J04A, J04B, J08A, J08B, J08C, J16Z, J21Z, J22A, J22B				
21A		W04A, W04B	10	K01Z		21A	W04A, W04B				
21B		X01A, X01B, X01C	21A	W04A, W04B		21B	X01A, X01B, X01C				
5v621.8↔			BOP, KVT, UOP4	5v622.4			BOP, KVT, UOP4	5v622.9↔			BOP, KVT, UOP4
		01	B03A, B03B, B06A, B06B, B07Z, B17A, B17B, B17C			01	B03A, B03B, B06A, B06B, B07Z, B17A, B17B, B17C			01	B03A, B03B, B06A, B06B, B07Z, B17A, B17B, B17C
		05	F13A, F21A, F21B, F28A			02	C20A, C20B			05	F13A, F21A, F21B, F28A
	08	I02A, I02B, I02C, I02D, I22A, I22B, I32A, I32B, I32C, I32D, I32E, I32F, I50Z	03		D18Z, D28Z, D29Z	08	I12A, I12B, I12C, I32A, I32B, I32C, I32D, I32E, I32F				
	09	J02A, J02B, J02C, J04A, J04B, J08A, J08B, J08C, J16Z, J21Z, J22A, J22B	05		F13A, F21A, F21B, F28A	09	J03A, J03B, J04A, J04B, J08A, J08B, J08C, J16Z, J21Z, J22A, J22B				
	21A	W04A, W04B	08		I02A, I02B, I02C, I02D, I22A, I22B, I50Z	21A	W04A, W04B				
	21B	X01A, X01B, X01C	09		J02A, J02B, J02C, J04A, J04B, J08A, J08B, J08C, J16Z, J21Z, J22A, J22B	21B	X01A, X01B, X01C				
	5v621.9↔		BOP, KVT, UOP4		5v622.a↔		BOP, KVT, UOP4		5v622.a↔		BOP, KVT, UOP4
		01	B03A, B03B, B06A, B06B, B07Z, B17A, B17B, B17C			01	B03A, B03B, B06A, B06B, B07Z, B17A, B17B, B17C			01	B03A, B03B, B06A, B06B, B07Z, B17A, B17B, B17C
		05	F13A, F21A, F21B, F28A			02	C20A, C20B			05	F13A, F21A, F21B, F28A
08		I12A, I12B, I12C, I32A, I32B, I32C, I32D, I32E, I32F	03	D18Z, D28Z, D29Z		06	G10Z, G12A, G12B				
09		J03A, J03B, J04A, J04B, J08A, J08B, J08C, J16Z, J21Z, J22A, J22B	05	F13A, F21A, F21B, F28A		08	I02A, I02B, I02C, I02D, I22A, I22B, I50Z				
21A		W04A, W04B	08	I02A, I02B, I02C, I02D, I22A, I22B, I50Z		09	J02A, J02B, J02C, J04A, J04B, J08A, J08B, J08C, J16Z, J21Z, J22A, J22B				
21B		X01A, X01B, X01C	09	J02A, J02B, J02C, J04A, J04B, J08A, J08B, J08C, J16Z, J21Z, J22A, J22B		21A	W04A, W04B				
			21A	W04A, W04B		21B	X01A, X01B, X01C				
			21B	X01A, X01B, X01C							

VYK

ZZV	MDC	DRG	ZZV	MDC	DRG	ZZV	MDC	DRG			
5v622.b		BOP, KVT, UOP4	5v622.g↔		BOP, KVT, UOP4	5v623.9↔		BOP, KVT, UOP4			
	01	B03A, B03B, B06A, B06B, B07Z, B17A, B17B, B17C		01	B03A, B03B, B06A, B06B, B07Z, B17A, B17B, B17C		01	B03A, B03B, B06A, B06B, B07Z, B17A, B17B, B17C			
	05	F13A, F21A, F21B, F28A		05	F13A, F21A, F21B, F27A, F27B, F27C, F28A		05	F13A, F21A, F21B, F28A			
	06	G10Z, G12A, G12B		08	I02A, I02B, I02C, I02D, I12A, I12B, I12C, I22A, I22B, I50Z		08	I12A, I12B, I12C, I32A, I32B, I32C, I32D, I32E, I32F			
	08	I02A, I02B, I02C, I02D, I22A, I22B, I50Z		09	J02A, J02B, J02C, J04A, J04B, J08A, J08B, J08C, J16Z, J21Z, J22A, J22B		09	J03A, J03B, J04A, J04B, J08A, J08B, J08C, J16Z, J21Z, J22A, J22B			
	09	J02A, J02B, J02C, J04A, J04B, J08A, J08B, J08C, J16Z, J21Z, J22A, J22B		10	K01Z		21A	W04A, W04B			
	21A	W04A, W04B		21A	W04A, W04B		21B	X01A, X01B, X01C			
	21B	X01A, X01B, X01C		21B	X01A, X01B, X01C			BOP, KVT, UOP4			
	5v622.c			BOP, KVT, UOP4	5v622.s↔			BOP, KVT, UOP4	5v623.e↔		BOP, KVT, UOP4
		01		B03A, B03B, B06A, B06B, B07Z, B17A, B17B, B17C			01	B03A, B03B, B06A, B06B, B07Z, B17A, B17B, B17C		01	B03A, B03B, B06A, B06B, B07Z, B17A, B17B, B17C
05		F13A, F21A, F21B, F28A	05	F13A, F21A, F21B, F28A		05	F13A, F21A, F21B, F27A, F27B, F27C, F28A				
06		G10Z, G12A, G12B	08	I02A, I02B, I02C, I02D, I22A, I22B, I50Z		08	I02A, I02B, I02C, I02D, I22A, I22B, I50Z				
08		I02A, I02B, I02C, I02D, I22A, I22B, I50Z	09	J02A, J02B, J02C, J04A, J04B, J08A, J08B, J08C, J16Z, J21Z, J22A, J22B		09	J02A, J02B, J02C, J04A, J04B, J08A, J08B, J08C, J16Z, J21Z, J22A, J22B				
09		J02A, J02B, J02C, J04A, J04B, J08A, J08B, J08C, J16Z, J21Z, J22A, J22B	10	K09A, K09B		10	K01Z				
10		K09A, K09B	21A	W04A, W04B		21A	W04A, W04B				
12		M04A, M04B, M04C, M04D, M37Z, M38Z	21B	X01A, X01B, X01C		21B	X01A, X01B, X01C				
21A		W04A, W04B		BOP, KVT, UOP4			BOP, KVT, UOP4				
21B		X01A, X01B, X01C		BOP, KVT, UOP4			BOP, KVT, UOP4				
5v622.d		BOP, KVT, UOP4	5v622.x↔		BOP, KVT, UOP4	5v623.f↔		BOP, KVT, UOP4			
	01	B03A, B03B, B06A, B06B, B07Z, B17A, B17B, B17C		01	B03A, B03B, B06A, B06B, B07Z, B17A, B17B, B17C		01	B03A, B03B, B06A, B06B, B07Z, B17A, B17B, B17C			
	05	F13A, F21A, F21B, F28A		05	F13A, F21A, F21B, F28A		05	F13A, F21A, F21B, F27A, F27B, F27C, F28A			
	06	G10Z, G12A, G12B		08	I02A, I02B, I02C, I02D, I22A, I22B, I32A, I32B, I32C, I32D, I32E, I32F, I50Z		08	I02A, I02B, I02C, I02D, I22A, I22B, I50Z			
	08	I02A, I02B, I02C, I02D, I22A, I22B, I50Z		09	J02A, J02B, J02C, J04A, J04B, J08A, J08B, J08C, J16Z, J21Z, J22A, J22B		09	J02A, J02B, J02C, J04A, J04B, J08A, J08B, J08C, J16Z, J21Z, J22A, J22B			
	09	J02A, J02B, J02C, J04A, J04B, J08A, J08B, J08C, J16Z, J21Z, J22A, J22B		21A	W04A, W04B		10	K01Z			
	21A	W04A, W04B		21B	X01A, X01B, X01C		21A	W04A, W04B			
	21B	X01A, X01B, X01C			BOP, KVT, UOP4		21B	X01A, X01B, X01C			
	5v622.e↔			BOP, KVT, UOP4	5v623.6↔			BOP, KVT, UOP4	5v623.g↔		BOP, KVT, UOP4
		01		B03A, B03B, B06A, B06B, B07Z, B17A, B17B, B17C			01	B03A, B03B, B06A, B06B, B07Z, B17A, B17B, B17C		01	B03A, B03B, B06A, B06B, B07Z, B17A, B17B, B17C
05		F13A, F21A, F21B, F28A	05	F13A, F21A, F21B, F28A		05	F13A, F21A, F21B, F27A, F27B, F27C, F28A				
08		I02A, I02B, I02C, I02D, I22A, I22B, I50Z	08	I02A, I02B, I02C, I02D, I22A, I22B, I50Z		08	I02A, I02B, I02C, I02D, I12A, I12B, I12C, I22A, I22B, I50Z				
09		J02A, J02B, J02C, J04A, J04B, J08A, J08B, J08C, J16Z, J21Z, J22A, J22B	09	J02A, J02B, J02C, J04A, J04B, J08A, J08B, J08C, J16Z, J21Z, J22A, J22B		09	J02A, J02B, J02C, J04A, J04B, J08A, J08B, J08C, J16Z, J21Z, J22A, J22B				
10		K01Z	21A	W04A, W04B		10	K01Z				
21A		W04A, W04B	21B	X01A, X01B, X01C		21A	W04A, W04B				
21B		X01A, X01B, X01C		BOP, KVT, UOP4		21B	X01A, X01B, X01C				
5v622.f↔			BOP, KVT, UOP4	5v623.7↔			BOP, KVT, UOP4	5v623.x↔			BOP, KVT, UOP4
		01	B03A, B03B, B06A, B06B, B07Z, B17A, B17B, B17C			01	B03A, B03B, B06A, B06B, B07Z, B17A, B17B, B17C			01	B03A, B03B, B06A, B06B, B07Z, B17A, B17B, B17C
	05	F13A, F21A, F21B, F27A, F27B, F27C, F28A	05		F13A, F21A, F21B, F28A	05	F13A, F21A, F21B, F28A				
	08	I02A, I02B, I02C, I02D, I22A, I22B, I50Z	08		I02A, I02B, I02C, I02D, I22A, I22B, I50Z	08	I02A, I02B, I02C, I02D, I22A, I22B, I32A, I32B, I32C, I32D, I32E, I32F, I50Z				
	09	J02A, J02B, J02C, J04A, J04B, J08A, J08B, J08C, J16Z, J21Z, J22A, J22B	09		J02A, J02B, J02C, J04A, J04B, J08A, J08B, J08C, J16Z, J21Z, J22A, J22B	09	J02A, J02B, J02C, J04A, J04B, J08A, J08B, J08C, J16Z, J21Z, J22A, J22B				
	10	K01Z	21A		W04A, W04B	10	K01Z				
	21A	W04A, W04B	21B		X01A, X01B, X01C	21A	W04A, W04B				
	21B	X01A, X01B, X01C			BOP, KVT, UOP4	21B	X01A, X01B, X01C				
	5v622.g↔		BOP, KVT, UOP4		5v623.8↔		BOP, KVT, UOP4		5v624.0		BOP, KVT, UOP4
		01	B03A, B03B, B06A, B06B, B07Z, B17A, B17B, B17C			01	B03A, B03B, B06A, B06B, B07Z, B17A, B17B, B17C			01	B03A, B03B, B06A, B06B, B07Z, B17A, B17B, B17C
05		F13A, F21A, F21B, F28A	05	F13A, F21A, F21B, F28A		05	F13A, F21A, F21B, F28A				
08		I02A, I02B, I02C, I02D, I22A, I22B, I50Z	08	I02A, I02B, I02C, I02D, I22A, I22B, I32A, I32B, I32C, I32D, I32E, I32F, I50Z		08	I02A, I02B, I02C, I02D, I22A, I22B, I32A, I32B, I32C, I32D, I32E, I32F, I50Z				
09		J02A, J02B, J02C, J04A, J04B, J08A, J08B, J08C, J16Z, J21Z, J22A, J22B	09	J02A, J02B, J02C, J04A, J04B, J08A, J08B, J08C, J16Z, J21Z, J22A, J22B		09	J03A, J03B, J04A, J04B, J08A, J08B, J08C, J10A, J10B, J16Z				
10		K01Z	21A	W04A, W04B		21A	W04A, W04B				
21A		W04A, W04B	21B	X01A, X01B, X01C		21B	X06A, X06B, X06C				
21B		X01A, X01B, X01C		BOP, KVT, UOP4			BOP, KVT, UOP4				

VYK

ZZV	MDC	DRG	ZZV	MDC	DRG	ZZV	MDC	DRG		
5v624.1		BOP, KVT, UOP4	5v624.8↔		BOP, KVT, UOP4	5v624.d		BOP, KVT, UOP4		
	01	B03A, B03B, B06A, B06B, B07Z, B17A, B17B, B17C		01	B03A, B03B, B06A, B06B, B07Z, B17A, B17B, B17C		01	B03A, B03B, B06A, B06B, B07Z, B17A, B17B, B17C		
	02	C20A, C20B		05	F13A, F21A, F21B, F28A		05	F13A, F21A, F21B, F28A		
	03	D18Z, D28Z, D29Z		08	I02A, I02B, I02C, I02D, I22A, I22B, I32A, I32B, I32C, I32D, I32E, I32F, I50Z		06	G10Z, G12A, G12B		
	05	F13A, F21A, F21B, F28A		09	J02A, J02B, J02C, J04A, J04B, J08A, J08B, J08C, J16Z, J21Z, J22A, J22B		08	I02A, I02B, I02C, I02D, I22A, I22B, I50Z		
	08	I02A, I02B, I02C, I02D, I22A, I22B, I50Z		21A	W04A, W04B		09	J02A, J02B, J02C, J04A, J04B, J08A, J08B, J08C, J16Z, J21Z, J22A, J22B		
	09	J02A, J02B, J02C, J04A, J04B, J08A, J08B, J08C, J16Z, J21Z, J22A, J22B		21B	X01A, X01B, X01C		21A	W04A, W04B		
	21A	W04A, W04B					21B	X01A, X01B, X01C		
	21B	X01A, X01B, X01C		5v624.9↔			BOP, KVT, UOP4	5v624.e↔		BOP, KVT, UOP4
	5v624.4				BOP, KVT, UOP4		01		B03A, B03B, B06A, B06B, B07Z, B17A, B17B, B17C	01
01		B03A, B03B, B06A, B06B, B07Z, B17A, B17B, B17C	05		F13A, F21A, F21B, F28A	05	F13A, F21A, F21B, F27A, F27B, F27C, F28A			
02		C20A, C20B	08		I12A, I12B, I12C, I32A, I32B, I32C, I32D, I32E, I32F	08	I02A, I02B, I02C, I02D, I22A, I22B, I50Z			
03		D18Z, D28Z, D29Z	09		J03A, J03B, J04A, J04B, J08A, J08B, J08C, J16Z, J21Z, J22A, J22B	09	J02A, J02B, J02C, J04A, J04B, J08A, J08B, J08C, J16Z, J21Z, J22A, J22B			
05		F13A, F21A, F21B, F28A	21A		W04A, W04B	09	J02A, J02B, J02C, J04A, J04B, J08A, J08B, J08C, J16Z, J21Z, J22A, J22B			
08		I02A, I02B, I02C, I02D, I22A, I22B, I50Z	21B		X01A, X01B, X01C	10	K01Z			
09		J02A, J02B, J02C, J04A, J04B, J08A, J08B, J08C, J16Z, J21Z, J22A, J22B				21A	W04A, W04B			
21A		W04A, W04B	01		B03A, B03B, B06A, B06B, B07Z, B17A, B17B, B17C	21B	X01A, X01B, X01C			
21B		X01A, X01B, X01C	5v624.a			BOP, KVT, UOP4	5v624.f↔			BOP, KVT, UOP4
5v624.5				BOP, KVT, UOP4	05	F13A, F21A, F21B, F28A		01	B03A, B03B, B06A, B06B, B07Z, B17A, B17B, B17C	
	01	B03A, B03B, B06A, B06B, B07Z, B17A, B17B, B17C		06	G10Z, G12A, G12B	05		F13A, F21A, F21B, F27A, F27B, F27C, F28A		
	03	D18Z, D28Z, D29Z		08	I02A, I02B, I02C, I02D, I22A, I22B, I50Z	08		I02A, I02B, I02C, I02D, I22A, I22B, I50Z		
	05	F13A, F21A, F21B, F28A		09	J02A, J02B, J02C, J04A, J04B, J08A, J08B, J08C, J16Z, J21Z, J22A, J22B	09		J02A, J02B, J02C, J04A, J04B, J08A, J08B, J08C, J16Z, J21Z, J22A, J22B		
	06	G10Z, G12A, G12B		21A	W04A, W04B	09		J02A, J02B, J02C, J04A, J04B, J08A, J08B, J08C, J16Z, J21Z, J22A, J22B		
	08	I28A, I28B		21B	X01A, X01B, X01C	10		K01Z		
	09	J02A, J02B, J02C, J04A, J04B, J08A, J08B, J08C, J16Z, J21Z, J22A, J22B				21A		W04A, W04B		
	21A	W04A, W04B		01	B03A, B03B, B06A, B06B, B07Z, B17A, B17B, B17C	21B		X01A, X01B, X01C		
	21B	X01A, X01B, X01C		5v624.b		BOP, KVT, UOP4		5v624.g↔		BOP, KVT, UOP4
	5v624.6↔		BOP, KVT, UOP4		05	F13A, F21A, F21B, F28A	01		B03A, B03B, B06A, B06B, B07Z, B17A, B17B, B17C	
01		B03A, B03B, B06A, B06B, B07Z, B17A, B17B, B17C	06		G10Z, G12A, G12B	05	F13A, F21A, F21B, F27A, F27B, F27C, F28A			
05		F13A, F21A, F21B, F28A	08		I02A, I02B, I02C, I02D, I22A, I22B, I50Z	08	I02A, I02B, I02C, I02D, I12A, I12B, I12C, I22A, I22B, I50Z			
08		I02A, I02B, I02C, I02D, I22A, I22B, I50Z	09		J02A, J02B, J02C, J04A, J04B, J08A, J08B, J08C, J16Z, J21Z, J22A, J22B	09	J02A, J02B, J02C, J04A, J04B, J08A, J08B, J08C, J16Z, J21Z, J22A, J22B			
09		J02A, J02B, J02C, J04A, J04B, J08A, J08B, J08C, J16Z, J21Z, J22A, J22B	21A		W04A, W04B	09	J02A, J02B, J02C, J04A, J04B, J08A, J08B, J08C, J16Z, J21Z, J22A, J22B			
21A		W04A, W04B	21B		X01A, X01B, X01C	10	K01Z			
21B		X01A, X01B, X01C				21A	W04A, W04B			
5v624.7↔			BOP, KVT, UOP4		01	B03A, B03B, B06A, B06B, B07Z, B17A, B17B, B17C	21B		X01A, X01B, X01C	
		01	B03A, B03B, B06A, B06B, B07Z, B17A, B17B, B17C		5v624.c		BOP, KVT, UOP4		5v624.h	
		05	F13A, F21A, F21B, F28A	05		F13A, F21A, F21B, F28A	01	B03A, B03B, B06A, B06B, B07Z, B17A, B17B, B17C		
	08	I02A, I02B, I02C, I02D, I22A, I22B, I50Z	06	G10Z, G12A, G12B		02	C20A, C20B			
	09	J02A, J02B, J02C, J04A, J04B, J08A, J08B, J08C, J16Z, J21Z, J22A, J22B	08	I02A, I02B, I02C, I02D, I22A, I22B, I50Z		03	D18Z, D28Z, D29Z			
	21A	W04A, W04B	09	J02A, J02B, J02C, J04A, J04B, J08A, J08B, J08C, J16Z, J21Z, J22A, J22B		05	F13A, F21A, F21B, F28A			
	21B	X01A, X01B, X01C	10	K09A, K09B		08	I02A, I02B, I02C, I02D, I22A, I22B, I50Z			
	5v624.8↔		BOP, KVT, UOP4	12		M04A, M04B, M04C, M04D, M37Z, M38Z	09	J02A, J02B, J02C, J04A, J04B, J08A, J08B, J08C, J16Z, J21Z, J22A, J22B		
		01	B03A, B03B, B06A, B06B, B07Z, B17A, B17B, B17C	21A		W04A, W04B	21A	W04A, W04B		
		05	F13A, F21A, F21B, F28A	21B		X01A, X01B, X01C	21B	X01A, X01B, X01C		
08		I02A, I02B, I02C, I02D, I22A, I22B, I50Z								
09		J02A, J02B, J02C, J04A, J04B, J08A, J08B, J08C, J16Z, J21Z, J22A, J22B								
21A		W04A, W04B								
21B		X01A, X01B, X01C								

ZZV	MDC	DRG	ZZV	MDC	DRG	ZZV	MDC	DRG			
5v624.n↔		BOP, KVT, UOP4	5v624.u↔		BOP, KVT, UOP4	5v625.1		BOP, KVT, UOP4			
	01	B03A, B03B, B06A, B06B, B07Z, B17A, B17B, B17C		01	B03A, B03B, B06A, B06B, B07Z, B17A, B17B, B17C		01	B03A, B03B, B06A, B06B, B07Z, B17A, B17B, B17C			
	05	F13A, F21A, F21B, F28A		05	F13A, F21A, F21B, F28A		02	C20A, C20B			
	06	G10Z, G12A, G12B		08	I02A, I02B, I02C, I02D, I22A, I22B, I32A, I32B, I32C, I32D, I32E, I32F, I50Z		03	D18Z, D28Z, D29Z			
	08	I02A, I02B, I02C, I02D, I22A, I22B, I50Z		09	J02A, J02B, J02C, J04A, J04B, J08A, J08B, J08C, J16Z, J21Z, J22A, J22B		05	F13A, F21A, F21B, F28A			
	09	J02A, J02B, J02C, J04A, J04B, J08A, J08B, J08C, J16Z, J21Z, J22A, J22B		21A	W04A, W04B		08	I02A, I02B, I02C, I02D, I22A, I22B, I50Z			
	21A	W04A, W04B		21B	X01A, X01B, X01C		09	J02A, J02B, J02C, J04A, J04B, J08A, J08B, J08C, J16Z, J21Z, J22A, J22B			
	21B	X01A, X01B, X01C			BOP, KVT, UOP4		21A	W04A, W04B			
	5v624.p↔			BOP, KVT, UOP4	5v624.v↔			BOP, KVT, UOP4	5v625.4		BOP, KVT, UOP4
		01		B03A, B03B, B06A, B06B, B07Z, B17A, B17B, B17C			01	B03A, B03B, B06A, B06B, B07Z, B17A, B17B, B17C		01	B03A, B03B, B06A, B06B, B07Z, B17A, B17B, B17C
05		F13A, F21A, F21B, F28A	05	F13A, F21A, F21B, F28A		02	C20A, C20B				
08		I02A, I02B, I02C, I02D, I22A, I22B, I32A, I32B, I32C, I32D, I32E, I32F, I50Z	08	I02A, I02B, I02C, I02D, I22A, I22B, I32A, I32B, I32C, I32D, I32E, I32F, I50Z		03	D18Z, D28Z, D29Z				
09		J02A, J02B, J02C, J04A, J04B, J08A, J08B, J08C, J16Z, J21Z, J22A, J22B	09	J02A, J02B, J02C, J04A, J04B, J08A, J08B, J08C, J16Z, J21Z, J22A, J22B		05	F13A, F21A, F21B, F28A				
21A		W04A, W04B	21A	W04A, W04B		08	I02A, I02B, I02C, I02D, I22A, I22B, I50Z				
21B		X01A, X01B, X01C	21B	X01A, X01B, X01C		09	J02A, J02B, J02C, J04A, J04B, J08A, J08B, J08C, J16Z, J21Z, J22A, J22B				
5v624.r			BOP, KVT, UOP4	5v624.w↔			BOP, KVT, UOP4	5v625.5			BOP, KVT, UOP4
		01	B03A, B03B, B06A, B06B, B07Z, B17A, B17B, B17C			01	B03A, B03B, B06A, B06B, B07Z, B17A, B17B, B17C			01	B03A, B03B, B06A, B06B, B07Z, B17A, B17B, B17C
		02	C20A, C20B			05	F13A, F21A, F21B, F28A			03	D18Z, D28Z, D29Z
	03	D18Z, D28Z, D29Z	08		I02A, I02B, I02C, I02D, I22A, I22B, I32A, I32B, I32C, I32D, I32E, I32F, I50Z	05	F13A, F21A, F21B, F28A				
	05	F13A, F21A, F21B, F28A	09		J02A, J02B, J02C, J04A, J04B, J08A, J08B, J08C, J16Z, J21Z, J22A, J22B	06	G10Z, G12A, G12B				
	08	I02A, I02B, I02C, I02D, I22A, I22B, I50Z	21A		W04A, W04B	08	I28A, I28B				
	09	J02A, J02B, J02C, J04A, J04B, J08A, J08B, J08C, J16Z, J21Z, J22A, J22B	21B		X01A, X01B, X01C	09	J02A, J02B, J02C, J04A, J04B, J08A, J08B, J08C, J16Z, J21Z, J22A, J22B				
	21A	W04A, W04B			BOP, KVT, UOP4	21A	W04A, W04B				
	21B	X01A, X01B, X01C	5v624.x↔			BOP, KVT, UOP4	21B		X01A, X01B, X01C		
	5v624.s↔				BOP, KVT, UOP4	01	B03A, B03B, B06A, B06B, B07Z, B17A, B17B, B17C		5v625.6↔		BOP, KVT, UOP4
01		B03A, B03B, B06A, B06B, B07Z, B17A, B17B, B17C		05	F13A, F21A, F21B, F28A	01	B03A, B03B, B06A, B06B, B07Z, B17A, B17B, B17C				
05		F13A, F21A, F21B, F28A		08	I02A, I02B, I02C, I02D, I22A, I22B, I32A, I32B, I32C, I32D, I32E, I32F, I50Z	05	F13A, F21A, F21B, F28A				
08		I02A, I02B, I02C, I02D, I22A, I22B, I32A, I32B, I32C, I32D, I32E, I32F, I50Z		09	J02A, J02B, J02C, J04A, J04B, J08A, J08B, J08C, J16Z, J21Z, J22A, J22B	08	I02A, I02B, I02C, I02D, I22A, I22B, I50Z				
09		J02A, J02B, J02C, J04A, J04B, J08A, J08B, J08C, J16Z, J21Z, J22A, J22B		21A	W04A, W04B	09	J02A, J02B, J02C, J04A, J04B, J08A, J08B, J08C, J16Z, J21Z, J22A, J22B				
21A		W04A, W04B		21B	X01A, X01B, X01C	21A	W04A, W04B				
21B		X01A, X01B, X01C		5v624.y		BOP, KVT, UOP4	21B	X01A, X01B, X01C			
5v624.t↔					BOP, KVT, UOP4	01	B03A, B03B, B06A, B06B, B07Z, B17A, B17B, B17C	5v625.7↔			BOP, KVT, UOP4
		01			B03A, B03B, B06A, B06B, B07Z, B17A, B17B, B17C	02	C20A, C20B			01	B03A, B03B, B06A, B06B, B07Z, B17A, B17B, B17C
		05	F13A, F21A, F21B, F28A		03	D18Z, D28Z, D29Z	05			F13A, F21A, F21B, F28A	
	08	I02A, I02B, I02C, I02D, I22A, I22B, I32A, I32B, I32C, I32D, I32E, I32F, I50Z	05		F13A, F21A, F21B, F28A	08	I02A, I02B, I02C, I02D, I22A, I22B, I50Z				
	09	J02A, J02B, J02C, J04A, J04B, J08A, J08B, J08C, J16Z, J21Z, J22A, J22B	08		I02A, I02B, I02C, I02D, I22A, I22B, I50Z	09	J02A, J02B, J02C, J04A, J04B, J08A, J08B, J08C, J16Z, J21Z, J22A, J22B				
	21A	W04A, W04B	09		J02A, J02B, J02C, J04A, J04B, J08A, J08B, J08C, J16Z, J21Z, J22A, J22B	21A	W04A, W04B				
	21B	X01A, X01B, X01C	21A		W04A, W04B	21B	X01A, X01B, X01C				
	5v625.0		BOP, KVT, UOP4		5v625.0		BOP, KVT, UOP4				
		03	D08A, D08B, D18Z, D22A, D22B, D30A, D30B			03	D08A, D08B, D18Z, D22A, D22B, D30A, D30B				
		05	F13A, F28A	05		F13A, F28A					
09		J03A, J03B, J04A, J04B, J08A, J08B, J08C, J10A, J10B, J16Z	09	J03A, J03B, J04A, J04B, J08A, J08B, J08C, J10A, J10B, J16Z							
21A		W04A, W04B	21A	W04A, W04B							
21B		X01A, X01B, X01C	21B	X01A, X01B, X01C							

VYK

ZZV	MDC	DRG	ZZV	MDC	DRG	ZZV	MDC	DRG				
5v625.8↔		BOP, KVT, UOP4	5v625.d		BOP, KVT, UOP4	5v625.n↔		BOP, KVT, UOP4				
	01	B03A, B03B, B06A, B06B, B07Z, B17A, B17B, B17C		01	B03A, B03B, B06A, B06B, B07Z, B17A, B17B, B17C		01	B03A, B03B, B06A, B06B, B07Z, B17A, B17B, B17C				
	05	F13A, F21A, F21B, F28A		05	F13A, F21A, F21B, F28A		05	F13A, F21A, F21B, F28A				
	08	I02A, I02B, I02C, I02D, I22A, I22B, I32A, I32B, I32C, I32D, I32E, I32F, I50Z		06	G10Z, G12A, G12B		06	G10Z, G12A, G12B				
	09	J02A, J02B, J02C, J04A, J04B, J08A, J08B, J08C, J16Z, J21Z, J22A, J22B		08	I02A, I02B, I02C, I02D, I22A, I22B, I50Z		08	I02A, I02B, I02C, I02D, I22A, I22B, I50Z				
	21A	W04A, W04B		09	J02A, J02B, J02C, J04A, J04B, J08A, J08B, J08C, J16Z, J21Z, J22A, J22B		09	J02A, J02B, J02C, J04A, J04B, J08A, J08B, J08C, J16Z, J21Z, J22A, J22B				
	21B	X01A, X01B, X01C		21A	W04A, W04B		21A	W04A, W04B				
	5v625.9↔			BOP, KVT, UOP4	5v625.e↔			BOP, KVT, UOP4	5v625.p↔		BOP, KVT, UOP4	
		01		B03A, B03B, B06A, B06B, B07Z, B17A, B17B, B17C			01	B03A, B03B, B06A, B06B, B07Z, B17A, B17B, B17C		01	B03A, B03B, B06A, B06B, B07Z, B17A, B17B, B17C	
		05		F13A, F21A, F21B, F28A			05	F13A, F21A, F21B, F28A, F27B, F27C, F28A		05	F13A, F21A, F21B, F28A, F27B, F27C, F28A	
08		I12A, I12B, I12C, I32A, I32B, I32C, I32D, I32E, I32F	08	I02A, I02B, I02C, I02D, I22A, I22B, I50Z		08	I02A, I02B, I02C, I02D, I22A, I22B, I32A, I32B, I32C, I32D, I32E, I32F, I50Z					
09		J03A, J03B, J04A, J04B, J08A, J08B, J08C, J16Z, J21Z, J22A, J22B	09	J02A, J02B, J02C, J04A, J04B, J08A, J08B, J08C, J16Z, J21Z, J22A, J22B		09	J02A, J02B, J02C, J04A, J04B, J08A, J08B, J08C, J16Z, J21Z, J22A, J22B					
21A		W04A, W04B	10	K01Z		21A	W04A, W04B					
21B		X01A, X01B, X01C	21A	W04A, W04B		21B	X01A, X01B, X01C					
5v625.a			BOP, KVT, UOP4	5v625.f↔			BOP, KVT, UOP4	5v625.q↔			BOP, KVT, UOP4	
		01	B03A, B03B, B06A, B06B, B07Z, B17A, B17B, B17C			01	B03A, B03B, B06A, B06B, B07Z, B17A, B17B, B17C			01	B03A, B03B, B06A, B06B, B07Z, B17A, B17B, B17C	
		05	F13A, F21A, F21B, F28A			05	F13A, F21A, F21B, F27A, F27B, F27C, F28A			05	F13A, F21A, F21B, F28A	
	06	G10Z, G12A, G12B	08		I02A, I02B, I02C, I02D, I22A, I22B, I50Z	08	I02A, I02B, I02C, I02D, I22A, I22B, I32A, I32B, I32C, I32D, I32E, I32F, I50Z					
	08	I02A, I02B, I02C, I02D, I22A, I22B, I50Z	09		J02A, J02B, J02C, J04A, J04B, J08A, J08B, J08C, J16Z, J21Z, J22A, J22B	09	J02A, J02B, J02C, J04A, J04B, J08A, J08B, J08C, J16Z, J21Z, J22A, J22B					
	09	J02A, J02B, J02C, J04A, J04B, J08A, J08B, J08C, J16Z, J21Z, J22A, J22B	09		J02A, J02B, J02C, J04A, J04B, J08A, J08B, J08C, J16Z, J21Z, J22A, J22B	21A	W04A, W04B					
	21A	W04A, W04B	10		K01Z	21B	X01A, X01B, X01C					
	21B	X01A, X01B, X01C	21A		W04A, W04B	5v625.r			BOP, KVT, UOP4			
	5v625.b		BOP, KVT, UOP4		5v625.g↔				BOP, KVT, UOP4	5v625.s↔		BOP, KVT, UOP4
		01	B03A, B03B, B06A, B06B, B07Z, B17A, B17B, B17C				01		B03A, B03B, B06A, B06B, B07Z, B17A, B17B, B17C		01	B03A, B03B, B06A, B06B, B07Z, B17A, B17B, B17C
05		F13A, F21A, F21B, F28A	05	F13A, F21A, F21B, F27A, F27B, F27C, F28A			02	C20A, C20B				
06		G10Z, G12A, G12B	08	I02A, I02B, I02C, I02D, I12A, I12B, I12C, I22A, I22B, I50Z			03	D18Z, D28Z, D29Z				
08		I02A, I02B, I02C, I02D, I22A, I22B, I50Z	09	J02A, J02B, J02C, J04A, J04B, J08A, J08B, J08C, J16Z, J21Z, J22A, J22B			05	F13A, F21A, F21B, F28A				
09		J02A, J02B, J02C, J04A, J04B, J08A, J08B, J08C, J16Z, J21Z, J22A, J22B	09	J02A, J02B, J02C, J04A, J04B, J08A, J08B, J08C, J16Z, J21Z, J22A, J22B			08	I02A, I02B, I02C, I02D, I22A, I22B, I50Z				
21A		W04A, W04B	10	K01Z			09	J02A, J02B, J02C, J04A, J04B, J08A, J08B, J08C, J16Z, J21Z, J22A, J22B				
21B		X01A, X01B, X01C	21A	W04A, W04B			21A	W04A, W04B				
5v625.c			BOP, KVT, UOP4	5v625.h				BOP, KVT, UOP4	5v625.s↔			BOP, KVT, UOP4
		01	B03A, B03B, B06A, B06B, B07Z, B17A, B17B, B17C			01	B03A, B03B, B06A, B06B, B07Z, B17A, B17B, B17C	01			B03A, B03B, B06A, B06B, B07Z, B17A, B17B, B17C	
	05	F13A, F21A, F21B, F28A	02		C20A, C20B	05	F13A, F21A, F21B, F28A					
	06	G10Z, G12A, G12B	03		D18Z, D28Z, D29Z	08	I02A, I02B, I02C, I02D, I22A, I22B, I32A, I32B, I32C, I32D, I32E, I32F, I50Z					
	08	I02A, I02B, I02C, I02D, I22A, I22B, I50Z	05		F13A, F21A, F21B, F28A	09	J02A, J02B, J02C, J04A, J04B, J08A, J08B, J08C, J16Z, J21Z, J22A, J22B					
	09	J02A, J02B, J02C, J04A, J04B, J08A, J08B, J08C, J16Z, J21Z, J22A, J22B	08		I02A, I02B, I02C, I02D, I22A, I22B, I50Z	21A	W04A, W04B					
	10	K09A, K09B	09		J02A, J02B, J02C, J04A, J04B, J08A, J08B, J08C, J16Z, J21Z, J22A, J22B	21B	X01A, X01B, X01C					
	12	M04A, M04B, M04C, M04D, M37Z, M38Z	21A		W04A, W04B	5v625.s↔		BOP, KVT, UOP4				
	21A	W04A, W04B	21A		W04A, W04B		01	B03A, B03B, B06A, B06B, B07Z, B17A, B17B, B17C				
	21B	X01A, X01B, X01C	21B		X01A, X01B, X01C	05	F13A, F21A, F21B, F28A					

VYK

ZZV	MDC	DRG	ZZV	MDC	DRG	ZZV	MDC	DRG			
5v625.t↔		BOP, KVT, UOP4	5v626.1		BOP, KVT, UOP4	5v626.8↔		BOP, KVT, UOP4			
	01	B03A, B03B, B06A, B06B, B07Z, B17A, B17B, B17C		01	B03A, B03B, B06A, B06B, B07Z, B17A, B17B, B17C		01	B03A, B03B, B06A, B06B, B07Z, B17A, B17B, B17C			
	05	F13A, F21A, F21B, F28A		02	C20A, C20B		05	F13A, F21A, F21B, F28A			
	08	I02A, I02B, I02C, I02D, I22A, I22B, I32A, I32B, I32C, I32D, I32E, I32F, I50Z		03	D18Z, D28Z, D29Z		08	I02A, I02B, I02C, I02D, I22A, I22B, I50Z			
	09	J02A, J02B, J02C, J04A, J04B, J08A, J08B, J08C, J16Z, J21Z, J22A, J22B		05	F13A, F21A, F21B, F28A		09	J02A, J02B, J02C, J04A, J04B, J08A, J08B, J08C, J16Z, J21Z, J22A, J22B			
	21A	W04A, W04B		08	I02A, I02B, I02C, I02D, I22A, I22B, I50Z		21A	W04A, W04B			
	21B	X01A, X01B, X01C		09	J02A, J02B, J02C, J04A, J04B, J08A, J08B, J08C, J16Z, J21Z, J22A, J22B		21B	X01A, X01B, X01C			
	5v625.u↔			BOP, KVT, UOP4	5v626.4			BOP, KVT, UOP4	5v626.9↔		BOP, KVT, UOP4
		01		B03A, B03B, B06A, B06B, B07Z, B17A, B17B, B17C			01	B03A, B03B, B06A, B06B, B07Z, B17A, B17B, B17C		01	B03A, B03B, B06A, B06B, B07Z, B17A, B17B, B17C
		05		F13A, F21A, F21B, F28A			02	C20A, C20B		05	F13A, F21A, F21B, F28A
08		I02A, I02B, I02C, I02D, I22A, I22B, I32A, I32B, I32C, I32D, I32E, I32F, I50Z	03	D18Z, D28Z, D29Z		08	I12A, I12B, I12C, I32A, I32B, I32C, I32D, I32E, I32F				
09		J02A, J02B, J02C, J04A, J04B, J08A, J08B, J08C, J16Z, J21Z, J22A, J22B	05	F13A, F21A, F21B, F28A		09	J03A, J03B, J04A, J04B, J08A, J08B, J08C, J16Z, J21Z, J22A, J22B				
21A		W04A, W04B	08	I02A, I02B, I02C, I02D, I22A, I22B, I50Z		21A	W04A, W04B				
21B		X01A, X01B, X01C	09	J02A, J02B, J02C, J04A, J04B, J08A, J08B, J08C, J16Z, J21Z, J22A, J22B		21B	X01A, X01B, X01C				
5v625.w↔			BOP, KVT, UOP4	5v626.5			BOP, KVT, UOP4	5v626.a			BOP, KVT, UOP4
		01	B03A, B03B, B06A, B06B, B07Z, B17A, B17B, B17C			21A	W04A, W04B			01	B03A, B03B, B06A, B06B, B07Z, B17A, B17B, B17C
		05	F13A, F21A, F21B, F28A			21B	X01A, X01B, X01C			05	F13A, F21A, F21B, F28A
	08	I02A, I02B, I02C, I02D, I22A, I22B, I32A, I32B, I32C, I32D, I32E, I32F, I50Z	01		B03A, B03B, B06A, B06B, B07Z, B17A, B17B, B17C	06	G10Z, G12A, G12B				
	09	J02A, J02B, J02C, J04A, J04B, J08A, J08B, J08C, J16Z, J21Z, J22A, J22B	03		D18Z, D28Z, D29Z	08	I02A, I02B, I02C, I02D, I22A, I22B, I50Z				
	21A	W04A, W04B	05		F13A, F21A, F21B, F28A	09	J02A, J02B, J02C, J04A, J04B, J08A, J08B, J08C, J16Z, J21Z, J22A, J22B				
	21B	X01A, X01B, X01C	06		G10Z, G12A, G12B	21A	W04A, W04B				
	5v625.x↔		BOP, KVT, UOP4		5v626.6↔		BOP, KVT, UOP4		5v626.b		BOP, KVT, UOP4
		01	B03A, B03B, B06A, B06B, B07Z, B17A, B17B, B17C			21A	W04A, W04B			01	B03A, B03B, B06A, B06B, B07Z, B17A, B17B, B17C
		05	F13A, F21A, F21B, F28A			21B	X01A, X01B, X01C			05	F13A, F21A, F21B, F28A
08		I02A, I02B, I02C, I02D, I22A, I22B, I32A, I32B, I32C, I32D, I32E, I32F, I50Z	01	B03A, B03B, B06A, B06B, B07Z, B17A, B17B, B17C		06	G10Z, G12A, G12B				
09		J02A, J02B, J02C, J04A, J04B, J08A, J08B, J08C, J16Z, J21Z, J22A, J22B	05	F13A, F21A, F21B, F28A		08	I02A, I02B, I02C, I02D, I22A, I22B, I50Z				
21A		W04A, W04B	08	I02A, I02B, I02C, I02D, I22A, I22B, I50Z		09	J02A, J02B, J02C, J04A, J04B, J08A, J08B, J08C, J16Z, J21Z, J22A, J22B				
21B		X01A, X01B, X01C	09	J02A, J02B, J02C, J04A, J04B, J08A, J08B, J08C, J16Z, J21Z, J22A, J22B		21A	W04A, W04B				
5v625.y			BOP, KVT, UOP4	5v626.7↔			BOP, KVT, UOP4	5v626.c			BOP, KVT, UOP4
		01	B03A, B03B, B06A, B06B, B07Z, B17A, B17B, B17C			21A	W04A, W04B			01	B03A, B03B, B06A, B06B, B07Z, B17A, B17B, B17C
		02	C20A, C20B			21B	X01A, X01B, X01C			05	F13A, F21A, F21B, F28A
	03	D18Z, D28Z, D29Z	01		B03A, B03B, B06A, B06B, B07Z, B17A, B17B, B17C	06	G10Z, G12A, G12B				
	05	F13A, F21A, F21B, F28A	05		F13A, F21A, F21B, F28A	08	I02A, I02B, I02C, I02D, I22A, I22B, I50Z				
	08	I02A, I02B, I02C, I02D, I22A, I22B, I50Z	08		I02A, I02B, I02C, I02D, I22A, I22B, I50Z	09	J02A, J02B, J02C, J04A, J04B, J08A, J08B, J08C, J16Z, J21Z, J22A, J22B				
	09	J02A, J02B, J02C, J04A, J04B, J08A, J08B, J08C, J16Z, J21Z, J22A, J22B	09		J02A, J02B, J02C, J04A, J04B, J08A, J08B, J08C, J16Z, J21Z, J22A, J22B	21A	W04A, W04B				
	21A	W04A, W04B	21A		W04A, W04B	21B	X01A, X01B, X01C				
	21B	X01A, X01B, X01C	21B		X01A, X01B, X01C	01	B03A, B03B, B06A, B06B, B07Z, B17A, B17B, B17C				
						05	F13A, F21A, F21B, F28A				
				06	G10Z, G12A, G12B						
				08	I02A, I02B, I02C, I02D, I22A, I22B, I50Z						
				09	J02A, J02B, J02C, J04A, J04B, J08A, J08B, J08C, J16Z, J21Z, J22A, J22B						
				10	K09A, K09B						
				12	M04A, M04B, M04C, M04D, M37Z, M38Z						
				21A	W04A, W04B						
				21B	X01A, X01B, X01C						

VYK

ZZV	MDC	DRG	ZZV	MDC	DRG	ZZV	MDC	DRG			
5v626.d		BOP, KVT, UOP4	5v626.n↔		BOP, KVT, UOP4	5v626.t↔		BOP, KVT, UOP4			
	01	B03A, B03B, B06A, B06B, B07Z, B17A, B17B, B17C		01	B03A, B03B, B06A, B06B, B07Z, B17A, B17B, B17C		01	B03A, B03B, B06A, B06B, B07Z, B17A, B17B, B17C			
	05	F13A, F21A, F21B, F28A		05	F13A, F21A, F21B, F28A		05	F13A, F21A, F21B, F28A			
	06	G10Z, G12A, G12B		06	G10Z, G12A, G12B		08	I02A, I02B, I02C, I02D, I22A, I22B, I50Z			
	08	I02A, I02B, I02C, I02D, I22A, I22B, I50Z		08	I02A, I02B, I02C, I02D, I22A, I22B, I50Z		09	J02A, J02B, J02C, J04A, J04B, J08A, J08B, J08C, J16Z, J21Z, J22A, J22B			
	09	J02A, J02B, J02C, J04A, J04B, J08A, J08B, J08C, J16Z, J21Z, J22A, J22B		09	J02A, J02B, J02C, J04A, J04B, J08A, J08B, J08C, J16Z, J21Z, J22A, J22B		09	J02A, J02B, J02C, J04A, J04B, J08A, J08B, J08C, J16Z, J21Z, J22A, J22B			
	21A	W04A, W04B		21A	W04A, W04B		21A	W04A, W04B			
	21B	X01A, X01B, X01C		21B	X01A, X01B, X01C		21B	X01A, X01B, X01C			
	5v626.e↔			BOP, KVT, UOP4	5v626.p↔			BOP, KVT, UOP4	5v626.u↔		BOP, KVT, UOP4
		01		B03A, B03B, B06A, B06B, B07Z, B17A, B17B, B17C			01	B03A, B03B, B06A, B06B, B07Z, B17A, B17B, B17C		01	B03A, B03B, B06A, B06B, B07Z, B17A, B17B, B17C
05		F13A, F21A, F21B, F27A, F27B, F27C, F28A	05	F13A, F21A, F21B, F28A		05	F13A, F21A, F21B, F28A				
08		I02A, I02B, I02C, I02D, I22A, I22B, I50Z	08	I02A, I02B, I02C, I02D, I22A, I22B, I32A, I32B, I32C, I32D, I32E, I32F, I50Z		08	I02A, I02B, I02C, I02D, I22A, I22B, I32A, I32B, I32C, I32D, I32E, I32F, I50Z				
09		J02A, J02B, J02C, J04A, J04B, J08A, J08B, J08C, J16Z, J21Z, J22A, J22B	09	J02A, J02B, J02C, J04A, J04B, J08A, J08B, J08C, J16Z, J21Z, J22A, J22B		09	J02A, J02B, J02C, J04A, J04B, J08A, J08B, J08C, J16Z, J21Z, J22A, J22B				
10		K01Z	21A	W04A, W04B		21A	W04A, W04B				
21A		W04A, W04B	21B	X01A, X01B, X01C		21B	X01A, X01B, X01C				
21B		X01A, X01B, X01C		BOP, KVT, UOP4			BOP, KVT, UOP4				
5v626.f↔			BOP, KVT, UOP4	5v626.q↔			BOP, KVT, UOP4	5v626.w↔			BOP, KVT, UOP4
		01	B03A, B03B, B06A, B06B, B07Z, B17A, B17B, B17C			01	B03A, B03B, B06A, B06B, B07Z, B17A, B17B, B17C			01	B03A, B03B, B06A, B06B, B07Z, B17A, B17B, B17C
	05	F13A, F21A, F21B, F27A, F27B, F27C, F28A	05		F13A, F21A, F21B, F28A	05	F13A, F21A, F21B, F28A				
	08	I02A, I02B, I02C, I02D, I22A, I22B, I50Z	08		I02A, I02B, I02C, I02D, I22A, I22B, I32A, I32B, I32C, I32D, I32E, I32F, I50Z	08	I02A, I02B, I02C, I02D, I22A, I22B, I32A, I32B, I32C, I32D, I32E, I32F, I50Z				
	09	J02A, J02B, J02C, J04A, J04B, J08A, J08B, J08C, J16Z, J21Z, J22A, J22B	09		J02A, J02B, J02C, J04A, J04B, J08A, J08B, J08C, J16Z, J21Z, J22A, J22B	09	J02A, J02B, J02C, J04A, J04B, J08A, J08B, J08C, J16Z, J21Z, J22A, J22B				
	10	K01Z	21A		W04A, W04B	21A	W04A, W04B				
	21A	W04A, W04B	21B		X01A, X01B, X01C	21B	X01A, X01B, X01C				
	21B	X01A, X01B, X01C			BOP, KVT, UOP4		BOP, KVT, UOP4				
	5v626.g↔		BOP, KVT, UOP4		5v626.r		BOP, KVT, UOP4		5v626.x↔		BOP, KVT, UOP4
		01	B03A, B03B, B06A, B06B, B07Z, B17A, B17B, B17C			01	B03A, B03B, B06A, B06B, B07Z, B17A, B17B, B17C			01	B03A, B03B, B06A, B06B, B07Z, B17A, B17B, B17C
05		F13A, F21A, F21B, F27A, F27B, F27C, F28A	02	C20A, C20B		05	F13A, F21A, F21B, F28A				
08		I02A, I02B, I02C, I02D, I12A, I12B, I12C, I22A, I22B, I50Z	03	D18Z, D28Z, D29Z		08	I02A, I02B, I02C, I02D, I22A, I22B, I32A, I32B, I32C, I32D, I32E, I32F, I50Z				
09		J02A, J02B, J02C, J04A, J04B, J08A, J08B, J08C, J16Z, J21Z, J22A, J22B	05	F13A, F21A, F21B, F28A		08	I02A, I02B, I02C, I02D, I22A, I22B, I32A, I32B, I32C, I32D, I32E, I32F, I50Z				
10		K01Z	08	I02A, I02B, I02C, I02D, I22A, I22B, I50Z		09	J02A, J02B, J02C, J04A, J04B, J08A, J08B, J08C, J16Z, J21Z, J22A, J22B				
21A		W04A, W04B	09	J02A, J02B, J02C, J04A, J04B, J08A, J08B, J08C, J16Z, J21Z, J22A, J22B		21A	W04A, W04B				
21B		X01A, X01B, X01C	21A	W04A, W04B		21B	X01A, X01B, X01C				
5v626.h			BOP, KVT, UOP4	5v626.s↔			BOP, KVT, UOP4	5v626.y			BOP, KVT, UOP4
		01	B03A, B03B, B06A, B06B, B07Z, B17A, B17B, B17C			01	B03A, B03B, B06A, B06B, B07Z, B17A, B17B, B17C			01	B03A, B03B, B06A, B06B, B07Z, B17A, B17B, B17C
	02	C20A, C20B	05		F13A, F21A, F21B, F28A	02	C20A, C20B				
	03	D18Z, D28Z, D29Z	08		I02A, I02B, I02C, I02D, I22A, I22B, I32A, I32B, I32C, I32D, I32E, I32F, I50Z	03	D18Z, D28Z, D29Z				
	05	F13A, F21A, F21B, F28A	09		J02A, J02B, J02C, J04A, J04B, J08A, J08B, J08C, J16Z, J21Z, J22A, J22B	05	F13A, F21A, F21B, F28A				
	08	I02A, I02B, I02C, I02D, I22A, I22B, I50Z	21A		W04A, W04B	08	I02A, I02B, I02C, I02D, I22A, I22B, I50Z				
	09	J02A, J02B, J02C, J04A, J04B, J08A, J08B, J08C, J16Z, J21Z, J22A, J22B	21B		X01A, X01B, X01C	09	J02A, J02B, J02C, J04A, J04B, J08A, J08B, J08C, J16Z, J21Z, J22A, J22B				
	21A	W04A, W04B			BOP, KVT, UOP4	21A	W04A, W04B				
	21B	X01A, X01B, X01C			BOP, KVT, UOP4	21B	X01A, X01B, X01C				
											BOP, KVT, UOP4
								D08A, D08B, D18Z, D22A, D22B, D30A, D30B			
								F13A, F28A			
								J03A, J03B, J04A, J04B, J08A, J08B, J08C, J10A, J10B, J16Z			
								W04A, W04B			
								X06A, X06B, X06C			

ZZV	MDC	DRG	ZZV	MDC	DRG	ZZV	MDC	DRG		
5v627.1		BOP, KVT, UOP4	5v627.8↔		BOP, KVT, UOP4	5v627.d		BOP, KVT, UOP4		
	01	B03A, B03B, B06A, B06B, B07Z, B17A, B17B, B17C		01	B03A, B03B, B06A, B06B, B07Z, B17A, B17B, B17C		01	B03A, B03B, B06A, B06B, B07Z, B17A, B17B, B17C		
	02	C20A, C20B		05	F13A, F21A, F21B, F28A		05	F13A, F21A, F21B, F28A		
	03	D18Z, D28Z, D29Z		08	I02A, I02B, I02C, I02D, I22A, I22B, I32A, I32B, I32C, I32D, I32E, I32F, I50Z		06	G10Z, G12A, G12B		
	05	F13A, F21A, F21B, F28A		09	J02A, J02B, J02C, J04A, J04B, J08A, J08B, J08C, J16Z, J21Z, J22A, J22B		08	I02A, I02B, I02C, I02D, I22A, I22B, I50Z		
	08	I02A, I02B, I02C, I02D, I22A, I22B, I50Z		21A	W04A, W04B		09	J02A, J02B, J02C, J04A, J04B, J08A, J08B, J08C, J16Z, J21Z, J22A, J22B		
	09	J02A, J02B, J02C, J04A, J04B, J08A, J08B, J08C, J16Z, J21Z, J22A, J22B		21B	X01A, X01B, X01C		21A	W04A, W04B		
	21A	W04A, W04B			BOP, KVT, UOP4		21B	X01A, X01B, X01C		
	21B	X01A, X01B, X01C		5v627.9↔			BOP, KVT, UOP4	5v627.e↔		BOP, KVT, UOP4
	5v627.4				BOP, KVT, UOP4		01		B03A, B03B, B06A, B06B, B07Z, B17A, B17B, B17C	01
01		B03A, B03B, B06A, B06B, B07Z, B17A, B17B, B17C	05		F13A, F21A, F21B, F28A	05	F13A, F21A, F21B, F27A, F27B, F27C, F28A			
02		C20A, C20B	08		I12A, I12B, I12C, I32A, I32B, I32C, I32D, I32E, I32F	08	I02A, I02B, I02C, I02D, I22A, I22B, I50Z			
03		D18Z, D28Z, D29Z	09		J03A, J03B, J04A, J04B, J08A, J08B, J08C, J16Z, J21Z, J22A, J22B	09	J02A, J02B, J02C, J04A, J04B, J08A, J08B, J08C, J16Z, J21Z, J22A, J22B			
05		F13A, F21A, F21B, F28A	21A		W04A, W04B	09	J02A, J02B, J02C, J04A, J04B, J08A, J08B, J08C, J16Z, J21Z, J22A, J22B			
08		I02A, I02B, I02C, I02D, I22A, I22B, I50Z	21B		X01A, X01B, X01C	10	K01Z			
09		J02A, J02B, J02C, J04A, J04B, J08A, J08B, J08C, J16Z, J21Z, J22A, J22B			BOP, KVT, UOP4	21A	W04A, W04B			
21A		W04A, W04B	01		B03A, B03B, B06A, B06B, B07Z, B17A, B17B, B17C	21B	X01A, X01B, X01C			
21B		X01A, X01B, X01C	5v627.a			BOP, KVT, UOP4	5v627.f↔			BOP, KVT, UOP4
5v627.5				BOP, KVT, UOP4	05	F13A, F21A, F21B, F28A		01	B03A, B03B, B06A, B06B, B07Z, B17A, B17B, B17C	
	01	B03A, B03B, B06A, B06B, B07Z, B17A, B17B, B17C		06	G10Z, G12A, G12B	05		F13A, F21A, F21B, F27A, F27B, F27C, F28A		
	03	D18Z, D28Z, D29Z		08	I02A, I02B, I02C, I02D, I22A, I22B, I50Z	08		I02A, I02B, I02C, I02D, I22A, I22B, I50Z		
	05	F13A, F21A, F21B, F28A		09	J02A, J02B, J02C, J04A, J04B, J08A, J08B, J08C, J16Z, J21Z, J22A, J22B	09		J02A, J02B, J02C, J04A, J04B, J08A, J08B, J08C, J16Z, J21Z, J22A, J22B		
	06	G10Z, G12A, G12B		21A	W04A, W04B	09		J02A, J02B, J02C, J04A, J04B, J08A, J08B, J08C, J16Z, J21Z, J22A, J22B		
	08	I28A, I28B		21B	X01A, X01B, X01C	10		K01Z		
	09	J02A, J02B, J02C, J04A, J04B, J08A, J08B, J08C, J16Z, J21Z, J22A, J22B			BOP, KVT, UOP4	21A		W04A, W04B		
	21A	W04A, W04B		01	B03A, B03B, B06A, B06B, B07Z, B17A, B17B, B17C	21B		X01A, X01B, X01C		
	21B	X01A, X01B, X01C		5v627.b		BOP, KVT, UOP4		5v627.g↔		BOP, KVT, UOP4
	5v627.6↔		BOP, KVT, UOP4		05	F13A, F21A, F21B, F28A	01		B03A, B03B, B06A, B06B, B07Z, B17A, B17B, B17C	
01		B03A, B03B, B06A, B06B, B07Z, B17A, B17B, B17C	06		G10Z, G12A, G12B	05	F13A, F21A, F21B, F27A, F27B, F27C, F28A			
05		F13A, F21A, F21B, F28A	08		I02A, I02B, I02C, I02D, I22A, I22B, I50Z	08	I02A, I02B, I02C, I02D, I12A, I12B, I12C, I22A, I22B, I50Z			
08		I02A, I02B, I02C, I02D, I22A, I22B, I50Z	09		J02A, J02B, J02C, J04A, J04B, J08A, J08B, J08C, J16Z, J21Z, J22A, J22B	09	J02A, J02B, J02C, J04A, J04B, J08A, J08B, J08C, J16Z, J21Z, J22A, J22B			
09		J02A, J02B, J02C, J04A, J04B, J08A, J08B, J08C, J16Z, J21Z, J22A, J22B	21A		W04A, W04B	09	J02A, J02B, J02C, J04A, J04B, J08A, J08B, J08C, J16Z, J21Z, J22A, J22B			
21A		W04A, W04B	21B		X01A, X01B, X01C	10	K01Z			
21B		X01A, X01B, X01C			BOP, KVT, UOP4	21A	W04A, W04B			
5v627.7↔			BOP, KVT, UOP4		01	B03A, B03B, B06A, B06B, B07Z, B17A, B17B, B17C	21B		X01A, X01B, X01C	
		01	B03A, B03B, B06A, B06B, B07Z, B17A, B17B, B17C		05	F13A, F21A, F21B, F28A			BOP, KVT, UOP4	
		05	F13A, F21A, F21B, F28A	06	G10Z, G12A, G12B	01	B03A, B03B, B06A, B06B, B07Z, B17A, B17B, B17C			
	08	I02A, I02B, I02C, I02D, I22A, I22B, I50Z	08	I02A, I02B, I02C, I02D, I22A, I22B, I50Z	02	C20A, C20B				
	09	J02A, J02B, J02C, J04A, J04B, J08A, J08B, J08C, J16Z, J21Z, J22A, J22B	09	J02A, J02B, J02C, J04A, J04B, J08A, J08B, J08C, J16Z, J21Z, J22A, J22B	03	D18Z, D28Z, D29Z				
	21A	W04A, W04B	10	K09A, K09B	05	F13A, F21A, F21B, F28A				
	21B	X01A, X01B, X01C	12	M04A, M04B, M04C, M04D, M37Z, M38Z	08	I02A, I02B, I02C, I02D, I22A, I22B, I50Z				
			21A	W04A, W04B	09	J02A, J02B, J02C, J04A, J04B, J08A, J08B, J08C, J16Z, J21Z, J22A, J22B				
			21B	X01A, X01B, X01C	21A	W04A, W04B				
					21B	X01A, X01B, X01C				

VYK

ZZV	MDC	DRG	ZZV	MDC	DRG	ZZV	MDC	DRG			
5v627.n↔		BOP, KVT, UOP4	5v627.t↔		BOP, KVT, UOP4	5v62x.1		BOP, KVT, UOP4			
	01	B03A, B03B, B06A, B06B, B07Z, B17A, B17B, B17C		01	B03A, B03B, B06A, B06B, B07Z, B17A, B17B, B17C		01	B03A, B03B, B06A, B06B, B07Z, B17A, B17B, B17C			
	05	F13A, F21A, F21B, F28A		05	F13A, F21A, F21B, F28A		02	C20A, C20B			
	06	G10Z, G12A, G12B		08	I02A, I02B, I02C, I02D, I22A, I22B, I32A, I32B, I32C, I32D, I32E, I32F, I50Z		03	D18Z, D28Z, D29Z			
	08	I02A, I02B, I02C, I02D, I22A, I22B, I50Z		09	J02A, J02B, J02C, J04A, J04B, J08A, J08B, J08C, J16Z, J21Z, J22A, J22B		05	F13A, F21A, F21B, F28A			
	09	J02A, J02B, J02C, J04A, J04B, J08A, J08B, J08C, J16Z, J21Z, J22A, J22B		21A	W04A, W04B		08	I02A, I02B, I02C, I02D, I22A, I22B, I50Z			
	21A	W04A, W04B		21A	W04A, W04B		09	J02A, J02B, J02C, J04A, J04B, J08A, J08B, J08C, J16Z, J21Z, J22A, J22B			
	21B	X01A, X01B, X01C		21B	X01A, X01B, X01C		21A	W04A, W04B			
	5v627.p↔			BOP, KVT, UOP4	5v627.u↔			BOP, KVT, UOP4	5v62x.4		BOP, KVT, UOP4
		01		B03A, B03B, B06A, B06B, B07Z, B17A, B17B, B17C			01	B03A, B03B, B06A, B06B, B07Z, B17A, B17B, B17C		01	B03A, B03B, B06A, B06B, B07Z, B17A, B17B, B17C
05		F13A, F21A, F21B, F28A	05	F13A, F21A, F21B, F28A		02	C20A, C20B				
08		I02A, I02B, I02C, I02D, I22A, I22B, I32A, I32B, I32C, I32D, I32E, I32F, I50Z	08	I02A, I02B, I02C, I02D, I22A, I22B, I32A, I32B, I32C, I32D, I32E, I32F, I50Z		03	D18Z, D28Z, D29Z				
09		J02A, J02B, J02C, J04A, J04B, J08A, J08B, J08C, J16Z, J21Z, J22A, J22B	09	J02A, J02B, J02C, J04A, J04B, J08A, J08B, J08C, J16Z, J21Z, J22A, J22B		05	F13A, F21A, F21B, F28A				
21A		W04A, W04B	21A	W04A, W04B		08	I02A, I02B, I02C, I02D, I22A, I22B, I50Z				
21B		X01A, X01B, X01C	21B	X01A, X01B, X01C		09	J02A, J02B, J02C, J04A, J04B, J08A, J08B, J08C, J16Z, J21Z, J22A, J22B				
5v627.q↔			BOP, KVT, UOP4	5v627.w↔			BOP, KVT, UOP4	5v62x.5			BOP, KVT, UOP4
		01	B03A, B03B, B06A, B06B, B07Z, B17A, B17B, B17C			01	B03A, B03B, B06A, B06B, B07Z, B17A, B17B, B17C			01	B03A, B03B, B06A, B06B, B07Z, B17A, B17B, B17C
		05	F13A, F21A, F21B, F28A			05	F13A, F21A, F21B, F28A			03	D18Z, D28Z, D29Z
	08	I02A, I02B, I02C, I02D, I22A, I22B, I32A, I32B, I32C, I32D, I32E, I32F, I50Z	08		I02A, I02B, I02C, I02D, I22A, I22B, I32A, I32B, I32C, I32D, I32E, I32F, I50Z	05	F13A, F21A, F21B, F28A				
	09	J02A, J02B, J02C, J04A, J04B, J08A, J08B, J08C, J16Z, J21Z, J22A, J22B	09		J02A, J02B, J02C, J04A, J04B, J08A, J08B, J08C, J16Z, J21Z, J22A, J22B	06	G10Z, G12A, G12B				
	21A	W04A, W04B	21A		W04A, W04B	08	I28A, I28B				
	21B	X01A, X01B, X01C	21B		X01A, X01B, X01C	09	J02A, J02B, J02C, J04A, J04B, J08A, J08B, J08C, J16Z, J21Z, J22A, J22B				
	5v627.r		BOP, KVT, UOP4		5v627.x↔		BOP, KVT, UOP4		5v62x.6↔		BOP, KVT, UOP4
		01	B03A, B03B, B06A, B06B, B07Z, B17A, B17B, B17C			01	B03A, B03B, B06A, B06B, B07Z, B17A, B17B, B17C			01	B03A, B03B, B06A, B06B, B07Z, B17A, B17B, B17C
		02	C20A, C20B			05	F13A, F21A, F21B, F28A			05	F13A, F21A, F21B, F28A
03		D18Z, D28Z, D29Z	08	I02A, I02B, I02C, I02D, I22A, I22B, I32A, I32B, I32C, I32D, I32E, I32F, I50Z		08	I02A, I02B, I02C, I02D, I22A, I22B, I50Z				
05		F13A, F21A, F21B, F28A	09	J02A, J02B, J02C, J04A, J04B, J08A, J08B, J08C, J16Z, J21Z, J22A, J22B		09	J02A, J02B, J02C, J04A, J04B, J08A, J08B, J08C, J16Z, J21Z, J22A, J22B				
08		I02A, I02B, I02C, I02D, I22A, I22B, I50Z	21A	W04A, W04B		09	J02A, J02B, J02C, J04A, J04B, J08A, J08B, J08C, J16Z, J21Z, J22A, J22B				
09		J02A, J02B, J02C, J04A, J04B, J08A, J08B, J08C, J16Z, J21Z, J22A, J22B	21B	X01A, X01B, X01C		21A	W04A, W04B				
21A		W04A, W04B	21B	X01A, X01B, X01C		21B	X01A, X01B, X01C				
21B		X01A, X01B, X01C	5v627.y			BOP, KVT, UOP4	5v62x.7↔			BOP, KVT, UOP4	
5v627.s↔				BOP, KVT, UOP4		01		B03A, B03B, B06A, B06B, B07Z, B17A, B17B, B17C		01	B03A, B03B, B06A, B06B, B07Z, B17A, B17B, B17C
	01	B03A, B03B, B06A, B06B, B07Z, B17A, B17B, B17C		02	C20A, C20B	05		F13A, F21A, F21B, F28A			
	05	F13A, F21A, F21B, F28A		03	D18Z, D28Z, D29Z	08		I02A, I02B, I02C, I02D, I22A, I22B, I50Z			
	08	I02A, I02B, I02C, I02D, I22A, I22B, I32A, I32B, I32C, I32D, I32E, I32F, I50Z		05	F13A, F21A, F21B, F28A	09		J02A, J02B, J02C, J04A, J04B, J08A, J08B, J08C, J16Z, J21Z, J22A, J22B			
	09	J02A, J02B, J02C, J04A, J04B, J08A, J08B, J08C, J16Z, J21Z, J22A, J22B		08	I02A, I02B, I02C, I02D, I22A, I22B, I50Z	21A		W04A, W04B			
	21A	W04A, W04B		09	J02A, J02B, J02C, J04A, J04B, J08A, J08B, J08C, J16Z, J21Z, J22A, J22B	21B		X01A, X01B, X01C			
	21B	X01A, X01B, X01C		21A	W04A, W04B	5v62x.0					
	5v627.t↔			BOP, KVT, UOP4	21B			X01A, X01B, X01C	03	D08A, D08B, D18Z, D22A, D22B, D30A, D30B	
		01		B03A, B03B, B06A, B06B, B07Z, B17A, B17B, B17C	05			F13A, F28A	05	F13A, F28A	
		05	F13A, F21A, F21B, F28A	08	I02A, I02B, I02C, I02D, I22A, I22B, I50Z		09	J03A, J03B, J04A, J04B, J08A, J08B, J08C, J10A, J10B, J16Z			
08		I02A, I02B, I02C, I02D, I22A, I22B, I32A, I32B, I32C, I32D, I32E, I32F, I50Z	09	J02A, J02B, J02C, J04A, J04B, J08A, J08B, J08C, J16Z, J21Z, J22A, J22B	21A		W04A, W04B				
09		J02A, J02B, J02C, J04A, J04B, J08A, J08B, J08C, J16Z, J21Z, J22A, J22B	21A	W04A, W04B	21B		X06A, X06B, X06C				
21A		W04A, W04B	21B	X01A, X01B, X01C							
21B		X01A, X01B, X01C									

VYK

ZZV	MDC	DRG	ZZV	MDC	DRG	ZZV	MDC	DRG
5v62x.8↔		BOP, KVT, UOP4	5v62x.d		BOP, KVT, UOP4	5v62x.n↔		BOP, KVT, UOP4
	01	B03A, B03B, B06A, B06B, B07Z, B17A, B17B, B17C		01	B03A, B03B, B06A, B06B, B07Z, B17A, B17B, B17C		01	B03A, B03B, B06A, B06B, B07Z, B17A, B17B, B17C
	05	F13A, F21A, F21B, F28A		05	F13A, F21A, F21B, F28A		05	F13A, F21A, F21B, F28A
	08	I02A, I02B, I02C, I02D, I22A, I22B, I32A, I32B, I32C, I32D, I32E, I32F, I50Z		06	G10Z, G12A, G12B		06	G10Z, G12A, G12B
	09	J02A, J02B, J02C, J04A, J04B, J08A, J08B, J08C, J16Z, J21Z, J22A, J22B		08	I02A, I02B, I02C, I02D, I22A, I22B, I50Z		08	I02A, I02B, I02C, I02D, I22A, I22B, I50Z
	21A	W04A, W04B		09	J02A, J02B, J02C, J04A, J04B, J08A, J08B, J08C, J16Z, J21Z, J22A, J22B		09	J02A, J02B, J02C, J04A, J04B, J08A, J08B, J08C, J16Z, J21Z, J22A, J22B
	21B	X01A, X01B, X01C		21A	W04A, W04B		21A	W04A, W04B
		BOP, KVT, UOP4		21B	X01A, X01B, X01C		21B	X01A, X01B, X01C
		BOP, KVT, UOP4			BOP, KVT, UOP4			BOP, KVT, UOP4
		BOP, KVT, UOP4			BOP, KVT, UOP4			BOP, KVT, UOP4
5v62x.9↔	01	B03A, B03B, B06A, B06B, B07Z, B17A, B17B, B17C	5v62x.e↔	01	B03A, B03B, B06A, B06B, B07Z, B17A, B17B, B17C	5v62x.p↔	01	B03A, B03B, B06A, B06B, B07Z, B17A, B17B, B17C
	05	F13A, F21A, F21B, F28A		05	F13A, F21A, F21B, F28A, F27B, F27C, F28A		05	F13A, F21A, F21B, F28A, F27B, F27C, F28A
	08	I12A, I12B, I12C, I32A, I32B, I32C, I32D, I32E, I32F		08	I02A, I02B, I02C, I02D, I22A, I22B, I50Z		08	I02A, I02B, I02C, I02D, I22A, I22B, I32A, I32B, I32C, I32D, I32E, I32F, I50Z
	09	J03A, J03B, J04A, J04B, J08A, J08B, J08C, J16Z, J21Z, J22A, J22B		09	J02A, J02B, J02C, J04A, J04B, J08A, J08B, J08C, J16Z, J21Z, J22A, J22B		09	J02A, J02B, J02C, J04A, J04B, J08A, J08B, J08C, J16Z, J21Z, J22A, J22B
	21A	W04A, W04B		10	K01Z		21A	W04A, W04B
	21B	X01A, X01B, X01C		21A	W04A, W04B		21B	X01A, X01B, X01C
		BOP, KVT, UOP4		21B	X01A, X01B, X01C			BOP, KVT, UOP4
		BOP, KVT, UOP4			BOP, KVT, UOP4			BOP, KVT, UOP4
		BOP, KVT, UOP4			BOP, KVT, UOP4			BOP, KVT, UOP4
		BOP, KVT, UOP4			BOP, KVT, UOP4			BOP, KVT, UOP4
5v62x.a	01	B03A, B03B, B06A, B06B, B07Z, B17A, B17B, B17C	5v62x.f↔	01	B03A, B03B, B06A, B06B, B07Z, B17A, B17B, B17C	5v62x.r	01	B03A, B03B, B06A, B06B, B07Z, B17A, B17B, B17C
	05	F13A, F21A, F21B, F28A		05	F13A, F21A, F21B, F27A, F27B, F27C, F28A		02	C20A, C20B
	06	G10Z, G12A, G12B		08	I02A, I02B, I02C, I02D, I22A, I22B, I50Z		03	D18Z, D28Z, D29Z
	08	I02A, I02B, I02C, I02D, I22A, I22B, I50Z		09	J02A, J02B, J02C, J04A, J04B, J08A, J08B, J08C, J16Z, J21Z, J22A, J22B		05	F13A, F21A, F21B, F28A
	09	J02A, J02B, J02C, J04A, J04B, J08A, J08B, J08C, J16Z, J21Z, J22A, J22B		10	K01Z		08	I02A, I02B, I02C, I02D, I22A, I22B, I50Z
	21A	W04A, W04B		21A	W04A, W04B		09	J02A, J02B, J02C, J04A, J04B, J08A, J08B, J08C, J16Z, J21Z, J22A, J22B
	21B	X01A, X01B, X01C		21B	X01A, X01B, X01C		21A	W04A, W04B
		BOP, KVT, UOP4			BOP, KVT, UOP4		21B	X01A, X01B, X01C
		BOP, KVT, UOP4			BOP, KVT, UOP4			BOP, KVT, UOP4
		BOP, KVT, UOP4			BOP, KVT, UOP4			BOP, KVT, UOP4
5v62x.b	01	B03A, B03B, B06A, B06B, B07Z, B17A, B17B, B17C	5v62x.g↔	01	B03A, B03B, B06A, B06B, B07Z, B17A, B17B, B17C	5v62x.s↔	01	B03A, B03B, B06A, B06B, B07Z, B17A, B17B, B17C
	05	F13A, F21A, F21B, F28A		05	F13A, F21A, F21B, F27A, F27B, F27C, F28A		05	F13A, F21A, F21B, F28A
	06	G10Z, G12A, G12B		08	I02A, I02B, I02C, I02D, I12A, I12B, I12C, I22A, I22B, I50Z		08	I02A, I02B, I02C, I02D, I22A, I22B, I32A, I32B, I32C, I32D, I32E, I32F, I50Z
	08	I02A, I02B, I02C, I02D, I22A, I22B, I50Z		09	J02A, J02B, J02C, J04A, J04B, J08A, J08B, J08C, J16Z, J21Z, J22A, J22B		09	J02A, J02B, J02C, J04A, J04B, J08A, J08B, J08C, J16Z, J21Z, J22A, J22B
	09	J02A, J02B, J02C, J04A, J04B, J08A, J08B, J08C, J16Z, J21Z, J22A, J22B		10	K01Z		21A	W04A, W04B
	21A	W04A, W04B		21A	W04A, W04B		21B	X01A, X01B, X01C
	21B	X01A, X01B, X01C		21B	X01A, X01B, X01C			BOP, KVT, UOP4
		BOP, KVT, UOP4			BOP, KVT, UOP4			BOP, KVT, UOP4
		BOP, KVT, UOP4			BOP, KVT, UOP4			BOP, KVT, UOP4
		BOP, KVT, UOP4			BOP, KVT, UOP4			BOP, KVT, UOP4
5v62x.c	01	B03A, B03B, B06A, B06B, B07Z, B17A, B17B, B17C	5v62x.h	01	B03A, B03B, B06A, B06B, B07Z, B17A, B17B, B17C	5v62x.t↔	01	B03A, B03B, B06A, B06B, B07Z, B17A, B17B, B17C
	05	F13A, F21A, F21B, F28A		02	C20A, C20B		05	F13A, F21A, F21B, F28A
	06	G10Z, G12A, G12B		03	D18Z, D28Z, D29Z		08	I02A, I02B, I02C, I02D, I22A, I22B, I50Z
	08	I02A, I02B, I02C, I02D, I22A, I22B, I50Z		05	F13A, F21A, F21B, F28A		09	J02A, J02B, J02C, J04A, J04B, J08A, J08B, J08C, J16Z, J21Z, J22A, J22B
	09	J02A, J02B, J02C, J04A, J04B, J08A, J08B, J08C, J16Z, J21Z, J22A, J22B		08	I02A, I02B, I02C, I02D, I22A, I22B, I50Z		21A	W04A, W04B
	10	K09A, K09B		09	J02A, J02B, J02C, J04A, J04B, J08A, J08B, J08C, J16Z, J21Z, J22A, J22B		21B	X01A, X01B, X01C
	12	M04A, M04B, M04C, M04D, M37Z, M38Z		21A	W04A, W04B			BOP, KVT, UOP4
	21A	W04A, W04B		21B	X01A, X01B, X01C			BOP, KVT, UOP4
	21B	X01A, X01B, X01C			BOP, KVT, UOP4			BOP, KVT, UOP4
		BOP, KVT, UOP4			BOP, KVT, UOP4			BOP, KVT, UOP4



Príloha B: Index Výkon-MDC-DRG

ZZV	MDC	DRG	ZZV	MDC	DRG	ZZV	MDC	DRG			
5v62x.u↔		BOP, KVT, UOP4	5v630.0		BOP, KVT, UOP4	5v630.7↔		BOP, KVT, UOP4			
	01	B03A, B03B, B06A, B06B, B07Z, B17A, B17B, B17C		01	B03A, B03B, B06A, B06B, B07Z, B17A, B17B, B17C		01	B03A, B03B, B06A, B06B, B07Z, B17A, B17B, B17C			
	05	F13A, F21A, F21B, F28A		03	D18Z, D25A, D25B, D25C, D25D		05	F13A, F21A, F21B, F28A			
	08	I02A, I02B, I02C, I02D, I22A, I22B, I32A, I32B, I32C, I32D, I32E, I32F, I50Z		05	F13A, F21A, F21B, F28A		08	I12A, I12B, I12C			
	09	J02A, J02B, J02C, J04A, J04B, J08A, J08B, J08C, J16Z, J21Z, J22A, J22B		08	I12A, I12B, I12C		09	J02A, J02B, J02C, J04A, J04B, J08A, J08B, J08C, J16Z, J21Z, J22A, J22B			
	21A	W04A, W04B		09	J02A, J02B, J02C, J04A, J04B, J08A, J08B, J08C, J16Z, J21Z, J22A, J22B		21A	W04A, W04B			
	21B	X01A, X01B, X01C		21A	W04A, W04B		21B	X01A, X01B			
	5v62x.v↔			BOP, KVT, UOP4	5v630.1			BOP, KVT, UOP4	5v630.8↔		BOP, KVT, UOP4
		01		B03A, B03B, B06A, B06B, B07Z, B17A, B17B, B17C			01	B03A, B03B, B06A, B06B, B07Z, B17A, B17B, B17C		01	B03A, B03B, B06A, B06B, B07Z, B17A, B17B, B17C
		05		F13A, F21A, F21B, F28A			02	C20A, C20B		05	F13A, F21A, F21B, F28A
08		I02A, I02B, I02C, I02D, I22A, I22B, I32A, I32B, I32C, I32D, I32E, I32F, I50Z	03	D18Z, D25A, D25B, D25C, D25D		08	I02A, I02B, I02C, I02D, I12A, I12B, I12C, I22A, I50Z				
09		J02A, J02B, J02C, J04A, J04B, J08A, J08B, J08C, J16Z, J21Z, J22A, J22B	05	F13A, F21A, F21B, F28A		09	J02A, J02B, J02C, J04A, J04B, J08A, J08B, J08C, J16Z, J21Z, J22A, J22B				
21A		W04A, W04B	08	I02A, I02B, I02C, I02D, I12A, I12B, I12C, I22A, I50Z		21A	W04A, W04B				
21B		X01A, X01B, X01C	09	J02A, J02B, J02C, J04A, J04B, J08A, J08B, J08C, J16Z, J21Z, J22A, J22B		21B	X01A, X01B				
5v62x.w↔			BOP, KVT, UOP4	5v630.4			BOP, KVT, UOP4	5v630.9↔			BOP, KVT, UOP4
		01	B03A, B03B, B06A, B06B, B07Z, B17A, B17B, B17C			21A	W04A, W04B			01	B03A, B03B, B06A, B06B, B07Z, B17A, B17B, B17C
		05	F13A, F21A, F21B, F28A			21B	X01A, X01B			05	F13A, F21A, F21B, F28A
	08	I02A, I02B, I02C, I02D, I22A, I22B, I32A, I32B, I32C, I32D, I32E, I32F, I50Z	01		B03A, B03B, B06A, B06B, B07Z, B17A, B17B, B17C	08	I12A, I12B, I12C, I32A, I32B, I32C, I32D, I32E, I32F				
	09	J02A, J02B, J02C, J04A, J04B, J08A, J08B, J08C, J16Z, J21Z, J22A, J22B	02		C20A, C20B	09	J02A, J02B, J02C, J04A, J04B, J08A, J08B, J08C, J16Z, J21Z, J22A, J22B				
	21A	W04A, W04B	03		D18Z, D25A, D25B, D25C, D25D	21A	W04A, W04B				
	21B	X01A, X01B, X01C	05		F13A, F21A, F21B, F28A	21B	X01A, X01B				
	5v62x.x↔		BOP, KVT, UOP4		5v630.5		BOP, KVT, UOP4		5v630.a		BOP, KVT, UOP4
		01	B03A, B03B, B06A, B06B, B07Z, B17A, B17B, B17C			01	B03A, B03B, B06A, B06B, B07Z, B17A, B17B, B17C			01	B03A, B03B, B06A, B06B, B07Z, B17A, B17B, B17C
		05	F13A, F21A, F21B, F28A			03	D18Z, D25A, D25B, D25C, D25D			05	F13A, F21A, F21B, F28A
08		I02A, I02B, I02C, I02D, I22A, I22B, I32A, I32B, I32C, I32D, I32E, I32F, I50Z	05	F13A, F21A, F21B, F28A		06	G10Z, G12A, G12B				
09		J02A, J02B, J02C, J04A, J04B, J08A, J08B, J08C, J16Z, J21Z, J22A, J22B	08	I02A, I02B, I02C, I02D, I12A, I12B, I12C, I22A, I50Z		08	I02A, I02B, I02C, I02D, I12A, I12B, I12C, I22A, I50Z				
21A		W04A, W04B	09	J02A, J02B, J02C, J04A, J04B, J08A, J08B, J08C, J16Z, J21Z, J22A, J22B		09	J02A, J02B, J02C, J04A, J04B, J08A, J08B, J08C, J16Z, J21Z, J22A, J22B				
21B		X01A, X01B, X01C	21A	W04A, W04B		21A	W04A, W04B				
5v62x.y			BOP, KVT, UOP4	5v630.6↔			BOP, KVT, UOP4	5v630.b			BOP, KVT, UOP4
		01	B03A, B03B, B06A, B06B, B07Z, B17A, B17B, B17C			01	B03A, B03B, B06A, B06B, B07Z, B17A, B17B, B17C			01	B03A, B03B, B06A, B06B, B07Z, B17A, B17B, B17C
		02	C20A, C20B			03	D18Z, D25A, D25B, D25C, D25D			05	F13A, F21A, F21B, F28A
	03	D18Z, D28Z, D29Z	05		F13A, F21A, F21B, F28A	06	G10Z, G12A, G12B				
	05	F13A, F21A, F21B, F28A	08		I02A, I02B, I02C, I02D, I22A, I22B, I50Z	08	I02A, I02B, I02C, I02D, I12A, I12B, I12C, I22A, I50Z				
	08	I02A, I02B, I02C, I02D, I22A, I22B, I50Z	09		J02A, J02B, J02C, J04A, J04B, J08A, J08B, J08C, J16Z, J21Z, J22A, J22B	09	J02A, J02B, J02C, J04A, J04B, J08A, J08B, J08C, J16Z, J21Z, J22A, J22B				
	09	J02A, J02B, J02C, J04A, J04B, J08A, J08B, J08C, J16Z, J21Z, J22A, J22B	21A		W04A, W04B	21A	W04A, W04B				
	21A	W04A, W04B	21B		X01A, X01B	21B	X01A, X01B				
	21B	X01A, X01B, X01C	21A		W04A, W04B	5v630.c			BOP, KVT, UOP4		
			21B		X01A, X01B		01		B03A, B03B, B06A, B06B, B07Z, B17A, B17B, B17C		
				05	F13A, F21A, F21B, F28A						
				06	G10Z, G12A, G12B						
				08	I02A, I02B, I02C, I02D, I12A, I12B, I12C, I22A, I50Z						
				09	J02A, J02B, J02C, J04A, J04B, J08A, J08B, J08C, J16Z, J21Z, J22A, J22B						
				21A	W04A, W04B						
				21B	X01A, X01B						
				01	B03A, B03B, B06A, B06B, B07Z, B17A, B17B, B17C						
				05	F13A, F21A, F21B, F28A						
				06	G10Z, G12A, G12B						
				08	I02A, I02B, I02C, I02D, I12A, I12B, I12C, I22A, I50Z						
				09	J02A, J02B, J02C, J04A, J04B, J08A, J08B, J08C, J16Z, J21Z, J22A, J22B						
				21A	W04A, W04B						
				21B	X01A, X01B						

VYK

ZZV	MDC	DRG	ZZV	MDC	DRG	ZZV	MDC	DRG			
5v631.0		BOP, KVT, UOP4	5v631.7↔		BOP, KVT, UOP4	5v631.d		BOP, KVT, UOP4			
	01	B03A, B03B, B06A, B06B, B07Z, B17A, B17B, B17C		01	B03A, B03B, B06A, B06B, B07Z, B17A, B17B, B17C		01	B03A, B03B, B06A, B06B, B07Z, B17A, B17B, B17C			
	03	D18Z, D25A, D25B, D25C, D25D		05	F13A, F21A, F21B, F28A		05	F13A, F21A, F21B, F28A			
	05	F13A, F21A, F21B, F28A		08	I02A, I02B, I02C, I02D, I12A, I12B, I12C, I22A, I50Z		06	G10Z, G12A, G12B			
	08	I12A, I12B, I12C		09	J02A, J02B, J02C, J04A, J04B, J08A, J08B, J08C, J16Z, J21Z, J22A, J22B		08	I02A, I02B, I02C, I02D, I12A, I12B, I12C, I22A, I50Z			
	09	J02A, J02B, J02C, J04A, J04B, J08A, J08B, J08C, J16Z, J21Z, J22A, J22B		21A	W04A, W04B		09	J02A, J02B, J02C, J04A, J04B, J08A, J08B, J08C, J16Z, J21Z, J22A, J22B			
	21A	W04A, W04B		21B	X01A, X01B		21A	W04A, W04B			
	21B	X01A, X01B			BOP, KVT, UOP4		21B	X01A, X01B			
	5v631.1			BOP, KVT, UOP4	5v631.8↔			BOP, KVT, UOP4	5v631.e↔		BOP, KVT, UOP4
		01		B03A, B03B, B06A, B06B, B07Z, B17A, B17B, B17C			01	B03A, B03B, B06A, B06B, B07Z, B17A, B17B, B17C		01	B03A, B03B, B06A, B06B, B07Z, B17A, B17B, B17C
02		C20A, C20B	05	F13A, F21A, F21B, F28A		05	F13A, F21A, F21B, F28A				
03		D18Z, D25A, D25B, D25C, D25D	08	I02A, I02B, I02C, I02D, I12A, I12B, I12C, I22A, I32A, I32B, I32C, I32D, I32E, I32F, I50Z		08	F13A, F21A, F21B, F27A, F27B, F27C, F28A				
05		F13A, F21A, F21B, F28A	09	J02A, J02B, J02C, J04A, J04B, J08A, J08B, J08C, J16Z, J21Z, J22A, J22B		08	I02A, I02B, I02C, I02D, I12A, I12B, I12C, I22A, I50Z				
08		I02A, I02B, I02C, I02D, I12A, I12B, I12C, I22A, I50Z	21A	W04A, W04B		09	J02A, J02B, J02C, J04A, J04B, J08A, J08B, J08C, J16Z, J21Z, J22A, J22B				
09		J02A, J02B, J02C, J04A, J04B, J08A, J08B, J08C, J16Z, J21Z, J22A, J22B	21B	X01A, X01B		10	K01Z				
21A		W04A, W04B		BOP, KVT, UOP4		21A	W04A, W04B				
21B		X01A, X01B	01	B03A, B03B, B06A, B06B, B07Z, B17A, B17B, B17C		21B	X01A, X01B				
5v631.4			BOP, KVT, UOP4	5v631.9↔			BOP, KVT, UOP4	5v631.f↔			BOP, KVT, UOP4
	01	B03A, B03B, B06A, B06B, B07Z, B17A, B17B, B17C	05		F13A, F21A, F21B, F28A	01	B03A, B03B, B06A, B06B, B07Z, B17A, B17B, B17C				
	02	C20A, C20B	08		I12A, I12B, I12C, I32A, I32B, I32C, I32D, I32E, I32F	05	F13A, F21A, F21B, F27A, F27B, F27C, F28A				
	03	D18Z, D25A, D25B, D25C, D25D	09		J02A, J02B, J02C, J04A, J04B, J08A, J08B, J08C, J16Z, J21Z, J22A, J22B	08	I02A, I02B, I02C, I02D, I12A, I12B, I12C, I22A, I50Z				
	05	F13A, F21A, F21B, F28A	21A		W04A, W04B	09	J02A, J02B, J02C, J04A, J04B, J08A, J08B, J08C, J16Z, J21Z, J22A, J22B				
	08	I02A, I02B, I02C, I02D, I12A, I12B, I12C, I22A, I50Z	21B		X01A, X01B	10	K01Z				
	09	J02A, J02B, J02C, J04A, J04B, J08A, J08B, J08C, J16Z, J21Z, J22A, J22B			BOP, KVT, UOP4	21A	W04A, W04B				
	21A	W04A, W04B	01		B03A, B03B, B06A, B06B, B07Z, B17A, B17B, B17C	21B	X01A, X01B				
	21B	X01A, X01B	05		F13A, F21A, F21B, F28A		BOP, KVT, UOP4				
	5v631.5		BOP, KVT, UOP4		5v631.a		BOP, KVT, UOP4		5v631.g↔		BOP, KVT, UOP4
01		B03A, B03B, B06A, B06B, B07Z, B17A, B17B, B17C	05	F13A, F21A, F21B, F28A		01	B03A, B03B, B06A, B06B, B07Z, B17A, B17B, B17C				
03		D18Z, D25A, D25B, D25C, D25D	06	G10Z, G12A, G12B		05	F13A, F21A, F21B, F27A, F27B, F27C, F28A				
05		F13A, F21A, F21B, F28A	08	I02A, I02B, I02C, I02D, I12A, I12B, I12C, I22A, I50Z		08	I02A, I02B, I02C, I02D, I12A, I12B, I12C, I22A, I50Z				
08		I02A, I02B, I02C, I02D, I12A, I12B, I12C, I22A, I50Z	09	J02A, J02B, J02C, J04A, J04B, J08A, J08B, J08C, J16Z, J21Z, J22A, J22B		09	J02A, J02B, J02C, J04A, J04B, J08A, J08B, J08C, J16Z, J21Z, J22A, J22B				
09		J02A, J02B, J02C, J04A, J04B, J08A, J08B, J08C, J16Z, J21Z, J22A, J22B	21A	W04A, W04B		10	K01Z				
21A		W04A, W04B	21B	X01A, X01B		21A	W04A, W04B				
21B		X01A, X01B		BOP, KVT, UOP4		21B	X01A, X01B				
5v631.6↔			BOP, KVT, UOP4	5v631.b			BOP, KVT, UOP4	5v631.h			BOP, KVT, UOP4
		01	B03A, B03B, B06A, B06B, B07Z, B17A, B17B, B17C			01	B03A, B03B, B06A, B06B, B07Z, B17A, B17B, B17C			01	B03A, B03B, B06A, B06B, B07Z, B17A, B17B, B17C
	03	D18Z, D25A, D25B, D25C, D25D	05		F13A, F21A, F21B, F28A	02	C20A, C20B				
	05	F13A, F21A, F21B, F28A	06		G10Z, G12A, G12B	03	D18Z, D25A, D25B, D25C, D25D				
	08	I02A, I02B, I02C, I02D, I12A, I12B, I12C, I22A, I50Z	08		I02A, I02B, I02C, I02D, I12A, I12B, I12C, I22A, I50Z	05	F13A, F21A, F21B, F28A				
	09	J02A, J02B, J02C, J04A, J04B, J08A, J08B, J08C, J16Z, J21Z, J22A, J22B	09		J02A, J02B, J02C, J04A, J04B, J08A, J08B, J08C, J16Z, J21Z, J22A, J22B	08	I02A, I02B, I02C, I02D, I12A, I12B, I12C, I22A, I50Z				
	21A	W04A, W04B	21A		W04A, W04B	09	J02A, J02B, J02C, J04A, J04B, J08A, J08B, J08C, J16Z, J21Z, J22A, J22B				
	21B	X01A, X01B	21B		X01A, X01B	10	K01Z				
	5v631.6↔		BOP, KVT, UOP4		5v631.c		BOP, KVT, UOP4		5v631.h		BOP, KVT, UOP4
		01	B03A, B03B, B06A, B06B, B07Z, B17A, B17B, B17C			01	B03A, B03B, B06A, B06B, B07Z, B17A, B17B, B17C			01	B03A, B03B, B06A, B06B, B07Z, B17A, B17B, B17C
05		F13A, F21A, F21B, F28A	05	F13A, F21A, F21B, F28A		02	C20A, C20B				
08		I02A, I02B, I02C, I02D, I12A, I12B, I12C, I22A, I50Z	06	G10Z, G12A, G12B		03	D18Z, D25A, D25B, D25C, D25D				
09		J02A, J02B, J02C, J04A, J04B, J08A, J08B, J08C, J16Z, J21Z, J22A, J22B	08	I02A, I02B, I02C, I02D, I12A, I12B, I12C, I22A, I50Z		05	F13A, F21A, F21B, F28A				
21A		W04A, W04B	09	J02A, J02B, J02C, J04A, J04B, J08A, J08B, J08C, J16Z, J21Z, J22A, J22B		08	I02A, I02B, I02C, I02D, I12A, I12B, I12C, I22A, I50Z				
21B		X01A, X01B	21A	W04A, W04B		09	J02A, J02B, J02C, J04A, J04B, J08A, J08B, J08C, J16Z, J21Z, J22A, J22B				
			21B	X01A, X01B		10	K01Z				
						21A	W04A, W04B				
						21B	X01A, X01B				

ZZV	MDC	DRG	ZZV	MDC	DRG	ZZV	MDC	DRG			
5v631.n↔		BOP, KVT, UOP4	5v631.t↔		BOP, KVT, UOP4	5v632.0		BOP, KVT, UOP4			
	01	B03A, B03B, B06A, B06B, B07Z, B17A, B17B, B17C		01	B03A, B03B, B06A, B06B, B07Z, B17A, B17B, B17C		01	B03A, B03B, B06A, B06B, B07Z, B17A, B17B, B17C			
	05	F13A, F21A, F21B, F28A		05	F13A, F21A, F21B, F27A, F27B, F27C, F28A		03	D18Z, D25A, D25B, D25C, D25D			
	06	G10Z, G12A, G12B		08	I02A, I02B, I02C, I02D, I12A, I12B, I12C, I22A, I32A, I32B, I32C, I32D, I32E, I32F, I50Z		05	F13A, F21A, F21B, F28A			
	08	I02A, I02B, I02C, I02D, I12A, I12B, I12C, I22A, I50Z		09	J02A, J02B, J02C, J04A, J04B, J08A, J08B, J08C, J16Z, J21Z, J22A, J22B		08	I12A, I12B, I12C			
	09	J02A, J02B, J02C, J04A, J04B, J08A, J08B, J08C, J16Z, J21Z, J22A, J22B		10	K01Z		09	J02A, J02B, J02C, J04A, J04B, J08A, J08B, J08C, J16Z, J21Z, J22A, J22B			
	21A	W04A, W04B		21A	W04A, W04B		21A	W04A, W04B			
	21B	X01A, X01B		21B	X01A, X01B		21B	X01A, X01B			
	5v631.p↔			BOP, KVT, UOP4	5v631.u↔			BOP, KVT, UOP4	5v632.1		BOP, KVT, UOP4
		01		B03A, B03B, B06A, B06B, B07Z, B17A, B17B, B17C			01	B03A, B03B, B06A, B06B, B07Z, B17A, B17B, B17C		01	B03A, B03B, B06A, B06B, B07Z, B17A, B17B, B17C
05		F13A, F21A, F21B, F27A, F27B, F27C, F28A	05	F13A, F21A, F21B, F27A, F27B, F27C, F28A		02	C20A, C20B				
08		I02A, I02B, I02C, I02D, I12A, I12B, I12C, I22A, I32A, I32B, I32C, I32D, I32E, I32F, I50Z	08	I02A, I02B, I02C, I02D, I12A, I12B, I12C, I22A, I32A, I32B, I32C, I32D, I32E, I32F, I50Z		03	D18Z, D25A, D25B, D25C, D25D				
09		J02A, J02B, J02C, J04A, J04B, J08A, J08B, J08C, J16Z, J21Z, J22A, J22B	09	J02A, J02B, J02C, J04A, J04B, J08A, J08B, J08C, J16Z, J21Z, J22A, J22B		05	F13A, F21A, F21B, F28A				
10		K01Z	10	K01Z		08	I02A, I02B, I02C, I02D, I12A, I12B, I12C, I22A, I50Z				
21A		W04A, W04B	10	K01Z		09	J02A, J02B, J02C, J04A, J04B, J08A, J08B, J08C, J16Z, J21Z, J22A, J22B				
21B		X01A, X01B	21A	W04A, W04B		21A	W04A, W04B				
5v631.q↔			BOP, KVT, UOP4	5v631.w↔			BOP, KVT, UOP4	5v632.4			BOP, KVT, UOP4
		01	B03A, B03B, B06A, B06B, B07Z, B17A, B17B, B17C			01	B03A, B03B, B06A, B06B, B07Z, B17A, B17B, B17C			01	B03A, B03B, B06A, B06B, B07Z, B17A, B17B, B17C
	05	F13A, F21A, F21B, F27A, F27B, F27C, F28A	05		F13A, F21A, F21B, F27A, F27B, F27C, F28A	02	C20A, C20B				
	08	I02A, I02B, I02C, I02D, I12A, I12B, I12C, I22A, I32A, I32B, I32C, I32D, I32E, I32F, I50Z	08		I02A, I02B, I02C, I02D, I12A, I12B, I12C, I22A, I32A, I32B, I32C, I32D, I32E, I32F, I50Z	03	D18Z, D25A, D25B, D25C, D25D				
	09	J02A, J02B, J02C, J04A, J04B, J08A, J08B, J08C, J16Z, J21Z, J22A, J22B	09		J02A, J02B, J02C, J04A, J04B, J08A, J08B, J08C, J16Z, J21Z, J22A, J22B	05	F13A, F21A, F21B, F28A				
	10	K01Z	10		K01Z	08	I02A, I02B, I02C, I02D, I12A, I12B, I12C, I22A, I50Z				
	21A	W04A, W04B	10		K01Z	09	J02A, J02B, J02C, J04A, J04B, J08A, J08B, J08C, J16Z, J21Z, J22A, J22B				
	21B	X01A, X01B	21A		W04A, W04B	21A	W04A, W04B				
	5v631.r↔		BOP, KVT, UOP4		5v631.x↔		BOP, KVT, UOP4		5v632.5		BOP, KVT, UOP4
		01	B03A, B03B, B06A, B06B, B07Z, B17A, B17B, B17C			01	B03A, B03B, B06A, B06B, B07Z, B17A, B17B, B17C			01	B03A, B03B, B06A, B06B, B07Z, B17A, B17B, B17C
05		F13A, F21A, F21B, F27A, F27B, F27C, F28A	05	F13A, F21A, F21B, F27A, F27B, F27C, F28A		03	D18Z, D25A, D25B, D25C, D25D				
08		I02A, I02B, I02C, I02D, I12A, I12B, I12C, I22A, I32A, I32B, I32C, I32D, I32E, I32F, I50Z	08	I02A, I02B, I02C, I02D, I12A, I12B, I12C, I22A, I32A, I32B, I32C, I32D, I32E, I32F, I50Z		05	F13A, F21A, F21B, F28A				
09		J02A, J02B, J02C, J04A, J04B, J08A, J08B, J08C, J16Z, J21Z, J22A, J22B	09	J02A, J02B, J02C, J04A, J04B, J08A, J08B, J08C, J16Z, J21Z, J22A, J22B		08	I02A, I02B, I02C, I02D, I12A, I12B, I12C, I22A, I50Z				
10		K01Z	10	K01Z		09	J02A, J02B, J02C, J04A, J04B, J08A, J08B, J08C, J16Z, J21Z, J22A, J22B				
21A		W04A, W04B	10	K01Z		21A	W04A, W04B				
21B		X01A, X01B	21A	W04A, W04B		21B	X01A, X01B				
5v631.s↔			BOP, KVT, UOP4	5v631.y			BOP, KVT, UOP4	5v632.6↔			BOP, KVT, UOP4
		01	B03A, B03B, B06A, B06B, B07Z, B17A, B17B, B17C			01	B03A, B03B, B06A, B06B, B07Z, B17A, B17B, B17C			01	B03A, B03B, B06A, B06B, B07Z, B17A, B17B, B17C
	05	F13A, F21A, F21B, F27A, F27B, F27C, F28A	05		F13A, F21A, F21B, F27A, F27B, F27C, F28A	05	F13A, F21A, F21B, F28A				
	08	I02A, I02B, I02C, I02D, I12A, I12B, I12C, I22A, I32A, I32B, I32C, I32D, I32E, I32F, I50Z	08		I02A, I02B, I02C, I02D, I12A, I12B, I12C, I22A, I32A, I32B, I32C, I32D, I32E, I32F, I50Z	08	I02A, I02B, I02C, I02D, I12A, I12B, I12C, I22A, I50Z				
	09	J02A, J02B, J02C, J04A, J04B, J08A, J08B, J08C, J16Z, J21Z, J22A, J22B	09		J02A, J02B, J02C, J04A, J04B, J08A, J08B, J08C, J16Z, J21Z, J22A, J22B	09	J02A, J02B, J02C, J04A, J04B, J08A, J08B, J08C, J16Z, J21Z, J22A, J22B				
	10	K01Z	10		K01Z	21A	W04A, W04B				
	21A	W04A, W04B	10		K01Z	21B	X01A, X01B				
	21B	X01A, X01B	21A		W04A, W04B						
			21B		X01A, X01B						
			21B		X01A, X01B						

VYK

ZZV	MDC	DRG	ZZV	MDC	DRG	ZZV	MDC	DRG			
5v633.d		BOP, KVT, UOP4	5v633.n↔		BOP, KVT, UOP4	5v633.t↔		BOP, KVT, UOP4			
	01	B03A, B03B, B06A, B06B, B07Z, B17A, B17B, B17C		01	B03A, B03B, B06A, B06B, B07Z, B17A, B17B, B17C		01	B03A, B03B, B06A, B06B, B07Z, B17A, B17B, B17C			
	05	F13A, F21A, F21B, F28A		05	F13A, F21A, F21B, F28A		05	F13A, F21A, F21B, F27A, F27B, F27C, F28A			
	06	G10Z, G12A, G12B		06	G10Z, G12A, G12B		06	G10Z, G12A, G12B			
	08	I02A, I02B, I02C, I02D, I12A, I12B, I12C, I22A, I50Z		08	I02A, I02B, I02C, I02D, I12A, I12B, I12C, I22A, I50Z		08	I02A, I02B, I02C, I02D, I12A, I12B, I12C, I22A, I32A, I32B, I32C, I32D, I32E, I32F, I50Z			
	09	J02A, J02B, J02C, J04A, J04B, J08A, J08B, J08C, J16Z, J21Z, J22A, J22B		09	J02A, J02B, J02C, J04A, J04B, J08A, J08B, J08C, J16Z, J21Z, J22A, J22B		09	J02A, J02B, J02C, J04A, J04B, J08A, J08B, J08C, J16Z, J21Z, J22A, J22B			
	21A	W04A, W04B		21A	W04A, W04B		10	K01Z			
	21B	X01A, X01B		21B	X01A, X01B		21A	W04A, W04B			
	5v633.e↔			BOP, KVT, UOP4	5v633.p↔			BOP, KVT, UOP4	5v633.u↔		BOP, KVT, UOP4
		01		B03A, B03B, B06A, B06B, B07Z, B17A, B17B, B17C			01	B03A, B03B, B06A, B06B, B07Z, B17A, B17B, B17C		01	B03A, B03B, B06A, B06B, B07Z, B17A, B17B, B17C
05		F13A, F21A, F21B, F27A, F27B, F27C, F28A	05	F13A, F21A, F21B, F27A, F27B, F27C, F28A		05	F13A, F21A, F21B, F27A, F27B, F27C, F28A				
08		I02A, I02B, I02C, I02D, I12A, I12B, I12C, I22A, I50Z	08	I02A, I02B, I02C, I02D, I12A, I12B, I12C, I22A, I32A, I32B, I32C, I32D, I32E, I32F, I50Z		08	I02A, I02B, I02C, I02D, I12A, I12B, I12C, I22A, I32A, I32B, I32C, I32D, I32E, I32F, I50Z				
09		J02A, J02B, J02C, J04A, J04B, J08A, J08B, J08C, J16Z, J21Z, J22A, J22B	09	J02A, J02B, J02C, J04A, J04B, J08A, J08B, J08C, J16Z, J21Z, J22A, J22B		09	J02A, J02B, J02C, J04A, J04B, J08A, J08B, J08C, J16Z, J21Z, J22A, J22B				
10		K01Z	10	K01Z		10	K01Z				
21A		W04A, W04B	21A	W04A, W04B		21A	W04A, W04B				
21B		X01A, X01B	21B	X01A, X01B		21B	X01A, X01B				
5v633.f↔			BOP, KVT, UOP4	5v633.q↔			BOP, KVT, UOP4	5v633.w↔			BOP, KVT, UOP4
		01	B03A, B03B, B06A, B06B, B07Z, B17A, B17B, B17C			01	B03A, B03B, B06A, B06B, B07Z, B17A, B17B, B17C			01	B03A, B03B, B06A, B06B, B07Z, B17A, B17B, B17C
	05	F13A, F21A, F21B, F27A, F27B, F27C, F28A	05		F13A, F21A, F21B, F27A, F27B, F27C, F28A	05	F13A, F21A, F21B, F27A, F27B, F27C, F28A				
	08	I02A, I02B, I02C, I02D, I12A, I12B, I12C, I22A, I50Z	08		I02A, I02B, I02C, I02D, I12A, I12B, I12C, I22A, I32A, I32B, I32C, I32D, I32E, I32F, I50Z	08	I02A, I02B, I02C, I02D, I12A, I12B, I12C, I22A, I32A, I32B, I32C, I32D, I32E, I32F, I50Z				
	09	J02A, J02B, J02C, J04A, J04B, J08A, J08B, J08C, J16Z, J21Z, J22A, J22B	09		J02A, J02B, J02C, J04A, J04B, J08A, J08B, J08C, J16Z, J21Z, J22A, J22B	09	J02A, J02B, J02C, J04A, J04B, J08A, J08B, J08C, J16Z, J21Z, J22A, J22B				
	10	K01Z	10		K01Z	10	K01Z				
	21A	W04A, W04B	21A		W04A, W04B	21A	W04A, W04B				
	21B	X01A, X01B	21B		X01A, X01B	21B	X01A, X01B				
	5v633.g↔		BOP, KVT, UOP4		5v633.r↔		BOP, KVT, UOP4		5v633.x↔		BOP, KVT, UOP4
		01	B03A, B03B, B06A, B06B, B07Z, B17A, B17B, B17C			01	B03A, B03B, B06A, B06B, B07Z, B17A, B17B, B17C			01	B03A, B03B, B06A, B06B, B07Z, B17A, B17B, B17C
05		F13A, F21A, F21B, F27A, F27B, F27C, F28A	05	F13A, F21A, F21B, F27A, F27B, F27C, F28A		05	F13A, F21A, F21B, F27A, F27B, F27C, F28A				
08		I02A, I02B, I02C, I02D, I12A, I12B, I12C, I22A, I50Z	08	I02A, I02B, I02C, I02D, I12A, I12B, I12C, I22A, I32A, I32B, I32C, I32D, I32E, I32F, I50Z		08	I02A, I02B, I02C, I02D, I12A, I12B, I12C, I22A, I32A, I32B, I32C, I32D, I32E, I32F, I50Z				
09		J02A, J02B, J02C, J04A, J04B, J08A, J08B, J08C, J16Z, J21Z, J22A, J22B	09	J02A, J02B, J02C, J04A, J04B, J08A, J08B, J08C, J16Z, J21Z, J22A, J22B		09	J02A, J02B, J02C, J04A, J04B, J08A, J08B, J08C, J16Z, J21Z, J22A, J22B				
10		K01Z	10	K01Z		10	K01Z				
21A		W04A, W04B	21A	W04A, W04B		21A	W04A, W04B				
21B		X01A, X01B	21B	X01A, X01B		21B	X01A, X01B				
5v633.h			BOP, KVT, UOP4	5v633.s↔			BOP, KVT, UOP4	5v633.y			BOP, KVT, UOP4
		01	B03A, B03B, B06A, B06B, B07Z, B17A, B17B, B17C			01	B03A, B03B, B06A, B06B, B07Z, B17A, B17B, B17C			01	B03A, B03B, B06A, B06B, B07Z, B17A, B17B, B17C
	02	C20A, C20B	05		F13A, F21A, F21B, F27A, F27B, F27C, F28A	02	C20A, C20B				
	03	D18Z, D25A, D25B, D25C, D25D	08		I02A, I02B, I02C, I02D, I12A, I12B, I12C, I22A, I50Z	03	D18Z, D25A, D25B, D25C, D25D				
	05	F13A, F21A, F21B, F28A	09		J02A, J02B, J02C, J04A, J04B, J08A, J08B, J08C, J16Z, J21Z, J22A, J22B	05	F13A, F21A, F21B, F28A				
	08	I02A, I02B, I02C, I02D, I12A, I12B, I12C, I22A, I50Z	10		K01Z	08	I02A, I02B, I02C, I02D, I12A, I12B, I12C, I22A, I50Z				
	09	J02A, J02B, J02C, J04A, J04B, J08A, J08B, J08C, J16Z, J21Z, J22A, J22B	21A		W04A, W04B	09	J02A, J02B, J02C, J04A, J04B, J08A, J08B, J08C, J16Z, J21Z, J22A, J22B				
	21A	W04A, W04B	21B		X01A, X01B	21A	W04A, W04B				
	21B	X01A, X01B	21B		X01A, X01B	21B	X01A, X01B				

VYK

ZZV	MDC	DRG	ZZV	MDC	DRG	ZZV	MDC	DRG			
5v63x.0		BOP, KVT, UOP4	5v63x.7↔		BOP, KVT, UOP4	5v63x.d		BOP, KVT, UOP4			
	01	B03A, B03B, B06A, B06B, B07Z, B17A, B17B, B17C		01	B03A, B03B, B06A, B06B, B07Z, B17A, B17B, B17C		01	B03A, B03B, B06A, B06B, B07Z, B17A, B17B, B17C			
	03	D18Z, D25A, D25B, D25C, D25D		05	F13A, F21A, F21B, F28A		05	F13A, F21A, F21B, F28A			
	05	F13A, F21A, F21B, F28A		08	I02A, I02B, I02C, I02D, I12A, I12B, I12C, I22A, I50Z		06	G10Z, G12A, G12B			
	08	I12A, I12B, I12C		09	J02A, J02B, J02C, J04A, J04B, J08A, J08B, J08C, J16Z, J21Z, J22A, J22B		08	I02A, I02B, I02C, I02D, I12A, I12B, I12C, I22A, I50Z			
	09	J02A, J02B, J02C, J04A, J04B, J08A, J08B, J08C, J16Z, J21Z, J22A, J22B		21A	W04A, W04B		09	J02A, J02B, J02C, J04A, J04B, J08A, J08B, J08C, J16Z, J21Z, J22A, J22B			
	21A	W04A, W04B		21B	X01A, X01B		21A	W04A, W04B			
	21B	X01A, X01B			BOP, KVT, UOP4		21B	X01A, X01B			
	5v63x.1			BOP, KVT, UOP4	5v63x.8↔			BOP, KVT, UOP4	5v63x.e↔		BOP, KVT, UOP4
		01		B03A, B03B, B06A, B06B, B07Z, B17A, B17B, B17C			01	B03A, B03B, B06A, B06B, B07Z, B17A, B17B, B17C		01	B03A, B03B, B06A, B06B, B07Z, B17A, B17B, B17C
		02		C20A, C20B			05	F13A, F21A, F21B, F28A		05	F13A, F21A, F21B, F27A, F27B, F27C, F28A
03		D18Z, D25A, D25B, D25C, D25D	08	I02A, I02B, I02C, I02D, I12A, I12B, I12C, I22A, I32A, I32B, I32C, I32D, I32E, I32F, I50Z		08	I02A, I02B, I02C, I02D, I12A, I12B, I12C, I22A, I50Z				
05		F13A, F21A, F21B, F28A	09	J02A, J02B, J02C, J04A, J04B, J08A, J08B, J08C, J16Z, J21Z, J22A, J22B		09	J02A, J02B, J02C, J04A, J04B, J08A, J08B, J08C, J16Z, J21Z, J22A, J22B				
08		I02A, I02B, I02C, I02D, I12A, I12B, I12C, I22A, I50Z	21A	W04A, W04B		10	K01Z				
09		J02A, J02B, J02C, J04A, J04B, J08A, J08B, J08C, J16Z, J21Z, J22A, J22B	21B	X01A, X01B		21A	W04A, W04B				
21A		W04A, W04B		BOP, KVT, UOP4		21B	X01A, X01B				
21B		X01A, X01B	01	B03A, B03B, B06A, B06B, B07Z, B17A, B17B, B17C			BOP, KVT, UOP4				
5v63x.4			BOP, KVT, UOP4	5v63x.9↔			BOP, KVT, UOP4	5v63x.f↔			BOP, KVT, UOP4
		01	B03A, B03B, B06A, B06B, B07Z, B17A, B17B, B17C			05	F13A, F21A, F21B, F28A			01	B03A, B03B, B06A, B06B, B07Z, B17A, B17B, B17C
	02	C20A, C20B	08		I12A, I12B, I12C, I32A, I32B, I32C, I32D, I32E, I32F	05	F13A, F21A, F21B, F27A, F27B, F27C, F28A				
	03	D18Z, D25A, D25B, D25C, D25D	09		J02A, J02B, J02C, J04A, J04B, J08A, J08B, J08C, J16Z, J21Z, J22A, J22B	08	I02A, I02B, I02C, I02D, I12A, I12B, I12C, I22A, I50Z				
	05	F13A, F21A, F21B, F28A	21A		W04A, W04B	09	J02A, J02B, J02C, J04A, J04B, J08A, J08B, J08C, J16Z, J21Z, J22A, J22B				
	08	I02A, I02B, I02C, I02D, I12A, I12B, I12C, I22A, I50Z	21B		X01A, X01B	10	K01Z				
	09	J02A, J02B, J02C, J04A, J04B, J08A, J08B, J08C, J16Z, J21Z, J22A, J22B			BOP, KVT, UOP4	21A	W04A, W04B				
	21A	W04A, W04B	01		B03A, B03B, B06A, B06B, B07Z, B17A, B17B, B17C	21B	X01A, X01B				
	21B	X01A, X01B	05		F13A, F21A, F21B, F28A		BOP, KVT, UOP4				
	5v63x.5		BOP, KVT, UOP4		5v63x.a		BOP, KVT, UOP4		5v63x.g↔		BOP, KVT, UOP4
		01	B03A, B03B, B06A, B06B, B07Z, B17A, B17B, B17C			05	F13A, F21A, F21B, F28A			01	B03A, B03B, B06A, B06B, B07Z, B17A, B17B, B17C
03		D18Z, D25A, D25B, D25C, D25D	06	G10Z, G12A, G12B		05	F13A, F21A, F21B, F27A, F27B, F27C, F28A				
05		F13A, F21A, F21B, F28A	08	I02A, I02B, I02C, I02D, I12A, I12B, I12C, I22A, I50Z		08	I02A, I02B, I02C, I02D, I12A, I12B, I12C, I22A, I50Z				
08		I02A, I02B, I02C, I02D, I12A, I12B, I12C, I22A, I50Z	09	J02A, J02B, J02C, J04A, J04B, J08A, J08B, J08C, J16Z, J21Z, J22A, J22B		09	J02A, J02B, J02C, J04A, J04B, J08A, J08B, J08C, J16Z, J21Z, J22A, J22B				
09		J02A, J02B, J02C, J04A, J04B, J08A, J08B, J08C, J16Z, J21Z, J22A, J22B	21A	W04A, W04B		10	K01Z				
21A		W04A, W04B	21B	X01A, X01B		21A	W04A, W04B				
21B		X01A, X01B		BOP, KVT, UOP4		21B	X01A, X01B				
5v63x.6↔			BOP, KVT, UOP4	5v63x.b			BOP, KVT, UOP4	5v63x.h			BOP, KVT, UOP4
		01	B03A, B03B, B06A, B06B, B07Z, B17A, B17B, B17C			01	B03A, B03B, B06A, B06B, B07Z, B17A, B17B, B17C			01	B03A, B03B, B06A, B06B, B07Z, B17A, B17B, B17C
		05	F13A, F21A, F21B, F28A			05	F13A, F21A, F21B, F28A			02	C20A, C20B
	08	I02A, I02B, I02C, I02D, I12A, I12B, I12C, I22A, I50Z	06		G10Z, G12A, G12B	03	D18Z, D25A, D25B, D25C, D25D				
	09	J02A, J02B, J02C, J04A, J04B, J08A, J08B, J08C, J16Z, J21Z, J22A, J22B	08		I02A, I02B, I02C, I02D, I12A, I12B, I12C, I22A, I50Z	05	F13A, F21A, F21B, F28A				
	21A	W04A, W04B	09		J02A, J02B, J02C, J04A, J04B, J08A, J08B, J08C, J16Z, J21Z, J22A, J22B	08	I02A, I02B, I02C, I02D, I12A, I12B, I12C, I22A, I50Z				
	21B	X01A, X01B	21A		W04A, W04B	09	J02A, J02B, J02C, J04A, J04B, J08A, J08B, J08C, J16Z, J21Z, J22A, J22B				
	5v63x.6↔		BOP, KVT, UOP4		5v63x.c		BOP, KVT, UOP4		5v63x.c		BOP, KVT, UOP4
		01	B03A, B03B, B06A, B06B, B07Z, B17A, B17B, B17C			01	B03A, B03B, B06A, B06B, B07Z, B17A, B17B, B17C			01	B03A, B03B, B06A, B06B, B07Z, B17A, B17B, B17C
		05	F13A, F21A, F21B, F28A			05	F13A, F21A, F21B, F28A			05	F13A, F21A, F21B, F28A
		08	I02A, I02B, I02C, I02D, I12A, I12B, I12C, I22A, I50Z			06	G10Z, G12A, G12B			06	G10Z, G12A, G12B
09		J02A, J02B, J02C, J04A, J04B, J08A, J08B, J08C, J16Z, J21Z, J22A, J22B	08	I02A, I02B, I02C, I02D, I12A, I12B, I12C, I22A, I50Z		08	I02A, I02B, I02C, I02D, I12A, I12B, I12C, I22A, I50Z				
21A		W04A, W04B	09	J02A, J02B, J02C, J04A, J04B, J08A, J08B, J08C, J16Z, J21Z, J22A, J22B		09	J02A, J02B, J02C, J04A, J04B, J08A, J08B, J08C, J16Z, J21Z, J22A, J22B				
21B		X01A, X01B	21A	W04A, W04B		21A	W04A, W04B				
			21B	X01A, X01B		21B	X01A, X01B				

VYK

Príloha B: Index Výkon-MDC-DRG

ZZV	MDC	DRG	ZZV	MDC	DRG	ZZV	MDC	DRG			
5v63x.n↔		BOP, KVT, UOP4	5v63x.t↔		BOP, KVT, UOP4	5z110.1‡	11	L20B			
	01	B03A, B03B, B06A, B06B, B07Z, B17A, B17B, B17C		01	B03A, B03B, B06A, B06B, B07Z, B17A, B17B, B17C	5z110.2‡	11	L20B			
	05	F13A, F21A, F21B, F28A		05	F13A, F21A, F21B, F27A, F27B, F27C, F28A	5z110.3‡	11	L20B			
	06	G10Z, G12A, G12B		08	I02A, I02B, I02C, I02D, I12A, I12B, I12C, I22A, I32A, I32B, I32C, I32D, I32E, I32F, I50Z	5z110.4‡	11	L20B			
	08	I02A, I02B, I02C, I02D, I12A, I12B, I12C, I22A, I32A, I32B, I32C, I32D, I32E, I32F, I50Z		09	J02A, J02B, J02C, J04A, J04B, J08A, J08B, J08C, J16Z, J21Z, J22A, J22B	5z110.5‡	11	L20B			
	09	J02A, J02B, J02C, J04A, J04B, J08A, J08B, J08C, J16Z, J21Z, J22A, J22B		10	K01Z	5z110.6‡	11	L20B			
	21A	W04A, W04B		21A	W04A, W04B	5z110.x‡	11	L20B			
	21B	X01A, X01B		21B	X01A, X01B	5z112.4‡	05	F30Z, F42Z			
	5v63x.p↔			BOP, KVT, UOP4	5v63x.u↔		BOP, KVT, UOP4	5z113‡		KVT	
		01		B03A, B03B, B06A, B06B, B07Z, B17A, B17B, B17C		01	B03A, B03B, B06A, B06B, B07Z, B17A, B17B, B17C	5z121.21‡	Pre	A17A	
05		F13A, F21A, F21B, F27A, F27B, F27C, F28A	05	F13A, F21A, F21B, F27A, F27B, F27C, F28A		5z136.0‡	Pre	B61A			
08		I02A, I02B, I02C, I02D, I12A, I12B, I12C, I22A, I32A, I32B, I32C, I32D, I32E, I32F, I50Z	08	I02A, I02B, I02C, I02D, I12A, I12B, I12C, I22A, I32A, I32B, I32C, I32D, I32E, I32F, I50Z		5z136.1‡	Pre	B61A			
09		J02A, J02B, J02C, J04A, J04B, J08A, J08B, J08C, J16Z, J21Z, J22A, J22B	09	J02A, J02B, J02C, J04A, J04B, J08A, J08B, J08C, J16Z, J21Z, J22A, J22B		5z136.2‡	Pre	B61A			
10		K01Z	10	K01Z		5z142‡	02	C10A			
21A		W04A, W04B	21A	W04A, W04B		8a210.1‡	15	P66C, P67B, P67C			
21B		X01A, X01B	21B	X01A, X01B			8a210.2‡	15	P66C, P67B, P67C		
5v63x.q↔			BOP, KVT, UOP4	5v63x.w↔				BOP, KVT, UOP4	8a210.3‡	15	P66C, P67B, P67C
		01	B03A, B03B, B06A, B06B, B07Z, B17A, B17B, B17C				01	B03A, B03B, B06A, B06B, B07Z, B17A, B17B, B17C	8a220.1‡	15	P66C, P67B, P67C
	05	F13A, F21A, F21B, F27A, F27B, F27C, F28A	05		F13A, F21A, F21B, F27A, F27B, F27C, F28A		8a220.2‡	15	P66C, P67B, P67C		
	08	I02A, I02B, I02C, I02D, I12A, I12B, I12C, I22A, I32A, I32B, I32C, I32D, I32E, I32F, I50Z	08		I02A, I02B, I02C, I02D, I12A, I12B, I12C, I22A, I32A, I32B, I32C, I32D, I32E, I32F, I50Z		8a220.3‡	15	P66C, P67B, P67C		
	09	J02A, J02B, J02C, J04A, J04B, J08A, J08B, J08C, J16Z, J21Z, J22A, J22B	09		J02A, J02B, J02C, J04A, J04B, J08A, J08B, J08C, J16Z, J21Z, J22A, J22B		8a973.2↔		BOP, KVT, UOP4		
	10	K01Z	10		K01Z		02	C01A, C01B, C10A, C10B, C10C, C16Z			
	21A	W04A, W04B	21A		W04A, W04B		8a973.3↔		BOP, KVT, UOP4		
	21B	X01A, X01B	21B		X01A, X01B		02	C01A, C01B, C10A, C10B, C10C, C16Z			
	5v63x.r↔		BOP, KVT, UOP4		5v63x.x↔		BOP, KVT, UOP4	8a973.4↔		BOP, KVT, UOP4	
		01	B03A, B03B, B06A, B06B, B07Z, B17A, B17B, B17C			01	B03A, B03B, B06A, B06B, B07Z, B17A, B17B, B17C	02	C01A, C01B, C10A, C10B, C10C, C16Z		
05		F13A, F21A, F21B, F27A, F27B, F27C, F28A	05	F13A, F21A, F21B, F27A, F27B, F27C, F28A		06	G40Z, G48A, G48B, G48C				
08		I02A, I02B, I02C, I02D, I12A, I12B, I12C, I22A, I32A, I32B, I32C, I32D, I32E, I32F, I50Z	08	I02A, I02B, I02C, I02D, I12A, I12B, I12C, I22A, I32A, I32B, I32C, I32D, I32E, I32F, I50Z		8c104‡	06	G40Z, G46A, G46B, G46C, G47Z, G50Z			
09		J02A, J02B, J02C, J04A, J04B, J08A, J08B, J08C, J16Z, J21Z, J22A, J22B	09	J02A, J02B, J02C, J04A, J04B, J08A, J08B, J08C, J16Z, J21Z, J22A, J22B		8c105‡	06	G40Z, G46A, G46B, G46C, G47Z, G50Z			
10		K01Z	10	K01Z		8c106‡	06	G40Z, G46A, G46B, G46C, G47Z, G50Z			
21A		W04A, W04B	21A	W04A, W04B		8c107‡	06	G40Z, G46A, G46B, G46C, G47Z, G50Z			
21B		X01A, X01B	21B	X01A, X01B		8c108‡	06	G40Z, G46A, G46B, G46C, G47Z, G50Z			
5v63x.s↔			BOP, KVT, UOP4	5v63x.y			BOP, KVT, UOP4	8c109‡	06	G40Z, G48A, G48B, G48C	
		01	B03A, B03B, B06A, B06B, B07Z, B17A, B17B, B17C			01	B03A, B03B, B06A, B06B, B07Z, B17A, B17B, B17C	8c220.1	01	B12Z	
	05	F13A, F21A, F21B, F27A, F27B, F27C, F28A	05		F13A, F21A, F21B, F27A, F27B, F27C, F28A	05	F01A, F01B, F01D, F05Z, F06C, F06D, F06E, F12A, F12B, F15Z, F24A, F24B, F36A, F36B, F52A, F52B, F56A, F56B, F58A, F58B				
	08	I02A, I02B, I02C, I02D, I12A, I12B, I12C, I22A, I32A, I32B, I32C, I32D, I32E, I32F, I50Z	08		I02A, I02B, I02C, I02D, I12A, I12B, I12C, I22A, I32A, I32B, I32C, I32D, I32E, I32F, I50Z	Pre	A13F				
	09	J02A, J02B, J02C, J04A, J04B, J08A, J08B, J08C, J16Z, J21Z, J22A, J22B	09		J02A, J02B, J02C, J04A, J04B, J08A, J08B, J08C, J16Z, J21Z, J22A, J22B	8c220.x	05	F01A, F01B, F01D, F15Z, F24A, F24B, F28A, F36A, F36B, F54Z, F59A, F59B			
	10	K01Z	10		K01Z	10	K09A, K09B				
	21A	W04A, W04B	21A		W04A, W04B	01	B12Z				
	21B	X01A, X01B	21B		X01A, X01B	05	F01A, F01B, F01D, F05Z, F06C, F06D, F06E, F12A, F12B, F15Z, F24A, F24B, F36A, F36B, F52A, F52B, F56A, F56B, F58A, F58B				
	5v63x.t↔		BOP, KVT, UOP4		5v63x.z		BOP, KVT, UOP4	8c221	Pre	A13F	
		01	B03A, B03B, B06A, B06B, B07Z, B17A, B17B, B17C			01	B03A, B03B, B06A, B06B, B07Z, B17A, B17B, B17C		01	B12Z	
05		F13A, F21A, F21B, F27A, F27B, F27C, F28A	02	C20A, C20B		05	F01A, F01B, F01D, F05Z, F06C, F06D, F06E, F12A, F12B, F15Z, F24A, F24B, F36A, F36B, F52A, F52B, F56A, F56B, F58A, F58B				
08		I02A, I02B, I02C, I02D, I12A, I12B, I12C, I22A, I32A, I32B, I32C, I32D, I32E, I32F, I50Z	03	D18Z, D25A, D25B, D25C, D25D		Pre	A13F				
09		J02A, J02B, J02C, J04A, J04B, J08A, J08B, J08C, J16Z, J21Z, J22A, J22B	05	F13A, F21A, F21B, F28A							
10		K01Z	08	I02A, I02B, I02C, I02D, I12A, I12B, I12C, I22A, I50Z							
21A		W04A, W04B	09	J02A, J02B, J02C, J04A, J04B, J08A, J08B, J08C, J16Z, J21Z, J22A, J22B							
21B		X01A, X01B	21A	W04A, W04B							
5v63x.u↔			BOP, KVT, UOP4	5z110.0‡			BOP, KVT, UOP4				
		01	B03A, B03B, B06A, B06B, B07Z, B17A, B17B, B17C			11	L20B				

VYK

ZZV	MDC	DRG	ZZV	MDC	DRG	ZZV	MDC	DRG		
8c225	01	B12Z	8f101.0		KKI, KKP	8f103.0		KKI, KKP		
	05	F01A, F01B, F01D, F05Z, F06C, F06D, F06E, F12A, F12B, F15Z, F24A, F24B, F36A, F36B, F52A, F52B, F56A, F56B, F58A, F58B		05	F21A, F21B, F21C		05	F21A, F21B, F21C		
	Pre	A13F		06	G10Z, G12A, G12B		06	G10Z, G12A, G12B		
8c22x	05	F01A, F01B, F01D, F15Z, F24A, F24B, F28A, F36A, F36B, F54Z, F59A, F59B		07	H12A, H12B		07	H12A, H12B		
	10	K09A, K09B		11	L09A, L09B, L09C, L09D, L38Z		11	L09A, L09B, L09C, L09D, L38Z		
8c320.1†↔	11	L11Z, L19Z, L42A, L42B		13	N11A, N11B		13	N11A, N11B		
8c320.2†↔	11	L11Z, L19Z, L42A, L42B	8f101.1		KKI, KKP	8f103.1		KKI, KKP		
8c322†	07	H41A, H41B, H41C		05	F21A, F21B, F21C		05	F21A, F21B, F21C		
8c323†	11	L11Z, L19Z, L42A, L42B		06	G10Z, G12A, G12B		06	G10Z, G12A, G12B		
8c324†↔	11	L11Z, L19Z, L42A, L42B		07	H12A, H12B		07	H12A, H12B		
8d102†	11	L42A		11	L09A, L09B, L09C, L09D, L38Z		10	K09A, K09B		
8d103†	11	L42A, L64A, L74Z		13	N11A, N11B		11	L09A, L09B, L09C, L09D, L38Z		
8d104†	11	L42A, L64A, L74Z		17	R01A, R01B, R01C, R01D, R02Z, R12A, R12B, R12C		13	N11A, N11B		
8d117†	11	L42A		21A	W04A, W04B		17	R01A, R01B, R01C, R01D, R02Z, R12A, R12B, R12C		
8d119†	11	L42A		21B	X06A, X06B, X06C		21A	W04A, W04B		
8d125†	11	L42A		22	Y01Z, Y03A, Y03B		21B	X06A, X06B, X06C		
8d210†	15	P66C, P67B, P67C	8f101.2		KKI, KKP	8f103.2		KKI, KKI, KKII, KKP		
8d220†	07	H41A, H41B, H41C		05	F21A, F21B, F21C		05	F21A, F21B, F21C		
8d221†	07	H41A, H41B, H41C		06	G10Z, G12A, G12B		06	G10Z, G12A, G12B		
8d240.1†	06	G40Z, G46A, G46B, G46C, G47Z, G50Z		07	H12A, H12B		07	H12A, H12B		
8d240.2†	06	G40Z, G46A, G46B, G46C, G47Z, G50Z		11	L09A, L09B, L09C, L09D, L38Z		10	K09A, K09B		
8d241.1†	06	G40Z, G46A, G46B, G46C, G47Z, G50Z		13	N11A, N11B		11	L09A, L09B, L09C, L09D, L38Z		
	07	H41A, H41B		17	R01A, R01B, R01C, R01D, R02Z, R12A, R12B, R12C		13	N11A, N11B		
8d241.2†	06	G40Z, G46A, G46B, G46C, G47Z, G50Z		21A	W04A, W04B		17	R01A, R01B, R01C, R01D, R02Z, R12A, R12B, R12C		
	07	H41A, H41B, H41C		21B	X06A, X06B, X06C		21A	W04A, W04B		
8d242		BOP, KVT, UOP4	8f101.x		22	Y01Z, Y03A, Y03B	8f103.x		22	Y01Z, Y03A, Y03B
	06	G10Z, G12A, G12B		05	F21A, F21B, F21C		21B	X06A, X06B, X06C		
	07	H05Z		06	G10Z, G12A, G12B		22	Y01Z, Y03A, Y03B		
8d243		BOP, KOP, KOPV, KVT, MVV, UOP4		07	H12A, H12B		05	F21A, F21B, F21C		
	06	G03A, G10Z, G33Z, G38Z		11	L09A, L09B, L09C, L09D, L38Z		06	G10Z, G12A, G12B		
	07	H02A, H02B, H33Z, H38Z		13	N11A, N11B		07	H12A, H12B		
	11	L33Z		17	R01A, R01B, R01C, R01D, R02Z, R12A, R12B, R12C		11	L09A, L09B, L09C, L09D, L38Z		
	17	R01A, R01B, R01C, R01D, R02Z, R12A, R12B, R12C		21A	W04A, W04B		13	N11A, N11B		
	21A	W04A, W04B		21B	X06A, X06B, X06C		17	R01A, R01B, R01C, R01D, R02Z, R12A, R12B, R12C		
	21B	X06A, X06B, X06C, X33Z	8f102.0↔		22	Y01Z, Y03A, Y03B		21A	W04A, W04B	
	23	Z01A		05	F21A, F21B, F21C		21B	X06A, X06B, X06C		
	Pre	A07A		06	G10Z, G12A, G12B		22	Y01Z, Y03A, Y03B		
8d245.1		BOP, KOP, KOPV, KVT, UOP4		07	H12A, H12B	8f108.0↔		02	C01A, C01B, C13Z, C16Z	
	06	G15Z, G19A, G19B, G38Z		11	L09A, L09B, L09C, L09D, L38Z		03	D12A, D12B		
	07	H06A, H06B, H06C, H33Z, H38Z		13	N11A, N11B	8f108.1↔		03	D06A, D06B, D06C	
	11	L33Z		17	R01A, R01B, R01C, R01D, R02Z, R12A, R12B, R12C	8f108.2†↔		13	N10Z	
	23	Z01A		21A	W04A, W04B	8f108.3↔		02	C01A, C01B, C13Z, C16Z	
	Pre	A07A		21B	X06A, X06B, X06C		03	D12A, D12B		
8d245.2†	06	G40Z, G46A, G46B, G46C, G47Z, G50Z		22	Y01Z, Y03A, Y03B	8f300.5↔		02	C14Z	
8d301†	06	G40Z, G46A, G46B, G46C, G47Z, G50Z					21A	W04A, W04B		
8f100.11†↔		KKI, KKP					21B	X06A, X06B, X06C		
							8f300.6↔		02	C01A, C01B, C15Z, C16Z
							10	K09A, K09B		
							21A	W04A, W04B		
							21B	X06A, X06B, X06C		
							8f304.0†↔		11	L42A
							8f304.1†↔		11	L42A
							8f306.0↔		13	N25Z
							8f400.0↔		02	C01A, C01B, C13Z, C16Z
								03	D12A, D12B	
							8f403.0		04	E02A, E02B, E02C

VYK

ZZV	MDC	DRG	ZZV	MDC	DRG	ZZV	MDC	DRG
8f606.4	01	BOP, KVT, UOP4, VIAL B02A, B02B, B02C, B02D, B20A, B20B, B20C, B20D, B20E, B39A, B39B	8g113	01	B03A, B03B, B06A, B06B, B07Z, B17A, B17B, B17C, B17D	8g121.0	01	B03A, B03B, B06A, B06B, B07Z, B17A, B17B, B17C, B17D
	08	I08A, I08B, I08C, I08D, I08E, I08F, I10A, I10B, I10C, I10D, I10E		03	D13Z		03	D13Z
	11	L09A, L38Z		04	E02A, E02B, E02C		04	E02A, E02B, E02C
	17	R01A, R01B, R01C, R01D, R02Z, R12A, R12B, R12C		05	F13A, F21A, F21B, F21C		05	F13A, F21A, F21B, F21C
	21A	W04A, W04B		06	G10Z, G12A, G12B		06	G10Z, G12A, G12B
	21B	X06A, X06B, X06C		07	H06A, H06B, H06C		07	H06A, H06B, H06C
8f608.40	11	L18A, L18B, L19Z, L20A, L20B, L20C, L38Z		08	I12A, I12B, I12C, I28A, I28B		08	I12A, I12B, I12C, I28A, I28B
8f608.41	11	L18A, L18B, L19Z, L20A, L20B, L20C, L38Z		09	J03A, J03B, J04A, J04B, J08A, J08B, J08C, J16Z, J21Z, J22A, J22B		09	J03A, J03B, J04A, J04B, J08A, J08B, J08C, J16Z, J21Z, J22A, J22B
8f608.42	11	L18A, L18B, L19Z, L20A, L20B, L20C, L38Z	8g114	10	K09A, K09B	8g121.1	10	K09A, K09B
8f608.50	11	L18A, L18B, L19Z, L20A, L20B, L20C, L38Z		11	L09A, L09B, L09C, L09D, L38Z		11	L09A, L09B, L09C, L09D, L38Z
8f608.51	11	L18A, L18B, L19Z, L20A, L20B, L20C, L38Z		13	N11A, N11B		13	N11A, N11B
8f608.52	11	L18A, L18B, L19Z, L20A, L20B, L20C, L38Z		21A	W04A, W04B		21A	W04A, W04B
8f608.60	11	L18A, L18B, L19Z, L20A, L20B, L20C, L38Z		21B	X06A, X06B, X06C		21B	X06A, X06B, X06C
8f608.61	11	L18A, L18B, L19Z, L20A, L20B, L20C, L38Z		01	B03A, B03B, B06A, B06B, B07Z, B17A, B17B, B17C, B17D	8g121.2	01	B03A, B03B, B06A, B06B, B07Z, B17A, B17B, B17C, B17D
8f608.62	11	L18A, L18B, L19Z, L20A, L20B, L20C, L38Z	8g115	03	D13Z		03	D13Z
8f608.70	11	L18A, L18B, L19Z, L20A, L20B, L20C, L38Z		04	E02A, E02B, E02C		04	E02A, E02B, E02C
8f608.71	11	L18A, L18B, L19Z, L20A, L20B, L20C, L38Z		05	F13A, F21A, F21B, F21C		05	F13A, F21A, F21B, F21C
8f608.72	11	L18A, L18B, L19Z, L20A, L20B, L20C, L38Z		06	G10Z, G12A, G12B		06	G10Z, G12A, G12B
8f608.8	11	L18A, L18B, L19Z, L20A, L20B, L20C, L38Z		07	H06A, H06B, H06C		07	H06A, H06B, H06C
8f608.90	11	L18A, L18B, L19Z, L20A, L20B, L20C, L38Z		08	I12A, I12B, I12C, I28A, I28B		08	I12A, I12B, I12C, I28A, I28B
8f608.91	11	L18A, L18B, L19Z, L20A, L20B, L20C, L38Z		09	J03A, J03B, J04A, J04B, J08A, J08B, J08C, J16Z, J21Z, J22A, J22B		09	J03A, J03B, J04A, J04B, J08A, J08B, J08C, J16Z, J21Z, J22A, J22B
8f608.92	11	L18A, L18B, L19Z, L20A, L20B, L20C, L38Z		10	K09A, K09B		10	K09A, K09B
				11	L09A, L09B, L09C, L09D, L38Z		11	L09A, L09B, L09C, L09D, L38Z
				13	N11A, N11B		13	N11A, N11B
				21A	W04A, W04B		21A	W04A, W04B
				21B	X06A, X06B, X06C		21B	X06A, X06B, X06C

VYK

ZZV	MDC	DRG	ZZV	MDC	DRG	ZZV	MDC	DRG
8g121.3	01	B03A, B03B, B06A, B06B, B07Z, B17A, B17B, B17C, B17D	81105†	06	G40Z, G46A, G46B, G46C, G47Z	8m131.4		BOP, KK11, KKI, KKII, KKP, KVT, UOP4
	03	D13Z	8m110		BOP, KK11, KKI, KKII, KKP, KVT, UOP4		01	B02A, B02B, B02C, B15Z, B16Z, B39A, B39B
	04	E02A, E02B, E02C		01	B02A, B02B, B02C, B16Z, B39A, B39B		02	C02A, C02B, C16Z
	05	F13A, F21A, F21B, F21C		02	C02A, C02B, C16Z		03	D18Z, D19Z, D20A, D20B
	06	G10Z, G12A, G12B		03	D18Z, D20A, D20B		04	E08A, E08B, E08C
	07	H06A, H06B, H06C		04	E08A, E08B, E08C		06	G15Z, G27A, G27B, G29A, G29B
	08	I12A, I12B, I12C, I28A, I28B		06	G15Z, G29A, G29B		07	H01A, H01B, H15Z, H16Z
	09	J03A, J03B, J04A, J04B, J08A, J08B, J08C, J16Z, J21Z, J22A, J22B		07	H01A, H01B, H16Z		08	I39Z, I54Z
	10	K09A, K09B		08	I54Z		09	J16Z, J17Z, J18Z
	11	L09A, L09B, L09C, L09D, L38Z		09	J16Z, J18Z		10	K15A, K15B, K15C
	13	N11A, N11B		10	K15A, K15B, K15C		11	L12Z
	21A	W04A, W04B		11	L12Z		12	M10A, M10B, M60A
	21B	X06A, X06B, X06C		12	M10A, M10B, M60A		13	N15Z, N16Z, N60A
	8g121.4	01	B03A, B03B, B06A, B06B, B07Z, B17A, B17B, B17C, B17D	8m131.0	13		N16Z, N60A	17
03		D13Z		17	R05Z, R06Z, R07A, R07B	8m132.00	BOP, KK11, KKI, KKII, KKP, KVT, UOP4	
04		E02A, E02B, E02C		01	B02A, B02B, B02C, B15Z, B16Z, B39A, B39B	01	B02A, B02B, B02C, B15Z, B16Z, B39A, B39B	
05		F13A, F21A, F21B, F21C		02	C02A, C02B, C16Z	02	C02A, C02B, C16Z	
06		G10Z, G12A, G12B		03	D18Z, D19Z, D20A, D20B	03	D18Z, D19Z, D20A, D20B	
07		H06A, H06B, H06C		04	E08A, E08B, E08C	04	E08A, E08B, E08C	
08		I12A, I12B, I12C, I28A, I28B		06	G15Z, G27A, G27B, G29A, G29B	06	G15Z, G27A, G27B, G29A, G29B	
09		J03A, J03B, J04A, J04B, J08A, J08B, J08C, J16Z, J21Z, J22A, J22B		07	H01A, H01B, H15Z, H16Z	07	H01A, H01B, H15Z, H16Z	
10		K09A, K09B		08	I39Z, I54Z	08	I39Z, I54Z	
11		L09A, L09B, L09C, L09D, L38Z		09	J16Z, J17Z, J18Z	09	J16Z, J17Z, J18Z	
13		N11A, N11B		10	K15A, K15B, K15C	10	K15A, K15B, K15C	
21A		W04A, W04B		11	L12Z	11	L12Z	
21B		X06A, X06B, X06C		12	M10A, M10B, M60A	12	M10A, M10B, M60A	
8g121.5		01	B03A, B03B, B06A, B06B, B07Z, B17A, B17B, B17C, B17D	8m131.1	13	N15Z, N16Z, N60A	17	R05Z, R06Z, R07A, R07B
	03	D13Z		17	R05Z, R06Z, R07A, R07B	8m132.01	BOP, KK11, KKI, KKII, KKP, KVT, UOP4	
	04	E02A, E02B, E02C		01	B02A, B02B, B02C, B15Z, B16Z, B39A, B39B	01	B02A, B02B, B02C, B15Z, B16Z, B39A, B39B	
	05	F13A, F21A, F21B, F21C		02	C02A, C02B, C16Z	02	C02A, C02B, C16Z	
	06	G10Z, G12A, G12B		03	D18Z, D19Z, D20A, D20B	03	D18Z, D19Z, D20A, D20B	
	07	H06A, H06B, H06C		04	E08A, E08B, E08C	04	E08A, E08B, E08C	
	08	I12A, I12B, I12C, I28A, I28B		06	G15Z, G27A, G27B, G29A, G29B	06	G15Z, G27A, G27B, G29A, G29B	
	09	J03A, J03B, J04A, J04B, J08A, J08B, J08C, J16Z, J21Z, J22A, J22B		07	H01A, H01B, H15Z, H16Z	07	H01A, H01B, H15Z, H16Z	
	10	K09A, K09B		08	I39Z, I54Z	08	I39Z, I54Z	
	11	L09A, L09B, L09C, L09D, L38Z		09	J16Z, J17Z, J18Z	09	J16Z, J17Z, J18Z	
	13	N11A, N11B		10	K15A, K15B, K15C	10	K15A, K15B, K15C	
	21A	W04A, W04B		11	L12Z	11	L12Z	
	21B	X06A, X06B, X06C		12	M10A, M10B, M60A	12	M10A, M10B, M60A	
	8g210	01	B03A, B03B, B06A, B06B, B07Z, B17A, B17B, B17C	8m131.2	13	N15Z, N16Z, N60A	17	R05Z, R06Z, R07A, R07B
03		D13Z		17	R05Z, R06Z, R07A, R07B	8m132.10	BOP, KK11, KKI, KKII, KKP, KVT, UOP4	
04		E02A, E02B, E02C		01	B02A, B02B, B02C, B15Z, B16Z, B39A, B39B	01	B02A, B02B, B02C, B15Z, B16Z, B39A, B39B	
05		F21A, F21B, F21C		02	C02A, C02B, C16Z	02	C02A, C02B, C16Z	
06		G10Z, G12A, G12B		03	D18Z, D19Z, D20A, D20B	03	D18Z, D19Z, D20A, D20B	
07		H06A, H06B, H06C		04	E08A, E08B, E08C	04	E08A, E08B, E08C	
08		I28A, I28B		06	G15Z, G27A, G27B, G29A, G29B	06	G15Z, G27A, G27B, G29A, G29B	
09		J11A, J11B		07	H01A, H01B, H15Z, H16Z	07	H01A, H01B, H15Z, H16Z	
10		K09A, K09B		08	I39Z, I54Z	08	I39Z, I54Z	
11		L09A, L09B, L09C, L09D, L38Z		09	J16Z, J17Z, J18Z	09	J16Z, J17Z, J18Z	
13		N11A, N11B		10	K15A, K15B, K15C	10	K15A, K15B, K15C	
21A		W04A, W04B		11	L12Z	11	L12Z	
21B		X06A, X06B, X06C		12	M10A, M10B, M60A	12	M10A, M10B, M60A	
				13	N15Z, N16Z, N60A	13	N15Z, N16Z, N60A	
			17	R05Z, R06Z, R07A, R07B	17	R05Z, R06Z, R07A, R07B		

ZZV	MDC	DRG	ZZV	MDC	DRG	ZZV	MDC	DRG			
8m132.11		BOP, KK11, KKI, KKII, KKP, KVT, UOP4	8m133.11		BOP, KK11, KKI, KKII, KKP, KVT, UOP4	8m140.1		BOP, KK11, KKI, KKII, KKP, KVT, UOP4			
	01	B02A, B02B, B02C, B15Z, B16Z, B39A, B39B		01	B02A, B02B, B02C, B15Z, B16Z, B39A, B39B		01	B02A, B02B, B02C, B15Z, B16Z, B39A, B39B			
	02	C02A, C02B, C16Z		02	C02A, C02B, C16Z		02	C02A, C02B, C16Z			
	03	D18Z, D19Z, D20A, D20B		03	D18Z, D19Z, D20A, D20B		03	D18Z, D19Z, D20A, D20B			
	04	E08A, E08B, E08C		04	E08A, E08B, E08C		04	E08A, E08B, E08C			
	06	G15Z, G27A, G27B, G29A, G29B		06	G15Z, G27A, G27B, G29A, G29B		06	G15Z, G27A, G27B, G29A, G29B			
	07	H01A, H01B, H15Z, H16Z		07	H01A, H01B, H15Z, H16Z		07	H01A, H01B, H15Z, H16Z			
	08	I39Z, I54Z		08	I39Z, I54Z		08	I39Z, I54Z			
	09	J16Z, J17Z, J18Z		09	J16Z, J17Z, J18Z		09	J16Z, J17Z, J18Z			
	10	K15A, K15B, K15C		10	K15A, K15B, K15C		10	K15A, K15B, K15C			
	11	L12Z		11	L12Z		11	L12Z			
	12	M10A, M10B, M60A		12	M10A, M10B, M60A		12	M10A, M10B, M60A			
	13	N15Z, N16Z, N60A		13	N15Z, N16Z, N60A		13	N15Z, N16Z, N60A			
	17	R05Z, R06Z, R07A, R07B		17	R05Z, R06Z, R07A, R07B		17	R05Z, R06Z, R07A, R07B			
	8m133.00			BOP, KK11, KKI, KKII, KKP, KVT, UOP4	8m134.0			BOP, KK11, KKI, KKII, KKP, KVT, UOP4	8m140.2	21A	W01A, W01B, W01C, W36Z
		01		B02A, B02B, B02C, B15Z, B16Z, B39A, B39B			01	B02A, B02B, B02C, B15Z, B16Z, B39A, B39B		21B	X06A, X06B, X06C
		02		C02A, C02B, C16Z			02	C02A, C02B, C16Z		01	BOP, KK11, KKI, KKII, KKP, KVT, UOP4
03		D18Z, D19Z, D20A, D20B	03	D18Z, D19Z, D20A, D20B		01	B02A, B02B, B02C, B15Z, B16Z, B39A, B39B				
04		E08A, E08B, E08C	04	E08A, E08B, E08C		02	C02A, C02B, C16Z				
06		G15Z, G27A, G27B, G29A, G29B	06	G15Z, G27A, G27B, G29A, G29B		03	D18Z, D19Z, D20A, D20B				
07		H01A, H01B, H15Z, H16Z	07	H01A, H01B, H15Z, H16Z		04	E08A, E08B, E08C				
08		I39Z, I54Z	08	I39Z, I54Z		06	G15Z, G27A, G27B, G29A, G29B				
09		J16Z, J17Z, J18Z	09	J16Z, J17Z, J18Z		07	H01A, H01B, H15Z, H16Z				
10		K15A, K15B, K15C	10	K15A, K15B, K15C		08	I39Z, I54Z				
11		L12Z	11	L12Z		09	J16Z, J17Z, J18Z				
12		M10A, M10B, M60A	12	M10A, M10B, M60A		10	K15A, K15B, K15C				
13		N15Z, N16Z, N60A	13	N15Z, N16Z, N60A		11	L12Z				
17		R05Z, R06Z, R07A, R07B	17	R05Z, R06Z, R07A, R07B		12	M10A, M10B, M60A				
8m133.01			BOP, KK11, KKI, KKII, KKP, KVT, UOP4	8m134.1			BOP, KK11, KKI, KKII, KKP, KVT, UOP4	8m141.1		13	N15Z, N16Z, N60A
		01	B02A, B02B, B02C, B15Z, B16Z, B39A, B39B			01	B02A, B02B, B02C, B15Z, B16Z, B39A, B39B			17	R05Z, R06Z, R07A, R07B
		02	C02A, C02B, C16Z			02	C02A, C02B, C16Z			21A	W01A, W01B, W01C, W36Z
	03	D18Z, D19Z, D20A, D20B	03		D18Z, D19Z, D20A, D20B	21B	X06A, X06B, X06C				
	04	E08A, E08B, E08C	04		E08A, E08B, E08C	01	BOP, KK11, KKI, KKII, KKP, KVT, UOP4				
	06	G15Z, G27A, G27B, G29A, G29B	06		G15Z, G27A, G27B, G29A, G29B	01	B02A, B02B, B02C, B15Z, B16Z, B39A, B39B				
	07	H01A, H01B, H15Z, H16Z	07		H01A, H01B, H15Z, H16Z	02	C02A, C02B, C16Z				
	08	I39Z, I54Z	08		I39Z, I54Z	03	D18Z, D19Z, D20A, D20B				
	09	J16Z, J17Z, J18Z	09		J16Z, J17Z, J18Z	04	E08A, E08B, E08C				
	10	K15A, K15B, K15C	10		K15A, K15B, K15C	06	G15Z, G27A, G27B, G29A, G29B				
	11	L12Z	11		L12Z	07	H01A, H01B, H15Z, H16Z				
	12	M10A, M10B, M60A	12		M10A, M10B, M60A	08	I39Z, I54Z				
	13	N15Z, N16Z, N60A	13		N15Z, N16Z, N60A	09	J16Z, J17Z, J18Z				
	17	R05Z, R06Z, R07A, R07B	17		R05Z, R06Z, R07A, R07B	10	K15A, K15B, K15C				
	8m133.10		BOP, KK11, KKI, KKII, KKP, KVT, UOP4		8m13x		BOP, KK11, KKI, KKII, KKP, KVT, UOP4			11	L12Z
		01	B02A, B02B, B02C, B15Z, B16Z, B39A, B39B			01	B02A, B02B, B02C, B15Z, B16Z, B39A, B39B			12	M10A, M10B, M60A
		02	C02A, C02B, C16Z			02	C02A, C02B, C16Z			13	N15Z, N16Z, N60A
03		D18Z, D19Z, D20A, D20B	03	D18Z, D19Z, D20A, D20B		17	R05Z, R06Z, R07A, R07B				
04		E08A, E08B, E08C	04	E08A, E08B, E08C		21A	W01A, W01B, W01C, W36Z				
06		G15Z, G27A, G27B, G29A, G29B	06	G15Z, G27A, G27B, G29A, G29B		21B	X06A, X06B, X06C				
07		H01A, H01B, H15Z, H16Z	07	H01A, H01B, H15Z, H16Z							
08		I39Z, I54Z	08	I39Z, I54Z							
09		J16Z, J17Z, J18Z	09	J16Z, J17Z, J18Z							
10		K15A, K15B, K15C	10	K15A, K15B, K15C							
11		L12Z	11	L12Z							
12		M10A, M10B, M60A	12	M10A, M10B, M60A							
13		N15Z, N16Z, N60A	13	N15Z, N16Z, N60A							
17		R05Z, R06Z, R07A, R07B	17	R05Z, R06Z, R07A, R07B							

VYK

ZZV	MDC	DRG	ZZV	MDC	DRG	ZZV	MDC	DRG	
8m141.2		BOP, KK11, KKI, KKII, KKP, KVT, UOP4	8m145.0		BOP, KK11, KKI, KKII, KKP, KVT, UOP4	8m146		BOP, KK11, KKI, KKII, KKP, KVT, UOP4	
	01	B02A, B02B, B02C, B15Z, B16Z, B39A, B39B		01	B02A, B02B, B02C, B15Z, B16Z, B39A, B39B		01	B02A, B02B, B02C, B15Z, B16Z, B39A, B39B	
	02	C02A, C02B, C16Z		02	C02A, C02B, C16Z		02	C02A, C02B, C16Z	
	03	D18Z, D19Z, D20A, D20B		03	D18Z, D19Z, D20A, D20B		03	D18Z, D19Z, D20A, D20B	
	04	E08A, E08B, E08C		04	E08A, E08B, E08C		04	E08A, E08B, E08C	
	06	G15Z, G27A, G27B, G29A, G29B		06	G15Z, G27A, G27B, G29A, G29B		06	G15Z, G27A, G27B, G29A, G29B	
	07	H01A, H01B, H15Z, H16Z		07	H01A, H01B, H15Z, H16Z		07	H01A, H01B, H15Z, H16Z	
	08	I39Z, I54Z		08	I39Z, I54Z		08	I39Z, I54Z	
	09	J16Z, J17Z, J18Z		09	J16Z, J17Z, J18Z		09	J16Z, J17Z, J18Z	
	10	K15A, K15B, K15C		10	K15A, K15B, K15C		10	K15A, K15B, K15C	
	11	L12Z		11	L12Z		11	L12Z	
	12	M10A, M10B, M60A		12	M10A, M10B, M60A		12	M10A, M10B, M60A	
	13	N15Z, N16Z, N60A		13	N15Z, N16Z, N60A		13	N15Z, N16Z, N60A	
	17	R05Z, R06Z, R07A, R07B		17	R05Z, R06Z, R07A, R07B		17	R05Z, R06Z, R07A, R07B	
	21A	W01A, W01B, W01C, W36Z		21A	W01A, W01B, W01C, W36Z		21A	W01A, W01B, W01C, W36Z	
	21B	X06A, X06B, X06C		21B	X06A, X06B, X06C		21B	X06A, X06B, X06C	
	8m143			BOP, KK11, KKI, KKII, KKP, KVT, UOP4	8m145.1			BOP, KK11, KKI, KKII, KKP, KVT, UOP4	8m147
01		B02A, B02B, B02C, B15Z, B16Z, B39A, B39B	01	B02A, B02B, B02C, B15Z, B16Z, B39A, B39B		01	B02A, B02B, B02C, B15Z, B16Z, B39A, B39B		
02		C02A, C02B, C16Z	02	C02A, C02B, C16Z		02	C02A, C02B, C16Z		
03		D18Z, D19Z, D20A, D20B	03	D18Z, D19Z, D20A, D20B		03	D18Z, D19Z, D20A, D20B		
04		E08A, E08B, E08C	04	E08A, E08B, E08C		04	E08A, E08B, E08C		
06		G15Z, G27A, G27B, G29A, G29B	06	G15Z, G27A, G27B, G29A, G29B		06	G15Z, G27A, G27B, G29A, G29B		
07		H01A, H01B, H15Z, H16Z	07	H01A, H01B, H15Z, H16Z		07	H01A, H01B, H15Z, H16Z		
08		I39Z, I54Z	08	I39Z, I54Z		08	I39Z, I54Z		
09		J16Z, J17Z, J18Z	09	J16Z, J17Z, J18Z		09	J16Z, J17Z, J18Z		
10		K15A, K15B, K15C	10	K15A, K15B, K15C		10	K15A, K15B, K15C		
11		L12Z	11	L12Z		11	L12Z		
12		M10A, M10B, M60A	12	M10A, M10B, M60A		12	M10A, M10B, M60A		
13		N15Z, N16Z, N60A	13	N15Z, N16Z, N60A		13	N15Z, N16Z, N60A		
17		R05Z, R06Z, R07A, R07B	17	R05Z, R06Z, R07A, R07B		17	R05Z, R06Z, R07A, R07B		
21A		W01A, W01B, W01C, W36Z	21A	W01A, W01B, W01C, W36Z		8m148		BOP, KK11, KKI, KKII, KKP, KVT, UOP4	
21B		X06A, X06B, X06C	21B	X06A, X06B, X06C			01	B02A, B02B, B02C, B15Z, B16Z, B39A, B39B	
8m144			BOP, KK11, KKI, KKII, KKP, KVT, UOP4	8m145.2			BOP, KK11, KKI, KKII, KKP, KVT, UOP4	02	
	01	B02A, B02B, B02C, B15Z, B16Z, B39A, B39B	01		B02A, B02B, B02C, B15Z, B16Z, B39A, B39B	03	D18Z, D19Z, D20A, D20B		
	02	C02A, C02B, C16Z	02		C02A, C02B, C16Z	04	E08A, E08B, E08C		
	03	D18Z, D19Z, D20A, D20B	03		D18Z, D19Z, D20A, D20B	06	G15Z, G27A, G27B, G29A, G29B		
	04	E08A, E08B, E08C	04		E08A, E08B, E08C	07	H01A, H01B, H15Z, H16Z		
	06	G15Z, G27A, G27B, G29A, G29B	06		G15Z, G27A, G27B, G29A, G29B	08	I39Z, I54Z		
	07	H01A, H01B, H15Z, H16Z	07		H01A, H01B, H15Z, H16Z	09	J16Z, J17Z, J18Z		
	08	I39Z, I54Z	08		I39Z, I54Z	10	K15A, K15B, K15C		
	09	J16Z, J17Z, J18Z	09		J16Z, J17Z, J18Z	11	L12Z		
	10	K15A, K15B, K15C	10		K15A, K15B, K15C	12	M10A, M10B, M60A		
	11	L12Z	11		L12Z	13	N15Z, N16Z, N60A		
	12	M10A, M10B, M60A	12		M10A, M10B, M60A	17	R05Z, R06Z, R07A, R07B		
	13	N15Z, N16Z, N60A	13		N15Z, N16Z, N60A				
	17	R05Z, R06Z, R07A, R07B	17		R05Z, R06Z, R07A, R07B				
	21A	W01A, W01B, W01C, W36Z	21A		W01A, W01B, W01C, W36Z				
	21B	X06A, X06B, X06C	21B		X06A, X06B, X06C				

ZZV	MDC	DRG	ZZV	MDC	DRG	ZZV	MDC	DRG			
8m14x		BOP, KK11, KKI, KKII, KKP, KVT, UOP4	8m150.11		BOP, KK11, KKI, KKII, KKP, KVT, UOP4	8m161.1		BOP, KK11, KKI, KKII, KKP, KVT, UOP4			
	01	B02A, B02B, B02C, B15Z, B16Z, B39A, B39B		01	B02A, B02B, B02C, B15Z, B16Z, B39A, B39B		01	B02A, B02B, B02C, B16Z, B39A, B39B			
	02	C02A, C02B, C16Z		02	C02A, C02B, C16Z		02	C02A, C02B, C16Z			
	03	D18Z, D19Z, D20A, D20B		03	D18Z, D19Z, D20A, D20B		03	D18Z, D20A, D20B			
	04	E08A, E08B, E08C		04	E08A, E08B, E08C		04	E08A, E08B, E08C			
	06	G15Z, G27A, G27B, G29A, G29B		06	G15Z, G27A, G27B, G29A, G29B		06	G15Z, G29A, G29B			
	07	H01A, H01B, H15Z, H16Z		07	H01A, H01B, H15Z, H16Z		07	H01A, H01B, H16Z			
	08	I39Z, I54Z		08	I39Z, I54Z		08	I54Z			
	09	J16Z, J17Z, J18Z		09	J16Z, J17Z, J18Z		09	J16Z, J18Z			
	10	K15A, K15B, K15C		10	K15A, K15B, K15C		10	K15A, K15B, K15C			
	11	L12Z		11	L12Z		11	L12Z			
	12	M10A, M10B, M60A		12	M10A, M10B, M60A		12	M10A, M10B, M60A			
	13	N15Z, N16Z, N60A		13	N15Z, N16Z, N60A		13	N09A, N14Z, N16Z			
	17	R05Z, R06Z, R07A, R07B		17	R05Z, R06Z, R07A, R07B		17	R05Z, R06Z, R07A, R07B			
	8m150.00			BOP, KK11, KKI, KKII, KKP, KVT, UOP4	8m151			BOP, KK11, KKI, KKII, KKP, KVT, UOP4	8m161.2		BOP, KK11, KKI, KKII, KKP, KVT, UOP4
		01		B02A, B02B, B02C, B15Z, B16Z, B39A, B39B			01	B02A, B02B, B02C, B15Z, B16Z, B39A, B39B		01	B02A, B02B, B02C, B16Z, B39A, B39B
		02		C02A, C02B, C16Z			02	C02A, C02B, C16Z		02	C02A, C02B, C16Z
03		D18Z, D19Z, D20A, D20B	03	D18Z, D19Z, D20A, D20B		03	D18Z, D20A, D20B				
04		E08A, E08B, E08C	04	E08A, E08B, E08C		04	E08A, E08B, E08C				
06		G15Z, G27A, G27B, G29A, G29B	06	G15Z, G27A, G27B, G29A, G29B		06	G15Z, G29A, G29B				
07		H01A, H01B, H15Z, H16Z	07	H01A, H01B, H15Z, H16Z		07	H01A, H01B, H16Z				
08		I39Z, I54Z	08	I39Z, I54Z		08	I54Z				
09		J16Z, J17Z, J18Z	09	J16Z, J17Z, J18Z		09	J16Z, J18Z				
10		K15A, K15B, K15C	10	K15A, K15B, K15C		10	K15A, K15B, K15C				
11		L12Z	11	L12Z		11	L12Z				
12		M10A, M10B, M60A	12	M10A, M10B, M60A		12	M10A, M10B, M60A				
13		N15Z, N16Z, N60A	13	N15Z, N16Z, N60A		13	N09A, N14Z, N16Z				
17		R05Z, R06Z, R07A, R07B	17	R05Z, R06Z, R07A, R07B		17	R05Z, R06Z, R07A, R07B				
8m150.01			BOP, KK11, KKI, KKII, KKP, KVT, UOP4	8m152			BOP, KK11, KKI, KKII, KKP, KVT, UOP4	8m161.x			BOP, KK11, KKI, KKII, KKP, KVT, UOP4
		01	B02A, B02B, B02C, B15Z, B16Z, B39A, B39B			01	B02A, B02B, B02C, B15Z, B16Z, B39A, B39B			01	B02A, B02B, B02C, B03A, B03B, B06A, B06B, B07Z, B16Z, B17A, B17B, B17C, B39A, B39B
		02	C02A, C02B, C16Z			02	C02A, C02B, C16Z			02	C02A, C02B, C16Z
	03	D18Z, D19Z, D20A, D20B	03		D18Z, D19Z, D20A, D20B	03	D12A, D18Z, D20A, D20B				
	04	E08A, E08B, E08C	04		E08A, E08B, E08C	04	E03Z, E08A, E08B, E08C				
	06	G15Z, G27A, G27B, G29A, G29B	06		G15Z, G27A, G27B, G29A, G29B	06	G10Z, G12A, G12B, G15Z, G29A, G29B				
	07	H01A, H01B, H15Z, H16Z	07		H01A, H01B, H15Z, H16Z	07	H01A, H01B, H16Z				
	08	I39Z, I54Z	08		I39Z, I54Z	08	I54Z				
	09	J16Z, J17Z, J18Z	09		J16Z, J17Z, J18Z	09	J03A, J03B, J04A, J04B, J08A, J08B, J08C, J11A, J11B, J16Z, J18Z				
	10	K15A, K15B, K15C	10		K15A, K15B, K15C	10	K15A, K15B, K15C				
	11	L12Z	11		L12Z	11	L12Z				
	12	M10A, M10B, M60A	12		M10A, M10B, M60A	12	M10A, M10B, M60A				
	13	N15Z, N16Z, N60A	13		N15Z, N16Z, N60A	13	N09A, N14Z, N16Z				
	17	R05Z, R06Z, R07A, R07B	17		R05Z, R06Z, R07A, R07B	17	R05Z, R06Z, R07A, R07B				
	8m150.10		BOP, KK11, KKI, KKII, KKP, KVT, UOP4		8m161.0		BOP, KK11, KKI, KKII, KKP, KVT, UOP4		8m161.x		BOP, KK11, KKI, KKII, KKP, KVT, UOP4
		01	B02A, B02B, B02C, B15Z, B16Z, B39A, B39B			01	B02A, B02B, B02C, B16Z, B39A, B39B			21A	W04A, W04B
		02	C02A, C02B, C16Z			02	C02A, C02B, C16Z			21B	X04Z, X05A, X05B, X06A, X06B, X06C
03		D18Z, D19Z, D20A, D20B	03	D18Z, D20A, D20B							
04		E08A, E08B, E08C	04	E08A, E08B, E08C							
06		G15Z, G27A, G27B, G29A, G29B	06	G15Z, G29A, G29B							
07		H01A, H01B, H15Z, H16Z	07	H01A, H01B, H16Z							
08		I39Z, I54Z	08	I54Z							
09		J16Z, J17Z, J18Z	09	J16Z, J18Z							
10		K15A, K15B, K15C	10	K15A, K15B, K15C							
11		L12Z	11	L12Z							
12		M10A, M10B, M60A	12	M10A, M10B, M60A							
13		N15Z, N16Z, N60A	13	N09A, N14Z, N16Z							
17		R05Z, R06Z, R07A, R07B	17	R05Z, R06Z, R07A, R07B							



ZZV	MDC	DRG	ZZV	MDC	DRG	ZZV	MDC	DRG		
8m162		BOP, KK11, KKI, KKII, KKP, KVT, UOP4	8m164.1		BOP, KK11, KKI, KKII, KKP, KVT, UOP4	8m165.01		BOP, KK11, KKI, KKII, KKP, KVT, UOP4		
	01	B02A, B02B, B02C, B03A, B03B, B06A, B06B, B07Z, B16Z, B17A, B17B, B17C, B39A, B39B		01	B02A, B02B, B02C, B03A, B03B, B06A, B06B, B07Z, B16Z, B17A, B17B, B17C, B39A, B39B		01	B02A, B02B, B02C, B03A, B03B, B06A, B06B, B07Z, B16Z, B17A, B17B, B17C, B39A, B39B		
	02	C02A, C02B, C16Z		02	C02A, C02B, C16Z		02	C02A, C02B, C16Z		
	03	D12A, D18Z, D20A, D20B		03	D12A, D18Z, D20A, D20B		03	D12A, D18Z, D20A, D20B		
	04	E03Z, E08A, E08B, E08C		04	E03Z, E08A, E08B, E08C		04	E03Z, E08A, E08B, E08C		
	05	F15Z, F24A, F24B, F36A, F36B, F52A, F52B, F56A, F56B		05	F15Z, F24A, F24B, F36A, F36B, F52A, F52B, F56A, F56B		06	G10Z, G12A, G12B, G15Z, G29A, G29B		
	06	G10Z, G12A, G12B, G15Z, G29A, G29B		06	G10Z, G12A, G12B, G15Z, G29A, G29B		07	H01A, H01B, H16Z		
	07	H01A, H01B, H16Z		07	H01A, H01B, H16Z		08	I54Z		
	08	I54Z		08	I54Z		09	J03A, J03B, J04A, J04B, J08A, J08B, J08C, J11A, J11B, J16Z, J18Z		
	09	J03A, J03B, J04A, J04B, J08A, J08B, J08C, J11A, J11B, J16Z, J18Z		09	J03A, J03B, J04A, J04B, J08A, J08B, J08C, J11A, J11B, J16Z, J18Z		10	K15A, K15B, K15C		
	10	K15A, K15B, K15C		10	K15A, K15B, K15C		11	L12Z		
	11	L12Z		11	L12Z		12	M10A, M10B, M60A		
	12	M10A, M10B, M60A		12	M10A, M10B, M60A		13	N09A, N14Z, N16Z		
	13	N09A, N14Z, N16Z		13	N09A, N14Z, N16Z		17	R05Z, R06Z, R07A, R07B		
	17	R05Z, R06Z, R07A, R07B		17	R05Z, R06Z, R07A, R07B		21A	W04A, W04B		
	21A	W04A, W04B		21A	W04A, W04B		8m165.02		BOP, KK11, KKI, KKII, KKP, KVT, UOP4	
	21B	X04Z, X05A, X05B, X06A, X06B, X06C		21B	X04Z, X05A, X05B, X06A, X06B, X06C			01	B02A, B02B, B02C, B03A, B03B, B06A, B06B, B07Z, B16Z, B17A, B17B, B17C, B39A, B39B	
	8m163.0			BOP, KK11, KKI, KKII, KKP, KVT, UOP4	8m164.2			BOP, KK11, KKI, KKII, KKP, KVT, UOP4	02	C02A, C02B, C16Z
		01		B02A, B02B, B02C, B16Z, B39A, B39B			01	B02A, B02B, B02C, B03A, B03B, B06A, B06B, B07Z, B16Z, B17A, B17B, B17C, B39A, B39B	03	D12A, D18Z, D20A, D20B
		02		C02A, C02B, C16Z			02	C02A, C02B, C16Z	04	E03Z, E08A, E08B, E08C
		03		D18Z, D20A, D20B			03	D12A, D18Z, D20A, D20B	06	G10Z, G12A, G12B, G15Z, G29A, G29B
04		E08A, E08B, E08C	04	E03Z, E08A, E08B, E08C		07	H01A, H01B, H16Z			
06		G15Z, G29A, G29B	05	F15Z, F24A, F24B, F36A, F36B, F52A, F52B, F56A, F56B		08	I54Z			
07		H01A, H01B, H16Z	06	G10Z, G12A, G12B, G15Z, G29A, G29B		09	J03A, J03B, J04A, J04B, J08A, J08B, J08C, J11A, J11B, J16Z, J18Z			
08		I54Z	07	H01A, H01B, H16Z		10	K15A, K15B, K15C			
09		J16Z, J18Z	08	I54Z		11	L12Z			
10		K15A, K15B, K15C	09	J03A, J03B, J04A, J04B, J08A, J08B, J08C, J11A, J11B, J16Z, J18Z		12	M10A, M10B, M60A			
11		L12Z	10	K15A, K15B, K15C		13	N09A, N14Z, N16Z			
12		M10A, M10B, M60A	11	L12Z		17	R05Z, R06Z, R07A, R07B			
13		N09A, N14Z, N16Z	12	M10A, M10B, M60A		21A	W04A, W04B			
17		R05Z, R06Z, R07A, R07B	13	N09A, N14Z, N16Z		21B	X04Z, X05A, X05B, X06A, X06B, X06C			
8m163.1			BOP, KK11, KKI, KKII, KKP, KVT, UOP4							
		01	B02A, B02B, B02C, B16Z, B39A, B39B	10		K15A, K15B, K15C				
		02	C02A, C02B, C16Z	11		L12Z				
	03	D18Z, D20A, D20B	12	M10A, M10B, M60A						
	04	E08A, E08B, E08C	13	N09A, N14Z, N16Z						
	06	G15Z, G29A, G29B	17	R05Z, R06Z, R07A, R07B						
	07	H01A, H01B, H16Z	21A	W04A, W04B						
	08	I54Z	21B	X04Z, X05A, X05B, X06A, X06B, X06C						
	09	J16Z, J18Z								
	10	K15A, K15B, K15C								
	11	L12Z								
	12	M10A, M10B, M60A								
	13	N09A, N14Z, N16Z								
	17	R05Z, R06Z, R07A, R07B								

ZZV	MDC	DRG	ZZV	MDC	DRG	ZZV	MDC	DRG			
8m165.03		BOP, KK11, KKI, KKII, KKP, KVT, UOP4	8m165.11		BOP, KK11, KKI, KKII, KKP, KVT, UOP4	8m165.13		BOP, KK11, KKI, KKII, KKP, KVT, UOP4			
	01	B02A, B02B, B02C, B03A, B03B, B06A, B06B, B07Z, B16Z, B17A, B17B, B17C, B39A, B39B		01	B02A, B02B, B02C, B03A, B03B, B06A, B06B, B07Z, B16Z, B17A, B17B, B17C, B39A, B39B		01	B02A, B02B, B02C, B03A, B03B, B06A, B06B, B07Z, B16Z, B17A, B17B, B17C, B39A, B39B			
	02	C02A, C02B, C16Z		02	C02A, C02B, C16Z		02	C02A, C02B, C16Z			
	03	D12A, D18Z, D20A, D20B		03	D12A, D18Z, D20A, D20B		03	D12A, D18Z, D20A, D20B			
	04	E03Z, E08A, E08B, E08C		04	E03Z, E08A, E08B, E08C		04	E03Z, E08A, E08B, E08C			
	06	G10Z, G12A, G12B, G15Z, G29A, G29B		06	G10Z, G12A, G12B, G15Z, G29A, G29B		06	G10Z, G12A, G12B, G15Z, G29A, G29B			
	07	H01A, H01B, H16Z		07	H01A, H01B, H16Z		07	H01A, H01B, H16Z			
	08	I54Z		08	I54Z		08	I54Z			
	09	J03A, J03B, J04A, J04B, J08A, J08B, J08C, J11A, J11B, J16Z, J18Z		09	J03A, J03B, J04A, J04B, J08A, J08B, J08C, J11A, J11B, J16Z, J18Z		09	J03A, J03B, J04A, J04B, J08A, J08B, J08C, J11A, J11B, J16Z, J18Z			
	10	K15A, K15B, K15C		10	K15A, K15B, K15C		10	K15A, K15B, K15C			
	11	L12Z		11	L12Z		11	L12Z			
	12	M10A, M10B, M60A		12	M10A, M10B, M60A		12	M10A, M10B, M60A			
	13	N09A, N14Z, N16Z		13	N09A, N14Z, N16Z		13	N09A, N14Z, N16Z			
	17	R05Z, R06Z, R07A, R07B		17	R05Z, R06Z, R07A, R07B		17	R05Z, R06Z, R07A, R07B			
	21A	W04A, W04B		21A	W04A, W04B		21A	W04A, W04B			
	21B	X04Z, X05A, X05B, X06A, X06B, X06C		21B	X04Z, X05A, X05B, X06A, X06B, X06C		21B	X04Z, X05A, X05B, X06A, X06B, X06C			
	8m165.0x			BOP, KK11, KKI, KKII, KKP, KVT, UOP4	8m165.12			BOP, KK11, KKI, KKII, KKP, KVT, UOP4	8m165.1x		BOP, KK11, KKI, KKII, KKP, KVT, UOP4
		01		B02A, B02B, B02C, B03A, B03B, B06A, B06B, B07Z, B16Z, B17A, B17B, B17C, B39A, B39B			01	B02A, B02B, B02C, B03A, B03B, B06A, B06B, B07Z, B16Z, B17A, B17B, B17C, B39A, B39B		01	B02A, B02B, B02C, B03A, B03B, B06A, B06B, B07Z, B16Z, B17A, B17B, B17C, B39A, B39B
		02		C02A, C02B, C16Z			02	C02A, C02B, C16Z		02	C02A, C02B, C16Z
		03		D12A, D18Z, D20A, D20B			03	D12A, D18Z, D20A, D20B		03	D12A, D18Z, D20A, D20B
04		E03Z, E08A, E08B, E08C	04	E03Z, E08A, E08B, E08C		04	E03Z, E08A, E08B, E08C				
06		G10Z, G12A, G12B, G15Z, G29A, G29B	06	G10Z, G12A, G12B, G15Z, G29A, G29B		06	G10Z, G12A, G12B, G15Z, G29A, G29B				
07		H01A, H01B, H16Z	07	H01A, H01B, H16Z		07	H01A, H01B, H16Z				
08		I54Z	08	I54Z		08	I54Z				
09		J03A, J03B, J04A, J04B, J08A, J08B, J08C, J11A, J11B, J16Z, J18Z	09	J03A, J03B, J04A, J04B, J08A, J08B, J08C, J11A, J11B, J16Z, J18Z		09	J03A, J03B, J04A, J04B, J08A, J08B, J08C, J11A, J11B, J16Z, J18Z				
10		K15A, K15B, K15C	10	K15A, K15B, K15C		10	K15A, K15B, K15C				
11		L12Z	11	L12Z		11	L12Z				
12		M10A, M10B, M60A	12	M10A, M10B, M60A		12	M10A, M10B, M60A				
13		N09A, N14Z, N16Z	13	N09A, N14Z, N16Z		13	N09A, N14Z, N16Z				
17		R05Z, R06Z, R07A, R07B	17	R05Z, R06Z, R07A, R07B		17	R05Z, R06Z, R07A, R07B				
21A		W04A, W04B	21A	W04A, W04B		21A	W04A, W04B				
21B		X04Z, X05A, X05B, X06A, X06B, X06C	21B	X04Z, X05A, X05B, X06A, X06B, X06C		21B	X04Z, X05A, X05B, X06A, X06B, X06C				

VYK

ZZV	MDC	DRG	ZZV	MDC	DRG	ZZV	MDC	DRG			
8m171.2		BOP, KK11, KKI, KKII, KKP, KVT, UOP4	8m172.0		BOP, KK11, KKI, KKII, KKP, KVT, UOP4	8m172.21		BOP, KK11, KKI, KKII, KKP, KVT, UOP4			
	01	B02A, B02B, B02C, B16Z, B39A, B39B		01	B02A, B02B, B02C, B16Z, B39A, B39B		01	B02A, B02B, B02C, B16Z, B39A, B39B			
	02	C02A, C02B, C16Z		02	C02A, C02B, C16Z		02	C02A, C02B, C16Z			
	03	D18Z, D20A, D20B		03	D18Z, D20A, D20B		03	D18Z, D20A, D20B			
	04	E08A, E08B, E08C		04	E08A, E08B, E08C		04	E08A, E08B, E08C			
	06	G15Z, G29A, G29B		06	G15Z, G29A, G29B		06	G15Z, G29A, G29B			
	07	H01A, H01B, H16Z		07	H01A, H01B, H16Z		07	H01A, H01B, H16Z			
	08	I54Z		08	I54Z		08	I54Z			
	09	J16Z, J18Z		09	J16Z, J18Z		09	J16Z, J18Z			
	10	K15A, K15B, K15C		10	K15A, K15B, K15C		10	K15A, K15B, K15C			
	11	L12Z		11	L12Z		11	L12Z			
	12	M10A, M10B, M60A		12	M10A, M10B, M60A		12	M10A, M10B, M60A			
	13	N16Z, N60A		13	N16Z, N60A		13	N16Z, N60A			
	17	R05Z, R06Z, R07A, R07B		17	R05Z, R06Z, R07A, R07B		17	R05Z, R06Z, R07A, R07B			
	8m171.3			BOP, KK11, KKI, KKII, KKP, KVT, UOP4	8m172.10			BOP, KK11, KKI, KKII, KKP, KVT, UOP4	8m172.3		BOP, KK11, KKI, KKII, KKP, KVT, UOP4
		01		B02A, B02B, B02C, B16Z, B39A, B39B			01	B02A, B02B, B02C, B16Z, B39A, B39B		01	B02A, B02B, B02C, B16Z, B39A, B39B
		02		C02A, C02B, C16Z			02	C02A, C02B, C16Z		02	C02A, C02B, C16Z
03		D18Z, D20A, D20B	03	D18Z, D20A, D20B		03	D18Z, D20A, D20B				
04		E08A, E08B, E08C	04	E08A, E08B, E08C		04	E08A, E08B, E08C				
06		G15Z, G29A, G29B	06	G15Z, G29A, G29B		06	G15Z, G29A, G29B				
07		H01A, H01B, H16Z	07	H01A, H01B, H16Z		07	H01A, H01B, H16Z				
08		I54Z	08	I54Z		08	I54Z				
09		J16Z, J18Z	09	J16Z, J18Z		09	J16Z, J18Z				
10		K15A, K15B, K15C	10	K15A, K15B, K15C		10	K15A, K15B, K15C				
11		L12Z	11	L12Z		11	L12Z				
12		M10A, M10B, M60A	12	M10A, M10B, M60A		12	M10A, M10B, M60A				
13		N16Z, N60A	13	N16Z, N60A		13	N16Z, N60A				
17		R05Z, R06Z, R07A, R07B	17	R05Z, R06Z, R07A, R07B		17	R05Z, R06Z, R07A, R07B				
8m171.4			BOP, KK11, KKI, KKII, KKP, KVT, UOP4	8m172.11			BOP, KK11, KKI, KKII, KKP, KVT, UOP4	8m180.0			BOP, KK11, KKI, KKII, KVT, UOP4
		01	B02A, B02B, B02C, B16Z, B39A, B39B			01	B02A, B02B, B02C, B16Z, B39A, B39B			01	B02A, B02B, B02C, B16Z, B39A, B39B
		02	C02A, C02B, C16Z			02	C02A, C02B, C16Z			02	C02A, C02B, C16Z
	03	D18Z, D20A, D20B	03		D18Z, D20A, D20B	03	D18Z, D20A, D20B				
	04	E08A, E08B, E08C	04		E08A, E08B, E08C	04	E08A, E08B, E08C				
	06	G15Z, G29A, G29B	06		G15Z, G29A, G29B	06	G15Z, G29A, G29B				
	07	H01A, H01B, H16Z	07		H01A, H01B, H16Z	07	H01A, H01B, H16Z				
	08	I54Z	08		I54Z	08	I54Z				
	09	J16Z, J18Z	09		J16Z, J18Z	09	J16Z, J18Z				
	10	K15A, K15B, K15C	10		K15A, K15B, K15C	10	K15A, K15B, K15C				
	11	L12Z	11		L12Z	11	L12Z				
	12	M10A, M10B, M60A	12		M10A, M10B, M60A	12	M10A, M10B, M60A				
	13	N16Z, N60A	13		N16Z, N60A	13	N16Z, N60A				
	17	R05Z, R06Z, R07A, R07B	17		R05Z, R06Z, R07A, R07B	17	R05Z, R06Z, R07A, R07B				
	8m171.x		BOP, KK11, KKI, KKII, KKP, KVT, UOP4		8m172.20		BOP, KK11, KKI, KKII, KKP, KVT, UOP4		8m180.1		BOP, KK11, KKI, KKII, KVT, UOP4
		01	B02A, B02B, B02C, B16Z, B39A, B39B			01	B02A, B02B, B02C, B16Z, B39A, B39B			01	B02A, B02B, B02C, B16Z, B39A, B39B
		02	C02A, C02B, C16Z			02	C02A, C02B, C16Z			02	C02A, C02B, C16Z
03		D18Z, D20A, D20B	03	D18Z, D20A, D20B		03	D18Z, D20A, D20B				
04		E08A, E08B, E08C	04	E08A, E08B, E08C		04	E08A, E08B, E08C				
06		G15Z, G29A, G29B	06	G15Z, G29A, G29B		06	G15Z, G29A, G29B				
07		H01A, H01B, H16Z	07	H01A, H01B, H16Z		07	H01A, H01B, H16Z				
08		I54Z	08	I54Z		08	I54Z				
09		J16Z, J18Z	09	J16Z, J18Z		09	J16Z, J18Z				
10		K15A, K15B, K15C	10	K15A, K15B, K15C		10	K15A, K15B, K15C				
11		L12Z	11	L12Z		11	L12Z				
12		M10A, M10B, M60A	12	M10A, M10B, M60A		12	M10A, M10B, M60A				
13		N16Z, N60A	13	N16Z, N60A		13	N16Z, N60A				
17		R05Z, R06Z, R07A, R07B	17	R05Z, R06Z, R07A, R07B		17	R05Z, R06Z, R07A, R07B				

ZZV	MDC	DRG	ZZV	MDC	DRG	ZZV	MDC	DRG			
8m180.x		BOP, KK11, KKI, KKII, KVT, UOP4	8m183.1		BOP, KK11, KKI, KKII, KVT, UOP4	8m183.5		BOP, KK11, KKI, KKII, KVT, UOP4			
	01	B02A, B02B, B02C, B16Z, B39A, B39B		01	B02A, B02B, B02C, B16Z, B39A, B39B		01	B02A, B02B, B02C, B16Z, B39A, B39B			
	02	C02A, C02B, C16Z		02	C02A, C02B, C16Z		02	C02A, C02B, C16Z			
	03	D18Z, D20A, D20B		03	D18Z, D20A, D20B		03	D18Z, D20A, D20B			
	04	E08A, E08B, E08C		04	E08A, E08B, E08C		04	E08A, E08B, E08C			
	06	G15Z, G29A, G29B		06	G15Z, G29A, G29B		06	G15Z, G29A, G29B			
	07	H01A, H01B, H16Z		07	H01A, H01B, H16Z		07	H01A, H01B, H16Z			
	08	I54Z		08	I54Z		08	I54Z			
	09	J16Z, J18Z		09	J16Z, J18Z		09	J16Z, J18Z			
	10	K15A, K15B, K15C		10	K15A, K15B, K15C		10	K15A, K15B, K15C			
	11	L12Z		11	L12Z		11	L12Z			
	12	M10A, M10B, M60A		12	M10A, M10B, M60A		12	M10A, M10B, M60A			
	13	N16Z, N60A		13	N16Z, N60A		13	N16Z, N60A			
	17	R05Z, R06Z, R07A, R07B		17	R05Z, R06Z, R07A, R07B		17	R05Z, R06Z, R07A, R07B			
	8m181.0			BOP, KK11, KKI, KKII, KVT, UOP4	8m183.2			BOP, KK11, KKI, KKII, KVT, UOP4	8m183.7		BOP, KK11, KKI, KKII, KVT, UOP4
		01		B02A, B02B, B02C, B16Z, B39A, B39B			01	B02A, B02B, B02C, B16Z, B39A, B39B		01	B02A, B02B, B02C, B16Z, B39A, B39B
		02		C02A, C02B, C16Z			02	C02A, C02B, C16Z		02	C02A, C02B, C16Z
03		D18Z, D20A, D20B	03	D18Z, D20A, D20B		03	D18Z, D20A, D20B				
04		E08A, E08B, E08C	04	E08A, E08B, E08C		04	E08A, E08B, E08C				
06		G15Z, G29A, G29B	06	G15Z, G29A, G29B		06	G15Z, G29A, G29B				
07		H01A, H01B, H16Z	07	H01A, H01B, H16Z		07	H01A, H01B, H16Z				
08		I54Z	08	I54Z		08	I54Z				
09		J16Z, J18Z	09	J16Z, J18Z		09	J16Z, J18Z				
10		K15A, K15B, K15C	10	K15A, K15B, K15C		10	K15A, K15B, K15C				
11		L12Z	11	L12Z		11	L12Z				
12		M10A, M10B, M60A	12	M10A, M10B, M60A		12	M10A, M10B, M60A				
13		N16Z, N60A	13	N16Z, N60A		13	N16Z, N60A				
17		R05Z, R06Z, R07A, R07B	17	R05Z, R06Z, R07A, R07B		17	R05Z, R06Z, R07A, R07B				
8m181.1			BOP, KK11, KKI, KKII, KVT, UOP4	8m183.3			BOP, KK11, KKI, KKII, KVT, UOP4	8m183.x			BOP, KK11, KKI, KKII, KVT, UOP4
		01	B02A, B02B, B02C, B16Z, B39A, B39B			01	B02A, B02B, B02C, B16Z, B39A, B39B			01	B02A, B02B, B02C, B16Z, B39A, B39B
		02	C02A, C02B, C16Z			02	C02A, C02B, C16Z			02	C02A, C02B, C16Z
	03	D18Z, D20A, D20B	03		D18Z, D20A, D20B	03	D18Z, D20A, D20B				
	04	E08A, E08B, E08C	04		E08A, E08B, E08C	04	E08A, E08B, E08C				
	06	G15Z, G29A, G29B	06		G15Z, G29A, G29B	06	G15Z, G29A, G29B				
	07	H01A, H01B, H16Z	07		H01A, H01B, H16Z	07	H01A, H01B, H16Z				
	08	I54Z	08		I54Z	08	I54Z				
	09	J16Z, J18Z	09		J16Z, J18Z	09	J16Z, J18Z				
	10	K15A, K15B, K15C	10		K15A, K15B, K15C	10	K15A, K15B, K15C				
	11	L12Z	11		L12Z	11	L12Z				
	12	M10A, M10B, M60A	12		M10A, M10B, M60A	12	M10A, M10B, M60A				
	13	N16Z, N60A	13		N16Z, N60A	13	N16Z, N60A				
	17	R05Z, R06Z, R07A, R07B	17		R05Z, R06Z, R07A, R07B	17	R05Z, R06Z, R07A, R07B				
	8m181.x		BOP, KK11, KKI, KKII, KVT, UOP4		8m183.4		BOP, KK11, KKI, KKII, KVT, UOP4		8m301.0‡		KK11, KKI, KKII, KKP
		01	B02A, B02B, B02C, B16Z, B39A, B39B			01	B02A, B02B, B02C, B16Z, B39A, B39B			17	R60F, R63D, R63I
		02	C02A, C02B, C16Z			02	C02A, C02B, C16Z			Pre	A42A
03		D18Z, D20A, D20B	03	D18Z, D20A, D20B		8m301.1‡	KK11, KKI, KKII, KKP				
04		E08A, E08B, E08C	04	E08A, E08B, E08C		17	R60F, R63D, R63I				
06		G15Z, G29A, G29B	06	G15Z, G29A, G29B		Pre	A42A				
07		H01A, H01B, H16Z	07	H01A, H01B, H16Z		8m301.2‡↔	KK11, KKI, KKII, KKP				
08		I54Z	08	I54Z		17	R60F, R63D, R63I				
09		J16Z, J18Z	09	J16Z, J18Z		Pre	A42A				
10		K15A, K15B, K15C	10	K15A, K15B, K15C		8m301.3‡	KK11, KKI, KKII, KKP				
11		L12Z	11	L12Z		17	R60F, R63D, R63I				
12		M10A, M10B, M60A	12	M10A, M10B, M60A		Pre	A42A				
13		N16Z, N60A	13	N16Z, N60A		8m301.4‡	KK11, KKI, KKII, KKP				
17		R05Z, R06Z, R07A, R07B	17	R05Z, R06Z, R07A, R07B		17	R60F, R63D, R63I				
						Pre	A42A				
						8m301.5‡↔	KK11, KKI, KKII, KKP				
						17	R60F, R63D, R63I				
				Pre	A42A						
				8m301.6‡	KK11, KKI, KKII, KKP						
				17	R60F, R63D, R63I						
				Pre	A42A						

ZZV	MDC	DRG	ZZV	MDC	DRG	ZZV	MDC	DRG
8m303.84‡		KKP 17 R60C, R60D, R60E, R60F, R63D, R63E, R63H	8m400.0		BOP, KK11, KKI, KKII, KKP, KVT, UOP4	8m402.0		BOP, KK11, KKI, KKII, KKP, KVT, UOP4
	Pre	A42A		01	B02A, B02B, B02C, B16Z, B39A, B39B		01	B02A, B02B, B02C, B16Z, B39A, B39B
8m303.85‡		KKP 17 R60C, R60D, R60E, R60F, R63D, R63E, R63H		02	C02A, C02B, C16Z		02	C02A, C02B, C16Z
	Pre	A42A		03	D18Z, D20A, D20B		03	D18Z, D20A, D20B
8m303.86‡		KKP 17 R60C, R60D, R60E, R60F, R63D, R63E, R63H		04	E03Z, E08A, E08B, E08C		04	E03Z, E08A, E08B, E08C
	Pre	A42A		06	G15Z, G29A, G29B		06	G15Z, G29A, G29B
8m303.87‡		KKP 17 R60C, R60D, R60E, R60F, R63D, R63E, R63H		07	H01A, H01B, H16Z		07	H01A, H01B, H16Z
	Pre	A42A		08	I54Z		08	I54Z
8m303.92‡		KKP 17 R60C, R60D, R60E, R60F, R63D, R63E, R63H	8m400.1		J16Z, J18Z	8m402.1		J16Z, J18Z
	Pre	A42A		10	K15A, K15B, K15C, K15D		10	K15A, K15B, K15C
8m303.93‡		KKP 17 R60C, R60D, R60E, R60F, R63D, R63E, R63H		11	L12Z		11	L12Z
	Pre	A42A		12	M10A, M10B, M60A		12	M10A, M10B, M60A
8m303.94‡		KKP 17 R60C, R60D, R60E, R60F, R63D, R63E, R63H		13	N16Z, N60A		13	N16Z, N60A
	Pre	A42A		17	R14Z		17	R14Z
8m303.95‡		KKP 17 R60C, R60D, R60E, R60F, R63D, R63E, R63H	8m400.1		BOP, KK11, KKI, KKII, KKP, KVT, UOP4	8m402.1		BOP, KK11, KKI, KKII, KKP, KVT, UOP4
	Pre	A42A		01	B02A, B02B, B02C, B16Z, B39A, B39B		01	B02A, B02B, B02C, B16Z, B39A, B39B
8m303.96‡		KKP 17 R60C, R60D, R60E, R60F, R63D, R63E, R63H		02	C02A, C02B, C16Z		02	C02A, C02B, C16Z
	Pre	A42A		03	D18Z, D20A, D20B		03	D18Z, D20A, D20B
8m303.97‡		KKP 17 R60C, R60D, R60E, R60F, R63D, R63E, R63H		04	E03Z, E08A, E08B, E08C		04	E03Z, E08A, E08B, E08C
	Pre	A42A		06	G15Z, G29A, G29B		06	G15Z, G29A, G29B
8m304.1‡		KKP 08 I65A 12 M60B 17 R16Z, R60A, R60B, R60C, R60D, R60E, R61A, R63A, R63B, R63C, R63E, R63G	8m401.0		BOP, KK11, KKI, KKII, KKP, KVT, UOP4	8m403		BOP, KK11, KKI, KKII, KKP, KVT, UOP4
	Pre	A42A		01	B02A, B02B, B02C, B16Z, B39A, B39B		01	B02A, B02B, B02C, B16Z, B39A, B39B
8m304.2‡		KKP 08 I65A 12 M60B 17 R16Z, R60A, R61A, R63A		02	C02A, C02B, C16Z		02	C02A, C02B, C16Z
	Pre	A42A		03	D18Z, D20A, D20B		03	D18Z, D20A, D20B
8m305.0‡		KK11, KKII, KKP 17 R60F, R63D, R63I		04	E03Z, E08A, E08B, E08C		04	E03Z, E08A, E08B, E08C
	Pre	A42A		06	G15Z, G29A, G29B		06	G15Z, G29A, G29B
8m305.1‡		KK11, KKII, KKP 17 R60F, R63D, R63I		07	H01A, H01B, H16Z		07	H01A, H01B, H16Z
	Pre	A42A		08	I54Z		08	I54Z
8m305.x‡		KK11, KKII, KKP 17 R60F, R63D, R63I		09	J16Z, J18Z		09	J16Z, J18Z
	Pre	A42A		10	K15A, K15B, K15C		10	K15A, K15B, K15C
8m311.0‡		KK11, KKI, KKII, KKP 17 R60F, R63D, R63I	8m401.1		BOP, KK11, KKI, KKII, KKP, KVT, UOP4	8m411		BOP, KK11, KKI, KKII, KVT, UOP4
	Pre	A42A		01	B02A, B02B, B02C, B16Z, B39A, B39B		01	B02A, B02B, B02C, B16Z, B39A, B39B
8m311.1‡		KK11, KKII, KKP 17 R60F, R63D, R63I		02	C02A, C02B, C16Z		02	C02A, C02B, C16Z
	Pre	A42A		03	D18Z, D20A, D20B		03	D18Z, D20A, D20B
				04	E03Z, E08A, E08B, E08C		04	E03Z, E08A, E08B, E08C
				06	G15Z, G29A, G29B		06	G15Z, G29A, G29B
				07	H01A, H01B, H16Z		07	H01A, H01B, H16Z
				08	I54Z		08	I54Z
				09	J16Z, J18Z		09	J16Z, J18Z
				10	K15A, K15B, K15C		10	K15A, K15B, K15C
				11	L12Z		11	L12Z
				12	M10A, M10B, M60A		12	M10A, M10B, M60A
				13	N16Z, N60A		13	N16Z, N60A
				17	R14Z		17	R14Z

VYK

ZZV	MDC	DRG	ZZV	MDC	DRG	ZZV	MDC	DRG			
8m412		BOP, KK11, KKI, KKII, KKP, KVT, UOP4	8m416.01		BOP, KK11, KKI, KKII, KKP, KVT, UOP4	8m416.3		BOP, KK11, KKI, KKII, KKP, KVT, UOP4			
	01	B02A, B02B, B02C, B16Z, B39A, B39B		01	B02A, B02B, B02C, B16Z, B39A, B39B		01	B02A, B02B, B02C, B16Z, B39A, B39B			
	02	C02A, C02B, C16Z		02	C02A, C02B, C16Z		02	C02A, C02B, C16Z			
	03	D18Z, D20A, D20B		03	D18Z, D20A, D20B		03	D18Z, D20A, D20B			
	04	E03Z, E08A, E08B, E08C		04	E03Z, E08A, E08B, E08C		04	E03Z, E08A, E08B, E08C			
	06	G15Z, G29A, G29B		06	G15Z, G29A, G29B		06	G15Z, G29A, G29B			
	07	H01A, H01B, H16Z		07	H01A, H01B, H16Z		07	H01A, H01B, H16Z			
	08	I54Z		08	I54Z		08	I54Z			
	09	J16Z, J18Z		09	J16Z, J18Z		09	J16Z, J18Z			
	10	K15A, K15B, K15C		10	K15A, K15B, K15C		10	K15A, K15B, K15C			
	11	L12Z		11	L12Z		11	L12Z			
	12	M10A, M10B, M60A		12	M10A, M10B, M60A		12	M10A, M10B, M60A			
	13	N16Z, N60A		13	N16Z, N60A		13	N16Z, N60A			
	17	R14Z		17	R14Z		17	R14Z			
	8m414.1			BOP, KK11, KKI, KKII, KKP, KVT, UOP4	8m416.02			BOP, KK11, KKI, KKII, KKP, KVT, UOP4	8m416.x		BOP, KK11, KKI, KKII, KKP, KVT, UOP4
		01		B02A, B02B, B02C, B16Z, B39A, B39B			01	B02A, B02B, B02C, B16Z, B39A, B39B		01	B02A, B02B, B02C, B16Z, B39A, B39B
		02		C02A, C02B, C16Z			02	C02A, C02B, C16Z		02	C02A, C02B, C16Z
03		D18Z, D20A, D20B	03	D18Z, D20A, D20B		03	D18Z, D20A, D20B				
04		E03Z, E08A, E08B, E08C	04	E03Z, E08A, E08B, E08C		04	E03Z, E08A, E08B, E08C				
06		G15Z, G29A, G29B	06	G15Z, G29A, G29B		06	G15Z, G29A, G29B				
07		H01A, H01B, H16Z	07	H01A, H01B, H16Z		07	H01A, H01B, H16Z				
08		I54Z	08	I54Z		08	I54Z				
09		J16Z, J18Z	09	J16Z, J18Z		09	J16Z, J18Z				
10		K15A, K15B, K15C	10	K15A, K15B, K15C		10	K15A, K15B, K15C				
11		L12Z	11	L12Z		11	L12Z				
12		M10A, M10B, M60A	12	M10A, M10B, M60A		12	M10A, M10B, M60A				
13		N16Z, N60A	13	N16Z, N60A		13	N16Z, N60A				
17		R14Z	17	R14Z		17	R14Z				
8m414.2			BOP, KK11, KKI, KKII, KKP, KVT, UOP4	8m416.1			BOP, KK11, KKI, KKII, KKP, KVT, UOP4	8m417			BOP, KK11, KKI, KKII, KKP, KVT, UOP4
		01	B02A, B02B, B02C, B16Z, B39A, B39B			01	B02A, B02B, B02C, B16Z, B39A, B39B			01	B02A, B02B, B02C, B16Z, B39A, B39B
		02	C02A, C02B, C16Z			02	C02A, C02B, C16Z			02	C02A, C02B, C16Z
	03	D18Z, D20A, D20B	03		D18Z, D20A, D20B	03	D18Z, D20A, D20B				
	04	E03Z, E08A, E08B, E08C	04		E03Z, E08A, E08B, E08C	04	E03Z, E08A, E08B, E08C				
	06	G15Z, G29A, G29B	06		G15Z, G29A, G29B	06	G15Z, G29A, G29B				
	07	H01A, H01B, H16Z	07		H01A, H01B, H16Z	07	H01A, H01B, H16Z				
	08	I54Z	08		I54Z	08	I54Z				
	09	J16Z, J18Z	09		J16Z, J18Z	09	J16Z, J18Z				
	10	K15A, K15B, K15C	10		K15A, K15B, K15C	10	K15A, K15B, K15C				
	11	L12Z	11		L12Z	11	L12Z				
	12	M10A, M10B, M60A	12		M10A, M10B, M60A	12	M10A, M10B, M60A				
	13	N16Z, N60A	13		N16Z, N60A	13	N16Z, N60A				
	17	R14Z	17		R14Z	17	R14Z				
	8m415		BOP, KK11, KKI, KKII, KKP, KVT, UOP4		8m416.2		BOP, KK11, KKI, KKII, KKP, KVT, UOP4		8m418.0		BOP, KK11, KKI, KKII, KKP, KVT, UOP4
		01	B02A, B02B, B02C, B16Z, B39A, B39B			01	B02A, B02B, B02C, B16Z, B39A, B39B			01	B02A, B02B, B02C, B16Z, B39A, B39B
		02	C02A, C02B, C16Z			02	C02A, C02B, C16Z			02	C02A, C02B, C16Z
03		D18Z, D20A, D20B	03	D18Z, D20A, D20B		03	D18Z, D20A, D20B				
04		E03Z, E08A, E08B, E08C	04	E03Z, E08A, E08B, E08C		04	E03Z, E08A, E08B, E08C				
06		G15Z, G29A, G29B	06	G15Z, G29A, G29B		06	G15Z, G29A, G29B				
07		H01A, H01B, H16Z	07	H01A, H01B, H16Z		07	H01A, H01B, H16Z				
08		I54Z	08	I54Z		08	I54Z				
09		J16Z, J18Z	09	J16Z, J18Z		09	J16Z, J18Z				
10		K15A, K15B, K15C	10	K15A, K15B, K15C		10	K15A, K15B, K15C				
11		L12Z	11	L12Z		11	L12Z				
12		M10A, M10B, M60A	12	M10A, M10B, M60A		12	M10A, M10B, M60A				
13		N16Z, N60A	13	N16Z, N60A		13	N16Z, N60A				
17		R14Z	17	R14Z		17	R14Z				

ZZV	MDC	DRG	ZZV	MDC	DRG	ZZV	MDC	DRG		
8m418.1		BOP, KK11, KKI, KKII, KKP, KVT, UOP4	8m419		BOP, KK11, KKI, KKII, KKP, KVT, UOP4	8n123.1†		VRH		
	01	B02A, B02B, B02C, B16Z, B39A, B39B		01	B02A, B02B, B02C, B16Z, B39A, B39B		01	B42A, B42B, B48Z		
	02	C02A, C02B, C16Z		02	C02A, C02B, C16Z	08	I96Z			
	03	D18Z, D20A, D20B		03	D18Z, D20A, D20B	8n123.2†		VRH		
	04	E03Z, E08A, E08B, E08C		04	E03Z, E08A, E08B, E08C	01	B42A, B42B, B48Z			
	06	G15Z, G29A, G29B		06	G15Z, G29A, G29B	08	I96Z			
	07	H01A, H01B, H16Z		07	H01A, H01B, H16Z	8n123.3†		VRH		
	08	I54Z		08	I54Z	01	B42A, B42B, B48Z			
	09	J16Z, J18Z		09	J16Z, J18Z	08	I96Z			
	10	K15A, K15B, K15C		10	K15A, K15B, K15C	8n123.4†		VRH		
	11	L12Z		11	L12Z	01	B42A, B42B, B48Z			
	12	M10A, M10B, M60A		12	M10A, M10B, M60A	08	I96Z			
	13	N16Z, N60A		13	N16Z, N60A	8n124.1†		VRH		
	17	R14Z		17	R14Z	01	B42A, B42B, B48Z			
	8m418.2			BOP, KK11, KKI, KKII, KKP, KVT, UOP4	8m41a		BOP, KK11, KKI, KKII, KKP, KVT, UOP4	8n124.2†		VRH
		01		B02A, B02B, B02C, B16Z, B39A, B39B		01	B02A, B02B, B02C, B16Z, B39A, B39B		01	B42A, B42B, B48Z
		02		C02A, C02B, C16Z		02	C02A, C02B, C16Z	08	I96Z	
03		D18Z, D20A, D20B	03	D18Z, D20A, D20B		8n124.3†		VRH		
04		E03Z, E08A, E08B, E08C	04	E03Z, E08A, E08B, E08C		01	B42A, B42B, B48Z			
06		G15Z, G29A, G29B	06	G15Z, G29A, G29B		08	I96Z			
07		H01A, H01B, H16Z	07	H01A, H01B, H16Z		8n124.4†		VRH		
08		I54Z	08	I54Z		01	B42A, B42B, B48Z			
09		J16Z, J18Z	09	J16Z, J18Z		08	I96Z			
10		K15A, K15B, K15C	10	K15A, K15B, K15C		8n125.1†		VRH		
11		L12Z	11	L12Z		01	B42A, B42B, B48Z			
12		M10A, M10B, M60A	12	M10A, M10B, M60A		08	I96Z			
13		N16Z, N60A	13	N16Z, N60A		8n125.2†		VRH		
17		R14Z	17	R14Z		01	B42A, B42B, B48Z			
8m418.30			BOP, KK11, KKI, KKII, KKP, KVT, UOP4	8n100.2†			GVRH	8n125.3†		VRH
		01	B02A, B02B, B02C, B16Z, B39A, B39B			01	GVRH		01	B42A, B42B, B48Z
		02	C02A, C02B, C16Z	8n100.3†			VRH	08	I96Z	
	03	D18Z, D20A, D20B	8n110.2†		VRH	8n125.4†		VRH		
	04	E03Z, E08A, E08B, E08C	01	B11Z, B42A, B42B	01	B42A, B42B, B48Z				
	06	G15Z, G29A, G29B	8n110.3†		VRH	08	I96Z			
	07	H01A, H01B, H16Z	01	B11Z, B42A, B42B	8n126.1†		VRH			
	08	I54Z	08	I96Z	01	B42A, B42B, B48Z				
	09	J16Z, J18Z	8n110.4†		VRH	08	I96Z			
	10	K15A, K15B, K15C	01	B11Z, B43Z	8n126.2†		VRH			
	11	L12Z	08	I96Z	01	B42A, B42B, B48Z				
	12	M10A, M10B, M60A	8n110.5†		VRH	08	I96Z			
	13	N16Z, N60A	01	B11Z, B43Z	8n126.3†		VRH			
	17	R14Z	08	I96Z	01	B42A, B42B, B48Z				
	8m418.31		BOP, KK11, KKI, KKII, KKP, KVT, UOP4	8n121.1†		VRH	8n126.4†		VRH	
		01	B02A, B02B, B02C, B16Z, B39A, B39B		01	B42A, B42B, B48Z		01	B42A, B42B, B48Z	
		02	C02A, C02B, C16Z	8n121.2†		VRH	08	I96Z		
03		D18Z, D20A, D20B	01	B42A, B42B, B48Z	8n202.1†	15	P65C, P66C, P67B, P67C			
04		E03Z, E08A, E08B, E08C	8n121.3†		VRH	8n202.2†	15	P65C, P66C, P67B, P67C		
06		G15Z, G29A, G29B	01	B42A, B42B, B48Z	8n202.3†	15	P65C, P66C, P67B, P67C			
07		H01A, H01B, H16Z	8n121.4†		VRH	8n202.4†	15	P65C, P66C, P67B, P67C		
08		I54Z	01	B42A, B42B, B48Z	8n202.5†	15	P65C, P66C, P67B, P67C			
09		J16Z, J18Z	8n122.1†		VRH	8n202.6†	15	P65C, P66C, P67B, P67C		
10		K15A, K15B, K15C	01	B42A, B42B, B48Z	8n202.7†	15	P65C, P66C, P67B, P67C			
11		L12Z	08	I96Z	8n219.1†	15	P65C, P66C, P67B, P67C			
12		M10A, M10B, M60A	8n122.2†		VRH	8n219.2†	15	P65C, P66C, P67B, P67C		
13		N16Z, N60A	01	B42A, B42B, B48Z	8n21d†		KVT			
17		R14Z	8n122.3†		I96Z	8p100.1†	15	P65A, P65B, P66A, P66B, P67A, P67B		
			8n122.4†		VRH	8p100.2†	15	P65A, P65B, P66A, P66B, P67A, P67B		
				01	B42A, B42B, B48Z	8p100.3†	15	P65A, P65B, P66A, P66B, P67A, P67B		
				08	I96Z	8p100.4†	15	P65A, P65B, P66A, P66B, P67A, P67B		
			01	B42A, B42B, B48Z	8p100.5†	15	P65A, P65B, P66A, P66B, P67A, P67B			
			08	I96Z						

ZZV	MDC	DRG	ZZV	MDC	DRG	ZZV	MDC	DRG
8r20a.7‡	15	P65C, P66C, P67B, P67C	8r22f.00	Pre	A04A, A04B, A04C, A04D, A09A, A18Z	8r250.3b ‡		KK11, KKI, KKII, KKP
8r20a.8‡	15	P65C, P66C, P67B, P67C	8r22f.01	Pre	A04A, A04B, A04C, A04D, A09A, A18Z	8r250.3c ‡	15	P65C, P66C, P67B, P67C
8r20a.9‡	15	P65C, P66C, P67B, P67C	8r22f.10	Pre	A04A, A04B, A04C, A04D, A09A, A18Z	8r250.3d ‡	15	P65C, P66C, P67B, P67C
8r20a.a‡	15	P65C, P66C, P67B, P67C	8r22f.11	Pre	A04A, A04B, A04C, A04D, A09A, A18Z	8r250.3e ‡	15	P65C, P66C, P67B, P67C
8r20a.b‡	15	P65C, P66C, P67B, P67C	8r22h.0	Pre	A04A	8r250.3j ‡	15	P65C, P66C, P67B, P67C
8r20a.c‡	15	P65C, P66C, P67B, P67C	8r22h.1	Pre	A04A	8r250.3k ‡	15	P65C, P66C, P67B, P67C
8r20b.1‡	15	P65C, P66C, P67B, P67C	8r24c.2‡		KK11, KKI, KKII, KKP	8r250.3l ‡	15	P65C, P66C, P67B, P67C
8r20b.2‡	15	P65C, P66C, P67B, P67C	8r250.16 ‡		KK11, KKI, KKII, KKP	8r251.16 ‡	15	P65C, P66C, P67B, P67C
8r20b.3‡	15	P65C, P66C, P67B, P67C	8r250.17 ‡	15	P65C, P66C, P67B, P67C	8r251.17 ‡	15	P65C, P66C, P67B, P67C
8r20b.4‡	15	P65C, P66C, P67B, P67C	8r250.18 ‡	15	P65C, P66C, P67B, P67C	8r251.18 ‡	15	P65C, P66C, P67B, P67C
8r20b.5‡	15	P65C, P66C, P67B, P67C	8r250.19 ‡	15	P65C, P66C, P67B, P67C	8r251.19 ‡	15	P65C, P66C, P67B, P67C
8r20b.6‡	15	P65C, P66C, P67B, P67C	8r250.1a ‡	15	P65C, P66C, P67B, P67C	8r251.1a ‡	15	P65C, P66C, P67B, P67C
8r20b.7‡	15	P65C, P66C, P67B, P67C	8r250.1b ‡	15	P65C, P66C, P67B, P67C	8r251.1b ‡	15	P65C, P66C, P67B, P67C
8r20c.1‡	15	P65C, P66C, P67B, P67C	8r250.1c ‡	15	P65C, P66C, P67B, P67C	8r251.1c ‡	15	P65C, P66C, P67B, P67C
8r20c.2‡	15	P65C, P66C, P67B, P67C	8r250.1d ‡	15	P65C, P66C, P67B, P67C	8r251.1d ‡	15	P65C, P66C, P67B, P67C
8r20c.3‡	15	P65C, P66C, P67B, P67C	8r250.1e ‡	15	P65C, P66C, P67B, P67C	8r251.1e ‡	15	P65C, P66C, P67B, P67C
8r20c.4‡	15	P65C, P66C, P67B, P67C	8r250.1j ‡	15	P65C, P66C, P67B, P67C	8r251.1j ‡	15	P65C, P66C, P67B, P67C
8r20c.5‡	15	P65C, P66C, P67B, P67C	8r250.1k ‡	15	P65C, P66C, P67B, P67C	8r251.1k ‡	15	P65C, P66C, P67B, P67C
8r20c.6‡	15	P65C, P66C, P67B, P67C	8r250.1l ‡	15	P65C, P66C, P67B, P67C	8r251.1l ‡	15	P65C, P66C, P67B, P67C
8r20c.7‡	15	P65C, P66C, P67B, P67C	8r250.1m ‡	15	P65C, P66C, P67B, P67C	8r251.1m ‡	15	P65C, P66C, P67B, P67C
8r20c.8‡	15	P65C, P66C, P67B, P67C	8r250.26 ‡	15	P65C, P66C, P67B, P67C	8r251.26 ‡	15	P65C, P66C, P67B, P67C
8r20c.9‡	15	P65C, P66C, P67B, P67C	8r250.27 ‡	15	P65C, P66C, P67B, P67C	8r251.27 ‡	15	P65C, P66C, P67B, P67C
8r20c.a‡	15	P65C, P66C, P67B, P67C	8r250.28 ‡	15	P65C, P66C, P67B, P67C	8r251.28 ‡	15	P65C, P66C, P67B, P67C
8r20c.b‡	15	P65C, P66C, P67B, P67C	8r250.29 ‡	15	P65C, P66C, P67B, P67C	8r251.29 ‡	15	P65C, P66C, P67B, P67C
8r20c.c‡	15	P65C, P66C, P67B, P67C	8r250.2a ‡	15	P65C, P66C, P67B, P67C	8r251.2a ‡	15	P65C, P66C, P67B, P67C
8r20c.d‡	15	P65C, P66C, P67B, P67C	8r250.2b ‡	15	P65C, P66C, P67B, P67C	8r251.2b ‡	15	P65C, P66C, P67B, P67C
8r20c.e‡	15	P65C, P66C, P67B, P67C	8r250.2c ‡	15	P65C, P66C, P67B, P67C	8r251.2c ‡	15	P65C, P66C, P67B, P67C
8r222.0	05	F96Z	8r250.2d ‡	15	P65C, P66C, P67B, P67C	8r251.2d ‡	15	P65C, P66C, P67B, P67C
8r222.1	05	F96Z	8r250.2e ‡	15	P65C, P66C, P67B, P67C	8r251.2e ‡	15	P65C, P66C, P67B, P67C
8r222.2		BOP, KVT, UOP4	8r250.2j ‡	15	P65C, P66C, P67B, P67C	8r251.2j ‡	15	P65C, P66C, P67B, P67C
	11	L06A, L06B	8r250.2k ‡	15	P65C, P66C, P67B, P67C	8r251.2k ‡	15	P65C, P66C, P67B, P67C
	12	M06Z, M09A, M09B, M38Z	8r250.2l ‡	15	P65C, P66C, P67B, P67C	8r251.2l ‡	15	P65C, P66C, P67B, P67C
	13	N13A, N13B	8r250.36 ‡	15	P65C, P66C, P67B, P67C	8r251.36 ‡	15	P65C, P66C, P67B, P67C
8r222.6‡	08	I64B	8r250.37 ‡	15	P65C, P66C, P67B, P67C	8r251.37 ‡	15	P65C, P66C, P67B, P67C
8r22a.0	Pre	A09A, A11A, A13A, A15A, A15B, A15C, A15D, A18Z	8r250.38 ‡	15	P65C, P66C, P67B, P67C	8r251.38 ‡	15	P65C, P66C, P67B, P67C
8r22a.1	Pre	A09A, A11A, A13A, A15A, A15C, A15D, A18Z	8r250.39 ‡	15	P65C, P66C, P67B, P67C			
8r22a.2	Pre	A09A, A11A, A13A, A15A, A15B, A15C, A15D, A18Z	8r250.3a ‡	15	P65C, P66C, P67B, P67C			
8r22a.3	Pre	A09A, A11A, A13A, A15A, A15C, A15D, A18Z						
8r22b.00	Pre	A04A, A04B, A04C, A04D, A09A, A18Z						
8r22b.02	Pre	A04A, A04B, A04C, A04D, A09A, A18Z						
8r22b.03	Pre	A04A, A04B, A04C, A04D, A09A, A18Z						
8r22b.10	Pre	A04A, A04B, A04C, A04D, A09A, A18Z						
8r22b.11	Pre	A04A, A04B, A04C, A04D, A09A, A18Z						
8r22c.00	Pre	A04A, A04B, A04C, A04D, A09A, A18Z						
8r22c.01	Pre	A04A, A04B, A04C, A04D, A09A, A18Z						
8r22c.10	Pre	A04A, A04B, A04C, A04D, A09A, A18Z						
8r22c.11	Pre	A04A, A04B, A04C, A04D, A09A, A18Z						
8r22e.00	Pre	A04A, A04B, A04C, A04D, A09A, A18Z						
8r22e.02	Pre	A04A, A04B, A04C, A04D, A09A, A18Z						
8r22e.03	Pre	A04A, A04B, A04C, A04D, A09A, A18Z						
8r22e.10	Pre	A04A, A04B, A04C, A04D, A09A, A18Z						
8r22e.11	Pre	A04A, A04B, A04C, A04D, A09A, A18Z						

ZZV	MDC	DRG	ZZV	MDC	DRG	ZZV	MDC	DRG
8r251.39 ‡		KK11, KKI, KKII, KKP	8r301.7	05	F01A, F01B, F01D, F15Z, F19A, F19B, F19C, F24A, F24B, F36A, F36B	8r301.n		BOP, UOP4
8r251.3a ‡	15	P65C, P66C, P67B, P67C				01		B04A, B04B, B04C, B04D
8r251.3b ‡		KK11, KKI, KKII, KKP	8r301.8	05	F01A, F01B, F01D, F15Z, F19A, F19B, F19C, F24A, F24B, F36A, F36B	05		F01A, F01B, F01D, F14A, F14B, F15Z, F24A, F24B, F28A, F36A, F36B, F54Z, F59A, F59B
8r251.3c ‡	15	P65C, P66C, P67B, P67C				23		Z01A
8r251.3d ‡		KK11, KKI, KKII, KKP	8r301.9	05	F01A, F01B, F01D, F14A, F14B, F15Z, F24A, F24B, F28A, F36A, F36B, F54Z, F59A, F59B	8r301.o		BOP, UOP4
8r251.3e ‡	15	P65C, P66C, P67B, P67C				01		B04A, B04B, B04C, B04D
8r251.3e ‡		KK11, KKI, KKII, KKP	8r301.a	05	F01A, F01B, F01D, F15Z, F24A, F24B, F28A, F36A, F36B, F54Z, F59A, F59B	05		F01A, F01B, F01D, F14A, F14B, F15Z, F24A, F24B, F28A, F36A, F36B, F54Z, F59A, F59B
8r251.3j ‡	15	P65C, P66C, P67B, P67C				23		Z01A
8r251.3k ‡		KK11, KKI, KKII, KKP	8r301.b	05	F01A, F01B, F01D, F15Z, F24A, F24B, F28A, F36A, F36B, F54Z, F59A, F59B	8r301.p		BOP, UOP4
8r251.3l ‡	15	P65C, P66C, P67B, P67C				01		B04A, B04B, B04C, B04D
8r251.3l ‡		KK11, KKI, KKII, KKP	8r301.c	05	F01A, F01B, F01D, F14A, F14B, F15Z, F24A, F24B, F28A, F36A, F36B, F54Z, F59A, F59B	05		F01A, F01B, F01D, F14A, F14B, F15Z, F24A, F24B, F28A, F36A, F36B, F54Z, F59A, F59B
8r263.7 ‡	15	P65C, P66C, P67B, P67C				23		Z01A
8r280.1 ‡	15	P65C, P66C, P67B, P67C				01		B04A, B04B, B04C, B04D
8r280.2 ‡	15	P65C, P66C, P67B, P67C				05		F01A, F01B, F01D, F14A, F14B, F15Z, F24A, F24B, F28A, F36A, F36B, F54Z, F59A, F59B
8r280.3 ‡	15	P65C, P66C, P67B, P67C	8r301.d	05	F01A, F01B, F01D, F15Z, F24A, F24B, F28A, F36A, F36B, F54Z, F59A, F59B			
8r280.4 ‡		KK11, KKI, KKII, KKP				10		K09A, K09B
8r280.5 ‡	15	P65C, P66C, P67B, P67C				05		F01A, F01B, F01D, F15Z, F24A, F24B, F28A, F36A, F36B, F54Z, F59A, F59B
8r280.6 ‡		KK11, KKI, KKII, KKP	8r301.e	05	F01A, F01B, F01D, F15Z, F24A, F24B, F28A, F36A, F36B, F54Z, F59A, F59B	8r301.s		BOP, UOP4
8r280.7 ‡	15	P65C, P66C, P67B, P67C				01		B04A, B04B, B04C, B04D
8r280.7 ‡		KK11, KKI, KKII, KKP				05		F01A, F01B, F01D, F14A, F14B, F15Z, F24A, F24B, F28A, F36A, F36B, F54Z, F59A, F59B
8r280.8 ‡	15	P65C, P66C, P67B, P67C	8r301.f	05	F01A, F01B, F01D, F14A, F14B, F15Z, F24A, F24B, F28A, F36A, F36B, F54Z, F59A, F59B			
8r280.8 ‡		KK11, KKI, KKII, KKP				06		G10Z, G12A, G12B
8r280.9 ‡	15	P65C, P66C, P67B, P67C				11		L09A, L09B, L09C, L09D, L38Z
8r280.9 ‡		KK11, KKI, KKII, KKP				05		F01A, F01B, F01D, F15Z, F24A, F24B, F28A, F36A, F36B, F54Z, F59A, F59B
8r280.a ‡	15	P65C, P66C, P67B, P67C	8r301.g	05	F01A, F01B, F01D, F14A, F14B, F15Z, F24A, F24B, F28A, F36A, F36B, F54Z, F59A, F59B	8r301.x		BOP, KOP, UOP4
8r280.a ‡		KK11, KKI, KKII, KKP				01		B02A, B02B, B02C, B02D, B20A, B20B, B20C, B20D, B20E, B20F, B39A, B39B
8r280.b ‡	15	P65C, P66C, P67B, P67C				05		F01A, F01B, F01D, F14A, F14B, F15Z, F24A, F24B, F28A, F36A, F36B, F54Z, F59A, F59B
8r280.b ‡		KK11, KKI, KKII, KKP				21B		X33Z
8r280.c ‡	15	P65C, P66C, P67B, P67C	8r301.h	05	F01A, F01B, F01D, F14A, F14B, F15Z, F24A, F24B, F28A, F36A, F36B, F54Z, F59A, F59B	23		Z01A
8r280.c ‡		KK11, KKI, KKII, KKP				05		F01A, F01B, F01D, F14A, F14B, F15Z, F24A, F24B, F28A, F36A, F36B, F54Z, F59A, F59B
8r301.0		BOP, KOP, UOP4	8r301.i	01	B04A, B04C, B04D	8r302.0		BOP, KOP, UOP4
	01	B02A, B02B, B02C, B02D, B20A, B20B, B20C, B20D, B20E, B20F, B39A, B39B				01		B02A, B02B, B02C, B02D, B20A, B20B, B20C, B20D, B20E, B20F, B39A, B39B
	05	F01A, F01B, F01D, F14A, F14B, F15Z, F24A, F24B, F28A, F36A, F36B, F54Z, F59A, F59B				05		F01A, F01B, F01D, F14A, F14B, F15Z, F24A, F24B, F28A, F36A, F36B, F54Z, F59A, F59B
	21B	X33Z	8r301.j	05	F01A, F01B, F01D, F14A, F14B, F15Z, F24A, F24B, F28A, F36A, F36B, F54Z, F59A, F59B			
	23	Z01A				10		K09A, K09B
8r301.2	05	F01A, F01B, F01D, F15Z, F24A, F24B, F28A, F36A, F36B, F54Z, F59A, F59B				05		F01A, F01B, F01D, F15Z, F24A, F24B, F28A, F36A, F36B, F54Z, F59A, F59B
	10	K09A, K09B				10		K09A, K09B
8r301.3	05	F01A, F01B, F01D, F15Z, F24A, F24B, F28A, F36A, F36B, F54Z, F59A, F59B	8r301.k	04	E02A, E02B, E02C	11		L09A, L09B, L09C, L09D, L38Z
	10	K09A, K09B				05		F01A, F01B, F01D, F19A, F19B, F19C
	11	L09A, L09B, L09C, L09D, L38Z				10		K09A, K09B
8r301.4	05	F01A, F01B, F01D, F15Z, F24A, F24B, F28A, F36A, F36B, F54Z, F59A, F59B	8r301.m	Pre	A13F	8r302.4		BOP, UOP4
	10	K09A, K09B				01		B04A, B04B, B04C, B04D
8r301.6	05	F01A, F01B, F01D, F15Z, F19A, F19B, F19C, F24A, F24B, F36A, F36B				05		F01A, F01B, F01D, F14A, F14B, F15Z, F24A, F24B, F28A, F36A, F36B, F54Z, F59A, F59B
						10		K09A, K09B
						23		Z01A
						05		F01A, F01B, F01D, F15Z, F24A, F24B, F28A, F36A, F36B
						05		F01A, F01B, F01D, F15Z, F19A, F19B, F19C, F24A, F24B, F36A, F36B

ZZV	MDC	DRG	ZZV	MDC	DRG	ZZV	MDC	DRG
8r302.9	05	F01A, F01B, F01D, F14A, F14B, F15Z, F24A, F24B, F28A, F36A, F36B, F54Z, F59A, F59B	8r302.o		BOP, UOP4	8r303.d	05	F01A, F01B, F01D, F15Z, F24A, F24B, F28A, F36A, F36B, F54Z, F59A, F59B
8r302.a	05	F01A, F01B, F01D, F15Z, F24A, F24B, F28A, F36A, F36B, F54Z, F59A, F59B		01	B04A, B04B, B04C, B04D		10	K09A, K09B
8r302.b	05	F01A, F01B, F01D, F15Z, F24A, F24B, F28A, F36A, F36B, F54Z, F59A, F59B	8r302.p		BOP, UOP4	8r303.e	05	F01A, F01B, F01D, F15Z, F24A, F24B, F28A, F36A, F36B, F54Z, F59A, F59B
8r302.c	05	F01A, F01B, F01D, F14A, F14B, F15Z, F24A, F24B, F28A, F36A, F36B, F54Z, F59A, F59B		01	B04A, B04B, B04C, B04D	8r303.g	05	F01A, F01B, F01D, F15Z, F24A, F24B, F28A, F36A, F36B, F54Z, F59A, F59B
	06	G10Z, G12A, G12B	8r302.r		BOP, UOP4		10	K09A, K09B
	11	L09A, L09B, L09C, L09D, L38Z		05	F01A, F01B, F01D, F14A, F14B, F15Z, F24A, F24B, F28A, F36A, F36B, F54Z, F59A, F59B	8r303.j	05	F01A, F01B, F01D, F15Z, F24A, F24B, F28A, F36A, F36B, F54Z, F59A, F59B
8r302.d	05	F01A, F01B, F01D, F15Z, F24A, F24B, F28A, F36A, F36B, F54Z, F59A, F59B		01	B04A, B04B, B04C, B04D		06	G10Z, G12A, G12B
	10	K09A, K09B		05	F01A, F01B, F01D, F14A, F14B, F15Z, F24A, F24B, F28A, F36A, F36B, F54Z, F59A, F59B		10	K09A, K09B
8r302.e	05	F01A, F01B, F01D, F15Z, F24A, F24B, F28A, F36A, F36B, F54Z, F59A, F59B	8r302.s		BOP, UOP4	8r303.k	04	E02A, E02B, E02C
	10	K09A, K09B		05	F01A, F01B, F01D, F14A, F14B, F15Z, F24A, F24B, F28A, F36A, F36B, F54Z, F59A, F59B		05	F01A, F01B, F01D, F19A, F19B, F19C
8r302.f	05	F01A, F01B, F01D, F14A, F14B, F15Z, F24A, F24B, F28A, F36A, F36B, F54Z, F59A, F59B		06	G10Z, G12A, G12B		10	K09A, K09B
	10	K09A, K09B		11	L09A, L09B, L09C, L09D, L38Z	8r303.s	Pre	A13F
8r302.g	05	F01A, F01B, F01D, F14A, F14B, F15Z, F24A, F24B, F28A, F36A, F36B, F54Z, F59A, F59B	8r302.x		BOP, UOP4		05	F01A, F01B, F01D, F14A, F14B, F15Z, F24A, F24B, F28A, F36A, F36B, F54Z, F59A, F59B
	10	K09A, K09B		05	F01A, F01B, F01D, F15Z, F24A, F24B, F28A, F36A, F36B, F54Z, F59A, F59B		06	G10Z, G12A, G12B
8r302.h	05	F01A, F01B, F01D, F14A, F14B, F15Z, F24A, F24B, F28A, F36A, F36B, F54Z, F59A, F59B	8r303.2		BOP, UOP4	8r303.x	05	F01A, F01B, F01D, F15Z, F24A, F24B, F28A, F36A, F36B, F54Z, F59A, F59B
	10	K09A, K09B		10	K09A, K09B		10	K09A, K09B
8r302.i	05	F01A, F01B, F01D, F14A, F14B, F15Z, F24A, F24B, F28A, F36A, F36B, F54Z, F59A, F59B	8r303.3		BOP, UOP4	8r304.2	05	F01A, F01B, F01D, F14A, F14B, F15Z, F24A, F24B, F28A, F36A, F36B, F54Z, F59A, F59B
	10	K09A, K09B		05	F01A, F01B, F01D, F15Z, F24A, F24B, F28A, F36A, F36B, F54Z, F59A, F59B		10	K09A, K09B
8r302.j	05	F01A, F01B, F01D, F14A, F14B, F15Z, F24A, F24B, F28A, F36A, F36B, F54Z, F59A, F59B	8r303.4		BOP, UOP4	8r304.3	05	F01A, F01B, F01D, F14A, F14B, F15Z, F24A, F24B, F28A, F36A, F36B, F54Z, F59A, F59B
	10	K09A, K09B		05	F01A, F01B, F01D, F15Z, F24A, F24B, F28A, F36A, F36B, F54Z, F59A, F59B		10	K09A, K09B
8r302.k	04	E02A, E02B, E02C	8r303.6		BOP, UOP4		10	K09A, K09B
	05	F01A, F01B, F01D, F19A, F19B, F19C		05	F01A, F01B, F01D, F15Z, F24A, F24B, F28A, F36A, F36B, F54Z, F59A, F59B	8r304.4	05	F01A, F01B, F01D, F15Z, F24A, F24B, F28A, F36A, F36B, F54Z, F59A, F59B
	10	K09A, K09B	8r303.7		BOP, UOP4		10	K09A, K09B
	Pre	A13F		05	F01A, F01B, F01D, F15Z, F19A, F19B, F19C, F24A, F24B, F36A, F36B	8r304.6	05	F01A, F01B, F01D, F15Z, F19A, F19B, F19C, F24A, F24B, F36A, F36B
8r302.m		BOP, UOP4	8r303.8		BOP, UOP4		10	K09A, K09B
	01	B04A, B04B, B04C, B04D		05	F01A, F01B, F01D, F15Z, F19A, F19B, F19C, F24A, F24B, F36A, F36B	8r304.d	05	F01A, F01B, F01D, F14A, F14B, F15Z, F24A, F24B, F28A, F36A, F36B, F54Z, F59A, F59B
	05	F01A, F01B, F01D, F14A, F14B, F15Z, F24A, F24B, F28A, F36A, F36B, F54Z, F59A, F59B	8r303.9		BOP, UOP4		10	K09A, K09B
	23	Z01A		05	F01A, F01B, F01D, F14A, F14B, F15Z, F24A, F24B, F28A, F36A, F36B, F54Z, F59A, F59B	8r304.e	05	F01A, F01B, F01D, F14A, F14B, F15Z, F24A, F24B, F28A, F36A, F36B, F54Z, F59A, F59B
8r302.n		BOP, UOP4	8r303.a		BOP, UOP4		10	K09A, K09B
	01	B04A, B04B, B04C, B04D		05	F01A, F01B, F01D, F15Z, F24A, F24B, F28A, F36A, F36B, F54Z, F59A, F59B		10	K09A, K09B
	05	F01A, F01B, F01D, F14A, F14B, F15Z, F24A, F24B, F28A, F36A, F36B, F54Z, F59A, F59B	8r303.b		BOP, UOP4	8r304.x	05	F01A, F01B, F01D, F14A, F14B, F15Z, F24A, F24B, F28A, F36A, F36B, F54Z, F59A, F59B
	23	Z01A		05	F01A, F01B, F01D, F15Z, F24A, F24B, F28A, F36A, F36B, F54Z, F59A, F59B		10	K09A, K09B
			8r303.c		BOP, UOP4	8r305.2	05	F01A, F01B, F01D, F14A, F14B, F15Z, F24A, F24B, F28A, F36A, F36B, F54Z, F59A, F59B
				06	G10Z, G12A, G12B		10	K09A, K09B
				10	K09A, K09B		10	K09A, K09B
				11	L09A, L09B, L09C, L09D, L38Z		10	K09A, K09B

ZZV	MDC	DRG	ZZV	MDC	DRG	ZZV	MDC	DRG
8r305.3	05	F01A, F01B, F01D, F14A, F14B, F15Z, F24A, F24B, F28A, F36A, F36B, F54Z, F59A, F59B	8r305.s	05	F01A, F01B, F01D, F14A, F14B, F15Z, F24A, F24B, F28A, F36A, F36B, F54Z, F59A, F59B	8r311.3	05	F01A, F01B, F01D, F14A, F14B, F15Z, F24A, F24B, F28A, F36A, F36B, F54Z, F59A, F59B
	10	K09A, K09B		06	G10Z, G12A, G12B		10	K09A, K09B
8r305.4	05	F01A, F01B, F01D, F15Z, F24A, F24B, F28A, F36A, F36B, F54Z, F59A, F59B		11	L09A, L09B, L09C, L09D, L38Z	8r311.6	05	F01A, F01B, F01D, F15Z, F19A, F19B, F19C, F24A, F24B, F36A, F36B
8r305.6	05	F01A, F01B, F01D, F15Z, F19A, F19B, F19C, F24A, F24B, F36A, F36B	8r305.x	05	F01A, F01B, F01D, F14A, F14B, F15Z, F24A, F24B, F28A, F36A, F36B, F54Z, F59A, F59B	8r311.a	05	F01A, F01B, F01D, F14A, F14B, F15Z, F24A, F24B, F28A, F36A, F36B, F54Z, F59A, F59B
	10	K09A, K09B, K09C		10	K09A, K09B		10	K09A, K09B, K09C
8r305.7	05	F01A, F01B, F01D, F15Z, F19A, F19B, F19C, F24A, F24B, F36A, F36B	8r310.2	05	F01A, F01B, F01D, F14A, F14B, F15Z, F24A, F24B, F28A, F36A, F36B, F54Z, F59A, F59B	8r311.b	05	F01A, F01B, F01D, F14A, F14B, F15Z, F24A, F24B, F28A, F36A, F36B, F54Z, F59A, F59B
	10	K09A, K09B, K09C		10	K09A, K09B		10	K09A, K09B
8r305.8	05	F01A, F01B, F01D, F15Z, F19A, F19B, F19C, F24A, F24B, F36A, F36B	8r310.3	05	F01A, F01B, F01D, F14A, F14B, F15Z, F24A, F24B, F28A, F36A, F36B, F54Z, F59A, F59B	8r311.c	05	F01A, F01B, F01D, F14A, F14B, F15Z, F24A, F24B, F28A, F36A, F36B, F54Z, F59A, F59B
8r305.9	05	F01A, F01B, F01D, F14A, F14B, F15Z, F24A, F24B, F28A, F36A, F36B, F54Z, F59A, F59B		10	K09A, K09B		10	K09A, K09B
8r305.a	04	E02A, E02B, E02C	8r310.6	05	F01A, F01B, F01D, F15Z, F19A, F19B, F19C, F24A, F24B, F36A, F36B		06	G10Z, G12A, G12B
	05	F01A, F01B, F01D, F14A, F14B, F15Z, F19A, F19B, F19C, F24A, F24B, F28A, F36A, F36B, F54Z, F59A, F59B		10	K09A, K09B		10	K09A, K09B, K09C
	10	K09A, K09B	8r310.d	05	F01A, F01B, F01D, F14A, F14B, F15Z, F24A, F24B, F28A, F36A, F36B, F54Z, F59A, F59B	8r311.d	05	F01A, F01B, F01D, F14A, F14B, F15Z, F24A, F24B, F28A, F36A, F36B, F54Z, F59A, F59B
	Pre	A13F		10	K09A, K09B		10	K09A, K09B
8r305.b	05	F01A, F01B, F01D, F14A, F14B, F15Z, F24A, F24B, F28A, F36A, F36B, F54Z, F59A, F59B	8r310.e	05	F01A, F01B, F01D, F14A, F14B, F15Z, F24A, F24B, F28A, F36A, F36B, F54Z, F59A, F59B	8r311.e	05	F01A, F01B, F01D, F14A, F14B, F15Z, F24A, F24B, F28A, F36A, F36B, F54Z, F59A, F59B
	10	K09A, K09B		10	K09A, K09B		10	K09A, K09B
8r305.c	05	F01A, F01B, F01D, F14A, F14B, F15Z, F24A, F24B, F28A, F36A, F36B, F54Z, F59A, F59B	8r310.g	05	F01A, F01B, F01D, F14A, F14B, F15Z, F24A, F24B, F28A, F36A, F36B, F54Z, F59A, F59B	8r311.s	05	F01A, F01B, F01D, F14A, F14B, F15Z, F24A, F24B, F28A, F36A, F36B, F54Z, F59A, F59B
	06	G10Z, G12A, G12B		10	K09A, K09B		06	G10Z, G12A, G12B
	10	K09A, K09B, K09C	8r310.s	05	F01A, F01B, F01D, F14A, F14B, F15Z, F24A, F24B, F28A, F36A, F36B, F54Z, F59A, F59B		11	L09A, L09B, L09C, L09D, L38Z
	11	L09A, L09B, L09C, L09D, L38Z		06	G10Z, G12A, G12B	8r311.x	05	F01A, F01B, F01D, F14A, F14B, F15Z, F24A, F24B, F28A, F36A, F36B, F54Z, F59A, F59B
8r305.d	05	F01A, F01B, F01D, F14A, F14B, F15Z, F24A, F24B, F28A, F36A, F36B, F54Z, F59A, F59B		11	L09A, L09B, L09C, L09D, L38Z		10	K09A, K09B
	10	K09A, K09B	8r310.x	05	F01A, F01B, F01D, F14A, F14B, F15Z, F24A, F24B, F28A, F36A, F36B, F54Z, F59A, F59B	8r312.1	01	B04A, B04B, B04C, B04D
8r305.e	05	F01A, F01B, F01D, F14A, F14B, F15Z, F24A, F24B, F28A, F36A, F36B, F54Z, F59A, F59B		10	K09A, K09B		05	F01A, F01B, F01D, F14A, F14B, F15Z, F24A, F24B, F28A, F36A, F36B, F54Z, F59A, F59B
	10	K09A, K09B	8r311.1	01	B04A, B04B, B04C, B04D		06	G10Z, G12A, G12B
8r305.g	05	F01A, F01B, F01D, F14A, F14B, F15Z, F24A, F24B, F28A, F36A, F36B, F54Z, F59A, F59B		05	F01A, F01B, F01D, F14A, F14B, F15Z, F24A, F24B, F28A, F36A, F36B, F54Z, F59A, F59B		10	K09A, K09B
	10	K09A, K09B		06	G10Z, G12A, G12B		11	L09A, L09B, L09C, L09D, L38Z
8r305.j	05	F01A, F01B, F01D, F14A, F14B, F15Z, F24A, F24B, F28A, F36A, F36B, F54Z, F59A, F59B		10	K09A, K09B	8r312.2	05	F01A, F01B, F01D, F14A, F14B, F15Z, F24A, F24B, F28A, F36A, F36B, F54Z, F59A, F59B
	06	G10Z, G12A, G12B	8r311.2	05	F01A, F01B, F01D, F14A, F14B, F15Z, F24A, F24B, F28A, F36A, F36B, F54Z, F59A, F59B		10	K09A, K09B
	10	K09A, K09B, K09C		10	K09A, K09B	8r312.3	05	F01A, F01B, F01D, F14A, F14B, F15Z, F24A, F24B, F28A, F36A, F36B, F54Z, F59A, F59B
	11	L09A, L09B, L09C, L09D, L38Z		10	K09A, K09B		10	K09A, K09B
8r305.k	04	E02A, E02B, E02C		10	K09A, K09B		10	K09A, K09B
	05	F01A, F01B, F01D, F19A, F19B, F19C						
	10	K09A, K09B						
	Pre	A13F						

VYK

ZZV	MDC	DRG	ZZV	MDC	DRG	ZZV	MDC	DRG
8r312.6	05	F01A, F01B, F01D, F15Z, F19A, F19B, F19C, F24A, F24B, F36A, F36B	8r320.6	05	F01A, F01B, F01D, F14A, F14B, F15Z, F24A, F24B, F28A, F36A, F36B, F54Z, F59A	8r320.k	04	E02A, E02B, E02C
	10	K09A, K09B, K09C		10	K09A, K09B		05	F01A, F01B, F01D, F19A, F19B, F19C
8r312.a	05	F01A, F01B, F01D, F14A, F14B, F15Z, F24A, F24B, F28A, F36A, F36B, F54Z, F59A, F59B	8r320.7	05	F01A, F01B, F01D, F14A, F14B, F15Z, F24A, F24B, F28A, F36A, F36B, F54Z, F59A	8r320.s	10	K09A, K09B
	10	K09A, K09B		10	K09A, K09B		Pre	A13F
8r312.b	05	F01A, F01B, F01D, F14A, F14B, F15Z, F24A, F24B, F28A, F36A, F36B, F54Z, F59A, F59B	8r320.8	05	F01A, F01B, F01D, F14A, F14B, F15Z, F24A, F24B, F28A, F36A, F36B, F54Z, F59A, F59B		05	F01A, F01B, F01D, F14A, F14B, F15Z, F24A, F24B, F28A, F36A, F36B, F54Z, F59A, F59B
	10	K09A, K09B		10	K09A, K09B		06	G10Z, G12A, G12B
8r312.c	05	F01A, F01B, F01D, F14A, F14B, F15Z, F24A, F24B, F28A, F36A, F36B, F54Z, F59A, F59B	8r320.9	05	F01A, F01B, F01D, F14A, F14B, F15Z, F24A, F24B, F28A, F36A, F36B, F54Z, F59A	8r320.x	11	L09A, L09B, L09C, L09D, L38Z
	06	G10Z, G12A, G12B		10	K09A, K09B		05	F01A, F01B, F01D, F15Z, F24A, F24B, F28A, F36A, F36B, F54Z, F36B, F54Z, F59A
	10	K09A, K09B, K09C		10	K09A, K09B		10	K09A, K09B
	11	L09A, L09B, L09C, L09D, L38Z	8r320.a	05	F01A, F01B, F01D, F14A, F14B, F15Z, F24A, F24B, F28A, F36A, F36B, F54Z, F59A	8r330.0	01	B02A, B02B, B02C, B02D, B20A, B20B, B20C, B20D, B20E, B20F, B39A, B39B
8r312.d	05	F01A, F01B, F01D, F14A, F14B, F15Z, F24A, F24B, F28A, F36A, F36B, F54Z, F59A, F59B		10	K09A, K09B		05	F01A, F01B, F01D, F14A, F14B, F15Z, F24A, F24B, F28A, F36A, F36B, F54Z, F59A, F59B
	10	K09A, K09B	8r320.b	05	F01A, F01B, F01D, F14A, F14B, F15Z, F24A, F24B, F28A, F36A, F36B, F54Z, F59A		10	K09A, K09B
8r312.e	05	F01A, F01B, F01D, F14A, F14B, F15Z, F24A, F24B, F28A, F36A, F36B, F54Z, F59A, F59B		10	K09A, K09B	8r330.1	21B	X33Z
	10	K09A, K09B	8r320.c	05	F01A, F01B, F01D, F14A, F14B, F15Z, F24A, F24B, F28A, F36A, F36B, F54Z, F59A		01	B04A, B04B, B04C, B04D
8r312.s	05	F01A, F01B, F01D, F14A, F14B, F15Z, F24A, F24B, F28A, F36A, F36B, F54Z, F59A, F59B		06	G10Z, G12A, G12B		05	F01A, F01B, F01D, F14A, F14B, F15Z, F24A, F24B, F28A, F36A, F36B, F54Z, F59A, F59B
	10	K09A, K09B		10	K09A, K09B	8r330.2	10	K09A, K09B
8r312.x	05	F01A, F01B, F01D, F14A, F14B, F15Z, F24A, F24B, F28A, F36A, F36B, F54Z, F59A, F59B	8r320.d	05	F01A, F01B, F01D, F15Z, F24A, F24B, F28A, F36A, F36B, F54Z, F59A		05	F01A, F01B, F01D, F14A, F14B, F15Z, F24A, F24B, F28A, F36A, F36B, F54Z, F59A, F59B
	10	K09A, K09B		10	K09A, K09B		10	K09A, K09B
8r320.0	01	B02A, B02B, B02C, B02D, B20A, B20B, B20C, B20D, B20E, B20F, B39A, B39B	8r320.e	05	F01A, F01B, F01D, F15Z, F24A, F24B, F28A, F36A, F36B, F54Z, F59A	8r330.6	05	F01A, F01B, F01D, F15Z, F19A, F19B, F19C, F24A, F24B, F36A, F36B
	05	F01A, F01B, F01D, F14A, F14B, F15Z, F24A, F24B, F28A, F36A, F36B, F54Z, F59A		10	K09A, K09B		10	K09A, K09B
	10	K09A, K09B	8r320.f	05	F01A, F01B, F01D, F14A, F14B, F15Z, F24A, F24B, F28A, F36A, F36B, F54Z, F59A		05	F01A, F01B, F01D, F15Z, F19A, F19B, F19C, F24A, F24B, F36A, F36B
	21B	X33Z		10	K09A, K09B	8r330.7	10	K09A, K09B
8r320.1	01	B04A, B04C, B04D	8r320.g	05	F01A, F01B, F01D, F14A, F14B, F15Z, F24A, F24B, F28A, F36A, F36B, F54Z, F59A		10	K09A, K09B
	05	F01A, F01B, F01D, F14A, F14B, F15Z, F24A, F24B, F28A, F36A, F36B, F54Z, F59A		10	K09A, K09B	8r330.8	05	F01A, F01B, F01D, F15Z, F19A, F19B, F19C, F24A, F24B, F36A, F36B
	10	K09A, K09B	8r320.h	05	F01A, F01B, F01D, F14A, F14B, F15Z, F24A, F24B, F28A, F36A, F36B, F54Z, F59A		10	K09A, K09B
8r320.2	05	F01A, F01B, F01D, F15Z, F24A, F24B, F28A, F36A, F36B, F54Z, F59A		10	K09A, K09B	8r330.9	05	F01A, F01B, F01D, F14A, F14B, F15Z, F24A, F24B, F28A, F36A, F36B, F54Z, F59A, F59B
	10	K09A, K09B	8r320.j	05	F01A, F01B, F01D, F14A, F14B, F15Z, F24A, F24B, F28A, F36A, F36B, F54Z, F59A		10	K09A, K09B
8r320.3	05	F01A, F01B, F01D, F15Z, F24A, F24B, F28A, F36A, F36B, F54Z, F59A		06	G10Z, G12A, G12B	8r330.a	05	F01A, F01B, F01D, F14A, F14B, F15Z, F24A, F24B, F28A, F36A, F36B, F54Z, F59A, F59B
	10	K09A, K09B		10	K09A, K09B		10	K09A, K09B
	10	K09A, K09B		11	L09A, L09B, L09C, L09D, L38Z	8r330.b	05	F01A, F01B, F01D, F14A, F14B, F15Z, F24A, F24B, F28A, F36A, F36B, F54Z, F59A, F59B
	10	K09A, K09B					10	K09A, K09B

VYK

ZZV	MDC	DRG	ZZV	MDC	DRG	ZZV	MDC	DRG				
8r330.c	05	F01A, F01B, F01D, F14A, F14B, F15Z, F24A, F24B, F28A, F36A, F36B, F54Z, F59A, F59B	8r340.1		BOP, UOP4	8r340.j	05	F01A, F01B, F01D, F14A, F14B, F15Z, F24A, F24B, F28A, F36A, F36B, F54Z, F59A, F59B				
		06		G10Z, G12A, G12B				01	B04A, B04B, B04C, B04D		06	G10Z, G12A, G12B
		10		K09A, K09B				05	F01A, F01B, F01D, F14A, F14B, F15Z, F24A, F24B, F28A, F36A, F36B, F54Z, F59A, F59B		10	K09A, K09B
	11	L09A, L09B, L09C, L09D, L38Z			10		K09A, K09B		11	L09A, L09B, L09C, L09D, L38Z		
8r330.d	05	F01A, F01B, F01D, F14A, F14B, F15Z, F24A, F24B, F28A, F36A, F36B, F54Z, F59A, F59B	8r340.2	05	F01A, F01B, F01D, F15Z, F24A, F24B, F28A, F36A, F36B, F54Z, F59A, F59B	8r340.k	04	E02A, E02B, E02C				
		10			K09A, K09B				05	F01A, F01B, F01D, F19A, F19B, F19C		
8r330.e	05	F01A, F01B, F01D, F14A, F14B, F15Z, F24A, F24B, F28A, F36A, F36B, F54Z, F59A, F59B	8r340.3	05	F01A, F01B, F01D, F15Z, F24A, F24B, F28A, F36A, F36B, F54Z, F59A, F59B	8r340.s	05	F01A, F01B, F01D, F14A, F14B, F15Z, F24A, F24B, F28A, F36A, F36B, F54Z, F59A, F59B				
		10			K09A, K09B				Pre	A13F		
8r330.f	05	F01A, F01B, F01D, F14A, F14B, F15Z, F24A, F24B, F28A, F36A, F36B, F54Z, F59A, F59B	8r340.6	05	F01A, F01B, F01D, F15Z, F19A, F19B, F19C, F24A, F24B, F36A, F36B	8r340.x	05	F01A, F01B, F01D, F15Z, F24A, F24B, F28A, F36A, F36B, F54Z, F59A, F59B				
		10			K09A, K09B				06	G10Z, G12A, G12B		
8r330.g	05	F01A, F01B, F01D, F14A, F14B, F15Z, F24A, F24B, F28A, F36A, F36B, F54Z, F59A, F59B	8r340.7	05	F01A, F01B, F01D, F15Z, F19A, F19B, F19C, F24A, F24B, F36A, F36B	8r350.0	10	K09A, K09B				
		10			K09A, K09B				01	B02A, B02B, B02C, B02D, B20A, B20B, B20C, B20D, B20E, B20F, B39A, B39B		
8r330.h	05	F01A, F01B, F01D, F14A, F14B, F15Z, F24A, F24B, F28A, F36A, F36B, F54Z, F59A, F59B	8r340.8	05	F01A, F01B, F01D, F14A, F14B, F15Z, F24A, F24B, F28A, F36A, F36B, F54Z, F59A, F59B	8r350.1	05	F01A, F01B, F01D, F14A, F14B, F15Z, F24A, F24B, F28A, F36A, F36B, F54Z, F59A, F59B				
		10			K09A, K09B				09	J11A, J11B, J11C		
8r330.i	05	F01A, F01B, F01D, F14A, F14B, F15Z, F24A, F24B, F28A, F36A, F36B, F54Z, F59A, F59B	8r340.9	05	F01A, F01B, F01D, F14A, F14B, F15Z, F24A, F24B, F28A, F36A, F36B, F54Z, F59A, F59B	8r350.2	21A	W01A, W01B, W01C, W36Z				
		10			K09A, K09B				21B	X06A, X06B, X06C, X33Z		
8r330.j	05	F01A, F01B, F01D, F14A, F14B, F15Z, F24A, F24B, F28A, F36A, F36B, F54Z, F59A, F59B	8r340.a	05	F01A, F01B, F01D, F15Z, F24A, F24B, F28A, F36A, F36B, F54Z, F59A, F59B	8r350.3	01	BOP, UOP4				
		10			K09A, K09B				03	D12A		
8r330.k	05	F01A, F01B, F01D, F14A, F14B, F15Z, F24A, F24B, F28A, F36A, F36B, F54Z, F59A, F59B	8r340.b	05	F01A, F01B, F01D, F15Z, F24A, F24B, F28A, F36A, F36B, F54Z, F59A, F59B	8r350.4	05	F01A, F01B, F01D, F14A, F14B, F15Z, F24A, F24B, F28A, F36A, F36B, F54Z, F59A, F59B				
		10			K09A, K09B				09	J11A, J11B, J11C		
8r330.l	05	F01A, F01B, F01D, F14A, F14B, F15Z, F24A, F24B, F28A, F36A, F36B, F54Z, F59A, F59B	8r340.c	05	F01A, F01B, F01D, F14A, F14B, F15Z, F24A, F24B, F28A, F36A, F36B, F54Z, F59A, F59B	8r350.5	21A	W04A, W04B				
		10			K09A, K09B				21B	X06A, X06B, X06C		
8r330.m	05	F01A, F01B, F01D, F14A, F14B, F15Z, F24A, F24B, F28A, F36A, F36B, F54Z, F59A, F59B	8r340.d	05	F01A, F01B, F01D, F15Z, F24A, F24B, F28A, F36A, F36B, F54Z, F59A, F59B	8r350.6	05	F01A, F01B, F01D, F14A, F14B, F15Z, F24A, F24B, F28A, F36A, F36B, F54Z, F59A, F59B				
		10			K09A, K09B				09	J11A, J11B, J11C		
8r330.n	05	F01A, F01B, F01D, F14A, F14B, F15Z, F24A, F24B, F28A, F36A, F36B, F54Z, F59A, F59B	8r340.e	05	F01A, F01B, F01D, F15Z, F24A, F24B, F28A, F36A, F36B, F54Z, F59A, F59B	8r350.7	05	F01A, F01B, F01D, F15Z, F19A, F19B, F19C, F24A, F24B, F36A, F36B				
		10			K09A, K09B				09	J11A, J11B, J11C		
8r330.o	05	F01A, F01B, F01D, F14A, F14B, F15Z, F24A, F24B, F28A, F36A, F36B, F54Z, F59A, F59B	8r340.f	05	F01A, F01B, F01D, F14A, F14B, F15Z, F24A, F24B, F28A, F36A, F36B, F54Z, F59A, F59B	8r350.8	05	F01A, F01B, F01D, F15Z, F19A, F19B, F19C, F24A, F24B, F36A, F36B				
		10			K09A, K09B				09	J11A, J11B, J11C		
8r340.0	01	B02A, B02B, B02C, B20A, B20B, B20C, B20D, B20E, B39A, B39B	8r340.g	05	F01A, F01B, F01D, F14A, F14B, F15Z, F24A, F24B, F28A, F36A, F36B, F54Z, F59A, F59B	8r350.9	05	F01A, F01B, F01D, F15Z, F19A, F19B, F19C, F24A, F24B, F36A, F36B				
		05			F01A, F01B, F01D, F14A, F14B, F15Z, F24A, F24B, F28A, F36A, F36B, F54Z, F59A, F59B				09	J11A, J11B, J11C		
8r340.1	05	F01A, F01B, F01D, F14A, F14B, F15Z, F24A, F24B, F28A, F36A, F36B, F54Z, F59A, F59B	8r340.h	05	F01A, F01B, F01D, F14A, F14B, F15Z, F24A, F24B, F28A, F36A, F36B, F54Z, F59A, F59B	8r350.10	05	F01A, F01B, F01D, F15Z, F19A, F19B, F19C, F24A, F24B, F36A, F36B				
		10			K09A, K09B				09	J11A, J11B, J11C		
8r340.2	01	B02A, B02B, B02C, B20A, B20B, B20C, B20D, B20E, B39A, B39B	8r340.i	10	K09A, K09B	8r350.11	09	J11A, J11B, J11C				
		05			F01A, F01B, F01D, F14A, F14B, F15Z, F24A, F24B, F28A, F36A, F36B, F54Z, F59A, F59B				09	J11A, J11B, J11C		

VYK

ZZV	MDC	DRG	ZZV	MDC	DRG	ZZV	MDC	DRG
8r350.8	05	F01A, F01B, F01D, F15Z, F19A, F19B, F19C, F24A, F24B, F36A, F36B	8r350.f	01	B03A, B03B, B06A, B06B, B07Z, B17A, B17B, B17C	8r374.2		KKP
	09	J11A, J11B, J11C		03	D12A		05	F01A, F01B, F01D, F05Z, F07A, F07B, F09A, F09B, F09C, F42Z
8r350.9	05	F01A, F01B, F01D, F14A, F14B, F15Z, F24A, F24B, F28A, F36A, F36B, F54Z, F59A, F59B	8r350.g	05	F01A, F01B, F01D, F14A, F14B, F15Z, F24A, F24B, F28A, F36A, F36B, F54Z, F59A, F59B	8r374.3	23	Z01A
	09	J11A, J11B, J11C		06	G10Z, G12A, G12B		05	F01A, F01B, F01D, F05Z, F07A, F07B, F09A, F09B, F09C, F42Z
8r350.a	05	F01A, F01B, F01D, F14A, F14B, F15Z, F24A, F24B, F28A, F36A, F36B, F54Z, F59A, F59B	8r350.h	09	J11A, J11B, J11C	8r375.1	23	Z01A
	09	J11A, J11B, J11C		10	K09A, K09B		11	L09A, L09B, L09C, L09D, L38Z
8r350.b	21A	W04A, W04B	8r350.j	21A	W04A, W04B	8r375.2	01	B02A, B02B, B02C, B20A, B20B, B20C, B20D, B20E, B39A, B39B
	21B	X06A, X06B, X06C		21B	X06A, X06B, X06C		05	F01A, F01B, F01D, F05Z, F07A, F07B, F08A, F08B, F08C, F08D, F08E, F28A, F42Z
8r350.c	05	F01A, F01B, F01D, F14A, F14B, F15Z, F24A, F24B, F28A, F36A, F36B, F54Z, F59A, F59B	8r350.k	05	F01A, F01B, F01D, F14A, F14B, F15Z, F24A, F24B, F28A, F36A, F36B, F54Z, F59A, F59B	8r375.3	06	G33Z
	06	G10Z, G12A, G12B		06	G10Z, G12A, G12B		07	H33Z, H38Z
8r350.d	07	H06A, H06B	8r350.s	07	H06A, H06B	8r375.4	11	L33Z
	09	J11A, J11B, J11C		09	J11A, J11B, J11C		21B	X33Z
8r350.e	11	L09A, L09B, L09C, L09D, L38Z	8r350.x	11	L09A, L09B, L09C, L09D, L38Z	8r381.11	23	Z01A
	21A	W04A, W04B		21A	W04A, W04B		Pre	A07A
	21B	X06A, X06B, X06C	8r371.1†	21B	X06A, X06B, X06C	8r375.2	04	E36Z
	05	F01A, F01B, F01D, F14A, F14B, F15Z, F24A, F24B, F28A, F36A, F36B, F54Z, F59A, F59B		8r374.1	04		E02A, E02B, E02C	05
	09	J11A, J11B, J11C	8r374.1		05	F01A, F01B, F01D, F19A, F19B, F19C	8r375.3	06
	10	K09A, K09B		8r374.1	Pre	A13F		08
	21A	W04A, W04B	8r374.1		05	F01A, F01B, F01D, F14A, F14B, F15Z, F24A, F24B, F28A, F36A, F36B, F54Z, F59A, F59B	8r375.4	11
	21B	X04Z		8r374.1	06	G10Z, G12A, G12B		21A
			8r374.1		11	L09A, L09B, L09C, L09D, L38Z	21B	X33Z
				8r374.1	05	F01A, F01B, F01D, F14A, F14B, F15Z, F24A, F24B, F28A, F36A, F36B, F54Z, F59A, F59B	23	Z01A
			8r374.1		09	J11A, J11B, J11C	Pre	A06A, A07A, A09A, A11A, A13A
				8r374.1	10	K09A, K09B	8r375.3	BOP, KVT, UOP4
			8r374.1		21A	W04A, W04B		05
				8r374.1	21B	X04Z	8r375.4	08
			8r374.1		01	B04C		21B
				8r374.1	05	F01A, F01B, F01D, F05Z, F07A, F07B, F09A, F09B, F09C, F42Z	8r381.11	23
			8r374.1		23	Z01A		01
				8r374.1			8r381.11	05
			8r374.1					Pre

ZZV	MDC	DRG	ZZV	MDC	DRG	ZZV	MDC	DRG
8r38g.1	01	B12Z	8r38h.25	01	B12Z	8r430.12↔	05	F01A, F01B, F01D, F14A, F14B, F15Z, F24A, F24B, F28A, F36A, F36B, F54Z, F59A, F59B
	05	F01A, F01B, F01D, F05Z, F06C, F06D, F06E, F12A, F12B, F19A, F19B, F19C		05	F01A, F01B, F01D, F12A, F12B, F15Z, F24A, F24B, F36A, F36B, F52A, F52B, F56A, F56B, F58A, F58B		09	J03A, J03B, J04A, J04B, J08A, J08B, J08C, J11A, J11B, J16Z
8r38g.2	Pre	A13F	8r38h.26	Pre	A13F	8r430.13↔	10	K09A, K09B
	01	B12Z		01	B12Z		21A	W04A, W04B
8r38h.11	05	F01A, F01B, F01D, F05Z, F06C, F06D, F06E, F12A, F12B, F19A, F19B, F19C	8r38h.27	05	F01A, F01B, F01D, F12A, F12B, F15Z, F24A, F24B, F36A, F36B, F52A, F52B, F56A, F56B, F58A, F58B	8r430.16	21B	X06A, X06B, X06C
	Pre	A13F		Pre	A13F		05	F01A, F01B, F01D, F14A, F14B, F15Z, F24A, F24B, F28A, F36A, F36B, F54Z, F59A, F59B
8r38h.12	01	B12Z	8r38i.1	01	B12Z	8r430.17	09	J03A, J03B, J04A, J04B, J08A, J08B, J08C, J11A, J11B, J16Z
	05	F01A, F01B, F01D, F12A, F12B, F15Z, F24A, F24B, F36A, F36B, F52A, F52B, F56A, F56B, F58A, F58B		05	F01A, F01B, F01D, F12A, F12B, F15Z, F24A, F24B, F36A, F36B, F52A, F52B, F56A, F56B, F58A, F58B		10	K09A, K09B
8r38h.13	Pre	A13F	8r38i.2	Pre	A13F	8r430.18↔	21A	W04A, W04B
	01	B12Z		01	B12Z		21B	X06A, X06B, X06C
8r38h.14	05	F01A, F01B, F01D, F12A, F12B, F15Z, F24A, F24B, F36A, F36B, F52A, F52B, F56A, F56B, F58A, F58B	8r38x.4	05	F01A, F01B, F01D, F12A, F12B, F15Z, F24A, F24B, F36A, F36B, F52A, F52B, F56A, F56B, F58A, F58B	8r430.19↔	05	F01A, F01B, F01D, F14A, F14B, F15Z, F19A, F19B, F19C, F24A, F24B, F36A, F36B, F54Z
	Pre	A13F		Pre	A13F		09	J03A, J03B, J04A, J04B, J08A, J08B, J08C, J11A, J11B, J16Z
8r38h.15	01	B12Z	8r38h.16	04	E05A, E05B, E05C, E08A, E08B, E08C	8r430.1a	10	K09A, K09B
	05	F01A, F01B, F01D, F12A, F12B, F15Z, F24A, F24B, F36A, F36B, F52A, F52B, F56A, F56B, F58A, F58B		05	F01A, F01B, F01D, F05Z, F07A, F07B, F09A, F09B, F09C, F30Z, F42Z		21A	W04A, W04B
8r38h.16	Pre	A13F	8r430.10	06	G15Z, G19A, G19B, G33Z, G38Z	8r430.19↔	21B	X06A, X06B, X06C
	01	B12Z		07	H33Z, H38Z		05	F01A, F01B, F01D, F14A, F14B, F15Z, F24A, F24B, F28A, F36A, F36B, F54Z, F59A, F59B
8r38h.17	05	F01A, F01B, F01D, F12A, F12B, F15Z, F24A, F24B, F36A, F36B, F52A, F52B, F56A, F56B, F58A, F58B	8r430.11	08	I08A, I08B, I08C, I08D, I08E, I13A, I13B	8r430.19↔	09	J03A, J03B, J04A, J04B, J08A, J08B, J08C, J11A, J11B, J16Z
	Pre	A13F		11	L09A, L33Z, L38Z		10	K09A, K09B
8r38h.22	01	B12Z	8r430.12	15	P02A, P02B, P02C	8r430.19↔	21A	W04A, W04B
	05	F01A, F01B, F01D, F12A, F12B, F15Z, F24A, F24B, F36A, F36B, F52A, F52B, F56A, F56B, F58A, F58B		21A	W04A, W04B		21B	X06A, X06B, X06C
8r38h.23	Pre	A13F	8r430.13	21B	X06A, X06B, X06C, X33Z	8r430.19↔	05	F01A, F01B, F01D, F14A, F14B, F15Z, F24A, F24B, F28A, F36A, F36B, F54Z, F59A, F59B
	01	B12Z		Pre	A07A		09	J03A, J03B, J04A, J04B, J08A, J08B, J08C, J11A, J11B, J16Z
8r38h.24	05	F01A, F01B, F01D, F12A, F12B, F15Z, F24A, F24B, F36A, F36B, F52A, F52B, F56A, F56B, F58A, F58B	8r430.14	01	B02A, B02B, B02C, B20A, B20B, B20C, B20D, B20E, B39A, B39B	8r430.19↔	10	K09A, K09B
	Pre	A13F		05	F01A, F01B, F01D, F14A, F14B, F15Z, F24A, F24B, F28A, F36A, F36B, F54Z, F59A, F59B		21A	W04A, W04B
8r38h.24	01	B12Z	8r430.15	09	J03A, J03B, J04A, J04B, J08A, J08B, J08C, J11A, J11B, J16Z	8r430.19↔	21B	X06A, X06B, X06C
	05	F01A, F01B, F01D, F12A, F12B, F15Z, F24A, F24B, F36A, F36B, F52A, F52B, F56A, F56B, F58A, F58B		10	K09A, K09B			
8r38h.24	Pre	A13F	8r430.16	21A	W04A, W04B	8r430.19↔	05	F01A, F01B, F01D, F14A, F14B, F15Z, F24A, F24B, F28A, F36A, F36B, F54Z, F59A, F59B
	01	B12Z		21B	X06A, X06B, X06C		09	J03A, J03B, J04A, J04B, J08A, J08B, J08C, J11A, J11B, J16Z
8r38h.24	05	F01A, F01B, F01D, F12A, F12B, F15Z, F24A, F24B, F36A, F36B, F52A, F52B, F56A, F56B, F58A, F58B	8r430.17	21B	X06A, X06B, X06C, X33Z	8r430.19↔	10	K09A, K09B
	Pre	A13F		21B	X06A, X06B, X06C, X33Z		21A	W04A, W04B
8r38h.24	01	B12Z	8r430.18	01	B02A, B02B, B02C, B20A, B20B, B20C, B20D, B20E, B39A, B39B	8r430.19↔	21B	X06A, X06B, X06C
	05	F01A, F01B, F01D, F12A, F12B, F15Z, F24A, F24B, F36A, F36B, F52A, F52B, F56A, F56B, F58A, F58B		05	F01A, F01B, F01D, F14A, F14B, F15Z, F24A, F24B, F28A, F36A, F36B, F54Z, F59A, F59B		05	F01A, F01B, F01D, F14A, F14B, F15Z, F24A, F24B, F28A, F36A, F36B, F54Z, F59A, F59B
8r38h.24	Pre	A13F	8r430.19	09	J03A, J03B, J04A, J04B, J08A, J08B, J08C, J11A, J11B, J16Z	8r430.19↔	09	J03A, J03B, J04A, J04B, J08A, J08B, J08C, J11A, J11B, J16Z
	01	B12Z		10	K09A, K09B		10	K09A, K09B
8r38h.24	05	F01A, F01B, F01D, F12A, F12B, F15Z, F24A, F24B, F36A, F36B, F52A, F52B, F56A, F56B, F58A, F58B	8r430.20	21A	W04A, W04B	8r430.19↔	21A	W04A, W04B
	Pre	A13F		21B	X06A, X06B, X06C, X33Z		21B	X06A, X06B, X06C

VYK

ZZV	MDC	DRG	ZZV	MDC	DRG	ZZV	MDC	DRG																												
8r430.1b↔	05	F01A, F01B, F01D, F14A, F14B, F15Z, F24A, F24B, F28A, F36A, F36B, F54Z, F59A, F59B	8r430.1h↔	05	F01A, F01B, F01D, F14A, F14B, F15Z, F24A, F24B, F28A, F36A, F36B, F54Z, F59A, F59B	8r430.1o	01	B0P, U0P4																												
		09			J03A, J03B, J04A, J04B, J08A, J08B, J08C, J11A, J11B, J16Z			09	J03A, J03B, J04A, J04B, J08A, J08B, J08C, J11A, J11B, J16Z	05	F01A, F01B, F01D, F14A, F14B, F15Z, F24A, F24B, F28A, F36A, F36B, F54Z, F59A, F59B																									
					10				K09A, K09B		10	K09A, K09B	09	J03A, J03B, J04A, J04B, J08A, J08B, J08C, J11A, J11B, J16Z																						
									21A			W04A, W04B		21A	W04A, W04B	10	K09A, K09B																			
												21B			X06A, X06B, X06C		21B	X06A, X06B, X06C																		
8r430.1c↔	05	F01A, F01B, F01D, F14A, F14B, F15Z, F24A, F24B, F28A, F36A, F36B, F54Z, F59A, F59B	8r430.1j↔	01	B0P, U0P4	8r430.1p	01	B0P, U0P4																												
		06			G10Z, G12A, G12B			05	F01A, F01B, F01D, F14A, F14B, F15Z, F24A, F24B, F28A, F36A, F36B, F54Z, F59A, F59B	05	F01A, F01B, F01D, F14A, F14B, F15Z, F24A, F24B, F28A, F36A, F36B, F54Z, F59A, F59B																									
					09				J03A, J03B, J04A, J04B, J08A, J08B, J08C, J11A, J11B, J16Z		06	G10Z, G12A, G12B	09	J03A, J03B, J04A, J04B, J08A, J08B, J08C, J11A, J11B, J16Z																						
									10			K09A, K09B		09	J03A, J03B, J04A, J04B, J08A, J08B, J08C, J11A, J11B, J16Z	10	K09A, K09B																			
												11			L09A, L09B, L09C, L09D, L38Z		10	K09A, K09B	21A	W04A, W04B																
															21A			W04A, W04B		11	L09A, L09B, L09C, L09D, L38Z	21A	W04A, W04B													
																		21B			X06A, X06B, X06C		21A	W04A, W04B	21B	X06A, X06B, X06C										
																					05			F01A, F01B, F01D, F14A, F14B, F15Z, F24A, F24B, F28A, F36A, F36B, F54Z, F59A, F59B		21B	X06A, X06B, X06C	01	B0P, U0P4							
																								09			J03A, J03B, J04A, J04B, J08A, J08B, J08C, J11A, J11B, J16Z		01	B04A, B04B, B04C, B04D	05	F01A, F01B, F01D, F14A, F14B, F15Z, F24A, F24B, F28A, F36A, F36B, F54Z, F59A, F59B				
																											10			K09A, K09B		04	E02A, E02B, E02C	09	J03A, J03B, J04A, J04B, J08A, J08B, J08C, J11A, J11B, J16Z	
																														21A			W04A, W04B		05	F01A, F01B, F01D, F14A, F14B, F15Z, F19A, F19B, F19C, F24A, F24B, F28A, F36A, F36B, F54Z, F59A, F59B
8r430.1d	05	F01A, F01B, F01D, F14A, F14B, F15Z, F24A, F24B, F28A, F36A, F36B, F54Z, F59A, F59B	8r430.1k↔	01	B04A, B04B, B04C, B04D	8r430.1r	01	B04A, B04B, B04C, B04D																												
		09			J03A, J03B, J04A, J04B, J08A, J08B, J08C, J11A, J11B, J16Z			04	E02A, E02B, E02C	05	F01A, F01B, F01D, F14A, F14B, F15Z, F19A, F19B, F19C, F24A, F24B, F28A, F36A, F36B, F54Z, F59A, F59B																									
					10				K09A, K09B		05	F01A, F01B, F01D, F14A, F14B, F15Z, F19A, F19B, F19C, F24A, F24B, F28A, F36A, F36B, F54Z, F59A, F59B	09	J03A, J03B, J04A, J04B, J08A, J08B, J08C, J11A, J11B, J16Z																						
									21A			W04A, W04B		09	J03A, J03B, J04A, J04B, J08A, J08B, J08C, J11A, J11B, J16Z	10	K09A, K09B																			
												21B			X04Z, X06A, X06B, X06C		21A	W04A, W04B	21A	W04A, W04B																
															05			F01A, F01B, F01D, F14A, F14B, F15Z, F24A, F24B, F28A, F36A, F36B, F54Z, F59A, F59B		Pre	A13F	21B	X06A, X06B, X06C													
																		09			J03A, J03B, J04A, J04B, J08A, J08B, J08C, J11A, J11B, J16Z		04	E02A, E02B, E02C	8r430.1s	04	E36Z									
																					10			K09A, K09B			05	F01A, F01B, F01D, F19A, F19B, F19C	05	F01A, F01B, F01D, F05Z, F07A, F07B, F08A, F08B, F08C, F08D, F08E, F27A, F28A, F36A, F42Z, F51A, F51B						
																								21A				W04A, W04B		10	K09A, K09B	06	G36Z			
																												21B			X04Z, X06A, X06B, X06C		Pre	A13F	08	I08A, I08B, I08C, I08D, I08E, I13A, I13B, I26Z
																															05			F01A, F01B, F01D, F14A, F14B, F15Z, F24A, F24B, F28A, F36A, F36B, F54Z, F59A, F59B		8r430.1m↔
8r430.1e	05	F01A, F01B, F01D, F14A, F14B, F15Z, F24A, F24B, F28A, F36A, F36B, F54Z, F59A, F59B	8r430.1l	04	E02A, E02B, E02C	8r430.1s	04	E36Z																												
		09			J03A, J03B, J04A, J04B, J08A, J08B, J08C, J11A, J11B, J16Z			05	F01A, F01B, F01D, F19A, F19B, F19C	05	F01A, F01B, F01D, F05Z, F07A, F07B, F08A, F08B, F08C, F08D, F08E, F27A, F28A, F36A, F42Z, F51A, F51B																									
					10				K09A, K09B		10	K09A, K09B	06	G36Z																						
									21A			W04A, W04B		Pre	A13F	08	I08A, I08B, I08C, I08D, I08E, I13A, I13B, I26Z																			
												21B			X04Z, X06A, X06B, X06C		04	E02A, E02B, E02C	11	L33Z																
															05			F01A, F01B, F01D, F14A, F14B, F15Z, F24A, F24B, F28A, F36A, F36B, F54Z, F59A, F59B		05	F01A, F01B, F01D, F14A, F14B, F15Z, F24A, F24B, F28A, F36A, F36B, F54Z, F59A, F59B	21A	W36Z													
																		09			J03A, J03B, J04A, J04B, J08A, J08B, J08C, J11A, J11B, J16Z		09	J03A, J03B, J04A, J04B, J08A, J08B, J08C, J11A, J11B, J16Z	21B	X33Z										
																					10			K09A, K09B		10	K09A, K09B	23	Z01A							
																								21A			W04A, W04B		Pre	A06A, A07A, A09A, A11A, A13A	05	F01A, F01B, F01D, F14A, F14B, F15Z, F24A, F24B, F28A, F36A, F36B, F54Z, F59A, F59B				
																											21B			X04Z, X05A, X05B, X06A, X06B, X06C		8r430.1x↔	05	F01A, F01B, F01D, F14A, F14B, F15Z, F24A, F24B, F28A, F36A, F36B, F54Z, F59A, F59B		
																														05				F01A, F01B, F01D, F14A, F14B, F15Z, F24A, F24B, F28A, F36A, F36B, F54Z, F59A, F59B	09	J03A, J03B, J04A, J04B, J08A, J08B, J08C, J11A, J11B, J16Z
8r430.1f	05	F01A, F01B, F01D, F14A, F14B, F15Z, F24A, F24B, F28A, F36A, F36B, F54Z, F59A, F59B	8r430.1n↔	01	B04A, B04B, B04C, B04D	8r430.1x↔	05	F01A, F01B, F01D, F14A, F14B, F15Z, F24A, F24B, F28A, F36A, F36B, F54Z, F59A, F59B																												
		09			J03A, J03B, J04A, J04B, J08A, J08B, J08C, J11A, J11B, J16Z			05	F01A, F01B, F01D, F14A, F14B, F15Z, F24A, F24B, F28A, F36A, F36B, F54Z, F59A, F59B	09	J03A, J03B, J04A, J04B, J08A, J08B, J08C, J11A, J11B, J16Z																									
					10				K09A, K09B		09	J03A, J03B, J04A, J04B, J08A, J08B, J08C, J11A, J11B, J16Z	10	K09A, K09B																						
									21A			W04A, W04B		10	K09A, K09B	21A	W04A, W04B																			
												21B			X04Z, X05A, X05B, X06A, X06B, X06C		21A	W04A, W04B	21B	X06A, X06B, X06C																
															05			F01A, F01B, F01D, F14A, F14B, F15Z, F24A, F24B, F28A, F36A, F36B, F54Z, F59A, F59B		01	B04A, B04B, B04C, B04D	05	F01A, F01B, F01D, F14A, F14B, F15Z, F24A, F24B, F28A, F36A, F36B, F54Z, F59A, F59B													
																		09			J03A, J03B, J04A, J04B, J08A, J08B, J08C, J11A, J11B, J16Z		05	F01A, F01B, F01D, F14A, F14B, F15Z, F24A, F24B, F28A, F36A, F36B, F54Z, F59A, F59B	09	J03A, J03B, J04A, J04B, J08A, J08B, J08C, J11A, J11B, J16Z										
																					10			K09A, K09B		09	J03A, J03B, J04A, J04B, J08A, J08B, J08C, J11A, J11B, J16Z	10	K09A, K09B							
																								21A			W04A, W04B		10	K09A, K09B	21A	W04A, W04B				
																											21B			X04Z, X05A, X05B, X06A, X06B, X06C		21A	W04A, W04B	21B	X06A, X06B, X06C	
																														05			F01A, F01B, F01D, F14A, F14B, F15Z, F24A, F24B, F28A, F36A, F36B, F54Z, F59A, F59B		09	J03A, J03B, J04A, J04B, J08A, J08B, J08C, J11A, J11B, J16Z



ZZV	MDC	DRG	ZZV	MDC	DRG	ZZV	MDC	DRG
8r430.20		KOP	8r430.29↔	05	F01A, F01B, F01D, F14A, F14B, F15Z, F24A, F24B, F28A, F36A, F36B, F54Z, F59A, F59B	8r430.2f	05	F01A, F01B, F01D, F14A, F14B, F15Z, F24A, F24B, F28A, F36A, F36B, F54Z, F59A, F59B
	01	B02A, B02B, B02C, B20A, B20B, B20C, B20D, B20E, B39A, B39B		09	J03A, J03B, J04A, J04B, J08A, J08B, J08C, J11A, J11B, J16Z		09	J03A, J03B, J04A, J04B, J08A, J08B, J08C, J11A, J11B, J16Z
	05	F01A, F01B, F01D, F14A, F14B, F15Z, F24A, F24B, F28A, F36A, F36B, F54Z, F59A, F59B		10	K09A, K09B		10	K09A, K09B
	09	J03A, J03B, J04A, J04B, J08A, J08B, J08C, J11A, J11B, J16Z		21A	W04A, W04B		21A	W04A, W04B
	10	K09A, K09B		21B	X06A, X06B, X06C		21B	X04Z, X05A, X05B, X06A, X06B, X06C
	21A	W04A, W04B						
8r430.22↔	05	F01A, F01B, F01D, F14A, F14B, F15Z, F24A, F24B, F28A, F36A, F36B, F54Z, F59A, F59B	8r430.2a	05	F01A, F01B, F01D, F14A, F14B, F15Z, F24A, F24B, F28A, F36A, F36B, F54Z, F59A, F59B	8r430.2g	05	F01A, F01B, F01D, F14A, F14B, F15Z, F24A, F24B, F28A, F36A, F36B, F54Z, F59A, F59B
	09	J03A, J03B, J04A, J04B, J08A, J08B, J08C, J11A, J11B, J16Z		09	J03A, J03B, J04A, J04B, J08A, J08B, J08C, J11A, J11B, J16Z		09	J03A, J03B, J04A, J04B, J08A, J08B, J08C, J11A, J11B, J16Z
	10	K09A, K09B		10	K09A, K09B		10	K09A, K09B
	21A	W04A, W04B		21A	W04A, W04B		21A	W04A, W04B
	21B	X06A, X06B, X06C		21B	X06A, X06B, X06C		21B	X04Z, X05A, X05B, X06A, X06B, X06C
8r430.23↔	05	F01A, F01B, F01D, F14A, F14B, F15Z, F24A, F24B, F28A, F36A, F36B, F54Z, F59A, F59B	8r430.2b↔	05	F01A, F01B, F01D, F14A, F14B, F15Z, F24A, F24B, F28A, F36A, F36B, F54Z, F59A, F59B	8r430.2h↔	05	F01A, F01B, F01D, F14A, F14B, F15Z, F24A, F24B, F28A, F36A, F36B, F54Z, F59A, F59B
	09	J03A, J03B, J04A, J04B, J08A, J08B, J08C, J11A, J11B, J16Z		09	J03A, J03B, J04A, J04B, J08A, J08B, J08C, J11A, J11B, J16Z		09	J03A, J03B, J04A, J04B, J08A, J08B, J08C, J11A, J11B, J16Z
	10	K09A, K09B		10	K09A, K09B		10	K09A, K09B
	21A	W04A, W04B		21A	W04A, W04B		21A	W04A, W04B
	21B	X06A, X06B, X06C		21B	X06A, X06B, X06C		21B	X04Z, X05A, X05B, X06A, X06B, X06C
8r430.26	05	F01A, F01B, F01D, F15Z, F19A, F19B, F19C, F24A, F24B, F36A, F36B	8r430.2c↔	05	F01A, F01B, F01D, F14A, F14B, F15Z, F24A, F24B, F28A, F36A, F36B, F54Z, F59A, F59B	8r430.2j↔	01	B04A, B04B, B04C, B04D
	09	J03A, J03B, J04A, J04B, J08A, J08B, J08C, J11A, J11B, J16Z		06	G10Z, G12A, G12B		05	F01A, F01B, F01D, F14A, F14B, F15Z, F24A, F24B, F28A, F36A, F36B, F54Z, F59A, F59B
	10	K09A, K09B		09	J03A, J03B, J04A, J04B, J08A, J08B, J08C, J11A, J11B, J16Z		06	G10Z, G12A, G12B
	21A	W04A, W04B		10	K09A, K09B		09	J03A, J03B, J04A, J04B, J08A, J08B, J08C, J11A, J11B, J16Z
	21B	X06A, X06B, X06C		11	L09A, L09B, L09C, L09D, L38Z		10	K09A, K09B
				21A	W04A, W04B		11	L09A, L09B, L09C, L09D, L38Z
8r430.27	05	F01A, F01B, F01D, F15Z, F19A, F19B, F19C, F24A, F24B, F36A, F36B	8r430.2d	05	F01A, F01B, F01D, F14A, F14B, F15Z, F24A, F24B, F28A, F36A, F36B, F54Z, F59A, F59B	8r430.2k↔	21A	W04A, W04B
	09	J03A, J03B, J04A, J04B, J08A, J08B, J08C, J11A, J11B, J16Z		09	J03A, J03B, J04A, J04B, J08A, J08B, J08C, J11A, J11B, J16Z		21B	X06A, X06B, X06C
	10	K09A, K09B		10	K09A, K09B		BOP, UOP4	
	21A	W04A, W04B		21A	W04A, W04B		01	B04A, B04B, B04C, B04D
	21B	X06A, X06B, X06C		21B	X06A, X06B, X06C		04	E02A, E02B, E02C
							05	F01A, F01B, F01D, F14A, F14B, F15Z, F19A, F19B, F19C, F24A, F24B, F28A, F36A, F36B, F54Z, F59A, F59B
8r430.28↔	05	F01A, F01B, F01D, F15Z, F19A, F19B, F19C, F24A, F24B, F36A, F36B	8r430.2e	05	F01A, F01B, F01D, F14A, F14B, F15Z, F24A, F24B, F28A, F36A, F36B, F54Z, F59A, F59B	8r430.2l	01	B04A, B04B, B04C, B04D
	09	J03A, J03B, J04A, J04B, J08A, J08B, J08C, J11A, J11B, J16Z		09	J03A, J03B, J04A, J04B, J08A, J08B, J08C, J11A, J11B, J16Z		04	E02A, E02B, E02C
	10	K09A, K09B		10	K09A, K09B		05	F01A, F01B, F01D, F14A, F14B, F15Z, F19A, F19B, F19C, F24A, F24B, F28A, F36A, F36B, F54Z, F59A, F59B
	21A	W04A, W04B		10	K09A, K09B		09	J03A, J03B, J04A, J04B, J08A, J08B, J08C, J11A, J11B, J16Z
	21B	X06A, X06B, X06C		21A	W04A, W04B		10	K09A, K09B
				21B	X04Z, X06A, X06B, X06C		21A	W04A, W04B
				21B	X06A, X06B, X06C			
				Pre	A13F			
				04	E02A, E02B, E02C			
				05	F01A, F01B, F01D, F19A, F19B, F19C			
				10	K09A, K09B			
				Pre	A13F			

VYK

ZZV	MDC	DRG	ZZV	MDC	DRG	ZZV	MDC	DRG					
8r430.2m↔		BOP, UOP4	8r430.2s		BOP, KOP, KVT, UOP4	8r430.37	05	F01A, F01B, F01D, F15Z, F19A, F19B, F19C, F24A, F24B, F36A, F36B					
	01	B04A, B04B, B04C, B04D		04	E36Z		09	J03A, J03B, J04A, J04B, J08A, J08B, J08C, J11A, J11B, J16Z					
	05	F01A, F01B, F01D, F14A, F14B, F15Z, F24A, F24B, F28A, F36A, F36B, F54Z, F59A, F59B		05	F01A, F01B, F01D, F05Z, F07A, F07B, F08A, F08B, F08C, F08D, F08E, F27A, F28A, F36A, F42Z, F51A, F51B		10	K09A, K09B					
	09	J03A, J03B, J04A, J04B, J08A, J08B, J08C, J11A, J11B, J16Z		06	G36Z		21A	W04A, W04B					
	10	K09A, K09B		08	I08A, I08B, I08C, I08D, I08E, I13A, I13B, I26Z		21B	X06A, X06B, X06C					
	21A	W04A, W04B		11	L33Z		8r430.38↔	05	F01A, F01B, F01D, F15Z, F19A, F19B, F19C, F24A, F24B, F36A, F36B				
	21B	X06A, X06B, X06C		21A	W36Z			09	J03A, J03B, J04A, J04B, J08A, J08B, J08C, J11A, J11B, J16Z				
	8r430.2n↔			BOP, UOP4	21B			X33Z	10	K09A, K09B			
		01		B04A, B04B, B04C, B04D	23			Z01A	21A	W04A, W04B			
		05		F01A, F01B, F01D, F14A, F14B, F15Z, F24A, F24B, F28A, F36A, F36B, F54Z, F59A, F59B	Pre			A06A, A07A, A09A, A11A, A13A	21B	X06A, X06B, X06C			
09		J03A, J03B, J04A, J04B, J08A, J08B, J08C, J11A, J11B, J16Z	8r430.2x↔	05	F01A, F01B, F01D, F14A, F14B, F15Z, F24A, F24B, F28A, F36A, F36B, F54Z, F59A, F59B	8r430.39↔		05	F01A, F01B, F01D, F14A, F14B, F15Z, F24A, F24B, F28A, F36A, F36B, F54Z, F59A, F59B				
10		K09A, K09B		09	J03A, J03B, J04A, J04B, J08A, J08B, J08C, J11A, J11B, J16Z			09	J03A, J03B, J04A, J04B, J08A, J08B, J08C, J11A, J11B, J16Z				
21A		W04A, W04B		10	K09A, K09B			10	K09A, K09B				
21B		X06A, X06B, X06C		21A	W04A, W04B			21A	W04A, W04B				
8r430.2o				BOP, UOP4	21B			X06A, X06B, X06C	8r430.3a	21B	X06A, X06B, X06C		
		01		B04A, B04B, B04C, B04D	8r430.30					05	F01A, F01B, F01D, F14A, F14B, F15Z, F24A, F24B, F28A, F36A, F36B, F54Z, F59A, F59B		
		05		F01A, F01B, F01D, F14A, F14B, F15Z, F24A, F24B, F28A, F36A, F36B, F54Z, F59A, F59B			01	B02A, B02B, B02C, B20A, B20B, B20C, B20D, B20E, B39A, B39B		09	J03A, J03B, J04A, J04B, J08A, J08B, J08C, J11A, J11B, J16Z		
	09	J03A, J03B, J04A, J04B, J08A, J08B, J08C, J11A, J11B, J16Z		05			F01A, F01B, F01D, F14A, F14B, F15Z, F24A, F24B, F28A, F36A, F36B, F54Z, F59A, F59B	10		K09A, K09B			
	10	K09A, K09B		09			J03A, J03B, J04A, J04B, J08A, J08B, J08C, J11A, J11B, J16Z	21A		W04A, W04B			
	21A	W04A, W04B		10			K09A, K09B	21B		X06A, X06B, X06C			
	21B	X06A, X06B, X06C	8r430.32↔				8r430.3b↔	05		F01A, F01B, F01D, F14A, F14B, F15Z, F24A, F24B, F28A, F36A, F36B, F54Z, F59A, F59B			
	8r430.2p			BOP, UOP4		8r430.33↔					09	J03A, J03B, J04A, J04B, J08A, J08B, J08C, J11A, J11B, J16Z	
		01		B04A, B04B, B04C, B04D				05		F01A, F01B, F01D, F14A, F14B, F15Z, F24A, F24B, F28A, F36A, F36B, F54Z, F59A, F59B	10	K09A, K09B	
		05		F01A, F01B, F01D, F14A, F14B, F15Z, F24A, F24B, F28A, F36A, F36B, F54Z, F59A, F59B				09		J03A, J03B, J04A, J04B, J08A, J08B, J08C, J11A, J11B, J16Z	21A	W04A, W04B	
09		J03A, J03B, J04A, J04B, J08A, J08B, J08C, J11A, J11B, J16Z		10				K09A, K09B	21B	X06A, X06B, X06C			
10		K09A, K09B		21A	W04A, W04B			8r430.3c↔	05	F01A, F01B, F01D, F14A, F14B, F15Z, F24A, F24B, F28A, F36A, F36B, F54Z, F59A, F59B			
21A		W04A, W04B		21B	X06A, X06B, X06C				06	G10Z, G12A, G12B			
21B		X06A, X06B, X06C		8r430.34↔						09	J03A, J03B, J04A, J04B, J08A, J08B, J08C, J11A, J11B, J16Z		
8r430.2r					BOP, UOP4				8r430.35↔			10	K09A, K09B
		01			B04A, B04B, B04C, B04D					05	F01A, F01B, F01D, F14A, F14B, F15Z, F24A, F24B, F28A, F36A, F36B, F54Z, F59A, F59B	11	L09A, L09B, L09C, L09D, L38Z
		05	F01A, F01B, F01D, F14A, F14B, F15Z, F24A, F24B, F28A, F36A, F36B, F54Z, F59A, F59B		09		J03A, J03B, J04A, J04B, J08A, J08B, J08C, J11A, J11B, J16Z			21A	W04A, W04B		
	09	J03A, J03B, J04A, J04B, J08A, J08B, J08C, J11A, J11B, J16Z	10		K09A, K09B	21B	X06A, X06B, X06C						
	10	K09A, K09B	21A		W04A, W04B	8r430.3d	05			F01A, F01B, F01D, F14A, F14B, F15Z, F24A, F24B, F28A, F36A, F36B, F54Z, F59A, F59B			
	21A	W04A, W04B	21B		X05A, X05B, X06A, X06B, X06C		09			J03A, J03B, J04A, J04B, J08A, J08B, J08C, J11A, J11B, J16Z			
	21B	X06A, X06B, X06C	05		F01A, F01B, F01D, F15Z, F19A, F19B, F19C, F24A, F24B, F36A, F36B		10			K09A, K09B			
	8r430.2s		BOP, UOP4		8r430.36					21A	W04A, W04B		
		01	B04A, B04B, B04C, B04D				09	J03A, J03B, J04A, J04B, J08A, J08B, J08C, J11A, J11B, J16Z		21B	X04Z, X06A, X06B, X06C		
		05	F01A, F01B, F01D, F14A, F14B, F15Z, F24A, F24B, F28A, F36A, F36B, F54Z, F59A, F59B	10			K09A, K09B						
09		J03A, J03B, J04A, J04B, J08A, J08B, J08C, J11A, J11B, J16Z	21A	W04A, W04B									
10		K09A, K09B	21B	X06A, X06B, X06C									
21A		W04A, W04B											
21B		X06A, X06B, X06C											

VYK

ZZV	MDC	DRG	ZZV	MDC	DRG	ZZV	MDC	DRG		
8r430.3e	05	F01A, F01B, F01D, F14A, F14B, F15Z, F24A, F24B, F28A, F36A, F36B, F54Z, F59A, F59B	8r430.3k↔	01	BOP, UOP4	8r430.3r	01	BOP, UOP4		
		04			B04A, B04B, B04C, B04D			01	B04A, B04B, B04C, B04D	
	09	J03A, J03B, J04A, J04B, J08A, J08B, J08C, J11A, J11B, J16Z		04	E02A, E02B, E02C		05	F01A, F01B, F01D, F14A, F14B, F15Z, F19A, F19B, F19C, F24A, F24B, F28A, F36A, F36B, F54Z, F59A, F59B	05	F01A, F01B, F01D, F14A, F14B, F15Z, F24A, F24B, F28A, F36A, F36B, F54Z, F59A, F59B
		10		K09A, K09B	09		J03A, J03B, J04A, J04B, J08A, J08B, J08C, J11A, J11B, J16Z	09	J03A, J03B, J04A, J04B, J08A, J08B, J08C, J11A, J11B, J16Z	
		21A		W04A, W04B			10	K09A, K09B	10	K09A, K09B
21B	X04Z, X06A, X06B, X06C	21A	W04A, W04B	21B	X06A, X06B, X06C	21A	W04A, W04B			
8r430.3f	05	F01A, F01B, F01D, F14A, F14B, F15Z, F24A, F24B, F28A, F36A, F36B, F54Z, F59A, F59B	8r430.3l	04	E02A, E02B, E02C	8r430.3s	04	E36Z		
		05			F01A, F01B, F01D, F19A, F19B, F19C			05	F01A, F01B, F01D, F05Z, F07A, F07B, F08A, F08B, F08C, F08D, F08E, F27A, F28A, F36A, F42Z, F51A, F51B	
	09	J03A, J03B, J04A, J04B, J08A, J08B, J08C, J11A, J11B, J16Z		04	E02A, E02B, E02C		06	G36Z	08	I08A, I08B, I08C, I08D, I08E, I13A, I13B, I26Z
		10			K09A, K09B			10		K09A, K09B
		21A		W04A, W04B	Pre		A13F	21A	W04A, W04B	21A
21B	X04Z, X05A, X05B, X06A, X06B, X06C	Pre	A13F	21B	X06A, X06B, X06C	21B	X33Z			
8r430.3g	05	F01A, F01B, F01D, F14A, F14B, F15Z, F24A, F24B, F28A, F36A, F36B, F54Z, F59A, F59B	8r430.3m↔	01	BOP, UOP4	8r430.3x↔	05	F01A, F01B, F01D, F14A, F14B, F15Z, F24A, F24B, F28A, F36A, F36B, F54Z, F59A, F59B		
		05			F01A, F01B, F01D, F14A, F14B, F15Z, F24A, F24B, F28A, F36A, F36B, F54Z, F59A, F59B			09	J03A, J03B, J04A, J04B, J08A, J08B, J08C, J11A, J11B, J16Z	
	09	J03A, J03B, J04A, J04B, J08A, J08B, J08C, J11A, J11B, J16Z		09	J03A, J03B, J04A, J04B, J08A, J08B, J08C, J11A, J11B, J16Z		10	K09A, K09B	21A	W04A, W04B
		10			K09A, K09B			21B		X06A, X06B, X06C
		21A		W04A, W04B	21A		W04A, W04B	21B	X06A, X06B, X06C	
21B	X04Z, X05A, X05B, X06A, X06B, X06C	21B	X06A, X06B, X06C	Pre	A06A, A07A, A09A, A11A, A13A					
8r430.3h↔	05	F01A, F01B, F01D, F14A, F14B, F15Z, F24A, F24B, F28A, F36A, F36B, F54Z, F59A, F59B	8r430.3n↔	01	BOP, UOP4	8r430.40	01	B02A, B02B, B02C, B20A, B20B, B20C, B20D, B20E, B39A, B39B		
		05			F01A, F01B, F01D, F14A, F14B, F15Z, F24A, F24B, F28A, F36A, F36B, F54Z, F59A, F59B			05	F01A, F01B, F01D, F14A, F14B, F15Z, F24A, F24B, F28A, F36A, F36B, F54Z, F59A, F59B	
	09	J03A, J03B, J04A, J04B, J08A, J08B, J08C, J11A, J11B, J16Z		09	J03A, J03B, J04A, J04B, J08A, J08B, J08C, J11A, J11B, J16Z		10	K09A, K09B	21A	W04A, W04B
		10			K09A, K09B			21B		X06A, X06B, X06C
		21A		W04A, W04B	21A		W04A, W04B	21B	X06A, X06B, X06C	
21B	X04Z, X05A, X05B, X06A, X06B, X06C	21B	X06A, X06B, X06C	Pre	KOP					
8r430.3i↔	01	B04A, B04B, B04C, B04D	8r430.3o	01	B04A, B04B, B04C, B04D	8r430.42↔	05	F01A, F01B, F01D, F14A, F14B, F15Z, F24A, F24B, F28A, F36A, F36B, F54Z, F59A, F59B		
		05			F01A, F01B, F01D, F14A, F14B, F15Z, F24A, F24B, F28A, F36A, F36B, F54Z, F59A, F59B			09	J03A, J03B, J04A, J04B, J08A, J08B, J08C, J11A, J11B, J16Z	
	06	G10Z, G12A, G12B		09	J03A, J03B, J04A, J04B, J08A, J08B, J08C, J11A, J11B, J16Z		10	K09A, K09B	21A	W04A, W04B
		09			J03A, J03B, J04A, J04B, J08A, J08B, J08C, J11A, J11B, J16Z			21B		X06A, X06B, X06C
		09		J03A, J03B, J04A, J04B, J08A, J08B, J08C, J11A, J11B, J16Z	10		K09A, K09B	05	F01A, F01B, F01D, F14A, F14B, F15Z, F24A, F24B, F28A, F36A, F36B, F54Z, F59A, F59B	
10	K09A, K09B	21A	W04A, W04B	09	J03A, J03B, J04A, J04B, J08A, J08B, J08C, J11A, J11B, J16Z					
11	L09A, L09B, L09C, L09D, L38Z	21B	X06A, X06B, X06C	10	K09A, K09B					
21A	W04A, W04B	8r430.3p	01	B04A, B04B, B04C, B04D	8r430.42↔	21A	W04A, W04B			
21B	X06A, X06B, X06C			05			F01A, F01B, F01D, F14A, F14B, F15Z, F24A, F24B, F28A, F36A, F36B, F54Z, F59A, F59B	21A	W04A, W04B	
06	G10Z, G12A, G12B		09			J03A, J03B, J04A, J04B, J08A, J08B, J08C, J11A, J11B, J16Z	21B		X06A, X06B, X06C	
	09			J03A, J03B, J04A, J04B, J08A, J08B, J08C, J11A, J11B, J16Z						
	10		K09A, K09B							

VYK

ZZV	MDC	DRG	ZZV	MDC	DRG	ZZV	MDC	DRG		
8r430.43↔	05	F01A, F01B, F01D, F14A, F14B, F15Z, F24A, F24B, F28A, F36A, F36B, F54Z, F59A, F59B	8r430.4c↔	05	F01A, F01B, F01D, F14A, F14B, F15Z, F24A, F24B, F28A, F36A, F36B, F54Z, F59A, F59B	8r430.4j↔	01	BOP, UOP4		
		09			J03A, J03B, J04A, J04B, J08A, J08B, J08C, J11A, J11B, J16Z			06	G10Z, G12A, G12B	05
	10	K09A, K09B		09	J03A, J03B, J04A, J04B, J08A, J08B, J08C, J11A, J11B, J16Z		09	G10Z, G12A, G12B	06	G10Z, G12A, G12B
	21A	W04A, W04B		10	K09A, K09B		10	J03A, J03B, J04A, J04B, J08A, J08B, J08C, J11A, J11B, J16Z	09	J03A, J03B, J04A, J04B, J08A, J08B, J08C, J11A, J11B, J16Z
	21B	X05A, X05B, X06A, X06B, X06C		11	L09A, L09B, L09C, L09D, L38Z		10	K09A, K09B	10	K09A, K09B
	8r430.46	05		F01A, F01B, F01D, F15Z, F19A, F19B, F19C, F24A, F24B, F36A, F36B	21A		W04A, W04B	11	L09A, L09B, L09C, L09D, L38Z	21A
	09	J03A, J03B, J04A, J04B, J08A, J08B, J08C, J11A, J11B, J16Z	21B	X06A, X06B, X06C	8r430.4d	05	F01A, F01B, F01D, F14A, F14B, F15Z, F24A, F24B, F28A, F36A, F36B, F54Z, F59A, F59B	21B	X06A, X06B, X06C	
	10	K09A, K09B				09	J03A, J03B, J04A, J04B, J08A, J08B, J08C, J11A, J11B, J16Z	8r430.4k↔	BOP, UOP4	
	21A	W04A, W04B				10	K09A, K09B	01	B04A, B04B, B04C, B04D	
	21B	X06A, X06B, X06C				21A	W04A, W04B	04	E02A, E02B, E02C	
8r430.47	05	F01A, F01B, F01D, F15Z, F19A, F19B, F19C, F24A, F24B, F36A, F36B	8r430.4e	05	F01A, F01B, F01D, F14A, F14B, F15Z, F24A, F24B, F28A, F36A, F36B, F54Z, F59A, F59B	09	J03A, J03B, J04A, J04B, J08A, J08B, J08C, J11A, J11B, J16Z	05	F01A, F01B, F01D, F14A, F14B, F15Z, F19A, F19B, F19C, F24A, F24B, F28A, F36A, F36B, F54Z, F59A, F59B	
	09	J03A, J03B, J04A, J04B, J08A, J08B, J08C, J11A, J11B, J16Z				10	K09A, K09B	09	J03A, J03B, J04A, J04B, J08A, J08B, J08C, J11A, J11B, J16Z	
	10	K09A, K09B				21A	W04A, W04B	10	K09A, K09B	
	21A	W04A, W04B				21B	X04Z, X06A, X06B, X06C	21A	W04A, W04B	
	21B	X06A, X06B, X06C				8r430.4f	05	F01A, F01B, F01D, F14A, F14B, F15Z, F24A, F24B, F28A, F36A, F36B, F54Z, F59A, F59B	21B	X06A, X06B, X06C
8r430.48↔	05	F01A, F01B, F01D, F15Z, F19A, F19B, F19C, F24A, F24B, F36A, F36B				09	J03A, J03B, J04A, J04B, J08A, J08B, J08C, J11A, J11B, J16Z	8r430.4l	Pre A13F	
	09	J03A, J03B, J04A, J04B, J08A, J08B, J08C, J11A, J11B, J16Z				10	K09A, K09B	04	E02A, E02B, E02C	
	10	K09A, K09B				21A	W04A, W04B	05	F01A, F01B, F01D, F19A, F19B, F19C	
	21A	W04A, W04B				21B	X04Z, X06A, X06B, X06C	10	K09A, K09B	
	21B	X06A, X06B, X06C				8r430.4g	05	F01A, F01B, F01D, F14A, F14B, F15Z, F24A, F24B, F28A, F36A, F36B, F54Z, F59A, F59B	Pre	A13F
8r430.49↔	05	F01A, F01B, F01D, F14A, F14B, F15Z, F24A, F24B, F28A, F36A, F36B, F54Z, F59A, F59B				09	J03A, J03B, J04A, J04B, J08A, J08B, J08C, J11A, J11B, J16Z	8r430.4m↔	BOP, UOP4	
	09	J03A, J03B, J04A, J04B, J08A, J08B, J08C, J11A, J11B, J16Z				10	K09A, K09B	01	B04A, B04B, B04C, B04D	
	10	K09A, K09B				21A	W04A, W04B	05	F01A, F01B, F01D, F14A, F14B, F15Z, F24A, F24B, F28A, F36A, F36B, F54Z, F59A, F59B	
	21A	W04A, W04B				21B	X04Z, X05A, X05B, X06A, X06B, X06C	09	J03A, J03B, J04A, J04B, J08A, J08B, J08C, J11A, J11B, J16Z	
	21B	X06A, X06B, X06C				8r430.4h↔	05	F01A, F01B, F01D, F14A, F14B, F15Z, F24A, F24B, F28A, F36A, F36B, F54Z, F59A, F59B	10	K09A, K09B
8r430.4a	05	F01A, F01B, F01D, F14A, F14B, F15Z, F24A, F24B, F28A, F36A, F36B, F54Z, F59A, F59B				09	J03A, J03B, J04A, J04B, J08A, J08B, J08C, J11A, J11B, J16Z	21A	W04A, W04B	
	09	J03A, J03B, J04A, J04B, J08A, J08B, J08C, J11A, J11B, J16Z				10	K09A, K09B	21B	X06A, X06B, X06C	
	10	K09A, K09B				21A	W04A, W04B	8r430.4n↔	BOP, UOP4	
	21A	W04A, W04B				21B	X04Z, X05A, X05B, X06A, X06B, X06C	01	B04A, B04B, B04C, B04D	
	21B	X06A, X06B, X06C				8r430.4b↔	05	F01A, F01B, F01D, F14A, F14B, F15Z, F24A, F24B, F28A, F36A, F36B, F54Z, F59A, F59B	05	F01A, F01B, F01D, F14A, F14B, F15Z, F24A, F24B, F28A, F36A, F36B, F54Z, F59A, F59B
	05	F01A, F01B, F01D, F14A, F14B, F15Z, F24A, F24B, F28A, F36A, F36B, F54Z, F59A, F59B				09	J03A, J03B, J04A, J04B, J08A, J08B, J08C, J11A, J11B, J16Z	09	J03A, J03B, J04A, J04B, J08A, J08B, J08C, J11A, J11B, J16Z	
	09	J03A, J03B, J04A, J04B, J08A, J08B, J08C, J11A, J11B, J16Z				10	K09A, K09B	10	K09A, K09B	
	10	K09A, K09B				21A	W04A, W04B	21A	W04A, W04B	
	21A	W04A, W04B				21B	X06A, X06B, X06C	21B	X06A, X06B, X06C	
	21B	X06A, X06B, X06C				8r430.4o	01	B04A, B04B, B04C, B04D		
	05	F01A, F01B, F01D, F14A, F14B, F15Z, F24A, F24B, F28A, F36A, F36B, F54Z, F59A, F59B				05	F01A, F01B, F01D, F14A, F14B, F15Z, F24A, F24B, F28A, F36A, F36B, F54Z, F59A, F59B			
	09	J03A, J03B, J04A, J04B, J08A, J08B, J08C, J11A, J11B, J16Z				09	J03A, J03B, J04A, J04B, J08A, J08B, J08C, J11A, J11B, J16Z			
	10	K09A, K09B				10	K09A, K09B			
	21A	W04A, W04B				21A	W04A, W04B			
	21B	X06A, X06B, X06C				21B	X04Z, X05A, X05B, X06A, X06B, X06C			

VYK

Príloha B: Index Výkon-MDC-DRG

ZZV	MDC	DRG	ZZV	MDC	DRG	ZZV	MDC	DRG			
8r430.4p		BOP, UOP4	8r430.52↔	05	F01A, F01B, F01D, F14A, F14B, F15Z, F24A, F24B, F28A, F36A, F36B, F54Z, F59A, F59B	8r430.5b↔	05	F01A, F01B, F01D, F14A, F14B, F15Z, F24A, F24B, F28A, F36A, F36B, F54Z, F59A, F59B			
	01	B04A, B04B, B04C, B04D		09	J03A, J03B, J04A, J04B, J08A, J08B, J08C, J11A, J11B, J16Z		09	J03A, J03B, J04A, J04B, J08A, J08B, J08C, J11A, J11B, J16Z			
	05	F01A, F01B, F01D, F14A, F14B, F15Z, F24A, F24B, F28A, F36A, F36B, F54Z, F59A, F59B		10	K09A, K09B		10	K09A, K09B			
	09	J03A, J03B, J04A, J04B, J08A, J08B, J08C, J11A, J11B, J16Z		21A	W04A, W04B		21A	W04A, W04B			
	10	K09A, K09B		21B	X06A, X06B, X06C		21B	X06A, X06B, X06C			
	21A	W04A, W04B		8r430.53↔	05		F01A, F01B, F01D, F14A, F14B, F15Z, F24A, F24B, F28A, F36A, F36B, F54Z, F59A, F59B	8r430.5c↔	05	F01A, F01B, F01D, F14A, F14B, F15Z, F24A, F24B, F28A, F36A, F36B, F54Z, F59A, F59B	
	21B	X06A, X06B, X06C			09		J03A, J03B, J04A, J04B, J08A, J08B, J08C, J11A, J11B, J16Z		06	G10Z, G12A, G12B	
	8r430.4r				BOP, UOP4		10		K09A, K09B	09	J03A, J03B, J04A, J04B, J08A, J08B, J08C, J11A, J11B, J16Z
		01			B04A, B04B, B04C, B04D		21A		W04A, W04B	10	K09A, K09B
		05			F01A, F01B, F01D, F14A, F14B, F15Z, F24A, F24B, F28A, F36A, F36B, F54Z, F59A, F59B		21B		X05A, X05B, X06A, X06B, X06C	11	L09A, L09B, L09C, L09D, L38Z
09		J03A, J03B, J04A, J04B, J08A, J08B, J08C, J11A, J11B, J16Z	8r430.56		05	F01A, F01B, F01D, F15Z, F19A, F19B, F19C, F24A, F24B, F36A, F36B	21A		W04A, W04B		
10		K09A, K09B			09	J03A, J03B, J04A, J04B, J08A, J08B, J08C, J11A, J11B, J16Z	21B		X06A, X06B, X06C		
21A		W04A, W04B			10	K09A, K09B	8r430.5d		05	F01A, F01B, F01D, F14A, F14B, F15Z, F24A, F24B, F28A, F36A, F36B, F54Z, F59A, F59B	
21B		X06A, X06B, X06C			21A	W04A, W04B			09	J03A, J03B, J04A, J04B, J08A, J08B, J08C, J11A, J11B, J16Z	
8r430.4s					BOP, KOP, KVT, UOP4	21B			X06A, X06B, X06C	10	K09A, K09B
		04		E36Z	8r430.57	05		F01A, F01B, F01D, F15Z, F19A, F19B, F19C, F24A, F24B, F36A, F36B	21A	W04A, W04B	
		05		F01A, F01B, F01D, F05Z, F07A, F07B, F08A, F08B, F08C, F08D, F08E, F27A, F28A, F36A, F42Z, F51A, F51B		09		J03A, J03B, J04A, J04B, J08A, J08B, J08C, J11A, J11B, J16Z	21B	X04Z, X06A, X06B, X06C	
	06	G36Z		10		K09A, K09B		8r430.5e	05	F01A, F01B, F01D, F14A, F14B, F15Z, F24A, F24B, F28A, F36A, F36B, F54Z, F59A, F59B	
	08	I08A, I08B, I08C, I08D, I08E, I13A, I13B, I26Z		21A		W04A, W04B			09	J03A, J03B, J04A, J04B, J08A, J08B, J08C, J11A, J11B, J16Z	
	11	L33Z		21B		X06A, X06B, X06C			10	K09A, K09B	
	21A	W36Z	8r430.58↔	05		F01A, F01B, F01D, F15Z, F19A, F19B, F19C, F24A, F24B, F36A, F36B			21A	W04A, W04B	
	21B	X33Z		09		J03A, J03B, J04A, J04B, J08A, J08B, J08C, J11A, J11B, J16Z			21B	X04Z, X06A, X06B, X06C	
	23	Z01A		10		K09A, K09B	8r430.5f		05	F01A, F01B, F01D, F14A, F14B, F15Z, F24A, F24B, F28A, F36A, F36B, F54Z, F59A, F59B	
	Pre	A06A, A07A, A09A, A11A, A13A		21A		W04A, W04B			09	J03A, J03B, J04A, J04B, J08A, J08B, J08C, J11A, J11B, J16Z	
8r430.4x↔		F01A, F01B, F01D, F14A, F14B, F15Z, F24A, F24B, F28A, F36A, F36B, F54Z, F59A, F59B		8r430.59↔		05			F01A, F01B, F01D, F14A, F14B, F15Z, F24A, F24B, F28A, F36A, F36B, F54Z, F59A, F59B	10	K09A, K09B
	05	F01A, F01B, F01D, F14A, F14B, F15Z, F24A, F24B, F28A, F36A, F36B, F54Z, F59A, F59B			09	J03A, J03B, J04A, J04B, J08A, J08B, J08C, J11A, J11B, J16Z			21A	W04A, W04B	
	09	J03A, J03B, J04A, J04B, J08A, J08B, J08C, J11A, J11B, J16Z			21B	X06A, X06B, X06C			8r430.5g	05	F01A, F01B, F01D, F14A, F14B, F15Z, F24A, F24B, F28A, F36A, F36B, F54Z, F59A, F59B
	10	K09A, K09B			05	F01A, F01B, F01D, F14A, F14B, F15Z, F24A, F24B, F28A, F36A, F36B, F54Z, F59A, F59B		09		J03A, J03B, J04A, J04B, J08A, J08B, J08C, J11A, J11B, J16Z	
	21A	W04A, W04B			10	K09A, K09B		10		K09A, K09B	
	21B	X06A, X06B, X06C			21A	W04A, W04B		21A		W04A, W04B	
	8r430.50		KOP		8r430.5a	05		F01A, F01B, F01D, F14A, F14B, F15Z, F24A, F24B, F28A, F36A, F36B, F54Z, F59A, F59B		21B	X04Z, X05A, X05B, X06A, X06B, X06C
		01	B02A, B02B, B02C, B20A, B20B, B20C, B20D, B20E, B39A, B39B			09		J03A, J03B, J04A, J04B, J08A, J08B, J08C, J11A, J11B, J16Z		8r430.5g	05
		05	F01A, F01B, F01D, F14A, F14B, F15Z, F24A, F24B, F28A, F36A, F36B, F54Z, F59A, F59B			10	K09A, K09B	09			J03A, J03B, J04A, J04B, J08A, J08B, J08C, J11A, J11B, J16Z
		09	J03A, J03B, J04A, J04B, J08A, J08B, J08C, J11A, J11B, J16Z			21A	W04A, W04B	10			K09A, K09B
10		K09A, K09B	21B	X06A, X06B, X06C		21A	W04A, W04B				
21A		W04A, W04B	8r430.5b↔	05		F01A, F01B, F01D, F14A, F14B, F15Z, F24A, F24B, F28A, F36A, F36B, F54Z, F59A, F59B	21B	X04Z, X05A, X05B, X06A, X06B, X06C			
21B		X06A, X06B, X06C		09		J03A, J03B, J04A, J04B, J08A, J08B, J08C, J11A, J11B, J16Z	8r430.5g	05	F01A, F01B, F01D, F14A, F14B, F15Z, F24A, F24B, F28A, F36A, F36B, F54Z, F59A, F59B		
8r430.50				B02A, B02B, B02C, B20A, B20B, B20C, B20D, B20E, B39A, B39B		10		K09A, K09B	09		J03A, J03B, J04A, J04B, J08A, J08B, J08C, J11A, J11B, J16Z
		01		B02A, B02B, B02C, B20A, B20B, B20C, B20D, B20E, B39A, B39B		21A		W04A, W04B	10		K09A, K09B
		05		F01A, F01B, F01D, F14A, F14B, F15Z, F24A, F24B, F28A, F36A, F36B, F54Z, F59A, F59B		21B		X06A, X06B, X06C	21A		W04A, W04B
	09	J03A, J03B, J04A, J04B, J08A, J08B, J08C, J11A, J11B, J16Z		05	F01A, F01B, F01D, F14A, F14B, F15Z, F24A, F24B, F28A, F36A, F36B, F54Z, F59A, F59B	21B		X04Z, X05A, X05B, X06A, X06B, X06C			
	10	K09A, K09B		09	J03A, J03B, J04A, J04B, J08A, J08B, J08C, J11A, J11B, J16Z	8r430.5g		05	F01A, F01B, F01D, F14A, F14B, F15Z, F24A, F24B, F28A, F36A, F36B, F54Z, F59A, F59B		
	21A	W04A, W04B		10	K09A, K09B			09	J03A, J03B, J04A, J04B, J08A, J08B, J08C, J11A, J11B, J16Z		
	21B	X06A, X06B, X06C, X33Z		21A	W04A, W04B			10	K09A, K09B		
				21B	X06A, X06B, X06C			21A	W04A, W04B		
					21B			X04Z, X05A, X05B, X06A, X06B, X06C			

ZZV	MDC	DRG	ZZV	MDC	DRG	ZZV	MDC	DRG			
8r430.5h↔	05	F01A, F01B, F01D, F14A, F14B, F15Z, F24A, F24B, F28A, F36A, F36B, F54Z, F59A, F59B	8r430.5o		BOP, UOP4	8r430.60		KOP			
		09		J03A, J03B, J04A, J04B, J08A, J08B, J08C, J11A, J11B, J16Z	01		B04A, B04B, B04C, B04D	01	B02A, B02B, B02C, B20A, B20B, B20C, B20D, B20E, B39A, B39B		
	10			K09A, K09B	05		F01A, F01B, F01D, F14A, F14B, F15Z, F24A, F24B, F28A, F36A, F36B, F54Z, F59A, F59B	05	F01A, F01B, F01D, F14A, F14B, F15Z, F24A, F24B, F28A, F36A, F36B, F54Z, F59A, F59B		
				21A	W04A, W04B		09	J03A, J03B, J04A, J04B, J08A, J08B, J08C, J11A, J11B, J16Z	09	J03A, J03B, J04A, J04B, J08A, J08B, J08C, J11A, J11B, J16Z	
	21B				X04Z, X05A, X05B, X06A, X06B, X06C		10	K09A, K09B	10	K09A, K09B	
				BOP, UOP4			21A	W04A, W04B	21A	W04A, W04B	
	01				B04A, B04B, B04C, B04D		21B	X06A, X06B, X06C	21B	X06A, X06B, X06C	
				05	F01A, F01B, F01D, F14A, F14B, F15Z, F24A, F24B, F28A, F36A, F36B, F54Z, F59A, F59B		BOP, UOP4	01	B04A, B04B, B04C, B04D	8r430.62↔	05
	06				G10Z, G12A, G12B		05	F01A, F01B, F01D, F14A, F14B, F15Z, F24A, F24B, F28A, F36A, F36B, F54Z, F59A, F59B	05	F01A, F01B, F01D, F14A, F14B, F15Z, F24A, F24B, F28A, F36A, F36B, F54Z, F59A, F59B	
				09	J03A, J03B, J04A, J04B, J08A, J08B, J08C, J11A, J11B, J16Z		09	J03A, J03B, J04A, J04B, J08A, J08B, J08C, J11A, J11B, J16Z	09	J03A, J03B, J04A, J04B, J08A, J08B, J08C, J11A, J11B, J16Z	
	10	K09A, K09B			10		K09A, K09B	10	K09A, K09B		
11		L09A, L09B, L09C, L09D, L38Z	21A	W04A, W04B	21A	W04A, W04B					
	21A	W04A, W04B	21B	X06A, X06B, X06C	21B	X06A, X06B, X06C					
21B		X06A, X06B, X06C	BOP, UOP4	01	B04A, B04B, B04C, B04D	8r430.63↔	05	F01A, F01B, F01D, F14A, F14B, F15Z, F24A, F24B, F28A, F36A, F36B, F54Z, F59A, F59B			
	BOP, UOP4		05	F01A, F01B, F01D, F14A, F14B, F15Z, F24A, F24B, F28A, F36A, F36B, F54Z, F59A, F59B	05	F01A, F01B, F01D, F14A, F14B, F15Z, F24A, F24B, F28A, F36A, F36B, F54Z, F59A, F59B					
01		B04A, B04B, B04C, B04D	09	J03A, J03B, J04A, J04B, J08A, J08B, J08C, J11A, J11B, J16Z	09	J03A, J03B, J04A, J04B, J08A, J08B, J08C, J11A, J11B, J16Z					
	04	E02A, E02B, E02C	10	K09A, K09B	10	K09A, K09B					
05		F01A, F01B, F01D, F14A, F14B, F15Z, F19A, F19B, F19C, F24A, F24B, F28A, F36A, F36B, F54Z, F59A, F59B	21A	W04A, W04B	21A	W04A, W04B					
	09	J03A, J03B, J04A, J04B, J08A, J08B, J08C, J11A, J11B, J16Z	21B	X06A, X06B, X06C	21B	X06A, X06B, X06C					
10		K09A, K09B	01	B04A, B04B, B04C, B04D	8r430.66	05	F01A, F01B, F01D, F15Z, F19A, F19B, F19C, F24A, F24B, F36A, F36B				
	21A	W04A, W04B	05	F01A, F01B, F01D, F14A, F14B, F15Z, F24A, F24B, F28A, F36A, F36B, F54Z, F59A, F59B	09	J03A, J03B, J04A, J04B, J08A, J08B, J08C, J11A, J11B, J16Z					
21B		X06A, X06B, X06C	09	J03A, J03B, J04A, J04B, J08A, J08B, J08C, J11A, J11B, J16Z	10	K09A, K09B					
	Pre	A13F	10	K09A, K09B	21A	W04A, W04B					
04		E02A, E02B, E02C	21A	W04A, W04B	21B	X06A, X06B, X06C					
	05	F01A, F01B, F01D, F19A, F19B, F19C	21B	X06A, X06B, X06C	8r430.67	05	F01A, F01B, F01D, F15Z, F19A, F19B, F19C, F24A, F24B, F36A, F36B				
10		K09A, K09B	BOP, UOP4	04	E36Z	09	J03A, J03B, J04A, J04B, J08A, J08B, J08C, J11A, J11B, J16Z				
	Pre	A13F	05	F01A, F01B, F01D, F05Z, F07A, F07B, F08A, F08B, F08C, F08D, F08E, F27A, F28A, F36A, F42Z, F51A, F51B	05	F01A, F01B, F01D, F05Z, F07A, F07B, F08A, F08B, F08C, F08D, F08E, F27A, F28A, F36A, F42Z, F51A, F51B					
BOP, UOP4			06	G36Z	06	G36Z	10	K09A, K09B			
	01	B04A, B04B, B04C, B04D	08	I08A, I08B, I08C, I08D, I08E, I13A, I13B, I26Z	08	I08A, I08B, I08C, I08D, I08E, I13A, I13B, I26Z	21A	W04A, W04B			
05		F01A, F01B, F01D, F14A, F14B, F15Z, F24A, F24B, F28A, F36A, F36B, F54Z, F59A, F59B	11	L33Z	11	L33Z	21B	X06A, X06B, X06C			
	09	J03A, J03B, J04A, J04B, J08A, J08B, J08C, J11A, J11B, J16Z	21A	W36Z	21A	W36Z	10	K09A, K09B			
10		K09A, K09B	21B	X33Z	21B	X33Z	21A	W04A, W04B			
	21A	W04A, W04B	23	Z01A	23	Z01A	21B	X06A, X06B, X06C			
21B		X06A, X06B, X06C	Pre	A06A, A07A, A09A, A11A, A13A	Pre	A06A, A07A, A09A, A11A, A13A	8r430.68↔	05	F01A, F01B, F01D, F15Z, F19A, F19B, F19C, F24A, F24B, F36A, F36B		
	BOP, UOP4		05	F01A, F01B, F01D, F14A, F14B, F15Z, F24A, F24B, F28A, F36A, F36B, F54Z, F59A, F59B	05	F01A, F01B, F01D, F14A, F14B, F15Z, F24A, F24B, F28A, F36A, F36B, F54Z, F59A, F59B	09	J03A, J03B, J04A, J04B, J08A, J08B, J08C, J11A, J11B, J16Z			
01		B04A, B04B, B04C, B04D	09	J03A, J03B, J04A, J04B, J08A, J08B, J08C, J11A, J11B, J16Z	09	J03A, J03B, J04A, J04B, J08A, J08B, J08C, J11A, J11B, J16Z	10	K09A, K09B			
	05	F01A, F01B, F01D, F14A, F14B, F15Z, F24A, F24B, F28A, F36A, F36B, F54Z, F59A, F59B	10	K09A, K09B	10	K09A, K09B	21A	W04A, W04B			
09		J03A, J03B, J04A, J04B, J08A, J08B, J08C, J11A, J11B, J16Z	21A	W04A, W04B	21A	W04A, W04B	21B	X06A, X06B, X06C			
	10	K09A, K09B	21B	X06A, X06B, X06C	21B	X06A, X06B, X06C	8r430.68↔	05	F01A, F01B, F01D, F15Z, F19A, F19B, F19C, F24A, F24B, F36A, F36B		
21A		W04A, W04B					09	J03A, J03B, J04A, J04B, J08A, J08B, J08C, J11A, J11B, J16Z			
	21B	X06A, X06B, X06C					10	K09A, K09B			
BOP, UOP4							21A	W04A, W04B			
	01	B04A, B04B, B04C, B04D					21B	X06A, X06B, X06C			
05		F01A, F01B, F01D, F14A, F14B, F15Z, F24A, F24B, F28A, F36A, F36B, F54Z, F59A, F59B									
	09	J03A, J03B, J04A, J04B, J08A, J08B, J08C, J11A, J11B, J16Z									
10		K09A, K09B									
	21A	W04A, W04B									
21B		X06A, X06B, X06C									

VYK

ZZV	MDC	DRG	ZZV	MDC	DRG	ZZV	MDC	DRG
8r430.69↔	05	F01A, F01B, F01D, F14A, F14B, F15Z, F24A, F24B, F28A, F36A, F36B, F54Z, F59A, F59B	8r430.6f	05	F01A, F01B, F01D, F14A, F14B, F15Z, F24A, F24B, F28A, F36A, F36B, F54Z, F59A, F59B	8r430.6m↔		BOP, UOP4
	09	J03A, J03B, J04A, J04B, J08A, J08B, J08C, J11A, J11B, J16Z		09	J03A, J03B, J04A, J04B, J08A, J08B, J08C, J11A, J11B, J16Z		01	B04A, B04B, B04C, B04D
	10	K09A, K09B		10	K09A, K09B		05	F01A, F01B, F01D, F14A, F14B, F15Z, F24A, F24B, F28A, F36A, F36B, F54Z, F59A, F59B
	21A	W04A, W04B		21A	W04A, W04B		09	J03A, J03B, J04A, J04B, J08A, J08B, J08C, J11A, J11B, J16Z
	21B	X06A, X06B, X06C		21B	X04Z, X05A, X05B, X06A, X06B, X06C		10	K09A, K09B
8r430.6a	05	F01A, F01B, F01D, F14A, F14B, F15Z, F24A, F24B, F28A, F36A, F36B, F54Z, F59A, F59B	8r430.6g	05	F01A, F01B, F01D, F14A, F14B, F15Z, F24A, F24B, F28A, F36A, F36B, F54Z, F59A, F59B	8r430.6n↔		BOP, UOP4
	09	J03A, J03B, J04A, J04B, J08A, J08B, J08C, J11A, J11B, J16Z		09	J03A, J03B, J04A, J04B, J08A, J08B, J08C, J11A, J11B, J16Z		01	B04A, B04B, B04C, B04D
	10	K09A, K09B		10	K09A, K09B		05	F01A, F01B, F01D, F14A, F14B, F15Z, F24A, F24B, F28A, F36A, F36B, F54Z, F59A, F59B
	21A	W04A, W04B		21A	W04A, W04B		09	J03A, J03B, J04A, J04B, J08A, J08B, J08C, J11A, J11B, J16Z
	21B	X06A, X06B, X06C		21B	X04Z, X05A, X05B, X06A, X06B, X06C		10	K09A, K09B
8r430.6b↔	05	F01A, F01B, F01D, F14A, F14B, F15Z, F24A, F24B, F28A, F36A, F36B, F54Z, F59A, F59B	8r430.6h↔	05	F01A, F01B, F01D, F14A, F14B, F15Z, F24A, F24B, F28A, F36A, F36B, F54Z, F59A, F59B	8r430.6o		BOP, UOP4
	09	J03A, J03B, J04A, J04B, J08A, J08B, J08C, J11A, J11B, J16Z		09	J03A, J03B, J04A, J04B, J08A, J08B, J08C, J11A, J11B, J16Z		01	B04A, B04B, B04C, B04D
	10	K09A, K09B		10	K09A, K09B		05	F01A, F01B, F01D, F14A, F14B, F15Z, F24A, F24B, F28A, F36A, F36B, F54Z, F59A, F59B
	21A	W04A, W04B		21A	W04A, W04B		09	J03A, J03B, J04A, J04B, J08A, J08B, J08C, J11A, J11B, J16Z
	21B	X06A, X06B, X06C		21B	X04Z, X05A, X05B, X06A, X06B, X06C		10	K09A, K09B
8r430.6c↔	05	F01A, F01B, F01D, F14A, F14B, F15Z, F24A, F24B, F28A, F36A, F36B, F54Z, F59A, F59B	8r430.6j↔	01	B04A, B04B, B04C, B04D	8r430.6p		BOP, UOP4
	06	G10Z, G12A, G12B		05	F01A, F01B, F01D, F14A, F14B, F15Z, F24A, F24B, F28A, F36A, F36B, F54Z, F59A, F59B		01	B04A, B04B, B04C, B04D
	09	J03A, J03B, J04A, J04B, J08A, J08B, J08C, J11A, J11B, J16Z		06	G10Z, G12A, G12B		05	F01A, F01B, F01D, F14A, F14B, F15Z, F24A, F24B, F28A, F36A, F36B, F54Z, F59A, F59B
	10	K09A, K09B		09	J03A, J03B, J04A, J04B, J08A, J08B, J08C, J11A, J11B, J16Z		09	J03A, J03B, J04A, J04B, J08A, J08B, J08C, J11A, J11B, J16Z
	11	L09A, L09B, L09C, L09D, L38Z		10	K09A, K09B		10	K09A, K09B
8r430.6d	21A	W04A, W04B	8r430.6k↔	11	L09A, L09B, L09C, L09D, L38Z	8r430.6r		BOP, UOP4
	21B	X06A, X06B, X06C		21A	W04A, W04B		01	B04A, B04B, B04C, B04D
	05	F01A, F01B, F01D, F14A, F14B, F15Z, F24A, F24B, F28A, F36A, F36B, F54Z, F59A, F59B		04	E02A, E02B, E02C		05	F01A, F01B, F01D, F14A, F14B, F15Z, F24A, F24B, F28A, F36A, F36B, F54Z, F59A, F59B
	09	J03A, J03B, J04A, J04B, J08A, J08B, J08C, J11A, J11B, J16Z		05	F01A, F01B, F01D, F14A, F14B, F15Z, F19A, F19B, F19C, F24A, F24B, F28A, F36A, F36B, F54Z, F59A, F59B		09	J03A, J03B, J04A, J04B, J08A, J08B, J08C, J11A, J11B, J16Z
	10	K09A, K09B		09	J03A, J03B, J04A, J04B, J08A, J08B, J08C, J11A, J11B, J16Z		10	K09A, K09B
8r430.6e	21A	W04A, W04B	8r430.6l	10	K09A, K09B			BOP, UOP4
	21B	X04Z, X06A, X06B, X06C		21A	W04A, W04B		01	B04A, B04B, B04C, B04D
	05	F01A, F01B, F01D, F14A, F14B, F15Z, F24A, F24B, F28A, F36A, F36B, F54Z, F59A, F59B		21B	X06A, X06B, X06C		05	F01A, F01B, F01D, F14A, F14B, F15Z, F24A, F24B, F28A, F36A, F36B, F54Z, F59A, F59B
	09	J03A, J03B, J04A, J04B, J08A, J08B, J08C, J11A, J11B, J16Z		Pre	A13F		09	J03A, J03B, J04A, J04B, J08A, J08B, J08C, J11A, J11B, J16Z
	10	K09A, K09B		04	E02A, E02B, E02C		10	K09A, K09B
21A	W04A, W04B	05	F01A, F01B, F01D, F19A, F19B, F19C	21A	W04A, W04B	21B	X06A, X06B, X06C	
21B	X04Z, X06A, X06B, X06C	10	K09A, K09B	Pre	A13F			

VYK

ZZV	MDC	DRG	ZZV	MDC	DRG	ZZV	MDC	DRG					
8r430.6s		BOP, KOP, KVT, UOP4	8r431.1b↔	05	F01A, F01B, F01D, F14A, F14B, F15Z, F24A, F24B, F28A, F36A, F36B, F54Z, F59A, F59B	8r431.1p		BOP, UOP4					
	04	E36Z			01		B04A, B04B, B04C, B04D						
	05	F01A, F01B, F01D, F05Z, F07A, F07B, F08A, F08B, F08C, F08D, F08E, F27A, F28A, F36A, F42Z, F51A, F51B			05		F01A, F01B, F01D, F14A, F14B, F15Z, F24A, F24B, F28A, F36A, F36B, F54Z, F59A, F59B						
	06	G36Z			09		J03A, J03B, J04A, J04B, J08A, J08B, J08C, J11A, J11B, J16Z						
	08	I08A, I08B, I08C, I08D, I08E, I13A, I13B, I26Z			10		K09A, K09B						
	11	L33Z			21A		W04A, W04B						
	21A	W36Z			21B		X04Z, X06A, X06B, X06C						
	21B	X33Z		8r431.1c↔	05		F01A, F01B, F01D, F14A, F14B, F15Z, F24A, F24B, F28A, F36A, F36B, F54Z, F59A, F59B	8r431.1s		BOP, KOP, KVT, UOP4			
	23	Z01A					06		G10Z, G12A, G12B	04	E36Z		
	Pre	A06A, A07A, A09A, A11A, A13A					09		J03A, J03B, J04A, J04B, J08A, J08B, J08C, J11A, J11B, J16Z	05	F01A, F01B, F01D, F05Z, F07A, F07B, F08A, F08B, F08C, F08D, F08E, F27A, F28A, F36A, F42Z, F51A, F51B		
	8r430.6x↔	05			F01A, F01B, F01D, F14A, F14B, F15Z, F24A, F24B, F28A, F36A, F36B, F54Z, F59A, F59B				10	K09A, K09B		06	G36Z
		09			J03A, J03B, J04A, J04B, J08A, J08B, J08C, J11A, J11B, J16Z				11	L09A, L09B, L09C, L09D, L38Z		08	I08A, I08B, I08C, I08D, I08E, I13A, I13B, I26Z
		10			K09A, K09B				21A	W04A, W04B		11	L33Z
		21A			W04A, W04B		8r431.1f		21B	X04Z, X06A, X06B, X06C		21A	W36Z
21B	X06A, X06B, X06C		05		F01A, F01B, F01D, F14A, F14B, F15Z, F24A, F24B, F28A, F36A, F36B, F54Z, F59A, F59B				21B	X33Z			
8r431.10		BOP, KOP, UOP4			09	J03A, J03B, J04A, J04B, J08A, J08B, J08C, J11A, J11B, J16Z			8r431.1x↔		BOP, KOP, KVT, UOP4		
	01	B02A, B02B, B02C, B20A, B20B, B20C, B20D, B20E, B39A, B39B			10	K09A, K09B				05	F01A, F01B, F01D, F14A, F14B, F15Z, F24A, F24B, F28A, F36A, F36B, F54Z, F59A, F59B		
	05	F01A, F01B, F01D, F14A, F14B, F15Z, F24A, F24B, F28A, F36A, F36B, F54Z, F59A, F59B			21A	W04A, W04B					09	J03A, J03B, J04A, J04B, J08A, J08B, J08C, J11A, J11B, J16Z	
	09	J03A, J03B, J04A, J04B, J08A, J08B, J08C, J11A, J11B, J16Z			21B	X04Z, X05A, X05B, X06A, X06B, X06C					10	K09A, K09B	
	10	K09A, K09B	8r431.1m↔		01	B04A, B04B, B04C, B04D			8r431.20		BOP, KOP, UOP4		
	21A	W04A, W04B				05				F01A, F01B, F01D, F14A, F14B, F15Z, F24A, F24B, F28A, F36A, F36B, F54Z, F59A, F59B	01	B02A, B02B, B02C, B20A, B20B, B20C, B20D, B20E, B39A, B39B	
	21B	X06A, X06B, X06C			09	J03A, J03B, J04A, J04B, J08A, J08B, J08C, J11A, J11B, J16Z				05	F01A, F01B, F01D, F14A, F14B, F15Z, F24A, F24B, F28A, F36A, F36B, F54Z, F59A, F59B		
8r431.16	05	F01A, F01B, F01D, F14A, F14B, F15Z, F19A, F19B, F19C, F24A, F24B, F36A, F36B, F54Z			10	K09A, K09B				09	J03A, J03B, J04A, J04B, J08A, J08B, J08C, J11A, J11B, J16Z		
	09	J03A, J03B, J04A, J04B, J08A, J08B, J08C, J11A, J11B, J16Z			21A	W04A, W04B				10	K09A, K09B		
	10	K09A, K09B			21B	X06A, X06B, X06C				21A	W04A, W04B		
	21A	W04A, W04B		8r431.1n↔	01	B04A, B04B, B04C, B04D				21B	X06A, X06B, X06C		
21B	X06A, X06B, X06C				05	F01A, F01B, F01D, F14A, F14B, F15Z, F24A, F24B, F28A, F36A, F36B, F54Z, F59A, F59B		8r431.26			BOP, KOP, UOP4		
8r431.1a	05	F01A, F01B, F01D, F14A, F14B, F15Z, F24A, F24B, F28A, F36A, F36B, F54Z, F59A, F59B				09	J03A, J03B, J04A, J04B, J08A, J08B, J08C, J11A, J11B, J16Z				01	B02A, B02B, B02C, B20A, B20B, B20C, B20D, B20E, B39A, B39B	
	06	G10Z, G12A, G12B				10	K09A, K09B				05	F01A, F01B, F01D, F14A, F14B, F15Z, F24A, F24B, F28A, F36A, F36B, F54Z, F59A, F59B	
	09	J03A, J03B, J04A, J04B, J08A, J08B, J08C, J11A, J11B, J16Z				21A	W04A, W04B				09	J03A, J03B, J04A, J04B, J08A, J08B, J08C, J11A, J11B, J16Z	
	10	K09A, K09B				21B	X06A, X06B, X06C			10	K09A, K09B		
	11	L09A, L09B, L09C, L09D, L38Z			8r431.1o	01	B04A, B04B, B04C, B04D			21A	W04A, W04B		
	21A	W04A, W04B					05	F01A, F01B, F01D, F14A, F14B, F15Z, F24A, F24B, F28A, F36A, F36B, F54Z, F59A, F59B			21B	X06A, X06B, X06C	
	21B	X06A, X06B, X06C				09	J03A, J03B, J04A, J04B, J08A, J08B, J08C, J11A, J11B, J16Z		09	J03A, J03B, J04A, J04B, J08A, J08B, J08C, J11A, J11B, J16Z			
						10	K09A, K09B		10	K09A, K09B			
						21A	W04A, W04B		21A	W04A, W04B			
						21B	X06A, X06B, X06C		21B	X06A, X06B, X06C			

VYK

ZZV	MDC	DRG	ZZV	MDC	DRG	ZZV	MDC	DRG									
8r431.2a	05	F01A, F01B, F01D, F14A, F14B, F15Z, F24A, F24B, F28A, F36A, F36B, F54Z, F59A, F59B	8r431.2o	01	BOP, UOP4	8r440.16	05	F01A, F01B, F01D, F14A, F14B, F15Z, F19A, F19B, F19C, F24A, F24B, F36A, F36B, F54Z									
		06			G10Z, G12A, G12B			05	F01A, F01B, F01D, F14A, F14B, F15Z, F24A, F24B, F28A, F36A, F36B, F54Z, F59A, F59B	09	J03A, J03B, J04A, J04B, J08A, J08B, J08C, J11A, J11B, J16Z						
					09				J03A, J03B, J04A, J04B, J08A, J08B, J08C, J11A, J11B, J16Z		09	J03A, J03B, J04A, J04B, J08A, J08B, J08C, J11A, J11B, J16Z	10	K09A, K09B			
									10			K09A, K09B		10	K09A, K09B	21A	W04A, W04B
					11						L09A, L09B, L09C, L09D, L38Z	10	K09A, K09B		21B		X06A, X06B, X06C
	21A			W04A, W04B			21A		W04A, W04B		05		F01A, F01B, F01D, F14A, F14B, F15Z, F19A, F19B, F19C, F24A, F24B, F36A, F36B, F54Z				
				21B	X06A, X06B, X06C				21B			X06A, X06B, X06C	09	J03A, J03B, J04A, J04B, J08A, J08B, J08C, J11A, J11B, J16Z			
	8r431.2b↔	05			F01A, F01B, F01D, F14A, F14B, F15Z, F24A, F24B, F28A, F36A, F36B, F54Z, F59A, F59B		8r431.2p	01		BOP, UOP4	8r440.17	05		F01A, F01B, F01D, F14A, F14B, F15Z, F19A, F19B, F19C, F24A, F24B, F36A, F36B, F54Z			
				09	J03A, J03B, J04A, J04B, J08A, J08B, J08C, J11A, J11B, J16Z				05	F01A, F01B, F01D, F14A, F14B, F15Z, F24A, F24B, F28A, F36A, F36B, F54Z, F59A, F59B			09	J03A, J03B, J04A, J04B, J08A, J08B, J08C, J11A, J11B, J16Z			
					10					K09A, K09B				09	J03A, J03B, J04A, J04B, J08A, J08B, J08C, J11A, J11B, J16Z	10	K09A, K09B
										21A					W04A, W04B		10
21B			X04Z, X06A, X06B, X06C		10	K09A, K09B								21B	X06A, X06B, X06C		
		8r431.2c↔	05			F01A, F01B, F01D, F14A, F14B, F15Z, F24A, F24B, F28A, F36A, F36B, F54Z, F59A, F59B		8r431.2s		01		BOP, KOP, KVT, UOP4			8r440.18	05	F01A, F01B, F01D, F14A, F14B, F15Z, F19A, F19B, F19C, F24A, F24B, F36A, F36B, F54Z
06					G10Z, G12A, G12B	04						E36Z		05			J03A, J03B, J04A, J04B, J08A, J08B, J08C, J11A, J11B, J16Z
				09	J03A, J03B, J04A, J04B, J08A, J08B, J08C, J11A, J11B, J16Z				04			E36Z	10				K09A, K09B
					10							K09A, K09B					05
				11					L09A, L09B, L09C, L09D, L38Z			06	G36Z				
			21A		W04A, W04B				08	I08A, I08B, I08C, I08D, I08E, I13A, I13B, I26Z			05			F01A, F01B, F01D, F14A, F14B, F15Z, F24A, F24B, F28A, F36A, F36B, F54Z, F59A, F59B	
	21B			X04Z, X06A, X06B, X06C	11		L33Z			09	J03A, J03B, J04A, J04B, J08A, J08B, J08C, J11A, J11B, J16Z						
8r431.2f			05	F01A, F01B, F01D, F14A, F14B, F15Z, F24A, F24B, F28A, F36A, F36B, F54Z, F59A, F59B		8r431.2x↔	21A		W36Z		8r440.19	05	F01A, F01B, F01D, F14A, F14B, F15Z, F24A, F24B, F28A, F36A, F36B, F54Z, F59A, F59B				
	09			J03A, J03B, J04A, J04B, J08A, J08B, J08C, J11A, J11B, J16Z	21B				X33Z	05			J03A, J03B, J04A, J04B, J08A, J08B, J08C, J11A, J11B, J16Z				
				10					K09A, K09B				23	Z01A		10	K09A, K09B
									21A					W04A, W04B			Pre
		21B		X04Z, X05A, X05B, X06A, X06B, X06C				05					F01A, F01B, F01D, F14A, F14B, F15Z, F24A, F24B, F28A, F36A, F36B, F54Z, F59A, F59B	21B	X06A, X06B, X06C		
			8r431.2m↔	BOP, UOP4			8r440.12		01			B04A, B04B, B04C, B04D	8r440.1a		05	F01A, F01B, F01D, F14A, F14B, F15Z, F24A, F24B, F28A, F36A, F36B, F54Z, F59A, F59B	
		05						F01A, F01B, F01D, F14A, F14B, F15Z, F24A, F24B, F28A, F36A, F36B, F54Z, F59A, F59B				09		J03A, J03B, J04A, J04B, J08A, J08B, J08C, J11A, J11B, J16Z			
	09				J03A, J03B, J04A, J04B, J08A, J08B, J08C, J11A, J11B, J16Z			09		J03A, J03B, J04A, J04B, J08A, J08B, J08C, J11A, J11B, J16Z							
					10					K09A, K09B				10		K09A, K09B	
	21A							W04A, W04B		10						K09A, K09B	21A
				21B	X06A, X06B, X06C			21A	W04A, W04B					21B	X06A, X06B, X06C		
8r431.2n↔	BOP, UOP4				8r440.13	01			B04A, B04B, B04C, B04D	8r440.1b	05				F01A, F01B, F01D, F14A, F14B, F15Z, F24A, F24B, F28A, F36A, F36B, F54Z, F59A, F59B		
		05		F01A, F01B, F01D, F14A, F14B, F15Z, F24A, F24B, F28A, F36A, F36B, F54Z, F59A, F59B				09	J03A, J03B, J04A, J04B, J08A, J08B, J08C, J11A, J11B, J16Z								
				09					J03A, J03B, J04A, J04B, J08A, J08B, J08C, J11A, J11B, J16Z			09		J03A, J03B, J04A, J04B, J08A, J08B, J08C, J11A, J11B, J16Z			
									10					K09A, K09B	10	K09A, K09B	
				21A								W04A, W04B		10		K09A, K09B	21A
	21B		X06A, X06B, X06C			21B	X06A, X06B, X06C										



ZZV	MDC	DRG	ZZV	MDC	DRG	ZZV	MDC	DRG
8r440.1c	05	F01A, F01B, F01D, F14A, F14B, F15Z, F24A, F24B, F28A, F36A, F36B, F54Z, F59A, F59B	8r440.1k	04	E02A, E02B, E02C	8r440.1s		BOP, KOP, KVT, UOP4
		06		G10Z, G12A, G12B	05		F01A, F01B, F01D, F19A, F19B, F19C	04
	09	J03A, J03B, J04A, J04B, J08A, J08B, J08C, J11A, J11B, J16Z	8r440.1m	10	K09A, K09B	05	F01A, F01B, F01D, F05Z, F07A, F07B, F08A, F08B, F08C, F08D, F08E, F27A, F28A, F36A, F42Z, F51A, F51B	
		10		K09A, K09B	Pre	A13F	06	G36Z
	11	L09A, L09B, L09C, L09D, L38Z	01	B04A, B04B, B04C, B04D	08	I08A, I08B, I08C, I08D, I08E, I13A, I13B, I26Z		
		21A		W04A, W04B	05	F01A, F01B, F01D, F14A, F14B, F15Z, F24A, F24B, F28A, F36A, F36B, F54Z, F59A, F59B	11	L33Z
	21B	X06A, X06B, X06C	09	J03A, J03B, J04A, J04B, J08A, J08B, J08C, J11A, J11B, J16Z	09	J03A, J03B, J04A, J04B, J08A, J08B, J08C, J11A, J11B, J16Z	21A	W36Z
		8r440.1d		05	F01A, F01B, F01D, F14A, F14B, F15Z, F24A, F24B, F28A, F36A, F36B, F54Z, F59A, F59B	10	K09A, K09B	21B
	09		J03A, J03B, J04A, J04B, J08A, J08B, J08C, J11A, J11B, J16Z	8r440.1n	21A	W04A, W04B	23	Z01A
		10	K09A, K09B		21B	X06A, X06B, X06C	Pre	A06A, A07A, A09A, A11A, A13A
	21A	W04A, W04B	01	B04A, B04B, B04C, B04D	8r440.1x	05	F01A, F01B, F01D, F14A, F14B, F15Z, F24A, F24B, F28A, F36A, F36B, F54Z, F59A, F59B	
21B		X04Z, X06A, X06B, X06C		05		F01A, F01B, F01D, F14A, F14B, F15Z, F24A, F24B, F28A, F36A, F36B, F54Z, F59A, F59B	09	J03A, J03B, J04A, J04B, J08A, J08B, J08C, J11A, J11B, J16Z
8r440.1e	05	F01A, F01B, F01D, F14A, F14B, F15Z, F24A, F24B, F28A, F36A, F36B, F54Z, F59A, F59B	09	J03A, J03B, J04A, J04B, J08A, J08B, J08C, J11A, J11B, J16Z	8r440.22	10	K09A, K09B	
	09	J03A, J03B, J04A, J04B, J08A, J08B, J08C, J11A, J11B, J16Z		10		K09A, K09B	21A	W04A, W04B
21A		W04A, W04B	21A		W04A, W04B	21B	X06A, X06B, X06C	
8r440.1f	21B	X04Z, X06A, X06B, X06C		8r440.1o	21B	X06A, X06B, X06C	05	F01A, F01B, F01D, F14A, F14B, F15Z, F24A, F24B, F28A, F36A, F36B, F54Z, F59A, F59B
	05	F01A, F01B, F01D, F14A, F14B, F15Z, F24A, F24B, F28A, F36A, F36B, F54Z, F59A, F59B	01		B04A, B04B, B04C, B04D	09	J03A, J03B, J04A, J04B, J08A, J08B, J08C, J11A, J11B, J16Z	
09	J03A, J03B, J04A, J04B, J08A, J08B, J08C, J11A, J11B, J16Z	05	F01A, F01B, F01D, F14A, F14B, F15Z, F24A, F24B, F28A, F36A, F36B, F54Z, F59A, F59B	8r440.23	10	K09A, K09B		
	10		K09A, K09B		21A	W04A, W04B		
21A	W04A, W04B	09	J03A, J03B, J04A, J04B, J08A, J08B, J08C, J11A, J11B, J16Z	09	J03A, J03B, J04A, J04B, J08A, J08B, J08C, J11A, J11B, J16Z			
	21B		X04Z, X05A, X05B, X06A, X06B, X06C		10	K09A, K09B		
8r440.1g	05	F01A, F01B, F01D, F14A, F14B, F15Z, F24A, F24B, F28A, F36A, F36B, F54Z, F59A, F59B	8r440.1p	21A	W04A, W04B	10	K09A, K09B	
	09	J03A, J03B, J04A, J04B, J08A, J08B, J08C, J11A, J11B, J16Z		01	B04A, B04B, B04C, B04D	21B	X06A, X06B, X06C	
10		K09A, K09B	05		F01A, F01B, F01D, F14A, F14B, F15Z, F24A, F24B, F28A, F36A, F36B, F54Z, F59A, F59B	8r440.26	05	F01A, F01B, F01D, F15Z, F19A, F19B, F19C, F24A, F24B, F36A, F36B
21A	W04A, W04B	09	J03A, J03B, J04A, J04B, J08A, J08B, J08C, J11A, J11B, J16Z	10	K09A, K09B			
8r440.1j	21B		X04Z, X05A, X05B, X06A, X06B, X06C	8r440.1r	21A	W04A, W04B	09	J03A, J03B, J04A, J04B, J08A, J08B, J08C, J11A, J11B, J16Z
	05	F01A, F01B, F01D, F14A, F14B, F15Z, F24A, F24B, F28A, F36A, F36B, F54Z, F59A, F59B	01		B04A, B04B, B04C, B04D	10	K09A, K09B	
06	G10Z, G12A, G12B	05	F01A, F01B, F01D, F14A, F14B, F15Z, F24A, F24B, F28A, F36A, F36B, F54Z, F59A, F59B	8r440.27	21A	W04A, W04B		
	09		J03A, J03B, J04A, J04B, J08A, J08B, J08C, J11A, J11B, J16Z		09	J03A, J03B, J04A, J04B, J08A, J08B, J08C, J11A, J11B, J16Z	21B	X06A, X06B, X06C
10		K09A, K09B	10	K09A, K09B				
11	L09A, L09B, L09C, L09D, L38Z	21A	W04A, W04B	09	J03A, J03B, J04A, J04B, J08A, J08B, J08C, J11A, J11B, J16Z			
	21A		W04A, W04B		10	K09A, K09B		
21B	X06A, X06B, X06C	21B	X06A, X06B, X06C	21A	W04A, W04B			

VYK

ZZV	MDC	DRG	ZZV	MDC	DRG	ZZV	MDC	DRG			
8r440.28	05	F01A, F01B, F01D, F15Z, F19A, F19B, F19C, F24A, F24B, F36A, F36B	8r440.2e	05	F01A, F01B, F01D, F14A, F14B, F15Z, F24A, F24B, F28A, F36A, F36B, F54Z, F59A, F59B	8r440.2n		BOP, UOP4			
		09			J03A, J03B, J04A, J04B, J08A, J08B, J08C, J11A, J11B, J16Z			09	J03A, J03B, J04A, J04B, J08A, J08B, J08C, J11A, J11B, J16Z	01	B04A, B04B, B04C, B04D
					10				K09A, K09B	10	K09A, K09B
	21A			W04A, W04B			09		J03A, J03B, J04A, J04B, J08A, J08B, J08C, J11A, J11B, J16Z		
	21B	X06A, X06B, X06C		21A	W04A, W04B		10	K09A, K09B			
	8r440.29	05		F01A, F01B, F01D, F14A, F14B, F15Z, F24A, F24B, F28A, F36A, F36B, F54Z, F59A, F59B	8r440.2f		05	F01A, F01B, F01D, F14A, F14B, F15Z, F24A, F24B, F28A, F36A, F36B, F54Z, F59A, F59B	8r440.2o		BOP, UOP4
09			J03A, J03B, J04A, J04B, J08A, J08B, J08C, J11A, J11B, J16Z	09		J03A, J03B, J04A, J04B, J08A, J08B, J08C, J11A, J11B, J16Z		01			B04A, B04B, B04C, B04D
			10			K09A, K09B		10			K09A, K09B
		21A				W04A, W04B	09			J03A, J03B, J04A, J04B, J08A, J08B, J08C, J11A, J11B, J16Z	
21B		X06A, X06B, X06C	21A	W04A, W04B		10	K09A, K09B				
8r440.2a		05	F01A, F01B, F01D, F14A, F14B, F15Z, F24A, F24B, F28A, F36A, F36B, F54Z, F59A, F59B	8r440.2g		05	F01A, F01B, F01D, F14A, F14B, F15Z, F24A, F24B, F28A, F36A, F36B, F54Z, F59A, F59B	8r440.2p			BOP, UOP4
	09		J03A, J03B, J04A, J04B, J08A, J08B, J08C, J11A, J11B, J16Z		09		J03A, J03B, J04A, J04B, J08A, J08B, J08C, J11A, J11B, J16Z		01		B04A, B04B, B04C, B04D
			10				K09A, K09B		10		K09A, K09B
		21A				W04A, W04B	09			J03A, J03B, J04A, J04B, J08A, J08B, J08C, J11A, J11B, J16Z	
	21B	X06A, X06B, X06C	21A		W04A, W04B	10	K09A, K09B				
	8r440.2b	05	F01A, F01B, F01D, F14A, F14B, F15Z, F24A, F24B, F28A, F36A, F36B, F54Z, F59A, F59B		8r440.2j	05	F01A, F01B, F01D, F14A, F14B, F15Z, F24A, F24B, F28A, F36A, F36B, F54Z, F59A, F59B		8r440.2r		BOP, UOP4
09			J03A, J03B, J04A, J04B, J08A, J08B, J08C, J11A, J11B, J16Z	09			J03A, J03B, J04A, J04B, J08A, J08B, J08C, J11A, J11B, J16Z	01			B04A, B04B, B04C, B04D
			10				K09A, K09B	10			K09A, K09B
		21A				W04A, W04B	09			J03A, J03B, J04A, J04B, J08A, J08B, J08C, J11A, J11B, J16Z	
21B		X06A, X06B, X06C	21A	W04A, W04B		10	K09A, K09B				
8r440.2c		05	F01A, F01B, F01D, F14A, F14B, F15Z, F24A, F24B, F28A, F36A, F36B, F54Z, F59A, F59B	8r440.2k		05	F01A, F01B, F01D, F14A, F14B, F15Z, F24A, F24B, F28A, F36A, F36B, F54Z, F59A, F59B	8r440.2s			BOP, KOP, KVT, UOP4
	06		G10Z, G12A, G12B		06		G10Z, G12A, G12B		04		E36Z
			09				J03A, J03B, J04A, J04B, J08A, J08B, J08C, J11A, J11B, J16Z		09		J03A, J03B, J04A, J04B, J08A, J08B, J08C, J11A, J11B, J16Z
		10				K09A, K09B	10			K09A, K09B	
	11	L09A, L09B, L09C, L09D, L38Z	11		L09A, L09B, L09C, L09D, L38Z	09	J03A, J03B, J04A, J04B, J08A, J08B, J08C, J11A, J11B, J16Z				
	21A	W04A, W04B	21A		W04A, W04B	10	K09A, K09B				
8r440.2d	05	F01A, F01B, F01D, F14A, F14B, F15Z, F24A, F24B, F28A, F36A, F36B, F54Z, F59A, F59B	8r440.2m	05	F01A, F01B, F01D, F14A, F14B, F15Z, F24A, F24B, F28A, F36A, F36B, F54Z, F59A, F59B	8r440.2s		E36Z			
		09			J03A, J03B, J04A, J04B, J08A, J08B, J08C, J11A, J11B, J16Z			09	J03A, J03B, J04A, J04B, J08A, J08B, J08C, J11A, J11B, J16Z	05	F01A, F01B, F01D, F05Z, F07A, F07B, F08A, F08B, F08C, F08D, F08E, F27A, F28A, F36A, F42Z, F51A, F51B
					10				K09A, K09B	10	K09A, K09B
	21A			W04A, W04B			08		I08A, I08B, I08C, I08D, I08E, I13A, I13B, I26Z		
	21B	X04Z, X06A, X06B, X06C		21A	W04A, W04B		11	L33Z			
				21B	X06A, X06B, X06C		21A	W04A, W04B			
				21B	X06A, X06B, X06C						
				Pre	A13F						
				Pre	BOP, UOP4						
				01	B04A, B04B, B04C, B04D						
				05	F01A, F01B, F01D, F14A, F14B, F15Z, F24A, F24B, F28A, F36A, F36B, F54Z, F59A, F59B						
				09	J03A, J03B, J04A, J04B, J08A, J08B, J08C, J11A, J11B, J16Z						
				10	K09A, K09B						
				21A	W04A, W04B						
				21B	X06A, X06B, X06C						

VYK

ZZV	MDC	DRG	ZZV	MDC	DRG	ZZV	MDC	DRG
8r440.2x	05	F01A, F01B, F01D, F14A, F14B, F15Z, F24A, F24B, F28A, F36A, F36B, F54Z, F59A, F59B	8r610.34		BOP, KVT, UOP4	8r61c		BOP, KVT, UOP4
	09	J03A, J03B, J04A, J04B, J08A, J08B, J08C, J11A, J11B, J16Z	8r610.35	05	F01A, F01B, F01D, F12A, F12B, F50A, F50B, F50C, F50D		05	F01A, F01B, F01D, F12A, F12B, F50A, F50B, F50C, F50D
	10	K09A, K09B			BOP, KVT, UOP4	8r61x		BOP, KVT, UOP4
	21A	W04A, W04B	8r610.36	05	F01A, F01B, F01D, F12A, F12B, F50A, F50B, F50C, F50D		05	F01A, F01B, F01D, F12A, F12B, F50A, F50B, F50C, F50D
8r610.00	21B	X06A, X06B, X06C			BOP, KVT, UOP4	8r690.00‡	05	F50A, F50C
		BOP, KVT, UOP4	8r610.37	05	F01A, F01B, F01D, F12A, F12B, F50A, F50B, F50C, F50D	8r690.01‡	05	F50A, F50C
	05	F01A, F01B, F01D, F12A, F12B, F50A, F50B, F50C, F50D			BOP, KVT, UOP4	8r690.02‡	05	F50A, F50C
8r610.03		BOP, KVT, UOP4	8r610.37	05	F01A, F01B, F01D, F12A, F12B, F50A, F50B, F50C, F50D	8r690.6‡	05	F50A, F50C
	05	F01A, F01B, F01D, F12A, F12B, F50A, F50B, F50C, F50D			BOP, KVT, UOP4	8r716		KKP
8r610.04		BOP, KVT, UOP4	8r611.00	05	F01A, F01B, F01D, F12A, F12B, F50A, F50B, F50C, F50D		05	F01A, F01B, F01D, F05Z, F07A, F07B, F09A, F09B, F09C, F42Z
	05	F01A, F01B, F01D, F12A, F12B, F50A, F50B, F50C, F50D			BOP, KVT, UOP4	8r717.0	23	Z01A
8r610.05		BOP, KVT, UOP4	8r611.03	05	F01A, F01B, F01D, F12A, F12B, F50A, F50B, F50C, F50D		05	KOP, KOPV
	05	F01A, F01B, F01D, F12A, F12B, F50A, F50B, F50C, F50D			BOP, KVT, UOP4		05	F05Z, F07A, F07B, F42Z
8r610.06		BOP, KVT, UOP4	8r611.04	05	F01A, F01B, F01D, F12A, F12B, F50A, F50B, F50C, F50D		06	G33Z
	05	F01A, F01B, F01D, F12A, F12B, F50A, F50B, F50C, F50D			BOP, KVT, UOP4		07	H33Z, H38Z
8r610.07		BOP, KVT, UOP4	8r611.05	05	F01A, F01B, F01D, F12A, F12B, F50A, F50B, F50C, F50D		11	L33Z
	05	F01A, F01B, F01D, F12A, F12B, F50A, F50B, F50C, F50D			BOP, KVT, UOP4	8r717.1	Pre	A07A
8r610.08		BOP, KVT, UOP4	8r611.06	05	F01A, F01B, F01D, F12A, F12B, F50A, F50B, F50C, F50D		05	KOP, KOPV
	05	F01A, F01B, F01D, F12A, F12B, F50A, F50B, F50C, F50D			BOP, KVT, UOP4		05	F05Z, F07A, F07B, F42Z
8r610.10		BOP, KVT, UOP4	8r611.07	05	F01A, F01B, F01D, F12A, F12B, F50A, F50B, F50C, F50D		06	G33Z
	05	F01A, F01B, F01D, F12A, F12B, F50A, F50B, F50C, F50D			BOP, KVT, UOP4		07	H33Z, H38Z
8r610.13		BOP, KVT, UOP4	8r612.00	05	F01A, F01B, F01D, F12A, F12B, F50A, F50B, F50C, F50D		11	L33Z
	05	F01A, F01B, F01D, F12A, F12B, F50A, F50B, F50C, F50D			BOP, KVT, UOP4	8r717.2	Pre	A07A
8r610.14		BOP, KVT, UOP4	8r612.03	05	F01A, F01B, F01D, F12A, F12B, F50A, F50B, F50C, F50D		05	KOP, KOPV
	05	F01A, F01B, F01D, F12A, F12B, F50A, F50B, F50C, F50D			BOP, KVT, UOP4		05	F05Z, F07A, F07B, F42Z
8r610.15		BOP, KVT, UOP4	8r612.04	05	F01A, F01B, F01D, F12A, F12B, F50A, F50B, F50C, F50D		06	G33Z
	05	F01A, F01B, F01D, F12A, F12B, F50A, F50B, F50C, F50D			BOP, KVT, UOP4		07	H33Z, H38Z
8r610.16		BOP, KVT, UOP4	8r612.06	05	F01A, F01B, F01D, F12A, F12B, F50A, F50B, F50C, F50D		11	L33Z
	05	F01A, F01B, F01D, F12A, F12B, F50A, F50B, F50C, F50D			BOP, KVT, UOP4	8r717.x	Pre	A07A
8r610.17		BOP, KVT, UOP4	8r612.07	05	F01A, F01B, F01D, F12A, F12B, F50A, F50B, F50C, F50D		05	KOP, KOPV
	05	F01A, F01B, F01D, F12A, F12B, F50A, F50B, F50C, F50D			BOP, KVT, UOP4		05	F05Z, F07A, F07B, F42Z
8r610.30		BOP, KVT, UOP4	8r61b	05	F01A, F01B, F01D, F14A, F14B, F15Z, F24A, F24B, F28A, F36A, F36B, F54Z, F59A, F59B		06	G33Z
	05	F01A, F01B, F01D, F12A, F12B, F50A, F50B, F50C, F50D			G10Z, G12A, G12B		07	H33Z, H38Z
8r610.33		BOP, KVT, UOP4			L09A, L09B, L09C, L09D, L38Z		11	L33Z
	05	F01A, F01B, F01D, F12A, F12B, F50A, F50B, F50C, F50D				8r722.3	Pre	A07A
							05	KKP
							05	F01A, F01B, F01D, F05Z, F07A, F07B, F09A, F09B, F09C, F42Z
							23	Z01A
						8r730‡		BOP, UOP4
							01	B04A, B04B, B04C, B04D
							05	F01A, F01B, F01D, F14A, F14B, F15Z, F24A, F24B, F28A, F36A, F36B, F54Z, F59A, F59B
							10	K09A, K09B

VYK

ZZV	MDC	DRG	ZZV	MDC	DRG	ZZV	MDC	DRG	
8r731.0‡		BOP, UOP4	8u105		KK11, KKI, KKII, KKP	8v163.1‡	01	B69C, B70C, B70G	
	01	B04A, B04B, B04C, B04D, B70C, B70E		01	B09A, B09B	8v172.1‡	08	I97Z	
	05	F01A, F01B, F01D, F14A, F14B, F15Z, F24A, F24B, F28A, F36A, F36B, F54Z, F59A, F59B		17	R01A, R01B, R01C, R01D, R02Z, R12A, R12B, R12C	8v172.2‡	08	I97Z	
	10	K09A, K09B		21A	W04A, W04B	8v173.1‡	08	I97Z	
8r731.1‡		BOP, UOP4	8u106		X06A, X06B, X06C	8v173.2‡	08	I97Z	
	01	B04A, B04B, B04C, B04D		01	KK11, KKI, KKII, KKP	8v181.01‡	10	K60A	
	05	F01A, F01B, F01D, F14A, F14B, F15Z, F24A, F24B, F28A, F36A, F36B, F54Z, F59A, F59B		01	B09A, B09B	8v181.02‡	10	K60A	
	10	K09A, K09B		17	R01A, R01B, R01C, R01D, R02Z, R12A, R12B, R12C	8v181.03‡	10	K60A	
	01	B04A, B04B, B04C, B04D	8u110‡		B09A, B09B	8v181.1‡	10	K60A	
	05	F01A, F01B, F01D, F14A, F14B, F15Z, F24A, F24B, F28A, F36A, F36B, F54Z, F59A, F59B	8u130‡		R01A, R01B, R01C, R01D, R02Z, R12A, R12B, R12C	8v181.2‡	10	K60A	
	10	K09A, K09B	8u133.0‡		21A	W04A, W04B	8v181.2‡	10	K60A
8r731.2‡		BOP, UOP4	8u133.1‡		X06A, X06B, X06C	8v181.3‡	10	K60A	
	01	B04A, B04B, B04C, B04D	8u161‡		B76C, B76D, B76E	8v192‡	01	B71A, B71B	
	05	F01A, F01B, F01D, F14A, F14B, F15Z, F24A, F24B, F28A, F36A, F36B, F54Z, F59A, F59B	8u162‡		KK11, KKI, KKII, KKP	8v193‡	01	B71A, B71B	
	10	K09A, K09B	8u163‡		KK11, KKI, KKII, KKP		08	I32A	
8r732‡		BOP, UOP4	8u901.1		KK11, KKI, KKII, KKP	8v194‡	01	B71A, B71B	
	01	B04A, B04B, B04C, B04D			KK11, KKI, KKII, KKP		08	I32A	
	05	F01A, F01B, F01D, F14A, F14B, F15Z, F24A, F24B, F28A, F36A, F36B, F54Z, F59A		01	B02A, B02B, B02C, B20B	8v1a2.1‡	04	E77B	
	10	K09A, K09B		01	B02A, B02B, B02C, B20B		05	F77Z	
8r750‡	Pre	A09E, A11F, A13F		01	B02A, B02B, B02C, B20B		06	G77Z	
8r751.00‡	Pre	A09E, A11F, A13F		01	BOP, KOP, KVT, UOP4		09	J77Z	
8r751.01‡	Pre	A09E, A11F, A13F		01	B09A, B09B		10	K25Z, K77Z	
8r751.02‡	Pre	A09E, A11F, A13F		08	I15A, I15B		11	L63A	
8r751.20‡	Pre	A09E, A11F, A13F		17	R01A, R01B, R01C, R01D, R02Z, R12A, R12B, R12C	8v1a2.2‡	18B	T77Z	
8r751.21‡	Pre	A09E, A11F, A13F		21A	W01A, W01B, W01C, W36Z		04	E77B	
8r751.22‡	Pre	A09E, A11F, A13F	8u901.2		BOP, KOP, KVT, UOP4		05	F77Z	
8r751.23‡	Pre	A09E, A11F, A13F		01	B09A, B09B		06	G77Z	
8r751.24‡	Pre	A09E, A11F, A13F		08	I15A, I15B		09	J77Z	
8r751.25‡	Pre	A09E, A11F, A13F		17	R01A, R01B, R01C, R01D, R02Z, R12A, R12B, R12C		10	K25Z, K77Z	
8r751.30‡	Pre	A09E, A11F, A13F		21A	W01A, W01B, W01C, W36Z	8v1a3.1‡	11	L63A	
8r751.31‡	Pre	A09E, A11F, A13F		06	G40Z, G46A, G46B, G46C, G47Z, G50Z		18B	T77Z	
8r751.32‡	Pre	A09E, A11F, A13F	8u904‡		KK11, KKI, KKII, KKP		04	E77B	
8r752	05	F01A, F01B, F01D, F14A, F14B, F15Z, F24A, F24B, F28A, F36A, F36B, F54Z, F56A, F56B, F59A, F59B		05	F62A	8v1a3.2‡	05	F77Z	
8t250‡	01	B47Z		01	B76A		06	G77Z	
	08	I42Z		01	B76A		09	J77Z	
	19	U42Z		01	B76A		10	K25Z, K77Z	
	23	Z44Z		01	B76A		11	L63A	
8t910‡	05	F49A, F49D		01	B76A		18B	T77Z	
	06	G40Z, G46A, G46B, G48A, G48B, G48C		Pre	B61A, B61B	8v1a4.1‡	04	E77B	
8t911‡	05	F49A, F49D		Pre	B61A, B61B		05	F77Z	
	06	G40Z, G46A, G46B, G48A, G48B, G48C		Pre	B61A, B61B		06	G77Z	
8t914‡	05	F49A, F49D		Pre	B61A, B61B		09	J77Z	
	06	G40Z, G46A, G46B, G48A, G48B, G48C		Pre	B61A, B61B		10	K25Z, K77Z	
8u103		KK11, KKI, KKII, KKP		Pre	B61A, B61B		11	L63A	
	01	B09A, B09B		01	B02A, B02B, B02C, B02D, B20A, B20B, B20D, B70B	8v1a4.2‡	18B	T77Z	
	17	R01A, R01B, R01C, R01D, R02Z, R12A, R12B, R12C		01	B02A, B02B, B02C, B02D, B20A, B20B, B20D, B70B		04	E77B	
	21A	W04A, W04B		01	B02A, B02B, B02C, B02D, B20A, B20B, B20D, B70B		05	F77Z	
	21B	X06A, X06B, X06C		01	B02A, B02B, B02C, B02D, B20A, B20B, B20D, B70B		06	G77Z	
8u104		KK11, KKI, KKII, KKP		01	B02A, B02B, B02C, B02D, B20A, B20B, B20D, B70B		09	J77Z	
	01	B09A, B09B		01	B49Z		10	K25Z, K77Z	
	17	R01A, R01B, R01C, R01D, R02Z, R12A, R12B, R12C		01	B49Z		11	L63A	
	21A	W04A, W04B		01	B39A, B39B, B39C, B42A, B44A, B44C, B69B, B69C, B70A, B70B, B70C, B70D, B70G	8v224.0‡	18B	T77Z	
	21B	X06A, X06B, X06C		01	B39A, B39B, B42A, B44A, B44C, B69A, B70A, B70B, B70G	8v224.1‡		PTX	
	01	B09A, B09B		Pre	A09E, A11F, A13F	8v224.2‡		PTX	
	17	R01A, R01B, R01C, R01D, R02Z, R12A, R12B, R12C		01	B69C, B70C, B70D, B70G	8v224.3‡		PTX	
	21A	W04A, W04B		01	B69C, B70C, B70D, B70G	8v224.4‡		PTX	
	21B	X06A, X06B, X06C		01	B69C, B70C, B70D, B70G	8v224.5‡		PTX	
				01	B69C, B70C, B70D, B70G	8v224.6‡		PTX	
				01	B69C, B70C, B70D, B70G	8v224.x‡		PTX	
				01	B69C, B70C, B70D, B70G	8v225.0‡		PTX	
				01	B69C, B70C, B70D, B70G	8v225.1‡		PTX	
				01	B69C, B70C, B70D, B70G	8v225.2‡		PTX	

ZZV	MDC	DRG	ZZV	MDC	DRG	ZZV	MDC	DRG
8v225.3‡		PTX	8v31g‡		S1105, S553	8v32b‡	04	E40A, E77A
8v225.4‡		PTX		01	B36A		06	G01Z
8v225.5‡		PTX		Pre	A06A, A07A, A07C, A09A,	8v32c‡	04	E40A, E77A
8v225.6‡		PTX			A09B, A09C, A11A, A13A,		06	G01Z
8v225.x‡		PTX			A36A	8v32d‡	04	E40A, E77A
8v226.0‡		PTX	8v31h‡		S1105, S553		06	G01Z
8v226.1‡		PTX		01	B36A	8v32e‡	04	E40A, E77A
8v226.2‡		PTX		Pre	A06A, A07A, A07C, A09A,		06	G01Z
8v226.3‡		PTX			A09B, A09C, A11A, A13A,	8v32f‡	04	E40A, E77A
8v226.4‡		PTX			A36A		06	G01Z
8v226.5‡		PTX	8v31j‡		S1105, S553	8v32g‡	04	E40A, E77A
8v226.6‡		PTX		01	B36A		06	G01Z
8v226.x‡		PTX		Pre	A06A, A07A, A07C, A09A,	8v32h‡	04	E40A, E77A
8v314‡		S553			A09B, A09C, A11A, A13A,		06	G01Z
8v315‡		S553	8v31k‡		A36A	8v32j‡	04	E40A, E77A
	17	R36Z		01	S1105, S553		06	G01Z
	21A	W36Z		Pre	B36A	8v32k‡	04	E40A, E77A
8v316‡		S1105, S553			A06A, A07A, A07C, A09A,		06	G01Z
8v317‡		S1105, S553			A09B, A09C, A11A, A13A,	8v32l‡	04	E40A, E77A
	Pre	A09D	8v31l‡		A36A		06	G01Z
8v318‡		S1105, S553		01	S1105, S553	8v32m‡	04	E40A, E77A
	01	B36A		Pre	B36A		06	G01Z
	Pre	A09D, A11A, A13A, A36A			A06A, A07A, A07C, A09A,	8v32n‡	04	E40A, E77A
8v319‡		S1105, S553			A09B, A09C, A11A, A13A,		06	G01Z
	01	B36A	8v31m‡		A36A	8v32o‡	04	E40A, E77A
	Pre	A09D, A11A, A13A, A36A		01	S1105, S553		06	G01Z
8v31a‡		S1105, S553		Pre	B36A	8v32p‡	04	E40A, E77A
	01	B36A			A06A, A07A, A07C, A09A,		06	G01Z
	Pre	A07C, A09C, A11A, A13A,	8v31n‡		A09B, A09C, A11A, A13A,	8v32q‡	04	E40A, E77A
		A36A		01	A36A		06	G01Z
8v31b‡		S1105, S553		Pre	S1105, S553	8v412‡	20	V40Z
	01	B36A			B36A	8v413‡	20	V40Z
	Pre	A07C, A09C, A11A, A13A,	8v322‡	04	A06A, A07A, A07C, A09A,	8v414‡	20	V40Z
		A36A			A09B, A09C, A11A, A13A,	8z211‡	09	J11A, J11B
8v31c‡		S1105, S553	8v323‡	04	A36A	91515	13	N11A, N11B
	01	B36A		06	E40A, E77A	91516	13	N11A, N11B
	Pre	A07C, A09C, A11A, A13A,	8v324‡	04	G01Z	91518	13	N11A, N11B
		A36A		06	E40A, E77A	91519	13	N11A, N11B
8v31d‡		S1105, S553		06	G01Z	91520	13	N01A, N01B, N01C, N01D,
	01	B36A	8v325‡	04	E40A, E77A			N01E, N02A, N02B, N02C,
	Pre	A07C, A09A, A09B, A09C,		06	G01Z			N03A, N03B, N07Z, N25Z,
		A11A, A13A, A36A	8v326‡	04	E40A, E77A			N38Z
8v31e‡		S1105, S553		06	G01Z	91521	13	N11A, N11B
	01	B36A	8v327‡	04	E40A, E77A	91522‡	13	N11A, N11B
	Pre	A06A, A07A, A07C, A09A,		06	G01Z	99700‡	01	B46Z
		A09B, A09C, A11A, A13A,	8v328‡	04	E40A, E77A		19	U41Z
		A36A		06	G01Z	99701‡	19	U43Z
8v31f‡		S1105, S553	8v329‡	04	E40A, E77A			
	01	B36A		06	G01Z			
	Pre	A06A, A07A, A07C, A09A,	8v32a‡	04	E40A, E77A			
		A09B, A09C, A11A, A13A,		06	G01Z			
		A36A						

VYK

Globálne tabu ky výkonov

Tabu ky výkonov používané vo viacerých MDC

Výetky OP výkony

Všetky OP výkony

MDC	DRG
01	B03A, B03B
05	F13A
10	K25Z
12	M60B, M60C
13	N60B
14	O01A, O01B, O01C, O01D, O01E, O01F, O01G, O01H, O04A, O04B
15	P01Z, P03A, P03B, P03C, P04A, P04B, P04C, P05A, P05B, P05C, P06A, P06B, P06C, P61A, P61C, P62A

MDC	DRG
16	Q02A, Q02B, Q02C
17	R03Z, R04A, R04B, R11A, R11B, R11C, R13Z, R14Z, R16Z
18A	S01Z
18B	T01A, T01B, T01C
21A	W05Z
23	Z01A, Z01B

Preh ad funkcií

Tento preh ad obsahuje zoznam funkcií s uvedením DRG, v ktorých sú tieto funkcie používané. Presná definícia funkcií vrátane prislúchajúcich zoznamov kódov sa nachádza na konci zväzku 4 Definí nej príru ky

Ur ité OP-výkony [BOP]

MDC	DRG
01	B11Z, B36A, B36B, B39A, B39B, B39C
05	F29Z, F36A, F36B, F43B
06	G14Z, G38Z

MDC	DRG
08	I34Z, I96Z
14	O05A, O05B
Pre	A11A, A11C, A11E, A13A, A13B, A13C, A13E, A13G

Komplexné OP-výkony [KOP]

MDC	DRG
06	G10Z, G12A
07	H06A
08	I02A, I02B, I02C
11	L09A, L38Z
17	R01A, R01C, R02Z, R12B

MDC	DRG
18B	T01A
21B	X01A, X01B, X06B
22	Y02A, Y02B
Pre	A06A, A06B, A07A, A07B, A07C, A09A, A09B, A09C, A11A, A11B, A11D, A13A, A13B, A13D, B61A

Komplikujúce konýtélácie I [KKI]

MDC	DRG
01	B02A, B02B, B02C, B02D, B39A, B66A
04	E01A, E62A, E62B
05	F03A, F05Z, F06A, F06C, F07A, F08A, F09A, F14A, F14B, F15Z, F36A, F36B, F42Z, F43B, F61A
07	H06A, H07A, H08A
08	I02A, I02B, I02C, I02D, I22A, I22B
14	O01A, O01B, O01C, O01D, O01F, O02A
17	R61A

MDC	DRG
18B	T01A, T60A, T60B, T60C, T61A
21A	W01A, W01B, W01C, W02A, W04A
21B	X01A
22	Y02A, Y02B
23	Z01A
Pre	A36A, A36B

Dialýza [DIAL]

MDC	DRG
05	F49A, F49D, F62A
06	G67A, G67B
07	H06A

MDC	DRG
11	L60A, L60B, L60C, L71Z
17	R60B, R60C, R60D, R60E, R62A, R63B, R63C, R63D, R63F
22	Y02A, Y02B

Polytrauma [PTR]

MDC	DRG
Pre	A06A, A06B, A07A, A07B, A07C, A09A, A09B, A09C

MDC	DRG
-----	-----

Výkon na viacerých lokalizáciach [VIAL]

MDC	DRG
08	I02A, I02B, I02C, I02D, I08A, I08B, I08C, I08D, I08E, I13A, I13B, I22A, I22B
21A	W01A, W01B, W01C, W02A, W04A

MDC	DRG
21B	X01A

Intenzívna komplexná ZS > 1104 bodov [S1105]**MDC DRG**

01	B36A, B36B
05	F36A
06	G36Z

MDC DRG

17	R36Z
21A	W36Z
Pre	A11E, A13A, A13B, A13C, A13G

Intenzívna komplexná ZS > 552 bodov [S553]**MDC DRG**

01	B36A, B36B
04	E36Z
05	F36A, F36B
07	H36Z
08	I26Z

MDC DRG

11	L36Z
18B	T36Z
22	Y02A, Y02B
Pre	A13E, A13G, A36A, A36B

Geriatrická v asná rehabilitačná ZS [GFK]**MDC DRG**

01	B44A, B44B, B44C, B44D
04	E42Z
05	F48Z
06	G14Z, G38Z, G52Z
07	H44Z

MDC DRG

08	I34Z, I41Z
09	J44Z
10	K01Z, K44Z
11	L44Z
19	U40Z

V asná rehabilitácia [VRH]**MDC DRG**

04	E41Z
05	F29Z, F45Z
06	G51Z
08	I40Z

MDC DRG

10	K01Z, K43Z
21A	W01A, W05Z, W40Z
Pre	A43Z

Komplexné OP-výkony vo viacerých dňoch [KOPV]**MDC DRG**

01	B01Z
03	D33Z
05	F06A, F06B
07	H33Z, H38Z

MDC DRG

10	K33Z
13	N33Z
15	P03A, P03B, P04A, P04B, P05A, P05B, P06A

Urité OP-výkony v štyroch dňoch [UOP4]**MDC DRG**

22	Y02A
----	------

MDC DRG**Predtransplantačná hospitalizácia [PTX]****MDC DRG**

04	E37Z
05	F37Z

MDC DRG

07	H37Z
----	------

Ďalšie problémy u novorodencov [TPN]**MDC DRG**

15	P65A, P65B, P66A, P66B, P67A, P67B
----	------------------------------------

MDC DRG

Viaceré aŕké problémy u novorodencov [VTPN]**MDC DRG**

15 P03A, P03B, P04A, P04B, P05A, P05B, P05C, P06A, P06B, P65A, P66A, P66B, P66C, P66D, P67A

MDC DRG**Komplikujúce konýtelácie pred-MDC [KKP]****MDC DRG**

Pre A07B, A09B, A09C, A11A, A11B, A11C, A11E, A13A, A13B, A13C, A13E, A13G

MDC DRG**Komplikujúce konýtelácie II [KKII]****MDC DRG**06 G03A, G16A, G19A, G38Z, G40Z, G46A, G46B, G46C, G48A, G48B, G48C
07 H38Z, H78Z**MDC DRG**12 M38Z
13 N01A, N38Z**Komplikujúce konýtelácie MDC 11 [KK11]****MDC DRG**

11 L38Z

MDC DRG**Komplexná vákuová terapia [KVT]****MDC DRG**06 G35Z
08 I02B, I98Z**MDC DRG**09 J35Z
21A W01A, W01B, W01C**Multiviscerálny výkon [MVV]****MDC DRG**06 G37Z, G38Z
11 L02A, L02B, L02C, L37Z, L38Z**MDC DRG**

13 N01B, N38Z

Bez úmrtia alebo preloženia [Not EP]**MDC DRG**

Pre A13C, A13E

MDC DRG**Exitus alebo preloženie [EP]****MDC DRG**

15 P60A, P60B, P60C

MDC DRG

Príloha C

Prítomnosť CC, vyradenie CC, stanovenie CCL a PCCL

C.1 Úvod

Prítomnosť komplikácií a/alebo komorbidít (CC) môže zdravotnú starostlivosť komplikovať, čo môže byť spojené s vyššími nákladmi. Preto je pre klasifikáciu DRG dôležitá ich prítomnosť identifikovať a vziať do úvahy.

Komplikácie a/alebo komorbidity (CC) CC- kódy komplikácií a/alebo komorbidít reprezentujú vedľajšie diagnózy, ktoré spravidla vedú k významnejšiemu výskytu zdrojov

Táto príloha sa zaoberá komplikáciami a komorbiditami (CC) a postupmi, ktorými Grouper priradí k jednotlivým záznamom hodnotu PCCL. Ku kódom označeným znakom šifrovaným sa nepriradí žiadna hodnota CCL pri prepustení na vlastnú vôľu bez odporúčenia lekára.

C.2 Komplikácie a komorbidity

Vo verzii SK-DRG Systém 2023 sú v tejto prílohe vymenované kódy diagnóz posudzované ako CC pre všetky prípady okrem neonatologickej starostlivosti.

Kód diagnózy môže stratiť svoj status CC, (i) keď je v úzkej súvislosti s hlavnou diagnózou hospitalizačného prípadu, alebo (ii) keď sa ten istý kód už nachádza na inom mieste v tom istom zázname.

Vo verzii SK-DRG Systém 2023 majú aj iné faktory, ako napr. pohlavie pacientov alebo príčina prepustenia, vplyv na CC status kódu diagnózy. Zoznam CC, ktorý tvorí prírôhu, obsahuje všetky CC a tomu zodpovedajúce CCL.

C.3 Stupeň komplikácií a komorbidít (CCL) a stupeň klinickej závažnosti prípadu (PCCL)

Stupeň závažnosti komplikácií a/alebo komorbidít (CCL) sú stupne, ktoré sú priradené ku všetkým vedľajším diagnózam. Ich hodnota môže byť medzi 0 a 4 pri operačných a neonatologických hospitalizačných prípadoch a 0 a 3 pri hospitalizačných prípadoch v medicínskom segmente. V rôznych základných-DRG môžu nadobúdať tie isté diagnózy rôzne hodnoty CCL. Napríklad diagnóza J96.00 Akútna respiračná insuficiencia, inde neklasifikovaná: typ1[hypoxická] v základnej-DRG B70 Apoplexia má hodnotu CCL 2, zatiaľ čo v základnej-DRG B71 Ochorenia mozgových nervov a periférnych nervov má hodnotu CCL 3.

Aká hodnota CCL bude skutočne priradená k diagnóze závisí od toho, či ide pri danom kóde o platnú CC a či je vo vzťahu k základnej-DRG záznamu považovaná za ťahkú, stredne ťahkú, ťahkú alebo veľmi ťahkú CC.

Môžné hodnoty pre CCL sú definované nasledovne:

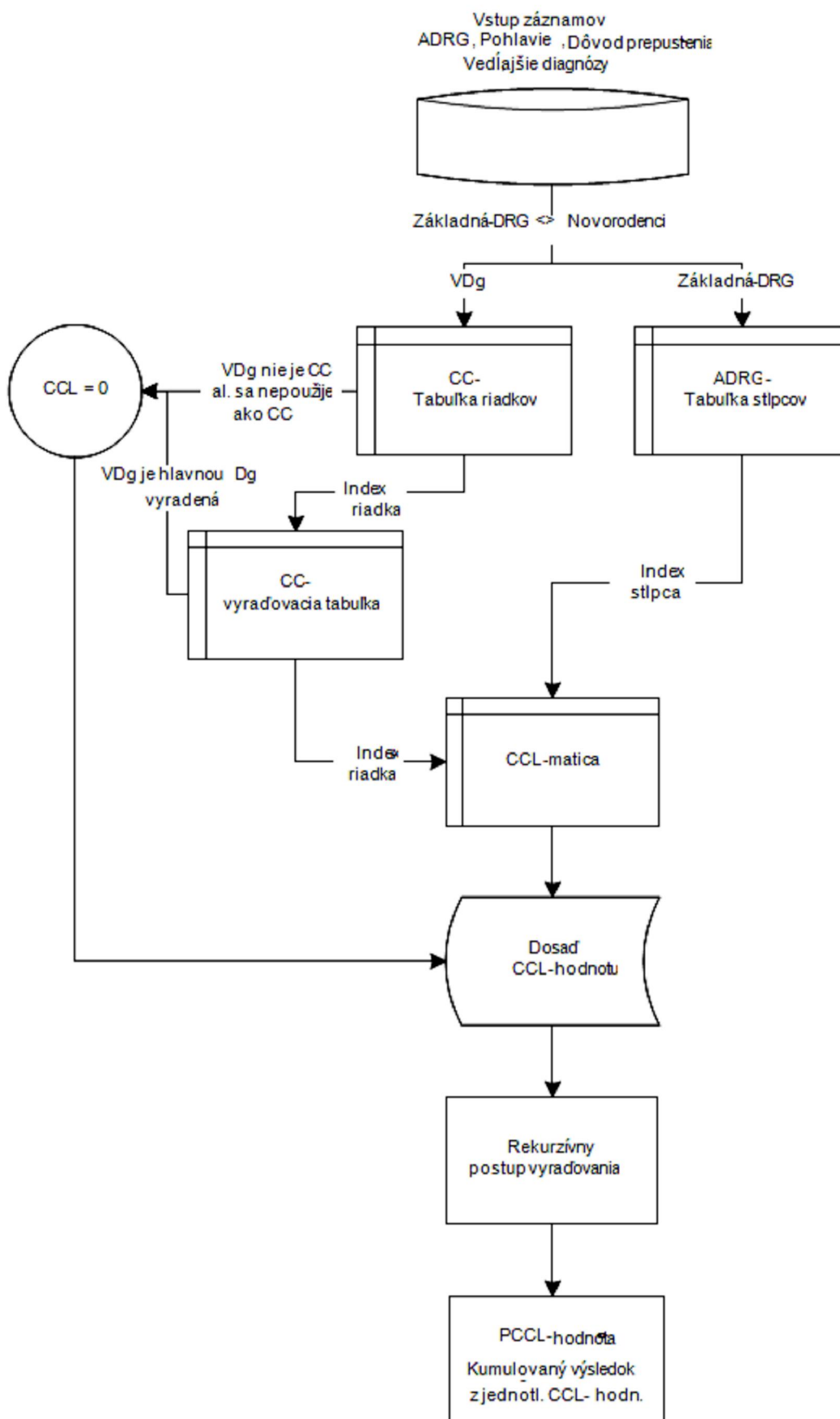
CCL = 0	Kód nie je ťiadnou komplikáciou alebo komorbíditou, alebo kód označuje komplikáciu alebo komorbíditu úzko zviazanú s hlavnou diagnózou alebo ten istý kód je uo obsahnutý v zázname na inom mieste
CCL = 1	Hodnota vyjadruje ťahkú CC
CCL = 2	Hodnota vyjadruje stredne ťahkú CC
CCL = 3	Hodnota vyjadruje ťahkú CC
CCL = 4	Hodnota vyjadruje ve mi ťahkú CC

Grouper priračuje každej diagnóze v zázname hodnotu CCL automaticky, avšak pri novorodencoch a v prípadoch mimo novorodencov používa odlišné postupy. V prípadoch, v ktorých nejde o novorodencov, postupuje Grouper nasledovne:

1. Grouper identifikuje základnú-DRG, ktorej hospitalizačný prípad prislúcha.
2. Grouper overuje, či základná-DRG obsahuje diagnózy Polytrauma (základná-DRG W01-61) alebo HIV (základná-DRG S01-65). Nakoľko diagnóza Trauma je zahrnutá do MDC 21, nie je vedľajšia diagnóza Trauma rozpoznaná ako CC a jej CCL hodnota je 0. Podobne sa postupuje aj pri diagnózach HIV v MDC 18.
3. Grouper overuje, či diagnóza nie je duplikátom hlavnej diagnózy alebo uľ predtým spracovanej inej vedľajšej diagnózy. Pokiaľ je, priradí sa kódu CCL hodnota 0.
4. Grouper overuje, či kód vzťahom na úzky vzťah k hlavnej diagnóze nemá byť ako CC vyradený. Pokiaľ je tomu tak, CC má hodnotu 0.
5. Grouper na základe čísla základnej-DRG určí číslo stupňa z ADRG-tabuľky stupňov. Ak je toto priradené číslo nula, obdrží príslušný kód pre CC hodnotu 0.
6. Grouper s prihliadnutím na faktory pohlavie pacienta a/alebo dôvod prepustenia určí číslo z CC-tabuľky riadkov číslo riadku.
7. Grouper určí hodnotu CCL podľa CCL-Matice pomocou čísla riadku a stupňa.

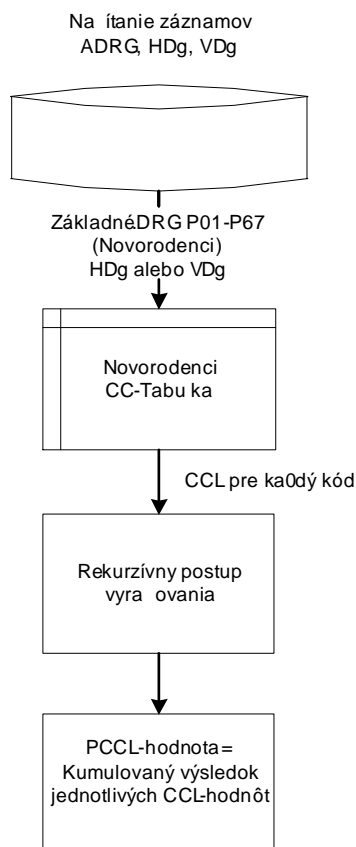
Obrázok 1 zobrazuje postupnosť krokov pri priraďovaní hodnôt CCL okrem prípadov novorodencov. (Pozn: hoci Grouper určuje CCL hodnoty aj v týchto prípadoch, nepoužíva ich ku kalkulácii PCCL.)

OBRÁZOK C.1 Postup pre určenie PCCL pre prípady okrem novorodencov



Pre hospitalizačné prípady novorodencov - t.j. prípady priradené k základnej-DRG P01-P67 - sú používané iné postupy. Všetky kódy diagnóz sú tu použité ako vedľajšie diagnózy. Detaily k hodnotám CC a PCCL sú uvádzané pod samostatnej tabuľky CC pre novorodencov. Diagnózy, ktoré sa v tejto tabuľke nenachádzajú, majú nulovú hodnotu CC. Obrázok C.2 poskytuje prehľad o postupnosti jednotlivých krokov v priradení hodnôt CC u novorodencov [Pozn.: Hodnoty CCL a PCCL stanovené pre novorodencov neslúžia k zaradeniu do DRG-skupín. Hospitalizačné prípady novorodencov sú zaradené do DRG na základe zoznamu vážnych problémov prostredníctvom MDC 15 (pozri zväzok 2)].

OBRÁZOK C.2 Postup pre určenie PCCL u novorodencov



Stupeň klinickej závažnosti prípadu (PCCL): PCCL je stupeň klinickej komplexnosti prípadu. Je vyjadrením miery kumulatívneho efektu CC každého hospitalizačného prípadu. Stanovuje sa komplexným postupom tak, aby sa zabránilo viacnásobnému zhodnoteniu podobných sŕdiel. PCCL môže nadobúdať nasledovné hodnoty:

- 0 = Ťažké CC
- 1 = Ťažké CC
- 2 = Stredne ťažké CC
- 3 = Ťažké CC
- 4 = Veľmi ťažké CC

Potom, ako bola ku každej diagnóze záznamu stanovená hodnota CCL (nezávisle na tom, či ide o novorodencov alebo iný hospitalizačný prípad), zotriedi Grouper zostupne podľa hodnoty CCL všetkých vedľajších diagnóz a spustí proces vyraďovania. V tomto procese, ktorý zabezpečuje vyradenie nesignifikantných diagnóz a zohľadnenie podobných diagnóz iba jedenkrát, je každá diagnóza v poradí posudzovaná tak, akoby bola hlavnou diagnózou. To znamená, že každá diagnóza je jedna po druhej posudzovaná ako štvrtá diagnóza a status CC iných diagnóz je posudzovaný vo vzťahu k tejto štvrtákej diagnóze. Výsledkom procesu je, že niektoré vedľajšie diagnózy sú ako CC vyradené (hodnota CCL = nula).

Je potrebné si uvedomiť, že Grouperom vymedzené hodnoty CCL sú tie, ktoré boli priradené pred procesom vyraďovania.

Na konci rekurzívneho postupu vyraďovania vypočíta Grouper pomocou vzorca na základe zostávajúcich hodnôt CCL hodnotu PCCL.

Vzorec pre výpočet PCCL

Pokiaľ je {CCL(i)} zotriedený zoznam CCL hodnôt po ukončení vyraďovacieho postupu, je vzorec na výpočet PCCL nasledovný:

$$PCCL = \begin{cases} 0 & \text{v prípade, že neexistujú žiadne VD} \\ 4 & \text{ak } x > 4 \\ x & \text{vo všetkých iných prípadoch} \end{cases}$$

$$\text{Pričom } x = \text{round} \left\{ \frac{\ln \left\{ \sum_{i=k}^{\infty} CCL(i) * \exp(-\alpha * (i-k)) \right\}}{\ln(3/\alpha) / 4} \right\}$$

Parameter $\alpha = 0,4$

$k = 1$ pre základné-DRG P01 - P67, $k = 2$ pre všetky ostatné základné-DRG

Tento algoritmus vyvinul Dr. Xichuan (Mark) Zhang v rámci CCL Refinement projektu.

Nasledujúca tabuľka obsahuje hodnoty pre PCCL, ktoré vzniknú pri rozličných kombináciách CCL-hodnôt.

TABUĽKA C.1 Kombinácie CCL-hodnôt k dosiahnutiu PCCL od 1 do 4

PCCL	CCL1	CCL2	CCL3	CCL4	CCL5	CCL6
4	4	3				
3	4	2				
3	4	1	1			
3	3	3				
3	3	2	2			
3	3	2	1	1		
3	2	2	2	2		
3	2	2	2	1	1	1
3	4					
3	4	1				
3	3	2				
3	3	2	1			
3	2	2				
3	2	2	2			
2	2	2				
2	2	1				
2	3					
2	1	1	1	1	1	
1	2					
1	1	1				
0	1					

ICD	Text	OP. CCL	Med. CCL	ICD	Text	OP. CCL	Med. CCL
A01.0	Brušný týfus	4	4	A16.2	TBC pľúc, bez úd.o	3,4	3,4
A01.1	Paratýfus A	4	4		bakter.molek.biolog./hist.potvrdená		
A01.2	Paratýfus B	4	4	A16.3	TBC vnútrohr.lymf.uzl.bez úd.o	3,4	3
A01.3	Paratýfus C	4	4		bakter.molek.biolog./hist.pot.		
A01.4	Paratýfus, bližšie neurčený	4	4	A16.4	TBC hrt., priedušn.a prieduš.bez úd.o	3,4	3
A02.0	Salmonelová enteritída	2,4	2,4		bakt.mol-bio./hist.pot.		
A02.1	Salmonelová sepsa	2,4	2,4	A16.5	TBC pleuritída, bez úd.o	3,4	3
A02.2	Lokalizovaná salmonelová infekcia	4	4		bakter.molek.biolog./hist.pot.		
A02.8	Iná salmonelová infekcia, bližšie určená	4	4	A16.6	Latentná tuberkulózna infekcia	3,4	3
A02.9	Salmonelová infekcia, bližšie neurčená	4	4	A16.7	Prim.TBC dých.súst., bez úd.o	3,4	3,4
A03.0	Šigelóza zapríčinená Shigella dysenteriae	4	4		bakter.molek.biolog./hist.pot.		
A03.1	Šigelóza zapríčinená Shigella flexneri	4	4	A16.8	Iná TBC dých.súst., bez úd.o	3,4	3
A03.2	Šigelóza zapríčinená Shigella boydii	4	4		bakter.molek.biolog./hist.pot.		
A03.3	Šigelóza zapríčinená Shigella sonnei	4	4	A16.9	TBC dých.súst., bez úd.o	3,4	3,4
A03.8	Iná šigelóza	4	4		bakter.molek.biolog./hist.pot., b.n		
A03.9	Šigelóza, bližšie neurčená	4	4	A17.0	Tuberkulózna meningitída (G01*)	3,4	3,4
A04.0	Infekcia zapríčinená enteropatogénnou Escherichia coli	4	4	A17.1	Meningový tuberkulóm (G07*)	3,4	3,4
				A17.8	Iná tuberkulóza nervovej sústavy	3,4	3,4
A04.1	Infekcia zapríčinená enterotoxikogénnou Escherichia coli	4	4	A17.9	Tuberkulóza nervovej sústavy, bližšie neurčená	3,4	3,4
				A18.0	Tuberkulóza kostí a kĺbov	2	2
A04.2	Infekcia zapríčinená enteroinvazívnou Escherichia coli	4	4	A18.1	Tuberkulóza močovopohlavnej sústavy	2,3,4	2,3
				A18.2	Tuberkulózna periférna lymfadenopatia	2,3,4	1,2,3
A04.3	Infekcia zapríčinená enterohemoragickou Escherichia coli	3,4	3,4	A18.3	TBC čriev, peritonea a mezenteriových lymfatických uzlín	3,4	3
				A18.5	Tuberkulóza oka	2,3,4	2,4
A04.4	Iné črevné infekcie zapríčinené Escherichia coli	4	4	A18.6	Tuberkulóza ucha	2	2
				A18.7	Tuberkulóza nadobličiek (E35.1*)	2	1,2
A04.5	Enteritída zapríčinená kamylobakterom	4	4	A18.8	Tuberkulóza iných bližšie určených orgánov	2	2
A04.6	Enteritída zapríčinená Yersinia enterocolitica	4	4	A19.0	Akútna miliárna TBC na jedinom	3,4	3
A04.7	Enterokolitída zapríčinená Clostridium difficile	2,3,4	1,2,3,4		blíž.urč.mieste		
A04.81	Enteritída zapríčinená Arcobacter spp.	4	4	A19.1	Akútna miliárna tuberkulóza na viacerých miestach	3,4	3
A04.89	Iná baktériová črevná infekcia, bližšie určená	4	4				
A04.9	Baktériová črevná infekcia, bližšie neurčená	2	2	A19.2	Akútna miliárna tuberkulóza, bližšie neurčená	3,4	3
A05.0	Potravinová otrava zapríčinená stafylokokmi	4	4	A19.8	Iná miliárna tuberkulóza	3,4	3
A05.1	Botulizmus	4	4	A19.9	Miliárna tuberkulóza, bližšie neurčená	3,4	3
A05.2	Potravinová otrava zapríčinená Clostridium perfringens	4	4	A26.0	Kožný eryzipeloid	4	4
				A26.7	Eryzipelotrixová sepsa	4	4
A05.3	Potravinová otrava zapríčinená Vibrio parahaemolyticus	4	4	A26.8	Iná forma eryzipeloidu	4	4
A07.1	Giardióza [lambliaza]	2	2	A26.9	Bližšie neurčený eryzipeloid	4	4
A07.3	Izosporiáza	2	2	A27.0	Leptospiróza zapríčinená Leptospira icterohaemorrhagiae	4	4
A08.0	Rotavírusová enteritída	1,2	2				
A08.1	Akútna gastroenteritída zapríčinená norovírusom [Norwalk]	1,2,3,4	1,2,3	A27.8	Iná forma leptospirózy	4	4
				A27.9	Leptospiróza, bližšie neurčená	4	4
A08.5	Iné, bližšie určené črevné infekcie	4	4	A28.0	Pasteurelóza	4	4
A09.0	Iná a blíž.neurč.gastroenteritída a kolitída infečného pôvodu	1,2,4	2,4	A28.1	Choroba z mačacieho škrabnutia	4	4
				A28.2	Extraintestinálna yersinióza	4	4
A15.0	TBC pľúc, potvrd.mikros.vyš.spúta s a bez dôk.kultiv./mol-biol.	3,4	3,4	A28.8	Iná baktériová	4	4
					zoonóza, blíž.určená, nezatriedená inde		
A15.1	Tuberkulóza pľúc, potvrdená len kultivačne	3,4	3,4	A28.9	Baktériová zoonóza, bližšie neurčená	4	4
A15.2	Tuberkulóza pľúc, potvrdená histologicky	3,4	3,4	A31.0	Pľúcna mykobakteriáza	3,4	3
A15.3	TBC pľúc, potvrdená inými a blíž.nurč.metódami	3,4	3,4	A31.80	Diseminovaná atypická mykobakteriáza	3,4	3
				A32.0	Kožná listerióza	4	4
A15.4	TBC vnútrohrud.lymf.uzlín, potvrd.bakter.molek.biolog/hist.	3,4	3	A32.1	Listerióva meningitída a meningoencefalitída	3,4	3,4
				A32.7	Listerióva sepsa	3,4	3,4
A15.5	TBC hrtana priedušnice a prieduš.potv.bakt.molek.biolog./hist.	3,4	3	A32.8	Iná forma listeriózy	4	4
				A32.9	Listerióza, bližšie neurčená	4	4
A15.6	TBC pleuritída, potvedná bakteriol.molek.biolog./hist.	3,4	3	A33	Tetanus novorodencov	4	4
				A34	Tetanus počas gravidity, pôrodu a v šestonedelí	2	2
A15.7	Primárna TBC dých.org.potv.bakt.molek.biolog./hist.	3,4	3,4				
				A35	Iný tetanus	3,4	3,4
A15.8	Iná TBC dých.org.potvredná bakter.molek.biolog./hist.	3,4	3	A37.0	Pertussis zapríčinený Bordetella pertussis	4	4
				A37.1	Pertussis zapríčinený Bordetella parapertussis	4	4
A15.9	TBC dých.súst.potvrdená bakter.molek.biolog./hist., b.n	3,4	3,4				
				A37.8	Pertussis zapríčinený iným druhom bordetely	4	4
A16.0	TBC pľúc, bakter.molek.biolog.a hist.negat.	3,4	3,4	A37.9	Pertussis, bližšie neurčený	4	4
A16.1	TBC pľúc, bez vyk.bakter.molek.biolog.a hist.vyš.	3,4	3,4	A39.0	Meningokoková meningitída (G01*)	3,4	3,4
				A39.1	Waterhouseov-Friderichsenov syndróm (E35.1*)	3,4	3,4

ICD	Text	OP. CCL	Med. CCL	ICD	Text	OP. CCL	Med. CCL
A39.2	Akútna meningokoková sepsa	3,4	3,4	A74.82	Chlamýdiová myokarditída	4	4
A39.3	Chronická meningokoková sepsa	3,4	3,4	A74.83	Chlamýdiová endokarditída	4	4
A39.4	Meningokoková sepsa, bližšie neurčená	3,4	3,4	A74.84	Chlamýdiová artritída	4	4
A39.5	Meningokokové ochorenie srdca	1,2,3,4	1,2,4	A74.89	Iná chlamýdiová choroba	4	4
A39.8	Iná meningokoková infekcia	3,4	3	A81.1	Subakútna sklerotizujúca panencefalitída	2,3,4	1,2,3,4
A39.9	Meningokoková infekcia, bližšie neurčená	3,4	3	A81.2	Progresívna multifokálna leukoencefalopatia	2,3	1,2,3
A40.0	Sepsa zapríčinená streptokokom zo skupiny A	3,4	1,3,4	A84.1	Streptokoková kliešťová encefalitída	2,3	1,2,3
A40.1	Sepsa zapríčinená streptokokom zo skupiny B	3,4	1,3	A85.0	Enterovírusová encefalitída (G05.1*)	2,3	1,2,3
A40.2	Sepsa zapríčinená streptokokom zo skupiny D	3,4	1,3,4	A85.8	Iná vírusová encefalitída, bližšie určená	2,3	1,2,3
A40.3	Sepsa zapríčinená Streptococcus pneumoniae	3,4	1,3,4	A86	Vírusová encefalitída, bližšie neurčená	2,3,4	1,2,3,4
A40.81	Sepsa zapríčinená streptokokom zo skupiny C	3,4	1,3	A87.0	Enterovírusová meningitída (G02.0*)	2,3	1,2,3
A40.89	Iná streptokoková sepsa	3,4	1,3	A89	Vírusová infekcia CNS, bližšie neurčená	4	4
A40.9	Sepsa zapríčinená streptokokmi, bližšie neurčená	3,4	1,3	A96.0	Hemoragická horúčka zapríčinená vírusom Junin	4	4
A41.0	Sepsa zapríčinená Staphylococcus aureus	3,4	1,3	A96.1	Hemoragická horúčka zapríčinená vírusom Machupo	4	4
A41.1	Sepsa zapríčinená iným bližšie určeným stafylokokom	3,4	1,3	A96.2	Horúčka Lassa	4	4
A41.2	Sepsa zapríčinená bližšie neurčeným stafylokokom	3,4	1,3	A96.8	Iná arenavírusová hemoragická horúčka	4	4
A41.3	Sepsa zapríčinená Haemophilus influenzae	3,4	1,3,4	A96.9	Arenavírusová hemoragická horúčka, bližšie neurčená	4	4
A41.4	Sepsa zapríčinená anaeróbnou baktériou	3,4	1,3	A98.3	Choroba zapríčinená vírusom Marburg	4	4
A41.51	Sepsa zapríčinená Escherichia coli [E. coli]	3,4	1,3	A98.5	Hemoragická horúčka s renálnym syndrómom	3,4	2,3,4
A41.52	Sepsa zapríčinená pseudomonas	3,4	1,3,4	B00.0	Herpetický ekzém	4	4
A41.53	Sepsa zapríčinená multirezistentnou gramnegat. baktériou	3,4	1,3,4	B00.1	Herpetická vezikulárna dermatitída	2,4	2,4
A41.58	Sepsa zapríčinená inou gramnegatívnou baktériou	3,4	1,3,4	B00.2	Herpetická gingivostomatitída a tonzilofaryngitída	4	4
A41.81	Sepsa zapríčinená multirezistentnou grampozit. baktériou	3,4	1,3	B00.3	Herpetická meningitída (G02.0*)	3,4	3,4
A41.89	Iná sepsa, bližšie určená	3,4	1,3	B00.4	Herpetická encefalitída (G05.1*)	3,4	3,4
A41.9	Sepsa, bližšie neurčená	3,4	1,3	B00.5	Očná infekcia herpetickým vírusom	4	4
A42.0	Pľúcna aktinomykóza	3,4	3	B00.7	Diseminovaná herpetická choroba	2,3,4	3,4
A42.1	Brušná aktinomykóza	3,4	3	B00.8	Iná forma herpetickej infekcie	2,4	2,4
A42.7	Aktinomykotická sepsa	3,4	3	B00.9	Herpetická infekcia, bližšie neurčená	4	4
A43.0	Pľúcna nokardióza	3,4	3	B01.0	Varicelová meningitída (G02.0*)	2,4	2,4
A48.0	Plynová gangréna	3,4	3,4	B01.1	Varicelová encefalitída (G05.1*)	3,4	3,4
A48.1	Legionelóza s pneumóniou [Legionárska choroba]	3,4	3,4	B01.2	Varicelový zápal pľúc (J17.1*)	3,4	3,4
A48.2	Legionelóza bez pneumónie [Pontiacka horúčka]	3,4	3,4	B01.8	Varicela s inými komplikáciami	2,4	2,4
A48.3	Syndróm toxického šoku	3,4	3	B01.9	Varicela bez komplikácií	2,4	2,4
A49.0	Stafylokoková infekcia bez bližšieho určenia miesta	3,4	3	B02.0	Zosterová encefalitída (G05.1*)	3,4	3,4
A49.1	Streptokoková infekcia bez bližšieho určenia miesta	3,4	3	B02.1	Zosterová meningitída (G02.0*)	3,4	3,4
A49.2	Infekcia haemophilus influenzae na b.n.m.	3,4	3	B02.2	Zoster s postihnutím iných častí nervovej sústavy	3,4	3,4
A50.0	Včasný vrodený syfilis, symptomatický	4	4	B02.3	Zosterová choroba oka	4	4
A50.1	Včasný vrodený syfilis, latentný	4	4	B02.7	Diseminovaný zoster	2,4	2,4
A50.2	Včasný vrodený syfilis, bližšie neurčený	4	4	B02.8	Zoster s inými komplikáciami	2,4	2,4
A50.3	Neskorá vrodená syfilitická okulopatia	4	4	B02.9	Zoster bez komplikácií	4	4
A50.4	Neskorý vrodený neurosyfilis [Juvenilný neurosyfilis]	3,4	3,4	B05.0	Osýpky komplikované encefalitídou (G05.1*)	3,4	3,4
A52.0	Kardiovaskulárny syfilis	1,2,3	1,2	B05.1	Osýpky komplikované meningitídou (G05.1*)	2,4	2,4
A52.1	Neurosyfilis, symptomatický	2,3	1,2,3	B05.2	Osýpky komplikované pneumóniou (J17.1*)	3,4	3,4
A52.2	Neurosyfilis, asymptomatický	3,4	3	B05.3	Osýpky komplikované zápalom stredného ucha	2,4	2,4
A52.3	Neurosyfilis, bližšie neurčený	2,3	1,2,3	B05.4	Osýpky s črevnými komplikáciami	2,4	2,4
A54.0	Gonok. inf. dol. časti moč.-pohl. súst. bez abs. uretr./preds. žliaz	2	2	B05.8	Osýpky s inými komplikáciami	2,4	2,4
A54.1	Gonok. inf. dol. časti moč.-pohl. súst. s abs. uretr. a preds. žliaz	2	2	B06.0	Ružienka s nervovými komplikáciami	2,4	2,4
A54.2	Gonok. pelveoperitonitída a iná gonokok. moč.-pohl. infekcia	2	2	B06.8	Ružienka s inými komplikáciami	2,4	2,4
A71.1	Trachóm, aktívne štádium	4	4	B08.5	Enterovírusová vezikulárna faryngitída	4	4
A74.81	Chlamýdiová dilatčná kardiomyopatia	4	4	B15.0	Akútna hepatitída A s pečeňovou kómou	4	4
				B15.9	Akútna hepatitída A bez pečeňovej kómy	4	4
				B16.0	Akútna hepatit. B s Delta vírusom (koinfekcia), s pečeň. kómou	1,2,3,4	1,2,3,4
				B16.1	Akútna hepatit. B s Delta vírusom (koinfekcia), bez pečeň. kómy	1,2,3,4	1,2,3,4
				B16.2	Akútna hepatit. B bez Delta vírusu, s pečeňovou kómou	1,2,3,4	1,2,3,4
				B16.9	Akútna hepatit. B bez Delta vírusu, bez pečeňovej kómy	1,2,3,4	1,2,3,4
				B17.0	Akútna Delta-vírus. (super)infekcia nosiča vírusu hepatit. B	1,2,3,4	1,2,3,4
				B17.1	Akútna hepatitída C	1,2,3,4	1,2,3,4

ICD	Text	OP. CCL	Med. CCL	ICD	Text	OP. CCL	Med. CCL
B17.2	Akútna hepatitída E	1,2,3,4	1,2,3,4	B27.0	Mononukleóza zapríčinená gamma - Herpes vírusom	4	4
B17.8	Iná akútna vírusová hepatitída, bližšie určená	1,2,3,4	1,2,3,4	B27.1	Cytomegalovírusová mononukleóza	4	4
B17.9	Akútna vírusová hepatitída, bližšie neurčená	1,2,3,4	1,2,3,4	B27.8	Iná infekčná mononukleóza	4	4
B18.0	Chronická hepatitída B s Delta vírusom	1,2,3,4	1,2,4	B27.9	Infekčná mononukleóza, bližšie neurčená	4	4
B18.1	Chronická hepatitída B bez Delta vírusu	1,2,3,4	1,2,4	B30.1	Konjunktivitída zapríčinená adenovírusom (H13.1*)	4	4
B18.2	Chronická hepatitída C	1,2,3,4	1,2,4	B30.3	Akútna epidemická hemorag. konjunktivitída (enterovír.)	4	4
B18.8	Iná chronická vírusová hepatitída	1,2,3,4	1,2,4	B33.2	Vírusová karditída	4	4
B18.9	Chronická vírusová hepatitída, bližšie neurčená	1,2,3,4	1,2,4	B34.0	Adenovírusová infekcia bez bližšieho určenia miesta	4	4
B19.0	Vírusová hepatit. s pečeňovou kómou, bliž. neurč.	1,2,3,4	1,2,3,4	B37.0	Kandidová stomatitída	2,3	2,3
B19.9	Vírusová hepatit. bez pečeňovej kómy, bliž. neurč.	1,2,3,4	1,2,3,4	B37.1	Pľúcna kandidóza	3,4	3,4
B20.0	Choroba HIV následnými mykobakteriovými infekciami	1,2,3,4	1,2,3,4	B37.4	Kandidóza iných častí močovopohlavnej sústavy	2,4	2,4
B20.1	Choroba HIV následnými inými bakteriovými infekciami	1,2,3,4	1,2,3,4	B37.5	Kandidová meningitída(G02.1*)	3,4	3,4
B20.2	Choroba HIV následnými cytomegalovírusovou chorobou	1,2,3,4	1,2,3,4	B37.6	Kandidová endokarditída(I39.8*)	3,4	3,4
B20.3	Choroba HIV následnými do inými vírusovými infekciami	1,2,3,4	1,2,3,4	B37.7	Kandidová sepsa	3,4	3
B20.4	Choroba HIV s následnými kandidózami	1,2,3,4	1,2,3,4	B37.81	Kandidová ezofagitída	2,4	2,3,4
B20.5	Choroba HIV s následnými inými mykózami	1,2,3,4	1,2,3,4	B37.88	Kandidóza na iných miestach	3,4	2,3
B20.6	Choroba HIV s následnou pneumocystovou pneumóniou	1,2,3,4	1,2,3,4	B38.0	Akútna kokcidioidomykóza pľúc	3,4	3,4
B20.7	Choroba HIV s následnými viacpočetnými infekciami	1,2,3,4	1,2,3,4	B38.1	Chronická kokcidioidomykóza pľúc	3,4	3,4
B20.8	Choroba HIV následnými iných. infekčnými a parazit. chorobami	1,2,3,4	1,2,3,4	B38.2	Kokcidioidomykóza pľúc, bližšie neurčená	3,4	3,4
B20.9	Choroba HIV následnými infekčnými/paraz. chor. bliž. neurč.	1,2,3,4	1,2,3,4	B38.3	Kokcidioidomykóza kože	4	4
B21.0	Choroba HIV s následným Kaposiho sarkómom	1,2,3,4	1,2,3,4	B38.4	Kokcidioidomykotická meningitída (G02.1*)	3,4	3,4
B21.1	Choroba HIV s následným Burkittovým lymfómom	1,2,3,4	1,2,3,4	B38.7	Diseminovaná kokcidioidomykóza	3,4	3,4
B21.2	Choroba HIV násled. inými typmi ne Hodgkinovho lymfómu	1,2,3,4	1,2,3,4	B38.8	Iná forma kokcidioidomykózy	3,4	3,4
B21.3	Choroba HIV násled. inými zhub. nád. lymf. krvotv. a príb. tkan.	1,2,3,4	1,2,3,4	B38.9	Kokcidioidomykóza, bližšie neurčená	2	2
B21.7	Choroba HIV násled. viacpočetnými zhub. nádormi	1,2,3,4	1,2,3,4	B39.0	Akútna histoplazmóza pľúc zapríč. Histoplasma capsulatum	2,4	2,4
B21.8	Choroba HIV s následnými inými zhubnými nádormi	1,2,3,4	1,2,3,4	B39.1	Chronická histoplazmóza pľúc zapríč. Histoplasma capsulatum	2,4	2,4
B21.9	Choroba HIV následnými zhubnými nádormi, bliž. neur.	1,2,3,4	1,2,3,4	B39.2	Histoplazmóza pľúc zapríč. Histoplasma capsulatum, bliž. neurč.	2,4	2,4
B22.0	Choroba HIV s následnou encefalopatiou	1,2,3,4	1,2,3,4	B39.3	Diseminovaná histoplazmóza zapríč. Histoplasma capsulatum	2	2
B22.1	Choroba HIV s násled. lymfoidnou intersticiál. pneumonitídou	1,2,3,4	1,2,3,4	B39.4	Histoplazmóza zapríč. Histoplasma capsulatum, bliž. neurč.	2	2
B22.2	Choroba HIV s následným syndrómom celkového upadania	1,2,3,4	1,2,3,4	B39.5	Histoplazmóza zapríčinená Histoplasma duboisii	2	2
B22.7	Choroba HIV s následnými rozličnými chorobami zatried. inde	1,2,3,4	1,2,3,4	B39.9	Histoplazmóza, bližšie neurčená	2	2
B23.0	Syndróm akútnej infekcie HIV	1,2,3,4	1,2,3,4	B40.0	Akútna blastomykóza pľúc	2,4	2,4
B23.8	Choroba HIV s inými následnými, bliž. urč. stavmi	1,2,3,4	1,2,3,4	B40.1	Chronická blastomykóza pľúc	2,4	2,4
B24	Choroba HIV, bližšie neurčená	1,2,3,4	1,2,3,4	B40.2	Blastomykóza pľúc, bližšie neurčená	2,4	2,4
B25.0	Cytomegalovírusová pneumónia(J17.1*)	3,4	3,4	B40.3	Blastomykóza kože	2,4	2,4
B25.1	Cytomegalovírusová hepatitída(K77.0*)	3,4	3,4	B40.7	Diseminovaná blastomykóza	2,4	2,4
B25.2	Cytomegalovírusová pankreatitída(K87.1*)	3,4	3,4	B40.8	Iná forma blastomykózy	2,4	2,4
B25.80	Cytomegalovírusová infekcia tráviacej trubice	3,4	3,4	B40.9	Blastomykóza, bližšie neurčená	2,4	2,4
B25.88	Iná cytomegalovírusová choroba	3,4	3,4	B41.0	Parakokcidioidomykóza pľúc	2,4	2,4
B25.9	Cytomegalovírusová choroba, bližšie neurčená	3,4	3,4	B41.7	Diseminovaná parakokcidioidomykóza	2,4	2,4
B26.0	Parotitická orchitída(N51.1*)	2,4	2,4	B41.8	Iná forma parakokcidioidomykózy	2,4	2,4
B26.1	Parotitická meningitída(G02.0*)	3,4	3,4	B41.9	Parakokcidioidomykóza, bližšie neurčená	2,4	2,4
B26.2	Parotitická encefalitída(G05.1*)	3,4	3,4	B44.0	Invazívna aspergilóza pľúc	3,4	3,4
B26.3	Parotitická pankreatitída(K87.1*)	2,3,4	2,4	B44.1	Iná aspergilóza pľúc	3,4	3,4
B26.8	Parotitída s inými komplikáciami	2,4	2,4	B44.2	Aspergilóza tonzíl	3,4	3,4
				B44.7	Diseminovaná aspergilóza	3,4	3,4
				B44.8	Iná forma aspergilózy	3,4	3,4
				B44.9	Aspergilóza, bližšie neurčená	3,4	3,4
				B45.0	Kryptokokóza pľúc	3,4	3,4
				B45.1	Kryptokokóza mozgu	3,4	3,4
				B45.2	Kryptokokóza kože	3,4	3,4
				B45.3	Kryptokokóza kostí	3,4	3,4
				B45.7	Diseminovaná kryptokokóza	3,4	3,4
				B45.8	Iná forma kryptokokózy	3,4	3,4
				B45.9	Kryptokokóza, bližšie neurčená	3,4	3,4
				B46.0	Mukormykóza pľúc	2,4	2,4
				B46.1	Rinocerebrálna mukormykóza	2,4	2,4

ICD	Text	OP. CCL	Med. CCL	ICD	Text	OP. CCL	Med. CCL
B46.2	Mukormykóza tráviacej trubice	2,4	2,4	B95.5	Streptokok,blíž.neurč.,ako príčina chorôb zatried.inde	1,2	1,2
B46.3	Mukormykóza kože	2,4	2,4	B95.6	Staphylococcus aureus ako príčina chorôb zatried.inde	1,2	1,2
B46.4	Diseminovaná mukormykóza	2,4	2,4	B95.7	Iný stafylokok ako príčina chorôb zatriedených inde	1,2	1,2
B46.5	Mukormykóza,blížšie neurčená	2,4	2,4	B95.8	Stafylokok,blíž.neurč.,ako príčina chorôb zatried.inde	1,2	1,2
B46.8	Iná zygomykóza	2,4	2,4	B96.3	Haemophilus a Moraxella ako príčina chorôb zatried.inde	3,4	3
B46.9	Zygomykóza,blížšie neurčená	2,4	2,4	B96.5	Pseudomonas a iná neferment.baktéria ako príč.chorôb.z.i.	2,3,4	2,3
B47.0	Eumycetóm	3,4	3,4	B97.0	Adenovírus ako príčina chorôb zatriedených inde	4	4
B47.1	Aktinomycetóm	3,4	3,4	B97.1	Enterovírus ako príčina chorôb zatriedených inde	4	4
B48.2	Allescheriáza	2,4	2,4	C00.0	Zhubný nádor vonkajšej hornej pery	4	4
B48.7	Mykóza zapríčinená oportunistickým patogénom	3,4	3,4	C00.1	Zhubný nádor vonkajšej dolnej pery	4	4
B50.0	Malária zapríč. Plasmodium falciparum s mozgov.kompl.	4	4	C00.2	Zhubný nádor vonkajšej pery,blížšie neurčený	4	4
B50.8	Iná ťažká a kompl.malária zapríč.Plasmodium falciparum	4	4	C00.3	Zhubný nádor vnútornej strany hornej pery	4	4
B50.9	Malária zapríčinená Plasmodium falciparum,b.n.	4	4	C00.4	Zhubný nádor vnútornej strany dolnej pery	4	4
B51.0	Malária zapríčinená Plasmodium vivax s ruptúrou sleziny	4	4	C00.5	Zhubný nádor vnútornej strany pery,blíž.neurč.	4	4
B51.8	Malária zapríčinená Plasmodium vivax s i.kompl.	4	4	C00.6	Zhubný nádor spojky perí	4	4
B51.9	Malária zapríčinená Plasmodium vivax bez kompl.	4	4	C00.8	Zhubný nádor pery presahujúci viaceré oblasti	4	4
B52.0	Malária zapríčinená Plasmodium malariae s nefropatiou	4	4	C00.9	Zhubný nádor pery,blížšie neurčený	4	4
B52.8	Malária zapríčinená Plasmodium malariae s i.kompl.	4	4	C01	Zhubný nádor koreňa jazyka	4	4
B52.9	Malária zapríčinená Plasmodium malariae bez kompl.	4	4	C02.0	Zhubný nádor chrbtovej strany jazyka	4	4
B53.0	Malária zapríčinená Plasmodium ovale	4	4	C02.1	Zhubný nádor okraja jazyka	4	4
B53.1	Malária zapríčinená opičimi plazmódiami	4	4	C02.2	Zhubný nádor spodnej strany jazyka	4	4
B53.8	Iná parazitologicky potvrdená malária,nezatriedená.inde	4	4	C02.3	Zhubný nádor predných dvoch tretín jazyka, blíž.neurč.časť	4	4
B54	Malária,blížšie neurčená	4	4	C02.8	Zhubný nádor jazyka presahujúci viaceré oblasti	4	4
B57.0	Akútna Chagasova choroba s postihnutím srdca	1,2,3	1,2	C02.9	Zhubný nádor jazyka,blížšie neurčený	4	4
B57.2	Chagasova choroba(chronická)s postihnutím srdca	1,2,3	1,2	C03.0	Zhubný nádor horného ňasna	4	4
B58.0	Toxoplazmová okulopatia	1,2,3,4	1,2,4	C03.1	Zhubný nádor dolného ňasna	4	4
B58.1	Toxoplazmová hepatitída (K77.0*)	1,2,3,4	1,2,3,4	C03.9	Zhubný nádor ňasna,blížšie neurčený	4	4
B58.2	Toxoplazmová meningoencefalitída(G05.2*)	3,4	3,4	C04.0	Zhubný nádor prednej časti ústnej spodiny	4	4
B58.3	Toxoplazmóza plúc(J17.3*)	3,4	3,4	C04.1	Zhubný nádor bočnej časti ústnej spodiny	4	4
B58.8	Toxoplazmóza s postihnutím iných orgánov	2,4	2,4	C04.8	Zhub.nádor ústnej spodiny presah.viaceré obl.	4	4
B58.9	Toxoplazmóza,blížšie neurčená	4	4	C04.9	Zhubný nádor ústnej spodiny,blížšie neurčený	4	4
B59	Pneumocystóza (J17.3*)	3,4	3,4	C05.0	Zhubný nádor tvrdého podnebia	4	4
B60.0	Babezióza	2	2	C05.1	Zhubný nádor mäkkého podnebia	4	4
B60.1	Akantamebóza	2	2	C05.2	Zhubný nádor uvuly	4	4
B60.2	Naeglerióza	2	2	C05.8	Zhubný nádor podnebia presahujúci viaceré oblasti	4	4
B60.8	Iná protozoárna choroba,blížšie určená	2	2	C05.9	Zhubný nádor podnebia,blížšie neurčený	4	4
B78.0	Črevná strongyloidóza	2	2	C06.0	Zhubný nádor sliznice líca	4	4
B78.1	Kožná strongyloidóza	2	2	C06.1	Zhubný nádor vestibulum oris	4	4
B78.7	Diseminovaná strongyloidóza	2	2	C06.2	Zhubný nádor retromolárnej časti úst	4	4
B78.9	Strongyloidóza,blížšie neurčená	2	2	C06.8	Zhubný nádor iných a blíž.neurč.častí.úst,presah.viaceré obl.	4	4
B79	Trichuridóza	2	2	C06.9	Zhubný nádor úst,blížšie neurčený	4	4
B90.0	Následky tuberkulózy centrálnej nervovej sústavy	1,2	2	C07	Zhubný nádor príušnej žľazy	4	4
B90.1	Následky tuberkulózy močovopohlavnej sústavy	2,3,4	2,3	C08.0	Zhubný nádor submandibulárnej slinnej žľazy	4	4
B90.9	Následky respiračnej a blíž.nerč.TBC	2	2	C08.1	Zhubný nádor sublingválnej slinnej žľazy	4	4
B91	Následky poliomyelitídy	1,2	2	C08.8	Zhubný nádor veľkých slinných žliaz,presah.viac.obl.	4	4
B95.2	Streptokok skupiny D ako príčina chorôb zatried.inde	1,2	1,2	C08.9	Zhubný nádor veľkej slinnej žľazy,blížšie neurčený	4	4
B95.3	Streptococcus pneumoniae ako príčina chorôb zatried.inde	1,2	1,2	C09.0	Zhubný nádor fossa tonsillaris	4	4
B95.42	Streptokok skupiny G ako príčina chorôb zatried.inde	1,2	1,2	C09.1	Zhubný nádor podnebného oblúka(predná časť)(zadná časť)	4	4
B95.48	Iný streptokok,blíž.urč.ako príčina chorôb zatried.inde	1,2	1,2	C09.8	Zhubný nádor mandle presahujúci viaceré oblasti	4	4
				C10.0	Zhubný nádor vallecula epiglottica	4	4

ICD	Text	OP. CCL	Med. CCL	ICD	Text	OP. CCL	Med. CCL
C10.1	Zhubný nádor prednej plochy epiglottis	4	4	C21.1	Zhubný nádor análneho kanála	1,2,3,4	1,2,4
C10.2	Zhubný nádor bočnej steny orofaryngu	4	4	C21.2	Zhubný nádor kloakovej oblasti	1,2,3,4	1,2,4
C10.3	Zhubný nádor zadnej steny orofaryngu	4	4	C21.8	Zhubný nádor rekta, anusu a análneho kanála presah. viac.obl.	1,2,3,4	1,2,4
C10.4	Zhubný nádor branchiálneho rázštetu	4	4	C22.0	Hepatocelulárny karcinóm	1,2,3,4	1,2,4
C10.8	Zhubný nádor orofaryngu presahujúci viaceré oblasti	4	4	C22.1	Karcinóm vnútropečeňových žilových ciest	1,2,3,4	1,2,4
C10.9	Zhubný nádor orofaryngu, bližšie neurčený	4	4	C22.2	Hepatoblastóm	1,2,3,4	1,2,4
C11.0	Zhubný nádor hornej steny nazofaryngu	4	4	C22.3	Angiosarkóm pečene	1,2,3,4	1,2,4
C11.1	Zhubný nádor zadnej steny nazofaryngu	4	4	C22.4	Iný sarkóm pečene	1,2,3,4	1,2,4
C11.2	Zhubný nádor bočnej steny nazofaryngu	4	4	C22.7	Iný karcinóm pečene, bližšie určený	1,2,3,4	1,2,4
C11.3	Zhubný nádor prednej steny nazofaryngu	4	4	C22.9	Zhubný nádor pečene, bližšie neurčený	1,2,3,4	1,2,4
C11.8	Zhubný nádor nosohltana presah. viac.obl.	4	4	C23	Zhubný nádor žľazníka	1,2,3,4	1,2,4
C11.9	Zhubný nádor nazofaryngu, bližšie neurčený	4	4	C24.0	Zhubný nádor mimopečeňových žilových ciest	1,2,3,4	1,2,4
C12	Zhubný nádor recessus piriformis	4	4	C24.1	Zhubný nádor ampulla Vateri	1,2,3,4	1,2,4
C13.0	Zhubný nádor regio postcricoidea	4	4	C24.8	Zhubný nádor žilových ciest presah. viac.obl.	1,2,3,4	1,2,4
C13.1	Zhubný nádor hypofaryngovej strany aryepiglotickej krkvy	4	4	C24.9	Zhubný nádor žilových ciest, bližšie neurčený	1,2,3,4	1,2,4
C13.2	Zhubný nádor zadnej steny hypofaryngu	4	4	C25.0	Zhubný nádor hlavy podžalúdkovej žľazy	1,2,3,4	1,2,4
C13.8	Zhubný nádor hypofaryngu presah. viac. obl.	4	4	C25.1	Zhubný nádor tela podžalúdkovej žľazy	1,2,3,4	1,2,4
C13.9	Zhubný nádor hypofaryngu, bližšie neurčený	4	4	C25.2	Zhubný nádor chvosta podžalúdkovej žľazy	1,2,3,4	1,2,4
C14.0	Zhubný nádor faryngu, bližšie neurčený	4	4	C25.3	Zhubný nádor vývodu podžalúdkovej žľazy	1,2,3,4	1,2,4
C14.2	Zhubný nádor Waldeyerovho lymfatického okruhu	4	4	C25.4	Zhubný nádor endokrínnej časti podžalúdkovej žľazy	1,2,3,4	1,2,4
C14.8	Zhub. nádor pery, ústnej dutiny a hltana presah. viac.obl.	4	4	C25.7	Zhubný nádor iných častí podžalúdkovej žľazy	1,2,3,4	1,2,4
C15.0	Zhubný nádor krčnej časti pažeráka	1,2,3,4	1,2,4	C25.8	Zhubný nádor podžalúdkovej žľazy presah. viac.obl.	1,2,3,4	1,2,4
C15.1	Zhubný nádor hrudníkovej časti pažeráka	1,2,3,4	1,2,4	C25.9	Zhubný nádor podžalúdkovej žľazy, bližšie neurčený	1,2,3,4	1,2,4
C15.2	Zhubný nádor brušnej časti pažeráka	1,2,3,4	1,2,4	C26.0	Zhubný nádor bliž. neurč. časti črevného traktu	4	4
C15.3	Zhubný nádor hornej tretiny pažeráka	1,2,3,4	1,2,4	C26.1	Zhubný nádor sleziny	4	4
C15.4	Zhubný nádor strednej tretiny pažeráka	1,2,3,4	1,2,4	C26.8	Zhubný nádor tráviacej sústavy presah. viac.obl.	1,2,3,4	1,2,4
C15.5	Zhubný nádor dolnej tretiny pažeráka	1,2,3,4	1,2,4	C26.9	Zhubný nádor na nepresne určenom mieste tráviacej súst.	4	4
C15.8	Zhubný nádor pažeráka presahujúci viaceré oblasti	1,2,3,4	1,2,4	C30.0	Zhubný nádor nosovej dutiny	4	4
C15.9	Zhubný nádor pažeráka, bližšie neurčený	1,2,3,4	1,2,4	C30.1	Zhubný nádor stredného ucha	4	4
C16.0	Zhubný nádor kardie	1,2,3,4	1,2,4	C31.0	Zhubný nádor čelustnej dutiny	4	4
C16.1	Zhubný nádor fundu žalúdka	1,2,3,4	1,2,4	C31.1	Zhubný nádor čuchovej dutiny	4	4
C16.2	Zhubný nádor tela žalúdka	1,2,3,4	1,2,4	C31.2	Zhubný nádor čelovej dutiny	4	4
C16.3	Zhubný nádor antra pyloru	1,2,3,4	1,2,4	C31.3	Zhubný nádor dutiny klínovej kosti	4	4
C16.4	Zhubný nádor pyloru	1,2,3,4	1,2,4	C31.8	Zhubný nádor prinosovej dutiny presah. viac.obl.	4	4
C16.5	Zhub. nádor malej kurvatúry žalúdka, bliž. neurč.	1,2,3,4	1,2,4	C31.9	Zhubný nádor bližšie neurčenej prinosovej dutiny	4	4
C16.6	Zhub. nádor veľkej kurvatúry žalúdka, bliž. neurč.	1,2,3,4	1,2,4	C32.0	Zhubný nádor glottis	4	4
C16.8	Zhubný nádor žalúdka presahujúci viaceré oblasti	1,2,3,4	1,2,4	C32.1	Zhubný nádor supraglottis	4	4
C16.9	Zhubný nádor žalúdka, bližšie neurčený	1,2,3,4	1,2,4	C32.2	Zhubný nádor subglottis	4	4
C17.0	Zhubný nádor dvanástnika	1,2,3,4	1,2,4	C32.3	Zhubný nádor hrtanovej chrupky	4	4
C17.1	Zhubný nádor jejúna	1,2,3,4	1,2,4	C32.8	Zhubný nádor hrtana presahujúci viaceré oblasti	4	4
C17.2	Zhubný nádor ilea	1,2,3,4	1,2,4	C32.9	Zhubný nádor hrtana, bližšie neurčený	4	4
C17.3	Zhubný nádor Meckelovho divertikula	1,2,3,4	1,2,4	C33	Zhubný nádor priedušnice	1,2,3,4	1,2,4
C17.8	Zhubný nádor tenkého čreva presah. viac.obl.	1,2,3,4	1,2,4	C34.0	Zhubný nádor hlavnej priedušky	1,2,3,4	1,2,4
C17.9	Zhubný nádor tenkého čreva, bližšie neurčený	1,2,3,4	1,2,4	C34.1	Zhubný nádor priedušky alebo pľúc v hornom laloku	1,2,3,4	1,2,4
C18.0	Zhubný nádor slepého čreva	1,2,3,4	1,2,4	C34.2	Zhubný nádor priedušky alebo pľúc v strednom laloku	1,2,3,4	1,2,4
C18.1	Zhubný nádor červovitého prívesku slepého čreva	1,2,3,4	1,2,4	C34.3	Zhubný nádor priedušky alebo pľúc v dolnom laloku	1,2,3,4	1,2,4
C18.2	Zhubný nádor vzostupnej časti hrubého čreva	1,2,3,4	1,2,4	C34.8	Zhubný nádor priedušky alebo pľúc, presah. viac.obl.	1,2,3,4	1,2,4
C18.3	Zhubný nádor pečeňového ohybu hrubého čreva	1,2,3,4	1,2,4	C34.9	Zhubný nádor priedušky alebo pľúc, bližšie neurčený	1,2,3,4	1,2,4
C18.4	Zhubný nádor priečnej časti hrubého čreva	1,2,3,4	1,2,4	C37	Zhubný nádor týmusu	1,2,3,4	1,2,4
C18.5	Zhubný nádor slezinového ohybu hrubého čreva	1,2,3,4	1,2,4	C38.0	Zhubný nádor srdca	1,2,3,4	1,2,4
C18.6	Zhubný nádor zostupnej časti hrubého čreva	1,2,3,4	1,2,4	C38.1	Zhubný nádor predného mediastína	1,2,3,4	1,2,4
C18.7	Zhubný nádor esovitej časti hrubého čreva	1,2,3,4	1,2,4	C38.2	Zhubný nádor zadného mediastína	1,2,3,4	1,2,4
C18.8	Zhubný nádor hrubého čreva presah. viac.obl.	1,2,3,4	1,2,4				
C18.9	Zhubný nádor hrubého čreva, bližšie neurčený	1,2,3,4	1,2,4				
C19	Zhubný nádor rektosigmoidového spojenia hrubého čreva	1,2,3,4	1,2,4				
C20	Zhubný nádor konečníka	1,2,3,4	1,2,4				
C21.0	Zhubný nádor anusu, bližšie neurčený	1,2,3,4	1,2,4				

CCL

ICD	Text	OP. CCL	Med. CCL	ICD	Text	OP. CCL	Med. CCL
C38.3	Zhubný nádor bližšie neurčenej časti mediastína	1,2,3,4	1,2,4	C44.8	Zhubný nádor kože presahujúci viaceré oblasti	4	4
C38.4	Zhubný nádor pohrudnice	1,2,3,4	1,2,4	C44.9	Zhubný nádor kože, bližšie neurčený	4	4
C38.8	Zhubný nádor srdca, mediastína a pohrudnice presah. viac.obl.	1,2,3,4	1,2,4	C45.0	Mezotelióm pohrudnice	1,2,3,4	1,2,4
C39.0	Zhubný nádor bliž. neurč. časti horných dýchacích ciest	4	4	C45.1	Mezotelióm pobrušnice	1,2,3,4	1,2,4
C39.8	Zhubný nádor dých. a vnútrohrud. orgánov presah. viac.obl.	4	4	C45.2	Mezotelióm osrdcovníka	1,2,3,4	1,2,4
C39.9	Zhubný nádor na nepres. urč. miestach dýchacej sústavy	4	4	C45.7	Mezotelióm na inom mieste	2,3,4	1,2,3,4
C40.0	Zhubný nádor kosti a kĺb. chrupky lopatky a dlhých kostí HK	1,2,3,4	1,2,3,4	C45.9	Mezotelióm, bližšie neurčený	2,3,4	1,2,3,4
C40.1	Zhubný nádor kosti a kĺbovej chrupky krátkych kostí HK	1,2,3,4	1,2,3,4	C46.3	Kaposiho sarkóm lymfatických uzlín	1,2,3	1,2
C40.2	Zhubný nádor kosti a kĺbovej chrupky dlhých kostí DK	1,2,3,4	1,2,3,4	C46.8	Kaposiho sarkóm viacerých orgánov	2	2
C40.3	Zhubný nádor kosti a kĺbovej chrupky krátkych kostí DK	1,2,3,4	1,2,3,4	C47.0	Zhubný nádor periférnych nervov hlavy, tváre a krku	4	4
C40.8	Zhubný nádor kosti a kĺb. chrupky končatín, presah. viac.obl.	1,2,3,4	1,2,3,4	C47.1	Zhubný nádor periférnych nervov HK vrátane pleca	4	4
C40.9	Zhubný nádor kosti a kĺbovej chrupky končatiny, bliž. neurč.	4	4	C47.2	Zhubný nádor periférnych nervov DK vrátane bedra	4	4
C41.01	Zhubný nádor kosti a kĺbovej chrupky v kraniofaciálnej obl.	1,2,3,4	1,2,3	C47.3	Zhubný nádor periférnych nervov hrudníka	4	4
C41.02	Zhubný nádor kosti a kĺbovej chrupky v maxilofaciálnej obl.	1,2,3,4	1,2,3	C47.4	Zhubný nádor periférnych nervov brucha	4	4
C41.1	Zhubný nádor kosti a kĺbovej chrupky dolnej čeluste(sánky)	1,2,3,4	1,2,3,4	C47.5	Zhubný nádor periférnych nervov panvy	4	4
C41.2	Zhubný nádor kosti a kĺbovej chrupky chrbtice	1,2,3,4	1,2,3,4	C47.6	Zhubný nádor periférnych nervov trupu, bliž. neurč.	4	4
C41.30	Zhubný nádor kosti a kĺbovej chrupky rebra	1,2,3,4	1,2,3,4	C47.8	Zhub. nádor perifér. nerv. a autonóm. nerv. súst. presah. viac.obl.	4	4
C41.31	Zhubný nádor kosti a kĺbovej chrupky hrudnej kosti	1,2,3,4	1,2,3,4	C47.9	Zhubný nádor perifér. nervov a autonóm. nerv. súst., bliž. neurč.	4	4
C41.32	Zhubný nádor kosti a kĺbovej chrupky kľúčnej kosti	1,2,3,4	1,2,3,4	C48.0	Zhubný nádor retroperitonea	4	4
C41.4	Zhubný nádor kosti a kĺbovej chrupky panvovej kosti	1,2,3,4	1,2,3,4	C48.1	Zhubný nádor pobrušnice, bližšie určenej časti	4	4
C41.8	Zhubný nádor kosti a kĺbovej chrupky presah. viac.obl.	1,2,3,4	1,2,3,4	C48.2	Zhubný nádor pobrušnice, bližšie neurčenej časti	4	4
C41.9	Zhubný nádor kosti a kĺbovej chrupky, bliž. neurč.	4	4	C48.8	Zhubný nádor retroperitonea a pobrušnice presah. viac.obl.	4	4
C43.0	Maligny melanóm pery	4	4	C49.0	Zhubný nádor spojivového a mäkk. tkaniva hlavy, tváre a krku	4	4
C43.1	Maligny melanóm mihalnice vrátane očného kútika	4	4	C49.1	Zhubný nádor spojivového a mäkk. tkaniva HK vrátane pleca	4	4
C43.2	Maligny melanóm ucha a vonkajšieho zvukovodu	4	4	C49.2	Zhubný nádor spojivového a mäkk. tkaniva DK vrátane bedra	4	4
C43.3	Maligny melanóm inej a bliž. neurč. časti tváre	4	4	C49.3	Zhubný nádor spojivového a mäkkého tkaniva hrudníka	4	4
C43.4	Maligny melanóm vlasatej časti hlavy a krku	4	4	C49.4	Zhubný nádor spojivového a mäkkého tkaniva brucha	4	4
C43.5	Maligny melanóm trupu	4	4	C49.5	Zhubný nádor spojivového a mäkkého tkaniva malej panvy	4	4
C43.6	Maligny melanóm hornej končatiny vrátane pleca	4	4	C49.6	Zhubný nádor spojivového a mäkkého tkaniva trupu, bliž. neurč.	4	4
C43.7	Maligny melanóm dolnej končatiny vrátane bedra	4	4	C49.8	Zhub. nádor spojiv. a mäkk. tkan., presah. viac.obl.	4	4
C43.8	Maligny melanóm presahujúci viaceré oblasti	4	4	C49.9	Zhub. nádor spojiv. a mäkk. tkan., b.n.	4	4
C43.9	Maligny melanóm kože, bližšie neurčený	4	4	C50.0	Zhubný nádor prsníkovej bradavky a dvorčeka	2,3,4	2,4
C44.0	Iný zhubný nádor kože pery	4	4	C50.1	Zhubný nádor strednej časti prsníka	4	4
C44.1	Iný zhubný nádor kože mihalnice vrátane očného kútika	4	4	C50.2	Zhubný nádor horného vnútorného kvadrantu prsníka	4	4
C44.2	Iný zhubný nádor kože ucha a vonkajšieho zvukovodu	4	4	C50.3	Zhubný nádor dolného vnútorného kvadrantu prsníka	4	4
C44.3	Iný zhubný nádor kože iných a bliž. neurč. časti tváre	4	4	C50.4	Zhubný nádor horného vonkajšieho kvadrantu prsníka	4	4
C44.4	Iný zhubný nádor kože vlasatej časti hlavy a krku	4	4	C50.5	Zhubný nádor dolného vonkajšieho kvadrantu prsníka	4	4
C44.5	Iný zhubný nádor kože trupu	4	4	C50.6	Zhubný nádor axilárnej časti prsníka	4	4
C44.6	Zhubný nádor kože hornej končatiny vrátane pleca	4	4	C50.8	Zhubný nádor prsníka presahujúci viaceré oblasti	4	4
C44.7	Zhubný nádor kože dolnej končatiny vrátane bedra	4	4	C50.9	Zhubný nádor prsníka, bližšie neurčený	4	4
				C51.0	Zhubný nádor veľkého pysku	4	4
				C51.1	Zhubný nádor malého pysku	4	4
				C51.2	Zhubný nádor klitoris	4	4
				C51.8	Zhubný nádor vulvy presahujúci viaceré oblasti	4	4
				C51.9	Zhubný nádor vulvy, bližšie neurčený	4	4

ICD	Text	OP. CCL	Med. CCL	ICD	Text	OP. CCL	Med. CCL
C52	Zhubný nádor pošvy	4	4	C68.9	Zhubný nádor bližšie neurčených močových orgánov	4	4
C53.0	Zhubný nádor endocervixu maternice	4	4	C69.0	Zhubný nádor spojovky	4	4
C53.1	Zhubný nádor exocervixu maternice	4	4	C69.1	Zhubný nádor rohovky	4	4
C53.8	Zhubný nádor krčka maternice presah. viac.obl.	4	4	C69.2	Zhubný nádor sietnice	4	4
C53.9	Zhubný nádor krčka maternice, bližšie neurčený	4	4	C69.3	Zhubný nádor cievovky	4	4
C54.0	Zhubný nádor istmu maternice	4	4	C69.4	Zhubný nádor vráskovca	4	4
C54.1	Zhubný nádor endometria	4	4	C69.5	Zhubný nádor sliznej žľazy a nosovoslzného kanála	4	4
C54.2	Zhubný nádor myometria	4	4	C69.6	Zhubný nádor očnice	4	4
C54.3	Zhubný nádor dna maternice	4	4	C69.8	Zhub. nádor oka a očných adnexov presah. viac.obl.	4	4
C54.8	Zhub. nádor tela maternice presah. viac.obl.	4	4	C69.9	Zhubný nádor oka, bližšie neurčený	4	4
C54.9	Zhubný nádor tela maternice, bližšie neurčený	4	4	C70.0	Zhubný nádor mozgovomiechových obalov: mozog	1,2,3,4	1,2,3,4
C55	Zhubný nádor bližšie neurčenej časti maternice	4	4	C70.1	Zhubný nádor mozgovomiechových obalov: miecha	1,2,3,4	1,2,3,4
C56	Zhubný nádor vaječníka	4	4	C70.9	Zhubný nádor mozgovomiechových obalov, bližšie neurčený	1,2,3,4	1,2,3,4
C57.0	Zhubný nádor vajíčkovodu	4	4	C71.0	Zhubný nádor mozgu okrem lalokov a komôr	1,2,3,4	1,2,3,4
C57.1	Zhubný nádor širokého väzu maternice	4	4	C71.1	Zhubný nádor čelového laloka mozgu	1,2,3,4	1,2,3,4
C57.2	Zhubný nádor oblého väzu maternice	4	4	C71.2	Zhubný nádor spánkového laloka mozgu	1,2,3,4	1,2,3,4
C57.3	Zhubný nádor parametria	4	4	C71.3	Zhubný nádor temenného laloka mozgu	1,2,3,4	1,2,3,4
C57.4	Zhubný nádor adnexov maternice, bližšie neurčený	4	4	C71.4	Zhubný nádor záhlavového laloka mozgu	1,2,3,4	1,2,3,4
C57.7	Zhubný nádor iných ženských pohlavných orgánov, bliž. urč.	4	4	C71.5	Zhubný nádor mozgovej komory mozgu	1,2,3,4	1,2,3,4
C57.8	Zhubný nádor ženských pohlavných orgánov, presah. viac.obl.	4	4	C71.6	Zhubný nádor mozočka	1,2,3,4	1,2,3,4
C57.9	Zhubný nádor ženského pohlavného orgánu, bliž. neurč.	4	4	C71.7	Zhubný nádor mozgového kmeňa	1,2,3,4	1,2,3,4
C60.0	Zhubný nádor predkožky penisu	4	4	C71.8	Zhubný nádor mozgu presahujúci viaceré oblasti	1,2,3,4	1,2,3,4
C60.1	Zhubný nádor žalúda penisu	4	4	C71.9	Zhubný nádor mozgu, bližšie neurčený	1,2,3,4	1,2,3,4
C60.2	Zhubný nádor tela penisu	4	4	C72.0	Zhubný nádor miechy	1,2,3,4	1,2,3,4
C60.8	Zhubný nádor penisu presahujúci viaceré oblasti	4	4	C72.1	Zhubný nádor cauda equina	1,2,3,4	1,2,3,4
C60.9	Zhubný nádor penisu, bližšie neurčený	4	4	C72.2	Zhubný nádor čuchového nervu [n. olfactorii]	1,2,3,4	1,2,3,4
C62.0	Zhubný nádor nezostúpeného semenníka	4	4	C72.3	Zhubný nádor zrakového nervu [n. opticus]	1,2,3,4	1,2,3,4
C62.1	Zhubný nádor zostúpeného semenníka	4	4	C72.4	Zhubný nádor sluchového nervu	1,2,3,4	1,2,3,4
C62.9	Zhubný nádor semenníka, bližšie neurčený	4	4	C72.5	Zhubný nádor iných a bliž. neurč. hlavových nervov	1,2,3,4	1,2,3,4
C63.0	Zhubný nádor nadsemenníka	4	4	C72.8	Zhubný nádor, lézia presahujúca mozog a iné časti CNS	1,2,3,4	1,2,3,4
C63.1	Zhubný nádor semenného povrazca	4	4	C72.9	Zhubný nádor centrálnej nervovej sústavy, bližšie neurčený	4	4
C63.2	Zhubný nádor mieška	4	4	C73	Zhubný nádor štítnej žľazy	4	4
C63.7	Zhubný nádor iných mužských pohlavných orgánov, bliž. urč.	4	4	C74.0	Zhubný nádor kôry nadobličky	4	4
C63.8	Zhubný nádor mužských pohlavných orgánov presah. viac.obl.	4	4	C74.1	Zhubný nádor drene nadobličky	4	4
C63.9	Zhubný nádor mužského pohlavného orgánu, bliž. neurč.	4	4	C74.9	Zhubný nádor nadobličky, bližšie neurčený	4	4
C64	Zhubný nádor obličky okrem obličkovej panvičky	2,4	2,4	C75.0	Zhubný nádor prištítnej žľazy	4	4
C65	Zhubný nádor obličkovej panvičky	2,4	2,4	C75.1	Zhubný nádor podmozgovej žľazy	4	4
C66	Zhubný nádor močovodu	2,4	2,4	C75.2	Zhubný nádor kraniofaryngového vývodu	4	4
C67.0	Zhubný nádor trigonum močového mechúra	4	4	C75.3	Zhubný nádor epifýzy	4	4
C67.1	Zhubný nádor klenby močového mechúra	4	4	C75.4	Zhubný nádor glomus caroticum	4	4
C67.2	Zhubný nádor bočnej steny močového mechúra	4	4	C75.5	Zhubný nádor glomus aorticum a iných paraganglií	4	4
C67.3	Zhubný nádor prednej steny močového mechúra	4	4	C75.8	Zhubný nádor s postih. viacerých žliaz, bliž. neurč.	4	4
C67.4	Zhubný nádor zadnej steny močového mechúra	4	4	C75.9	Zhubný nádor žliaz s vnútorným vylučovaním, bliž. neurč.	4	4
C67.5	Zhubný nádor krčka močového mechúra	4	4	C76.0	Zhubný nádor na i. a nepres. urč. miestach hlavy, tváre a krku	4	4
C67.6	Zhubný nádor ústia močovodu	4	4	C76.1	Zhubný nádor na iných a nepres. urč. miestach hrudníka	4	4
C67.7	Zhubný nádor urachu	4	4	C76.2	Zhubný nádor na iných a nepres. urč. miestach brucha	4	4
C67.8	Zhubný nádor močového mechúra, presah. viac.obl.	4	4	C76.3	Zhubný nádor na iných a nepres. urč. miestach panvy	4	4
C67.9	Zhubný nádor močového mechúra, bližšie neurčený	4	4	C76.4	Zhubný nádor na iných a nepres. urč. miestach HK	4	4
C68.0	Zhubný nádor močovej rúry	4	4	C76.5	Zhubný nádor na iných a nepres. urč. miestach DK	4	4
C68.1	Zhubný nádor parauretrálnej žľazy	4	4				
C68.8	Zhubný nádor močových orgánov presah. viac.obl.	4	4				

ICD	Text	OP. CCL	Med. CCL	ICD	Text	OP. CCL	Med. CCL
C76.7	Zhubný nádor na iných a nepresne určených miestach	4	4	C81.9	Hodgkinov lymfóm, bližšie neurčený	1,2,3,4	1,2,4
C76.8	Zhubný nádor na iných a nepres. urč. miestach, presah. viac. obl.	4	4	C82.0	Folikulový lymfóm, štádium I	1,2,3,4	1,2,4
C77.0	Sekundár. a bliž. neu. zhub. nádor lymf. uzliny hlavy, tváre a krku	1,2,3,4	1,2,3,4	C82.1	Folikulový lymfóm, štádium II	1,2,3,4	1,2,4
C77.1	Sekundárny a bliž. neu. zhub. nádor vnútrohrud. lymf. uzliny	1,2,4	1,2,4	C82.2	Folikulový lymfóm, štádium III, bližšie neurčený	1,2,3,4	1,2,4
C77.2	Sekundárny a bliž. neu. zhub. nádor vnútrobruš. lymf. uzliny	1,2,4	1,2,4	C82.3	Folikulový lymfóm, štádium IIIa	1,2,3,4	1,2,4
C77.3	Sekundárny a bliž. neu. zhub. nádor lymf. uzliny pazuchy a HK	1,2,4	1,2,4	C82.4	Folikulový lymfóm, štádium IIIb	1,2,3,4	1,2,4
C77.4	Sekundárny a bliž. neu. zhub. nádor lymf. uzliny slabiny a DK	1,2,4	1,2,4	C82.5	Difúzny lymfóm folikulového centra	1,2,3,4	1,2,4
C77.5	Sekundárny a bliž. neu. zhub. nádor vnútropanv. lymf. uzliny	1,2,4	1,2,4	C82.6	Kožný lymfóm folikulového centra	1,2,3,4	1,2,4
C77.8	Sekundárny a bliž. neu. zhub. nádor lymf. uzliny viac. obl.	1,2,4	1,2,4	C82.7	Iný typ folikulového lymfómu	1,2,3,4	1,2,4
C77.9	Sekundárny a bliž. neu. zhub. nádor bliž. neurč. lymf. uzlín	1,2,4	1,2,4	C82.9	Folikulový lymfóm, bližšie neurčený	1,2,3,4	1,2,4
C78.0	Sekundárny zhubný nádor pľúc	2,3,4	1,2,3,4	C83.0	Malobunkový lymfóm z B-buniek	1,2,3,4	1,2,4
C78.1	Sekundárny zhubný nádor mediastína	2,3,4	1,2,3,4	C83.1	Lymfóm z plášťových buniek	1,2,3,4	1,2,4
C78.2	Sekundárny zhubný nádor pohrudnice	1,2,3,4	1,2,3,4	C83.3	Difúzny veľkobunkový lymfóm z B-buniek	1,2,3,4	1,2,4
C78.3	Sekundárny zhubný nádor iných a bliž. neurč. dýchacích orgánov	1,2,3,4	1,2,4	C83.5	Lymfoblastový lymfóm	1,2,3,4	1,2,4
C78.4	Sekundárny zhubný nádor tenkého čreva	1,2,3,4	1,2,4	C83.7	Burkittov lymfóm	1,2,3,4	1,2,4
C78.5	Sekundárny zhubný nádor hrubého čreva a konečníka	1,2,3,4	1,2,4	C83.8	Iný nefolikulový lymfóm	1,2,3,4	1,2,4
C78.6	Sekundárny zhubný nádor retroperitonea a pobrušnice	1,2,3,4	1,2,4	C83.9	Nefolikulový lymfóm, bližšie neurčený	1,2,3,4	1,2,4
C78.7	Sekundárny zhubný nádor pečene a vnútropečeň. žlč. vodovodov	1,2,3,4	1,2,4	C84.0	Mycosis fungoides	1,2,3,4	1,2,4
C78.8	Sekundárny zhubný nádor i. a bliž. neurč. tráviacich orgánov	1,2,3,4	1,2,4	C84.1	Sézaryho choroba	1,2,3,4	1,2,4
C79.0	Sekundárny zhubný nádor obličky a obličkovej panvičky	1,2,3,4	1,2,3,4	C84.4	Periférny lymfóm z T-buniek, nezatriedený	1,2,3,4	1,2,4
C79.1	Sekundárny zhubný nádor moč. mechúra a i. a b. neurč. moč. org.	1,2,3,4	1,2,4	C84.5	Iný lymfóm zo zreých T/NK-buniek	1,2,3,4	1,2,4
C79.2	Sekundárny zhubný nádor kože	2,3,4	2,4	C84.6	Anaplastický veľkobunkový lymfóm, ALK- pozitívny	1,2,3,4	1,2,4
C79.3	Sekundárny zhubný nádor mozgu a mozgových plien	1,2,3,4	1,2,4	C84.7	Anaplastický veľkobunkový lymfóm, ALK- negatívny	1,2,3,4	1,2,4
C79.4	Sekundárny zhubný nádor i. a bliž. neu. častí nervov. súst.	1,2,3,4	1,2,4	C84.8	Kožný lymfóm z T-buniek, bližšie neurčený	1,2,3,4	1,2,4
C79.5	Sekundárny zhubný nádor kosti a kostnej drene	1,2,3,4	1,2,3,4	C84.9	Lymfóm zo zreých T/NK-buniek, bližšie neurčený	1,2,3,4	1,2,4
C79.6	Sekundárny zhubný nádor vaječníka	3,4	3,4	C85.1	Lymfóm z B-buniek, bližšie neurčený	1,2,3,4	1,2,4
C79.7	Sekundárny zhubný nádor nadobličky	1,2,3,4	1,2,3,4	C85.2	Mediastinálny (týmsový) veľkobunkový lymfóm z B-buniek	1,2,3,4	1,2,4
C79.81	Sekundárny zhubný nádor prsníka	2,3,4	2,4	C85.7	Iný bližšie určený typ non-Hodgkinovho lymfómu	1,2,3,4	1,2,4
C79.82	Sekundárny zhubný nádor pohlavných orgánov	3,4	3,4	C85.9	Non-Hodgkinov lymfóm, bližšie neurčený	1,2,3,4	1,2,4
C79.83	Sekundárny zhubný nádor perikardu	1,2,3,4	1,2,4	C86.0	Extranodálny lymfóm z NK/T- buniek, nosový typ	1,2,3,4	1,2,4
C79.84	Iné sekundárne zhubné nádory srdca	1,2,3,4	1,2,4	C86.1	Hepatosplenický lymfóm z T-buniek	1,2,3,4	1,2,4
C79.88	Sekundárny zhubný nádor na iných bliž. urč. miestach	1,2,3,4	1,2,4	C86.2	Enteropatický (intestinálny) lymfóm z T-buniek	1,2,3,4	1,2,4
C79.9	Sekundárny zhubný nádor bez bliž. urč. miesta	1,2,3,4	1,2	C86.3	Podkožný panikulitída podobný lymfóm z T-buniek	1,2,3,4	1,2,4
C80.0	Zhubný nádor, bliž. neznámej primárnej lokalizácie, tak označený	1,2,3,4	1,2	C86.4	Blastový lymfóm z NK-buniek	1,2,3,4	1,2,4
C80.9	Zhubný nádor, bližšie neurčenej primárnej lokalizácie	1,2,3,4	1,2	C86.5	Angioimunoblastový lymfóm z T-buniek	1,2,3,4	1,2,4
C81.0	Nodulárny Hodgkinov lymfóm s prevahou lymfocytov	1,2,3,4	1,2,4	C86.6	Primárna kožná CD30-pozitívna lymfoprolif. chor. z T-buniek	1,2,3,4	1,2,4
C81.1	Klasický Hodgkinov lymfóm s nodulárnou sklerózou	1,2,3,4	1,2,4	C88.00	Waldenströmova makroglobulinémia, bez komplet. remisie	1,2,3,4	1,2,4
C81.2	Klasický Hodgkinov lymfóm so zmiešanou celularitou	1,2,3,4	1,2,4	C88.01	Waldenströmova makroglobulinémia, v komplet. remisie	1,2,3,4	1,2,4
C81.3	Klasický Hodgkinov lymfóm chudobný na lymfocyty	1,2,3,4	1,2,4	C88.20	Iná choroba ťažkých reťazcov, bez komplet. rem.	4	4
C81.4	Klasický Hodgkinov lymfóm bohatý na lymfocyty	1,2,3,4	1,2,4	C88.21	Iná choroba ťažkých reťazcov, v kompletnej remisii	4	4
C81.7	Iný klasický Hodgkinov lymfóm	1,2,3,4	1,2,4	C88.30	Imunoproliferatívna choroba tenkého čreva, bez komplet. rem.	1,2,3,4	1,2,4
				C88.31	Imunoproliferatívna choroba tenkého čreva, v komplet. remisii	1,2,3,4	1,2,4
				C88.40	Extranod. lymf. z B-bun. marginál. zóny lymf. tka. sliz. bez kompl. r.	1,2,3,4	1,2,4
				C88.41	Extranod. lymf. z B-bun. marginál. zóny lymf. tka. sliz., v kompl. r.	1,2,3,4	1,2,4
				C88.70	Iná zhubná imunoproliferatívna choroba, bez komplet. rem.	1,2,3,4	1,2,4
				C88.71	Iná zhubná imunoproliferatívna choroba, v komplet. rem.	1,2,3,4	1,2,4
				C88.90	Zhubná imunoproliferatívna choroba, bliž. neurč., bez kompl. rem.	1,2,3,4	1,2,4
				C88.91	Zhubná imunoproliferatívna choroba, bliž. neurč., v kompl. rem.	1,2,3,4	1,2,4

ICD	Text	OP. CCL	Med. CCL	ICD	Text	OP. CCL	Med. CCL
C90.00	Mnohopočetný myelóm,bez kompletnej remisie	1,2,3,4	1,2,4	C92.60	Akútna myeloická leukémia s 11q23 abnormal.,bez komplet.rem.	1,2,3,4	1,2,3,4
C90.01	Mnohopočetný myelóm,v kompletnej remisii	1,2,3,4	1,2,4	C92.61	Akútna myeloická leukémia s 11q23 abnormal.,v komplet.rem.	1,2,3,4	1,2,3,4
C90.10	Plazmocytová leukémia,bez kompletnej remisie	1,2,3,4	1,2,4	C92.70	Iná myeloická leukémia,bez kompletnej remisie	1,2,3,4	1,2,4
C90.11	Plazmocytová leukémia,v kompletnej remisii	1,2,3,4	1,2,4	C92.71	Iná myeloická leukémia,v kompletnej remisii	1,2,3,4	1,2,4
C90.20	Extramedulárny plazmocytóm,bez kompletnej remisie	1,2,3,4	1,2,4	C92.80	Akútna myeloická leukém.s multilinéár.dyspl.,bez komplet.rem.	1,2,3,4	1,2,3,4
C90.21	Extramedulárny plazmocytóm,v kompletnej remisii	1,2,3,4	1,2,4	C92.81	Akútna myeloická leukém.s multilinéár.dyspl.,v komplet.rem.	1,2,3,4	1,2,3,4
C90.30	Solitárny plazmocytóm,bez kompletnej remisie	1,2,3,4	1,2,4	C92.90	Myeloická leukémia bliž.neurč.,bez kompl.remisie	1,2,3,4	1,2,4
C90.31	Solitárny plazmocytóm,v kompletnej remisii	1,2,3,4	1,2,4	C92.91	Myeloická leukémia bliž.neurč.,v kompl.remisii	1,2,3,4	1,2,4
C91.00	Akútna lymfoblastová leukémia,bez komplet.remisie	1,2,3,4	1,2,3,4	C93.00	Akút.monoblastová/monocytová leukémia,bez komplet.remisie	1,2,3,4	1,2,3,4
C91.01	Akútna lymfoblastová leukémia,v komplet.remisii	1,2,3,4	1,2,3,4	C93.01	Akút.monoblastová/monocytová leukémia,v komplet.rem.	1,2,3,4	1,2,3,4
C91.10	Chronická lymfatická leukémia,bez komplet.remisie	1,2,3,4	1,2,4	C93.10	Chronická myelomonocytová leukémia bez.komplet.remisie	1,2,3,4	1,2,4
C91.11	Chronická lymfatická leukémia,v kompletnej remisii	1,2,3,4	1,2,4	C93.11	Chronická myelomonocytová leukémia,v komplet.rem.	1,2,3,4	1,2,4
C91.30	Prolymfocytová leukémia z B-buniek,bez komplet.remisie	1,2,3,4	1,2,4	C93.30	Juvenilná myelomonocytová leukémia,bez komplet.rem.	1,2,3,4	1,2,4
C91.31	Prolymfocytová leukémia z B-buniek,v komplet.remisii	1,2,3,4	1,2,4	C93.31	Juvenilná myelomonocytová leukémia,v komplet.rem.	1,2,3,4	1,2,4
C91.40	Vlasatobunková leukémia,bez kompletnej remisie	1,2,3,4	1,2,4	C93.70	Iná monocytová leukémia,bez kompletnej remisie	1,2,3,4	1,2,4
C91.41	Vlasatobunková leukémia,v kompletnej remisii	1,2,3,4	1,2,4	C93.71	Iná monocytová leukémia,v kompletnej remisii	1,2,3,4	1,2,4
C91.50	Leukém./lymf.z dos.T-buniek spoj.s infek.HTLV-1,b.kompl.rem.	1,2,3,4	1,2,4	C93.90	Monocytová leukémia,bliž.neurč.,bez kompl.rem.	1,2,3,4	1,2,4
C91.51	Leukém./lymf.z dos.T-buniek spoj.s infek.HTLV-1,v kompl.rem.	1,2,3,4	1,2,4	C93.91	Monocytová leukémia,bliž.neurč.,v kompl.rem.	1,2,3,4	1,2,4
C91.60	Prolymfocytová leukémia z T-buniek,bez kompl.rem.	1,2,3,4	1,2,4	C94.00	Akútna erytroleukémia,bez kompletnej remisie	1,2,3,4	1,2,3,4
C91.61	Prolymfocytová leukémia z T-buniek,v komplet.rem.	1,2,3,4	1,2,4	C94.01	Akútna erytroleukémia,v kompletnej remisii	1,2,3,4	1,2,3,4
C91.70	Iná lymfatická leukémia,bez kompletnej remisie	1,2,3,4	1,2,4	C94.20	Akútna megakaryoblastová leukémia,bez komplet.rem.	1,2,3,4	1,2,4
C91.71	Iná lymfatická leukémia,v kompletnej remisii	1,2,3,4	1,2,4	C94.21	Akútna megakaryoblastová leukémia,v komplet.rem.	1,2,3,4	1,2,4
C91.80	Leukémia zo zreých B-buniek Burkittovho typu,bez kompl.rem.	1,2,3,4	1,2,3,4	C94.30	Mastocytová leukémia,bez kompletnej remisie	1,2,3,4	1,2,4
C91.81	Leukémia zo zreých B-buniek Burkittovho typu,v kompl.rem.	1,2,3,4	1,2,3,4	C94.31	Mastocytová leukémia,v kompletnej remisii	1,2,3,4	1,2,4
C91.90	Lymfatická leukémia,bliž.neurč.,bez kompl.rem.	1,2,3,4	1,2,4	C94.40	Akút.panmyelóza s myelofibrózou,bez komplet.rem.	1,2,3,4	1,2,4
C91.91	Lymfatická leukémia,bliž.neurč.,v kompl.rem.	1,2,3,4	1,2,4	C94.41	Akút.panmyelóza s myelofibrózou,v komplet.rem.	1,2,3,4	1,2,4
C92.00	Akútna myeloblastová leukémia (AML),bez kompl.rem.	1,2,3,4	1,2,3,4	C94.60	Myelodyspl.a myeloprolif.choroba.,bez komplet.rem.,i.n.	4	4
C92.01	Akútna myeloblastová leukémia (AML),v kompl.rem.	1,2,3,4	1,2,3,4	C94.61	Myelodyspl.a myeloprolif.choroba.,v komplet.rem.,inde.nezat.	4	4
C92.10	Chronická myeloická leukémia BCR/ABL-pozit.,b.komplet.rem.	1,2,3,4	1,2,4	C94.70	Iná bližšie určená leukémia,bez kompletnej remisie	1,2,3,4	1,2,4
C92.11	Chronická myeloická leukémia BCR/ABL-pozit.,v komplet.rem.	1,2,3,4	1,2,4	C94.71	Iná bližšie určená leukémia,v kompletnej remisii	1,2,3,4	1,2,4
C92.20	Atypická chron.myeloická leuk.,BCR/ABL-neg.,b.komplet.rem.	1,2,3,4	1,2,4	C95.00	Akútna leukémia bliž.neurč.bunkového typu,bez komplet.rem.	1,2,3,4	1,2,3,4
C92.21	Atypická chron.myeloická leuk. BCR/ABL-neg.,v komplet.rem.	1,2,3,4	1,2,4	C95.01	Akútna leukémia bliž.neurč.bunkového typu,v komplet.rem.	1,2,3,4	1,2,3,4
C92.30	Myelosarkóm,bez kompletnej remisie	1,2,3,4	1,2,4	C95.10	Chronická leukémia bliž.neurč.bunkového typu,bez komplet.rem.	1,2,3	1,2
C92.31	Myelosarkóm,v kompletnej remisii	1,2,3,4	1,2,4	C95.11	Chronická leukémia bliž.neurč.bunkového typu,v komplet.rem.	1,2,3	1,2
C92.40	Akútna promyelocytová leukémia,bez komplet.rem.	1,2,3,4	1,2,3,4	C95.70	Iná leukémia bliž.neurč.bunkového typu,bez komplet.rem.	1,2,3,4	1,2,4
C92.41	Akútna promyelocytová leukémia,v komplet.rem.	1,2,3,4	1,2,3,4	C95.71	Iná leukémia bliž.neurč.bunkového typu,v komplet.rem.	1,2,3,4	1,2,4
C92.50	Akútna myelomonocytová leukémia,b.komplet.rem.	1,2,3,4	1,2,3,4	C95.90	Leukémia,bližšie neurčená,bez kompletnej remisie	1,2,3,4	1,2,4
C92.51	Akútna myelomonocytová leukémia,v komplet.rem.	1,2,3,4	1,2,3,4				

ICD	Text	OP. CCL	Med. CCL	ICD	Text	OP. CCL	Med. CCL
C95.91	Leukémia, bližšie neurčená, v kompletnej remisii	1,2,3,4	1,2,4	D16.2	Nezhubný nádor dlhých kostí DK	4	4
C96.0	Multifokálna a multisyst. histiocytóza z Langerhansových bun.	1,2,3,4	1,2,4	D16.3	Nezhubný nádor krátkych kostí DK	4	4
C96.2	Zhubný mastocytový nádor	1,2,3,4	1,2,4	D16.41	Nezhubný nádor kosti a klb. chrupky, kraniofaciálna obl.	4	4
C96.4	Sarkóm z dendritických buniek (akcesórnych buniek)	1,2,3,4	1,2,4	D16.42	Nezhubný nádor kosti a klb. chrupky, maxilofaciálna obl.	4	4
C96.7	Iný bliž. ur. zhub. nád. lymf., hematopoetic. a príbuz. tkan.	1,2,3,4	1,2,4	D16.5	Nezhubný nádor kostí dolnej čeľuste	4	4
C96.8	Histiocytový sarkóm	1,2,3,4	1,2,4	D16.6	Nezhubný nádor chrbtice	4	4
C96.9	Zhubný nádor lymf., hematopoetického a príbuz. tkan., bliž. n.	1,2,3,4	1,2,4	D16.70	Nezhubný nádor kosti a kĺbovej chrupky rebier	4	4
C97	Zhubné nádory s primárnym výskytom na roz. m.	1,2,3,4	1,2,4	D16.71	Nezhubný nádor kosti a kĺbovej chrupky hrudnej kosti	4	4
D10.0	Nezhubný nádor pery	4	4	D16.72	Nezhubný nádor kosti a kĺbovej chrupky kľúčnej kosti	4	4
D10.1	Nezhubný nádor jazyka	4	4	D16.8	Nezhubný nádor panv. kostí, križ. kosti a kostrče	4	4
D10.2	Nezhubný nádor spodiny úst	4	4	D16.9	Nezhubný nádor kosti a kĺbovej chrupky, bliž. neurč.	4	4
D10.3	Nezhubný nádor inej a bližšie neurčenej časti úst	4	4	D18.00	Hemangióm bez bližšieho určenia miesta	4	4
D10.5	Nezhubný nádor inej časti orofaryngu	4	4	D18.10	Lymfangióm - hygroma colli cysticum	4	4
D10.6	Nezhubný nádor nazofaryngu	4	4	D18.11	Lymfangióm axily	4	4
D10.7	Nezhubný nádor hypofaryngu	4	4	D18.12	Lymfangióm ingvíny	4	4
D10.9	Nezhubný nádor faryngu, bližšie neurčený	4	4	D18.13	Lymfangióm retroperitonea	4	4
D11.0	Nezhubný nádor príušnej žľazy	4	4	D18.18	Lymfangióm na inom mieste	4	4
D11.7	Nezhubný nádor inej veľkej slinnej žľazy	4	4	D18.19	Lymfangióm bez bližšieho určenia miesta	4	4
D11.9	Nezhubný nádor bliž. neurč. veľkej slinnej žľazy	4	4	D19.0	Nezhubný nádor mezotelového tkaniva pohrudnice	4	4
D12.0	Nezhubný nádor slepého čreva	4	4	D19.1	Nezhubný nádor mezotelového tkaniva pobrušnice	4	4
D12.1	Nezhubný nádor červovitého privesku slepého čreva	4	4	D19.7	Nezhubný nádor mezotelového tkaniva na inom mieste	4	4
D12.2	Nezhubný nádor vzostupnej časti hrubého čreva	4	4	D19.9	Nezhubný nádor mezotelového tkaniva, bliž. neurč.	4	4
D12.3	Nezhubný nádor priečnej časti hrubého čreva	4	4	D20.0	Nezhubný nádor retroperitonea	4	4
D12.4	Nezhubný nádor zostupnej časti hrubého čreva	4	4	D20.1	Nezhubný nádor pobrušnice	4	4
D12.5	Nezhubný nádor esovitej časti hrubého čreva	4	4	D21.0	Nezhubný nádor spojiv. a iného mäkk. tkan. hlavy, tváre a krku	4	4
D12.6	Nezhubný nádor hrubého čreva, bližšie neurčený	4	4	D21.1	Nezhubný nádor spojiv. a iného mäkk. tkan. HK vrátane pleca	4	4
D12.7	Nezhubný nádor rektosigmoidového spojenia	4	4	D21.2	Nezhubný nádor spojiv. a iného mäkk. tkan. DK vrátane bedra	4	4
D12.8	Nezhubný nádor konečníka	4	4	D21.3	Nezhubný nádor spojiv. a iného mäkk. tkaniva hrudníka	4	4
D12.9	Nezhubný nádor anusu a análneho kanála	4	4	D21.4	Nezhubný nádor spojiv. a iného mäkk. tkaniva brucha	4	4
D13.0	Nezhubný nádor pažeráka	4	4	D21.5	Nezhubný nádor spojiv. a iného mäkk. tkaniva panvy	4	4
D13.1	Nezhubný nádor žalúdka	4	4	D21.6	Nezhubný nádor spojiv. a iného mäkk. tkaniva trupu, bliž. neurč.	4	4
D13.2	Nezhubný nádor dvanástnika	4	4	D21.9	Nezhubný nádor spojiv. a iného mäkk. tkaniva, bliž. neurč.	4	4
D13.3	Nezhubný nádor iných a bliž. neurč. častí tenkého čreva	4	4	D24	Nezhubný nádor prsníka	4	4
D13.4	Nezhubný nádor pečene	4	4	D25.0	Submukózný leiomyóm maternice	4	4
D13.5	Nezhubný nádor extrahepatálnych žľazových ciest	4	4	D25.1	Intramurálny leiomyóm maternice	4	4
D13.6	Nezhubný nádor podžalúdkovej žľazy	4	4	D25.2	Subserózný leiomyóm maternice	4	4
D13.7	Nezhubný nádor endokrinného pankreasu	4	4	D25.9	Leiomyóm maternice, bližšie neurčený	4	4
D13.9	Nezhubný nádor na neurčenom mieste tráviacej súst.	4	4	D26.0	Iný nezhubný nádor krčka maternice	4	4
D14.0	Nezhubný nádor stred. ucha, nos. dutiny a prinos. dutín	4	4	D26.1	Iný nezhubný nádor tela maternice	4	4
D14.1	Nezhubný nádor hrtana	4	4	D26.9	Iný nezhubný nádor maternice, bližšie neurčený	4	4
D14.2	Nezhubný nádor priedušnice	4	4	D27	Nezhubný nádor vaječníka	4	4
D14.3	Nezhubný nádor priedušky a pľúc	4	4	D28.0	Nezhubný nádor vulvy	4	4
D14.4	Nezhubný nádor dýchacej sústavy, bližšie neurčený	4	4	D28.1	Nezhubný nádor pošvy	4	4
D15.0	Nezhubný nádor týmusu	4	4	D28.2	Nezhubný nádor vajíčkovodov a väzov maternice	4	4
D15.1	Nezhubný nádor srdca	4	4	D28.7	Nezhubný nádor iných bliž. urč. ženských pohlav. org.	4	4
D15.2	Nezhubný nádor mediastína	4	4	D28.9	Nezhubný nádor bliž. neurč. ženských pohlav. org.	4	4
D15.7	Nezhubný nádor iných určených vnútrohrod. org.	4	4				
D15.9	Nezhubný nádor vnútrohrod. orgánov, bliž. neurč.	4	4				
D16.0	Nezhub. nádor lopatky a dlhých kostí HK	4	4				
D16.1	Nezhubný nádor krátkych kostí HK	4	4				

ICD	Text	OP. CCL	Med. CCL	ICD	Text	OP. CCL	Med. CCL
D29.0	Nezhubný nádor penisu	4	4	D37.4	Nádor s neurčitým/neznám.správaním:hrubé črevo	4	4
D29.1	Nezhubný nádor prostaty	4	4	D37.5	Nádor s neurčitým/neznám.správaním:konečník	4	4
D29.2	Nezhubný nádor semenníka	4	4	D37.6	Nádor s neurčitým/neznám.správaním:pečeň,žľčník,žľčové cesty	4	4
D29.3	Nezhubný nádor nadsemenníka	4	4	D37.70	Nádor s neurčitým/neznám.správaním:pankreas	4	4
D29.4	Nezhubný nádor mieška (skróta)	4	4	D37.78	Nádor s neurčitým/neznám.správaním:iný tráv.org.	4	4
D29.7	Nezhubný nádor iných mužských pohlavných orgánov	4	4	D37.9	Nádor s neurčitým/neznám.správaním:,bliž.neurč.tráv.org.	4	4
D29.9	Nezhubný nádor bliž.neurč.mužských pohlav.org.	4	4	D38.0	Nádor s neurčitým/neznám.správaním:hrtan	4	4
D30.0	Nezhubný nádor obličky	4	4	D38.1	Nádor s neurčitým/neznám.správaním:priedušn.,prieduška,pľúca	4	4
D30.1	Nezhubný nádor obličkovej panvičky	4	4	D38.2	Nádor s neurčitým/neznám.správaním:pohrudnica	4	4
D30.2	Nezhubný nádor močovodu	4	4	D38.3	Nádor s neurčitým/neznám.správaním:mediastínium	4	4
D30.3	Nezhubný nádor močového mechúra	4	4	D38.4	Nádor s neurčitým/neznám.správaním:týmus	4	4
D30.4	Nezhubný nádor močovej rúry	4	4	D38.5	Nádor s neurčitým/neznám.správaním:iný dých.org.	4	4
D30.7	Nezhubný nádor iných močových orgánov	4	4	D38.6	Nádor s neurčitým/neznám.správaním:bliž.neurč.dých.org.	4	4
D30.9	Nezhubný nádor močového orgánu,bližšie neurčeného	4	4	D39.0	Nádor s neurčitým/neznám.správaním:maternica	4	4
D31.0	Nezhubný nádor spojky	4	4	D39.1	Nádor s neurčitým/neznám.správaním:vaječník	4	4
D31.1	Nezhubný nádor rohovky	4	4	D39.2	Nádor s neurčitým/neznám.správaním:placenta	4	4
D31.2	Nezhubný nádor sietnice	4	4	D39.7	Nádor s neurčitým/neznám.správaním:i.žen.pohl.org.	4	4
D31.3	Nezhubný nádor cievy	4	4	D39.9	Nádor s neurčitým/neznám.správaním:bliž.neurč.žen.pohl.org.	4	4
D31.4	Nezhubný nádor vráskovca	4	4	D40.0	Nádor s neurčitým/neznám.správaním:predstojnica (prostata)	4	4
D31.5	Nezhubný nádor slznej žľazy a nosovoslzného kanála	4	4	D40.1	Nádor s neurčitým/neznám.správaním:semenník	4	4
D31.6	Nezhubný nádor očnice,bližšie neurčený	4	4	D40.7	Nádor s neurčitým/neznám.správaním:i.muž.pohl.org.	4	4
D31.9	Nezhubný nádor oka,bližšie neurčený	4	4	D40.9	Nádor s neurčitým/neznám.správaním:bliž.neurč.muž.pohl.org.	4	4
D32.0	Nezhubný nádor mozgovomiechových obalov: mozog	4	4	D41.0	Nádor s neurčitým/neznám.správaním:oblička	4	4
D32.1	Nezhubný nádor mozgovomiechových obalov: miecha	4	4	D41.1	Nádor s neurčitým/neznám.správaním:obličková panvička	4	4
D32.9	Nezhubný nádor mozgovomiechových plien,bliž.neurč.	4	4	D41.2	Nádor s neurčitým/neznám.správaním:močovod	4	4
D33.0	Nezhubný nádor mozgu: supratentoriálne	4	4	D41.3	Nádor s neurčitým/neznám.správaním:močová rúra	4	4
D33.1	Nezhubný nádor mozgu: infratentoriálne	4	4	D41.4	Nádor s neurčitým/neznám.správaním:močový mechúr	4	4
D33.2	Nezhubný nádor mozgu,bližšie neurčený	4	4	D41.7	Nádor s neurčitým/neznám.správaním:i.moč.org.	4	4
D33.3	Nezhubný nádor hlavových nervov	4	4	D41.9	Nádor s neurčitým/neznám.správaním:bliž.neurč.moč.org.	4	4
D33.4	Nezhubný nádor miechy	4	4	D42.0	Nádor s neurč./neznám.správaním:mozgovomiech.obaly:mozog	4	4
D33.7	Nezhubný nádor iných,bliž.urč.častí CNS	4	4				
D33.9	Nezhubný nádor CNS,bližšie neurčený	4	4				
D34	Nezhubný nádor štítnej žľazy	4	4				
D35.0	Nezhubný nádor nadobličky	4	4				
D35.1	Nezhubný nádor prštítnej žľazy	4	4				
D35.2	Nezhubný nádor podmozgovej žľazy	4	4				
D35.3	Nezhubný nádor kraniofaryngového vývodu	4	4				
D35.4	Nezhubný nádor epifýzy	4	4				
D35.5	Nezhubný nádor glomus caroticum	4	4				
D35.6	Nezhubný nádor glomus aorticum a iných paraganglií	4	4				
D35.7	Nezhubný nádor iných,bliž.urč.žľaz s vnút.vylučovaním	4	4				
D35.8	Nezhubný nádor viacerých žľaz s vnútorným vylučovaním	4	4				
D35.9	Nezhubný nádor žľazy s vnút.vylučovaním,bliž.neurč.	4	4				
D36.0	Nezhubný nádor lymfatických uzlín	4	4				
D36.1	Nezhubný nádor periférnych nervov a autonóm.nerv.sústavy	4	4				
D36.7	Nezhubný nádor na iných,bližšie určených miestach	4	4				
D36.9	Nezhubný nádor bez bližšieho určenia miesta	4	4				
D37.0	Nádor pery,ústnej dutiny a hltana s neurč./nezn.správ.	4	4				
D37.1	Nádor s neurčitým alebo neznámym správaním: žalúdok	4	4				
D37.2	Nádor s neurčitým/neznám.správaním:tenké črevo	4	4				
D37.3	Nádor s neurčitým/neznám.správaním:červovitý privesok	4	4				

ICD	Text	OP. CCL	Med. CCL	ICD	Text	OP. CCL	Med. CCL
D42.1	Nádor s neurč./neznám.správaním:mozgovomiech.obaly:miecha	4	4	D47.7	Iný bliž.urč.nádor lymf.,krvotv.a príb.tk.s neu./nez.správ.	4	4
D42.9	Nádor s neurčitým/neznám.správaním:mozgovomiech.obaly b.n.	4	4	D47.9	Nádor lymf.,krvotv.a príbuz.tk.s neu./nezn.správ.,b.n.	4	4
D43.0	Nád.Nádor s neurč./neznám.správaním:mozg-supratentriálne	4	4	D48.0	Nádor s neurčitým/neznám.správ.kosť a kĺbová chrupka	4	4
D43.1	Nádor s neurčitým/neznám.správaním:mozog - infratentoriálne	4	4	D48.1	Nádor s neurčitým/neznám.správ.spojivové a i.mäkké tkanivo	4	4
D43.2	Nádor s neurčitým/neznám.správaním:mozog,bliž.neurč.	4	4	D48.2	Nádor s neurčitým/neznám.správ.perif.nervy a auton.nerv.súst.	4	4
D43.3	Nádor s neurčitým/neznám.správaním:hlavové nervy	4	4	D48.3	Nádor s neurčitým/neznám.správ.retropitoneum	4	4
D43.4	Nádor s neurčitým/neznám.správaním:miecha	4	4	D48.4	Nádor s neurčitým/neznám.správ.pobrušnica	4	4
D43.7	Nádor s neurčitým/neznám.správaním:i.časť CNS	4	4	D48.5	Nádor s neurčitým/neznám.správ.koža	4	4
D43.9	Nádor s neurčitým/neznám.správaním:CNS,časť bliž.neurč.	4	4	D48.6	Nádor s neurčitým/neznám.správ.prsník	4	4
D44.0	Nádor s neurčitým/neznám.správaním:štítna žľaza	4	4	D48.7	Nádor s neurčitým/neznám.správ.iné bliž.urč.miesto	4	4
D44.1	Nádor s neurčitým/neznám.správaním:nadoblička	4	4	D48.9	Nádor s neurčitým/neznám.správ.,bliž.neurč.	4	4
D44.2	Nádor s neurčitým/neznám.správaním:príštítna žľaza	4	4	D50.0	Anémia z nedostatku železa pri chronických stratách krvi(D50.0)	1,2,3	1,2
D44.3	Nádor s neurčitým/neznám.správaním:podmozg.žľaza	4	4	D50.1	Sideropenická dysfágia	2,3	1,2,3
D44.4	Nádor s neurčitým/neznám.správaním:raniofaryngový vývod	4	4	D50.8	Iná anémia z nedostatku železa	1,2,3	1,2
D44.5	Nádor s neurčitým/neznámym správaním:epifýza	4	4	D50.9	Bližšie neurčená anémia z nedostatku železa	1,2,3	1,2
D44.6	Nádor s neurčitým/neznám.správaním:glomus caroticum	4	4	D52.0	Anémia z nedostatku kyseliny listovej v potrave	2,3	1,2,3
D44.7	Nádor s neurč./neznám.správ.:glomus aorticum a i.paragangliá	4	4	D52.1	Anémia z nedostatku kyseliny listovej zapríč.liekmí	2,3	1,2,3
D44.8	Nádor s neurčitým/neznám.správaním:viac.endokrinné žľazy	2	1,2	D52.8	Iná anémia z nedostatku kyseliny listovej	2,3	1,2,3
D44.9	Nádor s neurčitým/neznám.správaním:bliž.n.žľaza s vnút.vyluč.	4	4	D52.9	Anémia z nedostatku kyseliny listovej,bliž.neurč.	2,3	1,2,3
D45	Polycythaemia vera	4	4	D53.0	Anémia z nedostatku bielkovín	2,3	1,2,3
D46.0	Refraktérna anémia bez prstencových sideroblastov,potvrđ.	4	4	D53.1	Iná megaloblastová anémia,nezatriedená inde	2,3	1,2,3
D46.1	Refraktérna anémia s prstencovými sideroblastmi	4	4	D53.2	Skorbutová anémia	2,3	1,2,3
D46.2	Refraktérna anémia s veľkým množstvom blastov	1,2,3,4	1,2,4	D53.8	Iná bližšie určená nutričná anémia	2,3	1,2,3
D46.4	Refraktérna anémia,bližšie neurčená	4	4	D53.9	Bližšie neurčená nutričná anémia	2,3	1,2,3
D46.5	Refraktérna anémia s dyspláziou viacerých línií	4	4	D55.0	Anémia zapríč.nedost.aktiv.glukóza-6-fosfát-dehydrogenázy	4	4
D46.6	Myelodysplastický synd.s izolovanou chromozóm.anom.del (5q)	4	4	D55.1	Anémia zapríč.inou poruchou metabolizmu glutatiónu	4	4
D46.7	Iný myelodysplastický syndróm	4	4	D56.0	Alfa-talasémia	2,3	1,2,3
D46.9	Myelodysplastický syndróm,bližšie neurčený	4	4	D56.1	Beta-talasémia	2,3	1,2,3
D47.0	Histiocytový a mastocytový nádor s neurč./neznám.správ.	4	4	D56.2	Delta-beta-talasémia	2,3	1,2,3
D47.1	Chronická myeloproliferatívna choroba	4	4	D56.3	Talasemická črta	2,3	1,2,3
D47.2	Monoklonová gamapatia nejasného významu (MGUS)	4	4	D56.4	Dedičné pretrvávanie fetálneho hemoglobínu	2,3	1,2,3
D47.3	Esenciálna(hemoragická)trombocytémia	4	4	D56.8	Iná talasémia	2,3	1,2,3
D47.4	Osteomyelofibróza	4	4	D56.9	Talasémia,bližšie neurčená	2,3	1,2,3
D47.5	Chron.eozinofilová leukémia (hypereozinofilový synd.)	4	4	D57.0	Kosáčikovitá anémia s krízou	2,3,4	1,2,3,4
				D57.1	Kosáčikovitá anémia bez krízy	2,3	1,2,3
				D57.2	Zdvojená heterozygotná kosáčikovitá choroba	2,3	1,2,3
				D57.8	Iná kosáčikovitá porucha	2,3	1,2,3
				D58.9	Dedičná hemolytická anémia,bližšie neurčená	2,3	1,2,3
				D59.0	Autoimunitná hemolytická anémia zapríčinená liekmí	2,3	1,2,3
				D59.1	Iná autoimunitná hemolytická anémia	2,3	1,2,3
				D59.2	Neautoimunitná hemolytická anémia zapr.liek.	2,3	1,2,3
				D59.3	Hemolyticko-uremický syndróm	2,3,4	1,2,3,4
				D59.4	Iná neautoimunitná hemolytická anémia	2,3	1,2,3
				D59.5	Paroxysmálna nočná hemoglobinúria	2,3	1,2,3
				D59.6	Hemoglobinúria zapríč.hemolýzou z iných vonk.pričin	2,3	1,2,3
				D59.8	Iná získaná hemolytická anémia	2,3	1,2,3
				D59.9	Získaná hemolytická anémia,bližšie neurčená	2,3	1,2,3
				D60.0	Chronická získaná čistá aplázia červených krviniek	2,3,4	1,2,3,4
				D60.1	Prechodná získaná čistá aplázia červených krviniek	2,3,4	1,2,3,4
				D60.8	Iná získaná čistá aplázia červených krviniek	2,3,4	1,2,3,4

ICD	Text	OP. CCL	Med. CCL	ICD	Text	OP. CCL	Med. CCL
D60.9	Získaná čistá aplázia červených krviniek, bližšie neurčená	2,3,4	1,2,3,4	D70.11	Agranulocytóza a neutrop. zapr. liek. s krit. f. 10 do 20 dní	2,3,4	1,2,3,4
D61.0	Vrodená aplastická anémia	2,3,4	1,2,3,4	D70.12	Agranulocytóza a neutrop. zapr. liek. s krit. f. 20 a viac dní	2,3,4	1,2,3,4
D61.10	Aplastická anémia zapríčinená cytostatickou liečbou	2,3,4	1,2,3,4	D70.13	Agranulocytóza a neutrop. zapr. liek. s krit. f. 4 do 7 dní	2,3,4	1,2,3,4
D61.18	Iná aplastická anémia zapríčinená liekmi	2,3,4	1,2,3,4	D70.14	Agranulocytóza a neutrop. zapr. liek. s krit. f. 7 do 10 dní	2,3,4	1,2,3,4
D61.19	Aplastická anémia zapríčinená liekmi, bližšie neurčená	2,3,4	1,2,3,4	D70.18	Agranulocytóza a neutrop. zapr. liek. s i. priebehom	2,3,4	1,2,3,4
D61.2	Aplastická anémia z iných vonkajších príčin	2,3,4	1,2,3,4	D70.19	Agranulocytóza a neutrop. zapr. liek. , b. n.	2,3,4	1,2,3,4
D61.3	Idiopatická aplastická anémia	2,3,4	1,2,3,4	D70.3	Iná agranulocytóza	2,3,4	1,2,3,4
D61.8	Iná aplastická anémia, bližšie určená	2,3,4	1,2,3,4	D70.5	Cyklická neutropénia	2,3,4	1,2,3,4
D61.9	Aplastická anémia, bližšie neurčená	2,3,4	1,2,3,4	D70.6	Iná neutropénia	2,3,4	1,2,3,4
D62	Akútna posthemoragická anémia	1,2,3,4	1,2	D70.7	Neutropénia, bližšie neurčená	2,3,4	1,2,3,4
D63.0	Anémia pri nádorových chorobách	1,2,3,4	1,2	D71	Funkčná porucha polymorfonukleárných neutrofilov	2,3,4	1,2,3
D64.0	Dedičná sideroplastová [siderochrestická] anémia	2,3,4	1,2,3,4	D73.1	Hypersplenizmus	2	2
D64.1	Sekundárna sideroplastová anémia zapríč. ochorením	2,3,4	1,2,3,4	D73.3	Absces sleziny	2	2
D64.2	Sekundárna sideroplastová anémia zapríč. liekmi toxic. lát.	2,3,4	1,2,3,4	D73.5	Infarkt sleziny	2	2
D64.3	Iná sideroplastová [siderochrestická] anémia	2,3,4	1,2,3,4	D80.0	Dedičná hypogamaglobulinémia	2,3,4	1,2,3,4
D65.0	Získaná afibrinogénia	2,3	1,2,3	D80.2	Selektívny nedostatok imunoglobulínu A [IgA]	4	4
D65.1	Diseminovaná intravaskulárna koagulácia [DIK, DIC]	2,3	1,2,3	D80.3	Selektívny nedostatok podtried imunoglobulínu G (IgG)	2,3,4	1,2,3,4
D65.2	Získané fibrinolytické krvácanie	2,3	1,2,3	D80.4	Selektívny nedostatok imunoglobulínu M [IgM]	2,3,4	1,2,3,4
D65.9	Defibrinačný syndróm, bližšie neurčený	2,3	1,2,3	D80.5	Imunodeficit so zvýšeným imunoglobulínom M [IgM]	2,3,4	1,2,3,4
D66	Dedičný nedostatok faktora VIII	2,3,4	1,2,3,4	D80.6	Deficit protil. s takmer norm. imunoglob. /s hyperimunog.	2,3,4	1,2,3
D67	Dedičný nedostatok faktora IX	2,3,4	1,2,3,4	D80.7	Prechodná hypogamaglobulinémia v detstve	2,3,4	1,2,3
D68.0	Von Willebrandova choroba	2,3,4	1,2,3,4	D80.8	Iný imunodeficit s prevahou nedostatku protilátok	2,3,4	1,2,3
D68.1	Dedičný nedostatok faktora XI	2,3,4	1,2,3,4	D80.9	Imunodef. bliž. neurč. s prevahou nedostatku protilátok	2,3,4	1,2,3
D68.2	Dedičný nedostatok iných koagulačných faktorov	2,3,4	1,2,3,4	D81.0	Ťažký komb. imunodef. (SCID) s retikulovou dysgenézou	2,3,4	1,2,3,4
D68.30	Stav krvácanosti zapríčinený antikoagulantami	1,2,3,4	1,2,3,4	D81.1	Ťažký komb. imunodef. (SCID) s malým počtom T-bun. a B-buniek	2,3,4	1,2,3,4
D68.31	Stav krvácanosti zapríč. zvýš. protilátok proti faktoru VIII	2,3,4	1,2,3,4	D81.2	Ťažký komb. imunodef. (SCID) s malým/norm. počtom B-buniek	2,3,4	1,2,3,4
D68.32	Stav krvác. zapr. zvýš. plazma. konc. protil. proti i. fak. zráž. krvi	2,3,4	1,2,3,4	D81.3	Deficit adenoindezaminázy [ADA]	4	4
D68.38	Iný stav krvác. zapr. i. a b. n. protilátkami	2,3,4	1,2,3,4	D81.4	Nezelofov syndróm	2,3,4	1,2,3,4
D68.4	Získaný nedostatok koagulačného faktora	1,2,3	1,2,3	D81.5	Nedostatok purín nukleozid-fosforylázy [PNP]	4	4
D68.5	Primárny trombofilný stav (trombofília)	2,3	1,2,3	D81.6	Deficit hlavného komplexu histokompatibility I. triedy	2,3,4	1,2,3,4
D68.6	Iný trombofilný stav (trombofília)	2,3	1,2,3	D81.7	Deficit hlavného komplexu histokompatibility II. triedy	2,3,4	1,2,3,4
D68.8	Iná porucha zrážanlivosti krvi, bližšie určená	1,2,3	1,2,3	D81.8	Iný kombinovaný imunodeficit	2,3,4	1,2,3,4
D68.9	Porucha zrážanlivosti krvi, bližšie neurčená	1,2,3	1,2,3	D81.9	Kombinovaný imunodeficit, bližšie neurčený	2,3,4	1,2,3,4
D69.0	Alergická purpura	2,3	1,2,3	D82.0	Wiskottov-Aldrichov syndróm	2,3,4	1,2,3,4
D69.1	Kvalitatívna porucha doštičiek	2,3	1,2,3	D82.1	Di Georgeov syndróm	2,3,4	1,2,3,4
D69.2	Iná netrombocytopenická purpura	2,3	1,2,3	D82.2	Imunodeficit spojený s disproporčným malým vzrastom	2,3,4	1,2,3
D69.3	Idiopatická trombocytopenická purpura	2,3	1,2,3	D82.3	Imunodef. spoj. s vrod. defektnou odpov. na EBV	2,3,4	1,2,3
D69.40	Iná primárna trombocytopenia, nereag. na transf. lieč.	2,3	1,2,3	D82.4	Syndróm nadbytku imunoglobulínu E [IgE]	2,3,4	1,2,3
D69.41	Iná primárna trombocytopenia, reag. na transf. lieč.	2,3	1,2,3	D82.8	Imunodef. spojený s i. ťažkými poruchami, b. u.	2,3,4	1,2,3
D69.52	Trombocytopenia indukovaná heparínom, typ I	2,3	1,2,3	D82.9	Imunodef. spojený s ťažkou poruchou, b. n.	2,3,4	1,2,3
D69.53	Trombocytopenia zapríčinená heparínom, typ II	2,3	1,2,3	D83.0	Bežný premen. imunodef. s prev. abnor. v počte a funkcii B-buniek	2,3,4	1,2,3,4
D69.57	Iná sekundár. trombocytopenia, označ. ako refrakt. na transf. lieč.	2,3	1,2,3	D83.1	Bežný premen. imunodeficit s prevaž. poruch. imunoreg. T-buniek	2,3,4	1,2,3,4
D69.58	Iná sekundár. trombocytopenia, neozn. ako refrakt. na transf. lieč.	2,3	1,2,3	D83.2	Bežný premen. imunodeficit s autoprotil. proti B-/T-bunkám	2,3,4	1,2,3,4
D69.59	Sekundárna trombocytopenia, bližšie neurčená	2,3	1,2,3	D83.8	Iný bežný premenlivý imunodeficit	2,3,4	1,2,3,4
D69.60	Trombocytopenia, bliž. neu. označ. ako nereag. na transf. lieč.	2,3	1,2,3	D83.9	Bežný premenlivý imunodeficit, bližšie neurčený	2,3,4	1,2,3,4
D69.61	Trombocytopenia, bliž. neu. neozn. ako nereag. na transf. lieč.	2,3	1,2,3	D84.0	Porucha lymfocytového funkčného antigénu 1 [LFA-1]	2,3,4	1,2,3
D69.8	Iný stav krvácanosti, bližšie určený	2,3	1,2,3				
D69.9	Stav krvácanosti, bližšie neurčený	2,3,4	1,2,3,4				
D70.0	Vrodená agranulocytóza a neutropénia	2,3,4	1,2,3,4				
D70.10	Agranulocytóza a neutrop. zapr. liek. s krit. f. do 4 dní	2,3,4	1,2,3,4				

ICD	Text	OP. CCL	Med. CCL	ICD	Text	OP. CCL	Med. CCL
D84.1	Porucha komplementového systému	2,3,4	1,2,3	E11.50	DM 2.typus: perif.cievnyimi kompl.,kompENZ.	2,3,4	2,3
D84.8	Iný imunodeficit, bližšie určený	2,3,4	1,2,3	E11.51	DM 2.typus: perif.cievnyimi kompl.,dekomp.	2,3,4	2,3
D84.9	Imunodeficit, bližšie neurčený	2,3,4	1,2,3	E11.60	DM 2.typus: s i. bliž. urč. kompl., kompENZ.	1,2	1,2,3
D86.0	Sarkoidóza pľúc	2	2	E11.61	DM 2.typus: s i. bliž. urč. kompl., dekomp.	1,2	1,2,3
D86.1	Sarkoidóza lymfatických uzlín	2	2	E11.72	DM 2.typus: s i. mnohopočet. kompl., kompENZ.	1,2	2,3
D86.2	Sarkoidóza pľúc so sarkoidózou lymfatických uzlín	2	2	E11.73	DM 2.typus: s i. mnohopočet. kompl., dekomp.	1,2	2,3
D86.3	Sarkoidóza kože	2	2	E11.74	DM 2.typus: s mnohopočet. kompl., so synd. diab. nohy, kompENZ.	1,2	2,3
D86.8	Sarkoidóza na iných a viacerých miestach	2	2	E11.75	DM 2.typus: s mnohopočet. kompl., so synd. diab. nohy, dekomp.	1,2	2,3
D86.9	Sarkoidóza, bližšie neurčená	2	2	E11.80	DM 2.typus: s bliž. neurč. kompl., kompENZ.	1,2	1,2,3
D89.0	Polyklonálna hypermaglobulinémia	4	4	E11.81	DM 2.typus: s bliž. neurč. kompl., dekomp.	1,2	1,2,3
D89.1	Kryoglobulinémia	4	4	E11.91	DM 2.typus: bez kompl., dekomp.	1,2	1,2,3
E00.0	Vrodený syndróm z nedostatku jódu, neurologický typ	4	4	E12.01	DM spojený s podvýž.: s kómou, dekomp.	2	2,3
E00.1	Vrodený syndróm z nedostatku jódu, myxedémový typ	4	4	E12.11	DM spojený s podvýž.: s ketoacidózou, dekomp.	2	2,3
E00.2	Vrodený syndróm z nedostatku jódu, zmiešaný typ	4	4	E12.20	DM spojený s podvýž.: s obličk. kompl., kompENZ.	2,3,4	1,2
E00.9	Vrodený syndróm z nedostatku jódu, bližšie neurčený	4	4	E12.21	DM spojený s podvýž.: s obličk. kompl., dekomp.	2,3,4	1,2
E01.8	Iná chor. ŠŽ spojená s nedost. jódu a pridruž. stavy	4	4	E12.30	DM spojený s podvýž.: s očnými kompl., kompENZ.	1,2,3,4	1,2
E02	Subklinická hypotyreóza z nedostatku jódu	4	4	E12.31	DM spojený s podvýž.: s očnými kompl., dekomp.	1,2,3,4	1,2
E03.0	Vrodená hypotyreóza s difúznou strumou	4	4	E12.40	DM spojený s podvýž.: s nervovými kompl., kompENZ.	2	2
E03.1	Vrodená hypotyreóza bez strumy	4	4	E12.41	DM spojený s podvýž.: s nervovými kompl., dekomp.	2	2
E03.5	Myxedémová kóma	3,4	3,4	E12.50	DM spojený s podvýž.: s perif.ciev. kompl., kompENZ.	2,3,4	2,3
E05.0	Hypertyreóza s difúznou strumou	2	1,2	E12.51	DM spojený s podvýž.: s perif.ciev. kompl., dekomp.	2,3,4	2,3
E05.1	Hypertyreóza s jedným toxickým tyreoidálnym uzlom	2	1,2	E12.60	DM spojený s podvýž.: s i. b. u. kompl., kompENZ.	2	2,3
E05.2	Hypertyreóza s toxickou viacuzlovou strumou	2	1,2	E12.61	DM spojený s podvýž.: s i. b. u. kompl., dekomp.	2	2,3
E05.3	Hypertyreóza zapríč. ektopickým tkan. ŠŽ	2	1,2	E12.72	DM spojený s podvýž.: s viac. kompl., kompENZ.	2	2,3
E05.4	Hypertyreóza zapríč. umelo (hyperthyreosis factitia)	2	1,2	E12.73	DM spojený s podvýž.: s viac. kompl., dekomp.	2	2,3
E05.5	Tyreotoxická kríza	2	1,2	E12.74	DM spo. s pod.: s viac. kompl., so synd. diab. nohy, kompENZ.	2	2,3
E06.0	Akútna tyreoiditída	4	4	E12.75	DM spo. s pod.: s viac. kompl., so synd. diab. nohy, dekomp.	2	2,3
E06.4	Tyreoiditída zapríčinená liekom	4	4	E12.80	DM spojený s podvýž.: s bliž. neu. kompl., kompENZ.	2	2,3
E07.1	Dyshormonogénna struma (hrvol)	4	4	E12.81	DM spojený s podvýž.: s bliž. neu. kompl., dekomp.	2	2,3
E10.01	Diabetes mellitus 1. typu: s kómou, dekompenzovaný	2	2,3	E12.90	DM spojený s podvýž.: bez kompl., kompENZ.	2	2,3
E10.11	DM 1. typu: s ketoacidózou, dekomp.	2	2,3	E12.91	DM spojený s podvýž.: bez kompl., dekomp.	2	2,3
E10.20	DM 1. typu: s obličk. kompl., kompENZ.	2,3,4	1,2	E13.01	Iný DM, bliž. ur.: s kómou, dekomp.	2	2,3
E10.21	DM 1. typu: s obličk. kompl., dekomp.	2,3,4	1,2	E13.11	Iný DM, bliž. ur.: s ketoacidózou, dekomp.	2	2,3
E10.30	DM 1. typu: s očnými kompl., kompENZ.	1,2,3,4	1,2	E13.20	Iný DM, bliž. ur.: s obličk. kompl., kompENZ.	2,3,4	1,2
E10.31	DM 1. typu: s očnými kompl., dekomp.	1,2,3,4	1,2	E13.21	Iný DM, bliž. ur.: s obličk. kompl., dekomp.	2,3,4	1,2
E10.40	DM 1. typu: s nervovými kompl., kompENZ.	2	2	E13.30	Iný DM, bliž. ur.: s očnými kompl., kompENZ.	1,2,3,4	1,2
E10.41	DM 1. typu: s nervovými kompl., dekomp.	2	2	E13.31	Iný DM, bliž. ur.: s očnými kompl., dekomp.	1,2,3,4	1,2
E10.50	DM 1. typu: s perif.cievnyimi kompl., kompENZ.	2,3,4	2,3	E13.40	Iný DM, bliž. ur.: s nervovými kompl., kompENZ.	2	2
E10.51	DM 1. typu: s perif.cievnyimi kompl., dekomp.	2,3,4	2,3	E13.41	Iný DM, bliž. ur.: s nervovými kompl., dekomp.	2	2
E10.60	DM 1. typu: s i. bliž. ur. kompl., kompENZ.	2	2,3	E13.50	Iný DM, bliž. ur.: s perif.cievnyimi kompl., kompENZ.	2,3,4	2,3
E10.61	DM 1. typu: s i. bliž. ur. kompl., dekomp.	2	2,3	E13.51	Iný DM, bliž. ur.: s perif.cievnyimi kompl., dekomp.	2,3,4	2,3
E10.72	DM 1. typu: s i. mnohopočet. kompl., kompENZ.	2	2,3	E13.60	Iný DM, bliž. ur.: s i. bliž. ur. kompl., kompENZ.	2	2,3
E10.73	DM 1. typu: s i. mnohopočet. kompl., dekomp.	2	2,3	E13.61	Iný DM, bliž. ur.: s i. bliž. ur. kompl., dekomp.	2	2,3
E10.74	DM 1. typu: s mnohopočet. kompl., so synd. diab. nohy, kompENZ.	2	2,3	E13.72	Iný DM, bliž. ur.: s i. mnohopočet. kompl., kompENZ.	2	2,3
E10.75	DM 1. typu: s mnohopočet. kompl., so synd. diab. nohy, dekomp.	2	2,3	E13.73	Iný DM, bliž. ur.: s i. mnohopočet. kompl., dekomp.	2	2,3
E10.80	DM 1. typu: s bliž. neu. kompl., kompENZ.	2	2,3	E13.74	Iný DM, bliž. ur.: s mnohop. kompl., so synd. diab. nohy, kompENZ.	2	2,3
E10.81	DM 1. typu: s bliž. neu. kompl., dekomp.	2	2,3				
E10.90	DM 1. typu: bez kompl., kompENZ.	2	2,3				
E10.91	DM 1. typu: bez kompl., dekomp.	2	2,3				
E11.01	DM 2. typu: s kómou, dekompenzovaný	1,2	2,3				
E11.11	DM 2. typu: s ketoacidózou, dekomp.	1,2	2,3				
E11.20	DM 2. typu: s obličk. kompl., kompENZ.	1,2,3,4	1,2				
E11.21	DM 2. typu: s obličk. kompl., dekomp.	1,2,3,4	1,2				
E11.30	DM 2. typu: s očnými kompl., kompENZ.	1,2,3,4	1,2				
E11.31	DM 2. typu: s očnými kompl., dekomp.	1,2,3,4	1,2				
E11.40	DM 2. typu: s nervovými kompl., kompENZ.	1,2	2				
E11.41	DM 2. typu: s nervovými kompl., dekomp.	1,2	2				

ICD	Text	OP. CCL	Med. CCL	ICD	Text	OP. CCL	Med. CCL
E13.75	Iný DM,blíž.ur.:s mnohop.kompl.,so synd.diabet.nohy,dekomp.	2	2,3	E42	Marantický kvašiorkor	2,3,4	2,3
E13.80	Iný DM,blíž.ur.:s blíž.neurč.kompl.,kompenz.	2	2,3	E43	Ťažká proteínovo-energetická podvýživa,b.n.	2,3,4	2,3
E13.81	Iný DM,blíž.ur.:s blíž.neurč.kompl.,dekomp.	2	2,3	E44.0	Proteínovo-energetická podvýživa stredného stupňa	2,3,4	2,3
E13.90	Iný DM,blížšie určený:bez kompl.,kompenz.	2	2,3	E44.1	Proteínovo-energetická podvýživa mierneho stupňa	2,3,4	2,3
E13.91	Iný DM,blížšie určený:bez kompl.,dekomp.	2	2,3	E45	Zaostávanie vo výv.v dôsl.proteínovo-energet.podvýživy	2,3,4	2,3
E14.30	DM,blíž.neu.:s očnými kompl.,kompenz.	1,2,3,4	1,2	E46	Proteínovo-energetická podvýživa,blížšie neurčená	1,2,3,4	1,2,3
E14.31	DM,blíž.neu.:s očnými kompl.,dekomp.	1,2,3,4	1,2	E53.8	Nedost.iného blíž.urč.vit.skupiny B	1,2,3,4	1,2,3
E14.60	DM,blíž.neu.:s i.blíž.ur.kompl.,kompenz.	1,2	1,2,3	E56.1	Nedostatok vitamínu K	2,3,4	2,3
E14.61	DM,blíž.neu.:s i.blíž.ur.kompl.,dekomp.	1,2	1,2,3	E61.1	Nedostatok železa	2,3,4	2,3
E14.72	DM,blíž.neu.:s i.mnohopočet.kompl.,kompenz.	1,2	2,3	E61.7	Nedostatok viacerých stopových prvkov	2,3,4	2,3
E14.73	DM,blíž.neu.:s mnohopočet.kompl.,dekomp.	1,2	2,3	E63.0	Nedostatok esenciálnych mastných kyselín	2,3,4	2,3
E14.74	DM,blíž.neu.:s mnohop.kompl.,so synd.diab.nohy,kompenz.	1,2	2,3	E64.0	Následky proteínovo-energetickej podvýživy	2,3,4	2,3
E14.75	DM,blíž.neu.:s mnohop.kompl.,so synd.diab.nohy,dekomp.	1,2	2,3	E64.1	Následky nedostatku vitamínu A	2,3,4	2,3
E15	Nediabetická hypoglykemická kóma	2,3,4	2,3,4	E64.2	Následky nedostatku vitamínu C	2,3,4	2,3
E20.0	Idiopatická hypoparatyreóza	2,4	1,2,4	E64.8	Následky iných nedostatkov vo výžive	2,3,4	2,3
E20.1	Pseudohypoparatyreóza	2,3,4	2,3	E64.9	Následky blížšie neurčených nedostatkov vo výžive	2,3,4	2,3
E20.8	Iná hypoparatyreóza	2,4	1,2,4	E70.0	Klasická fenylketonúria	4	4
E20.9	Hypoparatyreóza,blížšie neurčená	2,4	1,2,4	E70.1	Iná hyperfenylalaninémia	4	4
E21.0	Primárna hyperparatyreóza	2	1,2	E70.2	Porucha metabolizmu tyrozínu	4	4
E21.1	Sekundárna hyperparatyreóza,nezatriedená inde	2	1,2	E70.3	Albinizmus	4	4
E21.2	Iná hyperparatyreóza	2	1,2	E70.8	Iná porucha metabolizmu aromatických aminokyselín	4	4
E21.3	Hyperparatyreóza,blížšie neurčená	2	1,2	E70.9	Porucha metaboliz. aromatic. aminokyselín,b.n.	4	4
E23.0	Hypopituitarizmus	2	1,2	E71.0	Choroba javorového sirupu [Leucinóza]	4	4
E23.2	Diabetes insipidus	2,4	1,2,4	E71.1	Iná porucha metabolizmu aminokysel. rozve.refazcom	4	4
E24.0	Centrálny Cushingov syndróm	2	1,2	E71.2	Porucha metab.amino-kyselín s rozve.refazcom,b.n.	4	4
E24.1	Nelsonov syndróm	2	1,2	E72.0	Porucha transportu aminokyselín	4	4
E24.2	Cushingov syndróm zapríčinený liekom	2	1,2	E72.1	Porucha metabolizmu aminokyselín obsahujúcich síru	4	4
E24.3	Ektopický ACTH-syndróm	2	1,2	E72.2	Porucha metabolického cyklu močoviny	4	4
E24.4	Pseudo-Cushingov syndróm zapríčinený alkoholom	2	1,2	E72.3	Porucha metabolizmu lyzínu a hydroxylyzínu	4	4
E24.8	Iný Cushingov syndróm	2	1,2	E72.4	Porucha metabolizmu ornitínu	4	4
E24.9	Cushingov syndróm,blížšie neurčený	2	1,2	E72.5	Porucha metabolizmu glycínu	4	4
E25.00	Adrenogenit.por.,typ 3(nedost.21-hydrox.) ,klas.for.	4	4	E72.8	Iná porucha metabol.amino-kyselín,blíž.určená	4	4
E25.01	Adrenogenit.por.,typ 3(nedost.21-hydrox.) ,for.s nesk.nás.	4	4	E72.9	Porucha metabolizmu aminokyselín,blížšie neurčená	4	4
E25.08	Iná vrod.adrenogenitálna por.spoj.s nedost.enz.	4	4	E74.0	Choroba z nahromadenia glykogénu (glykogenóza)	4	4
E25.09	Vrod.adrenogenitálna por.spoj.s nedost.enz.,b.n.	4	4	E74.1	Porucha metabolizmu fruktózy	4	4
E25.8	Iná adrenogenitálna porucha	4	4	E74.2	Porucha metabolizmu galaktózy	4	4
E25.9	Adrenogenitálna porucha,blížšie neurčená	4	4	E76.0	Mukopolysacharidóza,typ I	4	4
E27.0	Iná hyperfunkcia kôry nadobličiek	2,4	1,2,4	E76.1	Mukopolysacharidóza,typ II	4	4
E27.1	Prim.nedostatočnosť kôry nadoblič. (Addisonova chor.)	2,4	1,2,4	E76.2	Iná mukopolysacharidóza	4	4
E27.2	Addisonova kríza	2,4	1,2,4	E76.3	Mukopolysacharidóza,blížšie neurčená	4	4
E27.3	Nedostatočnosť kôry nadobličiek zapríčinená liekmi	2,4	1,2,4	E76.8	Iná porucha metabolizmu glykozaminoglykánu	4	4
E27.4	Iná a blíž.neu.nedostatočnosť kôry nadobličiek	2,4	1,2,4	E76.9	Porucha metabol.glykozaminoglykánu,b.n.	4	4
E27.5	Hyperfunkcia drene nadobličiek	2,4	1,2,4	E78.6	Nedostatok lipoproteínov	4	4
E27.8	Iná choroba nadobličiek,blížšie určená	4	4	E78.9	Porucha metabolizmu lipoproteínov,blížšie neurčená	4	4
E29.0	Hyperfunkcia semenníkov	4	4	E79.0	Hyperurikémia bez znakov zápal.artritídy/tofovej dny	4	4
E31.0	Autoimunitná polyglandulárna insuficiencia	2	1,2	E79.1	Leschov-Nyhanov syndróm	4	4
E31.1	Polyglandulárna hyperfunkcia	2	1,2	E79.8	Iná porucha metabolizmu purínu a pyrimidínu	4	4
E31.8	Iná polyglandulárna dysfunkcia	2	1,2	E79.9	Porucha metabol.purínu a pyrimidínu,b.n.	4	4
E31.9	Polyglandulárna dysfunkcia,blížšie neurčená	2	1,2	E80.0	Dedičná erythropoetická porfýria	4	4
E32.1	Absces týmusu	2,3,4	1,2,3,4	E80.1	Porphyria cutanea tarda	4	4
E34.0	Karcinoidový syndróm	2	1,2	E80.2	Iná porfýria	4	4
E34.3	Nízky vzrast, nezatriedený inde	4	4	E83.0	Porucha metabolizmu medi	4	4
E35.1	Choroba štítnej žľazy pri chorobách zatriedených inde	4	4	E84.0	Cystická fibróza s pľúcnymi prejavmi	2,3,4	2,4
E40	Kvašiorkor	2,3,4	2,3	E84.1	Cystická fibróza s črevnými prejavmi	2,4	2,3,4
E41	Nutričný marasmus	2,3,4	2,3				

ICD	Text	OP. CCL	Med. CCL	ICD	Text	OP. CCL	Med. CCL
E84.2	Prim. cil. dyskinézia s respir. prejavmi	2,3,4	2,4	F10.7	Porucha psych.a správ. zaprič.uživ.alkoh.:rez.a nesk.psych.p.	1,2	1,2
E84.3	Prim. cil. dyskinézia s inými prejavmi	2,3,4	2,4	F10.8	Iná porucha psychiky a správania zaprič.uživ.alkoholu	1,2	1,2
E84.4	Primárna ciliárna dyskinézia	2,3,4	2,4	F11.0	Porucha psych.a správ.zaprič.uživ.opiát.:akút.intox.	2	1,2
E84.80	Cystická fibróza s pľúcnyimi a črevnými prejavmi	2,3,4	2,4	F11.1	Porucha psych.a správ.zaprič.uživ.opiát.:škod.uživ.	2	1,2
E84.87	Cystická fibróza s inými mnohopočetnými prejavmi	2,3,4	2,4	F11.2	Porucha psych.a správ.zaprič.uživ.opiát.:synd.závisl.	2	1,2
E84.88	Cystická fibróza s inými prejavmi	2,3,4	2,4	F11.3	Porucha psych.a správ.zaprič.uživ.opiát.:abstin.synd.	2	2
E84.9	Cystická fibróza,blížšie neurčená	2,3,4	2,4	F11.4	Porucha psych.a správ.zaprič.uživ.opiát.:ab.synd.s delír.	2	2
E87.0	Hyperosmolalita a hypernatriémia	1,2,3	2,3	F11.5	Porucha psych.a správ.zaprič.uživ.opiát.:psych.porucha	2	2
E87.1	Hypoosmolalita a hyponatriémia	1,2		F11.6	Porucha psych.a správ.zaprič.uživ.opiát.:amne.synd.	2	2
E87.4	Zmiešaná porucha acidobázickej rovnováhy	1,2		F11.7	Porucha psych.a správ.zaprič.uživ.opiát.:rez.a nesk.psych.p.	2	2
E87.5	Hyperkaliémia	1	1	F11.8	Iná porucha psych.a správ.zaprič.uživ.opiátov	2	2
E87.6	Hypokaliémia	1,2	1	F11.9	Porucha psych.a správ.zapr.uživ.opiát.,b.n.	2	2
E88.1	Lipodystrofia,nezatriedená inde	4	4	F12.3	Porucha psych.a správ.zaprič.uživ.kanab.:abstin.synd.	2	2
E88.3	Syndróm z rozpadu nádoru (tumor lysis syndrome)	3,4	3	F12.4	Porucha psych.a správ.zaprič.uživ.kanab.:ab.synd.s delír.	2	2
E89.1	Hypoinzulinémia po lekárskom výkone	2,3,4	2,3	F12.5	Porucha psych.a správ.zaprič.uživ.kanab.:psych.porucha	2	2
E89.2	Hypoparatyreóza po lekárskom výkone	2,4	1,2,4	F12.6	Porucha psych.a správ.zaprič.uživ.kanab.:amne.synd.	2	2
E89.6	Hypofunkcia kôry nadoblič./drene nadoblič.po lek.výkone	2,4	1,2,4	F12.7	Porucha psych.a správ.zaprič.uživ.kanab.:rez.a nesk.psych.p.	2	2
F00.0	Demencia pri Alzheimerovej chor.so skorým začiat. (typ 2)	2,3,4	1,2,3	F12.8	Iná porucha psych.a správ.,zaprič.uživ.kanabinooidov	2	2
F00.1	Demencia pri Alzheimerovej chor.s neskorým začiat. (typ 1)	2,3,4	1,2,3	F12.9	Porucha psych.a správ.,zaprič.uživ.kanab.,b.n.	2	2
F00.2	Demencia pri Alzheimerovej chor.,atypická/zmiešaná forma	2,3,4	1,2,3	F13.0	Porucha psych.a správ.zaprič.uživ.sedat./hypno.:akút.intox.	2	1,2
F00.9	Demencia pri Alzheimerovej chorobe,b.n.	2,3,4	1,2,3	F13.1	Porucha psych.a správ.zaprič.uživ.sedat./hypno.:škod.uživ.	2	1,2
F01.0	Vaskulárna demencia s akútnym začiatkom	2,3,4	1,2,3	F13.2	Porucha psych.a správ.zaprič.uživ.sedat./hypno.:synd.závisl.	2	1,2
F01.1	Mnohoinfarktová demencia	2,3,4	1,2,3	F13.3	Porucha psych.a správ.zaprič.uživ.sedat./hypno.:abstin.synd.	2	2
F01.2	Subkortikálna vaskulárna demencia	2,3,4	1,2,3	F13.4	Porucha psych.a správ.zapr.uživ.sedat./hypno.:ab.synd.s delír.	2	2
F01.3	Zmiešaná kortikálna a subkortikálna vaskul.demencia	2,3,4	1,2,3	F13.5	Porucha psych.a správ.zaprič.uživ.sedat./hypno.:psych.porucha	2	2
F01.8	Iná vaskulárna demencia	2,3,4	1,2,3	F13.6	Porucha psych.a správ.zaprič.uživ.sedat./hypno.:amne.synd.	2	2
F01.9	Vaskulárna demencia,blížšie neurčená	2,3,4	1,2,3	F13.7	Porucha psych.a správ.zaprič.uživ.sed./hyp.:rez.a nesk.psych.p.	2	2
F02.0	Demencia pri Pickovej chorobe (G31.0†)	2,3,4	1,2,3	F13.8	Iná Porucha psych.a správ ,zapr.uživ.sedat./hypno	2	2
F02.1	Demencia pri Creutzfeldtovej-Jakobovej chorobe	2,3,4	1,2,3	F13.9	Porucha psych.a správ.zapr.uživ.sedat./hypno.,b.n.	2	2
F02.2	Demencia pri Huntingtonovej chorobe (G10†)	2,3,4	1,2,3	F14.0	Porucha psych.a správ.zapr.uživ.kokai.:akút.intox.	2	1,2
F02.3	Demencia pri Parkinsonovej chorobe (G20.-†)	2,3,4	1,2,3	F14.1	Porucha psych.a správ.zaprič.uživ.kokai.:škod.uživ.	2	1,2
F02.4	Demencia pri chorobe HIV (B22†)	2,3,4	1,2,3,4	F14.2	Porucha psych.a správ.zaprič.uživ.kokai.:synd.závisl.	2	1,2
F04	Org.amnestický synd.,nezaprič.alkoh./i.psychoakt.lát.	2,3,4	1,2,3	F14.3	Porucha psych.a správ.zaprič.uživ.kokai.:bstin.synd.	2	2
F05.0	Delírium bez demencie	2,3,4	1,2,3	F14.4	Porucha psych.a správ.zaprič.uživ.kokai.:ab.synd.s delír.	2	2
F05.1	Delírium pri demencii	2,3,4	1,2,3	F14.5	Porucha psych.a správ.zaprič.uživ.kokai.:psych.porucha	2	2
F05.8	Iné delírium	2,3,4	1,2,3				
F05.9	Delírium,blížšie neurčené	2,3,4	1,2,3				
F06.0	Organická halucinóza	2,3,4	1,2,3				
F06.1	Organická katatonická porucha	2,3,4	1,2,3				
F06.2	Organická porucha s bludmi [podobná schizofréni]	2,3,4	1,2,3				
F06.3	Organická afektívna porucha	2,3,4	1,2,3				
F06.4	Organická úzkostná porucha	2,3,4	1,2,3				
F06.5	Organická disociatívna porucha	2,3,4	1,2,3				
F06.6	Emočná labilita [asténia] na organickom podklade	2,3,4	1,2,3				
F07.0	Porucha osobnosti na organickom podklade	2,3,4	1,2,3				
F10.1	Porucha psych.a správ.zaprič.uživ.alkoholu:škod.uživ.	1,2	1,2				
F10.2	Porucha psych.a správ.zaprič.uživ.alkoholu:ynd.závisl.	1,2	1,2				
F10.3	Porucha psych.a správ.zaprič.uživ.alkoholu:abstin.synd.	1,2	1,2				
F10.4	Porucha psych.a správ.zaprič.uživ.alkoholu:ab.synd.s delír.	2,3,4	1,2,3				
F10.5	Porucha psych.a správ.zaprič.uživ.alkoholu:psych.por.	1,2	1,2				
F10.6	Porucha psych.a správ.zaprič.uživ.alkoholu:amne.synd.	2,3,4	1,2,3				

ICD	Text	OP. CCL	Med. CCL	ICD	Text	OP. CCL	Med. CCL
F14.6	Porucha psych.a správ.zaprič.užív.kokaín.:amne.synd.	2	2	F19.2	Porucha psych.a správ.zaprič.uží.drog,i.psych.l.:synd.závisl.	2	1,2
F14.7	Porucha psych.a správ.zaprič.užív.kokaín.:rez.a nes.k.psych.p.	2	2	F19.3	Porucha psych.a správ.zaprič.uží.drog,i.psych.l.:abstin.synd.	2	2
F14.8	Iná porucha psychiky a správ.zaprič.užív.kokaínu	2	2	F19.4	Porucha psych.a správ.zaprič.uží.drog,i.psych.l.:abs.synd.s del	2	2
F14.9	Porucha psych.a správ.zaprič.užív.kokaín.,bliž.neurč.	2	2	F19.5	Porucha psych.a správ.zaprič.uží.drog,i.psych.l.:psych.porucha	2	2
F15.0	Porucha psych.a správ.zaprič.užív.i.stim.vr.kof.:akút.intox.	2	1,2	F19.6	Porucha psych.a správ.zaprič.uží.drog,i.psych.l.:amne. synd.	2	2
F15.1	Porucha psych.a správ.zaprič.užív.i.stim.vr.kof.:škod.užív.	2	1,2	F19.7	Porucha psych.a správ.zapr.už.dro,i.psych.l.:rez./nes.psych.p.	2	2
F15.2	Porucha psych.a správ.zaprič.užív.i.stim.vr.kof.:synd.závisl.	2	1,2	F19.8	Iná porucha psych.a správ.zaprič.užív.v.drog,i.psych.l.	2	2
F15.3	Porucha psych.a správ.zaprič.užív.i.stim.vr.kof.:abstin.synd.	2	2	F19.9	Porucha psych.a správ.zaprič.užív.v.drog,i.psych.l.,b.n.	2	2
F15.4	Porucha psych.a správ.zaprič.užív.i.stim.vr.kof.:ab.synd.s del.	2	2	F20.0	Paranoidná schizofrénia	2	2
F15.5	Porucha psych.a správ.zaprič.užív.i.stim.vr.kof.:psych.porucha	2	2	F20.1	Hebefrénna schizofrénia	2	2
F15.6	Porucha psych.a správ.zaprič.užív.i.stim.vr.kof.:amne.synd.	2	2	F20.2	Katatonická schizofrénia	2	2
F15.7	Porucha psych.a správ.zapr.uží.i.stim.vr.kof.:rez./nesk.psy.p.	2	2	F20.3	Nediferencovaná schizofrénia	2	2
F15.8	Iná porucha psych.a správ.zaprič.užív.i.stim.vr.kof.	2	2	F20.5	Reziduálna schizofrénia	2	2
F15.9	Porucha psych.a správ.zaprič.užív.i.stim.vr.kof.:b.n.	2	2	F20.6	Jednoduchá schizofrénia	2	2
F16.0	Porucha psych.a správ.zaprič.užív.haluc.:akút.intox.	2	1,2	F20.8	Iná schizofrénia	2	2
F16.1	Porucha psych.a správ.zaprič.užív.haluc.:škod.užív.	2	1,2	F20.9	Schizofrénia, bližšie neurčená	2	2
F16.2	Porucha psych.a správ.zaprič.užív.haluc.:synd.závisl.	2	1,2	F23.0	Akút.polymorfna psychotická por.bez prízn.schizofrénie	2	2
F16.3	Porucha psych.a správ.zaprič.užív.haluc.:abstin.synd.	2	2	F23.1	Akút.polymorfna psychotická por.s prízn.schizofrénie	2	2
F16.4	Porucha psych.a správ.zaprič.užív.haluc.:ab.synd.s del.	2	2	F23.2	Akútna psychotická porucha podobná schizofrénii	2	2
F16.5	Porucha psych.a správ.zaprič.užív.haluc.:psych.porucha	2	2	F23.3	Iné akútne psychotické poruchy s prevahou bludov	2	2
F16.6	Porucha psych.a správ.zaprič.užív.haluc.:amne.synd.	2	2	F23.8	Iné akútne a prechodné psychotické poruchy	2	2
F16.7	Porucha psych.a správ.zaprič.užív.haluc.:rez.a nes.k.psy.p.	2	2	F23.9	Akút.psychotická por.a prech.psychotická por.,b.n.	2	2
F16.8	Iná porucha psych.a správ.zaprič.užív.haluc.	2	2	F25.0	Schizoafektívna porucha,manický typ	2	2
F16.9	Porucha psych.a správ.zaprič.užív.haluc.,b.n.	2	2	F25.1	Schizoafektívna porucha,depresívny typ	2	2
F18.0	Porucha psych.a správ.zaprič.užív.prch.rozp.:akút.intox.	2	1,2	F25.2	Schizoafektívna porucha,zmiešaný typ	2	2
F18.1	Porucha psych.a správ.zaprič.užív.prch.rozp.:škod.užív.	2	1,2	F25.8	Iná schizoafektívna porucha	2	2
F18.2	Porucha psych.a správ.zaprič.užív.prch.rozp.:synd.závisl.	2	1,2	F25.9	Schizoafektívna porucha, bližšie neurčená	2	2
F18.3	Porucha psych.a správ.zaprič.užív.prch.rozp.:abstin.synd.	2	2	F29	Neorganická psychóza,bližšie neurčená	2	2
F18.4	Porucha psych.a správ.zaprič.užív.prch.rozp.:abs.synd.s del.	2	2	F30.0	Hypománia	2	2
F18.5	Porucha psych.a správ.zaprič.užív.prch.rozp.:psych.porucha	2	2	F30.1	Mánia bez psychotických príznakov	2	2
F18.6	Porucha psych.a správ.zaprič.užív.prch.rozp.:amne.synd.	2	2	F30.2	Mánia s psychotickými príznakmi	2	2
F18.7	Porucha psych.a správ.zapr.uží.prch.rozp.:rezid./nesk.psych.p.	2	2	F30.8	Iná manická epizóda	2	2
F18.8	Iná porucha psych.a správ.zaprič.užív.prchav.rozpúš.	2	2	F30.9	Manická epizóda, bližšie neurčená	2	2
F18.9	Porucha psych.a správ.zaprič.užív.prchav.rozpúš.,b.n.	2	2	F31.0	Bipolárna afekt.porucha,terajš.hypomanická epizóda	2	2
F19.0	Porucha psych.a správ.zaprič.uží.drog,i.psych.l.:akút.intox.	2	1,2	F31.1	Bipolárna afekt.porucha,terajš.manic.epiz.bez psychot.príz.	2	2
F19.1	Porucha psych.a správ.zaprič.uží.drog,i.psych.l.:škod.užív.	2	1,2	F31.2	Bipolárna afekt.porucha,terajš.manic.epiz.s psychot.príz.	2	2
				F31.4	Bipolárna afekt.porucha,terajš.epiz.ťaž.depre.b.psych.príz.	2	2
				F31.5	Bipolárna afekt.porucha,terajš.epiz.ťaž.depre.s psych.príz.	2	2
				F31.6	Bipolárna afekt.porucha,terajš.zmiešaná epizóda	2	2
				F31.8	Iná bipolárna afektívna porucha	2	2
				F31.9	Bipolárna afektívna porucha,bližšie neurčená	2	2
				F32.2	Epizóda ťažkej depresie bez psychotických príznakov	2	2
				F32.3	Epizóda ťažkej depresie s psychotickými príznakmi	2	2
				F33.2	Recidivujúca depres.porucha,terajš.ťaž.epiz.bez psychot.príz.	2	2
				F33.3	Recidivujúca depres.porucha,terajš.ťaž.epiz.s psychot.príz.	2	2

ICD	Text	OP. CCL	Med. CCL	ICD	Text	OP. CCL	Med. CCL
F33.8	Iná recidivujúca depresívna porucha	2	2	G12.9	Spinálna svalová atrofia, bližšie neurčená	2,3,4	1,2,3,4
F33.9	Recidivujúca depresívna porucha, bližšie neurčená	2	2	G14	Postpoliomyelitický syndróm	1,2	2
F50.0	Mentálna anorexia	1,2	1,2	G20.00	Parkinson.chor.bez obm./s min.obm., bez mot.fluktuácie	2,3	1,2,3
F50.1	Atypická mentálna anorexia	1,2	1,2	G20.01	Parkinson.chor.bez obm./s min.obm.,s mot.fluktuáciou	2,3	1,2,3
F50.2	Mentálna bulímia	1,2	1,2	G20.10	Parkinson.chor.s mier.až str.ťaž.obm.,b.mot.fluktuácie	2,3	1,2,3
F50.3	Atypická mentálna bulímia	1,2	1,2	G20.11	Parkinson.chor.s mier.až str.ťaž.pbm.,s mot.fluktuáciou	2,3	1,2,3
F50.4	Prejedanie spojené s inými psychickými poruchami	1,2	1,2	G20.20	Parkinson.chor.s veľmi ťaž.obm.,bez mot.fluktuácie	2,3	1,2,3
F50.8	Iná porucha príjmu potravy	1,2	1,2	G20.21	Parkinson.chor.s veľmi ťaž.obm.,s motoric.fluktuáciou	2,3	1,2,3
F50.9	Porucha príjmu potravy, bližšie neurčená	1,2	1,2	G20.90	Parkinson.chor.bliž.neu.,bez motoric.fluktuácie	2,3	1,2,3
F84.0	Detský autizmus	1,2	1,2	G20.91	Parkinson.chor.bliž.neu.,s motoric.fluktuáciou	2,3	1,2,3
F84.1	Atypický autizmus	1,2	1,2	G35.0	Roztrúsená skleróza, prvá manifestácia	2	2
F84.2	Rettov syndróm	2,3	1,2,3	G35.10	SM s relaps-remitujúcim priebehom, bez prejav.relapsu/progr.	2	2
F84.3	Iná detská dezintegračná porucha	1,2	1,2	G35.11	SM s relaps-remitujúcim priebehom, s prejav.relapsu/progr.	2	2
F84.4	Hyperakt.por.spojená s duševnou zaost.a stereot.pohybmi	1,2	1,2	G35.20	SM s primár.progresívnym priebehom, bez prejav.relapsu/progr.	2	2
F84.5	Aspergerov syndróm	1,2	1,2	G35.21	SM s primár.progresívnym priebehom, s prejav.relapsu/progr.	2	2
F84.8	Iná pervazívna vývinová porucha	1,2	1,2	G35.30	SM so sekund.progresívnym priebehom, bez prejav.relapsu/progr.	2	2
F84.9	Pervazívna vývinová porucha, bližšie neurčená	1,2	1,2	G35.31	SM so sekund.progresívnym priebehom, s prejav.elapsu/progr.	2	2
F98.2	Porucha príjmu potravy v ranom detstve	1,2	1,2	G35.9	Roztrúsená skleróza, bližšie neurčená	2	2
G00.0	Meningitída zapríčinená Haemophilus influenzae	3,4	3,4	G40.3	Generalizovaná idiopatická epilepsia a epileptický syndróm	1,2,3,4	1,2
G00.1	Pneumokoková meningitída	3,4	3,4	G40.6	Záchvaty grand mal, bližšie neurč.so záchv./bez záchv. petit mal	1,2,3,4	1,2
G00.2	Streptokoková meningitída	3,4	3,4	G41.0	Status epilepticus grand mal	1,2,3,4	1,2
G00.3	Stafylokoková meningitída	3,4	3,4	G41.1	Status epilepticus petit mal	1,2,3,4	1,2
G00.8	Iná baktériová meningitída	3,4	3,4	G41.2	Komplexný čiastkový epileptický stav	1,2,3,4	1,2
G00.9	Baktériová meningitída, bližšie neurčená	3,4	3,4	G41.8	Iný status epilepticus	1,2,3,4	1,2
G01	Meningitída pri baktériových chorobách zatried.inde	3,4	3,4	G41.9	Status epilepticus, bližšie neurčený	1,2,3,4	1,2
G02.0	Meningitída pri vírusových chorobách zatried.inde	3,4	3,4	G46.3	Syndróm cievného postihnutia mozgového kmeňa	3,4	2,3
G02.1	Meningitída pri mykózach zatriedených inde	3,4	3,4	G46.4	Syndróm cievného postihnutia mozočka	3,4	2,3
G02.8	Meningitída pri iných bliž.urč.infekč.a parazit.chor.z.i.	3,4	3,4	G52.7	Porucha viacerých hlavových nervov	4	4
G03.0	Nehnisová meningitída	3,4	3,4	G53.1	Obnava viacerých hlavových nervov pri inf.a paraz.chor.z.i	4	4
G03.1	Chronická meningitída	3,4	3,4	G53.2	Obnava viacerých hlav.nervov pri sarkoidóze	4	4
G03.2	Benígna recidivujúca meningitída [Mollaretova]	3,4	3,4	G53.3	Obnava viacerých hlav.nervov pri nád.chor.	4	4
G03.8	Meningitída zapríčinená inými bliž.urč.príčinami	3,4	3,4	G54.1	Poškodenie plexus lumbosacralis	4	4
G03.9	Meningitída, bližšie neurčená	3,4	3,4	G55.1	Kompresia nerv.koreňov a spletí pri pošk.medzistav.plat.	4	4
G04.0	Akútna diseminovaná encefalitída	3,4	3	G55.2	Kompresia nerv.koreňov a spletí pri spondylóze	4	4
G04.1	Tropická spastická paraplégia	3,4	3	G61.0	Guillainov-Barrého syndróm	2	2
G04.2	Baktériová meningoencefalitída a meningoencefalitída, n.i.	3,4	3	G70.0	Myasthenia gravis	2,3,4	1,2,3,4
G04.8	Iná encefalitída, myelitída a encefalomyelitída	3,4	3	G70.2	Vrodená a vývinová myasténia	2,3,4	1,2,3,4
G04.9	Encefalitída, myelit.a encefalomyelit., b.n.	3,4	3	G70.8	Iná myoneurálna porucha, bližšie určená	4	4
G05.0	Encefalitída, myelitída a encefalomyelit.pri bakt.chor.z.i.	3,4	3,4	G71.0	Svalová dystrofia	2,3,4	1,2,3,4
G05.1	Encefalitída, myelitída a encefalomyelit.pri vír.chor.z.i.	3,4	3,4	G71.1	Myotonická porucha	4	4
G05.2	Encefalitída, myelit.a encefalomyelit.pri i.inf.a paraz.chor.z.i.	3,4	3,4	G71.2	Vrodená myopatia	2,3,4	1,2,3,4
G05.8	Encefalitída, myelitída a encefalomyelit.pri i.chor.z.i.	3,4	3,4	G71.3	Mitochondriová myopatia, nezatriedená inde	2,3	1,2,3
G06.0	Intrakraniálny absces a granulóm	3,4	3,4	G71.8	Iná primárna choroba svalov	2,3	1,2,3
G06.1	Intraspinalný absces a granulóm	3,4	3,4	G71.9	Primárna choroba svalov, bližšie neurčená	2,3,4	1,2,3,4
G06.2	Extradurálny a subdurálny absces, bližšie neurčený	3,4	3,4	G72.0	Myopatia zapríčinená liekmi	3,4	3
G07	Intrakran.a intrasp.in.absces a granulóm pri chor.z.i.	3,4	3,4	G72.1	Alkoholová myopatia	3,4	3
G08	Intrakran.a intrasp.in.flebitída a tromboflebitída	1,2,4	2,4	G72.2	Myopatia zapríčinená inými toxickými látkami	3,4	3
G12.0	Detská spinálna svalová atrofia, typ I	2,3,4	1,2,3,4	G72.4	Zápalová myopatia, nezatriedená inde	2,3	1,2,3
G12.1	Iná zdedená spinálna svalová atrofia	2,3,4	1,2,3,4	G73.0	Myastenický syndróm pri endokrinných chorobách	2,3	1,2,3
G12.2	Choroba motorického neurónu	2,3	1,2,3				
G12.8	Iná spinálna svalová atrofia a príbuzný syndróm	2,3,4	1,2,3,4				

ICD	Text	OP. CCL	Med. CCL	ICD	Text	OP. CCL	Med. CCL
G73.1	Eatonov-Lambertov myastenický syndróm (C00-D48†)	2,3	1,2,3	G82.41	Spast.tetrap.a tetrapl.akút.nekomp.prieč.poš.miechy	2,4	2,3
G73.2	Iný myastenický synd. pri nádorovej chor.	2,3	1,2,3		neur.pôv.		
G73.3	Myastenický syndróm pri iných chor.z.i.	2,3	1,2,3	G82.42	Spast.tetrap.a tetrapl.chron.komplet.prieč.poš.miechy	2,4	2,3,4
G73.6	Myopatia pri metabolických chorobách	3,4	3	G82.43	Spast.tetrap.a tetrapl.chron.nekomplet.prieč.poš.miechy	2,4	2,3
G80.0	Spastická tetraplegická detská mozgová obrna	2,4	2,3	G82.49	Spastická tetraparéza a tetraplégia,blíž.neurč.	2,4	2,3,4
G80.1	Spastická diplegická detská mozgová obrna	2,4	2,3	G82.50	Tetrapa.a tetrapl.b.n.akút.komplet.prieč.poš.miechy	2,4	2,3,4
G80.2	Spastická hemiplegická detská mozgová obrna	2,4	2,3		neur.pôv.		
G80.3	Dyskinetická detská mozgová obrna	2,4	2,3	G82.51	Tetrapa.a tetrapl.b.n.akút.nekompl..prieč.poš.miechy	2,4	2,3
G80.4	Ataktická detská mozgová obrna	2,4	2,3		netr.pôv.		
G80.8	Iná detská mozgová obrna	2,4	2,3	G82.52	Tetrapar.a tetrapl.b.n.chron.komplet.prieč.poš.miechy	2,4	2,3,4
G80.9	Detská mozgová obrna,blížšie neurčená	2,4	2,3	G82.53	Tetrapar.a tetrapl.b.n.chron.nekomplet.prieč.poš.miechy	2,4	2,3
G81.0	Chabá hemiparéza a hemiplégia	2,3	1,2,3	G82.59	Tetraparéza a tetraplégia, blížšie neurčená	2,4	2,3,4
G81.1	Spastická hemiparéza a hemiplégia	2,3	1,2,3	G83.0	Diparéza a diplégia horných končatín	2,3,4	1,2,3,4
G81.9	Hemiparéza a hemiplégia,blížšie neurčená	2,3	1,2,3	G83.1	Monoparéza a monoplégia dolnej končatiny	4	4
G82.00	Chabá parapar.a parapl.,ak.komplet.prieč.poš.miechy n.pôv.	2,4	2,3	G83.2	Monoparéza a monoplégia hornej končatiny	4	4
G82.01	Chabá parapar.parapl.akút.nekompet.prieč.poš.miechy n.pôv.	2,4	2,3	G83.3	Monoparéza a monoplégia,blížšie neurčená	4	4
G82.02	Chabá parapar.a parapl.,chron.komplet.prieč.pošk.miechy	2,4	2,3	G83.40	Syndróm cauda equina,kompletný	2,3,4	1,2,3,4
G82.03	Chabá parapar.a parapl.,chron.nekomplet.prieč.pošk.miechy	2,4	2,3	G83.41	Syndróm cauda equina,nekompletný	2,3,4	1,2,3,4
G82.09	Chabá paraparéza a paraplégia,blížšie neurčená	2,4	2,3	G83.49	Syndróm cauda equina,blížšie neurčený	2,3,4	1,2,3,4
G82.10	Spast.parapar.a parapl.,ak.komplet.prieč.poš.miechy neur.pôv.	2,4	2,3	G83.80	Locked-in syndróm	2,3	1,2,3
G82.11	Spast.parapar.a parapl.ak.nekomplet.prieč.poš.miechy neur.pôv.	2,4	2,3	G83.88	Iný paralytický syndróm,blížšie určený	2,3	1,2,3
G82.12	Spast.parapar.a parapl.,chron.komplet.prieč.pošk.miechy	2,4	2,3	G91.1	Obštrukčný hydrocefalus	2,3,4	1,2,3,4
G82.13	Spast.parapar.a parapl.,chron.nekomplet.prieč.pošk.miechy	2,4	2,3	G91.20	Idiopatický normotenzný hydrocefalus	2,3,4	1,2,3,4
G82.19	Spastická paraparéza a paraplégia,blížšie neurčená	2,4	2,3	G91.21	Sekundárny normotenzný hydrocefalus	2,3,4	1,2,3,4
G82.20	Parapar.a parapl.b.n.akút.komplet.prieč.poš.miechy neur.pôv.	2,4	2,3	G91.29	Normotenzný hydrocefalus,blížšie neurčený	2,3,4	1,2,3,4
G82.21	Parapar.a parapl.b.n.akút.nekomplet.prieč.poš.miechy neur.pôv.	2,4	2,3	G91.3	Pourazový hydrocefalus,blížšie neurčený	2,3,4	1,2,3,4
G82.22	Parapar.a parapl.blíž.neu.chron.komplet.prieč.poš.miechy	2,4	2,3	G91.8	Iný hydrocefalus	2,3,4	1,2,3,4
G82.23	Parapar.a parapl.blíž.neu.chron.nekomplet.prieč.poš.miechy	2,4	2,3	G91.9	Hydrocefalus,blížšie neurčený	2,3,4	1,2,3,4
G82.29	Paraparéza a paraplégia,blížšie neurčená	2,4	2,3	G92	Toxická encefalopatia	3,4	3
G82.30	Chabá tetrap.a tetrapl.akút.komplet.prieč.poš.miechy neur.pôv.	2,4	2,3,4	G93.1	Anoxické poškodenie mozgu,nezatriedené inde	2,3	1,2,3
G82.31	Chabá tetrap.a tetrapl.akút.nekompl.prieč.poš.miechy neur.pôv.	2,4	2,3	G94.0	Hydrocefalus pri infekčných a parazitových chor.z.i	2,3,4	1,2,3,4
G82.32	Chabá tetrap.a tetrapl.chron.komplet.prieč.poš.miechy	2,4	2,3,4	G94.1	Hydrocefalus pri nádorovej chorobe (C00-D48†)	2,3,4	1,2,3,4
G82.33	Chabá tetrap.a tetrapl.chron.nekomplet.prieč.poš.miechy	2,4	2,3	G94.2	Hydrocefalus pri iných chorobách zatriedených inde	2,3,4	1,2,3,4
G82.39	Chabá tetraparéza a tetraplégia, blížšie neurčená	2,4	2,3,4	G95.1	Cievna myelopatia	4	4
G82.40	Spast.tetrap.a tetrapl.akút.komplet.prieč.poš.miechy neur.pôv.	2,4	2,3,4	G95.2	Kompresia miechy,blížšie neurčená	4	4
				G95.9	Choroba miechy,blížšie neurčená	4	4
				G96.0	Presakovanie mozgovomiechového moku	1,3,4	3,4
				G97.0	Presakovanie mozgovomiechového moku po spinálnej punkcii	1,3,4	1,3,4
				G97.1	Iná reakcia na spinálnu a lumbálnu punkciu	1,3,4	1,3
				G97.2	Vnútroľbovová hypotenzia po komorovom skrate	1,2,3	1,2
				G97.80	Pooperačná likvorea	3,4	3
				H13.3	Očný pemfigoid (L12.-†)	4	4
				H16.8	Iná keratitída	4	4
				H19.1	Herpetická keratitída a keratokonjunktivitída (B00.5†)	4	4
				H19.2	Keratitída a keratokonjunkt.pri i.infekč.a parazit.chor.z.i.	4	4
				H32.0	Chorioretinitída pri infekčných a parazit.chorobách z.i.	4	4
				H47.1	Opuch papily zrakového nervu,blížšie neurčený	1,2	2
				H58.0	Anomálie funkcie zrenice pri chor.z.i.	4	4
				H59.0	Afacká bulózna keratopatia po operácii katarakty	2,3,4	2,3
				H60.1	Flegmóna vonkajšieho ucha	2	2

ICD	Text	OP. CCL	Med. CCL	ICD	Text	OP. CCL	Med. CCL
H62.1	Zápal vonkajšieho ucha pri vírusových chor.z.i.	4	4	I21.2	Akútny transmuralny IM na i.miestach	3,4	2,3
H66.0	Akútny hnisový zápal stredného ucha	4	4	I21.3	Akútny transmuralny IM bez bliž.urč.miesta	3,4	2,3
H95.0	Recidivujúci cholesteatóm v dutine po mastoidektómii	2	2	I21.4	Akútny subendokardiálny infarkt myokardu	3,4	2,3
H95.1	Iná choroba po mastoidektómii	2	2	I21.9	Akútny infarkt myokardu,bližšie neurčený	3,4	2,3
H95.8	Iná choroba ucha a hlávkového výbežku	2	2	I23.0	Hemoperikard ako akútna komplikácia po akútnom IM	2,3,4	3
H95.9	Choroba ucha a hlávkového výbežku po lek.výk.,b.n.	2	2	I23.1	Defekt predsieň.septa ako akútna komplikácia po akútnom IM	1,2,3	1,2
I05.0	Mitrálna stenóza	2,3	2,3	I23.2	Defekt komorovej priehradky ako akútna komplikácia po akút. IM	1,2,3	1,2
I05.1	Reumatická mitrálna insuficiencia	2,3	2,3	I23.3	Ruptúra srdc.steny bez hemoperik.ako akútna kompl.po akút.IM	1,2,3	1,2
I05.2	Mitrálna stenóza s insuficienciou	2,3	2,3	I23.4	Ruptúra chordae tendineae ako akútna kompl.po akút.IM	2,3	2,3
I05.8	Iná choroba mitrálnej chlopne	2,3	2,3	I23.5	Ruptúra papilárneho svalu ako akútna kompl.po akút.IM	2,3	2,3
I06.0	Reumatická aortálna stenóza	2,3	2,3	I23.6	Trombóza predsieň,preds.uška a komory ako ak.kompl.po ak.IM	1,2,3	1,2
I06.1	Reumatická aortálna insuficiencia	2,3	2,3	I23.8	Iná akútna komplikácia po akútnom infarkte myokardu	1,2,3	1,2
I06.2	Reumatická aortálna stenóza s insuficienciou	2,3	2,3	I24.0	Koronárna trombóza,ktorá nevedla k IM	2	2,3
I06.8	Iná reumatická choroba aortálnej chlopne	2,3	2,3	I24.1	Poinfarktový syndróm	1,2,3	1,2
I07.0	Trikuspidálna stenóza	2,3	2,3	I24.8	Iná forma akútnej ischemickej choroby srdca	2	2,3
I07.1	Trikuspidálna insuficiencia	1,2,3	1,2,3	I26.0	Pľúcna embólia s prejavmi akútneho cor pulmonale	3,4	2,3,4
I07.2	Trikuspidálna stenóza s insuficienciou	2,3	2,3	I26.9	Pľúcna embólia bez prejavov akútneho cor pulmonale	3,4	2,3,4
I07.8	Iná choroba trikuspidálnej chlopne	2,3	2,3	I27.0	Primárna pľúcna hypertenzia	1,2,3,4	1,2,4
I08.0	Kombinovaná choroba mitrálnej a aortálnej chlopne	2,3	2,3	I27.1	Srdcová choroba pri kyfoskolióze	4	4
I08.1	Súčasná choroba mitrálnej a trikuspid.chlopne	1,2,3	1,2,3	I27.20	Pľúcna hypertenzia pri chron.tromboembol.chor.	4	4
I08.2	Súčasná choroba aortálnej a trikuspid.hlopne	2,3	2,3	I27.28	Iná bližšie určená sekundárna pľúcna hypertenzia	4	4
I08.3	Súčasná choroba mitrálnej,aortál.a trikuspidál.chlopne	2,3	2,3	I27.8	Iné srdcovopľúcne choroby,bližšie určené	4	4
I08.8	Iná choroba viacerých chlopní	2,3	2,3	I27.9	Srdcovopľúcna choroba,bližšie neurčená	4	4
I08.9	Choroba viacerých chlopní,bližšie neurčená	1,2,3	1,2,3	I30.0	Akútna nešpecifická idiopatická perikarditída	1,2,3,4	1,2,4
I09.0	Reumatická myokarditída	1,2,3	1,2	I30.1	Infekčná perikarditída	2,3,4	3,4
I09.1	Reumatická choroba endokardu bliž.neurč.chlopne	2,3	2,3	I30.8	Iná forma akútnej perikarditídy	2,3,4	3,4
I09.8	Iná reumatická choroba srdca,bližšie určená	1,2,3	1,2	I30.9	Akútna perikarditída,bližšie neurčená	1,2,3,4	1,2,4
I11.00	Hyperten.chor.srdca s kong.srdc.zlyh.bez prej.hypert.kríz.	1,2	1,2,3	I31.0	Chronická adhezívna perikarditída	2,3,4	3
I11.01	Hyperten.chor.srdca s kong.srdc.zlyh.s hypert.kríz.	1,2	1,2,3	I31.1	Chronická konstriktívna perikarditída	2,3,4	3
I12.00	Hypertenzná chor.oblič.s obličk.zlyh.bez prej.hypert.krízy	4	4	I31.2	Hemoperikard,nezatriedený inde	2,3,4	3,4
I12.01	Hypertenzná chor.oblič.s obličk.zlyh.s prej.hypert.krízy	4	4	I31.3	Perikardový výpotok (nezápalový)	1,2,3,4	1,2,4
I12.90	Hypertenzná chor.oblič.bez obličk.zlyh.bez prej.hypert.krízy	4	4	I31.8	Iná choroba perikardu,bližšie určená	4	4
I12.91	Hypertenzná chor.oblič.bez obličk.zlyh.s prej.hypert.krízy	4	4	I31.9	Choroba perikardu,bližšie neurčená	4	4
I13.00	Hypert.chor.srd.a oblič.s kong.srdc.zlyh.,b.hyper.kríz.	1,2	2,3	I32.0	Perikarditída pri bakt.chor.z.i.	1,2,3,4	1,2,4
I13.01	Hypert.chor.srd.a oblič.s kong.srdc.zlyh.,s hyper.kríz.	1,2	2,3	I32.1	Perikarditída pri i.infekč.a parazit.chor.z.i.	1,2,3,4	1,2,4
I13.20	Hypert.chor.srdca a oblič.s kong.srdc.a obl.zlyh.bez hyp.kríz.	1,2	2,3	I32.8	Perikarditída pri iných chorobách zatriedených inde	1,2,3,4	1,2,4
I13.21	Hypert.chor.srdca a oblič.s kong.srdc.a obl.zlyh.s hyp.kríz.	1,2	2,3	I33.0	Akútna a subakútna infekčná endokarditída	3,4	3,4
I15.00	Renovaskulárna artér.hypertenzia bez hypert.krízy	4	4	I33.9	Akútna endokarditída,bližšie neurčená	3,4	3,4
I15.01	Renovaskulárna artér.hypertenzia s hypert.krízou	4	4	I34.1	Prolaps mitrálnej chlopne	2,3	2,3
I15.10	Sekundár.artér.hypert.zapr.i.chor.oblič.bez hypert.krízy	4	4	I34.2	Nereumatická mitrálna stenóza	1	1
I15.11	Sekundár.artér.hypert.zapr.i.chor.oblič.s hypert.krízou	4	4	I34.80	Nereumatická mitrálna stenóza a insuficiencia	1,2	1,2
I20.0	Nestabilná angina pectoris	2	2,3	I35.0	Aortálna stenóza	2,3	2,3
I20.1	Angina pectoris s dokázaným kľčom vencovitých tepien	2	2,3	I35.2	Aortálna stenóza s aortálnou insuficienciou	2,3	2,3
I21.0	Akútny transmuralny infarkt myokardu prednej steny	3,4	2,3	I36.0	Nereumatická trikuspidálna stenóza	2,3	2,3
I21.1	Akútny transmuralny infarkt myokardu spodnej steny	3,4	2,3	I36.1	Nereumatická trikuspidálna insuficiencia	2,3	2,3
				I36.2	Nereumatická trikuspidálna stenóza a insuficiencia	2,3	2,3
				I36.8	Iná nereumatická choroba trikuspidálnej chlopne	2,3	2,3
				I37.0	Pulmonálna stenóza	2,3	2,3
				I37.1	Pulmonálna insuficiencia	2,3	2,3
				I37.2	Pulmonálna stenóza a insuficiencia	2,3	2,3
				I37.8	Iná choroba pulmonálnej chlopne	2,3	2,3
				I39.0	Choroba mitrál.chlopne pri chorobách zatried.i.	2,3,4	2,3,4

ICD	Text	OP. CCL	Med. CCL	ICD	Text	OP. CCL	Med. CCL
139.1	Choroba aortál.chlopne pri chorobách zatried.i.	2,3,4	2,3,4	148.9	Fibrilácia a flater predsieni,blížšie neurčené	4	4
139.2	Choroba trikuspid.chlopne pri chorobách zatried.i.	2,3,4	2,3,4	149.0	Flater komôr a fibrilácia komôr	2,3,4	1,2,3,4
139.3	Choroba pulmonál.chlopne pri chorobách zatried.i.	2,3,4	2,3,4	150.00	Primárne zlyhávanie pravej komory	2,3,4	1,2,3,4
139.4	Choroba viacerých chlopní pri chorobách.zatried.i.	2,3,4	2,3,4	150.01	Sekundárne zlyhávanie pravej komory	2,3,4	1,2,3,4
139.8	Endokarditída n.chlopne pri chor.z.i.	4	4	150.11	Zlyhávanie ľavej komory: bez ťažkostí	4	4
140.0	Infekčná myokarditída	1,2,3,4	1,2,4	150.12	Zlyhávanie ľavej komory,s ťažkosťami pri veľkom zaťažení	4	4
140.1	Izolovaná myokarditída	1,2,3	1,2	150.13	Zlyhávanie ľavej komory,s ťažkosťami pri malom zaťažení	2,3,4	1,2,3,4
140.8	Iná akútna myokarditída	1,2,3	1,2	150.14	Zlyhávanie ľavej komory,s ťažkosťami v pokoji	2,3,4	2,3,4
140.9	Akútna myokarditída, bližšie neurčená	1,2,3,4	1,2,4	150.19	Zlyhávanie ľavej komory,blížšie neurčené	4	4
141.0	Myokarditída pri bakteriálnych chor.z.i.	1,2,3,4	1,2,4	150.9	Zlyhávanie srdca,blížšie neurčené	4	4
141.1	Myokarditída pri vírusových chor.z.i.	1,2,3,4	1,2,4	151.0	Získaný defekt srdcovej priehradky	1,2,3	1,2
141.2	Myokarditída pri i.infekč.a parazit.chorobách zatried.i.	1,2,3,4	1,2,4	151.1	Ruptúra chordae tendineae,nezatriedená inde	1,2,3,4	2,3,4
141.8	Myokarditída pri iných chorobách zatriedených inde	1,2,3,4	1,2,4	151.2	Ruptúra papilárneho svalu,nezatriedená inde	1,2,3,4	2,3,4
142.0	Dilatačná kardiomyopatia	1,2,3	1,2	151.3	Vnútroštrcová trombóza,nezatriedená inde	1,2,3	1,2
142.1	Obštrukčná hypertrofická kardiomyopatia	1,2,3	1,2	151.4	Myokarditída,blížšie neurčená	4	4
142.2	Iná hypertrofická kardiomyopatia	1,2,3	1,2	151.5	Degenerácia myokardu	4	4
142.3	Endomyokardová(eozinofilná)choroba	1,2,3	1,2	151.6	Srdcovocievna choroba,blížšie neurčená	4	4
142.4	Endokardová fibroelastóza	1,2,3	1,2	160.0	Subarachnoidálne krvácanie z karotického sifónu a bifurkácie	3,4	2,3,4
142.5	Iná reštrikčná kardiomyopatia	1,2,3	1,2	160.1	Subarachnoidálne krvácanie z a.cerebri media	3,4	2,3,4
142.6	Alkoholová kardiomyopatia	1,2,3	1,2	160.2	Subarachnoidálne krvácanie z a.communicans anterior	3,4	2,3,4
142.7	Kardiomyopatia zapríč. liekmi a inými vnkn.faktormi	1,2,3	1,2	160.3	Subarachnoidálne krvácanie z a.communicans posterior	3,4	2,3,4
142.80	Arytmogénna pravokomorová kardiomyopatia [ARVCM]	1,2,3	1,2	160.4	Subarachnoidálne krvácanie z a.basilaris	3,4	2,3,4
142.88	Iná kardiomyopatia	1,2,3	1,2	160.5	Subarachnoidálne krvácanie z a.vertebralis	3,4	2,3,4
142.9	Kardiomyopatia,blížšie neurčená	1,2,3	1,2	160.6	Subarachnoidálne krvácanie z i.intrakraniálnych tep.	3,4	2,3,4
143.0	Kardiomyopatia pri infekč.a parazit.chorobách zatried.i.	1,2,3	1,2	160.7	Subarachnoidálne krvácanie z intrakraniálnej tepny,b.n.	3,4	2,3,4
143.1	Kardiomyopatia pri metabolických chorobách	2,3,4	3,4	160.8	Iné subarachnoidálne krvácanie	3,4	2,3,4
143.2	Kardiomyopatia pri poruchách výživy	2,3,4	3,4	160.9	Subarachnoidálne krvácanie,blížšie neurčené	3,4	2,3,4
143.8	Kardiomyopatia pri iných chorobách zatried.i.	1,2,3	1,2	161.0	Vnútroštrcové krvácanie do mozg.hemisféry,subkortikálne	3,4	2,3,4
144.0	Atrioventrikulárna blokáda 1. stupňa	4	4	161.1	Vnútroštrcové krvácanie do hemisféry,kortikálne	3,4	2,3,4
144.1	Atrioventrikulárna blokáda 2. stupňa	2,3,4	1,2,3,4	161.2	Vnútroštrcové krvácanie do hemisféry,blížšie neurčené	3,4	2,3,4
144.2	Atrioventrikulárna blokáda 3. stupňa	2,3,4	1,2,3,4	161.3	Vnútroštrcové krvácanie do mozgového kmeňa	3,4	2,3,4
144.3	Iná a bližšie neurčená atrioventrikulárna blokáda	4	4	161.4	Vnútroštrcové krvácanie do mozočka (cerebela)	3,4	2,3,4
144.4	Ľavá predná fascikulárna blokáda	4	4	161.5	Vnútroštrcové vnútroštrcové (intraventrik.)krvácanie	3,4	2,3,4
144.5	Ľavá zadná fascikulárna blokáda	4	4	161.6	Vnútroštrcové krvácanie na viacerých miestach	3,4	2,3,4
144.6	Iná a bližšie neurčená fascikulárna blokáda	4	4	161.8	Iné vnútroštrcové krvácanie	3,4	2,3,4
144.7	Blokáda ľavého ramienka,blížšie neurčená	4	4	161.9	Vnútroštrcové krvácanie,blížšie neurčené	3,4	2,3,4
145.0	Pravá fascikulárna blokáda	4	4	162.00	Subdurálne krvácanie (neúrazové),akútne	3,4	2,3,4
145.1	Iná a bližšie neurčená blokáda pravého ramienka	4	4	162.01	Subdurálne krvácanie (neúrazové),subakútne	3,4	2,3,4
145.2	Bifascikulárna blokáda	4	4	162.02	Subdurálne krvácanie (neúrazové),chronické	3,4	2,3,4
145.3	Trifascikulárna blokáda	2,3,4	1,2,3,4	162.09	Subdurálne krvácanie (neúrazové),blížšie neurčené	3,4	2,3,4
145.4	Nešpecifická intraventrikulárna blokáda	4	4	162.1	Neúrazové extradurálne krvácanie	3,4	2,3,4
145.5	Iná bližšie určená srdcová blokáda	2,3,4	1,2,3,4	162.9	Intrakraniálne krvácanie(neúrazové),b.n.	3,4	2,3,4
145.6	Syndróm preexcitácie	2,3,4	1,2,3,4	163.0	Mozgový infarkt,zapříč.trombózou prív.mozg.tep.	3,4	2,3,4
145.8	Iné poruchy vedenia srdcových vzruchov,b.u.	2,3,4	2,3,4	163.1	Mozgový infarkt,zapříč.embolizáciou prív.mozg.tep.	3,4	2,3,4
145.9	Porucha vedenia srdcových vzruchov,b.n.	2,3,4	1,2,3,4	163.2	Mozgový infarkt,zapříč.blíž.n.záverom/zúž.prívod.mozg.tep.	3,4	2,3,4
146.0	Zastavenie srdca s úspešnou resuscitáciou	2,3,4	1,2,3,4	163.3	Mozgový infarkt,zapříč.trombózou mozg.tep.	3,4	2,3,4
146.1	Náhla srdcová smrť, takto opísaná	4	4	163.4	Mozgový infarkt,zapříč.embóliou mozg.tep.	3,4	2,3,4
146.8	Zlyhanie srdca	4	4				
146.9	Zastavenie srdca,blížšie neurčené	4	4				
147.1	Supraventrikulárna tachykardia	2,3,4	2,3,4				
147.2	Komorová tachykardia	2,3,4	1,2,3,4				
147.9	Paroxyzmálna tachykardia,blížšie neurčená	2,3,4	1,2,3,4				
148.0	Fibrilácia predsieni,paroxyzmálna	4	4				
148.1	Fibrilácia predsieni,perzistentná	4	4				
148.2	Fibrilácia predsieni,permanetná	4	4				
148.3	Flater predsieni,typický	4	4				
148.4	Flater predsieni,atypický	4	4				

ICD	Text	OP. CCL	Med. CCL	ICD	Text	OP. CCL	Med. CCL
163.5	Mozgový infarkt,zaprič.b.n.uzáverom/zúž.mozg.tep.	3,4	2,3,4	171.8	Aneurizma aorty bez bliž.urč.miesta,s ruptúrou	3,4	3,4
163.6	Mozgový infarkt,zaprič.nehnis.mozg.žilovou trombózou	1,2,4	2,4	171.9	Aneurizma aorty bez bliž.urč.miesta,bez prejavov ruptúry	4	4
163.8	Iný mozgový infarkt	3,4	2,3,4	172.0	Aneurizma a disekcia krčnej tepny	3,4	3
163.9	Mozgový infarkt,bližšie neurčený	1,2,4	2,4	173.0	Raynaudov syndróm	1,2	1,2
164	Cievna mozgová príhoda bliž.neurč.ako krvácanie/infarkt	3,4	1,2,3	173.8	Iné choroby periférnych ciev,bližšie určené	4	4
165.0	Uzáver a zúženie a.vertebralis	2,3,4	1,2,3,4	173.9	Choroba periférnych ciev,bližšie neurčená	4	4
165.1	Uzáver a zúženie a.basilaris	2,3,4	1,2,3,4	174.0	Embólia a trombóza brušnej aorty	2,3,4	2,3,4
165.2	Uzáver a zúženie a.carotis	1,2,3,4	2,3,4	174.1	Embólia a trombóza i.a bliž.ne.častí aorty	2,3,4	2,3,4
165.3	Uzáver a zúženie viac.prívod.mozgových tepien,obojsstranne	2,3,4	1,2,3,4	174.2	Embólia a trombóza tepien horných končatín	2,3,4	2,3,4
165.8	Uzáver a zúženie iných prírodných mozgových tepien	4	4	174.3	Embólia a trombóza tepien dolných končatín	2,3,4	2,3,4
165.9	Uzáver a zúženie bliž.neur.prívodnej mozgovej tepny	4	4	174.4	Embólia a trombóza tepien končatín,b.n.	2,3,4	2,3,4
166.0	Uzáver a zúženie a.cerebri media	2,3,4	2,3,4	174.5	Embólia a trombóza a.iliaca	2,3,4	2,3,4
166.1	Uzáver a zúženie a.cerebri anterior	2,3,4	2,3,4	174.8	Embólia a trombóza iných tepien	2,3,4	2,3,4
166.2	Uzáver a zúženie a.cerebri posterior	2,3,4	2,3,4	174.9	Embólia a trombóza bližšie neurčenej tepny	2,3,4	2,3,4
166.3	Uzáver a zúženie mozočkových tepien	2,3,4	2,3,4	177.2	Ruptúra tepny	4	4
166.4	Uzáver a zúženie viac.mozgových tepien,obojsstranne	2,3,4	2,3,4	177.5	Nekróza tepny	4	4
166.8	Uzáver a zúženie inej mozgovej tepny	2,3,4	2,3,4	179.0	Aneurizma aorty pri chorobách zatriedených inde	4	4
166.9	Uzáver a zúženie bližšie neurčenej mozgovej tepny	4	4	179.2	Periférna angiopatia pri chor.z.i.	4	4
167.0	Disekcia mozgovej tepny	1,2	1,2	180.00	Hlb.žil.tromb.žilDK-vyprovokovaná	2,3,4	1,2,3,4
167.10	Získaná mozgová aneurizma	4	4	180.01	Hlb.žil.tromb.žilDK-vyprov.,prox.(odv.poplitea nahor)	2,3,4	1,2,3,4
167.11	Získaná mozgová artériovenózna fistula	3,4	2,3,4	180.02	Hlb.žil.tromb.žilDK-vyprov.,dist.(infrapopl.ž.+vnútrošval.ž.)	2,3,4	1,2,3,4
167.4	Hypertenzná encefalopatia	2	1,2	180.10	Hlb.žil.tromb.žilDK-idiopatická (nevypovok.)	2,3,4	1,2,3,4
167.5	Syndróm moyamoya	1,2	2	180.11	Hlb.žil.tromb.žilDK-idiopat.,prox.(odv.poplitea nahor)	2,3,4	1,2,3,4
167.6	Nehnisová trombóza intrakraniálneho žilového systému	1,2,4	2,4	180.12	Hlb.žil.tromb.žilDK-idiopat.,dist.(infrapopl.ž.+vnútrošval.ž.)	2,3,4	1,2,3,4
167.7	Mozgová arteritída,nezatriedená inde	1,2,3,4	1,2	180.2	Recidiv.hlboká žilová tromb.žilDK	2,3,4	1,2,3,4
167.80	Vazospazmy pri subarachnoidálnom krvácaní	3,4	2,3	180.3	Hlboká žilová tromb.žilHK	2,3,4	1,2,3
168.1	Mozgová arteritída pri infekč.a parazit.chorobách z.i.	1,2,3,4	1,2	180.40	Povrch.flebitída a trombofleb.DK	1,2,3,4	1,2,3
168.2	Mozgová arteritída pri iných chorobách .zatried.i.	1,2,3,4	1,2	180.41	Povrch.varikózna trombofleb.	1,2,3,4	1,2,3
169.0	Následky subarachnoidálneho krvácania	1,2,3,4	1,2,3	180.42	Povrch.nevarikózna trombofleb.	1,2,3,4	1,2,3
169.1	Následky vnútromozgového krvácania	1,2,3,4	1,2,3	181	Trombóza v.portae	1,2,3,4	1,2,3,4
169.2	Následky iného neúrazového intrakraniálneho krvácania	1,2,3,4	1,2,3	182.0	Buddov-Chiariho syndróm	1,2,3,4	1,2,3,4
169.3	Následky mozgového infarktu	1,2,3,4	1,2,3	182.1	Migrujúca tromboflebitída	2,3,4	2,3
170.23	Ateroskleróza končat.tep.s postih.panvy a DK,s ulceráciami	1,2,3,4	1,2,3	182.2	Embólia a trombóza v.cava	2,3,4	2,3,4
170.24	Ateroskleróza končat.tep.s postih.panvy a DK,s gangrén.	1,2,3,4	1,2,3	182.3	Embólia a trombóza obličkovej žily	2,3,4	1,2,4
171.00	Disekcia aorty bez bliž.urč.miesta bez prej.ruptúry	3,4	3,4	182.8	Embólia a trombóza iných bližšie určených žíl	2,3,4	2,3
171.01	Disekcia hrudníkovej aorty,bez prejavov ruptúry	3,4	3,4	182.9	Embólia a trombóza bližšie neurčenej žily	1,2,4	1,2
171.02	Disekcia brušnej aorty,bez prejavov ruptúry	3,4	3,4	183.0	Varixy dolných končatín s vredom	1,2,3	1,2
171.03	Disekcia hrudník.-bruš.aorty,bez prejav.ruptúry	3,4	3,4	183.2	Varixy dolných končatín s vredom a zápalom	1,2,3	1,2
171.04	Disekcia aorty bez bliž.urč.miesta,s ruptúrou	3,4	3,4	185.0	Varixy pažeráka s krvácaním	1,2,3,4	2,3,4
171.05	Disekcia hrudníkovej aorty,s ruptúrou	3,4	3,4	189.1	Lymfngitída	4	4
171.06	Disekcia brušnej aorty,s ruptúrou	3,4	3,4	189.8	Iné neinfekčné chor.lymfatických ciev a lymfát.uzlín,b.u.	4	4
171.07	Disekcia hrudníkovo-brušnej aorty,s ruptúrou	3,4	3,4	197.0	Postkardiotomický syndróm	1,2,3,4	1,2,4
171.1	Aneurizma hrudníkovej aorty,s ruptúrou	3,4	3,4	197.1	Iná funkčná porucha po operácii srdca	1,2,3,4	1,2,4
171.2	Aneurizma hrudníkovej aorty,bez prejavov ruptúry	4	4	197.8	Iná komplikácia obeh.súst.po leká.r.výkone,n.i.	1,2,3,4	1,2,3
171.3	Aneurizma brušnej aorty,s ruptúrou	3,4	3,4	197.9	Komplikácia obeh.súst.po leká.r.výkone,b.n.	1,2,3	1,2
171.4	Aneurizma brušnej aorty,bez prejavov ruptúry	4	4	198.0	Kardiovaskulárny syfilis	4	4
171.5	Aneurizma hrudníkovo-brušnej aorty,s ruptúrou	3,4	3,4	198.1	Porucha obeh.súst.pri iných infekč.a parazit.chor.z.i.	4	4
171.6	Aneurizma hrudník.-bruš.aorty,bez údajov o ruptúre	4	4	198.2	Varixy pažeráka a žalúdka pri chorobách zatried.i.bez krvác.	3,4	1,2,3
				198.3	Varixy pažeráka a žalúdka pri chorobách zatried.i.s krvác.	3,4	1,3
				J01.0	Akútny zápal čelustnej dutiny	2	2
				J01.1	Akútny zápal čelovej dutiny	2	2
				J01.2	Akútny zápal čuchovej dutiny	2	2
				J01.3	Akútny zápal klinovitej dutiny	2	2
				J01.4	Akútna pansinusitída	2	2
				J01.8	Iný akútny zápal prínosových dutín	2	2
				J01.9	Zápal prínosových dutín,bližšie neurčený	2	2

ICD	Text	OP. CCL	Med. CCL	ICD	Text	OP. CCL	Med. CCL
J05.0	Akútny obštrukčný zápal hrtana[krup]	2	2	J20.9	Akútna bronchitída,blížšie neurčená	2	1,2
J05.1	Akútny zápal hrtanovej priklpoky[epiglotitída]	2	2	J21.0	Akútna bronchiolitída	4	4
J09	Chríпка zapríč.určítym identifikov.vírusom chrípky	2,3,4	1,2,3,4	J21.1	Akútna bronchiolitída zapríč.ludským metapneumovírusom	4	4
J10.0	Chríпка zapríč.i.identifikov.vírus.chrípkoy so zápalom pľúc	2,3,4	1,2,3,4	J21.8	Akútna bronchiolitída zapríč.i.blíž.urč.organ.	4	4
J10.1	Chríпка zapríč.i.identifikov.vírus.chrípkoy s i.respir.prejav.	2,4	2,4	J21.9	Akútna bronchiolitída,blížšie neurčená	4	4
J10.8	Chríпка zapríč.i.identifikov.vírus.chrípkoy s i.prej.	4	4	J36	Peritonzilárny absces	2	2
J11.0	Chríпка zapríč.neidentifovan.vírusom so zápalom pľúc	2,3,4	1,2,3,4	J38.00	Obra hlasiviek a hrtana, blížšie neurčená	2,4	2,4
J11.1	Chríпка zapríč.neidentifovan.vírusom s i.respir.prejav.	2,4	2,4	J38.01	Jednostranná čiastočná obra hlasiviek a hrtana	2	2
J11.8	Chríпка zapríč.neidentifovan.vírusom s i.prejavmi	4	4	J38.02	Jednostranná kompletná obra hlasiviek a hrtana	2,4	2,4
J12.0	Zápal pľúc zapríčinený adenovírusom	4	4	J38.03	Obojstranná čiastočná obra hlasiviek a hrtana	2,4	2,4
J12.1	Zápal pľúc zapríč.respiračným syncyciálnym vírusom	4	4	J38.4	Opuch hrtana	2	2
J12.2	Zápal pľúc zapríčinený vírusom parainfluenzy	4	4	J38.6	Stenóza hrtana	4	4
J12.3	Zápal pľúc zapríčinený ľudským metapneumovírusom	4	4	J38.7	Iná choroba hrtana	4	4
J12.8	Iný vírusový zápal pľúc	4	4	J39.0	Retrofaryngový a parafaryngový absces	2,4	2,4
J12.9	Vírusový zápal pľúc,blížšie neurčený	4	4	J41.1	Hlienovohnisová chronická bronchitída	1,2,3	1,2,3
J13	Zápal pľúc zapríčinený Streptococcus pneumoniae	2,3,4	1,2,3,4	J41.8	Zmiešaná jednod.a hlienovohnis.chron.bronchitída	1,2,3	1,2,3
J14	Zápal pľúc zapríčinený Haemophilus influenzae	2,3,4	1,2,3,4	J42	Chronická bronchitída,blížšie neurčená	1	1
J15.0	Zápal pľúc zapríčinený Klebsiella pneumoniae	3,4	3,4	J43.0	MacLeodov syndróm	2,3	1,2,3
J15.1	Zápal pľúc zapríčinený pseudomonas	3,4	3,4	J43.1	Panlobulárny emfyzém	2,3	1,2,3
J15.2	Zápal pľúc zapríčinený stafylokokom	3,4	3,4	J43.2	Centrilobulárny emfyzém	2,3	1,2,3
J15.3	Zápal pľúc zapríčinený streptokokom skupiny B	2,3,4	1,2,3,4	J43.8	Iný emfyzém	2,3	1,2,3
J15.4	Zápal pľúc zapríčinený iným streptokokom	2,3,4	1,2,3,4	J43.9	Emfyzém, blížšie neurčený	1,2,3	1,2,3
J15.5	Zápal pľúc zapríčinený Escherichia coli	3,4	3,4	J44.00	CHOCHP s akútnou infek.dolných DC,FEV1 < 35 % prís.hodn.	1,2,3	1,2,3
J15.6	Zápal pľúc,zapr.i.aeróbnou gramnegat.baktériou	3,4	3,4	J44.01	CHOCHP s ak.infekc.dolných DC,FEV1 >= 35 < 50 %prís.h.	1,2,3	1,2,3
J15.7	Zápal pľúc zapríčinený Mycoplasma pneumoniae	2,3,4	1,2,3,4	J44.02	CHOCHP s ak.infek.dol.DC,FEV1 >= 50 % a < 70 % prís.hodn.	1,2,3	1,2,3
J15.8	Iný baktériový zápal pľúc	3,4	3,4	J44.03	CHOCHP s ak.infek.dolných DC,FEV1 >= 70 % prís.hodn.	1,2	1,2
J15.9	Baktériový zápal pľúc,blížšie neurčený	2,3,4	1,2,3,4	J44.09	CHOCHP s akútnou infekc.dolných DC,hodn.FEV1 blíž.neurč.	1,2	1,2
J16.0	Zápal pľúc zapríčinený chlamýdiami	2,3,4	1,2,3,4	J44.10	CHOCHP s akút.exacer.chor.blíž.neurč.FEV1<35 % prís.hodn.	1,2,3	1,2,3
J16.8	Zápal pľúc zapríč.iným blíž.urč.infekčným organ.	2,3,4	1,2,3,4	J44.11	CHOCHP s ak.exacer.chor.bl.neu.FEV1 >= 35% a <50 %prís.h.	1,2,3	1,2,3
J17.0	Zápal pľúc pri baktériových chorobách z.i.	3,4	3,4	J44.12	CHOCHP s ak.exacer.chor.bl.neu.FEV1>= 50 % a <70 %prís.h.	1,2,3	1,2,3
J17.1	Zápal pľúc pri vírusových chorobách z.i.	3,4	3,4	J44.13	CHOCHP s ak.exacer.chor.blíž.neurč.FEV1 >= 70 % prísluš.h.	1,2	1,2
J17.2	Zápal pľúc pri mykózach zatriedených inde	3,4	3,4	J44.19	CHOCHP s ak.exacer.chor.blíž.neurč.,hodnota FEV1 b.n.	1,2	1,2
J17.3	Zápal pľúc pri parazitových chorobách	3,4	3,4	J44.80	Iná CHOCHP,blíž.urč.FEV1 < 35 % prís.hodnoty	1,2,3	1,2,3
J17.8	Zápal pľúc pri iných chorobách zatriedených inde	4	4	J44.81	Iná CHOCHP,blíž.urč.FEV1 >= 35 % a < 50 % prís.hodnoty	1,2,3	1,2,3
J18.0	Bronchopneumónia,blížšie neurčená	2,3,4	1,2,3,4	J46	Status asthmaticus	2	1,2
J18.1	Lobárny zápal pľúc,blížšie neurčený	2,3,4	1,2,3,4	J47	Bronchiektázie	2,3	1,2,3
J18.2	Hypostatický zápal pľúc,blížšie neurčený	2,3,4	2,3	J67.0	Farmárske pľúca	2	2
J18.8	Iný zápal pľúc,zapríč.blíž.neurč.organizmom	2,3,4	1,2,3,4	J67.1	Bagasóza	2	2
J18.9	Zápal pľúc,blížšie neurčený	2,3,4	1,2,3,4	J67.2	Pľúcna choroba chovateľov vtákov	2	2
J20.0	Akútna bronchitída zapríč.Mycoplasma pneumoniae	2	1,2	J67.3	Suberóza	2	2
J20.1	Akútna bronchitída zapríč.Haemophilus influenzae	2	1,2	J67.4	Sladovnícke pľúca	2	2
J20.2	Akútna bronchitída zapríčinená streptokokom	2	1,2	J67.5	Pľúcna choroba pestovateľov húb	2	2
J20.3	Akútna bronchitída zapríčinená vírusom Cocksackie	2	1,2	J67.6	Pľúcna choroba lúpačov javorovej kôry	2	2
J20.4	Akút.bronchitída zapríč.vírusom parainfluenzy	2	1,2	J67.7	Pľúcna choroba zapríč.ventilačnými a zvlhčovacími zariadeniami	2	2
J20.5	Akút.bronchitída zapríč.respirač.syncyciálnym vírusom	2	1,2	J67.8	Alergická alveolitída zapríč.i.organickým prachom	2	2
J20.6	Akútna bronchitída zapríčinená rinovírusom	2	1,2	J67.9	Alergická alveolitída zapríč.blíž.neurč.organickým prachom	2	2
J20.7	Akútna bronchitída zapríčinená vírusom ECHO	2	1,2				
J20.8	Akút.bronchitída zapríč.iným.blíž.urč.organ.	2	1,2				

ICD	Text	OP. CCL	Med. CCL	ICD	Text	OP. CCL	Med. CCL
J68.0	Bronchit.a pneumonit.,zaprič.chem.,plyn.,dym.a výpar.	2,3	1,2	J99.1	Choroba dýchac.súst.pri i.difúzných chor.spojiv.tkan.	2	2
J68.1	Akútny pľúcny edém,zaprič.chemikál.plyn.dym.a výparmi	2,3,4	2,3	J99.8	Choroba dýchac.súst.pri iných chorobách z.i.	2	2
J69.0	Zápal pľúc,zaprič.vdýchnutím potravy a zvratkov	3,4	3,4	K07.1	Anomálie polohy čelustí oproti lebkovej spodine	4	4
J69.1	Zápal pľúc,zapričinený olejmi a esenciami	3,4	3,4	K07.8	Iné dentofaciálne anomálie	4	4
J69.8	Zápal pľúc,zaprič.i.tuhými látkami a tekutinami	3,4	3,4	K11.3	Absces slinnej žľazy	2	2
J70.0	Akútne pľúcne prejavy zapričinené žiarením	2,3	1,2	K11.4	Fistula slinnej žľazy	2	2
J70.1	Chronické a iné pľúcne prejavy zapričinené žiarením	2	2	K12.20	Flegmóna ústnej spodiny	2,3	2,3
J70.2	Akútna pľúcna intersticiálna choroba zaprič.liekmi	2,3	1,2	K12.21	Submandib.absces bez rozšír.do mediast.,parafaryn./cerv.pries.	2,3	2,3
J70.3	Chronická pľúcna intersticiálna choroba zaprič.liekmi	2,3	1,2	K12.22	Submandib.absces s rozšír.do mediast.,parafaryn./cerv.pries.	2,3	2,3
J70.4	Pľúcna intersticiálna choroba zaprič.liekmi,b.n.	2,3	1,2	K12.23	Absces líca	2,3	2,3
J80	Syndróm respiračnej tiesne [ARDS]	1,2	1,2	K12.28	Iná flegmóna a absces úst	2,3	2,3
J81	Pľúcny opuch	2,3,4	2,3	K12.29	Flegmóna a absces úst,blížšie neurčený	2,3	2,3
J84.0	Alveolové a parietoalveolové stavy	2	2	K22.2	Nepriechodnosť pažeráka	4	4
J84.1	Iná choroba interstícia pľúc s fibrózou	2	2	K22.3	Prederavenie pažeráka	2,4	2,3,4
J84.8	Iná choroba interstícia pľúc,blížšie určená	2	2	K22.4	Dyskinéza pažeráka	4	4
J84.9	Choroba interstícia pľúc,blížšie neurčená	2	2	K22.6	Malloryho-Weissov syndróm	1,2,3,4	2,3
J85.0	Gangréna a nekroza pľúc	3,4	3,4	K23.0	Tuberkulóza pažeráka (A18.8†)	2,4	2,3
J85.1	Absces pľúc so zápalom pľúc	3,4	3,4	K25.0	Vred žalúdka,akútny s krvácaním	1,2,3,4	2,3
J85.2	Absces pľúc bez zápalu pľúc	3,4	3,4	K25.1	Vred žalúdka,akútny s perforáciou	2,3,4	2
J85.3	Absces mediastína	3,4	3,4	K25.2	Vred žalúdka,akútny s krvácaním a perforáciou	1,2,3,4	2,3
J86.0	Pyotorax s fistulou	3,4	3,4	K25.4	Vred žalúdka,chron./bliž.neurč.s krvácaním	1,2,3,4	2,3
J86.9	Pyotorax bez fistuly	3,4	3,4	K25.5	Vred žalúdka,chron./bliž.neurč.s perforáciou	2,3,4	2
J90	Pohrudnicový výpotok,nezatriedený inde	1,2,3,4	1,2,3,4	K25.6	Vred žalúdka,chron./bliž.neurč.s krvác.a perfor.	1,2,3,4	2,3
J91	Pohrudnicový výpotok pri chor.z.i.	2,3,4	1,2,3,4	K26.0	Vred dvanástnika,akútny s krvácaním	1,2,3,4	2,3
J93.0	Spontánny tenzný pneumotorax	2,3,4	2,3	K26.1	Vred dvanástnika,akútny s perforáciou	2,3,4	2
J93.1	Iný spontánny pneumotorax	2,3,4	2,3	K26.2	Vred dvanástnika,akútny s krvácaním a perforáciou	1,2,3,4	2,3
J93.8	Iný pneumotorax	2,3,4	2,3	K26.4	Vred dvanástnika,chron./bliž.neurč.s krvácaním	1,2,3,4	2,3
J93.9	Pneumotorax,blížšie neurčený	2,3,4	2,3	K26.5	Vred dvanástnika,chron./bliž.neurč.s perforáciou	2,3,4	2
J94.0	Chylózný pohrudnicový výpotok	2,3,4	2,3,4	K26.6	Vred dvanástnika,chron./bliž.neurč.s krvác.a perfor.	1,2,3,4	2,3
J94.1	Fibrotorax	2,3,4	1,2,3	K27.0	Peptický vred bez bliž.urč.miesta,akút.s krvácaním	1,2,3,4	2,3
J94.2	Hemotorax	2,3,4	2,3,4	K27.1	Peptický vred bez bliž.urč.miesta,akút.s perforáciou	2,3,4	2
J94.8	Iná choroba pohrudnice,blížšie určená	4	4	K27.2	Peptický vred bez bliž.urč.miesta,akút.s krvác.a perfor.	1,2,3,4	2,3
J94.9	Choroba pohrudnice,blížšie neurčená	4	4	K27.4	Peptický vred bez bliž.urč.m.,chron./bli.neu.s krvác.a perfor.	1,2,3,4	2,3
J95.0	Porucha funkcie tracheostómie	3,4	1,3,4	K27.5	Peptický vred bez bliž.urč.miesta,chron./bli.neurč.s perfor.	2,3,4	2
J95.1	Akútna pulmonálna insuficien.po hrudníkovej operácii	2,3,4	2,3	K27.6	Peptický vred bez bliž.urč.m.,chron./bli.neu.s krvác.a perfor.	1,2,3,4	2,3
J95.2	Akútna pulmonálna insuficien.po mimohrudník.chir.výkone	2,3,4	2,3	K28.0	Peptický vred jejúna, akútny s krvácaním	1,2,3,4	2,3
J95.3	Chronická pulmonálna insuficien.po chir.výkone	2,3,4	2,3	K28.1	Peptický vred jejúna, akútny s perforáciou	2,3,4	2
J95.4	Mendelsonov syndróm	3,4	1,3	K28.2	Peptický vred jejúna,akútny s krvácaním a perforáciou	1,2,3,4	2,3
J95.5	Subglotická stenóza po chirurgickom výkone	3,4	1,3	K28.4	Peptický vred jejúna,chron./bliž.neurč.s krvácaním	1,2,3,4	2,3
J95.80	Iatrogénny pneumotorax	3,4	1,3,4	K28.5	Peptický vred jejúna,chron./bliž.neurč.s perforáciou	2,3,4	2
J95.81	Stenóza priedušnice po lekárskom výkone	3,4	1,3	K28.6	Peptický vred jejúna,chron./bliž.neurč.s krvác.a perfor.	1,2,3,4	2,3
J95.88	Iná porucha dýchacích orgánov po lekárskom výkone	3,4	1,3	K29.0	Akútna hemoragická gastritída	1,2,3,4	2,3
J96.00	Akútna respirač.insuficien.n.i.,typ I(hypoxém.)	2,3,4	1,2,3	K31.0	Akútna dilatácia žalúdka	2,4	2,3
J96.01	Akútna respirač.insuficien.n.i.,typ II (hypoxém.-hyperkap.typ)	2,3,4	1,2,3	K31.1	Hypertroická pylorostenóza dospelých	2,3,4	2
J96.09	Akútna respirač.insuficien.n.i.,typ bliž.neurč.	2,3,4	1,2,3	K31.5	Nepriechodnosť dvanástnika	2,3,4	2
J96.10	Chronická respirač.insuficien.,nezat.i.,typ I (hypoxém.)	2,3,4	1,2,3	K31.6	Fistula žalúdka a dvanástnika	2,4	2,3,4
J96.11	Chronická respirač.insuficien.,n.i.,typ II (hypoxém.-hyperkap.)	2,3,4	1,2,3	K31.82	Angiodysplázia žalúdka a dvanástnika s prejavmi krvác.	1,2,3,4	2,3
J96.19	Chronická respirač.insuficien.,nezat.i.,typ bliž.neurč.	2,3,4	1,2,3				
J98.1	Kolaps pľúc	3,4	1,3				
J98.2	Intersticiálny emfyzém	2,3,4	2,3				
J98.50	Mediastinitída	2,3,4	1,2,3				
J99.0	Reumatoidná choroba pľúc (M05.1-†)	2	2				

ICD	Text	OP. CCL	Med. CCL	ICD	Text	OP. CCL	Med. CCL
K35.2	Akútna apendicitída s generalizovanou peritonitídou	3,4	3,4	K57.11	Divertikulóza tenkého čreva bez perfor.a absc.s krvác.	1,2,3,4	2,3
K35.30	Akútna apendicitída s lokaliz.peritonitídou,bez perfor./rupt.	2,4	2,3,4	K57.13	Divertikulitída tenkého čreva bez perfor.a absc.s krvác.	1,2,3,4	2,3
K35.31	Akút.apendicitída s lokaliz.peritonitídou,s perfor./ruptúrou	3,4	3,4	K57.21	Divertikulóza hrubého čreva s perfor.absc.a krvácaním	1,2,3,4	2,3
K35.32	Akútna apendicitída s abscesom pobrušnice	2,4	2,3,4	K57.23	Divertikulitída hrubého čreva s perfor.absc.a krvác.	1,2,3,4	2,3
K35.8	Akútna apendicitída,bližšie neurčená	2,4	2,3,4	K57.31	Divertikulóza hrubého čreva bez perfor./absc.s krv.	1,2,3,4	2,3
K37	Apendicitída,bližšie neurčená	4	4	K57.33	Divertikulitída hrubého čreva bez perfor./absc.s krvác.	1,2,3,4	2,3
K40.00	Obojstran.slabin.prietrž s obšt.bez gang.neozn.ako recid.	2,4	2,3,4	K57.40	Divertik.tenk.-hrub.čreva s perfor.a absc.bez prej.krv.	2,4	2,3
K40.01	Obojstranná slabin.prietrž s obšt.bez gang.recidiv.	2,4	2,3,4	K57.41	Divertikulóza tenk.-hrub.čreva s perfor.absc.a krvác.	1,2,3,4	2,3
K40.10	Obojstranná slabinová prietrž s gang.neozn.ako recidiv.	2,4	2,3,4	K57.42	Divertikulitída tenk.-hrub.čreva s perfor.a absc.bez prej.krv.	2,4	2,3
K40.11	Obojstranná slabinová prietrž s gang.recidivujúca	2,4	2,3,4	K57.43	Divertikulitída tenk.-hrub.čreva s perfor.absc.a krvác.	1,2,3,4	2,3
K40.30	Jednostr./neurč.slab.prietrž s obšt.bez gang.neozn.ako recid.	2,4	2,3,4	K57.51	Divertikulóza tenk.-hrub.čreva bez perfor./absc.s krvác.	1,2,3,4	2,3
K40.31	Jednostr./neurč.slab.prietrž s obšt.bez gang.recid.	2,4	2,3,4	K57.53	Divertikulitída tenk.-hrub.čreva bez perfor./absc.s krvác	1,2,3,4	2,3
K40.40	Jednostran./neurč.slab.prietrž s gang.neozn.ako recid.	2,4	2,3,4	K57.80	Divertikulóza čreva,časť bliž.ne.s perfor.a absc.bez prej.krv.	2,4	2,3
K40.41	Jednostran./neurč.slab.prietrž s gang.recid.	2,4	2,3,4	K57.81	Divertikulóza čreva,časť bliž.neurč.s perfor.absc.a krvác.	1,2,3,4	2,3
K41.0	Obojstranná stehnová prietrž s obšt.bez gang.	2,4	2,3,4	K57.82	Divertikulitída čreva,časť bliž.ne.s perf.a absc.bez prej.krv.	2,4	2,3
K41.1	Obojstranná stehnová prietrž s gangrénou	2,4	2,3,4	K57.83	Divertikulitída čreva,časť bliž.neurč.s perfor.absc.a krvác.	1,2,3,4	2,3
K41.3	Jednostran./bliž.neu.stehno.prietrž s obšt.bez gang.	2,4	2,3,4	K57.91	Divertikulóza čreva,časť bliž.neurč.bez perfor./absc.s krvác.	1,2,3,4	2,3
K41.4	Jednostran./bliž.neu.stehno.prietrž s gang.	2,4	2,3,4	K57.93	Divertikulitída čreva,časť bliž.neur.bez perfor./absc.s krv.	1,2,3,4	2,3
K42.0	Pupková prietrž s obštrukciou bez gangrény	2,4	2,3,4	K59.3	Megakolon,nezatriedený inde	4	4
K42.1	Pupková prietrž s gangrénou	2,4	2,3,4	K61.0	Análny absces	2,4	2,3,4
K43.0	Prietrž v jazve s obštrukciou bez gangrény	2,4	2,3,4	K61.1	Rektálny absces	2,4	2,3,4
K43.1	Prietrž v jazve s gangrénou	2,4	2,3,4	K61.2	Anorektálny absces	2,4	2,3,4
K43.3	Parastomická prietrž s obštrukciou bez gangrény	2,4	2,3,4	K61.3	Ischiorektálny absces	2,4	2,3,4
K43.4	Parastomická prietrž s gangrénou	2,4	2,3,4	K61.4	Vnútrosfinkterový absces	2,4	2,3,4
K44.0	Bránicová prietrž s obštrukciou bez gangrény	2,4	2,3,4	K62.2	Prolaps anusu	4	4
K44.1	Bránicová prietrž s gangrénou	2,4	2,3,4	K62.3	Prolaps konečníka	4	4
K45.0	Iná brušná prietrž,bliž.urč.s obštruk.bez gangrény	2,4	2,3	K62.4	Stenóza anusu a konečníka	4	4
K45.1	Iná brušná prietrž,bližšie určená s gangrénou	2,4	2,3,4	K62.5	Krvácanie z anusu a konečníka	1,2,3,4	2,3
K46.0	Brušná prietrž,bliž.neurč.s obštruk.bez gangrény	2,4	2,3	K63.0	Absces čreva	2,4	2,3,4
K46.1	Brušná prietrž,bližšie neurčená s gangrénou	2,4	2,3,4	K63.1	Perforácia čreva (neúrazová)	3,4	3,4
K52.0	Gastroenteritída a kolitída zapríč.radiáciou (postradiáč.)	2,4	2,3	K63.2	Fistula čreva	4	4
K52.1	Toxická gastroenteritída a kolitída	2,4	2,3,4	K63.3	Vred čreva	4	4
K55.0	Akútna cievná choroba čreva	3,4	3,4	K65.0	Akútny zápal pobrušnice	3,4	3,4
K55.21	Angiodysplázia hrubého čreva,bez prejavov krvác.	4	4	K65.8	Iný zápal pobrušnice	3,4	3,4
K55.22	Angiodysplázia hrubého čreva,s krvácaním	1,2,3,4	2,3	K65.9	Zápal pobrušnice,bližšie neurčený	3,4	3,4
K55.82	Angiodysplázia tenkého čreva,s krvácaním	1,2,3,4	2,3	K66.0	Pobrušnicové zrasty	4	4
K56.0	Paralytický ileus	2,3,4	2,3,4	K66.1	Hemoperitoneum	2,4	2,3,4
K56.1	Invaginácia	2,3,4	2,3,4	K66.8	Iné choroby pobrušnice,bližšie určené	4	4
K56.2	Volvulus	2,3,4	2,3,4	K67.0	Zápal pobrušnice,zapríčinený chlamýdiami (A74.8†)	3,4	3,4
K56.3	Ileus zapríčinený žilčovým kameňom	2,3,4	2,3	K67.1	Gonokokový zápal pobrušnice (A54.8†)	3,4	3,4
K56.4	Iná obturácia čreva	2,3,4	2,3,4	K67.2	Syfilitický zápal pobrušnice (A52.7†)	3,4	3
K56.5	Črevné adhézie[zrasty] s nepriechodnosťou	2,3,4	2,3	K67.3	Tuberkulózný zápal pobrušnice (A18.3†)	3,4	3,4
K56.6	Iný a bližšie neurčený mechanický ileus	2,3,4	2,3,4	K67.8	Iná choroba pobrušnice pri infekč.chor.z.i.	3,4	3,4
K56.7	Ileus,bližšie neurčený	2,3,4	2,3,4	K70.2	Alkoholová fibróza a skleróza pečene	2,3	2
K57.00	Divertikulóza tenkého čreva s perfor.a absc.,bez prej.krv.	2,4	2,3	K70.3	Alkoholová cirhóza pečene	2,3	1,2
K57.01	Divertikulóza tenkého čreva s perfor.abscesom a krvác.	1,2,3,4	2,3	K70.4	Alkoholové zlyhávanie pečene	2,3	2
K57.02	Divertikulitída tenkého čreva s perfor.a absc.bez.prej.krvác.	2,4	2,3	K71.0	Toxická choroba pečene s cholestázou	1,2,3,4	1,2,3,4
K57.03	Divertikulitída tenkého čreva s perfor.absc.a krvácaním	1,2,3,4	2,3	K71.1	Toxická choroba pečene s pečeňovou nekrózou	1,2,3,4	1,2,3,4

ICD	Text	OP. CCL	Med. CCL	ICD	Text	OP. CCL	Med. CCL
K71.2	Toxická choroba pečene s akútnou hepatitídou	1,2,3,4	1,2,3,4	K80.30	Kameň žlč.výv.s cholecystitídou,bez prej.obštr.žlč. ciest	2,3,4	2,3
K71.3	Toxická chor.pečene s chronick.perzistujúcou hepatitídou	1,2,3,4	1,2,3,4	K80.31	Kameň žlč.výv.s cholecystitídou,s obštr.žlč. ciest	2,3,4	2,3
K71.4	Toxická chor.pečene s chronick.lobulárnou hepatitídou	1,2,3,4	1,2,3,4	K80.40	Kameň žlč.výv.s cholecystitídou,bez prej.obštr.žlč. ciest	2,3,4	2,3
K71.5	Toxická choroba pečene s chron.aktívnou hepatitídou	1,2,3,4	1,2,3,4	K80.41	Kameň žlč.výv.s cholecystitídou,s obštr.žlč.ciest	2,3,4	2,3
K71.6	Toxická choroba pečene s hepatitídou,n.i.	1,2,3,4	1,2,3,4	K80.50	Kameň žlč.výv.bez cholan./cholecy.bez prej.obštr.žlč.ciest	2,3,4	2,3
K71.7	Toxická choroba pečene s fibrózou a cirhózou pečene	2,3,4	2,4	K80.51	Kameň žlč.výv.bez cholangit./cholecy.s obš.žlč.ciest	2,3,4	2,3
K71.8	Toxická choroba pečene s inými poruchami pečene	1,2,3,4	1,2,3,4	K80.80	Iná cholelitiáza,bez prejavov obšt. žlč.ciest	2,3,4	2,3
K71.9	Toxická choroba pečene,blížšie neurčená	1,2,3,4	1,2,4	K80.81	Iná cholelitiáza,s obštrukciou žlčových ciest	2,3,4	2,3
K72.0	Akútne a subakútne pečeňové zlyhávanie	1,2,3,4	1,2,3,4	K81.0	Akútna cholecystitída	2,3,4	2,3
K72.1	Chronické pečeňové zlyhávanie	1,2,3,4	1,2,3	K82.0	Obštrukcia žlčníka	2,3,4	2,3
K72.71	Pečeňová encefalopatia,1.stupeň	1,2,3,4	1,2	K82.1	Hydrops žlčníka	2,3,4	2,3
K72.72	Pečeňová encefalopatia,2.stupeň	1,2,3,4	1,2,3	K82.2	Perforácia žlčníka	2,3,4	2,3
K72.73	Pečeňová encefalopatia,3.stupeň	1,2,3,4	1,2,3	K82.3	Fistula žlčníka	2,3,4	2,3
K72.74	Pečeňová encefalopatia,4.stupeň	1,2,3,4	1,2,3	K83.0	Zápal žlčových ciest	2,3,4	2,3
K72.79	Pečeňová encefalopatia neurčeného stupňa	1,2,3,4	1,2	K83.2	Perforácia žlčových ciest	2,3,4	2,3
K72.9	Pečeňové zlyhávanie,blížšie neurčené	1,2,3,4	1,2,3	K83.3	Fistula žlčových ciest	2,3,4	2,3
K73.1	Chronická lobulárna hepatitída, nezatriedená inde	1,2,3,4	1,2,3	K85.00	Idiopatická akútna pankreatitída,bez org.kompl.	2,3	2
K73.2	Chronická aktívna hepatitída,nezatriedená inde	1,2,3,4	1,2,3	K85.01	Idiopatická akútna pankreatitída,s org.kompl.	2,3	2
K73.8	Iná chronická hepatitída,nezatriedená inde	1,2,3,4	1,2,3	K85.10	Akútna biliárna pankreatitída,bez org.kompl.	2,3	2
K74.0	Fibróza pečene	2,3,4	2,4	K85.11	Akútna biliárna pankreatitída,s org.kompl.	2,3	2
K74.2	Fibróza pečene so sklerózou pečene	2,3,4	2,4	K85.20	Akút.pankreatitída zapr.alkoholom,bez org.kompl.	2,3	2
K74.3	Primárna biliárna cirhóza	2,3,4	2,4	K85.21	Akút.pankreatitída zapr.alkoholom,s org.kompl.	2,3	2
K74.4	Sekundárna biliárna cirhóza	2,3,4	2,4	K85.30	Akútna pankreatitída zaprič.liekom,bez org.kompl.	2,3	2
K74.5	Biliárna cirhóza,blížšie neurčená	2,3,4	2,4	K85.31	Akútna pankreatitída zaprič.liekom,s org.kompl.	2,3	2
K74.6	Iná a bližšie neurčená cirhóza pečene	1,2,3,4	1,2,4	K85.80	Iná akútna pankreatitída,bez orgánovej komplikácie	2,3	2
K75.0	Absces pečene	1,2,3,4	1,2,3,4	K85.81	Iná akútna pankreatitída,s orgánovou komplikáciou	2,3	2
K75.1	Flebitída vrátnice (v. portae)	1,2,3,4	1,2,3,4	K85.90	Akútna pankreatitída,blíž.neurč.bez org.kompl.	2,3	2
K75.2	Nešpecifická reaktívna hepatitída	1,2,3,4	1,2,3,4	K85.91	Akútna pankreatitída,blíž.neurč.s org.kompl.	2,3	2
K75.3	Granulomatózna hepatitída,nezatriedená inde	1,2,3,4	1,2,3,4	K86.0	Chronická pankreatitída zapríčinená alkoholom	2,3	1,2
K75.4	Autoimunitná hepatitída	1,2,3,4	1,2,3,4	K86.1	Iná chronická pankreatitída	2,3	1,2
K75.8	Iná zápalová choroba pečene,blížšie určená	1,2,3,4	1,2,3,4	K86.2	Cysta pankreasu	2,3	2
K75.9	Zápalová choroba pečene,blížšie neurčená	1,2,3,4	1,2,3,4	K86.3	Pseudocysta pankreasu	2,3	2
K76.0	Stukovatenie pečene, nezatriedené inde	4	4	K90.2	Syndróm slepej slučky,nezatriedený inde	4	4
K76.2	Centrálna hemoragická nekróza pečene	1,2,3,4	1,2,3,4	K90.3	Pankreatická steatorea	4	4
K76.3	Infarkt pečene	1,2,3,4	1,2,3,4	K91.1	Syndrómy po operácii žalúdka	4	4
K76.4	Pelióza pečene	1,2,3,4	1,2,3,4	K91.2	Malabsorpcia po chirurgickom výkone,n.i.	2,4	2,3
K76.5	Venookluzívna choroba pečene(Stuartov-Brasov syndróm)	1,2,3,4	1,2,3	K91.3	Mechanická črevná nepriechodnosť po chir.výk.	2,3,4	3
K76.6	Portálna hypertenzia	4	4	K91.4	Porucha funkcie kolostómie a enterostómie	1,2	1
K76.7	Hepatorenálny syndróm	1,2,3,4	1,2,3,4	K91.80	Generalizovaná mukozitída pri imunokompromitácii	3,4	3
K77.0	Pečeňová porucha pri infekč./parazit.chor.z.i.	1,2,3,4	1,2,3,4	K91.88	Iná porucha tráviacej súst.po lekár.výkone,n.i.	1,2	1
K77.11	Postihnutie pečene pri akút.chor.štetu proti host.GvH,1.štád.	1,2,3,4	1,2,3,4	K92.0	Hemateméza	1,2,3,4	2,3
K77.12	Postihnutie pečene pri akút.chor.štetu proti host.GvH,2.štád.	1,2,3,4	1,2,3,4	K92.1	Meléna	1,2,3,4	2,3
K77.13	Postihnutie pečene pri akút.chor.štetu proti host.GvH,3.štád.	1,2,3,4	1,2,3,4	K92.2	Gastrointestinálne krvácanie,blížšie neurčené	1,2,3,4	2,3
K77.14	Postihnutie pečene pri akút.chor.štetu proti host.GvH,4.štád.	1,2,3,4	1,2,3,4	K93.0	TBC čriev,pobrušnice a lymfatických uzlín mezentéria	2,4	2,3
K77.8	Pečeňová porucha pri iných chorobáchz.i.	1,2,3,4	1,2,3,4	K93.1	Megakolon pri Chagasovej chorobe (B57.3†)	4	4
K80.00	Kameň žlčníka s akút.cholecystitídou,bez prej.obštr.žlč. ciest	2,3,4	2,3	L00.0	Synd.obar.kože zaprič.stafylok.s postih.men.ako 30% povrch.t.	4	4
K80.01	Kameň žlčníka s akút.cholecystitídou,s obštr.žlč. ciest	2,3,4	2,3	L00.1	Synd.obarenej kože zaprič.stafylok.s postih.30%p.t.a viac	4	4
K80.10	Kameň žlčníka s i.cholecystitídou,bez prej.obštr.žlč. ciest	2,3,4	2,3	L01.0	Kontaktné impetigo akejkoľ.lok.zaprič.ktorýmkoľ.organiz.	2,3,4	2,3
K80.11	Kameň žlčníka s i.cholecystitídou,s obštr.žlč. ciest	2,3,4	2,3				
K80.21	Kameň žlčníka bez cholecystitídou,s obštr.žlč. ciest	2,3,4	2,3				

ICD	Text	OP. CCL	Med. CCL	ICD	Text	OP. CCL	Med. CCL
L01.1	Sekundárna impetiginizácia inej choroby kože	2,3,4	2,3	L89.28	Dekubitus 3.stupňa: Iná oblasť dolnej končatiny	3,4	2,3
L03.10	Flegmóna hornej končatiny	2,3,4	2,3	L89.29	Dekubitus 3.stupňa: Bližšie neurčené miesto	3,4	2,3
L03.11	Flegmóna dolnej končatiny	2,3,4	2,3	L89.30	Dekubitus 4.stupňa: Hlava	3,4	2,3
L03.2	Flegmóna tváre	2,3,4	2,3	L89.31	Dekubitus 4.stupňa: Horná končatina	3,4	2,3
L03.3	Flegmóna trupu	2,3,4	2,3	L89.32	Dekubitus 4.stupňa: Tříňový výbežok	3,4	2,3
L03.8	Flegmóna na inom mieste	2,3,4	2,3	L89.33	Dekubitus 4.stupňa: Lopata bedrovej kosti	3,4	2,3
L03.9	Flegmóna, bližšie neurčená	2,3,4	2,3	L89.34	Dekubitus 4.stupňa: Krížová oblasť	3,4	2,3
L05.0	Pilonidálna cysta s abscesom	2,3,4	2,3	L89.35	Dekubitus 4.stupňa: Sedacia oblasť	3,4	2,3
L10.0	Pemphigus vulgaris	2	2	L89.36	Dekubitus 4.stupňa: Trochanter	3,4	2,3
L10.1	Pemphigus vegetans	2	2	L89.37	Dekubitus 4.stupňa: Päta	3,4	2,3
L10.2	Pemphigus foliaceus	2,4	2,4	L89.38	Dekubitus 4.stupňa: Iná oblasť dolnej končatiny	3,4	2,3
L10.3	Brazílsky pemfigus [fogo selvagem]	2	2	L89.39	Dekubitus 4.stupňa: Bližšie neurčené miesto	3,4	2,3
L10.4	Pemphigus erythematous	2	2	L94.4	Gottronov syndróm	1,2	1,2
L10.5	Pemfigus, zapríčinený liekom	2	2	L98.3	Eozinofilná celulitída(Wellsov syndróm)	2,3,4	2,3
L10.8	Iný pemfigus	2	2	M00.00	Artritída a polyartrit.zaprič.stafylo. na viac.m.	2,4	2,4
L10.9	Pemfigus, bližšie neurčený	2	2	M00.01	Artritída a polyartrit.zaprič.stafylok v obl.pleca	2,4	2,4
L11.8	Iná akantolytická dermatóza, bližšie určená	4	4	M00.02	Artritída a polyartrit.zaprič.stafylok.v obl.nadlaktia	2,4	2,4
L11.9	Akantolytická dermatóza, bližšie neurčená	4	4	M00.03	Artritída a polyartrit.zaprič.stafylok.v obl.predlak.	2,4	2,4
L12.0	Pľuzgierový(bulózny)pemfigoid	2,4	2,4	M00.04	Artritída a polyartrit.zaprič.stafylok.v obl.ruky	2,4	2,4
L12.1	Jazvový pemfigoid	2	2	M00.05	Artritída a polyartrit.zaprič.stafylok.panv.obl.a stehna	2,4	2,4
L12.2	Chronická pľuzgierová(bulózna)choroba detského veku	2	2	M00.06	Artritída a polyartrit.zaprič.stafylok.v obl.predkol.	2,4	2,4
L12.3	Získaná pľuzgierová (bulózna) epidermolýza	2,4	2,4	M00.07	Artritída a polyartrit.zaprič.stafylok.v obl.čl.a nohy	2,4	2,4
L12.8	Iný pemfigoid	2,4	2,4	M00.08	Artritída a polyartrit.zaprič.stafylok.na i.mieste	2,4	2,4
L12.9	Pemfigoid, bližšie neurčený	2,4	2,4	M00.09	Artritída a polyartrit.zaprič.stafylok.na n.mieste	2,4	2,4
L13.0	Herpetiformná dermatitída(dermatitis herpetiformis)	4	4	M00.10	Artritída a polyartrit.zaprič.pneumok.,na viac.m.	2,4	2,4
L13.1	Dermatitis pustulosa subcornealis	4	4	M00.11	Artritída a polyartrit.zaprič.pneumok.v obl.pleca	2,4	2,4
L13.8	Iné pľuzgierové(bulózne)dermatózy, bližšie určené	4	4	M00.12	Artritída a polyartrit.zaprič.pneumok.v obl.nadlaktia	2,4	2,4
L14	Pľuzgierová dermatóza pri choroba zatried.i.	4	4	M00.13	Artritída a polyartrit.zaprič.pneumok.v obl.predlak.	2,4	2,4
L40.1	Generalizovaná pustulová psoriáza	4	4	M00.14	Artritída a polyartrit.zaprič.pneumok.v obl.ruky	2,4	2,4
L40.5	Artropatická psoriáza (M07.0-M07.3*, M09.0-*)	1,2	1,2	M00.15	Artritída a polyartrit.zaprič.pneumok.panv.obl.a stehna	2,4	2,4
L44.4	Detská papulárna akrodermatitída(Giannotti-Crosti synd.)	2	2	M00.16	Artritída a polyartrit.zaprič.pneumok.v obl.predkol.	2,4	2,4
L51.0	Nepľuzgierový multiformný erytém	4	4	M00.17	Artritída a polyartrit.zaprič.pneumok.v obl.čl.a nohy	2,4	2,4
L51.1	Pľuzgierový multiformný erytém	4	4	M00.18	Artritída a polyartrit.zaprič.pneumok.na i.mieste	2,4	2,4
L51.20	Toxická nekrolýza epidermy s postih.men.ako 30%povrchu t.	4	4	M00.19	Artritída a polyartrit.zaprič.pneumok.na n.mieste	2,4	2,4
L51.21	Toxická nekrolýza epidermy s postih.30%povrch.tela a viac	4	4	M00.20	Artritída a polyartrit.zaprič.i.streptok.na viac.m.	2,4	2,4
L51.8	Iný multiformný erytém	4	4	M00.21	Artritída a polyartrit.zaprič.i.streptok.v obl.pleca	2,4	2,4
L51.9	Multiformný erytém, bližšie neurčený	4	4	M00.22	Artritída a polyartrit.zaprič.i.streptok.v obl.nadlaktia	2,4	2,4
L53.0	Toxický erytém	2	2	M00.23	Artritída a polyartrit.zaprič.i.streptok.v obl.predlak.	2,4	2,4
L53.1	Erythema annulare centrifugum	2	2	M00.24	Artritída a polyartrit.zaprič.i.streptok.v obl.ruky	2,4	2,4
L53.2	Erythema marginatum	2	2	M00.25	Artritída a polyartrit.zaprič.i.streptok.panv.obl.a stehna	2,4	2,4
L53.3	Iný chronický obrazcový erytém	2	2	M00.26	Artritída a polyartrit.zaprič.i.streptok.v obl.predkol.	2,4	2,4
L74.4	Anhidróza	4	4	M00.27	Artritída a polyartrit.zaprič.i.streptok.v obl.čl.a nohy	2,4	2,4
L89.10	Dekubitus 2.stupňa: Hlava	3,4	2,3	M00.28	Artritída a polyartrit.zaprič.i.streptok.na i.mieste	2,4	2,4
L89.11	Dekubitus 2.stupňa: Horná končatina	3,4	2,3	M00.29	Artritída a polyartrit.zaprič.i.streptok.na n.mieste	2,4	2,4
L89.12	Dekubitus 2.stupňa: Tříňový výbežok	3,4	2,3				
L89.13	Dekubitus 2.stupňa: Lopata bedrovej kosti	3,4	2,3				
L89.14	Dekubitus 2.stupňa: Krížová oblasť	3,4	2,3				
L89.15	Dekubitus 2.stupňa: Sedacia oblasť	3,4	2,3				
L89.16	Dekubitus 2.stupňa: Trochanter	3,4	2,3				
L89.17	Dekubitus 2.stupňa: Päta	3,4	2,3				
L89.18	Dekubitus 2.stupňa: Iná oblasť dolnej končatiny	3,4	2,3				
L89.19	Dekubitus 2.stupňa: Bližšie neurčené miesto	3,4	2,3				
L89.20	Dekubitus 3.stupňa: Hlava	3,4	2,3				
L89.21	Dekubitus 3.stupňa: Horná končatina	3,4	2,3				
L89.22	Dekubitus 3.stupňa: Tříňový výbežok	3,4	2,3				
L89.23	Dekubitus 3.stupňa: Lopata bedrovej kosti	3,4	2,3				
L89.24	Dekubitus 3.stupňa: Krížová oblasť	3,4	2,3				
L89.25	Dekubitus 3.stupňa: Sedacia oblasť	3,4	2,3				
L89.26	Dekubitus 3.stupňa: Trochanter	3,4	2,3				
L89.27	Dekubitus 3.stupňa: Päta	3,4	2,3				

ICD	Text	OP. CCL	Med. CCL	ICD	Text	OP. CCL	Med. CCL
M00.80	Artritída a polyartrit. zapríč. i. bliž. urč. baktér. viac. mies.	4	4	M01.40	Artritída pri ružienke na viac. m.	4	4
M00.81	Artritída a polyartrit. zapríč. i. bliž. urč. baktér. v obl. pleca	4	4	M01.41	Artritída pri ružienke v obl. pleca.	4	4
M00.82	Artritída a polyartrit. zapríč. i. bliž. urč. baktér. v obl. nadlaktia	4	4	M01.42	Artritída pri ružienke v obl. nadlaktia	4	4
M00.83	Artritída a polyartrit. zapríč. i. bliž. urč. baktér. v obl. predlak.	4	4	M01.43	Artritída pri ružienke v obl. predlak.	4	4
M00.84	Artritída a polyartrit. zapríč. i. bliž. urč. baktér. v obl. ruky	4	4	M01.44	Artritída pri ružienke v obl. ruky	4	4
M00.85	Artritída a polyartrit. zapríč. i. bliž. urč. baktér. panv. obl. a stehna	4	4	M01.45	Artritída pri ružienke panv. obl. a stehna	4	4
M00.86	Artritída a polyartrit. zapríč. i. bliž. urč. baktér. v obl. predkol.	4	4	M01.46	Artritída pri ružienke v obl. predkol.	4	4
M00.87	Artritída a polyartrit. zapríč. i. bliž. urč. baktér. v obl. čl. a nohy	4	4	M01.47	Artritída pri ružienke v obl. čl. a nohy	4	4
M00.88	Artritída a polyartrit. zapríč. i. bliž. urč. baktér. na i. mieste	4	4	M01.48	Artritída pri ružienke na i. mieste	4	4
M00.89	Artritída a polyartrit. zapríč. i. bliž. urč. baktér. mies. bliž. urč.	4	4	M01.49	Artritída pri ružienke na n. mieste	4	4
M00.90	Pyogénna artritída, bliž. neurč. na viac. miestach	2,4	2	M01.60	Artritída pri mykózach na viac. m.	2,4	2,4
M00.91	Pyogénna artritída, bliž. neurč. v obl. pleca	2,4	2	M01.61	Artritída pri mykózach v obl. pleca	2,4	2,4
M00.92	Pyogénna artritída, bliž. neurč. v obl. nadlaktia	2,4	2	M01.62	Artritída pri mykózach v obl. nadlaktia	2,4	2,4
M00.93	Pyogénna artritída, bliž. neurč. v obl. predlak.	2,4	2	M01.63	Artritída pri mykózach v obl. predlak.	2,4	2,4
M00.94	Pyogénna artritída, bliž. neurč. v obl. ruky	2,4	2	M01.64	Artritída pri mykózach v obl. ruky	2,4	2,4
M00.95	Pyogénna artritída, bliž. neurč. v panv. obl. a stehna	2,4	2	M01.65	Artritída pri mykózach panv. obl. a stehna	2,4	2,4
M00.96	Pyogénna artritída, bliž. neurč. v obl. predkol.	2,4	2	M01.66	Artritída pri mykózach v obl. predkol.	2,4	2,4
M00.97	Pyogénna artritída, bliž. neurč. v obl. čl. a nohy	2,4	2	M01.67	Artritída pri mykózach v obl. čl. a nohy	2,4	2,4
M00.98	Pyogénna artritída, bliž. neurč. na i. mieste	2,4	2	M01.68	Artritída pri mykózach na i. mieste	2,4	2,4
M00.99	Pyogénna artritída, bliž. neurč., miesto bliž. neurč.	2,4	2	M01.69	Artritída pri mykózach na i. mieste	2,4	2,4
M01.00	Artritída zapríč. meningok. na viac. m.	2,4	2,4	M05.00	Feltyho syndróm na viacerých miestach	1,2	1,2
M01.01	Artritída zapríč. meningok. v obl. pleca	2,4	2,4	M05.01	Feltyho syndróm v obl. pleca	1,2	1,2
M01.02	Artritída zapríč. meningok. v obl. nadlaktia	2,4	2,4	M05.02	Feltyho syndróm nadlaktia	1,2	1,2
M01.03	Artritída zapríč. meningok. v obl. predlak.	2,4	2,4	M05.03	Feltyho syndróm predlak.	1,2	1,2
M01.04	Artritída zapríč. meningok. v obl. ruky	2,4	2,4	M05.04	Feltyho syndróm ruky	1,2	1,2
M01.05	Artritída zapríč. meningok. panv. obl. a stehna	2,4	2,4	M05.05	Feltyho syndróm panv. obl. a stehna	1,2	1,2
M01.06	Artritída zapríč. meningok. v obl. predkol.	2,4	2,4	M05.06	Feltyho syndróm predkol.	1,2	1,2
M01.07	Artritída zapríč. meningok. v obl. čl. a nohy	2,4	2,4	M05.07	Feltyho syndróm čl. a nohy	1,2	1,2
M01.08	Artritída zapríč. meningok. na i. mieste	2,4	2,4	M05.08	Feltyho syndróm na i. mieste	1,2	1,2
M01.09	Artritída zapríč. meningok. na n. mieste	2,4	2,4	M05.09	Feltyho syndróm, miesto bližšie neurčené	1,2	1,2
M01.10	Tuberkulózná artritída na viac. m.	4	4	M05.20	Reumat. artritída s vaskulitídou, na viac. m.	1,2	1,2
M01.11	TBC artritída v obl. pleca	4	4	M05.21	Reumat. artritída s vaskulitídou, v obl. pleca	1,2	1,2
M01.12	TBC artritída nadlaktia	4	4	M05.22	Reumat. artritída s vaskulitídou, v obl. nadlaktia	1,2	1,2
M01.13	TBC artritída predlak.	4	4	M05.23	Reumat. artritída s vaskulitídou, v obl. predlak.	1,2	1,2
M01.14	TBC artritída ruky	4	4	M05.24	Reumat. artritída s vaskulitídou, v obl. ruky	1,2	1,2
M01.15	TBC artritída panv. obl. a stehna	4	4	M05.25	Reumat. artritída s vaskulitídou, v obl. panv. a stehna	1,2	1,2
M01.16	TBC artritída predkol.	4	4	M05.26	Reumat. artritída s vaskulitídou, v obl. predkol.	1,2	1,2
M01.17	TBC artritída čl. a nohy	4	4	M05.27	Reumat. artritída s vaskulitídou, v obl. čl. a nohy	1,2	1,2
M01.18	TBC artritída na i. mieste	4	4	M05.28	Reumat. artritída s vaskulitídou, na i. mieste	1,2	1,2
M01.19	Tuberkulózná artritída na n. mieste	4	4	M05.29	Reumat. artritída s vaskulitídou, miesto bliž. neurč.	1,2	1,2
M01.30	Artritída pri i. baktér. chor. zatried. i. na viac. m.	4	4	M05.30	Reumatoidná artritída s postih. i. org. a súst., na viac. miest.	1,2	1,2
M01.31	Artritída pri i. baktér. chor. zatried. i. obl. pleca	4	4	M05.31	Reumatoidná artritída s postih. i. org. a súst., v obl. pleca	1,2	1,2
M01.32	Artritída pri i. baktér. chor. zatried. i. v obl. nadlaktia	4	4	M05.32	Reumatoidná artritída s postih. i. org. a súst., v obl. nadlaktia	1,2	1,2
M01.33	Artritída pri i. baktér. chor. zatried. i. v obl. predlak.	4	4	M05.33	Reumatoidná artritída s postih. i. org. a súst., v obl. predlak.	1,2	1,2
M01.34	Artritída pri i. baktér. chor. zatried. i. v obl. ruky	4	4	M05.34	Reumatoidná artritída s postih. i. org. a súst., v obl. ruky	1,2	1,2
M01.35	Artritída pri i. baktér. chor. zatried. i. panv. obl. a stehna	4	4	M05.35	Reumat. artritída s postih. i. org. a súst., v obl. panv. a steh.	1,2	1,2
M01.36	Artritída pri i. baktér. chor. zatried. i. v obl. predkol.	4	4	M05.36	Reumatoidná artritída s postih. i. org. a súst., v obl. predkol.	1,2	1,2
M01.37	Artritída pri i. baktér. chor. zatried. i. v obl. čl. a nohy	4	4	M05.37	Reumatoidná artritída s postih. i. org. a súst., v obl. čl. a nohy	1,2	1,2
M01.38	Artritída pri i. baktér. chor. zatried. i. na i. mieste	4	4	M05.38	Reumatoidná artritída s postih. i. org. a súst., na i. mieste	1,2	1,2
M01.39	Artritída pri i. baktér. chor. zatried. i. miesto bliž. neurč.	4	4	M05.39	Reumatoidná artritída s postih. i. org. a súst., miesto b. n.	1,2	1,2
				M06.10	Stillova chor. dospelých s postih. kĺbov na viac. miestach	1,2	1,2
				M06.11	Stillova chor. dospelých s postih. kĺbov v pleca	1,2	1,2
				M06.12	Stillova chor. dospelých s postih. kĺbov nadlaktia	1,2	1,2
				M06.13	Stillova chor. dospelých s postih. kĺbov predlak.	1,2	1,2
				M06.14	Stillova chor. dospelých s postih. kĺbov ruky	1,2	1,2

ICD	Text	OP. CCL	Med. CCL	ICD	Text	OP. CCL	Med. CCL
M06.15	Stilova chor.dospelých s postih.kĺbov panvy a stehna	1,2	1,2	M07.59	Artritída pri ulcer.kolitíde s postih.kĺbov na n.mieste	1,2	1,2
M06.16	Stilova chor.dospelých s postih.kĺbov predkol.	1,2	1,2	M08.00	Juvenilná reumatoid.artritída dospelých na viac.m.	1,2	1,2
M06.17	Stilova chor.dospelých s postih.kĺbov čl.a nohy	1,2	1,2	M08.01	Juvenilná reumatoid.artritída dospelých v obl.pleca	1,2	1,2
M06.18	Stilova chor.dospelých s postih.kĺbov na i.mieste	1,2	1,2	M08.02	Juvenilná reumatoid.artritída dospelých v obl.nadlaktia	1,2	1,2
M06.19	Stilova chor.dospelých s postih.kĺbov na n.mieste	1,2	1,2	M08.03	Juvenilná reumatoid.artritída dospelých v obl.predlak.	1,2	1,2
M07.04	Distálna psoriatická artritída ruky	1,2	1,2	M08.04	Juvenilná reumatoid.artritída dospelých v obl.ruky	1,2	1,2
M07.07	Distálna psoriatická artritída čl.a nohy	1,2	1,2	M08.05	Juvenilná reumatoid.artritída dospelých v obl.panvy a stehna	1,2	1,2
M07.09	Distálna psoriatická artritída na n.mieste	1,2	1,2	M08.06	Juvenilná reumatoid.artritída dospelých v obl.predkol.	1,2	1,2
M07.10	Arthritis mutilans, na viacerých miestach (L40.5†)	1,2	1,2	M08.07	Juvenilná reumatoid.artritída dospelých v obl.čl.a nohy	1,2	1,2
M07.11	Arthritis mutilans v obl.pleca	1,2	1,2	M08.08	Juvenilná reumatoid.artritída dospelých na i.mieste	1,2	1,2
M07.12	Arthritis mutilans v obl.nadlaktia	1,2	1,2	M08.09	Juvenilná reumatoid.artritída dospelých,miesto bliž.neurč.	1,2	1,2
M07.13	Arthritis mutilans v obl. predlak.	1,2	1,2	M08.10	Juven.ankylozujúca spondylitída na viac.miestach	1,2	1,2
M07.14	Arthritis mutilans v obl.ruky	1,2	1,2	M08.11	Juven.ankylozujúca spondylitída v obl.pleca	1,2	1,2
M07.15	Arthritis mutilans panv.obl.a stehna	1,2	1,2	M08.12	Juven.ankylozujúca spondylitída nadlaktia	1,2	1,2
M07.16	Arthritis mutilans v obl.predkol.	1,2	1,2	M08.13	Juven.ankylozujúca spondylitída predlak.	1,2	1,2
M07.17	Arthritis mutilans v obl.čl.a nohy	1,2	1,2	M08.14	Juven.ankylozujúca spondylitída ruky	1,2	1,2
M07.18	Arthritis mutilans na i.mieste	1,2	1,2	M08.15	Juven.ankylozujúca spondylitída panv.obl.a stehna	1,2	1,2
M07.19	Arthritis mutilans na n.mieste	1,2	1,2	M08.16	Juven.ankylozujúca spondylitída predkol.	1,2	1,2
M07.2	Psoriatická spondylitída (L40.5†)	1,2	1,2	M08.17	Juven.ankylozujúca spondylitída čl.a nohy	1,2	1,2
M07.30	Iná psoriatická artritídana viac.m.	1,2	1,2	M08.18	Juven.ankylozujúca spondylitída na i.mieste	1,2	1,2
M07.31	Iná psoriatická artritídav obl.pleca	1,2	1,2	M08.19	Juven.ankylozujúca spondylitída na n.mieste	1,2	1,2
M07.32	Iná psoriatická artritídav obl.nadlaktia	1,2	1,2	M08.20	Juven.chron.artritída so systém.začiat.,na v.miest.	1,2	1,2
M07.33	Iná psoriatická artritídav obl.predlak.	1,2	1,2	M08.21	Juven.chron.artritída so systém.začiat.,v obl.pleca	1,2	1,2
M07.34	Iná psoriatická artritídav obl.ruky	1,2	1,2	M08.22	Juven.chron.artritída so systém.začiat.,v o.nadlaktia	1,2	1,2
M07.35	Iná psoriatická artritídav obl.panv.a stehna	1,2	1,2	M08.23	Juven.chron.artritída so systém.začiat.,v o.predlak.	1,2	1,2
M07.36	Iná psoriatická artritídav obl.predkol.	1,2	1,2	M08.24	Juven.chron.artritída so systém.začiat.,v o.ruky	1,2	1,2
M07.37	Iná psoriatická artritídav obl.čl.a nohy	1,2	1,2	M08.25	Juven.chron.artritída so systém.začiat.,v o.panvy a stehna	1,2	1,2
M07.38	Iná psoriatická artritídana i.mieste	1,2	1,2	M08.26	Juven.chron.artritída so systém.začiat.,v o.predkol.	1,2	1,2
M07.39	Iná psoriatická artritídana n.mieste	1,2	1,2	M08.27	Juven.chron.artritída so systém.začiat.,v o.čl.a nohy	1,2	1,2
M07.40	Artritída pri Crohn.chor. s postih.kĺbov na viac.m.	1,2	1,2	M08.28	Juven.chron.artritída so systém.začiat.,na i.mieste	1,2	1,2
M07.41	Artritída pri Crohn.chor.s postih.kĺbov v obl.pleca	1,2	1,2	M08.29	Juven.chron.artritída so systém.začiat.,na n.mieste	1,2	1,2
M07.42	Artritída pri Crohn.chor.s postih.kĺbov nadlaktia	1,2	1,2	M08.3	Juven.chron.artritída (séronegatívna),polyartikulárna forma	1,2	1,2
M07.43	Artritída pri Crohn.chor.s postih.kĺbov predlak.	1,2	1,2	M08.40	Juven.chron.artritída,oligoart.forma,s postih.na viac.m.	1,2	1,2
M07.44	Artritída pri Crohn.chor.s postih.kĺbov ruky	1,2	1,2	M08.41	Juven.chron.artritída,oligoart.forma,s postih.v obl.pleca	1,2	1,2
M07.45	Artritída pri Crohn.chor.s postih.kĺbov panvy a stehna	1,2	1,2	M08.42	Juven.chron.artritída,oligoart.forma,s postih.nadlaktia	1,2	1,2
M07.46	Artritída pri Crohn.chor.s postih.kĺbov predkol.	1,2	1,2	M08.43	Juven.chron.artritída,oligoart.forma,s postih.predlak.	1,2	1,2
M07.47	Artritída pri Crohn.chor.s postih.kĺbov čl.a nohy	1,2	1,2	M08.44	Juven.chron.artritída,oligoart.forma,s postih.ruky	1,2	1,2
M07.48	Artritída pri Crohn.chor.s postih.kĺbov na i.mieste	1,2	1,2	M08.45	Juven.chron.artritída,oligoart.forma,s postih.pan.a stehna	1,2	1,2
M07.49	Artritída pri Crohn.chor.s postih.kĺbov na n.mieste	1,2	1,2	M08.46	Juven.chron.artritída,oligoart.forma,s postih.predkol.	1,2	1,2
M07.50	Artritída pri ulcer.kolitíde s postih.kĺbov na viac.m.	1,2	1,2				
M07.51	Artritída pri ulcer.kolitíde s postih.kĺbov v obl.pleca	1,2	1,2				
M07.52	Artritída pri ulcer.kolitíde s postih.kĺbov nadlaktia	1,2	1,2				
M07.53	Artritída pri ulcer.kolitíde s postih.kĺbov predlak.	1,2	1,2				
M07.54	Artritída pri ulcer.kolitíde s postih.kĺbov ruky	1,2	1,2				
M07.55	Artritída pri ulcer.kolitíde s postih.kĺbov pan.a stehna	1,2	1,2				
M07.56	Artritída pri ulcer.kolitíde s postih.kĺbov predkol.	1,2	1,2				
M07.57	Artritída pri ulcer.kolitíde s postih.kĺbov čl.a nohy	1,2	1,2				
M07.58	Artritída pri ulcer.kolitíde s postih.kĺbov na i.mieste	1,2	1,2				

ICD	Text	OP. CCL	Med. CCL	ICD	Text	OP. CCL	Med. CCL
M08.47	Juven.chron.artritída,oligoart.forma,s postih.čl.a nohy	1,2	1,2	M09.12	Juven.artritída pri Crohn.chor.,s postih.kĺb.nadlaktia	1,2	1,2
M08.48	Juven.chron.artritída,oligoart.forma,s postih.na i.mieste	1,2	1,2	M09.13	Juven.artritída pri Crohn.chor.,s postih.kĺb.predlak.	1,2	1,2
M08.49	Juven.chron.artritída,oligoart.forma,s postih.na n.mieste	1,2	1,2	M09.14	Juven.artritída pri Crohn.chor.,s postih.kĺb.ruky	1,2	1,2
M08.70	Juven.artritída s vaskulit.s postih.kĺb.na viac.m.	1,2	1,2	M09.15	Juven.artritída pri Crohn.chor.,s postih.kĺb.panvy a stehna	1,2	1,2
M08.71	Juven.artritída s vaskulit.s postih.kĺb.v obl.pleca	1,2	1,2	M09.16	Juven.artritída pri Crohn.chor.,s postih.kĺb.predkol.	1,2	1,2
M08.72	Juven.artritída s vaskulit.s postih.kĺb.v obl.nadlaktia	1,2	1,2	M09.17	Juven.artritída pri Crohn.chor.,s postih.kĺb.čl.a nohy	1,2	1,2
M08.73	Juven.artritída s vaskulit.s postih.kĺb.v obl.predlak.	1,2	1,2	M09.18	Juven.artritída pri Crohn.chor.,s postih.kĺb.na i.mieste	1,2	1,2
M08.74	Juven.artritída s vaskulit.s postih.kĺb.v obl.ruky	1,2	1,2	M09.19	Juven.artritída pri Crohn.chor.,s postih.kĺb.na n.mieste	1,2	1,2
M08.75	Juven.artritída s vaskulit.s postih.kĺb.v obl.panvy a stehna	1,2	1,2	M09.20	Juven.artritída pri ulcer.kolitíde,s postih.kĺb.na viac.m.	1,2	1,2
M08.76	Juven.artritída s vaskulit.s postih.kĺb.v obl.predkol.	1,2	1,2	M09.21	Juven.artritída pri ulcer.kolitíde,s postih.kĺb.v obl.pleca	1,2	1,2
M08.77	Juven.artritída s vaskulit.s postih.kĺb.v obl.čl.a nohy	1,2	1,2	M09.22	Juven.artritída pri ulcer.kolitíde,s postih.kĺb.nadlaktia	1,2	1,2
M08.78	Juven.artritída s vaskulit.s postih.kĺb.na i.mieste	1,2	1,2	M09.23	Juven.artritída pri ulcer.kolitíde,s postih.kĺb.predlak.	1,2	1,2
M08.79	Juven.artritída s vaskulit.s postih.kĺb.,miesto bliž.neurč.	1,2	1,2	M09.24	Juven.artritída pri ulcer.kolitíde,s postih.kĺb.ruky	1,2	1,2
M08.80	Iná juvenilná artritída na viacerých miestach	1,2	1,2	M09.25	Juven.artritída pri ulcer.kolit.,s post.kĺb.panvy a stehna	1,2	1,2
M08.81	Iná juvenilná artritída v obl.pleca	1,2	1,2	M09.26	Juven.artritída pri ulcer.kolitíde,s postih.kĺb.predkol.	1,2	1,2
M08.82	Iná juvenilná artritída nadlaktia	1,2	1,2	M09.27	Juven.artritída pri ulcer.kolitíde,s postih.kĺb.čl.a nohy	1,2	1,2
M08.83	Iná juvenilná artritída predlak.	1,2	1,2	M09.28	Juven.artritída pri ulcer.kolitíde,s postih.kĺb.na i.mieste	1,2	1,2
M08.84	Iná juvenilná artritída ruky	1,2	1,2	M09.29	Juven.artritída pri ulcer.kolitíde,s postih.kĺb.na n.mieste	1,2	1,2
M08.85	Iná juvenilná artritída panv.obl.a stehna	1,2	1,2	M09.80	Juven.artritída pri i.chor.zatr.i.s postih.kĺb.na viac.m.	1,2	1,2
M08.86	Iná juvenilná artritída predkol.	1,2	1,2	M09.81	Juven.artritída pri i.chor.zatr.i.s postih.kĺb.v obl.pleca	1,2	1,2
M08.87	Iná juvenilná artritída čl.a nohy	1,2	1,2	M09.82	Juven.artritída pri i.chor.zatr.i.s postih.kĺb.nadlaktia	1,2	1,2
M08.88	Iná juvenilná artritída na i.mieste	1,2	1,2	M09.83	Juven.artritída pri i.chor.zatr.i.s postih.kĺb.predlak.	1,2	1,2
M08.89	Iná juvenilná artritída,miesto bližšie neurčené	1,2	1,2	M09.84	Juven.artritída pri i.chor.zatr.i.s postih.kĺb.ruky	1,2	1,2
M08.90	Juven.artritída,bliž.neurč.na viac.m.	1,2	1,2	M09.85	Juven.artritída pri i.chor.zatr.i.s postih.kĺb.panvy a stehna	1,2	1,2
M08.91	Juven.artritída,bliž.neurč.v obl.pleca	1,2	1,2	M09.86	Juven.artritída pri i.chor.zatr.i.s postih.kĺb.predkol.	1,2	1,2
M08.92	Juven.artritída,bliž.neurč.v obl.nadlaktia	1,2	1,2	M09.87	Juven.artritída pri i.chor.zatr.i.s postih.kĺb.čl.a nohy	1,2	1,2
M08.93	Juven.artritída,bliž.neurč.v obl.predlak.	1,2	1,2	M09.88	Juven.artritída pri i.chor.zatr.i.s postih.kĺb.na i.mieste	1,2	1,2
M08.94	Juven.artritída,bliž.neurč.v obl.ruky	1,2	1,2	M09.89	Juven.artritída pri i.chor.zatr.i.s postih.kĺb.,m.bliž.neurč.	1,2	1,2
M08.95	Juven.artritída,bliž.neurč.panv.obl.a stehna	1,2	1,2	M10.10	Dna zapríčinená olovom, na viacerých miestach	4	4
M08.96	Juven.artritída,bliž.neurč.v obl.predkol.	1,2	1,2	M10.11	Dna zapríč. olovom,v obl.pleca	4	4
M08.97	Juven.artritída,bliž.neurč.v obl.čl.a nohy	1,2	1,2	M10.12	Dna zapríč. olovom,v obl.nadlaktia	4	4
M08.98	Juven.artritída,bliž.neurč.na i.mieste	1,2	1,2	M10.13	Dna zapríč. olovom,v obl.predlak.	4	4
M08.99	Juven.artritída,bliž.neurč.,miesto bliž.neurč.	1,2	1,2	M10.14	Dna zapríč. olovom,v obl.ruky	4	4
M09.00	Juven.artritída pri psoriáze,s postih.kĺb.na viac.m.	1,2	1,2	M10.15	Dna zapríč. olovom,v obl.panvy a stehna	4	4
M09.01	Juven.artritída pri psoriáze,s postih.kĺb.v obl.pleca	1,2	1,2	M10.16	Dna zapríč. olovom,v obl.predkol.	4	4
M09.02	Juven.artritída pri psoriáze,s postih.kĺb.nadlaktia	1,2	1,2	M10.17	Dna zapríč. olovom,v obl.čl.a nohy	4	4
M09.03	Juven.artritída pri psoriáze,s postih.kĺb.predlak.	1,2	1,2	M10.18	Dna zapríč. olovom na i.mieste	4	4
M09.04	Juven.artritída pri psoriáze,s postih.kĺb.ruky	1,2	1,2	M10.19	Dna zapríčinená olovom,miesto bliž.neurč.	4	4
M09.05	Juven.artritída pri psoriáze,s postih.kĺb.panvy a stehna	1,2	1,2	M10.20	Dna zapríčinená liekmi, na viacerých miestach	4	4
M09.06	Juven.artritída pri psoriáze,s postih.kĺb.predkol.	1,2	1,2	M10.21	Dna zapríč.liekmi,v obl.pleca	4	4
M09.07	Juven.artritída pri psoriáze,s postih.kĺb.čl.a nohy	1,2	1,2	M10.22	Dna zapríč.liekmi,v obl.nadlaktia	4	4
M09.08	Juven.artritída pri psoriáze,s postih.kĺb.na i.mieste	1,2	1,2				
M09.09	Juven.artritída pri psoriáze,s postih.kĺb.na n.mieste	1,2	1,2				
M09.10	Juven.artritída pri Crohn.chor.,s postih.kĺb.na viac.m.	1,2	1,2				
M09.11	Juven.artritída pri Crohn.chor.,s postih.kĺb.v obl.pleca	1,2	1,2				

ICD	Text	OP. CCL	Med. CCL	ICD	Text	OP. CCL	Med. CCL
M10.23	Dna zaprič.liekmi,v obl.predlak.	4	4	M48.41	Únavová zlomenina stavca v okcip.atl.axiál.obl.	2,3,4	1,2,3,4
M10.24	Dna zaprič.liekmi,v obl.ruky	4	4	M48.42	Únavová zlomenina stavca v krčnej oblasti	2,3,4	1,2,3,4
M10.25	Dna zaprič.liekmi,v obl.panvy a stehna	4	4	M48.43	Únavová zlomenina stavca v krčnrohrodnickej oblasti	2,3,4	1,2,3,4
M10.26	Dna zaprič.liekmi,v obl.predkol.	4	4	M48.44	Únavová zlomenina stavca v hrudnikovej oblasti	2,3,4	1,2,3,4
M10.27	Dna zaprič.liekmi,v obl.čl. a nohy	4	4	M48.45	Únavová zlomenina stavca v hrudnikovodriek.obl.	2,3,4	1,2,3,4
M10.28	Dna zaprič.liekmi,na i.mieste	4	4	M48.46	Únavová zlomenina stavca v driekovej oblasti	2,3,4	1,2,3,4
M10.29	Dna zapričinená liekmi, miesto bližšie neurčené	4	4	M48.47	Únavová zlomenina stavca v driekovokrižovej oblasti	2,3,4	1,2,3,4
M14.8	Artopatia pri i.bliž.urč.chorobách zatried.i.	4	4	M48.48	Únavová zlomenina stavca v križ.a križovokotrč.obl.	2,3,4	1,2,3,4
M30.0	Polyarteriitis nodosa	1,2	1,2	M48.49	Únavová zlomenina stavca: oblasť bližšie neurčená	2,3,4	1,2,3,4
M30.1	Polyarteritída s postihnutím pľúc	1,2	1,2	M48.50	Kompresia tela stavca na v.miast.chrbt.,nezatr.inde	2,3,4	1,2,3,4
M30.2	Juvenilná polyarteritída	1,2	1,2	M48.51	Kompresia tela stavca v okcip.-atl.-axiál.obl.,nezatr.inde	2,3,4	1,2,3,4
M30.8	Iné choroby príbuzné polyarteriitis nodosa	1,2	1,2	M48.52	Kompresia tela stavca v krčnej obl.,nezatr.inde	2,3,4	1,2,3,4
M31.0	Hypersenzitívna vaskulitída	1,2	1,2	M48.53	Kompresia tela stavca v krč.hrud.obl.,nezatr.inde	2,3,4	1,2,3,4
M31.1	Trombotická mikroangiopatia	1,2	1,2	M48.54	Kompresia tela stavca v hrud.obl.,nezatr.inde	2,3,4	1,2,3,4
M31.2	Letálny granulóm strednej čiary	2,3,4	1,2,3	M48.55	Kompresia tela stavca v hrud.driek.obl.,nezatr.inde	2,3,4	1,2,3,4
M31.3	Wegenerova granulomatóza	1,2	1,2	M48.56	Kompresia tela stavca v driek.obl.,nezatr.inde	2,3,4	1,2,3,4
M31.4	Syndróm aortálneho oblúka [Takayasu syndrom]	1,2	1,2	M48.57	Kompresia tela stavca v driek.križ.obl.,nezatr.inde	2,3,4	1,2,3,4
M31.5	Obrovskobunková arteritída s polymyalgia rheumatica	1,2	1,2	M48.58	Kompresia tela stavca v križ.a križ.kostrč.obl.,nezatr.inde	2,3,4	1,2,3,4
M31.6	Iná obrovskobunková arteritída	1,2	1,2	M48.59	Kompresia tela stavca : oblasť bliž.neurč.,nezatr.inde	2,3,4	1,2,3,4
M31.7	Mikroskopická polyangiitída	1,2	1,2	M49.50	Kompresia tela stavca pri chorobe zatried.i.,na viac.m.chrbt.	2,3,4	1,2,3,4
M31.8	Iná nekrotizujúca vaskulopatia,bližšie určená	1,2	1,2	M49.51	Kompresia tela stavca pri chorobe zatr.i.,okcip.-atl.axiál.o.	2,3,4	1,2,3,4
M31.9	Nekrotizujúca vaskulopatia,bližšie neurčená	1,2	1,2	M49.52	Kompresia tela stavca pri chorobe zatr.i.,v krčnej obl.	2,3,4	1,2,3,4
M32.0	Lupus erythematosus, zapríčinený liekmi	1,2,4	1,2,4	M49.53	Kompresia tela stavca pri chorobe zatr.i.,v krčnrohrod.obl.	2,3,4	1,2,3,4
M32.1	Systémový lupus erythematosus s postih.org./systémov	1,2,4	1,2,4	M49.54	Kompresia tela stavca pri chorobe zatr.i.,v hrudník.obl.	2,3,4	1,2,3,4
M32.8	Iná forma systémového lupus erythematosus	1,2,4	1,2,4	M49.55	Kompresia tela stavca pri chor.zatr.i.,v hrudník.driek.obl.	2,3,4	1,2,3,4
M32.9	Systémový lupus erythematosus,bližšie neurčený	1,2,4	1,2,4	M49.56	Kompresia tela stavca pri chorobe zatr.i.,v driekovej obl.	2,3,4	1,2,3,4
M33.0	Juvenilná dermatomyozitída	1,2	1,2	M49.57	Kompresia tela stavca pri chorobe zatr.i.,v driek.križ.obl.	2,3,4	1,2,3,4
M33.1	Iná dermatomyozitída	1,2	1,2	M49.58	Kompresia tela stavca pri chor.zatr.i.,križ.a križ.kostrč.obl.	2,3,4	1,2,3,4
M33.2	Polymyozitída	1,2	1,2	M49.59	Kompresia tela stavca pri chor.zatr.i.:oblasť bliž.neurč.	2,3,4	1,2,3,4
M33.9	Dermatopolymyozitída,bližšie neurčená	1,2	1,2	M60.00	Infekčná myozitída na viacerých miestach	2	2
M34.0	Progresívna systémová skleróza	1,2	1,2	M60.01	Inf.myozitída v obl.pleca	2	2
M34.1	Syndróm CR(E)ST	1,2	1,2	M60.02	Infekčná myozitída nadlaktia	2	2
M34.2	Systémová skleróza,zapríčinená liekmi/chemickými lát.	1,2	1,2	M60.03	Infekčná myozitída predlak.	2	2
M34.8	Iná forma systémovej sklerózy	1,2	1,2	M60.04	Infekčná myozitída ruky	2	2
M34.9	Systémová skleróza,bližšie neurčená	1,2	1,2	M60.05	Infekčná myozitída panv.obl.a stehna	2	2
M35.1	Iné prekrývajúce sa syndrómy	1,2	1,2	M60.06	Infekčná myozitída predkol.	2	2
M35.4	Difúzna (eozinofilná) fasciitída	2	2	M60.07	Infekčná myozitída čl.a nohy	2	2
M35.5	Multifokálna fibroskleróza	1,2	1,2	M60.08	Infekčná myozitída na i.mieste	2	2
M35.8	Iné systémové postihnutie spojiva,bližšie určené	1,2	1,2	M60.09	Infekčná myozitída,miesto bližšie neurčené	2	2
M36.0	Dermatomyozitída – polymyozitída pri nádorovej chorobe	1,2	1,2	M62.00	Diastáza svalu na viacerých miestach	2	2
M36.1	Artopatia pri nádorovej chorobe	4	4	M62.01	Diastáza svalu v obl.pleca	2	2
M36.2	Hemofilická artropatia	4	4	M62.02	Diastáza svalu nadlaktia	2	2
M36.3	Artopatia pri i.chorobách krvi zatried.i.	4	4	M62.03	Diastáza svalu predlak.	2	2
M36.8	Systémové choroba spojiva pri i.chorobách zatried.i.	4	4	M62.04	Diastáza svalu ruky	2	2
M46.20	Osteomyelitída stavca na viac.m.chrbt.	4	4	M62.05	Diastáza svalu panv.obl.a stehna	2	2
M46.21	Osteomyelitída stavca v okcip.-atl.-axiál. obl.	4	4				
M46.22	Osteomyelitída stavca v krčnej oblasti	4	4				
M46.23	Osteomyelitída stavca v krčnrohrodnickej oblasti	4	4				
M46.24	Osteomyelitída stavca v hrudnikovej oblasti	4	4				
M46.25	Osteomyelitída stavca v hrudnikovodriekovej oblasti	4	4				
M46.26	Osteomyelitída stavca v driekovej oblasti	4	4				
M46.27	Osteomyelitída stavca v driekovokrižovej oblasti	4	4				
M46.28	Osteomyelitída stavca v križ.a križovokotrč.obl.	4	4				
M46.29	Osteomyelitída stavca v: oblasť bližšie neurčená	4	4				
M48.40	Únavová zlomenina stavca na viac.m.chrbt.	2,3,4	1,2,3,4				

CCL

ICD	Text	OP. CCL	Med. CCL	ICD	Text	OP. CCL	Med. CCL
M62.06	Diastáza svalu predkolenia	2	2	M62.59	Zmenšenie a atrofia svalu, nezatr. i., miesto bliž. neurč.	2	2
M62.07	Diastáza svalu čl. a nohy	2	2	M62.80	Iné choroby svalov, bliž. urč. na viac. m.	2	2
M62.08	Diastáza svalu na i. mieste	2	2	M62.81	Iné choroby svalov, bliž. urč. v obl. pleca	2	2
M62.09	Diastáza svalu, miesto bližšie neurčené	2	2	M62.82	Iné choroby svalov, bliž. urč. v obl. nadlaktia	2	2
M62.10	Iné roztrhnutie svalu (neúrazové) na viac. m.	2	2	M62.83	Iné choroby svalov, bliž. urč. v obl. predlak.	2	2
M62.11	Iné roztrhnutie svalu (neúraz.) v obl. pleca	2	2	M62.84	Iné choroby svalov, bliž. urč. v obl. ruky	2	2
M62.12	Iné roztrhnutie svalu (neúraz.) v obl. nadlaktia	2	2	M62.85	Iné choroby svalov, bliž. urč. v obl. panvy a stehna	2	2
M62.13	Iné roztrhnutie svalu (neúraz.) v obl. predlak.	2	2	M62.86	Iné choroby svalov, bliž. urč. v obl. predkol.	2	2
M62.14	Iné roztrhnutie svalu (neúraz.) v obl. ruky	2	2	M62.87	Iné choroby svalov, bliž. urč. v obl. čl. a nohy	2	2
M62.15	Iné roztrhnutie svalu (neúraz.) v obl. panvy a stehna	2	2	M62.88	Iné choroby svalov, bliž. urč. na i. mieste	2	2
M62.16	Iné roztrhnutie svalu (neúraz.) v obl. predkol.	2	2	M63.00	Myozitída pri baktériovej chorobe zatried. i. na viac. m.	2	2
M62.17	Iné roztrhnutie svalu (neúraz.) v obl. čl. a nohy	2	2	M63.01	Myozitída pri baktériovej chorobe zatried. i. v obl. pleca	2	2
M62.18	Iné roztrhnutie svalu (neúraz.) na i. mieste	2	2	M63.02	Myozitída pri baktériovej chorobe zatried. i. v obl. nadlaktia	2	2
M62.19	Iné roztrhnutie svalu (neúrazové), miesto bliž. neurč.	2	2	M63.03	Myozitída pri baktériovej chorobe zatried. i. v obl. predlak.	2	2
M62.20	Ischemický infarkt svalu na viac. m.	2	2	M63.04	Myozitída pri baktériovej chorobe zatried. i. v obl. ruky	2	2
M62.21	Ischemický infarkt svalu v obl. pleca	2	2	M63.05	Myozitída pri baktériovej chor. zatried. i. v obl. panvy a stehna	2	2
M62.22	Ischemický infarkt svalu nadlaktia	2	2	M63.06	Myozitída pri baktériovej chorobe zatried. i. v obl. predkol.	2	2
M62.23	Ischemický infarkt svalu predlak.	2	2	M63.07	Myozitída pri baktériovej chorobe zatried. i. v obl. čl. a nohy	2	2
M62.24	Ischemický infarkt svalu ruky	2	2	M63.08	Myozitída pri baktériovej chorobe zatried. i. na i. mieste	2	2
M62.25	Ischemický infarkt svalu panv. obl. a stehna	2	2	M63.09	Myozitída pri baktériovej chorobe zatried. i., miesto bliž. neurč.	2	2
M62.26	Ischemický infarkt svalu predkol.	2	2	M63.10	Myozitída pri prvoko. a parazit. infek. zatried. i. na viac. m.	2	2
M62.27	Ischemický infarkt svalu čl. a nohy	2	2	M63.11	Myozitída pri prvoko. a parazit. infek. zatried. i. v obl. pleca	2	2
M62.28	Ischemický infarkt svalu na i. mieste	2	2	M63.12	Myozitída pri prvoko. a parazit. infek. zatried. i. v obl. nadlaktia	2	2
M62.29	Ischemický infarkt svalu na n. mieste	2	2	M63.13	Myozitída pri prvoko. a parazit. infek. zatried. i. v obl. predlak.	2	2
M62.30	Syndróm nehybnosti (paraplegický) na viac. m.	2	2	M63.14	Myozitída pri prvoko. a parazit. infek. zatried. i. v obl. ruky	2	2
M62.31	Syndróm nehybnosti (paraplegický) v obl. pleca	2	2	M63.15	Myozitída pri prvoko. a parazit. infek. zat. i. v obl. pan. a steh.	2	2
M62.32	Syndróm nehybnosti (paraplegický) v obl. nadlaktia	2	2	M63.16	Myozitída pri prvoko. a parazit. infek. zatried. i. v obl. predkol.	2	2
M62.33	Syndróm nehybnosti (paraplegický) v obl. predlak.	2	2	M63.17	Myozitída pri prvoko. a parazit. infek. zatried. i. v obl. čl. a nohy	2	2
M62.34	Syndróm nehybnosti (paraplegický) v obl. ruky	2	2	M63.18	Myozitída pri prvoko. a parazit. infek. zatried. i. na i. mieste	2	2
M62.35	Syndróm nehybnosti (paraplegický) v obl. panvy a stehna	2	2	M63.19	Myozitída pri prvoko. a parazit. infek. zat. i., miesto bliž. neurč.	2	2
M62.36	Syndróm nehybnosti (paraplegický) v obl. predkol.	2	2	M63.20	Myozitída pri inej infek. chorobe zatried. i. na viac. m.	2	2
M62.37	Syndróm nehybnosti (paraplegický) v obl. čl. a nohy	2	2	M63.21	Myozitída pri inej infek. chorobe zatried. i. v obl. pleca	2	2
M62.38	Syndróm nehybnosti (paraplegický) na i. mieste	2	2	M63.22	Myozitída pri inej infek. chorobe zatried. i. v obl. nadlaktia	2	2
M62.39	Syndróm nehybnosti (paraplegický), miesto bliž. neurč.	2	2	M63.23	Myozitída pri inej infek. chorobe zatried. i. v obl. predlak.	2	2
M62.40	Kontraktúra svalu na viacerých miestach	2	2	M63.24	Myozitída pri inej infek. chorobe zatried. i. v obl. ruky	2	2
M62.41	Kontraktúra svalu v obl. pleca	2	2	M63.25	Myozitída pri inej infek. chorobe zatried. i. v obl. pan. a stehna	2	2
M62.42	Kontraktúra svalu nadlaktia	2	2	M63.26	Myozitída pri inej infek. chorobe zatried. i. v obl. predkol.	2	2
M62.43	Kontraktúra svalu predlak.	2	2	M63.27	Myozitída pri inej infek. chorobe zatried. i. v obl. čl. a nohy	2	2
M62.44	Kontraktúra svalu ruky	2	2	M63.28	Myozitída pri inej infek. chorobe zatried. i. na i. mieste	2	2
M62.45	Kontraktúra svalu panv. obl. a stehna	2	2				
M62.46	Kontraktúra svalu predkol.	2	2				
M62.47	Kontraktúra svalu čl. a nohy	2	2				
M62.48	Kontraktúra svalu na i. mieste	2	2				
M62.49	Kontraktúra svalu, miesto bližšie neurčené	2	2				
M62.50	Zmenšenie a atrofia svalu, nezatr. i. na viac. m.	2	2				
M62.51	Zmenšenie a atrofia svalu, nezatr. i. v obl. pleca	2	2				
M62.52	Zmenšenie a atrofia svalu, nezatr. i. v obl. nadlaktia	2	2				
M62.53	Zmenšenie a atrofia svalu, nezatr. i. v obl. predlak.	2	2				
M62.54	Zmenšenie a atrofia svalu, nezatr. i. v obl. ruky	2	2				
M62.55	Zmenšenie a atrofia svalu, nezatr. i. v obl. panvy a stehna	2	2				
M62.56	Zmenšenie a atrofia svalu, nezatr. i. v obl. predkol.	2	2				
M62.57	Zmenšenie a atrofia svalu, nezatr. i. v obl. čl. a nohy	2	2				
M62.58	Zmenšenie a atrofia svalu, nezatr. i. na i. mieste	2	2				

ICD	Text	OP. CCL	Med. CCL	ICD	Text	OP. CCL	Med. CCL
M63.29	Myozitída pri inej infek. chorobe zatried. i., miesto bliž. neurč.	2	2	M84.22	Predĺžené zahojenie zlomeniny nadlaktia	2,3	2
M63.30	Myozitída pri sarkoidóze na viac. m.	2	2	M84.23	Predĺžené zahojenie zlomeniny predlak.	2,3	2
M63.31	Myozitída pri sarkoidóze, v obl. pleca	2	2	M84.24	Predĺžené zahojenie zlomeniny ruky	2,3	2
M63.32	Myozitída pri sarkoidóze, v obl. nadlaktia	2	2	M84.25	Predĺžené zahojenie zlomeniny panv. obl. a stehna	2,3	2
M63.33	Myozitída pri sarkoidóze, v obl. predlak.	2	2	M84.26	Predĺžené zahojenie zlomeniny predkol.	2,3	2
M63.34	Myozitída pri sarkoidóze, v obl. ruky	2	2	M84.27	Predĺžené zahojenie zlomeniny čl. a nohy	2,3	2
M63.35	Myozitída pri sarkoidóze, v obl. panv. a stehna	2	2	M84.28	Predĺžené zahojenie zlomeniny na i. mieste	2,3	2
M63.36	Myozitída pri sarkoidóze, v obl. predkol.	2	2	M84.29	Predĺžené zahojenie zlomeniny na n. mieste	2,3	2
M63.37	Myozitída pri sarkoidóze, v obl. čl. a nohy	2	2	M84.30	Únavová zlomenina, nezatr. i. na viac. m.	2,3,4	1,2,3,4
M63.38	Myozitída pri sarkoidóze, na i. mieste	2	2	M84.31	Únavová zlomenina, nezatr. i. v obl. pleca	2,3,4	1,2,3,4
M63.39	Myozitída pri sarkoidóze, miesto bliž. neurč.	2	2	M84.32	Únavová zlomenina, nezatr. i. v obl. nadlaktia	2,3,4	1,2,3,4
M63.80	Iné choroby svalov pri chor. zatried. i. na viac. m.	2	2	M84.33	Únavová zlomenina, nezatr. i. v obl. predlak.	2,3,4	1,2,3,4
M63.81	Iné choroby svalov pri chor. zatried. i. v obl. pleca	2	2	M84.34	Únavová zlomenina, nezatr. i. v obl. ruky	2,3,4	1,2,3,4
M63.82	Iné choroby svalov pri chor. zatried. i. v obl. nadlaktia	2	2	M84.35	Únavová zlomenina, nezatr. i. v obl. panvy a stehna	2,3,4	1,2,3,4
M63.83	Iné choroby svalov pri chor. zatried. i. v obl. predlak.	2	2	M84.36	Únavová zlomenina, nezatr. i. v obl. predkol.	2,3,4	1,2,3,4
M63.84	Iné choroby svalov pri chor. zatried. i. v obl. ruky	2	2	M84.37	Únavová zlomenina, nezatr. i. v obl. čl. a nohy	2,3,4	1,2,3,4
M63.85	Iné choroby svalov pri chor. zatried. i. v obl. pan. a stehna	2	2	M84.38	Únavová zlomenina, nezatr. i. na i. mieste	2,3,4	1,2,3,4
M63.86	Iné choroby svalov pri chor. zatried. i. v obl. predkol.	2	2	M84.39	Únavová zlomenina, nezatr. i., miesto bliž. neurč.	2,3,4	1,2,3,4
M63.87	Iné choroby svalov pri chor. zatried. i. v obl. čl. a nohy	2	2	M84.40	Patologická zlomenina, nezatr. i. na viac. m.	2,3,4	1,2,3,4
M63.88	Iné choroby svalov pri chor. zatried. i. na i. mieste	2	2	M84.41	Patologická zlomenina, nezatr. i. v obl. pleca	2,3,4	1,2,3,4
M63.89	Iné choroby svalov pri chor. zatried. i., miesto bliž. neurč.	2	2	M84.42	Patologická zlomenina, nezatr. i. v obl. nadlaktia	2,3,4	1,2,3,4
M73.00	Gonokoková burzitída na viacerých miestach (A54.4†)	4	4	M84.43	Patologická zlomenina, nezatr. i. v obl. predlak.	2,3,4	1,2,3,4
M73.01	Gonokokov burzitída v obl. pleca	4	4	M84.44	Patologická zlomenina, nezatr. i. v obl. ruky	2,3,4	1,2,3,4
M73.02	Gonokokov burzitída nadlaktia	4	4	M84.45	Patologická zlomenina, nezatr. i. v obl. panv. obl. a stehna	2,3,4	1,2,3,4
M73.03	Gonokokov burzitída predlak.	4	4	M84.46	Patologická zlomenina, nezatr. i. v obl. predkol.	2,3,4	1,2,3,4
M73.04	Gonokokov burzitída ruky	4	4	M84.47	Patologická zlomenina, nezatr. i. v obl. čl. a nohy	2,3,4	1,2,3,4
M73.05	Gonokokov burzitída panv. obl. a stehna	4	4	M84.48	Patologická zlomenina, nezatr. i. na i. mieste	2,3,4	1,2,3,4
M73.06	Gonokokov burzitída predkol.	4	4	M84.49	Patologická zlomenina, nezatr. i., miesto bliž. neurč.	2,3,4	1,2,3,4
M73.07	Gonokokov burzitída čl. a nohy	4	4	M86.00	Akútna hematogénna osteomyelitída na viac. m.	2,3,4	2,4
M73.08	Gonokokov burzitída na i. mieste	4	4	M86.01	Akútna hematogénna osteomyelitída v obl. pleca	2,3,4	2,4
M73.09	Gonokokov burzitída, miesto bliž. neurč.	4	4	M86.02	Akútna hematogénna osteomyelitída nadlaktia	2,3,4	2,4
M84.00	Zle zahojená zlomenina na viacerých miestach	2,3	2	M86.03	Akútna hematogénna osteomyelitída predlak.	2,3,4	2,4
M84.01	Zle zahojená zlomenina v obl. pleca	2,3	2	M86.04	Akútna hematogénna osteomyelitída ruky	2,3,4	2,4
M84.02	Zle zahojená zlomenina nadlaktia	2,3	2	M86.05	Akútna hematogénna osteomyelitída panv. obl. a stehna	2,3,4	2,4
M84.03	Zle zahojená zlomenina predlak.	2,3	2	M86.06	Akútna hematogénna osteomyelitída predkol.	2,3,4	2,4
M84.04	Zle zahojená zlomenina ruky	2,3	2	M86.07	Akútna hematogénna osteomyelitída čl. a nohy	2,3,4	2,4
M84.05	Zle zahojená zlomenina panv. obl. a stehna	2,3	2	M86.08	Akútna hematogénna osteomyelitída na i. mieste	2,3,4	2,4
M84.06	Zle zahojená zlomenina predkol.	2,3	2	M86.09	Akútna hematogénna osteomyelitída, miesto bliž. neurč.	2,3,4	2,4
M84.07	Zle zahojená zlomenina čl. a nohy	2,3	2	M86.10	Iná akútna osteomyelitída na viacerých miestach	2,3,4	2,4
M84.08	Zle zahojená zlomenina na i. mieste	2,3	2	M86.11	Iná akútna osteomyelitída v obl. pleca	2,3,4	2,4
M84.09	Zle zahojená zlomenina, miesto bliž. neurč.	2,3	2	M86.12	Iná akútna osteomyelitída nadlaktia	2,3,4	2,4
M84.10	Pseudoartróza po zlomenine na viacerých miestach	2,3	2	M86.13	Iná akútna osteomyelitída predlakútna	2,3,4	2,4
M84.11	Pseudoartróza po zlomenine v obl. pleca	2,3	2	M86.14	Iná akútna osteomyelitída ruky	2,3,4	2,4
M84.12	Pseudoartróza po zlomenine nadlaktia	2,3	2	M86.15	Iná akútna osteomyelitída panv. obl. a stehna	2,3,4	2,4
M84.13	Pseudoartróza po zlomenine predlak.	2,3	2	M86.16	Iná akútna osteomyelitída predkol.	2,3,4	2,4
M84.14	Pseudoartróza po zlomenine ruky	2,3	2	M86.17	Iná akútna osteomyelitída l. a nohy	2,3,4	2,4
M84.15	Pseudoartróza po zlomenine panv. obl. a stehna	2,3	2	M86.18	Iná akútna osteomyelitída na i. mieste	2,3,4	2,4
M84.16	Pseudoartróza po zlomenine predkol.	2,3	2	M86.19	Iná akútna osteomyelitída, miesto bliž. neurč.	2,3,4	2,4
M84.17	Pseudoartróza po zlomenine čl. a nohy	2,3	2	M86.20	Subakútna osteomyelitída na viacerých miestach	2,3,4	2,4
M84.18	Pseudoartróza po zlomenine na i. mieste	2,3	2	M86.21	Subakútna osteomyelitída v obl. pleca	2,3,4	2,4
M84.19	Pseudoartróza po zlomenine, miesto bliž. neurč.	2,3	2	M86.22	Subakútna osteomyelitída nadlaktia	2,3,4	2,4
M84.20	Predĺžené hojenie zlomeniny na viacerých miestach	2,3	2	M86.23	Subakútna osteomyelitída predlak.	2,3,4	2,4
M84.21	Predĺžené zahojenie zlomeniny v obl. pleca	2,3	2	M86.24	Subakútna osteomyelitída ruky	2,3,4	2,4
				M86.25	Subakútna osteomyelitída panv. obl. a stehna	2,3,4	2,4
				M86.26	Subakútna osteomyelitída predkol.	2,3,4	2,4

ICD	Text	OP. CCL	Med. CCL	ICD	Text	OP. CCL	Med. CCL
M86.27	Subakútna osteomyelitída čl.a nohy	2,3,4	2,4	M86.88	Iná osteomyelitída na i.mieste	4	4
M86.28	Subakútna osteomyelitída na i.mieste	2,3,4	2,4	M86.89	Iná osteomyelitída,miesto bliž.neurč.	4	4
M86.29	Subakútna osteomyelitída,miesto bliž.neurč.	2,3,4	2,4	M86.90	Osteomyelitída,bliž.neurč.na viac.m.	4	4
M86.30	Chron.multifokálna osteomyelitída na viac.m.	2,3,4	2,4	M86.91	Osteomyelitída,bliž.neurč.v obl.pleca	4	4
M86.31	Chron.multifokálna osteomyelitída v obl.pleca	2,3,4	2,4	M86.92	Osteomyelitída,bliž.neurč.v obl.nadlaktia	4	4
M86.32	Chron.multifokálna osteomyelitída nadlaktia	2,3,4	2,4	M86.93	Osteomyelitída,bliž.neurč.v obl.predlak.	4	4
M86.33	Chron.multifokálna osteomyelitída predlak.	2,3,4	2,4	M86.94	Osteomyelitída,bliž.neurč.v obl.ruky	4	4
M86.34	Chron.multifokálna osteomyelitída ruky	2,3,4	2,4	M86.95	Osteomyelitída,bliž.neurč.panv.obl.a stehna	4	4
M86.35	Chron.multifokálna osteomyelitída panv.obl.a stehna	2,3,4	2,4	M86.96	Osteomyelitída,bliž.neurč.v obl.predkol.	4	4
M86.36	Chron.multifokálna osteomyelitída predkol.	2,3,4	2,4	M86.97	Osteomyelitída,bliž.neurč.v obl.čl.a nohy	4	4
M86.37	Chron.multifokálna osteomyelitída čl.a nohy	2,3,4	2,4	M86.98	Osteomyelitída,bliž.neurč.na i.mieste	4	4
M86.38	Chron.multifokálna osteomyelitída na i.mieste	2,3,4	2,4	M86.99	Osteomyelitída,bliž.neurč.n,miesto bliž.neurč.	4	4
M86.39	Chron.multifokálna osteomyelitída,miesto bliž.neurč.	2,3,4	2,4	M87.02	Idiopat.aseptická nekróza kosti nadlaktia	4	4
M86.40	Chronická osteomyelitída s fistulou na viac.m.	2,3,4	2,4	M87.05	Idiopat.aseptická nekróza kosti panv.obl.a stehna	4	4
M86.41	Chronická osteomyelitída s fistulou v obl.pleca	2,3,4	2,4	M87.06	Idiopat.aseptická nekróza kosti predkol.	4	4
M86.42	Chronická osteomyelitída s fistulou nadlaktia	2,3,4	2,4	M87.07	Idiopat.aseptická nekróza kosti čl.a nohy	4	4
M86.43	Chronická osteomyelitída s fistulou predlak.	2,3,4	2,4	M87.09	Idiopat.aseptická nekróza kosti ,miesto bliž.neurč.	4	4
M86.44	Chronická osteomyelitída s fistulou ruky	2,3,4	2,4	M87.10	Osteonekróza zaprič.liekmi,na viac.m.	4	4
M86.45	Chronická osteomyelitída s fistulou panv.obl.a stehna	2,3,4	2,4	M87.11	Osteonekróza zaprič.liekmi,v obl.pleca	4	4
M86.46	Chronická osteomyelitída s fistulou predkol.	2,3,4	2,4	M87.12	Osteonekróza zaprič.liekmi,v obl.nadlaktia	4	4
M86.47	Chronická osteomyelitída s fistulou čl.a nohy	2,3,4	2,4	M87.13	Osteonekróza zaprič.liekmi,v obl.predlak.	4	4
M86.48	Chronická osteomyelitída s fistulou na i.mieste	2,3,4	2,4	M87.14	Osteonekróza zaprič.liekmi,v obl.ruky	4	4
M86.49	Chronická osteomyelitída s fistulou,miesto bliž.neurč.	2,3,4	2,4	M87.15	Osteonekróza zaprič.liekmi,panv.obl.a stehna	4	4
M86.50	Iná chronická hematogénna osteomyelit.na viac.m.	2,3,4	2,4	M87.16	Osteonekróza zaprič.liekmi,v obl.predkol.	4	4
M86.51	Iná chronická hematogénna osteomyelit.v obl.pleca	2,3,4	2,4	M87.17	Osteonekróza zaprič.liekmi,v obl.čl.a nohy	4	4
M86.52	Iná chronická hematogénna osteomyelit.nadlaktia	2,3,4	2,4	M87.18	Osteonekróza zaprič.liekmi,na i.mieste	4	4
M86.53	Iná chronická hematogénna osteomyelit.predlak.	2,3,4	2,4	M87.19	Osteonekróza zaprič.liekmi,miesto bliž.neurč.	4	4
M86.54	Iná chronická hematogénna osteomyelit.ruky	2,3,4	2,4	M87.20	Osteonekróza zaprič.predchádz.úrazom,na viac.m.	4	4
M86.55	Iná chronická hematogénna osteomyelit.panv.obl.a stehna	2,3,4	2,4	M87.21	Osteonekróza zaprič.predchádz.úrazom,v obl.pleca	4	4
M86.56	Iná chronická hematogénna osteomyelit.predkol.	2,3,4	2,4	M87.22	Osteonekróza zaprič.predchádz.úrazom,nadlaktia	4	4
M86.57	Iná chronická hematogénna osteomyelit.čl.a nohy	2,3,4	2,4	M87.23	Osteonekróza zaprič.predchádz.úrazom,predlak.	4	4
M86.58	Iná chronická hematogénna osteomyelit.na i.mieste	2,3,4	2,4	M87.24	Osteonekróza zaprič.predchádz.úrazom,ruky	4	4
M86.59	Iná chronická hematogénna osteomyelit.,miesto bliž.neurč.	2,3,4	2,4	M87.25	Osteonekróza zaprič.predchádz.úrazom,panv.obl.a stehna	4	4
M86.60	Iná chronická osteomyelitída na viacerých miestach	4	4	M87.26	Osteonekróza zaprič.predchádz.úrazom,predkol.	4	4
M86.61	Iná chronická osteomyelitída v obl.pleca	4	4	M87.27	Osteonekróza zaprič.predchádz.úrazom,čl.a nohy	4	4
M86.62	Iná chronická osteomyelitída nadlaktia	4	4	M87.28	Osteonekróza zaprič.predchádz.úrazom,na i.mieste	4	4
M86.63	Iná chronická osteomyelitída predlak.	4	4	M87.29	Osteonekróza zaprič.predchádz.úrazom,miesto bliž.neurč.	4	4
M86.64	Iná chronická osteomyelitída ruky	4	4	M87.30	Iná sekundárna osteonekróza na viacerých miestach	4	4
M86.65	Iná chronická osteomyelitída panv.obl.a stehna	4	4	M87.31	Iná sekundárna osteonekróza v obl.pleca	4	4
M86.66	Iná chronická osteomyelitída predkol.	4	4	M87.32	Iná sekundárna osteonekróza nadlaktia	4	4
M86.67	Iná chronická osteomyelitída čl.a nohy	4	4	M87.33	Iná sekundárna osteonekróza predlak.	4	4
M86.68	Iná chronická osteomyelitída na i.mieste	4	4	M87.34	Iná sekundárna osteonekróza ruky	4	4
M86.69	Iná chronická osteomyelitída,miesto bliž.neurč.	4	4	M87.35	Iná sekundárna osteonekróza panv.obl.a stehna	4	4
M86.80	Iná osteomyelitída na viacerých miestach	4	4	M87.36	Iná sekundárna osteonekróza predkol.	4	4
M86.81	Iná osteomyelitída v obl.pleca	4	4	M87.37	Iná sekundárna osteonekróza čl.a nohy	4	4
M86.82	Iná osteomyelitída nadlaktia	4	4	M87.38	Iná sekundárna osteonekróza na i.mieste	4	4
M86.83	Iná osteomyelitída predlak.	4	4	M87.39	Iná sekundárna osteonekróza,miesto bliž.neurč.	4	4
M86.84	Iná osteomyelitída ruky	4	4	M87.80	Iná osteonekróza na viacerých miestach	4	4
M86.85	Iná osteomyelitída panv.obl.a stehna	4	4	M87.81	Iná osteonekróza v obl.pleca	4	4
M86.86	Iná osteomyelitída predkol.	4	4	M87.82	Iná osteonekróza nadlaktia	4	4
M86.87	Iná osteomyelitída čl.a nohy	4	4	M87.83	Iná osteonekróza predlak.	4	4
				M87.84	Iná osteonekróza ruky	4	4
				M87.85	Iná osteonekróza panv.obl.a stehna	4	4
				M87.86	Iná osteonekróza predkol.	4	4
				M87.87	Iná osteonekróza čl.a nohy	4	4

ICD	Text	OP. CCL	Med. CCL	ICD	Text	OP. CCL	Med. CCL
M87.88	Iná osteonekróza na i.mieste	4	4	M90.35	Osteonekróza pri kesónovej chor.v obl.panvy a stehna	2,4	2
M87.89	Iná osteonekróza,miesto bližšie neurčené	4	4	M90.36	Osteonekróza pri kesónovej chor.v obl.predkol.	2,4	2
M87.90	Osteonekróza,bliž.neurč.na viac.m.	4	4	M90.37	Osteonekróza pri kesónovej chor.v obl.čl.a nohy	2,4	2
M87.91	Osteonekróza,bliž.neurč.v obl.pleca	4	4	M90.38	Osteonekróza pri kesónovej chor.na i.mieste	2,4	2
M87.92	Osteonekróza,bliž.neurč.v obl.nadlaktia	4	4	M90.39	Osteonekróza pri kesónovej chor.miesto bliž.neurč.	2,4	2
M87.93	Osteonekróza,bliž.neurč.v obl.predlak.	4	4	M90.40	Osteonekróza zaprič.hemoglobinopatiu,na viac.m.(D50-D64†)	2,4	2
M87.94	Osteonekróza,bliž.neurč.v obl.ruky	4	4	M90.41	Osteonekróza zaprič.hemoglobinopat.v obl.pleca	2,4	2
M87.95	Osteonekróza,bliž.neurč.panv.obl.a stehna	4	4	M90.42	Osteonekróza zaprič.hemoglobinopat.v obl.nadlaktia	2,4	2
M87.96	Osteonekróza,bliž.neurč.v obl.predkol.	4	4	M90.43	Osteonekróza zaprič.hemoglobinopat.v obl.predlak.	2,4	2
M87.97	Osteonekróza,bliž.neurč.v obl.čl.a nohy	4	4	M90.44	Osteonekróza zaprič.hemoglobinopat.v obl.ruky	2,4	2
M87.98	Osteonekróza,bliž.neurč.na i.mieste	4	4	M90.45	Osteonekróza zaprič.hemoglobinopat.v obl.panvy a stehna	2,4	2
M87.99	Osteonekróza,bliž.neurč.,miesto bliž.neur.	4	4	M90.46	Osteonekróza zaprič.hemoglobinopat.v obl.predkol.	2,4	2
M90.00	Tuberkulóza kosti na viacerých miestach (A18.0†)	2,4	2,4	M90.47	Osteonekróza zaprič.hemoglobinopat.v obl.čl.a nohy	2,4	2
M90.01	TBC kosti v obl.pleca	2,4	2,4	M90.48	Osteonekróza zaprič.hemoglobinopat.,na i.mieste	2,4	2
M90.02	TBC kosti nadlaktia	2,4	2,4	M90.49	Osteonekróza zaprič.hemoglobinopat.,miesto bliž.neurč.	2,4	2
M90.03	TBC kosti predlak.	2,4	2,4	M90.60	Deform.osteodystrofia pri nádoroch,na viac.m.	2,4	2
M90.04	TBC kosti ruky	2,4	2,4	M90.61	Deform.osteodystrofia pri nádoroch,v obl.pleca	2,4	2
M90.05	TBC kosti panv.obl.a stehna	2,4	2,4	M90.62	Deform.osteodystrofia pri nádoroch,v obl.nadlaktia	2,4	2
M90.06	TBC kosti predkol.	2,4	2,4	M90.63	Deform.osteodystrofia pri nádoroch,v obl.predlak.	2,4	2
M90.07	TBC kosti čl.a nohy	2,4	2,4	M90.64	Deform.osteodystrofia pri nádoroch,v obl.ruky	2,4	2
M90.08	TBC kosti na i.mieste	2,4	2,4	M90.65	Deform.osteodystrofia pri nádoroch,v obl.panvy a stehna	2,4	2
M90.09	Tuberkulóza kosti,miesto bližšie neurčené (A18.0†)	2,4	2,4	M90.66	Deform.osteodystrofia pri nádoroch,v obl.predkol.	2,4	2
M90.10	Periostitída pri i.infekč.chor.zatried.i.na viac.m.	2,4	2,4	M90.67	Deform.osteodystrofia pri nádoroch,v obl.čl.a nohy	2,4	2
M90.11	Periostitída pri i.infekč.chor.zatried.i.v obl.pleca	2,4	2,4	M90.68	Deform.osteodystrofia pri nádoroch,na i.mieste	2,4	2
M90.12	Periostitída pri i.infekč.chor.zatried.i.v obl.nadlaktia	2,4	2,4	M90.69	Deform.osteodystrofia pri nádoroch,miesto bliž.neurč.	2,4	2
M90.13	Periostitída pri i.infekč.chor.zatried.i.v obl.predlak.	2,4	2,4	M90.70	Zlomenina kosti pri nádore,na viac.m.t.	2,3,4	1,2,3,4
M90.14	Periostitída pri i.infekč.chor.zatried.i.v obl.ruky	2,4	2,4	M90.71	Zlomenina kosti pri nádore,v obl.pleca	2,3,4	1,2,3,4
M90.15	Periostitída pri i.infekč.chor.zatried.i.v obl.panvy a stehna	2,4	2,4	M90.72	Zlomenina kosti pri nádore,v obl.nadlaktia	2,3,4	1,2,3,4
M90.16	Periostitída pri i.infekč.chor.zatried.i.v obl.predkol.	2,4	2,4	M90.73	Zlomenina kosti pri nádore,v obl.predlak.	2,3,4	1,2,3,4
M90.17	Periostitída pri i.infekč.chor.zatried.i.v obl.čl.a nohy	2,4	2,4	M90.74	Zlomenina kosti pri nádore,v obl.ruky	2,3,4	1,2,3,4
M90.18	Periostitída pri i.infekč.chor.zatried.i.na i.mieste	2,4	2,4	M90.75	Zlomenina kosti pri nádore,v obl.panvy a stehna	2,3,4	1,2,3,4
M90.19	Periostitída pri i.infekč.chor.zatried.i.miasto bliž.neurč.	2,4	2,4	M90.76	Zlomenina kosti pri nádore,v obl.predkol.	2,3,4	1,2,3,4
M90.20	Osteopatia pri i.infekč.chor.zatried.i.na viac.m.	2,4	2,4	M90.77	Zlomenina kosti pri nádore,v obl.čl.a nohy	2,3,4	1,2,3,4
M90.21	Osteopatia pri i.infekč.chor.zatried.i.v obl.pleca	2,4	2,4	M90.78	Zlomenina kosti pri nádore,na i.mieste	2,3,4	1,2,3,4
M90.22	Osteopatia pri i.infekč.chor.zatried.i.v obl.nadlaktia	2,4	2,4	M90.79	Zlomenina kosti pri nádore,miesto bliž.neurč.	2,3,4	1,2,3,4
M90.23	Osteopatia pri i.infekč.chor.zatried.i.v obl.predlak.	2,4	2,4	M96.0	Pseudoartróza po fúzii alebo artrodéze	2,3	2
M90.24	Osteopatia pri i.infekč.chor.zatried.i.v obl.ruky	2,4	2,4	M96.6	Zlomen.kosti po vlož.ortop.impl.,kĺb.protézy/kostnej platničky	2,3,4	2,3,4
M90.25	Osteopatia pri i.infekč.chor.zatried.i.v obl.panvy a stehna	2,4	2,4	M96.80	Elektívne ponechané otvor.sternum po chirurg.výk.na hrudníku	2,3,4	2,3,4
M90.26	Osteopatia pri i.infekč.chor.zatried.i.v obl.predkol.	2,4	2,4	M96.81	Nestabilný hrudný kôš po chir.výk. na hrudníku	2,3,4	2,3,4
M90.27	Osteopatia pri i.infekč.chor.zatried.i. obl.čl.a nohy	2,4	2,4	M96.88	Iná choroba sústavy sval.a kostí po lek.výk.	2,3,4	2,3,4
M90.28	Osteopatia pri i.infekč.chor.zatried.i.na i.mieste	2,4	2,4	M96.9	Choroba svalovej a kostrovej sústavy po leká.r.výk.bliž.neurč.	2,3,4	2,4
M90.29	Osteopatia pri i.infekč.chor.zatried.i.miasto bliž.neurč.	2,4	2,4				
M90.30	Osteonekróza pri kesónovej chor.na viac.m.	2,4	2				
M90.31	Osteonekróza pri kesónovej chor.v obl.pleca	2,4	2				
M90.32	Osteonekróza pri kesónovej chor.v obl.nadlaktia	2,4	2				
M90.33	Osteonekróza pri kesónovej chor.v obl.predlak.	2,4	2				
M90.34	Osteonekróza pri kesónovej chor.v obl.ruky	2,4	2				

ICD	Text	OP. CCL	Med. CCL	ICD	Text	OP. CCL	Med. CCL
N00.0	Akútny nefritický syndróm:malé abnormality glomerulov	2,3,4	2,3	N04.4	Nefrotický synd.:dif.endokap.prolif.glomerulonefrit.	2,3,4	2,3,4
N00.1	Akútny nefritický synd.:fok.a segm.lézie glomerulov	2,3,4	2,3	N04.5	Nefrotický synd.:dif.mezangiokap.glomerulonefrit.	2,3,4	2,3,4
N00.2	Akútny nefritický synd.:dif.membránová glomerulonefrit.	2,3,4	2,3	N04.6	Nefrotický syndróm: choroba denzných depozitov	2,3,4	2,3,4
N00.3	Akútny nefritický synd.:dif.mezangioprolif.glomerulonefrit.	2,3,4	2,3	N04.7	Nefrotický synd.:dif.glomerulonefrit.s výrastkami	2,3,4	1,2,4
N00.4	Akútny nefritický synd.:dif.endokap.prolif.glomerulonefrit.	2,3,4	2,3	N04.8	Nefrotický syndróm: iné morfológické zmeny	2,3,4	1,2,4
N00.5	Akútny nefritický synd.:dif.mezangiokap.glomerulonefrit.	2,3,4	2,3	N04.9	Nefrotický synd.:morfol.zmena,blíž.neurč.	2,3,4	1,2,4
N00.6	Akútny nefritický synd.:chor.denzných depozitov	2,3,4	2,3	N08.3	Glomerul.choroba pri DM	4	4
N00.7	Akútny nefritický synd.:dif.glomerulonefrit.s výrastkami	2,3,4	2,3	N10	Akútna tubulointerstiálna nefritída	2,3,4	2,3,4
N00.8	Akútny nefritický synd.: iné morfológické zmeny	2,3,4	2,3	N12	Tubulointerstiálna nefritída,n.ako akút./chron.	2,3,4	2,3
N00.9	Akútny nefritický synd.:morfol.zmena,blíž.neurč.	2,3,4	2,3	N13.0	Hydronefróza s obštrukciou pyeloureterového prechodu	2,3,4	1,2,3
N01.0	Rýchlo progred.nefritický synd.:malé abn.glomerulov	2,3,4	2,3	N13.1	Hydronefróza so striktúrou močovodu,n.i.	2,3,4	1,2,3
N01.1	Rýchlo progred.nefrit.synd.:fok.a segm.lézie glomer.	2,3,4	2,3	N13.2	Hydronefróza pri obštrukcii kameňom obličky a močovodu	2,3,4	1,2,3
N01.2	Rýchlo progred.nefrit.ynd.:dif.membránová glom.nefrit.	2,3,4	2,3	N13.3	Iná a bližšie neurčená hydronefróza	2,3,4	1,2,3
N01.3	Rýchlo progred.nefrit.synd.:dif.mezangioprolif glom.nefrit.	2,3,4	2,3	N13.4	Hydroureter	2,3,4	1,2,3
N01.4	Rýchlo progred.nefrit.synd.:dif.endokap.prolif.glom.nefrit.	2,3,4	2,3	N13.5	Zalomenie a striktúra močovodu bez hydronefrózy	4	4
N01.5	Rýchlo progred.nefrit.synd.:dif.mezangiokap.glomerulonefrit.	2,3,4	2,3	N13.6	Pyonefros	2,3,4	1,2,3
N01.6	Rýchlo progred.nefritický synd.:chor.denzných depozitov	2,3,4	2,3	N13.8	Iná obštrukčná a refluxová uropatia	4	4
N01.7	Rýchlo progred.nefritický synd.:dif.glomerulonefrit.s výras.	2,3,4	2,3	N13.9	Obštrukčná a refluxová uropatia, bližšie neurčená	2,4	1,2,4
N01.8	Rýchlo progred.nefritický synd.:morfol.zemny	2,3,4	2,3	N15.10	Absces obličky	2,3,4	2,3,4
N01.9	Rýchlo progred.nefritický synd.:morfol.zmena,b.n.	2,3,4	2,3	N15.11	Perinefritický absces	2,3,4	2,3,4
N02.0	Recid.a pretrv.hematúria:malé abn.glomerulov	2,3	2,3	N17.0	Akútne zlyhanie obličiek s tubulovou nekrózou	2,3,4	2,3,4
N02.1	Recid.a pretrv.hematúria:fok.a segm.lézie glomerulov	2,3	2,3	N17.1	Akútne zlyhanie obličiek s akútnou kortikálnou nekrózou	2,3,4	2,3,4
N02.2	Recid.a pretrv.hematúria:dif.membránová glomerulonefrit.	2,3	2,3	N17.2	Akútne zlyhanie obličiek s dreňovou nekrózou	2,3,4	2,3,4
N02.3	Recid.a pretrv.hematúria:dif.mezangioprolif glomerulonefrit.	2,3	2,3	N17.8	Iné akútne zlyhanie obličiek	2,3,4	2,3,4
N02.4	Recid.a pretrv.hematúria:dif.endokap.prolif glomerulonefrit.	2,3	2,3	N17.9	Akútne zlyhanie obličiek,blížšie neurčené	2,3,4	2,3,4
N02.5	Recid.a pretrv.hematúria:dif.mezangiokap glomerulonefrit.	2,3	2,3	N18.1	Chronická choroba obličiek,1.štádium	1,2,4	1,2,3,4
N02.6	Recid.a pretrv.hematúria:chor.denzných depozitov	2,3	2,3	N18.2	Chronická choroba obličiek,2.štádium	1,2,4	1,2,3,4
N02.7	Recid.a pretrv.hematúria:dif.glomerulonefrit.s výrastkami	2,3	2,3	N18.3	Chronická choroba obličiek,3.štádium	1,2,3,4	1,2,3,4
N02.8	Recid.a pretrv.hematúria:iné morfol.zmeny	2,3	2,3	N18.4	Chronická choroba obličiek,4.štádium	2,3,4	2,3,4
N02.9	Recid.a pretrv.hematúria:morfol.zmena,blíž.neurč.	2,3	2,3	N18.5	Chronická choroba obličiek,5.štádium	2,3,4	2,3
N03.6	Chron.nefritický synd.:chor.denzných depozitov	2,3,4	1,2,4	N18.80	Jednostranná chronická porucha funkcie obličky	1,2,4	1,2,3,4
N04.0	Nefrotický syndróm:malé abnormality glomerulov	2,3,4	2,3,4	N18.89	Iná chronická choroba obličiek,štádium,b.n.	4	4
N04.1	Nefrotický synd.:fok.a segm.lézie glomerulov	2,3,4	1,2,4	N18.9	Chronická choroba obličiek,blížšie neurčená	4	4
N04.2	Nefrotický synd.:dif.membránová glomerulonefrit.	2,3,4	1,2,4	N19	Zlyhanie obličiek,blížšie neurčené	4	4
N04.3	Nefrotický synd.:dif.mezangioprolif.glomerulonefrit.	2,3,4	2,3,4	N20.0	Konkrement obličky	4	4
				N20.1	Konkrement močovodu	2,3,4	1,2,3
				N20.2	Konkrement obličky s konkrementom močovodu	4	4
				N25.1	Nefrogénny diabetes insipidus	4	4
				N28.0	Ischémia a infarkt obličky	4	4
				N30.0	Akútna cystitída	1	1
				N30.1	Interstiálna cystitída (chronická)	2,3,4	2,3
				N30.4	Postradiačná cystitída	2,3,4	1,2
				N31.2	Atonický neurogénny močový mechúr,nezatr.i.	2,3,4	1,2
				N32.0	Obštrukcia krčka močového mechúra	2,3,4	1,2
				N32.1	Vezikointestinálna fistula	2,3,4	2,3,4
				N32.2	Fistula močového mechúra,nezatriedená inde	2,3,4	2,3,4
				N32.3	Divertikul močového mechúra	4	4
				N32.4	Ruptúra močového mechúra,neúrazová	2,3,4	2,3,4
				N33.0	Tuberkulózná cystitída (A18.1†)	2,3,4	2,3
				N33.8	Choroba močového mechúra pri iných chor.z.i	2,3,4	2,3
				N34.0	Absces močovej rúry	2,3,4	2,3,4
				N35.0	Pourazová striktúra uretry	2	2
				N35.8	Iná striktúra uretry	4	4
				N36.0	Fistula uretry	4	4
				N36.1	Divertikul uretry	4	4

ICD	Text	OP. CCL	Med. CCL	ICD	Text	OP. CCL	Med. CCL
N39.3	Stresová inkontinencia moču	1	1	O03.7	Spont.potrat:komplet./bliž.neurč.potrat,kompl.embóliou	2	2
N39.40	Reflexná inkontinencia moču	1	1	O03.8	Spont.potrat:komplet./bliž.neurč.potrat s i.a bliž.neur.kompl.	2	2
N39.41	Inkontinencia moču z pretekania	1	1	O03.9	Spont.potrat:komplet./bliž.n.eurč.potrat bez kompl.	2	2
N39.42	Nutková inkontinencia moču	1	1	O08.0	Infekcia pohlav.a panv.org.po potrate,mimomat.gr.a gr.s MH	2	2
N39.43	Extrauretrálna inkontinencia moču	1	1	O08.1	Onesk./nadm.krvác.po potr,mimomat.gr.a grav.s malou hydati.	2	2
N39.47	Recidivujúca inkontinencia moču	1	1	O08.2	Embólia po potrate,mimomat.grav.a grav.s molou hydratidos	2	2
N39.48	Iná inkontinencia moču,bližšie určená	1	1	O08.3	Šok po potrate,mimomat.grav.a grav.s molou hydratidos	2	2
N41.0	Akútna prostatitída	2	2	O08.4	Zlyháv.obličiek po potrate,mimomat.grav.a grav.s mal hydati.	2	2
N41.2	Absces prostaty	2	2	O08.5	Metabické poruchy po potrate,mimomat.gr.a gr.s mal.hydati.	2	2
N41.3	Prostatocystitída	2	2	O08.6	Pošk.panv.org.a tk.po potr,mimomat.gr.a grav.s malou hydati.	2	2
N42.1	Kongescia a krvácanie z prostaty	1,2	1,2	O08.7	Iné žil.kompl.po potrate,mimomat.grav.a grav.s malou hydati.	2	2
N43.1	Infikovaná hydrokéla	2,4	2,4	O08.8	Iné kompl.po potrate,mimomat.grav.a grav.s molou hydratid.	2	2
N44.0	Torzia semenníka	4	4	O08.9	Kompl.po potrate,mimomat.grav.a grav.s molou hydratid.b.n.	2	2
N44.1	Torzia hidatídy [Morgagni]	4	4	O11	Pred.exi.art.hypert.,kompl.grav.,pôr.a šest.,s nas.preek.	2	2
N45.0	Orchitída,epididymitída a epididymoorchitída s abscesom	2,4	2,4	O13	Gestačná artér.hypert.bez významnej proteinúrie	2	2
N63	Hrčka v prsníku,bližšie neurčená	1,2	2	O14.0	Mierna a stredne ťažká preeklampsia	2	2
N70.0	Akútna salpingitída a ooforitída	2	2	O14.1	Ťažká preeklampsia	2	2
N71.0	Akútna zápalová choroba maternice	2	2	O14.2	Syndróm HELLP	2	2
N73.0	Akútna parametritída a panvová celulitída	2	2	O14.9	Preeklampsia,bližšie neurčená	2	2
N73.3	Akútna pelveoperitonitída u žien	2	2	O15.0	Eklampsia v gravidite	2	2
N73.5	Pelveoperitonitída u žien,bližšie neurčená	2	2	O15.1	Eklampsia pri pôrode	2	2
N74.0	Tuberkulózná infekcia krčka maternice (A18.1†)	2	2	O15.2	Eklampsia v šestonedelí	2	2
N74.1	Tuberkulózný zápal ženských panvov.org.	2	2	O15.9	Eklampsia,časovo bližšie neurčená	2	2
N75.1	Absces Bartholinovej žľazy	2	2	O20.0	Hrozíaci potrat (abortus imminens)	2	2
N76.4	Absces vulvy	2,4	2,4	O20.8	Iné krvácanie vo včasnej gravidite	2	2
N82.0	Vezikovaginálna fistula	4	4	O20.9	Krvácanie vo včasnej gravidite,bližšie neurčené	2	2
N82.1	Iná fistula medzi ženskými moč.a pohlav.oránmi	4	4	O22.2	Povrchová tromboflebitída v gravidite	2	2
N82.2	Fistula medzi pošvou a tenkým črevom	2,4	2,3,4	O22.3	Hĺbková flebotrombóza v gravidite	2	2
N82.3	Fistula medzi pošvou a hrubým črevom	2,4	2,3,4	O22.5	Trombóza mozgových žíl v gravidite	2	2
N82.4	Iná fistula medzi ženskými pohlav.org.a črevom	2,4	2,3,4	O23.0	Infekcia obličiek v gravidite	2	2
N82.5	Fistula medzi ženskými pohlavnými orgánmi a kožou	4	4	O23.1	Infekcia močového mechúra v gravidite	2	2
N82.8	Iná fistula ženských pohlavných orgánov	4	4	O23.2	Infekcia močovej rúry v gravidite	2	2
N82.9	Fistula ženských pohlavných orgánov,bliž.neurč.	4	4	O23.3	Infekcia iných častí močovej sústavy v gravidite	2	2
N83.5	Torzia vaječníka, topky vaječníka a vajíčkovodu	4	4	O23.4	Infekcia moč.sústavy v gravidite,b.n.	2	2
N83.7	Hematóm širokého väzu maternice	1,2	1	O23.5	Infekcia pohlavných orgánov v gravidite	2	2
N98.0	Infekcia spojená s umelým oplodením	2,3,4	2,3	O23.9	Iná a bliž.neu.infekcia močovopohl.org.v grav.	2	2
N98.2	Komplikácie pri pokuse zaviesť oplod.vajičko po oplod.in vitro	2,3,4	2,3	O24.0	DM v gravidite predtým existuj.DM,typ 1	1,2	1,2
N98.3	Komplikácie pri pokuse zaviesť embryo pri prenose embrya	2,3,4	2,3	O24.1	DM v gravidite predtým existuj.DM,typ 2	1,2	1,2
N98.8	Iné komplikácie spojené s umelým oplodením	2,3,4	2,3	O24.2	DM v gravidite predtým existuj.DM súvis.s podvýživou	1,2	1,2
N98.9	Komplikácie spojené s umelým oplodením,b.n.	2,3,4	2,3	O24.3	DM v gravidite predtým existuj.DM,b.n.	1,2	1,2
N99.1	Striktúra uretry po lekárskom výkone	4	4	O24.4	Diabetes mellitus so vznikom v gravidite	1,2	1,2
N99.3	Prolaps pošvovej klenby po hysterektómii	1,2	1	O24.9	Diabetes mellitus v gravidite,bližšie neurčený	1,2	1,2
O03.0	Spont.potrat:nekomplet.potrat,kompl.infekc.po hl.a panv.org.	2	2	O26.6	Choroba pečene v gravidite,pri pôrode a v šestonedelí	2	2
O03.1	Spont.potrat:nekomplet.potrat,kompl.oneskor./nadmer.krvác.	2	2	O29.0	Pľúcne komplikácie anestézie v gravidite	2	2
O03.2	Spont.potrat:nekomplet.potrat,komplikovaný embóliou	2	2	O29.1	Srdcové komplikácie anestézie v gravidite	2	2
O03.3	Spont.potrat:nekomplet.potrat s i.a bliž.neurč.kompl.	2	2	O29.2	Komplikácie v CNS v spoj.s anestéziou v gravidite	2	2
O03.4	Spont.potrat:nekomplet.potrat bez kompl.	2	2	O29.3	Toxická reakcia na lokálnu anestéziu v gravidite	2	2
O03.5	Spont.potrat:komplet./bliž.n.potrat,kompl.inf.p ohl.a panv.org.	2	2				
O03.6	Spont.potrat:komplet./bliž.n.potrat,kompl.oneskor./nadm.krvác.	2	2				

ICD	Text	OP. CCL	Med. CCL	ICD	Text	OP. CCL	Med. CCL
O29.4	Bolesť hlavy, po spinál. a epidurál. anest. v grav.	2	2	O89.1	Srdcové komplikácie anestézie v šestonedelí	2	2
O29.5	Iná komplikácia spinál. a epidurál. anestézie v grav.	2	2	O89.2	Komplikácie CNS v spojení s anestéziou v šestonedelí	2	2
O29.6	Neúspešná alebo sťažená intubácia v gravidite	2	2	O89.3	Toxická reakcia na lokálnu anestéziu v šestonedelí	2	2
O29.8	Iné komplikácie anestézie v gravidite	2	2	O89.4	Bolesť hlavy, zapríč. spinál. a epidurál. anest. v šeston.	2	2
O29.9	Komplikácia anestézie v gravidite, bližšie neurčená	2	2	O89.5	Iné kompl. spin. a epid. anestézie v šeston.	2	2
O44.00	Nízko uložená placenta bez krvácania	1,2	2	O89.6	Neúspešná alebo sťažená intubácia v šestonedelí	2	2
O44.01	Placenta praevia bez krvácania	1,2	2	O89.8	Iné komplikácie anestézie v šestonedelí	2	2
O44.10	Nízko uložená placenta s prebiehajúcim krvácaním	1,2	2	O89.9	Kompl. anestézie v šestonedelí, b.n.	2	2
O44.11	Placenta praevia s prebiehajúcim krvácaním	1,2	2	O90.1	Dehiscencia pôrodnicej rany hrádze	2	2
O45.0	Predčasné odlupovanie placenty s poruchou koagulácie	2	2	O90.3	Kardiomyopatia v šestonedelí	2	2
O46.0	Krvácanie pred pôrodom s poruchou zrážanlivosti	2	2	O90.4	Akutné poškodenie obličiek po pôrode	2	2
O46.8	Iné krvácanie pred pôrodom	2	2	O98.0	TBC, kompl. graviditu, pôrod a šestonedelie	2	2
O46.9	Krvácanie pred pôrodom, bližšie neurčené	2	2	O99.0	Anémia, komplikujúca graviditu, pôrod a šestonedelie	2	2
O47.0	Falošná pôr. činnosť pred ukonč. 37. týž. gravidity	2	2	O99.4	Choroba obeh. súst. kompl. grav. pôrod a šeston.	2	2
O67.0	Krvácanie pri pôrode s poruchou koagulácie	2	2	P01.6	Poškodenie plodu a novorodenca smrťou matky	3	3
O67.8	Iné krvácanie pri pôrode	1,2	2	P07.00	Novorodenec s pôrod. hmotnosť. menej ako 500 gr.	2,3,4	1,2,3
O67.9	Krvácanie pri pôrode, bližšie neurčené	1,2	2	P07.01	Novorodenec s pôrod. hmotnosť. od 500 do 750 gr.	2,3,4	1,2,3
O71.0	Ruptúra maternice pred začiatkom pôrodnej činnosti	2	2	P07.02	Novorodenec s pôrod. hmotnosť. od 750 do 1000 gr.	2,3,4	1,2,3
O71.1	Ruptúra maternice počas pôrodnej činnosti	2	2	P07.2	Novorodenec s extrémnou nezrelosťou	2,3,4	1,2,3
O72.3	Poruchy zrážanlivosti krvi po pôrode	2	2	P10.0	Subdurálne kvácanie zapríč. poran. pri pôrode	4	4
O74.0	Aspiračná pneumónia zapríč. anestéziou počas pôr. č. a pôrodu	2	2	P10.1	Mozgové krvácanie zapríčinené poranením pri pôrode	4	4
O74.1	Iné pľúcne kompl. anestézie počas pôrod. čin. a pôrodu	2	2	P10.2	Vnútrokomorové kvácanie zapríč. poran. pri pôrode	4	4
O74.2	Srdcové kompl. anestézie počas pôrod. čin. a pôrodu	2	2	P10.3	Subarachnoidálne kvácanie zapríč. poran. pri pôrode	4	4
O74.3	Komplik. CNS s spojení s anestéziou počas pôrod. čin.	2	2	P10.4	Roztrhnutie tentória zapríč. poran. pri pôrode	4	4
O74.4	Toxická reakcia na lokálnu anestéziu počas pôr. čin. a pôrodu	2	2	P10.8	Iné vnútroleb. poran. a kvácania zapríč. poran. pri pôrode	4	4
O74.5	Bolesť hlavy, zapr. spinál. a epidurál. anest. počas pôr. čin. a pôr.	2	2	P10.9	Bliž. neur. vnútroleb. poran. a kvácanie zapríč. poran. pri pôrode	4	4
O74.6	Iné kompl. spinál. a epidurál. anestézie počas pôr. čin. a pôrodu	2	2	P11.1	Iné poškodenie mozgu, zapríč. poran. pri pôrode, b.u.	4	4
O74.7	Neúspešná/sťažená intubácia počas pôr. čin. a pôrodu	2	2	P11.2	Bliž. neur. poškodenie mozgu, zapríč. poran. pri pôrode	4	4
O74.8	Iné komplik. anestézie počas pôr. čin. a pôrodu	2	2	P11.50	Pôrodné poran. chrčtice a miechy s akút. ochrnutím	2,4	2,3
O74.9	Komplik. anestézie počas pôr. čin. a pôrodu, b.n.	2	2	P11.51	Pôrodné poran. chrčtice a miechy s chron. ochrnutím	2,4	2,3
O75.1	Šok počas pôrodnej činnosti, po nej a po pôrode	2	2	P11.59	Pôrodné poran. chrčtice a miechy, b.n.	2,4	2,3
O75.3	Iná infekcia počas pôrodnej činnosti	2	2	P15.6	Nekróza podkožného tuku, zapríč. poran. ri pôrode	4	4
O85	Puerperálna sepsa	2	2	P21.0	Ťažká pôrodná asfyxia	1,2	2
O86.0	Infekcia pôrodnicej operačnej rany	2	2	P22.0	Synd. respiračnej tiesne novorod.	4	4
O86.1	Iná infekcia pohlavných orgánov po pôrode	2	2	P23.0	Vrodený zápal pľúc, zapríčinený vírusom	4	4
O86.3	Iná infekcia močovo-pohlavnej sústavy po pôrode	2	2	P23.1	Vrodený zápal pľúc, zapríčinený chlamýdiou	4	4
O86.8	Iná puerperálna infekcia, bližšie určená	2	2	P23.2	Vrodený zápal pľúc, zapríčinený stafylokokom	4	4
O87.0	Povrchová tromboflebitída v šestonedelí	2	2	P23.3	Vrodený zápal pľúc, zapr. streptok. skupiny B	4	4
O87.1	Hĺbková žilová trombóza (flebotrombóza) v šestonedelí	2	2	P23.4	Vrodený zápal pľúc, zapríčinený Escherichia coli	4	4
O87.3	Trombóza mozgových žíl v šestonedelí	2	2	P23.5	Vrodený zápal pľúc, zapríčinený pseudomonas	4	4
O88.0	Vzduchová embólia v gestačnom období	2	2	P23.6	Vrodený zápal pľúc, zapríčinený inou baktériou	4	4
O88.1	Embólia plodovou vodou	2	2	P23.8	Vrodený zápal pľúc, zapríčinený iným organizmom	4	4
O88.20	Tromboembólia pľúc v gestačnom období	2	2	P23.9	Vrodený zápal pľúc, bližšie neurčený	4	4
O88.28	Iná tromboembólia v gestačnom období	2	2	P24.0	Novorodenecká aspirácia smolky	4	4
O88.3	Pyemická a septická embólia v gestačnom období	2	2	P24.1	Novorodenecká aspirácia plodovej vody a hlienu	4	4
O88.8	Iná embólia v gestačnom období	2	2				
O89.0	Pľúcne komplikácie anestézie v šestonedelí	2	2				

ICD	Text	OP. CCL	Med. CCL	ICD	Text	OP. CCL	Med. CCL
P24.2	Novorodenecká aspirácia krvi	4	4	P55.8	Iná hemolytická choroba plodu a novorodenca	2,3	1,2,3
P24.3	Novorod.aspirácia mlieka a regurgitovanej potravy	4	4	P55.9	Hemolytická chor.plodu a novorod.,b.n.	2,3	1,2,3
P24.8	Iný novorodenecký syndróm z aspirácie	4	4	P56.0	Hydrops plodu v dôsledku izoimunizácie	4	4
P24.9	Novorodenecký syndróm z aspirácie,blížšie neurčený	4	4	P56.9	Hydrops plodu v dôsl.i.a b.n.hemolytickej chor.	4	4
P25.0	Interstic.emfyzém so vznikom v perinatálnom obd.	4	4	P57.0	Jadrový ikterus v dôsledku izoimunizácie	4	4
P25.1	Pneumotorax so vznikom v perinatálnom období	4	4	P57.8	Iný jadrový ikterus,blížšie určený	4	4
P25.2	Pneumomediastinum so vznikom v perinatálnom období	4	4	P57.9	Jadrový ikterus,blížšie neurčený	4	4
P25.3	Pneumoperikard so vznikom v perinatálnom období	4	4	P59.1	Syndróm hustej žlče	1,2,3,4	1,2,3,4
P25.8	Iné stavy súvis.s interstic.emfyz.so vznik.v perinat.obd.	4	4	P59.2	Novorod.žltáčka z iného a blíž.neurč.pošk.pečeňových buniek	1,2,3,4	1,2,3,4
P26.0	Tracheobronchiálne krvácanie so vznik.v perinat.obd.	4	4	P60	Diseminovaná intravaskulárna koagul.plodu a novorod.	2,3,4	1,2,3,4
P26.1	Masívne pľúcne krvác.so vznikom v perinat.obd.	4	4	P61.0	Prechodná novorodenecká trombocytopenia	2,3,4	1,2,3,4
P26.8	Iné pľúcne krvác.so vznikom v perinat.období	4	4	P61.6	Iná prechodná novorodenecká porucha zrážania	2,3	1,2,3
P26.9	Pľúcne krvác.so vznik.v perinat.období.b.n.	4	4	P70.2	Diabetes mellitus u novorodenca	2,4	2,3,4
P27.0	Wilsonov-Mikityho syndróm	2,3,4	2,4	P70.3	Iatrogénna hypoglykémia u novorodenca	2,3	2
P27.1	Bronchopulmonálna dysplázia so vznik.v perin.obd.	2,3,4	2,4	P70.4	Iná hypoglykémia u novorodenca	2,3	2
P27.8	Iná chronická respirač.chor.so vznik.v perinatál.obd.	2,3,4	2,4	P71.0	Hypokalcémia z kravského mlieka u novorodenca	2,3,4	2,3
P27.9	Blíž.neurč.chron.respirač.choroba so vznikom v perinat.období	2,3,4	2,4	P71.1	Iná hypokalcémia u novorodenca	2,3,4	2,3
P35.0	Rubeolová embryopatia	2,4	2,4	P71.2	Hypomagneziémia u novorodenca	2,3,4	2,3
P35.1	Vrodená cytomegalovírusová infekcia	2,4	2,4	P71.3	Novorod.tetania bez nedost.kalcia/magnézia	2,3,4	2,3
P35.2	Vrodená infekcia vírusom herpes simplex	2,4	2,4	P71.4	Prechodná hypoparatyreóza u novorodenca	2,3,4	2,3
P35.3	Vrodená vírusová hepatitída	1,2,3,4	1,2,3,4	P71.8	Iná prech.porucha metabol.vápnika a horčička u novorod.	2,3,4	2,3
P35.8	Iná vrodená vírusová choroba	2,4	2,4	P71.9	Prechodná porucha metabol.vápnika a horčička u novorod.,b.n.	2,3,4	2,3
P35.9	Vrodená vírusová choroba,blížšie neurčená	2,4	2,4	P72.0	Struma u novorodenca,nezatriedená inde	2,3,4	2,3
P36.0	Sepsa u novorod.zapríč.sterpt.zo skupiny B	4	4	P72.1	Prechodná hypertyreóza u novorodenca	4	4
P36.1	Sepsa u novorod.zapríč.i.a b.n.sterpt.	4	4	P74.0	Neskorá metabolická acidóza u novorodenca	2,3,4	2,3
P36.2	Sepsa u novorod.zapríč.staphylococcus aureus	4	4	P74.1	Dehydratácia u novorodenca	2,3,4	2,3
P36.3	Sepsa u novorod.zapríč.i.a blíž.neurč.stafylokokom	4	4	P74.2	Porucha rovnováhy sodíka u novorodenca	2,3,4	2,3
P36.4	Sepsa u novorodenca,zapríčinená escherichia coli	4	4	P74.3	Porucha rovnováhy draslíka u novorodenca	2,3,4	2,3
P36.5	Sepsa u novorod.zapríč.anaeróbnym mikroorganizmom	4	4	P74.4	Iná prechodná elektrolytová porucha u novorodenca	2,3,4	2,3
P36.8	Iná baktériová sepsa u novorodenca	4	4	P76.2	Črevná nepriechod.zapríč.zahusteným mliekom	2,3,4	2,3
P36.9	Baktériová sepsa u novorodenca,blížšie neurčená	4	4	P77	Nekrotizujúca enterokolitída plodu a novorodenca	2,4	2,3,4
P37.0	Vrodená tuberkulóza	4	4	P78.0	Perinatálna perforácia čreva	4	4
P37.1	Vrodená toxoplazmóza	4	4	P78.1	Iná novorodenecká peritonitída	4	4
P37.2	Novorodenecká (diseminovaná) listerióza	4	4	P83.0	Sclerema neonatorum	4	4
P37.3	Vrodená malária plasmodium falciparum	4	4	P83.2	Hydrops plodu, nezapríčinený hemolytickou chorobou	4	4
P37.4	Iná vrodená malária	4	4	P90	Krčce [konvulzie] u novorodenca	1,2,3,4	1,2,4
P37.8	Iná vrodená infekčná a parazitová choroba,b.u.	4	4	P91.3	Mozgová dráždivosť novorodencov	1,2	2
P37.9	Vrod.infekčná/parazitová choroba,b.n.	4	4	P91.5	Kóma u novorodenca	3,4	3
P52.0	Vnútrokomorové(neúraz.)krvác.plodu a novorod.1.st.	4	4	P92.0	Vracanie u novorodenca	1,2	1,2,3
P52.1	Vnútrokomorové(neúraz.)krvác.plodu a novorod.2.st.	4	4	P92.1	Regurgitácia a ruminácia u novorodenca	2,3,4	2,3
P52.2	Vnútrokomorové(neúraz.)krvác.plodu a novorod.3.st.	2,3,4	1,2,3,4	P92.2	Pomalý príjem potravy u novorodenca	1,2	1,2,3
P52.3	Vnútrokomorové(neúraz.)krvác.plodu a novorod.,b.n.	4	4	P92.3	Podvýživa (znižený príjem potravy) u novorodenca	2,3,4	2,3
P52.5	Subarachnoidálne (neúraz.)krvác.plodu a novorod.	4	4	P92.4	Nadmerná výživa u novorodenca	2,3,4	2,3
P53	Hemoragická choroba plodu a novorodenca	2,3,4	1,2,3,4	P92.5	Problém s dojčením u novorodenca	2,3,4	2,3
P54.4	Krvácanie do nadobličky u novorodenca	4	4	P94.0	Prechodná myasthenia gravis u novorodenca	2,3,4	1,2,3,4
P55.0	Rh izoimunizácia plodu a novorodenca	2,3	1,2,3	P96.1	Abstin.synd.u novorod.matky užív.návyk.látky a drogy	4	4
P55.1	ABO izoimunizácia plodu a novorodenca	2,3	1,2,3	P96.2	Abstin.synd.novorod.pri lieč.podávaní liečiv	4	4
				Q00.0	Anencefália	3,4	3,4
				Q00.1	Kraniorachischiza	3,4	3,4
				Q00.2	Iniencefália	3,4	3,4
				Q01.0	Čelová encefalokéla	3,4	3,4
				Q01.1	Nosovočelová encefalokéla	3,4	3,4
				Q01.2	Okcipitálna encefalokéla	3,4	3,4
				Q01.8	Encefalokéla na inom mieste	3,4	3,4
				Q01.9	Encefalokéla,blížšie neurčená	4	4

ICD	Text	OP. CCL	Med. CCL	ICD	Text	OP. CCL	Med. CCL
Q02	Mikrocefália	3,4	3	Q16.1	Vrod.chýbanie,atrézia a striktúra (vonkajšieho)zvukovodu	3	3
Q03.0	Chyby mozgového mokovodu	3,4	3,4	Q16.2	Chýbanie sluchovej [Eustachovej] trubice (vrodené)	3	3
Q03.1	Atrézia priestredného a boč.otvoru štvrtej komory	3,4	3,4	Q16.3	Vrodená chyba sluchových kostičiek	3	3
Q03.8	Iný vrodený hydrocefalus	2,3,4	1,2,3,4	Q16.4	Iná vrodená chyba stredného ucha	3	3
Q03.9	Vrodený hydrocefalus, bližšie neurčený	2,3,4	1,2,3,4	Q16.5	Vrodená chyba vnútorného ucha	3	3
Q04.0	Vrodená chyba corpus callosum	3,4	3,4	Q16.9	Vrod.chyba ucha,zapríč.zhoršenie sluchu,b.n.	3	3
Q04.1	Arinencefália	3,4	3,4	Q20.0	Spoločný tepnový kmeň [truncus arteriosus communis]	3,4	3,4
Q04.2	Holoprocencefália	3,4	3,4	Q20.1	Dvojvýtoková pravá komora	3,4	3,4
Q04.3	Iná redukčná deformita mozgu	3,4	3,4	Q20.2	Dvojvýtoková ľavá komora	3,4	3,4
Q04.4	Septooptická dysplázia	3,4	3,4	Q20.3	Nezhodné [diskordantné] komorovotepnové spojenie	3,4	3,4
Q04.5	Megalencefália	3,4	3,4	Q20.4	Dvojvýtoková komora	3,4	3,4
Q04.6	Vrodená cysta mozgu	3,4	3,4	Q20.5	Nezhodné (diskordantné) predsieňovokomorové spojenie	3,4	3,4
Q04.8	Iná vrodená chyba mozgu,bližšie určená	4	4	Q20.6	Súmernosť [izomerizmus] predsieňových ušíek	3,4	3
Q05.0	Krčná spina bifida s hydrocefalom	3,4	3,4	Q20.8	Iná vrodená chyba srdcových dutín a ich spojení	3,4	3
Q05.1	Hrudníková spina bifida s hydrocefalom	3,4	3,4	Q20.9	Vrod.chyba srdcových dutín a ich spojení,b.n.	3,4	3
Q05.2	Drieková spina bifida s hydrocefalom	3,4	3,4	Q21.0	Defekt medzikomorovej priehradky	3,4	3
Q05.3	Krížová spina bifida s hydrocefalom	3,4	3,4	Q21.1	Defekt predsieňovej priehradky	4	4
Q05.4	Spina bifida s hydrocefalom,b.n.	3,4	3,4	Q21.2	Defekt predsieňovo-komorovej priehradky	3,4	3,4
Q05.5	Krčná spina bifida bez hydrocefalu	3,4	3,4	Q21.3	Fallotova tetralógia	3,4	3,4
Q05.6	Hrudníková spina bifida bez hydrocefalu	3,4	3,4	Q21.4	Defekt aortapulmonálneho septa	3,4	3,4
Q05.7	Drieková spina bifida bez hydrocefalu	3,4	3,4	Q21.80	Fallotova pentalógia	3,4	3
Q05.8	Krížová spina bifida bez hydrocefalu	3,4	3,4	Q21.88	Iná vrodená chyba srdcových priehradiek	3,4	3
Q05.9	Spina bifida (rázštep chrbtice),bližšie neurčená	1,2,4	2,4	Q22.0	Atrézia pulmonálnej chlopne	3,4	3,4
Q06.0	Amyélia	3,4	3,4	Q22.1	Vrodené zúženie pulmonálnej chlopne	3,4	3,4
Q06.1	Hypoplázia a dysplázia miechy	3,4	3,4	Q22.2	Vrodená pulmonálna insuficiencia	1,2,3	1,2
Q06.2	Diastematomyélia	3,4	3,4	Q22.3	Iná vrodená chyba pulmonálnej chlopne	1,2,3	1,2
Q06.3	Iná vrodená chyba konského chvosta (cauda equina)	3,4	3,4	Q22.4	Vrodená trikuspidálna stenóza	1,2,3,4	1,2,4
Q06.4	Hydromyélia	3,4	3,4	Q22.5	Ebsteinova anomália	2,3,4	2,3,4
Q06.8	Iná vrodená chyba miechy,bližšie určená	3,4	3,4	Q22.6	Hypoplastický pravokomorový syndróm	3,4	3,4
Q07.0	Arnoldov-Chiariho syndróm	3,4	3,4	Q22.8	Iná vrodená chyba trikuspidálnej chlopne	1,2,3,4	1,2,4
Q07.8	Iná vrodená chyba nervovej sústavy,bližšie určená	3,4	3	Q22.9	Vrod.chyba trikuspidálnej chlopne,b.n.	1,2,3,4	1,2,4
Q10.0	Vrodená ptóza	3	3	Q23.0	Vrodená aortálna stenóza	3,4	3,4
Q10.1	Vrodené ektropium	3	3	Q23.1	Vrodená aortálna insuficiencia	1,2,3,4	1,2,4
Q10.2	Vrodené entropium	3	3	Q23.2	Vrodená mitrálna stenóza	1,2,3,4	1,2,4
Q10.3	Iná vrodená chyba mihalnice	3	3	Q23.3	Vrodená mitrálna insuficiencia	1,2,3,4	1,2,4
Q10.6	Iná vrodená chyba slzných orgánov	3	3	Q23.4	Hypoplastický ľavokomorový syndróm	3,4	3,4
Q10.7	Vrodená chyba očnice	3	3	Q23.8	Iná vrodená chyba aortálnej a mitrálnej chlopne	1,2,3,4	1,2,4
Q11.0	Cystická očná guľa	3,4	3	Q23.9	Vrod.hyba aortálnej a mitrálnej chlopne,b.n.	1,2,3,4	1,2,4
Q11.1	Iný anoftalmus	3,4	3	Q24.0	Dextrokardia	3,4	3
Q11.2	Mikroftalmus	3,4	3	Q24.1	Levokardia	3,4	3
Q11.3	Makroftalmus	3,4	3	Q24.2	Cor triatriatum (trojpredsieňové srdce)	3,4	3,4
Q12.0	Vrodený sivý zákal (katarakta)	3	3	Q24.3	Infundibulárna stenóza pľúcnice	3,4	3,4
Q12.1	Vrodená dislokácia šošovky	3	3	Q24.4	Vrodená subaortálna stenóza	1,2,3,4	1,2,4
Q12.2	Kolobóm šošovky	3	3	Q24.5	Chyba koronárnych ciev	4	4
Q12.3	Vrodená afakia	3	3	Q24.6	Vrodená srdcová blokáda	3,4	3,4
Q12.4	Sférofakia	3	3	Q24.8	Iná vrodená chyba srdca,bližšie určená	4	4
Q12.8	Iná vrodená chyba šošovky	3	3	Q25.0	Otvorený tepnový spoj [Ductus arteriosus patens]	3,4	3
Q12.9	Vrodená chyba šošovky,bližšie neurčená	3	3	Q25.1	Koarktácia aorty	3,4	3,4
Q13.0	Kolobóm dúhovky	3	3	Q25.2	Atrézia aorty	3,4	3,4
Q13.1	Chýbanie dúhovky	3	3	Q25.3	Stenóza aorty	1,2,3,4	1,2,4
Q13.2	Iná vrodená chyba dúhovky	3	3	Q25.5	Atrézia pľúcnej tepny	3,4	3
Q13.3	Vrodený zákal rohovky	3	3	Q25.6	Stenóza pľúcnej tepny	3,4	3
Q13.4	Iná vrodená chyba rohovky	3	3	Q25.7	Iná vrodená chyba pľúcnej tepny	3,4	3
Q13.5	Belasá skléra	3	3	Q26.0	Vrodená stenóza dutej žily	3,4	3
Q13.8	Iná vrodená chyba predného segmentu oka	3	3	Q26.1	Pretrvávajúca ľavá horná dutá žila	3,4	3
Q14.0	Vrodená chyba sklovca	3	3	Q26.2	Kompletný anomálny návrat pľúcnych žíl	3,4	3,4
Q14.1	Vrodená chyba sietnice	3	3	Q26.3	Čiastočný anomálny návrat pľúcnych žíl	3,4	3,4
Q14.2	Vrodená chyba terča zrakového nervu	3	3	Q26.4	Anomálny návrat pľúcnych žíl,bližšie neurčený	3,4	3
Q14.3	Vrodená chyba cievovky	3	3				
Q14.8	Iná vrodená chyba zadného segmentu oka	3	3				
Q15.0	Vrodený glaukóm	4	4				
Q15.8	Iná vrodená chyba oka,bližšie určená	3	3				
Q16.0	Vrodené chýbanie ušnice	3	3				

ICD	Text	OP. CCL	Med. CCL	ICD	Text	OP. CCL	Med. CCL
Q26.5	Anomálny návrat v. portae	3,4	3	Q37.4	Rázštep tvrd.a mäkk.podnebia s obojstr.rázštep.pery	3,4	3,4
Q26.6	Fistula medzi v. portae a a.hepatica	3,4	3	Q37.5	Rázštep tvrd.a mäkk.podnebia s jednostr.rázštep.pery	3,4	3,4
Q27.0	Vrodené chýbanie a hypoplázia pupkovej tepny	3,4	3	Q37.8	Rázštep podnebia s obojstr.rázštep.pery,b.n.	4	4
Q28.00	Vrod.artériovenózna aneurizma precerebrálnych ciev	3,4	3,4	Q37.9	Rázštep podnebia s jednostr.rázštep.pery,b.n.	4	4
Q28.01	Vrodená artériovenózna fistula precerebrálnych ciev	3,4	3,4	Q38.7	Vačok hltana (faryngový pouch)	4	4
Q28.08	Iná vrod.artériovenózna chyba precerebrálnych ciev	3,4	3,4	Q39.0	Atrézia pažeráka bez fistuly	3,4	3,4
Q28.09	Vrod.artériovenózna chyba precerebrálnych ciev,b.n.	4	4	Q39.1	Atrézia pažeráka s fistulou medzi priedušn.a pažerákom	3,4	3,4
Q28.10	Vrodená aneurizma precerebrálnych ciev	3,4	3,4	Q39.2	Vrod.fistula m.priedušn.a pažerákom bez atrézie	3,4	3,4
Q28.11	Vrodená fistula precerebrálnych ciev	3,4	3,4	Q39.3	Vrodené zúženie (stenóza alebo striktúra) pažeráka	4	4
Q28.18	Iná vrodená chyba precerebrálnych ciev	3,4	3,4	Q39.4	Pažeráková membrána	2,4	2,3,4
Q28.19	Vrod.chyba precerebrálnych ciev,b.n.	4	4	Q39.5	Vrodené rozšírenie pažeráka	3	3
Q28.20	Vrodená artériovenózna aneurizma cerebrálnych ciev	3,4	3,4	Q39.6	Divertikul pažeráka (vrodený)	3	3
Q28.21	Vrodená artériovenózna fistula cerebrálnych ciev	3,4	3,4	Q39.8	Iná vrodená chyba pažeráka	3	3
Q28.28	Iná vrodená artériovenózna chyba cerebrálnych ciev	3,4	3,4	Q40.0	Vrodená hypertrofická pylorostenóza	3,4	3
Q28.29	Vrod.artériovenózna malformácia cerebrálnych ciev,b.n.	4	4	Q40.1	Vrodená hiátová hernia	3	3
Q28.30	Vrodená aneurizma cerebrálnych ciev	3,4	3,4	Q41.0	Vrodené chýbanie,atrézia a stenóza dvanástnika	3,4	3,4
Q28.31	Vrodená fistula cerebrálnych ciev	3,4	3,4	Q41.1	Vrodené chýbanie,atrézia a stenóza jejúna	3,4	3,4
Q28.38	Iná vrodená chyba cerebrálnych ciev	4	4	Q41.2	Vrodené chýbanie,atrézia a stenóza ilea	3,4	3,4
Q28.39	Vrodená chyba cerebrálnych ciev, bližšie neurčená	4	4	Q41.8	Vrod.chýbanie,atrézia a stenóza bliž.urč.častí ten.čreva	3,4	3,4
Q28.80	Iná vrodená aneurizma	3	3	Q41.9	Vrod.chýbanie,atrézia a stenóza ten.čreva b.n.č.	4	4
Q28.81	Iná vrodená fistula obehovej sústavy	3	3	Q42.0	Vrod.chýbanie,atrézia a stenóza konečníka s fistulou	3,4	3,4
Q28.88	Iná vrodená chyba obehovej sústavy,bližšie určená	3	3	Q42.1	Vrod.chýbanie,atrézia a stenóza konečníka bez fistuly	3,4	3,4
Q30.0	Atrézia choán	4	4	Q42.2	Vrod.chýbanie,atrézia a stenóza anusu s fistulou	3,4	3,4
Q31.0	Diafragma hrtana	3,4	3,4	Q42.3	Vrod.chýbanie,atrézia a stenóza anusu bez fistuly	3,4	3,4
Q31.1	Vrodená subglotická stenóza	3,4	3,4	Q42.8	Vrod.chýbanie,atrézia a stenóza č.hrub.čreva	3,4	3,4
Q31.2	Hypoplázia hrtana	3,4	3,4	Q42.9	Vrod.chýbanie,atrézia a stenóza bliž.neurč.č.hrub.čreva	3,4	3,4
Q31.3	Laryngokéla	3,4	3,4	Q43.0	Meckelov divertikul	4	4
Q31.5	Vrodená laryngomalácia	3,4	3,4	Q43.1	Hirschprungova choroba	3,4	3,4
Q31.8	Iná vrodená chyba hrtana	3,4	3,4	Q43.2	Iná vrodená porucha funkcie hrubého čreva	4	4
Q31.9	Vrodená chyba hrtana,bližšie neurčená	4	4	Q43.3	Vrodená chyba fixácie čriev	4	4
Q32.0	Vrodená tracheomalácia	3,4	3,4	Q43.40	Zdvojenie tenkého čreva	3,4	3
Q32.1	Iná vrodená chyba priedušnice	3,4	3,4	Q43.41	Zdvojenie hrubého čreva	3,4	3
Q32.2	Vrodená malácia priedušky	3,4	3,4	Q43.42	Zdvojenie rekta	3,4	3
Q32.3	Vrodené zúženie priedušky	3,4	3,4	Q43.49	Zdvojenie čreva,bližšie neurčené	3	3
Q32.4	Iná vrodená chyba priedušiek	3,4	3,4	Q43.5	Ektopický anus	3,4	3
Q33.0	Vrodené cystické pľúca	3,4	3,4	Q43.6	Vrodená fistula rekta a anusu	3,4	3
Q33.1	Prídavný lalok pľúc	3,4	3	Q43.7	Pretrvávajúca kloaka	3,4	3
Q33.2	Sekvestrácia pľúc	3,4	3,4	Q43.8	Iná vrodená chyba čreva,bližšie určená	3	3
Q33.3	Nevyvinutie pľúc	3,4	3,4	Q43.9	Vrodená chyba čreva,bližšie neurčená	3	3
Q33.4	Vrodené bronchiektázie	3,4	3,4	Q44.0	Agenéza,aplázia a hypoplázia žľazníka	3,4	3
Q33.5	Ektopické tkanivo v pľúcach	3,4	3	Q44.2	Atrézia žľazových ciest	3,4	3,4
Q33.6	Hypoplázia a dysplázia pľúc	3,4	3,4	Q44.3	Vrodené stenóza alebo striktúra žľazových ciest	3,4	3,4
Q33.8	Iná vrodená chyba pľúc	3,4	3	Q44.4	Cysta žľazovodu	3,4	3
Q35.1	Rázštep tvrdého podnebia	3,4	3	Q44.5	Iná vrodená chyba žľazových ciest	2,3,4	2,3
Q35.3	Rázštep mäkkého podnebia	3	3	Q44.6	Cystická choroba pečene	3,4	3,4
Q35.5	Rázštep tvrdého podnebia s rázštep.mäkk.podn.	3,4	3	Q45.0	Agenéza,aplázia a hypoplázia podžalúdkovej žľazy	3,4	3,4
Q35.7	Rázštep čapika [uvuly]	3	3	Q45.1	Prstencová podžalúdková žľaza[pancreas anulare]	4	4
Q35.9	Rázštep podnebia,bližšie neurčený	3	3	Q45.2	Vrodená cysta podžalúdkovej žľazy	4	4
Q36.0	Obojstranný rázštep pery	3	3	Q45.3	Iná vrodená chyba podžalúdkovej žľazy a jej vývodu	4	4
Q36.1	Stredový rázštep pery	3	3	Q50.0	Vrodené chýbanie vaječníka	3,4	3
Q36.9	Jednostranný rázštep pery	3	3	Q50.2	Vrodená torzia vaječníka	3,4	3
Q37.0	Rázštep tvrd.podnebia s obojstr.rázštep.pery	3,4	3,4	Q51.0	Agenéza a aplázia matrice	3,4	3
Q37.1	Rázštep tvrd.podnebia s jednostr.rázštep.pery	3,4	3,4				
Q37.2	Rázštep mäkk.podnebia s obojstr.rázštep.pery	3,4	3,4				
Q37.3	Rázštep mäkk.podnebia s jednostr.rázštep.pery	3,4	3,4				

ICD	Text	OP. CCL	Med. CCL	ICD	Text	OP. CCL	Med. CCL
Q51.1	Dvojitá maternica s dvoj.krčkom a dvoj.pošvou	3,4	3	Q67.5	Vrodená deformita chrbtice	3	3
Q51.2	Iné zdvojenie maternice	3,4	3	Q68.2	Vrodená deformita kolena	3	3
Q51.5	Agenéza a aplázia krčka maternice	3,4	3	Q71.0	Vrod.kompletné chýbanie HK (končatín)	3,4	3
Q51.7	Vrod. fistula medzi maternicou, tráviacim a moč. traktom	3,4	3	Q71.1	Vrod.chýbanie ramena a predlaktia s prítomnosťou ruky	3,4	3
Q52.0	Vrodené chýbanie pošvy	3,4	3	Q71.2	Vrodené chýbanie predlaktia a ruky	3,4	3
Q52.1	Zdvojenie pošvy	3,4	3	Q71.3	Vrodené chýbanie ruky a prsta (prstov)	3,4	3
Q52.2	Vrodená fistula medzi konečníkom a pošvou	3,4	3	Q71.4	Pozdĺžny redukčný defekt vretenovitej kosti (radius)	3,4	3
Q54.0	Hypospádia žalúda [balanická]	3,4	3	Q71.5	Skrátenie laktovej kosti	3,4	3
Q54.1	Hypospádia penisu [penilná]	3,4	3	Q71.6	Klepetovitá ruka	3,4	3
Q54.2	Hypospádia penisu a skróta [penoskrotálna]	3,4	3	Q71.8	Iný redukčný defekt hornej končatiny (končatín)	3,4	3
Q54.3	Hypospádia perineálna	3,4	3	Q71.9	Redukčný defekt hornej končatiny, bližšie neurčený	3	3
Q55.0	Chýbanie a aplázia semenníka	3,4	3	Q72.0	Vrod.kompletné chýbanie DK (končatín)	3,4	3
Q55.1	Hypoplázia semenníka a mieška	3,4	3	Q72.1	Vrod.chýbanie stehna a predkolenia s prítomnou nohou	3,4	3
Q55.3	Atrézia semenovodu	3,4	3	Q72.2	Vrodené chýbanie predkolenia a nohy	3,4	3
Q55.4	Iná vrod.chyba semenov., nadsemen., semen.vač. a prostaty	3,4	3	Q72.3	Vrodené chýbanie nohy a prstov	3,4	3
Q55.5	Vrodené chýbanie a aplázia penisu	3,4	3	Q72.4	Skrátenie stehnovej kosti	3,4	3
Q55.6	Iná vrodená chyba penisu	3,4	3	Q72.5	Skrátenie pištľaly	3,4	3
Q56.0	Hermafroditizmus, nezatriedený inde	3,4	3,4	Q72.6	Skrátenie ihlice	3,4	3
Q56.1	Mužský pseudohermafroditizmus, nezatriedený inde	3,4	3,4	Q72.7	Rázštep nohy	3,4	3
Q56.2	Ženský pseudohermafroditizmus, nezatriedený inde	3,4	3,4	Q72.8	Iný redukčný defekt dolnej končatiny (končatín)	3,4	3
Q56.3	Pseudohermafroditizmus, bližšie neurčený	3,4	3,4	Q74.3	Arthrogyposis multiplex congenita	3,4	3
Q56.4	Neurčité pohlavie, bližšie neurčené	3,4	3,4	Q75.0	Kraniosynostóza	3,4	3,4
Q60.0	Jednostranná agenéza obličky	4	4	Q75.1	Kraniofaciálna dyzostóza	3,4	3,4
Q60.1	Obojstranná agenéza obličky	3,4	3,4	Q75.2	Hypertelorizmus	3,4	3,4
Q60.2	Agenéza obličky, bližšie neurčená	4	4	Q75.3	Makrocefália	3,4	3,4
Q60.3	Jednostranná hypoplázia obličky	4	4	Q75.4	Mandibulofaciálna dyzostóza	3,4	3,4
Q60.4	Obojstranná hypoplázia obličky	4	4	Q75.5	Okulomandibulárna dyzostóza	3,4	3,4
Q60.5	Hypoplázia obličky, bližšie neurčená	4	4	Q75.8	Iná vrod.chyba kostí lebky a tvárových kostí, b.u.	3,4	3,4
Q60.6	Potterovej syndróm	3,4	3,4	Q75.9	Vrod.chyba kostí lebky a tvárových kostí, b.n.	4	4
Q61.0	Vrodená samostatná (solitárna) cysta obličky	3	3	Q76.1	Klippel-Feilov syndróm	3,4	3,4
Q61.1	Polycystické obličky, autozomálne recesívne	3,4	3,4	Q76.3	Vrodená skolióza zapríčinená vrodenou chybou kostí	3,4	3
Q61.2	Polycystické obličky, autozomálne dominantné	3,4	3	Q76.4	Iná vrodená chyba chrbtice bez skoliózy	3	3
Q61.3	Polycystické obličky, bližšie neurčené	3	3	Q77.0	Achondrogenéza	3,4	3,4
Q61.4	Dysplázia obličiek	3	3	Q77.1	Letálny nanizmus	3,4	3,4
Q61.5	Medulárna cystická oblička	3	3	Q77.2	Syndróm krátkeho rebra	3,4	3,4
Q61.8	Iná cystická choroba obličiek	3	3	Q77.3	Chondrodysplasia punctata	3,4	3,4
Q61.9	Cystická choroba obličiek, bližšie neurčená	3	3	Q77.4	Achondroplázia	3,4	3,4
Q62.0	Vrodená hydronefróza	3,4	3	Q77.5	Diastrofická dysplázia	3,4	3,4
Q62.1	Atrézia a vrodená stenóza močovodu	3,4	3	Q77.6	Chondroektodermálna dysplázia	3,4	3,4
Q62.2	Vrodený megaureter	3,4	3	Q77.7	Spondyloepifýzová dysplázia	3,4	3,4
Q62.3	Iná obštrukčná chyba obličkovej panvičky a močovodu	3,4	3	Q77.8	Iná osteochondrodyspl.s por.rastu dlhých kostí a chrbt.	3,4	3,4
Q62.4	Agenéza močovodu	3,4	3	Q77.9	Osteochondrodyspl.s por.rastu dlhých kostí a chrbt., b.n.	4	4
Q62.7	Vrodený veziko-uretero-renálny reflux	3,4	3	Q78.0	Osteogenesis imperfecta	3,4	3,4
Q64.0	Epispádia	3,4	3	Q78.1	Polyostotická fibrózna dysplázia	3,4	3,4
Q64.1	Exstrofia močového mechúra	3,4	3,4	Q78.2	Osteopetróza	3,4	3,4
Q64.2	Vrodená zadná chlopňa močovej rúry	4	4	Q78.3	Progresívna diafýzová dysplázia	3,4	3,4
Q64.3	Iná atrézia a stenóza močovej rúry a krčka moč.mech.	4	4	Q78.4	Enchondromatóza	3,4	3,4
Q64.4	Chyba urachu [prvomočovodu]	3,4	3	Q78.5	Metafýzová dysplázia	3,4	3
Q64.5	Vrodené chýbanie mechúra a močovej rúry	3,4	3	Q78.6	Mnohopočetné vrodené exostózy	3,4	3,4
Q64.6	Vrodený divertikul mechúra	3	3	Q78.8	Iná osteochondrodysplázia, bližšie určená	3,4	3
Q64.7	Iná vrodená chyba močového mechúra a močovej rúry	3	3	Q78.9	Osteochondrodysplázia, bližšie neurčená	4	4
Q65.0	Jednostranné vrodené vyklbenie bedra	3,4	3	Q79.0	Vrodená diafragmatická hernia (bránicová prietrž)	3,4	3,4
Q65.1	Obojstranné vrodené vyklbenie bedra	3,4	3	Q79.1	Iná vrodená chyba bránice	3,4	3,4
Q65.2	Vrodené vyklbenie bedra, bližšie neurčené	3	3	Q79.2	Exomfalus	3,4	3,4
Q65.3	Jednostranná vrodená subluxácia bedra	3,4	3	Q79.3	Gastroschiza	3,4	3,4
Q65.4	Obojstranná vrodená subluxácia bedra	3,4	3	Q79.4	Agenéza brušných svalov [Prune belly syndróm]	3,4	3,4
Q65.5	Vrodená subluxácia bedra, bližšie neurčená	3	3	Q79.5	Iná vrodená chyba brušnej steny	4	4
Q65.6	Nestabilné bedro	3,4	3				
Q67.2	Dolichocefália	3,4	3				
Q67.3	Plagiocefália	3,4	3				

ICD	Text	OP. CCL	Med. CCL	ICD	Text	OP. CCL	Med. CCL
Q79.6	Ehlersov-Danlosov syndróm	3,4	3,4	Q93.0	Kompletná chromoz. monozómia,meiotická nondisjunkcia	3,4	3,4
Q79.8	Iná vrodená chyba svalov a kostí	3,4	3	Q93.1	Kompletná chromoz.monozómia,mozaicizmus	3,4	3,4
Q80.0	Ichthyosis vulgaris	4	4	Q93.2	Prsteňovitý alebo dicentrický chromozóm	3,4	3,4
Q80.1	Ichtyóza viazaná na chromozóm X	4	4	Q93.3	Delécia krátkeho ramena chromozómu 4	3,4	3,4
Q80.2	Lamelárna ichtyóza	4	4	Q93.4	Delécia krátkeho ramena chromozómu 5	3,4	3,4
Q80.3	Vrodená bulózne ichtyoziformná erythrodermia	4	4	Q93.5	Iná delécia časti chromozómu	3,4	3,4
Q80.4	Ichtyosis congenita gravis [Harlekinfetus]	4	4	Q93.6	Delécia viditeľná iba v prometáfáze	3,4	3,4
Q80.8	Iná vrodená ichtyóza	4	4	Q93.7	Delécia s inou komplexnou prestavbou	3,4	3,4
Q80.9	Vrodená ichtyóza,bližšie neurčená	4	4	Q93.8	Iná delécia autozómov	3,4	3,4
Q81.0	Jednoduchá bulózna epidermolýza	3,4	3	Q93.9	Delécia autozómov,bližšie neurčená	4	4
Q81.1	Letálna bulózna epidermolýza	3,4	3	Q95.0	Vyvážená translokácia a inercia u normálneho jednotlivca	3,4	3
Q81.2	Dystrofická bulózna epidermolýza	3,4	3	Q95.1	Chromozómová inverzia u normálneho jednotlivca	3,4	3
Q81.8	Iná bulózna epidermolýza	3,4	3	Q95.2	Vyváž. autozóm.prestavba u abnormál.jednotlivca	3,4	3,4
Q82.0	Dedičný lymfédém	3	3	Q95.3	Vyváž.prest.medzi pohlav.a autozóm.chromoz.u abn.jednotlivca	3,4	3,4
Q82.4	Ektodermálna dysplázia (anhidrotická)	4	4	Q95.4	Jednotlivec s nadpočetným (marker) heterochromatínom	3,4	3,4
Q85.0	Neurofibromatóza (benígna)	3,4	3,4	Q95.5	Jednotlivec s fragilnými miestami na autozómoch	3,4	3,4
Q85.1	Tuberózna skleróza	3,4	3,4	Q95.8	Iné vyváž.prestavba a štrukt.markery (abn.chromozómy)	3,4	3,4
Q85.8	Iná fakomatóza,nezatriedená inde	3,4	3,4	Q95.9	Vyváž.prestavba a štrukt.marker (abn.gén) ,b.n.	4	4
Q85.9	Fakomatóza,bližšie neurčená	4	4	Q96.0	Karyotyp 45,X	3,4	3
Q86.0	Alkoholový syndróm plodu (dysmorfický)	3,4	3	Q96.1	Karyotyp 46,X izo (Xq)	3,4	3
Q86.1	Hydantoínový syndróm plodu	3,4	3,4	Q96.2	Karyotyp 46,X s pat.pohl.chrom.,s výnimkou izo (Xq)	3,4	3
Q86.2	Dysmorfizmus, zapríčinený warfarínom	3,4	3,4	Q96.3	Mozaicizmus, 45,X/46, XX alebo XY	3,4	3
Q86.8	Iný syndróm vrod.chýb zapríč.známymi vonk.příčinami	3,4	3,4	Q96.4	Mozaicizmus,45,X/i.bunková línia (e)s pat.pohl.chromoz.	3,4	3
Q87.0	Syndróm vrod.chýb postih.najmä výzor tváre	3,4	3,4	Q96.8	Iný variant Turnerovho syndrómu	3,4	3
Q87.1	Syndróm vrod.chýb spojený najmä s nízkym vzrastom	3,4	3,4	Q96.9	Turnerov syndróm,bližšie neurčený	3	3
Q87.2	Syndrómy vrodených chýb zahŕňajúce najmä končatiny	3,4	3,4	Q97.0	Karyotyp 47,XXX	3,4	3
Q87.3	Syndróm vrod.chýb zahŕňajúci skorý nadmerný rast	3,4	3,4	Q97.1	Ženský fenotyp s viac ako troma chromozómami X	3,4	3
Q87.4	Marfanov syndróm	3,4	3,4	Q97.2	Mozaicizmus, línie s rozličným počtom X chromozómov	3,4	3
Q87.5	Iné syndrómy vrodených chýb s inými zmenami kostí	3,4	3,4	Q97.3	Ženský fenotyp s karyotypom 46, XY	3,4	3
Q87.8	Iné syndróm vrodených chýb,nezat.inde.,b.u.	3,4	3,4	Q97.8	Iná abnormál.pohlav.chromoz.so žensk.fenotypom,b.u.	3,4	3
Q89.0	Vrodená chyba sleziny	3	3	Q97.9	Abnormalita pohlav.chromoz.so žensk.fenotypom,b.n.	3	3
Q89.1	Vrodená chyba nadobličiek	4	4	Q98.0	Klinefelterov syndróm karyotyp 47,XXY	3,4	3
Q89.3	Obrátená poloha (situs inversus)	3	3	Q98.1	Klinefelterov syndróm.muž.fenotyp s viac ako dvoma chromoz.X	3,4	3
Q89.4	Spojené (zrastené) dvojčatá	3,4	3,4	Q98.2	Klinefelterov syndróm muž.fenotyp s karyotypom 46,XX	3,4	3
Q89.7	Mnohopočetné vrodené chyby, nezatriedené inde	4	4	Q98.3	Iný mužský fenotyp s karyotypom 46,XX	3,4	3
Q89.8	Iná vrodená chyba,bližšie určená	4	4	Q98.4	Klinefelterov syndróm,bližšie neurčený	3	3
Q90.0	Trizómia 21,meiotická nondisjunkcia	3,4	3,4	Q98.5	Karyotyp 47,YYY	3,4	3
Q90.1	Trizómia 21,mozaicizmus (mitotická nondisjunkcia)	3,4	3,4	Q98.6	Mužský fenotyp so štruktúrnou abnormal.pohl.chromoz.	3,4	3
Q90.2	Trizómia 21,translokácia	3,4	3,4	Q98.7	Mužský fenotyp s mozaicizmom pohlavných chromozómov	3,4	3
Q90.9	Downov syndróm,bližšie neurčený	3,4	3,4	Q98.8	Iná abnorml.pohlav.chromoz.s mužsk.fenotypom,b.u.	3,4	3
Q91.0	Trizómia 18,meiotická nondisjunkcia	3,4	3,4	Q98.9	Abnormalita pohlav.chromoz.s mužsk.fenotypom,b.n.	3	3
Q91.1	Trizómia 18,mozaicizmus (mitotická nondisjunkcia)	3,4	3,4	Q99.0	Chiméra 46,XX/46,XY	3,4	3,4
Q91.2	Trizómia 18,translokácia	3,4	3,4	Q99.1	Pravý hermafrodit 46,XX	3,4	3,4
Q91.3	Edwardsov syndróm,bližšie neurčený	3,4	3,4	Q99.2	Fragilný chromozóm X	3,4	3,4
Q91.4	Trizómia 13,meiotická nondisjunkcia	3,4	3,4	Q99.8	Iná chromozómová abnormalita,bližšie určená	3,4	3
Q91.5	Trizómia 13,mozaicizmus (mitotická nondisjunkcia)	3,4	3,4	R02	Gangréna, nezatriedená inde	4	4
Q91.6	Trizómia 13,translokácia	3,4	3,4	R04.2	Hemoptýza	1,2	1,2
Q91.7	Patauov syndróm,bližšie neurčený	3,4	3,4	R04.8	Krvácanie z iných miest v dýchacích cestách	1,2	1,2
Q92.0	Kompletná chromoz.trizómia,meiotická nondisjunkcia	3,4	3,4				
Q92.1	Kompletná chromoz.trizómia,mozaicizmus	3,4	3,4				
Q92.2	Veľká čiastočná trizómia	3,4	3,4				
Q92.3	Malá čiastočná trizómia	3,4	3,4				
Q92.4	Duplikácie viditeľné iba v prometáfáze	3,4	3,4				
Q92.5	Duplikácie s inou komplexnou prestavbou	3,4	3,4				
Q92.6	Nadpočetné (marker) chromozómy	3,4	3,4				
Q92.7	Triploidia a polyploidia	3,4	3,4				
Q92.8	Iná trizómia a čiast.trizómia autozómov,n.i.	3,4	3,4				
Q92.9	Trizómia a čiastočná trizómia autozómov,b.n.	4	4				

ICD	Text	OP. CCL	Med. CCL	ICD	Text	OP. CCL	Med. CCL
R04.9	Krvácanie z dýchacích ciest, bližšie neurčené	1,2	1,2	S02.9	Zlomenina kosti lebky a tváre, bližšie neurčená časť	1,2,3	1,2
R09.2	Zastavenie dýchania	3,4	1,3	S05.2	Tržná rana, roztrhnutie oka s prolapsom/stratou vnútrooč. tk.	1,2,3,4	1,2,4
R15	Inkontinencia stolice	1	1	S05.3	Tržná rana oka bez prolapsu al. straty vnútroočného tkaniva	1,2,3,4	1,2,4
R16.2	Hepatomegália so splenomegáliou, nezatriedená inde	4	4	S05.4	Penetrujúca rana očnice s cudzím telesom/bez cudzieho telesa	1,2,3,4	1,2,4
R18	Ascites	1,2,3	1,2,3	S05.5	Penetrujúca rana očnej gule s cudzím telesom	4	4
R29.0	Tetania	2,3,4	2,3	S05.6	Penetrujúca rana očnej gule bez cudzieho telesa	4	4
R31	Hematúria, bližšie neurčená	1,2	1,2	S05.7	Avulzia (vytrhnutie) oka	1,2,3,4	1,2,4
R40.2	Kóma, bližšie neurčená	3,4	3,4	S05.8	Iné poranenie oka a očnice	1,2,3,4	1,2,4
R47.0	Dysfázia a afázia	1	1	S06.0	Otras mozgu	4	4
R47.1	Dysartria a anartria	1,2	1,2	S06.1	Pourazový opuch mozgu	2,3,4	2,4
R47.8	Iná a bližšie neurčená porucha reči	1	1	S06.20	Difúzne poranenie mozgu a mozočka, bližšie neurčené	2,3,4	2,4
R56.0	Febrilné krčce	1,2	1,2	S06.21	Difúzne pomliaždenie mozgu	2,3,4	2,4
R56.8	Iné krčce, bližšie neurčené	1	1	S06.22	Difúzne pomliaždenie mozočka	2,3,4	2,4
R57.0	Kardiogénny šok	2,3,4	2,3	S06.23	Viacere vnútromozgové a mozočkové hematómy	2,3,4	2,4
R57.1	Hypovolemický šok	3,4	3	S06.28	Iné difúzne poranenie mozgu a mozočka	2,3,4	2,4
R57.2	Septický šok	3,4	3	S06.30	Ložiskové poranenie mozgu a mozočkbližšie neurčené	2,3,4	2,4
R57.8	Iný šok	3,4	2,3	S06.31	Ložiskové pomliaždenie mozgu	2,3,4	2,4
R57.9	Šok, bližšie neurčený	2,3,4	2,3	S06.32	Ložiskové pomliaždenie mozočka	2,3,4	2,4
R58	Krvácanie, nezatriedené inde	1,2,3	1,2	S06.33	Ložiskový hematóm mozgu	2,3,4	2,4
R63.3	Ťažkosti s výživou a nesprávne usmerňovanie výživy	1,2	1,2	S06.34	Ložiskový hematóm mozočka	2,3,4	2,4
R64	Kachexia (vycivenosť)	1,2,3	1,2,3	S06.38	Iné ložiskové poranenie mozgu a mozočka	2,3,4	2,4
R65.0	SIRS infekčného pôvodu bez orgánového zlyh.	3,4	1,3	S06.4	Epidurálne krvácanie	2,3,4	2,4
R65.1	SIRS infekčnej genézy s orgánovým zlyh.	3,4	1,3	S06.5	Subdurálne krvácanie po úraze	2,3,4	2,4
R65.2	SIRS neinfekčnej genézy bez orgánového zlyh.	3,4	1,3	S06.6	Subarachnoidálne krvácanie po úraze	2,3,4	2,4
R65.3	SIRS neinfekčnej genézy s orgánovým zlyh.	3,4	1,3	S06.70	Bezvedomie pri poranení lebky a mozgu, menej ako 30 min.	1,2,4	1,2,4
R65.9	Syndróm systémovej zápalovej odpovede (SIRS), bliž. neurč.	3,4	1,3	S06.71	Bezvedomie pri poranení lebky a mozgu, 30 min. až 24hod.	2,3,4	2,4
R82.0	Chylúria	2,3	2,3	S06.72	Bezvedom. s poran. lebky a mozgu, viac ako 24 h, návrat pôv. st. v.	2,3,4	2,4
R82.1	Myoglobinúria	2,3,4	2,3	S06.73	Bezvedom., poranení leb. a mozgu, viac ako 24hod., bez návr. p. s. v.	2,3,4	2
S01.35	Otvorená rana ucha: sluchová trubica	4	4	S06.79	Bezvedomie pri poranení lebky a mozgu bliž. neurčeného trvania	1,2,4	1,2,4
S01.36	Otvorená rana ucha: sluchové kostičky	4	4	S06.8	Iné vnútrolebkové poranenie	2,3,4	2,4
S01.37	Otvorená rana ucha: bubienok	4	4	S06.9	Vnútrolebkové poranenie, bližšie neurčené	4	4
S01.38	Otvorená rana: vnútorné ucho	4	4	S07.0	Drvivé poranenie tváre	2,3,4	2,4
S01.39	Otvorená rana ucha: iné a viaceré časti ucha a sluch. štruktúr	4	4	S07.1	Drvivé poranenie lebky	2,3,4	2,4
S01.50	Otvorená rana pery a ústnej dutiny: ústa, bl. neurč. časti	4	4	S07.8	Drvivé poranenie iných častí hlavy	2,3,4	2,4
S01.52	Otvorená rana pery a ústnej dutiny: sliznica líca	4	4	S07.9	Drvivé poranenie hlavy, časť bližšie neurčená	2,3,4	2,4
S01.53	Otvorená rana pery a ústnej dutiny: ďasná	4	4	S08.8	Úrazová amputácia inej časti hlavy	2,3	2
S01.54	Otvorená rana pery a ústnej dutiny: jazyk a ústna spodina	4	4	S09.0	Poranenie cievy hlavy, nezatriedené inde	2,3	2
S01.55	Otvorená rana pery a ústnej dutiny: podnebie	4	4	S09.2	Úrazové roztrhnutie ušného bubienka	4	4
S01.59	Otvorená rana pery a úst. dut.: iné, viaceré časti pier, úst. dut.	4	4	S09.9	Poranenie hlavy, bližšie neurčené	4	4
S02.0	Zlomenina lebkovej klenby	2,3,4	2,4	S11.01	Otvorená rana hrtana	2,4	2,4
S02.1	Zlomenina spodiny lebky	2,3,4	2,4	S11.02	Otvorená rana krčnej časti priedušnice	2,3,4	2,4
S02.2	Zlomenina nosových kostí	4	4	S11.1	Otvorená rana postihujúca štitnu žľazu	4	4
S02.3	Zlomenina spodiny očnice	1,2,3,4	1,2,4	S11.21	Otvorená rana hltana	4	4
S02.4	Zlomenina jarmovej kosti a homej čeluste	2,3,4	2,3,4	S11.22	Otvorená rana krčnej časti pažeráka	4	4
S02.60	Zlomenina sánky: bližšie neurčená časť	2,3,4	2,3,4	S12.0	Zlomenina 1. krčného stavca	2,3,4	2,4
S02.61	Zlomenina sánky: processus condylaris	2,3,4	2,3,4	S12.1	Zlomenina 2. krčného stavca	2,3,4	2,4
S02.62	Zlomenina sánky: subkondylová	2,3,4	2,3,4	S12.21	Zlomenina 3. krčného stavca	2,3,4	2,4
S02.63	Zlomenina sánky: processus coronoideus	2,3,4	2,3,4	S12.22	Zlomenina 4. krčného stavca	2,3,4	2,4
S02.64	Zlomenina sánky: ramus mandibulae, bližšie neurčený	2,3,4	2,3,4	S12.23	Zlomenina 5. krčného stavca	2,3,4	2,4
S02.65	Zlomenina sánky: angulus mandibulae	2,3,4	2,3,4	S12.24	Zlomenina 6. krčného stavca	2,3,4	2,4
S02.66	Zlomenina sánky: symphysis mandibulae	2,3,4	2,3,4	S12.25	Zlomenina 7. krčného stavca	2,3,4	2,4
S02.67	Zlomenina sánky: pars alveolaris	2,3,4	2,3,4	S12.7	Viacere zlomeniny krčnej chrčtice	2,3,4	2,4
S02.68	Zlom. sánky: corpus mandibulae, iné a bližšie neurčené časti	2,3,4	2,3,4	S12.8	Zlomenina iných častí krku	2,4	2,4
S02.69	Zlomenina sánky: viaceré časti	2,3,4	2,3,4	S12.9	Zlomenina krku, bližšie neurčenej časti	2,4	2,4
S02.7	Viacere zlomeniny lebky a tvárových kostí	2,3	2				
S02.8	Zlomenina inej kosti lebky a tváre	2,3	2				

ICD	Text	OP. CCL	Med. CCL	ICD	Text	OP. CCL	Med. CCL
S13.0	Úrazové natrhnutie krčnej medzistavcovej platničky	2,3,4	2,4	S21.9	Otvorená rana hrudníka, bližšie neurčenej časti	4	4
S13.10	Vykĺbenie krčného stavca v bližšie neurčenej úrovni	2,3,4	2,4	S22.00	Zlomenina hrudníkového stavca, úroveň bližšie neurčená	2,3,4	2,4
S13.11	Vykĺbenie krčného stavca v úrovni C1/C2	2,3,4	2,4	S22.01	Zlomenina hrudníkového stavca Th1 a Th2	2,3,4	2,4
S13.12	Vykĺbenie krčného stavca v úrovni C2/C3	2,3,4	2,4	S22.02	Zlomenina hrudníkového stavca Th3 a Th4	2,3,4	2,4
S13.13	Vykĺbenie krčného stavca v úrovni C3/C4	2,3,4	2,4	S22.03	Zlomenina hrudníkového stavca Th5 a Th6	2,3,4	2,4
S13.14	Vykĺbenie krčného stavca v úrovni C4/C5	2,3,4	2,4	S22.04	Zlomenina hrudníkového stavca Th7 a Th8	2,3,4	2,4
S13.15	Vykĺbenie krčného stavca v úrovni C5/C6	2,3,4	2,4	S22.05	Zlomenina hrudníkového stavca Th9 a Th10	2,3,4	2,4
S13.16	Vykĺbenie krčného stavca v úrovni C6/C7	2,3,4	2,4	S22.06	Zlomenina hrudníkového stavca Th11 a Th12	2,3,4	2,4
S13.17	Vykĺbenie krčného stavca v úrovni C7/Th1	2,3,4	2,4	S22.1	Viaceré zlomeniny hrudníkovej chrbtice	2,3,4	2,4
S13.18	Vykĺbenie krčného stavca v inej úrovni	2,3,4	2,4	S22.2	Zlomenina mostíka (sterna)	2,3,4	2,4
S13.2	Vykĺbenie inej a bližšie neurčenej časti krku	2,3,4	2,4	S22.40	Sériová zlomenina rebier, bližšie neurčená	2,3,4	2,4
S13.3	Viaceré vykĺbenia v oblasti krku	2,3,4	2,4	S22.41	Sériová zlomenina rebier s postihnutím prvého rebra	2,3,4	2,4
S14.0	Otras a opuch krčnej miechy	2,4	2,3,4	S22.42	Sériová zlomenina rebier s postihnutím dvoch rebier	2,3,4	2
S14.10	Poranenie krčnej miechy, bližšie neurčené	2,4	2,3,4	S22.43	Sériová zlomenina rebier s postihnutím troch rebier	2,3,4	2
S14.11	Kompletné priečne poranenie krčnej miechy	2,4	2,3,4	S22.44	Sériová zlomenina rebier s postihnutím štyroch a viac rebier	2,3,4	2,4
S14.12	Poranenie centr. časti krč. miechy (nekompletné prieč. poranenie)	2,4	2,3,4	S22.5	Instabilný (vlajúci) hrudník	2,3,4	2,4
S14.13	Iné nekompletné priečne poranenie krčnej miechy	2,4	2,3,4	S23.0	Úrazové natrhnutie hrudníkovej medzistavcovej platničky	4	4
S14.2	Poranenie krčného nervového koreňa	2,4	2,4	S23.10	Vykĺbenie hrudníkového stavca v bližšie neurčenej úrovni	4	4
S14.3	Poranenie plexus brachialis	2,4	2,4	S23.11	Vykĺbenie hrudníkového stavca v úrovni Th1/Th2 a Th2/Th3	4	4
S14.5	Poranenie nervov krčného sympatika	4	4	S23.12	Vykĺbenie hrudníkového stavca v úrovni Th3/Th4 a Th4/Th5	4	4
S14.70	Funkčná úroveň pri poranení krčnej miechy: bližšie neurčená	2,4	2,3,4	S23.13	Vykĺbenie hrudníkového stavca v úrovni Th5/Th6 a Th6/Th7	4	4
S14.71	Funkčná úroveň pri poranení krčnej miechy: C1	2,4	2,3,4	S23.14	Vykĺbenie hrudníkového stavca v úrovni Th7/Th8 a Th8/Th9	4	4
S14.72	Funkčná úroveň pri poranení krčnej miechy: C2	2,4	2,3,4	S23.15	Vykĺbenie hrudníkového stavca v úrovni Th9/Th10 a Th10/Th11	4	4
S14.73	Funkčná úroveň pri poranení krčnej miechy: C3	2,4	2,3,4	S23.16	Vykĺbenie hrudníkového stavca v úrovni Th11/Th12	4	4
S14.74	Funkčná úroveň pri poranení krčnej miechy: C4	2,4	2,3,4	S23.17	Vykĺbenie hrudníkového stavca v úrovni Th12/L1	4	4
S14.75	Funkčná úroveň pri poranení krčnej miechy: C5	2,4	2,3,4	S24.0	Otras a opuch hrudníkovej miechy	2,4	2,3,4
S14.76	Funkčná úroveň pri poranení krčnej miechy: C6	2,4	2,3,4	S24.10	Poranenie hrudníkovej miechy, bližšie neurčené	2,4	2,3,4
S14.77	Funkčná úroveň pri poranení krčnej miechy: C7	2,4	2,3,4	S24.11	Kompletné priečne poranenie hrudníkovej miechy	2,4	2,3,4
S14.78	Funkčná úroveň pri poranení krčnej miechy: C8	2,4	2,3,4	S24.12	Nekompletné priečne poranenie hrudníkovej miechy	2,4	2,3,4
S15.00	Poranenie a. carotis, časť bližšie neurčená	2,3,4	2,4	S24.2	Poranenie hrudníkového nervového koreňa	2,4	2,4
S15.01	Poranenie a. carotis communis	2,3,4	2,4	S24.4	Poranenie nervov hrudníkového sympatika	4	4
S15.02	Poranenie a. carotis externa	2,3,4	2,4	S24.70	Funkčná výška pri poranení hrudníkovej miechy: úroveň b.n.	2,4	2,3,4
S15.03	Poranenie a. carotis interna	2,3,4	2,4	S24.71	Funkčná výška pri poranení hrudníkovej miechy: Th1	2,4	2,3,4
S15.1	Poranenie a. vertebralis	2,3	2	S24.72	Funkčná výška pri poranení hrudníkovej miechy: Th2/Th3	2,4	2,3,4
S15.2	Poranenie v. jugularis externa	2,3	2	S24.73	Funkčná výška pri poranení hrudníkovej miechy: Th4/Th5	2,4	2,3,4
S15.3	Poranenie v. jugularis interna	2,3,4	2,4	S24.74	Funkčná výška pri poranení hrudníkovej miechy: Th6/Th7	2,4	2,3,4
S15.7	Poranenie viacerých krvných ciev v úrovni krku	2,3	2	S24.75	Funkčná výška pri poranení hrudníkovej miechy: Th8/Th9	2,4	2,3,4
S15.8	Poranenie iných krvných ciev v úrovni krku	2,3	2	S24.76	Funkčná výška pri poranení hrudníkovej miechy: Th10/Th11	2,4	2,3,4
S15.9	Poranenie krvných ciev v úrovni krku, bližšie neurčených	2,3	2	S24.77	Funkčná výška pri poranení hrudníkovej miechy: Th12	2,4	2,3,4
S17.0	Drvivé poranenie hrtana a priedušnice	2,3,4	2,4	S25.0	Poranenie hrudníkovej aorty	2,3,4	2,4
S17.8	Drvivé poranenie inej časti krku	2,3,4	2,4	S25.1	Poranenie truncus brachiocephalicus alebo a. subclavia	2,3,4	2,4
S17.9	Drvivé poranenie bližšie neurčenej časti krku	2,3,4	2,4	S25.2	Poranenie hornej dutej žily	2,3,4	2,4
S21.1	Otvorená rana prednej steny hrudníka	4	4				
S21.2	Otvorená rana zadnej steny hrudníka	4	4				
S21.7	Viaceré otvorené rany steny hrudníka	4	4				
S21.80	Otvor. rana i. časti hrudníka, b.n.	4	4				
S21.83	Otvor. rana každej č. hrud. v spojení s vnútrohrud. por.	4	4				
S21.87	Poškodenie mäk. č. I. st. pri otvor. zlomeninách, vykĺben. na hrud.	4	4				
S21.88	Poškodenie mäk. č. II. st. pri otvor. zlomeninách, vykĺben. na hrud.	4	4				
S21.89	Poškodenie mäk. č. III. st. pri otvor. zlomeninách, vykĺben. na hrud.	4	4				

ICD	Text	OP. CCL	Med. CCL	ICD	Text	OP. CCL	Med. CCL
S25.3	Poran.v.innominata(v.brachiocephalica)alebo v.subclavia	2,3,4	2,4	S34.10	Kompletné priečne poranenie driekovej časti miechy	2,4	2,3,4
S25.4	Poranenie pľúcnych krvných ciev	2,3	2	S34.11	Nekompletné priečne poranenie driekovej časti miechy	2,4	2,3,4
S25.7	Poranenie viacerých krvných ciev hrudníka	2,3	2	S34.18	Iné poranenie driekovej časti miechy	2,4	2,3,4
S26.0	Poran.srdca so zakrvác.do osrdcovník.vaku	1,2,3,4	1,2,4	S34.2	Poranenie driekového a krížového nervového koreňa	2,4	2,4
S26.81	Pomliaždenie srdca	1,2,3,4	1,2,4	S34.30	Kompletný úrazový syndróm cauda equina	2,4	2,3,4
S26.82	Tržné poranenie srdca bez otvorenia srdcovej dutiny	1,2,3,4	1,2,4	S34.31	Nekompletný úrazový syndróm cauda equina	2,4	2,3,4
S26.83	Tržné poranenie srdca s otvorením srdcovej dutiny	1,2,3,4	1,2,4	S34.38	Iné a bližšie neurčené poranenie cauda equina	2,4	2,3,4
S26.88	Iné poranenia srdca	4	4	S34.4	Poranenie plexus lumbosacralis	2,4	2,4
S26.9	Poranenie srdca,bližšie neurčené	1,2,3,4	1,2,4	S34.5	Poranenie nervov driek.a kríž.sympatika.a panvov.sympat.n.	4	4
S27.0	Úrazový pneumotorax	2,3,4	2,3,4	S34.70	Funkčná úroveň pri poranení driekovokrížovej miechy: b.ne.	2,4	2,3,4
S27.1	Úrazový hemotorax	2,3,4	2,3,4	S34.71	Funkčná úroveň pri poranení driekovokrížovej miechy: L1	2,4	2,3,4
S27.2	Úrazový hemopneumotorax	2,3,4	2,3,4	S34.72	Funkčná úroveň pri poranení driekovokrížovej miechy: L2	2,4	2,3,4
S27.32	Tržné poranenie pľúc	2,3,4	2,4	S34.73	Funkčná úroveň pri poranení driekovokrížovej miechy: L3	2,4	2,3,4
S27.38	Iné a bližšie neurčené poranenie pľúc	4	4	S34.74	Funkčná úroveň pri poranení driekovokrížovej miechy: L4	2,4	2,3,4
S27.4	Poranenie priedušky	2,3,4	2,4	S34.75	Funkčná úroveň pri poranení driekovokrížovej miechy: L5	2,4	2,3,4
S27.5	Poranenie priedušnice v oblasti hrudníka	2,3,4	1,2,4	S34.76	Funkčná úroveň pri poranení driekovokrížovej miechy: S1	2,4	2,3,4
S27.6	Poranenie pohrudnice	2,3,4	1,2,4	S34.77	Funkčná úroveň pri poranení driekovokrížovej miechy: S2 – S5	2,4	2,3,4
S27.7	Viaceré poranenia vnútrohrudníkových orgánov	4	4	S35.0	Poranenie brušnej aorty	2,3,4	2,4
S27.81	Poranenie bránice	4	4	S35.1	Poranenie dolnej dutej žily	2,3,4	2,4
S27.82	Poranenie ductus thoracicus	2,3,4	1,2,4	S35.2	Poranenie truncus coeliacus alebo a.mesenterica	2,3,4	2,4
S27.83	Poranenie hrudnej časti pažeráka	2,4	2,3,4	S35.3	Poranenie v. portae alebo v. lienalis	2,3,4	2,4
S27.84	Poranenie dojčenskej žľazy [týmusu]	2,3,4	1,2,4	S35.4	Poranenie krvných ciev obličky	2,3,4	2,4
S27.88	Poran.iných b.u.vnútrohrud.org.a štruktúr	4	4	S35.5	Poranenie iliakálnych krvných ciev	2,3,4	2,4
S27.9	Poran.vnútrohrudníkového orgánu,b.n.	4	4	S35.7	Poranenie viacerých krvných ciev brucha,drieku a panvy	2,3,4	2,4
S28.0	Rozdrvený hrudník	2,3,4	2,4	S35.8	Poranenie iných krvných ciev brucha,drieku a panvy	4	4
S28.1	Úrazová amputácia časti hrudníka	2,3,4	2,4	S35.9	Poranenie bl.neurč.krvnej cievy v úrovni brucha,drieku a panvy	4	4
S31.0	Otvorená rana drieku a panvy	4	4	S36.00	Poranenie slezinybližšie neurčené	2,3,4	1,2,3
S31.1	Otvorená rana brušnej steny	4	4	S36.01	Hematóm sleziny	2,3,4	1,2,3,4
S31.3	Otvorená rana skróta a semenníkov	4	4	S36.02	Roztrhnutie puzdra sleziny,bez väčších trhlín parenchýmu	2,3,4	1,2,3,4
S31.7	Viaceré otvorené rany brucha, drieku a panvy	4	4	S36.03	Tržné poranenie sleziny vrátane parenchýmu	2,3,4	1,2,3,4
S31.80	Otvorená rana inej a bližšie neurčenej časti brucha	4	4	S36.04	Masívna ruptúra parenchýmu sleziny	2,3,4	1,2,3
S31.83	Otvor.rana(kaž.č.brucha,drieku,panvy)spoj.s vnútrobruš.poran.	4	4	S36.08	Iné poranenie sleziny	2,3,4	1,2,3
S31.87	Poškodenie mäk.č.I.st.pri otv.zlom.,vyklb.driek.chrbtice,panvy	4	4	S36.10	Poranenie pečene,bližšie neurčené	1,2,3,4	1,2,3,4
S31.88	Poškoden.mäk.č.II.st.pri otv.zlom.,vyklb.driek.chrbtice,panvy	4	4	S36.11	Pomliaždenie a hematóm pečene	1,2,3,4	1,2,3,4
S31.89	Poškoden.mäk.č.III.st.pri otv.zlom.,vyklb.driek.chrbtice,panvy	4	4	S36.12	Tržné poranenie pečene,bližšie neurčené	1,2,3,4	1,2,3,4
S32.00	Zlomenina driekového stavca,úroveň bližšie neurčená	2,3,4	2,4	S36.13	Lahké tržné poranenie pečene	1,2,3,4	1,2,3,4
S32.01	Zlomenina driekového stavca L1	2,3,4	2,4	S36.14	Stredne ťažké poranenie pečene	1,2,3,4	1,2,3,4
S32.02	Zlomenina driekového stavca L2	2,3,4	2,4	S36.15	Ťažké tržné poranenie pečene	1,2,3,4	1,2,3,4
S32.03	Zlomenina driekového stavca L3	2,3,4	2,4	S36.16	Iné poranenie pečene	1,2,3,4	1,2,3,4
S32.04	Zlomenina driekového stavca L4	2,3,4	2,4	S36.17	Poranenie žľzníka	2,3,4	2,3,4
S32.05	Zlomenina driekového stavca L5	2,3,4	2,4	S36.18	Poranenie žľčových ciest	2,3,4	2,3,4
S32.1	Zlomenina krížovej kosti	2,3,4	2,4	S36.40	Poranenie tenkého čreva,časť bližšie neurčená	4	4
S32.2	Zlomenina kostrče	2,3,4	2,4	S36.50	Poranenie hrubého čreva,časť bližšie neurčená	4	4
S32.4	Zlomenina acetabula	3,4	2,3	S36.52	Poranenie colon transversum	4	4
S32.5	Zlomenina os pubis	3,4	2,3	S36.53	Poranenie colon descendens	4	4
S32.82	Zlomenina driekovej chrbtice a krížovej kosti,bl.neurč.časť	2,3,4	2,4	S36.59	Poranenie iných a viacerých častí hrubého čreva	4	4
S32.83	Zlomenina panvy,bližšie neurčená časť	2,3	2	S36.6	Poranenie konečníka	4	4
S32.89	Zlomenina iných a viacerých častí panvy	3,4	2,3,4	S36.7	Poranenie viacerých vnútrobrušných orgánov	4	4
S33.0	Úrazové natrhnutie driekovej medzistavcovej platničky	4	4				
S33.10	Vyklb.driek.stavca,úroveň b.n.	4	4				
S33.11	Vyklbenie driekového stavca L1/L2	4	4				
S33.12	Vyklbenie driekového stavca L2/L3	4	4				
S33.13	Vyklbenie driekového stavca L3/L4	4	4				
S33.14	Vyklbenie driekového stavca L4/L5	4	4				
S33.15	Vyklbenie driekového stavca L5/S1	4	4				
S34.0	Otras a opuch driekovej časti miechy	2,4	2,3,4				

ICD	Text	OP. CCL	Med. CCL	ICD	Text	OP. CCL	Med. CCL
S36.81	Poranenie pobrušnice	2,4	2,3,4	S55.8	Poranenie iných krvných ciev v úrovni predlaktia	4	4
S36.83	Poranenie retroperitonea	2,3,4	2,3,4	S55.9	Poranenie bliž.neurč.krvnej cievy v úrovni predlak.	4	4
S36.88	Poranenie iných vnútrobrušných orgánov	2,4	2,3	S57.0	Drvivé poranenie lakťa	4	4
S36.9	Poranenie bližšie neurčeného vnútrobrušného orgánu	2,4	2,3	S57.8	Drvivé poranenie iných častí predlaktia	4	4
S37.00	Poranenie obličky, bližšie neurčené	2,3,4	1,2	S57.9	Drvivé poranenie predlaktia, bliž.neurč.časti	4	4
S37.01	Pomliaždenie a hematóm obličky	2,3,4	1,2	S58.0	Úrazová amputácia v lakti	2,3	2
S37.02	Tržné poranenie obličky	2,3,4	1,2,4	S58.1	Úrazová amputácia medzi laktom a zápästím	2,3	2
S37.03	Kompletná ruptúra parenchýmu obličky	2,3,4	1,2	S58.9	Úraz.amput.predlak.,úroveň b.n.	2,3	2
S37.1	Poranenie močovodu	2,3,4	2,3,4	S62.8	Zlomenina iných.a bliž.neurč.častí zápäs.a ruky	4	4
S37.20	Poranenie močového mechúra, bližšie neurčené	2,3,4	2,3	S65.0	Poranenie a.ulnaris v úrovni zápastia a ruky	4	4
S37.21	Pomliaždenie močového mechúra	2,3,4	2,3	S65.1	Poranenie a.radialis v úrovni zápastia a ruky	4	4
S37.22	Roztrhnutie močového mechúra	2,3,4	2,3	S65.2	Poranenie ciev povrchového dlaňového oblúka	4	4
S37.28	Iné poranenie močového mechúra	2,3,4	2,3	S65.3	Poranenie ciev hĺbkového dlaňového oblúka	4	4
S37.30	Poranenie močovej rúry, bližšie neurčené	2,3,4	2,3	S65.4	Poranenie krvnej cievy (ciev) palca	4	4
S37.31	Poranenie močovej rúry, pars membranacea	2,3,4	2,3	S65.5	Poranenie krvnej cievy (ciev) iného prsta ruky	4	4
S37.32	Poranenie močovej rúry, pars spongiosa	2,3,4	2,3	S65.7	Poranenie viacerých krvných ciev v úrov.zápäs.a ruky	4	4
S37.33	Poranenie močovej rúry, pars prostatica	2,3,4	2,3	S65.8	Poranenie i.krvnej cievy v úrov.zápäs.a ruky	4	4
S37.38	Poranenie močovej rúry, iná časť	2,3,4	2,3	S65.9	Poranenie bliž.neurč.krvnej cievy v úrov.zápäs.a ruky	4	4
S37.4	Poranenie vaječníka	1,2	1	S67.0	Drvivé poran.palca a iného prsta/prstov ruky	4	4
S37.5	Poranenie vajčkovodu	1,2	1	S67.8	Drvivé poran.i.a bliž.neurč.časti zápäs.a ruky	4	4
S37.6	Poranenie maternice	1,2	1	S68.3	Kombinovaná úraz.amput.(č.)prsta (prstov)s i.č.zápäs.a ruky	2,3	2
S37.7	Poranenie viacerých panvových orgánov	1,2	1,2	S68.4	Úrazová amputácia ruky v úrovni zápastia	2,3	2
S37.81	Poranenie nadobličky	1,2	1	S68.8	Úrazová amputácia inej časti zápastia a ruky	2,3	2
S37.82	Poranenie prostaty	1,2	1,2	S68.9	Úraz.amput.zápäs.a ruky v b.n.úr.	2,3	2
S37.83	Poranenie semenného vajíčka	1,2	1,2	S70.1	Pomliaždenie stehna	4	4
S37.84	Poranenie semenovodu	1,2	1,2	S72.00	Zlomenina krčka stehn.kosti, časť b.n.	2,3,4	2,3
S37.9	Poranenie bližšie neurčeného panvového orgánu	1,2	1	S72.01	Zlomenina krčka stehnovej kosti, intrakapsulárna	2,3,4	2,3
S38.0	Drvivé poranenie vonkajších pohlavných orgánov	4	4	S72.02	Zlomenina krčka stehn.kosti,prox.epifýza (rozp.epifýzy)	2,3,4	2,3
S38.1	Drvivé poranenie iných a bl.neurč.častí brucha, drieku a panvy	4	4	S72.03	Zlomenina krčka stehnovej kosti, subkapitálna	2,3,4	2,3
S38.3	Úrazová amputácia iných a bl.neurč.častí brucha, drieku a panvy	4	4	S72.04	Zlomenina krčka stehnovej kosti,mediocervikálna	2,3,4	2,3
S39.6	Poranenie vnútrobruš.orgánov s poranením panvových orgánov	1,2	1,2	S72.05	Zlomenina krčka stehnovej kosti,báza	2,3,4	2,3
S39.7	Viaceré poranenia brucha, drieku a panvy	2,3	2	S72.08	Zlomenina krčka stehnovej kosti, iná časť	2,3,4	2,3
S42.21	Zlomenina horného konca ramennej kosti, hlava	4	4	S72.10	Zlomenina stehnovej kosti, trochanterová, b.n.	2,3,4	2,3
S42.22	Zlomenina hor.konca ramennej kosti, collum chirurgicum	2,3	2	S72.11	Zlomenina stehnovej kosti, intertrochanterová	2,3,4	2,3
S42.23	Zlomenina hor.konca ramennej kosti, collum anatomicum	2,3	2	S72.2	Subtrochanterová zlomenina	2,3,4	2,3
S42.29	Zlomenina hor.konca ramennej kosti, iné a mnohopoč.časti	4	4	S72.3	Zlomenina diafýzy stehnovej kosti	2,3,4	2,3
S45.0	Poranenie a.axillaris	4	4	S72.40	Zlomen.dolného konca stehn.kosti, č.b.n.	2,3,4	2,3
S45.1	Poranenie a.brachialis	4	4	S72.41	Zlomen.dolné.konca stehn.kosti, condylus (lateralis)(medialis)	2,3,4	2,3
S45.2	Poranenie v.axillaris a v.brachialis	4	4	S72.42	Zlomen.dolného konca stehn.kosti, epifýza (rozpustenie epifýzy)	2,3,4	2,3
S45.3	Poranenie povrchovej žily v úrovni pleca a ramena	4	4	S72.43	Zlomen.dolného konca stehn.kosti, suprakondylová	2,3,4	2,3
S45.7	Poranenie viacerých krvných ciev v úrovni pleca a ramena	4	4	S72.44	Zlomen.dolného konca stehn.kosti, interkondylová	2,3,4	2,3
S45.8	Poranenie iných krvných ciev v úrovni pleca a ramena	4	4	S72.8	Zlomenina inej časti stehnovej kosti	2,3,4	2,3
S45.9	Poranenie bliž.neurč.krvnej cievy v úrovni pleca a ramena	4	4	S72.9	Zlomenina stehnovej kosti, časť bližšie neurčená	2,3,4	2,3
S47	Drvivé poranenie pleca a ramena	4	4	S75.0	Poranenie a.femoralis	2,3	2
S48.0	Úrazová amputácia v plecovom kĺbe	2,3	2	S75.7	Poranenie viacerých krvných ciev v úrovni bedra a stehna	4	4
S48.1	Úrazová amputácia v úrovni medzi plecóm a laktom	2,3	2	S75.8	Poranenie iných krvných ciev v úrovni bedra a stehna	4	4
S48.9	Úrazová amputácia v obl.pleca a ram.,úroveň b.n.	2,3	2	S75.9	Poran.enie bliž.neurč.krvných ciev v úrovni bedra a stehna	4	4
S55.0	Poranenie a.ulnaris v úrovni predlaktia	4	4	S77.0	Drvivé poranenie bedra	4	4
S55.1	Poranenie a.radialis v úrovni predlaktia	4	4	S77.1	Drvivé poranenie stehna	4	4
S55.2	Poranenie žily v úrovni predlaktia	4	4	S77.2	Drvivé poranenie bedra a stehna	4	4
S55.7	Poranenie viac.krvných ciev v úrovni predlak.	4	4	S78.0	Úrazová amputácia v bedrovom kĺbe	2,3	2

CCL

ICD	Text	OP. CCL	Med. CCL	ICD	Text	OP. CCL	Med. CCL
S78.1	Úrazová amputácia v úrovni medzi bedrom a kolenom	2,3	2	T05.8	Úrazová amput.post.i.komb.telesných obl.	4	4
S78.9	Úrazová amput.bedra a stehna v b.n.úrovni	2,3	2	T06.0	Poran.mozg.a hlav.nerv.komb.s por.nerv.a miechy v úr.krku	2,4	2,3,4
S82.11	Zlomenina hor.konca pištaly,so zlom.ihlice (každá č.)	4	4	T06.1	Poran.nervov a miechy postih.i.viac.telesné obl.	2,4	2,3,4
S82.41	Zlomenina ihlice, izolovaná,horný koniec	4	4	T06.3	Poranenie krvných ciev postihujúce viaceré oblasti	4	4
S85.1	Poranenie (pred.)zad.)pištal.tepny	4	4	T06.5	Poran.vnútrohrud.aj vnútrobruš.org.,/vn-hrud.aj panv.org.	2,3	2
S85.2	Poranenie ihlicovej tepny [a.peronea]	4	4	T08.0	Zlomenina chrbtice v bliž.neurč.úrovni,zatvor./bez b.u.	2,3,4	2,4
S85.7	Poranenie viac.krv. ciev v úrov.predkol.	4	4	T08.1	Zlomenina chrbtice v bliž.neurč.úrovni,otvorená	2,3,4	2,4
S85.9	Poranenie bliž.neurč.krv.ciev v úrov.predkol.	4	4	T09.1	Otvorená rana trupu v bližšie neurčenej úrovni	4	4
S87.0	Drvivé poranenie kolena	4	4	T09.3	Poranenie miechy v bližšie neurčenej úrovni	2,4	2,3,4
S87.8	Drvivé poranenie i.a bliž.neurč.časti predkol.	4	4	T09.4	Poran.bliž.neurč.nervu,miech.koreňa a nerv.spleti trupu	2,4	2,4
S88.0	Úrazová amputácia v úrovni kolena	2,3	2	T09.6	Úrazová amputácia trupu v bližšie neurčenej úrovni	4	4
S88.1	Úrazová amputácia v úrovni medzi kolenom a členkom	2,3	2	T11.4	Poranenie bliž.neurč.ciev HK,v bliž.neurč.úrovni	4	4
S88.9	Úrazová amputácia predkol.v bliž.neurč.úrovni	2,3	2	T11.6	Úrazová amputácia HK,v bliž.neurč.úrovni	2,3	2
S95.0	Poranenie a.dorsalis pedis	4	4	T13.4	Poranenie bliž.neurč.krv.ciev DK,v bliž.neurč.úrovni	4	4
S95.1	Poranenie a.plantaris pedis	4	4	T13.6	Úrazová amputácia DK,v bliž.neurč.úrovni	2,3	2
S95.2	Poranenie v. dorsalis pedis	4	4	T14.5	Poranenie krvnej cievy (ciev):oblasť bliž.neurč tela	4	4
S95.7	Poranenie viac.krvných .ciev v úrov.členka a nohy	4	4	T14.7	Drvivé poran.a úraz.amput..oblasť bliž.neurč.tela	4	4
S95.8	Poranenie inej krvnej cievy v úrovni členka a nohy	4	4	T20.3	Popálenina hlavy a krku 3. stupňa	4	4
S95.9	Poranenie bliž.neurč.krvnej cievy v úrov.členka a nohy	4	4	T20.7	Poleptanie hlavy a krku 3. stupňa	4	4
S97.0	Drvivé poranenie členka	4	4	T21.30	Popálenina trupu 3. stupňa,časť bližšie neurčená	4	4
S97.1	Drvivé poranenie prsta (prstov) nohy	4	4	T21.31	Popálenina trupu 3. stupňa,prsňík	4	4
S97.8	Drvivé poranenie inej časti členka a nohy	4	4	T21.32	Popál.trupu 3.st.,stena hrud.s výn.prsníka a bradavky	4	4
S98.0	Úrazová amputácia nohy v úrovni členka	2,3	2	T21.33	Popálenina trupu 3. stupňa,brušná stena	4	4
S98.3	Úrazová amputácia inej časti nohy	2,3	2	T21.34	Popál.trupu 3.st.,chrbát	4	4
S98.4	Úrazová amputácia nohy v bližšie neurčenej úrovni	2,3	2	T21.35	Popálenina trupu 3. stupňa,vonkajšie genitálie	4	4
T02.00	Zlomeniny postih.hlavu aj krk,zatv./bez b.u.	2,3,4	2,4	T21.39	Popálenina trupu 3. stupňa,iná časť	4	4
T02.01	Zlomeniny postihujúce hlavu aj krk, otvorené	2,3,4	2,4	T21.70	Poleptanie trupu 3.stupňa,časť bližšie neurčená	4	4
T02.11	Zlom.postih.hrud.-driek.križ.obl./hrud.aj panv.,otvor.	4	4	T21.71	Poleptanie trupu 3.stupňa,prsňík	4	4
T02.40	Zlomeniny postih.viac.obl.oboch HK,zatv./bez b.u.	4	4	T21.72	Polept.trupu 3.st.,stena hrud.s výn.prsníka a bradavky	4	4
T02.41	Zlomeniny postih.viac.obl.oboch HK,otvor.	4	4	T21.73	Poleptanie trupu 3.stupňa,brušná stena	4	4
T02.50	Zlomeniny viac.obl.oboch DK,zatv./bez b.u.	4	4	T21.74	Poleptanie trupu 3.stupňa,chrbát	4	4
T02.51	Zlomeniny viac.obl.oboch DK,otvor.	4	4	T21.75	Poleptanie trupu 3.stupňa,vonkajšie genitálie	4	4
T02.60	Zlomeniny postih viac.obl.HK a DK,zatv./bez b.u.	4	4	T21.79	Poleptanie trupu 3.stupňa,iná časť	4	4
T02.61	Zlomeniny viac.obl.HK,DK,otvor.	4	4	T22.30	Popál.pleca a HK okr.zápäs.a ruky,3.st.,časť bliž.neurč.	4	4
T02.70	Zlomen.postih.hrud.driek.končat./hrud.panv.k onč.zatv./bez b.u.	4	4	T22.31	Popál.pleca a HK okr.zápäs.a ruky,3.st.,lak.a predlak.	4	4
T02.71	Zlomen.postih.hrud.s driek.a konč./hrud.s panv.a konč.,otvor.	4	4	T22.32	Popál.pleca a HK okr.zápäs.a ruky,3.st.,ram.a plece	4	4
T04.0	Drvivé poranenie postihujúce hlavu aj krk	2,3,4	2,4	T22.33	Popál.pleca a HK okr.zápäs.a ruky,3.st.,podpazušie	4	4
T04.1	Drvivé poran.postih.hrud.aj brucho,hrud.aj driek,hrud.aj panvu	4	4	T22.70	Polept.pleca a HK okr.zápäs.a ruky,3.st.,časť bliž.neurč.	4	4
T04.2	Drvivé poran.postih.viac.obl.HK	4	4	T22.71	Polept.pleca a HK okr.zápäs.a ruky,3.st.,lak.a predlak.	4	4
T04.3	Drvivé poran.postih.viac.obl.DK	4	4	T22.72	Polept.pleca a HK okr.zápäs.a ruky,3.st.,ram.a ple.	4	4
T04.4	Drvivé poran.postih.viac.obl.HK.aj DK	2,3,4	2,4	T22.73	Polept.pleca a HK okr.zápäs.a ruky,3.st.,podpazušie	4	4
T04.7	Drv.por.pos.hr.,bru.a konč./hr.,drie.a konč./hr.,pan.a kon.	2,3,4	2,4	T23.3	Popálenina zápästia a ruky 3.stupňa	4	4
T04.8	Drvivé poran.postih.i.komb.telesných obl.	2,3,4	2,4	T23.7	Poleptanie zápästia a ruky 3.stupňa	4	4
T04.9	Viaceré drvivé poranenia,bližšie neurčené	2,3,4	2,4	T24.3	Popál.bedra a DK okr.čl.a nohy 3.st.	4	4
T05.0	Úrazová amputácia oboch rúk	2,3	2	T24.7	Polept.bedra a DK okr.čl.a nohy 3.st.	4	4
T05.1	Úrazová amput.jednej ruky a druhej HK (okr.ruky)	2,3	2				
T05.2	Úrazová amput.oboch HK (ktorákoľvek úr.)	2,3	2				
T05.3	Úrazová amputácia oboch nôh	2,3	2				
T05.4	Úrazová amput.jednej nohy a druhej DK (okr.nohy)	2,3	2				
T05.5	Úrazová amput.oboch DK	2,3	2				
T05.6	Úrazová amput.HK.aj DKv akejkoľvek komb.	2,3	2				

ICD	Text	OP. CCL	Med. CCL	ICD	Text	OP. CCL	Med. CCL
T25.3	Popálenie členka a nohy 3.stupňa	4	4	T31.76	Popál.70-79%povr.tela,60-69%popál.3.st.	4	4
T25.7	Poleptanie členka a nohy 3.stupňa	4	4	T31.77	Popál.70-79%povr.tela,70-79%popál.3.st.	4	4
T26.0	Popálenie mihalnice a okolia oka	4	4	T31.80	Popál.80-89%povr.tela,<ako10 %/b.n.č.-popál.3.st.	4	4
T26.1	Popálenie rohovky a spojovkového vaku	4	4	T31.81	Popál.80-89%povr.tela,10-19%popál.3.st.	4	4
T26.2	Popál.s následnou rupt.a deštruk.očnej gule	4	4	T31.82	Popál.80-89%povr.tela,20-29%popál.3.st.	4	4
T26.3	Popálenie iných častí oka a očných adnexov	4	4	T31.83	Popál.80-89%povr.tela,30-39%popál.3.st.	4	4
T26.4	Popál.b.n.častí oka a oč.adnexov	4	4	T31.84	Popál.80-89%povr.tela,40-49%popál.3.st.	4	4
T26.5	Poleptanie mihalnice a okolia oka	4	4	T31.85	Popál.80-89%povr.tela,50-59%popál.3.st.	4	4
T26.6	Poleptanie rohovky a spojovkového vaku	4	4	T31.86	Popál.80-89%povr.tela,60-69%popál.3.st.	4	4
T26.7	Polept.s následnou rupt. a deštruk.očnej gule	4	4	T31.87	Popál.80-89%povr.tela,70-79%popál.3.st.	4	4
T26.8	Poleptanie iných častí oka a očných adnexov	4	4	T31.88	Popál.80-89%povr.tela,80-89%popál.3.st.	4	4
T26.9	Poleptanie bliž.neurč.častí oka a očnýchadnexov	4	4	T31.90	Popál.90 a viac%povr.tela,<ako10 %/b.n.č.-popál.3.st.	4	4
T27.0	Popálenie hrtana a priedušnice	4	4	T31.91	Popál.90 a viac%povr.tela,10-19%popál.3.st.	4	4
T27.1	Popálenie hrtana a priedušnice s pľúcami	3,4	3,4	T31.92	Popál.90 a viac%povr.tela,20-29%popál.3.st.	4	4
T27.2	Popálenie iných častí dýchacích ciest	4	4	T31.93	Popál.90 a viac%povr. tela,30-39%popál.3.st.	4	4
T27.3	Popálenie bližšie neurčenej časti dýchacích ciest	4	4	T31.94	Popál.90 a viac%povr.tela,40-49%popál.3.st.	4	4
T27.4	Poleptanie hrtana a priedušnice	4	4	T31.95	Popál.90 a viac%povr.tela,50-59%popál.3.st.	4	4
T27.5	Poleptanie hrtana a priedušnice s pľúcami	3,4	3,4	T31.96	Popál.90 a viac%povr.tela,60-69%popál.3.st.	4	4
T27.6	Poleptanie iných častí dýchacích ciest	4	4	T31.97	Popál.90 a viac%povr.tela,70-79%popál.3.st.	4	4
T27.7	Poleptanie bližšie neurčenej časti dýchacích ciest	4	4	T31.98	Popál.90 a viac%povr.tela,80-89%popál.3.st.	4	4
T28.0	Popálenie úst a hltana	4	4	T31.99	Popál.90 a viac%povr.tela,90 %/viac popál.3.st.	4	4
T28.1	Popálenie pažeráka	4	4	T32.22	Polept.20-29%povr.tela,20-29%polept.3.st.	4	4
T28.2	Popálenie iných častí tráviacej sústavy	4	4	T32.32	Polept.30-39%povr.tela,20-29%polept.3.st.	4	4
T28.3	Popálenie vnútorných močovopohlavných orgánov	4	4	T32.33	Polept.30-39%povr.tela,30-39%polept.3.st.	4	4
T28.4	Popálenie iných a bliž.neurč.vnút.org.	4	4	T32.42	Polept.40-49%povr.tela,20-29%polept.3.st.	4	4
T28.5	Poleptanie úst a hltana	4	4	T32.43	Polept.40-49%povr.tela,30-39%polept.3.st.	4	4
T28.6	Poleptanie pažeráka	4	4	T32.44	Polept.40-49%povr.tela,40-49%polept.3.st.	4	4
T28.7	Poleptanie iných častí tráviacej sústavy	4	4	T32.50	Polept.50-59%povr.tela,<ako10 %/b.n.č.-polept.3.st.	4	4
T28.8	Poleptanie vnútorných močovopohlavných orgánov	4	4	T32.51	Polept.50-59%povr.tela,10-19%polept.3.st.	4	4
T28.9	Poleptanie iných a bliž.neurč.vnút.org.	4	4	T32.52	Polept.50-59%povr.tela,20-29%polept.3.st.	4	4
T29.0	Popálenie viac.obl.tela bliž.neurč.stupňa	4	4	T32.53	Polept.50-59%povr.tela,30-39%polept.3.st.	4	4
T29.3	Popál.viac.obl.tela,uvedený najmen.raz 3.st.	4	4	T32.54	Polept.50-59%povr.tela,40-49%polept.3.st.	4	4
T29.4	Polept.viac.častí tela bliž.neurč.stupňa	4	4	T32.55	Polept.50-59%povr.tela,50-59%polept.3.st.	4	4
T29.7	Polept.viac.častí tela,uvedený najmen.raz 3.st.	4	4	T32.60	Polept.60-69%povr.tela,<ako10 %/b.n.č.-polept.3.st.	4	4
T31.22	Popál.20-29%povr.tela,20-29%popál.3.st.	4	4	T32.61	Polept.60-69%povr.tela,10-19%polept.3.st.	4	4
T31.32	Popál.30-39%povr.tela,20-29%popál.3.st.	4	4	T32.62	Polept.60-69%povr.tela,20-29%polept.3.st.	4	4
T31.33	Popál.30-39%povr.tela,30-39%popál.3.st.	4	4	T32.63	Polept.60-69%povr.tela,30-39%polept.3.st.	4	4
T31.42	Popál.40-49%povr.tela,20-29%popál.3.st.	4	4	T32.64	Polept.60-69%povr.tela,40-49%polept.3.st.	4	4
T31.43	Popál.40-49%povr.tela,30-39%popál.3.st.	4	4	T32.65	Polept.60-69%povr.tela,50-59%polept.3.st.	4	4
T31.44	Popál.40-49%povr.tela,40-49%popál.3.st.	4	4	T32.66	Polept.60-69%povr.tela,60-69%polept.3.st.	4	4
T31.50	Popál.50-59%povr.tela,<ako10 %/b.n.č.-popál.3.st.	4	4	T32.70	Polept.70-79%povr.tela,<ako10 %/b.n.č.-polept.3.st.	4	4
T31.51	Popál.50-59%povr.tela,10-19%popál.3.st.	4	4	T32.71	Polept.70-79%povr.tela,10-19%polept.3.st.	4	4
T31.52	Popál.50-59%povr.tela,20-29%popál.3.st.	4	4	T32.72	Polept.70-79%povr.tela,20-29%polept.3.st.	4	4
T31.53	Popál.50-59%povr.tela,30-39%popál.3.st.	4	4	T32.73	Polept.70-79%povr.tela,30-39%polept.3.st.	4	4
T31.54	Popál.50-59%povr.tela,40-49%popál.3.st.	4	4	T32.74	Polept.70-79%povr.tela,40-49%polept.3.st.	4	4
T31.55	Popál.50-59%povr.tela,50-59%popál.3.st.	4	4	T32.75	Polept.70-79%povr.tela,50-59%polept.3.st.	4	4
T31.60	Popál.60-69%povr.tela,<ako10 %/b.n.č.-popál.3.st.	4	4	T32.76	Polept.70-79%povr.tela,60-69%polept.3.st.	4	4
T31.61	Popál.60-69%povr.tela,10-19%popál.3.st.	4	4	T32.77	Polept.70-79%povr.tela,70-79%polept.3.st.	4	4
T31.62	Popál.60-69%povr.tela,20-29%popál.3.st.	4	4	T32.80	Polept.80-89%povr.tela,<ako10 %/b.n.č.-polept.3.st.	4	4
T31.63	Popál.60-69%povr.tela,30-39%popál.3.st.	4	4	T32.81	Polept.80-89%povr.tela,10-19%polept.3.st.	4	4
T31.64	Popál.60-69%povr.tela,40-49%popál.3.st.	4	4	T32.82	Polept.80-89%povr.tela,20-29%polept.3.st.	4	4
T31.65	Popál.60-69%povr.tela,50-59%popál.3.st.	4	4	T32.83	Polept.80-89%povr.tela,30-39%polept.3.st.	4	4
T31.66	Popál.60-69%povr.tela,60-69%popál.3.st.	4	4	T32.84	Polept.80-89%povr.tela,40-49%polept.3.st.	4	4
T31.70	Popál.70-79%povr.tela,<ako10 %/b.n.č.-popál.3.st.	4	4	T32.85	Polept.80-89%povr.tela,50-59%polept.3.st.	4	4
T31.71	Popál.70-79%povr.tela,10-19%popál.3.st.	4	4	T32.86	Polept.80-89%povr.tela,60-69%polept.3.st.	4	4
T31.72	Popál.70-79%povr.tela,20-29%popál.3.st.	4	4	T32.87	Polept.80-89%povr.tela,70-79%polept.3.st.	4	4
T31.73	Popál.70-79%povr.tela,30-39%popál.3.st.	4	4	T32.88	Polept.80-89%povr.tela,80-89%polept.3.st.	4	4
T31.74	Popál.70-79%povr.tela,40-49%popál.3.st.	4	4	T32.90	Polept.90 a viac%povr.tela,<ako10 %/b.n.č.-polept.3.st.	4	4
T31.75	Popál.70-79%povr.tela,50-59%popál.3.st.	4	4	T32.91	Polept.90 a viac%povr.tela,10-19%polept.3.st.	4	4

ICD	Text	OP. CCL	Med. CCL	ICD	Text	OP. CCL	Med. CCL
T32.92	Polept.90 a viac%povr.tela,20-29%polept.3.st.	4	4	T37.8	Otrava i.bliž.urč.celk.účink.protiinf.a antiparaz.liekmi	4	4
T32.93	Polept.90 a viac%povr.tela,30-39%polept.3.st.	4	4	T37.9	Otrava celk.účink.protiinf.a antiparaz.liekmi,b.n.	4	4
T32.94	Polept.90 a viac%povr.tela,40-49%polept.3.st.	4	4	T38.0	Otrava glukokortikoidmi a ich syntetickými analógmi	4	4
T32.95	Polept.90 a viac%povr.tela,50-59%polept.3.st.	4	4	T38.1	Otrava hormónmi štítnej žľazy a ich náhradami	4	4
T32.96	Polept.90 a viac%povr.tela,60-69%polept.3.st.	4	4	T38.2	Otrava tyreostatikami	4	4
T32.97	Polept.90 a viac%povr.tela,70-79%polept.3.st.	4	4	T38.3	Otrava inzulínom a orálnymi antidiabetikami	4	4
T32.98	Polept.90 a viac%povr.tela,80-89%polept.3.st.	4	4	T38.4	Otrava orálnymi kontraceptívami	4	4
T32.99	Polept.90 a viac%povr.tela,90% a viac polept.3.st.	4	4	T38.5	Otrava inými estrogénmi a progesterónmi	4	4
T33.0	Povrchová omrzlina hlavy	4	4	T38.6	Otr.antigonadotrop.,antiestrogén.,antiandrogé n.,n.i.	4	4
T33.1	Povrchová omrzlina krku	4	4	T38.7	Otrava androgénmi a príbuznými anabolikami	4	4
T33.2	Povrchová omrzlina hrudníka	4	4	T38.8	Otrava i.a bliž.neurč.hormónmi a ich syntetickými náhradami	4	4
T33.3	Povrchová omrzlina brušnej steny, drieku a panvy	4	4	T38.9	Otrava i.a bliž.neurč.antagonistami hormónov	4	4
T33.4	Povrchová omrzlina hornej končatiny	4	4	T39.0	Otrava salicylátmi	4	4
T33.5	Povrchová omrzlina zápästia a ruky	4	4	T39.1	Otrava derivátmi 4-aminofenolu	4	4
T33.6	Povrchová omrzlina bedra a stehna	4	4	T39.2	Otrava pyrazolónovými derivátmi	4	4
T33.7	Povrchová omrzlina kolena a predkolenia	4	4	T39.3	Otrava inými nesteroidovými antiflogistikami	4	4
T33.8	Povrchová omrzlina členka a nohy	4	4	T39.4	Otrava antireumatikami, nezatriedenými inde	4	4
T33.9	Povrch.omrzlina na i.a b.n.miestach	4	4	T39.8	Otrava i.neopiooid.analget.a antipyr.,n.i.	4	4
T34.0	Omrzlina s nekrózou tkaniva hlavy	4	4	T39.9	Otrava neopiooid.analget.antipyr.a antireumatik.,b.n.	4	4
T34.1	Omrzlina s nekrózou tkaniva krku	4	4	T40.0	Otrava ópium	4	4
T34.2	Omrzlina s nekrózou tkaniva hrudníka	4	4	T40.1	Otrava heroínom	4	4
T34.3	Omrzl.s nekroz.tkaniva brušnej steny,drieku a panvy	4	4	T40.2	Otrava inými opioidmi	4	4
T34.4	Omrzlina s nekrózou tkaniva hornej končatiny	4	4	T40.3	Otrava metadónom	4	4
T34.5	Omrzlina s nekrózou tkaniva zápästia a ruky	4	4	T40.4	Otrava inými syntetickými opiátmi	4	4
T34.6	Omrzlina s nekrózou tkaniva bedra a stehna	4	4	T40.5	Otrava kokainom	4	4
T34.7	Omrzlina s nekrózou tkaniva kolena a predkolenia	4	4	T40.6	Otrava inými a bližšie neurčenými opiátmi	4	4
T34.8	Omrzlina s nekrózou tkaniva členka a nohy	4	4	T40.7	Otrava derivátmi cannabis	4	4
T34.9	Omrzlina s nekroz.tkan.na i.a bliž.neurč.miestach	4	4	T40.8	Otrava lysergidom [LSD]	4	4
T35.0	Povrchová omrzlina postihujúca viaceré časti tela	4	4	T40.9	Otrava i.a b.n.psychodysleptikami (halucinogénmi)	4	4
T35.1	Omrzl.s tkanivovou nekroz.post.viac.č.tela	4	4	T41.0	Otrava inhalačnými anestetikami	4	4
T35.2	Omrzlina hlavy a krku, bližšie neurčená	4	4	T41.1	Otrava intravenóznymi anestetikami	4	4
T35.3	Omrzl.hrud.,brucha,drieku a panvy b.n.	4	4	T41.2	Otrava i.a bliž.neurč.celkovými anestetikami	4	4
T35.4	Omrzlina hornej končatiny,bližšie neurčená	4	4	T41.3	Otrava lokálnymi anestetikami	4	4
T35.5	Omrzlina dolnej končatiny,bližšie neurčená	4	4	T41.4	Otrava anestetikami,bližšie neurčenými	4	4
T35.6	Omrzlina postihujúcv viac.časti tela,b.n.	4	4	T41.5	Otrava liečebnými plynmi	4	4
T35.7	Omrzlina bliž.neurč.časti tela,b.n.	4	4	T42.0	Otrava derivátmi hydantoínu	4	4
T36.0	Otrava penicilínmi	4	4	T42.1	Otrava iminostilbénmi	4	4
T36.1	Otrava cefalosp.a i.betalaktámovými ATB	4	4	T42.2	Otrava sukcinimidmi a oxazolidínmi	4	4
T36.2	Otrava liekmi zo skupiny chloramfenikolu	4	4	T42.3	Otrava barbiturátmi	4	4
T36.3	Otrava makrolidmi	4	4	T42.4	Otrava benzodiazepínmi	4	4
T36.4	Otrava tetracyklínmi	4	4	T42.5	Otrava zmiešanými antiepilept.,n.i.	4	4
T36.5	Otrava aminoglykozidmi	4	4	T42.6	Otrava i.antiepilept.,sedatívami a hypnotikami	4	4
T36.6	Otrava rifamycínmi	4	4	T42.7	Otrava antiepileptik.sedatív.a hypnotik.,b.n.	4	4
T36.7	Otrava pro.-plesň.ATB používanými systémovo	4	4	T42.8	Otrava antiparkins.a i.centrálnymi myorelax.	4	4
T36.8	Otrava inými celkovo účinkujúcimi antibiotikami	4	4	T43.0	Otrava tricyklickými a tetracyklickými antidepresívami	4	4
T36.9	Otrava.celk.účink.ATB,b.n.	4	4	T43.1	Otrava.antidep.mi skup.inhib.monoaminoxidázy	4	4
T37.0	Otrava sulfonamidmi	4	4	T43.2	Otrava inými a bližšie neurčenými antidepresívami	4	4
T37.1	Otrava antimykobaktériovými liekmi	4	4	T43.3	Otrava fenotiazínovými antipsychotikami a neuroleptikami	4	4
T37.2	Otrava antimalarikami a liek.účink.na i.krv.prvky	4	4	T43.4	Otrava butyrofenónovými a tioxanténovými neuroleptikami	4	4
T37.3	Otrava inými antiprotozoárnymi liekmi	4	4	T43.5	Otrava i.a bliž.neurč.antipsychotikami a neuroleptikami	4	4
T37.4	Otrava antihelmintikami	4	4	T43.6	Otrava psychostimulanciami s nebezpečenstvom návyku	4	4
T37.5	Otrava protivirusovými liekmi	4	4	T43.8	Otrava i.psychotropnými látkami,n.i.	4	4
				T43.9	Otrava psychotropnou látkou,bližšie neurčenou	4	4

ICD	Text	OP. CCL	Med. CCL	ICD	Text	OP. CCL	Med. CCL
T44.0	Otrava inhibítormi cholinesterázy	4	4	T49.0	Otrava pr.plesň.,protiinf.a protizáp.liek.s	4	4
T44.1	Otrava i.parasympatikomimetikami (cholínergikami)	4	4	T49.1	Otrava antipruriginózami	4	4
T44.2	Otrava liekmi blok.gangliá,n.i.	4	4	T49.2	Otrava lokálnymi adstringenciami a detergenciami	4	4
T44.3	Otrava i.parasympatikolytikami a spazmolytikami,n.i.	4	4	T49.3	Otrava emolienciami,demulcenciami a ochrannými prostr.	4	4
T44.4	Otrava agonistami prevaž.alfa-adrenorec.,n.i.	4	4	T49.4	Otrava keratolyt.,keratoplast.a i.liek.a prípr.na oš.vla.	4	4
T44.5	Otrava.agonistami prevaž.beta-adrenorec.,n.i.	4	4	T49.5	Otrava liekmi a prípravkami používanými v oftalmológii	4	4
T44.6	Otrava.anton.alfa-adrenorec.,n.i.	4	4	T49.6	Otrava liek.a prípravkami používanými v ORL	4	4
T44.7	Otrava antogon.beta-adrenorec.,n.i.	4	4	T49.7	Otrava zubnými liekmi na miestne použitie	4	4
T44.8	Otrava prostr.,úč.centra blok.adrenergny neurón,n.i.	4	4	T49.8	Otrava inými prostriedkami na miestne použitie	4	4
T44.9	Otrava i.a bliž.neurč.liekmi,účink.prim.na auton.nervov.súst.	4	4	T49.9	Otrava prostried.na miestne použ.,b.n.	4	4
T45.0	Otrava antialergikami a antiemetikami	4	4	T50.0	Otrava mineralokortikoidmi a ich antagonistami	4	4
T45.1	Otrava antineoplastickými a imunosupresívnymi liekmi	4	4	T50.1	Otrava slučkovými diuretikami	4	4
T45.2	Otrava vitamínmi, nezatriedenými inde	4	4	T50.2	Otrava inhib.karboanhydrázy,benzotiadiazid.a i.diuret	4	4
T45.3	Otrava enzýmami, nezatriedenými inde	4	4	T50.3	Otrava prostr.ovplyvň.elektrolyt.energat.a vodnú rovnov.	4	4
T45.4	Otrava železom a jeho zlúčeninami	4	4	T50.4	Otrava liekmi,ovplyvň.metaboliz.kys.močovej	4	4
T45.5	Otrava antikoagulanciami	4	4	T50.5	Otrava liekmi,znižuj.chuť do jedenia (anorektiká)	4	4
T45.6	Otrava liekmi, ovplyvňujúcimi fibrinolýzu	4	4	T50.6	Otrava antidótami a chelátujúcimi prostr.,n.i.	4	4
T45.7	Otrava antogon.antikoagulancij,vit.K a i.koagulanciami	4	4	T50.7	Otrava analeptikami a antogon.opioidových rec.	4	4
T45.8	Otrava i.prostr.,účink.najmä celk.a na zložky krvi	4	4	T50.8	Otrava diagnostickými prostriedkami	4	4
T45.9	Otrava bliž.neurč.prostr.účink.najmä celk.a na zložky krvi	4	4	T50.9	Otrava i.a bliž.neurč.liekmi,liečivami a biolog.látkami	4	4
T46.0	Otrava srdcovými glykozidmi a liečiv.s pod.účink.	4	4	T51.0	Toxický účinok etanolu	4	4
T46.1	Otrava kalciovými antagonistami	4	4	T51.1	Toxický účinok metanolu	4	4
T46.2	Otrava inými antiarytmikami, nezatriedenými inde	4	4	T51.2	Toxický účinok 2-propanolu	4	4
T46.3	Otrava koronárnymi vazodilatanciami,n.i.	4	4	T51.3	Otrava zmesou vyšších alkoh.,vznik.pri alkoh.kvasení	4	4
T46.4	Otrava inhibítormi enzýmu,konvertujúceho angiotenzín	4	4	T51.8	Toxický účinok iných alkoholov	4	4
T46.5	Otrava i.antihypertenzívami,n.i.	4	4	T51.9	Toxický účinok alkoholu,bližšie neurčeného	4	4
T46.6	Otrava hypolipidemikami a pr.artériosklerotickými liek.	4	4	T52.0	Toxický účinok výrobkov z ropy	4	4
T46.7	Otrava periférnymi vazodilatanciami	4	4	T52.1	Toxický účinok benzénu	4	4
T46.8	Otrava antivarikóznymi liek. vr.sklerotizujúcich látok	4	4	T52.2	Toxický účinok homológov benzénu	4	4
T46.9	Otrava i.a bliž.neurč.prostr.účink.najmä na obehovú súst.	4	4	T52.3	Toxický účinok glykolov	4	4
T47.0	Otrava antagonistami histamínových H2-receptorov	4	4	T52.4	Toxický účinok ketónov	4	4
T47.1	Otrava i.antacidami a liek,tlmiacimi žal.sekr.	4	4	T52.8	Toxický účinok iných organických rozpúšťadiel	4	4
T47.2	Otrava dráždivými (stimulujúcimi) preháňadlami	4	4	T52.9	Toxický účinok org.rozpúšť.,b.n.	4	4
T47.3	Otrava salinickými a osmotickými preháňadlami	4	4	T53.0	Toxický účinok karbónetetrachloridu	4	4
T47.4	Otrava inými preháňadlami	4	4	T53.1	Toxický účinok chloroformu	4	4
T47.5	Otrava digestívami	4	4	T53.2	Toxický účinok trichlóretylénu	4	4
T47.6	Otrava liekmi proti hnačke	4	4	T53.3	Toxický účinok tetrachlóretylénu	4	4
T47.7	Otrava emetikami	4	4	T53.4	Toxický účinok dichlómetánu	4	4
T47.8	Otrava i.prostr.,účink.najmä na tráv.súst.	4	4	T53.5	Toxický účinok chlórófluórokarbónov	4	4
T47.9	Otrava bliž.neurč.liekom,účinkuj.najmä na tráv.súst.	4	4	T53.6	Toxický účin.i.halog.derivátov alif.uhľov.	4	4
T48.0	Otrava oxytocikami	4	4	T53.7	Toxický účin.i.halog.derivátov arom.uhľov.	4	4
T48.1	Otrava relaxanciami kostr.svalov	4	4	T53.9	Toxický účin.halog.derivátov alif.a arom.uhľov.,n.u.	4	4
T48.2	Otrava i.a bliž.neurč.prostr.účink.najmä na svaly	4	4	T54.0	Toxický účinok fenolu a homológov fenolu	4	4
T48.3	Otrava antitusikami	4	4	T54.1	Toxický účinok inej leptavej organickej zlúčeniny	4	4
T48.4	Otrava expektoranciami	4	4	T54.2	Toxický účinok leptavej kys.a lát.podobnej kysel.	4	4
T48.5	Otrava liekmi proti prechladnutiu	4	4	T54.3	Toxický účinok leptavého lúhu a látky podobnej lúhom	4	4
T48.6	Otrava antiastmatikami,nezatriedenými inde	4	4	T54.9	Toxický účinok leptavej látky,bližšie neurčenej	4	4
T48.7	Otrava i.a bliž.neurč.prostr.účink.najmä na dýchaciu súst.	4	4	T55	Toxický účinok mydla a detergencia	4	4
				T56.0	Toxický účinok olova a jeho zlúčenín	4	4
				T56.1	Toxický účinok ortuti a jej zlúčenín	4	4

ICD	Text	OP. CCL	Med. CCL	ICD	Text	OP. CCL	Med. CCL
T56.2	Toxický účinok chrómu a jeho zlúčenín	4	4	T79.4	Úrazový šok	1,2,4	1,2
T56.3	Toxický účinok kadmia a jeho zlúčenín	4	4	T79.5	Úrazová anúria	1,3,4	2,3
T56.4	Toxický účinok medi a jej zlúčenín	4	4	T79.6	Pourazová ischemia svalu	4	4
T56.5	Toxický účinok zinku a jeho zlúčenín	4	4	T79.7	Pourazový podkožný emfyzém	1,2,3,4	2,3,4
T56.6	Toxický účinok cínu a jeho zlúčenín	4	4	T80.0	Vzduchová embólia po infúzii,transf.a liečebnej injekcii	3,4	2,3,4
T56.7	Toxický účinok berýlia a jeho zlúčenín	4	4	T80.3	Reakcia zapríčinená inkompatibilitou v systéme ABO	2,3	1,2,3
T56.8	Toxický účinok iného kovu	4	4	T80.4	Reakcia zapríčinená inkompatibilitou v systéme Rh	2,3	1,2,3
T56.9	Toxický účinok bližšie neurčeného kovu	4	4	T80.5	Anafylaktický šok, zapríčinený sérom	2	2
T57.0	Toxický účinok arzénu a jeho zlúčenín	4	4	T80.6	Iná reakcia na sérum	2	2
T57.1	Toxický účinok fosforu a jeho zlúčenín	4	4	T81.0	Krvácanie a hematóm,komplikujujúci výk.,n.i.	1	1
T57.2	Toxický účinok mangánu a jeho zlúčenín	4	4	T81.1	Šok počas výkonu alebo po výkone,nezatriedený inde	2,3,4	1,2,3
T57.3	Toxický účinok kyanovodíku	4	4	T81.2	Náhodné naštiepenie a natrhnutie poč.výkonu,n.i.	2,3,4	1,2,3
T57.8	Toxický účinok i.anorganickej látky,b.u.	4	4	T81.3	Rozpad operačnej rany,nezatriedený inde	1,2,3,4	1,2,3,4
T57.9	Toxický účinok bližšie neurčenej anorganickej látky	4	4	T81.5	Cudz.teleso náhodne ponech.v tel.dutine/oper.rane po výk.	2,3,4	1,2,3,4
T58	Toxický účinok oxidu uhoľnatého (CO)	4	4	T81.6	Akút.reakcia na cudziu látku,ponech.náhodne poč.výk.	2,3,4	1,2,3,4
T59.0	Toxický účinok oxidu dusíka	4	4	T81.7	Cievna komplikácia po výkone, nezatriedená inde	1	1
T59.1	Toxický účinok oxidu siričitého	4	4	T81.8	Iná komplikácia výkonu, nezatriedená inde	1	1
T59.2	Toxický účinok formaldehydu	4	4	T82.0	Mechanická komplik.zaprič.srdc.chlop.protézou	2,3,4	2,3,4
T59.3	Toxický účinok szotvorného plynu	4	4	T82.1	Mechanická komplik.zaprič.srdc.elektronickou pomôc.	2,3,4	2,3,4
T59.4	Toxický účinok plynného chlóru	4	4	T82.2	Mechanická komplik.zaprič.obch.venc.tepny a chlop.náhr.	1,2,3,4	1,2,4
T59.5	Toxický účinok plynného fluóru a fluorovodíka	4	4	T82.3	Mechanická komplik.zaprič.i.cievnym transpl.	1,2,3,4	1,2,4
T59.6	Toxický účinok sirovodíka	4	4	T82.4	Mechanická komplik.zaprič.cievnym dialyzačným katétrom	2,3,4	3,4
T59.7	Toxický účinok oxidu uhličitého	4	4	T82.5	Mechanická komplik.zaprič.i.srdc.a ciev.pom.a impl.	1,2,3,4	1,2,4
T59.8	Toxický účinok iného plynu,dymu a výparov,b.u.	4	4	T82.6	Infekcia a zápal.reakcia zaprič.srdc.chlop.protézou	2,3,4	3,4
T59.9	Toxický účinok plynu,dymu a výparov,b.n.	4	4	T82.7	Infekcia a zápal.reak.zapr.i.srdc.a ciev.prot.,impl.a transpl.	2,3,4	3,4
T60.0	Toxický úč.organofosfátového a karbamátového insekticídu	4	4	T82.8	Iná kompl.zapr.srdc.a ciev.prot.,impl.a transpl.,b.u.	1,2,3,4	1,2,4
T60.1	Toxický účinok halogénovaného insekticídu	4	4	T82.9	Kompl.zaprič.srdc.a ciev.protézou,impl.a transpl.,b.n.	4	4
T60.2	Toxický účinok iného insekticídu	4	4	T83.0	Mechanická komplik.zaprič.moč.katétrom	4	4
T60.3	Toxický účinok herbicídu a fungicídu	4	4	T83.1	Mechanická komplik.zaprič.i.moč.pomôc.a impl.	4	4
T60.4	Toxický účinok rodenticídu	4	4	T83.2	Mechanická komplik.zaprič.transpl.moč.org.	2,3,4	1,2,4
T60.8	Toxický účinok iného pesticídu	4	4	T83.4	Mechanická komplik.zaprič.i.prot.,impl.a transpl.v pohl.súst.	4	4
T60.9	Toxický účinok bližšie neurčeného pesticídu	4	4	T83.5	Infekcia a zápal.reak.zaprič.proté.impl.a transpl.v moč.súst.	1,4	1,4
T63.0	Toxický účinok hadieho jedu	4	4	T83.6	Infekcia a zápal.reak.zaprič.proté.impl.a transpl.v pohl.súst	1,4	1,4
T63.1	Toxický účinok jedu iných plazov	4	4	T83.8	Iná kompl.zaprič.proté.impl.a transpl.v moč-pohl.súst.	4	4
T63.2	Toxický účinok jedu škorpióna	4	4	T83.9	Bliž.neu.kompl.zaprič.proté.,impl.a transp.v moč-pohl.súst.	4	4
T63.3	Toxický účinok jedu pavúka	4	4	T84.0	Mechanická komplik.zaprič.kĺbovou endoprotézou	2,3,4	2,3,4
T63.4	Toxický účinok jedu iných člankonožcov	4	4	T84.1	Mechanická komplik.zaprič.pomôc.na vnút.fixáciu kostí konč.	1,2,3,4	2,3,4
T63.5	Toxický účinok kontaktu s rybou	4	4	T84.2	Mechanická komplik.zaprič.pomôc.na vnút.fixáciu i.kostí	1,2,3,4	2,3,4
T63.6	Toxický účinok kontaktu s inými morským živočíchom	4	4	T84.3	Mechanická komplik.zaprič.i.kostnou pomôc.,impl.a transpl.	2,3,4	2,3,4
T63.8	Toxický účinok kontaktu s iným jedovatým živočíchom	4	4	T84.4	Mechanická komplik.zaprič.i.vnút.ortop.pomôc.,impl.a transpl.	2,3,4	2,3,4
T63.9	Toxický účinok kont.s jedovatým živoč.,b.n.	4	4	T84.5	Infekcia a zápal.reak.zaprič.kĺbovou endoprot.	2,3,4	2,3,4
T64	Toxický účinok aflatoxínu a i.mykotoxínov,znečis.potravu	4	4				
T65.0	Toxický účinok kyanidu	4	4				
T65.1	Toxický účinok strychnínu a jeho solí	4	4				
T65.2	Toxický účinok tabaku a nikotínu	4	4				
T65.3	Tox.úč.nitroderiv.a aminoderiv.benzénu a jeho homológov	4	4				
T65.4	Toxický účinok karbóndisulfidu	4	4				
T65.5	Toxický účinok nitroglycerínu a i.nitrokyselín a esterov	4	4				
T65.6	Toxický účinok náterov a farieb,n.i.	4	4				
T65.8	Toxický účinok inej bližšie určenej látky	4	4				
T65.9	Toxický účinok bližšie neurčenej látky	4	4				
T67.0	Tepelný a slnečný úpal	4	4				
T67.1	Synkopa z horúčavy	4	4				
T71	Zadusenie	4	4				
T73.1	Účinky smädu	4	4				
T75.4	Účinok elektrického prúdu	4	4				
T79.0	Vzduchová embólia (pourazová)	1,3,4	2,3,4				
T79.1	Tuková embólia (pourazová)	1,3,4	2,3,4				
T79.2	Pourazové druhotné a opakované krvácanie	1,2,4	1,2				
T79.3	Pourazová infekcia rany,nezatriedená inde	1,2,3,4	2,3				

ICD	Text	OP. CCL	Med. CCL	ICD	Text	OP. CCL	Med. CCL
T84.6	Infekcia a zápal.reak.zapríč.vnúť.kostnou fixačnou pomôc.	2,3,4	2,3,4	T87.0	Kompl.súvisiaca so znovupripojením (č.)HK	2,3	2,3
T84.7	Infekcia a zápal.reak.zapríč.i.ortop.endoprot.,impl.a štepom	2,3,4	2,3,4	T87.1	Kompl.súvisiaca so znovupripojením (č.)DK	2,3	2,3
T84.8	Iná kompl.zapríč.ortop.endoprot.impl.a štepom	1,2,3,4	2,3,4	T87.2	Komplikácia inej znovupripojenej časti tela	2,3	2,3
T84.9	Bliž.neu.kompl.vnúť.ortoped.protet.pomôc.,impl.a štepu	1,2,3,4	2,3,4	T87.4	Infekcia kýčťa po amputácii	2,3,4	3
T85.0	Mechanická komplik.zapríč.vnúť.ortopedickou komor.skratkou	3,4	3,4	T87.5	Nekróza kýčťa po amputácii	3,4	3
T85.1	Mechanická komplik.zapríč.implant.elektro.stim.nerv.súst.	3,4	3,4	T88.0	Infekcia po imunizácii	3,4	3
T85.2	Mechanická komplik.zapríč.vnúť.ortopedickou šošovkou	1,2,3,4	1,2,4	T88.1	Iná komplikácia po imunizácii, nezatriedená inde	4	4
T85.3	Mechanická komplik.zapríč.i.očnou protet.pom.,impl.a transpl.	1,2,3,4	1,2,4	T88.2	Šok,zapríčinený anestéziou	2,4	1,2
T85.4	Mechanická komplik.zapríč.prot./impl.prsníka	1,2,4	2,4	T88.3	Maligna hypertermia zapríčinená anestéziou	2,3,4	2,3,4
T85.5	Mechanická komplik.zapríč.gastroint.prot./impl.a transpl.	2,3,4	2,3,4	T88.4	Nevydarená alebo ťažká intubácia	4	4
T85.6	Mechanická komplik.zapríč.gastroint.prot.impl.a transpl.,b.u.	2,3,4	2,3,4	T88.6	Anafyl.šok ako nežiad.úč.spr.ind.a spr.pod.lieku/lieč.	2	2
T85.71	Inf.a zápal.reak.zapr.katétrom na peritoneálnu dialýzu	2,3,4	1,2,4	T91.3	Neskoré následky poranenia miechy	2,4	2,3
T85.78	Inf.a zápal.reak.zapr.i.vnúť.prot.,impl./transpl.	2,3,4	2,3,4	U60.1	Klinické kategórie choroby HIV: kategória A	3,4	3
T85.81	Iná kompl.zapr.vnúť.prot.,impl./transpl.,v nerv.súst.	1,2,4	2,4	U60.2	Klinické kategórie choroby HIV: kategória B	3,4	3
T85.82	Kapsulová fibróza prsníka,zapr.prot./impl.prsníka	2,3,4	2,3,4	U60.3	Klinické kategórie choroby HIV: kategória C	3,4	3
T85.88	Iná kompl.zapr.vnúť.prot.,impl./transpl.,n.i.	1,2,4	2,4	U61.1	Počet pomocných T-buniek pri chorobe HIV	3,4	3
T85.9	Kompl.zapr.vnúť.prot.,impl./transpl.,b.n.	4	4	U61.2	Počet pomocných T-buniek pri chorobe HIV	3,4	3
T86.00	Zlyha.transpl.krv.kmeň.buniek	3,4	3	U61.3	Počet pomocných T-buniek pri chorobe HIV	3,4	3
T86.01	Akút.choroba graft versus host[GVDH]:1.a 2.st.	3,4	3	U80.0	Staph.aer.rez.na OXA,glp.ATB,chin.,streptogr./oxazolid.	1,3,4	1,2,3
T86.02	Akút.choroba graft versus host[GVDH]:3.a 4.st.	3,4	3	U80.1	Str.pn.rez.na PNC,OXA,makrolid.ATB,oxazolid./streptogr.	3,4	3
T86.03	Chron.choroba graft versus host,ohraničená forma	3,4	3	U80.2	Ent.faecalis rez.na glp.ATB,oxazolid.streptogr./v.úr.amg.rez.	1,2,3,4	1,2,3
T86.04	Chron.choroba graft versus host,rozšírená forma	3,4	3	U80.3	Ent.faecium rez.na glp.ATB,oxazolid.,streptogr./v.úr.amg.rez.	2,3	1,2,3
T86.09	Choroba graft versus host [GVHD]: bližšie neurčená	3,4	3	U80.4	Esch.klebs.prot.rez.chin.karbap.amik./dok.rez.vš.btl.ATB	3,4	1,2,3
T86.10	Akútne zhoršenie funkcie transplantovanej obličky	3,4	3,4	U80.5	Enterobacter,citrobacter a serratia rez.-karbap.,chin./amik.	2,3	1,2,3
T86.11	Chron.zhoršenie funkcie transpl.obličky	3,4	3,4	U80.6	Ps.aer.a i.non-ferm.p.rez.karbap.chin.amik.ceft./pip.s tazob.	3,4	2,3
T86.12	Predĺžené prijatie funkcie transplantátu	3,4	3,4	U80.7	Burkh.a stenotroph.rez.-chin.,amik.,ceft.,pip.s tazob./CTM	3,4	3
T86.19	Iná a bliž.neurč.funkč.porucha zlyháv.odvrh.transpl.obličky	3,4	3,4	U82.0	Myc.tbc s rez.pr.jed./viac.antituberk.prv.radu	2,3	1,2,3
T86.2	Zlyhávajúce a odvrhnutie transplantovaného srdca	3,4	3,4	U82.1	Multirezistentná tuberkulóza [MDR-TB]	2,3	1,2,3
T86.3	Zlyhávajúce a odvrhnutie súčasne transpl.srdca a pľúc	3,4	3,4	U82.2	Atyp.mykobakt./nocardia s rez.na jed./viac.liek.prv.radu	2,3	1,2,3
T86.40	Akútne zhoršenie funkcie transplantovanej pečene	3,4	3,4	U83	Kandida s rezistenciou na flukonazol/vorikonazol	1,2,3,4	1,2,3
T86.41	Chronické zhoršenie funkcie transplantovanej pečene	3,4	3,4	U84	Herpesvírusy s rezistenciou na virostatiká	2,3	1,2,3
T86.49	Iná a bliž.neurč.por.funkcie,zlyh. a odvrh.transpl.pečene	3,4	3,4	U85	Vírus HIV s rezistenciou na virostatiká/inhib.proteináz	3,4	3
T86.50	Porucha prekrvenia transplantovanej kože	2,3,4	2,3,4	U99.01	Inkontinencia moču, 2. stupeň	1	1
T86.51	Nekróza transplantovanej kože	2,3,4	2,3,4	U99.02	Inkontinencia moču a stolice, 3. stupeň, trvalá	1	1
T86.52	Strata kožného transplantátu	2,3,4	2,3,4	U99.03	Inkont.moču a stolice, 3. stupeň, trvalá a nezvratná	1	1
T86.59	Iná a bliž.neurč.por.funkcie,zlyh.a odvrh.transpl.kože	2,3,4	2,3,4	Z43.0	Ošetrovanie tracheostómie	2,3	1,2
T86.81	Zlyhanie a odvrhnutie transplantovaných pľúc	3,4	3,4	Z76.8	Osoba,ktorá vyhľad.zdrav.služby za i,b.u.okolností	3	3
T86.82	Zlyhanie a odvrhnutie transplantovaného pankreasu	3,4	3,4	Z90.3	Získané chýbanie časti žalúdka	4	4
T86.88	Zlyh.a odvrhnutie i.transpl.orgánu a tkan.	3,4	3,4	Z93.0	Stav s predtým vytvorenou tracheostómiou	2,3	1,2
T86.9	Zlyhávajúce a odvrhnutie b.n.orgánu a tkan.	2,3,4	2,3,4	Z94.0	Stav po transplantácii obličky	3,4	2,3
				Z94.1	Stav po transplantácii srdca	3,4	2,3
				Z94.2	Stav po transplantácii pľúc	3,4	2,3
				Z94.3	Stav po transplantácii srdca a pľúc	3,4	2,3
				Z94.4	Stav po transplantácii pečene	3,4	2,3
				Z94.80	Stav po traspl.krvotv.(kmeň.)bun.,bez súč.imunosupr.	3,4	2,3
				Z94.81	Stav po traspl.krvotv.(kmeň.)bun.,so súč.imunosupr.	3,4	2,3
				Z94.82	Stav po transplantácii pankreasu	3,4	2,3
				Z94.83	Stav po transplantácii obličky a pankreasu	3,4	2,3
				Z94.88	Stav po transplantácii iného orgánu alebo tkaniva	3,4	2,3

Príloha D

Overovanie demografických a klinických údajov

D.1 Úvod

Pred priradením prípadu k MDC kategórii overuje Grouper platnosť jednotlivých premenných na základe demografických a klinických údajov. V priebehu tohto overovania môže byť generovaný **varovný príznak** (ozn. flag), pokiaľ program narazí na neplatné informácie alebo nezrovnalosti. Okrem toho je zobrazená **neodvratná chyba** (ozn. fatal flag), pokiaľ nie je možné priradiť MDC/DRG z dôvodu problému (napr. z dôvodu neplatnej vekovej informácie). Záznamy s neodvratnou chybou sú priradené do jednej z troch DRG skupín: 960Z, 961Z alebo 963Z. V nasledujúcej časti tejto prílohy sú uvedené bližšie informácie k jednotlivým premenným.

D.2 Prípustné hodnoty pre demografické premenné

Premenná	Prípustné hodnoty	Poznámka
Dĺžka o-etrovacej doby v dňoch	Prípustné hodnoty: 1-9999	V prípade platnosti vypočítanej hodnoty a aj zadanej hodnoty sa berie do úvahy nižšia hodnota
Pohlavie	N, 0 nezistené M, 1 mužské F, 2 ženské	
Vek v dňoch	Prípustné hodnoty: 1 ó 364/5 dní	Ak je možné vypočítať vek z údajov o narodení a z dátumu prijatia ó berie grouper do úvahy vypočítanú hodnotu veku. Ak táto nemôže byť vypočítaná a neexistuje ani zadaná hodnota veku, je hospitalizačný prípad zaradený do DRG 960Z.
Vek v rokoch	Prípustné hodnoty: 0 ó 124 rokov	
Hmotnosť pri prijatí	hodnoty: 250 až 19999	Tento údaj sa overuje, ak je pacient mladší ako 1 rok. Ak je pole prázdne alebo má hodnotu NULL, použije sa predvolené spracovanie hodnota 2500 gramov.
Dĺžka UPV	Prípustné hodnoty: 1-9999	
Druh prijatia	1 odporúčenie lekárom 2 akútny príjem 4 pôrod/narodenie novorodenca 5 preloženie z inej nemocnice, o-etrovacia doba v prekladajúcej nemocnici \times 24 hod. 6 preloženie z inej nemocnice, o-etrovacia doba v prekladajúcej nemocnici $<$ 24 hod. 9 doprovod (sprevádzajúca osoba)	
Dôvod prijatia	1 ústavná zdravotná starostlivosť 4 pôrod/narodenie novorodenca 5 opätovné prijatie kvôli komplikáciám 6 príjem do nemocnice na odber orgánov	
Dôvod prepustenia	1 hospitalizácia riadne ukončená, pacient prepustený domov 2 prepustenie do ústavu sociálnej starostlivosti, hospicu 4 preloženie do inej nemocnice 5 hospitalizácia ukončená bez súhlasu lekára 6 zomrel a bol pitvaný 7 zomrel a nebol pitvaný 10 preloženie do rehabilitačného zariadenia 11 prepustenie do domácej o-etrovateľskej starostlivosti 12 preloženie na psychiatrickú liečbu do inej nemocnice 13 preloženie v rámci nemocnice na non-DRG oddelenie (s iným úhradovým mechanizmom)	

D.3a Prípustné hodnoty pre klinické premenné

Groupy overuje platnosť v-etských diagnóz a výkonov nielen vo vzahu k íselníkom MKCH-10-SK a ZZV-DRG ale aj vo vzahu k veku a pohlaviu pacienta. Kódy, ktoré sa vyskytujú viac ako raz, sú ignorované pokiaľ sa týkajú diagnóz, no nie ak sa týkajú zdravotných výkonov. Okrem toho sa overuje hlavná diagnóza, za účelom zabezpečenia prijatej hlavnej diagnózy, či nie je kódom manifestácie, t.j. kód s hviezdikou, ani kódom opisujúcim externú príčinu poranenia alebo otravy (viš skupiny V, W, X a Y MKCH-10-SK) alebo kódom s výkrikom.

Kontroluje sa aj platnosť kombinácií pôrodnicej diagnózy a kódov zdravotných výkonov. Ak bol v diagnóze zahrnutý cisársky rez, ale nebol zaznamenaný žiadny kód výkonu, prípad bude zaradený do DRG 962Z *Neprípustná pôrodnica kombinácia diagnóz*.

Premenná	Prípustné hodnoty	Poznámka
Diagnózy (MKCH-10-SK)	Platný terminálny kód z MKCH-10-SK-2023	Viacnásobne zadaná rovnaká diagnóza sa ignoruje. Za platný terminálny kód sa považuje kód pod a MKCH, ktorý uŕ nemá definované al-ie lenie.
Zdravotné výkony (ZZV-DRG)	Platný terminálny kód zo ZZV-DRG-2023	

D.3b Varovné príznaky a neodvratné chyby

Ako uŕ bolo spomenuté, v priebehu overovania demografických a klinických charakteristík môže by generovaný varovný príznak (ozn. **flag**) aj príznaky neodvratnej chyby (ozn. **fatal flags**). V zásade platí nasledovné:

- V-etky neprípustné hlavné diagnózy (tabu ka D.7) sú neodvratné chyby (**fatal flags**) a spôsobujú priradenie hospitalizačného prípadu k chybovej DRG 961Z *Neprípustná hlavná diagnóza*.
- Väšina kódov v tabu ke konflikt s vekom doj a (tabu ka D.4a) sú **fatal flags**, pokiaľ sú vykázané ako hlavná diagnóza a
 - pacient je vo veku od 28 do 364/5 dní a má hmotnosť pri prijatí vyšiu ako 2 500 gramov alebo
 - pacient má 1 rok alebo viac.

Hospitalizačné prípady lieby dojiat s takouto chybou sú zaradené do DRG 963Z *Novorodenecká diagnóza nezlučiteľná s vekom alebo hmotnosťou*.

- Niektoré kódy diagnóz v dvoch tabu kách konfliktov s pohlavím (tabu ky D.5a a D.7c) môžu tiež predstavovať neodvratné chyby (**fatal flags**), pokiaľ je hospitalizačný prípad zaradený do MDC, pri ktorej výbere záleží na pohlaví hospitalizačného prípadu (MDC 12 *Choroby mužských pohlavných orgánov*, MDC 13 *Choroby ženských pohlavných orgánov*, MDC 14 *Gravidita, pôrod a estonedelie*). Hospitalizačné prípady pri ktorých konflikt s pohlavím predstavuje neodvratnú chybu sú priradené do MDC, ktorá je determinovaná na základe hlavnej diagnózy, avšak sú zaradené do DRG 960Z *Nezatriedite do skupín*.
- V-etky ostatné klinické príznaky o kód pre externú príčinu, konflikt s vekom a konflikt s pohlavím (s výnimkou diagnóz, ktoré sa týkajú iba MDC 12, MDC 13 alebo MDC 14) o sú označené varovným príznakom (**flag**), nie sú však neodvratnou chybou (**fatal flag**).

D.4 Konflikty klinických premenných s vekom

Platnosť klinických premenných sa overuje alej v súvislosti s vekom pacienta. K tomuto účelu sa rozlišujú vekové kategórie, definované kritériami uvedenými v nasledovnej tabu ke. Tieto kategórie slúžia výlučne pre účely DRG. Všetci špoznámka o sú vymenované označenia tabuliek, ktoré sú použité v zaraďovacom algoritme pre overenie prípadného konfliktu klinickej premennej s vekom.

Katégoria	Vek	Poznámky
Doj a	1 deň do 364/5 dní	Diagnózy - D.4a
Malé dieťa	< 2 roky	Diagnózy - D.4b
Dieťa	< 10 rokov	Diagnózy - D.4c
Deti a dorast	< 19 rokov	Diagnózy - D.4d
šPost-neonatalo	> 27 dní	Diagnózy - D.4e
Starší ako doj a	× 1 rok	Diagnózy - D.4f
Puberta	8-19 rokov	Diagnózy - D.4g
Plodný vek	12-55 rokov	Diagnózy - D.4h, Výkony D.4i
Dospelý	× 15 rokov	Diagnózy - D.4j
šZrelýo dospelý	× 30 rokov	Diagnózy - D.4k

D.5 Konflikty klinických premenných s pohlavím

Platnosť vykázaných klinických údajov je overovaná v zaraďovacom algoritme aj v kontexte pohlavia pacienta. Tabuľky D.5a-d obsahujú diagnózy a zdravotné výkony, ktoré môžu byť vykonávané iba u pacientov s príslušným pohlavím.

D.4a Konflikt s vekom: Doj a

Kód	Popis	Kód	Popis
A33	Tetanus novorodencov	P10.3	Subarachnoidálne kvácanie zaprič.poran.pri pôrode
P00.0	Pošk.plodu a novorodneca artériovou hypertenziou matky	P10.4	Roztrhnutie tentória zaprič.poran.pri pôrode
P00.1	Pošk.plodu a novorod.chor.obličiek a moč.ciest matky	P10.8	Bliž.vnútroleb.poran.a kvácania zaprič.poran.pri pôrode
P00.2	Pošk.plodu a novorod.infekč.a parazit.chorobami matky	P10.9	Bliž.neur.vnútroleb.poran.a kvácanie zaprič.poran. pri pôrode
P00.3	Pošk.plodu a novorod.i.obehov.a dých.chorobami matky	P11.0	Mozgový opuch,zapričinený poranením pri pôrode
P00.4	Pošk.plodu a novorod.poruchami výživy matky	P11.1	Iné poškodenie mozgu,zaprič.poran.pri pôrode,b.u.
P00.5	Poškodenie plodu a novorodenca poranením matky	P11.2	Bliž.neur.poškodenie mozgu,zaprič.poran.pri pôrode
P00.6	Pošk.plodu a novorodenca chir.výkonom u matky	P11.3	Pôrodné poranenie tvárového nervu
P00.7	Pošk.plodu a novorodenca .iným.lekár.výkon.u matky,n.i.	P11.4	Pôrodné poranenie iných hlavových nervov
P00.8	Poškodenie plodu a novorodenca inými stavmi matky	P11.50	Pôrodné poran.chrbtice a miechy s akút. ochrnutím
P00.9	Poškodenie plodu a novorodenca bliž.neurč.stavmi matky	P11.51	Pôrodné poran.chrbtice a miechy s chron.ochrnutím
P01.0	Poškodenie plodu a novorod.insuficienciou krčka maternice	P11.59	Pôrodné poran.chrbtice a miechy,b.n.
P01.1	Poškodenie plodu a novorod.predčasným puknutím blán	P11.9	Pôrodné poranenie centrálnej nervovej sústavy,b.n.
P01.2	Poškodenie plodu a novorodenca oligohydranniómom	P12.0	Zakrvácanie pod okosticu lebky,zaprič.poran.pri pôrode
P01.3	Poškodenie plodu a novorodenca polyhydranniómom	P12.1	Pôrodný nádor záhlavia,zaprič.poranením pri pôrode
P01.4	Poškodenie plodu a novorodenca ektopickou graviditou	P12.2	Epikraniál.subaponeurotické krvác.,zaprič.poran.pri pôrode
P01.5	Poškodenie plodu a novorodenca viacpočetnou graviditou	P12.3	Podliatina vlas.časti hlavy zaprič.poranením pri pôrode
P01.6	Poškodenie plodu a novorodenca smrťou matky	P12.4	Poranenie vlasovej časti hlavy novorod.,zaprič.monitor.
P01.7	Pošk.plodu a novor.nepřavid.naliehaním pred začiat.pôrodu	P12.8	Iné pôrodné poranenia vlasatej časti hlavy
P01.8	Pošk.plodu a novorod..i.materskými komplik.gravidity	P12.9	Pôrodné poranenia vlasatej časti hlavy,b.n.
P01.9	Pošk.plodu a novorod.materskými kompl.gravidity b.n.	P13.0	Zlomenina lebky zapričinená poranením pri pôrode
P02.0	Poškodenie plodu a novorodenca vcestnou placentou	P13.1	Iné pôrodné poranenia lebky
P02.1	Pošk.plodu a novorod.i.form.odlúpenia placenty a krvác.	P13.2	Pôrodné poranenie stehnovej kosti
P02.2	Pošk.plodu a novorod.i.a b.n.morf.a funkč.abn.placenty	P13.3	Pôrodné poranenie iných dlhých kostí
P02.3	Pošk.plodu a novorod.placentovými transfúznymi synd.	P13.4	Zlomenina kľúčnej kosti,zaprič.poranením pri pôrode
P02.4	Pošk.plodu a novorod.vykĺznutým pupočníkom	P13.8	Pôrodné poranenie iných častí kostry
P02.5	Pošk.plodu a novorod.i.stlačením pupočníka	P13.9	Pôrodné poranenie kostry,bližšie neurčené
P02.6	Pošk.plodu a novorod.i.a bliž.neurč.stavmi puoč.	P14.0	Erbovo ochmutie zapričinené poranením pri pôrode
P02.7	Poškodenie plodu a novorodenca chorioamnionitídou	P14.1	Klumpkeovej ochmutie zaprič.poranením pri pôrode
P02.8	Poškodenie plodu a novorod.i.abnrmalit.blán	P14.2	Ochrnutie bránicového nervu zaprič.poran.pri pôr.
P02.9	Poškodenie plodu a novorod.bliž.neurč.abnormalit.blán	P14.3	Iné poranenie plexus brachialis pri pôrode
P03.0	Pošk.plodu a novorod.pôr.panvov.koncom a extrakciou	P14.8	Pôrodné poranenie i.častí perif.nervovj sústavy
P03.1	Pošk.plod a nov.i.nepr.nalie.,drž.tela,pol.,disp.,poč.pôr.čin.	P14.9	Pôrodné poranenie perif.nervovj.sústavy ,b.n.
P03.2	Poškodenie plodu a novorodenca kliešťovým pôrodom	P15.0	Pôrodné poranenie pečene
P03.3	Pošk.plodu a novorod.plodu pôr.vákuovým extraktorom	P15.1	Pôrodné poranenie sleziny
P03.4	Pošk.plodu a novorod.pôr.cisárskym rezom	P15.2	Poranenie kývača hlavy,zaprič.poran.pri pôrode
P03.5	Poškodenie plodu a novorodenca náhlým pôrodom	P15.3	Pôrodné poranenie oka
P03.6	Pošk.plodu a novorod.abn.maternicovými kontrakciami	P15.4	Pôrodné poranenie tváre
P03.8	Pošk.plodu a novorod.i.bliž.urč.kompl.pôr.činn.a pôrodu	P15.5	Pôrodné poranenie vonkajších genitálií
P03.9	Pošk.plodu a novorod.kompl.pôr.činn.a pôrodu,b.n.	P15.6	Nekróza podkožného tuku,zaprič.poran. ri pôrode
P04.0	Pošk.plodu a novorod.anest.,analg.m.v grav.poč.pôr.čin.a pôr.	P15.8	Iné pôrodné poranenie,bližšie určené
P04.1	Poškodenie plodu a novorodenca inou liečbou matky	P15.9	Pôrodné poranenie,bližšie neurčené
P04.2	Pošk.plodu a novorod.užív.tabaku matkou	P20.0	Vnútroamat.hypoxia zaznamen.po prvýkrát pred zač.pôr.čin.
P04.3	Pošk.plodu a novorod.užív.alkoholu matkou	P20.1	Vnútroamat.hypoxia zaznamen.po prvýkrát.poč.pôr.čin.a pôrodu
P04.4	Pošk.plodu a novorod.užív.návykových liekov a drog matkou	P20.9	Vnútroamat.hypoxia, bližšie neurčená
P04.5	Pošk.plodu a novorod.chem.lát.z potravy matky	P21.0	Ťažká pôrodná asfyxia
P04.6	Pošk.plodu a novorod.pri vyst.matky chem.lát.zo živ.prostr.	P21.1	Ľahká a stredná pôrodná asfyxia
P04.8	Pošk.plodu a novorod.i.škodl.vplyvmi pôsob.na matku	P21.9	Pôrodná asfyxia,bližšie neurčená
P04.9	Pošk.plodu a novorod.škodl.vplyvom pôsob.na matku,b.n.	P22.0	Synd.respiračnej tiesne novorod.
P05.0	Plod priveľmi ľahký na svoj gestačný vek	P22.1	Prechodná tachypnea novorodenca
P05.1	Plod priveľmi malý na svoj gestačný vek	P22.8	Iná respiračná tieseň novorodenca
P05.2	Podvýž.plo.bez uv.,či ide o p./lah./p.malý plo.na svoj ges.vek	P22.9	Respiračná tieseň novorodenca,bližšie neurčená
P05.9	Pomalý rast plodu,bližšie neurčený	P23.0	Vrodený zápal pľúc,zapričinený vírusom
P07.00	Novorodenec s pôrod.hmotnosť.menej ako 500 gr.	P23.1	Vrodený zápal pľúc,zapričinený chlamýdiou
P07.01	Novorodenec s pôrod.hmotnosť.od 500 do 750 gr.	P23.2	Vrodený zápal pľúc,zapričinený stafylokokom
P07.02	Novorodenec s pôrod.hmotnosť.od 750 do 1000 gr.	P23.3	Vrodený zápal pľúc,zapr.streptok.skupiny B
P07.10	Novorodenec s pôrod.hmotnosť.od 1000 do 1250 gr.	P23.4	Vrodený zápal pľúc,zapričinený Escherichia coli
P07.11	Novorodenec s pôrod.hmotnosť.od 1250 do 1500 gr.	P23.5	Vrodený zápal pľúc,zapričinený pseudomonas
P07.12	Novorodenec s pôrod.hmotnosť.od 1500 do 2500 gr.	P23.6	Vrodený zápal pľúc,zapričinený inou baktériou
P07.2	Novorodenec s extrémnou nezrelosťou	P23.8	Vrodený zápal pľúc,zapričinený iným organizmom
P07.3	Iný predčasne narodený novorodenec	P23.9	Vrodený zápal pľúc,bližšie neurčený
P08.0	Výnimočne veľký novorodenec	P24.0	Novorodenecká aspirácia smolky
P08.1	Iný novorodenec priveľmi ťažký vzhľ.na dĺžku gravidity	P24.1	Novorodenecká aspirácia plodovej vody a hlienu
P08.2	Prenáš.novorod.ktorý nie je priveľmi ťaž.vzhľ.na dĺž.grav.	P24.2	Novorodenecká aspirácia krvi
P10.0	Subdurálne kvácanie zaprič.poran.pri pôrode	P24.3	Novorod.aspirácia mlieka a regurgitovanej potravy
P10.1	Mozgové kvácanie zapričinené poranením pri pôrode	P24.8	Iný novorodenecký syndróm z aspirácie
P10.2	Vnútrokomorové kvácanie zaprič.poran.pri pôrode	P24.9	Novorodenecký syndróm z aspirácie,bližšie neurčený

Kód	Popis	Kód	Popis
P25.0	Interstic.emfyzém so vznikom v perinatálnom obd.	P52.6	Mozočkové(neúraz.)krvác. a krvác.do zad.jamy plodu a nov.
P25.1	Pneumotorax so vznikom v perinatálnom období	P52.8	Iné vnútrolebkové (neúraz.)krvác.plodu a novorod.
P25.2	Pneumomediastínus so vznikom v perinatálnom období	P52.9	Vnútrolebkové (neúraz.)krvác.plodu a novorod.,b.n.
P25.3	Pneumoperikard so vznikom v perinatálnom období	P53	Hemoragická choroba plodu a novorodenca
P25.8	Iné stavy súvis.s interstic.emfyz.so vznik.v perinat.obd.	P54.0	Hemateméza u novorodenca
P26.0	Tracheobronchiálne krvácanie so vznik.v perinat.obd.	P54.1	Meléna u novorodenca
P26.1	Masívne pľúcne krvác.so vznikom v perinat.obd.	P54.2	Krvácanie z konečníka u novorodenca
P26.8	Iné pľúcne krvác.so vznikom v perinat.obdobi	P54.3	Iné gastrointestinálne krvácanie u novorodenca
P26.9	Pľúcne krvác.so vznik.v perinat.obdobi.b.n.	P54.4	Krvácanie do nadobličky u novorodenca
P27.0	Wilsonov-Mikityho syndróm	P54.5	Kožné krvácanie u novorodenca
P27.1	Bronchopulmonálna dysplázia so vznik.v perin.obd.	P54.6	Pošvové krvácanie u novorodenca
P27.8	Iná chronická respirač.chor.so vznik.v perinatál.obd.	P54.8	Iné bližšie určené krvácanie novorodenca
P27.9	Bliž.neurč.chron.respirač.choroba so vznikom v perinat.obdobi	P54.9	Krvácanie novorodenca, bližšie neurčené
P28.0	Primárna atelektáza novorodenca	P55.0	Rh izoimunizácia plodu a novorodenca
P28.1	Iná a bližšie neurčená atelektáza novorodenca	P55.1	ABO izoimunizácia plodu a novorodenca
P28.2	Záchvaty cyanózy novorodenca	P55.8	Iná hemolytická choroba plodu a novorodenca
P28.3	Primárne spánkové apnoe novorodenca	P55.9	Hemolytická chor.plodu a novorod.,b.n.
P28.4	Iné apnoe novorodenca	P56.0	Hydrops plodu v dôsledku izoimunizácie
P28.5	Respiračné zlyhanie novorodenca	P56.9	Hydrops plodu v dôsl.i.a b.n.hemolytickej chor.
P28.8	Iná porucha dýchania novorodenca,bližšie určená	P57.0	Jadrový ikterus v dôsledku izoimunizácie
P28.9	Porucha dýchania novorodenca,bližšie neurčená	P57.8	Iný jadrový ikterus,bližšie určený
P29.0	Srdcové zlyhávanie u novorodenca	P57.9	Jadrový ikterus,bližšie neurčený
P29.1	Porucha srdcového rytmu u novorodenca	P58.0	Novorodenecká žltáčka zapríčinená podliatinami
P29.2	Artériová hypertenzia u novorodenca	P58.1	Novorodenecká žltáčka zapríčinená krvácaním
P29.3	Pretrvávajúci fetálny obeh	P58.2	Novorodenecká žltáčka zapríčinená infekciou
P29.4	Prechodná ischémia myokardu u novorodenca	P58.3	Novorodenecká žltáčka zapríčinená polycytémiou
P29.8	Iná srdcovocievna porucha so vznik.v perinat.obd.	P58.4	Novorod.žltáčka zapríč.liek/tox.,prenes.z matky/pod.nov.
P29.9	Srdcovocievna porucha so vznik.v perinat.obd.,b.n.	P58.5	Novorod.žltáčka zapríč.prehltnutím materskej krvi
P36.0	Sepsa u novorod.zaprič.sterpt.zo skupiny B	P58.8	Novorod.žltáčka zaprič.i.bliž.urč.nadmernou hemolýzou
P36.1	Sepsa u novorod.zaprič.i.a b.n.sterpt.	P58.9	Novorod.žltáčka zaprič.nadmernou hemolýzou,b.n.
P36.2	Sepsa u novorod.zaprič.staphylococcus aureus	P59.0	Novorod.žltáčka súvisiaca s predč.pôrodom
P36.3	Sepsa u novorod.zaprič.i.a bliž.neiřc.stafylokokom	P59.1	Syndróm hustej žlče
P36.4	Sepsa u novorodenca,zapričinená escherichia coli	P59.2	Novorod.žltáčka z iného a bliž.neurč.pošk.pečeňových buniek
P36.5	Sepsa u novorod.zaprič.anaeróbnym mikroorganizmom	P59.3	Novorod.žltáčka z inhibítorov materského mlieka
P36.8	Iná baktériová sepsa u novorodenca	P59.8	Novorod.žltáčka z iných bliž.urč.pričin
P36.9	Baktériová sepsa u novorodenca,bližšie neurčená	P59.9	Novorodenecká žltáčka,bližšie neurčená
P37.0	Vrodená tuberkulóza	P60	Diseminovaná intravaskulárna koagul.plodu a novorod.
P37.1	Vrodená toxoplazmóza	P61.0	Prechodná novorodenecká trombocytópénia
P37.2	Novorodenecká (diseminovaná) listerióza	P61.1	Novorodenecká polycytémia
P37.3	Vrodená malária plasmodium falciparum	P61.2	Anémia nedonosných
P37.4	Iná vrodená malária	P61.3	Vrodená anémia z fetálnej straty krvi
P37.5	Kandidóza u novorodenca	P61.4	Iná vrodená anémia,nezatriedené inde
P37.8	Iná vrodená infekčná a parazit.choroba,b.u.	P61.5	Prechodná novorodenecká neutropénia
P37.9	Vrod.infekčná/parazitová choroba,b.n.	P61.6	Iná prechodná novorodenecká porucha zrážania
P38	Omfalítida u novorod.bez krvác./s miernym krvác.	P61.8	Iná perinatálna hematologická porucha,b.u.
P39.0	Novorodenecká infekčná mastitída (zápal prsníkov)	P61.9	Perinatálna hematologická porucha, bližšie neurčená
P39.1	Novorodenecká konjunktivitída a dakryocystitída	P70.0	Syndróm dieťaťa matky s gestačným diabetes mellitus
P39.2	Intraamniotická infekcia plodu, nezatriedená inde	P70.1	Syndróm dieťaťa matky s diabetes mellitus
P39.3	Novorodenecká infekcia močovej sústavy	P70.2	Diabetes mellitus u novorodenca
P39.4	Novorodenecká kožná infekcia	P70.3	Iatrogénna hypoglykémia u novorodenca
P39.8	Iná bliž.urč.infekcia špecifická pre perinat.obdobie	P70.4	Iná hypoglykémia u novorodenca
P39.9	Infekcia špecifická pre perinatálnom obd.,b.n.	P70.8	Iná prech.porucha metab.sacharidov plodu a novorod.
P50.0	Fetálna strata krvi pri vasa praevia (vcestných cievach)	P70.9	Prech.porucha metabol.sacharidov plodu a novorod.,b.n.
P50.1	Fetálna strata krvi z roztrhnutého pupočníka	P71.0	Hypokalcémia z kravského mlieka u novorodenca
P50.2	Fetálna strata krvi z placenty	P71.1	Iná hypokalcémia u novorodenca
P50.3	Krvácanie do dvojčaťa (fetofetálne)	P71.2	Hypomagneziémia u novorodenca
P50.4	Krvácanie do obehu matky	P71.3	Novorod.tetania bez nedost.kalcia/magnézia
P50.5	Fetálna strata krvi z prerez.pupoč.druhého dvojčaťa	P71.4	Prechodná hypoparatyreóza u novorodenca
P50.8	Iná fetálna strata krvi	P71.8	Iná prech.porucha metabol.vápnika a horčíka u novorod.
P50.9	Fetálna strata krvi, bližšie neurčená	P71.9	Prechodná porucha metabol.vápnika a horčíka u novorod.,b.n.
P51.0	Masívne krvácanie z pupočníka novorodenca	P72.0	Struma u novorodenca,nezatriedená inde
P51.8	Iné krvácanie z pupočníka novorodenca	P72.1	Prechodná hypertyreóza u novorodenca
P51.9	Krvácanie z pupočníka novorodenca,bližšie neurčené	P72.2	Iná prech.porucha funkcie štítnej žľazy u novorod.,n.i.
P52.0	Vnútrokomorové(neúraz.)krvác.plodu a novorod.1.st.	P72.8	Iná prechod.endokrinná porucha u novorod.,b.u.
P52.1	Vnútrokomorové(neúraz.)krvác.plodu a novorod.2.st.	P72.9	Prech.endokrinná por.u novorod.,b.n.
P52.2	Vnútrokomorové(neúraz.)krvác.plodu a novorod.3.st.	P74.0	Neskorá metabolická acidóza u novorodenca
P52.3	Vnútrokomorové(neúraz.)krvác.plodu a novorod.,b.n.	P74.1	Dehydratácia u novorodenca
P52.4	Mozgové (neúrazové) krvácanie plodu a novorodenca	P74.2	Porucha rovnováhy sodíka u novorodenca
P52.5	Subarachnoidálne (neúraz.)krvác.plodu a novorod.	P74.3	Porucha rovnováhy draslíka u novorodenca

Kód	Popis	Kód	Popis
P74.4	Iná prechodná elektrolytová porucha u novorodenca	P91.5	Kóma u novorodenca
P74.5	Prechodná tyrozinémia u novorodenca	P91.6	Hypoxicko-ischemická encefalopatia u novorodenca
P74.8	Iná prechodná metabolická porucha u novorodenca	P91.80	Locked-in syndróm a apalický syndróm novorodenca
P74.9	Prechodná metabol.porucha u novorod.,b.n.	P91.88	Iná porucha mozgovej funkcie novorod.,b.u.
P75	Choroby tráviacej sústavy plodu a novorodenca	P91.9	Mozgová porucha u novorodenca, bližšie neurčená
P76.0	Syndróm mekóniovej zátky	P92.0	Vracanie u novorodenca
P76.1	Prechodný ileus u novorodenca	P92.1	Regurgitácia a ruminácia u novorodenca
P76.2	Črevná nepriechod.zapríč.zahusteným mliekom	P92.2	Pomalý príjem potravy u novorodenca
P76.8	Iná črevná nepriechod.u novorod.,b.u.	P92.3	Podvýživa (znižený príjem potravy) u novorodenca
P76.9	Črevná nepriechod.u novorod.,b.n.	P92.4	Nadmerná výživa u novorodenca
P77	Nekrotizujúca enterokolitída plodu a novorodenca	P92.5	Problém s dojčením u novorodenca
P78.0	Perinatálna perforácia čreva	P92.8	Iný problém s výživou (kŕmením) u novorodenca
P78.1	Iná novorodenecká peritonitída	P92.9	Prob.s výživou u novorod.,b.n.
P78.2	Novorod.hemateméza a meléna zapr.prehlt.mater.krvi	P93	Reakcia na lieky a intox.liekmí podanými plodu a novorod.
P78.3	Neinfekčná novorodenecká hnačka	P94.0	Prechodná myasthenia gravis u novorodenca
P78.8	Iná perinatálna porucha tráviacej sústavy,b.u.	P94.1	Vrodená svalová hypertónia
P78.9	Perinatálna porucha tráviaceho systému,b.n.	P94.2	Vrodená svalová hypotónia
P80.0	Syndróm poškodenia chladom (podchladenia) u novorod.	P94.8	Iná porucha svalového tonusu u novorodenca
P80.8	Iná hypotermia u novorodenca	P94.9	Porucha svalového tonusu u novorod.,b.n.
P80.9	Hypotermia u novorodenca, bližšie neurčená	P95	Smrť plodu z bližšie neurčenej príčiny
P81.0	Hypertermia u novorodenca z prehriateho prostredia	P96.0	Vrodené zlyhávanie obličiek
P81.8	Iná porucha regulácie telesnej teploty u novorod.,b.u.	P96.1	Abstin.synd.u novorod.matky užív.návyk.látky a drogy
P81.9	Porucha regulácie telesnej teploty u novorod.,b.n.	P96.2	Abstin.synd.novorod.pri lieč.podávaní liečiv
P83.0	Sclerema neonatorum	P96.3	Široké lebkové švy u novorodenca
P83.1	Novorodenecký toxický erytém	P96.4	Ukončenie gravidity ako príč.pošk.plodu a novorod.
P83.2	Hydrops plodu, nezapríčený hemolytickou chorobou	P96.5	Kompl.vnútromat.výkon,nez.i.,ako príč.pat.stav.plodu a nov.
P83.3	Iný opuch špecifický pre plod a novorod.,b.n.	P96.8	Iná porucha so začiatkom v perinat.obd.,b.u.
P83.4	Zdureníe prsných žliaz u novorodenca	P96.9	Porucha so začiatkom v perinat.obd.,b.n.
P83.5	Kongenitálna hydrokéla	Q86.0	Alkoholový syndróm plodu (dysmorfický)
P83.6	Pupkový polyp u novorodenca	Z38.0	Jedno dieťa, narodené v nemocnici
P83.8	Iná choroba kože špecifická pre plod a novorod.,b.u.	Z38.1	Jedno dieťa, narodené mimo nemocnice
P83.9	Porucha kože špecifická pre plod a novorod.,b.n.	Z38.2	Jedno dieťa, miesto narodenia bližšie neurčené
P90	Krčce [konvulzie] u novorodenca	Z38.3	Dvojčatá, narodené v nemocnici
P91.0	Mozgová ischémia u novorodenca	Z38.4	Dvojčatá, narodené mimo nemocnice
P91.1	Získaná periventriculárna cysta u novorodenca	Z38.5	Dvojčatá, miesto narodenia bližšie neurčené
P91.2	Mozgová leukomalácia u novorodenca	Z38.6	Deti z i.viacnásobnej gravid.,narodené v nemocnici
P91.3	Mozgová dráždivosť novorodencov	Z38.7	Deti z i.viacnásobnej gravid.narodené mimo nemocnice
P91.4	Mozgový útlm novorodencov	Z38.8	Deti z i.viacnásobnej gravid.,b.n.miesto narodenia

D.4b Konflikt s vekom: Malé dieťa

Kód	Popis	Kód	Popis
Q89.4	Spojené (zrastené) dvojčatá	R95.0	Syndróm náhlej smrti dojčiat [SIDS] so zmienkou o pitve
R06.80	Akútna život ohrozujúca príhoda v dojčenskom veku	R95.9	Syndróm náhlej smrti dojčiat [SIDS] bez zmienky o pitve

D.4c Konflikt s vekom: Die a

Kód	Popis	Kód	Popis
E30.1	Predčasná puberta	R68.1	Nešpecifické priz.charakter.pre dojčenský vek

D.4c

D.4d Konflikt s vekom: Deti a dorast

Kód	Popis	Kód	Popis
E55.0	Aktívna rachitída	M09.03	Juven.artritída pri psoriáze,s postih.kĺb.predlak.
G93.7	Reyeov syndróm	M09.04	Juven.artritída pri psoriáze,s postih.kĺb.ruky
L21.1	Seboroická dermatitída detského veku	M09.05	Juven.artritída pri psoriáze,s postih.kĺb.panvy a stehna
M08.00	Juvenilná reumatoid.artritída dospelých na viac.m.	M09.06	Juven.artritída pri psoriáze,s postih.kĺb.predkol.
M08.01	Juvenilná reumatoid.artritída dospelých v obl.pleca	M09.07	Juven.artritída pri psoriáze,s postih.kĺb.čl.a nohy
M08.02	Juvenilná reumatoid.artritída dospelých v obl.nadlaktia	M09.08	Juven.artritída pri psoriáze,s postih.kĺb.na i.mieste
M08.03	Juvenilná reumatoid.artritída dospelých v obl.predlak.	M09.09	Juven.artritída pri psoriáze,s postih.kĺb.na n.mieste
M08.04	Juvenilná reumatoid.artritída dospelých v obl.ruky	M09.10	Juven.artritída pri Crohn.chor.,s postih.kĺb.na viac.m.
M08.05	Juvenilná reumatoid.artritída dospelých v obl.panvy a stehna	M09.11	Juven.artritída pri Crohn.chor.,s postih.kĺb.v obl.pleca
M08.06	Juvenilná reumatoid.artritída dospelých v obl.predkol.	M09.12	Juven.artritída pri Crohn.chor.,s postih.kĺb.nadlaktia
M08.07	Juvenilná reumatoid.artritída dospelých v obl.čl.a nohy	M09.13	Juven.artritída pri Crohn.chor.,s postih.kĺb.predlak.
M08.08	Juvenilná reumatoid.artritída dospelých na i.mieste	M09.14	Juven.artritída pri Crohn.chor.,s postih.kĺb.ruky
M08.09	Juvenilná reumatoid.artritída dospelých,miesto bliž.neurč.	M09.15	Juven.artritída pri Crohn.chor.,s postih.kĺb.panvy a stehna
M08.10	Juven.ankylozujúca spondylitída na viac.miestach	M09.16	Juven.artritída pri Crohn.chor.,s postih.kĺb.predkol.
M08.11	Juven.ankylozujúca spondylitída v obl.pleca	M09.17	Juven.artritída pri Crohn.chor.,s postih.kĺb.čl.a nohy
M08.12	Juven.ankylozujúca spondylitída nadlaktia	M09.18	Juven.artritída pri Crohn.chor.,s postih.kĺb.na i.mieste
M08.13	Juven.ankylozujúca spondylitída predlak.	M09.19	Juven.artritída pri Crohn.chor.,s postih.kĺb.na n.mieste
M08.14	Juven.ankylozujúca spondylitída ruky	M09.20	Juven.artritída pri ulcer.kolitíde,s postih.kĺb.na viac.m.
M08.15	Juven.ankylozujúca spondylitída panv.obl.a stehna	M09.21	Juven.artritída pri ulcer.kolitíde,s postih.kĺb.v obl.pleca
M08.16	Juven.ankylozujúca spondylitída predkol.	M09.22	Juven.artritída pri ulcer.kolitíde,s postih.kĺb.nadlaktia
M08.17	Juven.ankylozujúca spondylitída čl.a nohy	M09.23	Juven.artritída pri ulcer.kolitíde,s postih.kĺb.predlak.
M08.18	Juven.ankylozujúca spondylitída na i.mieste	M09.24	Juven.artritída pri ulcer.kolitíde,s postih.kĺb.ruky
M08.19	Juven.ankylozujúca spondylitída na n.mieste	M09.25	Juven.artritída pri ulcer.kolit.,s post.kĺb.panvy a stehna
M08.20	Juven.chron.artritída so systém.začiat.,na v.miast.	M09.26	Juven.artritída pri ulcer.kolitíde,s postih.kĺb.predkol.
M08.21	Juven.chron.artritída so systém.začiat.,v obl.pleca	M09.27	Juven.artritída pri ulcer.kolitíde,s postih.kĺb.čl. a nohy
M08.22	Juven.chron.artritída so systém.začiat.,v o.nadlaktia	M09.28	Juven.artritída pri ulcer.kolitíde,s postih.kĺb.na i.mieste
M08.23	Juven.chron.artritída so systém.začiat.,v o.predlak.	M09.29	Juven.artritída pri ulcer.kolitíde,s postih.kĺb.na n.mieste
M08.24	Juven.chron.artritída so systém.začiat.,v o.ruky	M09.80	Juven.artritída pri i.chor.zatr.i.s postih.kĺb.na viac.m.
M08.25	Juven.chron.artritída so systém.začiat.,v o.panvy a stehna	M09.81	Juven.artritída pri i.chor.zatr.i.s postih.kĺb.v obl.pleca
M08.26	Juven.chron.artritída so systém.začiat.,v o.predkol.	M09.82	Juven.artritída pri i.chor.zatr.i.s postih.kĺb.nadlaktia
M08.27	Juven.chron.artritída so systém.začiat.,v o.čl.a nohy	M09.83	Juven.artritída pri i.chor.zatr.i.s postih.kĺb.predlak.
M08.28	Juven.chron.artritída so systém.začiat.,na i.mieste	M09.84	Juven.artritída pri i.chor.zatr.i.s postih.kĺb.ruky
M08.29	Juven.chron.artritída so systém.začiat.,na n.mieste	M09.85	Juven.artritída pri i.chor.zatr.i.s postih.kĺb.panvy a stehna
M08.3	Juven.chron.artritída (séronegatívna),polyartikulárna forma	M09.86	Juven.artritída pri i.chor.zatr.i.s postih.kĺb.predkol.
M08.40	Juven.chron.artritída,oligoart.forma,s postih.na viac.m.	M09.87	Juven.artritída pri i.chor.zatr.i.s postih.kĺb.čl.a nohy
M08.41	Juven.chron.artritída,oligoart.forma,s postih.v obl.pleca	M09.88	Juven.artritída pri i.chor.zatr.i.s postih.kĺb.na i.mieste
M08.42	Juven.chron.artritída,oligoart.forma,s postih.nadlaktia	M09.89	Juven.artritída pri i.chor.zatr.i.s postih.kĺb.,m.bliž.neurč.
M08.43	Juven.chron.artritída,oligoart.forma,s postih.predlak.	M30.2	Juvenilná polyarteritída
M08.44	Juven.chron.artritída,oligoart.forma,s postih.ruky	M33.0	Juvenilná dermatomyozitída
M08.45	Juven.chron.artritída,oligoart.forma,s postih.pan.a stehna	M41.10	Juvenilná idiopat.skolióza na viac.m.chrbtice
M08.46	Juven.chron.artritída,oligoart.forma,s postih.predkol.	M41.11	Juvenilná idiopat.skolióza okcip.-atlanto.-axiál.oblasti
M08.47	Juven.chron.artritída,oligoart.forma,s postih.čl.a nohy	M41.12	Juvenilná idiopat.skolióza krčnej oblasti
M08.48	Juven.chron.artritída,oligoart.forma,s postih.na i.mieste	M41.13	Juvenilná idiopat.skolióza krčnohrudnej oblasti
M08.49	Juven.chron.artritída,oligoart.forma,s postih.na n.mieste	M41.14	Juvenilná idiopat.skolióza hrudníkovej oblasti
M08.80	Iná juvenilná artritída na viacerých miestach	M41.15	Juvenilná idiopat.skolióza hrudníkovodriekovej oblasti
M08.81	Iná juvenilná artritída v obl.pleca	M41.16	Juvenilná idiopat.skolióza driekovej oblasti
M08.82	Iná juvenilná artritída nadlaktia	M41.17	Juvenilná idiopat.skolióza driekovokrížovej oblasti
M08.83	Iná juvenilná artritída predlak.	M41.18	Juvenilná idiopat.skolióza krížovej a krížovokostrč.oblasti
M08.84	Iná juvenilná artritída ruky	M41.19	Juvenilná idiopat.skolióza:oblasť bliž.neurč.
M08.85	Iná juvenilná artritída panv.obl.a stehna	M42.00	Juvenilna osteochondróza chrbtice na viac.m.
M08.86	Iná juvenilná artritída predkol.	M42.01	Juvenilna osteochondróza chrbtice v okcip.-atlanto.-axiál.obl.
M08.87	Iná juvenilná artritída čl.a nohy	M42.02	Juvenilná osteochondróza chrbtice v krčnej oblasti
M08.88	Iná juvenilná artritída na i.mieste	M42.03	Juvenilná osteochondróza chrbtice v krčnohrudníkovej obl.
M08.89	Iná juvenilná artritída,miesto bližšie neurčené	M42.04	Juvenilná osteochondróza chrbtice v hrudníkovej obl.
M08.90	Juven.artritída,bliž.neurč.na viac.m.	M42.05	Juvenilná osteochondróza chrbtice v hrudník-driekovej obl.
M08.91	Juven.artritída,bliž.neurč.v obl.pleca	M42.06	Juvenilná osteochondróza chrbtice v driekovej obl.
M08.92	Juven.artritída,bliž.neurč.v obl.nadlaktia	M42.07	Juvenilná osteochondróza chrbtice v driek.-krížovej obl.
M08.93	Juven.artritída,bliž.neurč.v obl.predlak.	M42.08	Juvenilná osteochondróza chrbt.v kríž.a krížovokostrč.obl.
M08.94	Juven.artritída,bliž.neurč.v obl.ruky	M42.09	Juvenilná osteochondróza chrbtice:oblasť bliž.neurč.
M08.95	Juven.artritída,bliž.neurč.panv.obl.a stehna	M89.10	Zastavenie rastu v epifýze,na viacerých miestach
M08.96	Juven.artritída,bliž.neurč.v obl.predkol.	M89.11	Zastavenie rastu v epifýze,v obl.pleca
M08.97	Juven.artritída,bliž.neurč.v obl.čl.a nohy	M89.12	Zastavenie rastu v epifýze,v obl.nadlaktia
M08.98	Juven.artritída,bliž.neurč.na i.mieste	M89.13	Zastavenie rastu v epifýze,v obl.predlak.
M08.99	Juven.artritída,bliž.neurč.,miesto bliž.neurč.	M89.14	Zastavenie rastu v epifýze,v obl.ruky
M09.00	Juven.artritída pri psoriáze,s postih.kĺb.na viac.m.	M89.15	Zastavenie rastu v epifýze,v obl.panv.a stehna
M09.01	Juven.artritída pri psoriáze,s postih.kĺb.v obl.pleca	M89.16	Zastavenie rastu v epifýze,v obl.predkol.
M09.02	Juven.artritída pri psoriáze,s postih.kĺb.nadlaktia	M89.17	Zastavenie rastu v epifýze,v obl.čl.a nohy

Kód	Popis	Kód	Popis
M89.18	Zastavenie rastu v epifýze, na i. mieste	M91.8	Iná juvenilná osteochondróza bedra a panvy
M89.19	Zastavenie rastu v epifýze, miesto bliž. neurč.	M91.9	Juvenilná osteochond. bedra a panvy, b.n.
M89.20	Iné poruchy vývinu a rastu kosti na viac.m.	M92.0	Juvenilná osteochondróza ramennej kosti
M89.21	Iné poruchy vývinu a rastu kosti v obl.pleca	M92.1	Juvenilná osteochondróza vretennej a lakt'ovej kosti
M89.22	Iné poruchy vývinu a rastu kosti nadlaktia	M92.2	Juvenilná osteochondróza ruky
M89.23	Iné poruchy vývinu a rastu kosti predlak.	M92.3	Iná juvenilná osteochondróza hornej končatiny
M89.24	Iné poruchy vývinu a rastu kosti ruky	M92.4	Juvenilná osteochondróza pately
M89.25	Iné poruchy vývinu a rastu kosti panv.obl.a stehna	M92.5	Juvenilná osteochondróza píštalý a ihlice
M89.26	Iné poruchy vývinu a rastu kosti predkol.	M92.6	Juvenilná osteochondróza priehlavku
M89.27	Iné poruchy vývinu a rastu kosti čl.a nohy	M92.7	Juvenilná osteochondróza predpriehlavku (metatarzu)
M89.28	Iné poruchy vývinu a rastu kosti na i. mieste	M92.8	Iná juvenilná osteochondróza, bližšie určená
M89.29	Iné poruchy vývinu a rastu kosti, miesto bliž. neurč.	M92.9	Juvenilná osteochondróza, bližšie neurčená
M91.0	Juvenilná osteochondróza panvy	R62.0	Oneskorené dosiahnutie očakáv. stupňa.fyziol.vývinu
M91.1	Juvenilná osteochond.hlavice steh.kosti	R62.8	Iné zaostávanie v očakávanom fyziologickom vývine
M91.2	Coxa plana	R62.9	Zaostávanie v očakávanom normálnom fyziol.vývine, b.n.
M91.3	Pseudokoxalgia		

D.4e Konflikt s vekom: Post-neonatal

Kód	Popis	Kód	Popis
E12.01	DM spojený s podvýž.:s kórou ,dekomp.	E14.60	DM,blíž.neu.:s i.blíž.ur.kompl.,kompenz.
E12.11	DM spojený s podvýž.:s ketoacidózou,dekomp.	E14.61	DM,blíž.neu.:s i.blíž.ur.kompl.,dekomp.
E12.20	DM spojený s podvýž.:s obličk.kompl.,kompenz.	E14.72	DM,blíž.neu.:s i.mnohopočet.kompl.,kompenz.
E12.21	DM spojený s podvýž.:s obličk.kompl.,dekomp.	E14.73	DM,blíž.neu.:s mnohopočet.kompl.,dekomp.
E12.30	DM spojený s podvýž.:s očnými kompl.,kompenz.	E14.74	DM,blíž.neu.:s mnohop.kompl.,so synd.diab.nohy,kompenz.
E12.31	DM spojený s podvýž.:s očnými kompl.,dekomp.	E14.75	DM,blíž.neu.:s mnohop.kompl.,so synd.diab.nohy,dekomp.
E12.40	DM spojený s podvýž.:s nervovými kompl.,kompenz.	E14.80	DM,blíž.neu.:s blíž.neu.kompl.,kompenz.
E12.41	DM spojený s podvýž.:s nervovými kompl.,dekomp.	E14.81	DM,blíž.neu.:s blíž.neu.kompl.,dekomp.
E12.50	DM spojený s podvýž.:s perif.ciev. kompl.,kompenz.	E14.90	DM,blíž.neu.:bez kompl.,kompenz.
E12.51	DM spojený s podvýž.:s perif.ciev. kompl.,dekomp.	E14.91	DM,blíž.neu.:bez kompl.,dekomp.
E12.60	DM spojený s podvýž.:s i.b.u.kompl.,kompenz.	E56.1	Nedostatok vitamínu K
E12.61	DM spojený s podvýž.:s i.b.u.kompl.,dekomp.	E63.0	Nedostatok esenciálnych mastných kyselín
E12.72	DM spojený s podvýž.:s viac.kompl.,kompenz.	E63.1	Nedost.vo výžive v dôsl.nerov. v zložení potravy
E12.73	DM spojený s podvýž.:s viac.kompl.,dekomp.	E63.8	Iný nedostatok vo výžive,blížšie určený
E12.74	DM spo.s pod.:s viac.kompl.,so synd.diab.nohy,kompenz.	E63.9	Nedostatok vo výžive,blížšie neurčený
E12.75	DM spo.s pod.:s viac.kompl.,so synd.diab.nohy,dekomp.	E64.0	Následky proteínovo-energetickej podvýživy
E12.80	DM spojený s podvýž.:s blíž.neu.kompl.,kompenz.	E64.1	Následky nedostatku vitamínu A
E12.81	DM spojený s podvýž.:s blíž.neu.kompl.,dekomp.	E64.2	Následky nedostatku vitamínu C
E12.90	DM spojený s podvýž.:bez kompl.,kompenz.	E64.3	Následky rachitídy
E12.91	DM spojený s podvýž.:bez kompl.,dekomp.	E64.8	Následky iných nedostatkov vo výžive
E13.01	Iný DM,blíž.ur.:s kórou,dekomp.	E64.9	Následky blížšie neurčených nedostatkov vo výžive
E13.11	Iný DM,blíž.ur.:s ketoacidózou,dekomp.	E65	Lokalizovaná obezita
E13.20	Iný DM,blíž.ur.:s obličk.kompl.,kompez.	E66.00	Obezita zapr.nadm.ener.prij.,BMI:od 30 do men.ako 35
E13.21	Iný DM,blíž.ur.:s obličk.kompl.,dekomp.	E66.01	Obezita zapr.nadm.ener.prij.,BMI:od 35 do men.ako 40
E13.30	Iný DM,blíž.ur.:s očnými kompl.,kompenz.	E66.02	Obezita zapr.nadm.ener.prij.,BMI:40 a viac
E13.31	Iný DM,blíž.ur.:s očnými kompl.,dekomp.	E66.09	Obezita zapr.nadm.ener.prij.,BMI:neurčený
E13.40	Iný DM,blíž.ur.:s nervovými kompl.,kompenz.	E66.10	Obezita zapr.liek.,BMI:od 30 do men.ako 35
E13.41	Iný DM,blíž.ur.:s nervovými kompl.,dekomp.	E66.11	Obezita zapr.liek.,BMI:od 35 do men.ako 40
E13.50	Iný DM,blíž.ur.:s perif.cievnymi kompl.,kompenz.	E66.12	Obezita zapríčinená liekmi,BMI:40 a viac
E13.51	Iný DM,blíž.ur.:s perif.cievnymi kompl.,dekomp.	E66.19	Obezita zapríčinená liekmi,BMI:neurčený
E13.60	Iný DM,blíž.ur.:s i.blíž.ur.kompl.,kompenz.	E66.20	Extr.obezita s alveol.hypovent.,BMI:od 30 do men.ako 35
E13.61	Iný DM,blíž.ur.:s i.blíž.ur.kompl.,dekomp.	E66.21	Extr.obezita s alveol.hypovent.,BMI:od 35 do men.ako 40
E13.72	Iný DM,blíž.ur.:s i.mnohopočet.kompl.,kompenz.	E66.22	Extr.obezita s alveol.hypovent.,BMI:40 a viac
E13.73	Iný DM,blíž.ur.:s i.mnohopočet.kompl.,dekomp.	E66.29	Extr.obezita s alveol.hypovent.,BMI:;b.n.
E13.74	Iný DM,blíž.ur.:s mnohop.kompl.,so synd.diab.nohy,kompenz.	E66.80	Iná obezita,BMI:od 30 do menej ako 35
E13.75	Iný DM,blíž.ur.:s mnohop.kompl.,so synd.diabet.nohy,dekomp.	E66.81	Iná obezita,BMI:od 35 do menej ako 40
E13.80	Iný DM,blíž.ur.:s blíž.neurč.kompl.,kompenz.	E66.82	Iná obezita,BMI:40 a viac
E13.81	Iný DM,blíž.ur.:s blíž.neurč.kompl.,dekomp.	E66.89	Iná obezita,BMI:neurčený
E13.90	Iný DM,blížšie určený:bez kompl.,kompenz.	E66.90	Obezita,blíž.neu.,BMI:od 30 do men.ako 35
E13.91	Iný DM,blížšie určený:bez kompl.,dekomp.	E66.91	Obezita,blíž.neu.,BMI:od 35 do men.ako 40
E14.01	DM,blíž.neu.:s kórou,dekomp.	E66.92	Obezita,blížšie neurčená, BMI:40 a viac
E14.11	DM,blíž.neu.:s ketoacidózou,dekomp.	E66.99	Obezita,blížšie neurčená, BMI:neurčený
E14.20	DM,blíž.neu.:s obličk.kompl.,kompenz.	E67.0	Hypervitaminóza A
E14.21	DM,blíž.neu.:s obličk.kompl.,dekomp.	E67.1	Hyperkarotenémia
E14.30	DM,blíž.neu.:s očnými kompl.,kompenz.	E67.2	Syndróm nadbytku vitamínu B6
E14.31	DM,blíž.neu.:s očnými kompl.,dekomp.	E67.3	Hypervitaminóza D
E14.40	DM,blíž.neu.:s nervovými kompl.,kompenz.	E67.8	Iná blížšie určená nadmerná výživa
E14.41	DM,blíž.neu.:s nervovými kompl.,dekomp.	E68	Následok nadmernej výživy
E14.50	DM,blíž.neu.:s perif.ciev.kompl.,kompenz.	K92.1	Meléna
E14.51	DM,blíž.neu.:s perif.ciev.kompl.,dekomp.		

D.4f Konflikt s vekom: Starý ako doj a

Kód	Popis	Kód	Popis
A50.3	Neskorá vrodenná syfilitická okulopatia	I26.0	Pľúcna embólia s prejavmi akútneho cor pulmonale
A50.4	Neskorý vrodenný neurosyfilis[Juvenilný neurosyfilis]	I27.0	Primárna pľúcna hypertenzia
A50.5	Iný neskorý vrodenný syfilis, symptomatický	I27.1	Srdcová choroba pri kyfaskolioze
A50.6	Neskorý vrodenný syfilis, latentný	J37.0	Chronický zápal hrtana
A50.7	Neskorý vrodenný syfilis, bližšie neurčený	J37.1	Chronický zápal hrtana a priedušnice
B94.0	Následky trachómu	J41.0	Jednoduchá chronická bronchitída
B94.1	Následky vírusovej encefalitídy	J41.1	Hlienovohnisová chronická bronchitída
B94.2	Následky vírusovej hepatitídy	J41.8	Zmiešaná jednod.a hlienovohnis.chron.bronchitída
B94.8	Následky iných.bliž.urč.infekčných a parazitových chorôb	J42	Chronická bronchitída, bližšie neurčená
B94.9	Následky bliž.neurč.infekčných/parazitových chorôb	J43.0	MacLeodov syndróm
F80.0	Špecifická porucha artikulácie	J43.1	Panlobulárny emfyzém
F80.1	Expresívna porucha reči	J43.2	Centrilobulárny emfyzém
F80.20	Porucha sluchového vnímania a spracovania	J43.8	Iný emfyzém
F80.28	Iná perceptívna porucha reči	J43.9	Emfyzém, bližšie neurčený
F80.3	Získaná afázia s epilepsiou (Landauov-Kleffnerov syndróm)	J44.00	CHOCHP s akútnou infek.dolných DC, FEV1 < 35 % prís.hodn.
F80.8	Iná vývinová porucha reči a jazyka	J44.01	CHOCHP s ak.infekc.dolných DC, FEV1 >= 35 < 50 %prís.h.
F80.9	Vývinová porucha reči a jazyka, bližšie neurčená	J44.02	CHOCHP s ak.infek.dol.DC, FEV1 >= 50 % a < 70 % prís.hodn.
F81.0	Špecifická porucha čítania	J44.03	CHOCHP s ak.infek.dolných DC, FEV1 >= 70 % prís.hodn.
F81.1	Špecifická porucha hláskovania	J44.09	CHOCHP s akútnou infek.dolných DC, hodn.FEV1 bliž.neurč.
F81.2	Špecifická porucha aritmetických schopností	J44.10	CHOCHP s akút.exacer.chor.bliž.neurč.FEV1<35 % prís.hodn.
F81.3	Zmiešaná porucha školských zručností	J44.11	CHOCHP s ak.exacer.chor.bl.neu.FEV1 >= 35% a <50 %prís.h.
F81.8	Iná vývinová porucha školských zručností	J44.12	CHOCHP s ak.exacer.chor.bl.neu.FEV1 >= 50 % a <70 %prís.h.
F81.9	Vývinová porucha školských zručností, b.n.	J44.13	CHOCHP s ak.exacer.chor.bliž.neurč.FEV1 >= 70 % prís.luš.h.
F82.0	Špecifická porucha vývinu hrubej motoriky	J44.19	CHOCHP s ak.exacer.chor.bliž.neurč., hodnota FEV1 b.n.
F82.1	Špecifická porucha vývinu jemnej motoriky a grafomotoriky	J44.80	Iná CHOCHP, bliž.urč.FEV1 < 35 % prís.hodnoty
F82.2	Špecifická porucha vývinu ústnej motoriky	J44.81	Iná CHOCHP, bliž.urč.FEV1 >= 35 % a < 50 % prís.hodnoty
F82.9	Špecifická porucha vývinu motorických funkcií, b.n.	J44.82	Iná CHOCHP, bliž.urč.FEV1 >= 50 % a < 70 % prís.hodnoty
F83	Zmiešaná špecifická vývinová porucha	J44.83	Iná CHOCHP, bliž.urč.FEV1 >= 70 % prís.hodnoty
F88	Iná porucha psychického vývinu	J44.89	Iná CHOCHP, bliž.urč.hodnota FEV1 bliž.neurč.
F89	Porucha psychického vývinu, bližšie neurčená	K00.0	Anodoncia
H40.00	Očná hypertenzia	K00.1	Nadpočetné zuby
H40.01	Očná hypertenzia pri otvorenom uhle	K00.2	Abnormalita veľkosti a tvaru zubov
H40.02	Očná hypertenzia pri úzkom, okludabilnom uhle	K00.3	Škvrité zuby
H40.03	Očná hypertenzia pri syndróme disperzie pigmentu	K00.4	Porucha tvorby zubov
H40.04	Očná hypertenzia pri exfoliatívnom syndróme	K00.5	Dedičná porucha zubnej štruktúry, nezatriedená inde
H40.09	Podозrenie na glaukóm	K00.6	Porucha prerezávania zubov
H40.10	Primárny juvenilný glaukóm s neskorým nástupom	K00.7	Syndróm rastu chrupu
H40.19	Primárny glaukóm s otvoreným uhlom	K00.8	Iná porucha zubného vývinu
H40.2	Primárny glaukóm so zatvoreným uhlom	K00.9	Porucha zubného vývinu, bližšie neurčená
H40.3	Sekundárny glaukóm po poranení oka	K01.0	Neprezreté zuby
H40.4	Sekundárny glaukóm po zápale oka	K01.1	Vrstené zuby
H40.5	Sekundárny glaukóm pri iných chorobách	K02.0	Kaz ohraničený na sklovinu
H40.60	Sekundárny glaukóm zapríčinený liekmi steroidami	K02.1	Kaz dentínu
H40.61	Sekundárny glaukóm zapríčinený liekmi antiparkinsonikami	K02.2	Kaz cementu
H40.62	Sekundárny glaukóm zapríčinený liekmi antipsychotikami	K02.3	Zastavený zubný kaz
H40.63	Sekundárny glaukóm zapríčinený liekmi antikonvulzívmi	K02.4	Odontoklázia
H40.64	Sekundárny glaukóm zapríčinený liekmi antidepresívami	K02.5	Zubný kaz s obnažením drene
H40.65	Sekundárny glaukóm zapríčinený liekmi benzodiazepínmi	K02.8	Iný zubný kaz
H40.66	Sekundárny glaukóm zapríčinený liekmi, iné	K02.9	Zubný kaz, bližšie neurčený
H40.69	Sekundárny glaukóm zapríčinený liekmi	K03.0	Nadmerné obrusovanie zubov
H40.70	Sekundárny glaukóm pigmentový	K03.1	Abrázia zubov
H40.71	Sekundárny glaukóm exfoliatívny	K03.2	Erózia zubov
H40.79	Špecifický sekundárny glaukóm	K03.3	Patologická resorpcia zubov
H40.80	Glaukóm indukovaný šošovkou	K03.4	Hypercementóza
H40.81	Glaukóm spojený s chirurgiou oka	K03.5	Ankylóza zubov
H40.82	Glaukóm spojený s vnútroočnou hemorágiou	K03.6	Usadeniny[povlaky]na zuboch
H40.83	Glaukóm spojený s vnútroočným tumorom	K03.7	Farebné zmeny tvrdých zubných tkanív po prerezaní zubov
H40.84	Glaukóm spojený so zvýšeným episklerálnym venóznym tlakom	K03.8	Iné choroby tvrdých tkanív zubov, bližšie určené
H40.89	Iný glaukóm	K03.9	Choroby tvrdých tkanív zubov, bližšie neurčené
H40.9	Glaukóm, bližšie neurčený	K04.0	Zápal zubnej drene
H42.0	Glaukóm pri endokrin., nutričných a metabol.chor.z.i.	K04.1	Nekróza zubnej drene
H42.8	Glaukóm pri iných chorobách zatriedených inde	K04.2	Degenerácia zubnej drene
I09.0	Reumatická myokarditída	K04.3	Abnormálna tvorba tvrdého tkaniva v zubnej dreni
I09.1	Reumatická choroba endokardu bliž.neurč.chlopne	K04.4	Akútna apikálna periodontitída dreňového pôvodu
I09.2	Chronická reumatická perikarditída	K04.5	Chronická apikálna periodontitída
I09.8	Iná reumatická choroba srdca, bližšie určená	K04.6	Periapikálny absces s fistulou
I09.9	Reumatická choroba srdca, bližšie neurčená	K04.7	Periapikálny absces bez fistuly

Kód	Popis	Kód	Popis
K04.8	Radikulárna cysta	K73.1	Chronická lobulárna hepatitída, nezatriedená inde
K04.9	Iná a bilž.neurč.choroba zubnej drene a periapikálnych tkan.	K73.2	Chronická aktívna hepatitída,nezatriedená inde
K05.0	Akútny zápal ďasien	K73.8	Iná chronická hepatitída,nezatriedená inde
K05.1	Chronický zápal ďasien	K73.9	Chronická hepatitída,blížšie neurčená
K05.2	Akútna parodontitída	K76.0	Stukovatenie pečene, nezatriedené inde
K05.3	Chronická parodontitída	N01.0	Rýchlo progred.nefritický synd.:malé abn.glomerulov
K05.4	Parodontóza	N01.1	Rýchlo progred.nefrit.synd.:fok.a segm.lézie glomer.
K05.5	Iná choroba parodontu	N01.2	Rýchlo progred.nefrit.ynd.:dif.membránová glom.nefrit.
K05.6	Choroba parodontu,blížšie neurčená	N01.3	Rýchlo progred.nefrit.synd.:dif.mezangioprolif glom.nefrit.
K06.0	Atrofia ďasien	N01.4	Rýchlo progred.nefrit.synd.:dif.endokap.prolif.glom.nefrit.
K06.1	Hypertrofia ďasien	N01.5	Rýchlo progred.nefrit.synd.:dif.mezangiokap.glomerulonefrit.
K06.2	Pošk.ďasien a bezzubého alveol.hrebeňa,zapr.traumou	N01.6	Rýchlo progred.nefritický synd.:chor.denzných depozitov
K06.8	Iná choroba ďasien a bezzubého alveol.hrebeňa,b.u.	N01.7	Rýchlo progred.nefritický synd.:dif.glomerulonefrit.s výras.
K06.9	Choroba ďasien a bezzubého alveol.hrebeňa,b.n.	N01.8	Rýchlo progred.nefritický synd.:i.morfol.zemny
K07.0	Väčšie anomálie veľkosti čelustí	N01.9	Rýchlo progred.nefritický synd.:morfol.zmena,b.n.
K07.1	Anomálie polohy čelustí oproti lebkovej spodine	N03.0	Chron.nefritický syndróm:malé abn.glomerulov
K07.2	Anomálie vzájomnej polohy zubných oblúkov	N03.1	Chron.nefritický synd.:fok.a segm.lézie glomerulov
K07.3	Anomálie postavenia zubov	N03.2	Chron.nefritický synd.:dif.membránová glomerulonefrit.
K07.4	Chybný zhryz,blížšie neurčený	N03.3	Chron.nefritický synd.:dif.mezangioprolif.glomerulonefrit.
K07.5	Dentofaciálne funkčné abnormality	N03.4	Chron.nefritický synd.:dif.endokap.prolif.glomerulonefrit.
K07.6	Choroba temporomandibulárneho kĺbu	N03.5	Chron.nefritický synd.:dif.mezangiokap.glomerulonefrit.
K07.8	Iné dentofaciálne anomálie	N03.6	Chron.nefritický synd.:chor.denzných depozitov
K07.9	Dentofaciálna anomália,blížšie neurčená	N03.7	Chron.nefritický synd.:dif.glomerulonefrit.s výrastkami
K08.0	Exfoliácia zubov zapríčinená systémovou chorobou	N03.8	Chron.nefritický synd.:i.morfol.zmeny
K08.1	Strata zubov zapríč.úrazom,extrakci./lokál.chor.parodontu	N03.9	Chron.nefritický synd.:morfol.zmena,blíž.neurč.
K08.2	Atrofia bezzubého alveolového hrebeňa	N18.1	Chronická choroba obličiek,1.štádium
K08.3	Retinovaný zubný koreň[radix relicta]	N18.2	Chronická choroba obličiek,2.štádium
K08.81	Patologická zlomenina zuba	N18.3	Chronická choroba obličiek,3.štádium
K08.88	Iné choroba zubov a podporných štruktúr,b.u.	N18.4	Chronická choroba obličiek,4.štádium
K08.9	Choroba zubov a podporných štruktúr,b.n.	N18.80	Jednostranná chronická porucha funkcie obličky
K22.0	Achalázia kardie	N18.89	Iná chronická choroba obličiek,štádium,b.n.
K22.2	Nepriechodnosť pažeráka	N18.9	Chronická choroba obličiek,blížšie neurčená
K22.9	Choroba pažeráka,blížšie neurčená	N19	Zlyhanie obličiek,blížšie neurčené
K73.0	Chronická perzistujúca hepatitída,n.i.		

D.4g Konflikt s vekom: Puberta

Kód	Popis	Kód	Popis
E30.8	Iná porucha puberty	M35.2	Behčetova choroba
E30.9	Porucha puberty, bližšie neurčená	N92.2	Nadmerná menštruácia v puberte

D.4g

D.4h Konflikt s vekom: Diagnózy v plodnom veku

Kód	Popis	Kód	Popis
A34	Tetanus počas gravidity,pôrodu a v šestonedelí	O03.6	Spont.potrat:komplet./bliž.n.potrat,kompl.oneskor./nadm.krvác.
C58	Zhubný nádor placenty	O03.7	Spont.potrat:komplet./bliž.neurč.potrat,kompl.embóliou
F53.0	Mierna duševná porucha a por.správ.v šestonedelí,nezat.inde	O03.8	Spont.potrat:komplet./bliž.neurč.potrat s i.a bliž.neur.kompl.
F53.1	Ťažká duševná porucha a por.správ.v šestonedelí,nezat.inde	O03.9	Spont.potrat:komplet./bliž.n.eurč.potrat bez kompl.
F53.8	Iná duševná porucha a por.správ.v šestonedelí,nezat.inde	O04.0	Lek.potrat:nekomplet.potrat,kompl.infek.pohlav.a panv.org.
F53.9	Duševná porucha v šestonedelí,bližšie neurčená	O04.1	Lek.potrat:nekomplet.potrat,kompl.oneskor./nadmer.krvác.
M83.00	Osteomalácia v šestonedelí na viacerých miestach	O04.2	Lek.potrat:nekomplet.potrat,komplikovaný embóliou
M83.01	Osteomalácia v šestonedelí v obl.pleca	O04.3	Lek.potrat:nekomplet.potrat s i.a bliž.neurč.kompl.
M83.02	Osteomalácia v šestonedelí v obl.nadlaktia	O04.4	Lekársky potrat:nekompletný potrat bez komplikácií
M83.03	Osteomalácia v šestonedelí v obl.predlak.	O04.5	Lek.potrat:komplet./bliž.neu.potrat,kompl.inf.pohl.a panv.org.
M83.04	Osteomalácia v šestonedelí v obl.ruky	O04.6	Lek.potrat:komplet./bliž.n.potrat,kompl.oneskor./nadmer.krvác.
M83.05	Osteomalácia v šestonedelí v obl.panv.obl.a stehna	O04.7	Lek.potrat:komplet./bliž.neurč.potrat,kompl.embóliou
M83.06	Osteomalácia v šestonedelí v obl.predkol.	O04.8	Lek.potrat:komplet./bliž.neur.potrat s i.a b.n.kompl.
M83.07	Osteomalácia v šestonedelí v obl.čl.a nohy	O04.9	Lek.potrat:komplet./bliž.neur.potrat bez kompl.
M83.08	Osteomalácia v šestonedelí na i.mieste	O05.0	Iný potrat:nekomplet.potrat,kompl.inf.pohl.a panv.org.
M83.09	Osteomalácia v šestonedelí,miesto bliž.neurč.	O05.1	Iný potrat:nekomplet.potrat,kompl.oneskor./nadmer.krvác.
N91.0	Primárna amenorea	O05.2	Iný potrat:nekomplet.potrat,kompl.embóliou
N91.1	Sekundárna amenorea	O05.3	Iný potrat:nekomplet.potrat s i.a bliž.neurč.kompl.
N91.2	Amenorea,bližšie neurčená	O05.4	Iný potrat: nekompletný potrat bez komplikácií
N91.3	Primárna oligomenorea	O05.5	Iný potrat:komplet./bliž.neu.potrat,kompl.inf.pohl.a panv.org.
N91.4	Sekundárna oligomenorea	O05.6	Iný potrat:komplet./bliž.n.potrat,kompl.oneskor./nadmer.krvác.
N91.5	Oligomenorea,bližšie neurčená	O05.7	Iný potrat:komplet./bliž.neurč.potrat,kompl.embóliou
N92.0	Nadmerná/častá menštruácia s pravidelným cyklom	O05.8	Iný potrat:komplet./bliž.neurč.potrat s i.a b.n.kompl.
N92.1	Nadmerná/častá menštruácia s nepravidelným cyklom	O05.9	Iný potrat:komplet./bliž.neurč.potrat bez kompl.
N92.3	Ovulačné krvácanie	O06.0	Potrat,bliž.neurč:nekomplet.potrat,kompl.inf.pohl.a panv.org.
N92.4	Nadmerné krvácanie v premenopauze	O06.1	Potrat,bliž.neu.:nekomplet.potrat,kompl.oneskor./nadmer.krvác.
N92.5	Iná nepravidelná menštruácia,bližšie určená	O06.2	Potrat,bliž.neurč:nekomplet.potrat,kompl.embóliou
N92.6	Nepravidelná menštruácia,bližšie neurčená	O06.3	Potrat,bliž.neurč:nekomplet.potrat s i.a b.n.kompl.
N94.0	Ovulačná bolesť (Mittelschmerz)	O06.4	Potrat,bliž.neurč:neúplný potrat bez kompl.
N94.1	Dyspareunia	O06.5	Potrat,bliž.n.:komplet./bliž.n.potrat,kompl.inf.pohl.a panv.org.
N94.2	Vaginizmus	O06.6	Potrat,bliž.n.:komplet./bliž.n.potrat,kompl.oneskor./nadmer.krvác.
N94.3	Predmenštruačný syndróm	O06.7	Potrat,bliž.neurč:komplet./bliž.neurč.potrat,kompl.embóliou
N94.4	Primárna dysmenorea	O06.8	Potrat,bliž.neurč:komplet./bliž.neurč.potrat s i.a b.n.kompl.
N94.5	Sekundárna dysmenorea	O06.9	Potrat,bliž.neurč:komplet./bliž.neurč.potrat bez kompl.
N94.6	Dysmenorea,bližšie neurčená	O07.0	Neúsp.lek.pokus o potrat,kompl.inf.pohl.a panv.org.
N96	Sklon k habituálnemu potrácaniu	O07.1	Neúsp.lek.pokus o potrat,kompl.oneskor./nadmer.krvác.
N97.0	Ženská neplodnosť spojená s anovuláciou	O07.2	Neúsp.lek.pokus o potrat,kompl.embóliou
N97.1	Ženská neplodnosť tubárneho pôvodu	O07.3	Neúsp.lek.pokus o potrat s i.a bliž.neur.kompl.
N97.2	Ženská neplodnosť maternicového pôvodu	O07.4	Neúspešný lekársky pokus o potrat bez komplikácií
N97.3	Ženská neplodnosť krčkového pôvodu	O07.5	Iný a bliž.neu.neúsp.pokus o potrat,kompl.inf.pohl.a panv.org.
N97.4	Ženská neplodnosť spojená s mužskými faktormi	O07.6	Iný a bliž.neu.neúsp.pokus o potrat,kompl.oneskor./nadm.krvác.
N97.8	Ženská neplodnosť iného pôvodu	O07.7	Iný a bliž.neurč.neúsp.pokus o potrat,kompl.embóliou
N97.9	Ženská neplodnosť,bližšie neurčená	O07.8	Iný a bliž.neurč.neúsp.pokus o potrat s i.a b.n.kompl.
N98.0	Infekcia spojená s umelým oplodnením	O07.9	Iný a bliž.neurč.neúsp.pokus o potrat bez kompl.
N98.1	Hyperstimulácia vaječníkov	O08.0	Infekcia pohlav.a panv.org.po potrate,mimomat.gr.a gr.s MH
N98.2	Komplikácie pri pokuse zaviesť oplod.vajičko po oplod.in vitro	O08.1	Onesk./nadm.krvác.po potrat,mimomat.gr.a grav.s malou hydati.
N98.3	Komplikácie pri pokuse zaviesť embryo pri prenose embrya	O08.2	Embólia po potrate,mimomat.grav.a grav.s molou hydratidosou
N98.8	Iné komplikácie spojené s umelým oplodnením	O08.3	Šok po potrate,mimomat.grav.a grav.s molou hydratidosou
N98.9	Komplikácie spojené s umelým oplodnením,b.n.	O08.4	Zlyháv.obličiek po potrate,mimomat.grav.a grav.s mal hydati.
O00.0	Abdominálna gravidita	O08.5	Metabické poruchy po potrate,mimomat.gr.a gr.s mal hydati.
O00.1	Tubárna gravidita	O08.6	Pošk.panv.org.a tk.po potrat,mimomat.gr.a grav.s malou hydati.
O00.2	Ováriová gravidita	O08.7	Iné žil.kompl.po potrate,mimomat.grav.a grav.s malou hydati.
O00.8	Iná mimomaternicová gravidita	O08.8	Iné kompl.po potrate,mimomat.grav.a grav.s molou hydratid.
O00.9	Mimomaternicová gravidita,bližšie neurčená	O08.9	Kompl.po potrate,mimomat.grav.a grav.s molou hydratid.b.n.
O01.0	Klasická mola hydratidosou	O09.0	Trvanie gravidity menej ako 5 ukončených týždňov
O01.1	Nekompletná a parciálna mola hydratidosou	O09.1	Trvanie gravidity od začat.5 po ukonč.13.týždeň
O01.9	Mola hydratidosou,bližšie neurčená	O09.2	Trvanie gravidity od začat.14.po ukonč.19.týž.
O02.0	Poškodené plodové vajce a nehydaticová mola	O09.3	Trvanie gravidity od začat.20.po ukonč.25.týž.
O02.1	Missed abortion (zadržaný potrat)	O09.4	Trvanie gravidity od začat.26.po ukonč.33.týž.
O02.8	Iný abnormálny výtvor počatia,bližšie určený	O09.5	Trvanie gravidity od začat.34.po ukonč.36.týž.
O02.9	Abnormálny výtvor počatia,bližšie neurčený	O09.9	Artériová hypertenzia matky,bližšie neurčená
O03.0	Spont.potrat:nekomplet.potrat,kompl.infek.pohl.a panv.org.	O10.0	Predt.exist.prim.artér.hypert.,kompl.grav.,pôr.a šeston.
O03.1	Spont.potrat:nekomplet.potrat,kompl.oneskor./nadmer.krvác.	O10.1	Predt.exist.hypert.chor.srdca,kompl.grav.,pôr.a šeston.
O03.2	Spont.potrat:nekomplet.potrat,komplikovaný embóliou	O10.2	Predt.exist.hypert.chor.oblič.,kompl.grav.,pôr.a šeston.
O03.3	Spont.potrat:nekomplet.potrat s i.a bliž.neurč.kompl.	O10.3	Predt.exi.hypert.chor.srd.a oblič.,kompl.grav.,pôr.a šest.
O03.4	Spont.potrat:nekomplet.potrat bez kompl.	O10.4	Predt.exist.sek.artér.hypert.,kompl.grav.,pôr.a šeston.
O03.5	Spont.potrat:komplet./bliž.n.potrat,kompl.inf.pohl.a panv.org.	O10.9	Predt.exist.artér.hypert.,kompl.grav.,pôr.a šeston.,b.n.

Kód	Popis	Kód	Popis
O11	Pred.exi.art.hypert.,kompl.grav.,pôr.a šest.,s nas.preek.	O29.4	Bolesť hlavy,po spinál.a epidurál.anest.v grav.
O12.0	Gestačné opuchy	O29.5	Iná komplikácia spinál.a epidurál.anestézie v grav.
O12.1	Gestačná proteinúria	O29.6	Neúspešná alebo sťažená intubácia v gravidite
O12.2	Gestačné opuchy s proteinúriou	O29.8	Iné komplikácie anestézie v gravidite
O13	Gestačná artér.hypert.bez významnej proteinúrie	O29.9	Komplikácia anestézie v gravidite,blížšie neurčená
O14.0	Mierna a stredne ťažká preeklampsia	O30.0	Gravidita s dvojčatami
O14.1	Ťažká preeklampsia	O30.1	Gravidita s trojčatami
O14.2	Syndróm HELLP	O30.2	Gravidita so štvorčatami
O14.9	Preeklampsia,blížšie neurčená	O30.8	Iná viacplodová gravidita
O15.0	Eklampsia v gravidite	O30.9	Viacplodová gravidita,blížšie neurčená
O15.1	Eklampsia pri pôrode	O31.0	Fetus papyraceus
O15.2	Eklampsia v šestonedelí	O31.1	Pokračujúca gravidita po potrate jedného/viac.plodov
O15.9	Eklampsia,časovo blížšie neurčená	O31.2	Pokračujúca gravidita po vnútromat.smrti jedného/viac.plodov
O16	Arteriálna hypertenzia matky,blížšie neurčená	O31.8	Iná kompl.špecifická pre viacplodovú graviditu
O20.0	Hrozíaci potrat (abortus imminens)	O32.0	Starostlivosť o matku pre nestabilnú polohu plodu
O20.8	Iné krvácanie vočasnej gravidite	O32.1	Starostl.o matku pre naliehanie plodu panv.koncom
O20.9	Krvácanie vočasnej gravidite,blížšie neurčené	O32.2	Starostl.o matku pre priečna a šikmá polohu plodu
O21.0	Hyperemesis gravidarum mierneho stupňa	O32.3	Star.o mat.pre tvár.a čel.polohu plod.a pri nalieh.plod.brad.
O21.1	Hyperemesis gravidarum s poruchou vnút.prostredia	O32.4	Star.o matku pre veľká hlavička plodu v termíne
O21.2	Neskoré vracanie v gravidite	O32.5	Star.o mat.pre viacplod.grav.s nespr.nalie.a nespr.poloh.plod
O21.8	Iné vracanie,komplikujúce graviditu	O32.6	Star.o matku pre súčasné nespráv.nalieh.a nespráv.poloh.plodu
O21.9	Vracanie počas gravidity,blížšie neurčené	O32.8	Star.o matku pre iné nespr.naliehanie/nespr.poloha plodu
O22.0	Variety dolných končatín v gravidite	O32.9	Star.o matku pre iné nepravid.naliehanie/nespr.polo.plodu,b.n.
O22.1	Variety pohlavných orgánov v gravidite	O33.0	Star.o mat.pre nepomer medzi plodom a panv.,zapr.def.panv.k.
O22.2	Povrchová tromboflebitída v gravidite	O33.1	Star.o mat.pre nepomer medzi plod.a panv.zapr.celk.zúž.panva
O22.3	Hĺbková flebotrombóza v gravidite	O33.2	Star.o mat.pre nepomer medzi plod.a panv.zapr.zúž.panv.vch.
O22.4	Hemoroidy v gravidite	O33.3	Star.o mat.pre nepomer medzi plod.a panv.zapr.zúž.panv.vých.
O22.5	Trombóza mozgových žíl v gravidite	O33.4	Star.o mat.pre nep.medzi plod.a panv.,zapr.rozl.pr.matka/plod
O22.8	Iné žilové choroby ako komplikácie v gravidite	O33.5	Star.o matku pre nepom.medzi plod.a panv.,zapr.nezvy.vel.plod.
O22.9	Žilová choroba ako komplikácia v gravidite,b.n.	O33.6	Star.o matku pre nepom.medzi plod.a panv.,zapr.hydrocefus pl.
O23.0	Infekcia obličiek v gravidite	O33.7	Star.o mat. pre nepom.medzi plod.a panv.,zapr.i.abnormal.pl.
O23.1	Infekcia močového mechúra v gravidite	O33.8	Star.o matku pre nepom.medzi plod.a panv.z i.príčin
O23.2	Infekcia močovej rúry v gravidite	O33.9	Star.o matku pre nepom.medzi plod.a panvou,b.n.
O23.3	Infekcia iných častí močovej sústavy v gravidite	O34.0	Starostlivosť o matku pre vrodenú chybu maternice
O23.4	Infekcia moč.sústavy v gravidite,b.n.	O34.1	Starostlivosť o matku pre nádor tela maternice
O23.5	Infekcia pohlavných orgánov v gravidite	O34.2	Star.o matku jazvu na maternici po predchádz.chir.výk.
O23.9	Iná a blíž.neu.infekcia močovopohl.org.v grav.	O34.30	Star.o matku pri dlž.kčka mater.p.10 mm/pri insuf.pot.vag.USG
O24.0	DM v gravidite predtým existuj.DM,typ 1	O34.31	Starostlivosť o matku pri prolapse plodového vaku
O24.1	DM v gravidite predtým existuj.DM,typ 2	O34.38	Star.o matku pri i.insuficiencii krčka maternice
O24.2	DM v gravidite predtým existuj.DM súvis.s podvýživou	O34.39	Star.o matku pri b.n.insuficiencii krčka maternice
O24.3	DM v gravidite predtým existuj.DM,b.n.	O34.4	Star.o matku pre iné abnor.krčka maternice
O24.4	Diabetes mellitus so vznikom v gravidite	O34.5	Star.o matku pre Iné abnor.gravidnej maternice
O24.9	Diabetes mellitus v gravidite,blížšie neurčený	O34.6	Starostlivosť o matku pre abnormalitu pošvy
O25	Podvýživa v gravidite	O34.7	Star.o matku pre abnor.vulvy a hrádze
O26.0	Nadmerný hmotnostný prírastok v gravidite	O34.8	Star.o matku pre i.abnormal.panv.org.
O26.1	Malý hmotnostný prírastok v gravidite	O34.9	Star.o matku pre abnormal.panv.org.,b.n.
O26.2	Starost.o gravidnú ženu pri habituálnom potrácení	O35.0	Star.o matku pre(susp.)výv.chybu CNS plodu
O26.3	Ponechané vnútromat.antikoncepčné teliesko v grav.	O35.1	Star.o matku pre(susp.)chromozómovú anomáliu plodu
O26.4	Herpes gestationis	O35.2	Star.o matku pre(susp.)dedičnú chorobu plodu
O26.5	Syndróm arteriovej hypotenzie matky	O35.3	Star.o matku pre(susp.)pošk.plodu vír.chor.matky
O26.6	Choroba pečene v gravidite,pri pôrode a v šestonedelí	O35.4	Star.o matku pre(susp.)pošk.plodu alkoholom
O26.7	Sublux.symphysis ossis pubis v grav.,pri pôrode a v šeston.	O35.5	Star.o matku pre(susp.)pošk.plodu liekom/drogou
O26.81	Choroba obličiek súvisiaca s graviditou	O35.6	Star.o matku pre(susp.)pošk.plodu žiarením
O26.82	Syndróm karpálneho tunela počas gravidity	O35.7	Star.o matku pre(susp.)pošk.plodu iným lekár.výkon.
O26.83	Periférna neuritída počas gravidity	O35.8	Star.o matku-inú (susp.)abn.a (susp.)pošk.plodu
O26.88	Iné stavy súvisiace s graviditou,blížšie určené	O35.9	Star.o matku pre(susp.)b.n.abn.a (susp.)pošk.plodu
O26.9	Stav súvisiaci s graviditou,blížšie neurčený	O36.0	Star.o matku pre izoimunizáciu v systéme Rh
O28.0	Abnorm.hematol.nález v prenatal.skríningu matky	O36.1	Starostlivosť o matku pre inú izoimunizáciu
O28.1	Abnorm.biochem.nález v prenatal.skríningu matky	O36.2	Starostlivosť o matku pre fetálny hydrops
O28.2	Abnorm.cytolog.nález v prenatal.skríningu matky	O36.3	Starostlivosť o matku pre príznaky hypoxie plodu
O28.3	Abnorm.UZV nález v prenatal.skríningu matky	O36.4	Star.o matku pre vnútromatemicovú smrť plodu
O28.4	Abnorm.rádiolog.nález v prenatal.skríningu matky	O36.5	Starostlivosť o matku pre zníženú hmotnosť plodu
O28.5	Abnorm.chromoz.a genetic.nález v prenatal.skríningu matky	O36.6	Starostlivosť o matku pre nadmernú hmotnosť plodu
O28.8	Iný abnormálny nález v prenatal.skríningu matky	O36.7	Starost.o matku pre abdom.grav.so živým plodu
O28.9	Abnorm.nález v prenatal.skríningu matky,b.n.	O36.8	Starost.o matku pre i.problémy plodu,b.u.
O29.0	Pľúcne komplikácie anestézie v gravidite	O36.9	Starost.o matku pre problémy plodu,b.n.
O29.1	Srdcové komplikácie anestézie v gravidite	O40	Polyhydramnion
O29.2	Komplikácie v CNS v spoj.s anestéziou v gravidite	O41.0	Oligohydramnion
O29.3	Toxická reakcia na lokálnu anestéziu v gravidite	O41.1	Infekcia plodového vaku a plodových obalov

Kód	Popis	Kód	Popis
O41.8	Iné poruchy plodovej vody a obalov, bližšie určené	O66.9	Nepokračujúci pôrod, bližšie neurčený
O41.9	Poruchy plodovej vody a obalov, bližšie neurčené	O67.0	Krvácanie pri pôrode s poruchou koagulácie
O42.0	Predčasné puknutie plod.obalov, zač.pôr.čin.do 24hod.	O67.8	Iné krvácanie pri pôrode
O42.11	Predčasné puknutie plod.obalov, zač.pôr.činn.po 1-7dňoch	O67.9	Krvácanie pri pôrode, bližšie neurčené
O42.12	Predčasné puknutie plod.obalov, zač.pôr.činn.po viac ako 7d.	O68.0	Kompl.pôrod.čin.a pôrodu pre abn.srd.frekv.plodu
O42.2	Predčasné puknutie plod.obalov, pôrododdialený liečbou	O68.1	Kompl.pôrod.čin.a pôrodu pre mekónium v plod.vode
O42.9	Predčasné pukn. plod.obalov, b.n.	O68.2	Kompl.pôrod.čin.a pôrodu pre abn.srdc.fr.plod.s mekón.v plod.v.
O43.0	Syndróm placentárnej transfúzie	O68.3	Kompl.pôrod.čin.a pôrodu pre biochem.dôkaz distresu plodu
O43.1	Malformácia placenty	O68.8	Kompl.pôrod.čin.a pôrodu pre iný dôkaz distresu plodu
O43.20	Placenta accreta	O68.9	Kompl.pôrod.čin.a pôrodu pre distres plodu, b.n.
O43.21	Placenta increta alebo placenta percreta	O69.0	Kompl.pôr.čin.a pôr.pre prolaps pupočin.
O43.8	Iná porucha placenty	O69.1	Kompl.pôr.čin.a pôr.pre ovin.pupočn.ok.krku, s kompr.krku
O43.9	Porucha placenty, bližšie neurčená	O69.2	Kompl.pôr.čin.a pôr.pre i.zapletenie pupočin., s kompr.
O44.00	Nízko uložená placenta bez krvácania	O69.3	Kompl.pôr.čin.a pôr.pre krátky pupočník
O44.01	Placenta praevia bez krvácania	O69.4	Kompl.pôr.čin.a pôr.pre vcestné cievy
O44.10	Nízko uložená placenta s prebiehajúcim krvácaním	O69.5	Kompl.pôr.čin.a pôr.pre pošk.ciev pupočin.
O44.11	Placenta praevia s prebiehajúcim krvácaním	O69.8	Kompl.pôr.čin.a pôr.pre i.por.pupočin.
O45.0	Predčasné odlupovanie placenty s poruchou koagulácie	O69.9	Kompl.pôr.č.a pôr.pre poruchu pupoč., b.n.
O45.8	Iné predčasné odlupovanie placenty	O70.0	Natrhnutie hrádze 1.stupňa pri pôrode
O45.9	Predčasné odlupovanie placenty, bližšie neurčené	O70.1	Natrhnutie hrádze 2.stupňa pri pôrode
O46.0	Krvácanie pred pôrodom s poruchou zrážanlivosti	O70.2	Natrhnutie hrádze 3.stupňa pri pôrode
O46.8	Iné krvácanie pred pôrodom	O70.3	Natrhnutie hrádze 4.stupňa pri pôrode
O46.9	Krvácanie pred pôrodom, bližšie neurčené	O70.9	Natrhnutie hrádze pri pôrode, bližšie neurčené
O47.0	Falošná pôr.činnosť pred ukonč. 37.týž.gravidity	O71.0	Ruptúra maternice pred začiatkom pôrodnej činnosti
O47.1	Falošná pôr.činnosť po ukonč. 37.týž.gravidity a neskôr	O71.1	Ruptúra maternice počas pôrodnej činnosti
O47.9	Falošná pôrodná činnosť, bližšie neurčená	O71.2	Inverzia maternice po pôrode
O48	Predĺžená gravidita	O71.3	Natrhnutie krčka maternice pri pôrode
O60.0	Predčasná pôrodná činnosť bez pôrodu	O71.4	Samostatná vysoká lacerácia pošvy pri pôrode
O60.1	Predčasná pôrodná činnosť s predčasným pôrodom	O71.5	Iné poranenie panvových orgánov pri pôrode
O60.2	Predčasná pôrodná činnosť s pôrodom v termíne	O71.6	Poškodenie panvových kĺbov a väzov pri pôrode
O60.3	Predčasný pôrod bez spontánnej pôrodnej činnosti	O71.7	Hematóm panvy pri pôrode
O61.0	Neúspešná lieková indukcia pôrodnej činnosti	O71.8	Iné poranenie pri pôrode, bližšie určené
O61.1	Neúspešná inštrumentálna indukcia pôrodnej činnosti	O71.9	Poranenie pri pôrode, bližšie neurčené
O61.8	Iná neúspešná indukcia pôrodnej činnosti	O72.0	Krvácanie v 3.pôrodnej dobe
O61.9	Neúspešná indukcia pôrod.činnosti, b.n.	O72.1	Iné krvácanie bezprostredne po pôrode
O62.0	Primárne slabá pôrodná činnosť	O72.2	Oneskorené a sekundárne krvácanie po pôrode
O62.1	Sekundárne slabá pôrodná činnosť	O72.3	Poruchy zrážanlivosti krvi po pôrode
O62.2	Iná slabá pôrodná činnosť	O73.0	Zadržanie placenty bez krvácania
O62.3	Náhly pôrod (partus praecipitatus)	O73.1	Zadržanie častí placenty a blán bez krvácania
O62.4	Hyperton., nekoord.a predĺžené kontrakcie maternice	O74.0	Aspiračná pneumónia zaprič.anestéziou počas pôr.č. a pôrodu
O62.8	Iná porucha pôrodnej činnosti	O74.1	Iné pľúcne kompl.anestézie počas pôrod.čin.a pôrodu
O62.9	Porucha pôrodnej činnosti, bližšie neurčená	O74.2	Srdcové kompl.anestézie počas pôrod.čin.a pôrodu
O63.0	Predĺžená prvá pôrodná doba	O74.3	Komplik.CNS s spojením s anestéziou počas pôrod.čin.
O63.1	Predĺžená druhá pôrodná doba	O74.4	Toxická reakcia na lokálnu anestéziu počas pôr.čin.a pôrodu
O63.2	Oneskorený pôrod druhého dvojčata, trojčata atď.	O74.5	Bolesť hlavy, zapr.spinál.a epidurál.anest. počas pôr.čin.a pôr.
O63.9	Predĺžený pôrod, bližšie neurčený	O74.6	Iné kompl.spinál.a epidurál.anestézie počas pôr.čin.a pôrodu
O64.0	Nepokračujúci pôrod, zaprič.neúplnou rotáciou hlavičky plodu	O74.7	Neúspešná/sťažená intubácia počas pôr.čin.a pôrodu
O64.1	Nepokračujúci pôrod, zaprič.polohou panvovým koncom	O74.8	Iné komplik.anestézie počas pôr.čin.a pôrodu
O64.2	Nepokračujúci pôrod, zaprič.tvárovou polohou	O74.9	Komplik.anestézie počas pôr.čin.a pôrodu, b.n.
O64.3	Nepokračujúci pôrod, zaprič.čelovou polohou	O75.0	Distres matky počas pôrodnej činnosti a pôrodu
O64.4	Nepokračujúci pôrod, zaprič.naliehaním plecka	O75.1	Šok počas pôrodnej činnosti, po nej a po pôrode
O64.5	Nepokračujúci pôrod, zaprič.komb.por.naliehania plodu	O75.2	Horúčka počas pôrodu, nezatriedená inde
O64.8	Nepokračujúci pôrod, zaprič.i.nespr.pol.a naliehaním plodu	O75.3	Iná infekcia počas pôrodnej činnosti
O64.9	Nepokračujúci pôrod, zaprič.nespr.pol.a naliehaním plodu, b.n.	O75.4	Iná komplikácia pôrodných operácií a výkonov
O65.0	Nepokračujúci pôrod, zaprič.deformovanou panvou	O75.5	Protrahovaný pôrod po umelom pretrhnutí plodových blán
O65.1	Nepokračujúci pôrod, zaprič.celkovo zúženou panvou	O75.6	Protrahovaný pôrod po spont./bliž.neurč.puknutí plod.blán
O65.2	Nepokračujúci pôrod, zaprič.zúžením panvového vchodu	O75.7	Vaginálny pôrod po predchádzajúcom cisárskom reze
O65.3	Nepokrač.pôr.zapr.zúž.panv.vých.a kontr.stred.časti.panv.dut.	O75.8	Iná komplikácie pôrod.činn.a pôrodu, b.u.
O65.4	Nepokračujúci pôrod, zaprič.nepom.medzi plod.a panv., b.n.	O75.9	Komplikácia pôrod.činn.a pôrodu, b.n.
O65.5	Nepokračujúci pôrod, zaprič.abn.panv.org.matky	O80.0	Spontánny pôrod jedného plodu záhlavím
O65.8	Nepokračujúci pôrod, zaprič.i.abn.panvy matky	O80.1	Spontánny pôrod jedného plodu panvovým koncom
O65.9	Nepokračujúci pôrod, zaprič.abnor.panvy matky, b.n.	O80.8	Iný spontánny pôrod jedného plodu
O66.0	Nepokračujúci pôrod, zaprič.dystokiou plecka plodu	O80.9	Spontánny pôrod jedného plodu, bližšie neurčený
O66.1	Komplikác.pôrodu, zaprič.zakliesnením dvojčiat	O81.0	Pôrod jedného plodu východovými kliešťami
O66.2	Nepokrač.pôrod, zaprič.nezvyčajne veľkým plodom	O81.1	Pôrod jedného plodu strednými kliešťami
O66.3	Nepokrač.pôrod, zaprič.inými.abnormalitami plodu	O81.2	Pôrod jedného plodu stred.kliešťami s rotáciou hlavičky
O66.4	Neúspešný pokus o pôrod, bližšie neurčený	O81.3	Iný pôrod jedného plodu kliešťami, bližšie neurčený
O66.5	Neúspeš.použ.vákuového extraktora/klieští, b.n.	O81.4	Pôrod jedného plodu vákuovým extraktorom
O66.8	Iný nepokračujúci pôrod, bližšie určený	O81.5	Pôrod jedného plodu s použ.kombi.klieští a vákuo.extrak.

Kód	Popis	Kód	Popis
O82.0	Pôrod jedného plodu elektívnym cisárskym rezom	O92.50	Zastavenie laktácie,bez ťažkostí pri priložení
O82.1	Pôrod jedného plodu naliehavým cisárskym rezom	O92.51	Zastavenie laktácie,s ťažkosťami pri priložení
O82.2	Pôrod jedného plodu cisárskym rezom s hysterektómiou	O92.60	Galaktorea,bez ťažkostí pri priložení
O82.8	Iný pôrod jedného plodu cisárskym rezom	O92.61	Galaktorea,s ťažkosťami pri priložení
O82.9	Pôrod cisárskym rezom,bližšie neurčený	O92.70	Iná a bliž.neurč.porucha laktácie,bez ťažk.pri priložení
O83.0	Extrakcia plodu pri polohe panvovým koncom	O92.71	Iná a bliž.neurč.porucha laktácie,s ťažk.pri priložení
O83.1	Iné vedenie pôrodu jedného plodu pri polohe panvo.koncom	O94	Následky kompl.gravidity,pôrodu a šestonedelia
O83.2	Iné operačné vedenie pôrodu jedného plodu	O95	Smrť v gravidite z bližšie neurčenej príčiny
O83.3	Pôrod živého plodu pri brušnej gravidite	O96.0	Smrť z priam.pôr.príč.,kt.nast.po 42 d.,ale m.ako 1.r.od pôr.
O83.4	Zmenšovacie operácie na uľahčenie pôrodu jedného plodu	O96.1	Smrť z nepriam.pôr.príč.,kt.nast.po 42 d.,-men.ako 1.r.od pôr.
O83.8	Iné vedenie pôrodu jedného plodu,bližšie určené	O96.9	Smrť z bliž.ne.pôr.príč.,kt.nastala po42 d.,m.ako 1.r.od pôr.
O83.9	Vedenie pôrodu jedného plodu,bližšie neurčené	O97.0	Smrť z následkov priamej pôrodnickej príčiny
O84.0	Pôrody pri viacplodovej gravidite,všetky spontánne	O97.1	Smrť z následkov nepriamej pôrodnickej príčiny
O84.1	Pôrody pri viacplod.grav.všetky kliešť.a vákuumextrak.	O97.9	Smrť z následkov b.n. pôrod.príčiny
O84.2	Pôrody pri viacplod.grav.všetky cisárskym rezom	O98.0	TBC,kompl.graviditu,pôrod a šestonedelie
O84.8	Iné pôrody pri viacplodovej gravidite	O98.1	Syfilis,kompl.graviditu,pôrod a šestonedelie
O84.9	Pôrody pri viacplodovej gravidite,bližšie neurčené	O98.2	Kvapavka,kompl.graviditu,pôrod a šestonedelie
O85	Puerperálna sepsa	O98.3	Iná infcia s prevaž.pohl.spôs.pren.,kompl.grav.,pôr.a šesto.
O86.0	Infekcia pôrodnickej operačnej rany	O98.4	Vír.hepatitída,kompl.grav.,pôrod a šeston.
O86.1	Iná infekcia pohlavných orgánov po pôrode	O98.5	Iná vírus.choroba,kompl.grav.,pôrod a šeston.
O86.2	Infekcia močových orgánov po pôrode	O98.6	Prvoková choroba,kompl.grav.pôrod a šeston.
O86.3	Iná infekcia močovopohlavnej sústavy po pôrode	O98.7	Choroba HIV,kompl. graviditu,pôrod a šestonedelie
O86.4	Horúčka neznámeho pôvodu po pôrode	O98.8	Iná infekč.a parazit.chor.matky,kompl.grav.pôrod a šeston.
O86.8	Iná puerperálna infekcia,bližšie určená	O98.9	Infekč.a parazit.chor.matky,kompl.grav.pôrod a šeston. b.n.
O87.0	Povrchová tromboflebitída v šestonedelí	O99.0	Anémia,komplikujúca graviditu,pôrod a šestonedelie
O87.1	Hĺbková žilová trombóza (flebotrombóza) v šestonedelí	O99.1	Iné chor.krvi a krvotv.,urč.por.imun.,kompl.grav.pôr.šesto.
O87.2	Hemoroidy v šestonedelí	O99.2	Endokrin.nutričné a metabol.chor.kompl.grav.pôr.a šesto.
O87.3	Trombóza mozgových žíl v šestonedelí	O99.3	Duševná choroba a chor.nervov.súst.kompl.grav.pôr.a šesto.
O87.8	Iné žilové choroby ako komplikácie v šestonedelí	O99.4	Choroba obeh.súst.kompl.grav.pôrod a šeston.
O87.9	Žilová chor.ako komplikácia v šestonedelí,b.n.	O99.5	Choroba dých.súst.kompl.grav.pôrod a šeston.
O88.0	Vzduchová embólia v gestačnom období	O99.6	Choroba tráv.súst.kompl.grav.pôrod a šeston.
O88.1	Embólia plodovou vodou	O99.7	Choroba kože a podkož.tkan.kompl.grav.pôrod a šeston.
O88.20	Tromboembólia pľúc v gestačnom období	O99.8	Iné choroby a stavy komplikujúci grav.pôrod a šeston.b.u.
O88.28	Iná tromboembólia v gestačnom období	T83.3	Mechanická komplik.zapríč.vnúťmatr.antikoncepčnou pomôc.
O88.3	Pyemická a septická embólia v gestačnom období	Z30.1	Zavedenie (vnúťmater.) antikoncepčného telieska
O88.8	Iná embólia v gestačnom období	Z32.0	Gravidita, (ešte) nepotvrdená
O89.0	Pľúcne komplikácie anestézie v šestonedelí	Z32.1	Potvrdená gravidita
O89.1	Srdcové komplikácie anestézie v šestonedelí	Z34.0	Dohľad nad normálnou prvou graviditou
O89.2	Komplikácie CNS v spojení s anestéziou v šestonedelí	Z34.8	Dohľad nad inou normálnou graviditou
O89.3	Toxická reakcia na lokálnu anestéziu v šestonedelí	Z34.9	Dohľad nad normálnou graviditou, bližšie neurčenou
O89.4	Bolesť hlavy,zapríč.spinál.a epidurál.anest.v šeston.	Z35.0	Dohľad nad graviditou s anamnézou neplodnosti
O89.5	Iné kompl.spin.a epid.anestézie v šeston.	Z35.1	Dohľad nad graviditou s anamnézou potratu
O89.6	Neúspešná alebo sťažaná intubácia v šestonedelí	Z35.2	Dohľad nad gravid.s i.nepriaznivou pôr.anamnézou
O89.8	Iné komplikácie anestézie v šestonedelí	Z35.3	Dohľad nad gravid.s anamnézou nedost.prenatálnej star.
O89.9	Kompl.anestézie v šestonedelí,b.n.	Z35.4	Dohľad nad graviditou mnohorodičky
O90.0	Dehiscencia rany po cisárskom reze	Z35.5	Dohľad nad staršou prvorodičkou
O90.1	Dehiscencia pôrodnickej rany hrádze	Z35.6	Dohľad nad veľmi mladou prvorodičkou
O90.2	Hematóm pôrodnickej rany	Z35.7	Dohľad nad rizik. gravid.v dôsledku sociál.problem.
O90.3	Kardiomyopatia v šestonedelí	Z35.8	Dohľad nad inou rizikovou graviditou
O90.4	Akútne poškodenie obličiek po pôrode	Z35.9	Dohľad nad rizikovou graviditou, bližšie neurčenou
O90.5	Zápal štítnej žľazy po pôrode	Z36.0	Prenatálny skrining chromozómových anomálií
O90.8	Iná komplikácia šestonedelia,nezatriedená inde	Z36.1	Prenatál.skrin.na zvýšenú hodnotu alfafetoproteínu
O90.9	Komplikácia šestonedelia,bližšie neurčená	Z36.2	Iný prenatálny skrining, založený na amniocentéze
O91.00	Infekcie bradavky v súvis.s pôr.bez ťažk.pri priložení	Z36.3	Prenatál.skrin. malformácií UZV a i.fyzik.metódami
O91.01	Infekcie bradavky v súvis.s pôr.s ťažk.pri priložení	Z36.4	Prenatál.skrin. spomalenia rastu plodu UZV a i.fyzik.met.
O91.10	Abces prsníka v súvis.s pôr.bez ťažk.pri priložení	Z36.5	Prenatálny skrining izoimunizácie
O91.11	Abces prsníka v súvis.s pôr.s ťažk.pri priložení	Z36.8	Iný prenatálny skrining
O91.20	Nehnisová mastitída v súvis.s pôr.bez ťažk.pri priložení	Z36.9	Prenatálny skrining, bližšie neurčený
O91.21	Nehnisová mastitída v súvis.s pôr.s ťažk.pri priložení	Z37.0	Jedno dieťa, živonarodené
O92.00	Retrakcia bradavky v súvis.s pôr.bez ťažk.pri priložení	Z37.1	Jedno dieťa, mŕtvonarodené
O92.01	Retrakcia bradavky v súvis.s pôr.s ťažk.pri priložení	Z37.2	Dvojčatá, živonarodené
O92.10	Trhlínka bradavky v súvis.s pôr.bez ťažk.pri priložení	Z37.3	Dvojčatá, jedno živonarodené, jedno mŕtvonarodené
O92.11	Trhlínka bradavky v súvis.s pôr.s ťažk.pri priložení	Z37.4	Dvojčatá, mŕtvonarodené
O92.20	Iná a bliž.neurč.chor.prsní.v súvis.s pôr.bez ťažk.pri prilož.	Z37.5	Iný viacpočetný pôrod, všetky deti živonarodené
O92.21	Iná a bliž.neurč.chor.prsníka v súvis.s pôr.s ťažk.pri prilož.	Z37.6	Iný viacpočetný pôrod, niektoré deti živonarodené
O92.30	Agalakcia,bez ťažkostí pri priložení	Z37.7	Iný viacpočetný pôrod, všetky deti mŕtvonarodené
O92.31	Agalakcia,s ťažkosťami pri priložení	Z37.9	Výsledok pôrodu, bližšie neurčený
O92.40	Hypogalakcia,bez ťažkostí pri priložení	Z39.0	Starostlivosť a vyšetrenie matky ihneď po pôrode
O92.41	Hypogalakcia,s ťažkosťami pri priložení		

Príloha D: Overovania klinických a demografických údajov

Kód	Popis	Kód	Popis
Z39.1	Starostlivosť a vyšetrenie matky počas laktácie	Z64.0	Problémy súvisiace s nechcenou graviditou
Z39.2	Ďalšie bežné sledovanie matky po pôrode		

D.4h

D.4i Konflikt s vekom: Výkony v plodnom veku

Kód	Popis	Kód	Popis
5r111‡	Asistovaný pôrod pomocou inštrumentov	5r334.0↔	Parc.salpingektómia s rekonštr.:lpt.
5r112‡	Asist.pôrod koncom panv.s mauálnymi hmatmi	5r334.1↔	Parc.salpingektómia s rekonštr.:lsk.
5r113‡	Kombinov.pôrod pomocou inštrumentov a špec.úchyto	5r334.4↔	Parc.salpingektómia s rek.:vag.lsk.as.
5r114‡	Vedenie pôrodu koncom panv.pri viacplod.grav.	5r334.6↔	Parc.salpingektómia s rek.:konv.z.vag.-otv.chir.
5r11x‡	Iný spont.a.vag.OP pôrod pri polohe koncom panv.	5r334.7↔	Parc.salpingektómia s rek.:vag.
5r121‡	Pôrod pomocou východových klieští	5r334.x↔	Parc.salpingektómia s rekonštr.:iná
5r122‡	Pôrod pomocou stredových klieští	5r335.0↔	Totál.salpingektómia:lpt.
5r12x‡	Pôrod pomocou klieští:iný	5r335.1↔	Totál.salpingektómia:vag.lsk.as.
5r131‡	Ukonč.pôr.pri polohe KP manuál.extrakciou plodu	5r335.4↔	Totál.salpingektómia:lsk.
5r132‡	Ukončenie pôr.pri polohe KP inštrum.extrakciou pl.	5r335.6↔	Totál.salpingektómia:konv.z.vag.-otv.chir.
5r133‡	Ukonč.pôr.pri polohe KP manuál.a inštrum.extrak.plodu	5r335.7↔	Totál.salpingektómia:vag.
5r13x‡	Ukončenie pôr.pri polohe KP inou extrakciou plodu	5r335.x↔	Totál.salpingektómia:ost.
5r141‡	Ukončenie pôr.vákuumextrakciou z panv.východu	5r336.0	Lokál.medikam.liečba pri tubárnej gravid:lpt.
5r142‡	Ukončenie pôr.vákuumextrakciou z panv.hlbiny	5r336.1	Lok.medikam.liečba pri tubár.gravid:vag.lsk.asist
5r14x‡	Ukončenie pôrodu vákuumextrakciou:ost.	5r336.4	Lok.medikam.liečba pri tuba.gravidite:lsk.
5r211‡	Vnúť.obrat plodu vnút.hmatmi bez extrakcie	5r336.6	Lok.medikam.liečba pri tuba.grav:konv.z.vag.-otv.chir.
5r212‡	Kombinovaný obrat plodu bez extrakcie	5r336.7	Lokál.medikam.liečba pri tuba.gravid:vag.
5r213‡	Obrat plodu s extrakciou bez ďalších kompl.	5r336.x	Lok.medikam.liečba pri tubárnej grav:ost.
5r214‡	Obrat plodu s extrakciou kliešťami	5r339	Operácia extrauterinnej gravidity:ost.
5r215‡	Rotácia hlavičky pomocou klieští	5r341	Odstránenie extrauter.embrya:otv.chir.
5r216‡	Obrat plodu s extrakciou pri iných kompl.	5r342	Odstr.extrauterinneho embrya:lsk.
5r217‡	Obrat na druhom dvojčati	5r343	Odstr.extrauterinneho embrya kuldoskopiou
5r221‡	Neúspešný kliešťový pôrod	5r34x	Iné odstránenie extrauterinneho embrya
5r222‡	Neúspešná extrakcia vákuovou pumpou	5r411‡	Intrauterinná transfúzia plodu
5r223‡	Neúspešné vnútorné otočenie	5r412‡	Intrauterinná infúzia plodu
5r224‡	Neúspešné kombinované otočenie	5r413	Intrauterinná laserová terapia plodu
5r231‡	Embryotómia	5r414‡	Výmena plodovej vody
5r232‡	Deštrukcia plodu	5r415‡	Vysokofrekv.ablácia nádor.buniek a/alebo ciev placenty
5r233‡	Dekapitácia	5r416‡	Zavedenie shuntu u plodu intrauterinne
5r234‡	Iné zmenšovacie operácie na plode	5r417‡	Intrauterinná terapia plodu drenážou
5r235	Amniotómia	5r418‡	Medikament.intrauterinná terapia plodu
5r311.1	Primárny cisársky rez	5r421‡	Terap.amniocentéza s násl.amnioinfúziou
5r311.2	Sekundárny cisársky rez	5r422‡	Terapeutická amniocentéza s kordocentézou
5r312.1	Primárny Misgav-Ladach cisársky rez	5r423‡	Terapeutická amniocentéza za účelom fetocídy
5r312.2	Sekundárny Misgav-Ladach cisársky rez	5r491	Segment.resekcia polycystic.pľúc plodu
5r314	Cisársky rez extraperitoneálne	5r492	Intrauterinná OP plodu postihnutého VVCH
5r315.1	Primárny cisársky rez supracervikálny	5r493‡	Intraamniálna inj.apl.medikament.k.ukonč.gravidity
5r315.2	Cisársky rez supracervikálny	5r911	Sutúra ruptúry alebo nástrihu hrádze
5r316.1	Primár.korporálny cisársky rez pozdĺžnou incíziou	5r912	Sutúra ruptúry alebo nástrihu krčka maternice
5r316.2	Sekundár.korporálny cisársky rez pozdĺžnou incíziou	5r913‡	Sutúra ruptúry alebo nástrihu pošvy
5r317.1	Primárny cisársky rez korporálny T-incíziou	5r914.1‡	Ošetrovanie ruptúry I.stupňa
5r317.2	Sekundárny SC korporálny T-incíziou	5r914.2‡	Ošetrovanie ruptúry II.stupňa
5r321.1	Primárny cisársky rez a sterilizácia	5r914.3‡	Ošetrovanie ruptúry III.stupňa
5r321.2	Sekundárny cisársky rez a sterilizácia	5r914.4‡	Ošetrovanie ruptúry IV.stupňa
5r322.1	Primárny cisársky rez s následnou HYE s adnexektómiou	5r921‡	Revízia dutiny maternice po pôrode
5r322.2	Sekundárny cisársky rez s násled.HYE s adnexektómiou	5r922‡	Revízia dutiny maternice po spontán.potraste
5r323.1	Primárny cisársky rez s následnou hysterektómiou	5r923‡	Manuálne vybavenie zadržanej placenty
5r323.2	Sekundárny cisársky rez s následnou hysterektómiou	5r924	Inštrumentálne vybavenie zadržanej placenty
5r331.0↔	Salpingotómia: otv.chir.	5r925‡	Iné vybavenie zadržanej placenty
5r331.1↔	Salpingotómia:vag.s.lsk.asist.	5r931	Rekonštrukcia močového mechúra a utery
5r331.4↔	Salpingotómia:lsk.	5r932‡	Rekonštrukcia konečníka a análneho zvierača
5r331.6↔	Salpingotómia:konv.z.vag.-otv.chir.	5r991	Kyretáž pre ukončenie tehotnosti
5r331.7↔	Salpingotómia:vag.	91110	Intenzív.oše.st.o rodičku pri prekotnom pôrode
5r331.x↔	Salpingotómia:ost.	91111	Intenz.oše.st.o rodičku-I.doba pôrod.pri fyziol.pôrode
5r332.0↔	Salpingotómia s rekonštr.:otv.chir.	91112	Intenz.oše.st.o rodičku-II.doba pôrod.pri fyz.pôrode
5r332.1↔	Salpingotómia s rekonštrukciou:lpt.	91113	Intenz.oše.st.o rodičku-III.doba pôrod.pri fyz.pôrode
5r332.4↔	Salpingotómia s rekonštrukciou:lsk.	91114	Apl.metód nefarmakol.tlmenia bolesti v I.dobe pôrodnej
5r332.6↔	Salpingotómia s rekonštr.:konv.z.vag.-otv.chir.	91121	Uvoľnenie dolného pólu plodového vajca
5r332.7↔	Salpingotómia s rekonštrukciou:vag.	91127	Sledovanie a vedenie rizikového pôrodu
5r332.x↔	Salpingotómia s rekonštr.:ost.	91515	Transfer embrya
5r333.0↔	Parciálna salpingektómia:otv.chir.	91516	Zavedenie zmrazeného embrya
5r333.1↔	Parc.salpingektómia:vag.lsk.as.	91518	Inseminácia umelá cerviko-vaginálna
5r333.4↔	Parc.salpingektómia:lsk.	91519	Inseminácia umelá intrakavitálna alebo intratubárna
5r333.6↔	Parc.salpingektómia:konv.z.vag.-otv.chir.	91520	V.asist.reprod.s odber.oocytov k in vitro fertili.b.pren.embryí
5r333.7↔	Parc.salpingektómia:vag.	91521	Výkon asist.reprodukcie komplexný cyklus s prenosom embryí
5r333.x↔	Parc.salpingektómia:ost.	91522‡	Asistovaná fertilizácia

D.4j Konflikt s vekom: Dospelý

Kód	Popis	Kód	Popis
A51.0	Primárny genitálny syfilis	G30.9	Alzheimerova choroba, bližšie neurčená
A51.1	Primárny análny syfilis	G31.0	Ohraničená atrofia mozgu
A51.2	Primárny syfilis na inom mieste	G31.1	Starecká degenerácia mozgu, nezatriedená inde
A51.3	Sekundárny syfilis kože a slizníc	G31.2	Degenerácia nervovej sústavy zapríčinená alkoholom
A51.4	Iná forma sekundárneho syfilisu	G31.81	Mitochondriová cytopatia
A51.5	Včasný syfilis, latentný	G31.82	Demencia s Lewyho telieskami
A51.9	Včasný syfilis, bližšie neurčený	G31.88	Iná degeneratívna choroba nervovej súst., bliž. urč.
A52.0	Kardiovaskulárny syfilis	G31.9	Degeneratívna choroba nervovej súst., bliž. neurč.
A52.1	Neurosyfilis, symptomatický	G32.0	Subak. kombinovaná degenerácia miechy pri chor. z. i.
A52.2	Neurosyfilis, asymptomatický	G32.8	Iná bliž. urč. degeneratívna chor. nervovej súst. pri chor. z. i.
A52.3	Neurosyfilis, bližšie neurčený	G35.0	Roztrúsená skleróza, prvá manifestácia
A52.7	Neskorý syfilis, symptomatický, iná forma	G35.10	SM s relaps-remitujúcim priebeh., bez prejav. relapsu/progr.
A52.8	Neskorý syfilis, latentný	G35.11	SM s relaps-remitujúcim priebeh., s prejav. relapsu/progr.
A52.9	Neskorý syfilis, bližšie neurčený	G35.20	SM s primár. progresívnym priebeh., bez prejav. relapsu/progr.
A53.0	Latentný syfilis, bliž. neurč. ako včasný/neskorý	G35.21	SM s primár. progresívnym priebeh., s prejav. relapsu/progr.
A53.9	Syfilis, bližšie neurčený	G35.30	SM so sekund. progresívnym priebeh., bez prejav. relapsu/progr.
A54.0	Gonok. inf. dol. časti moč.-pohl. súst. bez abs. uretr./preds. žliaz	G35.31	SM so sekund. progresívnym priebeh., s prejav. elapsu/progr.
A54.1	Gonok. inf. dol. časti moč.-pohl. súst. s abs. uretr. a preds. žliaz	G35.9	Roztrúsená skleróza, bližšie neurčená
A54.2	Gonok. pelveoperitonitída a iná gonokok. moč.-pohl. infekcia	I10.00	Benígna primárna artér. hypert. bez hypertenznej krízy
A54.3	Gonokoková infekcia oka	I10.01	Benígna primárna artér. hypert. s prej. hypertenznej krízy
A54.4	Gonokoková infekcia svalovo-kostrovej sústavy	I10.10	Maligna prim. artér. hypert. bez prej. hypert. krízy
A54.5	Gonokoková faryngitída	I10.11	Maligna prim. artér. hypert. s prej. hypert. krízy
A54.6	Gonokoková infekcia anusu a rekta	I10.90	Primárna artér. hypert. bliž. neu. bez prej. hypert. krízy
A54.8	Iná gonokoková infekcia	I10.91	Primárna artér. hypert. bliž. neu. s prej. hypert. krízy
A54.9	Gonokoková infekcia, bližšie neurčená	I11.00	Hyperten. chor. srdca s kong. srdc. zlyh. bez prej. hypert. kríz.
A55	Lymphogranuloma venereum (chlamýdiový)	I11.01	Hyperten. chor. srdca s kong. srdc. zlyh. s hypert. kríz.
A56.0	Chlamýdiová infekcia dolných častí moč.-pohlav. súst.	I11.90	Hyperten. chor. srdca bez kongest. srdc. zlyh. bez hypert. kríz.
A56.1	Chlamýdiová infekcia panvovej pobrušnice a moč.-pohlav. org.	I11.91	Hyperten. chor. srdca bez kongest. srdc. zlyh. s hypert. kríz.
A56.2	Chlamýdiová infekcia moč.-pohlav. súst., bliž. neurč.	I13.00	Hypert. chor. srd. a oblič. s kong. srdc. zlyh., b. hyper. kríz.
A56.3	Chlamýdiová infekcia anusu a rekta	I13.01	Hypert. chor. srd. a oblič. s kong. srdc. zlyh., s hyper. kríz.
A56.4	Chlamýdiová infekcia faryngu	I13.10	Hypert. chor. srd. a oblič. s oblič. zlyh., bez hypert. kríz.
A56.8	Pohlavne prenosná chlamýdiová infekcia na iných miestach	I13.11	Hypert. chor. srd. a oblič. s oblič. zlyh., s hypert. kríz.
A57	Mäkký vred [ulcus molle]	I13.20	Hypert. chor. srdca a oblič. s kong. srdc. a obl. zlyh. bez hyp. kríz.
A58	Granuloma venereum (inguinale)	I13.21	Hypert. chor. srdca a oblič. s kong. srdc. a obl. zlyh. s hyp. kríz.
A59.0	Urogenitálna trichomonóza	I13.90	Hypertenzná chor. srdca a oblič. bez prej. hypert. krízy, b. n.
A59.8	Trichomonóza na iných miestach	I13.91	Hypertenzná chor. srdca a oblič. bliž. neu. s prej. hypert. rízy
A59.9	Trichomonóza, bližšie neurčená	I15.20	Sekundár. artér. hypert., zapr. endokr. chor. bez hypert. kríz.
A60.0	Infekcia genitálií a moč.-pohlav. súst. herpetickým vírusom	I15.21	Sekundár. artér. hypert., zapr. endokr. chor. s hypert. kríz.
A60.1	Infekcia perianálnej kože a rekta, zapríč. herpetickým vírusom	I15.80	Iná sekundárna artér. hypert. bez prej. hypert. krízy
A60.9	Anogenitálna infekcia zapríč. herpetickým vírusom, bliž. neurč.	I15.81	Iná sekundárna artér. hypert. s prej. hypert. krízy
A63.0	Anogenitálne (venerické) bradavice	I15.90	Sekundárna artér. hypert. bliž. neu. bez prej. hypert. krízy
A63.8	Iná prevažne pohlavne prenosná choroba, bliž. urč.	I15.91	Sekundárna artér. hypert. bliž. neu. s prej. hypert. krízy
A64	Pohlavne prenosná choroba, bližšie neurčená	I20.0	Nestabilná angina pectoris
B91	Následky poliomyelitídy	I20.1	Angina pectoris s dokázaným kľčom vencovitých tepien
F01.0	Vaskulárna demencia s akútnym začiatkom	I20.8	Iná forma angina pectoris
F01.1	Mnohoinfarktová demencia	I20.9	Angina pectoris, bližšie neurčená
F01.2	Subkortikálna vaskulárna demencia	I21.0	Akútny transmuralný infarkt myokardu prednej steny
F01.3	Zmiešaná kortikálna a subkortikálna vaskul. demencia	I21.1	Akútny transmuralný infarkt myokardu spodnej steny
F01.8	Iná vaskulárna demencia	I21.2	Akútny transmuralný IM na i. miestach
F01.9	Vaskulárna demencia, bližšie neurčená	I21.3	Akútny transmuralný IM bez bliž. urč. miesta
F03	Demencia, bližšie neurčená	I21.4	Akútny subendokardiálny infarkt myokardu
G12.2	Choroba motorického neurónu	I21.9	Akútny infarkt myokardu, bližšie neurčený
G14	Postpoliomyelitický syndróm	I22.0	Ďalší infarkt myokardu prednej steny
G20.00	Parkinson. chor. bez obm./s min. obm., bez mot. fluktuácie	I22.1	Ďalší infarkt myokardu spodnej steny
G20.01	Parkinson. chor. bez obm./s min. obm., s mot. fluktuáciou	I22.8	Ďalší infarkt myokardu na inom mieste
G20.10	Parkinson. chor. s mier. až str. ťaž. obm., b. mot. fluktuácie	I22.9	Ďalší infarkt myokardu bez bližšieho určenia miesta
G20.11	Parkinson. chor. s mier. až str. ťaž. pbm., s mot. fluktuáciou	I23.0	Hemoperikard ako akútna komplikácia po akútnom IM
G20.20	Parkinson. chor. s veľmi ťaž. obm., bez mot. fluktuácie	I23.1	Defekt predsieň. septa ako akútna komplikácia po akútnom IM
G20.21	Parkinson. chor. s veľmi ťaž. obm., s motoric. fluktuáciou	I23.2	Defekt komorovej priehradky ako akútna komplikácia po akút. IM
G20.90	Parkinson. chor. bliž. neu., bez motoric. fluktuácie	I23.3	Ruptúra srdc. steny bez hemoperik. ako akútna kompl. po akút. IM
G20.91	Parkinson. chor. bliž. neu., s motoric. fluktuáciou	I23.4	Ruptúra chordae tendineae ako akútna kompl. po akút. IM
G25.80	Periodické pohyby nôh v spánku	I23.5	Ruptúra papilárneho svalu ako akútna kompl. po akút. IM
G25.81	Syndróm nepokojných nôh	I23.6	Trombóza predsieň. preds. uška a komory ako ak. kompl. po ak. IM
G25.88	Iná extrapyramídová porucha a por. hybnosti, bliž. urč.	I23.8	Iná akútna komplikácia po akútnom infarkte myokardu
G25.9	Extrapyramídová porucha a por. hybnosti, bliž. neurč.	I24.0	Koronárna trombóza, ktorá nevedla k IM
G26	Extrapyramídové porucha a por. hybnosti pri chor. zatried. inde	I24.8	Iná forma akútnej ischemickej choroby srdca
G30.8	Iná Alzheimerova choroba (F00.2*)		

Kód	Popis	Kód	Popis
I24.9	Akútna ischemická choroba srdca, bližšie neurčená	J80	Syndróm respiračnej tiesne [ARDS]
I25.0	Aterosklerotická srdcovocievna choroba, takto označená	J84.0	Alveolové a parietoalveolové stavy
I25.10	Aterosklerotická chor. srdca, bez hemodynam. závažných stenóz	J84.1	Iná choroba interstícia pľúc s fibrózou
I25.11	Aterosklerotická chor. srdca, jednocievne postihnutie	J84.8	Iná choroba interstícia pľúc, bližšie určená
I25.12	Aterosklerotická chor. srdca, dvojcievne postihnutie	J84.9	Choroba interstícia pľúc, bližšie neurčená
I25.13	Aterosklerotická chor. srdca, trojcievne postihnutie	K25.0	Vred žalúdka, akútny s krvácaním
I25.14	Aterosklerotická chor. srdca, stenóza ľavého hlavného kmeňa	K25.1	Vred žalúdka, akútny s perforáciou
I25.15	Aterosklerotická choroba srdca so stenózou bajpasu	K25.2	Vred žalúdka, akútny s krvácaním a perforáciou
I25.16	Aterosklerotická choroba srdca so stenózou stentu	K25.3	Vred žalúdka, akútny bez krvácania alebo perforácie
I25.19	Aterosklerotická choroba srdca, bližšie neurčená	K25.4	Vred žalúdka, chron./bliž. neurč. s krvácaním
I25.20	Starý infarkt myokardu, od 29 dní až po 4 mesiace	K25.5	Vred žalúdka, chron./bliž. neurč. s perforáciou
I25.21	Starý infarkt myokardu, od 4 mesiacov až po 1 rok	K25.6	Vred žalúdka, chron./bliž. neurč. s krvác. a perfor.
I25.22	Starý infarkt myokardu, od 1 roka vyššie	K25.7	Vred žalúdka, chron. bez krvácania/perforácie
I25.29	Starý infarkt myokardu, bližšie neurčený	K25.9	Vred žalúdka, bliž. neurč. ako akút./chron. bez krvác./perfor.
I25.3	Aneurizma (steny) srdca	K26.0	Vred dvanástnika, akútny s krvácaním
I25.4	Aneurizma vencovitej tepny	K26.1	Vred dvanástnika, akútny s perforáciou
I25.5	Ischemická kardiomyopatia	K26.2	Vred dvanástnika, akútny s krvácaním a perforáciou
I25.6	Nebolestivá (tichá) ischemia myokardu	K26.3	Vred dvanástnika, akútny bez krvácania alebo perforácie
I25.8	Iná forma chronickej ischemickej choroby srdca	K26.4	Vred dvanástnika, chron./bliž. neurč. s krvácaním
I25.9	Chronická ischemická choroba srdca, b.n.	K26.5	Vred dvanástnika, chron./bliž. neurč. s perforáciou
I70.0	Ateroskleróza aorty	K26.6	Vred dvanástnika, chron./bliž. neurč. s krvác. a perfor.
I70.1	Ateroskleróza ošľáčkovitej tepny	K26.7	Vred dvanástnika, chron. bez krvác./perfor.
I70.20	Ateroskleróza i. a bliž. neu. končat. tepien	K26.9	Vred dvanástnika, bliž. neurč. ako akút./chron. bez krvác./perfor.
I70.21	Ateroskle. končat. tep. s postih. panvy a DK, s isch. bolesť. po záf.	K27.0	Peptický vred bez bliž. urč. miesta, akút. s krvácaním
I70.22	Ateroskleróza končat. tep. s postih. panvy a DK, s bolesť. v pokoji	K27.1	Peptický vred bez bliž. urč. miesta, akút. s perforáciou
I70.23	Ateroskleróza končat. tep. s postih. panvy a DK, s ulceráciami	K27.2	Peptický vred bez bliž. urč. miesta, akút. s krvác. a perfor.
I70.24	Ateroskleróza končat. tep. s postih. panvy a DK, s gangrén.	K27.3	Peptický vred bez bliž. urč. miesta, akút. bez krvác./perfor.
I70.25	Ateroskleróza končat. tep. s postih. pleca a HK, všetky štádiá	K27.4	Peptický vred bez bliž. urč. m., chron./bli. neu. s krvác. a perfor.
I70.8	Ateroskleróza iných tepien	K27.5	Peptický vred bez bliž. urč. miesta, chron./bliž. neurč. s perfor.
I70.9	Generalizovaná a bližšie neurčená ateroskleróza	K27.6	Peptický vred bez bliž. urč. m., chron./bli. neu. s krvác. a perfor.
I83.0	Varixy dolných končatín s vredom	K27.7	Peptický vred bez bliž. urč. miesta, chron. bez krvác./perfor.
I83.1	Varixy dolných končatín so zápalom	K27.9	Pept. vred bez bliž. urč. m. b. n. ako akút./chro., bez krvác./perf.
I83.2	Varixy dolných končatín s vredom a zápalom	K28.0	Peptický vred jejuná, akútny s krvácaním
I83.9	Varixy dolných končatín bez vredu alebo zápalu	K28.1	Peptický vred jejuná, akútny s perforáciou
I97.2	Postmastektomický lymfedém	K28.2	Peptický vred jejuná, akútny s krvácaním a perforáciou
I98.2	Varixy pažeráka a žalúdka pri chorobách zatried. i. bez krvác.	K28.3	Peptický vred jejuná, akútny bez krvácania/perforácie
I98.3	Varixy pažeráka a žalúdka pri chorobách zatried. i. s krvác.	K28.4	Peptický vred jejuná, chron./bliž. neurč. s krvácaním
J44.90	CHOCHP, bliž. neurč. FEV1 < 35 % prís. hodnoty	K28.5	Peptický vred jejuná, chron./bliž. neurč. s perforáciou
J44.91	CHOCHP, bliž. neurč. FEV1 >= 35 % a < 50 % prís. hodn.	K28.6	Peptický vred jejuná, chron./bliž. neurč. s krvác. a perfor.
J44.92	CHOCHP, bliž. neurč. FEV1 >= 50 % a < 70 % prís. hodn.	K28.7	Peptický vred jejuná, chron. bez krvác./perfor.
J44.93	CHOCHP, bliž. neurč. FEV1 >= 70 % príslušnej hodnoty	K28.9	Pept. vred jejuná, bliž. neu. ako akút./chron., bez krvác./perfor.
J44.99	CHOCHP, bliž. neurč., hodnota FEV1 bliž. neurč.	K64.0	Hemoroidy 1. stupňa
J60	Pneumokonióza baníkov uhoľných baní	K64.1	Hemoroidy 2. stupňa
J61	Pneumokonióza zapr. azbestom a i. anorg. vláknami	K64.2	Hemoroidy 3. stupňa
J62.0	Pneumokonióza zapríčinená prachom mastenca (talkom)	K64.3	Hemoroidy 4. stupňa
J62.8	Pneumokonióza zapríč. i. prachom obsahujúcim kremeň	K64.4	Reziduálne hemoroidálne kožné protuberancie
J63.0	Aluminóza (pľúc)	K64.5	Perianálna žilová trombóza
J63.1	Bauxitová fibróza (pľúc)	K64.8	Iné hemoroidy, bližšie určené
J63.2	Berylióza	K64.9	Hemoroidy, bližšie neurčené
J63.3	Grafitová fibróza (pľúc)	K70.0	Alkoholová tuková choroba pečene
J63.4	Sideróza	K70.1	Alkoholová hepatitída
J63.5	Stanóza	K70.2	Alkoholová fibróza a skleróza pečene
J63.8	Pneumokonióza zapríč. i. bliž. urč. anorganickými prachmi	K70.3	Alkoholová cirhóza pečene
J64	Pneumokonióza, bližšie neurčená	K70.4	Alkoholové zlyhávanie pečene
J65	Pneumokonióza združená s tuberkulózou	K70.9	Alkoholová choroba pečene, bližšie neurčená
J66.0	Bysinóza	K80.00	Kameň žlčníka s akút. cholecystitídou, bez prej. obštr. žlč. ciest
J66.1	Choroba spracovateľov ľanu	K80.01	Kameň žlčníka s akút. cholecystitídou, s obštr. žlč. ciest
J66.2	Kanabinóza	K80.10	Kameň žlčníka s i. cholecystitídou, bez prej. obštr. žlč. ciest
J66.8	Choroba dých. ciest, zapríč. i. bliž. urč. organickým prachom	K80.11	Kameň žlčníka s i. cholecystitídou, s obštr. žlč. ciest
J67.0	Farmárske pľúca	K80.20	Kameň žlčníka bez cholecystitídou, bez prej. obštr. žlč. ciest
J67.1	Bagasóza	K80.21	Kameň žlčníka bez cholecystitídou, s obštr. žlč. ciest
J67.2	Pľúcna choroba chovateľov vtákov	K80.30	Kameň žlč. výv. s cholecystitídou, bez prej. obštr. žlč. ciest
J67.3	Suberóza	K80.31	Kameň žlč. výv. s cholecystitídou, s obštr. žlč. ciest
J67.4	Sladovnícke pľúca	K80.40	Kameň žlč. výv. s cholecystitídou, bez prej. obštr. žlč. ciest
J67.5	Pľúcna choroba pestovateľov húb	K80.41	Kameň žlč. výv. s cholecystitídou, s obštr. žlč. ciest
J67.6	Pľúcna choroba lípačov javorovej kôry	K80.50	Kameň žlč. výv. bez chol. /cholecyst. bez prej. obštr. žlč. ciest
J67.7	Pľúcna choroba zapríč. ventilačnými a zvlhčovacími zariadeniami	K80.51	Kameň žlč. výv. bez cholangit./cholecyst. s obš. žlč. ciest
J67.8	Alergická alveolitída zapríč. i. organickým prachom	K80.80	Iná cholelitiáza, bez prejavov obštr. žlč. ciest
J67.9	Alergická alveolitída zapríč. bliž. neurč. organickým prachom	K80.81	Iná cholelitiáza, s obštr. žlč. ciest

Kód	Popis	Kód	Popis
K81.0	Akútna cholecystitída	M05.29	Reumat.artritída s vaskulitídou,miesto bliž.neurč.
K81.1	Chronická cholecystitída	M05.30	Reumatoidná artritída s postih.i.org.a súst.,na viac.miest.
K81.8	Iná cholecystitída	M05.31	Reumatoidná artritída s postih.i.org.a súst.,v obl.pleca
K81.9	Cholecystitída,bližšie neurčená	M05.32	Reumatoidná artritída s postih.i.org.a súst.,v obl.nadlaktia
K82.0	Obštrukcia žľazníka	M05.33	Reumatoidná artritída s postih.i.org.a súst.,v obl.predlak.
K82.1	Hydrops žľazníka	M05.34	Reumatoidná artritída s postih.i.org.a súst.,v obl.ruky
K82.2	Perforácia žľazníka	M05.35	Reumat.artritída s postih.i.org.a súst.,v obl.panv.a steh.
K82.3	Fistula žľazníka	M05.36	Reumatoidná artritída s postih.i.org.a súst.,v obl.predkol.
K82.4	Cholesterolóza žľazníka	M05.37	Reumatoidná artritída s postih.i.org.a súst.,v obl.čl.a nohy
K82.8	Iná choroba žľazníka,bližšie určená	M05.38	Reumatoidná artritída s postih.i.org.a súst.,na i.mieste
K82.9	Choroba žľazníka,bližšie neurčená	M05.39	Reumatoidná artritída s postih.i.org.a súst.,miesto b.n.
K83.0	Zápal žľazných ciest	M05.80	Iná séropozitívna reumatoid.artritída na viac.m.
K83.1	Obštrukcia žľazných ciest	M05.81	Iná séropozitívna reumatoid.artritída v obl.pleca
K83.2	Perforácia žľazných ciest	M05.82	Iná séropozitívna reumatoid.artritída v obl.nadlaktia
K83.3	Fistula žľazných ciest	M05.83	Iná séropozitívna reumatoid.artritída v obl.predlak.
K83.4	Spazmus Oddiho zvierača	M05.84	Iná séropozitívna reumatoid.artritída v obl.ruky
K83.5	Žľazná cysta	M05.85	Iná séropozitívna reumatoid.artritída v obl.panv.o.a stehna
K83.8	Iná choroba žľazných ciest,bližšie určená	M05.86	Iná séropozitívna reumatoid.artritída v obl.predkol.
K83.9	Choroba žľazných ciest,bližšie neurčená	M05.87	Iná séropozitívna reumatoid.artritída v obl.čl.a nohy
K85.00	Idiopatická akútna pankreatitída,bez org.kompl.	M05.88	Iná séropozitívna reumatoid.artritída na i.mieste
K85.01	Idiopatická akútna pankreatitída,s org.kompl.	M05.89	Iná séropozitívna reumatoid.artritída miesto b.n.
K85.10	Akútna biliárna pankreatitída,bez org.kompl.	M05.90	Séropoz.reumatoid.artritída,bliž.neurč.na viac.m.
K85.11	Akútna biliárna pankreatitída,s org.kompl.	M05.91	Séropoz.reumatoid.artritída,bliž.neurč.v obl.pleca
K85.20	Akút.pankreatitída zapr.alkoholom,bez org.kompl.	M05.92	Séropoz.reumatoid.artritída,bliž.neurč.na i.mieste,nadlaktia
K85.21	Akút.pankreatitída zapr.alkoholom,s org.kompl.	M05.93	Séropoz.reumatoid.artritída,bliž.neurč.v obl.predlak.
K85.30	Akútna pankreatitída zaprič.liekom,bez org.kompl.	M05.94	Séropoz.reumatoid.artritída,bliž.neurč.v obl.ruky
K85.31	Akútna pankreatitída zaprič.liekom,s org.kompl.	M05.95	Séropoz.reumatoid.artritída,bliž.neurč.v obl.panv.a stehna
K85.80	Iná akútna pankreatitída,bez orgánovej komplikácie	M05.96	Séropoz.reumatoid.artritída,bliž.neurč.v obl.predkol.
K85.81	Iná akútna pankreatitída,s orgánovou komplikáciou	M05.97	Séropoz.reumatoid.artritída,bliž.neurč.v obl.čl.a nohy
K85.90	Akútna pankreatitída,bliž.neurč.bez org.kompl.	M05.98	Séropoz.reumatoid.artritída,bliž.neurč.na i.mieste,b.n.
K85.91	Akútna pankreatitída,bliž.neurč.s org.kompl.	M05.99	Séropoz.reumatoid.artritída,bliž.neurč.,miesto bliž.neurč.
K86.0	Chronická pankreatitída zapríčinená alkoholom	M06.00	Séronegat.reumatoid.artritída,na viac.m.
K86.1	Iná chronická pankreatitída	M06.01	Séronegat.reumatoid.artritída,v obl.pleca
K86.2	Cysta pankreasu	M06.02	Séronegat.reumatoid.artritída,v obl.nadlaktia
K86.3	Pseudocysta pankreasu	M06.03	Séronegat.reumatoid.artritída,v obl.predlak.
K86.8	Iná choroba podžalúdkovej žľazy,bližšie určená	M06.04	Séronegat.reumatoid.artritída,v obl.ruky
K86.9	Choroba podžalúdkovej žľazy,bližšie neurčená	M06.05	Séronegat.reumatoid.artritída,v obl.panv.a stehna
K87.0	Choroba žľazníka a žľaz.ciest pri chor.z.i.	M06.06	Séronegat.reumatoid.artritída,v obl.predkol.
K87.1	Choroby pankreasu pri chorobách zatriedených inde	M06.07	Séronegat.reumatoid.artritída,v obl.čl.a nohy
K91.5	Postcholecystektomický syndróm	M06.08	Séronegat.reumatoid.artritída,na i.mieste
M02.30	Reiterova choroba na viacerých miestach	M06.09	Séronegat.reumatoid.artritída,miesto b.n.
M02.31	Reiterova choroba v obl.pleca	M06.10	Stillova chor.dospelých s postih.kĺbov na viac.miestach
M02.32	Reiterova choroba v obl.nadlaktia	M06.11	Stillova chor.dospelých s postih.kĺbov v pleca
M02.33	Reiterova choroba v obl.predlak.	M06.12	Stillova chor.dospelých s postih.kĺbov nadlaktia
M02.34	Reiterova choroba v obl.ruky	M06.13	Stillova chor.dospelých s postih.kĺbov predlak.
M02.35	Reiterova choroba v obl.panv.a stehna	M06.14	Stillova chor.dospelých s postih.kĺbov ruky
M02.36	Reiterova choroba v obl.predkol.	M06.15	Stillova chor.dospelých s postih.Kĺbov panvy a stehna
M02.37	Reiterova choroba v obl.čl.a nohy	M06.16	Stillova chor.dospelých s postih.kĺbov predkol.
M02.38	Reiterova choroba na i.mieste	M06.17	Stillova chor.dospelých s postih.kĺbov čl.a nohy
M02.39	Reiterova choroba,miesto bliž.neurč.	M06.18	Stillova chor.dospelých s postih.kĺbov na i.mieste
M05.10	Séropoz.reumat.artritída s pľúc.prej.,na viac.m.	M06.19	Stillova chor.dospelých s postih.kĺbov na n.mieste
M05.11	Séropoz.reumat.artritída s pľúc.prej.,v obl.pleca	M06.80	Iná reumatoid.artritída,bliž.urč.na viac.m.
M05.12	Séropoz.reumat.artritída s pľúc.prej.,v obl.nadlaktia	M06.81	Iná reumatoid.artritída,bliž.urč.v obl.pleca
M05.13	Séropoz.reumat.artritída s pľúc.prej.,v obl.predlak.	M06.82	Iná reumatoid.artritída,bliž.urč.v obl.nadlaktia
M05.14	Séropoz.reumat.artritída s pľúc.prej.,v obl.ruky	M06.83	Iná reumatoid.artritída,bliž.urč.v obl.predlak.
M05.15	Séropoz.reumat.artritída s pľúc.prej.,v obl.panv.a steh.	M06.84	Iná reumatoid.artritída,bliž.urč.v obl.ruky
M05.16	Séropoz.reumat.artritída s pľúc.prej.,v obl.predkol.	M06.85	Iná reumatoid.artritída,bliž.urč.v obl.panv.a stehna
M05.17	Séropoz.reumat.artritída s pľúc.prej.,v obl.čl.a nohy	M06.86	Iná reumatoid.artritída,bliž.urč.v obl.predkol.,
M05.18	Séropoz.reumat.artritída s pľúc.prej.,v obl.na i.mieste	M06.87	Iná reumatoid.artritída,bliž.urč.v obl.čl.a nohy
M05.19	Séropoz.reumat.artritída s pľúc.prej.,miesto b.n.	M06.88	Iná reumatoid.artritída,bliž.urč.v obl.na i.mieste
M05.20	Reumat.artritída s vaskulitídou,na viac.m.	M06.89	Iná reumatoid.artritída,bliž.urč.,miesto bliž.neurč.
M05.21	Reumat.artritída s vaskulitídou,v obl.pleca	M06.90	Reumatoid.artritída,bliž.neurč.na viac.m.
M05.22	Reumat.artritída s vaskulitídou,v obl.nadlaktia	M06.91	Reumatoid.artritída,bliž.neurč.v obl.pleca
M05.23	Reumat.artritída s vaskulitídou,v obl.predlak.	M06.92	Reumatoid.artritída,bliž.neurč.v obl.nadlaktia
M05.24	Reumat.artritída s vaskulitídou,v obl.ruky	M06.93	Reumatoid.artritída,bliž.neurč.v obl.predlak.
M05.25	Reumat.artritída s vaskulitídou,v obl.panv.a stehna	M06.94	Reumatoid.artritída,bliž.neurč.v obl.ruky
M05.26	Reumat.artritída s vaskulitídou,v obl.predkol.	M06.95	Reumatoid.artritída,bliž.neurč.panv.obl.a stehna
M05.27	Reumat.artritída s vaskulitídou,v obl.čl.a nohy	M06.96	Reumatoid.artritída,bliž.neurč.v obl.predkol.
M05.28	Reumat.artritída s vaskulitídou,na i.mieste	M06.97	Reumatoid.artritída,bliž.neurč.v obl.čl.a nohy

Kód	Popis	Kód	Popis
M06.98	Reumatoid.artritída,blíž.neurč.na i.mieste	M15.1	Heberdenove uzly (s artropatiou)
M06.99	Reumatoid.artritída,blíž.neurč.,miesto blíž.neurč.	M15.2	Bouchardove uzly (s artropatiou)
M07.00	Distálna psoriatická artritída na viac.miestach	M15.3	Sekundárna mnohopočetná artróza
M07.04	Distálna psoriatická artritída ruky	M15.4	Erozívna (osteo-)artróza
M07.07	Distálna psoriatická artritída čl.a nohy	M15.8	Iná polyartróza
M07.09	Distálna psoriatická artritída na n.mieste	M15.9	Polyartróza,blížšie neurčená
M07.10	Arthritis mutilans, na viacerých miestach (L40.5†)	M30.0	Polyarteriitis nodosa
M07.11	Arthritis mutilans v obl.pleca	M31.5	Obrovskobunková artritída s polymyalgia rheumatica
M07.12	Arthritis mutilans v obl.nadlaktia	M31.7	Mikroskopická polyangiitída
M07.13	Arthritis mutilans v obl. predlak.	M33.1	Iná dermatomyozitída
M07.14	Arthritis mutilans v obl.ruky	M35.3	Polymyalgia rheumatica
M07.15	Arthritis mutilans panv.obl.a stehna	M42.10	Osteochondróza chrčtice v dospelosti na v.miest.
M07.16	Arthritis mutilans v obl.predkol.	M42.11	Osteochondróza chrčt.v dosp.v okcip.-atlanto.-axiál.obl.
M07.17	Arthritis mutilans v obl.čl.a nohy	M42.12	Osteochondróza chrčtice v dospelosti v krčnej obl.
M07.18	Arthritis mutilans na i.mieste	M42.13	Osteochondróza chrčtice v dospel.v krčnohrudník.obl.
M07.19	Arthritis mutilans na n.mieste	M42.14	Osteochondróza chrčtice v dospel.v hrudník.obl.
M07.2	Psoriatická spondylitída (L40.5†)	M42.15	Osteochondróza chrčtice v dospel.v hrudník-driek.obl.
M07.30	Iná psoriatická artritída na viac.m.	M42.16	Osteochondróza chrčtice v dospel.v driekovej obl.
M07.31	Iná psoriatická artritídav obl.pleca	M42.17	Osteochondróza chrčtice v dospel.v driekovokríž.obl.
M07.32	Iná psoriatická artritídav obl.nadlaktia	M42.18	Osteochondróza chrčtice v dospel.v kríž.a krížovokostř.obl.
M07.33	Iná psoriatická artritídav obl.predlak.	M42.19	Osteochondróza chrčt.ice v dospel.:oblasť blíž.neurč.
M07.34	Iná psoriatická artritídav obl.ruky	M45.00	Ankylozujúca spondylitída na viac.m.chrčt.
M07.35	Iná psoriatická artritídav obl.panv.a stehna	M45.01	Ankylozujúca spondylitída okcip.-atl.-axiál.obl.
M07.36	Iná psoriatická artritídav obl.predkol.	M45.02	Ankylozujúca spondylitída krčnej oblasti
M07.37	Iná psoriatická artritídav obl.čl.a nohy	M45.03	Ankylozujúca spondylitída krčnohrudníkovej oblasti
M07.38	Iná psoriatická artritídana i.mieste	M45.04	Ankylozujúca spondylitída hrudníkovej oblasti
M07.39	Iná psoriatická artritídana n.mieste	M45.05	Ankylozujúca spondylitída hrudníkovodriek.obl.
M07.40	Artritída pri Crohn.chor. s postih.kĺbov na viac.m.	M45.06	Ankylozujúca spondylitída driekovej oblasti
M07.41	Artritída pri Crohn.chor.s postih.kĺbov v obl.pleca	M45.07	Ankylozujúca spondylitída driekovokrížovej oblasti
M07.42	Artritída pri Crohn.chor.s postih.kĺbov nadlaktia	M45.08	Ankylozujúca spondylitída kríž.a krížovokostř.obl.
M07.43	Artritída pri Crohn.chor.s postih.kĺbov predlak.	M45.09	Ankylozujúca spondylitída:oblasť blížšie neurčená
M07.44	Artritída pri Crohn.chor.s postih.kĺbov ruky	M48.00	Stenóza spinálneho kanála na viac.m.chrčt.
M07.45	Artritída pri Crohn.chor.s postih.kĺbov panvy a stehna	M48.01	Stenóza spinálneho kanála v okcip.-atl.-axiál.obl.
M07.46	Artritída pri Crohn.chor.s postih.kĺbov predkol.	M48.02	Stenóza spinálneho kanála v krčnej oblasti
M07.47	Artritída pri Crohn.chor.s postih.kĺbov čl.a nohy	M48.03	Stenóza spinálneho kanála v krčnohrudník.obl.
M07.48	Artritída pri Crohn.chor.s postih.kĺbov na i.mieste	M48.04	Stenóza spinálneho kanála v hrudníkovej oblasti
M07.49	Artritída pri Crohn.chor.s postih.kĺbov na n.mieste	M48.05	Stenóza spinálneho kanála v hrudníkovodriek. obl.
M07.50	Artritída pri ulcer.kolitíde s postih.kĺbov na viac.m.	M48.06	Stenóza spinálneho kanála v driekovej oblasti
M07.51	Artritída pri ulcer.kolitíde s postih.kĺbov v obl.pleca	M48.07	Stenóza spinálneho kanála v driekovokríž. obl.
M07.52	Artritída pri ulcer.kolitíde s postih.kĺbov nadlaktia	M48.08	Stenóza spinálneho kanála v kríž.a krížovokostř.obl.
M07.53	Artritída pri ulcer.kolitíde s postih.kĺbov predlak.	M48.09	Stenóza spinálneho kanála:oblasť blížšie neurčená
M07.54	Artritída pri ulcer.kolitíde s postih.kĺbov ruky	M50.1	Poškodenie krčnej medzistav.plat.s radikulopatiou
M07.55	Artritída pri ulcer.kolitíde s postih.kĺbov pan.a stehna	M50.2	Iná dislokácia krčnej medzistavcovej platničky
M07.56	Artritída pri ulcer.kolitíde s postih.kĺbov predkol.	M50.3	Iná degenerácia krčnej medzistavcovej platničky
M07.57	Artritída pri ulcer.kolitíde s postih.kĺbov čl.a nohy	M50.8	Iné poškodenie krčnej medzistavcovej platničky
M07.58	Artritída pri ulcer.kolitíde s postih.kĺbov na i.mieste	M50.9	Poškodenie krčnej medzistav.platničky,blíž.neurč.
M07.59	Artritída pri ulcer.kolitíde s postih.kĺbov na n.mieste	M51.0	Poškodenie driekov a i.medzistavcových platnič.s myelopatiou
M07.60	Iná enteropatická artritída na viacerých miestach	M51.1	Poškodenie driekov a i.medzistavc.platnič.s radikulopatiou
M07.61	Iná enteropatická artritída obl.pleca	M51.2	Iná dislokácia medzistavcovej platničky,b.u.
M07.62	Iná enteropatická artritída nadlaktia	M51.3	Iná degenerácia medzistavcovej platničky,b.u.
M07.63	Iná enteropatická artritída predlak.	M51.4	Schmorlove uzly
M07.64	Iná enteropatická artritída ruky	M51.8	Iná poškodenie medzistavcovej platničky,b.u.
M07.65	Iná enteropatická artritída panv.obl.a stehna	M51.9	Poškodenie medzistavcovej platničky,b.n.
M07.66	Iná enteropatická artritída predkol.	M72.0	Fibromatóza palm.aponeurózy (Dupuytrenova kontraktúra)
M07.67	Iná enteropatická artritída čl.a nohy	M75.0	Adhezívna kapsulitída pleca
M07.68	Iná enteropatická artritída na i.mieste	M75.1	Syndróm manžety rotátorov
M07.69	Iná enteropatická artritída,miesto blíž.neurč.	M75.3	Vápenatejúca tendinitída pleca
M08.70	Juven.artritída s vaskulit.s postih.kĺb.na viac.m.	M75.4	Syndróm narazeného ramena
M08.71	Juven.artritída s vaskulit.s postih.kĺb.v obl.pleca	M80.10	Postovariektom.osteopor.s pat.zlomeninou na viac.m.
M08.72	Juven.artritída s vaskulit.s postih.kĺb.v obl.nadlaktia	M80.11	Postovariektom.osteopor.s pat.zlomeninou v obl.pleca
M08.73	Juven.artritída s vaskulit.s postih.kĺb.v obl.predlak.	M80.12	Postovariektom.osteopor.s pat.zlomeninou nadlaktia
M08.74	Juven.artritída s vaskulit.s postih.kĺb.v obl.ruky	M80.13	Postovariektom.osteopor.s pat.zlomeninou predlak.
M08.75	Juven.artritída s vaskulit.s postih.kĺb.v obl.panvy a stehna	M80.14	Postovariektom.osteopor.s pat.zlomeninou ruky
M08.76	Juven.artritída s vaskulit.s postih.kĺb.v obl.predkol.	M80.15	Postovariektom.osteopor.s pat.zlome. panv.obl.a stehna
M08.77	Juven.artritída s vaskulit.s postih.kĺb.v obl.čl.a nohy	M80.16	Postovariektom.osteopor.s pat.zlomeninou predkol.
M08.78	Juven.artritída s vaskulit.s postih.kĺb.na i.mieste	M80.17	Postovariektom.osteopor.s pat.zlomeninou čl.a nohy
M08.79	Juven.artritída s vaskulit.s postih.kĺb.,miesto blíž.neurč.	M80.18	Postovariektom.osteopor.s pat.zlomeninou na i.mieste
M14.0	Dnová artropatia,zaprič.enzým.defektmi a i.dedič.poruchami	M80.19	Postovariektom.osteopor.s pat.zlomeninou,miesto blíž.neurč.
M15.0	Primárna generalizovaná (osteo-)artróza	M80.50	Idiopat.osteoporóza s pat.zlomeninou na viac.m.

Kód	Popis	Kód	Popis
M80.51	Idiopatická osteoporóza s pat.zlomeninou v obl.pleca	M83.80	Iná osteomalácia v dospelosti na viacerých miestach
M80.52	Idiopatická osteoporóza s pat.zlomeninou nadlaktia	M83.81	Iná osteomalácia v dospelosti v obl.pleca
M80.53	Idiopatická osteoporóza s pat.zlomeninou predlak.	M83.82	Iná osteomalácia v dospelosti v obl.nadlaktia
M80.54	Idiopatická osteoporóza s pat.zlomeninou ruky	M83.83	Iná osteomalácia v dospelosti v obl.predlak.
M80.55	Idiopatická osteoporóza s pat.zlomeninou panv.obl.a stehna	M83.84	Iná osteomalácia v dospelosti v obl.ruky
M80.56	Idiopatická osteoporóza s pat.zlomeninou predkol.	M83.85	Iná osteomalácia v dospelosti, bliž. neurč. v obl.pleca
M80.57	Idiopatická osteoporóza s pat.zlomeninou čl.a nohy	M83.86	Iná osteomalácia v dospelosti v obl.predkol.
M80.58	Idiopatická osteoporóza s pat.zlomeninou na i.mieste	M83.87	Iná osteomalácia v dospelosti v obl.čl.a nohy
M80.59	Idiopatická osteoporóza s pat.zlomeninou, miesto bliž. neurč.	M83.88	Iná osteomalácia v dospelosti na i.mieste
M81.10	Postvariektomická osteopor. na viac.m.	M83.89	Iná osteomalácia v dospelosti, miesto bliž. neurč.
M81.11	Postvariektomická osteopor. v obl.pleca	M83.90	Osteomalácia v dospelosti, bliž. neurč. na viac.miest.
M81.12	Postvariektomická osteopor. nadlaktia	M83.91	Osteomalácia v dospelosti, bliž. neurč. v obl.pleca
M81.13	Postvariektomická osteopor. predlak.	M83.92	Osteomalácia v dospelosti, bliž. neurč. v obl.nadlaktia
M81.14	Postvariektomická osteopor. ruky	M83.93	Osteomalácia v dospelosti, bliž. neurč. v obl.predlak.
M81.15	Postvariektomická osteopor. panv.obl.a stehna	M83.94	Osteomalácia v dospelosti, bliž. neurč. v obl.ruky
M81.16	Postvariektomická osteopor. predkol.	M83.95	Osteomalácia v dospelosti, bliž. neurč. v obl.a stehna
M81.17	Postvariektomická osteopor. čl.a nohy	M83.96	Osteomalácia v dospelosti, bliž. neurč. v obl.predkol.
M81.18	Postvariektomická osteopor. na i.mieste	M83.97	Osteomalácia v dospelosti, bliž. neurč. v obl.čl.a nohy
M81.19	Postvariektomická osteopor., miesto bliž. neurč.	M83.98	Osteomalácia v dospelosti, bliž. neurč. na i.mieste
M81.50	Idiopatická osteoporóza na viacerých miestach	M83.99	Osteomalácia v dospelosti, miesto bliž. neurč.
M81.51	Idiopatická osteoporóza v obl.pleca	M88.0	Deformujúca osteodystrofia [Pagetova choroba] lebky
M81.52	Idiopatická osteoporóza nadlaktia	M88.80	Deformujúca osteodystrofia i.kostí, na viac.miest.
M81.53	Idiopatická osteoporóza predlak.	M88.81	Deformujúca osteodystrofia i.kostí, v obl.pleca
M81.54	Idiopatická osteoporóza ruky	M88.82	Deformujúca osteodystrofia i.kostí, v obl.nadlaktia
M81.55	Idiopatická osteoporóza panv.obl.a stehna	M88.83	Deformujúca osteodystrofia i.kostí, v obl.predlak.
M81.56	Idiopatická osteoporóza predkol.	M88.84	Deformujúca osteodystrofia i.kostí, v obl.ruky
M81.57	Idiopatická osteoporóza čl.a nohy	M88.85	Deformujúca osteodystrofia i.kostí, panv.obl.a stehna
M81.58	Idiopatická osteoporóza na i.mieste	M88.86	Deformujúca osteodystrofia i.kostí, v obl.predkol.
M81.59	Idiopatická osteoporóza, miesto bliž. neurč.	M88.87	Deformujúca osteodystrofia i.kostí, v obl.čl.a nohy
M83.20	Osteomalácia v dospel. zaprič. malabsorpciou, na viacer. miest.	M88.88	Deformujúca osteodystrofia i.kostí, na i.mieste
M83.21	Osteomalácia v dospelosti zaprič. malabsorpciou v obl.pleca	M88.89	Deformujúca osteodystrofia i.kostí, miesto bliž. neurč.
M83.22	Osteomalácia v dosp. zaprič. malabsorpciou, v obl.nadlaktia	M88.90	Deformujúca osteodystrofia, bliž. neur. na viac.m.
M83.23	Osteomalácia v dosp. zaprič. malabsorpciou, v obl.predlak.	M88.91	Deformujúca osteodystrofia, bliž. neur. v obl.pleca
M83.24	Osteomalácia v dosp. zaprič. malabsorpciou, v obl.ruky	M88.92	Deformujúca osteodystrofia, bliž. neur. v obl.nadlaktia
M83.25	Osteomalácia v dosp. zaprič. malabsorpciou, v obl.pan. a stehna	M88.93	Deformujúca osteodystrofia, bliž. neur. v obl.predlak.
M83.26	Osteomalácia v dosp. zaprič. malabsorpciou, v obl.predkol.	M88.94	Deformujúca osteodystrofia, bliž. neur. v obl.ruky
M83.27	Osteomalácia v dosp. zaprič. malabsorpciou, v obl.čl.a nohy	M88.95	Deformujúca osteodystrofia, bliž. neur. panv.obl.a stehna
M83.28	Osteomalácia v dosp. zaprič. malabsorpciou, na i.mieste	M88.96	Deformujúca osteodystrofia, bliž. neur. v obl.predkol.,
M83.29	Osteomalácia v dosp. zaprič. malabsorpciou, miesto bliž. neurč.	M88.97	Deformujúca osteodystrofia, bliž. neur. v obl.čl.a nohy
M83.30	Osteomalácia dospelých zaprič. podvýživou, na viac.m.	M88.98	Deformujúca osteodystrofia, bliž. neur. na i.mieste
M83.31	Osteomalácia dospelých zaprič. podvýživou, v obl.pleca	M88.99	Deformujúca osteodystrofia, bliž. neur., miesto bliž. neurč.
M83.32	Osteomalácia dospelých zaprič. podvýživou, v obl.nadlaktia	M93.1	Kienböckova choroba dospelých
M83.33	Osteomalácia dospelých zaprič. podvýživou, v obl.predlak.	M96.1	Postlaminektomický syndróm, nezatriedený inde
M83.34	Osteomalácia dospelých zaprič. podvýživou, v obl.ruky	M96.3	Kyfóza po laminektómii
M83.35	Osteomalácia dospel. zaprič. podvýživou, v obl.panvy a stehna	N14.0	Nefropatia zapríčinená analgetikami
M83.36	Osteomalácia dospelých zaprič. podvýživou, v obl.predkol.	N18.5	Chronická choroba obličiek, 5.štádium
M83.37	Osteomalácia dospelých zaprič. podvýživou, v obl.čl.a nohy	N34.1	Zápal močovej rúry, bližšie neučený
M83.38	Osteomalácia dospelých zaprič. podvýživou, na i.mieste	N34.2	Iný zápal močovej rúry
M83.39	Osteomalácia dospelých zaprič. podvýživou, miesto bliž. neurč.	N39.3	Stresová inkontinencia moču
M83.40	Hliniková kostná choroba na viacerých miestach	N41.0	Akútna prostatitída
M83.41	Hliniková kostná choroba v obl.pleca	N46	Mužská neplodnosť
M83.42	Hliniková kostná choroba nadlaktia	N48.4	Impotencia organického pôvodu
M83.43	Hliniková kostná choroba predlak.	N60.0	Solitárna cysta prsníka
M83.44	Hliniková kostná choroba ruky	N60.1	Difúzna cystická mastopatia
M83.45	Hliniková kostná choroba panv.obl.a stehna	N60.2	Fibroadenóza prsníka
M83.46	Hliniková kostná choroba predkol.	N60.3	Fibroskleróza prsníka
M83.47	Hliniková kostná choroba čl.a nohy	N60.4	Rozšírenie mliekovodu prsníka
M83.48	Hliniková kostná choroba na i.mieste	N60.8	Iná benígna dysplázia prsníka
M83.49	Hliniková kostná choroba, miesto bliž. neurč.	N60.9	Benígna dysplázia prsníka, bližšie neurčená
M83.50	Iná osteomalácia v dospelosti zapr.liekmi, na viac.m.	N64.3	Galaktorea bez súvislosti s pôrodom
M83.51	Iná osteomalácia v dospelosti zapr.liekmi v obl.pleca	N70.1	Chronická salpingitída a ooforitída
M83.52	Iná osteomalácia v dospelosti zapr.liekmi v obl.nadlaktia	N71.1	Chronická zápalová choroba matrice
M83.53	Iná osteomalácia v dospelosti zapr.liekmi v obl.predlak.	N72	Zápalová choroba krčka matrice
M83.54	Iná osteomalácia v dospelosti zapr.liekmi v obl.ruky	N73.1	Chronická parametritída a panvová celulitída
M83.55	Iná osteomalácia v dospelosti zapr.liek. v obl.pan.a stehna	N73.4	Chronická pelveoperitonitída u žien
M83.56	Iná osteomalácia v dospelosti zapr.liekmi v obl.predkol.	N80.0	Endometrióza matrice
M83.57	Iná osteomalácia v dospelosti zapr.liekmi v obl.čl.a nohy	N80.1	Endometrióza vaječníka
M83.58	Iná osteomalácia v dospelosti zapr.liekmi na i.mieste	N80.2	Endometrióza vajíčkovodu
M83.59	Iná osteomalácia v dospelosti zapr.liekmi, miestol bliž. neurč.	N80.3	Endometrióza panvového peritonea

Kód	Popis	Kód	Popis
N80.4	Endometrióza rektovaginálneho septa a pošvy	N81.4	Uterovaginálny prolaps, bližšie neurčený
N80.5	Endometrióza čreva	N81.5	Pošvová enterokéla
N80.6	Endometrióza v kožnej jazve	N81.6	Rektokéla
N80.8	Iná endometrióza	N81.8	Iný prolaps pohlavných orgánov u ženy
N80.9	Endometrióza, bližšie neurčená	N81.9	Prolaps pohlavných orgánov u ženy, bližšie neurčený
N81.0	Uretrokéla u ženy	N99.2	Adhézie pošvy po chirurgickom výkone
N81.1	Cystokéla	N99.3	Prolaps pošvovej klenby po hysterektómii
N81.2	Nekompletný uterovaginálny prolaps	R86.1	Abn.nález vo vzorkách z muž.pohl.org.:abn.hodn.hormón.
N81.3	Kompletný uterovaginálny prolaps		

D.4k Konflikt s vekom: Dospelý v zrelom veku

Kód	Popis	Kód	Popis
B90.0	Následky tuberkulózy centrálnej nervovej sústavy	M81.08	Postmenopauzálna osteopor.na i.mieste
B90.1	Následky tuberkulózy močovopohlavnej sústavy	M81.09	Postmenopauzálna osteoporóza,miesto bliž.neurč.
B90.2	Následky tuberkulózy kostí a kĺbov	M83.10	Starecká osteomalácia na viacerých miestach
B90.8	Následky tuberkulózy iných orgánov	M83.11	Starecká osteomalácia v obl.pleca
B90.9	Následky respiračnej a bliž.nerč.TBC	M83.12	Starecká osteomalácia nadlaktia
B92	Následky lepry	M83.13	Starecká osteomalácia predlak.
C61	Zhubný nádor prostaty	M83.14	Starecká osteomalácia ruky
G30.1	Alzheimerova choroba s neskorým začiatkom (F00.1*)	M83.15	Starecká osteomalácia panv.obl.a stehna
H25.0	Začínajúca senilná katarakta	M83.16	Starecká osteomalácia predkol.
H25.1	Senilná katarakta nukleárna[fakoskleróm]	M83.17	Starecká osteomalácia čl.a nohy
H25.2	Senilná katarakta, Morgagniho typ	M83.18	Starecká osteomalácia na i.mieste
H25.8	Iná senilná katarakta	M83.19	Starecká osteomalácia, miesto bližšie neurčené
H25.9	Senilná katarakta,bližšie neurčená	N40	Hyperplázia prostaty
M80.00	Postmenopauz.osteopor.s patol.zlomeninou na viac.m.	N41.1	Chronická prostatitída
M80.01	Postmenopauz.osteopor.s patol.zlomeninou v obl.pleca	N41.2	Absces prostaty
M80.02	Postmenopauz.osteopor.s patol.zlomeninou nadlaktia	N41.3	Prostatocystitída
M80.03	Postmenopauz.osteopor.s patol.zlomeninou predlak.	N41.8	Iná zápalová choroba prostaty
M80.04	Postmenopauz.osteopor.s patol.lomeninou ruky	N41.9	Zápalová choroba prostaty,bližšie neurčená
M80.05	Postmenopauz.osteopor.s patol.zlomeninou panv.obl.a stehna	N42.0	Konkrement prostaty
M80.06	Postmenopauz.osteopor.s patol.zlomeninou predkol.	N42.1	Kongescia a krvácanie z prostaty
M80.07	Postmenopauz.osteopor.s patol.zlomeninou čl.a nohy	N42.2	Atrofia prostaty
M80.08	Postmenopauz.osteopor.s patol.zlomeninou na i.mieste	N42.8	Iná choroba prostaty,bližšie určená
M80.09	Postmenopauz.osteopor.s patol.zlomeninou,miesto bliž.neurč.	N42.9	Choroba prostaty,bližšie neurčená
M81.00	Postmenopauzálna osteoporóza na viacerých miestach	N51.0	Choroby prostaty pri chorobách zatriedených inde
M81.01	Postmenopauzálna osteopor.v obl.pleca	N95.0	Pomenopauzové krvácanie
M81.02	Postmenopauzálna osteopor.nadlaktia	N95.1	Menopauzové a klimakterické poruchy
M81.03	Postmenopauzálna osteopor.predlak.	N95.2	Pomenopauzová atrofická vaginitída
M81.04	Postmenopauzálna osteopor.ruky	N95.3	Poruchy spojené s arteficiálnou menopauzou
M81.05	Postmenopauzálna osteopor.panv.obl.a stehna	N95.8	Iná menopauzové a perimenopauzové poruchy,b.u.
M81.06	Postmenopauzálna osteopor.predkol.	N95.9	Menopauzové a perimenopauzové poruchy,b.n.
M81.07	Postmenopauzálna osteopor.čl.a nohy	R54	Senilita

D.5a Konflikt s pohlavím: Choroby ženy

Kód	Popis	Kód	Popis
A34	Tetanus počas gravidity,pôrodu a v šestonedelí	F52.6	Neorganická dyspareunia
B37.3	Kandidóza vulvy a pošvy(N77.1*)	F53.0	Mierna duševná porucha a por.správ.v šestonedelí,nezat.inde
C51.0	Zhubný nádor veľkého pysku	F53.1	Ťažká duševná porucha a por.správ.v šestonedelí,nezat.inde
C51.1	Zhubný nádor malého pysku	F53.8	Iná duševná porucha a por.správ.v šestonedelí,nezat.inde
C51.2	Zhubný nádor klitoris	F53.9	Duševná porucha v šestonedelí,bližšie neurčená
C51.8	Zhubný nádor vulvy presahujúci viaceré oblasti	I86.3	Varixy vulvy
C51.9	Zhubný nádor vulvy,bližšie neurčený	I97.2	Postmastektomický lymfédém
C52	Zhubný nádor pošvy	L29.2	Svrbenie vulvy
C53.0	Zhubný nádor endocervixu maternice	L70.5	Acne excoriée des jeunes filles
C53.1	Zhubný nádor exocervixu maternice	M80.00	Postmenopauz.osteopor.s patol.zlomeninou na viac.m.
C53.8	Zhubný nádor krčka maternice presah.viac.obl.	M80.01	Postmenopauz.osteopor.s patol.zlomeninou v obl.pleca
C53.9	Zhubný nádor krčka maternice,bližšie neurčený	M80.02	Postmenopauz.osteopor.s patol.zlomeninou nadlaktia
C54.0	Zhubný nádor istmu maternice	M80.03	Postmenopauz.osteopor.s patol.zlomeninou predlak.
C54.1	Zhubný nádor endometria	M80.04	Postmenopauz.osteopor.s patol.lomeninou ruky
C54.2	Zhubný nádor myometria	M80.05	Postmenopauz.osteopor.s patol.zlomeninou panv.obl.a stehna
C54.3	Zhubný nádor dna maternice	M80.06	Postmenopauz.osteopor.s patol.zlomeninou predkol.
C54.8	Zhub.nádor tela maternice presah.viac.obl.	M80.07	Postmenopauz.osteopor.s patol.zlomeninou čl.a nohy
C54.9	Zhubný nádor tela maternice,bližšie neurčený	M80.08	Postmenopauz.osteopor.s patol.zlomeninou na i.mieste
C55	Zhubný nádor bližšie neurčenej časti maternice	M80.09	Postmenopauz.osteopor.s patol.zlomeninou,miesto bliž.neurč.
C56	Zhubný nádor vaječníka	M80.10	Postovariektom.osteopor.s pat.zlomeninou na viac.m.
C57.0	Zhubný nádor vajíčkovodu	M80.11	Postovariektom.osteopor.s pat.zlomeninou v obl.pleca
C57.1	Zhubný nádor širokého väzu maternice	M80.12	Postovariektom.osteopor.s pat.zlomeninou nadlaktia
C57.2	Zhubný nádor oblého väzu maternice	M80.13	Postovariektom.osteopor.s pat.zlomeninou predlak.
C57.3	Zhubný nádor parametria	M80.14	Postovariektom.osteopor.s pat.zlomeninou ruky
C57.4	Zhubný nádor adnexov maternice,bližšie neurčený	M80.15	Postovariektom.osteopor.s pat.zlome. panv.obl.a stehna
C57.7	Zhubný nádor iných ženských pohlavných orgánov,bliž.urč.	M80.16	Postovariektom.osteopor.s pat.zlomeninou predkol.
C57.8	Zhubný nádor ženských.pohlavných orgánov,presah.viac.obl.	M80.17	Postovariektom.osteopor.s pat.zlomeninou čl.a nohy
C57.9	Zhubný nádor ženského pohlavného orgánu,bliž.neurč.	M80.18	Postovariektom.osteopor.s pat.zlomeninou na i.mieste
C58	Zhubný nádor placenty	M80.19	Postovariektom.osteopor.s pat.zlomeninou,miesto bliž.neurč.
C79.6	Sekundárny zhubný nádor vaječníka	M81.00	Postmenopauzálna osteoporóza na viacerých miestach
D06.0	Karcinóm in situ endocervixu	M81.01	Postmenopauzálna osteopor.v obl.pleca
D06.1	Karcinóm in situ exocervixu	M81.02	Postmenopauzálna osteopor.nadlaktia
D06.7	Karcinóm in situ inej časti krčka maternice	M81.03	Postmenopauzálna osteopor.predlak.
D06.9	Karcinóm in situ krčka maternice,bližšie neurčený	M81.04	Postmenopauzálna osteopor.ruky
D07.0	Karcinóm in situ endometria	M81.05	Postmenopauzálna osteopor.panv.obl.a stehna
D07.1	Karcinóm in situ vulvy	M81.06	Postmenopauzálna osteopor.predkol.
D07.2	Karcinóm in situ pošvy	M81.07	Postmenopauzálna osteopor.čl.a nohy
D07.3	Karcinóm in situ iných bliž.neurč.ženských pohlav.org.	M81.08	Postmenopauzálna osteopor.na i.mieste
D24	Nezhubný nádor prsníka	M81.09	Postmenopauzálna osteoporóza,miesto bliž.neurč.
D25.0	Submukózný leiomyóm maternice	M81.10	Postovariektomická osteopor.na viac.m.
D25.1	Intramurálny leiomyóm maternice	M81.11	Postovariektomická osteopor.v obl.pleca
D25.2	Subserózný leiomyóm maternice	M81.12	Postovariektomická osteopor.nadlaktia
D25.9	Leiomyóm maternice,bližšie neurčený	M81.13	Postovariektomická osteopor.predlak.
D26.0	Iný nezhubný nádor krčka maternice	M81.14	Postovariektomická osteopor.ruky
D26.1	Iný nezhubný nádor tela maternice	M81.15	Postovariektomická osteopor.panv.obl.a stehna
D26.7	Iný nezhubný nádor iných častí maternice	M81.16	Postovariektomická osteopor.predkol.
D26.9	Iný nezhubný nádor maternice,bližšie neurčený	M81.17	Postovariektomická osteopor.čl.a nohy
D27	Nezhubný nádor vaječníka	M81.18	Postovariektomická osteopor.na i.mieste
D28.0	Nezhubný nádor vulvy	M81.19	Postovariektomická osteopor.,miesto bliž.neurč.
D28.1	Nezhubný nádor pošvy	M83.00	Osteomalácia v šestonedelí na viacerých miestach
D28.2	Nezhubný nádor vajíčkovodov a väzov maternice	M83.01	Osteomalácia v šestonedelí v obl.pleca
D28.7	Nezhubný nádor iných bliž.urč.ženských pohlav.org.	M83.02	Osteomalácia v šestonedelí v obl.nadlaktia
D28.9	Nezhubný nádor bliž.neurč.ženských pohlav.org.	M83.03	Osteomalácia v šestonedelí v obl.predlak.
D39.0	Nádor s neurčitým/nezným.správaním:maternica	M83.04	Osteomalácia v šestonedelí v obl.ruky
D39.1	Nádor s neurčitým/nezným.správaním:vaječník	M83.05	Osteomalácia v šestonedelí v obl.panv.obl.a stehna
D39.2	Nádor s neurčitým/nezným.správaním:placenta	M83.06	Osteomalácia v šestonedelí v obl.predkol.
D39.7	Nádor s neurčitým/nezným.správaním:i.žen.pohl.org.	M83.07	Osteomalácia v šestonedelí v obl.čl.a nohy
D39.9	Nádor s neurčitým/nezným.správaním:bliž.neurč.žen.pohl.org.	M83.08	Osteomalácia v šestonedelí na i.mieste
D48.6	Nádor s neurčitým/nezným.správ.prsník	M83.09	Osteomalácia v šestonedelí,miesto bliž.neurč.
E28.0	Porucha funkcie vaječníkov s nadbytkom estrogénov	N60.1	Difúzna cystická mastopatia
E28.1	Porucha funkcie vaječníkov s nadbytkom androgénov	N60.2	Fibroadenóza prsníka
E28.2	Syndróm polycystických ovárií	N60.3	Fibroskleróza prsníka
E28.3	Primárna nedostatočnosť vaječníkov	N60.4	Rozšírenie mliekovodu prsníka
E28.8	Iná porucha funkcie vaječníkov	N60.8	Iná benígna dysplázia prsníka
E28.9	Porucha funkcie vaječníkov,bližšie neurčená	N60.9	Benígna dysplázia prsníka,bližšie neurčená
E89.4	Zlyhanie vaječníkov po lekárskom výkone	N64.0	Fisúra a fistula bradavky
F52.5	Neorganický vaginizmus	N64.1	Tuková nekróza prsníka

Kód	Popis	Kód	Popis
N64.2	Atrofia prsníka	N83.2	Iná a bližšie neurčená cysta vaječníkov
N64.3	Galaktorea bez súvislosti s pôrodom	N83.3	Získaná atrofia vaječníka a vajíčkovodu
N64.4	Mastodýnia	N83.4	Prolaps a hernia vaječníka a vajíčkovodu
N70.0	Akútna salpingitída a ooforitída	N83.5	Torzia vaječníka, topky vaječníka a vajíčkovodu
N70.1	Chronická salpingitída a ooforitída	N83.6	Hematosalpinx
N70.9	Salpingitída a ooforitída, bližšie neurčená	N83.7	Hematóm širokého väzu maternice
N71.0	Akútna zápalová choroba maternice	N83.8	Iné nezápal.zmeny vaječníka, vajíčkovodu a šir.väzu maternice
N71.1	Chronická zápalová choroba maternice	N83.9	Nezápal.zmeny vaječníka, vajíčkov.a šir.väzu maternice, b.n.
N71.9	Zápalová choroba maternice, bližšie neurčená	N84.0	Polyp tela maternice
N72	Zápalová choroba krčka maternice	N84.1	Polyp krčka maternice
N73.0	Akútna parametritída a panvová celulitída	N84.2	Polyp pošvy
N73.1	Chronická parametritída a panvová celulitída	N84.3	Polyp vulvy
N73.2	Parametritída a panvová celulitída, b.n.	N84.8	Polyp iných častí ženských pohlavných orgánov
N73.3	Akútna pelveoperitonitída u žien	N84.9	Polyp ženských pohlavných orgánov, bližšie neurčený
N73.4	Chronická pelveoperitonitída u žien	N85.0	Glandulárna hyperplázia endometria
N73.5	Pelveoperitonitída u žien, bližšie neurčená	N85.1	Adenomatózna hyperplázia endometria
N73.6	Panvové peritoneálne adhézie u žien	N85.2	Hypertrofia maternice
N73.8	Iné zápalové choroby ženských panvov.orgánov, b.u.	N85.3	Subinvolúcia maternice
N73.9	Zápalová choroba ženských panvov.orgánov, b.n.	N85.4	Malpozícia maternice
N74.0	Tuberkulózná infekcia krčka maternice (A18.1†)	N85.5	Inverzia maternice
N74.1	Tuberkulózný zápal ženských panvov.org.	N85.6	Vnútromaternicové zrasty
N74.2	Syfilitický zápal ženských panvov.org.	N85.7	Hematometra
N74.3	Gonokokový zápal ženských panvov.org.	N85.8	Iná nezápalová choroba maternice, bližšie určená
N74.4	Chlamýdiový zápal ženských panvov.org.	N85.9	Nezápalová choroba maternice, bližšie neurčená
N74.8	Zápalová choroba ženských panvov.org.pri i.chor.z.i.	N86	Erózia a ektropium krčka maternice
N75.0	Cysta Bartholinovej žľazy	N87.0	Lahká dysplázia krčka maternice
N75.1	Absces Bartholinovej žľazy	N87.1	Stredná dysplázia krčka maternice
N75.8	Iné choroby Bartholinovej žľazy	N87.2	Ťažká dysplázia krčka maternice, nezatriedená inde
N75.9	Choroba Bartholinovej žľazy, bližšie neurčená	N87.9	Dysplázia krčka maternice, bližšie neurčená
N76.0	Akútna vaginitída	N88.0	Leukoplakia krčka maternice
N76.1	Subakútna a chronická vaginitída	N88.1	Stará lacerácia krčka maternice
N76.2	Akútna vulvitída	N88.2	Striktúra a stenóza krčka maternice
N76.3	Subakútna a chronická vulvitída	N88.3	Inkompetencia krčka maternice
N76.4	Absces vulvy	N88.4	Hypertrofické predĺženie krčka maternice
N76.5	Ulcerácia pošvy	N88.8	Iná nezápalová choroba krčka maternice, b.u.
N76.6	Ulcerácia vulvy	N88.9	Nezápalová choroba krčka maternice, b.n.
N76.80	Fournierova gangréna u ženy	N89.0	Lahká dysplázia pošvy
N76.88	Iné zápaly pošvy a vulvy, bližšie určené	N89.1	Stredne pokročilá dysplázia pošvy
N77.0	Ulcerácia vulvy pri infek./parazit.chor.z.i.	N89.2	Ťažká dysplázia pošvy, nezatriedená inde
N77.1	Vaginitída, vulvitída a vulvovaginit.pri infek./paraz.chor.z.i.	N89.3	Dysplázia pošvy, bližšie neurčená
N77.8	Vulvovaginálna ulcerácia a zápal pri iných chorobách z.i.	N89.4	Leukoplakia pošvy
N80.0	Endometrióza maternice	N89.5	Striktúra a atrézia pošvy
N80.1	Endometrióza vaječníka	N89.6	Tesný prstenec hymenu
N80.2	Endometrióza vajíčkovodu	N89.7	Hematokolpos
N80.3	Endometrióza panvového peritonea	N89.8	Iná nezápalová choroba pošvy, bližšie určená
N80.4	Endometrióza rektovaginálneho septa a pošvy	N89.9	Nezápalová choroba pošvy, bližšie neurčená
N80.5	Endometrióza čreva	N90.0	Lahká dysplázia vulvy
N80.6	Endometrióza v kožnej jazve	N90.1	Stredne ťažká dysplázia vulvy
N80.8	Iná endometrióza	N90.2	Ťažká dysplázia vulvy, nezatriedená inde
N80.9	Endometrióza, bližšie neurčená	N90.3	Dysplázia vulvy, bližšie neurčená
N81.0	Uretrokéla u ženy	N90.4	Leukoplakia vulvy
N81.1	Cystokéla	N90.5	Atrofia vulvy
N81.2	Nekompletný uterovaginálny prolaps	N90.6	Hypertrofia vulvy
N81.3	Kompletný uterovaginálny prolaps	N90.7	Cysta vulvy
N81.4	Uterovaginálny prolaps, bližšie neurčený	N90.8	Iná nezápalová choroba vulvy a hrádze, b.u.
N81.5	Pošvová enterokéla	N90.9	Nezápalová choroba vulvy a hrádze, bližšie neurčená
N81.6	Rektokéla	N91.0	Primárna amenorea
N81.8	Iný prolaps pohlavných orgánov u ženy	N91.1	Sekundárna amenorea
N81.9	Prolaps pohlavných orgánov u ženy, bližšie neurčený	N91.2	Amenorea, bližšie neurčená
N82.0	Vezikovaginálna fistula	N91.3	Primárna oligomenorea
N82.1	Iná fistula medzi ženskými moč.a pohlav.oránmi	N91.4	Sekundárna oligomenorea
N82.2	Fistula medzi pošvou a tenkým črevom	N91.5	Oligomenorea, bližšie neurčená
N82.3	Fistula medzi pošvou a hrubým črevom	N92.0	Nadmerná/častá menštruácia s pravidelným cyklom
N82.4	Iná fistula medzi ženskými pohlav.org.a črevom	N92.1	Nadmerná/častá menštruácia s nepravidelným cyklom
N82.5	Fistula medzi ženskými pohlavnými orgánmi a kožou	N92.2	Nadmerná menštruácia v puberte
N82.8	Iná fistula ženských pohlavných orgánov	N92.3	Ovulačné krvácanie
N82.9	Fistula ženských pohlavných orgánov, bliž. neurč.	N92.4	Nadmerné krvácanie v premenopauze
N83.0	Folikulová cysta vaječníka	N92.5	Iná nepravidelná menštruácia, bližšie určená
N83.1	Luteálna cysta	N92.6	Nepravidelná menštruácia, bližšie neurčená

Kód	Popis	Kód	Popis
N93.0	Postkoitálne a kontaktné krvácanie	O05.3	Iný potrat:nekomplet.potrat s i.a bliž.neurč.kompl.
N93.8	Iné abnormálne krvác.z matrice/pošvy,b.u.	O05.4	Iný potrat: nekompletný potrat bez komplikácií
N93.9	Abnormál.krvácanie z matrice/pošvy,b.n.	O05.5	Iný potrat:komplet./bliž.neu.potrat,kompl.inf.pohl.a panv.org.
N94.0	Ovulačná bolesť (Mittelschmerz)	O05.6	Iný potrat:komplet./bliž.n.potrat,kompl.oneskor./nadmer.krvác.
N94.1	Dyspareunia	O05.7	Iný potrat:komplet./bliž.neurč.potrat,kompl.embóliou
N94.2	Vaginizmus	O05.8	Iný potrat:komplet./bliž.neurč.potrat s i.a b.n.kompl.
N94.3	Predmenštruačný syndróm	O05.9	Iný potrat:komplet./bliž.neurč.potrat bez kompl.
N94.4	Primárna dysmenorea	O06.0	Potrat,bliž.neurč:nekomplet.potrat,kompl.inf.pohl.a panv.org.
N94.5	Sekundárna dysmenorea	O06.1	Potrat,bliž.neu.:nekomplet.potrat,kompl.oneskor./nadmer.krvác.
N94.6	Dysmenorea,bližšie neurčená	O06.2	Potrat,bliž.neurč:nekomplet.potrat,kompl.embóliou
N94.8	Iná odchýlka spoj.so žensk.pohlav.org.a menštruač.cyklom,b.u.	O06.3	Potrat,bliž.neurč:nekomplet.potrat s i.a b.n.kompl.
N94.9	Odchýlka spoj.so žensk.pohlav.org.a menštruač.cyklom,b.n.	O06.4	Potrat,bliž.neurč:neúplný potrat bez kompl.
N95.0	Pomenopauzové krvácanie	O06.5	Potrat,bliž.n.:komplet./bliž.n.potrat,kompl.inf.pohl.a panv.org.
N95.1	Menopauzové a klimakterické poruchy	O06.6	Potrat,bliž.n.:komplet./bli.n.potrat,kompl.oneskor./nadmer.krvác.
N95.2	Pomenopauzová atrofická vaginitída	O06.7	Potrat,bliž.neurč:komplet./bliž.neurč.potrat,kompl.embóliou
N95.3	Poruchy spojené s arteficiálnou menopauzou	O06.8	Potrat,bliž.neurč:komplet./bliž.neurč.potrat s i.a b.n.kompl.
N95.8	Iná menopauzové a perimenopauzové poruchy,b.u.	O06.9	Potrat,bliž.neurč:komplet./bliž.neurč.potrat bez kompl.
N95.9	Menopauzové a perimenopauzové poruchy,b.n.	O07.0	Neúsp.lek.pokus o potrat,kompl.inf.pohl.a panv.org.
N96	Sklon k habituálnemu potrácaniu	O07.1	Neúsp.lek.pokus o potrat,kompl.oneskor./nadmer.krvác.
N97.0	Ženská neplodnosť spojená s anovuláciou	O07.2	Neúsp.lek.pokus o potrat,kompl.embóliou
N97.1	Ženská neplodnosť tubárneho pôvodu	O07.3	Neúsp.lek.pokus o potrat s i.a bliž.neur.kompl.
N97.2	Ženská neplodnosť maternicového pôvodu	O07.4	Neúspešný lekársky pokus o potrat bez komplikácií
N97.3	Ženská neplodnosť krčkového pôvodu	O07.5	Iný a bliž.neu.neúsp.pokus o potrat,kompl.inf.pohl.a panv.org.
N97.4	Ženská neplodnosť spojená s mužskými faktormi	O07.6	Iný a bliž.neu.neúsp.pokus o potrat,kompl.oneskor./nadm.krvác.
N97.8	Ženská neplodnosť iného pôvodu	O07.7	Iný a bliž.neurč.neúsp.pokus o potrat,kompl.embóliou
N97.9	Ženská neplodnosť,bližšie neurčená	O07.8	Iný a bliž.neurč.neúsp.pokus o potrat s i.a b.n.kompl.
N98.0	Infekcia spojená s umelým oplodnením	O07.9	Iný a bliž.neurč.neúsp.pokus o potrat bez kompl.
N98.1	Hyperstimulácia vaječníkov	O08.0	Infekcia pohlav.a panv.org.po potrate,mimomat.gr.a gr.s MH
N98.2	Komplikácie pri pokuse zaviesť oplod.vajíčko po oplod.in vitro	O08.1	Onesk./nadm.krvác.po potr,mimomat.gr.a grav.s malou hydati.
N98.3	Komplikácie pri pokuse zaviesť embryo pri prenose embrya	O08.2	Embólia po potrate,mimomat.grav.a grav.s molou hydratidosa
N98.8	Iné komplikácie spojené s umelým oplodnením	O08.3	Šok po potrate,mimomat.grav.a grav.s molou hydratidosa
N98.9	Komplikácie spojené s umelým oplodnením,b.n.	O08.4	Zlyháv.obličiek po potrate,mimomat.grav.a grav.s mal hydati.
N99.2	Adhézie pošvy po chirurgickom výkone	O08.5	Metabické poruchy po potrate,mimomat.gr.a gr.s mal.hydati.
N99.3	Prolaps pošvovej klenby po hysterektómii	O08.6	Pošk.panv.org.a tk.po potr,mimomat.gr.a grav.s malou hydati.
O00.0	Abdominálna gravidita	O08.7	Iné žil.kompl.po potrate,mimomat.grav.a grav.s malou hydati.
O00.1	Tubárna gravidita	O08.8	Iné kompl.po potrate,mimomat.grav.a grav.s molou hydratidosa
O00.2	Ováriová gravidita	O08.9	Kompl.po potrate,mimomat.grav.a grav.s molou hydratid.b.n.
O00.8	Iná mimomaternicová gravidita	O09.0	Trvanie gravidity menej ako 5 ukončených týždňov
O00.9	Mimomaternicová gravidita,bližšie neurčená	O09.1	Trvanie gravidity od začat.5 po ukonč.13.týždeň
O01.0	Klasická mola hydratidosa	O09.2	Trvanie gravidity od začat.14.po ukonč.19.týž.
O01.1	Nekompletná a parciálna mola hydratidosa	O09.3	Trvanie gravidity od začat.20.po ukonč.25.týž.
O01.9	Mola hydratidosa,bližšie neurčená	O09.4	Trvanie gravidity od začat.26.po ukonč.33.týž.
O02.0	Poškodené plodové vajce a nehydaticová mola	O09.5	Trvanie gravidity od začat.34.po ukonč.36.týž.
O02.1	Missed abortion (zadržaný potrat)	O09.9	Arteriálna hypertenzia matky,bližšie neurčená
O02.8	Iný abnormálny výtvor počatia,bližšie určený	O10.0	Predt.exist.prim.artér.hypert.,kompl.grav.,pôr.a šeston.
O02.9	Abnormálny výtvor počatia,bližšie neurčený	O10.1	Predt.exist.hypert.chor.srdca,kompl.grav.,pôr.a šeston.
O03.0	Spont.potrat:nekomplet.potrat,kompl.infekc.pohl.a panv.org.	O10.2	Predt.exist.hypert.chor.oblič.,kompl.grav.,pôr.a šeston.
O03.1	Spont.potrat:nekomplet.potrat,kompl.oneskor./nadmer.krvác.	O10.3	Predt.exi.hypert.chor.srd.a oblič.,kompl.grav.,pôr.a šest.
O03.2	Spont.potrat:nekomplet.potrat,komplikovaný embóliou	O10.4	Predt.exist.sek.artér.hypert.,kompl.grav.,pôr.a šeston.
O03.3	Spont.potrat:nekomplet.potrat s i.a bliž.neurč.kompl.	O10.9	Predt.exist.artér.hypert.,kompl.grav.,pôr.a šeston.,b.n.
O03.4	Spont.potrat:nekomplet.potrat bez kompl.	O11	Predt.exi.art.hypert.,kompl.grav.,pôr.a šest.,s nas.preek.
O03.5	Spont.potrat:komplet./bliž.n.potrat,kompl.inf.pohl.a panv.org.	O12.0	Gestačné opuchy
O03.6	Spont.potrat:komplet./bliž.n.potrat,kompl.oneskor./nadm.krvác.	O12.1	Gestačná proteinúria
O03.7	Spont.potrat:komplet./bliž.neurč.potrat,kompl.embóliou	O12.2	Gestačné opuchy s proteinúriou
O03.8	Spont.potrat:komplet./bliž.neurč.potrat s i.a bliž.neur.kompl.	O13	Gestačná artér.hypert.bez významnej proteinúrie
O03.9	Spont.potrat:komplet./bliž.n.eurč.potrat bez kompl.	O14.0	Mierna a stredne ťažká preeklampsia
O04.0	Lek.potrat:nekomplet.potrat,kompl.infek.pohlav.a panv.org.	O14.1	Ťažká preeklampsia
O04.1	Lek.potrat:nekomplet.potrat,kompl.oneskor./nadmer.krvác.	O14.2	Syndróm HELLP
O04.2	Lek.potrat:nekomplet.potrat,komplikovaný embóliou	O14.9	Preeklampsia,bližšie neurčená
O04.3	Lek.potrat:nekomplet.potrat s i.a bliž.neurč.kompl.	O15.0	Eklampsia v gravidite
O04.4	Lekársky potrat:nekompletný potrat bez komplikácií	O15.1	Eklampsia pri pôrode
O04.5	Lek.potrat:komplet./bliž.neu.potrat,kompl.inf.pohl.a panv.org.	O15.2	Eklampsia v šestonedelí
O04.6	Lek.potrat:komplet./bliž.n.potrat,kompl.oneskor./nadmer.krvác.	O15.9	Eklampsia,časovo bližšie neurčená
O04.7	Lek.potrat:komplet./bliž.neurč.potrat,kompl.embóliou	O16	Arteriálna hypertenzia matky,bližšie neurčená
O04.8	Lek.potrat:komplet./bliž.neur.potrat s i.a b.n.kompl.	O20.0	Hroziaci potrat (abortus imminens)
O04.9	Lek.potrat:komplet./bliž.neur.potrat bez kompl.	O20.8	Iné krvácanie vočasnej gravidite
O05.0	Iný potrat:nekomplet.potrat,kompl.inf.pohl.a panv.org.	O20.9	Krvácanie vočasnej gravidite,bližšie neurčené
O05.1	Iný potrat:nekomplet.potrat,kompl.oneskor./nadmer.krvác.	O21.0	Hyperemesis gravidarum mierneho stupňa
O05.2	Iný potrat:nekomplet.potrat,kompl.embóliou	O21.1	Hyperemesis gravidarum s poruchou vnút.prostredia

Kód	Popis	Kód	Popis
O21.2	Neskoré vracanie v gravidite	O32.5	Star.o mat.pre viacplod.grav.s nespr.nalie.a nespr.poloh.plod
O21.8	Iné vracanie,komplikujúce graviditu	O32.6	Star.o matku pre súčasné nespráv.nalieh a nespráv.poloh.plodu
O21.9	Vracanie počas gravidity,blížšie neurčené	O32.8	Star.o matku pre iné nespr.naliehanie/nespr.poloha plodu
O22.0	Varixy dolných končatín v gravidite	O32.9	Star.o matku pre iné nepravid.naliehanie/nespr.polo.plodu,b.n.
O22.1	Varixy pohlavných orgánov v gravidite	O33.0	Star.o mat.pre nepomer medzi plodom a panv.,zapr.def.panv.k.
O22.2	Povrchová tromboflebitída v gravidite	O33.1	Star.o mat.pre nepomer medzi plodom a panv.zapr.celk.zúž.panva
O22.3	Hĺbková flebotrombóza v gravidite	O33.2	Star.o mat.pre nepomer medzi plod.a panv.zapr.zúž.panv.vch.
O22.4	Hemoroidy v gravidite	O33.3	Star.o mat.pre nepomer medzi plod.a panv.zapr.zúž.panv.vých.
O22.5	Trombóza mozgových žíl v gravidite	O33.4	Star.o mat.pre nep.medzi plod.a panv.,zapr.rozl.pr.matka/plod
O22.8	Iné žilové choroby ako komplikácie v gravidite	O33.5	Star.o matku pre nepom.medzi plod.a panv.,zapr.nezvy.vef.plod.
O22.9	Žilová choroba ako komplikácia v gravidite,b.n.	O33.6	Star.o matku pre nepom.medzi plod.a panv.,zapr.hydrocefus pl.
O23.0	Infekcia obličiek v gravidite	O33.7	Star.o mat. pre nepom.medzi plod.a panv.,zapr.i.abnormal.pl.
O23.1	Infekcia močového mechúra v gravidite	O33.8	Star.o matku pre nepom.medzi plod.a panv.z i.príčin
O23.2	Infekcia močovej rúry v gravidite	O33.9	Star.o matku pre nepom.medzi plod.a panvou,b.n.
O23.3	Infekcia iných častí močovej sústavy v gravidite	O34.0	Starostlivosť o matku pre vrodenú chybu maternice
O23.4	Infekcia moč.sústavy v gravidite,b.n.	O34.1	Starostlivosť o matku pre nádor tela maternice
O23.5	Infekcia pohlavných orgánov v gravidite	O34.2	Star.o matku jazvu na maternici po predchádz.chir.výk.
O23.9	Iná a blíž.neu.infekcia močovopohl.org.v grav.	O34.30	Star.o matku pri dlž.kčka mater.p.10 mm/pri insuf.pot.vag.USG
O24.0	DM v gravidite predtým existuj.DM,typ 1	O34.31	Starostlivosť o matku pri prolapse plodového vaku
O24.1	DM v gravidite predtým existuj.DM,typ 2	O34.38	Star.o matku pri i.insuficiencii krčka maternice
O24.2	DM v gravidite predtým existuj.DM súvis.s podvýživou	O34.39	Star.o matku pri b.n.insuficiencii krčka maternice
O24.3	DM v gravidite predtým existuj.DM,b.n.	O34.4	Star.o matku pre iné abnor.krčka maternice
O24.4	Diabetes mellitus so vznikom v gravidite	O34.5	Star.o matku pre Iné abnor.gravidnej maternice
O24.9	Diabetes mellitus v gravidite,blížšie neurčený	O34.6	Starostlivosť o matku pre abnormalitu pošvy
O25	Podvýživa v gravidite	O34.7	Star.o matku pre abnor.vulvy a hrádze
O26.0	Nadmerný hmotnostný prírastok v gravidite	O34.8	Star.o matku pre i.abnormal.panv.org.
O26.1	Malý hmotnostný prírastok v gravidite	O34.9	Star.o matku pre abnormal.panv.org.,b.n.
O26.2	Starost.o gravidnú ženu pri habituálnom potrácaní	O35.0	Star.o matku pre(susp.)výv.chybu CNS plodu
O26.3	Ponechané vnútroamat.antikoncepčné teliesko v grav.	O35.1	Star.o matku pre(susp.)chromozómovú anomáliu plodu
O26.4	Herpes gestationis	O35.2	Star.o matku pre(susp.)dedičnú chorobu plodu
O26.5	Syndróm arteriovej hypotenzie matky	O35.3	Star.o matku pre(susp.)pošk.plodu vír.chor.matky
O26.6	Choroba pečene v gravidite,pri pôrode a v šestonedeli	O35.4	Star.o matku pre(susp.)pošk.plodu alkoholom
O26.7	Sublux.symphysis ossis pubis v grav.,pri pôrode a v šeston.	O35.5	Star.o matku pre(susp.)pošk.plodu liekom/drogou
O26.81	Choroba obličiek súvisiaca s graviditou	O35.6	Star.o matku pre(susp.)pošk.plodu žiarením
O26.82	Syndróm karpálneho tunela počas gravidity	O35.7	Star.o matku pre(susp.)pošk.plodu iným lekář.výkon.
O26.83	Periférna neuritída počas gravidity	O35.8	Star.o matku-inú (susp.)abn.a (susp.)pošk.plodu
O26.88	Iné stavy súvisiace s graviditou,blížšie určené	O35.9	Star.o matku pre(susp.)b.n.abn.a (susp.)pošk.plodu
O26.9	Stav súvisiaci s graviditou,blížšie neurčený	O36.0	Star.o matku pre izoimunizáciu v systéme Rh
O28.0	Abnorm.hematol.nález v prenatal.skríningu matky	O36.1	Starostlivosť o matku pre inú izoimunizáciu
O28.1	Abnorm.biochem.nález v prenatal.skríningu matky	O36.2	Starostlivosť o matku pre fetálny hydrops
O28.2	Abnorm.cytolog.nález v prenatal.skríningu matky	O36.3	Starostlivosť o matku pre príznaky hypoxie plodu
O28.3	Abnorm.UZV nález v prenatal.skríningu matky	O36.4	Star.o matku pre vnútromaternicovú smrť plodu
O28.4	Abnorm.rádiolog.nález v prenatal.skríningu matky	O36.5	Starostlivosť o matku pre zníženú hmotnosť plodu
O28.5	Abnorm.chromoz.a genetic.nález v prenatal.skríningu matky	O36.6	Starostlivosť o matku pre nadmernú hmotnosť plodu
O28.8	Iný abnormálny nález v prenatal.skríningu matky	O36.7	Starost.o matku pre abdom.grav.so živým plodu
O28.9	Abnorm.nález v prenatal.skríningu matky,b.n.	O36.8	Starost.o matku pre i.problémy plodu,b.u.
O29.0	Pľúcne komplikácie anestézie v gravidite	O36.9	Starost.o matku pre problémy plodu,b.n.
O29.1	Srdcové komplikácie anestézie v gravidite	O40	Polyhydramnion
O29.2	Komplikácie v CNS v spoj.s anestéziou v gravidite	O41.0	Oligohydramnion
O29.3	Toxická reakcia na lokálnu anestéziu v gravidite	O41.1	Infekcia plodového vaku a plodových obalov
O29.4	Bolesť hlavy,po spinál.a epidurál.anest.v grav.	O41.8	Iné poruchy plodovej vody a obalov,blížšie určené
O29.5	Iná komplikácia spinál.a epidurál.anestézie v grav.	O41.9	Poruchy plodovej vody a obalov,blížšie neurčené
O29.6	Neúspešná alebo sťažená intubácia v gravidite	O42.0	Predčasné puknutie plod.obalov,zač.pôr.čin.do 24hod.
O29.8	Iné komplikácie anestézie v gravidite	O42.11	Predčasné puknutie plod.obalov,zač.pôr.činn.po 1-7dňoch
O29.9	Komplikácia anestézie v gravidite,blížšie neurčená	O42.12	Predčasné puknutie plod.obalov,zač.pôr.činn.po viac ako 7d.
O30.0	Gravidita s dvojčatami	O42.2	Predčasné puknutie plod.obalov,pôrododdielený liečbou
O30.1	Gravidita s trojčatami	O42.9	Predčasné pukn. plod.obalov,b.n.
O30.2	Gravidita so štvorčatami	O43.0	Syndróm placentárnej transfúzie
O30.8	Iná viacplodová gravidita	O43.1	Malformácia placenty
O30.9	Viacplodová gravidita,blížšie neurčená	O43.20	Placenta accreta
O31.0	Fetus papyraceus	O43.21	Placenta increta alebo placenta percreta
O31.1	Pokračujúca gravidita po potrate jedného/viac.plodov	O43.8	Iná porucha placenty
O31.2	Pokračujúca gravidita po vnútroamat.smrti jedného/viac.plodov	O43.9	Porucha placenty,blížšie neurčená
O31.8	Iná kompl.špecifická pre viacplodovú graviditu	O44.00	Nízko uložená placenta bez krvácania
O32.0	Starostlivosť o matku pre nestabilnú polohu plodu	O44.01	Placenta praevia bez krvácania
O32.1	Starostl.o matku pre naliehanie plodu panv.koncom	O44.10	Nízko uložená placenta s prebiehajúcim krvácaním
O32.2	Starostl.o matku pre priečna a šikmá polohu plodu	O44.11	Placenta praevia s prebiehajúcim krvácaním
O32.3	Star.o mat.pre tvár.a čel.polohu plod.a pri nalieh.plod.brad.	O45.0	Predčasné odlupovanie placenty s poruchou koagulácie
O32.4	Star.o matku pre veľká hlavička plodu v termine	O45.8	Iné predčasné odlupovanie placenty

Kód	Popis	Kód	Popis
O45.9	Predčasné odlupovanie placenty, bližšie neurčené	O70.1	Natrhnutie hrádze 2. stupňa pri pôrode
O46.0	Krvácanie pred pôrodom s poruchou zrážanlivosti	O70.2	Natrhnutie hrádze 3. stupňa pri pôrode
O46.8	Iné krvácanie pred pôrodom	O70.3	Natrhnutie hrádze 4. stupňa pri pôrode
O46.9	Krvácanie pred pôrodom, bližšie neurčené	O70.9	Natrhnutie hrádze pri pôrode, bližšie neurčené
O47.0	Falošná pôr. činnosť pred ukonč. 37. týž. gravidity	O71.0	Ruptúra maternice pred začiatkom pôrodnej činnosti
O47.1	Falošná pôr. činnosť po ukonč. 37. týž. gravidity a neskôr	O71.1	Ruptúra maternice počas pôrodnej činnosti
O47.9	Falošná pôrodná činnosť, bližšie neurčená	O71.2	Inverzia maternice po pôrode
O48	Predĺžená gravidita	O71.3	Natrhnutie krčka maternice pri pôrode
O60.0	Predčasná pôrodná činnosť bez pôrodu	O71.4	Samostatná vysoká lacerácia pošvy pri pôrode
O60.1	Predčasná pôrodná činnosť s predčasným pôrodom	O71.5	Iné poranenie panvových orgánov pri pôrode
O60.2	Predčasná pôrodná činnosť s pôrodom v termíne	O71.6	Poškodenie panvových kĺbov a väzov pri pôrode
O60.3	Predčasný pôrod bez spontánnej pôrodnej činnosti	O71.7	Hematóm panvy pri pôrode
O61.0	Neúspešná lieková indukcia pôrodnej činnosti	O71.8	Iné poranenie pri pôrode, bližšie určené
O61.1	Neúspešná inštrumentálna indukcia pôrodnej činnosti	O71.9	Poranenie pri pôrode, bližšie neurčené
O61.8	Iná neúspešná indukcia pôrodnej činnosti	O72.0	Krvácanie v 3. pôrodnej dobe
O61.9	Neúspešná indukcia pôrod. činnosti, b.n.	O72.1	Iné krvácanie bezprostredne po pôrode
O62.0	Primárne slabá pôrodná činnosť	O72.2	Oneskorené a sekundárne krvácanie po pôrode
O62.1	Sekundárne slabá pôrodná činnosť	O72.3	Poruchy zrážanlivosti krvi po pôrode
O62.2	Iná slabá pôrodná činnosť	O73.0	Zadržanie placenty bez krvácania
O62.3	Náhly pôrod (partus praecipitatus)	O73.1	Zadržanie častí placenty a blán bez krvácania
O62.4	Hyperton., nekoord. a predĺžené kontrakcie maternice	O74.0	Aspiračná pneumónia zapríč. anestéziou počas pôr. č. a pôrodu
O62.8	Iná porucha pôrodnej činnosti	O74.1	Iné pľúcne kompl. anestézie počas pôrod. čin. a pôrodu
O62.9	Porucha pôrodnej činnosti, bližšie neurčená	O74.2	Srdcové kompl. anestézie počas pôrod. čin. a pôrodu
O63.0	Predĺžená prvá pôrodná doba	O74.3	Komplik. CNS s spojením s anestéziou počas pôrod. čin.
O63.1	Predĺžená druhá pôrodná doba	O74.4	Toxická reakcia na lokálnu anestéziu počas pôrod. čin. a pôrodu
O63.2	Oneskorený pôrod druhého dvojčata, trojčata atď.	O74.5	Bolesť hlavy, zapr. spinál. a epidurál. anest. počas pôrod. čin. a pôrod.
O63.9	Predĺžený pôrod, bližšie neurčený	O74.6	Iné kompl. spinál. a epidurál. anestézie počas pôrod. čin. a pôrodu
O64.0	Nepokračujúci pôrod, zapríč. neúplnou rotáciou hlavičky plodu	O74.7	Neúspešná/sťažená intubácia počas pôrod. čin. a pôrodu
O64.1	Nepokračujúci pôrod, zapríč. polohou panvovým koncom	O74.8	Iné komplik. anestézie počas pôrod. čin. a pôrodu
O64.2	Nepokračujúci pôrod, zapríč. tvárovou polohou	O74.9	Komplik. anestézie počas pôrod. čin. a pôrodu, b.n.
O64.3	Nepokračujúci pôrod, zapríč. čelovou polohou	O75.0	Distres matky počas pôrodnej činnosti a pôrodu
O64.4	Nepokračujúci pôrod, zapríč. naliehaním pliecka	O75.1	Šok počas pôrodnej činnosti, po nej a po pôrode
O64.5	Nepokračujúci pôrod, zapríč. komb. por. naliehania plodu	O75.2	Horúčka počas pôrodu, nezatriedená inde
O64.8	Nepokračujúci pôrod, zapríč. i. nespr. pol. a naliehaním plodu	O75.3	Iná infekcia počas pôrodnej činnosti
O64.9	Nepokračujúci pôrod, zapríč. nespr. pol. a naliehaním plodu, b.n.	O75.4	Iná komplikácia pôrodných operácií a výkonov
O65.0	Nepokračujúci pôrod, zapríč. deformovanou panvou	O75.5	Protrahovaný pôrod po umelom pretrhnutí plodových blán
O65.1	Nepokračujúci pôrod, zapríč. celkovo zúženou panvou	O75.6	Protrahovaný pôrod po spont./bliž. neurč. puknutí plod. blán
O65.2	Nepokračujúci pôrod, zapríč. zúžením panvového vchodu	O75.7	Vaginálny pôrod po predchádzajúcom cisárskom reze
O65.3	Nepokrač. pôr. zapr. zúž. panv. vých. a kontr. stred. časti. panv. dut.	O75.8	Iná komplikácie pôrod. činn. a pôrodu, b.u.
O65.4	Nepokračujúci pôrod, zapríč. nepom. medzi plod. a panv., b.n.	O75.9	Komplikácia pôrod. činn. a pôrodu, b.n.
O65.5	Nepokračujúci pôrod, zapríč. abn. panv. org. matky	O80.0	Spontánny pôrod jedného plodu záhlavím
O65.8	Nepokračujúci pôrod, zapríč. i. abn. panvy matky	O80.1	Spontánny pôrod jedného plodu panvovým koncom
O65.9	Nepokračujúci pôrod, zapríč. abnor. panvy matky, b.n.	O80.8	Iný spontánny pôrod jedného plodu
O66.0	Nepokračujúci pôrod, zapríč. dystokiu pliecka plodu	O80.9	Spontánny pôrod jedného plodu, bližšie neurčený
O66.1	Komplikác. pôrodu, zapríč. zakliesnením dvojčiat	O81.0	Pôrod jedného plodu východovými kliešťami
O66.2	Nepokrač. pôrod, zapríč. nezvyčajne veľkým plodom	O81.1	Pôrod jedného plodu strednými kliešťami
O66.3	Nepokrač. pôrod, zapríč. inými. abnormalitami plodu	O81.2	Pôrod jedného plodu stred. kliešťami s rotáciou hlavičky
O66.4	Neúspešný pokus o pôrod, bližšie neurčený	O81.3	Iný pôrod jedného plodu kliešťami, bližšie neurčený
O66.5	Neúspeš. použ. vákuového extraktora/kliešti, b.n.	O81.4	Pôrod jedného plodu vákuovým extraktorom
O66.8	Iný nepokračujúci pôrod, bližšie určený	O81.5	Pôrod jedného plodu s použ. kombi. kliešti a vákuo. ekstrak.
O66.9	Nepokračujúci pôrod, bližšie neurčený	O82.0	Pôrod jedného plodu elektívnym cisárskym rezom
O67.0	Krvácanie pri pôrode s poruchou koagulácie	O82.1	Pôrod jedného plodu naliehavým cisárskym rezom
O67.8	Iné krvácanie pri pôrode	O82.2	Pôrod jedného plodu cisárskym rezom s hysterektómiou
O67.9	Krvácanie pri pôrode, bližšie neurčené	O82.8	Iný pôrod jedného plodu cisárskym rezom
O68.0	Kompl. pôrod. čin. a pôrodu pre abn. srd. frekv. plodu	O82.9	Pôrod cisárskym rezom, bližšie neurčený
O68.1	Kompl. pôrod. čin. a pôrodu pre mekónium v plod. vode	O83.0	Extrakcia plodu pri polohe panvovým koncom
O68.2	Kompl. pôrod. čin. a pôrodu pre abn. srdc. fr. plod. s mekón. v plod. v.	O83.1	Iné vedenie pôrodu jedného plodu pri polohe panvo. koncom
O68.3	Kompl. pôrod. čin. a pôrodu pre biochem. dôkaz distresu plodu	O83.2	Iné operačné vedenie pôrodu jedného plodu
O68.8	Kompl. pôrod. čin. a pôrodu pre iný dôkaz distresu plodu	O83.3	Pôrod živého plodu pri brušnej gravidite
O68.9	Kompl. pôrod. čin. a pôrodu pre distres plodu, b.n.	O83.4	Zmenšovacie operácie na uľahčenie pôrodu jedného plodu
O69.0	Kompl. pôr. čin. a pôr. pre prolaps pupočin.	O83.8	Iné vedenie pôrodu jedného plodu, bližšie určené
O69.1	Kompl. pôr. čin. a pôr. pre ovin. pupočin. ok. krku, s kompr. krku	O83.9	Vedenie pôrodu jedného plodu, bližšie neurčené
O69.2	Kompl. pôr. čin. a pôr. pre i. zapletenie pupočin., s kompr.	O84.0	Pôrody pri viacplodovej gravidite, všetky spontánne
O69.3	Kompl. pôr. čin. a pôr. pre krátky pupočník	O84.1	Pôrody pri viacplod. grav. všetky kliešť. a vákuumextrak.
O69.4	Kompl. pôr. čin. a pôr. pre vcestné cievy	O84.2	Pôrody pri viacplod. grav. všetky cisárskym rezom
O69.5	Kompl. pôr. čin. a pôr. pre pošk. ciev pupočin.	O84.8	Iné pôrody pri viacplodovej gravidite
O69.8	Kompl. pôr. čin. a pôr. pre i. por. pupočin.	O84.9	Pôrody pri viacplodovej gravidite, bližšie neurčené
O69.9	Kompl. pôr. č. a pôr. pre poruchu pupoč., b.n.	O85	Puerperálna sepsa
O70.0	Natrhnutie hrádze 1. stupňa pri pôrode	O86.0	Infekcia pôrodnickej operačnej rany

Kód	Popis	Kód	Popis
O86.1	Iná infekcia pohlavných orgánov po pôrode	O98.5	Iná vírus.choroba,kompl.grav.,pôrod a šeston.
O86.2	Infekcia močových orgánov po pôrode	O98.6	Prvoková choroba,kompl.grav.pôrod a šeston.
O86.3	Iná infekcia močovopohlavnej sústavy po pôrode	O98.7	Choroba HIV,kompl. graviditu,pôrod a šestonedelie
O86.4	Horúčka neznámeho pôvodu po pôrode	O98.8	Iná infekč.a parazit.chor.matky,kompl.grav.pôrod a šeston.
O86.8	Iná puerperálna infekcia,blížšie určená	O98.9	Infekč.a parazit.chor.matky,kompl.grav.pôrod a šeston. b.n.
O87.0	Povrchová tromboflebitída v šestonedelí	O99.0	Anémia,komplikujúca graviditu,pôrod a šestonedelie
O87.1	Hĺbková žilová trombóza (flebotrombóza) v šestonedelí	O99.1	Iné chor.krví a krvotv.,urč.por.imun.,kompl.grav.pôr.šesto.
O87.2	Hemoroidy v šestonedelí	O99.2	Endokrin.nutričné a metabol.chor.kompl.grav.pôr.a šesto.
O87.3	Trombóza mozgových žíl v šestonedelí	O99.3	Duševná choroba a chor.nervov.súst.kompl.grav.pôr.a šesto.
O87.8	Iné žilové choroby ako komplikácie v šestonedelí	O99.4	Choroba obeh.súst.kompl.grav.pôrod a šeston.
O87.9	Žilová chor.ako komplikácia v šestonedelí,b.n.	O99.5	Choroba dých.súst.kompl.grav.pôrod a šeston.
O88.0	Vzduchová embólia v gestačnom období	O99.6	Choroba tráv.súst.kompl.grav.pôrod a šeston.
O88.1	Embólia plodovou vodou	O99.7	Choroba kože a podkož.tkan.kompl.grav.pôrod a šeston.
O88.20	Tromboembólia pľúc v gestačnom období	O99.8	Iné choroby a stavy komplikujúci grav.pôrod a šeston.b.u.
O88.28	Iná tromboembólia v gestačnom období	P54.6	Pošťové krvácanie u novorodenca
O88.3	Pyemická a septická embólia v gestačnom období	Q50.0	Vrodené chýbanie vaječníka
O88.8	Iná embólia v gestačnom období	Q50.1	Vývinová (dysontogenetická) cysta vaječníka
O89.0	Pľúcne komplikácie anestézie v šestonedelí	Q50.2	Vrodená torzia vaječníka
O89.1	Srdcové komplikácie anestézie v šestonedelí	Q50.3	Iná vrodená chyba vaječníka
O89.2	Komplikácie CNS v spojení s anestéziou v šestonedelí	Q50.4	Embryonálna cysta vajíčkovodu
O89.3	Toxická reakcia na lokálnu anestéziu v šestonedelí	Q50.5	Embryonálna cysta šir.väzu maternice
O89.4	Bolesť hlavy,zapríč.spinál.a epidurál.anest.v šeston.	Q50.6	Iná vrodená chyba vajíčkovodu a širokého väzu
O89.5	Iné kompl.spin.a epid.anestézie v šeston.	Q51.0	Agenéza a aplázia maternice
O89.6	Neúspešná alebo sťažená intubácia v šestonedelí	Q51.1	Dvojité maternica s dvoj.krčkom a dvoj.pošvou
O89.8	Iné komplikácie anestézie v šestonedelí	Q51.2	Iné zdvojenie maternice
O89.9	Kompl.anestézie v šestonedelí,b.n.	Q51.3	Dvojrohá maternica[uterus bicornis]
O90.0	Dehiscencia rany po cisárskom reze	Q51.4	Jednorohá maternica[uterus unicornis]
O90.1	Dehiscencia pôrodnicej rany hrádze	Q51.5	Agenéza a aplázia krčka maternice
O90.2	Hematóm pôrodnicej rany	Q51.6	Embryonálna cysta krčka maternice
O90.3	Kardiomyopatia v šestonedelí	Q51.7	Vrod. fistula medzi maternicou,a trávicim a moč.traktom
O90.4	Akútne poškodenie obličiek po pôrode	Q51.8	Iná vrodená chyba maternice a krčka maternice
O90.5	Zápal štítnej žľazy po pôrode	Q51.9	Vrod.chyba maternice a krčka maternice,b.n.
O90.8	Iná komplikácia šestonedelia,nezatriedená inde	Q52.0	Vrodené chýbanie pošvy
O90.9	Komplikácia šestonedelia,blížšie neurčená	Q52.1	Zdvojenie pošvy
O91.00	Infekcie bradavky v súvis.s pôr.bez ťažk.pri priložení	Q52.2	Vrodená fistula medzi konečníkom a pošvou
O91.01	Infekcie bradavky v súvis.s pôr.s ťažk.pri priložení	Q52.3	Neperforovaný hymen
O91.10	Abces prsníka v súvis.s pôr.bez ťažk.pri priložení	Q52.4	Iná vrodená chyba pošvy
O91.11	Abces prsníka v súvis.s pôr.s ťažk.pri priložení	Q52.5	Fúzia pyskov
O91.20	Nehnisová mastitída v súvis.s pôr.bez ťažk.pri priložení	Q52.6	Vrodená chyba klitorisu
O91.21	Nehnisová mastitída v súvis.s pôr.s ťažk.pri priložení	Q52.7	Iná vrodená chyba vulvy
O92.00	Retrakcia bradavky v súvis.s pôr.bez ťažk.pri priložení	Q52.8	Iná vrod.chyba ženských pohlav.org.,b.u.
O92.01	Retrakcia bradavky v súvis.s pôr.s ťažk.pri priložení	Q52.9	Vrodená chyba ženských pohlav.org.,b.n.
O92.10	Trhlina bradavky v súvis.s pôr.bez ťažk.pri priložení	R87.0	Abn.nález vo vzorkách zo žen.pohl.org.:abn.hlad.enzymov
O92.11	Trhlina bradavky v súvis.s pôr.s ťažk.pri priložení	R87.1	Abn.nález vo vzorkách zo žen.pohl.org.:abn.hlad.hormónov
O92.20	Iná a blíž.neurč.chor.prsní.v súvis.s pôr.bez ťažk.pri prilož.	R87.2	Abn.nález vo vzor.zo žen.pohl.org.abn.hlad.liek.,biol.akt.lát.
O92.21	Iná a blíž.neurč.chor.prsníka v súvis.s pôr.s ťažk.pri prilož.	R87.3	Abn.nález vo vzor.zo žen.pohl.org.abn.hlad.látok nemed.povahy
O92.30	Agalakcia,bez ťažkostí pri priložení	R87.4	Abn.nález vo vzorkách zo žen.pohl.org.:abn.imun.nález
O92.31	Agalakcia,s ťažkosťami pri priložení	R87.5	Abn.nález vo vzorkách zo žen.pohl.org.:abn.mikrob.nález
O92.40	Hypogalakcia,bez ťažkostí pri priložení	R87.60	Abnormál.skvamózne bunky neznámej signifikancie (ASCUS)
O92.41	Hypogalakcia,s ťažkosťami pri priložení	R87.61	Abnormálne skvanózne bunky vysokého stupňa (ASC-H)
O92.50	Zastavenie laktácie,bez ťažkostí pri priložení	R87.62	Skvamózna intraepiteliálna lézia nízkeho stupňa (L-SIL)
O92.51	Zastavenie laktácie,s ťažkosťami pri priložení	R87.63	Skvamózna intraepiteliálna lézia vysokého stupňa (H-SIL)
O92.60	Galaktorea,bez ťažkostí pri priložení	R87.64	Cytologický dôkaz malignity zo steru krčka maternice
O92.61	Galaktorea,s ťažkosťami pri priložení	R87.65	Chýbajúce žľazové bunky transformačnej zóny
O92.70	Iná a blíž.neurč.porucha laktácie,bez ťažk.pri priložení	R87.66	Iný abnormálny cytologický nález
O92.71	Iná a blíž.neurč.porucha laktácie,s ťažk.pri priložení	R87.67	Nešpecifikovaný abnormálny cytologický nález
O94	Následky kompl.gravidity,pôrodu a šestonedelia	R87.7	Abn.nález vo vzorkách zo žen.pohl.org.:abn.hist.nález
O95	Smrť v gravidite z blížšie neurčenej príčiny	R87.8	Abn.nález vo vzorkách zo žen.pohl.org.:iný abn.nález
O96.0	Smrť z priam.pôr.príč.,kt.nast.po 42 d.,ale m.ako 1.r.od pôr.	R87.9	Abn.nález vo vzorkách zo žen.pohl.org.:b.n.abn.nález
O96.1	Smrť z nepriam.pôr.príč.,kt.nast.po 42 d.,-men.ako 1.r.od pôr.	R92	Abnorm.nález pri diag.zobrazení prsníka
O96.9	Smrť z blíž.ne.pôr.príč.,kt.nastala po42 d.,m.ako 1.r.od pôr.	S20.0	Pomliaždenie prsníka
O97.0	Smrť z následkov priamej pôrodnicej príčiny	S20.10	Iné a bl.neurč.povrch.poranenia prsníka:druh poranen.bl.neurč.
O97.1	Smrť z následkov nepriamej pôrodnicej príčiny	S20.11	Iné a bl.neurč.povrch.poranenia prsníka:odrenina
O97.9	Smrť z následkov b.n. pôrod.príčiny	S20.12	Iné a bl.neurč.povrch.poranenia prsníka:tvorba pľuzg.(neterm.)
O98.0	TBC,kompl.graviditu,pôrod a šestonedelie	S20.13	Iné a b.n.povrch.poranenia prsníka:uštip.hmyz,vpich(nejed.)
O98.1	Syfilis,kompl.graviditu,pôrod a šestonedelie	S20.14	Iné a b.n.povrch.poranenia prsníka:povrch.cudz.telesá(úlomky)
O98.2	Kvapavka,kompl.graviditu,pôrod a šestonedelie	S20.18	Iné a blížšie neurčené povrchové poranenia prsníka:iné
O98.3	Iná infcia s prevaž.pohl.spôs.pren.,kompl.grav.,pôr.a šesto.	S21.0	Otvorená rana prsníka
O98.4	Vír.hepatitída,kompl.grav.,pôrod a šeston.	S31.4	Otvorená rana pošvy a vulvy

Kód	Popis	Kód	Popis
S37.4	Poranenie vaječníka	Z35.9	Dohľad nad rizikovou graviditou, bližšie neurčenou
S37.5	Poranenie vajíčkovodu	Z36.0	Prenatálny skrining chromozómových anomálií
S37.6	Poranenie maternice	Z36.1	Prenatál.skrin.na zvýšenú hodnotu alfafetoproteínu
T19.2	Cudzie teleso vo vulve a pošve	Z36.2	Iný prenatálny skrining, založený na amniocentéze
T19.3	Cudzie teleso v maternici (ktorejkoľvek časti)	Z36.3	Prenatál.skrin. malformácií UZV a i.fyzik.metódami
T21.01	Popálenina trupu bližšie neurčeného stupňa,prsňík	Z36.4	Prenatál.skrin. spomalenia rastu plodu UZV a i.fyzik.met.
T21.11	Popálenina trupu 1. stupňa,prsňík	Z36.5	Prenatálny skrining izoimunizácie
T21.31	Popálenina trupu 3. stupňa,prsňík	Z36.8	Iný prenatálny skrining
T21.41	Poleptanie trupu bližšie neurčeného stupňa, prsňík	Z36.9	Prenatálny skrining, bližšie neurčený
T21.51	Poleptanie trupu 1.stupňa,prsňík	Z37.0	Jedno dieťa, živonarodené
T21.71	Poleptanie trupu 3.stupňa,prsňík	Z37.1	Jedno dieťa, mŕtvonarodené
T83.3	Mechanická komplik.zaprič.vnútromat.antikoncepčnou pomôc.	Z37.2	Dvojčatá, živonarodené
Z01.4	Gynekologické vyšetrenie (celkové) (rutinné)	Z37.3	Dvojčatá, jedno živonarodené, jedno mŕtvonarodené
Z30.1	Zavedenie (vnútmater.) antikoncepčného telieska	Z37.4	Dvojčatá, mŕtvonarodené
Z31.1	Umelé oplodnenie	Z37.5	Iný viacpočetný pôrod, všetky deti živonarodené
Z31.2	Oplodnenie in vitro	Z37.6	Iný viacpočetný pôrod, niektoré deti živonarodené
Z32.0	Gravidita, (ešte) nepotvrdená	Z37.7	Iný viacpočetný pôrod, všetky deti mŕtvonarodené
Z32.1	Potvrdená gravidita	Z37.9	Výsledok pôrodu, bližšie neurčený
Z34.0	Dohľad nad normálnou prvou graviditou	Z39.0	Starostlivosť a vyšetrenie matky ihneď po pôrode
Z34.8	Dohľad nad inou normálnou graviditou	Z39.1	Starostlivosť a vyšetrenie matky počas laktácie
Z34.9	Dohľad nad normálnou graviditou, bližšie neurčenou	Z39.2	Ďalšie bežné sledovanie matky po pôrode
Z35.0	Dohľad nad graviditou s anamnézou neplodnosti	Z40.00	Profylaktický chir.výk.pre ohrozenie zhub.nád.prsníka
Z35.1	Dohľad nad graviditou s anamnézou potratu	Z40.01	Profylaktický chir.výk.pre ohrozenie zhub.nád.vaječ.
Z35.2	Dohľad nad gravid.s i.nepriaznivou pôr.anamnézou	Z43.7	Ošetrovanie umelo vytvorenej pošvy
Z35.3	Dohľad nad gravid.s anamnézou nedost.prenatálnej star.	Z44.3	Skúšanie a prispôsobovanie vonk.protézy prsníka
Z35.4	Dohľad nad graviditou mnohorodičky	Z64.0	Problémy súvisiace s nechcenou graviditou
Z35.5	Dohľad nad staršou prvorodičkou	Z80.3	Zhubný nádor prsníka v rodinnej anamnéze
Z35.6	Dohľad nad veľmi mladou prvorodičkou	Z87.5	Kompl.gravidity,pôr.a šestonedelia v osob.anam.
Z35.7	Dohľad nad rizik. gravid.v dôsledku sociál.problem.	Z90.1	Získané chýbanie prsníka (prsňíkov)
Z35.8	Dohľad nad inou rizikovou graviditou		

D.5b Konflikt s pohlavím: Výkony u ženy

Kód	Popis	Kód	Popis
12q10.0↔	Perkutánná (ihl.) biopsia vaječníkov	5q001.8↔	Enukleácia ovariálnej cysty:robot.
12q10.1↔	Perkutánná (ihl.) biopsia tuba uterina	5q002.0	Excízia peritoneálnej endometriózy:lpt.
12q10.2	Perkutánná (ihl.) biopsia maternice	5q002.1	Excízia peritoneál.endometriózy:vag.lsk.asist.
12q10.3↔	Perkutánná (ihl.) biopsia záves.aparátu maternice	5q002.4	Excízia peritoneálnej endometriózy:lsk.
12q10.4	Perkutánná (ihl.) biopsia pošvy	5q002.8	Excízia peritoneálnej endometriózy:robot.
12q10.5	Perkutánná (ihl.) biopsia vulvy	5q003	Resek.rektovag.septa pri infiltr.endometrióze
12q10.6	Perkutánná (ihl.) biopsia perinea žens.pohl.org.	5q010.0↔	Parciálna resekcia vaječníka:lpt.
12q10.x↔	Perkutánná (ihl.) biopsia ženských pohl.org.,ostatné	5q010.4↔	Parciálna resekcia vaječníka:lsk.
12q11.0	Biopsia endometria bez incízie, dg.mikrokyretáž	5q010.8↔	Parciálna resekcia vaječníka:robot.
12q11.1	Biopsia endometria bez incízie, aspiračná kyretáž	5q011.0↔	Ovarektómia po predch.parc.resekcii:lpt.
12q11.2	Biopsia endometria bez incízie, frakcion.kyretáž	5q011.4↔	Ovarektómia po predch.parc.resekcii:lsk.
12q11.x	Biopsia endometria bez incízie, ostatné	5q011.8↔	Ovarektómia po predch.parc.resekcii:robot.
12q12.0	Biopsia krčka maternice bez incízie,abrázia	5q012.0	Ovarektómia, laparotomicky
12q12.x	Biopsia krčka maternice bez incízie,ostatné	5q012.1↔	Ovarektómia:vag.lsk.asist.
12q20.1‡	Biopsia bez incí.chorio.klkov gravid.mat.,transvagin.zobr.m.	5q012.4↔	Ovarektómia:lsk.
12q20.2‡	Biopsia bez incíz.plodu gravid.mater.s použ.zobr.metód	5q012.7↔	Ovarektómia:vag.
12q20.3‡	Biopsia bez incí.umbilik.ciev gravid.mater.zobr.m.(kordocent.)	5q013.0↔	Rad.ovarektómia [sek.debulking-cytredukcia]:lpt.
12q20.x‡↔	Biopsia bez incíz.gravid.mater.s použ.zobr.metód,ostatné	5q013.4↔	Rad.ovarektómia [sek.debulking-cytredukcia]:lsk.
12q23.0↔	Perkutánná biopsia vaječníkov s použ.zobraz.metód	5q013.8↔	Rad.ovarektómia [sek.debulking-cytredukcia]:rob.
12q23.1↔	Perkutánná biopsia tuba uterina s použ.zobraz.metód	5q014.0↔	Radikálna ovarektómia:lpt.
12q23.2	Perkutánná biopsia maternice s použ.zobraz.metód	5q014.4↔	Radikálna ovarektómia:lsk.
12q23.3↔	Perkut.biopsia záves.ap.maternice s použ.zobraz.metód	5q014.8↔	Radikálna ovarektómia:robot.
12q23.4	Perkutánná biopsia pošvy s použ.zobraz.metód	5q030.0↔	Salpingoovariolýza:lpt.
12q23.5	Perkutánná biopsia vulvy s použ.zobraz.metód	5q030.4↔	Salpingoovariolýza:lsk.
12q23.6	Perkut.biopsia perinea žen.pohl.org.s použ.zobraz.m.	5q030.8↔	Salpingoovariolýza:robot.
12q23.x↔	Perkutánná biops.žen.pohl.org.s použ.zobr.metód,ostatné	5q031.0↔	Adnexektómia:lpt.
13q00.0↔	Biopsia s incíziou vaječníkov	5q031.4↔	Adnexektómia:lsk.
13q00.1↔	Biopsia s incíziou tuby uterina	5q031.5↔	Adnexektómia:konv.z endoskopie na otv.ch.
13q01.0↔	Biopsia s incíziou závesného aparátu maternice	5q031.7↔	Adnexektómia:vaginálne
13q01.1	Biopsia s incíziou tela maternice	5q031.8↔	Adnexektómia:robot.
13q01.2	Biopsia s incíziou krčka maternice	5q042.0↔	Transpozícia vaječníkov:lpt.
13q02	Biopsia s incíziou pošvy	5q042.4↔	Transpozícia vaječníkov:lsk.
13q03	Biopsia s incíziou vulvy	5q043.0↔	Transpozícia vaječníkov súč.s iným výk:lpt.
13q04	Biopsia s incíziou ženského perinea	5q043.4↔	Transpozícia vaječníkov súč.s iným výk:lsk.
13q05	Vagináln.biopsia s incíziou Douglasovho priestoru	5q043.8↔	Transpozícia vaječníkov súč.s iným výk:robot.
13q0x	Biopsia s incíziou ostat.ženských pohlavných orgánov	5q090.0↔	Parovariálna cystektómia:lpt.
3131a	Endosonografia ženských pohlavných orgánov	5q090.1↔	Parovariálna cystektómia:s lsk.asist.
5o31a.0	Jednoduchá cystektómia u ženy:otv.chir.	5q090.4↔	Parovariálna cystektómia:lsk.
5o31a.4	Jednoduchá cystektómia u ženy:lsk.	5q090.8↔	Parovariálna cystektómia:robot.
5o31a.x	Jednoduchá cystektómia u ženy:iný spôsob	5q101.0↔	Salpingektómia:lpt.
5o31b.0	Rad.cystektómia bez uretrektómie u ženy:otv.chir.	5q101.4↔	Salpingektómia:lsk.
5o31b.4	Rad.cystektómia bez uretrektómie u ženy:lsk.	5q101.8↔	Salpingektómia:robot.
5o31b.x	Rad.cystektómia bez uretrektómie u ženy:iný spôsob	5q110.0	Uzáver tuby pre sterilizáciu:lpt.
5o31d.0	Rad.cystektómia s uretrektómiou u ženy:otv.chir.	5q110.3	Uzáver tuby pre sterilizáciu:hsk.
5o31d.4	Radikálna cystektómia s uretrektómiou,žena:lsk.	5q110.4	Uzáver tuby pre sterilizáciu laparoskopicky
5o31d.x	Radikálna cystektómia s uretrektómiou,žena:ost.	5q110.7	Uzáver tuby pre sterilizáciu:vag.
5o40c	Plastická rekonštrukcia ženskej epispadie	5q120.0↔	Narezanie vajíčkovodu:lpt.
5o40d	Plastická rekonštr.ženskej hypospadie	5q120.4↔	Narezanie vajíčkovodu:lsk.
5o41c	Jednoduchá uretrektómia u ženy ako samostat.výkon	5q120.8↔	Narezanie vajíčkovodu:robot.
5o41d	Radikálna uretrektómia u ženy ako samostat.výkon	5q130.0↔	Neostómia:lpt.
5o930.1	Transvag.závesná OP s použ.autolog.m:plastika levátorov	5q130.4↔	Neostómia:lsk.
5o930.2	Transvag.závesná OP s pou.autolog.m:pubokolokocygeál.pl	5q130.8↔	Neostómia:robot.
5o930.3	Transvag.závesná OP s použ.autolog.m:fasciová závesná OP	5q131.0↔	Fimbrioplastika:lpt.
5o930.x	Transvag.závesná OP s použ.autolog.m:ost.	5q131.4↔	Fimbrioplastika:lsk.
5o931.1	Transvag.závesná OP dury s použ.alogen.m	5q131.8↔	Fimbrioplastika:robot.
5o931.2	Transvag.závesná OP fascie s použ.alogen.m	5q132.0	Reanastomóza:lpt.
5o931.x	Transvag.závesná OP s použ.alogen.m:ost.	5q132.4	Reanastomóza:lsk.
5o932.1	Transvag.závesná OP s použitím alopl.mat:TVT/TOT	5q132.8	Reanastomóza:robot.
5o932.x	Transvag.závesná OP s použitím alopl.mat:iné	5q133↔	Rekonštrukcia vajíčkovodu:lpt.
5o93x	Transvaginálna závesná operácia:iná	5q140↔	Pertubácia terapeutická
5o955	Uretrocystolýza u ženy	5q141↔	Rekanalizácia vajíčkovodov pod hysterosk.kontrolou
5o961	Uretrokolposuspenzia	5q142↔	Rekanalizácia vajíčkovodov pod skiaskop.kontr.
5o962	Uretrokolposuspenzia s laterálnou fixáciou pošvy	5q210	Konizácia krčka maternice
5q001.0↔	Enukleácia ovariálnej cysty:lpt.	5q211	Elektrokonizácia krčka maternice
5q001.1↔	Enukleácia ovariálnej cysty:vag.lsk.asist.	5q212	Laserová konizácia krčka maternice
5q001.2	Enukleácia ovariálnej cysty, vaginálne	5q213	Kryonizácia krčka maternice
5q001.4↔	Enukleácia ovariálnej cysty:lsk.	5q220	Excízia z krčka maternice

Kód	Popis	Kód	Popis
5q221.0	Rad.trachelektómia a detekcia sentin.LU:lpt.	5q594	Intrauterinná aspirácia u virgo
5q221.1	Rad.trachelektómia a det.sentin.LU:vag.lsk.asist.	5q595	Elektrodiatermokoag./kryochir.zásah v obl.krčka maternice
5q221.4	Rad.trachelektómia a detekcia sentin.LU:lsk.	5q597.0	Ventrosuspenzia maternice:lpt.
5q221.7	Rad.trachelektómia a detekcia sentin.LU:vag.	5q597.4	Ventrosuspenzia maternice:lsk.
5q223	Amputácia krčka maternice	5q597.7	Ventrosuspenzia maternice:vag.
5q230	Serkláž krčka maternice rôznymi technikami	5q597.8	Ventrosuspenzia maternice:robot.
5q231.0	Abdominálna serkláž:lpt.	5q598‡	Operačná hysteroskopia elektrochirurgiou
5q231.4	Abdominálna serkláž:lsk.	5q610	Hymenotómia,hymenektómia
5q291	Tracheloplastika	5q620.1	Excízia z pošvy
5q292	Odstránenie serkláže	5q620.2	Exstirpácia nádoru pošvy
5q401.0	Odstránenie myómov maternice:abd.	5q621	Kryonizácia v oblasti pošvy alebo vulvy
5q401.1	Odstránenie myómov maternice kombinovane	5q630	Kolpokleisis
5q401.4	Odstránenie myómov maternice:lsk.	5q632	Semikolpokleisis
5q401.7	Odstránenie myómov maternice:vag.	5q633.0	Parciálna kolpektómia:abdominálne
5q401.8	Odstr.mýomov maternice:roboticky	5q633.7	Čiastočná kolpektómia:vaginálne
5q402.2	Dilatácia a kyretáž:vag.s hysteroskop.asist.	5q634.0	Totálna kolpektómia:abdominálne
5q402.7	Dilatácia a kyretáž:vaginálne kyretou	5q634.7	Totálna kolpektómia:vaginálne
5q403	Deštrukcia endometria:termoabláciou	5q640	Predná vaginálna plastika s plastikou panvového dna
5q404.0	Odstránenie endometriu techn.strippingu:lpt.	5q641	Zadná vaginálna plastika s plastikou panvového dna
5q404.4	Odstránenie endometriu techn.strippingu:lsk.	5q642	Vaginál.plastika s elev.maternice s plast.panv.dna,vaginál.
5q404.8	Odstránenie endometriu techn.Strippingu:rob.	5q650.4	Neoplastika pošvy,laparoskopicky
5q405.0	Pelvicná exenterácia:lpt.	5q650.7	Neoplastika pošvy,vaginálne
5q405.4	Pelvicná exenterácia:lsk.	5q651	Excízia kongenitálneho [vrod.]septu pošvy
5q405.8	Pelvicná exenterácia:robot.	5q652	Vaginálna operácia pri aplázii pošvy
5q410.0	Trachelektómia:lpt.	5q653	Vag.OP pri neúplnom zdvojení vnút.rodidiel
5q410.4	Trachelektómia:lsk.	5q654	Plastika vaginálneho vchodu
5q410.7	Trachelektómia:vag.	5q690	Fistulektómia a plastika
5q420	Hemihysterektómia	5q691	Kolpost.intersex.malf.,Prader IV.aV.s uz.sin-vag./uretrov.fist
5q426.10	Subt.simplex.HYE(b.odstr.vaječnika/vaječnikov), abdomin.	5q692	Kolpost.pri intersex.malf.,Prader IV. a V.,plast.pošv.vchodu
5q426.14	Subt.simplex.HYE(b.odstr.vaječnika/vaječnikov), lsk	5q693	Kolpostómia pri parc.aplázii distálnej č.pošvy
5q426.18	Subt.simplex.HYE(b.odstr.vaječnika/vaječnikov), robot.	5q710	Incízia Bartolínskej žľazy
5q426.20	Subtotál.HYE s odstr.vaječnika/vaječnikov, abdominálne	5q711	Marsupializácia Bartolínskej žľazy
5q426.24	Subtotál.HYE s odstr.vaječnika/vaječnikov, laparoskopicky	5q712	Exstirpácia Bartolínskej žľazy
5q426.28	Subtotál.HYE s odstr.vaječnika/vaječnikov, roboticky	5q720.1	Excízia vulvy
5q426.30	HYE simpl.(b. odstr.vaječnika/vaječnikov), abdominálne	5q720.2	Extirpácia nádoru vulvy
5q426.31	HYE simpl.(b. odstr.vaječnika/vaječnikov), kombi.s lsk asist.	5q721	Elektrodiatermok.al.kryochir.zásah v obl.pošvy/vulvy
5q426.34	HYE simpl.(b. odstr.vaječnika/vaječnikov), laparoskopicky	5q722	Resekcia malého pysku
5q426.37	HYE simpl.(b. odstr.vaječnika/vaječnikov), vagin.bez plastiky	5q730	Resekcia klitorisu
5q426.38	HYE simpl.(b. odstr.vaječnika/vaječnikov), roboticky	5q731	Klitoridektómia
5q427.10	HYE s odstr.vaječnika/vaječnikov, laparotomicky	5q732	Klitoridektómia s neoplastikou malých pyskov
5q427.11	HYE s odstr.vaječnika/vaječnikov, kombinovaná	5q740	Jednoduchá vulvektómia
5q427.14	HYE s odstr.vaječnika/vaječnikov, laparoskopicky	5q741	Radikálna vulvektómia (predná, zadná)
5q427.17	HYE s odstr.vaječnika/vaječnikov, vaginálne	5q742	Skinning vulvektómia
5q427.18	HYE s odstr.vaječnika/vaječnikov, roboticky	5q743	Hemivulvektómia
5q427.21	Vaginálna hysterektómia s prednou pošvovou plastikou	5q750	Labioplastika
5q427.22	Vaginálna hysterektómia so zadnou pošvovou plastikou	5q751	Chir.ošetr.úrazu vonk.rodidiel u dieťaťa
5q428.00	Radik.HYE s odstr.vaječnika/vaječnikov, abdominálne	5q752	Chir.ošetr.úrazu vonk.rodidiel a pošvy u dieťaťa
5q428.04	Radik.HYE s odstr.vaječnika/vaječnikov, laparoskopicky	5q790	Operácia synechií vulvy
5q428.07	Radik.HYE s odstr.vaječnika/vaječnikov, vaginálne	5r111‡	Asistovaný pôrod pomocou inštrumentov
5q428.08	Radik.HYE s odstr.vaječnika/vaječnikov, roboticky	5r112‡	Asist.pôrod koncom panv.s mauálnymi hmatmi
5q428.10	Rad.HYE s odstr.vaječ/vaječnikov,abdomin.a detekt.sentin.LU	5r113‡	Kombinov.pôrod pomocou inštrumentov a špec.úchytov
5q428.20	Radik.HYE s transpozíciou vaječnikov, abdominálne	5r114‡	Vedenie pôrodu koncom panv.pri viacplod.grav.
5q428.24	Radik.HYE s transpozíciou vaječnikov, laparoskopicky	5r11x‡	Iný spont.a vag.OP pôrod pri polohe koncom panv.
5q428.27	Radik.HYE s transpozíciou vaječnikov, vaginálne	5r121‡	Pôrod pomocou východových klieští
5q428.28	Radik.HYE s transpozíciou vaječnikov, roboticky	5r122‡	Pôrod pomocou stredových klieští
5q428.30	Radik.HYE s transpoz.vaječnikov, abdominálne a detekt.sent.LU	5r12x‡	Pôrod pomocou klieští:iný
5q428.34	Radik.HYE s transpozíciou vaječnikov, lsk a detekt.sent.LU	5r131‡	Ukonč.pôr.pri polohe KP manuál.extrakciu plodu
5q428.37	Radik.HYE s transpozíciou vaječnikov, vagin. a detekt.sent.LU	5r132‡	Ukončenie pôr.pri polohe KP inštrum.extrakciu pl.
5q428.38	Radik.HYE s transpozíciou vaječnikov, robot.a detekt.sent.LU	5r133‡	Ukonč.pôr.pri polohe KP manuál.a inštrum.extrak.plodu
5q501	Frakcionovaná kyretáž vákuum aspiračnou kyretou	5r13x‡	Ukončenie pôr.pri polohe KP inou extrakciou plodu
5q502	Frakcionovaná kyretáž:vaginálnou kyretou	5r141‡	Ukončenie pôr.vákuumextrakciou z panv.východu
5q520	Radikálna parametrektómia	5r142‡	Ukončenie pôr.vákuumextrakciou z panv.hlbiny
5q530.0	Rekonštrukčná OP VVCH maternice:lpt.	5r14x‡	Ukončenie pôrodu vákuumextrakciou:ost.
5q530.3	Rekonštrukčná OP VVCH maternice:hysterosk.	5r211‡	Vnút.obrat plodu vnút.hmatmi bez extrakcie
5q530.4	Rekonštrukčná OP VVCH maternice:lsk.	5r212‡	Kombinovaný obrat plodu bez extrakcie
5q530.8	Rekonštrukčná OP VVCH maternice:robot.	5r213‡	Obrat plodu s extrakciou bez ďalších kompl.
5q590	Odstránenie intrauterinného telieska	5r214‡	Obrat plodu s extrakciou kliešťami
5q591	Odstránenie intrauterinného telieska [IUD] háčikom	5r215‡	Rotácia hlavičky pomocou klieští
5q593	Kyretáž vákuovou kyretou	5r216‡	Obrat plodu s extrakciou pri iných kompl.

Kód	Popis	Kód	Popis
5r217‡	Obrat na druhom dvojčati	5r343	Odstr.extraterinneho embrya kuldoskopioi
5r221‡	Neúspešný kliešťový pôrod	5r34x	Iné odstránenie extraterinneho embrya
5r222‡	Neúspešná extrakcia vákuovou pumpou	5r411‡	Intrauterinná transfúzia plodu
5r223‡	Neúspešné vnútorné otočenie	5r412‡	Intrauterinná infúzia plodu
5r224‡	Neúspešné kombinované otočenie	5r413	Intrauterinná laserová terapia plodu
5r231‡	Embryotómia	5r414‡	Výmena plodovej vody
5r232‡	Deštrukcia plodu	5r415‡	Vysokofrekv.ablácia nádor.buniek a/alebo ciev placenty
5r233‡	Dekapitácia	5r416‡	Zavedenie shuntu u plodu intrauterinne
5r234‡	Iné zmenšovacie operácie na plode	5r417‡	Intrauterinná terapia plodu drenážou
5r235	Amniotómia	5r418‡	Medikament.intrauterinná terapia plodu
5r311.1	Primárny cisársky rez	5r421‡	Terap.amniocentéza s násl.amniocentézou
5r311.2	Sekundárny cisársky rez	5r422‡	Terapeutická amniocentéza s kordocentézou
5r312.1	Primárny Misgav-Ladach cisársky rez	5r423‡	Terapeutická amniocentéza za účelom fetocidy
5r312.2	Sekundárny Misgav-Ladach cisársky rez	5r491	Segment.resekcia polycystic.plúc plodu
5r314	Cisársky rez extraperitoneálne	5r492	Intrauterinná OP plodu postihnutého VVCH
5r315.1	Primárny cisársky rez supracervikálny	5r493‡	Intraamniálna inj.apl.medikament.k ukonč.gravidity
5r315.2	Cisársky rez supracervikálny	5r911	Sutúra ruptúry alebo nástrihu hrádze
5r316.1	Primár.korporálny cisársky rez pozdĺžnou incíziou	5r912	Sutúra ruptúry alebo nástrihu krčka maternice
5r316.2	Sekundár.korporálny cisársky rez pozdĺžnou incíziou	5r913‡	Sutúra ruptúry alebo nástrihu pošvy
5r317.1	Primárny cisársky rez korporálny T-incíziou	5r914.1‡	Ošetrovanie ruptúry I.stupňa
5r317.2	Sekundárny SC korporálny T-incíziou	5r914.2‡	Ošetrovanie ruptúry II.stupňa
5r321.1	Primárny cisársky rez a sterilizácia	5r914.3‡	Ošetrovanie ruptúry III.stupňa
5r321.2	Sekundárny cisársky rez a sterilizácia	5r914.4‡	Ošetrovanie ruptúry IV.stupňa
5r322.1	Primárny cisársky rez s následnou HYE s adnexektómiou	5r921‡	Revízia dutiny maternice po pôrode
5r322.2	Sekundárny cisársky rez s násled.HYE s adnexektómiou	5r922‡	Revízia dutiny maternice po spontán.potrata
5r323.1	Primárny cisársky rez s následnou hysterektómiou	5r923‡	Manuálne vybavenie zadržanej placenty
5r323.2	Sekundárny cisársky rez s následnou hysterektómiou	5r924	Inštrumentálne vybavenie zadržanej placenty
5r331.0↔	Salpingotómia: otv.chir.	5r925‡	Iné vybavenie zadržanej placenty
5r331.1↔	Salpingotómia:vag.s lsk.asist.	5r931	Rekonštrukcia močového mechúra a utery
5r331.4↔	Salpingotómia:lsk.	5r932‡	Rekonštrukcia konečníka a análneho zvierača
5r331.6↔	Salpingotómia:konv.z vag.-otv.chir.	5r991	Kyretáž pre ukončenie tehotnosti
5r331.7↔	Salpingotómia:vag.	5u210.1↔	Korekcia asymetrie prsníka vložení implantátu
5r331.x↔	Salpingotómia:ost.	5u210.2↔	Korekcia asymetrie prsníka vložení implantát-expandéru
5r332.0↔	Salpingotómia s rekonštr:otv.chir.	5u211.3↔	Rekonštrukcia prsníka muskulokutánnym lalokom
5r332.1↔	Salpingotómia s rekonštrukciou:lpt.	5u214.1↔	Redukč.mamoplastika pre hypertrof.lahk.a sred.závaž.st.
5r332.4↔	Salpingotómia s rekonštrukciou:lsk.	5u214.2↔	Redukčná mamoplastika s transplantáciou areoly
5r332.6↔	Salpingotómia s rekonštr:konv.z vag.-otv.chir.	5u216.1↔	Zväčšenie prsníka vložení implantátu
5r332.7↔	Salpingotómia s rekonštrukciou:vag.	5u217.0↔	Mastopexia
5r332.x↔	Salpingotómia s rekonštr:ost.	5u217.1↔	Mastopexia s vložení prsníkových implantátov
5r333.0↔	Parciálna salpingektómia:otv.chir.	5u220.1↔	Výmena protetického implantátu prsníka
5r333.1↔	Parc.salpingektómia:vag.lsk.as.	5u220.2↔	Výmena expandér-implantátu prsníka
5r333.4↔	Parc.salpingektómia:lsk.	5u220.3↔	Výmena expandér-implantátu za implantát prsníka
5r333.6↔	Parc.salpingektómia:konv.z vag.-otv.chir.	5u221.x↔	Odstránenie protetického materiálu z prsníka,ost.
5r333.7↔	Parc.salpingektómia:vag.	5u223.1↔	Revízia implantátu prsníka s výmenou
5r333.x↔	Parc.salpingektómia:ost.	5u224↔	Operačná revízia periprotetickej kapsuly prsníka
5r334.0↔	Parc.salpingektómia s rekonštr:lpt.	8c160	Hysteroskop.odstránenie cudzieho telesa z maternice
5r334.1↔	Parc.salpingektómia s rekonštr:lsk.	8c260	Odstránenie cudzieho telesa z pošvy dieťaťa
5r334.4↔	Parc.salpingektómia s rek:vag.lsk.as.	8f108.2‡↔	Terap.katetri.a kanyl.vajčkovodu cez hysterosk.pristup
5r334.6↔	Parc.salpingektómia s rek:konv.z vag.-otv.chir.	8f306.0↔	Perkutánná terapeutická punkcia a aspirácia vaječníka
5r334.7↔	Parc.salpingektómia s rek:vag.	8f306.1	Perkutánná terapeutická punkcia a aspirácia maternice
5r334.x↔	Parc.salpingektómia s rekonštr:iná	8f306.x↔	Perkut.terapeut.punkcia a aspirácia žens.pohlav.org, ost
5r335.0↔	Totál.salpingektómia:lpt.	91110	Intenziv.oše.st.o rodičku pri prekotnom pôrode
5r335.1↔	Totál.salpingektómia:vag.lsk.as.	91111	Intenz.oše.st.o rodičku-I.doba pôrod.pri fyziol.pôrode
5r335.4↔	Totál.salpingektómia:lsk.	91112	Intenz.oše.st.o rodičku-II.doba pôrod.pri fyz.pôrode
5r335.6↔	Totál.salpingektómia:konv.z vag.-otv.chir.	91113	Intenz.oše.st.o rodičku-III.doba pôrod.pri fyz.pôrode
5r335.7↔	Totál.salpingektómia:vag.	91114	Apl.metód nefarmakol.tlmenia bolesti v I.dobe pôrodnej
5r335.x↔	Totál.salpingektómia:ost.	91121	Uvoľnenie dolného pólu plodového vajca
5r336.0	Lokál.medikam.liečba pri tubárnej gravid:lpt.	91127	Sledovanie a vedenie rizikového pôrodu
5r336.1	Lok.medikam.liečba pri tubár.gravid:vag.lsk.asist	91515	Transfer embrya
5r336.4	Lok.medikam.liečba pri tuba.gravidite:lsk.	91516	Zavedenie zmrazeného embrya
5r336.6	Lok.medikam.liečba pri tuba.grav:konv.z vag.-otv.chir.	91518	Inseminácia umelá cerviko-vaginálna
5r336.7	Lokál.medikam.liečba pri tuba.gravid:vag.	91519	Inseminácia umelá intrakavitálna alebo intratubárna
5r336.x	Lok.medikam.liečba pri tubárnej grav:ost.	91520	V.asist.reprod.s odber.oocytov k in vitro fertili.b.pren.embryi
5r339	Operácia extraterinnej gravidity:ost.	91521	Výkon asist.reprodukcie komplexný cyklus s prenosom embryi
5r341	Odstránenie extrater.embrya:otv.chir.	91522‡	Asistovaná fertilizácia
5r342	Odstr.extraterinneho embrya:lsk.		

D.5c Konflikt s pohlavím: Choroby muža

Kód	Popis	Kód	Popis
B26.0	Parotitická orchitída(N51.1*)	N48.0	Leukoplakia penisu
C60.0	Zhubný nádor predkožky penisu	N48.1	Balanopostitída
C60.1	Zhubný nádor žaluďa penisu	N48.2	Iná zápalová choroba penisu
C60.2	Zhubný nádor tela penisu	N48.30	Nízkoprietokový priapizmus
C60.8	Zhubný nádor penisu presahujúci viaceré oblasti	N48.31	Vysokoprietokový priapizmus
C60.9	Zhubný nádor penisu, bližšie neurčený	N48.38	Iný priapizmus
C61	Zhubný nádor prostaty	N48.39	Priapizmus, bližšie neurčený
C62.0	Zhubný nádor nezostúpeného semenníka	N48.4	Impotencia organického pôvodu
C62.1	Zhubný nádor zostúpeného semenníka	N48.5	Vred penisu
C62.9	Zhubný nádor semenníka, bližšie neurčený	N48.6	Induratio penis plastica (balanitis xerotica obliterans)
C63.0	Zhubný nádor nadsemenníka	N48.8	Iné choroby penisu, bližšie určené
C63.1	Zhubný nádor semenného povrazca	N48.9	Choroba penisu, bližšie neurčená
C63.2	Zhubný nádor mieška	N49.0	Zápalová choroba semenných mechúrikov
C63.7	Zhubný nádor iných mužských pohlavných orgánov, bliž. urč.	N49.1	Zápal. chor. semen. povrazca, semenník. pošv. obalu a semenov.
C63.8	Zhubný nádor mužských pohlavných orgánov presah. viac. obl.	N49.2	Zápalová choroba mieška
C63.9	Zhubný nádor mužského pohlavného orgánu, bliž. neurč.	N49.80	Fourmierova gangréna u muža
D07.4	Karcinóm in situ penisu	N49.88	Zápalová choroba i. bliž. urč. mužských pohlav. org.
D07.5	Karcinóm in situ prostaty	N49.9	Zápalová choroba bliž. neu. mužských pohlav. org.
D07.6	Karcinóm in situ iných a bliž. neurč. mužských pohlav. org.	N50.0	Atrofia semenníka
D17.6	Nezhubný lipomatózny nádor semenného povrazca	N50.1	Cievne choroby mužských pohlavných orgánov
D29.0	Nezhubný nádor penisu	N50.8	Iné choroby mužských pohlavných org. b. u.
D29.1	Nezhubný nádor prostaty	N50.9	Choroby mužských pohlavných org. b. n.
D29.2	Nezhubný nádor semenníka	N51.0	Choroby prostaty pri chorobách zatriedených inde
D29.3	Nezhubný nádor nadsemenníka	N51.1	Choroby semenníka a nadsemenníka pri chor. z. i.
D29.4	Nezhubný nádor mieška (skróta)	N51.2	Balanitída pri chorobách zatriedených inde
D29.7	Nezhubný nádor iných mužských pohlavných orgánov	N51.8	Iné choroby mužských pohlav. org. pri chorobách. z. i.
D29.9	Nezhubný nádor bliž. neurč. mužských pohlav. org.	Q53.0	Ektopický semenník
D40.0	Nádor s neurčitým/nezná. správaním: predstojnica (prostata)	Q53.1	Jednostranne nezostúpený semenník
D40.1	Nádor s neurčitým/nezná. správaním: semenník	Q53.2	Obojstranne nezostúpený semenník
D40.7	Nádor s neurčitým/nezná. správaním: i. muž. pohl. org.	Q53.9	Nezostúpený semenník, bližšie neurčený
D40.9	Nádor s neurčitým/nezná. správaním: bliž. neurč. muž. pohl. org.	Q54.0	Hypospádia žaluďa [balanická]
E29.0	Hyperfunkcia semenníkov	Q54.1	Hypospádia penisu [penilná]
E29.1	Hypofunkcia semenníkov	Q54.2	Hypospádia penisu a skróta [penoskrotálna]
E29.8	Iná porucha funkcie semenníkov	Q54.3	Hypospádia perineálna
E29.9	Porucha funkcie semenníkov, bližšie neurčená	Q54.4	Vrodené ventrálné ohnutie penisu [vrodená chordea]
E89.5	Hypofunkcia semenníkov po lekárskom výkone	Q54.8	Iná hypospádia
F52.4	Predčasná ejakulácia	Q54.9	Hypospádia, bližšie neurčená
I86.1	Varixy skróta	Q55.0	Chýbanie a aplázia semenníka
L29.1	Svrbenie skróta	Q55.1	Hypoplázia semenníka a mieška
N36.3	Prolaps sliznice uretry	Q55.2	Iná vrodená chyba semenníka a mieška
N40	Hyperplázia prostaty	Q55.3	Atrézia semenovodu
N41.0	Akútna prostatitída	Q55.4	Iná vrod. chyba semenov., nadsemen., semen. vač. a prostaty
N41.1	Chronická prostatitída	Q55.5	Vrodené chýbanie a aplázia penisu
N41.2	Absces prostaty	Q55.6	Iná vrodená chyba penisu
N41.3	Prostatocystitída	Q55.8	Iná vrod. chyba mužských pohlav. org., b. u.
N41.8	Iná zápalová choroba prostaty	Q55.9	Vrod. chyba mužských pohlav. org., b. n.
N41.9	Zápalová choroba prostaty, bližšie neurčená	R86.0	Abn. nález vo vzorkách z muž. pohl. org.: abn. hodn. enzým.
N42.0	Konkrement prostaty	R86.1	Abn. nález vo vzorkách z muž. pohl. org.: abn. hodn. hormón.
N42.1	Kongescia a krvácanie z prostaty	R86.2	Abn. nález vo vzor. z muž. pohl. org. abn. hodn. liek. a biol. akt. lát.
N42.2	Atrofia prostaty	R86.3	Abn. nález vo vzorkách z muž. pohl. org.: abn. hodn. lát. nemed. p.
N42.3	Dysplázia prostaty	R86.4	Abn. nález vo vzorkách z muž. pohl. org.: abn. imun. nález
N42.8	Iná choroba prostaty, bližšie určená	R86.5	Abn. nález vo vzorkách z muž. pohl. org.: abn. mikrob. nález
N42.9	Choroba prostaty, bližšie neurčená	R86.6	Abn. nález vo vzorkách z muž. pohl. org.: abn. cytol. nález
N43.0	Encystovaná hydrokéla	R86.7	Abn. nález vo vzorkách z muž. pohl. org.: abn. hist. nález
N43.1	Infikovaná hydrokéla	R86.8	Abn. nález vo vzorkách z muž. pohl. org.: iný abn. nález
N43.2	Iná hydrokéla	R86.9	Abn. nález vo vzorkách z muž. pohl. org.: b. n. abn. nález
N43.3	Hydrokéla, bližšie neurčená	S31.2	Otvorená rana penisu
N43.4	Spermatokéla	S31.3	Otvorená rana skróta a semenníkov
N44.0	Torzia semenníka	S37.32	Poranenie močovej rúry, pars spongiosa
N44.1	Torzia hidatídy [Morgagni]	S37.33	Poranenie močovej rúry, pars prostatica
N45.0	Orchitída, epididymitída a epididymoorchitída s abscesom	S37.82	Poranenie prostaty
N45.9	Orchitída, epididymitída a epididymoorchitída bez abscesu	S37.83	Poranenie semenného vďaka
N46	Mužská neplodnosť	S37.84	Poranenie semenovodu
N47	Hyperplastická predkožka, fimóza a parafimóza		

D.5d Konflikt s pohlavím: Výkony u muža

Kód	Popis	Kód	Popis
12o20.1	Perkutánná biopsia prostaty s použ.zobraz.metód	5o31c.4	Rad.cystektómia bez uretrekt.,šetr.nerv-ciev.zv.,žena:lsk.
12o20.2↔	Perkutánná biopsia vesiculae seminales s použ.zobraz.m.	5o31c.x	Rad.cystektómia bez uretrektómie,šetr.nerv-ciev.zv.,žena:ost.
12o20.3	Perkutánná biopsia penisu s použ.zobraz.metód	5o400	Rekonštr.prostat/membranóz.časti moč.rúry po poran.
12o20.4‡↔	Perkutánná biopsia semenníka s použ.zobraz.metód	5o401	Uzavretie uretrostómie
12o20.5↔	Perkutánná biopsia nadsemenníka s použ.zobraz.metód	5o40a.1	1-dobá plast.rekonštr.moč.rúry s použ.kože predkožky
12o20.6↔	Perkutánná biopsia ductus defer.s použ.zobraz.m.	5o40a.2	1-dobá plast.rekonštr.moč.rúry s použ.kože penisu
12o20.7↔	Perkutánná biopsia funiculus spermat.s použ.zobraz.m.	5o40b.1	2-dobá plast.rekonštr.moč.rúry:1.doba s použ.kože predkožky
12o20.8	Perk.biops.moč.sys.a muž.pohl.org.zobr.m.:pre urč.št.ch.	5o40b.2	2-dobá plast.rekonštr.moč.rúry:1.doba s použ.kože penisu
12o21	Perkut.biopsia perivezikál.tk. s použ.zobraz.m.	5o413	Jednoduchá uretrektómia u muža ako samostat.výkon
12o22	Perkut.biopsia peripostat.tk. s použ.zobraz.m.	5o414	Radikálna uretrektómia u muža ako samostat.výkon
12p10.1	Perkutánná (ihlová) biopsia prostaty	5o49b	Posunutie vonkajšieho ústia moč.rú.a glanduloplastika
12p10.2↔	Perkutánná (ihlová) biopsia vesiculae seminales	5o49c	Duckettova plastika
12p10.3	Perkutánná (ihlová) biopsia penisu	5p111.t	Incízia prostaty, transuretrálne
12p10.4‡↔	Perkutánná (ihlová) biopsia semenníkov	5p111.x	Incízia prostaty, ostatné
12p10.5↔	Perkutánná (ihlová) biopsia nadsemenníkov	5p112	Incízia periprostatického tkaniva bez drenáže
12p10.6↔	Perkutánná (ihlová) biopsia ductus deferens	5p113	Incízia a drenáž periprostatického tkaniva
12p10.7↔	Perkutánná (ihlová) biopsia funiculus spermaticus	5p114	Incízia abscesu prostaty transuretrálna
12p10.8	Perkutánná (ihlová) biopsia skrota	5p115	Drenáž abscesu prostaty transrektálne
12p10.9	Perkut.(ihl.) biopsia perinea mužs.pohl.org.	5p116	Excízia periprostatického tkaniva
12p10.x↔	Perkut.(ihl.) biopsia mužs.pohl.org.,ost.	5p11x	Incízia prostaty,Incízia/excízia periprostatického tk:ost.
12p30.01	Ihl.biopsia prostaty transrektál.,menej ako 20 vzoriek	5p121.1	Prostatektómia:suprapubicky-transvezikálne,lpt.
12p30.02	Ihl.biopsia prostaty transrektál., 20 a viac vzoriek	5p121.2	Prostatektómia retropubicky:laparotomicky
12p30.2	Biopsia prostaty transrektálne,aspiračne	5p121.3	Prostatektómia retropubicky:laparoskopicky
12p30.3↔	Biopsia vesiculae seminales transrektálne	5p121.4	Prostatektómia transperineálne:lpt.
12p30.x↔	Biopsia mužs.pohl.org.transrektálne,ostatné	5p121.x	Prostatektómia:ost.
13p00.0	Biopsia s incíziou prostaty	5p122.2	Rad.prostatektómia bez reg.LNE:retropubicky
13p00.1	Biopsia s incíziou periprostatického tkaniva	5p122.3	Rad.prostatektómia bez reg.LNE:perineálne
13p01.0	Biopsia s incíziou glans penis	5p122.4	Radikál.prostatektómia bez reg.LNE:lsk.
13p01.1	Biopsia s incíziou tela penisu	5p122.8	Rad.prostatektómia bez reg.LNE:rob.
13p02.0↔	Biopsia s incíziou semenníkov	5p123.2	Rad.prostatekt.b.reg.LNE,šetr.nervovociiev.zv:retropub
13p02.1↔	Biopsia s incíziou epididymis	5p123.3	Rad.prostatekt.b.reg.lymfadenekt,šetr.nerv-ciev.zv:perineál
13p02.2↔	Biopsia s incíziou ductus deferens	5p123.4	Rad.prostatektómia bez reg.LNE,šetrenie nervovociiev.zv:lsk.
13p02.3↔	Biopsia s incíziou vesiculae seminalis	5p123.8	Rad.prostatekt.bez reg.LNE,šetrenie nervovociiev.zv:robot.
13p02.4↔	Biopsia s incíziou funiculus spermaticus	5p124.2	Rad.prostatektómia s regionál.LNE:retropubicky
13p03	Biopsia s incíziou mužského perinea	5p124.3	Rad.prostatekt.s reg.lymfadenek:perineál,lsk.lymfadenekt
15p10.0↔	Dg.punkcia a aspirácia semenníka	5p124.4	Radikál.prostatektómia s reg.LNE:lsk.
15p10.1↔	Dg.punkcia a aspirácia nadsemenníka	5p124.8	Rad.prostatektómia s reg.LNE:robot.
15p10.2↔	Dg.punkcia a aspirácia hydrokély	5p125.2	Rad.prostatekt.s reg.LNE,šetr.nervovociiev.zv:retropub
15p10.3↔	Dg.punkcia a aspirácia spermatokély	5p125.3	Rad.prostatekt.s r.LNE,šet.n-c.zv:perin,lsk.lymfadenekt
15p10.4	Dg.punkcia a aspirácia prostaty	5p125.4	Rad.prostatektómia s reg.LNE,šetrenie nervovociiev.zv:lsk.
15p10.5↔	Dg.punkcia a aspirácia semenných mechúrikov	5p125.5	Rad.prostatektómia s reg.LNE,šetrenie nervovociiev.zv:rob.
15p10.x↔	Ostatné dg.punkcie a aspirácie mužs.pohl.orgánov	5p126.2	Radik. prostatekt.s rozšir.LNE:retropubicky
31317.1	Endosonografia mužských pohlav.orgánov,transrektálne	5p126.3	Radik.prostatekt.s rozš.LNE:perineál.a lsk.lymfadenekt.
31317.2‡	Endosonografia mužských pohlav.orgánov,transuretrálne	5p126.4	Radik. prostatekt. s rozšir.lymfadenekt:laparoskopicky
5b323.1↔	Laparotomická adrenalectómia u muža	5p126.8	Radik. prostatekt. s rozš.lymfadenekt: roboticky
5b323.2↔	Lumbotomická adrenalectómia u muža	5p127.2	Radik.prostatekt.s rozš.LNE,šetr.nerv-ciev.zváz:retropub
5b323.4↔	Laparoskopická adrenalectómia u muža	5p127.3	Rad.prostatekt.s rozš.LNE,šetr.nerv-c.zváz:perineál.a lsk.LNE
5b323.x↔	Adrenalectómia u muža, ostatné	5p127.4	Radik.prostatekt.s rozš.LNE,šetr.nerv-ciev.zváz:lsk.
5n810.1↔	Uzavr.inguin.her.bez plast:s res.steny hydrokély	5p127.5	Radik.prostatekt.s rozš.LNE,šetr.nerv-ciev.zváz:robot.
5n810.2↔	Uzavr.inguin.her.bez plas:s funikulol.a dislok.semenníka	5p12x	Iná radikálna prostatektómia
5n815.1↔	Uzavr.inguin.her.pri recidíve s plast.s funikulo-orchidolýzou	5p131	Transrektál.a perkutánná termodeštrukcia tkaniva prostaty
5o311.0	Jednoduchá cystektómia u muža:otv.chir.	5p132	Transrektál.a perkutánná deštrukcia tkaniva prostaty UZV
5o311.4	Jednoduchá cystektómia u muža:lsk.	5p133	Transrekt.a perkut.deštrukcia tk.prostaty nosičmi zariadenia
5o311.x	Jednoduchá cystektómia u muža:ostatné	5p134	Aplikácia rádiových zrn do prostaty
5o312.0	Radik.cystektómia u muža bez uretrektóm:otv.chir	5p135	Kryodeštrukcia tkaniva prostaty
5o312.4	Radikálna cystektómia u muža bez uretrektómie:lsk.	5p136	Mikrovlnná deštrukcia prostaty
5o312.x	Radik.cystektómia u muža bez uretrektómie:ost.	5p13x	Transrektálna a perkutánná deštr.tk.prostaty:ost.
5o313.0	Rad.cystekt.b.uretrekt,šetr.nerv-ciev.zv,zach.pot.muža:o.chir	5p140.1	Transuretr.endores.tk.prostaty:elektrores.TURP
5o313.4	Rad.cystekt.b.uretrekt,šetr.nerv-ciev.zv,zach.pot.,muž:lsk.	5p140.2	Transuretr.endores.tk.prost:elektrores s epicystostóm.trok.
5o313.x	Rad.cystekt.b.uretrekt.,šetr.nerv-ciev.zv,zach.pot.,muž:ost.	5p141	Transuretrálna endoresekcia tk.prostaty:kryoablácia
5o314.0	Rad.cystektómia s uretrektómiou,muž:otv.chir.	5p142	Transuretr.endores.tk.prostaty:termores/termodešt.
5o314.4	Rad.cystektómia s uretrektómiou,muž:lsk.	5p143.1	Transuretr.endores.tk.prostaty:intersticiál.laser.deštr
5o314.x	Rad.cystektómia s uretrektómiou,muž:ost.	5p143.2	Transuretrál.endoresekcia tk.prostaty:viz.kontr.las.ab [VLAP]
5o315.0	Eviscerácia malej panvy u muža:otv.chir.	5p143.3	Transuretr.endores.tk.prostaty:laser.vaporizácia prostaty
5o315.4	Eviscerácia malej panvy u muža:lsk.	5p143.x	Transuretrálna endoresekcia tk.prostaty:laserová deštr:iná
5o315.x	Eviscerácia malej panvy u muža:ostatné	5p144	Transur.endores.tk.prostaty:transuretr.ihl.abl.tk.prost[TUNA]
5o31c.0	Rad.cystektómia bez uretrekt.,šetr.nerv-ciev.zv.,žena:otv.ch.	5p145	Transur.endores.tk.prostaty:elektrická vaporizácia

Kód	Popis	Kód	Popis
5p146	Transur.endores.tk.prostaty:bipolár.resekcia(enukleácia)	5p404↔	Operácia hydrokély testis
5p14x	Transuretrálna endoresekcia tk.prostaty:ost.	5p40x↔	Oper.th.varikokély a hydrokély semenného povrazca:ost
5p151↔	Incízia na semenných mechúrikoch	5p411↔	Excízia cysty v oblasti nadsemenníka
5p152↔	Excízia na semenných mechúrikoch	5p412↔	Excízia spermatokély v obl.nadsemenníka
5p153↔	Exstirpácia na semenných mechúrikoch	5p413↔	Excízia Morgan.hydatídy v obl.nadsemenníka
5p15x↔	Operácie na semenných mechúrikoch:ost.	5p41x↔	Excízia v oblasti nadsemenníka,ost.
5p190.1	Ošetrovanie krvácania na prostate:laparotom.	5p421↔	Parciálna epididymektómia
5p190.t	Ošetrovanie krvácania na prostate:transuretrál.	5p422↔	Totálna epididymektómia
5p191	Rekonštrukcia prostaty po poranení	5p42x↔	Epididymektómia, ostatné
5p192	Dilatácia prostatickej močovej rúry	5p431↔	Sutúra semenného povrazca po poranení
5p193	Zavedenie stentu do prostatickej močovej rúry	5p432↔	Plastická rekonštrukcia semenného povrazca
5p194	Výmena stentu v prostatickej močovej rúre	5p433‡↔	Detorkv.semen.povrazca pri torzii,vrát.kontrat.orchidopex
5p195‡	Odstránenie stentu z prostatickej močovej rúry	5p434‡↔	Detorzia testis manuálne
5p196	Iné operácie na prostate:revízia	5p43x‡↔	Rekonštrukcia semenného povrazca:ost.
5p197	Zavedenie prostatickej endoprotézy	5p451↔	Sklerotizácia semenovodu
5p198‡	Odstránenie prostatickej endoprotézy	5p452↔	Ligatúra semenovodu
5p19x‡	Iné operácie na prostate:ost	5p453↔	Resekcia semenovodu [vazoresekcia]
5p201	Excízia fistuly skróta	5p45x↔	Deštrukcia,ligatúra a resekcia semenovodu:ost.
5p20x	Iná excízia a deštr.chor.tk.skróta	5p461↔	Sutúra semenovodu a nadsemenníka po poranení
5p211	Parciálna resekcia chorého tkaniva skróta	5p462↔	Vazovazostómia
5p212	Radikálna resekcia chorého tkaniva skróta	5p463↔	Epididymovazostómia
5p221	Operácia skróta pre úraz	5p464↔	Tubulovazostómia
5p230	Incízia skróta a tunica vaginalis testis:bez d.zásahov	5p465↔	Vytvorenie umelej spermatokély
5p231	Incízia skróta a tunica vaginalis testis:drenáž	5p46x↔	Rekonštrukcia semenovodu a nadsemenníka:ost.
5p233	Incízia skróta a tunica vaginalis testis:odstr.cudz.t.	5p491↔	Incízia rozrušenia zrastov, epididymotómia
5p23x	Incízia skróta a tunica vaginalis testis:iná	5p492↔	Incízia rozrušenia zrastov spermatického povrazca
5p240	Sutúra skróta a tunica vaginalis testis po poranení	5p493↔	Adheziolýza semenného povrazca
5p241	Plastická rekonštrukcia skróta a tunica vaginalis testis	5p494↔	Odber tkaniva nadsemenníka v prípr.pred umel.oplodnením
5p242	Vytvor.a rekonštrukcia skróta a tunica vaginalis testis	5p49x↔	Iné OP na semen.povrazci,nadsemeníku a semenovode:ost
5p24x	Plastická rekonštr.skróta a tunica vaginalis testis:ost.	5p501	Frenulotómia predkožky
5p301.0↔	Orchiektómia bez epididymektómie:inguin.retencia semenn	5p502	Dorzálne preťatie predkožky
5p301.2↔	Orchiektómia bez epididymektómie:skrotálne	5p503	Cirkumcizia
5p302.0↔	Orchiektómia s epididymektómiou:inguin.reten.semenníka	5p504	Frenuloplastika a plastika predkožky
5p302.2↔	Orchiektómia s epididymektómiou:skrotálne	5p505.1	Krvavá repozícia na predkožke pre parafimózu v celk.anestézii
5p303.1↔	Abdominálna retencia semenníka:lpt.	5p505.2	Nekrvavá repoz. na predkožke pre parafimózu v CA
5p303.4↔	Abdominálna retencia semenníka:lsk.	5p506	Uvoľn.prepučiálnych zrastov na predkožke[synechiolýza]
5p304↔	"Rad.orchiekt,epididymekt.a odstránením"spermat. cord""	5p509	Operácie na predkožke:ost.
5p305.0↔	Odstr.zostávajúceho semenníka:inguinálne	5p511	Lok.excízia chor.tk.penisu
5p305.2↔	Odstr.zostávajúceho semenníka:skrotálne	5p512	Lok.deštrukcia chor.tk.penisu
5p306↔	Orchiektómia u novorod.pre intrauter.torziu testis:inguinál.	5p51x	Lok.excízia a deštr.chor.tk.penisu:ost.
5p30x↔	Orchiektómia:ost.	5p521	Čiastočná amputácia penisu
5p311↔	Orchidopexia s funikulolýzou	5p522	Totálna amputácia penisu
5p312↔	Orchidopexia skrotálne	5p523	Emaskulinizácia penisu
5p31x↔	Orchidopexia:ost.	5p530	Sutúra penisu pri poranení
5p320.1↔	Oper.premies.abd.ulož.semenníka bez mikrovask.anast:lpt.	5p531	Narovnanie tela penisu
5p320.4↔	Oper.premiestn.abd.ulož.sem.bez mikrovaskul.anastom:lsk.	5p532	Plast.rekonštrukcia penisu pri zmene pohlavia
5p321.1↔	OP premiestn.abdomin.ulož.sem.s mikrovaskul.anast:lpt.	5p533	Úprava penoskrotálnej transpozície
5p321.4↔	OP premiestn.abd.ulož.sem.s mikrovaskulárnou anast:lsk.	5p534	Operácia zanoreného penisu
5p32x↔	OP premiestnenie abdominál.uloženého semenníka:ost.	5p535	Operácia zlomeniny penisu
5p341‡↔	Implantácia protézy semenníka	5p536	Preťatie ligamentum suspensorium penis
5p342‡↔	Výmena protézy semenníka	5p537	Operácie pri induratio penis plastica
5p343‡↔	Odstránenie protézy semenníka	5p53x	Plastická rekonštrukcia penisu:ost.
5p34x‡↔	Implantácia,výmena a odstr.protézy semenníka:ost.	5p541	Plast.rek.epispád,muž:narovnanie tela penisu a chordektóm
5p351↔	Sutúra semeníka po poranení	5p542	Plast.rek.episp.muž:uvoľ.kaver.tel,ventr.transpoz.moč.rúry
5p35x↔	Rekonštrukcia semeníka:ost.	5p543.0	Plast.rekonštr.epispádie,muž:vytv.moč.rúry pou.kože predkož
5p391.0	Explorácia pri kryptorchizme:inguin.	5p543.1	Plast.rekonštr.epispádie,muž:vytv.moč.rúry pou.kože penisu
5p391.1↔	Explorácia pri kryptorchizme:lpt.	5p543.2	Plast.rekonštr.epispádie,muž:vytv.moč.rúry pou.bukál.slizn.
5p391.4	Explorácia pri kryptorchizme:lsk.	5p543.3	Plast.rekonštr.epispád,muž:vytv.moč.rúry pou.slizn.m.mech
5p391.x	Explorácia pri kryptorchizme:ost	5p543.x	Plast.rekonštr.epispádie,muž:vytv.moč.rúry:ost.
5p392↔	Odobratie tk.semenníka v príprave umel.oplodnenia	5p54x	Plastická rekonštrukcia epispádie u muža:ost
5p393↔	Incízia semeníka	5p551	Plast.rekonštr.hyospádie,muž:meatoglandulárna plast.
5p394↔	Excízia a deštrukcia chorého tkaniva semenníka	5p552	Plast.rek.hyosp.muž:narovnanie tela pen,chordekt
5p39x‡↔	Iné operácie na semeníku:ost	5p553.0	Plast.rekonštr.hyospádie,muž:vytv.moč.rúry:s kože predkožky
5p401.2↔	Sklerotizácia testikulárnej žily:skrotálne	5p553.1	Plast.rekonštr.hyospádie,muž:vytv.moč.rúry:s kože penisu
5p402.0↔	Resekcia testikulárnej žily a testikulárnej tepny:inguin	5p553.2	Pl.rekonštr.hyospádie,muž:vytv.moč.rúry:transpl.bukál.sl
5p402.1↔	Resekcia testikulárnej žily a testikulárnej tepny:otv.mikrochir	5p553.3	Pl.rekonštr.hyospád,muž:vytv.moč.rúry:transpl.sl.m.mech
5p402.3↔	Resekcia testikulárnej žily a testikulárnej tepny:lumb	5p553.x	Plast.rekonštr.hyospádie,muž:vytv.moč.rúry:iné
5p402.4↔	Resekcia testikulárnej žily a testikulárnej tepny:lsk.	5p554	King-Duplay plastika
5p403↔	OP hydrokély semenn.povrazca	5p555	Plastická rekonštr.hyospádie u muža:sekundárny výkon

Príloha D: Overovania klinických a demografických údajov

Kód	Popis	Kód	Popis
5p556	Mathieau plastika	5p598	Odstránenie penilnej protézy
5p55x	Plastická rekonštr.hyospádie u muža:ost.	5p599	Replantácia na penise
5p590	Incizia na penise	5p59x	Iné operácie na penise:ost.
5p591	Adheziolyza na penise	5p5a0	OP na zmenu pohlavia:zo ženy na muža
5p592	Uzavretie venózneho úniku penisu	5p5a1	OP na zmenu pohlavia:z muža na ženu
5p593	Revaskularizač.OP na penise	5q293	Vaporizácia laserová
5p594	Shuntové OP kavemóz.telesách penisu	5u115.0↔	Operácia gynekomastie bez liposukcie
5p595.1	Implantácia semirigidnej penilnej protézy	5u115.1↔	Operácia gynekomastie s liposukciou
5p595.2	Implantácia hydraulickej penilnej protézy	8f305.0↔	Perkutánná terapeutická punkcia a aspirácia hydrokély
5p595.x	Implantácia penilnej protézy,ost.	8f305.1↔	Perkutánná terapeutická punkcia a aspirácia spermatokély
5p596	Revízia penilnej protézy	8f305.2	Perkutánná terapeutická punkcia a aspirácia prostaty
5p597.1	Výmena penilnej protézy na semirigidnu protézu	8f305.3↔	Perkut.terapeut.punkcia a aspirácia semenných mechúrikov
5p597.2	Výmena penilnej protézy na hydraulicnú protézu	8f305.x↔	Perkut.terapeut.punkcia a aspirácia mužs.pohlav.org.,ost
5p597.x	Výmena penilnej protézy, ostatné		

D.5d

D.6 Status groupera

Na konci zaraďovania hospitalizačného prípadu sa priradí každému hospitalizačnému prípadu tzv. status groupera (alež GST), ktorý označuje úspešné ukončenie zaraďovacieho procesu. Ak grouper pri pokuse o zaraďenie do DRG narazí na **chýbajúce alebo neplatné informácie**, záznam sa priradí k DRG 960Z *Nezatriedite né do skupín* s typom chyby v statuse groupera s nenulovým číslom. Blížišie údaje k jednotlivým hodnotám GST sa nachádzajú v nasledovnej tabuľke.

Kód	Popis	Poznámky
00	Normálne zaraďenie	
01	Neplatná alebo chýbajúca hlavná diagnóza	
02	Diagnóza nie je prípustná ako hlavná diagnóza	Ak sa napr. ako hlavná diagnóza uvedie diagnóza začínajúca na V, W, X, Y Zoznam neprípustných hlavných diagnóz je uvedený v tabuľke D.7
04	Neplatný vek	Ak nie je možné stanoviť vek pacienta v platnom rozsahu
05	Neplatné pohlavie	
06	Neplatný dôvod prijatia, prepustenia, druh prijatia	
07	Neplatná hmotnosť pri prijatí	Ak je vek pacienta < 1 rok, hlavná diagnóza je novorodenecká a hodnota premennej hmotnosť pri prijatí je neplatná
08	Neplatná o-etrovacía doba	Ak o-etrovacíu dobu nie je možné z údajov vypočítať

S výnimkou poľa Veku, varovným príznakom (šľagomô) označené demografické údaje nemajú za následok status groupera s nenulovým číslom zoskupenia, pokiaľ sa zodpovedajúca klasifikačná premenná nevyfľaduje na zaraďenie. Napríklad pohlavie sa nepoužíva ako klasifikačná premenná pre DRG v MDC 01 *Choroby a poruchy nervového systému*, takže neplatný údaj v poli Pohlavie by neovplyvnil priradenie DRG a výsledný GST by bol "00". Ak by bol však hospitalizačný prípad s neplatným údajom o pohlaví priradený k MDC 14 *Tehotenstvo, narodenie a popôrodné obdobie*, nebolo by možné ho zaraďiť do DRG a dostal by GST š05ô.

D.7 Neprípustná hlavná diagnóza

Kód	Popis	Kód	Popis
A63.0	Anogenitálne (venerické) bradavice	F02.0	Demencia pri Pickovej chorobe (G31.0†)
B23.0	Syndróm akútnej infekcie HIV	F02.1	Demencia pri Creutzfeldtovej-Jakobovej chorobe
B90.0	Následky tuberkulózy centrálnej nervovej sústavy	F02.2	Demencia pri Huntingtonovej chorobe (G10†)
B90.1	Následky tuberkulózy močovopohlavnej sústavy	F02.3	Demencia pri Parkinsonovej chorobe (G20.-†)
B90.2	Následky tuberkulózy kostí a kĺbov	F02.4	Demencia pri chorobe HIV (B22†)
B90.8	Následky tuberkulózy iných orgánov	F02.8	Demencia pri i.blíž.urč.chorobách z.i.
B90.9	Následky respiračnej a blíž.nerč.TBC	G01	Meningitída pri bakteriálnych chorobách zatried.inde
B91	Následky poliomyelitídy	G02.0	Meningitída pri vírusových chorobách zatried.inde
B92	Následky lepy	G02.1	Meningitída pri mykózach zatriedených inde
B94.0	Následky trachómu	G02.8	Meningitída pri iných blíž.urč.infekč.a parazit.chor.z.i.
B94.1	Následky vírusovej encefalitídy	G05.0	Encefalitída,myelitída a encefalomyelit.pri bakt.chor.z.i.
B94.2	Následky vírusovej hepatitídy	G05.1	Encefalitída,myelitída a encefalomyelit.pri vír.chor.z.i.
B94.8	Následky iných.blíž.urč.infekčných a parazitových chorôb	G05.2	Encefalitída,myelit.a encefalomy.pri i.inf.a paraz.chor.z.i.
B94.9	Následky blíž.neurč.infekčných/parazitových chorôb	G05.8	Encefalitída,myelitída a encefalomyelit.pri i.chor.z.i.
B95.0	Streptokok skupiny A ako príčina chorôb zatried.inde	G07	Intrakran.a intrasp.in.absces a granulóm pri chor.z.i.
B95.1	Streptokok skupiny B ako príčina chorôb zatried.inde	G09	Následky zápalových chorôb centrálnej nerv.sústavy
B95.2	Streptokok skupiny D ako príčina chorôb zatried.inde	G13.0	Paraneoplastická neuromyopatia a neuropatia
B95.3	Streptococcus pneumoniae ako príčina chorôb zatried.inde	G13.1	Iná systémová atrofia post.najmä CNS pri nádor.chor.
B95.41	Streptokok skupiny C ako príčina chorôb zatried.inde	G13.2	Systémová atrofia post.najmä CNS pri myxedéme
B95.42	Streptokok skupiny G ako príčina chorôb zatried.inde	G13.8	Systémová atrofia post.najmä CNS pri i.chor.z.i.
B95.48	Iný streptokok,blíž.urč.ako príčina chorôb zatried.inde	G14	Postpoliomyelitický syndróm
B95.5	Streptokok,blíž.neurč.,ako príčina chorôb zatried.inde	G22	Parkinsonov syndróm pri chorobách zatriedených inde
B95.6	Staphylococcus aureus ako príčina chorôb zatried.inde	G26	Extrapramídové porucha a por.hybnosti pri chor.zatried.inde
B95.7	Iný stafylokok ako príčina chorôb zatriedených inde	G31.1	Starecká degenerácia mozgu,nezatriedená inde
B95.8	Stafylokok,blíž.neurč.,ako príčina chorôb zatried.inde	G32.0	Subak.kombinovaná degenerácia miechy pri chor.z.i.
B95.90	Iný grampozit.aerób.mikroorganiz.blíž.urč.,ako príč.chor.z.i.	G32.8	Iná blíž.urč.degeneratívna chor.nervovej súst.pri chor.z.i.
B95.91	Iný grampozit.aerób.nesporul.mikroorg.bl.ur.ako príč.chor.z.i	G46.0	Syndróm strednej mozgovej tepny
B96.0	Mykoplasma a ureaplasma ako príčina chorôb zatried.inde	G46.1	Syndróm prednej mozgovej tepny
B96.2	Escherichia coli a iné Enterobact.ako príčina.chor.zatried.i.	G46.2	Syndróm zadnej mozgovej tepny
B96.3	Haemophilus a Moraxella ako príčina chorôb zatried.inde	G46.3	Syndróm cievného postihnutia mozgového kmeňa
B96.5	Pseudomonas a iná neferment.baktéria ako príč.chorôb.z.i.	G46.4	Syndróm cievného postihnutia mozočka
B96.6	Bacteroides fragilis a i.gramneg.anaerób.bak.príč.chor.z.i.	G46.5	Čistý motorický lakunárny syndróm
B96.7	Clostridium perfringens a i.grampoz.anaer.bakt.príč.chor.z.i.	G46.6	Čistý senzorický lakunárny syndróm
B96.8	Iná baktéria,blíž.urč.,ako príčina chorôb zatriedených inde	G46.7	Iný lakunárny syndróm
B97.0	Adenovírus ako príčina chorôb zatriedených inde	G46.8	Iný cievný mozgový syndróm pri cievných mozgov.chorobách
B97.1	Enterovírus ako príčina chorôb zatriedených inde	G53.0	Neuralgia po herpes zoster (B02.2†)
B97.2	Koronavírus ako príčina chorôb zatriedených inde	G53.1	Obrna viac.hlavových nervov pri inf.a paraz.chor.z.i
B97.3	Retrovírus ako príčina chorôb zatriedených inde	G53.2	Obrna viacerých hlav.nervov pri sarkoidóze
B97.4	Respiračný syncytiálny vírus ako príč.chorôb zatried.i.	G53.3	Obrna viacerých hlav.nervov pri nád.chor.
B97.5	Reovírus ako príčina chorôb zatriedených inde	G53.8	Iná choroba hlav.nervu pri iných chorobách z.i.
B97.6	Parvovírus ako príčina chorôb zatriedených inde	G55.0	Kompresia nerv.koreňov a spleť pri nád.chor.
B97.7	Papilomavírus ako príčina chorôb zatriedených inde	G55.1	Kompresia nerv.koreňov a spleť pri pošk.medzistav.plat.
B97.8	Iný vírus ako príčina chorôb zatriedených inde	G55.2	Kompresia nerv.koreňov a spleť pri spondylóze
B98.0	Helicobacter pylori ako príčina chorôb zatried.inde	G55.3	Kompresia nerv.koreňov a spleť pri i.dorzopatiách
B98.1	Vibrio vulnificus ako príčina chorôb.zatried.inde	G55.8	Kompresia nerv.koreňov a spleť pri i.chor.z.i.
C94.8	Blastová kríza pri chronickej myeloidkej leukémii (CML)	G59.0	Diabetická mononeuropatia
C95.8	Leukémia refraktérna na štandardnú indukčnú liečbu	G59.8	Iná mononeuropatia pri chorobách zatriedených inde
C97	Zhubné nádory s primárnym výskytom na roz.m.	G63.0	Polyneuropatia pri inf.a paraz.chor.z.i.
D63.0	Anémia pri nádorových chorobách	G63.1	Polyneuropatia pri nádorovej chorobe(C00-D48†)
D63.8	Anémia pri iných chron.chobách zatried.inde	G63.2	Diabetická polyneuropatia
D77	Iné poruchy krvi a krvotv.org.pri chor.z.i.	G63.3	Polyneuropatia pri iných endokrin.a metabol.chorobách
E35.0	Endokrinná porucha, bližšie neurčená	G63.4	Polyneuropatia pri nedostatku vo výžive (E40-E64†)
E35.1	Choroba štítnej žľazy pri chorobách zatriedených inde	G63.5	Polyneuropatia pri systémových chor.spojiva
E35.8	Choroba nadobličiek pri chorobách zatriedených inde	G63.6	Polyneuropatia pri iných svalovokostr.chorobách
E64.0	Následky proteínovo-energetickej podvýživy	G63.8	Polyneuropatia pri iných chorobách.z.i.
E64.1	Následky nedostatku vitamínu A	G73.0	Myastenický syndróm pri endokrinných chorobách
E64.2	Následky nedostatku vitamínu C	G73.1	Eatonov-Lambertov myastenický syndróm (C00-D48†)
E64.3	Následky rachitídy	G73.2	Iný myastenický synd. pri nádorovej chor.
E64.8	Následky iných nedostatkov vo výžive	G73.3	Myastenický syndróm pri iných chor.z.i.
E64.9	Následky bližšie neurčených nedostatkov vo výžive	G73.4	Myopatia pri infekčných a parazitových chor.z.i.
E68	Následok nadmernej výživy	G73.5	Myopatia pri endokrinných chorobách
E87.7	Preťaženie tekutinou	G73.6	Myopatia pri metabolických chorobách
E90	Nutričná a metab.por.pri chor.z.i.	G73.7	Myopatia pri iných chorobách zatriedených inde
F00.0	Demencia pri Alzheimerovej chor.so skorým začiat.(typ 2)	G82.60	Funkčná úroveň pri poškodení miechy: C1 – C3
F00.1	Demencia pri Alzheimerovej chor.s neskorým začiat.(typ 1)	G82.61	Funkčná úroveň pri poškodení miechy: C4 – C5
F00.2	Demencia pri Alzheimerovej chor.,atypická/zmiešaná forma	G82.62	Funkčná úroveň pri poškodení miechy: C6 – C8
F00.9	Demencia pri Alzheimerovej chorobe,b.n.	G82.63	Funkčná úroveň pri poškodení miechy: Th1 – Th6

Kód	Popis	Kód	Popis
G82.64	Funkčná úroveň pri poškodení miechy: Th7 – Th10	H75.0	Mastoiditída pri infekč.a parazit.chorobách z.i.
G82.65	Funkčná úroveň pri poškodení miechy: Th11 – L1	H75.8	Iná choroba stred.ucha a hlávk.výbež.,blíž.urč.,pri chor.z.i.
G82.66	Funkčná úroveň pri poškodení miechy: L2 – S1	H82	Závratový syndróm pri chorobách zatriedených inde
G82.67	Funkčná úroveň pri poškodení miechy: S2 – S5	H94.0	Zápal sluch.nervu pri infekč.a parazit.chor.z.i.
G82.69	Funkčná úroveň pri poškod.miechy blíž.neur.	H94.8	Iná blíž.urč.choroba ucha pri chorobách zatried.i.
G94.0	Hydrocefalus pri infekčných a parazitových chor.z.i	I25.20	Starý infarkt myokardu,od 29 dní až po 4 mesiace
G94.1	Hydrocefalus pri nádorovej chorobe (C00-D48†)	I25.21	Starý infarkt myokardu,od 4 mesiacov až po 1 rok
G94.2	Hydrocefalus pri iných chorobách zatriedených inde	I25.22	Starý infarkt myokardu,od 1 roka vyššie
G94.8	Iná choroba mozgu pri chorobách zatriedených inde,b.u.	I25.29	Starý infarkt myokardu,blížšie neurčený
G99.0	Autonómna neuropatia pri endokrin.a metabol.chorobách	I32.0	Perikarditída pri bakt.chor.z.i.
G99.1	Iná choroba autonómnej nervovej súst.pri iných chor.z.i.	I32.1	Perikarditída pri i.infekč.a parazit.chor.z.i.
G99.2	Myelopatia pri chorobách zatriedených inde	I32.8	Perikarditída pri iných chorobách zatriedených inde
G99.8	Iná choroba nervovej súst.pri chorobách zatried.i.,b.u.	I39.0	Choroba mitrál.chlopne pri chorobách zatried.i.
H03.0	Parazitové zamorenie mihalnice pri chor.zatried.i.	I39.1	Choroba aortál.chlopne pri chorobách zatried.i.
H03.1	Postihnutie mihalnice pri iných infekčných chor.zatried.i.	I39.2	Choroba trikuspid.chlopne pri chorobách zatried.i.
H03.8	Postihnutie mihalnice pri iných chorobách zatried.i.	I39.3	Choroba pulmoná.chlopne pri chorobách zatried.i.
H06.0	Choroba slzných orgánov pri chorobách z.i.	I39.4	Choroba viacerých chlopni pri chorobách.zatried.i.
H06.1	Parazitové zamorenie očné pri chorách z.i.	I39.8	Endokarditída n.chlopne pri chor.z.i.
H06.2	Exoftalmus pri poruche funkcie štítnej žľazy (E05.-†)	I41.0	Myokarditída pri baktériových chor.z.i.
H06.3	Iná choroba očné pri chorobách zatriedených inde	I41.1	Myokarditída pri vírusových chor.z.i.
H13.0	Filáriová infekcia spojovky (B74.-†)	I41.2	Myokarditída pri i.infekč.a parazit.chorobách zatried.i.
H13.1	Konjunktivitída pri infekčných a parazit.chor.z.i.	I41.8	Myokarditída pri iných chorobách zatriedených inde
H13.2	Konjunktivitída pri iných chorobách zatried.i.	I43.0	Kardiomyopatia pri infekč.a parazit.chorobách zatried.i.
H13.3	Očný pemfigoid (L12.-†)	I43.1	Kardiomyopatia pri metabolických chorobách
H13.8	Iná choroba spojovky pri chorobách zatried.i.	I43.2	Kardiomyopatia pri poruchách výživy
H19.0	Skleritída a episkleritída pri chorobách zatried.i.	I43.8	Kardiomyopatia pri iných chorobách zatried.i.
H19.1	Herpetická keratitída a keratokonjunktivitída (B00.5†)	I52.0	Iná choroba srdca pri baktériových chor.z.i.
H19.2	Keratitída a keratokonjunkt.pri i.infekč.a parazit.chor.z.i.	I52.1	Iná choroba srdca pri i.infekč.a parazit.chor.z.i.
H19.3	Keratitída a keratokonjunkt.pri iných chorob.zatried.i.	I52.8	Iná choroba srdca pri iných chor.z.i.
H19.8	Iná choroba očného bielka a rohovky pri chorách z.i.	I67.80	Vazospazmy pri subarachnoidálnom krvácaní
H22.0	Iridocyklitída pri inf.a paraz.chor.z.i.	I68.0	Mozgová amyloidová angiopatia
H22.1	Iridocyklitída pri iných chorobách zatried.i.	I68.1	Mozgová arteritída pri infekč.a parazit.chorobách z.i.
H22.8	Iná choroba dúhovky a vráskovca pri chor.z.i.	I68.2	Mozgová arteritída pri iných chorobách .zatried.i.
H28.0	Diabetická katarakta (E10-E14, štvrtá pozícia .3†)	I68.8	Iná cievná choroba mozgu pri chorobách zatried.i.
H28.1	Zákal šošovky pri i.endokrin.,nutričných a metabol.chor.	I69.0	Následky subarachnoidálneho krvácania
H28.2	Zákal šošovky pri iných chorobách zatriedených inde	I69.1	Následky vnútromozgového krvácania
H28.8	Iná choroba šošovky pri chorobách zatriedených inde	I69.2	Následky iného neurazového intrakraniálneho krvácania
H32.0	Chorioretinitída pri infekčných a parazit.chorobách z.i.	I69.3	Následky mozgového infarktu
H32.8	Iná choroba cievky a sietnice pri chorobách z.i.	I69.4	Následky cievnej mozg.príhody blíž.neu.ako krvác./infarkt
H36.00	Neproliferatívna diabetická retinopatia bez diabet. edému makuly	I69.8	Následky iných a blíž.neu.cievných chor.mozgu
H36.01	Neproliferatívna diabetická retinopatia s diabetickým edémom makuly	I79.0	Aneurizma aorty pri chorobách zatriedených inde
H36.02	Proliferatívna diabetická retinopatia bez diabetického edému makuly	I79.1	Aortitída pri chorobách zatriedených inde
H36.03	Proliferatívna diabetická retinopatia s diabetickým edémom makuly	I79.2	Periféra angiopatia pri chor.z.i.
H36.09	Diabetická retinopatia (E10-E14, štvrtá pozícia .3†)	I79.8	Iná choroba tepien,tepničiek a vlásočnic pri chor.,z.i.
H36.8	Iná choroba sietnice pri chor.z.i.	I98.0	Kardiovaskulárny syfilis
H42.0	Glaukóm pri endokrin.,nutričných a metabol.chor.z.i.	I98.1	Porucha obeh.súst.pri iných infekč.a parazit.chor.z.i.
H42.8	Glaukóm pri iných chorobách zatriedených inde	I98.2	Varixy pažeráka a žalúdka pri chorobách zatried.i.bez krvác.
H45.0	Krvácanie do sklovca pri chorobách z.i.	I98.3	Varixy pažeráka a žalúdka pri choribách zatried.i.s krvác.
H45.1	Endoftalmitída pri chorobách zatriedených inde	I98.8	Iná blíž.urč.porucha obehovej súst.pri chorobách.z.i.
H45.8	Iná choroba sklovca a očnej gule pri chor.z.i.	J17.0	Zápal pľúc pri baktériových chorobách z.i.
H48.0	Atrofia zrakového nervu pri chorách z.i.	J17.1	Zápal pľúc pri vírusových chorobách z.i.
H48.1	Retrobulbárna neuritída pri chorobách z.i.	J17.2	Zápal pľúc pri mykózach zatriedených inde
H48.8	Iná choroba zrakového nervu a zrak.dráh pri chor.z.i.	J17.3	Zápal pľúc pri parazitových chorobách
H58.0	Anomálie funkcie zrenice pri chor.z.i.	J17.8	Zápal pľúc pri iných chorobách zatriedených inde
H58.1	Poruchy videnia pri chorobách zatriedených inde	J91	Pohrudnicový výpotok pri chor.z.i.
H58.8	Iná choroba oka a jeho adnexov,blíž.urč. pri chor.z.i.	J99.0	Reumatoidná choroba pľúc (M05.1-†)
H62.0	Zápal vonkajšieho ucha pri baktériov.chor.z.i.	J99.1	Choroba dýchac.súst.pri i.difúzných chor.spojiv.tkan.
H62.1	Zápal vonkajšieho ucha pri vírusových chor.z.i.	J99.8	Choroba dýchac.súst.pri iných chorobách z.i.
H62.2	Zápal vonkajšieho ucha pri mykózach z.i.	K23.0	Tuberkulóza pažeráka (A18.8†)
H62.3	Zápal vonkajšieho ucha pri iných infekč.a parazit.chor.z.i.	K23.1	Megaezofág pri Chagasovej chorobe (B57.3†)
H62.4	Zápal vonkajšieho ucha pri iných chorobách z.i.	K23.8	Choroba pažeráka pri i.chorobe,z.i.
H62.8	Iná choroba vonkajšieho ucha pri chorobách z.i.	K67.0	Zápal pobrušnice,zapríčinený chlamýdiami (A74.8†)
H67.0	Zápal stredného ucha pri baktér.chor.z.i.	K67.1	Gonokokový zápal pobrušnice (A54.8†)
H67.1	Zápal stredného ucha pri vírus.chor.z.i.	K67.2	Syfilitický zápal pobrušnice (A52.7†)
H67.8	Zápal stredného ucha pri iných chor.z.i.	K67.3	Tuberkulózný zápal pobrušnice (A18.3†)
		K67.8	Iná choroba pobrušnice pri infekč.chor.z.i.
		K72.71	Pečeňová encefalopatia,1.stupeň
		K72.72	Pečeňová encefalopatia,2.stupeň
		K72.73	Pečeňová encefalopatia,3.stupeň

Kód	Popis	Kód	Popis
K72.74	Pečeňová encefalopatia, 4. stupeň	M01.39	Artritída pri i.baktér.chor.zatried.i.miesto bližš.neurč.
K72.79	Pečeňová encefalopatia neurčeného stupňa	M01.40	Artritída pri ružienke na viac.m.
K77.0	Pečeňová porucha pri infekč./parazit.chor.z.i.	M01.41	Artritída pri ružienke v obl.pleca.
K77.11	Postihnutie pečene pri akút.chor.štetu proti host.GvH, 1.štád.	M01.42	Artritída pri ružienke v obl.nadlaktia
K77.12	Postihnutie pečene pri akút.chor.štetu proti host.GvH, 2.štád.	M01.43	Artritída pri ružienke v obl.predlak.
K77.13	Postihnutie pečene pri akút.chor.štetu proti host.GvH, 3.štád.	M01.44	Artritída pri ružienke v obl.ruky
K77.14	Postihnutie pečene pri akút.chor.štetu proti host.GvH, 4.štád.	M01.45	Artritída pri ružienke panv.obl.a stehna
K77.8	Pečeňová porucha pri iných chorobách.z.i.	M01.46	Artritída pri ružienke v obl.predkol.
K87.0	Choroba žlčníka a žlč.ciest pri chor.z.i.	M01.47	Artritída pri ružienke v obl.čl.a nohy
K87.1	Choroby pankreasu pri chorobách zatriedených inde	M01.48	Artritída pri ružienke na i.mieste
K93.0	TBC čriev,pobrušnice a lymfatických uzlín mezenteria	M01.49	Artritída pri ružienke na n. mieste
K93.1	Megakolon pri Chagasovej chorobe (B57.3†)	M01.50	Artritída pri i.vírus.chor.zatried.i.na viac.m.
K93.21	Postihnutie tráv.trub.pri akút.chor.štetu proti host.GvH, 1.št.	M01.51	Artritída pri i.vírus.chor.zatried.i.v obl.pleca
K93.22	Postihnutie tráv.trub.pri akút.chor.štetu proti host.GvH, 2.št.	M01.52	Artritída pri i.vírus.chor.zatried.i.v obl.nadlaktia
K93.23	Postihnutie tráv.trub.pri akút.chor.štetu proti host.GvH, 3.št.	M01.53	Artritída pri i.vírus.chor.zatried.i.v obl.predlak.
K93.24	Postihnutie tráv.trub.pri akút.chor.štetu proti host.GvH, 4.št.	M01.54	Artritída pri i.vírus.chor.zatried.i.v obl.ruky
K93.8	Choroby i.tráviacich org.,b.u.,pri chorobách z.i.	M01.55	Artritída pri i.vírus.chor.zatried.i.panv.obl.a stehna
L14	Pluzgierová dermatóza pri choroba zatried.i.	M01.56	Artritída pri i.vírus.chor.zatried.i.v obl.predkol.
L45	Papuloskvamózna choroba kože pri chor.z.i.	M01.57	Artritída pri i.vírus.chor.zatried.i.v obl.čl.a nohy
L54.0	Erythema marginatum pri akútnej reumatickej horúčke	M01.58	Artritída pri i.vírus.chor.zatried.i.na i.mieste
L54.8	Erytém pri iných chorobách zatriedených inde	M01.59	Artritída pri i.vírus.chor.zatried.i.miesto bližš.neurč.
L62.0	Nechty tvaru hod.sklička pri pachydermoperiostóze	M01.60	Artritída pri mykózach na viac.m.
L62.8	Choroba nechtov pri inej chorobe zatriedenej inde	M01.61	Artritída pri mykózach v obl.pleca
L86	Keratoderma pri chorobách zatriedených inde	M01.62	Artritída pri mykózach v obl.nadlaktia
L99.0	Amyloidóza kože (E85.-†)	M01.63	Artritída pri mykózach v obl. predlak.
L99.11	Postih.kože pri akút.chor.štetu proti hostit.GvHD:1.štád.	M01.64	Artritída pri mykózach v obl.ruky
L99.12	Postih.kože pri akút.chor.štetu proti hostit.GvHD:2.štád.	M01.65	Artritída pri mykózach panv.obl.a stehna
L99.13	Postih.kože pri akút.chor.štetu proti hostit.GvHD:3.štád.	M01.66	Artritída pri mykózach v obl.predkol.
L99.14	Postih.kože pri akút.chor.štetu proti hostit.GvHD:4.štád.	M01.67	Artritída pri mykózach v obl.čl. a nohy
L99.8	Iná choroba kože a podkožného tkaniva pri chor.zatried.i,b.u.	M01.68	Artritída pri mykózach na i.mieste
M01.00	Artritída zapríč.meningok.na viac.m.	M01.69	Artritída pri mykózach na mieste
M01.01	Artritída zapríč.meningok.v obl.pleca	M01.80	Artritída pri i.infekč.a parazit.chor.zatried.i.na viac.m.
M01.02	Artritída zapríč.meningok.v obl. nadlaktia	M01.81	Artritída pri i.infekč.a parazit.chor.zatried.i.v obl.pleca
M01.03	Artritída zapríč.meningok.v obl.predlak.	M01.82	Artritída pri i.infekč.a parazit.chor.zat.i.v obl.nadlaktia
M01.04	Artritída zapríč.meningok.v obl.ruky	M01.83	Artritída pri i.infekč.a parazit.chor.zatried.i.v obl.predlak.
M01.05	Artritída zapríč.meningok.panv.obl.a stehna	M01.84	Artritída pri i.infekč.a parazit.chor.zatried.i.v obl.ruky
M01.06	Artritída zapríč.meningok.v obl.predkol.	M01.85	Artritída pri i.inf.a parazit.chor.zatr.i.panv.obl.a stehna
M01.07	Artritída zapríč.meningok.v obl.čl.a nohy	M01.86	Artritída pri i.infekč.a parazit.chor.zatried.i.v obl.predkol.
M01.08	Artritída zapríč.meningok.na i.mieste	M01.87	Artritída pri i.infekč.a parazit.chor.zat.i.v obl.čl.a nohy
M01.09	Artritída zapríč.meningok.na n. mieste	M01.88	Artritída pri i.infekč.a parazit.chor.zatried.i.na i.mieste
M01.10	Tuberkulózna artritída na viac.m.	M01.89	Artritída pri i.infekč.a parazit.chor.zat.i.,m.bližš.neurč.
M01.11	TBC artritída v obl.pleca	M03.00	Artritída po meningokok.inf.na viac.m.
M01.12	TBC artritída nadlaktia	M03.01	Artritída po meningokok.inf.v obl.pleca
M01.13	TBC artritída predlak.	M03.02	Artritída po meningokok.inf.v obl.nadlaktia
M01.14	TBC artritída ruky	M03.03	Artritída po meningokok.inf.v obl.predlak.
M01.15	TBC artritída panv.obl.a stehna	M03.04	Artritída po meningokok.inf.v obl.ruk
M01.16	TBC artritída predkol.	M03.05	Artritída po meningokok.inf.v obl.panvy a stehna
M01.17	TBC artritída čl.a nohy	M03.06	Artritída po meningokok.inf.v obl.predkol.
M01.18	TBC artritída na i.mieste	M03.07	Artritída po meningokok.inf.v obl.čl.a nohy
M01.19	Tuberkulózna artritída na n.mieste	M03.08	Artritída po meningokok.inf.na i.mieste
M01.20	Artritída pri Lymsej chorobe na viac.m.	M03.09	Artritída po meningokok.inf.na n.mieste
M01.21	Artritída pri Lymsej chorobe v obl.pleca	M03.10	Poinfekčná artritída pri syfilise na viac.miastach
M01.22	Artritída pri Lymsej chorobe v obl.nadlaktiaze	M03.11	Poinfekčná artritída pri syfilise v obl.pleca
M01.23	Artritída pri Lymsej chorobe v obl.predlak.	M03.12	Poinfekčná artritída pri syfilise v obl.nadlaktia
M01.24	Artritída pri Lymsej chorobe v obl.ruky	M03.13	Poinfekčná artritída pri syfilise v obl.predlak.
M01.25	Artritída pri Lymsej chorobe panv.obl.a stehna	M03.14	Poinfekčná artritída pri syfilise v obl.ruky
M01.26	Artritída pri Lymsej chorobe v obl.predkol.	M03.15	Poinfekčná artritída pri syfilise v obl.panvy a stehna
M01.27	Artritída pri Lymsej chorobe v obl.čl.a nohy	M03.16	Poinfekčná artritída pri syfilise v obl.predkol.
M01.28	Artritída pri Lymsej chorobe na i.mieste	M03.17	Poinfekčná artritída pri syfilise v obl.čl. a nohy
M01.29	Artritída pri Lymsej chorobe miesto bližšie	M03.18	Poinfekčná artritída pri syfilise na i.mieste
M01.30	Artritída pri i.baktér.chor.zatried.i.na viac.m.	M03.19	Poinfekčná artritída pri syfilise miesto bližš.neurč.
M01.31	Artritída pri i.baktér.chor.zatried.i.obl.pleca	M03.20	Iné poinfek.artritída pri chor.zat.i.na viac.m
M01.32	Artritída pri i.baktér.chor.zatried.i.v obl.nadlaktia	M03.21	Iné poinfek.artritída pri chor.zat.i.v obl.pleca
M01.33	Artritída pri i.baktér.chor.zatried.i.v obl.predlak.	M03.22	Iné poinfek.artritída pri chor.zat.i.v obl.nadlaktia
M01.34	Artritída pri i.baktér.chor.zatried.i.v obl.ruky	M03.23	Iné poinfek.artritída pri chor.zat.i.v obl.predlak.
M01.35	Artritída pri i.baktér.chor.zatried.i.panv.obl.a stehna	M03.24	Iné poinfek.artritída pri chor.zat.i.v obl.ruky
M01.36	Artritída pri i.baktér.chor.zatried.i.v obl.predkol.	M03.25	Iné poinfek.artritída pri chor.zat.i.v obl.panv.a stehna.
M01.37	Artritída pri i.baktér.chor.zatried.i.v obl.čl.a nohy	M03.26	Iné poinfek.artritída pri chor.zat.i.v obl.predkol.
M01.38	Artritída pri i.baktér.chor.zatried.i.na i.mieste	M03.27	Iné poinfek.artritída pri chor.zat.i.v obl.čl.a nohy

Kód	Popis	Kód	Popis
M03.28	Iné poinfek.artritída pri chor.zat.i.na i.mieste	M09.02	Juven.artritída pri psoriáze,s postih.kĺb.nadlaktia
M03.29	Iné poinfek.artritída pri chor.zat.i.,miesto bliž.neurč.	M09.03	Juven.artritída pri psoriáze,s postih.kĺb.predlak.
M03.60	Reaktívna artritída pri i.chorobách z.i.,na viac.m.	M09.04	Juven.artritída pri psoriáze,s postih.kĺb.ruky
M03.61	Reaktívna artritída pri i.chorobách z.i.v obl.pleca	M09.05	Juven.artritída pri psoriáze,s postih.kĺb.panvy a stehna
M03.62	Reaktívna artritída pri i.chorobách z.i.v obl.nadlaktia	M09.06	Juven.artritída pri psoriáze,s postih.kĺb.predkol.
M03.63	Reaktívna artritída pri i.chorobách z.i.v obl.predlak.	M09.07	Juven.artritída pri psoriáze,s postih.kĺb.čl.a nohy
M03.64	Reaktívna artritída pri i.chorobách z.i.v obl.ruky	M09.08	Juven.artritída pri psoriáze,s postih.kĺb.na i.mieste
M03.65	Reaktívna artritída pri i.chorobách z.i.v obl.panv.a stehna	M09.09	Juven.artritída pri psoriáze,s postih.kĺb.na n.mieste
M03.66	Reaktívna artritída pri i.chorobách z.i.v obl.predkol.	M09.10	Juven.artritída pri Crohn.chor.,s postih.kĺb.na viac.m.
M03.67	Reaktívna artritída pri i.chorobách z.i.v obl.čl.a nohy	M09.11	Juven.artritída pri Crohn.chor.,s postih.kĺb.v obl.pleca
M03.68	Reaktívna artritída pri i.chorobách z.i.na i.mieste	M09.12	Juven.artritída pri Crohn.chor.,s postih.kĺb.nadlaktia
M03.69	Reaktívna artritída pri i.chorobách z.i.miesto bliž.neurč.	M09.13	Juven.artritída pri Crohn.chor.,s postih.kĺb.predlak.
M07.00	Distálna psoriatická artritída na viac.miestach	M09.14	Juven.artritída pri Crohn.chor.,s postih.kĺb.ruky
M07.04	Distálna psoriatická artritída ruky	M09.15	Juven.artritída pri Crohn.chor.,s postih.kĺb.panvy a stehna
M07.07	Distálna psoriatická artritída čl.a nohy	M09.16	Juven.artritída pri Crohn.chor.,s postih.kĺb.predkol.
M07.09	Distálna psoriatická artritída na n.mieste	M09.17	Juven.artritída pri Crohn.chor.,s postih.kĺb.čl.a nohy
M07.10	Arthritis mutilans, na viacerých miestach (L40.5†)	M09.18	Juven.artritída pri Crohn.chor.,s postih.kĺb.na i.mieste
M07.11	Arthritis mutilans v obl.pleca	M09.19	Juven.artritída pri Crohn.chor.,s postih.kĺb.na n.mieste
M07.12	Arthritis mutilans v obl.nadlaktia	M09.20	Juven.artritída pri ulcer.kolitíde,s postih.kĺb.na viac.m.
M07.13	Arthritis mutilans v obl. predlak.	M09.21	Juven.artritída pri ulcer.kolitíde,s postih.kĺb.v obl.pleca
M07.14	Arthritis mutilans v obl.ruky	M09.22	Juven.artritída pri ulcer.kolitíde,s postih.kĺb.nadlaktia
M07.15	Arthritis mutilans panv.obl.a stehna	M09.23	Juven.artritída pri ulcer.kolitíde,s postih.kĺb.predlak.
M07.16	Arthritis mutilans v obl.predkol.	M09.24	Juven.artritída pri ulcer.kolitíde,s postih.kĺb.ruky
M07.17	Arthritis mutilans v obl.čl.a nohy	M09.25	Juven.artritída pri ulcer.kolitíde,s postih.kĺb.panvy a stehna
M07.18	Arthritis mutilans na i.mieste	M09.26	Juven.artritída pri ulcer.kolitíde,s postih.kĺb.predkol.
M07.19	Arthritis mutilans na n.mieste	M09.27	Juven.artritída pri ulcer.kolitíde,s postih.kĺb.čl. a nohy
M07.2	Psoriatická spondylitída (L40.5†)	M09.28	Juven.artritída pri ulcer.kolitíde,s postih.kĺb.na i.mieste
M07.30	Iná psoriatická artritídana viac.m.	M09.29	Juven.artritída pri ulcer.kolitíde,s postih.kĺb.na n.mieste
M07.31	Iná psoriatická artritídav obl.pleca	M09.80	Juven.artritída pri i.chor.zatr.i.s postih.kĺb.na viac.m.
M07.32	Iná psoriatická artritídav obl.nadlaktia	M09.81	Juven.artritída pri i.chor.zatr.i.s postih.kĺb.v obl.pleca
M07.33	Iná psoriatická artritídav obl.predlak.	M09.82	Juven.artritída pri i.chor.zatr.i.s postih.kĺb.nadlaktia
M07.34	Iná psoriatická artritídav obl.ruky	M09.83	Juven.artritída pri i.chor.zatr.i.s postih.kĺb.predlak.
M07.35	Iná psoriatická artritídav obl.panv.a stehna	M09.84	Juven.artritída pri i.chor.zatr.i.s postih.kĺb.ruky
M07.36	Iná psoriatická artritídav obl.predkol.	M09.85	Juven.artritída pri i.chor.zatr.i.s postih.kĺb.panvy a stehna
M07.37	Iná psoriatická artritídav obl.čl.a nohy	M09.86	Juven.artritída pri i.chor.zatr.i.s postih.kĺb.predkol.
M07.38	Iná psoriatická artritídana i.mieste	M09.87	Juven.artritída pri i.chor.zatr.i.s postih.kĺb.čl.a nohy
M07.39	Iná psoriatická artritídana n.mieste	M09.88	Juven.artritída pri i.chor.zatr.i.s postih.kĺb.na i.mieste
M07.40	Artritída pri Crohn.chor. s postih.kĺbov na viac.m.	M09.89	Juven.artritída pri i.chor.zatr.i.s postih.kĺb.,m.bliž.neurč.
M07.41	Artritída pri Crohn.chor.s postih.kĺbov v obl.pleca	M14.0	Dnová artropatia,zaprič.enzým.defektmi a i.dedič.poruchami
M07.42	Artritída pri Crohn.chor.s postih.kĺbov nadlaktia	M14.1	Kryštálová artropat.pri i.metabolic.poruchách z.i.
M07.43	Artritída pri Crohn.chor.s postih.kĺbov predlak.	M14.2	Diabetická artropatia (E10-E14, štvrtá pozícia .6†)
M07.44	Artritída pri Crohn.chor.s postih.kĺbov ruky	M14.3	Multicentrická retikulohistiocytóza (E78.8†)
M07.45	Artritída pri Crohn.chor.s postih.kĺbov panvy a stehna	M14.4	Artropatia pri amyloidóze (E85.-†)
M07.46	Artritída pri Crohn.chor.s postih.kĺbov predkol.	M14.5	Artropatia pri i.endokrin.nutričných a metabol.chorobách
M07.47	Artritída pri Crohn.chor.s postih.kĺbov čl.a nohy	M14.6	Neuropatická artropatia
M07.48	Artritída pri Crohn.chor.s postih.kĺbov na i.mieste	M14.8	Artropatia pri i.bliž.urč.chorobách zatried.i.
M07.49	Artritída pri Crohn.chor.s postih.kĺbov na n.mieste	M36.0	Dermatomyozitída – polymyozitída pri nádorovej chorobe
M07.50	Artritída pri ulcer.kolitíde s postih.kĺbov na viac.m.	M36.1	Artropatia pri nádorovej chorobe
M07.51	Artritída pri ulcer.kolitíde s postih.kĺbov v obl.pleca	M36.2	Hemofilická artropatia
M07.52	Artritída pri ulcer.kolitíde s postih.kĺbov nadlaktia	M36.3	Artropatia pri i.chorobách krvi zatried.i.
M07.53	Artritída pri ulcer.kolitíde s postih.kĺbov predlak.	M36.4	Artropatia pri hypersenzitívnych reakciách zatried.i.
M07.54	Artritída pri ulcer.kolitíde s postih.kĺbov ruky	M36.8	Systémové choroba spojiva pri i.chorobách zatried.i.
M07.55	Artritída pri ulcer.kolitíde s postih.kĺbov pan.a stehna	M49.00	Tuberkulóza chrbtice na viacerých miestach
M07.56	Artritída pri ulcer.kolitíde s postih.kĺbov predkol.	M49.01	TBC chrbtice v okcip.-atl.-axiál.obl.
M07.57	Artritída pri ulcer.kolitíde s postih.kĺbov čl.a nohy	M49.02	Tuberkulóza chrbtice v krčnej oblasti (A18.0†)
M07.58	Artritída pri ulcer.kolitíde s postih.kĺbov na i.mieste	M49.03	TBC chrbtice v krčnohrudnikovej oblasti
M07.59	Artritída pri ulcer.kolitíde s postih.kĺbov na n.mieste	M49.04	Tuberkulóza chrbtice v hrudnikovej oblasti (A18.0†)
M07.60	Iná enteropatická artritída na viacerých miestach	M49.05	TBC chrbtice v hrudnikovodriekovej oblasti
M07.61	Iná enteropatická artritída obl.pleca	M49.06	Tuberkulóza chrbtice v driekovej oblasti (A18.0†)
M07.62	Iná enteropatická artritída nadlaktia	M49.07	TBC chrbtice v driekovokrížovej oblasti
M07.63	Iná enteropatická artritída predlak.	M49.08	TBC chrbtice v križ.a križovokostrč.oblasti
M07.64	Iná enteropatická artritída ruky	M49.09	Tuberkulóza v neurčenej oblasti chrbtice (A18.0†)
M07.65	Iná enteropatická artritída panv.obl.a stehna	M49.10	Brucelová spondylitída na viac.m.chrbt.
M07.66	Iná enteropatická artritída predkol.	M49.11	Brucelová spondylitída v okcip.-atl.-axiál.obl.
M07.67	Iná enteropatická artritída čl.a nohy	M49.12	Brucelová spondylitída v krčnej oblasti (A23.-†)
M07.68	Iná enteropatická artritída na i.mieste	M49.13	Brucelová spondylitída v krčnohrudnik.oblasti
M07.69	Iná enteropatická artritída,miesto bliž.neurč.	M49.14	Brucelová spondylitída v hrudnikovej oblasti
M09.00	Juven.artritída pri psoriáze,s postih.kĺb.na viac m.	M49.15	Brucelová spondylitída v hrudnikovodriek.oblasti
M09.01	Juven.artritída pri psoriáze,s postih.kĺb.v obl.pleca	M49.16	Brucelová spondylitída v driekovej oblasti (A23.-†)

Kód	Popis	Kód	Popis
M49.17	Brucelová spondylitída v driekovokrížovej oblasti	M63.16	Myozitída pri prvoko.a parazit.infek.zatried.i.v obl.predkol.
M49.18	Brucelová spondylitída v kríž.a krížovokostř.oblasti	M63.17	Myozitída pri prvoko.a parazit.infek.zatried.i.v obl.čl.a nohy
M49.19	Brucelová spondylitída v b.n.obl.	M63.18	Myozitída pri prvoko.a parazit.infek.zatried.i.na i.mieste
M49.20	Enterobaktériová spondylitída a na viac.m.chrbtice	M63.19	Myozitída pri prvoko.a parazit.infek.zatr.i,miesto bliž.neurč.
M49.21	Enterobaktériová spondylitída v okcip.-atl.-axiál.-obl.	M63.20	Myozitída pri inej infek.chorobe zatried.i.na viac.m.
M49.22	Enterobaktériová spondylitída v krčnej oblasti	M63.21	Myozitída pri inej infek.chorobe zatried.i.v obl.pleca
M49.23	Enterobaktériová spondylitída v krčnohrud.oblasti	M63.22	Myozitída pri inej infek.chorobe zatried.i.v obl.nadlaktia
M49.24	Enterobaktériová spondylitída v hrudník.oblasti	M63.23	Myozitída pri inej infek.chorobe zatried.i.v obl.predlak.
M49.25	Enterobaktériová spondylitída v hrudníkovodriek.oblasti	M63.24	Myozitída pri inej infek.chorobe zatried.i.v obl.ruky
M49.26	Enterobaktériová spondylitída v driekovej oblasti	M63.25	Myozitída pri inej infek.chorobe zatried.i.v obl.pan.a stehna
M49.27	Enterobaktériová spondylitída v driekovokríž.oblasti	M63.26	Myozitída pri inej infek.chorobe zatried.i.v obl.predkol.
M49.28	Enterobaktériová spondylitída v kríž.a krížovokostř.oblasti	M63.27	Myozitída pri inej infek.chorobe zatried.i.v obl.čl.a nohy
M49.29	Enterobaktériová spondylitída vneurčenej oblasti	M63.28	Myozitída pri inej infek.chorobe zatried.i.na i.mieste
M49.30	Spondylopat.pri i.inf/paraz.chor.zatried.i.na viac.m.chrbt.	M63.29	Myozitída pri inej infek.chorobe zatried.i.,miesto bliž.neurč.
M49.31	Spondylopat.pri i.inf/paraz.chor.zatried.i.v ok.-atl.-ax.-o.	M63.30	Myozitída pri sarkoidóze na viac.m.
M49.32	Spondylopat.pri i.inf/paraz.chor.zatried.i.v krčnej obl.	M63.31	Myozitída pri sarkoidóze,v obl.pleca
M49.33	Spondylopat.pri i.inf/paraz.chor.zatried.i.v krč.hrud.obl.	M63.32	Myozitída pri sarkoidóze,v obl.nadlaktia
M49.34	Spondylopat.pri i.inf/paraz.chor.zatried.i.v hrud.obl.	M63.33	Myozitída pri sarkoidóze,v obl.predlak.
M49.35	Spondylopat.pri i.inf/paraz.chor.zatried.i.v hrud.driek.obl.	M63.34	Myozitída pri sarkoidóze,v obl.ruky
M49.36	Spondylopat.pri i.inf/paraz.chor.zatried.i.v driek.obl.	M63.35	Myozitída pri sarkoidóze,v obl.pan.v stehna
M49.37	Spondylopat.pri i.inf/paraz.chor.zatried.i.v driek.kríž.obl.	M63.36	Myozitída pri sarkoidóze,v obl.predkol.
M49.38	Spondylopat.pri i.inf/paraz.chor.z.i.v kríž.a kríž.kostř.obl.	M63.37	Myozitída pri sarkoidóze,v obl.čl. a nohy
M49.39	Spondylopat.pri i.inf/paraz.chor.zatried.i.oblast' bliž.neurč.	M63.38	Myozitída pri sarkoidóze,na i.mieste
M49.40	Neuropatická spondylopatia na viac.m.chrbt.	M63.39	Myozitída pri sarkoidóze,miesto bliž.neurč.
M49.41	Neuropatická spondylopatia v okcip.-atl.-axiál.obl.	M63.80	Iné choroby svalov pri chor.zatried.i.na viac.m.
M49.42	Neuropatická spondylopatia v krčnej oblasti	M63.81	Iné choroby svalov pri chor.zatried.i.v obl.pleca
M49.43	Neuropatická spondylopatia v krčnohrud. obl.	M63.82	Iné choroby svalov pri chor.zatried.i.v obl.nadlaktia
M49.44	Neuropatická spondylopatia v hrudníkovej oblasti	M63.83	Iné choroby svalov pri chor.zatried.i.v obl.predlak.
M49.45	Neuropatická spondylopatia v hrudníkovodriek.obl.	M63.84	Iné choroby svalov pri chor.zatried.i.v obl.ruky
M49.46	Neuropatická spondylopatia v driekovej oblasti	M63.85	Iné choroby svalov pri chor.zatried.i.v obl.pan.a stehna
M49.47	Neuropatická spondylopatia v driekovokríž.j obl.	M63.86	Iné choroby svalov pri chor.zatried.i.v obl.predkol.
M49.48	Neuropatická spondylopatia v kríž.a krížovokostř.obl.	M63.87	Iné choroby svalov pri chor.zatried.i.v obl.čl.a nohy
M49.49	Neuropatická spondylopatia v neurčenej oblasti chrbtice	M63.88	Iné choroby svalov pri chor.zatried.i.na i.mieste
M49.50	Kompresia tela stavca pri chorobe zatried.i.,na viac.m.chrbt.	M63.89	Iné choroby svalov pri chor.zatried.i.,miesto bliž.neurč.
M49.51	Kompresia tela stavca pri chorobe zatried.i.,okcip.-atl.axiál.o.	M68.00	Synovit.a tendosynovit.pri baktér.chor.zatried.i.na viac.m.
M49.52	Kompresia tela stavca pri chorobe zatried.i.,v krčnej obl.	M68.01	Synovit.a tendosynovit.pri baktér.chor.zatried.i.v obl.pleca
M49.53	Kompresia tela stavca pri chorobe zatried.i.,v krčnohrud.obl.	M68.02	Synovit.a tendosynovit.pri baktér.chor.zat.i.v obl.nadlaktia
M49.54	Kompresia tela stavca pri chorobe zatried.i.,v hrudník.obl.	M68.03	Synovit.a tendosynovit.pri baktér.chor.zat.i.v obl.predlak.
M49.55	Kompresia tela stavca pri chor.zatr.i.,v hrudník.driek.obl.	M68.04	Synovit.a tendosynovit.pri baktér.chor.zatried.i.v obl.ruky
M49.56	Kompresia tela stavca pri chorobe zatried.i.,v driekovej obl.	M68.05	Synovit.a tendosynovit.pri baktér.chor.zat.i.v obl.pan.a steh.
M49.57	Kompresia tela stavca pri chorobe zatried.i.,v driek.kríž.obl.	M68.06	Synovit.a tendosynovit.pri baktér.chor.zat.i.v obl.predkol.
M49.58	Kompresia tela stavca pri chor.zatr.i.,kríž.a kríž.kostř.obl.	M68.07	Synovit.a tendosynovit.pri baktér.chor.zat.i.v obl.čl.a nohy
M49.59	Kompresia tela stavca pri chor.zatr.i.:oblast' bliž.neurč.	M68.08	Synovit.a tendosynovit.pri baktér.chor.zatried.i.na i.mieste
M49.80	Spondylopatia pri i.chorobe zatried.i.na viac.m.chrbt.	M68.09	Synovit.a tendosynovit.pri baktér.chor.zatried.i.na n.mieste
M49.81	Spondylopatia pri i.chorobe zatried.i.v okcip.atl.axiál.obl.	M68.80	Iná chor.synov.blany a šliach pri chor.zatried.i.na viac.m.
M49.82	Spondylopatia pri i.chorobe zatried.i.v krčnej obl.	M68.81	Iná chor.synov.blany a šliach pri chor.zatried.i.v obl.pleca
M49.83	Spondylopatia pri i.chorobe zatried.i.v krč.hrud.obl.	M68.82	Iná chor.synov.blany a šliach pri chor.zatried.i.obl.nadlaktia
M49.84	Spondylopatia pri i.chorobe zatried.i.v hrud.obl.	M68.83	Iná chor.synov.blany a šliach pri chor.zatr.i.v obl.predlak.
M49.85	Spondylopatia pri i.chorobe zatried.i.v hrud.driek.obl.	M68.84	Iná chor.synov.blany a šliach pri chor.zatr.i.v obl.ruky
M49.86	Spondylopatia pri i.chorobe zatried.i.v driek.obl.	M68.85	Iná chor.synov.blany a šliach pri chor.zatr.i.v.o.pan.a steh.
M49.87	Spondylopatia pri i.chorobe zatried.i.v driek.kríž.obl.	M68.86	Iná chor.synov.blany a šliach pri chor.zatr.i.obl.predkol.
M49.88	Spondylopatia pri i.chorobe zatried.i.v kríž.a kríž.kostř.obl.	M68.87	Iná chor.synov.blany a šliach pri chor.zatr.i.obl.čl. a nohy
M49.89	Spondylopatia pri i.chorobe zatried.i.v neurč.oblasti	M68.88	Iná chor.synov.blany a šliach pri chor.zatried.i.v inej obl.
M63.00	Myozitída pri baktériovej chorobe zatried.i.na viac.m.	M68.89	Iná chor.synov.blany a šliach pri chor.zatr.i.,m.bliž.neurč.
M63.01	Myozitída pri baktériovej chorobe zatried.i.v obl.pleca	M73.00	Gonokoková burzitída na viacerých miestach (A54.4†)
M63.02	Myozitída pri baktériovej chorobe zatried.i.v obl.nadlaktia	M73.01	Gonokokov burzitída v obl.pleca
M63.03	Myozitída pri baktériovej chorobe zatried.i.v obl.predlak.	M73.02	Gonokokov burzitída nadlaktia
M63.04	Myozitída pri baktériovej chorobe zatried.i.v obl.ruky	M73.03	Gonokokov burzitída predlak.
M63.05	Myozitída pri baktériovej chor.zatried.i.v obl.pan.v stehna	M73.04	Gonokokov burzitída ruky
M63.06	Myozitída pri baktériovej chorobe zatried.i.v obl.predkol.	M73.05	Gonokokov burzitída panv.obl.a stehna
M63.07	Myozitída pri baktériovej chorobe zatried.i.v obl.čl.a nohy	M73.06	Gonokokov burzitída predkol.
M63.08	Myozitída pri baktériovej chorobe zatried.i.na i.mieste	M73.07	Gonokokov burzitída čl.a nohy
M63.09	Myozitída pri baktériovej chorobe zatried.i.,miesto bliž.neurč.	M73.08	Gonokokov burzitída na i.mieste
M63.10	Myozitída pri prvoko.a parazit.infek.zatried.i.na viac.m.	M73.09	Gonokokov burzitída,miesto bliž.neurč.
M63.11	Myozitída pri prvoko.a parazit.infek.zatried.i.v obl.pleca	M73.10	Syfilitická burzitída na viac.m.
M63.12	Myozitída pri prvoko.a parazit.infek.zatried.i.v obl.nadlaktia	M73.11	Syfilitická burzitída v obl.pleca
M63.13	Myozitída pri prvoko.a parazit.infek.zatried.i.v obl.predlak.	M73.12	Syfilitická burzitída nadlaktia
M63.14	Myozitída pri prvoko.a parazit.infek.zatried.i.v obl.ruky	M73.13	Syfilitická burzitída predlak.
M63.15	Myozitída pri prvoko.a parazit.infek.zatr.i.v obl.pan.a steh.	M73.14	Syfilitická burzitída ruky

Kód	Popis	Kód	Popis
M73.15	Syfilitická burzitída panv.obl.a stehna	M90.24	Osteopatia pri i.infekč.chor.zatried.i.v obl.ruky
M73.16	Syfilitická burzitída predkol.	M90.25	Osteopatia pri i.infekč.chor.zatried.i.v obl.panvy a stehna
M73.17	Syfilitická burzitída čl.a nohy	M90.26	Osteopatia pri i.infekč.chor.zatried.i.v obl.predkol.
M73.18	Syfilitická burzitída na i.mieste	M90.27	Osteopatia pri i.infekč.chor.zatried.i. obl.čl.a nohy
M73.19	Syfilitická burzitída ,miesto bliž.neurč.	M90.28	Osteopatia pri i.infekč.chor.zatried.i.na i.mieste
M73.80	Iné choroby mäk.tkan.pri chor.zatried.i.na v.miast	M90.29	Osteopatia pri i.infekč.chor.zatried.i.miasto bliž.neurč.
M73.81	Iné choroby mäk.tkan.pri chor.zatried.i.v obl.pleca	M90.30	Osteonekróza pri kesónovej chor.na viac.m.
M73.82	Iné choroby mäk.tkan.pri chor.zatried.i.v obl.nadlaktia	M90.31	Osteonekróza pri kesónovej chor.v obl.pleca
M73.83	Iné choroby mäk.tkan.pri chor.zatried.i.v obl.predlak.	M90.32	Osteonekróza pri kesónovej chor.v obl.nadlaktia
M73.84	Iné choroby mäk.tkan.pri chor.zatried.i.v obl.ruky	M90.33	Osteonekróza pri kesónovej chor.v obl.predlak.
M73.85	Iné choroby mäk.tkan.pri chor.zatried.i.v obl.panvy a stehna	M90.34	Osteonekróza pri kesónovej chor.v obl.ruky
M73.86	Iné choroby mäk.tkan.pri chor.zatried.i.v obl.predkol.	M90.35	Osteonekróza pri kesónovej chor.v obl.panvy a stehna
M73.87	Iné choroby mäk.tkan.pri chor.zatried.i.v obl.čl.a nohy	M90.36	Osteonekróza pri kesónovej chor.v obl.predkol.
M73.88	Iné choroby mäk.tkan.pri chor.zatried.i.na i.mieste	M90.37	Osteonekróza pri kesónovej chor.v obl.čl.a nohy
M73.89	Iné choroby mäk.tkan.pri chor.zatried.i.,miesto bliž.neurč.	M90.38	Osteonekróza pri kesónovej chor.na i.mieste
M82.00	Osteoporóza pri mnohopoč.myelóme na viac.m.	M90.39	Osteonekróza pri kesónovej chor.miasto bliž.neurč.
M82.01	Osteoporóza pri mnohopoč.myelóme v obl.pleca	M90.40	Osteonekróza zapríč.hemoglobinopatiou,na viac.m.(D50-D64†)
M82.02	Osteoporóza pri mnohopoč.myelóme v obl.nadlaktia	M90.41	Osteonekróza zapríč.hemoglobinopat.v obl.pleca
M82.03	Osteoporóza pri mnohopoč.myelóme v obl.predlak.	M90.42	Osteonekróza zapríč.hemoglobinopat.v obl.nadlaktia
M82.04	Osteoporóza pri mnohopoč.myelóme v obl.ruky	M90.43	Osteonekróza zapríč.hemoglobinopat.v obl.predlak.
M82.05	Osteoporóza pri mnohopoč.myelóme v obl.panvy a stehna	M90.44	Osteonekróza zapríč.hemoglobinopat.v obl.ruky
M82.06	Osteoporóza pri mnohopoč.myelóme v obl.predkol.	M90.45	Osteonekróza zapríč.hemoglobinopat.v obl.panvy a stehna
M82.07	Osteoporóza pri mnohopoč.myelóme v obl.čl.a nohy	M90.46	Osteonekróza zapríč.hemoglobinopat.v obl.predkol.
M82.08	Osteoporóza pri mnohopoč.myelóme na i.mieste	M90.47	Osteonekróza zapríč.hemoglobinopat.v obl.čl.a nohy
M82.09	Osteoporóza pri mnohopoč.myelóme,miesto bliž.neurč.	M90.48	Osteonekróza zapríč.hemoglobinopat.,na i.mieste
M82.10	Osteoporóza pri chor.žliaz s vnútor.vyluč.na viac.m.	M90.49	Osteonekróza zapríč.hemoglobinopat.,miesto bliž.neurč.
M82.11	Osteoporóza pri chor.žliaz s vnútor.vyluč.v obl.pleca	M90.50	Osteonekróza pri.iných chor.zatried.i.na viac.m.
M82.12	Osteoporóza pri chor.žliaz s vnútor.vyluč.v obl.nadlaktia	M90.51	Osteonekróza pri.iných chor.zatried.i.v obl.pleca
M82.13	Osteoporóza pri chor.žliaz s vnútor.vyluč.v obl.predlak.	M90.52	Osteonekróza pri.iných chor.zatried.i.v obl.nadlaktia
M82.14	Osteoporóza pri chor.žliaz s vnútor.vyluč.v obl.ruky	M90.53	Osteonekróza pri.iných chor.zatried.i.v obl.predlak.
M82.15	Osteoporóza pri chor.žliaz s vnútor.vyluč.v pan.obl.a stehn.	M90.54	Osteonekróza pri.iných chor.zatried.i.v obl.ruky
M82.16	Osteoporóza pri chor.žliaz s vnútor.vyluč.v obl.predko.	M90.55	Osteonekróza pri.iných chor.zatried.i.v obl.panvy a stehna
M82.17	Osteoporóza pri chor.žliaz s vnútor.vyluč.v obl.čl.a nohy	M90.56	Osteonekróza pri.iných chor.zatried.i.v obl.predkol.
M82.18	Osteoporóza pri chor.žliaz s vnútor.vyluč.na inom.m.	M90.57	Osteonekróza pri.iných chor.zatried.i.v obl.čl.a nohy
M82.19	Osteoporóza pri chor.žliaz s vnútor.vyluč.,miesto bliž.neurč.	M90.58	Osteonekróza pri.iných chor.zatried.i.na i.mieste
M82.80	Osteoporóza pri iných chor.zatried.i.na viac.m.	M90.59	Osteonekróza pri.iných chor.zatried.i.miasto bliž.neurč.
M82.81	Osteoporóza pri iných chor.zatried.i.v obl.pleca	M90.60	Deform.osteodystrofia pri nádoroch,na viac.m.
M82.82	Osteoporóza pri iných chor.zatried.i.v obl.nadlaktia	M90.61	Deform.osteodystrofia pri nádoroch,v obl.pleca
M82.83	Osteoporóza pri iných chor.zatried.i.v obl.predlak.	M90.62	Deform.osteodystrofia pri nádoroch,v obl.nadlaktia
M82.84	Osteoporóza pri iných chor.zatried.i.v obl.ruky	M90.63	Deform.osteodystrofia pri nádoroch,v obl.predlak.
M82.85	Osteoporóza pri iných chor.zatried.i.v obl.panvy a stehna	M90.64	Deform.osteodystrofia pri nádoroch,v obl.ruky
M82.86	Osteoporóza pri iných chor.zatried.i.v obl.predkol.	M90.65	Deform.osteodystrofia pri nádoroch,v obl.panvy a stehna
M82.87	Osteoporóza pri iných chor.zatried.i. obl.čl.a nohy	M90.66	Deform.osteodystrofia pri nádoroch,v obl.predkol.
M82.88	Osteoporóza pri iných chor.zatried.i.na i.mieste	M90.67	Deform.osteodystrofia pri nádoroch,v obl.čl.a nohy
M82.89	Osteoporóza pri iných chor.zatried.i.,miesto bliž.neurč.	M90.68	Deform.osteodystrofia pri nádoroch,na i.mieste
M90.00	Tuberkulóza kostí na viacerých miestach (A18.0†)	M90.69	Deform.osteodystrofia pri nádoroch,miesto bliž.neurč.
M90.01	TBC kosti v obl.pleca	M90.70	Zlomenina kosti pri nádore,na viac.m.t.
M90.02	TBC kosti nadlaktia	M90.71	Zlomenina kosti pri nádore,v obl.pleca
M90.03	TBC kosti predlak.	M90.72	Zlomenina kosti pri nádore,v obl.nadlaktia
M90.04	TBC kosti ruky	M90.73	Zlomenina kosti pri nádore,v obl.predlak.
M90.05	TBC kosti panv.obl.a stehna	M90.74	Zlomenina kosti pri nádore,v obl.ruky
M90.06	TBC kosti predkol.	M90.75	Zlomenina kosti pri nádore,v obl.panvy a stehna
M90.07	TBC kosti čl.a nohy	M90.76	Zlomenina kosti pri nádore,v obl.predkol.
M90.08	TBC kosti na i.mieste	M90.77	Zlomenina kosti pri nádore,v obl.čl.a nohy
M90.09	Tuberkulóza kostí,miesto bližšie neurčené (A18.0†)	M90.78	Zlomenina kosti pri nádore,na i.mieste
M90.10	Periostitída pri i.infekč.chor.zatried.i.na viac.m.	M90.79	Zlomenina kosti pri nádore,miesto bliž.neurč.
M90.11	Periostitída pri i.infekč.chor.zatried.i.v obl.pleca	M90.80	Osteopatia pri i.chor.zatried.i.na viac.m.
M90.12	Periostitída pri i.infekč.chor.zatried.i.v obl.nadlaktia	M90.81	Osteopatia pri i.chor.zatried.i.v obl.pleca
M90.13	Periostitída pri i.infekč.chor.zatried.i.v obl.predlak.	M90.82	Osteopatia pri i.chor.zatried.i.v obl.nadlaktia
M90.14	Periostitída pri i.infekč.chor.zatried.i.v obl.ruky	M90.83	Osteopatia pri i.chor.zatried.i.v obl.predlak.
M90.15	Periostitída pri i.infekč.chor.zatried.i.v obl.panvy a stehna	M90.84	Osteopatia pri i.chor.zatried.i. obl.ruky
M90.16	Periostitída pri i.infekč.chor.zatried.i.v obl.predkol.	M90.85	Osteopatia pri i.chor.zatried.i.v obl.panvy a stehna
M90.17	Periostitída pri i.infekč.chor.zatried.i.v obl.čl.a nohy	M90.86	Osteopatia pri i.chor.zatried.i.v obl.predkol.
M90.18	Periostitída pri i.infekč.chor.zatried.i.na i.mieste	M90.87	Osteopatia pri i.chor.zatried.i.v obl.čl.a a nohy
M90.19	Periostitída pri i.infekč.chor.zatried.i.,miesto bliž.neurč.	M90.88	Osteopatia pri i.chor.zatried.i.na i.mieste
M90.20	Osteopatia pri i.infekč.chor.zatried.i.na viac.m.	M90.89	Osteopatia pri i.chor.zatried.i.miasto bliž.neurč.
M90.21	Osteopatia pri i.infekč.chor.zatried.i.v obl.pleca	M99.00	Segmentová a somatická dysfun.obl.hlavý
M90.22	Osteopatia pri i.infekč.chor.zatried.i.v obl.nadlaktia	M99.01	Segmentová a somatická dysfun.krčnej obl.
M90.23	Osteopatia pri i.infekč.chor.zatried.i.v obl.predlak.	M99.02	Segmentová a somatická dysfun.hrud.obl.

Kód	Popis	Kód	Popis
M99.03	Segmentová a somatická dysfun.v driek.obl.	N08.1	Glomerulová choroba pri nádorových chorobách
M99.04	Segmentová a somatická dysfun.kríž.obl.	N08.2	Glomerul.chor.pri chorobách krvi a poruch.imunit.systému
M99.05	Segmentová a somatická dysfun.panv.obl.	N08.3	Glomerul.choroba pri DM
M99.06	Segmentová a somatická dysfunkcia DK	N08.4	Glomerul.choroba pri i.endokrin.,nutričnej a metabol.chor.
M99.07	Segmentová a somatická dysfunkcia HK	N08.5	Glomerul.chor.pri systémovej chorobe spojiva
M99.08	Segmentová a somatická dysf.hrudného koša	N08.8	Glomerulová choroba pri iných.chorobách zatried.i.
M99.09	Segmentová a somatická dysf.v bruchu a na i.m	N16.0	Tubulointersticiálna chor.pri infekč./parazit.chor.zatried.i.
M99.10	Subluxačný komplex stavcov obl.hlavy	N16.1	Tubulointersticiálna chor.pri nádor.chor.
M99.11	Subluxačný komplex stavcov krčnej obl.	N16.2	Tubulointersticiálna chor.oblič.pri chor.krvi a por.imun.syst.
M99.12	Subluxačný komplex stavcov hrud.obl.	N16.3	Tubulointersticiálna chor.oblič.pri metabol.chor.
M99.13	Subluxačný komplex stavcov driek.obl.	N16.4	Tubulointersticiálna chor.oblič.pri systém.chor.spojiva
M99.14	Subluxačný komplex stavcov kríž.obl.	N16.5	Tubulointersticiálna chor.oblič.pri odvrh.transplantátu
M99.19	Subluxačný komplex stavcov v bruchu a na i.m.	N16.8	Tubulointersticiálna chor.oblič.pri iných chor.z.i.
M99.20	Subluxačná stenóza spin.kanála obl.hlavy	N22.0	Močový konkrement pri schistosomóze (bilharzióze)
M99.21	Subluxačná stenóza spin.kanála krčnej obl.	N22.8	Konkrement močovej sústavy pri iných chor.zatried.i.
M99.22	Subluxačná stenóza spin.kanála hrud.obl.	N29.0	Neskorý syfilis obličiek (A52.7†)
M99.23	Subluxačná stenóza spin.kanála driek.obl.	N29.1	Iná choroba obličiek a močovodov pri inf.a paraz.chor.z.i.
M99.24	Subluxačná stenóza spin.kanála kríž.obl.	N29.8	Iné choroby obličiek a močovodov pri i.chor.z.i.
M99.29	Subluxačná stenóza spin.kanála v bruchu a na i.m.	N33.0	Tuberkulóza cystitída (A18.1†)
M99.30	Kostná stenóza spin.kanála obl.hlavy	N33.8	Choroba močového mechúra pri iných chor.z.i
M99.31	Kostná stenóza spin.kanála krčnej obl.	N37.0	Uretritída pri chorobách zatriedených inde
M99.32	Kostná stenóza spin.kanála hrud.obl.	N37.8	Iná choroba močovej trubice pri chorobách z.i.
M99.33	Kostná stenóza spin.kanála driek.obl.	N39.47	Recidivujúca inkontinencia moču
M99.34	Kostná stenóza spin.kanála kríž.obl.	N51.0	Choroby prostaty pri chorobách zatriedených inde
M99.39	Kostná stenóza spin.kanála v bruchu a na i.m.	N51.1	Choroby semenníka a nadsemenníka pri chor.z.i.
M99.40	Stenóza spinál.kanála spoj.tkan.v obl.hlavy	N51.2	Balanitída pri chorobách zatriedených inde
M99.41	Stenóza spinál.kanála spoj.tkan.v krčnej obl.	N51.8	Iné choroby mužských pohlav.org.pri chorobách.z.i.
M99.42	Stenóza spinál.kanála spoj.tkan.v hrud.obl.	N74.0	Tuberkulóza infekcia krčka maternice (A18.1†)
M99.43	Stenóza spinál.kanála spoj.tkan.v driek.obl.	N74.1	Tuberkulózný zápal ženských panvov.org.
M99.44	Stenóza spinál.kanála spoj.tkan.v kríž.obl.	N74.2	Syfilitický zápal ženských panvov.org.
M99.49	Stenóza spinál.kanála spoj.tkan.v bruchu a na i.m.	N74.3	Gonokokový zápal ženských panvov.org.
M99.50	Stenóza spinál.kanála medzistav.platnič.v obl.hlavy	N74.4	Chlamýdiový zápal ženských panvových orgánov
M99.51	Stenóza spinál.kanála medzistav.platnič.v krčnej obl.	N74.8	Zápalová choroba ženských panvov.org.pri i.chor.z.i.
M99.52	Stenóza spinál.kanála medzistav.platnič.v hrud.obl.	N77.0	Ulcerácia vulvy pri infek./parazit.chor.z.i.
M99.53	Stenóza spinál.kanála medzistav.platnič.v driek.obl.	N77.1	Vaginitída,vulvitída a vulvovaginit.pri infik./paraz.chor.z.i.
M99.59	Stenóza spinál.kanála m-stav.platnič.v bruchu a na i.m.	N77.8	Vulvovaginálna ulcerácia a zápal pri iných chorobách z.i.
M99.60	Kostná/subluxačná sten.medzistav.otv.v obl.hlavy	O09.0	Trvanie gravidity menej ako 5 ukončených týždňov
M99.61	Kostná/subluxačná sten.medzistav.otv.v krčnej obl.	O09.1	Trvanie gravidity od začat.5 po ukonč.13.týždeň
M99.62	Kostná/subluxačná sten.medzistav.otv.v hrud.obl.	O09.2	Trvanie gravidity od začat.14.po ukonč.19.týž.
M99.63	Kostná/subluxačná sten.medzistav.otv.v driek.obl.	O09.3	Trvanie gravidity od začat.20.po ukonč.25.týž.
M99.64	Kostná/subluxačná sten.medzistav.otv.v kríž.obl.	O09.4	Trvanie gravidity od začat.26.po ukonč.33.týž.
M99.69	Kostná/subluxačná sten.medzistav.otv.v bruchu a na i.m.	O09.5	Trvanie gravidity od začat.34.po ukonč.36.týž.
M99.70	Stenóz.medzistav.otv.spoj.tkan./medzistav.platnič.v obl.hlavy	O09.6	Trvanie gravidity od začat.37.po ukonč.41.týž.
M99.71	Stenóz.medzistav.otv.spoj.tkan./medzistav.platnič.v krčn.obl.	O09.7	Trvanie gravidity viac ako 41 ukončených týždňov
M99.72	Stenóz.medzistav.otv.spoj.tkan./medzistav.platnič.v hrud.obl.	O09.9	Artérová hypertenzia matky,bližšie neurčená
M99.73	Stenóz.medzistav.otv.spoj.tkan./medzistav.platnič.v driek.obl.	O47.9	Falošná pôrodná činnosť,bližšie neurčená
M99.74	Stenóza medzistav.otvor.spoj.tkan./medzistav.plat.v kríž.obl.	O94	Následky kompl.gravidity,pôrodu a šestonedelia
M99.79	Sten.medzistav.otv.spoj.tkan./medzistav.platn.,obl.brucha.a i.m.	O95	Smrť v gravidite z bližšie neurčenej príčiny
M99.80	Iná biomechanická porucha funkcie v obl.hlavy	O96.0	Smrť z priam.pôr.prič.,kt.nast.po 42 d.,-men.ako 1.r.od pôr.
M99.81	Iná biomechanická porucha funkcie v krčnej obl.	O96.1	Smrť z nepriam.pôr.prič.,kt.nast.po 42 d.,-men.ako 1.r.od pôr.
M99.82	Iná biomechanická porucha funkcie v hrud.obl.	O96.9	Smrť z bliž.ne.pôr.prič.,kt.nastala po42 d.,m.ako 1.r.od pôr.
M99.83	Iná biomechanická porucha funkcie v driek.obl.	O97.0	Smrť z následkov priamej pôrodnickej príčiny
M99.84	Iná biomechanická porucha funkcie v kríž.obl.	O97.1	Smrť z následkov nepriamej pôrodnickej príčiny
M99.85	Iná biomechanická porucha funkcie v panv.obl.	O97.9	Smrť z následkov b.n. pôrod.príčiny
M99.86	Iná biomechanická porucha funkcie v obl.DK	P75	Choroby tráviacej sústavy plodu a novorodenca
M99.87	Iná biomechanická porucha funkcie v obl.HK	P95	Smrť plodu z bližšie neurčenej príčiny
M99.88	Iná biomechanická porucha funkcie v obl.hrud. koša	P96.4	Ukončenie gravidity ako prič.pošk.plodu a novorod.
M99.89	Iná biomechanická porucha funkcie v obl.brucha.a i.m.	Q87.0	Syndróm vrod.chýb postih.najmä výzor tváre
M99.90	Biomechanická porucha funkcie,bliž.neurč.v obl.hlavy	Q87.1	Syndróm vrod.chýb spojený najmä s nízkym vzrastom
M99.91	Biomechanická porucha funkcie,bliž.neurč.v krčnej obl.	Q87.2	Syndrómy vrodenných chýb zahŕňajúce najmä končatiny
M99.92	Biomechanická porucha funkcie,bliž.neurč.v hrud.obl.	Q87.3	Syndróm vrod.chýb zahŕňajúci skorý nadmerný rast
M99.93	Biomechanická porucha funkcie,bliž.neurč.v driek.obl.	Q87.5	Iné syndrómy vrodenných chýb s inými zmenami kostí
M99.94	Biomechanická porucha funkcie,bliž.neurč.v kríž.obl.	Q87.8	Iné syndróm vrodenných chýb,nezat.inde.,b.u.
M99.95	Biomechanická porucha funkcie,bliž.neurč.v panv.obl.	R65.0	SIRS infekčného pôvodu bez orgánového zlyh.
M99.96	Biomechanická porucha funkcie,bliž.neurč.v obl.DK,b.n.	R65.1	SIRS infekčnej genézy s orgánovým zlyh.
M99.97	Biomechanická porucha funkcie,bliž.neurč.v obl.HK,b.n.	R65.2	SIRS neinfekčnej genézy bez orgánového zlyh.
M99.98	Biomechanická porucha funkcie,bliž.neurč.v obl.hrud.koša	R65.3	SIRS neinfekčnej genézy s orgánovým zlyh.
M99.99	Biomechanická porucha funkcie,bliž.neurč.v brucha a na i.m.	R65.9	Syndróm systémovej zápalovej odpovede (SIRS),bliž.neurč.
N08.0	Glomerulová chor.pri infekč./parazit.chor.z.i.	R69	Neznáme a bližšie neurčené príčiny chorobnosti

Kód	Popis	Kód	Popis
R75	Laboratórny dôkaz vírusu ľudskej imunodeficiencie (HIV)	S41.89	Poškodenie mäk.č.III.st.pri otvor.zlomenine,vyklbení ramena
R78.0	Nález alkoholu v krvi	S51.84	Poškodenie mäk.č.I.st.pri zatvor.zlomenine,vyklb.predlaktia
R96.0	Náhla smrť	S51.85	Poškodenie mäk.č.II.st.pri zatvor.zlom./vyklb.predlak.
R96.1	Smrť,ktorá nastala za men.ako 24hod.od zač.prízn.,ináč nevysv.	S51.86	Poškodenie mäk.č.III.st.pri zatvor.zlom./vyklb.predlak.
R98	Smrť bez svedkov	S51.87	Poškodenie mäk.č.I.st.pri otvor.zlom./vyklb.predlak.
R99	Iná nepresne určená a neurčená príčina smrti	S51.88	Poškodenie mäk.č.II.st.pri otvor.zlom./vyklb.predlak.
S01.83	Otvor.rana(obl.hlavy)v spojení s intrakraniál.poranením	S51.89	Poškodenie mäk.č.III.st.pri otvor.zlom./vyklb.predlak.
S01.84	Poškod.mäkkých častí I.st.pri zatvor.zlom.,vyklbení na hlave	S61.84	Pošk.mäk.č.I.st.pri zatvor.zlom./vyklb.zápäs.a ruky
S01.85	Poškod.mäkkých častí II.st.pri zatvor.zlom.,vyklbení na hlave	S61.85	Pošk.mäk.č.II.st.pri zatvor.zlom./vyklb.zápäs.a ruky
S01.86	Poškod.mäkkých častí III.st.pri zatvor.zlom.,vyklbení na hlave	S61.86	Pošk.mäk.č.III.st.pri zatvor.zlom./vyklb.zápäs.a ruky
S01.87	Poškod.mäkkých častí I.st.pri otvor.zlom.,vyklbení na hlave	S61.87	Pošk.mäk.č.I.st.pri otvor.zlom./vyklb.zápäs.a ruky
S01.88	Poškod.mäkkých častí II.st.pri otvor.zlom.,vyklbení na hlave	S61.88	Pošk.mäk.č.II.st.pri otvor.zlom./vyklb.zápäs.a ruky
S01.89	Poškod.mäkkých častí III.st.pri otvor.zlom.,vyklbení na hlave	S61.89	Pošk.mäk.č.III.st.pri otvor.zlom./vyklb.zápäs.a ruky
S06.70	Bezvedomie pri poranení lebky a mozgu,menej.ako 30 min.	S71.84	Pošk.mäk.č.I.st.pri zatvor.zlom./vyklb.bedra a stehna
S06.71	Bezvedomie pri poranení lebky a mozgu,30 min.až 24hod.	S71.85	Pošk.mäk.č.II.st.pri zatvor.zlom./vyklb.bedra a stehna
S06.72	Bezvedom.s poran.lebky a mozgu,viac ako24 h,návrat pôv.st.v	S71.86	Pošk.mäk.č.III.st.pri zatvor.zlom./vyklb.bedra a stehna
S06.73	Bezvedom.,poranením leb.a mozgu,viac ako24hod.,bez návř.p.s.v.	S71.87	Pošk.mäk.č.I.st.pri otvor.zlom./vyklb.bedra a stehna
S06.79	Bezvedomie pri poranení lebky a mozgu bliž.neurčeného trvania	S71.88	Pošk.mäk.č.II.st.pri otvor.zlom./vyklb.bedra a stehna
S11.84	Poškodenie mäk.č.I.st.pri zatvor.zlomenine,vyklbení na krku	S71.89	Pošk.mäk.č.III.st.pri otvor.zlom./vyklb.bedra a stehna
S11.85	Poškodenie mäk.č.II.st.pri zatvor.zlomenine,vyklbení na krku	S81.84	Poškodenie mäk.č.I.st.pri zatv.zlomenine,vyklbení predkolenia
S11.86	Poškodenie mäk.č.III.st.pri zatvor.zlom./vyklb.na krku	S81.85	Pošk.mäk.č.II.st.pri zatvor.zlom./vyklb.predkol.
S11.87	Poškodenie mäkkých č.I.st.pri otvor.zlomenine,vyklbení na krku	S81.86	Pošk.mäk.č.III.st.pri zatvor.zlom./vyklb.predkol.
S11.88	Poškodenie mäk.č.II.st.pri otvor.zlomenine,vyklbení na krku	S81.87	Pošk.mäk.č.I.st.pri otvor.zlom./vyklb.predkol.
S11.89	Poškodenie mäk.č.III.st.pri otvor.zlomenine,vyklbení na krku	S81.88	Pošk.mäk.č.II.st.pri otvor.zlom./vyklb.predkol.
S14.70	Funkčná úroveň pri poranení krčnej miechy:blížšie neurčená	S81.89	Pošk.mäk.č.III.st.pri otvor.zlom./vyklb.predkol.
S14.71	Funkčná úroveň pri poranení krčnej miechy: C1	S91.84	Poškodenie mäk.č.I.st.pri zatvor.zlom./vyklb.nohy
S14.72	Funkčná úroveň pri poranení krčnej miechy: C2	S91.85	Poškodenie mäk.č.II.st.pri zatvor.zlom./vyklb.nohy
S14.73	Funkčná úroveň pri poranení krčnej miechy: C3	S91.86	Poškodenie mäk.č.III.st.pri zatvor.zlom./vyklb.nohy
S14.74	Funkčná úroveň pri poranení krčnej miechy: C4	S91.87	Poškodenie mäk.č.I.st.pri otvor.zlom./vyklb.nohy
S14.75	Funkčná úroveň pri poranení krčnej miechy: C5	S91.88	Poškodenie mäk.č.II.st.pri otvor.zlom./vyklb.nohy
S14.76	Funkčná úroveň pri poranení krčnej miechy: C6	S91.89	Poškodenie mäk.č.III.st.pri otvor.zlom./vyklb.nohy
S14.77	Funkčná úroveň pri poranení krčnej miechy: C7	T31.00	Popál.postih.men.ako10 %povrch.tela b.n.podiel popál.3.st
S14.78	Funkčná úroveň pri poranení krčnej miechy: C8	T31.10	Popál.10-19%povr.tela,<ako10 %/b.n.č.-popál.3.st.
S21.83	Otvor.rana každej č.hrud.v spojení s vnútrohrud.por.	T31.11	Popál.10-19%povr.tela,10-19%popál.3.st.
S21.84	Poškodenie mäk.č.I.st.pri zatvor.zlomeninách,vyklben.na hrud.	T31.20	Popál.20-29%povr.tela,<ako10 %/b.n.č.-popál.3.st.
S21.85	Poškodenie mäk.č.II.st.pri zatvor.zlomeninách,vyklben.na hrud.	T31.21	Popál.20-29%povr.tela,10-19%popál.3.st.
S21.86	Poškodenie mäk.č.III.st.pri zatvor.zlomeninách,vyklben.na hrud	T31.22	Popál.20-29%povr.tela,20-29%popál.3.st.
S21.87	Poškodenie mäk.č.I.st.pri otvor.zlomeninách,vyklben.na hrud.	T31.30	Popál.30-39%povr.tela,<ako10 %/b.n.č.-popál.3.st.
S21.88	Poškodenie mäk.č.II.st.pri otvor.zlomeninách,vyklben.na hrud.	T31.31	Popál.30-39%povr.tela,10-19%popál.3.st.
S21.89	Poškodenie mäk.č.III.st.pri otvor.zlomeninách,vyklben.na hrud.	T31.32	Popál.30-39%povr.tela,20-29%popál.3.st.
S24.70	Funkčná výška pri poranení hrudikovej miechy: úroveň b.n.	T31.33	Popál.30-39%povr.tela,30-39%popál.3.st.
S24.71	Funkčná výška pri poranení hrudníkovej miechy:Th1	T31.40	Popál.40-49%povr.tela,<ako10 %/b.n.č.-popál.3.st.
S24.72	Funkčná výška pri poranení hrudníkovej miechy:Th2/Th3	T31.41	Popál.40-49%povr.tela,10-19%popál.3.st.
S24.73	Funkčná výška pri poranení hrudníkovej miechy:Th4/Th5	T31.42	Popál.40-49%povr.tela,20-29%popál.3.st.
S24.74	Funkčná výška pri poranení hrudníkovej miechy:Th6/Th7	T31.43	Popál.40-49%povr.tela,30-39%popál.3.st.
S24.75	Funkčná výška pri poranení hrudníkovej miechy:Th8/Th9	T31.44	Popál.40-49%povr.tela,40-49%popál.3.st.
S24.76	Funkčná výška pri poranení hrudníkovej miechy:Th10/Th11	T31.50	Popál.50-59%povr.tela,<ako10 %/b.n.č.-popál.3.st.
S24.77	Funkčná výška pri poranení hrudníkovej miechy:Th12	T31.51	Popál.50-59%povr.tela,10-19%popál.3.st.
S31.83	Otvor.rana(kaž.č.brucha,drieku,panvy)spoj.s vnútrobruš.poran.	T31.52	Popál.50-59%povr.tela,20-29%popál.3.st.
S31.84	Poškodenie mäk.č.I.st.pri zatv.zlom.vyklb.driek.chrbtice,panvy	T31.53	Popál.50-59%povr.tela,30-39%popál.3.st.
S31.85	Poškoden.mäk.č.II.st.pri zatv.zlom.,vyklb.driek.chrbtice,panvy	T31.54	Popál.50-59%povr.tela,40-49%popál.3.st.
S31.86	Poškoden.mäk.č.III.st.pri zatv.zlom.,vyklb.driek.chrbtice,panvy	T31.55	Popál.50-59%povr.tela,50-59%popál.3.st.
S31.87	Poškodenie mäk.č.I.st.pri otv.zlom.,vyklb.driek.chrbtice,panvy	T31.60	Popál.60-69%povr.tela,<ako10 %/b.n.č.-popál.3.st.
S31.88	Poškoden.mäk.č.II.st.pri otv.zlom.,vyklb.driek.chrbtice,panvy	T31.61	Popál.60-69%povr.tela,10-19%popál.3.st.
S31.89	Poškoden.mäk.č.III.st.pri otv.zlom.,vyklb.driek.chrbtice,panvy	T31.62	Popál.60-69%povr.tela,20-29%popál.3.st.
S34.70	Funkčná úroveň pri poranení driekovokřížovej miechy: b.ne.	T31.63	Popál.60-69%povr.tela,30-39%popál.3.st.
S34.71	Funkčná úroveň pri poranení driekovokřížovej miechy: L1	T31.64	Popál.60-69%povr.tela,40-49%popál.3.st.
S34.72	Funkčná úroveň pri poranení driekovokřížovej miechy: L2	T31.65	Popál.60-69%povr.tela,50-59%popál.3.st.
S34.73	Funkčná úroveň pri poranení driekovokřížovej miechy: L3	T31.66	Popál.60-69%povr.tela,60-69%popál.3.st.
S34.74	Funkčná úroveň pri poranení driekovokřížovej miechy: L4	T31.70	Popál.70-79%povr.tela,<ako10 %/b.n.č.-popál.3.st.
S34.75	Funkčná úroveň pri poranení driekovokřížovej miechy: L5	T31.71	Popál.70-79%povr.tela,10-19%popál.3.st.
S34.76	Funkčná úroveň pri poranení driekovokřížovej miechy: S1	T31.72	Popál.70-79%povr.tela,20-29%popál.3.st.
S34.77	Funkčná úroveň pri poranení driekovokřížovej miechy: S2 – S5	T31.73	Popál.70-79%povr.tela,30-39%popál.3.st.
S41.84	Poškodenie mäk.č.I.st.pri zatvor.zlomenine,vyklbení ramena	T31.74	Popál.70-79%povr.tela,40-49%popál.3.st.
S41.85	Poškodenie mäk.č.II.st.pri zatvor.zlomenine,vyklbení ramena	T31.75	Popál.70-79%povr.tela,50-59%popál.3.st.
S41.86	Poškodenie mäk.č.III.st.pri zatvor.zlomenine,vyklbení ramena	T31.76	Popál.70-79%povr.tela,60-69%popál.3.st.
S41.87	Poškodenie mäk.č.I.st.pri otvor.zlomenine,vyklbení ramena	T31.77	Popál.70-79%povr.tela,70-79%popál.3.st.
S41.88	Poškodenie mäk.č.II.st.pri otvor.zlomenine,vyklbení ramena	T31.80	Popál.80-89%povr.tela,<ako10 %/b.n.č.-popál.3.st.
		T31.81	Popál.80-89%povr.tela,10-19%popál.3.st.

Kód	Popis	Kód	Popis
T31.82	Popál.80-89%povr.tela,20-29%popál.3.st.	T32.97	Polept.90 a viac%povr.tela,70-79%polept.3.st.
T31.83	Popál.80-89%povr.tela,30-39%popál.3.st.	T32.98	Polept.90 a viac%povr.tela,80-89%polept.3.st.
T31.84	Popál.80-89%povr.tela,40-49%popál.3.st.	T32.99	Polept.90 a viac%povr.tela,90% a viac polept.3.st.
T31.85	Popál.80-89%povr.tela,50-59%popál.3.st.	T74.0	Zanedbanie alebo opustenie
T31.86	Popál.80-89%povr.tela,60-69%popál.3.st.	T74.1	Fyzické zneužitie
T31.87	Popál.80-89%povr.tela,70-79%popál.3.st.	T74.2	Pohlavné zneužitie
T31.88	Popál.80-89%povr.tela,80-89%popál.3.st.	T74.3	Psychické zneužitie
T31.90	Popál.90 a viac%povr.tela,<ako10 %/b.n.č.-popál.3.st.	T74.8	Iný syndróm,zapríčený zlým zaobchádzaním
T31.91	Popál.90 a viac%povr.tela,10-19%popál.3.st.	T74.9	Syndróm,zapríč.zlým zaobchádzaním,b.n.
T31.92	Popál.90 a viac%povr.tela,20-29%popál.3.st.	T90.0	Neskoré následky povrchového poranenia hlavy
T31.93	Popál.90 a viac%povr. tela,30-39%popál.3.st.	T90.1	Neskoré následky otvorenej rany hlavy
T31.94	Popál.90 a viac%povr.tela,40-49%popál.3.st.	T90.2	Neskoré následky zlomeniny lebky a tvárových kostí
T31.95	Popál.90 a viac%povr.tela,50-59%popál.3.st.	T90.3	Neskoré následky poranenia hlavových nervov
T31.96	Popál.90 a viac%povr.tela,60-69%popál.3.st.	T90.4	Neskoré následky poranenia oka a očnénice
T31.97	Popál.90 a viac%povr.tela,70-79%popál.3.st.	T90.5	Neskoré následky vnútrolebkového poranenia
T31.98	Popál.90 a viac%povr.tela,80-89%popál.3.st.	T90.8	Neskoré následky iného bliž.urč.poranenia hlavy
T31.99	Popál.90 a viac%povr.tela,90 %/viac popál.3.st.	T90.9	Neskoré následky bližšie neurčeného poranenia hlavy
T32.00	Polept.<ako10%povr.tela,<ako10 %/b.n.č.-polept.3.st.	T91.0	Neskoré násl.povrch.ho poran.a otvor.rany krku a trupu
T32.10	Polept.10-19%povr.tela,<ako10 %/b.n.č.-polept.3.st.	T91.1	Neskoré následky zlomeniny chrčtice
T32.11	Polept.10-19%povr.tela,10-19%polept.3.st.	T91.2	Neskoré následky inej zlomeniny hrudníka a panvy
T32.20	Polept.20-29%povr.tela,<ako10 %/b.n.č.-polept.3.st.	T91.3	Neskoré následky poranenia miechy
T32.21	Polept.20-29%povr.tela,10-19%polept.3.st.	T91.4	Neskoré následky poranenia vnútrohrud.org.
T32.22	Polept.20-29%povr.tela,20-29%polept.3.st.	T91.5	Neskoré následky poran.vnútrobruš. a panv.org.
T32.30	Polept.30-39%povr.tela,<ako10 %/b.n.č.-polept.3.st.	T91.8	Neskoré následky i.bliž.urč.poran.krku a trupu
T32.31	Polept.30-39%povr.tela,10-19%polept.3.st.	T91.9	Neskoré následky bliž.neurč.poran.krku a trupu
T32.32	Polept.30-39%povr.tela,20-29%polept.3.st.	T92.0	Neskoré následky otvorenej rany homej končatiny
T32.33	Polept.30-39%povr.tela,30-39%polept.3.st.	T92.1	Neskoré následky zlomeniny ramena
T32.40	Polept.40-49%povr.tela,<ako10 %/b.n.č.-polept.3.st.	T92.2	Neskoré následky zlomeniny v úrovni zápastia a ruky
T32.41	Polept.40-49%povr.tela,10-19%polept.3.st.	T92.3	Nesk.následky vyklbenia,vyvrt.a natiah.HK
T32.42	Polept.40-49%povr.tela,20-29%polept.3.st.	T92.4	Neskoré následky poranenia nervu homej končatiny
T32.43	Polept.40-49%povr.tela,30-39%polept.3.st.	T92.5	Neskoré následky poran.svalu a šľachy HK
T32.44	Polept.40-49%povr.tela,40-49%polept.3.st.	T92.6	Neskoré následky drvivého poran.a úraz.amput. HK
T32.50	Polept.50-59%povr.tela,<ako10 %/b.n.č.-polept.3.st.	T92.8	Neskoré následky i.bliž.urč.por.HK
T32.51	Polept.50-59%povr.tela,10-19%polept.3.st.	T92.9	Neskoré následky bliž.neurč.poran.HK
T32.52	Polept.50-59%povr.tela,20-29%polept.3.st.	T93.0	Neskoré následky otvorenej rany dolnej končatiny
T32.53	Polept.50-59%povr.tela,30-39%polept.3.st.	T93.1	Neskoré následky zlomeniny stehnovy kosti
T32.54	Polept.50-59%povr.tela,40-49%polept.3.st.	T93.2	Neskoré následky inej zlomeniny dolnej končatiny
T32.55	Polept.50-59%povr.tela,50-59%polept.3.st.	T93.3	Nesk.následky vyklb.vyvrt.a natiah.DK
T32.60	Polept.60-69%povr.tela,<ako10 %/b.n.č.-polept.3.st.	T93.4	Neskoré následky poranenia nervu dolnej končatiny
T32.61	Polept.60-69%povr.tela,10-19%polept.3.st.	T93.5	Neskoré následky poran.svalu a šľachy DK
T32.62	Polept.60-69%povr.tela,20-29%polept.3.st.	T93.6	Neskoré následky drvivého poran.a úraz.amput. DK
T32.63	Polept.60-69%povr.tela,30-39%polept.3.st.	T93.8	Neskoré následky i.bliž.urč.poranenia DK
T32.64	Polept.60-69%povr.tela,40-49%polept.3.st.	T93.9	Neskoré následky bliž.neurč.poranenia DK
T32.65	Polept.60-69%povr.tela,50-59%polept.3.st.	T94.0	Neskoré následky poranenia viacerých oblastí tela
T32.66	Polept.60-69%povr.tela,60-69%polept.3.st.	T94.1	Neskoré následky poranenia:oblasť bliž.neurč.tela
T32.70	Polept.70-79%povr.tela,<ako10 %/b.n.č.-polept.3.st.	T95.0	Neskoré následky popál.,polept.a omrzliny hlavy a krku
T32.71	Polept.70-79%povr.tela,10-19%polept.3.st.	T95.1	Neskoré následky popál.,polept.a omrzliny trupu
T32.72	Polept.70-79%povr.tela,20-29%polept.3.st.	T95.2	Neskoré následky popál.,polept.a omrzliny HK
T32.73	Polept.70-79%povr.tela,30-39%polept.3.st.	T95.3	Neskoré následky popál.,polept.a omrzliny DK
T32.74	Polept.70-79%povr.tela,40-49%polept.3.st.	T95.4	Neskoré násl.popál.a polept.zatr.iba p.rozs.postih.povr.tela
T32.75	Polept.70-79%povr.tela,50-59%polept.3.st.	T95.8	Neskoré následky i.bliž.urč.popál.,polept.a omrzliny
T32.76	Polept.70-79%povr.tela,60-69%polept.3.st.	T95.9	Neskoré následky bliž.neurč.popál.,polept.a omrzliny
T32.77	Polept.70-79%povr.tela,70-79%polept.3.st.	T96	Neskoré následky otravy liekmi,i.a biol.akt.lát.
T32.80	Polept.80-89%povr.tela,<ako10 %/b.n.č.-polept.3.st.	T97	Neskoré následky tox.úč.lát.používanej najmä mimo lekárstva
T32.81	Polept.80-89%povr.tela,10-19%polept.3.st.	T98.0	Neskoré násl.úč.cudz.telesa vniknutého prirodz.m otvorom
T32.82	Polept.80-89%povr.tela,20-29%polept.3.st.	T98.1	Neskoré následky i.a bliž.neurč.účinkov vonk.příčin
T32.83	Polept.80-89%povr.tela,30-39%polept.3.st.	T98.2	Neskoré následky niektorých včasných kompl.úrazov
T32.84	Polept.80-89%povr.tela,40-49%polept.3.st.	T98.3	Neskoré následky komplikácii chir.výkonu a lekář.star.,n.i.
T32.85	Polept.80-89%povr.tela,50-59%polept.3.st.	U06.0	Nepokrytý kód U06.0
T32.86	Polept.80-89%povr.tela,60-69%polept.3.st.	U06.1	Nepokrytý kód U06.1
T32.87	Polept.80-89%povr.tela,70-79%polept.3.st.	U06.2	Nepokrytý kód U06.2
T32.88	Polept.80-89%povr.tela,80-89%polept.3.st.	U06.3	Nepokrytý kód U06.3
T32.90	Polept.90 a viac%povr.tela,<ako10 %/b.n.č.-polept.3.st.	U06.4	Nepokrytý kód U06.4
T32.91	Polept.90 a viac%povr.tela,10-19%polept.3.st.	U06.5	Nepokrytý kód U06.5
T32.92	Polept.90 a viac%povr.tela,20-29%polept.3.st.	U06.6	Nepokrytý kód U06.6
T32.93	Polept.90 a viac%povr.tela,30-39%polept.3.st.	U06.7	Nepokrytý kód U06.7
T32.94	Polept.90 a viac%povr.tela,40-49%polept.3.st.	U06.8	Nepokrytý kód U06.8
T32.95	Polept.90 a viac%povr.tela,50-59%polept.3.st.	U06.9	Choroba zapríčinená vírusom Zika, bližšie neurčená
T32.96	Polept.90 a viac%povr.tela,60-69%polept.3.st.	U07.0	Nepokrytý kód U07.0

Kód	Popis	Kód	Popis
U07.1	Potvrdená infekcia COVID-19	U55.12	Vyk.zápis do zozn.čak.na transpl.srdca,čak.st.vys.nalieh.
U07.2	Podозrenie z infekcie COVID-19	U55.20	Vyk.zápis do zozn.čak.na transpl.plúc,b.ozn.st./vys.nal.
U07.3	Potvrdená infekcia COVID-19 PCR testom	U55.21	Vyk.zápis do zozn.čak.na transpl.plúc,označ.st.nal.
U07.4	Potvrdená infekcia COVID-19 Ag testom	U55.22	Vyk.zápis do zozn.čak.na transpl.plúc,označ.st.vys.nal.
U07.5	Nepokrytý kód U07.5	U55.30	Vyk.záp.do zozn.čak.na transpl.srdca a pl.,b.ozn.st./vys.nal.
U07.6	Nepokrytý kód U07.6	U55.31	Vyk.zápis do zozn.čak.na transpl.srdca a pl.,označ.st.nal.
U07.7	Nepokrytý kód U07.7	U55.32	Vyk.zápis do zozn.čak.na transpl.srdca a pl.,označ.vys.nal.
U07.8	Nepokrytý kód U07.8	U60.1	Klinické kategórie choroby HIV: kategória A
U07.9	Nepokrytý kód U07.9	U60.2	Klinické kategórie choroby HIV: kategória B
U08.0	Osobná anamnéza COVID-19	U60.3	Klinické kategórie choroby HIV: kategória C
U08.1	Nepokrytý kód U08.1	U60.9	Klinické kategórie choroby HIV, bližšie neurčené
U08.2	Nepokrytý kód U08.2	U61.1	Počet pomocných T-buniek pri chorobe HIV
U08.3	Nepokrytý kód U08.3	U61.2	Počet pomocných T-buniek pri chorobe HIV
U08.4	Nepokrytý kód U08.4	U61.3	Počet pomocných T-buniek pri chorobe HIV
U08.5	Nepokrytý kód U08.5	U61.9	Počet (CD4+-) pomocných T-buniek pri chorobe HIV
U08.6	Nepokrytý kód U08.6	U69.00	Sek.klas.za ú.ext.kontr.kv.:záp.pl.dosp.,z.i.,zisk.v nem.
U08.7	Nepokrytý kód U08.7	U69.10	Sek.klas.,o.adm.ú.:chor.z.i.-podozr.,med.neind.est.op.
U08.8	Nepokrytý kód U08.8	U69.20	Sek.klas.na o.epid.ú.:chrípka A/H1N1,pandémia 2009
U08.9	Osobná anamnéza COVID-19, bližšie neurčená	U69.21	Sek.klas.na o.epid.ú.:chrípka A/H5N1,epidémia
U09.0	Stav po COVID-19	U80.0	Staph.aur.rez.na OXA,glp.ATB,chin.,streptogr./oxazolid.
U09.1	Vedľajšie príznaky v súvislosti s podaním vakcíny proti COVID-19	U80.1	Str.pn.rez.na PNC,OXA,makrolid.ATB,oxazolid./streptogr.
U09.2	Nepokrytý kód U09.2	U80.2	Ent.faecalis rez.na glp.ATB,oxazolid.streptogr./v.úr.amg.rez.
U09.3	Nepokrytý kód U09.3	U80.3	Ent.faecium rez.na glp.ATB,oxazolid.,streptogr./v.úr.amg.rez.
U09.4	Nepokrytý kód U09.4	U80.4	Esch.klebs.prot.rez.chin.karbap.amik./dok.rez.vš.btl.ATB
U09.5	Nepokrytý kód U09.5	U80.5	Enterobacter,citrobacter a serratia rez.-karbap.,chin./amik.
U09.6	Nepokrytý kód U09.6	U80.6	Ps.aer.a i.non-ferm.p.rez.karbap.chin.amik.ceft./pip.s tazob.
U09.7	Nepokrytý kód U09.7	U80.7	Burkh.a stenotroph.rez.-chin.,amik.,ceft.,pip.s tazob./CTM
U09.8	Nepokrytý kód U09.8	U81	Pôvodca s mutirezistenciou na antibiotiká
U09.9	Stav po COVID-19, bližšie neurčený	U82.0	Myc.tbc s rez.pr.jed./viac.antituberk.prv.radu
U10.0	Multisystémový zápalový syndróm v časovom vzťahu ku COVID-19	U82.1	Multirezistentná tuberkulóza [MDR-TB]
U10.1	Nepokrytý kód U10.1	U82.2	Atyp.mykobakt./nocardia s rez.na jed./viac.liek.prv.radu
U10.2	Nepokrytý kód U10.2	U83	Kandida s rezistenciou na flukonazol/vorikonazol
U10.3	Nepokrytý kód U10.3	U84	Herpesvírusy s rezistenciou na virostatiká
U10.4	Nepokrytý kód U10.4	U85	Vírus HIV s rezistenciou na virostatiká/inhib.proteináz
U10.5	Nepokrytý kód U10.5	U99.04	Trvalá a nezvratná kolostómia
U10.6	Nepokrytý kód U10.6	U99.05	Trvalá a nezvratná ileostómia
U10.7	Nepokrytý kód U10.7	U99.06	Trvalá a nezvratná urostómia
U10.8	Nepokrytý kód U10.8	U99.07	Intenzifikovaný inzulínový režim
U10.9	Multisystémový zápalový syndr. v časovom vzťahu ku COVID-19, b.n.	U99.08	Konvenčný inzulínový režim
U50.00	Nijaké/min.obm.pohyb.funkcii,Barthelovej index100b.	U99.09	Liečba perorálnymi antidiabetikami a diétou
U50.01	Nijaké/min.obm.pohyb.funkcii,mot.FIM 85-91b.	U99.1	Nepokrytý kód U99.1
U50.10	Lahké obm.pohyb.funkcii,Barthelovej index80-95b.	U99.10	Liečba inkretínovými injekčnými mimetikami
U50.11	Lahké obm.pohyb.funkcii,mot.FIM 69-84b.	U99.2	Nepokrytý kód U99.2
U50.20	Stredné obm.pohyb.funkcii,Barthelovej index60-75b.	U99.3	Nepokrytý kód U99.3
U50.21	Stredné obm.pohyb.funkcii,mot.FIM 59-68b.	U99.4	Nepokrytý kód U99.4
U50.30	Stredne ťažké obm.pohyb.funkcii,Barthelovej index40-55b.	U99.5	Nepokrytý kód U99.5
U50.31	Stredne ťažké obm.pohyb.funkcii,mot.FIM 43-58b.	U99.6	Nepokrytý kód U99.6
U50.40	Ťažké obm.pohyb.funkcii,Barthelovej index20-35b.	U99.7	Nepokrytý kód U99.7
U50.41	Ťažké obm.pohyb.funkcii,mot.FIM 31-42b.	U99.8	Nepokrytý kód U99.8
U50.50	Veľmi ťažké obm.pohyb.funkcii,Barthelovej index0-15b.	U99.9	Nepokrytý kód U99.9
U50.51	Veľmi ťažké obm.pohyb.funkcii,mot.FIM 13-30b.	Z00.0	Všeobecné lekárske vyšetrenie
U51.00	Nijaké/min.obm.kogn.funkcii,rozš.Barthelovej index70-90b.	Z00.1	Rutinné vyšetrenie zdravotného stavu dieťaťa
U51.01	Nijaké/min.obm.kogn.funkcii,kognitívny FIM 30-35b.	Z00.2	Vyšetrenie v období rýchleho rastu v detstve
U51.02	Nijaké/min.obm.kogn.funkcii,MMSE 24-30b.	Z00.3	Vyšetrenie vývinu dospievajúceho
U51.10	Stredné obm.kogn.funkcii,rozš.Barthelovej index20-65b.	Z00.4	Všeobecné psychiatrické vyšetrenie,n.i.
U51.11	Stredné obm.kogn.funkcii,kogn.IM 11-29b.	Z00.6	Vyšetrenie na porovn.a kontrolu v rámci klin.výsk.progr.
U51.12	Stredné obm.kogn.funkcii,MMSE 17-23b.	Z00.8	Iné všeobecné vyšetrenie
U51.20	Ťažké obm.kogn.funkcii,rozš.Barthelovej index0-15b.	Z01.6	Rádiologické vyšetrenie, nezatriedené inde
U51.21	Ťažké obm.kogn.funkcii,kogn. FIM 5-10b.	Z01.7	Laboratórne vyšetrenie
U51.22	Ťažké obm.kogn.funkcii,MMSE 0 - 16 bodov	Z01.9	Špeciálne vyšetrenie, bližšie neurčené
U52.0	Barthelovej index pri včasnej rhh.31 a viac.	Z04.9	Vyš.a pozor. z blíž.neu.dôvodov
U52.1	Barthelovej index pri včasnej rhh.-75 až 30b.	Z21	Bezprízn.stav inf.HIV (vír.ludského imunodef.)
U52.2	Barthelovej indexpri včasnej rhh.-200 až-76b.	Z32.0	Gravidita, (ešte) nepotvrdená
U52.3	Barthelovej indexpri včasnej rhh.men.ako-200b.	Z32.1	Potvrdená gravidita
U55.10	Vyk.zápis do zozn.čak.na transpl.srdca,b.ozn.st./vys.nalieh.	Z33	Gravidita ako vedľajší nález
U55.11	Vyk.zápis do zozn.čak.na transpl.srdca,označ.st.nalieh.	Z34.0	Dohľad nad normálnou prvou graviditou
		Z34.8	Dohľad nad inou normálnou graviditou
		Z34.9	Dohľad nad normálnou graviditou, bližšie neurčenou
		Z35.0	Dohľad nad graviditou s anamnézou neplodnosti

Kód	Popis	Kód	Popis
Z35.1	Dohľad nad graviditou s anamnézou potratu	Z57.6	Profesionálne vystavenie extrémnej teploty
Z35.2	Dohľad nad gravid.s i.nepriaznivou pôr.anamnézou	Z57.7	Profesionálne vystavenie vibráciám
Z35.3	Dohľad nad gravid.s anamnézou nedost.prenatálnej star.	Z57.8	Profesionálne vystavenie iným rizikovým faktorom
Z35.4	Dohľad nad graviditou mnohorodičky	Z57.9	Profes.vystav.blíž.neu.rizikovému faktoru
Z35.5	Dohľad nad staršou prvorodičkou	Z58.0	Vystavenie hluku
Z35.6	Dohľad nad veľmi mladou prvorodičkou	Z58.1	Vystavenie znečistenému ovzdušiu
Z35.7	Dohľad nad rizik. gravid.v dôsledku sociál.problem.	Z58.2	Vystavenie znečistenej vode
Z35.8	Dohľad nad inou rizikovou graviditou	Z58.3	Vystavenie znečistenej pôde
Z35.9	Dohľad nad rizikovou graviditou, bližšie neurčenou	Z58.4	Vystavenie žiareniu
Z37.0	Jedno dieťa, živonarodené	Z58.5	Vystavenie inému znečisteniu
Z37.1	Jedno dieťa, mŕtvonarodené	Z58.6	Nedostatočné zásobovanie pitnou vodou
Z37.2	Dvojčatá, živonarodené	Z58.7	Vystavenie tabakovému dymu
Z37.3	Dvojčatá, jedno živonarodené, jedno mŕtvonarodené	Z58.8	Iné problémy súvisiace so životným prostredím
Z37.4	Dvojčatá, mŕtvonarodené	Z58.9	Problém súvis.so životným prostredím,b.n.
Z37.5	Iný viacpočetný pôrod, všetky deti živonarodené	Z59.0	Bezdomovstvo
Z37.6	Iný viacpočetný pôrod, niektoré deti živonarodené	Z59.1	Neprimerané bývanie
Z37.7	Iný viacpočetný pôrod, všetky deti mŕtvonarodené	Z59.2	Nezhody so susedmi, nájomníkmi a vlastníkom
Z37.9	Výsledok pôrodu, bližšie neurčený	Z59.3	Problémy súvisiace s bývaním v ubytovacom zariadení
Z44.8	Skúšanie a prispôs.i.vonk.protet.pom.	Z59.4	Nedostatok primeranej potravy
Z44.9	Skúšanie a prispôs.b.n.vonk.protet.pom.	Z59.5	Extrémna chudoba
Z47.0	Násled.star.,zahŕň.odstr.kostnej dlahy/i.vnúť.fix.pom.	Z59.6	Nízky príjem
Z49.2	Iná dialýza	Z59.7	Nedostatočné soc.poistenie a soc.starostlivosť
Z50.0	Rehabilitácia pri chorobách srdca	Z59.8	Iné problémy súvis.s bývaním a ekonomickou situáciou
Z50.1	Iná fyzikálna liečba	Z59.9	Problém súvis.s bývaním a ekonomickou situáciou,b.n.
Z50.2	Rehabilitácia pri alkoholizme	Z60.0	Problémy s prispôbením sa zmenám životného cyklu
Z50.3	Rehabilitácia pri liek./drog.j závislosti	Z60.1	Atypická rodičovská situácia
Z50.4	Psychoterapia, nezatriedená inde	Z60.2	Osamelo žijúca osoba
Z50.5	Logopedická liečba (liečba porúch hlasu, reči)	Z60.3	Ťažkosti s kultúrnou asimiláciou
Z50.6	Ortopedické cvičenia	Z60.4	Sociálne vylúčenie a odvrhnutie
Z50.7	Pracovná liečba a rehabilitácia, nezatriedená inde	Z60.5	Terč diskriminácie a perzekúcie
Z50.8	Starostlivosť, zahŕňajúca iné rehabilitačné výkony	Z60.8	Iné problémy súvisiace so sociálnym prostredím
Z50.9	Starostlivosť,zahŕň.ehabilitačné výk. b.n.	Z60.9	Problém súvis.so soc.prostredím,b.n.
Z51.0	Liečebná rádioterapia	Z61.0	Strata láskyplného vzťahu v detstve
Z51.1	Cyklus chemoterapie pre zhubný nádor	Z61.1	Premiestnenie z domova v detstve
Z51.2	Iná chemoterapia	Z61.2	Zmena rodinných vzťahov v detstve
Z51.3	Transfúzia krvi bez uvedenia diagnózy	Z61.3	Udalosti vedúce k strate sebaúcty v detstve
Z51.5	Paliatívna starostlivosť	Z61.4	Probl.súvis.s údaj.pohl.zneuž.dieť.os.z okr.prim.star.
Z51.81	Aferéza	Z61.5	Probl.súvis.s údaj.pohl.zneuž.dieť.os.mimo okr.prim.star.
Z51.82	Komb.liečba zhubného nád.žiarením a chemoterapiou	Z61.6	Problémy súvisiace s údajným fyzickým zneužitím dieťaťa
Z52.00	Darca plnej krvi	Z61.7	Osobná desivá skúsenosť v detstve
Z54.0	Rekonvalescencia po operačnom výkone	Z61.8	Iné negatívne udalosti v detstve
Z54.1	Rekonvalescencia po rádioterapii	Z61.9	Negatívna udalosť v detstve, bližšie neurčená
Z54.2	Rekonvalescencia po chemoterapii	Z62.0	Nedostatočný rodičovský dozor a kontrola
Z54.3	Rekonvalescencia po psychoterapii	Z62.1	Nadmerná rodičovská ochrana
Z54.4	Rekonvalescencia po liečbe zlomeniny	Z62.2	Ústavná výchova
Z54.7	Rekonvalescencia po kombinovanej liečbe	Z62.3	Nepriateľstvo voči dieťaťu, dieťa ako obetný baránok
Z54.8	Rekonvalescencia po inej liečbe	Z62.4	Emočné zanedbávanie dieťaťa
Z54.9	Rekonvalescencia po bližšie neurčenej liečbe	Z62.5	Iné problémy súvisiace so zanedbávaním výchovy
Z55.0	Negramotnosť a nízky stupeň gramotnosti	Z62.6	Neprim.rodič.nátlak a iné abnor.spôsoby výchovy
Z55.1	Nedostupné a nedosiahnuteľné školské vzdelanie	Z62.8	Iné bližšie určené problémy súvisiace s výchovou
Z55.2	Nezvládnutie skúšok	Z62.9	Problém súvisiaci s výchovou, bližšie neurčený
Z55.3	Zlý prospech v škole	Z63.0	Problémy vo vzťahu medzi manželmi alebo partnermi
Z55.4	Zlá prispôs.pri vyuč.a konflikty s učiteľmi a spolužiakmi	Z63.1	Problémy vo vzťahu s rodičmi a svokrovcami
Z55.8	Iné problémy súvis.so vzdelávaním a gramotnosťou	Z63.2	Neprimeraná rodinná podpora
Z55.9	Problémy súvis.so vzdel.a gramotnosťou, bliž.neu.	Z63.3	Nepriateľnosť člena rodiny
Z56.0	Nezamestnanosť, bližšie neurčená	Z63.4	Zmiznutie a smrť člena rodiny
Z56.1	Zmena zamestnania	Z63.5	Rozpadnutie rodiny odlúčením a rozvodom
Z56.2	Hrozba straty zamestnania	Z63.6	Pribuzný odkazovaný na domácu starostlivosť
Z56.3	Stresujúci pracovný režim	Z63.7	Iné stres.život.udal.postih.rodinu a domácnosť
Z56.4	Konflikt s nadriadeným a spolupracovníkmi	Z63.8	Iné bliž.ur.probl.úvis.so skup.prim.star.
Z56.5	Nevhodná práca	Z63.9	Problémy súvis.so skup.prim.star.,b.n.
Z56.6	Iné fyzické a duševné vypätie v súvislosti s prácou	Z64.0	Problémy súvisiace s nechcenou graviditou
Z56.7	Iné a bliž.neu.problémy súvisiace so zamestnaním	Z64.8	Iné kont.prílež.vo vzťahu k urč.psyhosoc.okol.
Z57.0	Profesionálne vystavenie hluku	Z70.0	Poradenstvo súvisiace s pohlavným postojom
Z57.1	Profesionálne vystavenie žiareniu (radiácii)	Z70.1	Porad.súvis.s pac.pohla.správaním a orientáciou
Z57.2	Profesionálne vystavenie prachu	Z70.2	Porad.súvis.s pohl.správ. a orient.tretej osoby
Z57.3	Profes.vystav.ným znečisťujúcim látkam v ovzduší	Z70.3	Porad.súvis.s komb.probl.pohla.postoja, správ. a orient.
Z57.4	Profes.vystav.toxickým látkam v poľnohospodárstve	Z70.8	Iné sexuologické poradenstvo
Z57.5	Profes.vystav.toxickým látkam v i.priemys.odvetviach	Z70.9	Sexuologické poradenstvo, bližšie neurčené

Kód	Popis	Kód	Popis
Z72.0	Problémy v súvislosti s užívaním tabaku	Z89.5	Získané chýbanie DK v úr.kol./pod kol.,jednostranné
Z72.1	Problémy v súvislosti s užívaním alkoholu	Z89.6	Získané chýbanie DK nad kol.,jednostranné
Z72.2	Problémy v súvislosti s užívaním návykových látok	Z89.7	Získané chýbanie oboch DK(kt.kol'vek úr.,okr.prstov)
Z75.0	Zdravotné služby nedostupné v domácom prostredí	Z89.8	Získané chýbanie HK a DK (kt.kol'vek úr.)
Z75.1	Osoba čakajúca inde na prijatie do vhodného zariadenia	Z89.9	Získané chýbanie končatiny, bližšie neurčené
Z75.2	Čakacia doba na vyšetrenie a liečbu	Z90.0	Získané chýbanie časti hlavy a krku
Z75.3	Nedostupnosť a neprístupnosť zdravotníckych služieb	Z90.1	Získané chýbanie prsníka (prsníkov)
Z75.4	Nedostupnosť a neprístupnosť iných pomocných služieb	Z90.2	Získané chýbanie (časti) pľúc
Z75.5	Starostlivosť počas dovolenky	Z90.3	Získané chýbanie časti žalúdka
Z75.60	Vykonaná reg.na org.transpl.b.vys.st.nalieh.:oblička	Z90.4	Získané chýbanie iných častí tráviacej sústavy
Z75.64	Vykon.reg.na org.transpl.b.vys.st.nalieh.:oblička-pankr.	Z90.5	Získané chýbanie obličky
Z75.65	Vykonaná reg.na org.transpl.b.vys.st.nalieh.:pankreas	Z90.6	Získané chýbanie iných orgánov močovej sústavy
Z75.66	Vykonaná reg.na org.transpl.b.vys.st.nalieh.:tenké črevo	Z90.7	Získané chýbanie pohlavného orgánu (orgánov)
Z75.67	Vykonaná reg.na org.transpl.b.vys.st.nalieh.:pečeň	Z90.8	Získané chýbanie iných orgánov
Z75.68	Vykonaná reg.na org.transpl.b.vys.st.nalieh.:iný orgán	Z91.0	Alergia na i.lát.ako liek.a biol.lát.v osob.anam.
Z75.69	Vykonaná reg.na org.transpl.b.vys.st.nalieh.:b.n.orgán	Z91.1	Nedodržiavanie lieč.a lieč.ho režimu v os.anam.
Z75.70	Vykonaná reg.na org.transpl.s vys.st.nalieh.:oblička	Z91.8	Iné bliž.ur.rizikové faktory,n.i.
Z75.74	Vykon. reg.na org.transpl.s vys.st.nalieh.:oblička-pankr.	Z92.1	Dlhodobé (súčasné)uživ.anti koagulancií v osob.anam.
Z75.75	Vykonaná reg.na org.transpl.s vys.st.nalieh.:pankreas	Z92.2	Dlhodobé (súčasné)uživ.i.liekov v osob.anam.
Z75.76	Vykonaná reg.na org.transpl.s vys.st.nalieh.:tenké črevo	Z92.3	Rádioterapia v osobnej anamnéze
Z75.77	Vykonaná reg.na org.transpl.s vys.st.nalieh.:pečeň	Z92.4	Veľký chir.výk.v osob.anam.,n.i.
Z75.78	Vykonaná reg.na org.transpl.s vys.st.nalieh.:iný orgán	Z92.6	Chemoterapia pre zhubný nádor v osobnej anamnéze
Z75.79	Vykonaná reg.na org.transpl.s vys.st.nalieh.:b.n.orgán	Z92.8	Iná liečba v osobnej anamnéze
Z75.8	Iné prob.súvis.s možn.zdrav.star./s i.zdrav.opaterou	Z92.9	Liečba v osobnej anamnéze, bližšie neurčená
Z75.9	Bliž.neu.prob.súvis.s možn.zdrav.star./s i.zdrav.opaterou	Z93.0	Stav s predtým vytvorenou tracheostómou
Z76.3	Zdravá osoba sprevádzajúca chorého	Z93.1	Stav s predtým vytvorenou gastrotómou
Z76.5	Simulant (vedomá simulácia)	Z93.2	Stav s predtým vytvorenou ilestómou
Z85.0	Zhubný nádor tráviacich orgánov v osobnej anamnéze	Z93.3	Stav s predtým vytvorenou kolostómou
Z85.1	Zhub.nád.priedušn.,priedušiek a pľúc v osob.anam.	Z93.4	Stav s predtým umelo vytvor.vyústením gastrointest.súst.
Z85.2	Zhub.nád.i.dých.a vnútrohrud.org.v osob.anam.	Z93.5	Stav s predtým vytvorenou cystostómou
Z85.3	Zhubný nádor prsníka v osobnej anamnéze	Z93.6	Stav s predtým vytvor.i.umelým vyústením moč.súst.
Z85.4	Zhubný nádor pohlavných orgánov v osobnej anamnéze	Z93.80	Stav s predtým vytvorenou hrudnikovou stómou
Z85.5	Zhubný nádor močovej sústavy v osobnej anamnéze	Z93.88	Stav s predtým umelo vytvoreným iným vyústením
Z85.6	Leukémia v osobnej anamnéze	Z93.9	Stav s predtým umelo vytvor.vyústením,b.n.
Z85.7	Iné zhub.nád.lymf.,krvotv.a príbuz.tkan.v osob.anam.	Z94.0	Stav po transplantácii obličky
Z85.8	Zhub.nád.i.org./systémov v osob.anam.	Z94.1	Stav po transplantácii srdca
Z85.9	Zhubný nádor v osobnej anamnéze, bližšie neurčený	Z94.2	Stav po transplantácii pľúc
Z86.0	Iné nádory v osobnej anamnéze	Z94.3	Stav po transplantácii srdca a pľúc
Z86.1	Infekčné a parazitové choroby v osobnej anamnéze	Z94.4	Stav po transplantácii pečene
Z86.2	Chor.krvii/krvotv.org.a niekt.por.,týk.sa imun.v osb.anam.	Z94.5	Stav po transplantácii kože
Z86.3	Endokrinné,nutričné a metab.chor.v os.anamn.	Z94.6	Stav po transplantácii kostí
Z86.4	Abúzus psychoaktívnych látok v osobnej anamnéze	Z94.70	Rejekcia transplantátu rohovky
Z86.5	Iné poruchy psychiky a správanie v osobnej anamnéze	Z94.79	Stav po transplantácii rohovky
Z86.6	Choroba nervového systému a zmysl.org.v os.anamn.	Z94.80	Stav po traspl.krvotv.(kmeň.)bun.,bez súč.imunosupr.
Z86.7	Choroby obehovej sústavy v osobnej anamnéze	Z94.81	Stav po traspl.krvotv.(kmeň.)bun.,so súč.imunosupr.
Z87.0	Choroby dýchacej sústavy v osobnej anamnéze	Z94.82	Stav po transplantácii pankreasu
Z87.1	Choroby tráviacich orgánov v osobnej anamnéze	Z94.83	Stav po transplantácii obličky a pankreasu
Z87.2	Choroby kože a podkožného tkaniva v osob.anam.	Z94.88	Stav po transplantácii iného orgánu alebo tkaniva
Z87.3	Choroba sval.a konstr.súst.a spojiv.tkan.v osob.anam.	Z94.9	Stav po traspl.orgánu/tkan. b.n.
Z87.4	Choroby močovopohlavnej sústavy v osobnej anamnéze	Z95.0	Stav po implantácii kardiostimulátora
Z87.5	Kompl.gravidity,pôr.a šestonedelia v osob.anam.	Z95.1	Stav po implantácii aortokoron.bajpasu pomocou štepu
Z87.6	Niektoré patolog.stavy v perinat.obd.v osob.anam.	Z95.2	Stav po implantácii protetickej srdcovej chlopne
Z87.7	Vrod.chyby,defor. a chrom.anomálie v osob.anam.	Z95.3	Stav po implantácii xenogénnej srdcovej chlopne
Z87.8	Iné bližšie určené choroby v osobnej anamnéze	Z95.4	Stav po implantácii inej náhrady srdcovej chlopne
Z88.0	Alergia na penicilín v osobnej anamnéze	Z95.5	Stav po implantácii koron.angioplastického impl. a štepu
Z88.1	Alergia na iné antibiotiká v osobnej anamnéze	Z95.80	Stav po implantácii systému podporujúceho srdce
Z88.2	Alergia na sulfonamidy v osobnej anamnéze	Z95.81	Stav po implantácii cievného permanentného katétra
Z88.3	Alergia na iné protiinfekčné lieky v osob.anam.	Z95.88	Stav po implant.i.srdc./ciev.implantátov/transplantátov
Z88.4	Alergia na anestetiká v osobnej anamnéze	Z95.9	Stav po implant.srd./ciev.implantátu/štepu,b.n.
Z88.5	Alergia na opiáty v osobnej anamnéze	Z96.0	Stav po implantácii močovopohlavných implantátov
Z88.6	Alergia na analgetiká v osobnej anamnéze	Z96.1	Stav po implantácii vnútroočnej šošovky
Z88.7	Alergia na sérum a vakcínu v osobnej anamnéze	Z96.2	Stav po implant.ušných a audiologických implantátov
Z88.8	Alergia na i.liek.,lieč.a biol.aktív.lát.v osob.anam.	Z96.3	Stav po implantácii umelého hrtana
Z88.9	Alergia na b.n.liek.,lieč.a biol.aktív.lát.v osob.anam.	Z96.4	Stav po implantácii endokrinného implantátu
Z89.0	Získané chýbanie prsta (prstov,vr.palca),jednostranné	Z96.5	Stav po implant.implantátov zub.koreňa/sánk.implantátov
Z89.1	Získané chýbanie ruky a zápästia	Z96.6	Stav po implant.ortopedických kĺbových implantátov
Z89.2	Získané chýbanie hornej končatiny nad zápästím	Z96.7	Stav po implant.i.kostného a šľachového implantátu
Z89.3	Získané chýbanie oboch HK na akejkol'vek úr.	Z96.80	Stav po implantácii bronchového stentu
Z89.4	Získané chýbanie nohy a členka	Z96.81	Stav po implantácii tracheového stentu

Status groupera

Kód	Popis	Kód	Popis
Z96.88	Stav po implant.iných.bliž.ur.funkč.implantátov	Z98.8	Iné bližšie určené pooperačné stavy
Z96.9	Stav po implant.funkč.implantátov b.n.	Z99.0	Závislosť od aspirátora
Z97.1	Stav po rekonštrukcii umelej konč.(kompl./čiasť.)	Z99.1	Závislosť od respirátora
Z97.8	Stav po implantácii iných bližšie určených pomôcok	Z99.2	Závislosť od obličkovej dialýzy
Z98.0	Stav po vytvorení črevného bajpasu alebo anastomózy	Z99.3	Závislosť od invalidného vozíka
Z98.1	Artrodéza	Z99.8	Závislosť od i.pomocných prístrojov/pomôcok
Z98.2	Stav po implantácii pom.na drenáž mozgovomiechového moku	Z99.9	Závislosť od pomocného prístroja/pom.,b.n.

Slovník pojmov

Australian Refined Diagnosis Related Groups (AR-DRG)

Druhý národný DRG-klasifikačný systém v Austrálii, vyvíjaný spoločnosťou Commonwealth Department of Health and Family Services.

Dátum prijatia

Dátum prijatia pacienta do nemocnice.

Diagnosis Related Group (DRG)

Skupiny súvisiacich diagnóz, do ktorých sú zaradené prípady s klinickou a nákladovou podobnosťou.

DRG-klasifikačný systém

Je klasifikačný systém, zaraďujúci pacientov do najhomogénnejších skupín vo vzťahu k spotrebe zdrojov nemocnice a to podľa medicínskych a ďalších kritérií.

Funkcie

Funkcie sú zaraďovacie algoritmy, prípadne kódy diagnóz alebo výkonov, ktoré sa používajú vo viacerých MDC alebo základných DRG v rámci MDC.

German Diagnosis Related Groups (G-DRG)

Nemecký DRG-klasifikačný systém, vyvíjaný spoločnosťou Institut für das Entgeltsystem im Krankenhaus GmbH (InEK GmbH).

Grouper

Grouper (gruper) je SW-nástroj (počítačový program), ktorý zabezpečuje zaradenie hospitalizačného prípadu do konkrétnej DRG.

Hlavná diagnostická kategória (MDC)

Je založená na podobnosti prípadov predovšetkým z hľadiska orgánových systémov, prípadne etiológie ochorenia, ktorého liečba je naviazaná na špeciálnu medicínsku odbornosť.

Hlavná diagnóza (HDg)

Je diagnóza, ktorá bola analýzou stanovená ako hlavná príčina vedúca k hospitalizácii pacienta.

Hmotnosť pri prijatí

Hmotnosť v čase prijatia do nemocnice pre deti vo veku menej ako 1 rok.

Chybové a ostatné DRG

Záznam údajov o hospitalizácii s klinicky netypickými alebo neplatnými informáciami sa zaraďuje do chybovej alebo ostatnej DRG.

Jeden ošetrovací deň

Jeden ošetrovací deň je definovaný ako deň prijatia na hospitalizáciu v kalendárny deň a prepustenie v ten istý kalendárny deň alebo v nasledujúci kalendárny deň.

Komorbidity

Je súasný výskyt dvoch alebo viacerých chorobných procesov bez vzájomného vzťahu, ktoré boli prítomné pri prijatí.

Komplikácia

Je chorobný proces (alebo udalosť), objaviaci sa počas ochorenia (po prijatí), ktorý však nie je esenciálnou súčasťou tohto ochorenia, aj keď z tohto ochorenia môže vychádzať alebo môže mať nezávislé príčiny.

Komplikácia a/alebo komorbidity (CC)

Komplikácie a komorbidity sú vedľajšie diagnózy, ktoré spravidla vedú k signifikantnej vyššej spotrebe zdrojov.

Neoperačný výkon (nie-OP-výkon)

Výkon, ktorý je v rámci niektorých MDC signifikantný pre zatriedenie hospitalizačného prípadu. Neoperačné výkony v zmysle SK-DRG môžu byť aj výkony, ktoré sa prevádzajú na operačných sálach.

Operačný, iný a medicínsky segment

MDC sú rozdelené maximálne do troch rozličných segmentov (operačný, iný, a medicínsky). Zaradenie prípadu do segmentu sa riadi podľa vykonania alebo nevykonania OP-výkonu a nie-OP-výkonu.

Operačný výkon (OP-výkon)

Výkon, ktorý je signifikantný v rámci kompletnej systematiky SK-DRG.

Ošetrovací deň (OD)

Ošetrovací deň pacienta sa vypočíta ako rozdiel medzi dátumom prepustenia z nemocnice a dátumom prijatia do nemocnice. Dni na priepustke vrátane dňa, kedy pacient na priepustku odchádza, sa do ošetrovacej doby nezapočítavajú. Pri prijatí a prepustení v ten istý kalendárny deň je ošetrovací deň jeden deň.

Slovak Diagnosis Related Groups (SK-DRG)

Slovenský DRG-klasifikačný systém. Ďalšie informácie k SK-DRG sa nachádzajú v časti Úvod, zväzok 1.

Stupeň klinickej obtiažnosti prípadu (PCCL)

Je miera kumulatívneho efektu komplikácií a komorbidií vypočítavaná samostatne pre každý hospitalizačný prípad.

Stupeň závažnosti komplikácií a komorbidít (CCL)

Stupeň závažnosti komplikácií a komorbidít sa pride ňujú v-ŕtkým ved aj-ím diagnózam. Hodnoty CCL môžu by 0 aŕ 4 pre prípady s operáciami a pre novorodencov.

V ostatných prípadoch môžu by hodnoty CCL 0 aŕ 3.

Hodnoty znaenajú:

1= ľhká komplikácia alebo komorbidita,

2=stredne ľhká komplikácia alebo komorbidita,

3= ľhká komplikácia alebo komorbidita,

4=ve ľmi ľhká komplikácia alebo komorbidita.

Ved ajšia diagnóza (VDg)

Je ochorenie alebo poruchy (diagnóza), ktoré sa vyskytujú sú asne s hlavnou diagnózou alebo sa vyvinuli po as hospitalizácii.

Základná DRG (ADRG)

Jedna alebo viaceré DRG, ktoré sú definované vŕdly rovnakým zoznamom diagnóz a výkonov. DRG v rámci jednej základnej DRG sa rozli-ujú spotrebou zdrojov a sú lenené na základe rozli- ňých faktorov ako napr. komplikujúce diagnózy/výkony, vek a/alebo stupe klinickej obtiaŕnosti prípadu (PCCL).

<http://www.cksdrg.sk>