

SK-DRG

**Slovak
Diagnosis
Related
Groups**

System 2025

Definičná príručka
Zväzok 5
Prílohy

© 2024 by Ministerstvo zdravotníctva Slovenskej republiky - Centrum pre klasifikačný systém a Institut für das Entgeltsystem im Krankenhaus GmbH (InEK), Siegburg, Nemecko

Všetky práva vyhradené.

Definičné príručky pre SK-DRG systém sú chránené podľa autorského zákona. Každé využitie presahujúce hranice medzinárodne platných zákonov o autorských právach a podmienok "Zmluvy o spolupráci pri zavádzaní systému DRG v Slovenskej republike" medzi Institut für das Entgeltsystem im Krankenhaus GmbH a Úradom pre dohľad nad zdravotnou starostlivosťou (ÚDZS) je bez písomného súhlasu MZSR neprípustné.

Obsah

1 Zväzok 5 Prílohy

| | | |
|---------------------------------|---|------|
| Príloha A | Kódy diagnóz-/MDC-/DRG-Index | 1 |
| Príloha B | Kódy výkonov-/MDC-/DRG-Index | 166 |
| Globálne tabu ky výkonov | | 1072 |
| Preh ad funkcií | | 1073 |
| Príloha C | Prítomnos CC, vyradenie CC, stanovenie CCL a PCCL | 1079 |
| Príloha D | Overovanie demografických a klinických údajov | 1137 |
| Slovník pojmov | | 1190 |

Príloha A

Kódy diagnóz-/MDC-/DRG-Index

Táto príloha obsahuje zoznam všetkých kódov diagnóz MKCH-10-SK-2025, ktoré sa používajú v SK-DRG systéme 2025 na definovanie hlavných diagnostických kategórií (MDC) a DRG-skupín. Hlavná alebo vedľajšia diagnóza môže byť relevantná pre zaraďovací algoritmus priamo (výskytom v tabuľke) alebo môže byť súčasťou niektorej funkcie (napr. Funkcia polytrauma [PTR]). Relevantnosť vedľajších diagnóz pre zaraďovanie v rámci CCL-systému nemá pre prílohu A žiadny význam. (porovnaj s prílohou C tejto publikácie).

V niektorých prípadoch je jeden kód priradený DRG skupinám viacerých základných-DRG. Vyskytuje sa to predovšetkým vtedy, keď sa diagnóza použije na stanovenie stupňa a ťažkosti operatívnej základnej-DRG, keď je základná-DRG bližšie definovaná diagnózami, aby bolo možné zaznamenať údaje hospitalizačného prípadu správne zaradiť do jednej z viacerých operatívnych-DRG, alebo ak ide o MDC 18A alebo MDC 21A a diagnóza sa použije nielen pre jednu z týchto MDC, ale aj pre jednu medicínsku DRG inej MDC.

Zaraďovanie pri polytraume je rovnaké ako pri inom MDC-zaraďovaní.

| ICD | MDC | DRG | ICD | MDC | DRG | ICD | MDC | DRG |
|-------|-----|--|--------|-----|--|-------|-----|--|
| A00.0 | 06 | G46A, G46B, G46C, G50Z, G67A, G67B, G67C | A03.1 | 06 | G46A, G46B, G46C, G50Z, G67A, G67B, G67C | A05.1 | 15 | TPN, VTPN |
| | Pre | A09D, A11D, A13D | | 15 | TPN, VTPN | | 18B | T64A, T64B, T64C |
| A00.1 | 06 | G46A, G46B, G46C, G50Z, G67A, G67B, G67C | A03.2 | 06 | G46A, G46B, G46C, G50Z, G67A, G67B, G67C | A05.2 | 06 | G46A, G46B, G46C, G50Z, G67A, G67B, G67C, G67D |
| | Pre | A09D, A11D, A13D | | 15 | TPN, VTPN | | 15 | TPN, VTPN |
| A00.9 | 06 | G46A, G46B, G46C, G50Z, G67A, G67B, G67C | A03.3 | 06 | G46A, G46B, G46C, G50Z, G67A, G67B, G67C | A05.3 | 06 | G46A, G46B, G46C, G50Z, G67A, G67B, G67C, G67D |
| | Pre | A09D, A11D, A13D | | 15 | TPN, VTPN | | 15 | TPN, VTPN |
| A01.0 | 05 | F62A | A03.8 | 06 | G46A, G46B, G46C, G50Z, G67A, G67B, G67C | A05.4 | 06 | G46A, G46B, G46C, G50Z, G67A, G67B, G67C, G67D |
| | 06 | G67A | | 15 | TPN, VTPN | A05.8 | 06 | G46A, G46B, G46C, G50Z, G67A, G67B, G67C, G67D |
| | 15 | TPN, VTPN | A03.9 | 06 | G46A, G46B, G46C, G50Z, G67A, G67B, G67C | A05.9 | 06 | G46A, G46B, G46C, G50Z, G67A, G67B, G67C, G67D |
| | 17 | R60B, R60C, R61A, R62A, R63B, R63C, R63D, R63F | | 15 | TPN, VTPN | A06.0 | 06 | G46A, G46B, G46C, G50Z, G67A, G67B, G67C |
| | 18B | T01B, T60A, T60B, T60C, T60D, T60E, T60F, T61A | A04.0 | 06 | G46A, G46B, G46C, G50Z, G67A, G67B, G67C | | Pre | A09D, A11D, A13D |
| | Pre | A09D, A11D, A13D | | 15 | TPN, VTPN | A06.1 | 06 | G46A, G46B, G46C, G50Z, G67A, G67B, G67C |
| A01.1 | 05 | F62A | A04.1 | 06 | G46A, G46B, G46C, G50Z, G67A, G67B, G67C | | Pre | A09D, A11D, A13D |
| | 06 | G67A | | 15 | TPN, VTPN | A06.2 | 06 | G46A, G46B, G46C, G50Z, G67A, G67B, G67C |
| | 15 | TPN, VTPN | A04.2 | 06 | G46A, G46B, G46C, G50Z, G67A, G67B, G67C | | Pre | A09D, A11D, A13D |
| | 17 | R60B, R60C, R61A, R62A, R63B, R63C, R63D, R63F | | 15 | TPN, VTPN | A06.3 | 18B | T64A, T64B, T64C |
| | 18B | T01B, T60A, T60B, T60C, T60D, T60E, T60F, T61A | A04.3 | 06 | G40Z, G46A, G46B, G46C, G48A, G48B, G50Z, G67A, G67B, G67C | | Pre | A09D, A11D, A13D |
| | Pre | A09D, A11D, A13D | | 15 | TPN, VTPN | A06.4 | 07 | H63A, H63B, H63C, H78Z |
| A01.2 | 05 | F62A | A04.4 | 06 | G40Z, G46A, G46B, G46C, G48A, G48B, G50Z, G67A, G67B, G67C | | Pre | A09D, A11D, A13D |
| | 06 | G67A | | 15 | TPN, VTPN | A06.5 | 04 | E62A, E62B, E77A, E77B, E77C, E77D |
| | 15 | TPN, VTPN | A04.5 | 06 | G40Z, G46A, G46B, G46C, G48A, G48B, G50Z, G67A, G67B, G67C | | Pre | A09D, A11D, A13D |
| | 17 | R60B, R60C, R61A, R62A, R63B, R63C, R63D, R63F | | 15 | TPN, VTPN | A06.6 | 01 | B72A, B72B |
| | 18B | T01B, T60A, T60B, T60C, T60D, T60E, T60F, T61A | A04.6 | 06 | G40Z, G46A, G46B, G46C, G48A, G48B, G50Z, G67A, G67B, G67C | | Pre | A09D, A11D, A13D |
| | Pre | A09D, A11D, A13D | | 15 | TPN, VTPN | A06.7 | 09 | J61A, J61B, J61C, J68A, J68B |
| A01.3 | 05 | F62A | A04.7 | 06 | G40Z, G46A, G46B, G46C, G48A, G48B, G50Z, G67A, G67B, G67C | | Pre | A09D, A11D, A13D |
| | 06 | G67A | | 15 | TPN, VTPN | A06.8 | 18B | T64A, T64B, T64C |
| | 15 | TPN, VTPN | | 18A | S63A, S63B | | Pre | A09D, A11D, A13D |
| | 17 | R60B, R60C, R61A, R62A, R63B, R63C, R63D, R63F | A04.81 | 06 | G46A, G46B, G46C, G50Z, G67A, G67B, G67C, G67D | | Pre | A09D, A11D, A13D |
| | 18B | T01B, T60A, T60B, T60C, T60D, T60E, T60F, T61A | | 15 | TPN, VTPN | A06.9 | 18B | T64A, T64B, T64C |
| | Pre | A09D, A11D, A13D | | 17 | R62A | | Pre | A09D, A11D, A13D |
| A01.4 | 15 | TPN, VTPN | A04.89 | 06 | G46A, G46B, G46C, G50Z, G67A, G67B, G67C, G67D | | Pre | A09D, A11D, A13D |
| | 18B | T64A, T64B, T64C | | 15 | TPN, VTPN | A07.0 | 06 | G46A, G46B, G46C, G50Z, G67A, G67B, G67C |
| | Pre | A09D, A11D, A13D | | 18A | S63A, S63B | | Pre | A09D, A11D, A13D |
| A02.0 | 06 | G46A, G46B, G46C, G50Z, G67A, G67B, G67C | A04.9 | 06 | G46A, G46B, G46C, G50Z, G67A, G67B, G67C, G67D | A07.1 | 06 | G46A, G46B, G46C, G50Z, G67A, G67B, G67C |
| | 15 | TPN, VTPN | | 15 | TPN, VTPN | | Pre | A09D, A11D, A13D |
| | 18A | S63A, S63B | A05.0 | 06 | G46A, G46B, G46C, G50Z, G67A, G67B, G67C, G67D | A07.2 | 06 | G46A, G46B, G46C, G50Z, G67A, G67B, G67C |
| A02.1 | | KJZSA1, KJZSA2 | | 15 | TPN, VTPN | | 18A | S63A, S63B |
| | 05 | F62A | | 17 | R62A | A07.3 | 06 | G46A, G46B, G46C, G50Z, G67A, G67B, G67C |
| | 06 | G67A | | 18A | S63A, S63B | | 18A | S63A, S63B |
| | 15 | TPN, VTPN | | Pre | A09D, A11D, A13D | | Pre | A09D, A11D, A13D |
| | 17 | R60B, R60C, R61A, R62A, R63B, R63C, R63D, R63F | A04.81 | 06 | G46A, G46B, G46C, G50Z, G67A, G67B, G67C, G67D | | Pre | A09D, A11D, A13D |
| | 18A | S63A, S63B | | 15 | TPN, VTPN | A07.8 | 06 | G46A, G46B, G46C, G50Z, G67A, G67B, G67C |
| | 18B | T01B, T60A, T60B, T60C, T60D, T60E, T60F, T61A | | 18A | S63A, S63B | | Pre | A09D, A11D, A13D |
| | Pre | A09D, A11D, A13D | | Pre | A09D, A11D, A13D | A07.9 | 06 | G46A, G46B, G46C, G50Z, G67A, G67B, G67C |
| A02.2 | 15 | TPN, VTPN | | 15 | TPN, VTPN | | Pre | A09D, A11D, A13D |
| | 18A | S63A, S63B | A04.89 | 06 | G46A, G46B, G46C, G50Z, G67A, G67B, G67C, G67D | A08.0 | 06 | G46A, G46B, G46C, G50Z, G67A, G67B, G67C |
| | 18B | T64A, T64B, T64C | | 15 | TPN, VTPN | | 15 | P65C, P66C, P67B, P67C |
| A02.8 | 15 | TPN, VTPN | | 18A | S63A, S63B | | 18A | S63A, S63B |
| | 18A | S63A, S63B | | Pre | A09D, A11D, A13D | A08.1 | 06 | G46A, G46B, G46C, G50Z, G67A, G67B, G67C |
| | 18B | T64A, T64B, T64C | | 18A | S63A, S63B | | 15 | TPN, VTPN |
| A02.9 | 15 | TPN, VTPN | | 06 | G46A, G46B, G46C, G50Z, G67A, G67B, G67C, G67D | | 18A | S63A, S63B |
| | 18A | S63A, S63B | | 15 | TPN, VTPN | | | |
| | 18B | T64A, T64B, T64C | | 18A | S63A, S63B | | | |
| A03.0 | 06 | G46A, G46B, G46C, G50Z, G67A, G67B, G67C | | 06 | G46A, G46B, G46C, G50Z, G67A, G67B, G67C, G67D | | | |
| | 15 | TPN, VTPN | | 15 | TPN, VTPN | | | |

| ICD | MDC | DRG | ICD | MDC | DRG | ICD | MDC | DRG | |
|-------|-----|--|-------|-------|--|--|-------|--|------------------------------------|
| A08.2 | 06 | G46A, G46B, G46C, G50Z, G67A, G67B, G67C | A16.3 | 04 | E41Z, E42Z, E76A, E76B | A18.7 | 10 | K64A, K64B, K64C, K64D | |
| | 15 | P65C, P66C, P67B, P67C | | 18A | S63A | | 18A | S63A, S63B | |
| | 18A | S63A, S63B | | Pre | A09D, A11D, A13D | | Pre | A09D, A11D, A13D | |
| A08.3 | 06 | G46A, G46B, G46C, G50Z, G67A, G67B, G67C, G67D | A16.4 | 04 | E41Z, E42Z, E76A, E76B | A18.8 | 04 | E41Z, E42Z, E76A, E76B | |
| | 18A | S63A, S63B | | 18A | S63A | | 18A | S63A | |
| | Pre | A09D, A11D, A13D | | Pre | A09D, A11D, A13D | | Pre | A09D, A11D, A13D | |
| A08.4 | 06 | G46A, G46B, G46C, G50Z, G67A, G67B, G67C, G67D | A16.5 | 04 | E41Z, E42Z, E76A, E76B | A19.0 | 04 | E41Z, E42Z, E76A, E76B | |
| | 18A | S63A, S63B | | 18A | S63A | | 05 | F62A | |
| | Pre | A09D, A11D, A13D | | Pre | A09D, A11D, A13D | | 06 | G67A | |
| A08.5 | 06 | G46A, G46B, G46C, G50Z, G67A, G67B, G67C, G67D | A16.6 | 04 | E41Z, E42Z, E76A, E76B | | 17 | R60B, R60C, R61A, R62A, R63B, R63C, R63D, R63F | |
| | 15 | TPN, VTPN | | 18A | S63A | | 18A | S63A | |
| | 18A | S63A, S63B | | Pre | A09D, A11D, A13D | | Pre | A09D, A11D, A13D | |
| A09.0 | 06 | G46A, G46B, G46C, G50Z, G67A, G67B, G67C, G67D | A16.7 | 04 | E41Z, E42Z, E76A, E76B | A19.1 | 04 | E41Z, E42Z, E76A, E76B | |
| | 15 | TPN, VTPN | | 15 | TPN, VTPN | | 05 | F62A | |
| | 18A | S63A, S63B | | 18A | S63A | | 06 | G67A | |
| A09.9 | 06 | G46A, G46B, G46C, G50Z, G67A, G67B, G67C, G67D | A16.8 | 04 | E41Z, E42Z, E76A, E76B | | 17 | R60B, R60C, R61A, R62A, R63B, R63C, R63D, R63F | |
| | 18A | S65A, S65B | | 18A | S63A | | 18A | S63A | |
| | Pre | A09D, A11D, A13D | | Pre | A09D, A11D, A13D | | Pre | A09D, A11D, A13D | |
| A15.0 | 04 | E41Z, E42Z, E76A, E76B | A16.9 | 04 | E41Z, E42Z, E76A, E76B | A19.2 | 04 | E41Z, E42Z, E76A, E76B | |
| | 15 | TPN, VTPN | | 15 | TPN, VTPN | | 05 | F62A | |
| | 18A | S63A | | 18A | S63A | | 06 | G67A | |
| | Pre | A09D, A11D, A13D | | Pre | A09D, A11D, A13D | | 17 | R60B, R60C, R61A, R62A, R63B, R63C, R63D, R63F | |
| A15.1 | 04 | E41Z, E42Z, E76A, E76B | A17.0 | 04 | E41Z, E42Z, E76A, E76B | | 18A | S63A | |
| | 15 | TPN, VTPN | | 15 | TPN, VTPN | | Pre | A09D, A11D, A13D | |
| | 18A | S63A | | 18A | S63A | | 04 | E41Z, E42Z, E76A, E76B | |
| | Pre | A09D, A11D, A13D | | Pre | A09D, A11D, A13D | | 05 | F62A | |
| A15.2 | 04 | E41Z, E42Z, E76A, E76B | A17.1 | 04 | E41Z, E42Z, E76A, E76B | A19.8 | 06 | G67A | |
| | 15 | TPN, VTPN | | 15 | TPN, VTPN | | 17 | R60B, R60C, R61A, R62A, R63B, R63C, R63D, R63F | |
| | 18A | S63A | | 18A | S63A | | 18A | S63A | |
| | Pre | A09D, A11D, A13D | | Pre | A09D, A11D, A13D | | Pre | A09D, A11D, A13D | |
| A15.3 | 04 | E41Z, E42Z, E76A, E76B | A17.8 | 04 | E41Z, E42Z, E76A, E76B | | 04 | E41Z, E42Z, E76A, E76B | |
| | 15 | TPN, VTPN | | 15 | TPN, VTPN | | 05 | F62A | |
| | 18A | S63A | | 18A | S63A | | 06 | G67A | |
| | Pre | A09D, A11D, A13D | | Pre | A09D, A11D, A13D | | 17 | R60B, R60C, R61A, R62A, R63B, R63C, R63D, R63F | |
| A15.4 | 04 | E41Z, E42Z, E76A, E76B | A17.9 | 04 | E41Z, E42Z, E76A, E76B | A19.9 | 18A | S63A | |
| | 18A | S63A | | 15 | TPN, VTPN | | Pre | A09D, A11D, A13D | |
| | Pre | A09D, A11D, A13D | | 18A | S63A | | 04 | E41Z, E42Z, E76A, E76B | |
| A15.5 | 04 | E41Z, E42Z, E76A, E76B | A18.0 | 08 | I08A, I08B, I08C, I08D, I08E, I12A, I12B, I12C, I12J, I13A, I13B, I64A, I64B, I64C | A20.0 | 18B | T64A, T64B, T64C | |
| | 18A | S63A | | | | | Pre | A09D, A11D, A13D | |
| | Pre | A09D, A11D, A13D | | 18A | S63A, S63B | | Pre | A09D, A11D, A13D | |
| A15.6 | 04 | E41Z, E42Z, E76A, E76B | A18.1 | 11 | L63A, L63B, L63C, L63D, L63E, L63F, L74Z | A20.1 | 18B | T64A, T64B, T64C | |
| | 18A | S63A | | | | | Pre | A09D, A11D, A13D | |
| | Pre | A09D, A11D, A13D | | 18A | S63A, S63B | | A20.2 | 04 | E62A, E62B, E77A, E77B, E77C, E77D |
| A15.7 | 04 | E41Z, E42Z, E76A, E76B | A18.2 | 04 | E41Z, E42Z, E76A, E76B | | Pre | A09D, A11D, A13D | |
| | 15 | TPN, VTPN | | 18A | S63A | | A20.3 | 01 | B72A, B72B |
| | 18A | S63A | | Pre | A09D, A11D, A13D | | Pre | A09D, A11D, A13D | |
| | Pre | A09D, A11D, A13D | | A18.3 | 06 | G46A, G46B, G46C, G50Z, G64A, G64B, G64C, G70A, G70B | A20.7 | 05 | F62A |
| A15.8 | 04 | E41Z, E42Z, E76A, E76B | | | | | 06 | G67A | |
| | 18A | S63A | | | | | 17 | R60B, R60C, R61A, R62A, R63B, R63C, R63D, R63F | |
| | Pre | A09D, A11D, A13D | | | | | 18B | T01B, T60A, T60B, T60C, T60D, T60E, T60F, T61A | |
| A15.9 | 04 | E41Z, E42Z, E76A, E76B | A18.4 | 09 | J08A, J08B, J08C, J61A, J61B, J61C, J68A, J68B | A20.8 | Pre | A09D, A11D, A13D | |
| | 15 | TPN, VTPN | | 18A | S63A, S63B | | 18B | T64A, T64B, T64C | |
| | 18A | S63A | | Pre | A09D, A11D, A13D | | Pre | A09D, A11D, A13D | |
| | Pre | A09D, A11D, A13D | | A18.5 | 02 | C60Z | A20.9 | 18B | T64A, T64B, T64C |
| A16.0 | 04 | E41Z, E42Z, E76A, E76B | | | | | Pre | A09D, A11D, A13D | |
| | 15 | TPN, VTPN | | | | | A21.0 | 18B | T64A, T64B, T64C |
| | 18A | S63A | | | | | Pre | A09D, A11D, A13D | |
| | Pre | A09D, A11D, A13D | | | | | A21.1 | 18B | T64A, T64B, T64C |
| A16.1 | 04 | E41Z, E42Z, E76A, E76B | A18.6 | 03 | D66Z | | Pre | A09D, A11D, A13D | |
| | 15 | TPN, VTPN | | | | | A21.2 | 04 | E62A, E62B, E77A, E77B, E77C, E77D |
| | 18A | S63A | | | | | Pre | A09D, A11D, A13D | |
| | Pre | A09D, A11D, A13D | | | | | | | |

| ICD | MDC | DRG | ICD | MDC | DRG | ICD | MDC | DRG |
|--------|-----|--|-------|-----|--|--------|-----|--|
| A21.3 | 06 | G46A, G46B, G46C, G50Z, G71Z | A24.4 | 18B | T64A, T64B, T64C | A30.9 | 18B | T64A, T64B, T64C |
| | Pre | A09D, A11D, A13D | | Pre | A09D, A11D, A13D | | Pre | A09D, A11D, A13D |
| A21.7 | 05 | F62A | A25.0 | 18B | T64A, T64B, T64C | A31.0 | 04 | E41Z, E42Z, E76A, E76B |
| | 06 | G67A | | Pre | A09D, A11D, A13D | | 18A | S63A |
| | 17 | R60B, R60C, R61A, R62A, R63B, R63C, R63D, R63F | A25.1 | 18B | T64A, T64B, T64C | | Pre | A09D, A11D, A13D |
| | 18B | T01B, T60A, T60B, T60C, T60D, T60E, T60F, T61A | | Pre | A09D, A11D, A13D | A31.1 | 09 | J08A, J08B, J08C, J61A, J61B, J61C, J68A, J68B |
| | Pre | A09D, A11D, A13D | A25.9 | 18B | T64A, T64B, T64C | | 18A | S63A, S63B |
| A21.81 | 18B | T64A, T64B, T64C | | Pre | A09D, A11D, A13D | | Pre | A09D, A11D, A13D |
| | Pre | A09D, A11D, A13D | A26.0 | 15 | TPN, VTPN | A31.80 | 18A | S63A, S63B |
| A21.82 | 18B | T64A, T64B, T64C | | 18B | T64A, T64B, T64C | | 18B | T64A, T64B, T64C |
| | Pre | A09D, A11D, A13D | A26.7 | | Pre | | Pre | A09D, A11D, A13D |
| A21.89 | 18B | T64A, T64B, T64C | | 05 | F62A | A31.88 | 18A | S63A, S63B |
| | Pre | A09D, A11D, A13D | | 06 | G67A | | 18B | T64A, T64B, T64C |
| A21.9 | 18B | T64A, T64B, T64C | | 15 | TPN, VTPN | | Pre | A09D, A11D, A13D |
| | Pre | A09D, A11D, A13D | | 17 | R60B, R60C, R61A, R62A, R63B, R63C, R63D, R63F | A31.9 | 18A | S63A, S63B |
| A22.0 | 09 | J08A, J08B, J08C, J61A, J61B, J61C, J68A, J68B | | 18B | T01B, T60A, T60B, T60C, T60D, T60E, T60F, T61A | | 18B | T64A, T64B, T64C |
| | Pre | A09D, A11D, A13D | | Pre | A09D, A11D, A13D | A32.0 | 15 | TPN, VTPN |
| A22.1 | 04 | E62A, E62B, E77A, E77B, E77C, E77D | A26.8 | 15 | TPN, VTPN | | 18B | T64A, T64B, T64C |
| | Pre | A09D, A11D, A13D | | 18B | T64A, T64B, T64C | | Pre | A09D, A11D, A13D |
| A22.2 | 06 | G46A, G46B, G46C, G50Z, G71Z | | Pre | A09D, A11D, A13D | A32.1 | 01 | B72A, B72B |
| | Pre | A09D, A11D, A13D | A26.9 | 15 | TPN, VTPN | | 15 | TPN, VTPN |
| A22.7 | | KJZSA1, KJZSA2 | | 18B | T64A, T64B, T64C | | Pre | A09D, A11D, A13D |
| | 05 | F62A | A27.0 | Pre | A09D, A11D, A13D | A32.7 | | KJZSA1, KJZSA2 |
| | 06 | G67A | | 05 | F62A | | 05 | F62A |
| | 17 | R60B, R60C, R61A, R62A, R63B, R63C, R63D, R63F | | 06 | G67A | | 15 | TPN, VTPN |
| | 18B | T01B, T60A, T60B, T60C, T60D, T60E, T60F, T61A | | 15 | TPN, VTPN | | 17 | R60B, R60C, R61A, R62A, R63B, R63C, R63D, R63F |
| | Pre | A09D, A11D, A13D | | 17 | R60B, R60C, R61A, R62A, R63B, R63C, R63D, R63F | | 18B | T01B, T60A, T60B, T60C, T60D, T60E, T60F, T61A |
| A22.8 | 18B | T64A, T64B, T64C | | 18B | T01B, T60A, T60B, T60C, T60D, T60E, T60F, T61A | | Pre | A09D, A11D, A13D |
| | Pre | A09D, A11D, A13D | A27.8 | 01 | B72A, B72B | A32.8 | 15 | TPN, VTPN |
| A22.9 | 18B | T64A, T64B, T64C | | 15 | TPN, VTPN | | 18B | T64A, T64B, T64C |
| | Pre | A09D, A11D, A13D | | Pre | A09D, A11D, A13D | | Pre | A09D, A11D, A13D |
| A23.0 | 18B | T64A, T64B, T64C | A27.9 | 15 | TPN, VTPN | A32.9 | 15 | TPN, VTPN |
| | Pre | A09D, A11D, A13D | | 18B | T64A, T64B, T64C | | 18B | T64A, T64B, T64C |
| A23.1 | 18B | T64A, T64B, T64C | | Pre | A09D, A11D, A13D | | Pre | A09D, A11D, A13D |
| | Pre | A09D, A11D, A13D | A28.0 | 15 | TPN, VTPN | A33 | 15 | TPN, VTPN |
| A23.2 | 18B | T64A, T64B, T64C | | 18B | T64A, T64B, T64C | | Pre | 963Z, A09D, A11D, A13D |
| | Pre | A09D, A11D, A13D | | Pre | A09D, A11D, A13D | A34 | 14 | O04A, O04B, O61Z |
| A23.3 | 18B | T64A, T64B, T64C | A28.1 | 15 | TPN, VTPN | | Pre | A09D, A11D, A13D |
| | Pre | A09D, A11D, A13D | | 16 | Q60A, Q60B, Q60C | A35 | 15 | TPN, VTPN |
| A23.8 | 18B | T64A, T64B, T64C | | Pre | A09D, A11D, A13D | | 18B | T64A, T64B, T64C |
| | Pre | A09D, A11D, A13D | A28.2 | 15 | TPN, VTPN | | Pre | A09D, A11D, A13D |
| A23.9 | 18B | T64A, T64B, T64C | | 18B | T64A, T64B, T64C | A36.0 | 03 | D66Z |
| | Pre | A09D, A11D, A13D | | Pre | A09D, A11D, A13D | | Pre | A09D, A11D, A13D |
| A24.0 | 05 | F62A | A28.8 | 15 | TPN, VTPN | A36.1 | 03 | D66Z |
| | 06 | G67A | | 18B | T64A, T64B, T64C | | Pre | A09D, A11D, A13D |
| | 17 | R60B, R60C, R61A, R62A, R63B, R63C, R63D, R63F | | Pre | A09D, A11D, A13D | A36.2 | 03 | D66Z |
| | 18B | T01B, T60A, T60B, T60C, T60D, T60E, T60F, T61A | A28.9 | 15 | TPN, VTPN | | Pre | A09D, A11D, A13D |
| | Pre | A09D, A11D, A13D | | 18B | T64A, T64B, T64C | A36.3 | 09 | J61A, J61B, J61C, J68A, J68B |
| A24.1 | 05 | F62A | | Pre | A09D, A11D, A13D | | Pre | A09D, A11D, A13D |
| | 06 | G67A | A30.0 | 18B | T64A, T64B, T64C | A36.8 | 18B | T64A, T64B, T64C |
| | 17 | R60B, R60C, R61A, R62A, R63B, R63C, R63D, R63F | | Pre | A09D, A11D, A13D | | Pre | A09D, A11D, A13D |
| | 18B | T01B, T60A, T60B, T60C, T60D, T60E, T60F, T61A | | Pre | A09D, A11D, A13D | A36.9 | 18B | T64A, T64B, T64C |
| | Pre | A09D, A11D, A13D | A30.1 | 18B | T64A, T64B, T64C | | Pre | A09D, A11D, A13D |
| A24.2 | 18B | T64A, T64B, T64C | | Pre | A09D, A11D, A13D | A37.0 | 04 | E70A, E70B |
| | Pre | A09D, A11D, A13D | A30.2 | 18B | T64A, T64B, T64C | | 15 | TPN, VTPN |
| A24.3 | 18B | T64A, T64B, T64C | | Pre | A09D, A11D, A13D | | Pre | A09D, A11D, A13D |
| | Pre | A09D, A11D, A13D | A30.3 | 18B | T64A, T64B, T64C | A37.1 | 04 | E70A, E70B |
| | | | | Pre | A09D, A11D, A13D | | 15 | TPN, VTPN |
| | | | A30.4 | 18B | T64A, T64B, T64C | | Pre | A09D, A11D, A13D |
| | | | | Pre | A09D, A11D, A13D | A37.8 | 04 | E70A, E70B |
| | | | A30.5 | 18B | T64A, T64B, T64C | | 15 | TPN, VTPN |
| | | | | Pre | A09D, A11D, A13D | | Pre | A09D, A11D, A13D |
| | | | A30.8 | 18B | T64A, T64B, T64C | | | |
| | | | | Pre | A09D, A11D, A13D | | | |

| ICD | MDC | DRG | ICD | MDC | DRG | ICD | MDC | DRG |
|-------|-----|--|--------|-----|--|-------|-----|--|
| A37.9 | 04 | E70A, E70B | A40.0 | | KJZSA1, KJZSA2 | A40.9 | | KJZSA1, KJZSA2 |
| | 15 | TPN, VTPN | | 05 | F62A | | 05 | F62A |
| | Pre | A09D, A11D, A13D | | 06 | G67A | | 06 | G67A |
| A38 | 18B | T64A, T64B, T64C | | 15 | TPN, VTPN | | 15 | TPN, VTPN |
| | Pre | A09D, A11D, A13D | | 17 | R60B, R60C, R61A, R62A, R63B, R63C, R63D, R63F | | 17 | R60B, R60C, R61A, R62A, R63B, R63C, R63D, R63F |
| A39.0 | 01 | B72A, B72B | | 18A | S63A, S63B | | 18A | S63A, S63B |
| | 15 | TPN, VTPN | | 18B | T01B, T60A, T60B, T60C, T60D, T60E, T60F, T61A | | 18B | T01B, T60A, T60B, T60C, T60D, T60E, T60F, T61A |
| | Pre | A09D, A11D, A13D | | 22 | Y02A | | 22 | Y02A |
| A39.1 | 05 | F62A | | Pre | A09D, A11D, A13D | | Pre | A09D, A11D, A13D |
| | 06 | G67A | A40.1 | | KJZSA1, KJZSA2 | A41.0 | | KJZSA1, KJZSA2 |
| | 15 | TPN, VTPN | | 05 | F62A | | 05 | F62A |
| | 17 | R60B, R60C, R61A, R62A, R63B, R63C, R63D, R63F | | 06 | G67A | | 06 | G67A |
| | 18B | T01B, T60A, T60B, T60C, T60F, T61A | | 15 | TPN, VTPN | | 15 | TPN, VTPN |
| | Pre | A09D, A11D, A13D | | 17 | R60B, R60C, R61A, R62A, R63B, R63C, R63D, R63F | | 17 | R60B, R60C, R61A, R62A, R63B, R63C, R63D, R63F |
| A39.2 | | KJZSA1, KJZSA2 | | 18A | S63A, S63B | | 18A | S63A, S63B |
| | 05 | F62A | | 18B | T01B, T60A, T60B, T60C, T60D, T60E, T60F, T61A | | 18B | T01B, T60A, T60B, T60C, T60D, T60E, T60F, T61A |
| | 06 | G67A | | 22 | Y02A | | 22 | Y02A |
| | 15 | TPN, VTPN | | Pre | A09D, A11D, A13D | | Pre | A09D, A11D, A13D |
| | 17 | R60B, R60C, R61A, R62A, R63B, R63C, R63D, R63F | A40.2 | | KJZSA1, KJZSA2 | A41.1 | | KJZSA1, KJZSA2 |
| | 18B | T01B, T60A, T60B, T60C, T60F, T61A | | 05 | F62A | | 05 | F62A |
| | Pre | A09D, A11D, A13D | | 06 | G67A | | 06 | G67A |
| A39.3 | | KJZSA1, KJZSA2 | | 15 | TPN, VTPN | | 15 | TPN, VTPN |
| | 05 | F62A | | 17 | R60B, R60C, R61A, R62A, R63B, R63C, R63D, R63F | | 17 | R60B, R60C, R61A, R62A, R63B, R63C, R63D, R63F |
| | 06 | G67A | | 18A | S63A, S63B | | 18A | S63A, S63B |
| | 15 | TPN, VTPN | | 18B | T01B, T60A, T60B, T60C, T60D, T60E, T60F, T61A | | 18B | T01B, T60A, T60B, T60C, T60D, T60E, T60F, T61A |
| | 17 | R60B, R60C, R61A, R62A, R63B, R63C, R63D, R63F | | 22 | Y02A | | 22 | Y02A |
| | 18B | T01B, T60A, T60B, T60C, T60F, T61A | | Pre | A09D, A11D, A13D | | Pre | A09D, A11D, A13D |
| | Pre | A09D, A11D, A13D | A40.3 | | KJZSA1, KJZSA2 | A41.2 | | KJZSA1, KJZSA2 |
| A39.4 | | KJZSA1, KJZSA2 | | 05 | F62A | | 05 | F62A |
| | 05 | F62A | | 06 | G67A | | 06 | G67A |
| | 06 | G67A | | 15 | TPN, VTPN | | 15 | TPN, VTPN |
| | 15 | TPN, VTPN | | 17 | R60B, R60C, R61A, R62A, R63B, R63C, R63D, R63F | | 17 | R60B, R60C, R61A, R62A, R63B, R63C, R63D, R63F |
| | 17 | R60B, R60C, R61A, R62A, R63B, R63C, R63D, R63F | | 18A | S63A, S63B | | 18A | S63A, S63B |
| | 18B | T01B, T60A, T60B, T60C, T60F, T61A | | 18B | T01B, T60A, T60B, T60C, T60D, T60E, T60F, T61A | | 18B | T01B, T60A, T60B, T60C, T60D, T60E, T60F, T61A |
| | Pre | A09D, A11D, A13D | | 22 | Y02A | | 22 | Y02A |
| A39.5 | 05 | F75A, F75B, F75C, F75D | | Pre | A09D, A11D, A13D | | Pre | A09D, A11D, A13D |
| | 15 | TPN, VTPN | A40.81 | | KJZSA1, KJZSA2 | A41.3 | | KJZSA1, KJZSA2 |
| | Pre | A09D, A11D, A13D | | 05 | F62A | | 05 | F62A |
| A39.8 | 05 | F62A | | 06 | G67A | | 06 | G67A |
| | 06 | G67A | | 15 | TPN, VTPN | | 15 | TPN, VTPN |
| | 17 | R60B, R60C, R61A, R62A, R63B, R63C, R63D, R63F | | 17 | R60B, R60C, R61A, R62A, R63B, R63C, R63D, R63F | | 17 | R60B, R60C, R61A, R62A, R63B, R63C, R63D, R63F |
| | 18B | T01B, T60A, T60B, T60C, T60F, T61A | | 18A | S63A, S63B | | 18A | S63A, S63B |
| | Pre | A09D, A11D, A13D | | 18B | T01B, T60A, T60B, T60C, T60D, T60E, T60F, T61A | | 18B | T01B, T60A, T60B, T60C, T60D, T60E, T60F, T61A |
| A39.9 | 05 | F62A | | 22 | Y02A | | 22 | Y02A |
| | 06 | G67A | | Pre | A09D, A11D, A13D | | Pre | A09D, A11D, A13D |
| | 17 | R60B, R60C, R61A, R62A, R63B, R63C, R63D, R63F | A40.89 | | KJZSA1, KJZSA2 | A41.4 | | KJZSA1, KJZSA2 |
| | 18B | T01B, T60A, T60B, T60C, T60F, T61A | | 05 | F62A | | 05 | F62A |
| | Pre | A09D, A11D, A13D | | 06 | G67A | | 06 | G67A |
| | | | | 15 | TPN, VTPN | | 15 | TPN, VTPN |
| | | | | 17 | R60B, R60C, R61A, R62A, R63B, R63C, R63D, R63F | | 17 | R60B, R60C, R61A, R62A, R63B, R63C, R63D, R63F |
| | | | | 18A | S63A, S63B | | 18A | S63A, S63B |
| | | | | 18B | T01B, T60A, T60B, T60C, T60D, T60E, T60F, T61A | | 18B | T01B, T60A, T60B, T60C, T60D, T60E, T60F, T61A |
| | | | | 22 | Y02A | | 22 | Y02A |
| | | | | Pre | A09D, A11D, A13D | | Pre | A09D, A11D, A13D |

| ICD | MDC | DRG | ICD | MDC | DRG | ICD | MDC | DRG |
|--------|-----|--|-------|-----|--|-------|------------------|--|
| A41.51 | | KJZSA1, KJZSA2 | A41.9 | | KJZSA1, KJZSA2 | A48.1 | 04 | E62A, E62B, E77A, E77B, E77C, E77D |
| | 05 | F62A | | 05 | F62A | | 15 | TPN, VTPN |
| | 06 | G67A | | 06 | G67A | | 18A | S63A, S63B |
| | 15 | TPN, VTPN | | 15 | P65C, P66C, P67B, P67C | | 22 | Y02A, Y02B |
| | 17 | R60B, R60C, R61A, R62A, R63B, R63C, R63D, R63F | | 18A | S63A, S63B | Pre | A09D, A11D, A13D | |
| | 18A | S63A, S63B | | 18B | T01B, T60A, T60B, T60C, T60D, T60E, T60F, T61A | A48.2 | 04 | E62A, E62B, E77A, E77B, E77C, E77D, E77E |
| | 18B | T01B, T60A, T60B, T60C, T60D, T60E, T60F, T61A | | 22 | Y02A | | 15 | TPN, VTPN |
| | 22 | Y02A | A42.0 | 04 | E62A, E62B, E77A, E77B, E77C, E77D | | 18A | S63A, S63B |
| | Pre | A09D, A11D, A13D | | Pre | A09D, A11D, A13D | | 22 | Y02A, Y02B |
| A41.52 | | KJZSA1, KJZSA2 | | Pre | A09D, A11D, A13D | Pre | A09D, A11D, A13D | |
| | 05 | F62A | A42.1 | 06 | G46A, G46B, G46C, G50Z, G71Z | A48.3 | 05 | F62A |
| | 06 | G67A | | Pre | A09D, A11D, A13D | | 06 | G67A |
| | 15 | TPN, VTPN | A42.2 | 09 | J08A, J08B, J08C, J61A, J61B, J61C, J68A, J68B | | 17 | R60B, R60C, R61A, R62A, R63B, R63C, R63D, R63F |
| | 17 | R60B, R60C, R61A, R62A, R63B, R63C, R63D, R63F | | Pre | A09D, A11D, A13D | | 18B | T01B, T60A, T60B, T60C, T60D, T60E, T60F, T61A |
| | 18A | S63A, S63B | A42.7 | | KJZSA1, KJZSA2 | Pre | A09D, A11D, A13D | |
| | 18B | T01B, T60A, T60B, T60C, T60D, T60E, T60F, T61A | | 05 | F62A | A48.4 | 18B | T64A, T64B, T64C |
| | 22 | Y02A | | 06 | G67A | | Pre | A09D, A11D, A13D |
| | Pre | A09D, A11D, A13D | | 17 | R60B, R60C, R61A, R62A, R63B, R63C, R63D, R63F | A48.8 | 18B | T64A, T64B, T64C |
| A41.53 | | KJZSA1, KJZSA2 | | 18B | T01B, T60A, T60B, T60C, T60F, T61A | A49.0 | 18B | T64A, T64B, T64C |
| | 05 | F62A | A42.8 | 18B | T64A, T64B, T64C | A49.1 | 15 | P65C, P66C, P67B, P67C |
| | 06 | G67A | | Pre | A09D, A11D, A13D | | 18B | T64A, T64B, T64C |
| | 15 | TPN, VTPN | A42.9 | 18B | T64A, T64B, T64C | A49.2 | 18B | T64A, T64B, T64C |
| | 17 | R60B, R60C, R61A, R62A, R63B, R63C, R63D, R63F | | Pre | A09D, A11D, A13D | A49.3 | 18B | T64A, T64B, T64C |
| | 18A | S63A, S63B | A43.0 | 04 | E41Z, E42Z, E76A, E76B | A49.8 | 18B | T64A, T64B, T64C |
| | 18B | T01B, T60A, T60B, T60C, T60D, T60E, T60F, T61A | | 18A | S63A, S63B | A49.9 | 18B | T64A, T64B, T64C |
| | 22 | Y02A | | Pre | A09D, A11D, A13D | A50.0 | 15 | TPN, VTPN |
| | Pre | A09D, A11D, A13D | A43.1 | 09 | J08A, J08B, J08C, J61A, J61B, J61C, J68A, J68B | A50.1 | 18B | T64A, T64B, T64C |
| A41.58 | | KJZSA1, KJZSA2 | | 18A | S63A, S63B | A50.2 | 15 | TPN, VTPN |
| | 05 | F62A | | Pre | A09D, A11D, A13D | | 18B | T64A, T64B, T64C |
| | 06 | G67A | A43.8 | 18A | S63A, S63B | A50.3 | 02 | C60Z |
| | 15 | TPN, VTPN | | 18B | T64A, T64B, T64C | | 15 | TPN, VTPN |
| | 17 | R60B, R60C, R61A, R62A, R63B, R63C, R63D, R63F | | Pre | A09D, A11D, A13D | A50.4 | 01 | B72A, B72B |
| | 18A | S63A, S63B | A43.9 | 18A | S63A, S63B | | 15 | TPN, VTPN |
| | 18B | T01B, T60A, T60B, T60C, T60D, T60E, T60F, T61A | | 18B | T64A, T64B, T64C | A50.5 | 18B | T64A, T64B, T64C |
| | 22 | Y02A | | Pre | A09D, A11D, A13D | A50.6 | 18B | T64A, T64B, T64C |
| | Pre | A09D, A11D, A13D | A44.0 | 05 | F62A | A50.7 | 18B | T64A, T64B, T64C |
| A41.81 | | KJZSA1, KJZSA2 | | 06 | G67A | A50.9 | 18B | T64A, T64B, T64C |
| | 05 | F62A | | 17 | R60B, R60C, R61A, R62A, R63B, R63C, R63D, R63F | A51.0 | 12 | M62Z |
| | 06 | G67A | | 18B | T01B, T60A, T60B, T60C, T60D, T60E, T60F, T61A | | 13 | N04Z, N05A, N05B, N05J, N14Z, N21J, N21Z, N25J, N25Q, N25Z, N61Z |
| | 15 | TPN, VTPN | | Pre | A09D, A11D, A13D | | 18A | S63A, S63B |
| | 17 | R60B, R60C, R61A, R62A, R63B, R63C, R63D, R63F | A44.1 | 18B | T64A, T64B, T64C | A51.1 | 06 | G46A, G46B, G46C, G50Z, G71Z |
| | 18A | S63A, S63B | | Pre | A09D, A11D, A13D | | 18A | S63A, S63B |
| | 18B | T01B, T60A, T60B, T60C, T60D, T60E, T60F, T61A | A44.8 | 18B | T64A, T64B, T64C | A51.2 | 18A | S63A, S63B |
| | 22 | Y02A | | Pre | A09D, A11D, A13D | | 18B | T64A, T64B, T64C |
| | Pre | A09D, A11D, A13D | A44.9 | 18B | T64A, T64B, T64C | A51.3 | 09 | J61A, J61B, J61C, J68A, J68B |
| A41.89 | | KJZSA1, KJZSA2 | | Pre | A09D, A11D, A13D | | 18A | S63A, S63B |
| | 05 | F62A | A46 | 09 | J11A, J11B, J64A, J64B | A51.4 | 18A | S63A, S63B |
| | 06 | G67A | | 15 | TPN, VTPN | | 18B | T64A, T64B, T64C |
| | 15 | TPN, VTPN | | Pre | A09D, A11D, A13D | A51.5 | 18A | S63A, S63B |
| | 17 | R60B, R60C, R61A, R62A, R63B, R63C, R63D, R63F | A48.0 | 05 | F62A | | 18B | T64A, T64B, T64C |
| | 18A | S63A, S63B | | 06 | G67A | A51.9 | 18A | S63A, S63B |
| | 18B | T01B, T60A, T60B, T60C, T60D, T60E, T60F, T61A | | 15 | TPN, VTPN | | 18B | T64A, T64B, T64C |
| | 22 | Y02A | | 17 | R60B, R60C, R61A, R62A, R63B, R63C, R63D, R63F | A52.0 | 05 | F75A, F75B, F75C, F75D |
| | Pre | A09D, A11D, A13D | | 18B | T01B, T60A, T60B, T60C, T60D, T60E, T60F, T61A | | 18A | S63A, S63B |
| | | | | Pre | A09D, A11D, A13D | A52.1 | 01 | B72A, B72B |
| | | | | | | | 18A | S63A, S63B |
| | | | | | | A52.2 | 01 | B72A, B72B |
| | | | | | | | 18A | S63A, S63B |
| | | | | | | A52.3 | 01 | B72A, B72B |
| | | | | | | | 18A | S63A, S63B |

| ICD | MDC | DRG | ICD | MDC | DRG | ICD | MDC | DRG |
|-------|-----|--|--------|-----|--|--------|-----|--|
| A52.7 | 18A | S63A, S63B | A60.0 | 12 | M62Z | A74.83 | 15 | TPN, VTPN |
| | 18B | T64A, T64B, T64C | | 13 | N04Z, N05A, N05B, N05J, N14Z, N21J, N21Z, N25J, N25Q, N25Z, N61Z | | 18A | S63A, S63B |
| A52.8 | 18A | S63A, S63B | | | | | 18B | T63A, T63B, T63C |
| | 18B | T64A, T64B, T64C | | 18A | S63A, S63B | A74.84 | 15 | TPN, VTPN |
| A52.9 | 18A | S63A, S63B | A60.1 | 12 | M62Z | | 18A | S63A, S63B |
| | 18B | T64A, T64B, T64C | | 13 | N04Z, N05A, N05B, N05J, N14Z, N21J, N21Z, N25J, N25Q, N25Z, N61Z | A74.89 | 15 | TPN, VTPN |
| A53.0 | 18A | S63A, S63B | | | | | 18A | S63A, S63B |
| | 18B | T64A, T64B, T64C | | 18A | S63A, S63B | A74.9 | 18B | T63A, T63B, T63C |
| A53.9 | 18A | S63A, S63B | A60.9 | 12 | M62Z | | 18A | S63A, S63B |
| | 18B | T64A, T64B, T64C | | 13 | N04Z, N05A, N05B, N05J, N14Z, N21J, N21Z, N25J, N25Q, N25Z, N61Z | A75.0 | 18B | T64A, T64B, T64C |
| A54.0 | 12 | M62Z | | | | | Pre | A09D, A11D, A13D |
| | 13 | N04Z, N05A, N05B, N05J, N14Z, N21J, N21Z, N25J, N25Q, N25Z, N61Z | | 18A | S63A, S63B | A75.1 | 18B | T64A, T64B, T64C |
| A54.1 | 12 | M62Z | A63.8 | 12 | M62Z | | Pre | A09D, A11D, A13D |
| | 13 | N04Z, N05A, N05B, N05J, N14Z, N21J, N21Z, N25J, N25Q, N25Z, N61Z | | 13 | N04Z, N05A, N05B, N05J, N14Z, N21J, N21Z, N25J, N25Q, N25Z, N61Z | A75.2 | 18B | T64A, T64B, T64C |
| A54.2 | 12 | M62Z | | | | | Pre | A09D, A11D, A13D |
| | 13 | N04Z, N05A, N05B, N05J, N14Z, N21J, N21Z, N25J, N25Q, N25Z, N61Z | A64 | 12 | M62Z | A75.3 | 18B | T64A, T64B, T64C |
| A54.3 | 02 | C60Z | | 13 | N04Z, N05A, N05B, N05J, N14Z, N21J, N21Z, N25J, N25Q, N25Z, N61Z | | Pre | A09D, A11D, A13D |
| A54.4 | 08 | I08A, I08B, I08C, I08D, I08E, I13A, I13B, I76A, I76B | A65 | 18B | T64A, T64B, T64C | A75.9 | 18B | T64A, T64B, T64C |
| A54.5 | 03 | D62Z, D63Z | A66.0 | 09 | J67A, J67B, J68A, J68B | | Pre | A09D, A11D, A13D |
| A54.6 | 06 | G46A, G46B, G46C, G50Z, G71Z | A66.1 | 09 | J67A, J67B, J68A, J68B | A77.0 | 18B | T64A, T64B, T64C |
| A54.8 | 18B | T64A, T64B, T64C | A66.2 | 09 | J61A, J61B, J61C, J68A, J68B | A77.1 | 18B | T64A, T64B, T64C |
| A54.9 | 18B | T64A, T64B, T64C | A66.3 | 09 | J61A, J61B, J61C, J68A, J68B | | Pre | A09D, A11D, A13D |
| A55 | 12 | M62Z | A66.4 | 09 | J61A, J61B, J61C, J68A, J68B | A77.2 | 18B | T64A, T64B, T64C |
| | 13 | N04Z, N05A, N05B, N05J, N14Z, N21J, N21Z, N25J, N25Q, N25Z, N61Z | A66.5 | 03 | D66Z | | Pre | A09D, A11D, A13D |
| A56.0 | 12 | M62Z | A66.6 | 08 | I08A, I08B, I08C, I08D, I08E, I13A, I13B, I76A, I76B | A77.3 | 18B | T64A, T64B, T64C |
| | 13 | N04Z, N05A, N05B, N05J, N14Z, N21J, N21Z, N25J, N25Q, N25Z, N61Z | A66.7 | 18B | T64A, T64B, T64C | | Pre | A09D, A11D, A13D |
| A56.1 | 12 | M62Z | A66.8 | 18B | T64A, T64B, T64C | A77.8 | 18B | T64A, T64B, T64C |
| | 13 | N04Z, N05A, N05B, N05J, N14Z, N21J, N21Z, N25J, N25Q, N25Z, N61Z | A66.9 | 18B | T64A, T64B, T64C | | Pre | A09D, A11D, A13D |
| A56.2 | 12 | M62Z | A67.0 | 09 | J67A, J67B, J68A, J68B | A77.9 | 18B | T64A, T64B, T64C |
| | 13 | N04Z, N05A, N05B, N05J, N14Z, N21J, N21Z, N25J, N25Q, N25Z, N61Z | A67.1 | 09 | J67A, J67B, J68A, J68B | | Pre | A09D, A11D, A13D |
| A56.3 | 06 | G46A, G46B, G46C, G50Z, G71Z | A67.2 | 18B | T64A, T64B, T64C | A78 | 05 | F62A |
| A56.4 | 03 | D62Z, D63Z | A67.3 | 09 | J67A, J67B, J68A, J68B | | 06 | G67A |
| A56.8 | 12 | M62Z | A67.9 | 18B | T64A, T64B, T64C | | 17 | R60B, R60C, R61A, R62A, R63B, R63C, R63D, R63F |
| | 13 | N04Z, N05A, N05B, N05J, N14Z, N21J, N21Z, N25J, N25Q, N25Z, N61Z | A68.0 | 18B | T64A, T64B, T64C | | 18B | T01B, T60A, T60B, T60C, T60F, T61A |
| A57 | 12 | M62Z | A68.1 | 18B | T64A, T64B, T64C | A79.0 | Pre | A09D, A11D, A13D |
| | 13 | N04Z, N05A, N05B, N05J, N14Z, N21J, N21Z, N25J, N25Q, N25Z, N61Z | A68.9 | 18B | T64A, T64B, T64C | | 18B | T64A, T64B, T64C |
| A58 | 12 | M62Z | A69.0 | 03 | D62Z, D63Z | A79.1 | Pre | A09D, A11D, A13D |
| | 13 | N04Z, N05A, N05B, N05J, N14Z, N21J, N21Z, N25J, N25Q, N25Z, N61Z | A69.1 | 03 | D62Z, D63Z | | 18B | T64A, T64B, T64C |
| A59.0 | 12 | M62Z | A69.21 | 18B | T64A, T64B | A79.8 | Pre | A09D, A11D, A13D |
| | 13 | N04Z, N05A, N05B, N05J, N14Z, N21J, N21Z, N25J, N25Q, N25Z, N61Z | A69.22 | 18B | T64A, T64B | | 18B | T64A, T64B, T64C |
| A59.8 | 18B | T64A, T64B, T64C | A69.23 | 18B | T64A, T64B | A79.9 | 18B | T64A, T64B, T64C |
| A59.9 | 18B | T64A, T64B, T64C | A69.24 | 18B | T64A, T64B | | Pre | A09D, A11D, A13D |
| | | | A69.25 | 18B | T64A, T64B | A80.0 | 01 | B72A, B72B |
| | | | A69.26 | 18B | T64A, T64B | | Pre | A09D, A11D, A13D |
| | | | A69.27 | 18B | T64A, T64B | A80.1 | 01 | B72A, B72B |
| | | | A69.29 | 18B | T64A, T64B | | Pre | A09D, A11D, A13D |
| | | | A69.8 | 18B | T64A, T64B, T64C | A80.2 | 01 | B72A, B72B |
| | | | A69.9 | 18B | T64A, T64B, T64C | | Pre | A09D, A11D, A13D |
| | | | A70 | 04 | E62A, E62B, E77A, E77B, E77C, E77D, E77E | A80.3 | 01 | B72A, B72B |
| | | | A71.0 | 02 | C60Z | | Pre | A09D, A11D, A13D |
| | | | A71.1 | 02 | C60Z | A80.4 | 18B | T63A, T63B, T63C |
| | | | | 15 | TPN, VTPN | | Pre | A09D, A11D, A13D |
| | | | A71.9 | 02 | C60Z | A80.9 | 01 | B72A, B72B |
| | | | A74.0 | 02 | C63Z | | Pre | A09D, A11D, A13D |
| | | | | 18A | S63A, S63B | A81.0 | 01 | B17A, B48Z, B85A, B85B, B85C |
| | | | A74.81 | 15 | TPN, VTPN | | Pre | A09D, A11D, A13D |
| | | | | 18A | S63A, S63B | A81.1 | 01 | B17A, B48Z, B85A, B85B, B85C |
| | | | | 18B | T63A, T63B, T63C | | 15 | TPN, VTPN |
| | | | A74.82 | 15 | TPN, VTPN | | Pre | A09D, A11D, A13D |
| | | | | 18A | S63A, S63B | | | |
| | | | | 18B | T63A, T63B, T63C | | | |

| ICD | MDC | DRG | ICD | MDC | DRG | ICD | MDC | DRG |
|-------|-----|------------------------------|-------|-----|------------------|-------|-----|--|
| A81.2 | 01 | B48Z, B85A, B85B, B85C, B85D | A87.8 | 01 | B73Z | A98.1 | 18B | T63A, T63B, T63C |
| | 18A | S63A, S63B | | 18A | S63A, S63B | | Pre | A09D, A11D, A13D |
| | Pre | A09D, A11D, A13D | | Pre | A09D, A11D, A13D | A98.2 | 18B | T63A, T63B, T63C |
| A81.8 | 01 | B48Z, B85A, B85B, B85C, B85D | A87.9 | 01 | B73Z | | Pre | A09D, A11D, A13D |
| | 18A | S65A, S65B | | 18A | S63A, S63B | A98.3 | 15 | TPN, VTPN |
| | Pre | A09D, A11D, A13D | | Pre | A09D, A11D, A13D | | 18B | T63A, T63B, T63C |
| A81.9 | 01 | B48Z, B85A, B85B, B85C, B85D | A88.0 | 01 | B72A, B72B | | Pre | A09D, A11D, A13D |
| | 18A | S65A, S65B | | Pre | A09D, A11D, A13D | A98.4 | 18B | T63A, T63B, T63C |
| | Pre | A09D, A11D, A13D | | Pre | A09D, A11D, A13D | | Pre | A09D, A11D, A13D |
| A82.0 | 01 | B72A, B72B | A88.1 | 01 | B81A, B81B | A98.5 | 11 | L63A, L63B, L63C, L63D, L63E, L63F, L74Z |
| | Pre | A09D, A11D, A13D | | Pre | A09D, A11D, A13D | | 15 | TPN, VTPN |
| A82.1 | 01 | B72A, B72B | A88.8 | 01 | B72A, B72B | | Pre | A09D, A11D, A13D |
| | Pre | A09D, A11D, A13D | | 18A | S65A, S65B | A98.8 | 18B | T63A, T63B, T63C |
| A82.9 | 01 | B72A, B72B | A89 | 01 | B72A, B72B | | Pre | A09D, A11D, A13D |
| | Pre | A09D, A11D, A13D | | 15 | TPN, VTPN | A99 | 18B | T63A, T63B, T63C |
| A83.0 | 01 | B72A, B72B | | 18A | S65A, S65B | | Pre | A09D, A11D, A13D |
| | Pre | A09D, A11D, A13D | A90 | 18B | T63A, T63B, T63C | B00.0 | 09 | J61A, J61B, J61C, J68A, J68B |
| A83.1 | 01 | B72A, B72B | | Pre | A09D, A11D, A13D | | 15 | TPN, VTPN |
| | Pre | A09D, A11D, A13D | A91 | 18B | T63A, T63B, T63C | | 18A | S63A, S63B |
| A83.2 | 01 | B72A, B72B | | Pre | A09D, A11D, A13D | B00.1 | 15 | TPN, VTPN |
| | Pre | A09D, A11D, A13D | A92.0 | 18B | T63A, T63B, T63C | | 18A | S63A, S63B |
| A83.3 | 01 | B72A, B72B | | Pre | A09D, A11D, A13D | B00.2 | 03 | D40J, D40Z, D67Z |
| | Pre | A09D, A11D, A13D | A92.1 | 18B | T63A, T63B, T63C | | 15 | TPN, VTPN |
| A83.4 | 01 | B72A, B72B | | Pre | A09D, A11D, A13D | | 18A | S63A, S63B |
| | Pre | A09D, A11D, A13D | A92.2 | 01 | B72A, B72B | B00.3 | 01 | B73Z |
| A83.5 | 01 | B72A, B72B | | Pre | A09D, A11D, A13D | | 15 | TPN, VTPN |
| | Pre | A09D, A11D, A13D | A92.3 | 18B | T63A, T63B, T63C | | 18A | S63A, S63B |
| A83.6 | 01 | B72A, B72B | | Pre | A09D, A11D, A13D | | Pre | A09D, A11D, A13D |
| | Pre | A09D, A11D, A13D | A92.4 | 18B | T63A, T63B, T63C | B00.4 | 01 | B72A |
| A83.8 | 01 | B72A, B72B | | Pre | A09D, A11D, A13D | | 15 | TPN, VTPN |
| | Pre | A09D, A11D, A13D | A92.8 | 18B | T63A, T63B, T63C | | 18A | S63A, S63B |
| A83.9 | 01 | B72A, B72B | | Pre | A09D, A11D, A13D | | Pre | A09D, A11D, A13D |
| | Pre | A09D, A11D, A13D | A92.9 | 18B | T63A, T63B, T63C | B00.5 | 02 | C60Z |
| A84.0 | 01 | B72A, B72B | | Pre | A09D, A11D, A13D | | 15 | TPN, VTPN |
| | Pre | A09D, A11D, A13D | A93.0 | 18B | T63A, T63B, T63C | | 18A | S63A, S63B |
| A84.1 | 01 | B72A, B72B | | Pre | A09D, A11D, A13D | B00.7 | | KJZSA1, KJZSA2 |
| | Pre | A09D, A11D, A13D | A93.1 | 18B | T63A, T63B, T63C | | 05 | F62A |
| A84.8 | 01 | B72A, B72B | | Pre | A09D, A11D, A13D | | 06 | G67A |
| | Pre | A09D, A11D, A13D | A93.2 | 18B | T63A, T63B, T63C | | 15 | TPN, VTPN |
| A84.9 | 01 | B72A, B72B | | Pre | A09D, A11D, A13D | | 17 | R60B, R60C, R61A, R62A, R63B, R63C, R63D, R63F |
| | Pre | A09D, A11D, A13D | A93.8 | 18B | T63A, T63B, T63C | | 18A | S63A, S63B |
| A85.0 | 01 | B72A, B72B | | Pre | A09D, A11D, A13D | | 18B | T01B, T60A, T60B, T60C, T60D, T60E, T60F, T61A |
| | 18A | S65A, S65B | A94 | 18B | T63A, T63B, T63C | B00.8 | 15 | TPN, VTPN |
| | Pre | A09D, A11D, A13D | | Pre | A09D, A11D, A13D | | 18A | S63A, S63B |
| A85.1 | 01 | B72A, B72B | | Pre | A09D, A11D, A13D | | 18B | T63A, T63B, T63C |
| | 18A | S65A, S65B | A95.0 | 18B | T63A, T63B, T63C | | 09 | J61A, J61B, J61C, J68A, J68B |
| | Pre | A09D, A11D, A13D | | Pre | A09D, A11D, A13D | | 15 | TPN, VTPN |
| A85.2 | 01 | B72A, B72B | | Pre | A09D, A11D, A13D | | 18A | S63A, S63B |
| | Pre | A09D, A11D, A13D | A95.1 | 18B | T63A, T63B, T63C | B00.9 | 01 | B73Z |
| A85.8 | 01 | B72A, B72B | | Pre | A09D, A11D, A13D | | 15 | TPN, VTPN |
| | 18A | S65A, S65B | | Pre | A09D, A11D, A13D | | Pre | A09D, A11D, A13D |
| | Pre | A09D, A11D, A13D | A96.0 | 15 | TPN, VTPN | B01.1 | 01 | B72A, B72B |
| A86 | 01 | B72A, B72B | | 18B | T63A, T63B, T63C | | 15 | TPN, VTPN |
| | 15 | TPN, VTPN | | Pre | A09D, A11D, A13D | | Pre | A09D, A11D, A13D |
| | 18A | S65A, S65B | A96.1 | 15 | TPN, VTPN | B01.2 | 04 | E62A, E62B, E77A, E77B, E77C, E77D, E77E |
| | Pre | A09D, A11D, A13D | | 18B | T63A, T63B, T63C | | 15 | TPN, VTPN |
| A87.0 | 01 | B73Z | | Pre | A09D, A11D, A13D | | Pre | A09D, A11D, A13D |
| | 15 | TPN, VTPN | | Pre | A09D, A11D, A13D | B01.8 | 15 | TPN, VTPN |
| | 18A | S63A, S63B | A96.8 | 15 | TPN, VTPN | | 18B | T63A, T63B, T63C |
| | Pre | A09D, A11D, A13D | | 18B | T63A, T63B, T63C | B01.9 | 15 | TPN, VTPN |
| A87.1 | 01 | B73Z | | Pre | A09D, A11D, A13D | | 18B | T63A, T63B, T63C |
| | 18A | S63A, S63B | A96.9 | 15 | TPN, VTPN | | 15 | TPN, VTPN |
| | Pre | A09D, A11D, A13D | | 18B | T63A, T63B, T63C | | 18B | T63A, T63B, T63C |
| A87.2 | 01 | B73Z | | Pre | A09D, A11D, A13D | | 18B | T63A, T63B, T63C |
| | Pre | A09D, A11D, A13D | A98.0 | 18B | T63A, T63B, T63C | | Pre | A09D, A11D, A13D |
| | Pre | A09D, A11D, A13D | | Pre | A09D, A11D, A13D | | | |

| ICD | MDC | DRG | ICD | MDC | DRG | ICD | MDC | DRG |
|-------|-----|--|-------|-----|------------------------|-------|-----|------------------|
| B02.0 | 01 | B72A | B15.9 | | KJZSA1, KJZSA2 | B20.4 | 14 | O01C, O01D, O01F |
| | 15 | TPN, VTPN | | 07 | H63A, H63B, H63C, H78Z | | 15 | TPN, VTPN |
| | 18A | S63A, S63B | | 15 | TPN, VTPN | | 18A | S63A, S63B |
| | Pre | A09D, A11D, A13D | B16.0 | | KJZSA1, KJZSA2 | | 20 | V60A, V60B |
| B02.1 | 01 | B73Z | | 07 | H63A, H63B, H63C, H78Z | | Pre | A09D, A11D, A13D |
| | 15 | TPN, VTPN | | 15 | TPN, VTPN | B20.5 | 14 | O01C, O01D, O01F |
| | 18A | S63A, S63B | | Pre | A09D, A11D, A13D | | 15 | TPN, VTPN |
| | Pre | A09D, A11D, A13D | B16.1 | | KJZSA1, KJZSA2 | | 18A | S63A, S63B |
| B02.2 | 01 | B81A, B81B | | 07 | H63A, H63B, H63C, H78Z | | 20 | V60A, V60B |
| | 15 | TPN, VTPN | | 15 | TPN, VTPN | | Pre | A09D, A11D, A13D |
| | 18A | S63A, S63B | B16.2 | | KJZSA1, KJZSA2 | B20.6 | 14 | O01C, O01D, O01F |
| B02.3 | 02 | C60Z | | 07 | H63A, H63B, H63C, H78Z | | 15 | TPN, VTPN |
| | 15 | TPN, VTPN | | 15 | TPN, VTPN | | 18A | S63A, S63B |
| | 18A | S63A, S63B | | Pre | A09D, A11D, A13D | | 20 | V60A, V60B |
| B02.7 | 15 | TPN, VTPN | B16.9 | | KJZSA1, KJZSA2 | | Pre | A09D, A11D, A13D |
| | 18A | S63A, S63B | | 07 | H63A, H63B, H63C, H78Z | B20.7 | 14 | O01C, O01D, O01F |
| | 18B | T63A, T63B, T63C | | 15 | TPN, VTPN | | 15 | TPN, VTPN |
| B02.8 | 15 | TPN, VTPN | B17.0 | | KJZSA1, KJZSA2 | | 18A | S63A, S63B |
| | 18A | S63A, S63B | | 07 | H63A, H63B, H63C, H78Z | | 20 | V60A, V60B |
| | 18B | T63A, T63B, T63C | | 15 | TPN, VTPN | | Pre | A09D, A11D, A13D |
| B02.9 | 09 | J64A, J64B, J68A, J68B | | Pre | A09D, A11D, A13D | B20.8 | 14 | O01C, O01D, O01F |
| | 15 | TPN, VTPN | B17.1 | | KJZSA1, KJZSA2 | | 15 | TPN, VTPN |
| | 18A | S63A, S63B | | 07 | H63A, H63B, H63C, H78Z | | 18A | S63A, S63B |
| B03 | 18B | T63A, T63B, T63C | | 15 | TPN, VTPN | | 20 | V60A, V60B |
| B04 | 18B | T63A, T63B, T63C | | 18A | S63A, S63B | | Pre | A09D, A11D, A13D |
| B05.0 | 01 | B72A, B72B | | Pre | A09D, A11D, A13D | B20.9 | 14 | O01C, O01D, O01F |
| | 15 | TPN, VTPN | B17.2 | | KJZSA1, KJZSA2 | | 15 | TPN, VTPN |
| | 18A | S63A, S63B | | 07 | H63A, H63B, H63C, H78Z | | 18A | S63A, S63B |
| | Pre | A09D, A11D, A13D | | 15 | TPN, VTPN | | 20 | V60A, V60B |
| B05.1 | 01 | B73Z | | Pre | A09D, A11D, A13D | | Pre | A09D, A11D, A13D |
| | 15 | TPN, VTPN | B17.8 | | H63A, H63B, H63C, H78Z | B21.0 | 14 | O01C, O01D, O01F |
| | 18A | S63A, S63B | | 15 | TPN, VTPN | | 15 | TPN, VTPN |
| | Pre | A09D, A11D, A13D | B17.9 | | H63A, H63B, H63C, H78Z | | 18A | S62Z |
| B05.2 | 04 | E62A, E62B, E77A, E77B, E77C, E77D, E77E | | 15 | TPN, VTPN | | 20 | V60A, V60B |
| | 15 | TPN, VTPN | B18.0 | | H63A, H63B, H63C, H78Z | | Pre | A09D, A11D, A13D |
| | 18A | S63A, S63B | | 15 | TPN, VTPN | B21.1 | 14 | O01C, O01D, O01F |
| B05.3 | 03 | D62Z, D63Z | B18.1 | | H63A, H63B, H63C, H78Z | | 15 | TPN, VTPN |
| | 15 | TPN, VTPN | | 15 | TPN, VTPN | | 18A | S62Z |
| | 18A | S63A, S63B | B18.2 | | H63A, H63B, H63C, H78Z | | 20 | V60A, V60B |
| B05.4 | 15 | TPN, VTPN | | 15 | TPN, VTPN | | Pre | A09D, A11D, A13D |
| | 18A | S63A, S63B | B18.8 | | H63A, H63B, H63C, H78Z | B21.2 | 14 | O01C, O01D, O01F |
| | 18B | T63A, T63B, T63C | | 15 | TPN, VTPN | | 15 | TPN, VTPN |
| B05.8 | 15 | TPN, VTPN | B18.9 | | H63A, H63B, H63C, H78Z | | 18A | S62Z |
| | 18A | S63A, S63B | | 15 | TPN, VTPN | | 20 | V60A, V60B |
| | 18B | T63A, T63B, T63C | B19.0 | | H63A, H63B, H63C, H78Z | | Pre | A09D, A11D, A13D |
| B05.9 | 18A | S63A, S63B | | 07 | H63A, H63B, H63C, H78Z | B21.3 | 14 | O01C, O01D, O01F |
| | 18B | T63A, T63B, T63C | B19.9 | | H63A, H63B, H63C, H78Z | | 15 | TPN, VTPN |
| B06.0 | 01 | B72A, B72B | | 07 | H63A, H63B, H63C, H78Z | | 18A | S62Z |
| | 15 | TPN, VTPN | B20.0 | | TPN, VTPN | | 20 | V60A, V60B |
| B06.8 | 15 | TPN, VTPN | | 14 | O01C, O01D, O01F | | Pre | A09D, A11D, A13D |
| | 18B | T63A, T63B, T63C | | 15 | TPN, VTPN | B21.7 | 14 | O01C, O01D, O01F |
| B06.9 | 18B | T63A, T63B, T63C | | 18A | S63A, S63B | | 15 | TPN, VTPN |
| B07 | 09 | J67A, J67B, J68A, J68B | | 20 | V60A, V60B | | 18A | S62Z |
| B08.0 | 18B | T63A, T63B, T63C | | Pre | A09D, A11D, A13D | | 20 | V60A, V60B |
| B08.1 | 09 | J67A, J67B, J68A, J68B | B20.1 | | O01C, O01D, O01F | | Pre | A09D, A11D, A13D |
| B08.2 | 18B | T63A, T63B, T63C | | 14 | O01C, O01D, O01F | | 14 | O01C, O01D, O01F |
| B08.3 | 18B | T63A, T63B, T63C | | 15 | TPN, VTPN | B21.8 | 14 | O01C, O01D, O01F |
| B08.4 | 18B | T63A, T63B, T63C | | 18A | S63A, S63B | | 15 | TPN, VTPN |
| B08.5 | 03 | D62Z, D63Z | | 20 | V60A, V60B | | 18A | S62Z |
| | 15 | TPN, VTPN | B20.2 | | O01C, O01D, O01F | | 20 | V60A, V60B |
| | 18B | T63A, T63B, T63C | | 15 | TPN, VTPN | B21.9 | 14 | O01C, O01D, O01F |
| B08.8 | 18B | T63A, T63B, T63C | | 18A | S63A, S63B | | 15 | TPN, VTPN |
| B09 | 15 | P65C, P66C, P67B, P67C | | 20 | V60A, V60B | | 18A | S62Z |
| | 18B | T63A, T63B, T63C | | Pre | A09D, A11D, A13D | | 20 | V60A, V60B |
| B15.0 | | KJZSA1, KJZSA2 | B20.3 | | O01C, O01D, O01F | | Pre | A09D, A11D, A13D |
| | 07 | H63A, H63B, H63C, H78Z | | 14 | O01C, O01D, O01F | | | |
| | 15 | TPN, VTPN | | 15 | TPN, VTPN | | | |
| | Pre | A09D, A11D, A13D | | 18A | S63A, S63B | | | |
| | | | | 20 | V60A, V60B | | | |
| | | | | Pre | A09D, A11D, A13D | | | |

| ICD | MDC | DRG | ICD | MDC | DRG | ICD | MDC | DRG |
|--------|-----|---------------------------------|-------|-----|--|--------|-----|--|
| B22.0 | 14 | O01C, O01D, O01F | B26.1 | 01 | B73Z | B36.1 | 09 | J67A, J67B, J68A, J68B |
| | 15 | TPN, VTPN | | 15 | TPN, VTPN | | 18A | S63A, S63B |
| | 18A | S65A, S65B | | Pre | A09D, A11D, A13D | B36.2 | 09 | J67A, J67B, J68A, J68B |
| | 20 | V60A, V60B | B26.2 | 01 | B72A, B72B | | 18A | S63A, S63B |
| | Pre | A09D, A11D, A13D | | 15 | TPN, VTPN | B36.3 | 09 | J67A, J67B, J68A, J68B |
| B22.1 | 14 | O01C, O01D, O01F | | Pre | A09D, A11D, A13D | | 18A | S63A, S63B |
| | 15 | TPN, VTPN | B26.3 | 07 | H62A, H62B, H62C | B36.8 | 09 | J67A, J67B, J68A, J68B |
| | 18A | S65A, S65B | | 15 | TPN, VTPN | | 18A | S63A, S63B |
| | 20 | V60A, V60B | B26.8 | 15 | TPN, VTPN | B36.9 | 09 | J67A, J67B, J68A, J68B |
| | Pre | A09D, A11D, A13D | | 18B | T63A, T63B, T63C | | 18A | S63A, S63B |
| B22.2 | 14 | O01C, O01D, O01F | B26.9 | 18B | T63A, T63B, T63C | B37.0 | 03 | D40J, D40Z, D67Z |
| | 15 | TPN, VTPN | B27.0 | 15 | TPN, VTPN | | 18A | S63A, S63B |
| | 18A | S65A, S65B | | 18B | T63A, T63B, T63C | B37.1 | 04 | E62A, E62B, E77A, E77B, E77C, E77D |
| | 20 | V60A, V60B | B27.1 | 15 | TPN, VTPN | | 15 | TPN, VTPN |
| | Pre | A09D, A11D, A13D | | 18B | T63A, T63B, T63C | | 18A | S63A, S63B |
| B22.7 | 14 | O01C, O01D, O01F | B27.8 | 15 | TPN, VTPN | | Pre | A09D, A11D, A13D |
| | 15 | TPN, VTPN | | 18B | T63A, T63B, T63C | B37.2 | 09 | J67A, J67B, J68A, J68B |
| | 18A | S65A, S65B | B27.9 | 15 | TPN, VTPN | | 15 | TPN, VTPN |
| | 20 | V60A, V60B | | 18B | T63A, T63B, T63C | | 18A | S63A, S63B |
| | Pre | A09D, A11D, A13D | B30.0 | 02 | C63Z | B37.3 | 13 | N04Z, N05A, N05B, N05J, N14Z, N21J, N21Z, N25J, N25Q, N25Z, N61Z |
| B23.0 | 14 | O01C, O01D, O01F | B30.1 | 02 | C63Z | | | |
| | 15 | TPN, VTPN | | 15 | TPN, VTPN | B37.4 | 12 | M62Z |
| | 18A | S65A, S65B | B30.2 | 02 | C63Z | | 13 | N04Z, N05A, N05B, N05J, N14Z, N21J, N21Z, N25J, N25Q, N25Z, N61Z |
| | 20 | V60A, V60B | B30.3 | 02 | C63Z | | | |
| | Pre | A09D, A11D, A13D | | 15 | TPN, VTPN | | 15 | TPN, VTPN |
| B23.1 | 14 | O01C, O01D, O01F | B30.8 | 02 | C63Z | B37.5 | 01 | B72A, B72B |
| | 15 | TPN, VTPN | B30.9 | 02 | C63Z | | 15 | TPN, VTPN |
| | 18A | S65A, S65B | B33.0 | 04 | E62A, E62B, E77A, E77B, E77C, E77D, E77E | | 18A | S63A, S63B |
| | 20 | V60A, V60B | | 18B | T63A, T63B, T63C | | Pre | A09D, A11D, A13D |
| | Pre | A09D, A11D, A13D | B33.1 | 18B | T63A, T63B, T63C | B37.6 | 05 | F15Z, F36A, F36B, F61A, F61B |
| B23.2 | 14 | O01C, O01D, O01F | B33.2 | 05 | F75A, F75B, F75C, F75D | | 15 | TPN, VTPN |
| | 15 | TPN, VTPN | | 15 | TPN, VTPN | | 18A | S63A, S63B |
| | 18A | S65A, S65B | | Pre | A09D, A11D, A13D | | Pre | A09D, A11D, A13D |
| | 20 | V60A, V60B | B33.3 | 18B | T63A, T63B, T63C | B37.7 | | |
| | Pre | A09D, A11D, A13D | B33.4 | 18B | T63A, T63B, T63C | | 05 | F62A |
| B23.8 | 14 | O01C, O01D, O01F | | Pre | A09D, A11D, A13D | | 06 | G67A |
| | 15 | TPN, VTPN | B33.8 | 18B | T63A, T63B, T63C | | 17 | R60B, R60C, R61A, R62A, R63B, R63C, R63D, R63F |
| | 18A | S65A, S65B | B34.0 | 15 | TPN, VTPN | | 18A | S63A, S63B |
| | 20 | V60A, V60B | | 18B | T63A, T63B, T63C | | 18B | T01B, T60A, T60B, T60C, T60F, T61A |
| | Pre | A09D, A11D, A13D | B34.1 | 18B | T63A, T63B, T63C | B37.81 | Pre | A09D, A11D, A13D |
| B24 | 14 | O01C, O01D, O01F | B34.2 | 18B | T63A, T63B, T63C | | 06 | G46A, G46B, G46C, G50Z, G67A, G67B, G67C |
| | 15 | TPN, VTPN | B34.3 | 18B | T63A, T63B, T63C | | 15 | TPN, VTPN |
| | 18A | S65A, S65B | B34.4 | 18A | S63A, S63B | B37.88 | 18A | S63A, S63B |
| | 20 | V60A, V60B | | 18B | T63A, T63B, T63C | | 18B | T64A, T64B, T64C |
| | Pre | A09D, A11D, A13D | B34.8 | 18B | T63A, T63B, T63C | B37.9 | 18A | S63A, S63B |
| B25.0 | 04 | E62A, E77A, E77B, E77C, E77D | B34.9 | 18A | S63A, S63B | | 18B | T64A, T64B, T64C |
| | 15 | TPN, VTPN | | 18B | T63A, T63B, T63C | B38.0 | 04 | E62A, E62B, E77A, E77B, E77C, E77D, E77E |
| | 18A | S63A, S63B | B35.0 | 09 | J67A, J67B, J68A, J68B | | 15 | TPN, VTPN |
| | Pre | A09D, A11D, A13D | | 18A | S63A, S63B | | 18A | S63A, S63B |
| B25.1 | 15 | TPN, VTPN | B35.1 | 09 | J67A, J67B, J68A, J68B | B38.1 | 04 | E62A, E62B, E77A, E77B, E77C, E77D, E77E |
| | 18A | S63A, S63B | | 18A | S63A, S63B | | 15 | TPN, VTPN |
| | 18B | T63A, T63B | B35.2 | 09 | J67A, J67B, J68A, J68B | | 18A | S63A, S63B |
| | Pre | A09D, A11D, A13D | | 18A | S63A, S63B | B38.2 | Pre | A09D, A11D, A13D |
| B25.2 | 15 | TPN, VTPN | B35.3 | 09 | J02A, J02B, J02C, J03A, J03B, J04A, J04B, J08A, J08B, J08C, J67A, J67B, J68A, J68B | | 04 | E62A, E62B, E77A, E77B, E77C, E77D, E77E |
| | 18A | S63A, S63B | | 18A | S63A, S63B | | 15 | TPN, VTPN |
| | 18B | T63A, T63B | B35.4 | 09 | J67A, J67B, J68A, J68B | | 18A | S63A, S63B |
| | Pre | A09D, A11D, A13D | | 18A | S63A, S63B | | Pre | A09D, A11D, A13D |
| B25.80 | 15 | TPN, VTPN | B35.5 | 09 | J67A, J67B, J68A, J68B | | | |
| | 18A | S63A, S63B | | 18A | S63A, S63B | | 15 | TPN, VTPN |
| | 18B | T63A, T63B | B35.6 | 09 | J67A, J67B, J68A, J68B | | 18A | S63A, S63B |
| B25.88 | 15 | TPN, VTPN | | 18A | S63A, S63B | | Pre | A09D, A11D, A13D |
| | 18A | S63A, S63B | B35.8 | 09 | J67A, J67B, J68A, J68B | | 04 | E62A, E62B, E77A, E77B, E77C, E77D, E77E |
| | 18B | T63A, T63B | | 18A | S63A, S63B | | 15 | TPN, VTPN |
| B25.9 | 15 | TPN, VTPN | B35.9 | 09 | J67A, J67B, J68A, J68B | | 18A | S63A, S63B |
| | 18A | S63A, S63B | | 18A | S63A, S63B | | Pre | A09D, A11D, A13D |
| | 18B | T63A, T63B | B36.0 | 09 | J67A, J67B, J68A, J68B | | | |
| B26.0 | 12 | M62Z | | 18A | S63A, S63B | | | |
| | 15 | TPN, VTPN | | | | | | |

| ICD | MDC | DRG | ICD | MDC | DRG | ICD | MDC | DRG |
|-------|-----|---|-------|-----|---|-------|-----|---|
| B38.3 | 09 | J61A, J61B, J61C, J68A, J68B | B40.9 | 15 | TPN, VTPN | B45.1 | 01 | B72A, B72B |
| | 15 | TPN, VTPN | | 18B | T64A, T64B, T64C | | 15 | TPN, VTPN |
| | 18A | S63A, S63B | B41.0 | 15 | TPN, VTPN | | 18A | S63A, S63B |
| B38.4 | 01 | B72A, B72B | | 18B | T64A, T64B, T64C | | Pre | A09D, A11D, A13D |
| | 15 | TPN, VTPN | | Pre | A09D, A11D, A13D | B45.2 | 15 | TPN, VTPN |
| | 18A | S63A, S63B | B41.7 | 05 | F62A | | 18A | S63A, S63B |
| | Pre | A09D, A11D, A13D | | 06 | G67A | | 18B | T64A, T64B, T64C |
| B38.7 | 05 | F62A | | 15 | TPN, VTPN | B45.3 | 15 | TPN, VTPN |
| | 06 | G67A | | 17 | R60B, R60C, R61A, R62A, R63B, R63C, R63D, R63F | | 18A | S63A, S63B |
| | 15 | TPN, VTPN | | 18B | T01B, T60A, T60B, T60C, T60F, T61A | | 18B | T64A, T64B, T64C |
| | 17 | R60B, R60C, R61A, R62A, R63B, R63C, R63D, R63F | | Pre | A09D, A11D, A13D | | Pre | A09D, A11D, A13D |
| | 18A | S63A, S63B | B41.8 | 15 | TPN, VTPN | B45.7 | 05 | F62A |
| | 18B | T01B, T60A, T60B, T60C, T60F, T61A | | 18B | T64A, T64B, T64C | | 06 | G67A |
| | Pre | A09D, A11D, A13D | B41.9 | 15 | TPN, VTPN | | 15 | TPN, VTPN |
| B38.8 | 15 | TPN, VTPN | | 18B | T64A, T64B, T64C | | 17 | R60B, R60C, R61A, R62A, R63B, R63C, R63D, R63F |
| | 18A | S63A, S63B | B42.0 | 04 | E62A, E62B, E77A, E77B, E77C, E77D, E77E | | 18A | S63A, S63B |
| | 18B | T64A, T64B, T64C | | Pre | A09D, A11D, A13D | | 18B | T01B, T60A, T60B, T60C, T60F, T61A |
| B38.9 | 18A | S63A, S63B | B42.1 | 18B | T64A, T64B, T64C | | Pre | A09D, A11D, A13D |
| | 18B | T64A, T64B, T64C | B42.7 | 05 | F62A | B45.8 | 15 | TPN, VTPN |
| B39.0 | 04 | E74Z | | 06 | G67A | | 18A | S63A, S63B |
| | 15 | TPN, VTPN | | 17 | R60B, R60C, R61A, R62A, R63B, R63C, R63D, R63F | | 18B | T64A, T64B, T64C |
| | 18A | S63A, S63B | | 18B | T01B, T60A, T60B, T60C, T60F, T61A | B45.9 | 15 | TPN, VTPN |
| | Pre | A09D, A11D, A13D | | Pre | A09D, A11D, A13D | | 18A | S63A, S63B |
| B39.1 | 04 | E74Z | B42.8 | 18B | T64A, T64B, T64C | | 18B | T64A, T64B, T64C |
| | 15 | TPN, VTPN | B42.9 | 18B | T64A, T64B, T64C | B46.0 | 04 | E62A, E62B, E77A, E77B, E77C, E77D, E77E |
| | 18A | S63A, S63B | B43.0 | 18B | T64A, T64B, T64C | | 15 | TPN, VTPN |
| | Pre | A09D, A11D, A13D | B43.1 | 18B | T64A, T64B, T64C | | Pre | A09D, A11D, A13D |
| B39.2 | 04 | E74Z | | Pre | A09D, A11D, A13D | B46.2 | 15 | TPN, VTPN |
| | 15 | TPN, VTPN | B43.2 | 18B | T64A, T64B, T64C | | 18B | T64A, T64B, T64C |
| | 18A | S63A, S63B | B43.8 | 18B | T64A, T64B, T64C | | Pre | A09D, A11D, A13D |
| | Pre | A09D, A11D, A13D | B43.9 | 18B | T64A, T64B, T64C | B46.3 | 15 | TPN, VTPN |
| B39.3 | 05 | F62A | B44.0 | 04 | E62A, E62B, E77A, E77B, E77C, E77D | | 18B | T64A, T64B, T64C |
| | 06 | G67A | | 15 | TPN, VTPN | B46.4 | 05 | F62A |
| | 17 | R60B, R60C, R61A, R62A, R63B, R63C, R63D, R63F | | 18A | S63A, S63B | | 06 | G67A |
| | 18A | S63A, S63B | | Pre | A09D, A11D, A13D | | 15 | TPN, VTPN |
| | 18B | T01B, T60A, T60B, T60C, T60F, T61A | | Pre | A09D, A11D, A13D | | 17 | R60B, R60C, R61A, R62A, R63B, R63C, R63D, R63F |
| | Pre | A09D, A11D, A13D | B44.1 | 04 | E62A, E62B, E77A, E77B, E77C, E77D | | 18B | T01B, T60A, T60B, T60C, T60F, T61A |
| B39.4 | 18A | S63A, S63B | | 15 | TPN, VTPN | | Pre | A09D, A11D, A13D |
| | 18B | T64A, T64B, T64C | | 18A | S63A, S63B | B46.5 | 15 | TPN, VTPN |
| | Pre | A09D, A11D, A13D | | Pre | A09D, A11D, A13D | | 18B | T64A, T64B, T64C |
| B39.5 | 18A | S63A, S63B | B44.2 | 15 | TPN, VTPN | | 15 | TPN, VTPN |
| | 18B | T64A, T64B, T64C | | 18A | S63A, S63B | B46.8 | 15 | TPN, VTPN |
| | Pre | A09D, A11D, A13D | | Pre | A09D, A11D, A13D | | 18B | T64A, T64B, T64C |
| B39.9 | 18A | S63A, S63B | | 18B | T64A, T64B, T64C | B46.9 | 15 | TPN, VTPN |
| | 18B | T64A, T64B, T64C | B44.7 | 05 | F62A | | 18B | T64A, T64B, T64C |
| | Pre | A09D, A11D, A13D | | 06 | G67A | B47.0 | 15 | TPN, VTPN |
| B40.0 | 04 | E62A, E62B, E77A, E77B, E77C, E77D, E77E | | 15 | TPN, VTPN | | 18B | T64A, T64B, T64C |
| | 15 | TPN, VTPN | | 17 | R60B, R60C, R61A, R62A, R63B, R63C, R63D, R63F | B47.1 | 15 | TPN, VTPN |
| | Pre | A09D, A11D, A13D | | 18A | S63A, S63B | | 18B | T64A, T64B, T64C |
| B40.1 | 04 | E62A, E62B, E77A, E77B, E77C, E77D, E77E | | 18B | T01B, T60A, T60B, T60C, T60F, T61A | | 18B | T64A, T64B, T64C |
| | 15 | TPN, VTPN | | Pre | A09D, A11D, A13D | B47.9 | 18B | T64A, T64B, T64C |
| | Pre | A09D, A11D, A13D | B44.8 | 15 | TPN, VTPN | | 18B | T64A, T64B, T64C |
| B40.2 | 04 | E62A, E62B, E77A, E77B, E77C, E77D, E77E | | 18A | S63A, S63B | B48.1 | 18B | T64A, T64B, T64C |
| | 15 | TPN, VTPN | | 18B | T64A, T64B, T64C | B48.2 | 15 | TPN, VTPN |
| | Pre | A09D, A11D, A13D | B44.9 | 15 | TPN, VTPN | | 18B | T64A, T64B, T64C |
| B40.3 | 15 | TPN, VTPN | | 18A | S63A, S63B | B48.3 | 18B | T64A, T64B, T64C |
| | 18B | T64A, T64B, T64C | | 18B | T64A, T64B, T64C | B48.4 | 18B | T64A, T64B, T64C |
| B40.7 | 15 | TPN, VTPN | B45.0 | 04 | E62A, E62B, E77A, E77B, E77C, E77D, E77E | B48.7 | 15 | TPN, VTPN |
| | 18B | T64A, T64B, T64C | | 15 | TPN, VTPN | | 18A | S63A, S63B |
| | Pre | A09D, A11D, A13D | | 18A | S63A, S63B | | 18B | T64A, T64B, T64C |
| B40.8 | 15 | TPN, VTPN | | Pre | A09D, A11D, A13D | B48.8 | 18B | T64A, T64B, T64C |
| | 18B | T64A, T64B, T64C | | | | B49 | 18B | T64A, T64B, T64C |

| ICD | MDC | DRG | ICD | MDC | DRG | ICD | MDC | DRG |
|-------|-----|--|-------|-----|--|-------|-----|--|
| B50.0 | 01 | B72A, B72B | B56.0 | 18B | T64A, T64B, T64C | B66.0 | 07 | H63A, H63B, H63C, H78Z |
| | 15 | TPN, VTPN | | Pre | A09D, A11D, A13D | B66.1 | 07 | H63A, H63B, H63C, H78Z |
| | Pre | A09D, A11D, A13D | B56.1 | 18B | T64A, T64B, T64C | B66.2 | 18B | T64A, T64B, T64C |
| B50.8 | 05 | F62A | | Pre | A09D, A11D, A13D | B66.3 | 07 | H63A, H63B, H63C, H78Z |
| | 06 | G67A | B56.9 | 18B | T64A, T64B, T64C | B66.4 | 04 | E62A, E62B, E77A, E77B, E77C, E77D, E77E |
| | 15 | TPN, VTPN | | Pre | A09D, A11D, A13D | B66.5 | 07 | H63A, H63B, H63C, H78Z |
| | 17 | R60B, R60C, R61A, R62A, R63B, R63C, R63D, R63F | B57.0 | 05 | F75A, F75B, F75C, F75D | B66.8 | 18B | T64A, T64B, T64C |
| | 18B | T01B, T60A, T60B, T60C, T60D, T60E, T60F, T61A | | Pre | A09D, A11D, A13D | B66.9 | 18B | T64A, T64B, T64C |
| | Pre | A09D, A11D, A13D | B57.1 | 18B | T64A, T64B, T64C | B67.0 | 07 | H63A, H63B, H63C, H78Z |
| B50.9 | 15 | TPN, VTPN | | Pre | A09D, A11D, A13D | B67.1 | 04 | E62A, E62B, E77A, E77B, E77C, E77D, E77E |
| | 18B | T64A, T64B, T64C | B57.2 | 05 | F75A, F75B, F75C, F75D | | Pre | A09D, A11D, A13D |
| | Pre | A09D, A11D, A13D | | Pre | A09D, A11D, A13D | B67.2 | 18B | T64A, T64B, T64C |
| B51.0 | 05 | F62A | B57.3 | 18B | T64A, T64B, T64C | | Pre | A09D, A11D, A13D |
| | 06 | G67A | | Pre | A09D, A11D, A13D | B67.3 | 18B | T64A, T64B, T64C |
| | 15 | TPN, VTPN | B57.4 | 18B | T64A, T64B, T64C | | Pre | A09D, A11D, A13D |
| | 17 | R60B, R60C, R61A, R62A, R63B, R63C, R63D, R63F | | Pre | A09D, A11D, A13D | B67.4 | 18B | T64A, T64B, T64C |
| | 18B | T01B, T60A, T60B, T60C, T60D, T60E, T60F, T61A | B57.5 | 18B | T64A, T64B, T64C | | Pre | A09D, A11D, A13D |
| | Pre | A09D, A11D, A13D | | Pre | A09D, A11D, A13D | B67.5 | 07 | H63A, H63B, H63C, H78Z |
| B51.8 | 15 | TPN, VTPN | B58.0 | 02 | C66Z | | Pre | A09D, A11D, A13D |
| | 18B | T64A, T64B, T64C | | 15 | TPN, VTPN | B67.6 | 18B | T64A, T64B, T64C |
| | Pre | A09D, A11D, A13D | B58.1 | 07 | H63A, H63B, H63C, H78Z | | Pre | A09D, A11D, A13D |
| B51.9 | 15 | TPN, VTPN | | 15 | TPN, VTPN | B67.7 | 18B | T64A, T64B, T64C |
| | 18B | T64A, T64B, T64C | | 18A | S63A, S63B | | Pre | A09D, A11D, A13D |
| | Pre | A09D, A11D, A13D | B58.2 | 01 | B72A, B72B | B67.8 | 07 | H63A, H63B, H63C, H78Z |
| B52.0 | 15 | TPN, VTPN | | 15 | TPN, VTPN | | Pre | A09D, A11D, A13D |
| | 18B | T64A, T64B, T64C | | 18A | S63A, S63B | B67.9 | 18B | T64A, T64B, T64C |
| | Pre | A09D, A11D, A13D | B58.3 | 04 | E62A, E62B, E77A, E77B, E77C, E77D, E77E | | Pre | A09D, A11D, A13D |
| B52.8 | 05 | F62A | | 15 | TPN, VTPN | B68.0 | 06 | G46A, G46B, G46C, G50Z, G67A, G67B, G67C, G67D |
| | 06 | G67A | | 18A | S63A, S63B | B68.1 | 06 | G46A, G46B, G46C, G50Z, G67A, G67B, G67C, G67D |
| | 15 | TPN, VTPN | | Pre | A09D, A11D, A13D | B68.9 | 06 | G46A, G46B, G46C, G50Z, G67A, G67B, G67C, G67D |
| | 17 | R60B, R60C, R61A, R62A, R63B, R63C, R63D, R63F | B58.8 | 15 | TPN, VTPN | B69.0 | 01 | B72A, B72B |
| | 18B | T01B, T60A, T60B, T60C, T60D, T60E, T60F, T61A | | 18A | S63A, S63B | | Pre | A09D, A11D, A13D |
| | Pre | A09D, A11D, A13D | | 18B | T64A, T64B, T64C | B69.1 | 02 | C63Z |
| B52.9 | 15 | TPN, VTPN | B58.9 | 15 | TPN, VTPN | | Pre | A09D, A11D, A13D |
| | 18B | T64A, T64B, T64C | | 18A | S63A, S63B | B69.8 | 06 | G46A, G46B, G46C, G50Z, G67A, G67B, G67C, G67D |
| | Pre | A09D, A11D, A13D | | 18B | T64A, T64B, T64C | B69.9 | 06 | G46A, G46B, G46C, G50Z, G67A, G67B, G67C, G67D |
| B53.0 | 15 | TPN, VTPN | B59 | 04 | E62A, E77A, E77B, E77C, E77D | | 06 | G46A, G46B, G46C, G50Z, G67A, G67B, G67C, G67D |
| | 18B | T64A, T64B, T64C | | 15 | TPN, VTPN | B70.0 | 06 | G46A, G46B, G46C, G50Z, G67A, G67B, G67C, G67D |
| | Pre | A09D, A11D, A13D | | 18A | S63A, S63B | B70.1 | 06 | G46A, G46B, G46C, G50Z, G67A, G67B, G67C, G67D |
| B53.1 | 15 | TPN, VTPN | | Pre | A09D, A11D, A13D | | 06 | G46A, G46B, G46C, G50Z, G67A, G67B, G67C, G67D |
| | 18B | T64A, T64B, T64C | B60.0 | 18A | S63A, S63B | B71.0 | 06 | G46A, G46B, G46C, G50Z, G67A, G67B, G67C, G67D |
| | Pre | A09D, A11D, A13D | | 18B | T64A, T64B, T64C | | 06 | G46A, G46B, G46C, G50Z, G67A, G67B, G67C, G67D |
| B53.8 | 15 | TPN, VTPN | | Pre | A09D, A11D, A13D | B71.1 | 06 | G46A, G46B, G46C, G50Z, G67A, G67B, G67C, G67D |
| | 18B | T64A, T64B, T64C | | 18A | S63A, S63B | B71.8 | 06 | G46A, G46B, G46C, G50Z, G67A, G67B, G67C, G67D |
| | Pre | A09D, A11D, A13D | B60.1 | 18B | T64A, T64B, T64C | | 06 | G46A, G46B, G46C, G50Z, G67A, G67B, G67C, G67D |
| B54 | 15 | TPN, VTPN | | Pre | A09D, A11D, A13D | B71.9 | 06 | G46A, G46B, G46C, G50Z, G67A, G67B, G67C, G67D |
| | 18B | T64A, T64B, T64C | B60.2 | 18A | S63A, S63B | B72 | 18B | T64A, T64B, T64C |
| | Pre | A09D, A11D, A13D | | 18B | T64A, T64B, T64C | B73 | 18B | T64A, T64B, T64C |
| B55.0 | 05 | F62A | B60.8 | 18B | T64A, T64B, T64C | B74.0 | 18B | T64A, T64B, T64C |
| | 06 | G67A | | Pre | A09D, A11D, A13D | B74.1 | 18B | T64A, T64B, T64C |
| | 17 | R60B, R60C, R61A, R62A, R63B, R63C, R63D, R63F | B60.8 | 18A | S63A, S63B | B74.2 | 18B | T64A, T64B, T64C |
| | 18A | S63A, S63B | | 18B | T64A, T64B, T64C | B74.3 | 18B | T64A, T64B, T64C |
| | 18B | T01B, T60A, T60B, T60C, T60F, T61A | B64 | 18B | T64A, T64B, T64C | B74.4 | 18B | T64A, T64B, T64C |
| | Pre | A09D, A11D, A13D | B65.0 | 11 | L63A, L63B, L63C, L63D, L63E, L63F, L74Z | B74.8 | 18B | T64A, T64B, T64C |
| B55.1 | 09 | J61A, J61B, J61C, J68A, J68B | | Pre | A09D, A11D, A13D | B74.9 | 18B | T64A, T64B, T64C |
| | Pre | A09D, A11D, A13D | B65.1 | 07 | H63A, H63B, H63C, H78Z | B75 | 18B | T64A, T64B, T64C |
| B55.2 | 09 | J61A, J61B, J61C, J68A, J68B | | Pre | A09D, A11D, A13D | B76.0 | 06 | G46A, G46B, G46C, G50Z, G67A, G67B, G67C, G67D |
| | Pre | A09D, A11D, A13D | B65.2 | 18B | T64A, T64B, T64C | B76.1 | 06 | G46A, G46B, G46C, G50Z, G67A, G67B, G67C, G67D |
| B55.9 | 18B | T64A, T64B, T64C | B65.3 | 09 | J61A, J61B, J61C, J68A, J68B | | | |
| | Pre | A09D, A11D, A13D | B65.8 | 18B | T64A, T64B, T64C | | | |
| | | | B65.9 | 18B | T64A, T64B, T64C | | | |

| ICD | MDC | DRG | ICD | MDC | DRG | ICD | MDC | DRG |
|-------|-----|--|-------|-----|--|-------|--|----------------|
| B76.8 | 06 | G46A, G46B, G46C, G50Z, G67A, G67B, G67C, G67D | B97.0 | 15 | TPN, VTPN | C00.8 | | KJZSM1, KJZSM2 |
| B76.9 | 06 | G46A, G46B, G46C, G50Z, G67A, G67B, G67C, G67D | B97.1 | 15 | TPN, VTPN | 03 | D06B, D08A, D08B, D09Z, D25A, D25B, D28J, D28Z, D60A, D60B, D60C | |
| B77.0 | 06 | G46A, G46B, G46C, G50Z, G67A, G67B, G67C, G67D | B97.4 | 04 | E65A, E65B, E65C, E69B | 06 | G17A, G38Z, G67A | |
| B77.8 | 06 | G46A, G46B, G46C, G50Z, G67A, G67B, G67C, G67D | B99 | 15 | P65C, P66C, P67B, P67C | 08 | I54Z | |
| B77.9 | 06 | G46A, G46B, G46C, G50Z, G67A, G67B, G67C, G67D | | 18B | T64A, T64B, T64C | 15 | TPN, VTPN | |
| B78.0 | 06 | G46A, G46B, G46C, G50Z, G67A, G67B, G67C, G67D | C00.0 | | KJZSM1, KJZSM2 | Pre | A09A, A09D, A11A, A11B, A11D, A13D | |
| B78.1 | 18A | S63A, S63B | | 03 | D06B, D08A, D08B, D09Z, D25A, D25B, D28J, D28Z, D60A, D60B, D60C | C00.9 | KJZSM1, KJZSM2 | |
| B78.7 | 06 | G46A, G46B, G46C, G50Z, G67A, G67B, G67C, G67D | | 06 | G17A, G38Z, G67A | 03 | D06B, D08A, D08B, D09Z, D25A, D25B, D28J, D28Z, D60A, D60B, D60C | |
| B78.9 | 18A | S63A, S63B | | 08 | I54Z | 06 | G17A, G38Z, G67A | |
| B79 | 06 | G46A, G46B, G46C, G50Z, G67A, G67B, G67C, G67D | C00.1 | | KJZSM1, KJZSM2 | 08 | I54Z | |
| B80 | 06 | G46A, G46B, G46C, G50Z, G67A, G67B, G67C, G67D | | Pre | A09A, A09D, A11A, A11B, A11D, A13D | 15 | TPN, VTPN | |
| B81.0 | 06 | G46A, G46B, G46C, G50Z, G67A, G67B, G67C, G67D | | 03 | D06B, D08A, D08B, D09Z, D25A, D25B, D28J, D28Z, D60A, D60B, D60C | Pre | A09A, A09D, A11A, A11B, A11D, A13D | |
| B81.1 | 06 | G46A, G46B, G46C, G50Z, G67A, G67B, G67C, G67D | | 06 | G17A, G38Z, G67A | C01 | KJZSM1, KJZSM2 | |
| B81.2 | 06 | G46A, G46B, G46C, G50Z, G67A, G67B, G67C, G67D | | 08 | I54Z | 03 | D06B, D08A, D08B, D09Z, D25A, D25B, D28J, D28Z, D60A, D60B, D60C | |
| B81.3 | 06 | G46A, G46B, G46C, G50Z, G67A, G67B, G67C, G67D | | 15 | TPN, VTPN | 06 | G17A, G38Z, G67A | |
| B81.4 | 18B | T64A, T64B, T64C | | Pre | A09A, A09D, A11A, A11B, A11D, A13D | 08 | I54Z | |
| B81.8 | 06 | G46A, G46B, G46C, G50Z, G67A, G67B, G67C, G67D | C00.2 | | KJZSM1, KJZSM2 | 15 | TPN, VTPN | |
| B82.0 | 06 | G46A, G46B, G46C, G50Z, G67A, G67B, G67C, G67D | | 03 | D06B, D08A, D08B, D09Z, D25A, D25B, D28J, D28Z, D60A, D60B, D60C | Pre | A09A, A09D, A11A, A11B, A11D, A13D | |
| B82.9 | 06 | G46A, G46B, G46C, G50Z, G67A, G67B, G67C, G67D | | 06 | G17A, G38Z, G67A | C02.0 | KJZSM1, KJZSM2 | |
| B83.0 | 18B | T64A, T64B, T64C | | 08 | I54Z | 03 | D06B, D08A, D08B, D09Z, D25A, D25B, D28J, D28Z, D60A, D60B, D60C | |
| B83.1 | 18B | T64A, T64B, T64C | | 15 | TPN, VTPN | 06 | G17A, G38Z, G67A | |
| B83.2 | 18B | T64A, T64B, T64C | | Pre | A09A, A09D, A11A, A11B, A11D, A13D | 08 | I54Z | |
| B83.3 | 18B | T64A, T64B, T64C | | 03 | D06B, D08A, D08B, D09Z, D25A, D25B, D28J, D28Z, D60A, D60B, D60C | 15 | TPN, VTPN | |
| B83.4 | 18B | T64A, T64B, T64C | | 06 | G17A, G38Z, G67A | Pre | A09A, A09D, A11A, A11B, A11D, A13D | |
| B83.8 | 18B | T64A, T64B, T64C | | 08 | I54Z | C02.1 | KJZSM1, KJZSM2 | |
| B83.9 | 18B | T64A, T64B, T64C | | 15 | TPN, VTPN | 03 | D06B, D08A, D08B, D09Z, D25A, D25B, D28J, D28Z, D60A, D60B, D60C | |
| B85.0 | 09 | J67A, J67B, J68A, J68B | | Pre | A09A, A09D, A11A, A11B, A11D, A13D | 06 | G17A, G38Z, G67A | |
| B85.1 | 09 | J67A, J67B, J68A, J68B | | 03 | D06B, D08A, D08B, D09Z, D25A, D25B, D28J, D28Z, D60A, D60B, D60C | 08 | I54Z | |
| B85.2 | 09 | J67A, J67B, J68A, J68B | C00.5 | | KJZSM1, KJZSM2 | 15 | TPN, VTPN | |
| B85.3 | 09 | J67A, J67B, J68A, J68B | | 06 | G17A, G38Z, G67A | Pre | A09A, A09D, A11A, A11B, A11D, A13D | |
| B85.4 | 09 | J67A, J67B, J68A, J68B | | 08 | I54Z | C02.2 | KJZSM1, KJZSM2 | |
| B86 | 09 | J67A, J67B, J68A, J68B | | 15 | TPN, VTPN | 03 | D06B, D08A, D08B, D09Z, D25A, D25B, D28J, D28Z, D60A, D60B, D60C | |
| B87.0 | 09 | J67A, J67B, J68A, J68B | | Pre | A09A, A09D, A11A, A11B, A11D, A13D | 06 | G17A, G38Z, G67A | |
| B87.1 | 09 | J67A, J67B, J68A, J68B | | 03 | D06B, D08A, D08B, D09Z, D25A, D25B, D28J, D28Z, D60A, D60B, D60C | 08 | I54Z | |
| B87.2 | 09 | J67A, J67B, J68A, J68B | | 06 | G17A, G38Z, G67A | 15 | TPN, VTPN | |
| B87.3 | 09 | J67A, J67B, J68A, J68B | | 08 | I54Z | Pre | A09A, A09D, A11A, A11B, A11D, A13D | |
| B87.4 | 09 | J67A, J67B, J68A, J68B | | 15 | TPN, VTPN | C02.3 | KJZSM1, KJZSM2 | |
| B87.8 | 09 | J67A, J67B, J68A, J68B | | Pre | A09A, A09D, A11A, A11B, A11D, A13D | 03 | D06B, D08A, D08B, D09Z, D25A, D25B, D28J, D28Z, D60A, D60B, D60C | |
| B87.9 | 09 | J67A, J67B, J68A, J68B | C00.6 | | KJZSM1, KJZSM2 | 06 | G17A, G38Z, G67A | |
| B88.0 | 09 | J67A, J67B, J68A, J68B | | 03 | D06B, D08A, D08B, D09Z, D25A, D25B, D28J, D28Z, D60A, D60B, D60C | 08 | I54Z | |
| B88.1 | 09 | J67A, J67B, J68A, J68B | | 06 | G17A, G38Z, G67A | 15 | TPN, VTPN | |
| B88.2 | 09 | J67A, J67B, J68A, J68B | | 08 | I54Z | Pre | A09A, A09D, A11A, A11B, A11D, A13D | |
| B88.3 | 09 | J67A, J67B, J68A, J68B | | 15 | TPN, VTPN | | | |
| B88.8 | 18A | S63A, S63B | | Pre | A09A, A09D, A11A, A11B, A11D, A13D | | | |
| B88.9 | 09 | J67A, J67B, J68A, J68B | | | | | | |
| B89 | 18B | T64A, T64B, T64C | | | | | | |
| B96.2 | Pre | A60A | | | | | | |

| ICD | MDC | DRG | ICD | MDC | DRG | ICD | MDC | DRG |
|-------|-----------|--|-----------|-----|--|-------|-----|--|
| C16.6 | | KJZSM1, KJZSM2 | C17.9 | | KJZSM1, KJZSM2 | C18.7 | | KJZSM1, KJZSM2 |
| | 06 | G17A, G19A, G38Z, G40Z, G46A, G46B, G46C, G47Z, G60A, G60B, G67A | | 06 | G17A, G19A, G38Z, G40Z, G46A, G46B, G46C, G47Z, G60A, G60B, G67A | | 06 | G17A, G19A, G38Z, G40Z, G46A, G46B, G46C, G47Z, G60A, G60B, G67A |
| | 08 | I54Z | | 08 | I54Z | | 08 | I54Z |
| | 15 | TPN, VTPN | | 15 | TPN, VTPN | | 15 | TPN, VTPN |
| C16.8 | Pre | A09A, A09D, A11A, A11B, A11D, A13D | C18.0 | Pre | A09A, A09D, A11A, A11B, A11D, A13D | C18.8 | Pre | A09A, A09D, A11A, A11B, A11D, A13D |
| | | KJZSM1, KJZSM2 | | | KJZSM1, KJZSM2 | | | KJZSM1, KJZSM2 |
| | 06 | G17A, G19A, G38Z, G40Z, G46A, G46B, G46C, G47Z, G60A, G60B, G67A | | 06 | G17A, G19A, G38Z, G40Z, G46A, G46B, G46C, G47Z, G60A, G60B, G67A | | 06 | G17A, G19A, G38Z, G40Z, G46A, G46B, G46C, G47Z, G60A, G60B, G67A |
| | 08 | I54Z | | 08 | I54Z | | 08 | I54Z |
| C16.9 | 15 | TPN, VTPN | C18.1 | 15 | TPN, VTPN | C18.9 | 15 | TPN, VTPN |
| | Pre | A09A, A09D, A11A, A11B, A11D, A13D | | Pre | A09A, A09D, A11A, A11B, A11D, A13D | | Pre | A09A, A09D, A11A, A11B, A11D, A13D |
| | | KJZSM1, KJZSM2 | | | KJZSM1, KJZSM2 | | | KJZSM1, KJZSM2 |
| | 06 | G17A, G19A, G38Z, G40Z, G46A, G46B, G46C, G47Z, G60A, G60B, G67A | | 06 | G17A, G19A, G38Z, G40Z, G46A, G46B, G46C, G47Z, G60A, G60B, G67A | | 06 | G17A, G19A, G38Z, G40Z, G46A, G46B, G46C, G47Z, G60A, G60B, G67A |
| C17.0 | 08 | I54Z | C18.2 | 08 | I54Z | C19 | 08 | I54Z |
| | 15 | TPN, VTPN | | 15 | TPN, VTPN | | 15 | TPN, VTPN |
| | Pre | A09A, A09D, A11A, A11B, A11D, A13D | | Pre | A09A, A09D, A11A, A11B, A11D, A13D | | Pre | A09A, A09D, A11A, A11B, A11D, A13D |
| | | KJZSM1, KJZSM2 | | | KJZSM1, KJZSM2 | | | KJZSM1, KJZSM2 |
| C17.1 | 06 | G17A, G19A, G38Z, G40Z, G46A, G46B, G46C, G47Z, G60A, G60B, G67A | C18.3 | 06 | G17A, G19A, G38Z, G40Z, G46A, G46B, G46C, G47Z, G60A, G60B, G67A | C20 | 06 | G17A, G19A, G38Z, G40Z, G46A, G46B, G46C, G47Z, G60A, G60B, G67A |
| | 08 | I54Z | | 08 | I54Z | | 08 | I54Z |
| | 15 | TPN, VTPN | | 15 | TPN, VTPN | | 15 | TPN, VTPN |
| | Pre | A09A, A09D, A11A, A11B, A11D, A13D | | Pre | A09A, A09D, A11A, A11B, A11D, A13D | | Pre | A09A, A09D, A11A, A11B, A11D, A13D |
| C17.2 | | KJZSM1, KJZSM2 | C18.4 | | KJZSM1, KJZSM2 | C21.0 | | KJZSM1, KJZSM2 |
| | 06 | G17A, G19A, G38Z, G40Z, G46A, G46B, G46C, G47Z, G60A, G60B, G67A | | 06 | G17A, G19A, G38Z, G40Z, G46A, G46B, G46C, G47Z, G60A, G60B, G67A | | 06 | G17A, G19A, G38Z, G40Z, G46A, G46B, G46C, G47Z, G60A, G60B, G67A |
| | 08 | I54Z | | 08 | I54Z | | 08 | I54Z |
| | 15 | TPN, VTPN | | 15 | TPN, VTPN | | 15 | TPN, VTPN |
| C17.3 | Pre | A09A, A09D, A11A, A11B, A11D, A13D | C18.5 | Pre | A09A, A09D, A11A, A11B, A11D, A13D | C21.1 | Pre | A09A, A09D, A11A, A11B, A11D, A13D |
| | | KJZSM1, KJZSM2 | | | KJZSM1, KJZSM2 | | | KJZSM1, KJZSM2 |
| | 06 | G17A, G19A, G38Z, G40Z, G46A, G46B, G46C, G47Z, G60A, G60B, G67A | | 06 | G17A, G19A, G38Z, G40Z, G46A, G46B, G46C, G47Z, G60A, G60B, G67A | | 06 | G17A, G19A, G38Z, G40Z, G46A, G46B, G46C, G47Z, G60A, G60B, G67A |
| | 08 | I54Z | | 08 | I54Z | | 08 | I54Z |
| C17.8 | 15 | TPN, VTPN | C18.6 | 15 | TPN, VTPN | C21.2 | 15 | TPN, VTPN |
| | Pre | A09A, A09D, A11A, A11B, A11D, A13D | | Pre | A09A, A09D, A11A, A11B, A11D, A13D | | Pre | A09A, A09D, A11A, A11B, A11D, A13D |
| | | KJZSM1, KJZSM2 | | | KJZSM1, KJZSM2 | | | KJZSM1, KJZSM2 |
| | 06 | G17A, G19A, G38Z, G40Z, G46A, G46B, G46C, G47Z, G60A, G60B, G67A | | 06 | G17A, G19A, G38Z, G40Z, G46A, G46B, G46C, G47Z, G60A, G60B, G67A | | 06 | G17A, G19A, G38Z, G40Z, G46A, G46B, G46C, G47Z, G60A, G60B, G67A |
| | I54Z | | I54Z | | I54Z | | | |
| | TPN, VTPN | | TPN, VTPN | | TPN, VTPN | | | |
| | Pre | A09A, A09D, A11A, A11B, A11D, A13D | | Pre | A09A, A09D, A11A, A11B, A11D, A13D | | Pre | A09A, A09D, A11A, A11B, A11D, A13D |

Dg

| ICD | MDC | DRG | ICD | MDC | DRG | ICD | MDC | DRG |
|-------|-----|--|-------|-----|--|-------|-----|--|
| C21.8 | | KJZSM1, KJZSM2 | C23 | | KJZSM1, KJZSM2 | C25.3 | | KJZSM1, KJZSM2 |
| | 06 | G17A, G19A, G38Z, G40Z, G46A, G46B, G46C, G47Z, G60A, G60B, G67A | | 06 | G17A, G38Z, G67A | | 06 | G17A, G38Z, G67A |
| | 08 | I54Z | | 07 | H02A, H07A, H08A, H09B, H38Z, H61A, H61B, H78Z | | 07 | H02A, H07A, H08A, H09B, H38Z, H61A, H61B, H78Z |
| | 15 | TPN, VTPN | | 08 | I54Z | | 08 | I54Z |
| | Pre | A09A, A09D, A11A, A11B, A11D, A13D | | 15 | TPN, VTPN | | 15 | TPN, VTPN |
| C22.0 | | KJZSM1, KJZSM2 | C24.0 | | KJZSM1, KJZSM2 | C25.4 | | KJZSM1, KJZSM2 |
| | 06 | G17A, G38Z, G67A | | 06 | G17A, G38Z, G67A | | 06 | G17A, G38Z, G67A |
| | 07 | H02A, H07A, H08A, H09B, H38Z, H61A, H61B, H78Z | | 07 | H02A, H07A, H08A, H09B, H38Z, H61A, H61B, H78Z | | 07 | H02A, H07A, H08A, H09B, H38Z, H61A, H61B, H78Z |
| | 08 | I54Z | | 08 | I54Z | | 08 | I54Z |
| | 15 | TPN, VTPN | | 15 | TPN, VTPN | | 15 | TPN, VTPN |
| C22.1 | | KJZSM1, KJZSM2 | C24.1 | | KJZSM1, KJZSM2 | C25.7 | | KJZSM1, KJZSM2 |
| | 06 | G17A, G38Z, G67A | | 06 | G17A, G38Z, G67A | | 06 | G17A, G38Z, G67A |
| | 07 | H02A, H07A, H08A, H09B, H38Z, H61A, H61B, H78Z | | 07 | H02A, H07A, H08A, H09B, H38Z, H61A, H61B, H78Z | | 07 | H02A, H07A, H08A, H09B, H38Z, H61A, H61B, H78Z |
| | 08 | I54Z | | 08 | I54Z | | 08 | I54Z |
| | 15 | TPN, VTPN | | 15 | TPN, VTPN | | 15 | TPN, VTPN |
| C22.2 | | KJZSM1, KJZSM2 | C24.8 | | KJZSM1, KJZSM2 | C25.8 | | KJZSM1, KJZSM2 |
| | 06 | G17A, G38Z, G67A | | 06 | G17A, G38Z, G67A | | 06 | G17A, G38Z, G67A |
| | 07 | H02A, H07A, H08A, H09B, H38Z, H61A, H61B, H78Z | | 07 | H02A, H07A, H08A, H09B, H38Z, H61A, H61B, H78Z | | 07 | H02A, H07A, H08A, H09B, H38Z, H61A, H61B, H78Z |
| | 08 | I54Z | | 08 | I54Z | | 08 | I54Z |
| | 15 | TPN, VTPN | | 15 | TPN, VTPN | | 15 | TPN, VTPN |
| C22.3 | | KJZSM1, KJZSM2 | C24.9 | | KJZSM1, KJZSM2 | C25.9 | | KJZSM1, KJZSM2 |
| | 06 | G17A, G38Z, G67A | | 06 | G17A, G38Z, G67A | | 06 | G17A, G38Z, G67A |
| | 07 | H02A, H07A, H08A, H09B, H38Z, H61A, H61B, H78Z | | 07 | H02A, H07A, H08A, H09B, H38Z, H61A, H61B, H78Z | | 07 | H02A, H07A, H08A, H09B, H38Z, H61A, H61B, H78Z |
| | 08 | I54Z | | 08 | I54Z | | 08 | I54Z |
| | 15 | TPN, VTPN | | 15 | TPN, VTPN | | 15 | TPN, VTPN |
| C22.4 | | KJZSM1, KJZSM2 | C25.0 | | KJZSM1, KJZSM2 | C26.0 | | KJZSM1, KJZSM2 |
| | 06 | G17A, G38Z, G67A | | 06 | G17A, G38Z, G67A | | 06 | G17A, G19A, G38Z, G40Z, G46A, G46B, G46C, G47Z, G60A, G60B, G67A |
| | 07 | H02A, H07A, H08A, H09B, H38Z, H61A, H61B, H78Z | | 07 | H02A, H07A, H08A, H09B, H38Z, H61A, H61B, H78Z | | 08 | I54Z |
| | 08 | I54Z | | 08 | I54Z | | 15 | TPN, VTPN |
| | 15 | TPN, VTPN | | 15 | TPN, VTPN | | Pre | A09A, A09D, A11A, A11B, A11D, A13D |
| C22.7 | | KJZSM1, KJZSM2 | C25.1 | | KJZSM1, KJZSM2 | C26.1 | | KJZSM1, KJZSM2 |
| | 06 | G17A, G38Z, G67A | | 06 | G17A, G38Z, G67A | | 06 | G17A, G38Z, G67A |
| | 07 | H02A, H07A, H08A, H09B, H38Z, H61A, H61B, H78Z | | 07 | H02A, H07A, H08A, H09B, H38Z, H61A, H61B, H78Z | | 08 | I54Z |
| | 08 | I54Z | | 08 | I54Z | | 15 | TPN, VTPN |
| | 15 | TPN, VTPN | | 15 | TPN, VTPN | | 17 | R01A, R01B, R01C, R01D, R03Z, R11A, R11B, R11C, R61A, R61B, R61C, R61D, R61E, R61F, R61G, R61H |
| C22.9 | | KJZSM1, KJZSM2 | C25.2 | | KJZSM1, KJZSM2 | C26.8 | | KJZSM1, KJZSM2 |
| | 06 | G17A, G38Z, G67A | | 06 | G17A, G38Z, G67A | | 06 | G17A, G19A, G38Z, G40Z, G46A, G46B, G46C, G47Z, G60A, G60B, G67A |
| | 07 | H02A, H07A, H08A, H09B, H38Z, H61A, H61B, H78Z | | 07 | H02A, H07A, H08A, H09B, H38Z, H61A, H61B, H78Z | | 08 | I54Z |
| | 08 | I54Z | | 08 | I54Z | | 15 | TPN, VTPN |
| | 15 | TPN, VTPN | | 15 | TPN, VTPN | | Pre | A09A, A09D, A11A, A11B, A11D, A13D |

| ICD | MDC | DRG | ICD | MDC | DRG | ICD | MDC | DRG |
|-------|-----|--|-------|-----|--|-------|-----|--|
| C26.9 | | KJZSM1, KJZSM2 | C31.8 | | KJZSM1, KJZSM2 | C32.9 | | KJZSM1, KJZSM2 |
| | 06 | G17A, G19A, G38Z, G40Z, G46A, G46B, G46C, G47Z, G60A, G60B, G67A | | 03 | D06B, D08A, D08B, D09Z, D25A, D25B, D28J, D28Z, D35Z, D60A, D60B, D60C | | 03 | D06B, D08A, D08B, D09Z, D25A, D25B, D28J, D28Z, D60A, D60B, D60C |
| | 08 | I54Z | | 06 | G17A, G38Z, G67A | | 06 | G17A, G38Z, G67A |
| | 15 | TPN, VTPN | | 08 | I54Z | | 08 | I54Z |
| | Pre | A09A, A09D, A11A, A11B, A11D, A13D | | Pre | A09A, A09D, A11A, A11B, A11D, A13D | | Pre | A09A, A09D, A11A, A11B, A11D, A13D |
| C30.0 | | KJZSM1, KJZSM2 | C31.9 | | KJZSM1, KJZSM2 | C33 | | KJZSM1, KJZSM2 |
| | 03 | D06B, D08A, D08B, D09Z, D25A, D25B, D28J, D28Z, D35Z, D60A, D60B, D60C | | 03 | D06B, D08A, D08B, D09Z, D25A, D25B, D28J, D28Z, D35Z, D60A, D60B, D60C | | 04 | E05B, E71A, E71B |
| | 06 | G17A, G38Z, G67A | | 06 | G17A, G38Z, G67A | | 06 | G17A, G38Z, G67A |
| | 08 | I54Z | | 06 | G17A, G38Z, G67A | | 08 | I54Z |
| | 15 | TPN, VTPN | | 08 | I54Z | | 15 | TPN, VTPN |
| | Pre | A09A, A09D, A11A, A11B, A11D, A13D | | 15 | TPN, VTPN | | Pre | A09A, A09D, A11A, A11B, A11D, A13D |
| C30.1 | | KJZSM1, KJZSM2 | C32.0 | | KJZSM1, KJZSM2 | C34.0 | | KJZSM1, KJZSM2 |
| | 03 | D06B, D08A, D08B, D09Z, D25A, D25B, D28J, D28Z, D35Z, D60A, D60B, D60C | | 03 | D06B, D08A, D08B, D09Z, D25A, D25B, D28J, D28Z, D35Z, D60A, D60B, D60C | | 04 | E05B, E71A, E71B |
| | 06 | G17A, G38Z, G67A | | 06 | G17A, G38Z, G67A | | 06 | G17A, G38Z, G67A |
| | 08 | I54Z | | 06 | G17A, G38Z, G67A | | 08 | I54Z |
| | 15 | TPN, VTPN | | 08 | I54Z | | 15 | TPN, VTPN |
| | Pre | A09A, A09D, A11A, A11B, A11D, A13D | | 15 | TPN, VTPN | | Pre | A09A, A09D, A11A, A11B, A11D, A13D |
| C31.0 | | KJZSM1, KJZSM2 | C32.1 | | KJZSM1, KJZSM2 | C34.1 | | KJZSM1, KJZSM2 |
| | 03 | D06B, D08A, D08B, D09Z, D25A, D25B, D28J, D28Z, D35Z, D60A, D60B, D60C | | 03 | D06B, D08A, D08B, D09Z, D25A, D25B, D28J, D28Z, D35Z, D60A, D60B, D60C | | 04 | E05B, E71A, E71B |
| | 06 | G17A, G38Z, G67A | | 06 | G17A, G38Z, G67A | | 06 | G17A, G38Z, G67A |
| | 08 | I54Z | | 06 | G17A, G38Z, G67A | | 08 | I54Z |
| | 15 | TPN, VTPN | | 08 | I54Z | | 15 | TPN, VTPN |
| | Pre | A09A, A09D, A11A, A11B, A11D, A13D | | 15 | TPN, VTPN | | Pre | A09A, A09D, A11A, A11B, A11D, A13D |
| C31.1 | | KJZSM1, KJZSM2 | C32.2 | | KJZSM1, KJZSM2 | C34.2 | | KJZSM1, KJZSM2 |
| | 03 | D06B, D08A, D08B, D09Z, D25A, D25B, D28J, D28Z, D35Z, D60A, D60B, D60C | | 03 | D06B, D08A, D08B, D09Z, D25A, D25B, D28J, D28Z, D35Z, D60A, D60B, D60C | | 04 | E05B, E71A, E71B |
| | 06 | G17A, G38Z, G67A | | 06 | G17A, G38Z, G67A | | 06 | G17A, G38Z, G67A |
| | 08 | I54Z | | 06 | G17A, G38Z, G67A | | 08 | I54Z |
| | 15 | TPN, VTPN | | 08 | I54Z | | 15 | TPN, VTPN |
| | Pre | A09A, A09D, A11A, A11B, A11D, A13D | | 15 | TPN, VTPN | | Pre | A09A, A09D, A11A, A11B, A11D, A13D |
| C31.2 | | KJZSM1, KJZSM2 | C32.3 | | KJZSM1, KJZSM2 | C34.3 | | KJZSM1, KJZSM2 |
| | 03 | D06B, D08A, D08B, D09Z, D25A, D25B, D28J, D28Z, D35Z, D60A, D60B, D60C | | 03 | D06B, D08A, D08B, D09Z, D25A, D25B, D28J, D28Z, D35Z, D60A, D60B, D60C | | 04 | E05B, E71A, E71B |
| | 06 | G17A, G38Z, G67A | | 06 | G17A, G38Z, G67A | | 06 | G17A, G38Z, G67A |
| | 08 | I54Z | | 06 | G17A, G38Z, G67A | | 08 | I54Z |
| | 15 | TPN, VTPN | | 08 | I54Z | | 15 | TPN, VTPN |
| | Pre | A09A, A09D, A11A, A11B, A11D, A13D | | 15 | TPN, VTPN | | Pre | A09A, A09D, A11A, A11B, A11D, A13D |
| C31.3 | | KJZSM1, KJZSM2 | C32.8 | | KJZSM1, KJZSM2 | C34.8 | | KJZSM1, KJZSM2 |
| | 03 | D06B, D08A, D08B, D09Z, D25A, D25B, D28J, D28Z, D35Z, D60A, D60B, D60C | | 03 | D06B, D08A, D08B, D09Z, D25A, D25B, D28J, D28Z, D35Z, D60A, D60B, D60C | | 04 | E05B, E71A, E71B |
| | 06 | G17A, G38Z, G67A | | 06 | G17A, G38Z, G67A | | 06 | G17A, G38Z, G67A |
| | 08 | I54Z | | 06 | G17A, G38Z, G67A | | 08 | I54Z |
| | 15 | TPN, VTPN | | 08 | I54Z | | 15 | TPN, VTPN |
| | Pre | A09A, A09D, A11A, A11B, A11D, A13D | | 15 | TPN, VTPN | | Pre | A09A, A09D, A11A, A11B, A11D, A13D |
| C31.8 | | KJZSM1, KJZSM2 | C32.9 | | KJZSM1, KJZSM2 | C34.9 | | KJZSM1, KJZSM2 |
| | 03 | D06B, D08A, D08B, D09Z, D25A, D25B, D28J, D28Z, D35Z, D60A, D60B, D60C | | 03 | D06B, D08A, D08B, D09Z, D25A, D25B, D28J, D28Z, D35Z, D60A, D60B, D60C | | 04 | E05B, E71A, E71B |
| | 06 | G17A, G38Z, G67A | | 06 | G17A, G38Z, G67A | | 06 | G17A, G38Z, G67A |
| | 08 | I54Z | | 06 | G17A, G38Z, G67A | | 08 | I54Z |
| | 15 | TPN, VTPN | | 08 | I54Z | | 15 | TPN, VTPN |
| | Pre | A09A, A09D, A11A, A11B, A11D, A13D | | 15 | TPN, VTPN | | Pre | A09A, A09D, A11A, A11B, A11D, A13D |
| C31.9 | | KJZSM1, KJZSM2 | C33 | | KJZSM1, KJZSM2 | C37 | | KJZSM1, KJZSM2 |
| | 03 | D06B, D08A, D08B, D09Z, D25A, D25B, D28J, D28Z, D35Z, D60A, D60B, D60C | | 03 | D06B, D08A, D08B, D09Z, D25A, D25B, D28J, D28Z, D35Z, D60A, D60B, D60C | | 06 | G17A, G38Z, G67A |
| | 06 | G17A, G38Z, G67A | | 06 | G17A, G38Z, G67A | | 08 | I54Z |
| | 08 | I54Z | | 06 | G17A, G38Z, G67A | | 08 | I54Z |
| | 15 | TPN, VTPN | | 08 | I54Z | | 15 | TPN, VTPN |
| | Pre | A09A, A09D, A11A, A11B, A11D, A13D | | 15 | TPN, VTPN | | 17 | R04A, R04B, R12A, R12B, R12C, R13Z, R14Z, R62A, R62B, R62C |
| | Pre | A09A, A09D, A11A, A11B, A11D, A13D | | Pre | A09A, A09D, A11A, A11B, A11D, A13D | | Pre | A09A, A09D, A11A, A11B, A11D, A13D |

Dg

| ICD | MDC | DRG | ICD | MDC | DRG | ICD | MDC | DRG |
|-------|-----|---|--------|-----|--|--------|-----|--|
| C38.0 | | KJZSM1, KJZSM2 05 F75A, F75B, F75C, F75D 06 G17A, G38Z, G67A 08 I54Z 15 TPN, VTPN Pre A09A, A09D, A11A, A11B, A11D, A13D | C40.0 | | KJZSM1, KJZSM2 06 G17A, G38Z, G67A 08 I06C, I54Z, I65A, I65B, I65C 15 TPN, VTPN Pre A09A, A09D, A11A, A11B, A11D, A13D | C41.30 | | KJZSM1, KJZSM2 06 G17A, G38Z, G67A 08 I06C, I54Z, I65A, I65B, I65C 15 TPN, VTPN Pre A09A, A09D, A11A, A11B, A11D, A13D |
| C38.1 | | KJZSM1, KJZSM2 04 E05B, E71A, E71B 06 G17A, G38Z, G67A 08 I54Z 15 TPN, VTPN Pre A09A, A09D, A11A, A11B, A11D, A13D | C40.1 | | KJZSM1, KJZSM2 06 G17A, G38Z, G67A 08 I06C, I32A, I32B, I32C, I32D, I32E, I32F, I32G, I32J, I32Q, I32R, I32S, I32T, I32U, I54Z, I65A, I65B, I65C 15 TPN, VTPN Pre A09A, A09D, A11A, A11B, A11D, A13D | C41.31 | | KJZSM1, KJZSM2 06 G17A, G38Z, G67A 08 I06C, I54Z, I65A, I65B, I65C 15 TPN, VTPN Pre A09A, A09D, A11A, A11B, A11D, A13D |
| C38.2 | | KJZSM1, KJZSM2 04 E05B, E71A, E71B 06 G17A, G38Z, G67A 08 I54Z 15 TPN, VTPN Pre A09A, A09D, A11A, A11B, A11D, A13D | C40.2 | | KJZSM1, KJZSM2 06 G17A, G38Z, G67A 08 I01Z, I02B, I02C, I03A, I03B, I04Z, I06C, I54Z, I65A, I65B, I65C 15 TPN, VTPN Pre A09A, A09D, A11A, A11B, A11D, A13D | C41.32 | | KJZSM1, KJZSM2 06 G17A, G38Z, G67A 08 I06C, I54Z, I65A, I65B, I65C 15 TPN, VTPN Pre A09A, A09D, A11A, A11B, A11D, A13D |
| C38.3 | | KJZSM1, KJZSM2 04 E05B, E71A, E71B 06 G17A, G38Z, G67A 08 I54Z 15 TPN, VTPN Pre A09A, A09D, A11A, A11B, A11D, A13D | C40.3 | | KJZSM1, KJZSM2 06 G17A, G38Z, G67A 08 I01Z, I03A, I03B, I04Z, I06C, I54Z, I65A, I65B, I65C 15 TPN, VTPN Pre A09A, A09D, A11A, A11B, A11D, A13D | C41.4 | | KJZSM1, KJZSM2 06 G17A, G38Z, G67A 08 I02B, I02C, I06C, I37Z, I54Z, I65A, I65B, I65C 15 TPN, VTPN Pre A09A, A09D, A11A, A11B, A11D, A13D |
| C38.4 | | KJZSM1, KJZSM2 04 E05B, E71A, E71B 06 G17A, G38Z, G67A 08 I54Z 15 TPN, VTPN Pre A09A, A09D, A11A, A11B, A11D, A13D | C40.8 | | KJZSM1, KJZSM2 06 G17A, G38Z, G67A 08 I01Z, I03A, I03B, I04Z, I06C, I54Z, I65A, I65B, I65C 15 TPN, VTPN Pre A09A, A09D, A11A, A11B, A11D, A13D | C41.8 | | KJZSM1, KJZSM2 06 G17A, G38Z, G67A 08 I06C, I54Z, I65A, I65B, I65C 15 TPN, VTPN Pre A09A, A09D, A11A, A11B, A11D, A13D |
| C38.8 | | KJZSM1, KJZSM2 04 E05B, E71A, E71B 06 G17A, G38Z, G67A 08 I54Z 15 TPN, VTPN Pre A09A, A09D, A11A, A11B, A11D, A13D | C40.9 | | KJZSM1, KJZSM2 06 G17A, G38Z, G67A 08 I06C, I54Z, I65A, I65B, I65C 15 TPN, VTPN Pre A09A, A09D, A11A, A11B, A11D, A13D | C41.9 | | KJZSM1, KJZSM2 06 G17A, G38Z, G67A 08 I06C, I54Z, I65A, I65B, I65C 15 TPN, VTPN Pre A09A, A09D, A11A, A11B, A11D, A13D |
| C39.0 | | KJZSM1, KJZSM2 03 D06B, D08A, D08B, D09Z, D25A, D25B, D28J, D28Z, D60A, D60B, D60C 06 G17A, G38Z, G67A 08 I54Z 15 TPN, VTPN Pre A09A, A09D, A11A, A11B, A11D, A13D | C41.01 | | KJZSM1, KJZSM2 06 G17A, G38Z, G67A 08 I06C, I54Z, I65A, I65B, I65C Pre A09A, A09D, A11A, A11B, A11D, A13D | C43.0 | | KJZSM1, KJZSM2 06 G17A, G38Z, G67A 08 I54Z 09 J01Z, J10A, J61A, J61B, J61C, J68A 15 TPN, VTPN Pre A09A, A09D, A11A, A11B, A11D, A13D |
| C39.8 | | KJZSM1, KJZSM2 04 E05B, E71A, E71B 06 G17A, G38Z, G67A 08 I54Z 15 TPN, VTPN Pre A09A, A09D, A11A, A11B, A11D, A13D | C41.02 | | KJZSM1, KJZSM2 06 G17A, G38Z, G67A 08 I06C, I54Z, I65A, I65B, I65C Pre A09A, A09D, A11A, A11B, A11D, A13D | C43.1 | | KJZSM1, KJZSM2 02 C02A, C20A, C65Z 06 G17A, G38Z, G67A 08 I54Z 15 TPN, VTPN Pre A09A, A09D, A11A, A11B, A11D, A13D |
| C39.9 | | KJZSM1, KJZSM2 04 E05B, E71A, E71B 06 G17A, G38Z, G67A 08 I54Z 15 TPN, VTPN Pre A09A, A09D, A11A, A11B, A11D, A13D | C41.1 | | KJZSM1, KJZSM2 06 G17A, G38Z, G67A 08 I06C, I54Z, I65A, I65B, I65C 15 TPN, VTPN Pre A09A, A09D, A11A, A11B, A11D, A13D | C43.2 | | KJZSM1, KJZSM2 06 G17A, G38Z, G67A 08 I54Z 09 J01Z, J10A, J61A, J61B, J61C, J68A 15 TPN, VTPN Pre A09A, A09D, A11A, A11B, A11D, A13D |
| | | | C41.2 | | KJZSM1, KJZSM2 06 G17A, G38Z, G67A 08 I06C, I54Z, I65A, I65B, I65C 15 TPN, VTPN Pre A09A, A09D, A11A, A11B, A11D, A13D | C43.3 | | KJZSM1, KJZSM2 06 G17A, G38Z, G67A 08 I54Z 09 J01Z, J10A, J61A, J61B, J61C, J68A 15 TPN, VTPN Pre A09A, A09D, A11A, A11B, A11D, A13D |

| ICD | MDC | DRG | ICD | MDC | DRG | ICD | MDC | DRG |
|-------|------------------------------------|--|------------------------------------|-----|------------------------------------|-------|-----|--|
| C43.4 | | KJZSM1, KJZSM2 | C44.2 | | KJZSM1, KJZSM2 | C44.9 | | KJZSM1, KJZSM2 |
| | 06 | G17A, G38Z, G67A | | 06 | G17A, G38Z, G67A | | 06 | G17A, G38Z, G67A |
| | 08 | I54Z | | 08 | I54Z | | 08 | I54Z |
| | 09 | J01Z, J10A, J61A, J61B, J61C, J68A | | 09 | J01Z, J10A, J61A, J61B, J61C, J68A | | 09 | J01Z, J10A, J61A, J61B, J61C, J68A |
| | 15 | TPN, VTPN | | 15 | TPN, VTPN | | 15 | TPN, VTPN |
| Pre | A09A, A09D, A11A, A11B, A11D, A13D | Pre | A09A, A09D, A11A, A11B, A11D, A13D | Pre | A09A, A09D, A11A, A11B, A11D, A13D | | | |
| C43.5 | | KJZSM1, KJZSM2 | C44.3 | | KJZSM1, KJZSM2 | C45.0 | | KJZSM1, KJZSM2 |
| | 06 | G17A, G38Z, G67A | | 06 | G17A, G38Z, G67A | | 04 | E05B, E71A, E71B |
| | 08 | I54Z | | 08 | I54Z | | 06 | G17A, G38Z, G67A |
| | 09 | J01Z, J06Z, J07A, J07B, J10A, J14A, J14B, J16Z, J23Z, J25Z, J26Z, J61A, J61B, J61C, J68A | | 09 | J01Z, J10A, J61A, J61B, J61C, J68A | | 08 | I54Z |
| | 15 | TPN, VTPN | | 15 | TPN, VTPN | | 15 | TPN, VTPN |
| Pre | A09A, A09D, A11A, A11B, A11D, A13D | Pre | A09A, A09D, A11A, A11B, A11D, A13D | Pre | A09A, A09D, A11A, A11B, A11D, A13D | | | |
| C43.6 | | KJZSM1, KJZSM2 | C44.4 | | KJZSM1, KJZSM2 | C45.1 | | KJZSM1, KJZSM2 |
| | 06 | G17A, G38Z, G67A | | 06 | G17A, G38Z, G67A | | 06 | G17A, G19A, G38Z, G40Z, G46A, G46B, G46C, G47Z, G60A, G60B, G67A |
| | 08 | I54Z | | 08 | I54Z | | 08 | I54Z |
| | 09 | J01Z, J06Z, J07A, J07B, J10A, J14A, J14B, J16Z, J23Z, J25Z, J26Z, J61A, J61B, J61C, J68A | | 09 | J01Z, J10A, J61A, J61B, J61C, J68A | | 15 | TPN, VTPN |
| | 15 | TPN, VTPN | | 15 | TPN, VTPN | | Pre | A09A, A09D, A11A, A11B, A11D, A13D |
| Pre | A09A, A09D, A11A, A11B, A11D, A13D | Pre | A09A, A09D, A11A, A11B, A11D, A13D | Pre | A09A, A09D, A11A, A11B, A11D, A13D | | | |
| C43.7 | | KJZSM1, KJZSM2 | C44.5 | | KJZSM1, KJZSM2 | C45.2 | | KJZSM1, KJZSM2 |
| | 06 | G17A, G38Z, G67A | | 06 | G17A, G38Z, G67A | | 05 | F75A, F75B, F75C, F75D |
| | 08 | I02B, I02C, I54Z | | 08 | I54Z | | 06 | G17A, G38Z, G67A |
| | 09 | J01Z, J02A, J02B, J02C, J03A, J03B, J04A, J04B, J08A, J08B, J08C, J10A, J61A, J61B, J61C, J68A | | 09 | J01Z, J10A, J61A, J61B, J61C, J68A | | 08 | I54Z |
| | 15 | TPN, VTPN | | 15 | TPN, VTPN | | 15 | TPN, VTPN |
| Pre | A09A, A09D, A11A, A11B, A11D, A13D | Pre | A09A, A09D, A11A, A11B, A11D, A13D | Pre | A09A, A09D, A11A, A11B, A11D, A13D | | | |
| C43.8 | | KJZSM1, KJZSM2 | C44.6 | | KJZSM1, KJZSM2 | C45.7 | | KJZSM1, KJZSM2 |
| | 06 | G17A, G38Z, G67A | | 06 | G17A, G38Z, G67A | | 06 | G17A, G38Z, G67A |
| | 08 | I54Z | | 08 | I54Z | | 08 | I06C, I54Z, I65A, I65B, I65C |
| | 09 | J01Z, J06Z, J07A, J07B, J10A, J14A, J14B, J16Z, J23Z, J25Z, J26Z, J61A, J61B, J61C, J68A | | 09 | J01Z, J10A, J61A, J61B, J61C, J68A | | 15 | TPN, VTPN |
| | 15 | TPN, VTPN | | 15 | TPN, VTPN | | Pre | A09A, A09D, A11A, A11B, A11D, A13D |
| Pre | A09A, A09D, A11A, A11B, A11D, A13D | Pre | A09A, A09D, A11A, A11B, A11D, A13D | Pre | A09A, A09D, A11A, A11B, A11D, A13D | | | |
| C43.9 | | KJZSM1, KJZSM2 | C44.7 | | KJZSM1, KJZSM2 | C45.9 | | KJZSM1, KJZSM2 |
| | 06 | G17A, G38Z, G67A | | 06 | G17A, G38Z, G67A | | 06 | G17A, G38Z, G67A |
| | 08 | I54Z | | 08 | I54Z | | 08 | I06C, I54Z, I65A, I65B, I65C |
| | 09 | J01Z, J10A, J61A, J61B, J61C, J68A | | 09 | J01Z, J10A, J61A, J61B, J61C, J68A | | 15 | TPN, VTPN |
| | 15 | TPN, VTPN | | 15 | TPN, VTPN | | Pre | A09A, A09D, A11A, A11B, A11D, A13D |
| Pre | A09A, A09D, A11A, A11B, A11D, A13D | Pre | A09A, A09D, A11A, A11B, A11D, A13D | Pre | A09A, A09D, A11A, A11B, A11D, A13D | | | |
| C44.0 | | KJZSM1, KJZSM2 | C44.8 | | KJZSM1, KJZSM2 | C46.0 | | KJZSM1, KJZSM2 |
| | 06 | G17A, G38Z, G67A | | 06 | G17A, G38Z, G67A | | 06 | G17A, G38Z, G67A |
| | 08 | I54Z | | 08 | I54Z | | 08 | I54Z |
| | 09 | J01Z, J10A, J61A, J61B, J61C, J68A | | 09 | J01Z, J10A, J61A, J61B, J61C, J68A | | 09 | J01Z, J10A, J61A, J61B, J61C, J68A |
| | 15 | TPN, VTPN | | 15 | TPN, VTPN | | 18A | S62Z |
| Pre | A09A, A09D, A11A, A11B, A11D, A13D | Pre | A09A, A09D, A11A, A11B, A11D, A13D | Pre | A09A, A09D, A11A, A11B, A11D, A13D | | | |
| C44.1 | | KJZSM1, KJZSM2 | C44.8 | | KJZSM1, KJZSM2 | C46.1 | | KJZSM1, KJZSM2 |
| | 02 | C02A, C65Z | | 06 | G17A, G38Z, G67A | | 06 | G17A, G38Z, G67A |
| | 06 | G17A, G38Z, G67A | | 08 | I54Z | | 08 | I54Z |
| | 08 | I54Z | | 09 | J01Z, J10A, J61A, J61B, J61C, J68A | | 09 | J01Z, J10A, J61A, J61B, J61C, J68A |
| | 15 | TPN, VTPN | | 15 | TPN, VTPN | | 18A | S62Z |
| Pre | A09A, A09D, A11A, A11B, A11D, A13D | Pre | A09A, A09D, A11A, A11B, A11D, A13D | Pre | A09A, A09D, A11A, A11B, A11D, A13D | | | |
| C44.2 | | KJZSM1, KJZSM2 | C44.8 | | KJZSM1, KJZSM2 | C46.2 | | KJZSM1, KJZSM2 |
| | 06 | G17A, G38Z, G67A | | 06 | G17A, G38Z, G67A | | 03 | D06B, D08A, D08B, D09Z, D25A, D25B, D28J, D28Z, D60A, D60B, D60C |
| | 08 | I54Z | | 08 | I54Z | | 06 | G17A, G38Z, G67A |
| | 15 | TPN, VTPN | | 09 | J01Z, J10A, J61A, J61B, J61C, J68A | | 08 | I54Z |
| | Pre | A09A, A09D, A11A, A11B, A11D, A13D | | Pre | A09A, A09D, A11A, A11B, A11D, A13D | | 18A | S62Z |
| C44.3 | | KJZSM1, KJZSM2 | C44.8 | | KJZSM1, KJZSM2 | C46.2 | | KJZSM1, KJZSM2 |
| | 06 | G17A, G38Z, G67A | | 06 | G17A, G38Z, G67A | | Pre | A09A, A09D, A11A, A11B, A11D, A13D |
| | 08 | I54Z | | 08 | I54Z | | 08 | I54Z |
| | 09 | J01Z, J10A, J61A, J61B, J61C, J68A | | 09 | J01Z, J10A, J61A, J61B, J61C, J68A | | 18A | S62Z |
| | 15 | TPN, VTPN | | 15 | TPN, VTPN | | Pre | A09A, A09D, A11A, A11B, A11D, A13D |
| Pre | A09A, A09D, A11A, A11B, A11D, A13D | Pre | A09A, A09D, A11A, A11B, A11D, A13D | Pre | A09A, A09D, A11A, A11B, A11D, A13D | | | |

| ICD | MDC | DRG | ICD | MDC | DRG | ICD | MDC | DRG |
|-------|-----|--|-------|-----|--|-------|-----|--|
| C46.3 | | KJZSM1, KJZSM2 | C47.5 | | KJZSM1, KJZSM2 | C49.1 | | KJZSM1, KJZSM2 |
| | 06 | G17A, G38Z, G67A | | 06 | G17A, G38Z, G67A | | 06 | G17A, G38Z, G67A |
| | 08 | I54Z | | 08 | I06C, I37Z, I54Z, I65A, I65B, I65C | | 08 | I06C, I27A, I27B, I27C, I32A, I32B, I32C, I32D, I32E, I32F, I32G, I32J, I32Q, I32R, I32S, I32T, I32U, I54Z, I65A, I65B, I65C |
| | 17 | R01A, R01B, R01C, R01D, R03Z, R11A, R11B, R11C, R61A, R61B, R61C, R61D, R61E, R61F, R61G, R61H | | 15 | TPN, VTPN | | 15 | TPN, VTPN |
| | 18A | S62Z | | Pre | A09A, A09D, A11A, A11B, A11D, A13D | | Pre | A09A, A09D, A11A, A11B, A11D, A13D |
| C46.7 | | KJZSM1, KJZSM2 | C47.6 | | KJZSM1, KJZSM2 | C49.2 | | KJZSM1, KJZSM2 |
| | 06 | G17A, G38Z, G67A | | 06 | G17A, G38Z, G67A | | 06 | G17A, G38Z, G67A |
| | 08 | I54Z | | 08 | I06C, I54Z, I65A, I65B, I65C | | 08 | I01Z, I02B, I02C, I03A, I03B, I04Z, I06C, I27A, I27B, I27C, I37Z, I54Z, I65A, I65B, I65C |
| | 09 | J01Z, J10A, J61A, J61B, J61C, J68A | | 15 | TPN, VTPN | | 15 | TPN, VTPN |
| | 18A | S62Z | | Pre | A09A, A09D, A11A, A11B, A11D, A13D | | Pre | A09A, A09D, A11A, A11B, A11D, A13D |
| C46.8 | | KJZSM1, KJZSM2 | C47.8 | | KJZSM1, KJZSM2 | C49.3 | | KJZSM1, KJZSM2 |
| | 06 | G17A, G38Z, G67A | | 06 | G17A, G38Z, G67A | | 06 | G17A, G38Z, G67A |
| | 08 | I54Z | | 08 | I06C, I54Z, I65A, I65B, I65C | | 08 | I06C, I27A, I27B, I27C, I54Z, I65A, I65B, I65C |
| | 09 | J01Z, J10A, J61A, J61B, J61C, J68A | | 15 | TPN, VTPN | | 15 | TPN, VTPN |
| | 18A | S62Z | | Pre | A09A, A09D, A11A, A11B, A11D, A13D | | Pre | A09A, A09D, A11A, A11B, A11D, A13D |
| C46.9 | | KJZSM1, KJZSM2 | C47.9 | | KJZSM1, KJZSM2 | C49.4 | | KJZSM1, KJZSM2 |
| | 06 | G17A, G38Z, G67A | | 06 | G17A, G38Z, G67A | | 06 | G17A, G38Z, G67A |
| | 08 | I54Z | | 08 | I06C, I54Z, I65A, I65B, I65C | | 08 | I06C, I27A, I27B, I27C, I54Z, I65A, I65B, I65C |
| | 09 | J01Z, J10A, J61A, J61B, J61C, J68A | | 15 | TPN, VTPN | | 15 | TPN, VTPN |
| | 18A | S62Z | | Pre | A09A, A09D, A11A, A11B, A11D, A13D | | Pre | A09A, A09D, A11A, A11B, A11D, A13D |
| C47.0 | | KJZSM1, KJZSM2 | C48.0 | | KJZSM1, KJZSM2 | C49.5 | | KJZSM1, KJZSM2 |
| | 06 | G17A, G38Z, G67A | | 06 | G17A, G38Z, G67A | | 06 | G17A, G38Z, G67A |
| | 08 | I06C, I54Z, I65A, I65B, I65C | | 08 | I54Z | | 08 | I02B, I02C, I06C, I27A, I27B, I27C, I37Z, I54Z, I65A, I65B, I65C |
| | 15 | TPN, VTPN | | 15 | TPN, VTPN | | 15 | TPN, VTPN |
| | Pre | A09A, A09D, A11A, A11B, A11D, A13D | | Pre | A09A, A09D, A11A, A11B, A11D, A13D | | Pre | A09A, A09D, A11A, A11B, A11D, A13D |
| C47.1 | | KJZSM1, KJZSM2 | C48.1 | | KJZSM1, KJZSM2 | C49.6 | | KJZSM1, KJZSM2 |
| | 06 | G17A, G38Z, G67A | | 06 | G17A, G19A, G38Z, G40Z, G46A, G46B, G46C, G47Z, G60A, G60B, G67A | | 06 | G17A, G38Z, G67A |
| | 08 | I06C, I32A, I32B, I32C, I32D, I32E, I32F, I32G, I32J, I32Q, I32R, I32S, I32T, I32U, I54Z, I65A, I65B, I65C | | 08 | I54Z | | 08 | I02B, I02C, I06C, I27A, I27B, I27C, I54Z, I65A, I65B, I65C |
| | 15 | TPN, VTPN | | 15 | TPN, VTPN | | 15 | TPN, VTPN |
| | Pre | A09A, A09D, A11A, A11B, A11D, A13D | | Pre | A09A, A09D, A11A, A11B, A11D, A13D | | Pre | A09A, A09D, A11A, A11B, A11D, A13D |
| C47.2 | | KJZSM1, KJZSM2 | C48.2 | | KJZSM1, KJZSM2 | C49.8 | | KJZSM1, KJZSM2 |
| | 06 | G17A, G38Z, G67A | | 06 | G17A, G19A, G38Z, G40Z, G46A, G46B, G46C, G47Z, G60A, G60B, G67A | | 06 | G17A, G38Z, G67A |
| | 08 | I06C, I37Z, I54Z, I65A, I65B, I65C | | 08 | I54Z | | 08 | I01Z, I02B, I02C, I03A, I03B, I04Z, I06C, I27A, I27B, I27C, I54Z, I65A, I65B, I65C |
| | 15 | TPN, VTPN | | 15 | TPN, VTPN | | 15 | TPN, VTPN |
| | Pre | A09A, A09D, A11A, A11B, A11D, A13D | | Pre | A09A, A09D, A11A, A11B, A11D, A13D | | Pre | A09A, A09D, A11A, A11B, A11D, A13D |
| C47.3 | | KJZSM1, KJZSM2 | C48.8 | | KJZSM1, KJZSM2 | C49.9 | | KJZSM1, KJZSM2 |
| | 06 | G17A, G38Z, G67A | | 06 | G17A, G19A, G38Z, G40Z, G46A, G46B, G46C, G47Z, G60A, G60B, G67A | | 06 | G17A, G38Z, G67A |
| | 08 | I06C, I54Z, I65A, I65B, I65C | | 08 | I54Z | | 08 | I06C, I54Z, I65A, I65B, I65C |
| | 15 | TPN, VTPN | | 15 | TPN, VTPN | | 15 | TPN, VTPN |
| | Pre | A09A, A09D, A11A, A11B, A11D, A13D | | Pre | A09A, A09D, A11A, A11B, A11D, A13D | | Pre | A09A, A09D, A11A, A11B, A11D, A13D |
| C47.4 | | KJZSM1, KJZSM2 | C49.0 | | KJZSM1, KJZSM2 | C50.0 | | KJZSM1 |
| | 06 | G17A, G38Z, G67A | | 06 | G17A, G38Z, G67A | | 06 | G17A, G38Z, G67A |
| | 08 | I06C, I54Z, I65A, I65B, I65C | | 08 | I06C, I27A, I27B, I27C, I54Z, I65A, I65B, I65C | | 08 | I54Z |
| | 15 | TPN, VTPN | | 15 | TPN, VTPN | | 09 | J01Z, J06Z, J07A, J07B, J10A, J14A, J14B, J16Z, J23Z, J25Z, J26Z, J62A, J62B |
| | Pre | A09A, A09D, A11A, A11B, A11D, A13D | | Pre | A09A, A09D, A11A, A11B, A11D, A13D | | 15 | TPN, VTPN |

| ICD | MDC | DRG | ICD | MDC | DRG | ICD | MDC | DRG |
|-------|--|--|------------------------------------|-----|--|-------|-----|------------------------------------|
| C54.9 | | KJZSM1, KJZSM2 | C57.7 | | KJZSM1, KJZSM2 | C60.9 | | KJZSM1, KJZSM2 |
| | 06 | G17A, G38Z, G67A | | 06 | G17A, G38Z, G67A | | 06 | G17A, G38Z, G67A |
| | 08 | I54Z | | 08 | I54Z | | 08 | I54Z |
| | 13 | N03A, N03B, N38Z, N60A, N60B | | 13 | N03A, N03B, N38Z, N60A, N60B | | 12 | M09A, M09B, M09J, M60A, M60B, M60C |
| | 15 | TPN, VTPN | | 15 | TPN, VTPN | | 15 | TPN, VTPN |
| Pre | A09A, A09D, A11A, A11B, A11D, A13D | Pre | A09A, A09D, A11A, A11B, A11D, A13D | Pre | A09A, A09D, A11A, A11B, A11D, A13D | | | |
| C55 | | KJZSM1, KJZSM2 | C57.8 | | KJZSM1, KJZSM2 | C61 | | KJZSM1, KJZSM2 |
| | 06 | G17A, G38Z, G67A | | 06 | G17A, G38Z, G67A | | 06 | G17A, G38Z, G67A |
| | 08 | I54Z | | 08 | I54Z | | 08 | I54Z |
| | 13 | N03A, N03B, N38Z, N60A, N60B | | 13 | N03A, N03B, N38Z, N60A, N60B | | 12 | M09A, M09B, M09J, M60A, M60B, M60C |
| | 15 | TPN, VTPN | | 15 | TPN, VTPN | | Pre | A09A, A09D, A11A, A11B, A11D, A13D |
| Pre | A09A, A09D, A11A, A11B, A11D, A13D | Pre | A09A, A09D, A11A, A11B, A11D, A13D | Pre | A09A, A09D, A11A, A11B, A11D, A13D | | | |
| C56 | | KJZSM1, KJZSM2 | C57.9 | | KJZSM1, KJZSM2 | C62.0 | | KJZSM1, KJZSM2 |
| | 06 | G17A, G38Z, G67A | | 06 | G17A, G38Z, G67A | | 06 | G17A, G38Z, G67A |
| | 08 | I54Z | | 08 | I54Z | | 08 | I54Z |
| | 13 | N01A, N01B, N01C, N01D, N01E, N02A, N02B, N02C, N38Z, N60A, N60B | | 13 | N03A, N03B, N38Z, N60A, N60B | | 12 | M09A, M09B, M09J, M60A, M60B, M60C |
| | 15 | TPN, VTPN | | 15 | TPN, VTPN | | 15 | TPN, VTPN |
| Pre | A09A, A09D, A11A, A11B, A11D, A13D, A15C | Pre | A09A, A09D, A11A, A11B, A11D, A13D | Pre | A09A, A09D, A11A, A11B, A11D, A13D, A15C | | | |
| C57.0 | | KJZSM1, KJZSM2 | C58 | | KJZSM1, KJZSM2 | C62.1 | | KJZSM1, KJZSM2 |
| | 06 | G17A, G38Z, G67A | | 06 | G17A, G38Z, G67A | | 06 | G17A, G38Z, G67A |
| | 08 | I54Z | | 08 | I54Z | | 08 | I54Z |
| | 13 | N01A, N01B, N01C, N01D, N01E, N02A, N02B, N02C, N38Z, N60A, N60B | | 13 | N03A, N03B, N38Z, N60A, N60B | | 12 | M09A, M09B, M09J, M60A, M60B, M60C |
| | 15 | TPN, VTPN | | Pre | A09A, A09D, A11A, A11B, A11D, A13D | | 15 | TPN, VTPN |
| Pre | A09A, A09D, A11A, A11B, A11D, A13D | Pre | A09A, A09D, A11A, A11B, A11D, A13D | Pre | A09A, A09D, A11A, A11B, A11D, A13D, A15C | | | |
| C57.1 | | KJZSM1, KJZSM2 | C60.0 | | KJZSM1, KJZSM2 | C62.9 | | KJZSM1, KJZSM2 |
| | 06 | G17A, G38Z, G67A | | 06 | G17A, G38Z, G67A | | 06 | G17A, G38Z, G67A |
| | 08 | I54Z | | 08 | I54Z | | 08 | I54Z |
| | 13 | N01A, N01B, N01C, N01D, N01E, N02A, N02B, N02C, N38Z, N60A, N60B | | 12 | M09A, M09B, M09J, M60A, M60B, M60C | | 12 | M09A, M09B, M09J, M60A, M60B, M60C |
| | 15 | TPN, VTPN | | 15 | TPN, VTPN | | 15 | TPN, VTPN |
| Pre | A09A, A09D, A11A, A11B, A11D, A13D | Pre | A09A, A09D, A11A, A11B, A11D, A13D | Pre | A09A, A09D, A11A, A11B, A11D, A13D, A15C | | | |
| C57.2 | | KJZSM1, KJZSM2 | C60.1 | | KJZSM1, KJZSM2 | C63.0 | | KJZSM1, KJZSM2 |
| | 06 | G17A, G38Z, G67A | | 06 | G17A, G38Z, G67A | | 06 | G17A, G38Z, G67A |
| | 08 | I54Z | | 08 | I54Z | | 08 | I54Z |
| | 13 | N01A, N01B, N01C, N01D, N01E, N02A, N02B, N02C, N38Z, N60A, N60B | | 12 | M09A, M09B, M09J, M60A, M60B, M60C | | 12 | M09A, M09B, M09J, M60A, M60B, M60C |
| | 15 | TPN, VTPN | | 15 | TPN, VTPN | | 15 | TPN, VTPN |
| Pre | A09A, A09D, A11A, A11B, A11D, A13D | Pre | A09A, A09D, A11A, A11B, A11D, A13D | Pre | A09A, A09D, A11A, A11B, A11D, A13D | | | |
| C57.3 | | KJZSM1, KJZSM2 | C60.2 | | KJZSM1, KJZSM2 | C63.1 | | KJZSM1, KJZSM2 |
| | 06 | G17A, G38Z, G67A | | 06 | G17A, G38Z, G67A | | 06 | G17A, G38Z, G67A |
| | 08 | I54Z | | 08 | I54Z | | 08 | I54Z |
| | 13 | N01A, N01B, N01C, N01D, N01E, N02A, N02B, N02C, N38Z, N60A, N60B | | 12 | M09A, M09B, M09J, M60A, M60B, M60C | | 12 | M09A, M09B, M09J, M60A, M60B, M60C |
| | 15 | TPN, VTPN | | 15 | TPN, VTPN | | 15 | TPN, VTPN |
| Pre | A09A, A09D, A11A, A11B, A11D, A13D | Pre | A09A, A09D, A11A, A11B, A11D, A13D | Pre | A09A, A09D, A11A, A11B, A11D, A13D | | | |
| C57.4 | | KJZSM1, KJZSM2 | C60.8 | | KJZSM1, KJZSM2 | C63.2 | | KJZSM1, KJZSM2 |
| | 06 | G17A, G38Z, G67A | | 06 | G17A, G38Z, G67A | | 06 | G17A, G38Z, G67A |
| | 08 | I54Z | | 08 | I54Z | | 08 | I54Z |
| | 13 | N01A, N01B, N01C, N01D, N01E, N02A, N02B, N02C, N38Z, N60A, N60B | | 12 | M09A, M09B, M09J, M60A, M60B, M60C | | 12 | M09A, M09B, M09J, M60A, M60B, M60C |
| | 15 | TPN, VTPN | | 15 | TPN, VTPN | | 15 | TPN, VTPN |
| Pre | A09A, A09D, A11A, A11B, A11D, A13D | Pre | A09A, A09D, A11A, A11B, A11D, A13D | Pre | A09A, A09D, A11A, A11B, A11D, A13D | | | |

| ICD | MDC | DRG | ICD | MDC | DRG | ICD | MDC | DRG |
|-------|------------------------------------|--|------------------------------------|-----|--|-------|-----|--|
| C69.5 | | KJZSM1, KJZSM2 | C71.1 | | KJZSM1, KJZSM2 | C71.8 | | KJZSM1, KJZSM2 |
| | 02 | C02A, C20A, C65Z | | 01 | B02A, B02B, B02C, B02D, B03Z, B20C, B66A, B66B, B66C | | 01 | B02A, B02B, B02C, B02D, B03Z, B20C, B66A, B66B, B66C |
| | 06 | G17A, G38Z, G67A | | 06 | G17A, G38Z, G67A | | 06 | G17A, G38Z, G67A |
| | 08 | I54Z | | 08 | I54Z | | 08 | I54Z |
| | 15 | TPN, VTPN | | 15 | TPN, VTPN | | 15 | TPN, VTPN |
| Pre | A09A, A09D, A11A, A11B, A11D, A13D | Pre | A09A, A09D, A11A, A11B, A11D, A13D | Pre | A09A, A09D, A11A, A11B, A11D, A13D | | | |
| C69.6 | | KJZSM1, KJZSM2 | C71.2 | | KJZSM1, KJZSM2 | C71.9 | | KJZSM1, KJZSM2 |
| | 02 | C02A, C20A, C65Z | | 01 | B02A, B02B, B02C, B02D, B03Z, B20C, B66A, B66B, B66C | | 01 | B02A, B02B, B02C, B02D, B03Z, B20C, B66A, B66B, B66C |
| | 06 | G17A, G38Z, G67A | | 06 | G17A, G38Z, G67A | | 06 | G17A, G38Z, G67A |
| | 08 | I54Z | | 08 | I54Z | | 08 | I54Z |
| | 15 | TPN, VTPN | | 15 | TPN, VTPN | | 15 | TPN, VTPN |
| Pre | A09A, A09D, A11A, A11B, A11D, A13D | Pre | A09A, A09D, A11A, A11B, A11D, A13D | Pre | A09A, A09D, A11A, A11B, A11D, A13D | | | |
| C69.8 | | KJZSM1, KJZSM2 | C71.3 | | KJZSM1, KJZSM2 | C72.0 | | KJZSM1, KJZSM2 |
| | 02 | C02A, C20A, C65Z | | 01 | B02A, B02B, B02C, B02D, B03Z, B20C, B66A, B66B, B66C | | 01 | B02A, B02B, B02C, B02D, B03Z, B20C, B66A, B66B, B66C |
| | 06 | G17A, G38Z, G67A | | 06 | G17A, G38Z, G67A | | 06 | G17A, G38Z, G67A |
| | 08 | I54Z | | 08 | I54Z | | 08 | I54Z |
| | 15 | TPN, VTPN | | 15 | TPN, VTPN | | 15 | TPN, VTPN |
| Pre | A09A, A09D, A11A, A11B, A11D, A13D | Pre | A09A, A09D, A11A, A11B, A11D, A13D | Pre | A09A, A09D, A11A, A11B, A11D, A13D | | | |
| C69.9 | | KJZSM1, KJZSM2 | C71.4 | | KJZSM1, KJZSM2 | C72.1 | | KJZSM1, KJZSM2 |
| | 02 | C02A, C20A, C65Z | | 01 | B02A, B02B, B02C, B02D, B03Z, B20C, B66A, B66B, B66C | | 01 | B02A, B02B, B02C, B02D, B03Z, B20C, B66A, B66B, B66C |
| | 06 | G17A, G38Z, G67A | | 06 | G17A, G38Z, G67A | | 06 | G17A, G38Z, G67A |
| | 08 | I54Z | | 08 | I54Z | | 08 | I54Z |
| | 15 | TPN, VTPN | | 15 | TPN, VTPN | | 15 | TPN, VTPN |
| Pre | A09A, A09D, A11A, A11B, A11D, A13D | Pre | A09A, A09D, A11A, A11B, A11D, A13D | Pre | A09A, A09D, A11A, A11B, A11D, A13D | | | |
| C70.0 | | KJZSM1, KJZSM2 | C71.5 | | KJZSM1, KJZSM2 | C72.2 | | KJZSM1, KJZSM2 |
| | 01 | B02A, B02B, B02C, B02D, B03Z, B20C, B66A, B66B, B66C | | 01 | B02A, B02B, B02C, B02D, B03Z, B20C, B66A, B66B, B66C | | 01 | B02A, B02B, B02C, B02D, B03Z, B20C, B66A, B66B, B66C |
| | 06 | G17A, G38Z, G67A | | 06 | G17A, G38Z, G67A | | 06 | G17A, G38Z, G67A |
| | 08 | I54Z | | 08 | I54Z | | 08 | I54Z |
| | 15 | TPN, VTPN | | 15 | TPN, VTPN | | 15 | TPN, VTPN |
| Pre | A09A, A09D, A11A, A11B, A11D, A13D | Pre | A09A, A09D, A11A, A11B, A11D, A13D | Pre | A09A, A09D, A11A, A11B, A11D, A13D | | | |
| C70.1 | | KJZSM1, KJZSM2 | C71.6 | | KJZSM1, KJZSM2 | C72.3 | | KJZSM1, KJZSM2 |
| | 01 | B02A, B02B, B02C, B02D, B03Z, B20C, B66A, B66B, B66C | | 01 | B02A, B02B, B02C, B02D, B03Z, B20C, B66A, B66B, B66C | | 01 | B02A, B02B, B02C, B02D, B03Z, B20C, B66A, B66B, B66C |
| | 06 | G17A, G38Z, G67A | | 06 | G17A, G38Z, G67A | | 06 | G17A, G38Z, G67A |
| | 08 | I54Z | | 08 | I54Z | | 08 | I54Z |
| | 15 | TPN, VTPN | | 15 | TPN, VTPN | | 15 | TPN, VTPN |
| Pre | A09A, A09D, A11A, A11B, A11D, A13D | Pre | A09A, A09D, A11A, A11B, A11D, A13D | Pre | A09A, A09D, A11A, A11B, A11D, A13D | | | |
| C70.9 | | KJZSM1, KJZSM2 | C71.7 | | KJZSM1, KJZSM2 | C72.4 | | KJZSM1, KJZSM2 |
| | 01 | B02A, B02B, B02C, B02D, B03Z, B20C, B66A, B66B, B66C | | 01 | B02A, B02B, B02C, B02D, B03Z, B20C, B66A, B66B, B66C | | 01 | B02A, B02B, B02C, B02D, B03Z, B20C, B66A, B66B, B66C |
| | 06 | G17A, G38Z, G67A | | 06 | G17A, G38Z, G67A | | 06 | G17A, G38Z, G67A |
| | 08 | I54Z | | 08 | I54Z | | 08 | I54Z |
| | 15 | TPN, VTPN | | 15 | TPN, VTPN | | 15 | TPN, VTPN |
| Pre | A09A, A09D, A11A, A11B, A11D, A13D | Pre | A09A, A09D, A11A, A11B, A11D, A13D | Pre | A09A, A09D, A11A, A11B, A11D, A13D | | | |
| C71.0 | | KJZSM1, KJZSM2 | | | | | | |
| | 01 | B02A, B02B, B02C, B02D, B03Z, B20C, B66A, B66B, B66C | | | | | | |
| | 06 | G17A, G38Z, G67A | | | | | | |
| | 08 | I54Z | | | | | | |
| | 15 | TPN, VTPN | | | | | | |
| Pre | A09A, A09D, A11A, A11B, A11D, A13D | | | | | | | |

| ICD | MDC | DRG | ICD | MDC | DRG | ICD | MDC | DRG |
|-------|-----|--|-------|-----|--|-------|-----|--|
| C72.5 | | KJZSM1, KJZSM2 | C75.1 | | KJZSM1, KJZSM2 | C76.1 | | KJZSM1, KJZSM2 |
| | 01 | B02A, B02B, B02C, B02D, B03Z, B20C, B66A, B66B, B66C | | 01 | B02A, B02B, B02C, B02D | | 04 | E05B, E71A, E71B |
| | 06 | G17A, G38Z, G67A | | 06 | G17A, G38Z, G67A | | 06 | G17A, G38Z, G67A |
| | 08 | I54Z | | 08 | I54Z | | 08 | I54Z |
| | 15 | TPN, VTPN | | 10 | K64A, K64B, K64C, K64D | | 15 | TPN, VTPN |
| | Pre | A09A, A09D, A11A, A11B, A11D, A13D | | 15 | TPN, VTPN | | Pre | A09A, A09D, A11A, A11B, A11D, A13D |
| C72.8 | | KJZSM1, KJZSM2 | C75.2 | | KJZSM1, KJZSM2 | C76.2 | | KJZSM1, KJZSM2 |
| | 01 | B02A, B02B, B02C, B02D, B03Z, B20C, B66A, B66B, B66C | | 01 | B02A, B02B, B02C, B02D, B66A, B66B, B66C, B66D | | 06 | G17A, G19A, G38Z, G40Z, G46A, G46B, G46C, G47Z, G60A, G60B, G67A |
| | 06 | G17A, G38Z, G67A | | 06 | G17A, G38Z, G67A | | 08 | I54Z |
| | 08 | I54Z | | 08 | I54Z | | 15 | TPN, VTPN |
| | 15 | TPN, VTPN | | 15 | TPN, VTPN | | Pre | A09A, A09D, A11A, A11B, A11D, A13D |
| | Pre | A09A, A09D, A11A, A11B, A11D, A13D | | Pre | A09A, A09D, A11A, A11B, A11D, A13D | | | |
| C72.9 | | KJZSM1, KJZSM2 | C75.3 | | KJZSM1, KJZSM2 | C76.3 | | KJZSM1, KJZSM2 |
| | 01 | B02A, B02B, B02C, B02D, B03Z, B20C, B66A, B66B, B66C | | 01 | B02A, B02B, B02C, B02D, B03Z, B20C, B66A, B66B, B66C | | 06 | G17A, G38Z, G67A |
| | 06 | G17A, G38Z, G67A | | 06 | G17A, G38Z, G67A | | 08 | I54Z |
| | 08 | I54Z | | 08 | I54Z | | 12 | M09A, M09B, M09J, M60A, M60B, M60C |
| | 15 | TPN, VTPN | | 15 | TPN, VTPN | | 13 | N03A, N03B, N38Z, N60A, N60B |
| | Pre | A09A, A09D, A11A, A11B, A11D, A13D | | Pre | A09A, A09D, A11A, A11B, A11D, A13D | | 15 | TPN, VTPN |
| C73 | | KJZSM1, KJZSM2 | C75.4 | | KJZSM1, KJZSM2 | C76.4 | | KJZSM1, KJZSM2 |
| | 06 | G17A, G38Z, G67A | | 01 | B03Z, B20C, B66A, B66B, B66C | | 06 | G17A, G38Z, G67A |
| | 08 | I54Z | | 06 | G17A, G38Z, G67A | | 08 | I54Z |
| | 10 | K06A, K64A, K64B, K64C, K64D | | 08 | I54Z | | 15 | TPN, VTPN |
| | 15 | TPN, VTPN | | 15 | TPN, VTPN | | 17 | R04A, R04B, R12A, R12B, R12C, R13Z, R14Z, R62A, R62B, R62C |
| | Pre | A09A, A09D, A11A, A11B, A11D, A13D | | Pre | A09A, A09D, A11A, A11B, A11D, A13D | | Pre | A09A, A09D, A11A, A11B, A11D, A13D |
| C74.0 | | KJZSM1, KJZSM2 | C75.5 | | KJZSM1, KJZSM2 | C76.5 | | KJZSM1, KJZSM2 |
| | 06 | G17A, G38Z, G67A | | 01 | B03Z, B20C, B66A, B66B, B66C | | 06 | G17A, G38Z, G67A |
| | 08 | I54Z | | 06 | G17A, G38Z, G67A | | 08 | I54Z |
| | 10 | K03A, K03B, K64A, K64B, K64C | | 08 | I54Z | | 15 | TPN, VTPN |
| | 15 | TPN, VTPN | | 15 | TPN, VTPN | | 17 | R04A, R04B, R12A, R12B, R12C, R13Z, R14Z, R62A, R62B, R62C |
| | Pre | A09A, A09D, A11A, A11B, A11D, A13D | | Pre | A09A, A09D, A11A, A11B, A11D, A13D | | Pre | A09A, A09D, A11A, A11B, A11D, A13D |
| C74.1 | | KJZSM1, KJZSM2 | C75.8 | | KJZSM1, KJZSM2 | C76.7 | | KJZSM1, KJZSM2 |
| | 06 | G17A, G38Z, G67A | | 06 | G17A, G38Z, G67A | | 06 | G17A, G38Z, G67A |
| | 08 | I54Z | | 08 | I54Z | | 08 | I54Z |
| | 10 | K03A, K03B, K64A, K64B, K64C | | 10 | K64A, K64B, K64C | | 15 | TPN, VTPN |
| | 15 | TPN, VTPN | | 15 | TPN, VTPN | | 17 | R04A, R04B, R12A, R12B, R12C, R13Z, R14Z, R62A, R62B, R62C |
| | Pre | A09A, A09D, A11A, A11B, A11D, A13D | | Pre | A09A, A09D, A11A, A11B, A11D, A13D | | Pre | A09A, A09D, A11A, A11B, A11D, A13D |
| C74.9 | | KJZSM1, KJZSM2 | C75.9 | | KJZSM1, KJZSM2 | C76.8 | | KJZSM1, KJZSM2 |
| | 06 | G17A, G38Z, G67A | | 06 | G17A, G38Z, G67A | | 06 | G17A, G38Z, G67A |
| | 08 | I54Z | | 08 | I54Z | | 08 | I54Z |
| | 10 | K03A, K03B, K64A, K64B, K64C | | 10 | K64A, K64B, K64C, K64D | | 15 | TPN, VTPN |
| | 15 | TPN, VTPN | | 15 | TPN, VTPN | | 17 | R04A, R04B, R12A, R12B, R12C, R13Z, R14Z, R62A, R62B, R62C |
| | Pre | A09A, A09D, A11A, A11B, A11D, A13D | | Pre | A09A, A09D, A11A, A11B, A11D, A13D | | Pre | A09A, A09D, A11A, A11B, A11D, A13D |
| C75.0 | | KJZSM1, KJZSM2 | C76.0 | | KJZSM1, KJZSM2 | C77.0 | | KJZSM1, KJZSM2 |
| | 06 | G17A, G38Z, G67A | | 03 | D06B, D08A, D08B, D09Z, D25A, D25B, D28J, D28Z, D60A, D60B, D60C | | 06 | G17A, G38Z, G67A |
| | 08 | I54Z | | 06 | G17A, G38Z, G67A | | 08 | I54Z |
| | 10 | K06A, K64A, K64B, K64C, K64D | | 08 | I54Z | | 15 | TPN, VTPN |
| | 15 | TPN, VTPN | | 15 | TPN, VTPN | | 17 | R04A, R04B, R12A, R12B, R12C, R13Z, R14Z, R62A, R62B, R62C |
| | Pre | A09A, A09D, A11A, A11B, A11D, A13D | | Pre | A09A, A09D, A11A, A11B, A11D, A13D | | Pre | A09A, A09D, A11A, A11B, A11D, A13D |

| ICD | MDC | DRG | ICD | MDC | DRG | ICD | MDC | DRG |
|-------|-----|--|-------|------------------------------------|--|------------------------------------|-----|--|
| C77.1 | | KJZSM1, KJZSM2 | C78.1 | | KJZSM1, KJZSM2 | C79.0 | | KJZSM1, KJZSM2 |
| | 06 | G17A, G38Z, G67A | | 04 | E05B, E71A, E71B | | 06 | G17A, G38Z, G67A |
| | 08 | I54Z | | 06 | G17A, G38Z, G67A | | 08 | I54Z |
| | 15 | TPN, VTPN | | 08 | I54Z | | 11 | L02A, L02B, L02C, L03Z, L10Z, L13A, L13B, L38Z, L62A, L62B |
| | 17 | R04A, R04B, R12A, R12B, R12C, R13Z, R14Z, R62A, R62B, R62C | | 15 | TPN, VTPN | | 15 | TPN, VTPN |
| | Pre | A09A, A09D, A11A, A11B, A11D, A13D | Pre | A09A, A09D, A11A, A11B, A11D, A13D | Pre | A09A, A09D, A11A, A11B, A11D, A13D | | |
| C77.2 | | KJZSM1, KJZSM2 | C78.2 | | KJZSM1, KJZSM2 | C79.1 | | KJZSM1, KJZSM2 |
| | 06 | G17A, G38Z, G67A | | 04 | E05B, E71A, E71B | | 06 | G17A, G38Z, G67A |
| | 08 | I54Z | | 06 | G17A, G38Z, G67A | | 08 | I54Z |
| | 15 | TPN, VTPN | | 08 | I54Z | | 11 | L02A, L02B, L02C, L03Z, L10Z, L13A, L13B, L38Z, L62A, L62B |
| | 17 | R04A, R04B, R12A, R12B, R12C, R13Z, R14Z, R62A, R62B, R62C | | 15 | TPN, VTPN | | 15 | TPN, VTPN |
| | Pre | A09A, A09D, A11A, A11B, A11D, A13D | Pre | A09A, A09D, A11A, A11B, A11D, A13D | Pre | A09A, A09D, A11A, A11B, A11D, A13D | | |
| C77.3 | | KJZSM1, KJZSM2 | C78.3 | | KJZSM1, KJZSM2 | C79.2 | | KJZSM1, KJZSM2 |
| | 06 | G17A, G38Z, G67A | | 04 | E05B, E71A, E71B | | 06 | G17A, G38Z, G67A |
| | 08 | I54Z | | 06 | G17A, G38Z, G67A | | 08 | I54Z |
| | 15 | TPN, VTPN | | 08 | I54Z | | 09 | J01Z, J06Z, J07A, J07B, J10A, J14A, J14B, J16Z, J23Z, J25Z, J26Z, J62A, J62B |
| | 17 | R04A, R04B, R12A, R12B, R12C, R13Z, R14Z, R62A, R62B, R62C | | 15 | TPN, VTPN | | 15 | TPN, VTPN |
| | Pre | A09A, A09D, A11A, A11B, A11D, A13D | Pre | A09A, A09D, A11A, A11B, A11D, A13D | Pre | A09A, A09D, A11A, A11B, A11D, A13D | | |
| C77.4 | | KJZSM1, KJZSM2 | C78.4 | | KJZSM1, KJZSM2 | C79.3 | | KJZSM1, KJZSM2 |
| | 06 | G17A, G38Z, G67A | | 06 | G17A, G19A, G38Z, G40Z, G46A, G46B, G46C, G47Z, G60A, G60B, G67A | | 01 | B03Z, B20C, B66A, B66B, B66C, B70A, B70B, B70C, B70E |
| | 08 | I54Z | | 08 | I54Z | | 06 | G17A, G38Z, G67A |
| | 15 | TPN, VTPN | | 15 | TPN, VTPN | | 08 | I54Z |
| | 17 | R04A, R04B, R12A, R12B, R12C, R13Z, R14Z, R62A, R62B, R62C | | Pre | A09A, A09D, A11A, A11B, A11D, A13D | | 15 | TPN, VTPN |
| | Pre | A09A, A09D, A11A, A11B, A11D, A13D | Pre | A09A, A09D, A11A, A11B, A11D, A13D | Pre | A09A, A09D, A11A, A11B, A11D, A13D | | |
| C77.5 | | KJZSM1, KJZSM2 | C78.5 | | KJZSM1, KJZSM2 | C79.4 | | KJZSM1, KJZSM2 |
| | 06 | G17A, G38Z, G67A | | 06 | G17A, G19A, G38Z, G40Z, G46A, G46B, G46C, G47Z, G60A, G60B, G67A | | 01 | B03Z, B20C, B66A, B66B, B66C |
| | 08 | I54Z | | 08 | I54Z | | 06 | G17A, G38Z, G67A |
| | 15 | TPN, VTPN | | 15 | TPN, VTPN | | 08 | I54Z |
| | 17 | R04A, R04B, R12A, R12B, R12C, R13Z, R14Z, R62A, R62B, R62C | | Pre | A09A, A09D, A11A, A11B, A11D, A13D | | 15 | TPN, VTPN |
| | Pre | A09A, A09D, A11A, A11B, A11D, A13D | Pre | A09A, A09D, A11A, A11B, A11D, A13D | Pre | A09A, A09D, A11A, A11B, A11D, A13D | | |
| C77.8 | | KJZSM1, KJZSM2 | C78.6 | | KJZSM1, KJZSM2 | C79.5 | | KJZSM1, KJZSM2 |
| | 06 | G17A, G38Z, G67A | | 06 | G01Z, G02Z, G17A, G19A, G38Z, G40Z, G46A, G46B, G46C, G47Z, G60A, G60B, G67A | | 06 | G17A, G38Z, G67A |
| | 08 | I54Z | | 08 | I54Z | | 08 | I54Z |
| | 15 | TPN, VTPN | | 15 | TPN, VTPN | | 15 | TPN, VTPN |
| | 17 | R04A, R04B, R12A, R12B, R12C, R13Z, R14Z, R62A, R62B, R62C | | Pre | A09A, A09D, A11A, A11B, A11D, A13D | | Pre | A09A, A09D, A11A, A11B, A11D, A13D |
| | Pre | A09A, A09D, A11A, A11B, A11D, A13D | Pre | A09A, A09D, A11A, A11B, A11D, A13D | Pre | A09A, A09D, A11A, A11B, A11D, A13D | | |
| C77.9 | | KJZSM1, KJZSM2 | C78.7 | | KJZSM1, KJZSM2 | C79.6 | | KJZSM1, KJZSM2 |
| | 06 | G17A, G38Z, G67A | | 06 | G01Z, G02Z, G17A, G38Z, G67A | | 06 | G17A, G38Z, G67A |
| | 08 | I54Z | | 07 | H07A, H08A, H09B, H61A, H61B, H78Z | | 08 | I54Z |
| | 15 | TPN, VTPN | | 08 | I54Z | | 13 | N01A, N01B, N01C, N01D, N01E, N02A, N02B, N02C, N38Z, N60A, N60B |
| | 17 | R04A, R04B, R12A, R12B, R12C, R13Z, R14Z, R62A, R62B, R62C | | 15 | TPN, VTPN | | 15 | TPN, VTPN |
| | Pre | A09A, A09D, A11A, A11B, A11D, A13D | Pre | A09A, A09D, A11A, A11B, A11D, A13D | Pre | A09A, A09D, A11A, A11B, A11D, A13D | | |
| C78.0 | | KJZSM1, KJZSM2 | C78.8 | | KJZSM1, KJZSM2 | C79.7 | | KJZSM1, KJZSM2 |
| | 04 | E05B, E71A, E71B | | 06 | G17A, G19A, G38Z, G40Z, G46A, G46B, G46C, G47Z, G60A, G60B, G67A | | 06 | G17A, G38Z, G67A |
| | 06 | G17A, G38Z, G67A | | 08 | I54Z | | 08 | I54Z |
| | 08 | I54Z | | 08 | I54Z | | 10 | K03A, K03B, K64A, K64B, K64C, K64D |
| | 15 | TPN, VTPN | | 15 | TPN, VTPN | | 15 | TPN, VTPN |
| | Pre | A09A, A09D, A11A, A11B, A11D, A13D | Pre | A09A, A09D, A11A, A11B, A11D, A13D | Pre | A09A, A09D, A11A, A11B, A11D, A13D | | |

| ICD | MDC | DRG | ICD | MDC | DRG | ICD | MDC | DRG | | | |
|--------|--|--|--|-----|--|-----------|--|--|-----|--|------------------|
| C79.81 | | KJZSM1, KJZSM2 | C81.0 | | KJZSM1, KJZSM2 | C82.0 | | KJZSM1, KJZSM2 | | | |
| | 06 | G17A, G38Z, G67A | | 06 | G17A, G38Z, G67A | | 06 | G17A, G38Z, G67A | | | |
| | 08 | I54Z | | 08 | I54Z | | 08 | I54Z | | | |
| | 09 | J01Z, J06Z, J07A, J07B, J10A, J14A, J14B, J16Z, J23Z, J25Z, J26Z, J62A, J62B | | 15 | TPN, VTPN | | 15 | TPN, VTPN | | | |
| | 15 | TPN, VTPN | | 17 | R01A, R01B, R01C, R01D, R03Z, R11A, R11B, R11C, R61A, R61B, R61C, R61D, R61E, R61F, R61G, R61H | | 17 | R01A, R01B, R01C, R01D, R03Z, R11A, R11B, R11C, R61A, R61B, R61C, R61D, R61E, R61F, R61G, R61H | | | |
| C79.82 | Pre | A09A, A09D, A11A, A11B, A11D, A13D | C81.1 | Pre | A09A, A09D, A11A, A11B, A11D, A13D, A15C | C82.1 | Pre | A09A, A09D, A11A, A11B, A11D, A13D, A15C | | | |
| | | KJZSM1, KJZSM2 | | | KJZSM1, KJZSM2 | | | KJZSM1, KJZSM2 | | | |
| | 06 | G17A, G38Z, G67A | | 06 | G17A, G38Z, G67A | | 06 | G17A, G38Z, G67A | | | |
| | 08 | I54Z | | 08 | I54Z | | 08 | I54Z | | | |
| | 12 | M09A, M09B, M09J, M60A, M60B, M60C | | 15 | TPN, VTPN | | 15 | TPN, VTPN | | | |
| C79.83 | 13 | N03A, N03B, N38Z, N60A, N60B | C81.2 | 17 | R01A, R01B, R01C, R01D, R03Z, R11A, R11B, R11C, R61A, R61B, R61C, R61D, R61E, R61F, R61G, R61H | C82.2 | 17 | R01A, R01B, R01C, R01D, R03Z, R11A, R11B, R11C, R61A, R61B, R61C, R61D, R61E, R61F, R61G, R61H | | | |
| | 15 | TPN, VTPN | | Pre | A09A, A09D, A11A, A11B, A11D, A13D, A15C | | Pre | A09A, A09D, A11A, A11B, A11D, A13D, A15C | | | |
| | Pre | A09A, A09D, A11A, A11B, A11D, A13D | | | | | | KJZSM1, KJZSM2 | | KJZSM1, KJZSM2 | |
| | | KJZSM1, KJZSM2 | | | 06 | | | G17A, G38Z, G67A | 06 | G17A, G38Z, G67A | |
| | 06 | G17A, G38Z, G67A | | | 08 | | | I54Z | 08 | I54Z | |
| 08 | I54Z | 15 | TPN, VTPN | | 15 | TPN, VTPN | | | | | |
| C79.84 | 17 | R04A, R04B, R12A, R12B, R12C, R13Z, R14Z, R62A, R62B, R62C | C81.3 | 17 | R01A, R01B, R01C, R01D, R03Z, R11A, R11B, R11C, R61A, R61B, R61C, R61D, R61E, R61F, R61G, R61H | C82.3 | 17 | R01A, R01B, R01C, R01D, R03Z, R11A, R11B, R11C, R61A, R61B, R61C, R61D, R61E, R61F, R61G, R61H | | | |
| | Pre | A09A, A09D, A11A, A11B, A11D, A13D | | Pre | A09A, A09D, A11A, A11B, A11D, A13D, A15C | | 18A | S62Z | | | |
| | | KJZSM1, KJZSM2 | | | | | | KJZSM1, KJZSM2 | Pre | A09A, A09D, A11A, A11B, A11D, A13D, A15C | |
| | 06 | G17A, G38Z, G67A | | | 06 | | | G17A, G38Z, G67A | | 06 | G17A, G38Z, G67A |
| | 08 | I54Z | | | 08 | | | I54Z | | 08 | I54Z |
| 15 | TPN, VTPN | 15 | TPN, VTPN | | 15 | TPN, VTPN | | | | | |
| C79.88 | 17 | R04A, R04B, R12A, R12B, R12C, R13Z, R14Z, R62A, R62B, R62C | C81.4 | 17 | R01A, R01B, R01C, R01D, R03Z, R11A, R11B, R11C, R61A, R61B, R61C, R61D, R61E, R61F, R61G, R61H | C82.4 | 17 | R01A, R01B, R01C, R01D, R03Z, R11A, R11B, R11C, R61A, R61B, R61C, R61D, R61E, R61F, R61G, R61H | | | |
| | Pre | A09A, A09D, A11A, A11B, A11D, A13D | | Pre | A09A, A09D, A11A, A11B, A11D, A13D, A15C | | 18A | S62Z | | | |
| | | KJZSM1, KJZSM2 | | | | | | KJZSM1, KJZSM2 | Pre | A09A, A09D, A11A, A11B, A11D, A13D, A15C | |
| | 06 | G17A, G38Z, G67A | | | 06 | | | G17A, G38Z, G67A | | 06 | G17A, G38Z, G67A |
| | 08 | I54Z | | | 08 | | | I54Z | | 08 | I54Z |
| 15 | TPN, VTPN | 15 | TPN, VTPN | | 15 | TPN, VTPN | | | | | |
| C79.9 | 17 | R04A, R04B, R12A, R12B, R12C, R13Z, R14Z, R62A, R62B, R62C | C81.7 | 17 | R01A, R01B, R01C, R01D, R03Z, R11A, R11B, R11C, R61A, R61B, R61C, R61D, R61E, R61F, R61G, R61H | C82.5 | 17 | R01A, R01B, R01C, R01D, R03Z, R11A, R11B, R11C, R61A, R61B, R61C, R61D, R61E, R61F, R61G, R61H | | | |
| | Pre | A09A, A09D, A11A, A11B, A11D, A13D | | Pre | A09A, A09D, A11A, A11B, A11D, A13D, A15C | | 18A | S62Z | | | |
| | | KJZSM1, KJZSM2 | | | | | | KJZSM1, KJZSM2 | Pre | A09A, A09D, A11A, A11B, A11D, A13D, A15C | |
| | 06 | G17A, G38Z, G67A | | | 06 | | | G17A, G38Z, G67A | | 06 | G17A, G38Z, G67A |
| | 08 | I54Z | | | 08 | | | I54Z | | 08 | I54Z |
| 17 | R04A, R04B, R12A, R12B, R12C, R13Z, R14Z, R62A, R62B, R62C | 15 | TPN, VTPN | | 15 | TPN, VTPN | | | | | |
| C80.0 | Pre | A09A, A09D, A11A, A11B, A11D, A13D, A15C | C81.9 | 17 | R01A, R01B, R01C, R01D, R03Z, R11A, R11B, R11C, R61A, R61B, R61C, R61D, R61E, R61F, R61G, R61H | Pre | A09A, A09D, A11A, A11B, A11D, A13D, A15C | | | | |
| | | KJZSM1, KJZSM2 | | | KJZSM1, KJZSM2 | | | KJZSM1, KJZSM2 | | | |
| | 06 | G17A, G38Z, G67A | | 06 | G17A, G38Z, G67A | | 06 | G17A, G38Z, G67A | | | |
| | 08 | I54Z | | 08 | I54Z | | 08 | I54Z | | | |
| | 17 | R04A, R04B, R12A, R12B, R12C, R13Z, R14Z, R62A, R62B, R62C | | 15 | TPN, VTPN | | 15 | TPN, VTPN | | | |
| C80.9 | Pre | A09A, A09D, A11A, A11B, A11D, A13D, A15C | C81.9 | 17 | R01A, R01B, R01C, R01D, R03Z, R11A, R11B, R11C, R61A, R61B, R61C, R61D, R61E, R61F, R61G, R61H | Pre | A09A, A09D, A11A, A11B, A11D, A13D, A15C | | | | |
| | | KJZSM1, KJZSM2 | | | KJZSM1, KJZSM2 | | | KJZSM1, KJZSM2 | | | |
| | 06 | G17A, G38Z, G67A | | 06 | G17A, G38Z, G67A | | 06 | G17A, G38Z, G67A | | | |
| | 08 | I54Z | | 08 | I54Z | | 08 | I54Z | | | |
| | 17 | R04A, R04B, R12A, R12B, R12C, R13Z, R14Z, R62A, R62B, R62C | | 15 | TPN, VTPN | | 15 | TPN, VTPN | | | |
| Pre | A09A, A09D, A11A, A11B, A11D, A13D, A15C | Pre | A09A, A09D, A11A, A11B, A11D, A13D, A15C | Pre | A09A, A09D, A11A, A11B, A11D, A13D, A15C | | | | | | |

| ICD | MDC | DRG | ICD | MDC | DRG | ICD | MDC | DRG |
|-------|--|--|--|-----|--|-------|-----|--|
| C82.6 | | KJZSM1, KJZSM2 | C83.5 | | KJZSM1, KJZSM2 | C84.4 | | KJZSM1, KJZSM2 |
| | 06 | G17A, G38Z, G67A | | 06 | G17A, G38Z, G67A | | 06 | G17A, G38Z, G67A |
| | 08 | I54Z | | 08 | I54Z | | 08 | I54Z |
| | 15 | TPN, VTPN | | 15 | TPN, VTPN | | 15 | TPN, VTPN |
| | 17 | R01A, R01B, R01C, R01D, R03Z, R11A, R11B, R11C, R61A, R61B, R61C, R61D, R61E, R61F, R61G, R61H | | 17 | R01A, R01B, R01C, R01D, R03Z, R11A, R11B, R11C, R61A, R61B, R61C, R61D, R61E, R61F, R61G | | 17 | R01A, R01B, R01C, R01D, R03Z, R11A, R11B, R11C, R61A, R61B, R61C, R61D, R61E, R61F, R61G |
| Pre | A09A, A09D, A11A, A11B, A11D, A13D, A15C | 18A | S62Z | 18A | S62Z | | | |
| C82.7 | | KJZSM1, KJZSM2 | C83.7 | | KJZSM1, KJZSM2 | C84.5 | | KJZSM1, KJZSM2 |
| | 06 | G17A, G38Z, G67A | | 06 | G17A, G38Z, G67A | | 06 | G17A, G38Z, G67A |
| | 08 | I54Z | | 08 | I54Z | | 08 | I54Z |
| | 15 | TPN, VTPN | | 15 | TPN, VTPN | | 15 | TPN, VTPN |
| | 17 | R01A, R01B, R01C, R01D, R03Z, R11A, R11B, R11C, R61A, R61B, R61C, R61D, R61E, R61F, R61G, R61H | | 17 | R01A, R01B, R01C, R01D, R03Z, R11A, R11B, R11C, R61A, R61B, R61C, R61D, R61E, R61F, R61G | | 17 | R01A, R01B, R01C, R01D, R03Z, R11A, R11B, R11C, R61A, R61B, R61C, R61D, R61E, R61F, R61G |
| Pre | A09A, A09D, A11A, A11B, A11D, A13D, A15C | 18A | S62Z | 18A | S62Z | | | |
| C82.9 | | KJZSM1, KJZSM2 | C83.8 | | KJZSM1, KJZSM2 | C84.6 | | KJZSM1, KJZSM2 |
| | 06 | G17A, G38Z, G67A | | 06 | G17A, G38Z, G67A | | 06 | G17A, G38Z, G67A |
| | 08 | I54Z | | 08 | I54Z | | 08 | I54Z |
| | 15 | TPN, VTPN | | 15 | TPN, VTPN | | 15 | TPN, VTPN |
| | 17 | R01A, R01B, R01C, R01D, R03Z, R11A, R11B, R11C, R61A, R61B, R61C, R61D, R61E, R61F, R61G, R61H | | 17 | R01A, R01B, R01C, R01D, R03Z, R11A, R11B, R11C, R61A, R61B, R61C, R61D, R61E, R61F, R61G | | 17 | R01A, R01B, R01C, R01D, R03Z, R11A, R11B, R11C, R61A, R61B, R61C, R61D, R61E, R61F, R61G, R61H |
| Pre | A09A, A09D, A11A, A11B, A11D, A13D, A15C | 18A | S62Z | Pre | A09A, A09D, A11A, A11B, A11D, A13D, A15C | | | |
| C83.0 | | KJZSM1, KJZSM2 | C83.9 | | KJZSM1, KJZSM2 | C84.7 | | KJZSM1, KJZSM2 |
| | 06 | G17A, G38Z, G67A | | 06 | G17A, G38Z, G67A | | 06 | G17A, G38Z, G67A |
| | 08 | I54Z | | 08 | I54Z | | 08 | I54Z |
| | 15 | TPN, VTPN | | 15 | TPN, VTPN | | 15 | TPN, VTPN |
| | 17 | R01A, R01B, R01C, R01D, R03Z, R11A, R11B, R11C, R61A, R61B, R61C, R61D, R61E, R61F, R61G | | 17 | R01A, R01B, R01C, R01D, R03Z, R11A, R11B, R11C, R61A, R61B, R61C, R61D, R61E, R61F, R61G, R61H | | 17 | R01A, R01B, R01C, R01D, R03Z, R11A, R11B, R11C, R61A, R61B, R61C, R61D, R61E, R61F, R61G |
| 18A | S62Z | 18A | S62Z | 18A | S62Z | | | |
| Pre | A09A, A09D, A11A, A11B, A11D, A13D, A15C | Pre | A09A, A09D, A11A, A11B, A11D, A13D, A15C | Pre | A09A, A09D, A11A, A11B, A11D, A13D, A15C | | | |
| C83.1 | | KJZSM1, KJZSM2 | C84.0 | | KJZSM1, KJZSM2 | C84.8 | | KJZSM1, KJZSM2 |
| | 06 | G17A, G38Z, G67A | | 06 | G17A, G38Z, G67A | | 06 | G17A, G38Z, G67A |
| | 08 | I54Z | | 08 | I54Z | | 08 | I54Z |
| | 15 | TPN, VTPN | | 15 | TPN, VTPN | | 15 | TPN, VTPN |
| | 17 | R01A, R01B, R01C, R01D, R03Z, R11A, R11B, R11C, R61A, R61B, R61C, R61D, R61E, R61F, R61G | | 17 | R01A, R01B, R01C, R01D, R03Z, R11A, R11B, R11C, R61A, R61B, R61C, R61D, R61E, R61F, R61G, R61H | | 17 | R01A, R01B, R01C, R01D, R03Z, R11A, R11B, R11C, R61A, R61B, R61C, R61D, R61E, R61F, R61G |
| Pre | A09A, A09D, A11A, A11B, A11D, A13D, A15C | 18A | S62Z | 18A | S62Z | | | |
| C83.3 | | KJZSM1, KJZSM2 | C84.1 | | KJZSM1, KJZSM2 | C84.9 | | KJZSM1, KJZSM2 |
| | 06 | G17A, G38Z, G67A | | 06 | G17A, G38Z, G67A | | 06 | G17A, G38Z, G67A |
| | 08 | I54Z | | 08 | I54Z | | 08 | I54Z |
| | 15 | TPN, VTPN | | 15 | TPN, VTPN | | 15 | TPN, VTPN |
| | 17 | R01A, R01B, R01C, R01D, R03Z, R11A, R11B, R11C, R61A, R61B, R61C, R61D, R61E, R61F, R61G | | 17 | R01A, R01B, R01C, R01D, R03Z, R11A, R11B, R11C, R61A, R61B, R61C, R61D, R61E, R61F, R61G, R61H | | 17 | R01A, R01B, R01C, R01D, R03Z, R11A, R11B, R11C, R61A, R61B, R61C, R61D, R61E, R61F, R61G |
| 18A | S62Z | 18A | S62Z | 18A | S62Z | | | |
| Pre | A09A, A09D, A11A, A11B, A11D, A13D, A15C | Pre | A09A, A09D, A11A, A11B, A11D, A13D, A15C | Pre | A09A, A09D, A11A, A11B, A11D, A13D, A15C | | | |

| ICD | MDC | DRG | ICD | MDC | DRG | ICD | MDC | DRG | | | | |
|-------|-----|--|-------|-------|--|-------|-------|------------------------------|----------------|--|-------|--|
| C96.4 | | KJZSM1, KJZSM2 | D01.0 | | KJZSM1, KJZSM2 | D03.0 | | KJZSM1, KJZSM2 | | | | |
| | 06 | G17A, G38Z, G67A | | 06 | G19A, G38Z, G40Z, G46A, G46B, G46C, G47Z, G60A, G60B | | 08 | I54Z | | | | |
| | 08 | I54Z | | 08 | I54Z | | 09 | J01Z, J67A, J67B, J68A, J68B | | | | |
| | 15 | TPN, VTPN | | Pre | A09A, A11A, A11B | | Pre | A09A, A11A, A11B | | | | |
| | 17 | R01A, R01B, R01C, R01D, R03Z, R11A, R11B, R11C, R61A, R61B, R61C, R61D, R61E, R61F, R61G | | D01.1 | KJZSM1, KJZSM2 | | D03.1 | KJZSM1, KJZSM2 | | | | |
| C96.5 | Pre | A09A, A09D, A11A, A11B, A11D, A13D | D01.2 | 06 | G19A, G38Z, G40Z, G46A, G46B, G46C, G47Z, G60A, G60B | D03.2 | 02 | C63Z | | | | |
| | | KJZSM1, KJZSM2 | | 08 | I54Z | | 08 | I54Z | | | | |
| | 10 | K63A, K63B, K63C | | Pre | A09A, A11A, A11B | | 09 | J01Z, J67A, J67B, J68A, J68B | | | | |
| C96.6 | Pre | A09A, A09D, A11A, A11B, A11D, A13D | D01.3 | 06 | G19A, G38Z, G40Z, G46A, G46B, G46C, G47Z, G60A, G60B | D03.3 | 08 | I54Z | | | | |
| | 10 | K63A, K63B, K63C | | | | | | | 08 | I54Z | 09 | J01Z, J67A, J67B, J68A, J68B |
| C96.7 | Pre | A09A, A09D, A11A, A11B, A11D, A13D | D01.4 | 06 | G19A, G38Z, G40Z, G46A, G46B, G46C, G47Z, G60A, G60B | D03.4 | 08 | I54Z | | | | |
| | | KJZSM1, KJZSM2 | | | | | | | Pre | A09A, A11A, A11B | 09 | J01Z, J67A, J67B, J68A, J68B |
| | 06 | G17A, G38Z, G67A | | | | | | | KJZSM1, KJZSM2 | KJZSM1, KJZSM2 | Pre | A09A, A11A, A11B |
| | 08 | I54Z | | | | | | | 06 | G19A, G38Z, G40Z, G46A, G46B, G46C, G47Z, G60A, G60B | D03.5 | KJZSM1, KJZSM2 |
| | 15 | TPN, VTPN | | | | | | | 08 | I54Z | 08 | I54Z |
| C96.8 | 17 | R01A, R01B, R01C, R01D, R03Z, R11A, R11B, R11C, R61A, R61B, R61C, R61D, R61E, R61F, R61G | D01.5 | 07 | H09B, H61A, H61B, H78Z | D03.6 | 09 | J01Z, J67A, J67B, J68A, J68B | | | | |
| | Pre | A09A, A09D, A11A, A11B, A11D, A13D | | | | | | | Pre | A09A, A11A, A11B | Pre | A09A, A11A, A11B |
| | | KJZSM1, KJZSM2 | | | | | | | KJZSM1, KJZSM2 | KJZSM1, KJZSM2 | 08 | I54Z |
| | 06 | G17A, G38Z, G67A | | | | | | | 06 | G19A, G38Z, G40Z, G46A, G46B, G46C, G47Z, G60A, G60B | 09 | J01Z, J67A, J67B, J68A, J68B |
| | 08 | I54Z | | | | | | | 08 | I54Z | Pre | A09A, A11A, A11B |
| C96.9 | 15 | TPN, VTPN | D01.7 | 08 | I54Z | D03.7 | 08 | I54Z | | | | |
| | 17 | R01A, R01B, R01C, R01D, R03Z, R11A, R11B, R11C, R61A, R61B, R61C, R61D, R61E, R61F, R61G | | | | | | | Pre | A09A, A11A, A11B | 09 | J01Z, J02A, J02B, J02C, J03A, J03B, J04A, J04B, J08A, J08B, J08C, J67A, J67B, J68A, J68B |
| | Pre | A09A, A09D, A11A, A11B, A11D, A13D | | | | | | | KJZSM1, KJZSM2 | KJZSM1, KJZSM2 | Pre | A09A, A11A, A11B |
| | | KJZSM1, KJZSM2 | | | | | | | 06 | G19A, G38Z, G40Z, G46A, G46B, G46C, G47Z, G60A, G60B | D03.8 | KJZSM1, KJZSM2 |
| | 06 | G17A, G38Z, G67A | | | | | | | 08 | I54Z | 08 | I54Z |
| C97 | 08 | I54Z | D01.9 | 06 | G19A, G38Z, G40Z, G46A, G46B, G46C, G47Z, G60A, G60B | D03.9 | 09 | J01Z, J67A, J67B, J68A, J68B | | | | |
| | 15 | TPN, VTPN | | | | | | | Pre | A09A, A11A, A11B | Pre | A09A, A11A, A11B |
| | 17 | R01A, R01B, R01C, R01D, R03Z, R11A, R11B, R11C, R61A, R61B, R61C, R61D, R61E, R61F, R61G, R61H | | | | | | | KJZSM1, KJZSM2 | KJZSM1, KJZSM2 | 08 | I54Z |
| | Pre | A09A, A09D, A11A, A11B, A11D, A13D | | | | | | | D02.0 | KJZSM1, KJZSM2 | 09 | J01Z, J67A, J67B, J68A, J68B |
| | | KJZSM1, KJZSM2 | | | | | | | 03 | D09Z, D25A, D25B, D28J, D28Z, D60A, D60B, D60C | D04.0 | KJZSM1, KJZSM2 |
| D00.0 | 06 | G17A, G38Z, G67A | D02.1 | 08 | I54Z | D04.1 | 02 | C02A, C63Z | | | | |
| | 08 | I54Z | | | | | | | Pre | A09A, A11A, A11B | 08 | I54Z |
| | 15 | TPN, VTPN | | | | | | | KJZSM1, KJZSM2 | KJZSM1, KJZSM2 | Pre | A09A, A11A, A11B |
| D00.1 | 03 | D09Z, D25A, D25B, D28J, D28Z, D60A, D60B, D60C | D02.2 | 04 | E05B, E71A, E71B | D04.2 | 08 | I54Z | | | | |
| | 08 | I54Z | | | | | | | 08 | I54Z | 09 | J01Z, J67A, J67B, J68A, J68B |
| | Pre | A09A, A11A, A11B | | | | | | | Pre | A09A, A11A, A11B | Pre | A09A, A11A, A11B |
| D00.2 | 06 | G19A, G38Z, G40Z, G46A, G46B, G46C, G47Z, G60A, G60B | D02.3 | 04 | E05B, E71A, E71B | D04.3 | 08 | I54Z | | | | |
| | 08 | I54Z | | | | | | | 08 | I54Z | 09 | J01Z, J67A, J67B, J68A, J68B |
| | Pre | A09A, A11A, A11B | | | | | | | Pre | A09A, A11A, A11B | Pre | A09A, A11A, A11B |
| D00.3 | 06 | G19A, G38Z, G40Z, G46A, G46B, G46C, G47Z, G60A, G60B | D02.4 | 04 | E05B, E71A, E71B | D04.4 | 08 | I54Z | | | | |
| | 08 | I54Z | | | | | | | 08 | I54Z | 09 | J01Z, J67A, J67B, J68A, J68B |
| | Pre | A09A, A11A, A11B | | | | | | | Pre | A09A, A11A, A11B | Pre | A09A, A11A, A11B |
| D00.4 | 06 | G19A, G38Z, G40Z, G46A, G46B, G46C, G47Z, G60A, G60B | D02.5 | 04 | E05B, E71A, E71B | D04.5 | 08 | I54Z | | | | |
| | 08 | I54Z | | | | | | | 08 | I54Z | 09 | J01Z, J67A, J67B, J68A, J68B |
| | Pre | A09A, A11A, A11B | | | | | | | Pre | A09A, A11A, A11B | Pre | A09A, A11A, A11B |
| D00.5 | 06 | G19A, G38Z, G40Z, G46A, G46B, G46C, G47Z, G60A, G60B | D02.6 | 04 | E05B, E71A, E71B | D04.6 | 08 | I54Z | | | | |
| | 08 | I54Z | | | | | | | 08 | I54Z | 09 | J01Z, J67A, J67B, J68A, J68B |
| | Pre | A09A, A11A, A11B | | | | | | | Pre | A09A, A11A, A11B | Pre | A09A, A11A, A11B |

| ICD | MDC | DRG | ICD | MDC | DRG | ICD | MDC | DRG |
|-------|-----|--|-------|-----|--|-------|-------|--|
| D04.6 | | KJZSM1, KJZSM2 | D07.0 | | KJZSM1, KJZSM2 | D09.9 | | KJZSM1, KJZSM2 |
| | 08 | I54Z | | 08 | I54Z | | 08 | I54Z |
| | 09 | J01Z, J67A, J67B, J68A, J68B | | 13 | N04Z, N05A, N05B, N05J, N14Z, N21J, N21Z, N25J, N25Q, N25Z, N62A, N62B | | 17 | R04A, R04B, R12A, R12B, R12C, R13Z, R14Z, R62A, R62B, R62C |
| | Pre | A09A, A11A, A11B | | Pre | A09A, A11A, A11B | | Pre | A09A, A11A, A11B |
| D04.7 | | KJZSM1, KJZSM2 | D07.1 | | KJZSM1, KJZSM2 | D10.0 | | D40J, D40Z, D67Z |
| | 08 | I54Z | | 08 | I54Z | | 15 | TPN, VTPN |
| | 09 | J01Z, J02A, J02B, J02C, J03A, J03B, J04A, J04B, J08A, J08B, J08C, J67A, J67B, J68A, J68B | | 13 | N04Z, N05A, N05B, N05J, N14Z, N21J, N21Z, N25J, N25Q, N25Z, N62A, N62B | | Pre | A09A, A11A, A11B |
| | Pre | A09A, A11A, A11B | | Pre | A09A, A11A, A11B | | D10.1 | 03 D40J, D40Z, D67Z |
| D04.8 | | KJZSM1, KJZSM2 | D07.2 | | KJZSM1, KJZSM2 | | 15 | TPN, VTPN |
| | 08 | I54Z | | 08 | I54Z | | Pre | A09A, A11A, A11B |
| | 09 | J01Z, J67A, J67B, J68A, J68B | | 13 | N04Z, N05A, N05B, N05J, N14Z, N21J, N21Z, N25J, N25Q, N25Z, N62A, N62B | | D10.2 | 03 D40J, D40Z, D67Z |
| | Pre | A09A, A11A, A11B | | Pre | A09A, A11A, A11B | | 15 | TPN, VTPN |
| D04.9 | | KJZSM1, KJZSM2 | D07.3 | | KJZSM1, KJZSM2 | | Pre | A09A, A11A, A11B |
| | 08 | I54Z | | 08 | I54Z | | D10.3 | 03 D40J, D40Z, D67Z |
| | 09 | J01Z, J67A, J67B, J68A, J68B | | 13 | N04Z, N05A, N05B, N05J, N14Z, N21J, N21Z, N25J, N25Q, N25Z, N62A, N62B | | 15 | TPN, VTPN |
| | Pre | A09A, A11A, A11B | | Pre | A09A, A11A, A11B | | Pre | A09A, A11A, A11B |
| D05.0 | | KJZSM1, KJZSM2 | D07.4 | | KJZSM1, KJZSM2 | | D10.4 | 03 D66Z |
| | 08 | I54Z | | 08 | I54Z | | Pre | A09A, A11A, A11B |
| | 09 | J01Z, J06Z, J07A, J07B, J08A, J08B, J08C, J14A, J14B, J16Z, J23Z, J25Z, J26Z, J62A, J62B | | 13 | N04Z, N05A, N05B, N05J, N14Z, N21J, N21Z, N25J, N25Q, N25Z, N62A, N62B | | D10.5 | 03 D66Z |
| | Pre | A09A, A11A, A11B | | Pre | A09A, A11A, A11B | | 15 | TPN, VTPN |
| D05.1 | | KJZSM1, KJZSM2 | D07.5 | | KJZSM1, KJZSM2 | | Pre | A09A, A11A, A11B |
| | 08 | I54Z | | 08 | I54Z | | D10.6 | 03 D66Z |
| | 09 | J01Z, J06Z, J07A, J07B, J08A, J08B, J08C, J14A, J14B, J16Z, J23Z, J25Z, J26Z, J62A, J62B | | 12 | M09A, M09B, M09J, M60A, M60B, M60C | | 15 | TPN, VTPN |
| | Pre | A09A, A11A, A11B | | Pre | A09A, A11A, A11B | | Pre | A09A, A11A, A11B |
| D05.7 | | KJZSM1, KJZSM2 | D07.6 | | KJZSM1, KJZSM2 | | D10.7 | 03 D66Z |
| | 08 | I54Z | | 08 | I54Z | | 15 | TPN, VTPN |
| | 09 | J01Z, J06Z, J07A, J07B, J08A, J08B, J08C, J14A, J14B, J16Z, J23Z, J25Z, J26Z, J62A, J62B | | 12 | M09A, M09B, M09J, M60A, M60B, M60C | | Pre | A09A, A11A, A11B |
| | Pre | A09A, A11A, A11B | | Pre | A09A, A11A, A11B | | D10.9 | 03 D66Z |
| D05.9 | | KJZSM1, KJZSM2 | D07.7 | | KJZSM1, KJZSM2 | | 15 | TPN, VTPN |
| | 08 | I54Z | | 08 | I54Z | | Pre | A09A, A11A, A11B |
| | 09 | J01Z, J06Z, J07A, J07B, J08A, J08B, J08C, J14A, J14B, J16Z, J23Z, J25Z, J26Z, J62A, J62B | | 12 | M09A, M09B, M09J, M60A, M60B, M60C | | D11.0 | 03 D66Z |
| | Pre | A09A, A11A, A11B | | Pre | A09A, A11A, A11B | | 15 | TPN, VTPN |
| D06.0 | | KJZSM1, KJZSM2 | D09.0 | | KJZSM1, KJZSM2 | | Pre | A09A, A11A, A11B |
| | 08 | I54Z | | 08 | I54Z | | D11.7 | 03 D66Z |
| | 13 | N04Z, N05A, N05B, N05J, N14Z, N21J, N21Z, N25J, N25Q, N25Z, N62A, N62B | | 11 | L02A, L02B, L02C, L03Z, L10Z, L13A, L13B, L38Z, L62A, L62B | | 15 | TPN, VTPN |
| | Pre | A09A, A11A, A11B | | Pre | A09A, A11A, A11B | | Pre | A09A, A11A, A11B |
| D06.1 | | KJZSM1, KJZSM2 | D09.1 | | KJZSM1, KJZSM2 | | D11.9 | 03 D66Z |
| | 08 | I54Z | | 08 | I54Z | | 15 | TPN, VTPN |
| | 13 | N04Z, N05A, N05B, N05J, N14Z, N21J, N21Z, N25J, N25Q, N25Z, N62A, N62B | | 11 | L02A, L02B, L02C, L03Z, L10Z, L13A, L13B, L38Z, L62A, L62B | | Pre | A09A, A11A, A11B |
| | Pre | A09A, A11A, A11B | | Pre | A09A, A11A, A11B | | D12.0 | 06 G46A, G46B, G46C, G50Z, G71Z |
| D06.7 | | KJZSM1, KJZSM2 | D09.2 | | KJZSM1, KJZSM2 | | 15 | TPN, VTPN |
| | 08 | I54Z | | 02 | C02A, C20A, C63Z | | Pre | A09A, A11A, A11B |
| | 13 | N04Z, N05A, N05B, N05J, N14Z, N21J, N21Z, N25J, N25Q, N25Z, N62A, N62B | | 08 | I54Z | | D12.2 | 06 G46A, G46B, G46C, G50Z, G71Z |
| | Pre | A09A, A11A, A11B | | Pre | A09A, A11A, A11B | | 15 | TPN, VTPN |
| D06.9 | | KJZSM1, KJZSM2 | D09.3 | | KJZSM1, KJZSM2 | | Pre | A09A, A11A, A11B |
| | 08 | I54Z | | 08 | I54Z | | D12.3 | 06 G46A, G46B, G46C, G50Z, G71Z |
| | 13 | N04Z, N05A, N05B, N05J, N14Z, N21J, N21Z, N25J, N25Q, N25Z, N62A, N62B | | 17 | R04A, R04B, R12A, R12B, R12C, R13Z, R14Z, R62A, R62B, R62C | | 15 | TPN, VTPN |
| | Pre | A09A, A11A, A11B | | Pre | A09A, A11A, A11B | | Pre | A09A, A11A, A11B |
| D06.9 | | KJZSM1, KJZSM2 | D09.7 | | KJZSM1, KJZSM2 | | D12.4 | 06 G46A, G46B, G46C, G50Z, G71Z |
| | 08 | I54Z | | 08 | I54Z | | 15 | TPN, VTPN |
| | 13 | N04Z, N05A, N05B, N05J, N14Z, N21J, N21Z, N25J, N25Q, N25Z, N62A, N62B | | 17 | R04A, R04B, R12A, R12B, R12C, R13Z, R14Z, R62A, R62B, R62C | | Pre | A09A, A11A, A11B |
| | Pre | A09A, A11A, A11B | | Pre | A09A, A11A, A11B | | D12.5 | 06 G46A, G46B, G46C, G50Z, G71Z |
| | | | | | | | 15 | TPN, VTPN |
| | | | | | | | Pre | A09A, A11A, A11B |
| | | | | | | | D12.6 | 06 G46A, G46B, G46C, G50Z, G71Z |
| | | | | | | | 15 | TPN, VTPN |
| | | | | | | | Pre | A09A, A11A, A11B |

Príloha A: Index Diagnóza-MDC-DRG

| ICD | MDC | DRG | ICD | MDC | DRG | ICD | MDC | DRG |
|-------|-----|------------------------------|--------|-----|--|--------|-----|--|
| D12.7 | 06 | G46A, G46B, G46C, G50Z, G71Z | D15.7 | 04 | E71A, E71B | D18.00 | 09 | J11A, J11B, J11C, J11J, J11Q, J11R, J11S, J67A, J67B, J68A, J68B |
| | 15 | TPN, VTPN | | 15 | TPN, VTPN | | 15 | TPN, VTPN |
| | Pre | A09A, A11A, A11B | | Pre | A09A, A11A, A11B | | Pre | A09A, A11A, A11B |
| D12.8 | 06 | G46A, G46B, G46C, G50Z, G71Z | D15.9 | 04 | E71A, E71B | D18.01 | 09 | J11A, J11B, J11C, J11J, J11Q, J11R, J11S, J67A, J67B, J68A, J68B |
| | 15 | TPN, VTPN | | 15 | TPN, VTPN | | Pre | A09A, A11A, A11B |
| | Pre | A09A, A11A, A11B | | Pre | A09A, A11A, A11B | | Pre | A09A, A11A, A11B |
| D12.9 | 06 | G46A, G46B, G46C, G50Z, G71Z | D16.0 | 08 | I76A, I76B | D18.02 | 01 | B81A, B81B |
| | 15 | TPN, VTPN | | 15 | TPN, VTPN | | Pre | A09A, A11A, A11B |
| | Pre | A09A, A11A, A11B | | Pre | A09A, A11A, A11B | | Pre | A09A, A11A, A11B |
| D13.0 | 06 | G46A, G46B, G46C, G50Z, G71Z | D16.1 | 08 | I32A, I32B, I32C, I32D, I32E, I32F, I32G, I32J, I32Q, I32R, I32S, I32T, I32U, I76A, I76B | D18.03 | 07 | H63A, H63B, H63C, H78Z |
| | 15 | TPN, VTPN | | 15 | TPN, VTPN | | Pre | A09A, A11A, A11B |
| | Pre | A09A, A11A, A11B | | Pre | A09A, A11A, A11B | | Pre | A09A, A11A, A11B |
| D13.1 | 06 | G46A, G46B, G46C, G50Z, G71Z | D16.2 | 08 | I76A, I76B | D18.04 | 06 | G46A, G46B, G46C, G50Z, G67A, G67B, G67C, G67D |
| | 15 | TPN, VTPN | | 15 | TPN, VTPN | | Pre | A09A, A11A, A11B |
| | Pre | A09A, A11A, A11B | | Pre | A09A, A11A, A11B | | Pre | A09A, A11A, A11B |
| D13.2 | 06 | G46A, G46B, G46C, G50Z, G71Z | D16.3 | 08 | I76A, I76B | D18.05 | 03 | D66Z |
| | 15 | TPN, VTPN | | 15 | TPN, VTPN | | Pre | A09A, A11A, A11B |
| | Pre | A09A, A11A, A11B | | Pre | A09A, A11A, A11B | | Pre | A09A, A11A, A11B |
| D13.3 | 06 | G46A, G46B, G46C, G50Z, G71Z | D16.41 | 08 | I76A, I76B | D18.08 | 09 | J11A, J11B, J11C, J11J, J11Q, J11R, J11S, J67A, J67B, J68A, J68B |
| | 15 | TPN, VTPN | | 15 | TPN, VTPN | | Pre | A09A, A11A, A11B |
| | Pre | A09A, A11A, A11B | | Pre | A09A, A11A, A11B | | Pre | A09A, A11A, A11B |
| D13.4 | 07 | H63A, H63B, H63C, H78Z | D16.42 | 08 | I76A, I76B | D18.10 | 15 | TPN, VTPN |
| | 15 | TPN, VTPN | | 15 | TPN, VTPN | | 16 | Q60A, Q60B, Q60C, Q60D, Q60E |
| | Pre | A09A, A11A, A11B | | Pre | A09A, A11A, A11B | | Pre | A09A, A11A, A11B |
| D13.5 | 07 | H63A, H63B, H63C, H78Z | D16.5 | 03 | D40J, D40Z, D67Z | D18.11 | 15 | TPN, VTPN |
| | 15 | TPN, VTPN | | 15 | TPN, VTPN | | 16 | Q60A, Q60B, Q60C, Q60D, Q60E |
| | Pre | A09A, A11A, A11B | | Pre | A09A, A11A, A11B | | Pre | A09A, A11A, A11B |
| D13.6 | 07 | H62A, H62B, H62C | D16.6 | 08 | I76A, I76B | D18.12 | 15 | TPN, VTPN |
| | 15 | TPN, VTPN | | 15 | TPN, VTPN | | 16 | Q60A, Q60B, Q60C, Q60D, Q60E |
| | Pre | A09A, A11A, A11B | | Pre | A09A, A11A, A11B | | Pre | A09A, A11A, A11B |
| D13.7 | 10 | K64A, K64B, K64C, K64D | D16.70 | 04 | E71A, E71B | D18.13 | 15 | TPN, VTPN |
| | 15 | TPN, VTPN | | 15 | TPN, VTPN | | 16 | Q60A, Q60B, Q60C, Q60D, Q60E |
| | Pre | A09A, A11A, A11B | | Pre | A09A, A11A, A11B | | Pre | A09A, A11A, A11B |
| D13.9 | 06 | G46A, G46B, G46C, G50Z, G71Z | D16.71 | 04 | E71A, E71B | D18.18 | 15 | TPN, VTPN |
| | 15 | TPN, VTPN | | 15 | TPN, VTPN | | 16 | Q60A, Q60B, Q60C, Q60D, Q60E |
| | Pre | A09A, A11A, A11B | | Pre | A09A, A11A, A11B | | Pre | A09A, A11A, A11B |
| D14.0 | 03 | D66Z | D16.72 | 04 | E71A, E71B | D18.19 | 15 | TPN, VTPN |
| | 15 | TPN, VTPN | | 15 | TPN, VTPN | | 16 | Q60A, Q60B, Q60C, Q60D, Q60E |
| | Pre | A09A, A11A, A11B | | Pre | A09A, A11A, A11B | | Pre | A09A, A11A, A11B |
| D14.1 | 03 | D66Z | D16.9 | 08 | I76A, I76B | D19.0 | 04 | E71A, E71B |
| | 15 | TPN, VTPN | | 15 | TPN, VTPN | | 15 | TPN, VTPN |
| | Pre | A09A, A11A, A11B | | Pre | A09A, A11A, A11B | | Pre | A09A, A11A, A11B |
| D14.2 | 04 | E71A, E71B | D17.0 | 09 | J67A, J67B, J68A, J68B | D19.1 | 06 | G46A, G46B, G46C, G50Z, G71Z |
| | 15 | TPN, VTPN | | Pre | A09A, A11A, A11B | | 15 | TPN, VTPN |
| | Pre | A09A, A11A, A11B | | Pre | A09A, A11A, A11B | | Pre | A09A, A11A, A11B |
| D14.3 | 04 | E71A, E71B | D17.1 | 09 | J67A, J67B, J68A, J68B | D19.7 | 15 | TPN, VTPN |
| | 15 | TPN, VTPN | | Pre | A09A, A11A, A11B | | 17 | R04A, R04B, R12A, R12B, R12C, R13Z, R14Z, R62A, R62B, R62C |
| | Pre | A09A, A11A, A11B | | Pre | A09A, A11A, A11B | | Pre | A09A, A11A, A11B |
| D14.4 | 04 | E71A, E71B | D17.2 | 09 | J67A, J67B, J68A, J68B | D19.9 | 15 | TPN, VTPN |
| | 15 | TPN, VTPN | | Pre | A09A, A11A, A11B | | 17 | R04A, R04B, R12A, R12B, R12C, R13Z, R14Z, R62A, R62B, R62C |
| | Pre | A09A, A11A, A11B | | Pre | A09A, A11A, A11B | | Pre | A09A, A11A, A11B |
| D15.0 | 15 | TPN, VTPN | D17.3 | 09 | J67A, J67B, J68A, J68B | D20.0 | 06 | G46A, G46B, G46C, G50Z, G71Z |
| | 16 | Q60A, Q60B, Q60C | | Pre | A09A, A11A, A11B | | 15 | TPN, VTPN |
| | Pre | A09A, A11A, A11B | | Pre | A09A, A11A, A11B | | Pre | A09A, A11A, A11B |
| D15.1 | 05 | F75A, F75B, F75C, F75D | D17.4 | 04 | E71A, E71B | | 15 | TPN, VTPN |
| | 15 | TPN, VTPN | | Pre | A09A, A11A, A11B | | Pre | A09A, A11A, A11B |
| | Pre | A09A, A11A, A11B | | Pre | A09A, A11A, A11B | | Pre | A09A, A11A, A11B |
| D15.2 | 04 | E71A, E71B | D17.5 | 06 | G46A, G46B, G46C, G50Z, G71Z | | 15 | TPN, VTPN |
| | 15 | TPN, VTPN | | Pre | A09A, A11A, A11B | | Pre | A09A, A11A, A11B |
| | Pre | A09A, A11A, A11B | | Pre | A09A, A11A, A11B | | Pre | A09A, A11A, A11B |
| | Pre | A09A, A11A, A11B | | Pre | A09A, A11A, A11B | | Pre | A09A, A11A, A11B |
| | Pre | A09A, A11A, A11B | | Pre | A09A, A11A, A11B | | Pre | A09A, A11A, A11B |
| | Pre | A09A, A11A, A11B | | Pre | A09A, A11A, A11B | | Pre | A09A, A11A, A11B |
| | Pre | A09A, A11A, A11B | | Pre | A09A, A11A, A11B | | Pre | A09A, A11A, A11B |
| | Pre | A09A, A11A, A11B | | Pre | A09A, A11A, A11B | | Pre | A09A, A11A, A11B |

| ICD | MDC | DRG | ICD | MDC | DRG | ICD | MDC | DRG | | |
|-------|-----|--|-------|-------|--|--|-------|--|--|------|
| D20.1 | 06 | G46A, G46B, G46C, G50Z, G71Z | D23.9 | 09 | J67A, J67B, J68A, J68B | D28.9 | 13 | N04Z, N05A, N05B, N05J, N14Z, N21J, N21Z, N25J, N25Q, N25Z, N62A, N62B | | |
| | 15 | TPN, VTPN | | Pre | A09A, A11A, A11B | | 15 | TPN, VTPN | | |
| D21.0 | 08 | I76A, I76B | D24 | 09 | J67A, J67B | D29.0 | 12 | M64Z | | |
| | 15 | TPN, VTPN | | 15 | TPN, VTPN | | 15 | TPN, VTPN | | |
| | Pre | A09A, A11A, A11B | | Pre | A09A, A11A, A11B | | Pre | A09A, A11A, A11B | | |
| D21.1 | 08 | I32A, I32B, I32C, I32D, I32E, I32F, I32G, I32J, I32Q, I32R, I32S, I32T, I32U, I76A, I76B | D25.0 | 13 | N04Z, N05A, N05B, N05J, N14Z, N21J, N21Z, N25J, N25Q, N25Z, N62A, N62B | D29.1 | 12 | M64Z | | |
| | 15 | TPN, VTPN | | 15 | TPN, VTPN | | 15 | TPN, VTPN | | |
| | Pre | A09A, A11A, A11B | | Pre | A09A, A11A, A11B | | Pre | A09A, A11A, A11B | | |
| D21.2 | 08 | I76A, I76B | D25.1 | 13 | N04Z, N05A, N05B, N05J, N14Z, N21J, N21Z, N25J, N25Q, N25Z, N62A, N62B | D29.2 | 12 | M64Z | | |
| | 15 | TPN, VTPN | | 15 | TPN, VTPN | | 15 | TPN, VTPN | | |
| | Pre | A09A, A11A, A11B | | Pre | A09A, A11A, A11B | | Pre | A09A, A11A, A11B | | |
| D21.3 | 08 | I76A, I76B | D25.2 | 13 | N04Z, N05A, N05B, N05J, N14Z, N21J, N21Z, N25J, N25Q, N25Z, N62A, N62B | D29.3 | 12 | M64Z | | |
| | 15 | TPN, VTPN | | 15 | TPN, VTPN | | 15 | TPN, VTPN | | |
| | Pre | A09A, A11A, A11B | | Pre | A09A, A11A, A11B | | Pre | A09A, A11A, A11B | | |
| D21.4 | 08 | I76A, I76B | D25.9 | 13 | N04Z, N05A, N05B, N05J, N14Z, N21J, N21Z, N25J, N25Q, N25Z, N62A, N62B | D29.4 | 12 | M64Z | | |
| | 15 | TPN, VTPN | | 15 | TPN, VTPN | | 15 | TPN, VTPN | | |
| | Pre | A09A, A11A, A11B | | Pre | A09A, A11A, A11B | | Pre | A09A, A11A, A11B | | |
| D21.5 | 08 | I76A, I76B | D26.0 | 13 | N04Z, N05A, N05B, N05J, N14Z, N21J, N21Z, N25J, N25Q, N25Z, N62A, N62B | D29.7 | 12 | M64Z | | |
| | 15 | TPN, VTPN | | 15 | TPN, VTPN | | 15 | TPN, VTPN | | |
| | Pre | A09A, A11A, A11B | | Pre | A09A, A11A, A11B | | Pre | A09A, A11A, A11B | | |
| D21.6 | 08 | I76A, I76B | D26.1 | 13 | N04Z, N05A, N05B, N05J, N14Z, N21J, N21Z, N25J, N25Q, N25Z, N62A, N62B | D29.9 | 12 | M64Z | | |
| | 15 | TPN, VTPN | | 15 | TPN, VTPN | | 15 | TPN, VTPN | | |
| | Pre | A09A, A11A, A11B | | Pre | A09A, A11A, A11B | | Pre | A09A, A11A, A11B | | |
| D21.9 | 08 | I76A, I76B | D26.7 | 13 | N04Z, N05A, N05B, N05J, N14Z, N21J, N21Z, N25J, N25Q, N25Z, N62A, N62B | D30.0 | 11 | L02A, L02B, L02C, L03Z, L10Z, L13A, L13B, L38Z, L62A, L62B | | |
| | 15 | TPN, VTPN | | 15 | TPN, VTPN | | 15 | TPN, VTPN | | |
| | Pre | A09A, A11A, A11B | | Pre | A09A, A11A, A11B | | Pre | A09A, A11A, A11B | | |
| D22.0 | 09 | J67A, J67B, J68A, J68B | D26.9 | 13 | N04Z, N05A, N05B, N05J, N14Z, N21J, N21Z, N25J, N25Q, N25Z, N62A, N62B | D30.1 | 11 | L02A, L02B, L02C, L03Z, L10Z, L13A, L13B, L38Z, L62A, L62B | | |
| | Pre | A09A, A11A, A11B | | 15 | TPN, VTPN | | 15 | TPN, VTPN | | |
| D22.1 | 02 | C63Z | | Pre | A09A, A11A, A11B | | Pre | A09A, A11A, A11B | | |
| D22.2 | 09 | J67A, J67B, J68A, J68B | D26.9 | 13 | N04Z, N05A, N05B, N05J, N14Z, N21J, N21Z, N25J, N25Q, N25Z, N62A, N62B | D30.2 | 11 | L02A, L02B, L02C, L03Z, L10Z, L13A, L13B, L38Z, L62A, L62B | | |
| | Pre | A09A, A11A, A11B | | Pre | A09A, A11A, A11B | | 15 | TPN, VTPN | | |
| D22.3 | 09 | J67A, J67B, J68A, J68B | | 15 | TPN, VTPN | | Pre | A09A, A11A, A11B | | |
| | Pre | A09A, A11A, A11B | | Pre | A09A, A11A, A11B | | Pre | A09A, A11A, A11B | | |
| D22.4 | 09 | J67A, J67B, J68A, J68B | D27 | 13 | N04Z, N05A, N05B, N05J, N14Z, N21J, N21Z, N25J, N25Q, N25Z, N62A, N62B | D30.3 | 11 | L02A, L02B, L02C, L03Z, L10Z, L13A, L13B, L38Z, L62A, L62B | | |
| | Pre | A09A, A11A, A11B | | 15 | TPN, VTPN | | 15 | TPN, VTPN | | |
| D22.5 | 09 | J67A, J67B, J68A, J68B | | Pre | A09A, A11A, A11B | | Pre | A09A, A11A, A11B | | |
| | Pre | A09A, A11A, A11B | | Pre | A09A, A11A, A11B | | D30.4 | 11 | L02A, L02B, L02C, L03Z, L10Z, L13A, L13B, L38Z, L62A, L62B | |
| D22.6 | 09 | J67A, J67B, J68A, J68B | | 13 | N04Z, N05A, N05B, N05J, N14Z, N21J, N21Z, N25J, N25Q, N25Z, N62A, N62B | | 15 | TPN, VTPN | | |
| | Pre | A09A, A11A, A11B | | Pre | A09A, A11A, A11B | | Pre | A09A, A11A, A11B | | |
| D22.7 | 09 | J02A, J02B, J02C, J03A, J03B, J04A, J04B, J08A, J08B, J08C, J67A, J67B, J68A, J68B | D28.0 | 13 | N04Z, N05A, N05B, N05J, N14Z, N21J, N21Z, N25J, N25Q, N25Z, N62A, N62B | D30.7 | 11 | L02A, L02B, L02C, L03Z, L10Z, L13A, L13B, L38Z, L62A, L62B | | |
| | Pre | A09A, A11A, A11B | | 15 | TPN, VTPN | | 15 | TPN, VTPN | | |
| D22.9 | 09 | J67A, J67B, J68A, J68B | | Pre | A09A, A11A, A11B | | Pre | A09A, A11A, A11B | | |
| | Pre | A09A, A11A, A11B | | 13 | N04Z, N05A, N05B, N05J, N14Z, N21J, N21Z, N25J, N25Q, N25Z, N62A, N62B | | D30.9 | 11 | L02A, L02B, L02C, L03Z, L10Z, L13A, L13B, L38Z, L62A, L62B | |
| D23.0 | 09 | J67A, J67B, J68A, J68B | | 15 | TPN, VTPN | | 15 | TPN, VTPN | | |
| | Pre | A09A, A11A, A11B | | Pre | A09A, A11A, A11B | | Pre | A09A, A11A, A11B | | |
| D23.1 | 02 | C63Z | D28.1 | 13 | N04Z, N05A, N05B, N05J, N14Z, N21J, N21Z, N25J, N25Q, N25Z, N62A, N62B | D31.0 | 02 | C63Z | | |
| | Pre | A09A, A11A, A11B | | 15 | TPN, VTPN | | 15 | TPN, VTPN | | |
| D23.2 | 09 | J67A, J67B, J68A, J68B | | Pre | A09A, A11A, A11B | | Pre | A09A, A11A, A11B | | |
| | Pre | A09A, A11A, A11B | | Pre | A09A, A11A, A11B | | D31.1 | 02 | C63Z | |
| D23.3 | 09 | J67A, J67B, J68A, J68B | | 13 | N04Z, N05A, N05B, N05J, N14Z, N21J, N21Z, N25J, N25Q, N25Z, N62A, N62B | | 15 | TPN, VTPN | | |
| | Pre | A09A, A11A, A11B | | Pre | A09A, A11A, A11B | | Pre | A09A, A11A, A11B | | |
| D23.4 | 09 | J67A, J67B, J68A, J68B | | 15 | TPN, VTPN | | D31.2 | 02 | C63Z | |
| | Pre | A09A, A11A, A11B | | Pre | A09A, A11A, A11B | | 15 | TPN, VTPN | | |
| D23.5 | 09 | J67A, J67B, J68A, J68B | | Pre | A09A, A11A, A11B | | Pre | A09A, A11A, A11B | | |
| | Pre | A09A, A11A, A11B | | D28.7 | 13 | N04Z, N05A, N05B, N05J, N14Z, N21J, N21Z, N25J, N25Q, N25Z, N62A, N62B | | D31.3 | 02 | C63Z |
| D23.6 | 09 | J67A, J67B, J68A, J68B | | 15 | TPN, VTPN | | 15 | TPN, VTPN | | |
| | Pre | A09A, A11A, A11B | | Pre | A09A, A11A, A11B | | Pre | A09A, A11A, A11B | | |
| D23.7 | 09 | J02A, J02B, J02C, J03A, J03B, J04A, J04B, J08A, J08B, J08C, J67A, J67B, J68A, J68B | | 15 | TPN, VTPN | | D31.4 | 02 | C63Z | |
| | Pre | A09A, A11A, A11B | | Pre | A09A, A11A, A11B | | 15 | TPN, VTPN | | |
| | | | | | | | Pre | A09A, A11A, A11B | | |

| ICD | MDC | DRG | ICD | MDC | DRG | ICD | MDC | DRG |
|-------|-----|--|-------|-----|--|--------|-----|--|
| D31.5 | 02 | C63Z | D35.2 | 01 | B02A, B02B, B02C, B02D | D37.5 | | KJZSM1, KJZSM2 |
| | 15 | TPN, VTPN | | 10 | K64A, K64B, K64C, K64D | | 06 | G19A, G38Z, G46A, G46B, G46C, G50Z, G60A, G60B |
| | Pre | A09A, A11A, A11B | | 15 | TPN, VTPN | | 15 | TPN, VTPN |
| D31.6 | 02 | C63Z | D35.3 | 01 | B02A, B02B, B02C, B02D, B66A, B66B, B66C, B66D | D37.6 | | KJZSM1, KJZSM2 |
| | 15 | TPN, VTPN | | 15 | TPN, VTPN | | 07 | H09B, H61A, H61B, H78Z |
| | Pre | A09A, A11A, A11B | | Pre | A09A, A11A, A11B | | 15 | TPN, VTPN |
| D31.9 | 02 | C63Z | D35.4 | 01 | B02A, B02B, B02C, B02D, B66A, B66B, B66C, B66D | D37.70 | | KJZSM1, KJZSM2 |
| | 15 | TPN, VTPN | | 15 | TPN, VTPN | | 06 | G19A, G38Z, G46A, G46B, G46C, G50Z, G60A, G60B |
| | Pre | A09A, A11A, A11B | | Pre | A09A, A11A, A11B | | 15 | TPN, VTPN |
| D32.0 | 01 | B02A, B02B, B02C, B02D, B66A, B66B, B66C, B66D | D35.5 | 01 | B66A, B66B, B66C, B66D | D37.78 | | KJZSM1, KJZSM2 |
| | 15 | TPN, VTPN | | 15 | TPN, VTPN | | 06 | G19A, G38Z, G46A, G46B, G46C, G50Z, G60A, G60B |
| | Pre | A09A, A09D, A11A, A11B, A11D, A13D | | Pre | A09A, A11A, A11B | | 15 | TPN, VTPN |
| D32.1 | 01 | B02A, B02B, B02C, B02D, B66A, B66B, B66C, B66D | D35.6 | 01 | B66A, B66B, B66C, B66D | D37.9 | | KJZSM1, KJZSM2 |
| | 15 | TPN, VTPN | | 15 | TPN, VTPN | | 06 | G19A, G38Z, G46A, G46B, G46C, G50Z, G60A, G60B |
| | Pre | A09A, A09D, A11A, A11B, A11D, A13D | D35.7 | 10 | K64A, K64B, K64C, K64D | | 15 | TPN, VTPN |
| D32.9 | 01 | B02A, B02B, B02C, B02D, B66A, B66B, B66C, B66D | D35.8 | 10 | K64A, K64B, K64C, K64D | D38.0 | | KJZSM1, KJZSM2 |
| | 15 | TPN, VTPN | | 15 | TPN, VTPN | | 03 | D09Z, D25A, D25B, D28J, D28Z, D60A, D60B, D60C |
| | Pre | A09A, A09D, A11A, A11B, A11D, A13D | D35.9 | 10 | K64A, K64B, K64C, K64D | | 15 | TPN, VTPN |
| D33.0 | 01 | B02A, B02B, B02C, B02D, B20D, B66A, B66B, B66C, B66D | D36.0 | 15 | TPN, VTPN | D38.1 | | KJZSM1, KJZSM2 |
| | 15 | TPN, VTPN | | 16 | Q60A, Q60B, Q60C, Q60D, Q60E | | 04 | E05B, E71A, E71B |
| | Pre | A09A, A09D, A11A, A11B, A11D, A13D | D36.1 | 01 | B66A, B66B, B66C, B66D | | 15 | TPN, VTPN |
| D33.1 | 01 | B02A, B02B, B02C, B02D, B66A, B66B, B66C, B66D | | 15 | TPN, VTPN | D38.2 | | KJZSM1, KJZSM2 |
| | 15 | TPN, VTPN | D36.7 | 15 | TPN, VTPN | | 04 | E05B, E71A, E71B |
| | Pre | A09A, A09D, A11A, A11B, A11D, A13D | | 17 | R04A, R04B, R12A, R12B, R12C, R13Z, R14Z, R62A, R62B, R62C | | 15 | TPN, VTPN |
| D33.2 | 01 | B02A, B02B, B02C, B02D, B66A, B66B, B66C, B66D | D36.9 | 15 | TPN, VTPN | D38.3 | | KJZSM1, KJZSM2 |
| | 15 | TPN, VTPN | | 17 | R04A, R04B, R12A, R12B, R12C, R13Z, R14Z, R62A, R62B, R62C | | 04 | E05B, E71A, E71B |
| | Pre | A09A, A09D, A11A, A11B, A11D, A13D | D37.0 | 03 | D09Z, D25A, D25B, D28J, D28Z, D60A, D60B, D60C | | 15 | TPN, VTPN |
| D33.3 | 01 | B02A, B02B, B02C, B02D, B66A, B66B, B66C, B66D | | 15 | TPN, VTPN | D38.4 | | KJZSM1, KJZSM2 |
| | 15 | TPN, VTPN | D37.1 | 06 | G19A, G38Z, G46A, G46B, G46C, G50Z, G60A, G60B | | 04 | E05B, E71A, E71B |
| | Pre | A09A, A09D, A11A, A11B, A11D, A13D | | 15 | TPN, VTPN | | 15 | TPN, VTPN |
| D33.4 | 01 | B02A, B02B, B02C, B02D, B66A, B66B, B66C, B66D | D37.2 | 06 | G19A, G38Z, G46A, G46B, G46C, G50Z, G60A, G60B | D38.5 | | KJZSM1, KJZSM2 |
| | 15 | TPN, VTPN | | 15 | TPN, VTPN | | 04 | E05B, E71A, E71B |
| | Pre | A09A, A09D, A11A, A11B, A11D, A13D | D37.3 | 06 | G19A, G38Z, G46A, G46B, G46C, G50Z, G60A, G60B | | 15 | TPN, VTPN |
| D33.7 | 01 | B02A, B02B, B02C, B02D, B66A, B66B, B66C, B66D | | 15 | TPN, VTPN | D38.6 | | KJZSM1, KJZSM2 |
| | 15 | TPN, VTPN | D37.4 | 06 | G19A, G38Z, G46A, G46B, G46C, G50Z, G60A, G60B | | 04 | E05B, E71A, E71B |
| | Pre | A09A, A09D, A11A, A11B, A11D, A13D | | 15 | TPN, VTPN | | 15 | TPN, VTPN |
| D33.9 | 01 | B02A, B02B, B02C, B02D, B66A, B66B, B66C, B66D | | Pre | A09A, A11A, A11B | D39.0 | | KJZSM1, KJZSM2 |
| | 15 | TPN, VTPN | | Pre | A09A, A11A, A11B | | 13 | N03A, N03B, N38Z, N60A, N60B |
| | Pre | A09A, A09D, A11A, A11B, A11D, A13D | | Pre | A09A, A11A, A11B | | 15 | TPN, VTPN |
| D34 | 10 | K64A, K64B, K64C, K64D | | Pre | A09A, A11A, A11B | D39.1 | | KJZSM1, KJZSM2 |
| | 15 | TPN, VTPN | | Pre | A09A, A11A, A11B | | 13 | N01A, N01B, N01C, N01D, N01E, N02A, N02B, N02C, N38Z, N60A, N60B |
| | Pre | A09A, A11A, A11B | | Pre | A09A, A11A, A11B | | 15 | TPN, VTPN |
| D35.0 | 05 | F67B | | Pre | A09A, A11A, A11B | D39.2 | | KJZSM1, KJZSM2 |
| | 10 | K64A, K64B, K64C, K64D | | Pre | A09A, A11A, A11B | | 13 | N03A, N03B, N38Z, N60A, N60B |
| | 15 | TPN, VTPN | | Pre | A09A, A11A, A11B | | 15 | TPN, VTPN |
| | Pre | A09A, A11A, A11B | | Pre | A09A, A11A, A11B | | Pre | A09A, A11A, A11B |
| D35.1 | 10 | K64A, K64B, K64C, K64D | | Pre | A09A, A11A, A11B | | Pre | A09A, A11A, A11B |
| | 15 | TPN, VTPN | | Pre | A09A, A11A, A11B | | Pre | A09A, A11A, A11B |
| | Pre | A09A, A11A, A11B | | Pre | A09A, A11A, A11B | | Pre | A09A, A11A, A11B |

| ICD | MDC | DRG | ICD | MDC | DRG | ICD | MDC | DRG |
|-------|-----|--|-------|-----|--|-------|-------|--|
| D39.7 | | KJZSM1, KJZSM2 | D42.0 | | KJZSM1, KJZSM2 | D44.3 | | KJZSM1, KJZSM2 |
| | 13 | N03A, N03B, N38Z, N60A, N60B | | 01 | B02A, B02B, B02C, B02D, B20D, B66A, B66B, B66C, B66D | | 01 | B02A, B02B, B02C, B02D |
| | 15 | TPN, VTPN | | 15 | TPN, VTPN | | 10 | K64A, K64B, K64C, K64D |
| | Pre | A09A, A11A, A11B | | Pre | A09A, A11A, A11B, A15C | | 15 | TPN, VTPN |
| D39.9 | | KJZSM1, KJZSM2 | D42.1 | | KJZSM1, KJZSM2 | D44.4 | | KJZSM1, KJZSM2 |
| | 13 | N03A, N03B, N38Z, N60A, N60B | | 01 | B02A, B02B, B02C, B02D, B66A, B66B, B66C, B66D | | 01 | B02A, B02B, B02C, B02D, B66A, B66B, B66C, B66D |
| | 15 | TPN, VTPN | | 15 | TPN, VTPN | | 15 | TPN, VTPN |
| | Pre | A09A, A11A, A11B | | Pre | A09A, A11A, A11B, A15C | | Pre | A09A, A11A, A11B, A15C |
| D40.0 | | KJZSM1, KJZSM2 | D42.9 | | KJZSM1, KJZSM2 | D44.5 | | KJZSM1, KJZSM2 |
| | 12 | M09A, M09B, M09J, M60A, M60B, M60C | | 01 | B02A, B02B, B02C, B02D, B66A, B66B, B66C, B66D | | 01 | B02A, B02B, B02C, B02D, B66A, B66B, B66C, B66D |
| | 15 | TPN, VTPN | | 15 | TPN, VTPN | | 15 | TPN, VTPN |
| | Pre | A09A, A11A, A11B, A15C | | Pre | A09A, A11A, A11B, A15C | | Pre | A09A, A11A, A11B, A15C |
| D40.1 | | KJZSM1, KJZSM2 | D43.0 | | KJZSM1, KJZSM2 | D44.6 | | KJZSM1, KJZSM2 |
| | 12 | M09A, M09B, M09J, M60A, M60B, M60C | | 01 | B02A, B02B, B02C, B02D, B66A, B66B, B66C, B66D | | 01 | B66A, B66B, B66C, B66D |
| | 15 | TPN, VTPN | | 15 | TPN, VTPN | | 15 | TPN, VTPN |
| | Pre | A09A, A11A, A11B, A15C | | Pre | A09A, A11A, A11B, A15C | | Pre | A09A, A11A, A11B, A15C |
| D40.7 | | KJZSM1, KJZSM2 | D43.1 | | KJZSM1, KJZSM2 | D44.7 | | KJZSM1, KJZSM2 |
| | 12 | M09A, M09B, M09J, M60A, M60B, M60C | | 01 | B02A, B02B, B02C, B02D, B66A, B66B, B66C, B66D | | 01 | B66A, B66B, B66C, B66D |
| | 15 | TPN, VTPN | | 15 | TPN, VTPN | | 15 | TPN, VTPN |
| | Pre | A09A, A11A, A11B, A15C | | Pre | A09A, A11A, A11B, A15C | | Pre | A09A, A11A, A11B, A15C |
| D40.9 | | KJZSM1, KJZSM2 | D43.2 | | KJZSM1, KJZSM2 | D44.8 | | KJZSM1, KJZSM2 |
| | 12 | M09A, M09B, M09J, M60A, M60B, M60C | | 01 | B02A, B02B, B02C, B02D, B20D, B66A, B66B, B66C, B66D | | 10 | K64A, K64B, K64C, K64D |
| | 15 | TPN, VTPN | | 15 | TPN, VTPN | | Pre | A09A, A11A, A11B, A15C |
| | Pre | A09A, A11A, A11B, A15C | | Pre | A09A, A11A, A11B, A15C | | D44.9 | KJZSM1, KJZSM2 |
| D41.0 | | KJZSM1, KJZSM2 | D43.3 | | KJZSM1, KJZSM2 | | 10 | K64A, K64B, K64C, K64D |
| | 11 | L02A, L02B, L02C, L03Z, L10Z, L13A, L13B, L38Z, L62A, L62B | | 01 | B02A, B02B, B02C, B02D, B66A, B66B, B66C, B66D | | 15 | TPN, VTPN |
| | 15 | TPN, VTPN | | 15 | TPN, VTPN | | Pre | A09A, A11A, A11B, A15C |
| | Pre | A09A, A11A, A11B, A15C | | Pre | A09A, A11A, A11B, A15C | | D45 | KJZSM1, KJZSM2 |
| D41.1 | | KJZSM1, KJZSM2 | D43.4 | | KJZSM1, KJZSM2 | | 15 | TPN, VTPN |
| | 11 | L02A, L02B, L02C, L03Z, L10Z, L13A, L13B, L38Z, L62A, L62B | | 01 | B02A, B02B, B02C, B02D, B66A, B66B, B66C, B66D | | 17 | R01A, R01B, R01C, R01D, R03Z, R11A, R11B, R11C, R61A, R61B, R61C, R61D, R61E, R61F, R61G, R61H |
| | 15 | TPN, VTPN | | 15 | TPN, VTPN | | Pre | A09A, A09D, A11A, A11B, A11D, A13D |
| | Pre | A09A, A11A, A11B, A15C | | Pre | A09A, A11A, A11B, A15C | | D46.0 | KJZSM1, KJZSM2 |
| D41.2 | | KJZSM1, KJZSM2 | D43.7 | | KJZSM1, KJZSM2 | | 15 | TPN, VTPN |
| | 11 | L02A, L02B, L02C, L03Z, L10Z, L13A, L13B, L38Z, L62A, L62B | | 01 | B02A, B02B, B02C, B02D, B66A, B66B, B66C, B66D | | 17 | R01A, R01B, R01C, R01D, R03Z, R11A, R11B, R11C, R61A, R61B, R61C, R61D, R61E, R61F, R61G, R61H |
| | 15 | TPN, VTPN | | 15 | TPN, VTPN | | Pre | A09A, A09D, A11A, A11B, A11D, A13D |
| | Pre | A09A, A11A, A11B, A15C | | Pre | A09A, A11A, A11B, A15C | | D46.1 | KJZSM1, KJZSM2 |
| D41.3 | | KJZSM1, KJZSM2 | D43.9 | | KJZSM1, KJZSM2 | | 15 | TPN, VTPN |
| | 11 | L02A, L02B, L02C, L03Z, L10Z, L13A, L13B, L38Z, L62A, L62B | | 01 | B02A, B02B, B02C, B02D, B66A, B66B, B66C, B66D | | 17 | R01A, R01B, R01C, R01D, R03Z, R11A, R11B, R11C, R61A, R61B, R61C, R61D, R61E, R61F, R61G, R61H |
| | 15 | TPN, VTPN | | 15 | TPN, VTPN | | Pre | A09A, A09D, A11A, A11B, A11D, A13D |
| | Pre | A09A, A11A, A11B, A15C | | Pre | A09A, A11A, A11B, A15C | | D46.2 | KJZSM1, KJZSM2 |
| D41.4 | | KJZSM1, KJZSM2 | D44.0 | | KJZSM1, KJZSM2 | | 15 | TPN, VTPN |
| | 11 | L02A, L02B, L02C, L03Z, L10Z, L13A, L13B, L38Z, L62A, L62B | | 10 | K64A, K64B, K64C, K64D | | 17 | R04A, R04B, R12A, R12B, R12C, R13Z, R14Z, R60A, R60B, R60C, R60D, R60E, R60F, R60G |
| | 15 | TPN, VTPN | | 15 | TPN, VTPN | | Pre | A09A, A09D, A11A, A11B, A11D, A13D |
| | Pre | A09A, A11A, A11B, A15C | | Pre | A09A, A11A, A11B, A15C | | D46.4 | KJZSM1, KJZSM2 |
| D41.7 | | KJZSM1, KJZSM2 | D44.1 | | KJZSM1, KJZSM2 | | 15 | TPN, VTPN |
| | 11 | L02A, L02B, L02C, L03Z, L10Z, L13A, L13B, L38Z, L62A, L62B | | 05 | F67B | | 17 | R01A, R01B, R01C, R01D, R03Z, R11A, R11B, R11C, R61A, R61B, R61C, R61D, R61E, R61F, R61G, R61H |
| | 15 | TPN, VTPN | | 10 | K03A, K03B, K64A, K64B, K64C, K64D | | Pre | A09A, A09D, A11A, A11B, A11D, A13D |
| | Pre | A09A, A11A, A11B, A15C | | 15 | TPN, VTPN | | D46.4 | KJZSM1, KJZSM2 |
| D41.9 | | KJZSM1, KJZSM2 | D44.2 | | KJZSM1, KJZSM2 | | 15 | TPN, VTPN |
| | 11 | L02A, L02B, L02C, L03Z, L10Z, L13A, L13B, L38Z, L62A, L62B | | 10 | K64A, K64B, K64C, K64D | | 17 | R01A, R01B, R01C, R01D, R03Z, R11A, R11B, R11C, R61A, R61B, R61C, R61D, R61E, R61F, R61G, R61H |
| | 15 | TPN, VTPN | | 15 | TPN, VTPN | | Pre | A09A, A09D, A11A, A11B, A11D, A13D |
| | Pre | A09A, A11A, A11B, A15C | | Pre | A09A, A11A, A11B, A15C | | | |

| ICD | MDC | DRG | ICD | MDC | DRG | ICD | MDC | DRG |
|-------|-----|--|-------|-----|--|-------|-----|------------------------------|
| D46.5 | | KJZSM1, KJZSM2 | D47.5 | | KJZSM1, KJZSM2 | D50.1 | 16 | Q61A, Q61B, Q61C, Q61D, Q61E |
| | 15 | TPN, VTPN | | 15 | TPN, VTPN | | 18A | S65A, S65B |
| | 17 | R01A, R01B, R01C, R01D, R03Z, R11A, R11B, R11C, R61A, R61B, R61C, R61D, R61E, R61F, R61G, R61H | | 17 | R01A, R01B, R01C, R01D, R03Z, R11A, R11B, R11C, R61A, R61B, R61C, R61D, R61E, R61F, R61G, R61H | | Pre | A09A, A11A, A11B |
| D46.6 | Pre | A09A, A09D, A11A, A11B, A11D, A13D | D47.7 | Pre | A09A, A11A, A11B | D50.8 | 16 | Q61A, Q61B, Q61C, Q61D, Q61E |
| | | KJZSM1, KJZSM2 | | | KJZSM1, KJZSM2 | | 18A | S65A, S65B |
| | 15 | TPN, VTPN | | 15 | TPN, VTPN | | Pre | A09A, A11A, A11B |
| D46.7 | 17 | R01A, R01B, R01C, R01D, R03Z, R11A, R11B, R11C, R61A, R61B, R61C, R61D, R61E, R61F, R61G, R61H | D47.9 | 17 | R01A, R01B, R01C, R01D, R03Z, R11A, R11B, R11C, R61A, R61B, R61C, R61D, R61E, R61F, R61G, R61H | D50.9 | 16 | Q61A, Q61B, Q61C, Q61D, Q61E |
| | Pre | A09A, A09D, A11A, A11B, A11D, A13D | | Pre | A09A, A11A, A11B | | 18A | S65A, S65B |
| | | KJZSM1, KJZSM2 | | | KJZSM1, KJZSM2 | | Pre | A09A, A11A, A11B |
| D46.9 | 15 | TPN, VTPN | D48.0 | 15 | TPN, VTPN | D51.0 | 16 | Q61B, Q61C, Q61D |
| | 17 | R01A, R01B, R01C, R01D, R03Z, R11A, R11B, R11C, R61A, R61B, R61C, R61D, R61E, R61F, R61G, R61H | | 17 | R01A, R01B, R01C, R01D, R03Z, R11A, R11B, R11C, R61A, R61B, R61C, R61D, R61E, R61F, R61G, R61H | | 18A | S65A, S65B |
| | Pre | A09A, A09D, A11A, A11B, A11D, A13D | | Pre | A09A, A11A, A11B | | Pre | A09A, A11A, A11B |
| D47.0 | 15 | TPN, VTPN | D48.1 | 15 | TPN, VTPN | D51.1 | 16 | Q61B, Q61C, Q61D |
| | 17 | R01A, R01B, R01C, R01D, R03Z, R11A, R11B, R11C, R61A, R61B, R61C, R61D, R61E, R61F, R61G, R61H | | 17 | R01A, R01B, R01C, R01D, R03Z, R11A, R11B, R11C, R61A, R61B, R61C, R61D, R61E, R61F, R61G, R61H | | 18A | S65A, S65B |
| | Pre | A09A, A09D, A11A, A11B, A11D, A13D | | Pre | A09A, A11A, A11B | | Pre | A09A, A11A, A11B |
| D47.1 | 15 | TPN, VTPN | D48.2 | 08 | I65A, I65B, I65C | D51.2 | 16 | Q61B, Q61C, Q61D |
| | 17 | R01A, R01B, R01C, R01D, R03Z, R11A, R11B, R11C, R61A, R61B, R61C, R61D, R61E, R61F, R61G, R61H | | 15 | TPN, VTPN | | 18A | S65A, S65B |
| | Pre | A09A, A09D, A11A, A11B, A11D, A13D | | Pre | A09A, A11A, A11B | | Pre | A09A, A11A, A11B |
| D47.2 | 15 | TPN, VTPN | D48.3 | 15 | TPN, VTPN | D51.3 | 16 | Q61B, Q61C, Q61D |
| | 17 | R01A, R01B, R01C, R01D, R03Z, R11A, R11B, R11C, R61A, R61B, R61C, R61D, R61E, R61F, R61G, R61H | | 08 | I65A, I65B, I65C | | 18A | S65A, S65B |
| | Pre | A09A, A09D, A11A, A11B, A11D, A13D | | Pre | A09A, A11A, A11B | | Pre | A09A, A11A, A11B |
| D47.3 | 15 | TPN, VTPN | D48.4 | 08 | I65A, I65B, I65C | D51.8 | 16 | Q61B, Q61C, Q61D |
| | 17 | R01A, R01B, R01C, R01D, R03Z, R11A, R11B, R11C, R61A, R61B, R61C, R61D, R61E, R61F, R61G, R61H | | 15 | TPN, VTPN | | 18A | S65A, S65B |
| | Pre | A09A, A09D, A11A, A11B, A11D, A13D | | Pre | A09A, A11A, A11B | | Pre | A09A, A11A, A11B |
| D47.4 | 15 | TPN, VTPN | D48.5 | 15 | TPN, VTPN | D51.9 | 16 | Q61B, Q61C, Q61D |
| | 17 | R01A, R01B, R01C, R01D, R03Z, R11A, R11B, R11C, R61A, R61B, R61C, R61D, R61E, R61F, R61G, R61H | | 08 | I65A, I65B, I65C | | 18A | S65A, S65B |
| | Pre | A09A, A11A, A11B | | Pre | A09A, A11A, A11B | | Pre | A09A, A11A, A11B |
| D47.5 | 15 | TPN, VTPN | D48.6 | 08 | I65A, I65B, I65C | D52.0 | 16 | Q61A, Q61B, Q61C, Q61D, Q61E |
| | 17 | R01A, R01B, R01C, R01D, R03Z, R11A, R11B, R11C, R61A, R61B, R61C, R61D, R61E, R61F, R61G, R61H | | 15 | TPN, VTPN | | 18A | S65A, S65B |
| | Pre | A09A, A09D, A11A, A11B, A11D, A13D | | Pre | A09A, A11A, A11B | | Pre | A09A, A11A, A11B |
| D47.6 | 15 | TPN, VTPN | D48.7 | 06 | G19A, G38Z, G46A, G46B, G46C, G50Z, G60A, G60B | D52.1 | 16 | Q61A, Q61B, Q61C, Q61D, Q61E |
| | 17 | R01A, R01B, R01C, R01D, R03Z, R11A, R11B, R11C, R61A, R61B, R61C, R61D, R61E, R61F, R61G, R61H | | 15 | TPN, VTPN | | 18A | S65A, S65B |
| | Pre | A09A, A09D, A11A, A11B, A11D, A13D | | Pre | A09A, A11A, A11B | | Pre | A09A, A11A, A11B |
| D47.7 | 15 | TPN, VTPN | D48.8 | 06 | G19A, G38Z, G46A, G46B, G46C, G50Z, G60A, G60B | D52.8 | 16 | Q61A, Q61B, Q61C, Q61D, Q61E |
| | 17 | R01A, R01B, R01C, R01D, R03Z, R11A, R11B, R11C, R61A, R61B, R61C, R61D, R61E, R61F, R61G, R61H | | 15 | TPN, VTPN | | 18A | S65A, S65B |
| | Pre | A09A, A09D, A11A, A11B, A11D, A13D | | Pre | A09A, A11A, A11B | | Pre | A09A, A11A, A11B |
| D47.8 | 15 | TPN, VTPN | D48.9 | 15 | TPN, VTPN | D52.9 | 16 | Q61A, Q61B, Q61C, Q61D, Q61E |
| | 17 | R01A, R01B, R01C, R01D, R03Z, R11A, R11B, R11C, R61A, R61B, R61C, R61D, R61E, R61F, R61G, R61H | | 09 | J67A, J67B, J68A, J68B | | 18A | S65A, S65B |
| | Pre | A09A, A09D, A11A, A11B, A11D, A13D | | 15 | TPN, VTPN | | Pre | A09A, A11A, A11B |
| D47.9 | 15 | TPN, VTPN | D50.0 | 15 | TPN, VTPN | D53.0 | 16 | Q61A, Q61B, Q61C, Q61D, Q61E |
| | 17 | R01A, R01B, R01C, R01D, R03Z, R11A, R11B, R11C, R61A, R61B, R61C, R61D, R61E, R61F, R61G, R61H | | 09 | J06Z, J07A, J07B, J08A, J08B, J08C, J14A, J14B, J16Z, J23Z, J25Z, J26Z, J62A, J62B | | 18A | S65A, S65B |
| | Pre | A09A, A09D, A11A, A11B, A11D, A13D | | 15 | TPN, VTPN | | Pre | A09A, A11A, A11B |
| D48.0 | 15 | TPN, VTPN | D50.1 | 16 | Q61A, Q61B, Q61C, Q61D, Q61E | D53.1 | 16 | Q61A, Q61B, Q61C, Q61D, Q61E |
| | 17 | R01A, R01B, R01C, R01D, R03Z, R11A, R11B, R11C, R61A, R61B, R61C, R61D, R61E, R61F, R61G, R61H | | 18A | S65A, S65B | | 18A | S65A, S65B |
| | Pre | A09A, A11A, A11B | | Pre | A09A, A11A, A11B | | Pre | A09A, A11A, A11B |
| D48.1 | 15 | TPN, VTPN | D50.2 | 16 | Q61A, Q61B, Q61C, Q61D, Q61E | D53.2 | 16 | Q61A, Q61B, Q61C, Q61D, Q61E |
| | 17 | R01A, R01B, R01C, R01D, R03Z, R11A, R11B, R11C, R61A, R61B, R61C, R61D, R61E, R61F, R61G, R61H | | 18A | S65A, S65B | | 18A | S65A, S65B |
| | Pre | A09A, A11A, A11B | | Pre | A09A, A11A, A11B | | Pre | A09A, A11A, A11B |
| D48.2 | 15 | TPN, VTPN | D50.3 | 16 | Q61A, Q61B, Q61C, Q61D, Q61E | D53.8 | 16 | Q61A, Q61B, Q61C, Q61D, Q61E |
| | 17 | R01A, R01B, R01C, R01D, R03Z, R11A, R11B, R11C, R61A, R61B, R61C, R61D, R61E, R61F, R61G, R61H | | 18A | S65A, S65B | | 18A | S65A, S65B |
| | Pre | A09A, A11A, A11B | | Pre | A09A, A11A, A11B | | Pre | A09A, A11A, A11B |
| D48.3 | 15 | TPN, VTPN | D50.4 | 16 | Q61A, Q61B, Q61C, Q61D, Q61E | D53.9 | 16 | Q61A, Q61B, Q61C, Q61D, Q61E |
| | 17 | R01A, R01B, R01C, R01D, R03Z, R11A, R11B, R11C, R61A, R61B, R61C, R61D, R61E, R61F, R61G, R61H | | 18A | S65A, S65B | | 18A | S65A, S65B |
| | Pre | A09A, A11A, A11B | | Pre | A09A, A11A, A11B | | Pre | A09A, A11A, A11B |
| D48.4 | 15 | TPN, VTPN | D50.5 | 16 | Q61A, Q61B, Q61C, Q61D, Q61E | D55.0 | 15 | TPN, VTPN |
| | 17 | R01A, R01B, R01C, R01D, R03Z, R11A, R11B, R11C, R61A, R61B, R61C, R61D, R61E, R61F, R61G, R61H | | 18A | S65A, S65B | | 16 | Q61A, Q61B, Q61C, Q61D, Q61E |
| | Pre | A09A, A11A, A11B | | Pre | A09A, A11A, A11B | | Pre | A09A, A11A, A11B |

| ICD | MDC | DRG | ICD | MDC | DRG | ICD | MDC | DRG |
|-------|-----|------------------------------|--------|-----|------------------------------------|--------|-----|------------------------------------|
| D55.1 | 15 | TPN, VTPN | D59.1 | 16 | Q61B, Q61C, Q61D | D61.19 | 15 | TPN, VTPN |
| | 16 | Q61A, Q61B, Q61C, Q61D, Q61E | | 18A | S65A, S65B | | 16 | Q61B, Q61C, Q61D |
| | Pre | A09A, A11A, A11B | | Pre | A09A, A11A, A11B | | 18A | S65A, S65B |
| D55.2 | 16 | Q61A, Q61B, Q61C, Q61D, Q61E | D59.2 | 16 | Q61A, Q61B, Q61C, Q61D, Q61E | | Pre | A09A, A09D, A11A, A11B, A11D, A13D |
| | Pre | A09A, A11A, A11B | | 18A | S65A, S65B | D61.2 | 15 | TPN, VTPN |
| D55.3 | 16 | Q61A, Q61B, Q61C, Q61D, Q61E | | Pre | A09A, A11A, A11B | | 16 | Q61B, Q61C, Q61D |
| | Pre | A09A, A11A, A11B | D59.3 | 11 | L72Z | | 18A | S65A, S65B |
| D55.8 | 16 | Q61A, Q61B, Q61C, Q61D, Q61E | | 15 | TPN, VTPN | | Pre | A09A, A09D, A11A, A11B, A11D, A13D |
| | Pre | A09A, A11A, A11B | D59.4 | 16 | Q61A, Q61B, Q61C, Q61D, Q61E | D61.3 | 15 | TPN, VTPN |
| D55.9 | 16 | Q61A, Q61B, Q61C, Q61D, Q61E | | 18A | S65A, S65B | | 16 | Q61B, Q61C, Q61D |
| | Pre | A09A, A11A, A11B | | Pre | A09A, A11A, A11B | | 18A | S65A, S65B |
| D56.0 | 16 | Q61A, Q61B, Q61C, Q61D, Q61E | D59.5 | 16 | Q61A, Q61B, Q61C, Q61D, Q61E | | Pre | A09A, A09D, A11A, A11B, A11D, A13D |
| | Pre | A09A, A11A, A11B | | 18A | S65A, S65B | D61.8 | 15 | TPN, VTPN |
| D56.1 | 16 | Q61A, Q61B, Q61C, Q61D, Q61E | | Pre | A09A, A11A, A11B | | 16 | Q61B, Q61C, Q61D |
| | Pre | A09A, A11A, A11B | D59.6 | 16 | Q61A, Q61B, Q61C, Q61D, Q61E | | 18A | S65A, S65B |
| D56.2 | 16 | Q61A, Q61B, Q61C, Q61D, Q61E | | 18A | S65A, S65B | | Pre | A09A, A09D, A11A, A11B, A11D, A13D |
| | Pre | A09A, A11A, A11B | | Pre | A09A, A11A, A11B | D61.9 | 15 | TPN, VTPN |
| D56.3 | 16 | Q61A, Q61B, Q61C, Q61D, Q61E | D59.8 | 16 | Q61A, Q61B, Q61C, Q61D, Q61E | | 16 | Q61B, Q61C, Q61D |
| | Pre | A09A, A11A, A11B | | 18A | S65A, S65B | | 18A | S65A, S65B |
| D56.4 | 16 | Q61A, Q61B, Q61C, Q61D, Q61E | | Pre | A09A, A11A, A11B | | Pre | A09A, A09D, A11A, A11B, A11D, A13D |
| | Pre | A09A, A11A, A11B | D59.9 | 16 | Q61A, Q61B, Q61C, Q61D, Q61E | D62 | 16 | Q61A, Q61B, Q61C, Q61D, Q61E |
| D56.8 | 16 | Q61A, Q61B, Q61C, Q61D, Q61E | | 18A | S65A, S65B | | 18A | S65A, S65B |
| | Pre | A09A, A11A, A11B | | Pre | A09A, A11A, A11B | D63.0 | Pre | A09A, A11A, A11B, A60A |
| D56.9 | 16 | Q61A, Q61B, Q61C, Q61D, Q61E | D60.0 | 15 | TPN, VTPN | D63.8 | Pre | A09A, A11A, A11B, A60A |
| | Pre | A09A, A11A, A11B | | 16 | Q61A, Q61B, Q61C, Q61D, Q61E | D64.0 | 15 | TPN, VTPN |
| D57.0 | 15 | TPN, VTPN | | 18A | S65A, S65B | | 16 | Q61A, Q61B, Q61C, Q61D, Q61E |
| | 16 | Q61B, Q61C, Q61D | | Pre | A09A, A09D, A11A, A11B, A11D, A13D | | 18A | S65A, S65B |
| | Pre | A09A, A11A, A11B | D60.1 | 15 | TPN, VTPN | | Pre | A09A, A11A, A11B |
| D57.1 | 16 | Q61A, Q61B, Q61C, Q61D, Q61E | | 16 | Q61A, Q61B, Q61C, Q61D, Q61E | D64.1 | 15 | TPN, VTPN |
| | Pre | A09A, A11A, A11B | | 18A | S65A, S65B | | 16 | Q61A, Q61B, Q61C, Q61D, Q61E |
| D57.2 | 16 | Q61A, Q61B, Q61C, Q61D, Q61E | | Pre | A09A, A09D, A11A, A11B, A11D, A13D | | 18A | S65A, S65B |
| | Pre | A09A, A11A, A11B | D60.8 | 15 | TPN, VTPN | | Pre | A09A, A11A, A11B |
| D57.3 | 16 | Q61A, Q61B, Q61C, Q61D, Q61E | | 16 | Q61A, Q61B, Q61C, Q61D, Q61E | D64.2 | 15 | TPN, VTPN |
| | Pre | A09A, A11A, A11B | | 18A | S65A, S65B | | 16 | Q61A, Q61B, Q61C, Q61D, Q61E |
| D57.8 | 16 | Q61A, Q61B, Q61C, Q61D, Q61E | | Pre | A09A, A09D, A11A, A11B, A11D, A13D | | 18A | S65A, S65B |
| | Pre | A09A, A11A, A11B | D60.9 | 15 | TPN, VTPN | | Pre | A09A, A11A, A11B |
| D58.0 | 16 | Q61A, Q61B, Q61C, Q61D, Q61E | | 16 | Q61A, Q61B, Q61C, Q61D, Q61E | D64.3 | 15 | TPN, VTPN |
| | Pre | A09A, A11A, A11B | | 18A | S65A, S65B | | 16 | Q61A, Q61B, Q61C, Q61D, Q61E |
| D58.1 | 16 | Q61A, Q61B, Q61C, Q61D, Q61E | | Pre | A09A, A09D, A11A, A11B, A11D, A13D | | 18A | S65A, S65B |
| | Pre | A09A, A11A, A11B | D61.0 | 15 | TPN, VTPN | | Pre | A09A, A11A, A11B |
| D58.2 | 16 | Q61A, Q61B, Q61C, Q61D, Q61E | | 16 | Q61B, Q61C, Q61D | D64.8 | 16 | Q61A, Q61B, Q61C, Q61D, Q61E |
| | Pre | A09A, A11A, A11B | | Pre | A09A, A09D, A11A, A11B, A11D, A13D | | 18A | S65A, S65B |
| D58.8 | 16 | Q61A, Q61B, Q61C, Q61D, Q61E | D61.10 | 15 | TPN, VTPN | | Pre | A09A, A11A, A11B |
| | Pre | A09A, A11A, A11B | | 16 | Q61B, Q61C, Q61D | D64.9 | 16 | Q61A, Q61B, Q61C, Q61D, Q61E |
| D58.9 | 16 | Q61A, Q61B, Q61C, Q61D, Q61E | | 18A | S65A, S65B | | 18A | S65A, S65B |
| | Pre | A09A, A11A, A11B | D61.18 | 15 | TPN, VTPN | | Pre | A09A, A11A, A11B |
| D59.0 | 16 | Q61B, Q61C, Q61D | | 16 | Q61B, Q61C, Q61D | D65.0 | 03 | D30A |
| | 18A | S65A, S65B | | 18A | S65A, S65B | | 10 | K62A |
| | Pre | A09A, A11A, A11B | | Pre | A09A, A09D, A11A, A11B, A11D, A13D | | 16 | Q60A, Q60B, Q60C |
| | | | | | | | Pre | A09A, A09D, A11A, A11B, A11D, A13D |

| ICD | MDC | DRG | ICD | MDC | DRG | ICD | MDC | DRG | |
|--------|------------------------------------|------------------------------------|------------------|------------------------------------|------------------------------------|------------------------------------|--|--|--|
| D65.1 | | KJZSZ, KK11, KKI, KKII, KKP | D68.38 | | KJZSZ | D69.57 | | KJZSZ | |
| | 03 | D30A | | 15 | TPN, VTPN | | 16 | Q60A, Q60B, Q60C | |
| | 10 | K62A | | 16 | Q60A, Q60B, Q60C | | 17 | R62A | |
| | 16 | Q60A, Q60B, Q60C | | Pre | A09A, A09D, A11A, A11B, A11D, A13D | | 18A | S65A, S65B | |
| D65.2 | Pre | A09A, A09D, A11A, A11B, A11D, A13D | D68.4 | | KJZSZ | D69.58 | 18B | T64A, T64B | |
| | | KJZSZ, KK11, KKI, KKII, KKP | | 16 | Q60A, Q60B, Q60C | | Pre | A09A, A09D, A11A, A11B, A11D, A13D | |
| | 03 | D30A | | Pre | A09A, A09D, A11A, A11B, A11D, A13D | | | KJZSZ | |
| | 16 | Q60A, Q60B, Q60C | | D68.5 | | | KJZSZ | 16 | Q60A, Q60B, Q60C |
| Pre | A09A, A09D, A11A, A11B, A11D, A13D | 16 | Q60A, Q60B, Q60C | | 18A | S65A, S65B | | | |
| D65.9 | | KJZSZ, KK11, KKI, KKII, KKP | D68.6 | | 16 | Q60A, Q60B, Q60C | 18B | T64A, T64B | |
| | 03 | D30A | | | Pre | A09A, A09D, A11A, A11B, A11D, A13D | Pre | A09A, A09D, A11A, A11B, A11D, A13D | |
| | 16 | Q60A, Q60B, Q60C | | D68.8 | | KJZSZ | D69.59 | | KJZSZ |
| | Pre | A09A, A09D, A11A, A11B, A11D, A13D | | | 16 | Q60A, Q60B, Q60C | | 16 | Q60A, Q60B, Q60C |
| D66 | | KJZSZ | D68.9 | | Pre | A09A, A09D, A11A, A11B, A11D, A13D | | 18A | S65A, S65B |
| | 03 | D30A | | | | KJZSZ | | 18B | T64A, T64B |
| | 06 | G67A | | D69.0 | 16 | Q60A, Q60B, Q60C, Q60D, Q60E | Pre | A09A, A09D, A11A, A11B, A11D, A13D | |
| | 10 | K62A | | | Pre | A09A, A09D, A11A, A11B, A11D, A13D | | KJZSZ | |
| 15 | TPN, VTPN | D69.1 | | | KJZSZ | 16 | Q60A, Q60B, Q60C | | |
| 16 | Q60A, Q60B, Q60C | | 16 | | Q60A, Q60B, Q60C | 18A | S65A, S65B | | |
| Pre | A09A, A09D, A11A, A11B, A11D, A13D | | Pre | A09A, A09D, A11A, A11B, A11D, A13D | Pre | A09A, A09D, A11A, A11B, A11D, A13D | | | |
| D67 | | | KJZSZ | D69.2 | | KJZSZ | D69.61 | | KJZSZ |
| | 03 | D30A | 16 | | Q60A, Q60B, Q60C | 16 | | Q60A, Q60B, Q60C | |
| | 06 | G67A | Pre | | A09A, A09D, A11A, A11B, A11D, A13D | 18A | | S65A, S65B | |
| | 10 | K62A | D69.3 | | Pre | A09A, A09D, A11A, A11B, A11D, A13D | | Pre | A09A, A09D, A11A, A11B, A11D, A13D |
| 15 | TPN, VTPN | | | KJZSZ | D69.8 | | KJZSZ | | |
| 16 | Q60A, Q60B, Q60C | D69.41 | | 16 | | Q60A, Q60B, Q60C | 16 | Q60A, Q60B, Q60C, Q60D, Q60E | |
| Pre | A09A, A09D, A11A, A11B, A11D, A13D | | | Pre | | A09A, A09D, A11A, A11B, A11D, A13D | Pre | A09A, A09D, A11A, A11B, A11D, A13D | |
| D68.0 | | | KJZSZ | D69.40 | | | KJZSZ | D69.9 | |
| | 03 | | D30A | | 16 | Q60A, Q60B, Q60C | 15 | | TPN, VTPN |
| | 06 | G67A | Pre | | A09A, A09D, A11A, A11B, A11D, A13D | 16 | Q60A, Q60B, Q60C, Q60D, Q60E | | |
| | 10 | K62A | D69.52 | | | KJZSZ | Pre | | A09A, A09D, A11A, A11B, A11D, A13D |
| 15 | TPN, VTPN | 16 | | Q60A, Q60B, Q60C | D70.0 | 06 | G67A | | |
| 16 | Q60A, Q60B, Q60C | Pre | | A09A, A09D, A11A, A11B, A11D, A13D | | 14 | O01A, O01B, O01C, O01D, O01E, O01F, O01G, O60A, O60B, O60C | | |
| Pre | A09A, A09D, A11A, A11B, A11D, A13D | D69.53 | | | | KJZSZ | 15 | TPN, VTPN | |
| D68.1 | | | KJZSZ | D69.41 | | 16 | Q60A, Q60B, Q60C | 16 | Q60A, Q60B, Q60C |
| | 03 | | D30A | | 16 | Q60A, Q60B, Q60C | 17 | R60B, R60C, R61A, R61B, R61C, R61E, R62A, R63B, R63C, R63D, R63F | |
| | 06 | | G67A | | Pre | A09A, A09D, A11A, A11B, A11D, A13D | 18A | S65A, S65B | |
| | 10 | K62A | D69.52 | | | KJZSZ | Pre | A09A, A09D, A11A, A11B, A11D, A13D | |
| 15 | TPN, VTPN | 16 | | Q60A, Q60B, Q60C | D70.10 | 06 | G67A | | |
| 16 | Q60A, Q60B, Q60C | 18A | | S65A, S65B | | 14 | O01A, O01B, O01C, O01D, O01E, O01F, O01G, O60A, O60B, O60C | | |
| Pre | A09A, A09D, A11A, A11B, A11D, A13D | 18B | | T64A, T64B | | 15 | TPN, VTPN | | |
| D68.2 | | KJZSZ | D69.53 | Pre | | A09A, A09D, A11A, A11B, A11D, A13D | 16 | Q60A, Q60B, Q60C | |
| | 10 | K62A | | | KJZSZ, KK11, KKI, KKII, KKP | 17 | R60B, R60C, R61A, R61B, R61C, R61E, R62A, R63B, R63C, R63D, R63F | | |
| | 15 | TPN, VTPN | | 07 | H08A | 18A | S65A, S65B | | |
| | 16 | Q60A, Q60B, Q60C | | 10 | K62A | Pre | A09A, A09D, A11A, A11B, A11D, A13D | | |
| D68.30 | Pre | A09A, A09D, A11A, A11B, A11D, A13D | D69.53 | 16 | Q60A, Q60B, Q60C | 18B | T64A, T64B | | |
| | | KJZSZ | | D69.53 | 16 | Q60A, Q60B, Q60C | D70.10 | 15 | TPN, VTPN |
| | 15 | TPN, VTPN | | | 16 | Q60A, Q60B, Q60C | | 16 | Q60A, Q60B, Q60C |
| | 16 | Q60A, Q60B, Q60C | | | 18A | S65A, S65B | | 17 | R60B, R60C, R61A, R61B, R61C, R61E, R62A, R63B, R63C, R63D, R63F |
| Pre | A09A, A09D, A11A, A11B, A11D, A13D | 18B | T64A, T64B | | 18A | S65A, S65B | | | |
| D68.31 | | KJZSZ | D69.53 | 18B | T64A, T64B | 18B | T64A, T64B | | |
| | 15 | TPN, VTPN | | Pre | A09A, A09D, A11A, A11B, A11D, A13D | Pre | A09A, A09D, A11A, A11B, A11D, A13D | | |
| | 16 | Q60A, Q60B, Q60C | | D69.53 | | KJZSZ, KK11, KKI, KKII, KKP | D70.10 | 18B | T64A, T64B |
| | Pre | A09A, A09D, A11A, A11B, A11D, A13D | | | 07 | H08A | | 16 | Q60A, Q60B, Q60C |
| D68.32 | | KJZSZ | D69.53 | | 10 | K62A | | 17 | R60B, R60C, R61A, R61B, R61C, R61E, R62A, R63B, R63C, R63D, R63F |
| | 15 | TPN, VTPN | | | 16 | Q60A, Q60B, Q60C | | 18A | S65A, S65B |
| | 16 | Q60A, Q60B, Q60C | | 18A | S65A, S65B | 18B | T64A, T64B | | |
| | Pre | A09A, A09D, A11A, A11B, A11D, A13D | | 18B | T64A, T64B | Pre | A09A, A09D, A11A, A11B, A11D, A13D | | |

| ICD | MDC | DRG | ICD | MDC | DRG | ICD | MDC | DRG | | |
|--------|--------|--|--|--|--|------------------------------------|------------------------------------|--|------------------------------------|------------------------------------|
| D70.11 | 06 | G67A | D70.19 | 06 | G67A | D73.1 | 16 | Q60A, Q60B, Q60C | | |
| | 14 | O01A, O01B, O01C, O01D, O01E, O01F, O01G, O60A, O60B, O60C | | 14 | O01A, O01B, O01C, O01D, O01E, O01F, O01G, O60A, O60B, O60C | | 18A | S65A, S65B | | |
| | 15 | TPN, VTPN | | 15 | TPN, VTPN | | Pre | A09A, A09D, A11A, A11B, A11D, A13D | | |
| | 16 | Q60A, Q60B, Q60C | | 16 | Q60A, Q60B, Q60C | | D73.2 | 16 | Q60A, Q60B, Q60C | |
| | 17 | R60B, R60C, R61A, R61B, R61C, R61E, R62A, R63B, R63C, R63D, R63F | | 17 | R60B, R60C, R63B, R63C, R63D, R63F | | | Pre | A09A, A09D, A11A, A11B, A11D, A13D | |
| | 18A | S65A, S65B | | 18A | S65A, S65B | | D73.3 | 16 | Q60A, Q60B, Q60C | |
| | 18B | T64A, T64B | | 18B | T64A, T64B | | | Pre | A09A, A09D, A11A, A11B, A11D, A13D | |
| | Pre | A09A, A09D, A11A, A11B, A11D, A13D | | Pre | A09A, A09D, A11A, A11B, A11D, A13D | | D73.4 | 16 | Q60A, Q60B, Q60C, Q60D, Q60E | |
| | D70.12 | 06 | | G67A | D70.3 | | | 06 | G67A | Pre |
| | | 14 | | O01A, O01B, O01C, O01D, O01E, O01F, O01G, O60A, O60B, O60C | | | 14 | O01A, O01B, O01C, O01D, O01E, O01F, O01G, O60A, O60B, O60C | D73.5 | |
| 15 | | TPN, VTPN | 15 | TPN, VTPN | | Pre | A09A, A09D, A11A, A11B, A11D, A13D | | | |
| 16 | | Q60A, Q60B, Q60C | 16 | Q60A, Q60B, Q60C | | D73.8 | 16 | Q60A, Q60B, Q60C | | |
| 17 | | R60B, R60C, R61A, R61B, R61C, R61E, R62A, R63B, R63C, R63D, R63F | 17 | R60B, R60C, R63B, R63C, R63D, R63F | | | Pre | A09A, A11A, A11B | | |
| 18A | | S65A, S65B | 18A | S65A, S65B | | D73.9 | 16 | Q60A, Q60B, Q60C, Q60D, Q60E | | |
| 18B | | T64A, T64B | Pre | A09A, A09D, A11A, A11B, A11D, A13D | | | Pre | A09A, A11A, A11B | | |
| Pre | | A09A, A09D, A11A, A11B, A11D, A13D | D70.5 | 06 | | G67A | D74.0 | 16 | Q61A, Q61B, Q61C, Q61D, Q61E | |
| D70.13 | | 06 | | G67A | | 15 | | TPN, VTPN | Pre | A09A, A09D, A11A, A11B, A11D, A13D |
| | | 14 | | O01A, O01B, O01C, O01D, O01E, O01F, O01G, O60A, O60B, O60C | | 16 | Q60A, Q60B, Q60C | D74.8 | 16 | Q61A, Q61B, Q61C, Q61D, Q61E |
| | 15 | TPN, VTPN | | 17 | R60B, R60C, R61A, R61B, R61C, R61E, R62A, R63B, R63C, R63D, R63F | Pre | A09A, A09D, A11A, A11B, A11D, A13D | | | |
| | 16 | Q60A, Q60B, Q60C | | 18A | S65A, S65B | D74.9 | 16 | Q61A, Q61B, Q61C, Q61D, Q61E | | |
| | 17 | R60B, R60C, R61A, R61B, R61C, R61E, R62A, R63B, R63C, R63D, R63F | | Pre | A09A, A09D, A11A, A11B, A11D, A13D | | Pre | A09A, A09D, A11A, A11B, A11D, A13D | | |
| | 18A | S65A, S65B | | D70.6 | 06 | G67A | D75.0 | 16 | Q60A, Q60B, Q60C | |
| | 18B | T64A, T64B | | | 15 | TPN, VTPN | | Pre | A09A, A09D, A11A, A11B, A11D, A13D | |
| | Pre | A09A, A09D, A11A, A11B, A11D, A13D | | | 16 | Q60A, Q60B, Q60C | D75.1 | 16 | Q60A, Q60B, Q60C | |
| | D70.14 | 06 | | | G67A | 17 | | R60B, R60C, R61A, R61B, R61C, R61E, R62A, R63B, R63C, R63D, R63F | Pre | A09A, A09D, A11A, A11B, A11D, A13D |
| | | 14 | O01A, O01B, O01C, O01D, O01E, O01F, O01G, O60A, O60B, O60C | | 18A | S65A, S65B | D75.8 | 16 | Q60A, Q60B, Q60C | |
| 15 | | TPN, VTPN | Pre | | A09A, A09D, A11A, A11B, A11D, A13D | Pre | | A09A, A09D, A11A, A11B, A11D, A13D | | |
| 16 | | Q60A, Q60B, Q60C | D70.7 | | 06 | G67A | D75.9 | 16 | Q60A, Q60B, Q60C | |
| 17 | | R60B, R60C, R61A, R61B, R61C, R61E, R62A, R63B, R63C, R63D, R63F | | | 15 | TPN, VTPN | | 18A | S65A, S65B | |
| 18A | | S65A, S65B | | | 16 | Q60A, Q60B, Q60C | Pre | A09A, A09D, A11A, A11B, A11D, A13D | | |
| 18B | | T64A, T64B | | | 17 | R60B, R60C, R63B, R63C, R63D, R63F | D76.1 | 10 | K38Z, K63A, K63B, K63C | |
| Pre | | A09A, A09D, A11A, A11B, A11D, A13D | | 18A | S65A, S65B | Pre | | A09A, A09D, A11A, A11B, A11D, A13D | | |
| D70.18 | | 06 | | G67A | D71 | 16 | Q60A, Q60B, Q60C | D76.2 | 10 | K38Z, K63A, K63B, K63C |
| | | 14 | | O01A, O01B, O01C, O01D, O01E, O01F, O01G, O60A, O60B, O60C | | Pre | A09A, A09D, A11A, A11B, A11D, A13D | | Pre | A09A, A09D, A11A, A11B, A11D, A13D |
| | 15 | TPN, VTPN | | D72.0 | | 16 | Q60A, Q60B, Q60C | D76.3 | 10 | K63A, K63B, K63C |
| | 16 | Q60A, Q60B, Q60C | | | | Pre | A09A, A09D, A11A, A11B, A11D, A13D | | Pre | A09A, A09D, A11A, A11B, A11D, A13D |
| | 17 | R60B, R60C, R61A, R61B, R61C, R61E, R62A, R63B, R63C, R63D, R63F | | | | D72.1 | 16 | Q60A, Q60B, Q60C | D77 | Pre |
| | 18A | S65A, S65B | Pre | | | | A09A, A11A, A11B | D80.0 | | KJZSI |
| | 18B | T64A, T64B | D72.8 | | | 16 | Q60A, Q60B, Q60C, Q60D, Q60E | | 15 | TPN, VTPN |
| | Pre | A09A, A09D, A11A, A11B, A11D, A13D | | | | Pre | A09A, A11A, A11B | 16 | Q60A, Q60B, Q60C, Q60D, Q60E | |
| | D70.18 | 06 | G67A | | | D72.9 | 16 | Q60A, Q60B, Q60C, Q60D, Q60E | 18A | S65A, S65B |
| | | 14 | O01A, O01B, O01C, O01D, O01E, O01F, O01G, O60A, O60B, O60C | | | | D72.9 | 16 | | Q60A, Q60B, Q60C, Q60D, Q60E |
| 15 | | TPN, VTPN | D73.0 | | 16 | | | Q60A, Q60B, Q60C, Q60D, Q60E | D80.1 | KJZSI |
| 16 | | Q60A, Q60B, Q60C | | | Pre | | A09A, A11A, A11B | 16 | | Q60A, Q60B, Q60C, Q60D, Q60E |
| 17 | | R60B, R60C, R61A, R61B, R61C, R61E, R62A, R63B, R63C, R63D, R63F | Pre | A09A, A09D, A11A, A11B, A11D, A13D | 18A | | S65A, S65B | | | |
| 18A | | S65A, S65B | | Pre | | | A09A, A09D, A11A, A11B, A11D, A13D | Pre | A09A, A09D, A11A, A11B, A11D, A13D | |
| 18B | | T64A, T64B | Pre | A09A, A09D, A11A, A11B, A11D, A13D | 18A | | S65A, S65B | | | |
| Pre | | A09A, A09D, A11A, A11B, A11D, A13D | | Pre | | | A09A, A09D, A11A, A11B, A11D, A13D | Pre | A09A, A09D, A11A, A11B, A11D, A13D | |

| ICD | MDC | DRG | ICD | MDC | DRG | ICD | MDC | DRG | |
|-------|-------|------------------------------------|------------------------------------|------------------------------------|------------------------------------|------------------------------------|------------------|------------------------------------|-------|
| D80.2 | 15 | TPN, VTPN | D81.4 | | KJZSI | D82.9 | | KJZSI | |
| | 16 | Q60A, Q60B, Q60C, Q60D, Q60E | | 15 | TPN, VTPN | | 16 | Q60A, Q60B, Q60C, Q60D, Q60E | |
| | 18A | S65A, S65B | | 16 | Q60A, Q60B, Q60C, Q60D, Q60E | | 18A | S65A, S65B | |
| | Pre | A09A, A09D, A11A, A11B, A11D, A13D | | Pre | A09A, A09D, A11A, A11B, A11D, A13D | | Pre | A09A, A09D, A11A, A11B, A11D, A13D | |
| D80.3 | 15 | TPN, VTPN | D81.5 | 10 | K63A, K63B, K63C | D83.0 | | KJZSI | |
| | 16 | Q60A, Q60B, Q60C, Q60D, Q60E | | 15 | TPN, VTPN | | 15 | TPN, VTPN | |
| | 18A | S65A, S65B | | Pre | A09A, A09D, A11A, A11B, A11D, A13D | | 16 | Q60A, Q60B, Q60C | |
| | Pre | A09A, A09D, A11A, A11B, A11D, A13D | | D81.6 | | | 18A | S65A, S65B | |
| D80.4 | 15 | TPN, VTPN | D81.6 | | KJZSI | D83.1 | | KJZSI | |
| | 16 | Q60A, Q60B, Q60C, Q60D, Q60E | | 15 | TPN, VTPN | | 15 | TPN, VTPN | |
| | 18A | S65A, S65B | | 16 | Q60A, Q60B, Q60C, Q60D, Q60E | | 16 | Q60A, Q60B, Q60C | |
| | Pre | A09A, A09D, A11A, A11B, A11D, A13D | | 18A | S65A, S65B | | 18A | S65A, S65B | |
| D80.5 | 15 | TPN, VTPN | D81.7 | Pre | A09A, A09D, A11A, A11B, A11D, A13D | D83.2 | | KJZSI | |
| | 16 | Q60A, Q60B, Q60C, Q60D, Q60E | | | KJZSI | | 15 | TPN, VTPN | |
| | 18A | S65A, S65B | | 15 | TPN, VTPN | | 16 | Q60A, Q60B, Q60C, Q60D, Q60E | |
| | Pre | A09A, A09D, A11A, A11B, A11D, A13D | | 16 | Q60A, Q60B, Q60C, Q60D, Q60E | | 18A | S65A, S65B | |
| D80.6 | 16 | Q60A, Q60B, Q60C, Q60D, Q60E | D81.8 | 18A | S65A, S65B | D83.8 | 15 | TPN, VTPN | |
| | 18A | S65A, S65B | | Pre | A09A, A09D, A11A, A11B, A11D, A13D | | 16 | Q60A, Q60B, Q60C | |
| | Pre | A09A, A09D, A11A, A11B, A11D, A13D | | 15 | TPN, VTPN | | 18A | S65A, S65B | |
| | Pre | A09A, A09D, A11A, A11B, A11D, A13D | | 16 | Q60A, Q60B, Q60C, Q60D, Q60E | | Pre | A09A, A09D, A11A, A11B, A11D, A13D | |
| D80.7 | 16 | Q60A, Q60B, Q60C, Q60D, Q60E | D81.9 | 18A | S65A, S65B | D83.9 | 15 | TPN, VTPN | |
| | 18A | S65A, S65B | | Pre | A09A, A09D, A11A, A11B, A11D, A13D | | 16 | Q60A, Q60B, Q60C | |
| | Pre | A09A, A09D, A11A, A11B, A11D, A13D | | | KJZSI | | 18A | S65A, S65B | |
| | Pre | A09A, A09D, A11A, A11B, A11D, A13D | | D81.9 | | | Pre | A09A, A09D, A11A, A11B, A11D, A13D | |
| D80.8 | KJZSI | D82.0 | 15 | TPN, VTPN | D84.0 | | KJZSI | | |
| | 16 | | Q60A, Q60B, Q60C, Q60D, Q60E | 16 | | Q60A, Q60B, Q60C | 16 | Q60A, Q60B, Q60C, Q60D, Q60E | |
| | 18A | | S65A, S65B | 18A | | S65A, S65B | 18A | S65A, S65B | |
| | Pre | | A09A, A09D, A11A, A11B, A11D, A13D | Pre | | A09A, A09D, A11A, A11B, A11D, A13D | Pre | A09A, A09D, A11A, A11B, A11D, A13D | |
| D80.9 | KJZSI | D82.1 | Pre | A09A, A09D, A11A, A11B, A11D, A13D | D84.1 | | KJZSI | | |
| | 16 | | Q60A, Q60B, Q60C, Q60D, Q60E | | | KJZSI | 16 | Q60A, Q60B, Q60C, Q60D, Q60E | |
| | 18A | | S65A, S65B | 15 | | TPN, VTPN | 18A | S65A, S65B | |
| | Pre | | A09A, A09D, A11A, A11B, A11D, A13D | 16 | | Q60A, Q60B, Q60C | Pre | A09A, A09D, A11A, A11B, A11D, A13D | |
| D81.0 | KJZSI | D82.2 | Pre | A09A, A09D, A11A, A11B, A11D, A13D | D84.8 | 16 | Q60A, Q60B, Q60C | | |
| | 15 | | TPN, VTPN | | | KJZSI | 18A | S65A, S65B | |
| | 16 | | Q60A, Q60B, Q60C, Q60D, Q60E | 16 | | Q60A, Q60B, Q60C | Pre | A09A, A09D, A11A, A11B, A11D, A13D | |
| | 18A | | S65A, S65B | 18A | | S65A, S65B | Pre | A09A, A09D, A11A, A11B, A11D, A13D | |
| D81.1 | Pre | A09A, A09D, A11A, A11B, A11D, A13D | D82.3 | Pre | A09A, A09D, A11A, A11B, A11D, A13D | D84.9 | 16 | Q60A, Q60B, Q60C | |
| | KJZSI | | | | KJZSI | | 18A | S65A, S65B | |
| | 15 | TPN, VTPN | | 16 | Q60A, Q60B, Q60C | | Pre | A09A, A09D, A11A, A11B, A11D, A13D | |
| | 16 | Q60A, Q60B, Q60C | | 18A | S65A, S65B | | Pre | A09A, A09D, A11A, A11B, A11D, A13D | |
| D81.2 | 18A | S65A, S65B | D82.4 | Pre | A09A, A09D, A11A, A11B, A11D, A13D | D86.0 | 04 | E74Z | |
| | Pre | A09A, A09D, A11A, A11B, A11D, A13D | | | KJZSI | | Pre | A09A, A09D, A11A, A11B, A11D, A13D | |
| | KJZSI | | | 16 | Q60A, Q60B, Q60C, Q60D, Q60E | | D86.1 | 04 | E74Z |
| | 15 | TPN, VTPN | | 18A | S65A, S65B | | Pre | A09A, A09D, A11A, A11B, A11D, A13D | |
| D81.3 | 16 | Q60A, Q60B, Q60C | D82.8 | Pre | A09A, A09D, A11A, A11B, A11D, A13D | D86.2 | 04 | E74Z | |
| | 18A | S65A, S65B | | | KJZSI | | Pre | A09A, A09D, A11A, A11B, A11D, A13D | |
| | Pre | A09A, A09D, A11A, A11B, A11D, A13D | | 16 | Q60A, Q60B, Q60C, Q60D, Q60E | | D86.3 | | KJZSI |
| | 10 | K63A, K63B, K63C | | 18A | S65A, S65B | | 04 | E74Z | |
| D81.3 | 15 | TPN, VTPN | D82.8 | Pre | A09A, A09D, A11A, A11B, A11D, A13D | D86.3 | Pre | A09A, A09D, A11A, A11B, A11D, A13D | |
| | Pre | A09A, A09D, A11A, A11B, A11D, A13D | | Pre | A09A, A09D, A11A, A11B, A11D, A13D | | | | |
| | Pre | A09A, A09D, A11A, A11B, A11D, A13D | | Pre | A09A, A09D, A11A, A11B, A11D, A13D | | | | |

| ICD | MDC | DRG | ICD | MDC | DRG | ICD | MDC | DRG |
|-------|-----|--|--------|-----|------------------------------------|--------|-----|------------------------------------|
| D86.8 | 04 | E74Z | E05.1 | 10 | K64A, K64B, K64C, K64D | E10.81 | | KJZSA1, KJZSA2 |
| | Pre | A09A, A09D, A11A, A11B, A11D, A13D | E05.2 | 10 | K64A, K64B, K64C, K64D | 10 | | K60A, K60B, K60C, K60D, K60E |
| D86.9 | 04 | E74Z | E05.3 | 10 | K64A, K64B, K64C, K64D | E10.90 | 10 | K60A, K60B, K60C, K60D, K60E |
| | Pre | A09A, A09D, A11A, A11B, A11D, A13D | E05.4 | 10 | K64A, K64B, K64C, K64D | E10.91 | | KJZSA1, KJZSA2 |
| D89.0 | 15 | TPN, VTPN | E05.5 | 10 | K64A, K64B, K64C | 10 | | K60A, K60B, K60C, K60D, K60E |
| | 16 | Q60A, Q60B, Q60C | E05.8 | 10 | K64A, K64B, K64C, K64D | E10.91 | 10 | K60A, K60B, K60C, K60D, K60E |
| | Pre | A09A, A09D, A11A, A11B, A11D, A13D | E05.9 | 10 | K64A, K64B, K64C, K64D | E11.01 | | KJZSA1, KJZSA2 |
| D89.1 | | KJZSI | E06.0 | 10 | K64A, K64B, K64C, K64D | 10 | | K60A, K60B, K60C, K60D, K60E |
| | 15 | TPN, VTPN | E06.1 | 10 | K64A, K64B, K64C, K64D | E11.01 | 10 | K60A, K60B, K60C, K60D, K60E |
| | 17 | R01A, R01B, R01C, R01D, R03Z, R11A, R11B, R11C, R61A, R61B, R61C, R61D, R61E, R61F, R61G, R61H | E06.2 | 10 | K64A, K64B, K64C, K64D | E11.11 | | KJZSA1, KJZSA2 |
| | Pre | A09A, A09D, A11A, A11B, A11D, A13D | E06.3 | 10 | K64A, K64B, K64C, K64D | 10 | | K60A, K60B, K60C, K60D, K60E |
| D89.2 | 16 | Q60A, Q60B, Q60C | E06.4 | 10 | K64A, K64B, K64C, K64D | E11.20 | 11 | L69A, L69B |
| | Pre | A09A, A09D, A11A, A11B, A11D, A13D | 15 | | TPN, VTPN | E11.21 | | KJZSA1, KJZSA2 |
| D89.3 | | KJZSI | E06.5 | 10 | K64A, K64B, K64C, K64D | 11 | | L69A, L69B |
| | 16 | Q60A, Q60B, Q60C | E06.6 | 10 | K64A, K64B, K64C, K64D | E11.30 | 02 | C66Z |
| | Pre | A09A, A09D, A11A, A11B, A11D, A13D | E06.7 | 10 | K64A, K64B, K64C, K64D | E11.31 | | KJZSA1, KJZSA2 |
| D89.8 | | KJZSI | E07.8 | 10 | K64A, K64B, K64C, K64D | 02 | | C66Z |
| | 16 | Q60A, Q60B, Q60C | E07.9 | 10 | K64A, K64B, K64C, K64D | E11.40 | 01 | B71A, B71B, B71C, B71D |
| | Pre | A09A, A09D, A11A, A11B, A11D, A13D | E10.01 | | KJZSA1, KJZSA2 | E11.41 | | KJZSA1, KJZSA2 |
| D89.9 | | KJZSI | 10 | | K60A, K60B, K60C, K60D, K60E | 01 | | B71A, B71B, B71C, B71D |
| | 16 | Q60A, Q60B, Q60C, Q60D, Q60E | E10.11 | | KJZSA1, KJZSA2 | E11.50 | 05 | F27A, F27B, F27C, F65A, F65B |
| | 18A | S65A, S65B | 10 | | K60A, K60B, K60C, K60D, K60E | E11.51 | | KJZSA1, KJZSA2 |
| | Pre | A09A, A09D, A11A, A11B, A11D, A13D | E10.20 | 11 | L69A, L69B | 05 | | F27A, F27B, F27C, F65A, F65B |
| D90 | 16 | Q60A, Q60B, Q60C | E10.21 | | KJZSA1, KJZSA2 | E11.60 | 05 | F27A, F27B, F27C |
| | 18B | T64A, T64B | 11 | | L69A, L69B | 10 | | K01Z, K60A, K60B, K60C, K60D, K60E |
| | Pre | A09A, A09D, A11A, A11B, A11D, A13D | E10.30 | 02 | C66Z | E11.61 | | KJZSA1, KJZSA2 |
| E00.0 | 10 | K64A, K64B, K64C, K64D | E10.31 | | KJZSA1, KJZSA2 | 05 | | F27A, F27B, F27C |
| E00.1 | 10 | K64A, K64B, K64C, K64D | 02 | | C66Z | 10 | | K01Z, K60A, K60B, K60C, K60D, K60E |
| E00.2 | 10 | K64A, K64B, K64C, K64D | E10.40 | 01 | B71A, B71B, B71C, B71D | E11.72 | 05 | F27A, F27B, F27C |
| E00.9 | 10 | K64A, K64B, K64C, K64D | E10.41 | | KJZSA1, KJZSA2 | 10 | | K01Z, K60A, K60B, K60C, K60D, K60E |
| E01.0 | 10 | K64A, K64B, K64C, K64D | 01 | | B71A, B71B, B71C, B71D | Pre | | A60A |
| E01.1 | 10 | K64A, K64B, K64C, K64D | E10.50 | 05 | F27A, F27B, F27C, F65A, F65B | E11.73 | | KJZSA1, KJZSA2 |
| E01.2 | 10 | K64A, K64B, K64C, K64D | E10.51 | | KJZSA1, KJZSA2 | 05 | | F27A, F27B, F27C |
| E01.8 | 10 | K64A, K64B, K64C, K64D | E10.60 | 05 | F27A, F27B, F27C, F65A, F65B | 10 | | K01Z, K60A, K60B, K60C, K60D, K60E |
| E02 | 10 | K64A, K64B, K64C, K64D | 10 | | K01Z, K60A, K60B, K60C, K60D, K60E | E11.74 | | A60A |
| E03.0 | 10 | K64A, K64B, K64C, K64D | E10.61 | | KJZSA1, KJZSA2 | 05 | | F27A, F27B, F27C |
| E03.1 | 10 | K64A, K64B, K64C, K64D | 05 | | F27A, F27B, F27C | 10 | | K01Z, K60A, K60B, K60C, K60D, K60E |
| E03.2 | 10 | K64A, K64B, K64C, K64D | E10.72 | 05 | F27A, F27B, F27C | E11.75 | | KJZSA1, KJZSA2 |
| E03.3 | 10 | K64A, K64B, K64C, K64D | 10 | | K01Z, K60A, K60B, K60C, K60D, K60E | 05 | | F27A, F27B, F27C |
| E03.4 | 10 | K64A, K64B, K64C, K64D | E10.73 | | KJZSA1, KJZSA2 | 10 | | K01Z, K60A, K60B, K60C, K60D, K60E |
| E03.5 | 01 | B66A, B66B, B66C, B66D | 05 | | F27A, F27B, F27C | Pre | | A60A |
| | 15 | TPN, VTPN | E10.74 | | K01Z, K60A, K60B, K60C, K60D, K60E | E11.80 | 10 | K60A, K60B, K60C, K60D, K60E |
| E03.8 | 10 | K64A, K64B, K64C, K64D | 10 | | K01Z, K60A, K60B, K60C, K60D, K60E | E11.81 | | KJZSA1, KJZSA2 |
| E03.9 | 10 | K64A, K64B, K64C, K64D | Pre | | A60A | 10 | | K60A, K60B, K60C, K60D, K60E |
| E04.0 | 10 | K64A, K64B, K64C, K64D | E10.75 | | KJZSA1, KJZSA2 | E11.90 | 10 | K60A, K60B, K60C, K60D, K60E |
| E04.1 | 10 | K64A, K64B, K64C, K64D | 05 | | F27A, F27B, F27C | E11.91 | | KJZSA1, KJZSA2 |
| E04.2 | 10 | K64A, K64B, K64C, K64D | 10 | | K01Z, K60A, K60B, K60C, K60D, K60E | 10 | | K60A, K60B, K60C, K60D, K60E |
| E04.8 | 10 | K64A, K64B, K64C, K64D | Pre | | A60A | E12.01 | | KJZSA1, KJZSA2 |
| E04.9 | 10 | K64A, K64B, K64C, K64D | E10.80 | 10 | K60A, K60B, K60C, K60D, K60E | 10 | | K60A, K60B, K60C, K60D, K60E |
| E05.0 | 10 | K64A, K64B, K64C, K64D | | | | E12.11 | | KJZSA1, KJZSA2 |
| | | | | | | 10 | | K60A, K60B, K60C, K60D, K60E |
| | | | | | | E12.20 | 11 | L68A, L68B, L74Z |

| ICD | MDC | DRG | ICD | MDC | DRG | ICD | MDC | DRG |
|--------|-----|------------------------------------|--------|-----|------------------------------------|--------|-----|--|
| E12.21 | | KJZSA1, KJZSA2 | E13.61 | | KJZSA1, KJZSA2 | E14.80 | 10 | K60A, K60B, K60C, K60D, K60E |
| | 11 | L68A, L68B, L74Z | | 05 | F27A, F27B, F27C | | | KJZSA1, KJZSA2 |
| E12.30 | 02 | C66Z | | 10 | K01Z, K60A, K60B, K60C, K60D, K60E | E14.81 | | K60A, K60B, K60C, K60D, K60E |
| E12.31 | | KJZSA1, KJZSA2 | E13.72 | 05 | F27A, F27B, F27C | | 10 | K60A, K60B, K60C, K60D, K60E |
| | 02 | C66Z | | 10 | K01Z, K60A, K60B, K60C, K60D, K60E | E14.90 | 10 | K60A, K60B, K60C, K60D, K60E |
| E12.40 | 01 | B71A, B71B, B71C, B71D | | | KJZSA1, KJZSA2 | E14.91 | | KJZSA1, KJZSA2 |
| E12.41 | | KJZSA1, KJZSA2 | E13.73 | | F27A, F27B, F27C | | 10 | K60A, K60B, K60C, K60D, K60E |
| | 01 | B71A, B71B, B71C, B71D | | 05 | F27A, F27B, F27C | | | K60A, K60B, K60C, K60D, K60E |
| E12.50 | 05 | F27A, F27B, F27C, F65A, F65B | | 10 | K01Z, K60A, K60B, K60C, K60D, K60E | E15 | 10 | K62A, K62B |
| E12.51 | | KJZSA1, KJZSA2 | E13.74 | 05 | F27A, F27B, F27C | | 15 | TPN, VTPN |
| | 05 | F27A, F27B, F27C, F65A, F65B | | 10 | K01Z, K60A, K60B, K60C, K60D, K60E | E16.0 | 10 | K64A, K64B, K64C, K64D |
| E12.60 | 05 | F27A, F27B, F27C | | | KJZSA1, KJZSA2 | E16.1 | 10 | K64A, K64B, K64C, K64D |
| | 10 | K01Z, K60A, K60B, K60C, K60D, K60E | E13.75 | | F27A, F27B, F27C | E16.2 | 10 | K62A, K62B |
| E12.61 | | KJZSA1, KJZSA2 | | 05 | F27A, F27B, F27C | E16.3 | 10 | K64A, K64B, K64C, K64D |
| | 05 | F27A, F27B, F27C | | 10 | K01Z, K60A, K60B, K60C, K60D, K60E | E16.4 | 06 | G40Z, G46A, G46B, G46C, G47Z, G67A, G67B, G67C, G67D, G73Z |
| | 10 | K01Z, K60A, K60B, K60C, K60D, K60E | E13.80 | 10 | K60A, K60B, K60C, K60D, K60E | E16.8 | 10 | K64A, K64B, K64C, K64D |
| E12.72 | 05 | F27A, F27B, F27C | | | KJZSA1, KJZSA2 | E16.9 | 10 | K64A, K64B, K64C, K64D |
| | 10 | K01Z, K60A, K60B, K60C, K60D, K60E | E13.81 | | K60A, K60B, K60C, K60D, K60E | E20.0 | 10 | K64A, K64B, K64C, K64D |
| E12.73 | | KJZSA1, KJZSA2 | | 10 | K60A, K60B, K60C, K60D, K60E | E20.1 | 10 | K62A, K62B |
| | 05 | F27A, F27B, F27C | | | KJZSA1, KJZSA2 | | 22 | Y02A, Y02B |
| | 10 | K01Z, K60A, K60B, K60C, K60D, K60E | E13.91 | | K60A, K60B, K60C, K60D, K60E | E20.8 | 10 | K64A, K64B, K64C, K64D |
| E12.74 | 05 | F27A, F27B, F27C | | 10 | K60A, K60B, K60C, K60D, K60E | E20.9 | 10 | K64A, K64B, K64C, K64D |
| | 10 | K01Z, K60A, K60B, K60C, K60D, K60E | E14.01 | | KJZSA1, KJZSA2 | | 15 | TPN, VTPN |
| E12.75 | | KJZSA1, KJZSA2 | | 10 | K60A, K60B, K60C, K60D, K60E | E21.0 | 05 | F67B |
| | 05 | F27A, F27B, F27C | E14.11 | | KJZSA1, KJZSA2 | | 10 | K64A, K64B, K64C, K64D |
| | 10 | K01Z, K60A, K60B, K60C, K60D, K60E | | 10 | K60A, K60B, K60C, K60D, K60E | E21.1 | 10 | K64A, K64B, K64C, K64D |
| E12.80 | 10 | K60A, K60B, K60C, K60D, K60E | E14.20 | 11 | L69A, L69B | E21.2 | 10 | K64A, K64B, K64C, K64D |
| E12.81 | | KJZSA1, KJZSA2 | E14.21 | | KJZSA1, KJZSA2 | E21.3 | 10 | K64A, K64B, K64C, K64D |
| | 10 | K60A, K60B, K60C, K60D, K60E | | 11 | L69A, L69B | E21.4 | 10 | K64A, K64B, K64C, K64D |
| E12.90 | 10 | K60A, K60B, K60C, K60D, K60E | E14.30 | 02 | C66Z | E21.5 | 10 | K64A, K64B, K64C, K64D |
| E12.91 | | KJZSA1, KJZSA2 | E14.31 | | KJZSA1, KJZSA2 | E22.0 | 10 | K64A, K64B, K64C, K64D |
| | 10 | K60A, K60B, K60C, K60D, K60E | | 02 | C66Z | E22.1 | 10 | K64A, K64B, K64C, K64D |
| E13.01 | | KJZSA1, KJZSA2 | E14.40 | 01 | B71A, B71B, B71C, B71D | E22.2 | 10 | K64A, K64B, K64C, K64D |
| | 10 | K60A, K60B, K60C, K60D, K60E | E14.41 | | KJZSA1, KJZSA2 | E22.8 | 10 | K64A, K64B, K64C, K64D |
| E13.11 | | KJZSA1, KJZSA2 | | 01 | B71A, B71B, B71C, B71D | E22.9 | 10 | K64A, K64B, K64C, K64D |
| | 10 | K60A, K60B, K60C, K60D, K60E | E14.50 | 05 | F27A, F27B, F27C, F65A, F65B | E23.0 | 10 | K64A, K64B, K64C, K64D |
| E13.20 | 11 | L69A, L69B | | | KJZSA1, KJZSA2 | E23.1 | 10 | K64A, K64B, K64C, K64D |
| E13.21 | | KJZSA1, KJZSA2 | E14.51 | | F27A, F27B, F27C, F65A, F65B | E23.2 | 10 | K64A, K64B, K64C, K64D |
| | 11 | L69A, L69B | | 05 | F27A, F27B, F27C, F65A, F65B | | 15 | TPN, VTPN |
| E13.30 | 02 | C66Z | E14.60 | 05 | F27A, F27B, F27C | E23.3 | 10 | K64A, K64B, K64C, K64D |
| E13.31 | | KJZSA1, KJZSA2 | | 10 | K01Z, K60A, K60B, K60C, K60D, K60E | E23.6 | 10 | K64A, K64B, K64C, K64D |
| | 02 | C66Z | E14.61 | | KJZSA1, KJZSA2 | E23.7 | 10 | K64A, K64B, K64C, K64D |
| E13.40 | 01 | B71A, B71B, B71C, B71D | | 05 | F27A, F27B, F27C | E24.0 | 10 | K64A, K64B, K64C |
| E13.41 | | KJZSA1, KJZSA2 | | 10 | K01Z, K60A, K60B, K60C, K60D, K60E | E24.1 | 10 | K64A, K64B, K64C, K64D |
| | 01 | B71A, B71B, B71C, B71D | E14.72 | 05 | F27A, F27B, F27C | E24.2 | 10 | K64A, K64B, K64C, K64D |
| E13.50 | 05 | F27A, F27B, F27C, F65A, F65B | | 10 | K01Z, K60A, K60B, K60C, K60D, K60E | E24.3 | 10 | K64A, K64B, K64C, K64D |
| E13.51 | | KJZSA1, KJZSA2 | E14.73 | | KJZSA1, KJZSA2 | E24.4 | 10 | K64A, K64B, K64C, K64D |
| | 05 | F27A, F27B, F27C, F65A, F65B | | 05 | F27A, F27B, F27C | E24.8 | 10 | K64A, K64B, K64C, K64D |
| E13.60 | 05 | F27A, F27B, F27C | | 10 | K01Z, K60A, K60B, K60C, K60D, K60E | E24.9 | 10 | K64A, K64B, K64C, K64D |
| | 10 | K01Z, K60A, K60B, K60C, K60D, K60E | E14.74 | 05 | F27A, F27B, F27C | E25.00 | 10 | K64A, K64B, K64C, K64D |
| | | | | 10 | K01Z, K60A, K60B, K60C, K60D, K60E | | 15 | TPN, VTPN |
| | | | E14.75 | | KJZSA1, KJZSA2 | E25.01 | 10 | K64A, K64B, K64C, K64D |
| | | | | 05 | F27A, F27B, F27C | | 15 | TPN, VTPN |
| | | | | 10 | K01Z, K60A, K60B, K60C, K60D, K60E | E25.08 | 10 | K64A, K64B, K64C, K64D |
| | | | | | | | 15 | TPN, VTPN |
| | | | | | | E25.09 | 10 | K64A, K64B, K64C, K64D |
| | | | | | | | 15 | TPN, VTPN |
| | | | | | | E25.8 | 10 | K64A, K64B, K64C, K64D |
| | | | | | | | 15 | TPN, VTPN |
| | | | | | | E25.9 | 10 | K64A, K64B, K64C, K64D |
| | | | | | | | 15 | TPN, VTPN |
| | | | | | | E26.0 | 05 | F67B |
| | | | | | | | 10 | K64A, K64B, K64C, K64D |

| ICD | MDC | DRG | ICD | MDC | DRG | ICD | MDC | DRG |
|--------|-----|--|-------|-----|------------------------|-------|-----|------------------------|
| E26.1 | 10 | K64A, K64B, K64C, K64D | E40 | 10 | K60A, K60B, K60C, K60D | E51.9 | 10 | K60A, K60B, K60C, K60D |
| E26.8 | 10 | K64A, K64B, K64C, K64D | | 18A | S65A, S65B | | 18A | S65A, S65B |
| E26.9 | 10 | K64A, K64B, K64C, K64D | | 22 | Y02A, Y02B | | 22 | Y02A, Y02B |
| E27.0 | 10 | K64A, K64B, K64C, K64D | E41 | 10 | K60A, K60B, K60C, K60D | E52 | 10 | K62A, K62B |
| | 15 | TPN, VTPN | | 18A | S65A, S65B | | 18A | S65A, S65B |
| E27.1 | 10 | K64A, K64B, K64C, K64D | | 22 | Y02A, Y02B | | 22 | Y02A, Y02B |
| | 15 | TPN, VTPN | E42 | 10 | K60A, K60B, K60C, K60D | E53.0 | 10 | K62A, K62B |
| E27.2 | 10 | K64A, K64B, K64C | | 18A | S65A, S65B | | 18A | S65A, S65B |
| | 15 | TPN, VTPN | | 22 | Y02A, Y02B | | 22 | Y02A, Y02B |
| E27.3 | 10 | K64A, K64B, K64C, K64D | E43 | 10 | K60A, K60B, K60C, K60D | E53.1 | 10 | K62A, K62B |
| | 15 | TPN, VTPN | | 18A | S65A, S65B | | 18A | S65A, S65B |
| E27.4 | 10 | K64A, K64B, K64C, K64D | | 22 | Y02A, Y02B | | 22 | Y02A, Y02B |
| | 15 | TPN, VTPN | E44.0 | 10 | K60A, K60B, K60C, K60D | E53.8 | 10 | K62A, K62B |
| E27.5 | 10 | K64A, K64B, K64C, K64D | | 18A | S65A, S65B | | 18A | S65A, S65B |
| | 15 | TPN, VTPN | | 22 | Y02A, Y02B | | 22 | Y02A, Y02B |
| E27.8 | 10 | K64A, K64B, K64C, K64D | E44.1 | 10 | K60A, K60B, K60C, K60D | E53.9 | 10 | K62A, K62B |
| | 15 | TPN, VTPN | | 18A | S65A, S65B | | 18A | S65A, S65B |
| E27.9 | 10 | K64A, K64B, K64C, K64D | | 22 | Y02A, Y02B | | 22 | Y02A, Y02B |
| E28.0 | 13 | N04Z, N05A, N05B, N05J, N14Z, N21J, N21Z, N25J, N25Q, N25Z, N62A, N62B | E45 | 10 | K62A, K62B | E54 | 10 | K62A, K62B |
| | | | | 18A | S65A, S65B | | 18A | S65A, S65B |
| | | | | 22 | Y02A, Y02B | | 22 | Y02A, Y02B |
| E28.1 | 13 | N04Z, N05A, N05B, N05J, N14Z, N21J, N21Z, N25J, N25Q, N25Z, N62A, N62B | E46 | 10 | K60A, K60B, K60C, K60D | E55.0 | 08 | I69A, I69B |
| | | | | 15 | TPN, VTPN | | 18A | S65A, S65B |
| | | | | 18A | S65A, S65B | | 22 | Y02A, Y02B |
| | | | | 22 | Y02A, Y02B | E55.9 | 10 | K62A, K62B |
| E28.2 | 13 | N04Z, N05A, N05B, N05J, N14Z, N21J, N21Z, N25J, N25Q, N25Z, N62A, N62B | E50.0 | 02 | C63Z | | 18A | S65A, S65B |
| | | | | 18A | S65A, S65B | | 22 | Y02A, Y02B |
| | | | | 22 | Y02A, Y02B | E56.0 | 10 | K62A, K62B |
| E28.3 | 13 | N04Z, N05A, N05B, N05J, N14Z, N21J, N21Z, N25J, N25Q, N25Z, N62A, N62B | E50.1 | 02 | C63Z | | 18A | S65A, S65B |
| | | | | 18A | S65A, S65B | | 22 | Y02A, Y02B |
| | | | | 22 | Y02A, Y02B | E56.1 | 10 | K62A, K62B |
| E28.8 | 13 | N04Z, N05A, N05B, N05J, N14Z, N21J, N21Z, N25J, N25Q, N25Z, N62A, N62B | E50.2 | 02 | C63Z | | 18A | S65A, S65B |
| | | | | 18A | S65A, S65B | | 22 | Y02A, Y02B |
| | | | | 22 | Y02A, Y02B | E56.8 | 10 | K62A, K62B |
| E28.9 | 13 | N04Z, N05A, N05B, N05J, N14Z, N21J, N21Z, N25J, N25Q, N25Z, N62A, N62B | E50.3 | 02 | C63Z | | 15 | P65C, P66C, P67B, P67C |
| | | | | 18A | S65A, S65B | | 18A | S65A, S65B |
| | | | | 22 | Y02A, Y02B | | 22 | Y02A, Y02B |
| E29.0 | 10 | K64A, K64B, K64C, K64D | E50.4 | 02 | C63Z | E56.9 | 10 | K62A, K62B |
| | 15 | TPN, VTPN | | 18A | S65A, S65B | | 18A | S65A, S65B |
| E29.1 | 10 | K64A, K64B, K64C, K64D | | 22 | Y02A, Y02B | | 22 | Y02A, Y02B |
| E29.8 | 10 | K64A, K64B, K64C, K64D | E50.5 | 02 | C63Z | E58 | 10 | K62A, K62B |
| E29.9 | 10 | K64A, K64B, K64C, K64D | | 18A | S65A, S65B | | 18A | S65A, S65B |
| E30.0 | 10 | K64A, K64B, K64C, K64D | | 22 | Y02A, Y02B | | 22 | Y02A, Y02B |
| E30.1 | 10 | K64A, K64B, K64C, K64D | E50.6 | 02 | C63Z | E59 | 10 | K62A, K62B |
| E30.8 | 10 | K64A, K64B, K64C, K64D | | 18A | S65A, S65B | | 18A | S65A, S65B |
| E30.9 | 10 | K64A, K64B, K64C, K64D | | 22 | Y02A, Y02B | | 22 | Y02A, Y02B |
| E31.0 | 10 | K64A, K64B, K64C, K64D | E50.7 | 02 | C63Z | E60 | 10 | K62A, K62B |
| E31.1 | 10 | K64A, K64B, K64C, K64D | | 18A | S65A, S65B | | 18A | S65A, S65B |
| E31.8 | 10 | K64A, K64B, K64C, K64D | | 22 | Y02A, Y02B | | 22 | Y02A, Y02B |
| E31.9 | 10 | K64A, K64B, K64C, K64D | E50.8 | 10 | K62A, K62B | E61.0 | 10 | K62A, K62B |
| E32.0 | 16 | Q60A, Q60B, Q60C | | 18A | S65A, S65B | | 18A | S65A, S65B |
| E32.1 | 15 | TPN, VTPN | | 22 | Y02A, Y02B | | 22 | Y02A, Y02B |
| | 16 | Q60A, Q60B, Q60C | E50.9 | 10 | K62A, K62B | E61.1 | 10 | K62A, K62B |
| E32.8 | 16 | Q60A, Q60B, Q60C, Q60D, Q60E | | 18A | S65A, S65B | | 18A | S65A, S65B |
| | | | | 22 | Y02A, Y02B | | 22 | Y02A, Y02B |
| E32.9 | 16 | Q60A, Q60B, Q60C, Q60D, Q60E | E51.1 | 10 | K62A, K62B | E61.2 | 10 | K62A, K62B |
| | | | | 18A | S65A, S65B | | 18A | S65A, S65B |
| E34.0 | 10 | K64A, K64B, K64C, K64D | | 22 | Y02A, Y02B | | 22 | Y02A, Y02B |
| E34.1 | 10 | K64A, K64B, K64C, K64D | | Pre | A09D, A11D, A13D | E61.3 | 10 | K62A, K62B |
| E34.2 | 10 | K64A, K64B, K64C, K64D | E51.2 | 10 | K60A, K60B, K60C, K60D | | 18A | S65A, S65B |
| E34.3 | 10 | K64A, K64B, K64C, K64D | | 18A | S65A, S65B | | 22 | Y02A, Y02B |
| | 15 | TPN, VTPN | | 22 | Y02A, Y02B | E61.4 | 10 | K62A, K62B |
| E34.4 | 23 | Z64A, Z64B | | Pre | A09D, A11D, A13D | | 18A | S65A, S65B |
| E34.50 | 10 | K64A, K64B, K64C, K64D | E51.8 | 10 | K60A, K60B, K60C, K60D | | 22 | Y02A, Y02B |
| E34.51 | 10 | K64A, K64B, K64C, K64D | | 18A | S65A, S65B | E61.5 | 10 | K62A, K62B |
| E34.59 | 10 | K64A, K64B, K64C, K64D | | 22 | Y02A, Y02B | | 18A | S65A, S65B |
| E34.8 | 10 | K64A, K64B, K64C, K64D | | Pre | A09D, A11D, A13D | | 22 | Y02A, Y02B |
| E34.9 | 10 | K64A, K64B, K64C, K64D | | 18A | S65A, S65B | | 18A | S65A, S65B |
| E35.1 | 15 | TPN, VTPN | | 22 | Y02A, Y02B | | 22 | Y02A, Y02B |
| | | | | Pre | A09D, A11D, A13D | | | |

Dg

| ICD | MDC | DRG | ICD | MDC | DRG | ICD | MDC | DRG |
|--------|-----|------------------|-------|-----|--|-------|-----|--|
| E61.6 | 10 | K62A, K62B | E70.2 | 10 | K63A, K63C | E74.2 | 10 | K63A, K63B, K63C |
| | 18A | S65A, S65B | | 15 | TPN, VTPN | | 15 | TPN, VTPN |
| | 22 | Y02A, Y02B | | Pre | A09D, A11D, A13D | | Pre | A09D, A11D, A13D |
| E61.7 | 10 | K62A, K62B | E70.3 | 10 | K63A, K63B, K63C | E74.3 | 06 | G46A, G46B, G46C, G50Z, G67A, G67B, G67C, G67D |
| | 18A | S65A, S65B | | 15 | TPN, VTPN | | Pre | A09D, A11D, A13D |
| | 22 | Y02A, Y02B | | Pre | A09D, A11D, A13D | | 10 | K63A, K63B, K63C |
| E61.8 | 10 | K62A, K62B | E70.8 | 10 | K63A, K63B, K63C | E74.4 | 10 | K63A, K63B, K63C |
| | 18A | S65A, S65B | | 15 | TPN, VTPN | | Pre | A09D, A11D, A13D |
| | 22 | Y02A, Y02B | | Pre | A09D, A11D, A13D | E74.8 | 10 | K63A, K63B, K63C |
| E61.9 | 10 | K62A, K62B | E70.9 | 10 | K63A, K63B, K63C | | Pre | A09D, A11D, A13D |
| | 18A | S65A, S65B | | 15 | TPN, VTPN | E74.9 | 10 | K63A, K63B, K63C |
| | 22 | Y02A, Y02B | | Pre | A09D, A11D, A13D | | Pre | A09D, A11D, A13D |
| E63.0 | 10 | K62A, K62B | E71.0 | 10 | K63A, K63B, K63C | E75.0 | 01 | B48Z, B85A, B85B, B85C, B85D |
| | 18A | S65A, S65B | | 15 | TPN, VTPN | | Pre | A09D, A11D, A13D |
| | 22 | Y02A, Y02B | | Pre | A09D, A11D, A13D | E75.1 | 01 | B48Z, B85A, B85B, B85C, B85D |
| E63.1 | 10 | K62A, K62B | E71.1 | 10 | K63A, K63C | | Pre | A09D, A11D, A13D |
| | 18A | S65A, S65B | | 15 | TPN, VTPN | E75.2 | 01 | B17A, B48Z, B85A, B85B, B85C |
| | 22 | Y02A, Y02B | | Pre | A09D, A11D, A13D | | Pre | A09D, A11D, A13D |
| E63.8 | 10 | K62A, K62B | E71.2 | 10 | K63A, K63B, K63C | | 10 | K63A, K63B, K63C |
| | 18A | S65A, S65B | | 15 | TPN, VTPN | E75.3 | 10 | K63A, K63B, K63C |
| | 22 | Y02A, Y02B | | Pre | A09D, A11D, A13D | | Pre | A09D, A11D, A13D |
| E63.9 | 10 | K62A, K62B | E71.3 | 10 | K62A, K62B | E75.4 | 01 | B48Z, B85A, B85B, B85C, B85D |
| | 18A | S65A, S65B | | 15 | P65C, P66C, P67B, P67C | | Pre | A09D, A11D, A13D |
| | 22 | Y02A, Y02B | | Pre | A09D, A11D, A13D | E75.5 | 10 | K63A, K63B, K63C |
| E64.0 | 22 | Y02A, Y02B | E72.0 | 10 | K63A, K63B, K63C | | Pre | A09D, A11D, A13D |
| E64.1 | 22 | Y02A, Y02B | | 15 | TPN, VTPN | E75.6 | 10 | K63A, K63B, K63C |
| E64.2 | 22 | Y02A, Y02B | | Pre | A09D, A11D, A13D | | Pre | A09D, A11D, A13D |
| E64.3 | 22 | Y02A, Y02B | E72.1 | 10 | K63A, K63B, K63C | | 10 | K63A, K63B, K63C |
| E64.8 | 22 | Y02A, Y02B | | 15 | TPN, VTPN | E76.0 | 10 | K63A, K63B, K63C |
| E64.9 | 22 | Y02A, Y02B | | Pre | A09D, A11D, A13D | | 15 | TPN, VTPN |
| E65 | 10 | K62A, K62B | E72.2 | 10 | K63A, K63C | | Pre | A09D, A11D, A13D |
| E66.00 | 10 | K62A, K62B | | 15 | TPN, VTPN | E76.1 | 10 | K63A, K63B, K63C |
| E66.01 | 10 | K62A, K62B | | Pre | A09D, A11D, A13D | | 15 | TPN, VTPN |
| E66.02 | | KJZSA1, KJZSA2 | E72.3 | 10 | K63A, K63B, K63C | | Pre | A09D, A11D, A13D |
| | 10 | K62A, K62B | | 15 | TPN, VTPN | E76.2 | 10 | K63A, K63B, K63C |
| E66.09 | 10 | K62A, K62B | | Pre | A09D, A11D, A13D | | 15 | TPN, VTPN |
| E66.10 | 10 | K62A, K62B | E72.4 | 10 | K63A, K63B, K63C | | Pre | A09D, A11D, A13D |
| E66.11 | 10 | K62A, K62B | | 15 | TPN, VTPN | E76.3 | 10 | K63A, K63B, K63C |
| E66.12 | | KJZSA1, KJZSA2 | | Pre | A09D, A11D, A13D | | 15 | TPN, VTPN |
| | 10 | K62A, K62B | E72.5 | 10 | K63A, K63B, K63C | | Pre | A09D, A11D, A13D |
| E66.19 | 10 | K62A, K62B | | 15 | TPN, VTPN | E76.8 | 10 | K63A, K63B, K63C |
| E66.20 | 04 | E07Z, E63Z | | Pre | A09D, A11D, A13D | | 15 | TPN, VTPN |
| E66.21 | 04 | E07Z, E63Z | E72.8 | 10 | K63A, K63C | | Pre | A09D, A11D, A13D |
| E66.22 | | KJZSA1, KJZSA2 | | 15 | TPN, VTPN | E76.9 | 10 | K63A, K63B, K63C |
| | 04 | E07Z, E63Z | | Pre | A09D, A11D, A13D | | 15 | TPN, VTPN |
| E66.29 | 04 | E07Z, E63Z | E72.9 | 10 | K63A, K63B, K63C | | Pre | A09D, A11D, A13D |
| E66.80 | 10 | K62A, K62B | | 15 | TPN, VTPN | E77.0 | 10 | K63A, K63B, K63C |
| E66.81 | 10 | K62A, K62B | | Pre | A09D, A11D, A13D | | Pre | A09D, A11D, A13D |
| E66.82 | | KJZSA1, KJZSA2 | E73.0 | 06 | G46A, G46B, G46C, G50Z, G67A, G67B, G67C, G67D | | 10 | K63A, K63B, K63C |
| | 10 | K62A, K62B | | Pre | A09D, A11D, A13D | E77.1 | 10 | K63A, K63B, K63C |
| E66.89 | 10 | K62A, K62B | | 06 | G46A, G46B, G46C, G50Z, G67A, G67B, G67C, G67D | | Pre | A09D, A11D, A13D |
| E66.90 | 10 | K62A, K62B | E73.1 | 06 | G46A, G46B, G46C, G50Z, G67A, G67B, G67C, G67D | | 10 | K63A, K63B, K63C |
| E66.91 | 10 | K62A, K62B | | Pre | A09D, A11D, A13D | E77.8 | 10 | K63A, K63B, K63C |
| E66.92 | | KJZSA1, KJZSA2 | | 06 | G46A, G46B, G46C, G50Z, G67A, G67B, G67C, G67D | | Pre | A09D, A11D, A13D |
| | 10 | K62A, K62B | E73.8 | 06 | G46A, G46B, G46C, G50Z, G67A, G67B, G67C, G67D | | 10 | K63A, K63B, K63C |
| E66.99 | 10 | K62A, K62B | | Pre | A09D, A11D, A13D | E77.9 | 10 | K63A, K63B, K63C |
| E67.0 | 10 | K62A, K62B | | 06 | G46A, G46B, G46C, G50Z, G67A, G67B, G67C, G67D | | Pre | A09D, A11D, A13D |
| E67.1 | 10 | K62A, K62B | E73.9 | 06 | G46A, G46B, G46C, G50Z, G67A, G67B, G67C, G67D | | 10 | K63A, K63B, K63C |
| E67.2 | 10 | K62A, K62B | | Pre | A09D, A11D, A13D | E78.0 | 10 | K63A, K63B, K63C |
| E67.3 | 10 | K62A, K62B | | 10 | K63A, K63C | | 10 | K63A, K63B, K63C |
| E67.8 | 10 | K62A, K62B | E74.0 | 15 | TPN, VTPN | E78.1 | 10 | K63A, K63B, K63C |
| E70.0 | 10 | K63A, K63B, K63C | | Pre | A09D, A11D, A13D | E78.2 | 10 | K63A, K63B, K63C |
| | 15 | TPN, VTPN | | 06 | G46A, G46B, G46C, G50Z, G67A, G67B, G67C, G67D | E78.3 | 10 | K63A, K63B, K63C |
| | Pre | A09D, A11D, A13D | E74.1 | 06 | G46A, G46B, G46C, G50Z, G67A, G67B, G67C, G67D | E78.4 | 10 | K62A, K62B |
| E70.1 | 10 | K63A, K63B, K63C | | 15 | TPN, VTPN | E78.5 | 10 | K62A, K62B |
| | 15 | TPN, VTPN | | Pre | A09D, A11D, A13D | E78.6 | 10 | K63A, K63C |
| | Pre | A09D, A11D, A13D | | 06 | G46A, G46B, G46C, G50Z, G67A, G67B, G67C, G67D | | 15 | TPN, VTPN |
| | Pre | A09D, A11D, A13D | | 15 | TPN, VTPN | E78.8 | 10 | K63A, K63B, K63C |
| | Pre | A09D, A11D, A13D | | Pre | A09D, A11D, A13D | E78.9 | 10 | K63A, K63B, K63C |
| | | | | | | | 15 | TPN, VTPN |
| | | | | | | E79.0 | 10 | K63A, K63B, K63C |
| | | | | | | | 15 | TPN, VTPN |

| ICD | MDC | DRG | ICD | MDC | DRG | ICD | MDC | DRG |
|--------|-----|--|-------|-----|--|-------|-----|--|
| E79.1 | 10 | K63A, K63B, K63C | E85.2 | 08 | I66A, I66B, I66C | F01.0 | | KJZSD1, KJZSD2 |
| | 15 | TPN, VTPN | | Pre | A09D, A11D, A13D | | 01 | B63Z |
| E79.8 | 10 | K63A, K63B, K63C | E85.3 | 08 | I66A, I66B, I66C | | 14 | O01A, O01B, O01C, O01D, O01E, O01F, O01G, O60A, O60B, O60C |
| | 15 | TPN, VTPN | | Pre | A09D, A11D, A13D | F01.1 | | KJZSD1, KJZSD2 |
| E79.9 | 10 | K63A, K63B, K63C | E85.4 | 08 | I66A, I66B, I66C | | 01 | B63Z |
| | 15 | TPN, VTPN | E85.8 | 08 | I66A, I66B, I66C | | 14 | O01A, O01B, O01C, O01D, O01E, O01F, O01G, O60A, O60B, O60C |
| E80.0 | 10 | K63A, K63B, K63C | E85.9 | 08 | I66A, I66B, I66C | F01.2 | | KJZSD1, KJZSD2 |
| | 15 | TPN, VTPN | E86 | 10 | K62A, K62B | | 01 | B63Z |
| E80.1 | 10 | K63A, K63B, K63C | | 15 | P65C, P66C, P67B, P67C | | 14 | O01A, O01B, O01C, O01D, O01E, O01F, O01G, O60A, O60B, O60C |
| | 15 | TPN, VTPN | | 18A | S65A, S65B | F01.3 | | KJZSD1, KJZSD2 |
| E80.2 | 10 | K63A, K63B, K63C | | 22 | Y02A, Y02B | | 01 | B63Z |
| | 15 | TPN, VTPN | E87.0 | 10 | K62A, K62B | | 14 | O01A, O01B, O01C, O01D, O01E, O01F, O01G, O60A, O60B, O60C |
| E80.3 | 10 | K63A, K63B, K63C | | 22 | Y02A, Y02B | F01.8 | | KJZSD1, KJZSD2 |
| E80.4 | 07 | H63A, H63B, H63C, H78Z | E87.1 | 10 | K62A, K62B | | 01 | B63Z |
| E80.5 | 07 | H63A, H63B, H63C, H78Z | | 22 | Y02A, Y02B | | 14 | O01A, O01B, O01C, O01D, O01E, O01F, O01G, O60A, O60B, O60C |
| E80.6 | 07 | H63A, H63B, H63C, H78Z | E87.2 | 10 | K62A, K62B | F01.9 | | KJZSD1, KJZSD2 |
| | 15 | TPN, VTPN | | 15 | P65C, P66C, P67B, P67C | | 01 | B63Z |
| E80.7 | 07 | H63A, H63B, H63C, H78Z | | 22 | Y02A, Y02B | | 14 | O01A, O01B, O01C, O01D, O01E, O01F, O01G, O60A, O60B, O60C |
| E83.0 | 10 | K63A, K63B, K63C | E87.3 | 10 | K62A, K62B | F02.0 | | KJZSD1, KJZSD2 |
| | 15 | TPN, VTPN | | 22 | Y02A, Y02B | | 14 | O01A, O01B, O01C, O01D, O01E, O01F, O01G, O60A, O60B, O60C |
| E83.1 | 16 | Q61A, Q61B, Q61C, Q61D, Q61E | E87.4 | 10 | K62A, K62B | F02.1 | | KJZSD1, KJZSD2 |
| | | | | 22 | Y02A, Y02B | | 01 | B63Z |
| E83.2 | 10 | K63A, K63B, K63C | E87.5 | 10 | K62A, K62B | | 14 | O01A, O01B, O01C, O01D, O01E, O01F, O01G, O60A, O60B, O60C |
| E83.30 | 10 | K63A, K63B, K63C | | 22 | Y02A, Y02B | F02.2 | | KJZSD1, KJZSD2 |
| E83.31 | 10 | K63A, K63B, K63C | E87.6 | 10 | K62A, K62B | | 14 | O01A, O01B, O01C, O01D, O01E, O01F, O01G, O60A, O60B, O60C |
| E83.38 | 10 | K63A, K63B, K63C | | 22 | Y02A, Y02B | F02.3 | | KJZSD1, KJZSD2 |
| E83.39 | 10 | K63A, K63B, K63C | E87.7 | 22 | Y02A, Y02B | | 01 | B67A |
| E83.4 | 10 | K62A, K62B | E87.8 | 10 | K62A, K62B | | 14 | O01A, O01B, O01C, O01D, O01E, O01F, O01G, O60A, O60B, O60C |
| E83.50 | 10 | K62A, K62B | | 22 | Y02A, Y02B | F02.4 | | KJZSD1, KJZSD2 |
| | 11 | L09A, L38Z, L60A, L60B | E88.0 | 10 | K63A, K63B, K63C | | 14 | O01A, O01B, O01C, O01D, O01E, O01F, O01G, O60A, O60B, O60C |
| | 22 | Y02A, Y02B | E88.1 | 10 | K63A, K63B, K63C | | 15 | TPN, VTPN |
| E83.58 | 10 | K62A, K62B | | 15 | TPN, VTPN | F02.8 | | KJZSD1, KJZSD2 |
| | 22 | Y02A, Y02B | E88.2 | 10 | K63A, K63B, K63C | F03 | | KJZSD1, KJZSD2 |
| E83.59 | 10 | K62A, K62B | | 15 | P65C, P66C, P67B, P67C | | 01 | B20D, B63Z |
| | 22 | Y02A, Y02B | E88.3 | 10 | K63A, K63B, K63C | | 14 | O01A, O01B, O01C, O01D, O01E, O01F, O01G, O60A, O60B, O60C |
| E83.8 | 10 | K63A, K63B, K63C | E88.8 | 10 | K63A, K63B, K63C | F04 | | KJZSD1, KJZSD2 |
| E83.9 | 10 | K63A, K63B, K63C | E88.9 | 10 | K63A, K63B, K63C | | 01 | B63Z |
| E84.0 | 04 | E60A, E60B | | 18A | S65A, S65B | | 14 | O01A, O01B, O01C, O01D, O01E, O01F, O01G, O60A, O60B, O60C |
| | 15 | TPN, VTPN | E89.0 | 10 | K64A, K64B, K64C, K64D | F05.0 | | B64Z |
| | Pre | A09D, A11D, A13D | E89.1 | 10 | K62A, K62B | | 14 | O01A, O01B, O01C, O01D, O01E, O01F, O01G, O60A, O60B, O60C |
| E84.1 | 06 | G40Z, G46A, G46B, G46C, G47Z, G64A, G64B, G64C, G70A, G70B | E89.2 | 10 | K64A, K64B, K64C, K64D | | 14 | O01A, O01B, O01C, O01D, O01E, O01F, O01G, O60A, O60B, O60C |
| | 15 | TPN, VTPN | | 15 | TPN, VTPN | | 18A | S65A, S65B |
| | Pre | A09D, A11D, A13D | E89.3 | 10 | K64A, K64B, K64C, K64D | F04 | | KJZSD1, KJZSD2 |
| E84.2 | 04 | E60A, E60B | E89.4 | 13 | N04Z, N05A, N05B, N05J, N14Z, N21J, N21Z, N25J, N25Q, N25Z, N62A, N62B | | 01 | B63Z |
| | 15 | TPN, VTPN | | | | | 14 | O01A, O01B, O01C, O01D, O01E, O01F, O01G, O60A, O60B, O60C |
| | Pre | A09D, A11D, A13D | E89.5 | 10 | K64A, K64B, K64C, K64D | | 14 | O01A, O01B, O01C, O01D, O01E, O01F, O01G, O60A, O60B, O60C |
| E84.3 | 04 | E60A, E60B | E89.6 | 10 | K64A, K64B, K64C, K64D | | 15 | TPN, VTPN |
| | 15 | TPN, VTPN | | 15 | TPN, VTPN | F02.8 | | KJZSD1, KJZSD2 |
| | Pre | A09D, A11D, A13D | E89.8 | 10 | K64A, K64B, K64C, K64D | F03 | | KJZSD1, KJZSD2 |
| E84.4 | 04 | E60A, E60B | E89.9 | 10 | K64A, K64B, K64C, K64D | | 01 | B20D, B63Z |
| | 15 | TPN, VTPN | F00.0 | | KJZSD1, KJZSD2 | | 14 | O01A, O01B, O01C, O01D, O01E, O01F, O01G, O60A, O60B, O60C |
| | Pre | A09D, A11D, A13D | F00.1 | | KJZSD1, KJZSD2 | | 18A | S65A, S65B |
| E84.80 | 04 | E60A, E60B | F00.2 | | KJZSD1, KJZSD2 | F04 | | KJZSD1, KJZSD2 |
| | 15 | TPN, VTPN | | 14 | O01A, O01B, O01C, O01D, O01E, O01F, O01G, O60A, O60B, O60C | | 01 | B63Z |
| | Pre | A09D, A11D, A13D | F00.9 | | KJZSD1, KJZSD2 | | 14 | O01A, O01B, O01C, O01D, O01E, O01F, O01G, O60A, O60B, O60C |
| E84.87 | 04 | E60A, E60B | | 14 | O01A, O01B, O01C, O01D, O01E, O01F, O01G, O60A, O60B, O60C | | 01 | B64Z |
| | 15 | TPN, VTPN | | | | | 14 | O01A, O01B, O01C, O01D, O01E, O01F, O01G, O60A, O60B, O60C |
| | Pre | A09D, A11D, A13D | | | | | | |
| E84.88 | 04 | E60A, E60B | | | | | | |
| | 15 | TPN, VTPN | | | | | | |
| | Pre | A09D, A11D, A13D | | | | | | |
| E84.9 | 04 | E60A, E60B | | | | | | |
| | 15 | TPN, VTPN | | | | | | |
| E85.0 | 08 | I66A, I66B, I66C | | | | | | |
| | Pre | A09D, A11D, A13D | | | | | | |
| E85.1 | 08 | I66A, I66B, I66C | | | | | | |
| | Pre | A09D, A11D, A13D | | | | | | |

Dg

| ICD | MDC | DRG | ICD | MDC | DRG | ICD | MDC | DRG |
|-------|-----|--|-------|-----|--|-------|-----|--|
| F05.1 | 01 | B64Z | F10.1 | | KJZSA1, KJZSA2 | F11.8 | 14 | O01A, O01B, O01C, O01D, O01E, O01F, O01G, O60A, O60B, O60C |
| | 14 | O01A, O01B, O01C, O01D, O01E, O01F, O01G, O60A, O60B, O60C | | 14 | O01A, O01B, O01C, O01D, O01E, O01F, O01G, O60A, O60B, O60C | | 20 | V61Z |
| | 18A | S65A, S65B | | 20 | V60A, V60B, V60C | F11.9 | 14 | O01A, O01B, O01C, O01D, O01E, O01F, O01G, O60A, O60B, O60C |
| F05.8 | 01 | B64Z | F10.2 | | KJZSA1, KJZSA2 | | 20 | V61Z |
| | 14 | O01A, O01B, O01C, O01D, O01E, O01F, O01G, O60A, O60B, O60C | | 14 | O01A, O01B, O01C, O01D, O01E, O01F, O01G, O60A, O60B, O60C | F12.0 | 20 | V64Z |
| | 01 | B64Z | | 20 | V60A, V60B, V60C | F12.1 | 20 | V64Z |
| F05.9 | 14 | O01A, O01B, O01C, O01D, O01E, O01F, O01G, O60A, O60B, O60C | F10.3 | 14 | O01A, O01B, O01C, O01D, O01E, O01F, O01G, O60A, O60B, O60C | F12.2 | 20 | V64Z |
| | 01 | B64Z | | 20 | V60A, V60B | F12.3 | 14 | O01A, O01B, O01C, O01D, O01E, O01F, O01G, O60A, O60B, O60C |
| F06.0 | | KJZSD1 | F10.4 | 14 | O01A, O01B, O01C, O01D, O01E, O01F, O01G, O60A, O60B, O60C | | 20 | V61Z |
| | 01 | B64Z, B67A | | 20 | V60A, V60B | F12.4 | 14 | O01A, O01B, O01C, O01D, O01E, O01F, O01G, O60A, O60B, O60C |
| | 14 | O01A, O01B, O01C, O01D, O01E, O01F, O01G, O60A, O60B, O60C | F10.5 | 14 | O01A, O01B, O01C, O01D, O01E, O01F, O01G, O60A, O60B, O60C | | 20 | V61Z |
| F06.1 | | KJZSD1 | | 20 | V60A, V60B | F12.5 | 14 | O01A, O01B, O01C, O01D, O01E, O01F, O01G, O60A, O60B, O60C |
| | 01 | B64Z | F10.6 | 01 | B63Z | | 20 | V61Z |
| | 14 | O01A, O01B, O01C, O01D, O01E, O01F, O01G, O60A, O60B, O60C | | 14 | O01A, O01B, O01C, O01D, O01E, O01F, O01G, O60A, O60B, O60C | F12.6 | 14 | O01A, O01B, O01C, O01D, O01E, O01F, O01G, O60A, O60B, O60C |
| F06.2 | | KJZSD1 | | 20 | V60A | | 20 | V61Z |
| | 01 | B64Z, B67A | F10.7 | 14 | O01A, O01B, O01C, O01D, O01E, O01F, O01G, O60A, O60B, O60C | F12.7 | 14 | O01A, O01B, O01C, O01D, O01E, O01F, O01G, O60A, O60B, O60C |
| | 14 | O01A, O01B, O01C, O01D, O01E, O01F, O01G, O60A, O60B, O60C | | 20 | V60A, V60B | | 20 | V61Z |
| F06.3 | | KJZSD1 | F10.8 | 14 | O01A, O01B, O01C, O01D, O01E, O01F, O01G, O60A, O60B, O60C | F12.8 | 14 | O01A, O01B, O01C, O01D, O01E, O01F, O01G, O60A, O60B, O60C |
| | 01 | B64Z | | 20 | V60A, V60B, V60C | | 20 | V61Z |
| | 14 | O01A, O01B, O01C, O01D, O01E, O01F, O01G, O60A, O60B, O60C | F10.9 | 14 | O01A, O01B, O01C, O01D, O01E, O01F, O01G, O60A, O60B, O60C | F12.9 | 14 | O01A, O01B, O01C, O01D, O01E, O01F, O01G, O60A, O60B, O60C |
| F06.4 | | KJZSD1 | | 20 | V60A, V60B, V60C | | 20 | V61Z |
| | 01 | B64Z | F11.0 | 14 | O01A, O01B, O01C, O01D, O01E, O01F, O01G, O60A, O60B, O60C | F13.0 | 14 | O01A, O01B, O01C, O01D, O01E, O01F, O01G, O60A, O60B, O60C |
| | 14 | O01A, O01B, O01C, O01D, O01E, O01F, O01G, O60A, O60B, O60C | | 20 | V63Z | | 20 | V64Z |
| F06.5 | | KJZSD1 | F11.1 | 14 | O01A, O01B, O01C, O01D, O01E, O01F, O01G, O60A, O60B, O60C | F13.1 | 14 | O01A, O01B, O01C, O01D, O01E, O01F, O01G, O60A, O60B, O60C |
| | 01 | B64Z | | 20 | V63Z | | 20 | V64Z |
| | 14 | O01A, O01B, O01C, O01D, O01E, O01F, O01G, O60A, O60B, O60C | F11.2 | 14 | O01A, O01B, O01C, O01D, O01E, O01F, O01G, O60A, O60B, O60C | F13.2 | 14 | O01A, O01B, O01C, O01D, O01E, O01F, O01G, O60A, O60B, O60C |
| F06.6 | | KJZSD1 | | 20 | V63Z | | 20 | V64Z |
| | 01 | B64Z | F11.3 | 14 | O01A, O01B, O01C, O01D, O01E, O01F, O01G, O60A, O60B, O60C | F13.3 | 14 | O01A, O01B, O01C, O01D, O01E, O01F, O01G, O60A, O60B, O60C |
| | 14 | O01A, O01B, O01C, O01D, O01E, O01F, O01G, O60A, O60B, O60C | | 20 | V61Z | | 20 | V61Z |
| F06.7 | | KJZSD1 | F11.4 | 14 | O01A, O01B, O01C, O01D, O01E, O01F, O01G, O60A, O60B, O60C | F13.4 | 14 | O01A, O01B, O01C, O01D, O01E, O01F, O01G, O60A, O60B, O60C |
| F06.8 | | KJZSD1 | | 20 | V61Z | | 20 | V61Z |
| | 01 | B63Z | F11.5 | 14 | O01A, O01B, O01C, O01D, O01E, O01F, O01G, O60A, O60B, O60C | F13.5 | 14 | O01A, O01B, O01C, O01D, O01E, O01F, O01G, O60A, O60B, O60C |
| | 18A | S65A, S65B | | 20 | V61Z | | 20 | V61Z |
| F06.9 | | KJZSD1 | F11.6 | 14 | O01A, O01B, O01C, O01D, O01E, O01F, O01G, O60A, O60B, O60C | F13.6 | 14 | O01A, O01B, O01C, O01D, O01E, O01F, O01G, O60A, O60B, O60C |
| | 01 | B63Z | | 20 | V61Z | | 20 | V61Z |
| | 18A | S65A, S65B | F11.7 | 14 | O01A, O01B, O01C, O01D, O01E, O01F, O01G, O60A, O60B, O60C | F13.7 | 14 | O01A, O01B, O01C, O01D, O01E, O01F, O01G, O60A, O60B, O60C |
| F07.0 | | KJZSD1 | | 20 | V61Z | | 20 | V61Z |
| | 01 | B63Z | | 14 | O01A, O01B, O01C, O01D, O01E, O01F, O01G, O60A, O60B, O60C | | 20 | V61Z |
| | 14 | O01A, O01B, O01C, O01D, O01E, O01F, O01G, O60A, O60B, O60C | | 20 | V61Z | | 20 | V61Z |
| F07.1 | | KJZSD1 | | 14 | O01A, O01B, O01C, O01D, O01E, O01F, O01G, O60A, O60B, O60C | | 20 | V61Z |
| | 01 | B63Z | | 20 | V61Z | | 20 | V61Z |
| F07.2 | | KJZSD1 | | 14 | O01A, O01B, O01C, O01D, O01E, O01F, O01G, O60A, O60B, O60C | | 20 | V61Z |
| | 01 | B76A, B76B, B76C, B76D, B76E | | 20 | V61Z | | 20 | V61Z |
| F07.8 | | KJZSD1 | | 14 | O01A, O01B, O01C, O01D, O01E, O01F, O01G, O60A, O60B, O60C | | 20 | V61Z |
| | 01 | B63Z | | 20 | V61Z | | 20 | V61Z |
| F07.9 | | KJZSD1 | | 14 | O01A, O01B, O01C, O01D, O01E, O01F, O01G, O60A, O60B, O60C | | 20 | V61Z |
| | 01 | B64Z | | 20 | V61Z | | 20 | V61Z |
| | 18A | S65A, S65B | | 14 | O01A, O01B, O01C, O01D, O01E, O01F, O01G, O60A, O60B, O60C | | 20 | V61Z |
| F09 | | KJZSD1 | | 20 | V61Z | | 20 | V61Z |
| | 01 | B63Z | | 14 | O01A, O01B, O01C, O01D, O01E, O01F, O01G, O60A, O60B, O60C | | 20 | V61Z |
| | 18A | S65A, S65B | | 20 | V61Z | | 20 | V61Z |
| F10.0 | | KJZSD1 | | 14 | O01A, O01B, O01C, O01D, O01E, O01F, O01G, O60A, O60B, O60C | | 20 | V61Z |
| | 14 | O01A, O01B, O01C, O01D, O01E, O01F, O01G, O60A, O60B, O60C | | 20 | V61Z | | 20 | V61Z |
| | 20 | V60A, V60B, V60C | | 20 | V61Z | | 20 | V61Z |

| ICD | MDC | DRG | ICD | MDC | DRG | ICD | MDC | DRG |
|-------|-----|--|-------|-----|--|-------|-----|--|
| F13.8 | 14 | O01A, O01B, O01C, O01D, O01E, O01F, O01G, O60A, O60B, O60C | F15.5 | 14 | O01A, O01B, O01C, O01D, O01E, O01F, O01G, O60A, O60B, O60C | F18.0 | 14 | O01A, O01B, O01C, O01D, O01E, O01F, O01G, O60A, O60B, O60C |
| | 20 | V61Z | | 20 | V61Z | | 20 | V64Z |
| F13.9 | 14 | O01A, O01B, O01C, O01D, O01E, O01F, O01G, O60A, O60B, O60C | F15.6 | 14 | O01A, O01B, O01C, O01D, O01E, O01F, O01G, O60A, O60B, O60C | F18.1 | 14 | O01A, O01B, O01C, O01D, O01E, O01F, O01G, O60A, O60B, O60C |
| | 20 | V61Z | | 20 | V61Z | | 20 | V64Z |
| F14.0 | 14 | O01A, O01B, O01C, O01D, O01E, O01F, O01G, O60A, O60B, O60C | F15.7 | 14 | O01A, O01B, O01C, O01D, O01E, O01F, O01G, O60A, O60B, O60C | F18.2 | 14 | O01A, O01B, O01C, O01D, O01E, O01F, O01G, O60A, O60B, O60C |
| | 20 | V64Z | | 20 | V61Z | | 20 | V64Z |
| F14.1 | 14 | O01A, O01B, O01C, O01D, O01E, O01F, O01G, O60A, O60B, O60C | F15.8 | 14 | O01A, O01B, O01C, O01D, O01E, O01F, O01G, O60A, O60B, O60C | F18.3 | 14 | O01A, O01B, O01C, O01D, O01E, O01F, O01G, O60A, O60B, O60C |
| | 20 | V64Z | | 20 | V61Z | | 20 | V61Z |
| F14.2 | 14 | O01A, O01B, O01C, O01D, O01E, O01F, O01G, O60A, O60B, O60C | F15.9 | 14 | O01A, O01B, O01C, O01D, O01E, O01F, O01G, O60A, O60B, O60C | F18.4 | 14 | O01A, O01B, O01C, O01D, O01E, O01F, O01G, O60A, O60B, O60C |
| | 20 | V64Z | | 20 | V61Z | | 20 | V61Z |
| F14.3 | 14 | O01A, O01B, O01C, O01D, O01E, O01F, O01G, O60A, O60B, O60C | F16.0 | 14 | O01A, O01B, O01C, O01D, O01E, O01F, O01G, O60A, O60B, O60C | F18.5 | 14 | O01A, O01B, O01C, O01D, O01E, O01F, O01G, O60A, O60B, O60C |
| | 20 | V61Z | | 20 | V64Z | | 20 | V61Z |
| F14.4 | 14 | O01A, O01B, O01C, O01D, O01E, O01F, O01G, O60A, O60B, O60C | F16.1 | 14 | O01A, O01B, O01C, O01D, O01E, O01F, O01G, O60A, O60B, O60C | F18.6 | 14 | O01A, O01B, O01C, O01D, O01E, O01F, O01G, O60A, O60B, O60C |
| | 20 | V61Z | | 20 | V64Z | | 20 | V61Z |
| F14.5 | 14 | O01A, O01B, O01C, O01D, O01E, O01F, O01G, O60A, O60B, O60C | F16.2 | 14 | O01A, O01B, O01C, O01D, O01E, O01F, O01G, O60A, O60B, O60C | F18.7 | 14 | O01A, O01B, O01C, O01D, O01E, O01F, O01G, O60A, O60B, O60C |
| | 20 | V61Z | | 20 | V64Z | | 20 | V61Z |
| F14.6 | 14 | O01A, O01B, O01C, O01D, O01E, O01F, O01G, O60A, O60B, O60C | F16.3 | 14 | O01A, O01B, O01C, O01D, O01E, O01F, O01G, O60A, O60B, O60C | F18.8 | 14 | O01A, O01B, O01C, O01D, O01E, O01F, O01G, O60A, O60B, O60C |
| | 20 | V61Z | | 20 | V61Z | | 20 | V61Z |
| F14.7 | 14 | O01A, O01B, O01C, O01D, O01E, O01F, O01G, O60A, O60B, O60C | F16.4 | 14 | O01A, O01B, O01C, O01D, O01E, O01F, O01G, O60A, O60B, O60C | F18.9 | 14 | O01A, O01B, O01C, O01D, O01E, O01F, O01G, O60A, O60B, O60C |
| | 20 | V61Z | | 20 | V61Z | | 20 | V61Z |
| F14.8 | 14 | O01A, O01B, O01C, O01D, O01E, O01F, O01G, O60A, O60B, O60C | F16.5 | 14 | O01A, O01B, O01C, O01D, O01E, O01F, O01G, O60A, O60B, O60C | F19.0 | 14 | O01A, O01B, O01C, O01D, O01E, O01F, O01G, O60A, O60B, O60C |
| | 20 | V61Z | | 20 | V61Z | | 20 | V64Z |
| F14.9 | 14 | O01A, O01B, O01C, O01D, O01E, O01F, O01G, O60A, O60B, O60C | F16.6 | 14 | O01A, O01B, O01C, O01D, O01E, O01F, O01G, O60A, O60B, O60C | F19.1 | 14 | O01A, O01B, O01C, O01D, O01E, O01F, O01G, O60A, O60B, O60C |
| | 20 | V61Z | | 20 | V61Z | | 20 | V64Z |
| F15.0 | 14 | O01A, O01B, O01C, O01D, O01E, O01F, O01G, O60A, O60B, O60C | F16.7 | 14 | O01A, O01B, O01C, O01D, O01E, O01F, O01G, O60A, O60B, O60C | F19.2 | 14 | O01A, O01B, O01C, O01D, O01E, O01F, O01G, O60A, O60B, O60C |
| | 20 | V64Z | | 20 | V61Z | | 20 | V64Z |
| F15.1 | 14 | O01A, O01B, O01C, O01D, O01E, O01F, O01G, O60A, O60B, O60C | F16.8 | 14 | O01A, O01B, O01C, O01D, O01E, O01F, O01G, O60A, O60B, O60C | F19.3 | 14 | O01A, O01B, O01C, O01D, O01E, O01F, O01G, O60A, O60B, O60C |
| | 20 | V64Z | | 20 | V61Z | | 15 | TPN, VTPN |
| F15.2 | 14 | O01A, O01B, O01C, O01D, O01E, O01F, O01G, O60A, O60B, O60C | F16.9 | 14 | O01A, O01B, O01C, O01D, O01E, O01F, O01G, O60A, O60B, O60C | F19.4 | 14 | O01A, O01B, O01C, O01D, O01E, O01F, O01G, O60A, O60B, O60C |
| | 20 | V64Z | | 20 | V61Z | | 20 | V61Z |
| F15.3 | 14 | O01A, O01B, O01C, O01D, O01E, O01F, O01G, O60A, O60B, O60C | F17.0 | 20 | V64Z | F19.5 | 14 | O01A, O01B, O01C, O01D, O01E, O01F, O01G, O60A, O60B, O60C |
| | 20 | V61Z | F17.1 | 20 | V64Z | | 20 | V61Z |
| F15.4 | 14 | O01A, O01B, O01C, O01D, O01E, O01F, O01G, O60A, O60B, O60C | F17.2 | 20 | V64Z | F19.6 | 14 | O01A, O01B, O01C, O01D, O01E, O01F, O01G, O60A, O60B, O60C |
| | 20 | V61Z | F17.3 | 20 | V61Z | | 20 | V61Z |
| | | | F17.4 | 20 | V61Z | | | |
| | | | F17.5 | 20 | V61Z | | | |
| | | | F17.6 | 20 | V61Z | | | |
| | | | F17.7 | 20 | V61Z | | | |
| | | | F17.8 | 20 | V61Z | | | |
| | | | F17.9 | 20 | V61Z | | | |

Dg

| ICD | MDC | DRG | ICD | MDC | DRG | ICD | MDC | DRG |
|-------|-----|--|-------|-----|--|--------|-----|--|
| F19.7 | 14 | 001A, 001B, 001C, 001D, 001E, 001F, 001G, 060A, 060B, 060C | F23.9 | 14 | 001A, 001B, 001C, 001D, 001E, 001F, 001G, 060A, 060B, 060C | F31.4 | 14 | 001A, 001B, 001C, 001D, 001E, 001F, 001G, 060A, 060B, 060C |
| | 20 | V61Z | | 19 | U61Z | | 19 | U63Z |
| F19.8 | 14 | 001A, 001B, 001C, 001D, 001E, 001F, 001G, 060A, 060B, 060C | F24 | 19 | U61Z | F31.5 | 14 | 001A, 001B, 001C, 001D, 001E, 001F, 001G, 060A, 060B, 060C |
| | 20 | V61Z | F25.0 | 14 | 001A, 001B, 001C, 001D, 001E, 001F, 001G, 060A, 060B, 060C | | 19 | U63Z |
| F19.9 | 14 | 001A, 001B, 001C, 001D, 001E, 001F, 001G, 060A, 060B, 060C | | 19 | U61Z | F31.6 | 14 | 001A, 001B, 001C, 001D, 001E, 001F, 001G, 060A, 060B, 060C |
| | 20 | V61Z | F25.1 | 14 | 001A, 001B, 001C, 001D, 001E, 001F, 001G, 060A, 060B, 060C | | 19 | U63Z |
| F20.0 | 14 | 001A, 001B, 001C, 001D, 001E, 001F, 001G, 060A, 060B, 060C | | 19 | U61Z | F31.7 | 19 | U63Z |
| | 19 | U61Z | F25.2 | 14 | 001A, 001B, 001C, 001D, 001E, 001F, 001G, 060A, 060B, 060C | F31.8 | 14 | 001A, 001B, 001C, 001D, 001E, 001F, 001G, 060A, 060B, 060C |
| F20.1 | 14 | 001A, 001B, 001C, 001D, 001E, 001F, 001G, 060A, 060B, 060C | | 19 | U61Z | | 19 | U63Z |
| | 19 | U61Z | F25.8 | 14 | 001A, 001B, 001C, 001D, 001E, 001F, 001G, 060A, 060B, 060C | F31.9 | 14 | 001A, 001B, 001C, 001D, 001E, 001F, 001G, 060A, 060B, 060C |
| F20.2 | 14 | 001A, 001B, 001C, 001D, 001E, 001F, 001G, 060A, 060B, 060C | | 19 | U61Z | | 19 | U63Z |
| | 19 | U61Z | F25.9 | 14 | 001A, 001B, 001C, 001D, 001E, 001F, 001G, 060A, 060B, 060C | F32.0 | 19 | U63Z |
| F20.3 | 14 | 001A, 001B, 001C, 001D, 001E, 001F, 001G, 060A, 060B, 060C | | 19 | U61Z | F32.1 | 19 | U63Z |
| | 19 | U61Z | F28 | 19 | U61Z | F32.2 | | KJZSD1, KJZSD2 |
| F20.4 | 19 | U64Z | F29 | 14 | 001A, 001B, 001C, 001D, 001E, 001F, 001G, 060A, 060B, 060C | | 14 | 001A, 001B, 001C, 001D, 001E, 001F, 001G, 060A, 060B, 060C |
| F20.5 | 14 | 001A, 001B, 001C, 001D, 001E, 001F, 001G, 060A, 060B, 060C | | 18A | S65A, S65B | | 19 | U63Z |
| | 19 | U61Z | | 19 | U61Z | F32.3 | | KJZSD1, KJZSD2 |
| F20.6 | 14 | 001A, 001B, 001C, 001D, 001E, 001F, 001G, 060A, 060B, 060C | F30.0 | 14 | 001A, 001B, 001C, 001D, 001E, 001F, 001G, 060A, 060B, 060C | | 14 | 001A, 001B, 001C, 001D, 001E, 001F, 001G, 060A, 060B, 060C |
| | 19 | U61Z | | 18A | S65A, S65B | | 19 | U63Z |
| F20.8 | 14 | 001A, 001B, 001C, 001D, 001E, 001F, 001G, 060A, 060B, 060C | | 19 | U63Z | F32.8 | 19 | U63Z |
| | 19 | U61Z | F30.1 | 14 | 001A, 001B, 001C, 001D, 001E, 001F, 001G, 060A, 060B, 060C | F32.9 | 19 | U64Z |
| F20.9 | 14 | 001A, 001B, 001C, 001D, 001E, 001F, 001G, 060A, 060B, 060C | | 18A | S65A, S65B | F33.0 | 19 | U63Z |
| | 19 | U61Z | | 19 | U63Z | F33.1 | 19 | U63Z |
| F21 | 19 | U61Z | F30.2 | 14 | 001A, 001B, 001C, 001D, 001E, 001F, 001G, 060A, 060B, 060C | F33.2 | 14 | 001A, 001B, 001C, 001D, 001E, 001F, 001G, 060A, 060B, 060C |
| F22.0 | 19 | U61Z | | 18A | S65A, S65B | | 19 | U63Z |
| F22.8 | 19 | U61Z | | 19 | U63Z | F33.3 | 14 | 001A, 001B, 001C, 001D, 001E, 001F, 001G, 060A, 060B, 060C |
| F22.9 | 19 | U61Z | | 19 | U63Z | | 19 | U63Z |
| F23.0 | 14 | 001A, 001B, 001C, 001D, 001E, 001F, 001G, 060A, 060B, 060C | | 14 | 001A, 001B, 001C, 001D, 001E, 001F, 001G, 060A, 060B, 060C | F33.4 | 19 | U63Z |
| | 19 | U61Z | F30.8 | 14 | 001A, 001B, 001C, 001D, 001E, 001F, 001G, 060A, 060B, 060C | F33.8 | 14 | 001A, 001B, 001C, 001D, 001E, 001F, 001G, 060A, 060B, 060C |
| F23.1 | 14 | 001A, 001B, 001C, 001D, 001E, 001F, 001G, 060A, 060B, 060C | | 19 | U63Z | | 19 | U63Z |
| | 19 | U61Z | | 18A | S65A, S65B | F34.0 | 19 | U64Z |
| F23.2 | 14 | 001A, 001B, 001C, 001D, 001E, 001F, 001G, 060A, 060B, 060C | | 19 | U63Z | F34.1 | 19 | U64Z |
| | 19 | U61Z | F31.0 | 14 | 001A, 001B, 001C, 001D, 001E, 001F, 001G, 060A, 060B, 060C | F34.8 | 19 | U63Z |
| F23.3 | 14 | 001A, 001B, 001C, 001D, 001E, 001F, 001G, 060A, 060B, 060C | | 19 | U63Z | F34.9 | 19 | U63Z |
| | 19 | U61Z | | 14 | 001A, 001B, 001C, 001D, 001E, 001F, 001G, 060A, 060B, 060C | F38.0 | 19 | U63Z |
| F23.8 | 14 | 001A, 001B, 001C, 001D, 001E, 001F, 001G, 060A, 060B, 060C | | 14 | 001A, 001B, 001C, 001D, 001E, 001F, 001G, 060A, 060B, 060C | F38.1 | 19 | U63Z |
| | 19 | U61Z | F31.1 | 14 | 001A, 001B, 001C, 001D, 001E, 001F, 001G, 060A, 060B, 060C | F38.8 | 19 | U63Z |
| | 19 | U61Z | | 19 | U63Z | F39 | 19 | U63Z |
| | 19 | U61Z | F31.2 | 14 | 001A, 001B, 001C, 001D, 001E, 001F, 001G, 060A, 060B, 060C | F40.00 | 19 | U64Z |
| | 19 | U61Z | | 19 | U63Z | F40.01 | 19 | U64Z |
| | 19 | U61Z | F31.3 | 19 | U63Z | F40.1 | 19 | U64Z |
| | 19 | U61Z | | 19 | U63Z | F40.2 | 19 | U64Z |
| | 19 | U61Z | | 19 | U63Z | F40.8 | 19 | U64Z |
| | 19 | U61Z | | 19 | U63Z | F40.9 | 19 | U64Z |
| | 19 | U61Z | | 19 | U63Z | F41.0 | 19 | U64Z |
| | 19 | U61Z | | 19 | U63Z | F41.1 | 19 | U64Z |

| ICD | MDC | DRG | ICD | MDC | DRG | ICD | MDC | DRG |
|--------|-----|--|--------|-----|--|-------|-----|----------------|
| F41.2 | 19 | U64Z | F50.5 | 19 | U66Z | F63.9 | 19 | U66Z |
| F41.3 | 19 | U64Z | F50.8 | 14 | O01A, O01B, O01C, O01D, O01E, O01F, O01G, O60A, O60B, O60C | F64.0 | 19 | U01Z, U66Z |
| F41.8 | 19 | U64Z | | 19 | U66Z | F64.1 | 19 | U01Z, U66Z |
| F41.9 | 19 | U64Z | | 14 | O01A, O01B, O01C, O01D, O01E, O01F, O01G, O60A, O60B, O60C | F64.2 | 19 | U66Z |
| F42.0 | 19 | U66Z | F50.9 | 14 | O01A, O01B, O01C, O01D, O01E, O01F, O01G, O60A, O60B, O60C | F64.8 | 19 | U01Z, U66Z |
| F42.1 | 19 | U66Z | | 19 | U66Z | F64.9 | 19 | U01Z, U66Z |
| F42.2 | 19 | U66Z | F51.0 | 19 | U64Z | F65.0 | 19 | U66Z |
| F42.8 | 19 | U66Z | F51.1 | 19 | U64Z | F65.1 | 19 | U66Z |
| F42.9 | 19 | U66Z | F51.2 | 19 | U64Z | F65.2 | 19 | U66Z |
| F43.0 | | KJZSA1, KJZSA2 | F51.3 | 19 | U64Z | F65.3 | 19 | U66Z |
| | 19 | U66Z | F51.4 | 19 | U64Z | F65.4 | 19 | U66Z |
| F43.1 | 19 | U66Z | F51.5 | 19 | U64Z | F65.5 | 19 | U66Z |
| F43.2 | 19 | U66Z | F51.8 | 19 | U64Z | F65.6 | 19 | U66Z |
| F43.8 | 19 | U66Z | F51.9 | 19 | U64Z | F65.8 | 19 | U66Z |
| F43.9 | 19 | U66Z | F52.0 | 19 | U66Z | F65.9 | 19 | U66Z |
| F44.0 | 19 | U64Z | F52.1 | 19 | U66Z | F66.0 | 19 | U66Z |
| F44.1 | 19 | U64Z | F52.2 | 12 | M64Z | F66.1 | 19 | U66Z |
| F44.2 | 19 | U64Z | | 13 | N04Z, N05A, N05B, N05J, N14Z, N21J, N21Z, N25J, N25Q, N25Z, N62B | F66.2 | 19 | U66Z |
| F44.3 | 19 | U64Z | F52.3 | 19 | U66Z | F66.8 | 19 | U66Z |
| F44.4 | 15 | P65C, P66C, P67B, P67C | F52.4 | 19 | U66Z | F66.9 | 19 | U66Z |
| | 19 | U64Z | F52.5 | 13 | N04Z, N05A, N05B, N05J, N14Z, N21J, N21Z, N25J, N25Q, N25Z, N62B | F68.0 | 19 | U64Z |
| F44.5 | 19 | U64Z | | 19 | U66Z | F68.1 | 19 | U66Z |
| F44.6 | 19 | U64Z | F52.6 | 19 | U66Z | F68.8 | 19 | U66Z |
| F44.7 | 19 | U64Z | F52.7 | 19 | U66Z | F69 | 19 | U66Z |
| F44.80 | 19 | U64Z | F52.8 | 19 | U66Z | F70.0 | 01 | B81A, B81B |
| F44.81 | 19 | U64Z | F52.9 | 19 | U66Z | F70.1 | 01 | B81A, B81B |
| F44.82 | 19 | U64Z | F53.0 | 14 | O04A, O04B, O61Z | F70.8 | 01 | B81A, B81B |
| F44.88 | 19 | U64Z | F53.1 | 14 | O04A, O04B, O61Z | F70.9 | 01 | B81A, B81B |
| F44.9 | 19 | U64Z | F53.8 | 14 | O04A, O04B, O61Z | F71.0 | 01 | B81A, B81B |
| F45.0 | 19 | U64Z | F53.9 | 14 | O04A, O04B, O61Z | F71.1 | | KJZSD1, KJZSD2 |
| F45.1 | 19 | U64Z | F54 | 19 | U66Z | | 01 | B81A, B81B |
| F45.2 | 19 | U64Z | F55.0 | 20 | V64Z | F71.8 | | KJZSD1, KJZSD2 |
| F45.30 | 05 | F73Z | F55.1 | 20 | V64Z | | 01 | B81A, B81B |
| F45.31 | 19 | U64Z | F55.2 | 20 | V64Z | F71.9 | | KJZSD1, KJZSD2 |
| F45.32 | 19 | U64Z | F55.3 | 20 | V64Z | | 01 | B81A, B81B |
| F45.33 | 04 | E65A, E65B, E69A, E69B, E69C, E69D, E75A, E75B, E75C | F55.4 | 20 | V64Z | F72.0 | | KJZSD1, KJZSD2 |
| | | | F55.5 | 20 | V64Z | | 01 | B81A, B81B |
| F45.34 | 11 | L68A, L68B, L74Z | F55.6 | 20 | V64Z | F72.1 | | KJZSD1, KJZSD2 |
| F45.37 | 19 | U64Z | F55.8 | 20 | V64Z | | 01 | B81A, B81B |
| F45.38 | 19 | U64Z | F55.9 | 20 | V64Z | F72.8 | | KJZSD1, KJZSD2 |
| F45.39 | 19 | U64Z | F59 | 19 | U64Z | | 01 | B81A, B81B |
| F45.40 | 19 | U64Z | F60.0 | 19 | U66Z | F72.9 | | KJZSD1, KJZSD2 |
| F45.41 | 19 | U64Z | F60.1 | 19 | U66Z | | 01 | B81A, B81B |
| F45.8 | 19 | U64Z | F60.2 | 19 | U66Z | F73.0 | | KJZSD1, KJZSD2 |
| F45.9 | 19 | U64Z | F60.30 | 19 | U66Z | | 01 | B81A, B81B |
| F48.0 | 19 | U64Z | F60.31 | 19 | U66Z | F73.1 | | KJZSD1, KJZSD2 |
| F48.1 | 19 | U64Z | F60.4 | 19 | U66Z | | 01 | B81A, B81B |
| F48.8 | 19 | U64Z | F60.5 | 19 | U66Z | F73.8 | | KJZSD1, KJZSD2 |
| F48.9 | 19 | U64Z | F60.6 | 19 | U66Z | | 01 | B81A, B81B |
| F50.0 | 14 | O01A, O01B, O01C, O01D, O01E, O01F, O01G, O60A, O60B, O60C | F60.7 | 19 | U66Z | F73.9 | | KJZSD1, KJZSD2 |
| | 19 | U66Z | F60.8 | 19 | U66Z | | 01 | B81A, B81B |
| F50.1 | 14 | O01A, O01B, O01C, O01D, O01E, O01F, O01G, O60A, O60B, O60C | F60.9 | 19 | U66Z | F74.0 | 01 | B81A, B81B |
| | 19 | U66Z | F61 | 19 | U66Z | F74.1 | 01 | B81A, B81B |
| F50.2 | 14 | O01A, O01B, O01C, O01D, O01E, O01F, O01G, O60A, O60B, O60C | F62.0 | 19 | U66Z | F74.8 | 01 | B81A, B81B |
| | 19 | U66Z | F62.1 | 19 | U66Z | F74.9 | 01 | B81A, B81B |
| F50.3 | 14 | O01A, O01B, O01C, O01D, O01E, O01F, O01G, O60A, O60B, O60C | F62.80 | 19 | U66Z | F78.0 | | KJZSD1, KJZSD2 |
| | 19 | U66Z | F62.88 | 19 | U66Z | | 01 | B81A, B81B |
| F50.4 | 14 | O01A, O01B, O01C, O01D, O01E, O01F, O01G, O60A, O60B, O60C | F62.9 | 19 | U66Z | F78.1 | | KJZSD1, KJZSD2 |
| | 19 | U66Z | F63.0 | 19 | U66Z | | 01 | B81A, B81B |
| | 19 | U66Z | F63.1 | 19 | U66Z | F78.8 | | KJZSD1, KJZSD2 |
| | 19 | U66Z | F63.2 | 19 | U66Z | | 01 | B81A, B81B |
| | 19 | U66Z | F63.3 | 19 | U66Z | F78.9 | | KJZSD1, KJZSD2 |
| | 19 | U66Z | F63.8 | 19 | U66Z | | 01 | B81A, B81B |
| | 19 | U66Z | | | | F79.0 | | KJZSD1, KJZSD2 |
| | | | | | | | 01 | B81A, B81B |
| | | | | | | F79.1 | | KJZSD1, KJZSD2 |
| | | | | | | | 01 | B81A, B81B |
| | | | | | | F79.8 | | KJZSD1, KJZSD2 |
| | | | | | | | 01 | B81A, B81B |

| ICD | MDC | DRG | ICD | MDC | DRG | ICD | MDC | DRG |
|--------|-----|--|-------|-----|------------------|-------|-----|--|
| F79.9 | | KJZSD1, KJZSD2 | F90.8 | 19 | U66Z | G03.2 | 01 | B72A, B72B |
| | 01 | B81A, B81B | F90.9 | 19 | U66Z | | 15 | TPN, VTPN |
| F80.0 | 19 | U66Z | F91.0 | 19 | U66Z | | Pre | A09D, A11D, A13D |
| F80.1 | 19 | U66Z | F91.1 | 19 | U66Z | G03.8 | 01 | B72A, B72B |
| F80.20 | 19 | U66Z | F91.2 | 19 | U66Z | | 15 | TPN, VTPN |
| F80.28 | 19 | U66Z | F91.3 | 19 | U66Z | | Pre | A09D, A11D, A13D |
| F80.3 | 19 | U66Z | F91.8 | 19 | U66Z | G03.9 | 01 | B72A, B72B |
| F80.8 | 19 | U66Z | F91.9 | 19 | U66Z | | 15 | TPN, VTPN |
| F80.9 | 19 | U66Z | F92.0 | 19 | U66Z | | Pre | A09D, A11D, A13D |
| F81.0 | 19 | U66Z | F92.8 | 19 | U66Z | G04.0 | 01 | B72A, B72B |
| F81.1 | 19 | U66Z | F92.9 | 19 | U66Z | | Pre | A09D, A11D, A13D |
| F81.2 | 19 | U66Z | F93.0 | 19 | U66Z | G04.1 | 01 | B03Z, B48Z, B60A, B60B |
| F81.3 | 19 | U66Z | F93.1 | 19 | U66Z | | 04 | E40B, E69A |
| F81.8 | 19 | U66Z | F93.2 | 19 | U66Z | | 06 | G67C |
| F81.9 | 19 | U66Z | F93.3 | 19 | U66Z | | 08 | I06A, I08C, I09D, I10C, I13A, I13B, I68A, I68B, I69A, I69B |
| F82.0 | 15 | TPN, VTPN | F93.8 | 19 | U66Z | | 09 | J02A, J08A, J08B, J08C, J11A |
| | 19 | U66Z | F93.9 | 19 | U66Z | | 10 | K62A |
| F82.1 | 15 | TPN, VTPN | F94.0 | 19 | U66Z | | 11 | L18A, L18B, L20A, L20B, L20J, L20Q, L20R, L38Z, L42A, L74Z |
| | 19 | U66Z | F94.1 | 19 | U66Z | | 18B | T60B |
| F82.2 | 15 | TPN, VTPN | F94.2 | 19 | U66Z | | Pre | A09D, A11D, A13D |
| | 19 | U66Z | F94.8 | 19 | U66Z | G04.2 | 01 | B72A, B72B |
| F82.9 | 15 | TPN, VTPN | F94.9 | 19 | U66Z | | 18A | S65A, S65B |
| | 19 | U66Z | F95.0 | 01 | B81A, B81B | | Pre | A09D, A11D, A13D |
| F83 | 15 | TPN, VTPN | F95.1 | 01 | B81A, B81B | | 01 | B72A, B72B |
| | 19 | U66Z | F95.2 | 01 | B81A, B81B | | 18A | S65A, S65B |
| F84.0 | | KJZSD1, KJZSD2 | F95.8 | 01 | B81A, B81B | G04.8 | 01 | B72A, B72B |
| | 14 | O01A, O01B, O01C, O01D, O01E, O01F, O01G, O60A, O60B, O60C | F95.9 | 01 | B81A, B81B | | 18A | S65A, S65B |
| | 19 | U66Z | F98.0 | 19 | U66Z | | Pre | A09D, A11D, A13D |
| F84.1 | | KJZSD1, KJZSD2 | F98.1 | 19 | U66Z | G04.9 | 01 | B72A, B72B |
| | 14 | O01A, O01B, O01C, O01D, O01E, O01F, O01G, O60A, O60B, O60C | F98.2 | 19 | U66Z | | 18A | S65A, S65B |
| | 19 | U66Z | F98.3 | 19 | U66Z | | Pre | A09D, A11D, A13D |
| F84.2 | | KJZSD1, KJZSD2 | F98.4 | 19 | U66Z | G05.0 | 15 | TPN, VTPN |
| | 01 | B48Z, B85A, B85B, B85C, B85D | F98.5 | 01 | B81A, B81B | | Pre | A09D, A11D, A13D |
| | 14 | O01A, O01B, O01C, O01D, O01E, O01F, O01G, O60A, O60B, O60C | F98.6 | 01 | B81A, B81B | G05.1 | 15 | TPN, VTPN |
| F84.3 | | KJZSD1, KJZSD2 | F98.8 | 19 | U66Z | | Pre | A09D, A11D, A13D |
| | 14 | O01A, O01B, O01C, O01D, O01E, O01F, O01G, O60A, O60B, O60C | F98.9 | 19 | U66Z | G05.2 | 15 | TPN, VTPN |
| | 19 | U66Z | F99 | 19 | U64Z | | Pre | A09D, A11D, A13D |
| F84.4 | | KJZSD1, KJZSD2 | G00.0 | 01 | B72A, B72B | G05.8 | 15 | TPN, VTPN |
| | 14 | O01A, O01B, O01C, O01D, O01E, O01F, O01G, O60A, O60B, O60C | | 15 | TPN, VTPN | | Pre | A09D, A11D, A13D |
| | 19 | U66Z | | Pre | A09D, A11D, A13D | G06.0 | 01 | B02A, B02B, B02C, B02D, B20D, B72A, B72B |
| F84.5 | | KJZSD1, KJZSD2 | G00.1 | 01 | B72A, B72B | | 15 | TPN, VTPN |
| | 14 | O01A, O01B, O01C, O01D, O01E, O01F, O01G, O60A, O60B, O60C | | 15 | TPN, VTPN | | Pre | A09D, A11D, A13D |
| | 19 | U66Z | | Pre | A09D, A11D, A13D | G06.1 | 01 | B02A, B02B, B02C, B02D, B72A, B72B |
| F84.8 | | KJZSD1, KJZSD2 | G00.2 | 01 | B72A, B72B | | 15 | TPN, VTPN |
| | 14 | O01A, O01B, O01C, O01D, O01E, O01F, O01G, O60A, O60B, O60C | | 15 | TPN, VTPN | | Pre | A09D, A11D, A13D |
| | 19 | U66Z | | Pre | A09D, A11D, A13D | G06.2 | 01 | B72A, B72B |
| F84.9 | | KJZSD1, KJZSD2 | G00.3 | 01 | B72A, B72B | | 15 | TPN, VTPN |
| | 14 | O01A, O01B, O01C, O01D, O01E, O01F, O01G, O60A, O60B, O60C | | 15 | TPN, VTPN | | Pre | A09D, A11D, A13D |
| | 19 | U66Z | | Pre | A09D, A11D, A13D | G07 | 15 | TPN, VTPN |
| F88 | 19 | U66Z | G00.8 | 01 | B72A, B72B | | Pre | A09D, A11D, A13D |
| F89 | 19 | U66Z | | 15 | TPN, VTPN | G08 | 01 | B81A |
| F90.0 | 19 | U66Z | | 15 | TPN, VTPN | | 15 | TPN, VTPN |
| F90.1 | 19 | U66Z | | Pre | A09D, A11D, A13D | | Pre | A09D, A11D, A13D |
| | | | G01 | 15 | TPN, VTPN | G09 | Pre | A09D, A11D, A13D |
| | | | | Pre | A09D, A11D, A13D | G10 | 01 | B48Z, B85A, B85B, B85C, B85D |
| | | | G02.0 | 15 | TPN, VTPN | | Pre | A09D, A11D, A13D |
| | | | | Pre | A09D, A11D, A13D | G11.0 | 01 | B03Z, B17A, B17B, B17C, B17D, B17J, B48Z, B68A, B68B, B68C |
| | | | G02.1 | 15 | TPN, VTPN | | Pre | A09D, A11D, A13D |
| | | | | Pre | A09D, A11D, A13D | G11.1 | 01 | B03Z, B17A, B17B, B17C, B17D, B17J, B48Z, B68A, B68B, B68C |
| | | | G02.8 | 15 | TPN, VTPN | | Pre | A09D, A11D, A13D |
| | | | | Pre | A09D, A11D, A13D | | | |
| | | | G03.0 | 01 | B72A, B72B | | | |
| | | | | 15 | TPN, VTPN | | | |
| | | | | Pre | A09D, A11D, A13D | | | |
| | | | G03.1 | 01 | B72A, B72B | | | |
| | | | | 15 | TPN, VTPN | | | |
| | | | | Pre | A09D, A11D, A13D | | | |

| ICD | MDC | DRG | ICD | MDC | DRG | ICD | MDC | DRG |
|--------|-----|--|--------|------------------|--|------------------|--|--|
| G11.2 | 01 | B03Z, B17A, B17B, B17C, B17D, B17J, B48Z, B68A, B68B, B68C | G23.0 | 01 | B67A, B67B | G35.10 | 01 | B03Z, B17A, B17B, B17C, B17D, B17J, B48Z, B68A, B68B, B68C, B68D |
| | Pre | A09D, A11D, A13D | G23.1 | 01 | B03Z, B17A, B17B, B17C, B17D, B17J, B67A, B67B | 14 | 001A, 001B, 001C, 001D, 001E, 001F, 001G, 060A, 060B, 060C | |
| G11.3 | 01 | B03Z, B17A, B17B, B17C, B17D, B17J, B48Z, B68A, B68B, B68C | G23.2 | 01 | B17A, B48Z, B85A, B85B, B85C | Pre | A09D, A11D, A13D | |
| | Pre | A09D, A11D, A13D | Pre | A09D, A11D, A13D | G35.11 | 01 | B03Z, B17A, B17B, B17C, B17D, B17J, B48Z, B68A, B68B, B68C, B68D | |
| G11.4 | 01 | B03Z, B17A, B17B, B17C, B17D, B17J, B48Z, B68A, B68B, B68C | G23.8 | 01 | B67A, B67B | 14 | 001A, 001B, 001C, 001D, 001E, 001F, 001G, 060A, 060B, 060C | |
| | Pre | A09D, A11D, A13D | Pre | A09D, A11D, A13D | Pre | A09D, A11D, A13D | | |
| G11.8 | 01 | B03Z, B17A, B17B, B17C, B17D, B17J, B48Z, B68A, B68B, B68C | G24.0 | 01 | B48Z, B85A, B85B, B85C, B85D | G35.20 | 01 | B03Z, B17A, B17B, B17C, B17D, B17J, B48Z, B68A, B68B, B68C, B68D |
| | Pre | A09D, A11D, A13D | G24.1 | 01 | B48Z, B85A, B85B, B85C, B85D | 14 | 001A, 001B, 001C, 001D, 001E, 001F, 001G, 060A, 060B, 060C | |
| G11.9 | 01 | B03Z, B17A, B17B, B17C, B17D, B17J, B48Z, B68A, B68B, B68C | G24.2 | 01 | B48Z, B85A, B85B, B85C, B85D | Pre | A09D, A11D, A13D | |
| | Pre | A09D, A11D, A13D | G24.3 | 01 | B81A, B81B | G35.21 | 01 | B03Z, B17A, B17B, B17C, B17D, B17J, B48Z, B68A, B68B, B68C, B68D |
| G12.0 | 01 | B03Z, B17A, B17B, B17C, B17D, B17J, B48Z, B85A, B85B, B85C, B85D | G24.4 | 01 | B81A, B81B | 14 | 001A, 001B, 001C, 001D, 001E, 001F, 001G, 060A, 060B, 060C | |
| | 15 | TPN, VTPN | G24.5 | 02 | C61Z | Pre | A09D, A11D, A13D | |
| | Pre | A09D, A11D, A13D | G24.8 | 01 | B81A, B81B | G35.30 | 01 | B03Z, B17A, B17B, B17C, B17D, B17J, B48Z, B68A, B68B, B68C, B68D |
| G12.1 | 01 | B03Z, B17A, B17B, B17C, B17D, B17J, B48Z, B85A, B85B, B85C, B85D | G24.9 | 01 | B81A, B81B | 14 | 001A, 001B, 001C, 001D, 001E, 001F, 001G, 060A, 060B, 060C | |
| | 15 | TPN, VTPN | G25.0 | 01 | B81A, B81B | Pre | A09D, A11D, A13D | |
| | Pre | A09D, A11D, A13D | G25.1 | 01 | B81A, B81B | G35.31 | 01 | B03Z, B17A, B17B, B17C, B17D, B17J, B48Z, B68A, B68B, B68C, B68D |
| G12.2 | 01 | B03Z, B17A, B17B, B17C, B17D, B17J, B48Z, B85A, B85B, B85C, B85D | G25.2 | 01 | B81A, B81B | 14 | 001A, 001B, 001C, 001D, 001E, 001F, 001G, 060A, 060B, 060C | |
| | 15 | TPN, VTPN | G25.3 | 01 | B76A, B76B, B76C, B76D, B76E | Pre | A09D, A11D, A13D | |
| | Pre | A09D, A11D, A13D | G25.4 | 01 | B48Z, B85A, B85B, B85C, B85D | G35.33 | 01 | B03Z, B17A, B17B, B17C, B17D, B17J, B48Z, B68A, B68B, B68C, B68D |
| G12.8 | 01 | B03Z, B17A, B17B, B17C, B17D, B17J, B48Z, B85A, B85B, B85C, B85D | G25.5 | 01 | B48Z, B85A, B85B, B85C, B85D | 14 | 001A, 001B, 001C, 001D, 001E, 001F, 001G, 060A, 060B, 060C | |
| | 15 | TPN, VTPN | G25.6 | 01 | B81A, B81B | Pre | A09D, A11D, A13D | |
| | Pre | A09D, A11D, A13D | G25.80 | 01 | B03Z, B17A, B17B, B17C, B17D, B17J, B48Z, B85A, B85B, B85C, B85D | G35.35 | 01 | B03Z, B17A, B17B, B17C, B17D, B17J, B48Z, B68A, B68B, B68C, B68D |
| G12.9 | 01 | B03Z, B17A, B17B, B17C, B17D, B17J, B48Z, B85A, B85B, B85C, B85D | G25.81 | 01 | B03Z, B17A, B17B, B17C, B17D, B17J, B48Z, B85A, B85B, B85C, B85D | 14 | 001A, 001B, 001C, 001D, 001E, 001F, 001G, 060A, 060B, 060C | |
| | 15 | TPN, VTPN | G25.88 | 01 | B03Z, B17A, B17B, B17C, B17D, B17J, B48Z, B85A, B85B, B85C, B85D | Pre | A09D, A11D, A13D | |
| | Pre | A09D, A11D, A13D | G25.9 | 01 | B48Z, B85A, B85B, B85C, B85D | G35.9 | 01 | B03Z, B17A, B17B, B17C, B17D, B17J, B48Z, B68A, B68B, B68C, B68D |
| G13.0 | Pre | A09D, A11D, A13D | G30.0 | 01 | B63Z | 14 | 001A, 001B, 001C, 001D, 001E, 001F, 001G, 060A, 060B, 060C | |
| G13.1 | Pre | A09D, A11D, A13D | G30.1 | 01 | B63Z | Pre | A09D, A11D, A13D | |
| G13.2 | Pre | A09D, A11D, A13D | G30.8 | 01 | B63Z | G36.0 | 01 | B03Z, B17A, B17B, B17C, B17D, B17J, B48Z, B68A, B68B, B68C, B68D |
| G13.8 | Pre | A09D, A11D, A13D | G30.9 | 01 | B63Z | Pre | A09D, A11D, A13D | |
| G20.00 | 01 | B67A, B67B | G31.0 | 01 | B63Z | G36.1 | 01 | B03Z, B17A, B17B, B17C, B17D, B17J, B48Z, B68A, B68B, B68C, B68D |
| G20.01 | 01 | B67A, B67B | G31.2 | 01 | B48Z, B85A, B85B, B85C, B85D | Pre | A09D, A11D, A13D | |
| G20.10 | 01 | B67A, B67B | G31.81 | 01 | B17A, B48Z, B76D, B85A, B85B, B85C | G36.1 | 01 | B03Z, B17A, B17B, B17C, B17D, B17J, B48Z, B68A, B68B, B68C, B68D |
| | Pre | A09D, A11D, A13D | Pre | A09D, A11D, A13D | Pre | A09D, A11D, A13D | | |
| G20.11 | 01 | B67A, B67B | G31.82 | 01 | B17A, B48Z, B76D, B85A, B85B, B85C | G36.8 | 01 | B03Z, B17A, B17B, B17C, B17D, B17J, B48Z, B68A, B68B, B68C, B68D |
| | Pre | A09D, A11D, A13D | G31.88 | 01 | B17A, B48Z, B76D, B85A, B85B, B85C | Pre | A09D, A11D, A13D | |
| G20.20 | 01 | B67A | G31.9 | 01 | B48Z, B85A, B85B, B85C, B85D | G36.9 | 01 | B03Z, B17A, B17B, B17C, B17D, B17J, B48Z, B68A, B68B, B68C, B68D |
| | Pre | A09D, A11D, A13D | G35.0 | 01 | B03Z, B17A, B17B, B17C, B17D, B17J, B48Z, B68A, B68B, B68C, B68D | Pre | A09D, A11D, A13D | |
| G20.21 | 01 | B67A | | 14 | 001A, 001B, 001C, 001D, 001E, 001F, 001G, 060A, 060B, 060C | G37.0 | 01 | B03Z, B17A, B17B, B17C, B17D, B17J, B48Z, B68A, B68B, B68C |
| | Pre | A09D, A11D, A13D | | Pre | A09D, A11D, A13D | Pre | A09D, A11D, A13D | |
| G20.90 | 01 | B67A, B67B | | | | | | |
| G20.91 | 01 | B67A, B67B | | | | | | |
| G21.0 | 01 | B03Z, B17A, B17B, B17C, B17D, B17J, B67A, B67B | | | | | | |
| | Pre | A09D, A11D, A13D | | | | | | |
| G21.1 | 01 | B03Z, B17A, B17B, B17C, B17D, B17J, B67A, B67B | | | | | | |
| | Pre | A09D, A11D, A13D | | | | | | |
| G21.2 | 01 | B67A, B67B | | | | | | |
| | Pre | A09D, A11D, A13D | | | | | | |
| G21.3 | 01 | B67A, B67B | | | | | | |
| | Pre | A09D, A11D, A13D | | | | | | |
| G21.4 | 01 | B67A, B67B | | | | | | |
| G21.8 | 01 | B67A, B67B | | | | | | |
| G21.9 | 01 | B67A, B67B | | | | | | |

Dg

| ICD | MDC | DRG | ICD | MDC | DRG | ICD | MDC | DRG |
|--------|-----|--|-------|-----|--|--------|-----|--|
| G37.1 | 01 | B03Z, B17A, B17B, B17C, B17D, B17J, B48Z, B68A, B68B, B68C | G40.2 | 01 | B03Z, B17A, B17B, B17C, B17D, B17J, B70A, B70B, B70C, B70E, B76A, B76B, B76C, B76D, B76E | G41.1 | 01 | B03Z, B17A, B17B, B17C, B17D, B17J, B76A, B76B, B76C, B76D |
| | Pre | A09D, A11D, A13D | | 14 | O01A, O01B, O01C, O01D, O01E, O01F, O01G, O60A, O60B, O60C | | 14 | O01A, O01B, O01C, O01D, O01E, O01F, O01G, O60A, O60B, O60C |
| G37.2 | 01 | B03Z, B17A, B17B, B17C, B17D, B17J, B48Z, B68A, B68B, B68C | | Pre | A09D, A11D, A13D | | Pre | A09D, A11D, A13D |
| | Pre | A09D, A11D, A13D | G40.3 | 01 | B03Z, B17A, B17B, B17C, B17D, B17J, B70A, B70B, B70C, B70E, B76A, B76B, B76C, B76D, B76E | G41.2 | 01 | B03Z, B17A, B17B, B17C, B17D, B17J, B70A, B70B, B70C, B70E, B76A, B76B, B76C, B76D |
| G37.3 | 01 | B03Z, B17A, B17B, B17C, B17D, B17J, B48Z, B68A, B68B, B68C | | 14 | O01A, O01B, O01C, O01D, O01E, O01F, O01G, O60A, O60B, O60C | | 14 | O01A, O01B, O01C, O01D, O01E, O01F, O01G, O60A, O60B, O60C |
| | Pre | A09D, A11D, A13D | | Pre | A09D, A11D, A13D | | Pre | A09D, A11D, A13D |
| G37.4 | 01 | B03Z, B17A, B17B, B17C, B17D, B17J, B48Z, B68A, B68B, B68C | G40.4 | 01 | B03Z, B17A, B17B, B17C, B17D, B17J, B70A, B70B, B70C, B70E, B76A, B76B, B76C, B76D, B76E | G41.8 | 01 | B03Z, B17A, B17B, B17C, B17D, B17J, B76A, B76B, B76C, B76D |
| | Pre | A09D, A11D, A13D | | 14 | O01A, O01B, O01C, O01D, O01E, O01F, O01G, O60A, O60B, O60C | | 14 | O01A, O01B, O01C, O01D, O01E, O01F, O01G, O60A, O60B, O60C |
| G37.5 | 01 | B03Z, B17A, B17B, B17C, B17D, B17J, B48Z, B68A, B68B, B68C | | Pre | A09D, A11D, A13D | | Pre | A09D, A11D, A13D |
| | Pre | A09D, A11D, A13D | G40.5 | 01 | B03Z, B17A, B17B, B17C, B17D, B17J, B70A, B70B, B70C, B70E, B76A, B76B, B76C, B76D, B76E | G41.9 | 01 | B03Z, B17A, B17B, B17C, B17D, B17J, B76A, B76B, B76C, B76D |
| G37.8 | 01 | B03Z, B17A, B17B, B17C, B17D, B17J, B48Z, B68A, B68B, B68C | | 14 | O01A, O01B, O01C, O01D, O01E, O01F, O01G, O60A, O60B, O60C | | 14 | O01A, O01B, O01C, O01D, O01E, O01F, O01G, O60A, O60B, O60C |
| | Pre | A09D, A11D, A13D | | Pre | A09D, A11D, A13D | | 14 | O01A, O01B, O01C, O01D, O01E, O01F, O01G, O60A, O60B, O60C |
| G37.9 | 01 | B03Z, B17A, B17B, B17C, B17D, B17J, B48Z, B68A, B68B, B68C, B68D | G40.6 | 01 | B03Z, B17A, B17B, B17C, B17D, B17J, B70A, B70B, B70C, B70E, B76A, B76B, B76C, B76D, B76E | G43.0 | 01 | B03Z, B17A, B17B, B17C, B17D, B17J, B77Z |
| | 18A | S65A, S65B | | 14 | O01A, O01B, O01C, O01D, O01E, O01F, O01G, O60A, O60B, O60C | | 01 | B03Z, B17A, B17B, B17C, B17D, B17J, B77Z |
| | Pre | A09D, A11D, A13D | | Pre | A09D, A11D, A13D | G43.1 | 01 | B03Z, B17A, B17B, B17C, B17D, B17J, B77Z |
| G40.00 | 01 | B03Z, B17A, B17B, B17C, B17D, B17J, B76A, B76B, B76C, B76D, B76E | G40.7 | 01 | B03Z, B17A, B17B, B17C, B17D, B17J, B76A, B76B, B76C, B76D, B76E | G43.2 | 01 | B03Z, B17A, B17B, B17C, B17D, B17J, B77Z |
| | 14 | O01A, O01B, O01C, O01D, O01E, O01F, O01G, O60A, O60B, O60C | | 14 | O01A, O01B, O01C, O01D, O01E, O01F, O01G, O60A, O60B, O60C | G43.3 | 01 | B03Z, B17A, B17B, B17C, B17D, B17J, B77Z |
| | Pre | A09D, A11D, A13D | | Pre | A09D, A11D, A13D | G43.8 | 01 | B03Z, B17A, B17B, B17C, B17D, B17J, B77Z |
| G40.01 | 01 | B03Z, B17A, B17B, B17C, B17D, B17J, B76A, B76B, B76C, B76D, B76E | G40.8 | 01 | B03Z, B17A, B17B, B17C, B17D, B17J, B76A, B76B, B76C, B76D, B76E | G43.9 | 01 | B03Z, B17A, B17B, B17C, B17D, B17J, B77Z |
| | 14 | O01A, O01B, O01C, O01D, O01E, O01F, O01G, O60A, O60B, O60C | | 14 | O01A, O01B, O01C, O01D, O01E, O01F, O01G, O60A, O60B, O60C | G44.0 | 01 | B03Z, B17A, B17B, B17C, B17D, B17J, B77Z |
| | Pre | A09D, A11D, A13D | | Pre | A09D, A11D, A13D | G44.1 | 01 | B03Z, B17A, B17B, B17C, B17D, B17J, B77Z |
| G40.02 | 01 | B03Z, B17A, B17B, B17C, B17D, B17J, B76A, B76B, B76C, B76D, B76E | G40.9 | 01 | B03Z, B17A, B17B, B17C, B17D, B17J, B76A, B76B, B76C, B76D, B76E | G44.2 | 01 | B77Z |
| | 14 | O01A, O01B, O01C, O01D, O01E, O01F, O01G, O60A, O60B, O60C | | 14 | O01A, O01B, O01C, O01D, O01E, O01F, O01G, O60A, O60B, O60C | G44.3 | 01 | B77Z |
| | Pre | A09D, A11D, A13D | | Pre | A09D, A11D, A13D | G44.4 | 01 | B03Z, B17A, B17B, B17C, B17D, B17J, B77Z |
| G40.08 | 01 | B03Z, B17A, B17B, B17C, B17D, B17J, B76A, B76B, B76C, B76D, B76E | G41.0 | 01 | B03Z, B17A, B17B, B17C, B17D, B17J, B70A, B70B, B70C, B70E, B76A, B76B, B76C, B76D | G44.8 | 01 | B77Z |
| | 14 | O01A, O01B, O01C, O01D, O01E, O01F, O01G, O60A, O60B, O60C | | 14 | O01A, O01B, O01C, O01D, O01E, O01F, O01G, O60A, O60B, O60C | | 18A | S65A, S65B |
| | Pre | A09D, A11D, A13D | | Pre | A09D, A11D, A13D | G45.02 | 01 | KJZSA1, KJZSA2 |
| G40.09 | 01 | B03Z, B17A, B17B, B17C, B17D, B17J, B76A, B76B, B76C, B76D, B76E | | 14 | O01A, O01B, O01C, O01D, O01E, O01F, O01G, O60A, O60B, O60C | | 01 | B03Z, B17A, B17B, B17C, B17D, B17J, B39A, B39B, B39C, B69A, B69B, B69C, B69D |
| | 14 | O01A, O01B, O01C, O01D, O01E, O01F, O01G, O60A, O60B, O60C | | 14 | O01A, O01B, O01C, O01D, O01E, O01F, O01G, O60A, O60B, O60C | G45.03 | 01 | KJZSA1, KJZSA2 |
| | Pre | A09D, A11D, A13D | | Pre | A09D, A11D, A13D | | 01 | B03Z, B17A, B17B, B17C, B17D, B17J, B39A, B39B, B39C, B69A, B69B, B69C, B69D |
| G40.1 | 01 | B03Z, B17A, B17B, B17C, B17D, B17J, B76A, B76B, B76C, B76D, B76E | | 14 | O01A, O01B, O01C, O01D, O01E, O01F, O01G, O60A, O60B, O60C | G45.09 | 01 | KJZSA1, KJZSA2 |
| | 14 | O01A, O01B, O01C, O01D, O01E, O01F, O01G, O60A, O60B, O60C | | 14 | O01A, O01B, O01C, O01D, O01E, O01F, O01G, O60A, O60B, O60C | | 01 | B03Z, B17A, B17B, B17C, B17D, B17J, B39A, B39B, B39C, B69A, B69B, B69C, B69D |
| | 15 | TPN, VTPN | | Pre | A09D, A11D, A13D | G45.12 | 01 | KJZSA1, KJZSA2 |
| | Pre | A09D, A11D, A13D | | | | | 01 | B03Z, B17A, B17B, B17C, B17D, B17J, B39A, B39B, B39C, B69A, B69B, B69C, B69D |

| ICD | MDC | DRG | ICD | MDC | DRG | ICD | MDC | DRG |
|--------|-----|--|--------|-----|--|-------|-----|--|
| G45.13 | | KJZSA1, KJZSA2 | G45.99 | | KJZSA1, KJZSA2 | G52.9 | 01 | B03Z, B17A, B17B, B17C, B17D, B17J, B20D, B71A, B71B, B71C, B71D |
| | 01 | B03Z, B17A, B17B, B17C, B17D, B17J, B39A, B39B, B39C, B69A, B69B, B69C, B69D | | 01 | B03Z, B17A, B17B, B17C, B17D, B17J, B39A, B39B, B39C, B69A, B69B, B69C, B69D | G53.1 | 15 | TPN, VTPN |
| G45.19 | | KJZSA1, KJZSA2 | G47.0 | 19 | U64Z | G53.2 | 15 | TPN, VTPN |
| | 01 | B03Z, B17A, B17B, B17C, B17D, B17J, B39A, B39B, B39C, B69A, B69B, B69C, B69D | G47.1 | 19 | U64Z | G53.3 | 15 | TPN, VTPN |
| | | | G47.2 | 19 | U64Z | G54.0 | 01 | B03Z, B17A, B17B, B17C, B17D, B17J, B71A, B71B, B71C, B71D |
| G45.22 | | KJZSA1, KJZSA2 | G47.30 | 04 | E07Z, E63Z | | 15 | P65C, P66C, P67B, P67C |
| | 01 | B03Z, B17A, B17B, B17C, B17D, B17J, B39A, B39B, B39C, B69A, B69B, B69C, B69D | G47.31 | 04 | E07Z, E63Z | G54.1 | 01 | B03Z, B17A, B17B, B17C, B17D, B17J, B71A, B71B, B71C, B71D |
| | | | G47.32 | 04 | E07Z, E63Z | | 15 | TPN, VTPN |
| G45.23 | | KJZSA1, KJZSA2 | G47.33 | 04 | E07Z, E63Z | G54.2 | 01 | B03Z, B17A, B17B, B17C, B17D, B17J, B71A, B71B, B71C, B71D |
| | 01 | B03Z, B17A, B17B, B17C, B17D, B17J, B39A, B39B, B39C, B69A, B69B, B69C, B69D | G47.38 | 04 | E07Z, E63Z | | 15 | TPN, VTPN |
| | | | G47.39 | 04 | E07Z, E63Z | G54.3 | 01 | B03Z, B17A, B17B, B17C, B17D, B17J, B71A, B71B, B71C, B71D |
| | | | G47.4 | 01 | B03Z, B17A, B17B, B17C, B17D, B17J, B81A, B81B | G54.4 | 01 | B03Z, B17A, B17B, B17C, B17D, B17J, B71A, B71B, B71C, B71D |
| G45.29 | | KJZSA1, KJZSA2 | G47.8 | 19 | U64Z | G54.5 | 01 | B03Z, B17A, B17B, B17C, B17D, B17J, B71A, B71B, B71C, B71D |
| | 01 | B03Z, B17A, B17B, B17C, B17D, B17J, B39A, B39B, B39C, B69A, B69B, B69C, B69D | G47.9 | 19 | U64Z | G54.6 | 01 | B03Z, B17A, B17B, B17C, B17D, B17J, B20D, B71A, B71B, B71C, B71D |
| | | | G50.0 | 01 | B03Z, B17A, B17B, B17C, B17D, B17J, B20C, B20D, B71A, B71B, B71C, B71D | G54.7 | 01 | B03Z, B17A, B17B, B17C, B17D, B17J, B20D, B71A, B71B, B71C, B71D |
| G45.32 | | KJZSA1, KJZSA2 | G50.1 | 01 | B03Z, B17A, B17B, B17C, B17D, B17J, B20D, B71A, B71B, B71C, B71D | G54.8 | 01 | B03Z, B17A, B17B, B17C, B17D, B17J, B20D, B71A, B71B, B71C, B71D |
| | 02 | C61Z | G50.8 | 01 | B03Z, B17A, B17B, B17C, B17D, B17J, B20D, B71A, B71B, B71C, B71D | G54.9 | 01 | B03Z, B17A, B17B, B17C, B17D, B17J, B20D, B71A, B71B, B71C, B71D |
| G45.33 | | KJZSA1, KJZSA2 | G50.9 | 01 | B03Z, B17A, B17B, B17C, B17D, B17J, B20D, B71A, B71B, B71C, B71D | G55.1 | 15 | TPN, VTPN |
| | 02 | C61Z | G51.0 | 01 | B03Z, B17A, B17B, B17C, B17D, B17J, B20D, B71A, B71B, B71C, B71D | G55.2 | 15 | TPN, VTPN |
| G45.39 | | KJZSA1, KJZSA2 | G51.1 | 01 | B03Z, B17A, B17B, B17C, B17D, B17J, B20D, B71A, B71B, B71C, B71D | G56.0 | 01 | B03Z, B17A, B17B, B17C, B17D, B17J, B82Z |
| | 02 | C61Z | G51.2 | 01 | B03Z, B17A, B17B, B17C, B17D, B17J, B20D, B71A, B71B, B71C, B71D | G56.1 | 01 | B03Z, B17A, B17B, B17C, B17D, B17J, B71A, B71B, B71C, B71D |
| G45.42 | | KJZSA1, KJZSA2 | G51.3 | 01 | B03Z, B17A, B17B, B17C, B17D, B17J, B20D, B71A, B71B, B71C, B71D | G56.2 | 01 | B03Z, B17A, B17B, B17C, B17D, B17J, B71A, B71B, B71C, B71D |
| | 01 | B03Z, B17A, B17B, B17C, B17D, B17J, B39A, B39B, B39C, B69A, B69B, B69C, B69D | G51.4 | 01 | B03Z, B17A, B17B, B17C, B17D, B17J, B20D, B71A, B71B, B71C, B71D | G56.3 | 01 | B03Z, B17A, B17B, B17C, B17D, B17J, B71A, B71B, B71C, B71D |
| G45.43 | | KJZSA1, KJZSA2 | G51.8 | 01 | B03Z, B17A, B17B, B17C, B17D, B17J, B20D, B71A, B71B, B71C, B71D | G56.4 | 01 | B03Z, B17A, B17B, B17C, B17D, B17J, B71A, B71B, B71C, B71D |
| | 01 | B03Z, B17A, B17B, B17C, B17D, B17J, B39A, B39B, B39C, B69A, B69B, B69C, B69D | G51.9 | 01 | B03Z, B17A, B17B, B17C, B17D, B17J, B20D, B71A, B71B, B71C, B71D | G56.8 | 01 | B03Z, B17A, B17B, B17C, B17D, B17J, B71A, B71B, B71C, B71D |
| G45.49 | | KJZSA1, KJZSA2 | G52.0 | 01 | B03Z, B17A, B17B, B17C, B17D, B17J, B20D, B71A, B71B, B71C, B71D | G56.9 | 01 | B03Z, B17A, B17B, B17C, B17D, B17J, B71A, B71B, B71C, B71D |
| | 01 | B03Z, B17A, B17B, B17C, B17D, B17J, B39A, B39B, B39C, B69A, B69B, B69C, B69D | G52.1 | 01 | B03Z, B17A, B17B, B17C, B17D, B17J, B20D, B71A, B71B, B71C, B71D | G57.0 | 01 | B03Z, B17A, B17B, B17C, B17D, B17J, B71A, B71B, B71C, B71D |
| G45.82 | | KJZSA1, KJZSA2 | G52.2 | 01 | B03Z, B17A, B17B, B17C, B17D, B17J, B20D, B71A, B71B, B71C, B71D | G57.1 | 01 | B03Z, B17A, B17B, B17C, B17D, B17J, B71A, B71B, B71C, B71D |
| | 01 | B03Z, B17A, B17B, B17C, B17D, B17J, B39A, B39B, B39C, B69A, B69B, B69C, B69D | G52.3 | 01 | B03Z, B17A, B17B, B17C, B17D, B17J, B20D, B71A, B71B, B71C, B71D | G57.2 | 01 | B03Z, B17A, B17B, B17C, B17D, B17J, B71A, B71B, B71C, B71D |
| G45.83 | | KJZSA1, KJZSA2 | G52.7 | 01 | B03Z, B17A, B17B, B17C, B17D, B17J, B20D, B71A, B71B, B71C, B71D | G57.3 | 01 | B03Z, B17A, B17B, B17C, B17D, B17J, B71A, B71B, B71C, B71D |
| | 01 | B03Z, B17A, B17B, B17C, B17D, B17J, B39A, B39B, B39C, B69A, B69B, B69C, B69D | G52.8 | 15 | TPN, VTPN | | | |
| G45.89 | | KJZSA1, KJZSA2 | | 01 | B03Z, B17A, B17B, B17C, B17D, B17J, B20D, B71A, B71B, B71C, B71D | | | |
| | 01 | B03Z, B17A, B17B, B17C, B17D, B17J, B39A, B39B, B39C, B69A, B69B, B69C, B69D | | | | | | |
| G45.92 | | KJZSA1, KJZSA2 | | | | | | |
| | 01 | B03Z, B17A, B17B, B17C, B17D, B17J, B39A, B39B, B39C, B69A, B69B, B69C, B69D | | | | | | |
| G45.93 | | KJZSA1, KJZSA2 | | | | | | |
| | 01 | B03Z, B17A, B17B, B17C, B17D, B17J, B39A, B39B, B39C, B69A, B69B, B69C, B69D | | | | | | |

Dg

| ICD | MDC | DRG | ICD | MDC | DRG | ICD | MDC | DRG | | |
|-------|--|--|--------|--|--|----------------------|--|--|--|--|
| G57.4 | 01 | B03Z, B17A, B17B, B17C, B17D, B17J, B71A, B71B, B71C, B71D | G62.0 | 01 | B03Z, B17A, B17B, B17C, B17D, B17J, B71A, B71B, B71C, B71D | G71.2 | 01 | B03Z, B17A, B17B, B17C, B17D, B17J, B48Z, B85A, B85B, B85C, B85D | | |
| G57.5 | 01 | B03Z, B17A, B17B, B17C, B17D, B17J, B71A, B71B, B71C, B71D | G62.1 | Pre A09D, A11D, A13D 01 | B03Z, B17A, B17B, B17C, B17D, B17J, B71A, B71B, B71C, B71D | G71.3 | 15 TPN, VTPN Pre A09D, A11D, A13D 01 | B03Z, B17A, B17B, B17C, B17D, B17J, B48Z, B85A, B85B, B85C, B85D | | |
| G57.6 | 01 | B03Z, B17A, B17B, B17C, B17D, B17J, B71A, B71B, B71C, B71D | G62.2 | Pre A09D, A11D, A13D 01 | B03Z, B17A, B17B, B17C, B17D, B17J, B71A, B71B, B71C, B71D | G71.8 | Pre A09D, A11D, A13D 01 | B03Z, B17A, B17B, B17C, B17D, B17J, B48Z, B85A, B85B, B85C, B85D | | |
| G57.8 | 01 | B03Z, B17A, B17B, B17C, B17D, B17J, B71A, B71B, B71C, B71D | G62.80 | 01 | B03Z, B17A, B17B, B17C, B17D, B17J, B71A, B71B, B71C, B71D | G71.9 | Pre A09D, A11D, A13D 01 | B03Z, B17A, B17B, B17C, B17D, B17J, B48Z, B85A, B85B, B85C, B85D | | |
| G57.9 | 01 | B03Z, B17A, B17B, B17C, B17D, B17J, B71A, B71B, B71C, B71D | G62.88 | 18A S65A, S65B Pre A09D, A11D, A13D 01 | B03Z, B17A, B17B, B17C, B17D, B17J, B71A, B71B, B71C, B71D | G72.0 | 15 TPN, VTPN Pre A09D, A11D, A13D 01 | B03Z, B17A, B17B, B17C, B17D, B17J, B81A, B81B | | |
| G58.0 | 01 | B03Z, B17A, B17B, B17C, B17D, B17J, B82Z | G62.9 | 18A S65A, S65B Pre A09D, A11D, A13D 01 | B03Z, B17A, B17B, B17C, B17D, B17J, B71A, B71B, B71C, B71D | G72.1 | Pre A09D, A11D, A13D 01 | B03Z, B17A, B17B, B17C, B17D, B17J, B81A, B81B | | |
| G58.7 | 01 | B03Z, B17A, B17B, B17C, B17D, B17J, B71A, B71B, B71C, B71D | G63.0 | Pre A09D, A11D, A13D | G63.0 | Pre A09D, A11D, A13D | G72.2 | Pre A09D, A11D, A13D 01 | B03Z, B17A, B17B, B17C, B17D, B17J, B81A, B81B | |
| G58.8 | 01 | B03Z, B17A, B17B, B17C, B17D, B17J, B71A, B71B, B71C, B71D | G63.1 | Pre A09D, A11D, A13D | G63.1 | Pre A09D, A11D, A13D | G72.3 | Pre A09D, A11D, A13D 01 | B03Z, B17A, B17B, B17C, B17D, B17J, B48Z, B85A, B85B, B85C, B85D | |
| G58.9 | 01 | B03Z, B17A, B17B, B17C, B17D, B17J, B71A, B71B, B71C, B71D | G63.2 | 10 K60B Pre A09D, A11D, A13D | G63.2 | Pre A09D, A11D, A13D | G72.4 | Pre A09D, A11D, A13D 01 | B03Z, B17A, B17B, B17C, B17D, B17J, B48Z, B85A, B85B, B85C, B85D | |
| G60.0 | 01 | B03Z, B17A, B17B, B17C, B17D, B17J, B71A, B71B, B71C, B71D | G63.3 | Pre A09D, A11D, A13D | G63.3 | Pre A09D, A11D, A13D | G72.80 | Pre A09D, A11D, A13D 01 | B03Z, B17A, B17B, B17C, B17D, B17J, B48Z, B85A, B85B, B85C, B85D | |
| G60.1 | Pre A09D, A11D, A13D 01 | B03Z, B17A, B17B, B17C, B17D, B17J, B81A, B81B | G63.4 | Pre A09D, A11D, A13D | G63.4 | Pre A09D, A11D, A13D | G72.88 | Pre A09D, A11D, A13D 01 | B03Z, B17A, B17B, B17C, B17D, B17J, B48Z, B85A, B85B, B85C, B85D | |
| G60.2 | Pre A09D, A11D, A13D 01 | B03Z, B17A, B17B, B17C, B17D, B17J, B71A, B71B, B71C, B71D | G63.5 | Pre A09D, A11D, A13D | G63.5 | Pre A09D, A11D, A13D | G72.9 | Pre A09D, A11D, A13D 01 | B03Z, B17A, B17B, B17C, B17D, B17J, B81A, B81B | |
| G60.3 | Pre A09D, A11D, A13D 01 | B03Z, B17A, B17B, B17C, B17D, B17J, B71A, B71B, B71C, B71D | G63.6 | Pre A09D, A11D, A13D | G63.6 | Pre A09D, A11D, A13D | G73.0 | Pre A09D, A11D, A13D | G73.0 | Pre A09D, A11D, A13D |
| G60.8 | Pre A09D, A11D, A13D 01 | B03Z, B17A, B17B, B17C, B17D, B17J, B71A, B71B, B71C, B71D | G63.8 | Pre A09D, A11D, A13D | G63.8 | Pre A09D, A11D, A13D | G73.1 | Pre A09D, A11D, A13D | G73.1 | Pre A09D, A11D, A13D |
| G60.9 | Pre A09D, A11D, A13D 01 | B03Z, B17A, B17B, B17C, B17D, B17J, B71A, B71B, B71C, B71D | G64 | 01 | B03Z, B17A, B17B, B17C, B17D, B17J, B71A, B71B, B71C, B71D | G73.2 | Pre A09D, A11D, A13D | G73.2 | Pre A09D, A11D, A13D | |
| G61.0 | 18A S65A, S65B Pre A09D, A11D, A13D 01 | B03Z, B17A, B17B, B17C, B17D, B17J, B71A, B71B, B71C | G70.0 | 01 | B03Z, B17A, B17B, B48Z, B85A, B85B, B85C | G73.3 | Pre A09D, A11D, A13D | G73.3 | Pre A09D, A11D, A13D | |
| G61.1 | 18A S65A, S65B Pre A09D, A11D, A13D 01 | B03Z, B17A, B17B, B17C, B17D, B17J, B71A, B71B, B71C, B71D | G70.1 | 15 TPN, VTPN Pre A09D, A11D, A13D 01 | B03Z, B17A, B17B, B17C, B17D, B17J, B71A, B71B, B71C, B71D | G73.4 | Pre A09D, A11D, A13D | G73.4 | Pre A09D, A11D, A13D | |
| G61.8 | Pre A09D, A11D, A13D 01 | B03Z, B17A, B17B, B17C, B17D, B17J, B71A, B71B, B71C, B71D | G70.8 | 01 | B03Z, B17A, B17B, B17C, B17D, B17J, B71A, B71B, B71C, B71D | G73.5 | Pre A09D, A11D, A13D | G73.5 | Pre A09D, A11D, A13D | |
| G61.9 | 18A S65A, S65B Pre A09D, A11D, A13D 01 | B03Z, B17A, B17B, B17C, B17D, B17J, B71A, B71B, B71C, B71D | G70.9 | 15 TPN, VTPN Pre A09D, A11D, A13D 01 | B03Z, B17A, B17B, B17C, B17D, B17J, B71A, B71B, B71C, B71D | G73.6 | Pre A09D, A11D, A13D | G73.6 | Pre A09D, A11D, A13D | |
| | 18A S65A, S65B Pre A09D, A11D, A13D | | G71.0 | 01 | B03Z, B17A, B17B, B17C, B17D, B17J, B48Z, B85A, B85B, B85C, B85D | G73.7 | Pre A09D, A11D, A13D | G73.7 | Pre A09D, A11D, A13D | |
| | | | G71.1 | 01 | B03Z, B17A, B17B, B17C, B17D, B17J, B81A, B81B | G80.0 | 01 | B03Z, B17A, B17B, B17C, B17D, B17J, B48Z, B85A, B85B, B85C | | |
| | | | | 15 TPN, VTPN Pre A09D, A11D, A13D | | | 06 G67A 08 I08A, I08B, I08C, I20A, I20B, I27B, I71A Pre A09D, A11D, A13D | G80.1 | 01 | B03Z, B17A, B17B, B17C, B17D, B17J, B48Z, B85A, B85B, B85C |
| | | | | | | | | 06 G67A 08 I08A, I08B, I08C, I20A, I20B, I27B, I71A Pre A09D, A11D, A13D | | |

| ICD | MDC | DRG | ICD | MDC | DRG | ICD | MDC | DRG |
|--------|-----|--|--------|-----|--|--------|-----|--|
| G80.2 | 01 | B03Z, B17A, B17B, B17C, B17D, B17J, B48Z, B85A, B85B, B85C | G82.03 | 01 | B03Z, B48Z, B60A, B60B, B71A, B71B, B71C | G82.20 | 01 | B71A, B71B, B71C |
| | 06 | G67A | | 04 | E40B, E69A | | 06 | G67A |
| | 08 | I08A, I08B, I08C, I20A, I20B, I27B, I71A | | 06 | G67A, G67C | | 09 | J61A, J61B, J61C |
| G80.3 | Pre | A09D, A11D, A13D | G82.09 | 08 | I06A, I08C, I09D, I10C, I13A, I13B, I68A, I68B, I69A, I69B | G82.21 | Pre | B61A, B61B |
| | 01 | B03Z, B17A, B17B, B17C, B17D, B17J, B48Z, B85A, B85B, B85C | | 09 | J02A, J08A, J08B, J08C, J11A, J61A, J61B, J61C | | 01 | B71A, B71B, B71C |
| | 06 | G67A | | 10 | K62A | | 06 | G67A |
| G80.4 | 08 | I08A, I08B, I08C, I20A, I20B, I27B, I71A | G82.10 | 11 | L18A, L18B, L20A, L20B, L20J, L20Q, L20R, L38Z, L42A, L74Z | G82.22 | 09 | J61A, J61B, J61C |
| | Pre | A09D, A11D, A13D | | 18B | T60B | | 01 | B03Z, B48Z, B60A, B60B, B71A, B71B, B71C |
| | 01 | B03Z, B17A, B17B, B17C, B17D, B17J, B48Z, B85A, B85B, B85C | | 01 | B03Z, B48Z, B60A, B60B, B71A, B71B, B71C | | 04 | E40B, E69A |
| G80.8 | 06 | G67A | G82.11 | 04 | E40B, E69A | G82.23 | 06 | G67A, G67C |
| | 08 | I08A, I08B, I08C, I20A, I20B, I27B, I71A | | 06 | G67A, G67C | | 08 | I06A, I08C, I09D, I10C, I13A, I13B, I68A, I68B, I69A, I69B |
| | Pre | A09D, A11D, A13D | | 08 | I06A, I08C, I09D, I10C, I13A, I13B, I68A, I68B, I69A, I69B | | 09 | J02A, J08A, J08B, J08C, J11A, J61A, J61B, J61C |
| G80.9 | 01 | B03Z, B17A, B17B, B17C, B17D, B17J, B48Z, B85A, B85B, B85C | G82.12 | 09 | J02A, J08A, J08B, J08C, J11A, J61A, J61B, J61C | G82.29 | 10 | K62A |
| | 06 | G67A | | Pre | B61A, B61B | | 11 | L18A, L18B, L20A, L20B, L20J, L20Q, L20R, L38Z, L42A, L74Z |
| | 08 | I08A, I08B, I08C, I20A, I20B, I27B, I71A | | 01 | B71A, B71B, B71C | | 18B | T60B |
| G81.0 | Pre | A09D, A11D, A13D | G82.13 | 06 | G67A | G82.30 | 01 | B03Z, B48Z, B60A, B60B, B71A, B71B, B71C |
| | 01 | B03Z, B17A, B17B, B17C, B17D, B17J, B48Z, B85A, B85B, B85C, B85D | | 09 | J61A, J61B, J61C | | 04 | E40B, E69A |
| | Pre | A09D, A11D, A13D | | Pre | B61A, B61B | | 06 | G67A, G67C |
| G81.1 | 01 | B03Z, B17A, B17B, B17C, B17D, B17J, B48Z, B85A, B85B, B85C, B85D | G82.19 | 01 | B03Z, B48Z, B60A, B60B, B71A, B71B, B71C | G82.31 | 08 | I06A, I08C, I09D, I10C, I13A, I13B, I68A, I68B, I69A, I69B |
| | Pre | A09D, A11D, A13D | | 04 | E40B, E69A | | 09 | J02A, J08A, J08B, J08C, J11A, J61A, J61B, J61C |
| | 01 | B03Z, B17A, B17B, B17C, B17D, B17J, B48Z, B85A, B85B, B85C, B85D | | 06 | G67A, G67C | | 10 | K62A |
| G81.9 | Pre | A09D, A11D, A13D | G82.32 | 08 | I06A, I08C, I09D, I10C, I13A, I13B, I68A, I68B, I69A, I69B | G82.32 | 11 | L18A, L18B, L20A, L20B, L20J, L20Q, L20R, L38Z, L42A, L74Z |
| | 01 | B03Z, B17A, B17B, B17C, B17D, B17J, B48Z, B85A, B85B, B85C, B85D | | 09 | J02A, J08A, J08B, J08C, J11A, J61A, J61B, J61C | | 18B | T60B |
| | Pre | A09D, A11D, A13D | | 10 | K62A | | 01 | B71A, B71B, B71C |
| G82.00 | 01 | B71A, B71B, B71C | G82.19 | 11 | L18A, L18B, L20A, L20B, L20J, L20Q, L20R, L38Z, L42A, L74Z | G82.32 | 06 | G67A |
| | 06 | G67A | | 18B | T60B | | 09 | J61A, J61B, J61C |
| | 09 | J61A, J61B, J61C | | 01 | B03Z, B48Z, B60A, B60B, B71A, B71B, B71C | | 15 | TPN, VTPN |
| G82.01 | Pre | B61A, B61B | G82.19 | 04 | E40B, E69A | G82.31 | Pre | B61A, B61B |
| | 01 | B71A, B71B, B71C | | 06 | G67A, G67C | | 01 | B71A, B71B, B71C |
| | 06 | G67A | | 08 | I06A, I08C, I09D, I10C, I13A, I13B, I68A, I68B, I69A, I69B | | 06 | G67A |
| G82.02 | 09 | J61A, J61B, J61C | G82.19 | 08 | I06A, I08C, I09D, I10C, I13A, I13B, I68A, I68B, I69A, I69B | G82.32 | 09 | J61A, J61B, J61C |
| | Pre | B61A, B61B | | 09 | J02A, J08A, J08B, J08C, J11A, J61A, J61B, J61C | | Pre | B61A, B61B |
| | 01 | B03Z, B48Z, B60A, B60B, B71A, B71B, B71C | | 10 | K62A | | 01 | B03Z, B48Z, B60A, B60B, B71A, B71B, B71C |
| G82.02 | 04 | E40B, E69A | G82.19 | 11 | L18A, L18B, L20A, L20B, L20J, L20Q, L20R, L38Z, L42A, L74Z | G82.32 | 04 | E40B, E69A |
| | 06 | G67A, G67C | | 01 | B03Z, B48Z, B60A, B60B, B71A, B71B, B71C | | 06 | G67A, G67C |
| | 08 | I06A, I08C, I09D, I10C, I13A, I13B, I68A, I68B, I69A, I69B | | 04 | E40B, E69A | | 08 | I06A, I08C, I09D, I10C, I13A, I13B, I68A, I68B, I69A, I69B |
| | 09 | J02A, J08A, J08B, J08C, J11A, J61A, J61B, J61C | | 06 | G67A, G67C | | 09 | J02A, J08A, J08B, J08C, J11A, J61A, J61B, J61C |
| | 10 | K62A | | 08 | I06A, I08C, I09D, I10C, I13A, I13B, I68A, I68B, I69A, I69B | | 10 | K62A |
| | 11 | L18A, L18B, L20A, L20B, L20J, L20Q, L20R, L38Z, L42A, L74Z | | 09 | J02A, J08A, J08B, J08C, J11A, J61A, J61B, J61C | | 11 | L18A, L18B, L20A, L20B, L20J, L20Q, L20R, L38Z, L42A, L74Z |
| | 18B | T60B | | 10 | K62A | | 15 | TPN, VTPN |
| | | | | 11 | L18A, L18B, L20A, L20B, L20J, L20Q, L20R, L38Z, L42A, L74Z | | 18B | T60B |
| | | | | 18B | T60B | | | |
| | | | | | | | | |
| | | | | | | | | |

Dg

| ICD | MDC | DRG | ICD | MDC | DRG | ICD | MDC | DRG | | |
|--------|--------|--|--|--|--|--------|--|--|--|--|
| G82.33 | 01 | B03Z, B48Z, B60A, B60B, B71A, B71B, B71C | G82.49 | 01 | B03Z, B48Z, B60A, B60B, B71A, B71B, B71C | G83.3 | 01 | B03Z, B17A, B17B, B17C, B17D, B17J, B81A, B81B | | |
| | 04 | E40B, E69A | | 04 | E40B, E69A | | 15 | TPN, VTPN | | |
| | 06 | G67A, G67C | | 06 | G67A, G67C | G83.40 | 01 | B03Z, B17A, B17B, B17C, B17D, B17J, B71A, B71B, B71C | | |
| | 08 | I06A, I08C, I09D, I10C, I13A, I13B, I68A, I68B, I69A, I69B | | 08 | I06A, I08C, I09D, I10C, I13A, I13B, I68A, I68B, I69A, I69B | | 15 | TPN, VTPN | | |
| | 09 | J02A, J08A, J08B, J08C, J11A, J61A, J61B, J61C | | 09 | J02A, J08A, J08B, J08C, J11A, J61A, J61B, J61C | G83.41 | 01 | B03Z, B17A, B17B, B17C, B17D, B17J, B71A, B71B, B71C | | |
| | 10 | K62A | | 10 | K62A | | 15 | TPN, VTPN | | |
| | 11 | L18A, L18B, L20A, L20B, L20J, L20Q, L20R, L38Z, L42A, L74Z | | 11 | L18A, L18B, L20A, L20B, L20J, L20Q, L20R, L38Z, L42A, L74Z | G83.49 | 01 | B03Z, B17A, B17B, B17C, B17D, B17J, B71A, B71B, B71C | | |
| | 18B | T60B | | 15 | TPN, VTPN | | 15 | TPN, VTPN | | |
| | G82.39 | 01 | | B03Z, B48Z, B60A, B60B, B71A, B71B, B71C | G82.50 | 18B | T60B | G83.80 | 01 | B03Z, B17A, B17B, B17C, B17D, B17J, B48Z, B85A, B85B, B85C, B85D |
| | | 04 | | E40B, E69A | | 01 | B71A, B71B, B71C | | 15 | TPN, VTPN |
| | | 06 | | G67A, G67C | | 06 | G67A | Pre | A43Z | |
| 08 | | I06A, I08C, I09D, I10C, I13A, I13B, I68A, I68B, I69A, I69B | 09 | J61A, J61B, J61C | | G83.88 | 01 | | B03Z, B17A, B17B, B17C, B17D, B17J, B48Z, B85A, B85B, B85C, B85D | |
| 09 | | J02A, J08A, J08B, J08C, J11A, J61A, J61B, J61C | Pre | B61A, B61B | | | G83.9 | 01 | B03Z, B17A, B17B, B17C, B17D, B17J, B81A, B81B | |
| 10 | | K62A | 01 | B71A, B71B, B71C | | G90.00 | | 05 | F71A, F71B | |
| 11 | | L18A, L18B, L20A, L20B, L20J, L20Q, L20R, L38Z, L42A, L74Z | 06 | G67A | | | G90.08 | 01 | B03Z, B17A, B17B, B17C, B17D, B17J, B71A, B71B, B71C, B71D | |
| 15 | | TPN, VTPN | 09 | J61A, J61B, J61C | | G90.09 | | 01 | B03Z, B17A, B17B, B17C, B17D, B17J, B71A, B71B, B71C, B71D | |
| 18B | | T60B | Pre | B61A, B61B | | | G90.1 | 01 | B03Z, B17A, B17B, B17C, B17D, B17J, B81A, B81B | |
| G82.40 | | 01 | B71A, B71B, B71C | G82.52 | | 01 | | B03Z, B48Z, B60A, B60B, B71A, B71B, B71C | G90.2 | 01 |
| | | 06 | G67A | | | 04 | E40B, E69A | G90.3 | | 01 |
| | 09 | J61A, J61B, J61C | 06 | | G67A, G67C | Pre | A09D, A11D, A13D | | | |
| | 15 | TPN, VTPN | 08 | | I06A, I08C, I09D, I10C, I13A, I13B, I68A, I68B, I69A, I69B | G90.40 | 01 | B03Z, B17A, B17B, B17C, B17D, B17J, B71A, B71B, B71C, B71D | | |
| | Pre | B61A, B61B | 09 | | J02A, J08A, J08B, J08C, J11A, J61A, J61B, J61C | | G90.41 | 01 | B03Z, B17A, B17B, B17C, B17D, B17J, B71A, B71B, B71C, B71D | |
| G82.41 | 01 | B71A, B71B, B71C | G82.53 | 10 | K62A | G90.48 | | 01 | B03Z, B17A, B17B, B17C, B17D, B17J, B71A, B71B, B71C, B71D | |
| | 06 | G67A | | 11 | L18A, L18B, L20A, L20B, L20J, L20Q, L20R, L38Z, L42A, L74Z | | G90.49 | 01 | B03Z, B17A, B17B, B17C, B17D, B17J, B71A, B71B, B71C, B71D | |
| | 09 | J61A, J61B, J61C | | 15 | TPN, VTPN | G90.8 | | 01 | B03Z, B17A, B17B, B17C, B17D, B17J, B71A, B71B, B71C, B71D | |
| | Pre | B61A, B61B | | 18B | T60B | | G90.9 | 01 | B03Z, B17A, B17B, B17C, B17D, B17J, B71A, B71B, B71C, B71D | |
| | G82.42 | 01 | | B03Z, B48Z, B60A, B60B, B71A, B71B, B71C | G82.59 | 01 | | B03Z, B48Z, B60A, B60B, B71A, B71B, B71C | G91.0 | 01 |
| 04 | | E40B, E69A | 04 | E40B, E69A | | Pre | A09D, A11D, A13D | | | |
| 06 | | G67A, G67C | 06 | G67A, G67C | | | G91.1 | 01 | B48Z, B85A, B85B, B85C, B85D | |
| 08 | | I06A, I08C, I09D, I10C, I13A, I13B, I68A, I68B, I69A, I69B | 08 | I06A, I08C, I09D, I10C, I13A, I13B, I68A, I68B, I69A, I69B | | 15 | | TPN, VTPN | | |
| 09 | | J02A, J08A, J08B, J08C, J11A, J61A, J61B, J61C | 09 | J02A, J08A, J08B, J08C, J11A, J61A, J61B, J61C | | Pre | A09D, A11D, A13D | | | |
| 10 | | K62A | 10 | K62A | | G91.20 | 01 | B20D, B48Z, B85A, B85B, B85C, B85D | | |
| 11 | | L18A, L18B, L20A, L20B, L20J, L20Q, L20R, L38Z, L42A, L74Z | 11 | L18A, L18B, L20A, L20B, L20J, L20Q, L20R, L38Z, L42A, L74Z | | | 15 | TPN, VTPN | | |
| 15 | | TPN, VTPN | 15 | TPN, VTPN | | G91.21 | 01 | B20D, B48Z, B85A, B85B, B85C, B85D | | |
| 18B | | T60B | 18B | T60B | | | 15 | TPN, VTPN | | |
| G82.43 | | 01 | B03Z, B48Z, B60A, B60B, B71A, B71B, B71C | G83.0 | | 01 | B03Z, B48Z, B60A, B60B, B71A, B71B, B71C | G83.1 | 01 | B03Z, B17A, B17B, B17C, B17D, B17J, B81A, B81B |
| | | 04 | E40B, E69A | | | 04 | E40B, E69A | | 15 | TPN, VTPN |
| | 06 | G67A, G67C | 06 | | G67A, G67C | G83.2 | 01 | B03Z, B17A, B17B, B17C, B17D, B17J, B81A, B81B | | |
| | 08 | I06A, I08C, I09D, I10C, I13A, I13B, I68A, I68B, I69A, I69B | 08 | | I06A, I08C, I09D, I10C, I13A, I13B, I68A, I68B, I69A, I69B | | 15 | TPN, VTPN | | |
| | 09 | J02A, J08A, J08B, J08C, J11A, J61A, J61B, J61C | 09 | | J02A, J08A, J08B, J08C, J11A, J61A, J61B, J61C | 15 | TPN, VTPN | | | |
| | 10 | K62A | 10 | | K62A | | | | | |
| | 11 | L18A, L18B, L20A, L20B, L20J, L20Q, L20R, L38Z, L42A, L74Z | 11 | | L18A, L18B, L20A, L20B, L20J, L20Q, L20R, L38Z, L42A, L74Z | | | | | |
| | 15 | TPN, VTPN | 15 | | TPN, VTPN | | | | | |
| | 18B | T60B | 18B | | T60B | | | | | |
| | | | | | | | | | | |
| | | | | | | | | | | |

| ICD | MDC | DRG | ICD | MDC | DRG | ICD | MDC | DRG |
|--------|-----|--|--------|-----|--|--------|-----|--|
| G91.29 | 01 | B20D, B48Z, B85A, B85B, B85C, B85D | G95.2 | 01 | B86Z | G96.8 | 01 | B03Z, B17A, B17B, B17C, B17D, B17J, B39A, B39B, B39C, B48Z, B70A, B70B, B70C, B70D, B70E, B70F, B70G, B70H, B70I |
| | 15 | TPN, VTPN | | 04 | E40B, E69A | | | |
| G91.3 | 01 | B48Z, B85A, B85B, B85C, B85D | | 06 | G67C | | | |
| | 15 | TPN, VTPN | | 08 | I06A, I08C, I09D, I10C, I13A, I13B, I68A, I68B, I69A, I69B | G96.9 | 01 | B03Z, B17A, B17B, B17C, B17D, B17J, B63Z |
| G91.8 | 01 | B20D, B48Z, B85A, B85B, B85C, B85D | | 09 | J02A, J08A, J08B, J08C, J11A | | 18A | S65A, S65B |
| | 15 | TPN, VTPN | | 10 | K62A | G97.0 | 01 | B03Z, B17A, B17B, B17C, B17D, B17J, B81A, B81B |
| G91.9 | 01 | B20D, B48Z, B85A, B85B, B85C, B85D | | 11 | L18A, L18B, L20A, L20B, L20J, L20Q, L20R, L38Z, L42A, L74Z | | 15 | TPN, VTPN |
| | 15 | TPN, VTPN | | 15 | TPN, VTPN | G97.1 | 01 | B03Z, B17A, B17B, B17C, B17D, B17J, B77Z |
| G92 | 01 | B03Z, B17A, B17B, B17C, B17D, B17J, B81A, B81B | | 18A | S65A, S65B | G97.2 | 01 | B81A, B81B |
| | Pre | A09D, A11D, A13D | G95.80 | 18B | T60B | G97.80 | 01 | B20D, B81A, B81B |
| G93.0 | 01 | B03Z, B17A, B17B, B17C, B17D, B17J, B81A, B81B | | Pre | B61A, B61B | G97.81 | 01 | B81A, B81B |
| | 15 | P65C, P66C, P67B, P67C | | 04 | E40B, E69A | G97.88 | 01 | B81A, B81B |
| | Pre | A09D, A11D, A13D | | 06 | G67C | G97.9 | 01 | B81A, B81B |
| G93.1 | 01 | B03Z, B17A, B17B, B17C, B17D, B17J, B48Z, B85A, B85B, B85C, B85D | | 08 | I06A, I08C, I09D, I10C, I13A, I13B, I68A, I68B, I69A, I69B | G98 | 01 | B03Z, B17A, B17B, B17C, B17D, B17J, B63Z |
| G93.2 | 01 | B03Z, B17A, B17B, B17C, B17D, B17J, B20D, B81A, B81B | | 09 | J02A, J08A, J08B, J08C, J11A | | 18A | S65A, S65B |
| G93.3 | 18A | S65A, S65B | | 10 | K62A | H00.0 | 02 | C63Z |
| | 23 | Z65Z | | 11 | L18A, L18B, L20A, L20B, L20J, L20Q, L20R, L38Z, L42A, L73Z, L74Z | H00.1 | 02 | C64Z |
| G93.4 | 01 | B03Z, B17A, B17B, B17C, B17D, B17J, B39A, B39B, B39C, B48Z, B70A, B70B, B70C, B70D, B70E, B70F, B70G, B70H, B70I | | 18B | T60B | H01.0 | 02 | C63Z |
| | 18A | S65A, S65B | G95.81 | Pre | B61A, B61B | H01.1 | 02 | C63Z |
| G93.5 | 01 | B03Z, B17A, B17B, B17C, B17D, B17J, B66A, B66B, B66C, B66D | | 04 | E40B, E69A | H01.8 | 02 | C63Z |
| | Pre | A09D, A11D, A13D | | 06 | G67C | H01.9 | 02 | C63Z |
| G93.6 | 01 | B03Z, B17A, B17B, B17C, B17D, B17J, B66A, B66B, B66C, B66D, B78A | | 08 | I06A, I08C, I09D, I10C, I13A, I13B, I68A, I68B, I69A, I69B | H02.0 | 02 | C64Z |
| | Pre | A09D, A11D, A13D | G95.82 | 09 | J02A, J08A, J08B, J08C, J11A | H02.1 | 02 | C64Z |
| G93.7 | 01 | B81A, B81B | G95.83 | 10 | K62A | H02.2 | 02 | C64Z |
| | Pre | A09D, A11D, A13D | G95.84 | 11 | L18A, L18B, L20A, L20B, L20J, L20Q, L20R, L38Z, L42A, L73Z, L74Z | H02.3 | 02 | C64Z |
| G93.80 | 01 | B03Z, B17A, B17B, B17C, B17D, B17J, B63Z | | 18B | T60B | H02.4 | 02 | C61Z |
| | 08 | I08A, I27B, I71A | | Pre | B61A, B61B | H02.5 | 02 | C64Z |
| | Pre | A43Z | | Pre | B61A, B61B | H02.6 | 09 | J67A, J67B, J68A, J68B |
| G93.88 | 01 | B03Z, B17A, B17B, B17C, B17D, B17J, B63Z | | Pre | B61A, B61B | H02.7 | 02 | C64Z |
| G93.9 | 01 | B03Z, B17A, B17B, B17C, B17D, B17J, B63Z | | Pre | B61A, B61B | H02.8 | 02 | C64Z |
| | 18A | S65A, S65B | G95.85 | Pre | B61A, B61B | H02.9 | 02 | C64Z |
| G94.0 | 15 | TPN, VTPN | G95.88 | 04 | E40B, E69A | H04.0 | 02 | C63Z |
| G94.1 | 15 | TPN, VTPN | | 06 | G67C | H04.1 | 02 | C63Z |
| G94.2 | 15 | TPN, VTPN | | 08 | I06A, I08C, I09D, I10C, I13A, I13B, I68A, I68B, I69A, I69B | H04.2 | 02 | C63Z |
| G95.0 | 01 | B03Z, B17A, B17B, B17C, B17D, B17J, B48Z, B85A, B85B, B85C, B85D | | 09 | J02A, J08A, J08B, J08C, J11A | H04.3 | 02 | C63Z |
| G95.1 | 01 | B84Z | | 10 | K62A | H04.4 | 02 | C63Z |
| | 04 | E40B, E69A | | 11 | L18A, L18B, L20A, L20B, L20J, L20Q, L20R, L38Z, L42A, L74Z | H04.5 | 02 | C64Z |
| | 06 | G67C | | 15 | TPN, VTPN | H04.6 | 02 | C64Z |
| | 08 | I06A, I08C, I09D, I10C, I13A, I13B, I68A, I68B, I69A, I69B | | 18A | S65A, S65B | H04.8 | 02 | C64Z |
| | 09 | J02A, J08A, J08B, J08C, J11A | | 18B | T60B | H04.9 | 02 | C64Z |
| | 10 | K62A | | Pre | B61A, B61B | H05.0 | 02 | C60Z |
| | 11 | L18A, L18B, L20A, L20B, L20J, L20Q, L20R, L38Z, L42A, L74Z | G96.0 | 01 | B03Z, B17A, B17B, B17C, B17D, B17J, B20D, B81A, B81B | H05.1 | 02 | C63Z |
| | 15 | TPN, VTPN | | 04 | E40B, E69A | H05.2 | 02 | C63Z |
| | 18B | T60B | | 06 | G67C | H05.3 | 02 | C63Z |
| | Pre | B61A, B61B | | 08 | I06A, I08C, I09D, I10C, I13A, I13B, I68A, I68B, I69A, I69B | H05.4 | 02 | C63Z |
| | Pre | B61A, B61B | G96.1 | 09 | J02A, J08A, J08B, J08C, J11A | H05.5 | 02 | C62Z |
| | Pre | B61A, B61B | | 10 | K62A | H05.8 | 02 | C63Z |
| | Pre | B61A, B61B | | 11 | L18A, L18B, L20A, L20B, L20J, L20Q, L20R, L38Z, L42A, L74Z | H05.9 | 02 | C63Z |
| | Pre | B61A, B61B | | 15 | TPN, VTPN | H10.0 | 02 | C63Z |
| | Pre | B61A, B61B | | 18A | S65A, S65B | H10.1 | 02 | C63Z |
| | Pre | B61A, B61B | | 18B | T60B | H10.2 | 02 | C63Z |
| | Pre | B61A, B61B | | Pre | B61A, B61B | H10.3 | 02 | C63Z |
| | Pre | B61A, B61B | | Pre | B61A, B61B | H10.4 | 02 | C63Z |
| | Pre | B61A, B61B | | Pre | B61A, B61B | H10.5 | 02 | C63Z |
| | Pre | B61A, B61B | | Pre | B61A, B61B | H10.8 | 02 | C63Z |
| | Pre | B61A, B61B | | Pre | B61A, B61B | H10.9 | 02 | C63Z |
| | Pre | B61A, B61B | | Pre | B61A, B61B | H11.0 | 02 | C63Z |
| | Pre | B61A, B61B | | Pre | B61A, B61B | H11.1 | 02 | C63Z |
| | Pre | B61A, B61B | | Pre | B61A, B61B | H11.2 | 02 | C63Z |
| | Pre | B61A, B61B | | Pre | B61A, B61B | H11.3 | 02 | C62Z |
| | Pre | B61A, B61B | | Pre | B61A, B61B | H11.4 | 02 | C63Z |

Dg

| ICD | MDC | DRG | ICD | MDC | DRG | ICD | MDC | DRG |
|--------|-----|------------|--------|-----|------------|--------|-----|---|
| H11.8 | 02 | C63Z | H30.9 | 02 | C63Z | H40.80 | 02 | C64Z |
| H11.9 | 02 | C63Z | | 18A | S65A, S65B | H40.81 | 02 | C64Z |
| H13.3 | 15 | TPN, VTPN | H31.0 | 02 | C62Z | H40.82 | 02 | C64Z |
| H15.0 | 02 | C63Z | H31.1 | 02 | C63Z | H40.83 | 02 | C64Z |
| H15.1 | 02 | C63Z | H31.2 | 02 | C63Z | H40.84 | 02 | C64Z |
| H15.8 | 02 | C63Z | H31.3 | 02 | C62Z | H40.89 | 02 | C64Z |
| H15.9 | 02 | C63Z | H31.4 | 02 | C62Z | H40.9 | 02 | C64Z |
| H16.0 | 02 | C60Z | H31.8 | 02 | C63Z | H43.0 | 02 | C63Z |
| H16.1 | 02 | C63Z | H31.9 | 02 | C63Z | H43.1 | 02 | C62Z |
| H16.2 | 02 | C63Z | H32.0 | 15 | TPN, VTPN | H43.2 | 02 | C63Z |
| H16.3 | 02 | C60Z | H33.0 | 02 | C62Z | H43.3 | 02 | C63Z |
| H16.4 | 02 | C63Z | H33.1 | 02 | C63Z | H43.8 | 02 | C63Z |
| H16.8 | 02 | C60Z | H33.2 | 02 | C62Z | H43.9 | 02 | C63Z |
| | 15 | TPN, VTPN | H33.3 | 02 | C62Z | H44.0 | 02 | C60Z |
| H16.9 | 02 | C63Z | H33.4 | 02 | C62Z | H44.1 | 02 | C60Z |
| H17.0 | 02 | C63Z | H33.5 | 02 | C62Z | H44.2 | 02 | C63Z |
| H17.1 | 02 | C63Z | H34.0 | 02 | C61Z | H44.3 | 02 | C63Z |
| H17.8 | 02 | C63Z | H34.1 | 02 | C61Z | H44.4 | 02 | C63Z |
| H17.9 | 02 | C63Z | H34.2 | 02 | C61Z | H44.5 | 02 | C63Z |
| H18.0 | 02 | C63Z | H34.80 | 02 | C61Z | H44.6 | 02 | C62Z |
| H18.1 | 02 | C63Z | H34.81 | 02 | C61Z | H44.7 | 02 | C62Z |
| H18.2 | 02 | C63Z | H34.89 | 02 | C61Z | H44.8 | 02 | C63Z |
| H18.3 | 02 | C63Z | H34.9 | 02 | C61Z | H44.9 | 02 | C63Z |
| H18.4 | 02 | C63Z | H35.00 | 02 | C63Z | H46 | 02 | C61Z |
| H18.5 | 02 | C63Z | | 18A | S65A, S65B | H47.0 | 02 | C61Z |
| H18.6 | 02 | C63Z | H35.09 | 02 | C63Z | H47.1 | 01 | B03Z, B17A, B17B, B17C, B17D, B17J, B81A, B81B |
| H18.7 | 02 | C63Z | | 18A | S65A, S65B | H47.2 | 02 | C61Z |
| H18.80 | 02 | C63Z | H35.10 | 02 | C63Z | H47.3 | 02 | C61Z |
| H18.81 | 02 | C63Z | H35.19 | 02 | C63Z | H47.4 | 01 | B03Z, B17A, B17B, B17C, B17D, B17J, B81A, B81B |
| H18.89 | 02 | C63Z | H35.2 | 02 | C63Z | H47.5 | 01 | B03Z, B17A, B17B, B17C, B17D, B17J, B81A, B81B |
| H18.9 | 02 | C63Z | H35.30 | 02 | C63Z | H47.6 | 01 | B03Z, B17A, B17B, B17C, B17D, B17J, B81A, B81B |
| H19.1 | 15 | TPN, VTPN | H35.31 | 02 | C63Z | H47.7 | 01 | B03Z, B17A, B17B, B17C, B17D, B17J, B81A, B81B |
| H19.2 | 15 | TPN, VTPN | H35.32 | 02 | C63Z | H49.0 | 02 | C61Z |
| H20.0 | 02 | C66Z | H35.39 | 02 | C63Z | H49.1 | 02 | C61Z |
| H20.1 | 02 | C63Z | H35.4 | 02 | C63Z | H49.2 | 02 | C61Z |
| H20.2 | 02 | C63Z | H35.5 | 02 | C63Z | H49.3 | 02 | C61Z |
| H20.8 | 02 | C63Z | H35.6 | 02 | C62Z | H49.4 | 02 | C61Z |
| H20.9 | 02 | C63Z | H35.70 | 02 | C63Z | H49.8 | 02 | C61Z |
| H21.0 | 02 | C62Z | H35.79 | 02 | C63Z | H49.9 | 02 | C61Z |
| H21.1 | 02 | C63Z | H35.8 | 02 | C63Z | H50.0 | 02 | C61Z |
| H21.2 | 02 | C63Z | H35.9 | 02 | C63Z | H50.1 | 02 | C61Z |
| H21.3 | 02 | C63Z | H36.00 | 10 | K60B | H50.2 | 02 | C61Z |
| H21.4 | 02 | C63Z | H36.01 | 10 | K60B | H50.3 | 02 | C61Z |
| H21.5 | 02 | C63Z | H36.02 | 10 | K60B | H50.4 | 02 | C61Z |
| H21.8 | 02 | C63Z | H36.03 | 10 | K60B | H50.5 | 02 | C61Z |
| H21.9 | 02 | C63Z | H36.09 | 10 | K60B | H50.6 | 02 | C63Z |
| H25.0 | 02 | C64Z | H40.00 | 02 | C64Z | H50.8 | 02 | C61Z |
| H25.1 | 02 | C64Z | H40.01 | 02 | C64Z | H50.9 | 02 | C63Z |
| H25.2 | 02 | C64Z | H40.02 | 02 | C64Z | H51.0 | 02 | C63Z |
| H25.8 | 02 | C64Z | H40.03 | 02 | C64Z | H51.1 | 02 | C63Z |
| H25.9 | 02 | C64Z | H40.04 | 02 | C64Z | H51.2 | 01 | B03Z, B17A, B17B, B17C, B17D, B17J, B81A, B81B |
| H26.0 | 02 | C63Z | H40.09 | 02 | C64Z | H51.8 | 02 | C61Z |
| H26.1 | 02 | C62Z | H40.10 | 02 | C64Z | H51.9 | 02 | C63Z |
| H26.2 | 02 | C63Z | H40.19 | 02 | C64Z | H52.0 | 02 | C63Z |
| H26.3 | 02 | C64Z | H40.2 | 02 | C64Z | H52.1 | 02 | C63Z |
| H26.4 | 02 | C64Z | H40.3 | 02 | C64Z | H52.2 | 02 | C63Z |
| H26.8 | 02 | C64Z | H40.4 | 02 | C64Z | H52.3 | 02 | C63Z |
| H26.9 | 02 | C64Z | H40.5 | 02 | C64Z | H52.4 | 02 | C63Z |
| H27.0 | 02 | C63Z | H40.60 | 02 | C64Z | H52.5 | 02 | C63Z |
| H27.10 | 02 | C63Z | H40.61 | 02 | C64Z | H52.6 | 02 | C63Z |
| H27.19 | 02 | C63Z | H40.62 | 02 | C64Z | H52.7 | 02 | C63Z |
| H27.8 | 02 | C63Z | H40.63 | 02 | C64Z | H53.0 | 02 | C63Z |
| H27.9 | 02 | C63Z | H40.64 | 02 | C64Z | H53.1 | 02 | C63Z |
| H30.0 | 02 | C63Z | H40.65 | 02 | C64Z | | | |
| | 18A | S65A, S65B | H40.66 | 02 | C64Z | | | |
| H30.1 | 02 | C63Z | H40.69 | 02 | C64Z | | | |
| | 18A | S65A, S65B | H40.70 | 02 | C64Z | | | |
| H30.2 | 02 | C63Z | H40.71 | 02 | C64Z | | | |
| H30.8 | 02 | C63Z | H40.79 | 02 | C64Z | | | |

| ICD | MDC | DRG | ICD | MDC | DRG | ICD | MDC | DRG |
|-------|-----|--|--------|-----|------------|--------|------------------|------------------------------|
| H53.2 | 02 | C61Z | H70.2 | 03 | D62Z, D63Z | H95.9 | 21B | X62Z |
| H53.3 | 02 | C63Z | H70.8 | 03 | D66Z | I00 | 08 | I66A, I66B, I66C |
| H53.4 | 02 | C61Z | H70.9 | 03 | D62Z, D63Z | I01.0 | 05 | F75A, F75B, F75C, F75D |
| H53.5 | 02 | C63Z | H71 | 03 | D66Z | I01.1 | 05 | F15Z, F36A, F36B, F61A, F61B |
| H53.6 | 02 | C63Z | H72.0 | 03 | D66Z | Pre | A09D, A11D, A13D | |
| H53.8 | 02 | C63Z | H72.1 | 03 | D66Z | I01.2 | 05 | F75A, F75B, F75C, F75D |
| H53.9 | 02 | C63Z | H72.2 | 03 | D66Z | Pre | A09D, A11D, A13D | |
| H54.0 | 02 | C63Z | H72.8 | 03 | D66Z | I01.8 | 05 | F75A, F75B, F75C, F75D |
| | 10 | K60B | H72.9 | 03 | D66Z | I01.9 | 05 | F75A, F75B, F75C, F75D |
| | 18A | S65A, S65B | H73.0 | 03 | D62Z, D63Z | I02.0 | 05 | F75A, F75B, F75C, F75D |
| H54.1 | 02 | C63Z | H73.1 | 03 | D62Z, D63Z | I02.9 | 05 | F75A, F75B, F75C, F75D |
| | 18A | S65A, S65B | H73.8 | 03 | D66Z | I05.0 | | KJZSA1, KJZSA2 |
| H54.2 | 02 | C63Z | H73.9 | 03 | D66Z | 05 | | F69A, F69B |
| | 18A | S65A, S65B | H74.0 | 03 | D66Z | I05.1 | | KJZSA1, KJZSA2 |
| H54.3 | 02 | C63Z | H74.1 | 03 | D66Z | 05 | | F69A, F69B |
| | 18A | S65A, S65B | H74.2 | 03 | D66Z | I05.2 | | KJZSA1, KJZSA2 |
| H54.4 | 02 | C63Z | H74.3 | 03 | D66Z | 05 | | F69A, F69B |
| | 18A | S65A, S65B | H74.4 | 03 | D66Z | I05.8 | | KJZSA1, KJZSA2 |
| H54.5 | 02 | C63Z | H74.8 | 03 | D66Z | 05 | | F69A, F69B |
| | 18A | S65A, S65B | H74.9 | 03 | D66Z | I05.9 | | KJZSA1, KJZSA2 |
| H54.6 | 02 | C63Z | H80.0 | 03 | D66Z | 05 | | F69A, F69B |
| | 18A | S65A, S65B | H80.1 | 03 | D66Z | I06.0 | | KJZSA1, KJZSA2 |
| H54.9 | 02 | C63Z | H80.2 | 03 | D66Z | 05 | | F69A, F69B |
| | 18A | S65A, S65B | H80.8 | 03 | D66Z | I06.1 | | KJZSA1, KJZSA2 |
| H55 | 02 | C61Z | H80.9 | 03 | D66Z | 05 | | F69A, F69B |
| H57.0 | 02 | C63Z | H81.0 | 03 | D61A, D61B | I06.2 | | KJZSA1, KJZSA2 |
| H57.1 | 02 | C63Z | H81.1 | 03 | D61A, D61B | 05 | | F69A, F69B |
| H57.8 | 02 | C63Z | H81.2 | 03 | D61A | I06.8 | | KJZSA1, KJZSA2 |
| H57.9 | 02 | C63Z | H81.3 | 03 | D61A, D61B | 05 | | F69A, F69B |
| H58.0 | 15 | TPN, VTPN | H81.4 | 03 | D61A | I06.9 | | KJZSA1, KJZSA2 |
| H59.0 | 02 | C63Z | H81.8 | 03 | D61A, D61B | 05 | | F69A, F69B |
| H59.8 | 02 | C62Z | H81.9 | 03 | D61A, D61B | I07.0 | | KJZSA1, KJZSA2 |
| H59.9 | 02 | C63Z | H83.0 | 03 | D61A | 05 | | F69A, F69B |
| H60.0 | 03 | D66Z | H83.1 | 03 | D66Z | I07.1 | | KJZSA1, KJZSA2 |
| H60.1 | 03 | D66Z | H83.2 | 03 | D61A | 05 | | F69A, F69B |
| H60.2 | 03 | D09Z, D25A, D25B, D28J, D28Z, D60A, D60B, D60C | H83.3 | 03 | D66Z | I07.2 | | KJZSA1, KJZSA2 |
| | | | H83.8 | 03 | D66Z | 05 | | F69A, F69B |
| H60.3 | 03 | D66Z | H83.9 | 03 | D66Z | I07.8 | | KJZSA1, KJZSA2 |
| H60.4 | 03 | D66Z | H90.0 | 03 | D66Z | 05 | | F69A, F69B |
| H60.5 | 03 | D66Z | H90.1 | 03 | D66Z | I07.9 | | KJZSA1, KJZSA2 |
| H60.8 | 03 | D66Z | H90.2 | 03 | D66Z | 05 | | F69A, F69B |
| H60.9 | 03 | D66Z | H90.3 | 03 | D66Z | I08.0 | | KJZSA1, KJZSA2 |
| H61.0 | 03 | D66Z | H90.4 | 03 | D66Z | 05 | | F69A, F69B |
| H61.1 | 03 | D66Z | H90.5 | 03 | D66Z | I08.1 | | KJZSA1, KJZSA2 |
| H61.2 | 03 | D66Z | H90.6 | 03 | D66Z | 05 | | F69A, F69B |
| H61.3 | 03 | D66Z | H90.7 | 03 | D66Z | I08.2 | | KJZSA1, KJZSA2 |
| H61.8 | 03 | D66Z | H90.8 | 03 | D66Z | 05 | | F69A, F69B |
| H61.9 | 03 | D66Z | H91.0 | 03 | D61A, D61B | I08.3 | | KJZSA1, KJZSA2 |
| H62.1 | 15 | TPN, VTPN | H91.1 | 03 | D66Z | 05 | | F69A, F69B |
| H65.0 | 03 | D62Z, D63Z | H91.2 | 03 | D61A | I08.8 | | KJZSA1, KJZSA2 |
| H65.1 | 03 | D62Z, D63Z | H91.3 | 03 | D66Z | 05 | | F69A, F69B |
| H65.2 | 03 | D62Z, D63Z | H91.8 | 03 | D66Z | I08.9 | | KJZSA1, KJZSA2 |
| H65.3 | 03 | D62Z, D63Z | H91.9 | 03 | D66Z | 05 | | F69A, F69B |
| H65.4 | 03 | D62Z, D63Z | H92.0 | 03 | D66Z | I09.0 | 05 | F75A, F75B, F75C, F75D |
| H65.9 | 03 | D62Z, D63Z | H92.1 | 03 | D66Z | I09.1 | 05 | F69A, F69B |
| H66.0 | 03 | D62Z, D63Z | H92.2 | 03 | D66Z | I09.2 | 05 | F75A, F75B, F75C, F75D |
| | 15 | TPN, VTPN | H93.0 | 03 | D66Z | I09.8 | 05 | F75A, F75B, F75C, F75D |
| H66.1 | 03 | D62Z, D63Z | H93.01 | 03 | D61A | I09.9 | 05 | F75A, F75B, F75C, F75D |
| H66.2 | 03 | D62Z, D63Z | H93.02 | 03 | D61A | I10.00 | 05 | F67A, F67B, F67C, F67D |
| H66.3 | 03 | D62Z, D63Z | H93.03 | 03 | D61A | I10.01 | | KJZSA1, KJZSA2 |
| H66.4 | 03 | D62Z, D63Z | H93.09 | 03 | D61A | 05 | | F67A, F67B, F67C, F67D |
| H66.9 | 03 | D62Z, D63Z | H93.1 | 03 | D61A | I10.10 | 05 | F67A, F67B, F67C, F67D |
| H68.0 | 03 | D62Z, D63Z | H93.2 | 03 | D66Z | I10.11 | | KJZSA1, KJZSA2 |
| H68.1 | 03 | D66Z | H93.3 | 03 | D61A | 05 | | F67A, F67B, F67C, F67D |
| H69.0 | 03 | D66Z | H93.8 | 03 | D66Z | I10.90 | 05 | F67A, F67B, F67C, F67D |
| H69.8 | 03 | D66Z | H93.9 | 03 | D66Z | I10.91 | | KJZSA1, KJZSA2 |
| H69.9 | 03 | D66Z | H95.0 | 03 | D66Z | 05 | | F67A, F67B, F67C, F67D |
| H70.0 | 03 | D06B, D62Z, D63Z | H95.1 | 03 | D66Z | I11.00 | | KJZSA1, KJZSA2 |
| H70.1 | 03 | D06B, D62Z, D63Z | H95.8 | 03 | D66Z | 05 | | F62A, F62B, F62C |

| ICD | MDC | DRG | ICD | MDC | DRG | ICD | MDC | DRG |
|--------|-----|------------------------------------|--------|-----|--|--------|-----|--|
| 125.15 | | KJZSA1, KJZSA2 | 131.1 | 05 | F46A, F46B, F75A, F75B, F75C, F75D | 137.9 | | KJZSA1, KJZSA2 |
| | 05 | F50A, F66A, F66B | | | | 05 | | F69A, F69B |
| | 18A | S65A | 131.2 | 05 | F75A, F75B, F75C, F75D | 138 | 05 | F15Z, F36A, F36B, F61A, F61B |
| 125.16 | | KJZSA1, KJZSA2 | | 15 | TPN, VTPN | 08 | | I06A, I06C |
| | 05 | F50A, F66A, F66B | 131.3 | 05 | F75A, F75B, F75C, F75D | 18A | | S63A, S63B |
| | 18A | S65A | | 15 | TPN, VTPN | 139.0 | | KJZSA1, KJZSA2 |
| 125.19 | | KJZSA1, KJZSA2 | | Pre | A09D, A11D, A13D | 08 | | I06A, I06C |
| | 05 | F50A, F66A, F66B | 131.8 | 05 | F75A, F75B, F75C, F75D | 15 | | TPN, VTPN |
| | 18A | S65A | | 15 | TPN, VTPN | 139.1 | | KJZSA1, KJZSA2 |
| 125.20 | | KJZSA1, KJZSA2 | 131.9 | 05 | F75A, F75B, F75C, F75D | 08 | | I06A, I06C |
| | 18A | S65A | | 15 | TPN, VTPN | 15 | | TPN, VTPN |
| 125.21 | 18A | S65A | 132.0 | 15 | TPN, VTPN | 139.2 | | KJZSA1, KJZSA2 |
| 125.22 | 18A | S65A | 132.1 | 15 | TPN, VTPN | 08 | | I06A, I06C |
| 125.29 | 18A | S65A | 132.8 | 15 | TPN, VTPN | 15 | | TPN, VTPN |
| 125.3 | 05 | F75A, F75B, F75C, F75D | 133.0 | 05 | F03C, F03D, F03E, F14A, F14B, F15Z, F36A, F36B, F54A, F54B, F54J, F61A, F61B | 139.3 | | KJZSA1, KJZSA2 |
| | 18A | S65A | | 08 | I06A, I06C | 08 | | I06A, I06C |
| 125.4 | 05 | F75A, F75B, F75C, F75D | | 15 | TPN, VTPN | 15 | | TPN, VTPN |
| | 18A | S65A | | 18A | S63A, S63B | 139.4 | | KJZSA1, KJZSA2 |
| 125.5 | | KJZSA1, KJZSA2 | | Pre | A09D, A11D, A13D | 08 | | I06A, I06C |
| | 05 | F50A, F66A, F66B | 133.9 | 05 | F03C, F03D, F03E, F15Z, F36A, F36B, F61A, F61B | 15 | | TPN, VTPN |
| | 18A | S65A | | 08 | I06A, I06C | 139.8 | | KJZSA1, KJZSA2 |
| | Pre | A09D, A11D, A13D | | 15 | TPN, VTPN | 08 | | I06A, I06C |
| 125.6 | | KJZSA1, KJZSA2 | | 18A | S63A, S63B | 15 | | TPN, VTPN |
| | 05 | F66A, F66B | 134.0 | 05 | KJZSA1, KJZSA2 | 140.0 | 05 | F75A, F75B, F75C, F75D |
| | 18A | S65A | | 05 | F69A, F69B | 15 | | TPN, VTPN |
| 125.8 | | KJZSA1, KJZSA2 | | 18A | S63A, S63B | 18A | | S63A, S63B |
| | 05 | F66A, F66B | 134.1 | 05 | KJZSA1, KJZSA2 | Pre | | A09D, A11D, A13D |
| | 18A | S65A | | 05 | F69A, F69B | 140.1 | 05 | F75A, F75B, F75C, F75D |
| 125.9 | | KJZSA1, KJZSA2 | 134.2 | 05 | KJZSA1, KJZSA2 | 18A | | S63A, S63B |
| | 05 | F66A, F66B | | 05 | F69A, F69B | 140.8 | 05 | F75A, F75B, F75C, F75D |
| | 18A | S65A | 134.80 | 05 | KJZSA1, KJZSA2 | 18A | | S63A, S63B |
| 126.0 | 04 | E64A, E64B, E64C, E64D | 134.88 | 05 | KJZSA1, KJZSA2 | 140.9 | 05 | F75A, F75B, F75C, F75D |
| | 10 | K62A | | 05 | F69A, F69B | 15 | | TPN, VTPN |
| | 15 | TPN, VTPN | 134.9 | 05 | KJZSA1, KJZSA2 | 18A | | S63A, S63B |
| | 17 | R62A | | 05 | F69A, F69B | 141.0 | 15 | TPN, VTPN |
| | 22 | Y02A, Y02B | 135.0 | 05 | KJZSA1, KJZSA2 | 141.1 | 15 | TPN, VTPN |
| | Pre | A09D, A11D, A13D | | 15 | P65C, P66C, P67B, P67C | 141.2 | 15 | TPN, VTPN |
| 126.9 | 04 | E64A, E64B, E64C, E64D | 135.1 | 05 | KJZSA1, KJZSA2 | 141.8 | 15 | TPN, VTPN |
| | 10 | K62A | | 05 | F69A, F69B | 142.0 | 05 | F46A, F46B, F50A, F75A, F75B, F75C, F75D |
| | 15 | TPN, VTPN | 135.2 | 05 | KJZSA1, KJZSA2 | Pre | | A09D, A11D, A13D |
| | 22 | Y02A, Y02B | | 05 | F69A, F69B | 142.1 | 05 | F15Z, F24A, F24B, F36A, F36B, F46A, F46B, F50A, F52A, F52B, F75A, F75B, F75C, F75D |
| | Pre | A09D, A11D, A13D | 135.8 | 05 | KJZSA1, KJZSA2 | 15 | | P65C, P66C, P67B, P67C |
| 127.0 | 05 | F46A, F46B, F75A, F75B, F75C, F75D | | 05 | F69A, F69B | Pre | | A09D, A11D, A13D |
| | 15 | TPN, VTPN | 135.9 | 05 | KJZSA1, KJZSA2 | 142.2 | 05 | F46A, F46B, F50A, F75A, F75B, F75C, F75D |
| | Pre | A09D, A11D, A13D | | 05 | F69A, F69B | 142.3 | 05 | F46A, F46B, F50A, F75A, F75B, F75C, F75D |
| 127.1 | 05 | F75A, F75B, F75C, F75D | 136.0 | 05 | KJZSA1, KJZSA2 | 142.4 | 05 | F46A, F46B, F50A, F75A, F75B, F75C, F75D |
| | 15 | TPN, VTPN | | 05 | F69A, F69B | 142.5 | 05 | F46A, F46B, F50A, F75A, F75B, F75C, F75D |
| 127.20 | 05 | F75A, F75B, F75C, F75D | 136.1 | 05 | KJZSA1, KJZSA2 | 142.6 | 05 | F46A, F46B, F50A, F75A, F75B, F75C, F75D |
| | 15 | TPN, VTPN | | 05 | F69A, F69B | 142.7 | 05 | F46A, F46B, F50A, F75A, F75B, F75C, F75D |
| 127.28 | 05 | F75A, F75B, F75C, F75D | 136.2 | 05 | KJZSA1, KJZSA2 | 142.80 | 05 | F46A, F46B, F50A, F75A, F75B, F75C, F75D |
| | 15 | TPN, VTPN | | 05 | F69A, F69B | 142.88 | 05 | F46A, F46B, F50A, F75A, F75B, F75C, F75D |
| 127.8 | 05 | F75A, F75B, F75C, F75D | 136.8 | 05 | KJZSA1, KJZSA2 | 142.9 | 05 | F46A, F46B, F50A, F75A, F75B, F75C, F75D |
| | 15 | TPN, VTPN | | 05 | F69A, F69B | 18A | | S63A, S63B |
| 127.9 | 05 | F75A, F75B, F75C, F75D | 136.9 | 05 | KJZSA1, KJZSA2 | 15 | | TPN, VTPN |
| | 15 | TPN, VTPN | | 05 | F69A, F69B | 143.2 | 15 | TPN, VTPN |
| 128.0 | 05 | F75A, F75B, F75C, F75D | 137.0 | 05 | KJZSA1, KJZSA2 | 144.0 | 05 | F71A, F71B |
| | 05 | F75A, F75B, F75C, F75D | | 05 | F69A, F69B | 15 | | TPN, VTPN |
| 128.8 | 05 | F75A, F75B, F75C, F75D | 137.1 | 05 | KJZSA1, KJZSA2 | | | |
| | 05 | F75A, F75B, F75C, F75D | | 05 | F69A, F69B | | | |
| 128.9 | 05 | F75A, F75B, F75C, F75D | 137.2 | 05 | KJZSA1, KJZSA2 | | | |
| 130.0 | 05 | F75A, F75B, F75C, F75D | | 05 | F69A, F69B | | | |
| | 15 | TPN, VTPN | 137.8 | 05 | KJZSA1, KJZSA2 | | | |
| 130.1 | 05 | F75A, F75B, F75C, F75D | | 05 | F69A, F69B | | | |
| | 15 | TPN, VTPN | | 05 | F69A, F69B | | | |
| 130.8 | 05 | F75A, F75B, F75C, F75D | | 05 | F69A, F69B | | | |
| | 15 | TPN, VTPN | | 05 | F69A, F69B | | | |
| 130.9 | 05 | F75A, F75B, F75C, F75D | | 05 | F69A, F69B | | | |
| | 15 | TPN, VTPN | | 05 | F69A, F69B | | | |
| 131.0 | 05 | F75A, F75B, F75C, F75D | | 05 | F69A, F69B | | | |

| ICD | MDC | DRG | ICD | MDC | DRG | ICD | MDC | DRG |
|-------|-----|--|--------|-----|--|-------|-----|--|
| 144.1 | 05 | F70A, F70B | 149.1 | 05 | F71A, F71B | 160.0 | | KJZSA1, KJZSA2 |
| | 15 | TPN, VTPN | | 15 | P65C, P66C, P67B, P67C | | 01 | B03Z, B17A, B17B, B17C, B17D, B17J, B39A, B39B, B39C, B48Z, B70A, B70B, B70C, B70D, B70E, B70G, B70H, B70I |
| 144.2 | 05 | F70A, F70B | 149.2 | 05 | F71A, F71B | | | |
| | 15 | TPN, VTPN | 149.3 | 05 | F71A, F71B | | 15 | TPN, VTPN |
| | Pre | A09D, A11D, A13D | | 15 | P65C, P66C, P67B, P67C | | Pre | A09D, A11D, A13D |
| 144.3 | 05 | F70A, F70B | 149.4 | 05 | F71A, F71B | 160.1 | | KJZSA1, KJZSA2 |
| | 15 | TPN, VTPN | 149.5 | 05 | F71A, F71B | | 01 | B03Z, B17A, B17B, B17C, B17D, B17J, B39A, B39B, B39C, B48Z, B70A, B70B, B70C, B70D, B70E, B70G, B70H, B70I |
| 144.4 | 05 | F71A, F71B | 149.8 | 05 | F71A, F71B | | 15 | TPN, VTPN |
| | 15 | TPN, VTPN | | 15 | P65C, P66C, P67B, P67C | | Pre | A09D, A11D, A13D |
| 144.5 | 05 | F71A, F71B | 149.9 | 05 | F71A, F71B | | | |
| | 15 | TPN, VTPN | 150.00 | | KJZSA1, KJZSA2 | | | |
| 144.6 | 05 | F71A, F71B | | 05 | F15Z, F24A, F24B, F36A, F36B, F46A, F46B, F52A, F52B, F62A, F62B, F62C | | | |
| | 15 | TPN, VTPN | | 15 | TPN, VTPN | | 15 | TPN, VTPN |
| 144.7 | 05 | F71A, F71B | | 22 | Y02A, Y02B | 160.2 | | KJZSA1, KJZSA2 |
| | 15 | TPN, VTPN | 150.01 | | KJZSA1, KJZSA2 | | 01 | B03Z, B17A, B17B, B17C, B17D, B17J, B39A, B39B, B39C, B48Z, B70A, B70B, B70C, B70D, B70E, B70G, B70H, B70I |
| 145.0 | 05 | F71A, F71B | | 05 | F15Z, F24A, F24B, F36A, F36B, F46A, F46B, F52A, F52B, F62A, F62B, F62C | | 15 | TPN, VTPN |
| | 15 | TPN, VTPN | | 15 | TPN, VTPN | | Pre | A09D, A11D, A13D |
| 145.1 | 05 | F71A, F71B | | 22 | Y02A, Y02B | 160.3 | | KJZSA1, KJZSA2 |
| | 15 | TPN, VTPN | 150.11 | 05 | F15Z, F24A, F24B, F36A, F36B, F46A, F46B, F52A, F52B, F62A, F62B, F62C | | 01 | B03Z, B17A, B17B, B17C, B17D, B17J, B39A, B39B, B39C, B48Z, B70A, B70B, B70C, B70D, B70E, B70G, B70H, B70I |
| 145.2 | 05 | F71A, F71B | | 15 | TPN, VTPN | | 15 | TPN, VTPN |
| | 15 | TPN, VTPN | 150.12 | 05 | F15Z, F24A, F24B, F36A, F36B, F46A, F46B, F52A, F52B, F62A, F62B, F62C | 160.4 | | KJZSA1, KJZSA2 |
| 145.3 | 05 | F70A, F70B | | 15 | TPN, VTPN | | 01 | B03Z, B17A, B17B, B17C, B17D, B17J, B39A, B39B, B39C, B48Z, B70A, B70B, B70C, B70D, B70E, B70G, B70H, B70I |
| | 15 | TPN, VTPN | 150.13 | 05 | F15Z, F24A, F24B, F36A, F36B, F46A, F46B, F52A, F52B, F62A, F62B, F62C | | 15 | TPN, VTPN |
| 145.4 | 05 | F71A, F71B | | 05 | F15Z, F24A, F24B, F36A, F36B, F46A, F46B, F52A, F52B, F62A, F62B, F62C | | Pre | A09D, A11D, A13D |
| | 15 | TPN, VTPN | | 15 | TPN, VTPN | | | |
| 145.5 | 05 | F70A, F70B | 150.14 | 05 | F15Z, F24A, F24B, F36A, F36B, F46A, F46B, F52A, F52B, F62A, F62B, F62C | 160.5 | | KJZSA1, KJZSA2 |
| | 15 | TPN, VTPN | | 05 | F15Z, F24A, F24B, F36A, F36B, F46A, F46B, F52A, F52B, F62A, F62B, F62C | | 01 | B03Z, B17A, B17B, B17C, B17D, B17J, B39A, B39B, B39C, B48Z, B70A, B70B, B70C, B70D, B70E, B70G, B70H, B70I |
| 145.6 | 05 | F71A, F71B | | 15 | TPN, VTPN | | 15 | TPN, VTPN |
| | 15 | TPN, VTPN | 150.19 | 05 | F15Z, F24A, F24B, F36A, F36B, F46A, F46B, F52A, F52B, F62A, F62B, F62C | | Pre | A09D, A11D, A13D |
| 145.8 | 05 | F71A, F71B | | 05 | F15Z, F24A, F24B, F36A, F36B, F46A, F46B, F52A, F52B, F62A, F62B, F62C | 160.6 | | KJZSA1, KJZSA2 |
| | 15 | TPN, VTPN | | 15 | TPN, VTPN | | 01 | B03Z, B17A, B17B, B17C, B17D, B17J, B39A, B39B, B39C, B48Z, B70A, B70B, B70C, B70D, B70E, B70G, B70H, B70I |
| 145.9 | 05 | F71A, F71B | | 05 | F46A, F46B, F62A, F62B, F62C | | 15 | TPN, VTPN |
| | 15 | TPN, VTPN | 150.14 | 05 | F15Z, F24A, F24B, F36A, F36B, F46A, F46B, F52A, F52B, F62A, F62B, F62C | | Pre | A09D, A11D, A13D |
| 146.0 | 05 | F15Z, F24A, F24B, F36A, F36B, F46A, F46B, F52A, F52B, F62A, F70A, F70B | | 05 | F15Z, F24A, F24B, F36A, F36B, F46A, F46B, F52A, F52B, F62A, F62B, F62C | 160.7 | | KJZSA1, KJZSA2 |
| | 15 | TPN, VTPN | | 15 | TPN, VTPN | | 01 | B03Z, B17A, B17B, B17C, B17D, B17J, B39A, B39B, B39C, B48Z, B70A, B70B, B70C, B70D, B70E, B70G, B70H, B70I |
| 146.1 | 05 | F70A, F70B | | 15 | TPN, VTPN | | 15 | TPN, VTPN |
| | 15 | TPN, VTPN | 150.19 | 05 | F15Z, F24A, F24B, F36A, F36B, F46A, F46B, F52A, F52B, F62A, F62B, F62C | | Pre | A09D, A11D, A13D |
| 146.8 | 05 | F70A, F70B | | 05 | F15Z, F24A, F24B, F36A, F36B, F46A, F46B, F52A, F52B, F62A, F62B, F62C | 160.8 | | KJZSA1, KJZSA2 |
| | 15 | TPN, VTPN | | 15 | TPN, VTPN | | 01 | B03Z, B17A, B17B, B17C, B17D, B17J, B39A, B39B, B39C, B48Z, B70A, B70B, B70C, B70D, B70E, B70G, B70H, B70I |
| 146.9 | 05 | F70A, F70B | | 05 | F69A, F69B | | 15 | TPN, VTPN |
| | 15 | TPN, VTPN | 150.9 | | KJZSA1, KJZSA2 | | Pre | A09D, A11D, A13D |
| 147.0 | 05 | F71A, F71B | | 15 | TPN, VTPN | | | |
| 147.1 | 05 | F71A, F71B | | 22 | Y02A, Y02B | | | |
| | 15 | TPN, VTPN | 151.0 | 05 | F75A, F75B, F75C, F75D | | | |
| 147.2 | 05 | F15Z, F24A, F24B, F36A, F36B, F46A, F46B, F52A, F52B, F62A, F70A, F70B | 151.1 | 05 | F69A, F69B | | | |
| | 15 | TPN, VTPN | | 15 | TPN, VTPN | | | |
| 147.9 | 05 | F70A, F70B | 151.2 | 05 | F69A, F69B | | | |
| | 15 | TPN, VTPN | | 15 | TPN, VTPN | | | |
| 148.0 | 05 | F71A, F71B | 151.3 | 05 | F75A, F75B, F75C, F75D | | | |
| | 15 | TPN, VTPN | 151.4 | 05 | F61A, F75A, F75B, F75C, F75D | | | |
| 148.1 | 05 | F71A, F71B | | 15 | TPN, VTPN | | | |
| | 15 | TPN, VTPN | 151.5 | 05 | F75A, F75B, F75C, F75D | | | |
| 148.2 | 05 | F71A, F71B | | 15 | TPN, VTPN | | | |
| | 15 | TPN, VTPN | 151.6 | 05 | F66A, F66B | | | |
| 148.3 | 05 | F71A, F71B | | 15 | TPN, VTPN | | | |
| | 15 | TPN, VTPN | 151.7 | 05 | F66A, F66B | | | |
| 148.4 | 05 | F71A, F71B | 151.8 | 05 | F66A, F66B | | | |
| | 15 | TPN, VTPN | 151.9 | 05 | F66A, F66B | | | |
| 148.9 | 05 | F71A, F71B | | | | | | |
| | 15 | TPN, VTPN | | | | | | |
| 149.0 | 05 | F15Z, F24A, F24B, F36A, F36B, F46A, F46B, F52A, F52B, F62A, F70A, F70B | | | | | | |
| | 15 | TPN, VTPN | | | | | | |

| ICD | MDC | DRG | ICD | MDC | DRG | ICD | MDC | DRG |
|-------|-----|--|--------|-----|--|--------|-----|--|
| 165.2 | | KJZSA1, KJZSA2 | 166.9 | | KJZSA1, KJZSA2 | 170.24 | 05 | F14A, F14B, F20J, F20Z, F39A, F54A, F54B, F54J, F65A, F65B |
| | 01 | B03Z, B17A, B17B, B17C, B17D, B17J, B39A, B39B, B39C, B69A, B69B, B69C, B69D | | 01 | B03Z, B17A, B17B, B17C, B17D, B17J, B39A, B39B, B39C, B48Z, B70A, B70B, B70C, B70D, B70E, B70F, B70G, B70H, B70I | 170.25 | 05 | F65A, F65B |
| | 15 | TPN, VTPN | | | F61A | 170.8 | 05 | F65A, F65B |
| 165.3 | | KJZSA1, KJZSA2 | 167.0 | | B39A, B39B, B39C, B48Z, B70A, B70B, B70C, B70D, B70E, B70F, B70G, B70H, B70I | 170.9 | 05 | F65A, F65B |
| | 01 | B03Z, B17A, B17B, B17C, B17D, B17J, B39A, B39B, B39C, B69A, B69B, B69C, B69D | | 05 | F61A | 171.00 | 05 | F75A, F75B, F75C, F75D |
| | 15 | TPN, VTPN | | 15 | TPN, VTPN | | 15 | TPN, VTPN |
| 165.8 | | KJZSA1, KJZSA2 | 167.10 | | B03Z, B17A, B17B, B17C, B17D, B17J, B39A, B39B, B39C, B48Z, B70A, B70B, B70C, B70D, B70E, B70F, B70G, B70H, B70I | 171.01 | 05 | F65A, F65B |
| | 01 | B03Z, B17A, B17B, B17C, B17D, B17J, B39A, B39B, B39C, B69A, B69B, B69C, B69D | | Pre | A09D, A11D, A13D | | Pre | A09D, A11D, A13D |
| | 15 | TPN, VTPN | | 01 | B03Z, B17A, B17B, B17C, B17D, B17J, B39A, B39B, B39C, B48Z, B70A, B70B, B70C, B70D, B70E, B70F, B70G, B70H, B70I | 171.02 | 05 | F75A, F75B, F75C, F75D |
| 165.9 | | KJZSA1, KJZSA2 | 167.11 | | B03Z, B17A, B17B, B17C, B17D, B17J, B39A, B39B, B39C, B48Z, B70A, B70B, B70C, B70D, B70E, B70F, B70G, B70H, B70I | | 15 | TPN, VTPN |
| | 01 | B03Z, B17A, B17B, B17C, B17D, B17J, B39A, B39B, B39C, B69A, B69B, B69C, B69D | | Pre | A09D, A11D, A13D | 171.03 | 05 | F08A, F42Z, F65A, F65B |
| | 15 | TPN, VTPN | | 01 | B03Z, B17A, B17B, B17C, B17D, B17J, B39A, B39B, B39C, B48Z, B70A, B70B, B70C, B70D, B70E, B70F, B70G, B70H, B70I | | 15 | TPN, VTPN |
| 166.0 | | KJZSA1, KJZSA2 | 167.2 | | B03Z, B17A, B17B, B17C, B17D, B17J, B63Z | 171.04 | 05 | F75A, F75B, F75C, F75D |
| | 01 | B03Z, B17A, B17B, B17C, B17D, B17J, B39A, B39B, B39C, B48Z, B70A, B70B, B70C, B70D, B70E, B70F, B70G, B70H, B70I | | Pre | A09D, A11D, A13D | | 15 | TPN, VTPN |
| | 15 | TPN, VTPN | 167.3 | | B48Z, B85A, B85B, B85C, B85D | 171.05 | 05 | F65A, F65B |
| 166.1 | | KJZSA1, KJZSA2 | | 15 | TPN, VTPN | | Pre | A09D, A11D, A13D |
| | 01 | B03Z, B17A, B17B, B17C, B17D, B17J, B39A, B39B, B39C, B48Z, B70A, B70B, B70C, B70D, B70E, B70F, B70G, B70H, B70I | 167.4 | | F67A, F67B, F67C, F67D | 171.06 | 05 | F75A, F75B, F75C, F75D |
| | 05 | F61A | | Pre | A09D, A11D, A13D | | 15 | TPN, VTPN |
| | 15 | TPN, VTPN | 167.5 | | B03Z, B17A, B17B, B17C, B17D, B17J, B81A | 171.07 | 05 | F08A, F42Z, F65A, F65B |
| 166.2 | | KJZSA1, KJZSA2 | 167.6 | | B03Z, B17A, B17B, B17C, B17D, B17J, B81A | | 15 | TPN, VTPN |
| | 01 | B03Z, B17A, B17B, B17C, B17D, B17J, B39A, B39B, B39C, B48Z, B70A, B70B, B70C, B70D, B70E, B70F, B70G, B70H, B70I | | Pre | A09D, A11D, A13D | 171.1 | 05 | F65A, F65B |
| | 05 | F61A | 167.7 | | B03Z, B17A, B17B, B17C, B17D, B17J, B76A, B76B, B76C, B76D, B76E | | 15 | TPN, VTPN |
| | 15 | TPN, VTPN | | Pre | A09D, A11D, A13D | 171.2 | 05 | F65A, F65B |
| 166.3 | | KJZSA1, KJZSA2 | 167.80 | | B03Z, B17A, B17B, B17C, B17D, B17J | | 15 | TPN, VTPN |
| | 01 | B03Z, B17A, B17B, B17C, B17D, B17J, B39A, B39B, B39C, B69A, B69B, B69C, B69D | 167.88 | | B03Z, B17A, B17B, B17C, B17D, B17J, B63Z | 171.3 | 05 | F65A, F65B |
| | 05 | F61A | 167.9 | | B03Z, B17A, B17B, B17C, B17D, B17J, B63Z | | 15 | TPN, VTPN |
| | 15 | TPN, VTPN | 168.0 | | A09D, A11D, A13D | 171.4 | 05 | F65A, F65B |
| 166.4 | | KJZSA1, KJZSA2 | 168.1 | | A09D, A11D, A13D | | Pre | A09D, A11D, A13D |
| | 01 | B03Z, B17A, B17B, B17C, B17D, B17J, B39A, B39B, B39C, B48Z, B70A, B70B, B70C, B70D, B70E, B70F, B70G, B70H, B70I | 168.2 | | A09D, A11D, A13D | 171.5 | 05 | F08A, F42Z, F65A, F65B |
| | 05 | F61A | 169.0 | | KJZSA1, KJZSA2 | | 15 | TPN, VTPN |
| | 15 | TPN, VTPN | 169.1 | | KJZSA1, KJZSA2 | 171.6 | 05 | F08A, F42Z, F65A, F65B |
| 166.8 | | KJZSA1, KJZSA2 | 169.2 | | KJZSA1, KJZSA2 | | 15 | TPN, VTPN |
| | 01 | B03Z, B17A, B17B, B17C, B17D, B17J, B39A, B39B, B39C, B48Z, B70A, B70B, B70C, B70D, B70E, B70F, B70G, B70H, B70I | 169.3 | | KJZSA1, KJZSA2 | 171.8 | 05 | F65A, F65B |
| | 05 | F61A | 169.4 | | KJZSA1, KJZSA2 | | 15 | TPN, VTPN |
| | 15 | TPN, VTPN | 169.8 | | KJZSA1, KJZSA2 | 171.9 | 05 | F65A, F65B |
| | | | 170.0 | | F65A, F65B | 172.0 | 01 | B81A, B81B |
| | | | 170.1 | | F65A, F65B | 172.1 | 05 | F65A, F65B |
| | | | 170.20 | | F65A, F65B | 172.2 | 11 | L68A, L68B, L74Z |
| | | | 170.21 | | F65A, F65B | 172.3 | 05 | F65A, F65B |
| | | | 170.22 | | F65A, F65B | 172.4 | 05 | F65A, F65B |
| | | | 170.23 | | F14A, F14B, F20J, F20Z, F39A, F54A, F54B, F54J, F65A, F65B | 172.5 | 01 | B81A, B81B |
| | | | | | | 172.6 | 05 | F65A, F65B |
| | | | | | | 172.8 | 05 | F65A, F65B |
| | | | | | | 172.9 | 05 | F65A, F65B |
| | | | | | | 173.0 | 08 | I66A, I66B, I66C |
| | | | | | | 173.1 | 05 | F65A, F65B |
| | | | | | | 173.8 | 05 | F65A, F65B |
| | | | | | | | 15 | TPN, VTPN |
| | | | | | | 173.9 | 05 | F65A, F65B |
| | | | | | | | 15 | TPN, VTPN |
| | | | | | | 174.0 | 05 | F61A, F65A, F65B |
| | | | | | | | 15 | TPN, VTPN |

| ICD | MDC | DRG | ICD | MDC | DRG | ICD | MDC | DRG |
|--------|-----|--|--------|-----|--|-------|-----|--|
| 174.1 | 05 | F61A, F65A, F65B | 183.9 | 05 | F65A, F65B | J03.0 | 03 | D62Z, D63Z |
| | 15 | TPN, VTPN | 185.0 | 06 | G40Z, G46A, G46B, G46C, G47Z, G67A, G67B, G67C, G67D, G73Z | J03.8 | 03 | D62Z, D63Z |
| 174.2 | 05 | F61A, F65A, F65B | | | | J03.9 | 03 | D62Z, D63Z |
| | 15 | TPN, VTPN | | 07 | H40Z | J04.0 | 03 | D62Z, D63Z |
| 174.3 | 05 | F61A, F65A, F65B | | 15 | TPN, VTPN | J04.1 | 04 | E65A, E65B, E69A, E69B, E69C, E69D |
| | 15 | TPN, VTPN | | Pre | A09D, A11D, A13D | J04.2 | 03 | D64Z |
| 174.4 | 05 | F61A, F65A, F65B | | | | J05.0 | 03 | D64Z |
| | 15 | TPN, VTPN | 185.9 | 06 | G46A, G46B, G46C, G50Z, G71Z | J05.1 | 03 | D64Z |
| 174.5 | 05 | F61A, F65A, F65B | 186.0 | 05 | F65A, F65B | | Pre | A09D, A11D, A13D |
| | 15 | TPN, VTPN | 186.1 | 12 | M64Z | J06.0 | 03 | D62Z, D63Z |
| 174.8 | 05 | F61A, F65A, F65B | 186.2 | 12 | M64Z | J06.8 | 03 | D62Z, D63Z |
| | 15 | TPN, VTPN | | 13 | N04Z, N05A, N05B, N05J, N14Z, N21J, N21Z, N25J, N25Q, N25Z, N62A, N62B | J06.9 | 03 | D62Z, D63Z |
| 174.9 | 05 | F61A, F65A, F65B | | | | J09 | 04 | E62A, E62B, E77A, E77B, E77C, E77D, E77E |
| | 15 | TPN, VTPN | 186.3 | 13 | N04Z, N05A, N05B, N05J, N14Z, N21J, N21Z, N25J, N25Q, N25Z, N62A, N62B | | 15 | TPN, VTPN |
| 177.0 | 05 | F65A, F65B | | | | J10.0 | 04 | E62A, E62B, E77A, E77B, E77C, E77D, E77E |
| 177.1 | 05 | F65A, F65B | 186.4 | 05 | F65A, F65B | | 15 | TPN, VTPN |
| 177.2 | 05 | F65A, F65B | 186.8 | 05 | F65A, F65B | J10.1 | 03 | D62Z, D63Z |
| | 15 | TPN, VTPN | 187.00 | 05 | F65A, F65B | | 15 | TPN, VTPN |
| | Pre | A09D, A11D, A13D | 187.01 | 05 | F65A, F65B | J10.8 | 15 | TPN, VTPN |
| 177.3 | 05 | F65A, F65B | 187.1 | 05 | F65A, F65B | | 18B | T63A, T63B, T63C |
| 177.4 | 06 | G46A, G46B, G46C, G50Z, G67A, G67B, G67C, G67D | 187.2 | 05 | F65A, F65B | J11.0 | 04 | E62A, E62B, E77A, E77B, E77C, E77D, E77E |
| 177.5 | 05 | F65A, F65B | 187.7 | 05 | F66A, F66B | | 15 | TPN, VTPN |
| | 15 | TPN, VTPN | 187.8 | 05 | F66A, F66B | J11.1 | 03 | D62Z, D63Z |
| 177.6 | 08 | I66A, I66B, I66C | 187.9 | 05 | F66A, F66B | | 15 | TPN, VTPN |
| 177.8 | 05 | F65A, F65B | 188.0 | 06 | G46A, G46B, G46C, G50Z, G66Z, G72A, G72B | J11.8 | 15 | TPN, VTPN |
| 177.9 | 05 | F65A, F65B | 188.1 | 16 | Q60A, Q60B, Q60C, Q60D, Q60E | J12.0 | 04 | E62A, E62B, E77A, E77B, E77C, E77D, E77E |
| 178.0 | 05 | F65A, F65B | 188.8 | 16 | Q60A, Q60B, Q60C, Q60D, Q60E | | 15 | TPN, VTPN |
| 178.1 | 09 | J67A, J67B, J68A, J68B | 188.9 | 16 | Q60A, Q60B, Q60C, Q60D, Q60E | J12.1 | 04 | E62A, E62B, E65A, E65B, E65C, E69B, E77A, E77B, E77C, E77D |
| 178.8 | 05 | F65A, F65B | 189.0 | 09 | J67A, J67B, J68A, J68B | | 15 | TPN, VTPN |
| 178.9 | 05 | F65A, F65B | 189.1 | 09 | J64A, J64B | J12.2 | 04 | E62A, E62B, E77A, E77B, E77C, E77D, E77E |
| 179.0 | 15 | TPN, VTPN | 189.8 | 15 | TPN, VTPN | | 15 | TPN, VTPN |
| 179.2 | 15 | TPN, VTPN | 189.9 | 16 | Q60A, Q60B, Q60C, Q60D, Q60E | | 22 | Y02A, Y02B |
| 180.00 | 05 | F63A, F63B | 195.0 | 05 | F73Z | J12.3 | 04 | E62A, E62B, E77A, E77B, E77C, E77D, E77E |
| | 15 | TPN, VTPN | 195.1 | 05 | F73Z | | 15 | TPN, VTPN |
| 180.01 | 05 | F63A, F63B | 195.2 | 05 | F73Z | | 22 | Y02A, Y02B |
| | 15 | TPN, VTPN | 195.8 | 05 | F73Z | | 04 | E62A, E62B, E77A, E77B, E77C, E77D, E77E |
| 180.02 | 05 | F63A, F63B | | 22 | Y02A, Y02B | | 15 | TPN, VTPN |
| | 15 | TPN, VTPN | 195.9 | 05 | F73Z | | 18A | S63A, S63B |
| 180.10 | 05 | F63A, F63B | 197.0 | 05 | F75A, F75B, F75C, F75D | | 22 | Y02A, Y02B |
| | 15 | TPN, VTPN | 197.1 | 05 | F75A, F75B, F75C, F75D | J12.8 | 04 | E62A, E62B, E77A, E77B, E77C, E77D, E77E |
| 180.11 | 05 | F63A, F63B | | 15 | TPN, VTPN | | 15 | TPN, VTPN |
| | 15 | TPN, VTPN | 197.2 | 09 | J67A, J67B | | 18A | S63A, S63B |
| 180.12 | 05 | F63A, F63B | 197.8 | 05 | F65A, F65B | | 22 | Y02A, Y02B |
| | 15 | TPN, VTPN | | 22 | Y02A, Y02B | J12.9 | 04 | E62A, E62B, E77A, E77B, E77C, E77D, E77E |
| 180.2 | 05 | F63A, F63B | 197.9 | 05 | F75A, F75B, F75C, F75D | | 15 | TPN, VTPN |
| | 15 | TPN, VTPN | 198.0 | 15 | TPN, VTPN | | 18A | S63A, S63B |
| 180.3 | 05 | F63A, F63B | 198.1 | 15 | TPN, VTPN | | 22 | Y02A, Y02B |
| 180.40 | 05 | F63A, F63B | 198.3 | 07 | H40Z | J13 | 04 | E62A, E62B, E77A, E77B, E77C, E77D, E77E |
| 180.41 | 05 | F63A, F63B | 199 | 05 | F66A, F66B | | 15 | TPN, VTPN |
| 180.42 | 05 | F63A, F63B | J00 | 03 | D62Z, D63Z | | 18A | S63A, S63B |
| 180.8 | 05 | F63A, F63B | J01.0 | 03 | D62Z, D63Z | | 22 | Y02A, Y02B |
| 180.9 | 05 | F63A, F63B | J01.1 | 03 | D62Z, D63Z | | 22 | Y02A, Y02B |
| 181 | 07 | H63A, H63B, H63C, H78Z | J01.2 | 03 | D62Z, D63Z | J14 | 04 | E62A, E62B, E77A, E77B, E77C, E77D, E77E |
| | 15 | TPN, VTPN | J01.3 | 03 | D62Z, D63Z | | 15 | TPN, VTPN |
| | 17 | R62A | J01.4 | 03 | D62Z, D63Z | | 18A | S63A, S63B |
| 182.0 | 07 | H63A, H63B, H63C, H78Z | J01.8 | 03 | D62Z, D63Z | | 22 | Y02A, Y02B |
| | 15 | TPN, VTPN | J01.9 | 03 | D62Z, D63Z | | 04 | E62A, E62B, E77A, E77B, E77C, E77D, E77E |
| 182.1 | 05 | F65A, F65B | J02.0 | 03 | D62Z, D63Z | | 15 | TPN, VTPN |
| 182.2 | 05 | F69A, F69B | J02.8 | 03 | D62Z, D63Z | | 18A | S63A, S63B |
| | 15 | TPN, VTPN | J02.9 | 03 | D62Z, D63Z | | 22 | Y02A, Y02B |
| 182.3 | 11 | L68A, L68B, L74Z | | | | | | |
| | 15 | TPN, VTPN | | | | | | |
| 182.8 | 05 | F63A, F63B | | | | | | |
| | 22 | Y02A, Y02B | | | | | | |
| 182.9 | 05 | F63A, F63B | | | | | | |
| 183.0 | 05 | F20J, F20Z, F39A, F64Z | | | | | | |
| 183.1 | 05 | F65A, F65B | | | | | | |
| 183.2 | 05 | F20J, F20Z, F39A, F64Z | | | | | | |

| ICD | MDC | DRG | ICD | MDC | DRG | ICD | MDC | DRG |
|-------|-----|--|-------|-----|--|--------|-----|------------------------------------|
| J15.0 | 04 | E62A, E62B, E77A, E77B, E77C, E77D | J17.0 | 15 | TPN, VTPN | J31.0 | 03 | D62Z, D63Z |
| | 15 | TPN, VTPN | | 22 | Y02A, Y02B | | 15 | P65C, P66C, P67B, P67C |
| | 17 | R62A | J17.1 | 15 | TPN, VTPN | J31.1 | 03 | D62Z, D63Z |
| | 18A | S63A, S63B | | 22 | Y02A, Y02B | J31.2 | 03 | D62Z, D63Z |
| | 22 | Y02A, Y02B | J17.2 | 15 | TPN, VTPN | J32.0 | 03 | D62Z, D63Z |
| J15.1 | 04 | E62A, E62B, E77A, E77B, E77C, E77D, E77E | | 22 | Y02A, Y02B | J32.1 | 03 | D62Z, D63Z |
| | 15 | TPN, VTPN | J17.3 | 15 | TPN, VTPN | J32.2 | 03 | D62Z, D63Z |
| | 17 | R62A | | 22 | Y02A, Y02B | J32.3 | 03 | D62Z, D63Z |
| | 18A | S63A, S63B | J17.8 | 15 | TPN, VTPN | J32.4 | 03 | D62Z, D63Z |
| | 22 | Y02A, Y02B | | 22 | Y02A, Y02B | J32.8 | 03 | D62Z, D63Z |
| J15.2 | 04 | E62A, E62B, E77A, E77B, E77C, E77D, E77E | J18.0 | 04 | E62A, E62B, E77A, E77B, E77C, E77D, E77E | J32.9 | 03 | D62Z, D63Z |
| | 15 | TPN, VTPN | | 15 | TPN, VTPN | | 18A | S65A, S65B |
| | 17 | R62A | | 18A | S63A, S63B | J33.0 | 03 | D66Z |
| | 18A | S63A, S63B | | 22 | Y02A, Y02B | J33.1 | 03 | D66Z |
| | 22 | Y02A, Y02B | J18.1 | 04 | E62A, E62B, E77A, E77B, E77C, E77D, E77E | J33.8 | 03 | D66Z |
| J15.3 | 04 | E62A, E62B, E77A, E77B, E77C, E77D, E77E | | 15 | TPN, VTPN | J33.9 | 03 | D66Z |
| | 15 | TPN, VTPN | | 18A | S63A, S63B | J34.0 | 03 | D66Z |
| | 17 | R62A | | 22 | Y02A, Y02B | J34.1 | 03 | D66Z |
| | 18A | S63A, S63B | J18.2 | 04 | E64A, E64B, E64C, E64D | J34.2 | 03 | D65Z |
| | 22 | Y02A, Y02B | J18.8 | 04 | E62A, E62B, E77A, E77B, E77C, E77D, E77E | J34.3 | 03 | D66Z |
| J15.4 | 04 | E62A, E62B, E77A, E77B, E77C, E77D, E77E | | 15 | TPN, VTPN | | 15 | TPN, VTPN |
| | 15 | TPN, VTPN | | 18A | S63A, S63B | J34.8 | 03 | D66Z |
| | 17 | R62A | | 22 | Y02A, Y02B | J35.0 | 03 | D62Z, D63Z |
| | 18A | S63A, S63B | J18.9 | 04 | E62A, E62B, E77A, E77B, E77C, E77D, E77E | J35.1 | 03 | D66Z |
| | 22 | Y02A, Y02B | | 15 | TPN, VTPN | J35.2 | 03 | D66Z |
| J15.5 | 04 | E62A, E62B, E77A, E77B, E77C, E77D, E77E | | 18A | S63A, S63B | J35.3 | 03 | D66Z |
| | 15 | TPN, VTPN | | 22 | Y02A, Y02B | J35.8 | 03 | D66Z |
| | 17 | R62A | | | | J35.9 | 03 | D66Z |
| | 18A | S63A, S63B | J20.0 | 04 | E65A, E65B, E69A, E69B, E69C, E69D | J36 | 03 | D62Z, D63Z |
| | 22 | Y02A, Y02B | J20.1 | 04 | E65A, E65B, E69A, E69B, E69C, E69D | J37.0 | 03 | D62Z, D63Z |
| J15.6 | 04 | E62A, E62B, E77A, E77B, E77C, E77D, E77E | J20.2 | 04 | E65A, E65B, E69A, E69B, E69C, E69D | J37.1 | 03 | D62Z, D63Z |
| | 15 | TPN, VTPN | J20.3 | 04 | E65A, E65B, E69A, E69B, E69C, E69D | J38.00 | 03 | D66Z |
| | 17 | R62A | J20.4 | 04 | E65A, E65B, E69A, E69B, E69C, E69D | | 15 | TPN, VTPN |
| | 18A | S63A, S63B | J20.5 | 04 | E65A, E65B, E69A, E69B, E69C, E69D | J38.01 | 03 | D66Z |
| | 22 | Y02A, Y02B | | | | J38.02 | 03 | D66Z |
| J15.7 | 04 | E62A, E62B, E77A, E77B, E77C, E77D, E77E | J20.6 | 04 | E65A, E65B, E69A, E69B, E69C, E69D | J38.03 | 03 | D66Z |
| | 15 | TPN, VTPN | J20.7 | 04 | E65A, E65B, E69A, E69B, E69C, E69D | | 15 | TPN, VTPN |
| | 17 | R62A | J20.8 | 04 | E65A, E65B, E69A, E69B, E69C, E69D | J38.1 | 03 | D66Z |
| | 18A | S63A, S63B | | 15 | P65C, P66C, P67B, P67C | J38.2 | 03 | D66Z |
| | 22 | Y02A, Y02B | J20.9 | 04 | E65A, E65B, E69A, E69B, E69C, E69D | J38.3 | 03 | D66Z |
| J15.8 | 04 | E62A, E62B, E77A, E77B, E77C, E77D, E77E | J21.0 | 04 | E65A, E65B, E65C, E69B, E70A, E70B | J38.4 | 03 | D66Z |
| | 15 | TPN, VTPN | | 15 | TPN, VTPN | J38.5 | 03 | D64Z |
| | 17 | R62A | J21.1 | 04 | E70A, E70B | J38.6 | 03 | D66Z |
| | 18A | S63A, S63B | | 15 | TPN, VTPN | | 15 | TPN, VTPN |
| | 22 | Y02A, Y02B | J21.8 | 04 | E70A, E70B | J38.7 | 03 | D66Z |
| J16.0 | 04 | E62A, E62B, E77A, E77B, E77C, E77D, E77E | | 15 | TPN, VTPN | | 15 | TPN, VTPN |
| | 15 | TPN, VTPN | J21.9 | 04 | E70A, E70B | J39.0 | 03 | D30A, D62Z, D63Z |
| | 17 | R62A | | 15 | TPN, VTPN | | 15 | TPN, VTPN |
| | 18A | S63A, S63B | J22 | 04 | E75A, E75B, E75C | J39.01 | Pre | A09D, A11D, A13D |
| | 22 | Y02A, Y02B | | 15 | P65C, P66C, P67B, P67C | J39.1 | 03 | D66Z |
| J16.8 | 04 | E62A, E62B, E77A, E77B, E77C, E77D, E77E | J30.0 | 03 | D62Z, D63Z | J39.2 | 03 | D66Z |
| | 15 | TPN, VTPN | J30.1 | 03 | D62Z, D63Z | J39.3 | 03 | D62Z, D63Z |
| | 18A | S63A, S63B | J30.2 | 03 | D62Z, D63Z | J39.80 | 03 | D62Z, D63Z |
| | 22 | Y02A, Y02B | J30.3 | 03 | D62Z, D63Z | J39.88 | 03 | D62Z, D63Z |
| | | | J30.4 | 03 | D62Z, D63Z | J39.9 | 03 | D62Z, D63Z |
| | | | | | | J40 | 04 | E65A, E65B, E69A, E69B, E69C, E69D |
| | | | | | | | 15 | P65C, P66C, P67B, P67C |
| | | | | | | J41.0 | 04 | E65A, E65B, E69A, E69B, E69C, E69D |
| | | | | | | | 15 | P65C, P66C, P67B, P67C |
| | | | | | | J41.1 | 04 | E65A, E65B, E65C |
| | | | | | | J41.8 | 04 | E65A, E65B, E65C |
| | | | | | | J42 | 04 | E65A, E65B, E65C |
| | | | | | | J43.0 | 04 | E65A, E65B, E65C |
| | | | | | | J43.1 | 04 | E65A, E65B, E65C |
| | | | | | | J43.2 | 04 | E65A, E65B, E65C |
| | | | | | | J43.8 | 04 | E65A, E65B, E65C |
| | | | | | | J43.9 | 04 | E65A, E65B, E65C |

| ICD | MDC | DRG | ICD | MDC | DRG | ICD | MDC | DRG |
|--------|-----|------------------------------------|-------|-----|--|--------|-----|--|
| J44.00 | 04 | E65A, E65B | J67.4 | 04 | E74Z | J86.0 | 04 | E01A, E62A, E62B, E77A, E77B, E77C, E77D |
| J44.01 | | KJZSA1, KJZSA2 | | Pre | A09D, A11D, A13D | | 15 | TPN, VTPN |
| | 04 | E65A, E65B, E65C | J67.5 | 04 | E74Z | | 18A | S63A |
| J44.02 | | KJZSA1, KJZSA2 | | Pre | A09D, A11D, A13D | J86.9 | 04 | A09D, A11D, A13D |
| | 04 | E65A, E65B, E65C | J67.6 | 04 | E74Z | | 04 | E62A, E62B, E77A, E77B, E77C, E77D |
| J44.03 | | KJZSA1, KJZSA2 | | Pre | A09D, A11D, A13D | | 15 | TPN, VTPN |
| | 04 | E65A, E65B, E65C | J67.7 | 04 | E74Z | | 18A | S63A |
| J44.09 | 04 | E65A, E65B, E65C | | Pre | A09D, A11D, A13D | J90 | 04 | E73A, E73B |
| J44.10 | 04 | E65A, E65B | J67.8 | 04 | E74Z | | 15 | TPN, VTPN |
| J44.11 | | KJZSA1, KJZSA2 | | Pre | A09D, A11D, A13D | J91 | 15 | TPN, VTPN |
| | 04 | E65A, E65B, E65C | J67.9 | 04 | E74Z | J92.0 | 04 | E62A, E62B, E77A, E77B, E77C, E77D, E77E |
| J44.12 | | KJZSA1, KJZSA2 | | Pre | A09D, A11D, A13D | J92.9 | 04 | E62A, E62B, E77A, E77B, E77C, E77D, E77E |
| | 04 | E65A, E65B, E65C | J68.0 | 04 | E75A, E75B, E75C | J93.0 | 04 | E76A, E76B, E76C |
| J44.13 | | KJZSA1, KJZSA2 | J68.1 | 04 | E64A, E64B, E64C, E64D | | 15 | P65C, P66C, P67B, P67C |
| | 04 | E65A, E65B, E65C | J68.2 | 04 | E75A, E75B, E75C | J93.1 | 04 | A09D, A11D, A13D |
| J44.19 | 04 | E65A, E65B, E65C | J68.3 | 04 | E65A, E65B, E69A, E69B, E69C, E69D, E75A, E75B, E75C | | 04 | E76A, E76B, E76C |
| J44.80 | 04 | E65A, E65B | | 04 | E65A, E65B, E65C | J93.8 | 04 | E76A, E76B, E76C |
| J44.81 | | KJZSA1, KJZSA2 | J68.4 | 04 | E65A, E65B, E65C | | 18A | S63A, S63B |
| | 04 | E65A, E65B, E65C | J68.8 | 04 | E65A, E65B, E65C | J93.9 | 04 | E76A, E76B, E76C |
| J44.82 | | KJZSA1, KJZSA2 | J68.9 | 04 | E65A, E65B, E65C | | 18A | S63A, S63B |
| | 04 | E65A, E65B, E65C | J69.0 | 04 | E62A, E62B, E77A, E77B, E77C, E77D, E77E | J94.0 | 04 | E73A, E73B |
| J44.89 | 04 | E65A, E65B, E65C | | 15 | TPN, VTPN | | 15 | TPN, VTPN |
| J44.90 | 04 | E65A, E65B | J69.1 | 04 | E62A, E62B, E77A, E77B, E77C, E77D, E77E | J94.1 | 04 | E62A, E62B, E77A, E77B, E77C, E77D, E77E |
| J44.91 | | KJZSA1, KJZSA2 | | 15 | TPN, VTPN | J94.2 | 04 | E73A, E73B |
| | 04 | E65A, E65B, E65C | J69.8 | 04 | E62A, E62B, E77A, E77B, E77C, E77D, E77E | | 15 | TPN, VTPN |
| J44.92 | | KJZSA1, KJZSA2 | | 15 | TPN, VTPN | J94.8 | 04 | E73A, E73B |
| | 04 | E65A, E65B, E65C | J70.0 | 04 | E75A, E75B, E75C | | 15 | TPN, VTPN |
| J44.93 | | KJZSA1, KJZSA2 | J70.1 | 04 | E74Z | J94.9 | 04 | E73A, E73B |
| | 04 | E65A, E65B, E65C | J70.2 | 04 | E75A, E75B, E75C | | 15 | TPN, VTPN |
| J44.99 | 04 | E65A, E65B, E65C | J70.3 | 04 | E75A, E75B, E75C | J95.0 | 04 | E75A, E75B, E75C |
| J45.0 | 04 | E65A, E65B, E69A, E69B, E69C, E69D | J70.4 | 04 | E75A, E75B, E75C | | 15 | TPN, VTPN |
| J45.1 | 04 | E65A, E65B, E69A, E69B, E69C, E69D | J70.8 | 04 | E75A, E75B, E75C | J95.1 | 04 | E64A, E64B, E64C, E64D |
| J45.8 | 04 | E65A, E65B, E69A, E69B, E69C, E69D | J70.9 | 04 | E75A, E75B, E75C | | Pre | A09D, A11D, A13D |
| J45.9 | 04 | E65A, E65B, E69A, E69B, E69C, E69D | J80 | 04 | E40A, E40B | J95.2 | 04 | E64A, E64B, E64C, E64D |
| J46 | 04 | E65A, E65B, E69A, E69B, E69C, E69D | J81 | 05 | F62A, F62B, F62C | J95.3 | 04 | E64A, E64B, E64C, E64D |
| | Pre | A09D, A11D, A13D | J82 | 04 | E74Z | J95.4 | 04 | E75A, E75B, E75C |
| J47 | 04 | E65A, E65B | J84.0 | 04 | E74Z | J95.5 | 04 | E75A, E75B, E75C |
| J60 | 04 | E74Z | J84.1 | 04 | E74Z | J95.80 | 04 | E76A, E76B, E76C |
| J61 | 04 | E74Z | | Pre | A09D, A11D, A13D | | 15 | TPN, VTPN |
| J62.0 | 04 | E74Z | J84.8 | 04 | E74Z | J95.81 | 04 | E75A, E75B, E75C |
| J62.8 | 04 | E74Z | | 18A | S65A, S65B | J95.88 | 04 | E75A, E75B, E75C |
| J63.0 | 04 | E74Z | J84.9 | 04 | E74Z | | 04 | E75A, E75B, E75C |
| J63.1 | 04 | E74Z | J85.0 | 04 | E62A, E62B, E77A, E77B, E77C, E77D | J96.00 | 04 | E64A, E64B, E64C, E64D |
| J63.2 | 04 | E74Z | | 15 | TPN, VTPN | J96.01 | 04 | E64A, E64B, E64C, E64D |
| J63.3 | 04 | E74Z | | 18A | S63A, S63B | J96.09 | 04 | E64A, E64B, E64C, E64D |
| J63.4 | 04 | E74Z | | Pre | A09D, A11D, A13D | J96.10 | 04 | E64A, E64B, E64C, E64D |
| J63.5 | 04 | E74Z | J85.1 | 04 | E62A, E62B, E77A, E77B, E77C, E77D | J96.11 | 04 | E64A, E64B, E64C, E64D |
| J63.8 | 04 | E74Z | | 15 | TPN, VTPN | J96.19 | 04 | E64A, E64B, E64C, E64D |
| J64 | 04 | E74Z | | 18A | S63A, S63B | J96.90 | 04 | E64A, E64B, E64C, E64D |
| J65 | 04 | E41Z, E42Z, E76A, E76B | | Pre | A09D, A11D, A13D | J96.91 | 04 | E64A, E64B, E64C, E64D |
| J66.0 | 04 | E74Z | J85.2 | 04 | E62A, E62B, E77A, E77B, E77C, E77D | J96.99 | 04 | E64A, E64B, E64C, E64D |
| J66.1 | 04 | E74Z | | 15 | TPN, VTPN | J98.0 | 04 | E65A, E65B, E69A, E69B, E69C, E69D |
| J66.2 | 04 | E74Z | | 18A | S63A, S63B | J98.1 | 04 | E75A, E75B, E75C |
| J66.8 | 04 | E74Z | | Pre | A09D, A11D, A13D | J98.2 | 04 | E76A, E76B, E76C |
| J67.0 | 04 | E74Z | J85.3 | 04 | E62A, E62B, E77A, E77B, E77C, E77D | J98.3 | 04 | E75A, E75B, E75C |
| | Pre | A09D, A11D, A13D | | 15 | TPN, VTPN | J98.4 | 04 | E75A, E75B, E75C |
| J67.1 | 04 | E74Z | | 18A | S63A | J98.50 | 04 | E75A, E75B, E75C |
| | Pre | A09D, A11D, A13D | | Pre | A09D, A11D, A13D | J98.58 | 04 | E75A, E75B, E75C |
| J67.2 | 04 | E74Z | | Pre | A09D, A11D, A13D | J98.6 | 04 | E75A, E75B, E75C |
| | Pre | A09D, A11D, A13D | | Pre | A09D, A11D, A13D | J98.8 | 04 | E75A, E75B, E75C |
| J67.3 | 04 | E74Z | | Pre | A09D, A11D, A13D | J98.9 | 04 | E75A, E75B, E75C |
| | Pre | A09D, A11D, A13D | | Pre | A09D, A11D, A13D | | | |

Dg

| ICD | MDC | DRG | ICD | MDC | DRG | ICD | MDC | DRG |
|-------|-----|--|--------|-----|--|--------|-----|--|
| K26.4 | 06 | G40Z, G46A, G46B, G46C, G47Z, G67A, G67B, G67C, G67D, G73Z | K29.1 | 06 | G46A, G46B, G46C, G50Z, G67A, G67B, G67C, G67D | K35.32 | | KJZSA2 |
| K26.5 | 06 | G40Z, G46A, G46B, G46C, G47Z, G67A, G67B, G67C, G67D, G73Z | K29.2 | 06 | G46A, G46B, G46C, G50Z, G67A, G67B, G67C, G67D | 06 | | G07A, G07B, G07C, G22A, G22B, G22C, G46A, G46B, G46C, G50Z, G64A, G64B, G64C, G70A, G70B |
| K26.6 | 06 | G40Z, G46A, G46B, G46C, G47Z, G67A, G67B, G67C, G67D, G73Z | K29.3 | 06 | G46A, G46B, G46C, G50Z, G67A, G67B, G67C, G67D | 15 | | TPN, VTPN |
| K26.7 | 06 | G40Z, G46A, G46B, G46C, G47Z, G67A, G67B, G67C, G67D, G73Z | K29.4 | 06 | G46A, G46B, G46C, G50Z, G67A, G67B, G67C, G67D | K35.8 | 06 | G46A, G46B, G46C, G50Z, G72A, G72B |
| K26.9 | 06 | G40Z, G46A, G46B, G46C, G47Z, G67A, G67B, G67C, G67D, G73Z | K29.5 | 18A | S65A, S65B | 15 | | TPN, VTPN |
| K27.0 | 06 | G40Z, G46A, G46B, G46C, G47Z, G67A, G67B, G67C, G67D, G73Z | K29.5 | 06 | G46A, G46B, G46C, G50Z, G67A, G67B, G67C, G67D | K36 | 06 | G46A, G46B, G46C, G50Z, G72A, G72B |
| K27.1 | 06 | G40Z, G46A, G46B, G46C, G47Z, G67A, G67B, G67C, G67D, G73Z | K29.6 | 18A | S65A, S65B | K37 | 06 | G46A, G46B, G46C, G50Z, G72A, G72B |
| K27.2 | 06 | G40Z, G46A, G46B, G46C, G47Z, G67A, G67B, G67C, G67D, G73Z | K29.6 | 06 | G46A, G46B, G46C, G50Z, G67A, G67B, G67C, G67D | 15 | | TPN, VTPN |
| K27.3 | 06 | G40Z, G46A, G46B, G46C, G47Z, G67A, G67B, G67C, G67D, G73Z | K29.7 | 06 | G46A, G46B, G46C, G50Z, G67A, G67B, G67C, G67D | K38.0 | 06 | G46A, G46B, G46C, G50Z, G71Z |
| K27.4 | 06 | G40Z, G46A, G46B, G46C, G47Z, G67A, G67B, G67C, G67D, G73Z | K29.8 | 18A | S65A, S65B | K38.1 | 06 | G46A, G46B, G46C, G50Z, G71Z |
| K27.5 | 06 | G40Z, G46A, G46B, G46C, G47Z, G67A, G67B, G67C, G67D, G73Z | K29.8 | 06 | G46A, G46B, G46C, G50Z, G67A, G67B, G67C, G67D | K38.2 | 06 | G46A, G46B, G46C, G50Z, G71Z |
| K27.6 | 06 | G40Z, G46A, G46B, G46C, G47Z, G67A, G67B, G67C, G67D, G73Z | K29.9 | 06 | G46A, G46B, G46C, G50Z, G67A, G67B, G67C, G67D | K38.3 | 06 | G46A, G46B, G46C, G50Z, G71Z |
| K27.7 | 06 | G40Z, G46A, G46B, G46C, G47Z, G67A, G67B, G67C, G67D, G73Z | K30 | 18A | S65A, S65B | K38.8 | 06 | G46A, G46B, G46C, G50Z, G72A, G72B |
| K27.9 | 06 | G40Z, G46A, G46B, G46C, G47Z, G67A, G67B, G67C, G67D, G73Z | K31.0 | 06 | G46A, G46B, G46C, G50Z, G67A, G67B, G67C, G67D | K38.9 | 06 | G46A, G46B, G46C, G50Z, G72A, G72B |
| K28.0 | 06 | G40Z, G46A, G46B, G46C, G47Z, G67A, G67B, G67C, G67D, G73Z | K31.1 | 06 | G40Z, G46A, G46B, G46C, G47Z, G67A, G67B, G67C, G73Z | K40.00 | 06 | G09J, G09Z, G24J, G24Z, G46A, G46B, G46C, G50Z, G71Z |
| K28.1 | 06 | G40Z, G46A, G46B, G46C, G47Z, G67A, G67B, G67C, G67D, G73Z | K31.2 | 06 | G46A, G46B, G46C, G50Z, G67A, G67B, G67C, G67D | 15 | | TPN, VTPN |
| K28.2 | 06 | G40Z, G46A, G46B, G46C, G47Z, G67A, G67B, G67C, G67D, G73Z | K31.3 | 06 | G46A, G46B, G46C, G50Z, G67A, G67B, G67C, G67D | K40.01 | 06 | G09J, G09Z, G24J, G24Z, G46A, G46B, G46C, G50Z, G71Z |
| K28.3 | 06 | G40Z, G46A, G46B, G46C, G47Z, G67A, G67B, G67C, G67D, G73Z | K31.4 | 06 | G46A, G46B, G46C, G50Z, G67A, G67B, G67C, G67D | 15 | | TPN, VTPN |
| K28.4 | 06 | G40Z, G46A, G46B, G46C, G47Z, G67A, G67B, G67C, G67D, G73Z | K31.5 | 06 | G40Z, G46A, G46B, G46C, G47Z, G67A, G67B, G67C, G73Z | K40.10 | 06 | KJZSA2 |
| K28.5 | 06 | G40Z, G46A, G46B, G46C, G47Z, G67A, G67B, G67C, G67D, G73Z | K31.6 | 06 | G46A, G46B, G46C, G50Z, G67A, G67B, G67C | 06 | | G09J, G09Z, G24J, G24Z, G46A, G46B, G46C, G50Z, G71Z |
| K28.6 | 06 | G40Z, G46A, G46B, G46C, G47Z, G67A, G67B, G67C, G67D, G73Z | 15 | | TPN, VTPN | K40.11 | Pre | A09D, A11D, A13D |
| K28.7 | 06 | G40Z, G46A, G46B, G46C, G47Z, G67A, G67B, G67C, G67D, G73Z | K31.7 | 06 | G46A, G46B, G46C, G50Z, G67A, G67B, G67C, G67D | 06 | | KJZSA2 |
| K28.9 | 06 | G40Z, G46A, G46B, G46C, G47Z, G67A, G67B, G67C, G67D, G73Z | K31.81 | 06 | G46A, G46B, G46C, G50Z, G67A, G67B, G67C, G67D | 06 | | G09J, G09Z, G24J, G24Z, G46A, G46B, G46C, G50Z, G71Z |
| K29.0 | 06 | G40Z, G46A, G46B, G46C, G47Z, G67A, G67B, G67C, G67D, G73Z | K31.82 | 06 | G40Z, G46A, G46B, G46C, G47Z, G67A, G67B, G67C, G67D, G73Z | 15 | | TPN, VTPN |
| | | | K31.88 | 06 | G46A, G46B, G46C, G50Z, G67A, G67B, G67C, G67D | K40.20 | 06 | A09D, A11D, A13D |
| | | | K31.9 | 06 | G46A, G46B, G46C, G50Z, G67A, G67B, G67C, G67D | 06 | | G09J, G09Z, G24J, G24Z, G46A, G46B, G46C, G50Z, G71Z |
| | | | K35.2 | | KJZSA2 | K40.21 | 06 | G09J, G09Z, G24J, G24Z, G46A, G46B, G46C, G50Z, G71Z |
| | | | | 06 | G07A, G07B, G07C, G22A, G22B, G22C, G46A, G46B, G46C, G50Z, G71Z | K40.30 | 06 | G09J, G09Z, G24J, G24Z, G46A, G46B, G46C, G50Z, G71Z |
| | | | K35.30 | | KJZSA2 | 15 | | TPN, VTPN |
| | | | | 06 | G46A, G46B, G46C, G50Z, G72A, G72B | K40.31 | 06 | G09J, G09Z, G24J, G24Z, G46A, G46B, G46C, G50Z, G71Z |
| | | | K35.31 | | KJZSA2 | 15 | | TPN, VTPN |
| | | | | 15 | TPN, VTPN | K40.40 | | KJZSA2 |
| | | | | 06 | G07A, G07B, G07C, G22A, G22B, G22C, G46A, G46B, G46C, G50Z, G71Z | 06 | | G09J, G09Z, G24J, G24Z, G46A, G46B, G46C, G50Z, G71Z |
| | | | | 15 | TPN, VTPN | Pre | | A09D, A11D, A13D |

| ICD | MDC | DRG | ICD | MDC | DRG | ICD | MDC | DRG |
|--------|-----|--|--------|-----|--|--------|-----|--|
| K40.41 | | KJZSA2 | K43.7 | | KJZSA2 | K51.9 | 06 | G40Z, G46A, G46B, G46C, G47Z, G48A, G48B, G64A, G64B, G64C |
| | 06 | G09J, G09Z, G24J, G24Z, G46A, G46B, G46C, G50Z, G71Z | K43.9 | 06 | G46A, G46B, G46C, G50Z, G71Z | K52.0 | 06 | G46A, G46B, G46C, G50Z, G71Z |
| | 15 | TPN, VTPN | K44.0 | 06 | G46A, G46B, G46C, G50Z, G67A, G67B, G67C, G67D | | 18A | S65A, S65B |
| | Pre | A09D, A11D, A13D | K44.1 | | KJZSA2 | K52.1 | 06 | G46A, G46B, G46C, G50Z, G71Z |
| K40.90 | 06 | G09J, G09Z, G24J, G24Z, G46A, G46B, G46C, G50Z, G71Z | K44.1 | 06 | G46A, G46B, G46C, G50Z, G71Z | | 15 | TPN, VTPN |
| K40.91 | 06 | G09J, G09Z, G24J, G24Z, G46A, G46B, G46C, G50Z, G71Z | | 15 | TPN, VTPN | K52.2 | 06 | G46A, G46B, G46C, G50Z, G67A, G67B, G67C, G67D |
| K41.0 | 06 | G09J, G09Z, G24J, G24Z, G46A, G46B, G46C, G50Z, G71Z | | Pre | A09D, A11D, A13D | | 18A | S65A, S65B |
| | 15 | TPN, VTPN | K44.9 | 06 | G46A, G46B, G46C, G50Z, G67A, G67B, G67C, G67D | K52.30 | 06 | G46A, G46B, G46C, G50Z, G67A, G67B, G67C, G67D |
| K41.1 | | KJZSA2 | K45.0 | 06 | G46A, G46B, G46C, G50Z, G71Z | | 15 | P65C, P66C, P67B, P67C |
| | 06 | G09J, G09Z, G24J, G24Z, G46A, G46B, G46C, G50Z, G71Z | K45.1 | | KJZSA2 | K52.31 | 06 | G46A, G46B, G46C, G50Z, G67A, G67B, G67C, G67D |
| | 15 | TPN, VTPN | | 06 | G46A, G46B, G46C, G50Z, G71Z | | 15 | P65C, P66C, P67B, P67C |
| | Pre | A09D, A11D, A13D | | 15 | TPN, VTPN | | 18A | S65A, S65B |
| K41.2 | 06 | G09J, G09Z, G24J, G24Z, G46A, G46B, G46C, G50Z, G71Z | K45.8 | 06 | G46A, G46B, G46C, G50Z, G71Z | K52.32 | 06 | G46A, G46B, G46C, G50Z, G67A, G67B, G67C, G67D |
| K41.3 | 06 | G09J, G09Z, G24J, G24Z, G46A, G46B, G46C, G50Z, G71Z | K46.0 | 06 | G46A, G46B, G46C, G50Z, G71Z | | 15 | P65C, P66C, P67B, P67C |
| | 15 | TPN, VTPN | K46.1 | | KJZSA2 | K52.38 | 06 | G46A, G46B, G46C, G50Z, G67A, G67B, G67C, G67D |
| K41.4 | | KJZSA2 | | 06 | G46A, G46B, G46C, G50Z, G71Z | | 15 | P65C, P66C, P67B, P67C |
| | 06 | G09J, G09Z, G24J, G24Z, G46A, G46B, G46C, G50Z, G71Z | | 15 | TPN, VTPN | K52.8 | 06 | G46A, G46B, G46C, G50Z, G67A, G67B, G67C, G67D |
| | 15 | TPN, VTPN | K46.9 | 06 | G46A, G46B, G46C, G50Z, G71Z | | 15 | P65C, P66C, P67B, P67C |
| | Pre | A09D, A11D, A13D | K50.0 | 06 | G40Z, G46A, G46B, G46C, G47Z, G48A, G48B, G64A, G64B, G64C | | 18A | S65A, S65B |
| K41.9 | 06 | G09J, G09Z, G24J, G24Z, G46A, G46B, G46C, G50Z, G71Z | K50.1 | 06 | G40Z, G46A, G46B, G46C, G47Z, G48A, G48B, G64A, G64B, G64C | K52.9 | 06 | G46A, G46B, G46C, G50Z, G67A, G67B, G67C, G67D |
| K42.0 | 06 | G46A, G46B, G46C, G50Z, G71Z | K50.80 | 06 | G40Z, G46A, G46B, G46C, G47Z, G48A, G48B, G64A, G64B, G64C | | 18A | S65A, S65B |
| | 15 | TPN, VTPN | | 06 | G40Z, G46A, G46B, G46C, G47Z, G48A, G48B, G64A, G64B, G64C | K55.0 | 06 | G46A, G46B, G46C, G50Z, G64A, G64B, G64C, G70A, G70B |
| K42.1 | | KJZSA2 | K50.81 | 06 | G40Z, G46A, G46B, G46C, G47Z, G48A, G48B, G64A, G64B, G64C | | 15 | TPN, VTPN |
| | 06 | G46A, G46B, G46C, G50Z, G71Z | | 06 | G40Z, G46A, G46B, G46C, G47Z, G48A, G48B, G64A, G64B, G64C | K55.1 | 06 | G46A, G46B, G46C, G50Z, G64A, G64B, G64C, G70A, G70B |
| | 15 | TPN, VTPN | K50.82 | 06 | G40Z, G46A, G46B, G46C, G47Z, G48A, G48B, G64A, G64B, G64C | K55.21 | 06 | G46A, G46B, G46C, G50Z, G71Z |
| | Pre | A09D, A11D, A13D | | 06 | G40Z, G46A, G46B, G46C, G47Z, G48A, G48B, G64A, G64B, G64C | | 15 | TPN, VTPN |
| K42.9 | 06 | G46A, G46B, G46C, G50Z, G71Z | K50.88 | 06 | G40Z, G46A, G46B, G46C, G47Z, G48A, G48B, G64A, G64B, G64C | K55.22 | 06 | G40Z, G46A, G46B, G46C, G47Z, G67A, G67B, G67C, G67D, G73Z |
| K43.0 | 06 | G46A, G46B, G46C, G50Z, G71Z | K50.9 | 06 | G40Z, G46A, G46B, G46C, G47Z, G48A, G48B, G64A, G64B, G64C | K55.81 | 06 | G46A, G46B, G46C, G50Z, G67A, G67B, G67C, G67D |
| | 15 | TPN, VTPN | | 06 | G40Z, G46A, G46B, G46C, G47Z, G48A, G48B, G64A, G64B, G64C | K55.82 | 06 | G40Z, G46A, G46B, G46C, G47Z, G67A, G67B, G67C, G67D, G73Z |
| K43.1 | | KJZSA2 | K51.0 | 06 | G40Z, G46A, G46B, G46C, G47Z, G48A, G48B, G64A, G64B, G64C | K55.88 | 06 | G46A, G46B, G46C, G50Z, G71Z |
| | 06 | G46A, G46B, G46C, G50Z, G71Z | | 06 | G40Z, G46A, G46B, G46C, G47Z, G48A, G48B, G64A, G64B, G64C | K55.9 | 06 | G46A, G46B, G46C, G50Z, G71Z |
| | 15 | TPN, VTPN | K51.2 | 06 | G40Z, G46A, G46B, G46C, G47Z, G48A, G48B, G64A, G64B, G64C | K56.0 | 06 | G40Z, G46A, G46B, G46C, G47Z, G65Z |
| | Pre | A09D, A11D, A13D | | 06 | G40Z, G46A, G46B, G46C, G47Z, G48A, G48B, G64A, G64B, G64C | | 15 | TPN, VTPN |
| K43.2 | 06 | G46A, G46B, G46C, G50Z, G71Z | K51.3 | 06 | G40Z, G46A, G46B, G46C, G47Z, G48A, G48B, G64A, G64B, G64C | K56.1 | 06 | G40Z, G46A, G46B, G46C, G47Z, G65Z |
| K43.3 | 06 | G46A, G46B, G46C, G50Z, G71Z | | 06 | G40Z, G46A, G46B, G46C, G47Z, G48A, G48B, G64A, G64B, G64C | | 15 | TPN, VTPN |
| | 15 | TPN, VTPN | K51.4 | 06 | G40Z, G46A, G46B, G46C, G47Z, G48A, G48B, G64A, G64B, G64C | K56.2 | 06 | G40Z, G46A, G46B, G46C, G47Z, G65Z |
| K43.4 | | KJZSA2 | | 06 | G40Z, G46A, G46B, G46C, G47Z, G48A, G48B, G64A, G64B, G64C | | 15 | TPN, VTPN |
| | 06 | G46A, G46B, G46C, G50Z, G71Z | K51.5 | 06 | G40Z, G46A, G46B, G46C, G47Z, G48A, G48B, G64A, G64B, G64C | K56.3 | 06 | G40Z, G46A, G46B, G46C, G47Z, G65Z |
| | 15 | TPN, VTPN | | 06 | G40Z, G46A, G46B, G46C, G47Z, G48A, G48B, G64A, G64B, G64C | | 06 | G40Z, G46A, G46B, G46C, G47Z, G65Z |
| | Pre | A09D, A11D, A13D | K51.8 | 06 | G40Z, G46A, G46B, G46C, G47Z, G48A, G48B, G64A, G64B, G64C | | | |
| K43.5 | 06 | G46A, G46B, G46C, G50Z, G71Z | | | | | | |
| K43.6 | 06 | G46A, G46B, G46C, G50Z, G71Z | | | | | | |

| ICD | MDC | DRG | ICD | MDC | DRG | ICD | MDC | DRG |
|--------|-----|--|--------|-----|--|-------|-----|--|
| K56.4 | 06 | G40Z, G46A, G46B, G46C, G47Z, G65Z | K57.80 | 06 | G46A, G46B, G46C, G50Z, G67A, G67B, G67C | K62.2 | 06 | G46A, G46B, G46C, G50Z, G71Z |
| | 15 | TPN, VTPN | K57.81 | 06 | G40Z, G46A, G46B, G46C, G47Z, G67A, G67B, G67C, G67D, G73Z | K62.3 | 15 | TPN, VTPN |
| K56.5 | 06 | G40Z, G46A, G46B, G46C, G47Z, G65Z | K57.82 | 06 | G46A, G46B, G46C, G50Z, G67A, G67B, G67C | K62.3 | 06 | G46A, G46B, G46C, G50Z, G71Z |
| K56.6 | 06 | G40Z, G46A, G46B, G46C, G47Z, G65Z | K57.83 | 06 | G40Z, G46A, G46B, G46C, G47Z, G67A, G67B, G67C, G67D, G73Z | K62.4 | 15 | TPN, VTPN |
| | 15 | TPN, VTPN | K57.90 | 06 | G46A, G46B, G46C, G50Z, G67A, G67B, G67C | K62.4 | 06 | G46A, G46B, G46C, G50Z, G71Z |
| K56.7 | 06 | G40Z, G46A, G46B, G46C, G47Z, G65Z | K57.91 | 06 | G40Z, G46A, G46B, G46C, G47Z, G67A, G67B, G67C, G67D, G73Z | K62.5 | 15 | TPN, VTPN |
| | 15 | TPN, VTPN | K57.92 | 06 | G46A, G46B, G46C, G50Z, G67A, G67B, G67C | K62.5 | 06 | G40Z, G46A, G46B, G46C, G47Z, G67A, G67B, G67C, G67D, G73Z |
| K57.00 | 06 | G46A, G46B, G46C, G50Z, G67A, G67B, G67C | K57.93 | 06 | G40Z, G46A, G46B, G46C, G47Z, G67A, G67B, G67C, G67D, G73Z | K62.6 | 06 | G46A, G46B, G46C, G50Z, G71Z |
| K57.01 | 06 | G40Z, G46A, G46B, G46C, G47Z, G67A, G67B, G67C, G67D, G73Z | K58.0 | 06 | G46A, G46B, G46C, G50Z, G67A, G67B, G67C, G67D | K62.7 | 06 | G46A, G46B, G46C, G50Z, G71Z |
| K57.02 | 06 | G46A, G46B, G46C, G50Z, G67A, G67B, G67C | K58.9 | 06 | G46A, G46B, G46C, G50Z, G67A, G67B, G67C, G67D | K62.8 | 06 | G46A, G46B, G46C, G50Z, G71Z |
| K57.03 | 06 | G40Z, G46A, G46B, G46C, G47Z, G67A, G67B, G67C, G67D, G73Z | K59.0 | 06 | G46A, G46B, G46C, G50Z, G67A, G67B, G67C, G67D | K62.9 | 06 | G46A, G46B, G46C, G50Z, G71Z |
| K57.10 | 06 | G46A, G46B, G46C, G50Z, G67A, G67B, G67C | K59.1 | 06 | G46A, G46B, G46C, G50Z, G67A, G67B, G67C, G67D | K63.0 | 06 | KJZSA2 |
| K57.11 | 06 | G40Z, G46A, G46B, G46C, G47Z, G67A, G67B, G67C, G67D, G73Z | K59.2 | 06 | G46A, G46B, G46C, G50Z, G67A, G67B, G67C, G67D | K63.0 | 06 | G46A, G46B, G46C, G50Z, G64A, G64B, G64C, G70A, G70B |
| K57.12 | 06 | G46A, G46B, G46C, G50Z, G67A, G67B, G67C | K59.3 | 06 | G46A, G46B, G46C, G50Z, G71Z | K63.1 | 15 | TPN, VTPN |
| K57.13 | 06 | G40Z, G46A, G46B, G46C, G47Z, G67A, G67B, G67C, G67D, G73Z | K59.4 | 06 | G46A, G46B, G46C, G50Z, G67A, G67B, G67C, G67D | K63.1 | 06 | KJZSA2 |
| K57.20 | 06 | G46A, G46B, G46C, G50Z, G67A, G67B, G67C | K59.9 | 06 | G46A, G46B, G46C, G50Z, G67A, G67B, G67C, G67D | K63.1 | 06 | G01Z, G02Z, G38Z, G46A, G46B, G46C, G50Z, G64A, G64B, G64C, G70A, G70B |
| K57.21 | 06 | G40Z, G46A, G46B, G46C, G47Z, G67A, G67B, G67C, G67D, G73Z | K60.0 | 06 | G46A, G46B, G46C, G50Z, G71Z | K63.2 | 15 | TPN, VTPN |
| K57.22 | 06 | G46A, G46B, G46C, G50Z, G67A, G67B, G67C | K60.1 | 06 | G46A, G46B, G46C, G50Z, G71Z | K63.2 | Pre | A09D, A11D, A13D |
| K57.23 | 06 | G40Z, G46A, G46B, G46C, G47Z, G67A, G67B, G67C, G67D, G73Z | K60.2 | 06 | G46A, G46B, G46C, G50Z, G71Z | K63.2 | 06 | G46A, G46B, G46C, G50Z, G64A, G64B, G64C, G70A, G70B |
| K57.30 | 06 | G46A, G46B, G46C, G50Z, G67A, G67B, G67C | K60.3 | 06 | G46A, G46B, G46C, G50Z, G71Z | K63.3 | 15 | TPN, VTPN |
| K57.31 | 06 | G40Z, G46A, G46B, G46C, G47Z, G67A, G67B, G67C, G67D, G73Z | K60.4 | 06 | G46A, G46B, G46C, G50Z, G71Z | K63.3 | 06 | G46A, G46B, G46C, G50Z, G64A, G64B, G64C, G70A, G70B |
| K57.32 | 06 | G46A, G46B, G46C, G50Z, G67A, G67B, G67C | K60.5 | 06 | G46A, G46B, G46C, G50Z, G71Z | K63.4 | 15 | TPN, VTPN |
| K57.33 | 06 | G40Z, G46A, G46B, G46C, G47Z, G67A, G67B, G67C, G67D, G73Z | K61.0 | 06 | G46A, G46B, G46C, G50Z, G71Z | K63.4 | 06 | G46A, G46B, G46C, G50Z, G71Z |
| K57.40 | 06 | G46A, G46B, G46C, G50Z, G67A, G67B, G67C | K61.1 | 06 | G46A, G46B, G46C, G50Z, G71Z | K63.5 | 06 | G46A, G46B, G46C, G50Z, G71Z |
| K57.41 | 06 | G40Z, G46A, G46B, G46C, G47Z, G67A, G67B, G67C, G67D, G73Z | K61.1 | 15 | TPN, VTPN | K63.8 | 06 | G46A, G46B, G46C, G50Z, G71Z |
| K57.42 | 06 | G46A, G46B, G46C, G50Z, G67A, G67B, G67C | K61.2 | 06 | G46A, G46B, G46C, G50Z, G71Z | K63.9 | 06 | G46A, G46B, G46C, G50Z, G71Z |
| K57.43 | 06 | G40Z, G46A, G46B, G46C, G47Z, G67A, G67B, G67C, G67D, G73Z | K61.3 | 06 | G46A, G46B, G46C, G50Z, G71Z | K64.0 | 06 | G46A, G46B, G46C, G50Z, G72A, G72B |
| K57.50 | 06 | G46A, G46B, G46C, G50Z, G67A, G67B, G67C | K61.4 | 06 | G46A, G46B, G46C, G50Z, G71Z | K64.1 | 06 | G46A, G46B, G46C, G50Z, G72A, G72B |
| K57.51 | 06 | G40Z, G46A, G46B, G46C, G47Z, G67A, G67B, G67C, G67D, G73Z | K62.0 | 06 | G46A, G46B, G46C, G50Z, G71Z | K64.2 | 06 | G46A, G46B, G46C, G50Z, G72A, G72B |
| K57.52 | 06 | G46A, G46B, G46C, G50Z, G67A, G67B, G67C | K62.1 | 06 | G46A, G46B, G46C, G50Z, G71Z | K64.3 | 06 | G46A, G46B, G46C, G50Z, G72A, G72B |
| K57.53 | 06 | G40Z, G46A, G46B, G46C, G47Z, G67A, G67B, G67C, G67D, G73Z | | | | K64.4 | 06 | G46A, G46B, G46C, G50Z, G72A, G72B |

Dg

| ICD | MDC | DRG | ICD | MDC | DRG | ICD | MDC | DRG |
|-------|-----|--|--------|-----|------------------------------|--------|------------------------|------------------------------------|
| K65.0 | | KJZSA2 | K71.2 | | KJZSA1, KJZSA2 | K75.0 | | KJZSA2 |
| | 06 | G01Z, G02Z, G07A, G07B, G07C, G22A, G22B, G22C, G38Z, G40Z, G46A, G46B, G46C, G47Z, G48A, G48B, G64A, G64B, G64C, G70A, G70B | | 07 | H40Z, H63A, H63B, H63C, H78Z | | 07 | H08A, H40Z, H63A, H63B, H63C, H78Z |
| | 15 | TPN, VTPN | | 15 | TPN, VTPN | | 15 | TPN, VTPN |
| | Pre | A09D, A11D, A13D | K71.3 | 07 | H40Z, H63A, H63B, H63C, H78Z | Pre | A09D, A11D, A13D, A60A | |
| K65.8 | | KJZSA2 | | 15 | TPN, VTPN | K75.1 | 07 | H40Z, H63A, H63B, H63C, H78Z |
| | 06 | G01Z, G02Z, G07A, G07B, G07C, G22A, G22B, G22C, G38Z, G40Z, G46A, G46B, G46C, G47Z, G64A, G64B, G64C, G70A, G70B | K71.4 | 07 | H40Z, H63A, H63B, H63C, H78Z | | 15 | TPN, VTPN |
| | 15 | TPN, VTPN | | 15 | TPN, VTPN | Pre | A09D, A11D, A13D, A60A | |
| | Pre | A09D, A11D, A13D | K71.5 | 07 | H40Z, H63A, H63B, H63C, H78Z | K75.2 | 07 | H40Z, H63A, H63B, H63C, H78Z |
| K65.9 | | KJZSA2 | | 15 | TPN, VTPN | | 15 | TPN, VTPN |
| | 06 | G01Z, G02Z, G07A, G07B, G07C, G22A, G22B, G22C, G38Z, G40Z, G46A, G46B, G46C, G47Z, G48A, G48B, G64A, G64B, G64C, G70A, G70B | K71.6 | 07 | H40Z, H63A, H63B, H63C, H78Z | K75.3 | 07 | H40Z, H63A, H63B, H63C, H78Z |
| | 15 | TPN, VTPN | | 15 | TPN, VTPN | | 15 | TPN, VTPN |
| | Pre | A09D, A11D, A13D | K71.7 | 07 | H40Z, H60Z, H62A, H62B, H78Z | Pre | A60A | |
| K66.0 | | KJZSA2 | | 15 | TPN, VTPN | K75.4 | 07 | H40Z, H63A, H63B, H63C, H78Z |
| | 06 | G01Z, G02Z, G07A, G07B, G07C, G22A, G22B, G22C, G38Z, G40Z, G46A, G46B, G46C, G47Z, G48A, G48B, G64A, G64B, G64C, G70A, G70B | K71.8 | 07 | H40Z, H63A, H63B, H63C, H78Z | | 15 | TPN, VTPN |
| | 15 | TPN, VTPN | | 15 | TPN, VTPN | Pre | A09D, A11D, A13D, A60A | |
| | Pre | A09D, A11D, A13D | K71.9 | 07 | H40Z, H63A, H63B, H63C, H78Z | K75.8 | 07 | H40Z, H63A, H63B, H63C, H78Z |
| K66.1 | | KJZSA2 | | 15 | TPN, VTPN | | 15 | TPN, VTPN |
| | 06 | G40Z, G46A, G46B, G46C, G48A, G48B, G50Z, G64A, G64B, G64C, G70A, G70B | K72.0 | 07 | H06A, H63A, H63B, H63C, H78Z | K75.9 | 07 | H40Z, H63A, H63B, H63C, H78Z |
| | 15 | TPN, VTPN | | 15 | TPN, VTPN | | 15 | TPN, VTPN |
| | Pre | A09D, A11D, A13D | K72.1 | 07 | H40Z, H63A, H63B, H63C, H78Z | Pre | A60A | |
| K66.8 | | KJZSA2 | | 15 | TPN, VTPN | K76.0 | 07 | H40Z, H63A, H63B, H63C, H78Z |
| | 06 | G46A, G46B, G46C, G50Z, G71Z | K72.73 | Pre | A09D, A11D, A13D | K76.1 | 07 | H40Z, H63A, H63B, H63C, H78Z |
| | 15 | TPN, VTPN | K72.74 | Pre | A09D, A11D, A13D | K76.2 | 07 | H63A, H63B, H63C, H78Z |
| | Pre | A09D, A11D, A13D | K72.9 | 07 | H40Z, H63A, H63B, H63C, H78Z | | 15 | TPN, VTPN |
| K66.9 | | KJZSA2 | | 15 | TPN, VTPN | K76.3 | 07 | H40Z, H63A, H63B, H63C, H78Z |
| | 06 | G46A, G46B, G46C, G50Z, G71Z | K73.0 | 07 | H40Z, H63A, H63B, H63C, H78Z | | 15 | TPN, VTPN |
| | 15 | TPN, VTPN | | 15 | TPN, VTPN | K76.4 | 07 | H40Z, H63A, H63B, H63C, H78Z |
| | Pre | A09D, A11D, A13D | K73.1 | 07 | H40Z, H63A, H63B, H63C, H78Z | | 15 | TPN, VTPN |
| K67.0 | | KJZSA2 | | 15 | TPN, VTPN | K76.5 | 07 | H40Z, H63A, H63B, H63C, H78Z |
| | 06 | G46A, G46B, G46C, G50Z, G71Z | K73.2 | 07 | H40Z, H63A, H63B, H63C, H78Z | K76.6 | 07 | H40Z, H63A, H63B, H63C, H78Z |
| | 15 | TPN, VTPN | | 15 | TPN, VTPN | | 15 | TPN, VTPN |
| | Pre | A09D, A11D, A13D | K73.8 | 07 | H40Z, H63A, H63B, H63C, H78Z | K76.7 | 07 | H40Z, H63A, H63B, H63C, H78Z |
| K67.1 | | KJZSA2 | | 15 | TPN, VTPN | | 15 | TPN, VTPN |
| | 06 | G46A, G46B, G46C, G50Z, G71Z | K73.9 | 07 | H40Z, H63A, H63B, H63C, H78Z | Pre | A09D, A11D, A13D | |
| | 15 | TPN, VTPN | | 15 | TPN, VTPN | K76.8 | 07 | H40Z, H63A, H63B, H63C, H78Z |
| | Pre | A09D, A11D, A13D | K74.0 | 07 | H40Z, H60Z, H62A, H62B, H78Z | K76.9 | 07 | H40Z, H63A, H63B, H63C, H78Z |
| K67.2 | | KJZSA2 | | 15 | TPN, VTPN | | 15 | TPN, VTPN |
| | 06 | G46A, G46B, G46C, G50Z, G71Z | K74.1 | 07 | H40Z, H63A, H63B, H63C, H78Z | K77.0 | 15 | TPN, VTPN |
| | 15 | TPN, VTPN | | 15 | TPN, VTPN | K77.11 | 15 | TPN, VTPN |
| | Pre | A09D, A11D, A13D | K74.2 | 07 | H40Z, H60Z, H62A, H62B, H78Z | K77.12 | 15 | TPN, VTPN |
| K67.3 | | KJZSA2 | | 15 | TPN, VTPN | K77.13 | 15 | TPN, VTPN |
| | 06 | G46A, G46B, G46C, G50Z, G71Z | K74.3 | 07 | H40Z, H60Z, H62A, H62B, H78Z | K77.14 | 15 | TPN, VTPN |
| | 15 | TPN, VTPN | | 15 | TPN, VTPN | K77.8 | 15 | TPN, VTPN |
| | Pre | A09D, A11D, A13D | K74.4 | 07 | H40Z, H60Z, H62A, H62B, H78Z | K80.00 | | KJZSA2 |
| K67.8 | | KJZSA2 | | 15 | TPN, VTPN | | 07 | H64Z |
| | 06 | G46A, G46B, G46C, G50Z, G71Z | K74.5 | 07 | H40Z, H60Z, H62A, H62B, H78Z | K80.01 | 07 | H64Z |
| | 15 | TPN, VTPN | | 15 | TPN, VTPN | K80.10 | 07 | H64Z |
| | Pre | A09D, A11D, A13D | K74.6 | 07 | H40Z, H60Z, H62A, H62B, H78Z | K80.11 | 07 | H64Z |
| K70.0 | | KJZSA2 | | 15 | TPN, VTPN | K80.20 | 07 | H64Z |
| | 07 | H40Z, H63A, H63B, H63C, H78Z | | 15 | TPN, VTPN | K80.21 | 07 | H64Z |
| K70.1 | | KJZSA2 | | 15 | TPN, VTPN | K80.30 | | KJZSA2 |
| | 07 | H40Z, H60Z, H62A, H62B, H78Z | | 15 | TPN, VTPN | | 07 | H64Z |
| K70.2 | | KJZSA2 | | 15 | TPN, VTPN | | | |
| | 07 | H40Z, H60Z, H62A, H62B, H78Z | | 15 | TPN, VTPN | | | |
| K70.3 | | KJZSA2 | | 15 | TPN, VTPN | | | |
| | 07 | H40Z, H60Z, H62A, H62B, H78Z | | 15 | TPN, VTPN | | | |
| K70.4 | | KJZSA2 | | 15 | TPN, VTPN | | | |
| | 07 | H40Z, H60Z, H62A, H62B, H78Z | | 15 | TPN, VTPN | | | |
| K70.9 | | KJZSA2 | | 15 | TPN, VTPN | | | |
| | 07 | H40Z, H60Z, H62A, H62B, H78Z | | 15 | TPN, VTPN | | | |
| K71.0 | | KJZSA2 | | 15 | TPN, VTPN | | | |
| | 07 | H40Z, H63A, H63B, H63C, H78Z | | 15 | TPN, VTPN | | | |
| K71.1 | | KJZSA2 | | 15 | TPN, VTPN | | | |
| | 07 | H40Z, H63A, H63B, H63C, H78Z | | 15 | TPN, VTPN | | | |
| | 15 | TPN, VTPN | | 15 | TPN, VTPN | | | |
| | Pre | A09D, A11D, A13D | | 15 | TPN, VTPN | | | |

| ICD | MDC | DRG | ICD | MDC | DRG | ICD | MDC | DRG |
|--------|-----|------------------------------|--------|-----|--|--------|-----|--|
| K80.31 | | KJZSA2 | K86.8 | 07 | H07A, H08A, H62A, H62B, H62C | K93.23 | Pre | A09D, A11D, A13D |
| | 07 | H64Z | | | | K93.24 | Pre | A09D, A11D, A13D |
| K80.40 | 07 | H64Z | K86.9 | 07 | H07A, H08A, H62A, H62B, H62C | L00.0 | 09 | J61A, J61B, J61C, J68A, J68B |
| K80.41 | 07 | H64Z | | | | | 15 | TPN, VTPN |
| K80.50 | 07 | H64Z | K90.0 | 06 | G40Z, G46A, G46B, G46C, G48A, G48B, G50Z, G67A, G67B, G67C | L00.1 | 09 | J08A, J08B, J08C, J61A, J61B, J68A, J68B |
| K80.51 | 07 | H64Z | | | | | 15 | TPN, VTPN |
| K80.80 | 07 | H64Z | K90.1 | 06 | G40Z, G46A, G46B, G46C, G48A, G48B, G50Z, G67A, G67B, G67C | L01.0 | 09 | J64A, J64B |
| K80.81 | 07 | H64Z | | | | L01.1 | 09 | J64A, J64B |
| K81.0 | | KJZSA2 | K90.2 | 06 | G40Z, G46A, G46B, G46C, G48A, G48B, G50Z, G67A, G67B, G67C | | 15 | P65C, P66C, P67B, P67C |
| | 07 | H64Z | | | | L02.0 | 09 | J64A, J64B |
| K81.1 | 07 | H64Z | | | | L02.1 | 09 | J64A, J64B |
| K81.8 | 07 | H64Z | | | | L02.2 | 09 | J64A, J64B |
| K81.9 | 07 | H64Z | | 15 | TPN, VTPN | | 15 | P65C, P66C, P67B, P67C |
| K82.0 | 07 | H64Z | K90.3 | 06 | G40Z, G46A, G46B, G46C, G48A, G48B, G50Z, G67A, G67B, G67C | L02.3 | 09 | J64A, J64B |
| K82.1 | 07 | H64Z | | | | L02.4 | 09 | J64A, J64B |
| K82.2 | | KJZSA2 | | 15 | TPN, VTPN | L02.8 | 09 | J64A, J64B |
| | 07 | H64Z | K90.31 | 06 | G40Z, G46A, G46B, G46C, G48A, G48B, G50Z, G67A, G67B, G67C | L02.9 | 09 | J64A, J64B |
| K82.3 | 07 | H64Z | | | | L03.01 | 09 | J02A, J02B, J02C, J03A, J03B, J08A, J08B, J08C, J64A, J64B |
| K82.4 | 07 | H64Z | | | | | 09 | J02A, J02B, J02C, J03A, J03B, J04A, J04B, J08A, J08B, J08C, J64A, J64B |
| K82.8 | 07 | H64Z | K90.4 | 06 | G40Z, G46A, G46B, G46C, G48A, G48B, G50Z, G67A, G67B, G67C | L03.02 | 09 | J02A, J02B, J02C, J03A, J03B, J04A, J04B, J08A, J08B, J08C, J64A, J64B |
| K82.9 | 07 | H64Z | | | | | 09 | J02A, J02B, J02C, J03A, J03B, J08A, J08B, J08C, J64A, J64B |
| K83.0 | 07 | H64Z | K90.8 | 06 | G40Z, G46A, G46B, G46C, G48A, G48B, G50Z, G67A, G67B, G67C | L03.10 | 09 | J02A, J02B, J02C, J03A, J03B, J08A, J08B, J08C, J64A, J64B |
| K83.1 | 07 | H64Z | | | | | 18A | S65A, S65B |
| | 15 | TPN, VTPN | K90.9 | 06 | G40Z, G46A, G46B, G46C, G48A, G48B, G50Z, G67A, G67B, G67C | | 22 | Y02A, Y02B |
| K83.2 | | KJZSA2 | | | | L03.11 | 09 | J02A, J02B, J02C, J03A, J03B, J04A, J04B, J08A, J08B, J08C, J64A, J64B |
| | 07 | H64Z | | | | | 18A | S65A, S65B |
| K83.3 | 07 | H64Z | K91.0 | 06 | G46A, G46B, G46C, G50Z, G67A, G67B, G67C | | 22 | Y02A, Y02B |
| K83.4 | 07 | H64Z | | | | L03.2 | 09 | J02A, J02B, J02C, J03A, J03B, J08A, J08B, J08C, J64A, J64B |
| K83.5 | 07 | H64Z | K91.1 | 06 | G46A, G46B, G46C, G50Z, G67A, G67B, G67C | | 18A | S65A, S65B |
| K83.8 | 07 | H64Z | | | | | 22 | Y02A, Y02B |
| K83.9 | 07 | H64Z | K91.2 | 06 | G46A, G46B, G46C, G50Z, G67A, G67B, G67C | L03.3 | 09 | J02A, J02B, J02C, J03A, J03B, J08A, J08B, J08C, J64A, J64B |
| K85.00 | 07 | H07A, H08A, H62A, H62B | K91.3 | 06 | G46A, G46B, G46C, G50Z, G71Z | | 18A | S65A, S65B |
| | 18A | S65A, S65B | | | | L03.8 | 09 | J02A, J02B, J02C, J03A, J03B, J08A, J08B, J08C, J64A, J64B |
| K85.01 | 07 | H07A, H08A, H62A, H62B | K91.4 | 06 | G46A, G46B, G46C, G50Z, G71Z | | 18A | S65A, S65B |
| | 18A | S65A, S65B | | | | | 22 | Y02A, Y02B |
| | Pre | A09D, A11D, A13D | K91.5 | 07 | H64Z | L03.9 | 09 | J02A, J02B, J02C, J03A, J03B, J08A, J08B, J08C, J64A, J64B |
| K85.10 | 07 | H07A, H08A, H62A, H62B | K91.80 | 06 | G46A, G46B, G46C, G50Z, G64A, G64B, G64C, G70A, G70B | | 18A | S65A, S65B |
| | 18A | S65A, S65B | | | | | 22 | Y02A, Y02B |
| K85.11 | 07 | H07A, H08A, H62A, H62B | | | | L04.0 | 16 | Q60A, Q60B, Q60C, Q60D, Q60E |
| | 18A | S65A, S65B | K91.88 | 06 | G46A, G46B, G46C, G50Z, G64A, G64B, G64C, G70A, G70B | | 18A | S65A, S65B |
| | Pre | A09D, A11D, A13D | | | | L04.1 | 16 | Q60A, Q60B, Q60C, Q60D, Q60E |
| K85.20 | 07 | H07A, H08A, H62A, H62B | K91.9 | 06 | G46A, G46B, G46C, G50Z, G71Z | | 18A | S65A, S65B |
| | 18A | S65A, S65B | | | | L04.2 | 16 | Q60A, Q60B, Q60C, Q60D, Q60E |
| K85.21 | 07 | H07A, H08A, H62A, H62B | K92.0 | 06 | G40Z, G46A, G46B, G46C, G47Z, G67A, G67B, G67C, G67D, G73Z | | 18A | S65A, S65B |
| | 18A | S65A, S65B | | | | L04.3 | 16 | Q60A, Q60B, Q60C, Q60D, Q60E |
| | Pre | A09D, A11D, A13D | K92.1 | 06 | G40Z, G46A, G46B, G46C, G47Z, G67A, G67B, G67C, G67D, G73Z | | 18A | S65A, S65B |
| K85.30 | 07 | H07A, H08A, H62A, H62B | | | | L04.8 | 16 | Q60A, Q60B, Q60C, Q60D, Q60E |
| | 18A | S65A, S65B | K92.2 | 06 | G40Z, G46A, G46B, G46C, G47Z, G67A, G67B, G67C, G67D, G73Z | | 18A | S65A, S65B |
| K85.31 | 07 | H07A, H08A, H62A, H62B | | | | L04.9 | 16 | Q60A, Q60B, Q60C, Q60D, Q60E |
| | 18A | S65A, S65B | K92.8 | 06 | G46A, G46B, G46C, G50Z, G71Z | | 18A | S65A, S65B |
| | Pre | A09D, A11D, A13D | | | | L05.0 | 09 | J64A, J64B |
| K85.80 | 07 | H07A, H08A, H62A, H62B | K92.9 | 06 | G46A, G46B, G46C, G50Z, G71Z | | 09 | J64A, J64B |
| | 18A | S65A, S65B | | | | L08.0 | 09 | J64A, J64B |
| K85.81 | 07 | H07A, H08A, H62A, H62B | K93.0 | Pre | A09D, A11D, A13D | | 15 | P65C, P66C, P67B, P67C |
| | 18A | S65A, S65B | K93.1 | 15 | TPN, VTPN | | | |
| | Pre | A09D, A11D, A13D | | | | | | |
| K85.90 | 07 | H07A, H08A, H62A, H62B | K93.21 | Pre | A09D, A11D, A13D | | | |
| | 18A | S65A, S65B | K93.22 | Pre | A09D, A11D, A13D | | | |
| K85.91 | 07 | H07A, H08A, H62A, H62B | | | | | | |
| | 18A | S65A, S65B | | | | | | |
| | Pre | A09D, A11D, A13D | | | | | | |
| K86.0 | 07 | H07A, H08A, H62A, H62B, H62C | | | | | | |
| K86.1 | 07 | H07A, H08A, H62A, H62B, H62C | | | | | | |
| K86.2 | 07 | H07A, H08A, H62A, H62B, H62C | | | | | | |
| K86.3 | 07 | H07A, H08A, H62A, H62B, H62C | | | | | | |

| ICD | MDC | DRG | ICD | MDC | DRG | ICD | MDC | DRG |
|-------|-----|--|-------|-----|--|--------|-----|--|
| L08.1 | 09 | J61A, J61B, J61C, J68A, J68B | L24.8 | 09 | J61A, J61B, J61C, J68A, J68B | L43.3 | 09 | J61A, J61B, J61C, J68A, J68B |
| L08.8 | 09 | J64A, J64B | L24.9 | 09 | J61A, J61B, J61C, J68A, J68B | L43.8 | 09 | J61A, J61B, J61C, J68A, J68B |
| L08.9 | 09 | J64A, J64B | L25.0 | 09 | J67A, J67B, J68A, J68B | L43.9 | 09 | J61A, J61B, J61C, J68A, J68B |
| L10.0 | 09 | J61A, J61B, J61C, J68A, J68B | L25.1 | 09 | J67A, J67B, J68A, J68B | L44.0 | 09 | J08A, J08B, J08C, J61A, J61B, J61C, J68A, J68B |
| L10.1 | 09 | J08A, J08B, J08C, J61A, J61B, J61C, J68A, J68B | L25.2 | 09 | J61A, J61B, J61C, J68A, J68B | L44.1 | 09 | J67A, J67B, J68A, J68B |
| L10.2 | 09 | J61A, J61B, J61C, J68A, J68B | L25.3 | 09 | J67A, J67B, J68A, J68B | L44.2 | 09 | J67A, J67B, J68A, J68B |
| | 15 | TPN, VTPN | L25.4 | 09 | J67A, J67B, J68A, J68B | L44.3 | 09 | J67A, J67B, J68A, J68B |
| L10.3 | 09 | J08A, J08B, J08C, J61A, J61B, J61C, J68A, J68B | L25.5 | 09 | J67A, J67B, J68A, J68B | L44.4 | 09 | J61A, J61B, J61C, J68A, J68B |
| L10.4 | 09 | J61A, J61B, J61C, J68A, J68B | L25.8 | 09 | J61A, J61B, J61C, J68A, J68B | L44.8 | 09 | J61A, J61B, J61C, J68A, J68B |
| L10.5 | 09 | J08A, J08B, J08C, J61A, J61B, J61C, J68A, J68B | L25.9 | 09 | J61A, J61B, J61C, J68A, J68B | L44.9 | 09 | J61A, J61B, J61C, J68A, J68B |
| L10.8 | 09 | J61A, J61B, J61C, J68A, J68B | L26 | 09 | J61A, J61B, J61C, J68A, J68B | L50.0 | 09 | J67A, J67B, J68A, J68B |
| L10.9 | 09 | J61A, J61B, J61C, J68A, J68B | L27.0 | 09 | J61A, J61B, J61C, J68A, J68B | L50.1 | 09 | J67A, J67B, J68A, J68B |
| L11.0 | 09 | J67A, J67B, J68A, J68B | L27.1 | 09 | J61A, J61B, J61C, J68A, J68B | L50.2 | 09 | J67A, J67B, J68A, J68B |
| L11.1 | 09 | J67A, J67B, J68A, J68B | L27.2 | 18A | S65A, S65B | L50.3 | 09 | J67A, J67B, J68A, J68B |
| L11.8 | 09 | J08A, J08B, J08C, J61A, J61B, J61C, J68A, J68B | L27.8 | 09 | J67A, J67B, J68A, J68B | L50.4 | 09 | J67A, J67B, J68A, J68B |
| | 15 | TPN, VTPN | L27.9 | 09 | J67A, J67B, J68A, J68B | L50.5 | 09 | J67A, J67B, J68A, J68B |
| L11.9 | 09 | J08A, J08B, J08C, J61A, J61B, J61C, J68A, J68B | L28.0 | 09 | J61A, J61B, J61C, J68A, J68B | L50.6 | 09 | J67A, J67B, J68A, J68B |
| | 15 | TPN, VTPN | L28.1 | 09 | J61A, J61B, J61C, J68A, J68B | L50.8 | 09 | J67A, J67B, J68A, J68B |
| L12.0 | 09 | J08A, J08B, J08C, J61A, J61B, J61C, J68A, J68B | L28.2 | 09 | J61A, J61B, J61C, J68A, J68B | L50.9 | 09 | J67A, J67B, J68A, J68B |
| | 15 | TPN, VTPN | L29.0 | 09 | J67A, J67B, J68A, J68B | L51.0 | 09 | J08A, J08B, J08C, J61A, J61B, J61C, J68A, J68B |
| L12.1 | 09 | J61A, J61B, J61C, J68A, J68B | L29.1 | 12 | M64Z | L51.1 | 15 | TPN, VTPN |
| L12.2 | 09 | J08A, J08B, J08C, J61A, J61B, J61C, J68A, J68B | L29.2 | 13 | N04Z, N05A, N05B, N05J, N14Z, N21J, N21Z, N25J, N25Q, N25Z, N61Z | L51.1 | 09 | J08A, J08B, J08C, J61A, J61B, J68A, J68B |
| L12.3 | 09 | J61A, J61B, J61C, J68A, J68B | L29.3 | 12 | M64Z | L51.20 | 15 | TPN, VTPN |
| | 15 | TPN, VTPN | | 13 | N04Z, N05A, N05B, N05J, N14Z, N21J, N21Z, N25J, N25Q, N25Z, N61Z | | 15 | TPN, VTPN |
| L12.8 | 09 | J61A, J61B, J61C, J68A, J68B | L29.8 | 09 | J67A, J67B, J68A, J68B | L51.21 | 09 | J08A, J08B, J08C, J61A, J61B, J68A, J68B |
| L12.9 | 09 | J61A, J61B, J61C, J68A, J68B | L29.9 | 09 | J67A, J67B, J68A, J68B | | 15 | TPN, VTPN |
| | 15 | TPN, VTPN | L30.0 | 09 | J61A, J61B, J61C, J68A, J68B | | Pre | A09D, A11D, A13D |
| L13.0 | 09 | J61A, J61B, J61C, J68A, J68B | L30.1 | 09 | J61A, J61B, J61C, J68A, J68B | L51.8 | 09 | J61A, J61B, J61C, J68A, J68B |
| | 15 | TPN, VTPN | L30.2 | 09 | J61A, J61B, J61C, J68A, J68B | | 15 | TPN, VTPN |
| L13.1 | 09 | J61A, J61B, J61C, J68A, J68B | L30.3 | 09 | J61A, J61B, J61C, J68A, J68B | L51.9 | 09 | J61A, J61B, J61C, J68A, J68B |
| | 15 | TPN, VTPN | L30.4 | 09 | J61A, J61B, J61C, J68A, J68B | | 15 | TPN, VTPN |
| L13.8 | 09 | J61A, J61B, J61C, J68A, J68B | L30.5 | 09 | J67A, J67B, J68A, J68B | L52 | 09 | J61A, J61B, J61C, J68A, J68B |
| | 15 | TPN, VTPN | L30.8 | 09 | J61A, J61B, J61C, J68A, J68B | L53.0 | 09 | J61A, J61B, J61C, J68A, J68B |
| L13.9 | 09 | J61A, J61B, J61C, J68A, J68B | L30.9 | 09 | J61A, J61B, J61C, J68A, J68B | L53.1 | 09 | J61A, J61B, J61C, J68A, J68B |
| L14 | 15 | TPN, VTPN | L40.0 | 09 | J08A, J08B, J08C, J61A, J61B, J61C, J68A, J68B | L53.2 | 09 | J61A, J61B, J61C, J68A, J68B |
| L20.0 | 09 | J61A, J61B, J61C, J68A, J68B | L40.1 | 09 | J08A, J08B, J08C, J61A, J61B, J61C, J68A, J68B | L53.3 | 09 | J61A, J61B, J61C, J68A, J68B |
| L20.8 | 09 | J61A, J61B, J61C, J68A, J68B | | 15 | TPN, VTPN | L53.8 | 09 | J61A, J61B, J61C, J68A, J68B |
| L20.9 | 09 | J61A, J61B, J61C, J68A, J68B | L40.2 | 09 | J61A, J61B, J61C, J68A, J68B | L53.9 | 09 | J08A, J08B, J08C, J61A, J61B, J61C, J68A, J68B |
| L21.0 | 09 | J67A, J67B, J68A, J68B | L40.3 | 09 | J08A, J08B, J08C, J61A, J61B, J61C, J68A, J68B | L55.0 | 09 | J67A, J67B, J68A, J68B |
| L21.1 | 09 | J61A, J61B, J61C, J68A, J68B | L40.4 | 09 | J08A, J08B, J08C, J61A, J61B, J61C, J68A, J68B | L55.1 | 09 | J67A, J67B, J68A, J68B |
| L21.8 | 09 | J67A, J67B, J68A, J68B | L40.5 | 08 | I08A, I08B, I08C, I08D, I08E, I13A, I13B, I32C, I32D, I66A, I66B, I66C | L55.2 | 09 | J67A, J67B, J68A, J68B |
| L21.9 | 09 | J67A, J67B, J68A, J68B | L40.8 | 09 | J08A, J08B, J08C, J61A, J61B, J61C, J68A, J68B | L55.8 | 09 | J67A, J67B, J68A, J68B |
| L22 | 09 | J67A, J67B, J68A, J68B | L40.9 | 09 | J08A, J08B, J08C, J61A, J61B, J61C, J68A, J68B | L55.9 | 09 | J67A, J67B, J68A, J68B |
| L23.0 | 09 | J67A, J67B, J68A, J68B | L41.0 | 09 | J61A, J61B, J61C, J68A, J68B | L56.0 | 09 | J67A, J67B, J68A, J68B |
| L23.1 | 09 | J67A, J67B, J68A, J68B | L41.1 | 09 | J61A, J61B, J61C, J68A, J68B | L56.1 | 09 | J67A, J67B, J68A, J68B |
| L23.2 | 09 | J67A, J67B, J68A, J68B | L41.2 | 09 | J61A, J61B, J61C, J68A, J68B | L56.2 | 09 | J67A, J67B, J68A, J68B |
| L23.3 | 09 | J67A, J67B, J68A, J68B | L41.3 | 09 | J61A, J61B, J61C, J68A, J68B | L56.3 | 09 | J67A, J67B, J68A, J68B |
| L23.4 | 09 | J61A, J61B, J61C, J68A, J68B | L41.4 | 09 | J61A, J61B, J61C, J68A, J68B | L56.4 | 09 | J67A, J67B, J68A, J68B |
| L23.5 | 09 | J67A, J67B, J68A, J68B | L41.5 | 09 | J08A, J08B, J08C, J61A, J61B, J61C, J68A, J68B | L56.8 | 09 | J67A, J67B, J68A, J68B |
| L23.6 | 09 | J67A, J67B, J68A, J68B | L41.8 | 09 | J61A, J61B, J61C, J68A, J68B | L56.9 | 09 | J67A, J67B, J68A, J68B |
| L23.7 | 09 | J67A, J67B, J68A, J68B | L41.9 | 09 | J61A, J61B, J61C, J68A, J68B | L57.0 | 09 | J67A, J67B, J68A, J68B |
| L23.8 | 09 | J61A, J61B, J61C, J68A, J68B | L42 | 09 | J67A, J67B, J68A, J68B | L57.1 | 09 | J61A, J61B, J61C, J68A, J68B |
| L23.9 | 09 | J61A, J61B, J61C, J68A, J68B | L43.0 | 09 | J61A, J61B, J61C, J68A, J68B | L57.2 | 09 | J67A, J67B, J68A, J68B |
| L24.0 | 09 | J67A, J67B, J68A, J68B | L43.1 | 09 | J61A, J61B, J61C, J68A, J68B | L57.3 | 09 | J67A, J67B, J68A, J68B |
| L24.1 | 09 | J67A, J67B, J68A, J68B | L43.2 | 09 | J61A, J61B, J61C, J68A, J68B | L57.4 | 09 | J67A, J67B, J68A, J68B |
| L24.2 | 09 | J67A, J67B, J68A, J68B | L43.3 | 09 | J61A, J61B, J61C, J68A, J68B | L57.5 | 09 | J67A, J67B, J68A, J68B |
| L24.3 | 09 | J67A, J67B, J68A, J68B | L43.4 | 09 | J61A, J61B, J61C, J68A, J68B | L57.8 | 09 | J67A, J67B, J68A, J68B |
| L24.4 | 09 | J67A, J67B, J68A, J68B | L43.5 | 09 | J61A, J61B, J61C, J68A, J68B | L57.9 | 09 | J67A, J67B, J68A, J68B |
| L24.5 | 09 | J67A, J67B, J68A, J68B | | | | L58.0 | 09 | J61A, J61B, J61C, J68A, J68B |
| L24.6 | 09 | J67A, J67B, J68A, J68B | | | | L58.1 | 09 | J67A, J67B, J68A, J68B |
| L24.7 | 09 | J67A, J67B, J68A, J68B | | | | L58.9 | 09 | J61A, J61B, J61C, J68A, J68B |

| ICD | MDC | DRG | ICD | MDC | DRG | ICD | MDC | DRG |
|--------|-----|--|--------|-----|--|--------|------------|--|
| L89.36 | 09 | J02A, J02B, J02C, J03A, J03B, J04A, J04B, J08A, J08B, J08C, J60Z, J61A, J61B, J61C | L94.6 | 18B | T64A, T64B, T64C | M00.08 | 08 | I08A, I08B, I08C, I08D, I08E, I13A, I13B, I76A, I76B |
| L89.37 | 09 | J02A, J02B, J02C, J03A, J03B, J04A, J04B, J08A, J08B, J08C, J60Z, J61A, J61B, J61C | L94.8 | 09 | J67A, J67B, J68A, J68B | 15 | TPN, VTPN | |
| L89.38 | 09 | J02A, J02B, J02C, J03A, J03B, J04A, J04B, J08A, J08B, J08C, J60Z, J61A, J61B, J61C | L94.9 | 09 | J67A, J67B, J68A, J68B | 18A | S65A, S65B | |
| L89.39 | 09 | J02A, J02B, J02C, J03A, J03B, J04A, J04B, J08A, J08B, J08C, J60Z, J61A, J61B, J61C | L95.0 | 09 | J08A, J08B, J08C, J61A, J61B, J61C, J68A, J68B | M00.09 | 08 | I08A, I08B, I08C, I08D, I08E, I13A, I13B, I76A, I76B |
| L89.90 | 09 | J02A, J02B, J02C, J03A, J03B, J04A, J04B, J08A, J08B, J08C, J60Z, J61A, J61B, J61C | L95.1 | 09 | J61A, J61B, J61C, J68A, J68B | 15 | TPN, VTPN | |
| L89.91 | 09 | J02A, J02B, J02C, J03A, J03B, J04A, J04B, J08A, J08B, J08C, J60Z, J61A, J61B, J61C | L95.8 | 09 | J61A, J61B, J61C, J68A, J68B | 18A | S65A, S65B | |
| L89.92 | 09 | J02A, J02B, J02C, J03A, J03B, J04A, J04B, J08A, J08B, J08C, J60Z, J61A, J61B, J61C | L95.9 | 09 | J61A, J61B, J61C, J68A, J68B | M00.10 | 08 | I08A, I08B, I08C, I08D, I08E, I12A, I12B, I12C, I12J, I13A, I13B, I76A, I76B |
| L89.93 | 09 | J02A, J02B, J02C, J03A, J03B, J04A, J04B, J08A, J08B, J08C, J60Z, J61A, J61B, J61C | L97 | 09 | J02A, J02B, J02C, J03A, J03B, J04A, J04B, J08A, J08B, J08C, J11A, J11B, J60Z | 15 | TPN, VTPN | |
| L89.94 | 09 | J02A, J02B, J02C, J03A, J03B, J04A, J04B, J08A, J08B, J08C, J60Z, J61A, J61B, J61C | L98.0 | 18A | S65A, S65B | 18A | S65A, S65B | |
| L89.95 | 09 | J02A, J02B, J02C, J03A, J03B, J04A, J04B, J08A, J08B, J08C, J60Z, J61A, J61B, J61C | L98.1 | 09 | J64A, J64B | M00.11 | 08 | I08A, I08B, I08C, I08D, I08E, I12A, I12B, I12C, I12J, I13A, I13B, I76A, I76B |
| L89.96 | 09 | J02A, J02B, J02C, J03A, J03B, J04A, J04B, J08A, J08B, J08C, J60Z, J61A, J61B, J61C | L98.2 | 09 | J61A, J61B, J61C, J68A, J68B | 15 | TPN, VTPN | |
| L89.97 | 09 | J02A, J02B, J02C, J03A, J03B, J04A, J04B, J08A, J08B, J08C, J60Z, J61A, J61B, J61C | L98.3 | 09 | J02A, J02B, J02C, J03A, J03B, J08A, J08B, J08C, J64A, J64B | 18A | S65A, S65B | |
| L89.98 | 09 | J02A, J02B, J02C, J03A, J03B, J04A, J04B, J08A, J08B, J08C, J60Z, J61A, J61B, J61C | L98.4 | 09 | J02A, J02B, J02C, J03A, J03B, J08A, J08B, J08C, J60Z | M00.12 | 08 | I08A, I08B, I08C, I08D, I08E, I12A, I12B, I12C, I12J, I13A, I13B, I76A, I76B |
| L89.99 | 09 | J02A, J02B, J02C, J03A, J03B, J04A, J04B, J08A, J08B, J08C, J60Z, J61A, J61B, J61C | L98.5 | 09 | J67A, J67B, J68A, J68B | 15 | TPN, VTPN | |
| L90.0 | 09 | J67A, J67B, J68A, J68B | L98.6 | 09 | J67A, J67B, J68A, J68B | 18A | S65A, S65B | |
| L90.1 | 09 | J67A, J67B, J68A, J68B | L98.8 | 09 | J67A, J67B, J68A, J68B | M00.13 | 08 | I08A, I08B, I08C, I08D, I08E, I12A, I12B, I12C, I12J, I13A, I13B, I76A, I76B |
| L90.2 | 09 | J67A, J67B, J68A, J68B | L98.9 | 09 | J67A, J67B, J68A, J68B | 15 | TPN, VTPN | |
| L90.3 | 09 | J67A, J67B, J68A, J68B | M00.00 | 08 | I08A, I08B, I08C, I08D, I08E, I12A, I12B, I12C, I12J, I13A, I13B, I76A, I76B | 18A | S65A, S65B | |
| L90.4 | 09 | J67A, J67B, J68A, J68B | M00.01 | 15 | TPN, VTPN | M00.14 | 08 | I08A, I08B, I08C, I08D, I08E, I13A, I13B, I32A, I32B, I32C, I32D, I32E, I32F, I32G, I32J, I32Q, I32R, I32S, I32T, I32U, I76A, I76B |
| L90.5 | 09 | J67A, J67B, J68A, J68B | M00.01 | 18A | S65A, S65B | 15 | TPN, VTPN | |
| L90.6 | 09 | J67A, J67B, J68A, J68B | M00.01 | 08 | I08A, I08B, I08C, I08D, I08E, I12A, I12B, I12C, I12J, I13A, I13B, I76A, I76B | 18A | S65A, S65B | |
| L90.8 | 09 | J67A, J67B, J68A, J68B | M00.02 | 15 | TPN, VTPN | M00.15 | 08 | I01Z, I03A, I03B, I08A, I08B, I08C, I08D, I08E, I12A, I12B, I12C, I12J, I13A, I13B, I76A, I76B |
| L90.9 | 09 | J67A, J67B, J68A, J68B | M00.02 | 08 | I08A, I08B, I08C, I08D, I08E, I12A, I12B, I12C, I12J, I13A, I13B, I76A, I76B | 15 | TPN, VTPN | |
| L91.0 | 09 | J67A, J67B, J68A, J68B | M00.02 | 18A | S65A, S65B | 18A | S65A, S65B | |
| L91.8 | 09 | J67A, J67B, J68A, J68B | M00.03 | 08 | I08A, I08B, I08C, I08D, I08E, I12A, I12B, I12C, I12J, I13A, I13B, I76A, I76B | M00.16 | 08 | I01Z, I04Z, I08A, I08B, I08C, I08D, I08E, I12A, I12B, I12C, I12J, I13A, I13B, I76A, I76B |
| L91.9 | 09 | J67A, J67B, J68A, J68B | M00.03 | 15 | TPN, VTPN | 15 | TPN, VTPN | |
| L92.0 | 09 | J61A, J61B, J61C, J68A, J68B | M00.03 | 18A | S65A, S65B | 18A | S65A, S65B | |
| L92.1 | 09 | J67A, J67B, J68A, J68B | M00.04 | 08 | I08A, I08B, I08C, I08D, I08E, I13A, I13B, I32A, I32B, I32C, I32D, I32E, I32F, I32G, I32J, I32Q, I32R, I32S, I32T, I32U, I76A, I76B | M00.17 | 08 | I08A, I08B, I08C, I08D, I08E, I13A, I13B, I76A, I76B |
| L92.2 | 09 | J67A, J67B, J68A, J68B | M00.04 | 15 | TPN, VTPN | 15 | TPN, VTPN | |
| L92.3 | 09 | J67A, J67B, J68A, J68B | M00.04 | 18A | S65A, S65B | 18A | S65A, S65B | |
| L92.8 | 09 | J67A, J67B, J68A, J68B | M00.06 | 08 | I01Z, I04Z, I08A, I08B, I08C, I08D, I08E, I12A, I12B, I12C, I12J, I13A, I13B, I76A, I76B | M00.18 | 08 | I08A, I08B, I08C, I08D, I08E, I13A, I13B, I76A, I76B |
| L92.9 | 09 | J67A, J67B, J68A, J68B | M00.06 | 15 | TPN, VTPN | 15 | TPN, VTPN | |
| L93.0 | 09 | J61A, J61B, J61C, J68A, J68B | M00.06 | 18A | S65A, S65B | 18A | S65A, S65B | |
| L93.1 | 09 | J61A, J61B, J61C, J68A, J68B | M00.07 | 08 | I08A, I08B, I08C, I08D, I08E, I13A, I13B, I76A, I76B | M00.19 | 08 | I08A, I08B, I08C, I08D, I08E, I13A, I13B, I76A, I76B |
| L93.2 | 09 | J61A, J61B, J61C, J68A, J68B | M00.07 | 15 | TPN, VTPN | 15 | TPN, VTPN | |
| L94.0 | 09 | J61A, J61B, J61C, J68A, J68B | M00.07 | 18A | S65A, S65B | 18A | S65A, S65B | |
| L94.1 | 09 | J61A, J61B, J61C, J68A, J68B | M00.07 | 08 | I08A, I08B, I08C, I08D, I08E, I13A, I13B, I76A, I76B | M00.20 | 08 | I08A, I08B, I08C, I08D, I08E, I12A, I12B, I12C, I12J, I13A, I13B, I76A, I76B |
| L94.2 | 09 | J61A, J61B, J61C, J68A, J68B | M00.07 | 15 | TPN, VTPN | 15 | TPN, VTPN | |
| L94.3 | 09 | J67A, J67B, J68A, J68B | M00.07 | 18A | S65A, S65B | 18A | S65A, S65B | |
| L94.4 | 08 | I66A, I66B, I66C | M00.07 | 15 | TPN, VTPN | M00.21 | 08 | I08A, I08B, I08C, I08D, I08E, I12A, I12B, I12C, I12J, I13A, I13B, I76A, I76B |
| L94.5 | 09 | J08A, J08B, J08C, J61A, J61B, J61C, J68A, J68B | M00.07 | 18A | S65A, S65B | 15 | TPN, VTPN | |

| ICD | MDC | DRG | ICD | MDC | DRG | ICD | MDC | DRG |
|--------|-----|--|--------|-----|--|--------|-----|--|
| M00.22 | 08 | I08A, I08B, I08C, I08D, I08E, I12A, I12B, I12C, I12J, I13A, I13B, I76A, I76B | M00.87 | 08 | I08A, I08B, I08C, I08D, I08E, I13A, I13B, I76A, I76B | M01.31 | 15 | TPN, VTPN |
| | 15 | TPN, VTPN | | 15 | TPN, VTPN | M01.32 | 15 | TPN, VTPN |
| | 18A | S65A, S65B | M00.88 | 08 | I08A, I08B, I08C, I08D, I08E, I13A, I13B, I76A, I76B | M01.33 | 15 | TPN, VTPN |
| M00.23 | 08 | I08A, I08B, I08C, I08D, I08E, I12A, I12B, I12C, I12J, I13A, I13B, I76A, I76B | | 15 | TPN, VTPN | M01.34 | 15 | TPN, VTPN |
| | 15 | TPN, VTPN | M00.89 | 08 | I08A, I08B, I08C, I08D, I08E, I13A, I13B, I76A, I76B | M01.35 | 15 | TPN, VTPN |
| | 18A | S65A, S65B | | 15 | TPN, VTPN | M01.36 | 15 | TPN, VTPN |
| M00.24 | 08 | I08A, I08B, I08C, I08D, I08E, I13A, I13B, I32A, I32B, I32C, I32D, I32E, I32F, I32G, I32J, I32Q, I32R, I32S, I32T, I32U, I76A, I76B | M00.90 | 08 | I08A, I08B, I08C, I08D, I08E, I12A, I12B, I12C, I12J, I13A, I13B, I76A, I76B | M01.37 | 15 | TPN, VTPN |
| | 15 | TPN, VTPN | | 15 | TPN, VTPN | M01.38 | 15 | TPN, VTPN |
| | 18A | S65A, S65B | M00.91 | 08 | I08A, I08B, I08C, I08D, I08E, I12A, I12B, I12C, I12J, I13A, I13B, I76A, I76B | M01.39 | 15 | TPN, VTPN |
| M00.25 | 08 | I01Z, I03A, I03B, I08A, I08B, I08C, I08D, I08E, I12A, I12B, I12C, I12J, I13A, I13B, I76A, I76B | | 18A | S65A, S65B | M01.40 | 15 | TPN, VTPN |
| | 15 | TPN, VTPN | M00.92 | 08 | I08A, I08B, I08C, I08D, I08E, I12A, I12B, I12C, I12J, I13A, I13B, I76A, I76B | M01.41 | 15 | TPN, VTPN |
| | 18A | S65A, S65B | | 18A | S65A, S65B | M01.42 | 15 | TPN, VTPN |
| M00.26 | 08 | I01Z, I04Z, I08A, I08B, I08C, I08D, I08E, I12A, I12B, I12C, I12J, I13A, I13B, I76A, I76B | M00.93 | 08 | I08A, I08B, I08C, I08D, I08E, I12A, I12B, I12C, I12J, I13A, I13B, I76A, I76B | M01.43 | 15 | TPN, VTPN |
| | 15 | TPN, VTPN | | 18A | S65A, S65B | M01.44 | 15 | TPN, VTPN |
| | 18A | S65A, S65B | M00.94 | 08 | I08A, I08B, I08C, I08D, I08E, I13A, I13B, I32A, I32B, I32C, I32D, I32E, I32F, I32G, I32J, I32Q, I32R, I32S, I32T, I32U, I76A, I76B | M01.45 | 15 | TPN, VTPN |
| M00.27 | 08 | I08A, I08B, I08C, I08D, I08E, I13A, I13B, I76A, I76B | | 18A | S65A, S65B | M01.46 | 15 | TPN, VTPN |
| | 15 | TPN, VTPN | M00.95 | 08 | I01Z, I03A, I03B, I08A, I08B, I08C, I08D, I08E, I12A, I12B, I12C, I12J, I13A, I13B, I76A, I76B | M01.47 | 15 | TPN, VTPN |
| | 18A | S65A, S65B | | 18A | S65A, S65B | M01.48 | 15 | TPN, VTPN |
| M00.28 | 08 | I08A, I08B, I08C, I08D, I08E, I13A, I13B, I76A, I76B | M00.96 | 08 | I01Z, I04Z, I08A, I08B, I08C, I08D, I08E, I12A, I12B, I12C, I12J, I13A, I13B, I76A, I76B | M01.49 | 15 | TPN, VTPN |
| | 15 | TPN, VTPN | | 18A | S65A, S65B | M01.60 | 15 | TPN, VTPN |
| | 18A | S65A, S65B | M00.97 | 08 | I08A, I08B, I08C, I08D, I08E, I13A, I13B, I76A, I76B | M01.61 | 15 | TPN, VTPN |
| M00.29 | 08 | I08A, I08B, I08C, I08D, I08E, I13A, I13B, I76A, I76B | | 18A | S65A, S65B | M01.62 | 15 | TPN, VTPN |
| | 15 | TPN, VTPN | M00.98 | 08 | I08A, I08B, I08C, I08D, I08E, I13A, I13B, I76A, I76B | M01.63 | 15 | TPN, VTPN |
| | 18A | S65A, S65B | | 18A | S65A, S65B | M01.64 | 15 | TPN, VTPN |
| M00.80 | 08 | I08A, I08B, I08C, I08D, I08E, I12A, I12B, I12C, I12J, I13A, I13B, I76A, I76B | M00.99 | 08 | I08A, I08B, I08C, I08D, I08E, I13A, I13B, I76A, I76B | M01.65 | 15 | TPN, VTPN |
| | 15 | TPN, VTPN | | 18A | S65A, S65B | M01.66 | 15 | TPN, VTPN |
| M00.81 | 08 | I08A, I08B, I08C, I08D, I08E, I12A, I12B, I12C, I12J, I13A, I13B, I76A, I76B | M01.00 | 15 | TPN, VTPN | M01.67 | 15 | TPN, VTPN |
| | 15 | TPN, VTPN | M01.01 | 15 | TPN, VTPN | M01.68 | 15 | TPN, VTPN |
| M00.82 | 08 | I08A, I08B, I08C, I08D, I08E, I12A, I12B, I12C, I12J, I13A, I13B, I76A, I76B | M01.02 | 15 | TPN, VTPN | M01.69 | 15 | TPN, VTPN |
| | 15 | TPN, VTPN | M01.03 | 15 | TPN, VTPN | M02.00 | 08 | I74A |
| M00.83 | 08 | I08A, I08B, I08C, I08D, I08E, I12A, I12B, I12C, I12J, I13A, I13B, I76A, I76B | M01.04 | 15 | TPN, VTPN | M02.01 | 08 | I74A |
| | 15 | TPN, VTPN | M01.05 | 15 | TPN, VTPN | M02.02 | 08 | I74A |
| M00.84 | 08 | I08A, I08B, I08C, I08D, I08E, I13A, I13B, I32A, I32B, I32C, I32D, I32E, I32F, I32G, I32J, I32Q, I32R, I32S, I32T, I32U, I76A, I76B | M01.06 | 15 | TPN, VTPN | M02.03 | 08 | I74A |
| | 15 | TPN, VTPN | M01.07 | 15 | TPN, VTPN | M02.04 | 08 | I32A, I32B, I32C, I32D, I32E, I32F, I32G, I32J, I32Q, I32R, I32S, I32T, I32U, I74A |
| | 18A | S65A, S65B | M01.08 | 15 | TPN, VTPN | M02.05 | 08 | I74A |
| M00.85 | 08 | I01Z, I03A, I03B, I08A, I08B, I08C, I08D, I08E, I12A, I12B, I12C, I12J, I13A, I13B, I76A, I76B | M01.09 | 15 | TPN, VTPN | M02.06 | 08 | I74A |
| | 15 | TPN, VTPN | M01.10 | 15 | TPN, VTPN | M02.07 | 08 | I74A |
| | 18A | S65A, S65B | M01.11 | 15 | TPN, VTPN | M02.08 | 08 | I74A |
| M00.86 | 08 | I01Z, I04Z, I08A, I08B, I08C, I08D, I08E, I12A, I12B, I12C, I12J, I13A, I13B, I76A, I76B | M01.12 | 15 | TPN, VTPN | M02.09 | 08 | I74A |
| | 15 | TPN, VTPN | M01.13 | 15 | TPN, VTPN | M02.10 | 08 | I08A, I08B, I08C, I08D, I08E, I12A, I12B, I12C, I12J, I13A, I13B, I69A |
| | 18A | S65A, S65B | M01.14 | 15 | TPN, VTPN | M02.11 | 08 | I08A, I08B, I08C, I08D, I08E, I12A, I12B, I12C, I12J, I13A, I13B, I69A |
| M00.87 | 08 | I01Z, I04Z, I08A, I08B, I08C, I08D, I08E, I12A, I12B, I12C, I12J, I13A, I13B, I76A, I76B | M01.15 | 15 | TPN, VTPN | M02.12 | 08 | I08A, I08B, I08C, I08D, I08E, I12A, I12B, I12C, I12J, I13A, I13B, I69A |
| | 15 | TPN, VTPN | M01.16 | 15 | TPN, VTPN | M02.13 | 08 | I08A, I08B, I08C, I08D, I08E, I12A, I12B, I12C, I12J, I13A, I13B, I69A |
| | 18A | S65A, S65B | M01.17 | 15 | TPN, VTPN | M02.14 | 08 | I08A, I08B, I08C, I08D, I08E, I13A, I13B, I32A, I32B, I32C, I32D, I32E, I32F, I32G, I32J, I32Q, I32R, I32S, I32T, I32U, I69A |
| M00.88 | 08 | I08A, I08B, I08C, I08D, I08E, I13A, I13B, I76A, I76B | M01.18 | 15 | TPN, VTPN | M02.15 | 08 | I08A, I08B, I08C, I08D, I08E, I12A, I12B, I12C, I12J, I13A, I13B, I69A |
| | 15 | TPN, VTPN | M01.19 | 15 | TPN, VTPN | M02.16 | 08 | I08A, I08B, I08C, I08D, I08E, I12A, I12B, I12C, I12J, I13A, I13B, I69A |
| M00.89 | 08 | I08A, I08B, I08C, I08D, I08E, I13A, I13B, I76A, I76B | M01.30 | 15 | TPN, VTPN | M02.17 | 08 | I08A, I08B, I08C, I08D, I08E, I13A, I13B, I69A |
| | 15 | TPN, VTPN | | | | M02.18 | 08 | I08A, I08B, I08C, I08D, I08E, I13A, I13B, I69A |
| M00.90 | 08 | I08A, I08B, I08C, I08D, I08E, I12A, I12B, I12C, I12J, I13A, I13B, I76A, I76B | | | | M02.19 | 08 | I08A, I08B, I08C, I08D, I08E, I13A, I13B, I69A |
| | 15 | TPN, VTPN | | | | | | |
| | 18A | S65A, S65B | | | | | | |
| M00.91 | 08 | I08A, I08B, I08C, I08D, I08E, I12A, I12B, I12C, I12J, I13A, I13B, I76A, I76B | | | | | | |
| | 15 | TPN, VTPN | | | | | | |
| | 18A | S65A, S65B | | | | | | |
| M00.92 | 08 | I08A, I08B, I08C, I08D, I08E, I12A, I12B, I12C, I12J, I13A, I13B, I76A, I76B | | | | | | |
| | 15 | TPN, VTPN | | | | | | |
| | 18A | S65A, S65B | | | | | | |
| M00.93 | 08 | I08A, I08B, I08C, I08D, I08E, I12A, I12B, I12C, I12J, I13A, I13B, I76A, I76B | | | | | | |
| | 15 | TPN, VTPN | | | | | | |
| | 18A | S65A, S65B | | | | | | |
| M00.94 | 08 | I08A, I08B, I08C, I08D, I08E, I13A, I13B, I32A, I32B, I32C, I32D, I32E, I32F, I32G, I32J, I32Q, I32R, I32S, I32T, I32U, I76A, I76B | | | | | | |
| | 15 | TPN, VTPN | | | | | | |
| | 18A | S65A, S65B | | | | | | |
| M00.95 | 08 | I01Z, I03A, I03B, I08A, I08B, I08C, I08D, I08E, I12A, I12B, I12C, I12J, I13A, I13B, I76A, I76B | | | | | | |
| | 15 | TPN, VTPN | | | | | | |
| | 18A | S65A, S65B | | | | | | |
| M00.96 | 08 | I01Z, I04Z, I08A, I08B, I08C, I08D, I08E, I12A, I12B, I12C, I12J, I13A, I13B, I76A, I76B | | | | | | |
| | 15 | TPN, VTPN | | | | | | |
| | 18A | S65A, S65B | | | | | | |
| M00.97 | 08 | I08A, I08B, I08C, I08D, I08E, I13A, I13B, I76A, I76B | | | | | | |
| | 15 | TPN, VTPN | | | | | | |
| | 18A | S65A, S65B | | | | | | |
| M00.98 | 08 | I08A, I08B, I08C, I08D, I08E, I13A, I13B, I76A, I76B | | | | | | |
| | 15 | TPN, VTPN | | | | | | |
| | 18A | S65A, S65B | | | | | | |
| M00.99 | 08 | I08A, I08B, I08C, I08D, I08E, I13A, I13B, I76A, I76B | | | | | | |
| | 15 | TPN, VTPN | | | | | | |
| | 18A | S65A, S65B | | | | | | |
| M01.00 | 15 | TPN, VTPN | | | | | | |
| M01.01 | 15 | TPN, VTPN | | | | | | |
| M01.02 | 15 | TPN, VTPN | | | | | | |
| M01.03 | 15 | TPN, VTPN | | | | | | |
| M01.04 | 15 | TPN, VTPN | | | | | | |
| M01.05 | 15 | TPN, VTPN | | | | | | |
| M01.06 | 15 | TPN, VTPN | | | | | | |
| M01.07 | 15 | TPN, VTPN | | | | | | |
| M01.08 | 15 | TPN, VTPN | | | | | | |
| M01.09 | 15 | TPN, VTPN | | | | | | |
| M01.10 | 15 | TPN, VTPN | | | | | | |
| M01.11 | 15 | TPN, VTPN | | | | | | |
| M01.12 | 15 | TPN, VTPN | | | | | | |
| M01.13 | 15 | TPN, VTPN | | | | | | |
| M01.14 | 15 | TPN, VTPN | | | | | | |
| M01.15 | 15 | TPN, VTPN | | | | | | |
| M01.16 | 15 | TPN, VTPN | | | | | | |
| M01.17 | 15 | TPN, VTPN | | | | | | |
| M01.18 | 15 | TPN, VTPN | | | | | | |
| M01.19 | 15 | TPN, VTPN | | | | | | |
| M01.30 | 15 | TPN, VTPN | | | | | | |

| ICD | MDC | DRG | ICD | MDC | DRG | ICD | MDC | DRG |
|--------|-----|--|--------|-----|--|--------|-----|--|
| M02.20 | 08 | I74A | M02.95 | 08 | I08A, I08B, I08C, I08D, I08E, I12A, I12B, I12C, I12J, I13A, I13B, I74A | M05.02 | 08 | I08A, I08B, I08C, I08D, I08E, I12A, I12B, I12C, I12J, I13A, I13B, I66A, I66B, I66C |
| M02.21 | 08 | I74A | M02.96 | 08 | I08A, I08B, I08C, I08D, I08E, I12A, I12B, I12C, I12J, I13A, I13B, I74A | M05.03 | 08 | I08A, I08B, I08C, I08D, I08E, I12A, I12B, I12C, I12J, I13A, I13B, I66A, I66B, I66C |
| M02.22 | 08 | I74A | M02.97 | 08 | I08A, I08B, I08C, I08D, I08E, I13A, I13B, I74A | M05.04 | 08 | I08A, I08B, I08C, I08D, I08E, I13A, I13B, I66A, I66B, I66C |
| M02.23 | 08 | I74A | M02.98 | 08 | I08A, I08B, I08C, I08D, I08E, I13A, I13B, I74A | M05.05 | 08 | I08A, I08B, I08C, I08D, I08E, I12A, I12B, I12C, I12J, I13A, I13B, I66A, I66B, I66C |
| M02.24 | 08 | I32A, I32B, I32C, I32D, I32E, I32F, I32G, I32J, I32Q, I32R, I32S, I32T, I32U, I74A | M02.99 | 08 | I08A, I08B, I08C, I08D, I08E, I13A, I13B, I74A | M05.06 | 08 | I08A, I08B, I08C, I08D, I08E, I12A, I12B, I12C, I12J, I13A, I13B, I66A, I66B, I66C |
| M02.25 | 08 | I74A | M03.00 | 05 | F62A | M05.07 | 08 | I08A, I08B, I08C, I08D, I08E, I13A, I13B, I20A, I20B, I20D, I66A, I66B, I66C |
| M02.26 | 08 | I74A | | 06 | G67A | M05.08 | 08 | I08A, I08B, I08C, I08D, I08E, I13A, I13B, I66A, I66B, I66C |
| M02.27 | 08 | I74A | | 17 | R60B, R60C, R61A, R62A, R63B, R63C, R63D, R63F | M05.09 | 08 | I08A, I08B, I08C, I08D, I08E, I13A, I13B, I66A, I66B, I66C |
| M02.28 | 08 | I74A | | 18B | T61A | M05.10 | 04 | E74Z |
| M02.29 | 08 | I74A | M03.01 | 05 | F62A | | 08 | I20D |
| M02.30 | 08 | I08A, I08B, I08C, I08D, I08E, I12A, I12B, I12C, I12J, I13A, I13B, I66A, I66B, I66C | | 06 | G67A | M05.11 | 04 | E74Z |
| M02.31 | 08 | I08A, I08B, I08C, I08D, I08E, I12A, I12B, I12C, I12J, I13A, I13B, I66A, I66B, I66C | | 17 | R60B, R60C, R61A, R62A, R63B, R63C, R63D, R63F | M05.12 | 04 | E74Z |
| M02.32 | 08 | I08A, I08B, I08C, I08D, I08E, I12A, I12B, I12C, I12J, I13A, I13B, I66A, I66B, I66C | M03.02 | 05 | F62A | M05.13 | 04 | E74Z |
| M02.33 | 08 | I08A, I08B, I08C, I08D, I08E, I12A, I12B, I12C, I12J, I13A, I13B, I66A, I66B, I66C | | 06 | G67A | M05.14 | 04 | E74Z |
| M02.34 | 08 | I08A, I08B, I08C, I08D, I08E, I13A, I13B, I32A, I32B, I32C, I32D, I32E, I32F, I32G, I32J, I32Q, I32R, I32S, I32T, I32U, I66A, I66B, I66C | | 17 | R60B, R60C, R61A, R62A, R63B, R63C, R63D, R63F | M05.15 | 04 | E74Z |
| M02.35 | 08 | I08A, I08B, I08C, I08D, I08E, I12A, I12B, I12C, I12J, I13A, I13B, I66A, I66B, I66C | M03.03 | 05 | F62A | M05.16 | 04 | E74Z |
| M02.36 | 08 | I08A, I08B, I08C, I08D, I08E, I12A, I12B, I12C, I12J, I13A, I13B, I66A, I66B, I66C | | 06 | G67A | M05.17 | 04 | E74Z |
| M02.37 | 08 | I08A, I08B, I08C, I08D, I08E, I13A, I13B, I66A, I66B, I66C | | 17 | R60B, R60C, R61A, R62A, R63B, R63C, R63D, R63F | | 08 | I20D |
| M02.38 | 08 | I08A, I08B, I08C, I08D, I08E, I13A, I13B, I66A, I66B, I66C | M03.04 | 05 | F62A | M05.18 | 04 | E74Z |
| M02.39 | 08 | I08A, I08B, I08C, I08D, I08E, I13A, I13B, I66A, I66B, I66C | | 06 | G67A | M05.19 | 04 | E74Z |
| M02.80 | 08 | I74A | | 17 | R60B, R60C, R61A, R62A, R63B, R63C, R63D, R63F | M05.20 | 08 | I08A, I08B, I08C, I08D, I08E, I12A, I12B, I12C, I12J, I13A, I13B, I20D, I66A, I66B, I66C |
| M02.81 | 08 | I74A | | 18B | T61A | M05.21 | 08 | I08A, I08B, I08C, I08D, I08E, I12A, I12B, I12C, I12J, I13A, I13B, I66A, I66B, I66C |
| M02.82 | 08 | I74A | M03.05 | 05 | F62A | M05.22 | 08 | I08A, I08B, I08C, I08D, I08E, I12A, I12B, I12C, I12J, I13A, I13B, I66A, I66B, I66C |
| M02.83 | 08 | I74A | | 06 | G67A | M05.23 | 08 | I08A, I08B, I08C, I08D, I08E, I12A, I12B, I12C, I12J, I13A, I13B, I66A, I66B, I66C |
| M02.84 | 08 | I32A, I32B, I32C, I32D, I32E, I32F, I32G, I32J, I32Q, I32R, I32S, I32T, I32U, I74A | | 17 | R60B, R60C, R61A, R62A, R63B, R63C, R63D, R63F | M05.24 | 08 | I08A, I08B, I08C, I08D, I08E, I13A, I13B, I66A, I66B, I66C |
| M02.85 | 08 | I74A | M03.07 | 05 | F62A | M05.25 | 08 | I08A, I08B, I08C, I08D, I08E, I12A, I12B, I12C, I12J, I13A, I13B, I66A, I66B, I66C |
| M02.86 | 08 | I74A | | 06 | G67A | M05.26 | 08 | I08A, I08B, I08C, I08D, I08E, I12A, I12B, I12C, I12J, I13A, I13B, I66A, I66B, I66C |
| M02.87 | 08 | I74A | | 17 | R60B, R60C, R61A, R62A, R63B, R63C, R63D, R63F | M05.27 | 08 | I08A, I08B, I08C, I08D, I08E, I13A, I13B, I20D, I66A, I66B, I66C |
| M02.88 | 08 | I74A | | 18B | T61A | M05.28 | 08 | I08A, I08B, I08C, I08D, I08E, I13A, I13B, I66A, I66B, I66C |
| M02.89 | 08 | I74A | M03.08 | 05 | F62A | M05.29 | 08 | I08A, I08B, I08C, I08D, I08E, I13A, I13B, I66A, I66B, I66C |
| M02.90 | 08 | I08A, I08B, I08C, I08D, I08E, I12A, I12B, I12C, I12J, I13A, I13B, I74A | | 06 | G67A | M05.30 | 08 | I08A, I08B, I08C, I08D, I08E, I12A, I12B, I12C, I12J, I13A, I13B, I20A, I20B, I20D, I66A, I66B, I66C |
| M02.91 | 08 | I08A, I08B, I08C, I08D, I08E, I12A, I12B, I12C, I12J, I13A, I13B, I74A | | 17 | R60B, R60C, R61A, R62A, R63B, R63C, R63D, R63F | M05.31 | 08 | I08A, I08B, I08C, I08D, I08E, I12A, I12B, I12C, I12J, I13A, I13B, I66A, I66B, I66C |
| M02.92 | 08 | I08A, I08B, I08C, I08D, I08E, I12A, I12B, I12C, I12J, I13A, I13B, I74A | M03.09 | 05 | F62A | M05.32 | 08 | I08A, I08B, I08C, I08D, I08E, I12A, I12B, I12C, I12J, I13A, I13B, I66A, I66B, I66C |
| M02.93 | 08 | I08A, I08B, I08C, I08D, I08E, I12A, I12B, I12C, I12J, I13A, I13B, I74A | | 06 | G67A | | | |
| M02.94 | 08 | I08A, I08B, I08C, I08D, I08E, I13A, I13B, I32A, I32B, I32C, I32D, I32E, I32F, I32G, I32J, I32Q, I32R, I32S, I32T, I32U, I74A | | 17 | R60B, R60C, R61A, R62A, R63B, R63C, R63D, R63F | | | |
| | | | | 18B | T61A | | | |
| | | | M05.00 | 08 | I08A, I08B, I08C, I08D, I08E, I12A, I12B, I12C, I12J, I13A, I13B, I20A, I20B, I20D, I66A, I66B, I66C | | | |
| | | | M05.01 | 08 | I08A, I08B, I08C, I08D, I08E, I12A, I12B, I12C, I12J, I13A, I13B, I66A, I66B, I66C | | | |

| ICD | MDC | DRG | ICD | MDC | DRG | ICD | MDC | DRG |
|--------|-----|--|--------|-----|--|--------|-----|--|
| M08.90 | 08 | I08A, I08B, I08C, I08D, I08E, I12A, I12B, I12C, I12J, I13A, I13B, I20A, I20B, I66A, I66B, I66C | M10.22 | 08 | I69A | M11.19 | 08 | I69A |
| M08.91 | 08 | I08A, I08B, I08C, I08D, I08E, I12A, I12B, I12C, I12J, I13A, I13B, I66A, I66B, I66C | M10.23 | 08 | I69A | M11.20 | 08 | I69A |
| M08.92 | 08 | I08A, I08B, I08C, I08D, I08E, I12A, I12B, I12C, I12J, I13A, I13B, I66A, I66B, I66C | M10.24 | 08 | I69A | M11.21 | 08 | I69A |
| M08.93 | 08 | I08A, I08B, I08C, I08D, I08E, I12A, I12B, I12C, I12J, I13A, I13B, I66A, I66B, I66C | M10.25 | 08 | I69A | M11.22 | 08 | I69A |
| M08.94 | 08 | I08A, I08B, I08C, I08D, I08E, I12A, I12B, I12C, I12J, I13A, I13B, I66A, I66B, I66C | M10.26 | 08 | I69A | M11.23 | 08 | I69A |
| M08.95 | 08 | I08A, I08B, I08C, I08D, I08E, I12A, I12B, I12C, I12J, I13A, I13B, I66A, I66B, I66C | M10.27 | 08 | I69A | M11.24 | 08 | I32A, I32B, I32C, I32D, I32E, I32F, I32G, I32J, I32Q, I32R, I32S, I32T, I32U, I69A |
| M08.96 | 08 | I08A, I08B, I08C, I08D, I08E, I12A, I12B, I12C, I12J, I13A, I13B, I66A, I66B, I66C | M10.28 | 08 | I69A | M11.25 | 08 | I69A |
| M08.97 | 08 | I08A, I08B, I08C, I08D, I08E, I13A, I13B, I20A, I20B, I66A, I66B, I66C | M10.29 | 08 | I69A | M11.26 | 08 | I69A |
| M08.98 | 08 | I08A, I08B, I08C, I08D, I08E, I13A, I13B, I66A, I66B, I66C | M10.30 | 11 | L68A, L68B, L74Z | M11.27 | 08 | I69A |
| M08.99 | 08 | I08A, I08B, I08C, I08D, I08E, I13A, I13B, I66A, I66B, I66C | M10.31 | 11 | L68A, L68B, L74Z | M11.28 | 08 | I69A |
| M09.00 | 08 | I20A, I20B | M10.32 | 11 | L68A, L68B, L74Z | M11.29 | 08 | I69A |
| M09.07 | 08 | I20A, I20B | M10.33 | 11 | L68A, L68B, L74Z | M11.80 | 08 | I69A |
| M09.10 | 08 | I20A, I20B | M10.34 | 11 | L68A, L68B, L74Z | M11.81 | 08 | I69A |
| M09.17 | 08 | I20A, I20B | M10.35 | 11 | L68A, L68B, L74Z | M11.82 | 08 | I69A |
| M09.20 | 08 | I20A, I20B | M10.36 | 11 | L68A, L68B, L74Z | M11.83 | 08 | I69A |
| M09.27 | 08 | I20A, I20B | M10.37 | 11 | L68A, L68B, L74Z | M11.84 | 08 | I32A, I32B, I32C, I32D, I32E, I32F, I32G, I32J, I32Q, I32R, I32S, I32T, I32U, I69A |
| M09.80 | 08 | I20A, I20B | M10.38 | 11 | L68A, L68B, L74Z | M11.85 | 08 | I69A |
| M09.87 | 08 | I20A, I20B | M10.39 | 11 | L68A, L68B, L74Z | M11.86 | 08 | I69A |
| M10.00 | 08 | I69A | M10.40 | 08 | I69A | M11.87 | 08 | I69A |
| M10.01 | 08 | I69A | M10.41 | 08 | I69A | M11.88 | 08 | I69A |
| M10.02 | 08 | I69A | M10.42 | 08 | I69A | M11.89 | 08 | I69A |
| M10.03 | 08 | I69A | M10.43 | 08 | I69A | M11.90 | 08 | I69A |
| M10.04 | 08 | I69A | M10.44 | 08 | I69A | M11.91 | 08 | I69A |
| M10.05 | 08 | I69A | M10.45 | 08 | I69A | M11.92 | 08 | I69A |
| M10.06 | 08 | I69A | M10.46 | 08 | I69A | M11.93 | 08 | I69A |
| M10.07 | 08 | I69A | M10.47 | 08 | I69A | M11.94 | 08 | I32A, I32B, I32C, I32D, I32E, I32F, I32G, I32J, I32Q, I32R, I32S, I32T, I32U, I69A |
| M10.08 | 08 | I69A | M10.48 | 08 | I69A | M11.95 | 08 | I69A |
| M10.09 | 08 | I69A | M10.49 | 08 | I69A | M11.96 | 08 | I69A |
| M10.10 | 15 | TPN, VTPN | M10.90 | 08 | I69A | M11.97 | 08 | I69A |
| M10.11 | 21B | X64Z | M10.91 | 08 | I69A | M11.98 | 08 | I69A |
| M10.12 | 15 | TPN, VTPN | M10.92 | 08 | I69A | M11.99 | 08 | I69A |
| M10.13 | 21B | X64Z | M10.93 | 08 | I69A | M12.00 | 08 | I08A, I08B, I08C, I08D, I08E, I12A, I12B, I12C, I12J, I13A, I13B, I69A, I69B |
| M10.14 | 15 | TPN, VTPN | M10.94 | 08 | I69A | M12.01 | 08 | I08A, I08B, I08C, I08D, I08E, I12A, I12B, I12C, I12J, I13A, I13B, I69A, I69B |
| M10.15 | 21B | X64Z | M10.95 | 08 | I69A | M12.02 | 08 | I08A, I08B, I08C, I08D, I08E, I12A, I12B, I12C, I12J, I13A, I13B, I69A, I69B |
| M10.16 | 15 | TPN, VTPN | M10.96 | 08 | I69A | M12.03 | 08 | I08A, I08B, I08C, I08D, I08E, I12A, I12B, I12C, I12J, I13A, I13B, I69A, I69B |
| M10.17 | 21B | X64Z | M10.97 | 08 | I69A | M12.04 | 08 | I08A, I08B, I08C, I08D, I08E, I13A, I13B, I69A, I69B |
| M10.18 | 15 | TPN, VTPN | M10.98 | 08 | I69A | M12.05 | 08 | I08A, I08B, I08C, I08D, I08E, I12A, I12B, I12C, I12J, I13A, I13B, I69A, I69B |
| M10.19 | 21B | X64Z | M10.99 | 08 | I69A | M12.06 | 08 | I08A, I08B, I08C, I08D, I08E, I12A, I12B, I12C, I12J, I13A, I13B, I69A, I69B |
| M10.20 | 08 | I69A | M11.00 | 08 | I69A | M12.07 | 08 | I08A, I08B, I08C, I08D, I08E, I13A, I13B, I69A, I69B |
| M10.21 | 15 | TPN, VTPN | M11.01 | 08 | I69A | M12.08 | 08 | I08A, I08B, I08C, I08D, I08E, I13A, I13B, I69A, I69B |
| | 08 | I69A | M11.02 | 08 | I69A | M12.09 | 08 | I08A, I08B, I08C, I08D, I08E, I13A, I13B, I69A, I69B |
| | 15 | TPN, VTPN | M11.03 | 08 | I69A | M12.10 | 08 | I69A, I69B |
| | | | M11.04 | 08 | I32A, I32B, I32C, I32D, I32E, I32F, I32G, I32J, I32Q, I32R, I32S, I32T, I32U, I69A | M12.11 | 08 | I69A, I69B |
| | | | M11.05 | 08 | I69A | M12.12 | 08 | I69A, I69B |
| | | | M11.06 | 08 | I69A | M12.13 | 08 | I69A, I69B |
| | | | M11.07 | 08 | I69A | M12.14 | 08 | I32A, I32B, I32C, I32D, I32E, I32F, I32G, I32J, I32Q, I32R, I32S, I32T, I32U, I69A, I69B |
| | | | M11.08 | 08 | I69A | | | |
| | | | M11.09 | 08 | I69A | | | |
| | | | M11.10 | 08 | I69A | | | |
| | | | M11.11 | 08 | I69A | | | |
| | | | M11.12 | 08 | I69A | | | |
| | | | M11.13 | 08 | I69A | | | |
| | | | M11.14 | 08 | I32A, I32B, I32C, I32D, I32E, I32F, I32G, I32J, I32Q, I32R, I32S, I32T, I32U, I69A | | | |
| | | | M11.15 | 08 | I69A | | | |
| | | | M11.16 | 08 | I69A | | | |
| | | | M11.17 | 08 | I69A | | | |
| | | | M11.18 | 08 | I69A | | | |

| ICD | MDC | DRG | ICD | MDC | DRG | ICD | MDC | DRG |
|--------|-----|--|--------|-----|--|--------|-----|--|
| M12.15 | 08 | I69A, I69B | M13.14 | 08 | I32A, I32B, I32C, I32D, I32E, I32F, I32G, I32J, I32Q, I32R, I32S, I32T, I32U, I74A | M18.1 | 08 | I32A, I32B, I32C, I32D, I32E, I32F, I32G, I32J, I32Q, I32R, I32S, I32T, I32U, I69A, I69B |
| M12.16 | 08 | I69A, I69B | M13.15 | 08 | I74A | M18.2 | 08 | I32A, I32B, I32C, I32D, I32E, I32F, I32G, I32J, I32Q, I32R, I32S, I32T, I32U, I69A, I69B |
| M12.17 | 08 | I69A, I69B | M13.16 | 08 | I74A | M18.3 | 08 | I32A, I32B, I32C, I32D, I32E, I32F, I32G, I32J, I32Q, I32R, I32S, I32T, I32U, I69A, I69B |
| M12.18 | 08 | I69A, I69B | M13.17 | 08 | I74A | M18.4 | 08 | I32A, I32B, I32C, I32D, I32E, I32F, I32G, I32J, I32Q, I32R, I32S, I32T, I32U, I69A, I69B |
| M12.19 | 08 | I69A, I69B | M13.18 | 08 | I74A | M18.5 | 08 | I32A, I32B, I32C, I32D, I32E, I32F, I32G, I32J, I32Q, I32R, I32S, I32T, I32U, I69A, I69B |
| M12.20 | 08 | I69A, I69B | M13.19 | 08 | I74A | M18.9 | 08 | I32A, I32B, I32C, I32D, I32E, I32F, I32G, I32J, I32Q, I32R, I32S, I32T, I32U, I69A, I69B |
| M12.21 | 08 | I69A, I69B | M13.80 | 08 | I74A | M19.01 | 08 | I69A, I69B |
| M12.22 | 08 | I69A, I69B | M13.81 | 08 | I74A | M19.02 | 08 | I69A, I69B |
| M12.23 | 08 | I69A, I69B | M13.82 | 08 | I74A | M19.03 | 08 | I69A, I69B |
| M12.24 | 08 | I32A, I32B, I32C, I32D, I32E, I32F, I32G, I32J, I32Q, I32R, I32S, I32T, I32U, I69A, I69B | M13.83 | 08 | I32C, I32D, I74A | M19.04 | 08 | I69A, I69B |
| M12.25 | 08 | I69A, I69B | M13.84 | 08 | I32A, I32B, I32C, I32D, I32G, I32J, I32Q, I32R, I32S, I32T, I32U, I74A | M19.05 | 08 | I69A, I69B |
| M12.26 | 08 | I69A, I69B | M13.85 | 08 | I74A | M19.07 | 08 | I69A, I69B |
| M12.27 | 08 | I69A, I69B | M13.86 | 08 | I74A | M19.08 | 08 | I69A, I69B |
| M12.28 | 08 | I69A, I69B | M13.87 | 08 | I74A | M19.09 | 08 | I69A, I69B |
| M12.29 | 08 | I69A, I69B | M13.88 | 08 | I74A | M19.11 | 08 | I69A, I69B |
| M12.30 | 08 | I69A | M13.89 | 08 | I74A | M19.12 | 08 | I69A, I69B |
| M12.31 | 08 | I69A | M13.90 | 08 | I74A | M19.13 | 08 | I69A, I69B |
| M12.32 | 08 | I69A | | 18A | S65A, S65B | M19.14 | 08 | I69A, I69B |
| M12.33 | 08 | I69A | M13.91 | 08 | I74A | M19.15 | 08 | I69A, I69B |
| M12.34 | 08 | I32A, I32B, I32C, I32D, I32E, I32F, I32G, I32J, I32Q, I32R, I32S, I32T, I32U, I69A | | 18A | S65A, S65B | M19.17 | 08 | I69A, I69B |
| M12.35 | 08 | I69A | M13.92 | 08 | I74A | M19.18 | 08 | I69A, I69B |
| M12.36 | 08 | I69A | | 18A | S65A, S65B | M19.19 | 08 | I69A, I69B |
| M12.37 | 08 | I69A | M13.93 | 08 | I74A | M19.21 | 08 | I69A, I69B |
| M12.38 | 08 | I69A | | 18A | S65A, S65B | M19.22 | 08 | I69A, I69B |
| M12.39 | 08 | I69A | M13.94 | 08 | I32A, I32B, I32C, I32D, I32E, I32F, I32G, I32J, I32Q, I32R, I32S, I32T, I32U, I74A | M19.23 | 08 | I69A, I69B |
| M12.40 | 08 | I69A, I69B | | 18A | S65A, S65B | M19.24 | 08 | I69A, I69B |
| M12.41 | 08 | I69A, I69B | M13.95 | 08 | I74A | M19.25 | 08 | I69A, I69B |
| M12.42 | 08 | I69A, I69B | | 18A | S65A, S65B | M19.27 | 08 | I69A, I69B |
| M12.43 | 08 | I69A, I69B | M13.96 | 08 | I74A | M19.28 | 08 | I69A, I69B |
| M12.44 | 08 | I32A, I32B, I32C, I32D, I32E, I32F, I32G, I32J, I32Q, I32R, I32S, I32T, I32U, I69A, I69B | | 18A | S65A, S65B | M19.29 | 08 | I69A, I69B |
| M12.45 | 08 | I69A, I69B | M13.97 | 08 | I74A | M19.81 | 08 | I69A, I69B |
| M12.46 | 08 | I69A, I69B | | 18A | S65A, S65B | M19.82 | 08 | I69A, I69B |
| M12.47 | 08 | I69A, I69B | M13.98 | 08 | I74A | M19.83 | 08 | I69A, I69B |
| M12.48 | 08 | I69A, I69B | | 18A | S65A, S65B | M19.84 | 08 | I69A, I69B |
| M12.49 | 08 | I69A, I69B | M13.99 | 08 | I74A | M19.85 | 08 | I69A, I69B |
| M12.50 | 08 | I69A, I69B | | 18A | S65A, S65B | M19.87 | 08 | I69A, I69B |
| M12.51 | 08 | I69A, I69B | M14.8 | 15 | TPN, VTPN | M19.88 | 08 | I69A, I69B |
| M12.52 | 08 | I69A, I69B | M15.0 | 08 | I69A, I69B | M19.89 | 08 | I69A, I69B |
| M12.53 | 08 | I69A, I69B | M15.1 | 08 | I69A, I69B | M19.91 | 08 | I69A, I69B |
| M12.54 | 08 | I32A, I32B, I32C, I32D, I32E, I32F, I32G, I32J, I32Q, I32R, I32S, I32T, I32U, I69A, I69B | M15.2 | 08 | I69A, I69B | M19.92 | 08 | I69A, I69B |
| M12.55 | 08 | I69A, I69B | M15.3 | 08 | I69A, I69B | M19.93 | 08 | I69A, I69B |
| M12.56 | 08 | I69A, I69B | M15.4 | 08 | I69A, I69B | M19.94 | 08 | I69A, I69B |
| M12.57 | 08 | I69A, I69B | M15.8 | 08 | I74A | M19.95 | 08 | I69A, I69B |
| M12.58 | 08 | I69A, I69B | M15.9 | 08 | I69A, I69B | M19.97 | 08 | I69A, I69B |
| M12.59 | 08 | I69A, I69B | M16.0 | 08 | I69A, I69B | M19.98 | 08 | I69A, I69B |
| M12.80 | 08 | I74A | M16.1 | 08 | I69A, I69B | M19.99 | 08 | I69A, I69B |
| M12.81 | 08 | I74A | M16.2 | 08 | I69A, I69B | M20.0 | 08 | I32A, I32B, I32C, I32D, I32E, I32F, I32G, I32J, I32Q, I32R, I32S, I32T, I32U, I74A, I76A, I76B |
| M12.82 | 08 | I74A | M16.3 | 08 | I69A, I69B | M20.1 | 08 | I76A, I76B |
| M12.83 | 08 | I74A | M16.4 | 08 | I69A, I69B | M20.2 | 08 | I76A, I76B |
| M12.84 | 08 | I32A, I32B, I32C, I32D, I32E, I32F, I32G, I32J, I32Q, I32R, I32S, I32T, I32U, I74A | M16.5 | 08 | I69A, I69B | M20.3 | 08 | I76A, I76B |
| M12.85 | 08 | I74A | M16.6 | 08 | I69A, I69B | M20.4 | 08 | I76A, I76B |
| M12.86 | 08 | I74A | M16.7 | 08 | I69A, I69B | M20.5 | 08 | I76A, I76B |
| M12.87 | 08 | I74A | M16.9 | 08 | I69A, I69B | M20.6 | 08 | I76A, I76B |
| M12.88 | 08 | I74A | M17.0 | 08 | I69A, I69B | M21.00 | 08 | I33Z, I76A, I76B |
| M12.89 | 08 | I74A | M17.1 | 08 | I69A, I69B | M21.01 | 08 | I33Z, I76A, I76B |
| M13.0 | 08 | I69A | M17.2 | 08 | I69A, I69B | M21.02 | 08 | I33Z, I76A, I76B |
| M13.11 | 08 | I74A | M17.3 | 08 | I69A, I69B | | | |
| M13.12 | 08 | I74A | M17.4 | 08 | I69A, I69B | | | |
| M13.13 | 08 | I32C, I32D, I74A | M17.5 | 08 | I69A, I69B | | | |
| | | | M17.9 | 08 | I69A, I69B | | | |
| | | | M18.0 | 08 | I32A, I32B, I32C, I32D, I32E, I32F, I32G, I32J, I32Q, I32R, I32S, I32T, I32U, I69A, I69B | | | |

| ICD | MDC | DRG | ICD | MDC | DRG | ICD | MDC | DRG |
|--------|-----|---|--------|-----|--|--------|-----|---|
| M21.03 | 08 | I33Z, I76A, I76B | M21.92 | 08 | I76A, I76B | M23.63 | 08 | I77Z |
| M21.04 | 08 | I33Z, I76A, I76B | M21.93 | 08 | I76A, I76B | M23.64 | 08 | I77Z |
| M21.05 | 08 | I33Z, I76A, I76B | M21.94 | 08 | I32A, I32B, I32C, I32D, I32E, I32F, I32G, I32J, I32Q, I32R, I32S, I32T, I32U, I76A, I76B | M23.67 | 08 | I77Z |
| M21.06 | 08 | I33Z, I76A, I76B | | | | M23.69 | 08 | I77Z |
| M21.07 | 08 | I33Z, I76A, I76B | M21.95 | 08 | I76A, I76B | M23.80 | 08 | I77Z |
| M21.08 | 08 | I33Z, I76A, I76B | M21.96 | 08 | I76A, I76B | M23.81 | 08 | I77Z |
| M21.09 | 08 | I33Z, I76A, I76B | M21.97 | 08 | I76A, I76B | M23.82 | 08 | I77Z |
| M21.10 | 08 | I33Z, I76A, I76B | M21.99 | 08 | I76A, I76B | M23.83 | 08 | I77Z |
| M21.11 | 08 | I33Z, I76A, I76B | M22.0 | 08 | I77Z | M23.84 | 08 | I77Z |
| M21.12 | 08 | I33Z, I76A, I76B | M22.1 | 08 | I77Z | M23.85 | 08 | I77Z |
| M21.13 | 08 | I33Z, I76A, I76B | M22.2 | 08 | I77Z | M23.86 | 08 | I77Z |
| M21.14 | 08 | I33Z, I76A, I76B | M22.3 | 08 | I77Z | M23.87 | 08 | I77Z |
| M21.15 | 08 | I33Z, I76A, I76B | M22.4 | 08 | I77Z | M23.89 | 08 | I77Z |
| M21.16 | 08 | I33Z, I76A, I76B | M22.8 | 08 | I77Z | M23.90 | 08 | I77Z |
| M21.17 | 08 | I33Z, I76A, I76B | M22.9 | 08 | I77Z | M23.91 | 08 | I77Z |
| M21.18 | 08 | I33Z, I76A, I76B | M23.00 | 08 | I77Z | M23.92 | 08 | I77Z |
| M21.19 | 08 | I33Z, I76A, I76B | M23.01 | 08 | I77Z | M23.93 | 08 | I77Z |
| M21.20 | 08 | I33Z, I76A, I76B | M23.02 | 08 | I77Z | M23.94 | 08 | I77Z |
| M21.21 | 08 | I33Z, I76A, I76B | M23.03 | 08 | I77Z | M23.95 | 08 | I77Z |
| M21.22 | 08 | I33Z, I76A, I76B | M23.04 | 08 | I77Z | M23.96 | 08 | I77Z |
| M21.23 | 08 | I33Z, I76A, I76B | M23.05 | 08 | I77Z | M23.97 | 08 | I77Z |
| M21.24 | 08 | I33Z, I76A, I76B | M23.06 | 08 | I77Z | M23.99 | 08 | I77Z |
| M21.25 | 08 | I33Z, I76A, I76B | M23.09 | 08 | I77Z | M24.00 | 08 | I76A, I76B |
| M21.26 | 08 | I33Z, I76A, I76B | M23.10 | 08 | I77Z | M24.01 | 08 | I76A, I76B |
| M21.27 | 08 | I33Z, I76A, I76B | M23.11 | 08 | I77Z | M24.02 | 08 | I76A, I76B |
| M21.28 | 08 | I33Z, I76A, I76B | M23.12 | 08 | I77Z | M24.03 | 08 | I76A, I76B |
| M21.29 | 08 | I33Z, I76A, I76B | M23.13 | 08 | I77Z | M24.04 | 08 | I32A, I32B, I32C, I32D, I32E, I32F, I32G, I32J, I32Q, I32R, I32S, I32T, I32U, I76A, I76B |
| M21.30 | 08 | I76A, I76B | M23.14 | 08 | I77Z | | | |
| M21.33 | 01 | B03Z, B17A, B17B, B17C, B17D, B17J, B71A, B71B, B71C, B71D | M23.15 | 08 | I77Z | M24.05 | 08 | I76A, I76B |
| | | | M23.16 | 08 | I77Z | M24.07 | 08 | I76A, I76B |
| M21.37 | 08 | I76A, I76B | M23.19 | 08 | I77Z | M24.08 | 08 | I76A, I76B |
| M21.40 | 08 | I76A, I76B | M23.20 | 08 | I77Z | M24.09 | 08 | I76A, I76B |
| M21.41 | 08 | I76A, I76B | M23.21 | 08 | I77Z | M24.10 | 08 | I76A, I76B |
| M21.42 | 08 | I76A, I76B | M23.22 | 08 | I77Z | M24.11 | 08 | I77Z |
| M21.43 | 08 | I76A, I76B | M23.23 | 08 | I77Z | M24.12 | 08 | I77Z |
| M21.44 | 08 | I76A, I76B | M23.24 | 08 | I77Z | M24.13 | 08 | I74A, I74B, I74C |
| M21.50 | 01 | B03Z, B17A, B17B, B17C, B17D, B17J, B71A, B71B, B71C, B71D | M23.25 | 08 | I77Z | M24.14 | 08 | I32A, I32B, I32C, I32D, I32E, I32F, I32G, I32J, I32Q, I32R, I32S, I32T, I32U, I74A, I74B, I74C |
| | | | M23.26 | 08 | I77Z | | | |
| M21.54 | 01 | B03Z, B17A, B17B, B17C, B17D, B17J, B71A, B71B, B71C, B71D | M23.29 | 08 | I77Z | M24.15 | 08 | I76A, I76B |
| | | | M23.30 | 08 | I77Z | M24.17 | 08 | I77Z |
| M21.57 | 08 | I76A, I76B | M23.31 | 08 | I77Z | M24.18 | 08 | I76A, I76B |
| M21.60 | 08 | I33Z, I76A, I76B | M23.32 | 08 | I77Z | M24.19 | 08 | I76A, I76B |
| M21.67 | 08 | I33Z, I76A, I76B | M23.33 | 08 | I77Z | M24.20 | 08 | I72Z, I75A, I75B |
| M21.70 | 08 | I33Z, I76A, I76B | M23.34 | 08 | I77Z | M24.21 | 08 | I72Z, I75A, I75B |
| M21.71 | 08 | I33Z, I76A, I76B | M23.35 | 08 | I77Z | M24.22 | 08 | I72Z, I75A, I75B |
| M21.72 | 08 | I33Z, I76A, I76B | M23.36 | 08 | I77Z | M24.23 | 08 | I72Z, I75A, I75B |
| M21.73 | 08 | I33Z, I76A, I76B | M23.39 | 08 | I77Z | M24.24 | 08 | I72Z, I75A, I75B |
| M21.74 | 08 | I33Z, I76A, I76B | M23.40 | 08 | I76A, I76B | M24.25 | 08 | I72Z, I75A, I75B |
| M21.75 | 08 | I33Z, I76A, I76B | M23.41 | 08 | I76A, I76B | M24.27 | 08 | I72Z, I75A, I75B |
| M21.76 | 08 | I33Z, I76A, I76B | M23.42 | 08 | I76A, I76B | M24.28 | 08 | I72Z, I75A, I75B |
| M21.77 | 08 | I33Z, I76A, I76B | M23.43 | 08 | I76A, I76B | M24.29 | 08 | I72Z, I75A, I75B |
| M21.79 | 08 | I33Z, I76A, I76B | M23.44 | 08 | I76A, I76B | M24.30 | 08 | I76A, I76B |
| M21.80 | 08 | I33Z, I76A, I76B | M23.45 | 08 | I76A, I76B | M24.31 | 08 | I77Z |
| M21.81 | 08 | I33Z, I76A, I76B | M23.46 | 08 | I76A, I76B | M24.32 | 08 | I77Z |
| M21.82 | 08 | I33Z, I76A, I76B | M23.47 | 08 | I76A, I76B | M24.33 | 08 | I74A, I74B, I74C |
| M21.83 | 08 | I33Z, I76A, I76B | M23.49 | 08 | I76A, I76B | M24.34 | 08 | I32A, I32B, I32C, I32D, I32E, I32F, I32G, I32J, I32Q, I32R, I32S, I32T, I32U, I74A, I74B, I74C |
| M21.84 | 08 | I32A, I32B, I32C, I32D, I32E, I32F, I32G, I32J, I32Q, I32R, I32S, I32T, I32U, I33Z, I76A, I76B | M23.50 | 08 | I77Z | | | |
| | | | M23.51 | 08 | I77Z | M24.35 | 08 | I76A, I76B |
| M21.85 | 08 | I33Z, I76A, I76B | M23.52 | 08 | I77Z | M24.36 | 08 | I77Z |
| M21.86 | 08 | I33Z, I76A, I76B | M23.53 | 08 | I77Z | M24.37 | 08 | I77Z |
| M21.87 | 08 | I33Z, I76A, I76B | M23.54 | 08 | I77Z | M24.38 | 08 | I76A, I76B |
| M21.89 | 08 | I33Z, I76A, I76B | M23.55 | 08 | I77Z | M24.39 | 08 | I74A, I74B, I74C |
| M21.90 | 08 | I76A, I76B | M23.56 | 08 | I77Z | M24.40 | 08 | I08A, I27B, I71A, I76A, I76B |
| M21.91 | 08 | I76A, I76B | M23.57 | 08 | I77Z | M24.41 | 08 | I77Z |
| | | | M23.59 | 08 | I77Z | | | |
| | | | M23.60 | 08 | I77Z | | | |
| | | | M23.61 | 08 | I77Z | | | |
| | | | M23.62 | 08 | I77Z | | | |

| ICD | MDC | DRG | ICD | MDC | DRG | ICD | MDC | DRG |
|--------|-----|---|--------|-----|---|--------|-----|---|
| M24.42 | 08 | I77Z | M25.10 | 08 | I69A, I69B, I71A, I71B | M25.65 | 08 | I69A, I69B, I71A, I71B |
| M24.43 | 08 | I74A, I74B, I74C | M25.11 | 08 | I69A, I69B, I71A, I71B | M25.66 | 08 | I69A, I69B, I71A, I71B |
| M24.44 | 08 | I32A, I32B, I32C, I32D, I32E, I32F, I32G, I32J, I32Q, I32R, I32S, I32T, I32U, I74A, I74B, I74C | M25.12 | 08 | I69A, I69B, I71A, I71B | M25.67 | 08 | I69A, I69B, I71A, I71B |
| M24.45 | 08 | I76A, I76B | M25.13 | 08 | I69A, I69B, I71A, I71B | M25.68 | 08 | I69A, I69B, I71A, I71B |
| M24.46 | 08 | I77Z | M25.14 | 08 | I32A, I32B, I32C, I32D, I32E, I32F, I32G, I32J, I32Q, I32R, I32S, I32T, I32U, I69A, I69B, I71A, I71B | M25.69 | 08 | I69A, I69B, I71A, I71B |
| M24.47 | 08 | I77Z | M25.15 | 08 | I69A, I69B, I71A, I71B | M25.70 | 08 | I76A, I76B |
| M24.48 | 08 | I76A, I76B | M25.16 | 08 | I69A, I69B, I71A, I71B | M25.71 | 08 | I76A, I76B |
| M24.49 | 08 | I76A, I76B | M25.17 | 08 | I69A, I69B, I71A, I71B | M25.72 | 08 | I76A, I76B |
| M24.50 | 08 | I08A, I27B, I71A, I76A | M25.18 | 08 | I69A, I69B, I71A, I71B | M25.73 | 08 | I76A, I76B |
| M24.51 | 08 | I76A, I76B | M25.19 | 08 | I69A, I69B, I71A, I71B | M25.74 | 08 | I32A, I32B, I32C, I32D, I32E, I32F, I32G, I32J, I32Q, I32R, I32S, I32T, I32U, I76A, I76B |
| M24.52 | 08 | I76A, I76B | M25.20 | 08 | I76A, I76B | M25.75 | 08 | I76A, I76B |
| M24.53 | 08 | I76A, I76B | M25.21 | 08 | I76A, I76B | M25.76 | 08 | I77Z |
| M24.54 | 08 | I32A, I32B, I32C, I32D, I32E, I32F, I32G, I32J, I32Q, I32R, I32S, I32T, I32U, I76A, I76B | M25.22 | 08 | I76A, I76B | M25.77 | 08 | I76A, I76B |
| M24.55 | 08 | I76A, I76B | M25.23 | 08 | I76A, I76B | M25.78 | 08 | I76A, I76B |
| M24.56 | 08 | I76A, I76B | M25.24 | 08 | I32A, I32B, I32C, I32D, I32E, I32F, I32G, I32J, I32Q, I32R, I32S, I32T, I32U, I76A, I76B | M25.79 | 08 | I76A, I76B |
| M24.57 | 08 | I76A, I76B | M25.25 | 08 | I76A, I76B | M25.80 | 08 | I69A, I69B, I71A, I71B |
| M24.58 | 08 | I76A, I76B | M25.26 | 08 | I77Z | M25.81 | 08 | I69A, I69B, I71A, I71B |
| M24.59 | 08 | I76A, I76B | M25.27 | 08 | I76A, I76B | M25.82 | 08 | I69A, I69B, I71A, I71B |
| M24.60 | 08 | I69A, I69B | M25.28 | 08 | I76A, I76B | M25.83 | 08 | I69A, I69B, I71A, I71B |
| M24.61 | 08 | I69A, I69B | M25.29 | 08 | I76A, I76B | M25.84 | 08 | I32A, I32B, I32C, I32D, I32E, I32F, I32G, I32J, I32Q, I32R, I32S, I32T, I32U, I69A, I69B, I71A, I71B |
| M24.62 | 08 | I69A, I69B | M25.30 | 08 | I76A, I76B | M25.85 | 08 | I69A, I69B, I71A, I71B |
| M24.63 | 08 | I69A, I69B | M25.31 | 08 | I76A, I76B | M25.86 | 08 | I69A, I69B, I71A, I71B |
| M24.64 | 08 | I32A, I32B, I32C, I32D, I32E, I32F, I32G, I32J, I32Q, I32R, I32S, I32T, I32U, I69A, I69B | M25.32 | 08 | I76A, I76B | M25.87 | 08 | I69A, I69B, I71A, I71B |
| M24.65 | 08 | I69A, I69B | M25.33 | 08 | I76A, I76B | M25.88 | 08 | I69A, I69B, I71A, I71B |
| M24.66 | 08 | I69A, I69B | M25.34 | 08 | I32A, I32B, I32C, I32D, I32E, I32F, I32G, I32J, I32Q, I32R, I32S, I32T, I32U, I76A, I76B | M25.89 | 08 | I69A, I69B, I71A, I71B |
| M24.67 | 08 | I69A, I69B | M25.35 | 08 | I76A, I76B | M25.90 | 08 | I69A, I69B, I71A, I71B |
| M24.68 | 08 | I69A, I69B | M25.36 | 08 | I77Z | M25.91 | 08 | I69A, I69B, I71A, I71B |
| M24.69 | 08 | I69A, I69B | M25.37 | 08 | I76A, I76B | M25.92 | 08 | I69A, I69B, I71A, I71B |
| M24.7 | 08 | I76A, I76B | M25.38 | 08 | I76A, I76B | M25.93 | 08 | I69A, I69B, I71A, I71B |
| M24.80 | 08 | I76A, I76B | M25.39 | 08 | I76A, I76B | M25.94 | 08 | I32A, I32B, I32C, I32D, I32E, I32F, I32G, I32J, I32Q, I32R, I32S, I32T, I32U, I69A, I69B, I71A, I71B |
| M24.81 | 08 | I76A, I76B | M25.40 | 08 | I76A, I76B | M25.95 | 08 | I69A, I69B, I71A, I71B |
| M24.82 | 08 | I76A, I76B | M25.41 | 08 | I76A, I76B | M25.96 | 08 | I69A, I69B, I71A, I71B |
| M24.83 | 08 | I76A, I76B | M25.42 | 08 | I76A, I76B | M25.97 | 08 | I69A, I69B, I71A, I71B |
| M24.84 | 08 | I32A, I32B, I32C, I32D, I32E, I32F, I32G, I32J, I32Q, I32R, I32S, I32T, I32U, I76A, I76B | M25.43 | 08 | I76A, I76B | M25.98 | 08 | I76A, I76B |
| M24.85 | 08 | I76A, I76B | M25.44 | 08 | I32A, I32B, I32C, I32D, I32E, I32F, I32G, I32J, I32Q, I32R, I32S, I32T, I32U, I76A, I76B | M25.99 | 08 | I69A, I69B, I71A, I71B |
| M24.87 | 08 | I76A, I76B | M25.45 | 08 | I76A, I76B | M30.0 | 08 | I66A, I66B, I66C |
| M24.88 | 08 | I76A, I76B | M25.46 | 08 | I76A, I76B | M30.1 | 08 | I66A, I66B, I66C |
| M24.89 | 08 | I76A, I76B | M25.47 | 08 | I76A, I76B | M30.2 | 08 | I66A, I66B, I66C |
| M24.90 | 08 | I76A, I76B | M25.48 | 08 | I76A, I76B | M30.3 | 08 | I66A, I66B, I66C |
| M24.91 | 08 | I76A, I76B | M25.49 | 08 | I76A, I76B | M30.8 | 08 | I66A, I66B, I66C |
| M24.92 | 08 | I76A, I76B | M25.50 | 08 | I69A, I69B, I71A, I71B | M31.0 | 08 | I66A, I66B, I66C |
| M24.93 | 08 | I76A, I76B | M25.51 | 08 | I69A, I69B, I71A, I71B | M31.1 | 11 | L72Z |
| M24.94 | 08 | I32A, I32B, I32C, I32D, I32E, I32F, I32G, I32J, I32Q, I32R, I32S, I32T, I32U, I76A, I76B | M25.52 | 08 | I69A, I69B, I71A, I71B | M31.2 | Pre | A09D, A11D, A13D |
| M24.95 | 08 | I76A, I76B | M25.53 | 08 | I69A, I69B, I71A, I71B | M31.2 | 08 | I65A, I65B, I65C |
| M24.97 | 08 | I76A, I76B | M25.54 | 08 | I32A, I32B, I32C, I32D, I32E, I32F, I32G, I32J, I32Q, I32R, I32S, I32T, I32U, I69A, I69B, I71A, I71B | M31.3 | Pre | A09D, A11D, A13D |
| M24.98 | 08 | I76A, I76B | M25.55 | 08 | I69A, I69B, I71A, I71B | M31.3 | 08 | I66A, I66B, I66C |
| M24.99 | 08 | I76A, I76B | M25.56 | 08 | I69A, I69B, I71A, I71B | M31.4 | Pre | A09D, A11D, A13D |
| M25.00 | 08 | I69A, I69B | M25.57 | 08 | I69A, I69B, I71A, I71B | M31.4 | 08 | I66A, I66B, I66C |
| M25.01 | 08 | I69A, I69B | M25.58 | 08 | I69A, I69B, I71A, I71B | M31.5 | Pre | A09D, A11D, A13D |
| M25.02 | 08 | I69A, I69B | M25.59 | 08 | I69A, I69B, I71A, I71B | M31.5 | 08 | I66A, I66B, I66C |
| M25.03 | 08 | I69A, I69B | M25.60 | 08 | I69A, I69B, I71A, I71B | M31.6 | Pre | A09D, A11D, A13D |
| M25.04 | 08 | I32A, I32B, I32C, I32D, I32E, I32F, I32G, I32J, I32Q, I32R, I32S, I32T, I32U, I69A, I69B | M25.61 | 08 | I69A, I69B, I71A, I71B | M31.6 | 08 | I66A, I66B, I66C |
| M25.05 | 08 | I69A, I69B | M25.62 | 08 | I69A, I69B, I71A, I71B | M31.7 | 08 | I66A, I66B, I66C |
| M25.06 | 08 | I69A, I69B | M25.63 | 08 | I69A, I69B, I71A, I71B | M31.8 | 08 | I66A, I66B, I66C |
| M25.07 | 08 | I69A, I69B | M25.64 | 08 | I32A, I32B, I32C, I32D, I32E, I32F, I32G, I32J, I32Q, I32R, I32S, I32T, I32U, I69A, I69B, I71A, I71B | M31.9 | 08 | I66A, I66B, I66C |
| M25.08 | 08 | I69A, I69B | | | | M32.0 | 08 | I66A, I66B, I66C |
| M25.09 | 08 | I69A, I69B | | | | M32.0 | 15 | TPN, VTPN |
| | | | | | | M32.1 | 08 | I32C, I32D, I66A, I66B, I66C |
| | | | | | | | 15 | TPN, VTPN |
| | | | | | | | Pre | A09D, A11D, A13D |

| ICD | MDC | DRG | ICD | MDC | DRG | ICD | MDC | DRG |
|--------|-----|---|--------|-----|--|--------|-----|------------------------|
| M72.81 | 08 | I72Z, I75A, I75B | M79.13 | 08 | I69A, I69B, I71A, I71B | M79.62 | 08 | I69A, I69B, I71A, I71B |
| M72.82 | 08 | I72Z, I75A, I75B | M79.14 | 08 | I69A, I69B, I71A, I71B | M79.63 | 08 | I69A, I69B, I71A, I71B |
| M72.83 | 08 | I72Z, I75A, I75B | M79.15 | 08 | I69A, I69B, I71A, I71B | M79.64 | 08 | I69A, I69B, I71A, I71B |
| M72.84 | 08 | I72Z, I75A, I75B | M79.16 | 08 | I69A, I69B, I71A, I71B | M79.65 | 08 | I69A, I69B, I71A, I71B |
| M72.85 | 08 | I72Z, I75A, I75B | M79.17 | 08 | I69A, I69B, I71A, I71B | M79.66 | 08 | I69A, I69B, I71A, I71B |
| M72.86 | 08 | I72Z, I75A, I75B | M79.18 | 08 | I69A, I69B, I71A, I71B | M79.67 | 08 | I69A, I69B, I71A, I71B |
| M72.87 | 08 | I72Z, I75A, I75B | M79.19 | 08 | I69A, I69B, I71A, I71B | M79.69 | 08 | I69A, I69B, I71A, I71B |
| M72.88 | 08 | I72Z, I75A, I75B | M79.20 | 01 | B03Z, B17A, B17B, B17C, B17D, B17J, B71A, B71B, B71C, B71D | M79.70 | 08 | I79Z |
| M72.89 | 08 | I72Z, I75A, I75B | | | | M79.80 | 08 | I69A, I69B, I71A, I71B |
| M72.90 | 08 | I72Z, I75A, I75B | | 18A | S65A, S65B | M79.81 | 08 | I69A, I69B, I71A, I71B |
| M72.92 | 08 | I72Z, I75A, I75B | M79.21 | 01 | B03Z, B17A, B17B, B17C, B17D, B17J, B71A, B71B, B71C, B71D | M79.82 | 08 | I69A, I69B, I71A, I71B |
| M72.93 | 08 | I72Z, I75A, I75B | | | | M79.83 | 08 | I69A, I69B, I71A, I71B |
| M72.94 | 08 | I72Z, I75A, I75B | | 18A | S65A, S65B | M79.84 | 08 | I69A, I69B, I71A, I71B |
| M72.95 | 08 | I72Z, I75A, I75B | M79.22 | 01 | B03Z, B17A, B17B, B17C, B17D, B17J, B71A, B71B, B71C, B71D | M79.85 | 08 | I69A, I69B, I71A, I71B |
| M72.96 | 08 | I72Z, I75A, I75B | | | | M79.86 | 08 | I69A, I69B, I71A, I71B |
| M72.97 | 08 | I72Z, I75A, I75B | | 18A | S65A, S65B | M79.87 | 08 | I69A, I69B, I71A, I71B |
| M72.98 | 08 | I72Z, I75A, I75B | M79.23 | 01 | B03Z, B17A, B17B, B17C, B17D, B17J, B71A, B71B, B71C, B71D | M79.88 | 08 | I69A, I69B, I71A, I71B |
| M72.99 | 08 | I72Z, I75A, I75B | | | | M79.89 | 08 | I69A, I69B, I71A, I71B |
| M73.00 | 15 | TPN, VTPN | | 18A | S65A, S65B | M79.90 | 08 | I69A, I69B, I71A, I71B |
| M73.01 | 15 | TPN, VTPN | M79.24 | 01 | B03Z, B17A, B17B, B17C, B17D, B17J, B71A, B71B, B71C, B71D | M79.91 | 08 | I69A, I69B, I71A, I71B |
| M73.02 | 15 | TPN, VTPN | | | | M79.92 | 08 | I69A, I69B, I71A, I71B |
| M73.03 | 15 | TPN, VTPN | | 18A | S65A, S65B | M79.93 | 08 | I69A, I69B, I71A, I71B |
| M73.04 | 15 | TPN, VTPN | M79.25 | 01 | B03Z, B17A, B17B, B17C, B17D, B17J, B71A, B71B, B71C, B71D | M79.94 | 08 | I69A, I69B, I71A, I71B |
| M73.05 | 15 | TPN, VTPN | | | | M79.95 | 08 | I69A, I69B, I71A, I71B |
| M73.06 | 15 | TPN, VTPN | | 18A | S65A, S65B | M79.96 | 08 | I69A, I69B, I71A, I71B |
| M73.07 | 15 | TPN, VTPN | M79.26 | 01 | B03Z, B17A, B17B, B17C, B17D, B17J, B71A, B71B, B71C, B71D | M79.97 | 08 | I69A, I69B, I71A, I71B |
| M73.08 | 15 | TPN, VTPN | | | | M79.98 | 08 | I69A, I69B, I71A, I71B |
| M73.09 | 15 | TPN, VTPN | | 18A | S65A, S65B | M79.99 | 08 | I69A, I69B, I71A, I71B |
| M75.0 | 08 | I72Z, I75A, I75B | M79.27 | 01 | B03Z, B17A, B17B, B17C, B17D, B17J, B71A, B71B, B71C, B71D | M80.00 | 08 | I69A, I69B |
| M75.1 | 08 | I72Z, I75A, I75B | | | | M80.01 | 08 | I69A, I69B |
| M75.2 | 08 | I72Z, I75A, I75B | | 18A | S65A, S65B | M80.02 | 08 | I69A, I69B |
| M75.3 | 08 | I72Z, I75A, I75B | M79.28 | 01 | B03Z, B17A, B17B, B17C, B17D, B17J, B71A, B71B, B71C, B71D | M80.03 | 08 | I69A, I69B |
| M75.4 | 08 | I72Z, I75A, I75B | | | | M80.04 | 08 | I69A, I69B |
| M75.5 | 08 | I72Z, I75A, I75B | | 18A | S65A, S65B | M80.05 | 08 | I69A, I69B |
| M75.8 | 08 | I72Z, I75A, I75B | M79.29 | 01 | B03Z, B17A, B17B, B17C, B17D, B17J, B71A, B71B, B71C, B71D | M80.06 | 08 | I69A, I69B |
| M75.9 | 08 | I72Z, I75A, I75B | | | | M80.07 | 08 | I69A, I69B |
| M76.0 | 08 | I72Z, I75A, I75B | | 18A | S65A, S65B | M80.08 | 08 | I69A, I69B |
| M76.1 | 08 | I72Z, I75A, I75B | | 01 | B03Z, B17A, B17B, B17C, B17D, B17J, B71A, B71B, B71C, B71D | M80.09 | 08 | I69A, I69B |
| M76.2 | 08 | I72Z, I75A, I75B | | | | M80.10 | 08 | I69A, I69B |
| M76.3 | 08 | I72Z, I75A, I75B | | 18A | S65A, S65B | M80.11 | 08 | I69A, I69B |
| M76.4 | 08 | I72Z, I75A, I75B | M79.30 | 09 | J61A, J61B, J61C, J68A, J68B | M80.12 | 08 | I69A, I69B |
| M76.5 | 08 | I72Z, I75A, I75B | M79.31 | 09 | J61A, J61B, J61C, J68A, J68B | M80.13 | 08 | I69A, I69B |
| M76.6 | 08 | I72Z, I75A, I75B | M79.32 | 09 | J61A, J61B, J61C, J68A, J68B | M80.14 | 08 | I69A, I69B |
| M76.7 | 08 | I72Z, I75A, I75B | M79.33 | 09 | J61A, J61B, J61C, J68A, J68B | M80.15 | 08 | I69A, I69B |
| M76.8 | 08 | I72Z, I75A, I75B | M79.34 | 09 | J61A, J61B, J61C, J68A, J68B | M80.16 | 08 | I69A, I69B |
| M76.9 | 08 | I72Z, I75A, I75B | M79.35 | 09 | J61A, J61B, J61C, J68A, J68B | M80.17 | 08 | I69A, I69B |
| M77.0 | 08 | I72Z, I75A, I75B | M79.36 | 09 | J61A, J61B, J61C, J68A, J68B | M80.18 | 08 | I69A, I69B |
| M77.1 | 08 | I72Z, I75A, I75B | M79.37 | 09 | J61A, J61B, J61C, J68A, J68B | M80.19 | 08 | I69A, I69B |
| M77.2 | 08 | I72Z, I75A, I75B | M79.38 | 09 | J61A, J61B, J61C, J68A, J68B | M80.20 | 08 | I69A, I69B |
| M77.3 | 08 | I76A, I76B | M79.39 | 09 | J61A, J61B, J61C, J68A, J68B | M80.21 | 08 | I69A, I69B |
| M77.4 | 08 | I72Z, I75A, I75B | M79.46 | 08 | I76A, I76B | M80.22 | 08 | I69A, I69B |
| M77.5 | 08 | I72Z, I75A, I75B | M79.50 | 08 | I76A, I76B | M80.23 | 08 | I69A, I69B |
| M77.8 | 08 | I72Z, I75A, I75B | M79.51 | 08 | I76A, I76B | M80.24 | 08 | I69A, I69B |
| M77.9 | 08 | I72Z, I75A, I75B | M79.52 | 08 | I76A, I76B | M80.25 | 08 | I69A, I69B |
| M79.00 | 08 | I79Z | M79.53 | 08 | I76A, I76B | M80.26 | 08 | I69A, I69B |
| M79.01 | 08 | I79Z | M79.54 | 08 | I76A, I76B | M80.27 | 08 | I69A, I69B |
| M79.02 | 08 | I79Z | M79.55 | 08 | I76A, I76B | M80.28 | 08 | I69A, I69B |
| M79.03 | 08 | I79Z | M79.56 | 08 | I76A, I76B | M80.29 | 08 | I69A, I69B |
| M79.04 | 08 | I79Z | M79.57 | 08 | I76A, I76B | M80.30 | 08 | I69A, I69B |
| M79.05 | 08 | I79Z | M79.58 | 08 | I76A, I76B | M80.31 | 08 | I69A, I69B |
| M79.06 | 08 | I79Z | M79.59 | 08 | I76A, I76B | M80.32 | 08 | I69A, I69B |
| M79.07 | 08 | I79Z | M79.60 | 08 | I69A, I69B, I71A, I71B | M80.33 | 08 | I69A, I69B |
| M79.08 | 08 | I79Z | M79.61 | 08 | I69A, I69B, I71A, I71B | M80.34 | 08 | I69A, I69B |
| M79.09 | 08 | I08A, I08B, I08C, I08D, I08E, I13A, I13B, I79Z | | | | M80.35 | 08 | I69A, I69B |
| M79.10 | 08 | I69A, I69B, I71A, I71B | | | | M80.36 | 08 | I69A, I69B |
| M79.11 | 08 | I69A, I69B, I71A, I71B | | | | M80.37 | 08 | I69A, I69B |
| M79.12 | 08 | I69A, I69B, I71A, I71B | | | | M80.38 | 08 | I69A, I69B |
| | | | | | | M80.39 | 08 | I69A, I69B |

| ICD | MDC | DRG | ICD | MDC | DRG | ICD | MDC | DRG |
|--------|-----|------------|--------|-----|------------|--------|-----|------------|
| M80.40 | 08 | I69A, I69B | M81.19 | 08 | I69A, I69B | M81.98 | 08 | I69A, I69B |
| | 18A | S65A, S65B | M81.20 | 08 | I69A, I69B | M81.99 | 08 | I69A, I69B |
| M80.41 | 08 | I69A, I69B | M81.21 | 08 | I69A, I69B | M83.00 | 08 | I69A |
| | 18A | S65A, S65B | M81.22 | 08 | I69A, I69B | | 22 | Y02A, Y02B |
| M80.42 | 08 | I69A, I69B | M81.23 | 08 | I69A, I69B | M83.01 | 08 | I69A |
| | 18A | S65A, S65B | M81.24 | 08 | I69A, I69B | | 22 | Y02A, Y02B |
| M80.43 | 08 | I69A, I69B | M81.25 | 08 | I69A, I69B | M83.02 | 08 | I69A |
| | 18A | S65A, S65B | M81.26 | 08 | I69A, I69B | | 22 | Y02A, Y02B |
| M80.44 | 08 | I69A, I69B | M81.27 | 08 | I69A, I69B | M83.03 | 08 | I69A |
| | 18A | S65A, S65B | M81.28 | 08 | I69A, I69B | | 22 | Y02A, Y02B |
| M80.45 | 08 | I69A, I69B | M81.29 | 08 | I69A, I69B | M83.04 | 08 | I69A |
| | 18A | S65A, S65B | M81.30 | 08 | I69A, I69B | | 22 | Y02A, Y02B |
| M80.46 | 08 | I69A, I69B | M81.31 | 08 | I69A, I69B | M83.05 | 08 | I69A |
| | 18A | S65A, S65B | M81.32 | 08 | I69A, I69B | | 22 | Y02A, Y02B |
| M80.47 | 08 | I69A, I69B | M81.33 | 08 | I69A, I69B | M83.06 | 08 | I69A |
| | 18A | S65A, S65B | M81.34 | 08 | I69A, I69B | | 22 | Y02A, Y02B |
| M80.48 | 08 | I69A, I69B | M81.35 | 08 | I69A, I69B | M83.07 | 08 | I69A |
| | 18A | S65A, S65B | M81.36 | 08 | I69A, I69B | | 22 | Y02A, Y02B |
| M80.49 | 08 | I69A, I69B | M81.37 | 08 | I69A, I69B | M83.08 | 08 | I69A |
| | 18A | S65A, S65B | M81.38 | 08 | I69A, I69B | | 22 | Y02A, Y02B |
| M80.50 | 08 | I69A, I69B | M81.39 | 08 | I69A, I69B | M83.09 | 08 | I69A |
| M80.51 | 08 | I69A, I69B | M81.40 | 08 | I69A, I69B | | 22 | Y02A, Y02B |
| M80.52 | 08 | I69A, I69B | M81.41 | 08 | I69A, I69B | M83.10 | 08 | I69A |
| M80.53 | 08 | I69A, I69B | M81.42 | 08 | I69A, I69B | | 22 | Y02A, Y02B |
| M80.54 | 08 | I69A, I69B | M81.43 | 08 | I69A, I69B | M83.11 | 08 | I69A |
| M80.55 | 08 | I69A, I69B | M81.44 | 08 | I69A, I69B | | 22 | Y02A, Y02B |
| M80.56 | 08 | I69A, I69B | M81.45 | 08 | I69A, I69B | M83.12 | 08 | I69A |
| M80.57 | 08 | I69A, I69B | M81.46 | 08 | I69A, I69B | | 22 | Y02A, Y02B |
| M80.58 | 08 | I69A, I69B | M81.47 | 08 | I69A, I69B | M83.13 | 08 | I69A |
| M80.59 | 08 | I69A, I69B | M81.48 | 08 | I69A, I69B | | 22 | Y02A, Y02B |
| M80.80 | 08 | I69A, I69B | M81.49 | 08 | I69A, I69B | M83.14 | 08 | I69A |
| M80.81 | 08 | I69A, I69B | M81.50 | 08 | I69A, I69B | | 22 | Y02A, Y02B |
| M80.82 | 08 | I69A, I69B | M81.51 | 08 | I69A, I69B | M83.15 | 08 | I69A |
| M80.83 | 08 | I69A, I69B | M81.52 | 08 | I69A, I69B | | 22 | Y02A, Y02B |
| M80.84 | 08 | I69A, I69B | M81.53 | 08 | I69A, I69B | M83.16 | 08 | I69A |
| M80.85 | 08 | I69A, I69B | M81.54 | 08 | I69A, I69B | | 22 | Y02A, Y02B |
| M80.86 | 08 | I69A, I69B | M81.55 | 08 | I69A, I69B | M83.17 | 08 | I69A |
| M80.87 | 08 | I69A, I69B | M81.56 | 08 | I69A, I69B | | 22 | Y02A, Y02B |
| M80.88 | 08 | I69A, I69B | M81.57 | 08 | I69A, I69B | M83.18 | 08 | I69A |
| M80.89 | 08 | I69A, I69B | M81.58 | 08 | I69A, I69B | | 22 | Y02A, Y02B |
| M80.90 | 08 | I69A, I69B | M81.59 | 08 | I69A, I69B | M83.19 | 08 | I69A |
| M80.91 | 08 | I69A, I69B | M81.60 | 08 | I69A, I69B | | 22 | Y02A, Y02B |
| M80.92 | 08 | I69A, I69B | M81.61 | 08 | I69A, I69B | M83.20 | 08 | I69A |
| M80.93 | 08 | I69A, I69B | M81.62 | 08 | I69A, I69B | | 22 | Y02A, Y02B |
| M80.94 | 08 | I69A, I69B | M81.63 | 08 | I69A, I69B | M83.21 | 08 | I69A |
| M80.95 | 08 | I69A, I69B | M81.64 | 08 | I69A, I69B | | 22 | Y02A, Y02B |
| M80.96 | 08 | I69A, I69B | M81.65 | 08 | I69A, I69B | M83.22 | 08 | I69A |
| M80.97 | 08 | I69A, I69B | M81.66 | 08 | I69A, I69B | | 22 | Y02A, Y02B |
| M80.98 | 08 | I69A, I69B | M81.67 | 08 | I69A, I69B | M83.23 | 08 | I69A |
| M80.99 | 08 | I69A, I69B | M81.68 | 08 | I69A, I69B | | 22 | Y02A, Y02B |
| M81.00 | 08 | I69A, I69B | M81.69 | 08 | I69A, I69B | M83.24 | 08 | I69A |
| M81.01 | 08 | I69A, I69B | M81.80 | 08 | I69A, I69B | | 22 | Y02A, Y02B |
| M81.02 | 08 | I69A, I69B | M81.81 | 08 | I69A, I69B | M83.25 | 08 | I69A |
| M81.03 | 08 | I69A, I69B | M81.82 | 08 | I69A, I69B | | 22 | Y02A, Y02B |
| M81.04 | 08 | I69A, I69B | M81.83 | 08 | I69A, I69B | M83.26 | 08 | I69A |
| M81.05 | 08 | I69A, I69B | M81.84 | 08 | I69A, I69B | | 22 | Y02A, Y02B |
| M81.06 | 08 | I69A, I69B | M81.85 | 08 | I69A, I69B | M83.27 | 08 | I69A |
| M81.07 | 08 | I69A, I69B | M81.86 | 08 | I69A, I69B | | 22 | Y02A, Y02B |
| M81.08 | 08 | I69A, I69B | M81.87 | 08 | I69A, I69B | M83.28 | 08 | I69A |
| M81.09 | 08 | I69A, I69B | M81.88 | 08 | I69A, I69B | | 22 | Y02A, Y02B |
| M81.10 | 08 | I69A, I69B | M81.89 | 08 | I69A, I69B | M83.29 | 08 | I69A |
| M81.11 | 08 | I69A, I69B | M81.90 | 08 | I69A, I69B | | 22 | Y02A, Y02B |
| M81.12 | 08 | I69A, I69B | M81.91 | 08 | I69A, I69B | M83.30 | 08 | I69A |
| M81.13 | 08 | I69A, I69B | M81.92 | 08 | I69A, I69B | | 22 | Y02A, Y02B |
| M81.14 | 08 | I69A, I69B | M81.93 | 08 | I69A, I69B | M83.31 | 08 | I69A |
| M81.15 | 08 | I69A, I69B | M81.94 | 08 | I69A, I69B | | 22 | Y02A, Y02B |
| M81.16 | 08 | I69A, I69B | M81.95 | 08 | I69A, I69B | M83.32 | 08 | I69A |
| M81.17 | 08 | I69A, I69B | M81.96 | 08 | I69A, I69B | | 22 | Y02A, Y02B |
| M81.18 | 08 | I69A, I69B | M81.97 | 08 | I69A, I69B | | | |

| ICD | MDC | DRG | ICD | MDC | DRG | ICD | MDC | DRG |
|--------|-----|------------|--------|-----|------------------------------------|--------|-----|------------------|
| M83.33 | 08 | I69A | M83.82 | 08 | I69A | M84.31 | 08 | I65A, I65B, I65C |
| | 22 | Y02A, Y02B | | 22 | Y02A, Y02B | | 15 | TPN, VTPN |
| M83.34 | 08 | I69A | M83.83 | 08 | I69A | M84.32 | 08 | I65A, I65B, I65C |
| | 22 | Y02A, Y02B | | 22 | Y02A, Y02B | | 15 | TPN, VTPN |
| M83.35 | 08 | I69A | M83.84 | 08 | I69A | M84.33 | 08 | I65A, I65B, I65C |
| | 22 | Y02A, Y02B | | 22 | Y02A, Y02B | | 15 | TPN, VTPN |
| M83.36 | 08 | I69A | M83.85 | 08 | I69A | M84.34 | 08 | I65A, I65B, I65C |
| | 22 | Y02A, Y02B | | 22 | Y02A, Y02B | | 15 | TPN, VTPN |
| M83.37 | 08 | I69A | M83.86 | 08 | I69A | M84.35 | 08 | I65A, I65B, I65C |
| | 22 | Y02A, Y02B | | 22 | Y02A, Y02B | | 15 | TPN, VTPN |
| M83.38 | 08 | I69A | M83.87 | 08 | I69A | M84.36 | 08 | I65A, I65B, I65C |
| | 22 | Y02A, Y02B | | 22 | Y02A, Y02B | | 15 | TPN, VTPN |
| M83.39 | 08 | I69A | M83.88 | 08 | I69A | M84.37 | 08 | I65A, I65B, I65C |
| | 22 | Y02A, Y02B | | 22 | Y02A, Y02B | | 15 | TPN, VTPN |
| M83.40 | 08 | I69A | M83.89 | 08 | I69A | M84.38 | 08 | I65A, I65B, I65C |
| | 22 | Y02A, Y02B | | 22 | Y02A, Y02B | | 15 | TPN, VTPN |
| M83.41 | 08 | I69A | M83.90 | 08 | I69A | M84.39 | 08 | I65A, I65B, I65C |
| | 22 | Y02A, Y02B | | 22 | Y02A, Y02B | | 15 | TPN, VTPN |
| M83.42 | 08 | I69A | M83.91 | 08 | I69A | M84.40 | 08 | I65A, I65B, I65C |
| | 22 | Y02A, Y02B | | 22 | Y02A, Y02B | | 15 | TPN, VTPN |
| M83.43 | 08 | I69A | M83.92 | 08 | I69A | M84.41 | Pre | A09D, A11D, A13D |
| | 22 | Y02A, Y02B | | 22 | Y02A, Y02B | | 08 | I65A, I65B, I65C |
| M83.44 | 08 | I69A | M83.93 | 08 | I69A | | 15 | TPN, VTPN |
| | 22 | Y02A, Y02B | | 22 | Y02A, Y02B | | Pre | A09D, A11D, A13D |
| M83.45 | 08 | I69A | M83.94 | 08 | I69A | M84.42 | 08 | I65A, I65B, I65C |
| | 22 | Y02A, Y02B | | 22 | Y02A, Y02B | | 15 | TPN, VTPN |
| M83.46 | 08 | I69A | M83.95 | 08 | I69A | | Pre | A09D, A11D, A13D |
| | 22 | Y02A, Y02B | | 22 | Y02A, Y02B | M84.43 | 08 | I65A, I65B, I65C |
| M83.47 | 08 | I69A | M83.96 | 08 | I69A | | 15 | TPN, VTPN |
| | 22 | Y02A, Y02B | | 22 | Y02A, Y02B | | Pre | A09D, A11D, A13D |
| M83.48 | 08 | I69A | M83.97 | 08 | I69A | M84.44 | 08 | I65A, I65B, I65C |
| | 22 | Y02A, Y02B | | 22 | Y02A, Y02B | | 15 | TPN, VTPN |
| M83.49 | 08 | I69A | M83.98 | 08 | I69A | | Pre | A09D, A11D, A13D |
| | 22 | Y02A, Y02B | | 22 | Y02A, Y02B | M84.45 | 08 | I65A, I65B, I65C |
| M83.50 | 08 | I69A | M83.99 | 08 | I69A | | 15 | TPN, VTPN |
| | 18A | S65A, S65B | | 22 | Y02A, Y02B | | Pre | A09D, A11D, A13D |
| | 22 | Y02A, Y02B | M84.00 | 08 | I76A, I76B | M84.46 | 08 | I65A, I65B, I65C |
| M83.51 | 08 | I69A | M84.01 | 08 | I76A, I76B | | 15 | TPN, VTPN |
| | 18A | S65A, S65B | M84.02 | 08 | I76A, I76B | | Pre | A09D, A11D, A13D |
| | 22 | Y02A, Y02B | M84.03 | 08 | I76A, I76B | M84.47 | 08 | I65A, I65B, I65C |
| M83.52 | 08 | I69A | M84.04 | 08 | I76A, I76B | | 15 | TPN, VTPN |
| | 18A | S65A, S65B | M84.05 | 08 | I76A, I76B | | Pre | A09D, A11D, A13D |
| | 22 | Y02A, Y02B | M84.06 | 08 | I76A, I76B | M84.48 | 08 | I65A, I65B, I65C |
| M83.53 | 08 | I69A | M84.07 | 08 | I76A, I76B | | 15 | TPN, VTPN |
| | 18A | S65A, S65B | M84.08 | 08 | I76A, I76B | | Pre | A09D, A11D, A13D |
| | 22 | Y02A, Y02B | M84.09 | 08 | I76A, I76B | M84.49 | 08 | I65A, I65B, I65C |
| M83.54 | 08 | I69A | M84.10 | 08 | I13D, I76A, I76B | | 15 | TPN, VTPN |
| | 18A | S65A, S65B | M84.11 | 08 | I13D, I76A, I76B | | Pre | A09D, A11D, A13D |
| | 22 | Y02A, Y02B | M84.12 | 08 | I13D, I76A, I76B | M84.80 | 08 | I76A, I76B |
| M83.55 | 08 | I69A | M84.13 | 08 | I13D, I76A, I76B | M84.81 | 08 | I76A, I76B |
| | 18A | S65A, S65B | M84.14 | 08 | I13D, I32B, I32C, I32D, I76A, I76B | M84.82 | 08 | I76A, I76B |
| | 22 | Y02A, Y02B | | | | M84.83 | 08 | I76A, I76B |
| M83.56 | 08 | I69A | M84.15 | 08 | I13D, I76A, I76B | M84.84 | 08 | I76A, I76B |
| | 18A | S65A, S65B | M84.16 | 08 | I13D, I76A, I76B | M84.85 | 08 | I76A, I76B |
| | 22 | Y02A, Y02B | M84.17 | 08 | I13D, I76A, I76B | M84.86 | 08 | I76A, I76B |
| M83.57 | 08 | I69A | M84.18 | 08 | I13D, I76A, I76B | M84.87 | 08 | I76A, I76B |
| | 18A | S65A, S65B | M84.19 | 08 | I13D, I76A, I76B | M84.88 | 08 | I76A, I76B |
| | 22 | Y02A, Y02B | M84.20 | 08 | I76A, I76B | M84.89 | 08 | I76A, I76B |
| M83.58 | 08 | I69A | M84.21 | 08 | I76A, I76B | M84.90 | 08 | I76A, I76B |
| | 18A | S65A, S65B | M84.22 | 08 | I76A, I76B | M84.91 | 08 | I76A, I76B |
| | 22 | Y02A, Y02B | M84.23 | 08 | I76A, I76B | M84.92 | 08 | I76A, I76B |
| M83.59 | 08 | I69A | M84.24 | 08 | I76A, I76B | M84.93 | 08 | I76A, I76B |
| | 18A | S65A, S65B | M84.25 | 08 | I76A, I76B | M84.94 | 08 | I76A, I76B |
| | 22 | Y02A, Y02B | M84.26 | 08 | I76A, I76B | M84.95 | 08 | I76A, I76B |
| M83.80 | 08 | I69A | M84.27 | 08 | I76A, I76B | M84.96 | 08 | I76A, I76B |
| | 22 | Y02A, Y02B | M84.28 | 08 | I76A, I76B | M84.97 | 08 | I76A, I76B |
| M83.81 | 08 | I69A | M84.29 | 08 | I76A, I76B | M84.98 | 08 | I76A, I76B |
| | 22 | Y02A, Y02B | M84.30 | 08 | I65A, I65B, I65C | M84.99 | 08 | I76A, I76B |
| | | | | 15 | TPN, VTPN | M85.00 | 08 | I69A, I69B |

| ICD | MDC | DRG | ICD | MDC | DRG | ICD | MDC | DRG |
|--------|-----|------------|--------|-----|--|--------|--|------|
| M85.01 | 08 | I69A, I69B | M85.89 | 08 | I76A, I76B | M86.11 | 05 | F61A |
| M85.02 | 08 | I69A, I69B | M85.90 | 08 | I76A, I76B | 08 | 08A, I08B, I08C, I08D, I08E, I12A, I12B, I12C, I12J, I13A, I13B, I64A, I64B, I64C | |
| M85.03 | 08 | I69A, I69B | M85.91 | 08 | I76A, I76B | 15 | TPN, VTPN | |
| M85.04 | 08 | I69A, I69B | M85.92 | 08 | I76A, I76B | M86.12 | 05 | F61A |
| M85.05 | 08 | I69A, I69B | M85.93 | 08 | I76A, I76B | 08 | 08A, I08B, I08C, I08D, I08E, I12A, I12B, I12C, I12J, I13A, I13B, I64A, I64B, I64C | |
| M85.06 | 08 | I69A, I69B | M85.94 | 08 | I76A, I76B | 15 | TPN, VTPN | |
| M85.07 | 08 | I69A, I69B | M85.95 | 08 | I76A, I76B | M86.13 | 05 | F61A |
| M85.08 | 08 | I69A, I69B | M85.96 | 08 | I76A, I76B | 08 | 08A, I08B, I08C, I08D, I08E, I12A, I12B, I12C, I12J, I13A, I13B, I64A, I64B, I64C | |
| M85.09 | 08 | I69A, I69B | M85.97 | 08 | I76A, I76B | 15 | TPN, VTPN | |
| M85.10 | 08 | I76A, I76B | M85.98 | 08 | I76A, I76B | M86.14 | 05 | F61A |
| M85.11 | 08 | I76A, I76B | M85.99 | 08 | I76A, I76B | 08 | 08A, I08B, I08C, I08D, I08E, I12A, I12B, I12C, I12J, I13A, I13B, I64A, I64B, I64C | |
| M85.12 | 08 | I76A, I76B | M86.00 | 05 | F61A | 15 | TPN, VTPN | |
| M85.13 | 08 | I76A, I76B | | 08 | I08A, I08B, I08C, I08D, I08E, I12A, I12B, I12C, I12J, I13A, I13B, I64A, I64B, I64C | M86.15 | 05 | F61A |
| M85.14 | 08 | I76A, I76B | | 15 | TPN, VTPN | 08 | I01Z, I03A, I03B, I04Z, I08A, I08B, I08C, I08D, I08E, I12A, I12B, I12C, I12J, I13A, I13B, I64A, I64B, I64C | |
| M85.15 | 08 | I76A, I76B | M86.01 | 05 | F61A | 15 | TPN, VTPN | |
| M85.16 | 08 | I76A, I76B | | 08 | I08A, I08B, I08C, I08D, I08E, I12A, I12B, I12C, I12J, I13A, I13B, I64A, I64B, I64C | M86.16 | 05 | F61A |
| M85.17 | 08 | I76A, I76B | | 15 | TPN, VTPN | 08 | I01Z, I04Z, I08A, I08B, I08C, I08D, I08E, I12A, I12B, I12C, I12J, I13A, I13B, I64A, I64B, I64C | |
| M85.18 | 08 | I76A, I76B | M86.02 | 05 | F61A | 15 | TPN, VTPN | |
| M85.19 | 08 | I76A, I76B | | 08 | I08A, I08B, I08C, I08D, I08E, I12A, I12B, I12C, I12J, I13A, I13B, I64A, I64B, I64C | M86.17 | 05 | F61A |
| M85.2 | 08 | I76A, I76B | | 15 | TPN, VTPN | 08 | I08A, I08B, I08C, I08D, I08E, I13A, I13B, I64A, I64B, I64C | |
| M85.30 | 08 | I69A, I69B | M86.03 | 05 | F61A | 15 | TPN, VTPN | |
| M85.31 | 08 | I69A, I69B | | 08 | I08A, I08B, I08C, I08D, I08E, I12A, I12B, I12C, I12J, I13A, I13B, I64A, I64B, I64C | M86.18 | 05 | F61A |
| M85.32 | 08 | I69A, I69B | | 15 | TPN, VTPN | 08 | I08A, I08B, I08C, I08D, I08E, I13A, I13B, I64A, I64B, I64C | |
| M85.33 | 08 | I69A, I69B | M86.04 | 05 | F61A | 15 | TPN, VTPN | |
| M85.34 | 08 | I69A, I69B | | 08 | I08A, I08B, I08C, I08D, I08E, I12A, I12B, I12C, I12J, I13A, I13B, I64A, I64B, I64C | M86.19 | 05 | F61A |
| M85.35 | 08 | I69A, I69B | | 15 | TPN, VTPN | 08 | I08A, I08B, I08C, I08D, I08E, I12A, I12B, I12C, I12J, I13A, I13B, I64A, I64B, I64C | |
| M85.36 | 08 | I69A, I69B | M86.05 | 05 | F61A | 15 | TPN, VTPN | |
| M85.37 | 08 | I69A, I69B | | 08 | I01Z, I03A, I03B, I04Z, I08A, I08B, I08C, I08D, I08E, I12A, I12B, I12C, I12J, I13A, I13B, I64A, I64B, I64C | M86.20 | 05 | F61A |
| M85.38 | 08 | I69A, I69B | | 15 | TPN, VTPN | 08 | I08A, I08B, I08C, I08D, I08E, I12A, I12B, I12C, I12J, I13A, I13B, I64A, I64B, I64C | |
| M85.39 | 08 | I69A, I69B | M86.06 | 05 | F61A | 15 | TPN, VTPN | |
| M85.40 | 08 | I69A, I69B | | 08 | I01Z, I04Z, I08A, I08B, I08C, I08D, I08E, I12A, I12B, I12C, I12J, I13A, I13B, I64A, I64B, I64C | M86.21 | 05 | F61A |
| M85.41 | 08 | I69A, I69B | | 15 | TPN, VTPN | 08 | I08A, I08B, I08C, I08D, I08E, I12A, I12B, I12C, I12J, I13A, I13B, I64A, I64B, I64C | |
| M85.42 | 08 | I69A, I69B | M86.07 | 05 | F61A | 15 | TPN, VTPN | |
| M85.43 | 08 | I69A, I69B | | 08 | I08A, I08B, I08C, I08D, I08E, I13A, I13B, I64A, I64B, I64C | M86.22 | 05 | F61A |
| M85.44 | 08 | I69A, I69B | | 15 | TPN, VTPN | 08 | I08A, I08B, I08C, I08D, I08E, I12A, I12B, I12C, I12J, I13A, I13B, I64A, I64B, I64C | |
| M85.45 | 08 | I69A, I69B | M86.08 | 05 | F61A | 15 | TPN, VTPN | |
| M85.46 | 08 | I69A, I69B | | 08 | I08A, I08B, I08C, I08D, I08E, I12A, I12B, I12C, I12J, I13A, I13B, I64A, I64B, I64C | M86.23 | 05 | F61A |
| M85.47 | 08 | I69A, I69B | | 15 | TPN, VTPN | 08 | I08A, I08B, I08C, I08D, I08E, I12A, I12B, I12C, I12J, I13A, I13B, I64A, I64B, I64C | |
| M85.48 | 08 | I69A, I69B | M86.09 | 05 | F61A | 15 | TPN, VTPN | |
| M85.49 | 08 | I69A, I69B | | 08 | I08A, I08B, I08C, I08D, I08E, I13A, I13B, I64A, I64B, I64C | | | |
| M85.50 | 08 | I69A, I69B | | 15 | TPN, VTPN | | | |
| M85.51 | 08 | I69A, I69B | M86.10 | 05 | F61A | | | |
| M85.52 | 08 | I69A, I69B | | 08 | I08A, I08B, I08C, I08D, I08E, I12A, I12B, I12C, I12J, I13A, I13B, I64A, I64B, I64C | | | |
| M85.53 | 08 | I69A, I69B | | 15 | TPN, VTPN | | | |
| M85.54 | 08 | I69A, I69B | | 05 | F61A | | | |
| M85.55 | 08 | I69A, I69B | | 08 | I08A, I08B, I08C, I08D, I08E, I12A, I12B, I12C, I12J, I13A, I13B, I64A, I64B, I64C | | | |
| M85.56 | 08 | I69A, I69B | | 15 | TPN, VTPN | | | |
| M85.57 | 08 | I69A, I69B | | 05 | F61A | | | |
| M85.58 | 08 | I69A, I69B | | 08 | I08A, I08B, I08C, I08D, I08E, I13A, I13B, I64A, I64B, I64C | | | |
| M85.59 | 08 | I69A, I69B | | 15 | TPN, VTPN | | | |
| M85.60 | 08 | I69A, I69B | | 05 | F61A | | | |
| M85.61 | 08 | I69A, I69B | | 08 | I08A, I08B, I08C, I08D, I08E, I12A, I12B, I12C, I12J, I13A, I13B, I64A, I64B, I64C | | | |
| M85.62 | 08 | I69A, I69B | | 15 | TPN, VTPN | | | |
| M85.63 | 08 | I69A, I69B | | 05 | F61A | | | |
| M85.64 | 08 | I69A, I69B | | 08 | I08A, I08B, I08C, I08D, I08E, I12A, I12B, I12C, I12J, I13A, I13B, I64A, I64B, I64C | | | |
| M85.65 | 08 | I69A, I69B | | 15 | TPN, VTPN | | | |
| M85.66 | 08 | I69A, I69B | | 05 | F61A | | | |
| M85.67 | 08 | I69A, I69B | | 08 | I08A, I08B, I08C, I08D, I08E, I13A, I13B, I64A, I64B, I64C | | | |
| M85.68 | 08 | I69A, I69B | | 15 | TPN, VTPN | | | |
| M85.69 | 08 | I69A, I69B | | 05 | F61A | | | |
| M85.80 | 08 | I76A, I76B | | 08 | I08A, I08B, I08C, I08D, I08E, I12A, I12B, I12C, I12J, I13A, I13B, I64A, I64B, I64C | | | |
| M85.81 | 08 | I76A, I76B | | 15 | TPN, VTPN | | | |
| M85.82 | 08 | I76A, I76B | | 05 | F61A | | | |
| M85.83 | 08 | I76A, I76B | | 08 | I08A, I08B, I08C, I08D, I08E, I12A, I12B, I12C, I12J, I13A, I13B, I64A, I64B, I64C | | | |
| M85.84 | 08 | I76A, I76B | | 15 | TPN, VTPN | | | |
| M85.85 | 08 | I76A, I76B | | 05 | F61A | | | |
| M85.86 | 08 | I76A, I76B | | 08 | I08A, I08B, I08C, I08D, I08E, I12A, I12B, I12C, I12J, I13A, I13B, I64A, I64B, I64C | | | |
| M85.87 | 08 | I76A, I76B | | 15 | TPN, VTPN | | | |
| M85.88 | 08 | I76A, I76B | | 05 | F61A | | | |

| ICD | MDC | DRG | ICD | MDC | DRG | ICD | MDC | DRG |
|--------|-----|--|--------|-----|--|--------|-----|--|
| M87.29 | 08 | I08A, I08B, I08C, I08D, I08E, I13A, I13B, I64A, I64B, I64C | M87.90 | 08 | I08A, I08B, I08C, I08D, I08E, I13A, I13B, I64A, I64B, I64C | M89.05 | 01 | B03Z, B17A, B17B, B17C, B17D, B17J, B20D, B71A, B71B, B71C, B71D |
| | 15 | TPN, VTPN | | 15 | TPN, VTPN | | | |
| M87.30 | 08 | I08A, I08B, I08C, I08D, I08E, I13A, I13B, I64A, I64B, I64C | M87.91 | 08 | I08A, I08B, I08C, I08D, I08E, I13A, I13B, I64A, I64B, I64C | M89.06 | 01 | B03Z, B17A, B17B, B17C, B17D, B17J, B20D, B71A, B71B, B71C, B71D |
| | 15 | TPN, VTPN | | 15 | TPN, VTPN | | | |
| M87.31 | 08 | I08A, I08B, I08C, I08D, I08E, I13A, I13B, I64A, I64B, I64C | M87.92 | 08 | I08A, I08B, I08C, I08D, I08E, I13A, I13B, I64A, I64B, I64C | M89.07 | 01 | B03Z, B17A, B17B, B17C, B17D, B17J, B20D, B71A, B71B, B71C, B71D |
| | 15 | TPN, VTPN | | 15 | TPN, VTPN | | | |
| M87.32 | 08 | I08A, I08B, I08C, I08D, I08E, I13A, I13B, I64A, I64B, I64C | M87.93 | 08 | I08A, I08B, I08C, I08D, I08E, I13A, I13B, I64A, I64B, I64C | M89.08 | 01 | B03Z, B17A, B17B, B17C, B17D, B17J, B20D, B71A, B71B, B71C, B71D |
| | 15 | TPN, VTPN | | 15 | TPN, VTPN | | | |
| M87.33 | 08 | I08A, I08B, I08C, I08D, I08E, I13A, I13B, I64A, I64B, I64C | M87.94 | 08 | I08A, I08B, I08C, I08D, I08E, I13A, I13B, I32A, I32B, I32C, I32D, I32E, I32F, I32G, I32J, I32Q, I32R, I32S, I32T, I32U, I64A, I64B, I64C | M89.09 | 01 | B03Z, B17A, B17B, B17C, B17D, B17J, B20D, B71A, B71B, B71C, B71D |
| | 15 | TPN, VTPN | | 15 | TPN, VTPN | | | |
| M87.34 | 08 | I08A, I08B, I08C, I08D, I08E, I13A, I13B, I32A, I32B, I32C, I32D, I32E, I32F, I32G, I32J, I32Q, I32R, I32S, I32T, I32U, I64A, I64B, I64C | M87.95 | 08 | I08A, I08B, I08C, I08D, I08E, I13A, I13B, I64A, I64B, I64C | M89.10 | 08 | I76A, I76B |
| | 15 | TPN, VTPN | | 15 | TPN, VTPN | M89.11 | 08 | I76A, I76B |
| M87.35 | 08 | I08A, I08B, I08C, I08D, I08E, I13A, I13B, I64A, I64B, I64C | M87.96 | 08 | I08A, I08B, I08C, I08D, I08E, I13A, I13B, I64A, I64B, I64C | M89.12 | 08 | I76A, I76B |
| | 15 | TPN, VTPN | | 15 | TPN, VTPN | M89.13 | 08 | I76A, I76B |
| M87.36 | 08 | I08A, I08B, I08C, I08D, I08E, I13A, I13B, I64A, I64B, I64C | M87.97 | 08 | I08A, I08B, I08C, I08D, I08E, I13A, I13B, I64A, I64B, I64C | M89.14 | 08 | I76A, I76B |
| | 15 | TPN, VTPN | | 15 | TPN, VTPN | M89.15 | 08 | I76A, I76B |
| M87.37 | 08 | I08A, I08B, I08C, I08D, I08E, I13A, I13B, I64A, I64B, I64C | M87.98 | 08 | I08A, I08B, I08C, I08D, I08E, I13A, I13B, I64A, I64B, I64C | M89.16 | 08 | I76A, I76B |
| | 15 | TPN, VTPN | | 15 | TPN, VTPN | M89.17 | 08 | I76A, I76B |
| M87.38 | 08 | I08A, I08B, I08C, I08D, I08E, I13A, I13B, I64A, I64B, I64C | M87.99 | 08 | I08A, I08B, I08C, I08D, I08E, I13A, I13B, I64A, I64B, I64C | M89.18 | 08 | I76A, I76B |
| | 15 | TPN, VTPN | | 15 | TPN, VTPN | M89.19 | 08 | I76A, I76B |
| M87.39 | 08 | I08A, I08B, I08C, I08D, I08E, I13A, I13B, I64A, I64B, I64C | M88.0 | 08 | I69A, I69B | M89.20 | 08 | I76A, I76B |
| | 15 | TPN, VTPN | M88.80 | 08 | I69A, I69B | M89.21 | 08 | I76A, I76B |
| M87.80 | 08 | I08A, I08B, I08C, I08D, I08E, I13A, I13B, I64A, I64B, I64C | M88.81 | 08 | I69A, I69B | M89.22 | 08 | I76A, I76B |
| | 15 | TPN, VTPN | M88.82 | 08 | I69A, I69B | M89.23 | 08 | I76A, I76B |
| M87.81 | 08 | I08A, I08B, I08C, I08D, I08E, I13A, I13B, I64A, I64B, I64C | M88.83 | 08 | I69A, I69B | M89.24 | 08 | I76A, I76B |
| | 15 | TPN, VTPN | M88.84 | 08 | I69A, I69B | M89.25 | 08 | I76A, I76B |
| M87.82 | 08 | I08A, I08B, I08C, I08D, I08E, I13A, I13B, I64A, I64B, I64C | M88.85 | 08 | I69A, I69B | M89.26 | 08 | I76A, I76B |
| | 15 | TPN, VTPN | M88.86 | 08 | I69A, I69B | M89.27 | 08 | I76A, I76B |
| M87.83 | 08 | I08A, I08B, I08C, I08D, I08E, I13A, I13B, I64A, I64B, I64C | M88.87 | 08 | I69A, I69B | M89.28 | 08 | I76A, I76B |
| | 15 | TPN, VTPN | M88.88 | 08 | I69A, I69B | M89.29 | 08 | I76A, I76B |
| M87.84 | 08 | I08A, I08B, I08C, I08D, I08E, I13A, I13B, I32A, I32B, I32C, I32D, I32E, I32F, I32G, I32J, I32Q, I32R, I32S, I32T, I32U, I64A, I64B, I64C | M88.89 | 08 | I69A, I69B | M89.30 | 08 | I76A, I76B |
| | 15 | TPN, VTPN | M88.90 | 08 | I69A, I69B | M89.31 | 08 | I76A, I76B |
| M87.85 | 08 | I08A, I08B, I08C, I08D, I08E, I13A, I13B, I64A, I64B, I64C | M88.91 | 08 | I69A, I69B | M89.32 | 08 | I76A, I76B |
| | 15 | TPN, VTPN | M88.92 | 08 | I69A, I69B | M89.33 | 08 | I76A, I76B |
| M87.86 | 08 | I08A, I08B, I08C, I08D, I08E, I13A, I13B, I64A, I64B, I64C | M88.93 | 08 | I69A, I69B | M89.34 | 08 | I76A, I76B |
| | 15 | TPN, VTPN | M88.94 | 08 | I69A, I69B | M89.35 | 08 | I76A, I76B |
| M87.87 | 08 | I08A, I08B, I08C, I08D, I08E, I13A, I13B, I64A, I64B, I64C | M88.95 | 08 | I69A, I69B | M89.36 | 08 | I76A, I76B |
| | 15 | TPN, VTPN | M88.96 | 08 | I69A, I69B | M89.37 | 08 | I76A, I76B |
| M87.88 | 08 | I08A, I08B, I08C, I08D, I08E, I13A, I13B, I64A, I64B, I64C | M88.97 | 08 | I69A, I69B | M89.38 | 08 | I76A, I76B |
| | 15 | TPN, VTPN | M88.98 | 08 | I69A, I69B | M89.39 | 08 | I76A, I76B |
| M87.89 | 08 | I08A, I08B, I08C, I08D, I08E, I13A, I13B, I64A, I64B, I64C | M88.99 | 08 | I69A, I69B | M89.40 | 08 | I69A, I69B |
| | 15 | TPN, VTPN | M89.00 | 01 | B03Z, B17A, B17B, B17C, B17D, B17J, B20D, B71A, B71B, B71C, B71D | M89.41 | 08 | I69A, I69B |
| | | | | | | M89.42 | 08 | I69A, I69B |
| | | | | | | M89.43 | 08 | I69A, I69B |
| | | | | | | M89.44 | 08 | I69A, I69B |
| | | | | | | M89.45 | 08 | I69A, I69B |
| | | | | | | M89.46 | 08 | I69A, I69B |
| | | | | | | M89.47 | 08 | I69A, I69B |
| | | | | | | M89.48 | 08 | I69A, I69B |
| | | | | | | M89.49 | 08 | I69A, I69B |
| | | | | | | M89.50 | 08 | I76A |
| | | | | | | | 17 | R61F, R61G, R62A, R62B |
| | | | | | | M89.51 | 08 | I76A, I76B |
| | | | | | | | 17 | R61F, R61G, R62A, R62B |
| | | | | | | M89.52 | 08 | I76A, I76B |
| | | | | | | | 17 | R61F, R61G, R62A, R62B |
| | | | | | | M89.53 | 08 | I76A, I76B |
| | | | | | | | 17 | R61F, R61G, R62A, R62B |
| | | | | | | M89.54 | 08 | I76A, I76B |
| | | | | | | | 17 | R61F, R61G, R62A, R62B |
| | | | | | | M89.55 | 08 | I04Z, I76A, I76B |
| | | | | | | | 17 | R61F, R61G, R62A, R62B |
| | | | | | | M89.56 | 08 | I04Z, I76A, I76B |
| | | | | | | | 17 | R61F, R61G, R62A, R62B |

| ICD | MDC | DRG | ICD | MDC | DRG | ICD | MDC | DRG |
|--------|-----|--|--------|-----|--|--------|-----|--|
| M89.57 | 08 | I76A, I76B | M90.21 | 15 | TPN, VTPN | M94.35 | 08 | I76A, I76B |
| | 17 | R61F, R61G, R62A, R62B | M90.22 | 15 | TPN, VTPN | M94.36 | 08 | I76A, I76B |
| M89.58 | 08 | I76A | M90.23 | 15 | TPN, VTPN | M94.37 | 08 | I76A, I76B |
| | 17 | R61F, R61G, R62A, R62B | M90.24 | 15 | TPN, VTPN | M94.38 | 08 | I76A, I76B |
| M89.59 | 08 | I76A, I76B | M90.25 | 15 | TPN, VTPN | M94.39 | 08 | I76A, I76B |
| | 17 | R61F, R61G, R62A, R62B | M90.26 | 15 | TPN, VTPN | M94.80 | 08 | I76A, I76B |
| M89.60 | 08 | I08A, I08B, I08C, I08D, I08E, I13A, I13B, I76A, I76B | M90.27 | 15 | TPN, VTPN | M94.81 | 08 | I76A, I76B |
| | | | M90.28 | 15 | TPN, VTPN | M94.82 | 08 | I76A, I76B |
| M89.61 | 08 | I08A, I08B, I08C, I08D, I08E, I13A, I13B, I76A, I76B | M90.29 | 15 | TPN, VTPN | M94.83 | 08 | I76A, I76B |
| | | | M90.70 | 15 | TPN, VTPN | M94.84 | 08 | I76A, I76B |
| M89.62 | 08 | I08A, I08B, I08C, I08D, I08E, I13A, I13B, I76A, I76B | | 17 | R61F, R61G, R62A, R62B | M94.85 | 08 | I76A, I76B |
| | | | M90.71 | 15 | TPN, VTPN | M94.86 | 08 | I76A, I76B |
| M89.63 | 08 | I08A, I08B, I08C, I08D, I08E, I13A, I13B, I76A, I76B | | 17 | R61F, R61G, R62A, R62B | M94.87 | 08 | I76A, I76B |
| | | | M90.72 | 15 | TPN, VTPN | M94.88 | 08 | I76A, I76B |
| M89.64 | 08 | I08A, I08B, I08C, I08D, I08E, I13A, I13B, I32A, I32B, I32C, I32D, I32E, I32F, I32G, I32J, I32Q, I32R, I32S, I32T, I32U, I76A, I76B | | 17 | R61F, R61G, R62A, R62B | M94.89 | 08 | I76A, I76B |
| | | | M90.73 | 15 | TPN, VTPN | M94.90 | 08 | I76A, I76B |
| M89.65 | 08 | I08A, I08B, I08C, I08D, I08E, I13A, I13B, I76A, I76B | | 17 | R61F, R61G, R62A, R62B | M94.91 | 08 | I76A, I76B |
| | | | M90.74 | 15 | TPN, VTPN | M94.92 | 08 | I76A, I76B |
| M89.66 | 08 | I08A, I08B, I08C, I08D, I08E, I13A, I13B, I76A, I76B | | 17 | R61F, R61G, R62A, R62B | M94.93 | 08 | I76A, I76B |
| | | | M90.75 | 15 | TPN, VTPN | M94.94 | 08 | I76A, I76B |
| M89.67 | 08 | I08A, I08B, I08C, I08D, I08E, I13A, I13B, I76A, I76B | | 17 | R61F, R61G, R62A, R62B | M94.95 | 08 | I76A, I76B |
| | | | M90.76 | 15 | TPN, VTPN | M94.96 | 08 | I76A, I76B |
| M89.68 | 08 | I08A, I08B, I08C, I08D, I08E, I13A, I13B, I76A, I76B | | 17 | R61F, R61G, R62A, R62B | M94.97 | 08 | I76A, I76B |
| | | | M90.77 | 15 | TPN, VTPN | M94.98 | 08 | I76A, I76B |
| M89.69 | 08 | I08A, I08B, I08C, I08D, I08E, I13A, I13B, I76A, I76B | | 17 | R61F, R61G, R62A, R62B | M94.99 | 08 | I76A, I76B |
| | | | M90.78 | 15 | TPN, VTPN | M95.0 | 03 | D65Z |
| M89.80 | 08 | I76A, I76B | | 17 | R61F, R61G, R62A, R62B | M95.1 | 03 | D66Z |
| M89.81 | 08 | I76A, I76B | M91.0 | 08 | I69A, I69B | M95.2 | 08 | I76A, I76B |
| M89.82 | 08 | I76A, I76B | M91.1 | 08 | I69A, I69B | M95.3 | 08 | I76A, I76B |
| M89.83 | 08 | I76A, I76B | M91.2 | 08 | I69A, I69B | M95.4 | 08 | I76A, I76B |
| M89.84 | 08 | I76A, I76B | M91.3 | 08 | I69A, I69B | M95.5 | 08 | I76A, I76B |
| M89.85 | 08 | I76A, I76B | M91.8 | 08 | I69A, I69B | M95.8 | 08 | I76A, I76B |
| M89.86 | 08 | I76A, I76B | M91.9 | 08 | I69A, I69B | M95.9 | 08 | I76A, I76B |
| M89.87 | 08 | I76A, I76B | M92.0 | 08 | I69A, I69B | M96.0 | 08 | I76A, I76B |
| M89.88 | 08 | I76A, I76B | M92.1 | 08 | I69A, I69B | M96.1 | 08 | I68A, I68B, I68C, I68D, I68E |
| M89.89 | 08 | I76A, I76B | M92.2 | 08 | I69A, I69B | M96.2 | 08 | I06A, I06B, I06C, I06D, I06E, I09A, I09B, I09C, I09D, I09E, I68A, I68B, I68C, I68D, I68E |
| M89.90 | 08 | I76A, I76B | M92.3 | 08 | I69A, I69B | M96.3 | 08 | I06A, I06B, I06C, I06D, I06E, I09A, I09B, I09C, I09D, I09E, I68A, I68B, I68C, I68D, I68E |
| M89.91 | 08 | I76A, I76B | M92.4 | 08 | I69A, I69B | | | |
| M89.92 | 08 | I76A, I76B | M92.5 | 08 | I69A, I69B | M96.4 | 08 | I06A, I06B, I06C, I06D, I06E, I09A, I09B, I09C, I09D, I09E, I68A, I68B, I68C, I68D, I68E |
| M89.93 | 08 | I76A, I76B | M92.6 | 08 | I69A, I69B | | | |
| M89.94 | 08 | I76A, I76B | M92.7 | 08 | I69A, I69B | M96.5 | 08 | I06A, I06B, I06C, I06D, I06E, I09A, I09B, I09C, I09D, I09E, I68A, I68B, I68C, I68D, I68E |
| M89.95 | 08 | I76A, I76B | M92.8 | 08 | I69A, I69B | | | |
| M89.96 | 08 | I76A, I76B | M92.9 | 08 | I69A, I69B | M96.6 | 08 | I01Z, I03A, I03B, I04Z, I08A, I08B, I08C, I08D, I08E, I13A, I13B, I73Z |
| M89.97 | 08 | I76A, I76B | M93.0 | 08 | I69A, I69B | | | |
| M89.98 | 08 | I76A, I76B | M93.1 | 08 | I69A, I69B | | | |
| M89.99 | 08 | I76A, I76B | M93.2 | 08 | I69A, I69B | | | |
| M90.00 | 15 | TPN, VTPN | M93.8 | 08 | I69A, I69B | | | |
| M90.01 | 15 | TPN, VTPN | M93.9 | 08 | I69A, I69B | | | |
| M90.02 | 15 | TPN, VTPN | M94.0 | 04 | E65A, E65B, E69A, E69B, E69C, E69D, E75A, E75B, E75C | M96.80 | 08 | I01Z, I03A, I03B, I04Z, I08A, I08B, I08C, I08D, I08E, I13A, I13B, I73Z |
| M90.03 | 15 | TPN, VTPN | | | | | | |
| M90.04 | 15 | TPN, VTPN | M94.1 | 08 | I76A | | | |
| M90.05 | 15 | TPN, VTPN | M94.20 | 08 | I69A, I69B | M96.81 | 08 | I01Z, I03A, I03B, I04Z, I08A, I08B, I08C, I08D, I08E, I13A, I13B, I73Z |
| M90.06 | 15 | TPN, VTPN | M94.21 | 08 | I69A, I69B | | | |
| M90.07 | 15 | TPN, VTPN | M94.22 | 08 | I69A, I69B | | | |
| M90.08 | 15 | TPN, VTPN | M94.23 | 08 | I69A, I69B | | | |
| M90.09 | 15 | TPN, VTPN | M94.24 | 08 | I69A, I69B | M96.88 | 08 | I01Z, I03A, I03B, I04Z, I08A, I08B, I08C, I08D, I08E, I13A, I13B, I73Z |
| M90.10 | 15 | TPN, VTPN | M94.25 | 08 | I69A, I69B | | | |
| M90.11 | 15 | TPN, VTPN | M94.26 | 08 | I69A, I69B | | | |
| M90.12 | 15 | TPN, VTPN | M94.27 | 08 | I69A, I69B | | | |
| M90.13 | 15 | TPN, VTPN | M94.28 | 08 | I69A, I69B | | | |
| M90.14 | 15 | TPN, VTPN | M94.29 | 08 | I69A, I69B | M96.9 | 08 | I08A, I08B, I08C, I08D, I08E, I13A, I13B, I73Z |
| M90.15 | 15 | TPN, VTPN | M94.30 | 08 | I76A, I76B | | | |
| M90.16 | 15 | TPN, VTPN | M94.31 | 08 | I76A, I76B | | | |
| M90.17 | 15 | TPN, VTPN | M94.32 | 08 | I76A, I76B | | | |
| M90.18 | 15 | TPN, VTPN | M94.33 | 08 | I76A, I76B | | | |
| M90.19 | 15 | TPN, VTPN | M94.34 | 08 | I76A, I76B | | | |
| M90.20 | 15 | TPN, VTPN | | | | N00.0 | 11 | L68A, L68B, L74Z |
| | | | | | | | 18A | S65A, S65B |
| | | | | | | | Pre | A09D, A11D, A13D |

| ICD | MDC | DRG | ICD | MDC | DRG | ICD | MDC | DRG |
|-------|-----|------------------------------|-------|-----|------------------|-------|-----|---|
| N00.1 | 11 | L68A, L68B, L74Z | N03.6 | 11 | L68A, L68B, L74Z | N06.9 | 11 | L68A, L68B, L74Z |
| | 18A | S65A, S65B | | 15 | TPN, VTPN | N07.0 | 11 | L68A, L68B, L74Z |
| | Pre | A09D, A11D, A13D | | 18A | S65A, S65B | N07.1 | 11 | L68A, L68B, L74Z |
| N00.2 | 11 | L68A, L68B, L74Z | N03.7 | 11 | L68A, L68B, L74Z | N07.2 | 11 | L68A, L68B, L74Z |
| | 18A | S65A, S65B | | 18A | S65A, S65B | N07.3 | 11 | L68A, L68B, L74Z |
| | Pre | A09D, A11D, A13D | N03.8 | 11 | L68A, L68B, L74Z | N07.4 | 11 | L68A, L68B, L74Z |
| N00.3 | 11 | L68A, L68B, L74Z | | 18A | S65A, S65B | N07.5 | 11 | L68A, L68B, L74Z |
| | 18A | S65A, S65B | N03.9 | 11 | L68A, L68B, L74Z | N07.6 | 11 | L68A, L68B, L74Z |
| | Pre | A09D, A11D, A13D | | 18A | S65A, S65B | N07.7 | 11 | L68A, L68B, L74Z |
| N00.4 | 11 | L68A, L68B, L74Z | N04.0 | 11 | L69A, L69B | N07.8 | 11 | L68A, L68B, L74Z |
| | 18A | S65A, S65B | | 15 | TPN, VTPN | N07.9 | 11 | L68A, L68B, L74Z |
| | Pre | A09D, A11D, A13D | N04.1 | 11 | L69A, L69B | N08.0 | Pre | A60A |
| N00.5 | 11 | L68A, L68B, L74Z | | 15 | TPN, VTPN | N08.1 | Pre | A60A |
| | 18A | S65A, S65B | N04.2 | 11 | L69A, L69B | N08.2 | Pre | A60A |
| | Pre | A09D, A11D, A13D | | 15 | TPN, VTPN | N08.3 | 10 | K60B |
| N00.6 | 11 | L68A, L68B, L74Z | N04.3 | 11 | L69A, L69B | | 15 | TPN, VTPN |
| | 18A | S65A, S65B | | 15 | TPN, VTPN | | Pre | A60A |
| | Pre | A09D, A11D, A13D | N04.4 | 11 | L69A, L69B | N08.4 | Pre | A60A |
| N00.7 | 11 | L68A, L68B, L74Z | | 15 | TPN, VTPN | N08.5 | Pre | A60A |
| | 18A | S65A, S65B | N04.5 | 11 | L69A, L69B | N08.8 | Pre | A60A |
| | Pre | A09D, A11D, A13D | | 15 | TPN, VTPN | N10 | 11 | L63A, L63B, L63C, L63D, L63E, L63F, L74Z |
| N00.8 | 11 | L68A, L68B, L74Z | N04.6 | 11 | L69A, L69B | | 15 | TPN, VTPN |
| | 18A | S65A, S65B | | 15 | TPN, VTPN | | Pre | A09D, A11D, A13D, A60A |
| | Pre | A09D, A11D, A13D | N04.7 | 11 | L69A, L69B | N11.0 | 11 | L68A, L68B, L74Z |
| N00.9 | 11 | L68A, L68B, L74Z | | 15 | TPN, VTPN | N11.1 | 11 | L63A, L63B, L63C, L63D, L63E, L63F, L74Z |
| | 18A | S65A, S65B | N04.8 | 11 | L69A, L69B | | 11 | L63A, L63B, L63C, L63D, L63E, L63F, L74Z |
| | Pre | A09D, A11D, A13D | | 15 | TPN, VTPN | N11.8 | 11 | L63A, L63B, L63C, L63D, L63E, L63F, L74Z |
| N01.0 | 11 | L68A, L68B, L74Z | N04.9 | 11 | L69A, L69B | | 11 | L63A, L63B, L63C, L63D, L63E, L63F, L74Z |
| | 18A | S65A, S65B | | 15 | TPN, VTPN | N11.9 | 11 | L63A, L63B, L63C, L63D, L63E, L63F, L74Z |
| N01.1 | 11 | L68A, L68B, L74Z | N05.0 | 11 | L68A, L68B, L74Z | N12 | 11 | L63A, L63B, L63C, L63D, L63E, L63F, L74Z |
| | 18A | S65A, S65B | | 18A | S65A, S65B | | 15 | TPN, VTPN |
| N01.2 | 11 | L68A, L68B, L74Z | N05.1 | 11 | L68A, L68B, L74Z | N13.0 | 11 | L42A, L42B, L64A, L64B, L64J, L64Q, L64R, L74Z |
| | 18A | S65A, S65B | | 18A | S65A, S65B | | Pre | A60A |
| N01.3 | 11 | L68A, L68B, L74Z | N05.2 | 11 | L68A, L68B, L74Z | N13.1 | 11 | L42A, L42B, L64A, L64B, L64J, L64Q, L64R, L74Z |
| | 18A | S65A, S65B | | 18A | S65A, S65B | | Pre | A60A |
| N01.4 | 11 | L68A, L68B, L74Z | N05.3 | 11 | L68A, L68B, L74Z | N13.2 | 11 | L42A, L42B, L64A, L64B, L64J, L64Q, L64R, L74Z |
| | 18A | S65A, S65B | | 18A | S65A, S65B | | Pre | A60A |
| N01.5 | 11 | L68A, L68B, L74Z | N05.4 | 11 | L68A, L68B, L74Z | N13.3 | 11 | L42A, L42B, L64A, L64B, L64J, L64Q, L64R, L74Z |
| | 18A | S65A, S65B | | 18A | S65A, S65B | | Pre | A09D, A11D, A13D, A60A |
| N01.6 | 11 | L68A, L68B, L74Z | N05.5 | 11 | L68A, L68B, L74Z | N13.4 | 11 | L42A, L42B, L64A, L64B, L64J, L64Q, L64R, L74Z |
| | 18A | S65A, S65B | | 18A | S65A, S65B | | 11 | L42A, L42B, L64A, L64B, L64J, L64Q, L64R, L74Z |
| N01.7 | 11 | L68A, L68B, L74Z | N05.6 | 11 | L68A, L68B, L74Z | N13.5 | 11 | L42A, L42B, L64A, L64B, L64J, L64Q, L64R, L74Z |
| | 18A | S65A, S65B | | 18A | S65A, S65B | | 15 | TPN, VTPN |
| N01.8 | 11 | L68A, L68B, L74Z | N05.7 | 11 | L68A, L68B, L74Z | N13.6 | 11 | L63A, L63B, L63C, L63D, L63E, L63F, L74Z |
| | 18A | S65A, S65B | | 18A | S65A, S65B | | 11 | L64A, L64B, L64J, L64Q, L64R, L74Z |
| N01.9 | 11 | L68A, L68B, L74Z | N05.8 | 11 | L68A, L68B, L74Z | N13.7 | 11 | L63A, L63B, L63C, L63D, L63E, L63F, L74Z |
| | 18A | S65A, S65B | | 18A | S65A, S65B | | 15 | TPN, VTPN |
| N02.0 | 11 | L64A, L64J, L64Q, L64R, L74Z | N05.9 | 11 | L68A, L68B, L74Z | N13.8 | 11 | L64A, L64B, L64J, L64Q, L64R, L74Z |
| N02.1 | 11 | L64A, L64J, L64Q, L64R, L74Z | | 18A | S65A, S65B | | 11 | L68A, L68B, L74Z |
| N02.2 | 11 | L64A, L64J, L64Q, L64R, L74Z | N06.0 | 11 | L68A, L68B, L74Z | N14.0 | 11 | L68A, L68B, L74Z |
| N02.3 | 11 | L64A, L64J, L64Q, L64R, L74Z | | 11 | L68A, L68B, L74Z | | 18A | S65A, S65B |
| N02.4 | 11 | L64A, L64J, L64Q, L64R, L74Z | N06.1 | 11 | L68A, L68B, L74Z | N14.1 | 11 | L68A, L68B, L74Z |
| N02.5 | 11 | L64A, L64J, L64Q, L64R, L74Z | N06.2 | 11 | L68A, L68B, L74Z | | 18A | S65A, S65B |
| N02.6 | 11 | L64A, L64J, L64Q, L64R, L74Z | N06.3 | 11 | L68A, L68B, L74Z | N14.2 | 11 | L68A, L68B, L74Z |
| N02.7 | 11 | L64A, L64J, L64Q, L64R, L74Z | N06.4 | 11 | L68A, L68B, L74Z | | 18A | S65A, S65B |
| N02.8 | 11 | L64A, L64J, L64Q, L64R, L74Z | N06.5 | 11 | L68A, L68B, L74Z | N14.3 | 11 | L68A, L68B, L74Z |
| N02.9 | 11 | L64A, L64J, L64Q, L64R, L74Z | N06.6 | 11 | L68A, L68B, L74Z | | 18A | S65A, S65B |
| N03.0 | 11 | L68A, L68B, L74Z | N06.7 | 11 | L68A, L68B, L74Z | | | |
| | 18A | S65A, S65B | N06.8 | 11 | L68A, L68B, L74Z | | | |
| N03.1 | 11 | L68A, L68B, L74Z | | | | | | |
| | 18A | S65A, S65B | | | | | | |
| N03.2 | 11 | L68A, L68B, L74Z | | | | | | |
| | 18A | S65A, S65B | | | | | | |
| N03.3 | 11 | L68A, L68B, L74Z | | | | | | |
| | 18A | S65A, S65B | | | | | | |
| N03.4 | 11 | L68A, L68B, L74Z | | | | | | |
| | 18A | S65A, S65B | | | | | | |
| N03.5 | 11 | L68A, L68B, L74Z | | | | | | |
| | 18A | S65A, S65B | | | | | | |

| ICD | MDC | DRG | ICD | MDC | DRG | ICD | MDC | DRG |
|--------|-----|--|--------|-----|--|--------|-----|--|
| N14.4 | 11 | L68A, L68B, L74Z | N18.4 | | KJZSA1, KJZSA2 | N30.2 | 11 | L63A, L63B, L63C, L63D, L63E, L63F, L74Z |
| | 18A | S65A, S65B | | 11 | L02B, L09A, L38Z, L60A, L60B, L60C, L60D, L71Z | | Pre | A60A |
| N15.0 | 11 | L68A, L68B, L74Z | | 15 | TPN, VTPN | N30.3 | 11 | L63A, L63B, L63C, L63D, L63E, L63F, L74Z |
| | 18A | S65A, S65B | | Pre | A09D, A11D, A13D | | Pre | A60A |
| N15.10 | 11 | L63A, L63B, L63C, L63D, L63E, L63F, L74Z | N18.5 | | KJZSA1, KJZSA2 | N30.4 | 11 | L62A, L62B |
| | 15 | TPN, VTPN | | 10 | K60B | | Pre | A60A |
| N15.11 | 11 | L63A, L63B, L63C, L63D, L63E, L63F, L74Z | | 11 | L02B, L09A, L38Z, L60A, L60B, L60C, L60D, L71Z | N30.8 | 11 | L63A, L63B, L63C, L63D, L63E, L63F, L74Z |
| | 15 | TPN, VTPN | | Pre | A09D, A11D, A13D | | Pre | A60A |
| N15.8 | 11 | L68A, L68B, L74Z | N18.80 | 11 | L02B, L09A, L38Z, L60A, L60B, L60C, L60D, L71Z | N30.9 | 11 | L63A, L63B, L63C, L63D, L63E, L63F, L74Z |
| | 18A | S65A, S65B | | 15 | TPN, VTPN | | Pre | A60A |
| N15.9 | 11 | L68A, L68B, L74Z | N18.89 | 11 | L02B, L09A, L38Z, L60A, L60B, L60C, L60D, L71Z | N31.0 | 11 | L68A, L68B, L74Z |
| | 18A | S65A, S65B | | 15 | TPN, VTPN | N31.1 | 11 | L68A, L68B, L74Z |
| N17.0 | | KJZSA1, KJZSA2 | N18.9 | 11 | L02B, L09A, L38Z, L60A, L60B, L60C, L60D, L71Z | N31.2 | 11 | L68A, L68B, L74Z |
| | 05 | F62A | | 15 | TPN, VTPN | N31.80 | 11 | L68A, L68B, L74Z |
| | 06 | G67A | N19 | 11 | L60A, L60B, L60C, L60D, L71Z | N31.81 | 11 | L68A, L68B, L74Z |
| | 07 | H06A | | 15 | TPN, VTPN | N31.82 | 11 | L68A, L68B, L74Z |
| | 10 | K62A | N20.0 | 11 | L20B, L42A, L42B, L64A, L64B, L64J, L64Q, L64R, L74Z | N31.88 | 11 | L68A, L68B, L74Z |
| | 11 | L02B, L09A, L38Z, L60A, L60B, L60C, L60D, L71Z | | 15 | TPN, VTPN | N31.9 | 11 | L68A, L68B, L74Z |
| | 15 | TPN, VTPN | | Pre | A60A | N32.0 | 11 | L68A, L68B, L74Z |
| N17.1 | Pre | A09D, A11D, A13D | N20.1 | 11 | L42A, L42B, L64A, L64B, L64J, L64Q, L64R, L74Z | N32.1 | 11 | L68A, L68B, L74Z |
| | | KJZSA1, KJZSA2 | | Pre | A60A | | 15 | TPN, VTPN |
| | 05 | F62A | N20.2 | 11 | L20B, L42A, L42B, L64A, L64B, L64J, L64Q, L64R, L74Z | N32.2 | 11 | L68A, L68B, L74Z |
| | 06 | G67A | | 15 | TPN, VTPN | | 15 | TPN, VTPN |
| | 07 | H06A | N20.9 | 11 | L42A, L42B, L64A, L64B, L64J, L64Q, L64R, L74Z | N32.3 | 11 | L68A, L68B, L74Z |
| | 10 | K62A | | Pre | A60A | | 15 | TPN, VTPN |
| | 11 | L02B, L09A, L38Z, L60A, L60B, L60C, L60D, L71Z | N21.0 | 11 | L42A, L42B, L64A, L64B, L64J, L64Q, L64R, L74Z | N32.4 | 11 | L68A, L68B, L74Z |
| | 15 | TPN, VTPN | | 15 | TPN, VTPN | | 15 | TPN, VTPN |
| | Pre | A09D, A11D, A13D | N21.1 | 11 | L42A, L42B, L64A, L64B, L64J, L64Q, L64R, L74Z | N32.80 | 11 | L68A, L68B, L74Z |
| N17.2 | | KJZSA1, KJZSA2 | N21.8 | 11 | L42A, L42B, L64A, L64B, L64J, L64Q, L64R, L74Z | N32.89 | 11 | L68A, L68B, L74Z |
| | 05 | F62A | | 11 | L42A, L42B, L64A, L64B, L64J, L64Q, L64R, L74Z | N32.9 | 11 | L68A, L68B, L74Z |
| | 06 | G67A | N21.9 | 11 | L42A, L42B, L64A, L64B, L64J, L64Q, L64R, L74Z | N34.0 | 11 | L63A, L63B, L63C, L63D, L63E, L63F, L74Z |
| | 07 | H06A | | 11 | L42A, L42B, L64A, L64B, L64J, L64Q, L64R, L74Z | | 15 | TPN, VTPN |
| | 10 | K62A | N23 | 11 | L42A, L42B, L64A, L64B, L64J, L64Q, L64R, L74Z | N34.1 | 11 | L63A, L63B, L63C, L63D, L63E, L63F, L74Z |
| | 11 | L02B, L09A, L38Z, L60A, L60B, L60C, L60D, L71Z | | 11 | L42A, L42B, L64A, L64B, L64J, L64Q, L64R, L74Z | N34.2 | 11 | L63A, L63B, L63C, L63D, L63E, L63F, L74Z |
| | 15 | TPN, VTPN | N25.0 | 11 | L68A, L68B, L74Z | N34.3 | 11 | L63A, L63B, L63C, L63D, L63E, L63F, L74Z |
| | Pre | A09D, A11D, A13D | N25.1 | 11 | L68A, L68B, L74Z | N35.0 | 11 | L64A, L64J, L64Q, L64R, L74Z |
| N17.8 | | KJZSA1, KJZSA2 | | 15 | TPN, VTPN | N35.1 | 11 | L64A, L64J, L64Q, L64R, L74Z |
| | 05 | F62A | | Pre | A09D, A11D, A13D | N35.8 | 11 | L64A, L64J, L64Q, L64R, L74Z |
| | 06 | G67A | N25.8 | 11 | L68A, L68B, L74Z | | 15 | TPN, VTPN |
| | 07 | H06A | | 11 | L68A, L68B, L74Z | N35.9 | 11 | L64A, L64J, L64Q, L64R, L74Z |
| | 10 | K62A | N25.9 | 11 | L68A, L68B, L74Z | N36.0 | 11 | L68A, L68B, L74Z |
| | 11 | L02B, L09A, L38Z, L60A, L60B, L60C, L60D, L71Z | N26 | 11 | L64A, L64B, L64J, L64Q, L64R, L74Z | | 15 | TPN, VTPN |
| | 15 | TPN, VTPN | | 11 | L68A, L68B, L74Z | N36.1 | 11 | L68A, L68B, L74Z |
| | Pre | A09D, A11D, A13D | N27.0 | 11 | L68A, L68B, L74Z | | 15 | TPN, VTPN |
| N17.9 | | KJZSA1, KJZSA2 | N27.1 | 11 | L68A, L68B, L74Z | N36.2 | 11 | L68A, L68B, L74Z |
| | 05 | F62A | N27.9 | 11 | L68A, L68B, L74Z | N36.3 | 11 | L68A, L68B, L74Z |
| | 06 | G67A | | 11 | L68A, L68B, L74Z | N36.8 | 11 | L68A, L68B, L74Z |
| | 07 | H06A | N28.0 | 11 | L69A, L69B | N36.9 | 11 | L68A, L68B, L74Z |
| | 10 | K62A | | 15 | TPN, VTPN | N39.0 | 11 | L63A, L63B, L63C, L63D, L63E, L63F, L74Z |
| | 11 | L02B, L09A, L38Z, L60A, L60B, L60C, L60D, L71Z | N28.1 | 11 | L68A, L68B, L74Z | | 15 | TPN, VTPN |
| | 15 | TPN, VTPN | N28.8 | 11 | L68A, L68B, L74Z | | Pre | A60A |
| | Pre | A09D, A11D, A13D | N28.9 | 11 | L68A, L68B, L74Z | N39.1 | 11 | L64A, L64B, L64J, L64Q, L64R, L74Z |
| N18.1 | 11 | L02B, L09A, L38Z, L60A, L60B, L60C, L60D, L71Z | | 18A | S65A, S65B | | 11 | L64A, L64B, L64J, L64Q, L64R, L74Z |
| | 15 | TPN, VTPN | N30.0 | 11 | L63A, L63B, L63C, L63D, L63E, L63F, L74Z | N39.2 | 11 | L64A, L64B, L64J, L64Q, L64R, L74Z |
| N18.2 | 11 | L02B, L09A, L38Z, L60A, L60B, L60C, L60D, L71Z | | Pre | A60A | | 11 | L64A, L64J, L64Q, L64R, L74Z |
| | 15 | TPN, VTPN | N30.1 | 11 | L64A, L64B, L64J, L64Q, L64R, L74Z | N39.3 | 11 | L64A, L64J, L64Q, L64R, L74Z |
| N18.3 | 11 | L02B, L09A, L38Z, L60A, L60B, L60C, L60D, L71Z | | Pre | A60A | N39.40 | 11 | L64A, L64J, L64Q, L64R, L74Z |
| | 15 | TPN, VTPN | | Pre | A60A | N39.41 | 11 | L64A, L64J, L64Q, L64R, L74Z |
| | 15 | TPN, VTPN | | Pre | A60A | N39.42 | 11 | L64A, L64J, L64Q, L64R, L74Z |
| | 15 | TPN, VTPN | | Pre | A60A | N39.43 | 11 | L64A, L64J, L64Q, L64R, L74Z |

| ICD | MDC | DRG | ICD | MDC | DRG | ICD | MDC | DRG |
|--------|-----|------------------------------------|-------|-----|--|--------|-----|--|
| N39.48 | 11 | L64A, L64J, L64Q, L64R, L74Z | N62 | 09 | J67A, J67B | N73.9 | 13 | N04Z, N05A, N05B, N05J, N07J, N07Z, N14Z, N21J, N21Z, N25J, N25Q, N25Z, N61Z |
| N39.81 | 11 | L64A, L64B, L64J, L64Q, L64R, L74Z | N63 | 09 | J67A, J67B | N75.0 | 13 | N04Z, N05A, N05B, N05J, N14Z, N21J, N21Z, N25J, N25Q, N25Z, N62B |
| N39.88 | 11 | L64A, L64B, L64J, L64Q, L64R, L74Z | N64.0 | 09 | J67A, J67B | N75.1 | 13 | N04Z, N05A, N05B, N05J, N14Z, N21J, N21Z, N25J, N25Q, N25Z, N61Z |
| N39.9 | 11 | L64A, L64B, L64J, L64Q, L64R, L74Z | N64.1 | 09 | J67A, J67B | N75.8 | 13 | N04Z, N05A, N05B, N05J, N14Z, N21J, N21Z, N25J, N25Q, N25Z, N61Z |
| N40 | 12 | M61Z | N64.2 | 09 | J67A, J67B | N75.9 | 13 | N04Z, N05A, N05B, N05J, N14Z, N21J, N21Z, N25J, N25Q, N25Z, N61Z |
| N41.0 | 12 | M62Z | N64.3 | 09 | J67A, J67B | N76.0 | 13 | N04Z, N05A, N05B, N05J, N14Z, N21J, N21Z, N25J, N25Q, N25Z, N61Z |
| N41.1 | 12 | M62Z | N64.4 | 09 | J67A, J67B | N76.1 | 13 | N04Z, N05A, N05B, N05J, N14Z, N21J, N21Z, N25J, N25Q, N25Z, N61Z |
| N41.2 | 12 | M62Z | N64.5 | 09 | J67A, J67B | N76.2 | 13 | N04Z, N05A, N05B, N05J, N14Z, N21J, N21Z, N25J, N25Q, N25Z, N61Z |
| N41.3 | 12 | M62Z | N64.8 | 09 | J67A, J67B | N76.3 | 13 | N04Z, N05A, N05B, N05J, N14Z, N21J, N21Z, N25J, N25Q, N25Z, N61Z |
| N41.8 | 12 | M62Z | N64.9 | 09 | J67A, J67B | N76.4 | 13 | N04Z, N05A, N05B, N05J, N14Z, N21J, N21Z, N25J, N25Q, N25Z, N61Z |
| N41.9 | 12 | M62Z | N70.0 | 13 | N04Z, N05A, N05B, N05J, N07J, N07Z, N14Z, N21J, N21Z, N25J, N25Q, N25Z, N61Z | N76.5 | 15 | TPN, VTPN |
| N42.0 | 12 | M64Z | N70.1 | 13 | N04Z, N05A, N05B, N05J, N07J, N07Z, N14Z, N21J, N21Z, N25J, N25Q, N25Z, N61Z | N76.6 | 13 | N04Z, N05A, N05B, N05J, N14Z, N21J, N21Z, N25J, N25Q, N25Z, N61Z |
| N42.1 | 12 | M64Z | N70.9 | 13 | N04Z, N05A, N05B, N05J, N07J, N07Z, N14Z, N21J, N21Z, N25J, N25Q, N25Z, N61Z | N76.80 | 13 | N04Z, N05A, N05B, N05J, N14Z, N21J, N21Z, N25J, N25Q, N25Z, N61Z |
| N42.2 | 12 | M64Z | | | | N76.88 | 13 | N04Z, N05A, N05B, N05J, N14Z, N21J, N21Z, N25J, N25Q, N25Z, N61Z |
| N42.3 | 08 | I54Z | | | | N80.0 | 13 | N04Z, N05A, N05B, N05J, N07J, N07Z, N14Z, N21J, N21Z, N25J, N25Q, N25Z, N62A, N62B |
| | 12 | M09A, M09B, M09J, M60A, M60B, M60C | | | | N80.1 | 13 | N04Z, N05A, N05B, N05J, N07J, N07Z, N14Z, N21J, N21Z, N25J, N25Q, N25Z, N62A, N62B |
| | Pre | A09A, A11A, A11B | | | | N80.2 | 13 | N04Z, N05A, N05B, N05J, N07J, N07Z, N14Z, N21J, N21Z, N25J, N25Q, N25Z, N62A, N62B |
| N42.8 | 12 | M64Z | N71.0 | 13 | N04Z, N05A, N05B, N05J, N07J, N07Z, N14Z, N21J, N21Z, N25J, N25Q, N25Z, N61Z | N80.3 | 13 | N04Z, N05A, N05B, N05J, N07J, N07Z, N14Z, N21J, N21Z, N25J, N25Q, N25Z, N62A, N62B |
| N42.9 | 12 | M64Z | N71.1 | 13 | N04Z, N05A, N05B, N05J, N07J, N07Z, N14Z, N21J, N21Z, N25J, N25Q, N25Z, N61Z | N80.4 | 13 | N04Z, N05A, N05B, N05J, N07J, N07Z, N14Z, N21J, N21Z, N25J, N25Q, N25Z, N62A, N62B |
| N43.0 | 12 | M64Z | N71.9 | 13 | N04Z, N05A, N05B, N05J, N07J, N07Z, N14Z, N21J, N21Z, N25J, N25Q, N25Z, N61Z | N80.5 | 06 | G46A, G46B, G46C, G50Z, G67A, G67B, G67C, G67D |
| N43.1 | 12 | M62Z | | | | N80.6 | 09 | J67A, J67B, J68A, J68B |
| | 15 | TPN, VTPN | | | | N80.8 | 13 | N04Z, N05A, N05B, N05J, N07J, N07Z, N14Z, N21J, N21Z, N25J, N25Q, N25Z, N62A, N62B |
| N43.2 | 12 | M64Z | N72 | 13 | N04Z, N05A, N05B, N05J, N14Z, N21J, N21Z, N25J, N25Q, N25Z, N61Z | | | |
| N43.3 | 12 | M64Z | N73.0 | 13 | N04Z, N05A, N05B, N05J, N07J, N07Z, N14Z, N21J, N21Z, N25J, N25Q, N25Z, N61Z | | | |
| N43.4 | 12 | M64Z | N73.1 | 13 | N04Z, N05A, N05B, N05J, N07J, N07Z, N14Z, N21J, N21Z, N25J, N25Q, N25Z, N61Z | | | |
| N44.0 | 12 | M64Z | N73.2 | 13 | N04Z, N05A, N05B, N05J, N07J, N07Z, N14Z, N21J, N21Z, N25J, N25Q, N25Z, N61Z | | | |
| | 15 | TPN, VTPN | N73.3 | 13 | N04Z, N05A, N05B, N05J, N07J, N07Z, N14Z, N21J, N21Z, N25J, N25Q, N25Z, N61Z | | | |
| N44.1 | 12 | M64Z | N73.4 | 13 | N04Z, N05A, N05B, N05J, N07J, N07Z, N14Z, N21J, N21Z, N25J, N25Q, N25Z, N61Z | | | |
| | 15 | TPN, VTPN | N73.5 | 13 | N04Z, N05A, N05B, N05J, N07J, N07Z, N14Z, N21J, N21Z, N25J, N25Q, N25Z, N61Z | | | |
| N45.0 | 12 | M62Z | N73.6 | 13 | N04Z, N05A, N05B, N05J, N07J, N07Z, N14Z, N21J, N21Z, N25J, N25Q, N25Z, N61Z | | | |
| | 15 | TPN, VTPN | N73.8 | 13 | N04Z, N05A, N05B, N05J, N07J, N07Z, N14Z, N21J, N21Z, N25J, N25Q, N25Z, N61Z | | | |
| N45.9 | 12 | M62Z | | | | | | |
| N46 | 12 | M64Z | | | | | | |
| N47 | 12 | M62Z | | | | | | |
| N48.0 | 12 | M64Z | | | | | | |
| N48.1 | 12 | M62Z | | | | | | |
| N48.2 | 12 | M62Z | | | | | | |
| N48.30 | 12 | M64Z | | | | | | |
| N48.31 | 12 | M64Z | | | | | | |
| N48.38 | 12 | M64Z | | | | | | |
| N48.39 | 12 | M64Z | | | | | | |
| N48.4 | 12 | M64Z | | | | | | |
| N48.5 | 12 | M64Z | | | | | | |
| N48.6 | 12 | M62Z | | | | | | |
| N48.8 | 12 | M64Z | | | | | | |
| N48.9 | 12 | M64Z | | | | | | |
| N49.0 | 12 | M62Z | | | | | | |
| N49.1 | 12 | M62Z | | | | | | |
| N49.2 | 12 | M62Z | | | | | | |
| N49.80 | 12 | M04A, M37Z, M62Z | | | | | | |
| | Pre | A09D, A11D, A13D | | | | | | |
| N49.88 | 12 | M62Z | | | | | | |
| N49.9 | 12 | M62Z | | | | | | |
| N50.0 | 12 | M64Z | | | | | | |
| N50.1 | 12 | M64Z | | | | | | |
| N50.8 | 12 | M64Z | | | | | | |
| N50.9 | 12 | M64Z | | | | | | |
| N60.0 | 09 | J67A, J67B | | | | | | |
| N60.1 | 09 | J67A, J67B | | | | | | |
| N60.2 | 09 | J67A, J67B | | | | | | |
| N60.3 | 09 | J67A, J67B | | | | | | |
| N60.4 | 09 | J67A, J67B | | | | | | |
| N60.8 | 09 | J67A, J67B | | | | | | |
| N60.9 | 09 | J67A, J67B | | | | | | |
| N61 | 09 | J67A, J67B | | | | | | |

| ICD | MDC | DRG | ICD | MDC | DRG | ICD | MDC | DRG |
|-------|-----|--|-------|-----|--|--------|-----|--|
| O69.9 | 14 | 962Z, O02A, O02B, O60A, O60B, O60C, O60D | O74.6 | 14 | 962Z, O01A, O01B, O01C, O01D, O01E, O01F, O01G, O02A, O02B, O60A, O60B, O60C | O83.3 | 14 | 962Z, O02A, O02B, O60A, O60B, O60C, O60D |
| O70.0 | 14 | 962Z, O02A, O02B, O60A, O60B, O60C, O60D | O74.7 | 14 | 962Z, O01A, O01B, O01C, O01D, O01E, O01F, O01G, O02A, O02B, O60A, O60B, O60C | O83.4 | 14 | 962Z, O02A, O02B, O60A, O60B, O60C, O60D |
| O70.1 | 14 | 962Z, O02A, O02B, O60A, O60B, O60C, O60D | O74.8 | 14 | 962Z, O01A, O01B, O01C, O01D, O01E, O01F, O01G, O02A, O02B, O60A, O60B, O60C | O83.8 | 14 | 962Z, O02A, O02B, O60A, O60B, O60C, O60D |
| O70.2 | 14 | 962Z, O01A, O01B, O01C, O01D, O01E, O01F, O01G, O02A, O02B, O60A, O60B, O60C | O74.9 | 14 | 962Z, O01A, O01B, O01C, O01D, O01E, O01F, O01G, O02A, O02B, O60A, O60B, O60C | O83.9 | 14 | 962Z, O02A, O02B, O60A, O60B, O60C, O60D |
| O70.3 | 14 | 962Z, O01A, O01B, O01C, O01D, O01E, O01F, O01G, O02A, O02B, O60A, O60B, O60C | O75.0 | 14 | 962Z, O02A, O02B, O60A, O60B, O60C, O60D | O84.0 | 14 | 962Z, O02A, O02B, O60A, O60B, O60C, O60D |
| O70.9 | 14 | 962Z, O02A, O02B, O60A, O60B, O60C, O60D | O75.1 | 14 | 962Z, O01A, O01B, O01C, O01D, O01E, O01F, O01G, O02A, O02B, O60A, O60B, O60C, O61Z | O84.1 | 14 | 962Z, O02A, O02B, O60A, O60B, O60C, O60D |
| O71.0 | 14 | 962Z, O04A, O04B, O61Z, O65A, O65B, O65C | O75.2 | 14 | 962Z, O02A, O02B, O60A, O60B, O60C, O60D | O84.2 | 14 | 962Z |
| O71.1 | 14 | 962Z, O02A, O02B, O60A, O60B, O60C, O60D | O75.3 | 14 | 962Z, O02A, O02B, O60A, O60B, O60C, O60D | O84.8 | 14 | 962Z, O02A, O02B, O60A, O60B, O60C, O60D |
| O71.2 | 14 | 962Z, O04A, O04B, O61Z | O75.4 | 14 | 962Z, O01A, O01B, O01C, O01D, O01E, O01F, O01G, O04A, O04B, O60A, O60B, O60C, O61Z | O84.9 | 14 | 962Z, O02A, O02B, O60A, O60B, O60C, O60D |
| O71.3 | 14 | 962Z, O02A, O02B, O60A, O60B, O60C, O60D | O75.5 | 14 | 962Z, O02A, O02B, O60A, O60B, O60C, O60D | O85 | 14 | 962Z, O01A, O01B, O01C, O01D, O01E, O01F, O01G, O04A, O04B, O60A, O60B, O60C, O61Z |
| O71.4 | 14 | 962Z, O02A, O02B, O60A, O60B, O60C, O60D | O75.6 | 14 | 962Z, O01A, O01B, O01C, O01D, O01E, O01F, O01G, O04A, O04B, O60A, O60B, O60C, O61Z | O86.0 | 14 | 962Z, O01A, O01B, O01C, O01D, O01E, O01F, O01G, O04A, O04B, O60A, O60B, O60C, O61Z |
| O71.5 | 14 | 962Z, O02A, O02B, O60A, O60B, O60C, O60D | O75.7 | 14 | 962Z, O02A, O02B, O60A, O60B, O60C, O60D | O86.1 | 14 | 962Z, O04A, O04B, O61Z |
| O71.6 | 14 | 962Z, O01A, O01B, O01C, O01D, O01E, O01F, O01G, O02A, O02B, O60A, O60B, O60C | O75.8 | 14 | 962Z, O04A, O04B, O61Z | O86.2 | 14 | 962Z, O04A, O04B, O61Z |
| O71.7 | 14 | 962Z, O02A, O02B, O60A, O60B, O60C, O60D | O75.9 | 14 | 962Z, O02A, O02B, O60A, O60B, O60C, O60D | O86.3 | 14 | 962Z, O04A, O04B, O61Z |
| O71.8 | 14 | 962Z, O02A, O02B, O60A, O60B, O60C, O60D | O80.0 | 14 | O02A, O02B, O60A, O60B, O60C, O60D | O86.4 | 14 | 962Z, O04A, O04B, O61Z |
| O71.9 | 14 | 962Z, O02A, O02B, O60A, O60B, O60C, O60D | O80.1 | 14 | O02A, O02B, O60A, O60B, O60C, O60D | O86.8 | 14 | 962Z, O04A, O04B, O61Z |
| O72.0 | 14 | 962Z, O02A, O02B, O60A, O60B, O60C, O60D | O80.8 | 14 | O02A, O02B, O60A, O60B, O60C, O60D | O87.0 | 14 | 962Z, O04A, O04B, O61Z |
| O72.1 | 14 | 962Z, O01A, O01B, O01C, O01D, O01E, O01F, O01G, O02A, O02B, O60A, O60B, O60C | O80.9 | 14 | O02A, O02B, O60A, O60B, O60C, O60D | O87.1 | 14 | 962Z, O04A, O04B, O61Z |
| O72.2 | 14 | 962Z, O04A, O04B, O61Z | O81.0 | 14 | 962Z, O02A, O02B, O60A, O60B, O60C, O60D | O87.2 | 14 | 962Z, O04A, O04B, O61Z |
| O72.3 | 14 | 962Z, O04A, O04B, O61Z | O81.1 | 14 | 962Z, O02A, O02B, O60A, O60B, O60C, O60D | O87.3 | 14 | 962Z, O04A, O04B, O61Z |
| O73.0 | 14 | 962Z, O04A, O04B, O61Z | O81.2 | 14 | 962Z, O02A, O02B, O60A, O60B, O60C, O60D | O87.8 | 14 | 962Z, O04A, O04B, O61Z |
| O73.1 | 14 | 962Z, O04A, O04B, O61Z | O81.3 | 14 | 962Z, O02A, O02B, O60A, O60B, O60C, O60D | O87.9 | 14 | 962Z, O04A, O04B, O61Z |
| O74.0 | 14 | 962Z, O01A, O01B, O01C, O01D, O01E, O01F, O01G, O02A, O02B, O60A, O60B, O60C | O81.4 | 14 | 962Z, O02A, O02B, O60A, O60B, O60C, O60D | O88.0 | 14 | 962Z, O04A, O04B, O61Z |
| O74.1 | 14 | 962Z, O01A, O01B, O01C, O01D, O01E, O01F, O01G, O02A, O02B, O60A, O60B, O60C | O81.5 | 14 | 962Z, O02A, O02B, O60A, O60B, O60C, O60D | O88.1 | 14 | 962Z, O04A, O04B, O61Z |
| O74.2 | 14 | 962Z, O01A, O01B, O01C, O01D, O01E, O01F, O01G, O02A, O02B, O60A, O60B, O60C | O82.0 | 14 | 962Z | O88.20 | 14 | 962Z, O01A, O01B, O01C, O01D, O01E, O01F, O01G, O01H, O04A, O04B, O60A, O60B, O60C, O61Z |
| O74.3 | 14 | 962Z, O01A, O01B, O01C, O01D, O01E, O01F, O01G, O02A, O02B, O60A, O60B, O60C | O82.1 | 14 | 962Z | O88.3 | 14 | 962Z, O04A, O04B, O61Z |
| O74.4 | 14 | 962Z, O01A, O01B, O01C, O01D, O01E, O01F, O01G, O02A, O02B, O60A, O60B, O60C | O82.2 | 14 | 962Z | O88.8 | 14 | 962Z, O04A, O04B, O61Z |
| O74.5 | 14 | 962Z, O01A, O01B, O01C, O01D, O01E, O01F, O01G, O02A, O02B, O60A, O60B, O60C | O82.8 | 14 | 962Z | O89.0 | 14 | 962Z, O01A, O01B, O01C, O01D, O01E, O01F, O01G, O04A, O04B, O60A, O60B, O60C, O61Z |
| | | | O82.9 | 14 | 962Z | O89.1 | 14 | 962Z, O04A, O04B, O61Z |
| | | | O83.0 | 14 | 962Z, O02A, O02B, O60A, O60B, O60C, O60D | O89.2 | 14 | 962Z, O04A, O04B, O61Z |
| | | | O83.1 | 14 | 962Z, O02A, O02B, O60A, O60B, O60C, O60D | O89.3 | 14 | 962Z, O04A, O04B, O61Z |
| | | | O83.2 | 14 | 962Z, O02A, O02B, O60A, O60B, O60C, O60D | O89.4 | 14 | 962Z, O04A, O04B, O61Z |
| | | | | | | O89.5 | 14 | 962Z, O04A, O04B, O61Z |
| | | | | | | O89.6 | 14 | 962Z, O04A, O04B, O61Z |
| | | | | | | O89.8 | 14 | 962Z, O04A, O04B, O61Z |
| | | | | | | O89.9 | 14 | 962Z, O04A, O04B, O61Z |
| | | | | | | O90.0 | 14 | 962Z, O01A, O01B, O01C, O01D, O01E, O01F, O01G, O04A, O04B, O60A, O60B, O60C, O61Z |
| | | | | | | O90.1 | 14 | 962Z, O01A, O01B, O01C, O01D, O01E, O01F, O01G, O04A, O04B, O60A, O60B, O60C, O61Z |
| | | | | | | O90.2 | 14 | 962Z, O04A, O04B, O61Z |

| ICD | MDC | DRG | ICD | MDC | DRG | ICD | MDC | DRG |
|--------|-----|--|--------|-----|------------------------|--------|-----|--|
| O90.3 | 14 | 962Z, O01A, O01B, O01C, O01D, O01E, O01F, O01G, O04A, O04B, O60A, O60B, O60C, O61Z | P00.1 | Pre | 963Z | P08.0 | Pre | 963Z |
| O90.4 | 14 | 962Z, O04A, O04B, O61Z | P00.2 | Pre | 963Z | P08.1 | Pre | 963Z |
| O90.5 | 14 | 962Z, O04A, O04B, O61Z | P00.3 | Pre | 963Z | P08.2 | Pre | 963Z |
| O90.8 | 14 | 962Z, O04A, O04B, O61Z | P00.4 | Pre | 963Z | P10.0 | 15 | TPN, VTPN |
| O90.9 | 14 | 962Z, O04A, O04B, O61Z | P00.5 | Pre | 963Z | | Pre | 963Z |
| O91.00 | 14 | 962Z, O04A, O04B, O61Z | P00.6 | Pre | 963Z | P10.1 | 15 | TPN, VTPN |
| O91.01 | 14 | 962Z, O04A, O04B, O61Z | P00.7 | Pre | 963Z | | Pre | 963Z |
| O91.10 | 14 | 962Z, O04A, O04B, O61Z | P00.8 | Pre | 963Z | P10.2 | 15 | TPN, VTPN |
| O91.11 | 14 | 962Z, O04A, O04B, O61Z | P00.9 | Pre | 963Z | | Pre | 963Z |
| O91.20 | 14 | 962Z, O04A, O04B, O61Z | P01.0 | Pre | 963Z | P10.3 | 15 | TPN, VTPN |
| O91.21 | 14 | 962Z, O04A, O04B, O61Z | P01.1 | Pre | 963Z | | Pre | 963Z |
| O92.00 | 14 | 962Z, O04A, O04B, O61Z | P01.2 | Pre | 963Z | P10.4 | 15 | TPN, VTPN |
| O92.01 | 14 | 962Z, O04A, O04B, O61Z | P01.3 | Pre | 963Z | | Pre | 963Z |
| O92.10 | 14 | 962Z, O04A, O04B, O61Z | P01.4 | Pre | 963Z | P10.8 | 15 | TPN, VTPN |
| O92.11 | 14 | 962Z, O04A, O04B, O61Z | P01.5 | 15 | P65C, P66C, P67B, P67C | | Pre | 963Z |
| O92.20 | 14 | 962Z, O04A, O04B, O61Z | | Pre | 963Z | P10.9 | 15 | TPN, VTPN |
| O92.21 | 14 | 962Z, O04A, O04B, O61Z | P01.6 | 15 | P65C, P66C, P67B, P67C | | Pre | 963Z |
| O92.30 | 14 | 962Z, O04A, O04B, O61Z | | Pre | 963Z | P11.0 | Pre | 963Z |
| O92.31 | 14 | 962Z, O04A, O04B, O61Z | P01.7 | Pre | 963Z | P11.1 | 15 | TPN, VTPN |
| O92.40 | 14 | 962Z, O04A, O04B, O61Z | P01.8 | Pre | 963Z | | Pre | 963Z |
| O92.41 | 14 | 962Z, O04A, O04B, O61Z | P01.9 | Pre | 963Z | P11.2 | 15 | TPN, VTPN |
| O92.50 | 14 | 962Z, O04A, O04B, O61Z | P02.0 | Pre | 963Z | | Pre | 963Z |
| O92.51 | 14 | 962Z, O04A, O04B, O61Z | P02.1 | 15 | TPN, VTPN | P11.3 | 01 | B03Z, B17A, B17B, B17C, B17D, B17J, B71A, B71B, B71C, B71D |
| O92.60 | 14 | 962Z, O04A, O04B, O61Z | | Pre | 963Z | | | |
| O92.70 | 14 | 962Z, O04A, O04B, O61Z | P02.2 | Pre | 963Z | P11.4 | 01 | B03Z, B17A, B17B, B17C, B17D, B17J, B71A, B71B, B71C, B71D |
| O92.71 | 14 | 962Z, O04A, O04B, O61Z | P02.3 | Pre | 963Z | | | |
| O98.0 | 14 | 962Z, O04A, O04B, O61Z, O65A, O65B, O65C | P02.4 | 15 | P65C, P66C, P67B, P67C | | | |
| O98.1 | 14 | 962Z, O04A, O04B, O61Z, O65A, O65B, O65C | | Pre | 963Z | P11.50 | Pre | B61A, B61B |
| O98.2 | 14 | 962Z, O04A, O04B, O61Z, O65A, O65B, O65C | P02.5 | Pre | 963Z | P11.51 | 01 | B03Z, B48Z, B60A, B60B |
| O98.3 | 14 | 962Z, O04A, O04B, O61Z, O65A, O65B, O65C | P02.6 | Pre | 963Z | | 04 | E40B, E69A |
| O98.4 | 14 | 962Z, O04A, O04B, O61Z, O65A, O65B, O65C | P02.7 | 15 | P65C, P66C, P67B, P67C | | 06 | G67C |
| O98.5 | 14 | 962Z, O04A, O04B, O61Z, O65A, O65B, O65C | | Pre | 963Z | | 08 | I06A, I08C, I09D, I10C, I13A, I13B, I68A, I68B, I69A, I69B |
| O98.6 | 14 | 962Z, O04A, O04B, O61Z, O65A, O65B, O65C | P02.8 | Pre | 963Z | | 09 | J02A, J08A, J08B, J08C, J11A |
| O98.7 | 14 | 962Z, O01C, O01D, O01F, O04A, O04B, O61Z, O65A, O65B, O65C | P02.9 | Pre | 963Z | | 10 | K62A |
| O98.8 | 14 | 962Z, O04A, O04B, O61Z, O65A, O65B, O65C | P03.0 | Pre | 963Z | | 11 | L18A, L18B, L20A, L20B, L20J, L20Q, L20R, L38Z, L42A, L74Z |
| O98.9 | 14 | 962Z, O04A, O04B, O61Z, O65A, O65B, O65C | P03.1 | 15 | TPN, VTPN | | 18B | T60B |
| O99.0 | 14 | 962Z, O04A, O04B, O61Z, O65A, O65B, O65C | | Pre | 963Z | P11.59 | Pre | B61A, B61B |
| O99.1 | 14 | 962Z, O04A, O04B, O61Z, O65A, O65B, O65C | P03.2 | Pre | 963Z | | | |
| O99.2 | 14 | 962Z, O04A, O04B, O61Z, O65A, O65B, O65C | P03.3 | Pre | 963Z | P11.9 | Pre | 963Z |
| O99.3 | 14 | 962Z, O04A, O04B, O61Z, O65A, O65B, O65C | P03.4 | Pre | 963Z | | | |
| O99.4 | 14 | 962Z, O04A, O04B, O61Z, O65A, O65B, O65C | P03.5 | Pre | 963Z | P12.0 | Pre | 963Z |
| O99.5 | 14 | 962Z, O04A, O04B, O61Z, O65A, O65B, O65C | P03.6 | Pre | 963Z | | | |
| O99.6 | 14 | 962Z, O04A, O04B, O61Z, O65A, O65B, O65C | P03.8 | Pre | 963Z | P12.1 | Pre | 963Z |
| O99.7 | 14 | 962Z, O04A, O04B, O61Z, O65A, O65B, O65C | P03.9 | Pre | 963Z | | | |
| O99.8 | 14 | 962Z, O04A, O04B, O61Z, O65A, O65B, O65C | P04.0 | 15 | TPN, VTPN | P12.2 | Pre | 963Z |
| P00.0 | Pre | 963Z | | Pre | 963Z | P12.4 | 15 | P65C, P66C, P67B, P67C |
| | | | P04.1 | 15 | P65C, P66C, P67B, P67C | | Pre | 963Z |
| | | | | Pre | 963Z | P12.8 | Pre | 963Z |
| | | | P04.2 | Pre | 963Z | | | |
| | | | P04.3 | Pre | 963Z | P12.9 | Pre | 963Z |
| | | | P04.4 | 15 | P65C, P66C, P67B, P67C | | | |
| | | | | Pre | 963Z | P13.0 | 01 | B79Z |
| | | | P04.5 | Pre | 963Z | | | |
| | | | P04.6 | Pre | 963Z | P13.1 | Pre | 963Z |
| | | | P04.8 | Pre | 963Z | | | |
| | | | P04.9 | Pre | 963Z | P13.2 | Pre | 963Z |
| | | | P05.0 | Pre | 963Z | | | |
| | | | P05.1 | Pre | 963Z | P13.3 | Pre | 963Z |
| | | | P05.2 | Pre | 963Z | | | |
| | | | P05.9 | Pre | 963Z | P13.4 | Pre | 963Z |
| | | | P07.00 | Pre | 963Z | | | |
| | | | P07.01 | Pre | 963Z | P13.8 | Pre | 963Z |
| | | | P07.02 | Pre | 963Z | | | |
| | | | P07.10 | Pre | 963Z | P13.9 | Pre | 963Z |
| | | | P07.11 | Pre | 963Z | | | |
| | | | P07.12 | Pre | 963Z | P14.0 | 01 | B03Z, B17A, B17B, B17C, B17D, B17J, B71A, B71B, B71C, B71D |
| | | | P07.2 | 15 | P65C, P66C, P67B, P67C | | | |
| | | | | Pre | 963Z | P14.1 | 01 | B03Z, B17A, B17B, B17C, B17D, B17J, B71A, B71B, B71C, B71D |
| | | | P07.3 | Pre | 963Z | | | |
| | | | | | | P14.2 | 01 | B03Z, B17A, B17B, B17C, B17D, B17J, B71A, B71B, B71C, B71D |
| | | | | | | | | |
| | | | | | | P14.3 | 01 | B03Z, B17A, B17B, B17C, B17D, B17J, B71A, B71B, B71C, B71D |

| ICD | MDC | DRG | ICD | MDC | DRG | ICD | MDC | DRG |
|-------|-----|--|-------|-----|--|-------|-----|--|
| P14.8 | 01 | B03Z, B17A, B17B, B17C, B17D, B17J, B71A, B71B, B71C, B71D | P25.2 | 15 | TPN, VTPN Pre 963Z | P36.5 | 15 | TPN, VTPN Pre 963Z |
| P14.9 | 01 | B03Z, B17A, B17B, B17C, B17D, B17J, B71A, B71B, B71C, B71D | P25.3 | 15 | TPN, VTPN Pre 963Z | P36.8 | 15 | TPN, VTPN Pre 963Z |
| P15.0 | Pre | 963Z | P25.8 | 15 | TPN, VTPN Pre 963Z | P36.9 | 15 | TPN, VTPN Pre 963Z |
| P15.1 | Pre | 963Z | P26.0 | 15 | TPN, VTPN Pre 963Z | P37.0 | 15 | TPN, VTPN 18B T64A, T64B, T64C |
| P15.2 | Pre | 963Z | P26.1 | 15 | TPN, VTPN Pre 963Z | P37.1 | 15 | TPN, VTPN 18B T64A, T64B, T64C |
| P15.3 | Pre | 963Z | P26.8 | 15 | TPN, VTPN Pre 963Z | P37.2 | 05 | F62A 06 G67A 15 TPN, VTPN 17 R60B, R60C, R61A, R62A, R63B, R63C, R63D, R63F 18B T01B, T60A, T60B, T60C, T60D, T60E, T60F, T61A |
| P15.4 | Pre | 963Z | P26.9 | 15 | TPN, VTPN Pre 963Z | P37.3 | 15 | TPN, VTPN 18B T64A, T64B, T64C |
| P15.5 | Pre | 963Z | P27.0 | 04 | E69A, E69B, E69C, E69D 15 TPN, VTPN | P37.4 | 15 | TPN, VTPN 18B T64A, T64B, T64C |
| P15.6 | 15 | TPN, VTPN Pre 963Z | P27.1 | 04 | E69A, E69B, E69C, E69D 15 TPN, VTPN | P37.5 | 15 | TPN, VTPN 18B T64A, T64B, T64C |
| P15.8 | Pre | 963Z | P27.8 | 04 | E69A, E69B, E69C, E69D 15 TPN, VTPN | P37.8 | 15 | TPN, VTPN 18B T64A, T64B, T64C |
| P15.9 | Pre | 963Z | P27.9 | 04 | E69A, E69B, E69C, E69D 15 TPN, VTPN | P37.9 | 15 | TPN, VTPN 18B T64A, T64B, T64C |
| P20.0 | 15 | TPN, VTPN Pre 963Z | P28.0 | Pre | 963Z | P38 | 15 | P65C, P66C, P67B, P67C Pre 963Z |
| P20.1 | Pre | 963Z | P28.1 | Pre | 963Z | P39.0 | 15 | P65C, P66C, P67B, P67C Pre 963Z |
| P20.9 | Pre | 963Z | P28.2 | 04 | E69A, E69B, E69C, E69D | P39.1 | Pre | 963Z |
| P21.0 | 01 | B03Z, B17A, B17B, B17C, B17D, B17J, B81A, B81B | P28.3 | 04 | E69A, E69B, E69C, E69D | P39.2 | Pre | 963Z |
| P21.1 | 15 | P65C, P66C, P67B, P67C | P28.4 | 04 | E69A, E69B, E69C, E69D | P39.3 | 15 | P65C, P66C, P67B, P67C Pre 963Z |
| P21.9 | 01 | B03Z, B17A, B17B, B17C, B17D, B17J, B81A, B81B | P28.5 | 04 | E69A, E69B, E69C, E69D 15 TPN, VTPN | P39.4 | 15 | P65C, P66C, P67B, P67C Pre 963Z |
| P22.0 | 15 | TPN, VTPN Pre 963Z | P28.8 | 04 | E69A, E69B, E69C, E69D | P39.8 | Pre | 963Z |
| P22.1 | Pre | 963Z | P28.9 | Pre | 963Z | P39.9 | Pre | 963Z |
| P22.8 | 04 | E69A, E69B, E69C, E69D | P29.0 | 15 | TPN, VTPN Pre 963Z | P50.0 | Pre | 963Z |
| P22.9 | 04 | E69A, E69B, E69C, E69D | P29.1 | 15 | P65C, P66C, P67B, P67C Pre 963Z | P50.1 | Pre | 963Z |
| P23.0 | 15 | TPN, VTPN Pre 963Z | P29.2 | Pre | 963Z | P50.2 | Pre | 963Z |
| P23.1 | 15 | TPN, VTPN Pre 963Z | P29.3 | Pre | 963Z | P50.3 | Pre | 963Z |
| P23.2 | 15 | TPN, VTPN Pre 963Z | P29.4 | Pre | 963Z | P50.4 | Pre | 963Z |
| P23.3 | 15 | TPN, VTPN Pre 963Z | P29.9 | Pre | 963Z | P50.5 | Pre | 963Z |
| P23.4 | 15 | TPN, VTPN Pre 963Z | P35.0 | 15 | TPN, VTPN 23 Z65Z | P50.8 | Pre | 963Z |
| P23.5 | 15 | TPN, VTPN Pre 963Z | P35.1 | 15 | TPN, VTPN 18B T63A, T63B | P50.9 | Pre | 963Z |
| P23.6 | 15 | TPN, VTPN Pre 963Z | P35.2 | 05 | F62A 06 G67A 15 TPN, VTPN 17 R60B, R60C, R61A, R62A, R63B, R63C, R63D, R63F 18B T01B, T60A, T60B, T60C, T60D, T60E, T60F, T61A | P51.0 | Pre | 963Z |
| P23.8 | 15 | TPN, VTPN Pre 963Z | P35.3 | 07 | H63A, H63B, H63C, H78Z | P51.8 | Pre | 963Z |
| P23.9 | 15 | TPN, VTPN Pre 963Z | P35.8 | 15 | TPN, VTPN 18B T64A, T64B, T64C | P51.9 | Pre | 963Z |
| P24.0 | 04 | E69A, E69B, E69C, E69D | P35.9 | 15 | TPN, VTPN 18B T64A, T64B, T64C | P52.0 | 15 | TPN, VTPN Pre 963Z |
| P24.1 | 15 | TPN, VTPN Pre 963Z | P36.0 | 15 | TPN, VTPN Pre 963Z | P52.1 | 15 | TPN, VTPN Pre 963Z |
| P24.2 | 15 | TPN, VTPN Pre 963Z | P36.1 | 15 | TPN, VTPN Pre 963Z | P52.2 | 15 | TPN, VTPN Pre 963Z |
| P24.3 | 15 | TPN, VTPN Pre 963Z | P36.2 | 15 | TPN, VTPN Pre 963Z | P52.3 | 15 | TPN, VTPN Pre 963Z |
| P24.8 | 15 | TPN, VTPN Pre 963Z | P36.3 | 15 | TPN, VTPN Pre 963Z | P52.4 | 15 | P65C, P66C, P67B, P67C Pre 963Z |
| P24.9 | 15 | TPN, VTPN Pre 963Z | P36.4 | 15 | TPN, VTPN Pre 963Z | P52.5 | 15 | TPN, VTPN Pre 963Z |
| P25.0 | 15 | TPN, VTPN Pre 963Z | | | | P52.6 | Pre | 963Z |
| P25.1 | 15 | TPN, VTPN Pre 963Z | | | | P52.8 | Pre | 963Z |
| | | | | | | P52.9 | Pre | 963Z |
| | | | | | | P53 | 15 | TPN, VTPN 16 Q60A, Q60B, Q60C |
| | | | | | | P54.0 | Pre | 963Z |
| | | | | | | P54.1 | Pre | 963Z |
| | | | | | | P54.2 | Pre | 963Z |

| ICD | MDC | DRG | ICD | MDC | DRG | ICD | MDC | DRG |
|-------|-----|---------------------------------|-------|-----|---------------------------------------|--------|-----|--|
| P54.3 | Pre | 963Z | P70.3 | 10 | K63A, K63B, K63C | P83.9 | 09 | J67A, J67B, J68A, J68B |
| P54.4 | 15 | TPN, VTPN | P70.4 | 10 | K63A, K63B, K63C | P90 | 01 | B03Z, B17A, B17B, B17C, B17D, B17J, B76A, B76B, B76C, B76D, B76E |
| | Pre | 963Z | P70.8 | 10 | K62A, K62B | | 15 | TPN, VTPN |
| P54.5 | Pre | 963Z | P70.9 | 10 | K62A, K62B | P91.0 | 01 | B03Z, B17A, B17B, B17C, B17D, B17J, B66A, B66B, B66C, B66D |
| P54.6 | Pre | 963Z | P71.0 | 10 | K62A, K62B | P91.1 | 01 | B03Z, B17A, B17B, B17C, B17D, B17J, B66A, B66B, B66C, B66D |
| P54.8 | Pre | 963Z | P71.1 | 10 | K62A, K62B | P91.2 | 01 | B03Z, B17A, B17B, B17C, B17D, B17J, B66A, B66B, B66C, B66D |
| P54.9 | Pre | 963Z | | 15 | P65C, P66C, P67B, P67C | P91.3 | 01 | B03Z, B17A, B17B, B17C, B17D, B17J, B81A, B81B |
| P55.0 | 15 | P65C, P66C, P67B, P67C | P71.2 | 10 | K62A, K62B | P91.4 | 01 | B03Z, B17A, B17B, B17C, B17D, B17J, B66A, B66B, B66C, B66D |
| | 16 | Q61A, Q61B, Q61C, Q61D, Q61E | P71.3 | 10 | K62A, K62B | P91.5 | 01 | B03Z, B17A, B17B, B17C, B17D, B17J, B66A, B66B, B66C, B66D |
| | | | P71.4 | 10 | K62A, K62B | P91.6 | 01 | B03Z, B17A, B17B, B17C, B17D, B17J, B66A, B66B, B66C, B66D |
| P55.1 | 15 | P65C, P66C, P67B, P67C | P71.8 | 10 | K62A, K62B | P91.80 | 01 | B03Z, B17A, B17B, B17C, B17D, B17J, B66A, B66B, B66C, B66D |
| | 16 | Q61A, Q61B, Q61C, Q61D, Q61E | P71.9 | 10 | K62A, K62B | | Pre | A43Z |
| | | | P72.0 | 10 | K62A, K62B | P91.88 | 01 | B03Z, B17A, B17B, B17C, B17D, B17J, B66A, B66B, B66C, B66D |
| P55.8 | 15 | P65C, P66C, P67B, P67C | P72.1 | 10 | K64A, K64B, K64C, K64D | P91.9 | 01 | B03Z, B17A, B17B, B17C, B17D, B17J, B66A, B66B, B66C, B66D |
| | 16 | Q61A, Q61B, Q61C, Q61D, Q61E | | 15 | TPN, VTPN | P92.0 | 10 | K62A, K62B |
| | | | P72.2 | 10 | K62A, K62B | P92.1 | 10 | K62A, K62B |
| P55.9 | 16 | Q61A, Q61B, Q61C, Q61D, Q61E | P72.8 | 10 | K62A, K62B | P92.2 | 10 | K62A, K62B |
| | | | P72.9 | 10 | K62A, K62B | P92.3 | 10 | K62A, K62B |
| P56.0 | 15 | TPN, VTPN | P74.0 | 10 | K62A, K62B | P92.4 | 10 | K62A, K62B |
| | Pre | 963Z | | 15 | P65C, P66C, P67B, P67C | P92.5 | 10 | K62A, K62B |
| P56.9 | 15 | TPN, VTPN | P74.1 | 10 | K62A, K62B | P92.8 | 10 | K62A, K62B |
| | Pre | 963Z | P74.2 | 10 | K62A, K62B | P92.9 | 10 | K62A, K62B |
| P57.0 | 15 | TPN, VTPN | P74.3 | 10 | K62A, K62B | P93 | Pre | 963Z |
| | Pre | 963Z | P74.4 | 10 | K62A, K62B | P94.0 | 01 | B03Z, B17A, B17B, B17C, B17D, B17J, B48Z, B85A, B85B, B85C, B85D |
| P57.8 | 15 | TPN, VTPN | P74.5 | 10 | K62A, K62B | | 15 | TPN, VTPN |
| | Pre | 963Z | P74.8 | 10 | K62A, K62B | P94.1 | Pre | 963Z |
| P57.9 | 15 | TPN, VTPN | P74.9 | 10 | K62A, K62B | P94.2 | 01 | B81A, B81B |
| | Pre | 963Z | P75 | Pre | 963Z | | 15 | TPN, VTPN |
| P58.0 | Pre | 963Z | P76.0 | 15 | P65C, P66C, P67B, P67C | P94.8 | Pre | 963Z |
| P58.1 | Pre | 963Z | | Pre | 963Z | P94.9 | Pre | 963Z |
| P58.2 | Pre | 963Z | P76.1 | 06 | G46A, G46B, G46C, G50Z, G71Z | P95 | Pre | 963Z |
| P58.3 | Pre | 963Z | | | | P96.0 | 15 | TPN, VTPN |
| P58.4 | Pre | 963Z | P76.2 | 06 | G40Z, G46A, G46B, G46C, G47Z, G65Z | | Pre | 963Z |
| P58.5 | Pre | 963Z | | | | P96.1 | 15 | TPN, VTPN |
| P58.8 | Pre | 963Z | P76.8 | 06 | G46A, G46B, G46C, G50Z, G71Z | | Pre | 963Z |
| P58.9 | Pre | 963Z | | | | P96.2 | 15 | TPN, VTPN |
| P59.0 | 15 | P65C, P66C, P67B, P67C | P76.9 | 06 | G46A, G46B, G46C, G50Z, G71Z | | Pre | 963Z |
| | Pre | 963Z | | | | P96.3 | Pre | 963Z |
| P59.1 | 07 | H63A, H63B, H63C, H78Z | P77 | 06 | G46A, G46B, G46C, G50Z, G71Z | P96.4 | Pre | 963Z |
| | 15 | TPN, VTPN | | | | P96.5 | Pre | 963Z |
| P59.2 | 07 | H63A, H63B, H63C, H78Z | | 15 | TPN, VTPN | P96.8 | Pre | 963Z |
| | 15 | TPN, VTPN | P78.0 | 15 | TPN, VTPN | P96.9 | Pre | 963Z |
| P59.3 | 07 | H63A, H63B, H63C, H78Z | | Pre | 963Z | | | |
| P59.8 | 15 | P65C, P66C, P67B, P67C | P78.1 | 15 | TPN, VTPN | | | |
| | Pre | 963Z | | Pre | 963Z | | | |
| P59.9 | Pre | 963Z | P78.2 | Pre | 963Z | | | |
| P60 | 15 | TPN, VTPN | P78.3 | 06 | G46A, G46B, G46C, G50Z, G71Z | | | |
| | 16 | Q60A, Q60B, Q60C | | | | | | |
| P61.0 | 15 | TPN, VTPN | | 15 | P65C, P66C, P67B, P67C | | | |
| | 16 | Q60A, Q60B, Q60C | P78.8 | 06 | G46A, G46B, G46C, G50Z, G71Z | | | |
| P61.1 | Pre | 963Z | | | | | | |
| P61.2 | 16 | Q61A, Q61B, Q61C, Q61D, Q61E | P78.9 | 06 | G46A, G46B, G46C, G50Z, G71Z | | | |
| P61.3 | 16 | Q61A, Q61B, Q61C, Q61D, Q61E | | Pre | 963Z | | | |
| | | | P80.0 | Pre | 963Z | | | |
| P61.4 | 16 | Q61A, Q61B, Q61C, Q61D, Q61E | P80.8 | Pre | 963Z | | | |
| | | | P80.9 | Pre | 963Z | | | |
| P61.5 | 16 | Q60A, Q60B, Q60C, Q60D, Q60E | P81.0 | Pre | 963Z | | | |
| | | | P81.8 | Pre | 963Z | | | |
| P61.6 | 16 | Q60A, Q60B, Q60C | P81.9 | Pre | 963Z | | | |
| P61.8 | Pre | 963Z | P83.0 | 15 | TPN, VTPN | | | |
| P61.9 | Pre | 963Z | | Pre | 963Z | | | |
| P70.0 | 15 | TPN, VTPN | P83.1 | 09 | J67A, J67B, J68A, J68B | | | |
| | Pre | 963Z | P83.2 | 15 | TPN, VTPN | | | |
| P70.1 | 15 | TPN, VTPN | | Pre | 963Z | | | |
| | Pre | 963Z | P83.3 | 23 | Z65Z | | | |
| P70.2 | 10 | K60A, K60B, K60C, K60D, K60E | P83.4 | 09 | J67A, J67B | | | |
| | 15 | TPN, VTPN | P83.5 | 12 | M64Z | | | |
| | | | P83.6 | 09 | J67A, J67B, J68A, J68B | | | |
| | | | P83.8 | 09 | J67A, J67B, J68A, J68B | | | |

| ICD | MDC | DRG | ICD | MDC | DRG | ICD | MDC | DRG |
|-------|-----|--|-------|-----|------------------------|-------|-----|------------------------|
| Q06.0 | 01 | B03Z, B17A, B17B, B17C, B17D, B17J, B76B, B81A, B81B | Q10.4 | 02 | C63Z | Q14.1 | 02 | C63Z |
| | 15 | TPN, VTPN | | Pre | A09A, A11A, A11B | | 15 | P65C, P66C, P67B, P67C |
| | Pre | A09A, A09D, A11A, A11B, A11D, A13D | Q10.5 | 02 | C63Z | | Pre | A09A, A11A, A11B |
| Q06.1 | 01 | B03Z, B17A, B17B, B17C, B17D, B17J, B76B, B81A, B81B | | Pre | A09A, A11A, A11B | Q14.2 | 02 | C63Z |
| | 15 | TPN, VTPN | Q10.6 | 02 | C63Z | | 15 | P65C, P66C, P67B, P67C |
| | Pre | A09A, A09D, A11A, A11B, A11D, A13D | | 15 | P65C, P66C, P67B, P67C | | Pre | A09A, A11A, A11B |
| Q06.2 | 01 | B03Z, B17A, B17B, B17C, B17D, B17J, B76B, B81A, B81B | Q10.7 | 02 | C63Z | Q14.3 | 02 | C63Z |
| | 15 | TPN, VTPN | | 15 | P65C, P66C, P67B, P67C | | 15 | P65C, P66C, P67B, P67C |
| | Pre | A09A, A09D, A11A, A11B, A11D, A13D | | Pre | A09A, A11A, A11B | | Pre | A09A, A11A, A11B |
| Q06.3 | 01 | B03Z, B17A, B17B, B17C, B17D, B17J, B76B, B81A, B81B | Q11.0 | 02 | C63Z | Q14.8 | 02 | C63Z |
| | 15 | TPN, VTPN | | 15 | P65C, P66C, P67B, P67C | | 15 | P65C, P66C, P67B, P67C |
| | Pre | A09A, A09D, A11A, A11B, A11D, A13D | | Pre | A09A, A11A, A11B | | Pre | A09A, A11A, A11B |
| Q06.4 | 01 | B03Z, B17A, B17B, B17C, B17D, B17J, B76B, B81A, B81B | Q11.1 | 02 | C63Z | Q14.9 | 02 | C63Z |
| | 15 | TPN, VTPN | | 15 | P65C, P66C, P67B, P67C | | Pre | A09A, A11A, A11B |
| | Pre | A09A, A09D, A11A, A11B, A11D, A13D | | Pre | A09A, A11A, A11B | Q15.0 | 02 | C64Z |
| Q06.8 | 01 | B03Z, B17A, B17B, B17C, B17D, B17J, B76B, B81A, B81B | Q11.2 | 02 | C63Z | | 15 | TPN, VTPN |
| | 15 | TPN, VTPN | | 15 | P65C, P66C, P67B, P67C | Q15.8 | 02 | C63Z |
| | Pre | A09A, A09D, A11A, A11B, A11D, A13D | | Pre | A09A, A11A, A11B | | 15 | P65C, P66C, P67B, P67C |
| Q06.9 | 01 | B03Z, B17A, B17B, B17C, B17D, B17J, B76B, B81A, B81B | Q12.0 | 02 | C08A, C63Z | | Pre | A09A, A11A, A11B |
| | 15 | TPN, VTPN | | 15 | P65C, P66C, P67B, P67C | Q15.9 | 02 | C63Z |
| | Pre | A09A, A09D, A11A, A11B, A11D, A13D | | Pre | A09A, A11A, A11B | | Pre | A09A, A11A, A11B |
| Q07.0 | 01 | B03Z, B17A, B17B, B17C, B17D, B17J, B76B, B81A, B81B | Q12.1 | 02 | C08A, C63Z | Q16.0 | 03 | D66Z |
| | 06 | G18A, G38Z | | 15 | P65C, P66C, P67B, P67C | | 15 | P65C, P66C, P67B, P67C |
| | 15 | TPN, VTPN | | Pre | A09A, A11A, A11B | | Pre | A09A, A11A, A11B |
| | Pre | A09A, A09D, A11A, A11B, A11D, A13D | | Pre | A09A, A11A, A11B | Q16.1 | 03 | D66Z |
| Q07.8 | 01 | B03Z, B17A, B17B, B17C, B17D, B17J, B76B, B81A, B81B | Q12.2 | 02 | C08A, C63Z | | 15 | P65C, P66C, P67B, P67C |
| | Pre | A09A, A09D, A11A, A11B, A11D, A13D | | 15 | P65C, P66C, P67B, P67C | | Pre | A09A, A11A, A11B |
| Q07.9 | 01 | B03Z, B17A, B17B, B17C, B17D, B17J, B76B, B81A, B81B | Q12.3 | 02 | C08A, C63Z | Q16.3 | 03 | D66Z |
| | Pre | A09A, A09D, A11A, A11B, A11D, A13D | | 15 | P65C, P66C, P67B, P67C | | 15 | P65C, P66C, P67B, P67C |
| Q10.0 | 02 | C63Z | | Pre | A09A, A11A, A11B | | Pre | A09A, A11A, A11B |
| | 15 | P65C, P66C, P67B, P67C | Q12.4 | 02 | C08A, C63Z | Q16.4 | 03 | D66Z |
| | Pre | A09A, A11A, A11B | | 15 | P65C, P66C, P67B, P67C | | 15 | P65C, P66C, P67B, P67C |
| Q10.1 | 02 | C63Z | | Pre | A09A, A11A, A11B | | Pre | A09A, A11A, A11B |
| | 15 | P65C, P66C, P67B, P67C | Q12.8 | 02 | C08A, C63Z | Q16.5 | 03 | D66Z |
| | Pre | A09A, A11A, A11B | | 15 | P65C, P66C, P67B, P67C | | 15 | P65C, P66C, P67B, P67C |
| Q10.2 | 02 | C63Z | | Pre | A09A, A11A, A11B | | Pre | A09A, A11A, A11B |
| | 15 | P65C, P66C, P67B, P67C | Q12.9 | 02 | C08A, C63Z | Q16.9 | 03 | D66Z |
| | Pre | A09A, A11A, A11B | | 15 | P65C, P66C, P67B, P67C | | 15 | P65C, P66C, P67B, P67C |
| Q10.3 | 02 | C63Z | | Pre | A09A, A11A, A11B | | Pre | A09A, A11A, A11B |
| | 15 | P65C, P66C, P67B, P67C | Q13.0 | 02 | C63Z | Q17.0 | 03 | D66Z |
| | Pre | A09A, A11A, A11B | | 15 | P65C, P66C, P67B, P67C | | 15 | P65C, P66C, P67B, P67C |
| Q10.4 | 02 | C63Z | | Pre | A09A, A11A, A11B | | Pre | A09A, A11A, A11B |
| | 15 | P65C, P66C, P67B, P67C | Q13.1 | 02 | C63Z | Q17.1 | 03 | D66Z |
| | Pre | A09A, A11A, A11B | | 15 | P65C, P66C, P67B, P67C | | Pre | A09A, A11A, A11B |
| Q10.5 | 02 | C63Z | | Pre | A09A, A11A, A11B | | 03 | D66Z |
| | Pre | A09A, A11A, A11B | Q13.2 | 02 | C63Z | Q17.2 | 03 | D66Z |
| Q10.6 | 02 | C63Z | | 15 | P65C, P66C, P67B, P67C | | Pre | A09A, A11A, A11B |
| | Pre | A09A, A11A, A11B | | Pre | A09A, A11A, A11B | Q17.3 | 03 | D66Z |
| Q10.7 | 02 | C63Z | | Pre | A09A, A11A, A11B | | 15 | P65C, P66C, P67B, P67C |
| | 15 | P65C, P66C, P67B, P67C | Q13.3 | 02 | C63Z | | Pre | A09A, A11A, A11B |
| | Pre | A09A, A11A, A11B | | 15 | P65C, P66C, P67B, P67C | Q17.4 | 03 | D66Z |
| Q10.8 | 02 | C63Z | | Pre | A09A, A11A, A11B | | Pre | A09A, A11A, A11B |
| | 15 | P65C, P66C, P67B, P67C | Q13.4 | 02 | C63Z | Q17.5 | 03 | D66Z |
| | Pre | A09A, A11A, A11B | | 15 | P65C, P66C, P67B, P67C | | Pre | A09A, A11A, A11B |
| Q10.9 | 02 | C63Z | | Pre | A09A, A11A, A11B | Q17.8 | 03 | D66Z |
| | 15 | P65C, P66C, P67B, P67C | Q13.5 | 02 | C63Z | | Pre | A09A, A11A, A11B |
| | Pre | A09A, A11A, A11B | | 15 | P65C, P66C, P67B, P67C | Q17.9 | 03 | D66Z |
| Q11.0 | 02 | C63Z | | Pre | A09A, A11A, A11B | | Pre | A09A, A11A, A11B |
| | 15 | P65C, P66C, P67B, P67C | Q13.8 | 02 | C63Z | Q18.0 | 03 | D66Z |
| | Pre | A09A, A11A, A11B | | 15 | P65C, P66C, P67B, P67C | | 15 | P65C, P66C, P67B, P67C |
| Q11.1 | 02 | C63Z | | Pre | A09A, A11A, A11B | | Pre | A09A, A11A, A11B |
| | 15 | P65C, P66C, P67B, P67C | Q13.9 | 02 | C63Z | Q18.1 | 03 | D66Z |
| | Pre | A09A, A11A, A11B | | Pre | A09A, A11A, A11B | | Pre | A09A, A11A, A11B |
| Q11.2 | 02 | C63Z | | 02 | C63Z | Q18.2 | 03 | D66Z |
| | 15 | P65C, P66C, P67B, P67C | | 15 | P65C, P66C, P67B, P67C | | Pre | A09A, A11A, A11B |
| | Pre | A09A, A11A, A11B | | Pre | A09A, A11A, A11B | | | |

Dg

| ICD | MDC | DRG | ICD | MDC | DRG | ICD | MDC | DRG |
|-------|-----|--|--------|-----|--|-------|-----|--|
| Q18.3 | 09 | J67A, J67B, J68A, J68B Pre A09A, A11A, A11B | Q20.9 | 05 | F03C, F03D, F03E, F46A, F46B, F68A, F68B | Q22.2 | 05 | F03C, F03D, F03E, F46A, F46B, F68A, F68B |
| Q18.4 | 03 | D40J, D40Z, D67Z Pre A09A, A11A, A11B | | 10 | K62A | | 06 | G18A, G38Z |
| Q18.5 | 03 | D40J, D40Z, D67Z Pre A09A, A11A, A11B | | Pre | A09A, A09D, A11A, A11B, A11D, A13D | | 10 | K62A |
| Q18.6 | 03 | D40J, D40Z, D67Z Pre A09A, A11A, A11B | Q21.0 | 05 | F03C, F03D, F03E, F46A, F46B, F68A, F68B | Q22.3 | 05 | F03C, F03D, F03E, F46A, F46B, F68A, F68B |
| Q18.7 | 03 | D40J, D40Z, D67Z Pre A09A, A11A, A11B | | 10 | K62A | | 10 | K62A |
| Q18.8 | 03 | D66Z Pre A09A, A11A, A11B | Q21.1 | 05 | F03C, F03D, F03E, F46A, F46B, F68A, F68B | | Pre | A09A, A09D, A11A, A11B, A11D, A13D |
| Q18.9 | 09 | J67A, J67B, J68A, J68B Pre A09A, A11A, A11B | | 10 | K62A | Q22.4 | 05 | F03C, F03D, F03E, F46A, F46B, F68A, F68B |
| Q20.0 | 05 | F03C, F03D, F03E, F30Z, F42Z, F46A, F46B, F68A, F68B | | 15 | TPN, VTPN | | 06 | G18A, G38Z |
| | 06 | G18A, G38Z | Q21.2 | 05 | F03C, F03D, F03E, F46A, F46B, F68A, F68B | | 10 | K62A |
| | 10 | K62A | | 10 | K62A | | 15 | TPN, VTPN |
| | 15 | TPN, VTPN | | Pre | A09A, A09D, A11A, A11B, A11D, A13D | Q22.5 | 05 | F03C, F03D, F03E, F46A, F46B, F68A, F68B |
| | Pre | A09A, A09D, A11A, A11B, A11D, A13D | | 15 | TPN, VTPN | | 06 | G18A, G38Z |
| Q20.1 | 05 | F03C, F03D, F03E, F30Z, F42Z, F46A, F46B, F68A, F68B | Q21.3 | 05 | F03C, F03D, F03E, F46A, F46B, F68A, F68B | | 10 | K62A |
| | 06 | G18A, G38Z | | 06 | G18A, G38Z | | 15 | TPN, VTPN |
| | 10 | K62A | | 10 | K62A | Q22.6 | 05 | F03C, F03D, F03E, F30Z, F42Z, F46A, F46B, F68A, F68B |
| | 15 | TPN, VTPN | | 15 | TPN, VTPN | | 06 | G18A, G38Z |
| | Pre | A09A, A09D, A11A, A11B, A11D, A13D | | Pre | A09A, A09D, A11A, A11B, A11D, A13D | | 10 | K62A |
| Q20.2 | 05 | F03C, F03D, F03E, F30Z, F42Z, F46A, F46B, F68A, F68B | Q21.4 | 05 | F03C, F03D, F03E, F46A, F46B, F68A, F68B | | 15 | TPN, VTPN |
| | 06 | G18A, G38Z | | 10 | K62A | Q22.8 | 05 | F03C, F03D, F03E, F46A, F46B, F68A, F68B |
| | 10 | K62A | | 15 | TPN, VTPN | | 10 | K62A |
| | 15 | TPN, VTPN | | Pre | A09A, A09D, A11A, A11B, A11D, A13D | | 15 | TPN, VTPN |
| | Pre | A09A, A09D, A11A, A11B, A11D, A13D | | Pre | A09A, A09D, A11A, A11B, A11D, A13D | Q22.9 | 05 | F03C, F03D, F03E, F46A, F46B, F68A, F68B |
| Q20.3 | 05 | F03C, F03D, F03E, F30Z, F42Z, F46A, F46B, F68A, F68B | Q21.80 | 05 | F03C, F03D, F03E, F46A, F46B, F68A, F68B | | 10 | K62A |
| | 06 | G18A, G38Z | | 10 | K62A | | Pre | A09A, A09D, A11A, A11B, A11D, A13D |
| | 10 | K62A | | 15 | TPN, VTPN | Q23.0 | 05 | F03C, F03D, F03E, F46A, F46B, F68A, F68B |
| | 15 | TPN, VTPN | | Pre | A09A, A09D, A11A, A11B, A11D, A13D | | 06 | G18A, G38Z |
| | Pre | A09A, A09D, A11A, A11B, A11D, A13D | Q21.88 | 05 | F03C, F03D, F03E, F46A, F46B, F68A, F68B | | 10 | K62A |
| Q20.4 | 05 | F03C, F03D, F03E, F30Z, F42Z, F46A, F46B, F68A, F68B | | 10 | K62A | | 15 | TPN, VTPN |
| | 06 | G18A, G38Z | | 15 | TPN, VTPN | Q23.1 | 05 | F03C, F03D, F03E, F46A, F46B, F68A, F68B |
| | 10 | K62A | | Pre | A09A, A09D, A11A, A11B, A11D, A13D | | 06 | G18A, G38Z |
| | 15 | TPN, VTPN | Q21.9 | 05 | F03C, F03D, F03E, F46A, F46B, F68A, F68B | | 10 | K62A |
| | Pre | A09A, A09D, A11A, A11B, A11D, A13D | | 10 | K62A | | 15 | TPN, VTPN |
| Q20.5 | 05 | F03C, F03D, F03E, F30Z, F42Z, F46A, F46B, F68A, F68B | | Pre | A09A, A09D, A11A, A11B, A11D, A13D | Q23.2 | 05 | F03C, F03D, F03E, F46A, F46B, F68A, F68B |
| | 06 | G18A, G38Z | Q22.0 | 05 | F03C, F03D, F03E, F30Z, F42Z, F46A, F46B, F68A, F68B | | 06 | G18A, G38Z |
| | 10 | K62A | | 06 | G18A, G38Z | | 10 | K62A |
| | 15 | TPN, VTPN | | 10 | K62A | | 15 | TPN, VTPN |
| | Pre | A09A, A09D, A11A, A11B, A11D, A13D | | 15 | TPN, VTPN | Q23.1 | 05 | F03C, F03D, F03E, F46A, F46B, F68A, F68B |
| Q20.6 | 05 | F03C, F03D, F03E, F30Z, F42Z, F46A, F46B, F68A, F68B | | Pre | A09A, A09D, A11A, A11B, A11D, A13D | | Pre | A09A, A09D, A11A, A11B, A11D, A13D |
| | 06 | G18A, G38Z | Q22.1 | 05 | F03C, F03D, F03E, F46A, F46B, F68A, F68B | Q23.2 | 05 | F03C, F03D, F03E, F46A, F46B, F68A, F68B |
| | 10 | K62A | | 06 | G18A, G38Z | | 06 | G18A, G38Z |
| | 15 | TPN, VTPN | | 10 | K62A | | 10 | K62A |
| | Pre | A09A, A09D, A11A, A11B, A11D, A13D | | 15 | TPN, VTPN | | 15 | TPN, VTPN |
| Q20.8 | 05 | F03C, F03D, F03E, F30Z, F42Z, F46A, F46B, F68A, F68B | | Pre | A09A, A09D, A11A, A11B, A11D, A13D | | Pre | A09A, A09D, A11A, A11B, A11D, A13D |
| | 10 | K62A | | Pre | A09A, A09D, A11A, A11B, A11D, A13D | | 06 | G18A, G38Z |
| | Pre | A09A, A09D, A11A, A11B, A11D, A13D | | Pre | A09A, A09D, A11A, A11B, A11D, A13D | | 10 | K62A |

| ICD | MDC | DRG | ICD | MDC | DRG | ICD | MDC | DRG |
|-------|-----|--|-------|-----|--|-------|-----|--|
| Q23.3 | 05 | F03C, F03D, F03E, F46A, F46B, F68A, F68B | Q24.8 | 05 | F03C, F03D, F03E, F46A, F46B, F68A, F68B | Q26.0 | 05 | F03C, F03D, F03E, F46A, F46B, F68A, F68B |
| | 06 | G18A, G38Z | | 10 | K62A | | 06 | G18A, G38Z |
| | 10 | K62A | | 15 | TPN, VTPN | | 10 | K62A |
| | 15 | TPN, VTPN | | Pre | A09A, A09D, A11A, A11B, A11D, A13D | | Pre | A09A, A09D, A11A, A11B, A11D, A13D |
| | Pre | A09A, A09D, A11A, A11B, A11D, A13D | Q24.9 | 05 | F03C, F03D, F03E, F46A, F46B, F68A, F68B | Q26.1 | 05 | F03C, F03D, F03E, F46A, F46B, F68A, F68B |
| Q23.4 | 05 | F03C, F03D, F03E, F30Z, F42Z, F46A, F46B, F68A, F68B | | 10 | K62A | | 10 | K62A |
| | 06 | G18A, G38Z | | Pre | A09A, A09D, A11A, A11B, A11D, A13D | | Pre | A09A, A09D, A11A, A11B, A11D, A13D |
| | 10 | K62A | Q25.0 | 05 | F03C, F03D, F03E, F46A, F46B, F68A, F68B | Q26.2 | 05 | F03C, F03D, F03E, F30Z, F42Z, F46A, F46B, F68A, F68B |
| | 15 | TPN, VTPN | | 10 | K62A | | 06 | G18A, G38Z |
| | Pre | A09A, A09D, A11A, A11B, A11D, A13D | | Pre | A09A, A09D, A11A, A11B, A11D, A13D | | 10 | K62A |
| Q23.8 | 05 | F03C, F03D, F03E, F46A, F46B, F68A, F68B | Q25.1 | 05 | F03C, F03D, F03E, F46A, F46B, F68A, F68B | | 15 | TPN, VTPN |
| | 10 | K62A | | 10 | K62A | Q26.3 | 05 | F03C, F03D, F03E, F46A, F46B, F68A, F68B |
| | 15 | TPN, VTPN | | 15 | TPN, VTPN | | 06 | G18A, G38Z |
| | Pre | A09A, A09D, A11A, A11B, A11D, A13D | | Pre | A09A, A09D, A11A, A11B, A11D, A13D | | 10 | K62A |
| Q23.9 | 05 | F03C, F03D, F03E, F46A, F46B, F68A, F68B | Q25.2 | 05 | F03C, F03D, F03E, F30Z, F42Z, F46A, F46B, F68A, F68B | | 15 | TPN, VTPN |
| | 10 | K62A | | 06 | G18A, G38Z | | Pre | A09A, A09D, A11A, A11B, A11D, A13D |
| | 15 | TPN, VTPN | | 10 | K62A | Q26.4 | 05 | F03C, F03D, F03E, F46A, F46B, F68A, F68B |
| | Pre | A09A, A09D, A11A, A11B, A11D, A13D | | 15 | TPN, VTPN | | 10 | K62A |
| Q24.0 | 05 | F03C, F03D, F03E, F46A, F46B, F68A, F68B | | Pre | A09A, A09D, A11A, A11B, A11D, A13D | | Pre | A09A, A09D, A11A, A11B, A11D, A13D |
| | 10 | K62A | Q25.3 | 05 | F03C, F03D, F03E, F46A, F46B, F68A, F68B | Q26.5 | 05 | F03C, F03D, F03E, F46A, F46B, F68A, F68B |
| | 15 | TPN, VTPN | | 06 | G18A, G38Z | | 10 | K62A |
| | Pre | A09A, A09D, A11A, A11B, A11D, A13D | | 10 | K62A | | Pre | A09A, A09D, A11A, A11B, A11D, A13D |
| Q24.1 | 05 | F03C, F03D, F03E, F46A, F46B, F68A, F68B | Q25.4 | 05 | F03C, F03D, F03E, F46A, F46B, F68A, F68B | Q26.6 | 05 | F03C, F03D, F03E, F46A, F46B, F68A, F68B |
| | 10 | K62A | | 10 | K62A | | 10 | K62A |
| | 15 | TPN, VTPN | | Pre | A09A, A09D, A11A, A11B, A11D, A13D | | Pre | A09A, A09D, A11A, A11B, A11D, A13D |
| | Pre | A09A, A09D, A11A, A11B, A11D, A13D | Q25.5 | 05 | F03C, F03D, F03E, F30Z, F42Z, F46A, F46B, F68A, F68B | Q26.8 | 05 | F03C, F03D, F03E, F46A, F46B, F68A, F68B |
| Q24.2 | 05 | F03C, F03D, F03E, F46A, F46B, F68A, F68B | | 06 | G18A, G38Z | | 10 | K62A |
| | 10 | K62A | | 10 | K62A | | Pre | A09A, A09D, A11A, A11B, A11D, A13D |
| | 15 | TPN, VTPN | | Pre | A09A, A09D, A11A, A11B, A11D, A13D | Q26.9 | 05 | F03C, F03D, F03E, F46A, F46B, F68A, F68B |
| | Pre | A09A, A09D, A11A, A11B, A11D, A13D | Q25.6 | 05 | F03C, F03D, F03E, F46A, F46B, F68A, F68B | | 10 | K62A |
| Q24.3 | 05 | F03C, F03D, F03E, F46A, F46B, F68A, F68B | | 06 | G18A, G38Z | | Pre | A09A, A09D, A11A, A11B, A11D, A13D |
| | 06 | G18A, G38Z | | 10 | K62A | Q27.0 | 05 | F03C, F03D, F03E, F65A, F65B |
| | 10 | K62A | | Pre | A09A, A09D, A11A, A11B, A11D, A13D | | 10 | K62A |
| | 15 | TPN, VTPN | | Pre | A09A, A09D, A11A, A11B, A11D, A13D | | Pre | A09A, A09D, A11A, A11B, A11D, A13D |
| | Pre | A09A, A09D, A11A, A11B, A11D, A13D | Q25.7 | 05 | F03C, F03D, F03E, F46A, F46B, F68A, F68B | Q27.1 | 05 | F03C, F03D, F03E, F65A, F65B |
| Q24.4 | 05 | F03C, F03D, F03E, F46A, F46B, F68A, F68B | | 10 | K62A | | 10 | K62A |
| | 06 | G18A, G38Z | | 15 | TPN, VTPN | | Pre | A09A, A09D, A11A, A11B, A11D, A13D |
| | 10 | K62A | | Pre | A09A, A09D, A11A, A11B, A11D, A13D | Q27.2 | 05 | F03C, F03D, F03E, F65A, F65B |
| | 15 | TPN, VTPN | | Pre | A09A, A09D, A11A, A11B, A11D, A13D | | 10 | K62A |
| | Pre | A09A, A09D, A11A, A11B, A11D, A13D | Q25.8 | 05 | F03C, F03D, F03E, F46A, F46B, F65A, F65B | | Pre | A09A, A09D, A11A, A11B, A11D, A13D |
| Q24.5 | 05 | F03C, F03D, F03E, F46A, F46B, F68A, F68B | | 10 | K62A | Q27.3 | 05 | F03C, F03D, F03E, F65A, F65B |
| | 10 | K62A | | Pre | A09A, A09D, A11A, A11B, A11D, A13D | | 10 | K62A |
| | 15 | TPN, VTPN | | Pre | A09A, A09D, A11A, A11B, A11D, A13D | | Pre | A09A, A09D, A11A, A11B, A11D, A13D |
| | Pre | A09A, A09D, A11A, A11B, A11D, A13D | Q25.9 | 05 | F03C, F03D, F03E, F46A, F46B, F65A, F65B | | Pre | A09A, A09D, A11A, A11B, A11D, A13D |
| Q24.6 | 05 | F03C, F03D, F03E, F46A, F46B, F68A, F68B | | 10 | K62A | | 10 | K62A |
| | 10 | K62A | | 15 | TPN, VTPN | | Pre | A09A, A09D, A11A, A11B, A11D, A13D |
| | 15 | TPN, VTPN | | Pre | A09A, A09D, A11A, A11B, A11D, A13D | | Pre | A09A, A09D, A11A, A11B, A11D, A13D |
| | Pre | A09A, A09D, A11A, A11B, A11D, A13D | | Pre | A09A, A09D, A11A, A11B, A11D, A13D | | Pre | A09A, A09D, A11A, A11B, A11D, A13D |

Dg

| ICD | MDC | DRG | ICD | MDC | DRG | ICD | MDC | DRG |
|--------|-----|--|--------|-----|--|-------|-----|------------------------------------|
| Q27.4 | 05 | F03C, F03D, F03E, F65A, F65B | Q28.21 | 01 | B03Z, B17A, B17B, B17C, B17D, B17J, B81A, B81B | Q30.1 | 03 | D66Z |
| | 10 | K62A | | 10 | K62A | | Pre | A09A, A11A, A11B |
| | Pre | A09A, A09D, A11A, A11B, A11D, A13D | | 15 | TPN, VTPN | Q30.2 | 03 | D66Z |
| Q27.8 | 05 | F03C, F03D, F03E, F65A, F65B | Q28.28 | 01 | B03Z, B17A, B17B, B17C, B17D, B17J, B81A, B81B | Q30.3 | 03 | D66Z |
| | 10 | K62A | | 10 | K62A | | Pre | A09A, A11A, A11B |
| | Pre | A09A, A09D, A11A, A11B, A11D, A13D | | 15 | TPN, VTPN | Q30.8 | 03 | D66Z |
| Q27.9 | 05 | F03C, F03D, F03E, F65A, F65B | Q28.29 | 01 | B03Z, B17A, B17B, B17C, B17D, B17J, B81A, B81B | Q30.9 | 03 | D66Z |
| | 10 | K62A | | 10 | K62A | | Pre | A09A, A11A, A11B |
| | Pre | A09A, A09D, A11A, A11B, A11D, A13D | | 15 | TPN, VTPN | Q31.0 | 03 | D66Z |
| Q28.00 | 01 | B03Z, B17A, B17B, B17C, B17D, B17J, B81A, B81B | Q28.30 | 01 | B03Z, B17A, B17B, B17C, B17D, B17J, B81A, B81B | | 15 | TPN, VTPN |
| | 10 | K62A | | 10 | K62A | Q31.1 | 03 | D66Z |
| | 15 | TPN, VTPN | | 15 | TPN, VTPN | | 15 | TPN, VTPN |
| | Pre | A09A, A09D, A11A, A11B, A11D, A13D | | Pre | A09A, A09D, A11A, A11B, A11D, A13D | | Pre | A09A, A09D, A11A, A11B, A11D, A13D |
| Q28.01 | 01 | B03Z, B17A, B17B, B17C, B17D, B17J, B81A, B81B | Q28.31 | 01 | B03Z, B17A, B17B, B17C, B17D, B17J, B81A, B81B | Q31.2 | 03 | D66Z |
| | 10 | K62A | | 10 | K62A | | 15 | TPN, VTPN |
| | 15 | TPN, VTPN | | 15 | TPN, VTPN | | Pre | A09A, A09D, A11A, A11B, A11D, A13D |
| | Pre | A09A, A09D, A11A, A11B, A11D, A13D | | Pre | A09A, A09D, A11A, A11B, A11D, A13D | Q31.3 | 03 | D66Z |
| Q28.08 | 01 | B03Z, B17A, B17B, B17C, B17D, B17J, B81A, B81B | Q28.38 | 01 | B03Z, B17A, B17B, B17C, B17D, B17J, B81A, B81B | | 15 | TPN, VTPN |
| | 10 | K62A | | 10 | K62A | Q31.5 | 03 | D66Z |
| | 15 | TPN, VTPN | | 15 | TPN, VTPN | | 15 | TPN, VTPN |
| | Pre | A09A, A09D, A11A, A11B, A11D, A13D | | Pre | A09A, A09D, A11A, A11B, A11D, A13D | | Pre | A09A, A09D, A11A, A11B, A11D, A13D |
| Q28.09 | 01 | B03Z, B17A, B17B, B17C, B17D, B17J, B81A, B81B | Q28.39 | 01 | B03Z, B17A, B17B, B17C, B17D, B17J, B81A, B81B | Q31.8 | 03 | D66Z |
| | 10 | K62A | | 10 | K62A | | 15 | TPN, VTPN |
| | 15 | TPN, VTPN | | 15 | TPN, VTPN | | Pre | A09A, A09D, A11A, A11B, A11D, A13D |
| | Pre | A09A, A09D, A11A, A11B, A11D, A13D | | Pre | A09A, A09D, A11A, A11B, A11D, A13D | Q31.9 | 03 | D66Z |
| Q28.10 | 01 | B03Z, B17A, B17B, B17C, B17D, B17J, B81A, B81B | Q28.80 | 05 | F03C, F03D, F03E, F65A, F65B | | 15 | TPN, VTPN |
| | 10 | K62A | | 10 | K62A | Q32.0 | 03 | D66Z |
| | 15 | TPN, VTPN | | 15 | TPN, VTPN | | 15 | TPN, VTPN |
| | Pre | A09A, A09D, A11A, A11B, A11D, A13D | | Pre | A09A, A09D, A11A, A11B, A11D, A13D | | Pre | A09A, A09D, A11A, A11B, A11D, A13D |
| Q28.11 | 01 | B03Z, B17A, B17B, B17C, B17D, B17J, B81A, B81B | Q28.81 | 05 | F03C, F03D, F03E, F65A, F65B | Q32.1 | 03 | D66Z |
| | 10 | K62A | | 10 | K62A | | 15 | TPN, VTPN |
| | 15 | TPN, VTPN | | 15 | P65C, P66C, P67B, P67C | | Pre | A09A, A09D, A11A, A11B, A11D, A13D |
| | Pre | A09A, A09D, A11A, A11B, A11D, A13D | | Pre | A09A, A09D, A11A, A11B, A11D, A13D | Q32.2 | 03 | D66Z |
| Q28.18 | 01 | B03Z, B17A, B17B, B17C, B17D, B17J, B81A, B81B | Q28.88 | 05 | F03C, F03D, F03E, F65A, F65B | | 15 | TPN, VTPN |
| | 10 | K62A | | 10 | K62A | Q32.3 | 03 | D66Z |
| | 15 | TPN, VTPN | | 15 | P65C, P66C, P67B, P67C | | 15 | TPN, VTPN |
| | Pre | A09A, A09D, A11A, A11B, A11D, A13D | | Pre | A09A, A09D, A11A, A11B, A11D, A13D | | Pre | A09A, A09D, A11A, A11B, A11D, A13D |
| Q28.19 | 01 | B03Z, B17A, B17B, B17C, B17D, B17J, B81A, B81B | Q28.9 | 05 | F03C, F03D, F03E, F65A, F65B | Q32.4 | 03 | D66Z |
| | 10 | K62A | | 10 | K62A | | 15 | TPN, VTPN |
| | 15 | TPN, VTPN | | 15 | P65C, P66C, P67B, P67C | | Pre | A09A, A09D, A11A, A11B, A11D, A13D |
| | Pre | A09A, A09D, A11A, A11B, A11D, A13D | | Pre | A09A, A09D, A11A, A11B, A11D, A13D | Q33.0 | 04 | E75A, E75B, E75C |
| Q28.20 | 01 | B03Z, B17A, B17B, B17C, B17D, B17J, B81A, B81B | Q30.0 | 03 | D66Z | | 15 | TPN, VTPN |
| | 10 | K62A | | 15 | TPN, VTPN | Q33.1 | 04 | E75A, E75B, E75C |
| | 15 | TPN, VTPN | | Pre | A09A, A09D, A11A, A11B, A11D, A13D | | 15 | P65C, P66C, P67B, P67C |
| | Pre | A09A, A09D, A11A, A11B, A11D, A13D | | Pre | A09A, A09D, A11A, A11B, A11D, A13D | | Pre | A09A, A09D, A11A, A11B, A11D, A13D |
| | | | | | | Q33.2 | 04 | E75A, E75B, E75C |
| | | | | | | | 15 | TPN, VTPN |
| | | | | | | | Pre | A09A, A09D, A11A, A11B, A11D, A13D |

| ICD | MDC | DRG | ICD | MDC | DRG | ICD | MDC | DRG |
|-------|-----|--|-------|-----|------------------------------------|-------|-----|------------------------------------|
| Q51.3 | 13 | N04Z, N05A, N05B, N05J, N14Z, N21J, N21Z, N25J, N25Q, N25Z, N62A, N62B | Q53.1 | 12 | M64Z | Q60.3 | 11 | L64A, L64B, L64J, L64Q, L64R, L74Z |
| | Pre | A09A, A11A, A11B | Q53.2 | 12 | M64Z | | 15 | TPN, VTPN |
| Q51.4 | 13 | N04Z, N05A, N05B, N05J, N14Z, N21J, N21Z, N25J, N25Q, N25Z, N62A, N62B | Q53.9 | 12 | M64Z | Q60.4 | 06 | G18A, G38Z |
| | Pre | A09A, A11A, A11B | Q54.0 | 12 | M64Z | | 11 | L68A, L68B, L74Z |
| Q51.5 | 13 | N04Z, N05A, N05B, N05J, N14Z, N21J, N21Z, N25J, N25Q, N25Z, N62A, N62B | Q54.1 | 12 | M64Z | | 15 | TPN, VTPN |
| | Pre | A09A, A11A, A11B | Q54.2 | 12 | M64Z | Q60.5 | 11 | L64A, L64B, L64J, L64Q, L64R, L74Z |
| Q51.6 | 13 | N04Z, N05A, N05B, N05J, N14Z, N21J, N21Z, N25J, N25Q, N25Z, N62A, N62B | Q54.3 | 12 | M64Z | | 15 | TPN, VTPN |
| | Pre | A09A, A11A, A11B | Q54.4 | 12 | M64Z | Q60.6 | 06 | G18A, G38Z |
| Q51.7 | 13 | N04Z, N05A, N05B, N05J, N14Z, N21J, N21Z, N25J, N25Q, N25Z, N62A, N62B | Q54.8 | 12 | M64Z | | 11 | L64A, L64B, L64J, L64Q, L64R, L74Z |
| | Pre | A09A, A11A, A11B | Q54.9 | 12 | M64Z | | 15 | TPN, VTPN |
| Q51.8 | 13 | N04Z, N05A, N05B, N05J, N14Z, N21J, N21Z, N25J, N25Q, N25Z, N62A, N62B | Q55.0 | 12 | M64Z | Q61.0 | 11 | L68A, L68B, L74Z |
| | Pre | A09A, A11A, A11B | Q55.1 | 12 | M64Z | | 15 | P65C, P66C, P67B, P67C |
| Q51.9 | 13 | N04Z, N05A, N05B, N05J, N14Z, N21J, N21Z, N25J, N25Q, N25Z, N62A, N62B | Q55.2 | 12 | M64Z | Q61.1 | 11 | L68A, L68B, L74Z |
| | Pre | A09A, A11A, A11B | Q55.3 | 12 | M64Z | | 15 | TPN, VTPN |
| Q52.0 | 13 | N04Z, N05A, N05B, N05J, N14Z, N21J, N21Z, N25J, N25Q, N25Z, N62A, N62B | Q55.4 | 12 | M64Z | Q61.2 | 11 | L68A, L68B, L74Z |
| | Pre | A09A, A11A, A11B | Q55.5 | 12 | M64Z | | 15 | P65C, P66C, P67B, P67C |
| Q52.1 | 13 | N04Z, N05A, N05B, N05J, N14Z, N21J, N21Z, N25J, N25Q, N25Z, N62A, N62B | Q55.6 | 12 | M64Z | Q61.3 | 11 | L68A, L68B, L74Z |
| | Pre | A09A, A11A, A11B | Q55.8 | 12 | M64Z | | 15 | P65C, P66C, P67B, P67C |
| Q52.2 | 13 | N04Z, N05A, N05B, N05J, N14Z, N21J, N21Z, N25J, N25Q, N25Z, N62A, N62B | Q55.9 | 12 | M64Z | Q61.4 | 11 | L68A, L68B, L74Z |
| | Pre | A09A, A11A, A11B | Q56.0 | 10 | K64A, K64B, K64C, K64D | | 15 | P65C, P66C, P67B, P67C |
| Q52.3 | 13 | N04Z, N05A, N05B, N05J, N14Z, N21J, N21Z, N25J, N25Q, N25Z, N62A, N62B | Q56.1 | 10 | K64A, K64B, K64C, K64D | Q61.5 | 11 | L68A, L68B, L74Z |
| | Pre | A09A, A11A, A11B | Q56.2 | 15 | TPN, VTPN | | 15 | P65C, P66C, P67B, P67C |
| Q52.4 | 13 | N04Z, N05A, N05B, N05J, N14Z, N21J, N21Z, N25J, N25Q, N25Z, N62A, N62B | Q56.3 | 10 | K64A, K64B, K64C, K64D | Q61.8 | 11 | L68A, L68B, L74Z |
| | Pre | A09A, A11A, A11B | Q56.4 | 15 | TPN, VTPN | | 15 | P65C, P66C, P67B, P67C |
| Q52.5 | 13 | N04Z, N05A, N05B, N05J, N14Z, N21J, N21Z, N25J, N25Q, N25Z, N62A, N62B | Q60.0 | 11 | L64A, L64B, L64J, L64Q, L64R, L74Z | Q61.9 | 11 | L68A, L68B, L74Z |
| | Pre | A09A, A11A, A11B | Q60.1 | 06 | G18A, G38Z | | 15 | P65C, P66C, P67B, P67C |
| Q52.6 | 13 | N04Z, N05A, N05B, N05J, N14Z, N21J, N21Z, N25J, N25Q, N25Z, N62A, N62B | Q60.2 | 11 | L64A, L64B, L64J, L64Q, L64R, L74Z | Q62.0 | 11 | L64A, L64B, L64J, L64Q, L64R, L74Z |
| | Pre | A09A, A11A, A11B | | 15 | TPN, VTPN | | 15 | P65C, P66C, P67B, P67C |
| Q52.7 | 13 | N04Z, N05A, N05B, N05J, N14Z, N21J, N21Z, N25J, N25Q, N25Z, N62A, N62B | | 06 | G18A, G38Z | Q62.1 | 11 | L64A, L64B, L64J, L64Q, L64R, L74Z |
| | Pre | A09A, A11A, A11B | | 11 | L68A, L68B, L74Z | | 15 | P65C, P66C, P67B, P67C |
| Q52.8 | 13 | N04Z, N05A, N05B, N05J, N14Z, N21J, N21Z, N25J, N25Q, N25Z, N62A, N62B | | 15 | TPN, VTPN | Q62.2 | 11 | L64A, L64B, L64J, L64Q, L64R, L74Z |
| | Pre | A09A, A11A, A11B | | Pre | A09A, A09D, A11A, A11B, A11D, A13D | Q62.3 | 11 | L64A, L64B, L64J, L64Q, L64R, L74Z |
| Q52.9 | 13 | N04Z, N05A, N05B, N05J, N14Z, N21J, N21Z, N25J, N25Q, N25Z, N62A, N62B | | 11 | L64A, L64B, L64J, L64Q, L64R, L74Z | | 15 | P65C, P66C, P67B, P67C |
| | Pre | A09A, A11A, A11B | | 15 | TPN, VTPN | Q62.4 | 11 | L64A, L64B, L64J, L64Q, L64R, L74Z |
| Q53.0 | 12 | M64Z | | Pre | A09A, A11A, A11B | Q62.5 | 11 | L64A, L64B, L64J, L64Q, L64R, L74Z |
| | Pre | A09A, A11A, A11B | | | | Q62.6 | 11 | L64A, L64B, L64J, L64Q, L64R, L74Z |
| | | | | | | Q62.7 | 11 | L64A, L64B, L64J, L64Q, L64R, L74Z |
| | | | | | | | Pre | A09A, A11A, A11B |

Dg

| ICD | MDC | DRG | ICD | MDC | DRG | ICD | MDC | DRG |
|-------|-----|--|-------|-----|--|-------|-----|--|
| Q62.8 | 11 | L64A, L64B, L64J, L64Q, L64R, L74Z | Q65.6 | 08 | I76A, I76B | Q69.0 | 08 | I32A, I32B, I32C, I32D, I32E, I32F, I32G, I32J, I32Q, I32R, I32S, I32T, I32U, I76A, I76B |
| | Pre | A09A, A11A, A11B | | 15 | P65C, P66C, P67B, P67C | | Pre | A09A, A11A, A11B |
| Q63.0 | 11 | L64A, L64B, L64J, L64Q, L64R, L74Z | Q65.8 | 08 | I76A, I76B | Q69.1 | 08 | I32A, I32B, I32C, I32D, I32E, I32F, I32G, I32J, I32Q, I32R, I32S, I32T, I32U, I76A, I76B |
| | Pre | A09A, A11A, A11B | | Pre | A09A, A11A, A11B | | Pre | A09A, A11A, A11B |
| Q63.1 | 11 | L64A, L64B, L64J, L64Q, L64R, L74Z | Q65.9 | 08 | I76A, I76B | Q69.2 | 08 | I76A, I76B |
| | Pre | A09A, A11A, A11B | | Pre | A09A, A11A, A11B | Q69.9 | 08 | I76A, I76B |
| Q63.2 | 11 | L64A, L64B, L64J, L64Q, L64R, L74Z | Q66.0 | 08 | I76A, I76B | | Pre | A09A, A11A, A11B |
| | Pre | A09A, A11A, A11B | | Pre | A09A, A11A, A11B | Q70.0 | 08 | I32A, I32B, I32C, I32D, I32G, I32J, I32Q, I32R, I32S, I32T, I32U, I76A, I76B |
| Q63.3 | 11 | L64A, L64B, L64J, L64Q, L64R, L74Z | Q66.1 | 08 | I76A, I76B | | Pre | A09A, A11A, A11B |
| | Pre | A09A, A11A, A11B | | Pre | A09A, A11A, A11B | Q70.1 | 08 | I32A, I32B, I32C, I32D, I32G, I32J, I32Q, I32R, I32S, I32T, I32U, I76A, I76B |
| Q63.8 | 11 | L64A, L64B, L64J, L64Q, L64R, L74Z | Q66.2 | 08 | I76A, I76B | | Pre | A09A, A11A, A11B |
| | Pre | A09A, A11A, A11B | | Pre | A09A, A11A, A11B | Q70.2 | 08 | I76A, I76B |
| Q63.9 | 11 | L64A, L64B, L64J, L64Q, L64R, L74Z | Q66.3 | 08 | I76A, I76B | | Pre | A09A, A11A, A11B |
| | Pre | A09A, A11A, A11B | | Pre | A09A, A11A, A11B | Q70.3 | 08 | I76A, I76B |
| Q64.0 | 12 | M64Z | Q66.4 | 08 | I76A, I76B | | Pre | A09A, A11A, A11B |
| | 13 | N04Z, N05A, N05B, N05J, N14Z, N21J, N21Z, N25J, N25Q, N25Z, N62A, N62B | Q66.5 | 08 | I76A, I76B | Q70.4 | 08 | I32B, I32C, I32D, I76A, I76B |
| | Pre | A09A, A11A, A11B | | Pre | A09A, A11A, A11B | | Pre | A09A, A11A, A11B |
| Q64.1 | 11 | L68A, L68B, L74Z | Q66.6 | 08 | I76A, I76B | Q70.9 | 08 | I32B, I32C, I32D, I76A, I76B |
| | 15 | TPN, VTPN | | Pre | A09A, A11A, A11B | | Pre | A09A, A11A, A11B |
| | Pre | A09A, A11A, A11B | Q66.7 | 08 | I76A, I76B | Q71.0 | 08 | I32A, I32B, I32C, I32D, I32G, I32J, I32Q, I32R, I32S, I32T, I32U, I33Z, I76A, I76B |
| Q64.2 | 11 | L68A, L68B, L74Z | | Pre | A09A, A11A, A11B | | 15 | P65C, P66C, P67B, P67C |
| | 15 | TPN, VTPN | Q66.8 | 08 | I76A, I76B | | Pre | A09A, A11A, A11B |
| | Pre | A09A, A11A, A11B | | Pre | A09A, A11A, A11B | Q71.1 | 08 | I32A, I32B, I32C, I32D, I32G, I32J, I32Q, I32R, I32S, I32T, I32U, I33Z, I76A, I76B |
| Q64.3 | 11 | L68A, L68B, L74Z | Q66.9 | 08 | I76A, I76B | | 15 | P65C, P66C, P67B, P67C |
| | 15 | TPN, VTPN | | Pre | A09A, A11A, A11B | | Pre | A09A, A11A, A11B |
| | Pre | A09A, A11A, A11B | Q67.0 | 08 | I76A, I76B | Q71.2 | 08 | I32B, I32C, I32D, I33Z, I76A, I76B |
| Q64.4 | 11 | L68A, L68B, L74Z | | Pre | A09A, A11A, A11B | | 15 | P65C, P66C, P67B, P67C |
| | 15 | P65C, P66C, P67B, P67C | Q67.1 | 08 | I76A, I76B | | Pre | A09A, A11A, A11B |
| | Pre | A09A, A11A, A11B | | Pre | A09A, A11A, A11B | Q71.3 | 08 | I32A, I32B, I32C, I32D, I32G, I32J, I32Q, I32R, I32S, I32T, I32U, I33Z, I76A, I76B |
| Q64.5 | 11 | L68A, L68B, L74Z | Q67.2 | 08 | I76A, I76B | | 15 | P65C, P66C, P67B, P67C |
| | 15 | P65C, P66C, P67B, P67C | | Pre | A09A, A11A, A11B | | Pre | A09A, A11A, A11B |
| | Pre | A09A, A11A, A11B | Q67.3 | 08 | I76A, I76B | Q71.4 | 08 | I32B, I32C, I32D, I33Z, I76A, I76B |
| Q64.6 | 11 | L68A, L68B, L74Z | | Pre | A09A, A11A, A11B | | 15 | P65C, P66C, P67B, P67C |
| | 15 | P65C, P66C, P67B, P67C | Q67.4 | 08 | I76A, I76B | | Pre | A09A, A11A, A11B |
| | Pre | A09A, A11A, A11B | | Pre | A09A, A11A, A11B | Q71.5 | 08 | I32B, I32C, I32D, I33Z, I76A, I76B |
| Q64.7 | 11 | L68A, L68B, L74Z | Q67.5 | 08 | I06A, I06B, I06C, I06D, I06E, I09A, I09B, I09C, I09D, I09E, I76A, I76B | | 15 | P65C, P66C, P67B, P67C |
| | 15 | P65C, P66C, P67B, P67C | | 15 | P65C, P66C, P67B, P67C | | Pre | A09A, A11A, A11B |
| | Pre | A09A, A11A, A11B | Q67.6 | 04 | E75A, E75B, E75C | Q71.6 | 08 | I32A, I32B, I32C, I32D, I32G, I32J, I32Q, I32R, I32S, I32T, I32U, I33Z, I76A, I76B |
| Q64.8 | 11 | L68A, L68B, L74Z | | Pre | A09A, A11A, A11B | | 15 | P65C, P66C, P67B, P67C |
| | 15 | P65C, P66C, P67B, P67C | Q67.7 | 04 | E75A, E75B, E75C | | Pre | A09A, A11A, A11B |
| | Pre | A09A, A11A, A11B | | Pre | A09A, A11A, A11B | Q71.8 | 08 | I32B, I32C, I32D, I33Z, I76A, I76B |
| Q64.9 | 11 | L68A, L68B, L74Z | Q67.8 | 08 | I76A, I76B | | Pre | A09A, A11A, A11B |
| | Pre | A09A, A11A, A11B | | Pre | A09A, A11A, A11B | Q71.9 | 08 | I32B, I32C, I32D, I33Z, I76A, I76B |
| Q65.0 | 08 | I76A | Q68.0 | 08 | I76A, I76B | | 15 | P65C, P66C, P67B, P67C |
| | 15 | P65C, P66C, P67B, P67C | | Pre | A09A, A11A, A11B | | Pre | A09A, A11A, A11B |
| | Pre | A09A, A11A, A11B | Q68.1 | 08 | I32A, I32B, I32C, I32D, I32G, I32J, I32Q, I32R, I32S, I32T, I32U, I76A, I76B | Q72.0 | 08 | I33Z, I76A, I76B |
| Q65.1 | 08 | I76A | | Pre | A09A, A11A, A11B | | 15 | P65C, P66C, P67B, P67C |
| | 15 | P65C, P66C, P67B, P67C | Q68.2 | 08 | I77Z | | Pre | A09A, A11A, A11B |
| | Pre | A09A, A11A, A11B | | 15 | P65C, P66C, P67B, P67C | | 15 | P65C, P66C, P67B, P67C |
| Q65.2 | 08 | I76A | Q68.3 | 08 | I76A, I76B | | Pre | A09A, A11A, A11B |
| | 15 | P65C, P66C, P67B, P67C | | Pre | A09A, A11A, A11B | Q71.8 | 08 | I32B, I32C, I32D, I33Z, I76A, I76B |
| | Pre | A09A, A11A, A11B | Q68.4 | 08 | I76A, I76B | | Pre | A09A, A11A, A11B |
| Q65.3 | 08 | I76A, I76B | | Pre | A09A, A11A, A11B | Q71.9 | 08 | I32B, I32C, I32D, I33Z, I76A, I76B |
| | 15 | P65C, P66C, P67B, P67C | Q68.5 | 08 | I76A, I76B | | 15 | P65C, P66C, P67B, P67C |
| | Pre | A09A, A11A, A11B | | Pre | A09A, A11A, A11B | | Pre | A09A, A11A, A11B |
| Q65.4 | 08 | I76A, I76B | Q68.8 | 08 | I76A, I76B | | 15 | P65C, P66C, P67B, P67C |
| | 15 | P65C, P66C, P67B, P67C | | Pre | A09A, A11A, A11B | | Pre | A09A, A11A, A11B |
| | Pre | A09A, A11A, A11B | | Pre | A09A, A11A, A11B | | 15 | P65C, P66C, P67B, P67C |
| Q65.5 | 08 | I76A, I76B | | Pre | A09A, A11A, A11B | | Pre | A09A, A11A, A11B |
| | 15 | P65C, P66C, P67B, P67C | | Pre | A09A, A11A, A11B | | 15 | P65C, P66C, P67B, P67C |
| | Pre | A09A, A11A, A11B | | Pre | A09A, A11A, A11B | | Pre | A09A, A11A, A11B |

| ICD | MDC | DRG | ICD | MDC | DRG | ICD | MDC | DRG | |
|-------|-----|------------------------|--------|-------|--|------------|------------------------------------|--|--|
| Q72.1 | 08 | I33Z, I76A, I76B | Q76.0 | 01 | B03Z, B17A, B17B, B17C, B17D, B17J, B81A, B81B | Q78.0 | 08 | I76A, I76B | |
| | 15 | P65C, P66C, P67B, P67C | | | | 15 | TPN, VTPN | | |
| | Pre | A09A, A11A, A11B | | Pre | A09A, A11A, A11B | Pre | A09A, A09D, A11A, A11B, A11D, A13D | | |
| Q72.2 | 08 | I33Z, I76A, I76B | Q76.1 | 08 | I76A, I76B | Q78.1 | 08 | I76A, I76B | |
| | 15 | P65C, P66C, P67B, P67C | | 15 | TPN, VTPN | 15 | TPN, VTPN | | |
| | Pre | A09A, A11A, A11B | | Pre | A09A, A11A, A11B | Pre | A09A, A09D, A11A, A11B, A11D, A13D | | |
| Q72.3 | 08 | I33Z, I76A, I76B | Q76.21 | 08 | I68A, I68B, I68C, I68D, I68E | Q78.2 | 08 | I76A, I76B | |
| | 15 | P65C, P66C, P67B, P67C | | Pre | A09A, A11A, A11B | 15 | TPN, VTPN | | |
| | Pre | A09A, A11A, A11B | Q76.22 | 08 | I68A, I68B, I68C, I68D, I68E | Pre | A09A, A09D, A11A, A11B, A11D, A13D | | |
| Q72.4 | 08 | I33Z, I76A, I76B | Q76.3 | 08 | I68A, I68B, I68C, I68D, I68E | Q78.3 | 08 | I76A, I76B | |
| | 15 | P65C, P66C, P67B, P67C | | 15 | P65C, P66C, P67B, P67C | 15 | TPN, VTPN | | |
| | Pre | A09A, A11A, A11B | | Pre | A09A, A11A, A11B | Pre | A09A, A09D, A11A, A11B, A11D, A13D | | |
| Q72.5 | 08 | I33Z, I76A, I76B | Q76.4 | 08 | I68A, I68B, I68C, I68D, I68E | Q78.4 | 08 | I76A, I76B | |
| | 15 | P65C, P66C, P67B, P67C | | 15 | P65C, P66C, P67B, P67C | 15 | TPN, VTPN | | |
| | Pre | A09A, A11A, A11B | | Pre | A09A, A11A, A11B | Pre | A09A, A09D, A11A, A11B, A11D, A13D | | |
| Q72.6 | 08 | I33Z, I76A, I76B | Q76.5 | 08 | I76A, I76B | Q78.5 | 08 | I76A, I76B | |
| | 15 | P65C, P66C, P67B, P67C | | Pre | A09A, A11A, A11B | Pre | A09A, A09D, A11A, A11B, A11D, A13D | | |
| | Pre | A09A, A11A, A11B | Q76.6 | 04 | E75A, E75B, E75C | Q78.6 | 08 | I76A, I76B | |
| Q72.7 | 08 | I33Z, I76A, I76B | | Pre | A09A, A11A, A11B | 15 | TPN, VTPN | | |
| | 15 | P65C, P66C, P67B, P67C | Q76.7 | 04 | E75A, E75B, E75C | Pre | A09A, A09D, A11A, A11B, A11D, A13D | | |
| | Pre | A09A, A11A, A11B | | Pre | A09A, A11A, A11B | Q78.7 | 08 | I76A, I76B | |
| Q72.8 | 08 | I33Z, I76A, I76B | Q76.8 | 08 | I76A, I76B | 15 | TPN, VTPN | | |
| | 15 | P65C, P66C, P67B, P67C | | Pre | A09A, A11A, A11B | Pre | A09A, A09D, A11A, A11B, A11D, A13D | | |
| | Pre | A09A, A11A, A11B | Q76.9 | 08 | I76A, I76B | Q78.8 | 08 | I76A, I76B | |
| Q72.9 | 08 | I33Z, I76A, I76B | | Pre | A09A, A11A, A11B | Pre | A09A, A09D, A11A, A11B, A11D, A13D | | |
| | Pre | A09A, A11A, A11B | Q77.0 | 08 | I76A, I76B | Q78.9 | 08 | I76A, I76B | |
| Q73.0 | 08 | I33Z, I76A, I76B | | 15 | TPN, VTPN | 15 | TPN, VTPN | | |
| | Pre | A09A, A11A, A11B | | Pre | A09A, A09D, A11A, A11B, A11D, A13D | Pre | A09A, A09D, A11A, A11B, A11D, A13D | | |
| Q73.1 | 08 | I33Z, I76A, I76B | Q77.1 | 08 | I76A, I76B | Q79.0 | 04 | E75A, E75B, E75C | |
| | Pre | A09A, A11A, A11B | | 15 | TPN, VTPN | 06 | G18A, G38Z | | |
| Q73.8 | 08 | I33Z, I76A, I76B | | Pre | A09A, A09D, A11A, A11B, A11D, A13D | 15 | TPN, VTPN | | |
| | Pre | A09A, A11A, A11B | Q77.2 | 08 | I76A, I76B | Pre | A09A, A09D, A11A, A11B, A11D, A13D | | |
| Q74.0 | 08 | I33Z, I76A | | 15 | TPN, VTPN | Q79.1 | 04 | E75A, E75B, E75C | |
| | Pre | A09A, A11A, A11B | Q77.3 | 08 | I76A, I76B | 15 | TPN, VTPN | | |
| Q74.1 | 08 | I33Z, I76A | | 15 | TPN, VTPN | Pre | A09A, A09D, A11A, A11B, A11D, A13D | | |
| | Pre | A09A, A11A, A11B | Q77.4 | 08 | I76A, I76B | Q79.2 | 06 | G18A, G38Z, G46A, G46B, G46C, G50Z, G71Z | |
| Q74.2 | 08 | I33Z, I76A | | 15 | TPN, VTPN | 15 | TPN, VTPN | | |
| | Pre | A09A, A11A, A11B | Q77.5 | 08 | I76A, I76B | Pre | A09A, A09D, A11A, A11B, A11D, A13D | | |
| Q74.3 | 08 | I33Z, I76A | | 15 | TPN, VTPN | Q79.3 | 06 | G18A, G38Z, G46A, G46B, G46C, G50Z, G71Z | |
| | Pre | A09A, A11A, A11B | Q77.6 | 08 | I76A, I76B | 15 | TPN, VTPN | | |
| Q74.8 | 08 | I33Z, I76A, I76B | | 15 | TPN, VTPN | Pre | A09A, A09D, A11A, A11B, A11D, A13D | | |
| | Pre | A09A, A11A, A11B | Q77.7 | 08 | I76A, I76B | Q79.4 | 06 | G18A, G38Z, G46A, G46B, G46C, G50Z, G71Z | |
| Q74.9 | 08 | I33Z, I76A, I76B | | 15 | TPN, VTPN | 15 | TPN, VTPN | | |
| | Pre | A09A, A11A, A11B | Q77.8 | 08 | I76A, I76B | Pre | A09A, A09D, A11A, A11B, A11D, A13D | | |
| Q75.0 | 08 | I76A, I76B | | 15 | TPN, VTPN | Q79.5 | 06 | G18A, G38Z, G46A, G46B, G46C, G50Z, G71Z | |
| | 15 | TPN, VTPN | Q77.9 | 08 | I76A, I76B | 15 | TPN, VTPN | | |
| | Pre | A09A, A11A, A11B | | 15 | TPN, VTPN | Pre | A09A, A09D, A11A, A11B, A11D, A13D | | |
| Q75.1 | 08 | I76A, I76B | | Pre | A09A, A09D, A11A, A11B, A11D, A13D | Q79.6 | 08 | I76A, I76B | |
| | 15 | TPN, VTPN | | Pre | A09A, A09D, A11A, A11B, A11D, A13D | 15 | TPN, VTPN | | |
| | Pre | A09A, A11A, A11B | | Q77.6 | 08 | I76A, I76B | Pre | A09A, A09D, A11A, A11B, A11D, A13D | |
| Q75.2 | 08 | I76A, I76B | | 15 | TPN, VTPN | Q79.7 | 08 | I76A, I76B | |
| | 15 | TPN, VTPN | | Pre | A09A, A09D, A11A, A11B, A11D, A13D | 15 | TPN, VTPN | | |
| | Pre | A09A, A11A, A11B | | Q77.7 | 08 | I76A, I76B | Pre | A09A, A09D, A11A, A11B, A11D, A13D | |
| Q75.3 | 08 | I76A, I76B | | 15 | TPN, VTPN | Q79.8 | 08 | I76A, I76B | |
| | 15 | TPN, VTPN | | Pre | A09A, A09D, A11A, A11B, A11D, A13D | Pre | A09A, A09D, A11A, A11B, A11D, A13D | | |
| | Pre | A09A, A11A, A11B | | Q77.8 | 08 | I76A, I76B | | | |
| Q75.4 | 08 | I76A, I76B | | 15 | TPN, VTPN | | | | |
| | 15 | TPN, VTPN | | Pre | A09A, A09D, A11A, A11B, A11D, A13D | | | | |
| | Pre | A09A, A11A, A11B | | Q77.9 | 08 | I76A, I76B | | | |
| Q75.5 | 08 | I76A, I76B | | 15 | TPN, VTPN | | | | |
| | 15 | TPN, VTPN | | Pre | A09A, A09D, A11A, A11B, A11D, A13D | | | | |
| | Pre | A09A, A11A, A11B | | Q77.9 | 08 | I76A, I76B | | | |
| Q75.8 | 08 | I76A, I76B | | 15 | TPN, VTPN | | | | |
| | 15 | TPN, VTPN | | Pre | A09A, A09D, A11A, A11B, A11D, A13D | | | | |
| | Pre | A09A, A11A, A11B | | Q77.9 | 08 | I76A, I76B | | | |
| Q75.9 | 08 | I76A, I76B | | 15 | TPN, VTPN | | | | |
| | 15 | TPN, VTPN | | Pre | A09A, A09D, A11A, A11B, A11D, A13D | | | | |
| | Pre | A09A, A11A, A11B | | Q77.9 | 08 | I76A, I76B | | | |

| ICD | MDC | DRG | ICD | MDC | DRG | ICD | MDC | DRG |
|-------|-----|------------------------------------|-------|-----|------------------------------------|-------|-----|--|
| Q89.9 | 23 | Z65Z | Q92.1 | 06 | G18A, G38Z | Q93.7 | 01 | B81A, B81B |
| | Pre | A09A, A09D, A11A, A11B, A11D, A13D | | 15 | TPN, VTPN | | 15 | TPN, VTPN |
| Q90.0 | 01 | B81A, B81B | | 23 | Z64A, Z64B | | Pre | A09A, A09D, A11A, A11B, A11D, A13D |
| | 06 | G18A, G38Z | | Pre | A09A, A09D, A11A, A11B, A11D, A13D | Q93.8 | 01 | B81A, B81B |
| | 15 | TPN, VTPN | Q92.2 | 06 | G18A, G38Z | | 15 | TPN, VTPN |
| | Pre | A09A, A09D, A11A, A11B, A11D, A13D | | 15 | TPN, VTPN | | Pre | A09A, A09D, A11A, A11B, A11D, A13D |
| Q90.1 | 01 | B81A, B81B | | 23 | Z64A, Z64B | Q93.9 | 01 | B81A, B81B |
| | 06 | G18A, G38Z | | Pre | A09A, A09D, A11A, A11B, A11D, A13D | | 15 | TPN, VTPN |
| | 15 | TPN, VTPN | Q92.3 | 06 | G18A, G38Z | | Pre | A09A, A09D, A11A, A11B, A11D, A13D |
| | Pre | A09A, A09D, A11A, A11B, A11D, A13D | | 15 | TPN, VTPN | Q95.0 | 23 | Z64A, Z64B |
| Q90.2 | 01 | B81A, B81B | | 23 | Z64A, Z64B | | Pre | A09A, A09D, A11A, A11B, A11D, A13D |
| | 06 | G18A, G38Z | Q92.4 | 15 | TPN, VTPN | Q95.1 | 23 | Z64A, Z64B |
| | 15 | TPN, VTPN | | 23 | Z64A, Z64B | | Pre | A09A, A09D, A11A, A11B, A11D, A13D |
| | Pre | A09A, A09D, A11A, A11B, A11D, A13D | | Pre | A09A, A09D, A11A, A11B, A11D, A13D | Q95.2 | 15 | TPN, VTPN |
| Q90.9 | 01 | B81A, B81B | Q92.5 | 15 | TPN, VTPN | | 23 | Z64A, Z64B |
| | 06 | G18A, G38Z | | 23 | Z64A, Z64B | | Pre | A09A, A09D, A11A, A11B, A11D, A13D |
| | 15 | TPN, VTPN | | Pre | A09A, A09D, A11A, A11B, A11D, A13D | Q95.3 | 15 | TPN, VTPN |
| | Pre | A09A, A09D, A11A, A11B, A11D, A13D | Q92.6 | 15 | TPN, VTPN | | 23 | Z64A, Z64B |
| Q91.0 | 01 | B81A, B81B | | 23 | Z64A, Z64B | | Pre | A09A, A09D, A11A, A11B, A11D, A13D |
| | 06 | G18A, G38Z | | Pre | A09A, A09D, A11A, A11B, A11D, A13D | Q95.4 | 15 | TPN, VTPN |
| | 15 | TPN, VTPN | Q92.7 | 15 | TPN, VTPN | | 23 | Z64A, Z64B |
| | Pre | A09A, A09D, A11A, A11B, A11D, A13D | | 23 | Z64A, Z64B | | Pre | A09A, A09D, A11A, A11B, A11D, A13D |
| Q91.1 | 01 | B81A, B81B | | Pre | A09A, A09D, A11A, A11B, A11D, A13D | Q95.5 | 15 | TPN, VTPN |
| | 06 | G18A, G38Z | Q92.8 | 15 | TPN, VTPN | | 23 | Z64A, Z64B |
| | 15 | TPN, VTPN | | 23 | Z64A, Z64B | | Pre | A09A, A09D, A11A, A11B, A11D, A13D |
| | Pre | A09A, A09D, A11A, A11B, A11D, A13D | Q92.9 | 15 | TPN, VTPN | Q95.8 | 15 | TPN, VTPN |
| Q91.2 | 01 | B81A, B81B | | 23 | Z64A, Z64B | | 23 | Z64A, Z64B |
| | 06 | G18A, G38Z | | Pre | A09A, A09D, A11A, A11B, A11D, A13D | | Pre | A09A, A09D, A11A, A11B, A11D, A13D |
| | 15 | TPN, VTPN | Q92.9 | 15 | TPN, VTPN | Q95.9 | 15 | TPN, VTPN |
| | Pre | A09A, A09D, A11A, A11B, A11D, A13D | | 23 | Z64A, Z64B | | 23 | Z64A, Z64B |
| Q91.3 | 01 | B81A, B81B | | Pre | A09A, A09D, A11A, A11B, A11D, A13D | | Pre | A09A, A09D, A11A, A11B, A11D, A13D |
| | 06 | G18A, G38Z | Q93.0 | 01 | B81A, B81B | Q96.0 | 12 | M64Z |
| | 15 | TPN, VTPN | | 15 | TPN, VTPN | | 13 | N04Z, N05A, N05B, N05J, N14Z, N21J, N21Z, N25J, N25Q, N25Z, N62A, N62B |
| | Pre | A09A, A09D, A11A, A11B, A11D, A13D | | Pre | A09A, A09D, A11A, A11B, A11D, A13D | | 15 | P65C, P66C, P67B, P67C |
| Q91.4 | 01 | B81A, B81B | Q93.1 | 01 | B81A, B81B | | Pre | A09A, A09D, A11A, A11B, A11D, A13D |
| | 06 | G18A, G38Z | | 15 | TPN, VTPN | Q96.1 | 12 | M64Z |
| | 15 | TPN, VTPN | | Pre | A09A, A09D, A11A, A11B, A11D, A13D | | 13 | N04Z, N05A, N05B, N05J, N14Z, N21J, N21Z, N25J, N25Q, N25Z, N62A, N62B |
| | Pre | A09A, A09D, A11A, A11B, A11D, A13D | Q93.2 | 01 | B81A, B81B | | 15 | P65C, P66C, P67B, P67C |
| Q91.5 | 01 | B81A, B81B | | 15 | TPN, VTPN | | Pre | A09A, A09D, A11A, A11B, A11D, A13D |
| | 06 | G18A, G38Z | | Pre | A09A, A09D, A11A, A11B, A11D, A13D | Q96.2 | 12 | M64Z |
| | 15 | TPN, VTPN | Q93.3 | 01 | B81A, B81B | | 13 | N04Z, N05A, N05B, N05J, N14Z, N21J, N21Z, N25J, N25Q, N25Z, N62A, N62B |
| | Pre | A09A, A09D, A11A, A11B, A11D, A13D | | 15 | TPN, VTPN | | 15 | P65C, P66C, P67B, P67C |
| Q91.6 | 01 | B81A, B81B | | Pre | A09A, A09D, A11A, A11B, A11D, A13D | | Pre | A09A, A09D, A11A, A11B, A11D, A13D |
| | 06 | G18A, G38Z | Q93.4 | 01 | B81A, B81B | Q96.3 | 12 | M64Z |
| | 15 | TPN, VTPN | | 15 | TPN, VTPN | | 13 | N04Z, N05A, N05B, N05J, N14Z, N21J, N21Z, N25J, N25Q, N25Z, N62A, N62B |
| | Pre | A09A, A09D, A11A, A11B, A11D, A13D | | Pre | A09A, A09D, A11A, A11B, A11D, A13D | | 15 | P65C, P66C, P67B, P67C |
| Q91.7 | 01 | B81A, B81B | Q93.5 | 01 | B81A, B81B | | Pre | A09A, A09D, A11A, A11B, A11D, A13D |
| | 06 | G18A, G38Z | | 15 | TPN, VTPN | Q96.3 | 12 | M64Z |
| | 15 | TPN, VTPN | | Pre | A09A, A09D, A11A, A11B, A11D, A13D | | 13 | N04Z, N05A, N05B, N05J, N14Z, N21J, N21Z, N25J, N25Q, N25Z, N62A, N62B |
| | Pre | A09A, A09D, A11A, A11B, A11D, A13D | Q93.6 | 01 | B81A, B81B | | 15 | P65C, P66C, P67B, P67C |
| Q92.0 | 06 | G18A, G38Z | | 15 | TPN, VTPN | | Pre | A09A, A09D, A11A, A11B, A11D, A13D |
| | 15 | TPN, VTPN | | 23 | Z64A, Z64B | | Pre | A09A, A09D, A11A, A11B, A11D, A13D |
| | 23 | Z64A, Z64B | | Pre | A09A, A09D, A11A, A11B, A11D, A13D | | | |
| | Pre | A09A, A09D, A11A, A11B, A11D, A13D | | | | | | |

| ICD | MDC | DRG | ICD | MDC | DRG | ICD | MDC | DRG |
|-------|-----|--|-------|-----|--|--------|--|--|
| Q96.4 | 12 | M64Z | Q98.1 | 12 | M64Z | Q99.2 | 15 | TPN, VTPN |
| | 13 | N04Z, N05A, N05B, N05J, N14Z, N21J, N21Z, N25J, N25Q, N25Z, N62A, N62B | | 13 | N04Z, N05A, N05B, N05J, N14Z, N21J, N21Z, N25J, N25Q, N25Z, N62A, N62B | 23 | Z65Z | |
| | 15 | P65C, P66C, P67B, P67C | | 15 | P65C, P66C, P67B, P67C | Pre | A09A, A09D, A11A, A11B, A11D, A13D | |
| | Pre | A09A, A09D, A11A, A11B, A11D, A13D | | Pre | A09A, A09D, A11A, A11B, A11D, A13D | Q99.8 | 12 | M64Z |
| Q96.8 | 12 | M64Z | Q98.2 | 12 | M64Z | | 13 | N04Z, N05A, N05B, N05J, N14Z, N21J, N21Z, N25J, N25Q, N25Z, N62A, N62B |
| | 13 | N04Z, N05A, N05B, N05J, N14Z, N21J, N21Z, N25J, N25Q, N25Z, N62A, N62B | | 13 | N04Z, N05A, N05B, N05J, N14Z, N21J, N21Z, N25J, N25Q, N25Z, N62A, N62B | 15 | P65C, P66C, P67B, P67C | |
| | 15 | P65C, P66C, P67B, P67C | | 15 | P65C, P66C, P67B, P67C | Pre | A09A, A09D, A11A, A11B, A11D, A13D | |
| | Pre | A09A, A09D, A11A, A11B, A11D, A13D | | Pre | A09A, A09D, A11A, A11B, A11D, A13D | Q99.9 | 23 | Z65Z |
| Q96.9 | 12 | M64Z | Q98.3 | 12 | M64Z | | Pre | A09A, A09D, A11A, A11B, A11D, A13D |
| | 13 | N04Z, N05A, N05B, N05J, N14Z, N21J, N21Z, N25J, N25Q, N25Z, N62A, N62B | | 13 | N04Z, N05A, N05B, N05J, N14Z, N21J, N21Z, N25J, N25Q, N25Z, N62A, N62B | R00.0 | 05 | F71A, F71B |
| | 15 | P65C, P66C, P67B, P67C | | 15 | P65C, P66C, P67B, P67C | R00.1 | 05 | F71A, F71B |
| | Pre | A09A, A09D, A11A, A11B, A11D, A13D | | Pre | A09A, A09D, A11A, A11B, A11D, A13D | R00.2 | 05 | F71A, F71B |
| Q97.0 | 12 | M64Z | Q98.4 | 12 | M64Z | R00.8 | 05 | F75A, F75B, F75C, F75D |
| | 13 | N04Z, N05A, N05B, N05J, N14Z, N21J, N21Z, N25J, N25Q, N25Z, N62A, N62B | | 13 | N04Z, N05A, N05B, N05J, N14Z, N21J, N21Z, N25J, N25Q, N25Z, N62A, N62B | R01.0 | 05 | F69A, F69B |
| | 15 | P65C, P66C, P67B, P67C | | 15 | P65C, P66C, P67B, P67C | R01.1 | 05 | F69A, F69B |
| | Pre | A09A, A09D, A11A, A11B, A11D, A13D | | Pre | A09A, A09D, A11A, A11B, A11D, A13D | R01.2 | 05 | F75A, F75B, F75C, F75D |
| Q97.1 | 12 | M64Z | Q98.5 | 12 | M64Z | R02 | 05 | F65A, F65B |
| | 13 | N04Z, N05A, N05B, N05J, N14Z, N21J, N21Z, N25J, N25Q, N25Z, N62A, N62B | | 13 | N04Z, N05A, N05B, N05J, N14Z, N21J, N21Z, N25J, N25Q, N25Z, N62A, N62B | 15 | TPN, VTPN | |
| | 15 | P65C, P66C, P67B, P67C | | 15 | P65C, P66C, P67B, P67C | R03.0 | 05 | F75A, F75B, F75C, F75D |
| | Pre | A09A, A09D, A11A, A11B, A11D, A13D | | Pre | A09A, A09D, A11A, A11B, A11D, A13D | R03.1 | 05 | F75A, F75B, F75C, F75D |
| Q97.2 | 12 | M64Z | Q98.6 | 12 | M64Z | R04.0 | 03 | D62Z |
| | 13 | N04Z, N05A, N05B, N05J, N14Z, N21J, N21Z, N25J, N25Q, N25Z, N62A, N62B | | 13 | N04Z, N05A, N05B, N05J, N14Z, N21J, N21Z, N25J, N25Q, N25Z, N62A, N62B | R04.1 | 03 | D62Z |
| | 15 | P65C, P66C, P67B, P67C | | 15 | P65C, P66C, P67B, P67C | R04.2 | 04 | E75A, E75B, E75C |
| | Pre | A09A, A09D, A11A, A11B, A11D, A13D | | Pre | A09A, A09D, A11A, A11B, A11D, A13D | R04.8 | 04 | E75A, E75B, E75C |
| Q97.3 | 12 | M64Z | Q98.7 | 12 | M64Z | R04.9 | 04 | E69A, E69B, E69C, E69D |
| | 13 | N04Z, N05A, N05B, N05J, N14Z, N21J, N21Z, N25J, N25Q, N25Z, N62A, N62B | | 13 | N04Z, N05A, N05B, N05J, N14Z, N21J, N21Z, N25J, N25Q, N25Z, N62A, N62B | R05 | 04 | E69A, E69B, E69C, E69D |
| | 15 | P65C, P66C, P67B, P67C | | 15 | P65C, P66C, P67B, P67C | R06.0 | 04 | E69A, E69B, E69C, E69D |
| | Pre | A09A, A09D, A11A, A11B, A11D, A13D | | Pre | A09A, A09D, A11A, A11B, A11D, A13D | 18A | S65A, S65B | |
| Q97.8 | 12 | M64Z | Q98.8 | 12 | M64Z | R06.1 | 04 | E69A, E69B, E69C, E69D |
| | 13 | N04Z, N05A, N05B, N05J, N14Z, N21J, N21Z, N25J, N25Q, N25Z, N62A, N62B | | 13 | N04Z, N05A, N05B, N05J, N14Z, N21J, N21Z, N25J, N25Q, N25Z, N62A, N62B | R06.2 | 04 | E69A, E69B, E69C, E69D |
| | 15 | P65C, P66C, P67B, P67C | | 15 | P65C, P66C, P67B, P67C | R06.3 | 04 | E69A, E69B, E69C, E69D |
| | Pre | A09A, A09D, A11A, A11B, A11D, A13D | | Pre | A09A, A09D, A11A, A11B, A11D, A13D | R06.4 | 04 | E69A, E69B, E69C, E69D |
| Q97.9 | 12 | M64Z | Q98.9 | 12 | M64Z | 18A | S65A, S65B | |
| | 13 | N04Z, N05A, N05B, N05J, N14Z, N21J, N21Z, N25J, N25Q, N25Z, N62A, N62B | | 13 | N04Z, N05A, N05B, N05J, N14Z, N21J, N21Z, N25J, N25Q, N25Z, N62A, N62B | R06.5 | 03 | D66Z |
| | 15 | P65C, P66C, P67B, P67C | | 15 | P65C, P66C, P67B, P67C | R06.6 | 04 | E75A, E75B, E75C |
| | Pre | A09A, A09D, A11A, A11B, A11D, A13D | | Pre | A09A, A09D, A11A, A11B, A11D, A13D | R06.7 | 03 | D66Z |
| Q98.0 | 12 | M64Z | Q99.0 | 10 | K64A, K64B, K64C, K64D | R06.80 | 01 | B81A, B81B |
| | 13 | N04Z, N05A, N05B, N05J, N14Z, N21J, N21Z, N25J, N25Q, N25Z, N62A, N62B | | 15 | TPN, VTPN | 15 | P65C, P66C, P67B, P67C | |
| | 15 | P65C, P66C, P67B, P67C | | Pre | A09A, A09D, A11A, A11B, A11D, A13D | R06.88 | 04 | E69A, E69B, E69C, E69D |
| | Pre | A09A, A09D, A11A, A11B, A11D, A13D | | Pre | A09A, A09D, A11A, A11B, A11D, A13D | 18A | S65A, S65B | |
| Q98.1 | 12 | M64Z | Q99.1 | 10 | K64A, K64B, K64C, K64D | R07.0 | 03 | D66Z |
| | 13 | N04Z, N05A, N05B, N05J, N14Z, N21J, N21Z, N25J, N25Q, N25Z, N62A, N62B | | 15 | TPN, VTPN | R07.1 | 04 | E69A, E69B, E69C, E69D |
| | 15 | P65C, P66C, P67B, P67C | | Pre | A09A, A09D, A11A, A11B, A11D, A13D | R07.2 | 05 | F74Z |
| | Pre | A09A, A09D, A11A, A11B, A11D, A13D | | Pre | A09A, A09D, A11A, A11B, A11D, A13D | R07.3 | 05 | F74Z |
| Q98.2 | 12 | M64Z | | 15 | P65C, P66C, P67B, P67C | R07.4 | 05 | F74Z |
| | 13 | N04Z, N05A, N05B, N05J, N14Z, N21J, N21Z, N25J, N25Q, N25Z, N62A, N62B | | Pre | A09A, A09D, A11A, A11B, A11D, A13D | R09.0 | 04 | E75A, E75B, E75C |
| | 15 | P65C, P66C, P67B, P67C | | Pre | A09A, A09D, A11A, A11B, A11D, A13D | Pre | A09D, A11D, A13D | |
| | Pre | A09A, A09D, A11A, A11B, A11D, A13D | | Pre | A09A, A09D, A11A, A11B, A11D, A13D | R09.1 | 04 | E65A, E65B, E69A, E69B, E69C, E69D |
| Q98.3 | 12 | M64Z | | 10 | K64A, K64B, K64C, K64D | R09.2 | 04 | E75A, E75B, E75C |
| | 13 | N04Z, N05A, N05B, N05J, N14Z, N21J, N21Z, N25J, N25Q, N25Z, N62A, N62B | | 15 | TPN, VTPN | 15 | P65C, P66C, P67B, P67C | |
| | 15 | P65C, P66C, P67B, P67C | | Pre | A09A, A09D, A11A, A11B, A11D, A13D | R09.3 | 04 | E69A, E69B, E69C, E69D |
| | Pre | A09A, A09D, A11A, A11B, A11D, A13D | | Pre | A09A, A09D, A11A, A11B, A11D, A13D | R09.8 | 04 | E69A, E69B, E69C, E69D |
| Q98.4 | 12 | M64Z | | 10 | K64A, K64B, K64C, K64D | R10.0 | 06 | G46A, G46B, G46C, G50Z, G66Z, G72A, G72B |
| | 13 | N04Z, N05A, N05B, N05J, N14Z, N21J, N21Z, N25J, N25Q, N25Z, N62A, N62B | | 15 | TPN, VTPN | R10.1 | 06 | G46A, G46B, G46C, G50Z, G66Z, G72A, G72B |
| | 15 | P65C, P66C, P67B, P67C | | Pre | A09A, A09D, A11A, A11B, A11D, A13D | R10.2 | 12 | M64Z |
| | Pre | A09A, A09D, A11A, A11B, A11D, A13D | | Pre | A09A, A09D, A11A, A11B, A11D, A13D | 13 | N04Z, N05A, N05B, N05J, N14Z, N21J, N21Z, N25J, N25Q, N25Z, N62A, N62B | |
| Q98.5 | 12 | M64Z | | 10 | K64A, K64B, K64C, K64D | R10.3 | 06 | G46A, G46B, G46C, G50Z, G66Z, G72A, G72B |
| | 13 | N04Z, N05A, N05B, N05J, N14Z, N21J, N21Z, N25J, N25Q, N25Z, N62A, N62B | | 15 | TPN, VTPN | | | |
| | 15 | P65C, P66C, P67B, P67C | | Pre | A09A, A09D, A11A, A11B, A11D, A13D | | | |
| | Pre | A09A, A09D, A11A, A11B, A11D, A13D | | Pre | A09A, A09D, A11A, A11B, A11D, A13D | | | |

| ICD | MDC | DRG | ICD | MDC | DRG | ICD | MDC | DRG |
|-------|-----|--|-------|-----------|------------------------------|--------|--|------------------------------|
| R10.4 | 06 | G46A, G46B, G46C, G50Z, G66Z, G72A, G72B | R26.3 | 23 | Z64A, Z64B | R48.8 | 19 | U66Z |
| R11 | 06 | G46A, G46B, G46C, G50Z, G67A, G67B, G67C, G67D | R26.8 | 01 | B81A, B81B | R49.0 | 03 | D66Z |
| R12 | 06 | G46A, G46B, G46C, G50Z, G67A, G67B, G67C, G67D | R27.0 | 01 | B81A, B81B | 15 | P65C, P66C, P67B, P67C | |
| R13.0 | 06 | G46A, G46B, G46C, G50Z, G67A, G67B, G67C, G67D | R27.8 | 01 | B81A, B81B | R49.1 | 03 | D66Z |
| R13.1 | 06 | G46A, G46B, G46C, G50Z, G67A, G67B, G67C, G67D | R29.0 | 10 | K62A, K62B | R49.2 | 03 | D66Z |
| R13.9 | 06 | G46A, G46B, G46C, G50Z, G67A, G67B, G67C, G67D | R29.1 | 01 | B81A, B81B | R49.8 | 03 | D66Z |
| R14 | 06 | G46A, G46B, G46C, G50Z, G67A, G67B, G67C, G67D | 15 | TPN, VTPN | R50.2 | 18A | S65A, S65B | |
| R15 | 06 | G46A, G46B, G46C, G50Z, G67A, G67B, G67C, G67D | R29.2 | 01 | B81A, B81B | 18B | T62A, T62B | |
| R16.0 | 07 | H63A, H63B, H63C, H78Z | R29.3 | 01 | B81A, B81B | R50.80 | 18A | S65A, S65B |
| 18A | | S65A, S65B | R29.4 | 08 | I69A, I69B, I71A, I71B | 18B | T62A, T62B | |
| R16.1 | 16 | Q60A, Q60B, Q60C | R29.5 | 01 | B81A, B81B | R50.88 | 18A | S65A, S65B |
| 18A | | S65A, S65B | R29.6 | 01 | B81A, B81B | 18B | T62A, T62B | |
| R16.2 | 07 | H40Z, H63A, H63B, H63C, H78Z | R29.8 | 01 | B81A, B81B | R50.9 | 18A | S65A, S65B |
| 15 | | TPN, VTPN | R30.0 | 11 | L64A, L64J, L64Q, L64R, L74Z | 18B | T62A, T62B | |
| R17 | 07 | H63A, H63B, H63C, H78Z | R30.1 | 11 | L64A, L64J, L64Q, L64R, L74Z | R51 | 01 | B20D, B77Z |
| R18 | 23 | Z65Z | R30.9 | 11 | L64A, L64J, L64Q, L64R, L74Z | 18A | S65A, S65B | |
| R19.0 | 06 | G46A, G46B, G46C, G50Z, G67A, G67B, G67C, G67D | R31 | 11 | L64A, L64J, L64Q, L64R, L74Z | R52.0 | 23 | Z65Z |
| R19.1 | 06 | G46A, G46B, G46C, G50Z, G67A, G67B, G67C, G67D | R32 | 11 | L64A, L64J, L64Q, L64R, L74Z | R52.1 | 23 | Z65Z |
| R19.2 | 06 | G46A, G46B, G46C, G50Z, G67A, G67B, G67C, G67D | R33 | 11 | L64A, L64J, L64Q, L64R, L74Z | R52.2 | 23 | Z65Z |
| R19.3 | 06 | G46A, G46B, G46C, G50Z, G71Z | R34 | 11 | L60A, L60B, L60C, L60D, L71Z | R52.3 | 23 | Z65Z |
| R19.4 | 06 | G46A, G46B, G46C, G50Z, G67A, G67B, G67C, G67D | R35 | 11 | L64A, L64J, L64Q, L64R, L74Z | R52.4 | 23 | Z65Z |
| R19.5 | 06 | G46A, G46B, G46C, G50Z, G67A, G67B, G67C, G67D | R36 | 11 | L64A, L64J, L64Q, L64R, L74Z | R52.9 | 23 | Z65Z |
| R19.6 | 03 | D66Z | R39.0 | 11 | L64A, L64J, L64Q, L64R, L74Z | R53 | 18A | S65A, S65B |
| R19.8 | 06 | G46A, G46B, G46C, G50Z, G67A, G67B, G67C, G67D | R39.1 | 11 | L64A, L64J, L64Q, L64R, L74Z | 23 | Z65Z | |
| R20.0 | 01 | B20D, B81A, B81B | R39.2 | 11 | L64A, L64J, L64Q, L64R, L74Z | R54 | 01 | B63Z |
| R20.1 | 01 | B20D, B81A, B81B | R39.8 | 11 | L64A, L64J, L64Q, L64R, L74Z | R55 | 05 | F73Z |
| R20.2 | 01 | B20D, B81A, B81B | R40.0 | 01 | B66A, B66B, B66C, B66D | R56.0 | 01 | B75Z |
| R20.3 | 01 | B20D, B81A, B81B | R40.1 | 01 | B66A, B66B, B66C, B66D | R56.8 | 01 | B75Z |
| R20.8 | 01 | B20D, B81A, B81B | R40.2 | 01 | B66A, B66B, B66C, B66D | 15 | TPN, VTPN | |
| R21 | 09 | J67A, J67B, J68A, J68B | R41.0 | 01 | B64Z | R57.0 | | KJZSA1, KJZSA2 |
| 18A | | S65A, S65B | R41.1 | 23 | Z65Z | 05 | F62A, F62B, F62C | |
| R22.0 | 09 | J67A, J67B, J68A, J68B | R41.2 | 23 | Z65Z | Pre | A09D, A11D, A13D | |
| R22.1 | 09 | J67A, J67B, J68A, J68B | R41.3 | 23 | Z65Z | R57.1 | | KJZSA1, KJZSA2 |
| R22.2 | 09 | J67A, J67B, J68A, J68B | R41.8 | 23 | Z65Z | 05 | F62A | |
| R22.3 | 09 | J67A, J67B, J68A, J68B | R42 | 03 | D61A, D61B | 06 | G67A | |
| R22.4 | 09 | J67A, J67B, J68A, J68B | R43.0 | 01 | B81A, B81B | 18B | T01B, T60A, T60B, T60C, T60D, T60E, T60F, T61A | |
| R22.7 | 09 | J67A, J67B, J68A, J68B | R43.1 | 01 | B81A, B81B | 22 | Y02A, Y02B | |
| R22.9 | 09 | J67A, J67B, J68A, J68B | R43.2 | 01 | B81A, B81B | Pre | A09D, A11D, A13D | |
| R23.0 | 23 | Z65Z | R43.8 | 01 | B81A, B81B | R57.2 | | KJZSA1, KJZSA2 |
| R23.1 | 23 | Z65Z | R44.0 | 19 | U64Z | 05 | F62A | |
| R23.2 | 23 | Z65Z | R44.1 | 02 | C63Z | 06 | G67A | |
| R23.3 | 16 | Q60A, Q60B, Q60C, Q60D, Q60E | R44.2 | 19 | U64Z | 15 | P65C, P66C, P67B, P67C | |
| R23.4 | 09 | J67A, J67B, J68A, J68B | R44.3 | 19 | U64Z | 18A | S63A, S63B | |
| R23.8 | 09 | J67A, J67B, J68A, J68B | R44.8 | 19 | U64Z | 18B | T01B, T60A, T60B, T60C, T60D, T60E, T60F, T61A | |
| 15 | | P65C, P66C, P67B, P67C | R45.0 | 19 | U66Z | 22 | Y02A | |
| R25.0 | 01 | B81A, B81B | R45.1 | 19 | U66Z | Pre | A09D, A11D, A13D | |
| R25.1 | 01 | B81A, B81B | R45.2 | 23 | Z64A, Z64B | R57.8 | | KJZSA1, KJZSA2 |
| R25.2 | 08 | I69A, I69B, I71A, I71B | R45.3 | 23 | Z64A, Z64B | 05 | F62A | |
| R25.3 | 01 | B81A, B81B | R45.4 | 19 | U66Z | 06 | G67A | |
| R25.8 | 01 | B81A, B81B | R45.5 | 23 | Z64A, Z64B | 18B | T01B, T60A, T60B, T60C, T60D, T60E, T60F, T61A | |
| R26.0 | 01 | B81A, B81B | R45.6 | 23 | Z64A, Z64B | 22 | Y02A, Y02B | |
| R26.1 | 01 | B81A, B81B | R45.7 | 19 | U66Z | Pre | A09D, A11D, A13D | |
| R26.2 | 08 | I69A, I69B, I71A, I71B | R45.8 | 23 | Z64A, Z64B | R57.9 | | KJZSA1, KJZSA2 |
| | | | R46.0 | 23 | Z64A, Z64B | 05 | F73Z | |
| | | | R46.1 | 23 | Z64A, Z64B | R58 | 05 | F75A, F75B, F75C, F75D |
| | | | R46.2 | 23 | Z64A, Z64B | R59.0 | 16 | Q60A, Q60B, Q60C, Q60D, Q60E |
| | | | R46.3 | 23 | Z64A, Z64B | | 18A | S65A, S65B |
| | | | R46.4 | 23 | Z64A, Z64B | R59.1 | 16 | Q60A, Q60B, Q60C |
| | | | R46.5 | 23 | Z64A, Z64B | 18A | S65A, S65B | |
| | | | R46.6 | 23 | Z64A, Z64B | R59.9 | 16 | Q60A, Q60B, Q60C, Q60D, Q60E |
| | | | R46.7 | 23 | Z64A, Z64B | | 18A | S65A, S65B |
| | | | R46.8 | 23 | Z64A, Z64B | R60.0 | 23 | Z65Z |
| | | | R47.0 | 01 | B81A, B81B | R60.1 | 23 | Z65Z |
| | | | R47.1 | 01 | B81A, B81B | R60.9 | 23 | Z65Z |
| | | | R47.8 | 01 | B81A, B81B | | | |
| | | | R48.0 | 19 | U66Z | | | |
| | | | R48.1 | 19 | U66Z | | | |
| | | | R48.2 | 19 | U66Z | | | |

Dg

| ICD | MDC | DRG | ICD | MDC | DRG | ICD | MDC | DRG |
|-------|-----|--|-------|-----|--|--------|-----|--|
| R61.0 | 09 | J67A, J67B, J68A, J68B | R72 | 16 | Q60A, Q60B, Q60C, Q60D, Q60E | R83.9 | 01 | B81A, B81B |
| | 18A | S65A, S65B | | | | R84.0 | 23 | Z65Z |
| R61.1 | 09 | J67A, J67B, J68A, J68B | R73.0 | 10 | K62A, K62B | R84.1 | 23 | Z65Z |
| | 18A | S65A, S65B | R73.9 | 10 | K62A, K62B | R84.2 | 23 | Z65Z |
| R61.9 | 09 | J67A, J67B, J68A, J68B | R74.0 | 23 | Z65Z | R84.3 | 23 | Z65Z |
| | 18A | S65A, S65B | R74.8 | 23 | Z65Z | R84.4 | 23 | Z65Z |
| R62.0 | 10 | K62A, K62B | R74.9 | 23 | Z65Z | R84.5 | 23 | Z65Z |
| | 18A | S65A, S65B | R76.0 | 16 | Q60A, Q60B, Q60C, Q60D, Q60E | R84.6 | 23 | Z65Z |
| R62.8 | 10 | K62A, K62B | | | | R84.7 | 23 | Z65Z |
| | 15 | P65C, P66C, P67B, P67C | R76.1 | 04 | E62A, E62B, E77A, E77B, E77C, E77D, E77E | R84.8 | 23 | Z65Z |
| | 18A | S65A, S65B | | | | R84.9 | 23 | Z65Z |
| R62.9 | 10 | K62A, K62B | R76.2 | 08 | I66A, I66B, I66C | R85.0 | 06 | G46A, G46B, G46C, G50Z, G67A, G67B, G67C, G67D |
| | 18A | S65A, S65B | R76.8 | 16 | Q60A, Q60B, Q60C, Q60D, Q60E | R85.1 | 06 | G46A, G46B, G46C, G50Z, G67A, G67B, G67C, G67D |
| R63.0 | 10 | K62A, K62B | R76.9 | 16 | Q60A, Q60B, Q60C, Q60D, Q60E | R85.2 | 06 | G46A, G46B, G46C, G50Z, G67A, G67B, G67C, G67D |
| R63.1 | 10 | K62A, K62B | | | | R85.3 | 06 | G46A, G46B, G46C, G50Z, G67A, G67B, G67C, G67D |
| R63.2 | 10 | K62A, K62B | R77.0 | 17 | R01A, R01B, R01C, R01D, R03Z, R11A, R11B, R11C, R61A, R61B, R61C, R61D, R61E, R61F, R61G, R61H | R85.4 | 06 | G46A, G46B, G46C, G50Z, G67A, G67B, G67C, G67D |
| R63.3 | 10 | K62A, K62B | | | | R85.5 | 06 | G46A, G46B, G46C, G50Z, G67A, G67B, G67C, G67D |
| R63.4 | 10 | K62A, K62B | R77.1 | 17 | R01A, R01B, R01C, R01D, R03Z, R11A, R11B, R11C, R61A, R61B, R61C, R61D, R61E, R61F, R61G, R61H | R85.6 | 06 | G46A, G46B, G46C, G50Z, G67A, G67B, G67C, G67D |
| | 18A | S65A, S65B | | | | R85.7 | 06 | G46A, G46B, G46C, G50Z, G67A, G67B, G67C, G67D |
| R63.5 | 10 | K62A, K62B | | | | R85.8 | 06 | G46A, G46B, G46C, G50Z, G67A, G67B, G67C, G67D |
| R63.6 | 10 | K62A, K62B | | | | R85.9 | 06 | G46A, G46B, G46C, G50Z, G67A, G67B, G67C, G67D |
| R63.8 | 10 | K62A, K62B | | | | R86.0 | 12 | M64Z |
| R64 | 18A | S65A, S65B | | | | R86.1 | 12 | M64Z |
| | 23 | Z65Z | R77.2 | 17 | R01A, R01B, R01C, R01D, R03Z, R11A, R11B, R11C, R61A, R61B, R61C, R61D, R61E, R61F, R61G, R61H | R86.2 | 12 | M64Z |
| R65.0 | 05 | F62A | | | | R86.3 | 12 | M64Z |
| | 06 | G67A | | | | R86.4 | 12 | M64Z |
| | 15 | P65C, P66C, P67B, P67C | R77.8 | 17 | R01A, R01B, R01C, R01D, R03Z, R11A, R11B, R11C, R61A, R61B, R61C, R61D, R61E, R61F, R61G, R61H | R86.5 | 12 | M64Z |
| | 18B | T61A | | | | R86.6 | 12 | M64Z |
| | 22 | Y02A | | | | R86.7 | 12 | M64Z |
| R65.1 | | KK11, KKI, KKII | | | | R86.8 | 12 | M64Z |
| | 05 | F62A | R77.9 | 17 | R01A, R01B, R01C, R01D, R03Z, R11A, R11B, R11C, R61A, R61B, R61C, R61D, R61E, R61F, R61G, R61H | R86.9 | 12 | M64Z |
| | 06 | G67A | | | | R87.0 | 23 | Z65Z |
| | 07 | H06A, H08A | | | | R87.1 | 23 | Z65Z |
| | 10 | K62A | R78.1 | 23 | Z65Z | R87.2 | 23 | Z65Z |
| | 15 | P65C, P66C, P67B, P67C | R78.2 | 23 | Z65Z | R87.3 | 23 | Z65Z |
| | 17 | R60B, R60C, R61A, R62A, R63B, R63C, R63D, R63F | R78.3 | 23 | Z65Z | R87.4 | 23 | Z65Z |
| | 18B | T61A | R78.4 | 23 | Z65Z | R87.5 | 23 | Z65Z |
| | 22 | Y02A | R78.5 | 23 | Z65Z | R87.60 | 13 | N04Z, N05A, N05B, N05J, N14Z, N21J, N21Z, N25J, N25Q, N25Z, N62B |
| R65.2 | 05 | F62A | R78.6 | 23 | Z65Z | R87.61 | 13 | N04Z, N05A, N05B, N05J, N14Z, N21J, N21Z, N25J, N25Q, N25Z, N62B |
| | 06 | G67A | R78.7 | 23 | Z65Z | | | |
| | 10 | K62A | R78.8 | 23 | Z65Z | R87.62 | 13 | N04Z, N05A, N05B, N05J, N14Z, N21J, N21Z, N25J, N25Q, N25Z, N62B |
| | 15 | P65C, P66C, P67B, P67C | R78.9 | 23 | Z65Z | | | |
| | 18B | T61A | R79.0 | 23 | Z65Z | R87.63 | 13 | N04Z, N05A, N05B, N05J, N14Z, N21J, N21Z, N25J, N25Q, N25Z, N62B |
| | 22 | Y02A | R79.8 | 23 | Z65Z | | | |
| R65.3 | | KK11, KKI, KKII | R79.9 | 23 | Z65Z | R87.64 | 13 | N04Z, N05A, N05B, N05J, N14Z, N21J, N21Z, N25J, N25Q, N25Z, N62B |
| | 05 | F62A | R80 | 11 | L64A, L64J, L64Q, L64R, L74Z | | | |
| | 06 | G67A | R81 | 10 | K60A, K60B, K60C, K60D, K60E | R87.65 | 13 | N04Z, N05A, N05B, N05J, N14Z, N21J, N21Z, N25J, N25Q, N25Z, N62B |
| | 07 | H06A, H08A | | | | | | |
| | 10 | K62A | R82.0 | 11 | L64A, L64J, L64Q, L64R, L74Z | | | |
| | 15 | P65C, P66C, P67B, P67C | R82.1 | 23 | Z65Z | | | |
| | 17 | R60B, R60C, R61A, R62A, R63B, R63C, R63D, R63F | R82.2 | 07 | H63A, H63B, H63C, H78Z | | | |
| | 18B | T61A | R82.3 | 11 | L64A, L64J, L64Q, L64R, L74Z | | | |
| | 22 | Y02A | R82.4 | 10 | K62A, K62B | | | |
| R65.9 | 05 | F62A | R82.5 | 11 | L64A, L64J, L64Q, L64R, L74Z | | | |
| | 06 | G67A | R82.6 | 23 | Z65Z | | | |
| | 15 | P65C, P66C, P67B, P67C | R82.7 | 11 | L64A, L64J, L64Q, L64R, L74Z | | | |
| | 18B | T61A | R82.8 | 11 | L64A, L64J, L64Q, L64R, L74Z | | | |
| | 22 | Y02A | R82.9 | 11 | L64A, L64J, L64Q, L64R, L74Z | | | |
| R68.0 | 23 | Z65Z | R83.0 | 01 | B81A, B81B | | | |
| R68.1 | 23 | Z65Z | R83.1 | 01 | B81A, B81B | | | |
| R68.2 | 03 | D66Z | R83.2 | 01 | B81A, B81B | | | |
| R68.3 | 04 | E75A, E75B, E75C | R83.3 | 01 | B81A, B81B | | | |
| R68.8 | 23 | Z65Z | R83.4 | 01 | B81A, B81B | | | |
| R70.0 | 23 | Z65Z | R83.5 | 01 | B81A, B81B | | | |
| R70.1 | 23 | Z65Z | R83.6 | 01 | B81A, B81B | | | |
| R71 | 16 | Q61A, Q61B, Q61C, Q61D, Q61E | R83.7 | 01 | B81A, B81B | | | |
| | | | R83.8 | 01 | B81A, B81B | | | |
| | | | | | | R87.67 | 13 | N04Z, N05A, N05B, N05J, N14Z, N21J, N21Z, N25J, N25Q, N25Z, N62B |

| ICD | MDC | DRG | ICD | MDC | DRG | ICD | MDC | DRG |
|--------|-----|--|--------|-----|------------------------|--------|-----|------------------|
| R87.7 | 23 | Z65Z | S00.28 | 02 | C62Z | S00.94 | 09 | J65Z |
| R87.8 | 23 | Z65Z | | 21A | W61A, W61B | | 21A | W61A, W61B |
| R87.9 | 23 | Z65Z | S00.30 | 09 | J65Z | S00.95 | 09 | J65Z |
| R89.0 | 23 | Z65Z | | 21A | W61A, W61B | | 21A | W61A, W61B |
| R89.1 | 23 | Z65Z | S00.31 | 09 | J65Z | S00.98 | 09 | J65Z |
| R89.2 | 23 | Z65Z | | 21A | W61A, W61B | | 21A | W61A, W61B |
| R89.3 | 23 | Z65Z | S00.32 | 09 | J67A, J67B, J68A, J68B | S01.0 | 21A | W61A, W61B |
| R89.4 | 23 | Z65Z | | 21A | W61A, W61B | | 21B | X60Z |
| R89.5 | 23 | Z65Z | S00.33 | 09 | J67A, J67B, J68A, J68B | S01.1 | 02 | C62Z |
| R89.6 | 23 | Z65Z | | 21A | W61A, W61B | | 21A | W61A, W61B |
| R89.7 | 23 | Z65Z | S00.34 | 09 | J65Z | S01.20 | 03 | D65Z |
| R89.8 | 23 | Z65Z | | 21A | W61A, W61B | | 21A | W61A, W61B |
| R89.9 | 23 | Z65Z | S00.35 | 09 | J65Z | S01.21 | 03 | D65Z |
| R90.0 | 01 | B81A, B81B | | 21A | W61A, W61B | | 21A | W61A, W61B |
| R90.8 | 01 | B81A, B81B | S00.38 | 09 | J65Z | S01.22 | 03 | D65Z |
| R91 | 04 | E69A, E69B, E69C, E69D | | 21A | W61A, W61B | | 21A | W61A, W61B |
| R92 | 09 | J67A, J67B | S00.40 | 09 | J65Z | S01.23 | 03 | D66Z |
| R93.0 | 01 | B81A, B81B | | 21A | W61A, W61B | | 21A | W61A, W61B |
| R93.1 | 05 | F66A, F66B | S00.41 | 09 | J65Z | S01.29 | 03 | D66Z |
| R93.2 | 07 | H64Z | | 21A | W61A, W61B | | 21A | W61A, W61B |
| R93.3 | 06 | G46A, G46B, G46C, G50Z, G67A, G67B, G67C, G67D | S00.42 | 09 | J67A, J67B, J68A, J68B | S01.30 | 03 | D66Z |
| | | | | 21A | W61A, W61B | | 21A | W61A, W61B |
| R93.4 | 11 | L64A, L64J, L64Q, L64R, L74Z | S00.43 | 09 | J67A, J67B, J68A, J68B | S01.31 | 03 | D66Z |
| R93.5 | 06 | G46A, G46B, G46C, G50Z, G67A, G67B, G67C, G67D | | 21A | W61A, W61B | | 21A | W61A, W61B |
| | | | S00.44 | 09 | J65Z | S01.33 | 03 | D66Z |
| R93.6 | 08 | I76A, I76B | | 21A | W61A, W61B | | 21A | W61A, W61B |
| R93.7 | 08 | I76A, I76B | S00.45 | 09 | J65Z | S01.34 | 03 | D66Z |
| R93.8 | 23 | Z65Z | | 21A | W61A, W61B | | 21A | W61A, W61B |
| R94.0 | 01 | B81A, B81B | S00.48 | 09 | J65Z | S01.35 | 03 | D66Z |
| | 15 | P65C, P66C, P67B, P67C | | 21A | W61A, W61B | | 15 | TPN, VTPN |
| R94.1 | 01 | B81A, B81B | S00.50 | 09 | J65Z | | 21A | W61A, W61B |
| R94.2 | 04 | E75A, E75B, E75C | | 21A | W61A, W61B | S01.36 | 03 | D66Z |
| R94.3 | 05 | F75A, F75B, F75C, F75D | S00.51 | 09 | J65Z | | 15 | TPN, VTPN |
| R94.4 | 11 | L64A, L64J, L64Q, L64R, L74Z | | 21A | W61A, W61B | | 21A | W61A, W61B |
| R94.5 | 07 | H63A, H63B, H63C, H78Z | S00.52 | 09 | J67A, J67B, J68A, J68B | S01.37 | 03 | D66Z |
| R94.6 | 10 | K64A, K64B, K64C, K64D | | 21A | W61A, W61B | | 15 | TPN, VTPN |
| R94.7 | 10 | K64A, K64B, K64C, K64D | S00.53 | 09 | J67A, J67B, J68A, J68B | | 21A | W61A, W61B |
| R94.8 | 11 | L64A, L64J, L64Q, L64R, L74Z | | 21A | W61A, W61B | S01.38 | 03 | D66Z |
| R95.0 | 01 | B81A, B81B | S00.54 | 09 | J65Z | | 15 | TPN, VTPN |
| | 15 | P65C, P66C, P67B, P67C | | 21A | W61A, W61B | | 21A | W61A, W61B |
| R95.9 | 01 | B81A, B81B | S00.55 | 09 | J65Z | S01.39 | 03 | D66Z |
| | 15 | P65C, P66C, P67B, P67C | | 21A | W61A, W61B | | 15 | TPN, VTPN |
| S00.00 | 09 | J65Z | S00.58 | 09 | J65Z | | 21A | W61A, W61B |
| | 21A | W61A, W61B | | 21A | W61A, W61B | S01.41 | 21A | W61A, W61B |
| S00.01 | 09 | J65Z | S00.7 | 09 | J65Z | | 21B | X60Z |
| | 21A | W61A, W61B | | 21A | W61A, W61B | S01.42 | 03 | D40J, D40Z, D67Z |
| S00.02 | 09 | J67A, J67B, J68A, J68B | S00.80 | 09 | J65Z | | 21A | W61A, W61B |
| | 21A | W61A, W61B | | 21A | W61A, W61B | S01.43 | 03 | D40J, D40Z, D67Z |
| S00.03 | 09 | J67A, J67B, J68A, J68B | S00.81 | 09 | J65Z | | 21A | W61A, W61B |
| | 21A | W61A, W61B | | 15 | P65C, P66C, P67B, P67C | S01.49 | 21A | W61A, W61B |
| S00.04 | 09 | J65Z | | 21A | W61A, W61B | | 21B | X60Z |
| | 21A | W61A, W61B | S00.82 | 09 | J67A, J67B, J68A, J68B | S01.50 | 03 | D40J, D40Z, D67Z |
| S00.05 | 09 | J65Z | | 21A | W61A, W61B | | 15 | TPN, VTPN |
| | 21A | W61A, W61B | S00.83 | 09 | J67A, J67B, J68A, J68B | | 21A | W61A, W61B |
| S00.08 | 09 | J65Z | | 21A | W61A, W61B | S01.51 | 03 | D40J, D40Z, D67Z |
| | 21A | W61A, W61B | S00.84 | 09 | J65Z | | 21A | W61A, W61B |
| S00.1 | 02 | C62Z | | 21A | W61A, W61B | S01.52 | 03 | D40J, D40Z, D67Z |
| | 21A | W61A, W61B | S00.85 | 09 | J65Z | | 15 | TPN, VTPN |
| S00.20 | 02 | C62Z | | 21A | W61A, W61B | | 21A | W61A, W61B |
| | 21A | W61A, W61B | S00.88 | 09 | J65Z | S01.53 | 03 | D40J, D40Z, D67Z |
| S00.21 | 02 | C62Z | | 21A | W61A, W61B | | 15 | TPN, VTPN |
| | 21A | W61A, W61B | S00.90 | 09 | J65Z | | 21A | W61A, W61B |
| S00.22 | 02 | C62Z | | 21A | W61A, W61B | S01.54 | 03 | D40J, D40Z, D67Z |
| | 21A | W61A, W61B | S00.91 | 09 | J65Z | | 15 | TPN, VTPN |
| S00.23 | 02 | C62Z | | 21A | W61A, W61B | | 21A | W61A, W61B |
| | 21A | W61A, W61B | S00.92 | 09 | J67A, J67B, J68A, J68B | S01.55 | 03 | D40J, D40Z, D67Z |
| S00.24 | 02 | C62Z | | 21A | W61A, W61B | | 15 | TPN, VTPN |
| | 21A | W61A, W61B | S00.93 | 09 | J67A, J67B, J68A, J68B | | 21A | W61A, W61B |
| | | | | 21A | W61A, W61B | | | |

| ICD | MDC | DRG | ICD | MDC | DRG | ICD | MDC | DRG |
|--------|-----|--|--------|-----|------------------------|-------|-----|------------------------|
| S01.59 | 03 | D40J, D40Z, D67Z | S02.61 | | PTR | S04.2 | | PTR |
| | 15 | TPN, VTPN | | 03 | D40J, D40Z, D67Z | | 01 | B71A, B71B, B71C, B71D |
| | 21A | W61A, W61B | | 15 | TPN, VTPN | | 21A | W61A, W61B |
| S01.7 | 21A | W61A, W61B | | 21A | W61A, W61B | S04.3 | | PTR |
| | 21B | X60Z | S02.62 | | PTR | | 01 | B71A, B71B, B71C, B71D |
| S01.80 | 21A | W61A, W61B | | 03 | D40J, D40Z, D67Z | | 21A | W61A, W61B |
| | 21B | X60Z | | 15 | TPN, VTPN | S04.4 | | PTR |
| S01.83 | | PTR | | 21A | W61A, W61B | | 01 | B71A, B71B, B71C, B71D |
| | 08 | I02A, I02B, I02C, I02D, I08A, I08B, I08C, I08D, I08E, I13A, I13B, I13C, I20A, I20B, I20C, I22A | S02.63 | | PTR | | 21A | W61A, W61B |
| | 21A | W61A, W61B | | 03 | D40J, D40Z, D67Z | S04.5 | | PTR |
| | 21B | X01A, X01B | | 15 | TPN, VTPN | | 01 | B71A, B71B, B71C, B71D |
| S01.84 | 21A | W61A, W61B | | 21A | W61A, W61B | | 21A | W61A, W61B |
| S01.85 | 21A | W61A, W61B | S02.64 | | PTR | S04.6 | | PTR |
| S01.86 | 08 | I02A, I02B, I02C, I02D, I08A, I08B, I08C, I08D, I08E, I13A, I13B, I13C, I20A, I20B, I20C, I22A | | 03 | D40J, D40Z, D67Z | | 03 | D66Z |
| | 21A | W61A, W61B | | 15 | TPN, VTPN | | 21A | W61A, W61B |
| | 21B | X01A, X01B | | 21A | W61A, W61B | S04.7 | | PTR |
| | | PTR | S02.65 | | PTR | | 01 | B71A, B71B, B71C, B71D |
| S01.87 | 21A | W61A, W61B | | 03 | D40J, D40Z, D67Z | | 21A | W61A, W61B |
| | 21A | W61A, W61B | | 15 | TPN, VTPN | S04.8 | | PTR |
| S01.88 | | PTR | | 21A | W61A, W61B | | 01 | B71A, B71B, B71C, B71D |
| | 08 | I02A, I02B, I02C, I02D, I08A, I08B, I08C, I08D, I08E, I13A, I13B, I13C, I20A, I20B, I20C, I22A | S02.66 | | PTR | | 21A | W61A, W61B |
| | 21A | W61A, W61B | | 03 | D40J, D40Z, D67Z | S04.9 | | PTR |
| | 21B | X01A, X01B | | 15 | TPN, VTPN | | 01 | B71A, B71B, B71C, B71D |
| | | PTR | | 21A | W61A, W61B | | 21A | W61A, W61B |
| S01.89 | 21A | W61A, W61B | S02.67 | | PTR | S05.0 | | PTR |
| | 21B | X01A, X01B | | 03 | D40J, D40Z, D67Z | | 02 | C62Z |
| | | PTR | | 15 | TPN, VTPN | | 21A | W61A, W61B |
| | 08 | I02A, I02B, I02C, I02D, I08A, I08B, I08C, I08D, I08E, I13A, I13B, I13C, I20A, I20B, I20C, I22A | S02.68 | | PTR | S05.1 | | PTR |
| | 21A | W61A, W61B | | 03 | D40J, D40Z, D67Z | | 02 | C62Z |
| | 21B | X01A, X01B | | 15 | TPN, VTPN | | 21A | W61A, W61B |
| | | PTR | | 21A | W61A, W61B | S05.2 | | PTR |
| | 08 | I02A, I02B, I02C, I02D, I08A, I08B, I08C, I08D, I08E, I13A, I13B, I13C, I20A, I20B, I20C, I22A | S02.69 | | PTR | | 02 | C01A, C01B, C16Z, C63Z |
| | 21A | W61A, W61B | | 03 | D40J, D40Z, D67Z | | 15 | TPN, VTPN |
| | 21B | X01A, X01B | | 15 | TPN, VTPN | S05.3 | | PTR |
| | 21A | W61A, W61B | | 21A | W61A, W61B | | 02 | C01A, C01B, C16Z, C63Z |
| | 21B | X60Z | S02.7 | | PTR | | 15 | TPN, VTPN |
| S02.0 | | PTR | | 01 | B20D, B79Z | S05.4 | | PTR |
| | 01 | B20D, B79Z | | 21A | W61A, W61B | | 02 | C63Z |
| | 15 | TPN, VTPN | S02.8 | | PTR | | 15 | TPN, VTPN |
| | 21A | W61A, W61B | | 21A | W61A, W61B | | 21A | W61A, W61B |
| S02.1 | | PTR | S02.9 | | PTR | S05.5 | | PTR |
| | 01 | B20D, B79Z | | 01 | B20D, B79Z | | 02 | C01A, C01B, C16Z, C63Z |
| | 15 | TPN, VTPN | | 21A | W61A, W61B | | 15 | TPN, VTPN |
| | 21A | W61A | | 21A | W61A, W61B | | 21A | W61A, W61B |
| | Pre | A09D, A11D, A13D | S03.0 | | PTR | S05.6 | | PTR |
| S02.2 | | PTR | | 03 | D40J, D40Z, D67Z | | 02 | C01A, C01B, C16Z, C63Z |
| | 03 | D65Z | S03.1 | | PTR | | 15 | TPN, VTPN |
| | 15 | TPN, VTPN | | 08 | I76A, I76B | | 21A | W61A, W61B |
| | 21A | W61A, W61B | | 21A | W61A, W61B | S05.7 | | PTR |
| S02.3 | | PTR | S03.2 | | PTR | | 02 | C01A, C01B, C16Z, C63Z |
| | 01 | B20D, B79Z | | 03 | D40J, D40Z, D67Z | | 15 | TPN, VTPN |
| | 15 | TPN, VTPN | | 21A | W61A, W61B | | 21A | W61A, W61B |
| | 21A | W61A, W61B | S03.3 | | PTR | S05.8 | | PTR |
| | Pre | A09D, A11D, A13D | | 08 | I76A, I76B | | 02 | C62Z |
| S02.4 | | PTR | | 21A | W61A, W61B | | 15 | TPN, VTPN |
| | 03 | D40J, D40Z, D67Z | S03.4 | | PTR | | 21A | W61A, W61B |
| | 15 | TPN, VTPN | | 03 | D40J, D40Z, D67Z | S05.9 | | PTR |
| | 21A | W61A, W61B | | 21A | W61A, W61B | | 02 | C62Z |
| S02.5 | | PTR | S03.5 | | PTR | | 21A | W61A, W61B |
| | 03 | D40J, D40Z, D67Z | | 08 | I76A, I76B | S06.0 | | 01 B20D, B80Z |
| | 21A | W61A, W61B | | 21A | W61A, W61B | | 15 | TPN, VTPN |
| S02.60 | | PTR | S04.0 | | PTR | S06.1 | | PTR |
| | 03 | D40J, D40Z, D67Z | | 01 | B81A, B81B | | 01 | B20D, B78A |
| | 15 | TPN, VTPN | S04.1 | | PTR | | 15 | TPN, VTPN |
| | 21A | W61A, W61B | | 01 | B71A, B71B, B71C, B71D | | 21A | W61A, W61B |
| | | | | 21A | W61A, W61B | | Pre | A09D, A11D, A13D |

| ICD | MDC | DRG | ICD | MDC | DRG | ICD | MDC | DRG |
|--------|-----|------------------|--------|-----|------------------|--------|-----|------------------------|
| S06.20 | | PTR | S06.6 | | PTR | S10.0 | | PTR |
| | 01 | B20D, B78A, B78B | | 01 | B20D, B78A, B78B | | 09 | J65Z |
| | 15 | TPN, VTPN | | 15 | TPN, VTPN | | 21A | W61A, W61B |
| | 21A | W61A, W61B | | 21A | W61A | S10.10 | | PTR |
| | Pre | A09D, A11D, A13D | | Pre | A09D, A11D, A13D | | 09 | J65Z |
| S06.21 | | PTR | S06.70 | | PTR | | 21A | W61A, W61B |
| | 01 | B78A | | 01 | B78A | S10.11 | | PTR |
| | 15 | TPN, VTPN | | 15 | TPN, VTPN | | 09 | J65Z |
| | 21A | W61A, W61B | | 21A | W61A, W61B | | 21A | W61A, W61B |
| | Pre | A09D, A11D, A13D | S06.72 | | PTR | S10.12 | | PTR |
| S06.22 | | PTR | | 01 | B78A | | 09 | J67A, J67B, J68A, J68B |
| | 01 | B78A | S06.73 | | PTR | | 21A | W61A, W61B |
| | 15 | TPN, VTPN | | 01 | B78A | S10.13 | | PTR |
| | 21A | W61A, W61B | | 15 | TPN, VTPN | | 09 | J67A, J67B, J68A, J68B |
| | Pre | A09D, A11D, A13D | S06.8 | | PTR | | 21A | W61A, W61B |
| S06.23 | | PTR | | 01 | B20D, B78A, B78B | S10.14 | | PTR |
| | 01 | B20D, B78A | | 15 | TPN, VTPN | | 09 | J65Z |
| | 15 | TPN, VTPN | S06.9 | | PTR | | 21A | W61A, W61B |
| | 21A | W61A, W61B | | 01 | B20D, B78A, B78B | S10.18 | | PTR |
| | Pre | A09D, A11D, A13D | | 15 | TPN, VTPN | | 09 | J65Z |
| S06.28 | | PTR | | 21A | W61A, W61B | S10.7 | | PTR |
| | 01 | B20D, B78A, B78B | S07.0 | | PTR | | 09 | J65Z |
| | 15 | TPN, VTPN | | 15 | TPN, VTPN | | 21A | W61A, W61B |
| | 21A | W61A, W61B | | 21A | W61A, W61B | S10.80 | | PTR |
| | Pre | A09D, A11D, A13D | | 21B | X60Z | | 09 | J65Z |
| S06.30 | | PTR | S07.1 | | PTR | | 21A | W61A, W61B |
| | 01 | B20D, B78A, B78B | | 15 | TPN, VTPN | S10.81 | | PTR |
| | 15 | TPN, VTPN | | 21A | W61A, W61B | | 09 | J65Z |
| | 21A | W61A, W61B | | 21B | X60Z | | 21A | W61A, W61B |
| | Pre | A09D, A11D, A13D | S07.8 | | PTR | S10.82 | | PTR |
| S06.31 | | PTR | | 15 | TPN, VTPN | | 09 | J67A, J67B, J68A, J68B |
| | 01 | B20D, B78A | | 21A | W61A, W61B | | 21A | W61A, W61B |
| | 15 | TPN, VTPN | | 21B | X60Z | S10.83 | | PTR |
| | 21A | W61A, W61B | S07.9 | | PTR | | 09 | J67A, J67B, J68A, J68B |
| | Pre | A09D, A11D, A13D | | 15 | TPN, VTPN | | 21A | W61A, W61B |
| S06.32 | | PTR | | 21A | W61A, W61B | S10.84 | | PTR |
| | 01 | B20D, B78A | | 21B | X60Z | | 09 | J65Z |
| | 15 | TPN, VTPN | S08.0 | | PTR | | 21A | W61A, W61B |
| | 21A | W61A, W61B | | 21A | W61A, W61B | S10.85 | | PTR |
| | Pre | A09D, A11D, A13D | | 21B | X60Z | | 09 | J65Z |
| S06.33 | | PTR | S08.1 | | PTR | | 21A | W61A, W61B |
| | 01 | B20D, B78A | | 03 | D66Z | S10.88 | | PTR |
| | 15 | TPN, VTPN | | 21A | W61A, W61B | | 09 | J65Z |
| | 21A | W61A, W61B | S08.8 | | PTR | | 21A | W61A, W61B |
| | Pre | A09D, A11D, A13D | | 21A | W61A, W61B | S10.90 | | PTR |
| S06.34 | | PTR | | 21B | X60Z | | 09 | J65Z |
| | 01 | B20D, B78A | S08.9 | | PTR | | 21A | W61A, W61B |
| | 15 | TPN, VTPN | | 21A | W61A, W61B | S10.91 | | PTR |
| | 21A | W61A, W61B | | 21B | X60Z | | 09 | J65Z |
| | Pre | A09D, A11D, A13D | S09.0 | | PTR | | 21A | W61A, W61B |
| S06.38 | | PTR | | 21A | W61A, W61B | S10.92 | | PTR |
| | 01 | B20D, B78A, B78B | | 21B | X60Z | | 09 | J67A, J67B, J68A, J68B |
| | 15 | TPN, VTPN | S09.1 | | PTR | | 21A | W61A, W61B |
| | 21A | W61A, W61B | | 08 | I76A, I76B | S10.93 | | PTR |
| | Pre | A09D, A11D, A13D | | 21A | W61A, W61B | | 09 | J67A, J67B, J68A, J68B |
| S06.4 | | PTR | S09.2 | | PTR | | 21A | W61A, W61B |
| | 01 | B20D, B78A, B78B | | 03 | D66Z | S10.94 | | PTR |
| | 15 | TPN, VTPN | | 15 | TPN, VTPN | | 09 | J65Z |
| | 21A | W61A, W61B | | 21A | W61A, W61B | | 21A | W61A, W61B |
| | Pre | A09D, A11D, A13D | S09.7 | | PTR | S10.95 | | PTR |
| S06.5 | | PTR | | 21A | W61A, W61B | | 09 | J65Z |
| | 01 | B20D, B78A, B78B | | 21B | X60Z | | 21A | W61A, W61B |
| | 15 | TPN, VTPN | S09.8 | | PTR | S10.98 | | PTR |
| | 21A | W61A, W61B | | 21A | W61A, W61B | | 09 | J65Z |
| | Pre | A09D, A11D, A13D | | 21B | X60Z | | 21A | W61A, W61B |
| | | | S09.9 | | PTR | | | |
| | | | | 01 | B20D, B80Z | | | |
| | | | | 15 | TPN, VTPN | | | |
| | | | | 21A | W61A, W61B | | | |

Dg

| ICD | MDC | DRG | ICD | MDC | DRG | ICD | MDC | DRG |
|--------|-----|--|--------|-----|------------------------------------|--------|-----|------------------------------|
| S11.01 | | PTR | S12.21 | | PTR | S13.13 | | PTR |
| | 03 | D66Z | | 04 | E66A | | 08 | I68A, I68B, I68C, I68D, I68E |
| | 15 | TPN, VTPN | | 08 | I10C, I68A, I68B, I68C, I68D, I68E | | 15 | TPN, VTPN |
| | 21A | W61A, W61B | | 15 | TPN, VTPN | | 21A | W61A, W61B |
| S11.02 | | PTR | | 21A | W61A, W61B | S13.14 | | Pre A09D, A11D, A13D |
| | 04 | E66A, E66B | | Pre | A09D, A11D, A13D | | | PTR |
| | 15 | TPN, VTPN | S12.22 | | PTR | | 08 | I68A, I68B, I68C, I68D, I68E |
| | 21A | W61A, W61B | | 04 | E66A | | 15 | TPN, VTPN |
| S11.1 | | PTR | | 08 | I10C, I68A, I68B, I68C, I68D, I68E | S13.15 | | PTR |
| | 10 | K64A, K64B, K64C, K64D | | 15 | TPN, VTPN | | 08 | I68A, I68B, I68C, I68D, I68E |
| | 15 | TPN, VTPN | | 21A | W61A, W61B | | 15 | TPN, VTPN |
| | 21A | W61A, W61B | | Pre | A09D, A11D, A13D | | 21A | W61A, W61B |
| S11.21 | | PTR | | Pre | A09D, A11D, A13D | | Pre | A09D, A11D, A13D |
| | 03 | D66Z | S12.23 | | PTR | | | PTR |
| | 15 | TPN, VTPN | | 04 | E66A | S13.16 | | PTR |
| | 21A | W61A, W61B | | 08 | I10C, I68A, I68B, I68C, I68D, I68E | | 08 | I68A, I68B, I68C, I68D, I68E |
| S11.22 | | PTR | | 15 | TPN, VTPN | | 15 | TPN, VTPN |
| | 03 | D66Z | | 21A | W61A, W61B | | 21A | W61A, W61B |
| | 15 | TPN, VTPN | | Pre | A09D, A11D, A13D | S13.17 | | PTR |
| | 21A | W61A, W61B | | Pre | A09D, A11D, A13D | | 08 | I68A, I68B, I68C, I68D, I68E |
| S11.7 | | PTR | S12.24 | | PTR | | 15 | TPN, VTPN |
| | 21A | W61A, W61B | | 04 | E66A | | 21A | W61A, W61B |
| | 21B | X60Z | | 08 | I10C, I68A, I68B, I68C, I68D, I68E | S13.18 | | Pre A09D, A11D, A13D |
| S11.80 | | PTR | | 15 | TPN, VTPN | | | PTR |
| | 21A | W61A, W61B | | 21A | W61A, W61B | | 08 | I68A, I68B, I68C, I68D, I68E |
| | 21B | X60Z | | Pre | A09D, A11D, A13D | | 15 | TPN, VTPN |
| S11.84 | 21A | W61A, W61B | | Pre | A09D, A11D, A13D | S13.2 | | PTR |
| S11.85 | 21A | W61A, W61B | S12.25 | | PTR | | 08 | I68A, I68B, I68C, I68D, I68E |
| S11.86 | 08 | I02A, I02B, I02C, I02D, I08A, I08B, I08C, I08D, I08E, I13A, I13B, I13C, I20A, I20B, I20C, I22A | | 04 | E66A | | 15 | TPN, VTPN |
| | 21A | W61A, W61B | | 08 | I10C, I68A, I68B, I68C, I68D, I68E | S13.3 | | PTR |
| | 21B | X01A, X01B | | 15 | TPN, VTPN | | 21A | W61A, W61B |
| S11.87 | | PTR | | 21A | W61A, W61B | | Pre | A09D, A11D, A13D |
| | 21A | W61A, W61B | S12.7 | | PTR | S13.4 | | PTR |
| S11.88 | | PTR | | 04 | E66A | | 08 | I68A, I68B, I68C, I68D, I68E |
| | 08 | I02A, I02B, I02C, I02D, I08A, I08B, I08C, I08D, I08E, I13A, I13B, I13C, I20A, I20B, I20C, I22A | | 08 | I10C, I68A, I68B, I68C, I68D, I68E | | 15 | TPN, VTPN |
| | 21A | W61A, W61B | | 15 | TPN, VTPN | S13.5 | | PTR |
| | 21B | X01A, X01B | S12.8 | | PTR | | 08 | I76A, I76B |
| S11.89 | | PTR | | 03 | D66Z | S13.6 | | PTR |
| | 08 | I02A, I02B, I02C, I02D, I08A, I08B, I08C, I08D, I08E, I13A, I13B, I13C, I20A, I20B, I20C, I22A | | 15 | TPN, VTPN | | 21A | W61A, W61B |
| | 21A | W61A, W61B | | 21A | W61A, W61B | S14.0 | | PTR |
| | 21B | X01A, X01B | S12.9 | | PTR | | 15 | TPN, VTPN |
| S11.9 | | PTR | | 08 | I68A, I68B, I68C, I68D, I68E | S14.10 | | PTR |
| | 21A | W61A, W61B | | 15 | TPN, VTPN | | 21A | W61A, W61B |
| | 21B | X60Z | S13.0 | | PTR | | Pre | B61A, B61B |
| S12.0 | | PTR | | 08 | I68A, I68B, I68C, I68D, I68E | S14.11 | | PTR |
| | 04 | E66A | | 15 | TPN, VTPN | | 15 | TPN, VTPN |
| | 08 | I10C, I68A, I68B, I68C, I68D, I68E | S13.10 | | PTR | | 21A | W61A, W61B |
| | 15 | TPN, VTPN | | 08 | I68A, I68B, I68C, I68D, I68E | S14.12 | | PTR |
| | 21A | W61A | | 15 | TPN, VTPN | | 21A | W61A, W61B |
| | Pre | A09D, A11D, A13D | | 21A | W61A, W61B | | Pre | B61A, B61B |
| S12.1 | | PTR | S13.11 | | PTR | | | PTR |
| | 04 | E66A | | 08 | I68A, I68B, I68C, I68D, I68E | S14.13 | | PTR |
| | 08 | I10C, I68A, I68B, I68C, I68D, I68E | | 15 | TPN, VTPN | | 15 | TPN, VTPN |
| | 15 | TPN, VTPN | | 21A | W61A, W61B | | 21A | W61A, W61B |
| | 21A | W61A | S13.12 | | PTR | | Pre | B61A, B61B |
| | Pre | A09D, A11D, A13D | | 08 | I68A, I68B, I68C, I68D, I68E | | | PTR |
| | | | | 15 | TPN, VTPN | | | |
| | | | | 21A | W61A, W61B | | | |
| | | | | Pre | A09D, A11D, A13D | | | |

| ICD | MDC | DRG | ICD | MDC | DRG | ICD | MDC | DRG |
|--------|-----|------------------------------|--------|--------|------------------------------|--------|-----|------------------------|
| S14.2 | | PTR | S15.3 | | PTR | S20.31 | | PTR |
| | 01 | B71A, B71B, B71C, B71D | | 15 | TPN, VTPN | | 09 | J65Z |
| | 15 | TPN, VTPN | | 21A | W61A, W61B | | 21A | W61A, W61B |
| | 21A | W61A, W61B | S15.7 | | PTR | S20.32 | | PTR |
| S14.3 | | PTR | | 21A | W61A, W61B | | 09 | J67A, J67B, J68A, J68B |
| | 01 | B07Z, B71A, B71B, B71C, B71D | | 21B | X60Z | | 21A | W61A, W61B |
| | 15 | TPN, VTPN | S15.8 | | PTR | S20.33 | | PTR |
| | 21A | W61A, W61B | | 21A | W61A, W61B | | 09 | J67A, J67B, J68A, J68B |
| S14.4 | | PTR | | 21B | X60Z | | 21A | W61A, W61B |
| | 01 | B71A, B71B, B71C, B71D | S15.9 | | PTR | S20.34 | | PTR |
| | 21A | W61A, W61B | | 21A | W61A, W61B | | 09 | J65Z |
| S14.5 | | PTR | | 21B | X60Z | | 21A | W61A, W61B |
| | 01 | B71A, B71B, B71C, B71D | S16 | | PTR | S20.38 | | PTR |
| | 15 | TPN, VTPN | | 08 | I68A, I68B, I68C, I68D, I68E | | 09 | J65Z |
| | 21A | W61A, W61B | | 21A | W61A, W61B | | 21A | W61A, W61B |
| S14.6 | | PTR | S17.0 | | PTR | S20.40 | | PTR |
| | 01 | B71A, B71B, B71C, B71D | | 15 | TPN, VTPN | | 09 | J65Z |
| | 21A | W61A, W61B | | 21A | W61A, W61B | | 21A | W61A, W61B |
| S14.70 | | PTR | | 21B | X60Z | S20.41 | | PTR |
| | 15 | TPN, VTPN | S17.8 | | PTR | | 09 | J65Z |
| | 21A | W61A, W61B | | 15 | TPN, VTPN | S20.42 | | PTR |
| S14.71 | | PTR | | 21A | W61A, W61B | | 09 | J67A, J67B, J68A, J68B |
| | 15 | TPN, VTPN | | 21B | X60Z | | 21A | W61A, W61B |
| | 21A | W61A, W61B | S17.9 | | PTR | S20.43 | | PTR |
| S14.72 | | PTR | | 15 | TPN, VTPN | | 09 | J67A, J67B, J68A, J68B |
| | 15 | TPN, VTPN | | 21A | W61A, W61B | | 21A | W61A, W61B |
| | 21A | W61A, W61B | S18 | | PTR | S20.44 | | PTR |
| S14.73 | | PTR | | 21A | W61A, W61B | | 09 | J65Z |
| | 15 | TPN, VTPN | | 21B | X60Z | S20.48 | | PTR |
| | 21A | W61A, W61B | S19.7 | | PTR | | 09 | J65Z |
| S14.74 | | PTR | | 21A | W61A, W61B | | 21A | W61A, W61B |
| | 15 | TPN, VTPN | | 21B | X60Z | S20.7 | | PTR |
| | 21A | W61A, W61B | S19.8 | | PTR | | 09 | J65Z |
| S14.75 | | PTR | | 21A | W61A, W61B | | 21A | W61A, W61B |
| | 15 | TPN, VTPN | | 21B | X60Z | S20.80 | | PTR |
| | 21A | W61A, W61B | S19.9 | | PTR | | 09 | J65Z |
| S14.76 | | PTR | | 21A | W61A, W61B | | 21A | W61A, W61B |
| | 15 | TPN, VTPN | | 21B | X60Z | S20.81 | | PTR |
| | 21A | W61A, W61B | S20.0 | | PTR | | 09 | J65Z |
| S14.77 | | PTR | | 09 | J65Z | | 21A | W61A, W61B |
| | 15 | TPN, VTPN | | 21A | W61A, W61B | S20.82 | | PTR |
| | 21A | W61A, W61B | S20.10 | | PTR | | 09 | J67A, J67B, J68A, J68B |
| S14.78 | | PTR | | 09 | J65Z | | 21A | W61A, W61B |
| | 15 | TPN, VTPN | | 21A | W61A, W61B | S20.83 | | PTR |
| | 21A | W61A, W61B | S20.11 | | PTR | | 09 | J67A, J67B, J68A, J68B |
| S15.00 | | PTR | | 09 | J65Z | | 21A | W61A, W61B |
| | 15 | TPN, VTPN | | 21A | W61A, W61B | S20.84 | | PTR |
| | 21A | W61A, W61B | S20.12 | | PTR | | 09 | J65Z |
| | 21B | X60Z | | 09 | J67A, J67B, J68A, J68B | | 21A | W61A, W61B |
| S15.01 | | PTR | | 21A | W61A, W61B | S20.85 | | PTR |
| | 15 | TPN, VTPN | S20.13 | | PTR | | 09 | J65Z |
| | 21A | W61A, W61B | | 09 | J67A, J67B, J68A, J68B | | 21A | W61A, W61B |
| | 21B | X60Z | | 21A | W61A, W61B | S20.88 | | PTR |
| S15.02 | | PTR | | S20.14 | | | 09 | J65Z |
| | 15 | TPN, VTPN | | | PTR | | 21A | W61A, W61B |
| | 21A | W61A, W61B | | 09 | J65Z | S21.0 | | PTR |
| | 21B | X60Z | | 21A | W61A, W61B | | 21A | W61A, W61B |
| S15.03 | | PTR | | S20.18 | | | 21B | X60Z |
| | 15 | TPN, VTPN | | | PTR | S21.1 | | PTR |
| | 21A | W61A, W61B | | 09 | J65Z | | 15 | TPN, VTPN |
| | 21B | X60Z | | 21A | W61A, W61B | | 21A | W61A, W61B |
| S15.1 | | PTR | | S20.2 | | | 21B | X60Z |
| | 21A | W61A, W61B | | | PTR | S21.2 | | PTR |
| | 21B | X60Z | | 09 | J65Z | | 15 | TPN, VTPN |
| S15.2 | | PTR | | 21A | W61A, W61B | | 21A | W61A, W61B |
| | 21A | W61A, W61B | S20.30 | | PTR | | 21B | X60Z |
| | 21B | X60Z | | 09 | J65Z | | | |
| | | | | 21A | W61A, W61B | | | |

Dg

| ICD | MDC | DRG | ICD | MDC | DRG | ICD | MDC | DRG |
|--------|-----|--|--------|-----|------------------------------------|--------|-----|------------------------------|
| S21.7 | | PTR | S22.03 | | PTR | S22.9 | | PTR |
| | 15 | TPN, VTPN | | 04 | E66A | | 08 | I76A, I76B |
| | 21A | W61A, W61B | | 08 | I10C, I68A, I68B, I68C, I68D, I68E | | 21A | W61A, W61B |
| | 21B | X60Z | | | | S23.0 | | PTR |
| S21.80 | | PTR | | 15 | TPN, VTPN | | 08 | I68A, I68B, I68C, I68D, I68E |
| | 15 | TPN, VTPN | | 21A | W61A, W61B | | 15 | TPN, VTPN |
| | 21A | W61A, W61B | S22.04 | | PTR | | 21A | W61A, W61B |
| | 21B | X60Z | | 04 | E66A | S23.10 | | PTR |
| S21.83 | | PTR | | 08 | I10C, I68A, I68B, I68C, I68D, I68E | | 08 | I68A, I68B, I68C, I68D, I68E |
| | 08 | I02A, I02B, I02C, I02D, I08A, I08B, I08C, I08D, I08E, I13A, I13B, I13C, I20A, I20B, I20C, I22A | | 15 | TPN, VTPN | | 15 | TPN, VTPN |
| | | | | 21A | W61A, W61B | | 21A | W61A, W61B |
| | 15 | TPN, VTPN | S22.05 | | PTR | S23.11 | | PTR |
| | 21A | W61A, W61B | | 04 | E66A | | 08 | I68A, I68B, I68C, I68D, I68E |
| | 21B | X01A, X01B | | 08 | I10C, I68A, I68B, I68C, I68D, I68E | | 15 | TPN, VTPN |
| S21.84 | 21A | W61A, W61B | | 15 | TPN, VTPN | | 21A | W61A, W61B |
| S21.85 | 21A | W61A, W61B | | 21A | W61A, W61B | S23.12 | | PTR |
| S21.86 | 04 | E66A | S22.06 | | PTR | | 08 | I68A, I68B, I68C, I68D, I68E |
| | 08 | I02A, I02B, I02C, I02D, I08A, I08B, I08C, I08D, I08E, I13A, I13B, I13C, I20A, I20B, I20C, I22A | | 04 | E66A | | 15 | TPN, VTPN |
| | | | | 08 | I10C, I68A, I68B, I68C, I68D, I68E | S23.13 | | PTR |
| | 21A | W61A, W61B | | 15 | TPN, VTPN | | 08 | I68A, I68B, I68C, I68D, I68E |
| | 21B | X01A, X01B | | 21A | W61A, W61B | | 15 | TPN, VTPN |
| S21.87 | | PTR | S22.1 | | PTR | S23.14 | | PTR |
| | 15 | TPN, VTPN | | 04 | E66A | | 08 | I68A, I68B, I68C, I68D, I68E |
| | 21A | W61A, W61B | | 08 | I10C, I68A, I68B, I68C, I68D, I68E | | 15 | TPN, VTPN |
| S21.88 | | PTR | | 15 | TPN, VTPN | | 21A | W61A, W61B |
| | 08 | I02A, I02B, I02C, I02D, I08A, I08B, I08C, I08D, I08E, I13A, I13B, I13C, I20A, I20B, I20C, I22A | | 21A | W61A | S23.15 | | PTR |
| | | | S22.2 | | PTR | | 08 | I68A, I68B, I68C, I68D, I68E |
| | 15 | TPN, VTPN | | 04 | E66A, E66B | | 15 | TPN, VTPN |
| | 21A | W61A, W61B | | 15 | TPN, VTPN | | 21A | W61A, W61B |
| | 21B | X01A, X01B | S22.31 | | PTR | S23.16 | | PTR |
| S21.89 | | PTR | | 21A | W61A, W61B | | 08 | I68A, I68B, I68C, I68D, I68E |
| | 08 | I02A, I02B, I02C, I02D, I08A, I08B, I08C, I08D, I08E, I13A, I13B, I13C, I20A, I20B, I20C, I22A | | 04 | E66A, E66B | | 15 | TPN, VTPN |
| | | | S22.32 | | PTR | S23.17 | | PTR |
| | 15 | TPN, VTPN | | 21A | W61A, W61B | | 08 | I68A, I68B, I68C, I68D, I68E |
| | 21A | W61A, W61B | | 04 | E66A, E66B | | 15 | TPN, VTPN |
| | 21B | X01A, X01B | S22.40 | | PTR | | 21A | W61A, W61B |
| S21.9 | | PTR | | 04 | E66A, E66B | S23.2 | | PTR |
| | 15 | TPN, VTPN | | 15 | TPN, VTPN | | 08 | I68A, I68B, I68C, I68D, I68E |
| | 21A | W61A, W61B | S22.41 | | PTR | | 15 | TPN, VTPN |
| | 21B | X60Z | | 04 | E66A, E66B | S23.3 | | PTR |
| S22.00 | | PTR | | 15 | TPN, VTPN | | 08 | I68A, I68B, I68C, I68D, I68E |
| | 04 | E66A | | 21A | W61A, W61B | S23.4 | | PTR |
| | 08 | I10C, I68A, I68B, I68C, I68D, I68E | S22.42 | | PTR | | 04 | E75A, E75B, E75C |
| | | | | 04 | E66A, E66B | S23.5 | | PTR |
| | 15 | TPN, VTPN | | 15 | TPN, VTPN | | 08 | I76A, I76B |
| | 21A | W61A, W61B | S22.43 | | PTR | | 21A | W61A, W61B |
| | 21B | X01A, X01B | | 04 | E66A, E66B | S24.0 | | PTR |
| S22.01 | | PTR | | 10 | K62A | | 15 | TPN, VTPN |
| | 04 | E66A | | 21A | W61A, W61B | | 21A | W61A, W61B |
| | 08 | I10C, I68A, I68B, I68C, I68D, I68E | S22.44 | | PTR | | Pre | B61A, B61B |
| | | | | 04 | E66A | S24.10 | | PTR |
| | 15 | TPN, VTPN | | 10 | K62A | | 15 | TPN, VTPN |
| | 21A | W61A, W61B | | 15 | TPN, VTPN | | 21A | W61A, W61B |
| S22.02 | | PTR | | 21A | W61A, W61B | | Pre | B61A, B61B |
| | 04 | E66A | | Pre | A09D, A11D, A13D | S24.11 | | PTR |
| | 08 | I10C, I68A, I68B, I68C, I68D, I68E | S22.5 | | PTR | | 15 | TPN, VTPN |
| | | | | 04 | E66A | | 21A | W61A, W61B |
| | 15 | TPN, VTPN | | 15 | TPN, VTPN | | Pre | B61A, B61B |
| | 21A | W61A, W61B | | 21A | W61A | S24.12 | | PTR |
| | | | | Pre | A09D, A11D, A13D | | 15 | TPN, VTPN |
| | | | S22.8 | | PTR | | 21A | W61A, W61B |
| | | | | 08 | I76A, I76B | | Pre | B61A, B61B |
| | 21A | W61A, W61B | | 21A | W61A, W61B | | | |

| ICD | MDC | DRG | ICD | MDC | DRG | ICD | MDC | DRG |
|--------|-----|------------------------|--------|-----|------------------------|--------|-----|--|
| S24.2 | | PTR | S25.9 | | PTR | S27.7 | | PTR |
| | 01 | B71A, B71B, B71C, B71D | | 21A | W61A, W61B | | 15 | TPN, VTPN |
| | 15 | TPN, VTPN | | 21B | X60Z | | 21A | W61A, W61B |
| | 21A | W61A, W61B | S26.0 | | PTR | | 21B | X60Z |
| S24.3 | | PTR | | 05 | F75A, F75B, F75C, F75D | S27.81 | Pre | A09D, A11D, A13D |
| | 01 | B71A, B71B, B71C, B71D | | 15 | TPN, VTPN | | | PTR |
| | 21A | W61A, W61B | | 21A | W61A, W61B | | 04 | E66A, E66B |
| S24.4 | | PTR | S26.81 | | PTR | | 15 | TPN, VTPN |
| | 01 | B71A, B71B, B71C, B71D | | 05 | F75A, F75B, F75C, F75D | | 21A | W61A, W61B |
| | 15 | TPN, VTPN | | 15 | TPN, VTPN | | Pre | A09D, A11D, A13D |
| | 21A | W61A, W61B | | 21A | W61A, W61B | S27.82 | | PTR |
| S24.5 | | PTR | S26.82 | | PTR | | 04 | E75A, E75B, E75C |
| | 01 | B71A, B71B, B71C, B71D | | 05 | F75A, F75B, F75C, F75D | | 15 | TPN, VTPN |
| | 21A | W61A, W61B | | 15 | TPN, VTPN | | 21A | W61A, W61B |
| S24.6 | | PTR | | 21A | W61A, W61B | S27.83 | | PTR |
| | 01 | B71A, B71B, B71C, B71D | S26.83 | | PTR | | 06 | G46A, G46B, G46C, G50Z, G71Z |
| | 21A | W61A, W61B | | 05 | F75A, F75B, F75C, F75D | | 15 | TPN, VTPN |
| S24.70 | | PTR | | 15 | TPN, VTPN | | 21A | W61A, W61B |
| | 15 | TPN, VTPN | | 21A | W61A, W61B | | Pre | A09D, A11D, A13D |
| | 21A | W61A, W61B | S26.88 | | PTR | S27.84 | | PTR |
| S24.71 | | PTR | | 05 | F75A, F75B, F75C, F75D | | 04 | E75A, E75B, E75C |
| | 15 | TPN, VTPN | | 15 | TPN, VTPN | | 15 | TPN, VTPN |
| | 21A | W61A, W61B | | 21A | W61A, W61B | | 21A | W61A, W61B |
| S24.72 | | PTR | S26.9 | | PTR | S27.88 | | PTR |
| | 15 | TPN, VTPN | | 05 | F75A, F75B, F75C, F75D | | 04 | E75A, E75B, E75C |
| | 21A | W61A, W61B | | 15 | TPN, VTPN | | 15 | TPN, VTPN |
| S24.73 | | PTR | | 21A | W61A, W61B | | 21A | W61A, W61B |
| | 15 | TPN, VTPN | S27.0 | | PTR | S27.9 | | PTR |
| | 21A | W61A, W61B | | 04 | E66A, E76A, E76B, E76C | | 15 | TPN, VTPN |
| S24.74 | | PTR | | 15 | TPN, VTPN | | 21A | W61A, W61B |
| | 15 | TPN, VTPN | | 21A | W61A, W61B | | 21B | X60Z |
| | 21A | W61A, W61B | | Pre | A09D, A11D, A13D | S28.0 | | PTR |
| S24.75 | | PTR | S27.1 | | PTR | | 15 | TPN, VTPN |
| | 15 | TPN, VTPN | | 04 | E66A, E76A, E76B, E76C | | 21A | W61A, W61B |
| | 21A | W61A, W61B | | 15 | TPN, VTPN | | 21B | X60Z |
| S24.76 | | PTR | | 21A | W61A, W61B | | Pre | A09D, A11D, A13D |
| | 15 | TPN, VTPN | S27.2 | | PTR | S28.1 | | PTR |
| | 21A | W61A, W61B | | 04 | E66A, E76A, E76B, E76C | | 15 | TPN, VTPN |
| S24.77 | | PTR | | 15 | TPN, VTPN | | 21A | W61A, W61B |
| | 15 | TPN, VTPN | | 21A | W61A, W61B | | 21B | X60Z |
| | 21A | W61A, W61B | | Pre | A09D, A11D, A13D | S29.0 | | PTR |
| S25.0 | | PTR | S27.31 | | PTR | | 08 | I68A, I68B, I68C, I68D, I68E |
| | 15 | TPN, VTPN | | 04 | E66A, E75A, E75B, E75C | | 21A | W61A, W61B |
| | 21A | W61A, W61B | | 21A | W61A, W61B | S29.7 | | PTR |
| | 21B | X60Z | | Pre | A09D, A11D, A13D | | 21A | W61A, W61B |
| S25.1 | | PTR | S27.32 | | PTR | | 21B | X60Z |
| | 15 | TPN, VTPN | | 04 | E66A, E66B | S29.8 | | PTR |
| | 21A | W61A, W61B | | 15 | TPN, VTPN | | 21A | W61A, W61B |
| | 21B | X60Z | | 21A | W61A, W61B | | 21B | X60Z |
| S25.2 | | PTR | | Pre | A09D, A11D, A13D | S29.9 | | PTR |
| | 15 | TPN, VTPN | S27.38 | | PTR | | 21A | W61A, W61B |
| | 21A | W61A, W61B | | 04 | E75A, E75B, E75C | | 21B | X60Z |
| | 21B | X60Z | | 15 | TPN, VTPN | S30.0 | | PTR |
| S25.3 | | PTR | | 21A | W61A, W61B | | 09 | J65Z |
| | 15 | TPN, VTPN | S27.4 | | PTR | | 21A | W61A, W61B |
| | 21A | W61A, W61B | | 04 | E66A, E66B | S30.1 | | PTR |
| | 21B | X60Z | | 15 | TPN, VTPN | | 09 | J65Z |
| S25.4 | | PTR | | 21A | W61A, W61B | | 21A | W61A, W61B |
| | 21A | W61A, W61B | S27.5 | | PTR | S30.2 | | PTR |
| | 21B | X60Z | | 04 | E75A, E75B, E75C | | 12 | M64Z |
| S25.5 | | PTR | | 15 | TPN, VTPN | | 13 | N04Z, N05A, N05B, N05J, N14Z, N21J, N21Z, N25J, N25Q, N25Z, N62A, N62B |
| | 21A | W61A, W61B | | 21A | W61A, W61B | | 21A | W61A, W61B |
| | 21B | X60Z | | Pre | A09D, A11D, A13D | S30.7 | | PTR |
| S25.7 | | PTR | S27.6 | | PTR | | 09 | J65Z |
| | 21A | W61A, W61B | | 04 | E75A, E75B, E75C | | 21A | W61A, W61B |
| | 21B | X60Z | | 15 | TPN, VTPN | | | |
| S25.8 | | PTR | | 21A | W61A, W61B | | | |
| | 21A | W61A, W61B | | | | | | |
| | 21B | X60Z | | | | | | |

| ICD | MDC | DRG | ICD | MDC | DRG | ICD | MDC | DRG |
|--------|-----|--|--------|-----|--|--------|-----|------------------------------------|
| S30.80 | | PTR | S31.7 | | PTR | S32.04 | | PTR |
| | 09 | J65Z | | 15 | TPN, VTPN | | 04 | E66A |
| | 21A | W61A, W61B | | 21A | W61A, W61B | | 08 | I10C, I68A, I68B, I68C, I68D, I68E |
| S30.81 | | PTR | | 21B | X60Z | | 15 | TPN, VTPN |
| | 09 | J65Z | S31.80 | | PTR | | 21A | W61A, W61B |
| | 21A | W61A, W61B | | 15 | TPN, VTPN | S32.05 | | PTR |
| S30.82 | | PTR | | 21A | W61A, W61B | | 04 | E66A |
| | 09 | J67A, J67B, J68A, J68B | | 21B | X60Z | | 08 | I10C, I68A, I68B, I68C, I68D, I68E |
| | 21A | W61A, W61B | S31.83 | | PTR | | 15 | TPN, VTPN |
| S30.83 | | PTR | | 08 | I02A, I02B, I02C, I02D, I08A, I08B, I08C, I08D, I08E, I13A, I13B, I13C, I20A, I20B, I20C, I22A | | 21A | W61A, W61B |
| | 09 | J67A, J67B, J68A, J68B | | 15 | TPN, VTPN | S32.1 | | PTR |
| | 21A | W61A, W61B | | 21A | W61A, W61B | | 08 | I68A, I68B, I68C, I68D, I68E |
| S30.84 | | PTR | | 21B | X01A, X01B | | 15 | TPN, VTPN |
| | 09 | J65Z | S31.84 | | PTR | | 21A | W61A, W61B |
| | 21A | W61A, W61B | S31.85 | | PTR | S32.2 | | PTR |
| S30.85 | | PTR | | 21A | W61A, W61B | | 08 | I68A, I68B, I68C, I68D, I68E |
| | 09 | J65Z | S31.86 | | 08 | | 15 | TPN, VTPN |
| | 21A | W61A, W61B | | 08 | I02A, I02B, I02C, I02D, I08A, I08B, I08C, I08D, I08E, I13A, I13B, I13C, I20A, I20B, I20C, I22A | | 21A | W61A, W61B |
| S30.88 | | PTR | | 21A | W61A, W61B | S32.3 | | PTR |
| | 09 | J65Z | | 21B | X01A, X01B | | 08 | I66A, I66B |
| | 21A | W61A, W61B | S31.87 | | PTR | | 21A | W61A, W61B |
| S30.90 | | PTR | | 15 | TPN, VTPN | S32.4 | | PTR |
| | 09 | J65Z | | 21A | W61A, W61B | | 08 | I08C, I08D, I66A, I66B |
| | 21A | W61A, W61B | S31.88 | | PTR | | 21A | W61A, W61B |
| S30.91 | | PTR | | 08 | I02A, I02B, I02C, I02D, I08A, I08B, I08C, I08D, I08E, I13A, I13B, I13C, I20A, I20B, I20C, I22A | S32.5 | | PTR |
| | 09 | J65Z | | 15 | TPN, VTPN | | 08 | I66A, I66B |
| | 21A | W61A, W61B | | 21A | W61A, W61B | | 21A | W61A, W61B |
| S30.92 | | PTR | | 21B | X01A, X01B | S32.7 | | PTR |
| | 09 | J67A, J67B, J68A, J68B | | 15 | TPN, VTPN | | 08 | I76A |
| | 21A | W61A, W61B | | 21A | W61A, W61B | | 21A | W61A, W61B |
| S30.93 | | PTR | | 21B | X01A, X01B | S32.81 | | PTR |
| | 09 | J67A, J67B, J68A, J68B | S31.89 | | PTR | | 08 | I66A, I66B |
| | 21A | W61A, W61B | | 08 | I02A, I02B, I02C, I02D, I08A, I08B, I08C, I08D, I08E, I13A, I13B, I13C, I20A, I20B, I20C, I22A | | 21A | W61A, W61B |
| S30.94 | | PTR | | 15 | TPN, VTPN | S32.82 | | PTR |
| | 09 | J65Z | | 21A | W61A, W61B | | 08 | I68A, I68B, I68C, I68D, I68E |
| | 21A | W61A, W61B | | 21B | X01A, X01B | | 15 | TPN, VTPN |
| S30.95 | | PTR | | 21A | W61A, W61B | | 21A | W61A, W61B |
| | 09 | J65Z | | 15 | TPN, VTPN | S32.83 | | PTR |
| | 21A | W61A, W61B | | 21A | W61A, W61B | | 08 | I66A, I66B |
| S30.98 | | PTR | | 21B | X01A, X01B | | 21A | W61A, W61B |
| | 09 | J65Z | S32.00 | | PTR | | 08 | I66A, I66B |
| | 21A | W61A, W61B | | 04 | E66A | S32.89 | | PTR |
| S31.0 | | PTR | | 08 | I10C, I68A, I68B, I68C, I68D, I68E | | 15 | TPN, VTPN |
| | 15 | TPN, VTPN | | 15 | TPN, VTPN | | 21A | W61A, W61B |
| | 21A | W61A, W61B | | 21A | W61A, W61B | S33.0 | | PTR |
| | 21B | X60Z | | 21A | W61A, W61B | | 08 | I68A, I68B, I68C, I68D, I68E |
| S31.1 | | PTR | | 15 | TPN, VTPN | | 15 | TPN, VTPN |
| | 15 | TPN, VTPN | S32.01 | | PTR | | 21A | W61A, W61B |
| | 21A | W61A, W61B | | 04 | E66A | S33.10 | | PTR |
| | 21B | X60Z | | 08 | I10C, I68A, I68B, I68C, I68D, I68E | | 08 | I68A, I68B, I68C, I68D, I68E |
| S31.2 | | PTR | | 15 | TPN, VTPN | | 15 | TPN, VTPN |
| | 12 | M64Z | | 21A | W61A, W61B | | 21A | W61A, W61B |
| | 21A | W61A, W61B | S32.02 | | PTR | S33.11 | | PTR |
| S31.3 | | PTR | | 04 | E66A | | 08 | I68A, I68B, I68C, I68D, I68E |
| | 12 | M64Z | | 08 | I10C, I68A, I68B, I68C, I68D, I68E | | 15 | TPN, VTPN |
| | 15 | TPN, VTPN | | 15 | TPN, VTPN | | 21A | W61A, W61B |
| | 21A | W61A, W61B | | 21A | W61A, W61B | S33.12 | | PTR |
| S31.4 | | PTR | | 15 | TPN, VTPN | | 08 | I68A, I68B, I68C, I68D, I68E |
| | 13 | N04Z, N05A, N05B, N05J, N14Z, N21J, N21Z, N25J, N25Q, N25Z, N62A, N62B | S32.03 | | PTR | | 15 | TPN, VTPN |
| | 21A | W61A, W61B | | 04 | E66A | | 21A | W61A, W61B |
| S31.5 | | PTR | | 08 | I10C, I68A, I68B, I68C, I68D, I68E | S33.13 | | PTR |
| | 12 | M64Z | | 15 | TPN, VTPN | | 08 | I68A, I68B, I68C, I68D, I68E |
| | 13 | N04Z, N05A, N05B, N05J, N14Z, N21J, N21Z, N25J, N25Q, N25Z, N62A, N62B | | 21A | W61A, W61B | | 15 | TPN, VTPN |
| | 21A | W61A, W61B | | 21A | W61A, W61B | | 21A | W61A, W61B |

| ICD | MDC | DRG | ICD | MDC | DRG | ICD | MDC | DRG |
|--------|-----|------------------------------|--------|-----|------------------------|--------|-----|------------------------------|
| S33.14 | | PTR | S34.4 | | PTR | S35.3 | | PTR |
| | 08 | I68A, I68B, I68C, I68D, I68E | | 01 | B71A, B71B, B71C, B71D | | 15 | TPN, VTPN |
| | 15 | TPN, VTPN | | 15 | TPN, VTPN | | 21A | W61A, W61B |
| | 21A | W61A, W61B | | 21A | W61A, W61B | | 21B | X60Z |
| S33.15 | | PTR | | Pre | A09D, A11D, A13D | | Pre | A09D, A11D, A13D |
| | 08 | I68A, I68B, I68C, I68D, I68E | S34.5 | | PTR | S35.4 | | PTR |
| | 15 | TPN, VTPN | | 01 | B71A, B71B, B71C, B71D | | 15 | TPN, VTPN |
| | 21A | W61A, W61B | | 15 | TPN, VTPN | | 21A | W61A |
| S33.2 | | PTR | | 21A | W61A, W61B | | 21B | X60Z |
| | 08 | I68A, I68B, I68C, I68D, I68E | | Pre | A09D, A11D, A13D | | Pre | A09D, A11D, A13D |
| | 21A | W61A, W61B | S34.6 | | PTR | S35.5 | | PTR |
| S33.3 | | PTR | | 01 | B71A, B71B, B71C, B71D | | 15 | TPN, VTPN |
| | 08 | I68A, I68B, I68C, I68D, I68E | | 21A | W61A, W61B | | 21A | W61A, W61B |
| | 21A | W61A, W61B | | Pre | A09D, A11D, A13D | | 21B | X60Z |
| S33.4 | | PTR | S34.70 | | PTR | | Pre | A09D, A11D, A13D |
| | 08 | I68A, I68B, I68C, I68D, I68E | | 15 | TPN, VTPN | S35.7 | | PTR |
| | 21A | W61A, W61B | | 21A | W61A, W61B | | 15 | TPN, VTPN |
| S33.50 | | PTR | | Pre | A09D, A11D, A13D | | 21A | W61A, W61B |
| | 08 | I68A, I68B, I68C, I68D, I68E | S34.71 | | PTR | | 21B | X60Z |
| | 21A | W61A, W61B | | 15 | TPN, VTPN | | Pre | A09D, A11D, A13D |
| S33.51 | | PTR | | 21A | W61A, W61B | S35.8 | | PTR |
| | 08 | I68A, I68B, I68C, I68D, I68E | | Pre | A09D, A11D, A13D | | 15 | TPN, VTPN |
| | 21A | W61A, W61B | S34.72 | | PTR | | 21A | W61A, W61B |
| S33.6 | | PTR | | 15 | TPN, VTPN | | 21B | X60Z |
| | 08 | I68A, I68B, I68C, I68D, I68E | | 21A | W61A, W61B | | Pre | A09D, A11D, A13D |
| | 21A | W61A, W61B | | Pre | A09D, A11D, A13D | S35.9 | | PTR |
| S33.7 | | PTR | S34.73 | | PTR | | 15 | TPN, VTPN |
| | 08 | I68A, I68B, I68C, I68D, I68E | | 15 | TPN, VTPN | | 21A | W61A, W61B |
| | 21A | W61A, W61B | | 21A | W61A, W61B | | 21B | X60Z |
| S34.0 | | PTR | | Pre | A09D, A11D, A13D | | Pre | A09D, A11D, A13D |
| | 15 | TPN, VTPN | S34.74 | | PTR | S36.00 | | PTR |
| | 21A | W61A, W61B | | 15 | TPN, VTPN | | 16 | Q60A, Q60B, Q60C |
| | Pre | A09D, A11D, A13D, B61A, B61B | | 21A | W61A, W61B | | 21A | W61A, W61B |
| S34.10 | | PTR | | Pre | A09D, A11D, A13D | | Pre | A09D, A11D, A13D |
| | 15 | TPN, VTPN | S34.75 | | PTR | S36.01 | | PTR |
| | 21A | W61A, W61B | | 15 | TPN, VTPN | | 15 | TPN, VTPN |
| | Pre | A09D, A11D, A13D, B61A, B61B | | 21A | W61A, W61B | | 16 | Q60A, Q60B, Q60C |
| S34.11 | | PTR | | Pre | A09D, A11D, A13D | | 21A | W61A, W61B |
| | 15 | TPN, VTPN | S34.76 | | PTR | | Pre | A09D, A11D, A13D |
| | 21A | W61A, W61B | | 15 | TPN, VTPN | S36.02 | | PTR |
| | Pre | A09D, A11D, A13D, B61A, B61B | | 21A | W61A, W61B | | 15 | TPN, VTPN |
| S34.18 | | PTR | | Pre | A09D, A11D, A13D | | 16 | Q60A, Q60B, Q60C |
| | 15 | TPN, VTPN | S34.77 | | PTR | | 21A | W61A, W61B |
| | 21A | W61A, W61B | | 15 | TPN, VTPN | | Pre | A09D, A11D, A13D |
| | Pre | A09D, A11D, A13D, B61A, B61B | | 21A | W61A, W61B | S36.03 | | PTR |
| S34.2 | | PTR | | Pre | A09D, A11D, A13D | | 15 | TPN, VTPN |
| | 01 | B71A, B71B, B71C, B71D | S34.8 | | PTR | | 16 | Q60A, Q60B, Q60C |
| | 15 | TPN, VTPN | | 01 | B71A, B71B, B71C, B71D | | 21A | W61A |
| | 21A | W61A, W61B | | 21A | W61A, W61B | | Pre | A09D, A11D, A13D |
| | Pre | A09D, A11D, A13D | | Pre | A09D, A11D, A13D | S36.04 | | PTR |
| S34.30 | | PTR | S35.0 | | PTR | | 16 | Q60A, Q60B, Q60C, Q60D, Q60E |
| | 15 | TPN, VTPN | | 15 | TPN, VTPN | | 21A | W61A |
| | 21A | W61A, W61B | | 21A | W61A, W61B | | Pre | A09D, A11D, A13D |
| | Pre | A09D, A11D, A13D, B61A, B61B | | 21B | X60Z | S36.08 | | PTR |
| S34.31 | | PTR | | Pre | A09D, A11D, A13D | | 16 | Q60A, Q60B, Q60C |
| | 15 | TPN, VTPN | S35.1 | | PTR | | 21A | W61A, W61B |
| | 21A | W61A, W61B | | 15 | TPN, VTPN | | Pre | A09D, A11D, A13D |
| | Pre | A09D, A11D, A13D, B61A, B61B | | 21A | W61A, W61B | S36.10 | | PTR |
| S34.38 | | PTR | | 21B | X60Z | | 07 | H63A, H63B, H63C, H78Z |
| | 15 | TPN, VTPN | S35.2 | | PTR | | 15 | TPN, VTPN |
| | 21A | W61A, W61B | | 15 | TPN, VTPN | | 21A | W61A, W61B |
| | Pre | A09D, A11D, A13D, B61A, B61B | | 21A | W61A, W61B | | Pre | A09D, A11D, A13D |
| | Pre | A09D, A11D, A13D, B61A, B61B | | 21B | X60Z | S36.11 | | PTR |
| | Pre | A09D, A11D, A13D, B61A, B61B | | Pre | A09D, A11D, A13D | | 07 | H63A, H63B, H63C, H78Z |
| | Pre | A09D, A11D, A13D, B61A, B61B | | Pre | A09D, A11D, A13D | | 15 | TPN, VTPN |
| | Pre | A09D, A11D, A13D, B61A, B61B | | Pre | A09D, A11D, A13D | | 21A | W61A, W61B |
| | Pre | A09D, A11D, A13D, B61A, B61B | | Pre | A09D, A11D, A13D | | Pre | A09D, A11D, A13D |

Dg

| ICD | MDC | DRG | ICD | MDC | DRG | ICD | MDC | DRG |
|--------|-----|------------------------------|--------|-----|------------------------------|--------|-----|------------------------------------|
| S36.12 | | PTR | S36.41 | | PTR | S36.83 | | PTR |
| | 07 | H63A, H63B, H63C, H78Z | | 06 | G46A, G46B, G46C, G50Z, G71Z | | 11 | L68A, L68B, L74Z |
| | 15 | TPN, VTPN | | 21A | W61A, W61B | | 15 | TPN, VTPN |
| | 21A | W61A, W61B | | Pre | A09D, A11D, A13D | | 21A | W61A, W61B |
| | Pre | A09D, A11D, A13D | | Pre | A09D, A11D, A13D | | Pre | A09D, A11D, A13D |
| S36.13 | | PTR | S36.49 | | PTR | S36.88 | | PTR |
| | 07 | H63A, H63B, H63C, H78Z | | 06 | G46A, G46B, G46C, G50Z, G71Z | | 21A | W61A, W61B |
| | 15 | TPN, VTPN | | 21A | W61A, W61B | | 21B | X60Z |
| | 21A | W61A, W61B | | Pre | A09D, A11D, A13D | | Pre | A09D, A11D, A13D |
| | Pre | A09D, A11D, A13D | | Pre | A09D, A11D, A13D | | Pre | A09D, A11D, A13D |
| S36.14 | | PTR | S36.50 | | PTR | S36.9 | | PTR |
| | 07 | H63A, H63B, H63C, H78Z | | 06 | G46A, G46B, G46C, G50Z, G71Z | | 06 | G46A, G46B, G46C, G50Z, G71Z |
| | 15 | TPN, VTPN | | 15 | TPN, VTPN | | 21A | W61A, W61B |
| | 21A | W61A, W61B | | 21A | W61A, W61B | | Pre | A09D, A11D, A13D |
| | Pre | A09D, A11D, A13D | | Pre | A09D, A11D, A13D | | Pre | A09D, A11D, A13D |
| S36.15 | | PTR | S36.51 | | PTR | S37.00 | | PTR |
| | 07 | H63A, H63B, H63C, H78Z | | 06 | G46A, G46B, G46C, G50Z, G71Z | | 11 | L64A, L64B, L64J, L64Q, L64R, L74Z |
| | 15 | TPN, VTPN | | 21A | W61A, W61B | | 21A | W61A, W61B |
| | 21A | W61A, W61B | | Pre | A09D, A11D, A13D | | Pre | A09D, A11D, A13D |
| | Pre | A09D, A11D, A13D | | Pre | A09D, A11D, A13D | | Pre | A09D, A11D, A13D |
| S36.16 | | PTR | S36.52 | | PTR | S37.01 | | PTR |
| | 07 | H63A, H63B, H63C, H78Z | | 06 | G46A, G46B, G46C, G50Z, G71Z | | 11 | L64A, L64B, L64J, L64Q, L64R, L74Z |
| | 15 | TPN, VTPN | | 15 | TPN, VTPN | | 21A | W61A, W61B |
| | 21A | W61A, W61B | | 21A | W61A, W61B | | Pre | A09D, A11D, A13D |
| | Pre | A09D, A11D, A13D | | Pre | A09D, A11D, A13D | | Pre | A09D, A11D, A13D |
| S36.17 | | PTR | S36.53 | | PTR | S37.02 | | PTR |
| | 07 | H64Z | | 06 | G46A, G46B, G46C, G50Z, G71Z | | 11 | L69A, L69B |
| | 15 | TPN, VTPN | | 15 | TPN, VTPN | | 15 | TPN, VTPN |
| | 21A | W61A, W61B | | 21A | W61A, W61B | | 21A | W61A |
| | Pre | A09D, A11D, A13D | | Pre | A09D, A11D, A13D | | Pre | A09D, A11D, A13D |
| S36.18 | | PTR | S36.54 | | PTR | S37.03 | | PTR |
| | 07 | H64Z | | 06 | G46A, G46B, G46C, G50Z, G71Z | | 11 | L69A, L69B |
| | 15 | TPN, VTPN | | 15 | TPN, VTPN | | 21A | W61A |
| | 21A | W61A, W61B | | 21A | W61A, W61B | | Pre | A09D, A11D, A13D |
| | Pre | A09D, A11D, A13D | | Pre | A09D, A11D, A13D | | Pre | A09D, A11D, A13D |
| S36.20 | | PTR | S36.55 | | PTR | S37.1 | | PTR |
| | 07 | H62A, H62B, H62C | | 06 | G46A, G46B, G46C, G50Z, G71Z | | 11 | L68A, L68B, L74Z |
| | 21A | W61A, W61B | | 21A | W61A, W61B | | 15 | TPN, VTPN |
| | Pre | A09D, A11D, A13D | | Pre | A09D, A11D, A13D | | 21A | W61A, W61B |
| S36.21 | | PTR | S36.59 | | PTR | S37.20 | | PTR |
| | 07 | H62A, H62B, H62C | | 06 | G46A, G46B, G46C, G50Z, G71Z | | 11 | L68A, L68B, L74Z |
| | 21A | W61A, W61B | | 15 | TPN, VTPN | | 21A | W61A, W61B |
| | Pre | A09D, A11D, A13D | | 21A | W61A, W61B | | Pre | A09D, A11D, A13D |
| S36.22 | | PTR | S36.6 | | PTR | S37.21 | | PTR |
| | 07 | H62A, H62B, H62C | | 06 | G46A, G46B, G46C, G50Z, G71Z | | 11 | L68A, L68B, L74Z |
| | 21A | W61A, W61B | | 15 | TPN, VTPN | | 21A | W61A, W61B |
| | Pre | A09D, A11D, A13D | | 21A | W61A, W61B | | Pre | A09D, A11D, A13D |
| S36.23 | | PTR | S36.7 | | PTR | S37.22 | | PTR |
| | 07 | H62A, H62B, H62C | | 06 | G46A, G46B, G46C, G50Z, G71Z | | 11 | L68A, L68B, L74Z |
| | 21A | W61A, W61B | | 15 | TPN, VTPN | | 21A | W61A, W61B |
| | Pre | A09D, A11D, A13D | | 21A | W61A, W61B | | Pre | A09D, A11D, A13D |
| S36.29 | | PTR | S36.81 | | PTR | S37.28 | | PTR |
| | 07 | H62A, H62B, H62C | | 06 | G46A, G46B, G46C, G50Z, G71Z | | 11 | L68A, L68B, L74Z |
| | 21A | W61A, W61B | | 15 | TPN, VTPN | | 21A | W61A, W61B |
| | Pre | A09D, A11D, A13D | | 21A | W61A, W61B | | Pre | A09D, A11D, A13D |
| S36.3 | | PTR | S36.82 | | PTR | S37.30 | | PTR |
| | 06 | G46A, G46B, G46C, G50Z, G71Z | | 06 | G46A, G46B, G46C, G50Z, G71Z | | 11 | L64A, L64B, L64J, L64Q, L64R, L74Z |
| | 21A | W61A, W61B | | 15 | TPN, VTPN | | 21A | W61A, W61B |
| | Pre | A09D, A11D, A13D | | 21A | W61A, W61B | | Pre | A09D, A11D, A13D |
| S36.40 | | PTR | | | | S37.31 | | PTR |
| | 06 | G46A, G46B, G46C, G50Z, G71Z | | 06 | G46A, G46B, G46C, G50Z, G71Z | | 11 | L64A, L64B, L64J, L64Q, L64R, L74Z |
| | 15 | TPN, VTPN | | 15 | TPN, VTPN | | 21A | W61A, W61B |
| | 21A | W61A, W61B | | 21A | W61A, W61B | | Pre | A09D, A11D, A13D |
| | Pre | A09D, A11D, A13D | | Pre | A09D, A11D, A13D | | Pre | A09D, A11D, A13D |
| | Pre | A09D, A11D, A13D | | Pre | A09D, A11D, A13D | | Pre | A09D, A11D, A13D |

| ICD | MDC | DRG | ICD | MDC | DRG | ICD | MDC | DRG |
|--------|-----|--|--------|-----|--|--------|-----|---|
| S37.33 | | PTR | S38.0 | | PTR | S40.88 | | PTR |
| | 11 | L68A, L68B, L74Z | | 12 | M64Z | | 09 | J65Z |
| | 21A | W61A, W61B | | 13 | N04Z, N05A, N05B, N05J, N14Z, N21J, N21Z, N25J, N25Q, N25Z, N62A, N62B | S40.9 | 21A | W61A, W61B |
| S37.38 | Pre | A09D, A11D, A13D | | | | | | PTR |
| | | PTR | | 15 | TPN, VTPN | | 09 | J65Z |
| | 11 | L68A, L68B, L74Z | | 21A | W61A, W61B | S41.0 | 21A | W61A, W61B |
| | 21A | W61A, W61B | | Pre | A09D, A11D, A13D | | | PTR |
| | Pre | A09D, A11D, A13D | S38.1 | | PTR | S41.1 | 21A | W61A, W61B |
| S37.4 | | PTR | | 15 | TPN, VTPN | | 21B | X60Z |
| | 13 | N04Z, N05A, N05B, N05J, N14Z, N21J, N21Z, N25J, N25Q, N25Z, N62A, N62B | | 21A | W61A, W61B | S41.1 | | PTR |
| | 21A | W61A, W61B | | 21B | X60Z | | 21A | W61A, W61B |
| | Pre | A09D, A11D, A13D | | Pre | A09D, A11D, A13D | S41.7 | 21B | X60Z |
| S37.5 | | PTR | S38.2 | | PTR | | 21A | W61A, W61B |
| | 13 | N04Z, N05A, N05B, N05J, N14Z, N21J, N21Z, N25J, N25Q, N25Z, N62A, N62B | | 12 | M64Z | | 21B | X60Z |
| | 21A | W61A, W61B | | 13 | N04Z, N05A, N05B, N05J, N14Z, N21J, N21Z, N25J, N25Q, N25Z, N62A, N62B | S41.80 | | PTR |
| | Pre | A09D, A11D, A13D | | 21A | W61A, W61B | | 21A | W61A, W61B |
| S37.6 | | PTR | S38.3 | | PTR | S41.84 | 21B | X60Z |
| | 13 | N04Z, N05A, N05B, N05J, N14Z, N21J, N21Z, N25J, N25Q, N25Z, N62A, N62B | | 15 | TPN, VTPN | S41.85 | 21A | W61A, W61B |
| | 21A | W61A, W61B | | 21A | W61A, W61B | S41.86 | 08 | I02A, I02B, I02C, I02D, I08A, I08B, I08C, I08D, I08E, I13A, I13B, I13C, I20A, I20B, I20C, I22A |
| | Pre | A09D, A11D, A13D | | 21B | X60Z | | 21A | W61A, W61B |
| S37.7 | | PTR | S39.0 | | PTR | S41.87 | 21B | X01A, X01B |
| | 12 | M64Z | | 08 | I68A, I68B, I68C, I68D, I68E | | | PTR |
| | 13 | N04Z, N05A, N05B, N05J, N14Z, N21J, N21Z, N25J, N25Q, N25Z, N62A, N62B | | 21A | W61A, W61B | S41.88 | 21A | W61A, W61B |
| | 21A | W61A, W61B | | Pre | A09D, A11D, A13D | | | PTR |
| | Pre | A09D, A11D, A13D | S39.6 | | PTR | | 08 | I02A, I02B, I02C, I02D, I08A, I08B, I08C, I08D, I08E, I13A, I13B, I13C, I20A, I20B, I20C, I22A |
| S37.81 | | PTR | | 12 | M64Z | | 21A | W61A, W61B |
| | 10 | K64A, K64B, K64C, K64D | | 13 | N04Z, N05A, N05B, N05J, N14Z, N21J, N21Z, N25J, N25Q, N25Z, N62A, N62B | | 21B | X01A, X01B |
| | 21A | W61A, W61B | | 21A | W61A, W61B | S41.89 | | PTR |
| | Pre | A09D, A11D, A13D | S39.7 | | PTR | | 08 | I02A, I02B, I02C, I02D, I08A, I08B, I08C, I08D, I08E, I13A, I13B, I13C, I20A, I20B, I20C, I22A |
| S37.82 | | PTR | | 21A | W61A, W61B | | 21A | W61A, W61B |
| | 12 | M64Z | | 21B | X60Z | S42.00 | | PTR |
| | 21A | W61A, W61B | | Pre | A09D, A11D, A13D | | 08 | I78Z |
| | Pre | A09D, A11D, A13D | S39.80 | | PTR | S42.01 | 21A | W61A, W61B |
| S37.83 | | PTR | | 21A | W61A, W61B | | | PTR |
| | 12 | M64Z | | 21B | X60Z | | 08 | I77Z |
| | 21A | W61A, W61B | | Pre | A09D, A11D, A13D | S42.02 | 21A | W61A, W61B |
| | Pre | A09D, A11D, A13D | S39.88 | | PTR | | | PTR |
| S37.84 | | PTR | | 21A | W61A, W61B | S42.01 | | PTR |
| | 12 | M64Z | | 21B | X60Z | | 08 | I77Z |
| | 21A | W61A, W61B | | PTR | | S42.02 | 21A | W61A, W61B |
| | Pre | A09D, A11D, A13D | S39.9 | | PTR | | | PTR |
| S37.88 | | PTR | | 21A | W61A, W61B | S42.02 | 08 | I77Z |
| | 12 | M64Z | | 21B | X60Z | | 21A | W61A, W61B |
| | 13 | N04Z, N05A, N05B, N05J, N14Z, N21J, N21Z, N25J, N25Q, N25Z, N62A, N62B | S40.0 | | PTR | S42.03 | | PTR |
| | 21A | W61A, W61B | | 09 | J65Z | | 08 | I77Z |
| | Pre | A09D, A11D, A13D | | 21A | W61A, W61B | | 21A | W61A, W61B |
| S37.9 | | PTR | S40.7 | | PTR | S42.09 | | PTR |
| | 12 | M64Z | | 09 | J65Z | | 08 | I75A, I75B |
| | 13 | N04Z, N05A, N05B, N05J, N14Z, N21J, N21Z, N25J, N25Q, N25Z, N62A, N62B | | 21A | W61A, W61B | | 21A | W61A, W61B |
| | 21A | W61A, W61B | S40.81 | | PTR | S42.10 | | PTR |
| | Pre | A09D, A11D, A13D | | 09 | J65Z | | 08 | I77Z |
| | | PTR | | 21A | W61A, W61B | | 21A | W61A, W61B |
| | 12 | M64Z | S40.82 | | PTR | S42.11 | | PTR |
| | 13 | N04Z, N05A, N05B, N05J, N14Z, N21J, N21Z, N25J, N25Q, N25Z, N62A, N62B | | 09 | J67A, J67B, J68A, J68B | | 08 | I76A, I76B |
| | 21A | W61A, W61B | | 21A | W61A, W61B | | 21A | W61A, W61B |
| | Pre | A09D, A11D, A13D | S40.83 | | PTR | S42.12 | | PTR |
| | | PTR | | 09 | J67A, J67B, J68A, J68B | | 08 | I77Z |
| | | | | 21A | W61A, W61B | | 21A | W61A, W61B |
| | | | S40.84 | | PTR | S42.13 | | PTR |
| | | | | 09 | J65Z | | 08 | I77Z |
| | | | | 21A | W61A, W61B | | 21A | W61A, W61B |

| ICD | MDC | DRG | ICD | MDC | DRG | ICD | MDC | DRG |
|--------|-----|------------|--------|-----|------------------------|-------|-----|------------|
| S42.14 | | PTR | S43.03 | | PTR | S45.3 | | PTR |
| | 08 | I77Z | | 08 | I78Z | | 15 | TPN, VTPN |
| | 21A | W61A, W61B | | 21A | W61A, W61B | | 21A | W61A, W61B |
| S42.19 | | PTR | S43.08 | | PTR | | 21B | X60Z |
| | 08 | I76A, I76B | | 08 | I77Z | S45.7 | | PTR |
| | 21A | W61A, W61B | | 21A | W61A, W61B | | 15 | TPN, VTPN |
| S42.20 | | PTR | S43.1 | | PTR | | 21A | W61A, W61B |
| | 08 | I75A, I75B | | 08 | I77Z | | 21B | X60Z |
| | 21A | W61A, W61B | S43.2 | | PTR | S45.8 | | PTR |
| S42.21 | | PTR | | 08 | I78Z | | 15 | TPN, VTPN |
| | 08 | I75A, I75B | | 21A | W61A, W61B | | 21A | W61A, W61B |
| | 15 | TPN, VTPN | S43.3 | | PTR | | 21B | X60Z |
| | 21A | W61A, W61B | | 08 | I77Z | S45.9 | | PTR |
| S42.22 | | PTR | | 21A | W61A, W61B | | 15 | TPN, VTPN |
| | 08 | I75A, I75B | S43.4 | | PTR | | 21A | W61A, W61B |
| | 21A | W61A, W61B | | 08 | I77Z | S46.0 | | PTR |
| S42.23 | | PTR | | 21A | W61A, W61B | | 08 | I77Z |
| | 08 | I75A, I75B | S43.5 | | PTR | | 21A | W61A, W61B |
| | 21A | W61A, W61B | | 08 | I77Z | S46.1 | | PTR |
| S42.24 | | PTR | | 21A | W61A, W61B | | 08 | I77Z |
| | 08 | I75A, I75B | S43.6 | | PTR | | 21A | W61A, W61B |
| | 21A | W61A, W61B | | 04 | E75A, E75B, E75C | S46.2 | | PTR |
| S42.29 | | PTR | | 21A | W61A, W61B | | 08 | I77Z |
| | 08 | I75A, I75B | S43.7 | | PTR | | 21A | W61A, W61B |
| | 15 | TPN, VTPN | | 08 | I77Z | S46.3 | | PTR |
| | 21A | W61A, W61B | | 21A | W61A, W61B | | 08 | I77Z |
| S42.3 | | PTR | S44.0 | | PTR | | 21A | W61A, W61B |
| | 08 | I75A, I75B | | 01 | B71A, B71B, B71C, B71D | S46.7 | | PTR |
| | 15 | TPN, VTPN | | 21A | W61A, W61B | | 08 | I77Z |
| | 21A | W61A, W61B | S44.1 | | PTR | | 21A | W61A, W61B |
| S42.40 | | PTR | | 01 | B71A, B71B, B71C, B71D | S46.8 | | PTR |
| | 08 | I77Z | | 21A | W61A, W61B | | 08 | I77Z |
| | 21A | W61A, W61B | S44.2 | | PTR | | 21A | W61A, W61B |
| S42.41 | | PTR | | 01 | B71A, B71B, B71C, B71D | S46.9 | | PTR |
| | 08 | I77Z | | 21A | W61A, W61B | | 08 | I77Z |
| | 21A | W61A, W61B | S44.3 | | PTR | | 21A | W61A, W61B |
| S42.42 | | PTR | | 01 | B71A, B71B, B71C, B71D | S47 | | PTR |
| | 08 | I77Z | | 21A | W61A, W61B | | 15 | TPN, VTPN |
| | 21A | W61A, W61B | S44.4 | | PTR | | 21A | W61A, W61B |
| S42.43 | | PTR | | 01 | B71A, B71B, B71C, B71D | | 21B | X60Z |
| | 08 | I77Z | | 21A | W61A, W61B | S48.0 | | PTR |
| | 21A | W61A, W61B | S44.5 | | PTR | | 21A | W61A, W61B |
| S42.44 | | PTR | | 01 | B71A, B71B, B71C, B71D | | 21B | X60Z |
| | 08 | I77Z | | 21A | W61A, W61B | S48.1 | | PTR |
| | 21A | W61A, W61B | S44.7 | | PTR | | 21A | W61A, W61B |
| S42.45 | | PTR | | 01 | B71A, B71B, B71C, B71D | | 21B | X60Z |
| | 08 | I77Z | | 21A | W61A, W61B | S48.9 | | PTR |
| | 21A | W61A, W61B | S44.8 | | PTR | | 21A | W61A, W61B |
| S42.49 | | PTR | | 01 | B71A, B71B, B71C, B71D | | 21B | X60Z |
| | 08 | I77Z | | 21A | W61A, W61B | S49.7 | | PTR |
| | 21A | W61A, W61B | S44.9 | | PTR | | 21A | W61A, W61B |
| S42.7 | | PTR | | 01 | B71A, B71B, B71C, B71D | | 21B | X60Z |
| | 08 | I77Z | | 21A | W61A, W61B | S49.8 | | PTR |
| | 21A | W61A, W61B | S45.0 | | PTR | | 21A | W61A, W61B |
| S42.8 | | PTR | | 15 | TPN, VTPN | | 21B | X60Z |
| | 08 | I77Z | | 21A | W61A, W61B | S49.9 | | PTR |
| | 21A | W61A, W61B | | 21B | X60Z | | 21A | W61A, W61B |
| S42.9 | | PTR | | 21B | X60Z | | 21B | X60Z |
| | 08 | I77Z | S45.1 | | PTR | | 21A | W61A, W61B |
| | 21A | W61A, W61B | | 15 | TPN, VTPN | S50.0 | | PTR |
| S43.00 | | PTR | | 21A | W61A, W61B | | 09 | J65Z |
| | 08 | I78Z | | 21B | X60Z | | 21A | W61A, W61B |
| | 21A | W61A, W61B | S45.2 | | PTR | S50.1 | | PTR |
| S43.01 | | PTR | | 15 | TPN, VTPN | | 09 | J65Z |
| | 08 | I78Z | | 21A | W61A, W61B | | 21A | W61A, W61B |
| | 21A | W61A, W61B | | 21B | X60Z | S50.7 | | PTR |
| S43.02 | | PTR | | 21B | X60Z | | 09 | J65Z |
| | 08 | I78Z | | | | | 21A | W61A, W61B |
| | 21A | W61A, W61B | | | | | | |

| ICD | MDC | DRG | ICD | MDC | DRG | ICD | MDC | DRG |
|--------|-----|--|--------|-----|------------------|--------|-----|------------------------|
| S50.81 | | PTR | S52.11 | | PTR | S53.2 | | PTR |
| | 09 | J65Z | | 08 | I74A, I74B, I74C | | 08 | I74A, I74B, I74C |
| | 21A | W61A, W61B | | 21A | W61A, W61B | | 21A | W61A, W61B |
| S50.82 | | PTR | S52.12 | | PTR | S53.3 | | PTR |
| | 09 | J67A, J67B, J68A, J68B | | 08 | I74A, I74B, I74C | | 08 | I74A, I74B, I74C |
| | 21A | W61A, W61B | | 21A | W61A, W61B | | 21A | W61A, W61B |
| S50.83 | | PTR | S52.19 | | PTR | S53.40 | | PTR |
| | 09 | J67A, J67B, J68A, J68B | | 08 | I74A, I74B, I74C | | 08 | I74A, I74B, I74C |
| | 21A | W61A, W61B | | 21A | W61A, W61B | | 21A | W61A, W61B |
| S50.84 | | PTR | S52.20 | | PTR | S53.41 | | PTR |
| | 09 | J65Z | | 08 | I74A, I74B, I74C | | 08 | I74A, I74B, I74C |
| | 21A | W61A, W61B | | 21A | W61A, W61B | | 21A | W61A, W61B |
| S50.88 | | PTR | S52.21 | | PTR | S53.42 | | PTR |
| | 09 | J65Z | | 08 | I74A, I74B, I74C | | 08 | I74A, I74B, I74C |
| | 21A | W61A, W61B | | 21A | W61A, W61B | | 21A | W61A, W61B |
| S50.9 | | PTR | S52.30 | | PTR | S53.43 | | PTR |
| | 09 | J65Z | | 08 | I74A, I74B, I74C | | 08 | I74A, I74B, I74C |
| | 21A | W61A, W61B | | 21A | W61A, W61B | | 21A | W61A, W61B |
| S51.0 | | PTR | S52.31 | | PTR | S53.44 | | PTR |
| | 21A | W61A, W61B | | 08 | I74A, I74B, I74C | | 08 | I74A, I74B, I74C |
| | 21B | X60Z | | 21A | W61A, W61B | | 21A | W61A, W61B |
| S51.7 | | PTR | S52.4 | | PTR | S53.48 | | PTR |
| | 21A | W61A, W61B | | 08 | I74A, I74B, I74C | | 08 | I74A, I74B, I74C |
| | 21B | X60Z | | 21A | W61A, W61B | | 21A | W61A, W61B |
| S51.80 | | PTR | S52.50 | | PTR | S54.0 | | PTR |
| | 21A | W61A, W61B | | 08 | I74A, I74B, I74C | | 01 | B71A, B71B, B71C, B71D |
| | 21B | X60Z | | 21A | W61A, W61B | | 21A | W61A, W61B |
| S51.84 | | 21A | S52.51 | | PTR | S54.1 | | PTR |
| S51.85 | | 21A | | 08 | I74A, I74B, I74C | | 01 | B71A, B71B, B71C, B71D |
| S51.86 | | 08 | | 21A | W61A, W61B | | 21A | W61A, W61B |
| | | I02A, I02B, I02C, I02D, I08A, I08B, I08C, I08D, I08E, I13A, I13B, I13C, I20A, I20B, I20C, I22A | S52.52 | | PTR | S54.2 | | PTR |
| | | | | 08 | I74A, I74B, I74C | | 01 | B71A, B71B, B71C, B71D |
| | | | | 21A | W61A, W61B | | 21A | W61A, W61B |
| | 21A | W61A, W61B | S52.59 | | PTR | S54.3 | | PTR |
| | 21B | X01A, X01B | | 08 | I74A, I74B, I74C | | 01 | B71A, B71B, B71C, B71D |
| S51.87 | | PTR | | 21A | W61A, W61B | | 21A | W61A, W61B |
| | 21A | W61A, W61B | S52.6 | | PTR | S54.7 | | PTR |
| S51.88 | | PTR | | 08 | I74A, I74B, I74C | | 01 | B71A, B71B, B71C, B71D |
| | 08 | I02A, I02B, I02C, I02D, I08A, I08B, I08C, I08D, I08E, I13A, I13B, I13C, I20A, I20B, I20C, I22A | S52.7 | | PTR | | 01 | B71A, B71B, B71C, B71D |
| | | | | 08 | I78Z | S54.8 | | PTR |
| | | | | 21A | W61A, W61B | | 21A | W61A, W61B |
| | 21A | W61A, W61B | S52.8 | | PTR | S54.9 | | PTR |
| | 21B | X01A, X01B | | 08 | I74A, I74B, I74C | | 01 | B71A, B71B, B71C, B71D |
| S51.89 | | PTR | | 21A | W61A, W61B | | 21A | W61A, W61B |
| | 08 | I02A, I02B, I02C, I02D, I08A, I08B, I08C, I08D, I08E, I13A, I13B, I13C, I20A, I20B, I20C, I22A | S52.9 | | PTR | S55.0 | | PTR |
| | | | | 08 | I74A, I74B, I74C | | 15 | TPN, VTPN |
| | | | | 21A | W61A, W61B | | 21A | W61A, W61B |
| | 21A | W61A, W61B | S53.0 | | PTR | | 21B | X60Z |
| | 21B | X01A, X01B | | 08 | I78Z | S55.1 | | PTR |
| S51.9 | | PTR | | 21A | W61A, W61B | | 15 | TPN, VTPN |
| | 21A | W61A, W61B | S53.10 | | PTR | | 21A | W61A, W61B |
| | 21B | X60Z | | 08 | I78Z | | 21B | X60Z |
| S52.00 | | PTR | | 21A | W61A, W61B | S55.2 | | PTR |
| | 08 | I74A, I74B, I74C | S53.11 | | PTR | | 15 | TPN, VTPN |
| | 21A | W61A, W61B | | 08 | I78Z | | 21A | W61A, W61B |
| S52.01 | | PTR | | 21A | W61A, W61B | | 21B | X60Z |
| | 08 | I74A, I74B, I74C | S53.12 | | PTR | S55.7 | | PTR |
| | 21A | W61A, W61B | | 08 | I78Z | | 15 | TPN, VTPN |
| S52.02 | | PTR | | 21A | W61A, W61B | | 21A | W61A, W61B |
| | 08 | I74A, I74B, I74C | S53.13 | | PTR | | 21B | X60Z |
| | 21A | W61A, W61B | | 08 | I78Z | S55.8 | | PTR |
| S52.09 | | PTR | | 21A | W61A, W61B | | 15 | TPN, VTPN |
| | 08 | I74A, I74B, I74C | S53.14 | | PTR | | 21A | W61A, W61B |
| | 21A | W61A, W61B | | 08 | I78Z | | 21B | X60Z |
| S52.10 | | PTR | S53.18 | | PTR | S55.9 | | PTR |
| | 08 | I74A, I74B, I74C | | 08 | I78Z | | 15 | TPN, VTPN |
| | 21A | W61A, W61B | | 21A | W61A, W61B | | 21A | W61A, W61B |
| | | | | | | | 21B | X60Z |

| ICD | MDC | DRG | ICD | MDC | DRG | ICD | MDC | DRG |
|-------|-----|--|--------|-----|--|--------|-----|--|
| S56.0 | | PTR | S60.1 | | PTR | S62.10 | | PTR |
| | 08 | I32A, I32B, I32C, I32D, I32E, I32F, I32G, I32J, I32Q, I32R, I32S, I32T, I32U, I74A, I74B, I74C | | 09 | J65Z | | 08 | I74A, I74B, I74C |
| | 21A | W61A, W61B | S60.2 | | PTR | | 21A | W61A, W61B |
| S56.1 | | PTR | | 09 | J65Z | S62.11 | | PTR |
| | 08 | I32A, I32B, I32C, I32D, I32E, I32F, I32G, I32J, I32Q, I32R, I32S, I32T, I32U, I74A, I74B, I74C | S60.7 | | PTR | | 08 | I32C, I32D, I74A, I74B, I74C |
| | 21A | W61A, W61B | | 21A | W61A, W61B | | 21A | W61A, W61B |
| S56.2 | | PTR | S60.81 | | PTR | S62.12 | | PTR |
| | 08 | I74A, I74B, I74C | | 09 | J65Z | | 08 | I32C, I32D, I74A, I74B, I74C |
| | 21A | W61A, W61B | S60.82 | | PTR | | 21A | W61A, W61B |
| S56.3 | | PTR | | 09 | J67A, J67B, J68A, J68B | S62.13 | | PTR |
| | 08 | I32A, I32B, I32C, I32D, I32E, I32F, I32G, I32J, I32Q, I32R, I32S, I32T, I32U, I74A, I74B, I74C | S60.83 | | PTR | | 08 | I32C, I32D, I74A, I74B, I74C |
| | 21A | W61A, W61B | | 21A | W61A, W61B | | 21A | W61A, W61B |
| S56.4 | | PTR | S60.84 | | PTR | S62.14 | | PTR |
| | 08 | I32A, I32B, I32C, I32D, I32E, I32F, I32G, I32J, I32Q, I32R, I32S, I32T, I32U, I74A, I74B, I74C | | 09 | J67A, J67B, J68A, J68B | | 08 | I32C, I32D, I74A, I74B, I74C |
| | 21A | W61A, W61B | S60.88 | | PTR | | 21A | W61A, W61B |
| S56.5 | | PTR | | 09 | J65Z | S62.15 | | PTR |
| | 08 | I74A, I74B, I74C | S60.9 | | PTR | | 08 | I32C, I32D, I74A, I74B, I74C |
| | 21A | W61A, W61B | | 09 | J65Z | | 21A | W61A, W61B |
| S56.7 | | PTR | S61.0 | | PTR | S62.16 | | PTR |
| | 08 | I74A, I74B, I74C | | 21A | W61A, W61B | | 08 | I32C, I32D, I74A, I74B, I74C |
| | 21A | W61A, W61B | S61.1 | | PTR | | 21A | W61A, W61B |
| S56.8 | | PTR | | 21B | X05A, X05B, X60Z | S62.17 | | PTR |
| | 08 | I74A, I74B, I74C | S61.7 | | PTR | | 08 | I32C, I32D, I74A, I74B, I74C |
| | 21A | W61A, W61B | | 21A | W61A, W61B | | 21A | W61A, W61B |
| S57.0 | | PTR | S61.80 | | PTR | S62.19 | | PTR |
| | 15 | TPN, VTPN | | 21A | W61A, W61B | | 08 | I74A, I74B, I74C |
| | 21A | W61A, W61B | S61.84 | | PTR | | 21A | W61A, W61B |
| | 21B | X60Z | S61.85 | | PTR | S62.20 | | PTR |
| S57.8 | | PTR | S61.86 | | PTR | | 08 | I32A, I32B, I32C, I32D, I32E, I32F, I32G, I32J, I32Q, I32R, I32S, I32T, I32U, I74A, I74B, I74C |
| | 15 | TPN, VTPN | | 08 | I02A, I02B, I02C, I02D, I08A, I08B, I08C, I08D, I08E, I13A, I13B, I13C, I20A, I20B, I20C, I22A | | 21A | W61A, W61B |
| | 21A | W61A, W61B | | 21A | W61A, W61B | S62.21 | | PTR |
| | 21B | X60Z | S61.87 | | PTR | | 08 | I32A, I32B, I32C, I32D, I32E, I32F, I32G, I32J, I32Q, I32R, I32S, I32T, I32U, I74A, I74B, I74C |
| S57.9 | | PTR | S61.88 | | PTR | | 21A | W61A, W61B |
| | 15 | TPN, VTPN | | 08 | I02A, I02B, I02C, I02D, I08A, I08B, I08C, I08D, I08E, I13A, I13B, I13C, I20A, I20B, I20C, I22A | S62.22 | | PTR |
| | 21A | W61A, W61B | | 21A | W61A, W61B | | 08 | I32A, I32B, I32C, I32D, I32E, I32F, I32G, I32J, I32Q, I32R, I32S, I32T, I32U, I74A, I74B, I74C |
| | 21B | X60Z | S61.89 | | PTR | | 21A | W61A, W61B |
| S58.0 | | PTR | | 21B | X01A, X01B | S62.23 | | PTR |
| | 21A | W61A, W61B | | 21A | W61A, W61B | | 08 | I32A, I32B, I32C, I32D, I32E, I32F, I32G, I32J, I32Q, I32R, I32S, I32T, I32U, I74A, I74B, I74C |
| | 21B | X60Z | S61.89 | | PTR | | 21A | W61A, W61B |
| S58.1 | | PTR | | 08 | I02A, I02B, I02C, I02D, I08A, I08B, I08C, I08D, I08E, I13A, I13B, I13C, I20A, I20B, I20C, I22A | S62.24 | | PTR |
| | 21A | W61A, W61B | | 21A | W61A, W61B | | 08 | I32A, I32B, I32C, I32D, I32E, I32F, I32G, I32J, I32Q, I32R, I32S, I32T, I32U, I74A, I74B, I74C |
| | 21B | X60Z | | 21B | X01A, X01B | | 21A | W61A, W61B |
| S58.9 | | PTR | | 08 | I02A, I02B, I02C, I02D, I08A, I08B, I08C, I08D, I08E, I13A, I13B, I13C, I20A, I20B, I20C, I22A | S62.30 | | PTR |
| | 21A | W61A, W61B | | 21A | W61A, W61B | | 08 | I32A, I32B, I32C, I32D, I32E, I32F, I32G, I32J, I32Q, I32R, I32S, I32T, I32U, I74A, I74B, I74C |
| | 21B | X60Z | | 21B | X01A, X01B | | 21A | W61A, W61B |
| S59.7 | | PTR | | 08 | I02A, I02B, I02C, I02D, I08A, I08B, I08C, I08D, I08E, I13A, I13B, I13C, I20A, I20B, I20C, I22A | S62.31 | | PTR |
| | 21A | W61A, W61B | | 21A | W61A, W61B | | 08 | I32A, I32B, I32C, I32D, I32E, I32F, I32G, I32J, I32Q, I32R, I32S, I32T, I32U, I74A, I74B, I74C |
| | 21B | X05A, X05B, X60Z | S61.9 | | PTR | | 21A | W61A, W61B |
| S59.8 | | PTR | | 21B | X01A, X01B | | 08 | I32A, I32B, I32C, I32D, I32E, I32F, I32G, I32J, I32Q, I32R, I32S, I32T, I32U, I74A, I74B, I74C |
| | 21A | W61A, W61B | | 21A | W61A, W61B | | 21A | W61A, W61B |
| | 21B | X05A, X05B, X60Z | S62.0 | | PTR | | | |
| S59.9 | | PTR | | 08 | I32C, I32D, I74A, I74B, I74C | | | |
| | 21A | W61A, W61B | | 21A | W61A, W61B | | | |
| S60.0 | | PTR | | 09 | J65Z | | | |
| | 09 | J65Z | | 21A | W61A, W61B | | | |
| | 21A | W61A, W61B | | | | | | |

| ICD | MDC | DRG | ICD | MDC | DRG | ICD | MDC | DRG |
|-------|-----|------------------|--------|-----|--|--------|-----|---|
| S65.3 | | PTR | S68.2 | | PTR | S71.0 | | PTR |
| | 15 | TPN, VTPN | | 21A | W61A, W61B | | 21A | W61A, W61B |
| | 21A | W61A, W61B | | 21B | X05A, X05B, X60Z | | 21B | X04Z, X60Z |
| | 21B | X05A, X05B, X60Z | S68.3 | | PTR | S71.1 | | PTR |
| S65.4 | | PTR | | 21A | W61A, W61B | | 21A | W61A, W61B |
| | 15 | TPN, VTPN | | 21B | X60Z | | 21B | X04Z, X60Z |
| | 21A | W61A, W61B | S68.4 | | PTR | S71.7 | | PTR |
| | 21B | X05A, X05B, X60Z | | 21A | W61A, W61B | | 21A | W61A, W61B |
| S65.5 | | PTR | | 21B | X60Z | | 21B | X04Z, X60Z |
| | 15 | TPN, VTPN | S68.8 | | PTR | S71.80 | | PTR |
| | 21A | W61A, W61B | | 21A | W61A, W61B | | 21A | W61A, W61B |
| | 21B | X05A, X05B, X60Z | | 21B | X60Z | | 21B | X04Z, X60Z |
| S65.7 | | PTR | S68.9 | | PTR | S71.84 | | 21A W61A, W61B |
| | 15 | TPN, VTPN | | 21A | W61A, W61B | S71.85 | | 21A W61A, W61B |
| | 21A | W61A, W61B | | 21B | X60Z | S71.86 | | 08 I02A, I02B, I02C, I02D, I08A, I08B, I08C, I08D, I08E, I13A, I13B, I13C, I20A, I20B, I20C, I22A |
| | 21B | X60Z | S69.7 | | PTR | | | |
| S65.8 | | PTR | | 21A | W61A, W61B | | 21A | W61A, W61B |
| | 15 | TPN, VTPN | | 21B | X05A, X05B, X60Z | | 21B | X01A, X01B |
| | 21A | W61A, W61B | S69.8 | | PTR | S71.87 | | PTR |
| | 21B | X60Z | | 21A | W61A, W61B | | 21A | W61A, W61B |
| S65.9 | | PTR | | 21B | X05A, X05B, X60Z | S71.88 | | PTR |
| | 15 | TPN, VTPN | S69.9 | | PTR | | 08 | I02A, I02B, I02C, I02D, I08A, I08B, I08C, I08D, I08E, I13A, I13B, I13C, I20A, I20B, I20C, I22A |
| | 21A | W61A, W61B | | 21A | W61A, W61B | | 21A | W61A, W61B |
| | 21B | X60Z | S70.0 | | PTR | | 21B | X01A, X01B |
| S66.0 | | PTR | | 09 | J02A, J02B, J02C, J03A, J03B, J04A, J04B, J08A, J08B, J08C, J65Z | S71.89 | | PTR |
| | 08 | I74A, I74B, I74C | | 21A | W61A, W61B | | 08 | I02A, I02B, I02C, I02D, I08A, I08B, I08C, I08D, I08E, I13A, I13B, I13C, I20A, I20B, I20C, I22A |
| | 21A | W61A, W61B | S70.1 | | PTR | | 21A | W61A, W61B |
| S66.1 | | PTR | | 09 | J02A, J02B, J02C, J03A, J03B, J04A, J04B, J08A, J08B, J08C, J65Z | | 21B | X01A, X01B |
| | 08 | I74A, I74B, I74C | | 15 | TPN, VTPN | | | |
| | 21A | W61A, W61B | | 21A | W61A, W61B | S72.00 | | PTR |
| S66.2 | | PTR | S70.7 | | PTR | | 08 | I66A, I66B |
| | 08 | I74A, I74B, I74C | | 09 | J02A, J02B, J02C, J03A, J03B, J04A, J04B, J08A, J08B, J08C, J65Z | | 21A | W61A, W61B |
| | 21A | W61A, W61B | | 21A | W61A, W61B | S72.01 | | PTR |
| S66.3 | | PTR | | 09 | J02A, J02B, J02C, J03A, J03B, J04A, J04B, J08A, J08B, J08C, J65Z | | 08 | I66A, I66B |
| | 08 | I74A, I74B, I74C | S70.81 | | PTR | | 21A | W61A, W61B |
| | 21A | W61A, W61B | | 09 | J02A, J02B, J02C, J03A, J03B, J04A, J04B, J08A, J08B, J08C, J65Z | S72.02 | | PTR |
| S66.4 | | PTR | | 21A | W61A, W61B | | 08 | I66A, I66B |
| | 08 | I74A, I74B, I74C | S70.82 | | PTR | | 21A | W61A, W61B |
| | 21A | W61A, W61B | | 09 | J02A, J02B, J02C, J03A, J03B, J04A, J04B, J08A, J08B, J08C, J67A, J67B, J68A, J68B | S72.03 | | PTR |
| S66.5 | | PTR | | 21A | W61A, W61B | | 08 | I66A, I66B |
| | 08 | I74A, I74B, I74C | S70.83 | | PTR | | 21A | W61A, W61B |
| | 21A | W61A, W61B | | 09 | J02A, J02B, J02C, J03A, J03B, J04A, J04B, J08A, J08B, J08C, J67A, J67B, J68A, J68B | S72.04 | | PTR |
| S66.6 | | PTR | | 21A | W61A, W61B | | 08 | I66A, I66B |
| | 08 | I74A, I74B, I74C | S70.84 | | PTR | | 21A | W61A, W61B |
| | 21A | W61A, W61B | | 09 | J02A, J02B, J02C, J03A, J03B, J04A, J04B, J08A, J08B, J08C, J65Z | S72.05 | | PTR |
| S66.7 | | PTR | | 21A | W61A, W61B | | 08 | I66A, I66B |
| | 08 | I74A, I74B, I74C | | 09 | J02A, J02B, J02C, J03A, J03B, J04A, J04B, J08A, J08B, J08C, J65Z | | 21A | W61A, W61B |
| | 21A | W61A, W61B | S70.88 | | PTR | | 21A | W61A, W61B |
| S66.8 | | PTR | | 09 | J02A, J02B, J02C, J03A, J03B, J04A, J04B, J08A, J08B, J08C, J65Z | S72.08 | | PTR |
| | 08 | I74A, I74B, I74C | | 21A | W61A, W61B | | 08 | I66A, I66B |
| | 21A | W61A, W61B | | 09 | J02A, J02B, J02C, J03A, J03B, J04A, J04B, J08A, J08B, J08C, J65Z | | 21A | W61A, W61B |
| S66.9 | | PTR | | 21A | W61A, W61B | | 08 | I66A, I66B |
| | 08 | I74A, I74B, I74C | S70.9 | | PTR | | 21A | W61A, W61B |
| | 21A | W61A, W61B | | 09 | J02A, J02B, J02C, J03A, J03B, J04A, J04B, J08A, J08B, J08C, J65Z | S72.10 | | PTR |
| S67.0 | | PTR | | 21A | W61A, W61B | | 08 | I66A, I66B |
| | 15 | TPN, VTPN | | 09 | J02A, J02B, J02C, J03A, J03B, J04A, J04B, J08A, J08B, J08C, J65Z | | 21A | W61A, W61B |
| | 21A | W61A, W61B | | 21A | W61A, W61B | S72.11 | | PTR |
| | 21B | X05A, X05B, X60Z | | 09 | J02A, J02B, J02C, J03A, J03B, J04A, J04B, J08A, J08B, J08C, J65Z | | 08 | I66A, I66B |
| S67.8 | | PTR | | 21A | W61A, W61B | | 21A | W61A, W61B |
| | 15 | TPN, VTPN | | 09 | J02A, J02B, J02C, J03A, J03B, J04A, J04B, J08A, J08B, J08C, J65Z | S72.2 | | PTR |
| | 21A | W61A, W61B | | 21A | W61A, W61B | | 08 | I66A, I66B |
| | 21B | X05A, X05B, X60Z | | 09 | J02A, J02B, J02C, J03A, J03B, J04A, J04B, J08A, J08B, J08C, J65Z | | 21A | W61A, W61B |
| S68.0 | | PTR | | 21A | W61A, W61B | | | |
| | 21A | W61A, W61B | | 09 | J02A, J02B, J02C, J03A, J03B, J04A, J04B, J08A, J08B, J08C, J65Z | | | |
| | 21B | X05A, X05B, X60Z | | 21A | W61A, W61B | | | |
| S68.1 | | PTR | | 21A | W61A, W61B | | | |
| | 21A | W61A, W61B | | | | | | |
| | 21B | X05A, X05B, X60Z | | | | | | |

| ICD | MDC | DRG | ICD | MDC | DRG | ICD | MDC | DRG |
|--------|-----|------------------------------|-------|-----|------------------------|--------|-----|--|
| S72.3 | | PTR | S74.9 | | PTR | S79.9 | | PTR |
| | 08 | I04Z, I60Z, I72Z | | 01 | B71A, B71B, B71C, B71D | | 21A | W61A, W61B |
| | 15 | P65C, P66C, P67B, P67C | | 21A | W61A, W61B | | 21B | X04Z, X60Z |
| | 21A | W61A, W61B | S75.0 | | PTR | S80.0 | | PTR |
| S72.40 | | PTR | | 21A | W61A, W61B | | 09 | J02A, J02B, J02C, J03A, J03B, J04A, J04B, J08A, J08B, J08C, J65Z |
| | 08 | I04Z, I68A, I68B, I68C, I68D | | 21B | X04Z, X60Z | | 21A | W61A, W61B |
| | 21A | W61A, W61B | S75.1 | | PTR | S80.1 | | PTR |
| S72.41 | | PTR | | 21A | W61A, W61B | | 09 | J02A, J02B, J02C, J03A, J03B, J04A, J04B, J08A, J08B, J08C, J65Z |
| | 08 | I04Z, I68A, I68B, I68C, I68D | | 21B | X04Z, X60Z | | 21A | W61A, W61B |
| | 21A | W61A, W61B | S75.2 | | PTR | S80.7 | | PTR |
| S72.42 | | PTR | | 21A | W61A, W61B | | 09 | J02A, J02B, J02C, J03A, J03B, J04A, J04B, J08A, J08B, J08C, J65Z |
| | 08 | I04Z, I68A, I68B, I68C, I68D | | 21B | X04Z, X60Z | | 21A | W61A, W61B |
| | 21A | W61A, W61B | S75.7 | | PTR | S80.81 | | PTR |
| S72.43 | | PTR | | 15 | TPN, VTPN | | 09 | J02A, J02B, J02C, J03A, J03B, J04A, J04B, J08A, J08B, J08C, J65Z |
| | 08 | I04Z, I68A, I68B, I68C, I68D | | 21A | W61A, W61B | | 21A | W61A, W61B |
| | 21A | W61A, W61B | | 21B | X04Z, X60Z | | 09 | J02A, J02B, J02C, J03A, J03B, J04A, J04B, J08A, J08B, J08C, J65Z |
| S72.44 | | PTR | S75.8 | | PTR | | 21A | W61A, W61B |
| | 08 | I04Z, I68A, I68B, I68C, I68D | | 15 | TPN, VTPN | | 09 | J02A, J02B, J02C, J03A, J03B, J04A, J04B, J08A, J08B, J08C, J65Z |
| | 21A | W61A, W61B | | 21A | W61A, W61B | | 21A | W61A, W61B |
| S72.7 | | PTR | | 21B | X04Z, X60Z | | 09 | J02A, J02B, J02C, J03A, J03B, J04A, J04B, J08A, J08B, J08C, J65Z |
| | 08 | I04Z, I75A, I75B | S75.9 | | PTR | | 21A | W61A, W61B |
| | 21A | W61A, W61B | | 15 | TPN, VTPN | | 09 | J02A, J02B, J02C, J03A, J03B, J04A, J04B, J08A, J08B, J08C, J65Z |
| S72.8 | | PTR | | 21A | W61A, W61B | | 21A | W61A, W61B |
| | 08 | I68A, I68B, I68C, I68D | | 21B | X04Z, X60Z | | 09 | J02A, J02B, J02C, J03A, J03B, J04A, J04B, J08A, J08B, J08C, J65Z |
| | 21A | W61A, W61B | S76.0 | | PTR | | 21A | W61A, W61B |
| S72.9 | | PTR | | 08 | I71A, I71B | | 09 | J02A, J02B, J02C, J03A, J03B, J04A, J04B, J08A, J08B, J08C, J65Z |
| | 08 | I68A, I68B, I68C, I68D | | 21A | W61A, W61B | | 21A | W61A, W61B |
| | 21A | W61A, W61B | S76.1 | | PTR | | 09 | J02A, J02B, J02C, J03A, J03B, J04A, J04B, J08A, J08B, J08C, J65Z |
| S73.00 | | PTR | | 08 | I71A, I71B | | 21A | W61A, W61B |
| | 08 | I71A, I71B | | 21A | W61A, W61B | | 09 | J02A, J02B, J02C, J03A, J03B, J04A, J04B, J08A, J08B, J08C, J65Z |
| | 21A | W61A, W61B | S76.2 | | PTR | | 21A | W61A, W61B |
| S73.01 | | PTR | | 08 | I71A, I71B | | 09 | J02A, J02B, J02C, J03A, J03B, J04A, J04B, J08A, J08B, J08C, J65Z |
| | 08 | I71A, I71B | | 21A | W61A, W61B | | 21A | W61A, W61B |
| | 21A | W61A, W61B | S76.3 | | PTR | | 09 | J02A, J02B, J02C, J03A, J03B, J04A, J04B, J08A, J08B, J08C, J65Z |
| S73.02 | | PTR | | 08 | I71A, I71B | | 21A | W61A, W61B |
| | 08 | I71A, I71B | | 21A | W61A, W61B | | 09 | J02A, J02B, J02C, J03A, J03B, J04A, J04B, J08A, J08B, J08C, J65Z |
| | 21A | W61A, W61B | S76.4 | | PTR | | 21A | W61A, W61B |
| S73.08 | | PTR | | 08 | I71A, I71B | | 09 | J02A, J02B, J02C, J03A, J03B, J04A, J04B, J08A, J08B, J08C, J65Z |
| | 08 | I71A, I71B | | 21A | W61A, W61B | | 21A | W61A, W61B |
| | 21A | W61A, W61B | S76.7 | | PTR | | 09 | J02A, J02B, J02C, J03A, J03B, J04A, J04B, J08A, J08B, J08C, J65Z |
| S73.10 | | PTR | | 08 | I71A, I71B | | 21A | W61A, W61B |
| | 08 | I71A, I71B | | 21A | W61A, W61B | | 09 | J02A, J02B, J02C, J03A, J03B, J04A, J04B, J08A, J08B, J08C, J65Z |
| | 21A | W61A, W61B | S77.0 | | PTR | | 21A | W61A, W61B |
| S73.11 | | PTR | | 15 | TPN, VTPN | | 09 | J02A, J02B, J02C, J03A, J03B, J04A, J04B, J08A, J08B, J08C, J65Z |
| | 08 | I71A, I71B | | 21A | W61A, W61B | | 21A | W61A, W61B |
| | 21A | W61A, W61B | | 21B | X04Z, X60Z | | 21B | X04Z, X60Z |
| S73.12 | | PTR | S77.1 | | PTR | | 09 | J02A, J02B, J02C, J03A, J03B, J04A, J04B, J08A, J08B, J08C, J65Z |
| | 08 | I71A, I71B | | 15 | TPN, VTPN | | 21A | W61A, W61B |
| | 21A | W61A, W61B | | 21A | W61A, W61B | | 21B | X04Z, X60Z |
| S73.18 | | PTR | | 21B | X04Z, X60Z | | 09 | J02A, J02B, J02C, J03A, J03B, J04A, J04B, J08A, J08B, J08C, J65Z |
| | 08 | I71A, I71B | S77.2 | | PTR | | 21A | W61A, W61B |
| | 21A | W61A, W61B | | 15 | TPN, VTPN | | 21B | X04Z, X60Z |
| S74.0 | | PTR | | 21A | W61A, W61B | | 09 | J02A, J02B, J02C, J03A, J03B, J04A, J04B, J08A, J08B, J08C, J65Z |
| | 01 | B71A, B71B, B71C, B71D | | 21B | X04Z, X60Z | | 21A | W61A, W61B |
| | 21A | W61A, W61B | S78.0 | | PTR | | 21B | X04Z, X60Z |
| S74.1 | | PTR | | 21A | W61A, W61B | | 09 | J02A, J02B, J02C, J03A, J03B, J04A, J04B, J08A, J08B, J08C, J65Z |
| | 01 | B71A, B71B, B71C, B71D | | 21B | X04Z, X60Z | | 21A | W61A, W61B |
| | 21A | W61A, W61B | S78.1 | | PTR | | 21A | W61A, W61B |
| S74.2 | | PTR | | 21A | W61A, W61B | | 21B | X04Z, X60Z |
| | 01 | B71A, B71B, B71C, B71D | | 21B | X04Z, X60Z | | 09 | J02A, J02B, J02C, J03A, J03B, J04A, J04B, J08A, J08B, J08C, J65Z |
| | 21A | W61A, W61B | S78.9 | | PTR | | 21A | W61A, W61B |
| S74.7 | | PTR | | 21A | W61A, W61B | | 21B | X04Z, X60Z |
| | 01 | B71A, B71B, B71C, B71D | | 21B | X04Z, X60Z | | 09 | J02A, J02B, J02C, J03A, J03B, J04A, J04B, J08A, J08B, J08C, J65Z |
| | 21A | W61A, W61B | S79.7 | | PTR | | 21A | W61A, W61B |
| S74.8 | | PTR | | 21A | W61A, W61B | | 21B | X01A, X01B |
| | 01 | B71A, B71B, B71C, B71D | | 21B | X04Z, X60Z | | 09 | J02A, J02B, J02C, J03A, J03B, J04A, J04B, J08A, J08B, J08C, J65Z |
| | 21A | W61A, W61B | S79.8 | | PTR | | 21A | W61A, W61B |
| | | | | 21A | W61A, W61B | | 21B | X04Z, X60Z |
| | | | | 21B | X04Z, X60Z | | | |

| ICD | MDC | DRG | ICD | MDC | DRG | ICD | MDC | DRG |
|--------|-----|--|--------|-----|------------|-------|-----|------------------------|
| S81.88 | | PTR | S82.88 | | PTR | S84.0 | | PTR |
| | 08 | I02A, I02B, I02C, I02D, I08A, I08B, I08C, I08D, I08E, I13A, I13B, I13C, I20A, I20B, I20C, I22A | | 08 | I77Z | | 01 | B71A, B71B, B71C, B71D |
| | 21A | W61A, W61B | | 21A | W61A, W61B | | 21A | W61A, W61B |
| | 21B | X01A, X01B | S82.9 | | PTR | S84.1 | | PTR |
| S81.89 | | PTR | | 08 | I77Z | | 01 | B71A, B71B, B71C, B71D |
| | 08 | I02A, I02B, I02C, I02D, I08A, I08B, I08C, I08D, I08E, I13A, I13B, I13C, I20A, I20B, I20C, I22A | | 21A | W61A, W61B | | 21A | W61A, W61B |
| | 21A | W61A, W61B | S83.0 | | PTR | S84.2 | | PTR |
| | 21B | X01A, X01B | | 08 | I78Z | | 01 | B71A, B71B, B71C, B71D |
| S81.9 | | PTR | | 21A | W61A, W61B | | 21A | W61A, W61B |
| | 08 | I02A, I02B, I02C, I02D, I08A, I08B, I08C, I08D, I08E, I13A, I13B, I13C, I20A, I20B, I20C, I22A | S83.10 | | PTR | S84.7 | | PTR |
| | 21A | W61A, W61B | | 08 | I75A, I75B | | 01 | B71A, B71B, B71C, B71D |
| | 21B | X01A, X01B | | 21A | W61A, W61B | | 21A | W61A, W61B |
| S81.9 | | PTR | S83.11 | | PTR | S84.8 | | PTR |
| | 21A | W61A, W61B | | 08 | I77Z | | 01 | B71A, B71B, B71C, B71D |
| | 21B | X04Z, X60Z | | 21A | W61A, W61B | | 21A | W61A, W61B |
| S82.0 | | PTR | S83.12 | | PTR | S84.9 | | PTR |
| | 08 | I77Z | | 08 | I77Z | | 01 | B71A, B71B, B71C, B71D |
| | 21A | W61A, W61B | | 21A | W61A, W61B | | 21A | W61A, W61B |
| S82.11 | | PTR | S83.13 | | PTR | S85.0 | | PTR |
| | 08 | I75A, I75B | | 08 | I77Z | | 21A | W61A, W61B |
| | 15 | TPN, VTPN | | 21A | W61A, W61B | | 21B | X04Z, X60Z |
| | 21A | W61A, W61B | S83.14 | | PTR | S85.1 | | PTR |
| S82.18 | | PTR | | 08 | I77Z | | 15 | TPN, VTPN |
| | 08 | I75A, I75B | | 21A | W61A, W61B | | 21A | W61A, W61B |
| | 21A | W61A, W61B | S83.18 | | PTR | | 21B | X04Z, X60Z |
| S82.21 | | PTR | | 08 | I75A, I75B | S85.2 | | PTR |
| | 08 | I75A, I75B | | 21A | W61A, W61B | | 15 | TPN, VTPN |
| | 21A | W61A, W61B | S83.2 | | PTR | | 21A | W61A, W61B |
| S82.28 | | PTR | | 08 | I77Z | | 21B | X04Z, X60Z |
| | 08 | I75A, I75B | | 21A | W61A, W61B | S85.3 | | PTR |
| | 21A | W61A, W61B | S83.3 | | PTR | | 21A | W61A, W61B |
| S82.31 | | PTR | | 08 | I77Z | | 21B | X04Z, X60Z |
| | 08 | I75A, I75B | | 21A | W61A, W61B | S85.4 | | PTR |
| | 21A | W61A, W61B | S83.40 | | PTR | | 21A | W61A, W61B |
| S82.38 | | PTR | | 08 | I77Z | | 21B | X04Z, X60Z |
| | 08 | I77Z | | 21A | W61A, W61B | S85.5 | | PTR |
| | 21A | W61A, W61B | S83.41 | | PTR | | 21A | W61A, W61B |
| S82.40 | | PTR | | 08 | I77Z | | 21B | X04Z, X60Z |
| | 08 | I77Z | | 21A | W61A, W61B | S85.7 | | PTR |
| | 21A | W61A, W61B | S83.42 | | PTR | | 15 | TPN, VTPN |
| S82.41 | | PTR | | 08 | I77Z | | 21A | W61A, W61B |
| | 08 | I77Z | | 21A | W61A, W61B | | 21B | X04Z, X60Z |
| | 15 | TPN, VTPN | S83.43 | | PTR | S85.8 | | PTR |
| | 21A | W61A, W61B | | 08 | I77Z | | 21A | W61A, W61B |
| S82.42 | | PTR | | 21A | W61A, W61B | | 21B | X04Z, X60Z |
| | 08 | I77Z | S83.44 | | PTR | S85.9 | | PTR |
| | 21A | W61A, W61B | | 08 | I77Z | | 15 | TPN, VTPN |
| S82.49 | | PTR | | 21A | W61A, W61B | | 21A | W61A, W61B |
| | 08 | I77Z | S83.50 | | PTR | | 21B | X04Z, X60Z |
| | 21A | W61A, W61B | | 08 | I77Z | S86.0 | | PTR |
| S82.5 | | PTR | | 21A | W61A, W61B | | 08 | I77Z |
| | 08 | I77Z | S83.51 | | PTR | | 21A | W61A, W61B |
| | 21A | W61A, W61B | | 08 | I77Z | S86.1 | | PTR |
| S82.6 | | PTR | | 21A | W61A, W61B | | 08 | I77Z |
| | 08 | I77Z | S83.52 | | PTR | | 21A | W61A, W61B |
| | 21A | W61A, W61B | | 08 | I77Z | S86.2 | | PTR |
| S82.7 | | PTR | | 21A | W61A, W61B | | 08 | I77Z |
| | 08 | I77Z | S83.53 | | PTR | | 21A | W61A, W61B |
| | 21A | W61A, W61B | | 08 | I77Z | S86.3 | | PTR |
| S82.81 | | PTR | | 21A | W61A, W61B | | 08 | I77Z |
| | 08 | I77Z | S83.54 | | PTR | | 21A | W61A, W61B |
| | 21A | W61A, W61B | | 08 | I77Z | S86.7 | | PTR |
| S82.82 | | PTR | | 21A | W61A, W61B | | 08 | I77Z |
| | 08 | I75A, I75B | S83.6 | | PTR | | 21A | W61A, W61B |
| | 21A | W61A, W61B | | 08 | I78Z | S86.8 | | PTR |
| | | | | 21A | W61A, W61B | | 08 | I77Z |
| | | | S83.7 | | PTR | | 21A | W61A, W61B |
| | | | | 08 | I77Z | | | |
| | | | | 21A | W61A, W61B | | | |

| ICD | MDC | DRG | ICD | MDC | DRG | ICD | MDC | DRG |
|--------|-----|--|--------|-----|---|--------|-----|------------------|
| S86.9 | | PTR | S90.84 | | PTR | S92.22 | | PTR |
| | 08 | I77Z | | 09 | J02A, J02B, J02C, J03A, J03B, J04A, J04B, J08A, J08B, J08C, J65Z | | 08 | I74A, I74B, I74C |
| | 21A | W61A, W61B | | 21A | W61A, W61B | S92.23 | | PTR |
| S87.0 | | PTR | S90.88 | | PTR | | 08 | I74A, I74B, I74C |
| | 15 | TPN, VTPN | | 09 | J02A, J02B, J02C, J03A, J03B, J04A, J04B, J08A, J08B, J08C, J65Z | | 21A | W61A, W61B |
| | 21A | W61A, W61B | | 21A | W61A, W61B | S92.28 | | PTR |
| | 21B | X04Z, X60Z | S90.9 | | PTR | | 08 | I74A, I74B, I74C |
| S87.8 | | PTR | | 09 | J02A, J02B, J02C, J03A, J03B, J04A, J04B, J08A, J08B, J08C, J65Z | | 21A | W61A, W61B |
| | 15 | TPN, VTPN | S91.0 | | PTR | S92.3 | | PTR |
| | 21A | W61A, W61B | | 21A | W61A, W61B | | 08 | I74A, I74B, I74C |
| | 21B | X04Z, X60Z | | 21A | W61A, W61B | S92.4 | | PTR |
| S88.0 | | PTR | S91.1 | | PTR | | 08 | I74A, I74B, I74C |
| | 21A | W61A, W61B | | 21A | W61A, W61B | | 21A | W61A, W61B |
| | 21B | X04Z, X60Z | | 21B | X04Z, X60Z | S92.5 | | PTR |
| S88.1 | | PTR | S91.2 | | PTR | | 08 | I74A, I74B, I74C |
| | 21A | W61A, W61B | | 21A | W61A, W61B | | 21A | W61A, W61B |
| | 21B | X04Z, X60Z | S91.3 | | PTR | S92.7 | | PTR |
| S88.9 | | PTR | | 21A | W61A, W61B | | 08 | I74A, I74B, I74C |
| | 21A | W61A, W61B | S91.7 | | PTR | | 21A | W61A, W61B |
| | 21B | X04Z, X60Z | | 21A | W61A, W61B | S92.9 | | PTR |
| S89.7 | | PTR | S91.80 | | PTR | | 08 | I74A, I74B, I74C |
| | 21A | W61A, W61B | | 21A | W61A, W61B | | 21A | W61A, W61B |
| | 21B | X04Z, X60Z | S91.84 | | PTR | S93.0 | | PTR |
| S89.8 | | PTR | S91.85 | | PTR | | 08 | I77Z |
| | 21A | W61A, W61B | S91.86 | | 08 I02A, I02B, I02C, I02D, I08A, I08B, I08C, I08D, I08E, I13A, I13B, I13C, I20A, I20B, I20C, I22A | | 21A | W61A, W61B |
| | 21B | X04Z, X60Z | | 21A | W61A, W61B | S93.10 | | PTR |
| S89.9 | | PTR | | 21B | X04Z, X60Z | | 08 | I74A, I74B, I74C |
| | 21A | W61A, W61B | S91.87 | | PTR | | 21A | W61A, W61B |
| | 21B | X04Z, X60Z | | 21A | W61A, W61B | S93.11 | | PTR |
| S90.0 | | PTR | S91.88 | | 08 I02A, I02B, I02C, I02D, I08A, I08B, I08C, I08D, I08E, I13A, I13B, I13C, I20A, I20B, I20C, I22A | | 08 | I74A, I74B, I74C |
| | 09 | J02A, J02B, J02C, J03A, J03B, J04A, J04B, J08A, J08B, J08C, J65Z | | 21A | W61A, W61B | | 21A | W61A, W61B |
| | 21A | W61A, W61B | S91.89 | | PTR | S93.12 | | PTR |
| S90.1 | | PTR | | 08 | I02A, I02B, I02C, I02D, I08A, I08B, I08C, I08D, I08E, I13A, I13B, I13C, I20A, I20B, I20C, I22A | | 08 | I74A, I74B, I74C |
| | 09 | J02A, J02B, J02C, J03A, J03B, J04A, J04B, J08A, J08B, J08C, J65Z | | 21A | W61A, W61B | | 21A | W61A, W61B |
| | 21A | W61A, W61B | S92.0 | | PTR | S93.2 | | PTR |
| S90.2 | | PTR | | 21A | W61A, W61B | | 08 | I77Z |
| | 09 | J02A, J02B, J02C, J03A, J03B, J04A, J04B, J08A, J08B, J08C, J65Z | S92.1 | | PTR | | 21A | W61A, W61B |
| | 21A | W61A, W61B | | 08 | I74A, I74B, I74C | S93.30 | | PTR |
| S90.3 | | PTR | S92.20 | | PTR | | 08 | I74A, I74B, I74C |
| | 09 | J02A, J02B, J02C, J03A, J03B, J04A, J04B, J08A, J08B, J08C, J65Z | | 21A | W61A, W61B | | 21A | W61A, W61B |
| | 21A | W61A, W61B | S92.21 | | PTR | S93.31 | | PTR |
| S90.7 | | PTR | | 08 | I74A, I74B, I74C | | 08 | I74A, I74B, I74C |
| | 09 | J02A, J02B, J02C, J03A, J03B, J04A, J04B, J08A, J08B, J08C, J65Z | | 21A | W61A, W61B | | 21A | W61A, W61B |
| | 21A | W61A, W61B | | 21A | W61A, W61B | S93.32 | | PTR |
| S90.81 | | PTR | | 21B | X01A, X01B | | 08 | I74A, I74B, I74C |
| | 09 | J02A, J02B, J02C, J03A, J03B, J04A, J04B, J08A, J08B, J08C, J65Z | | 21A | W61A, W61B | | 21A | W61A, W61B |
| | 21A | W61A, W61B | | 21B | X01A, X01B | S93.33 | | PTR |
| S90.82 | | PTR | | 08 | I02A, I02B, I02C, I02D, I08A, I08B, I08C, I08D, I08E, I13A, I13B, I13C, I20A, I20B, I20C, I22A | | 08 | I74A, I74B, I74C |
| | 09 | J02A, J02B, J02C, J03A, J03B, J04A, J04B, J08A, J08B, J08C, J67A, J67B, J68A, J68B | | 21A | W61A, W61B | | 21A | W61A, W61B |
| | 21A | W61A, W61B | | 21B | X01A, X01B | S93.34 | | PTR |
| S90.83 | | PTR | | 08 | I20C, I77Z | | 08 | I74A, I74B, I74C |
| | 09 | J02A, J02B, J02C, J03A, J03B, J04A, J04B, J08A, J08B, J08C, J67A, J67B, J68A, J68B | | 21A | W61A, W61B | | 21A | W61A, W61B |
| | 21A | W61A, W61B | | 08 | I74A, I74B, I74C | S93.38 | | PTR |
| | 21A | W61A, W61B | | 21A | W61A, W61B | | 08 | I74A, I74B, I74C |
| | 21A | W61A, W61B | | 21A | W61A, W61B | S93.40 | | PTR |
| | 21A | W61A, W61B | | 08 | I77Z | | 08 | I77Z |
| | 21A | W61A, W61B | | 21A | W61A, W61B | S93.41 | | PTR |
| | 21A | W61A, W61B | | 08 | I74A, I74B, I74C | | 08 | I77Z |
| | 21A | W61A, W61B | | 21A | W61A, W61B | S93.42 | | PTR |
| | 21A | W61A, W61B | | 08 | I77Z | | 08 | I77Z |
| | 21A | W61A, W61B | | 21A | W61A, W61B | S93.43 | | PTR |
| | 21A | W61A, W61B | | 08 | I74A, I74B, I74C | | 08 | I77Z |
| | 21A | W61A, W61B | | 21A | W61A, W61B | | 21A | W61A, W61B |

| ICD | MDC | DRG | ICD | MDC | DRG | ICD | MDC | DRG |
|--------|-----|------------------------|-------|-----|------------|--------|-----|------------|
| S93.48 | | PTR | S96.9 | | PTR | T01.3 | | PTR |
| | 08 | I77Z | | 08 | I77Z | | 21A | W61A, W61B |
| | 21A | W61A, W61B | | 21A | W61A, W61B | | 21B | X04Z, X60Z |
| S93.5 | | PTR | S97.0 | | PTR | T01.6 | | PTR |
| | 08 | I74A, I74B, I74C | | 15 | TPN, VTPN | | 21A | W61A, W61B |
| | 21A | W61A, W61B | | 21A | W61A, W61B | | 21B | X60Z |
| S93.6 | | PTR | | 21B | X04Z, X60Z | T01.8 | | PTR |
| | 08 | I74A, I74B, I74C | S97.1 | | PTR | | 21A | W61A, W61B |
| | 21A | W61A, W61B | | 15 | TPN, VTPN | | 21B | X60Z |
| S94.0 | | PTR | | 21A | W61A, W61B | T01.9 | | PTR |
| | 01 | B71A, B71B, B71C, B71D | | 21B | X04Z, X60Z | | 21A | W61A, W61B |
| | 21A | W61A, W61B | S97.8 | | PTR | | 21B | X60Z |
| S94.1 | | PTR | | 15 | TPN, VTPN | T02.00 | | PTR |
| | 01 | B71A, B71B, B71C, B71D | | 21A | W61A, W61B | | 01 | B79Z |
| | 21A | W61A, W61B | | 21B | X04Z, X60Z | | 15 | TPN, VTPN |
| S94.2 | | PTR | S98.0 | | PTR | | 21A | W61A, W61B |
| | 01 | B71A, B71B, B71C, B71D | | 21A | W61A, W61B | T02.01 | | PTR |
| | 21A | W61A, W61B | | 21B | X04Z, X60Z | | 01 | B79Z |
| S94.3 | | PTR | S98.1 | | PTR | | 15 | TPN, VTPN |
| | 01 | B71A, B71B, B71C, B71D | | 21A | W61A, W61B | | 21A | W61A, W61B |
| | 21A | W61A, W61B | | 21B | X04Z, X60Z | T02.10 | | PTR |
| S94.7 | | PTR | S98.2 | | PTR | | 08 | I76A |
| | 01 | B71A, B71B, B71C, B71D | | 21A | W61A, W61B | | 21A | W61A, W61B |
| | 21A | W61A, W61B | | 21B | X04Z, X60Z | T02.11 | | PTR |
| S94.8 | | PTR | S98.3 | | PTR | | 08 | I76A, I76B |
| | 01 | B71A, B71B, B71C, B71D | | 21A | W61A, W61B | | 15 | TPN, VTPN |
| | 21A | W61A, W61B | | 21B | X04Z, X60Z | | 21A | W61A, W61B |
| S94.9 | | PTR | S98.4 | | PTR | T02.20 | | PTR |
| | 01 | B71A, B71B, B71C, B71D | | 21A | W61A, W61B | | 08 | I77Z |
| | 21A | W61A, W61B | | 21B | X04Z, X60Z | T02.21 | | PTR |
| S95.0 | | PTR | S99.7 | | PTR | | 21A | W61A, W61B |
| | 15 | TPN, VTPN | | 21A | W61A, W61B | | 21B | X04Z, X60Z |
| | 21A | W61A, W61B | | 21B | X04Z, X60Z | T02.30 | | PTR |
| | 21B | X04Z, X60Z | S99.8 | | PTR | | 08 | I77Z |
| S95.1 | | PTR | | 21A | W61A, W61B | | 21A | W61A, W61B |
| | 15 | TPN, VTPN | | 21B | X04Z, X60Z | | 08 | I77Z |
| | 21A | W61A, W61B | S99.9 | | PTR | T02.31 | | PTR |
| | 21B | X04Z, X60Z | | 21A | W61A, W61B | | 08 | I77Z |
| S95.2 | | PTR | | 21B | X04Z, X60Z | | 21A | W61A, W61B |
| | 15 | TPN, VTPN | T00.0 | | PTR | T02.40 | | PTR |
| | 21A | W61A, W61B | | 09 | J65Z | | 15 | TPN, VTPN |
| | 21B | X04Z, X60Z | | 21A | W61A, W61B | | 21A | W61A, W61B |
| S95.7 | | PTR | T00.1 | | PTR | | 21B | X60Z |
| | 15 | TPN, VTPN | | 09 | J65Z | T02.41 | | PTR |
| | 21A | W61A, W61B | | 21A | W61A, W61B | | 15 | TPN, VTPN |
| | 21B | X04Z, X60Z | T00.2 | | PTR | | 21A | W61A, W61B |
| S95.8 | | PTR | | 09 | J65Z | | 21B | X60Z |
| | 15 | TPN, VTPN | | 21A | W61A, W61B | T02.50 | | PTR |
| | 21A | W61A, W61B | T00.3 | | PTR | | 15 | TPN, VTPN |
| | 21B | X04Z, X60Z | | 09 | J65Z | | 21A | W61A, W61B |
| S95.9 | | PTR | | 21A | W61A, W61B | | 21B | X60Z |
| | 15 | TPN, VTPN | T00.6 | | PTR | T02.51 | | PTR |
| | 21A | W61A, W61B | | 09 | J65Z | | 15 | TPN, VTPN |
| | 21B | X04Z, X60Z | | 21A | W61A, W61B | | 21A | W61A, W61B |
| S96.0 | | PTR | T00.8 | | PTR | | 21B | X60Z |
| | 08 | I74A, I74B, I74C | | 09 | J65Z | T02.60 | | PTR |
| | 21A | W61A, W61B | | 21A | W61A, W61B | | 15 | TPN, VTPN |
| S96.1 | | PTR | T00.9 | | PTR | | 21A | W61A, W61B |
| | 08 | I74A, I74B, I74C | | 09 | J65Z | | 21B | X60Z |
| | 21A | W61A, W61B | | 21A | W61A, W61B | T02.61 | | PTR |
| S96.2 | | PTR | T01.0 | | PTR | | 15 | TPN, VTPN |
| | 08 | I74A, I74B, I74C | | 21A | W61A, W61B | | 21A | W61A, W61B |
| | 21A | W61A, W61B | | 21B | X60Z | | 21B | X60Z |
| S96.7 | | PTR | T01.1 | | PTR | T02.70 | | PTR |
| | 08 | I74A, I74B, I74C | | 21A | W61A, W61B | | 15 | TPN, VTPN |
| | 21A | W61A, W61B | | 21B | X60Z | | 21A | W61A, W61B |
| S96.8 | | PTR | T01.2 | | PTR | | 21B | X60Z |
| | 08 | I74A, I74B, I74C | | 21A | W61A, W61B | | | |
| | 21A | W61A, W61B | | 21B | X60Z | | | |

| ICD | MDC | DRG | ICD | MDC | DRG | ICD | MDC | DRG |
|--------|-----|------------|--------|-----|------------------------------|--------|-----|------------------------------|
| T02.71 | | PTR | T05.0 | | PTR | T09.02 | | PTR |
| | 15 | TPN, VTPN | | 21A | W61A, W61B | | 09 | J67A, J67B, J68A, J68B |
| | 21A | W61A, W61B | | 21B | X60Z | | 21A | W61A, W61B |
| | 21B | X60Z | T05.1 | | PTR | T09.03 | | PTR |
| T02.80 | | PTR | | 21A | W61A, W61B | | 09 | J67A, J67B, J68A, J68B |
| | 08 | I76A | | 21B | X60Z | | 21A | W61A, W61B |
| | 21A | W61A, W61B | T05.2 | | PTR | T09.04 | | PTR |
| T02.81 | | PTR | | 21A | W61A, W61B | | 09 | J65Z |
| | 08 | I76A, I76B | | 21B | X60Z | | 21A | W61A, W61B |
| | 21A | W61A, W61B | T05.3 | | PTR | T09.05 | | PTR |
| T02.90 | | PTR | | 21A | W61A, W61B | | 09 | J65Z |
| | 08 | I76A, I76B | | 21B | X60Z | | 21A | W61A, W61B |
| | 21A | W61A, W61B | T05.4 | | PTR | T09.08 | | PTR |
| T02.91 | | PTR | | 21A | W61A, W61B | | 09 | J65Z |
| | 08 | I76A, I76B | | 21B | X60Z | | 21A | W61A, W61B |
| | 21A | W61A, W61B | T05.5 | | PTR | T09.1 | | PTR |
| T03.0 | | PTR | | 21A | W61A, W61B | | 15 | TPN, VTPN |
| | 08 | I76A, I76B | | 21B | X60Z | | 21A | W61A, W61B |
| | 21A | W61A, W61B | T05.6 | | PTR | | 21B | X60Z |
| T03.1 | | PTR | | 21A | W61A, W61B | T09.2 | | PTR |
| | 08 | I76A, I76B | | 21B | X60Z | | 08 | I68A, I68B, I68C, I68D, I68E |
| | 21A | W61A, W61B | T05.8 | | PTR | | 21A | W61A, W61B |
| T03.2 | | PTR | | 15 | TPN, VTPN | T09.3 | | PTR |
| | 08 | I76A, I76B | | 21A | W61A, W61B | | 15 | TPN, VTPN |
| | 21A | W61A, W61B | | 21B | X60Z | | 21A | W61A, W61B |
| T03.3 | | PTR | T05.9 | | PTR | | Pre | B61A, B61B |
| | 08 | I76A, I76B | | 21A | W61A, W61B | T09.4 | | PTR |
| | 21A | W61A, W61B | | 21B | X60Z | | 01 | B71A, B71B, B71C, B71D |
| T03.4 | | PTR | T06.0 | | PTR | | 15 | TPN, VTPN |
| | 08 | I76A, I76B | | 15 | TPN, VTPN | | 21A | W61A, W61B |
| | 21A | W61A, W61B | | 21A | W61A, W61B | T09.5 | | PTR |
| T03.8 | | PTR | | Pre | B61A, B61B | | 08 | I76A, I76B |
| | 08 | I76A, I76B | T06.1 | | PTR | | 21A | W61A, W61B |
| | 21A | W61A, W61B | | 15 | TPN, VTPN | T09.6 | | PTR |
| T03.9 | | PTR | | 21A | W61A, W61B | | 15 | TPN, VTPN |
| | 08 | I76A, I76B | | Pre | B61A, B61B | | 21A | W61A, W61B |
| | 21A | W61A, W61B | T06.2 | | PTR | | 21B | X60Z |
| T04.0 | | PTR | | 01 | B71A, B71B, B71C, B71D | T09.8 | | PTR |
| | 15 | TPN, VTPN | | 21A | W61A, W61B | | 21A | W61A, W61B |
| | 21A | W61A, W61B | T06.3 | | PTR | | 21B | X60Z |
| | 21B | X60Z | | 15 | TPN, VTPN | T09.9 | | PTR |
| T04.1 | | PTR | | 21A | W61A, W61B | | 21A | W61A, W61B |
| | 15 | TPN, VTPN | | 21B | X60Z | | 21B | X60Z |
| | 21A | W61A, W61B | T06.4 | | PTR | T10.0 | | PTR |
| | 21B | X60Z | | 08 | I76A, I76B | | 08 | I77Z |
| T04.2 | | PTR | | 21A | W61A, W61B | | 21A | W61A, W61B |
| | 15 | TPN, VTPN | T06.5 | | PTR | T10.1 | | PTR |
| | 21A | W61A, W61B | | 21A | W61A, W61B | | 08 | I77Z |
| | 21B | X60Z | | 21B | X60Z | | 21A | W61A, W61B |
| T04.3 | | PTR | T06.8 | | PTR | T11.00 | | PTR |
| | 15 | TPN, VTPN | | 21A | W61A, W61B | | 09 | J65Z |
| | 21A | W61A, W61B | | 21B | X60Z | | 21A | W61A, W61B |
| | 21B | X04Z, X60Z | T07 | | PTR | T11.01 | | PTR |
| T04.4 | | PTR | | 21A | W61A, W61B | | 09 | J65Z |
| | 15 | TPN, VTPN | | 21B | X60Z | | 21A | W61A, W61B |
| | 21A | W61A, W61B | T08.0 | | PTR | T11.02 | | PTR |
| | 21B | X60Z | | 08 | I68A, I68B, I68C, I68D, I68E | | 09 | J67A, J67B, J68A, J68B |
| T04.7 | | PTR | | 15 | TPN, VTPN | | 21A | W61A, W61B |
| | 15 | TPN, VTPN | | 21A | W61A, W61B | T11.03 | | PTR |
| | 21A | W61A, W61B | | 21B | X60Z | | 09 | J67A, J67B, J68A, J68B |
| | 21B | X60Z | T08.1 | | PTR | | 21A | W61A, W61B |
| T04.8 | | PTR | | 08 | I68A, I68B, I68C, I68D, I68E | T11.04 | | PTR |
| | 15 | TPN, VTPN | | 15 | TPN, VTPN | | 09 | J65Z |
| | 21A | W61A, W61B | | 21A | W61A, W61B | | 21A | W61A, W61B |
| | 21B | X60Z | T09.00 | | PTR | T11.05 | | PTR |
| T04.9 | | PTR | | 09 | J65Z | | 09 | J65Z |
| | 15 | TPN, VTPN | T09.01 | | PTR | | 21A | W61A, W61B |
| | 21A | W61A, W61B | | 09 | J65Z | | | |
| | 21B | X60Z | | 21A | W61A, W61B | | | |

| ICD | MDC | DRG | ICD | MDC | DRG | ICD | MDC | DRG |
|--------|-----|--|--------|-----|------------------------|--------|-----|--|
| T11.08 | | PTR | T13.4 | | PTR | T15.0 | 02 | C62Z |
| | 09 | J65Z | | 15 | TPN, VTPN | T15.1 | 02 | C62Z |
| | 21A | W61A, W61B | | 21A | W61A, W61B | T15.8 | 02 | C62Z |
| T11.1 | | PTR | | 21B | X04Z, X60Z | T15.9 | 02 | C62Z |
| | 21A | W61A, W61B | T13.5 | | PTR | T16 | 03 | D66Z |
| | 21B | X60Z | | 08 | I77Z | T17.0 | 03 | D65Z |
| T11.2 | | PTR | | 21A | W61A, W61B | T17.1 | 03 | D65Z |
| | 08 | I76A, I76B | T13.6 | | PTR | T17.2 | 03 | D66Z |
| | 21A | W61A, W61B | | 21A | W61A, W61B | T17.3 | 03 | D66Z |
| T11.3 | | PTR | | 21B | X04Z, X60Z | T17.4 | 04 | E75A, E75B, E75C |
| | 01 | B71A, B71B, B71C, B71D | T13.8 | | PTR | T17.5 | 04 | E75A, E75B, E75C |
| | 21A | W61A, W61B | | 21A | W61A, W61B | T17.8 | 04 | E75A, E75B, E75C |
| T11.4 | | PTR | | 21B | X04Z, X60Z | T17.9 | 04 | E75A, E75B, E75C |
| | 15 | TPN, VTPN | T13.9 | | PTR | T18.0 | 03 | D40J, D40Z, D67Z |
| | 21A | W61A, W61B | | 21A | W61A, W61B | T18.1 | 06 | G46A, G46B, G46C, G50Z, G72A, G72B |
| | 21B | X60Z | | 21B | X04Z, X60Z | T18.2 | 06 | G46A, G46B, G46C, G50Z, G72A, G72B |
| T11.5 | | PTR | T14.00 | | PTR | T18.3 | 06 | G46A, G46B, G46C, G50Z, G72A, G72B |
| | 08 | I77Z | | 09 | J65Z | T18.4 | 06 | G46A, G46B, G46C, G50Z, G72A, G72B |
| | 21A | W61A, W61B | | 21A | W61A, W61B | T18.5 | 06 | G46A, G46B, G46C, G50Z, G72A, G72B |
| T11.6 | | PTR | T14.01 | | PTR | T18.8 | 06 | G46A, G46B, G46C, G50Z, G72A, G72B |
| | 21A | W61A, W61B | | 09 | J65Z | T18.9 | 06 | G46A, G46B, G46C, G50Z, G72A, G72B |
| | 21B | X60Z | | 21A | W61A, W61B | T19.0 | 11 | L68A, L68B, L74Z |
| T11.8 | | PTR | T14.02 | | PTR | T19.1 | 11 | L68A, L68B, L74Z |
| | 21A | W61A, W61B | | 09 | J67A, J67B, J68A, J68B | T19.2 | 13 | N04Z, N05A, N05B, N05J, N14Z, N21J, N21Z, N25J, N25Q, N25Z, N62A, N62B |
| | 21B | X60Z | | 21A | W61A, W61B | T19.3 | 13 | N04Z, N05A, N05B, N05J, N14Z, N21J, N21Z, N25J, N25Q, N25Z, N62A, N62B |
| T11.9 | | PTR | T14.03 | | PTR | T19.8 | 12 | M64Z |
| | 21A | W61A, W61B | | 09 | J67A, J67B, J68A, J68B | | 13 | N04Z, N05A, N05B, N05J, N14Z, N21J, N21Z, N25J, N25Q, N25Z, N62A, N62B |
| | 21B | X60Z | | 21A | W61A, W61B | T19.9 | 12 | M64Z |
| T12.0 | | PTR | T14.04 | | PTR | | 13 | N04Z, N05A, N05B, N05J, N14Z, N21J, N21Z, N25J, N25Q, N25Z, N62A, N62B |
| | 08 | I77Z | | 09 | J65Z | T20.0 | 22 | Y62A, Y62B |
| | 21A | W61A, W61B | | 21A | W61A, W61B | T20.1 | 22 | Y62A, Y62B |
| T12.1 | | PTR | T14.05 | | PTR | T20.20 | 22 | Y01Z, Y62A, Y62B |
| | 08 | I77Z | | 09 | J65Z | T20.21 | 22 | Y01Z, Y62A, Y62B |
| | 21A | W61A, W61B | | 21A | W61A, W61B | T20.3 | 15 | TPN, VTPN |
| T13.00 | | PTR | T14.08 | | PTR | T20.3 | 22 | Y61Z, Y62A, Y62B |
| | 09 | J65Z | | 09 | J65Z | T20.4 | 22 | Y62A, Y62B |
| | 21A | W61A, W61B | | 21A | W61A, W61B | T20.5 | 22 | Y62A, Y62B |
| T13.01 | | PTR | T14.1 | | PTR | T20.60 | 22 | Y01Z, Y62A, Y62B |
| | 09 | J65Z | | 21A | W61A, W61B | T20.61 | 22 | Y01Z, Y62A, Y62B |
| | 21A | W61A, W61B | | 21B | X60Z | T20.7 | 15 | TPN, VTPN |
| T13.02 | | PTR | T14.20 | | PTR | T20.7 | 22 | Y61Z, Y62A, Y62B |
| | 09 | J67A, J67B, J68A, J68B | | 08 | I76A, I76B | T21.00 | 22 | Y62A, Y62B |
| | 21A | W61A, W61B | | 21A | W61A, W61B | T21.01 | 22 | Y62A, Y62B |
| T13.03 | | PTR | T14.21 | | PTR | T21.02 | 22 | Y62A, Y62B |
| | 09 | J67A, J67B, J68A, J68B | | 08 | I76A, I76B | T21.03 | 22 | Y62A, Y62B |
| | 21A | W61A, W61B | | 21A | W61A, W61B | T21.04 | 22 | Y62A, Y62B |
| T13.04 | | PTR | T14.3 | | PTR | T21.05 | 22 | Y62A, Y62B |
| | 09 | J65Z | | 08 | I76A, I76B | T21.09 | 22 | Y62A, Y62B |
| | 21A | W61A, W61B | | 21A | W61A, W61B | T21.10 | 22 | Y62A, Y62B |
| T13.05 | | PTR | T14.4 | | PTR | T21.11 | 22 | Y62A, Y62B |
| | 09 | J02A, J02B, J02C, J03A, J03B, J04A, J04B, J08A, J08B, J08C, J65Z | | 01 | B71A, B71B, B71C, B71D | T21.12 | 22 | Y62A, Y62B |
| | 21A | W61A, W61B | | 21A | W61A, W61B | T21.13 | 22 | Y62A, Y62B |
| T13.08 | | PTR | T14.5 | | PTR | T21.14 | 22 | Y62A, Y62B |
| | 09 | J65Z | | 15 | TPN, VTPN | T21.15 | 22 | Y62A, Y62B |
| | 21A | W61A, W61B | | 21A | W61A, W61B | T21.19 | 22 | Y62A, Y62B |
| T13.1 | | PTR | T14.6 | | PTR | | | |
| | 21A | W61A, W61B | | 21B | X60Z | | | |
| | 21B | X04Z, X60Z | | 08 | I76A, I76B | | | |
| T13.2 | | PTR | T14.7 | | PTR | | | |
| | 08 | I76A, I76B | | 15 | TPN, VTPN | | | |
| | 21A | W61A, W61B | | 21A | W61A, W61B | | | |
| T13.3 | | PTR | T14.8 | | PTR | | | |
| | 01 | B71A, B71B, B71C, B71D | | 21A | W61A, W61B | | | |
| | 21A | W61A, W61B | | 21B | X60Z | | | |
| | | | T14.9 | | PTR | | | |
| | | | | 21A | W61A, W61B | | | |
| | | | | 21B | X60Z | | | |

| ICD | MDC | DRG | ICD | MDC | DRG | ICD | MDC | DRG |
|--------|------------------|------------------------|--------|------------------|------------------------|------------------|------------------|------------------|
| T21.20 | 22 | Y01Z, Y62A, Y62B | T21.93 | 22 | Y01Z, Y62A, Y62B | T24.3 | 15 | TPN, VTPN |
| T21.21 | 22 | Y01Z, Y62A, Y62B | T21.94 | 15 | P65C, P66C, P67B, P67C | 22 | Y61Z, Y62A, Y62B | |
| T21.22 | 22 | Y01Z, Y62A, Y62B | 22 | Y01Z, Y62A, Y62B | T24.4 | 22 | Y62A, Y62B | |
| T21.23 | 22 | Y01Z, Y62A, Y62B | T21.95 | 22 | Y01Z, Y62A, Y62B | T24.5 | 22 | Y62A, Y62B |
| T21.24 | 15 | P65C, P66C, P67B, P67C | T21.99 | 22 | Y01Z, Y62A, Y62B | T24.60 | 22 | Y01Z, Y62A, Y62B |
| 22 | Y61Z, Y62A, Y62B | T22.00 | 22 | Y62A, Y62B | T24.61 | 22 | Y01Z, Y62A, Y62B | |
| T21.25 | 22 | Y01Z, Y62A, Y62B | T22.01 | 22 | Y62A, Y62B | T24.7 | 15 | TPN, VTPN |
| T21.29 | 22 | Y01Z, Y62A, Y62B | T22.02 | 22 | Y62A, Y62B | 22 | Y61Z, Y62A, Y62B | |
| T21.30 | 15 | TPN, VTPN | T22.03 | 22 | Y62A, Y62B | T25.0 | 22 | Y62A, Y62B |
| 22 | Y61Z, Y62A, Y62B | T22.10 | 22 | Y62A, Y62B | T25.1 | 22 | Y62A, Y62B | |
| T21.31 | 15 | TPN, VTPN | T22.11 | 22 | Y62A, Y62B | T25.20 | 22 | Y01Z, Y62A, Y62B |
| 22 | Y61Z, Y62A, Y62B | T22.12 | 22 | Y62A, Y62B | T25.21 | 22 | Y01Z, Y62A, Y62B | |
| T21.32 | 15 | TPN, VTPN | T22.13 | 22 | Y62A, Y62B | T25.3 | 15 | TPN, VTPN |
| 22 | Y61Z, Y62A, Y62B | T22.20 | 22 | Y01Z, Y62A, Y62B | 22 | Y61Z, Y62A, Y62B | | |
| T21.33 | 15 | TPN, VTPN | T22.21 | 22 | Y01Z, Y62A, Y62B | T25.4 | 22 | Y62A, Y62B |
| 22 | Y61Z, Y62A, Y62B | T22.22 | 22 | Y01Z, Y62A, Y62B | T25.5 | 22 | Y62A, Y62B | |
| T21.34 | 15 | TPN, VTPN | T22.23 | 22 | Y01Z, Y62A, Y62B | T25.60 | 22 | Y01Z, Y62A, Y62B |
| 22 | Y61Z, Y62A, Y62B | T22.30 | 15 | TPN, VTPN | T25.61 | 22 | Y01Z, Y62A, Y62B | |
| T21.35 | 15 | TPN, VTPN | 22 | Y61Z, Y62A, Y62B | T25.7 | 15 | TPN, VTPN | |
| 22 | Y61Z, Y62A, Y62B | T22.31 | 15 | TPN, VTPN | 22 | Y61Z, Y62A, Y62B | | |
| T21.39 | 15 | TPN, VTPN | 22 | Y61Z, Y62A, Y62B | T26.0 | 02 | C62Z | |
| 22 | Y61Z, Y62A, Y62B | T22.32 | 15 | TPN, VTPN | 15 | TPN, VTPN | | |
| T21.40 | 22 | Y62A, Y62B | 22 | Y61Z, Y62A, Y62B | T26.1 | 02 | C62Z | |
| T21.41 | 22 | Y62A, Y62B | T22.33 | 15 | TPN, VTPN | 15 | TPN, VTPN | |
| T21.42 | 22 | Y62A, Y62B | 22 | Y61Z, Y62A, Y62B | T26.2 | 02 | C62Z | |
| T21.43 | 22 | Y62A, Y62B | T22.40 | 22 | Y62A, Y62B | 15 | TPN, VTPN | |
| T21.44 | 22 | Y62A, Y62B | T22.41 | 22 | Y62A, Y62B | T26.3 | 02 | C62Z |
| T21.45 | 22 | Y62A, Y62B | T22.42 | 22 | Y62A, Y62B | 15 | TPN, VTPN | |
| T21.49 | 22 | Y62A, Y62B | T22.43 | 22 | Y62A, Y62B | T26.4 | 02 | C62Z |
| T21.50 | 22 | Y62A, Y62B | T22.50 | 22 | Y62A, Y62B | 15 | TPN, VTPN | |
| T21.51 | 22 | Y62A, Y62B | T22.51 | 22 | Y62A, Y62B | T26.5 | 02 | C62Z |
| T21.52 | 22 | Y62A, Y62B | T22.52 | 22 | Y62A, Y62B | 15 | TPN, VTPN | |
| T21.53 | 22 | Y62A, Y62B | T22.53 | 22 | Y62A, Y62B | T26.6 | 02 | C62Z |
| T21.54 | 22 | Y62A, Y62B | T22.60 | 22 | Y01Z, Y62A, Y62B | 15 | TPN, VTPN | |
| T21.55 | 22 | Y62A, Y62B | T22.61 | 22 | Y01Z, Y62A, Y62B | T26.7 | 02 | C62Z |
| T21.59 | 22 | Y62A, Y62B | T22.62 | 22 | Y01Z, Y62A, Y62B | 15 | TPN, VTPN | |
| T21.60 | 22 | Y01Z, Y62A, Y62B | T22.63 | 22 | Y01Z, Y62A, Y62B | T26.8 | 02 | C62Z |
| T21.61 | 22 | Y01Z, Y62A, Y62B | T22.70 | 15 | TPN, VTPN | 15 | TPN, VTPN | |
| T21.62 | 22 | Y01Z, Y62A, Y62B | 22 | Y61Z, Y62A, Y62B | T26.9 | 02 | C62Z | |
| T21.63 | 22 | Y01Z, Y62A, Y62B | T22.71 | 15 | TPN, VTPN | 15 | TPN, VTPN | |
| T21.64 | 15 | P65C, P66C, P67B, P67C | 22 | Y61Z, Y62A, Y62B | T27.0 | 04 | E75A, E75B, E75C | |
| 22 | Y01Z, Y62A, Y62B | T22.72 | 15 | TPN, VTPN | 15 | TPN, VTPN | | |
| T21.65 | 22 | Y01Z, Y62A, Y62B | 22 | Y61Z, Y62A, Y62B | 22 | Y02A, Y02B | | |
| T21.69 | 22 | Y01Z, Y62A, Y62B | T22.73 | 15 | TPN, VTPN | Pre | A09D, A11D, A13D | |
| T21.70 | 15 | TPN, VTPN | 22 | Y61Z, Y62A, Y62B | T27.1 | 04 | E75A, E75B, E75C | |
| 22 | Y61Z, Y62A, Y62B | T22.80 | 22 | Y01Z, Y62A, Y62B | 15 | TPN, VTPN | | |
| T21.71 | 15 | TPN, VTPN | T22.81 | 22 | Y01Z, Y62A, Y62B | 22 | Y02A, Y02B | |
| 22 | Y61Z, Y62A, Y62B | T22.82 | 22 | Y01Z, Y62A, Y62B | Pre | A09D, A11D, A13D | | |
| T21.72 | 15 | TPN, VTPN | T22.83 | 22 | Y01Z, Y62A, Y62B | T27.2 | 15 | TPN, VTPN |
| 22 | Y61Z, Y62A, Y62B | T22.90 | 22 | Y01Z, Y62A, Y62B | 22 | Y62A, Y62B | | |
| T21.73 | 15 | TPN, VTPN | T22.91 | 22 | Y01Z, Y62A, Y62B | Pre | A09D, A11D, A13D | |
| 22 | Y61Z, Y62A, Y62B | T22.92 | 22 | Y01Z, Y62A, Y62B | T27.3 | 15 | TPN, VTPN | |
| T21.74 | 15 | TPN, VTPN | T22.93 | 22 | Y01Z, Y62A, Y62B | 22 | Y62A, Y62B | |
| 22 | Y61Z, Y62A, Y62B | T23.0 | 22 | Y62A, Y62B | Pre | A09D, A11D, A13D | | |
| T21.75 | 15 | TPN, VTPN | T23.1 | 22 | Y62A, Y62B | T27.4 | 04 | E75A, E75B, E75C |
| 22 | Y61Z, Y62A, Y62B | T23.20 | 22 | Y01Z, Y62A, Y62B | 15 | TPN, VTPN | | |
| T21.79 | 15 | TPN, VTPN | T23.21 | 22 | Y01Z, Y62A, Y62B | 22 | Y02A, Y02B | |
| 22 | Y61Z, Y62A, Y62B | T23.3 | 15 | TPN, VTPN | Pre | A09D, A11D, A13D | | |
| T21.80 | 22 | Y01Z, Y62A, Y62B | 22 | Y61Z, Y62A, Y62B | T27.5 | 04 | E75A, E75B, E75C | |
| T21.81 | 22 | Y01Z, Y62A, Y62B | T23.4 | 22 | Y62A, Y62B | 15 | TPN, VTPN | |
| T21.82 | 22 | Y01Z, Y62A, Y62B | T23.5 | 22 | Y62A, Y62B | 22 | Y02A, Y02B | |
| T21.83 | 22 | Y01Z, Y62A, Y62B | T23.60 | 22 | Y01Z, Y62A, Y62B | Pre | A09D, A11D, A13D | |
| T21.84 | 15 | P65C, P66C, P67B, P67C | T23.61 | 22 | Y01Z, Y62A, Y62B | T27.6 | 15 | TPN, VTPN |
| 22 | Y01Z, Y62A, Y62B | T23.7 | 15 | TPN, VTPN | 22 | Y62A, Y62B | | |
| T21.85 | 22 | Y01Z, Y62A, Y62B | 22 | Y61Z, Y62A, Y62B | Pre | A09D, A11D, A13D | | |
| T21.89 | 22 | Y01Z, Y62A, Y62B | T24.0 | 22 | Y62A, Y62B | T27.7 | 15 | TPN, VTPN |
| T21.90 | 22 | Y01Z, Y62A, Y62B | T24.1 | 22 | Y62A, Y62B | 22 | Y62A, Y62B | |
| T21.91 | 22 | Y01Z, Y62A, Y62B | T24.20 | 22 | Y01Z, Y62A, Y62B | Pre | A09D, A11D, A13D | |
| T21.92 | 22 | Y01Z, Y62A, Y62B | T24.21 | 22 | Y01Z, Y62A, Y62B | | | |

| ICD | MDC | DRG | ICD | MDC | DRG | ICD | MDC | DRG |
|--------|-----|--|--------|-----|------------|--------|-----|------------|
| T28.0 | 03 | D66Z | T31.22 | 15 | TPN, VTPN | T31.85 | 15 | TPN, VTPN |
| | 15 | TPN, VTPN | | 22 | Y01Z, Y61Z | | 22 | Y01Z, Y61Z |
| | 22 | Y02A, Y02B | T31.30 | 22 | Y01Z, Y61Z | T31.86 | 15 | TPN, VTPN |
| | Pre | A09D, A11D, A13D | T31.31 | 22 | Y01Z, Y61Z | | 22 | Y01Z, Y61Z |
| T28.1 | 06 | G46A, G46B, G46C, G50Z, G64A, G64B, G64C, G70A, G70B | T31.32 | 15 | TPN, VTPN | T31.87 | 15 | TPN, VTPN |
| | 15 | TPN, VTPN | | 22 | Y01Z, Y61Z | | 22 | Y01Z, Y61Z |
| | 22 | Y02A, Y02B | T31.33 | 15 | TPN, VTPN | T31.88 | 15 | TPN, VTPN |
| | Pre | A09D, A11D, A13D | | 22 | Y01Z, Y61Z | | 22 | Y01Z, Y61Z |
| | Pre | A09D, A11D, A13D | T31.40 | 22 | Y01Z, Y61Z | T31.90 | 15 | TPN, VTPN |
| T28.2 | 06 | G46A, G46B, G46C, G50Z, G71Z | T31.41 | 22 | Y01Z, Y61Z | | 22 | Y01Z, Y61Z |
| | 15 | TPN, VTPN | T31.42 | 15 | TPN, VTPN | T31.91 | 15 | TPN, VTPN |
| | 22 | Y02A, Y02B | | 22 | Y01Z, Y61Z | | 22 | Y01Z, Y61Z |
| | Pre | A09D, A11D, A13D | T31.43 | 15 | TPN, VTPN | T31.92 | 15 | TPN, VTPN |
| T28.3 | 15 | TPN, VTPN | | 22 | Y01Z, Y61Z | | 22 | Y01Z, Y61Z |
| | 22 | Y62A, Y62B | T31.44 | 15 | TPN, VTPN | T31.93 | 15 | TPN, VTPN |
| | Pre | A09D, A11D, A13D | | 22 | Y01Z, Y61Z | | 22 | Y01Z, Y61Z |
| T28.4 | 15 | TPN, VTPN | T31.50 | 15 | TPN, VTPN | T31.94 | 15 | TPN, VTPN |
| | 22 | Y62A, Y62B | | 22 | Y01Z, Y61Z | | 22 | Y01Z, Y61Z |
| | Pre | A09D, A11D, A13D | T31.51 | 15 | TPN, VTPN | T31.95 | 15 | TPN, VTPN |
| T28.5 | 03 | D66Z | | 22 | Y01Z, Y61Z | | 22 | Y01Z, Y61Z |
| | 15 | TPN, VTPN | T31.52 | 15 | TPN, VTPN | T31.96 | 15 | TPN, VTPN |
| | 22 | Y02A, Y02B | | 22 | Y01Z, Y61Z | | 22 | Y01Z, Y61Z |
| | Pre | A09D, A11D, A13D | T31.53 | 15 | TPN, VTPN | T31.97 | 15 | TPN, VTPN |
| T28.6 | 06 | G46A, G46B, G46C, G50Z, G64A, G64B, G64C, G70A, G70B | | 22 | Y01Z, Y61Z | | 22 | Y01Z, Y61Z |
| | 15 | TPN, VTPN | T31.54 | 15 | TPN, VTPN | T31.98 | 15 | TPN, VTPN |
| | 22 | Y02A, Y02B | | 22 | Y01Z, Y61Z | | 22 | Y01Z, Y61Z |
| | Pre | A09D, A11D, A13D | T31.55 | 15 | TPN, VTPN | T31.99 | 15 | TPN, VTPN |
| T28.7 | 06 | G46A, G46B, G46C, G50Z, G71Z | | 22 | Y01Z, Y61Z | | 22 | Y01Z, Y61Z |
| | 15 | TPN, VTPN | T31.60 | 15 | TPN, VTPN | T32.11 | 22 | Y61Z |
| | 22 | Y02A, Y02B | | 22 | Y01Z, Y61Z | T32.21 | 22 | Y61Z |
| | Pre | A09D, A11D, A13D | T31.61 | 15 | TPN, VTPN | T32.22 | 15 | TPN, VTPN |
| T28.8 | 15 | TPN, VTPN | | 22 | Y01Z, Y61Z | | 22 | Y01Z, Y61Z |
| | 22 | Y62A, Y62B | T31.62 | 15 | TPN, VTPN | T32.30 | 22 | Y01Z, Y61Z |
| | Pre | A09D, A11D, A13D | | 22 | Y01Z, Y61Z | T32.31 | 22 | Y01Z, Y61Z |
| T28.9 | 15 | TPN, VTPN | T31.63 | 15 | TPN, VTPN | T32.32 | 15 | TPN, VTPN |
| | 22 | Y62A, Y62B | | 22 | Y01Z, Y61Z | | 22 | Y01Z, Y61Z |
| | Pre | A09D, A11D, A13D | T31.64 | 15 | TPN, VTPN | T32.33 | 15 | TPN, VTPN |
| T29.0 | 15 | TPN, VTPN | | 22 | Y01Z, Y61Z | | 22 | Y01Z, Y61Z |
| | 22 | Y62A, Y62B | T31.65 | 15 | TPN, VTPN | T32.40 | 22 | Y01Z, Y61Z |
| T29.1 | 22 | Y62A, Y62B | | 22 | Y01Z, Y61Z | T32.41 | 22 | Y01Z, Y61Z |
| T29.20 | 22 | Y01Z, Y62A, Y62B | T31.66 | 15 | TPN, VTPN | T32.42 | 15 | TPN, VTPN |
| T29.21 | 22 | Y01Z, Y62A, Y62B | | 22 | Y01Z, Y61Z | | 22 | Y01Z, Y61Z |
| T29.3 | 15 | TPN, VTPN | T31.70 | 15 | TPN, VTPN | T32.43 | 15 | TPN, VTPN |
| | 22 | Y61Z, Y62A, Y62B | | 22 | Y01Z, Y61Z | | 22 | Y01Z, Y61Z |
| T29.4 | 15 | TPN, VTPN | T31.71 | 15 | TPN, VTPN | T32.44 | 15 | TPN, VTPN |
| | 22 | Y62A, Y62B | | 22 | Y01Z, Y61Z | | 22 | Y01Z, Y61Z |
| T29.5 | 22 | Y62A, Y62B | T31.72 | 15 | TPN, VTPN | T32.50 | 15 | TPN, VTPN |
| T29.60 | 22 | Y01Z, Y62A, Y62B | | 22 | Y01Z, Y61Z | | 22 | Y01Z, Y61Z |
| T29.61 | 22 | Y01Z, Y62A, Y62B | T31.73 | 15 | TPN, VTPN | T32.51 | 15 | TPN, VTPN |
| T29.7 | 15 | TPN, VTPN | | 22 | Y01Z, Y61Z | | 22 | Y01Z, Y61Z |
| | 22 | Y61Z, Y62A, Y62B | T31.74 | 15 | TPN, VTPN | T32.52 | 15 | TPN, VTPN |
| T30.0 | 22 | Y62A, Y62B | | 22 | Y01Z, Y61Z | | 22 | Y01Z, Y61Z |
| T30.1 | 22 | Y62A, Y62B | T31.75 | 15 | TPN, VTPN | T32.53 | 15 | TPN, VTPN |
| T30.20 | 22 | Y01Z, Y62A, Y62B | | 22 | Y01Z, Y61Z | | 22 | Y01Z, Y61Z |
| T30.21 | 22 | Y01Z, Y62A, Y62B | T31.76 | 15 | TPN, VTPN | T32.54 | 15 | TPN, VTPN |
| T30.3 | 22 | Y61Z, Y62A, Y62B | | 22 | Y01Z, Y61Z | | 22 | Y01Z, Y61Z |
| T30.4 | 22 | Y62A, Y62B | T31.77 | 15 | TPN, VTPN | T32.55 | 15 | TPN, VTPN |
| T30.5 | 22 | Y62A, Y62B | | 22 | Y01Z, Y61Z | | 22 | Y01Z, Y61Z |
| T30.60 | 22 | Y01Z, Y62A, Y62B | T31.80 | 15 | TPN, VTPN | T32.60 | 15 | TPN, VTPN |
| T30.61 | 22 | Y01Z, Y62A, Y62B | | 22 | Y01Z, Y61Z | | 22 | Y01Z, Y61Z |
| T30.7 | 22 | Y61Z, Y62A, Y62B | T31.81 | 15 | TPN, VTPN | T32.61 | 15 | TPN, VTPN |
| T31.11 | 22 | Y61Z | | 22 | Y01Z, Y61Z | | 22 | Y01Z, Y61Z |
| T31.21 | 22 | Y61Z | T31.82 | 15 | TPN, VTPN | T32.62 | 15 | TPN, VTPN |
| | | | | 22 | Y01Z, Y61Z | | 22 | Y01Z, Y61Z |
| | | | T31.83 | 15 | TPN, VTPN | T32.63 | 15 | TPN, VTPN |
| | | | | 22 | Y01Z, Y61Z | | 22 | Y01Z, Y61Z |
| | | | T31.84 | 15 | TPN, VTPN | T32.64 | 22 | TPN, VTPN |
| | | | | 22 | Y01Z, Y61Z | | 22 | Y01Z, Y61Z |

| ICD | MDC | DRG | ICD | MDC | DRG | ICD | MDC | DRG |
|--------|-----|------------|-------|-----|------------------|-------|-----|------------------|
| T32.65 | 15 | TPN, VTPN | T33.5 | 15 | TPN, VTPN | T36.4 | 15 | TPN, VTPN |
| | 22 | Y01Z, Y61Z | | 21B | X05A, X05B, X64Z | | 21B | X62Z |
| T32.66 | 15 | TPN, VTPN | T33.6 | 15 | TPN, VTPN | | Pre | A09D, A11D, A13D |
| | 22 | Y01Z, Y61Z | | 21B | X64Z | T36.5 | 15 | TPN, VTPN |
| T32.70 | 15 | TPN, VTPN | T33.7 | 15 | TPN, VTPN | | 21B | X62Z |
| | 22 | Y01Z, Y61Z | | 21B | X64Z | | Pre | A09D, A11D, A13D |
| T32.71 | 15 | TPN, VTPN | T33.8 | 15 | TPN, VTPN | T36.6 | 15 | TPN, VTPN |
| | 22 | Y01Z, Y61Z | | 21B | X04Z, X64Z | | 21B | X62Z |
| T32.72 | 15 | TPN, VTPN | T33.9 | 15 | TPN, VTPN | | Pre | A09D, A11D, A13D |
| | 22 | Y01Z, Y61Z | | 21B | X64Z | T36.7 | 15 | TPN, VTPN |
| T32.73 | 15 | TPN, VTPN | T34.0 | 15 | TPN, VTPN | | 21B | X62Z |
| | 22 | Y01Z, Y61Z | | 21B | X64Z | | Pre | A09D, A11D, A13D |
| T32.74 | 15 | TPN, VTPN | | Pre | A09D, A11D, A13D | T36.8 | 15 | TPN, VTPN |
| | 22 | Y01Z, Y61Z | T34.1 | 15 | TPN, VTPN | | 21B | X62Z |
| T32.75 | 15 | TPN, VTPN | | 21B | X64Z | | Pre | A09D, A11D, A13D |
| | 22 | Y01Z, Y61Z | | Pre | A09D, A11D, A13D | T36.9 | 15 | TPN, VTPN |
| T32.76 | 15 | TPN, VTPN | T34.2 | 15 | TPN, VTPN | | 21B | X62Z |
| | 22 | Y01Z, Y61Z | | 21B | X64Z | | Pre | A09D, A11D, A13D |
| T32.77 | 15 | TPN, VTPN | | Pre | A09D, A11D, A13D | T37.0 | 15 | TPN, VTPN |
| | 22 | Y01Z, Y61Z | T34.3 | 15 | TPN, VTPN | | 21B | X62Z |
| T32.80 | 15 | TPN, VTPN | | 21B | X64Z | | Pre | A09D, A11D, A13D |
| | 22 | Y01Z, Y61Z | | Pre | A09D, A11D, A13D | T37.1 | 15 | TPN, VTPN |
| T32.81 | 15 | TPN, VTPN | T34.4 | 15 | TPN, VTPN | | 21B | X62Z |
| | 22 | Y01Z, Y61Z | | 21B | X64Z | | Pre | A09D, A11D, A13D |
| T32.82 | 15 | TPN, VTPN | | Pre | A09D, A11D, A13D | T37.2 | 15 | TPN, VTPN |
| | 22 | Y01Z, Y61Z | T34.5 | 15 | TPN, VTPN | | 21B | X62Z |
| T32.83 | 15 | TPN, VTPN | | 21B | X05A, X05B, X64Z | | Pre | A09D, A11D, A13D |
| | 22 | Y01Z, Y61Z | | Pre | A09D, A11D, A13D | T37.3 | 15 | TPN, VTPN |
| T32.84 | 15 | TPN, VTPN | T34.6 | 15 | TPN, VTPN | | 21B | X62Z |
| | 22 | Y01Z, Y61Z | | 21B | X64Z | | Pre | A09D, A11D, A13D |
| T32.85 | 15 | TPN, VTPN | | Pre | A09D, A11D, A13D | T37.4 | 15 | TPN, VTPN |
| | 22 | Y01Z, Y61Z | T34.7 | 15 | TPN, VTPN | | 21B | X62Z |
| T32.86 | 15 | TPN, VTPN | | 21B | X64Z | | Pre | A09D, A11D, A13D |
| | 22 | Y01Z, Y61Z | | Pre | A09D, A11D, A13D | T37.5 | 15 | TPN, VTPN |
| T32.87 | 15 | TPN, VTPN | T34.8 | 15 | TPN, VTPN | | 21B | X62Z |
| | 22 | Y01Z, Y61Z | | 21B | X04Z, X64Z | | Pre | A09D, A11D, A13D |
| T32.88 | 15 | TPN, VTPN | | Pre | A09D, A11D, A13D | T37.8 | 15 | TPN, VTPN |
| | 22 | Y01Z, Y61Z | T34.9 | 15 | TPN, VTPN | | 21B | X62Z |
| T32.90 | 15 | TPN, VTPN | | 21B | X64Z | | Pre | A09D, A11D, A13D |
| | 22 | Y01Z, Y61Z | | Pre | A09D, A11D, A13D | T37.9 | 15 | TPN, VTPN |
| T32.91 | 15 | TPN, VTPN | T35.0 | 15 | TPN, VTPN | | 21B | X62Z |
| | 22 | Y01Z, Y61Z | | 21B | X64Z | | Pre | A09D, A11D, A13D |
| T32.92 | 15 | TPN, VTPN | T35.1 | 15 | TPN, VTPN | T38.0 | 15 | TPN, VTPN |
| | 22 | Y01Z, Y61Z | | 21B | X64Z | | 21B | X62Z |
| T32.93 | 15 | TPN, VTPN | | Pre | A09D, A11D, A13D | | Pre | A09D, A11D, A13D |
| | 22 | Y01Z, Y61Z | T35.2 | 15 | TPN, VTPN | T38.1 | 15 | TPN, VTPN |
| T32.94 | 15 | TPN, VTPN | | 21B | X64Z | | 21B | X62Z |
| | 22 | Y01Z, Y61Z | T35.3 | 15 | TPN, VTPN | | Pre | A09D, A11D, A13D |
| T32.95 | 15 | TPN, VTPN | | 21B | X64Z | T38.2 | 15 | TPN, VTPN |
| | 22 | Y01Z, Y61Z | T35.4 | 15 | TPN, VTPN | | 21B | X62Z |
| T32.96 | 15 | TPN, VTPN | | 21B | X05A, X05B, X64Z | | Pre | A09D, A11D, A13D |
| | 22 | Y01Z, Y61Z | T35.5 | 15 | TPN, VTPN | T38.3 | 15 | TPN, VTPN |
| T32.97 | 15 | TPN, VTPN | | 21B | X04Z, X64Z | | 21B | X62Z |
| | 22 | Y01Z, Y61Z | T35.6 | 15 | TPN, VTPN | | Pre | A09D, A11D, A13D |
| T32.98 | 15 | TPN, VTPN | | 21B | X64Z | T38.4 | 15 | TPN, VTPN |
| | 22 | Y01Z, Y61Z | T35.7 | 15 | TPN, VTPN | | 21B | X62Z |
| T32.99 | 15 | TPN, VTPN | | 21B | X64Z | | Pre | A09D, A11D, A13D |
| | 22 | Y01Z, Y61Z | T36.0 | 15 | TPN, VTPN | T38.5 | 15 | TPN, VTPN |
| T33.0 | 15 | TPN, VTPN | | 21B | X62Z | | 21B | X62Z |
| | 21B | X64Z | | Pre | A09D, A11D, A13D | | Pre | A09D, A11D, A13D |
| T33.1 | 15 | TPN, VTPN | T36.1 | 15 | TPN, VTPN | T38.6 | 15 | TPN, VTPN |
| | 21B | X64Z | | 21B | X62Z | | 21B | X62Z |
| T33.2 | 15 | TPN, VTPN | | Pre | A09D, A11D, A13D | | Pre | A09D, A11D, A13D |
| | 21B | X64Z | T36.2 | 15 | TPN, VTPN | T38.7 | 15 | TPN, VTPN |
| T33.3 | 15 | TPN, VTPN | | 21B | X62Z | | 21B | X62Z |
| | 21B | X64Z | | Pre | A09D, A11D, A13D | | Pre | A09D, A11D, A13D |
| T33.4 | 15 | TPN, VTPN | T36.3 | 15 | TPN, VTPN | T38.8 | 15 | TPN, VTPN |
| | 21B | X64Z | | 21B | X62Z | | 21B | X62Z |
| | | | | Pre | A09D, A11D, A13D | | Pre | A09D, A11D, A13D |

| ICD | MDC | DRG | ICD | MDC | DRG | ICD | MDC | DRG |
|-------|-----|------------------|-------|-----|------------------|-------|-----|------------------|
| T46.7 | 15 | TPN, VTPN | T49.2 | 15 | TPN, VTPN | T52.0 | 15 | TPN, VTPN |
| | 21B | X62Z | | 21B | X62Z | | 21B | X62Z |
| | Pre | A09D, A11D, A13D | | Pre | A09D, A11D, A13D | | Pre | A09D, A11D, A13D |
| T46.8 | 15 | TPN, VTPN | T49.3 | 15 | TPN, VTPN | T52.1 | 15 | TPN, VTPN |
| | 21B | X62Z | | 21B | X62Z | | 21B | X62Z |
| | Pre | A09D, A11D, A13D | | Pre | A09D, A11D, A13D | | Pre | A09D, A11D, A13D |
| T46.9 | 15 | TPN, VTPN | T49.4 | 15 | TPN, VTPN | T52.2 | 15 | TPN, VTPN |
| | 21B | X62Z | | 21B | X62Z | | 21B | X62Z |
| | Pre | A09D, A11D, A13D | | Pre | A09D, A11D, A13D | | Pre | A09D, A11D, A13D |
| T47.0 | 15 | TPN, VTPN | T49.5 | 02 | C62Z | T52.3 | 15 | TPN, VTPN |
| | 21B | X62Z | | 15 | TPN, VTPN | | 21B | X62Z |
| | Pre | A09D, A11D, A13D | | Pre | A09D, A11D, A13D | | Pre | A09D, A11D, A13D |
| T47.1 | 15 | TPN, VTPN | T49.6 | 15 | TPN, VTPN | T52.4 | 15 | TPN, VTPN |
| | 21B | X62Z | | 21B | X62Z | | 21B | X62Z |
| | Pre | A09D, A11D, A13D | | Pre | A09D, A11D, A13D | | Pre | A09D, A11D, A13D |
| T47.2 | 15 | TPN, VTPN | T49.7 | 15 | TPN, VTPN | T52.8 | 15 | TPN, VTPN |
| | 21B | X62Z | | 21B | X62Z | | 21B | X62Z |
| | Pre | A09D, A11D, A13D | | Pre | A09D, A11D, A13D | | Pre | A09D, A11D, A13D |
| T47.3 | 15 | TPN, VTPN | T49.8 | 15 | TPN, VTPN | T52.9 | 15 | TPN, VTPN |
| | 21B | X62Z | | 21B | X62Z | | 21B | X62Z |
| | Pre | A09D, A11D, A13D | | Pre | A09D, A11D, A13D | | Pre | A09D, A11D, A13D |
| T47.4 | 15 | TPN, VTPN | T49.9 | 15 | TPN, VTPN | T53.0 | 15 | TPN, VTPN |
| | 21B | X62Z | | 21B | X62Z | | 21B | X62Z |
| | Pre | A09D, A11D, A13D | | Pre | A09D, A11D, A13D | | Pre | A09D, A11D, A13D |
| T47.5 | 15 | TPN, VTPN | T50.0 | 15 | TPN, VTPN | T53.1 | 15 | TPN, VTPN |
| | 21B | X62Z | | 21B | X62Z | | 21B | X62Z |
| | Pre | A09D, A11D, A13D | | Pre | A09D, A11D, A13D | | Pre | A09D, A11D, A13D |
| T47.6 | 15 | TPN, VTPN | T50.1 | 15 | TPN, VTPN | T53.2 | 15 | TPN, VTPN |
| | 21B | X62Z | | 21B | X62Z | | 21B | X62Z |
| | Pre | A09D, A11D, A13D | | Pre | A09D, A11D, A13D | | Pre | A09D, A11D, A13D |
| T47.7 | 15 | TPN, VTPN | T50.2 | 15 | TPN, VTPN | T53.3 | 15 | TPN, VTPN |
| | 21B | X62Z | | 21B | X62Z | | 21B | X62Z |
| | Pre | A09D, A11D, A13D | | Pre | A09D, A11D, A13D | | Pre | A09D, A11D, A13D |
| T47.8 | 15 | TPN, VTPN | T50.3 | 15 | TPN, VTPN | T53.4 | 15 | TPN, VTPN |
| | 21B | X62Z | | 21B | X62Z | | 21B | X62Z |
| | Pre | A09D, A11D, A13D | | Pre | A09D, A11D, A13D | | Pre | A09D, A11D, A13D |
| T47.9 | 15 | TPN, VTPN | T50.4 | 15 | TPN, VTPN | T53.5 | 15 | TPN, VTPN |
| | 21B | X62Z | | 21B | X62Z | | 21B | X62Z |
| | Pre | A09D, A11D, A13D | | Pre | A09D, A11D, A13D | | Pre | A09D, A11D, A13D |
| T48.0 | 15 | TPN, VTPN | T50.5 | 15 | TPN, VTPN | T53.6 | 15 | TPN, VTPN |
| | 21B | X62Z | | 21B | X62Z | | 21B | X62Z |
| | Pre | A09D, A11D, A13D | | Pre | A09D, A11D, A13D | | Pre | A09D, A11D, A13D |
| T48.1 | 15 | TPN, VTPN | T50.6 | 15 | TPN, VTPN | T53.7 | 15 | TPN, VTPN |
| | 21B | X62Z | | 21B | X62Z | | 21B | X62Z |
| | Pre | A09D, A11D, A13D | | Pre | A09D, A11D, A13D | | Pre | A09D, A11D, A13D |
| T48.2 | 15 | TPN, VTPN | T50.7 | 15 | TPN, VTPN | T53.9 | 15 | TPN, VTPN |
| | 21B | X62Z | | 21B | X62Z | | 21B | X62Z |
| | Pre | A09D, A11D, A13D | | Pre | A09D, A11D, A13D | | Pre | A09D, A11D, A13D |
| T48.3 | 15 | TPN, VTPN | T50.8 | 15 | TPN, VTPN | T54.0 | 15 | TPN, VTPN |
| | 21B | X62Z | | 21B | X62Z | | 21B | X62Z |
| | Pre | A09D, A11D, A13D | | Pre | A09D, A11D, A13D | | Pre | A09D, A11D, A13D |
| T48.4 | 15 | TPN, VTPN | T50.9 | 15 | TPN, VTPN | T54.1 | 15 | TPN, VTPN |
| | 21B | X62Z | | 21B | X62Z | | 21B | X62Z |
| | Pre | A09D, A11D, A13D | | Pre | A09D, A11D, A13D | | Pre | A09D, A11D, A13D |
| T48.5 | 15 | TPN, VTPN | T51.0 | 15 | TPN, VTPN | T54.2 | 15 | TPN, VTPN |
| | 21B | X62Z | | 21B | X62Z | | 21B | X62Z |
| | Pre | A09D, A11D, A13D | | Pre | A09D, A11D, A13D | | Pre | A09D, A11D, A13D |
| T48.6 | 15 | TPN, VTPN | T51.1 | 15 | TPN, VTPN | T54.3 | 15 | TPN, VTPN |
| | 21B | X62Z | | 21B | X62Z | | 21B | X62Z |
| | Pre | A09D, A11D, A13D | | Pre | A09D, A11D, A13D | | Pre | A09D, A11D, A13D |
| T48.7 | 15 | TPN, VTPN | T51.2 | 15 | TPN, VTPN | T54.9 | 15 | TPN, VTPN |
| | 21B | X62Z | | 21B | X62Z | | 21B | X62Z |
| | Pre | A09D, A11D, A13D | | Pre | A09D, A11D, A13D | | Pre | A09D, A11D, A13D |
| T49.0 | 15 | TPN, VTPN | T51.3 | 15 | TPN, VTPN | T55 | 15 | TPN, VTPN |
| | 21B | X62Z | | 21B | X62Z | | 21B | X62Z |
| | Pre | A09D, A11D, A13D | | Pre | A09D, A11D, A13D | | Pre | A09D, A11D, A13D |
| T49.1 | 15 | TPN, VTPN | T51.8 | 15 | TPN, VTPN | T56.0 | 15 | TPN, VTPN |
| | 21B | X62Z | | 21B | X62Z | | 21B | X62Z |
| | Pre | A09D, A11D, A13D | | Pre | A09D, A11D, A13D | | Pre | A09D, A11D, A13D |

Dg

| ICD | MDC | DRG | ICD | MDC | DRG | ICD | MDC | DRG | |
|-------|-----|------------------------------|-------|-------|------------------------------------|------------------------------|-------|--|--|
| T74.0 | 21A | W61A, W61B | T80.1 | 05 | F75A, F75B, F75C, F75D | T83.3 | 13 | N04Z, N05A, N05B, N05J, N14Z, N21J, N21Z, N25J, N25Q, N25Z, N62B | |
| T74.1 | 15 | TPN, VTPN | T80.2 | 18B | T64A, T64B, T64C | T83.4 | 11 | L64A, L64B, L64J, L64Q, L64R, L74Z | |
| | 21A | W61A, W61B | | Pre | A09D, A11D, A13D | | 15 | TPN, VTPN | |
| T74.2 | 21A | W61A, W61B | T80.3 | 15 | TPN, VTPN | T83.5 | 11 | L69A, L69B | |
| T74.3 | 21A | W61A, W61B | | 16 | Q61B, Q61C, Q61D | | 15 | TPN, VTPN | |
| T74.8 | 21A | W61A, W61B | | Pre | A09D, A11D, A13D | T83.6 | 11 | L64A, L64B, L64J, L64Q, L64R, L74Z | |
| T74.9 | 21A | W61A, W61B | T80.4 | 15 | TPN, VTPN | | 15 | TPN, VTPN | |
| T75.0 | 21B | X64Z | | 16 | Q61A, Q61B, Q61C, Q61D, Q61E | T83.8 | 11 | L64A, L64B, L64J, L64Q, L64R, L74Z | |
| T75.1 | 21B | X64Z | | Pre | A09D, A11D, A13D | | 15 | TPN, VTPN | |
| | Pre | A09D, A11D, A13D | T80.5 | | KJZSA1, KJZSA2 | T83.9 | 11 | L64A, L64B, L64J, L64Q, L64R, L74Z | |
| T75.2 | 21B | X64Z | | 21B | X60Z | | 15 | TPN, VTPN | |
| T75.3 | 03 | D66Z | | Pre | A09D, A11D, A13D | T84.0 | 08 | I73Z | |
| T75.4 | 15 | TPN, VTPN | T80.6 | 21B | X60Z | | 15 | TPN, VTPN | |
| | 21B | X64Z | T80.8 | 16 | Q61A, Q61B, Q61C, Q61D, Q61E | T84.1 | 08 | I73Z | |
| T75.8 | 21B | X64Z | | T80.9 | 16 | Q61A, Q61B, Q61C, Q61D, Q61E | | 15 | TPN, VTPN |
| T78.0 | | KJZSA1, KJZSA2 | T81.0 | 21B | X62Z | T84.2 | 08 | I73Z | |
| | 21B | X60Z | | T81.1 | KJZSA1, KJZSA2, KJZSK1, KJZSK2 | | 15 | TPN, VTPN | |
| T78.1 | 21B | X62Z | | | 21B | X62Z | T84.3 | 08 | I73Z |
| T78.2 | | KJZSA1, KJZSA2 | T81.2 | 21B | X62Z | | 15 | TPN, VTPN | |
| | 21B | X60Z | | T81.3 | KJZSK1 | T84.4 | 08 | I73Z | |
| T78.3 | 21B | X60Z | | | 15 | TPN, VTPN | | 15 | TPN, VTPN |
| | Pre | A09D, A11D, A13D | T81.4 | | 21B | X62Z | T84.5 | 08 | I01Z, I03A, I03B, I04Z, I08A, I08B, I08C, I08D, I08E, I12A, I12B, I12C, I12J, I13A, I13B, I13Z |
| T78.4 | 21B | X64Z | | 08 | I01Z, I03A, I03B | | 15 | TPN, VTPN | |
| T78.8 | 21B | X62Z | | 18B | T61A, T61B | | Pre | A09D, A11D, A13D | |
| T78.9 | 21B | X62Z | T81.5 | 15 | TPN, VTPN | T84.6 | 08 | I08A, I08B, I08C, I08D, I08E, I12A, I12B, I12C, I12J, I13A, I13B, I13Z | |
| T79.0 | | PTR | | 21B | X62Z | | 15 | TPN, VTPN | |
| | 04 | E64A, E64B, E64C, E64D | T81.6 | 15 | TPN, VTPN | T84.7 | 08 | I08A, I08B, I08C, I08D, I08E, I12A, I12B, I12C, I12J, I13A, I13B, I13Z | |
| | 15 | TPN, VTPN | | 21B | X62Z | | 15 | TPN, VTPN | |
| | 21A | W61A, W61B | T81.7 | | KJZSK1 | T84.8 | 08 | I08A, I08B, I08C, I08D, I08E, I12A, I12B, I12C, I12J, I13A, I13B, I13Z | |
| | Pre | A09D, A11D, A13D | | 05 | F65A, F65B | | 15 | TPN, VTPN | |
| T79.1 | | PTR | | 22 | Y02A, Y02B | | 08 | I08A, I08B, I08C, I08D, I08E, I12A, I12B, I12C, I12J, I13A, I13B, I13Z | |
| | 04 | E64A, E64B, E64C, E64D | T81.8 | 21B | X62Z | T84.9 | 08 | I08A, I08B, I08C, I08D, I08E, I12A, I12B, I12C, I12J, I13A, I13B, I13Z | |
| | 15 | TPN, VTPN | | T81.9 | 21B | X62Z | | 15 | TPN, VTPN |
| | 21A | W61A, W61B | T82.0 | 05 | F69A, F69B | | 08 | I08A, I08B, I08C, I08D, I08E, I12A, I12B, I12C, I12J, I13A, I13B, I13Z | |
| | Pre | A09D, A11D, A13D | | 15 | TPN, VTPN | T85.0 | 01 | B81A, B81B | |
| T79.2 | | PTR | | T82.1 | 05 | F71A, F71B | | 15 | TPN, VTPN |
| | 21A | W61A, W61B | | 15 | TPN, VTPN | T85.1 | 01 | B81A, B81B | |
| | 21B | X64Z | T82.2 | 05 | F75A, F75B, F75C, F75D | | 15 | TPN, VTPN | |
| T79.3 | | PTR | | 15 | TPN, VTPN | T85.2 | 02 | C62Z | |
| | 18B | T61A, T61B | T82.3 | 05 | F75A, F75B, F75C, F75D | | 15 | TPN, VTPN | |
| | 21A | W61A, W61B | | 15 | TPN, VTPN | T85.3 | 02 | C62Z | |
| | 22 | Y02A, Y02B | T82.4 | 05 | F75A, F75B, F75C, F75D | | 15 | TPN, VTPN | |
| T79.4 | | KJZSA1, KJZSA2, PTR | | 15 | TPN, VTPN | T85.4 | 09 | J01Z, J67A, J67B | |
| | 21A | W61A, W61B | T82.5 | 05 | F75A, F75B, F75C, F75D | | 15 | TPN, VTPN | |
| | 21B | X64Z | | 15 | TPN, VTPN | T85.5 | 15 | TPN, VTPN | |
| | Pre | A09D, A11D, A13D | T82.6 | 05 | F75A, F75B, F75C, F75D | | 21B | X62Z | |
| T79.5 | | PTR | | 15 | TPN, VTPN | T85.6 | 15 | TPN, VTPN | |
| | 11 | L60A, L60B, L60C, L60D, L71Z | T82.7 | 05 | F61A, F75A, F75B, F75C, F75D | | 21B | X62Z | |
| | 21A | W61A, W61B | | 15 | TPN, VTPN | T85.71 | 11 | L68A, L68B, L74Z | |
| | Pre | A09D, A11D, A13D | T82.8 | 05 | F75A, F75B, F75C, F75D | | 15 | TPN, VTPN | |
| T79.6 | | PTR | | 15 | TPN, VTPN | T85.78 | 15 | TPN, VTPN | |
| | 08 | I76A, I76B | T82.9 | 05 | F75A, F75B, F75C, F75D | | 21B | X62Z | |
| | 15 | TPN, VTPN | | 15 | TPN, VTPN | T85.81 | 01 | B81A, B81B | |
| | 21A | W61A, W61B | T83.0 | 11 | L64A, L64B, L64J, L64Q, L64R, L74Z | | 15 | TPN, VTPN | |
| | Pre | A09D, A11D, A13D | | 15 | TPN, VTPN | | 15 | TPN, VTPN | |
| T79.7 | | PTR | T83.1 | 11 | L64A, L64B, L64J, L64Q, L64R, L74Z | | 15 | TPN, VTPN | |
| | 04 | E76A, E76B, E76C | | 15 | TPN, VTPN | | 22 | Y02A, Y02B | |
| | 15 | TPN, VTPN | | 15 | TPN, VTPN | | 01 | B81A, B81B | |
| | 21A | W61A, W61B | T83.2 | 11 | L64A, L64B, L64J, L64Q, L64R, L74Z | | 15 | TPN, VTPN | |
| | Pre | A09D, A11D, A13D | | 15 | TPN, VTPN | | 15 | TPN, VTPN | |
| T79.8 | | PTR | | 15 | TPN, VTPN | | 15 | TPN, VTPN | |
| | 21A | W61A, W61B | | 15 | TPN, VTPN | | 15 | TPN, VTPN | |
| | 21B | X64Z | | 15 | TPN, VTPN | | 15 | TPN, VTPN | |
| T79.9 | | PTR | | 15 | TPN, VTPN | | 15 | TPN, VTPN | |
| | 21A | W61A, W61B | | 15 | TPN, VTPN | | 15 | TPN, VTPN | |
| | 21B | X64Z | | 15 | TPN, VTPN | | 15 | TPN, VTPN | |
| T80.0 | 04 | E64A, E64B, E64C, E64D | | 15 | TPN, VTPN | | 15 | TPN, VTPN | |
| | 15 | TPN, VTPN | | 15 | TPN, VTPN | | 15 | TPN, VTPN | |
| | Pre | A09D, A11D, A13D | | 15 | TPN, VTPN | | 15 | TPN, VTPN | |

| ICD | MDC | DRG | ICD | MDC | DRG | ICD | MDC | DRG |
|--------|-----|--|--------|-----|--|--------|-----|--|
| T85.82 | 09 | J01Z, J67A, J67B | T86.50 | 15 | TPN, VTPN | T89.03 | | PTR |
| | 15 | TPN, VTPN | | 21B | X62Z | | 21A | W61A, W61B |
| | 22 | Y02A, Y02B | | Pre | A09D, A11D, A13D, A60A, A60B, A60C | | 21B | X60Z |
| T85.88 | 15 | TPN, VTPN | T86.51 | 15 | TPN, VTPN | T90.4 | 21A | W61A, W61B |
| | 21B | X62Z | | 21B | X62Z | T90.8 | 21A | W61A, W61B |
| | 22 | Y02A, Y02B | | Pre | A09D, A11D, A13D, A60A, A60B, A60C | T90.9 | 21A | W61A, W61B |
| T85.9 | 15 | TPN, VTPN | | Pre | A09D, A11D, A13D, A60A, A60B, A60C | T91.4 | 21A | W61A, W61B |
| | 21B | X62Z | T86.52 | 15 | TPN, VTPN | T91.8 | 21A | W61A, W61B |
| T86.00 | 16 | Q60A, Q60B, Q60C, Q60D, Q60E | | 21B | X62Z | T91.9 | 21A | W61A, W61B |
| | Pre | A09D, A11D, A13D, A36A, A36B, A61Z | | Pre | A09D, A11D, A13D, A60A, A60B, A60C | T92.9 | 21A | W61A, W61B |
| T86.01 | 16 | Q60A, Q60B, Q60C, Q60D, Q60E | T86.59 | 15 | TPN, VTPN | T93.9 | 21A | W61A, W61B |
| | Pre | A09D, A11D, A13D, A36A, A36B, A61Z | | 21B | X62Z | T94.1 | 21A | W61A, W61B |
| T86.02 | 16 | Q60A, Q60B, Q60C, Q60D, Q60E | | Pre | A09D, A11D, A13D, A60A, A60B, A60C | T96 | 21A | W61A, W61B |
| | Pre | A04B, A04C, A09D, A11D, A13D, A36A, A36B, A61Z | T86.81 | 04 | E75A, E75B, E75C | T97 | 21A | W61A, W61B |
| T86.03 | 16 | Q60A, Q60B, Q60C, Q60D, Q60E | | 15 | TPN, VTPN | T98.0 | 21A | W61A, W61B |
| | Pre | A09D, A11D, A13D, A36A, A36B, A61Z | | Pre | A09D, A11D, A13D, A60A, A60B, A60C | T98.1 | 21A | W61A, W61B |
| T86.04 | 16 | Q60A, Q60B, Q60C, Q60D, Q60E | T86.82 | 07 | H62A, H62B, H62C | T98.2 | 21A | W61A, W61B |
| | Pre | A09D, A11D, A13D, A36A, A36B, A61Z | | 15 | TPN, VTPN | T98.3 | 21A | W61A, W61B |
| T86.09 | 16 | Q60A, Q60B, Q60C, Q60D, Q60E | | Pre | A09D, A11D, A13D, A60A, A60B, A60C | U04.9 | 04 | E62A, E62B, E77A, E77B, E77C, E77D, E77E |
| | Pre | A09D, A11D, A13D, A36A, A36B, A61Z | T86.83 | 02 | C60Z | | 18A | S63A, S63B |
| T86.10 | 11 | L69A, L69B | | Pre | A09D, A11D, A13D, A60A, A60B, A60C | U50.00 | 01 | B44A, B44B, B44C, B44D |
| | 15 | TPN, VTPN | T86.88 | 15 | TPN, VTPN | U50.01 | 01 | B44A, B44B, B44C, B44D |
| | Pre | A09D, A11D, A13D, A60A, A60B, A60C | | 21B | X62Z | U50.10 | 01 | B44A, B44B, B44C, B44D |
| T86.11 | 11 | L69A, L69B | | Pre | A09D, A11D, A13D, A60A, A60B, A60C | U50.11 | 01 | B44A, B44B, B44C, B44D |
| | 15 | TPN, VTPN | T86.9 | 15 | TPN, VTPN | U50.20 | 01 | B44A, B44B, B44C, B44D |
| | Pre | A09D, A11D, A13D, A60A, A60B, A60C | | 21B | X62Z | U50.21 | 01 | B44A, B44B, B44C, B44D |
| T86.12 | 11 | L69A, L69B | | Pre | A09D, A11D, A13D, A60A, A60B, A60C | U50.30 | 01 | B44A, B44B, B44C, B44D |
| | 15 | TPN, VTPN | T87.0 | 08 | I32A, I32B, I32C, I32D, I32E, I32F, I32G, I32J, I32Q, I32R, I32S, I32T, I32U, I73Z | U50.31 | 01 | B44A, B44B, B44C, B44D |
| | Pre | A09D, A11D, A13D, A60A, A60B, A60C | | Pre | A09D, A11D, A13D | U50.40 | 01 | B44A, B44B |
| T86.19 | 11 | L69A, L69B | T87.1 | 08 | I73Z | U50.41 | 01 | B44A, B44B |
| | 15 | TPN, VTPN | | Pre | A09D, A11D, A13D | U50.50 | 01 | B44A, B44B |
| | Pre | A09D, A11D, A13D, A60A, A60B, A60C | T87.2 | 08 | I73Z | U50.51 | 01 | B44A, B44B |
| T86.2 | 05 | F75A, F75B, F75C, F75D | T87.3 | 08 | I76A, I76B | U51.00 | 01 | B44A, B44B, B44C, B44D |
| | 15 | TPN, VTPN | T87.4 | 08 | I76A | U51.01 | 01 | B44A, B44B, B44C, B44D |
| | Pre | A09D, A11D, A13D, A60A, A60B, A60C | T87.5 | 08 | I76A | U51.02 | 01 | B44A, B44B, B44C, B44D |
| T86.3 | 05 | F75A, F75B, F75C, F75D | T87.6 | 08 | I76A | U51.10 | 01 | B44A, B44B, B44C, B44D |
| | 15 | TPN, VTPN | T88.0 | 18B | T64A, T64B, T64C | U51.11 | 01 | B44A, B44B, B44C, B44D |
| | Pre | A09D, A11D, A13D, A60A, A60B, A60C | T88.1 | 15 | TPN, VTPN | U51.12 | 01 | B44A, B44B, B44C, B44D |
| T86.40 | 07 | H63A, H63B, H63C, H78Z | | 21B | X62Z | U51.20 | 01 | B44A, B44B, B44C, B44D |
| | 15 | TPN, VTPN | T88.2 | | KJZSA1, KJZSA2 | U51.21 | 01 | B44A, B44B, B44C, B44D |
| | Pre | A01A, A09D, A11D, A13D, A60A, A60B, A60C | | 21B | X64Z | U51.22 | 01 | B44A, B44B, B44C, B44D |
| T86.41 | 07 | H63A, H63B, H63C, H78Z | T88.3 | 15 | TPN, VTPN | U55.10 | 15 | P65C, P66C, P67B, P67C |
| | 15 | TPN, VTPN | | 21B | X62Z | U55.11 | | PTX |
| | Pre | A01A, A09D, A11D, A13D, A60A, A60B, A60C | | Pre | A09D, A11D, A13D | | 15 | P65C, P66C, P67B, P67C |
| T86.49 | 07 | H63A, H63B, H63C, H78Z | T88.4 | 21B | X62Z | U55.12 | | PTX |
| | 15 | TPN, VTPN | T88.5 | 21B | X62Z | U55.20 | 04 | E65A |
| | Pre | A01A, A09D, A11D, A13D, A60A, A60B, A60C | T88.6 | | KJZSA1, KJZSA2 | | 15 | P65C, P66C, P67B, P67C |
| | | | | 21B | X60Z | U55.21 | | PTX |
| | | | | 21B | X62Z | | 04 | E65A |
| | | | | 21B | X62Z | U55.22 | 15 | P65C, P66C, P67B, P67C |
| | | | | 21B | X62Z | | 04 | E65A |
| | | | | 21B | X62Z | U55.30 | 04 | E65A |
| | | | | 21B | X62Z | | 15 | P65C, P66C, P67B, P67C |
| | | | | 21B | X62Z | U55.31 | | PTX |
| | | | | 21B | X62Z | | 04 | E65A |
| | | | | 21A | W61A, W61B | U55.32 | 15 | P65C, P66C, P67B, P67C |
| | | | | 21B | X60Z | | | PTX |
| | | | | Pre | PTR | U80.0 | 05 | F61A |
| | | | | 21A | W61A, W61B | U80.1 | 05 | F61A |
| | | | | 21B | X60Z | U80.2 | 05 | F61A |
| | | | | 21A | W61A, W61B | U80.3 | 05 | F61A |
| | | | | 21B | X60Z | U80.4 | 05 | F61A |
| | | | | | | U80.5 | 05 | F61A |

| ICD | MDC | DRG | ICD | MDC | DRG | ICD | MDC | DRG |
|--------|-----|--|--------|-----|--|--------|-----|--|
| U80.6 | 05 | F61A | Z09.3 | 23 | Z64A, Z64B | Z23.7 | 23 | Z64A, Z64B |
| U80.7 | 05 | F61A | Z09.4 | 23 | Z64A, Z64B | Z23.8 | 23 | Z64A, Z64B |
| U81 | 05 | F61A | Z09.7 | 23 | Z64A, Z64B | Z24.0 | 23 | Z64A, Z64B |
| U82.0 | 05 | F61A | Z09.80 | 23 | Z64A, Z64B | Z24.1 | 23 | Z64A, Z64B |
| U82.1 | 05 | F61A | Z09.88 | 23 | Z64A, Z64B | Z24.2 | 23 | Z64A, Z64B |
| U82.2 | 05 | F61A | Z09.9 | 23 | Z64A, Z64B | Z24.3 | 23 | Z64A, Z64B |
| U83 | 05 | F61A | Z10.0 | 23 | Z64A, Z64B | Z24.4 | 23 | Z64A, Z64B |
| U84 | 05 | F61A | Z10.1 | 23 | Z64A, Z64B | Z24.5 | 23 | Z64A, Z64B |
| U85 | 05 | F61A | Z10.2 | 23 | Z64A, Z64B | Z24.6 | 23 | Z64A, Z64B |
| U99.01 | 11 | L64A, L64J, L64Q, L64R, L74Z | Z10.3 | 23 | Z64A, Z64B | Z25.0 | 23 | Z64A, Z64B |
| U99.02 | 06 | G46A, G46B, G46C, G50Z, G67A, G67B, G67C, G67D | Z10.8 | 23 | Z64A, Z64B | Z25.1 | 23 | Z64A, Z64B |
| U99.03 | 06 | G46A, G46B, G46C, G50Z, G67A, G67B, G67C, G67D | Z11.0 | 23 | Z64A, Z64B | Z25.8 | 23 | Z64A, Z64B |
| Z00.5 | 23 | Z66Z | Z11.1 | 23 | Z64A, Z64B | Z26.0 | 23 | Z64A, Z64B |
| Z01.0 | 23 | Z64A, Z64B | Z11.2 | 23 | Z64A, Z64B | Z26.8 | 23 | Z64A, Z64B |
| Z01.1 | 23 | Z64A, Z64B | Z11.3 | 23 | Z64A, Z64B | Z26.9 | 23 | Z64A, Z64B |
| Z01.2 | 23 | Z64A, Z64B | Z11.4 | 23 | Z64A, Z64B | Z27.0 | 23 | Z64A, Z64B |
| Z01.3 | 23 | Z64A, Z64B | Z11.5 | 23 | Z64A, Z64B | Z27.1 | 23 | Z64A, Z64B |
| Z01.4 | 13 | N04Z, N05A, N05B, N05J, N14Z, N21J, N21Z, N25J, N25Q, N25Z, N62A, N62B | Z11.6 | 23 | Z64A, Z64B | Z27.2 | 23 | Z64A, Z64B |
| Z01.5 | 23 | Z64A, Z64B | Z11.8 | 23 | Z64A, Z64B | Z27.3 | 23 | Z64A, Z64B |
| Z01.80 | 05 | F15Z, F24A, F24B, F36A, F36B, F46A, F46B, F52A, F52B, F62A, F70A, F70B | Z11.9 | 23 | Z64A, Z64B | Z27.4 | 23 | Z64A, Z64B |
| Z01.81 | 05 | F46A, F46B, F75A, F75B, F75C, F75D | Z12.0 | 23 | Z64A, Z64B | Z27.8 | 23 | Z64A, Z64B |
| Z01.88 | 23 | Z64A, Z64B | Z12.1 | 23 | Z64A, Z64B | Z27.9 | 23 | Z64A, Z64B |
| Z02.0 | 23 | Z64A, Z64B | Z12.2 | 23 | Z64A, Z64B | Z28.0 | 23 | Z64A, Z64B |
| Z02.1 | 23 | Z64A, Z64B | Z12.3 | 23 | Z64A, Z64B | Z28.1 | 23 | Z64A, Z64B |
| Z02.2 | 23 | Z64A, Z64B | Z12.4 | 23 | Z64A, Z64B | Z28.2 | 23 | Z64A, Z64B |
| Z02.3 | 23 | Z64A, Z64B | Z12.5 | 23 | Z64A, Z64B | Z28.8 | 23 | Z64A, Z64B |
| Z02.4 | 23 | Z64A, Z64B | Z12.6 | 23 | Z64A, Z64B | Z28.9 | 23 | Z64A, Z64B |
| Z02.5 | 23 | Z64A, Z64B | Z12.8 | 23 | Z64A, Z64B | Z29.0 | 23 | Z64A, Z64B |
| Z02.6 | 23 | Z64A, Z64B | Z12.9 | 23 | Z64A, Z64B | Z29.1 | 18A | S65A, S65B |
| Z02.7 | 23 | Z64A, Z64B | Z13.0 | 23 | Z64A, Z64B | | 23 | Z64A, Z64B |
| Z02.8 | 23 | Z64A, Z64B | Z13.1 | 23 | Z64A, Z64B | Z29.20 | 18A | S65A, S65B |
| Z02.9 | 23 | Z64A, Z64B | Z13.2 | 23 | Z64A, Z64B | | 23 | Z64A, Z64B |
| Z03.0 | 04 | E62A, E62B, E77A, E77B, E77C, E77D, E77E | Z13.3 | 23 | Z64A, Z64B | Z29.21 | 15 | TPN, VTPN |
| Z03.1 | 15 | P65C, P66C, P67B, P67C | Z13.4 | 23 | Z64A, Z64B | | 18A | S65A, S65B |
| Z03.1 | 17 | R04A, R04B, R12A, R12B, R12C, R13Z, R14Z, R62A, R62B, R62C | Z13.5 | 23 | Z64A, Z64B | | 23 | Z64A, Z64B |
| Z03.2 | 19 | U66Z | Z13.6 | 23 | Z64A, Z64B | Z29.28 | 18A | S65A, S65B |
| Z03.3 | 01 | B80Z | Z13.7 | 23 | Z64A, Z64B | | 23 | Z64A, Z64B |
| Z03.4 | 05 | F74Z | Z13.8 | 23 | Z64A, Z64B | Z29.8 | 18A | S65A, S65B |
| Z03.5 | 05 | F74Z | Z13.9 | 23 | Z64A, Z64B | | 23 | Z64A, Z64B |
| Z03.6 | 23 | Z64A, Z64B | Z20.0 | 23 | Z64A, Z64B | Z29.9 | 23 | Z64A, Z64B |
| Z03.8 | 23 | Z64A, Z64B | Z20.1 | 15 | P65C, P66C, P67B, P67C | Z30.0 | 23 | Z64A, Z64B |
| Z03.9 | 23 | Z64A, Z64B | Z20.2 | 23 | Z64A, Z64B | Z30.1 | 23 | Z64A, Z64B |
| Z04.0 | 23 | Z65Z | Z20.3 | 23 | Z64A, Z64B | Z30.2 | 12 | M64Z |
| Z04.1 | 21B | X64Z | Z20.4 | 23 | Z64A, Z64B | | 13 | N04Z, N05A, N05B, N05J, N14Z, N21J, N21Z, N25J, N25Q, N25Z, N62A, N62B |
| Z04.2 | 21B | X64Z | Z20.5 | 23 | Z64A, Z64B | Z30.3 | 23 | Z64A, Z64B |
| Z04.3 | 21B | X64Z | Z20.6 | 15 | TPN, VTPN | Z30.4 | 23 | Z64A, Z64B |
| Z04.4 | 23 | Z65Z | Z20.7 | 23 | Z64A, Z64B | Z30.5 | 23 | Z64A, Z64B |
| Z04.5 | 21B | X64Z | Z20.8 | 23 | Z64A, Z64B | Z30.8 | 23 | Z64A, Z64B |
| Z04.6 | 23 | Z65Z | Z20.9 | 23 | Z64A, Z64B | Z30.9 | 23 | Z64A, Z64B |
| Z04.8 | 23 | Z64A, Z64B | Z21 | 14 | O01A, O01B, O01C, O01D, O01E, O01F, O01G | Z31.0 | 12 | M64Z |
| Z08.0 | 23 | Z64A, Z64B | Z22.0 | 23 | Z64A, Z64B | | 13 | N04Z, N05A, N05B, N05J, N14Z, N21J, N21Z, N25J, N25Q, N25Z, N62A, N62B |
| Z08.1 | 23 | Z64A, Z64B | Z22.1 | 23 | Z64A, Z64B | Z31.1 | 13 | N04Z, N05A, N05B, N05J, N14Z, N21J, N21Z, N25J, N25Q, N25Z, N62A, N62B |
| Z08.2 | 23 | Z64A, Z64B | Z22.2 | 23 | Z64A, Z64B | | 13 | N04Z, N05A, N05B, N05J, N14Z, N21J, N21Z, N25J, N25Q, N25Z, N62A, N62B |
| Z08.7 | 23 | Z64A, Z64B | Z22.3 | 23 | Z64A, Z64B | Z31.2 | 13 | N04Z, N05A, N05B, N05J, N14Z, N21J, N21Z, N25J, N25Q, N25Z, N62A, N62B |
| Z08.8 | 23 | Z64A, Z64B | Z22.4 | 23 | Z64A, Z64B | | 12 | M64Z |
| Z08.9 | 23 | Z64A, Z64B | Z22.5 | 07 | H63A, H63B, H63C, H78Z | Z31.3 | 13 | N04Z, N05A, N05B, N05J, N14Z, N21J, N21Z, N25J, N25Q, N25Z, N62A, N62B |
| Z09.0 | 23 | Z64A, Z64B | Z22.6 | 07 | H63A, H63B, H63C, H78Z | | 12 | M64Z |
| Z09.1 | 23 | Z64A, Z64B | Z22.8 | 23 | Z64A, Z64B | | 13 | N04Z, N05A, N05B, N05J, N14Z, N21J, N21Z, N25J, N25Q, N25Z, N62A, N62B |
| Z09.2 | 23 | Z64A, Z64B | Z22.9 | 23 | Z64A, Z64B | Z31.4 | 12 | M64Z |
| Z09.3 | 23 | Z64A, Z64B | Z23.0 | 23 | Z64A, Z64B | | 13 | N04Z, N05A, N05B, N05J, N14Z, N21J, N21Z, N25J, N25Q, N25Z, N62A, N62B |
| Z09.4 | 23 | Z64A, Z64B | Z23.1 | 23 | Z64A, Z64B | Z31.5 | 23 | Z64A, Z64B |
| Z09.5 | 23 | Z64A, Z64B | Z23.2 | 23 | Z64A, Z64B | | | |
| Z09.6 | 23 | Z64A, Z64B | Z23.3 | 23 | Z64A, Z64B | | | |
| Z09.7 | 23 | Z64A, Z64B | Z23.4 | 23 | Z64A, Z64B | | | |
| Z09.8 | 23 | Z64A, Z64B | Z23.5 | 23 | Z64A, Z64B | | | |
| Z09.9 | 23 | Z64A, Z64B | Z23.6 | 23 | Z64A, Z64B | | | |

| ICD | MDC | DRG | ICD | MDC | DRG | ICD | MDC | DRG |
|--------|-----|--|--------|-----|--|--------|-----|--|
| Z31.6 | 23 | Z64A, Z64B | Z41.2 | 12 | M62Z | Z51.83 | 23 | Z65Z |
| Z31.8 | 23 | Z64A, Z64B | | 13 | N04Z, N05A, N05B, N05J, N14Z, N21J, N21Z, N25J, N25Q, N25Z, N62A, N62B | Z51.88 | 23 | Z65Z |
| Z31.9 | 23 | Z64A, Z64B | | | | Z51.9 | 23 | Z65Z |
| Z36.0 | 14 | O65A, O65B, O65C | Z41.3 | 23 | Z65Z | Z52.01 | 23 | Z64A, Z64B |
| Z36.1 | 14 | O65A, O65B, O65C | Z41.8 | 23 | Z64A, Z64B | Z52.08 | 23 | Z64A, Z64B |
| Z36.2 | 14 | O65A, O65B, O65C | Z41.9 | 23 | Z64A, Z64B | Z52.1 | 09 | J67A, J67B, J68A, J68B |
| Z36.3 | 14 | O65A, O65B, O65C | Z42.0 | 09 | J67A, J67B, J68A, J68B | Z52.2 | 08 | I76A, I76B |
| Z36.4 | 14 | O65A, O65B, O65C | Z42.1 | 09 | J01Z, J67A, J67B, J68A, J68B | Z52.3 | 23 | Z64A, Z64B |
| Z36.5 | 14 | O65A, O65B, O65C | Z42.2 | 09 | J67A, J67B, J68A, J68B | Z52.4 | 23 | Z04Z, Z64A, Z64B |
| Z36.8 | 14 | O65A, O65B, O65C | Z42.3 | 09 | J67A, J67B, J68A, J68B | Z52.5 | 23 | Z04Z, Z64A, Z64B |
| Z36.9 | 14 | O65A, O65B, O65C | Z42.4 | 09 | J67A, J67B, J68A, J68B | Z52.6 | 23 | Z02Z, Z04Z, Z64A, Z64B |
| Z37.0 | 14 | O02A, O02B, O60A, O60B, O60C, O60D | Z42.8 | 09 | J67A, J67B, J68A, J68B | Z52.7 | 23 | Z04Z, Z64A, Z64B |
| Z37.1 | 14 | O02A, O02B, O60A, O60B, O60C, O60D | Z42.9 | 09 | J67A, J67B, J68A, J68B | Z52.81 | 23 | Z04Z, Z64A, Z64B |
| Z37.2 | 14 | O01A, O01B, O01C, O01D, O01E, O01F, O01G, O02A, O02B, O60A, O60B, O60C | Z43.0 | 04 | E75A, E75B, E75C | Z52.82 | 23 | Z04Z, Z64A, Z64B |
| Z37.3 | 14 | O01A, O01B, O01C, O01D, O01E, O01F, O01G, O02A, O02B, O60A, O60B, O60C | | 22 | Y02A, Y02B | Z52.89 | 23 | Z04Z, Z64A, Z64B |
| Z37.4 | 14 | O01A, O01B, O01C, O01D, O01E, O01F, O01G, O02A, O02B, O60A, O60B, O60C | Z43.1 | 06 | G46A, G46B, G46C, G50Z, G71Z | Z52.9 | 23 | Z04Z, Z64A, Z64B |
| Z37.5 | 14 | O01A, O01B, O01C, O01D, O01E, O01F, O01G, O02A, O02B, O60A, O60B, O60C | Z43.2 | 06 | G46A, G46B, G46C, G50Z, G71Z | Z53.0 | 23 | Z65Z |
| Z37.6 | 14 | O01A, O01B, O01C, O01D, O01E, O01F, O01G, O02A, O02B, O60A, O60B, O60C | Z43.3 | 06 | G46A, G46B, G46C, G50Z, G71Z | Z53.1 | 23 | Z65Z |
| Z37.7 | 14 | O01A, O01B, O01C, O01D, O01E, O01F, O01G, O02A, O02B, O60A, O60B, O60C | Z43.4 | 06 | G46A, G46B, G46C, G50Z, G71Z | Z53.2 | 23 | Z65Z |
| Z37.9 | 14 | O02A, O02B, O60A, O60B, O60C, O60D | Z43.5 | 11 | L68A, L68B, L74Z | Z53.8 | 23 | Z65Z |
| Z38.0 | Pre | 963Z | Z43.6 | 11 | L68A, L68B, L74Z | Z53.9 | 23 | Z65Z |
| Z38.1 | Pre | 963Z | Z43.7 | 13 | N04Z, N05A, N05B, N05J, N14Z, N21J, N21Z, N25J, N25Q, N25Z, N62A, N62B | Z64.1 | 12 | M64Z |
| Z38.2 | Pre | 963Z | | | | | 13 | N04Z, N05A, N05B, N05J, N14Z, N21J, N21Z, N25J, N25Q, N25Z, N62B |
| Z38.3 | 15 | P05A, P05B, P05C, P66A, P66B, P66C, P66D, P67B | Z43.80 | 23 | Z64A, Z64B | Z65.0 | 23 | Z64A, Z64B |
| Z38.4 | Pre | 963Z | Z43.88 | 23 | Z64A, Z64B | Z65.1 | 23 | Z64A, Z64B |
| Z38.5 | 15 | P05A, P05B, P05C, P66A, P66B, P66C, P66D, P67B | Z43.9 | 23 | Z64A, Z64B | Z65.2 | 23 | Z64A, Z64B |
| Z38.6 | Pre | 963Z | Z44.0 | 08 | I73Z | Z65.3 | 23 | Z64A, Z64B |
| Z38.7 | 15 | P05A, P05B, P05C, P66A, P66B, P66C, P66D, P67B | Z44.1 | 08 | I73Z | Z65.4 | 23 | Z64A, Z64B |
| Z38.8 | Pre | 963Z | Z44.2 | 23 | Z64A, Z64B | Z65.5 | 23 | Z64A, Z64B |
| Z39.0 | 14 | O04A, O04B, O61Z | Z44.3 | 09 | J67A, J67B | Z65.8 | 23 | Z64A, Z64B |
| Z39.1 | 14 | O04A, O04B, O61Z | Z44.4 | 08 | I73Z | Z65.9 | 23 | Z64A, Z64B |
| Z39.2 | 14 | O04A, O04B, O61Z | Z45.0 | 05 | F71A, F71B | Z71.0 | 23 | Z64A, Z64B |
| Z40.00 | 09 | J01Z, J67A, J67B | Z45.1 | 23 | Z64A, Z64B | Z71.1 | 23 | Z64A, Z64B |
| Z40.01 | 13 | N04Z, N05A, N05B, N05J, N14Z, N21J, N21Z, N25J, N25Q, N25Z, N62A, N62B | Z45.20 | 23 | Z64A, Z64B | Z71.2 | 23 | Z64A, Z64B |
| Z40.08 | 23 | Z64A, Z64B | Z45.29 | 23 | Z64A, Z64B | Z71.3 | 23 | Z64A, Z64B |
| Z40.8 | 23 | Z64A, Z64B | Z45.3 | 23 | Z64A, Z64B | Z71.4 | 23 | Z64A, Z64B |
| Z40.9 | 23 | Z64A, Z64B | Z45.80 | 23 | Z64A, Z64B | Z71.5 | 23 | Z64A, Z64B |
| Z41.0 | 23 | Z65Z | Z45.81 | 23 | Z64A, Z64B | Z71.6 | 23 | Z64A, Z64B |
| Z41.1 | 09 | J67A, J67B, J68A, J68B | Z45.82 | 23 | Z64A, Z64B | Z71.7 | 23 | Z64A, Z64B |
| | | | Z45.83 | 23 | Z64A, Z64B | Z71.8 | 23 | Z64A, Z64B |
| | | | Z45.84 | 23 | Z64A, Z64B | Z71.9 | 23 | Z64A, Z64B |
| | | | Z45.85 | 23 | Z64A, Z64B | Z72.3 | 23 | Z64A, Z64B |
| | | | Z45.88 | 23 | Z64A, Z64B | Z72.4 | 23 | Z64A, Z64B |
| | | | Z45.9 | 23 | Z64A, Z64B | Z72.5 | 23 | Z64A, Z64B |
| | | | Z46.0 | 23 | Z64A, Z64B | Z72.6 | 23 | Z64A, Z64B |
| | | | Z46.1 | 23 | Z64A, Z64B | Z72.8 | 23 | Z64A, Z64B |
| | | | Z46.2 | 23 | Z64A, Z64B | Z72.9 | 23 | Z64A, Z64B |
| | | | Z46.3 | 23 | Z64A, Z64B | Z73.0 | 23 | Z64A, Z64B |
| | | | Z46.4 | 23 | Z64A, Z64B | Z73.1 | 23 | Z64A, Z64B |
| | | | Z46.5 | 06 | G46A, G46B, G46C, G50Z, G71Z | Z73.2 | 23 | Z64A, Z64B |
| | | | | | | Z73.3 | 23 | Z64A, Z64B |
| | | | Z46.6 | 11 | L68A, L68B, L74Z | Z73.4 | 23 | Z64A, Z64B |
| | | | Z46.7 | 08 | I73Z | Z73.5 | 23 | Z64A, Z64B |
| | | | Z46.8 | 23 | Z64A, Z64B | Z73.6 | 23 | Z64A, Z64B |
| | | | Z46.9 | 23 | Z64A, Z64B | Z73.8 | 23 | Z64A, Z64B |
| | | | Z47.8 | 08 | I73Z | Z73.9 | 23 | Z64A, Z64B |
| | | | Z47.9 | 08 | I73Z | Z74.0 | 23 | Z64A, Z64B |
| | | | Z48.0 | 23 | Z64A, Z64B | Z74.1 | 23 | Z64A, Z64B |
| | | | Z48.8 | 23 | Z65Z | Z74.2 | 23 | Z64A, Z64B |
| | | | Z48.9 | 23 | Z65Z | Z74.3 | 23 | Z64A, Z64B |
| | | | Z49.0 | 11 | L60A, L60B, L60C, L60D, L71Z | Z74.8 | 23 | Z64A, Z64B |
| | | | Z49.1 | 11 | L61Z | Z74.9 | 23 | Z64A, Z64B |
| | | | Z51.4 | 23 | Z65Z | Z75.60 | 15 | P65C, P66C, P67B, P67C |
| | | | Z51.6 | 23 | Z64A, Z64B | Z75.64 | 15 | P65C, P66C, P67B, P67C |
| | | | | | | Z75.65 | 15 | P65C, P66C, P67B, P67C |
| | | | | | | Z75.66 | 15 | P65C, P66C, P67B, P67C |
| | | | | | | Z75.67 | 15 | P65C, P66C, P67B, P67C |

| ICD | MDC | DRG | ICD | MDC | DRG | ICD | MDC | DRG |
|--------|-----|------------------------|-------|-----|--|--------|-----|--|
| Z75.68 | 15 | P65C, P66C, P67B, P67C | Z83.7 | 23 | Z64A, Z64B | Z94.6 | 05 | F61A |
| Z75.69 | 15 | P65C, P66C, P67B, P67C | Z84.0 | 23 | Z64A, Z64B | | 06 | G67A |
| Z75.70 | | PTX | Z84.1 | 23 | Z64A, Z64B | Z94.70 | 05 | F61A |
| | 15 | P65C, P66C, P67B, P67C | Z84.2 | 23 | Z64A, Z64B | | 06 | G67A |
| Z75.74 | | PTX | Z84.3 | 23 | Z64A, Z64B | Z94.79 | 05 | F61A |
| | 15 | P65C, P66C, P67B, P67C | Z84.8 | 23 | Z64A, Z64B | | 06 | G67A |
| Z75.75 | | PTX | Z90.3 | 15 | TPN, VTPN | Z94.80 | 04 | E62A, E62B, E77B, E77C |
| | 15 | P65C, P66C, P67B, P67C | Z91.2 | 23 | Z65Z | | 05 | F61A |
| Z75.76 | | PTX | Z91.3 | 23 | Z65Z | | 06 | G18A, G38Z, G40Z, G48A, G48B, G67A |
| | 15 | P65C, P66C, P67B, P67C | Z91.4 | 23 | Z65Z | | 10 | K62A |
| Z75.77 | | PTX | Z91.5 | 23 | Z65Z | | 18B | T01A, T60A, T60B, T60C, T61A, T63A |
| | 15 | P65C, P66C, P67B, P67C | Z91.6 | 23 | Z65Z | Z94.81 | 04 | E62A, E62B, E77B, E77C |
| Z75.78 | | PTX | Z92.0 | 23 | Z65Z | | 05 | F61A |
| | 15 | P65C, P66C, P67B, P67C | Z92.5 | 23 | Z65Z | | 06 | G18A, G38Z, G40Z, G48A, G48B, G67A |
| Z75.79 | | PTX | Z93.0 | 22 | Y02A, Y02B | | 10 | K62A |
| | 15 | P65C, P66C, P67B, P67C | Z94.0 | 04 | E62A, E62B, E77B, E77C | | 18B | T01A, T60A, T60B, T60C, T61A, T63A, T64A, T64B |
| Z76.0 | 15 | P65C, P66C, P67B, P67C | | 05 | F61A | Z94.82 | Pre | A09D, A11D, A13D |
| | 23 | Z64A, Z64B | | 06 | G18A, G38Z, G40Z, G48A, G48B, G67A | | 04 | E62A, E62B, E77B, E77C |
| Z76.1 | 15 | P65C, P66C, P67B, P67C | | 10 | K62A | | 05 | F61A |
| | 23 | Z64A, Z64B | | 18B | T01A, T60A, T60B, T60C, T61A, T63A, T64A, T64B | | 06 | G18A, G38Z, G40Z, G48A, G48B, G67A |
| Z76.2 | 15 | P65C, P66C, P67B, P67C | Z94.1 | 04 | E62A, E62B, E77B, E77C | | 10 | K62A |
| | 23 | Z64A, Z64B | | 05 | F61A | Z94.83 | 18B | T01A, T60A, T60B, T60C, T61A, T63A, T64A, T64B |
| Z76.4 | 15 | P65C, P66C, P67B, P67C | | 06 | G18A, G38Z, G40Z, G48A, G48B, G67A | | Pre | A09D, A11D, A13D |
| | 23 | Z64A, Z64B | | 10 | K62A | | 04 | E62A, E62B, E77B, E77C |
| Z76.8 | 15 | P65C, P66C, P67B, P67C | Z94.2 | 04 | E40A, E62A, E62B, E65A, E77B, E77C | | 05 | F61A |
| | 23 | Z64A, Z64B | | 05 | F61A | | 06 | G18A, G38Z, G40Z, G48A, G48B, G67A |
| Z76.9 | 23 | Z64A, Z64B | | 06 | G18A, G38Z, G40Z, G48A, G48B, G67A | | 10 | K62A |
| Z80.0 | 23 | Z64A, Z64B | | 10 | K62A | | 18B | T01A, T60A, T60B, T60C, T61A, T63A, T64A, T64B |
| Z80.1 | 23 | Z64A, Z64B | Z94.3 | Pre | A09D, A11D, A13D | | Pre | A09D, A11D, A13D |
| Z80.2 | 23 | Z64A, Z64B | | 04 | E40A, E62A, E62B, E65A, E77B, E77C | | 04 | E62A, E62B, E77B, E77C |
| Z80.3 | 09 | J01Z, J67A, J67B | | 05 | F61A | | 05 | F61A |
| Z80.4 | 23 | Z64A, Z64B | | 06 | G18A, G38Z, G40Z, G48A, G48B, G67A | | 06 | G18A, G38Z, G40Z, G48A, G48B, G67A |
| Z80.5 | 23 | Z64A, Z64B | | 10 | K62A | | 10 | K62A |
| Z80.6 | 23 | Z64A, Z64B | | 18B | T01A, T60A, T60B, T60C, T61A, T63A, T64A, T64B | Z94.88 | 18B | T01A, T60A, T60B, T60C, T61A, T63A, T64A, T64B |
| Z80.7 | 23 | Z64A, Z64B | | Pre | A09D, A11D, A13D | | 04 | E62A, E62B, E77B, E77C |
| Z80.8 | 23 | Z64A, Z64B | Z94.4 | 04 | E62A, E62B, E77B, E77C | | 05 | F61A |
| Z80.9 | 23 | Z64A, Z64B | | 05 | F61A | | 06 | G40Z, G48A, G48B, G67A |
| Z81.0 | 23 | Z64A, Z64B | | 06 | G18A, G38Z, G40Z, G48A, G48B, G67A | | 10 | K62A |
| Z81.1 | 23 | Z64A, Z64B | Z94.5 | 04 | E40A, E62A, E62B, E65A, E77B, E77C | | 18B | T01A, T60A, T60B, T60C, T61A, T63A |
| Z81.2 | 23 | Z64A, Z64B | | 05 | F61A | Z94.9 | 05 | F61A |
| Z81.3 | 23 | Z64A, Z64B | | 06 | G18A, G38Z, G40Z, G48A, G48B, G67A | | 06 | G67A |
| Z81.4 | 23 | Z64A, Z64B | | 10 | K62A | | 10 | K62A |
| Z81.8 | 23 | Z64A, Z64B | | 18B | T01A, T60A, T60B, T60C, T61A, T63A, T64A, T64B | Z95.0 | | KJZSA1, KJZSA2 |
| Z82.0 | 23 | Z64A, Z64B | | Pre | A09D, A11D, A13D | Z97.0 | 23 | Z65Z |
| Z82.1 | 23 | Z64A, Z64B | Z94.4 | 04 | E62A, E62B, E77B, E77C | Z97.2 | 23 | Z65Z |
| Z82.2 | 23 | Z64A, Z64B | | 05 | F61A | Z97.3 | 23 | Z65Z |
| Z82.3 | 23 | Z64A, Z64B | | 06 | G18A, G38Z, G40Z, G48A, G48B, G67A | Z97.4 | 23 | Z65Z |
| Z82.4 | 23 | Z64A, Z64B | | 10 | K62A | Z97.5 | 23 | Z65Z |
| Z82.5 | 23 | Z64A, Z64B | | 18B | T01A, T60A, T60B, T60C, T61A, T63A, T64A, T64B | Z99.2 | | KJZSA1, KJZSA2 |
| Z82.6 | 23 | Z64A, Z64B | | Pre | A09D, A11D, A13D | | | |
| Z82.7 | 23 | Z64A, Z64B | | 04 | E62A, E62B, E77B, E77C | | | |
| Z82.8 | 23 | Z64A, Z64B | | 05 | F61A | | | |
| Z83.0 | 23 | Z64A, Z64B | | 06 | G18A, G38Z, G40Z, G48A, G48B, G67A | | | |
| Z83.1 | 23 | Z64A, Z64B | | 10 | K62A | | | |
| Z83.2 | 23 | Z64A, Z64B | | 18B | T01A, T60A, T60B, T60C, T61A, T63A, T64A, T64B | | | |
| Z83.3 | 23 | Z64A, Z64B | | Pre | A09D, A11D, A13D | | | |
| Z83.4 | 23 | Z64A, Z64B | Z94.5 | 05 | F61A | | | |
| Z83.5 | 23 | Z64A, Z64B | | 06 | G67A | | | |
| Z83.6 | 23 | Z64A, Z64B | | | | | | |

Dg

Príloha B

Kódy výkonov-/MDC-/DRG-Index

Táto príloha obsahuje zoznam kódov zdravotných výkonov relevantných pre zaraďovanie, ako aj bližšie informácie k MDC a DRG, v ktorých sa tieto kódy vyskytujú. Neoperačné výkony (Non-OP) sú označené prostredníctvom znaku Œ na konci kódu. Obojstranná čiarka za kódom poukazuje na nutnosť špecifikácie doplňujúceho údajá pre určenie strany (lokalizácie), na ktorej bol výkon vykonaný. Lokalizácia sa vyžaduje znakom pod a konkrétnych usmernení vydávanými Centrom pre klasifikačný systém.

Priradenie DRG skupiny kódom výkonov na základe overenia na všetky OP-výkony nie je v prílohe uvedené pre každý jednotlivý zdravotný výkon. Miesto toho sú v zozname kódov výkonov relevantných pre zaraďovanie v systéme SK-DRG vymenované všetky DRG-skupiny, ktoré vo svojej definícii obsahujú akékoľvek overovanie na OP-výkon. Prehľad skratiek funkcií, použitých v tejto prílohe, sa nachádza v prehľade funkcií na konci prílohy B. V nasledujúcich príkladoch sa neprístupuje k zaraďovaniu do DRG-skupiny na základe overovania každého OP-výkonu - analogicky k zoznamu výkonov relevantných pre zaraďovanie.

Jeden kód zdravotného výkonu môže byť priradený k viacerým DRG-skupinám v rozličných MDC. Kódy výkonov pre Non-OP-výkony pôsobia na zaraďovanie záznamov inak a sú v prílohe uvedené iným spôsobom.

V tejto prílohe nie sú uvedené všetky kódy zdravotných výkonov podľa Zoznamu zdravotných výkonov pre klasifikačný systém diagnosticko-terapeutických skupín ZZV-DRG-2025. Kódy nepoužívané pre zaraďovanie do DRG-skupín sú vynechané. Pokiaľ teda hospitalizačný prípad obsahuje iba kódy výkonov, ktoré nie sú uvedené v prílohe B, nebude podľa pravidiel definovaných touto prílohou takýto hospitalizačný prípad zaradený do jednej z operačných alebo špeciálnych DRG, ale do DRG-skupiny medicínskeho segmentu.

Pre záznamy (hospitalizačné prípady) s viacerými výkonmi môže byť táto príloha použitá na získanie informácií o možných operačných-DRG a špeciálnych DRG-skupinách pre každý samostatný kód výkonu. Pokiaľ obsahuje záznam OP-výkony, z ktorých však žiadne nie je priradené DRG-skupine v zodpovedajúcej MDC a špeciálnych a špeciálnych DRG sú overované pred DRG-skupinami zo segmentu špeciálnych, je zaradený do jednej z chybových-DRG alebo ostatných-DRG 901A-D alebo 902Z. Ak je v operačných-DRG alebo iných-DRG tejto MDC uvedených viacero kódov výkonov, rozhodujúcou pre zaradenie v MDC sa stáva hierarchia v rámci operačných-DRG a iných-DRG.

| ZZV | MDC | DRG | ZZV | MDC | DRG | ZZV | MDC | DRG |
|----------|-----|--|----------|-----|--|------------|-----|--|
| 12a10.0 | | KJZSV | 12a30.4↔ | | KJZSV | 12b21 | | BOP, KJZSV, UOP4 |
| | 01 | B09A, B09B | | 01 | B03Z, B09A, B09B, B17A, B17B, B17C, B17J | | 01 | B02A, B02B, B02C, B02D, B09A, B09B, B20A, B20B, B20C, B20D, B20E, B39A, B39B |
| | 10 | K09A, K09B, K09C | | 08 | I28A, I28B, I28J | | 10 | K03A, K03B |
| 12a10.1 | | KJZSV | | 21A | W04A, W04B | 12b23↔ | | KJZSV |
| | 01 | B09A, B09B | | 21B | X05A, X05B, X06A, X06B, X06C | | 01 | B09A, B09B |
| 12a10.2 | | KJZSV | 12a30.5 | | KJZSV | | 08 | I28A, I28B, I28J |
| | 01 | B09A, B09B | | 01 | B03Z, B09A, B09B, B17A, B17B, B17C, B17J | 12c02↔ | | KJZSV |
| 12a10.3 | | KJZSV | | 08 | I28A, I28B, I28J | | 01 | B09A, B09B |
| | 01 | B09A, B09B | | 21A | W04A, W04B | | 02 | C01A, C01B, C14J, C14Q, C14R, C14S, C14Z, C16Z |
| 12a10.4 | | KJZSV | 12a30.6↔ | | KJZSV | 12c03↔ | | KJZSV |
| | 01 | B09A, B09B | | 01 | B03Z, B09A, B09B, B17A, B17B, B17C, B17J | | 01 | B09A, B09B |
| 12a10.5 | | KJZSV | | 08 | I28A, I28B, I28J | | 02 | C01A, C01B, C14J, C14Q, C14R, C14S, C14Z, C16Z |
| | 01 | B09A, B09B | | 21A | W04A, W04B | | 21A | W04A, W04B |
| 12a10.x | | KJZSV | 12a30.7↔ | | KJZSV | | 21B | X06A, X06B, X06C |
| | 01 | B09A, B09B | | 01 | B03Z, B09A, B09B, B17A, B17B, B17C, B17J | 12j00.12‡↔ | | KJZSV |
| 12a20.0 | | KJZSV | | 08 | I28A, I28B, I28J | | 04 | E71A |
| | 01 | B03Z, B18Z | | 21A | W04A, W04B | 12j00.30‡ | | KJZSV |
| | 08 | I10A, I10B, I10C, I10D, I10E, I10J | | 21B | X04Z, X06A, X06B, X06C | | 03 | D60A |
| | 17 | R01A, R01B, R01C, R01D, R02Z, R12A, R12B, R12C | 12a30.8↔ | | KJZSV | | 04 | E65A, E71A |
| 12a20.1 | | KJZSV | | 01 | B03Z, B09A, B09B, B17A, B17B, B17C, B17J | 12j00.31‡↔ | | KJZSV |
| | 01 | B03Z, B18Z | | 08 | I28A, I28B, I28J | | 03 | D60A |
| | 08 | I10A, I10B, I10C, I10D, I10E, I10J | | 21A | W04A, W04B | 12j00.32‡↔ | | KJZSV |
| | 17 | R01A, R01B, R01C, R01D, R02Z, R12A, R12B, R12C | 12a30.9↔ | | KJZSV | | 03 | D60A |
| 12a20.2 | | KJZSV | | 01 | B03Z, B09A, B09B, B17A, B17B, B17C, B17J | 12j20.00‡↔ | | KJZSV |
| | 01 | B03Z, B18Z | | 08 | I28A, I28B, I28J | | 04 | E65A, E71A |
| | 08 | I10A, I10B, I10C, I10D, I10E, I10J | 12a30.x↔ | | KJZSV | 12j20.01‡↔ | | KJZSV |
| | 17 | R01A, R01B, R01C, R01D, R02Z, R12A, R12B, R12C | | 01 | B03Z, B09A, B09B, B17A, B17B, B17C, B17J | | 04 | E71A |
| 12a20.x | | KJZSV | | 08 | I28A, I28B, I28J | 12j20.02‡↔ | | KJZSV |
| | 01 | B03Z, B18Z | | 21A | W04A, W04B | | 04 | E71A |
| | 08 | I10A, I10B, I10C, I10D, I10E, I10J | 12a30.0↔ | | KJZSV | | 05 | F03C, F03D, F03E, F05Z, F06C, F06D, F06E, F12F, F15Z, F36A, F36B, F41A, F41B, F46A, F46B, F49A, F49B, F49C, F49D, F49E, F49F, F49G |
| | 17 | R01A, R01B, R01C, R01D, R02Z, R12A, R12B, R12C | | 01 | B03Z, B09A, B09B, B17A, B17B, B17C, B17J | 12m11.0↔ | | B03Z, B09A, B09B, B17A, B17B, B17C, B17J |
| 12a30.0↔ | | KJZSV | | 08 | I28A, I28B, I28J | | 03 | D12A, D12B, D12J, D12Q |
| | 01 | B03Z, B17A, B17B, B17C, B17J | | 21A | W04A, W04B | | 04 | E02A, E02B, E02C, E02D |
| | 03 | D12A, D12B, D12J, D12Q | 12b10 | | BOP, KJZSV, UOP4 | | 06 | G10Z, G12A, G12B, G12C, G12J |
| | 08 | I28A, I28B, I28J | | 01 | B02A, B02B, B02C, B02D, B09A, B09B, B20A, B20B, B20C, B20D, B20E, B39A, B39B | | 07 | H06A, H06B, H06C |
| | 21A | W04A, W04B | | 10 | K03A, K03B | | 08 | I28A, I28B, I28J |
| | 21B | X06A, X06B, X06C | 12b11 | | BOP, KJZSV, UOP4 | | 09 | J03A, J03B, J04A, J04B, J08A, J08B, J08C, J11A, J11B, J11J, J11Q, J11R, J11S, J16Z |
| 12a30.1↔ | | KJZSV | | 01 | B02A, B02B, B02C, B02D, B09A, B09B, B20A, B20B, B20C, B20D, B20E, B39A, B39B | | 10 | K09A, K09B |
| | 01 | B03Z, B09A, B09B, B17A, B17B, B17C, B17J | 12b13↔ | | KJZSV | | 11 | L09A, L09B, L09C, L09J, L38Z |
| | 03 | D12A, D12B, D12J, D12Q | | 01 | B09A, B09B | | 12 | M06J, M06Z, M09A, M09B, M09J, M38Z |
| | 08 | I28A, I28B, I28J | | 08 | I28A, I28B, I28J | | 13 | N11A, N11B, N11J |
| | 21A | W04A, W04B | 12b20 | | BOP, KJZSV, UOP4 | | 16 | Q03A, Q03B |
| | 21B | X06A, X06B, X06C | | 10 | K06A, K06B, K06C | | | |
| 12a30.2↔ | | KJZSV | | 01 | B02A, B02B, B02C, B02D, B09A, B09B, B20A, B20B, B20C, B20D, B20E, B39A, B39B | | | |
| | 01 | B03Z, B09A, B09B, B17A, B17B, B17C, B17J | | 10 | K03A, K03B | | | |
| | 08 | I28A, I28B, I28J | | 01 | B09A, B09B | | | |
| | 21A | W04A, W04B | | 08 | I28A, I28B, I28J | | | |
| | 21B | X06A, X06B, X06C | | 10 | K06A, K06B, K06C | | | |
| 12a30.3↔ | | KJZSV | | 01 | B02A, B02B, B02C, B02D, B09A, B09B, B20A, B20B, B20C, B20D, B20E, B39A, B39B | | | |
| | 01 | B03Z, B09A, B09B, B17A, B17B, B17C, B17J | | 10 | K03A, K03B | | | |
| | 08 | I28A, I28B, I28J | | | | | | |
| | 21A | W04A, W04B | | | | | | |
| | 21B | X05A, X05B, X06A, X06B, X06C | | | | | | |

VYK

| ZZV | MDC | DRG | ZZV | MDC | DRG | ZZV | MDC | DRG | | | | |
|----------|----------|--|------------------------------|--|--|----------|--|--|-------|----------|------------------------------------|------------------------------------|
| 12m11.1↔ | 01 | B03Z, B17A, B17B, B17C, B17J | 12m11.4 | | KJZSV | 12m11.7↔ | | KJZSV | | | | |
| | 03 | D12A, D12B, D12J, D12Q | | 01 | B03Z, B17A, B17B, B17C, B17J | | 01 | B03Z, B17A, B17B, B17C, B17J | | | | |
| | 04 | E02A, E02B, E02C, E02D | | 03 | D12A, D12B, D12J, D12Q | | 03 | D12A, D12B, D12J, D12Q | | | | |
| | 06 | G10Z, G12A, G12B, G12C, G12J | | 04 | E02A, E02B, E02C, E02D | | 04 | E02A, E02B, E02C, E02D | | | | |
| | 07 | H06A, H06B, H06C | | 06 | G10Z, G12A, G12B, G12C, G12J | | 06 | G10Z, G12A, G12B, G12C, G12J | | | | |
| | 08 | I28A, I28B, I28J | | 07 | H06A, H06B, H06C | | 07 | H06A, H06B, H06C | | | | |
| | 09 | J03A, J03B, J04A, J04B, J08A, J08B, J08C, J11A, J11B, J11J, J11Q, J11R, J11S, J16Z | | 08 | I28A, I28B, I28J | | 08 | I28A, I28B, I28J | | | | |
| | 10 | K09A, K09B | | 09 | J03A, J03B, J04A, J04B, J08A, J08B, J08C, J11A, J11B, J11J, J11Q, J11R, J11S, J16Z | | 09 | J03A, J03B, J04A, J04B, J08A, J08B, J08C, J11A, J11B, J11J, J11Q, J11R, J11S, J16Z | | | | |
| | 11 | L09A, L09B, L09C, L09J, L38Z | | 10 | K09A, K09B | | 10 | K09A, K09B | | | | |
| | 12 | M06J, M06Z, M09A, M09B, M09J, M38Z | | 11 | L09A, L09B, L09C, L09J, L38Z | | 11 | L09A, L09B, L09C, L09J, L38Z | | | | |
| | 13 | N11A, N11B, N11J | | 12 | M06J, M06Z, M09A, M09B, M09J, M38Z | | 12 | M06J, M06Z, M09A, M09B, M09J, M38Z | | | | |
| | 16 | Q03A, Q03B | | 13 | N11A, N11B, N11J | | 13 | N11A, N11B, N11J | | | | |
| | 12m11.2↔ | 01 | | B03Z, B17A, B17B, B17C, B17J | 12m11.5↔ | | | KJZSV | 12m13 | | KJZSV | |
| | | 03 | | D12A, D12B, D12J, D12Q | | | 01 | B03Z, B17A, B17B, B17C, B17J | | 04 | E06A, E06B, E06C, E08A, E08B, E08C | |
| | | 04 | | E02A, E02B, E02C, E02D | | | 03 | D12A, D12B, D12J, D12Q | | 10 | K09A, K09B | |
| | | 06 | | G10Z, G12A, G12B, G12C, G12J | | | 04 | E02A, E02B, E02C, E02D | | 16 | Q03A, Q03B | |
| 07 | | H06A, H06B, H06C | 06 | G10Z, G12A, G12B, G12C, G12J | | 17 | R01A, R01B, R01C, R01D, R02Z, R12A, R12B, R12C | | | | | |
| 08 | | I28A, I28B, I28J | 07 | H06A, H06B, H06C | | 12m1x↔ | | KJZSV | | | | |
| 09 | | J03A, J03B, J04A, J04B, J08A, J08B, J08C, J11A, J11B, J11J, J11Q, J11R, J11S, J16Z | 08 | I28A, I28B, I28J | | | 01 | B03Z, B17A, B17B, B17C, B17J | | | | |
| 10 | | K09A, K09B | 09 | J03A, J03B, J04A, J04B, J08A, J08B, J08C, J11A, J11B, J11J, J11Q, J11R, J11S, J16Z | | | 03 | D12A, D12B, D12J, D12Q | | | | |
| 11 | | L09A, L09B, L09C, L09J, L38Z | 10 | K09A, K09B | | | 04 | E02A, E02B, E02C, E02D | | | | |
| 12 | | M06J, M06Z, M09A, M09B, M09J, M38Z | 11 | L09A, L09B, L09C, L09J, L38Z | | | 06 | G10Z, G12A, G12B, G12C, G12J | | | | |
| 13 | | N11A, N11B, N11J | 12 | M06J, M06Z, M09A, M09B, M09J, M38Z | | | 07 | H06A, H06B, H06C | | | | |
| 16 | | Q03A, Q03B | 13 | N11A, N11B, N11J | | | 08 | I28A, I28B, I28J | | | | |
| 12m11.3 | | 01 | B03Z, B17A, B17B, B17C, B17J | 12m11.6↔ | | | | KJZSV | | 12m21.0↔ | | B03Z, B17A, B17B, B17C, B17J |
| | | 03 | D12A, D12B, D12J, D12Q | | | | 01 | B03Z, B17A, B17B, B17C, B17J | | | 03 | D12A, D12B, D12J, D12Q, D68J, D68Q |
| | | 04 | E02A, E02B, E02C, E02D | | | | 03 | D12A, D12B, D12J, D12Q | | | 04 | E02A, E02B, E02C, E02D |
| | | 06 | G10Z, G12A, G12B, G12C, G12J | | | | 04 | E02A, E02B, E02C, E02D | | | 06 | G10Z, G12A, G12B, G12C, G12J |
| | 07 | H06A, H06B, H06C | 06 | | G10Z, G12A, G12B, G12C, G12J | | 07 | H06A, H06B, H06C | | | | |
| | 08 | I28A, I28B, I28J | 07 | | H06A, H06B, H06C | | 08 | I28A, I28B, I28J | | | | |
| | 09 | J03A, J03B, J04A, J04B, J08A, J08B, J08C, J11A, J11B, J11J, J11Q, J11R, J11S, J16Z | 08 | | I28A, I28B, I28J | | 09 | J03A, J03B, J04A, J04B, J08A, J08B, J08C, J11A, J11B, J11J, J11Q, J11R, J11S, J16Z | | | | |
| | 10 | K09A, K09B | 09 | | J03A, J03B, J04A, J04B, J08A, J08B, J08C, J11A, J11B, J11J, J11Q, J11R, J11S, J16Z | | 10 | K09A, K09B | | | | |
| | 11 | L09A, L09B, L09C, L09J, L38Z | 10 | | K09A, K09B | | 11 | L09A, L09B, L09C, L09J, L38Z | | | | |
| | 12 | M06J, M06Z, M09A, M09B, M09J, M38Z | 11 | | L09A, L09B, L09C, L09J, L38Z | 12 | M06J, M06Z, M09A, M09B, M09J, M38Z | | | | | |
| | 13 | N11A, N11B, N11J | 12 | | M06J, M06Z, M09A, M09B, M09J, M38Z | 13 | N11A, N11B, N11J | | | | | |
| | 16 | Q03A, Q03B | 13 | | N11A, N11B, N11J | 16 | Q03A, Q03B | | | | | |

VYK

| ZZV | MDC | DRG | ZZV | MDC | DRG | ZZV | MDC | DRG | | | | | | | |
|----------|----------|--|------------------------------|--|--|----------|--|--|------------------------|------------------------|------------------------------------|----------|----------|------------------------------|------------------------------------|
| 12m21.1↔ | | KJZSV | 12m21.4 | | KJZSV | 12m21.7↔ | | KJZSV | | | | | | | |
| | 01 | B03Z, B17A, B17B, B17C, B17J | | 01 | B03Z, B17A, B17B, B17C, B17J | | 01 | B03Z, B17A, B17B, B17C, B17J | | | | | | | |
| | 03 | D12A, D12B, D12J, D12Q | | 03 | D12A, D12B, D12J, D12Q | | 03 | D12A, D12B, D12J, D12Q | | | | | | | |
| | 04 | E02A, E02B, E02C, E02D | | 04 | E02A, E02B, E02C, E02D | | 04 | E02A, E02B, E02C, E02D | | | | | | | |
| | 06 | G10Z, G12A, G12B, G12C, G12J | | 06 | G10Z, G12A, G12B, G12C, G12J | | 06 | G10Z, G12A, G12B, G12C, G12J | | | | | | | |
| | 07 | H06A, H06B, H06C | | 07 | H06A, H06B, H06C | | 07 | H06A, H06B, H06C | | | | | | | |
| | 08 | I28A, I28B, I28J | | 08 | I28A, I28B, I28J | | 08 | I28A, I28B, I28J | | | | | | | |
| | 09 | J03A, J03B, J04A, J04B, J08A, J08B, J08C, J11A, J11B, J11J, J11Q, J11R, J11S, J16Z | | 09 | J03A, J03B, J04A, J04B, J08A, J08B, J08C, J11A, J11B, J11J, J11Q, J11R, J11S, J16Z | | 09 | J03A, J03B, J04A, J04B, J08A, J08B, J08C, J11A, J11B, J11J, J11Q, J11R, J11S, J16Z | | | | | | | |
| | 10 | K09A, K09B | | 10 | K09A, K09B | | 10 | K09A, K09B | | | | | | | |
| | 11 | L09A, L09B, L09C, L09J, L38Z | | 11 | L09A, L09B, L09C, L09J, L38Z | | 11 | L09A, L09B, L09C, L09J, L38Z | | | | | | | |
| | 12 | M06J, M06Z, M09A, M09B, M09J, M38Z | | 12 | M06J, M06Z, M09A, M09B, M09J, M38Z | | 12 | M06J, M06Z, M09A, M09B, M09J, M38Z | | | | | | | |
| | 13 | N11A, N11B, N11J | | 13 | N11A, N11B, N11J | | 13 | N11A, N11B, N11J | | | | | | | |
| | 16 | Q03A, Q03B | | 16 | Q03A, Q03B | | 16 | Q03A, Q03B | | | | | | | |
| | 12m21.2↔ | | | KJZSV | 12m21.5↔ | | | KJZSV | 12m23 | | KJZSV | | | | |
| | | 01 | | B03Z, B17A, B17B, B17C, B17J | | | 01 | B03Z, B17A, B17B, B17C, B17J | | 04 | E06A, E06B, E06C, E08A, E08B, E08C | | | | |
| | | 03 | | D12A, D12B, D12J, D12Q | | | 03 | D12A, D12B, D12J, D12Q | | 10 | K09A, K09B | | | | |
| 04 | | E02A, E02B, E02C, E02D | 04 | E02A, E02B, E02C, E02D | | 16 | Q03A, Q03B | | | | | | | | |
| 06 | | G10Z, G12A, G12B, G12C, G12J | 06 | G10Z, G12A, G12B, G12C, G12J | | 17 | R01A, R01B, R01C, R01D, R02Z, R12A, R12B, R12C | | | | | | | | |
| 07 | | H06A, H06B, H06C | 07 | H06A, H06B, H06C | | 12m2x↔ | | KJZSV | | | | | | | |
| 08 | | I28A, I28B, I28J | 08 | I28A, I28B, I28J | | | 01 | B03Z, B17A, B17B, B17C, B17J | | | | | | | |
| 09 | | J03A, J03B, J04A, J04B, J08A, J08B, J08C, J11A, J11B, J11J, J11Q, J11R, J11S, J16Z | 09 | J03A, J03B, J04A, J04B, J08A, J08B, J08C, J11A, J11B, J11J, J11Q, J11R, J11S, J16Z | | | 03 | D12A, D12B, D12J, D12Q | | | | | | | |
| 10 | | K09A, K09B | 10 | K09A, K09B | | | 04 | E02A, E02B, E02C, E02D | | | | | | | |
| 11 | | L09A, L09B, L09C, L09J, L38Z | 11 | L09A, L09B, L09C, L09J, L38Z | | | 06 | G10Z, G12A, G12B, G12C, G12J | | | | | | | |
| 12 | | M06J, M06Z, M09A, M09B, M09J, M38Z | 12 | M06J, M06Z, M09A, M09B, M09J, M38Z | | | 07 | H06A, H06B, H06C | | | | | | | |
| 13 | | N11A, N11B, N11J | 13 | N11A, N11B, N11J | | | 08 | I28A, I28B, I28J | | | | | | | |
| 16 | | Q03A, Q03B | 16 | Q03A, Q03B | | | 09 | J03A, J03B, J04A, J04B, J08A, J08B, J08C, J11A, J11B, J11J, J11Q, J11R, J11S, J16Z | | | | | | | |
| 12m21.3 | | | KJZSV | 12m21.6↔ | | | | KJZSV | | 10 | K09A, K09B | | | | |
| | | 01 | B03Z, B17A, B17B, B17C, B17J | | | | 01 | B03Z, B17A, B17B, B17C, B17J | | 11 | L09A, L09B, L09C, L09J, L38Z | | | | |
| | | 03 | D12A, D12B, D12J, D12Q | | | | 03 | D12A, D12B, D12J, D12Q | | 12 | M06J, M06Z, M09A, M09B, M09J, M38Z | | | | |
| | 04 | E02A, E02B, E02C, E02D | 04 | | E02A, E02B, E02C, E02D | | 13 | N11A, N11B, N11J | | | | | | | |
| | 06 | G10Z, G12A, G12B, G12C, G12J | 06 | | G10Z, G12A, G12B, G12C, G12J | | 16 | Q03A, Q03B | | | | | | | |
| | 07 | H06A, H06B, H06C | 07 | | H06A, H06B, H06C | | 12n01.0‡ | | KJZSV | | | | | | |
| | 08 | I28A, I28B, I28J | 08 | | I28A, I28B, I28J | | | 07 | H41A, H41B, H41C, H41J | | | | | | |
| | 09 | J03A, J03B, J04A, J04B, J08A, J08B, J08C, J11A, J11B, J11J, J11Q, J11R, J11S, J16Z | 09 | | J03A, J03B, J04A, J04B, J08A, J08B, J08C, J11A, J11B, J11J, J11Q, J11R, J11S, J16Z | | | 12n01.1‡ | | KJZSV | | | | | |
| | 10 | K09A, K09B | 10 | | K09A, K09B | 07 | | | H41A, H41B, H41C, H41J | | | | | | |
| | 11 | L09A, L09B, L09C, L09J, L38Z | 11 | | L09A, L09B, L09C, L09J, L38Z | 12n01.2‡ | | | | KJZSV | | | | | |
| | 12 | M06J, M06Z, M09A, M09B, M09J, M38Z | 12 | | M06J, M06Z, M09A, M09B, M09J, M38Z | | | | 07 | H41A, H41B, H41C, H41J | | | | | |
| | 13 | N11A, N11B, N11J | 13 | | N11A, N11B, N11J | | | | 12n01.3‡ | | KJZSV | | | | |
| | 16 | Q03A, Q03B | 16 | | Q03A, Q03B | | | | | 06 | G40Z, G46A, G46B, G46C, G47Z | | | | |
| | 12m21.3 | | KJZSV | | 12m21.6↔ | | | | | | KJZSV | 12n01.4‡ | | KJZSV | |
| | | 01 | B03Z, B17A, B17B, B17C, B17J | | | | | | | 01 | B03Z, B17A, B17B, B17C, B17J | | 06 | G40Z, G46A, G46B, G46C, G47Z | |
| | | 03 | D12A, D12B, D12J, D12Q | | | | | | | 03 | D12A, D12B, D12J, D12Q | | 12n01.x‡ | | KJZSV |
| 04 | | E02A, E02B, E02C, E02D | 04 | E02A, E02B, E02C, E02D | | | | | | 06 | G40Z, G46A, G46B, G46C, G47Z | | | | |
| 06 | | G10Z, G12A, G12B, G12C, G12J | 06 | G10Z, G12A, G12B, G12C, G12J | | | | | | 12n02.a‡ | | | | KJZSV | |
| 07 | | H06A, H06B, H06C | 07 | H06A, H06B, H06C | | | | | | | 06 | | | G40Z, G48A, G48B, G48C | |
| 08 | | I28A, I28B, I28J | 08 | I28A, I28B, I28J | | | | | | | 12n02.b‡ | | | | KJZSV |
| 09 | | J03A, J03B, J04A, J04B, J08A, J08B, J08C, J11A, J11B, J11J, J11Q, J11R, J11S, J16Z | 09 | J03A, J03B, J04A, J04B, J08A, J08B, J08C, J11A, J11B, J11J, J11Q, J11R, J11S, J16Z | | | | | | | | | | 06 | G40Z, G48A, G48B, G48C |
| 10 | | K09A, K09B | 10 | K09A, K09B | | | 12n10.0‡ | | | | | | | | KJZSV |
| 11 | | L09A, L09B, L09C, L09J, L38Z | 11 | L09A, L09B, L09C, L09J, L38Z | | | | | | | | | | 06 | G40Z, G46A, G46B, G46C, G47Z, G50Z |
| 12 | | M06J, M06Z, M09A, M09B, M09J, M38Z | 12 | M06J, M06Z, M09A, M09B, M09J, M38Z | | | | | | | | | | | |
| 13 | | N11A, N11B, N11J | 13 | N11A, N11B, N11J | | | | | | | | | | | |
| 16 | | Q03A, Q03B | 16 | Q03A, Q03B | | | | | | | | | | | |

VYK

| ZZV | MDC | DRG | ZZV | MDC | DRG | ZZV | MDC | DRG |
|-----------|-----|--|-----------|-----|--|----------|-----|--|
| 12n10.2‡ | | KJZSV | 12q10.0↔ | | KJZSV | 12q23.1↔ | | KJZSV |
| 12n20.0‡ | 07 | H41A, H41B, H41C, H41J | | 10 | K09A, K09B | | 13 | N01A, N01B, N01C, N01D, N01E, N02A, N02B, N02C, N03A, N03B, N07J, N07Z, N25J, N25Q, N25Z, N38Z |
| 12n20.2‡ | 06 | G40Z, G46A, G46B, G46C, G47Z, G50Z | 12q10.1↔ | | KJZSV | 12q23.2 | | KJZSV |
| 12n21‡ | 07 | H41A, H41B, H41C, H41J | | 13 | N01A, N01B, N01C, N01D, N01E, N02A, N02B, N02C, N03A, N03B, N07J, N07Z, N25J, N25Q, N25Z, N38Z | | 13 | N01A, N01B, N01C, N01D, N01E, N02A, N02B, N02C, N03A, N03B, N07J, N07Z, N25J, N25Q, N25Z, N38Z |
| 12n30.0‡ | 06 | G40Z, G46A, G46B, G46C, G47Z, G53J, G53Q | 12q10.2 | | KJZSV | 12q23.3↔ | | KJZSV |
| 12n30.1‡ | 06 | G54J, G54Q | | 13 | N01A, N01B, N01C, N01D, N01E, N02A, N02B, N02C, N03A, N03B, N07J, N07Z, N25J, N25Q, N25Z, N38Z | | 13 | N01A, N01B, N01C, N01D, N01E, N02A, N02B, N02C, N03A, N03B, N07J, N07Z, N25J, N25Q, N25Z, N38Z |
| 12n30.2‡ | 07 | H41A, H41B, H41C, H41J | 12q10.3↔ | | KJZSV | 12t00.0↔ | | KJZSV |
| 12n31.1‡ | 06 | G40Z, G46A, G46B, G46C, G47Z | | 13 | N01A, N01B, N01C, N01D, N01E, N02A, N02B, N02C, N03A, N03B, N07J, N07Z, N25J, N25Q, N25Z, N38Z | | 03 | D12A, D12B, D12J, D12Q |
| 12n31.2‡ | 06 | G40Z, G46A, G46B, G46C, G47Z | 12q11.0 | | KJZSV | | 08 | I24J, I24Q, I24Z |
| 12o01.0‡↔ | 11 | L18A, L18B, L19Z, L20A, L20B, L20C, L20J, L20Q, L20R, L38Z | | 13 | N10J, N10Z | 12t00.1↔ | | KJZSV |
| 12o01.1‡↔ | 11 | L18A, L18B, L19Z, L20A, L20B, L20C, L20J, L20Q, L20R, L38Z | 12q11.1 | | KJZSV | | 08 | I24J, I24Q, I24Z |
| 12o01.2 | 11 | L18A, L18B, L19Z, L20A, L20B, L20C, L20J, L20Q, L20R, L38Z | | 13 | N10J, N10Z | 12t00.2↔ | | KJZSV |
| 12o01.6 | 12 | M06J, M06Z, M09A, M09B, M09J, M38Z | 12q11.2 | | KJZSV | | 08 | I24J, I24Q, I24Z |
| | 13 | N08Z | | 14 | 962Z, O02A, O02B, O40J, O40Z | 12t00.3↔ | | KJZSV |
| 12o10‡↔ | 11 | L42A | 12q11.x | | KJZSV | | 08 | I24J, I24Q, I24Z |
| 12o20.0‡↔ | 11 | L42A | | 13 | N10J, N10Z | 12t00.4↔ | | KJZSV |
| 12o20.1‡ | 11 | L46J | 12q12.0 | | KJZSV | | 08 | I24J, I24Q, I24Z |
| 12o20.3 | 12 | M03A, M03B, M03C, M03J, M38Z | | 14 | 962Z, O02A, O02B, O40J, O40Z | 12t00.5↔ | | KJZSV |
| 12o20.4‡↔ | 11 | L46J | | 09 | J03A, J03B, J04A, J04B, J08A, J08B, J08C, J11A, J11B, J11J, J11Q, J11R, J11S, J16Z | | 08 | I32A, I32B, I32C, I32D, I32E, I32F, I32G, I32J, I32Q, I32R, I32S, I32T, I32U |
| 12p10.1‡ | 12 | M03A, M03B, M03C, M03J, M38Z | 12q12.x | | KJZSV | 12t00.6↔ | | KJZSV |
| 12p10.3 | 12 | M03A, M03B, M03C, M03J, M38Z | | 13 | N09A, N09B, N09J, N09Q | | 08 | I24J, I24Q, I24Z |
| 12p10.4‡↔ | 11 | L46J | | 14 | 962Z, O02A, O02B | 12t00.7↔ | | KJZSV |
| 12p30.01‡ | 11 | L46J | 12q20.1 | | KJZSV | | 10 | K09A, K09B |
| 12p30.02‡ | 11 | L46J | | 10 | K09A, K09B | 12t00.8↔ | | KJZSV |
| 12p30.4‡ | 12 | M68J | | 13 | N01A, N01B, N01C, N01D, N01E, N02A, N02B, N02C, N03A, N03B, N07J, N07Z, N25J, N25Q, N25Z, N38Z | | 08 | I24J, I24Q, I24Z |
| 12p41‡ | 12 | M68J | | 14 | 962Z | 12t00.9↔ | | KJZSV |
| 12p42‡ | 12 | M68J | 12q20.2‡ | | KJZSV | | 21A | W04A, W04B |
| 12p43‡ | 12 | M68J | | 14 | 962Z | | 21B | X04Z |
| 12p44‡ | 12 | M68J | 12q20.3‡ | | KJZSV | 12t00.a↔ | | KJZSV |
| 12p45‡ | 12 | M68J | | 14 | 962Z | | 08 | I32A, I32B, I32C, I32D, I32E, I32F, I32G, I32J, I32Q, I32R, I32S, I32T, I32U |
| 12p46‡ | 12 | M68J | 12q20.x‡↔ | | KJZSV | | 21A | W04A, W04B |
| 12p47‡ | 12 | M68J | | 14 | 962Z | 12t00.x↔ | | KJZSV |
| 12p48‡ | 12 | M68J | 12q23.0‡↔ | | KJZSV | | 21B | X05A, X05B, X06A, X06B, X06C |
| 12p49‡ | 12 | M68J | | 10 | K09A, K09B | | 08 | I24J, I24Q, I24Z |
| 12p4a‡ | 12 | M68J | | 13 | N01A, N01B, N01C, N01D, N01E, N02A, N02B, N02C, N03A, N03B, N07J, N07Z, N25J, N25Q, N25Z, N38Z | | 21A | W04A, W04B |
| | | | | | | | 21B | X06A, X06B, X06C |

| ZZV | MDC | DRG | ZZV | MDC | DRG | ZZV | MDC | DRG |
|-----------|-----|--|---------|-----|--|---------|-----|--|
| 12t10.4 | | KJZSV | 12x60† | | KJZSV | 13a10.9 | | BOP, KJZSV, KVT, UOP4 |
| | 03 | D12A, D12B, D12J, D12Q | | 05 | F49A, F49D | | 03 | D12A, D12B, D12J, D12Q |
| | 08 | I28A, I28B, I28C, I28J | 12x61† | | KJZSV | | 04 | E02A, E02B, E02C, E02D |
| | 09 | J03A, J03B, J04A, J04B, J08A, J08B, J08C, J11A, J11B, J11J, J11Q, J11R, J11S, J16Z | 12x62† | | KJZSV | | 08 | I17Z |
| | 10 | K09A, K09B | | 05 | F49A, F49D, F49F | | 09 | J03A, J03B, J04A, J04B, J08A, J08B, J08C, J11A, J11B, J11J, J11Q, J11R, J11S, J16Z |
| | 11 | L09A, L09B, L09C, L09J, L38Z | 13a10.0 | | F49A, F49D, F49F | | 10 | K09A, K09B |
| | 12 | M06J, M06Z, M09A, M09B, M09J, M38Z | 13a10.1 | | BOP, KJZSV, KVT, UOP4 | | 11 | L09A, L09B, L09C, L09J, L38Z |
| 12t11.0†↔ | 03 | D68J, D68Q | 13a10.2 | | BOP, KJZSV, KVT, UOP4 | | 12 | M06J, M06Z, M09A, M09B, M09J, M38Z |
| 12t13.0† | 03 | D68J, D68Q | 13a10.3 | | BOP, KJZSV, KVT, UOP4 | | 12A | W04A, W04B |
| 12t13.4† | 09 | J11A, J11B, J11C, J11J, J11Q, J11R, J11S | 13a10.4 | | BOP, KJZSV, KVT, UOP4 | | 21B | X04Z, X05A, X05B, X06A, X06B, X06C |
| 12t13.5†↔ | 09 | J11A, J11B, J11C, J11J, J11Q, J11R, J11S | 13a10.5 | | BOP, KJZSV, KVT, UOP4 | 13a10.x | | BOP, KJZSV, KVT, UOP4 |
| 12t13.6†↔ | 09 | J11A, J11B, J11C, J11J, J11Q, J11R, J11S | | 01 | B03Z, B17A, B17B, B17C, B17J | 13a11.0 | | BOP, KJZSV, KVT, UOP4 |
| 12t20.4 | | KJZSV | | 02 | C01A, C01B, C14J, C14Q, C14R, C14S, C14Z, C16Z | | 17 | R01A, R01B, R01C, R01D, R02Z, R12A, R12B, R12C |
| | 03 | D12A, D12B, D12J, D12Q | | 05 | F01A, F01B, F01D, F05Z, F07A, F07B, F14A, F14B, F28A, F42Z, F54A, F54B, F54J, F59A, F59B | 13a11.1 | | BOP, KJZSV, KVT, UOP4 |
| | 08 | I28A, I28B, I28C, I28J | 13a10.6 | | I28A, I28B, I28J | | 17 | R01A, R01B, R01C, R01D, R02Z, R12A, R12B, R12C |
| | 09 | J03A, J03B, J04A, J04B, J08A, J08B, J08C, J11A, J11B, J11J, J11Q, J11R, J11S, J16Z | 13a10.7 | | K09A, K09B | 13a11.2 | | BOP, KJZSV, KVT, UOP4 |
| | 10 | K09A, K09B | | 03 | D12A, D12B, D12J, D12Q | | 17 | R01A, R01B, R01C, R01D, R02Z, R12A, R12B, R12C |
| | 11 | L09A, L09B, L09C, L09J, L38Z | | 04 | E02A, E02B, E02C, E02D | 13a11.3 | | BOP, KJZSV, KVT, UOP4 |
| | 12 | M06J, M06Z, M09A, M09B, M09J, M38Z | | 08 | I23A, I23J | | 17 | R01A, R01B, R01C, R01D, R02Z, R12A, R12B, R12C |
| 12t21.0†↔ | 03 | D68J, D68Q | | 09 | J03A, J03B, J04A, J04B, J08A, J08B, J08C, J11A, J11B, J11J, J11Q, J11R, J11S, J16Z | 13a11.4 | | BOP, KJZSV, KVT, UOP4 |
| 12t21.b | | KJZSV | | 10 | K09A, K09B | | 17 | R01A, R01B, R01C, R01D, R02Z, R12A, R12B, R12C |
| | 01 | B03Z, B17A, B17B, B17C, B17J | | 11 | L09A, L09B, L09C, L09J, L38Z | 13a11.5 | | BOP, KJZSV, KVT, UOP4 |
| | 04 | E02A, E02B, E02C, E02D | | 12 | M06J, M06Z, M09A, M09B, M09J, M38Z | | 02 | C01A, C01B, C14J, C14Q, C14R, C14S, C14Z, C16Z |
| | 08 | I27A, I27B, I27C, I27D, I27J, I27Q | | 21A | W04A, W04B | | 05 | F01A, F01B, F01D, F05Z, F07A, F07B, F14A, F14B, F28A, F42Z, F54A, F54B, F54J, F59A, F59B |
| | 09 | J03A, J03B, J04A, J04B, J08A, J08B, J08C, J11A, J11B, J11J, J11Q, J11R, J11S, J16Z | 13a10.8 | | X04Z, X05A, X05B, X06A, X06B, X06C | | 08 | I28A, I28B, I28J |
| | 10 | K09A, K09B | | 03 | D12A, D12B, D12J, D12Q | 13a11.6 | | K09A, K09B |
| 12t23.0† | 03 | D68J, D68Q | | 04 | E02A, E02B, E02C, E02D | | 17 | R01A, R01B, R01C, R01D, R02Z, R12A, R12B, R12C |
| 12t23.4† | 09 | J11A, J11B, J11C, J11J, J11Q, J11R, J11S | | 08 | I15A, I15B | | 17 | R01A, R01B, R01C, R01D, R02Z, R12A, R12B, R12C |
| 12v00.0† | 03 | D68J, D68Q | | 09 | J03A, J03B, J04A, J04B, J08A, J08B, J08C, J11A, J11B, J11J, J11Q, J11R, J11S, J16Z | 13a11.x | | BOP, KJZSV, KVT, UOP4 |
| 12v00.1†↔ | 09 | J11A, J11B, J11C, J11J, J11Q, J11R, J11S | | 10 | K09A, K09B | | 17 | R01A, R01B, R01C, R01D, R02Z, R12A, R12B, R12C |
| 12v00.2†↔ | 09 | J11A, J11B, J11C, J11J, J11Q, J11R, J11S | | 11 | L09A, L09B, L09C, L09J, L38Z | 13a11.0 | | BOP, KJZSV, KVT, UOP4 |
| 12v00.3†↔ | 09 | J11A, J11B, J11C, J11J, J11Q, J11R, J11S | | 12 | M06J, M06Z, M09A, M09B, M09J, M38Z | | 17 | R01A, R01B, R01C, R01D, R02Z, R12A, R12B, R12C |
| 12v00.4† | 09 | J11A, J11B, J11C, J11J, J11Q, J11R, J11S | | 21A | W04A, W04B | 13a20.0 | | BOP, KJZSV, KVT, UOP4 |
| 12v00.5†↔ | 09 | J11A, J11B, J11C, J11J, J11Q, J11R, J11S | | 21B | X04Z, X05A, X05B, X06A, X06B, X06C | | 01 | B03Z, B18Z |
| 12v00.6†↔ | 09 | J11A, J11B, J11C, J11J, J11Q, J11R, J11S | | | | | 08 | I10A, I10B, I10C, I10D, I10E, I10J |
| 12v00.8† | 09 | J11A, J11B, J11C, J11J, J11Q, J11R, J11S | | | | | 17 | R01A, R01B, R01C, R01D, R02Z, R12A, R12B, R12C |
| 12v00.x†↔ | 09 | J11A, J11B, J11C, J11J, J11Q, J11R, J11S | | | | 13a20.1 | | BOP, KJZSV, KVT, UOP4 |
| 12x13.0†↔ | 09 | J45J, J45Q | | | | | 01 | B03Z, B18Z |
| 12x13.1†↔ | 09 | J45J, J45Q | | | | | 08 | I10A, I10B, I10C, I10D, I10E, I10J |
| 12x13.2†↔ | 09 | J45J, J45Q | | | | | 17 | R01A, R01B, R01C, R01D, R02Z, R12A, R12B, R12C |
| 12x23.0†↔ | 09 | J45J, J45Q | | | | | | |
| 12x23.1†↔ | 09 | J45J, J45Q | | | | | | |
| 12x23.2†↔ | 09 | J45J, J45Q | | | | | | |

| ZZV | MDC | DRG | ZZV | MDC | DRG | ZZV | MDC | DRG |
|----------|-----|--|----------|-----|--|---------|-----|--|
| 13a20.x | | BOP, KJZSV, KVT, UOP4 | 13a30.9↔ | | KJZSV | 13c13↔ | | BOP, KJZSV, KVT, UOP4 |
| | 01 | B03Z, B18Z | | 01 | B03Z, B17A, B17B, B17C, B17J | | 02 | C01A, C01B, C14J, C14Q, C14R, C14S, C14Z, C16Z |
| | 08 | I10A, I10B, I10C, I10D, I10E, I10J | | 08 | I28A, I28B, I28J | | 21A | W04A, W04B |
| | 17 | R01A, R01B, R01C, R01D, R02Z, R12A, R12B, R12C | | 21A | W04A, W04B | | 21B | X06A, X06B, X06C |
| 13a30.0↔ | | KJZSV | 13a30.x↔ | | KJZSV | 13c14↔ | | BOP, KJZSV, KVT, UOP4 |
| | 01 | B03Z, B17A, B17B, B17C, B17J | | 01 | B03Z, B17A, B17B, B17C, B17J | | 02 | C01A, C01B, C16Z, C20A, C20B, C20J, C20Q, C20R |
| | 03 | D12A, D12B, D12J, D12Q | | 08 | I28A, I28B, I28J | | 21A | W04A, W04B |
| | 08 | I28A, I28B, I28J | | 21A | W04A, W04B | 13c15↔ | | BOP, KJZSV, KVT, UOP4 |
| | 21A | W04A, W04B | | 21B | X06A, X06B, X06C | | 02 | C01A, C01B, C15J, C15Q, C15Z, C16Z |
| | 21B | X06A, X06B, X06C | 13b00 | | BOP, KJZSV, KVT, UOP4 | | 21A | W04A, W04B |
| 13a30.1↔ | | KJZSV | | 10 | K06A, K06B, K06C | | 21B | X06A, X06B, X06C |
| | 01 | B03Z, B17A, B17B, B17C, B17J | 13b01↔ | | BOP, KJZSV, KVT, UOP4 | 13c16↔ | | BOP, KJZSV, KVT, UOP4 |
| | 03 | D12A, D12B, D12J, D12Q | | 08 | I28A, I28B, I28J | | 02 | C01A, C01B, C15J, C15Q, C15Z, C16Z |
| | 08 | I28A, I28B, I28J | | 10 | K06A, K06B, K06C | | 21A | W04A, W04B |
| | 21A | W04A, W04B | 13b02↔ | | BOP, KJZSV, KVT, UOP4 | | 21B | X06A, X06B, X06C |
| | 21B | X05A, X05B, X06A, X06B, X06C | | 10 | K03A, K03B, K14Z | 13c17↔ | | BOP, KJZSV, KVT, UOP4 |
| 13a30.2↔ | | KJZSV | 13b10.0 | | BOP, KJZSV, KVT, UOP4 | | 02 | C01A, C01B, C10A, C10B, C10C, C10J, C10Q, C16Z |
| | 01 | B03Z, B17A, B17B, B17C, B17J | | 01 | B02A, B02B, B02C, B20A, B20B, B20C, B20D, B39A, B39B | 13c18↔ | | BOP, KJZSV, KVT, UOP4 |
| | 03 | D12A, D12B, D12J, D12Q | | 10 | K03A, K03B | | 02 | C01A, C01B, C02A, C02B, C16Z |
| | 08 | I28A, I28B, I28J | 13b10.1 | | BOP, KJZSV, KVT, UOP4 | | 08 | I17Z |
| | 21A | W04A, W04B | | 01 | B02A, B02B, B02C, B20A, B20B, B20C, B20D, B39A, B39B | | 21A | W04A, W04B |
| | 21B | X05A, X05B, X06A, X06B, X06C | | 10 | K03A, K03B | | 21B | X06A, X06B, X06C |
| 13a30.3↔ | | KJZSV | 13b20.0 | | BOP, KJZSV, KVT, UOP4 | 13c1x↔ | | KJZSV |
| | 01 | B03Z, B17A, B17B, B17C, B17J | | 01 | B02A, B02B, B02C, B20A, B20B, B20C, B20D, B39A, B39B | | 02 | C01A, C01B, C14J, C14Q, C14R, C14S, C14Z, C16Z |
| | 08 | I28A, I28B, I28J | | 10 | K03A, K03B | | 21A | W04A, W04B |
| | 21A | W04A, W04B | | 17 | R01A, R01B, R01C, R01D, R02Z, R12A, R12B, R12C | | 21B | X06A, X06B, X06C |
| | 21B | X05A, X05B, X06A, X06B, X06C | 13b20.1 | | BOP, KJZSV, KVT, UOP4 | 13d21↔ | | KJZSV |
| 13a30.4↔ | | KJZSV | | 01 | B02A, B02B, B02C, B20A, B20B, B20C, B20D, B39A, B39B | | 03 | D09Z, D30A, D30B, D30J, D30Q |
| | 01 | B03Z, B17A, B17B, B17C, B17J | | 10 | K03A, K03B | 13d22↔ | | BOP, KJZSV, KVT, UOP4 |
| | 08 | I28A, I28B, I28J | | 17 | R01A, R01B, R01C, R01D, R02Z, R12A, R12B, R12C | | 03 | D09Z, D30A, D30B, D30J, D30Q |
| | 21A | W04A, W04B | 13c00↔ | | KJZSV | 13d2x↔ | | KJZSV |
| | 21B | X05A, X05B, X06A, X06B, X06C | | 02 | C01A, C01B, C14J, C14Q, C14R, C14S, C14Z, C16Z | | 03 | D09Z, D30A, D30B, D30J, D30Q |
| 13a30.5 | | KJZSV | | 21A | W04A, W04B | 13d30‡ | 03 | D68J, D68Q |
| | 01 | B03Z, B17A, B17B, B17C, B17J | | 21B | X06A, X06B, X06C | 13d3x‡ | 03 | D68J, D68Q |
| | 03 | D12A, D12B, D12J, D12Q | 13c01↔ | | KJZSV | 13d40‡↔ | 03 | D06A, D06B, D06C, D06J, D68J, D68Q |
| | 08 | I28A, I28B, I28J | | 02 | C01A, C01B, C13J, C13Z, C16Z | | 03 | D08A, D08B, D18Z, D22A, D22B, D22J, D30A, D30B, D30J, D30Q, D68J, D68Q |
| | 21A | W04A, W04B | | 21A | W04A, W04B | 13d41‡ | 09 | J03A, J03B, J04A, J04B, J08A, J08B, J08C, J11A, J11B, J11J, J11Q, J11R, J11S, J16Z |
| | 21B | X06A, X06B, X06C | | 21B | X06A, X06B, X06C | | 03 | D08A, D08B, D18Z, D22A, D22B, D22J, D30A, D30B, D30J, D30Q, D68J, D68Q |
| 13a30.6↔ | | KJZSV | 13c10↔ | | KJZSV | 13d42‡ | 09 | J03A, J03B, J04A, J04B, J08A, J08B, J08C, J11A, J11B, J11J, J11Q, J11R, J11S, J16Z |
| | 01 | B03Z, B17A, B17B, B17C, B17J | | 02 | C01A, C01B, C13J, C13Z, C16Z | | 03 | D08A, D08B, D18Z, D22A, D22B, D22J, D30A, D30B, D30J, D30Q, D68J, D68Q |
| | 08 | I28A, I28B, I28J | | 03 | D09Z, D30A, D30B, D30J, D30Q | | 09 | J03A, J03B, J04A, J04B, J08A, J08B, J08C, J11A, J11B, J11J, J11Q, J11R, J11S, J16Z |
| | 21A | W04A, W04B | | 21A | W04A, W04B | 13d4x‡ | 03 | D68J, D68Q |
| | 21B | X04Z, X06A, X06B, X06C | | 21B | X06A, X06B, X06C | 13h10.0 | | KJZSV |
| 13a30.7↔ | | KJZSV | 13c11↔ | | BOP, KJZSV, KVT, UOP4 | | 03 | D09Z, D30A, D30B, D30J, D30Q |
| | 01 | B03Z, B17A, B17B, B17C, B17J | | 02 | C01A, C01B, C07A, C07B, C07J, C16Z | | 04 | E02A, E02B, E02C, E02D |
| | 08 | I28A, I28B, I28J | | 21A | W04A, W04B | 13h10.1 | | KJZSV |
| | 21A | W04A, W04B | | 21B | X06A, X06B, X06C | | 03 | D09Z, D30A, D30B, D30J, D30Q |
| | 21B | X04Z, X06A, X06B, X06C | | | BOP, KJZSV, KVT, UOP4 | | 04 | E02A, E02B, E02C, E02D |
| 13a30.8↔ | | KJZSV | 13c12↔ | | C01A, C01B, C15J, C15Q, C15Z, C16Z | | | |
| | 01 | B03Z, B17A, B17B, B17C, B17J | | 21A | W04A, W04B | | | |
| | 08 | I28A, I28B, I28J | | 21B | X06A, X06B, X06C | | | |
| | 21A | W04A, W04B | | | BOP, KJZSV, KVT, UOP4 | | | |
| | 21B | X04Z, X06A, X06B, X06C | | 21A | W04A, W04B | | | |
| | | | | 21B | X06A, X06B, X06C | | | |

| ZZV | MDC | DRG | ZZV | MDC | DRG | ZZV | MDC | DRG |
|---------|-----|--|----------|-----|--|----------|-----|--|
| 13h10.2 | | KJZSV | 13k01 | | BOP, KJZSV, KVT, UOP4 | 13k02.7↔ | | KJZSV |
| | 03 | D09Z, D30A, D30B, D30J, D30Q | | 04 | E06A, E06B, E06C, E08A, E08B, E08C | | 01 | B03Z, B17A, B17B, B17C, B17J |
| | 04 | E02A, E02B, E02C, E02D | | 05 | F01A, F01B, F01D, F05Z, F07A, F07B, F09A, F09B, F09C, F42Z | | 05 | F01A, F01B, F01D, F05Z, F07A, F07B, F42Z, F54A, F54B, F54J, F59A, F59B |
| 13h10.x | | KJZSV | | 17 | R01A, R01B, R01C, R01D, R02Z, R12A, R12B, R12C | | 08 | I28A, I28B, I28J |
| | 03 | D09Z, D30A, D30B, D30J, D30Q | | | | | 10 | K09A, K09B |
| | 04 | E02A, E02B, E02C, E02D | 13k02.0↔ | | KJZSV | 13k02.8 | | KJZSV |
| 13h20.0 | | KJZSV | | 01 | B03Z, B17A, B17B, B17C, B17J | | 01 | B03Z, B17A, B17B, B17C, B17J |
| | 03 | D08A, D08B, D18Z, D22A, D22B, D22J, D30A, D30B, D30J, D30Q | | 02 | C01A, C01B, C14J, C14Q, C14R, C14S, C14Z, C16Z | | 04 | E02A, E02B, E02C, E02D |
| | 09 | J03A, J03B, J04A, J04B, J08A, J08B, J08C, J11A, J11B, J11J, J11Q, J11R, J11S, J16Z | | 05 | F01A, F01B, F01D, F05Z, F07A, F07B, F42Z, F54A, F54B, F54J, F59A, F59B | | 08 | I27A, I27B, I27C, I27D, I27J, I27Q |
| | | KJZSV | | 08 | I28A, I28B, I28J | | 09 | J03A, J03B, J04A, J04B, J08A, J08B, J08C, J11A, J11B, J11J, J11Q, J11R, J11S, J16Z |
| 13h21 | | D12A, D12B, D12J, D12Q | 13k02.1↔ | | KJZSV | 13k02.9 | | KJZSV |
| | 03 | J03A, J03B, J04A, J04B, J08A, J08B, J08C, J11A, J11B, J11J, J11Q, J11R, J11S, J16Z | | 01 | B03Z, B17A, B17B, B17C, B17J | | 06 | G10Z, G12A, G12B, G12C, G12J |
| | 09 | J03A, J03B, J04A, J04B, J08A, J08B, J08C, J11A, J11B, J11J, J11Q, J11R, J11S, J16Z | | 05 | F01A, F01B, F01D, F05Z, F07A, F07B, F42Z, F54A, F54B, F54J, F59A, F59B | | 09 | J03A, J03B, J04A, J04B, J08A, J08B, J08C, J11A, J11B, J11J, J11Q, J11R, J11S, J16Z |
| 13h22 | | KJZSV | | 08 | I28A, I28B, I28J | | 17 | R01A, R01B, R01C, R01D, R02Z, R12A, R12B, R12C |
| | 03 | D12A, D12B, D12J, D12Q, D39J, D39Z | 13k02.2 | | KJZSV | | 21A | W04A, W04B |
| | 09 | J03A, J03B, J04A, J04B, J08A, J08B, J08C, J11A, J11B, J11J, J11Q, J11R, J11S, J16Z | | 01 | B03Z, B17A, B17B, B17C, B17J | | 21B | X06A, X06B, X06C |
| | | KJZSV | | 05 | F01A, F01B, F01D, F05Z, F07A, F07B, F42Z, F54A, F54B, F54J, F59A, F59B | 13k02.x | | KJZSV |
| | | KJZSV | | 08 | I28A, I28B, I28J | | 06 | G10Z, G12A, G12B, G12C, G12J |
| | | KJZSV | | 10 | K09A, K09B | | 09 | J03A, J03B, J04A, J04B, J08A, J08B, J08C, J11A, J11B, J11J, J11Q, J11R, J11S, J16Z |
| 13j00 | | BOP, KJZSV, KVT, UOP4 | 13k02.3 | | KJZSV | | 17 | R01A, R01B, R01C, R01D, R02Z, R12A, R12B, R12C |
| | 04 | E06A, E06B, E06C, E08A, E08B, E08C | | 01 | B03Z, B17A, B17B, B17C, B17J | | 21A | W04A, W04B |
| | 17 | R01A, R01B, R01C, R01D, R02Z, R12A, R12B, R12C | | 05 | F01A, F01B, F01D, F05Z, F07A, F07B, F42Z, F54A, F54B, F54J, F59A, F59B | | 21B | X06A, X06B, X06C |
| | 21A | W04A, W04B | | 08 | I28A, I28B, I28J | 13m00 | | BOP, KJZSV, KVT, UOP4 |
| | 21B | X06A, X06B, X06C | | 10 | K09A, K09B | | 04 | E06A, E06B, E06C, E08A, E08B, E08C |
| 13j01 | | BOP, KJZSV, KVT, UOP4 | 13k02.4 | | KJZSV | | 10 | K09A, K09B |
| | 04 | E02A, E02B, E02C, E02D | | 01 | B03Z, B17A, B17B, B17C, B17J | | 17 | R01A, R01B, R01C, R01D, R02Z, R12A, R12B, R12C |
| | 05 | F21A, F21B, F21C, F21J | | 05 | F01A, F01B, F01D, F05Z, F07A, F07B, F42Z, F54A, F54B, F54J, F59A, F59B | 13m01 | | BOP, KJZSV, KVT, UOP4 |
| | 10 | K09A, K09B | | 08 | I28A, I28B, I28J | | 16 | Q01Z |
| | 17 | R01A, R01B, R01C, R01D, R02Z, R12A, R12B, R12C | | 10 | K09A, K09B | | 17 | R01A, R01B, R01C, R01D, R02Z, R12A, R12B, R12C |
| | 21A | W04A, W04B | | | | | | |
| | 21B | X06A, X06B, X06C | | | | | | |
| 13j02↔ | | BOP, KJZSV, KVT, UOP4 | 13k02.5↔ | | KJZSV | | | |
| | 04 | E06A, E06B, E06C, E08A, E08B, E08C | | 01 | B03Z, B17A, B17B, B17C, B17J | 13m10.0↔ | | B03Z, B17A, B17B, B17C, B17J |
| | 21A | W04A, W04B | | 05 | F01A, F01B, F01D, F05Z, F07A, F07B, F42Z, F54A, F54B, F54J, F59A, F59B | | 03 | D12A, D12B, D12J, D12Q, D68J, D68Q |
| | 21B | X06A, X06B, X06C | | 08 | I28A, I28B, I28J | | 04 | E02A, E02B, E02C, E02D |
| | 22 | Y01Z, Y03A, Y03B | | 10 | K09A, K09B | | 06 | G10Z, G12A, G12B, G12C, G12J |
| 13j03↔ | | BOP, KJZSV, KVT, UOP4 | | | | | 07 | H06A, H06B, H06C |
| | 04 | E06A, E06B, E06C, E08A, E08B, E08C | | 01 | B03Z, B17A, B17B, B17C, B17J | | 08 | I28A, I28B, I28J |
| | 08 | I28A, I28B, I28J | | 05 | F01A, F01B, F01D, F05Z, F07A, F07B, F42Z, F54A, F54B, F54J, F59A, F59B | | 09 | J03A, J03B, J04A, J04B, J08A, J08B, J08C, J11A, J11B, J11J, J11Q, J11R, J11S, J16Z |
| | 11 | L09A, L09B, L09C, L09J, L38Z | | 08 | I28A, I28B, I28J | | 10 | K09A, K09B |
| | 17 | R01A, R01B, R01C, R01D, R02Z, R12A, R12B, R12C | | 10 | K09A, K09B | | 11 | L09A, L09B, L09C, L09J, L38Z |
| | | BOP, KJZSV, KVT, UOP4 | 13k02.6↔ | | KJZSV | | 12 | M06J, M06Z, M09A, M09B, M09J, M38Z |
| 13k00 | | E06A, E06B, E06C, E08A, E08B, E08C | | 01 | B03Z, B17A, B17B, B17C, B17J | | 13 | N11A, N11B, N11J |
| | 05 | F01A, F01B, F01D, F05Z, F07A, F07B, F09A, F09B, F09C, F42Z | | 05 | F01A, F01B, F01D, F05Z, F07A, F07B, F42Z, F54A, F54B, F54J, F59A, F59B | | 16 | Q03A, Q03B |
| | 17 | R01A, R01B, R01C, R01D, R02Z, R12A, R12B, R12C | | 08 | I28A, I28B, I28J | | | |
| | | | | 10 | K09A, K09B | | | |

VYK

| ZZV | MDC | DRG | ZZV | MDC | DRG | ZZV | MDC | DRG | |
|----------|----------|--|------------------------------|--|--|------------------------------|--|--|------------------------------|
| 13m10.1↔ | 01 | B03Z, B17A, B17B, B17C, B17J | 13m10.4 | | KJZSV | 13m10.7↔ | | KJZSV | |
| | 03 | D12A, D12B, D12J, D12Q, D68J, D68Q | | 01 | B03Z, B17A, B17B, B17C, B17J | | 01 | B03Z, B17A, B17B, B17C, B17J | |
| | 04 | E02A, E02B, E02C, E02D | | 03 | D12A, D12B, D12J, D12Q | | 03 | D12A, D12B, D12J, D12Q | |
| | 06 | G10Z, G12A, G12B, G12C, G12J | | 04 | E02A, E02B, E02C, E02D | | 04 | E02A, E02B, E02C, E02D | |
| | 07 | H06A, H06B, H06C | | 06 | G10Z, G12A, G12B, G12C, G12J | | 06 | G10Z, G12A, G12B, G12C, G12J | |
| | 08 | I28A, I28B, I28J | | 07 | H06A, H06B, H06C | | 07 | H06A, H06B, H06C | |
| | 09 | J03A, J03B, J04A, J04B, J08A, J08B, J08C, J11A, J11B, J11J, J11Q, J11R, J11S, J16Z | | 08 | I28A, I28B, I28J | | 08 | I28A, I28B, I28J | |
| | 10 | K09A, K09B | | 09 | J03A, J03B, J04A, J04B, J08A, J08B, J08C, J11A, J11B, J11J, J11Q, J11R, J11S, J16Z | | 09 | J03A, J03B, J04A, J04B, J08A, J08B, J08C, J11A, J11B, J11J, J11Q, J11R, J11S, J16Z | |
| | 11 | L09A, L09B, L09C, L09J, L38Z | | 10 | K09A, K09B | | 10 | K09A, K09B | |
| | 12 | M06J, M06Z, M09A, M09B, M09J, M38Z | | 11 | L09A, L09B, L09C, L09J, L38Z | | 11 | L09A, L09B, L09C, L09J, L38Z | |
| | 13 | N11A, N11B, N11J | | 12 | M06J, M06Z, M09A, M09B, M09J, M38Z | | 12 | M06J, M06Z, M09A, M09B, M09J, M38Z | |
| | 16 | Q03A, Q03B | | 13 | N11A, N11B, N11J | | 13 | N11A, N11B, N11J | |
| | 13m10.2↔ | 01 | | B03Z, B17A, B17B, B17C, B17J | 13m10.5↔ | | | KJZSV | 13m10.x↔ |
| | | 03 | D12A, D12B, D12J, D12Q | 01 | | B03Z, B17A, B17B, B17C, B17J | 03 | D12A, D12B, D12J, D12Q | |
| | | 04 | E02A, E02B, E02C, E02D | 03 | | D12A, D12B, D12J, D12Q | 04 | E02A, E02B, E02C, E02D | |
| | | 06 | G10Z, G12A, G12B, G12C, G12J | 04 | | E02A, E02B, E02C, E02D | 06 | G10Z, G12A, G12B, G12C, G12J | |
| 07 | | H06A, H06B, H06C | 06 | G10Z, G12A, G12B, G12C, G12J | | 07 | H06A, H06B, H06C | | |
| 08 | | I28A, I28B, I28J | 07 | H06A, H06B, H06C | | 08 | I28A, I28B, I28J | | |
| 09 | | J03A, J03B, J04A, J04B, J08A, J08B, J08C, J11A, J11B, J11J, J11Q, J11R, J11S, J16Z | 08 | I28A, I28B, I28J | | 09 | J03A, J03B, J04A, J04B, J08A, J08B, J08C, J11A, J11B, J11J, J11Q, J11R, J11S, J16Z | | |
| 10 | | K09A, K09B | 09 | J03A, J03B, J04A, J04B, J08A, J08B, J08C, J11A, J11B, J11J, J11Q, J11R, J11S, J16Z | | 10 | K09A, K09B | | |
| 11 | | L09A, L09B, L09C, L09J, L38Z | 10 | K09A, K09B | | 11 | L09A, L09B, L09C, L09J, L38Z | | |
| 12 | | M06J, M06Z, M09A, M09B, M09J, M38Z | 11 | L09A, L09B, L09C, L09J, L38Z | | 12 | M06J, M06Z, M09A, M09B, M09J, M38Z | | |
| 13 | | N11A, N11B, N11J | 12 | M06J, M06Z, M09A, M09B, M09J, M38Z | | 13 | N11A, N11B, N11J | | |
| 16 | | Q03A, Q03B | 13 | N11A, N11B, N11J | | 16 | Q03A, Q03B | | |
| 13m10.3 | | | KJZSV | 13m10.6↔ | | | B03Z, B17A, B17B, B17C, B17J | 13n00.0 | |
| | | 01 | B03Z, B17A, B17B, B17C, B17J | | 01 | B03Z, B17A, B17B, B17C, B17J | 03 | | D12A, D12B, D12J, D12Q |
| | | 03 | D12A, D12B, D12J, D12Q | | 03 | D12A, D12B, D12J, D12Q | 04 | | E02A, E02B, E02C, E02D |
| | | 04 | E02A, E02B, E02C, E02D | | 04 | E02A, E02B, E02C, E02D | 06 | | G10Z, G12A, G12B, G12C, G12J |
| | 06 | G10Z, G12A, G12B, G12C, G12J | 06 | | G10Z, G12A, G12B, G12C, G12J | 07 | H12A, H12B | | |
| | 07 | H06A, H06B, H06C | 07 | | H06A, H06B, H06C | 08 | I28A, I28B, I28J | | |
| | 08 | I28A, I28B, I28J | 08 | | I28A, I28B, I28J | 09 | J03A, J03B, J04A, J04B, J08A, J08B, J08C, J11A, J11B, J11J, J11Q, J11R, J11S, J16Z | | |
| | 09 | J03A, J03B, J04A, J04B, J08A, J08B, J08C, J11A, J11B, J11J, J11Q, J11R, J11S, J16Z | 09 | | J03A, J03B, J04A, J04B, J08A, J08B, J08C, J11A, J11B, J11J, J11Q, J11R, J11S, J16Z | 10 | K09A, K09B | | |
| | 10 | K09A, K09B | 10 | | K09A, K09B | 11 | L09A, L09B, L09C, L09J, L38Z | | |
| | 11 | L09A, L09B, L09C, L09J, L38Z | 11 | | L09A, L09B, L09C, L09J, L38Z | 12 | M06J, M06Z, M09A, M09B, M09J, M38Z | | |
| | 12 | M06J, M06Z, M09A, M09B, M09J, M38Z | 12 | | M06J, M06Z, M09A, M09B, M09J, M38Z | 13 | N11A, N11B, N11J | | |
| | 13 | N11A, N11B, N11J | 13 | | N11A, N11B, N11J | 17 | R01A, R01B, R01C, R01D, R02Z, R12A, R12B, R12C | | |
| | | | 16 | | Q03A, Q03B | 21A | W04A, W04B | | |
| | | | | | | 21B | X06A, X06B, X06C | | |

VYK

| ZZV | MDC | DRG | ZZV | MDC | DRG | ZZV | MDC | DRG |
|---------|-----|--|---------|-----|--|---------|-----|--|
| 13n00.1 | | BOP, KJZSV, KVT, UOP4 | 13n09.1 | | BOP, KJZSV, KVT, UOP4 | 13n09.4 | | BOP, KJZSV, KVT, UOP4 |
| | 03 | D12A, D12B, D12J, D12Q | | 06 | G01Z, G04A, G04B, G07A, G07B, G07C, G38Z | | 05 | F21A, F21B, F21C, F21J |
| | 04 | E02A, E02B, E02C, E02D | | | | | 06 | G10Z, G12A, G12B, G12C, G12J |
| | 06 | G10Z, G12A, G12B, G12C, G12J | 13n09.2 | | BOP, KJZSV, KVT, UOP4 | | 07 | H12A, H12B |
| | 07 | H12A, H12B | | 05 | F21A, F21B, F21C, F21J | | 09 | J03A, J03B, J04A, J04B, J08A, J08B, J08C, J11A, J11B, J11J, J11Q, J11R, J11S, J16Z |
| | 08 | I28A, I28B, I28J | | 06 | G10Z, G12A, G12B, G12C, G12J | | 10 | K09A, K09B |
| | 09 | J03A, J03B, J04A, J04B, J08A, J08B, J08C, J11A, J11B, J11J, J11Q, J11R, J11S, J16Z | | 07 | H12A, H12B | | 11 | L09A, L09B, L09C, L09J, L38Z |
| | 10 | K09A, K09B | | 09 | J03A, J03B, J04A, J04B, J08A, J08B, J08C, J11A, J11B, J11J, J11Q, J11R, J11S, J16Z | | 12 | M01A, M01B, M09A, M09J, M38Z |
| | 11 | L09A, L09B, L09C, L09J, L38Z | | 10 | K09A, K09B | | 13 | N01A, N01B, N01C, N01D, N01E, N02A, N02B, N02C, N03A, N03B, N07J, N07Z, N25J, N25Q, N25Z, N38Z |
| | 12 | M06J, M06Z, M09A, M09B, M09J, M38Z | | 11 | L09A, L09B, L09C, L09J, L38Z | | 14 | 962Z, O02A, O02B |
| | 13 | N11A, N11B, N11J | | 12 | M01A, M01B, M09A, M09J, M38Z | | 17 | R01A, R01B, R01C, R01D, R02Z, R12A, R12B, R12C |
| | 17 | R01A, R01B, R01C, R01D, R02Z, R12A, R12B, R12C | | 13 | N01A, N01B, N01C, N01D, N01E, N02A, N02B, N02C, N03A, N03B, N07J, N07Z, N25J, N25Q, N25Z, N38Z | | 21A | W04A, W04B |
| | 21A | W04A, W04B | | 14 | 962Z, O02A, O02B | | 21B | X06A, X06B, X06C |
| | 21B | X06A, X06B, X06C | | 17 | R01A, R01B, R01C, R01D, R02Z, R12A, R12B, R12C | 13n09.5 | 22 | Y01Z, Y03A, Y03B |
| 13n01.0 | | BOP, KJZSV, KVT, UOP4 | | 21A | W04A, W04B | | | BOP, KJZSV, KVT, UOP4 |
| | 06 | G10Z, G12A, G12B, G12C, G12J | | 21B | X06A, X06B, X06C | | 05 | F21A, F21B, F21C, F21J |
| | 07 | H12A, H12B | | 22 | Y01Z, Y03A, Y03B | | 06 | G10Z, G12A, G12B, G12C, G12J |
| 13n01.1 | | BOP, KJZSV, KVT, UOP4 | 13n09.3 | | BOP, KJZSV, KVT, UOP4 | | 07 | H12A, H12B |
| | 06 | G10Z, G12A, G12B, G12C, G12J | | 05 | F21A, F21B, F21C, F21J | | 09 | J03A, J03B, J04A, J04B, J08A, J08B, J08C, J11A, J11B, J11J, J11Q, J11R, J11S, J16Z |
| | 07 | H12A, H12B | | 06 | G10Z, G12A, G12B, G12C, G12J | | 10 | K09A, K09B |
| 13n01.3 | | BOP, KJZSV, KVT, UOP4 | | 07 | H12A, H12B | | 11 | L09A, L09B, L09C, L09J, L38Z |
| | 06 | G10Z, G12A, G12B, G12C, G12J | | 09 | J03A, J03B, J04A, J04B, J08A, J08B, J08C, J11A, J11B, J11J, J11Q, J11R, J11S, J16Z | | 12 | M01A, M01B, M09A, M09J, M38Z |
| | 07 | H12A, H12B | | 10 | K09A, K09B | | 13 | N11A, N11B, N11J |
| | 10 | K09A, K09B | | 11 | L09A, L09B, L09C, L09J, L38Z | | 14 | 962Z, O02A, O02B |
| | 17 | R01A, R01B, R01C, R01D, R02Z, R12A, R12B, R12C | | 12 | M01A, M01B, M09A, M09J, M38Z | | 17 | R01A, R01B, R01C, R01D, R02Z, R12A, R12B, R12C |
| | 21A | W04A, W04B | | 13 | N01A, N01B, N01C, N01D, N01E, N02A, N02B, N02C, N03A, N03B, N07J, N07Z, N25J, N25Q, N25Z, N38Z | | 21A | W04A, W04B |
| | 21B | X06A, X06B, X06C | | 14 | 962Z, O02A, O02B | | 21B | X06A, X06B, X06C |
| 13n05 | | BOP, KJZSV, KVT, UOP4 | | 17 | R01A, R01B, R01C, R01D, R02Z, R12A, R12B, R12C | 13n09.x | 22 | Y01Z, Y03A, Y03B |
| | 06 | G15Z, G19A, G19B, G19C, G38Z | | 21A | W04A, W04B | | | BOP, KJZSV, KVT, UOP4 |
| 13n06.0 | | BOP, KJZSV, KVT, UOP4 | | 21B | X06A, X06B, X06C | | 05 | F21A, F21B, F21C, F21J |
| | 06 | G01Z, G04A, G04B, G07A, G07B, G07C, G38Z | | 22 | Y01Z, Y03A, Y03B | | 06 | G10Z, G12A, G12B, G12C, G12J |
| 13n06.1 | | BOP, KJZSV, KVT, UOP4 | | | | | 07 | H12A, H12B |
| | 06 | G01Z, G04A, G04B, G07A, G07B, G07C, G38Z | | | | | 09 | J03A, J03B, J04A, J04B, J08A, J08B, J08C, J11A, J11B, J11J, J11Q, J11R, J11S, J16Z |
| 13n06.2 | | BOP, KJZSV, KVT, UOP4 | | | | | 10 | K09A, K09B |
| | 06 | G01Z, G04A, G04B, G07A, G07B, G07C, G38Z | | | | | 11 | L09A, L09B, L09C, L09J, L38Z |
| 13n07.0 | | BOP, KJZSV, KVT, UOP4 | | | | | 12 | M01A, M01B, M09A, M09J, M38Z |
| | 06 | G13Z, G21A, G21B, G21J | | | | | 13 | N11A, N11B, N11J |
| 13n07.1 | | BOP, KJZSV, KVT, UOP4 | | | | | 14 | 962Z, O02A, O02B |
| | 06 | G13Z, G21A, G21B, G21J | | | | | 17 | R01A, R01B, R01C, R01D, R02Z, R12A, R12B, R12C |
| 13n07.2 | | BOP, KJZSV, KVT, UOP4 | | | | | 21A | W04A, W04B |
| | 06 | G13Z, G21A, G21B, G21J | | | | | 21B | X06A, X06B, X06C |
| 13n07.3 | | BOP, KJZSV, KVT, UOP4 | | | | | 22 | Y01Z, Y03A, Y03B |
| | 06 | G13Z, G21A, G21B, G21J | | | | | | |
| 13n08.0 | | BOP, KJZSV, KVT, UOP4 | | | | | | |
| | 06 | G01Z, G04A, G04B, G07A, G07B, G07C, G38Z | | | | | | |
| 13n08.1 | | BOP, KJZSV, KVT, UOP4 | | | | | | |
| | 06 | G01Z, G04A, G04B, G07A, G07B, G07C, G38Z | | | | | | |
| 13n09.0 | | BOP, KJZSV, KVT, UOP4 | | | | | | |
| | 03 | D12A, D12B, D12J, D12Q | | | | 13n0x | | BOP, KJZSV, KVT, UOP4 |
| | 06 | G15Z, G19A, G19B, G38Z | | | | | 16 | Q01Z |
| | 17 | R01A, R01B, R01C, R01D, R02Z, R12A, R12B, R12C | | | | | 17 | R01A, R01B, R01C, R01D, R02Z, R12A, R12B, R12C |

VYK

| ZZV | MDC | DRG | ZZV | MDC | DRG | ZZV | MDC | DRG |
|----------|-----|--|----------|-----|--|----------|---------|--|
| 13o00.0↔ | | BOP, KJZSV, KVT, UOP4 | 13p01.1 | | BOP, KJZSV, KVT, UOP4 | 13q0x | | BOP, KJZSV, KVT, UOP4 |
| | 08 | I28A, I28B, I28J | | 09 | J03A, J03B, J04A, J04B, J08A, J08B, J08C, J11A, J11B, J11J, J11Q, J11R, J11S, J16Z | | 13 | N01A, N01B, N01C, N01D, N01E, N02A, N02B, N02C, N03A, N03B, N07J, N07Z, N25J, N25Q, N25Z, N38Z |
| | 10 | K03A, K03B | | 12 | M03A, M03B, M03C, M03J, M38Z | | 13t10.0 | B03Z, B17A, B17B, B17C, B17J |
| 13o00.1↔ | | BOP, KJZSV, KVT, UOP4 | 13p02.0↔ | | BOP, KJZSV, KVT, UOP4 | 13t10.1↔ | | E02A, E02B, E02C, E02D |
| | 11 | L06A, L06B, L06J | | 10 | K09A, K09B | | 08 | I27A, I27B, I27C, I27D, I27J, I27Q |
| | 12 | M06J, M06Z, M09A, M09B, M09J, M38Z | | 12 | M04A, M04B, M04C, M04D, M04J, M04Q, M37Z, M38Z | | 09 | J03A, J03B, J04A, J04B, J08A, J08B, J08C, J11A, J11B, J11J, J11Q, J11R, J11S, J16Z |
| 13o00.4↔ | | BOP, KJZSV, KVT, UOP4 | 13p02.3↔ | | BOP, KJZSV, KVT, UOP4 | 13t10.2↔ | | K09A, K09B |
| | 11 | L03Z, L04A, L04B, L04C, L04J, L10Z, L13A, L13B, L38Z | | 12 | M06J, M06Z, M09A, M09B, M09J, M38Z | | 01 | B03Z, B17A, B17B, B17C, B17J |
| | 17 | R01A, R01B, R01C, R01D, R02Z, R12A, R12B, R12C | | 13 | N01A, N01B, N01C, N01D, N01E, N02A, N02B, N02C, N03A, N03B, N07J, N07Z, N25J, N25Q, N25Z, N38Z | | 04 | E02A, E02B, E02C, E02D |
| 13o00.5↔ | | BOP, KJZSV, KVT, UOP4 | 13q00.0↔ | | BOP, KJZSV, KVT, UOP4 | 13t10.3↔ | | I27A, I27B, I27C, I27D, I27J, I27Q |
| | 11 | L06A, L06B, L06J | | 10 | K09A, K09B | | 08 | I27A, I27B, I27C, I27D, I27J, I27Q |
| | 12 | M06J, M06Z, M09A, M09B, M09J, M38Z | | 13 | N01A, N01B, N01C, N01D, N01E, N02A, N02B, N02C, N03A, N03B, N07J, N07Z, N25J, N25Q, N25Z, N38Z | | 09 | J03A, J03B, J04A, J04B, J08A, J08B, J08C, J11A, J11B, J11J, J11Q, J11R, J11S, J16Z |
| 13o00.6 | | BOP, KJZSV, KVT, UOP4 | 13q00.1↔ | | BOP, KJZSV, KVT, UOP4 | 13t10.4 | | B03Z, B17A, B17B, B17C, B17J |
| | 11 | L06A, L06B, L06J | | 10 | K09A, K09B | | 04 | E02A, E02B, E02C, E02D |
| | 12 | M06J, M06Z, M09A, M09B, M09J, M38Z | | 13 | N01A, N01B, N01C, N01D, N01E, N02A, N02B, N02C, N03A, N03B, N07J, N07Z, N25J, N25Q, N25Z, N38Z | | 08 | I27A, I27B, I27C, I27D, I27J, I27Q |
| 13o00.7 | | BOP, KJZSV, KVT, UOP4 | 13q01.0↔ | | BOP, KJZSV, KVT, UOP4 | 13t10.5↔ | | E02A, E02B, E02C, E02D |
| | 11 | L06A, L06B, L06J | | 13 | N01A, N01B, N01C, N01D, N01E, N02A, N02B, N02C, N03A, N03B, N07J, N07Z, N25J, N25Q, N25Z, N38Z | | 01 | B03Z, B17A, B17B, B17C, B17J |
| | 12 | M06J, M06Z, M09A, M09B, M09J, M38Z | | 14 | 962Z, O02A, O02B | | 04 | E02A, E02B, E02C, E02D |
| 13o00.x | | BOP, KJZSV, KVT, UOP4 | 13q01.1 | | BOP, KJZSV, KVT, UOP4 | 13t10.6↔ | | I27A, I27B, I27C, I27D, I27J, I27Q |
| | 11 | L06A, L06B, L06J | | 13 | N01A, N01B, N01C, N01D, N01E, N02A, N02B, N02C, N03A, N03B, N07J, N07Z, N25J, N25Q, N25Z, N38Z | | 08 | I27A, I27B, I27C, I27D, I27J, I27Q |
| | 12 | M06J, M06Z, M09A, M09B, M09J, M38Z | | 14 | 962Z, O60A, O60B, O60C, O60D | | 09 | J03A, J03B, J04A, J04B, J08A, J08B, J08C, J11A, J11B, J11J, J11Q, J11R, J11S, J16Z |
| 13p00.0 | | BOP, KJZSV, KVT, UOP4 | 13q01.2 | | BOP, KJZSV, KVT, UOP4 | 13t10.7↔ | | E02A, E02B, E02C, E02D |
| | 11 | L18A, L18B, L19Z, L20A, L20B, L20C, L20J, L20Q, L20R, L38Z | | 09 | J03A, J03B, J04A, J04B, J08A, J08B, J08C, J11A, J11B, J11J, J11Q, J11R, J11S, J16Z | | 04 | E02A, E02B, E02C, E02D |
| | 12 | M06J, M06Z, M09A, M09B, M09J, M38Z | | 13 | N09A, N09B, N09J, N09Q | | 08 | I27A, I27B, I27C, I27D, I27J, I27Q |
| 13p00.1 | | BOP, KJZSV, KVT, UOP4 | 13q02 | | BOP, KVT, UOP4 | 13t10.8↔ | | I27A, I27B, I27C, I27D, I27J, I27Q |
| | 11 | L18A, L18B, L19Z, L20A, L20B, L20C, L20J, L20Q, L20R, L38Z | | 09 | J03A, J03B, J04A, J04B, J08A, J08B, J08C, J11A, J11B, J11J, J11Q, J11R, J11S, J16Z | | 09 | J03A, J03B, J04A, J04B, J08A, J08B, J08C, J11A, J11B, J11J, J11Q, J11R, J11S, J16Z |
| | 12 | M06J, M06Z, M09A, M09B, M09J, M38Z | | 13 | N09A, N09B, N09J, N09Q | | 10 | K09A, K09B |
| 13p01.0 | | BOP, KVT, UOP4 | 13q03 | | BOP, KJZSV, KVT, UOP4 | 13t10.9↔ | | B03Z, B17A, B17B, B17C, B17J |
| | 09 | J03A, J03B, J04A, J04B, J08A, J08B, J08C, J11A, J11B, J11J, J11Q, J11R, J11S, J16Z | | 09 | J03A, J03B, J04A, J04B, J08A, J08B, J08C, J11A, J11B, J11J, J11Q, J11R, J11S, J16Z | | 04 | E02A, E02B, E02C, E02D |
| | 12 | M03A, M03B, M03C, M03J, M38Z | | 13 | N09A, N09B, N09J, N09Q | | 08 | I27A, I27B, I27C, I27D, I27J, I27Q |
| | | | 13q04 | | BOP, KJZSV, KVT, UOP4 | 13t11.0↔ | | E02A, E02B, E02C, E02D |
| | | | | 09 | J03A, J03B, J04A, J04B, J08A, J08B, J08C, J11A, J11B, J11J, J11Q, J11R, J11S, J16Z | | 04 | E02A, E02B, E02C, E02D |
| | | | | 13 | N09A, N09B, N09J, N09Q | | 08 | I27A, I27B, I27C, I27D, I27J, I27Q |
| | | | 13q05 | | BOP, KJZSV, KVT, UOP4 | 13t11.1↔ | | E02A, E02B, E02C, E02D |
| | | | | 13 | N01A, N01B, N01C, N01D, N01E, N02A, N02B, N02C, N03A, N03B, N07J, N07Z, N25J, N25Q, N25Z, N38Z | | 09 | J03A, J03B, J04A, J04B, J08A, J08B, J08C, J11A, J11B, J11J, J11Q, J11R, J11S, J16Z |
| | | | | 14 | 962Z, O60A, O60B, O60C, O60D | | 10 | K09A, K09B |



| ZZV | MDC | DRG | ZZV | MDC | DRG | ZZV | MDC | DRG | |
|----------|------------------------------------|--|--|--|--|--|--|--|--|
| 13t10.6↔ | | KJZSV | 13t20.2↔ | | KJZSV | 13t20.5 | | KJZSV | |
| | 01 | B03Z, B17A, B17B, B17C, B17J | | 01 | B17A, B17B, B17C, B17J | | 01 | B17A, B17B, B17C, B17J | |
| | 04 | E02A, E02B, E02C, E02D | | 03 | D12A, D12B, D12J, D12Q | | 03 | D12A, D12B, D12J, D12Q | |
| | 08 | I27A, I27B, I27C, I27D, I27J, I27Q | | 04 | E02A, E02B, E02C | | 04 | E02A, E02B, E02C | |
| | 09 | J03A, J03B, J04A, J04B, J08A, J08B, J08C, J11A, J11B, J11J, J11Q, J11R, J11S, J16Z | | 08 | I12A, I12B, I12C, I12J, I18A, I24J, I24Q, I24Z | | 08 | I08A, I08B, I08C, I08D, I08E, I08F, I08J, I12A, I12B, I12C, I12J | |
| | 10 | K09A, K09B | | 09 | J03A, J03B, J04A, J04B, J08A, J08B, J08C, J11A, J11B, J11J, J11Q, J11R, J11S, J16Z | | 09 | J03A, J03B, J04A, J04B, J08A, J08B, J08C, J11A, J11B, J11J, J11Q, J11R, J11S, J16Z | |
| | 13t10.7↔ | 01 | | B03Z, B17A, B17B, B17C, B17J | 10 | | K09A, K09B | 10 | K09A, K09B |
| | | 04 | | E02A, E02B, E02C, E02D | 11 | | L09A, L09B, L09C, L09J, L38Z | 11 | L09A, L09B, L09C, L09J, L38Z |
| | | 08 | | I27A, I27B, I27C, I27D, I27J, I27Q | 12 | | M06J, M06Z, M09A, M09B, M09J, M38Z | 12 | M06J, M06Z, M09A, M09B, M09J, M38Z |
| | | 09 | | J03A, J03B, J04A, J04B, J08A, J08B, J08C, J11A, J11B, J11J, J11Q, J11R, J11S, J16Z | 16 | | Q03A, Q03B | 16 | Q03A, Q03B |
| 10 | | K09A, K09B | 21A | W04A, W04B | 16 | Q03A, Q03B | | | |
| 13t10.x↔ | | 01 | B03Z, B17A, B17B, B17C, B17J | 21B | X05A, X05B, X06A, X06B, X06C | 21A | W04A, W04B | | |
| | | 04 | E02A, E02B, E02C, E02D | 13t20.3↔ | | KJZSV | 13t20.6↔ | | KJZSV |
| | | 08 | I27A, I27B, I27C, I27D, I27J, I27Q | | 01 | B17A, B17B, B17C, B17J | | 01 | B17A, B17B, B17C, B17J |
| | | 09 | J03A, J03B, J04A, J04B, J08A, J08B, J08C, J11A, J11B, J11J, J11Q, J11R, J11S, J16Z | | 03 | D12A, D12B, D12J, D12Q | | 03 | D12A, D12B, D12J, D12Q |
| | | 10 | K09A, K09B | | 04 | E02A, E02B, E02C | | 04 | E02A, E02B, E02C |
| | 13t20.0 | 01 | B03Z, B17A, B17B, B17C, B17J | | 08 | I12A, I12B, I12C, I12J, I32A, I32B, I32C, I32D, I32E, I32F, I32J, I32Q, I32R, I32S, I32T, I32U | | 08 | I08A, I08B, I08C, I08D, I08E, I08F, I08J |
| | | 04 | E02A, E02B, E02C | | 09 | J03A, J03B, J04A, J04B, J08A, J08B, J08C, J11A, J11B, J11J, J11Q, J11R, J11S, J16Z | | 09 | J03A, J03B, J04A, J04B, J08A, J08B, J08C, J11A, J11B, J11J, J11Q, J11R, J11S, J16Z |
| | | 08 | I27A, I27B, I27C, I27D, I27J, I27Q | | 10 | K09A, K09B | | 10 | K09A, K09B |
| | | 09 | J03A, J03B, J04A, J04B, J08A, J08B, J08C, J11A, J11B, J11J, J11Q, J11R, J11S, J16Z | | 11 | L09A, L09B, L09C, L09J, L38Z | | 11 | L09A, L09B, L09C, L09J, L38Z |
| | | 10 | K09A, K09B | | 12 | M06J, M06Z, M09A, M09B, M09J, M38Z | | 12 | M06J, M06Z, M09A, M09B, M09J, M38Z |
| 01 | | B17A, B17B, B17C, B17J | 16 | | Q03A, Q03B | 16 | | Q03A, Q03B | |
| 03 | | D12A, D12B, D12J, D12Q | 21A | W04A, W04B | 21A | W04A, W04B | | | |
| 04 | | E02A, E02B, E02C | 21B | X04Z, X06A, X06B, X06C | 21B | X04Z, X06A, X06B, X06C | | | |
| 08 | | I12A, I12B, I12C, I12J, I28A, I28B, I28C, I28J | 13t20.4 | | KJZSV | 13t20.7↔ | | KJZSV | |
| 09 | | J03A, J03B, J04A, J04B, J08A, J08B, J08C, J11A, J11B, J11J, J11Q, J11R, J11S, J16Z | | 01 | B17A, B17B, B17C, B17J | | 01 | B17A, B17B, B17C, B17J | |
| 10 | K09A, K09B | 03 | | D12A, D12B, D12J, D12Q | 03 | | D12A, D12B, D12J, D12Q | | |
| 11 | L09A, L09B, L09C, L09J, L38Z | 04 | | E02A, E02B, E02C | 04 | | E02A, E02B, E02C | | |
| 12 | M06J, M06Z, M09A, M09B, M09J, M38Z | 08 | | I08A, I08B, I08C, I08D, I08E, I08F, I08J, I10A, I10B, I10C, I10D, I10E, I10J | 08 | | I12A, I12B, I12C, I12J, I13A, I13B, I13C, I13D, I13E, I13J, I18A | | |
| 16 | Q03A, Q03B | 09 | | J03A, J03B, J04A, J04B, J08A, J08B, J08C, J11A, J11B, J11J, J11Q, J11R, J11S, J16Z | 09 | | J03A, J03B, J04A, J04B, J08A, J08B, J08C, J11A, J11B, J11J, J11Q, J11R, J11S, J16Z | | |
| 21A | W04A, W04B | 10 | | K09A, K09B | 10 | | K09A, K09B | | |
| 21B | X06A, X06B, X06C | 11 | | L09A, L09B, L09C, L09J, L38Z | 11 | | L09A, L09B, L09C, L09J, L38Z | | |
| 13t20.1↔ | | KJZSV | | 12 | M06J, M06Z, M09A, M09B, M09J, M38Z | | 12 | M06J, M06Z, M09A, M09B, M09J, M38Z | |
| | 01 | B17A, B17B, B17C, B17J | | 16 | Q03A, Q03B | | 16 | Q03A, Q03B | |
| | 03 | D12A, D12B, D12J, D12Q | 21A | W04A, W04B | 21A | W04A, W04B | | | |
| | 04 | E02A, E02B, E02C | 21B | X04Z, X06A, X06B, X06C | 21B | X04Z, X06A, X06B, X06C | | | |
| | 08 | I12A, I12B, I12C, I12J, I13A, I13B, I13C, I13D, I13E, I13J | | | | | | | |
| | 09 | J03A, J03B, J04A, J04B, J08A, J08B, J08C, J11A, J11B, J11J, J11Q, J11R, J11S, J16Z | | | | | | | |
| | 10 | K09A, K09B | | | | | | | |
| | 11 | L09A, L09B, L09C, L09J, L38Z | | | | | | | |
| | 12 | M06J, M06Z, M09A, M09B, M09J, M38Z | | | | | | | |
| | 16 | Q03A, Q03B | | | | | | | |
| 21A | W04A, W04B | | | | | | | | |
| 21B | X06A, X06B, X06C | | | | | | | | |

VYK

| ZZV | MDC | DRG | ZZV | MDC | DRG | ZZV | MDC | DRG |
|----------|-----|--|----------|-----|--|---------|-----|--|
| 13t30.8↔ | | KJZSV | 13t30.7↔ | | KJZSV | 14a30.0 | | BOP, KJZSV, KVT, UOP4 |
| 01 | | B17A, B17B, B17C, B17J | 03 | | D12A, D12B, D12J, D12Q | 01 | | B02A, B02B, B02C, B20A, B20B, B20C, B20D, B39A, B39B |
| 03 | | D12A, D12B, D12J, D12Q | 04 | | E02A, E02B, E02C, E02D | 17 | | R01A, R01B, R01C, R01D, R02Z, R12A, R12B, R12C |
| 04 | | E02A, E02B, E02C | 08 | | I12A, I12B, I12C, I12J, I24J, I24Q, I24Z | 21A | | W04A, W04B |
| 08 | | I12A, I12B, I12C, I12J | 21A | | W04A, W04B | 21B | | X06A, X06B, X06C |
| 09 | | J03A, J03B, J04A, J04B, J08A, J08B, J08C, J11A, J11B, J11J, J11Q, J11R, J11S, J16Z | 13t30.8↔ | | KJZSV | 14a30.1 | | BOP, KJZSV, KVT, UOP4 |
| 10 | | K09A, K09B | 03 | | D12A, D12B, D12J, D12Q | 01 | | B03Z, B18Z |
| 11 | | L09A, L09B, L09C, L09J, L38Z | 04 | | E02A, E02B, E02C, E02D | 08 | | I10A, I10B, I10C, I10D, I10E, I10J |
| 12 | | M06J, M06Z, M09A, M09B, M09J, M38Z | 08 | | I12A, I12B, I12C, I12J, I13A, I13B, I13C, I13D, I13J | 17 | | R01A, R01B, R01C, R01D, R02Z, R12A, R12B, R12C |
| 16 | | Q03A, Q03B | 21A | | W04A, W04B | 14a30.x | | KJZSV |
| 21A | | W04A, W04B | 21B | | X04Z, X06A, X06B, X06C | 01 | | B03Z, B18Z |
| 21B | | X04Z, X06A, X06B, X06C | 13t30.9↔ | | KJZSV | 08 | | I10A, I10B, I10C, I10D, I10E, I10J |
| 13t30.0↔ | | KJZSV | 03 | | D12A, D12B, D12J, D12Q | 17 | | R01A, R01B, R01C, R01D, R02Z, R12A, R12B, R12C |
| 03 | | D12A, D12B, D12J, D12Q, D68J, D68Q | 04 | | E02A, E02B, E02C, E02D | 14c00↔ | | KJZSV |
| 04 | | E02A, E02B, E02C, E02D | 08 | | I12A, I12B, I12C, I12J | 02 | | C01A, C01B, C13J, C13Z, C16Z |
| 08 | | I17Z | 21A | | W04A, W04B | 03 | | D09Z, D30A, D30B, D30J, D30Q |
| 21A | | W04A, W04B | 21B | | X06A, X06B, X06C | 21A | | W04A, W04B |
| 21B | | X06A, X06B, X06C | 13t30.a↔ | | KJZSV | 21B | | X06A, X06B, X06C |
| 13t30.1↔ | | KJZSV | 03 | | D12A, D12B, D12J, D12Q | 03 | | D68J |
| 03 | | D12A, D12B, D12J, D12Q | 04 | | E02A, E02B, E02C, E02D | 03 | | D68J |
| 04 | | E02A, E02B, E02C, E02D | 08 | | I32A, I32B, I32C, I32D, I32E, I32F, I32J, I32Q, I32R, I32S, I32T, I32U | 03 | | D68J |
| 08 | | I12A, I12B, I12C, I12J, I16J, I16Q, I16Z, I27A, I27B, I27C, I27D, I27J, I27Q | 21A | | W04A, W04B | 03 | | D68J |
| 21A | | W04A, W04B | 21B | | X05A, X05B, X06A, X06B, X06C | 03 | | D68J |
| 21B | | X06A, X06B, X06C | 13t30.b | | KJZSV | 03 | | D68J |
| 13t30.2↔ | | KJZSV | 01 | | B03Z, B17A, B17B, B17C, B17J | 03 | | D68J |
| 03 | | D12A, D12B, D12J, D12Q | 04 | | E02A, E02B, E02C, E02D | 03 | | D68J |
| 04 | | E02A, E02B, E02C, E02D | 08 | | I27A, I27B, I27C, I27D, I27J, I27Q | 03 | | D68J |
| 08 | | I08A, I08B, I08C, I08D, I08E, I08F, I08J, I12A, I12B, I12C, I12J, I21J, I21Z, I31J, I31Z | 09 | | J03A, J03B, J04A, J04B, J08A, J08B, J08C, J11A, J11B, J11J, J11Q, J11R, J11S, J16Z | 03 | | D68J |
| 21A | | W04A, W04B | 10 | | K09A, K09B | 04 | | E69B |
| 21B | | X06A, X06B, X06C | 13t30.c↔ | | KJZSV | 04 | | E69B |
| 13t30.3↔ | | KJZSV | 03 | | D12A, D12B, D12J, D12Q | 04 | | E69B |
| 03 | | D12A, D12B, D12J, D12Q | 04 | | E02A, E02B, E02C, E02D | 04 | | E69B |
| 04 | | E02A, E02B, E02C, E02D | 08 | | I32A, I32B, I32C, I32D, I32E, I32F, I32J, I32Q, I32R, I32S, I32T, I32U | 04 | | E69B |
| 08 | | I12A, I12B, I12C, I12J, I21J, I21Z, I31J, I31Z, I32A, I32B, I32C, I32D, I32E, I32F, I32J, I32Q, I32R, I32S, I32T, I32U | 21A | | W04A, W04B | 04 | | E69B |
| 21A | | W04A, W04B | 21B | | X05A, X05B, X06A, X06B, X06C | 04 | | E69B |
| 21B | | X06A, X06B, X06C | 13t30.x↔ | | KJZSV | 04 | | E69B |
| 13t30.4↔ | | KJZSV | 03 | | D12A, D12B, D12J, D12Q | 14j02‡ | | KJZSV |
| 03 | | D12A, D12B, D12J, D12Q | 04 | | E02A, E02B, E02C, E02D | 03 | | D60A |
| 04 | | E02A, E02B, E02C, E02D | 08 | | I12A, I12B, I12C, I12J, I27A, I27B, I27C, I27D, I27J, I27Q | 04 | | E65A, E69B, E71A |
| 08 | | I12A, I12B, I12C, I12J, I27A, I27B, I27C, I27D, I27J, I27Q | 21A | | W04A, W04B | 04 | | E69B |
| 21A | | W04A, W04B | 21B | | X06A, X06B, X06C | 04 | | E69B |
| 21B | | X06A, X06B, X06C | 13x01 | | BOP, KJZSV, KVT, UOP4 | 14j03‡ | | KJZSV |
| 13t30.5↔ | | KJZSV | 01 | | B03Z, B17A, B17B, B17C, B17J | 04 | | E69B |
| 03 | | D12A, D12B, D12J, D12Q | 04 | | E02A, E02B, E02C, E02D | 04 | | E69B |
| 04 | | E02A, E02B, E02C, E02D | 08 | | I27A, I27B, I27C, I27D, I27J, I27Q | 04 | | E69B |
| 08 | | I08A, I08B, I08C, I08D, I08E, I08F, I08J, I10A, I10B, I10C, I10D, I10E, I10J | 09 | | J03A, J03B, J04A, J04B, J08A, J08B, J08C, J11A, J11B, J11J, J11Q, J11R, J11S, J16Z | 04 | | E69B |
| 21A | | W04A, W04B | 10 | | K09A, K09B | 04 | | E69B |
| 21B | | X04Z, X06A, X06B, X06C | | | | 04 | | E69B |
| 13t30.6↔ | | KJZSV | | | | 04 | | E69B |
| 08 | | I08A, I08B, I08C, I08D, I08E, I08F, I08J | | | | 04 | | E69B |
| 21A | | W01A, W01B, W01C, W02A, W02B | | | | 04 | | E69B |
| 21B | | X04Z | | | | 04 | | E69B |

| ZZV | MDC | DRG | ZZV | MDC | DRG | ZZV | MDC | DRG |
|-----------|-----|--|-----------|-----|--|----------|-----|--|
| 14n11.0x† | 06 | G40Z, G46A, G46B, G46C, G47Z, G53J, G53Q | 14n31.1 | | BOP, KJZSV, KVT, UOP4 | 14t30.1↔ | | KJZSV |
| 14n11.1† | 06 | G40Z, G46A, G46B, G46C, G47Z, G53J, G53Q | | 06 | G01Z, G04A, G04B, G07A, G07B, G07C, G38Z | | 08 | I24J, I24Q, I24Z |
| 14n11.2† | 06 | G40Z, G46A, G46B, G46C, G47Z, G53J, G53Q | | 17 | R01A, R01B, R01C, R01D, R02Z, R12A, R12B, R12C | | 21A | W04A, W04B |
| 14n11.3† | 06 | G40Z, G46A, G46B, G46C, G47Z, G53J, G53Q | | 21A | W04A, W04B | 14t30.2↔ | | KJZSV |
| 14n11.4x† | 06 | G40Z, G46A, G46B, G46C, G47Z, G50Z, G53J, G53Q | 14n31.2 | | BOP, KJZSV, KVT, UOP4 | | 08 | I24J, I24Q, I24Z |
| 14n12.1† | 06 | G40Z, G46A, G46B, G46C, G47Z, G50Z, G53J, G53Q | | 06 | G01Z, G04A, G04B, G07A, G07B, G07C, G38Z | | 21A | W04A, W04B |
| 14n12.5† | 06 | G40Z, G46A, G46B, G46C, G47Z, G50Z, G53J, G53Q | 14n32.31† | | KJZSV | 14t30.3↔ | | KJZSV |
| 14n12.x† | 06 | G53J, G53Q | | 07 | H41A, H41B, H41C, H41J | | 08 | I32A, I32B, I32C, I32D, I32E, I32F, I32G, I32J, I32Q, I32R, I32S, I32T, I32U |
| 14n13.1† | | KJZSV | 14n32.32 | | BOP, KJZSV, KVT, UOP4 | 14t30.4↔ | | KJZSV |
| | 06 | G40Z, G47Z | | 06 | G01Z, G04A, G04B, G07A, G07B, G07C, G38Z | | 08 | I24J, I24Q, I24Z |
| 14n13.2† | 06 | G40Z, G46A, G46B, G46C, G47Z, G53J, G53Q | | 21A | W04A, W04B | | 21A | W04A, W04B |
| 14n14.4† | | KJZSV | | 21B | X06A, X06B, X06C | 14t30.5↔ | | KJZSV |
| 14n14.5† | 07 | H41A, H41B, H41C, H41J | 14n32.x | | BOP, KJZSV, KVT, UOP4 | | 08 | I24J, I24Q, I24Z |
| 14n14.6† | 07 | H41A, H41B, H41C, H41J | | 06 | G01Z, G04A, G04B, G07A, G07B, G07C, G38Z | | 21A | W04A, W04B |
| 14n15.0† | | KJZSV | | 21A | W04A, W04B | 14t30.6↔ | | KJZSV |
| 14n15.1† | 07 | H41A, H41B | 14o01† | | L42A, L64A, L64B, L64J, L64Q, L64R | | 08 | I24J, I24Q, I24Z |
| 14n20.00† | | KJZSV | 14o02† | | L42A, L64A, L64J, L64Q, L64R, L74Z | 14t30.7↔ | | KJZSV |
| 14n20.01† | 07 | H41A, H41B | 14o04† | | KJZSV | | 08 | I24J, I24Q, I24Z |
| 14n21.00† | 06 | G40Z, G48A, G48B, G48C, G54J, G54Q | 14o11.0† | | L40J, L40Z | | 10 | K09A, K09B |
| 14n21.01† | 06 | G40Z, G48A, G48B, G48C, G54J, G54Q | 14o11.1† | | L64A, L64J, L64Q, L64R, L74Z | 14t30.8↔ | | KJZSV |
| 14n21.02† | 06 | G40Z, G48A, G48B, G48C, G54J, G54Q | 14o11.2†↔ | | KJZSV | | 08 | I24J, I24Q, I24Z |
| 14n21.03† | 06 | G40Z, G48A, G48B, G48C, G54J, G54Q | 14o12.0† | | KJZSV | 14t30.9↔ | | KJZSV |
| 14n21.04† | 06 | G40Z, G48A, G48B, G48C, G54J, G54Q | 14o12.1† | | L42A, L64A, L64J, L64Q, L64R, L74Z | | 08 | I24J, I24Q, I24Z |
| 14n21.05† | | KJZSV | 14o30.1†↔ | | L64A, L64J, L64Q, L64R, L74Z | 14t30.a↔ | | KJZSV |
| 14n21.0x† | 06 | G40Z, G47Z | 14o30.2† | | L64A, L64J, L64Q, L64R, L74Z | | 08 | I32A, I32B, I32C, I32D, I32E, I32F, I32G, I32J, I32Q, I32R, I32S, I32T, I32U |
| 14n21.10† | 06 | G40Z, G46A, G46B, G46C, G47Z, G50Z, G53J, G53Q | 14q04† | | N10J, N10Z | | 21A | W04A, W04B |
| 14n21.11† | 06 | G40Z, G48A, G48B, G48C, G54J, G54Q | 14q05 | | N01A, N01B, N01C, N01D, N01E, N02A, N02B, N02C, N03A, N03B, N07J, N07Z, N25J, N25Q, N25Z, N38Z | 14t30.c↔ | | KJZSV |
| 14n21.12† | 06 | G40Z, G48A, G48B, G48C, G54J, G54Q | 14q06 | | KJZSV | | 08 | I32A, I32B, I32C, I32D, I32E, I32F, I32G, I32J, I32Q, I32R, I32S, I32T, I32U |
| 14n21.13† | 06 | G54J, G54Q | | 13 | N11A, N11B, N11J | | 21A | W04A, W04B |
| 14n21.14† | 06 | G54J, G54Q | | 14 | 962Z, O02A, O02B | 14t30.x↔ | | KJZSV |
| 14n21.1x† | 06 | G54J, G54Q | 14q07† | | X06A, X06B, X06C | | 08 | I24J, I24Q, I24Z |
| 14n21.20† | 06 | G54J, G54Q | | 21B | X06A, X06B, X06C | | 21A | W04A, W04B |
| 14n21.21† | 06 | G40Z, G48A, G48B, G48C, G54J, G54Q | 14q08† | | KJZSV | | 21B | X06A, X06B, X06C |
| 14n21.22† | 06 | G54J, G54Q | 14q0a | | KJZSV | | | |
| 14n31.0 | | BOP, KJZSV, KVT, UOP4 | | 13 | N11A, N11B, N11J | | | |
| | 06 | G15Z, G19A, G19B, G38Z | | 14 | 962Z, O02A, O02B | | | |
| | 07 | H12A, H12B | | 21B | X06A, X06B, X06C | | | |
| | 17 | R01A, R01B, R01C, R01D, R02Z, R12A, R12B, R12C | 14t30.0↔ | | D12A, D12B, D12J, D12Q, D68J, D68Q | | | |
| | 21A | W04A, W04B | | 08 | I24J, I24Q, I24Z | | | |
| | 21B | X06A, X06B, X06C | | 21A | W04A, W04B | | | |
| | 22 | Y01Z, Y03A, Y03B | | 21B | X06A, X06B, X06C | | | |

VYK

| ZZV | MDC | DRG | ZZV | MDC | DRG | ZZV | MDC | DRG |
|-----------|-----|--|-----------|-----|--|----------|-----|--|
| 14v11 | 06 | G10Z, G12A, G12B, G12C, G12J | 16310.5‡ | | KJZSV | 1k110.8‡ | | KJZSV |
| | 07 | H12A, H12B | | Pre | A64Z, A66Z | | 05 | F12F, F15Z, F36A, F36B, F42Z, F46A, F46B, F49A, F49B, F49C, F49D, F49E, F49F |
| | 09 | J03A, J03B, J04A, J04B, J08A, J08B, J08C, J11A, J11B, J11J, J11Q, J11R, J11S, J16Z | 16310.6‡ | | KJZSV | | | KJZSV |
| | | | | Pre | A66Z | | | |
| | 11 | L09A, L09B, L09C, L09J, L38Z | 19901‡ | 02 | C01A, C01B, C14J, C14Q, C14R, C14S, C14Z, C16Z | 1k110.9‡ | 05 | F12F, F15Z, F36A, F36B, F42Z, F46A, F46B, F49A, F49C, F49D, F49E, F49F, F49G |
| | 13 | N25J, N25Q, N25Z | | 03 | D68J, D68Q | | | KJZSV |
| | 14 | 962Z, O02A, O02B | | 06 | G53J, G53Q | | | F12F, F15Z, F36A, F36B, F42Z, F46A, F46B, F49A, F49C, F49D, F49E, F49F, F49G |
| | 21A | W04A, W04B | | 09 | J45J, J45Q | | | KJZSV |
| | 21B | X06A, X06B | 1a402.1‡ | 11 | L46J | | | F12F, F15Z, F36A, F36B, F42Z, F46A, F46B, F49A, F49C, F49D, F49E, F49F, F49G |
| | 22 | Y01Z, Y03A, Y03B | | 12 | M68J | | | KJZSV |
| 15c00↔ | | KJZSV | | 13 | N68J | | 05 | F12F, F15Z, F36A, F36B, F42Z, F46A, F46B, F49A, F49C, F49D, F49E, F49F, F49G |
| | 02 | C01A, C01B, C14J, C14Q, C14R, C14S, C14Z, C16Z | 1a402.2‡ | | KJZSV | | | KJZSV |
| | 21A | W04A, W04B | | 01 | B76C | | | F15Z, F36A, F36B |
| | 21B | X06A, X06B, X06C | 1a402.4‡ | 01 | B76C | 1k120.1‡ | | KJZSV |
| 15c03↔ | | KJZSV | | 01 | KJZSV | | 05 | F12F, F15Z, F36A, F36B, F42Z, F46A, F46B, F49A, F49B, F49C, F49D, F49F, F49G |
| | 02 | C01A, C01B, C15J, C15Q, C15Z, C16Z | 1a510.0‡ | 01 | B76A | | | KJZSV |
| | | | | 01 | KJZSV | | | F12F, F15Z, F36A, F36B, F42Z, F46A, F46B, F49A, F49B, F49C, F49D, F49F, F49G |
| | 03 | D68J, D68Q | 1a510.1‡ | 01 | B13Z, B76A | 1k130.0‡ | | KJZSV |
| 15t10.0‡↔ | | | | 01 | KJZSV | | 05 | F12F, F15Z, F36A, F36B, F42Z, F46A, F46B, F49A, F49B, F49C, F49D, F49F, F49G |
| 15x02 | 13 | N01A, N01B, N01C, N01D, N01E, N02A, N02B, N02C, N03A, N03B, N07J, N07Z, N25J, N25Q, N25Z, N38Z | 1a510.3‡ | 01 | B76A, B76C | | | KJZSV |
| | | | | 02 | C14J, C14Q, C14R, C14S, C14Z | 1k130.2‡ | 05 | F12F, F15Z, F36A, F36B, F42Z, F46A, F46B, F49A, F49B, F49C, F49D, F49F, F49G |
| 15x03↔ | 13 | N01A, N01B, N01C, N01D, N01E, N02A, N02B, N02C, N03A, N03B, N07J, N07Z, N25J, N25Q, N25Z, N38Z | 1c101.10‡ | 02 | C14J, C14Q, C14R, C14S, C14Z | | | KJZSV |
| | | | | 02 | C14J, C14Q, C14R, C14S, C14Z | | | F12F, F15Z, F36A, F36B, F42Z, F46A, F46B, F49A, F49B, F49C, F49D, F49F, F49G |
| | | | 1c101.11‡ | 02 | C14J, C14Q, C14R, C14S, C14Z | 1k130.3‡ | | KJZSV |
| | | | | 02 | C14J, C14Q, C14R, C14S, C14Z | | 05 | F12F, F15Z, F36A, F36B, F42Z, F46A, F46B, F49A, F49B, F49C, F49D, F49F, F49G |
| | | | 1c101.13‡ | ↔ | | | | KJZSV |
| | | | ↔ | 02 | C14J, C14Q, C14R, C14S, C14Z | | | F12F, F15Z, F36A, F36B, F42Z, F46A, F46B, F49A, F49B, F49C, F49D, F49F, F49G |
| 15x04‡ | 13 | N07J, N07Z, N25J, N25Q, N25Z | 1c101.14‡ | ↔ | | | | KJZSV |
| | | | ↔ | 02 | C14J, C14Q, C14R, C14S, C14Z | 1k130.4‡ | | F12F, F15Z, F36A, F36B, F42Z, F46A, F46B, F49A, F49B, F49C, F49D, F49F, F49G |
| | 14 | 962Z | 1c101.15‡ | ↔ | | | | KJZSV |
| 15x06 | 09 | J45J, J45Q | 1c101.17‡ | ↔ | | | 05 | F12F, F15Z, F36A, F36B, F42Z, F46A, F46B, F49A, F49B, F49C, F49D, F49F, F49G |
| | 13 | N01A, N01B, N01C, N01D, N01E, N02A, N02B, N02C, N03A, N03B, N07J, N07Z, N25J, N25Q, N25Z, N38Z | 1k110.0‡ | 05 | F12F, F15Z, F36A, F36B, F42Z, F46A, F46B, F49A, F49C, F49D, F49E, F49F, F49G | 1k130.5‡ | | KJZSV |
| | | | | | KJZSV | | 05 | F12F, F15Z, F36A, F36B, F42Z, F46A, F46B, F49A, F49B, F49C, F49D, F49F, F49G |
| 16006‡ | | KJZSV | | | | | | KJZSV |
| 16102.0‡ | 04 | E63Z | 1k110.1‡ | 05 | F12F, F15Z, F36A, F36B, F42Z, F46A, F46B, F49A, F49C, F49D, F49E, F49F, F49G | 1k130.6‡ | | KJZSV |
| | | KJZSV | | | | | 05 | F12F, F15Z, F36A, F36B, F42Z, F46A, F46B, F49A, F49B, F49C, F49D, F49F, F49G |
| 16102.1‡ | 17 | R61B, R61G | | | | | | KJZSV |
| | | KJZSV | | | | | | F12F, F15Z, F36A, F36B, F42Z, F46A, F46B, F49A, F49B, F49C, F49D, F49F, F49G |
| 16300.0‡ | 17 | R61B, R61G | | | | | | KJZSV |
| | | KJZSV | | | | | | F12F, F15Z, F36A, F36B, F42Z, F46A, F46B, F49A, F49B, F49C, F49D, F49F, F49G |
| 16300.1‡ | Pre | A69Z | 1k110.2‡ | 05 | F12F, F15Z, F36A, F36B, F42Z, F46A, F46B, F49A, F49C, F49D, F49E, F49F, F49G | 1k130.x‡ | | KJZSV |
| | | KJZSV | | | | | 05 | F12F, F15Z, F36A, F36B, F42Z, F46A, F46B, F49A, F49B, F49C, F49D, F49F, F49G |
| 16300.2‡ | Pre | A69Z | | | | | | KJZSV |
| | | KJZSV | | | | | | F12F, F15Z, F36A, F36B, F42Z, F46A, F46B, F49A, F49B, F49C, F49D, F49F, F49G |
| 16300.3‡ | Pre | A69Z | 1k110.3‡ | 05 | F12F, F15Z, F36A, F36B, F42Z, F46A, F46B, F49A, F49C, F49D, F49E, F49F, F49G | 1k211.0‡ | | KJZSV |
| | | KJZSV | | | | | | F03C, F03D, F03E, F05Z, F06C, F06D, F06E, F12F, F15Z, F36A, F36B, F41A, F41B, F42Z, F46A, F46B, F49A, F49B, F49C, F49D, F49E, F49F, F49G |
| 16300.4‡ | Pre | A69Z | 1k110.4‡ | 05 | F12F, F15Z, F36A, F36B, F42Z, F46A, F46B, F49A, F49B, F49C, F49D, F49E, F49F, F49G | | 05 | F03C, F03D, F03E, F05Z, F06C, F06D, F06E, F12F, F15Z, F36A, F36B, F41A, F41B, F42Z, F46A, F46B, F49A, F49B, F49C, F49D, F49E, F49F, F49G |
| | | KJZSV | | | | | | G67A |
| 16300.5‡ | Pre | A69Z | | | | | | KJZSV |
| | | KJZSV | | | | | | F03C, F03D, F03E, F05Z, F06C, F06D, F06E, F12F, F15Z, F36A, F36B, F41A, F41B, F42Z, F46A, F46B, F49A, F49B, F49C, F49D, F49E, F49F, F49G |
| 16300.6‡ | Pre | A69Z | 1k110.5‡ | 05 | F12F, F15Z, F36A, F36B, F42Z, F46A, F46B, F49A, F49B, F49C, F49D, F49E, F49F, F49G | 1k211.1‡ | | KJZSV |
| | | KJZSV | | | | | | F03C, F03D, F03E, F05Z, F06C, F06D, F06E, F12F, F15Z, F36A, F36B, F41A, F41B, F42Z, F46A, F46B, F49A, F49B, F49C, F49D, F49E, F49F, F49G |
| 16310.0‡ | Pre | A64Z, A66Z | | | | | | G67A |
| | | KJZSV | | | | | | KJZSV |
| 16310.1‡ | Pre | A62Z | 1k110.6‡ | 05 | F12F, F15Z, F36A, F36B, F42Z, F46A, F46B, F49A, F49B, F49C, F49D, F49E, F49F, F49G | | 05 | F03C, F03D, F03E, F05Z, F06C, F06D, F06E, F12F, F15Z, F36A, F36B, F41A, F41B, F42Z, F46A, F46B, F49A, F49B, F49C, F49D, F49E, F49F, F49G |
| | | KJZSV | | | | | | G67A |
| 16310.2‡ | Pre | A63Z | | | | | | KJZSV |
| | | KJZSV | | | | | | F03C, F03D, F03E, F05Z, F06C, F06D, F06E, F12F, F15Z, F36A, F36B, F41A, F41B, F42Z, F46A, F46B, F49A, F49B, F49C, F49D, F49E, F49F, F49G |
| 16310.3‡ | Pre | A63Z | 1k110.7‡ | 05 | F12F, F15Z, F36A, F36B, F42Z, F46A, F46B, F49A, F49C, F49D, F49E, F49F, F49G | | 06 | G67A |
| | | KJZSV | | | | | | KJZSV |
| 16310.4‡ | Pre | A64Z | | | | | | F12F, F15Z, F36A, F36B, F42Z, F46A, F46B, F49A, F49C, F49D, F49E, F49F, F49G |

| ZZV | MDC | DRG | ZZV | MDC | DRG | ZZV | MDC | DRG |
|----------|-----|--|-----------|-----|--|-----------|-----|--|
| 1k213.d‡ | | KJZSV | 1k240.3‡ | | KJZSV | 31313.1‡ | | KJZSV |
| | 05 | F03C, F03D, F03E, F05Z, F06C, F06D, F06E, F12F, F15Z, F36A, F36B, F41A, F41B, F42Z, F46A, F46B, F49A, F49B, F49C, F49D, F49E, F49F, F49G | | 05 | F03C, F03D, F03E, F05Z, F06C, F06D, F06E, F12F, F15Z, F36A, F36B, F41A, F41B, F46A, F46B, F49A, F49B, F49C, F49D, F49E, F49F, F49G | | 05 | F49A, F49D |
| | 06 | G67A | | 06 | G67A | 31313.2‡ | | KJZSV |
| 1k213.f‡ | | KJZSV | 1k240.4‡ | | KJZSV | | 05 | F49A, F49D |
| | 05 | F03C, F03D, F03E, F05Z, F06C, F06D, F06E, F12F, F15Z, F36A, F36B, F41A, F41B, F42Z, F46A, F46B, F49A, F49B, F49C, F49D, F49E, F49F, F49G | | 05 | F03C, F03D, F03E, F05Z, F06C, F06D, F06E, F12F, F15Z, F36A, F36B, F41A, F41B, F46A, F46B, F49A, F49B, F49C, F49D, F49E, F49F, F49G | 31314.12‡ | 06 | G40Z, G46A, G46B, G46C, G47Z, G50Z, G53J, G53Q |
| | 06 | G67A | | 06 | G67A | 31314.13‡ | 06 | G40Z, G46A, G46B, G46C, G47Z, G50Z, G53J, G53Q |
| 1k213.x‡ | | KJZSV | 1k240.x‡ | | KJZSV | 31314.14‡ | 06 | G40Z, G46A, G46B, G46C, G47Z, G50Z, G53J, G53Q |
| | 05 | F03C, F03D, F03E, F05Z, F06C, F06D, F06E, F12F, F15Z, F36A, F36B, F41A, F41B, F42Z, F46A, F46B, F49A, F49B, F49C, F49D, F49E, F49F, F49G | | 05 | F03C, F03D, F03E, F05Z, F06C, F06D, F06E, F12F, F15Z, F36A, F36B, F41A, F41B, F46A, F46B, F49A, F49B, F49C, F49D, F49E, F49F, F49G | 31314.15‡ | 07 | H41A, H41B, H41C, H41J |
| | 06 | G67A | | 06 | G67A | 31314.16‡ | 07 | H41A, H41B, H41C, H41J |
| 1k214.0‡ | | KJZSV | 1k241.0‡ | | KJZSV | 31314.17‡ | 06 | G40Z, G48A, G48B, G48C, G54J, G54Q |
| | 05 | F03C, F03D, F03E, F05Z, F06C, F06D, F06E, F12F, F15Z, F36A, F36B, F41A, F41B, F42Z, F46A, F46B, F49A, F49B, F49C, F49D, F49E, F49F, F49G | | 05 | F03C, F03D, F03E, F05Z, F06C, F06D, F06E, F12F, F15Z, F36A, F36B, F41A, F41B, F46A, F46B, F49A, F49B, F49C, F49D, F49E, F49F, F49G | 31314.18‡ | 06 | G40Z, G48A, G48B, G48C, G54J, G54Q |
| | 06 | G67A | | 06 | G67A | 31314.19 | 06 | KJZSV |
| 1k214.1‡ | | KJZSV | 1k241.30‡ | | KJZSV | | 06 | G10Z, G12A, G12B, G12C, G12J |
| | 05 | F03C, F03D, F03E, F05Z, F06C, F06D, F06E, F12F, F15Z, F36A, F36B, F41A, F41B, F42Z, F46A, F46B, F49A, F49B, F49C, F49D, F49E, F49F, F49G | | 05 | F03C, F03D, F03E, F05Z, F06C, F06D, F06E, F12F, F15Z, F36A, F36B, F41A, F41B, F42Z, F46A, F46B, F49A, F49B, F49C, F49D, F49E, F49F, F49G | | 07 | H12A, H12B |
| | 06 | G67A | | 06 | G67A | | 09 | J03A, J03B, J04A, J04B, J08A, J08B, J08C, J11A, J11B, J11J, J11Q, J11R, J11S, J16Z |
| 1k214.2‡ | | KJZSV | 1k241.31‡ | | KJZSV | | 11 | L09A, L09B, L09C, L09J, L38Z |
| | 05 | F03C, F03D, F03E, F05Z, F06C, F06D, F06E, F12F, F15Z, F36A, F36B, F41A, F41B, F42Z, F46A, F46B, F49A, F49B, F49C, F49D, F49E, F49F, F49G | | 05 | F03C, F03D, F03E, F05Z, F06C, F06D, F06E, F12F, F15Z, F36A, F36B, F41A, F41B, F42Z, F46A, F46B, F49A, F49B, F49C, F49D, F49E, F49F, F49G | | 13 | N08Z |
| | 06 | G67A | | 06 | G67A | | 14 | 962Z, O02A, O02B |
| 1k214.x‡ | | KJZSV | 1k241.32‡ | | KJZSV | | 21A | W04A, W04B |
| | 05 | F03C, F03D, F03E, F05Z, F06C, F06D, F06E, F12F, F15Z, F36A, F36B, F41A, F41B, F42Z, F46A, F46B, F49A, F49B, F49C, F49D, F49E, F49F, F49G | | 05 | F03C, F03D, F03E, F05Z, F06C, F06D, F06E, F12F, F15Z, F36A, F36B, F41A, F41B, F42Z, F46A, F46B, F49A, F49B, F49C, F49D, F49E, F49F, F49G | 31314.1a‡ | 21B | X06A, X06B, X06C |
| | 06 | G67A | | 06 | G67A | 31314.22‡ | 22 | Y01Z, Y03A, Y03B |
| 1k240.0‡ | | KJZSV | 1k241.5‡ | | KJZSV | | 06 | G53J, G53Q |
| | 05 | F03C, F03D, F03E, F05Z, F06C, F06D, F06E, F12F, F15Z, F36A, F36B, F41A, F41B, F46A, F46B, F49A, F49B, F49C, F49D, F49E, F49F, F49G | | 05 | F03C, F03D, F03E, F05Z, F06C, F06D, F06E, F12F, F15Z, F36A, F36B, F41A, F41B, F42Z, F46A, F46B, F49A, F49B, F49C, F49D, F49E, F49F, F49G | | 06 | G40Z, G46A, G46B, G46C, G47Z, G50Z |
| | 06 | G67A | | 06 | G67A | 31314.23‡ | | KJZSV |
| 1k240.2‡ | | KJZSV | 1k241.x‡ | | KJZSV | | 06 | G40Z, G46A, G46B, G46C, G47Z, G50Z |
| | 05 | F03C, F03D, F03E, F05Z, F06C, F06D, F06E, F12F, F15Z, F36A, F36B, F41A, F41B, F46A, F46B, F49A, F49B, F49C, F49D, F49E, F49F, F49G | | 05 | F03C, F03D, F03E, F05Z, F06C, F06D, F06E, F12F, F15Z, F36A, F36B, F41A, F41B, F42Z, F46A, F46B, F49A, F49B, F49C, F49D, F49E, F49F, F49G | 31314.24‡ | 06 | KJZSV |
| | 06 | G67A | | 06 | G67A | | 06 | G40Z, G46A, G46B, G46C, G47Z, G50Z |
| | 05 | F03C, F03D, F03E, F05Z, F06C, F06D, F06E, F12F, F15Z, F36A, F36B, F41A, F41B, F46A, F46B, F49A, F49B, F49C, F49D, F49E, F49F, F49G | 31121‡ | | F42Z | 31314.25‡ | 06 | KJZSV |
| | 06 | G67A | | 06 | G67A | | 06 | G40Z, G46A, G46B, G46C, G47Z, G50Z |
| | 05 | F03C, F03D, F03E, F05Z, F06C, F06D, F06E, F12F, F15Z, F36A, F36B, F41A, F41B, F46A, F46B, F49A, F49B, F49C, F49D, F49E, F49F, F49G | 31129.3‡ | | KJZSV | 31314.26‡ | 07 | H41A, H41B, H41C, H41J |
| | 06 | G67A | 31312‡ | | KJZSV | | 07 | KJZSV |
| | 05 | F03C, F03D, F03E, F05Z, F06C, F06D, F06E, F12F, F15Z, F36A, F36B, F41A, F41B, F46A, F46B, F49A, F49B, F49C, F49D, F49E, F49F, F49G | | 05 | F49A, F49D | 31314.27‡ | 07 | H41A, H41B, H41C, H41J |
| | 06 | G67A | | 06 | G67A | | 06 | G40Z, G48A, G48B, G48C |
| | 05 | F03C, F03D, F03E, F05Z, F06C, F06D, F06E, F12F, F15Z, F36A, F36B, F41A, F41B, F46A, F46B, F49A, F49B, F49C, F49D, F49E, F49F, F49G | | 05 | F03C, F03D, F03E, F05Z, F06C, F06D, F06E, F12F, F15Z, F36A, F36B, F41A, F41B, F46A, F46B, F49A, F49B, F49C, F49D, F49E, F49F, F49G | 31314.29 | 06 | KJZSV |
| | 06 | G67A | | 06 | G67A | | 06 | G10Z, G12A, G12B, G12C, G12J |
| | 05 | F03C, F03D, F03E, F05Z, F06C, F06D, F06E, F12F, F15Z, F36A, F36B, F41A, F41B, F46A, F46B, F49A, F49B, F49C, F49D, F49E, F49F, F49G | | 05 | F03C, F03D, F03E, F05Z, F06C, F06D, F06E, F12F, F15Z, F36A, F36B, F41A, F41B, F46A, F46B, F49A, F49B, F49C, F49D, F49E, F49F, F49G | | 07 | H12A, H12B |
| | 06 | G67A | | 06 | G67A | | 09 | J03A, J03B, J04A, J04B, J08A, J08B, J08C, J11A, J11B, J11J, J11Q, J11R, J11S, J16Z |
| | 05 | F03C, F03D, F03E, F05Z, F06C, F06D, F06E, F12F, F15Z, F36A, F36B, F41A, F41B, F46A, F46B, F49A, F49B, F49C, F49D, F49E, F49F, F49G | | 05 | F03C, F03D, F03E, F05Z, F06C, F06D, F06E, F12F, F15Z, F36A, F36B, F41A, F41B, F46A, F46B, F49A, F49B, F49C, F49D, F49E, F49F, F49G | | 11 | L09A, L09B, L09C, L09J, L38Z |
| | 06 | G67A | | 06 | G67A | | 13 | N08Z |
| | 05 | F03C, F03D, F03E, F05Z, F06C, F06D, F06E, F12F, F15Z, F36A, F36B, F41A, F41B, F46A, F46B, F49A, F49B, F49C, F49D, F49E, F49F, F49G | | 05 | F49A, F49D | | 14 | 962Z, O02A, O02B |
| | 06 | G67A | | 06 | G67A | | 21A | W04A, W04B |
| | 05 | F03C, F03D, F03E, F05Z, F06C, F06D, F06E, F12F, F15Z, F36A, F36B, F41A, F41B, F46A, F46B, F49A, F49B, F49C, F49D, F49E, F49F, F49G | | 05 | F03C, F03D, F03E, F05Z, F06C, F06D, F06E, F12F, F15Z, F36A, F36B, F41A, F41B, F46A, F46B, F49A, F49B, F49C, F49D, F49E, F49F, F49G | 31314.32‡ | 21B | X06A, X06B, X06C |
| | 06 | G67A | | 06 | G67A | | 22 | Y01Z, Y03A, Y03B |
| | 05 | F03C, F03D, F03E, F05Z, F06C, F06D, F06E, F12F, F15Z, F36A, F36B, F41A, F41B, F46A, F46B, F49A, F49B, F49C, F49D, F49E, F49F, F49G | | 05 | F03C, F03D, F03E, F05Z, F06C, F06D, F06E, F12F, F15Z, F36A, F36B, F41A, F41B, F46A, F46B, F49A, F49B, F49C, F49D, F49E, F49F, F49G | | 06 | G40Z, G46A, G46B, G46C, G47Z, G50Z |
| | 06 | G67A | | 06 | G67A | | | KJZSV |

| ZZV | MDC | DRG | ZZV | MDC | DRG | ZZV | MDC | DRG |
|-----------|-----|--|----------|-----|------------|----------|-----|--|
| 31314.33‡ | | KJZSV | 35304.1‡ | | KJZSV | 35314.7‡ | | KJZSV |
| | 06 | G40Z, G46A, G46B, G46C, G47Z, G50Z | 35304.2‡ | 05 | F49A, F49D | | 05 | F49A, F49D |
| 31314.34‡ | | KJZSV | | | KJZSV | 35314.8‡ | | KJZSV |
| | 06 | G40Z, G46A, G46B, G46C, G47Z, G50Z | 35305.0‡ | 05 | F49A, F49D | | 05 | F49A, F49D |
| 31314.35‡ | | KJZSV | | | KJZSV | 35315.0‡ | | KJZSV |
| | 06 | G40Z, G46A, G46B, G46C, G47Z, G50Z | 35305.1‡ | 05 | F49A, F49D | | 05 | F49A, F49D |
| 31314.36‡ | | KJZSV | | | KJZSV | 35315.1‡ | | KJZSV |
| | 06 | G40Z, G46A, G46B, G46C, G47Z, G50Z | 35305.2‡ | 05 | F49A, F49D | | 05 | F49A, F49D |
| 31314.37‡ | | KJZSV | | | KJZSV | 35315.2‡ | | KJZSV |
| | 07 | H41A, H41B, H41C, H41J | 35306.0‡ | 05 | F49A, F49D | | 05 | F49A, F49D |
| 31314.37‡ | | KJZSV | | | KJZSV | 35323‡ | | KJZSV |
| | 07 | H41A, H41B, H41C, H41J | 35306.1‡ | 05 | F49A, F49D | | 05 | F49A, F49D |
| 31314.38‡ | | KJZSV | | | KJZSV | 35324‡ | | KJZSV |
| | 06 | G40Z, G48A, G48B, G48C | 35306.2‡ | 05 | F49A, F49D | | 05 | F49A, F49D |
| 31314.39 | | KJZSV | | | KJZSV | 35325‡ | | KJZSV |
| | 06 | G10Z, G12A, G12B, G12C, G12J | 3530x‡ | 05 | F49A, F49D | | 05 | F49A, F49D |
| | 07 | H12A, H12B | 35311.0‡ | 05 | F49A, F49D | | 05 | F49A, F49D |
| | 09 | J03A, J03B, J04A, J04B, J08A, J08B, J08C, J11A, J11B, J11J, J11Q, J11R, J11S, J16Z | 35311.1‡ | 05 | F49A, F49D | | 10 | K64C |
| | 11 | L09A, L09B, L09C, L09J, L38Z | 35311.2‡ | 05 | F49A, F49D | | 23 | Z64A |
| | 13 | N08Z | 35311.3‡ | 05 | F49A, F49D | | 05 | F49A, F49D |
| | 14 | 962Z, O02A, O02B | 35311.4‡ | 05 | F49A, F49D | | 10 | K64C |
| | 21A | W04A, W04B | 35311.5‡ | 05 | F49A, F49D | | 23 | Z64A |
| | 21B | X06A, X06B, X06C | | | KJZSV | 5a110 | | BOP, KJZSV, KOP, KOPV, KVT, UOP4 |
| | 22 | Y01Z, Y03A, Y03B | 35312.0‡ | 05 | F49A, F49D | | 01 | B02A, B02B, B02C, B20A, B20B, B20C, B20D, B39A, B39B |
| 31317.2‡ | | KJZSV | | | KJZSV | | 02 | C01A |
| | 11 | L42A, L64A, L64J, L64Q, L64R, L74Z | 35312.1‡ | 05 | F49A, F49D | | 06 | G33Z |
| 32204.6‡ | 13 | N68J | 35312.2‡ | 05 | F49A, F49D | | 07 | H33Z, H38Z |
| 32331‡↔ | 02 | C17J | 35312.3‡ | 05 | F49A, F49D | | 08 | I15A, I15B |
| 32332‡↔ | 02 | C17J | 35312.4‡ | 05 | F49A, F49D | | 11 | L33Z |
| 35128.3‡ | | KJZSV | | | KJZSV | | 21A | W01A, W01B, W01C, W36Z |
| | 10 | K64C | 35312.5‡ | 05 | F49A, F49D | | 21B | X06A, X06B, X06C, X33Z |
| | 23 | Z64A | 35313.0‡ | 05 | F49A, F49D | | 23 | Z01A |
| 35128.4‡ | | KJZSV | | | KJZSV | 5a111 | Pre | A07A, A09A, A13B |
| | 10 | K64C | 35313.1‡ | 05 | F49A, F49D | | | BOP, KJZSV, KOP, KOPV, KVT, UOP4 |
| | 23 | Z64A | 35313.2‡ | 05 | F49A, F49D | | 01 | B02A, B02B, B02C, B20A, B20B, B20C, B20D, B39A, B39B |
| 35128.5‡ | | KJZSV | | | KJZSV | | 02 | C01A |
| | 10 | K64C | 35313.3‡ | 05 | F49A, F49D | | 06 | G33Z |
| | 23 | Z64A | 35313.4‡ | 05 | F49A, F49D | | 07 | H33Z, H38Z |
| 35128.6‡ | | KJZSV | | | KJZSV | | 08 | I23A, I23J |
| | 10 | K64C | 35313.5‡ | 05 | F49A, F49D | | 11 | L33Z |
| | 23 | Z64A | 35313.6‡ | 05 | F49A, F49D | | 17 | R01A, R01B, R01C, R01D, R02Z, R12A, R12B, R12C |
| 35301.0‡ | | KJZSV | | | KJZSV | | 21A | W01A, W01B, W01C, W36Z |
| | 05 | F49A, F49D | 35313.7‡ | 05 | F49A, F49D | | 21B | X33Z |
| 35301.1‡ | | KJZSV | | | KJZSV | | 23 | Z01A |
| | 05 | F49A, F49D | 35313.8‡ | 05 | F49A, F49D | | Pre | A07A |
| 35301.2‡ | | KJZSV | | | KJZSV | 5a112.2 | | BOP, KJZSV, KOP, KOPV, KVT, UOP4 |
| | 05 | F49A, F49D | 35314.0‡ | 05 | F49A, F49D | | 01 | B02A, B02B, B02C, B13Z, B20A, B20B, B20C, B20D, B39A, B39B |
| 35302.0‡ | | KJZSV | | | KJZSV | | 02 | C01A |
| | 05 | F49A, F49D | 35314.1‡ | 05 | F49A, F49D | | 06 | G33Z |
| 35302.1‡ | | KJZSV | | | KJZSV | | 07 | H33Z, H38Z |
| | 05 | F49A, F49D | 35314.2‡ | 05 | F49A, F49D | | 11 | L33Z |
| 35302.2‡ | | KJZSV | | | KJZSV | | 17 | R01A, R01B, R01C, R01D, R02Z, R12A, R12B, R12C |
| | 05 | F49A, F49D | 35314.3‡ | 05 | F49A, F49D | | 21A | W01A, W01B, W01C, W36Z |
| 35303.0‡ | | KJZSV | | | KJZSV | | 21B | X33Z |
| | 05 | F49A, F49D | 35314.4‡ | 05 | F49A, F49D | | 23 | Z01A |
| 35303.1‡ | | KJZSV | | | KJZSV | | Pre | A07A |
| | 05 | F49A, F49D | 35314.5‡ | 05 | F49A, F49D | | | BOP, KJZSV, KOP, KOPV, KVT, UOP4 |
| 35303.2‡ | | KJZSV | | | KJZSV | | 01 | B02A, B02B, B02C, B13Z, B20A, B20B, B20C, B20D, B39A, B39B |
| | 05 | F49A, F49D | 35314.6‡ | 05 | F49A, F49D | | 02 | C01A |
| 35304.0‡ | | KJZSV | | | KJZSV | | 06 | G33Z |
| | 05 | F49A, F49D | | | KJZSV | | 07 | H33Z, H38Z |
| | | | | | KJZSV | | 11 | L33Z |
| | | | | | KJZSV | | 17 | R01A, R01B, R01C, R01D, R02Z, R12A, R12B, R12C |
| | | | | | KJZSV | | 21A | W01A, W01B, W01C, W36Z |
| | | | | | KJZSV | | 21B | X33Z |
| | | | | | KJZSV | | 23 | Z01A |
| | | | | | KJZSV | | Pre | A07A |

VYK

| ZZV | MDC | DRG | ZZV | MDC | DRG | ZZV | MDC | DRG | | | |
|---------|---------|--|--|--|--|---------|--|--|---------|----|--|
| 5a112.d | | BOP, KJZSV, KOP, KOPV, KVT, UOP4 | 5a112.h | | BOP, KJZSV, KOP, KOPV, KVT, UOP4 | 5a113.n | | BOP, KJZSV, KOP, KOPV, KVT, UOP4 | | | |
| | 01 | B02A, B02B, B02C, B13Z, B20A, B20B, B20C, B20D, B39A, B39B | | 01 | B02A, B02B, B02C, B13Z, B20A, B20B, B20C, B20D, B39A, B39B | | 01 | B02A, B02B, B02C, B13Z, B20A, B20B, B20C, B20D, B39A, B39B | | | |
| | 02 | C01A | | 02 | C01A | | 02 | C01A | | | |
| | 06 | G33Z | | 06 | G33Z | | 03 | D18Z, D25A, D25B, D25C, D25D, D25J | | | |
| | 07 | H33Z, H38Z | | 07 | H33Z, H38Z | | 06 | G33Z | | | |
| | 11 | L33Z | | 11 | L33Z | | 07 | H33Z, H38Z | | | |
| | 17 | R01A, R01B, R01C, R01D, R02Z, R12A, R12B, R12C | | 17 | R01A, R01B, R01C, R01D, R02Z, R12A, R12B, R12C | | 09 | J08A, J08B, J08C | | | |
| | 21A | W01A, W01B, W01C, W36Z | | 21A | W01A, W01B, W01C, W36Z | | 11 | L33Z | | | |
| | 21B | X33Z | | 21B | X33Z | | 17 | R01A, R01B, R01C, R01D, R02Z, R12A, R12B, R12C | | | |
| | 23 | Z01A | | 23 | Z01A | | 21B | X06A, X06B, X06C, X33Z | | | |
| | Pre | A07A | | Pre | A07A | | 23 | Z01A | | | |
| | 5a112.e | | | BOP, KJZSV, KOP, KOPV, KVT, UOP4 | 5a113.j | | | BOP, KJZSV, KOP, KOPV, KVT, UOP4 | 5a114.j | | BOP, KJZSV, KOP, KOPV, KVT, UOP4 |
| | | 01 | | B02A, B02B, B02C, B13Z, B20A, B20B, B20C, B20D, B39A, B39B | | | 01 | B02A, B02B, B02C, B13Z, B20A, B20B, B20C, B20D, B39A, B39B | | 01 | B02A, B02B, B02C, B13Z, B20A, B20B, B20C, B20D, B39A, B39B |
| 02 | | C01A | 02 | C01A | | 02 | C01A | | | | |
| 06 | | G33Z | 03 | D18Z, D25A, D25B, D25C, D25D, D25J | | 03 | D18Z, D25A, D25B, D25C, D25D, D25J | | | | |
| 07 | | H33Z, H38Z | 06 | G33Z | | 06 | G33Z | | | | |
| 11 | | L33Z | 07 | H33Z, H38Z | | 07 | H33Z, H38Z | | | | |
| 17 | | R01A, R01B, R01C, R01D, R02Z, R12A, R12B, R12C | 09 | J08A, J08B, J08C | | 09 | J08A, J08B, J08C | | | | |
| 21A | | W01A, W01B, W01C, W36Z | 11 | L33Z | | 11 | L33Z | | | | |
| 21B | | X33Z | 17 | R01A, R01B, R01C, R01D, R02Z, R12A, R12B, R12C | | 17 | R01A, R01B, R01C, R01D, R02Z, R12A, R12B, R12C | | | | |
| 23 | | Z01A | 21B | X06A, X06B, X06C, X33Z | | 21B | X06A, X06B, X06C, X33Z | | | | |
| Pre | | A07A | 23 | Z01A | | 23 | Z01A | | | | |
| 5a112.f | | | BOP, KJZSV, KOP, KOPV, KVT, UOP4 | 5a113.k | | | BOP, KJZSV, KOP, KOPV, KVT, UOP4 | 5a114.k | | | BOP, KJZSV, KOP, KOPV, KVT, UOP4 |
| | | 01 | B02A, B02B, B02C, B13Z, B20A, B20B, B20C, B20D, B39A, B39B | | | 01 | B02A, B02B, B02C, B13Z, B20A, B20B, B20C, B20D, B39A, B39B | | | 01 | B02A, B02B, B02C, B13Z, B20A, B20B, B20C, B20D, B39A, B39B |
| | 02 | C01A | 02 | | C01A | 02 | C01A | | | | |
| | 06 | G33Z | 03 | | D18Z, D25A, D25B, D25C, D25D, D25J | 03 | D18Z, D25A, D25B, D25C, D25D, D25J | | | | |
| | 07 | H33Z, H38Z | 06 | | G33Z | 06 | G33Z | | | | |
| | 11 | L33Z | 07 | | H33Z, H38Z | 07 | H33Z, H38Z | | | | |
| | 17 | R01A, R01B, R01C, R01D, R02Z, R12A, R12B, R12C | 09 | | J08A, J08B, J08C | 09 | J08A, J08B, J08C | | | | |
| | 21A | W01A, W01B, W01C, W36Z | 11 | | L33Z | 11 | L33Z | | | | |
| | 21B | X33Z | 17 | | R01A, R01B, R01C, R01D, R02Z, R12A, R12B, R12C | 17 | R01A, R01B, R01C, R01D, R02Z, R12A, R12B, R12C | | | | |
| | 23 | Z01A | 21B | | X06A, X06B, X06C, X33Z | 21B | X06A, X06B, X06C, X33Z | | | | |
| | Pre | A07A | 23 | | Z01A | 23 | Z01A | | | | |
| | 5a112.g | | BOP, KJZSV, KOP, KOPV, KVT, UOP4 | | 5a113.m | | BOP, KJZSV, KOP, KOPV, KVT, UOP4 | | 5a114.m | | BOP, KJZSV, KOP, KOPV, KVT, UOP4 |
| | | 01 | B02A, B02B, B02C, B13Z, B20A, B20B, B20C, B20D, B39A, B39B | | | 01 | B02A, B02B, B02C, B13Z, B20A, B20B, B20C, B20D, B39A, B39B | | | 01 | B02A, B02B, B02C, B13Z, B20A, B20B, B20C, B20D, B39A, B39B |
| 02 | | C01A | 02 | C01A | | 02 | C01A | | | | |
| 06 | | G33Z | 03 | D18Z, D25A, D25B, D25C, D25D, D25J | | 03 | D18Z, D25A, D25B, D25C, D25D, D25J | | | | |
| 07 | | H33Z, H38Z | 06 | G33Z | | 06 | G33Z | | | | |
| 11 | | L33Z | 07 | H33Z, H38Z | | 07 | H33Z, H38Z | | | | |
| 17 | | R01A, R01B, R01C, R01D, R02Z, R12A, R12B, R12C | 09 | J08A, J08B, J08C | | 09 | J08A, J08B, J08C | | | | |
| 21A | | W01A, W01B, W01C, W36Z | 11 | L33Z | | 11 | L33Z | | | | |
| 21B | | X33Z | 17 | R01A, R01B, R01C, R01D, R02Z, R12A, R12B, R12C | | 17 | R01A, R01B, R01C, R01D, R02Z, R12A, R12B, R12C | | | | |
| 23 | | Z01A | 21B | X06A, X06B, X06C, X33Z | | 21B | X06A, X06B, X06C, X33Z | | | | |
| Pre | | A07A | 23 | Z01A | | 23 | Z01A | | | | |
| | | | Pre | A07A, A09A, A13B | | Pre | A07A, A09A, A13B | | | | |

| ZZV | MDC | DRG | ZZV | MDC | DRG | ZZV | MDC | DRG | | | |
|---------|---------|--|--|--|--|---------|--|--|---------|----|--|
| 5a114.n | | BOP, KJZSV, KOP, KOPV, KVT, UOP4 | 5a115.n | | BOP, KJZSV, KOP, KOPV, KVT, UOP4 | 5a116.n | | BOP, KJZSV, KOP, KOPV, KVT, UOP4 | | | |
| | 01 | B02A, B02B, B02C, B13Z, B20A, B20B, B20C, B20D, B39A, B39B | | 01 | B02A, B02B, B02C, B13Z, B20A, B20B, B20C, B20D, B39A, B39B | | 01 | B02A, B02B, B02C, B13Z, B20A, B20B, B20C, B20D, B39A, B39B | | | |
| | 02 | C01A | | 02 | C01A | | 02 | C01A | | | |
| | 03 | D18Z, D25A, D25B, D25C, D25D, D25J | | 03 | D18Z, D25A, D25B, D25C, D25D, D25J | | 03 | D18Z, D25A, D25B, D25C, D25D, D25J | | | |
| | 06 | G33Z | | 06 | G33Z | | 06 | G33Z | | | |
| | 07 | H33Z, H38Z | | 07 | H33Z, H38Z | | 07 | H33Z, H38Z | | | |
| | 09 | J08A, J08B, J08C | | 09 | J08A, J08B, J08C | | 09 | J08A, J08B, J08C | | | |
| | 11 | L33Z | | 11 | L33Z | | 11 | L33Z | | | |
| | 17 | R01A, R01B, R01C, R01D, R02Z, R12A, R12B, R12C | | 17 | R01A, R01B, R01C, R01D, R02Z, R12A, R12B, R12C | | 17 | R01A, R01B, R01C, R01D, R02Z, R12A, R12B, R12C | | | |
| | 21B | X06A, X06B, X06C, X33Z | | 21B | X06A, X06B, X06C, X33Z | | 21B | X06A, X06B, X06C, X33Z | | | |
| | 23 | Z01A | | 23 | Z01A | | 23 | Z01A | | | |
| | Pre | A07A, A09A, A13B | | Pre | A07A, A09A, A13B | | Pre | A07A, A09A, A13B | | | |
| | 5a115.j | | | BOP, KJZSV, KOP, KOPV, KVT, UOP4 | 5a116.j | | | BOP, KJZSV, KOP, KOPV, KVT, UOP4 | 5a117.j | | BOP, KJZSV, KOP, KOPV, KVT, UOP4 |
| | | 01 | | B02A, B02B, B02C, B13Z, B20A, B20B, B20C, B20D, B39A, B39B | | | 01 | B02A, B02B, B02C, B13Z, B20A, B20B, B20C, B20D, B39A, B39B | | 01 | B02A, B02B, B02C, B13Z, B20A, B20B, B20C, B20D, B39A, B39B |
| 02 | | C01A | 02 | C01A | | 02 | C01A | | | | |
| 03 | | D18Z, D25A, D25B, D25C, D25D, D25J | 03 | D18Z, D25A, D25B, D25C, D25D, D25J | | 03 | D18Z, D25A, D25B, D25C, D25D, D25J | | | | |
| 06 | | G33Z | 06 | G33Z | | 06 | G33Z | | | | |
| 07 | | H33Z, H38Z | 07 | H33Z, H38Z | | 07 | H33Z, H38Z | | | | |
| 09 | | J08A, J08B, J08C | 09 | J08A, J08B, J08C | | 09 | J08A, J08B, J08C | | | | |
| 11 | | L33Z | 11 | L33Z | | 11 | L33Z | | | | |
| 17 | | R01A, R01B, R01C, R01D, R02Z, R12A, R12B, R12C | 17 | R01A, R01B, R01C, R01D, R02Z, R12A, R12B, R12C | | 17 | R01A, R01B, R01C, R01D, R02Z, R12A, R12B, R12C | | | | |
| 21B | | X06A, X06B, X06C, X33Z | 21B | X06A, X06B, X06C, X33Z | | 21B | X06A, X06B, X06C, X33Z | | | | |
| 23 | | Z01A | 23 | Z01A | | 23 | Z01A | | | | |
| Pre | | A07A, A09A, A13B | Pre | A07A, A09A, A13B | | Pre | A07A, A09A, A13B | | | | |
| 5a115.k | | | BOP, KJZSV, KOP, KOPV, KVT, UOP4 | 5a116.k | | | BOP, KJZSV, KOP, KOPV, KVT, UOP4 | 5a117.k | | | BOP, KJZSV, KOP, KOPV, KVT, UOP4 |
| | | 01 | B02A, B02B, B02C, B13Z, B20A, B20B, B20C, B20D, B39A, B39B | | | 01 | B02A, B02B, B02C, B13Z, B20A, B20B, B20C, B20D, B39A, B39B | | | 01 | B02A, B02B, B02C, B13Z, B20A, B20B, B20C, B20D, B39A, B39B |
| | 02 | C01A | 02 | | C01A | 02 | C01A | | | | |
| | 03 | D18Z, D25A, D25B, D25C, D25D, D25J | 03 | | D18Z, D25A, D25B, D25C, D25D, D25J | 03 | D18Z, D25A, D25B, D25C, D25D, D25J | | | | |
| | 06 | G33Z | 06 | | G33Z | 06 | G33Z | | | | |
| | 07 | H33Z, H38Z | 07 | | H33Z, H38Z | 07 | H33Z, H38Z | | | | |
| | 09 | J08A, J08B, J08C | 09 | | J08A, J08B, J08C | 09 | J08A, J08B, J08C | | | | |
| | 11 | L33Z | 11 | | L33Z | 11 | L33Z | | | | |
| | 17 | R01A, R01B, R01C, R01D, R02Z, R12A, R12B, R12C | 17 | | R01A, R01B, R01C, R01D, R02Z, R12A, R12B, R12C | 17 | R01A, R01B, R01C, R01D, R02Z, R12A, R12B, R12C | | | | |
| | 21B | X06A, X06B, X06C, X33Z | 21B | | X06A, X06B, X06C, X33Z | 21B | X06A, X06B, X06C, X33Z | | | | |
| | 23 | Z01A | 23 | | Z01A | 23 | Z01A | | | | |
| | Pre | A07A, A09A, A13B | Pre | | A07A, A09A, A13B | Pre | A07A, A09A, A13B | | | | |
| | 5a115.m | | BOP, KJZSV, KOP, KOPV, KVT, UOP4 | | 5a116.m | | BOP, KJZSV, KOP, KOPV, KVT, UOP4 | | 5a117.m | | BOP, KJZSV, KOP, KOPV, KVT, UOP4 |
| | | 01 | B02A, B02B, B02C, B13Z, B20A, B20B, B20C, B20D, B39A, B39B | | | 01 | B02A, B02B, B02C, B13Z, B20A, B20B, B20C, B20D, B39A, B39B | | | 01 | B02A, B02B, B02C, B13Z, B20A, B20B, B20C, B20D, B39A, B39B |
| 02 | | C01A | 02 | C01A | | 02 | C01A | | | | |
| 03 | | D18Z, D25A, D25B, D25C, D25D, D25J | 03 | D18Z, D25A, D25B, D25C, D25D, D25J | | 03 | D18Z, D25A, D25B, D25C, D25D, D25J | | | | |
| 06 | | G33Z | 06 | G33Z | | 06 | G33Z | | | | |
| 07 | | H33Z, H38Z | 07 | H33Z, H38Z | | 07 | H33Z, H38Z | | | | |
| 09 | | J08A, J08B, J08C | 09 | J08A, J08B, J08C | | 09 | J08A, J08B, J08C | | | | |
| 11 | | L33Z | 11 | L33Z | | 11 | L33Z | | | | |
| 17 | | R01A, R01B, R01C, R01D, R02Z, R12A, R12B, R12C | 17 | R01A, R01B, R01C, R01D, R02Z, R12A, R12B, R12C | | 17 | R01A, R01B, R01C, R01D, R02Z, R12A, R12B, R12C | | | | |
| 21B | | X06A, X06B, X06C, X33Z | 21B | X06A, X06B, X06C, X33Z | | 21B | X06A, X06B, X06C, X33Z | | | | |
| 23 | | Z01A | 23 | Z01A | | 23 | Z01A | | | | |
| Pre | | A07A, A09A, A13B | Pre | A07A, A09A, A13B | | Pre | A07A, A09A, A13B | | | | |

| ZZV | MDC | DRG | ZZV | MDC | DRG | ZZV | MDC | DRG | | | | |
|---------|---------|--|--|--|--|------------------|--|--|--|---------|--|--|
| 5a117.n | | BOP, KJZSV, KOP, KOPV, KVT, UOP4 | 5a118.n | | BOP, KJZSV, KOP, KOPV, KVT, UOP4 | 5a11b.0 | | BOP, KJZSV, KOP, KOPV, KVT, UOP4 | | | | |
| | 01 | B02A, B02B, B02C, B13Z, B20A, B20B, B20C, B20D, B39A, B39B | | 01 | B02A, B02B, B02C, B13Z, B20A, B20B, B20C, B20D, B39A, B39B | | 01 | B02A, B02B, B02C, B02D, B13Z, B20A, B20B, B20C, B20D, B20E, B39A, B39B | | | | |
| | 02 | C01A | | 02 | C01A | | 02 | C01A | | | | |
| | 03 | D18Z, D25A, D25B, D25C, D25D, D25J | | 06 | G33Z | | 03 | D18Z, D25A, D25B, D25C, D25D, D25J | | | | |
| | 06 | G33Z | | 07 | H33Z, H38Z | | 06 | G33Z | | | | |
| | 07 | H33Z, H38Z | | 11 | L33Z | | 07 | H33Z, H38Z | | | | |
| | 09 | J08A, J08B, J08C | | 17 | R01A, R01B, R01C, R01D, R02Z, R12A, R12B, R12C | | 09 | J08A, J08B, J08C | | | | |
| | 11 | L33Z | | 21B | X33Z | | 11 | L33Z | | | | |
| | 17 | R01A, R01B, R01C, R01D, R02Z, R12A, R12B, R12C | | 23 | Z01A | | 17 | R01A, R01B, R01C, R01D, R02Z, R12A, R12B, R12C | | | | |
| | 21B | X06A, X06B, X06C, X33Z | | Pre | A07A, A09A, A13B | | 21A | W01A, W01B, W01C, W36Z | | | | |
| | 23 | Z01A | | 5a119 | | | BOP, KJZSV, KOP, KOPV, KVT, UOP4 | 21B | X06A, X06B, X06C, X33Z | | | |
| | Pre | A07A, A09A, A13B | | | 01 | | B02A, B02B, B02C, B13Z, B20A, B20B, B20C, B20D, B39A, B39B | 23 | Z01A | | | |
| | 5a118.j | | | | BOP, KJZSV, KOP, KOPV, KVT, UOP4 | | 5a11a.0 | | BOP, KJZSV, KOP, KOPV, KVT, UOP4 | 5a11b.1 | | BOP, KJZSV, KOP, KOPV, KVT, UOP4 |
| | | 01 | | | B02A, B02B, B02C, B13Z, B20A, B20B, B20C, B20D, B39A, B39B | | | 01 | B02A, B02B, B02C, B02D, B13Z, B20A, B20B, B20C, B20D, B20E, B39A, B39B | | 01 | B02A, B02B, B02C, B02D, B13Z, B20A, B20B, B20C, B20D, B20E, B39A, B39B |
| | | 02 | | | C01A | | | 02 | C01A | | 02 | C01A |
| | | 06 | | | G33Z | | | 03 | D18Z, D25A, D25B, D25C, D25D, D25J | | 03 | D18Z, D25A, D25B, D25C, D25D, D25J |
| | | 07 | | | H33Z, H38Z | | | 06 | G33Z | | 06 | G33Z |
| 11 | | L33Z | 07 | | H33Z, H38Z | 07 | | H33Z, H38Z | | | | |
| 17 | | R01A, R01B, R01C, R01D, R02Z, R12A, R12B, R12C | 09 | | J08A, J08B, J08C | 09 | | J08A, J08B, J08C | | | | |
| 21B | | X33Z | 11 | | L33Z | 11 | | L33Z | | | | |
| 23 | | Z01A | 17 | | R01A, R01B, R01C, R01D, R02Z, R12A, R12B, R12C | 17 | | R01A, R01B, R01C, R01D, R02Z, R12A, R12B, R12C | | | | |
| Pre | | A07A, A09A, A13B | 21B | | X06A, X06B, X06C, X33Z | 21B | | X06A, X06B, X06C, X33Z | | | | |
| 5a118.k | | | BOP, KJZSV, KOP, KOPV, KVT, UOP4 | | 5a11a.1 | | | BOP, KJZSV, KOP, KOPV, KVT, UOP4 | 5a11c.3 | | | BOP, KJZSV, KOP, KOPV, KVT, UOP4 |
| | | 01 | B02A, B02B, B02C, B13Z, B20A, B20B, B20C, B20D, B39A, B39B | | | 01 | | B02A, B02B, B02C, B02D, B13Z, B20A, B20B, B20C, B20D, B20E, B39A, B39B | | | 01 | B02A, B02B, B02C, B20A, B20B, B20C, B20D, B39A, B39B |
| | | 02 | C01A | | | 02 | | C01A | | | 02 | C01A |
| | | 06 | G33Z | | | 03 | | D18Z, D25A, D25B, D25C, D25D, D25J | | | 03 | D18Z, D25A, D25B, D25C, D25D, D25J |
| | | 07 | H33Z, H38Z | | | 06 | | G33Z | | | 06 | G33Z |
| | | 11 | L33Z | 07 | | H33Z, H38Z | | 07 | | | H33Z, H38Z | |
| | | 17 | R01A, R01B, R01C, R01D, R02Z, R12A, R12B, R12C | 09 | | J08A, J08B, J08C | | 09 | | | J08A, J08B, J08C | |
| | 21B | X33Z | 11 | L33Z | | 11 | L33Z | | | | | |
| | 23 | Z01A | 17 | R01A, R01B, R01C, R01D, R02Z, R12A, R12B, R12C | | 17 | R01A, R01B, R01C, R01D, R02Z, R12A, R12B, R12C | | | | | |
| | Pre | A07A, A09A, A13B | 21A | W01A, W01B, W01C, W36Z | | 21A | W01A, W01B, W01C, W36Z | | | | | |
| | 5a118.m | | BOP, KJZSV, KOP, KOPV, KVT, UOP4 | 5a11c.4 | | | BOP, KJZSV, KOP, KOPV, KVT, UOP4 | 5a11c.4 | | | BOP, KJZSV, KOP, KOPV, KVT, UOP4 | |
| | | 01 | B02A, B02B, B02C, B13Z, B20A, B20B, B20C, B20D, B39A, B39B | | | 01 | B02A, B02B, B02C, B02D, B13Z, B20A, B20B, B20C, B20D, B20E, B39A, B39B | | | 01 | B02A, B02B, B02C, B20A, B20B, B20C, B20D, B39A, B39B | |
| | | 02 | C01A | | | 02 | C01A | | | 02 | C01A | |
| | | 06 | G33Z | | | 03 | D18Z, D25A, D25B, D25C, D25D, D25J | | | 03 | D18Z, D25A, D25B, D25C, D25D, D25J | |
| | | 07 | H33Z, H38Z | | | 06 | G33Z | | | 06 | G33Z | |
| | | 11 | L33Z | | | 07 | H33Z, H38Z | | | 07 | H33Z, H38Z | |
| | | 17 | R01A, R01B, R01C, R01D, R02Z, R12A, R12B, R12C | | | 09 | J08A, J08B, J08C | | | 09 | J08A, J08B, J08C | |
| 21B | | X33Z | 11 | | L33Z | 11 | L33Z | | | | | |
| 23 | | Z01A | 17 | | R01A, R01B, R01C, R01D, R02Z, R12A, R12B, R12C | 17 | R01A, R01B, R01C, R01D, R02Z, R12A, R12B, R12C | | | | | |
| Pre | | A07A, A09A, A13B | 21A | | W01A, W01B, W01C, W36Z | 21A | W01A, W01B, W01C, W36Z | | | | | |
| | | | 21B | | X06A, X06B, X06C, X33Z | 21B | X06A, X06B, X06C, X33Z | | | | | |
| | | | 23 | | Z01A | 23 | Z01A | | | | | |
| | | | Pre | | A07A | Pre | A07A | | | | | |

| ZZV | MDC | DRG | ZZV | MDC | DRG | ZZV | MDC | DRG |
|---------|---------|--|----------------------------------|--|--|---------|--|--|
| 5a11c.5 | | BOP, KJZSV, KOP, KOPV, KVT, UOP4 | 5a11c.9 | | BOP, KJZSV, KOP, KOPV, KVT, UOP4 | 5a11d.3 | | BOP, KJZSV, KOP, KOPV, KVT, UOP4 |
| | 01 | B02A, B02B, B02C, B20A, B20B, B20C, B20D, B39A, B39B | | 01 | B02A, B02B, B02C, B20A, B20B, B20C, B20D, B39A, B39B | | 01 | B02A, B02B, B02C, B20A, B20B, B20C, B20D, B39A, B39B |
| | 02 | C01A | | 02 | C01A | | 02 | C01A |
| | 03 | D18Z, D25A, D25B, D25C, D25D, D25J | | 03 | D18Z, D25A, D25B, D25C, D25D, D25J | | 03 | D18Z, D25A, D25B, D25C, D25D, D25J |
| | 06 | G33Z | | 06 | G33Z | | 06 | G33Z |
| | 07 | H33Z, H38Z | | 07 | H33Z, H38Z | | 07 | H33Z, H38Z |
| | 09 | J08A, J08B, J08C | | 09 | J08A, J08B, J08C | | 09 | J08A, J08B, J08C |
| | 11 | L33Z | | 11 | L33Z | | 11 | L33Z |
| | 17 | R01A, R01B, R01C, R01D, R02Z, R12A, R12B, R12C | | 17 | R01A, R01B, R01C, R01D, R02Z, R12A, R12B, R12C | | 17 | R01A, R01B, R01C, R01D, R02Z, R12A, R12B, R12C |
| | 21B | X33Z | | 21B | X33Z | | 21B | X33Z |
| | 23 | Z01A | | 23 | Z01A | | 23 | Z01A |
| | Pre | A07A | | Pre | A07A | | Pre | A07A |
| | 5a11c.6 | | | BOP, KJZSV, KOP, KOPV, KVT, UOP4 | 5a11c.a | | | BOP, KJZSV, KOP, KOPV, KVT, UOP4 |
| 01 | | B02A, B02B, B02C, B20A, B20B, B20C, B20D, B39A, B39B | 01 | B02A, B02B, B02C, B20A, B20B, B20C, B20D, B39A, B39B | | 01 | B02A, B02B, B02C, B20A, B20B, B20C, B20D, B39A, B39B | |
| 02 | | C01A | 02 | C01A | | 02 | C01A | |
| 03 | | D18Z, D25A, D25B, D25C, D25D, D25J | 03 | D18Z, D25A, D25B, D25C, D25D, D25J | | 03 | D18Z, D25A, D25B, D25C, D25D, D25J | |
| 06 | | G33Z | 06 | G33Z | | 06 | G33Z | |
| 07 | | H33Z, H38Z | 07 | H33Z, H38Z | | 07 | H33Z, H38Z | |
| 09 | | J08A, J08B, J08C | 09 | J08A, J08B, J08C | | 09 | J08A, J08B, J08C | |
| 11 | | L33Z | 11 | L33Z | | 11 | L33Z | |
| 17 | | R01A, R01B, R01C, R01D, R02Z, R12A, R12B, R12C | 17 | R01A, R01B, R01C, R01D, R02Z, R12A, R12B, R12C | | 17 | R01A, R01B, R01C, R01D, R02Z, R12A, R12B, R12C | |
| 21B | | X33Z | 21B | X33Z | | 21B | X33Z | |
| 23 | | Z01A | 23 | Z01A | | 23 | Z01A | |
| Pre | | A07A | Pre | A07A | | Pre | A07A | |
| 5a11c.7 | | | BOP, KJZSV, KOP, KOPV, KVT, UOP4 | 5a11c.b | | | BOP, KJZSV, KOP, KOPV, KVT, UOP4 | 5a11d.5 |
| | 01 | B02A, B02B, B02C, B20A, B20B, B20C, B20D, B39A, B39B | 01 | | B02A, B02B, B02C, B20A, B20B, B20C, B20D, B39A, B39B | 01 | B02A, B02B, B02C, B20A, B20B, B20C, B20D, B39A, B39B | |
| | 02 | C01A | 02 | | C01A | 02 | C01A | |
| | 03 | D18Z, D25A, D25B, D25C, D25D, D25J | 03 | | D18Z, D25A, D25B, D25C, D25D, D25J | 03 | D18Z, D25A, D25B, D25C, D25D, D25J | |
| | 06 | G33Z | 06 | | G33Z | 06 | G33Z | |
| | 07 | H33Z, H38Z | 07 | | H33Z, H38Z | 07 | H33Z, H38Z | |
| | 09 | J08A, J08B, J08C | 09 | | J08A, J08B, J08C | 09 | J08A, J08B, J08C | |
| | 11 | L33Z | 11 | | L33Z | 11 | L33Z | |
| | 17 | R01A, R01B, R01C, R01D, R02Z, R12A, R12B, R12C | 17 | | R01A, R01B, R01C, R01D, R02Z, R12A, R12B, R12C | 17 | R01A, R01B, R01C, R01D, R02Z, R12A, R12B, R12C | |
| | 21B | X33Z | 21B | | X33Z | 21B | X33Z | |
| | 23 | Z01A | 23 | | Z01A | 23 | Z01A | |
| | Pre | A07A | Pre | | A07A | Pre | A07A | |
| | 5a11c.8 | | BOP, KJZSV, KOP, KOPV, KVT, UOP4 | | 5a11c.c | | BOP, KJZSV, KOP, KOPV, KVT, UOP4 | |
| 01 | | B02A, B02B, B02C, B20A, B20B, B20C, B20D, B39A, B39B | 01 | B02A, B02B, B02C, B20A, B20B, B20C, B20D, B39A, B39B | | 01 | B02A, B02B, B02C, B20A, B20B, B20C, B20D, B39A, B39B | |
| 02 | | C01A | 02 | C01A | | 02 | C01A | |
| 03 | | D18Z, D25A, D25B, D25C, D25D, D25J | 03 | D18Z, D25A, D25B, D25C, D25D, D25J | | 03 | D18Z, D25A, D25B, D25C, D25D, D25J | |
| 06 | | G33Z | 06 | G33Z | | 06 | G33Z | |
| 07 | | H33Z, H38Z | 07 | H33Z, H38Z | | 07 | H33Z, H38Z | |
| 09 | | J08A, J08B, J08C | 09 | J08A, J08B, J08C | | 09 | J08A, J08B, J08C | |
| 11 | | L33Z | 11 | L33Z | | 11 | L33Z | |
| 17 | | R01A, R01B, R01C, R01D, R02Z, R12A, R12B, R12C | 17 | R01A, R01B, R01C, R01D, R02Z, R12A, R12B, R12C | | 17 | R01A, R01B, R01C, R01D, R02Z, R12A, R12B, R12C | |
| 21B | | X33Z | 21B | X33Z | | 21B | X33Z | |
| 23 | | Z01A | 23 | Z01A | | 23 | Z01A | |
| Pre | | A07A | Pre | A07A | | Pre | A07A | |

VYK

| ZZV | MDC | DRG | ZZV | MDC | DRG | ZZV | MDC | DRG | | | |
|---------|---------|--|--|--|--|---------|--|--|---------|----|--|
| 5a11d.7 | | BOP, KJZSV, KOP, KOPV, KVT, UOP4 | 5a11d.b | | BOP, KJZSV, KOP, KOPV, KVT, UOP4 | 5a11e.5 | | BOP, KJZSV, KOP, KOPV, KVT, UOP4 | | | |
| | 01 | B02A, B02B, B02C, B20A, B20B, B20C, B20D, B39A, B39B | | 01 | B02A, B02B, B02C, B20A, B20B, B20C, B20D, B39A, B39B | | 01 | B02A, B02B, B02C, B20A, B20B, B20C, B20D, B39A, B39B | | | |
| | 02 | C01A | | 02 | C01A | | 02 | C01A | | | |
| | 03 | D18Z, D25A, D25B, D25C, D25D, D25J | | 03 | D18Z, D25A, D25B, D25C, D25D, D25J | | 03 | D18Z, D25A, D25B, D25C, D25D, D25J | | | |
| | 06 | G33Z | | 06 | G33Z | | 06 | G33Z | | | |
| | 07 | H33Z, H38Z | | 07 | H33Z, H38Z | | 07 | H33Z, H38Z | | | |
| | 09 | J08A, J08B, J08C | | 09 | J08A, J08B, J08C | | 09 | J08A, J08B, J08C | | | |
| | 11 | L33Z | | 11 | L33Z | | 11 | L33Z | | | |
| | 17 | R01A, R01B, R01C, R01D, R02Z, R12A, R12B, R12C | | 17 | R01A, R01B, R01C, R01D, R02Z, R12A, R12B, R12C | | 17 | R01A, R01B, R01C, R01D, R02Z, R12A, R12B, R12C | | | |
| | 21B | X33Z | | 21B | X33Z | | 21B | X33Z | | | |
| | 23 | Z01A | | 23 | Z01A | | 23 | Z01A | | | |
| | Pre | A07A | | Pre | A07A | | Pre | A07A | | | |
| | 5a11d.8 | | | BOP, KJZSV, KOP, KOPV, KVT, UOP4 | 5a11d.c | | | BOP, KJZSV, KOP, KOPV, KVT, UOP4 | 5a11e.6 | | BOP, KJZSV, KOP, KOPV, KVT, UOP4 |
| | | 01 | | B02A, B02B, B02C, B20A, B20B, B20C, B20D, B39A, B39B | | | 01 | B02A, B02B, B02C, B20A, B20B, B20C, B20D, B39A, B39B | | 01 | B02A, B02B, B02C, B20A, B20B, B20C, B20D, B39A, B39B |
| 02 | | C01A | 02 | C01A | | 02 | C01A | | | | |
| 03 | | D18Z, D25A, D25B, D25C, D25D, D25J | 03 | D18Z, D25A, D25B, D25C, D25D, D25J | | 03 | D18Z, D25A, D25B, D25C, D25D, D25J | | | | |
| 06 | | G33Z | 06 | G33Z | | 06 | G33Z | | | | |
| 07 | | H33Z, H38Z | 07 | H33Z, H38Z | | 07 | H33Z, H38Z | | | | |
| 09 | | J08A, J08B, J08C | 09 | J08A, J08B, J08C | | 09 | J08A, J08B, J08C | | | | |
| 11 | | L33Z | 11 | L33Z | | 11 | L33Z | | | | |
| 17 | | R01A, R01B, R01C, R01D, R02Z, R12A, R12B, R12C | 17 | R01A, R01B, R01C, R01D, R02Z, R12A, R12B, R12C | | 17 | R01A, R01B, R01C, R01D, R02Z, R12A, R12B, R12C | | | | |
| 21B | | X33Z | 21B | X33Z | | 21B | X33Z | | | | |
| 23 | | Z01A | 23 | Z01A | | 23 | Z01A | | | | |
| Pre | | A07A | Pre | A07A | | Pre | A07A | | | | |
| 5a11d.9 | | | BOP, KJZSV, KOP, KOPV, KVT, UOP4 | 5a11e.3 | | | BOP, KJZSV, KOP, KOPV, KVT, UOP4 | 5a11e.7 | | | BOP, KJZSV, KOP, KOPV, KVT, UOP4 |
| | | 01 | B02A, B02B, B02C, B20A, B20B, B20C, B20D, B39A, B39B | | | 01 | B02A, B02B, B02C, B20A, B20B, B20C, B20D, B39A, B39B | | | 01 | B02A, B02B, B02C, B20A, B20B, B20C, B20D, B39A, B39B |
| | 02 | C01A | 02 | | C01A | 02 | C01A | | | | |
| | 03 | D18Z, D25A, D25B, D25C, D25D, D25J | 03 | | D18Z, D25A, D25B, D25C, D25D, D25J | 03 | D18Z, D25A, D25B, D25C, D25D, D25J | | | | |
| | 06 | G33Z | 06 | | G33Z | 06 | G33Z | | | | |
| | 07 | H33Z, H38Z | 07 | | H33Z, H38Z | 07 | H33Z, H38Z | | | | |
| | 09 | J08A, J08B, J08C | 09 | | J08A, J08B, J08C | 09 | J08A, J08B, J08C | | | | |
| | 11 | L33Z | 11 | | L33Z | 11 | L33Z | | | | |
| | 17 | R01A, R01B, R01C, R01D, R02Z, R12A, R12B, R12C | 17 | | R01A, R01B, R01C, R01D, R02Z, R12A, R12B, R12C | 17 | R01A, R01B, R01C, R01D, R02Z, R12A, R12B, R12C | | | | |
| | 21B | X33Z | 21B | | X33Z | 21B | X33Z | | | | |
| | 23 | Z01A | 23 | | Z01A | 23 | Z01A | | | | |
| | Pre | A07A | Pre | | A07A | Pre | A07A | | | | |
| | 5a11d.a | | BOP, KJZSV, KOP, KOPV, KVT, UOP4 | | 5a11e.4 | | BOP, KJZSV, KOP, KOPV, KVT, UOP4 | | 5a11e.8 | | BOP, KJZSV, KOP, KOPV, KVT, UOP4 |
| | | 01 | B02A, B02B, B02C, B20A, B20B, B20C, B20D, B39A, B39B | | | 01 | B02A, B02B, B02C, B20A, B20B, B20C, B20D, B39A, B39B | | | 01 | B02A, B02B, B02C, B20A, B20B, B20C, B20D, B39A, B39B |
| 02 | | C01A | 02 | C01A | | 02 | C01A | | | | |
| 03 | | D18Z, D25A, D25B, D25C, D25D, D25J | 03 | D18Z, D25A, D25B, D25C, D25D, D25J | | 03 | D18Z, D25A, D25B, D25C, D25D, D25J | | | | |
| 06 | | G33Z | 06 | G33Z | | 06 | G33Z | | | | |
| 07 | | H33Z, H38Z | 07 | H33Z, H38Z | | 07 | H33Z, H38Z | | | | |
| 09 | | J08A, J08B, J08C | 09 | J08A, J08B, J08C | | 09 | J08A, J08B, J08C | | | | |
| 11 | | L33Z | 11 | L33Z | | 11 | L33Z | | | | |
| 17 | | R01A, R01B, R01C, R01D, R02Z, R12A, R12B, R12C | 17 | R01A, R01B, R01C, R01D, R02Z, R12A, R12B, R12C | | 17 | R01A, R01B, R01C, R01D, R02Z, R12A, R12B, R12C | | | | |
| 21B | | X33Z | 21B | X33Z | | 21B | X33Z | | | | |
| 23 | | Z01A | 23 | Z01A | | 23 | Z01A | | | | |
| Pre | | A07A | Pre | A07A | | Pre | A07A | | | | |

| ZZV | MDC | DRG | ZZV | MDC | DRG | ZZV | MDC | DRG |
|---------|---------|--|----------------------------------|--|--|---------|--|--|
| 5a11e.9 | | BOP, KJZSV, KOP, KOPV, KVT, UOP4 | 5a11f.3 | | BOP, KJZSV, KOP, KOPV, KVT, UOP4 | 5a11f.7 | | BOP, KJZSV, KOP, KOPV, KVT, UOP4 |
| | 01 | B02A, B02B, B02C, B20A, B20B, B20C, B20D, B39A, B39B | | 01 | B02A, B02B, B02C, B20A, B20B, B20C, B20D, B39A, B39B | | 01 | B02A, B02B, B02C, B20A, B20B, B20C, B20D, B39A, B39B |
| | 02 | C01A | | 02 | C01A | | 02 | C01A |
| | 03 | D18Z, D25A, D25B, D25C, D25D, D25J | | 03 | D18Z, D25A, D25B, D25C, D25D, D25J | | 03 | D18Z, D25A, D25B, D25C, D25D, D25J |
| | 06 | G33Z | | 06 | G33Z | | 06 | G33Z |
| | 07 | H33Z, H38Z | | 07 | H33Z, H38Z | | 07 | H33Z, H38Z |
| | 09 | J08A, J08B, J08C | | 09 | J08A, J08B, J08C | | 09 | J08A, J08B, J08C |
| | 11 | L33Z | | 11 | L33Z | | 11 | L33Z |
| | 17 | R01A, R01B, R01C, R01D, R02Z, R12A, R12B, R12C | | 17 | R01A, R01B, R01C, R01D, R02Z, R12A, R12B, R12C | | 17 | R01A, R01B, R01C, R01D, R02Z, R12A, R12B, R12C |
| | 21B | X33Z | | 21B | X33Z | | 21B | X33Z |
| | 23 | Z01A | | 23 | Z01A | | 23 | Z01A |
| | Pre | A07A | | Pre | A07A | | Pre | A07A |
| | 5a11e.a | | | BOP, KJZSV, KOP, KOPV, KVT, UOP4 | 5a11f.4 | | | BOP, KJZSV, KOP, KOPV, KVT, UOP4 |
| 01 | | B02A, B02B, B02C, B20A, B20B, B20C, B20D, B39A, B39B | 01 | B02A, B02B, B02C, B20A, B20B, B20C, B20D, B39A, B39B | | 01 | B02A, B02B, B02C, B20A, B20B, B20C, B20D, B39A, B39B | |
| 02 | | C01A | 02 | C01A | | 02 | C01A | |
| 03 | | D18Z, D25A, D25B, D25C, D25D, D25J | 03 | D18Z, D25A, D25B, D25C, D25D, D25J | | 03 | D18Z, D25A, D25B, D25C, D25D, D25J | |
| 06 | | G33Z | 06 | G33Z | | 06 | G33Z | |
| 07 | | H33Z, H38Z | 07 | H33Z, H38Z | | 07 | H33Z, H38Z | |
| 09 | | J08A, J08B, J08C | 09 | J08A, J08B, J08C | | 09 | J08A, J08B, J08C | |
| 11 | | L33Z | 11 | L33Z | | 11 | L33Z | |
| 17 | | R01A, R01B, R01C, R01D, R02Z, R12A, R12B, R12C | 17 | R01A, R01B, R01C, R01D, R02Z, R12A, R12B, R12C | | 17 | R01A, R01B, R01C, R01D, R02Z, R12A, R12B, R12C | |
| 21B | | X33Z | 21B | X33Z | | 21B | X33Z | |
| 23 | | Z01A | 23 | Z01A | | 23 | Z01A | |
| Pre | | A07A | Pre | A07A | | Pre | A07A | |
| 5a11e.b | | | BOP, KJZSV, KOP, KOPV, KVT, UOP4 | 5a11f.5 | | | BOP, KJZSV, KOP, KOPV, KVT, UOP4 | 5a11f.9 |
| | 01 | B02A, B02B, B02C, B20A, B20B, B20C, B20D, B39A, B39B | 01 | | B02A, B02B, B02C, B20A, B20B, B20C, B20D, B39A, B39B | 01 | B02A, B02B, B02C, B20A, B20B, B20C, B20D, B39A, B39B | |
| | 02 | C01A | 02 | | C01A | 02 | C01A | |
| | 03 | D18Z, D25A, D25B, D25C, D25D, D25J | 03 | | D18Z, D25A, D25B, D25C, D25D, D25J | 03 | D18Z, D25A, D25B, D25C, D25D, D25J | |
| | 06 | G33Z | 06 | | G33Z | 06 | G33Z | |
| | 07 | H33Z, H38Z | 07 | | H33Z, H38Z | 07 | H33Z, H38Z | |
| | 09 | J08A, J08B, J08C | 09 | | J08A, J08B, J08C | 09 | J08A, J08B, J08C | |
| | 11 | L33Z | 11 | | L33Z | 11 | L33Z | |
| | 17 | R01A, R01B, R01C, R01D, R02Z, R12A, R12B, R12C | 17 | | R01A, R01B, R01C, R01D, R02Z, R12A, R12B, R12C | 17 | R01A, R01B, R01C, R01D, R02Z, R12A, R12B, R12C | |
| | 21B | X33Z | 21B | | X33Z | 21B | X33Z | |
| | 23 | Z01A | 23 | | Z01A | 23 | Z01A | |
| | Pre | A07A | Pre | | A07A | Pre | A07A | |
| | 5a11e.c | | BOP, KJZSV, KOP, KOPV, KVT, UOP4 | | 5a11f.6 | | BOP, KJZSV, KOP, KOPV, KVT, UOP4 | |
| 01 | | B02A, B02B, B02C, B20A, B20B, B20C, B20D, B39A, B39B | 01 | B02A, B02B, B02C, B20A, B20B, B20C, B20D, B39A, B39B | | 01 | B02A, B02B, B02C, B20A, B20B, B20C, B20D, B39A, B39B | |
| 02 | | C01A | 02 | C01A | | 02 | C01A | |
| 03 | | D18Z, D25A, D25B, D25C, D25D, D25J | 03 | D18Z, D25A, D25B, D25C, D25D, D25J | | 03 | D18Z, D25A, D25B, D25C, D25D, D25J | |
| 06 | | G33Z | 06 | G33Z | | 06 | G33Z | |
| 07 | | H33Z, H38Z | 07 | H33Z, H38Z | | 07 | H33Z, H38Z | |
| 09 | | J08A, J08B, J08C | 09 | J08A, J08B, J08C | | 09 | J08A, J08B, J08C | |
| 11 | | L33Z | 11 | L33Z | | 11 | L33Z | |
| 17 | | R01A, R01B, R01C, R01D, R02Z, R12A, R12B, R12C | 17 | R01A, R01B, R01C, R01D, R02Z, R12A, R12B, R12C | | 17 | R01A, R01B, R01C, R01D, R02Z, R12A, R12B, R12C | |
| 21B | | X33Z | 21B | X33Z | | 21B | X33Z | |
| 23 | | Z01A | 23 | Z01A | | 23 | Z01A | |
| Pre | | A07A | Pre | A07A | | Pre | A07A | |

VYK

| ZZV | MDC | DRG | ZZV | MDC | DRG | ZZV | MDC | DRG | | | |
|---------|---------|--|--|--|--|--|--|--|------------------------------------|--|------------------------------------|
| 5a11f.b | | BOP, KJZSV, KOP, KOPV, KVT, UOP4 | 5a121.0 | | BOP, KJZSV, KVT, UOP4 | 5a123.1 | | BOP, KJZSV, KVT, UOP4 | | | |
| | 01 | B02A, B02B, B02C, B20A, B20B, B20C, B20D, B39A, B39B | | 01 | B02A, B02B, B02C, B02D, B20A, B20B, B20C, B20D, B20E, B39A, B39B | | 01 | B02A, B02B, B02C, B02D, B20A, B20B, B20C, B20D, B20E, B39A, B39B | | | |
| | 02 | C01A | | 02 | C01A | | 02 | C01A | | | |
| | 03 | D18Z, D25A, D25B, D25C, D25D, D25J | | 03 | D18Z, D25A, D25B, D25C, D25D, D25J | | 03 | D18Z, D25A, D25B, D25C, D25D, D25J | | | |
| | 06 | G33Z | | 09 | J08A, J08B, J08C | | 09 | J08A, J08B, J08C | | | |
| | 07 | H33Z, H38Z | | 17 | R01A, R01C, R02Z, R12A, R12B | | 17 | R01A, R01C, R02Z, R12A, R12B | | | |
| | 09 | J08A, J08B, J08C | | 21A | W01A, W01B, W01C, W36Z | | 21A | W01A, W01B, W01C, W36Z | | | |
| | 11 | L33Z | | 21B | X06A, X06B, X06C | | 21B | X06A, X06B, X06C | | | |
| | 17 | R01A, R01B, R01C, R01D, R02Z, R12A, R12B, R12C | | 23 | Z01A | | 23 | Z01A | | | |
| | 21B | X33Z | | Pre | B61A | | Pre | B61A | | | |
| | 23 | Z01A | | 5a121.1 | | | BOP, KJZSV, KVT, UOP4 | 5a124.0 | | BOP, KJZSV, KVT, UOP4 | |
| | Pre | A07A | | | 01 | | B02A, B02B, B02C, B02D, B20A, B20B, B20C, B20D, B20E, B39A, B39B | | 01 | B02A, B02B, B02C, B02D, B20A, B20B, B20C, B20D, B20E, B39A, B39B | |
| | 5a11f.c | | | | BOP, KJZSV, KOP, KOPV, KVT, UOP4 | | 02 | | C01A | 02 | C01A |
| | | 01 | | | B02A, B02B, B02C, B20A, B20B, B20C, B20D, B39A, B39B | | 03 | | D18Z, D25A, D25B, D25C, D25D, D25J | 03 | D18Z, D25A, D25B, D25C, D25D, D25J |
| 02 | | C01A | 09 | | J08A, J08B, J08C | 09 | J08A, J08B, J08C | | | | |
| 03 | | D18Z, D25A, D25B, D25C, D25D, D25J | 17 | | R01A, R01C, R02Z, R12A, R12B | 17 | R01A, R01C, R02Z, R12A, R12B | | | | |
| 06 | | G33Z | 21A | | W01A, W01B, W01C, W36Z | 21A | W01A, W01B, W01C, W36Z | | | | |
| 07 | | H33Z, H38Z | 21B | | X06A, X06B, X06C | 21B | X06A, X06B, X06C | | | | |
| 09 | | J08A, J08B, J08C | 23 | | Z01A | 23 | Z01A | | | | |
| 11 | | L33Z | Pre | | B61A | Pre | B61A | | | | |
| 17 | | R01A, R01B, R01C, R01D, R02Z, R12A, R12B, R12C | 5a122.0 | | | BOP, KJZSV, KVT, UOP4 | 5a124.1 | | | BOP, KJZSV, KVT, UOP4 | |
| 21B | | X33Z | | | 01 | B02A, B02B, B02C, B02D, B20A, B20B, B20C, B20D, B20E, B39A, B39B | | | 01 | B02A, B02B, B02C, B02D, B20A, B20B, B20C, B20D, B20E, B39A, B39B | |
| 23 | | Z01A | | | 02 | C01A | | | 02 | C01A | |
| Pre | | A07A | | | 03 | D18Z, D25A, D25B, D25C, D25D, D25J | | | 03 | D18Z, D25A, D25B, D25C, D25D, D25J | |
| 5a120.0 | | | | BOP, KJZSV, KVT, UOP4 | 09 | J08A, J08B, J08C | | 09 | J08A, J08B, J08C | | |
| | | 01 | | B02A, B02B, B02C, B02D, B20A, B20B, B20C, B20D, B20E, B39A, B39B | 17 | R01A, R01C, R02Z, R12A, R12B | | 17 | R01A, R01C, R02Z, R12A, R12B | | |
| | 02 | C01A | | 21A | W01A, W01B, W01C, W36Z | 21A | | W01A, W01B, W01C, W36Z | | | |
| | 03 | D18Z, D25A, D25B, D25C, D25D, D25J | | 21B | X06A, X06B, X06C | 21B | | X06A, X06B, X06C | | | |
| | 09 | J08A, J08B, J08C | | 23 | Z01A | 23 | | Z01A | | | |
| | 17 | R01A, R01C, R02Z, R12A, R12B | | Pre | B61A | Pre | | B61A | | | |
| | 21A | W01A, W01B, W01C, W36Z | | 5a122.1 | | BOP, KJZSV, KVT, UOP4 | | 5a125.0 | | BOP, KJZSV, KVT, UOP4 | |
| | 21B | X06A, X06B, X06C | | | 01 | B02A, B02B, B02C, B02D, B20A, B20B, B20C, B20D, B20E, B39A, B39B | | | 01 | B02A, B02B, B02C, B02D, B20A, B20B, B20C, B20D, B20E, B39A, B39B | |
| | 23 | Z01A | | | 02 | C01A | | | 02 | C01A | |
| | Pre | B61A | | | 03 | D18Z, D25A, D25B, D25C, D25D, D25J | | | 03 | D18Z, D25A, D25B, D25C, D25D, D25J | |
| | 5a120.1 | | BOP, KJZSV, KVT, UOP4 | | 09 | J08A, J08B, J08C | 09 | | J08A, J08B, J08C | | |
| | | 01 | B02A, B02B, B02C, B02D, B20A, B20B, B20C, B20D, B20E, B39A, B39B | | 17 | R01A, R01C, R02Z, R12A, R12B | 17 | | R01A, R01C, R02Z, R12A, R12B | | |
| | | 02 | C01A | | 21A | W01A, W01B, W01C, W36Z | 21A | | W01A, W01B, W01C, W36Z | | |
| | | 03 | D18Z, D25A, D25B, D25C, D25D, D25J | | 21B | X06A, X06B, X06C | 21B | | X06A, X06B, X06C | | |
| 09 | | J08A, J08B, J08C | 23 | | Z01A | 23 | Z01A | | | | |
| 17 | | R01A, R01C, R02Z, R12A, R12B | Pre | | B61A | Pre | B61A | | | | |
| 21A | | W01A, W01B, W01C, W36Z | 5a123.0 | | | BOP, KJZSV, KVT, UOP4 | 5a125.1 | | | BOP, KJZSV, KVT, UOP4 | |
| 21B | | X06A, X06B, X06C | | | 01 | B02A, B02B, B02C, B02D, B20A, B20B, B20C, B20D, B20E, B39A, B39B | | | 01 | B02A, B02B, B02C, B02D, B20A, B20B, B20C, B20D, B20E, B39A, B39B | |
| 23 | | Z01A | | | 02 | C01A | | | 02 | C01A | |
| Pre | | B61A | | | 03 | D18Z, D25A, D25B, D25C, D25D, D25J | | | 03 | D18Z, D25A, D25B, D25C, D25D, D25J | |
| | | | | 09 | J08A, J08B, J08C | 09 | | J08A, J08B, J08C | | | |
| | | | | 17 | R01A, R01C, R02Z, R12A, R12B | 17 | | R01A, R01C, R02Z, R12A, R12B | | | |
| | | | | 21A | W01A, W01B, W01C, W36Z | 21A | | W01A, W01B, W01C, W36Z | | | |
| | | | | 21B | X06A, X06B, X06C | 21B | | X06A, X06B, X06C | | | |
| | | 23 | | Z01A | 23 | Z01A | | | | | |
| | | Pre | | B61A | Pre | B61A | | | | | |

| ZZV | MDC | DRG | ZZV | MDC | DRG | ZZV | MDC | DRG |
|---------|---------|--|-----------------------|--|--|---------|--|--|
| 5a126.2 | | BOP, KJZSV, KVT, UOP4 | 5a128.4 | | BOP, KJZSV, KOP, KOPV, KVT, UOP4 | 5a128.7 | | BOP, KJZSV, KOP, KOPV, KVT, UOP4 |
| | 01 | B02A, B02B, B02C, B02D, B20A, B20B, B20C, B20D, B20E, B39A, B39B | | 01 | B02A, B02B, B02C, B02D, B13Z, B20A, B20B, B20C, B20D, B20E, B39A, B39B | | 01 | B02A, B02B, B02C, B02D, B13Z, B20A, B20B, B20C, B20D, B20E, B39A, B39B |
| | 02 | C01A | | 02 | C01A | | 02 | C01A |
| | 03 | D18Z, D25A, D25B, D25C, D25D, D25J | | 03 | D18Z, D25A, D25B, D25C, D25D, D25J | | 03 | D18Z, D25A, D25B, D25C, D25D, D25J |
| | 09 | J08A, J08B, J08C | | 06 | G33Z | | 06 | G33Z |
| | 17 | R01A, R01C, R02Z, R12A, R12B | | 07 | H33Z, H38Z | | 07 | H33Z, H38Z |
| | 21A | W01A, W01B, W01C, W36Z | | 09 | J08A, J08B, J08C | | 09 | J08A, J08B, J08C |
| | 21B | X06A, X06B, X06C | | 11 | L33Z | | 11 | L33Z |
| | 23 | Z01A | | 17 | R01A, R01B, R01C, R01D, R02Z, R12A, R12B, R12C | | 17 | R01A, R01B, R01C, R01D, R02Z, R12A, R12B, R12C |
| | Pre | B61A | | 21A | W01A, W01B, W01C, W36Z | | 21A | W01A, W01B, W01C, W36Z |
| | 5a126.3 | | | BOP, KJZSV, KVT, UOP4 | 5a128.5 | | | BOP, KJZSV, KOP, KOPV, KVT, UOP4 |
| 01 | | B02A, B02B, B02C, B02D, B20A, B20B, B20C, B20D, B20E, B39A, B39B | 01 | B02A, B02B, B02C, B02D, B13Z, B20A, B20B, B20C, B20D, B20E, B39A, B39B | | 01 | B09A, B09B | |
| 02 | | C01A | 02 | C01A | | 02 | C01A | |
| 03 | | D18Z, D25A, D25B, D25C, D25D, D25J | 03 | D18Z, D25A, D25B, D25C, D25D, D25J | | 03 | D18Z, D25A, D25B, D25C, D25D, D25J | |
| 09 | | J08A, J08B, J08C | 06 | G33Z | | 09 | J08A, J08B, J08C | |
| 17 | | R01A, R01C, R02Z, R12A, R12B | 07 | H33Z, H38Z | | 17 | R01A, R01B, R01C, R01D, R02Z, R12A, R12B, R12C | |
| 21A | | W01A, W01B, W01C, W36Z | 09 | J08A, J08B, J08C | | 21A | W01A, W01B, W01C, W36Z | |
| 21B | | X06A, X06B, X06C | 11 | L33Z | | 21B | X06A, X06B, X06C | |
| 23 | | Z01A | 17 | R01A, R01B, R01C, R01D, R02Z, R12A, R12B, R12C | | 23 | Z01A | |
| Pre | | B61A | 21B | X06A, X06B, X06C, X33Z | | Pre | B61A | |
| 5a127.2 | | | BOP, KJZSV, KVT, UOP4 | 5a128.6 | | | BOP, KJZSV, KOP, KOPV, KVT, UOP4 | 5a129.1 |
| | 01 | B02A, B02B, B02C, B02D, B20A, B20B, B20C, B20D, B20E, B39A, B39B | 01 | | B02A, B02B, B02C, B02D, B13Z, B20A, B20B, B20C, B20D, B20E, B39A, B39B | 01 | B09A, B09B | |
| | 02 | C01A | 02 | | C01A | 02 | C01A | |
| | 03 | D18Z, D25A, D25B, D25C, D25D, D25J | 03 | | D18Z, D25A, D25B, D25C, D25D, D25J | 03 | D18Z, D25A, D25B, D25C, D25D, D25J | |
| | 09 | J08A, J08B, J08C | 06 | | G33Z | 09 | J08A, J08B, J08C | |
| | 17 | R01A, R01C, R02Z, R12A, R12B | 07 | | H33Z, H38Z | 17 | R01A, R01B, R01C, R01D, R02Z, R12A, R12B, R12C | |
| | 21A | W01A, W01B, W01C, W36Z | 09 | | J08A, J08B, J08C | 21A | W01A, W01B, W01C, W36Z | |
| | 21B | X06A, X06B, X06C | 11 | | L33Z | 21B | X06A, X06B, X06C | |
| | 23 | Z01A | 17 | | R01A, R01B, R01C, R01D, R02Z, R12A, R12B, R12C | 23 | Z01A | |
| | Pre | B61A | 21B | | X06A, X06B, X06C, X33Z | Pre | B61A | |
| | 5a127.3 | | BOP, KJZSV, KVT, UOP4 | | 5a128.7 | | BOP, KJZSV, KOP, KOPV, KVT, UOP4 | |
| 01 | | B02A, B02B, B02C, B02D, B20A, B20B, B20C, B20D, B20E, B39A, B39B | 01 | B02A, B02B, B02C, B02D, B13Z, B20A, B20B, B20C, B20D, B20E, B39A, B39B | | 01 | B09A, B09B | |
| 02 | | C01A | 02 | C01A | | 02 | C01A | |
| 03 | | D18Z, D25A, D25B, D25C, D25D, D25J | 03 | D18Z, D25A, D25B, D25C, D25D, D25J | | 03 | D18Z, D25A, D25B, D25C, D25D, D25J | |
| 09 | | J08A, J08B, J08C | 06 | G33Z | | 09 | J08A, J08B, J08C | |
| 17 | | R01A, R01C, R02Z, R12A, R12B | 07 | H33Z, H38Z | | 17 | R01A, R01B, R01C, R01D, R02Z, R12A, R12B, R12C | |
| 21A | | W01A, W01B, W01C, W36Z | 09 | J08A, J08B, J08C | | 21A | W01A, W01B, W01C, W36Z | |
| 21B | | X06A, X06B, X06C | 11 | L33Z | | 21B | X06A, X06B, X06C | |
| 23 | | Z01A | 17 | R01A, R01B, R01C, R01D, R02Z, R12A, R12B, R12C | | 23 | Z01A | |
| Pre | | B61A | 21B | X06A, X06B, X06C, X33Z | | Pre | B61A | |
| 5a127.3 | | | BOP, KJZSV, KVT, UOP4 | 5a128.8 | | | BOP, KJZSV, KOP, KOPV, KVT, UOP4 | 5a12a.1 |
| | 01 | B02A, B02B, B02C, B02D, B20A, B20B, B20C, B20D, B20E, B39A, B39B | 01 | | B02A, B02B, B02C, B02D, B13Z, B20A, B20B, B20C, B20D, B20E, B39A, B39B | 01 | B09A, B09B | |
| | 02 | C01A | 02 | | C01A | 02 | C01A | |
| | 03 | D18Z, D25A, D25B, D25C, D25D, D25J | 03 | | D18Z, D25A, D25B, D25C, D25D, D25J | 03 | D18Z, D25A, D25B, D25C, D25D, D25J | |
| | 09 | J08A, J08B, J08C | 06 | | G33Z | 09 | J08A, J08B, J08C | |
| | 17 | R01A, R01C, R02Z, R12A, R12B | 07 | | H33Z, H38Z | 17 | R01A, R01B, R01C, R01D, R02Z, R12A, R12B, R12C | |
| | 21A | W01A, W01B, W01C, W36Z | 09 | | J08A, J08B, J08C | 21A | W01A, W01B, W01C, W36Z | |
| | 21B | X06A, X06B, X06C | 11 | | L33Z | 21B | X06A, X06B, X06C | |
| | 23 | Z01A | 17 | | R01A, R01B, R01C, R01D, R02Z, R12A, R12B, R12C | 23 | Z01A | |
| | Pre | B61A | 21B | | X06A, X06B, X06C, X33Z | Pre | B61A | |

VYK

| ZZV | MDC | DRG | ZZV | MDC | DRG | ZZV | MDC | DRG | | | |
|---------|---------|--|--|--|--|---------|--|--|---------|----|--|
| 5a12b.0 | | BOP, KJZSV, KVT, UOP4 | 5a12d.5 | | BOP, KJZSV, KOP, KOPV, KVT, UOP4 | 5a132.7 | | BOP, KJZSV, KOP, KOPV, KVT, UOP4 | | | |
| | 01 | B09A, B09B | | 01 | B02A, B02B, B02C, B02D, B13Z, B20A, B20B, B20C, B20D, B20E, B39A, B39B | | 01 | B02A, B02B, B02C, B02D, B20A, B20B, B20C, B20D, B20E, B39A, B39B | | | |
| | 02 | C01A | | 02 | C01A | | 02 | C01A | | | |
| | 03 | D18Z, D25A, D25B, D25C, D25D, D25J | | 03 | D18Z, D25A, D25B, D25C, D25D, D25J | | 03 | D12A, D12B, D12J, D12Q | | | |
| | 09 | J08A, J08B, J08C | | 06 | G33Z | | 06 | G33Z | | | |
| | 17 | R01A, R01B, R01C, R01D, R02Z, R12A, R12B, R12C | | 07 | H33Z, H38Z | | 07 | H33Z, H38Z | | | |
| | 21A | W01A, W01B, W01C, W36Z | | 09 | J08A, J08B, J08C | | 11 | L33Z | | | |
| | 21B | X06A, X06B, X06C | | 11 | L33Z | | 21A | W01A, W01B, W01C, W36Z | | | |
| | 23 | Z01A | | 17 | R01A, R01B, R01C, R01D, R02Z, R12A, R12B, R12C | | 21B | X06A, X06B, X06C, X33Z | | | |
| | Pre | B61A | | 21A | W01A, W01B, W01C, W36Z | | 23 | Z01A | | | |
| | 5a12b.1 | | | BOP, KJZSV, KVT, UOP4 | 5a12d.6 | | | BOP, KJZSV, KOP, KOPV, KVT, UOP4 | 5a132.8 | | BOP, KJZSV, KOP, KOPV, KVT, UOP4 |
| | | 01 | | B09A, B09B | | | 01 | B02A, B02B, B02C, B02D, B13Z, B20A, B20B, B20C, B20D, B20E, B39A, B39B | | 01 | B02A, B02B, B02C, B02D, B20A, B20B, B20C, B20D, B20E, B39A, B39B |
| | | 02 | | C01A | | | 02 | C01A | | 02 | C01A |
| 03 | | D18Z, D25A, D25B, D25C, D25D, D25J | 03 | D18Z, D25A, D25B, D25C, D25D, D25J | | 03 | D12A, D12B, D12J, D12Q | | | | |
| 09 | | J08A, J08B, J08C | 06 | G33Z | | 06 | G33Z | | | | |
| 17 | | R01A, R01B, R01C, R01D, R02Z, R12A, R12B, R12C | 07 | H33Z, H38Z | | 07 | H33Z, H38Z | | | | |
| 21A | | W01A, W01B, W01C, W36Z | 09 | J08A, J08B, J08C | | 11 | L33Z | | | | |
| 21B | | X06A, X06B, X06C | 11 | L33Z | | 21A | W01A, W01B, W01C, W36Z | | | | |
| 23 | | Z01A | 17 | R01A, R01B, R01C, R01D, R02Z, R12A, R12B, R12C | | 21B | X06A, X06B, X06C, X33Z | | | | |
| Pre | | B61A | 21A | W01A, W01B, W01C, W36Z | | 23 | Z01A | | | | |
| 5a12c.8 | | | BOP, KJZSV, KVT, UOP4 | 5a12d.7 | | | BOP, KJZSV, KOP, KOPV, KVT, UOP4 | 5a132.9 | | | BOP, KJZSV, KOP, KOPV, KVT, UOP4 |
| | | 01 | B09A, B09B | | | 01 | B02A, B02B, B02C, B02D, B13Z, B20A, B20B, B20C, B20D, B20E, B39A, B39B | | | 01 | B02A, B02B, B02C, B02D, B20A, B20B, B20C, B20D, B20E, B39A, B39B |
| | | 02 | C01A | | | 02 | C01A | | | 02 | C01A |
| | 03 | D18Z, D25A, D25B, D25C, D25D, D25J | 03 | | D18Z, D25A, D25B, D25C, D25D, D25J | 03 | D12A, D12B, D12J, D12Q | | | | |
| | 09 | J08A, J08B, J08C | 06 | | G33Z | 06 | G33Z | | | | |
| | 17 | R01A, R01B, R01C, R01D, R02Z, R12A, R12B, R12C | 07 | | H33Z, H38Z | 07 | H33Z, H38Z | | | | |
| | 23 | Z01A | 09 | | J08A, J08B, J08C | 11 | L33Z | | | | |
| | Pre | B61A | 11 | | L33Z | 21A | W01A, W01B, W01C, W36Z | | | | |
| | 5a12c.9 | | BOP, KJZSV, KVT, UOP4 | | 5a130 | | BOP, KJZSV, KOP, KOPV, KVT, UOP4 | | 5a190.0 | | BOP, KJZSV, KOP, KOPV, KVT, UOP4 |
| | | 01 | B09A, B09B | | | 01 | B03Z, B07Z, B17A, B17B, B17C, B17J | | | 01 | B02A, B02B, B02C, B20A, B20B, B20C, B20D, B39A, B39B |
| | | 02 | C01A | | | 02 | C01A | | | 02 | C01A |
| | | 03 | D18Z, D25A, D25B, D25C, D25D, D25J | | | 03 | D18Z, D25A, D25B, D25C, D25D, D25J | | | 06 | G33Z |
| | | 09 | J08A, J08B, J08C | | | 06 | G33Z | | | 07 | H33Z, H38Z |
| 17 | | R01A, R01B, R01C, R01D, R02Z, R12A, R12B, R12C | 07 | H33Z, H38Z | | 11 | L33Z | | | | |
| 23 | | Z01A | 09 | J08A, J08B, J08C | | 21A | W01A, W01B, W01C, W36Z | | | | |
| Pre | | B61A | 11 | L33Z | | 21B | X06A, X06B, X06C, X33Z | | | | |
| 5a12d.4 | | | BOP, KJZSV, KOP, KOPV, KVT, UOP4 | 5a131 | | | BOP, KJZSV, KVT, UOP4 | | | | BOP, KJZSV, KOP, KOPV, KVT, UOP4 |
| | | 01 | B02A, B02B, B02C, B02D, B13Z, B20A, B20B, B20C, B20D, B20E, B39A, B39B | | | 01 | B03Z, B07Z, B17A, B17B, B17C, B17J | | | 01 | B02A, B02B, B02C, B20A, B20B, B20C, B20D, B39A, B39B |
| | | 02 | C01A | | | 02 | C01A | | | 02 | C01A |
| | | 03 | D18Z, D25A, D25B, D25C, D25D, D25J | | | 03 | D12A, D12B, D12J, D12Q | | | 06 | G33Z |
| | | 06 | G33Z | | | 06 | G33Z | | | 07 | H33Z, H38Z |
| | 07 | H33Z, H38Z | 07 | | H33Z, H38Z | 08 | I23A, I23J | | | | |
| | 09 | J08A, J08B, J08C | 09 | | J08A, J08B, J08C | 11 | L33Z | | | | |
| | 11 | L33Z | 11 | | L33Z | 17 | R01A, R01B, R01C, R01D, R02Z, R12A, R12B, R12C | | | | |
| | 17 | R01A, R01B, R01C, R01D, R02Z, R12A, R12B, R12C | 17 | | R01A, R01B, R01C, R01D, R02Z, R12A, R12B, R12C | 21A | W01A, W01B, W01C, W36Z | | | | |
| | 21A | W01A, W01B, W01C, W36Z | 21A | | W04A, W04B | 21B | X33Z | | | | |
| | 21B | X06A, X06B, X06C, X33Z | 21B | | X06A, X06B, X06C | 23 | Z01A | | | | |
| | 23 | Z01A | 21B | | X06A, X06B, X06C | Pre | A07A | | | | |
| | Pre | A07A | 01 | | B03Z, B07Z, B17A, B17B, B17C, B17J | | | | | | |

| ZZV | MDC | DRG | ZZV | MDC | DRG | ZZV | MDC | DRG | | | |
|---------|---------|--|--|--|--|--|--|--|--|------------------|------------------------------------|
| 5a190.1 | | BOP, KJZSV, KOP, KOPV, KVT, UOP4 | 5a191 | | BOP, KJZSV, KOP, KOPV, KVT, UOP4 | 5a195 | | BOP, KJZSV, KVT, UOP4 | | | |
| | 01 | B02A, B02B, B02C, B20A, B20B, B20C, B20D, B39A, B39B | | 01 | B02A, B02B, B02C, B20A, B20B, B20C, B20D, B39A, B39B | | 01 | B02A, B02B, B02C, B02D, B20A, B20B, B20C, B20D, B20E, B39A, B39B | | | |
| | 02 | C01A | | 02 | C01A | | 02 | C01A | | | |
| | 06 | G33Z | | 06 | G33Z | | 03 | D18Z, D25A, D25B, D25C, D25D, D25J | | | |
| | 07 | H33Z, H38Z | | 07 | H33Z, H38Z | | 09 | J08A, J08B, J08C | | | |
| | 08 | I23A, I23J | | 08 | I15A, I15B | | 17 | R01A, R01C, R02Z, R12A, R12B | | | |
| | 11 | L33Z | | 11 | L33Z | | 21A | W01A, W01B, W01C, W36Z | | | |
| | 17 | R01A, R01B, R01C, R01D, R02Z, R12A, R12B, R12C | | 21A | W01A, W01B, W01C, W36Z | | 21B | X06A, X06B, X06C | | | |
| | 21A | W01A, W01B, W01C, W36Z | | 21B | X06A, X06B, X06C, X33Z | | 23 | Z01A | | | |
| | 21B | X33Z | | 23 | Z01A | | Pre | A07A, A09A, A13B | | | |
| | 23 | Z01A | | Pre | A07A, A09A, A13B | | 5a196 | BOP, KJZSV, KVT, UOP4 | | | |
| | Pre | A07A | | 5a192 | BOP, KJZSV, KOP, KOPV, KVT, UOP4 | | | 01 | B09A, B09B | | |
| | 5a190.2 | | | | BOP, KJZSV, KOP, KOPV, KVT, UOP4 | | | 01 | B02A, B02B, B02C, B20A, B20B, B20C, B20D, B39A, B39B | 02 | C01A |
| | | 01 | | | B02A, B02B, B02C, B20A, B20B, B20C, B20D, B39A, B39B | | | 02 | C01A | 03 | D18Z, D25A, D25B, D25C, D25D, D25J |
| 02 | | C01A | 06 | | G33Z | 09 | | J08A, J08B, J08C | | | |
| 06 | | G33Z | 07 | | H33Z, H38Z | 17 | | R01A, R01B, R01C, R01D, R02Z, R12A, R12B, R12C | | | |
| 07 | | H33Z, H38Z | 08 | | I15A, I15B | 23 | | Z01A | | | |
| 08 | | I23A, I23J | 11 | | L33Z | Pre | | B61A | | | |
| 11 | | L33Z | 21A | | W01A, W01B, W01C, W36Z | 5a197.1 | | BOP, KJZSV, KOP, KOPV, KVT, UOP4 | | | |
| 17 | | R01A, R01B, R01C, R01D, R02Z, R12A, R12B, R12C | 21B | | X06A, X06B, X06C, X33Z | | | 01 | B02A, B02B, B02C, B02D, B13Z, B20A, B20B, B20C, B20D, B20E, B39A, B39B | | |
| 21A | | W01A, W01B, W01C, W36Z | 23 | | Z01A | | | 02 | C01A | | |
| 21B | | X33Z | Pre | | A07A, A09A, A13B | | | 03 | D18Z, D25A, D25B, D25C, D25D, D25J | | |
| 23 | | Z01A | 5a193 | | BOP, KJZSV, KOP, KOPV, KVT, UOP4 | | | 06 | G33Z | | |
| Pre | | A07A | | | 01 | | | B02A, B02B, B02C, B13Z, B20A, B20B, B20C, B20D, B39A, B39B | 07 | H33Z, H38Z | |
| 5a190.3 | | | | | BOP, KJZSV, KOP, KOPV, KVT, UOP4 | | 02 | C01A | 09 | J08A, J08B, J08C | |
| | | 01 | | B02A, B02B, B02C, B20A, B20B, B20C, B20D, B39A, B39B | 06 | | G33Z | 11 | L33Z | | |
| | 02 | C01A | | 07 | H33Z, H38Z | | 17 | R01A, R01B, R01C, R01D, R02Z, R12A, R12B, R12C | | | |
| | 06 | G33Z | | 11 | L33Z | | 21B | X33Z | | | |
| | 07 | H33Z, H38Z | | 17 | R01A, R01B, R01C, R01D, R02Z, R12A, R12B, R12C | | 23 | Z01A | | | |
| | 08 | I23A, I23J | | 21B | X33Z | | Pre | A07A | | | |
| | 11 | L33Z | | 23 | Z01A | | 5a197.2 | BOP, KJZSV, KOP, KOPV, KVT, UOP4 | | | |
| | 17 | R01A, R01B, R01C, R01D, R02Z, R12A, R12B, R12C | | Pre | A07A | | | 01 | B02A, B02B, B02C, B02D, B13Z, B20A, B20B, B20C, B20D, B20E, B39A, B39B | | |
| | 21A | W01A, W01B, W01C, W36Z | | 5a194.e | BOP, KJZSV, KOP, KOPV, KVT, UOP4 | 02 | | C01A | | | |
| | 21B | X33Z | | | 01 | B02A, B02B, B02C, B13Z, B20A, B20B, B20C, B20D, B39A, B39B | | 03 | D18Z, D25A, D25B, D25C, D25D, D25J | | |
| | 23 | Z01A | | | 02 | C01A | | 06 | G33Z | | |
| | Pre | A07A | | | 06 | G33Z | | 07 | H33Z, H38Z | | |
| | 5a190.4 | | BOP, KJZSV, KOP, KOPV, KVT, UOP4 | | 07 | H33Z, H38Z | | 09 | J08A, J08B, J08C | | |
| | | 01 | B02A, B02B, B02C, B20A, B20B, B20C, B20D, B39A, B39B | | 11 | L33Z | | 11 | L33Z | | |
| 02 | | C01A | 17 | | R01A, R01B, R01C, R01D, R02Z, R12A, R12B, R12C | 17 | | R01A, R01B, R01C, R01D, R02Z, R12A, R12B, R12C | | | |
| 06 | | G33Z | 21B | | X33Z | 21B | | X33Z | | | |
| 07 | | H33Z, H38Z | 23 | | Z01A | 23 | | Z01A | | | |
| 08 | | I23A, I23J | Pre | | A07A | Pre | | A07A | | | |
| 11 | | L33Z | 5a194.f | | BOP, KJZSV, KOP, KOPV, KVT, UOP4 | 01 | | B02A, B02B, B02C, B13Z, B20A, B20B, B20C, B20D, B39A, B39B | | | |
| 17 | | R01A, R01B, R01C, R01D, R02Z, R12A, R12B, R12C | | | 01 | B02A, B02B, B02C, B13Z, B20A, B20B, B20C, B20D, B39A, B39B | | 02 | C01A | | |
| 21A | | W01A, W01B, W01C, W36Z | | | 02 | C01A | 06 | G33Z | | | |
| 21B | | X33Z | | | 06 | G33Z | 07 | H33Z, H38Z | | | |
| 23 | | Z01A | | 07 | H33Z, H38Z | 09 | J08A, J08B, J08C | | | | |
| Pre | | A07A | | 11 | L33Z | 11 | L33Z | | | | |
| | | | | 17 | R01A, R01B, R01C, R01D, R02Z, R12A, R12B, R12C | 17 | R01A, R01B, R01C, R01D, R02Z, R12A, R12B, R12C | | | | |
| | | | | 21B | X33Z | 21B | X33Z | | | | |
| | | 23 | | Z01A | 23 | Z01A | | | | | |
| | | Pre | | A07A | Pre | A07A | | | | | |

VYK

| ZZV | MDC | DRG | ZZV | MDC | DRG | ZZV | MDC | DRG |
|---------|---------|--|----------------------------------|------------------------------------|--|----------|--|--|
| 5a198.1 | | BOP, KJZSV, KOP, KOPV, KVT, UOP4 | 5a199.9 | | BOP, KJZSV, KOP, KOPV, KVT, UOP4 | 5a19c.81 | | BOP, KJZSV, KOP, KOPV, KVT, UOP4 |
| | 01 | B02A, B02B, B02C, B02D, B13Z, B20A, B20B, B20C, B20D, B20E, B39A, B39B | | 01 | B02A, B02B, B02C, B02D, B13Z, B20A, B20B, B20C, B20D, B20E, B39A, B39B | | 01 | B02A, B02B, B02C, B20A, B20B, B20C, B20D, B39A, B39B |
| | 02 | C01A | | 02 | C01A | | 02 | C01A |
| | 03 | D18Z, D25A, D25B, D25C, D25D, D25J | | 03 | D18Z, D25A, D25B, D25C, D25D, D25J | | 03 | D18Z, D25A, D25B, D25C, D25D, D25J |
| | 06 | G33Z | | 06 | G33Z | | 06 | G33Z |
| | 07 | H33Z, H38Z | | 07 | H33Z, H38Z | | 07 | H33Z, H38Z |
| | 09 | J08A, J08B, J08C | | 09 | J08A, J08B, J08C | | 09 | J08A, J08B, J08C |
| | 11 | L33Z | | 11 | L33Z | | 11 | L33Z |
| | 17 | R01A, R01B, R01C, R01D, R02Z, R12A, R12B, R12C | | 17 | R01A, R01B, R01C, R01D, R02Z, R12A, R12B, R12C | | 17 | R01A, R01B, R01C, R01D, R02Z, R12A, R12B, R12C |
| | 21A | W01A, W01B, W01C, W36Z | | 21A | W01A, W01B, W01C, W36Z | | 21B | X33Z |
| | 21B | X06A, X06B, X06C, X33Z | | 21B | X06A, X06B, X06C, X33Z | | 23 | Z01A |
| | 23 | Z01A | | 23 | Z01A | | Pre | A07A |
| | Pre | A07A | | Pre | A07A | | 5a19c.82 | BOP, KJZSV, KOP, KOPV, KVT, UOP4 |
| | 5a198.9 | | | BOP, KJZSV, KOP, KOPV, KVT, UOP4 | 5a19a.7 | | | BOP, KJZSV, KVT, UOP4 |
| 01 | | B02A, B02B, B02C, B02D, B13Z, B20A, B20B, B20C, B20D, B20E, B39A, B39B | 01 | B03Z, B07Z, B17A, B17B, B17C, B17J | | 01 | B02A, B02B, B02C, B20A, B20B, B20C, B20D, B39A, B39B | |
| 02 | | C01A | 02 | C01A | | 02 | C01A | |
| 03 | | D18Z, D25A, D25B, D25C, D25D, D25J | 03 | D12A, D12B, D12J, D12Q | | 03 | D18Z, D25A, D25B, D25C, D25D, D25J | |
| 06 | | G33Z | 21A | W04A, W04B | | 06 | G33Z | |
| 07 | | H33Z, H38Z | 21B | X06A, X06B, X06C | | 07 | H33Z, H38Z | |
| 09 | | J08A, J08B, J08C | 5a19a.b | BOP, KJZSV, KVT, UOP4 | | 09 | J08A, J08B, J08C | |
| 11 | | L33Z | 01 | B03Z, B07Z, B17A, B17B, B17C, B17J | | 11 | L33Z | |
| 17 | | R01A, R01B, R01C, R01D, R02Z, R12A, R12B, R12C | 02 | C01A | | 17 | R01A, R01B, R01C, R01D, R02Z, R12A, R12B, R12C | |
| 21A | | W01A, W01B, W01C, W36Z | 03 | D12A, D12B, D12J, D12Q | | 21B | X33Z | |
| 21B | | X06A, X06B, X06C, X33Z | 21A | W04A, W04B | | 23 | Z01A | |
| 23 | | Z01A | 21B | X06A, X06B, X06C | | Pre | A07A | |
| Pre | | A07A | 5a19a.c | BOP, KJZSV, KVT, UOP4 | | 5a19e | BOP, KJZSV, KVT, UOP4 | |
| 5a199.1 | | | BOP, KJZSV, KOP, KOPV, KVT, UOP4 | 5a19b.7 | | | BOP, KJZSV, KVT, UOP4 | 5a19f.8 |
| | 01 | B02A, B02B, B02C, B02D, B13Z, B20A, B20B, B20C, B20D, B20E, B39A, B39B | 01 | | B03Z, B07Z, B17A, B17B, B17C, B17J | 01 | B02A, B02B, B02C, B20A, B20B, B20C, B20D, B39A, B39B | |
| | 02 | C01A | 02 | | C01A | 02 | C01A | |
| | 03 | D18Z, D25A, D25B, D25C, D25D, D25J | 03 | | D12A, D12B, D12J, D12Q | 03 | D18Z, D25A, D25B, D25C, D25D, D25J | |
| | 06 | G33Z | 21A | | W04A, W04B | 06 | G33Z | |
| | 07 | H33Z, H38Z | 21B | | X06A, X06B, X06C | 07 | H33Z, H38Z | |
| | 09 | J08A, J08B, J08C | 5a19b.b | | BOP, KJZSV, KVT, UOP4 | 09 | J08A, J08B, J08C | |
| | 11 | L33Z | 01 | | B03Z, B07Z, B17A, B17B, B17C, B17J | 11 | L33Z | |
| | 17 | R01A, R01B, R01C, R01D, R02Z, R12A, R12B, R12C | 02 | | C01A | 17 | R01A, R01B, R01C, R01D, R02Z, R12A, R12B, R12C | |
| | 21A | W01A, W01B, W01C, W36Z | 03 | | D12A, D12B, D12J, D12Q | 21B | X33Z | |
| | 21B | X06A, X06B, X06C, X33Z | 21A | | W04A, W04B | 23 | Z01A | |
| | 23 | Z01A | 21B | | X06A, X06B, X06C | Pre | A07A | |
| | Pre | A07A | 5a19b.c | | BOP, KJZSV, KVT, UOP4 | | | |
| | | | 01 | | B03Z, B07Z, B17A, B17B, B17C, B17J | | | |
| | | 02 | C01A | | | | | |
| | | 03 | D12A, D12B, D12J, D12Q | | | | | |
| | | 21A | W04A, W04B | | | | | |
| | | 21B | X06A, X06B, X06C | | | | | |

| ZZV | MDC | DRG | ZZV | MDC | DRG | ZZV | MDC | DRG | |
|---------|---------|--|--|--|--|--|--|--|--|
| 5a19g | | BOP, KJZSV, KOP, KOPV, KVT, UOP4 | 5a19k.3 | | BOP, KJZSV, KVT, UOP4 | 5a19o.1 | | BOP, KJZSV, KVT, UOP4 | |
| | 01 | B02A, B02B, B02C, B20A, B20B, B20C, B20D, B39A, B39B | | 01 | B02A, B02B, B02C, B02D, B20A, B20B, B20C, B20D, B20E, B39A, B39B | | 01 | B09A, B09B, B20A, B20B, B20C, B20D, B20E | |
| | 02 | C01A | | 02 | C01A | | 02 | C01A | |
| | 03 | D18Z, D25A, D25B, D25C, D25D, D25J | | 08 | I15A, I15B | | 03 | D18Z, D25A, D25B, D25C, D25D, D25J | |
| | 06 | G33Z | | 09 | J08A | | 09 | J08A, J08B, J08C | |
| | 07 | H33Z, H38Z | | 17 | R01A, R01C, R02Z, R12A, R12B | | 17 | R01A, R01B, R01C, R01D, R02Z, R12A, R12B, R12C | |
| | 09 | J08A, J08B, J08C | | 21A | W01A, W01B, W01C, W36Z | | 21A | W01A, W01B, W01C, W36Z | |
| | 11 | L33Z | | 21B | X06A, X06B | | 21B | X06A, X06B, X06C | |
| | 17 | R01A, R01B, R01C, R01D, R02Z, R12A, R12B, R12C | | 23 | Z01A | | Pre | B61A | |
| | 21A | W01A, W01B, W01C, W36Z | | 5a19m.4 | BOP, KJZSV, KVT, UOP4 | | 5a19o.3 | BOP, KJZSV, KVT, UOP4 | |
| | 21B | X06A, X06B, X06C, X33Z | | 01 | B02A, B02B, B02C, B02D, B20A, B20B, B20C, B20D, B20E, B39A, B39B | | 01 | B09A, B09B, B20A, B20B, B20C, B20D, B20E | |
| | 23 | Z01A | | 02 | C01A | | 02 | C01A | |
| | Pre | A07A | | 06 | G01Z, G02Z, G38Z | | 03 | D18Z, D25A, D25B, D25C, D25D, D25J | |
| | 5a19h | | | BOP, KJZSV, KVT, UOP4 | 08 | | I15A, I15B | 09 | J08A, J08B, J08C |
| | | 01 | | B03Z, B07Z, B17A, B17B, B17C, B17J | 09 | | J08A | 17 | R01A, R01B, R01C, R01D, R02Z, R12A, R12B, R12C |
| | | 02 | | C01A | 17 | | R01A, R01C, R02Z, R12A, R12B | 21A | W01A, W01B, W01C, W36Z |
| | | 03 | | D12A, D12B, D12J, D12Q | 21A | | W01A, W01B, W01C, W36Z | 21B | X06A, X06B, X06C |
| 21A | | W04A, W04B | 21B | X06A, X06B | Pre | B61A | | | |
| 21B | | X06A, X06B, X06C | 23 | Z01A | 5a19p.1 | BOP, KJZSV, KVT, UOP4 | | | |
| 5a19k.0 | | | BOP, KJZSV, KVT, UOP4 | Pre | A13A, A13B, A13C | 01 | B09A, B09B, B20A, B20B, B20C, B20D, B20E | | |
| | | 01 | B02A, B02B, B02C, B02D, B20A, B20B, B20C, B20D, B20E, B39A, B39B | 5a19m.5 | BOP, KJZSV, KVT, UOP4 | 02 | C01A | | |
| | | 02 | C01A | 01 | B02A, B02B, B02C, B02D, B20A, B20B, B20C, B20D, B20E, B39A, B39B | 03 | D18Z, D25A, D25B, D25C, D25D, D25J | | |
| | | 08 | I15A, I15B | 02 | C01A | 09 | J08A, J08B, J08C | | |
| | 09 | J08A | 06 | G01Z, G02Z, G38Z | 17 | R01A, R01B, R01C, R01D, R02Z, R12A, R12B, R12C | | | |
| | 17 | R01A, R01C, R02Z, R12A, R12B | 08 | I15A, I15B | 21A | W01A, W01B, W01C, W36Z | | | |
| | 21A | W01A, W01B, W01C, W36Z | 09 | J08A | 21B | X06A, X06B, X06C | | | |
| | 21B | X06A, X06B | 17 | R01A, R01C, R02Z, R12A, R12B | Pre | B61A | | | |
| | 23 | Z01A | 21A | W01A, W01B, W01C, W36Z | 5a19p.3 | BOP, KJZSV, KVT, UOP4 | | | |
| | 5a19k.1 | | BOP, KJZSV, KVT, UOP4 | 21B | X06A, X06B | 01 | B09A, B09B, B20A, B20B, B20C, B20D, B20E | | |
| 01 | | B02A, B02B, B02C, B02D, B20A, B20B, B20C, B20D, B20E, B39A, B39B | 23 | Z01A | 02 | C01A | | | |
| 02 | | C01A | Pre | A13A, A13B, A13C | 03 | D18Z, D25A, D25B, D25C, D25D, D25J | | | |
| 08 | | I15A, I15B | 5a19m.6 | BOP, KJZSV, KVT, UOP4 | 09 | J08A, J08B, J08C | | | |
| 09 | | J08A | 01 | B02A, B02B, B02C, B02D, B20A, B20B, B20C, B20D, B20E, B39A, B39B | 17 | R01A, R01B, R01C, R01D, R02Z, R12A, R12B, R12C | | | |
| 17 | | R01A, R01C, R02Z, R12A, R12B | 02 | C01A | 21A | W01A, W01B, W01C, W36Z | | | |
| 21A | | W01A, W01B, W01C, W36Z | 06 | G01Z, G02Z, G38Z | 21B | X06A, X06B, X06C | | | |
| 21B | | X06A, X06B | 08 | I15A, I15B | Pre | B61A | | | |
| 23 | | Z01A | 09 | J08A | 5a19r.1 | BOP, KJZSV, KVT, UOP4 | | | |
| 5a19k.2 | | | BOP, KJZSV, KVT, UOP4 | 17 | R01A, R01C, R02Z, R12A, R12B | 01 | B09A, B09B, B20A, B20B, B20C, B20D, B20E | | |
| | 01 | B02A, B02B, B02C, B02D, B20A, B20B, B20C, B20D, B20E, B39A, B39B | 21A | W01A, W01B, W01C, W36Z | 02 | C01A | | | |
| | 02 | C01A | 21B | X06A, X06B | 03 | D18Z, D25A, D25B, D25C, D25D, D25J | | | |
| | 08 | I15A, I15B | 23 | Z01A | 09 | J08A, J08B, J08C | | | |
| | 09 | J08A | Pre | A13A, A13B, A13C | 17 | R01A, R01B, R01C, R01D, R02Z, R12A, R12B, R12C | | | |
| | 17 | R01A, R01C, R02Z, R12A, R12B | 5a19m.7 | BOP, KJZSV, KVT, UOP4 | 21A | W01A, W01B, W01C, W36Z | | | |
| | 21A | W01A, W01B, W01C, W36Z | 01 | B09A, B09B, B20A, B20B, B20C, B20D, B20E | 21B | X06A, X06B, X06C | | | |
| | 21B | X06A, X06B | 02 | C01A | Pre | B61A | | | |
| | 23 | Z01A | 17 | R01A, R01B, R01C, R01D, R02Z, R12A, R12B, R12C | | | | | |
| | | | 21A | W01A, W01B, W01C, W36Z | | | | | |
| | | 21B | X06A, X06B, X06C | | | | | | |
| | | 5a19n.8 | BOP, KJZSV, KVT, UOP4 | | | | | | |
| | | 01 | B09A, B09B, B20A, B20B, B20C, B20D, B20E | | | | | | |
| | | 02 | C01A | | | | | | |
| | | 17 | R01A, R01B, R01C, R01D, R02Z, R12A, R12B, R12C | | | | | | |
| | | 21A | W01A, W01B, W01C, W36Z | | | | | | |
| | | 21B | X06A, X06B, X06C | | | | | | |

VYK

| ZZV | MDC | DRG | ZZV | MDC | DRG | ZZV | MDC | DRG | | | |
|---------|--|--|--|--|--|--|--|--|---------|--|--|
| 5a19r.3 | | BOP, KJZSV, KVT, UOP4 | 5a202 | | BOP, KJZSV, KOP, KOPV, KVT, UOP4 | 5a204.3 | | BOP, KJZSV, KOP, KOPV, KVT, UOP4 | | | |
| | 01 | B09A, B09B, B20A, B20B, B20C, B20D, B20E | | 01 | B02A, B02B, B02C, B20A, B20B, B20C, B20D, B39A, B39B | | 01 | B02A, B02B, B02C, B02D, B20A, B20B, B20C, B20D, B20E, B39A, B39B | | | |
| | 02 | C01A | | 06 | G33Z | | 06 | G01Z, G02Z, G33Z, G38Z | | | |
| | 03 | D18Z, D25A, D25B, D25C, D25D, D25J | | 07 | H33Z, H38Z | | 07 | H33Z, H38Z | | | |
| | 09 | J08A, J08B, J08C | | 11 | L33Z | | 11 | L33Z | | | |
| | 17 | R01A, R01B, R01C, R01D, R02Z, R12A, R12B, R12C | | 21A | W01A, W01B, W01C, W36Z | | 17 | R01A, R01B, R01C, R01D, R02Z, R12A, R12B, R12C | | | |
| | 21A | W01A, W01B, W01C, W36Z | | 21B | X06A, X06B, X06C, X33Z | | 21A | W04A, W04B | | | |
| | 21B | X06A, X06B, X06C | | 23 | Z01A | | 21B | X06A, X06B, X06C, X33Z | | | |
| | Pre | B61A | | Pre | A07A | | 23 | Z01A | | | |
| | 5a19s | | | BOP, KJZSV, KOP, KOPV, KVT, UOP4 | 5a203 | | | BOP, KJZSV, KOP, KOPV, KVT, UOP4 | 5a204.4 | | BOP, KJZSV, KOP, KOPV, KVT, UOP4 |
| | | 01 | | B02A, B02B, B02C, B13Z, B20A, B20B, B20C, B20D, B39A, B39B | | | 01 | B02A, B02B, B02C, B02D, B20A, B20B, B20C, B20D, B20E, B39A, B39B | | 01 | B02A, B02B, B02C, B02D, B20A, B20B, B20C, B20D, B20E, B39A, B39B |
| 02 | | C01A | 06 | G33Z | | 06 | G33Z | | | | |
| 06 | | G33Z | 07 | H33Z, H38Z | | 07 | H33Z, H38Z | | | | |
| 07 | | H33Z, H38Z | 11 | L33Z | | 11 | L33Z | | | | |
| 11 | | L33Z | 17 | R01A, R01B, R01C, R01D, R02Z, R12A, R12B, R12C | | 17 | R01A, R01B, R01C, R01D, R02Z, R12A, R12B, R12C | | | | |
| 17 | | R01A, R01B, R01C, R01D, R02Z, R12A, R12B, R12C | 21A | W04A, W04B | | 21A | W04A, W04B | | | | |
| 21A | | W01A, W01B, W01C, W36Z | 21B | X06A, X06B, X06C, X33Z | | 21B | X06A, X06B, X06C, X33Z | | | | |
| 21B | | X06A, X06B, X06C, X33Z | 23 | Z01A | | 23 | Z01A | | | | |
| 23 | | Z01A | Pre | A07A | | Pre | A07A | | | | |
| Pre | | A07A | 5a204.0 | | | BOP, KJZSV, KOP, KOPV, KVT, UOP4 | 5a204.5 | | | BOP, KJZSV, KOP, KOPV, KVT, UOP4 | |
| 5a19t | | BOP, KJZSV, KOP, KOPV, KVT, UOP4 | | 01 | B02A, B02B, B02C, B02D, B20A, B20B, B20C, B20D, B20E, B39A, B39B | 01 | | B02A, B02B, B02C, B02D, B20A, B20B, B20C, B20D, B20E, B39A, B39B | | | |
| | 01 | B02A, B02B, B02C, B13Z, B20A, B20B, B20C, B20D, B39A, B39B | | 06 | G01Z, G02Z, G33Z, G38Z | 06 | | G33Z | | | |
| | 02 | C01A | | 07 | H33Z, H38Z | 07 | | H33Z, H38Z | | | |
| | 03 | D18Z, D25A, D25B, D25C, D25D, D25J | | 11 | L33Z | 11 | | L33Z | | | |
| | 04 | E02A, E02B, E02C, E02D | | 17 | R01A, R01B, R01C, R01D, R02Z, R12A, R12B, R12C | 17 | | R01A, R01B, R01C, R01D, R02Z, R12A, R12B, R12C | | | |
| | 06 | G10Z, G12A, G12B, G12J, G33Z | | 21A | W04A, W04B | 21A | | W04A, W04B | | | |
| | 07 | H33Z, H38Z | | 21B | X06A, X06B, X06C, X33Z | 21B | | X06A, X06B, X06C, X33Z | | | |
| | 09 | J03A, J03B, J04A, J04B, J08A, J08B, J08C, J11A, J11B, J11J, J11Q, J11R, J11S, J16Z | | 23 | Z01A | 23 | | Z01A | | | |
| | 10 | K09A, K09B | | Pre | A07A, A13A, A13B, A13C | Pre | | A07A | | | |
| | 11 | L09A, L09B, L09C, L09J, L33Z, L38Z | | 5a204.1 | | BOP, KJZSV, KOP, KOPV, KVT, UOP4 | | 5a204.6 | | BOP, KJZSV, KOP, KOPV, KVT, UOP4 | |
| | 12 | M06J, M06Z, M09A, M09B, M09J, M38Z | 01 | | B02A, B02B, B02C, B02D, B20A, B20B, B20C, B20D, B20E, B39A, B39B | 01 | B02A, B02B, B02C, B02D, B20A, B20B, B20C, B20D, B20E, B39A, B39B | | | | |
| 13 | N13A, N13B, N13J | 06 | G01Z, G02Z, G33Z, G38Z | | 06 | G33Z | | | | | |
| 17 | R01A, R01B, R01C, R01D, R02Z, R12A, R12B, R12C | 07 | H33Z, H38Z | | 07 | H33Z, H38Z | | | | | |
| 21A | W01A, W01B, W01C, W36Z | 11 | L33Z | | 11 | L33Z | | | | | |
| 21B | X04Z, X05A, X05B, X06A, X06B, X06C, X33Z | 17 | R01A, R01B, R01C, R01D, R02Z, R12A, R12B, R12C | | 17 | R01A, R01B, R01C, R01D, R02Z, R12A, R12B, R12C | | | | | |
| 23 | Z01A | 21A | W04A, W04B | | 21A | W04A, W04B | | | | | |
| Pre | A07A | 21B | X06A, X06B, X06C, X33Z | | 21B | X06A, X06B, X06C, X33Z | | | | | |
| 5a200 | | BOP, KJZSV, KOP, KVT, UOP4 | 5a204.2 | | | BOP, KJZSV, KOP, KOPV, KVT, UOP4 | 5a204.7 | | | BOP, KJZSV, KOP, KOPV, KVT, UOP4 | |
| | 01 | B09A, B09B | | | 01 | B02A, B02B, B02C, B02D, B20A, B20B, B20C, B20D, B20E, B39A, B39B | | | 01 | B02A, B02B, B02C, B02D, B20A, B20B, B20C, B20D, B20E, B39A, B39B | |
| | 08 | I15A, I15B | | | 06 | G01Z, G02Z, G33Z, G38Z | | | 06 | G33Z | |
| | 17 | R01A, R01B, R01C, R01D, R02Z, R12A, R12B, R12C | | 07 | H33Z, H38Z | 07 | | H33Z, H38Z | | | |
| | 21A | W01A, W01B, W01C, W36Z | | 11 | L33Z | 11 | | L33Z | | | |
| | | | | 17 | R01A, R01B, R01C, R01D, R02Z, R12A, R12B, R12C | 17 | | R01A, R01B, R01C, R01D, R02Z, R12A, R12B, R12C | | | |
| | | 21A | W04A, W04B | 21A | W04A, W04B | | | | | | |
| | | 21B | X06A, X06B, X06C, X33Z | 21B | X06A, X06B, X06C, X33Z | | | | | | |
| | | 23 | Z01A | 23 | Z01A | | | | | | |
| | | Pre | A07A, A13A, A13B, A13C | Pre | A07A | | | | | | |

VYK

| ZZV | MDC | DRG | ZZV | MDC | DRG | ZZV | MDC | DRG | | | |
|---------|---------|--|--|--|--|---------|--|--|---------|--|--|
| 5a205.0 | | BOP, KJZSV, KOP, KOPV, KVT, UOP4 | 5a209.1 | | BOP, KJZSV, KOP, KOPV, KVT, UOP4 | 5a20b.3 | | BOP, KJZSV, KOP, KOPV, KVT, UOP4 | | | |
| | 01 | B02A, B02B, B02C, B02D, B20A, B20B, B20C, B20D, B20E, B39A, B39B | | 01 | B02A, B02B, B02C, B13Z, B20A, B20B, B20C, B20D, B39A, B39B | | 01 | B02A, B02B, B02C, B02D, B20A, B20B, B20C, B20D, B20E, B39A, B39B | | | |
| | 06 | G01Z, G02Z, G33Z, G38Z | | 06 | G33Z | | 06 | G01Z, G02Z, G33Z, G38Z | | | |
| | 07 | H33Z, H38Z | | 07 | H33Z, H38Z | | 07 | H33Z, H38Z | | | |
| | 11 | L33Z | | 11 | L33Z | | 11 | L33Z | | | |
| | 17 | R01A, R01B, R01C, R01D, R02Z, R12A, R12B, R12C | | 17 | R01A, R01B, R01C, R01D, R02Z, R12A, R12B, R12C | | 17 | R01A, R01B, R01C, R01D, R02Z, R12A, R12B, R12C | | | |
| | 21A | W04A, W04B | | 21A | W04A, W04B | | 21A | W01A, W01B, W01C, W36Z | | | |
| | 21B | X06A, X06B, X06C, X33Z | | 21B | X06A, X06B, X06C, X33Z | | 21B | X06A, X06B, X06C, X33Z | | | |
| | 23 | Z01A | | 23 | Z01A | | 23 | Z01A | | | |
| | Pre | A07A, A13A, A13B, A13C | | Pre | A07A | | Pre | A07A, A13A, A13B, A13C | | | |
| | 5a205.1 | | | BOP, KJZSV, KOP, KOPV, KVT, UOP4 | 5a20a | | | BOP, KJZSV, KOP, KOPV, KVT, UOP4 | 5a20c | | BOP, KJZSV, KOP, KOPV, KVT, UOP4 |
| | | 01 | | B02A, B02B, B02C, B02D, B20A, B20B, B20C, B20D, B20E, B39A, B39B | | | 01 | B02A, B02B, B02C, B02D, B20A, B20B, B20C, B20D, B20E, B39A, B39B | | 01 | B02A, B02B, B02C, B02D, B20A, B20B, B20C, B20D, B20E, B39A, B39B |
| | | 06 | | G33Z | | | 06 | G33Z | | 06 | G33Z |
| 07 | | H33Z, H38Z | 07 | H33Z, H38Z | | 07 | H33Z, H38Z | | | | |
| 11 | | L33Z | 11 | L33Z | | 11 | L33Z | | | | |
| 17 | | R01A, R01B, R01C, R01D, R02Z, R12A, R12B, R12C | 17 | R01A, R01B, R01C, R01D, R02Z, R12A, R12B, R12C | | 17 | R01A, R01B, R01C, R01D, R02Z, R12A, R12B, R12C | | | | |
| 21A | | W04A, W04B | 21A | W01A, W01B, W01C, W36Z | | 21A | W04A, W04B | | | | |
| 21B | | X06A, X06B, X06C, X33Z | 21B | X06A, X06B, X06C, X33Z | | 21B | X06A, X06B, X06C, X33Z | | | | |
| 23 | | Z01A | 23 | Z01A | | 23 | Z01A | | | | |
| Pre | | A07A | Pre | A07A | | Pre | A07A | | | | |
| 5a206 | | | BOP, KJZSV, KOP, KOPV, KVT, UOP4 | 5a20b.0 | | | BOP, KJZSV, KOP, KOPV, KVT, UOP4 | 5a20d | | | BOP, KJZSV, KOP, KOPV, KVT, UOP4 |
| | | 01 | B02A, B02B, B02C, B02D, B20A, B20B, B20C, B20D, B20E, B39A, B39B | | | 01 | B02A, B02B, B02C, B02D, B20A, B20B, B20C, B20D, B20E, B39A, B39B | | | 01 | B02A, B02B, B02C, B02D, B20A, B20B, B20C, B20D, B20E, B39A, B39B |
| | | 06 | G33Z | | | 06 | G01Z, G02Z, G33Z, G38Z | | | 06 | G33Z |
| | 07 | H33Z, H38Z | 07 | | H33Z, H38Z | 07 | H33Z, H38Z | | | | |
| | 11 | L33Z | 11 | | L33Z | 11 | L33Z | | | | |
| | 17 | R01A, R01B, R01C, R01D, R02Z, R12A, R12B, R12C | 17 | | R01A, R01B, R01C, R01D, R02Z, R12A, R12B, R12C | 17 | R01A, R01B, R01C, R01D, R02Z, R12A, R12B, R12C | | | | |
| | 21A | W04A, W04B | 21A | | W01A, W01B, W01C, W36Z | 21A | W01A, W01B, W01C, W36Z | | | | |
| | 21B | X06A, X06B, X06C, X33Z | 21B | | X06A, X06B, X06C, X33Z | 21B | X06A, X06B, X06C, X33Z | | | | |
| | 23 | Z01A | 23 | | Z01A | 23 | Z01A | | | | |
| | Pre | A07A | Pre | | A07A, A13A, A13B, A13C | Pre | A07A | | | | |
| | 5a208 | | BOP, KJZSV, KOP, KOPV, KVT, UOP4 | | 5a20b.1 | | BOP, KJZSV, KOP, KOPV, KVT, UOP4 | | 5a20e.0 | | BOP, KJZSV, KOP, KOPV, KVT, UOP4 |
| | | 01 | B02A, B02B, B02C, B13Z, B20A, B20B, B20C, B20D, B39A, B39B | | | 01 | B02A, B02B, B02C, B02D, B20A, B20B, B20C, B20D, B20E, B39A, B39B | | | 01 | B02A, B02B, B02C, B20A, B20B, B20C, B20D, B39A, B39B |
| | | 06 | G33Z | | | 06 | G01Z, G02Z, G33Z, G38Z | | | 05 | F01A, F01B, F01D, F05Z, F07A, F07B, F14A, F14B, F28A, F42Z, F54A, F54B, F54J, F59A, F59B |
| 07 | | H33Z, H38Z | 07 | H33Z, H38Z | | 06 | G33Z | | | | |
| 11 | | L33Z | 11 | L33Z | | 07 | H33Z, H38Z | | | | |
| 17 | | R01A, R01B, R01C, R01D, R02Z, R12A, R12B, R12C | 17 | R01A, R01B, R01C, R01D, R02Z, R12A, R12B, R12C | | 11 | L33Z | | | | |
| 21A | | W04A, W04B | 21A | W01A, W01B, W01C, W36Z | | 21A | W01A, W01B, W01C, W36Z | | | | |
| 21B | | X06A, X06B, X06C, X33Z | 21B | X06A, X06B, X06C, X33Z | | 21B | X06A, X06B, X06C, X33Z | | | | |
| 23 | | Z01A | 23 | Z01A | | 23 | Z01A | | | | |
| Pre | | A07A | Pre | A07A, A13A, A13B, A13C | | Pre | A07A | | | | |
| 5a209.0 | | | BOP, KJZSV, KOP, KOPV, KVT, UOP4 | 5a20b.2 | | | BOP, KJZSV, KOP, KOPV, KVT, UOP4 | | | | |
| | | 01 | B02A, B02B, B02C, B20A, B20B, B20C, B20D, B39A, B39B | | | 01 | B02A, B02B, B02C, B02D, B20A, B20B, B20C, B20D, B20E, B39A, B39B | 01 | | B02A, B02B, B02C, B02D, B20A, B20B, B20C, B20D, B20E, B39A, B39B | |
| | | 06 | G33Z | | | 06 | G01Z, G02Z, G33Z, G38Z | 06 | | G01Z, G02Z, G33Z, G38Z | |
| | 07 | H33Z, H38Z | 07 | | H33Z, H38Z | 07 | H33Z, H38Z | | | | |
| | 11 | L33Z | 11 | | L33Z | 11 | L33Z | | | | |
| | 17 | R01A, R01B, R01C, R01D, R02Z, R12A, R12B, R12C | 17 | | R01A, R01B, R01C, R01D, R02Z, R12A, R12B, R12C | 17 | R01A, R01B, R01C, R01D, R02Z, R12A, R12B, R12C | | | | |
| | 21A | W04A, W04B | 21A | | W01A, W01B, W01C, W36Z | 21A | W01A, W01B, W01C, W36Z | | | | |
| | 21B | X06A, X06B, X06C, X33Z | 21B | | X06A, X06B, X06C, X33Z | 21B | X06A, X06B, X06C, X33Z | | | | |
| | 23 | Z01A | 23 | | Z01A | 23 | Z01A | | | | |
| | Pre | A07A | Pre | | A07A, A13A, A13B, A13C | Pre | A07A | | | | |

VYK

| ZZV | MDC | DRG | ZZV | MDC | DRG | ZZV | MDC | DRG | | | |
|---------|---------|--|--|--|--|---------|--|--|---------|----|--|
| 5a20e.1 | | BOP, KJZSV, KOP, KOPV, KVT, UOP4 | 5a20e.5 | | BOP, KJZSV, KOP, KOPV, KVT, UOP4 | 5a20e.9 | | BOP, KJZSV, KOP, KOPV, KVT, UOP4 | | | |
| | 01 | B02A, B02B, B02C, B20A, B20B, B20C, B20D, B39A, B39B | | 01 | B02A, B02B, B02C, B20A, B20B, B20C, B20D, B39A, B39B | | 01 | B02A, B02B, B02C, B20A, B20B, B20C, B20D, B39A, B39B | | | |
| | 05 | F01A, F01B, F01D, F05Z, F07A, F07B, F14A, F14B, F28A, F42Z, F54A, F54B, F54J, F59A, F59B | | 05 | F01A, F01B, F01D, F05Z, F07A, F07B, F14A, F14B, F28A, F42Z, F54A, F54B, F54J, F59A, F59B | | 05 | F01A, F01B, F01D, F05Z, F07A, F07B, F14A, F14B, F28A, F42Z, F54A, F54B, F54J, F59A, F59B | | | |
| | 06 | G33Z | | 06 | G33Z | | 06 | G33Z | | | |
| | 07 | H33Z, H38Z | | 07 | H33Z, H38Z | | 07 | H33Z, H38Z | | | |
| | 11 | L33Z | | 11 | L33Z | | 11 | L33Z | | | |
| | 21A | W01A, W01B, W01C, W36Z | | 21A | W01A, W01B, W01C, W36Z | | 21A | W01A, W01B, W01C, W36Z | | | |
| | 21B | X06A, X06B, X06C, X33Z | | 21B | X06A, X06B, X06C, X33Z | | 21B | X06A, X06B, X06C, X33Z | | | |
| | 23 | Z01A | | 23 | Z01A | | 23 | Z01A | | | |
| | Pre | A07A | | Pre | A07A | | Pre | A07A | | | |
| | 5a20e.2 | | | BOP, KJZSV, KOP, KOPV, KVT, UOP4 | 5a20e.6 | | | BOP, KJZSV, KOP, KOPV, KVT, UOP4 | 5a20e.a | | BOP, KJZSV, KOP, KOPV, KVT, UOP4 |
| | | 01 | | B02A, B02B, B02C, B20A, B20B, B20C, B20D, B39A, B39B | | | 01 | B02A, B02B, B02C, B20A, B20B, B20C, B20D, B39A, B39B | | 01 | B02A, B02B, B02C, B20A, B20B, B20C, B20D, B39A, B39B |
| | | 05 | | F01A, F01B, F01D, F05Z, F07A, F07B, F14A, F14B, F28A, F42Z, F54A, F54B, F54J, F59A, F59B | | | 05 | F01A, F01B, F01D, F05Z, F07A, F07B, F14A, F14B, F28A, F42Z, F54A, F54B, F54J, F59A, F59B | | 05 | F01A, F01B, F01D, F05Z, F07A, F07B, F14A, F14B, F28A, F42Z, F54A, F54B, F54J, F59A, F59B |
| 06 | | G33Z | 06 | G33Z | | 06 | G33Z | | | | |
| 07 | | H33Z, H38Z | 07 | H33Z, H38Z | | 07 | H33Z, H38Z | | | | |
| 11 | | L33Z | 11 | L33Z | | 11 | L33Z | | | | |
| 21A | | W01A, W01B, W01C, W36Z | 21A | W01A, W01B, W01C, W36Z | | 21A | W01A, W01B, W01C, W36Z | | | | |
| 21B | | X06A, X06B, X06C, X33Z | 21B | X06A, X06B, X06C, X33Z | | 21B | X06A, X06B, X06C, X33Z | | | | |
| 23 | | Z01A | 23 | Z01A | | 23 | Z01A | | | | |
| Pre | | A07A | Pre | A07A | | Pre | A07A | | | | |
| 5a20e.3 | | | BOP, KJZSV, KOP, KOPV, KVT, UOP4 | 5a20e.7 | | | BOP, KJZSV, KOP, KOPV, KVT, UOP4 | 5a20e.b | | | BOP, KJZSV, KOP, KOPV, KVT, UOP4 |
| | | 01 | B02A, B02B, B02C, B20A, B20B, B20C, B20D, B39A, B39B | | | 01 | B02A, B02B, B02C, B20A, B20B, B20C, B20D, B39A, B39B | | | 01 | B02A, B02B, B02C, B20A, B20B, B20C, B20D, B39A, B39B |
| | | 05 | F01A, F01B, F01D, F05Z, F07A, F07B, F14A, F14B, F28A, F42Z, F54A, F54B, F54J, F59A, F59B | | | 05 | F01A, F01B, F01D, F05Z, F07A, F07B, F14A, F14B, F28A, F42Z, F54A, F54B, F54J, F59A, F59B | | | 05 | F01A, F01B, F01D, F05Z, F07A, F07B, F14A, F14B, F28A, F42Z, F54A, F54B, F54J, F59A, F59B |
| | 06 | G33Z | 06 | | G33Z | 06 | G33Z | | | | |
| | 07 | H33Z, H38Z | 07 | | H33Z, H38Z | 07 | H33Z, H38Z | | | | |
| | 11 | L33Z | 11 | | L33Z | 11 | L33Z | | | | |
| | 21A | W01A, W01B, W01C, W36Z | 21A | | W01A, W01B, W01C, W36Z | 21A | W01A, W01B, W01C, W36Z | | | | |
| | 21B | X06A, X06B, X06C, X33Z | 21B | | X06A, X06B, X06C, X33Z | 21B | X06A, X06B, X06C, X33Z | | | | |
| | 23 | Z01A | 23 | | Z01A | 23 | Z01A | | | | |
| | Pre | A07A | Pre | | A07A | Pre | A07A | | | | |
| | 5a20e.4 | | BOP, KJZSV, KOP, KOPV, KVT, UOP4 | | 5a20e.8 | | BOP, KJZSV, KOP, KOPV, KVT, UOP4 | | 5a20f.0 | | BOP, KJZSV, KOP, KOPV, KVT, UOP4 |
| | | 01 | B02A, B02B, B02C, B20A, B20B, B20C, B20D, B39A, B39B | | | 01 | B02A, B02B, B02C, B20A, B20B, B20C, B20D, B39A, B39B | | | 01 | B02A, B02B, B02C, B20A, B20B, B20C, B20D, B39A, B39B |
| | | 05 | F01A, F01B, F01D, F05Z, F07A, F07B, F14A, F14B, F28A, F42Z, F54A, F54B, F54J, F59A, F59B | | | 05 | F01A, F01B, F01D, F05Z, F07A, F07B, F14A, F14B, F28A, F42Z, F54A, F54B, F54J, F59A, F59B | | | 05 | F01A, F01B, F01D, F05Z, F07A, F07B, F14A, F14B, F28A, F42Z, F54A, F54B, F54J, F59A, F59B |
| 06 | | G33Z | 06 | G33Z | | 06 | G33Z | | | | |
| 07 | | H33Z, H38Z | 07 | H33Z, H38Z | | 07 | H33Z, H38Z | | | | |
| 11 | | L33Z | 11 | L33Z | | 11 | L33Z | | | | |
| 21A | | W01A, W01B, W01C, W36Z | 21A | W01A, W01B, W01C, W36Z | | 21A | W01A, W01B, W01C, W36Z | | | | |
| 21B | | X06A, X06B, X06C, X33Z | 21B | X06A, X06B, X06C, X33Z | | 21B | X06A, X06B, X06C, X33Z | | | | |
| 23 | | Z01A | 23 | Z01A | | 23 | Z01A | | | | |
| Pre | | A07A | Pre | A07A | | Pre | A07A | | | | |

| ZZV | MDC | DRG | ZZV | MDC | DRG | ZZV | MDC | DRG | | | |
|---------|---------|--|--|--|--|---------|--|--|---------|----|--|
| 5a20f.1 | | BOP, KJZSV, KOP, KOPV, KVT, UOP4 | 5a20g.5 | | BOP, KJZSV, KOP, KOPV, KVT, UOP4 | 5a20h.2 | | BOP, KJZSV, KOP, KOPV, KVT, UOP4 | | | |
| | 01 | B02A, B02B, B02C, B20A, B20B, B20C, B20D, B39A, B39B | | 01 | B02A, B02B, B02C, B20A, B20B, B20C, B20D, B39A, B39B | | 01 | B02A, B02B, B02C, B20A, B20B, B20C, B20D, B39A, B39B | | | |
| | 05 | F01A, F01B, F01D, F05Z, F07A, F07B, F14A, F14B, F28A, F42Z, F54A, F54B, F54J, F59A, F59B | | 06 | G33Z | | 02 | C01A | | | |
| | 06 | G33Z | | 07 | H33Z, H38Z | | 06 | G01Z, G02Z, G33Z, G38Z | | | |
| | 07 | H33Z, H38Z | | 08 | I15A, I15B | | 07 | H33Z, H38Z | | | |
| | 11 | L33Z | | 11 | L33Z | | 08 | I15A, I15B | | | |
| | 21A | W01A, W01B, W01C, W36Z | | 21A | W01A, W01B, W01C, W36Z | | 11 | L33Z | | | |
| | 21B | X06A, X06B, X06C, X33Z | | 21B | X06A, X06B, X06C, X33Z | | 21A | W01A, W01B, W01C, W36Z | | | |
| | 23 | Z01A | | 23 | Z01A | | 21B | X06A, X06B, X06C, X33Z | | | |
| | Pre | A07A | | Pre | A07A | | 23 | Z01A | | | |
| | 5a20f.2 | | | BOP, KJZSV, KOP, KOPV, KVT, UOP4 | 5a20g.6 | | | BOP, KJZSV, KOP, KOPV, KVT, UOP4 | 5a20h.3 | | BOP, KJZSV, KOP, KOPV, KVT, UOP4 |
| | | 01 | | B02A, B02B, B02C, B20A, B20B, B20C, B20D, B39A, B39B | | | 01 | B02A, B02B, B02C, B20A, B20B, B20C, B20D, B39A, B39B | | 01 | B02A, B02B, B02C, B20A, B20B, B20C, B20D, B39A, B39B |
| | | 05 | | F01A, F01B, F01D, F05Z, F07A, F07B, F14A, F14B, F28A, F42Z, F54A, F54B, F54J, F59A, F59B | | | 05 | F01A, F01B, F01D, F05Z, F07A, F07B, F14A, F14B, F28A, F42Z, F54A, F54B, F54J, F59A, F59B | | 02 | C01A |
| | | 06 | | G33Z | | | 06 | G33Z | | 06 | G01Z, G02Z, G33Z, G38Z |
| 07 | | H33Z, H38Z | 07 | H33Z, H38Z | | 07 | H33Z, H38Z | | | | |
| 11 | | L33Z | 11 | L33Z | | 08 | I15A, I15B | | | | |
| 21A | | W01A, W01B, W01C, W36Z | 21A | W01A, W01B, W01C, W36Z | | 11 | L33Z | | | | |
| 21B | | X06A, X06B, X06C, X33Z | 21B | X06A, X06B, X06C, X33Z | | 21A | W01A, W01B, W01C, W36Z | | | | |
| 23 | | Z01A | 23 | Z01A | | 21B | X06A, X06B, X06C, X33Z | | | | |
| Pre | | A07A | Pre | A07A | | 23 | Z01A | | | | |
| 5a20f.3 | | | BOP, KJZSV, KOP, KOPV, KVT, UOP4 | 5a20g.7 | | | BOP, KJZSV, KOP, KOPV, KVT, UOP4 | 5a20j.0 | | | BOP, KJZSV, KOP, KOPV, KVT, UOP4 |
| | | 01 | B02A, B02B, B02C, B20A, B20B, B20C, B20D, B39A, B39B | | | 01 | B02A, B02B, B02C, B20A, B20B, B20C, B20D, B39A, B39B | | | 01 | B02A, B02B, B02C, B20A, B20B, B20C, B20D, B39A, B39B |
| | | 05 | F01A, F01B, F01D, F05Z, F07A, F07B, F14A, F14B, F28A, F42Z, F54A, F54B, F54J, F59A, F59B | | | 06 | G33Z | | | 02 | C01A |
| | | 06 | G33Z | | | 07 | H33Z, H38Z | | | 06 | G01Z, G02Z, G33Z, G38Z |
| | 07 | H33Z, H38Z | 08 | | I15A, I15B | 07 | H33Z, H38Z | | | | |
| | 11 | L33Z | 11 | | L33Z | 11 | L33Z | | | | |
| | 21A | W01A, W01B, W01C, W36Z | 21A | | W01A, W01B, W01C, W36Z | 21A | W01A, W01B, W01C, W36Z | | | | |
| | 21B | X06A, X06B, X06C, X33Z | 21B | | X06A, X06B, X06C, X33Z | 21B | X06A, X06B, X06C, X33Z | | | | |
| | 23 | Z01A | 23 | | Z01A | 23 | Z01A | | | | |
| | Pre | A07A | Pre | | A07A | Pre | A07A, A13A, A13B, A13C | | | | |
| | 5a20g.4 | | BOP, KJZSV, KOP, KOPV, KVT, UOP4 | | 5a20h.0 | | BOP, KJZSV, KOP, KOPV, KVT, UOP4 | | 5a20j.1 | | BOP, KJZSV, KOP, KOPV, KVT, UOP4 |
| | | 01 | B02A, B02B, B02C, B20A, B20B, B20C, B20D, B39A, B39B | | | 01 | B02A, B02B, B02C, B20A, B20B, B20C, B20D, B39A, B39B | | | 01 | B02A, B02B, B02C, B20A, B20B, B20C, B20D, B39A, B39B |
| | | 05 | F01A, F01B, F01D, F05Z, F07A, F07B, F14A, F14B, F28A, F42Z, F54A, F54B, F54J, F59A, F59B | | | 02 | C01A | | | 02 | C01A |
| | | 06 | G33Z | | | 06 | G01Z, G02Z, G33Z, G38Z | | | 06 | G01Z, G02Z, G33Z, G38Z |
| 07 | | H33Z, H38Z | 07 | H33Z, H38Z | | 07 | H33Z, H38Z | | | | |
| 11 | | L33Z | 08 | I15A, I15B | | 11 | L33Z | | | | |
| 21A | | W01A, W01B, W01C, W36Z | 11 | L33Z | | 21A | W01A, W01B, W01C, W36Z | | | | |
| 21B | | X06A, X06B, X06C, X33Z | 21A | W01A, W01B, W01C, W36Z | | 21B | X06A, X06B, X06C, X33Z | | | | |
| 23 | | Z01A | 21B | X06A, X06B, X06C, X33Z | | 23 | Z01A | | | | |
| Pre | | A07A | 23 | Z01A | | Pre | A07A, A13A, A13B, A13C | | | | |
| 5a20g.5 | | | BOP, KJZSV, KOP, KOPV, KVT, UOP4 | 5a20h.1 | | | BOP, KJZSV, KOP, KOPV, KVT, UOP4 | 5a20j.2 | | | BOP, KJZSV, KOP, KOPV, KVT, UOP4 |
| | | 01 | B02A, B02B, B02C, B20A, B20B, B20C, B20D, B39A, B39B | | | 01 | B02A, B02B, B02C, B20A, B20B, B20C, B20D, B39A, B39B | | | 01 | B02A, B02B, B02C, B20A, B20B, B20C, B20D, B39A, B39B |
| | | 05 | F01A, F01B, F01D, F05Z, F07A, F07B, F14A, F14B, F28A, F42Z, F54A, F54B, F54J, F59A, F59B | | | 02 | C01A | | | 02 | C01A |
| | | 06 | G33Z | | | 06 | G01Z, G02Z, G33Z, G38Z | | | 06 | G01Z, G02Z, G33Z, G38Z |
| | 07 | H33Z, H38Z | 07 | | H33Z, H38Z | 07 | H33Z, H38Z | | | | |
| | 11 | L33Z | 08 | | I15A, I15B | 11 | L33Z | | | | |
| | 21A | W01A, W01B, W01C, W36Z | 11 | | L33Z | 21A | W01A, W01B, W01C, W36Z | | | | |
| | 21B | X06A, X06B, X06C, X33Z | 21A | | W01A, W01B, W01C, W36Z | 21B | X06A, X06B, X06C, X33Z | | | | |
| | 23 | Z01A | 21B | | X06A, X06B, X06C, X33Z | 23 | Z01A | | | | |
| | Pre | A07A | 23 | | Z01A | Pre | A07A, A13A, A13B, A13C | | | | |

VYK

| ZZV | MDC | DRG | ZZV | MDC | DRG | ZZV | MDC | DRG | | | |
|---------|---------|--|--|--|--|-------|--|--|-------|----|--|
| 5a20k.0 | | BOP, KJZSV, KOP, KOPV, KVT, UOP4 | 5a20m.2 | | BOP, KJZSV, KOP, KOPV, KVT, UOP4 | 5a20p | | BOP, KJZSV, KOP, KOPV, KVT, UOP4 | | | |
| | 01 | B02A, B02B, B02C, B20A, B20B, B20C, B20D, B39A, B39B | | 01 | B02A, B02B, B02C, B20A, B20B, B20C, B20D, B39A, B39B | | 01 | B02A, B02B, B02C, B20A, B20B, B20C, B20D, B39A, B39B | | | |
| | 02 | C01A | | 02 | C01A | | 05 | F01A, F01B, F01D, F05Z, F07A, F07B, F08A, F08B, F08C, F08D, F08E, F08J, F28A, F42Z | | | |
| | 06 | G01Z, G02Z, G33Z, G38Z | | 06 | G01Z, G02Z, G33Z, G38Z | | 06 | G33Z | | | |
| | 07 | H33Z, H38Z | | 07 | H33Z, H38Z | | 07 | H33Z, H38Z | | | |
| | 11 | L33Z | | 11 | L33Z | | 11 | L33Z | | | |
| | 21A | W01A, W01B, W01C, W36Z | | 21A | W01A, W01B, W01C, W36Z | | 21B | X33Z | | | |
| | 21B | X06A, X06B, X06C, X33Z | | 21B | X06A, X06B, X06C, X33Z | | 23 | Z01A | | | |
| | 23 | Z01A | | 23 | Z01A | | Pre | A07A | | | |
| | Pre | A07A, A13A, A13B, A13C | | Pre | A07A, A13A, A13B, A13C | | Pre | A07A | | | |
| | 5a20k.1 | | | BOP, KJZSV, KOP, KOPV, KVT, UOP4 | 5a20n.0 | | | BOP, KJZSV, KOP, KOPV, KVT, UOP4 | 5a20s | | BOP, KJZSV, KOP, KOPV, KVT, UOP4 |
| | | 01 | | B02A, B02B, B02C, B20A, B20B, B20C, B20D, B39A, B39B | | | 01 | B02A, B02B, B02C, B20A, B20B, B20C, B20D, B39A, B39B | | 01 | B02A, B02B, B02C, B02D, B20A, B20B, B20C, B20D, B20E, B39A, B39B |
| | | 02 | | C01A | | | 02 | C01A | | 05 | F13A |
| | | 06 | | G01Z, G02Z, G33Z, G38Z | | | 06 | G01Z, G02Z, G33Z, G38Z | | 06 | G01Z, G02Z, G33Z, G38Z |
| 07 | | H33Z, H38Z | 07 | H33Z, H38Z | | 07 | H33Z, H38Z | | | | |
| 11 | | L33Z | 11 | L33Z | | 11 | L33Z | | | | |
| 21A | | W01A, W01B, W01C, W36Z | 21A | W01A, W01B, W01C, W36Z | | 21A | W04A, W04B | | | | |
| 21B | | X06A, X06B, X06C, X33Z | 21B | X06A, X06B, X06C, X33Z | | 21B | X06A, X06B, X06C, X33Z | | | | |
| 23 | | Z01A | 23 | Z01A | | 23 | Z01A | | | | |
| Pre | | A07A, A13A, A13B, A13C | Pre | A07A, A13A, A13B, A13C | | Pre | A07A, A13A, A13B, A13C | | | | |
| 5a20k.2 | | | BOP, KJZSV, KOP, KOPV, KVT, UOP4 | 5a20n.1 | | | BOP, KJZSV, KOP, KOPV, KVT, UOP4 | 5a20t | | | BOP, KJZSV, KVT, UOP4 |
| | | 01 | B02A, B02B, B02C, B20A, B20B, B20C, B20D, B39A, B39B | | | 01 | B02A, B02B, B02C, B20A, B20B, B20C, B20D, B39A, B39B | | | 01 | B18Z |
| | | 02 | C01A | | | 02 | C01A | | | 05 | F13A |
| | | 06 | G01Z, G02Z, G33Z, G38Z | | | 06 | G01Z, G02Z, G33Z, G38Z | | | 06 | G01Z, G02Z, G38Z |
| | 07 | H33Z, H38Z | 07 | | H33Z, H38Z | 08 | I15A, I15B | | | | |
| | 11 | L33Z | 11 | | L33Z | 17 | R01A, R01B, R01C, R01D, R02Z, R12A, R12B, R12C | | | | |
| | 21A | W01A, W01B, W01C, W36Z | 21A | | W01A, W01B, W01C, W36Z | 21A | W04A, W04B | | | | |
| | 21B | X06A, X06B, X06C, X33Z | 21B | | X06A, X06B, X06C, X33Z | 21B | X06A, X06B, X06C | | | | |
| | 23 | Z01A | 23 | | Z01A | Pre | A13A, A13B, A13C | | | | |
| | Pre | A07A, A13A, A13B, A13C | Pre | | A07A, A13A, A13B, A13C | Pre | A07A, A13A, A13B, A13C | | | | |
| | 5a20m.0 | | BOP, KJZSV, KOP, KOPV, KVT, UOP4 | | 5a20n.2 | | BOP, KJZSV, KOP, KOPV, KVT, UOP4 | | 5a20u | | BOP, KJZSV, KVT, UOP4 |
| | | 01 | B02A, B02B, B02C, B20A, B20B, B20C, B20D, B39A, B39B | | | 01 | B02A, B02B, B02C, B20A, B20B, B20C, B20D, B39A, B39B | | | 01 | B18Z |
| | | 02 | C01A | | | 02 | C01A | | | 05 | F13A |
| | | 06 | G01Z, G02Z, G33Z, G38Z | | | 06 | G01Z, G02Z, G33Z, G38Z | | | 06 | G01Z, G02Z, G38Z |
| 07 | | H33Z, H38Z | 07 | H33Z, H38Z | | 08 | I15A, I15B | | | | |
| 11 | | L33Z | 11 | L33Z | | 17 | R01A, R01B, R01C, R01D, R02Z, R12A, R12B, R12C | | | | |
| 21A | | W01A, W01B, W01C, W36Z | 21A | W01A, W01B, W01C, W36Z | | 21A | W04A, W04B | | | | |
| 21B | | X06A, X06B, X06C, X33Z | 21B | X06A, X06B, X06C, X33Z | | 21B | X06A, X06B, X06C | | | | |
| 23 | | Z01A | 23 | Z01A | | Pre | A13A, A13B, A13C | | | | |
| Pre | | A07A, A13A, A13B, A13C | Pre | A07A, A13A, A13B, A13C | | Pre | A07A, A13A, A13B, A13C | | | | |
| 5a20m.1 | | | BOP, KJZSV, KOP, KOPV, KVT, UOP4 | 5a20o | | | BOP, KJZSV, KOP, KOPV, KVT, UOP4 | 5a20v | | | BOP, KJZSV, KOP, KOPV, KVT, UOP4 |
| | | 01 | B02A, B02B, B02C, B20A, B20B, B20C, B20D, B39A, B39B | | | 01 | B02A, B02B, B02C, B20A, B20B, B20C, B20D, B39A, B39B | | | 01 | B02A, B02B, B02C, B02D, B20A, B20B, B20C, B20D, B20E, B39A, B39B |
| | | 02 | C01A | | | 02 | C01A | | | 05 | F13A |
| | | 06 | G01Z, G02Z, G33Z, G38Z | | | 06 | G01Z, G02Z, G33Z, G38Z | | | 06 | G01Z, G02Z, G33Z, G38Z |
| | 07 | H33Z, H38Z | 07 | | H33Z, H38Z | 07 | H33Z, H38Z | | | | |
| | 11 | L33Z | 11 | | L33Z | 11 | L33Z | | | | |
| | 21A | W01A, W01B, W01C, W36Z | 21A | | W01A, W01B, W01C, W36Z | 21A | W04A, W04B | | | | |
| | 21B | X06A, X06B, X06C, X33Z | 21B | | X06A, X06B, X06C, X33Z | 21B | X06A, X06B, X06C, X33Z | | | | |
| | 23 | Z01A | 23 | | Z01A | 23 | Z01A | | | | |
| | Pre | A07A, A13A, A13B, A13C | Pre | | A07A, A13A, A13B, A13C | Pre | A07A, A13A, A13B, A13C | | | | |

VYK

| ZZV | MDC | DRG | ZZV | MDC | DRG | ZZV | MDC | DRG | | | |
|---------|---------|--|--|--|--|---------|--|--|---------|----|--|
| 5a210.0 | | BOP, KJZSV, KOP, KOPV, KVT, UOP4 | 5a211.5 | | BOP, KJZSV, KOP, KOPV, KVT, UOP4 | 5a212.4 | | BOP, KJZSV, KOP, KOPV, KVT, UOP4 | | | |
| | 01 | B02A, B02B, B02C, B02D, B20A, B20B, B20C, B20D, B20E, B39A, B39B | | 01 | B02A, B02B, B02C, B20A, B20B, B20C, B20D, B39A, B39B | | 01 | B02A, B02B, B02C, B20A, B20B, B20C, B20D, B39A, B39B | | | |
| | 02 | C01A | | 02 | C01A | | 02 | C01A | | | |
| | 06 | G33Z | | 06 | G33Z | | 06 | G33Z | | | |
| | 07 | H33Z, H38Z | | 07 | H33Z, H38Z | | 07 | H33Z, H38Z | | | |
| | 08 | I15A, I15B | | 08 | I15A, I15B | | 08 | I15A, I15B | | | |
| | 11 | L33Z | | 11 | L33Z | | 11 | L33Z | | | |
| | 21A | W01A, W01B, W01C, W36Z | | 21A | W01A, W01B, W01C, W36Z | | 21A | W01A, W01B, W01C, W36Z | | | |
| | 21B | X06A, X06B, X33Z | | 21B | X06A, X06B, X33Z | | 21B | X06A, X06B, X33Z | | | |
| | 23 | Z01A | | 23 | Z01A | | 23 | Z01A | | | |
| | Pre | A07A | | Pre | A07A | | Pre | A07A | | | |
| | 5a210.1 | | | BOP, KJZSV, KOP, KOPV, KVT, UOP4 | 5a211.6 | | | BOP, KJZSV, KOP, KOPV, KVT, UOP4 | 5a212.5 | | BOP, KJZSV, KOP, KOPV, KVT, UOP4 |
| | | 01 | | B02A, B02B, B02C, B02D, B20A, B20B, B20C, B20D, B20E, B39A, B39B | | | 01 | B02A, B02B, B02C, B20A, B20B, B20C, B20D, B39A, B39B | | 01 | B02A, B02B, B02C, B20A, B20B, B20C, B20D, B39A, B39B |
| 02 | | C01A | 02 | C01A | | 02 | C01A | | | | |
| 06 | | G33Z | 06 | G33Z | | 06 | G33Z | | | | |
| 07 | | H33Z, H38Z | 07 | H33Z, H38Z | | 07 | H33Z, H38Z | | | | |
| 08 | | I15A, I15B | 08 | I15A, I15B | | 08 | I15A, I15B | | | | |
| 11 | | L33Z | 11 | L33Z | | 11 | L33Z | | | | |
| 21A | | W01A, W01B, W01C, W36Z | 21A | W01A, W01B, W01C, W36Z | | 21A | W01A, W01B, W01C, W36Z | | | | |
| 21B | | X06A, X06B, X33Z | 21B | X06A, X06B, X33Z | | 21B | X06A, X06B, X33Z | | | | |
| 23 | | Z01A | 23 | Z01A | | 23 | Z01A | | | | |
| Pre | | A07A | Pre | A07A | | Pre | A07A | | | | |
| 5a211.2 | | | BOP, KJZSV, KOP, KOPV, KVT, UOP4 | 5a211.7 | | | BOP, KJZSV, KOP, KOPV, KVT, UOP4 | 5a212.6 | | | BOP, KJZSV, KOP, KOPV, KVT, UOP4 |
| | | 01 | B02A, B02B, B02C, B20A, B20B, B20C, B20D, B39A, B39B | | | 01 | B02A, B02B, B02C, B20A, B20B, B20C, B20D, B39A, B39B | | | 01 | B02A, B02B, B02C, B20A, B20B, B20C, B20D, B39A, B39B |
| | 02 | C01A | 02 | | C01A | 02 | C01A | | | | |
| | 06 | G33Z | 06 | | G33Z | 06 | G33Z | | | | |
| | 07 | H33Z, H38Z | 07 | | H33Z, H38Z | 07 | H33Z, H38Z | | | | |
| | 08 | I15A, I15B | 08 | | I15A, I15B | 08 | I15A, I15B | | | | |
| | 11 | L33Z | 11 | | L33Z | 11 | L33Z | | | | |
| | 21A | W01A, W01B, W01C, W36Z | 21A | | W01A, W01B, W01C, W36Z | 21A | W01A, W01B, W01C, W36Z | | | | |
| | 21B | X06A, X06B, X33Z | 21B | | X06A, X06B, X33Z | 21B | X06A, X06B, X33Z | | | | |
| | 23 | Z01A | 23 | | Z01A | 23 | Z01A | | | | |
| | Pre | A07A | Pre | | A07A | Pre | A07A | | | | |
| | 5a211.3 | | BOP, KJZSV, KOP, KOPV, KVT, UOP4 | | 5a212.2 | | BOP, KJZSV, KOP, KOPV, KVT, UOP4 | | 5a212.7 | | BOP, KJZSV, KOP, KOPV, KVT, UOP4 |
| | | 01 | B02A, B02B, B02C, B20A, B20B, B20C, B20D, B39A, B39B | | | 01 | B02A, B02B, B02C, B20A, B20B, B20C, B20D, B39A, B39B | | | 01 | B02A, B02B, B02C, B20A, B20B, B20C, B20D, B39A, B39B |
| 02 | | C01A | 02 | C01A | | 02 | C01A | | | | |
| 06 | | G33Z | 06 | G33Z | | 06 | G33Z | | | | |
| 07 | | H33Z, H38Z | 07 | H33Z, H38Z | | 07 | H33Z, H38Z | | | | |
| 08 | | I15A, I15B | 08 | I15A, I15B | | 08 | I15A, I15B | | | | |
| 11 | | L33Z | 11 | L33Z | | 11 | L33Z | | | | |
| 21A | | W01A, W01B, W01C, W36Z | 21A | W01A, W01B, W01C, W36Z | | 21A | W01A, W01B, W01C, W36Z | | | | |
| 21B | | X06A, X06B, X33Z | 21B | X06A, X06B, X33Z | | 21B | X06A, X06B, X33Z | | | | |
| 23 | | Z01A | 23 | Z01A | | 23 | Z01A | | | | |
| Pre | | A07A | Pre | A07A | | Pre | A07A | | | | |
| 5a211.4 | | | BOP, KJZSV, KOP, KOPV, KVT, UOP4 | 5a212.3 | | | BOP, KJZSV, KOP, KOPV, KVT, UOP4 | | | | |
| | | 01 | B02A, B02B, B02C, B20A, B20B, B20C, B20D, B39A, B39B | | | 01 | B02A, B02B, B02C, B20A, B20B, B20C, B20D, B39A, B39B | | | | |
| | 02 | C01A | 02 | | C01A | | | | | | |
| | 06 | G33Z | 06 | | G33Z | | | | | | |
| | 07 | H33Z, H38Z | 07 | | H33Z, H38Z | | | | | | |
| | 08 | I15A, I15B | 08 | | I15A, I15B | | | | | | |
| | 11 | L33Z | 11 | | L33Z | | | | | | |
| | 21A | W01A, W01B, W01C, W36Z | 21A | | W01A, W01B, W01C, W36Z | | | | | | |
| | 21B | X06A, X06B, X33Z | 21B | | X06A, X06B, X33Z | | | | | | |
| | 23 | Z01A | 23 | | Z01A | | | | | | |
| | Pre | A07A | Pre | | A07A | | | | | | |

VYK

| ZZV | MDC | DRG | ZZV | MDC | DRG | ZZV | MDC | DRG | | |
|----------|----------|--|----------|----------------------------------|--|--|--|--|--|--|
| 5a213 | | BOP, KJZSV, KOP, KOPV, KVT, UOP4 | 5a214.20 | | BOP, KJZSV, KOP, KOPV, KVT, UOP4 | 5a214.9 | | BOP, KJZSV, KOP, KOPV, KVT, UOP4 | | |
| | 01 | B02A, B02B, B02C, B20A, B20B, B20C, B20D, B39A, B39B | | 01 | B02A, B02B, B02C, B20A, B20B, B20C, B20D, B39A, B39B | | 01 | B02A, B02B, B02C, B20A, B20B, B20C, B20D, B39A, B39B | | |
| | 02 | C01A | | 02 | C01A | | 02 | C01A | | |
| | 03 | D18Z, D25A, D25B, D25C, D25D, D25J | | 06 | G33Z | | 06 | G33Z | | |
| | 06 | G33Z | | 07 | H33Z, H38Z | | 07 | H33Z, H38Z | | |
| | 07 | H33Z, H38Z | | 08 | I15A, I15B | | 08 | I15A, I15B | | |
| | 08 | I15A, I15B | | 11 | L33Z | | 11 | L33Z | | |
| | 09 | J08A, J08B, J08C | | 21A | W01A, W01B, W01C, W36Z | | 21A | W01A, W01B, W01C, W36Z | | |
| | 11 | L33Z | | 21B | X06A, X06B, X33Z | | 21B | X06A, X06B, X33Z | | |
| | 21A | W01A, W01B, W01C, W36Z | | 23 | Z01A | | 23 | Z01A | | |
| | 21B | X06A, X06B, X33Z | | Pre | A07A | | Pre | A07A | | |
| | 23 | Z01A | | 5a214.21 | | | BOP, KJZSV, KOP, KOPV, KVT, UOP4 | 5a214.a | | BOP, KJZSV, KOP, KOPV, KVT, UOP4 |
| | Pre | A07A | | | 01 | | B02A, B02B, B02C, B20A, B20B, B20C, B20D, B39A, B39B | | 01 | B02A, B02B, B02C, B20A, B20B, B20C, B20D, B39A, B39B |
| | 5a214.10 | | | | BOP, KJZSV, KOP, KOPV, KVT, UOP4 | | 5a214.22 | | | BOP, KJZSV, KOP, KOPV, KVT, UOP4 |
| 01 | | B02A, B02B, B02C, B20A, B20B, B20C, B20D, B39A, B39B | 01 | | B02A, B02B, B02C, B20A, B20B, B20C, B20D, B39A, B39B | 01 | | | B02A, B02B, B02C, B20A, B20B, B20C, B20D, B39A, B39B | |
| 02 | | C01A | 02 | | C01A | 02 | | | C01A | |
| 03 | | D18Z, D25A, D25B, D25C, D25D, D25J | 06 | | G33Z | 06 | | | G33Z | |
| 06 | | G33Z | 07 | | H33Z, H38Z | 07 | | | H33Z, H38Z | |
| 07 | | H33Z, H38Z | 08 | | I15A, I15B | 08 | | | I15A, I15B | |
| 08 | | I15A, I15B | 11 | | L33Z | 11 | | | L33Z | |
| 09 | | J08A, J08B, J08C | 21A | | W01A, W01B, W01C, W36Z | 21A | | | W01A, W01B, W01C, W36Z | |
| 11 | | L33Z | 21B | | X06A, X06B, X33Z | 21B | | | X06A, X06B, X33Z | |
| 21A | | W01A, W01B, W01C, W36Z | 23 | | Z01A | 23 | | | Z01A | |
| 21B | | X06A, X06B, X33Z | Pre | | A07A | Pre | | | A07A | |
| 23 | | Z01A | 5a214.8 | | | BOP, KJZSV, KOP, KOPV, KVT, UOP4 | | | 5a214.c | |
| Pre | | A07A | | 01 | B02A, B02B, B02C, B20A, B20B, B20C, B20D, B39A, B39B | 01 | | B02A, B02B, B02C, B20A, B20B, B20C, B20D, B39A, B39B | | |
| 5a214.11 | | | | BOP, KJZSV, KOP, KOPV, KVT, UOP4 | 5a214.12 | | | BOP, KJZSV, KOP, KOPV, KVT, UOP4 | | 5a215.2 |
| | 01 | B02A, B02B, B02C, B20A, B20B, B20C, B20D, B39A, B39B | | 01 | | B02A, B02B, B02C, B20A, B20B, B20C, B20D, B39A, B39B | 01 | B02A, B02B, B02C, B20A, B20B, B20C, B20D, B39A, B39B | | |
| | 02 | C01A | | 02 | | C01A | 02 | C01A | | |
| | 03 | D18Z, D25A, D25B, D25C, D25D, D25J | | 06 | | G33Z | 06 | G33Z | | |
| | 06 | G33Z | | 07 | | H33Z, H38Z | 07 | H33Z, H38Z | | |
| | 07 | H33Z, H38Z | | 08 | | I15A, I15B | 08 | I15A, I15B | | |
| | 08 | I15A, I15B | | 11 | | L33Z | 11 | L33Z | | |
| | 09 | J08A, J08B, J08C | | 17 | | R01A, R01B, R01C, R01D, R02Z, R12A, R12B, R12C | 17 | R01A, R01B, R01C, R01D, R02Z, R12A, R12B, R12C | | |
| | 11 | L33Z | | 21A | | W01A, W01B, W01C, W36Z | 21A | W01A, W01B, W01C, W36Z | | |
| | 21A | W01A, W01B, W01C, W36Z | | 21B | | X06A, X06B, X33Z | 21B | X06A, X06B, X33Z | | |
| | 21B | X06A, X06B, X33Z | | 23 | | Z01A | 23 | Z01A | | |
| | 23 | Z01A | | Pre | | A07A | Pre | A07A | | |
| | Pre | A07A | | | | | | | | |

| ZZV | MDC | DRG | ZZV | MDC | DRG | ZZV | MDC | DRG | | | | |
|---------|---------|--|--|--|--|--|--|--|--|------------------------|--|--|
| 5a215.3 | | BOP, KJZSV, KOP, KOPV, KVT, UOP4 | 5a215.7 | | BOP, KJZSV, KOP, KOPV, KVT, UOP4 | 5a215.91 | | BOP, KJZSV, KOP, KOPV, KVT, UOP4 | | | | |
| | 01 | B02A, B02B, B02C, B20A, B20B, B20C, B20D, B39A, B39B | | 01 | B02A, B02B, B02C, B20A, B20B, B20C, B20D, B39A, B39B | | 01 | B02A, B02B, B02C, B20A, B20B, B20C, B20D, B21A, B39A, B39B | | | | |
| | 02 | C01A | | 02 | C01A | | 04 | E36Z | | | | |
| | 06 | G33Z | | 06 | G33Z | | 06 | G33Z, G36Z | | | | |
| | 07 | H33Z, H38Z | | 07 | H33Z, H38Z | | 07 | H33Z, H38Z | | | | |
| | 08 | I15A, I15B | | 08 | I15A, I15B | | 08 | I26Z | | | | |
| | 11 | L33Z | | 11 | L33Z | | 11 | L33Z | | | | |
| | 17 | R01A, R01B, R01C, R01D, R02Z, R12A, R12B, R12C | | 21A | W01A, W01B, W01C, W36Z | | 17 | R01A, R01B, R01C, R01D, R02Z, R12A, R12B, R12C | | | | |
| | 21A | W01A, W01B, W01C, W36Z | | 21B | X06A, X06B, X33Z | | 21A | W04A, W04B | | | | |
| | 21B | X06A, X06B, X33Z | | 23 | Z01A | | 21B | X06A, X06B, X06C, X33Z | | | | |
| | 23 | Z01A | | Pre | A07A | | 23 | Z01A | | | | |
| | Pre | A07A | | 5a215.8a | | | BOP, KJZSV, KOP, KOPV, KVT, UOP4 | 5a215.92 | | A06A, A07A, A09A, A13A | | |
| | 5a215.4 | | | | BOP, KJZSV, KOP, KOPV, KVT, UOP4 | | 01 | | B02A, B02B, B02C, B20A, B20B, B20C, B20D, B39A, B39B | 5a215.92 | 01 | B02A, B02B, B02C, B20A, B20B, B20C, B20D, B21A, B39A, B39B |
| | | 01 | | | B02A, B02B, B02C, B20A, B20B, B20C, B20D, B39A, B39B | | 06 | | G33Z | | 04 | E36Z |
| 02 | | C01A | 07 | | H33Z, H38Z | 06 | G33Z, G36Z | | | | | |
| 06 | | G33Z | 11 | | L33Z | 07 | H33Z, H38Z | | | | | |
| 07 | | H33Z, H38Z | 17 | | R01A, R01B, R01C, R01D, R02Z, R12A, R12B, R12C | 08 | I26Z | | | | | |
| 08 | | I15A, I15B | 21A | | W04A, W04B | 11 | L33Z | | | | | |
| 11 | | L33Z | 21B | | X06A, X06B, X06C, X33Z | 17 | R01A, R01B, R01C, R01D, R02Z, R12A, R12B, R12C | | | | | |
| 21A | | W01A, W01B, W01C, W36Z | 23 | | Z01A | 21A | W04A, W04B | | | | | |
| 21B | | X06A, X06B, X33Z | Pre | | A07A | 21B | X06A, X06B, X06C, X33Z | | | | | |
| 23 | | Z01A | 5a215.8b | | | BOP, KJZSV, KOP, KOPV, KVT, UOP4 | 23 | | Z01A | | | |
| Pre | | A07A | | | 01 | B02A, B02B, B02C, B20A, B20B, B20C, B20D, B39A, B39B | Pre | | A06A, A07A, A09A, A13A | | | |
| 5a215.5 | | | | | BOP, KJZSV, KOP, KOPV, KVT, UOP4 | 06 | G33Z | | 5a215.a1 | | | BOP, KJZSV, KOP, KOPV, KVT, UOP4 |
| | | 01 | | | B02A, B02B, B02C, B20A, B20B, B20C, B20D, B39A, B39B | 07 | H33Z, H38Z | | | | 01 | B02A, B02B, B02C, B20A, B20B, B20C, B20D, B21A, B21B, B39A, B39B |
| | | 02 | | C01A | 11 | L33Z | 04 | E36Z | | | | |
| | 06 | G33Z | | 17 | R01A, R01B, R01C, R01D, R02Z, R12A, R12B, R12C | 06 | G33Z, G36Z | | | | | |
| | 07 | H33Z, H38Z | | 21A | W04A, W04B | 07 | H33Z, H38Z | | | | | |
| | 08 | I15A, I15B | | 21B | X06A, X06B, X06C, X33Z | 08 | I26Z | | | | | |
| | 11 | L33Z | | 23 | Z01A | 11 | L33Z | | | | | |
| | 21A | W01A, W01B, W01C, W36Z | | Pre | A07A | 17 | R01A, R01B, R01C, R01D, R02Z, R12A, R12B, R12C | | | | | |
| | 21B | X06A, X06B, X33Z | | 5a215.8x | | BOP, KJZSV, KOP, KOPV, KVT, UOP4 | 21A | W04A, W04B | | | | |
| | 23 | Z01A | | | 01 | B02A, B02B, B02C, B20A, B20B, B20C, B20D, B39A, B39B | 21B | X06A, X06B, X06C, X33Z | | | | |
| | Pre | A07A | | | 06 | G33Z | 23 | Z01A | | | | |
| | 5a215.6 | | | | BOP, KJZSV, KOP, KOPV, KVT, UOP4 | 07 | H33Z, H38Z | 5a215.a2 | | | A06A, A07A, A09A, A13A | |
| | | 01 | B02A, B02B, B02C, B20A, B20B, B20C, B20D, B39A, B39B | | 11 | L33Z | 5a215.a2 | | | 01 | B02A, B02B, B02C, B20A, B20B, B20C, B20D, B21A, B21B, B39A, B39B | |
| | | 02 | C01A | | 17 | R01A, R01B, R01C, R01D, R02Z, R12A, R12B, R12C | | | | 04 | E36Z | |
| 06 | | G33Z | 21A | | W04A, W04B | 06 | | | G33Z, G36Z | | | |
| 07 | | H33Z, H38Z | 21B | | X06A, X06B, X06C, X33Z | 07 | | | H33Z, H38Z | | | |
| 08 | | I15A, I15B | 23 | | Z01A | 08 | | | I26Z | | | |
| 11 | | L33Z | Pre | | A07A | 11 | | | L33Z | | | |
| 21A | | W01A, W01B, W01C, W36Z | 01 | | B02A, B02B, B02C, B20A, B20B, B20C, B20D, B39A, B39B | 17 | | | R01A, R01B, R01C, R01D, R02Z, R12A, R12B, R12C | | | |
| 21B | | X06A, X06B, X33Z | 06 | | G33Z | 21A | | | W04A, W04B | | | |
| 23 | | Z01A | 07 | | H33Z, H38Z | 21B | | | X06A, X06B, X06C, X33Z | | | |
| Pre | | A07A | 11 | | L33Z | 23 | | | Z01A | | | |
| | | | 17 | R01A, R01B, R01C, R01D, R02Z, R12A, R12B, R12C | Pre | A06A, A07A, A09A, A13A | | | | | | |
| | | | 21A | W04A, W04B | 01 | B02A, B02B, B02C, B20A, B20B, B20C, B20D, B21A, B21B, B39A, B39B | | | | | | |
| | | | 21B | X06A, X06B, X06C, X33Z | 04 | E36Z | | | | | | |
| | | 23 | Z01A | 06 | G33Z, G36Z | | | | | | | |
| | | Pre | A07A | 07 | H33Z, H38Z | | | | | | | |
| | | | | 08 | I26Z | | | | | | | |
| | | | | 11 | L33Z | | | | | | | |
| | | | | 17 | R01A, R01B, R01C, R01D, R02Z, R12A, R12B, R12C | | | | | | | |
| | | | | 21A | W04A, W04B | | | | | | | |
| | | | | 21B | X06A, X06B, X06C, X33Z | | | | | | | |
| | | | | 23 | Z01A | | | | | | | |
| | | | | Pre | A06A, A07A, A09A, A13A | | | | | | | |

Príloha B: Index Výkon-MDC-DRG

| ZZV | MDC | DRG | ZZV | MDC | DRG | ZZV | MDC | DRG | |
|---------|-------|--|----------|--|--|----------|--|--|--|
| 5a215.b | | BOP, KJZSV, KOP, KOPV, KVT, UOP4 | 5a307 | | BOP, KJZSV, KVT, UOP4 | 5a30e.4 | | BOP, KJZSV, KVT, UOP4 | |
| | 01 | B02A, B02B, B02C, B20A, B20B, B20C, B20D, B39A, B39B | | 01 | B03Z, B18Z | | 01 | B03Z, B18Z | |
| | 06 | G33Z | | 08 | I10A, I10B, I10C, I10D, I10E, I10J, I23A, I23B, I23J | | 08 | I10A, I10B, I10C, I10D, I10E, I10J, I23A, I23B, I23J | |
| | 07 | H33Z, H38Z | | 11 | L09A, L38Z | | 17 | R01A, R01B, R01C, R01D, R02Z, R12A, R12B, R12C | |
| | 08 | I15A, I15B | | 17 | R01A, R01B, R01C, R01D, R02Z, R12A, R12B, R12C | | 21A | W04A, W04B | |
| | 11 | L33Z | | 21A | W04A, W04B | | 21B | X06A, X06B, X06C | |
| | 17 | R01A, R01B, R01C, R01D, R02Z, R12A, R12B, R12C | | 21B | X06A, X06B, X06C | | Pre | B61A | |
| | 21A | W04A, W04B | | Pre | B61A | | 5a30e.5 | 01 | B03Z, B18Z |
| | 21B | X06A, X06B, X06C, X33Z | | 5a308 | 01 | | BOP, KJZSV, KVT, UOP4 | 08 | I10A, I10B, I10C, I10D, I10E, I10J, I23A, I23B, I23J |
| | Pre | A07A | | 01 | B03Z, B18Z | | 17 | R01A, R01B, R01C, R01D, R02Z, R12A, R12B, R12C | |
| | 5a300 | | | BOP, KJZSV, KVT, UOP4 | 5a309 | | | BOP, KJZSV, KVT, UOP4 | 5a30e.6 |
| 01 | | B03Z, B18Z | 01 | B03Z, B18Z | | 01 | B03Z, B18Z | | |
| 07 | | H06A, H06B, H06C | 08 | I10A, I10B, I10C, I10D, I10E, I10J, I23A, I23B, I23J | | 08 | I10A, I10B, I10C, I10D, I10E, I10J, I23A, I23B, I23J | | |
| 11 | | L09A, L38Z | 11 | L09A, L38Z | | 17 | R01A, R01B, R01C, R01D, R02Z, R12A, R12B, R12C | | |
| 17 | | R01A, R01B, R01C, R01D, R02Z, R12A, R12B, R12C | 17 | R01A, R01B, R01C, R01D, R02Z, R12A, R12B, R12C | | 21A | W04A, W04B | | |
| 21A | | W04A, W04B | 21A | W04A, W04B | | 21B | X06A, X06B, X06C | | |
| 5a301 | | BOP, KJZSV, KVT, UOP4 | 5a30a | | BOP, KJZSV, KVT, UOP4 | 5a30e.7 | | BOP, KJZSV, KVT, UOP4 | |
| | 01 | B03Z, B18Z | | 01 | B03Z, B18Z | | 01 | B03Z, B18Z | |
| | 07 | H06A, H06B, H06C | | 08 | I10A, I10B, I10C, I10D, I10E, I10J, I23A, I23B, I23J | | 06 | G01Z, G02Z, G38Z | |
| | 11 | L09A, L38Z | | 11 | L09A, L38Z | | 08 | I10A, I10B, I10C, I10D, I10E, I10J | |
| | 17 | R01A, R01B, R01C, R01D, R02Z, R12A, R12B, R12C | | 17 | R01A, R01B, R01C, R01D, R02Z, R12A, R12B, R12C | | 17 | R01A, R01B, R01C, R01D, R02Z, R12A, R12B, R12C | |
| | 21A | W04A, W04B | | 21A | W04A, W04B | | 21A | W04A, W04B | |
| 5a302 | | BOP, KJZSV, KVT, UOP4 | 5a30b | | BOP, KJZSV, KVT, UOP4 | 5a30f | | BOP, KJZSV, KVT, UOP4 | |
| | 01 | B03Z, B18Z | | 01 | B03Z, B18Z | | 01 | B03Z, B07Z, B17A, B17B, B17C, B17J | |
| | 08 | I10A, I10B, I10C, I10D, I10E, I10J, I23A, I23B, I23J | | 08 | I10A, I10B, I10C, I10D, I10E, I10J, I23A, I23B, I23J | | 04 | E02A, E02B, E02C, E02D | |
| | 11 | L09A, L09B, L09C, L09J, L38Z | | 11 | L09A, L38Z | | 06 | G10Z, G12A, G12B, G12J | |
| | 12 | M06J, M06Z, M09A, M09B, M09J, M38Z | | 17 | R01A, R01B, R01C, R01D, R02Z, R12A, R12B, R12C | | 07 | H06A, H06B, H06C | |
| | 13 | N11A, N11J | | 21A | W04A, W04B | | 08 | I10A, I10B, I10C, I10D, I10E, I10J, I28A, I28B, I28J | |
| 5a304.0 | | BOP, KJZSV, KVT, UOP4 | 5a30c | | BOP, KJZSV, KVT, UOP4 | 5a30g | | BOP, KJZSV, KVT, UOP4 | |
| | 01 | B03Z, B18Z | | 01 | B03Z, B18Z | | 01 | B03Z, B18Z | |
| | 08 | I10A, I10B, I10C, I10D, I10E, I10J | | 08 | I10A, I10B, I10C, I10D, I10E, I10J, I23A, I23B, I23J | | 05 | F01A, F01B, F01D, F05Z, F07A, F07B, F14A, F14B, F28A, F42Z, F54A, F54B, F54J, F59A, F59B | |
| | 17 | R01A, R01B, R01C, R01D, R02Z, R12A, R12B, R12C | | 17 | R01A, R01B, R01C, R01D, R02Z, R12A, R12B, R12C | | 08 | I10A, I10B, I10C, I10D, I10E, I10J | |
| | Pre | B61A | | 21A | W04A, W04B | | 17 | R01A, R01B, R01C, R01D, R02Z, R12A, R12B, R12C | |
| | 21B | X06A, X06B, X06C | | 21B | X06A, X06B, X06C | | | | |
| 5a304.1 | | BOP, KJZSV, KVT, UOP4 | 5a30d | | BOP, KJZSV, KVT, UOP4 | 5a30d.1† | | BOP, KJZSV, KVT, UOP4 | |
| | 01 | B03Z, B18Z | | 01 | B03Z, B18Z | | 01 | B03Z, B18Z | |
| | 08 | I10A, I10B, I10C, I10D, I10E, I10J | | 08 | I10A, I10B, I10C, I10D, I10E, I10J, I23A, I23B, I23J | | 08 | I10A, I10B, I10C, I10D, I10E, I10J, I23A, I23B, I23J | |
| | 17 | R01A, R01B, R01C, R01D, R02Z, R12A, R12B, R12C | | 17 | R01A, R01B, R01C, R01D, R02Z, R12A, R12B, R12C | | 17 | R01A, R01B, R01C, R01D, R02Z, R12A, R12B, R12C | |
| | Pre | B61A | | 21A | W04A, W04B | | 21A | W04A, W04B | |
| | 21B | X06A, X06B, X06C | | 21B | X06A, X06B, X06C | | 21B | X06A, X06B, X06C | |
| 5a304.2 | | BOP, KJZSV, KVT, UOP4 | 5a30d.1† | | BOP, KJZSV, KVT, UOP4 | 5a30d.1† | | BOP, KJZSV, KVT, UOP4 | |
| | 01 | B03Z, B18Z | | 01 | B03Z, B18Z | | 01 | B03Z, B18Z | |
| | 08 | I10A, I10B, I10C, I10D, I10E, I10J | | 08 | I10A, I10B, I10C, I10D, I10E, I10J, I23A, I23B, I23J | | 08 | I10A, I10B, I10C, I10D, I10E, I10J | |
| | 17 | R01A, R01B, R01C, R01D, R02Z, R12A, R12B, R12C | | 17 | R01A, R01B, R01C, R01D, R02Z, R12A, R12B, R12C | | 17 | R01A, R01B, R01C, R01D, R02Z, R12A, R12B, R12C | |
| | Pre | B61A | | 21A | W04A, W04B | | 21A | W04A, W04B | |
| | 21B | X06A, X06B, X06C | | 21B | X06A, X06B, X06C | | 21B | X06A, X06B, X06C | |
| 5a304.3 | | BOP, KJZSV, KVT, UOP4 | 5a30d.1† | | BOP, KJZSV, KVT, UOP4 | 5a30d.1† | | BOP, KJZSV, KVT, UOP4 | |
| | 01 | B03Z, B18Z | | 01 | B03Z, B18Z | | 01 | B03Z, B18Z | |
| | 08 | I10A, I10B, I10C, I10D, I10E, I10J | | 08 | I10A, I10B, I10C, I10D, I10E, I10J, I23A, I23B, I23J | | 08 | I10A, I10B, I10C, I10D, I10E, I10J | |
| | 17 | R01A, R01B, R01C, R01D, R02Z, R12A, R12B, R12C | | 17 | R01A, R01B, R01C, R01D, R02Z, R12A, R12B, R12C | | 17 | R01A, R01B, R01C, R01D, R02Z, R12A, R12B, R12C | |
| | Pre | B61A | | 21A | W04A, W04B | | 21A | W04A, W04B | |
| | 21B | X06A, X06B, X06C | | 21B | X06A, X06B, X06C | | 21B | X06A, X06B, X06C | |

VYK

| ZZV | MDC | DRG | ZZV | MDC | DRG | ZZV | MDC | DRG | | | | |
|-------|---------|--|--|--|--|----------|--|--|------------------------------|--|----|------------------------------------|
| 5a30h | | BOP, KJZSV, KVT, UOP4 | 5a30o.b | | BOP, KJZSV, KVT, UOP4 | 5a310.11 | | BOP, KJZSV, KVT, UOP4 | | | | |
| | 01 | B03Z, B18Z | | 01 | B03Z, B18Z | | 01 | B03Z, B07Z, B17A, B17B, B17C, B17J | | | | |
| | 05 | F01A, F01B, F01D, F05Z, F07A, F07B, F14A, F14B, F28A, F42Z, F54A, F54B, F54J, F59A, F59B | | 06 | G01Z, G02Z, G38Z | | 04 | E02A, E02B, E02C, E02D | | | | |
| | 08 | I10A, I10B, I10C, I10D, I10E, I10J | | 08 | I10A, I10B, I10C, I10D, I10E, I10J, I23A, I23B, I23J | | 06 | G10Z, G12A, G12B, G12J | | | | |
| | 17 | R01A, R01B, R01C, R01D, R02Z, R12A, R12B, R12C | | 17 | R01A, R01B, R01C, R01D, R02Z, R12A, R12B, R12C | | 07 | H06A, H06B, H06C | | | | |
| | 5a30j | | | BOP, KJZSV, KOP, KOPV, KVT, UOP4, VIAL | 5a30p.8 | | | BOP, KJZSV, KVT, UOP4 | 08 | I10A, I10B, I10C, I10D, I10E, I10J, I28A, I28B, I28J | | |
| | | 01 | | B03Z, B18Z | | | 21A | W04A, W04B | 09 | J03A, J03B, J04A, J04B, J08A, J08B, J08C, J11A, J11B, J11J, J11Q, J11R, J11S, J16Z | | |
| | | 06 | | G33Z | | | 21B | X06A, X06B, X06C | 10 | K09A, K09B | | |
| | | 07 | | H33Z, H38Z | | | Pre | A13A, A13B, A13C | 11 | L09A, L09B, L09C, L09J, L38Z | | |
| | | 08 | | I06A, I06B, I06C, I06D, I06E, I08A, I08B, I08C, I08D, I08E, I08F, I08J, I09A, I09B, I09C, I09D, I09E, I10A, I10B, I10C, I10D, I10E, I10J | | | 01 | B03Z, B18Z | 12 | M06J, M06Z, M09A, M09B, M09J, M38Z | | |
| 09 | | J26Z | 06 | G01Z, G02Z, G38Z | | 13 | N11A, N11J | | | | | |
| 11 | | L33Z | 08 | I10A, I10B, I10C, I10D, I10E, I10J, I23A, I23B, I23J | | 21A | W04A, W04B | | | | | |
| 21A | | W01A, W01B, W01C, W02A, W02B | 17 | R01A, R01B, R01C, R01D, R02Z, R12A, R12B, R12C | | 21B | X04Z, X05A, X05B, X06A, X06B | | | | | |
| 21B | | X06A, X06B, X06C | 21A | W04A, W04B | | 22 | Y01Z, Y03A, Y03B | | | | | |
| 23 | | Z01A | 21B | X06A, X06B, X06C | | 23 | Z01A | | | | | |
| 5a30k | | BOP, KJZSV, KVT, UOP4 | 5a30p.a | | BOP, KJZSV, KVT, UOP4 | 5a310.1x | | BOP, KJZSV, KVT, UOP4 | | | | |
| | 01 | B03Z, B18Z | | 01 | B03Z, B18Z | | 01 | B03Z, B07Z, B17A, B17B, B17C, B17J | | | | |
| | 06 | G01Z, G02Z, G38Z | | 06 | G01Z, G02Z, G38Z | | 04 | E02A, E02B, E02C, E02D | | | | |
| | 08 | I10A, I10B, I10C, I10D, I10E, I10J, I23A, I23B, I23J | | 08 | I10A, I10B, I10C, I10D, I10E, I10J, I23A, I23B, I23J | | 06 | G10Z, G12A, G12B, G12J | | | | |
| | 17 | R01A, R01B, R01C, R01D, R02Z, R12A, R12B, R12C | | 17 | R01A, R01B, R01C, R01D, R02Z, R12A, R12B, R12C | | 07 | H06A, H06B, H06C | | | | |
| | 21A | W04A, W04B | | 21A | W04A, W04B | | 08 | I28A, I28B, I28J | | | | |
| | 21B | X06A, X06B, X06C | | 21B | X06A, X06B, X06C | | 09 | J03A, J03B, J04A, J04B, J08A, J08B, J08C, J11A, J11B, J11J, J11Q, J11R, J11S, J16Z | | | | |
| | Pre | A07A | | Pre | A13A, A13B, A13C | | 10 | K09A, K09B | | | | |
| | 5a30m | | | BOP, KJZSV, KVT, UOP4 | 5a30r | | | BOP, KJZSV, KVT, UOP4 | 11 | L09A, L09B, L09C, L09J, L38Z | | |
| | | 01 | | B03Z, B18Z | | | 01 | B03Z, B18Z | 12 | M06J, M06Z, M09A, M09B, M09J, M38Z | | |
| 06 | | G01Z, G02Z, G38Z | 06 | G01Z, G02Z, G38Z | | 13 | N11A, N11J | | | | | |
| 08 | | I10C, I10D | 08 | I10A, I10B, I10C, I10D, I10E, I10J, I23A, I23B, I23J | | 21A | W04A, W04B | | | | | |
| Pre | | A13A, A13B, A13C | 17 | R01A, R01B, R01C, R01D, R02Z, R12A, R12B, R12C | | 21B | X04Z, X05A, X05B, X06A, X06B | | | | | |
| 5a30n | | | BOP, KJZSV, KVT, UOP4 | 5a310.10 | | | BOP, KJZSV, KVT, UOP4 | 5a310.2 | | BOP, KJZSV, KVT, UOP4 | | |
| | | 01 | B03Z, B18Z | | | 01 | B03Z, B07Z, B17A, B17B, B17C, B17J | | 01 | B03Z, B07Z, B17A, B17B, B17C, B17J | | |
| | | 06 | G01Z, G02Z, G38Z | | | 04 | E02A, E02B, E02C, E02D | | 04 | E02A, E02B, E02C, E02D | | |
| | | 08 | I10A, I10B, I10C, I10D, I10E, I10J | | | 06 | G10Z, G12A, G12B, G12J | | 06 | G10Z, G12A, G12B, G12J | | |
| | | 17 | R01A, R01B, R01C, R01D, R02Z, R12A, R12B, R12C | | | 07 | H06A, H06B, H06C | | 07 | H06A, H06B, H06C | | |
| | 21A | W04A, W04B | 08 | | I10A, I10B, I10C, I10D, I10E, I10J, I28A, I28B, I28J | 08 | I10A, I10B, I10C, I10D, I10E, I10J, I28A, I28B, I28J | | | | | |
| | 21B | X06A, X06B, X06C | 09 | | J03A, J03B, J04A, J04B, J08A, J08B, J08C, J11A, J11B, J11J, J11Q, J11R, J11S, J16Z | 09 | J03A, J03B, J04A, J04B, J08A, J08B, J08C, J11A, J11B, J11J, J11Q, J11R, J11S, J16Z | | | | | |
| | Pre | A13A, A13B, A13C | 10 | | K09A, K09B | 10 | K09A, K09B | | | | | |
| | 5a30o.9 | | BOP, KJZSV, KVT, UOP4 | | 5a310.10 | | BOP, KJZSV, KVT, UOP4 | | 11 | L09A, L09B, L09C, L09J, L38Z | 11 | L09A, L09B, L09C, L09J, L38Z |
| | | 01 | B03Z, B18Z | | | 01 | B03Z, B07Z, B17A, B17B, B17C, B17J | | 12 | M06J, M06Z, M09A, M09B, M09J, M38Z | 12 | M06J, M06Z, M09A, M09B, M09J, M38Z |
| 06 | | G01Z, G02Z, G38Z | 04 | E02A, E02B, E02C, E02D | | 13 | N11A, N11J | 13 | N11A, N11J | | | |
| 08 | | I10A, I10B, I10C, I10D, I10E, I10J, I23A, I23B, I23J | 06 | G10Z, G12A, G12B, G12J | | 21A | W04A, W04B | 21A | W04A, W04B | | | |
| 17 | | R01A, R01B, R01C, R01D, R02Z, R12A, R12B, R12C | 07 | H06A, H06B, H06C | | 21B | X04Z, X05A, X05B, X06A, X06B | 21B | X04Z, X05A, X05B, X06A, X06B | | | |
| 21A | | W04A, W04B | 08 | I10A, I10B, I10C, I10D, I10E, I10J, I28A, I28B, I28J | | 22 | Y01Z, Y03A, Y03B | 22 | Y01Z, Y03A, Y03B | | | |
| 21B | | X06A, X06B, X06C | 09 | J03A, J03B, J04A, J04B, J08A, J08B, J08C, J11A, J11B, J11J, J11Q, J11R, J11S, J16Z | | 23 | Z01A | 23 | Z01A | | | |
| Pre | | A13A, A13B, A13C | 10 | K09A, K09B | | | | | | | | |
| | | | 11 | L09A, L09B, L09C, L09J, L38Z | | | | | | | | |
| | | | 12 | M06J, M06Z, M09A, M09B, M09J, M38Z | | | | | | | | |

VYK

| ZZV | MDC | DRG | ZZV | MDC | DRG | ZZV | MDC | DRG | |
|----------|------------------|--|--|-----------------------|--|--|--|--|------------------------------------|
| 5a311.25 | | BOP, KJZSV, KVT, UOP4 | 5a311.36 | | BOP, KJZSV, KVT, UOP4 | 5a311.51 | | BOP, KJZSV, KVT, UOP4 | |
| | 01 | B03Z, B18Z | | 01 | B03Z, B18Z | | 01 | B03Z, B18Z | |
| | 08 | I10A, I10B, I10C, I10D, I10E, I10J, I23A, I23B, I23J | | 08 | I10A, I10B, I10C, I10D, I10E, I10J, I23A, I23J | | 08 | I10A, I10B, I10C, I10D, I10E, I10J | |
| | 11 | L09A, L09B, L09C, L09J, L38Z | | 11 | L09A, L09B, L09C, L09J, L38Z | | 11 | L09A, L09B, L09C, L09J, L38Z | |
| | 12 | M06J, M06Z, M09A, M09B, M09J, M38Z | | 12 | M06J, M06Z, M09A, M09B, M09J, M38Z | | 12 | M06J, M06Z, M09A, M09B, M09J, M38Z | |
| | 13 | N11A, N11J | | 13 | N11A, N11J | | 13 | N11A, N11J | |
| | 21A | W04A, W04B | | 21A | W04A, W04B | | 17 | R01A, R01B, R01C, R01D, R02Z, R12A, R12B, R12C | |
| 5a311.31 | 21B | X06A, X06B, X06C | 5a311.40 | 21B | X06A, X06B, X06C | 5a311.52 | 21A | W04A, W04B | |
| | | BOP, KJZSV, KVT, UOP4 | | | BOP, KJZSV, KVT, UOP4 | | 21B | X06A, X06B, X06C | |
| | 01 | B03Z, B18Z | | 01 | B03Z, B18Z | | 23 | Z01A | |
| | 08 | I10A, I10B, I10C, I10D, I10E, I10J, I23A, I23J | | 08 | I10A, I10B, I10C, I10D, I10E, I10J | | 5a311.6 | BOP, KJZSV, KVT, UOP4 | |
| | 11 | L09A, L09B, L09C, L09J, L38Z | | 11 | L09A, L09B, L09C, L09J, L38Z | | | 01 | B03Z, B18Z |
| | 12 | M06J, M06Z, M09A, M09B, M09J, M38Z | | 12 | M06J, M06Z, M09A, M09B, M09J, M38Z | | | 08 | I10A, I10B, I10C, I10D, I10E, I10J |
| | 13 | N11A, N11J | | 13 | N11A, N11J | | | 11 | L09A, L09B, L09C, L09J, L38Z |
| 21A | W04A, W04B | 17 | R01A, R01B, R01C, R01D, R02Z, R12A, R12B, R12C | 12 | M06J, M06Z, M09A, M09B, M09J, M38Z | | | | |
| 5a311.32 | 21B | X06A, X06B, X06C | 5a311.41 | 21A | W04A, W04B | 13 | N11A, N11J | | |
| | | BOP, KJZSV, KVT, UOP4 | | 21B | X06A, X06B, X06C | 17 | R01A, R01B, R01C, R01D, R02Z, R12A, R12B, R12C | | |
| | 01 | B03Z, B18Z | | 23 | Z01A | 21A | W04A, W04B | | |
| | 08 | I10A, I10B, I10C, I10D, I10E, I10J, I23A, I23J | | 5a311.42 | BOP, KJZSV, KVT, UOP4 | 21B | X06A, X06B, X06C | | |
| | 11 | L09A, L09B, L09C, L09J, L38Z | | | 01 | B03Z, B18Z | 23 | Z01A | |
| | 12 | M06J, M06Z, M09A, M09B, M09J, M38Z | | | 08 | I10A, I10B, I10C, I10D, I10E, I10J | 5a311.7 | BOP, KJZSV, KVT, UOP4 | |
| | 13 | N11A, N11J | | | 11 | L09A, L09B, L09C, L09J, L38Z | | 01 | B03Z, B18Z |
| 21A | W04A, W04B | 12 | M06J, M06Z, M09A, M09B, M09J, M38Z | | 08 | I10A, I10B, I10C, I10D, I10E, I10J | | | |
| 5a311.33 | 21B | X06A, X06B, X06C | 5a311.44 | 13 | N11A, N11J | 11 | | L06A, L06B, L06J, L09A, L38Z | |
| | | BOP, KJZSV, KVT, UOP4 | | 17 | R01A, R01B, R01C, R01D, R02Z, R12A, R12B, R12C | 12 | | M06J, M06Z, M09A, M09B, M09J, M38Z | |
| | 01 | B03Z, B18Z | | 21A | W04A, W04B | 13 | N11A, N11J | | |
| | 08 | I10A, I10B, I10C, I10D, I10E, I10J, I23A, I23J | | 21B | X06A, X06B, X06C | 17 | R01A, R01B, R01C, R01D, R02Z, R12A, R12B, R12C | | |
| | 11 | L09A, L09B, L09C, L09J, L38Z | | 23 | Z01A | 21A | W04A, W04B | | |
| | 12 | M06J, M06Z, M09A, M09B, M09J, M38Z | | 5a311.50 | BOP, KJZSV, KVT, UOP4 | 21B | X06A, X06B, X06C | | |
| | 13 | N11A, N11J | | | 01 | B03Z, B18Z | 23 | Z01A | |
| 21A | W04A, W04B | 08 | I10A, I10B, I10C, I10D, I10E, I10J | | 5a311.8 | BOP, KJZSV, KVT, UOP4 | | | |
| 5a311.34 | 21B | X06A, X06B, X06C | 5a311.46 | | | 11 | L09A, L09B, L09C, L09J, L38Z | 01 | B03Z, B18Z |
| | | BOP, KJZSV, KVT, UOP4 | | | | 12 | M06J, M06Z, M09A, M09B, M09J, M38Z | 08 | I10A, I10B, I10C, I10D, I10E, I10J |
| | 01 | B03Z, B18Z | | 13 | | N11A, N11J | 11 | L06A, L06B, L06J, L09A, L38Z | |
| | 08 | I10A, I10B, I10C, I10D, I10E, I10J, I23A, I23J | | 17 | | R01A, R01B, R01C, R01D, R02Z, R12A, R12B, R12C | 12 | M06J, M06Z, M09A, M09B, M09J, M38Z | |
| | 11 | L09A, L09B, L09C, L09J, L38Z | | 21A | W04A, W04B | 13 | N11A, N11J | | |
| | 12 | M06J, M06Z, M09A, M09B, M09J, M38Z | | 21B | X06A, X06B, X06C | 17 | R01A, R01B, R01C, R01D, R02Z, R12A, R12B, R12C | | |
| | 13 | N11A, N11J | | 23 | Z01A | 21A | W04A, W04B | | |
| 5a311.35 | 21A | W04A, W04B | 5a311.48 | BOP, KJZSV, KVT, UOP4 | 21B | X06A, X06B, X06C | | | |
| | 21B | X06A, X06B, X06C | | 01 | B03Z, B18Z | 23 | Z01A | | |
| | | BOP, KJZSV, KVT, UOP4 | | 08 | I10A, I10B, I10C, I10D, I10E, I10J | 5a311.9 | BOP, KJZSV, KVT, UOP4 | | |
| | 01 | B03Z, B18Z | | 11 | L09A, L09B, L09C, L09J, L38Z | | 01 | B03Z, B18Z | |
| | 08 | I10A, I10B, I10C, I10D, I10E, I10J, I23A, I23B, I23J | | 12 | M06J, M06Z, M09A, M09B, M09J, M38Z | | 08 | I10A, I10B, I10C, I10D, I10E, I10J, I23A, I23J | |
| | 11 | L09A, L09B, L09C, L09J, L38Z | | 13 | N11A, N11J | | 11 | L06A, L06B, L06J | |
| | 12 | M06J, M06Z, M09A, M09B, M09J, M38Z | | 17 | R01A, R01B, R01C, R01D, R02Z, R12A, R12B, R12C | | 12 | M06J, M06Z, M09A, M09B, M09J, M38Z | |
| 13 | N11A, N11J | 21A | W04A, W04B | 13 | N11A, N11J | | | | |
| 21A | W04A, W04B | 21B | X06A, X06B, X06C | 21A | W04A, W04B | | | | |
| 21B | X06A, X06B, X06C | 23 | Z01A | 21B | X06A, X06B, X06C | | | | |

VYK

| ZZV | MDC | DRG | ZZV | MDC | DRG | ZZV | MDC | DRG | | |
|---------|---------|--|--|--|--|--|--|--|------------------------------------|------------------------------------|
| 5a311.9 | | BOP, KJZSV, KVT, UOP4 | 5a404 | | BOP, KJZSV, KVT, UOP4 | 5a408.1 | | BOP, KJZSV, KVT, UOP4 | | |
| | 01 | B03Z, B18Z | | 01 | B03Z, B07Z, B17A, B17B, B17C, B17J | | 01 | B03Z, B07Z, B17A, B17B, B17C, B17J | | |
| | 08 | I10A, I10B, I10C, I10D, I10E, I10J, I23A, I23B, I23J | | 03 | D12A, D12B, D12J, D12Q | | 03 | D12A, D12J, D12Q | | |
| | 11 | L06A, L06B, L06J | | 08 | I08A, I08B, I08C, I08D, I08E, I13A, I13B | | 05 | F21A, F21B, F21J | | |
| | 12 | M06J, M06Z, M09A, M09B, M09J, M38Z | | 21A | W04A, W04B | | 08 | I08A, I08B, I08C, I08D, I08E, I13A, I13B, I28A, I28B, I28J | | |
| | 13 | N11A, N11J | | 21B | X01A, X01B, X06A, X06B, X33Z | | 09 | J03A, J03B, J04A, J04B, J08A, J08B, J08C, J10A, J10B, J10J, J16Z | | |
| | 21A | W04A, W04B | | | | | | | | |
| | 21B | X06A, X06B, X06C | | 5a405.b | | | BOP, KJZSV, KVT, UOP4 | 5a408.2 | | BOP, KJZSV, KVT, UOP4 |
| | 5a311.x | | | BOP, KJZSV, KVT, UOP4 | 01 | | B03Z, B07Z, B17A, B17B, B17C, B17J | | 01 | B03Z, B07Z, B17A, B17B, B17C, B17J |
| | | 01 | | B03Z, B18Z | 03 | | D12A, D12B, D12J, D12Q | | 03 | D12A, D12J, D12Q |
| 08 | | I10A, I10B, I10C, I10D, I10E, I10J, I23A, I23B, I23J | 08 | I08A, I08B, I08C, I08D, I08E, I13A, I13B | 05 | F21A, F21B, F21J | | | | |
| 11 | | L09A, L09B, L09C, L09J, L38Z | 21A | W04A, W04B | 08 | I08A, I08B, I08C, I08D, I08E, I13A, I13B, I28A, I28B, I28J | | | | |
| 12 | | M06J, M06Z, M09A, M09B, M09J, M38Z | 21B | X01A, X01B, X06A, X06B, X06C, X33Z | 09 | J03A, J03B, J04A, J04B, J08A, J08B, J08C, J10A, J10B, J10J, J16Z | | | | |
| 13 | | N11A, N11J | | | | | | | | |
| 21A | | W04A, W04B | 5a405.c | | BOP, KJZSV, KVT, UOP4 | 5a408.3 | | | BOP, KJZSV, KVT, UOP4 | |
| 21B | | X06A, X06B, X06C | 01 | B03Z, B07Z, B17A, B17B, B17C, B17J | 01 | | B03Z, B07Z, B17A, B17B, B17C, B17J | | | |
| 5a400.1 | | | BOP, KJZSV, KVT, UOP4 | 03 | D12A, D12B, D12J, D12Q | | 03 | | D12A, D12J, D12Q | |
| | | 01 | B03Z, B07Z, B17A, B17B, B17C, B17D, B17J | 08 | I08A, I08B, I08C, I08D, I08E, I13A, I13B | | 05 | F21A, F21B, F21J | | |
| | 08 | I08A, I08B, I08C, I08D, I08E, I13A, I13B, I28A, I28B, I28C, I28J | 21A | W04A, W04B | 08 | | I08A, I08B, I08C, I08D, I08E, I13A, I13B, I28A, I28B, I28J | | | |
| | 21A | W04A, W04B | 21B | X01A, X01B, X06A, X06B, X06C, X33Z | 09 | | J03A, J03B, J04A, J04B, J08A, J08B, J08C, J10A, J10B, J10J, J16Z | | | |
| | 21B | X06A, X06B, X06C | | | | | | | | |
| | 5a400.2 | | BOP, KJZSV, KVT, UOP4 | 5a406.7 | | | KJZSV | 5a409.0 | | BOP, KJZSV, KVT, UOP4 |
| | | 01 | B03Z, B07Z, B17A, B17B, B17C, B17D, B17J | 01 | B03Z, B07Z, B17A, B17B, B17C, B17J | | 01 | | B03Z, B07Z, B17A, B17B, B17C, B17J | |
| | | 08 | I08A, I08B, I08C, I08D, I08E, I13A, I13B, I28A, I28B, I28C, I28J | 03 | D12A, D12B, D12J, D12Q | | 03 | | D12A, D12J, D12Q | |
| | | 21A | W04A, W04B | 08 | I08A, I08B, I08C, I08D, I08E, I13A, I13B, I28A, I28B, I28J | 05 | F21A, F21B, F21J | | | |
| | | 21B | X06A, X06B, X06C | 21A | W04A, W04B | 08 | I08A, I08B, I08C, I08D, I08E, I13A, I13B, I28A, I28B, I28J | | | |
| 5a402.b | | | BOP, KJZSV, KVT, UOP4 | 21B | X06A, X06B, X06C | | | | | |
| | | 01 | B03Z, B07Z, B17A, B17B, B17C, B17J | 5a406.b | | KJZSV | 5a409.3 | | | BOP, KJZSV, KVT, UOP4 |
| | | 03 | D12A, D12B, D12J, D12Q | 01 | B03Z, B07Z, B17A, B17B, B17C, B17J | 01 | | | B03Z, B07Z, B17A, B17B, B17C, B17J | |
| | | 08 | I08A, I08B, I08C, I08D, I08E, I13A, I13B | 03 | D12A, D12B, D12J, D12Q | 03 | | | D12A, D12J, D12Q | |
| | | 21A | W04A, W04B | 08 | I08A, I08B, I08C, I08D, I08E, I13A, I13B, I28A, I28B, I28J | 05 | | | F21A, F21B, F21J | |
| | 21B | X01A, X01B, X06A, X06B, X33Z | 21A | W04A, W04B | 08 | I08A, I08B, I08C, I08D, I08E, I13A, I13B, I28A, I28B, I28J | | | | |
| | 5a402.c | | BOP, KJZSV, KVT, UOP4 | 21B | X06A, X06B, X06C | | | | | |
| | | 01 | B03Z, B07Z, B17A, B17B, B17C, B17J | 5a407.4 | | BOP, KJZSV, KVT, UOP4 | | 5a40a.7 | | BOP, KJZSV, KVT, UOP4 |
| | | 03 | D12A, D12B, D12J, D12Q | 01 | B03Z, B07Z, B17A, B17B, B17C, B17J | 01 | | | B03Z, B07Z, B17A, B17B, B17C, B17J | |
| | | 08 | I08A, I08B, I08C, I08D, I08E, I13A, I13B | 03 | D12A, D12J, D12Q | 03 | | | D12A, D12J, D12Q | |
| 21A | | W04A, W04B | 05 | F21A, F21B, F21J | 05 | F21A, F21B, F21J | | | | |
| 21B | | X01A, X01B, X06A, X06B, X33Z | 08 | I08A, I08B, I08C, I08D, I08E, I13A, I13B, I28A, I28B, I28J | 08 | I08A, I08B, I08C, I08D, I08E, I13A, I13B, I28A, I28B, I28J | | | | |
| 5a403 | | | BOP, KJZSV, KVT, UOP4 | 09 | J03A, J03B, J04A, J04B, J08A, J08B, J08C, J10A, J10B, J10J, J16Z | | | | | |
| | | 01 | B03Z, B07Z, B17A, B17B, B17C, B17J | 5a407.5 | | BOP, KJZSV, KVT, UOP4 | 5a40a.b | | | BOP, KJZSV, KVT, UOP4 |
| | | 03 | D12A, D12B, D12J, D12Q | 01 | B03Z, B07Z, B17A, B17B, B17C, B17J | 01 | | | B03Z, B07Z, B17A, B17B, B17C, B17J | |
| | | 08 | I08A, I08B, I08C, I08D, I08E, I13A, I13B | 03 | D12A, D12J, D12Q | 03 | | | D12A, D12B, D12J, D12Q | |
| | 21A | W04A, W04B | 05 | F21A, F21B, F21J | 08 | I08A, I08B, I08C, I08D, I08E, I13A, I13B | | | | |
| | 21B | X01A, X01B, X06A, X06B, X33Z | 08 | I08A, I08B, I08C, I08D, I08E, I13A, I13B, I28A, I28B, I28J | 21A | W04A, W04B | | | | |
| | 5a404 | | BOP, KJZSV, KVT, UOP4 | 09 | J03A, J03B, J04A, J04B, J08A, J08B, J08C, J10A, J10B, J10J, J16Z | | | | | |
| | | 01 | B03Z, B07Z, B17A, B17B, B17C, B17J | | | | | | | |
| | | 03 | D12A, D12B, D12J, D12Q | | | | | | | |
| | | 08 | I08A, I08B, I08C, I08D, I08E, I13A, I13B | | | | | | | |
| 21A | | W04A, W04B | | | | | | | | |
| 21B | | X01A, X01B, X06A, X06B, X33Z | | | | | | | | |

| ZZV | MDC | DRG | ZZV | MDC | DRG | ZZV | MDC | DRG |
|---------|------------------|--|------------------|-----|--|---------|-----|--|
| 5a40a.c | | BOP, KJZSV, KVT, UOP4 | 5a40c.7 | | BOP, KJZSV, KVT, UOP4 | 5a40d.6 | | BOP, KJZSV, KVT, UOP4 |
| | 01 | B03Z, B07Z, B17A, B17B, B17C, B17J | | 01 | B03Z, B07Z, B17A, B17B, B17C, B17J | | 01 | B03Z, B07Z, B17A, B17B, B17C, B17J |
| | 03 | D12A, D12B, D12J, D12Q | | 03 | D12A, D12B, D12J, D12Q | | 03 | D12A, D12B, D12J, D12Q |
| | 08 | I08A, I08B, I08C, I08D, I08E, I13A, I13B | | 08 | I08A, I08B, I08C, I08D, I08E, I13A, I13B, I28A, I28B, I28J | | 08 | I08A, I08B, I08C, I08D, I08E, I13A, I13B, I28A, I28B, I28J |
| | 21A | W04A, W04B | | 21A | W04A, W04B | | 21A | W04A, W04B |
| 5a40b.7 | 21B | X01A, X01B, X06A, X06B | 5a40c.9 | 21B | X06A, X06B, X06C | 5a40d.7 | 21B | X06A, X06B, X06C |
| | | BOP, KJZSV, KVT, UOP4 | | | BOP, KJZSV, KVT, UOP4 | | | BOP, KJZSV, KVT, UOP4 |
| | 01 | B03Z, B07Z, B17A, B17B, B17C, B17J | | 01 | B03Z, B07Z, B17A, B17B, B17C, B17J | | 01 | B03Z, B07Z, B17A, B17B, B17C, B17J |
| | 03 | D12A, D12B, D12J, D12Q | | 03 | D12A, D12B, D12J, D12Q | | 03 | D12A, D12B, D12J, D12Q |
| | 08 | I08A, I08B, I08C, I08D, I08E, I13A, I13B | | 08 | I08A, I08B, I08C, I08D, I08E, I13A, I13B, I28A, I28B, I28J | | 08 | I08A, I08B, I08C, I08D, I08E, I13A, I13B, I28A, I28B, I28J |
| 5a40b.b | 21A | W04A, W04B | 5a40c.a | 21A | W04A, W04B | 5a40d.9 | 21A | W04A, W04B |
| | 21B | X01A, X01B, X06A, X06B, X33Z | | 21B | X06A, X06B, X06C | | 21B | X06A, X06B, X06C |
| | | BOP, KJZSV, KVT, UOP4 | | | BOP, KJZSV, KVT, UOP4 | | | BOP, KJZSV, KVT, UOP4 |
| | 01 | B03Z, B07Z, B17A, B17B, B17C, B17J | | 01 | B03Z, B07Z, B17A, B17B, B17C, B17J | | 01 | B03Z, B07Z, B17A, B17B, B17C, B17J |
| | 03 | D12A, D12B, D12J, D12Q | | 03 | D12A, D12B, D12J, D12Q | | 03 | D12A, D12B, D12J, D12Q |
| 5a40b.c | 08 | I08A, I08B, I08C, I08D, I08E, I13A, I13B | 5a40c.b | 08 | I08A, I08B, I08C, I08D, I08E, I13A, I13B, I28A, I28B, I28J | 5a40d.a | 08 | I08A, I08B, I08C, I08D, I08E, I13A, I13B, I28A, I28B, I28J |
| | 21A | W04A, W04B | | 21A | W04A, W04B | | 21A | W04A, W04B |
| | 21B | X01A, X01B, X06A, X06B, X33Z | | 21B | X06A, X06B, X06C | | 21B | X06A, X06B, X06C |
| | | BOP, KJZSV, KVT, UOP4 | | | BOP, KJZSV, KVT, UOP4 | | | BOP, KJZSV, KVT, UOP4 |
| | 01 | B03Z, B07Z, B17A, B17B, B17C, B17J | | 01 | B03Z, B07Z, B17A, B17B, B17C, B17J | | 01 | B03Z, B07Z, B17A, B17B, B17C, B17J |
| 5a40c.3 | 03 | D12A, D12B, D12J, D12Q | 5a40c.c | 03 | D12A, D12B, D12J, D12Q | 5a40d.b | 03 | D12A, D12B, D12J, D12Q |
| | 08 | I08A, I08B, I08C, I08D, I08E, I13A, I13B | | 08 | I08A, I08B, I08C, I08D, I08E, I13A, I13B, I28A, I28B, I28J | | 08 | I08A, I08B, I08C, I08D, I08E, I13A, I13B, I28A, I28B, I28J |
| | 21A | W04A, W04B | | 21A | W04A, W04B | | 21A | W04A, W04B |
| | 21B | X01A, X01B, X06A, X06B, X33Z | | 21B | X06A, X06B, X06C | | 21B | X06A, X06B, X06C |
| | | BOP, KJZSV, KVT, UOP4 | | | BOP, KJZSV, KVT, UOP4 | | | BOP, KJZSV, KVT, UOP4 |
| 5a40c.4 | 01 | B03Z, B07Z, B17A, B17B, B17C, B17J | 5a40d.3 | 01 | B03Z, B07Z, B17A, B17B, B17C, B17J | 5a40d.c | 01 | B03Z, B07Z, B17A, B17B, B17C, B17J |
| | 03 | D12A, D12B, D12J, D12Q | | 03 | D12A, D12B, D12J, D12Q | | 03 | D12A, D12B, D12J, D12Q |
| | 08 | I08A, I08B, I08C, I08D, I08E, I13A, I13B, I28A, I28B, I28J | | 08 | I08A, I08B, I08C, I08D, I08E, I13A, I13B, I28A, I28B, I28J | | 08 | I08A, I08B, I08C, I08D, I08E, I13A, I13B, I28A, I28B, I28J |
| | 21A | W04A, W04B | | 21A | W04A, W04B | | 21A | W04A, W04B |
| | 21B | X06A, X06B, X06C | | 21B | X06A, X06B, X06C | | 21B | X06A, X06B, X06C |
| 5a40c.5 | | BOP, KJZSV, KVT, UOP4 | 5a40d.4 | | BOP, KJZSV, KVT, UOP4 | 5a40e.3 | | BOP, KJZSV, KVT, UOP4 |
| | 01 | B03Z, B07Z, B17A, B17B, B17C, B17J | | 01 | B03Z, B07Z, B17A, B17B, B17C, B17J | | 01 | B03Z, B07Z, B17A, B17B, B17C, B17J |
| | 03 | D12A, D12B, D12J, D12Q | | 03 | D12A, D12B, D12J, D12Q | | 03 | D12A, D12B, D12J, D12Q |
| | 08 | I08A, I08B, I08C, I08D, I08E, I13A, I13B, I28A, I28B, I28J | | 08 | I08A, I08B, I08C, I08D, I08E, I13A, I13B, I28A, I28B, I28J | | 08 | I08A, I08B, I08C, I08D, I08E, I13A, I13B, I28A, I28B, I28J |
| | 21A | W04A, W04B | | 21A | W04A, W04B | | 21A | W04A, W04B |
| 5a40c.6 | 21B | X06A, X06B, X06C | 5a40d.5 | 21B | X06A, X06B, X06C | 5a40e.4 | 21B | X06A, X06B, X06C |
| | | BOP, KJZSV, KVT, UOP4 | | | BOP, KJZSV, KVT, UOP4 | | | BOP, KJZSV, KVT, UOP4 |
| | 01 | B03Z, B07Z, B17A, B17B, B17C, B17J | | 01 | B03Z, B07Z, B17A, B17B, B17C, B17J | | 01 | B03Z, B07Z, B17A, B17B, B17C, B17J |
| | 03 | D12A, D12B, D12J, D12Q | | 03 | D12A, D12B, D12J, D12Q | | 03 | D12A, D12B, D12J, D12Q |
| | 08 | I08A, I08B, I08C, I08D, I08E, I13A, I13B, I28A, I28B, I28J | | 08 | I08A, I08B, I08C, I08D, I08E, I13A, I13B, I28A, I28B, I28J | | 08 | I08A, I08B, I08C, I08D, I08E, I13A, I13B, I28A, I28B, I28J |
| 21A | W04A, W04B | 21A | W04A, W04B | 21A | W04A, W04B | | | |
| 21B | X06A, X06B, X06C | 21B | X06A, X06B, X06C | 21B | X06A, X06B, X06C | | | |

VYK

| ZZV | MDC | DRG | ZZV | MDC | DRG | ZZV | MDC | DRG |
|---------|-----|--|---------|-----|--|---------|-----|--|
| 5a40e.5 | | BOP, KJZSV, KVT, UOP4 | 5a40f.4 | | BOP, KJZSV, KVT, UOP4 | 5a40g | | BOP, KJZSV, KVT, UOP4 |
| | 01 | B03Z, B07Z, B17A, B17B, B17C, B17J | | 01 | B03Z, B07Z, B17A, B17B, B17C, B17J | | 01 | B03Z, B07Z, B17A, B17B, B17C, B17J |
| | 03 | D12A, D12B, D12J, D12Q | | 03 | D12A, D12B, D12J, D12Q | | 03 | D12A, D12B, D12J, D12Q |
| | 08 | I08A, I08B, I08C, I08D, I08E, I13A, I13B, I28A, I28B, I28J | | 08 | I08A, I08B, I08C, I08D, I08E, I13A, I13B, I28A, I28B, I28J | | 08 | I08A, I08B, I08C, I08D, I08E, I13A, I13B, I28A, I28B, I28J |
| | 21A | W04A, W04B | | 21A | W04A, W04B | | 21A | W04A, W04B |
| 5a40e.6 | 21B | X06A, X06B, X06C | 5a40f.5 | 21B | X06A, X06B, X06C | 5a500 | 21B | X06A, X06B, X06C |
| | | BOP, KJZSV, KVT, UOP4 | | | BOP, KJZSV, KVT, UOP4 | | | BOP, KJZSV, KVT, UOP4 |
| | 01 | B03Z, B07Z, B17A, B17B, B17C, B17J | | 01 | B03Z, B07Z, B17A, B17B, B17C, B17J | | 01 | B03Z, B07Z, B17A, B17B, B17C, B17J |
| | 03 | D12A, D12B, D12J, D12Q | | 03 | D12A, D12B, D12J, D12Q | | 03 | D12A, D12J, D12Q |
| | 08 | I08A, I08B, I08C, I08D, I08E, I13A, I13B, I28A, I28B, I28J | | 08 | I08A, I08B, I08C, I08D, I08E, I13A, I13B, I28A, I28B, I28J | | 06 | G11A, G11B |
| 5a40e.7 | 21A | W04A, W04B | 5a40f.6 | 21A | W04A, W04B | 5a501 | 08 | I08A, I08B, I08C, I08D, I08E, I13A, I13B, I28A, I28B, I28J |
| | 21B | X06A, X06B, X06C | | 21B | X06A, X06B, X06C | | 11 | L03Z, L04A, L04B, L04C, L04J, L10Z, L38Z |
| | | BOP, KJZSV, KVT, UOP4 | | | BOP, KJZSV, KVT, UOP4 | | 12 | M06J, M06Z, M09A, M09B, M09J, M38Z |
| | 01 | B03Z, B07Z, B17A, B17B, B17C, B17J | | 01 | B03Z, B07Z, B17A, B17B, B17C, B17J | | 13 | N11A, N11J |
| | 03 | D12A, D12B, D12J, D12Q | | 03 | D12A, D12B, D12J, D12Q | | 21A | W04A, W04B |
| 5a40e.9 | 08 | I08A, I08B, I08C, I08D, I08E, I13A, I13B, I28A, I28B, I28J | 5a40f.7 | 08 | I08A, I08B, I08C, I08D, I08E, I13A, I13B, I28A, I28B, I28J | 5a501 | 21B | X04Z, X05A, X05B, X06A, X06B, X06C |
| | 21A | W04A, W04B | | 21A | W04A, W04B | | 22 | Y01Z, Y03A, Y03B |
| | 21B | X06A, X06B, X06C | | 21B | X06A, X06B, X06C | | 23 | Z01A |
| | | BOP, KJZSV, KVT, UOP4 | | | BOP, KJZSV, KVT, UOP4 | | | BOP, KJZSV, KVT, UOP4 |
| | 01 | B03Z, B07Z, B17A, B17B, B17C, B17J | | 01 | B03Z, B07Z, B17A, B17B, B17C, B17J | | 01 | B03Z, B07Z, B17A, B17B, B17C, B17J |
| 5a40e.a | 03 | D12A, D12B, D12J, D12Q | 5a40f.9 | 03 | D12A, D12B, D12J, D12Q | 5a502 | 03 | D12A, D12J, D12Q |
| | 08 | I08A, I08B, I08C, I08D, I08E, I13A, I13B, I28A, I28B, I28J | | 08 | I08A, I08B, I08C, I08D, I08E, I13A, I13B, I28A, I28B, I28J | | 08 | I08A, I08B, I08C, I08D, I08E, I13A, I13B |
| | 21A | W04A, W04B | | 21A | W04A, W04B | | 21A | W04A, W04B |
| | 21B | X06A, X06B, X06C | | 21B | X06A, X06B, X06C | | 21B | X06A, X06B, X06C |
| | | BOP, KJZSV, KVT, UOP4 | | | BOP, KJZSV, KVT, UOP4 | | | BOP, KJZSV, KVT, UOP4 |
| 5a40e.b | 01 | B03Z, B07Z, B17A, B17B, B17C, B17J | 5a40f.a | 01 | B03Z, B07Z, B17A, B17B, B17C, B17J | 5a503 | 01 | B03Z, B07Z, B17A, B17B, B17C, B17J |
| | 03 | D12A, D12B, D12J, D12Q | | 03 | D12A, D12B, D12J, D12Q | | 03 | D12A, D12J, D12Q |
| | 08 | I08A, I08B, I08C, I08D, I08E, I13A, I13B, I28A, I28B, I28J | | 08 | I08A, I08B, I08C, I08D, I08E, I13A, I13B, I28A, I28B, I28J | | 08 | I08A, I08B, I08C, I08D, I08E, I13A, I13B |
| | 21A | W04A, W04B | | 21A | W04A, W04B | | 21A | W04A, W04B |
| | 21B | X06A, X06B, X06C | | 21B | X06A, X06B, X06C | | 21B | X06A, X06B, X06C |
| 5a40e.c | | BOP, KJZSV, KVT, UOP4 | 5a40f.b | | BOP, KJZSV, KVT, UOP4 | 5a503 | | BOP, KJZSV, KVT, UOP4 |
| | 01 | B03Z, B07Z, B17A, B17B, B17C, B17J | | 01 | B03Z, B07Z, B17A, B17B, B17C, B17J | | 01 | B03Z, B07Z, B17A, B17B, B17C, B17J |
| | 03 | D12A, D12B, D12J, D12Q | | 03 | D12A, D12B, D12J, D12Q | | 03 | D12A, D12J, D12Q |
| | 08 | I08A, I08B, I08C, I08D, I08E, I13A, I13B, I28A, I28B, I28J | | 08 | I08A, I08B, I08C, I08D, I08E, I13A, I13B, I28A, I28B, I28J | | 08 | I08A, I08B, I08C, I08D, I08E, I13A, I13B |
| | 21A | W04A, W04B | | 21A | W04A, W04B | | 21A | W04A, W04B |
| 5a40f.3 | 21B | X06A, X06B, X06C | 5a40f.c | 21B | X06A, X06B, X06C | 5a504 | 21B | X06A, X06B, X06C |
| | | BOP, KJZSV, KVT, UOP4 | | | BOP, KJZSV, KVT, UOP4 | | | BOP, KJZSV, KVT, UOP4 |
| | 01 | B03Z, B07Z, B17A, B17B, B17C, B17J | | 01 | B03Z, B07Z, B17A, B17B, B17C, B17J | | 01 | B03Z, B07Z, B17A, B17B, B17C, B17J |
| | 03 | D12A, D12B, D12J, D12Q | | 03 | D12A, D12B, D12J, D12Q | | 03 | D12A, D12J, D12Q |
| | 08 | I08A, I08B, I08C, I08D, I08E, I13A, I13B, I28A, I28B, I28J | | 08 | I08A, I08B, I08C, I08D, I08E, I13A, I13B, I28A, I28B, I28J | | 08 | I08A, I08B, I08C, I08D, I08E, I13A, I13B |
| 5a40f.3 | 21A | W04A, W04B | 5a40f.c | 21A | W04A, W04B | 5a505.1 | 21A | W04A, W04B |
| | 21B | X06A, X06B, X06C | | 21B | X06A, X06B, X06C | | 21B | X06A, X06B, X06C |
| | | BOP, KJZSV, KVT, UOP4 | | | BOP, KJZSV, KVT, UOP4 | | | BOP, KJZSV, KVT, UOP4 |
| | 01 | B03Z, B07Z, B17A, B17B, B17C, B17J | | 01 | B03Z, B07Z, B17A, B17B, B17C, B17J | | 01 | B03Z, B07Z, B17A, B17B, B17C, B17J |
| | 03 | D12A, D12B, D12J, D12Q | | 03 | D12A, D12B, D12J, D12Q | | 03 | D12A, D12J, D12Q |
| 5a40f.3 | 08 | I08A, I08B, I08C, I08D, I08E, I13A, I13B, I28A, I28B, I28J | 5a40f.c | 08 | I08A, I08B, I08C, I08D, I08E, I13A, I13B, I28A, I28B, I28J | 5a505.1 | 08 | I08A, I08B, I08C, I08D, I08E, I13A, I13B |
| | 21A | W04A, W04B | | 21A | W04A, W04B | | 21A | W04A, W04B |
| | 21B | X06A, X06B, X06C | | 21B | X06A, X06B, X06C | | 21B | X06A, X06B, X06C |
| | | BOP, KJZSV, KVT, UOP4 | | | BOP, KJZSV, KVT, UOP4 | | | BOP, KJZSV, KVT, UOP4 |
| | 01 | B03Z, B07Z, B17A, B17B, B17C, B17J | | 01 | B03Z, B07Z, B17A, B17B, B17C, B17J | | 01 | B03Z, B07Z, B17A, B17B, B17C, B17J |

VYK

| ZZV | MDC | DRG | ZZV | MDC | DRG | ZZV | MDC | DRG |
|---------|-----|--|----------|-----|--|---------|------------|--|
| 5a505.2 | | BOP, KJZSV, KVT, UOP4 | 5a50c.3 | | BOP, KJZSV, KVT, UOP4 | 5a50h.7 | | BOP, KJZSV, KVT, UOP4 |
| | 01 | B03Z, B07Z, B17A, B17B, B17C, B17J | | 01 | B03Z, B07Z, B17A, B17B, B17C, B17J | | 01 | B03Z, B07Z, B17A, B17B, B17C, B17D, B17J |
| | 03 | D12A, D12J, D12Q | | 08 | I08A, I08B, I08C, I08D, I08E, I13A, I13B, I28A, I28B, I28J | | 08 | I08A, I08B, I08C, I08D, I08E, I13A, I13B, I28A, I28B, I28C, I28J |
| | 21A | W04A, W04B | | 21A | W04A, W04B | | 21A | W04A, W04B |
| | 21B | X06A, X06B, X06C | | 21B | X06A, X06B, X06C | | 21B | X05A, X05B, X06A, X06B |
| 5a506 | | BOP, KJZSV, KVT, UOP4 | 5a50e.4 | | BOP, KJZSV, KVT, UOP4 | 5a50h.8 | | BOP, KJZSV, KVT, UOP4 |
| | 01 | B03Z, B07Z, B17A, B17B, B17C, B17J | | 01 | B03Z, B07Z, B17A, B17B, B17C, B17J | | 01 | B03Z, B07Z, B17A, B17B, B17C, B17D, B17J |
| | 03 | D12A, D12J, D12Q | | 08 | I08A, I08B, I08C, I08D, I08E, I13A, I13B, I28A, I28B, I28J | | 08 | I08A, I08B, I08C, I08D, I08E, I13A, I13B, I28A, I28B, I28C, I28J |
| | 21A | W04A, W04B | | 21A | W04A, W04B | | 21A | W04A, W04B |
| | 21B | X06A, X06B, X06C | | 21B | X06A, X06B, X06C, X33Z | | 21B | X05A, X05B, X06A, X06B |
| 5a507.0 | | BOP, KJZSV, KVT, UOP4 | 5a50e.5 | | BOP, KJZSV, KVT, UOP4 | 5a50h.9 | | BOP, KJZSV, KVT, UOP4 |
| | 01 | B03Z, B07Z, B17A, B17B, B17C, B17J | | 01 | B03Z, B07Z, B17A, B17B, B17C, B17J | | 01 | B03Z, B07Z, B17A, B17B, B17C, B17J |
| | 08 | I08A, I08B, I08C, I08D, I08E, I13A, I13B, I28A, I28B, I28J | | 08 | I08A, I08B, I08C, I08D, I08E, I13A, I13B, I28A, I28B, I28J | | 08 | I08A, I08B, I08C, I08D, I08E, I13A, I13B, I28A, I28B, I28C, I28J |
| | 21A | W04A, W04B | | 21A | W04A, W04B | | 21A | W04A, W04B |
| | 21B | X06A, X06B, X06C | | 21B | X06A, X06B, X06C, X33Z | | 21B | X04Z, X06A, X06B |
| 5a507.1 | | BOP, KJZSV, KVT, UOP4 | 5a50f | | BOP, KJZSV, KVT, UOP4 | 5a50h.a | | BOP, KJZSV, KVT, UOP4 |
| | 01 | B03Z, B07Z, B17A, B17B, B17C, B17J | | 01 | B03Z, B07Z, B17A, B17B, B17C, B17J | | 01 | B03Z, B07Z, B17A, B17B, B17C, B17J |
| | 08 | I08A, I08B, I08C, I08D, I08E, I13A, I13B, I28A, I28B, I28J | | 08 | I08A, I08B, I08C, I08D, I08E, I13A, I13B, I28A, I28B, I28J | | 08 | I08A, I08B, I08C, I08D, I08E, I13A, I13B, I28A, I28B, I28C, I28J |
| | 21A | W04A, W04B | | 21A | W04A, W04B | | 21A | W04A, W04B |
| | 21B | X06A, X06B, X06C | | 21B | X06A, X06B, X06C, X33Z | | 21B | X04Z, X06A, X06B |
| 5a508 | | BOP, KJZSV, KVT, UOP4 | 5a50g | | BOP, KJZSV, KVT, UOP4 | 5a50h.b | | BOP, KJZSV, KVT, UOP4 |
| | 01 | B03Z, B07Z, B17A, B17B, B17C, B17J | | 01 | B03Z, B05J, B05Z, B07Z, B17A, B17B, B17C, B17D, B17J | | 01 | B03Z, B07Z, B17A, B17B, B17C, B17J |
| | 03 | D12A, D12J, D12Q | | 08 | I08A, I08B, I08C, I08D, I08E, I13A, I13B, I28A, I28B, I28C, I28J | | 08 | I08A, I08B, I08C, I08D, I08E, I13A, I13B, I28A, I28B, I28C, I28J |
| | 06 | G11A, G11B | | 21A | W04A, W04B | | 08 | I08A, I08B, I08C, I08D, I08E, I13A, I13B, I28A, I28B, I28C, I28J |
| | 08 | I08A, I08B, I08C, I08D, I08E, I13A, I13B, I28A, I28B, I28J | | 21B | X06A, X06B | | 21A | W04A, W04B |
| 5a50a | | BOP, KJZSV, KVT, UOP4 | 5a50h.61 | | BOP, KJZSV, KVT, UOP4 | 5a50j | | BOP, KJZSV, KVT, UOP4 |
| | 01 | B03Z, L04A, L04B, L04C, L04J, L10Z, L38Z | | 01 | B03Z, B07Z, B17A, B17B, B17C, B17D, B17J | | 01 | B03Z, B07Z, B17A, B17B, B17C, B17D, B17J |
| | 03 | D12A, D12J, D12Q | | 08 | I08A, I08B, I08C, I08D, I08E, I13A, I13B, I28A, I28B, I28C, I28J | | 08 | I08A, I08B, I08C, I08D, I08E, I13A, I13B, I20A, I20B, I20C, I20D, I20E, I20F, I20J, I20Q, I20R |
| | 06 | G11A, G11B | | 21A | W04A, W04B | | 21A | W04A, W04B |
| | 08 | I08A, I08B, I08C, I08D, I08E, I13A, I13B, I28A, I28B, I28J | | 21B | X05A, X05B, X06A, X06B | | 21B | X04Z |
| 5a50b | | BOP, KJZSV, KVT, UOP4 | 5a50h.63 | | BOP, KJZSV, KVT, UOP4 | 5a50k | | BOP, KJZSV, KVT, UOP4 |
| | 01 | B03Z, B07Z, B17A, B17B, B17C, B17J | | 01 | B03Z, B07Z, B17A, B17B, B17C, B17D, B17J | | 01 | B03Z, B07Z, B17A, B17B, B17C, B17J |
| | 03 | D12A, D12J, D12Q | | 08 | I08A, I08B, I08C, I08D, I08E, I13A, I13B, I28A, I28B, I28C, I28J | | 03 | D12A, D12B, D12J, D12Q |
| | 08 | I08A, I08B, I08C, I08D, I08E, I13A, I13B | | 21A | W04A, W04B | | 08 | I08A, I08B, I08C, I08D, I08E, I13A, I13B, I28A, I28B, I28C, I28J |
| | 21A | W04A, W04B | | 21B | X05A, X05B, X06A, X06B | | 21A | W04A, W04B |
| 5a50c.2 | | BOP, KJZSV, KVT, UOP4 | 5a50h.64 | | BOP, KJZSV, KVT, UOP4 | 5a50l | | BOP, KJZSV, KVT, UOP4 |
| | 01 | B03Z, B07Z, B17A, B17B, B17C, B17J | | 01 | B03Z, B07Z, B17A, B17B, B17C, B17D, B17J | | 01 | B03Z, B07Z, B17A, B17B, B17C, B17J |
| | 03 | D12A, D12J, D12Q | | 08 | I08A, I08B, I08C, I08D, I08E, I13A, I13B, I28A, I28B, I28C, I28J | | 03 | D12A, D12B, D12J, D12Q |
| | 08 | I08A, I08B, I08C, I08D, I08E, I13A, I13B | | 21A | W04A, W04B | | 08 | I08A, I08B, I08C, I08D, I08E, I13A, I13B, I28A, I28B, I28C, I28J |
| | 21A | W04A, W04B | | 21B | X05A, X05B, X06A, X06B | | 21A | W04A, W04B |
| 5a50c.2 | | BOP, KJZSV, KVT, UOP4 | 5a50h.6x | | BOP, KJZSV, KVT, UOP4 | 5a50l | | BOP, KJZSV, KVT, UOP4 |
| | 01 | B03Z, B07Z, B17A, B17B, B17C, B17J | | 01 | B03Z, B05J, B05Z, B07Z, B17A, B17B, B17C, B17D, B17J | | 01 | B03Z, B07Z, B17A, B17B, B17C, B17J |
| | 03 | D12A, D12J, D12Q | | 08 | I08A, I08B, I08C, I08D, I08E, I13A, I13B, I28A, I28B, I28C, I28J | | 03 | D12A, D12B, D12J, D12Q |
| | 08 | I08A, I08B, I08C, I08D, I08E, I13A, I13B, I28A, I28B, I28J | | 21A | W04A, W04B | | 08 | I08A, I08B, I08C, I08D, I08E, I13A, I13B, I28A, I28B, I28C, I28J |
| | 21A | W04A, W04B | | 21B | X05A, X05B, X06A, X06B | | 21A | W04A, W04B |
| | | | | | | 21B | X06A, X06B | |

| ZZV | MDC | DRG | ZZV | MDC | DRG | ZZV | MDC | DRG |
|----------|-----|--|------------------------------------|--|--|--|-----|--|
| 5a50m | | BOP, KJZSV, KVT, UOP4 | 5a50t.01 | | BOP, KJZSV, KVT, UOP4 | 5a50t.05 | | BOP, KJZSV, KVT, UOP4 |
| | 01 | B03Z, B07Z, B17A, B17B, B17C, B17J | | 01 | B03Z, B07Z, B17A, B17B, B17C, B17J | | 01 | B03Z, B07Z, B17A, B17B, B17C, B17J |
| | 03 | D12A, D12B, D12J, D12Q | | 03 | D12A, D12J, D12Q | | 03 | D12A, D12J, D12Q |
| | 08 | I08A, I08B, I08C, I08D, I08E, I13A, I13B, I28A, I28B, I28C, I28J | | 06 | G11A, G11B | | 06 | G11A, G11B |
| | 21A | W04A, W04B | | 08 | I08A, I08B, I08C, I08D, I08E, I13A, I13B, I28A, I28B, I28J | | 08 | I08A, I08B, I08C, I08D, I08E, I13A, I13B, I28A, I28B, I28J |
| 5a50n | 21B | X06A, X06B | 11 | L03Z, L04A, L04B, L04C, L04J, L10Z, L38Z | 11 | L03Z, L04A, L04B, L04C, L04J, L10Z, L38Z | | |
| | | BOP, KJZSV, KVT, UOP4 | 12 | M06J, M06Z, M09A, M09B, M09J, M38Z | 12 | M06J, M06Z, M09A, M09B, M09J, M38Z | | |
| | 01 | B03Z, B07Z, B17A, B17B, B17C, B17J | 13 | N11A, N11J | 13 | N11A, N11J | | |
| | 03 | D12A, D12B, D12J, D12Q | 21A | W04A, W04B | 21A | W04A, W04B | | |
| | 08 | I08A, I08B, I08C, I08D, I08E, I13A, I13B, I28A, I28B, I28C, I28J | 21B | X04Z, X05A, X05B, X06A, X06B, X06C | 21B | X04Z, X05A, X05B, X06A, X06B, X06C | | |
| 5a50o | 21A | W04A, W04B | 22 | Y01Z, Y03A, Y03B | 22 | Y01Z, Y03A, Y03B | | |
| | 21B | X06A, X06B | 23 | Z01A | 23 | Z01A | | |
| | | BOP, KJZSV, KVT, UOP4 | 5a50t.02 | | BOP, KJZSV, KVT, UOP4 | 5a50t.06 | | |
| | 01 | B03Z, B07Z, B17A, B17B, B17C, B17J | 01 | B03Z, B07Z, B17A, B17B, B17C, B17J | 01 | B03Z, B07Z, B17A, B17B, B17C, B17J | | |
| | 03 | D12A, D12B, D12J, D12Q | 03 | D12A, D12J, D12Q | 03 | D12A, D12J, D12Q | | |
| 5a50p | 08 | I08A, I08B, I08C, I08D, I08E, I13A, I13B, I28A, I28B, I28C, I28J | 06 | G11A, G11B | 06 | G11A, G11B | | |
| | 21A | W04A, W04B | 08 | I08A, I08B, I08C, I08D, I08E, I13A, I13B, I28A, I28B, I28J | 08 | I08A, I08B, I08C, I08D, I08E, I13A, I13B, I28A, I28B, I28J | | |
| | 21B | X06A, X06B | 11 | L03Z, L04A, L04B, L04C, L04J, L10Z, L38Z | 11 | L03Z, L04A, L04B, L04C, L04J, L10Z, L38Z | | |
| | | BOP, KJZSV, KVT, UOP4 | 12 | M06J, M06Z, M09A, M09B, M09J, M38Z | 12 | M06J, M06Z, M09A, M09B, M09J, M38Z | | |
| | 01 | B03Z, B07Z, B17A, B17B, B17C, B17D, B17J | 13 | N11A, N11J | 13 | N11A, N11J | | |
| 5a50r | 08 | I08A, I08B, I08C, I08D, I08E, I13A, I13B, I28A, I28B, I28J | 21A | W04A, W04B | 21A | W04A, W04B | | |
| | 21A | W04A, W04B | 21B | X04Z, X05A, X05B, X06A, X06B, X06C | 21B | X04Z, X05A, X05B, X06A, X06B, X06C | | |
| | 21B | X06A, X06B, X06C | 22 | Y01Z, Y03A, Y03B | 22 | Y01Z, Y03A, Y03B | | |
| | | BOP, KJZSV, KVT, UOP4 | 23 | Z01A | 23 | Z01A | | |
| | 01 | B03Z, B07Z, B17A, B17B, B17C, B17J | 5a50t.03 | | BOP, KJZSV, KVT, UOP4 | 5a50t.10 | | |
| 5a50t.00 | 03 | D12A, D12B, D12J, D12Q | 01 | B03Z, B07Z, B17A, B17B, B17C, B17J | 01 | B03Z, B07Z, B17A, B17B, B17C, B17J | | |
| | 08 | I28A, I28B, I28J | 03 | D12A, D12J, D12Q | 03 | D12A, D12J, D12Q | | |
| | 21A | W04A, W04B | 06 | G11A, G11B | 06 | G11A, G11B | | |
| | 21B | X06A, X06B, X06C | 08 | I08A, I08B, I08C, I08D, I08E, I13A, I13B, I28A, I28B, I28J | 08 | I08A, I08B, I08C, I08D, I08E, I13A, I13B, I28A, I28B, I28J | | |
| | | BOP, KJZSV, KVT, UOP4 | 11 | L03Z, L04A, L04B, L04C, L04J, L10Z, L38Z | 11 | L03Z, L04A, L04B, L04C, L04J, L10Z, L38Z | | |
| 5a50t.00 | 01 | B03Z, B07Z, B17A, B17B, B17C, B17J | 12 | M06J, M06Z, M09A, M09B, M09J, M38Z | 12 | M06J, M06Z, M09A, M09B, M09J, M38Z | | |
| | 03 | D12A, D12J, D12Q | 13 | N11A, N11J | 13 | N11A, N11J | | |
| | 06 | G11A, G11B | 21A | W04A, W04B | 21A | W04A, W04B | | |
| | 08 | I08A, I08B, I08C, I08D, I08E, I13A, I13B, I28A, I28B, I28J | 21B | X04Z, X05A, X05B, X06A, X06B, X06C | 21B | X04Z, X05A, X05B, X06A, X06B, X06C | | |
| | 11 | L03Z, L04A, L04B, L04C, L04J, L10Z, L38Z | 22 | Y01Z, Y03A, Y03B | 22 | Y01Z, Y03A, Y03B | | |
| | 12 | M06J, M06Z, M09A, M09B, M09J, M38Z | 23 | Z01A | 23 | Z01A | | |
| | 13 | N11A, N11J | 5a50t.04 | | BOP, KJZSV, KVT, UOP4 | 5a50t.11 | | |
| | 21A | W04A, W04B | 01 | B03Z, B07Z, B17A, B17B, B17C, B17J | 01 | B03Z, B07Z, B17A, B17B, B17C, B17J | | |
| | 21B | X04Z, X05A, X05B, X06A, X06B, X06C | 03 | D12A, D12J, D12Q | 03 | D12A, D12J, D12Q | | |
| | 22 | Y01Z, Y03A, Y03B | 06 | G11A, G11B | 06 | G11A, G11B | | |
| | 23 | Z01A | 08 | I08A, I08B, I08C, I08D, I08E, I13A, I13B, I28A, I28B, I28J | 08 | I08A, I08B, I08C, I08D, I08E, I13A, I13B, I28A, I28B, I28J | | |
| | | | 11 | L03Z, L04A, L04B, L04C, L04J, L10Z, L38Z | 11 | L03Z, L04A, L04B, L04C, L04J, L10Z, L38Z | | |
| | | | 12 | M06J, M06Z, M09A, M09B, M09J, M38Z | 12 | M06J, M06Z, M09A, M09B, M09J, M38Z | | |
| | | 13 | N11A, N11J | 13 | N11A, N11J | | | |
| | | 21A | W04A, W04B | 21A | W04A, W04B | | | |
| | | 21B | X04Z, X05A, X05B, X06A, X06B, X06C | 21B | X04Z, X05A, X05B, X06A, X06B, X06C | | | |
| | | 22 | Y01Z, Y03A, Y03B | 22 | Y01Z, Y03A, Y03B | | | |
| | | 23 | Z01A | 23 | Z01A | | | |

| ZZV | MDC | DRG | ZZV | MDC | DRG | ZZV | MDC | DRG | | | | | |
|----------|----------|--|------------------------------------|--|--|--|--|--|--|--|-----------------------------|-----------------------------|-----------------------------|
| 5a50t.12 | | BOP, KJZSV, KVT, UOP4 | 5a50t.16 | | BOP, KJZSV, KVT, UOP4 | 5a902.03† | | KJZSV, VIAL | | | | | |
| | 01 | B03Z, B07Z, B17A, B17B, B17C, B17J | | 01 | B03Z, B07Z, B17A, B17B, B17C, B17J | | 5a902.11 | | BOP, KJZSV, KVT, UOP4, VIAL | | | | |
| | 03 | D12A, D12J, D12Q | | 03 | D12A, D12J, D12Q | | | 01 | B03Z, B18Z | | | | |
| | 06 | G11A, G11B | | 06 | G11A, G11B | | | 08 | I10A, I10B, I10C, I10D, I10E, I10J | | | | |
| | 08 | I08A, I08B, I08C, I08D, I08E, I13A, I13B, I28A, I28B, I28J | | 08 | I08A, I08B, I08C, I08D, I08E, I13A, I13B, I28A, I28B, I28J | | | 17 | R01A, R01B, R01C, R01D, R02Z, R12A, R12B, R12C | | | | |
| | 11 | L03Z, L04A, L04B, L04C, L04J, L10Z, L38Z | | 11 | L03Z, L04A, L04B, L04C, L04J, L10Z, L38Z | | | 21A | W04A, W04B | | | | |
| | 12 | M06J, M06Z, M09A, M09B, M09J, M38Z | | 12 | M06J, M06Z, M09A, M09B, M09J, M38Z | | | 21B | X06A, X06B, X06C | | | | |
| | 13 | N11A, N11J | | 13 | N11A, N11J | | | 5a902.12 | | BOP, KJZSV, KVT, UOP4, VIAL | | | |
| | 21A | W04A, W04B | | 21A | W04A, W04B | | | | 01 | B03Z, B18Z | | | |
| | 21B | X04Z, X05A, X05B, X06A, X06B, X06C | | 21B | X04Z, X05A, X05B, X06A, X06B, X06C | | | | 08 | I10A, I10B, I10C, I10D, I10E, I10J | | | |
| | 22 | Y01Z, Y03A, Y03B | | 22 | Y01Z, Y03A, Y03B | | | | 17 | R01A, R01B, R01C, R01D, R02Z, R12A, R12B, R12C | | | |
| | 23 | Z01A | | 23 | Z01A | | | | 21A | W04A, W04B | | | |
| | 5a50t.13 | | | BOP, KJZSV, KVT, UOP4 | 5a50t.e | | | | | BOP, KJZSV, KVT, UOP4 | 5a902.13 | | X06A, X06B, X06C |
| | | 01 | | B03Z, B07Z, B17A, B17B, B17C, B17J | | | | | 01 | B03Z, B07Z, B17A, B17B, B17C, B17J | | | BOP, KJZSV, KVT, UOP4, VIAL |
| | | 03 | | D12A, D12J, D12Q | | | | | 03 | D12A, D12J, D12Q | | 01 | B03Z, B18Z |
| 06 | | G11A, G11B | 08 | I08A, I08B, I08C, I08D, I08E, I13A, I13B, I28A, I28B, I28J | | 08 | | | I10A, I10B, I10C, I10D, I10E, I10J | | | | |
| 08 | | I08A, I08B, I08C, I08D, I08E, I13A, I13B, I28A, I28B, I28J | 12 | M06J, M06Z, M09A, M09B, M09J, M38Z | | 17 | R01A, R01B, R01C, R01D, R02Z, R12A, R12B, R12C | | | | | | |
| 11 | | L03Z, L04A, L04B, L04C, L04J, L10Z, L38Z | 13 | N11A, N11J | | 21A | W04A, W04B | | | | | | |
| 12 | | M06J, M06Z, M09A, M09B, M09J, M38Z | 21A | W04A, W04B | | 21B | X06A, X06B, X06C | | | | | | |
| 13 | | N11A, N11J | 21B | X04Z, X05A, X05B, X06A, X06B, X06C | | 5a902.21 | | | BOP, KJZSV, KVT, UOP4, VIAL | | | | |
| 21A | | W04A, W04B | 22 | Y01Z, Y03A, Y03B | | | 01 | | B03Z, B18Z | | | | |
| 21B | | X04Z, X05A, X05B, X06A, X06B, X06C | 23 | Z01A | | | 08 | | I10A, I10B, I10C, I10D, I10E, I10J | | | | |
| 22 | | Y01Z, Y03A, Y03B | 5a50t.f0 | | | | BOP, KJZSV, KVT, UOP4 | 17 | R01A, R01B, R01C, R01D, R02Z, R12A, R12B, R12C | | | | |
| 23 | | Z01A | | 01 | | | B03Z, B07Z, B17A, B17B, B17C, B17J | 21A | W04A, W04B | | | | |
| 5a50t.14 | | | | BOP, KJZSV, KVT, UOP4 | | | 03 | D12A, D12J, D12Q | 5a902.22 | | | X06A, X06B, X06C | |
| | | 01 | | B03Z, B07Z, B17A, B17B, B17C, B17J | | | 06 | G11A, G11B | | | | BOP, KJZSV, KVT, UOP4, VIAL | |
| | | 03 | | D12A, D12J, D12Q | | | 08 | I08A, I08B, I08C, I08D, I08E, I13A, I13B, I28A, I28B, I28J | | 01 | | B03Z, B18Z | |
| | 06 | G11A, G11B | | 11 | L03Z, L04A, L04B, L04C, L04J, L10Z, L38Z | | 08 | I10A, I10B, I10C, I10D, I10E, I10J | | | | | |
| | 08 | I08A, I08B, I08C, I08D, I08E, I13A, I13B, I28A, I28B, I28J | | 12 | M06J, M06Z, M09A, M09B, M09J, M38Z | | 17 | R01A, R01B, R01C, R01D, R02Z, R12A, R12B, R12C | | | | | |
| | 11 | L03Z, L04A, L04B, L04C, L04J, L10Z, L38Z | | 13 | N11A, N11J | | 21A | W04A, W04B | | | | | |
| | 12 | M06J, M06Z, M09A, M09B, M09J, M38Z | | 21A | W04A, W04B | | 21B | X06A, X06B, X06C | | | | | |
| | 13 | N11A, N11J | | 21B | X04Z, X05A, X05B, X06A, X06B, X06C | | 5a902.23 | | | BOP, KJZSV, KVT, UOP4, VIAL | | | |
| | 21A | W04A, W04B | | 22 | Y01Z, Y03A, Y03B | | | 01 | | B03Z, B18Z | | | |
| | 21B | X04Z, X05A, X05B, X06A, X06B, X06C | | 23 | Z01A | | | 08 | | I10A, I10B, I10C, I10D, I10E, I10J | | | |
| | 22 | Y01Z, Y03A, Y03B | | 5a50t.f1 | | BOP, KJZSV, KVT, UOP4 | | 17 | | R01A, R01B, R01C, R01D, R02Z, R12A, R12B, R12C | | | |
| | 23 | Z01A | | | 01 | B03Z, B07Z, B17A, B17B, B17C, B17J | | 21A | | W04A, W04B | | | |
| | 5a50t.15 | | | | BOP, KJZSV, KVT, UOP4 | 03 | | D12A, D12J, D12Q | | 5a902.22 | | X06A, X06B, X06C | |
| | | 01 | B03Z, B07Z, B17A, B17B, B17C, B17J | | 06 | G11A, G11B | | | | | BOP, KJZSV, KVT, UOP4, VIAL | | |
| | | 03 | D12A, D12J, D12Q | | 08 | I08A, I08B, I08C, I08D, I08E, I13A, I13B, I28A, I28B, I28J | | 01 | | | B03Z, B18Z | | |
| 06 | | G11A, G11B | 11 | | L03Z, L04A, L04B, L04C, L04J, L10Z, L38Z | 08 | | I10A, I10B, I10C, I10D, I10E, I10J | | | | | |
| 08 | | I08A, I08B, I08C, I08D, I08E, I13A, I13B, I28A, I28B, I28J | 12 | | M06J, M06Z, M09A, M09B, M09J, M38Z | 17 | | R01A, R01B, R01C, R01D, R02Z, R12A, R12B, R12C | | | | | |
| 11 | | L03Z, L04A, L04B, L04C, L04J, L10Z, L38Z | 13 | | N11A, N11J | 21A | | W04A, W04B | | | | | |
| 12 | | M06J, M06Z, M09A, M09B, M09J, M38Z | 21A | | W04A, W04B | 21B | | X06A, X06B, X06C | | | | | |
| 13 | | N11A, N11J | 21B | | X04Z, X05A, X05B, X06A, X06B, X06C | 5a902.31 | | | BOP, KJZSV, KVT, UOP4, VIAL | | | | |
| 21A | | W04A, W04B | 22 | | Y01Z, Y03A, Y03B | | | 01 | B03Z, B18Z | | | | |
| 21B | | X04Z, X05A, X05B, X06A, X06B, X06C | 23 | | Z01A | | | 08 | I10A, I10B, I10C, I10D, I10E, I10J | | | | |
| 22 | | Y01Z, Y03A, Y03B | 5a901.a† | | | | KJZSV, VIAL | 17 | R01A, R01B, R01C, R01D, R02Z, R12A, R12B, R12C | | | | |
| 23 | | Z01A | | | 5a901.b† | | | KJZSV, VIAL | 21A | | W04A, W04B | | |
| 5a901.c† | | | | | | | | | KJZSV, VIAL | | 21B | X06A, X06B, X06C | |
| | | 5a902.01† | | | | | | | KJZSV, VIAL | | 5a902.31 | | BOP, KJZSV, KVT, UOP4, VIAL |
| | | | | 5a902.02† | | | | | | | | KJZSV, VIAL | 01 |

| ZZV | MDC | DRG | ZZV | MDC | DRG | ZZV | MDC | DRG |
|-----------|-----|--|-----------|-----|--|----------|-----|--|
| 5a902.32 | | BOP, KJZSV, KVT, UOP4, VIAL | 5a903.22 | | BOP, KJZSV, KVT, UOP4, VIAL | 5a904.13 | | BOP, KJZSV, KVT, UOP4 |
| | 01 | B03Z, B18Z | | 01 | B03Z, B18Z | 01 | | B03Z, B18Z |
| | 08 | I10A, I10B, I10C, I10D, I10E, I10J | | 08 | I10A, I10B, I10C, I10D, I10E, I10J | 08 | | I10A, I10B, I10C, I10D, I10E, I10J |
| | 17 | R01A, R01B, R01C, R01D, R02Z, R12A, R12B, R12C | | 17 | R01A, R01B, R01C, R01D, R02Z, R12A, R12B, R12C | 17 | | R01A, R01B, R01C, R01D, R02Z, R12A, R12B, R12C |
| | 21A | W04A, W04B | | 21A | W04A, W04B | 21A | | W04A, W04B |
| | 21B | X06A, X06B, X06C | | 21B | X06A, X06B, X06C | 21B | | X06A, X06B |
| 5a902.33 | | BOP, KJZSV, KVT, UOP4, VIAL | 5a903.23 | | BOP, KJZSV, KVT, UOP4, VIAL | 5a904.21 | | BOP, KJZSV, KVT, UOP4 |
| | 01 | B03Z, B18Z | | 01 | B03Z, B18Z | 01 | | B03Z, B18Z |
| | 08 | I10A, I10B, I10C, I10D, I10E, I10J | | 08 | I10A, I10B, I10C, I10D, I10E, I10J | 08 | | I10A, I10B, I10C, I10D, I10E, I10J |
| | 17 | R01A, R01B, R01C, R01D, R02Z, R12A, R12B, R12C | | 17 | R01A, R01B, R01C, R01D, R02Z, R12A, R12B, R12C | 17 | | R01A, R01B, R01C, R01D, R02Z, R12A, R12B, R12C |
| | 21A | W04A, W04B | | 21A | W04A, W04B | 21A | | W04A, W04B |
| | 21B | X06A, X06B, X06C | | 21B | X06A, X06B, X06C | 21B | | X06A, X06B |
| 5a902.41‡ | | KJZSV, VIAL | 5a903.31 | | BOP, KJZSV, KVT, UOP4, VIAL | 5a904.22 | | BOP, KJZSV, KVT, UOP4 |
| 5a902.42‡ | | KJZSV, VIAL | | 01 | B03Z, B18Z | 01 | | B03Z, B18Z |
| 5a902.43‡ | | KJZSV, VIAL | | 08 | I10A, I10B, I10C, I10D, I10E, I10J | 08 | | I10A, I10B, I10C, I10D, I10E, I10J |
| 5a902.5a‡ | | KJZSV, VIAL | | 17 | R01A, R01B, R01C, R01D, R02Z, R12A, R12B, R12C | 17 | | R01A, R01B, R01C, R01D, R02Z, R12A, R12B, R12C |
| 5a902.x‡ | | KJZSV, VIAL | | 21A | W04A, W04B | 21A | | W04A, W04B |
| 5a903.01‡ | | KJZSV, VIAL | | 21B | X06A, X06B, X06C | 21B | | X06A, X06B |
| 5a903.02‡ | | KJZSV, VIAL | | 21A | W04A, W04B | 5a904.23 | | BOP, KJZSV, KVT, UOP4 |
| 5a903.03‡ | | KJZSV, VIAL | | 21B | X06A, X06B, X06C | 01 | | B03Z, B18Z |
| 5a903.11 | | BOP, KJZSV, KVT, UOP4, VIAL | 5a903.32 | | BOP, KJZSV, KVT, UOP4, VIAL | 08 | | I10A, I10B, I10C, I10D, I10E, I10J |
| | 01 | B03Z, B18Z | | 01 | B03Z, B18Z | 17 | | R01A, R01B, R01C, R01D, R02Z, R12A, R12B, R12C |
| | 08 | I10A, I10B, I10C, I10D, I10E, I10J | | 08 | I10A, I10B, I10C, I10D, I10E, I10J | 21A | | W04A, W04B |
| | 17 | R01A, R01B, R01C, R01D, R02Z, R12A, R12B, R12C | | 17 | R01A, R01B, R01C, R01D, R02Z, R12A, R12B, R12C | 21B | | X06A, X06B |
| | 21A | W04A, W04B | | 21A | W04A, W04B | 5a904.31 | | BOP, KJZSV, KVT, UOP4 |
| | 21B | X06A, X06B, X06C | | 21B | X06A, X06B, X06C | 01 | | B03Z, B18Z |
| 5a903.12 | | BOP, KJZSV, KVT, UOP4, VIAL | 5a903.33 | | BOP, KJZSV, KVT, UOP4, VIAL | 08 | | I10A, I10B, I10C, I10D, I10E, I10J |
| | 01 | B03Z, B18Z | | 01 | B03Z, B18Z | 17 | | R01A, R01B, R01C, R01D, R02Z, R12A, R12B, R12C |
| | 08 | I10A, I10B, I10C, I10D, I10E, I10J | | 08 | I10A, I10B, I10C, I10D, I10E, I10J | 21A | | W04A, W04B |
| | 17 | R01A, R01B, R01C, R01D, R02Z, R12A, R12B, R12C | | 17 | R01A, R01B, R01C, R01D, R02Z, R12A, R12B, R12C | 21B | | X06A, X06B |
| | 21A | W04A, W04B | | 21A | W04A, W04B | 5a904.32 | | BOP, KJZSV, KVT, UOP4 |
| | 21B | X06A, X06B, X06C | | 21B | X06A, X06B, X06C | 01 | | B03Z, B18Z |
| 5a903.13 | | BOP, KJZSV, KVT, UOP4, VIAL | 5a903.41‡ | | KJZSV, VIAL | 08 | | I10A, I10B, I10C, I10D, I10E, I10J |
| | 01 | B03Z, B18Z | 5a903.42‡ | | KJZSV, VIAL | 17 | | R01A, R01B, R01C, R01D, R02Z, R12A, R12B, R12C |
| | 08 | I10A, I10B, I10C, I10D, I10E, I10J | 5a903.43‡ | | KJZSV, VIAL | 21A | | W04A, W04B |
| | 17 | R01A, R01B, R01C, R01D, R02Z, R12A, R12B, R12C | 5a903.44‡ | | KJZSV, VIAL | 21B | | X06A, X06B |
| | 21A | W04A, W04B | 5a903.45‡ | | KJZSV, VIAL | 5a904.33 | | BOP, KJZSV, KVT, UOP4 |
| | 21B | X06A, X06B, X06C | 5a903.46‡ | | KJZSV, VIAL | 01 | | B03Z, B18Z |
| 5a903.21 | | BOP, KJZSV, KVT, UOP4, VIAL | 5a903.x‡ | | KJZSV, VIAL | 08 | | I10A, I10B, I10C, I10D, I10E, I10J |
| | 01 | B03Z, B18Z | 5a904.11 | | BOP, KJZSV, KVT, UOP4 | 17 | | R01A, R01B, R01C, R01D, R02Z, R12A, R12B, R12C |
| | 08 | I10A, I10B, I10C, I10D, I10E, I10J | | 01 | B03Z, B18Z | 21A | | W04A, W04B |
| | 17 | R01A, R01B, R01C, R01D, R02Z, R12A, R12B, R12C | | 08 | I10A, I10B, I10C, I10D, I10E, I10J | 21B | | X06A, X06B |
| | 21A | W04A, W04B | | 17 | R01A, R01B, R01C, R01D, R02Z, R12A, R12B, R12C | 5a904.41 | | BOP, KJZSV, KVT, UOP4 |
| | 21B | X06A, X06B, X06C | | 21A | W04A, W04B | 01 | | B03Z, B18Z |
| | | | | 21B | X06A, X06B | 08 | | I10A, I10B, I10C, I10D, I10E, I10J |
| | | | 5a904.12 | | BOP, KJZSV, KVT, UOP4 | 17 | | R01A, R01B, R01C, R01D, R02Z, R12A, R12B, R12C |
| | | | | 01 | B03Z, B18Z | 21A | | W04A, W04B |
| | | | | 08 | I10A, I10B, I10C, I10D, I10E, I10J | 21B | | X06A, X06B |
| | | | | 17 | R01A, R01B, R01C, R01D, R02Z, R12A, R12B, R12C | | | |
| | | | | 21A | W04A, W04B | | | |
| | | | | 21B | X06A, X06B | | | |

VYK

| ZZV | MDC | DRG | ZZV | MDC | DRG | ZZV | MDC | DRG |
|----------|------------------|--|----------|------------------|-----------------------|------------------|------------------|-----------------------|
| 5a904.42 | | BOP, KJZSV, KVT, UOP4 | 5b120.06 | | BOP, KJZSV, KVT, UOP4 | 5b122.13 | | BOP, KJZSV, KVT, UOP4 |
| | 01 | B03Z, B18Z | | 10 | K06A, K06B, K06C | | 10 | K06A, K06B |
| | 08 | I10A, I10B, I10C, I10D, I10E, I10J | | 11 | L09A, L09B, L38Z | | 11 | L09A, L09B, L38Z |
| | 17 | R01A, R01B, R01C, R01D, R02Z, R12A, R12B, R12C | | 5b120.10 | BOP, KJZSV, KVT, UOP4 | | 5b122.14 | BOP, KJZSV, KVT, UOP4 |
| | 21A | W04A, W04B | | 10 | K06A, K06B, K06C | | 10 | K06A, K06B |
| 5a904.43 | 21B | X06A, X06B | 11 | L09A, L09B, L38Z | 11 | L09A, L09B, L38Z | | |
| | | BOP, KJZSV, KVT, UOP4 | 5b120.16 | | BOP, KJZSV, KVT, UOP4 | 5b122.15 | | BOP, KJZSV, KVT, UOP4 |
| | 01 | B03Z, B18Z | | 10 | K06A, K06B, K06C | | 10 | K06A, K06B |
| | 08 | I10A, I10B, I10C, I10D, I10E, I10J | | 11 | L09A, L09B, L38Z | | 11 | L09A, L09B, L38Z |
| | 17 | R01A, R01B, R01C, R01D, R02Z, R12A, R12B, R12C | | 5b120.20 | BOP, KJZSV, KVT, UOP4 | | 5b122.16 | BOP, KJZSV, KVT, UOP4 |
| 21A | W04A, W04B | 10 | | K06A, K06B, K06C | 10 | | K06A, K06B | |
| 5b110 | 21B | X06A, X06B | 11 | L09A, L09B, L38Z | 11 | L09A, L09B, L38Z | | |
| | | BOP, KJZSV, KVT, UOP4 | 5b120.21 | | BOP, KJZSV, KVT, UOP4 | 5b122.1x | | BOP, KJZSV, KVT, UOP4 |
| | 03 | D09Z, D30A, D30J, D30Q | | 10 | K06A, K06B, K06C | | 10 | K06A, K06B |
| | 09 | J03A, J03B, J04A, J04B, J08A, J08B, J08C, J11A, J11B, J11J, J11Q, J11R, J11S, J16Z | | 11 | L09A, L09B, L38Z | | 11 | L09A, L09B, L38Z |
| | 10 | K06A, K06B, K06C | | 5b120.22 | BOP, KJZSV, KVT, UOP4 | | 5b12x.0 | BOP, KJZSV, KVT, UOP4 |
| 21A | W04A, W04B | 10 | | K06A, K06B, K06C | 10 | | K06A, K06B, K06C | |
| 5b111 | 21B | X06A, X06B, X06C | 11 | L09A, L09B, L38Z | 11 | L09A, L09B, L38Z | | |
| | | BOP, KJZSV, KVT, UOP4 | 5b120.23 | | BOP, KJZSV, KVT, UOP4 | 5b12x.1 | | BOP, KJZSV, KVT, UOP4 |
| | 03 | D09Z, D30A, D30J, D30Q | | 10 | K06A, K06B, K06C | | 10 | K06A, K06B, K06C |
| | 09 | J03A, J03B, J04A, J04B, J08A, J08B, J08C, J11A, J11B, J11J, J11Q, J11R, J11S, J16Z | | 11 | L09A, L09B, L38Z | | 11 | L09A, L09B, L38Z |
| | 10 | K06A, K06B, K06C | | 5b120.24 | BOP, KJZSV, KVT, UOP4 | | 5b12x.2 | BOP, KJZSV, KVT, UOP4 |
| 21A | W04A, W04B | 10 | | K06A, K06B, K06C | 10 | | K06A, K06B, K06C | |
| 5b112 | 21B | X06A, X06B, X06C | 11 | L09A, L09B, L38Z | 11 | L09A, L09B, L38Z | | |
| | | BOP, KJZSV, KVT, UOP4 | 5b120.25 | | BOP, KJZSV, KVT, UOP4 | 5b12x.3 | | BOP, KJZSV, KVT, UOP4 |
| | 03 | D09Z, D30A, D30J, D30Q | | 10 | K06A, K06B, K06C | | 10 | K06A, K06B, K06C |
| | 09 | J03A, J03B, J04A, J04B, J08A, J08B, J08C, J11A, J11B, J11J, J11Q, J11R, J11S, J16Z | | 11 | L09A, L09B, L38Z | | 11 | L09A, L09B, L38Z |
| | 10 | K06A, K06B, K06C | | 5b120.26 | BOP, KJZSV, KVT, UOP4 | | 5b12x.4 | BOP, KJZSV, KVT, UOP4 |
| 21A | W04A, W04B | 10 | | K06A, K06B, K06C | 10 | | K06A, K06B, K06C | |
| 5b113 | 21B | X06A, X06B, X06C | 11 | L09A, L09B, L38Z | 11 | L09A, L09B, L38Z | | |
| | | BOP, KJZSV, KVT, UOP4 | 5b120.2x | | BOP, KJZSV, KVT, UOP4 | 5b12x.5 | | BOP, KJZSV, KVT, UOP4 |
| | 03 | D09Z, D30A, D30J, D30Q | | 10 | K06A, K06B, K06C | | 10 | K06A, K06B, K06C |
| | 09 | J03A, J03B, J04A, J04B, J08A, J08B, J08C, J11A, J11B, J11J, J11Q, J11R, J11S, J16Z | | 11 | L09A, L09B, L38Z | | 11 | L09A, L09B, L38Z |
| | 10 | K06A, K06B, K06C | | 5b120.x | BOP, KJZSV, KVT, UOP4 | | 5b12x.6 | BOP, KJZSV, KVT, UOP4 |
| 21A | W04A, W04B | 10 | | K06A, K06B, K06C | 10 | | K06A, K06B, K06C | |
| 5b11x | 21B | X06A, X06B, X06C | 11 | L09A, L09B, L38Z | 11 | L09A, L09B, L38Z | | |
| | | BOP, KJZSV, KVT, UOP4 | 5b122.00 | | BOP, KJZSV, KVT, UOP4 | 5b12x.x | | BOP, KJZSV, KVT, UOP4 |
| | 03 | D09Z, D30A, D30J, D30Q | | 10 | K06A, K06B | | 10 | K06A, K06B, K06C |
| | 09 | J03A, J03B, J04A, J04B, J08A, J08B, J08C, J11A, J11B, J11J, J11Q, J11R, J11S, J16Z | | 11 | L09A, L09B, L38Z | | 11 | L09A, L09B, L38Z |
| | 10 | K06A, K06B, K06C | | 5b122.01 | BOP, KJZSV, KVT, UOP4 | | 5b130.0 | BOP, KJZSV, KVT, UOP4 |
| 21A | W04A, W04B | 10 | | K06A, K06B | 10 | | K06A, K06B, K06C | |
| 5b120.00 | 21B | X06A, X06B, X06C | 11 | L09A, L09B, L38Z | 11 | L09B, L38Z | | |
| | | BOP, KJZSV, KVT, UOP4 | 5b122.02 | | BOP, KJZSV, KVT, UOP4 | 5b130.1 | | BOP, KJZSV, KVT, UOP4 |
| | 10 | K06A, K06B, K06C | | 10 | K06A, K06B | | 10 | K06A, K06B, K06C |
| | 11 | L09A, L09B, L38Z | | 11 | L09A, L09B, L38Z | | 11 | L09B, L38Z |
| | 10 | K06A, K06B, K06C | | 5b122.03 | BOP, KJZSV, KVT, UOP4 | | 5b130.2 | BOP, KJZSV, KVT, UOP4 |
| 11 | L09A, L09B, L38Z | 10 | | K06A, K06B | 10 | | K06A, K06B, K06C | |
| 5b120.01 | | BOP, KJZSV, KVT, UOP4 | 5b122.04 | | BOP, KJZSV, KVT, UOP4 | 5b130.3 | | BOP, KJZSV, KVT, UOP4 |
| | 10 | K06A, K06B, K06C | | 10 | K06A, K06B | | 10 | K06A, K06B, K06C |
| | 11 | L09A, L09B, L38Z | | 11 | L09A, L09B, L38Z | | 11 | L09B, L38Z |
| | 10 | K06A, K06B, K06C | | 5b122.05 | BOP, KJZSV, KVT, UOP4 | | 5b130.4 | BOP, KJZSV, KVT, UOP4 |
| | 11 | L09A, L09B, L38Z | | 10 | K06A, K06B | | 10 | K06A, K06B, K06C |
| 5b120.02 | | BOP, KJZSV, KVT, UOP4 | 5b122.06 | | BOP, KJZSV, KVT, UOP4 | 5b130.5 | | BOP, KJZSV, KVT, UOP4 |
| | 10 | K06A, K06B, K06C | | 10 | K06A, K06B | | 10 | K06A, K06B, K06C |
| | 11 | L09A, L09B, L38Z | | 11 | L09A, L09B, L38Z | | 11 | L09B, L38Z |
| | 10 | K06A, K06B, K06C | | 5b122.0x | BOP, KJZSV, KVT, UOP4 | | 5b130.6 | BOP, KJZSV, KVT, UOP4 |
| | 11 | L09A, L09B, L38Z | | 10 | K06A, K06B | | 10 | K06A, K06B, K06C |
| 5b120.03 | | BOP, KJZSV, KVT, UOP4 | 5b122.10 | | BOP, KJZSV, KVT, UOP4 | 5b130.x | | BOP, KJZSV, KVT, UOP4 |
| | 10 | K06A, K06B, K06C | | 10 | K06A, K06B | | 10 | K06A, K06B, K06C |
| | 11 | L09A, L09B, L38Z | | 11 | L09A, L09B, L38Z | | 11 | L09B, L38Z |
| | 10 | K06A, K06B, K06C | | 5b122.11 | BOP, KJZSV, KVT, UOP4 | | 5b131.0 | BOP, KJZSV, KVT, UOP4 |
| | 11 | L09A, L09B, L38Z | | 10 | K06A, K06B | | 10 | K06A, K06B, K06C |
| 5b120.04 | | BOP, KJZSV, KVT, UOP4 | 5b122.12 | | BOP, KJZSV, KVT, UOP4 | 5b131.1 | | BOP, KJZSV, KVT, UOP4 |
| | 10 | K06A, K06B, K06C | | 10 | K06A, K06B | | 10 | K06A, K06B, K06C |
| | 11 | L09A, L09B, L38Z | | 11 | L09A, L09B, L38Z | | 11 | L09B, L38Z |
| | 10 | K06A, K06B, K06C | | 10 | K06A, K06B | | 10 | K06A, K06B, K06C |
| | 11 | L09A, L09B, L38Z | | 11 | L09A, L09B, L38Z | | 11 | L09B, L38Z |

| ZZV | MDC | DRG | ZZV | MDC | DRG | ZZV | MDC | DRG |
|----------|-----|-------------------------|----------|-----|-------------------------|----------|-----|-------------------------|
| 5b23x.6 | | BOP, KJZSV, KVT, UOP4 | 5b321.2↔ | | BOP, KJZSV, KVT, UOP4 | 5b323.4↔ | | BOP, KJZSV, KVT, UOP4 |
| | 10 | K06A, K06B, K06C | | 09 | J03A, J03B, J04A, J04B, | | 09 | J03A, J03B, J04A, J04B, |
| | 11 | L09B, L38Z | | | J08A, J08B, J08C, J11A, | | | J08A, J08B, J08C, J11A, |
| 5b23x.x | | BOP, KJZSV, KVT, UOP4 | | | J11B, J11J, J11Q, J11R, | | 10 | J11B, J11J, J11Q, J11R, |
| | 10 | K06A, K06B, K06C | | 10 | J11S, J16Z | | | J11S, J16Z |
| | 11 | L09B, L38Z | | 10 | K03A, K03B, K14Z | 5b323.x↔ | 10 | K03A, K03B, K14Z |
| 5b290 | | BOP, KJZSV, KVT, UOP4 | | 13 | N01A, N01B, N01C, N01D, | | 09 | BOP, KJZSV, KVT, UOP4 |
| | 10 | K06A, K06B, K06C | | | N01E, N02A, N02B, N02C, | | | J03A, J03B, J04A, J04B, |
| 5b291 | | BOP, KJZSV, KVT, UOP4 | | | N03A, N03B, N05A, N05B, | | | J08A, J08B, J08C, J11A, |
| | 10 | K06A, K06B, K06C | 5b321.4↔ | | N05J, N38Z | | | J11B, J11J, J11Q, J11R, |
| 5b311.1↔ | | BOP, KJZSV, KVT, UOP4 | | 09 | BOP, KJZSV, KVT, UOP4 | | 10 | J11S, J16Z |
| | 10 | K03A, K03B, K14Z | | | J03A, J03B, J04A, J04B, | 5b330.1↔ | 10 | K03A, K03B, K14Z |
| 5b311.2↔ | | BOP, KJZSV, KVT, UOP4 | | | J08A, J08B, J08C, J11A, | | 10 | BOP, KJZSV, KVT, UOP4 |
| | 10 | K03A, K03B, K14Z | | 10 | J11B, J11J, J11Q, J11R, | | 21A | K03A, K03B, K14Z |
| 5b311.4↔ | | BOP, KJZSV, KVT, UOP4 | | 10 | J11S, J16Z | | 21B | W04A, W04B |
| | 10 | K03A, K03B, K14Z | | 13 | K03A, K03B, K14Z | 5b330.2↔ | 21B | X06A, X06B, X06C |
| 5b311.x↔ | | BOP, KJZSV, KVT, UOP4 | | | N01A, N01B, N01C, N01D, | | 10 | BOP, KJZSV, KVT, UOP4 |
| | 10 | K03A, K03B, K14Z | | | N01E, N02A, N02B, N02C, | | 10 | K03A, K03B, K14Z |
| 5b312.1↔ | | BOP, KJZSV, KVT, UOP4 | | | N03A, N03B, N05A, N05B, | | 21A | W04A, W04B |
| | 06 | G18A, G38Z | 5b321.x↔ | | N05J, N38Z | | 21B | X06A, X06B, X06C |
| | 10 | K03A, K03B, K14Z | | 09 | BOP, KJZSV, KVT, UOP4 | 5b330.4↔ | 10 | BOP, KJZSV, KVT, UOP4 |
| 5b312.2↔ | | BOP, KJZSV, KVT, UOP4 | | | J03A, J03B, J04A, J04B, | | 21A | K03A, K03B, K14Z |
| | 10 | K03A, K03B, K14Z | | | J08A, J08B, J08C, J11A, | | 21B | W04A, W04B |
| 5b312.4↔ | | BOP, KJZSV, KVT, UOP4 | | 10 | J11B, J11J, J11Q, J11R, | 5b330.x↔ | 21B | X06A, X06B, X06C |
| | 10 | K03A, K03B, K14Z | | | J11S, J16Z | | 10 | BOP, KJZSV, KVT, UOP4 |
| 5b312.x↔ | | BOP, KJZSV, KVT, UOP4 | | 10 | K03A, K03B, K14Z | | 21A | K03A, K03B, K14Z |
| | 10 | K03A, K03B, K14Z | | 13 | N01A, N01B, N01C, N01D, | | 21B | W04A, W04B |
| 5b320.1↔ | | BOP, KJZSV, KVT, UOP4 | | | N01E, N02A, N02B, N02C, | | 21B | X06A, X06B, X06C |
| | 06 | G18A, G38Z | 5b322.1↔ | | N03A, N03B, N05A, N05B, | 5b331↔ | 10 | BOP, KJZSV, KVT, UOP4 |
| | 09 | J03A, J03B, J04A, J04B, | | | N05J, N38Z | | 10 | K03A, K03B, K14Z |
| | | J08A, J08B, J08C, J11A, | | 09 | BOP, KJZSV, KVT, UOP4 | | 21A | W04A, W04B |
| | | J11B, J11J, J11Q, J11R, | | | J03A, J03B, J04A, J04B, | | 21B | X06A, X06B, X06C |
| | | J11S, J16Z | | | J08A, J08B, J08C, J11A, | 5b332↔ | 10 | BOP, KJZSV, KVT, UOP4 |
| | 10 | K03A, K03B, K14Z | | | J11B, J11J, J11Q, J11R, | | 10 | K03A, K03B, K14Z |
| 5b320.2↔ | | BOP, KJZSV, KVT, UOP4 | | 10 | J11S, J16Z | | 21A | W04A, W04B |
| | 09 | J03A, J03B, J04A, J04B, | 5b322.2↔ | | K03A, K03B, K14Z | | 21B | X06A, X06B, X06C |
| | | J08A, J08B, J08C, J11A, | | | BOP, KJZSV, KVT, UOP4 | 5b333.1↔ | 10 | BOP, KJZSV, KVT, UOP4 |
| | | J11B, J11J, J11Q, J11R, | | 09 | J03A, J03B, J04A, J04B, | | 21A | K03A, K03B, K14Z |
| | | J11S, J16Z | | | J08A, J08B, J08C, J11A, | | 21B | W04A, W04B |
| | 10 | K03A, K03B, K14Z | | 10 | J11B, J11J, J11Q, J11R, | 5b333.2↔ | 21B | X06A, X06B, X06C |
| 5b320.4↔ | | BOP, KJZSV, KVT, UOP4 | | | J11S, J16Z | | 10 | BOP, KJZSV, KVT, UOP4 |
| | 09 | J03A, J03B, J04A, J04B, | 5b322.4↔ | | BOP, KJZSV, KVT, UOP4 | | 10 | K03A, K03B, K14Z |
| | | J08A, J08B, J08C, J11A, | | | J03A, J03B, J04A, J04B, | | 21A | W04A, W04B |
| | | J11B, J11J, J11Q, J11R, | | 09 | J08A, J08B, J08C, J11A, | | 21B | X06A, X06B, X06C |
| | | J11S, J16Z | | | J11B, J11J, J11Q, J11R, | 5b333.4↔ | 10 | BOP, KJZSV, KVT, UOP4 |
| | 10 | K03A, K03B, K14Z | | 10 | J11S, J16Z | | 10 | K03A, K03B, K14Z |
| 5b320.x↔ | | BOP, KJZSV, KVT, UOP4 | | | K03A, K03B, K14Z | | 21A | W04A, W04B |
| | 09 | J03A, J03B, J04A, J04B, | 5b322.x↔ | | BOP, KJZSV, KVT, UOP4 | | 21B | X06A, X06B, X06C |
| | | J08A, J08B, J08C, J11A, | | 09 | J03A, J03B, J04A, J04B, | 5b333.x↔ | 10 | BOP, KJZSV, KVT, UOP4 |
| | | J11B, J11J, J11Q, J11R, | | | J08A, J08B, J08C, J11A, | | 21A | K03A, K03B, K14Z |
| | | J11S, J16Z | | 10 | J11B, J11J, J11Q, J11R, | | 21B | W04A, W04B |
| | 10 | K03A, K03B, K14Z | | | J11S, J16Z | | 21B | X06A, X06B, X06C |
| 5b321.1↔ | | BOP, KJZSV, KVT, UOP4 | | 10 | K03A, K03B, K14Z | 5b33x.1↔ | 10 | BOP, KJZSV, KVT, UOP4 |
| | 06 | G18A, G38Z | 5b323.1↔ | | BOP, KJZSV, KVT, UOP4 | | 10 | K03A, K03B, K14Z |
| | 09 | J03A, J03B, J04A, J04B, | | | G18A, G38Z | | 21A | W04A, W04B |
| | | J08A, J08B, J08C, J11A, | | 06 | J03A, J03B, J04A, J04B, | | 21B | X06A, X06B, X06C |
| | | J11B, J11J, J11Q, J11R, | | | J08A, J08B, J08C, J11A, | 5b33x.2↔ | 10 | BOP, KJZSV, KVT, UOP4 |
| | | J11S, J16Z | | 09 | J11B, J11J, J11Q, J11R, | | 10 | K03A, K03B, K14Z |
| | 10 | K03A, K03B, K14Z | | | J11S, J16Z | | 21A | W04A, W04B |
| | 13 | N01A, N01B, N01C, N01D, | | | K03A, K03B, K14Z | | 21B | X06A, X06B, X06C |
| | | N01E, N02A, N02B, N02C, | 5b323.2↔ | | BOP, KJZSV, KVT, UOP4 | 5b33x.4↔ | 10 | BOP, KJZSV, KVT, UOP4 |
| | | N03A, N03B, N05A, N05B, | | | J03A, J03B, J04A, J04B, | | 21A | K03A, K03B, K14Z |
| | | N05J, N38Z | | 09 | J08A, J08B, J08C, J11A, | | 21B | W04A, W04B |
| | | | | | J11B, J11J, J11Q, J11R, | 5b33x.x↔ | 21B | X06A, X06B, X06C |
| | | | | 10 | J11S, J16Z | | 10 | K03A, K03B, K14Z |
| | | | | | K03A, K03B, K14Z | | 21A | W04A, W04B |
| | | | | | BOP, KJZSV, KVT, UOP4 | | 21B | X06A, X06B, X06C |

| ZZV | MDC | DRG | ZZV | MDC | DRG | ZZV | MDC | DRG | | | |
|----------|----------|--|--|--|--|----------|--|--|----------|----|------------------------------------|
| 5b411 | | BOP, KJZSV, KOP, KOPV, KVT, UOP4 | 5b421.12 | | BOP, KJZSV, KOP, KOPV, KVT, UOP4 | 5b421.2x | | BOP, KJZSV, KOP, KOPV, KVT, UOP4 | | | |
| | 01 | B02A, B02B, B02C, B20A, B20B, B20C, B20D, B39A, B39B | | 01 | B03Z, B07Z, B17A, B17B, B17C, B17J | | 01 | B03Z, B07Z, B17A, B17B, B17C, B17J | | | |
| | 06 | G33Z | | 04 | E05A, E05B, E05C, E08A, E08B, E08C | | 04 | E05A, E05B, E05C, E08A, E08B, E08C | | | |
| | 07 | H33Z, H38Z | | 06 | G33Z | | 06 | G33Z | | | |
| | 10 | K03A, K03B | | 07 | H33Z, H38Z | | 07 | H33Z, H38Z | | | |
| | 11 | L33Z | | 10 | K09A, K09B | | 10 | K09A, K09B | | | |
| | 21B | X33Z | | 11 | L33Z | | 11 | L33Z | | | |
| | 23 | Z01A | | 17 | R01A, R01B, R01C, R01D, R02Z, R12A, R12B, R12C | | 17 | R01A, R01B, R01C, R01D, R02Z, R12A, R12B, R12C | | | |
| | Pre | A07A | | 21A | W04A, W04B | | 21A | W04A, W04B | | | |
| | 5b412 | | | BOP, KJZSV, KOP, KOPV, KVT, UOP4 | 5b421.13 | | | BOP, KJZSV, KOP, KOPV, KVT, UOP4 | 5b421.40 | | BOP, KJZSV, KOP, KOPV, KVT, UOP4 |
| | | 01 | | B02A, B02B, B02C, B20A, B20B, B20C, B20D, B39A, B39B | | | 01 | B03Z, B07Z, B17A, B17B, B17C, B17J | | 01 | B03Z, B07Z, B17A, B17B, B17C, B17J |
| | | 06 | | G33Z | | | 04 | E05A, E05B, E05C, E08A, E08B, E08C | | 04 | E05A, E05B, E05C, E08A, E08B, E08C |
| | | 07 | | H33Z, H38Z | | | 06 | G33Z | | 06 | G33Z |
| 10 | | K03A, K03B | 07 | H33Z, H38Z | | 07 | H33Z, H38Z | | | | |
| 11 | | L33Z | 10 | K09A, K09B | | 10 | K09A, K09B | | | | |
| 21B | | X33Z | 11 | L33Z | | 11 | L33Z | | | | |
| 23 | | Z01A | 17 | R01A, R01B, R01C, R01D, R02Z, R12A, R12B, R12C | | 17 | R01A, R01B, R01C, R01D, R02Z, R12A, R12B, R12C | | | | |
| Pre | | A07A | 21A | W04A, W04B | | 21A | W04A, W04B | | | | |
| 5b41x | | | BOP, KJZSV, KOP, KOPV, KVT, UOP4 | 5b421.15 | | | BOP, KJZSV, KOP, KOPV, KVT, UOP4 | 5b421.45 | | | BOP, KJZSV, KOP, KOPV, KVT, UOP4 |
| | | 01 | B02A, B02B, B02C, B20A, B20B, B20C, B20D, B39A, B39B | | | 01 | B03Z, B07Z, B17A, B17B, B17C, B17J | | | 01 | B03Z, B07Z, B17A, B17B, B17C, B17J |
| | | 06 | G33Z | | | 04 | E05A, E05B, E05C, E08A, E08B, E08C | | | 04 | E05A, E05B, E05C, E08A, E08B, E08C |
| | | 07 | H33Z, H38Z | | | 06 | G33Z | | | 06 | G33Z |
| | 10 | K03A, K03B | 07 | | H33Z, H38Z | 07 | H33Z, H38Z | | | | |
| | 11 | L33Z | 10 | | K09A, K09B | 10 | K09A, K09B | | | | |
| | 23 | Z01A | 11 | | L33Z | 11 | L33Z | | | | |
| | Pre | A07A | 17 | | R01A, R01B, R01C, R01D, R02Z, R12A, R12B, R12C | 17 | R01A, R01B, R01C, R01D, R02Z, R12A, R12B, R12C | | | | |
| | 5b421.10 | | BOP, KJZSV, KOP, KOPV, KVT, UOP4 | | 5b421.21 | | BOP, KJZSV, KOP, KOPV, KVT, UOP4 | | 5b42x | | BOP, KJZSV, KOP, KOPV, KVT, UOP4 |
| | | 01 | B03Z, B07Z, B17A, B17B, B17C, B17J | | | 01 | B03Z, B07Z, B17A, B17B, B17C, B17J | | | 01 | B03Z, B07Z, B17A, B17B, B17C, B17J |
| | | 04 | E05A, E05B, E05C, E08A, E08B, E08C | | | 04 | E05A, E05B, E05C, E08A, E08B, E08C | | | 04 | E05A, E05B, E05C, E08A, E08B, E08C |
| | | 06 | G33Z | | | 06 | G33Z | | | 06 | G33Z |
| | | 07 | H33Z, H38Z | | | 07 | H33Z, H38Z | | | 07 | H33Z, H38Z |
| 10 | | K09A, K09B | 10 | K09A, K09B | | 10 | K09A, K09B | | | | |
| 11 | | L33Z | 11 | L33Z | | 11 | L33Z | | | | |
| 17 | | R01A, R01B, R01C, R01D, R02Z, R12A, R12B, R12C | 17 | R01A, R01B, R01C, R01D, R02Z, R12A, R12B, R12C | | 17 | R01A, R01B, R01C, R01D, R02Z, R12A, R12B, R12C | | | | |
| 21A | | W04A, W04B | 21A | W04A, W04B | | 21A | W04A, W04B | | | | |
| 21B | | X06A, X06B, X06C, X33Z | 21B | X06A, X06B, X06C, X33Z | | 21B | X06A, X06B, X06C, X33Z | | | | |
| 23 | | Z01A | 23 | Z01A | | 23 | Z01A | | | | |
| Pre | | A07A | Pre | A07A | | Pre | A07A | | | | |
| 5b421.11 | | | BOP, KJZSV, KOP, KOPV, KVT, UOP4 | 5b491 | | | BOP, KJZSV, KVT, UOP4 | 5b491 | | | BOP, KJZSV, KVT, UOP4 |
| | 01 | B03Z, B07Z, B17A, B17B, B17C, B17J | 01 | | B03Z, B07Z, B17A, B17B, B17C, B17J | 01 | B03Z, B07Z, B17A, B17B, B17C, B17J | | | | |
| | 04 | E05A, E05B, E05C, E08A, E08B, E08C | 04 | | E05A, E05B, E05C, E08A, E08B, E08C | 04 | E05A, E05B, E05C, E08A, E08B, E08C | | | | |
| | 06 | G33Z | 06 | | G33Z | 06 | G33Z | | | | |
| | 07 | H33Z, H38Z | 07 | | H33Z, H38Z | 07 | H33Z, H38Z | | | | |
| | 10 | K09A, K09B | 10 | | K09A, K09B | 10 | K09A, K09B | | | | |
| | 11 | L33Z | 11 | | L33Z | 11 | L33Z | | | | |
| | 17 | R01A, R01B, R01C, R01D, R02Z, R12A, R12B, R12C | 17 | | R01A, R01B, R01C, R01D, R02Z, R12A, R12B, R12C | 17 | R01A, R01B, R01C, R01D, R02Z, R12A, R12B, R12C | | | | |
| | 21A | W04A, W04B | 21A | | W04A, W04B | 21A | W04A, W04B | | | | |
| | 21B | X06A, X06B, X06C, X33Z | 21B | | X06A, X06B, X06C, X33Z | 21B | X06A, X06B, X06C, X33Z | | | | |
| | 23 | Z01A | 23 | | Z01A | 23 | Z01A | | | | |
| | Pre | A07A | Pre | | A07A | Pre | A07A | | | | |

VYK

| ZZV | MDC | DRG | ZZV | MDC | DRG | ZZV | MDC | DRG | | | |
|---------|---------|--|--|--|--|--|--|--|------------|--|------------|
| 5b492 | | BOP, KJZSV, KOP, KOPV, KVT, UOP4 | 5b512.1 | | BOP, KJZSV, KOP, KOPV, KVT, UOP4 | 5b513.2 | | BOP, KJZSV, KOP, KOPV, KVT, UOP4 | | | |
| | 04 | E05A, E05B, E05C, E08A, E08B, E08C | | 01 | B02A, B02B, B02C, B20A, B20B, B20C, B20D, B39A, B39B | | 01 | B02A, B02B, B02C, B20A, B20B, B20C, B20D, B39A, B39B | | | |
| | 06 | G33Z | | 06 | G33Z | | 06 | G33Z | | | |
| | 07 | H33Z, H38Z | | 07 | H33Z, H38Z | | 07 | H33Z, H38Z | | | |
| | 10 | K09A, K09B | | 10 | K03A, K03B | | 10 | K03A, K03B | | | |
| | 11 | L33Z | | 11 | L33Z | | 11 | L33Z | | | |
| | 17 | R01A, R01B, R01C, R01D, R02Z, R12A, R12B, R12C | | 21B | X33Z | | 21B | X33Z | | | |
| | 21A | W04A, W04B | | 23 | Z01A | | 23 | Z01A | | | |
| | 21B | X06A, X06B, X06C | | Pre | A07A | | Pre | A07A | | | |
| | 23 | Z01A | | 5b512.2 | | | BOP, KJZSV, KOP, KOPV, KVT, UOP4 | 5b513.3 | | BOP, KJZSV, KOP, KOPV, KVT, UOP4 | |
| | Pre | A07A | | | 01 | | B02A, B02B, B02C, B20A, B20B, B20C, B20D, B39A, B39B | | 01 | B02A, B02B, B02C, B20A, B20B, B20C, B20D, B39A, B39B | |
| | 5b49x | | | | BOP, KJZSV, KOP, KOPV, KVT, UOP4 | | 06 | | G33Z | 06 | G33Z |
| | | 04 | | | E05A, E05B, E05C, E08A, E08B, E08C | | 07 | | H33Z, H38Z | 07 | H33Z, H38Z |
| | | 06 | | | G33Z | | 10 | | K03A, K03B | 10 | K03A, K03B |
| 07 | | H33Z, H38Z | 11 | | L33Z | 11 | L33Z | | | | |
| 10 | | K09A, K09B | 21B | | X33Z | 21B | X33Z | | | | |
| 11 | | L33Z | 23 | | Z01A | 23 | Z01A | | | | |
| 17 | | R01A, R01B, R01C, R01D, R02Z, R12A, R12B, R12C | Pre | | A07A | Pre | A07A | | | | |
| 21A | | W04A, W04B | 5b512.3 | | | BOP, KJZSV, KOP, KOPV, KVT, UOP4 | 5b514 | | | BOP, KJZSV, KOP, KOPV, KVT, UOP4 | |
| 21B | | X06A, X06B, X06C | | | 01 | B02A, B02B, B02C, B20A, B20B, B20C, B20D, B39A, B39B | | | 01 | B02A, B02B, B02C, B20A, B20B, B20C, B20D, B39A, B39B | |
| 23 | | Z01A | | | 06 | G33Z | | | 06 | G33Z | |
| Pre | | A07A | | | 07 | H33Z, H38Z | | | 07 | H33Z, H38Z | |
| 5b510 | | | | | BOP, KJZSV, KOP, KOPV, KVT, UOP4 | 10 | | | K03A, K03B | 10 | K03A, K03B |
| | | 01 | | B02A, B02B, B02C, B20A, B20B, B20C, B20D, B39A, B39B | 11 | L33Z | | 11 | L33Z | | |
| | | 06 | | G33Z | 21B | X33Z | | 21B | X33Z | | |
| | 07 | H33Z, H38Z | | 23 | Z01A | 23 | | Z01A | | | |
| | 10 | K03A, K03B | | Pre | A07A | Pre | | A07A | | | |
| | 11 | L33Z | | 5b513.0 | | BOP, KJZSV, KOP, KOPV, KVT, UOP4 | | 5b515 | | BOP, KJZSV, KOP, KOPV, KVT, UOP4 | |
| | 21B | X33Z | | | 01 | B02A, B02B, B02C, B20A, B20B, B20C, B20D, B39A, B39B | | | 01 | B02A, B02B, B02C, B20A, B20B, B20C, B20D, B39A, B39B | |
| | 23 | Z01A | | | 06 | G33Z | | | 06 | G33Z | |
| | Pre | A07A | | | 07 | H33Z, H38Z | | | 07 | H33Z, H38Z | |
| | 5b511 | | | | BOP, KJZSV, KOP, KOPV, KVT, UOP4 | 10 | | | K03A, K03B | 10 | K03A, K03B |
| | | 01 | B02A, B02B, B02C, B20A, B20B, B20C, B20D, B39A, B39B | | 11 | L33Z | 11 | | L33Z | | |
| | | 06 | G33Z | | 21B | X33Z | 21B | | X33Z | | |
| | | 07 | H33Z, H38Z | | 23 | Z01A | 23 | | Z01A | | |
| | | 10 | K03A, K03B | | Pre | A07A | Pre | | A07A | | |
| 11 | | L33Z | 5b513.1 | | | BOP, KJZSV, KOP, KOPV, KVT, UOP4 | 5b516 | | | BOP, KJZSV, KOP, KOPV, KVT, UOP4 | |
| 21B | | X33Z | | | 01 | B02A, B02B, B02C, B20A, B20B, B20C, B20D, B39A, B39B | | | 01 | B02A, B02B, B02C, B20A, B20B, B20C, B20D, B39A, B39B | |
| 23 | | Z01A | | | 06 | G33Z | | | 06 | G33Z | |
| Pre | | A07A | | | 07 | H33Z, H38Z | | | 07 | H33Z, H38Z | |
| 5b512.0 | | | | | BOP, KJZSV, KOP, KOPV, KVT, UOP4 | 10 | | | K03A, K03B | 10 | K03A, K03B |
| | | 01 | | B02A, B02B, B02C, B20A, B20B, B20C, B20D, B39A, B39B | 11 | L33Z | | 11 | L33Z | | |
| | | 06 | | G33Z | 21B | X33Z | | 21B | X33Z | | |
| | | 07 | | H33Z, H38Z | 23 | Z01A | | 23 | Z01A | | |
| | | 10 | | K03A, K03B | Pre | A07A | | Pre | A07A | | |
| | 11 | L33Z | | 5b512.2 | | BOP, KJZSV, KOP, KOPV, KVT, UOP4 | | 5b513.3 | | BOP, KJZSV, KOP, KOPV, KVT, UOP4 | |
| | 21B | X33Z | | | 01 | B02A, B02B, B02C, B20A, B20B, B20C, B20D, B39A, B39B | | | 01 | B02A, B02B, B02C, B20A, B20B, B20C, B20D, B39A, B39B | |
| | 23 | Z01A | | | 06 | G33Z | | | 06 | G33Z | |
| | Pre | A07A | | | 07 | H33Z, H38Z | | | 07 | H33Z, H38Z | |
| | 5b512.0 | | | | BOP, KJZSV, KOP, KOPV, KVT, UOP4 | 10 | | | K03A, K03B | 10 | K03A, K03B |
| | | 01 | B02A, B02B, B02C, B20A, B20B, B20C, B20D, B39A, B39B | | 11 | L33Z | 11 | | L33Z | | |
| | | 06 | G33Z | | 21B | X33Z | 21B | | X33Z | | |
| | | 07 | H33Z, H38Z | | 23 | Z01A | 23 | | Z01A | | |
| | | 10 | K03A, K03B | | Pre | A07A | Pre | | A07A | | |
| 11 | | L33Z | 5b513.0 | | | BOP, KJZSV, KOP, KOPV, KVT, UOP4 | 5b516 | | | BOP, KJZSV, KOP, KOPV, KVT, UOP4 | |
| 21B | | X33Z | | | 01 | B02A, B02B, B02C, B20A, B20B, B20C, B20D, B39A, B39B | | | 01 | B02A, B02B, B02C, B20A, B20B, B20C, B20D, B39A, B39B | |
| 23 | | Z01A | | | 06 | G33Z | | | 06 | G33Z | |
| Pre | | A07A | | | 07 | H33Z, H38Z | | | 07 | H33Z, H38Z | |

VYK

| ZZV | MDC | DRG | ZZV | MDC | DRG | ZZV | MDC | DRG |
|----------|-----|--|----------|-----|------------------------------|----------|-----|------------------------------|
| 5b51x | | BOP, KJZSV, KOP, KOPV, KVT, UOP4 | 5c142↔ | 02 | C01A, C01B, C13J, C13Z, C16Z | 5c161↔ | | BOP, UOP4 |
| | 01 | B02A, B02B, B02C, B20A, B20B, B20C, B20D, B39A, B39B | | 03 | D09Z, D30A, D30J, D30Q | | 02 | C01A, C01B, C05J, C05Z, C16Z |
| | 06 | G33Z | | 21A | W04A, W04B | | 03 | D09Z, D30A, D30J, D30Q |
| | 07 | H33Z, H38Z | 5c143↔ | 21B | X06A, X06B, X06C | | 21A | W04A, W04B |
| | 10 | K03A, K03B | | 02 | C01A, C01B, C13J, C13Z, C16Z | 5c162↔ | 21B | X06A, X06B, X06C |
| | 11 | L33Z | | 03 | D09Z, D30A, D30J, D30Q | | | BOP, KJZSV, UOP4 |
| | 21B | X33Z | | 21A | W04A, W04B | | 02 | C01A, C01B, C05J, C05Z, C16Z |
| | 23 | Z01A | 5c144↔ | 21B | X06A, X06B, X06C | | 03 | D09Z, D30A, D30J, D30Q |
| | Pre | A07A | | 02 | C01A, C01B, C13J, C13Z, C16Z | | 21A | W04A, W04B |
| 5c100↔ | 02 | C01A, C01B, C13J, C13Z, C16Z | | 03 | D09Z, D30A, D30J, D30Q | 5c163↔ | 21B | X06A, X06B, X06C |
| 5c101↔ | | KJZSV | | 21A | W04A, W04B | | | BOP, UOP4 |
| | 02 | C01A, C01B, C13J, C13Z, C16Z | 5c150.0↔ | 21B | X06A, X06B, X06C | | 02 | C01A, C01B, C05J, C05Z, C16Z |
| 5c102↔ | | KJZSV | | 02 | C01A, C01B, C13J, C13Z, C16Z | | 03 | D09Z, D30A, D30J, D30Q |
| | 02 | C01A, C01B, C13J, C13Z, C16Z | | 21A | W04A, W04B | | 21A | W04A, W04B |
| 5c10x↔ | | KJZSV | | 21B | X06A, X06B, X06C | 5c16x↔ | 21B | X06A, X06B, X06C |
| | 02 | C01A, C01B, C13J, C13Z, C16Z | 5c150.1↔ | | BOP, UOP4 | | | BOP, UOP4 |
| 5c110↔ | | KJZSV | | 02 | C01A, C01B, C13J, C13Z, C16Z | | 02 | C01A, C01B, C05J, C05Z, C16Z |
| | 02 | C01A, C01B, C13J, C13Z, C16Z | | 21A | W04A, W04B | | 03 | D09Z, D30A, D30J, D30Q |
| | 21A | W04A, W04B | 5c150.x↔ | 21B | X06A, X06B, X06C | | 21A | W04A, W04B |
| 5c111↔ | 21B | X06A, X06B, X06C | | | BOP, UOP4 | | 21B | X06A, X06B, X06C |
| | 02 | C01A, C01B, C13J, C13Z, C16Z | | 21A | W04A, W04B | 5c170.0↔ | | BOP, UOP4 |
| | 21A | W04A, W04B | 5c151↔ | 21B | X06A, X06B, X06C | | 02 | C01A, C01B, C05J, C05Z, C16Z |
| 5c120↔ | 21B | X06A, X06B, X06C | | 02 | C01A, C01B, C13J, C13Z, C16Z | | 21A | W04A, W04B |
| | | KJZSV | | 21A | W04A, W04B | | 21B | X06A, X06B, X06C |
| | 02 | C01A, C01B, C13J, C13Z, C16Z | 5c152↔ | 21B | X06A, X06B, X06C | 5c170.1↔ | | BOP, UOP4 |
| | 03 | D09Z, D30A, D30J, D30Q | | | BOP, UOP4 | | 02 | C01A, C01B, C05J, C05Z, C16Z |
| | 21A | W04A, W04B | | 21A | W04A, W04B | | 21A | W04A, W04B |
| 5c12x↔ | 21B | X06A, X06B, X06C | 5c153.0↔ | 21B | X06A, X06B, X06C | | 21B | X06A, X06B, X06C |
| | | KJZSV | | | BOP, UOP4 | 5c171.0↔ | | BOP, UOP4 |
| | 02 | C01A, C01B, C13J, C13Z, C16Z | | 02 | C01A, C01B, C13J, C13Z, C16Z | | 02 | C01A, C01B, C05J, C05Z, C16Z |
| | 03 | D09Z, D30A, D30J, D30Q | 5c153.1↔ | | BOP, UOP4 | | 21A | W04A, W04B |
| | 21A | W04A, W04B | | 02 | C01A, C01B, C13J, C13Z, C16Z | 5c171.1↔ | 21B | X06A, X06B, X06C |
| | 21B | X06A, X06B, X06C | | | BOP, UOP4 | | | BOP, UOP4 |
| 5c130.0↔ | 02 | C01A, C01B, C13J, C13Z, C16Z | 5c153.x↔ | | BOP, UOP4 | | 02 | C01A, C01B, C05J, C05Z, C16Z |
| 5c130.1↔ | 02 | C01A, C01B, C13J, C13Z, C16Z | | 02 | C01A, C01B, C13J, C13Z, C16Z | | 21A | W04A, W04B |
| 5c130.2↔ | 02 | C01A, C01B, C13J, C13Z, C16Z | 5c160.0↔ | | BOP, UOP4 | | 21B | X06A, X06B, X06C |
| 5c130.x↔ | 02 | C01A, C01B, C13J, C13Z, C16Z | | 02 | C01A, C01B, C05J, C05Z, C16Z | 5c171.x↔ | | BOP, UOP4 |
| 5c131.0↔ | 02 | C01A, C01B, C13J, C13Z, C16Z | | 03 | D09Z, D30A, D30J, D30Q | | 02 | C01A, C01B, C05J, C05Z, C16Z |
| 5c131.1↔ | 02 | C01A, C01B, C13J, C13Z, C16Z | 5c160.1↔ | | BOP, UOP4 | | 21A | W04A, W04B |
| 5c131.2↔ | 02 | C01A, C01B, C13J, C13Z, C16Z | | 21A | W04A, W04B | 5c172↔ | 21B | X06A, X06B, X06C |
| 5c140↔ | 02 | C01A, C01B, C13J, C13Z, C16Z | | 21B | X06A, X06B, X06C | | | BOP, UOP4 |
| | 03 | D09Z, D30A, D30J, D30Q | 5c160.x↔ | | BOP, UOP4 | | 02 | C01A, C01B, C13J, C13Z, C16Z |
| | 21A | W04A, W04B | | 02 | C01A, C01B, C05J, C05Z, C16Z | | 03 | D09Z, D30A, D30J, D30Q |
| 5c141↔ | 21B | X06A, X06B, X06C | | 03 | D09Z, D30A, D30J, D30Q | | 21A | W04A, W04B |
| | 02 | C01A, C01B, C13J, C13Z, C16Z | | 21A | W04A, W04B | 5c173↔ | 21B | X06A, X06B, X06C |
| | 03 | D09Z, D30A, D30J, D30Q | | 21B | X06A, X06B, X06C | | | BOP, KJZSV, UOP4 |
| | 21A | W04A, W04B | | | BOP, UOP4 | | 02 | C01A, C01B, C05J, C05Z, C16Z |
| | 21B | X06A, X06B, X06C | | 02 | C01A, C01B, C05J, C05Z, C16Z | | 21A | W04A, W04B |
| | | | | 03 | D09Z, D30A, D30J, D30Q | 5c174.0↔ | 21B | X06A, X06B, X06C |
| | | | | 21A | W04A, W04B | | | BOP, UOP4 |
| | | | | 21B | X06A, X06B, X06C | | 02 | C01A, C01B, C05J, C05Z, C16Z |
| | | | | | | | 21A | W04A, W04B |
| | | | | | | | 21B | X06A, X06B, X06C |

| ZZV | MDC | DRG | ZZV | MDC | DRG | ZZV | MDC | DRG | | |
|----------|-----|--|----------|----------|--|------------------------------------|----------|--|--|------------------------------------|
| 5c174.1↔ | | BOP, UOP4 | 5c210.0↔ | 02 | C01A, C01B, C14J, C14Q, C14R, C14S, C14Z, C16Z | 5c212.1↔ | | BOP, KVT, UOP4 | | |
| | 02 | C01A, C01B, C05J, C05Z, C16Z | | 09 | J03A, J03B, J04A, J04B, J08A, J08B, J08C, J11A, J11B, J11C, J11J, J11Q, J11R, J11S, J16Z | | 02 | C01A, C01B, C16Z, C20A, C20B, C20J, C20Q, C20R | | |
| | 03 | D09Z, D30A, D30J, D30Q | | 10 | K09A, K09B | | 09 | J03A, J03B, J04A, J04B, J08A, J08B, J08C, J11A, J11B, J11C, J11J, J11Q, J11R, J11S, J16Z | | |
| | 21A | W04A, W04B | | 21A | W04A, W04B | | 10 | K09A, K09B | | |
| | 21B | X06A, X06B, X06C | | 21B | X06A, X06B, X06C | | 21A | W04A, W04B | | |
| 5c175↔ | | BOP, UOP4 | | 22 | Y01Z, Y03A, Y03B | | 21B | X06A, X06B, X06C | | |
| | 02 | C01A, C01B, C05J, C05Z, C16Z | 5c210.1↔ | 02 | C01A, C01B, C14J, C14Q, C14R, C14S, C14Z, C16Z | 5c213.0↔ | | BOP, KVT, UOP4 | | |
| | 03 | D09Z, D30A, D30J, D30Q | | 09 | J03A, J03B, J04A, J04B, J08A, J08B, J08C, J11A, J11B, J11C, J11J, J11Q, J11R, J11S, J16Z | | 01 | B03Z, B07Z, B17A, B17B, B17C, B17J | | |
| | 21A | W04A, W04B | | 10 | K09A, K09B | | 02 | C01A, C01B, C16Z, C20A, C20B, C20J, C20Q, C20R | | |
| | 21B | X06A, X06B, X06C | | 21A | W04A, W04B | | 03 | D12A, D12B, D12J, D12Q | | |
| 5c176↔ | | BOP, UOP4 | | 21B | X06A, X06B, X06C | | 05 | F21A, F21B, F21C, F21J | | |
| | 02 | C01A, C01B, C05J, C05Z, C16Z | | 22 | Y01Z, Y03A, Y03B | | 08 | I27A, I27B, I27C, I27D, I27J, I27Q | | |
| | 03 | D09Z, D30A, D30J, D30Q | 5c211.0↔ | 01 | B03Z, B07Z, B17A, B17B, B17C, B17J | | 09 | J03A, J03B, J04A, J04B, J08A, J08B, J08C, J16Z, J21Z, J22A, J22B, J22J | | |
| | 21A | W04A, W04B | | 02 | C01A, C01B, C14J, C14Q, C14R, C14S, C14Z, C16Z | | 10 | K09A, K09B | | |
| | 21B | X06A, X06B, X06C | | 03 | D12A, D12B, D12J, D12Q | | 21A | W04A, W04B | | |
| 5c17x↔ | | BOP, UOP4 | | 05 | F21A, F21B, F21C, F21J | | 21B | X06A, X06B, X06C | | |
| | 02 | C01A, C01B, C05J, C05Z, C16Z | | 08 | I27A, I27B, I27C, I27D, I27J, I27Q | | 22 | Y01Z, Y03A, Y03B | | |
| | 03 | D09Z, D30A, D30J, D30Q | 5c211.1↔ | 01 | B03Z, B07Z, B17A, B17B, B17C, B17J | 5c213.1↔ | | BOP, KVT, UOP4 | | |
| | 21A | W04A, W04B | | 02 | C01A, C01B, C14J, C14Q, C14R, C14S, C14Z, C16Z | | 01 | B03Z, B07Z, B17A, B17B, B17C, B17J | | |
| | 21B | X06A, X06B, X06C | | 03 | D12A, D12B, D12J, D12Q | | 02 | C01A, C01B, C16Z, C20A, C20B, C20J, C20Q, C20R | | |
| 5c190.0↔ | 02 | C01A, C01B, C13J, C13Z, C16Z | | 05 | F21A, F21B, F21C, F21J | | 03 | D12A, D12B, D12J, D12Q | | |
| | 21A | W04A, W04B | | 08 | I27A, I27B, I27C, I27D, I27J, I27Q | | 05 | F21A, F21B, F21C, F21J | | |
| | 21B | X06A, X06B, X06C | | 09 | J03A, J03B, J04A, J04B, J08A, J08B, J08C, J16Z, J21Z, J22A, J22B, J22J | | 08 | I27A, I27B, I27C, I27D, I27J, I27Q | | |
| 5c190.1↔ | 02 | C01A, C01B, C13J, C13Z, C16Z | | 10 | K09A, K09B | | 09 | J03A, J03B, J04A, J04B, J08A, J08B, J08C, J16Z, J21Z, J22A, J22B, J22J | | |
| | 21A | W04A, W04B | | 21A | W04A, W04B | | 10 | K09A, K09B | | |
| | 21B | X06A, X06B, X06C | | 21B | X06A, X06B, X06C | | 21A | W04A, W04B | | |
| 5c191↔ | 02 | C01A, C01B, C05J, C05Z, C16Z | | 22 | Y01Z, Y03A, Y03B | | 21B | X06A, X06B, X06C | | |
| | 03 | D09Z, D30A, D30J, D30Q | 5c212.0↔ | 01 | BOP, KVT, UOP4 | | 22 | Y01Z, Y03A, Y03B | | |
| | 21A | W04A, W04B | | 02 | C01A, C01B, C16Z, C20A, C20B, C20J, C20Q, C20R | | 5c214.0↔ | 09 | J11A, J11B, J11J, J11Q, J11R, J11S | |
| | 21B | X06A, X06B, X06C | | 09 | J03A, J03B, J04A, J04B, J08A, J08B, J08C, J11A, J11B, J11C, J11J, J11Q, J11R, J11S, J16Z | | 5c214.1↔ | 09 | J11A, J11B, J11J, J11Q, J11R, J11S | |
| 5c192↔ | 02 | C01A, C01B, C13J, C13Z, C16Z | | 10 | K09A, K09B | | 5c214.2↔ | 09 | J11A, J11B, J11J, J11Q, J11R, J11S | |
| | 03 | D09Z, D30A, D30J, D30Q | | 21A | W04A, W04B | | 5c214.x↔ | 09 | J11A, J11B, J11J, J11Q, J11R, J11S | |
| | 21A | W04A, W04B | | 21B | X06A, X06B, X06C | | 5c215↔ | 09 | J11A, J11B, J11J, J11Q, J11R, J11S | |
| | 21B | X06A, X06B, X06C | | 22 | Y01Z, Y03A, Y03B | | 5c216.2↔ | 09 | J11A, J11B, J11J, J11Q, J11R, J11S | |
| 5c193↔ | 02 | C01A, C01B, C13J, C13Z, C16Z | | 5c212.1↔ | 01 | B03Z, B07Z, B17A, B17B, B17C, B17J | | 5c216.3↔ | 09 | J11A, J11B, J11J, J11Q, J11R, J11S |
| | 03 | D09Z, D30A, D30J, D30Q | | 02 | C01A, C01B, C14J, C14Q, C14R, C14S, C14Z, C16Z | | 5c216.4↔ | 09 | J11A, J11B, J11J, J11Q, J11R, J11S | |
| | 21A | W04A, W04B | | 03 | D12A, D12B, D12J, D12Q | | 5c216.x↔ | 09 | J11A, J11B, J11J, J11Q, J11R, J11S | |
| | 21B | X06A, X06B, X06C | | 05 | F21A, F21B, F21C, F21J | | 5c21x↔ | 09 | J11A, J11B, J11C, J11J, J11Q, J11R, J11S | |
| 5c194↔ | 02 | C01A, C01B, C13J, C13Z, C16Z | | 08 | I27A, I27B, I27C, I27D, I27J, I27Q | | | | | |
| | 03 | D09Z, D30A, D30J, D30Q | | 09 | J03A, J03B, J04A, J04B, J08A, J08B, J08C, J16Z, J21Z, J22A, J22B, J22J | | | | | |
| | 21A | W04A, W04B | | 10 | K09A, K09B | | | | | |
| | 21B | X06A, X06B, X06C | | 21A | W04A, W04B | | | | | |
| 5c19x↔ | 02 | C01A, C01B, C13J, C13Z, C16Z | | 21B | X06A, X06B, X06C | | | | | |
| | 21A | W04A, W04B | | 22 | Y01Z, Y03A, Y03B | | | | | |
| | 21B | X06A, X06B, X06C | | | | | | | | |
| 5c200↔ | 09 | J11A, J11B, J11C, J11J, J11Q, J11R, J11S | | | | | | | | |
| 5c201↔ | 09 | J11A, J11B, J11J, J11Q, J11R, J11S | | | | | | | | |
| 5c202↔ | 09 | J11A, J11B, J11C, J11J, J11Q, J11R, J11S | | | | | | | | |
| 5c203↔ | 09 | J11A, J11B, J11C, J11J, J11Q, J11R, J11S | | | | | | | | |
| 5c20x↔ | 09 | J11A, J11B, J11C, J11J, J11Q, J11R, J11S | | | | | | | | |

VYK

| ZZV | MDC | DRG | ZZV | MDC | DRG | ZZV | MDC | DRG |
|----------|-----|--|----------|-----|--|----------|-----|--|
| 5c24x↔ | | BOP, KVT, UOP4 | 5c260.0↔ | 02 | C01A, C01B, C12J, C12Z, C16Z | 5c261.x↔ | 02 | C01A, C01B, C12J, C12Z, C16Z |
| | 02 | C01A, C01B, C16Z, C20A, C20B, C20J, C20Q, C20R | | 08 | I17Z | | 08 | I17Z |
| | 21A | W04A, W04B | | 09 | J03A, J03B, J04A, J04B, J08A, J08B, J08C, J10A, J10B, J10J, J16Z | | 09 | J03A, J03B, J04A, J04B, J08A, J08B, J08C, J10A, J10B, J10J, J16Z |
| 5c250.0↔ | 21B | X06A, X06B, X06C | 5c260.1↔ | 10 | K09A, K09B | 5c262.0↔ | 10 | K09A, K09B |
| | 02 | BOP, KVT, UOP4 | | 21A | W04A, W04B | | 21A | W04A, W04B |
| | 08 | I17Z | | 21B | X06A, X06B, X06C | | 21B | X06A, X06B, X06C |
| 5c250.1↔ | 09 | J03A, J03B, J04A, J04B, J08A, J08B, J08C, J10A, J10B, J10J, J16Z | 5c260.2↔ | 22 | Y01Z, Y03A, Y03B | 5c262.1↔ | 22 | Y01Z, Y03A, Y03B |
| | 21A | W04A, W04B | | 02 | BOP, KVT, UOP4 | | 02 | BOP, KVT, UOP4 |
| | 21B | X06A, X06B, X06C | | 02 | C01A, C01B, C12J, C12Z, C16Z | | 02 | C01A, C01B, C12J, C12Z, C16Z |
| 5c251.0↔ | 22 | Y01Z, Y03A, Y03B | 5c260.x↔ | 08 | I17Z | 5c262.2↔ | 08 | I17Z |
| | 02 | BOP, KVT, UOP4 | | 09 | J03A, J03B, J04A, J04B, J08A, J08B, J08C, J10A, J10B, J10J, J16Z | | 09 | J03A, J03B, J04A, J04B, J08A, J08B, J08C, J10A, J10B, J10J, J16Z |
| | 08 | I17Z | | 10 | K09A, K09B | | 10 | K09A, K09B |
| 5c251.1↔ | 09 | J03A, J03B, J04A, J04B, J08A, J08B, J08C, J10A, J10B, J10J, J16Z | 5c261.0↔ | 21A | W04A, W04B | 5c262.3↔ | 21A | W04A, W04B |
| | 21A | W04A, W04B | | 21B | X06A, X06B, X06C | | 21B | X06A, X06B, X06C |
| | 21B | X06A, X06B, X06C | | 22 | Y01Z, Y03A, Y03B | | 22 | Y01Z, Y03A, Y03B |
| 5c252↔ | 22 | Y01Z, Y03A, Y03B | 5c261.1↔ | 02 | BOP, KVT, UOP4 | 5c262.4↔ | 02 | BOP, KVT, UOP4 |
| | 02 | BOP, KVT, UOP4 | | 02 | C01A, C01B, C12J, C12Z, C16Z | | 02 | C01A, C01B, C12J, C12Z, C16Z |
| | 08 | I17Z | | 08 | I17Z | | 08 | I17Z |
| 5c25x↔ | 09 | J03A, J03B, J04A, J04B, J08A, J08B, J08C, J10A, J10B, J10J, J16Z | 5c261.1↔ | 09 | J03A, J03B, J04A, J04B, J08A, J08B, J08C, J10A, J10B, J10J, J16Z | 5c262.4↔ | 09 | J02A, J02B, J02C, J03A, J03B, J04A, J04B, J08A, J08B, J08C, J10A, J10B, J10J, J16Z, J21Z, J22A, J22B, J22J |
| | 21A | W04A, W04B | | 10 | K09A, K09B | | 21A | W04A, W04B |
| | 21B | X06A, X06B, X06C | | 21A | W04A, W04B | | 21B | X01A, X01B, X01C, X06A, X06B, X06C |
| | 22 | Y01Z, Y03A, Y03B | | 22 | Y01Z, Y03A, Y03B | | 22 | Y01Z, Y03A, Y03B |

VYK

| ZZV | MDC | DRG | ZZV | MDC | DRG | ZZV | MDC | DRG | | |
|----------|-----------------------|--|------------------|-----|--|----------|---------|--|--|--|
| 5c262.x↔ | | BOP, KVT, UOP4 | 5c264.1↔ | | BOP, KJZSV, KVT, UOP4 | 5c26x↔ | | BOP, KVT, UOP4 | | |
| | 02 | C01A, C01B, C12J, C12Z, C16Z | | 02 | C01A, C01B, C12J, C12Z, C16Z | | 02 | C01A, C01B, C14J, C14Q, C14R, C14S, C14Z, C16Z | | |
| | 09 | J03A, J03B, J04A, J04B, J08A, J08B, J08C, J10A, J10B, J10J, J16Z | | 08 | I17Z | | 09 | J03A, J03B, J04A, J04B, J08A, J08B, J08C, J11A, J11B, J11J, J11Q, J11R, J11S, J16Z | | |
| | 10 | K09A, K09B | | 09 | J03A, J03B, J04A, J04B, J08A, J08B, J08C, J10A, J10B, J10J, J16Z | | 21A | W04A, W04B | | |
| | 21A | W04A, W04B | | 10 | K09A, K09B | | 21B | X06A, X06B, X06C | | |
| 5c263.0↔ | 21B | X06A, X06B, X06C | 5c264.2↔ | 21A | W04A, W04B | 5c270↔ | 22 | Y01Z, Y03A, Y03B | | |
| | | BOP, KVT, UOP4 | | 22 | Y01Z, Y03A, Y03B | | 02 | BOP, KVT, UOP4 | | |
| | 02 | C01A, C01B, C12J, C12Z, C16Z | | 02 | C01A, C01B, C12J, C12Z, C16Z | | 02 | C01A, C01B, C16Z, C20A, C20B, C20J, C20Q, C20R | | |
| | 08 | I17Z | | 08 | I17Z | | 03 | D12A, D12B, D12J, D12Q | | |
| | 09 | J03A, J03B, J04A, J04B, J08A, J08B, J08C, J10A, J10B, J10J, J16Z | | 09 | J03A, J03B, J04A, J04B, J08A, J08B, J08C, J10A, J10B, J10J, J16Z | | 09 | J03A, J03B, J04A, J04B, J08A, J08B, J08C, J10A, J10B, J10J, J16Z | | |
| 5c263.1↔ | 10 | K09A, K09B | 5c264.x↔ | 10 | K09A, K09B | 5c271↔ | 10 | K09A, K09B | | |
| | 21A | W04A, W04B | | 10 | K09A, K09B | | 21A | W04A, W04B | | |
| | 21B | X06A, X06B, X06C | | 21A | W04A, W04B | | 21B | X06A, X06B, X06C | | |
| | 22 | Y01Z, Y03A, Y03B | | 21B | X06A, X06B, X06C | | 21B | X06A, X06B, X06C | | |
| | | BOP, KVT, UOP4 | | 22 | Y01Z, Y03A, Y03B | | | BOP, KVT, UOP4 | | |
| 5c263.2↔ | 02 | C01A, C01B, C12J, C12Z, C16Z | 5c265.0↔ | 02 | C01A, C01B, C12J, C12Z, C16Z | 5c272↔ | 02 | C01A, C01B, C16Z, C20A, C20B, C20J, C20Q, C20R | | |
| | 08 | I17Z | | 08 | I17Z | | 09 | J03A, J03B, J04A, J04B, J08A, J08B, J08C, J10A, J10B, J10J, J16Z | | |
| | 09 | J03A, J03B, J04A, J04B, J08A, J08B, J08C, J10A, J10B, J10J, J16Z | | 09 | J03A, J03B, J04A, J04B, J08A, J08B, J08C, J10A, J10B, J10J, J16Z | | 10 | K09A, K09B | | |
| | 10 | K09A, K09B | | 10 | K09A, K09B | | 21A | W04A, W04B | | |
| | 21A | W04A, W04B | | 21A | W04A, W04B | | 21B | X06A, X06B, X06C | | |
| 5c263.x↔ | 21B | X06A, X06B, X06C | 5c265.1↔ | 21B | X06A, X06B, X06C | 5c273↔ | 02 | C01A, C01B, C16Z, C20A, C20B, C20J, C20Q, C20R | | |
| | 22 | Y01Z, Y03A, Y03B | | 22 | Y01Z, Y03A, Y03B | | 09 | J03A, J03B, J04A, J04B, J08A, J08B, J08C, J10A, J10B, J10J, J16Z | | |
| | | BOP, KVT, UOP4 | | 01 | B03Z, B07Z, B17A, B17B, B17C, B17J | | 02 | C01A, C01B, C16Z, C20A, C20B, C20J, C20Q, C20R | | |
| | 02 | C01A, C01B, C12J, C12Z, C16Z | | 02 | C01A, C01B, C16Z, C20A, C20B, C20J, C20Q, C20R | | 09 | J03A, J03B, J04A, J04B, J08A, J08B, J08C, J10A, J10B, J10J, J16Z | | |
| | 08 | I17Z | | 09 | J03A, J03B, J04A, J04B, J08A, J08B, J08C, J10A, J10B, J10J, J16Z | | 10 | K09A, K09B | | |
| 5c264.0↔ | 09 | J03A, J03B, J04A, J04B, J08A, J08B, J08C, J10A, J10B, J10J, J16Z | 5c266↔ | 01 | B03Z, B07Z, B17A, B17B, B17C, B17J | 5c274↔↔ | 09 | J11A, J11B, J11J, J11Q, J11R, J11S | | |
| | 10 | K09A, K09B | | 02 | C01A, C01B, C16Z, C20A, C20B, C20J, C20Q, C20R | | 5c27x↔↔ | 09 | J11A, J11B, J11J, J11Q, J11R, J11S | |
| | 21A | W04A, W04B | | 09 | J03A, J03B, J04A, J04B, J08A, J08B, J08C, J10A, J10B, J10J, J16Z | | | 5c280.0↔ | | BOP, KVT, UOP4 |
| | 21B | X06A, X06B, X06C | | 10 | K09A, K09B | | | | 01 | B03Z, B07Z, B17A, B17B, B17C, B17J |
| | 22 | Y01Z, Y03A, Y03B | | 21A | W04A, W04B | | | | 02 | C01A, C01B, C16Z, C20A, C20B, C20J, C20Q, C20R |
| | BOP, KJZSV, KVT, UOP4 | 21B | X06A, X06B, X06C | 09 | J03A, J03B, J04A, J04B, J08A, J08B, J08C, J10A, J10B, J10J, J16Z | | | | | |
| 5c264.1↔ | 02 | C01A, C01B, C12J, C12Z, C16Z | 5c266↔ | 22 | Y01Z, Y03A, Y03B | 5c280.0↔ | 09 | | J03A, J03B, J04A, J04B, J08A, J08B, J08C, J10A, J10B, J10J, J16Z | |
| | 08 | I17Z | | 02 | BOP, KVT, UOP4 | | 10 | K09A, K09B | | |
| | 09 | J03A, J03B, J04A, J04B, J08A, J08B, J08C, J10A, J10B, J10J, J16Z | | 02 | C01A, C01B, C14J, C14Q, C14R, C14S, C14Z, C16Z | | 21A | W04A, W04B | | |
| | 10 | K09A, K09B | | 09 | J03A, J03B, J04A, J04B, J08A, J08B, J08C, J11A, J11B, J11J, J11Q, J11R, J11S, J16Z | | 21B | X06A, X06B, X06C | | |
| | 21A | W04A, W04B | | 21A | W04A, W04B | | 22 | Y01Z, Y03A, Y03B | | |
| 5c264.2↔ | 21B | X06A, X06B, X06C | 5c266↔ | 21B | X06A, X06B, X06C | 5c280.0↔ | 22 | Y01Z, Y03A, Y03B | | |
| | 22 | Y01Z, Y03A, Y03B | | 22 | Y01Z, Y03A, Y03B | | | | | |
| | | BOP, KVT, UOP4 | | | | | | | | |
| | 02 | C01A, C01B, C12J, C12Z, C16Z | | | | | | | | |
| | 08 | I17Z | | | | | | | | |

VYK

| ZZV | MDC | DRG | ZZV | MDC | DRG | ZZV | MDC | DRG | | | |
|----------|----------|--|--|--|--|--|--|--|--|--|-----------------------|
| 5c280.1↔ | | BOP, KVT, UOP4 | 5c290↔ | 02 | BOP, KVT, UOP4 | 5c320↔ | 02 | BOP, KVT, UOP4 | | | |
| | 01 | B03Z, B07Z, B17A, B17B, B17C, B17J | | 02 | C01A, C01B, C14J, C14Q, C14R, C14S, C14Z, C16Z | | 02 | C01A, C01B, C10A, C10B, C10C, C10J, C10Q, C16Z | | | |
| | 02 | C01A, C01B, C16Z, C20A, C20B, C20J, C20Q, C20R | | 09 | J03A, J03B, J04A, J04B, J08A, J08B, J08C, J11A, J11B, J11J, J11Q, J11R, J11S, J16Z | | 10 | K09A, K09B | | | |
| | 09 | J03A, J03B, J04A, J04B, J08A, J08B, J08C, J10A, J10B, J10J, J16Z | | 21A | W04A, W04B | | 5c321↔ | 02 | BOP, KJZSV, KVT, UOP4 | | |
| | 10 | K09A, K09B | | 21B | X06A, X06B, X06C | | 02 | C01A, C01B, C10A, C10B, C10C, C10J, C10Q, C16Z | | | |
| | 21A | W04A, W04B | | 22 | Y01Z, Y03A, Y03B | | 10 | K09A, K09B | | | |
| | 21B | X06A, X06B, X06C | | 5c291†↔ | 02 | | C17J | 5c330↔ | 02 | BOP, KJZSV, KVT, UOP4 | |
| | 22 | Y01Z, Y03A, Y03B | | 5c292.1†↔ | 02 | | C17J | 02 | C01A, C01B, C10A, C10B, C10C, C10J, C10Q, C16Z | | |
| | 5c280.2↔ | | | BOP, KVT, UOP4 | 5c292.x†↔ | | 02 | C17J | 5c331↔ | 02 | BOP, KJZSV, KVT, UOP4 |
| | | 01 | | B03Z, B07Z, B17A, B17B, B17C, B17J | 5c29x↔ | | | BOP, KVT, UOP4 | 02 | C01A, C01B, C10A, C10B, C10C, C10J, C10Q, C16Z | |
| | | 02 | | C01A, C01B, C16Z, C20A, C20B, C20J, C20Q, C20R | 02 | | C01A, C01B, C14J, C14Q, C14R, C14S, C14Z, C16Z | 5c340↔ | 02 | BOP, KJZSV, KVT, UOP4 | |
| | | 09 | | J03A, J03B, J04A, J04B, J08A, J08B, J08C, J10A, J10B, J10J, J16Z | 09 | | J03A, J03B, J04A, J04B, J08A, J08B, J08C, J11A, J11B, J11J, J11Q, J11R, J11S, J16Z | 10 | K09A, K09B | | |
| 10 | | K09A, K09B | 21A | W04A, W04B | 5c341↔ | 02 | BOP, KJZSV, KVT, UOP4 | | | | |
| 21A | | W04A, W04B | 21B | X06A, X06B, X06C | 02 | C01A, C01B, C10A, C10B, C10C, C10J, C10Q, C16Z | | | | | |
| 21B | | X06A, X06B, X06C | 22 | Y01Z, Y03A, Y03B | 10 | K09A, K09B | | | | | |
| 22 | | Y01Z, Y03A, Y03B | 5c300↔ | | 5c342↔ | 02 | BOP, KJZSV, KVT, UOP4 | | | | |
| 5c280.3↔ | | | BOP, KVT, UOP4 | 02 | C01A, C01B, C10A, C10B, C10C, C10J, C10Q, C16Z | 02 | C01A, C01B, C10A, C10B, C10C, C10J, C10Q, C16Z | | | | |
| | | 01 | B03Z, B07Z, B17A, B17B, B17C, B17J | 10 | K09A, K09B | 5c343↔ | 02 | BOP, KJZSV, KVT, UOP4 | | | |
| | | 02 | C01A, C01B, C16Z, C20A, C20B, C20J, C20Q, C20R | 5c301↔ | | 02 | C01A, C01B, C10A, C10B, C10C, C10J, C10Q, C16Z | | | | |
| | | 09 | J03A, J03B, J04A, J04B, J08A, J08B, J08C, J10A, J10B, J10J, J16Z | 02 | C01A, C01B, C10A, C10B, C10C, C10J, C10Q, C16Z | 10 | K09A, K09B | | | | |
| | 10 | K09A, K09B | 10 | K09A, K09B | 5c34x↔ | 02 | BOP, KJZSV, KVT, UOP4 | | | | |
| | 21A | W04A, W04B | 5c302↔ | | 02 | C01A, C01B, C10A, C10B, C10C, C10J, C10Q, C16Z | | | | | |
| | 21B | X06A, X06B, X06C | 02 | C01A, C01B, C10A, C10B, C10C, C10J, C10Q, C16Z | 10 | K09A, K09B | | | | | |
| | 22 | Y01Z, Y03A, Y03B | 10 | K09A, K09B | 5c350↔ | 02 | BOP, KJZSV, KVT, UOP4 | | | | |
| | 5c280.x↔ | | BOP, KVT, UOP4 | 5c303↔ | | 02 | C01A, C01B, C10A, C10B, C10C, C10J, C10Q, C16Z | | | | |
| | | 01 | B03Z, B07Z, B17A, B17B, B17C, B17J | 02 | C01A, C01B, C10A, C10B, C10C, C10J, C10Q, C16Z | 10 | K09A, K09B | | | | |
| | | 02 | C01A, C01B, C16Z, C20A, C20J, C20Q, C20R | 10 | K09A, K09B | 5c351↔ | 02 | BOP, KJZSV, KVT, UOP4 | | | |
| | | 09 | J03A, J03B, J04A, J04B, J08A, J08B, J08C, J10A, J10B, J10J, J16Z | 5c30x↔ | | 02 | C01A, C01B, C10A, C10B, C10C, C10J, C10Q, C16Z | | | | |
| 10 | | K09A, K09B | 02 | C01A, C01B, C10A, C10B, C10C, C10J, C10Q, C16Z | 10 | K09A, K09B | | | | | |
| 21A | | W04A, W04B | 5c310↔ | | 5c352↔ | 02 | BOP, KJZSV, KVT, UOP4 | | | | |
| 21B | | X06A, X06B, X06C | 02 | C01A, C01B, C10A, C10B, C10C, C10J, C10Q, C16Z | 10 | K09A, K09B | | | | | |
| 22 | | Y01Z, Y03A, Y03B | 10 | K09A, K09B | 5c353↔ | 02 | BOP, KJZSV, KVT, UOP4 | | | | |
| 5c281↔ | | | BOP, KVT, UOP4 | 5c311↔ | | 02 | C01A, C01B, C10A, C10B, C10C, C10J, C10Q, C16Z | | | | |
| | | 02 | C01A, C01B, C16Z, C20A, C20J, C20Q, C20R | 02 | C01A, C01B, C10A, C10B, C10C, C10J, C10Q, C16Z | 10 | K09A, K09B | | | | |
| | | 09 | J03A, J03B, J04A, J04B, J08A, J08B, J08C, J10A, J10B, J10J, J16Z | 10 | K09A, K09B | 5c354↔ | 02 | BOP, KJZSV, KVT, UOP4 | | | |
| | | 10 | K09A, K09B | 5c312↔ | | 02 | C01A, C01B, C10A, C10B, C10C, C10J, C10Q, C16Z | | | | |
| | 21A | W04A, W04B | 02 | C01A, C01B, C10A, C10B, C10C, C10J, C10Q, C16Z | 10 | K09A, K09B | | | | | |
| | 21B | X06A, X06B, X06C | 10 | K09A, K09B | 5c35x↔ | 02 | BOP, KJZSV, KVT, UOP4 | | | | |
| | 22 | Y01Z, Y03A, Y03B | 5c313↔ | | 02 | C01A, C01B, C10A, C10B, C10C, C10J, C10Q, C16Z | | | | | |
| | 5c28x↔ | | BOP, KVT, UOP4 | 10 | K09A, K09B | 5c360↔ | 02 | BOP, KJZSV, KVT, UOP4 | | | |
| | | 02 | C01A, C01B, C16Z, C20A, C20B, C20J, C20Q, C20R | 5c314↔ | | 02 | C01A, C01B, C10A, C10B, C10C, C10J, C10Q, C16Z | | | | |
| | | 09 | J03A, J03B, J04A, J04B, J08A, J08B, J08C, J10A, J10B, J10J, J16Z | 02 | C01A, C01B, C10A, C10B, C10C, C10J, C10Q, C16Z | 5c361↔ | 02 | BOP, KJZSV, KVT, UOP4 | | | |
| | | 10 | K09A, K09B | 10 | K09A, K09B | 02 | C01A, C01B, C10A, C10B, C10C, C10J, C10Q, C16Z | | | | |
| | | 21A | W04A, W04B | 5c31x↔ | | 5c370.1↔ | 02 | BOP, KJZSV, KVT, UOP4 | | | |
| 21B | | X06A, X06B, X06C | 02 | C01A, C01B, C10A, C10B, C10C, C10J, C10Q, C16Z | 10 | K09A, K09B | | | | | |
| 22 | | Y01Z, Y03A, Y03B | 10 | K09A, K09B | | | | | | | |

VYK

| ZZV | MDC | DRG | ZZV | MDC | DRG | ZZV | MDC | DRG | |
|----------|-----|--|----------|----------|--|-----------------------|-----|--|--|
| 5c370.2↔ | | BOP, KJZSV, KVT, UOP4 | 5c39a↔ | | BOP, KJZSV, KVT, UOP4 | 5c411↔ | | BOP, KVT, UOP4 | |
| | 02 | C01A, C01B, C10A, C10B, C10C, C10J, C10Q, C16Z | | 02 | C01A, C01B, C02A, C02B, C10A, C16Z | | 02 | C01A, C01B, C14J, C14Q, C14R, C14S, C14Z, C16Z | |
| | 10 | K09A, K09B | | 08 | I17Z | | 21A | W04A, W04B | |
| 5c371.1↔ | | BOP, KJZSV, KVT, UOP4 | | 21A | W04A, W04B | | 21B | X06A, X06B, X06C | |
| | 02 | C01A, C01B, C10A, C10B, C10C, C10J, C10Q, C16Z | 5c39b↔ | | BOP, KJZSV, KVT, UOP4 | 5c412↔ | | BOP, KVT, UOP4 | |
| | 10 | K09A, K09B | | 02 | C01A, C01B, C10A, C10B, C10C, C10J, C10Q, C16Z | | 02 | C01A, C01B, C16Z, C20A, C20B, C20J, C20Q, C20R | |
| 5c371.2↔ | | BOP, KJZSV, KVT, UOP4 | | 21A | W04A, W04B | | 21A | W04A, W04B | |
| | 02 | C01A, C01B, C10A, C10J, C10Q, C16Z | | 21B | X06A, X06B, X06C | 5c413↔ | | BOP, KVT, UOP4 | |
| | 10 | K09A, K09B | 5c39c↔ | | BOP, KJZSV, KVT, UOP4 | | 02 | C01A, C01B, C14J, C14Q, C14R, C14S, C14Z, C16Z | |
| 5c372.1↔ | | BOP, KJZSV, KVT, UOP4 | | 02 | C01A, C01B, C10A, C10B, C10C, C10J, C10Q, C16Z | 5c414↔ | | BOP, KVT, UOP4 | |
| | 02 | C01A, C01B, C10A, C10J, C10Q, C16Z | | 21A | W04A, W04B | | 02 | C01A, C01B, C14J, C14Q, C14R, C14S, C14Z, C16Z | |
| | 10 | K09A, K09B | 5c39d↔ | | BOP, KJZSV, KVT, UOP4 | | 21A | W04A, W04B | |
| 5c372.2↔ | | BOP, KJZSV, KVT, UOP4 | | 02 | C01A, C01B, C02A, C02B, C10A, C16Z | | 21B | X06A, X06B, X06C | |
| | 02 | C01A, C01B, C10A, C10B, C10C, C10J, C10Q, C16Z | | 08 | I17Z | 5c41x↔ | | BOP, KVT, UOP4 | |
| | 10 | K09A, K09B | | 21A | W04A, W04B | | 02 | C01A, C01B, C14J, C14Q, C14R, C14S, C14Z, C16Z | |
| 5c372.3↔ | | BOP, KJZSV, KVT, UOP4 | | 21B | X06A, X06B, X06C | 5c420.0↔ | | BOP, KVT, UOP4 | |
| | 02 | C01A, C01B, C10A, C10B, C10C, C10J, C10Q, C16Z | 5c39x.0↔ | | BOP, KJZSV, KVT, UOP4 | | 02 | C01A, C01B, C16Z, C20A, C20B, C20J, C20Q, C20R | |
| | 10 | K09A, K09B | | 02 | C01A, C01B, C10A, C10B, C10C, C10J, C10Q, C16Z | | 21A | W04A, W04B | |
| 5c372.4↔ | | BOP, KJZSV, KVT, UOP4 | | 5c39x.1↔ | | BOP, KJZSV, KVT, UOP4 | | 21B | X06A, X06B, X06C |
| | 02 | C01A, C01B, C10A, C10B, C10C, C10J, C10Q, C16Z | | 02 | C01A, C01B, C10A, C10B, C10C, C10J, C10Q, C16Z | 5c420.1↔ | | BOP, KVT, UOP4 | |
| | 10 | K09A, K09B | | 5c39x.x↔ | | BOP, KJZSV, KVT, UOP4 | | 02 | C01A, C01B, C16Z, C20A, C20B, C20J, C20Q, C20R |
| 5c372.5↔ | | BOP, KJZSV, KVT, UOP4 | | 02 | C01A, C01B, C10A, C10B, C10C, C10J, C10Q, C16Z | | 21A | W04A, W04B | |
| | 02 | C01A, C01B, C10A, C10J, C10Q, C16Z | | 10 | K09A, K09B | 5c420.2↔ | | 21B | X06A, X06B, X06C |
| | 10 | K09A, K09B | 5c400↔ | | BOP, UOP4 | | 02 | BOP, KVT, UOP4 | |
| 5c378↔ | | BOP, KJZSV, KVT, UOP4 | | 02 | C20A, C20B, C20J, C20Q, C20R | | 02 | C01A, C01B, C14J, C14Q, C14R, C14S, C14Z, C16Z | |
| | 02 | C01A, C01B, C10A, C10J, C10Q, C16Z | | 21A | W04A, W04B | | 21A | W04A, W04B | |
| | 10 | K09A, K09B | | 21B | X06A, X06B, X06C | 5c420.x↔ | | 21B | X06A, X06B, X06C |
| 5c379↔ | | BOP, KJZSV, KVT, UOP4 | 5c401↔ | | BOP, UOP4 | | 02 | BOP, KVT, UOP4 | |
| | 02 | C01A, C01B, C10A, C10J, C10Q, C16Z | | 02 | C20A, C20B, C20J, C20Q, C20R | | 02 | C01A, C01B, C14J, C14Q, C14R, C14S, C14Z, C16Z | |
| | 10 | K09A, K09B | | 21A | W04A, W04B | | 21A | W04A, W04B | |
| 5c37x↔ | | BOP, KJZSV, KVT, UOP4 | | 21B | X06A, X06B, X06C | | 21B | X06A, X06B, X06C | |
| | 02 | C01A, C01B, C10A, C10B, C10C, C10J, C10Q, C16Z | 5c40x↔ | | BOP, UOP4 | 5c421↔ | | BOP, KVT, UOP4 | |
| | 10 | K09A, K09B | | 02 | C20A, C20B, C20J, C20Q, C20R | | 02 | C01A, C01B, C16Z, C20A, C20B, C20J, C20Q, C20R | |
| 5c390↔ | | BOP, KVT, UOP4 | | 21A | W04A, W04B | | 21A | W04A, W04B | |
| | 02 | C01A, C01B, C02A, C02B, C10A, C10B, C10C, C10J, C10Q, C16Z | | 21B | X06A, X06B, X06C | 5c422↔ | | 21B | X06A, X06B, X06C |
| | 08 | I17Z | 5c410.0↔ | | BOP, KVT, UOP4 | | 02 | BOP, KVT, UOP4 | |
| | 21A | W04A, W04B | | 02 | C01A, C01B, C14J, C14Q, C14R, C14S, C14Z, C16Z | | 02 | C01A, C01B, C16Z, C20A, C20B, C20J, C20Q, C20R | |
| | 21B | X06A, X06B, X06C | | 21A | W04A, W04B | | 21A | W04A, W04B | |
| 5c391↔ | | BOP, KVT, UOP4 | | 21B | X06A, X06B, X06C | 5c423↔ | | 21B | X06A, X06B, X06C |
| | 02 | C01A, C01B, C10A, C10B, C10C, C10J, C10Q, C16Z | 5c410.1↔ | | BOP, KVT, UOP4 | | 02 | BOP, KVT, UOP4 | |
| | 21A | W04A, W04B | | 02 | C01A, C01B, C14J, C14Q, C14R, C14S, C14Z, C16Z | | 02 | C01A, C01B, C16Z, C20A, C20B, C20J, C20Q, C20R | |
| | 21B | X06A, X06B, X06C | | 21A | W04A, W04B | | 21A | W04A, W04B | |
| 5c392↔ | | BOP, KVT, UOP4 | | 21B | X06A, X06B, X06C | 5c42x↔ | | 21B | X06A, X06B, X06C |
| | 02 | C01A, C01B, C10A, C10B, C10C, C10J, C10Q, C16Z | 5c410.2↔ | | BOP, KVT, UOP4 | | 02 | BOP, KVT, UOP4 | |
| | 21A | W04A, W04B | | 02 | C01A, C01B, C14J, C14Q, C14R, C14S, C14Z, C16Z | | 02 | C01A, C01B, C14J, C14Q, C14R, C14S, C14Z, C16Z | |
| | 21B | X06A, X06B, X06C | | 21A | W04A, W04B | | 21A | W04A, W04B | |
| 5c393↔ | | BOP, KJZSV, KVT, UOP4 | | 21B | X06A, X06B, X06C | 5c430↔ | | 21B | X06A, X06B, X06C |
| | 02 | C01A, C01B, C02A, C02B, C10A, C16Z | 5c410.x↔ | | BOP, KVT, UOP4 | | 02 | BOP, KVT, UOP4 | |
| | 08 | I17Z | | 02 | C01A, C01B, C14J, C14Q, C14R, C14S, C14Z, C16Z | | 02 | C01A, C01B, C14J, C14Q, C14R, C14S, C14Z, C16Z | |
| | 21A | W04A, W04B | | 21A | W04A, W04B | 5c431↔ | | 02 | BOP, KVT, UOP4 |
| | 21B | X06A, X06B, X06C | | 21B | X06A, X06B, X06C | | 02 | C01A, C01B, C16Z, C20A, C20J, C20Q, C20R | |
| 5c394↔ | | BOP, KVT, UOP4 | | | | | 21A | W04A, W04B | |
| | 02 | C01A, C01B, C10A, C10B, C10C, C10J, C10Q, C16Z | | | | | 21B | X06A, X06B, X06C | |

VYK

| ZZV | MDC | DRG | ZZV | MDC | DRG | ZZV | MDC | DRG |
|---------|-----|--|----------|--------|--|----------|-----|--|
| 5c43x↔ | | BOP, KVT, UOP4 | 5c524↔ | | BOP, KVT, UOP4 | 5c541.1↔ | | BOP, KJZSV, KVT, UOP4 |
| | 02 | C01A, C01B, C14J, C14Q, C14R, C14S, C14Z, C16Z | | 02 | C01A, C01B, C16Z, C20A, C20B, C20J, C20Q, C20R | | 02 | C01A, C01B, C04A, C04B, C04J, C16Z |
| 5c490↔ | | BOP, KVT, UOP4 | 5c52x↔ | | BOP, KVT, UOP4 | | 21A | W04A, W04B |
| | 02 | C01A, C01B, C14J, C14Q, C14R, C14S, C14Z, C16Z | | 02 | C01A, C01B, C16Z, C20A, C20B, C20J, C20Q, C20R | | 21B | X06A, X06B, X06C |
| 5c491↔ | | BOP, KVT, UOP4 | 5c530.0↔ | | BOP, KVT, UOP4 | 5c543↔ | | BOP, KVT, UOP4 |
| | 02 | C01A, C01B, C14J, C14Q, C14R, C14S, C14Z, C16Z | | 02 | C01A, C01B, C14J, C14Q, C14R, C14S, C14Z, C16Z | | 02 | C01A, C01B, C04A, C04B, C04J, C16Z |
| | 21A | W04A, W04B | | 21A | W04A, W04B | | 21A | W04A, W04B |
| | 21B | X06A, X06B, X06C | | 21B | X06A, X06B, X06C | | 21B | X06A, X06B, X06C |
| 5c492±↔ | | C17J | 5c530.1↔ | | BOP, KVT, UOP4 | 5c544↔ | | BOP, KVT, UOP4 |
| 5c49x±↔ | | C17J | | 02 | C01A, C01B, C16Z, C20A, C20B, C20J, C20Q, C20R | | 02 | C01A, C01B, C16Z, C20A, C20B, C20J, C20Q, C20R |
| 5c500↔ | | BOP, KJZSV, UOP4 | | 21A | W04A, W04B | | 21A | W04A, W04B |
| | 02 | C14J, C14Q, C14R, C14S, C14Z | | 21B | X06A, X06B, X06C | | 21B | X06A, X06B, X06C |
| | 21A | W04A, W04B | 5c530.2↔ | | BOP, KVT, UOP4 | 5c54x↔ | | BOP, KVT, UOP4 |
| | 21B | X06A, X06B, X06C | | 02 | C01A, C01B, C14J, C14Q, C14R, C14S, C14Z, C16Z | | 02 | C01A, C01B, C16Z, C20A, C20B, C20J, C20Q, C20R |
| 5c501↔ | | BOP, UOP4 | | 21A | W04A, W04B | | 21A | W04A, W04B |
| | 02 | C14J, C14Q, C14R, C14S, C14Z | | 21B | X06A, X06B, X06C | | 21B | X06A, X06B, X06C |
| | 21A | W04A, W04B | 5c530.x↔ | | BOP, KVT, UOP4 | 5c550.0↔ | | BOP, KVT, UOP4 |
| | 21B | X06A, X06B, X06C | | 02 | C01A, C01B, C14J, C14Q, C14R, C14S, C14Z, C16Z | | 02 | C01A, C01B, C16Z, C20A, C20B, C20J, C20Q, C20R |
| 5c502↔ | | BOP, UOP4 | | 21A | W04A, W04B | | 21A | W04A, W04B |
| | 02 | C14J, C14Q, C14R, C14S, C14Z | | 21B | X06A, X06B, X06C | | 21B | X06A, X06B, X06C |
| | 21A | W04A, W04B | 5c532.0↔ | | BOP, KVT, UOP4 | 5c550.1↔ | | BOP, KVT, UOP4 |
| | 21B | X06A, X06B, X06C | | 02 | C01A, C01B, C16Z, C20A, C20B, C20J, C20Q, C20R | | 02 | C01A, C01B, C16Z, C20A, C20B, C20J, C20Q, C20R |
| 5c503↔ | | BOP, UOP4 | | 21A | W04A, W04B | | 21A | W04A, W04B |
| | 02 | C14J, C14Q, C14R, C14S, C14Z | | 21B | X06A, X06B, X06C | | 21B | X06A, X06B, X06C |
| | 21A | W04A, W04B | 5c532.1↔ | | BOP, KVT, UOP4 | 5c550.x↔ | | BOP, KVT, UOP4 |
| | 21B | X06A, X06B, X06C | | 02 | C01A, C01B, C16Z, C20A, C20B, C20J, C20Q, C20R | | 02 | C01A, C01B, C16Z, C20A, C20B, C20J, C20Q, C20R |
| 5c50x↔ | | BOP, UOP4 | | 21A | W04A, W04B | | 21A | W04A, W04B |
| | 02 | C14J, C14Q, C14R, C14S, C14Z | | 21B | X06A, X06B, X06C | | 21B | X06A, X06B, X06C |
| | 21A | W04A, W04B | 5c532.x↔ | | BOP, KVT, UOP4 | 5c551↔ | | BOP, KVT, UOP4 |
| | 21B | X06A, X06B, X06C | | 02 | C01A, C01B, C16Z, C20A, C20B, C20J, C20Q, C20R | | 02 | C01A, C01B, C16Z, C20A, C20B, C20J, C20Q, C20R |
| 5c510↔ | | BOP, UOP4 | | 21A | W04A, W04B | | 21A | W04A, W04B |
| | 02 | C14J, C14Q, C14R, C14S, C14Z | | 21B | X06A, X06B, X06C | | 21B | X06A, X06B, X06C |
| | 21A | W04A, W04B | 5c533↔ | | BOP, KVT, UOP4 | 5c552↔ | | BOP, KVT, UOP4 |
| | 21B | X06A, X06B, X06C | | 02 | C01A, C01B, C16Z, C20A, C20B, C20J, C20Q, C20R | | 02 | C01A, C01B, C16Z, C20A, C20B, C20J, C20Q, C20R |
| 5c511↔ | | BOP, UOP4 | | 21A | W04A, W04B | | 21A | W04A, W04B |
| | 02 | C14J, C14Q, C14R, C14S, C14Z | | 21B | X06A, X06B, X06C | | 21B | X06A, X06B, X06C |
| | 21A | W04A, W04B | 5c534±↔ | | C14J, C14Q, C14R, C14S, C14Z | 5c553↔ | | BOP, KVT, UOP4 |
| | 21B | X06A, X06B, X06C | | 23 | Z04Z | | 02 | C01A, C01B, C16Z, C20A, C20B, C20J, C20Q, C20R |
| 5c51x↔ | | BOP, UOP4 | | 5c535↔ | BOP, KVT, UOP4 | | 21A | W04A, W04B |
| | 02 | C14J, C14Q, C14R, C14S, C14Z | | 02 | C01A, C01B, C14J, C14Q, C14R, C14S, C14Z, C16Z | | 21B | X06A, X06B, X06C |
| | 21A | W04A, W04B | | 21A | W04A, W04B | 5c554↔ | | BOP, KVT, UOP4 |
| | 21B | X06A, X06B, X06C | | 21B | X06A, X06B, X06C | | 02 | C01A, C01B, C16Z, C20A, C20B, C20J, C20Q, C20R |
| 5c520↔ | | BOP, KVT, UOP4 | 5c53x↔ | | BOP, KVT, UOP4 | | 21A | W04A, W04B |
| | 02 | C01A, C01B, C16Z, C20A, C20B, C20J, C20Q, C20R | | 02 | C01A, C01B, C14J, C14Q, C14R, C14S, C14Z, C16Z | | 21B | X06A, X06B, X06C |
| 5c521↔ | | BOP, KVT, UOP4 | | 21A | W04A, W04B | 5c555↔ | | BOP, KVT, UOP4 |
| | 02 | C01A, C01B, C16Z, C20A, C20B, C20J, C20Q, C20R | | 21B | X06A, X06B, X06C | | 02 | C01A, C01B, C16Z, C20A, C20B, C20J, C20Q, C20R |
| | 21A | W04A, W04B | 5c540↔ | | BOP, KVT, UOP4 | | 21A | W04A, W04B |
| | 21B | X06A, X06B, X06C | | 02 | C01A, C01B, C04A, C04B, C04J, C16Z | | 21B | X06A, X06B, X06C |
| 5c522↔ | | BOP, KVT, UOP4 | | 21A | W04A, W04B | 5c556↔ | | BOP, KVT, UOP4 |
| | 02 | C01A, C01B, C16Z, C20A, C20B, C20J, C20Q, C20R | | 21B | X06A, X06B, X06C | | 02 | C01A, C01B, C16Z, C20A, C20B, C20J, C20Q, C20R |
| | 21A | W04A, W04B | 5c541.0↔ | | BOP, KVT, UOP4 | | 21A | W04A, W04B |
| | 21B | X06A, X06B, X06C | | 02 | C01A, C01B, C04A, C04B, C04J, C16Z | | 21B | X06A, X06B, X06C |
| 5c523↔ | | BOP, KVT, UOP4 | | 21A | W04A, W04B | 5c557↔ | | BOP, KVT, UOP4 |
| | 02 | C01A, C01B, C16Z, C20A, C20B, C20J, C20Q, C20R | | 21B | X06A, X06B, X06C | | 02 | C01A, C01B, C16Z, C20A, C20B, C20J, C20Q, C20R |
| | | | | | | | 21A | W04A, W04B |
| | | | | | | | 21B | X06A, X06B, X06C |

VYK

| ZZV | MDC | DRG | ZZV | MDC | DRG | ZZV | MDC | DRG |
|----------|-----|--|----------|----------|------------------------------------|----------|-----|------------------------------------|
| 5c55x↔ | | BOP, KVT, UOP4 | 5c610.x↔ | | BOP, KJZSV, KVT, UOP4 | 5c617.4↔ | | BOP, KJZSV, KVT, UOP4 |
| | 02 | C01A, C01B, C16Z, C20A, C20B, C20J, C20Q, C20R | | 02 | C01A, C01B, C06J, C06Z, C16Z | | 02 | C01A, C01B, C06J, C06Z, C16Z |
| | 21A | W04A, W04B | | 10 | K09A, K09B | | 21A | W04A, W04B |
| | 21B | X06A, X06B, X06C | | 21A | W04A, W04B | | 21B | X06A, X06B, X06C |
| 5c590↔ | | BOP, KVT, UOP4 | 5c611↔ | | BOP, KJZSV, KVT, UOP4 | 5c61x↔ | | BOP, KJZSV, KVT, UOP4 |
| | 02 | C01A, C01B, C16Z, C20A, C20J, C20Q, C20R | | 02 | C01A, C01B, C06J, C06Z, C16Z | | 02 | C01A, C01B, C06J, C06Z, C16Z |
| | 21A | W04A, W04B | | 21A | W04A, W04B | | 21A | W04A, W04B |
| | 21B | X06A, X06B, X06C | | 21B | X06A, X06B, X06C | | 21B | X06A, X06B, X06C |
| 5c591↔ | | BOP, KVT, UOP4 | 5c612↔ | | BOP, KJZSV, KVT, UOP4 | 5c620↔ | | BOP, KVT, UOP4 |
| | 02 | C01A, C01B, C16Z, C20A, C20J, C20Q, C20R | | 02 | C01A, C01B, C06J, C06Z, C16Z | | 02 | C01A, C01B, C07A, C07B, C07J, C16Z |
| | 21A | W04A, W04B | | 21A | W04A, W04B | | 10 | K09A, K09B |
| | 21B | X06A, X06B, X06C | | 21A | W04A, W04B | | | BOP, KVT, UOP4 |
| 5c592↔ | | BOP, KVT, UOP4 | 5c613↔ | | BOP, KJZSV, KVT, UOP4 | 5c621↔ | | C01A, C01B, C07A, C07B, C07J, C16Z |
| | 02 | C01A, C01B, C16Z, C20A, C20B, C20J, C20Q, C20R | | 02 | C01A, C01B, C07A, C07B, C07J, C16Z | | 10 | K09A, K09B |
| | 21A | W04A, W04B | | 21A | W04A, W04B | | | BOP, KVT, UOP4 |
| | 21B | X06A, X06B, X06C | | 21B | X06A, X06B, X06C | | 02 | C01A, C01B, C07A, C07B, C07J, C16Z |
| 5c593↔ | | BOP, KVT, UOP4 | 5c614.0↔ | | BOP, KJZSV, KVT, UOP4 | 5c622↔ | | BOP, KVT, UOP4 |
| | 02 | C01A, C01B, C04A, C16Z, C20A, C20B, C20J, C20Q, C20R | | 02 | C01A, C01B, C07A, C07B, C07J, C16Z | | 02 | C01A, C01B, C07A, C07B, C07J, C16Z |
| | 21A | W04A, W04B | | 21A | W04A, W04B | | 10 | K09A, K09B |
| | 21B | X06A, X06B, X06C | | 21A | W04A, W04B | | | BOP, KVT, UOP4 |
| 5c594↔ | | BOP, KJZSV, KVT, UOP4 | 5c614.1↔ | | BOP, KJZSV, KVT, UOP4 | 5c62x↔ | | BOP, KVT, UOP4 |
| | 02 | C01A, C01B, C16Z, C20A, C20B, C20J, C20Q, C20R | | 02 | C01A, C01B, C07A, C07B, C07J, C16Z | | 02 | C01A, C01B, C07A, C07B, C07J, C16Z |
| | 21A | W04A, W04B | | 21A | W04A, W04B | | 10 | K09A, K09B |
| | 21B | X06A, X06B, X06C | | 21B | X06A, X06B, X06C | | | BOP, KVT, UOP4 |
| 5c595↔ | | BOP, KVT, UOP4 | 5c614.2↔ | | BOP, KJZSV, KVT, UOP4 | 5c630↔ | | BOP, KVT, UOP4 |
| | 02 | C01A, C01B, C16Z, C20A, C20B, C20J, C20Q, C20R | | 02 | C01A, C01B, C07A, C07B, C07J, C16Z | | 02 | C01A, C01B, C07A, C07B, C07J, C16Z |
| | 21A | W04A, W04B | | 21A | W04A, W04B | | 21A | W04A, W04B |
| | 21B | X06A, X06B, X06C | | 21B | X06A, X06B, X06C | | 21B | X06A, X06B, X06C |
| 5c596↔ | | BOP, KVT, UOP4 | 5c614.x↔ | | BOP, KJZSV, KVT, UOP4 | 5c631↔ | | BOP, KJZSV, KVT, UOP4 |
| | 02 | C01A, C01B, C14J, C14Q, C14R, C14S, C14Z, C16Z | | 02 | C01A, C01B, C07A, C07B, C07J, C16Z | | 02 | C01A, C01B, C06J, C06Z, C16Z |
| | 21A | W04A, W04B | | 21A | W04A, W04B | | 10 | K09A, K09B |
| | 21B | X06A, X06B, X06C | | 21B | X06A, X06B, X06C | | 21A | W04A, W04B |
| 5c600↔ | | BOP, KJZSV, UOP4 | 5c615↔ | | BOP, KVT, UOP4 | 5c632↔ | | BOP, KJZSV, KVT, UOP4 |
| | 02 | C20A, C20B, C20J, C20Q, C20R | | 02 | C01A, C01B, C07A, C07B, C07J, C16Z | | 02 | C01A, C01B, C06J, C06Z, C16Z |
| | 21A | W04A, W04B | | 21A | W04A, W04B | | 10 | K09A, K09B |
| | 21B | X06A, X06B, X06C | | 21B | X06A, X06B, X06C | | 21A | W04A, W04B |
| 5c601↔ | | BOP, KJZSV, UOP4 | 5c616↔ | | BOP, KVT, UOP4 | 5c633↔ | | BOP, KVT, UOP4 |
| | 02 | C20A, C20B, C20J, C20Q, C20R | | 02 | C01A, C01B, C06J, C06Z, C16Z | | 02 | C01A, C01B, C07A, C07B, C07J, C16Z |
| | 21A | W04A, W04B | | 21A | W04A, W04B | | 21A | W04A, W04B |
| | 21B | X06A, X06B, X06C | | 21B | X06A, X06B, X06C | | 21B | X06A, X06B, X06C |
| 5c60x↔ | | BOP, KJZSV, UOP4 | 5c617.1↔ | | BOP, KJZSV, KVT, UOP4 | 5c634↔ | | BOP, KVT, UOP4 |
| | 02 | C20A, C20B, C20J, C20Q, C20R | | 02 | C01A, C01B, C06J, C06Z, C16Z | | 02 | C01A, C01B, C07A, C07B, C07J, C16Z |
| | 21A | W04A, W04B | | 21A | W04A, W04B | | 21A | W04A, W04B |
| | 21B | X06A, X06B, X06C | | 21B | X06A, X06B, X06C | | 21B | X06A, X06B, X06C |
| 5c610.0↔ | | BOP, KJZSV, KVT, UOP4 | 5c617.2↔ | | BOP, KJZSV, KVT, UOP4 | 5c635↔ | | BOP, KVT, UOP4 |
| | 02 | C01A, C01B, C06J, C06Z, C16Z | | 02 | C01A, C01B, C06J, C06Z, C16Z | | 02 | C01A, C01B, C07A, C07B, C07J, C16Z |
| | 10 | K09A, K09B | | 21A | W04A, W04B | | 10 | K09A, K09B |
| | 21A | W04A, W04B | | 21B | X06A, X06B, X06C | | | BOP, KVT, UOP4 |
| | 21B | X06A, X06B, X06C | | 5c617.3↔ | BOP, KVT, UOP4 | | 02 | C01A, C01B, C07A, C07B, C07J, C16Z |
| 5c610.1↔ | | BOP, KJZSV, KVT, UOP4 | | 02 | C01A, C01B, C06J, C06Z, C16Z | | 10 | K09A, K09B |
| | 02 | C01A, C01B, C06J, C06Z, C16Z | | 21A | W04A, W04B | | | BOP, KVT, UOP4 |
| | 10 | K09A, K09B | | 21B | X06A, X06B, X06C | | 02 | C01A, C01B, C07A, C07B, C07J, C16Z |
| | 21A | W04A, W04B | | | | | 10 | K09A, K09B |
| | 21B | X06A, X06B, X06C | | | | | | BOP, KVT, UOP4 |

| ZZV | MDC | DRG | ZZV | MDC | DRG | ZZV | MDC | DRG |
|--------|-----|--|----------|-----|--|----------|-----|--|
| 5c640↔ | | BOP, KVT, UOP4 | 5c66x↔ | | BOP, KVT, UOP4 | 5c681.x↔ | | BOP, KVT, UOP4 |
| | 02 | C01A, C01B, C06J, C06Z, C16Z | | 02 | C01A, C01B, C07A, C07B, C07J, C16Z | | 02 | C01A, C01B, C16Z, C20A, C20J, C20Q, C20R |
| | 10 | K09A, K09B | | 21A | W04A, W04B | | 21A | W04A, W04B |
| 5c641↔ | | BOP, KJZSV, KVT, UOP4 | | 21B | X06A, X06B, X06C | | 21B | X06A, X06B, X06C |
| | 02 | C01A, C01B, C06J, C06Z, C16Z | 5c671↔ | | BOP, KVT, UOP4 | 5c682.1↔ | | BOP, KVT, UOP4 |
| | 10 | K09A, K09B | | 02 | C01A, C01B, C07A, C07B, C07J, C16Z | | 02 | C01A, C01B, C16Z, C20A, C20B, C20J, C20Q, C20R |
| 5c64x↔ | | BOP, KVT, UOP4 | | 21A | W04A, W04B | | 21A | W04A, W04B |
| | 02 | C01A, C01B, C07A, C07B, C07J, C16Z | 5c672↔ | | BOP, KVT, UOP4 | 5c682.2↔ | | BOP, KVT, UOP4 |
| | 10 | K09A, K09B | | 02 | C01A, C01B, C07A, C07B, C07J, C16Z | | 02 | C01A, C01B, C16Z, C20A, C20B, C20J, C20Q, C20R |
| 5c650↔ | | BOP, KVT, UOP4 | | 21A | W04A, W04B | | 21A | W04A, W04B |
| | 02 | C14J, C14Q, C14R, C14S, C14Z | | 21B | X06A, X06B, X06C | | 21B | X06A, X06B, X06C |
| | 21A | W04A, W04B | 5c673↔ | | BOP, KVT, UOP4 | 5c68x↔ | | BOP, KVT, UOP4 |
| | 21B | X06A, X06B, X06C | | 02 | C01A, C01B, C07A, C07B, C07J, C16Z | | 02 | C01A, C01B, C16Z, C20A, C20B, C20J, C20Q, C20R |
| 5c651↔ | | BOP, KJZSV, KVT, UOP4 | | 21A | W04A, W04B | | 21A | W04A, W04B |
| | 02 | C01A, C01B, C15J, C15Q, C15Z, C16Z | | 21B | X06A, X06B, X06C | | 21B | X06A, X06B, X06C |
| | 21A | W04A, W04B | 5c674↔ | | BOP, KVT, UOP4 | 5c690↔ | | BOP, KVT, UOP4 |
| | 21B | X06A, X06B, X06C | | 02 | C01A, C01B, C16Z, C20A, C20J, C20Q, C20R | | 02 | C14J, C14Q, C14R, C14S, C14Z |
| 5c652↔ | | BOP, KVT, UOP4 | | 21A | W04A, W04B | | 21A | W04A, W04B |
| | 02 | C01A, C01B, C16Z, C20A, C20B, C20J, C20Q, C20R | | 21B | X06A, X06B, X06C | | 21B | X06A, X06B, X06C |
| | 21A | W04A, W04B | 5c675↔ | | BOP, KVT, UOP4 | 5c691.0↔ | | BOP, KVT, UOP4 |
| | 21B | X06A, X06B, X06C | | 02 | C14J, C14Q, C14R, C14S, C14Z | | 02 | C14J, C14Q, C14R, C14S, C14Z |
| 5c654↔ | | BOP, KJZSV, KVT, UOP4 | | 21A | W04A, W04B | | 21A | W04A, W04B |
| | 02 | C01A, C01B, C15J, C15Q, C15Z, C16Z | | 21B | X06A, X06B, X06C | | 21B | X06A, X06B, X06C |
| | 21A | W04A, W04B | 5c676↔ | | BOP, KVT, UOP4 | 5c691.1↔ | | BOP, KVT, UOP4 |
| | 21B | X06A, X06B, X06C | | 02 | C14J, C14Q, C14R, C14S, C14Z | | 02 | C01A, C01B, C15J, C15Q, C15Z, C16Z |
| 5c655↔ | | BOP, KJZSV, KVT, UOP4 | | 21A | W04A, W04B | | 21A | W04A, W04B |
| | 02 | C01A, C01B, C16Z, C20A, C20B, C20J, C20Q, C20R | | 21B | X06A, X06B, X06C | | 21B | X06A, X06B, X06C |
| | 21A | W04A, W04B | 5c677↔ | | BOP, KVT, UOP4 | 5c691.2↔ | | BOP, KVT, UOP4 |
| | 21B | X06A, X06B, X06C | | 02 | C14J, C14Q, C14R, C14S, C14Z | | 02 | C14J, C14Q, C14R, C14S, C14Z |
| 5c65x↔ | | BOP, KJZSV, KVT, UOP4 | | 21A | W04A, W04B | | 21A | W04A, W04B |
| | 02 | C01A, C01B, C16Z, C20A, C20J, C20Q, C20R | | 21B | X06A, X06B, X06C | | 21B | X06A, X06B, X06C |
| | 21A | W04A, W04B | 5c67x↔ | | BOP, KVT, UOP4 | 5c691.3↔ | | BOP, KVT, UOP4 |
| | 21B | X06A, X06B, X06C | | 02 | C14J, C14Q, C14R, C14S, C14Z | | 02 | C14J, C14Q, C14R, C14S, C14Z |
| 5c660↔ | | BOP, KVT, UOP4 | | 21A | W04A, W04B | | 21A | W04A, W04B |
| | 02 | C01A, C01B, C07A, C07B, C07J, C16Z | | 21B | X06A, X06B, X06C | | 21B | X06A, X06B, X06C |
| | 21A | W04A, W04B | 5c680.0↔ | | BOP, UOP4 | 5c691.x↔ | | BOP, KVT, UOP4 |
| | 21B | X06A, X06B, X06C | | 02 | C20A, C20B, C20J, C20Q, C20R | | 02 | C14J, C14Q, C14R, C14S, C14Z |
| 5c661↔ | | BOP, KVT, UOP4 | | 21A | W04A, W04B | | 21A | W04A, W04B |
| | 02 | C01A, C01B, C07A, C07B, C07J, C16Z | | 21B | X06A, X06B, X06C | | 21B | X06A, X06B, X06C |
| | 21A | W04A, W04B | 5c680.1↔ | | BOP, KJZSV, UOP4 | 5c692↔ | | BOP, KVT, UOP4 |
| | 21B | X06A, X06B, X06C | | 02 | C20A, C20B, C20J, C20Q, C20R | | 02 | C14J, C14Q, C14R, C14S, C14Z |
| 5c662↔ | | BOP, KVT, UOP4 | | 21A | W04A, W04B | | 21A | W04A, W04B |
| | 02 | C01A, C01B, C07A, C07B, C07J, C16Z | | 21B | X06A, X06B, X06C | | 21B | X06A, X06B, X06C |
| | 21A | W04A, W04B | 5c680.x↔ | | BOP, KJZSV, UOP4 | 5c693↔ | | BOP, KVT, UOP4 |
| | 21B | X06A, X06B, X06C | | 02 | C20A, C20B, C20J, C20Q, C20R | | 02 | C01A, C01B, C16Z, C20A, C20B, C20J, C20Q, C20R |
| 5c663↔ | | BOP, KVT, UOP4 | | 21A | W04A, W04B | | 21A | W04A, W04B |
| | 02 | C01A, C01B, C07A, C07B, C07J, C14J, C14Q, C14R, C14S, C14Z, C16Z | | 21B | X06A, X06B, X06C | | 21B | X06A, X06B, X06C |
| | 21A | W04A, W04B | 5c681.0↔ | | BOP, KVT, UOP4 | 5c694↔ | | BOP, KJZSV, KVT, UOP4 |
| | 21B | X06A, X06B, X06C | | 02 | C01A, C01B, C16Z, C20A, C20J, C20Q, C20R | | 02 | C01A, C01B, C15J, C15Q, C15Z, C16Z |
| 5c664↔ | | BOP, KVT, UOP4 | | 21A | W04A, W04B | | 21A | W04A, W04B |
| | 02 | C01A, C01B, C07A, C07B, C07J, C16Z | | 21B | X06A, X06B, X06C | | 21B | X06A, X06B, X06C |
| | 21A | W04A, W04B | 5c681.3↔ | | BOP, KVT, UOP4 | 5c695↔ | | BOP, KVT, UOP4 |
| | 21B | X06A, X06B, X06C | | 02 | C01A, C01B, C16Z, C20A, C20J, C20Q, C20R | | 02 | C01A, C01B, C16Z, C20A, C20J, C20Q, C20R |
| | | | | 21A | W04A, W04B | | 21A | W04A, W04B |
| | | | | 21B | X06A, X06B, X06C | | 21B | X06A, X06B, X06C |

VYK

| ZZV | MDC | DRG | ZZV | MDC | DRG | ZZV | MDC | DRG |
|-----------|-----|--|----------|-----|--|----------|-----|--|
| 5c69x↔ | | BOP, KVT, UOP4 | 5c720.6↔ | | BOP, KVT, UOP4 | 5c721.d↔ | | BOP, KVT, UOP4 |
| | 02 | C01A, C01B, C16Z, C20A, C20B, C20J, C20Q, C20R | | 02 | C01A, C01B, C16Z, C20A, C20B, C20J, C20Q, C20R | | 02 | C01A, C01B, C16Z, C20A, C20B, C20J, C20Q, C20R |
| | 21A | W04A, W04B | | 10 | K09A, K09B | | 10 | K09A, K09B |
| 5c700↔ | 21B | X06A, X06B, X06C | 5c720.7↔ | | BOP, KVT, UOP4 | 5c721.e↔ | | BOP, KVT, UOP4 |
| | 02 | BOP, KJZSV, UOP4 | | 02 | C01A, C01B, C16Z, C20A, C20B, C20J, C20Q, C20R | | 02 | C01A, C01B, C16Z, C20A, C20B, C20J, C20Q, C20R |
| | 02 | C01A, C01B, C16Z, C20A, C20B, C20J, C20Q, C20R | | 10 | K09A, K09B | | 10 | K09A, K09B |
| | 21A | W04A, W04B | 5c720.8↔ | | BOP, KVT, UOP4 | 5c721.f↔ | | BOP, KVT, UOP4 |
| | 21B | X06A, X06B, X06C | | 02 | C01A, C01B, C16Z, C20A, C20B, C20J, C20Q, C20R | | 02 | C01A, C01B, C16Z, C20A, C20B, C20J, C20Q, C20R |
| 5c701↔ | | BOP, KJZSV, UOP4 | | 10 | K09A, K09B | 5c721.g↔ | | BOP, KVT, UOP4 |
| | 02 | C01A, C01B, C16Z, C20A, C20B, C20J, C20Q, C20R | 5c720.a↔ | | BOP, KVT, UOP4 | | 02 | C01A, C01B, C16Z, C20A, C20B, C20J, C20Q, C20R |
| | 21A | W04A, W04B | | 02 | C01A, C01B, C16Z, C20A, C20B, C20J, C20Q, C20R | | 10 | K09A, K09B |
| | 21B | X06A, X06B, X06C | | 10 | K09A, K09B | 5c721.h↔ | | BOP, KVT, UOP4 |
| 5c70x↔ | | BOP, KJZSV, UOP4 | 5c720.b↔ | | BOP, KVT, UOP4 | | 02 | C01A, C01B, C16Z, C20A, C20B, C20J, C20Q, C20R |
| | 02 | C01A, C01B, C16Z, C20A, C20B, C20J, C20Q, C20R | | 02 | C01A, C01B, C16Z, C20A, C20B, C20J, C20Q, C20R | | 10 | K09A, K09B |
| | 21A | W04A, W04B | | 10 | K09A, K09B | 5c721.i↔ | | BOP, KVT, UOP4 |
| | 21B | X06A, X06B, X06C | 5c720.c↔ | | BOP, KVT, UOP4 | | 02 | C01A, C01B, C16Z, C20A, C20B, C20J, C20Q, C20R |
| 5c710↔ | | BOP, KVT, UOP4 | | 02 | C01A, C01B, C16Z, C20A, C20B, C20J, C20Q, C20R | 5c721.x↔ | | BOP, KVT, UOP4 |
| | 02 | C01A, C01B, C16Z, C20A, C20B, C20J, C20Q, C20R | | 10 | K09A, K09B | | 02 | C01A, C01B, C16Z, C20A, C20B, C20J, C20Q, C20R |
| 5c711↔ | | BOP, KVT, UOP4 | 5c720.d↔ | | BOP, KVT, UOP4 | 5c72x.0↔ | | BOP, KVT, UOP4 |
| | 02 | C01A, C01B, C16Z, C20A, C20J, C20Q, C20R | | 02 | C01A, C01B, C16Z, C20A, C20B, C20J, C20Q, C20R | | 02 | C01A, C01B, C16Z, C20A, C20B, C20J, C20Q, C20R |
| 5c712↔ | | BOP, KVT, UOP4 | | 10 | K09A, K09B | | 10 | K09A, K09B |
| | 02 | C01A, C01B, C16Z, C20A, C20B, C20J, C20Q, C20R | 5c720.e↔ | | BOP, KVT, UOP4 | 5c72x.5↔ | | BOP, KVT, UOP4 |
| 5c713↔ | | BOP, KVT, UOP4 | | 02 | C01A, C01B, C16Z, C20A, C20B, C20J, C20Q, C20R | | 02 | C01A, C01B, C16Z, C20A, C20B, C20J, C20Q, C20R |
| | 02 | C01A, C01B, C16Z, C20A, C20B, C20J, C20Q, C20R | 5c720.f↔ | | BOP, KVT, UOP4 | 5c72x.6↔ | | BOP, KVT, UOP4 |
| 5c714.10↔ | | BOP, KVT, UOP4 | | 02 | C01A, C01B, C16Z, C20A, C20B, C20J, C20Q, C20R | | 02 | C01A, C01B, C16Z, C20A, C20B, C20J, C20Q, C20R |
| | 02 | C01A, C01B, C16Z, C20A, C20B, C20J, C20Q, C20R | | 10 | K09A, K09B | | 10 | K09A, K09B |
| 5c714.11↔ | | BOP, KVT, UOP4 | 5c720.g↔ | | BOP, KVT, UOP4 | 5c72x.7↔ | | BOP, KVT, UOP4 |
| | 02 | C01A, C01B, C16Z, C20A, C20B, C20J, C20Q, C20R | | 02 | C01A, C01B, C16Z, C20A, C20B, C20J, C20Q, C20R | | 02 | C01A, C01B, C16Z, C20A, C20B, C20J, C20Q, C20R |
| 5c714.20↔ | | BOP, KVT, UOP4 | | 10 | K09A, K09B | 5c72x.8↔ | | BOP, KVT, UOP4 |
| | 02 | C01A, C01B, C16Z, C20A, C20B, C20J, C20Q, C20R | 5c720.h↔ | | BOP, KVT, UOP4 | | 02 | C01A, C01B, C16Z, C20A, C20B, C20J, C20Q, C20R |
| 5c714.21↔ | | BOP, KVT, UOP4 | | 02 | C01A, C01B, C16Z, C20A, C20B, C20J, C20Q, C20R | 5c72x.9↔ | | BOP, KVT, UOP4 |
| | 02 | C01A, C01B, C16Z, C20A, C20B, C20J, C20Q, C20R | 5c720.i↔ | | BOP, KVT, UOP4 | | 02 | C01A, C01B, C16Z, C20A, C20B, C20J, C20Q, C20R |
| 5c715.0↔ | | BOP, KVT, UOP4 | | 10 | K09A, K09B | 5c72x.a↔ | | BOP, KVT, UOP4 |
| | 02 | C01A, C01B, C16Z, C20A, C20B, C20J, C20Q, C20R | 5c721.0↔ | | BOP, KVT, UOP4 | | 02 | C01A, C01B, C16Z, C20A, C20B, C20J, C20Q, C20R |
| 5c715.1↔ | | BOP, KVT, UOP4 | | 02 | C01A, C01B, C16Z, C20A, C20B, C20J, C20Q, C20R | 5c72x.b↔ | | BOP, KVT, UOP4 |
| | 02 | C01A, C01B, C16Z, C20A, C20B, C20J, C20Q, C20R | 5c721.5↔ | | BOP, KVT, UOP4 | | 02 | C01A, C01B, C16Z, C20A, C20B, C20J, C20Q, C20R |
| 5c716.1↔ | | BOP, KVT, UOP4 | | 10 | K09A, K09B | 5c72x.c↔ | | BOP, KVT, UOP4 |
| | 02 | C01A, C01B, C16Z, C20A, C20B, C20J, C20Q, C20R | 5c721.a↔ | | BOP, KVT, UOP4 | | 02 | C01A, C01B, C16Z, C20A, C20B, C20J, C20Q, C20R |
| 5c716.2↔ | | BOP, KVT, UOP4 | | 02 | C01A, C01B, C16Z, C20A, C20B, C20J, C20Q, C20R | 5c72x.d↔ | | BOP, KVT, UOP4 |
| | 02 | C01A, C01B, C16Z, C20A, C20B, C20J, C20Q, C20R | 5c721.b↔ | | BOP, KVT, UOP4 | | 02 | C01A, C01B, C16Z, C20A, C20B, C20J, C20Q, C20R |
| 5c71x↔ | | BOP, KVT, UOP4 | | 10 | K09A, K09B | 5c72x.e↔ | | BOP, KVT, UOP4 |
| | 02 | C01A, C01B, C16Z, C20A, C20J, C20Q, C20R | 5c721.c↔ | | BOP, KVT, UOP4 | | 02 | C01A, C01B, C16Z, C20A, C20B, C20J, C20Q, C20R |
| 5c720.0↔ | | BOP, KVT, UOP4 | | 02 | C01A, C01B, C16Z, C20A, C20B, C20J, C20Q, C20R | 5c72x.f↔ | | BOP, KVT, UOP4 |
| | 02 | C01A, C01B, C16Z, C20A, C20B, C20J, C20Q, C20R | 5c721.d↔ | | BOP, KVT, UOP4 | | 02 | C01A, C01B, C16Z, C20A, C20B, C20J, C20Q, C20R |
| | 10 | K09A, K09B | | 10 | K09A, K09B | 5c72x.g↔ | | BOP, KVT, UOP4 |
| 5c720.5↔ | | BOP, KVT, UOP4 | | 02 | C01A, C01B, C16Z, C20A, C20B, C20J, C20Q, C20R | | 02 | C01A, C01B, C16Z, C20A, C20B, C20J, C20Q, C20R |
| | 02 | C01A, C01B, C16Z, C20A, C20B, C20J, C20Q, C20R | | 10 | K09A, K09B | | 10 | K09A, K09B |
| | 10 | K09A, K09B | | 02 | C01A, C01B, C16Z, C20A, C20B, C20J, C20Q, C20R | | 02 | C01A, C01B, C16Z, C20A, C20B, C20J, C20Q, C20R |
| | | | | 10 | K09A, K09B | | 10 | K09A, K09B |

| ZZV | MDC | DRG | ZZV | MDC | DRG | ZZV | MDC | DRG |
|----------|-----|--|----------|-----|--|----------|-----|--|
| 5c733.g↔ | | BOP, KVT, UOP4 | 5c734.b↔ | | BOP, KVT, UOP4 | 5c735.6↔ | | BOP, KVT, UOP4 |
| | 02 | C01A, C01B, C03A, C03B, C04A, C07A, C08A, C08B, C08J, C08Q, C16Z | | 02 | C01A, C01B, C03A, C03B, C04A, C07A, C08A, C08B, C08J, C08Q, C16Z | | 02 | C01A, C01B, C03A, C03B, C04A, C07A, C08A, C08B, C08J, C08Q, C16Z |
| | 10 | K09A, K09B | | 10 | K09A, K09B | | 10 | K09A, K09B |
| | 21A | W04A, W04B | | 21A | W04A, W04B | | 21A | W04A, W04B |
| 5c733.h↔ | 21B | X06A, X06B, X06C | 5c734.c↔ | 21B | X06A, X06B, X06C | 5c735.7↔ | 21B | X06A, X06B, X06C |
| | | BOP, KVT, UOP4 | | | BOP, KVT, UOP4 | | | BOP, KVT, UOP4 |
| | 02 | C01A, C01B, C03A, C03B, C04A, C07A, C08A, C08B, C08J, C08Q, C16Z | | 02 | C01A, C01B, C03A, C03B, C04A, C07A, C08A, C08B, C08J, C08Q, C16Z | | 02 | C01A, C01B, C03A, C03B, C04A, C07A, C08A, C08B, C08J, C08Q, C16Z |
| | 10 | K09A, K09B | | 10 | K09A, K09B | | 10 | K09A, K09B |
| 5c733.x↔ | 21A | W04A, W04B | 5c734.d↔ | 21A | W04A, W04B | 5c735.8↔ | 21A | W04A, W04B |
| | 21B | X06A, X06B, X06C | | 21B | X06A, X06B, X06C | | 21B | X06A, X06B, X06C |
| | | BOP, KVT, UOP4 | | | BOP, KVT, UOP4 | | | BOP, KVT, UOP4 |
| | 02 | C01A, C01B, C03A, C03B, C04A, C07A, C08A, C08B, C08J, C08Q, C16Z | | 02 | C01A, C01B, C03A, C03B, C04A, C07A, C08A, C08B, C08J, C08Q, C16Z | | 02 | C01A, C01B, C03A, C03B, C04A, C07A, C08A, C08B, C08J, C08Q, C16Z |
| 5c734.0↔ | 10 | K09A, K09B | 5c734.e↔ | 10 | K09A, K09B | 5c735.9↔ | 10 | K09A, K09B |
| | 21A | W04A, W04B | | 21A | W04A, W04B | | 21A | W04A, W04B |
| | 21B | X06A, X06B, X06C | | 21B | X06A, X06B, X06C | | 21B | X06A, X06B, X06C |
| | | BOP, KVT, UOP4 | | | BOP, KVT, UOP4 | | | BOP, KVT, UOP4 |
| 5c734.5↔ | 02 | C01A, C01B, C03A, C03B, C04A, C07A, C08A, C08B, C08J, C08Q, C16Z | 5c734.f↔ | 02 | C01A, C01B, C03A, C03B, C04A, C07A, C08A, C08B, C08J, C08Q, C16Z | 5c735.a↔ | 02 | C01A, C01B, C03A, C03B, C04A, C07A, C08A, C08B, C08J, C08Q, C16Z |
| | 10 | K09A, K09B | | 10 | K09A, K09B | | 10 | K09A, K09B |
| | 21A | W04A, W04B | | 21A | W04A, W04B | | 21A | W04A, W04B |
| | 21B | X06A, X06B, X06C | | 21B | X06A, X06B, X06C | | 21B | X06A, X06B, X06C |
| 5c734.6↔ | | BOP, KVT, UOP4 | 5c734.g↔ | | BOP, KVT, UOP4 | 5c735.b↔ | | BOP, KVT, UOP4 |
| | 02 | C01A, C01B, C03A, C03B, C04A, C07A, C08A, C08B, C08J, C08Q, C16Z | | 02 | C01A, C01B, C03A, C03B, C04A, C07A, C08A, C08B, C08J, C08Q, C16Z | | 02 | C01A, C01B, C03A, C03B, C04A, C07A, C08A, C08B, C08J, C08Q, C16Z |
| | 10 | K09A, K09B | | 10 | K09A, K09B | | 10 | K09A, K09B |
| | 21A | W04A, W04B | | 21A | W04A, W04B | | 21A | W04A, W04B |
| 5c734.7↔ | 21B | X06A, X06B, X06C | 5c734.h↔ | 21B | X06A, X06B, X06C | 5c735.c↔ | 21B | X06A, X06B, X06C |
| | | BOP, KVT, UOP4 | | | BOP, KVT, UOP4 | | | BOP, KVT, UOP4 |
| | 02 | C01A, C01B, C03A, C03B, C04A, C07A, C08A, C08B, C08J, C08Q, C16Z | | 02 | C01A, C01B, C03A, C03B, C04A, C07A, C08A, C08B, C08J, C08Q, C16Z | | 02 | C01A, C01B, C03A, C03B, C04A, C07A, C08A, C08B, C08J, C08Q, C16Z |
| | 10 | K09A, K09B | | 10 | K09A, K09B | | 10 | K09A, K09B |
| 5c734.8↔ | 21A | W04A, W04B | 5c734.x↔ | 21A | W04A, W04B | 5c735.d↔ | 21A | W04A, W04B |
| | 21B | X06A, X06B, X06C | | 21B | X06A, X06B, X06C | | 21B | X06A, X06B, X06C |
| | | BOP, KVT, UOP4 | | | BOP, KVT, UOP4 | | | BOP, KVT, UOP4 |
| | 02 | C01A, C01B, C03A, C03B, C04A, C07A, C08A, C08B, C08J, C08Q, C16Z | | 02 | C01A, C01B, C03A, C03B, C04A, C07A, C08A, C08B, C08J, C08Q, C16Z | | 02 | C01A, C01B, C03A, C03B, C04A, C07A, C08A, C08B, C08J, C08Q, C16Z |
| 5c734.9↔ | 10 | K09A, K09B | 5c735.0↔ | 10 | K09A, K09B | 5c735.e↔ | 10 | K09A, K09B |
| | 21A | W04A, W04B | | 21A | W04A, W04B | | 21A | W04A, W04B |
| | 21B | X06A, X06B, X06C | | 21B | X06A, X06B, X06C | | 21B | X06A, X06B, X06C |
| | | BOP, KVT, UOP4 | | | BOP, KVT, UOP4 | | | BOP, KVT, UOP4 |
| 5c734.a↔ | 02 | C01A, C01B, C03A, C03B, C04A, C07A, C08A, C08B, C08J, C08Q, C16Z | 5c735.5↔ | 02 | C01A, C01B, C03A, C03B, C04A, C07A, C08A, C08B, C08J, C08Q, C16Z | 5c735.f↔ | 02 | C01A, C01B, C03A, C03B, C04A, C07A, C08A, C08B, C08J, C08Q, C16Z |
| | 10 | K09A, K09B | | 10 | K09A, K09B | | 10 | K09A, K09B |
| | 21A | W04A, W04B | | 21A | W04A, W04B | | 21A | W04A, W04B |
| | 21B | X06A, X06B, X06C | | 21B | X06A, X06B, X06C | | 21B | X06A, X06B, X06C |

| ZZV | MDC | DRG | ZZV | MDC | DRG | ZZV | MDC | DRG |
|----------|------------------|--|------------------|----------|--|----------------|--|--|
| 5c735.g↔ | | BOP, KVT, UOP4 | 5c73x.b↔ | | BOP, KVT, UOP4 | 5c740.7↔ | | BOP, KVT, UOP4 |
| | 02 | C01A, C01B, C03A, C03B, C04A, C07A, C08A, C08B, C08J, C08Q, C16Z | | 02 | C01A, C01B, C03A, C03B, C04A, C07A, C08A, C08B, C08J, C08Q, C16Z | | 02 | C01A, C01B, C16Z, C20A, C20B, C20J, C20Q, C20R |
| | 10 | K09A, K09B | | 10 | K09A, K09B | 10 | K09A, K09B | |
| | 21A | W04A, W04B | | 21A | W04A, W04B | 5c740.8↔ | | BOP, KVT, UOP4 |
| 21B | X06A, X06B, X06C | 21B | X06A, X06B, X06C | 02 | C01A, C01B, C16Z, C20A, C20B, C20J, C20Q, C20R | | | |
| 5c735.h↔ | | BOP, KVT, UOP4 | 5c73x.c↔ | | BOP, KVT, UOP4 | 10 | K09A, K09B | |
| | 02 | C01A, C01B, C03A, C03B, C04A, C07A, C08A, C08B, C08J, C08Q, C16Z | | 02 | C01A, C01B, C03A, C03B, C04A, C07A, C08A, C08B, C08J, C08Q, C16Z | 5c740.a↔ | | BOP, KVT, UOP4 |
| | 10 | K09A, K09B | | 10 | K09A, K09B | 02 | C01A, C01B, C16Z, C20A, C20B, C20J, C20Q, C20R | |
| | 21A | W04A, W04B | | 21A | W04A, W04B | 10 | K09A, K09B | |
| 21B | X06A, X06B, X06C | 21B | X06A, X06B, X06C | 5c740.b↔ | | BOP, KVT, UOP4 | | |
| 5c735.x↔ | | BOP, KVT, UOP4 | 5c73x.d↔ | | BOP, KVT, UOP4 | 02 | C01A, C01B, C16Z, C20A, C20B, C20J, C20Q, C20R | |
| | 02 | C01A, C01B, C03A, C03B, C04A, C07A, C08A, C08B, C08J, C08Q, C16Z | | 02 | C01A, C01B, C03A, C03B, C04A, C07A, C08A, C08B, C08J, C08Q, C16Z | 10 | K09A, K09B | |
| | 10 | K09A, K09B | | 10 | K09A, K09B | 5c740.c↔ | | BOP, KVT, UOP4 |
| | 21A | W04A, W04B | | 21A | W04A, W04B | 02 | C01A, C01B, C16Z, C20A, C20B, C20J, C20Q, C20R | |
| 21B | X06A, X06B, X06C | 21B | X06A, X06B, X06C | 10 | K09A, K09B | | | |
| 5c73x.0↔ | | BOP, KVT, UOP4 | 5c73x.e↔ | | BOP, KVT, UOP4 | 5c740.d↔ | | BOP, KVT, UOP4 |
| | 02 | C01A, C01B, C03A, C03B, C04A, C07A, C08A, C08B, C08J, C08Q, C16Z | | 02 | C01A, C01B, C03A, C03B, C04A, C07A, C08A, C08B, C08J, C08Q, C16Z | 02 | C01A, C01B, C16Z, C20A, C20B, C20J, C20Q, C20R | |
| | 10 | K09A, K09B | | 10 | K09A, K09B | 10 | K09A, K09B | |
| | 21A | W04A, W04B | | 21A | W04A, W04B | 5c740.e↔ | | BOP, KVT, UOP4 |
| 21B | X06A, X06B, X06C | 21B | X06A, X06B, X06C | 02 | C01A, C01B, C16Z, C20A, C20B, C20J, C20Q, C20R | | | |
| 5c73x.5↔ | | BOP, KVT, UOP4 | 5c73x.f↔ | | BOP, KVT, UOP4 | 10 | K09A, K09B | |
| | 02 | C01A, C01B, C03A, C03B, C04A, C07A, C08A, C08B, C08J, C08Q, C16Z | | 02 | C01A, C01B, C03A, C03B, C04A, C07A, C08A, C08B, C08J, C08Q, C16Z | 5c740.f↔ | | BOP, KVT, UOP4 |
| | 10 | K09A, K09B | | 10 | K09A, K09B | 02 | C01A, C01B, C16Z, C20A, C20B, C20J, C20Q, C20R | |
| | 21A | W04A, W04B | | 21A | W04A, W04B | 10 | K09A, K09B | |
| 21B | X06A, X06B, X06C | 21B | X06A, X06B, X06C | 5c740.g↔ | | BOP, KVT, UOP4 | | |
| 5c73x.6↔ | | BOP, KVT, UOP4 | 5c73x.g↔ | | BOP, KVT, UOP4 | 02 | C01A, C01B, C16Z, C20A, C20B, C20J, C20Q, C20R | |
| | 02 | C01A, C01B, C03A, C03B, C04A, C07A, C08A, C08B, C08J, C08Q, C16Z | | 02 | C01A, C01B, C03A, C03B, C04A, C07A, C08A, C08B, C08J, C08Q, C16Z | 5c740.h↔ | | BOP, KVT, UOP4 |
| | 21A | W04A, W04B | | 10 | K09A, K09B | 02 | C01A, C01B, C16Z, C20A, C20B, C20J, C20Q, C20R | |
| | 21B | X06A, X06B, X06C | | 21A | W04A, W04B | 10 | K09A, K09B | |
| 5c73x.7↔ | | BOP, KVT, UOP4 | 5c73x.h↔ | | BOP, KVT, UOP4 | 5c740.x↔ | | BOP, KVT, UOP4 |
| | 02 | C01A, C01B, C03A, C03B, C04A, C07A, C08A, C08B, C08J, C08Q, C16Z | | 02 | C01A, C01B, C03A, C03B, C04A, C07A, C08A, C08B, C08J, C08Q, C16Z | 02 | C01A, C01B, C16Z, C20A, C20B, C20J, C20Q, C20R | |
| | 10 | K09A, K09B | | 10 | K09A, K09B | 10 | K09A, K09B | |
| | 21A | W04A, W04B | | 21A | W04A, W04B | 5c741.0↔ | | BOP, KVT, UOP4 |
| 21B | X06A, X06B, X06C | 21B | X06A, X06B, X06C | 02 | C01A, C01B, C16Z, C20A, C20B, C20J, C20Q, C20R | | | |
| 5c73x.8↔ | | BOP, KVT, UOP4 | 5c73x.x↔ | | BOP, KVT, UOP4 | 5c741.x↔ | | BOP, KVT, UOP4 |
| | 02 | C01A, C01B, C03A, C03B, C04A, C07A, C08A, C08B, C08J, C08Q, C16Z | | 02 | C01A, C01B, C03A, C03B, C04A, C07A, C08A, C08B, C08J, C08Q, C16Z | 02 | C01A, C01B, C16Z, C20A, C20B, C20J, C20Q, C20R | |
| | 10 | K09A, K09B | | 10 | K09A, K09B | 10 | K09A, K09B | |
| | 21A | W04A, W04B | | 10 | K09A, K09B | 5c742.0↔ | | BOP, KVT, UOP4 |
| 21B | X06A, X06B, X06C | 21A | W04A, W04B | 02 | C01A, C01B, C16Z, C20A, C20B, C20J, C20Q, C20R | | | |
| 5c73x.9↔ | | BOP, KVT, UOP4 | 5c740.0↔ | | BOP, KVT, UOP4 | 10 | K09A, K09B | |
| | 02 | C01A, C01B, C03A, C03B, C04A, C07A, C08A, C08B, C08J, C08Q, C16Z | | 02 | C01A, C01B, C16Z, C20A, C20B, C20J, C20Q, C20R | 5c742.5↔ | | BOP, KVT, UOP4 |
| | 10 | K09A, K09B | | 10 | K09A, K09B | 02 | C01A, C01B, C16Z, C20A, C20B, C20J, C20Q, C20R | |
| | 21A | W04A, W04B | | 10 | K09A, K09B | 10 | K09A, K09B | |
| 21B | X06A, X06B, X06C | 21B | X06A, X06B, X06C | 5c742.6↔ | | BOP, KVT, UOP4 | | |
| 5c73x.a↔ | | BOP, KVT, UOP4 | 5c740.6↔ | | BOP, KVT, UOP4 | 02 | C01A, C01B, C16Z, C20A, C20B, C20J, C20Q, C20R | |
| | 02 | C01A, C01B, C03A, C03B, C04A, C07A, C08A, C08B, C08J, C08Q, C16Z | | 02 | C01A, C01B, C16Z, C20A, C20B, C20J, C20Q, C20R | 10 | K09A, K09B | |
| | 10 | K09A, K09B | | 02 | C01A, C01B, C16Z, C20A, C20B, C20J, C20Q, C20R | 5c742.7↔ | | BOP, KVT, UOP4 |
| | 21A | W04A, W04B | | 10 | K09A, K09B | 02 | C01A, C01B, C16Z, C20A, C20B, C20J, C20Q, C20R | |
| 21B | X06A, X06B, X06C | 10 | K09A, K09B | 10 | K09A, K09B | | | |

VYK

| ZZV | MDC | DRG | ZZV | MDC | DRG | ZZV | MDC | DRG |
|----------|-----|--|----------|-----|--|----------|-----|--|
| 5c742.8↔ | | BOP, KVT, UOP4 | 5c74x.b↔ | | BOP, KVT, UOP4 | 5c750.c↔ | | BOP, KVT, UOP4 |
| | 02 | C01A, C01B, C16Z, C20A, C20B, C20J, C20Q, C20R | | 02 | C01A, C01B, C16Z, C20A, C20B, C20J, C20Q, C20R | | 02 | C01A, C01B, C16Z, C20A, C20J, C20Q, C20R |
| | 10 | K09A, K09B | | 10 | K09A, K09B | | 21A | W04A, W04B |
| 5c742.a↔ | | BOP, KVT, UOP4 | 5c74x.c↔ | | BOP, KVT, UOP4 | 5c750.d↔ | | X06A, X06B, X06C |
| | 02 | C01A, C01B, C16Z, C20A, C20B, C20J, C20Q, C20R | | 02 | C01A, C01B, C16Z, C20A, C20B, C20J, C20Q, C20R | | 02 | BOP, KVT, UOP4 |
| | 10 | K09A, K09B | | 10 | K09A, K09B | | 02 | C01A, C01B, C16Z, C20A, C20J, C20Q, C20R |
| 5c742.b↔ | | BOP, KVT, UOP4 | 5c74x.d↔ | | BOP, KVT, UOP4 | | 21A | W04A, W04B |
| | 02 | C01A, C01B, C16Z, C20A, C20B, C20J, C20Q, C20R | | 02 | C01A, C01B, C16Z, C20A, C20B, C20J, C20Q, C20R | | 21B | X06A, X06B, X06C |
| | 10 | K09A, K09B | | 10 | K09A, K09B | 5c750.e↔ | | BOP, KVT, UOP4 |
| 5c742.c↔ | | BOP, KVT, UOP4 | 5c74x.e↔ | | BOP, KVT, UOP4 | | 02 | C01A, C01B, C16Z, C20A, C20J, C20Q, C20R |
| | 02 | C01A, C01B, C16Z, C20A, C20B, C20J, C20Q, C20R | | 02 | C01A, C01B, C16Z, C20A, C20B, C20J, C20Q, C20R | | 21A | W04A, W04B |
| | 10 | K09A, K09B | | 10 | K09A, K09B | | 21B | X06A, X06B, X06C |
| 5c742.d↔ | | BOP, KVT, UOP4 | 5c74x.f↔ | | BOP, KVT, UOP4 | 5c750.f↔ | | BOP, KVT, UOP4 |
| | 02 | C01A, C01B, C16Z, C20A, C20B, C20J, C20Q, C20R | | 02 | C01A, C01B, C16Z, C20A, C20B, C20J, C20Q, C20R | | 02 | C01A, C01B, C16Z, C20A, C20J, C20Q, C20R |
| | 10 | K09A, K09B | | 10 | K09A, K09B | | 21A | W04A, W04B |
| 5c742.e↔ | | BOP, KVT, UOP4 | 5c74x.g↔ | | BOP, KVT, UOP4 | | 21B | X06A, X06B, X06C |
| | 02 | C01A, C01B, C16Z, C20A, C20B, C20J, C20Q, C20R | | 02 | C01A, C01B, C16Z, C20A, C20B, C20J, C20Q, C20R | 5c750.g↔ | | BOP, KVT, UOP4 |
| | 10 | K09A, K09B | | 10 | K09A, K09B | | 02 | C01A, C01B, C16Z, C20A, C20J, C20Q, C20R |
| 5c742.f↔ | | BOP, KVT, UOP4 | 5c74x.h↔ | | BOP, KVT, UOP4 | | 21A | W04A, W04B |
| | 02 | C01A, C01B, C16Z, C20A, C20B, C20J, C20Q, C20R | | 02 | C01A, C01B, C16Z, C20A, C20B, C20J, C20Q, C20R | 5c750.h↔ | | X06A, X06B, X06C |
| | 10 | K09A, K09B | | 10 | K09A, K09B | | 02 | BOP, KVT, UOP4 |
| 5c742.g↔ | | BOP, KVT, UOP4 | 5c74x.x↔ | | BOP, KVT, UOP4 | | 02 | C01A, C01B, C16Z, C20A, C20J, C20Q, C20R |
| | 02 | C01A, C01B, C16Z, C20A, C20B, C20J, C20Q, C20R | | 02 | C01A, C01B, C16Z, C20A, C20B, C20J, C20Q, C20R | | 21A | W04A, W04B |
| | 10 | K09A, K09B | | 10 | K09A, K09B | | 21B | X06A, X06B, X06C |
| 5c742.h↔ | | BOP, KVT, UOP4 | 5c750.0↔ | | BOP, KVT, UOP4 | 5c750.x↔ | | BOP, KVT, UOP4 |
| | 02 | C01A, C01B, C16Z, C20A, C20B, C20J, C20Q, C20R | | 02 | C01A, C01B, C16Z, C20A, C20J, C20Q, C20R | | 02 | C01A, C01B, C16Z, C20A, C20J, C20Q, C20R |
| | 10 | K09A, K09B | | 21A | W04A, W04B | | 21A | W04A, W04B |
| 5c742.x↔ | | BOP, KVT, UOP4 | 5c750.5↔ | | BOP, KVT, UOP4 | | 21B | X06A, X06B, X06C |
| | 02 | C01A, C01B, C16Z, C20A, C20B, C20J, C20Q, C20R | | 02 | C01A, C01B, C16Z, C20A, C20J, C20Q, C20R | 5c751.0↔ | | BOP, KVT, UOP4 |
| | 10 | K09A, K09B | | 21A | W04A, W04B | | 02 | C01A, C01B, C16Z, C20A, C20J, C20Q, C20R |
| 5c74x.0↔ | | BOP, KVT, UOP4 | 5c750.6↔ | | BOP, KVT, UOP4 | | 21A | W04A, W04B |
| | 02 | C01A, C01B, C16Z, C20A, C20B, C20J, C20Q, C20R | | 02 | C01A, C01B, C16Z, C20A, C20J, C20Q, C20R | 5c751.5↔ | | X06A, X06B, X06C |
| | 10 | K09A, K09B | | 21A | W04A, W04B | | 21B | X06A, X06B, X06C |
| 5c74x.5↔ | | BOP, KVT, UOP4 | 5c750.7↔ | | BOP, KVT, UOP4 | | 02 | BOP, KVT, UOP4 |
| | 02 | C01A, C01B, C16Z, C20A, C20B, C20J, C20Q, C20R | | 02 | C01A, C01B, C16Z, C20A, C20J, C20Q, C20R | 5c751.6↔ | | BOP, KVT, UOP4 |
| | 10 | K09A, K09B | | 21A | W04A, W04B | | 02 | C01A, C01B, C16Z, C20A, C20B, C20J, C20Q, C20R |
| 5c74x.6↔ | | BOP, KVT, UOP4 | 5c750.8↔ | | BOP, KVT, UOP4 | | 21A | W04A, W04B |
| | 02 | C01A, C01B, C16Z, C20A, C20B, C20J, C20Q, C20R | | 02 | C01A, C01B, C16Z, C20A, C20J, C20Q, C20R | 5c751.7↔ | | X06A, X06B, X06C |
| | 10 | K09A, K09B | | 21A | W04A, W04B | | 02 | BOP, KVT, UOP4 |
| 5c74x.7↔ | | BOP, KVT, UOP4 | 5c750.a↔ | | BOP, KVT, UOP4 | | 02 | C01A, C01B, C16Z, C20A, C20B, C20J, C20Q, C20R |
| | 02 | C01A, C01B, C16Z, C20A, C20B, C20J, C20Q, C20R | | 02 | C01A, C01B, C16Z, C20A, C20J, C20Q, C20R | 5c751.8↔ | | BOP, KVT, UOP4 |
| | 10 | K09A, K09B | | 21A | W04A, W04B | | 02 | C01A, C01B, C16Z, C20A, C20B, C20J, C20Q, C20R |
| 5c74x.8↔ | | BOP, KVT, UOP4 | 5c750.b↔ | | BOP, KVT, UOP4 | | 21A | W04A, W04B |
| | 02 | C01A, C01B, C16Z, C20A, C20B, C20J, C20Q, C20R | | 02 | C01A, C01B, C16Z, C20A, C20J, C20Q, C20R | 5c751.a↔ | | X06A, X06B, X06C |
| | 10 | K09A, K09B | | 21A | W04A, W04B | | 02 | BOP, KVT, UOP4 |
| 5c74x.9↔ | | BOP, KVT, UOP4 | | 21B | X06A, X06B, X06C | | 02 | C01A, C01B, C16Z, C20A, C20B, C20J, C20Q, C20R |
| | 02 | C01A, C01B, C16Z, C20A, C20B, C20J, C20Q, C20R | | 02 | C01A, C01B, C16Z, C20A, C20J, C20Q, C20R | 5c751.b↔ | | BOP, KVT, UOP4 |
| | 10 | K09A, K09B | | 21A | W04A, W04B | | 02 | C01A, C01B, C16Z, C20A, C20B, C20J, C20Q, C20R |
| 5c74x.a↔ | | BOP, KVT, UOP4 | | 21B | X06A, X06B, X06C | | 21A | W04A, W04B |
| | 02 | C01A, C01B, C16Z, C20A, C20B, C20J, C20Q, C20R | | | | | 21B | X06A, X06B, X06C |
| | 10 | K09A, K09B | | | | | 02 | BOP, KVT, UOP4 |

| ZZV | MDC | DRG | ZZV | MDC | DRG | ZZV | MDC | DRG |
|----------|-----|--|---------|--------|--|----------|-----|------------------------------------|
| 5c832↔ | | BOP, KVT, UOP4 | 5c84b↔ | | BOP, KJZSV, KVT, UOP4 | 5c862.0↔ | | BOP, KJZSV, KVT, UOP4 |
| | 02 | C01A, C01B, C14J, C14Q, C14R, C14S, C14Z, C16Z | | 02 | C01A, C01B, C02A, C02B, C16Z | | 02 | C01A, C01B, C15J, C15Q, C15Z, C16Z |
| | 21A | W04A, W04B | | 21A | W04A, W04B | | 21A | W04A, W04B |
| | 21B | X06A, X06B, X06C | | 21B | X06A, X06B, X06C | | 21B | X06A, X06B, X06C |
| 5c833↔ | | BOP, KVT, UOP4 | 5c84c↔ | | BOP, KVT, UOP4 | 5c862.1↔ | | BOP, KJZSV, KVT, UOP4 |
| | 02 | C01A, C01B, C15J, C15Q, C15Z, C16Z | | 02 | C01A, C01B, C14J, C14Q, C14R, C14S, C14Z, C16Z | | 02 | C01A, C01B, C15J, C15Q, C15Z, C16Z |
| | 21A | W04A, W04B | | 21A | W04A, W04B | | 21A | W04A, W04B |
| | 21B | X06A, X06B, X06C | 5c84d↔ | | BOP, KVT, UOP4 | | 21B | X06A, X06B, X06C |
| 5c834↔ | | BOP, KJZSV, KVT, UOP4 | | 02 | C01A, C01B, C14J, C14Q, C14R, C14S, C14Z, C16Z | 5c863↔ | | BOP, KJZSV, KVT, UOP4 |
| | 02 | C01A, C01B, C03A, C03C, C03J, C15J, C15Q, C15Z, C16Z | 5c84x↔ | | BOP, KJZSV, KVT, UOP4 | | 02 | C01A, C01B, C15J, C15Q, C15Z, C16Z |
| | 21A | W04A, W04B | | 02 | C01A, C01B, C14J, C14Q, C14R, C14S, C14Z, C16Z | | 21A | W04A, W04B |
| | 21B | X06A, X06B, X06C | 5c850↔ | | BOP, KJZSV, KVT, UOP4 | | 21B | X06A, X06B, X06C |
| 5c83x↔ | | BOP, KJZSV, KVT, UOP4 | | 02 | C01A, C01B, C15J, C15Q, C15Z, C16Z | 5c86x↔ | | BOP, KJZSV, KVT, UOP4 |
| | 02 | C01A, C01B, C14J, C14Q, C14R, C14S, C14Z, C16Z | | 21A | W04A, W04B | | 02 | C01A, C01B, C15J, C15Q, C15Z, C16Z |
| | 21A | W04A, W04B | | 21B | X06A, X06B, X06C | | 21A | W04A, W04B |
| | 21B | X06A, X06B, X06C | 5c851↔ | | BOP, KJZSV, KVT, UOP4 | | 21B | X06A, X06B, X06C |
| 5c840↔ | | BOP, KJZSV, KVT, UOP4 | | 02 | C01A, C01B, C15J, C15Q, C15Z, C16Z | 5c870.0↔ | | BOP, KVT, UOP4 |
| | 02 | C01A, C01B, C14J, C14Q, C14R, C14S, C14Z, C16Z | | 21A | W04A, W04B | | 02 | C01A, C01B, C15J, C15Q, C15Z, C16Z |
| | 21A | W04A, W04B | | 21B | X06A, X06B, X06C | | 10 | K09A, K09B |
| | 21B | X06A, X06B, X06C | 5c852↔ | | BOP, KJZSV, KVT, UOP4 | | 21A | W04A, W04B |
| 5c841↔ | | BOP, KVT, UOP4 | | 02 | C01A, C01B, C15J, C15Q, C15Z, C16Z | | 21B | X06A, X06B, X06C |
| | 02 | C01A, C01B, C14J, C14Q, C14R, C14S, C14Z, C16Z | | 21A | W04A, W04B | 5c870.1↔ | | BOP, KVT, UOP4 |
| 5c842↔ | | BOP, KVT, UOP4 | | 21B | X06A, X06B, X06C | | 02 | C01A, C01B, C15J, C15Q, C15Z, C16Z |
| | 02 | C01A, C01B, C14J, C14Q, C14R, C14S, C14Z, C16Z | 5c853↔ | | BOP, KJZSV, KVT, UOP4 | | 10 | K09A, K09B |
| | 21A | W04A, W04B | | 02 | C01A, C01B, C03A, C03B, C03C, C03J, C16Z | | 21A | W04A, W04B |
| | 21B | X06A, X06B, X06C | | 21A | W04A, W04B | | 21B | X06A, X06B, X06C |
| 5c843↔ | | BOP, KVT, UOP4 | | 21B | X06A, X06B, X06C | 5c870.2↔ | | BOP, KJZSV, KVT, UOP4 |
| | 02 | C01A, C01B, C14J, C14Q, C14R, C14S, C14Z, C16Z | 5c855↔ | | BOP, KJZSV, KVT, UOP4 | | 02 | C01A, C01B, C15J, C15Q, C15Z, C16Z |
| | 21A | W04A, W04B | | 02 | C01A, C01B, C02A, C02B, C15J, C15Q, C15Z, C16Z | | 10 | K09A, K09B |
| | 21B | X06A, X06B, X06C | | 21A | W04A, W04B | | 21A | W04A, W04B |
| 5c844↔ | | BOP, KVT, UOP4 | | 21B | X06A, X06B, X06C | 5c870.3↔ | | BOP, KJZSV, KVT, UOP4 |
| | 02 | C01A, C01B, C14J, C14Q, C14R, C14S, C14Z, C16Z | 5c856↔ | | BOP, KJZSV, KVT, UOP4 | | 02 | C01A, C01B, C15J, C15Q, C15Z, C16Z |
| | 21A | W04A, W04B | | 02 | C01A, C01B, C14J, C14Q, C14R, C14S, C14Z, C16Z | | 10 | K09A, K09B |
| | 21B | X06A, X06B, X06C | | 10 | K09A, K09B | | 21A | W04A, W04B |
| 5c845↔ | | BOP, KVT, UOP4 | | 21A | W04A, W04B | | 21B | X06A, X06B, X06C |
| | 02 | C01A, C01B, C14J, C14Q, C14R, C14S, C14Z, C16Z | 5c857↔ | | BOP, KJZSV, KVT, UOP4 | 5c870.4↔ | | BOP, KJZSV, KVT, UOP4 |
| | 21A | W04A, W04B | | 02 | C01A, C01B, C02A, C02B, C15J, C15Q, C15Z, C16Z | | 02 | C01A, C01B, C15J, C15Q, C15Z, C16Z |
| | 21B | X06A, X06B, X06C | | 21A | W04A, W04B | | 10 | K09A, K09B |
| 5c846↔ | | BOP, KJZSV, KVT, UOP4 | | 21B | X06A, X06B, X06C | | 21A | W04A, W04B |
| | 02 | C01A, C01B, C14J, C14Q, C14R, C14S, C14Z, C16Z | 5c858†↔ | | KJZSV | | 21B | X06A, X06B, X06C |
| | 21A | W04A, W04B | | 02 | C02A, C02B, C16Z | 5c870.5↔ | | BOP, KJZSV, KVT, UOP4 |
| | 21B | X06A, X06B, X06C | 5c859↔ | | BOP, KJZSV, KVT, UOP4 | | 02 | C01A, C01B, C15J, C15Q, C15Z, C16Z |
| 5c847↔ | | BOP, KJZSV, KVT, UOP4 | | 02 | C01A, C01B, C14J, C14Q, C14R, C14S, C14Z, C16Z | | 10 | K09A, K09B |
| | 02 | C01A, C01B, C14J, C14Q, C14R, C14S, C14Z, C16Z | | 21A | W04A, W04B | | 21A | W04A, W04B |
| | 21A | W04A, W04B | | 21B | X06A, X06B, X06C | 5c870.6↔ | | BOP, KJZSV, KVT, UOP4 |
| | 21B | X06A, X06B, X06C | 5c860↔ | | BOP, KJZSV, KVT, UOP4 | | 02 | C01A, C01B, C15J, C15Q, C15Z, C16Z |
| 5c848.0↔ | | BOP, KJZSV, KVT, UOP4 | | 02 | C01A, C01B, C15J, C15Q, C15Z, C16Z | | 10 | K09A, K09B |
| | 02 | C01A, C01B, C14J, C14Q, C14R, C14S, C14Z, C16Z | | 21A | W04A, W04B | | 21A | W04A, W04B |
| | 21A | W04A, W04B | | 21B | X06A, X06B, X06C | 5c870.x↔ | | BOP, KJZSV, KVT, UOP4 |
| | 21B | X06A, X06B, X06C | 5c861↔ | | BOP, KJZSV, KVT, UOP4 | | 02 | C01A, C01B, C15J, C15Q, C15Z, C16Z |
| 5c848.1↔ | | BOP, KJZSV, KVT, UOP4 | | 02 | C01A, C01B, C15J, C15Q, C15Z, C16Z | | 10 | K09A, K09B |
| | 02 | C01A, C01B, C02A, C02B, C16Z | | 21A | W04A, W04B | | 21A | W04A, W04B |
| | 21A | W04A, W04B | | 21B | X06A, X06B, X06C | | 21B | X06A, X06B, X06C |
| | 21B | X06A, X06B, X06C | | 5c861↔ | BOP, KJZSV, KVT, UOP4 | | 21A | W04A, W04B |
| 5c848.x↔ | | BOP, KJZSV, KVT, UOP4 | | 02 | C01A, C01B, C15J, C15Q, C15Z, C16Z | | 21B | X06A, X06B, X06C |
| | 02 | C01A, C01B, C02A, C02B, C16Z | | 21A | W04A, W04B | | 21A | W04A, W04B |
| | 21A | W04A, W04B | | 21B | X06A, X06B, X06C | | 21B | X06A, X06B, X06C |
| | 21B | X06A, X06B, X06C | | 5c860↔ | BOP, KJZSV, KVT, UOP4 | | 21A | W04A, W04B |
| 5c849↔ | | BOP, KVT, UOP4 | | 02 | C01A, C01B, C15J, C15Q, C15Z, C16Z | | 21B | X06A, X06B, X06C |
| | 02 | C01A, C01B, C02A, C02B, C14J, C14Q, C14R, C14S, C14Z, C16Z | | 21A | W04A, W04B | | 21A | W04A, W04B |
| | 21A | W04A, W04B | | 21B | X06A, X06B, X06C | | 21B | X06A, X06B, X06C |
| | 21B | X06A, X06B, X06C | | 5c861↔ | BOP, KJZSV, KVT, UOP4 | | 21A | W04A, W04B |
| 5c84a↔ | | BOP, KJZSV, KVT, UOP4 | | 02 | C01A, C01B, C15J, C15Q, C15Z, C16Z | | 21B | X06A, X06B, X06C |
| | 02 | C01A, C01B, C02A, C02B, C16Z | | 21A | W04A, W04B | | 21A | W04A, W04B |
| | 21A | W04A, W04B | | 21B | X06A, X06B, X06C | | 21B | X06A, X06B, X06C |
| | 21B | X06A, X06B, X06C | | 5c861↔ | BOP, KJZSV, KVT, UOP4 | | 21A | W04A, W04B |
| | 21A | W04A, W04B | | 02 | C01A, C01B, C15J, C15Q, C15Z, C16Z | | 21B | X06A, X06B, X06C |
| | 21B | X06A, X06B, X06C | | 21A | W04A, W04B | | 21A | W04A, W04B |
| | 21B | X06A, X06B, X06C | | 21B | X06A, X06B, X06C | | 21B | X06A, X06B, X06C |

VYK

| ZZV | MDC | DRG | ZZV | MDC | DRG | ZZV | MDC | DRG |
|----------|-----|--|----------|-----|--|--------|-----|--|
| 5c87x.1↔ | | BOP, KJZSV, KVT, UOP4 | 5c881.5↔ | | BOP, KJZSV, KVT, UOP4 | 5c901↔ | | BOP, KJZSV, KOP, KOPV, KVT, UOP4 |
| | 02 | C01A, C01B, C03A, C03B, C03C, C03D, C03J, C16Z | | 02 | C01A, C01B, C15J, C15Q, C15Z, C16Z | | 01 | B02A, B02B, B02C, B02D, B20A, B20B, B20C, B20D, B20E, B39A, B39B |
| | 10 | K09A, K09B | | 21A | W04A, W04B | | 02 | C01A, C01B, C02A, C02B, C16Z |
| | 21A | W04A, W04B | | 21B | X06A, X06B, X06C | | 06 | G33Z |
| | 21B | X06A, X06B, X06C | 5c881.6↔ | | BOP, KJZSV, KVT, UOP4 | | 07 | H33Z, H38Z |
| 5c87x.2↔ | | BOP, KJZSV, KVT, UOP4 | | 02 | C01A, C01B, C15J, C15Q, C15Z, C16Z | | 08 | I17Z |
| | 02 | C01A, C01B, C03A, C03B, C03C, C03D, C03J, C16Z | | 21A | W04A, W04B | | 10 | K09A, K09B |
| | 10 | K09A, K09B | | 21B | X06A, X06B, X06C | | 11 | L33Z |
| | 21A | W04A, W04B | 5c881.x↔ | | BOP, KJZSV, KVT, UOP4 | | 21A | W04A, W04B |
| | 21B | X06A, X06B, X06C | | 02 | C01A, C01B, C15J, C15Q, C15Z, C16Z | | 21B | X06A, X06B, X06C |
| 5c87x.3↔ | | BOP, KJZSV, KVT, UOP4 | | 21A | W04A, W04B | | 23 | Z01A |
| | 02 | C01A, C01B, C03A, C03B, C03C, C03D, C03J, C16Z | | 21B | X06A, X06B, X06C | | Pre | A07A |
| | 10 | K09A, K09B | 5c882.0↔ | | BOP, KJZSV, KVT, UOP4 | 5c902↔ | | BOP, KJZSV, KOP, KOPV, KVT, UOP4 |
| | 21A | W04A, W04B | | 02 | C01A, C01B, C15J, C15Q, C15Z, C16Z | | 01 | B02A, B02B, B02C, B02D, B20A, B20B, B20C, B20D, B20E, B39A, B39B |
| | 21B | X06A, X06B, X06C | | 21A | W04A, W04B | | 02 | C01A, C01B, C02A, C02B, C16Z |
| 5c87x.4↔ | | BOP, KJZSV, KVT, UOP4 | | 21B | X06A, X06B, X06C | | 06 | G33Z |
| | 10 | K09A, K09B | 5c882.5↔ | | BOP, KJZSV, KVT, UOP4 | | 07 | H33Z, H38Z |
| | 21A | W04A, W04B | | 02 | C01A, C01B, C15J, C15Q, C15Z, C16Z | | 08 | I17Z |
| | 21B | X06A, X06B, X06C | | 21A | W04A, W04B | | 10 | K09A, K09B |
| 5c87x.5↔ | | BOP, KJZSV, KVT, UOP4 | | 21B | X06A, X06B, X06C | | 11 | L33Z |
| | 02 | C01A, C01B, C03A, C03B, C03C, C03D, C03J, C16Z | 5c882.6↔ | | BOP, KJZSV, KVT, UOP4 | | 21A | W04A, W04B |
| | 10 | K09A, K09B | | 02 | C01A, C01B, C15J, C15Q, C15Z, C16Z | | 21B | X06A, X06B, X06C |
| | 21A | W04A, W04B | | 21A | W04A, W04B | | 23 | Z01A |
| | 21B | X06A, X06B, X06C | 5c882.x↔ | | BOP, KJZSV, KVT, UOP4 | | Pre | A07A |
| 5c87x.6↔ | | BOP, KJZSV, KVT, UOP4 | | 02 | C01A, C01B, C15J, C15Q, C15Z, C16Z | 5c903↔ | | BOP, KJZSV, KOP, KOPV, KVT, UOP4 |
| | 02 | C01A, C01B, C03A, C03B, C03C, C03D, C03J, C16Z | | 21A | W04A, W04B | | 01 | B02A, B02B, B02C, B02D, B20A, B20B, B20C, B20D, B20E, B39A, B39B |
| | 10 | K09A, K09B | | 21B | X06A, X06B, X06C | | 02 | C01A, C01B, C02A, C02B, C16Z |
| | 21A | W04A, W04B | 5c883↔ | | BOP, KJZSV, KVT, UOP4 | | 06 | G33Z |
| | 21B | X06A, X06B, X06C | | 02 | C01A, C01B, C15J, C15Q, C15Z, C16Z | | 07 | H33Z, H38Z |
| 5c87x.x↔ | | BOP, KJZSV, KVT, UOP4 | | 21A | W04A, W04B | | 08 | I17Z |
| | 02 | C01A, C01B, C03A, C03B, C03C, C03D, C03J, C16Z | | 21B | X06A, X06B, X06C | | 10 | K09A, K09B |
| | 10 | K09A, K09B | 5c884↔ | | BOP, KVT, UOP4 | | 11 | L33Z |
| | 21A | W04A, W04B | | 02 | C01A, C01B, C15J, C15Q, C15Z, C16Z | | 21A | W04A, W04B |
| | 21B | X06A, X06B, X06C | 5c88x↔ | | BOP, KVT, UOP4 | | 21B | X06A, X06B, X06C |
| 5c880.0↔ | | BOP, KVT, UOP4 | | 02 | C01A, C01B, C15J, C15Q, C15Z, C16Z | | 23 | Z01A |
| | 02 | C01A, C01B, C15J, C15Q, C15Z, C16Z | | 21A | W04A, W04B | | Pre | A07A |
| | 21A | W04A, W04B | 5c900↔ | | BOP, KJZSV, KOP, KOPV, KVT, UOP4 | 5c904↔ | | BOP, KJZSV, KOP, KOPV, KVT, UOP4 |
| | 21B | X06A, X06B, X06C | | 01 | B02A, B02B, B02C, B02D, B20A, B20B, B20C, B20D, B20E, B39A, B39B | | 01 | B02A, B02B, B02C, B02D, B20A, B20B, B20C, B20D, B20E, B39A, B39B |
| 5c880.5↔ | | BOP, KVT, UOP4 | | 02 | C01A, C01B, C02A, C02B, C16Z | | 02 | C01A, C01B, C02A, C02B, C16Z |
| | 02 | C01A, C01B, C15J, C15Q, C15Z, C16Z | | 06 | G33Z | | 06 | G33Z |
| | 21A | W04A, W04B | | 07 | H33Z, H38Z | | 07 | H33Z, H38Z |
| | 21B | X06A, X06B, X06C | | 08 | I17Z | | 08 | I17Z |
| 5c880.x↔ | | BOP, KJZSV, KVT, UOP4 | | 10 | K09A, K09B | | 10 | K09A, K09B |
| | 02 | C01A, C01B, C15J, C15Q, C15Z, C16Z | | 11 | L33Z | | 11 | L33Z |
| | 21A | W04A, W04B | | 21A | W04A, W04B | | 21A | W04A, W04B |
| | 21B | X06A, X06B, X06C | | 21B | X06A, X06B, X06C | | 21B | X06A, X06B, X06C |
| 5c881.0↔ | | BOP, KJZSV, KVT, UOP4 | | 23 | Z01A | | 23 | Z01A |
| | 02 | C01A, C01B, C15J, C15Q, C15Z, C16Z | | Pre | A07A | | Pre | A07A |
| | 21A | W04A, W04B | | | | | | |
| | 21B | X06A, X06B, X06C | | | | | | |

| ZZV | MDC | DRG | ZZV | MDC | DRG | ZZV | MDC | DRG | | | |
|----------|----------|--|--|--|--|------------------------------|--|--|------------------------------|----|--|
| 5c933.2↔ | | BOP, KJZSV, KOP, KOPV, KVT, UOP4 | 5c934.0↔ | | BOP, KJZSV, KOP, KOPV, KVT, UOP4 | 5c934.3↔ | | BOP, KJZSV, KOP, KOPV, KVT, UOP4 | | | |
| | 01 | B02A, B02B, B02C, B02D, B20A, B20B, B20C, B20D, B20E, B39A, B39B | | 01 | B02A, B02B, B02C, B02D, B20A, B20B, B20C, B20D, B20E, B39A, B39B | | 01 | B02A, B02B, B02C, B02D, B20A, B20B, B20C, B20D, B20E, B39A, B39B | | | |
| | 02 | C01A, C01B, C02A, C02B, C16Z | | 02 | C01A, C01B, C02A, C02B, C16Z | | 02 | C01A, C01B, C02A, C02B, C16Z | | | |
| | 03 | D18Z, D28J, D28Z, D29J, D29Z | | 03 | D18Z, D25A, D25B, D25C, D25D, D25J | | 03 | D18Z, D25A, D25B, D25C, D25D, D25J | | | |
| | 06 | G33Z | | 06 | G33Z | | 06 | G33Z | | | |
| | 07 | H33Z, H38Z | | 07 | H33Z, H38Z | | 07 | H33Z, H38Z | | | |
| | 08 | I17Z | | 08 | I17Z | | 08 | I17Z | | | |
| | 09 | J08A, J08B | | 09 | J08A, J08B | | 09 | J08A, J08B | | | |
| | 11 | L33Z | | 11 | L33Z | | 11 | L33Z | | | |
| | 21A | W04A, W04B | | 21A | W04A, W04B | | 21A | W04A, W04B | | | |
| | 21B | X06A, X06B, X06C | | 21B | X06A, X06B, X06C | | 21B | X06A, X06B, X06C | | | |
| | 22 | Y01Z, Y03A, Y03B | | 22 | Y01Z, Y03A, Y03B | | 22 | Y01Z, Y03A, Y03B | | | |
| | 23 | Z01A | | 23 | Z01A | | 23 | Z01A | | | |
| | Pre | A07A | | Pre | A07A | | Pre | A07A | | | |
| | 5c933.3↔ | | | BOP, KJZSV, KOP, KOPV, KVT, UOP4 | 5c934.1↔ | | | BOP, KJZSV, KOP, KOPV, KVT, UOP4 | 5c934.x↔ | | BOP, KJZSV, KOP, KOPV, KVT, UOP4 |
| | | 01 | | B02A, B02B, B02C, B02D, B20A, B20B, B20C, B20D, B20E, B39A, B39B | | | 01 | B02A, B02B, B02C, B02D, B20A, B20B, B20C, B20D, B20E, B39A, B39B | | 01 | B02A, B02B, B02C, B02D, B20A, B20B, B20C, B20D, B20E, B39A, B39B |
| 02 | | C01A, C01B, C02A, C02B, C16Z | 02 | C01A, C01B, C02A, C02B, C16Z | | 02 | C01A, C01B, C02A, C02B, C16Z | | | | |
| 03 | | D18Z, D28J, D28Z, D29J, D29Z | 03 | D18Z, D25A, D25B, D25C, D25D, D25J | | 03 | D18Z, D25A, D25B, D25C, D25D, D25J | | | | |
| 06 | | G33Z | 06 | G33Z | | 06 | G33Z | | | | |
| 07 | | H33Z, H38Z | 07 | H33Z, H38Z | | 07 | H33Z, H38Z | | | | |
| 08 | | I17Z | 08 | I17Z | | 08 | I17Z | | | | |
| 09 | | J08A, J08B | 09 | J08A, J08B | | 09 | J08A, J08B | | | | |
| 11 | | L33Z | 11 | L33Z | | 11 | L33Z | | | | |
| 21A | | W04A, W04B | 21A | W04A, W04B | | 21A | W04A, W04B | | | | |
| 21B | | X06A, X06B, X06C | 21B | X06A, X06B, X06C | | 21B | X06A, X06B, X06C | | | | |
| 22 | | Y01Z, Y03A, Y03B | 22 | Y01Z, Y03A, Y03B | | 22 | Y01Z, Y03A, Y03B | | | | |
| 23 | | Z01A | 23 | Z01A | | 23 | Z01A | | | | |
| Pre | | A07A | Pre | A07A | | Pre | A07A | | | | |
| 5c933.x↔ | | | BOP, KJZSV, KOP, KOPV, KVT, UOP4 | 5c934.2↔ | | | BOP, KJZSV, KOP, KOPV, KVT, UOP4 | 5c93x↔ | | | BOP, KJZSV, KVT, UOP4 |
| | | 01 | B02A, B02B, B02C, B02D, B20A, B20B, B20C, B20D, B20E, B39A, B39B | | | 01 | B02A, B02B, B02C, B02D, B20A, B20B, B20C, B20D, B20E, B39A, B39B | | | 02 | C01A, C01B, C02A, C02B, C16Z |
| | 02 | C01A, C01B, C02A, C02B, C16Z | 02 | | C01A, C01B, C02A, C02B, C16Z | 09 | J08A | | | | |
| | 03 | D18Z, D28J, D28Z, D29J, D29Z | 03 | | D18Z, D25A, D25B, D25C, D25D, D25J | 10 | K09A, K09B | | | | |
| | 06 | G33Z | 06 | | G33Z | 21A | W04A, W04B | | | | |
| | 07 | H33Z, H38Z | 07 | | H33Z, H38Z | 21B | X06A, X06B, X06C | | | | |
| | 08 | I17Z | 08 | | I17Z | 22 | Y01Z, Y03A, Y03B | | | | |
| | 09 | J08A, J08B | 09 | | J08A, J08B | 5c941.00↔ | BOP, KJZSV, KVT, UOP4 | | | | |
| | 11 | L33Z | 11 | | L33Z | | 02 | | C01A, C01B, C02A, C02B, C16Z | | |
| | 21A | W04A, W04B | 21A | | W04A, W04B | | 21A | | W04A, W04B | | |
| | 21B | X06A, X06B, X06C | 21B | | X06A, X06B, X06C | | 21B | | X06A, X06B, X06C | | |
| | 22 | Y01Z, Y03A, Y03B | 22 | | Y01Z, Y03A, Y03B | 22 | Y01Z, Y03A, Y03B | | | | |
| | 23 | Z01A | 23 | | Z01A | 5c941.01↔ | BOP, KJZSV, KVT, UOP4 | | | | |
| | Pre | A07A | Pre | | A07A | | 02 | | C01A, C01B, C02A, C02B, C16Z | | |
| | | | | | | | 21A | | W04A, W04B | | |
| | | | | | | | 21B | | X06A, X06B, X06C | | |
| | | | | 22 | Y01Z, Y03A, Y03B | | | | | | |
| | | | | 5c941.02↔ | BOP, KJZSV, KVT, UOP4 | | | | | | |
| | | | | | 02 | C01A, C01B, C02A, C02B, C16Z | | | | | |
| | | | | | 03 | D12A, D12B, D12J, D12Q | | | | | |
| | | | | | 08 | I17Z | | | | | |

| ZZV | MDC | DRG | ZZV | MDC | DRG | ZZV | MDC | DRG | | | | | |
|--------|--------|--|--|--|--|----------|--|--|----------|------------------------------------|--|-----|--|
| 5c981↔ | | BOP, KJZSV, KOP, KOPV, KVT, UOP4 | 5c98x↔ | | BOP, KJZSV, KOP, KOPV, KVT, UOP4 | 5c991.1↔ | | BOP, KJZSV, KOP, KOPV, KVT, UOP4 | | | | | |
| | 01 | B02A, B02B, B02C, B02D, B20A, B20B, B20C, B20D, B20E, B39A, B39B | | 01 | B02A, B02B, B02C, B02D, B20A, B20B, B20C, B20D, B20E, B39A, B39B | | 01 | B02A, B02B, B02C, B02D, B20A, B20B, B20C, B20D, B20E, B39A, B39B | | | | | |
| | 02 | C01A, C01B, C02A, C02B, C16Z | | 02 | C01A, C01B, C02A, C02B, C16Z | | 02 | C01A, C01B, C02A, C02B, C16Z | | | | | |
| | 03 | D12A, D12J, D12Q | | 03 | D12A, D12J, D12Q | | 06 | G33Z | | | | | |
| | 06 | G33Z | | 06 | G33Z | | 07 | H33Z, H38Z | | | | | |
| | 07 | H33Z, H38Z | | 07 | H33Z, H38Z | | 10 | K09A, K09B | | | | | |
| | 08 | I17Z | | 08 | I17Z | | 11 | L33Z | | | | | |
| | 11 | L33Z | | 11 | L33Z | | 21A | W04A, W04B | | | | | |
| | 21A | W04A, W04B | | 21A | W04A, W04B | | 21B | X06A, X06B, X06C | | | | | |
| | 21B | X06A, X06B, X06C | | 21B | X06A, X06B, X06C | | 23 | Z01A | | | | | |
| | 22 | Y01Z, Y03A, Y03B | | 22 | Y01Z, Y03A, Y03B | | Pre | A07A | | | | | |
| | 23 | Z01A | | 23 | Z01A | | 5c991.2↔ | BOP, KJZSV, KOP, KOPV, KVT, UOP4 | | | | | |
| | Pre | A07A | | Pre | A07A | | 01 | B02A, B02B, B02C, B02D, B20A, B20B, B20C, B20D, B20E, B39A, B39B | | | | | |
| | 5c982↔ | | | BOP, KJZSV, KOP, KOPV, KVT, UOP4 | 5c990.0↔ | | | BOP, KJZSV, KOP, KOPV, KVT, UOP4 | 5c991.x↔ | | BOP, KJZSV, KOP, KOPV, KVT, UOP4 | | |
| | | 01 | | B02A, B02B, B02C, B02D, B20A, B20B, B20C, B20D, B20E, B39A, B39B | | | 01 | B02A, B02B, B02C, B02D, B20A, B20B, B20C, B20D, B20E, B39A, B39B | | 01 | B02A, B02B, B02C, B02D, B20A, B20B, B20C, B20D, B20E, B39A, B39B | | |
| | | 02 | | C01A, C01B, C02A, C02B, C16Z | | | 06 | G33Z | | 02 | C01A, C01B, C02A, C02B, C16Z | | |
| 03 | | D12A, D12J, D12Q | 07 | H33Z, H38Z | | 06 | G33Z | | | | | | |
| 06 | | G33Z | 11 | L33Z | | 07 | H33Z, H38Z | | | | | | |
| 07 | | H33Z, H38Z | 17 | R01A, R01B, R01C, R01D, R02Z, R12A, R12B, R12C | | 10 | K09A, K09B | | | | | | |
| 08 | | I17Z | 21A | W01A, W01B, W01C, W36Z | | 11 | L33Z | | | | | | |
| 11 | | L33Z | 21B | X06A, X06B, X06C | | 21A | W04A, W04B | | | | | | |
| 21A | | W04A, W04B | 23 | Z01A | | 21B | X06A, X06B, X06C | | | | | | |
| 21B | | X06A, X06B, X06C | Pre | A07A | | 23 | Z01A | | | | | | |
| 22 | | Y01Z, Y03A, Y03B | 5c990.1↔ | BOP, KJZSV, KVT, UOP4 | | Pre | A07A | | | | | | |
| 23 | | Z01A | 01 | B03Z, B07Z, B17A, B17B, B17C, B17J | | 01 | B02A, B02B, B02C, B02D, B20A, B20B, B20C, B20D, B20E, B39A, B39B | | | | | | |
| Pre | | A07A | 03 | D12A, D12B, D12J, D12Q | | 02 | C01A, C01B, C02A, C02B, C16Z | | | | | | |
| 5c983↔ | | | BOP, KJZSV, KOP, KOPV, KVT, UOP4 | 5c990.2↔ | | | BOP, KJZSV, KVT, UOP4 | 5c992↔ | | | BOP, KJZSV, KVT, UOP4 | | |
| | | 01 | B02A, B02B, B02C, B02D, B20A, B20B, B20C, B20D, B20E, B39A, B39B | | | 01 | B03Z, B07Z, B17A, B17B, B17C, B17J | | | 01 | B03Z, B07Z, B17A, B17B, B17C, B17J | 02 | C01A, C01B, C16Z, C20A, C20B, C20J, C20Q, C20R |
| | | 02 | C01A, C01B, C02A, C02B, C16Z | | | 03 | D12A, D12B, D12J, D12Q | | | 03 | D12A, D12B, D12J, D12Q | 10 | K09A, K09B |
| | 03 | D12A, D12J, D12Q | 08 | | I28A, I28B, I28J | 08 | I28A, I28B, I28J | | 11 | L33Z | | | |
| | 06 | G33Z | 21A | | W04A, W04B | 21A | W04A, W04B | | 21A | W04A, W04B | | | |
| | 07 | H33Z, H38Z | 21B | | X06A, X06B, X06C | 21B | X06A, X06B, X06C | | 21B | X06A, X06B, X06C | | | |
| | 08 | I17Z | 5c991.0↔ | | BOP, KJZSV, KOP, KOPV, KVT, UOP4 | 21B | X06A, X06B, X06C | | 22 | Y01Z, Y03A, Y03B | | | |
| | 11 | L33Z | 01 | | B02A, B02B, B02C, B02D, B20A, B20B, B20C, B20D, B20E, B39A, B39B | 06 | G33Z | | Pre | A07A | | | |
| | 21A | W04A, W04B | 02 | | C01A, C01B, C02A, C02B, C16Z | 07 | H33Z, H38Z | | 02 | C01A, C01B, C15J, C15Q, C15Z, C16Z | | | |
| | 21B | X06A, X06B, X06C | 06 | | G33Z | 10 | K09A, K09B | | 21A | W04A, W04B | | | |
| | 22 | Y01Z, Y03A, Y03B | 07 | | H33Z, H38Z | 11 | L33Z | | 21B | X06A, X06B, X06C | | | |
| | 23 | Z01A | 10 | | K09A, K09B | 21A | W04A, W04B | | 22 | Y01Z, Y03A, Y03B | | | |
| | Pre | A07A | 11 | | L33Z | 21B | X06A, X06B, X06C | | 5c993↔ | BOP, KVT, UOP4 | | | |
| | 5c984↔ | | BOP, KJZSV, KOP, KOPV, KVT, UOP4 | | 5c994↔ | | BOP, KJZSV, KVT, UOP4 | | 5c995↔ | | BOP, KJZSV, KVT, UOP4 | | |
| | | 01 | B02A, B02B, B02C, B02D, B20A, B20B, B20C, B20D, B20E, B39A, B39B | | | 01 | B02A, B02B, B02C, B02D, B20A, B20B, B20C, B20D, B20E, B39A, B39B | | | 02 | C01A, C01B, C02A, C02B, C16Z | 02 | C01A, C01B, C15J, C15Q, C15Z, C16Z |
| | | 02 | C01A, C01B, C02A, C02B, C16Z | | | 02 | C01A, C01B, C02A, C02B, C16Z | | | 03 | D12A, D12B, D12J, D12Q | 21A | W04A, W04B |
| 03 | | D12A, D12J, D12Q | 06 | G33Z | | 08 | I17Z | 21B | | X06A, X06B, X06C | | | |
| 06 | | G33Z | 07 | H33Z, H38Z | | 11 | L33Z | 22 | | Y01Z, Y03A, Y03B | | | |
| 07 | | H33Z, H38Z | 10 | K09A, K09B | | 21A | W04A, W04B | Pre | | A07A | | | |
| 08 | | I02A, I02B, I02C, I02D, I22A, I50Z | 11 | L33Z | | 21B | X06A, X06B, X06C | 02 | | C01A, C01B, C15J, C15Q, C15Z, C16Z | | | |
| 11 | | L33Z | 21A | W04A, W04B | | 23 | Z01A | 21A | | W04A, W04B | | | |
| 21A | | W04A, W04B | 21B | X06A, X06B, X06C | | Pre | A07A | 21B | | X06A, X06B, X06C | | | |
| 21B | | X01A, X01B, X01C | 5c994↔ | BOP, KJZSV, KVT, UOP4 | | 02 | C01A, C01B, C02A, C02B, C16Z | 03 | | D12A, D12B, D12J, D12Q | | | |
| 22 | | Y01Z, Y03A, Y03B | 02 | C01A, C01B, C02A, C02B, C16Z | | 08 | I17Z | 08 | | I17Z | | | |
| 23 | | Z01A | 03 | D12A, D12B, D12J, D12Q | | 11 | L33Z | 21A | | W04A, W04B | | | |
| Pre | | A07A | 08 | I17Z | | 21A | W04A, W04B | 21B | | X06A, X06B, X06C | | | |
| | | | 11 | L33Z | | 22 | Y01Z, Y03A, Y03B | 22 | | Y01Z, Y03A, Y03B | | | |
| | | | 21A | W04A, W04B | | Pre | A07A | 5c995↔ | | BOP, KJZSV, KVT, UOP4 | | | |
| | | | 21B | X06A, X06B, X06C | | | | 02 | | C01A, C01B, C15J, C15Q, C15Z, C16Z | | | |
| | | 22 | Y01Z, Y03A, Y03B | | | 21A | W04A, W04B | | | | | | |
| | | 23 | Z01A | | | 21B | X06A, X06B, X06C | | | | | | |
| | | Pre | A07A | | | | | | | | | | |

| ZZV | MDC | DRG | ZZV | MDC | DRG | ZZV | MDC | DRG |
|-----------|-----|--|-----------|-----|--|-----------|-----|--|
| 5c996↔ | | BOP, KVT, UOP4 | 5d003.1↔ | | KJZSV | 5d004.2x↔ | | BOP, KJZSV, KVT, UOP4 |
| | 02 | C01A, C01B, C06J, C06Z, C16Z | | 01 | B03Z, B07Z, B17A, B17B, B17C, B17J | | 03 | D03Z, D09Z, D30A, D30J, D30Q |
| | 10 | K09A, K09B | | 03 | D12A, D12B, D12J, D12Q | | 09 | J03A, J03B, J04A, J04B, J08A, J08B, J08C, J10A, J10B, J10J, J16Z |
| 5c997.1‡ | 02 | C14J, C14Q, C14R, C14S, C14Z | | 05 | F21A, F21B, F21C, F21J | | 21A | W04A, W04B |
| 5c997.2‡ | 02 | C14J, C14Q, C14R, C14S, C14Z | | 08 | I27A, I27B, I27C, I27D, I27J, I27Q | | 21B | X06A, X06B, X06C |
| 5c997.3 | | BOP, KJZSV, KVT, UOP4 | | 09 | J03A, J03B, J04A, J04B, J08A, J08B, J08C, J16Z, J21Z, J22A, J22B, J22J | 5d005.1↔ | 22 | Y01Z, Y03A, Y03B |
| | 02 | C01A, C01B, C15J, C15Q, C15Z, C16Z | | 10 | K09A, K09B | | | BOP, KJZSV, KVT, UOP4 |
| | 21A | W04A, W04B | | 21A | W04A, W04B | | 03 | D09Z, D30A, D30J, D30Q |
| | 21B | X06A, X06B, X06C | | 21B | X06A, X06B, X06C | | 09 | J03A, J03B, J04A, J04B, J08A, J08B, J08C, J10A, J10B, J10J, J16Z |
| 5c997.x‡ | 02 | C14J, C14Q, C14R, C14S, C14Z | 5d003.2↔ | | BOP, KJZSV, KVT, UOP4 | | 21A | W04A, W04B |
| 5c99x↔ | | BOP, KJZSV, KVT, UOP4 | | 01 | B03Z, B07Z, B17A, B17B, B17C, B17J | | 21B | X06A, X06B, X06C |
| | 02 | C01A, C01B, C02A, C02B, C16Z | | 03 | D12A, D12B, D12J, D12Q | 5d005.x↔ | 22 | Y01Z, Y03A, Y03B |
| | 10 | K09A, K09B | | 05 | F21A, F21B, F21C, F21J | | | BOP, KJZSV, KVT, UOP4 |
| 5d001.10↔ | 03 | D09Z, D30A, D30J, D30Q | | 08 | I27A, I27B, I27C, I27D, I27J, I27Q | | 03 | D09Z, D30A, D30J, D30Q |
| | 09 | J03A, J03B, J04A, J04B, J08A, J08B, J08C, J11A, J11B, J11J, J11Q, J11R, J11S, J16Z | | 09 | J03A, J03B, J04A, J04B, J08A, J08B, J08C, J16Z, J21Z, J22A, J22B, J22J | | 09 | J03A, J03B, J04A, J04B, J08A, J08B, J08C, J10A, J10B, J10J, J16Z |
| | 21A | W04A, W04B | | 10 | K09A, K09B | | 21A | W04A, W04B |
| | 21B | X06A, X06B, X06C | | 21A | W04A, W04B | 5d006.1↔ | 21B | X06A, X06B, X06C |
| | 22 | Y01Z, Y03A, Y03B | | 21B | X06A, X06B, X06C | 5d007.1↔ | 22 | Y01Z, Y03A, Y03B |
| 5d001.11↔ | 03 | D09Z, D30A, D30J, D30Q | 5d004.1↔ | | BOP, KJZSV, KVT, UOP4 | | 03 | D30A, D30B, D30J, D30Q |
| | 09 | J03A, J03B, J04A, J04B, J08A, J08B, J08C, J11A, J11B, J11J, J11Q, J11R, J11S, J16Z | | 01 | B02A, B02B, B02C, B02D, B20A, B20B, B20C, B20D, B20E, B39A, B39B | | 09 | J03A, J03B, J04A, J04B, J08A, J08B, J08C, J10A, J10B, J10J, J16Z |
| | 21A | W04A, W04B | | 03 | D09Z, D30A, D30J, D30Q | | 21A | W04A, W04B |
| | 21B | X06A, X06B, X06C | | 08 | I15A, I15B | 5d007.2 | 21B | X06A, X06B, X06C |
| | 22 | Y01Z, Y03A, Y03B | | 17 | R01A, R01B, R01C, R01D, R02Z, R12A, R12B, R12C | | 22 | Y01Z, Y03A, Y03B |
| 5d001.12↔ | 03 | D30A, D30B, D30J, D30Q | | 21A | W04A, W04B | | 03 | D09Z, D30A, D30J, D30Q |
| 5d002.1↔ | 03 | D09Z, D30A, D30J, D30Q | | 21B | X06A, X06B, X06C | | 09 | J03A, J03B, J04A, J04B, J08A, J08B, J08C, J10A, J10B, J10J, J16Z |
| | 09 | J03A, J03B, J04A, J04B, J08A, J08B, J08C, J11A, J11B, J11C, J11J, J11Q, J11R, J11S, J16Z | 5d004.20↔ | | BOP, KJZSV, KVT, UOP4 | | 21A | W04A, W04B |
| | 21B | X06A, X06B, X06C | | 03 | D03Z, D09Z, D30A, D30J, D30Q | | 21B | X06A, X06B, X06C |
| | 22 | Y01Z, Y03A, Y03B | | 09 | J03A, J03B, J04A, J04B, J08A, J08B, J08C, J10A, J10B, J10J, J16Z | 5d008.1↔ | 22 | Y01Z, Y03A, Y03B |
| 5d002.2↔ | 03 | D09Z, D30A, D30J, D30Q | | 21A | W04A, W04B | | | BOP, KJZSV, KVT, UOP4 |
| | 09 | J03A, J03B, J04A, J04B, J08A, J08B, J08C, J11A, J11B, J11C, J11J, J11Q, J11R, J11S, J16Z | | 21B | X06A, X06B, X06C | | 03 | D09Z, D30A, D30J, D30Q |
| | 21B | X06A, X06B, X06C | 5d004.21↔ | | BOP, KJZSV, KVT, UOP4 | | 09 | J03A, J03B, J04A, J04B, J08A, J08B, J08C, J10A, J10B, J10J, J16Z |
| | 22 | Y01Z, Y03A, Y03B | | 03 | D03Z, D09Z, D30A, D30J, D30Q | | 21A | W04A, W04B |
| 5d002.3↔ | 03 | D09Z, D30A, D30J, D30Q | | 09 | J03A, J03B, J04A, J04B, J08A, J08B, J08C, J10A, J10B, J10J, J16Z | 5d008.2↔ | 21B | X06A, X06B, X06C |
| | 09 | J03A, J03B, J04A, J04B, J08A, J08B, J08C, J10A, J10B, J10J, J16Z | | 21A | W04A, W04B | | 22 | Y01Z, Y03A, Y03B |
| | 21B | X06A, X06B, X06C | | 21B | X06A, X06B, X06C | | | BOP, KJZSV, KVT, UOP4 |
| | 22 | Y01Z, Y03A, Y03B | 5d004.23↔ | | BOP, KJZSV, KVT, UOP4 | | 03 | D09Z, D30A, D30J, D30Q |
| 5d002.4↔ | 03 | D09Z, D30A, D30J, D30Q | | 03 | D03Z, D09Z, D30A, D30J, D30Q | | 09 | J03A, J03B, J04A, J04B, J08A, J08B, J08C, J10A, J10B, J10J, J16Z |
| | 09 | J03A, J03B, J04A, J04B, J08A, J08B, J08C, J11A, J11B, J11C, J11J, J11Q, J11R, J11S, J16Z | | 09 | J03A, J03B, J04A, J04B, J08A, J08B, J08C, J10A, J10B, J10J, J16Z | 5d200.1↔ | 21A | W04A, W04B |
| | 21B | X06A, X06B, X06C | | 21A | W04A, W04B | | 21B | X06A, X06B, X06C |
| | 22 | Y01Z, Y03A, Y03B | | 21B | X06A, X06B, X06C | | 22 | Y01Z, Y03A, Y03B |
| | | | | 22 | Y01Z, Y03A, Y03B | | | BOP, KJZSV, KVT, UOP4 |
| | | | | 03 | D03Z, D09Z, D30A, D30J, D30Q | | 03 | D09Z, D30A, D30J, D30Q |
| | | | | 09 | J03A, J03B, J04A, J04B, J08A, J08B, J08C, J10A, J10B, J10J, J16Z | | 09 | J03A, J03B, J04A, J04B, J08A, J08B, J08C, J11A, J11B, J11J, J11Q, J11R, J11S, J16Z |
| | | | | 21A | W04A, W04B | | 21A | W04A, W04B |
| | | | | 21B | X06A, X06B, X06C | | 21B | X06A, X06B, X06C |
| | | | | 22 | Y01Z, Y03A, Y03B | | 22 | Y01Z, Y03A, Y03B |
| | | | | 03 | D03Z, D09Z, D30A, D30J, D30Q | | | BOP, KJZSV, KVT, UOP4 |
| | | | | 09 | J03A, J03B, J04A, J04B, J08A, J08B, J08C, J10A, J10B, J10J, J16Z | | 03 | D09Z, D30A, D30J, D30Q |
| | | | | 21A | W04A, W04B | | 09 | J03A, J03B, J04A, J04B, J08A, J08B, J08C, J10A, J10B, J10J, J16Z |
| | | | | 21B | X06A, X06B, X06C | | 21A | W04A, W04B |
| | | | | 22 | Y01Z, Y03A, Y03B | | 21B | X06A, X06B, X06C |
| | | | | 03 | D03Z, D09Z, D30A, D30J, D30Q | | 22 | Y01Z, Y03A, Y03B |
| | | | | 09 | J03A, J03B, J04A, J04B, J08A, J08B, J08C, J10A, J10B, J10J, J16Z | | | BOP, KJZSV, KVT, UOP4 |
| | | | | 21A | W04A, W04B | | 03 | D09Z, D30A, D30J, D30Q |
| | | | | 21B | X06A, X06B, X06C | | 09 | J03A, J03B, J04A, J04B, J08A, J08B, J08C, J11A, J11B, J11J, J11Q, J11R, J11S, J16Z |
| | | | | 22 | Y01Z, Y03A, Y03B | | 21A | W04A, W04B |
| | | | | 03 | D03Z, D09Z, D30A, D30J, D30Q | | 21B | X06A, X06B, X06C |
| | | | | 09 | J03A, J03B, J04A, J04B, J08A, J08B, J08C, J10A, J10B, J10J, J16Z | | 22 | Y01Z, Y03A, Y03B |

VYK

Príloha B: Index Výkon-MDC-DRG

| ZZV | MDC | DRG | ZZV | MDC | DRG | ZZV | MDC | DRG |
|-----------|-----|--|-----------|-----|--|-----------|-----|--|
| 5d200.2↔ | 03 | D09Z, D30A, D30J, D30Q | 5d300.30 | 01 | B09A, B09B | 5d303.1↔ | | BOP, KVT, UOP4 |
| | 09 | J03A, J03B, J04A, J04B, J08A, J08B, J08C, J11A, J11B, J11C, J11J, J11Q, J11R, J11S, J16Z | | 03 | D09Z, D13J, D13Q, D13Z, D30A, D30B, D30J, D30Q | | 01 | B02A, B02B, B02C, B02D, B20A, B20B, B20C, B20D, B20E, B39A, B39B |
| | 21A | W04A, W04B | | 21B | X06A, X06B, X06C | | 03 | D06A, D06B, D06C, D06J |
| | 21B | X06A, X06B, X06C | | 03 | D30A, D30B, D30J, D30Q | | 01 | B02A, B02B, B02C, B02D, B20A, B20B, B20C, B20D, B20E, B39A, B39B |
| | 22 | Y01Z, Y03A, Y03B | | 03 | BOP, KVT, UOP4 | | 03 | D06A, D06B, D06C, D06J |
| 5d200.3↔ | 03 | D09Z, D30A, D30J, D30Q | 5d300.4↔ | 03 | D09Z, D30A, D30J, D30Q | 5d303.2↔ | 01 | B02A, B02B, B02C, B02D, B20A, B20B, B20C, B20D, B20E, B39A, B39B |
| | 09 | J03A, J03B, J04A, J04B, J08A, J08B, J08C, J11A, J11B, J11C, J11J, J11Q, J11R, J11S, J16Z | | 03 | D12A, D12B, D12J, D12Q | | 03 | D06A, D06B, D06C, D06J |
| | 21A | W04A, W04B | | 03 | BOP, KVT, UOP4 | | 01 | B02A, B02B, B02C, B02D, B20A, B20B, B20C, B20D, B20E, B39A, B39B |
| | 21B | X06A, X06B, X06C | | 09 | D09Z, D30A, D30J, D30Q | | 03 | D06A, D06B, D06C, D06J |
| | 22 | Y01Z, Y03A, Y03B | | 09 | J03A, J03B, J04A, J04B, J08A, J08B, J08C, J10A, J10B, J10J, J16Z | | 01 | B02A, B02B, B02C, B02D, B20A, B20B, B20C, B20D, B20E, B39A, B39B |
| 5d200.40↔ | 03 | D09Z, D30A, D30J, D30Q | 5d300.6↔ | 21A | W04A, W04B | 5d303.3↔ | 03 | D06A, D06B, D06C, D06J |
| | 09 | J03A, J03B, J04A, J04B, J08A, J08B, J08C, J11A, J11B, J11C, J11J, J11Q, J11R, J11S, J16Z | | 21B | X06A, X06B, X06C | | 01 | B02A, B02B, B02C, B02D, B20A, B20B, B20C, B20D, B20E, B39A, B39B |
| | 21A | W04A, W04B | | 22 | Y01Z, Y03A, Y03B | | 03 | D06A, D06B, D06C, D06J |
| | 21B | X06A, X06B, X06C | | 01 | BOP, KVT, UOP4 | | 01 | B02A, B02B, B02C, B02D, B20A, B20B, B20C, B20D, B20E, B39A, B39B |
| | 22 | Y01Z, Y03A, Y03B | | 03 | D09Z, D30A, D30J, D30Q | | 03 | D06A, D06B, D06C, D06J |
| 5d200.41↔ | | KJZSV | 5d301.10↔ | 01 | B02A, B02B, B02C, B02D, B20A, B20B, B20C, B20D, B20E, B39A, B39B | 5d303.4↔ | 01 | B02A, B02B, B02C, B02D, B20A, B20B, B20C, B20D, B20E, B39A, B39B |
| | 03 | D09Z, D30A, D30J, D30Q | | 03 | D09Z, D30A, D30J, D30Q | | 03 | D06A, D06B, D06C, D06J |
| | 09 | J03A, J03B, J04A, J04B, J08A, J08B, J08C, J11A, J11B, J11C, J11J, J11Q, J11R, J11S, J16Z | | 21B | X06A, X06B, X06C | | 01 | B02A, B02B, B02C, B02D, B20A, B20B, B20C, B20D, B20E, B39A, B39B |
| | 21A | W04A, W04B | | 01 | BOP, KVT, UOP4 | | 03 | D06A, D06B, D06C, D06J |
| | 21B | X06A, X06B, X06C | | 03 | D09Z, D30A, D30J, D30Q | | 03 | D06A, D06B, D06C, D06J |
| 5d200.41↔ | | KJZSV | 5d301.20↔ | 01 | B02A, B02B, B02C, B02D, B20A, B20B, B20C, B20D, B20E, B39A, B39B | 5d305.10↔ | 03 | D06A, D06B, D06C, D06J |
| | 03 | D09Z, D30A, D30J, D30Q | | 03 | D09Z, D30A, D30J, D30Q | | 03 | D06A, D06B, D06C, D06J |
| | 09 | J03A, J03B, J04A, J04B, J08A, J08B, J08C, J11A, J11B, J11C, J11J, J11Q, J11R, J11S, J16Z | | 21B | X06A, X06B, X06C | | 21B | X06A, X06B, X06C |
| | 21A | W04A, W04B | | 01 | BOP, KVT, UOP4 | | 03 | D06A, D06B, D06C, D06J |
| | 21B | X06A, X06B, X06C | | 03 | D09Z, D30A, D30J, D30Q | | 21B | X06A, X06B, X06C |
| 5d201.1↔ | | BOP, KJZSV, KVT, UOP4 | 5d301.21↔ | 01 | B02A, B02B, B02C, B02D, B20A, B20B, B20C, B20D, B20E, B39A, B39B | 5d305.11↔ | 03 | D06A, D06B, D06C, D06J |
| | 03 | D09Z, D30A, D30J, D30Q | | 03 | D09Z, D30A, D30J, D30Q | | 03 | D06A, D06B, D06C, D06J |
| | 09 | J03A, J03B, J04A, J04B, J08A, J08B, J08C, J10A, J10B, J10J, J16Z | | 21B | X06A, X06B, X06C | | 21B | X06A, X06B, X06C |
| | 21A | W04A, W04B | | 01 | BOP, KVT, UOP4 | | 03 | D06A, D06B, D06C, D06J |
| | 21B | X06A, X06B, X06C | | 03 | D09Z, D30A, D30J, D30Q | | 21B | X06A, X06B, X06C |
| 5d201.2↔ | | BOP, KVT, UOP4 | 5d301.22↔ | 03 | D09Z, D30A, D30J, D30Q | 5d305.20↔ | 03 | D06A, D06B, D06C, D06J |
| | 03 | D09Z, D30A, D30J, D30Q | | 01 | B02A, B02B, B02C, B02D, B20A, B20B, B20C, B20D, B20E, B39A, B39B | | 03 | D06A, D06B, D06C, D06J |
| | 09 | J03A, J03B, J04A, J04B, J08A, J08B, J08C, J10A, J10B, J10J, J16Z | | 03 | D09Z, D30A, D30J, D30Q | | 21B | X06A, X06B, X06C |
| | 21A | W04A, W04B | | 21B | X06A, X06B, X06C | | 03 | D06A, D06B, D06C, D06J |
| | 21B | X06A, X06B, X06C | | 03 | D09Z, D30A, D30J, D30Q | | 21B | X06A, X06B, X06C |
| 5d201.3↔ | | BOP, KJZSV, KVT, UOP4 | 5d301.3↔ | 01 | B02A, B02B, B02C, B02D, B20A, B20B, B20C, B20D, B20E, B39A, B39B | 5d305.21↔ | 03 | D06A, D06B, D06C, D06J |
| | 03 | D09Z, D30A, D30J, D30Q | | 03 | D09Z, D30A, D30J, D30Q | | 03 | D06A, D06B, D06C, D06J |
| | 09 | J03A, J03B, J04A, J04B, J08A, J08B, J08C, J10A, J10B, J10J, J16Z | | 21B | X06A, X06B, X06C | | 21B | X06A, X06B, X06C |
| | 21A | W04A, W04B | | 01 | BOP, KVT, UOP4 | | 03 | D06A, D06B, D06C, D06J |
| | 21B | X06A, X06B, X06C | | 03 | D09Z, D30A, D30J, D30Q | | 21B | X06A, X06B, X06C |
| 5d201.4↔ | | BOP, KJZSV, KVT, UOP4 | 5d302.1↔ | 03 | D09Z, D30A, D30J, D30Q | 5d305.3↔ | 03 | D06A, D06B, D06C, D06J |
| | 03 | D09Z, D30A, D30J, D30Q | | 03 | D09Z, D30A, D30J, D30Q | | 03 | D06A, D06B, D06C, D06J |
| | 09 | J03A, J03B, J04A, J04B, J08A, J08B, J08C, J10A, J10B, J10J, J16Z | | 21B | X06A, X06B, X06C | | 21B | X06A, X06B, X06C |
| | 21A | W04A, W04B | | 01 | BOP, KVT, UOP4 | | 03 | D06A, D06B, D06C, D06J |
| | 21B | X06A, X06B, X06C | | 03 | D09Z, D30A, D30J, D30Q | | 21B | X06A, X06B, X06C |
| 5d300.1↔ | | BOP, KVT, UOP4 | 5d302.20↔ | 03 | D09Z, D30A, D30J, D30Q | 5d305.4 | 01 | B03Z, B07Z, B17A, B17B, B17C, B17J |
| | 03 | D09Z, D30A, D30J, D30Q | | 03 | D09Z, D30A, D30J, D30Q | | 03 | D12A, D12B, D12J, D12Q |
| | 21B | X06A, X06B, X06C | | 21B | X06A, X06B, X06C | | 05 | F21A, F21B, F21C, F21J |
| | 03 | D09Z, D30A, D30J, D30Q | | 03 | D09Z, D30A, D30J, D30Q | | 08 | I27A, I27B, I27C, I27D, I27J, I27Q |
| | 03 | D09Z, D30A, D30J, D30Q | | 03 | D09Z, D30A, D30J, D30Q | | 09 | J03A, J03B, J04A, J04B, J08A, J08B, J08C, J16Z, J21Z, J22A, J22B, J22J |
| 5d300.2↔ | | BOP, KVT, UOP4 | 5d302.21↔ | 03 | D09Z, D30A, D30J, D30Q | 5d306.10↔ | 10 | K09A, K09B |
| | 03 | D09Z, D30A, D30J, D30Q | | 03 | D09Z, D30A, D30J, D30Q | | 21B | X06A, X06B, X06C |
| | 21B | X06A, X06B, X06C | | 21B | X06A, X06B, X06C | | 22 | Y01Z, Y03A, Y03B |
| | 03 | D09Z, D30A, D30J, D30Q | | 03 | D09Z, D30A, D30J, D30Q | | 03 | BOP, KJZSV, KVT, UOP4 |
| | 03 | D09Z, D30A, D30J, D30Q | | 03 | D09Z, D30A, D30J, D30Q | | 03 | D23Z |
| 5d300.2↔ | | BOP, KVT, UOP4 | 5d302.22↔ | 03 | D09Z, D30A, D30J, D30Q | 5d306.11↔ | 03 | BOP, KJZSV, KVT, UOP4 |
| | 03 | D09Z, D30A, D30J, D30Q | | 03 | D09Z, D30A, D30J, D30Q | | 03 | D23Z |
| | 21B | X06A, X06B, X06C | | 21B | X06A, X06B, X06C | | 03 | BOP, KJZSV, KOP, KVT, UOP4 |
| | 03 | D09Z, D30A, D30J, D30Q | | 03 | D09Z, D30A, D30J, D30Q | | 03 | D01A, D01B |
| | 03 | D09Z, D30A, D30J, D30Q | | 03 | D09Z, D30A, D30J, D30Q | | 04 | E36Z |
| 5d300.2↔ | | BOP, KVT, UOP4 | 5d302.23↔ | 03 | D09Z, D30A, D30J, D30Q | 5d306.20↔ | 06 | G36Z |
| | 03 | D09Z, D30A, D30J, D30Q | | 03 | D09Z, D30A, D30J, D30Q | | 08 | I26Z |
| | 21B | X06A, X06B, X06C | | 03 | D09Z, D30A, D30J, D30Q | | 11 | L33Z |
| | 03 | D09Z, D30A, D30J, D30Q | | 03 | D09Z, D30A, D30J, D30Q | | Pre | A06A, A07A, A09A, A13A |
| | 03 | D09Z, D30A, D30J, D30Q | | 01 | B02A, B02B, B02C, B02D, B20A, B20B, B20C, B20D, B20E, B39A, B39B | | 03 | BOP, KJZSV, KOP, KVT, UOP4 |
| 5d300.2↔ | | BOP, KVT, UOP4 | 5d302.23↔ | 01 | B02A, B02B, B02C, B02D, B20A, B20B, B20C, B20D, B20E, B39A, B39B | 5d306.21↔ | 03 | D01A, D01B |
| | 03 | D09Z, D30A, D30J, D30Q | | 03 | D06A, D06B, D06C, D06J | | 04 | E36Z |
| | 21B | X06A, X06B, X06C | | 03 | D06A, D06B, D06C, D06J | | 06 | G36Z |
| | 03 | D09Z, D30A, D30J, D30Q | | 03 | D06A, D06B, D06C, D06J | | 08 | I26Z |
| | 03 | D09Z, D30A, D30J, D30Q | | 03 | D06A, D06B, D06C, D06J | | 11 | L33Z |
| 5d300.2↔ | | BOP, KVT, UOP4 | 5d302.23↔ | 03 | D06A, D06B, D06C, D06J | 5d306.21↔ | Pre | A06A, A07A, A09A, A13A |
| | 03 | D09Z, D30A, D30J, D30Q | | 03 | D06A, D06B, D06C, D06J | | 03 | D01A, D01B |
| | 21B | X06A, X06B, X06C | | 03 | D06A, D06B, D06C, D06J | | 04 | E36Z |
| | 03 | D09Z, D30A, D30J, D30Q | | 03 | D06A, D06B, D06C, D06J | | 06 | G36Z |
| | 03 | D09Z, D30A, D30J, D30Q | | 03 | D06A, D06B, D06C, D06J | | 08 | I26Z |

VYK

| ZZV | MDC | DRG | ZZV | MDC | DRG | ZZV | MDC | DRG | | |
|-----------|----------|--|--|--|--|------------------------------------|--|--|--|--|
| 5d306.2x↔ | | BOP, KJZSV, KOP, KVT, UOP4 | 5d403↔ | | BOP, KJZSV, KVT, UOP4 | 5f103 | 03 | D09Z, D30A, D30B, D30J, D30Q, D35Z, D39J, D39Z | | |
| | 03 | D01A, D01B | | 01 | B02A, B02B, B02C, B02D, B20A, B20B, B20C, B20D, B20E, B39A, B39B | | 09 | J03A, J03B, J04A, J04B, J08A, J08B, J08C, J10A, J10B, J10J, J16Z | | |
| | 04 | E36Z | | 5d404 | 03 | | D09Z, D30A, D30J, D30Q | 21A | W04A, W04B | |
| | 06 | G36Z | | | 01 | | B03Z, B07Z, B17A, B17B, B17C, B17J | 21B | X06A, X06B, X06C | |
| | 08 | I26Z | | | 03 | | D12A, D12B, D12J, D12Q | 22 | Y01Z, Y03A, Y03B | |
| | 11 | L33Z | | | 05 | | F21A, F21B, F21C, F21J | 5f104 | 03 | D09Z, D30A, D30B, D30J, D30Q, D35Z, D38J, D38Q, D38Z |
| | Pre | A06A, A07A, A09A, A13A | | 08 | I27A, I27B, I27C, I27D, I27J, I27Q | | 09 | | J03A, J03B, J04A, J04B, J08A, J08B, J08C, J10A, J10B, J10J, J16Z | |
| | 5d306.30 | 01 | | BOP, KJZSV, KVT, UOP4 | 09 | | J03A, J03B, J04A, J04B, J08A, J08B, J08C, J16Z, J21Z, J22A, J22B, J22J | | 21A | W04A, W04B |
| | | 03 | | B02A, B02B, B02C, B02D, B20A, B20B, B20C, B20D, B20E, B39A, B39B | 10 | | K09A, K09B | | 21B | X06A, X06B, X06C |
| | | 08 | | D09Z, D30A, D30J, D30Q | 21A | | W04A, W04B | 22 | Y01Z, Y03A, Y03B | |
| 17 | | I15A, I15B | 21B | X06A, X06B, X06C | 5f105 | 03 | D09Z, D30A, D30B, D30J, D30Q, D39J, D39Z | | | |
| 21A | | R01A, R01B, R01C, R01D, R02Z, R12A, R12B, R12C | 5d405.1↔ | 01 | | BOP, KJZSV, KVT, UOP4 | 09 | J03A, J03B, J04A, J04B, J08A, J08B, J08C, J10A, J10B, J10J, J16Z | | |
| | | W04A, W04B | | 03 | | D12A, D12B, D12J, D12Q | 21A | W04A, W04B | | |
| 21B | | X06A, X06B, X06C | 05 | F21A, F21B, F21C, F21J | | 21B | X06A, X06B, X06C | | | |
| 22 | | Y01Z, Y03A, Y03B | 08 | I27A, I27B, I27C, I27D, I27J, I27Q | 22 | Y01Z, Y03A, Y03B | | | | |
| 5d306.31↔ | | 01 | BOP, KJZSV, KVT, UOP4 | 09 | J03A, J03B, J04A, J04B, J08A, J08B, J08C, J16Z, J21Z, J22A, J22B, J22J | 5f106 | KJZSV | | | |
| | | 03 | B02A, B02B, B02C, B02D, B20A, B20B, B20C, B20D, B20E, B39A, B39B | 10 | K09A, K09B | | 03 | D09Z, D30A, D30B, D30J, D30Q, D39J, D39Z | | |
| | 08 | D09Z, D30A, D30J, D30Q | 21B | X06A, X06B, X06C | 09 | | J03A, J03B, J04A, J04B, J08A, J08B, J08C, J10A, J10B, J10J, J16Z | | | |
| | 17 | I15A, I15B | 22 | Y01Z, Y03A, Y03B | 21A | | W04A, W04B | | | |
| | 5d306.4↔ | 21A | R01A, R01B, R01C, R01D, R02Z, R12A, R12B, R12C | 5d405.3↔ | 01 | BOP, KJZSV, KVT, UOP4 | 21B | X06A, X06B, X06C | | |
| | | | W04A, W04B | | 03 | B03Z, B07Z, B17A, B17B, B17C, B17J | 22 | Y01Z, Y03A, Y03B | | |
| | | 21B | X06A, X06B, X06C | 05 | D12A, D12B, D12J, D12Q | 5f107 | KJZSV | | | |
| | | 22 | Y01Z, Y03A, Y03B | 08 | I27A, I27B, I27C, I27D, I27J, I27Q | | 03 | D09Z, D30A, D30B, D30J, D30Q, D39J, D39Z | | |
| | | 5d306.4↔ | 21A | R01A, R01B, R01C, R01D, R02Z, R12A, R12B, R12C | 5d405.3↔ | | 09 | J03A, J03B, J04A, J04B, J08A, J08B, J08C, J16Z, J21Z, J22A, J22B, J22J | 09 | J03A, J03B, J04A, J04B, J08A, J08B, J08C, J10A, J10B, J10J, J16Z |
| | | | | W04A, W04B | | | 10 | K09A, K09B | 21A | W04A, W04B |
| 21B | | | X06A, X06B, X06C | 21B | X06A, X06B, X06C | 21B | X06A, X06B, X06C | | | |
| 22 | | | Y01Z, Y03A, Y03B | 22 | Y01Z, Y03A, Y03B | 22 | Y01Z, Y03A, Y03B | | | |
| 5d307.1↔ | | | 21A | R01A, R01B, R01C, R01D, R02Z, R12A, R12B, R12C | 5f100 | 03 | D09Z, D30A, D30B, D30J, D30Q, D35Z, D39J, D39Z | 5f108 | BOP, KVT, UOP4 | |
| | | | | W04A, W04B | | 09 | J03A, J03B, J04A, J04B, J08A, J08B, J08C, J10A, J10B, J10J, J16Z | | 03 | D09Z, D30A, D30B, D30J, D30Q, D39J, D39Z |
| | 21B | | X06A, X06B, X06C | 21A | W04A, W04B | 09 | J03A, J03B, J04A, J04B, J08A, J08B, J08C, J10A, J10B, J10J, J16Z | | | |
| | 22 | | Y01Z, Y03A, Y03B | 21B | X06A, X06B, X06C | 21A | W04A, W04B | | | |
| | 5d307.2↔ | | 21A | R01A, R01B, R01C, R01D, R02Z, R12A, R12B, R12C | 5f101 | 03 | D09Z, D30A, D30B, D30J, D30Q, D35Z, D38J, D38Q, D38Z | 5f109 | BOP, KVT, UOP4 | |
| | | | | W04A, W04B | | 09 | J03A, J03B, J04A, J04B, J08A, J08B, J08C, J10A, J10B, J10J, J16Z | | 03 | D09Z, D30A, D30B, D30J, D30Q, D35Z, D39J, D39Z |
| | | 21B | X06A, X06B, X06C | 21A | W04A, W04B | 09 | J03A, J03B, J04A, J04B, J08A, J08B, J08C, J10A, J10B, J10J, J16Z | | | |
| | | 22 | Y01Z, Y03A, Y03B | 21B | X06A, X06B, X06C | 21A | W04A, W04B | | | |
| | | 5d307.3↔ | 21A | R01A, R01B, R01C, R01D, R02Z, R12A, R12B, R12C | 5f102 | 03 | D09Z, D30A, D30B, D30J, D30Q, D35Z, D39J, D39Z | 5f10a.0 | KJZSV | |
| | | | | W04A, W04B | | 09 | J03A, J03B, J04A, J04B, J08A, J08B, J08C, J10A, J10B, J10J, J16Z | | 03 | D09Z, D30A, D30B, D30J, D30Q, D38J, D38Q, D38Z |
| 21B | | | X06A, X06B, X06C | 21A | W04A, W04B | 04 | E02A, E02B, E02C, E02D, E07Z | | | |
| 22 | | | Y01Z, Y03A, Y03B | 21B | X06A, X06B, X06C | 21A | W04A, W04B | | | |
| 5d307.4↔ | | | 21A | R01A, R01B, R01C, R01D, R02Z, R12A, R12B, R12C | 5f102 | 09 | J03A, J03B, J04A, J04B, J08A, J08B, J08C, J10A, J10B, J10J, J16Z | 5f10a.0 | 21B | X06A, X06B, X06C |
| | | | | W04A, W04B | | 21A | W04A, W04B | | 21B | X06A, X06B, X06C |
| | 21B | | X06A, X06B, X06C | 22 | Y01Z, Y03A, Y03B | | | | | |
| | 22 | | Y01Z, Y03A, Y03B | | | | | | | |
| | 5d307.5↔ | | 21A | R01A, R01B, R01C, R01D, R02Z, R12A, R12B, R12C | 5f102 | 03 | D09Z, D30A, D30B, D30J, D30Q, D35Z, D39J, D39Z | | | |
| | | | | W04A, W04B | | 09 | J03A, J03B, J04A, J04B, J08A, J08B, J08C, J10A, J10B, J10J, J16Z | | | |
| | | 21B | X06A, X06B, X06C | | | | | | | |
| | | 22 | Y01Z, Y03A, Y03B | | | | | | | |
| | | 5d307.6↔ | 21A | R01A, R01B, R01C, R01D, R02Z, R12A, R12B, R12C | 5f102 | 03 | D09Z, D30A, D30B, D30J, D30Q, D35Z, D39J, D39Z | | | |
| | | | | W04A, W04B | | 09 | J03A, J03B, J04A, J04B, J08A, J08B, J08C, J10A, J10B, J10J, J16Z | | | |
| 21B | | | X06A, X06B, X06C | | | | | | | |
| 22 | | | Y01Z, Y03A, Y03B | | | | | | | |
| 5d400↔ | | | 21A | R01A, R01B, R01C, R01D, R02Z, R12A, R12B, R12C | 5f102 | 03 | D09Z, D30A, D30B, D30J, D30Q, D35Z, D39J, D39Z | | | |
| | | | | W04A, W04B | | 09 | J03A, J03B, J04A, J04B, J08A, J08B, J08C, J10A, J10B, J10J, J16Z | | | |
| | 21B | | X06A, X06B, X06C | | | | | | | |
| | 22 | | Y01Z, Y03A, Y03B | | | | | | | |
| | 5d401↔ | | 21A | R01A, R01B, R01C, R01D, R02Z, R12A, R12B, R12C | 5f102 | 03 | D09Z, D30A, D30B, D30J, D30Q, D35Z, D39J, D39Z | | | |
| | | | | W04A, W04B | | 09 | J03A, J03B, J04A, J04B, J08A, J08B, J08C, J10A, J10B, J10J, J16Z | | | |
| | | 21B | X06A, X06B, X06C | | | | | | | |
| | | 22 | Y01Z, Y03A, Y03B | | | | | | | |
| | | 5d402↔ | 21A | R01A, R01B, R01C, R01D, R02Z, R12A, R12B, R12C | 5f102 | 03 | D09Z, D30A, D30B, D30J, D30Q, D35Z, D39J, D39Z | | | |
| | | | | W04A, W04B | | 09 | J03A, J03B, J04A, J04B, J08A, J08B, J08C, J10A, J10B, J10J, J16Z | | | |
| 21B | | | X06A, X06B, X06C | | | | | | | |
| 22 | | | Y01Z, Y03A, Y03B | | | | | | | |

VYK

| ZZV | MDC | DRG | ZZV | MDC | DRG | ZZV | MDC | DRG |
|---------|------------------|--|-------------------|--|--|-------------------|--|--|
| 5f10a.1 | | KJZSV | 5f114 | | BOP, KVT, UOP4 | 5f11b.0↔ | | BOP, KJZSV, KVT, UOP4 |
| | 03 | D09Z, D30A, D30B, D30J, D30Q, D38J, D38Q, D38Z | | 03 | D35Z, D38J, D38Q, D38Z | | 03 | D35Z, D38J, D38Q, D38Z |
| | 04 | E02A, E02B, E02C, E02D, E07Z | | 08 | I28A, I28B, I28C, I28J | | 08 | I28A, I28B, I28C, I28J |
| | 21A | W04A, W04B | | 09 | J03A, J03B, J04A, J04B, J08A, J08B, J08C, J10A, J10B, J10J, J16Z | | 09 | J03A, J03B, J04A, J04B, J08A, J08B, J08C, J10A, J10B, J10J, J16Z |
| | 21B | X06A, X06B, X06C | | 21A | W04A, W04B | | 21A | W04A, W04B |
| 5f10b.1 | | BOP, KVT, UOP4 | 21B | X06A, X06B, X06C | 21B | X06A, X06B, X06C | | |
| | 03 | D09Z, D30A, D30B, D30J, D30Q, D38J, D38Q, D38Z | 22 | Y01Z, Y03A, Y03B | 22 | Y01Z, Y03A, Y03B | | |
| | 21A | W04A, W04B | 5f115↔ | | BOP, KVT, UOP4 | 5f11b.1↔ | | BOP, KVT, UOP4 |
| 21B | X06A, X06B, X06C | 03 | | D35Z, D38J, D38Q, D38Z | 03 | | D35Z, D38J, D38Q, D38Z | |
| 5f10b.2 | | BOP, KVT, UOP4 | | 08 | I28A, I28B, I28C, I28J | | 08 | I28A, I28B, I28C, I28J |
| | 03 | D09Z, D30A, D30B, D30J, D30Q, D38J, D38Q, D38Z | | 09 | J03A, J03B, J04A, J04B, J08A, J08B, J08C, J10A, J10B, J10J, J16Z | | 09 | J03A, J03B, J04A, J04B, J08A, J08B, J08C, J10A, J10B, J10J, J16Z |
| | 21A | W04A, W04B | | 21A | W04A, W04B | | 21A | W04A, W04B |
| 5f110 | 21B | X06A, X06B, X06C | 21B | X06A, X06B, X06C | 21B | X06A, X06B, X06C | | |
| | | BOP, KVT, UOP4 | 22 | Y01Z, Y03A, Y03B | 22 | Y01Z, Y03A, Y03B | | |
| | 03 | D35Z, D38J, D38Q, D38Z | 5f116 | | BOP, KJZSV, KVT, UOP4 | 5f11b.2 | | BOP, KVT, UOP4 |
| | 08 | I28A, I28B, I28C, I28J | | 03 | D35Z, D38J, D38Q, D38Z | | 03 | D35Z, D38J, D38Q, D38Z |
| | 09 | J03A, J03B, J04A, J04B, J08A, J08B, J08C, J10A, J10B, J10J, J16Z | | 08 | I28A, I28B, I28C, I28J | | 08 | I28A, I28B, I28C, I28J |
| 21A | W04A, W04B | 09 | | J03A, J03B, J04A, J04B, J08A, J08B, J08C, J10A, J10B, J10J, J16Z | 09 | | J03A, J03B, J04A, J04B, J08A, J08B, J08C, J10A, J10B, J10J, J16Z | |
| 21B | X06A, X06B, X06C | 21A | | W04A, W04B | 21A | | W04A, W04B | |
| 5f111 | 22 | Y01Z, Y03A, Y03B | 21B | X06A, X06B, X06C | 21B | X06A, X06B, X06C | | |
| | | BOP, KJZSV, KVT, UOP4 | 22 | Y01Z, Y03A, Y03B | 22 | Y01Z, Y03A, Y03B | | |
| | 03 | D35Z, D38J, D38Q, D38Z | 5f117 | | BOP, KJZSV, KVT, UOP4 | 5f11c.0 | | BOP, KJZSV, KVT, UOP4 |
| | 08 | I28A, I28B, I28C, I28J | | 03 | D35Z, D38J, D38Q, D38Z | | 03 | D35Z, D38J, D38Q, D38Z |
| | 09 | J03A, J03B, J04A, J04B, J08A, J08B, J08C, J10A, J10B, J10J, J16Z | | 08 | I28A, I28B, I28C, I28J | | 08 | I28A, I28B, I28C, I28J |
| 21A | W04A, W04B | 09 | | J03A, J03B, J04A, J04B, J08A, J08B, J08C, J10A, J10B, J10J, J16Z | 09 | | J03A, J03B, J04A, J04B, J08A, J08B, J08C, J10A, J10B, J10J, J16Z | |
| 21B | X06A, X06B, X06C | 21A | | W04A, W04B | 21A | | W04A, W04B | |
| 5f112.0 | 22 | Y01Z, Y03A, Y03B | 21B | X06A, X06B, X06C | 21B | X06A, X06B, X06C | | |
| | | BOP, KJZSV, KVT, UOP4 | 22 | Y01Z, Y03A, Y03B | 22 | Y01Z, Y03A, Y03B | | |
| | 03 | D35Z, D38J, D38Q, D38Z | 5f118↔ | | BOP, KVT, UOP4 | 5f11c.1 | | BOP, KVT, UOP4 |
| | 08 | I28A, I28B, I28C, I28J | | 03 | D35Z, D38J, D38Q, D38Z | | 03 | D35Z, D38J, D38Q, D38Z |
| | 09 | J03A, J03B, J04A, J04B, J08A, J08B, J08C, J10A, J10B, J10J, J16Z | | 08 | I28A, I28B, I28C, I28J | | 08 | I28A, I28B, I28C, I28J |
| 21A | W04A, W04B | 09 | | J03A, J03B, J04A, J04B, J08A, J08B, J08C, J10A, J10B, J10J, J16Z | 09 | | J03A, J03B, J04A, J04B, J08A, J08B, J08C, J10A, J10B, J10J, J16Z | |
| 21B | X06A, X06B, X06C | 21A | | W04A, W04B | 21A | | W04A, W04B | |
| 5f112.1 | 22 | Y01Z, Y03A, Y03B | 21B | X06A, X06B, X06C | 21B | X06A, X06B, X06C | | |
| | | BOP, KJZSV, KVT, UOP4 | 22 | Y01Z, Y03A, Y03B | 22 | Y01Z, Y03A, Y03B | | |
| | 03 | D35Z, D38J, D38Q, D38Z | 5f119.1 | | BOP, KVT, UOP4 | 5f11d | | BOP, KVT, UOP4 |
| | 08 | I28A, I28B, I28C, I28J | | 03 | D35Z, D38J, D38Q, D38Z | | 03 | D09Z, D30A, D30B, D30J, D30Q, D39J, D39Z |
| | 09 | J03A, J03B, J04A, J04B, J08A, J08B, J08C, J10A, J10B, J10J, J16Z | | 08 | I28A, I28B, I28C, I28J | | 21A | W04A, W04B |
| 21A | W04A, W04B | 09 | | J03A, J03B, J04A, J04B, J08A, J08B, J08C, J10A, J10B, J10J, J16Z | 21B | | X06A, X06B, X06C | |
| 21B | X06A, X06B, X06C | 21A | | W04A, W04B | 03 | | D39J, D39Z | |
| 5f113 | 22 | Y01Z, Y03A, Y03B | 21B | X06A, X06B, X06C | 21A | W04A, W04B | | |
| | | BOP, KJZSV, KVT, UOP4 | 22 | Y01Z, Y03A, Y03B | 21B | X06A, X06B, X06C | | |
| | 03 | D35Z, D38J, D38Q, D38Z | 5f119.x | | BOP, KVT, UOP4 | 5f121.0 | | KJZSV |
| | 08 | I28A, I28B, I28C, I28J | | 03 | D35Z, D38J, D38Q, D38Z | | 03 | D12A, D12B, D12J, D12Q |
| | 09 | J03A, J03B, J04A, J04B, J08A, J08B, J08C, J10A, J10B, J10J, J16Z | | 08 | I28A, I28B, I28C, I28J | | 08 | I17Z |
| 21A | W04A, W04B | 09 | | J03A, J03B, J04A, J04B, J08A, J08B, J08C, J10A, J10B, J10J, J16Z | 09 | | J03A, J03B, J04A, J04B, J08A, J08B, J08C, J11A, J11B, J11J, J11Q, J11R, J11S, J16Z | |
| 21B | X06A, X06B, X06C | 21A | | W04A, W04B | 21A | | W04A, W04B | |
| 5f113 | 22 | Y01Z, Y03A, Y03B | 21B | X06A, X06B, X06C | 21B | X06A, X06B, X06C | | |
| | | BOP, KJZSV, KVT, UOP4 | 22 | Y01Z, Y03A, Y03B | 03 | D13J, D13Q, D13Z | | |
| | 03 | D35Z, D38J, D38Q, D38Z | 5f121.1‡ 5f190 | | BOP, KVT, UOP4 | 5f121.1‡ 5f190 | | BOP, KVT, UOP4 |
| | 08 | I28A, I28B, I28C, I28J | | 03 | D35Z, D38J, D38Q, D38Z | | 03 | D09Z, D30A, D30B, D30J, D30Q, D39J, D39Z |
| | 09 | J03A, J03B, J04A, J04B, J08A, J08B, J08C, J10A, J10B, J10J, J16Z | | 08 | I28A, I28B, I28C, I28J | | 21A | W04A, W04B |
| 21A | W04A, W04B | 09 | | J03A, J03B, J04A, J04B, J08A, J08B, J08C, J10A, J10B, J10J, J16Z | 21B | | X06A, X06B, X06C | |
| 21B | X06A, X06B, X06C | 21A | | W04A, W04B | 21B | | X06A, X06B, X06C | |

| ZZV | MDC | DRG | ZZV | MDC | DRG | ZZV | MDC | DRG | | | | | | | | |
|----------|--|--|--|------------------------|--|--|------------------------------|--|--|------------------|--|--|--|--|------------------------|------------------|
| 5f193 | | BOP, KVT, UOP4 | 5f203 | 03 | D09Z, D30A, D30B, D30J, D30Q, D38J, D38Q, D38Z | 5f209 | 03 | D09Z, D30A, D30B, D30J, D30Q, D38J, D38Q, D38Z | | | | | | | | |
| | 03 | D03Z, D12A, D12J, D12Q, D38J, D38Q, D38Z | | 04 | E02A, E02B, E02C, E02D, E07Z | | 04 | E02A, E02B, E02C, E02D, E07Z | | | | | | | | |
| | 04 | E02A, E02B, E02C, E02D, E07Z | | 21A | W04A, W04B | | 21A | W04A, W04B | | | | | | | | |
| | 21A | W04A, W04B | | 21B | X06A, X06B, X06C | | 21B | X06A, X06B, X06C | | | | | | | | |
| | 21B | X06A, X06B, X06C | | 5f204 | 03 | | D35Z, D37A, D37B, D37J | 5f20a | | KJZSV | | | | | | |
| 5f195 | | BOP, KVT, UOP4 | 5f205 | | 04 | E02A, E02B, E02C, E02D, E07Z | 03 | | D38J, D38Q, D38Z | | | | | | | |
| | 03 | D09Z, D30A, D30B, D30J, D30Q, D39J, D39Z | | | | | 08 | | I28A, I28B, I28J | | | | | | | |
| | 09 | J03A, J03B, J04A, J04B, J08A, J08B, J08C, J10A, J10B, J10J, J16Z | | | | | 09 | | J03A, J03B, J04A, J04B, J08A, J08B, J08C, J10A, J10B, J10J, J16Z | | | | | | | |
| | 21A | W04A, W04B | | | | | 21A | | W04A, W04B | | | | | | | |
| | 21B | X06A, X06B, X06C | | 21B | | | X06A, X06B, X06C | | | | | | | | | |
| 5f197.1↔ | 03 | Y01Z, Y03A, Y03B | 03 | D35Z, D37A, D37B, D37J | 03 | D35Z, D37A, D37B, D37J | 03 | D12A, D12B, D12J, D12Q | | | | | | | | |
| | | 04 | | | | | | | E02A, E02B, E02C, E02D, E07Z | 04 | E02A, E02B, E02C, E02D, E07Z | | | | | |
| | | 21A | | | | | | | W04A, W04B | | | 08 | I28A, I28B, I28J | | | |
| 21B | X06A, X06B, X06C | 09 | J03A, J03B, J04A, J04B, J08A, J08B, J08C, J10A, J10B, J10J, J16Z | | | | | | | | | | | | | |
| 5f197.x | 03 | | | D38J, D38Q, D38Z | 04 | E02A, E02B, E02C, E02D, E07Z | 21A | W04A, W04B | 21B | X06A, X06B, X06C | | | | | | |
| | | | | 04 | | | | | | | E02A, E02B, E02C, E02D, E07Z | 22 | Y01Z, Y03A, Y03B | | | |
| | | 21A | W04A, W04B | 5f210 | | | | | | | 03 | | | D12A, D12B, D12J, D12Q | | |
| 21B | X06A, X06B, X06C | 08 | I17Z | | | | | | | | | | | | | |
| 5f198 | 03 | | | | BOP, KJZSV, KVT, UOP4 | 08 | I28A, I28B, I28J | 09 | J03A, J03B, J04A, J04B, J08A, J08B, J08C, J11A, J11B, J11J, J11Q, J11R, J11S, J16Z | | | | | | | |
| | | | | 05 | F21A, F21B, F21C, F21J | | | | | 21A | W04A, W04B | | | | | |
| | | 21A | W04A, W04B | 21B | X06A, X06B, X06C | | | | | | | | | | | |
| 21B | X06A, X06B, X06C | 5f211 | 03 | | | D18Z, D28J, D28Z, D29J, D29Z | | | | | | | | | | |
| 5f199 | 03 | | | | | | BOP, KJZSV, KVT, UOP4 | 08 | I17Z | 09 | J03A, J03B, J04A, J04B, J08A, J08B, J08C, J11A, J11B, J11J, J11Q, J11R, J11S, J16Z | | | | | |
| | | | | 05 | F21A, F21B, F21C, F21J | | 21A | | | | | W04A, W04B | | | | |
| | | 21A | W04A, W04B | 21B | X06A, X06B, X06C | | | | | | | | | | | |
| 21B | X06A, X06B, X06C | 5f290 | 03 | | | D09Z, D30A, D30B, D30J, D30Q, D35Z, D38J, D38Q, D38Z | | | | | | | | | | |
| 5f200 | 03 | | | | | | BOP, KVT, UOP4 | 03 | D38J, D38Q, D38Z | 09 | J03A, J03B, J04A, J04B, J08A, J08B, J08C, J10A, J10B, J10J, J16Z | | | | | |
| | | | | 04 | E02A, E02B, E02C, E02D, E07Z | | 21A | | | | | W04A, W04B | | | | |
| | | 08 | I28A, I28B, I28C, I28J | 21B | X06A, X06B, X06C | | | | | | | | | | | |
| 09 | J03A, J03B, J04A, J04B, J08A, J08B, J08C, J10A, J10B, J10J, J16Z | 22 | Y01Z, Y03A, Y03B | | | | | | | | | | | | | |
| 21A | W04A, W04B | | | | | 5f291 | 03 | D09Z, D30A, D30B, D30J, D30Q, D39J, D39Z | | | | | | | | |
| 21B | X06A, X06B, X06C | | | 09 | J03A, J03B, J04A, J04B, J08A, J08B, J08C, J10A, J10B, J10J, J16Z | | | | | | | | | | | |
| 22 | Y01Z, Y03A, Y03B | 21A | W04A, W04B | | | | | | | | | | | | | |
| 5f201 | 03 | | | | | BOP, KVT, UOP4 | 5f207.1 | 04 | E02A, E02B, E02C, E02D, E07Z | 08 | I28A, I28B, I28J | 21B | X06A, X06B, X06C | | | |
| | | | | 04 | E02A, E02B, E02C, E02D, E07Z | 09 | | | | | | | | J03A, J03B, J04A, J04B, J08A, J08B, J08C, J10A, J10B, J10J, J16Z | | |
| | | 08 | I28A, I28B, I28C, I28J | 21A | W04A, W04B | | | | | | | | | | | |
| | | 09 | J03A, J03B, J04A, J04B, J08A, J08B, J08C, J10A, J10B, J10J, J16Z | | | | | | | | | | | | 21B | X06A, X06B, X06C |
| | | 21A | W04A, W04B | | | | | | | | | | | | | |
| 21B | X06A, X06B, X06C | 5f207.2 | 03 | | | | D38J, D38Q, D38Z | | | | | | | | | |
| 22 | Y01Z, Y03A, Y03B | | | | | 04 | | E02A, E02B, E02C, E02D, E07Z | | | | | | | | |
| 5f202 | 03 | | | BOP, KVT, UOP4 | 5f207.x | | | | 08 | I28A, I28B, I28J | 09 | J03A, J03B, J04A, J04B, J08A, J08B, J08C, J10A, J10B, J10J, J16Z | | | | |
| | | | | 04 | | | | | | | | | E02A, E02B, E02C, E02D, E07Z | 21A | W04A, W04B | |
| | | | | 08 | | | | | | | | | I28A, I28B, I28C, I28J | | | 21B |
| | | 09 | J03A, J03B, J04A, J04B, J08A, J08B, J08C, J10A, J10B, J10J, J16Z | 22 | | | Y01Z, Y03A, Y03B | | | | | | | | | |
| | | 21A | W04A, W04B | | | 5f301 | | 01 | | | | | B02A, B02B, B02C, B02D, B20A, B20B, B20C, B20D, B20E, B39A, B39B | | | |
| 21B | X06A, X06B, X06C | 03 | D06A, D06B, D06C, D06J | | | | | | | | | | | | | |
| 22 | Y01Z, Y03A, Y03B | | | | BOP, KVT, UOP4 | | | | | | | | | | | |
| 5f202 | 03 | | | | | | | | BOP, KVT, UOP4 | 5f302 | 01 | B09A, B09B | | | | |
| | | | | 04 | | | E02A, E02B, E02C, E02D, E07Z | | 03 | | | | | D06A, D06B, D06C, D06J | | |
| | | | | 08 | | I28A, I28B, I28C, I28J | BOP, KVT, UOP4 | | | | | | | | | |
| | | 09 | J03A, J03B, J04A, J04B, J08A, J08B, J08C, J10A, J10B, J10J, J16Z | 01 | | B09A, B09B | | | | | | | | | | |
| | | 21A | W04A, W04B | | 03 | | | D06A, D06B, D06C, D06J | | | | | | | | |
| 21B | X06A, X06B, X06C | 5f303 | 01 | | | | | | | B09A, B09B | | | | | | |
| 22 | Y01Z, Y03A, Y03B | | | | | | | | 03 | | D06A, D06B, D06C, D06J | | | | | |
| 5f202 | 03 | | | | | | BOP, KVT, UOP4 | | | | | 5f304 | 01 | B09A, B09B | | |
| | | | | 04 | | E02A, E02B, E02C, E02D, E07Z | 03 | | | | | | | | D06A, D06B, D06C, D06J | |
| | | | | 08 | I28A, I28B, I28C, I28J | BOP, KVT, UOP4 | | | | | | | | | | |
| | | 09 | J03A, J03B, J04A, J04B, J08A, J08B, J08C, J10A, J10B, J10J, J16Z | 01 | B09A, B09B | | | | | | | | | | | |
| | | 21A | W04A, W04B | | | | | 03 | D06A, D06B, D06C, D06J | | | | | | | |
| 21B | X06A, X06B, X06C | 5f305 | 01 | | | | | | | B09A, B09B | | | | | | |
| 22 | Y01Z, Y03A, Y03B | | | | | | 03 | | | | D06A, D06B, D06C, D06J | | | | | |

| ZZV | MDC | DRG | ZZV | MDC | DRG | ZZV | MDC | DRG |
|---------|-----|--|----------|----------|--|----------|-----|--|
| 5f306 | 03 | D09Z, D30A, D30B, D30J, D30Q, D38J, D38Q, D38Z | 5f30a.2 | | BOP, KJZSV, KOP, KOPV, KVT, UOP4 | 5g105† | | KJZSV |
| | 04 | E02A, E02B, E02C, E02D, E07Z | | 01 | B02A, B02B, B02C, B20A, B20B, B20C, B20D, B39A, B39B | 5g106 | 03 | D40J, D40Z |
| | 21A | W04A, W04B | | 02 | C01A | | | BOP, KJZSV, KVT, UOP4 |
| 5f307.1 | 21B | X06A, X06B, X06C | | 06 | G01Z, G02Z, G33Z, G38Z | | 03 | D13J, D13Q, D13Z |
| | | BOP, KJZSV, KOP, KOPV, KVT, UOP4 | | 07 | H33Z, H38Z | 5g109† | 21A | W04A, W04B |
| | 01 | B02A, B02B, B02C, B13Z, B20A, B20B, B20C, B20D, B39A, B39B | | 11 | L33Z | 5g10a† | 21B | X06A, X06B, X06C |
| | 02 | C01A | | 21A | W01A, W01B, W01C, W36Z | 5g10b† | 03 | D40J, D40Z |
| | 03 | D18Z, D25A, D25B, D25C, D25D, D25J | | 21B | X06A, X06B, X06C | | 09 | J45J |
| | 06 | G33Z | 5f30b.1↔ | 23 | Z01A | | | BOP, KVT, UOP4 |
| | 07 | H33Z, H38Z | | Pre | A07A, A13A, A13B, A13C | | 03 | D08A, D08B, D18Z, D22A, D22B, D22J, D30A, D30B, D30J, D30Q, D40J, D40Z |
| | 09 | J08A, J08B, J08C | | 01 | B02A, B02B, B02C, B02D, B20A, B20B, B20C, B20D, B20E, B39A, B39B | | 09 | J03A, J03B, J04A, J04B, J08A, J08B, J08C, J11A, J11B, J11J, J11Q, J11R, J11S, J16Z |
| | 11 | L33Z | | 03 | D06A, D06B, D06C, D06J, D36Z | | 21A | W04A, W04B |
| | 17 | R01A, R01B, R01C, R01D, R02Z, R12A, R12B, R12C | | 5f30b.2↔ | BOP, KJZSV, KVT, UOP4 | 5g10c† | 21B | X06A, X06B, X06C |
| | 21B | X06A, X06B, X06C, X33Z | | 01 | B02A, B02B, B02C, B02D, B20A, B20B, B20C, B20D, B20E, B39A, B39B | 5g10d† | 22 | Y01Z, Y03A, Y03B |
| | 23 | Z01A | | 03 | D06A, D06B, D06C, D06J | 5g10e† | 03 | D40J, D40Z |
| 5f307.2 | Pre | A07A, A09A, A13B | | 01 | B09A, B09B | 5g110.0† | 03 | D40J, D40Z |
| | | BOP, KJZSV, KVT, UOP4 | 5f30c.1 | 03 | D06A, D06B, D06C, D06J | 5g110.1† | 03 | D40J, D40Z |
| | 01 | B09A, B09B | | 01 | B09A, B09B | 5g111† | 03 | D40J, D40Z |
| | 03 | D06A, D06B, D06C, D06J, D35Z, D36Z | | 03 | D06A, D06B, D06C, D06J | 5g120† | 03 | D40J, D40Z |
| | 08 | I15A, I15B | 5f30c.2 | | BOP, KVT, UOP4 | 5g121† | 03 | D40J, D40Z |
| | 21A | W01A, W01B, W01C, W36Z | | 01 | B09A, B09B | 5g122† | 03 | D40J, D40Z |
| 5f307.3 | 21B | X06A, X06B, X06C | | 03 | D06A, D06B, D06C, D06J | 5g123† | 03 | D40J, D40Z |
| | | BOP, KJZSV, KVT, UOP4 | 5f30c.3 | | BOP, KVT, UOP4 | 5g200 | 03 | D13J, D13Q, D13Z |
| | 01 | B09A, B09B | | 01 | B09A, B09B | | 09 | J03A, J03B, J04A, J04B, J08A, J08B, J08C, J11A, J11B, J11J, J11Q, J11R, J11S, J16Z |
| | 03 | D06A, D06B, D06C, D06J, D35Z, D36Z | | 03 | D06A, D06B, D06C, D06J | | 21A | W04A, W04B |
| | 08 | I15A, I15B | 5f320 | | BOP, KVT, UOP4 | | 21B | X06A, X06B, X06C |
| | 21A | W01A, W01B, W01C, W36Z | | 01 | B09A, B09B | | 03 | D13J, D13Q, D13Z |
| 5f307.4 | 21B | X06A, X06B, X06C | | 03 | D06A, D06B, D06C, D06J | | 09 | J03A, J03B, J04A, J04B, J08A, J08B, J08C, J11A, J11B, J11J, J11Q, J11R, J11S, J16Z |
| | | BOP, KJZSV, KVT, UOP4 | 5f321 | | BOP, KVT, UOP4 | 5g201.1 | 21A | W04A, W04B |
| | 01 | B09A, B09B | | 01 | B09A, B09B | | 21B | X06A, X06B, X06C |
| | 03 | D06A, D06B, D06C, D06J, D35Z, D36Z | | 03 | D06A, D06B, D06C, D06J | | 03 | D13J, D13Q, D13Z |
| | 08 | I15A, I15B | 5f322 | | BOP, KVT, UOP4 | | 09 | J03A, J03B, J04A, J04B, J08A, J08B, J08C, J11A, J11B, J11J, J11Q, J11R, J11S, J16Z |
| | 21A | W01A, W01B, W01C, W36Z | | 01 | B09A, B09B | | 21A | W04A, W04B |
| 5f307.5 | 21B | X06A, X06B, X06C | | 03 | D06A, D06B, D06C, D06J | | 21B | X06A, X06B, X06C |
| | | BOP, KJZSV, KVT, UOP4 | 5f324 | | BOP, KVT, UOP4 | 5g201.2 | | KJZSV |
| | 03 | D06A, D06B, D06C, D06J | | 01 | B09A, B09B | | 03 | D13J, D13Q, D13Z |
| 5f307.6 | | BOP, KJZSV, KVT, UOP4 | | 03 | D06A, D06B, D06C, D06J | | 09 | J03A, J03B, J04A, J04B, J08A, J08B, J08C, J11A, J11B, J11J, J11Q, J11R, J11S, J16Z |
| 5f308.1 | 03 | D06A, D06B, D06C, D06J | 5f325 | | BOP, KJZSV, KVT, UOP4 | | 21A | W04A, W04B |
| | | BOP, KJZSV, KVT, UOP4 | | 01 | B09A, B09B | | 21B | X06A, X06B, X06C |
| | 01 | B09A, B09B | | 03 | D06A, D06B, D06C, D06J | | 03 | D08A, D08B, D18Z, D22A, D22B, D22J, D30A, D30B, D30J, D30Q |
| 5f308.x | 03 | D06A, D06B, D06C, D06J | 5f331 | | BOP, KVT, UOP4 | 5g203 | 21A | W04A, W04B |
| | | BOP, KVT, UOP4 | | 01 | B09A, B09B | | 21B | X06A, X06B, X06C |
| | 01 | B09A, B09B | | 03 | D06A, D06B, D06C, D06J, D36Z | | 03 | D08A, D08B, D18Z, D22A, D22B, D22J, D30A, D30B, D30J, D30Q |
| 5f309 | 03 | D06A, D06B, D06C, D06J | 5f332 | | BOP, KJZSV, KVT, UOP4 | | 21A | W04A, W04B |
| | | BOP, KVT, UOP4 | | 01 | B09A, B09B | | 21B | X06A, X06B, X06C |
| | 01 | B09A, B09B | | 03 | D06A, D06B, D06C, D06J | 5g204.0 | | KJZSV |
| | 03 | D06A, D06B, D06C, D06J | 5f333 | | BOP, KJZSV, KVT, UOP4 | | 03 | D08A, D08B, D18Z, D22A, D22B, D22J, D30A, D30B, D30J, D30Q |
| 5f30a.1 | | BOP, KJZSV, KOP, KOPV, KVT, UOP4 | | 01 | B09A, B09B | | 21A | W04A, W04B |
| | 01 | B02A, B02B, B02C, B20A, B20B, B20C, B20D, B39A, B39B | | 03 | D06A, D06B, D06C, D06J | | 21B | X06A, X06B, X06C |
| | 02 | C01A | 5f390 | | BOP, KVT, UOP4 | 5g204.1 | | KJZSV |
| | 06 | G01Z, G02Z, G33Z, G38Z | | 03 | D06A, D06B, D06C, D06J, D36Z | | 03 | D08A, D08B, D18Z, D22A, D22B, D22J, D30A, D30B, D30J, D30Q |
| | 07 | H33Z, H38Z | 5g100† | | X06A, X06B, X06C | | 21A | W04A, W04B |
| | 11 | L33Z | 5g101† | | D40J, D40Z | | 21B | X06A, X06B, X06C |
| | 21A | W01A, W01B, W01C, W36Z | 5g102† | | KJZSV | | 09 | J45J |
| | 21B | X06A, X06B, X06C | 5g103† | | KJZSV | | | |
| | 23 | Z01A | 5g104† | | D40J, D40Z | | | |
| | Pre | A07A, A13A, A13B, A13C | | 03 | D40J, D40Z | | | |

| ZZV | MDC | DRG | ZZV | MDC | DRG | ZZV | MDC | DRG |
|---------|-----|--|---------|-----|--|---------|-----|--|
| 5g206 | | KJZSV | 5g20h.1 | | BOP, KJZSV, KVT, UOP4 | 5g20n | | BOP, KJZSV, KVT, UOP4 |
| | 03 | D08A, D08B, D18Z, D22A, D22B, D22J, D30A, D30B, D30J, D30Q | | 03 | D13J, D13Q, D13Z | | 03 | D13J, D13Q, D13Z |
| 5g207 | 21A | W04A, W04B | 5g20h.x | 09 | J03A, J03B, J04A, J04B, J08A, J08B, J08C, J11A, J11B, J11J, J11Q, J11R, J11S, J16Z | 5g210 | 09 | J03A, J03B, J04A, J04B, J08A, J08B, J08C, J11A, J11B, J11J, J11Q, J11R, J11S, J16Z |
| | 21B | X06A, X06B, X06C | | 21A | W04A, W04B | | 21A | W04A, W04B |
| 5g208.0 | | KJZSV | 5g20k | 21B | X06A, X06B, X06C | 5g211.0 | 03 | D08A, D08B, D18Z, D22A, D22B, D22J, D30A, D30B, D30J, D30Q |
| | 03 | D08A, D08B, D18Z, D22A, D22B, D22J, D30A, D30B, D30J, D30Q | | 03 | D13J, D13Q, D13Z | | 03 | D08A, D08B, D18Z, D22A, D22B, D22J, D30A, D30B, D30J, D30Q |
| 5g208.1 | 21A | W04A, W04B | 5g20m.0 | 09 | J03A, J03B, J04A, J04B, J08A, J08B, J08C, J11A, J11B, J11J, J11Q, J11R, J11S, J16Z | 5g211.1 | 03 | D08A, D08B, D18Z, D22A, D22B, D22J, D30A, D30B, D30J, D30Q |
| | 21B | X06A, X06B, X06C | | 21A | W04A, W04B | | 03 | D08A, D08B, D18Z, D22A, D22B, D22J, D30A, D30B, D30J, D30Q |
| 5g208.2 | | KJZSV | 5g20m.1 | 21B | X06A, X06B, X06C | 5g211.2 | 03 | D08A, D08B, D18Z, D22A, D22B, D22J, D30A, D30B, D30J, D30Q |
| | 03 | D08A, D08B, D18Z, D22A, D22B, D22J, D30A, D30B, D30J, D30Q | | 03 | D13J, D13Q, D13Z | | 03 | D08A, D08B, D18Z, D22A, D22B, D22J, D30A, D30B, D30J, D30Q |
| 5g209.1 | 21A | W04A, W04B | 5g20m.2 | 09 | J03A, J03B, J04A, J04B, J08A, J08B, J08C, J11A, J11B, J11J, J11Q, J11R, J11S, J16Z | 5g212.0 | 03 | D08A, D08B, D18Z, D22A, D22B, D22J, D30A, D30B, D30J, D30Q |
| | 21B | X06A, X06B, X06C | | 03 | D13J, D13Q, D13Z | | 03 | D08A, D08B, D18Z, D22A, D22B, D22J, D30A, D30B, D30J, D30Q |
| 5g209.2 | | KJZSV | 5g20m.3 | 09 | J03A, J03B, J04A, J04B, J08A, J08B, J08C, J11A, J11B, J11J, J11Q, J11R, J11S, J16Z | 5g212.1 | 03 | D08A, D08B, D18Z, D22A, D22B, D22J, D30A, D30B, D30J, D30Q |
| | 03 | D08A, D08B, D18Z, D22A, D22B, D22J, D30A, D30B, D30J, D30Q | | 03 | D13J, D13Q, D13Z | | 03 | D08A, D08B, D18Z, D22A, D22B, D22J, D30A, D30B, D30J, D30Q |
| 5g20a‡ | 21A | W04A, W04B | 5g20m.4 | 21A | W04A, W04B | 5g212.2 | 03 | D08A, D08B, D18Z, D22A, D22B, D22J, D30A, D30B, D30J, D30Q |
| | 21B | X06A, X06B, X06C | | 21B | X06A, X06B, X06C | | 03 | D08A, D08B, D18Z, D22A, D22B, D22J, D30A, D30B, D30J, D30Q |
| 5g20c‡ | | KJZSV | 5g20n.1 | 22 | Y01Z, Y03A, Y03B | 5g213 | 03 | D08A, D08B, D18Z, D22A, D22B, D22J, D30A, D30B, D30J, D30Q |
| | 03 | D22A, D22B, D22J | | 03 | D13J, D13Q, D13Z | | 03 | D08A, D08B, D18Z, D22A, D22B, D22J, D30A, D30B, D30J, D30Q |
| 5g20e | 03 | D08A, D08B, D18Z, D22A, D22B, D22J, D30A, D30B, D30J, D30Q | 5g20n.2 | 09 | J03A, J03B, J04A, J04B, J08A, J08B, J08C, J11A, J11B, J11J, J11Q, J11R, J11S, J16Z | 5g220.0 | 03 | D08A, D08B, D18Z, D22A, D22B, D22J, D30A, D30B, D30J, D30Q |
| | 09 | J03A, J03B, J04A, J04B, J08A, J08B, J08C, J11A, J11B, J11J, J11Q, J11R, J11S, J16Z | | 03 | D13J, D13Q, D13Z | | 03 | D08A, D08B, D18Z, D22A, D22B, D22J, D30A, D30B, D30J, D30Q |
| 5g20g.1 | 21A | W04A, W04B | 5g20n.3 | 09 | J03A, J03B, J04A, J04B, J08A, J08B, J08C, J11A, J11B, J11J, J11Q, J11R, J11S, J16Z | 5g220.1 | 09 | J03A, J03B, J04A, J04B, J08A, J08B, J08C, J11A, J11B, J11J, J11Q, J11R, J11S, J16Z |
| | 21B | X06A, X06B, X06C | | 21A | W04A, W04B | | 03 | D08A, D08B, D18Z, D22A, D22B, D22J, D30A, D30B, D30J, D30Q |
| 5g20g.x | 22 | Y01Z, Y03A, Y03B | 5g20n.4 | 21B | X06A, X06B, X06C | 5g220.2 | 09 | J03A, J03B, J04A, J04B, J08A, J08B, J08C, J11A, J11B, J11J, J11Q, J11R, J11S, J16Z |
| | 03 | D13J, D13Q, D13Z | | 22 | Y01Z, Y03A, Y03B | | 03 | D08A, D08B, D18Z, D22A, D22B, D22J, D30A, D30B, D30J, D30Q |
| 5g20g.x | 09 | J03A, J03B, J04A, J04B, J08A, J08B, J08C, J11A, J11B, J11J, J11Q, J11R, J11S, J16Z | 5g20n.5 | 03 | D13J, D13Q, D13Z | 5g220.3 | 09 | J03A, J03B, J04A, J04B, J08A, J08B, J08C, J11A, J11B, J11J, J11Q, J11R, J11S, J16Z |
| | 21A | W04A, W04B | | 09 | J03A, J03B, J04A, J04B, J08A, J08B, J08C, J11A, J11B, J11J, J11Q, J11R, J11S, J16Z | | 21A | W04A, W04B |
| 5g20g.x | 21B | X06A, X06B, X06C | 5g20n.6 | 21A | W04A, W04B | 5g220.4 | 21A | W04A, W04B |
| | 22 | Y01Z, Y03A, Y03B | | 21B | X06A, X06B, X06C | | 21B | X06A, X06B, X06C |
| 5g20g.x | | KJZSV | 5g20n.7 | 22 | Y01Z, Y03A, Y03B | 5g220.5 | 22 | Y01Z, Y03A, Y03B |
| | 03 | D13J, D13Q, D13Z | | 03 | D13J, D13Q, D13Z | | 03 | D08A, D08B, D18Z, D22A, D22B, D22J, D30A, D30B, D30J, D30Q |
| 5g20g.x | 09 | J03A, J03B, J04A, J04B, J08A, J08B, J08C, J11A, J11B, J11J, J11Q, J11R, J11S, J16Z | 5g20n.8 | 09 | J03A, J03B, J04A, J04B, J08A, J08B, J08C, J11A, J11B, J11J, J11Q, J11R, J11S, J16Z | 5g220.6 | 09 | J03A, J03B, J04A, J04B, J08A, J08B, J08C, J11A, J11B, J11J, J11Q, J11R, J11S, J16Z |
| | 21A | W04A, W04B | | 21A | W04A, W04B | | 21A | W04A, W04B |
| 5g20g.x | 21B | X06A, X06B, X06C | 5g20n.9 | 21B | X06A, X06B, X06C | 5g220.7 | 21B | X06A, X06B, X06C |
| | 22 | Y01Z, Y03A, Y03B | | 22 | Y01Z, Y03A, Y03B | | 22 | Y01Z, Y03A, Y03B |

| ZZV | MDC | DRG | ZZV | MDC | DRG | ZZV | MDC | DRG | |
|---------|-----------------------|--|-----------------------|-------|--|--|-------|--|--|
| 5g222.2 | | BOP, KJZSV, KVT, UOP4 | 5g227 | | BOP, KJZSV, KVT, UOP4 | 5g22d.1 | | BOP, KJZSV, KVT, UOP4 | |
| | 03 | D08A, D08B, D18Z, D22A, D22B, D22J, D30A, D30B, D30J, D30Q | | 03 | D13J, D13Q, D13Z | | 03 | D13J, D13Q, D13Z | |
| | 09 | J03A, J03B, J04A, J04B, J08A, J08B, J08C, J11A, J11B, J11J, J11Q, J11R, J11S, J16Z | | 09 | J03A, J03B, J04A, J04B, J08A, J08B, J08C, J11A, J11B, J11J, J11Q, J11R, J11S, J16Z | | 09 | J03A, J03B, J04A, J04B, J08A, J08B, J08C, J11A, J11B, J11J, J11Q, J11R, J11S, J16Z | |
| | 21A | W04A, W04B | | 21A | W04A, W04B | | 21A | W04A, W04B | |
| | 21B | X06A, X06B, X06C | | 21B | X06A, X06B, X06C | | 21B | X06A, X06B, X06C | |
| 5g222.3 | 22 | Y01Z, Y03A, Y03B | 5g228 | 22 | Y01Z, Y03A, Y03B | 5g22d.2 | 22 | Y01Z, Y03A, Y03B | |
| | | BOP, KJZSV, KVT, UOP4 | | | BOP, KJZSV, KVT, UOP4 | | | BOP, KJZSV, KVT, UOP4 | |
| | 03 | D08A, D08B, D18Z, D22A, D22B, D22J, D30A, D30B, D30J, D30Q | | 03 | D13J, D13Q, D13Z | | 03 | D13J, D13Q, D13Z | |
| | 09 | J03A, J03B, J04A, J04B, J08A, J08B, J08C, J11A, J11B, J11J, J11Q, J11R, J11S, J16Z | | 09 | J03A, J03B, J04A, J04B, J08A, J08B, J08C, J11A, J11B, J11J, J11Q, J11R, J11S, J16Z | | 09 | J03A, J03B, J04A, J04B, J08A, J08B, J08C, J11A, J11B, J11J, J11Q, J11R, J11S, J16Z | |
| | 21A | W04A, W04B | | 21A | W04A, W04B | | 21A | W04A, W04B | |
| 5g223 | 21B | X06A, X06B, X06C | 5g229.1 | 21B | X06A, X06B, X06C | 5g22d.3 | 21B | X06A, X06B, X06C | |
| | 22 | Y01Z, Y03A, Y03B | | 22 | Y01Z, Y03A, Y03B | | 22 | Y01Z, Y03A, Y03B | |
| | | BOP, KVT, UOP4 | | | BOP, KVT, UOP4 | | | BOP, KJZSV, KVT, UOP4 | |
| | 03 | D13J, D13Q, D13Z, D22A | | 03 | D13J, D13Q, D13Z | | 03 | D13J, D13Q, D13Z | |
| | 09 | J03A, J03B, J04A, J04B, J08A, J08B, J08C, J11A, J11B, J11J, J11Q, J11R, J11S, J16Z | | 09 | J03A, J03B, J04A, J04B, J08A, J08B, J08C, J11A, J11B, J11J, J11Q, J11R, J11S, J16Z | | 09 | J03A, J03B, J04A, J04B, J08A, J08B, J08C, J11A, J11B, J11J, J11Q, J11R, J11S, J16Z | |
| 5g224 | 21A | W04A, W04B | 5g229.2 | 21A | W04A, W04B | 5g22e.1 | 21A | W04A, W04B | |
| | 21B | X06A, X06B, X06C | | 21B | X06A, X06B, X06C | | 21B | X06A, X06B, X06C | |
| | 22 | Y01Z, Y03A, Y03B | | 22 | Y01Z, Y03A, Y03B | | 22 | Y01Z, Y03A, Y03B | |
| | | BOP, KJZSV, KVT, UOP4 | | | BOP, KJZSV, KVT, UOP4 | | | BOP, KJZSV, KVT, UOP4 | |
| | 03 | D08A, D08B, D18Z, D22A, D22B, D22J, D30A, D30B, D30J, D30Q | | 03 | D13J, D13Q, D13Z | | 03 | D13J, D13Q, D13Z | |
| 5g225↔ | 09 | J03A, J03B, J04A, J04B, J08A, J08B, J08C, J11A, J11B, J11J, J11Q, J11R, J11S, J16Z | 5g22a | 09 | J03A, J03B, J04A, J04B, J08A, J08B, J08C, J11A, J11B, J11J, J11Q, J11R, J11S, J16Z | 5g22e.2 | 09 | J03A, J03B, J04A, J04B, J08A, J08B, J08C, J11A, J11B, J11J, J11Q, J11R, J11S, J16Z | |
| | 21A | W04A, W04B | | 21A | W04A, W04B | | 21A | W04A, W04B | |
| | 21B | X06A, X06B, X06C | | 21B | X06A, X06B, X06C | | 21B | X06A, X06B, X06C | |
| | 22 | Y01Z, Y03A, Y03B | | 22 | Y01Z, Y03A, Y03B | | 22 | Y01Z, Y03A, Y03B | |
| | | BOP, KJZSV, KVT, UOP4 | | | BOP, KVT, UOP4 | | | BOP, KJZSV, KVT, UOP4 | |
| 5g226↔ | 03 | D08A, D08B, D18Z, D22A, D22B, D22J, D30A, D30B, D30J, D30Q | 5g22b | 03 | D13J, D13Q, D13Z | 5g22f | 03 | D13J, D13Q, D13Z | |
| | 09 | J03A, J03B, J04A, J04B, J08A, J08B, J08C, J11A, J11B, J11J, J11Q, J11R, J11S, J16Z | | 09 | J03A, J03B, J04A, J04B, J08A, J08B, J08C, J11A, J11B, J11J, J11Q, J11R, J11S, J16Z | | 09 | J03A, J03B, J04A, J04B, J08A, J08B, J08C, J11A, J11B, J11J, J11Q, J11R, J11S, J16Z | |
| | 21A | W04A, W04B | | 21A | W04A, W04B | | 21A | W04A, W04B | |
| | 21B | X06A, X06B, X06C | | 21B | X06A, X06B, X06C | | 21B | X06A, X06B, X06C | |
| | 22 | Y01Z, Y03A, Y03B | | 22 | Y01Z, Y03A, Y03B | | 22 | Y01Z, Y03A, Y03B | |
| 5g227↔ | | BOP, KJZSV, KVT, UOP4 | 5g22c | | BOP, KJZSV, KVT, UOP4 | 5g300 | | KJZSV | |
| | 03 | D08A, D08B, D18Z, D22A, D22B, D22J, D30A, D30B, D30J, D30Q | | 03 | D13J, D13Q, D13Z | | 03 | D13J, D13Q, D13Z | |
| | 09 | J03A, J03B, J04A, J04B, J08A, J08B, J08C, J11A, J11B, J11J, J11Q, J11R, J11S, J16Z | | 09 | J03A, J03B, J04A, J04B, J08A, J08B, J08C, J11A, J11B, J11J, J11Q, J11R, J11S, J16Z | | 16 | Q03A, Q03B | |
| | 21A | W04A, W04B | | 21A | W04A, W04B | | 5g301 | | KJZSV |
| | 21B | X06A, X06B, X06C | | 21B | X06A, X06B, X06C | | | 03 | D08A, D08B, D18Z, D22A, D22B, D22J, D30A, D30B, D30J, D30Q |
| 22 | Y01Z, Y03A, Y03B | 22 | Y01Z, Y03A, Y03B | 16 | Q03A, Q03B | | | | |
| | BOP, KJZSV, KVT, UOP4 | | BOP, KJZSV, KVT, UOP4 | 5g302 | | KJZSV | | | |
| | BOP, KJZSV, KVT, UOP4 | | BOP, KJZSV, KVT, UOP4 | | 03 | D08A, D08B, D18Z, D22A, D22B, D22J, D30A, D30B, D30J, D30Q | | | |
| | BOP, KJZSV, KVT, UOP4 | | BOP, KJZSV, KVT, UOP4 | 16 | Q03A, Q03B | | | | |

| ZZV | MDC | DRG | ZZV | MDC | DRG | ZZV | MDC | DRG |
|---------|-----|--|----------|-----|--|----------|-----|--|
| 5g303 | | KJZSV | 5g502‡ | | KJZSV | 5g517.1x | | BOP, KJZSV, KVT, UOP4 |
| | 03 | D08A, D08B, D18Z, D22A, D22B, D22J, D30A, D30B, D30J, D30Q | | 03 | D15A, D15B, D15J, D18Z | | 03 | D03Z, D12A, D12J, D12Q |
| | 16 | Q03A, Q03B | | 04 | E02A, E02B, E02C, E02D | | 09 | J03A, J03B, J04A, J04B, J08A, J08B, J08C, J11A, J11B, J11J, J11Q, J11R, J11S, J16Z |
| 5g304 | | KJZSV | 5g511 | | BOP, KJZSV, KVT, UOP4 | | 21A | W04A, W04B |
| | 03 | D08A, D08B, D18Z, D22A, D22B, D22J, D30A, D30B, D30J, D30Q | | 03 | D03Z, D12A, D12J, D12Q | | 21A | W04A, W04B |
| | 16 | Q03A, Q03B | | 09 | J03A, J03B, J04A, J04B, J08A, J08B, J08C, J11A, J11B, J11J, J11Q, J11R, J11S, J16Z | | 21B | X06A, X06B, X06C |
| 5g305 | | BOP, KJZSV, KVT, UOP4 | | 21A | W04A, W04B | 5g517.21 | | BOP, KJZSV, KVT, UOP4 |
| | 03 | D18Z, D25A, D25B, D25C, D25D, D25J | 5g512↔ | | BOP, KJZSV, KVT, UOP4 | | 03 | D03Z, D12A, D12J, D12Q |
| | 09 | J08A, J08B, J08C | | 03 | D03Z, D12A, D12J, D12Q | | 09 | J03A, J03B, J04A, J04B, J08A, J08B, J08C, J11A, J11B, J11J, J11Q, J11R, J11S, J16Z |
| 5g306 | | BOP, KJZSV, KVT, UOP4 | | 09 | J03A, J03B, J04A, J04B, J08A, J08B, J08C, J11A, J11B, J11J, J11Q, J11R, J11S, J16Z | | 21A | W04A, W04B |
| | 03 | D18Z, D25A, D25B, D25C, D25D, D25J | | 21B | X06A, X06B, X06C | 5g517.22 | | BOP, KJZSV, KVT, UOP4 |
| | 09 | J08A, J08B, J08C | | 21A | W04A, W04B | | 03 | D03Z, D12A, D12J, D12Q |
| 5g309‡ | 03 | D13J, D13Q, D13Z | | 21B | X06A, X06B, X06C | | 09 | J03A, J03B, J04A, J04B, J08A, J08B, J08C, J11A, J11B, J11J, J11Q, J11R, J11S, J16Z |
| 5g400‡ | 03 | D13J, D13Q, D13Z | 5g513↔ | | BOP, KJZSV, KVT, UOP4 | | 21A | W04A, W04B |
| 5g401‡ | 03 | D13J, D13Q, D13Z | | 03 | D03Z, D12A, D12J, D12Q | | 21B | X06A, X06B, X06C |
| 5g402‡↔ | 03 | D13J, D13Q, D13Z | | 09 | J03A, J03B, J04A, J04B, J08A, J08B, J08C, J11A, J11B, J11J, J11Q, J11R, J11S, J16Z | 5g517.2x | | BOP, KJZSV, KVT, UOP4 |
| 5g403↔ | | BOP, KVT, UOP4 | | 21A | W04A, W04B | | 03 | D03Z, D12A, D12J, D12Q |
| | 03 | D06A, D06B, D06C, D06J | | 21B | X06A, X06B, X06C | | 09 | J03A, J03B, J04A, J04B, J08A, J08B, J08C, J11A, J11B, J11J, J11Q, J11R, J11S, J16Z |
| 5g404↔ | | BOP, KJZSV, KVT, UOP4 | 5g514 | | BOP, KJZSV, KVT, UOP4 | | 21A | W04A, W04B |
| | 03 | D06A, D06B, D06C, D06J | | 03 | D03Z, D12A, D12J, D12Q | | 21B | X06A, X06B, X06C |
| | 16 | Q03A, Q03B | | 09 | J03A, J03B, J04A, J04B, J08A, J08B, J08C, J11A, J11B, J11J, J11Q, J11R, J11S, J16Z | 5g518.1 | | BOP, KJZSV, KVT, UOP4 |
| 5g405↔ | | BOP, KVT, UOP4 | | 21A | W04A, W04B | | 03 | D03Z, D12A, D12J, D12Q |
| | 03 | D06A, D06B, D06C, D06J | | 21B | X06A, X06B, X06C | | 09 | J03A, J03B, J04A, J04B, J08A, J08B, J08C, J11A, J11B, J11J, J11Q, J11R, J11S, J16Z |
| 5g406↔ | | BOP, KVT, UOP4 | | 03 | D03Z, D12A, D12J, D12Q | | 21A | W04A, W04B |
| | 03 | D06A, D06B, D06C, D06J | | 09 | J03A, J03B, J04A, J04B, J08A, J08B, J08C, J11A, J11B, J11J, J11Q, J11R, J11S, J16Z | | 21B | X06A, X06B, X06C |
| 5g407↔ | | BOP, KVT, UOP4 | | 21A | W04A, W04B | | 03 | D03Z, D12A, D12J, D12Q |
| | 03 | D06A, D06B, D06C, D06J | 5g515 | | BOP, KJZSV, KVT, UOP4 | | 09 | J03A, J03B, J04A, J04B, J08A, J08B, J08C, J11A, J11B, J11J, J11Q, J11R, J11S, J16Z |
| 5g408↔ | | BOP, KVT, UOP4 | | 03 | D03Z, D12A, D12J, D12Q | | 21A | W04A, W04B |
| | 03 | D05A, D05B, D05J | | 09 | J03A, J03B, J04A, J04B, J08A, J08B, J08C, J11A, J11B, J11J, J11Q, J11R, J11S, J16Z | 5g518.2 | | BOP, KJZSV, KVT, UOP4 |
| 5g409↔ | | BOP, KVT, UOP4 | | 21A | W04A, W04B | | 03 | D03Z, D12A, D12J, D12Q |
| | 03 | D05A, D05B, D05J | | 21B | X06A, X06B, X06C | | 09 | J03A, J03B, J04A, J04B, J08A, J08B, J08C, J11A, J11B, J11J, J11Q, J11R, J11S, J16Z |
| 5g40a↔ | | BOP, KJZSV, KVT, UOP4 | | 03 | D03Z, D12A, D12J, D12Q | | 21A | W04A, W04B |
| | 03 | D05A, D05B, D05J | 5g516 | | BOP, KJZSV, KVT, UOP4 | | 21B | X06A, X06B, X06C |
| 5g40b↔ | | BOP, KJZSV, KVT, UOP4 | | 03 | D03Z, D12A, D12J, D12Q | 5g518.3 | | BOP, KJZSV, KVT, UOP4 |
| | 03 | D05A, D05J | | 09 | J03A, J03B, J04A, J04B, J08A, J08B, J08C, J11A, J11B, J11J, J11Q, J11R, J11S, J16Z | | 03 | D03Z, D12A, D12J, D12Q |
| 5g40c↔ | | BOP, KJZSV, KVT, UOP4 | | 21A | W04A, W04B | | 09 | J03A, J03B, J04A, J04B, J08A, J08B, J08C, J11A, J11B, J11J, J11Q, J11R, J11S, J16Z |
| | 03 | D05A, D05J | | 21B | X06A, X06B, X06C | | 21A | W04A, W04B |
| 5g40d↔ | | BOP, KJZSV, KVT, UOP4 | | 03 | D03Z, D12A, D12J, D12Q | | 21B | X06A, X06B, X06C |
| | 03 | D06A, D06B, D06C, D06J | | 09 | J03A, J03B, J04A, J04B, J08A, J08B, J08C, J11A, J11B, J11J, J11Q, J11R, J11S, J16Z | 5g519.1 | | BOP, KJZSV, KVT, UOP4 |
| 5g40e↔ | | BOP, KVT, UOP4 | | 21A | W04A, W04B | | 03 | D03Z, D12A, D12J, D12Q |
| | 03 | D06A, D06B, D06C, D06J | 5g517.11 | | BOP, KJZSV, KVT, UOP4 | | 09 | J03A, J03B, J04A, J04B, J08A, J08B, J08C, J11A, J11B, J11J, J11Q, J11R, J11S, J16Z |
| | 21A | W04A, W04B | | 03 | D03Z, D12A, D12J, D12Q | | 21A | W04A, W04B |
| | 21B | X06A, X06B, X06C | | 09 | J03A, J03B, J04A, J04B, J08A, J08B, J08C, J11A, J11B, J11J, J11Q, J11R, J11S, J16Z | | 21B | X06A, X06B, X06C |
| 5g40f↔ | | BOP, KVT, UOP4 | | 21A | W04A, W04B | | 03 | D03Z, D12A, D12J, D12Q |
| | 03 | D06A, D06B, D06C, D06J | | 21B | X06A, X06B, X06C | | 09 | J03A, J03B, J04A, J04B, J08A, J08B, J08C, J11A, J11B, J11J, J11Q, J11R, J11S, J16Z |
| | 21A | W04A, W04B | 5g517.12 | | BOP, KJZSV, KVT, UOP4 | | 21A | W04A, W04B |
| | 21B | X06A, X06B, X06C | | 03 | D03Z, D12A, D12J, D12Q | 5g519.2 | | BOP, KJZSV, KVT, UOP4 |
| 5g40g↔ | | BOP, KVT, UOP4 | | 09 | J03A, J03B, J04A, J04B, J08A, J08B, J08C, J11A, J11B, J11J, J11Q, J11R, J11S, J16Z | | 03 | D03Z, D12A, D12J, D12Q |
| | 03 | D06A, D06B, D06C, D06J | | 21A | W04A, W04B | | 09 | J03A, J03B, J04A, J04B, J08A, J08B, J08C, J11A, J11B, J11J, J11Q, J11R, J11S, J16Z |
| | 21A | W04A, W04B | | 21B | X06A, X06B, X06C | | | |
| | 21B | X06A, X06B, X06C | | | | | | |
| 5g40h | | BOP, KVT, UOP4 | | | | | | |
| | 03 | D06A, D06B, D06C, D06J | | | | | | |
| 5g40j | 03 | D06A, D06B, D06C, D06J | | | | | | |
| 5g40k | 03 | D06A, D06B, D06C, D06J | | | | | | |
| 5g40m | 03 | D06A, D06B, D06C, D06J | | | | | | |
| 5g40n | 03 | D06A, D06B, D06C, D06J | | | | | | |
| 5g40o | | BOP, KJZSV, KVT, UOP4 | | | | | | |
| | 03 | D05A, D05B, D05J | | | | | | |
| 5g40p | | BOP, KJZSV, KVT, UOP4 | | | | | | |
| | 03 | D05A, D05B, D05J | | | | | | |
| 5g500‡ | 03 | D22A, D22B, D22J | | | | | | |
| 5g501‡ | 03 | D22J, D40J, D40Z | | | | | | |

| ZZV | MDC | DRG | ZZV | MDC | DRG | ZZV | MDC | DRG |
|---------|-----|--|---------|---------|--|---------|---------|--|
| 5g521.1 | | KJZSV | 5g531.3 | | BOP, KVT, UOP4 | 5g608.c | | BOP, KJZSV, KVT, UOP4 |
| | 03 | D08A, D08B, D18Z, D22A, D22B, D22J, D30A, D30B, D30J, D30Q | | 03 | D03Z, D12A, D12J, D12Q | | 03 | D09Z, D30A, D30B, D30J, D30Q |
| | 09 | J03A, J03B, J04A, J04B, J08A, J08B, J08C, J11A, J11B, J11C, J11J, J11Q, J11R, J11S, J16Z | | 09 | J03A, J03B, J04A, J04B, J08A, J08B, J08C, J11A, J11B, J11J, J11Q, J11R, J11S, J16Z | | 5g608.d | BOP, KJZSV, KVT, UOP4 |
| | 21A | W04A, W04B | | 21A | W04A, W04B | | 03 | D09Z, D30A, D30B, D30J, D30Q |
| | 21B | X06A, X06B, X06C | | 21B | X06A, X06B, X06C | | 5g608.e | BOP, KJZSV, KVT, UOP4 |
| 5g521.2 | 22 | Y01Z, Y03A, Y03B | 5g531.4 | | BOP, KVT, UOP4 | 5g901†↔ | | D22A, D22B, D22J |
| | | KJZSV | | 03 | D03Z, D12A, D12J, D12Q | | 5g902 | BOP, KVT, UOP4 |
| | 03 | D08A, D08B, D18Z, D22A, D22B, D22J, D30A, D30B, D30J, D30Q | | 09 | J03A, J03B, J04A, J04B, J08A, J08B, J08C, J11A, J11B, J11J, J11Q, J11R, J11S, J16Z | | 03 | D08A, D08B, D18Z, D22A, D22B, D22J, D30A, D30B, D30J, D30Q |
| | 09 | J03A, J03B, J04A, J04B, J08A, J08B, J08C, J11A, J11B, J11C, J11J, J11Q, J11R, J11S, J16Z | | 21A | W04A, W04B | | 5g903 | KJZSV |
| | 21A | W04A, W04B | | 21B | X06A, X06B, X06C | | 03 | D08A, D08B, D18Z, D22A, D22B, D22J, D30A, D30B, D30J, D30Q |
| 5g522 | 21B | X06A, X06B, X06C | 5g531.8 | | BOP, KVT, UOP4 | 5g904 | | KJZSV |
| | 22 | Y01Z, Y03A, Y03B | | 03 | D03Z, D12A, D12J, D12Q | | 03 | D08A, D08B, D18Z, D22A, D22B, D22J, D30A, D30B, D30J, D30Q |
| | 03 | D08A, D08B, D18Z, D22A, D22B, D22J, D30A, D30B, D30J, D30Q | | 09 | J03A, J03B, J04A, J04B, J08A, J08B, J08C, J11A, J11B, J11J, J11Q, J11R, J11S, J16Z | | 09 | J03A, J03B, J04A, J04B, J08A, J08B, J08C, J11A, J11B, J11J, J11Q, J11R, J11S, J16Z |
| | 09 | J03A, J03B, J04A, J04B, J08A, J08B, J08C, J11A, J11B, J11C, J11J, J11Q, J11R, J11S, J16Z | | 21A | W04A, W04B | | 21A | W04A, W04B |
| | 21A | W04A, W04B | | 21B | X06A, X06B, X06C | | 21B | X06A, X06B, X06C |
| 5g523 | 22 | Y01Z, Y03A, Y03B | 5g590† | | BOP, KJZSV, KVT, UOP4 | 5g905 | | D08A, D08B, D18Z, D22A, D22B, D22J, D30A, D30B, D30J, D30Q |
| | | KJZSV | | 03 | D09Z, D30A, D30B, D30J, D30Q | | 03 | D08A, D08B, D18Z, D22A, D22B, D22J, D30A, D30B, D30J, D30Q |
| | 03 | D08A, D08B, D18Z, D22A, D22B, D22J, D30A, D30B, D30J, D30Q | | 5g600 | BOP, KJZSV, KVT, UOP4 | | 09 | J03A, J03B, J04A, J04B, J08A, J08B, J08C, J11A, J11B, J11J, J11Q, J11R, J11S, J16Z |
| | 09 | J03A, J03B, J04A, J04B, J08A, J08B, J08C, J11A, J11B, J11C, J11J, J11Q, J11R, J11S, J16Z | | 5g601 | BOP, KJZSV, KVT, UOP4 | | 21A | W04A, W04B |
| | 21A | W04A, W04B | | 03 | D09Z, D30A, D30B, D30J, D30Q | | 21B | X06A, X06B, X06C |
| 5g524 | 21B | X06A, X06B, X06C | 5g602.1 | | BOP, KVT, UOP4 | 5g906↔ | | KJZSV |
| | 22 | Y01Z, Y03A, Y03B | | 03 | D09Z, D30A, D30B, D30J, D30Q | | 03 | D08A, D08B, D18Z, D22A, D22B, D22J, D30A, D30B, D30J, D30Q |
| | | KJZSV | | 04 | E02A, E02B, E02C, E07Z | | 09 | J03A, J03B, J04A, J04B, J08A, J08B, J08C, J11A, J11B, J11C, J11J, J11Q, J11R, J11S, J16Z |
| | 03 | D08A, D08B, D18Z, D22A, D22B, D22J, D30A, D30B, D30J, D30Q | | 5g602.2 | BOP, KVT, UOP4 | | 21A | W04A, W04B |
| | 09 | J03A, J03B, J04A, J04B, J08A, J08B, J08C, J11A, J11B, J11C, J11J, J11Q, J11R, J11S, J16Z | | 03 | D09Z, D30A, D30B, D30J, D30Q | | 21B | X06A, X06B, X06C |
| 5g530.1 | 21A | W04A, W04B | 5g603 | | BOP, KVT, UOP4 | 5g907 | | Y01Z, Y03A, Y03B |
| | 21B | X06A, X06B, X06C | | 03 | D09Z, D30A, D30B, D30J, D30Q | | 03 | D08A, D08B, D18Z, D22A, D22B, D22J, D30A, D30B, D30J, D30Q |
| | 22 | Y01Z, Y03A, Y03B | | 04 | E02A, E02B, E02C, E07Z | | 09 | J03A, J03B, J04A, J04B, J08A, J08B, J08C, J11A, J11B, J11C, J11J, J11Q, J11R, J11S, J16Z |
| | | BOP, KVT, UOP4 | | 5g604 | BOP, KJZSV, KVT, UOP4 | | 21A | W04A, W04B |
| | 03 | D03Z, D12A, D12J, D12Q | | 03 | D09Z, D30A, D30B, D30J, D30Q | | 21B | X06A, X06B, X06C |
| 5g530.2 | 09 | J03A, J03B, J04A, J04B, J08A, J08B, J08C, J11A, J11B, J11C, J11J, J11Q, J11R, J11S, J16Z | 5g605 | | BOP, KVT, UOP4 | 5g908 | | KJZSV |
| | 21A | W04A, W04B | | 03 | D09Z, D30A, D30B, D30J, D30Q | | 03 | D08A, D08B, D18Z, D22A, D22B, D22J, D30A, D30B, D30J, D30Q |
| | 21B | X06A, X06B, X06C | | 04 | E02A, E02B, E02C, E02D, E07Z | | 09 | J03A, J03B, J04A, J04B, J08A, J08B, J08C, J11A, J11B, J11J, J11Q, J11R, J11S, J16Z |
| | | BOP, KJZSV, KVT, UOP4 | | 5g607.0 | BOP, KVT, UOP4 | | 21A | W04A, W04B |
| | 03 | D03Z, D12A, D12J, D12Q | | 03 | D13J, D13Q, D13Z | | 21B | X06A, X06B, X06C |
| 5g530.2 | 09 | J03A, J03B, J04A, J04B, J08A, J08B, J08C, J11A, J11B, J11J, J11Q, J11R, J11S, J16Z | 5g607.1 | | BOP, KVT, UOP4 | 5g908 | | Y01Z, Y03A, Y03B |
| | 21A | W04A, W04B | | 03 | D13J, D13Q, D13Z | | 03 | D08A, D08B, D18Z, D22A, D22B, D22J, D30A, D30B, D30J, D30Q |
| | 21B | X06A, X06B, X06C | | 04 | E02A, E02B, E02C, E02D, E07Z | | 09 | J03A, J03B, J04A, J04B, J08A, J08B, J08C, J11A, J11B, J11J, J11Q, J11R, J11S, J16Z |
| | | BOP, KJZSV, KVT, UOP4 | | 16 | Q03A, Q03B | | 21A | W04A, W04B |
| | 03 | D03Z, D12A, D12J, D12Q | | 5g608.a | BOP, KJZSV, KVT, UOP4 | | 21B | X06A, X06B, X06C |
| 5g530.2 | 09 | J03A, J03B, J04A, J04B, J08A, J08B, J08C, J11A, J11B, J11J, J11Q, J11R, J11S, J16Z | 5g608.b | | BOP, KJZSV, KVT, UOP4 | 5g908 | | KJZSV |
| | 21A | W04A, W04B | | 03 | D09Z, D30A, D30B, D30J, D30Q | | 03 | D08A, D08B, D18Z, D22A, D22B, D22J, D30A, D30B, D30J, D30Q |
| | 21B | X06A, X06B, X06C | | 03 | D09Z, D30A, D30B, D30J, D30Q | | 09 | J03A, J03B, J04A, J04B, J08A, J08B, J08C, J11A, J11B, J11J, J11Q, J11R, J11S, J16Z |
| | | BOP, KJZSV, KVT, UOP4 | | 03 | D09Z, D30A, D30B, D30J, D30Q | | 21A | W04A, W04B |
| | 03 | D03Z, D12A, D12J, D12Q | | 03 | D09Z, D30A, D30B, D30J, D30Q | | 21B | X06A, X06B, X06C |
| 5g530.2 | 09 | J03A, J03B, J04A, J04B, J08A, J08B, J08C, J11A, J11B, J11J, J11Q, J11R, J11S, J16Z | 5g608.b | | BOP, KJZSV, KVT, UOP4 | 5g908 | | Y01Z, Y03A, Y03B |
| | 21A | W04A, W04B | | 03 | D09Z, D30A, D30B, D30J, D30Q | | 09 | J03A, J03B, J04A, J04B, J08A, J08B, J08C, J11A, J11B, J11J, J11Q, J11R, J11S, J16Z |
| | 21B | X06A, X06B, X06C | | 03 | D09Z, D30A, D30B, D30J, D30Q | | 21A | W04A, W04B |
| | | BOP, KJZSV, KVT, UOP4 | | 03 | D09Z, D30A, D30B, D30J, D30Q | | 21B | X06A, X06B, X06C |
| | 03 | D03Z, D12A, D12J, D12Q | | 03 | D09Z, D30A, D30B, D30J, D30Q | | 22 | Y01Z, Y03A, Y03B |

| ZZV | MDC | DRG | ZZV | MDC | DRG | ZZV | MDC | DRG | | |
|---------|------------------|--|--------|--|--|--|-----------------------|--|------------------------------------|------------------------|
| 5g909 | | KJZSV | 5g90o | | BOP, KVT, UOP4 | 5g914 | | BOP, KJZSV, KVT, UOP4 | | |
| | 03 | D08A, D08B, D18Z, D22A, D22B, D22J, D30A, D30B, D30J, D30Q | | 03 | D03Z, D12A, D12B, D12J, D12Q | | 03 | D08A, D08B, D18Z, D22A, D22B, D22J, D30A, D30B, D30J, D30Q | | |
| | 09 | J03A, J03B, J04A, J04B, J08A, J08B, J08C, J11A, J11B, J11J, J11Q, J11R, J11S, J16Z | | 04 | E02A, E02B, E02C, E02D, E07Z | | 09 | J03A, J03B, J04A, J04B, J08A, J08B, J08C, J11A, J11B, J11J, J11Q, J11R, J11S, J16Z | | |
| | 21A | W04A, W04B | | 21A | W04A, W04B | | 21A | W04A, W04B | | |
| | 21B | X06A, X06B, X06C | | 21B | X06A, X06B, X06C | | 21B | X06A, X06B, X06C | | |
| 5g90a | 22 | Y01Z, Y03A, Y03B | 5g90p | | BOP, KVT, UOP4 | 5g915↔ | | BOP, KJZSV, KVT, UOP4 | | |
| | | KJZSV | | 03 | D03Z, D12A, D12B, D12J, D12Q | | 03 | D18Z, D25A, D25B, D25C, D25D, D25J | | |
| | 03 | D08A, D08B, D18Z, D22A, D22B, D22J, D30A, D30B, D30J, D30Q | | 04 | E02A, E02B, E02C, E02D, E07Z | | 08 | I06A, I06B, I06C, I06D, I06E | | |
| | 09 | J03A, J03B, J04A, J04B, J08A, J08B, J08C, J11A, J11B, J11J, J11Q, J11R, J11S, J16Z | | 21A | W04A, W04B | | 09 | J08A, J08B, J08C | | |
| | 21A | W04A, W04B | | 21B | X06A, X06B, X06C | | 5g916.0↔ | 03 | D18Z, D25A, D25B, D25C, D25D, D25J | |
| 21B | X06A, X06B, X06C | 5g90t | 01 | B03Z, B07Z, B17A, B17B, B17C, B17J | 09 | BOP, KJZSV, KVT, UOP4 | | | | |
| 22 | Y01Z, Y03A, Y03B | | 08 | I12A, I12B, I12C, I12J, I27A, I27B, I27C, I27D, I27J, I27Q | 03 | D18Z, D25A, D25B, D25C, D25D, D25J | | | | |
| 5g90b | | KJZSV | 5g90u | | BOP, KJZSV, KVT, UOP4 | 5g916.1↔ | | BOP, KJZSV, KVT, UOP4 | | |
| | 03 | D08A, D08B, D18Z, D22A, D22B, D22J, D30A, D30B, D30J, D30Q | | 01 | B03Z, B07Z, B17A, B17B, B17C, B17J | | 03 | D18Z, D25A, D25B, D25C, D25D, D25J | | |
| | 09 | J03A, J03B, J04A, J04B, J08A, J08B, J08C, J11A, J11B, J11J, J11Q, J11R, J11S, J16Z | | 08 | I12A, I12B, I12C, I12J, I27A, I27B, I27C, I27D, I27J, I27Q | | 09 | J08A, J08B | | |
| | 21A | W04A, W04B | | 21A | W04A, W04B | | 5g916.2↔ | 03 | D02A, D02B | |
| | 21B | X06A, X06B, X06C | | 21B | X04Z, X05A, X05B, X06A, X06B, X06C | | | 06 | G33Z | |
| 5g90e.0 | 22 | Y01Z, Y03A, Y03B | 5g90v | | BOP, KJZSV, KVT, UOP4 | 07 | H33Z, H38Z | | | |
| | | BOP, KJZSV, KVT, UOP4 | | 01 | B03Z, B07Z, B17A, B17B, B17C, B17J | 09 | J08A, J08B | | | |
| | 03 | D03Z, D13J, D13Q, D13Z | | 03 | D12A, D12J, D12Q | 11 | L33Z | | | |
| | 03 | D03Z, D13J, D13Q, D13Z | | 05 | F21A, F21B, F21C, F21J, F27A, F27B, F27C | 21B | X33Z | | | |
| | 03 | D03Z, D13J, D13Q, D13Z | | 08 | I08A, I08B, I08C, I08D, I08E, I12A, I12B, I12C, I12J, I13A, I13B, I32A, I32B, I32C, I32D | 23 | Z01A | | | |
| 5g90e.2 | 03 | BOP, KJZSV, KVT, UOP4 | 5g90w | | BOP, KJZSV, KVT, UOP4 | Pre | A07A | | | |
| | 03 | BOP, KJZSV, KVT, UOP4 | | 01 | B03Z, B07Z, B17A, B17B, B17C, B17J | 03 | D22A, D22B, D22J | | | |
| 5g90e.3 | 03 | BOP, KJZSV, KVT, UOP4 | | 5g90x | | BOP, KJZSV, KVT, UOP4 | 5g918 | | BOP, KJZSV, KVT, UOP4 | |
| | 03 | BOP, KJZSV, KVT, UOP4 | | | 03 | D12A, D12J, D12Q | | 03 | D09Z, D30A, D30B, D30J, D30Q | |
| 5g90e.4 | 03 | BOP, KJZSV, KVT, UOP4 | | | 5g90y | | | BOP, KJZSV, KVT, UOP4 | 5g919.1 | |
| | 03 | BOP, KJZSV, KVT, UOP4 | 08 | | | I08A, I08B, I08C, I08D, I08E, I12A, I12B, I12C, I12J, I13A, I13B, I32A, I32B, I32C, I32D | | 21A | | W04A, W04B |
| 5g90g† | 03 | D22A, D22B, D22J | 5g910↔ | | | | | BOP, KJZSV, KVT, UOP4 | | 5g919.2 |
| | 03 | D22A, D22B, D22J | | 03 | | D03Z, D13J, D13Q, D13Z | 03 | D03Z, D12A, D12J, D12Q | | |
| 5g90h† | 03 | D22A, D22B, D22J | | 5g911 | | | BOP, KJZSV, KVT, UOP4 | 5g919.4 | | |
| | 03 | D22A, D22B, D22J | | | 03 | D03Z, D13J, D13Q, D13Z | 03 | | D03Z, D12A, D12J, D12Q | |
| 5g90k | 03 | D22A, D22B, D22J | | | 5g912↔ | | BOP, KJZSV, KVT, UOP4 | | 5g919.7 | |
| | 03 | D22A, D22B, D22J | 03 | | | D03Z, D12A, D12J, D12Q | 03 | | | D03Z, D12A, D12J, D12Q |
| 5g90m | 03 | D22A, D22B, D22J | 5g913 | | | | BOP, KJZSV, KVT, UOP4 | | | 5g921.01 |
| | 03 | D22A, D22B, D22J | | 03 | | D08A, D08B, D18Z, D22A, D22B, D22J, D30A, D30B, D30J, D30Q | 03 | D18Z, D25A, D25B, D25C, D25D, D25J | | |
| | 03 | D22A, D22B, D22J | | 09 | | J03A, J03B, J04A, J04B, J08A, J08B, J08C, J11A, J11B, J11J, J11Q, J11R, J11S, J16Z | 09 | J08A, J08B | | |
| | 03 | D22A, D22B, D22J | | 03 | D03Z, D12A, D12B, D12J, D12Q | | | | | |
| | 03 | D22A, D22B, D22J | | 09 | J03A, J03B, J04A, J04B, J08A, J08B, J08C, J11A, J11B, J11J, J11Q, J11R, J11S, J16Z | | | | | |
| 5g90n | 03 | D22A, D22B, D22J | 5g914 | | BOP, KJZSV, KVT, UOP4 | | | | | |
| | 03 | D22A, D22B, D22J | | 03 | D03Z, D12A, D12B, D12J, D12Q | | | | | |
| | 03 | D22A, D22B, D22J | | 09 | J03A, J03B, J04A, J04B, J08A, J08B, J08C, J11A, J11B, J11J, J11Q, J11R, J11S, J16Z | | | | | |
| | 03 | D22A, D22B, D22J | | 03 | D03Z, D12A, D12B, D12J, D12Q | | | | | |
| | 03 | D22A, D22B, D22J | | 09 | J03A, J03B, J04A, J04B, J08A, J08B, J08C, J11A, J11B, J11J, J11Q, J11R, J11S, J16Z | | | | | |

VYK

| ZZV | MDC | DRG | ZZV | MDC | DRG | ZZV | MDC | DRG |
|----------|-----|--|----------|-----|--|---------|-----|--|
| 5g921.02 | | BOP, KJZSV, KVT, UOP4 | 5h103.02 | | KJZSV | 5h111.4 | | BOP, KJZSV, KOP, KOPV, KVT, UOP4 |
| | 03 | D18Z, D25A, D25B, D25C, D25D, D25J | | 03 | D12A, D12J, D12Q | | 03 | D02A, D18Z, D25A, D25B, D25C, D25D, D25J |
| | 09 | J08A, J08B | | 21A | W04A, W04B | | 06 | G15Z, G19A, G19B, G33Z, G38Z |
| 5g921.03 | | BOP, KJZSV, KVT, UOP4 | 5h103.11 | | KJZSV | | 07 | H33Z, H38Z |
| | 03 | D18Z, D25A, D25B, D25C, D25D, D25J | | 03 | D12A, D12J, D12Q | | 09 | J08A, J08B, J08C |
| | 09 | J08A, J08B | | 21A | W04A, W04B | | 11 | L33Z |
| 5g921.04 | | BOP, KJZSV, KVT, UOP4 | 5h103.12 | | KJZSV | 5h111.x | Pre | A07A |
| | 03 | D18Z, D25A, D25B, D25C, D25D, D25J | | 03 | D12A, D12J, D12Q | | | BOP, KJZSV, KOP, KOPV, KVT, UOP4 |
| | 09 | J08A, J08B | | 21A | W04A, W04B | | 03 | D02A, D18Z, D25A, D25B, D25C, D25D, D25J |
| 5g921.05 | | BOP, KJZSV, KVT, UOP4 | 5h103.2 | | KJZSV | | 06 | G15Z, G19A, G19B, G33Z, G38Z |
| | 03 | D18Z, D25A, D25B, D25C, D25D, D25J | | 03 | D12A, D12J, D12Q | | 07 | H33Z, H38Z |
| | 09 | J08A, J08B | | 21A | W04A, W04B | | 09 | J08A, J08B, J08C |
| 5g921.10 | | KJZSV | 5h104 | | KJZSV | | 11 | L33Z |
| | 03 | D08A, D08B, D18Z, D22A, D22B, D22J, D30A, D30B, D30J, D30Q | | 03 | D12A, D12B, D12J, D12Q | | Pre | A07A |
| | 16 | Q03A, Q03B | | 09 | J03A, J03B, J04A, J04B, J08A, J08B, J08C, J11A, J11B, J11J, J11Q, J11R, J11S, J16Z | 5h112.1 | | BOP, KJZSV, KOP, KOPV, KVT, UOP4 |
| 5g921.11 | | KJZSV | 5h105 | | KJZSV | | 03 | D12A, D12B, D12J, D12Q |
| | 03 | D08A, D08B, D18Z, D22A, D22B, D22J, D30A, D30B, D30J, D30Q | | 03 | D12A, D12B, D12J, D12Q | | 06 | G15Z, G19A, G19B, G33Z, G38Z |
| | 16 | Q03A, Q03B | | 09 | J03A, J03B, J04A, J04B, J08A, J08B, J08C, J11A, J11B, J11J, J11Q, J11R, J11S, J16Z | | 07 | H33Z, H38Z |
| 5g921.12 | | KJZSV | 5h106.10 | | KJZSV | | 11 | L33Z |
| | 03 | D08A, D08B, D18Z, D22A, D22B, D22J, D30A, D30B, D30J, D30Q | | 03 | D12A, D12J, D12Q | 5h112.2 | Pre | A07A |
| | 16 | Q03A, Q03B | | 21A | W04A, W04B | | | BOP, KJZSV, KOP, KOPV, KVT, UOP4 |
| 5g921.13 | | KJZSV | 5h106.11 | | KJZSV | | 03 | D12A, D12B, D12J, D12Q |
| | 03 | D08A, D08B, D18Z, D22A, D22B, D22J, D30A, D30B, D30J, D30Q | | 03 | D12A, D12J, D12Q | | 06 | G15Z, G19A, G19B, G33Z, G38Z |
| | 16 | Q03A, Q03B | | 21A | W04A, W04B | | 07 | H33Z, H38Z |
| 5g922.1 | | BOP, KJZSV, KVT, UOP4 | 5h106.2 | | KJZSV | | 11 | L33Z |
| | 03 | D09Z, D30A, D30B, D30J, D30Q | | 03 | D12A, D12B, D12J, D12Q | 5h112.3 | Pre | A07A |
| | 21A | W04A, W04B | | 06 | BOP, KJZSV, KOP, KOPV, KVT, UOP4 | | | BOP, KJZSV, KOP, KOPV, KVT, UOP4 |
| | 21B | X06A, X06B, X06C | 5h110 | | KJZSV | | 03 | D12A, D12B, D12J, D12Q |
| 5g922.2 | | BOP, KJZSV, KVT, UOP4 | | 03 | D12A, D12B, D12J, D12Q | | 06 | G15Z, G19A, G19B, G33Z, G38Z |
| | 03 | D09Z, D30A, D30B, D30J, D30Q | | 06 | G15Z, G19A, G19B, G33Z, G38Z | | 07 | H33Z, H38Z |
| | 21A | W04A, W04B | | 07 | H33Z, H38Z | | 11 | L33Z |
| | 21B | X06A, X06B, X06C | | 11 | L33Z | 5h115.1 | Pre | A07A |
| 5g922.x | | BOP, KJZSV, KVT, UOP4 | 5h111.1 | | BOP, KJZSV, KOP, KOPV, KVT, UOP4 | | | BOP, KJZSV, KOP, KOPV, KVT, UOP4 |
| | 03 | D09Z, D30A, D30B, D30J, D30Q | | 03 | D02A, D18Z, D25A, D25B, D25C, D25D, D25J | | 03 | D12A, D12B, D12J, D12Q |
| | 21A | W04A, W04B | | 06 | G15Z, G19A, G19B, G33Z, G38Z | | 06 | G15Z, G19A, G19B, G33Z, G38Z |
| | 21B | X06A, X06B, X06C | | 07 | H33Z, H38Z | | 07 | H33Z, H38Z |
| 5h101 | | KJZSV, KOP, KOPV | | 09 | J08A, J08B, J08C | | 11 | L33Z |
| | 03 | D12A, D12B, D12J, D12Q | | Pre | A07A | 5h115.2 | Pre | A07A |
| | 06 | G15Z, G19A, G19B, G33Z, G38Z | | | BOP, KJZSV, KOP, KOPV, KVT, UOP4 | | | BOP, KJZSV, KOP, KOPV, KVT, UOP4 |
| | 07 | H33Z, H38Z | 5h111.2 | | BOP, KJZSV, KOP, KOPV, KVT, UOP4 | | 03 | D12A, D12B, D12J, D12Q |
| | 11 | L33Z | | 03 | D02A, D18Z, D25A, D25B, D25C, D25D, D25J | | 06 | G15Z, G19A, G19B, G33Z, G38Z |
| | Pre | A07A | | 06 | G15Z, G19A, G19B, G33Z, G38Z | | 07 | H33Z, H38Z |
| 5h102 | | KOP, KOPV | | 07 | H33Z, H38Z | | 11 | L33Z |
| | 03 | D12A, D12B, D12J, D12Q | | 09 | J08A, J08B, J08C | 5h118 | Pre | A07A |
| | 06 | G15Z, G19A, G19B, G33Z, G38Z | | 11 | L33Z | | | KJZSV |
| | 07 | H33Z, H38Z | | Pre | A07A | | 03 | D09Z, D30A, D30B, D30J, D30Q |
| | 11 | L33Z | | | BOP, KJZSV, KOP, KOPV, KVT, UOP4 | | 04 | E02A, E02B, E02C, E02D |
| | Pre | A07A | | | D02A, D18Z, D25A, D25B, D25C, D25D, D25J | | | |
| 5h103.01 | | KJZSV | | 07 | H33Z, H38Z | | | |
| | 03 | D12A, D12J, D12Q | | 09 | J08A, J08B, J08C | | | |
| | 21A | W04A, W04B | | 11 | L33Z | | | |
| | 21B | X06A, X06B, X06C | | Pre | A07A | | | |

| ZZV | MDC | DRG | ZZV | MDC | DRG | ZZV | MDC | DRG | |
|---------|---------|--|----------------------------------|------------------|------------------------------------|--|-----------|------------------------------------|--|
| 5h119.1 | | BOP, KJZSV, KOP, KOPV, KVT, UOP4 | 5h191 | | KJZSV | 5h223 | | BOP, KJZSV, KVT, UOP4 | |
| | 03 | D12A, D12B, D12J, D12Q | | 03 | D12A, D12B, D12J, D12Q | | 03 | D09Z, D30A, D30J, D30Q | |
| | 06 | G15Z, G19A, G19B, G33Z, G38Z | | 21A | W04A, W04B | | 04 | E02A, E02B, E02C | |
| | 5h120 | 07 | H33Z, H38Z | 5h192 | | KJZSV | 5h230 | | BOP, KJZSV, KVT, UOP4 |
| | | 11 | L33Z | | 03 | D12A, D12B, D12J, D12Q | | 03 | D09Z, D25A, D25B, D25C, D25D, D25J, D30A, D30J, D30Q |
| | | Pre | A07A | | 21A | W04A, W04B | | 04 | E02A, E02B, E02C, E02D |
| 5h121 | | | BOP, KJZSV, KVT, UOP4 | 5h194 | | BOP, KJZSV, KVT, UOP4 | 5h231 | | BOP, KJZSV, KVT, UOP4 |
| | | 03 | D03Z, D12A, D12B, D12J, D12Q | | 03 | D12A, D12B, D12J, D12Q | | 03 | D09Z, D25A, D25B, D25C, D25D, D25J, D30A, D30J, D30Q |
| | | 04 | E02A, E02B, E02C, E02D, E07Z | | 21A | W04A, W04B | | 04 | E02A, E02B, E02C, E02D |
| | 21A | W04A, W04B | 21B | X06A, X06B, X06C | 21A | W04A, W04B | | | |
| 5h121.1 | 21B | X06A, X06B, X06C | 5h200 | | BOP, KJZSV, KVT, UOP4 | 5h232 | | BOP, KJZSV, KVT, UOP4 | |
| | 03 | D03Z, D18Z, D25A, D25B, D25C, D25D, D25J | | 03 | D09Z, D30A, D30B, D30J, D30Q | | 03 | D18Z, D28J, D28Z, D29J, D29Z | |
| | 04 | E02A, E02B, E02C, E02D, E07Z | | 04 | E02A, E02B, E02C | | 04 | E02A, E02B, E02C, E02D | |
| | 5h121.2 | 09 | J08A, J08B, J08C | 5h201 | | BOP, KJZSV, KVT, UOP4 | 5h233 | | BOP, KJZSV, KVT, UOP4 |
| | | 21A | W04A, W04B | | 03 | D09Z, D30A, D30B, D30J, D30Q | | 03 | D18Z, D28J, D28Z, D29J, D29Z |
| | | 21B | X06A, X06B, X06C | | 04 | E02A, E02B, E02C | | 04 | E02A, E02B, E02C, E02D |
| 5h121.3 | | | BOP, KJZSV, KVT, UOP4 | 5h203 | | BOP, KJZSV, KVT, UOP4 | 5h234 | | BOP, KJZSV, KVT, UOP4 |
| | 03 | D03Z, D12A, D12B, D12J, D12Q | 03 | | D18Z, D25A, D25B, D25C, D25D, D25J | 03 | | D18Z, D25A, D25B, D25C, D25D, D25J | |
| | 04 | E02A, E02B, E02C, E02D, E07Z | 04 | | E02A, E02B, E02C | 04 | | E02A, E02B, E02C, E02D | |
| | 5h121.x | 21A | W04A, W04B | 5h210 | | D09Z, D30A, D30B, D30J, D30Q | 5h291 | | BOP, KJZSV, KVT, UOP4 |
| | | 21B | X06A, X06B, X06C | | 04 | E02A, E02B, E02C, E02D | | 03 | D12A, D12J, D12Q |
| | | 03 | D02A, D03Z | | 03 | D09Z, D30A, D30B, D30J, D30Q | | 04 | E02A, E02B, E02C, E02D |
| 5h123 | | 04 | E02A, E02B, E02C, E02D, E07Z | 5h211 | | D09Z, D30A, D30B, D30J, D30Q | 5h292 | | BOP, KVT, UOP4 |
| | | 06 | G33Z | | 04 | E02A, E02B, E02C, E02D | | 03 | D09Z, D30A, D30B, D30J, D30Q |
| | | 07 | H33Z, H38Z | | 03 | D09Z, D30A, D30B, D30J, D30Q | | 04 | E02A, E02B, E02C, E02D |
| | 5h190 | 09 | J08A, J08B, J08C | 5h212 | | E02A, E02B, E02C, E02D | 5h293 | | BOP, KJZSV, KVT, UOP4 |
| | | 11 | L33Z | | 04 | E02A, E02B, E02C, E02D | | 03 | D09Z, D30A, D30B, D30J, D30Q |
| | | 21A | W04A, W04B | | 03 | D09Z, D30A, D30B, D30J, D30Q | | 04 | E02A, E02B, E02C, E02D |
| 5h123 | | 21B | X06A, X06B, X06C, X33Z | 5h213 | | E02A, E02B, E02C, E02D | 5h302.10† | | D15A, D15B, D15J, D18Z |
| | | Pre | A07A | | 03 | D09Z, D30A, D30B, D30J, D30Q | | 04 | E02A, E02B, E02C, E02D |
| | | | BOP, KJZSV, KVT, UOP4 | | 04 | E02A, E02B, E02C, E02D | | 21A | W04A, W04B |
| | 5h123 | 03 | D02A, D03Z | 5h214 | | E02A, E02B, E02C, E02D | 5h302.11† | | D15A, D15B, D15J, D18Z |
| | | 04 | E02A, E02B, E02C, E02D, E07Z | | 03 | D09Z, D30A, D30B, D30J, D30Q | | 04 | E02A, E02B, E02C, E02D |
| | | 06 | G33Z | | 04 | E02A, E02B, E02C, E02D | | 21A | W04A, W04B |
| 5h123 | | 07 | H33Z, H38Z | 5h220 | | BOP, KJZSV, KVT, UOP4 | 5h302.1x† | | D15A, D15B, D15J, D18Z |
| | | 09 | J08A, J08B, J08C | | 03 | D03Z, D12A, D12B, D12J, D12Q, D18Z, D25A, D25B, D25C, D25D, D25J | | 03 | D09Z, D30A, D30B, D30J, D30Q |
| | | 11 | L33Z | | 04 | E02A, E02B, E02C, E02D, E07Z | | 04 | E02A, E02B, E02C, E02D, E07Z |
| | 5h123 | 21A | W04A, W04B | 5h221 | | BOP, KJZSV, KVT, UOP4 | 5h302.1x† | | D15A, D15B, D15J, D18Z |
| | | 21B | X06A, X06B, X06C, X33Z | | 03 | D03Z, D12A, D12B, D12J, D12Q, D18Z, D25A, D25B, D25C, D25D, D25J | | 04 | E02A, E02B, E02C, E02D, E07Z |
| | | Pre | A07A | | 04 | E02A, E02B, E02C, E02D, E07Z | | 09 | J08A, J08B, J08C |
| 5h123 | | | BOP, KJZSV, KOP, KOPV, KVT, UOP4 | 5h222 | | BOP, KJZSV, KVT, UOP4 | 5h302.1x† | | D15A, D15B, D15J, D18Z |
| | | 03 | D02A, D03Z | | 03 | D03Z, D12A, D12B, D12J, D12Q, D18Z, D25A, D25B, D25C, D25D, D25J | | 04 | E02A, E02B, E02C, E02D, E07Z |
| | | 04 | E02A, E02B, E02C, E02D, E07Z | | 04 | E02A, E02B, E02C, E02D, E07Z | | 09 | J08A, J08B, J08C |
| | 5h123 | 06 | G33Z | 5h222 | | BOP, KJZSV, KVT, UOP4 | 5h302.1x† | | D15A, D15B, D15J, D18Z |
| | | 07 | H33Z, H38Z | | 03 | D03Z, D12A, D12B, D12J, D12Q, D18Z, D25A, D25B, D25C, D25D, D25J | | 04 | E02A, E02B, E02C, E02D, E07Z |
| | | 09 | J08A, J08B, J08C | | 04 | E02A, E02B, E02C, E02D, E07Z | | 09 | J08A, J08B, J08C |
| 5h123 | | 11 | L33Z | 5h222 | | BOP, KJZSV, KVT, UOP4 | 5h302.1x† | | D15A, D15B, D15J, D18Z |
| | | 21A | W04A, W04B | | 03 | D03Z, D12A, D12B, D12J, D12Q, D18Z, D25A, D25B, D25C, D25D, D25J | | 04 | E02A, E02B, E02C, E02D, E07Z |
| | | 21B | X06A, X06B, X06C, X33Z | | 04 | E02A, E02B, E02C, E02D, E07Z | | 09 | J08A, J08B, J08C |
| | 5h123 | Pre | A07A | 5h222 | | BOP, KJZSV, KVT, UOP4 | 5h302.1x† | | D15A, D15B, D15J, D18Z |
| | | | BOP, KJZSV, KOP, KOPV, KVT, UOP4 | | 03 | D03Z, D12A, D12B, D12J, D12Q, D18Z, D25A, D25B, D25C, D25D, D25J | | 04 | E02A, E02B, E02C, E02D, E07Z |
| | | 03 | D12A, D12B, D12J, D12Q | | 04 | E02A, E02B, E02C, E02D, E07Z | | 09 | J08A, J08B, J08C |
| 5h123 | | 06 | G15Z, G19A, G19B, G33Z, G38Z | 5h222 | | BOP, KJZSV, KVT, UOP4 | 5h302.1x† | | D15A, D15B, D15J, D18Z |
| | | 07 | H33Z, H38Z | | 03 | D03Z, D12A, D12B, D12J, D12Q, D18Z, D25A, D25B, D25C, D25D, D25J | | 04 | E02A, E02B, E02C, E02D, E07Z |
| | | 11 | L33Z | | 04 | E02A, E02B, E02C, E02D, E07Z | | 09 | J08A, J08B, J08C |
| | 5h123 | Pre | A07A | 5h222 | | BOP, KJZSV, KVT, UOP4 | 5h302.1x† | | D15A, D15B, D15J, D18Z |
| | | | BOP, KJZSV, KOP, KOPV, KVT, UOP4 | | 03 | D03Z, D12A, D12B, D12J, D12Q, D18Z, D25A, D25B, D25C, D25D, D25J | | 04 | E02A, E02B, E02C, E02D, E07Z |
| | | 03 | D12A, D12B, D12J, D12Q | | 04 | E02A, E02B, E02C, E02D, E07Z | | 09 | J08A, J08B, J08C |
| 5h123 | | 06 | G15Z, G19A, G19B, G33Z, G38Z | 5h222 | | BOP, KJZSV, KVT, UOP4 | 5h302.1x† | | D15A, D15B, D15J, D18Z |
| | | 07 | H33Z, H38Z | | 03 | D03Z, D12A, D12B, D12J, D12Q, D18Z, D25A, D25B, D25C, D25D, D25J | | 04 | E02A, E02B, E02C, E02D, E07Z |
| | | 11 | L33Z | | 04 | E02A, E02B, E02C, E02D, E07Z | | 09 | J08A, J08B, J08C |
| | 5h123 | Pre | A07A | 5h222 | | BOP, KJZSV, KVT, UOP4 | 5h302.1x† | | D15A, D15B, D15J, D18Z |
| | | | BOP, KJZSV, KOP, KOPV, KVT, UOP4 | | 03 | D03Z, D12A, D12B, D12J, D12Q, D18Z, D25A, D25B, D25C, D25D, D25J | | 04 | E02A, E02B, E02C, E02D, E07Z |
| | | 03 | D12A, D12B, D12J, D12Q | | 04 | E02A, E02B, E02C, E02D, E07Z | | 09 | J08A, J08B, J08C |
| 5h123 | | 06 | G15Z, G19A, G19B, G33Z, G38Z | 5h222 | | BOP, KJZSV, KVT, UOP4 | 5h302.1x† | | D15A, D15B, D15J, D18Z |
| | | 07 | H33Z, H38Z | | 03 | D03Z, D12A, D12B, D12J, D12Q, D18Z, D25A, D25B, D25C, D25D, D25J | | 04 | E02A, E02B, E02C, E02D, E07Z |
| | | 11 | L33Z | | 04 | E02A, E02B, E02C, E02D, E07Z | | 09 | J08A, J08B, J08C |
| | 5h123 | Pre | A07A | 5h222 | | BOP, KJZSV, KVT, UOP4 | 5h302.1x† | | D15A, D15B, D15J, D18Z |
| | | | BOP, KJZSV, KOP, KOPV, KVT, UOP4 | | 03 | D03Z, D12A, D12B, D12J, D12Q, D18Z, D25A, D25B, D25C, D25D, D25J | | 04 | E02A, E02B, E02C, E02D, E07Z |
| | | 03 | D12A, D12B, D12J, D12Q | | 04 | E02A, E02B, E02C, E02D, E07Z | | 09 | J08A, J08B, J08C |

| ZZV | MDC | DRG | ZZV | MDC | DRG | ZZV | MDC | DRG |
|-----------|-----|--|-----------|-----|--|-----------|-----|--|
| 5h302.20† | | KJZSV | 5j122.01↔ | | BOP, KJZSV, KOP, KOPV, KVT, UOP4 | 5j123.25 | | BOP, KJZSV, KOP, KOPV, KVT, UOP4 |
| | 03 | D15A, D15B, D15J, D18Z | | | | | 04 | E06A, E06B, E06C, E08A, E08B, E08C |
| | 04 | E02A, E02B, E02C, E02D | | 04 | E06A, E06B, E06C, E08A, E08B, E08C | | 06 | G33Z |
| 5h302.21 | 21A | W01A, W01B, W01C, W36Z | | 06 | G33Z | | 07 | H33Z, H38Z |
| | | BOP, KVT, UOP4 | | 07 | H33Z, H38Z | | 09 | J26Z |
| | 03 | D12A, D12B, D12J, D12Q | | 09 | J26Z | | 11 | L33Z |
| | 04 | E02A, E02B, E02C, E02D | | 11 | L33Z | | 17 | R01A, R01B, R01C, R01D, R02Z, R12A, R12B, R12C |
| | 05 | F21A, F21B, F21J | | 17 | R01A, R01B, R01C, R01D, R02Z, R12A, R12B, R12C | | 21B | X33Z |
| | 09 | J03A, J03B, J04A, J04B, J08A, J08B, J08C, J11A, J11B, J11J, J11Q, J11R, J11S, J16Z | | 21B | X33Z | | 23 | Z01A |
| | 21A | W04A, W04B | | 23 | Z01A | | Pre | A07A |
| | 21B | X06A, X06B, X06C | 5j123.00↔ | Pre | A07A | 5j123.28 | | BOP, KJZSV, KOP, KOPV, KVT, UOP4 |
| | 22 | Y01Z, Y03A, Y03B | | | BOP, KJZSV, KOP, KOPV, KVT, UOP4 | | 04 | E06A, E06B, E06C, E08A, E08B, E08C |
| 5h302.23 | | BOP, KVT, UOP4 | | 04 | E06A, E06B, E06C, E08A, E08B, E08C | | 06 | G33Z |
| | 03 | D12A, D12B, D12J, D12Q | | 06 | G33Z | | 07 | H33Z, H38Z |
| | 04 | E02A, E02B, E02C, E02D | | 07 | H33Z, H38Z | | 09 | J26Z |
| | 05 | F21A, F21B, F21J | | 09 | J26Z | | 11 | L33Z |
| | 09 | J03A, J03B, J04A, J04B, J08A, J08B, J08C, J11A, J11B, J11J, J11Q, J11R, J11S, J16Z | | 11 | L33Z | | 17 | R01A, R01B, R01C, R01D, R02Z, R12A, R12B, R12C |
| | 21A | W04A, W04B | | 17 | R01A, R01B, R01C, R01D, R02Z, R12A, R12B, R12C | | 21B | X33Z |
| | 21B | X06A, X06B, X06C | | 21B | X33Z | | 23 | Z01A |
| | 22 | Y01Z, Y03A, Y03B | | 23 | Z01A | | Pre | A07A |
| 5h302.24† | | KJZSV | 5j123.01↔ | | BOP, KJZSV, KOP, KOPV, KVT, UOP4 | 5j124.00↔ | | BOP, KJZSV, KOP, KOPV, KVT, UOP4 |
| | 03 | D15A, D15B, D15J, D18Z | | | BOP, KJZSV, KOP, KOPV, KVT, UOP4 | | 04 | E06A, E06B, E06C, E08A, E08B, E08C |
| | 04 | E02A, E02B, E02C, E02D | | 04 | E06A, E06B, E06C, E08A, E08B, E08C | | 06 | G33Z |
| 5h302.3 | 21A | W01A, W01B, W01C, W36Z | | 06 | G33Z | | 07 | H33Z, H38Z |
| | | BOP, KJZSV, KVT, UOP4 | | 07 | H33Z, H38Z | | 09 | J26Z |
| | 03 | D12A, D12B, D12J, D12Q, D25A, D25B, D25C, D25D, D25J | | 09 | J26Z | | 11 | L33Z |
| | 04 | E02A, E02B, E02C, E02D | | 11 | L33Z | | 17 | R01A, R01B, R01C, R01D, R02Z, R12A, R12B, R12C |
| | 21A | W04A, W04B | | 17 | R01A, R01B, R01C, R01D, R02Z, R12A, R12B, R12C | | 21B | X33Z |
| | 21B | X06A, X06B, X06C | | 21B | X33Z | | 23 | Z01A |
| | 22 | Y01Z, Y03A, Y03B | | 23 | Z01A | | Pre | A07A |
| 5h304.01 | | BOP, KJZSV, KVT, UOP4 | 5j123.20↔ | Pre | A07A | 5j124.01↔ | | BOP, KJZSV, KOP, KOPV, KVT, UOP4 |
| | 03 | D04Z, D09Z, D25A, D25B, D25C, D25D, D25J, D30A, D30J, D30Q | | | BOP, KJZSV, KOP, KOPV, KVT, UOP4 | | 04 | E06A, E06B, E06C, E08A, E08B, E08C |
| | 04 | E02A, E02B, E02C, E02D | | 04 | E06A, E06B, E06C, E08A, E08B, E08C | | 06 | G33Z |
| 5h304.02 | | BOP, KJZSV, KVT, UOP4 | | 06 | G33Z | | 07 | H33Z, H38Z |
| | 03 | D04Z, D09Z, D25A, D25B, D25C, D25D, D25J, D30A, D30J, D30Q | | 07 | H33Z, H38Z | | 09 | J26Z |
| | 04 | E02A, E02B, E02C, E02D | | 09 | J26Z | | 11 | L33Z |
| 5h304.0x | | BOP, KJZSV, KVT, UOP4 | | 11 | L33Z | | 17 | R01A, R01B, R01C, R01D, R02Z, R12A, R12B, R12C |
| | 03 | D04Z, D09Z, D25A, D25B, D25C, D25D, D25J, D30A, D30J, D30Q | | 17 | R01A, R01B, R01C, R01D, R02Z, R12A, R12B, R12C | | 21B | X33Z |
| | 04 | E02A, E02B, E02C, E02D | | 21B | X33Z | | 23 | Z01A |
| 5h304.11 | | BOP, KJZSV, KVT, UOP4 | 5j123.21↔ | Pre | A07A | 5j124.20↔ | | BOP, KJZSV, KOP, KOPV, KVT, UOP4 |
| | 03 | D09Z, D30A, D30J, D30Q | | | BOP, KJZSV, KOP, KOPV, KVT, UOP4 | | 04 | E06A, E06B, E06C, E08A, E08B, E08C |
| | 04 | E02A, E02B, E02C, E02D | | 04 | E06A, E06B, E06C, E08A, E08B, E08C | | 06 | G33Z |
| 5j122.00↔ | | BOP, KJZSV, KOP, KOPV, KVT, UOP4 | | 06 | G33Z | | 07 | H33Z, H38Z |
| | 04 | E06A, E06B, E06C, E08A, E08B, E08C | | 07 | H33Z, H38Z | | 09 | J26Z |
| | 06 | G33Z | | 09 | J26Z | | 10 | K03A, K03B |
| | 07 | H33Z, H38Z | | 11 | L33Z | | 11 | L33Z |
| | 09 | J26Z | | 17 | R01A, R01B, R01C, R01D, R02Z, R12A, R12B, R12C | | 17 | R01A, R01B, R01C, R01D, R02Z, R12A, R12B, R12C |
| | 11 | L33Z | | 21B | X33Z | | 21B | X33Z |
| | 17 | R01A, R01B, R01C, R01D, R02Z, R12A, R12B, R12C | | 23 | Z01A | | 23 | Z01A |
| | 21B | X33Z | | Pre | A07A | | Pre | A07A |
| | 23 | Z01A | | | | | | |
| | Pre | A07A | | | | | | |

| ZZV | MDC | DRG | ZZV | MDC | DRG | ZZV | MDC | DRG |
|-----------|-----|--|-----------|-----|------------------------------------|-----------|-----|------------------------------------|
| 5j124.21↔ | | BOP, KJZSV, KOP, KOPV, KVT, UOP4 | 5j130.2 | | BOP, KJZSV, KOP, KOPV, KVT, UOP4 | 5j132.00↔ | | BOP, KJZSV, KOP, KOPV, KVT, UOP4 |
| | 04 | E06A, E06B, E06C, E08A, E08B, E08C | | 04 | E06A, E06B, E06C, E08A, E08B, E08C | | 04 | E06A, E06B, E06C, E08A, E08B, E08C |
| | 06 | G33Z | | 06 | G33Z | | 06 | G33Z |
| | 07 | H33Z, H38Z | | 07 | H33Z, H38Z | | 07 | H33Z, H38Z |
| | 09 | J26Z | | 09 | J26Z | | 09 | J26Z |
| | 11 | L33Z | | 11 | L33Z | | 11 | L33Z |
| | 17 | R01A, R01B, R01C, R01D, R02Z, R12A, R12B, R12C | | 21A | W04A, W04B | | 21A | W04A, W04B |
| | 21B | X33Z | | 21B | X06A, X06B, X06C, X33Z | | 21B | X06A, X06B, X06C, X33Z |
| | 23 | Z01A | | 22 | Y01Z, Y03A, Y03B | | 22 | Y01Z, Y03A, Y03B |
| | Pre | A07A | | 23 | Z01A | | 23 | Z01A |
| | | | | Pre | A07A | | Pre | A07A |
| 5j124.25 | | BOP, KJZSV, KOP, KOPV, KVT, UOP4 | 5j131.00↔ | | BOP, KJZSV, KOP, KOPV, KVT, UOP4 | 5j132.01↔ | | BOP, KJZSV, KOP, KOPV, KVT, UOP4 |
| | 04 | E06A, E06B, E06C, E08A, E08B, E08C | | 04 | E06A, E06B, E06C, E08A, E08B, E08C | | 04 | E06A, E06B, E06C, E08A, E08B, E08C |
| | 06 | G33Z | | 06 | G33Z | | 06 | G33Z |
| | 07 | H33Z, H38Z | | 07 | H33Z, H38Z | | 07 | H33Z, H38Z |
| | 09 | J26Z | | 09 | J26Z | | 09 | J26Z |
| | 10 | K03A, K03B | | 11 | L33Z | | 11 | L33Z |
| | 11 | L33Z | | 21A | W04A, W04B | | 21A | W04A, W04B |
| | 17 | R01A, R01B, R01C, R01D, R02Z, R12A, R12B, R12C | | 21B | X06A, X06B, X06C, X33Z | | 21B | X06A, X06B, X06C, X33Z |
| | 21B | X33Z | | 22 | Y01Z, Y03A, Y03B | | 22 | Y01Z, Y03A, Y03B |
| | 23 | Z01A | | 23 | Z01A | | 23 | Z01A |
| | Pre | A07A | | Pre | A07A | | Pre | A07A |
| 5j124.28 | | BOP, KJZSV, KOP, KOPV, KVT, UOP4 | 5j131.01↔ | | BOP, KJZSV, KOP, KOPV, KVT, UOP4 | 5j132.20↔ | | BOP, KJZSV, KOP, KOPV, KVT, UOP4 |
| | 04 | E06A, E06B, E06C, E08A, E08B, E08C | | 04 | E06A, E06B, E06C, E08A, E08B, E08C | | 04 | E06A, E06B, E06C, E08A, E08B, E08C |
| | 06 | G33Z | | 06 | G33Z | | 06 | G33Z |
| | 07 | H33Z, H38Z | | 07 | H33Z, H38Z | | 07 | H33Z, H38Z |
| | 09 | J26Z | | 09 | J26Z | | 09 | J26Z |
| | 11 | L33Z | | 11 | L33Z | | 11 | L33Z |
| | 17 | R01A, R01B, R01C, R01D, R02Z, R12A, R12B, R12C | | 21A | W04A, W04B | | 21A | W04A, W04B |
| | 21B | X33Z | | 21B | X06A, X06B, X06C, X33Z | | 21B | X06A, X06B, X06C, X33Z |
| | 23 | Z01A | | 22 | Y01Z, Y03A, Y03B | | 22 | Y01Z, Y03A, Y03B |
| | Pre | A07A | | 23 | Z01A | | 23 | Z01A |
| | | | | Pre | A07A | | Pre | A07A |
| 5j130.0 | | BOP, KJZSV, KOP, KOPV, KVT, UOP4 | 5j131.20↔ | | BOP, KJZSV, KOP, KOPV, KVT, UOP4 | 5j132.21↔ | | BOP, KJZSV, KOP, KOPV, KVT, UOP4 |
| | 04 | E06A, E06B, E06C, E08A, E08B, E08C | | 04 | E06A, E06B, E06C, E08A, E08B, E08C | | 04 | E06A, E06B, E06C, E08A, E08B, E08C |
| | 06 | G33Z | | 06 | G33Z | | 06 | G33Z |
| | 07 | H33Z, H38Z | | 07 | H33Z, H38Z | | 07 | H33Z, H38Z |
| | 09 | J26Z | | 09 | J26Z | | 09 | J26Z |
| | 11 | L33Z | | 11 | L33Z | | 11 | L33Z |
| | 21A | W04A, W04B | | 21A | W04A, W04B | | 21A | W04A, W04B |
| | 21B | X06A, X06B, X06C, X33Z | | 21B | X06A, X06B, X06C, X33Z | | 21B | X06A, X06B, X06C, X33Z |
| | 22 | Y01Z, Y03A, Y03B | | 22 | Y01Z, Y03A, Y03B | | 22 | Y01Z, Y03A, Y03B |
| | 23 | Z01A | | 23 | Z01A | | 23 | Z01A |
| | Pre | A07A | | Pre | A07A | | Pre | A07A |
| 5j130.1 | | BOP, KJZSV, KOP, KOPV, KVT, UOP4 | 5j131.21↔ | | BOP, KJZSV, KOP, KOPV, KVT, UOP4 | 5j132.25 | | BOP, KJZSV, KOP, KOPV, KVT, UOP4 |
| | 04 | E05A, E05B, E05C, E08A, E08B, E08C | | 04 | E06A, E06B, E06C, E08A, E08B, E08C | | 04 | E06A, E06B, E06C, E08A, E08B, E08C |
| | 06 | G33Z | | 06 | G33Z | | 06 | G33Z |
| | 07 | H33Z, H38Z | | 07 | H33Z, H38Z | | 07 | H33Z, H38Z |
| | 11 | L33Z | | 09 | J26Z | | 09 | J26Z |
| | 21A | W04A, W04B | | 11 | L33Z | | 11 | L33Z |
| | 21B | X06A, X06B, X06C | | 21A | W04A, W04B | | 21A | W04A, W04B |
| | 22 | Y01Z, Y03A, Y03B | | 21B | X06A, X06B, X06C, X33Z | | 21B | X06A, X06B, X06C, X33Z |
| | 23 | Z01A | | 22 | Y01Z, Y03A, Y03B | | 22 | Y01Z, Y03A, Y03B |
| | Pre | A07A | | 23 | Z01A | | 23 | Z01A |
| | | | | Pre | A07A | | Pre | A07A |

VYK

| ZZV | MDC | DRG | ZZV | MDC | DRG | ZZV | MDC | DRG | | | |
|-----------|-----------|------------------------------------|------------------------------------|--|------------------------------------|-----------|--|------------------------------------|-----------|----|------------------------------------|
| 5j132.28 | | BOP, KJZSV, KOP, KOPV, KVT, UOP4 | 5j140.25 | | BOP, KJZSV, KOP, KOPV, KVT, UOP4 | 5j141.21↔ | | BOP, KJZSV, KOP, KOPV, KVT, UOP4 | | | |
| | 04 | E06A, E06B, E06C, E08A, E08B, E08C | | 04 | E05A, E05B, E05C, E08A, E08B, E08C | | 04 | E05A, E05B, E05C, E08A, E08B, E08C | | | |
| | 06 | G33Z | | 06 | G01Z, G02Z, G33Z, G38Z | | 06 | G33Z | | | |
| | 07 | H33Z, H38Z | | 07 | H33Z, H38Z | | 07 | H33Z, H38Z | | | |
| | 09 | J26Z | | 09 | J26Z | | 09 | J26Z | | | |
| | 11 | L33Z | | 11 | L33Z | | 11 | L33Z | | | |
| | 21A | W04A, W04B | | 21A | W04A, W04B | | 21A | W04A, W04B | | | |
| | 21B | X06A, X06B, X06C, X33Z | | 21B | X06A, X06B, X06C, X33Z | | 21B | X06A, X06B, X06C, X33Z | | | |
| | 22 | Y01Z, Y03A, Y03B | | 22 | Y01Z, Y03A, Y03B | | 22 | Y01Z, Y03A, Y03B | | | |
| | 23 | Z01A | | 23 | Z01A | | 23 | Z01A | | | |
| | Pre | A07A | | Pre | A07A, A13A, A13B, A13C | | Pre | A07A | | | |
| | 5j140.00↔ | | | BOP, KJZSV, KOP, KOPV, KVT, UOP4 | 5j140.28 | | | BOP, KJZSV, KOP, KOPV, KVT, UOP4 | 5j141.25 | | BOP, KJZSV, KOP, KOPV, KVT, UOP4 |
| | | 04 | | E01A, E01B, E05A, E05B, E05C, E08A, E08B, E08C | | | 04 | E05A, E05B, E05C, E08A, E08B, E08C | | 04 | E05A, E05B, E05C, E08A, E08B, E08C |
| | | 06 | | G01Z, G02Z, G33Z, G38Z | | | 06 | G33Z | | 06 | G01Z, G02Z, G33Z, G38Z |
| 07 | | H33Z, H38Z | 07 | H33Z, H38Z | | 07 | H33Z, H38Z | | | | |
| 09 | | J26Z | 09 | J26Z | | 09 | J26Z | | | | |
| 11 | | L33Z | 11 | L33Z | | 11 | L33Z | | | | |
| 21A | | W04A, W04B | 21A | W04A, W04B | | 21A | W04A, W04B | | | | |
| 21B | | X06A, X06B, X06C, X33Z | 21B | X06A, X06B, X06C, X33Z | | 21B | X06A, X06B, X06C, X33Z | | | | |
| 22 | | Y01Z, Y03A, Y03B | 22 | Y01Z, Y03A, Y03B | | 22 | Y01Z, Y03A, Y03B | | | | |
| 23 | | Z01A | 23 | Z01A | | 23 | Z01A | | | | |
| Pre | | A07A, A13A, A13B, A13C | Pre | A07A | | Pre | A07A, A13A, A13B, A13C | | | | |
| 5j140.01↔ | | | BOP, KJZSV, KOP, KOPV, KVT, UOP4 | 5j141.00↔ | | | BOP, KJZSV, KOP, KOPV, KVT, UOP4 | 5j141.28 | | | BOP, KJZSV, KOP, KOPV, KVT, UOP4 |
| | | 04 | E05A, E05B, E05C, E08A, E08B, E08C | | | 04 | E01A, E01B, E05A, E05B, E05C, E08A, E08B, E08C | | | 04 | E05A, E05B, E05C, E08A, E08B, E08C |
| | | 06 | G01Z, G02Z, G33Z, G38Z | | | 06 | G01Z, G02Z, G33Z, G38Z | | | 06 | G33Z |
| | 07 | H33Z, H38Z | 07 | | H33Z, H38Z | 07 | H33Z, H38Z | | | | |
| | 09 | J26Z | 09 | | J26Z | 09 | J26Z | | | | |
| | 11 | L33Z | 11 | | L33Z | 11 | L33Z | | | | |
| | 21A | W04A, W04B | 21A | | W04A, W04B | 21A | W04A, W04B | | | | |
| | 21B | X06A, X06B, X06C, X33Z | 21B | | X06A, X06B, X06C, X33Z | 21B | X06A, X06B, X06C, X33Z | | | | |
| | 22 | Y01Z, Y03A, Y03B | 22 | | Y01Z, Y03A, Y03B | 22 | Y01Z, Y03A, Y03B | | | | |
| | 23 | Z01A | 23 | | Z01A | 23 | Z01A | | | | |
| | Pre | A07A, A13A, A13B, A13C | Pre | | A07A, A13A, A13B, A13C | Pre | A07A | | | | |
| | 5j140.20↔ | | BOP, KJZSV, KOP, KOPV, KVT, UOP4 | | 5j141.01↔ | | BOP, KJZSV, KOP, KOPV, KVT, UOP4 | | 5j142.10↔ | | BOP, KJZSV, KOP, KOPV, KVT, UOP4 |
| | | 04 | E05A, E05B, E05C, E08A, E08B, E08C | | | 04 | E01A, E01B, E05A, E05B, E05C, E08A, E08B, E08C | | | 04 | E01A, E01B, E08A, E08B, E08C |
| | | 06 | G01Z, G02Z, G33Z, G38Z | | | 06 | G33Z | | | 06 | G01Z, G02Z, G33Z, G38Z |
| 07 | | H33Z, H38Z | 07 | H33Z, H38Z | | 07 | H33Z, H38Z | | | | |
| 09 | | J26Z | 09 | J26Z | | 09 | J26Z | | | | |
| 11 | | L33Z | 11 | L33Z | | 11 | L33Z | | | | |
| 21A | | W04A, W04B | 21A | W04A, W04B | | 21A | W04A, W04B | | | | |
| 21B | | X06A, X06B, X06C, X33Z | 21B | X06A, X06B, X06C, X33Z | | 21B | X06A, X06B, X06C, X33Z | | | | |
| 22 | | Y01Z, Y03A, Y03B | 22 | Y01Z, Y03A, Y03B | | 22 | Y01Z, Y03A, Y03B | | | | |
| 23 | | Z01A | 23 | Z01A | | 23 | Z01A | | | | |
| Pre | | A07A, A13A, A13B, A13C | Pre | A07A | | Pre | A07A, A13A, A13B, A13C | | | | |
| 5j140.21↔ | | | BOP, KJZSV, KOP, KOPV, KVT, UOP4 | 5j141.20↔ | | | BOP, KJZSV, KOP, KOPV, KVT, UOP4 | 5j142.11↔ | | | BOP, KJZSV, KOP, KOPV, KVT, UOP4 |
| | | 04 | E05A, E05B, E05C, E08A, E08B, E08C | | | 04 | E05A, E05B, E05C, E08A, E08B, E08C | | | 04 | E01A, E01B, E08A, E08B, E08C |
| | | 06 | G33Z | | | 06 | G01Z, G02Z, G33Z, G38Z | | | 06 | G33Z |
| | 07 | H33Z, H38Z | 07 | | H33Z, H38Z | 07 | H33Z, H38Z | | | | |
| | 09 | J26Z | 09 | | J26Z | 09 | J26Z | | | | |
| | 11 | L33Z | 11 | | L33Z | 11 | L33Z | | | | |
| | 21A | W04A, W04B | 21A | | W04A, W04B | 21A | W04A, W04B | | | | |
| | 21B | X06A, X06B, X06C, X33Z | 21B | | X06A, X06B, X06C, X33Z | 21B | X06A, X06B, X06C, X33Z | | | | |
| | 22 | Y01Z, Y03A, Y03B | 22 | | Y01Z, Y03A, Y03B | 22 | Y01Z, Y03A, Y03B | | | | |
| | 23 | Z01A | 23 | | Z01A | 23 | Z01A | | | | |
| | Pre | A07A | Pre | | A07A, A13A, A13B, A13C | Pre | A07A | | | | |

VYK

| ZZV | MDC | DRG | ZZV | MDC | DRG | ZZV | MDC | DRG | | | |
|-----------|-----------|----------------------------------|------------------------------------|------------------------------------|----------------------------------|----------|------------------------------------|------------------------------------|-----------|----|------------------------------------|
| 5j142.20↔ | | BOP, KJZSV, KOP, KOPV, KVT, UOP4 | 5j144.01↔ | | BOP, KJZSV, KOP, KOPV, KVT, UOP4 | 5j14a.25 | | BOP, KJZSV, KOP, KOPV, KVT, UOP4 | | | |
| | 04 | E01A, E01B, E08A, E08B, E08C | | 04 | E01A | | 04 | E06A, E06B, E06C, E08A, E08B, E08C | | | |
| | 06 | G01Z, G02Z, G33Z, G38Z | | 06 | G33Z | | 06 | G33Z | | | |
| | 07 | H33Z, H38Z | | 07 | H33Z, H38Z | | 07 | H33Z, H38Z | | | |
| | 09 | J26Z | | 09 | J26Z | | 09 | J26Z | | | |
| | 11 | L33Z | | 11 | L33Z | | 11 | L33Z | | | |
| | 21A | W04A, W04B | | 21A | W04A, W04B | | 21A | W04A, W04B | | | |
| | 21B | X06A, X06B, X06C, X33Z | | 21B | X06A, X06B, X06C, X33Z | | 21B | X06A, X06B, X06C, X33Z | | | |
| | 22 | Y01Z, Y03A, Y03B | | 22 | Y01Z, Y03A, Y03B | | 22 | Y01Z, Y03A, Y03B | | | |
| | 23 | Z01A | | 23 | Z01A | | 23 | Z01A | | | |
| | Pre | A07A, A13A, A13B, A13C | | Pre | A07A | | Pre | A07A | | | |
| | 5j142.21↔ | | | BOP, KJZSV, KOP, KOPV, KVT, UOP4 | 5j14a.00↔ | | | BOP, KJZSV, KOP, KOPV, KVT, UOP4 | 5j14a.28 | | BOP, KJZSV, KOP, KOPV, KVT, UOP4 |
| | | 04 | | E05A, E05B, E05C, E08A, E08B, E08C | | | 04 | E05A, E05B, E05C, E08A, E08B, E08C | | 04 | E06A, E06B, E06C, E08A, E08B, E08C |
| | | 06 | | G33Z | | | 06 | G33Z | | 06 | G33Z |
| 07 | | H33Z, H38Z | 07 | H33Z, H38Z | | 07 | H33Z, H38Z | | | | |
| 09 | | J26Z | 09 | J26Z | | 09 | J26Z | | | | |
| 11 | | L33Z | 11 | L33Z | | 11 | L33Z | | | | |
| 21A | | W04A, W04B | 21A | W04A, W04B | | 21A | W04A, W04B | | | | |
| 21B | | X06A, X06B, X06C, X33Z | 21B | X06A, X06B, X06C, X33Z | | 21B | X06A, X06B, X06C, X33Z | | | | |
| 22 | | Y01Z, Y03A, Y03B | 22 | Y01Z, Y03A, Y03B | | 22 | Y01Z, Y03A, Y03B | | | | |
| 23 | | Z01A | 23 | Z01A | | 23 | Z01A | | | | |
| Pre | | A07A | Pre | A07A | | Pre | A07A | | | | |
| 5j142.25 | | | BOP, KJZSV, KOP, KOPV, KVT, UOP4 | 5j14a.01↔ | | | BOP, KJZSV, KOP, KOPV, KVT, UOP4 | 5j14b.00↔ | | | BOP, KJZSV, KOP, KOPV, KVT, UOP4 |
| | | 04 | E01A, E01B, E08A, E08B, E08C | | | 04 | E05A, E05B, E05C, E08A, E08B, E08C | | | 04 | E05A, E05B, E05C, E08A, E08B, E08C |
| | | 06 | G01Z, G02Z, G33Z, G38Z | | | 06 | G33Z | | | 06 | G33Z |
| | 07 | H33Z, H38Z | 07 | | H33Z, H38Z | 07 | H33Z, H38Z | | | | |
| | 09 | J26Z | 09 | | J26Z | 09 | J26Z | | | | |
| | 11 | L33Z | 11 | | L33Z | 11 | L33Z | | | | |
| | 21A | W04A, W04B | 21A | | W04A, W04B | 21A | W04A, W04B | | | | |
| | 21B | X06A, X06B, X06C, X33Z | 21B | | X06A, X06B, X06C, X33Z | 21B | X06A, X06B, X06C, X33Z | | | | |
| | 22 | Y01Z, Y03A, Y03B | 22 | | Y01Z, Y03A, Y03B | 22 | Y01Z, Y03A, Y03B | | | | |
| | 23 | Z01A | 23 | | Z01A | 23 | Z01A | | | | |
| | Pre | A07A, A13A, A13B, A13C | Pre | | A07A | Pre | A07A | | | | |
| | 5j142.28 | | BOP, KJZSV, KOP, KOPV, KVT, UOP4 | | 5j14a.20↔ | | BOP, KJZSV, KOP, KOPV, KVT, UOP4 | | 5j14b.01↔ | | BOP, KJZSV, KOP, KOPV, KVT, UOP4 |
| | | 04 | E05A, E05B, E05C, E08A, E08B, E08C | | | 04 | E05A, E05B, E05C, E08A, E08B, E08C | | | 04 | E05A, E05B, E05C, E08A, E08B, E08C |
| | | 06 | G33Z | | | 06 | G33Z | | | 06 | G33Z |
| 07 | | H33Z, H38Z | 07 | H33Z, H38Z | | 07 | H33Z, H38Z | | | | |
| 09 | | J26Z | 09 | J26Z | | 09 | J26Z | | | | |
| 11 | | L33Z | 11 | L33Z | | 11 | L33Z | | | | |
| 21A | | W04A, W04B | 21A | W04A, W04B | | 21A | W04A, W04B | | | | |
| 21B | | X06A, X06B, X06C, X33Z | 21B | X06A, X06B, X06C, X33Z | | 21B | X06A, X06B, X06C, X33Z | | | | |
| 22 | | Y01Z, Y03A, Y03B | 22 | Y01Z, Y03A, Y03B | | 22 | Y01Z, Y03A, Y03B | | | | |
| 23 | | Z01A | 23 | Z01A | | 23 | Z01A | | | | |
| Pre | | A07A | Pre | A07A | | Pre | A07A | | | | |
| 5j142.28 | | | BOP, KJZSV, KOP, KOPV, KVT, UOP4 | 5j14a.21↔ | | | BOP, KJZSV, KOP, KOPV, KVT, UOP4 | 5j14b.20↔ | | | BOP, KJZSV, KOP, KOPV, KVT, UOP4 |
| | | 04 | E05A, E05B, E05C, E08A, E08B, E08C | | | 04 | E05A, E05B, E05C, E08A, E08B, E08C | | | 04 | E05A, E05B, E05C, E08A, E08B, E08C |
| | | 06 | G33Z | | | 06 | G33Z | | | 06 | G33Z |
| | 07 | H33Z, H38Z | 07 | | H33Z, H38Z | 07 | H33Z, H38Z | | | | |
| | 09 | J26Z | 09 | | J26Z | 09 | J26Z | | | | |
| | 11 | L33Z | 11 | | L33Z | 11 | L33Z | | | | |
| | 21A | W04A, W04B | 21A | | W04A, W04B | 21A | W04A, W04B | | | | |
| | 21B | X06A, X06B, X06C, X33Z | 21B | | X06A, X06B, X06C, X33Z | 21B | X06A, X06B, X06C, X33Z | | | | |
| | 22 | Y01Z, Y03A, Y03B | 22 | | Y01Z, Y03A, Y03B | 22 | Y01Z, Y03A, Y03B | | | | |
| | 23 | Z01A | 23 | | Z01A | 23 | Z01A | | | | |
| | Pre | A07A | Pre | | A07A | Pre | A07A | | | | |
| | 5j144.00↔ | | BOP, KJZSV, KOP, KOPV, KVT, UOP4 | | | | | | | | |
| | | 04 | E01A, E01B | | | | | | | | |
| | | 06 | G33Z | | | | | | | | |
| 07 | | H33Z, H38Z | | | | | | | | | |
| 09 | | J26Z | | | | | | | | | |
| 11 | | L33Z | | | | | | | | | |
| 21A | | W04A, W04B | | | | | | | | | |
| 21B | | X06A, X06B, X06C, X33Z | | | | | | | | | |
| 22 | | Y01Z, Y03A, Y03B | | | | | | | | | |
| 23 | | Z01A | | | | | | | | | |
| Pre | | A07A | | | | | | | | | |

VYK

| ZZV | MDC | DRG | ZZV | MDC | DRG | ZZV | MDC | DRG | | | |
|-----------|-----------|------------------------------------|----------------------------------|----------------------------------|----------------------------------|-----------|---------------------------------------|---------------------------------------|-----------|----|---------------------------------------|
| 5j14b.21↔ | | BOP, KJZSV, KOP, KOPV, KVT, UOP4 | 5j14c.28 | | BOP, KJZSV, KOP, KOPV, KVT, UOP4 | 5j150.01↔ | | BOP, KJZSV, KOP, KOPV, KVT, UOP4 | | | |
| | 04 | E05A, E05B, E05C, E08A, E08B, E08C | | 04 | E01A, E01B, E08A, E08B, E08C | | 04 | E05A, E05B, E05C, E08A, E08B, E08C | | | |
| | 06 | G33Z | | 06 | G33Z | | 06 | G33Z | | | |
| | 07 | H33Z, H38Z | | 07 | H33Z, H38Z | | 07 | H33Z, H38Z | | | |
| | 09 | J26Z | | 09 | J26Z | | 09 | J26Z | | | |
| | 11 | L33Z | | 11 | L33Z | | 11 | L33Z | | | |
| | 21A | W04A, W04B | | 21A | W04A, W04B | | 21A | W04A, W04B | | | |
| | 21B | X06A, X06B, X06C, X33Z | | 21B | X06A, X06B, X06C, X33Z | | 21B | X06A, X06B, X06C, X33Z | | | |
| | 22 | Y01Z, Y03A, Y03B | | 22 | Y01Z, Y03A, Y03B | | 22 | Y01Z, Y03A, Y03B | | | |
| | 23 | Z01A | | 23 | Z01A | | 23 | Z01A | | | |
| | Pre | A07A | | Pre | A07A | | Pre | A07A | | | |
| | 5j14c.11↔ | | | BOP, KJZSV, KOP, KOPV, KVT, UOP4 | 5j14e.00↔ | | | BOP, KJZSV, KOP, KOPV, KVT, MVV, UOP4 | 5j151.00↔ | | BOP, KJZSV, KOP, KOPV, KVT, MVV, UOP4 |
| | | 04 | | E01A, E01B, E08A, E08B, E08C | | | 04 | E01A, E01B | | 04 | E01A, E01B |
| | | 06 | | G33Z | | | 06 | G33Z | | 06 | G33Z |
| 07 | | H33Z, H38Z | 07 | H33Z, H38Z | | 07 | H33Z, H38Z | | | | |
| 09 | | J26Z | 09 | J26Z | | 09 | J26Z | | | | |
| 11 | | L33Z | 11 | L33Z | | 11 | L33Z | | | | |
| 21A | | W04A, W04B | 21A | W04A, W04B | | 21A | W04A, W04B | | | | |
| 21B | | X06A, X06B, X06C, X33Z | 21B | X06A, X06B, X06C, X33Z | | 21B | X06A, X06B, X06C, X33Z | | | | |
| 22 | | Y01Z, Y03A, Y03B | 22 | Y01Z, Y03A, Y03B | | 22 | Y01Z, Y03A, Y03B | | | | |
| 23 | | Z01A | 23 | Z01A | | 23 | Z01A | | | | |
| Pre | | A07A | Pre | A07A | | Pre | A07A, A09A, A13B | | | | |
| 5j14c.20↔ | | | BOP, KJZSV, KOP, KOPV, KVT, UOP4 | 5j14e.01↔ | | | BOP, KJZSV, KOP, KOPV, KVT, MVV, UOP4 | 5j151.01↔ | | | BOP, KJZSV, KOP, KOPV, KVT, UOP4 |
| | | 04 | E01A, E01B, E08A, E08B, E08C | | | 04 | E01A, E01B | | | 04 | E05A, E05B, E05C, E08A, E08B, E08C |
| | | 06 | G33Z | | | 06 | G33Z | | | 06 | G33Z |
| | 07 | H33Z, H38Z | 07 | | H33Z, H38Z | 07 | H33Z, H38Z | | | | |
| | 09 | J26Z | 09 | | J26Z | 09 | J26Z | | | | |
| | 11 | L33Z | 11 | | L33Z | 11 | L33Z | | | | |
| | 21A | W04A, W04B | 21A | | W04A, W04B | 21A | W04A, W04B | | | | |
| | 21B | X06A, X06B, X06C, X33Z | 21B | | X06A, X06B, X06C, X33Z | 21B | X06A, X06B, X06C, X33Z | | | | |
| | 22 | Y01Z, Y03A, Y03B | 22 | | Y01Z, Y03A, Y03B | 22 | Y01Z, Y03A, Y03B | | | | |
| | 23 | Z01A | 23 | | Z01A | 23 | Z01A | | | | |
| | Pre | A07A | Pre | | A07A | Pre | A07A | | | | |
| | 5j14c.21↔ | | BOP, KJZSV, KOP, KOPV, KVT, UOP4 | | 5j14x↔ | | BOP, KJZSV, KOP, KOPV, KVT, UOP4 | | 5j151.05 | | BOP, KJZSV, KOP, KOPV, KVT, MVV, UOP4 |
| | | 04 | E01A, E01B, E08A, E08B, E08C | | | 04 | E05A, E05B, E05C, E08A, E08B, E08C | | | 04 | E01A, E01B |
| | | 06 | G33Z | | | 06 | G33Z | | | 06 | G33Z |
| 07 | | H33Z, H38Z | 07 | H33Z, H38Z | | 07 | H33Z, H38Z | | | | |
| 09 | | J26Z | 09 | J26Z | | 09 | J26Z | | | | |
| 11 | | L33Z | 11 | L33Z | | 11 | L33Z | | | | |
| 21A | | W04A, W04B | 21A | W04A, W04B | | 21A | W04A, W04B | | | | |
| 21B | | X06A, X06B, X06C, X33Z | 21B | X06A, X06B, X06C, X33Z | | 21B | X06A, X06B, X06C, X33Z | | | | |
| 22 | | Y01Z, Y03A, Y03B | 22 | Y01Z, Y03A, Y03B | | 22 | Y01Z, Y03A, Y03B | | | | |
| 23 | | Z01A | 23 | Z01A | | 23 | Z01A | | | | |
| Pre | | A07A | Pre | A07A | | Pre | A07A, A09A, A13B | | | | |
| 5j14c.25 | | | BOP, KJZSV, KOP, KOPV, KVT, UOP4 | 5j150.00↔ | | | BOP, KJZSV, KOP, KOPV, KVT, UOP4 | 5j151.08 | | | BOP, KJZSV, KOP, KOPV, KVT, UOP4 |
| | | 04 | E01A, E01B, E08A, E08B, E08C | | | 04 | E05A, E05B, E05C, E08A, E08B, E08C | | | 04 | E05A, E05B, E05C, E08A, E08B, E08C |
| | | 06 | G33Z | | | 06 | G33Z | | | 06 | G33Z |
| | 07 | H33Z, H38Z | 07 | | H33Z, H38Z | 07 | H33Z, H38Z | | | | |
| | 09 | J26Z | 09 | | J26Z | 09 | J26Z | | | | |
| | 11 | L33Z | 11 | | L33Z | 11 | L33Z | | | | |
| | 21A | W04A, W04B | 21A | | W04A, W04B | 21A | W04A, W04B | | | | |
| | 21B | X06A, X06B, X06C, X33Z | 21B | | X06A, X06B, X06C, X33Z | 21B | X06A, X06B, X06C, X33Z | | | | |
| | 22 | Y01Z, Y03A, Y03B | 22 | | Y01Z, Y03A, Y03B | 22 | Y01Z, Y03A, Y03B | | | | |
| | 23 | Z01A | 23 | | Z01A | 23 | Z01A | | | | |
| | Pre | A07A | Pre | | A07A | Pre | A07A | | | | |

VYK

| ZZV | MDC | DRG | ZZV | MDC | DRG | ZZV | MDC | DRG | | | | |
|--------|--------|---------------------------------------|---------------------------------------|---------------------------------------|---------------------------------------|----------------------------------|------------------------------------|------------------------------------|------------------------|--|------------------------------------|------------|
| 5j152↔ | | BOP, KJZSV, KOP, KOPV, KVT, MVV, UOP4 | 5j403 | | BOP, KJZSV, KOP, KOPV, KVT, UOP4 | 5j410.2 | | BOP, KJZSV, KOP, KOPV, KVT, UOP4 | | | | |
| | 04 | E01A, E01B | | 04 | E05A, E05B, E05C, E08A, E08B, E08C | | 04 | E05A, E05B, E05C, E08A, E08B, E08C | | | | |
| | 06 | G33Z | | 06 | G33Z | | 06 | G33Z | | | | |
| | 07 | H33Z, H38Z | | 07 | H33Z, H38Z | | 07 | H33Z, H38Z | | | | |
| | 09 | J26Z | | 11 | L33Z | | 11 | L33Z | | | | |
| | 11 | L33Z | | 21A | W04A, W04B | | 21A | W04A, W04B | | | | |
| | 21A | W04A, W04B | | 21B | X06A, X06B, X06C | | 21B | X06A, X06B, X06C | | | | |
| | 21B | X06A, X06B, X06C, X33Z | | 22 | Y01Z, Y03A, Y03B | | 22 | Y01Z, Y03A, Y03B | | | | |
| | 22 | Y01Z, Y03A, Y03B | | 23 | Z01A | | 23 | Z01A | | | | |
| | 23 | Z01A | | Pre | A07A | | Pre | A07A | | | | |
| | Pre | A07A, A09A, A13B | | 5j405 | | | KJZSV | 5j410.5 | | BOP, KJZSV, KOP, KOPV, KVT, UOP4 | | |
| | 5j153↔ | | | | BOP, KJZSV, KOP, KOPV, KVT, MVV, UOP4 | | 04 | | E02A, E02B, E02C, E02D | 04 | E05A, E05B, E05C, E08A, E08B, E08C | |
| | | 04 | | | E01A, E01B | | 5j406.1 | | | BOP, KJZSV, KOP, KOPV, KVT, UOP4 | 06 | G33Z |
| | | 06 | | | G33Z | | | | 04 | E05A, E05B, E05C, E08A, E08B, E08C | 07 | H33Z, H38Z |
| 07 | | H33Z, H38Z | 06 | | G33Z | 11 | | | L33Z | | | |
| 09 | | J26Z | 07 | | H33Z, H38Z | 21A | | | W04A, W04B | | | |
| 11 | | L33Z | 11 | | L33Z | 21B | | | X06A, X06B, X06C | | | |
| 21A | | W04A, W04B | 21A | | W04A, W04B | 22 | | | Y01Z, Y03A, Y03B | | | |
| 21B | | X06A, X06B, X06C, X33Z | 21B | | X06A, X06B, X06C | 23 | | | Z01A | | | |
| 22 | | Y01Z, Y03A, Y03B | 22 | | Y01Z, Y03A, Y03B | Pre | | | A07A | | | |
| 23 | | Z01A | 23 | | Z01A | 5j411.00 | | | | BOP, KJZSV, KOP, KOPV, KVT, UOP4 | | |
| Pre | | A07A, A09A, A13B | Pre | | A07A | | | | 04 | E05A, E05B, E05C, E08A, E08B, E08C | | |
| 5j154↔ | | | BOP, KJZSV, KOP, KOPV, KVT, MVV, UOP4 | | 5j406.2 | | | | | BOP, KJZSV, KOP, KOPV, KVT, UOP4 | 06 | G33Z |
| | | 04 | E01A, E01B | | | | | | 04 | E05A, E05B, E05C, E08A, E08B, E08C | 07 | H33Z, H38Z |
| | | 06 | G33Z | 06 | | | | G33Z | 09 | J03A, J03B, J04A, J04B, J08A, J08B, J08C, J11A, J11B, J11J, J11Q, J11R, J11S, J16Z | | |
| | 07 | H33Z, H38Z | 07 | H33Z, H38Z | | | | 11 | L33Z | | | |
| | 09 | J26Z | 11 | L33Z | | | 21A | W04A, W04B | | | | |
| | 11 | L33Z | 21A | W04A, W04B | | | 21B | X06A, X06B, X06C | | | | |
| | 21A | W04A, W04B | 21B | X06A, X06B, X06C | | | 22 | Y01Z, Y03A, Y03B | | | | |
| | 21B | X06A, X06B, X06C, X33Z | 23 | Z01A | | | 23 | Z01A | | | | |
| | 22 | Y01Z, Y03A, Y03B | Pre | A07A | | | Pre | A07A | | | | |
| | 23 | Z01A | 5j406.3 | | | | BOP, KJZSV, KOP, KOPV, KVT, UOP4 | 5j411.01 | | BOP, KJZSV, KOP, KOPV, KVT, UOP4 | | |
| | Pre | A07A, A09A, A13B | | 04 | | | E05A, E05B, E05C, E08A, E08B, E08C | | 04 | E05A, E05B, E05C, E08A, E08B, E08C | | |
| | 5j155↔ | | | BOP, KJZSV, KOP, KOPV, KVT, MVV, UOP4 | | | 06 | | G33Z | 06 | G33Z | |
| | | 04 | | E01A, E01B | | 07 | H33Z, H38Z | | 07 | H33Z, H38Z | | |
| | | 06 | | G33Z | | 11 | L33Z | | 09 | J03A, J03B, J04A, J04B, J08A, J08B, J08C, J11A, J11B, J11J, J11Q, J11R, J11S, J16Z | | |
| 07 | | H33Z, H38Z | | 21A | W04A, W04B | 11 | L33Z | | | | | |
| 09 | | J26Z | | 21B | X06A, X06B, X06C | 21A | W04A, W04B | | | | | |
| 11 | | L33Z | | 22 | Y01Z, Y03A, Y03B | 21B | X06A, X06B, X06C | | | | | |
| 21A | | W04A, W04B | | 23 | Z01A | 22 | Y01Z, Y03A, Y03B | | | | | |
| 21B | | X06A, X06B, X06C, X33Z | | Pre | A07A | 23 | Z01A | | | | | |
| 22 | | Y01Z, Y03A, Y03B | | 5j401 | | BOP, KJZSV, KOP, KOPV, KVT, UOP4 | Pre | | A07A | | | |
| 23 | | Z01A | | | 5j410.0 | | BOP, KJZSV, KOP, KOPV, KVT, UOP4 | | 04 | E05A, E05B, E05C, E08A, E08B, E08C | | |
| Pre | | A07A, A09A, A13B | | | | 04 | E05A, E05B, E05C, E08A, E08B, E08C | | 06 | G33Z | | |
| 5j401 | | | | | | BOP, KJZSV, KOP, KOPV, KVT, UOP4 | 06 | | G33Z | 07 | H33Z, H38Z | |
| | | 04 | E05A, E05B, E05C, E08A, E08B, E08C | | | 07 | H33Z, H38Z | 11 | L33Z | | | |
| | | 06 | G33Z | | | 11 | L33Z | 21A | W04A, W04B | | | |
| | 07 | H33Z, H38Z | 21A | | | W04A, W04B | 21B | X06A, X06B, X06C | | | | |
| | 11 | L33Z | 21B | | | X06A, X06B, X06C | 22 | Y01Z, Y03A, Y03B | | | | |
| | 21A | W04A, W04B | 22 | | | Y01Z, Y03A, Y03B | 23 | Z01A | | | | |
| | 21B | X06A, X06B, X06C | 23 | | | Z01A | Pre | A07A | | | | |
| | 22 | Y01Z, Y03A, Y03B | Pre | | | A07A | | | | | | |
| | 23 | Z01A | | | | | | | | | | |
| | Pre | A07A | | | | | | | | | | |



| ZZV | MDC | DRG | ZZV | MDC | DRG | ZZV | MDC | DRG | | | | | |
|----------|----------|--|------------------------------------|------------------------------------|--|------------------|----------------------------------|------------------------------------|------------------------------------|------------------------------------|------------------------------------|------------------------|------------|
| 5j411.1 | | BOP, KJZSV, KOP, KOPV, KVT, UOP4 | 5j411.28 | | BOP, KJZSV, KOP, KOPV, KVT, UOP4 | 5j495.5 | | BOP, KJZSV, KOP, KOPV, KVT, UOP4 | | | | | |
| | 04 | E05A, E05B, E05C, E08A, E08B, E08C | | 04 | E05A, E05B, E05C, E08A, E08B, E08C | | 04 | E05A, E05B, E05C, E08A, E08B, E08C | | | | | |
| | 06 | G33Z | | 06 | G33Z | | 06 | G33Z | | | | | |
| | 07 | H33Z, H38Z | | 07 | H33Z, H38Z | | 07 | H33Z, H38Z | | | | | |
| | 09 | J03A, J03B, J04A, J04B, J08A, J08B, J08C, J11A, J11B, J11J, J11Q, J11R, J11S, J16Z | | 09 | J03A, J03B, J04A, J04B, J08A, J08B, J08C, J11A, J11B, J11J, J11Q, J11R, J11S, J16Z | | 11 | L33Z | | | | | |
| | 11 | L33Z | | 11 | L33Z | | 21A | W04A, W04B | | | | | |
| | 21A | W04A, W04B | | 21A | W04A, W04B | | 21B | X06A, X06B, X06C | | | | | |
| | 21B | X06A, X06B, X06C | | 21B | X06A, X06B, X06C | | 22 | Y01Z, Y03A, Y03B | | | | | |
| | 22 | Y01Z, Y03A, Y03B | | 22 | Y01Z, Y03A, Y03B | | 23 | Z01A | | | | | |
| | 23 | Z01A | | 23 | Z01A | | Pre | A07A | | | | | |
| | Pre | A07A | | Pre | A07A | | 5j496.0↔ | BOP, KJZSV, KVT, UOP4 | | | | | |
| | 5j411.20 | | | BOP, KJZSV, KOP, KOPV, KVT, UOP4 | 5j415.1 | | | BOP, KJZSV, KVT, UOP4 | 5j496.2↔ | | BOP, KJZSV, KVT, UOP4 | | |
| | | 04 | | E05A, E05B, E05C, E08A, E08B, E08C | | | 5j491 | | | BOP, KJZSV, KOP, KOPV, KVT, UOP4 | 04 | E02A, E02B, E02C, E02D | |
| | | 06 | | G33Z | | | | 04 | | E06A, E06B, E06C, E08A, E08B, E08C | 05 | F13A | |
| 07 | | H33Z, H38Z | 06 | G33Z | | 08 | | I12A, I12B, I12C, I12J, I23A, I23J | | | | | |
| 09 | | J03A, J03B, J04A, J04B, J08A, J08B, J08C, J11A, J11B, J11J, J11Q, J11R, J11S, J16Z | 07 | H33Z, H38Z | | 5j496.5 | | BOP, KJZSV, KVT, UOP4 | | | | | |
| 11 | | L33Z | 09 | J26Z | | | | 04 | | E02A, E02B, E02C, E02D | | | |
| 21A | | W04A, W04B | 11 | L33Z | | | | 05 | | F13A | | | |
| 21B | | X06A, X06B, X06C | 21A | W04A, W04B | | | | 08 | | I12A, I12B, I12C, I12J, I23A, I23J | | | |
| 22 | | Y01Z, Y03A, Y03B | 21B | X06A, X06B, X06C, X33Z | | | | 5j496.50 | | BOP, KJZSV, KOP, KOPV, KVT, UOP4 | | | |
| 23 | | Z01A | 22 | Y01Z, Y03A, Y03B | | | | | | 04 | E05A, E05B, E05C, E08A, E08B, E08C | | |
| Pre | | A07A | 23 | Z01A | | | | | | 06 | G33Z | | |
| 5j411.21 | | | BOP, KJZSV, KOP, KOPV, KVT, UOP4 | 5j494 | | | | | | | BOP, KJZSV, KOP, KOPV, KVT, UOP4 | 07 | H33Z, H38Z |
| | | 04 | E05A, E05B, E05C, E08A, E08B, E08C | | | | | | | 04 | E05A, E05B, E05C, E08A, E08B, E08C | 11 | L33Z |
| | | 06 | G33Z | | | | | | | 06 | G33Z | 21A | W04A, W04B |
| | 07 | H33Z, H38Z | 07 | | H33Z, H38Z | | | | 21B | X06A, X06B, X06C | | | |
| | 09 | J03A, J03B, J04A, J04B, J08A, J08B, J08C, J11A, J11B, J11J, J11Q, J11R, J11S, J16Z | 11 | | L33Z | | 22 | | Y01Z, Y03A, Y03B | | | | |
| | 11 | L33Z | 21A | | W04A, W04B | | 23 | | Z01A | | | | |
| | 21A | W04A, W04B | 21B | | X06A, X06B, X06C | | Pre | | A07A | | | | |
| | 21B | X06A, X06B, X06C | 22 | | Y01Z, Y03A, Y03B | 5j496.51 | BOP, KJZSV, KOP, KOPV, KVT, UOP4 | | | | | | |
| | 22 | Y01Z, Y03A, Y03B | 23 | | Z01A | | 04 | | E05A, E05B, E05C, E08A, E08B, E08C | | | | |
| | 23 | Z01A | Pre | | A07A | | 06 | | G33Z | | | | |
| | Pre | A07A | 5j495.0 | | | | BOP, KJZSV, KOP, KOPV, KVT, UOP4 | | 07 | H33Z, H38Z | | | |
| | 5j411.25 | | | | BOP, KJZSV, KOP, KOPV, KVT, UOP4 | | 5j495.2 | | BOP, KJZSV, KOP, KOPV, KVT, UOP4 | 11 | L33Z | | |
| | | 04 | | | E05A, E05B, E05C, E08A, E08B, E08C | | | 04 | E05A, E05B, E05C, E08A, E08B, E08C | 21A | W04A, W04B | | |
| | | 06 | | | G33Z | | | 06 | G33Z | 21B | X06A, X06B, X06C | | |
| 07 | | H33Z, H38Z | | 07 | H33Z, H38Z | | | 22 | Y01Z, Y03A, Y03B | | | | |
| 09 | | J03A, J03B, J04A, J04B, J08A, J08B, J08C, J11A, J11B, J11J, J11Q, J11R, J11S, J16Z | | 11 | L33Z | | | 23 | Z01A | | | | |
| 11 | | L33Z | | 21A | W04A, W04B | | | Pre | A07A | | | | |
| 21A | | W04A, W04B | | 21B | X06A, X06B, X06C | | | 5j496.52 | BOP, KJZSV, KOP, KOPV, KVT, UOP4 | | | | |
| 21B | | X06A, X06B, X06C | | 22 | Y01Z, Y03A, Y03B | | | | 04 | E05A, E05B, E05C, E08A, E08B, E08C | | | |
| 22 | | Y01Z, Y03A, Y03B | | 23 | Z01A | | | | 06 | G33Z | | | |
| 23 | | Z01A | | Pre | A07A | | | | 07 | H33Z, H38Z | | | |
| Pre | | A07A | | 04 | E05A, E05B, E05C, E08A, E08B, E08C | 11 | | | L33Z | | | | |
| | | | | 06 | G33Z | 21A | | | W04A, W04B | | | | |
| | | | | 07 | H33Z, H38Z | 21B | | | X06A, X06B, X06C | | | | |
| | | | 11 | L33Z | 22 | Y01Z, Y03A, Y03B | | | | | | | |
| | | 21A | W04A, W04B | 23 | Z01A | | | | | | | | |
| | | 21B | X06A, X06B, X06C | Pre | A07A | | | | | | | | |
| | | 22 | Y01Z, Y03A, Y03B | | | | | | | | | | |
| | | 23 | Z01A | | | | | | | | | | |
| | | Pre | A07A | | | | | | | | | | |

| ZZV | MDC | DRG | ZZV | MDC | DRG | ZZV | MDC | DRG | | |
|----------|--|--|------------------------------------|--|--|--|--|--|--|------------------------------------|
| 5j496.53 | | BOP, KJZSV, KOP, KOPV, KVT, UOP4 | 5j510.d | | BOP, KJZSV, KVT, UOP4 | 5j514.2 | | BOP, KJZSV, KVT, UOP4 | | |
| | 04 | E05A, E05B, E05C, E08A, E08B, E08C | | 04 | E02A, E02B, E02C | | 03 | D02A, D02B, D18Z, D24A, D24B | | |
| | 06 | G33Z | | 05 | F13A, F21A, F21B, F21J | | 04 | E02A, E02B, E02C | | |
| | 07 | H33Z, H38Z | | 10 | K09A, K09B | | 08 | I06A, I06B, I06C, I06D, I06E | | |
| | 11 | L33Z | | 17 | R01A, R01B, R01C, R01D, R02Z, R12A, R12B, R12C | | 09 | J02A, J02B, J02C, J03A, J03B, J04A, J04B, J08A, J08B, J10A, J10B, J10J, J16Z, J21Z | | |
| | 21A | W04A, W04B | | 21A | W04A, W04B | | 10 | K14Z | | |
| | 21B | X06A, X06B, X06C | | 21B | X06A, X06B, X06C | | 11 | L09A, L38Z | | |
| | 22 | Y01Z, Y03A, Y03B | | 5j510.x | BOP, KJZSV, KVT, UOP4 | | 13 | N11A | | |
| | 23 | Z01A | | | 04 | | E02A, E02B, E02C | 17 | R01A, R01B, R01C, R01D, R02Z, R12A, R12B | |
| | Pre | A07A | | 05 | F13A, F21A, F21B, F21J | | 5j514.5 | BOP, KJZSV, KOP, KOPV, KVT, UOP4 | | |
| | 5j496.54 | | | BOP, KJZSV, KOP, KOPV, KVT, UOP4 | 10 | | | K09A, K09B | 04 | E05A, E05B, E05C, E08A, E08B, E08C |
| | | 04 | | E05A, E05B, E05C, E08A, E08B, E08C | 17 | | | R01A, R01B, R01C, R01D, R02Z, R12A, R12B, R12C | 06 | G10Z, G12A, G12B, G12J, G33Z |
| | | 06 | | G33Z | 21A | | | W04A, W04B | 07 | H33Z, H38Z |
| 07 | | H33Z, H38Z | 21B | X06A, X06B, X06C | 08 | I28A, I28B, I28J | | | | |
| 11 | | L33Z | 5j513 | KJZSV | 09 | J03A, J03B, J04A, J04B, J08A, J08B, J08C, J10A, J10B, J10J, J16Z, J21Z | | | | |
| 21A | | W04A, W04B | | 03 | D12A, D12B, D12J, D12Q | 10 | | K09A, K09B | | |
| 21B | | X06A, X06B, X06C | 04 | E02A, E02B, E02C, E02D | 11 | L03Z, L04A, L04B, L04C, L04J, L10Z, L13A, L13B, L33Z, L38Z | | | | |
| 22 | | Y01Z, Y03A, Y03B | 5j514.0 | BOP, KJZSV, KOP, KOPV, KVT, UOP4 | 12 | M01A, M01B, M09A, M09J, M38Z | | | | |
| 23 | | Z01A | | 04 | E05A, E05B, E05C, E08A, E08B, E08C | 13 | | N01A, N01B, N01C, N01D, N01E, N11A, N38Z | | |
| Pre | | A07A | 06 | G10Z, G12A, G12B, G12J, G18A, G33Z, G38Z | 17 | R01A, R01B, R01C, R01D, R02Z, R12A, R12B, R12C | | | | |
| 5j501 | | | BOP, KJZSV, KOP, KOPV, KVT, UOP4 | 07 | H33Z, H38Z | 23 | | Z01A | | |
| | | 04 | E05A, E05B, E05C, E08A, E08B, E08C | 08 | I28A, I28B, I28J | Pre | | A07A | | |
| | | 05 | F13A | 09 | J03A, J03B, J04A, J04B, J08A, J08B, J08C, J10A, J10B, J10J, J16Z, J21Z | 5j515.b0 | BOP, KJZSV, KOP, KOPV, KVT, UOP4 | | | |
| | 06 | G01Z, G02Z, G33Z, G38Z | 10 | K09A, K09B | 04 | | E05A, E05B, E05C, E08A, E08B, E08C | | | |
| | 07 | H33Z, H38Z | 11 | L03Z, L04A, L04B, L04C, L04J, L10Z, L13A, L13B, L33Z, L38Z | 06 | | G33Z | | | |
| | 11 | L33Z | 12 | M01A, M01B, M09A, M09J, M38Z | 07 | | H33Z, H38Z | | | |
| | 17 | R01A, R01B, R01C, R01D, R02Z, R12A, R12B, R12C | 13 | N01A, N01B, N01C, N01D, N01E, N11A, N38Z | 10 | | K09A, K09B | | | |
| | 21A | W04A, W04B | 17 | R01A, R01B, R01C, R01D, R02Z, R12A, R12B, R12C | 11 | | L33Z | | | |
| | 21B | X06A, X06B, X06C | 23 | Z01A | 23 | | Z01A | | | |
| | 23 | Z01A | Pre | A07A | Pre | | A07A | | | |
| | Pre | A07A | 5j514.1 | BOP, KJZSV, KOP, KOPV, KVT, UOP4 | 5j515.b1 | | BOP, KJZSV, KOP, KOPV, KVT, UOP4 | | | |
| | 5j503 | | | BOP, KJZSV, KVT, UOP4 | | | 04 | E05A, E05B, E05C, E08A, E08B, E08C | 04 | E05A, E05B, E05C, E08A, E08B, E08C |
| | | 04 | | E02A, E02B, E02C, E02D | | | 06 | G10Z, G12A, G12B, G12J, G33Z | 06 | G33Z |
| 05 | | F13A | | 07 | | | H33Z, H38Z | 07 | H33Z, H38Z | |
| 21A | | W04A, W04B | | 08 | | | I28A, I28B, I28J | 10 | K09A, K09B | |
| 21B | | X06A, X06B, X06C | | 09 | | J03A, J03B, J04A, J04B, J08A, J08B, J08C, J10A, J10B, J10J, J16Z, J21Z | 11 | L33Z | | |
| Pre | | B61A | | 10 | | K09A, K09B | 23 | Z01A | | |
| 5j510.a | | | | BOP, KJZSV, KVT, UOP4 | | 11 | L03Z, L04A, L04B, L04C, L04J, L10Z, L13A, L13B, L33Z, L38Z | Pre | A07A | |
| | | 04 | | E02A, E02B, E02C | | 12 | M01A, M01B, M09A, M09J, M38Z | 5j515.c | BOP, KJZSV, KOP, KOPV, KVT, UOP4 | |
| | | 05 | | F13A, F21A, F21B, F21J | | 13 | N01A, N01B, N01C, N01D, N01E, N11A, N38Z | | 04 | E05A, E05B, E05C, E08A, E08B, E08C |
| | | 10 | | K09A, K09B | | 17 | R01A, R01B, R01C, R01D, R02Z, R12A, R12B, R12C | | 06 | G33Z |
| | | 17 | | R01A, R01B, R01C, R01D, R02Z, R12A, R12B, R12C | | 23 | Z01A | | 07 | H33Z, H38Z |
| | | 21A | | W04A, W04B | | Pre | A07A | | 10 | K09A, K09B |
| | | 21B | X06A, X06B, X06C | 5j510.b | | 11 | L33Z | | | |
| | | BOP, KJZSV, KVT, UOP4 | 04 | | E02A, E02B, E02C | 17 | R01A, R01B, R01C, R01D, R02Z, R12A, R12B, R12C | | | |
| | 04 | E02A, E02B, E02C | 05 | | F13A, F21A, F21B, F21J | 23 | Z01A | | | |
| | 05 | F13A, F21A, F21B, F21J | 10 | | K09A, K09B | Pre | A07A | | | |
| | 10 | K09A, K09B | 17 | | R01A, R01B, R01C, R01D, R02Z, R12A, R12B, R12C | 5j515.c | BOP, KJZSV, KOP, KOPV, KVT, UOP4 | | | |
| | 17 | R01A, R01B, R01C, R01D, R02Z, R12A, R12B, R12C | 21A | | W04A, W04B | | 04 | | E05A, E05B, E05C, E08A, E08B, E08C | |
| | 21A | W04A, W04B | 21B | | X06A, X06B, X06C | | 06 | | G33Z | |
| 21B | X06A, X06B, X06C | 5j510.c | | | 07 | | H33Z, H38Z | | | |
| | BOP, KJZSV, KVT, UOP4 | | 04 | | E02A, E02B, E02C | | 10 | K09A, K09B | | |
| 04 | E02A, E02B, E02C | | 05 | | F13A, F21A, F21B, F21J | | 11 | L33Z | | |
| 05 | F13A, F21A, F21B, F21J | | 10 | | K09A, K09B | | 23 | Z01A | | |
| 10 | K09A, K09B | | 17 | | R01A, R01B, R01C, R01D, R02Z, R12A, R12B, R12C | | Pre | A07A | | |
| 17 | R01A, R01B, R01C, R01D, R02Z, R12A, R12B, R12C | | 21A | | W04A, W04B | | 5j515.c | BOP, KJZSV, KOP, KOPV, KVT, UOP4 | | |
| 21A | W04A, W04B | | 21B | X06A, X06B, X06C | 04 | | | E05A, E05B, E05C, E08A, E08B, E08C | | |
| 21B | X06A, X06B, X06C | | | | 06 | | | G33Z | | |

VYK

| ZZV | MDC | DRG | ZZV | MDC | DRG | ZZV | MDC | DRG | | | |
|---------|-----------|--|--|--|--|-------|--|--|-------|----|------------------------------------|
| 5j515.d | | BOP, KJZSV, KOP, KOPV, KVT, UOP4 | 5j520.02↔ | | BOP, KJZSV, KOP, KOPV, KVT, UOP4 | 5j540 | | BOP, KJZSV, KOP, KOPV, KVT, UOP4 | | | |
| | 04 | E05A, E05B, E05C, E08A, E08B, E08C | | 04 | E05A, E05B, E05C, E08A, E08B, E08C | | 04 | E06A, E06B, E06C, E08A, E08B, E08C | | | |
| | 06 | G33Z | | 06 | G33Z | | 06 | G33Z | | | |
| | 07 | H33Z, H38Z | | 07 | H33Z, H38Z | | 07 | H33Z, H38Z | | | |
| | 10 | K09A, K09B | | 10 | K09A, K09B | | 08 | I06A, I06B, I06C, I06D, I06E, I28A, I28B, I28J, I44A, I44B | | | |
| | 11 | L33Z | | 11 | L33Z | | 11 | L33Z | | | |
| | 23 | Z01A | | 17 | R01A, R01B, R01C, R01D, R02Z, R12A, R12B, R12C | | 21B | X33Z | | | |
| | Pre | A07A | | 21A | W04A, W04B | | 23 | Z01A | | | |
| | 5j515.e | | | BOP, KJZSV, KOP, KOPV, KVT, UOP4 | 5j523.1↔ | | | BOP, KJZSV, KVT, UOP4 | 5j541 | | BOP, KJZSV, KOP, KOPV, KVT, UOP4 |
| | | 04 | | E05A, E05B, E05C, E08A, E08B, E08C | | | 04 | E02A, E02B, E02C, E02D | | 04 | E06A, E06B, E06C, E08A, E08B, E08C |
| 06 | | G33Z | 06 | G03B, G38Z | | 06 | G33Z | | | | |
| 07 | | H33Z, H38Z | 08 | I06A, I06B, I06C, I06D, I06E, I28A, I28B, I28J | | 07 | H33Z, H38Z | | | | |
| 10 | | K09A, K09B | 09 | J03A, J03B, J04A, J04B, J08A, J08B, J08C, J11A, J11B, J11J, J11Q, J11R, J11S, J14A, J16Z, J26Z | | 08 | I06A, I06B, I06C, I06D, I06E, I28A, I28B, I28J, I44A, I44B | | | | |
| 11 | | L33Z | 10 | K09A, K09B | | 11 | L33Z | | | | |
| 23 | | Z01A | 17 | R01A, R01B, R01C, R01D, R02Z, R12A, R12B, R12C | | 21B | X33Z | | | | |
| Pre | | A07A | 21A | W04A, W04B | | 23 | Z01A | | | | |
| 5j515.f | | | BOP, KJZSV, KOP, KOPV, KVT, UOP4 | 5j523.2↔ | | | BOP, KJZSV, KVT, UOP4 | 5j542 | | | BOP, KJZSV, KOP, KOPV, KVT, UOP4 |
| | | 04 | E05A, E05B, E05C, E08A, E08B, E08C | | | 04 | E02A, E02B, E02C, E02D | | | 04 | E06A, E06B, E06C, E08A, E08B, E08C |
| | 06 | G33Z | 06 | | G03B, G38Z | 06 | G33Z | | | | |
| | 07 | H33Z, H38Z | 08 | | I06A, I06B, I06C, I06D, I06E, I28A, I28B, I28J | 07 | H33Z, H38Z | | | | |
| | 10 | K09A, K09B | 09 | | J03A, J03B, J04A, J04B, J08A, J08B, J08C, J11A, J11B, J11J, J11Q, J11R, J11S, J14A, J16Z, J26Z | 08 | I06A, I06B, I06C, I06D, I06E, I28A, I28B, I28J, I44A, I44B | | | | |
| | 11 | L33Z | 10 | | K09A, K09B | 11 | L33Z | | | | |
| | 17 | R01A, R01B, R01C, R01D, R02Z, R12A, R12B, R12C | 17 | | R01A, R01B, R01C, R01D, R02Z, R12A, R12B, R12C | 21B | X33Z | | | | |
| | 23 | Z01A | 21A | | W04A, W04B | 23 | Z01A | | | | |
| | Pre | A07A | 21B | | X06A, X06B | Pre | A07A | | | | |
| | 5j515.g | | BOP, KJZSV, KOP, KOPV, KVT, UOP4 | | 5j524↔ | | BOP, KJZSV, KVT, UOP4 | | 5j543 | | BOP, KJZSV, KOP, KOPV, KVT, UOP4 |
| 04 | | E05A, E05B, E05C, E08A, E08B, E08C | 01 | B03Z, B18Z | | 04 | E06A, E06B, E06C, E08A, E08B, E08C | | | | |
| 06 | | G33Z | 04 | E02A, E02B, E02C | | 06 | G33Z | | | | |
| 07 | | H33Z, H38Z | 06 | G03B, G38Z | | 07 | H33Z, H38Z | | | | |
| 10 | | K09A, K09B | 08 | I06A, I06B, I06C, I06D, I06E, I28A, I28B, I28J | | 08 | I06A, I06B, I06C, I06D, I06E, I28A, I28B, I28J, I44A, I44B | | | | |
| 11 | | L33Z | 09 | J14A, J26Z | | 11 | L33Z | | | | |
| 23 | | Z01A | 21A | W04A, W04B | | 21B | X33Z | | | | |
| Pre | | A07A | 21B | X06A, X06B | | 23 | Z01A | | | | |
| 5j515.x | | | BOP, KJZSV, KOP, KOPV, KVT, UOP4 | 5j525↔ | | | BOP, KJZSV, KVT, UOP4 | 5j545 | | | BOP, KJZSV, KOP, KOPV, KVT, UOP4 |
| | | 04 | E05A, E05B, E05C, E08A, E08B, E08C | | | 01 | B03Z, B18Z | | | 04 | E06A, E06B, E06C, E08A, E08B, E08C |
| | 06 | G33Z | 04 | | E02A, E02B, E02C | 06 | G33Z | | | | |
| | 07 | H33Z, H38Z | 06 | | G03B, G38Z | 07 | H33Z, H38Z | | | | |
| | 10 | K09A, K09B | 08 | | I06A, I06B, I06C, I06D, I06E, I28A, I28B, I28J | 08 | I06A, I06B, I06C, I06D, I06E, I28A, I28B, I28J, I44A, I44B | | | | |
| | 11 | L33Z | 09 | | J14A, J26Z | 11 | L33Z | | | | |
| | 23 | Z01A | 21A | | W04A, W04B | 23 | Z01A | | | | |
| | Pre | A07A | 21B | | X06A, X06B | Pre | A07A | | | | |
| | 5j520.01↔ | | BOP, KJZSV, KOP, KOPV, KVT, UOP4 | | 5j526↔ | | BOP, KJZSV, KVT, UOP4 | | | | |
| | | 04 | E05A, E05B, E05C, E08A, E08B, E08C | | | 01 | B03Z, B18Z | | | | |
| 06 | | G33Z | 04 | E02A, E02B, E02C | | | | | | | |
| 07 | | H33Z, H38Z | 06 | G03B, G38Z | | | | | | | |
| 10 | | K09A, K09B | 08 | I06A, I06B, I06C, I06D, I06E, I28A, I28B, I28J | | | | | | | |
| 11 | | L33Z | 09 | J14A, J26Z | | | | | | | |
| 17 | | R01A, R01B, R01C, R01D, R02Z, R12A, R12B, R12C | 21A | W04A, W04B | | | | | | | |
| 21A | | W04A, W04B | 21B | X06A, X06B | | | | | | | |
| 21B | | X06A, X06B, X06C | 01 | B03Z, B18Z | | | | | | | |
| 22 | | Y01Z, Y03A, Y03B | 04 | E02A, E02B, E02C | | | | | | | |
| 23 | Z01A | 06 | G03B, G38Z | | | | | | | | |
| Pre | A07A | 08 | I06A, I06B, I06C, I06D, I06E, I28A, I28B, I28J | | | | | | | | |
| | | 09 | J14A, J26Z | | | | | | | | |
| | | 21A | W04A, W04B | | | | | | | | |
| | | 21B | X06A, X06B | | | | | | | | |

| ZZV | MDC | DRG | ZZV | MDC | DRG | ZZV | MDC | DRG | | | | |
|---------|---------|--|-----------------------|------------------------------------|--|------------------------------------|--|--|------------------------------------|----------------------------------|--|--|
| 5j546.1 | | BOP, KJZSV, KOP, KOPV, KVT, UOP4 | 5j549 | | BOP, KJZSV, KOP, KOPV, KVT, UOP4 | 5j550.5 | | BOP, KJZSV, KOP, KOPV, KVT, UOP4 | | | | |
| | 04 | E06A, E06B, E06C, E08A, E08B, E08C | | 04 | E05A, E05B, E05C, E06A, E06B, E06C, E08A, E08B, E08C | | 04 | E05A, E05B, E05C, E08A, E08B, E08C | | | | |
| | 06 | G33Z | | 06 | G01Z, G02Z, G33Z, G38Z | | 06 | G33Z | | | | |
| | 07 | H33Z, H38Z | | 07 | H33Z, H38Z | | 07 | H33Z, H38Z | | | | |
| | 08 | I06A, I06B, I06C, I06D, I06E, I28A, I28B, I28J, I44A, I44B | | 08 | I10A, I10B, I10C, I10D, I10E, I10J | | 11 | L33Z | | | | |
| | 11 | L33Z | | 09 | J26Z | | 21A | W04A, W04B | | | | |
| | 21B | X33Z | | 11 | L33Z | | 21B | X06A, X06B, X06C, X33Z | | | | |
| | 23 | Z01A | | 17 | R01A, R01B, R01C, R01D, R02Z, R12A, R12B | | 23 | Z01A | | | | |
| | Pre | A07A | | 21B | X33Z | | Pre | A07A | | | | |
| | 5j547.1 | | | BOP, KJZSV, KOP, KOPV, KVT, UOP4 | 5j54a | | | A07A, A13A, A13B, A13C | 5j552 | | BOP, KJZSV, KVT, UOP4 | |
| | | 04 | | E06A, E06B, E06C, E08A, E08B, E08C | | | 04 | E06A, E06B, E06C, E08A, E08B, E08C | | 04 | E02A, E02B, E02C, E02D | |
| | | 06 | | G33Z | | | 06 | G33Z | | 08 | I23A, I23B, I23J | |
| | | 07 | | H33Z, H38Z | | | 07 | H33Z, H38Z | | 09 | J03A, J03B, J04A, J04B, J08A, J08B, J08C, J11A, J11B, J11J, J11Q, J11R, J11S, J16Z | |
| | | 08 | | I28A | | | 08 | I06A, I06B, I06C, I06D, I06E, I28A, I28B, I28J, I44A, I44B | | 10 | K09A, K09B | |
| 09 | | J03A, J03B, J04A, J04B, J08A, J08B, J08C, J11A, J11B, J11J, J11Q, J11R, J11S, J16Z | 11 | L33Z | | 17 | R01A, R01B, R01C, R01D, R02Z, R12A, R12B | | | | | |
| 11 | | L33Z | 21B | X33Z | | 21A | W04A, W04B | | | | | |
| 17 | | R01A, R01B, R01C, R01D, R02Z, R12A, R12B | 23 | Z01A | | 21B | X06A, X06B, X06C | | | | | |
| 21A | | W04A, W04B | Pre | A07A | | 5j553.1 | | BOP, KJZSV, KOP, KOPV, KVT, UOP4 | | | | |
| 21B | | X06A, X06B | 5j54b | | | | 04 | E05A, E05B, E05C, E08A, E08B, E08C | | | | |
| 22 | | Y01Z, Y03A, Y03B | | 04 | | | E06A, E06B, E06C, E08A, E08B, E08C | 06 | | G33Z | | |
| 23 | | Z01A | | 06 | | | G33Z | 07 | | H33Z, H38Z | | |
| Pre | | A07A | | 07 | | | H33Z, H38Z | 11 | | L33Z | | |
| 5j547.2 | | | | BOP, KJZSV, KOP, KOPV, KVT, UOP4 | | | 5j550.0 | | | BOP, KJZSV, KOP, KOPV, KVT, UOP4 | 5j553.2 | |
| | 04 | E06A, E06B, E06C, E08A, E08B, E08C | | 04 | E05A, E05B, E05C, E08A, E08B, E08C | | | 04 | E05A, E05B, E05C, E08A, E08B, E08C | | | |
| | 06 | G33Z | | 06 | G33Z | | | 06 | G33Z | | | |
| | 07 | H33Z, H38Z | | 07 | H33Z, H38Z | | | 07 | H33Z, H38Z | | | |
| | 08 | I28A | | 08 | I06A, I06B, I06C, I06D, I06E, I28A, I28B, I28J, I44A, I44B | | | 11 | L33Z | | | |
| | 09 | J03A, J03B, J04A, J04B, J08A, J08B, J08C, J11A, J11B, J11J, J11Q, J11R, J11S, J16Z | | 11 | L33Z | | | 21A | W04A, W04B | | | |
| | 11 | L33Z | | 21B | X33Z | | | 21B | X06A, X06B, X06C, X33Z | | | |
| | 17 | R01A, R01B, R01C, R01D, R02Z, R12A, R12B | | Pre | A07A | | | 23 | Z01A | | | |
| | 21A | W04A, W04B | | 5j550.2 | | | | Pre | A07A | 5j553.3 | | |
| | 21B | X06A, X06B | | | 04 | E05A, E05B, E05C, E08A, E08B, E08C | | 04 | E05A, E05B, E05C, E08A, E08B, E08C | | | |
| | 22 | Y01Z, Y03A, Y03B | 06 | | G33Z | 06 | | G33Z | | | | |
| | 23 | Z01A | 07 | | H33Z, H38Z | 07 | | H33Z, H38Z | | | | |
| | Pre | A07A | 11 | | L33Z | 11 | | L33Z | | | | |
| | 5j548 | | BOP, KJZSV, KVT, UOP4 | | 5j550.2 | | | BOP, KJZSV, KOP, KOPV, KVT, UOP4 | 5j553.4 | | | |
| 01 | | B03Z, B18Z | 04 | | | E05A, E05B, E05C, E08A, E08B, E08C | 04 | E05A, E05B, E05C, E08A, E08B, E08C | | | | |
| 04 | | E02A, E02B, E02C, E02D | 06 | | | G33Z | 06 | G33Z | | | | |
| 08 | | I06A, I06B, I06C, I06D, I06E, I28A, I28B, I28J, I44A, I44B | 07 | | | H33Z, H38Z | 07 | H33Z, H38Z | | | | |
| 09 | | J14A, J26Z | 11 | | | L33Z | 11 | L33Z | | | | |
| 21A | | W04A, W04B | 21A | | | W04A, W04B | 21A | W04A, W04B | | | | |
| 21B | | X06A, X06B | 21B | | | X06A, X06B, X06C, X33Z | 21B | X06A, X06B, X06C, X33Z | | | | |
| | | | 23 | | | Z01A | 23 | Z01A | | | | |
| | | | Pre | | | A07A | Pre | A07A | | | | |

| ZZV | MDC | DRG | ZZV | MDC | DRG | ZZV | MDC | DRG |
|----------|---------|--|----------|--|--|---------|--|--|
| 5j553.5 | | BOP, KJZSV, KOP, KOPV, KVT, UOP4 | 5j555.20 | | BOP, KJZSV, KOP, KOPV, KVT, MVV, UOP4 | 5j561.0 | | BOP, KJZSV, KOP, KOPV, KVT, UOP4 |
| | 04 | E05A, E05B, E05C, E08A, E08B, E08C | | 04 | E05A, E05B, E05C, E08A, E08B, E08C | | 04 | E06A, E06B, E06C, E08A, E08B, E08C |
| | 06 | G33Z | | 06 | G01Z, G02Z, G15Z, G19A, G19B, G33Z, G38Z | | 06 | G33Z |
| | 07 | H33Z, H38Z | | 07 | H01A, H33Z, H38Z | | 07 | H33Z, H38Z |
| | 11 | L33Z | | 11 | L33Z | | 11 | L33Z |
| | 21A | W04A, W04B | | 17 | R01A, R01B, R01C, R01D, R02Z, R12A, R12B | | 17 | R01A, R01B, R01C, R01D, R02Z, R12A, R12B, R12C |
| | 21B | X06A, X06B, X06C, X33Z | | 21A | W04A, W04B | | 21A | W04A, W04B |
| | 23 | Z01A | | 21B | X06A, X06B, X06C, X33Z | | 21B | X06A, X06B, X06C |
| | Pre | A07A | | 23 | Z01A | | 22 | Y01Z, Y03A, Y03B |
| | | | | Pre | A07A, A13A, A13B, A13C | | 23 | Z01A |
| | | | | | | | Pre | A07A |
| | 5j554.0 | | | BOP, KJZSV, KOP, KOPV, KVT, MVV, UOP4 | 5j555.21 | | | BOP, KJZSV, KOP, KOPV, KVT, MVV, UOP4 |
| 04 | | E05A, E05B, E05C, E08A, E08B, E08C | 04 | E05A, E05B, E05C, E08A, E08B, E08C | | 04 | E06A, E06B, E06C, E08A, E08B, E08C | |
| 06 | | G33Z | 06 | G01Z, G02Z, G15Z, G19A, G19B, G33Z, G38Z | | 06 | G33Z | |
| 07 | | H33Z, H38Z | 07 | H01A, H33Z, H38Z | | 07 | H33Z, H38Z | |
| 08 | | I28A, I28B, I28J | 11 | L33Z | | 11 | L33Z | |
| 10 | | K03A, K03B | 17 | R01A, R01B, R01C, R01D, R02Z, R12A, R12B | | 17 | R01A, R01B, R01C, R01D, R02Z, R12A, R12B, R12C | |
| 11 | | L33Z | 21A | W04A, W04B | | 21A | W04A, W04B | |
| 17 | | R01A, R01B, R01C, R01D, R02Z, R12A, R12B | 21B | X06A, X06B, X06C, X33Z | | 21B | X06A, X06B, X06C | |
| 21A | | W04A, W04B | 23 | Z01A | | 22 | Y01Z, Y03A, Y03B | |
| 21B | | X06A, X06B, X06C, X33Z | Pre | A07A, A13A, A13B, A13C | | 23 | Z01A | |
| 23 | | Z01A | | | | Pre | A07A | |
| Pre | | A07A | | | | | | |
| 5j554.1 | | BOP, KJZSV, KOP, KOPV, KVT, MVV, UOP4 | 5j560.0 | | BOP, KJZSV, KOP, KOPV, KVT, UOP4 | 5j561.5 | | BOP, KJZSV, KOP, KOPV, KVT, UOP4 |
| | 04 | E05A, E05B, E05C, E08A, E08B, E08C | | 04 | E06A, E06B, E06C, E08A, E08B, E08C | | 04 | E06A, E06B, E06C, E08A, E08B, E08C |
| | 06 | G33Z | | 06 | G33Z | | 06 | G33Z |
| | 07 | H33Z, H38Z | | 07 | H33Z, H38Z | | 07 | H33Z, H38Z |
| | 08 | I28A, I28B, I28J | | 11 | L33Z | | 11 | L33Z |
| | 10 | K03A, K03B | | 21A | W04A, W04B | | 17 | R01A, R01B, R01C, R01D, R02Z, R12A, R12B, R12C |
| | 11 | L33Z | | 21B | X06A, X06B, X06C | | 21A | W04A, W04B |
| | 17 | R01A, R01B, R01C, R01D, R02Z, R12A, R12B | | 22 | Y01Z, Y03A, Y03B | | 21B | X06A, X06B, X06C |
| | 21A | W04A, W04B | | 23 | Z01A | | 22 | Y01Z, Y03A, Y03B |
| | 21B | X06A, X06B, X06C, X33Z | | Pre | A07A | | 23 | Z01A |
| | 23 | Z01A | | | | | Pre | A07A |
| | Pre | A07A | | | | | | |
| 5j555.10 | | BOP, KJZSV, KOP, KOPV, KVT, MVV, UOP4 | 5j560.2 | | BOP, KJZSV, KOP, KOPV, KVT, UOP4 | 5j561.x | | BOP, KJZSV, KOP, KOPV, KVT, UOP4 |
| | 04 | E05A, E05B, E05C, E08A, E08B, E08C | | 04 | E06A, E06B, E06C, E08A, E08B, E08C | | 04 | E06A, E06B, E06C, E08A, E08B, E08C |
| | 06 | G01Z, G02Z, G15Z, G19A, G19B, G33Z, G38Z | | 06 | G33Z | | 06 | G33Z |
| | 07 | H01A, H33Z, H38Z | | 07 | H33Z, H38Z | | 07 | H33Z, H38Z |
| | 11 | L33Z | | 11 | L33Z | | 11 | L33Z |
| | 17 | R01A, R01B, R01C, R01D, R02Z, R12A, R12B | | 17 | R01A, R01B, R01C, R01D, R02Z, R12A, R12B, R12C | | 17 | R01A, R01B, R01C, R01D, R02Z, R12A, R12B, R12C |
| | 21A | W04A, W04B | | 21A | W04A, W04B | | 21A | W04A, W04B |
| | 21B | X06A, X06B, X06C, X33Z | | 21B | X06A, X06B, X06C | | 21B | X06A, X06B, X06C |
| | 23 | Z01A | | 22 | Y01Z, Y03A, Y03B | | 22 | Y01Z, Y03A, Y03B |
| | Pre | A07A | | 23 | Z01A | | 22 | Y01Z, Y03A, Y03B |
| | | | | Pre | A07A | | 23 | Z01A |
| | | | | | | | Pre | A07A |
| 5j555.11 | | BOP, KJZSV, KOP, KOPV, KVT, MVV, UOP4 | 5j560.5 | | BOP, KJZSV, KOP, KOPV, KVT, UOP4 | 5j562 | | BOP, KJZSV, KOP, KOPV, KVT, UOP4 |
| | 04 | E05A, E05B, E05C, E08A, E08B, E08C | | 04 | E06A, E06B, E06C, E08A, E08B, E08C | | 04 | E06A, E06B, E06C, E08A, E08B, E08C |
| | 06 | G01Z, G02Z, G15Z, G19A, G19B, G33Z, G38Z | | 06 | G33Z | | 04 | E06A, E06B, E06C, E08A, E08B, E08C |
| | 07 | H01A, H33Z, H38Z | | 07 | H33Z, H38Z | | 06 | G33Z |
| | 11 | L33Z | | 11 | L33Z | | 07 | H33Z, H38Z |
| | 17 | R01A, R01B, R01C, R01D, R02Z, R12A, R12B | | 17 | R01A, R01B, R01C, R01D, R02Z, R12A, R12B, R12C | | 11 | L33Z |
| | 21A | W04A, W04B | | 21A | W04A, W04B | | 21A | W04A, W04B |
| | 21B | X06A, X06B, X06C, X33Z | | 21B | X06A, X06B, X06C | | 21B | X06A, X06B, X06C |
| | 23 | Z01A | | 22 | Y01Z, Y03A, Y03B | | 22 | Y01Z, Y03A, Y03B |
| | Pre | A07A, A13A, A13B, A13C | | 23 | Z01A | | 23 | Z01A |
| | | | | Pre | A07A | | Pre | A07A |
| | | | | | | | | |

| ZZV | MDC | DRG | ZZV | MDC | DRG | ZZV | MDC | DRG | | | | |
|---------|---------|--|--|--|--|---------|--|--|----------------------------------|------------------------|-----|----------------------------------|
| 5j591 | | BOP, KJZSV, KVT, UOP4 | 5k500.01 | | BOP, KJZSV, KOP, KVT, UOP4 | 5k502.0 | | BOP, KJZSV, KOP, KVT, UOP4 | | | | |
| | 04 | E02A, E02B, E02C, E02D | | 04 | E36Z | | 04 | E36Z | | | | |
| | 08 | I12A, I12B, I12C, I12J, I23A, I23B, I23J | | 05 | F98Z | | 05 | F98Z | | | | |
| | 21A | W04A, W04B | | 06 | G36Z | | 06 | G36Z | | | | |
| 5j592 | 21B | X06A, X06B | 5k500.02 | 08 | I26Z | 5k503.0 | 08 | I26Z | | | | |
| | | BOP, KJZSV, KVT, UOP4 | | 11 | L33Z | | 11 | L33Z | | | | |
| | 04 | E02A, E02B, E02C, E02D | | Pre | A06A, A07A, A09A, A13A | | Pre | A06A, A07A, A09A, A13A | | | | |
| | 08 | I23A, I23B, I23J | | | BOP, KJZSV, KOP, KVT, UOP4 | | | BOP, KJZSV, KOP, KVT, UOP4 | | | | |
| 5j593 | 21A | W04A, W04B | 5k500.03 | 04 | E36Z | 5k503.1 | 04 | E36Z | | | | |
| | 21B | X06A, X06B | | 05 | F98Z | | 05 | F98Z | | | | |
| | | BOP, KJZSV, KVT, UOP4 | | 06 | G36Z | | 06 | G36Z | | | | |
| | 04 | E02A, E02B, E02C, E02D | | 08 | I26Z | | 08 | I26Z | | | | |
| 5j595.1 | 08 | I23A, I23B, I23J | 5k500.0x | 11 | L33Z | 5k505.0 | 11 | L33Z | | | | |
| | 21A | W04A, W04B | | Pre | A06A, A07A, A09A, A13A | | Pre | A06A, A07A, A09A, A13A | | | | |
| | 21B | X06A, X06B | | | BOP, KJZSV, KOP, KVT, UOP4 | | | BOP, KJZSV, KOP, KVT, UOP4 | | | | |
| | | BOP, KJZSV, KVT, UOP4 | | 04 | E36Z | | 05 | F01A, F01B, F01D, F19A, F19B, F19C, F98Z | | | | |
| 5j595.2 | 04 | E02A, E02B, E02C, E02D | 5k500.11 | 05 | F98Z | 5k510.2 | 05 | F01A, F01B, F01D, F19A, F19B, F19C, F98Z | | | | |
| | 08 | I28A, I28B, I28J | | 06 | G36Z | | 05 | F01A, F01B, F01D, F19A, F19B, F19C, F98Z | | | | |
| | 21A | W04A, W04B | | 08 | I26Z | | 05 | KJZSV | | | | |
| | 21B | X06A, X06B | | 11 | L33Z | | 5k50x | KJZSV | | | | |
| 5j597 | | BOP, KJZSV, KVT, UOP4 | 5k500.12 | Pre | A06A, A07A, A09A, A13A | 5k510.3 | 05 | F01A, F01B, F01D, F19A, F19B, F19C | | | | |
| | 04 | E02A, E02B, E02C, E02D | | | BOP, KJZSV, KOP, KVT, UOP4 | | 05 | F01A, F01B, F01D, F19A, F19B, F19C | | | | |
| | 08 | I12A, I12B, I12C, I12J, I23A, I23B, I23J | | 04 | E36Z | | 06 | BOP, KJZSV, KOP, KOPV, KVT, UOP4 | | | | |
| | 21A | W04A, W04B | | 05 | F98Z | | 07 | F01A, F01B, F01D, F03A, F03B, F03C, F03D, F03E, F03F, F05Z, F30Z, F36A, F36B, F42Z | | | | |
| 5j902 | 21B | X06A, X06B | 5k500.13 | 06 | G36Z | 5k510.4 | 06 | G33Z | | | | |
| | | BOP, KJZSV, KOP, KOPV, KVT, UOP4 | | 08 | I26Z | | 07 | H33Z, H38Z | | | | |
| | 03 | D12A, D12J, D12Q | | 11 | L33Z | | 11 | L33Z | | | | |
| | 04 | E01A, E01B, E02A, E02B, E02C, E02D | | Pre | A06A, A07A, A09A, A13A | | 15 | P02A, P02B, P02C | | | | |
| | 5j599.1 | 05 | F05Z, F07A, F13A, F21A, F21B, F21J, F27A, F27B, F27C, F42Z | 5k500.1x | 06 | G36Z | 5k510.3 | 21B | X33Z | | | |
| | | 5j599.2 | 06 | | G01Z, G02Z, G03B, G10Z, G12A, G12B, G12J, G33Z, G38Z | 5k501.0 | | 08 | I26Z | 5k510.3 | 23 | Z01A |
| | | | 07 | | H06A, H06B, H06C, H33Z, H38Z | | | 11 | L33Z | | Pre | A06A, A07A, A09A, A13A |
| | | | 08 | | I23A, I23B, I23J, I28A, I28B, I28J | | | Pre | A06A, A07A, A09A, A13A | | 05 | BOP, KJZSV, KOP, KOPV, KVT, UOP4 |
| | 09 | | J03A, J03B, J04A, J04B, J08A, J08B, J08C, J11A, J11B, J11J, J11Q, J11R, J11S, J16Z | 04 | E36Z | | 05 | F01A, F01B, F01D, F03A, F03B, F03C, F03D, F03E, F03F, F05Z, F30Z, F36A, F36B, F42Z | | | | |
| | 5j599.3 | 10 | K01Z, K09A, K09B | 5k500.1x | 05 | F98Z | 5k510.4 | 06 | G33Z | | | |
| | | 11 | L09A, L09B, L09C, L09J, L33Z, L38Z | | 06 | G36Z | | 07 | H33Z, H38Z | | | |
| | | 12 | M06J, M06Z, M09A, M09B, M09J, M38Z | | 08 | I26Z | | 11 | L33Z | | | |
| | | 13 | N11A, N11J | | 11 | L33Z | | 15 | P02A, P02B, P02C | | | |
| | | 5j599.4 | 14 | 962Z, O02A, O02B | 5k501.0 | Pre | A06A, A07A, A09A, A13A | 5k510.4 | 21B | X33Z | | |
| | | | 17 | R01A, R01B, R01C, R01D, R02Z, R12A, R12B, R12C | | | BOP, KJZSV, KOP, KVT, UOP4 | | 23 | Z01A | | |
| | | | 21A | W04A, W04B | | 04 | E36Z | | Pre | A06A, A07A, A09A, A13A | | |
| 21B | | | X06A, X06B, X06C | 05 | | F98Z | 05 | | BOP, KJZSV, KOP, KOPV, KVT, UOP4 | | | |
| 23 | | | Z01A | 06 | G36Z | 05 | F01A, F01B, F01D, F03A, F03B, F03C, F03D, F03E, F03F, F05Z, F30Z, F36A, F36B, F42Z | | | | | |
| Pre | | | A06A, A07A, A09A, A13A, A13B | 08 | I26Z | 06 | G33Z | | | | | |
| | | 11 | L33Z | 07 | H33Z, H38Z | | | | | | | |
| | | Pre | A06A, A07A, A09A, A13A | 11 | L33Z | | | | | | | |

VYK

| ZZV | MDC | DRG | ZZV | MDC | DRG | ZZV | MDC | DRG |
|---------|---------|--|----------------------------------|--|--|---------|--|--|
| 5k510.5 | | BOP, KJZSV, KOP, KOPV, KVT, UOP4 | 5k512.4 | | BOP, KJZSV, KOP, KOPV, KVT, UOP4 | 5k513.4 | | BOP, KJZSV, KOP, KOPV, KVT, UOP4 |
| | 05 | F01A, F01B, F01D, F03A, F03B, F03C, F03D, F03E, F03F, F05Z, F30Z, F36A, F36B, F42Z | | 05 | F01A, F01B, F01D, F03A, F03B, F03C, F03D, F03E, F03F, F05Z, F30Z, F36A, F36B, F42Z | | 05 | F01A, F01B, F01D, F03A, F03B, F03C, F03D, F03E, F03F, F05Z, F30Z, F36A, F36B, F42Z |
| | 06 | G33Z | | 06 | G33Z | | 06 | G33Z |
| | 07 | H33Z, H38Z | | 07 | H33Z, H38Z | | 07 | H33Z, H38Z |
| | 11 | L33Z | | 11 | L33Z | | 11 | L33Z |
| | 15 | P02A, P02B, P02C | | 15 | P02A, P02B, P02C | | 15 | P02A, P02B, P02C |
| | 21B | X33Z | | 21B | X33Z | | 21B | X33Z |
| | 23 | Z01A | | 23 | Z01A | | 23 | Z01A |
| | Pre | A06A, A07A, A09A, A13A | | Pre | A06A, A07A, A09A, A13A | | Pre | A06A, A07A, A09A, A13A |
| | 5k510.x | | | BOP, KJZSV, KOP, KOPV, KVT, UOP4 | 5k512.x | | | BOP, KJZSV, KOP, KOPV, KVT, UOP4 |
| 05 | | F01A, F01B, F01D, F03A, F03B, F03C, F03D, F03E, F03F, F05Z, F30Z, F36A, F36B, F42Z | 05 | F01A, F01B, F01D, F03A, F03B, F03C, F03D, F03E, F03F, F05Z, F30Z, F36A, F36B, F42Z | | 05 | F01A, F01B, F01D, F03A, F03B, F03C, F03D, F03E, F03F, F05Z, F30Z, F36A, F36B, F42Z | |
| 06 | | G33Z | 06 | G33Z | | 06 | G33Z | |
| 07 | | H33Z, H38Z | 07 | H33Z, H38Z | | 07 | H33Z, H38Z | |
| 11 | | L33Z | 11 | L33Z | | 11 | L33Z | |
| 15 | | P02A, P02B, P02C | 15 | P02A, P02B, P02C | | 15 | P02A, P02B, P02C | |
| 21B | | X33Z | 21B | X33Z | | 21B | X33Z | |
| 23 | | Z01A | 23 | Z01A | | 23 | Z01A | |
| Pre | | A06A, A07A, A09A, A13A | Pre | A06A, A07A, A09A, A13A | | Pre | A06A, A07A, A09A, A13A | |
| 5k512.1 | | | BOP, KJZSV, KOP, KOPV, KVT, UOP4 | 5k513.1 | | | BOP, KJZSV, KOP, KOPV, KVT, UOP4 | 5k514.1 |
| | 05 | F01A, F01B, F01D, F03A, F03B, F03C, F03D, F03E, F03F, F05Z, F30Z, F36A, F36B, F42Z | 05 | | F01A, F01B, F01D, F03A, F03B, F03C, F03D, F03E, F03F, F05Z, F30Z, F36A, F36B, F42Z | 05 | F01A, F01B, F01D, F03A, F03B, F03C, F03D, F03E, F03F, F05Z, F30Z, F36A, F36B, F42Z | |
| | 06 | G33Z | 06 | | G33Z | 06 | G33Z | |
| | 07 | H33Z, H38Z | 07 | | H33Z, H38Z | 07 | H33Z, H38Z | |
| | 11 | L33Z | 11 | | L33Z | 11 | L33Z | |
| | 15 | P02A, P02B, P02C | 15 | | P02A, P02B, P02C | 15 | P02A, P02B, P02C | |
| | 21B | X33Z | 21B | | X33Z | 21B | X33Z | |
| | 23 | Z01A | 23 | | Z01A | 23 | Z01A | |
| | Pre | A06A, A07A, A09A, A13A | Pre | | A06A, A07A, A09A, A13A | Pre | A06A, A07A, A09A, A13A | |
| | 5k512.2 | | BOP, KJZSV, KOP, KOPV, KVT, UOP4 | | 5k513.2 | | BOP, KJZSV, KOP, KOPV, KVT, UOP4 | |
| 05 | | F01A, F01B, F01D, F03A, F03B, F03C, F03D, F03E, F03F, F05Z, F30Z, F36A, F36B, F42Z | 05 | F01A, F01B, F01D, F03A, F03B, F03C, F03D, F03E, F03F, F05Z, F30Z, F36A, F36B, F42Z | | 05 | F01A, F01B, F01D, F03A, F03B, F03C, F03D, F03E, F03F, F05Z, F30Z, F36A, F36B, F42Z | |
| 06 | | G33Z | 06 | G33Z | | 06 | G33Z | |
| 07 | | H33Z, H38Z | 07 | H33Z, H38Z | | 07 | H33Z, H38Z | |
| 11 | | L33Z | 11 | L33Z | | 11 | L33Z | |
| 15 | | P02A, P02B, P02C | 15 | P02A, P02B, P02C | | 15 | P02A, P02B, P02C | |
| 21B | | X33Z | 21B | X33Z | | 21B | X33Z | |
| 23 | | Z01A | 23 | Z01A | | 23 | Z01A | |
| Pre | | A06A, A07A, A09A, A13A | Pre | A06A, A07A, A09A, A13A | | Pre | A06A, A07A, A09A, A13A | |
| 5k512.3 | | | BOP, KJZSV, KOP, KOPV, KVT, UOP4 | 5k513.3 | | | BOP, KJZSV, KOP, KOPV, KVT, UOP4 | 5k514.3 |
| | 05 | F01A, F01B, F01D, F03A, F03B, F03C, F03D, F03E, F03F, F05Z, F30Z, F36A, F36B, F42Z | 05 | | F01A, F01B, F01D, F03A, F03B, F03C, F03D, F03E, F03F, F05Z, F30Z, F36A, F36B, F42Z | 05 | F01A, F01B, F01D, F03A, F03B, F03C, F03D, F03E, F03F, F05Z, F30Z, F36A, F36B, F42Z | |
| | 06 | G33Z | 06 | | G33Z | 06 | G33Z | |
| | 07 | H33Z, H38Z | 07 | | H33Z, H38Z | 07 | H33Z, H38Z | |
| | 11 | L33Z | 11 | | L33Z | 11 | L33Z | |
| | 15 | P02A, P02B, P02C | 15 | | P02A, P02B, P02C | 15 | P02A, P02B, P02C | |
| | 21B | X33Z | 21B | | X33Z | 21B | X33Z | |
| | 23 | Z01A | 23 | | Z01A | 23 | Z01A | |
| | Pre | A06A, A07A, A09A, A13A | Pre | | A06A, A07A, A09A, A13A | Pre | A06A, A07A, A09A, A13A | |

VYK

| ZZV | MDC | DRG | ZZV | MDC | DRG | ZZV | MDC | DRG |
|---------|---------|--|----------------------------------|--|--|---------|--|--|
| 5k514.4 | | BOP, KJZSV, KOP, KOPV, KVT, UOP4 | 5k516.4 | | BOP, KJZSV, KOP, KOPV, KVT, UOP4 | 5k51x.4 | | BOP, KJZSV, KOP, KOPV, KVT, UOP4 |
| | 05 | F01A, F01B, F01D, F03A, F03B, F03C, F03D, F03E, F03F, F05Z, F30Z, F36A, F36B, F42Z | | 05 | F01A, F01B, F01D, F03A, F03B, F03C, F03D, F03E, F03F, F05Z, F30Z, F36A, F36B, F42Z | | 05 | F01A, F01B, F01D, F03A, F03B, F03C, F03D, F03E, F03F, F05Z, F30Z, F36A, F36B, F42Z |
| | 06 | G33Z | | 06 | G33Z | | 06 | G33Z |
| | 07 | H33Z, H38Z | | 07 | H33Z, H38Z | | 07 | H33Z, H38Z |
| | 11 | L33Z | | 11 | L33Z | | 11 | L33Z |
| | 15 | P02A, P02B, P02C | | 15 | P02A, P02B, P02C | | 15 | P02A, P02B, P02C |
| | 21B | X33Z | | 21B | X33Z | | 21B | X33Z |
| | 23 | Z01A | | 23 | Z01A | | 23 | Z01A |
| | Pre | A06A, A07A, A09A, A13A | | Pre | A06A, A07A, A09A, A13A | | Pre | A06A, A07A, A09A, A13A |
| | 5k514.x | | | BOP, KJZSV, KOP, KOPV, KVT, UOP4 | 5k516.x | | | BOP, KJZSV, KOP, KOPV, KVT, UOP4 |
| 05 | | F01A, F01B, F01D, F03A, F03B, F03C, F03D, F03E, F03F, F05Z, F30Z, F36A, F36B, F42Z | 05 | F01A, F01B, F01D, F03A, F03B, F03C, F03D, F03E, F03F, F05Z, F30Z, F36A, F36B, F42Z | | 05 | F01A, F01B, F01D, F03A, F03B, F03C, F03D, F03E, F03F, F05Z, F30Z, F36A, F36B, F42Z | |
| 06 | | G33Z | 06 | G33Z | | 06 | G33Z | |
| 07 | | H33Z, H38Z | 07 | H33Z, H38Z | | 07 | H33Z, H38Z | |
| 11 | | L33Z | 11 | L33Z | | 11 | L33Z | |
| 15 | | P02A, P02B, P02C | 15 | P02A, P02B, P02C | | 15 | P02A, P02B, P02C | |
| 21B | | X33Z | 21B | X33Z | | 21B | X33Z | |
| 23 | | Z01A | 23 | Z01A | | 23 | Z01A | |
| Pre | | A06A, A07A, A09A, A13A | Pre | A06A, A07A, A09A, A13A | | Pre | A06A, A07A, A09A, A13A | |
| 5k516.1 | | | BOP, KJZSV, KOP, KOPV, KVT, UOP4 | 5k51x.1 | | | BOP, KJZSV, KOP, KOPV, KVT, UOP4 | 5k520.0 |
| | 05 | F01A, F01B, F01D, F03A, F03B, F03C, F03D, F03E, F03F, F05Z, F30Z, F36A, F36B, F42Z | 05 | | F01A, F01B, F01D, F03A, F03B, F03C, F03D, F03E, F03F, F05Z, F30Z, F36A, F36B, F42Z | 05 | F01A, F01B, F01D, F03A, F03B, F03C, F03D, F03E, F03F, F05Z, F30Z, F36A, F36B, F42Z | |
| | 06 | G33Z | 06 | | G33Z | 06 | G33Z | |
| | 07 | H33Z, H38Z | 07 | | H33Z, H38Z | 07 | H33Z, H38Z | |
| | 11 | L33Z | 11 | | L33Z | 11 | L33Z | |
| | 15 | P02A, P02B, P02C | 15 | | P02A, P02B, P02C | 15 | P02A, P02B, P02C | |
| | 21B | X33Z | 21B | | X33Z | 21B | X33Z | |
| | 23 | Z01A | 23 | | Z01A | 23 | Z01A | |
| | Pre | A06A, A07A, A09A, A13A | Pre | | A06A, A07A, A09A, A13A | Pre | A06A, A07A, A09A, A13A | |
| | 5k516.2 | | BOP, KJZSV, KOP, KOPV, KVT, UOP4 | | 5k51x.2 | | BOP, KJZSV, KOP, KOPV, KVT, UOP4 | |
| 05 | | F01A, F01B, F01D, F03A, F03B, F03C, F03D, F03E, F03F, F05Z, F30Z, F36A, F36B, F42Z | 05 | F01A, F01B, F01D, F03A, F03B, F03C, F03D, F03E, F03F, F05Z, F30Z, F36A, F36B, F42Z | | 05 | F01A, F01B, F01D, F03A, F03B, F03C, F03D, F03E, F03F, F05Z, F30Z, F36A, F36B, F42Z | |
| 06 | | G33Z | 06 | G33Z | | 06 | G33Z | |
| 07 | | H33Z, H38Z | 07 | H33Z, H38Z | | 07 | H33Z, H38Z | |
| 11 | | L33Z | 11 | L33Z | | 11 | L33Z | |
| 15 | | P02A, P02B, P02C | 15 | P02A, P02B, P02C | | 15 | P02A, P02B, P02C | |
| 21B | | X33Z | 21B | X33Z | | 21B | X33Z | |
| 23 | | Z01A | 23 | Z01A | | 23 | Z01A | |
| Pre | | A06A, A07A, A09A, A13A | Pre | A06A, A07A, A09A, A13A | | Pre | A06A, A07A, A09A, A13A | |
| 5k516.3 | | | BOP, KJZSV, KOP, KOPV, KVT, UOP4 | 5k51x.3 | | | BOP, KJZSV, KOP, KOPV, KVT, UOP4 | 5k520.2 |
| | 05 | F01A, F01B, F01D, F03A, F03B, F03C, F03D, F03E, F03F, F05Z, F30Z, F36A, F36B, F42Z | 05 | | F01A, F01B, F01D, F03A, F03B, F03C, F03D, F03E, F03F, F05Z, F30Z, F36A, F36B, F42Z | 05 | F01A, F01B, F01D, F03A, F03B, F03C, F03D, F03E, F03F, F05Z, F30Z, F36A, F36B, F42Z | |
| | 06 | G33Z | 06 | | G33Z | 06 | G33Z | |
| | 07 | H33Z, H38Z | 07 | | H33Z, H38Z | 07 | H33Z, H38Z | |
| | 11 | L33Z | 11 | | L33Z | 11 | L33Z | |
| | 15 | P02A, P02B, P02C | 15 | | P02A, P02B, P02C | 15 | P02A, P02B, P02C | |
| | 21B | X33Z | 21B | | X33Z | 21B | X33Z | |
| | 23 | Z01A | 23 | | Z01A | 23 | Z01A | |
| | Pre | A06A, A07A, A09A, A13A | Pre | | A06A, A07A, A09A, A13A | Pre | A06A, A07A, A09A, A13A | |

VYK

| ZZV | MDC | DRG | ZZV | MDC | DRG | ZZV | MDC | DRG |
|---------|---------|--|----------------------------------|--|--|---------|--|--|
| 5k524.5 | | BOP, KJZSV, KOP, KOPV, KVT, UOP4 | 5k526.3 | | BOP, KJZSV, KOP, KOPV, KVT, UOP4 | 5k533.0 | | BOP, KJZSV, KOP, KOPV, KVT, UOP4 |
| | 05 | F01A, F01B, F01D, F03A, F03B, F03C, F03D, F03E, F03F, F05Z, F30Z, F36A, F36B, F42Z | | 05 | F01A, F01B, F01D, F03A, F03B, F03C, F03D, F03E, F03F, F05Z, F30Z, F36A, F36B, F42Z | | 05 | F01A, F01B, F01D, F03A, F03B, F03C, F03D, F03E, F03F, F05Z, F30Z, F36A, F36B, F42Z |
| | 06 | G33Z | | 06 | G33Z | | 06 | G33Z |
| | 07 | H33Z, H38Z | | 07 | H33Z, H38Z | | 07 | H33Z, H38Z |
| | 11 | L33Z | | 11 | L33Z | | 11 | L33Z |
| | 15 | P02A, P02B, P02C | | 15 | P02A, P02B, P02C | | 15 | P02A, P02B, P02C |
| | 21B | X33Z | | 21B | X33Z | | 21B | X33Z |
| | 23 | Z01A | | 23 | Z01A | | 23 | Z01A |
| | Pre | A06A, A07A, A09A, A13A | | Pre | A06A, A07A, A09A, A13A | | Pre | A06A, A07A, A09A, A13A |
| | 5k524.x | | | BOP, KJZSV, KOP, KOPV, KVT, UOP4 | 5k526.x | | | BOP, KJZSV, KOP, KOPV, KVT, UOP4 |
| 05 | | F01A, F01B, F01D, F03A, F03B, F03C, F03D, F03E, F03F, F05Z, F30Z, F36A, F36B, F42Z | 05 | F01A, F01B, F01D, F03A, F03B, F03C, F03D, F03E, F03F, F05Z, F30Z, F36A, F36B, F42Z | | 05 | F01A, F01B, F01D, F03A, F03B, F03C, F03D, F03E, F03F, F05Z, F07A, F07B, F30Z, F36A, F36B, F42Z | |
| 06 | | G33Z | 06 | G33Z | | 06 | G33Z | |
| 07 | | H33Z, H38Z | 07 | H33Z, H38Z | | 07 | H33Z, H38Z | |
| 11 | | L33Z | 11 | L33Z | | 11 | L33Z | |
| 15 | | P02A, P02B, P02C | 15 | P02A, P02B, P02C | | 15 | P02A, P02B, P02C | |
| 21B | | X33Z | 21B | X33Z | | 21B | X33Z | |
| 23 | | Z01A | 23 | Z01A | | 23 | Z01A | |
| Pre | | A06A, A07A, A09A, A13A | Pre | A06A, A07A, A09A, A13A | | Pre | A06A, A07A, A09A, A13A | |
| 5k526.0 | | | BOP, KJZSV, KOP, KOPV, KVT, UOP4 | 5k530.0 | | | BOP, KJZSV, KOP, KOPV, KVT, UOP4 | 5k535 |
| | 05 | F01A, F01B, F01D, F03A, F03B, F03C, F03D, F03E, F03F, F05Z, F30Z, F36A, F36B, F42Z | 05 | | F01A, F01B, F01D, F03A, F03B, F03C, F03D, F03E, F03F, F05Z, F30Z, F36A, F36B, F42Z | 05 | F01A, F01B, F01D, F03A, F03B, F03C, F03D, F03E, F03F, F05Z, F07A, F07B, F30Z, F36A, F36B, F42Z | |
| | 06 | G33Z | 06 | | G33Z | 06 | G33Z | |
| | 07 | H33Z, H38Z | 07 | | H33Z, H38Z | 07 | H33Z, H38Z | |
| | 11 | L33Z | 11 | | L33Z | 11 | L33Z | |
| | 15 | P02A, P02B, P02C | 15 | | P02A, P02B, P02C | 15 | P02A, P02B, P02C | |
| | 21B | X33Z | 21B | | X33Z | 21B | X33Z | |
| | 23 | Z01A | 23 | | Z01A | 23 | Z01A | |
| | Pre | A06A, A07A, A09A, A13A | Pre | | A06A, A07A, A09A, A13A | Pre | A06A, A07A, A09A, A13A | |
| | 5k526.1 | | BOP, KJZSV, KOP, KOPV, KVT, UOP4 | | 5k531 | | BOP, KJZSV, KOP, KOPV, KVT, UOP4 | |
| 05 | | F01A, F01B, F01D, F03A, F03B, F03C, F03D, F03E, F03F, F05Z, F30Z, F36A, F36B, F42Z | 05 | F01A, F01B, F01D, F03A, F03B, F03C, F03D, F03E, F03F, F05Z, F30Z, F36A, F36B, F42Z | | 05 | F01A, F01B, F01D, F03A, F03B, F03C, F03D, F03E, F03F, F05Z, F30Z, F36A, F36B, F42Z | |
| 06 | | G33Z | 06 | G33Z | | 06 | G33Z | |
| 07 | | H33Z, H38Z | 07 | H33Z, H38Z | | 07 | H33Z, H38Z | |
| 11 | | L33Z | 11 | L33Z | | 11 | L33Z | |
| 15 | | P02A, P02B, P02C | 15 | P02A, P02B, P02C | | 15 | P02A, P02B, P02C | |
| 21B | | X33Z | 21B | X33Z | | 21B | X33Z | |
| 23 | | Z01A | 23 | Z01A | | 23 | Z01A | |
| Pre | | A06A, A07A, A09A, A13A | Pre | A06A, A07A, A09A, A13A | | Pre | A06A, A07A, A09A, A13A | |
| 5k526.2 | | | BOP, KJZSV, KOP, KOPV, KVT, UOP4 | 5k532 | | | BOP, KJZSV, KOP, KOPV, KVT, UOP4 | 5k537.0 |
| | 05 | F01A, F01B, F01D, F03A, F03B, F03C, F03D, F03E, F03F, F05Z, F30Z, F36A, F36B, F42Z | 05 | | F01A, F01B, F01D, F03A, F03B, F03C, F03D, F03E, F03F, F05Z, F07A, F07B, F30Z, F36A, F36B, F42Z | 05 | F01A, F01B, F01D, F03A, F03B, F03C, F03D, F03E, F03F, F05Z, F07A, F07B, F30Z, F36A, F36B, F42Z | |
| | 06 | G33Z | 06 | | G33Z | 06 | G33Z | |
| | 07 | H33Z, H38Z | 07 | | H33Z, H38Z | 07 | H33Z, H38Z | |
| | 11 | L33Z | 11 | | L33Z | 11 | L33Z | |
| | 15 | P02A, P02B, P02C | 15 | | P02A, P02B, P02C | 15 | P02A, P02B, P02C | |
| | 21B | X33Z | 21B | | X33Z | 21B | X33Z | |
| | 23 | Z01A | 23 | | Z01A | 23 | Z01A | |
| | Pre | A06A, A07A, A09A, A13A | Pre | | A06A, A07A, A09A, A13A | Pre | A06A, A07A, A09A, A13A | |

VYK

| ZZV | MDC | DRG | ZZV | MDC | DRG | ZZV | MDC | DRG |
|---------|---------|--|----------------------------------|--|--|---------|--|--|
| 5k53x | | BOP, KJZSV, KOP, KOPV, KVT, UOP4 | 5k550.0 | | BOP, KJZSV, KOP, KOPV, KVT, UOP4 | 5k551.x | | BOP, KJZSV, KOP, KOPV, KVT, UOP4 |
| | 05 | F01A, F01B, F01D, F03A, F03B, F03C, F03D, F03E, F03F, F05Z, F07A, F07B, F30Z, F36A, F36B, F42Z | | 05 | F01A, F01B, F01D, F03B, F03C, F03D, F03E, F05Z, F07A, F07B, F30Z, F36A, F36B, F42Z | | 05 | F01A, F01B, F01D, F03B, F03C, F03D, F03E, F05Z, F07A, F07B, F30Z, F36A, F36B, F42Z |
| | 06 | G33Z | | 06 | G33Z | | 06 | G33Z |
| | 07 | H33Z, H38Z | | 07 | H33Z, H38Z | | 07 | H33Z, H38Z |
| | 11 | L33Z | | 11 | L33Z | | 11 | L33Z |
| | 15 | P02A, P02B, P02C | | 15 | P02A, P02B, P02C | | 15 | P02A, P02B, P02C |
| | 21B | X33Z | | 21B | X33Z | | 21B | X33Z |
| | 23 | Z01A | | 23 | Z01A | | 23 | Z01A |
| | Pre | A06A, A07A, A09A, A13A | | Pre | A06A, A07A, A09A, A13A | | Pre | A06A, A07A, A09A, A13A |
| | 5k540.0 | | | BOP, KJZSV, KOP, KOPV, KVT, UOP4 | 5k550.1 | | | BOP, KJZSV, KOP, KOPV, KVT, UOP4 |
| 05 | | F01A, F01B, F01D, F03A, F03B, F03C, F03D, F03E, F03F, F05Z, F30Z, F36A, F36B, F42Z | 05 | F01A, F01B, F01D, F03B, F03C, F03D, F03E, F05Z, F07A, F07B, F30Z, F36A, F36B, F42Z | | 05 | F01A, F01B, F01D, F03B, F03C, F03D, F03E, F05Z, F07A, F07B, F30Z, F36A, F36B, F42Z | |
| 06 | | G33Z | 06 | G33Z | | 06 | G33Z | |
| 07 | | H33Z, H38Z | 07 | H33Z, H38Z | | 07 | H33Z, H38Z | |
| 11 | | L33Z | 11 | L33Z | | 11 | L33Z | |
| 15 | | P02A, P02B, P02C | 15 | P02A, P02B, P02C | | 15 | P02A, P02B, P02C | |
| 21B | | X33Z | 21B | X33Z | | 21B | X33Z | |
| 23 | | Z01A | 23 | Z01A | | 23 | Z01A | |
| Pre | | A07A | Pre | A06A, A07A, A09A, A13A | | Pre | A06A, A07A, A09A, A13A | |
| 5k540.2 | | | BOP, KJZSV, KOP, KOPV, KVT, UOP4 | 5k550.x | | | BOP, KJZSV, KOP, KOPV, KVT, UOP4 | 5k552.1 |
| | 05 | F01A, F01B, F01D, F03A, F03B, F03C, F03D, F03E, F03F, F05Z, F30Z, F36A, F36B, F42Z | 05 | | F01A, F01B, F01D, F03B, F03C, F03D, F03E, F05Z, F07A, F07B, F30Z, F36A, F36B, F42Z | 05 | F01A, F01B, F01D, F03B, F03C, F03D, F03E, F05Z, F07A, F07B, F30Z, F36A, F36B, F42Z | |
| | 06 | G33Z | 06 | | G33Z | 06 | G33Z | |
| | 07 | H33Z, H38Z | 07 | | H33Z, H38Z | 07 | H33Z, H38Z | |
| | 11 | L33Z | 11 | | L33Z | 11 | L33Z | |
| | 15 | P02A, P02B, P02C | 15 | | P02A, P02B, P02C | 15 | P02A, P02B, P02C | |
| | 21B | X33Z | 21B | | X33Z | 21B | X33Z | |
| | 23 | Z01A | 23 | | Z01A | 23 | Z01A | |
| | Pre | A07A | Pre | | A06A, A07A, A09A, A13A | Pre | A06A, A07A, A09A, A13A | |
| | 5k540.4 | | BOP, KJZSV, KOP, KOPV, KVT, UOP4 | | 5k551.0 | | BOP, KJZSV, KOP, KOPV, KVT, UOP4 | |
| 05 | | F01A, F01B, F01D, F03A, F03B, F03C, F03D, F03E, F03F, F05Z, F30Z, F36A, F36B, F42Z | 05 | F01A, F01B, F01D, F03B, F03C, F03D, F03E, F05Z, F07A, F07B, F30Z, F36A, F36B, F42Z | | 05 | F01A, F01B, F01D, F03B, F03C, F03D, F03E, F05Z, F07A, F07B, F30Z, F36A, F36B, F42Z | |
| 06 | | G33Z | 06 | G33Z | | 06 | G33Z | |
| 07 | | H33Z, H38Z | 07 | H33Z, H38Z | | 07 | H33Z, H38Z | |
| 11 | | L33Z | 11 | L33Z | | 11 | L33Z | |
| 15 | | P02A, P02B, P02C | 15 | P02A, P02B, P02C | | 15 | P02A, P02B, P02C | |
| 21B | | X33Z | 21B | X33Z | | 21B | X33Z | |
| 23 | | Z01A | 23 | Z01A | | 23 | Z01A | |
| Pre | | A07A | Pre | A06A, A07A, A09A, A13A | | Pre | A06A, A07A, A09A, A13A | |
| 5k540.6 | | | BOP, KJZSV, KOP, KOPV, KVT, UOP4 | 5k551.1 | | | BOP, KJZSV, KOP, KOPV, KVT, UOP4 | 5k559 |
| | 05 | F01A, F01B, F01D, F03A, F03B, F03C, F03D, F03E, F03F, F05Z, F30Z, F36A, F36B, F42Z | 05 | | F01A, F01B, F01D, F03B, F03C, F03D, F03E, F05Z, F07A, F07B, F30Z, F36A, F36B, F42Z | 05 | F01A, F01B, F01D, F03B, F03C, F03D, F03E, F05Z, F07A, F07B, F30Z, F36A, F36B, F42Z | |
| | 06 | G33Z | 06 | | G33Z | 06 | G33Z | |
| | 07 | H33Z, H38Z | 07 | | H33Z, H38Z | 07 | H33Z, H38Z | |
| | 11 | L33Z | 11 | | L33Z | 11 | L33Z | |
| | 15 | P02A, P02B, P02C | 15 | | P02A, P02B, P02C | 15 | P02A, P02B, P02C | |
| | 21B | X33Z | 21B | | X33Z | 21B | X33Z | |
| | 23 | Z01A | 23 | | Z01A | 23 | Z01A | |
| | Pre | A07A | Pre | | A06A, A07A, A09A, A13A | Pre | A06A, A07A, A09A, A13A | |

VYK

| ZZV | MDC | DRG | ZZV | MDC | DRG | ZZV | MDC | DRG |
|---------|-----|--|---------|-----|--|---------|-----|--|
| 5k560 | | BOP, KJZSV, KOP, KOPV, KVT, UOP4 | 5k568 | | BOP, KJZSV, KOP, KOPV, KVT, UOP4 | 5k570.0 | | BOP, KJZSV, KOP, KOPV, KVT, UOP4 |
| | 04 | E05A, E05B, E05C, E08A, E08B, E08C | | 05 | F01A, F01B, F01D, F03B, F03C, F03D, F03E, F05Z, F07A, F07B, F09A, F09B, F09C, F30Z, F36A, F36B, F42Z | | 05 | F01A, F01B, F01D, F03A, F03B, F03C, F03D, F03E, F03F, F05Z, F30Z, F36A, F36B, F42Z |
| | 05 | F01A, F01B, F01D, F03B, F03C, F03D, F03E, F05Z, F07A, F07B, F09A, F09B, F09C, F36A, F36B, F42Z | | 06 | G33Z | | 06 | G33Z |
| | 06 | G33Z | | 07 | H33Z, H38Z | | 07 | H33Z, H38Z |
| | 07 | H33Z, H38Z | | 11 | L33Z | | 11 | L33Z |
| | 11 | L33Z | | 15 | P02A, P02B, P02C | | 15 | P02A, P02B, P02C |
| | 21B | X33Z | | 21B | X33Z | | 21B | X33Z |
| | 23 | Z01A | | 23 | Z01A | | 23 | Z01A |
| | Pre | A06A, A07A, A09A, A13A | | Pre | A06A, A07A, A09A, A13A | | Pre | A06A, A07A, A09A, A13A |
| 5k561.0 | | BOP, KJZSV, KVT, UOP4 | 5k56d | | BOP, KJZSV, KVT, UOP4 | 5k570.1 | | BOP, KJZSV, KOP, KOPV, KVT, UOP4 |
| | 05 | F01A, F01B, F01D, F03B, F03C, F03D, F03E, F05Z, F07A, F07B, F09A, F09B, F09C, F30Z, F42Z | | 04 | E02A, E02B, E02C, E02D | | 05 | F01A, F01B, F01D, F03A, F03B, F03C, F03D, F03E, F03F, F05Z, F30Z, F36A, F36B, F42Z |
| | Pre | A06A, A07A, A09A, A13A | | 05 | F01A, F01B, F01D, F03B, F03C, F03D, F03E, F05Z, F07A, F07B, F14A, F14B, F28A, F42Z, F54A, F54B, F54J, F59A, F59B | | 06 | G33Z |
| 5k562 | | BOP, KJZSV, KVT, UOP4 | | 21A | W04A, W04B | | 07 | H33Z, H38Z |
| | 04 | E02A, E02B, E02C, E02D | | Pre | A06A, A07A, A09A, A13A | | 11 | L33Z |
| | 05 | F01A, F01B, F01D, F03B, F03C, F03D, F03E, F05Z, F07A, F07B, F14A, F14B, F28A, F42Z, F54A, F54B, F54J, F59A, F59B | 5k56e | | BOP, KJZSV, KVT, UOP4 | | 15 | P02A, P02B, P02C |
| | 10 | K09A, K09B | | 04 | E02A, E02B, E02C, E02D | | 21B | X33Z |
| | Pre | A06A, A07A, A09A, A13A | | 05 | F01A, F01B, F01D, F03B, F03C, F03D, F03E, F05Z, F07A, F07B, F14A, F14B, F28A, F42Z, F54A, F54B, F54J, F59A, F59B | 5k570.2 | | BOP, KJZSV, KOP, KOPV, KVT, UOP4 |
| 5k563 | | BOP, KJZSV, KVT, UOP4 | | 21A | W04A, W04B | | 05 | F01A, F01B, F01D, F03A, F03B, F03C, F03D, F03E, F03F, F05Z, F30Z, F36A, F36B, F42Z |
| | 04 | E02A, E02B, E02C, E02D | | Pre | A06A, A07A, A09A, A13A | | 06 | G33Z |
| | 05 | F01A, F01B, F01D, F03B, F03C, F03D, F03E, F05Z, F07A, F07B, F14A, F14B, F28A, F42Z, F54A, F54B, F54J, F59A, F59B | 5k56g.3 | | BOP, KJZSV, KVT, UOP4 | | 07 | H33Z, H38Z |
| | 10 | K09A, K09B | | 04 | E02A, E02B, E02C, E02D | | 11 | L33Z |
| | Pre | A06A, A07A, A09A, A13A | | 05 | F01A, F01B, F01D, F03B, F03C, F03D, F03E, F05Z, F07A, F07B, F14A, F14B, F28A, F42Z, F54A, F54B, F54J, F59A, F59B | | 15 | P02A, P02B, P02C |
| 5k564 | | BOP, KJZSV, KVT, UOP4 | | 21A | W04A, W04B | | 21B | X33Z |
| | 04 | E02A, E02B, E02C, E02D | | Pre | A06A, A07A, A09A, A13A | 5k570.3 | | BOP, KJZSV, KOP, KOPV, KVT, UOP4 |
| | 05 | F01A, F01B, F01D, F03B, F03C, F03D, F03E, F05Z, F07A, F07B, F09A, F09B, F09C, F42Z | 5k56h.1 | | BOP, KJZSV, KVT, UOP4 | | 05 | F01A, F01B, F01D, F03A, F03B, F03C, F03D, F03E, F03F, F05Z, F30Z, F36A, F36B, F42Z |
| | 10 | K09A, K09B | | 04 | E02A, E02B, E02C, E02D | | 06 | G33Z |
| | Pre | A06A, A07A, A09A, A13A | | 05 | F01A, F01B, F01D, F03B, F03C, F03D, F03E, F05Z, F07A, F07B, F14A, F14B, F28A, F42Z, F54A, F54B, F54J, F59A, F59B | | 07 | H33Z, H38Z |
| 5k565 | | BOP, KJZSV, KVT, UOP4 | | 21A | W04A, W04B | | 11 | L33Z |
| | 04 | E02A, E02B, E02C, E02D | | Pre | A06A, A07A, A09A, A13A | | 15 | P02A, P02B, P02C |
| | 05 | F01A, F01B, F01D, F03B, F03C, F03D, F03E, F05Z, F07A, F07B, F14A, F14B, F28A, F42Z, F54A, F54B, F54J, F59A, F59B | 5k56h.2 | | BOP, KJZSV, KVT, UOP4 | | 21B | X33Z |
| | 10 | K09A, K09B | | 04 | E02A, E02B, E02C, E02D | 5k570.4 | | BOP, KJZSV, KOP, KOPV, KVT, UOP4 |
| | Pre | A06A, A07A, A09A, A13A | | 05 | F01A, F01B, F01D, F03B, F03C, F03D, F03E, F05Z, F07A, F07B, F14A, F14B, F28A, F42Z, F54A, F54B, F54J, F59A, F59B | | 05 | F01A, F01B, F01D, F03A, F03B, F03C, F03D, F03E, F03F, F05Z, F30Z, F36A, F36B, F42Z |
| 5k566 | | BOP, KJZSV, KVT, UOP4 | | 21A | W04A, W04B | | 06 | G33Z |
| | 05 | F01A, F01B, F01D, F03B, F03C, F03D, F03E, F05Z, F07A, F07B, F09A, F09B, F09C, F30Z, F42Z | | Pre | A06A, A07A, A09A, A13A | | 07 | H33Z, H38Z |
| | 15 | P02A, P02B, P02C | 5k56x | | BOP, KJZSV, KVT, UOP4 | | 11 | L33Z |
| | 21B | X06A, X06B, X06C | | 04 | E02A, E02B, E02C, E02D | | 15 | P02A, P02B, P02C |
| | Pre | A06A, A07A, A09A, A13A | | 05 | F01A, F01B, F01D, F03B, F03C, F03D, F03E, F05Z, F07A, F07B, F14A, F14B, F28A, F42Z, F54A, F54B, F54J, F59A, F59B | | 21B | X33Z |
| 5k567 | | BOP, KJZSV, KVT, UOP4 | | 21A | W04A, W04B | | 23 | Z01A |
| | 05 | F01A, F01B, F01D, F03B, F03C, F03D, F03E, F05Z, F07A, F07B, F09A, F09B, F09C, F30Z, F42Z | | Pre | A06A, A07A, A09A, A13A | | Pre | A06A, A07A, A09A, A13A |
| | 15 | P02A, P02B, P02C | | Pre | A06A, A07A, A09A, A13A | | | |
| | Pre | A06A, A07A, A09A, A13A | | | | | | |

VYK

| ZZV | MDC | DRG | ZZV | MDC | DRG | ZZV | MDC | DRG |
|---------|---------|--|----------------------------------|--|--|---------|--|--|
| 5k570.5 | | BOP, KJZSV, KOP, KOPV, KVT, UOP4 | 5k572.1 | | BOP, KJZSV, KOP, KOPV, KVT, UOP4 | 5k574.0 | | BOP, KJZSV, KOP, KOPV, KVT, UOP4 |
| | 05 | F01A, F01B, F01D, F03A, F03B, F03C, F03D, F03E, F03F, F05Z, F07A, F07B, F30Z, F36A, F36B, F42Z | | 05 | F01A, F01B, F01D, F03A, F03B, F03C, F03D, F03E, F03F, F05Z, F30Z, F36A, F36B, F42Z | | 05 | F01A, F01B, F01D, F03A, F03B, F03C, F03D, F03E, F03F, F05Z, F30Z, F36A, F36B, F42Z |
| | 06 | G33Z | | 06 | G33Z | | 06 | G33Z |
| | 07 | H33Z, H38Z | | 07 | H33Z, H38Z | | 07 | H33Z, H38Z |
| | 11 | L33Z | | 11 | L33Z | | 11 | L33Z |
| | 15 | P02A, P02B, P02C | | 15 | P02A, P02B, P02C | | 15 | P02A, P02B, P02C |
| | 21B | X33Z | | 21B | X33Z | | 21B | X33Z |
| | 23 | Z01A | | 23 | Z01A | | 23 | Z01A |
| | Pre | A06A, A07A, A09A, A13A | | Pre | A06A, A07A, A09A, A13A | | Pre | A06A, A07A, A09A, A13A |
| | 5k570.6 | | | BOP, KJZSV, KOP, KOPV, KVT, UOP4 | 5k572.2 | | | BOP, KJZSV, KOP, KOPV, KVT, UOP4 |
| 05 | | F01A, F01B, F01D, F03A, F03B, F03C, F03D, F03E, F03F, F05Z, F30Z, F36A, F36B, F42Z | 05 | F01A, F01B, F01D, F03A, F03B, F03C, F03D, F03E, F03F, F05Z, F30Z, F36A, F36B, F42Z | | 05 | F01A, F01B, F01D, F03A, F03B, F03C, F03D, F03E, F03F, F05Z, F30Z, F36A, F36B, F42Z | |
| 06 | | G33Z | 06 | G33Z | | 06 | G33Z | |
| 07 | | H33Z, H38Z | 07 | H33Z, H38Z | | 07 | H33Z, H38Z | |
| 11 | | L33Z | 11 | L33Z | | 11 | L33Z | |
| 15 | | P02A, P02B, P02C | 15 | P02A, P02B, P02C | | 15 | P02A, P02B, P02C | |
| 21B | | X33Z | 21B | X33Z | | 21B | X33Z | |
| 23 | | Z01A | 23 | Z01A | | 23 | Z01A | |
| Pre | | A06A, A07A, A09A, A13A | Pre | A06A, A07A, A09A, A13A | | Pre | A06A, A07A, A09A, A13A | |
| 5k570.7 | | | BOP, KJZSV, KOP, KOPV, KVT, UOP4 | 5k572.3 | | | BOP, KJZSV, KOP, KOPV, KVT, UOP4 | 5k574.2 |
| | 05 | F01A, F01B, F01D, F03A, F03B, F03C, F03D, F03E, F03F, F05Z, F30Z, F36A, F36B, F42Z | 05 | | F01A, F01B, F01D, F03A, F03B, F03C, F03D, F03E, F03F, F05Z, F30Z, F36A, F36B, F42Z | 05 | F01A, F01B, F01D, F03A, F03B, F03C, F03D, F03E, F03F, F05Z, F30Z, F36A, F36B, F42Z | |
| | 06 | G33Z | 06 | | G33Z | 06 | G33Z | |
| | 07 | H33Z, H38Z | 07 | | H33Z, H38Z | 07 | H33Z, H38Z | |
| | 11 | L33Z | 11 | | L33Z | 11 | L33Z | |
| | 15 | P02A, P02B, P02C | 15 | | P02A, P02B, P02C | 15 | P02A, P02B, P02C | |
| | 21B | X33Z | 21B | | X33Z | 21B | X33Z | |
| | 23 | Z01A | 23 | | Z01A | 23 | Z01A | |
| | Pre | A06A, A07A, A09A, A13A | Pre | | A06A, A07A, A09A, A13A | Pre | A06A, A07A, A09A, A13A | |
| | 5k570.x | | BOP, KJZSV, KOP, KOPV, KVT, UOP4 | | 5k572.4 | | BOP, KJZSV, KOP, KOPV, KVT, UOP4 | |
| 05 | | F01A, F01B, F01D, F03A, F03B, F03C, F03D, F03E, F03F, F05Z, F07A, F07B, F30Z, F36A, F36B, F42Z | 05 | F01A, F01B, F01D, F03A, F03B, F03C, F03D, F03E, F03F, F05Z, F30Z, F36A, F36B, F42Z | | 05 | F01A, F01B, F01D, F03A, F03B, F03C, F03D, F03E, F03F, F05Z, F30Z, F36A, F36B, F42Z | |
| 06 | | G33Z | 06 | G33Z | | 06 | G33Z | |
| 07 | | H33Z, H38Z | 07 | H33Z, H38Z | | 07 | H33Z, H38Z | |
| 11 | | L33Z | 11 | L33Z | | 11 | L33Z | |
| 15 | | P02A, P02B, P02C | 15 | P02A, P02B, P02C | | 15 | P02A, P02B, P02C | |
| 21B | | X33Z | 21B | X33Z | | 21B | X33Z | |
| 23 | | Z01A | 23 | Z01A | | 23 | Z01A | |
| Pre | | A06A, A07A, A09A, A13A | Pre | A06A, A07A, A09A, A13A | | Pre | A06A, A07A, A09A, A13A | |
| 5k572.0 | | | BOP, KJZSV, KOP, KOPV, KVT, UOP4 | 5k572.x | | | BOP, KJZSV, KOP, KOPV, KVT, UOP4 | 5k574.4 |
| | 05 | F01A, F01B, F01D, F03A, F03B, F03C, F03D, F03E, F03F, F05Z, F30Z, F36A, F36B, F42Z | 05 | | F01A, F01B, F01D, F03A, F03B, F03C, F03D, F03E, F03F, F05Z, F30Z, F36A, F36B, F42Z | 05 | F01A, F01B, F01D, F03A, F03B, F03C, F03D, F03E, F03F, F05Z, F30Z, F36A, F36B, F42Z | |
| | 06 | G33Z | 06 | | G33Z | 06 | G33Z | |
| | 07 | H33Z, H38Z | 07 | | H33Z, H38Z | 07 | H33Z, H38Z | |
| | 11 | L33Z | 11 | | L33Z | 11 | L33Z | |
| | 15 | P02A, P02B, P02C | 15 | | P02A, P02B, P02C | 15 | P02A, P02B, P02C | |
| | 21B | X33Z | 21B | | X33Z | 21B | X33Z | |
| | 23 | Z01A | 23 | | Z01A | 23 | Z01A | |
| | Pre | A06A, A07A, A09A, A13A | Pre | | A06A, A07A, A09A, A13A | Pre | A06A, A07A, A09A, A13A | |

VYK

| ZZV | MDC | DRG | ZZV | MDC | DRG | ZZV | MDC | DRG |
|---------|---------|--|----------------------------------|--|--|---------|--|--|
| 5k574.5 | | BOP, KJZSV, KOP, KOPV, KVT, UOP4 | 5k576.3 | | BOP, KJZSV, KOP, KOPV, KVT, UOP4 | 5k578.2 | | BOP, KJZSV, KOP, KOPV, KVT, UOP4 |
| | 05 | F01A, F01B, F01D, F03A, F03B, F03C, F03D, F03E, F03F, F05Z, F07A, F07B, F30Z, F36A, F36B, F42Z | | 05 | F01A, F01B, F01D, F03A, F03B, F03C, F03D, F03E, F03F, F05Z, F30Z, F36A, F36B, F42Z | | 05 | F01A, F01B, F01D, F03A, F03B, F03C, F03D, F03E, F03F, F05Z, F30Z, F36A, F36B, F42Z |
| | 06 | G33Z | | 06 | G33Z | | 06 | G33Z |
| | 07 | H33Z, H38Z | | 07 | H33Z, H38Z | | 07 | H33Z, H38Z |
| | 11 | L33Z | | 11 | L33Z | | 11 | L33Z |
| | 15 | P02A, P02B, P02C | | 15 | P02A, P02B, P02C | | 15 | P02A, P02B, P02C |
| | 21B | X33Z | | 21B | X33Z | | 21B | X33Z |
| | 23 | Z01A | | 23 | Z01A | | 23 | Z01A |
| | Pre | A06A, A07A, A09A, A13A | | Pre | A06A, A07A, A09A, A13A | | Pre | A06A, A07A, A09A, A13A |
| | 5k574.x | | | BOP, KJZSV, KOP, KOPV, KVT, UOP4 | 5k576.4 | | | BOP, KJZSV, KOP, KOPV, KVT, UOP4 |
| 05 | | F01A, F01B, F01D, F03A, F03B, F03C, F03D, F03E, F03F, F05Z, F07A, F07B, F30Z, F36A, F36B, F42Z | 05 | F01A, F01B, F01D, F03A, F03B, F03C, F03D, F03E, F03F, F05Z, F30Z, F36A, F36B, F42Z | | 05 | F01A, F01B, F01D, F03A, F03B, F03C, F03D, F03E, F03F, F05Z, F30Z, F36A, F36B, F42Z | |
| 06 | | G33Z | 06 | G33Z | | 06 | G33Z | |
| 07 | | H33Z, H38Z | 07 | H33Z, H38Z | | 07 | H33Z, H38Z | |
| 11 | | L33Z | 11 | L33Z | | 11 | L33Z | |
| 15 | | P02A, P02B, P02C | 15 | P02A, P02B, P02C | | 15 | P02A, P02B, P02C | |
| 21B | | X33Z | 21B | X33Z | | 21B | X33Z | |
| 23 | | Z01A | 23 | Z01A | | 23 | Z01A | |
| Pre | | A06A, A07A, A09A, A13A | Pre | A06A, A07A, A09A, A13A | | Pre | A06A, A07A, A09A, A13A | |
| 5k576.0 | | | BOP, KJZSV, KOP, KOPV, KVT, UOP4 | 5k576.x | | | BOP, KJZSV, KOP, KOPV, KVT, UOP4 | 5k578.4 |
| | 05 | F01A, F01B, F01D, F03A, F03B, F03C, F03D, F03E, F03F, F05Z, F30Z, F36A, F36B, F42Z | 05 | | F01A, F01B, F01D, F03A, F03B, F03C, F03D, F03E, F03F, F05Z, F30Z, F36A, F36B, F42Z | 05 | F01A, F01B, F01D, F03A, F03B, F03C, F03D, F03E, F03F, F05Z, F30Z, F36A, F36B, F42Z | |
| | 06 | G33Z | 06 | | G33Z | 06 | G33Z | |
| | 07 | H33Z, H38Z | 07 | | H33Z, H38Z | 07 | H33Z, H38Z | |
| | 11 | L33Z | 11 | | L33Z | 11 | L33Z | |
| | 15 | P02A, P02B, P02C | 15 | | P02A, P02B, P02C | 15 | P02A, P02B, P02C | |
| | 21B | X33Z | 21B | | X33Z | 21B | X33Z | |
| | 23 | Z01A | 23 | | Z01A | 23 | Z01A | |
| | Pre | A06A, A07A, A09A, A13A | Pre | | A06A, A07A, A09A, A13A | Pre | A06A, A07A, A09A, A13A | |
| | 5k576.1 | | BOP, KJZSV, KOP, KOPV, KVT, UOP4 | | 5k578.0 | | BOP, KJZSV, KOP, KOPV, KVT, UOP4 | |
| 05 | | F01A, F01B, F01D, F03A, F03B, F03C, F03D, F03E, F03F, F05Z, F30Z, F36A, F36B, F42Z | 05 | F01A, F01B, F01D, F03A, F03B, F03C, F03D, F03E, F03F, F05Z, F30Z, F36A, F36B, F42Z | | 05 | F01A, F01B, F01D, F03A, F03B, F03C, F03D, F03E, F03F, F05Z, F30Z, F36A, F36B, F42Z | |
| 06 | | G33Z | 06 | G33Z | | 06 | G33Z | |
| 07 | | H33Z, H38Z | 07 | H33Z, H38Z | | 07 | H33Z, H38Z | |
| 11 | | L33Z | 11 | L33Z | | 11 | L33Z | |
| 15 | | P02A, P02B, P02C | 15 | P02A, P02B, P02C | | 15 | P02A, P02B, P02C | |
| 21B | | X33Z | 21B | X33Z | | 21B | X33Z | |
| 23 | | Z01A | 23 | Z01A | | 23 | Z01A | |
| Pre | | A06A, A07A, A09A, A13A | Pre | A06A, A07A, A09A, A13A | | Pre | A06A, A07A, A09A, A13A | |
| 5k576.2 | | | BOP, KJZSV, KOP, KOPV, KVT, UOP4 | 5k578.1 | | | BOP, KJZSV, KOP, KOPV, KVT, UOP4 | 5k57a.0 |
| | 05 | F01A, F01B, F01D, F03A, F03B, F03C, F03D, F03E, F03F, F05Z, F30Z, F36A, F36B, F42Z | 05 | | F01A, F01B, F01D, F03A, F03B, F03C, F03D, F03E, F03F, F05Z, F30Z, F36A, F36B, F42Z | 05 | F01A, F01B, F01D, F03A, F03B, F03C, F03D, F03E, F03F, F05Z, F30Z, F36A, F36B, F42Z | |
| | 06 | G33Z | 06 | | G33Z | 06 | G33Z | |
| | 07 | H33Z, H38Z | 07 | | H33Z, H38Z | 07 | H33Z, H38Z | |
| | 11 | L33Z | 11 | | L33Z | 11 | L33Z | |
| | 15 | P02A, P02B, P02C | 15 | | P02A, P02B, P02C | 15 | P02A, P02B, P02C | |
| | 21B | X33Z | 21B | | X33Z | 21B | X33Z | |
| | 23 | Z01A | 23 | | Z01A | 23 | Z01A | |
| | Pre | A06A, A07A, A09A, A13A | Pre | | A06A, A07A, A09A, A13A | Pre | A06A, A07A, A09A, A13A | |



| ZZV | MDC | DRG | ZZV | MDC | DRG | ZZV | MDC | DRG | | | |
|---------|---------|--|--|--|--|---------|--|--|---------|----|--|
| 5k57a.1 | | BOP, KJZSV, KOP, KOPV, KVT, UOP4 | 5k580 | | BOP, KJZSV, KOP, KOPV, KVT, UOP4 | 5k582.0 | | BOP, KJZSV, KOP, KOPV, KVT, UOP4 | | | |
| | 05 | F01A, F01B, F01D, F03A, F03B, F03C, F03D, F03E, F03F, F05Z, F30Z, F36A, F36B, F42Z | | 05 | F01A, F01B, F01D, F05Z, F07A, F07B, F30Z, F36A, F36B, F42Z | | 05 | F01A, F01B, F01D, F03B, F03C, F03D, F03E, F05Z, F07A, F07B, F09A, F09B, F09C, F30Z, F36A, F36B, F42Z | | | |
| | 06 | G33Z | | 06 | G33Z | | 06 | G33Z | | | |
| | 07 | H33Z, H38Z | | 07 | H33Z, H38Z | | 07 | H33Z, H38Z | | | |
| | 11 | L33Z | | 11 | L33Z | | 11 | L33Z | | | |
| | 15 | P02A, P02B, P02C | | 15 | P02A, P02B, P02C | | 15 | P02A, P02B, P02C | | | |
| | 21B | X33Z | | 21B | X33Z | | 21B | X33Z | | | |
| | 23 | Z01A | | 23 | Z01A | | 23 | Z01A | | | |
| | Pre | A06A, A07A, A09A, A13A | | Pre | A06A, A07A, A09A, A13A | | Pre | A06A, A07A, A09A, A13A | | | |
| | 5k57a.2 | | | BOP, KJZSV, KOP, KOPV, KVT, UOP4 | 5k581.0 | | | BOP, KJZSV, KOP, KOPV, KVT, UOP4 | 5k582.1 | | BOP, KJZSV, KOP, KOPV, KVT, UOP4 |
| | | 05 | | F01A, F01B, F01D, F03A, F03B, F03C, F03D, F03E, F03F, F05Z, F30Z, F36A, F36B, F42Z | | | 05 | F01A, F01B, F01D, F05Z, F07A, F07B, F30Z, F36A, F36B, F42Z | | 05 | F01A, F01B, F01D, F03B, F03C, F03D, F03E, F05Z, F07A, F07B, F09A, F09B, F09C, F30Z, F36A, F36B, F42Z |
| 06 | | G33Z | 06 | G33Z | | 06 | G33Z | | | | |
| 07 | | H33Z, H38Z | 07 | H33Z, H38Z | | 07 | H33Z, H38Z | | | | |
| 11 | | L33Z | 11 | L33Z | | 11 | L33Z | | | | |
| 15 | | P02A, P02B, P02C | 15 | P02A, P02B, P02C | | 15 | P02A, P02B, P02C | | | | |
| 21B | | X33Z | 21B | X33Z | | 21B | X33Z | | | | |
| 23 | | Z01A | 23 | Z01A | | 23 | Z01A | | | | |
| Pre | | A06A, A07A, A09A, A13A | Pre | A06A, A07A, A09A, A13A | | Pre | A06A, A07A, A09A, A13A | | | | |
| 5k57a.3 | | | BOP, KJZSV, KOP, KOPV, KVT, UOP4 | 5k581.2 | | | BOP, KJZSV, KOP, KOPV, KVT, UOP4 | 5k583.2 | | | BOP, KJZSV, KOP, KOPV, KVT, UOP4 |
| | | 05 | F01A, F01B, F01D, F03A, F03B, F03C, F03D, F03E, F03F, F05Z, F30Z, F36A, F36B, F42Z | | | 05 | F01A, F01B, F01D, F05Z, F07A, F07B, F30Z, F36A, F36B, F42Z | | | 05 | F01A, F01B, F01D, F03B, F03C, F03D, F03E, F05Z, F07A, F07B, F09A, F09B, F09C, F30Z, F36A, F36B, F42Z |
| | 06 | G33Z | 06 | | G33Z | 06 | G33Z | | | | |
| | 07 | H33Z, H38Z | 07 | | H33Z, H38Z | 07 | H33Z, H38Z | | | | |
| | 11 | L33Z | 11 | | L33Z | 11 | L33Z | | | | |
| | 15 | P02A, P02B, P02C | 15 | | P02A, P02B, P02C | 15 | P02A, P02B, P02C | | | | |
| | 21B | X33Z | 21B | | X33Z | 21B | X33Z | | | | |
| | 23 | Z01A | 23 | | Z01A | 23 | Z01A | | | | |
| | Pre | A06A, A07A, A09A, A13A | Pre | | A06A, A07A, A09A, A13A | Pre | A06A, A07A, A09A, A13A | | | | |
| | 5k57a.4 | | BOP, KJZSV, KOP, KOPV, KVT, UOP4 | | 5k581.3 | | BOP, KJZSV, KOP, KOPV, KVT, UOP4 | | 5k584.0 | | BOP, KJZSV, KOP, KOPV, KVT, UOP4 |
| | | 05 | F01A, F01B, F01D, F03A, F03B, F03C, F03D, F03E, F03F, F05Z, F30Z, F36A, F36B, F42Z | | | 05 | F01A, F01B, F01D, F05Z, F07A, F07B, F30Z, F36A, F36B, F42Z | | | 05 | F01A, F01B, F01D, F03B, F03C, F03D, F03E, F05Z, F07A, F07B, F09A, F09B, F09C, F30Z, F36A, F36B, F42Z |
| 06 | | G33Z | 06 | G33Z | | 06 | G33Z | | | | |
| 07 | | H33Z, H38Z | 07 | H33Z, H38Z | | 07 | H33Z, H38Z | | | | |
| 11 | | L33Z | 11 | L33Z | | 11 | L33Z | | | | |
| 15 | | P02A, P02B, P02C | 15 | P02A, P02B, P02C | | 15 | P02A, P02B, P02C | | | | |
| 21B | | X33Z | 21B | X33Z | | 21B | X33Z | | | | |
| 23 | | Z01A | 23 | Z01A | | 23 | Z01A | | | | |
| Pre | | A06A, A07A, A09A, A13A | Pre | A06A, A07A, A09A, A13A | | Pre | A06A, A07A, A09A, A13A | | | | |
| 5k57a.x | | | BOP, KJZSV, KOP, KOPV, KVT, UOP4 | 5k581.x | | | BOP, KJZSV, KOP, KOPV, KVT, UOP4 | 5k584.1 | | | BOP, KJZSV, KOP, KOPV, KVT, UOP4 |
| | | 05 | F01A, F01B, F01D, F03A, F03B, F03C, F03D, F03E, F03F, F05Z, F30Z, F36A, F36B, F42Z | | | 05 | F01A, F01B, F01D, F05Z, F07A, F07B, F30Z, F36A, F36B, F42Z | | | 05 | F01A, F01B, F01D, F05Z, F07A, F07B, F30Z, F36A, F36B, F42Z |
| | 06 | G33Z | 06 | | G33Z | 06 | G33Z | | | | |
| | 07 | H33Z, H38Z | 07 | | H33Z, H38Z | 07 | H33Z, H38Z | | | | |
| | 11 | L33Z | 11 | | L33Z | 11 | L33Z | | | | |
| | 15 | P02A, P02B, P02C | 15 | | P02A, P02B, P02C | 15 | P02A, P02B, P02C | | | | |
| | 21B | X33Z | 21B | | X33Z | 21B | X33Z | | | | |
| | 23 | Z01A | 23 | | Z01A | 23 | Z01A | | | | |
| | Pre | A06A, A07A, A09A, A13A | Pre | | A06A, A07A, A09A, A13A | Pre | A06A, A07A, A09A, A13A | | | | |

VYK

| ZZV | MDC | DRG | ZZV | MDC | DRG | ZZV | MDC | DRG |
|---------|-------|--|----------------------------------|--|--|---------|--|--|
| 5k585 | | BOP, KJZSV, KOP, KOPV, KVT, UOP4 | 5k587.3 | | BOP, KJZSV, KOP, KOPV, KVT, UOP4 | 5k587.x | | BOP, KJZSV, KOP, KOPV, KVT, UOP4 |
| | 05 | F01A, F01B, F01D, F05Z, F07A, F07B, F30Z, F36A, F36B, F42Z | | 05 | F01A, F01B, F01D, F05Z, F07A, F07B, F30Z, F36A, F36B, F42Z | | 05 | F01A, F01B, F01D, F05Z, F07A, F07B, F30Z, F36A, F36B, F42Z |
| | 06 | G33Z | | 06 | G33Z | | 06 | G33Z |
| | 07 | H33Z, H38Z | | 07 | H33Z, H38Z | | 07 | H33Z, H38Z |
| | 11 | L33Z | | 11 | L33Z | | 11 | L33Z |
| | 15 | P02A, P02B, P02C | | 15 | P02A, P02B, P02C | | 15 | P02A, P02B, P02C |
| | 21B | X33Z | | 21B | X33Z | | 21B | X33Z |
| | 23 | Z01A | | 23 | Z01A | | 23 | Z01A |
| | Pre | A06A, A07A, A09A, A13A | | Pre | A06A, A07A, A09A, A13A | | Pre | A06A, A07A, A09A, A13A |
| | 5k586 | | | BOP, KJZSV, KOP, KOPV, KVT, UOP4 | 5k587.4 | | | BOP, KJZSV, KOP, KOPV, KVT, UOP4 |
| 05 | | F01A, F01B, F01D, F05Z, F07A, F07B, F30Z, F36A, F36B, F42Z | 05 | F01A, F01B, F01D, F05Z, F07A, F07B, F30Z, F36A, F36B, F42Z | | 04 | E05A, E05B, E05C, E08A, E08B, E08C | |
| 06 | | G33Z | 06 | G33Z | | 05 | F01A, F01B, F01D, F03B, F03C, F03D, F03E, F05Z, F07A, F07B, F09A, F09B, F09C, F30Z, F36A, F36B, F42Z | |
| 07 | | H33Z, H38Z | 07 | H33Z, H38Z | | 06 | G33Z | |
| 11 | | L33Z | 11 | L33Z | | 07 | H33Z, H38Z | |
| 15 | | P02A, P02B, P02C | 15 | P02A, P02B, P02C | | 11 | L33Z | |
| 21B | | X33Z | 21B | X33Z | | 15 | P02A, P02B, P02C | |
| 23 | | Z01A | 23 | Z01A | | 21B | X33Z | |
| Pre | | A06A, A07A, A09A, A13A | Pre | A06A, A07A, A09A, A13A | | 23 | Z01A | |
| 5k587.0 | | | BOP, KJZSV, KOP, KOPV, KVT, UOP4 | 5k587.5 | | | BOP, KJZSV, KOP, KOPV, KVT, UOP4 | 5k589 |
| | 04 | E05A, E05B, E05C, E08A, E08B, E08C | 05 | | F01A, F01B, F01D, F05Z, F07A, F07B, F30Z, F36A, F36B, F42Z | 05 | F01A, F01B, F01D, F05Z, F07A, F07B, F30Z, F36A, F36B, F42Z | |
| | 05 | F01A, F01B, F01D, F05Z, F07A, F07B, F30Z, F36A, F36B, F42Z | 06 | | G33Z | 06 | G33Z | |
| | 06 | G33Z | 07 | | H33Z, H38Z | 07 | H33Z, H38Z | |
| | 07 | H33Z, H38Z | 11 | | L33Z | 11 | L33Z | |
| | 11 | L33Z | 15 | | P02A, P02B, P02C | 15 | P02A, P02B, P02C | |
| | 15 | P02A, P02B, P02C | 21B | | X33Z | 21B | X33Z | |
| | 21B | X33Z | 23 | | Z01A | 23 | Z01A | |
| | 23 | Z01A | Pre | | A06A, A07A, A09A, A13A | Pre | A06A, A07A, A09A, A13A | |
| | Pre | A06A, A07A, A09A, A13A | | | BOP, KJZSV, KOP, KOPV, KVT, UOP4 | | BOP, KJZSV, KOP, KOPV, KVT, UOP4 | |
| 5k587.1 | | BOP, KJZSV, KOP, KOPV, KVT, UOP4 | 5k587.6 | | BOP, KJZSV, KOP, KOPV, KVT, UOP4 | 5k58x | | BOP, KJZSV, KOP, KOPV, KVT, UOP4 |
| | 04 | E05A, E05B, E05C, E08A, E08B, E08C | | 05 | F01A, F01B, F01D, F05Z, F07A, F07B, F30Z, F36A, F36B, F42Z | | 05 | F01A, F01B, F01D, F03B, F03C, F03D, F03E, F05Z, F07A, F07B, F09A, F09B, F09C, F30Z, F36A, F36B, F42Z |
| | 05 | F01A, F01B, F01D, F05Z, F07A, F07B, F30Z, F36A, F36B, F42Z | | 06 | G33Z | | 06 | G33Z |
| | 06 | G33Z | | 07 | H33Z, H38Z | | 07 | H33Z, H38Z |
| | 07 | H33Z, H38Z | | 11 | L33Z | | 11 | L33Z |
| | 11 | L33Z | | 15 | P02A, P02B, P02C | | 15 | P02A, P02B, P02C |
| | 15 | P02A, P02B, P02C | | 21B | X33Z | | 21B | X33Z |
| | 21B | X33Z | | 23 | Z01A | | 23 | Z01A |
| | 23 | Z01A | | Pre | A06A, A07A, A09A, A13A | | Pre | A06A, A07A, A09A, A13A |
| | Pre | A06A, A07A, A09A, A13A | | | BOP, KJZSV, KOP, KOPV, KVT, UOP4 | | | BOP, KJZSV, KOP, KOPV, KVT, UOP4 |
| 5k587.2 | | BOP, KJZSV, KOP, KOPV, KVT, UOP4 | 5k587.7 | | BOP, KJZSV, KOP, KOPV, KVT, UOP4 | 5k590.1 | | BOP, KJZSV, KOP, KOPV, KVT, UOP4 |
| | 04 | E05A, E05B, E05C, E08A, E08B, E08C | | 05 | F01A, F01B, F01D, F05Z, F07A, F07B, F30Z, F36A, F36B, F42Z | | 05 | F01A, F01B, F01D, F05Z, F07A, F07B, F30Z, F36A, F36B, F42Z |
| | 05 | F01A, F01B, F01D, F05Z, F07A, F07B, F30Z, F36A, F36B, F42Z | | 06 | G33Z | | 06 | G33Z |
| | 06 | G33Z | | 07 | H33Z, H38Z | | 07 | H33Z, H38Z |
| | 07 | H33Z, H38Z | | 11 | L33Z | | 11 | L33Z |
| | 11 | L33Z | | 15 | P02A, P02B, P02C | | 15 | P02A, P02B, P02C |
| | 15 | P02A, P02B, P02C | | 21B | X33Z | | 21B | X33Z |
| | 21B | X33Z | | 23 | Z01A | | 23 | Z01A |
| | 23 | Z01A | | Pre | A06A, A07A, A09A, A13A | | Pre | A06A, A07A, A09A, A13A |
| | Pre | A06A, A07A, A09A, A13A | | | BOP, KJZSV, KOP, KOPV, KVT, UOP4 | | | BOP, KJZSV, KOP, KOPV, KVT, UOP4 |

VYK

| ZZV | MDC | DRG | ZZV | MDC | DRG | ZZV | MDC | DRG | | | |
|---------|---------|--|------------------------------------|--|--|---------|--|--|--|----|--|
| 5k590.2 | | BOP, KJZSV, KOP, KOPV, KVT, UOP4 | 5k590.8 | | BOP, KJZSV, KOP, KOPV, KVT, UOP4 | 5k590.c | | BOP, KJZSV, KOP, KOPV, KVT, UOP4 | | | |
| | 05 | F01A, F01B, F01D, F03A, F03B, F03C, F03D, F03E, F03F, F05Z, F30Z, F36A, F36B, F42Z | | 04 | E05A, E05B, E05C, E08A, E08B, E08C | | 05 | F01A, F01B, F01D, F03A, F03B, F03C, F03D, F03E, F03F, F05Z, F07A, F07B, F36A, F36B, F42Z | | | |
| | 06 | G33Z | | 05 | F01A, F01B, F01D, F03A, F03B, F03C, F03D, F03E, F03F, F05Z, F07A, F07B, F36A, F36B, F42Z | | 06 | G33Z | | | |
| | 07 | H33Z, H38Z | | 06 | G33Z | | 07 | H33Z, H38Z | | | |
| | 11 | L33Z | | 07 | H33Z, H38Z | | 11 | L33Z | | | |
| | 15 | P02A, P02B, P02C | | 11 | L33Z | | 15 | P02A, P02B, P02C | | | |
| | 21B | X33Z | | 21A | W04A, W04B | | 21B | X33Z | | | |
| | 23 | Z01A | | 21B | X06A, X06B, X06C, X33Z | | 23 | Z01A | | | |
| | Pre | A06A, A07A, A09A, A13A | | 23 | Z01A | | Pre | A06A, A07A, A09A, A13A | | | |
| | 5k590.3 | | | BOP, KJZSV, KOP, KOPV, KVT, UOP4 | 5k590.9 | | | BOP, KJZSV, KOP, KOPV, KVT, UOP4 | 5k590.x | | BOP, KJZSV, KOP, KOPV, KVT, UOP4 |
| | | 05 | | F01A, F01B, F01D, F03A, F03B, F03C, F03D, F03E, F03F, F05Z, F30Z, F36A, F36B, F42Z | | | 04 | E05A, E05B, E05C, E08A, E08B, E08C | | 05 | F01A, F01B, F01D, F05Z, F07A, F07B, F30Z, F36A, F36B, F42Z |
| 06 | | G33Z | 05 | F01A, F01B, F01D, F03A, F03B, F03C, F03D, F03E, F03F, F05Z, F07A, F07B, F36A, F36B, F42Z | | 06 | G33Z | | | | |
| 07 | | H33Z, H38Z | 06 | G33Z | | 07 | H33Z, H38Z | | | | |
| 11 | | L33Z | 07 | H33Z, H38Z | | 11 | L33Z | | | | |
| 15 | | P02A, P02B, P02C | 11 | L33Z | | 15 | P02A, P02B, P02C | | | | |
| 21B | | X33Z | 21A | W04A, W04B | | 21B | X33Z | | | | |
| 23 | | Z01A | 21B | X06A, X06B, X06C, X33Z | | 23 | Z01A | | | | |
| Pre | | A06A, A07A, A09A, A13A | 23 | Z01A | | Pre | A06A, A07A, A09A, A13A | | | | |
| 5k590.4 | | | BOP, KJZSV, KOP, KOPV, KVT, UOP4 | 5k590.a | | | BOP, KJZSV, KOP, KOPV, KVT, UOP4 | 5k592.1 | | | BOP, KJZSV, KOP, KOPV, KVT, UOP4 |
| | | 04 | E05A, E05B, E05C, E08A, E08B, E08C | | | 05 | F01A, F01B, F01D, F05Z, F07A, F07B, F14A, F14B, F28A, F36A, F36B, F42Z, F54A, F54B, F54J, F59A, F59B | | | 05 | F01A, F01B, F01D, F05Z, F07A, F07B, F30Z, F36A, F36B, F42Z |
| | 05 | F01A, F01B, F01D, F05Z, F07A, F07B, F14A, F14B, F28A, F36A, F36B, F42Z, F54A, F54B, F54J, F59A, F59B | 05 | | F01A, F01B, F01D, F03A, F03B, F03C, F03D, F03E, F03F, F05Z, F07A, F07B, F30Z, F36A, F36B, F42Z | 06 | G33Z | | | | |
| | 06 | G33Z | 06 | | G33Z | 07 | H33Z, H38Z | | | | |
| | 07 | H33Z, H38Z | 07 | | H33Z, H38Z | 11 | L33Z | | | | |
| | 10 | K09A, K09B | 11 | | L33Z | 15 | P02A, P02B, P02C | | | | |
| | 11 | L33Z | 15 | | P02A, P02B, P02C | 21B | X33Z | | | | |
| | 21A | W04A, W04B | 21B | | X33Z | 23 | Z01A | | | | |
| | 21B | X06A, X06B, X06C, X33Z | 23 | | Z01A | Pre | A06A, A07A, A09A, A13A | | | | |
| | 23 | Z01A | Pre | | A06A, A07A, A09A, A13A | 5k592.2 | | | BOP, KJZSV, KOP, KOPV, KVT, UOP4 | | |
| | Pre | A06A, A07A, A09A, A13A | Pre | | A06A, A07A, A09A, A13A | | 05 | | F01A, F01B, F01D, F05Z, F07A, F07B, F30Z, F36A, F36B, F42Z | | |
| 5k590.5 | | BOP, KJZSV, KOP, KOPV, KVT, UOP4 | 5k590.b0 | | BOP, KJZSV, KOP, KOPV, KVT, UOP4 | | 5k592.3 | | BOP, KJZSV, KOP, KOPV, KVT, UOP4 | | |
| | 05 | F01A, F01B, F01D, F03A, F03B, F03C, F03D, F03E, F03F, F05Z, F30Z, F36A, F36B, F42Z | | 05 | F01A, F01B, F01D, F05Z, F07A, F07B, F30Z, F36A, F36B, F42Z | | | 05 | F01A, F01B, F01D, F03A, F03B, F03C, F03D, F03E, F03F, F05Z, F30Z, F36A, F36B, F42Z | | |
| | 06 | G33Z | | 06 | G33Z | | | 06 | G33Z | | |
| | 07 | H33Z, H38Z | | 07 | H33Z, H38Z | | | 07 | H33Z, H38Z | | |
| | 11 | L33Z | | 11 | L33Z | | | 11 | L33Z | | |
| | 15 | P02A, P02B, P02C | | 15 | P02A, P02B, P02C | | | 15 | P02A, P02B, P02C | | |
| | 21B | X33Z | | 21B | X33Z | | | 21B | X33Z | | |
| | 23 | Z01A | | 23 | Z01A | | | 23 | Z01A | | |
| | Pre | A06A, A07A, A09A, A13A | | Pre | A06A, A07A, A09A, A13A | | | Pre | A06A, A07A, A09A, A13A | | |
| | 5k590.6 | | | BOP, KJZSV, KOP, KOPV, KVT, UOP4 | 5k590.b1 | | | BOP, KJZSV, KOP, KOPV, KVT, UOP4 | 5k592.3 | | BOP, KJZSV, KOP, KOPV, KVT, UOP4 |
| | | 05 | | F01A, F01B, F01D, F03A, F03B, F03C, F03D, F03E, F03F, F05Z, F30Z, F36A, F36B, F42Z | | 05 | | F01A, F01B, F01D, F05Z, F07A, F07B, F30Z, F36A, F36B, F42Z | | 05 | F01A, F01B, F01D, F03A, F03B, F03C, F03D, F03E, F03F, F05Z, F30Z, F36A, F36B, F42Z |
| 06 | | G33Z | 06 | G33Z | | 06 | G33Z | | | | |
| 07 | | H33Z, H38Z | 07 | H33Z, H38Z | | 07 | H33Z, H38Z | | | | |
| 11 | | L33Z | 11 | L33Z | | 11 | L33Z | | | | |
| 15 | | P02A, P02B, P02C | 15 | P02A, P02B, P02C | | 15 | P02A, P02B, P02C | | | | |
| 21B | | X33Z | 21B | X33Z | | 21B | X33Z | | | | |
| 23 | | Z01A | 23 | Z01A | | 23 | Z01A | | | | |
| Pre | | A06A, A07A, A09A, A13A | Pre | A06A, A07A, A09A, A13A | | Pre | A06A, A07A, A09A, A13A | | | | |

VYK

| ZZV | MDC | DRG | ZZV | MDC | DRG | ZZV | MDC | DRG |
|---------|---------|--|----------------------------------|--|--|---------|--|--|
| 5k592.4 | | BOP, KJZSV, KOP, KOPV, KVT, UOP4 | 5k594.5 | | BOP, KJZSV, KOP, KOPV, KVT, UOP4 | 5k596.1 | | BOP, KJZSV, KOP, KOPV, KVT, UOP4 |
| | 05 | F01A, F01B, F01D, F03A, F03B, F03C, F03D, F03E, F03F, F05Z, F30Z, F36A, F36B, F42Z | | 05 | F01A, F01B, F01D, F03A, F03B, F03C, F03D, F03E, F03F, F05Z, F30Z, F36A, F36B, F42Z | | 05 | F01A, F01B, F01D, F05Z, F07A, F07B, F30Z, F36A, F36B, F42Z |
| | 06 | G33Z | | 06 | G33Z | | 06 | G33Z |
| | 07 | H33Z, H38Z | | 07 | H33Z, H38Z | | 07 | H33Z, H38Z |
| | 11 | L33Z | | 11 | L33Z | | 11 | L33Z |
| | 15 | P02A, P02B, P02C | | 15 | P02A, P02B, P02C | | 15 | P02A, P02B, P02C |
| | 21B | X33Z | | 21B | X33Z | | 21B | X33Z |
| | 23 | Z01A | | 23 | Z01A | | 23 | Z01A |
| | Pre | A06A, A07A, A09A, A13A | | Pre | A06A, A07A, A09A, A13A | | Pre | A06A, A07A, A09A, A13A |
| | 5k592.x | | | BOP, KJZSV, KOP, KOPV, KVT, UOP4 | 5k594.6 | | | BOP, KJZSV, KOP, KOPV, KVT, UOP4 |
| 05 | | F01A, F01B, F01D, F05Z, F07A, F07B, F30Z, F36A, F36B, F42Z | 05 | F01A, F01B, F01D, F03A, F03B, F03C, F03D, F03E, F03F, F05Z, F30Z, F36A, F36B, F42Z | | 05 | F01A, F01B, F01D, F05Z, F07A, F07B, F30Z, F36A, F36B, F42Z | |
| 06 | | G33Z | 06 | G33Z | | 06 | G33Z | |
| 07 | | H33Z, H38Z | 07 | H33Z, H38Z | | 07 | H33Z, H38Z | |
| 11 | | L33Z | 11 | L33Z | | 11 | L33Z | |
| 15 | | P02A, P02B, P02C | 15 | P02A, P02B, P02C | | 15 | P02A, P02B, P02C | |
| 21B | | X33Z | 21B | X33Z | | 21B | X06A, X06B, X06C, X33Z | |
| 23 | | Z01A | 21B | X33Z | | 23 | Z01A | |
| Pre | | A06A, A07A, A09A, A13A | 23 | Z01A | | Pre | A06A, A07A, A09A, A13A | |
| 5k594.1 | | | BOP, KJZSV, KOP, KOPV, KVT, UOP4 | 5k594.8 | | | BOP, KJZSV, KOP, KOPV, KVT, UOP4 | 5k596.3 |
| | 05 | F01A, F01B, F01D, F05Z, F07A, F07B, F30Z, F36A, F36B, F42Z | 04 | | E05A, E05B, E05C, E08A, E08B, E08C | 05 | F01A, F01B, F01D, F03A, F03B, F03C, F03D, F03E, F03F, F05Z, F07A, F07B, F36A, F36B, F42Z | |
| | 06 | G33Z | 05 | | F01A, F01B, F01D, F03A, F03B, F03C, F03D, F03E, F03F, F05Z, F07A, F07B, F36A, F36B, F42Z | 06 | G33Z | |
| | 07 | H33Z, H38Z | 06 | | G33Z | 07 | H33Z, H38Z | |
| | 11 | L33Z | 07 | | H33Z, H38Z | 11 | L33Z | |
| | 15 | P02A, P02B, P02C | 11 | | L33Z | 15 | P02A, P02B, P02C | |
| | 21B | X33Z | 21A | | W04A, W04B | 21B | X33Z | |
| | 23 | Z01A | 21B | | X06A, X06B, X06C, X33Z | 23 | Z01A | |
| | Pre | A06A, A07A, A09A, A13A | Pre | | A06A, A07A, A09A, A13A | Pre | A06A, A07A, A09A, A13A | |
| | 5k594.2 | | BOP, KJZSV, KOP, KOPV, KVT, UOP4 | | 5k594.9 | | BOP, KJZSV, KOP, KOPV, KVT, UOP4 | |
| 05 | | F01A, F01B, F01D, F03A, F03B, F03C, F03D, F03E, F03F, F05Z, F30Z, F36A, F36B, F42Z | 04 | E05A, E05B, E05C, E08A, E08B, E08C | | 05 | F01A, F01B, F01D, F03A, F03B, F03C, F03D, F03E, F03F, F05Z, F30Z, F36A, F36B, F42Z | |
| 06 | | G33Z | 05 | F01A, F01B, F01D, F03A, F03B, F03C, F03D, F03E, F03F, F05Z, F07A, F07B, F36A, F36B, F42Z | | 06 | G33Z | |
| 07 | | H33Z, H38Z | 06 | G33Z | | 07 | H33Z, H38Z | |
| 11 | | L33Z | 07 | H33Z, H38Z | | 11 | L33Z | |
| 15 | | P02A, P02B, P02C | 11 | L33Z | | 15 | P02A, P02B, P02C | |
| 21B | | X33Z | 21A | W04A, W04B | | 21B | X33Z | |
| 23 | | Z01A | 21B | X06A, X06B, X06C, X33Z | | 23 | Z01A | |
| Pre | | A06A, A07A, A09A, A13A | Pre | A06A, A07A, A09A, A13A | | Pre | A06A, A07A, A09A, A13A | |
| 5k594.4 | | | BOP, KJZSV, KOP, KOPV, KVT, UOP4 | 5k594.x | | | BOP, KJZSV, KOP, KOPV, KVT, UOP4 | 5k596.x |
| | 04 | E05A, E05B, E05C, E08A, E08B, E08C | 05 | | F01A, F01B, F01D, F05Z, F07A, F07B, F30Z, F36A, F36B, F42Z | 05 | F01A, F01B, F01D, F05Z, F07A, F07B, F30Z, F36A, F36B, F42Z | |
| | 05 | F01A, F01B, F01D, F05Z, F07A, F07B, F14A, F14B, F28A, F36A, F36B, F42Z, F54A, F54B, F54J, F59A, F59B | 06 | | G33Z | 06 | G33Z | |
| | 06 | G33Z | 07 | | H33Z, H38Z | 07 | H33Z, H38Z | |
| | 07 | H33Z, H38Z | 10 | | K09A, K09B | 11 | L33Z | |
| | 10 | K09A, K09B | 11 | | L33Z | 15 | P02A, P02B, P02C | |
| | 11 | L33Z | 21A | | W04A, W04B | 21B | X33Z | |
| | 21A | W04A, W04B | 21B | | X06A, X06B, X06C, X33Z | 23 | Z01A | |
| | 21B | X06A, X06B, X06C, X33Z | 23 | | Z01A | Pre | A06A, A07A, A09A, A13A | |
| | 23 | Z01A | Pre | | A06A, A07A, A09A, A13A | | | |

VYK

| ZZV | MDC | DRG | ZZV | MDC | DRG | ZZV | MDC | DRG | | | |
|-------|-------|--|--|--|--|---------|--|--|---------|----|--|
| 5k59x | | BOP, KJZSV, KOP, KOPV, KVT, UOP4 | 5k60x | | BOP, KJZSV, KOP, KOPV, KVT, UOP4 | 5k610.x | | BOP, KJZSV, KOP, KOPV, KVT, UOP4 | | | |
| | 05 | F01A, F01B, F01D, F05Z, F07A, F07B, F30Z, F36A, F36B, F42Z | | 05 | F01A, F01B, F01D, F05Z, F07A, F07B, F09A, F09B, F09C, F30Z, F36A, F36B, F42Z | | 05 | F01A, F01B, F01D, F03B, F03C, F03D, F03E, F05Z, F06A, F06B, F06C, F06D, F06E, F06F, F07A, F07B, F30Z, F36A, F36B, F42Z | | | |
| | 06 | G33Z | | 06 | G33Z | | 06 | G33Z | | | |
| | 07 | H33Z, H38Z | | 07 | H33Z, H38Z | | 07 | H33Z, H38Z | | | |
| | 11 | L33Z | | 11 | L33Z | | 11 | L33Z | | | |
| | 15 | P02A, P02B, P02C | | 15 | P02A, P02B, P02C | | 15 | P02A, P02B, P02C | | | |
| | 21B | X33Z | | 21B | X33Z | | 21B | X33Z | | | |
| | 23 | Z01A | | 23 | Z01A | | 23 | Z01A | | | |
| | Pre | A06A, A07A, A09A, A13A | | Pre | A07A | | Pre | A07A | | | |
| | 5k600 | | | BOP, KJZSV, KOP, KOPV, KVT, UOP4 | 5k610.0 | | | BOP, KJZSV, KOP, KOPV, KVT, UOP4 | 5k611.0 | | BOP, KJZSV, KOP, KOPV, KVT, UOP4 |
| | | 05 | | F01A, F01B, F01D, F05Z, F07A, F07B, F09A, F09B, F09C, F30Z, F36A, F36B, F42Z | | | 05 | F01A, F01B, F01D, F03B, F03C, F03D, F03E, F05Z, F06A, F06B, F06C, F06D, F06E, F06F, F07A, F07B, F30Z, F36A, F36B, F42Z | | 05 | F01A, F01B, F01D, F03B, F03C, F03D, F03E, F05Z, F06A, F06B, F06C, F06D, F06E, F06F, F07A, F07B, F30Z, F36A, F36B, F42Z |
| | | 06 | | G33Z | | | 06 | G33Z | | 06 | G33Z |
| | | 07 | | H33Z, H38Z | | | 07 | H33Z, H38Z | | 07 | H33Z, H38Z |
| 11 | | L33Z | 11 | L33Z | | 11 | L33Z | | | | |
| 15 | | P02A, P02B, P02C | 15 | P02A, P02B, P02C | | 15 | P02A, P02B, P02C | | | | |
| 21B | | X33Z | 21B | X33Z | | 21B | X33Z | | | | |
| 23 | | Z01A | 23 | Z01A | | 23 | Z01A | | | | |
| Pre | | A07A | Pre | A07A | | Pre | A07A | | | | |
| 5k601 | | | BOP, KJZSV, KOP, KOPV, KVT, UOP4 | 5k610.1 | | | BOP, KJZSV, KOP, KOPV, KVT, UOP4 | 5k611.1 | | | BOP, KJZSV, KOP, KOPV, KVT, UOP4 |
| | | 05 | F01A, F01B, F01D, F05Z, F07A, F07B, F09A, F09B, F09C, F30Z, F36A, F36B, F42Z | | | 05 | F01A, F01B, F01D, F03B, F03C, F03D, F03E, F05Z, F06A, F06B, F06C, F06D, F06E, F06F, F07A, F07B, F30Z, F36A, F36B, F42Z | | | 05 | F01A, F01B, F01D, F03B, F03C, F03D, F03E, F05Z, F06A, F06B, F06C, F06D, F06E, F06F, F07A, F07B, F30Z, F36A, F36B, F42Z |
| | | 06 | G33Z | | | 06 | G33Z | | | 06 | G33Z |
| | | 07 | H33Z, H38Z | | | 07 | H33Z, H38Z | | | 07 | H33Z, H38Z |
| | 11 | L33Z | 11 | | L33Z | 11 | L33Z | | | | |
| | 15 | P02A, P02B, P02C | 15 | | P02A, P02B, P02C | 15 | P02A, P02B, P02C | | | | |
| | 21B | X33Z | 21B | | X33Z | 21B | X33Z | | | | |
| | 23 | Z01A | 23 | | Z01A | 23 | Z01A | | | | |
| | Pre | A07A | Pre | | A07A | Pre | A07A | | | | |
| | 5k602 | | BOP, KJZSV, KOP, KOPV, KVT, UOP4 | | 5k610.2 | | BOP, KJZSV, KOP, KOPV, KVT, UOP4 | | 5k611.2 | | BOP, KJZSV, KOP, KOPV, KVT, UOP4 |
| | | 05 | F01A, F01B, F01D, F05Z, F07A, F07B, F09A, F09B, F09C, F30Z, F36A, F36B, F42Z | | | 05 | F01A, F01B, F01D, F03B, F03C, F03D, F03E, F05Z, F06A, F06B, F06C, F06D, F06E, F06F, F07A, F07B, F30Z, F36A, F36B, F42Z | | | 05 | F01A, F01B, F01D, F03B, F03C, F03D, F03E, F05Z, F06A, F06B, F06C, F06D, F06E, F06F, F07A, F07B, F30Z, F36A, F36B, F42Z |
| | | 06 | G33Z | | | 06 | G33Z | | | 06 | G33Z |
| | | 07 | H33Z, H38Z | | | 07 | H33Z, H38Z | | | 07 | H33Z, H38Z |
| 11 | | L33Z | 11 | L33Z | | 11 | L33Z | | | | |
| 15 | | P02A, P02B, P02C | 15 | P02A, P02B, P02C | | 15 | P02A, P02B, P02C | | | | |
| 21B | | X33Z | 21B | X33Z | | 21B | X33Z | | | | |
| 23 | | Z01A | 23 | Z01A | | 23 | Z01A | | | | |
| Pre | | A07A | Pre | A07A | | Pre | A07A | | | | |
| 5k604 | | | BOP, KJZSV, KOP, KOPV, KVT, UOP4 | 5k610.5 | | | BOP, KJZSV, KOP, KOPV, KVT, UOP4 | 5k611.5 | | | BOP, KJZSV, KOP, KOPV, KVT, UOP4 |
| | | 05 | F01A, F01B, F01D, F05Z, F07A, F07B, F09A, F09B, F09C, F30Z, F36A, F36B, F42Z | | | 05 | F01A, F01B, F01D, F03B, F03C, F03D, F03E, F05Z, F06A, F06B, F06C, F06D, F06E, F06F, F07A, F07B, F30Z, F36A, F36B, F42Z | | | 05 | F01A, F01B, F01D, F03B, F03C, F03D, F03E, F05Z, F06A, F06B, F06C, F06D, F06E, F06F, F07A, F07B, F30Z, F36A, F36B, F42Z |
| | | 06 | G33Z | | | 06 | G33Z | | | 06 | G33Z |
| | | 07 | H33Z, H38Z | | | 07 | H33Z, H38Z | | | 07 | H33Z, H38Z |
| | 11 | L33Z | 11 | | L33Z | 11 | L33Z | | | | |
| | 15 | P02A, P02B, P02C | 15 | | P02A, P02B, P02C | 15 | P02A, P02B, P02C | | | | |
| | 21B | X33Z | 21B | | X33Z | 21B | X33Z | | | | |
| | 23 | Z01A | 23 | | Z01A | 23 | Z01A | | | | |
| | Pre | A07A | Pre | | A07A | Pre | A07A | | | | |

VYK

| ZZV | MDC | DRG | ZZV | MDC | DRG | ZZV | MDC | DRG | | | |
|---------|-------|--|----------------------------------|--|--|--|--|--|--|--|--|
| 5k62x.x | | BOP, KJZSV, KOP, KOPV, KVT, UOP4 | 5k634 | | BOP, KJZSV, KOP, KOPV, KVT, UOP4 | 5k643 | | BOP, KJZSV, KOP, KOPV, KVT, UOP4 | | | |
| | 05 | F01A, F01B, F01D, F03B, F03C, F03D, F03E, F05Z, F06A, F06B, F06C, F06D, F06E, F06F, F30Z, F36A, F36B, F42Z | | 05 | F01A, F01B, F01D, F03B, F03C, F03D, F03E, F05Z, F06A, F06B, F06C, F06D, F06E, F06F, F30Z, F36A, F36B, F42Z | | 05 | F01A, F01B, F01D, F05Z, F07A, F07B, F09A, F09B, F09C, F30Z, F36A, F36B, F42Z | | | |
| | 06 | G33Z | | 06 | G33Z | | 06 | G33Z | | | |
| | 07 | H33Z, H38Z | | 07 | H33Z, H38Z | | 07 | H33Z, H38Z | | | |
| | 11 | L33Z | | 11 | L33Z | | 11 | L33Z | | | |
| | 15 | P02A, P02B, P02C | | 15 | P02A, P02B, P02C | | 15 | P02A, P02B, P02C | | | |
| | 21B | X33Z | | 21B | X33Z | | 21B | X06A, X06B, X06C, X33Z | | | |
| | 23 | Z01A | | 23 | Z01A | | 23 | Z01A | | | |
| | Pre | A07A | | Pre | A07A | | Pre | A07A | | | |
| | 5k630 | | | BOP, KJZSV, KOP, KOPV, KVT, UOP4 | 5k635 | | | BOP, KJZSV, KVT, UOP4 | 5k644 | | BOP, KJZSV, KVT, UOP4 |
| 05 | | F01A, F01B, F01D, F05Z, F07A, F07B, F09A, F09B, F09C, F30Z, F36A, F36B, F42Z | 05 | F01A, F01B, F01D, F05Z, F07A, F07B, F09A, F09B, F09C, F30Z, F42Z | | 05 | F21A, F21B, F21J | | | | |
| 06 | | G33Z | 15 | P02A, P02B, P02C | | 05 | F01A, F01B, F01D, F05Z, F07A, F07B, F09A, F09B, F09C, F30Z, F42Z | | | | |
| 07 | | H33Z, H38Z | 21B | X06A, X06B, X06C | | 15 | P02A, P02B, P02C | | | | |
| 11 | | L33Z | 5k636 | | | BOP, KJZSV, KOP, KOPV, KVT, UOP4 | 5k64x | | | BOP, KJZSV, KVT, UOP4 | |
| 15 | | P02A, P02B, P02C | | 04 | | E05A, E05B, E05C, E08A, E08B, E08C | | 05 | | F01A, F01B, F01D, F05Z, F07A, F07B, F09A, F09B, F09C, F30Z, F36A, F36B, F42Z | |
| 21B | | X06A, X06B, X06C, X33Z | | 05 | | F01A, F01B, F01D, F05Z, F07A, F07B, F09A, F09B, F09C, F30Z, F36A, F36B, F42Z | | 15 | | P02A, P02B, P02C | |
| 23 | | Z01A | | 06 | | G33Z | | 21B | | X06A, X06B, X06C | |
| Pre | | A07A | | 07 | | H33Z, H38Z | | 5k700 | | | BOP, KJZSV, KOP, KOPV, KVT, UOP4 |
| 5k631 | | | | BOP, KJZSV, KOP, KOPV, KVT, UOP4 | | 11 | | | | L33Z | 04 |
| | 05 | F01A, F01B, F01D, F05Z, F06C, F06D, F07A, F07B, F09A, F09B, F09C, F30Z, F36A, F36B, F42Z | | 15 | P02A, P02B, P02C | 05 | | | F01A, F01B, F01D, F05Z, F07A, F07B, F09A, F09B, F09C, F36A, F36B, F42Z | | |
| | 06 | G33Z | | 21B | X33Z | 06 | | | G33Z | | |
| | 07 | H33Z, H38Z | | 23 | Z01A | 07 | | | H33Z, H38Z | | |
| | 11 | L33Z | | Pre | A07A | 11 | | | L33Z | | |
| | 15 | P02A, P02B, P02C | 5k63x | | BOP, KJZSV, KVT, UOP4 | 17 | R01A, R01B, R01C, R01D, R02Z, R12A, R12B, R12C | | | | |
| | 21B | X06A, X06B, X06C, X33Z | | 05 | F01A, F01B, F01D, F05Z, F07A, F07B, F09A, F09B, F09C, F30Z, F42Z | 21A | W04A, W04B | | | | |
| | 23 | Z01A | | 15 | P02A, P02B, P02C | 21B | X06A, X06B, X06C | | | | |
| | Pre | A07A | | 21B | X06A, X06B, X06C | 23 | Z01A | | | | |
| | 5k632 | | | BOP, KJZSV, KOP, KOPV, KVT, UOP4 | 5k640 | | BOP, KJZSV, KVT, UOP4 | 5k701 | | BOP, KJZSV, KOP, KOPV, KVT, UOP4 | |
| 05 | | F01A, F01B, F01D, F03B, F03C, F03D, F03E, F05Z, F06A, F06B, F06C, F06D, F06E, F06F, F30Z, F36A, F36B, F42Z | | 05 | | F01A, F01B, F01D, F05Z, F07A, F07B, F09A, F09B, F09C, F30Z, F42Z | 04 | | E05A, E05B, E05C, E08A, E08B, E08C | | |
| 06 | | G33Z | | 15 | | P02A, P02B, P02C | 05 | | F01A, F01B, F01D, F05Z, F07A, F07B, F09A, F09B, F09C, F36A, F36B, F42Z | | |
| 07 | | H33Z, H38Z | | 21B | | X06A, X06B, X06C | 06 | | G33Z | | |
| 11 | | L33Z | | 5k641 | | | BOP, KJZSV, KVT, UOP4 | | 07 | H33Z, H38Z | |
| 15 | | P02A, P02B, P02C | | | | 05 | F01A, F01B, F01D, F05Z, F07A, F07B, F09A, F09B, F09C, F30Z, F42Z | | 11 | L33Z | |
| 21B | | X06A, X06B, X06C, X33Z | 15 | | | P02A, P02B, P02C | 17 | | R01A, R01B, R01C, R01D, R02Z, R12A, R12B, R12C | | |
| 23 | | Z01A | 21B | | | X06A, X06B, X06C | 21A | | W04A, W04B | | |
| Pre | | A07A | 5k642 | | | | BOP, KJZSV, KVT, UOP4 | | 21B | X06A, X06B, X06C | |
| 5k633 | | | | | | BOP, KJZSV, KOP, KOPV, KVT, UOP4 | 05 | | F01A, F01B, F01D, F05Z, F07A, F07B, F09A, F09B, F09C, F30Z, F42Z | 23 | Z01A |
| | 05 | F01A, F01B, F01D, F05Z, F07A, F07B, F09A, F09B, F09C, F30Z, F36A, F36B, F42Z | | | 21B | X06A, X06B, X06C | Pre | A07A | | | |
| | 06 | G33Z | | | 5k643 | | BOP, KJZSV, KVT, UOP4 | 5k702 | | BOP, KJZSV, KVT, UOP4 | |
| | 07 | H33Z, H38Z | | | | 05 | F01A, F01B, F01D, F05Z, F07A, F07B, F09A, F09B, F09C, F30Z, F42Z | | 04 | E02A, E02B, E02C, E02D | |
| | 11 | L33Z | | | | 15 | P02A, P02B, P02C | | 08 | I23A, I23J | |
| | 15 | P02A, P02B, P02C | | 21B | | X06A, X06B, X06C | 09 | | J03A, J03B, J04A, J04B, J08A, J08B, J08C, J11A, J11B, J11J, J11Q, J11R, J11S, J16Z | | |
| | 21B | X06A, X06B, X06C, X33Z | | 5k644 | | | BOP, KJZSV, KVT, UOP4 | | 10 | K09A, K09B | |
| | 23 | Z01A | | | | 05 | F01A, F01B, F01D, F05Z, F07A, F07B, F09A, F09B, F09C, F30Z, F42Z | | 17 | R01A, R01B, R01C, R01D, R02Z, R12A, R12B, R12C | |
| | Pre | A07A | | | | 15 | P02A, P02B, P02C | | 21A | W04A, W04B | |
| | 5k633 | | BOP, KJZSV, KOP, KOPV, KVT, UOP4 | | | 21B | X06A, X06B, X06C | | 21B | X06A, X06B, X06C | |
| 05 | | F01A, F01B, F01D, F05Z, F07A, F07B, F09A, F09B, F09C, F30Z, F36A, F36B, F42Z | 5k645 | | | | BOP, KJZSV, KVT, UOP4 | | 5k646 | | BOP, KJZSV, KVT, UOP4 |
| 06 | | G33Z | | | | 05 | F01A, F01B, F01D, F05Z, F07A, F07B, F09A, F09B, F09C, F30Z, F42Z | | | 05 | F01A, F01B, F01D, F05Z, F07A, F07B, F09A, F09B, F09C, F30Z, F42Z |
| 07 | | H33Z, H38Z | | | 15 | P02A, P02B, P02C | 06 | G33Z | | | |
| 11 | | L33Z | | | 21B | X06A, X06B, X06C | 07 | H33Z, H38Z | | | |
| 15 | | P02A, P02B, P02C | | | 5k646 | | BOP, KJZSV, KVT, UOP4 | 11 | | L33Z | |
| 21B | | X06A, X06B, X06C, X33Z | | | | 05 | F01A, F01B, F01D, F05Z, F07A, F07B, F09A, F09B, F09C, F30Z, F42Z | 17 | | R01A, R01B, R01C, R01D, R02Z, R12A, R12B, R12C | |
| 23 | | Z01A | | 15 | | P02A, P02B, P02C | 21A | W04A, W04B | | | |
| Pre | | A07A | | 21B | | X06A, X06B, X06C | 21B | X06A, X06B, X06C | | | |

VYK

| ZZV | MDC | DRG | ZZV | MDC | DRG | ZZV | MDC | DRG |
|---------|------|--|---------|-------|--|-------|-------|--|
| 5k720 | | BOP, KJZSV, KOP, KOPV, KVT, UOP4 | 5k722.3 | | BOP, KJZSV, KOP, KOPV, KVT, UOP4 | 5k730 | | BOP, KJZSV, KOP, KOPV, KVT, UOP4 |
| | 04 | E05A, E05B, E05C, E08A, E08B, E08C | | 04 | E05A, E05B, E05C, E08A, E08B, E08C | | 05 | F01A, F01B, F01D, F05Z, F07A, F07B, F09A, F09B, F09C, F36A, F36B, F42Z |
| | 05 | F01A, F01B, F01D, F05Z, F07A, F07B, F09A, F09B, F09C, F36A, F36B, F42Z | | 05 | F01A, F01B, F01D, F05Z, F07A, F07B, F09A, F09B, F09C, F36A, F36B, F42Z | | 06 | G33Z |
| | 06 | G33Z | | 06 | G33Z | | 07 | H33Z, H38Z |
| | 07 | H33Z, H38Z | | 07 | H33Z, H38Z | | 11 | L33Z |
| | 11 | L33Z | | 11 | L33Z | | 15 | P02A, P02B, P02C |
| | 17 | R01A, R01B, R01C, R01D, R02Z, R12A, R12B, R12C | | 17 | R01A, R01B, R01C, R01D, R02Z, R12A, R12B, R12C | | 17 | R01A, R01B, R01C, R01D, R02Z, R12A, R12B |
| | 21A | W04A, W04B | | 21A | W04A, W04B | | 21B | X33Z |
| | 21B | X06A, X06B, X06C | | 21B | X06A, X06B, X06C | | 23 | Z01A |
| | 23 | Z01A | | 23 | Z01A | | Pre | A07A |
| Pre | A07A | Pre | A07A | 5k731 | BOP, KJZSV, KOP, KOPV, KVT, UOP4 | | | |
| 5k721 | | BOP, KJZSV, KOP, KOPV, KVT, UOP4 | 5k724 | | BOP, KJZSV, KOP, KOPV, KVT, UOP4 | 5k731 | 05 | F01A, F01B, F01D, F05Z, F07A, F07B, F09A, F09B, F09C, F30Z, F36A, F36B, F42Z |
| | 04 | E05A, E05B, E05C, E08A, E08B, E08C | | 04 | E05A, E05B, E05C, E08A, E08B, E08C | | 06 | G33Z |
| | 05 | F01A, F01B, F01D, F05Z, F07A, F07B, F09A, F09B, F09C, F36A, F36B, F42Z | | 05 | F01A, F01B, F01D, F05Z, F07A, F07B, F09A, F09B, F09C, F36A, F36B, F42Z | | 07 | H33Z, H38Z |
| | 06 | G33Z | | 06 | G33Z | | 11 | L33Z |
| | 07 | H33Z, H38Z | | 07 | H33Z, H38Z | | 15 | P02A, P02B, P02C |
| | 11 | L33Z | | 11 | L33Z | | 17 | R01A, R01B, R01C, R01D, R02Z, R12A, R12B |
| | 17 | R01A, R01B, R01C, R01D, R02Z, R12A, R12B, R12C | | 17 | R01A, R01B, R01C, R01D, R02Z, R12A, R12B, R12C | | 21B | X33Z |
| | 21A | W04A, W04B | | 21A | W04A, W04B | | 23 | Z01A |
| | 21B | X06A, X06B, X06C | | 21B | X06A, X06B, X06C | | Pre | A07A |
| | 23 | Z01A | | 23 | Z01A | | 5k732 | BOP, KJZSV, KOP, KOPV, KVT, UOP4 |
| Pre | A07A | Pre | A07A | 05 | F01A, F01B, F01D, F05Z, F07A, F07B, F09A, F09B, F09C, F30Z, F36A, F36B, F42Z | | | |
| 5k722.0 | | BOP, KJZSV, KOP, KOPV, KVT, UOP4 | 5k725 | | BOP, KJZSV, KOP, KOPV, KVT, UOP4 | 5k732 | 06 | G33Z |
| | 04 | E05A, E05B, E05C, E08A, E08B, E08C | | 04 | E05A, E05B, E05C, E08A, E08B, E08C | | 07 | H33Z, H38Z |
| | 05 | F01A, F01B, F01D, F05Z, F07A, F07B, F09A, F09B, F09C, F36A, F36B, F42Z | | 05 | F01A, F01B, F01D, F05Z, F07A, F07B, F09A, F09B, F09C, F36A, F36B, F42Z | | 11 | L33Z |
| | 06 | G33Z | | 06 | G33Z | | 15 | P02A, P02B, P02C |
| | 07 | H33Z, H38Z | | 07 | H33Z, H38Z | | 21B | X33Z |
| | 11 | L33Z | | 11 | L33Z | | 23 | Z01A |
| | 17 | R01A, R01B, R01C, R01D, R02Z, R12A, R12B, R12C | | 17 | R01A, R01B, R01C, R01D, R02Z, R12A, R12B, R12C | | Pre | A07A |
| | 21A | W04A, W04B | | 21A | W04A, W04B | | 5k733 | BOP, KJZSV, KOP, KOPV, KVT, UOP4 |
| | 21B | X06A, X06B, X06C | | 21B | X06A, X06B, X06C | | 05 | F01A, F01B, F01D, F05Z, F07A, F07B, F09A, F09B, F09C, F30Z, F36A, F36B, F42Z |
| | 23 | Z01A | | 23 | Z01A | | 06 | G33Z |
| Pre | A07A | Pre | A07A | 07 | H33Z, H38Z | | | |
| 5k722.2 | | BOP, KJZSV, KOP, KOPV, KVT, UOP4 | 5k72x | | BOP, KJZSV, KOP, KOPV, KVT, UOP4 | 5k733 | 11 | L33Z |
| | 04 | E05A, E05B, E05C, E08A, E08B, E08C | | 04 | E05A, E05B, E05C, E08A, E08B, E08C | | 15 | P02A, P02B, P02C |
| | 05 | F01A, F01B, F01D, F05Z, F07A, F07B, F09A, F09B, F09C, F36A, F36B, F42Z | | 05 | F01A, F01B, F01D, F05Z, F07A, F07B, F09A, F09B, F09C, F36A, F36B, F42Z | | 21B | X33Z |
| | 06 | G33Z | | 06 | G33Z | | 23 | Z01A |
| | 07 | H33Z, H38Z | | 07 | H33Z, H38Z | | Pre | A07A |
| | 11 | L33Z | | 11 | L33Z | | 5k734 | BOP, KJZSV, KOP, KOPV, KVT, UOP4 |
| | 17 | R01A, R01B, R01C, R01D, R02Z, R12A, R12B, R12C | | 17 | R01A, R01B, R01C, R01D, R02Z, R12A, R12B, R12C | | 05 | F01A, F01B, F01D, F05Z, F07A, F07B, F09A, F09B, F09C, F30Z, F36A, F36B, F42Z |
| | 21A | W04A, W04B | | 21A | W04A, W04B | | 06 | G33Z |
| | 21B | X06A, X06B, X06C | | 21B | X06A, X06B, X06C | | 07 | H33Z, H38Z |
| | 23 | Z01A | | 23 | Z01A | | 11 | L33Z |
| Pre | A07A | Pre | A07A | 15 | P02A, P02B, P02C | | | |
| | | | | 21B | X33Z | | | |
| | | | | 23 | Z01A | | | |
| | | | | Pre | A07A | | | |

| ZZV | MDC | DRG | ZZV | MDC | DRG | ZZV | MDC | DRG |
|---------|-----|--|---------|---------|--|---------|-----|------------------|
| 5k76x | | BOP, KJZSV, KOP, KOPV, KVT, UOP4 | 5k777 | | BOP, KJZSV, KOP, KOPV, KVT, UOP4 | 5k780.1 | | KJZSV |
| | 05 | F01A, F01B, F01D, F05Z, F07A, F07B, F09A, F09B, F09C, F36A, F36B, F42Z | | 05 | F01A, F01B, F01C, F01D, F01F, F36A, F36B | | 05 | F18A, F18C |
| | 06 | G33Z | | 06 | G33Z | 5k780.2 | | KJZSV |
| | 07 | H33Z, H38Z | | 07 | H33Z, H38Z | | 05 | F18A, F18C |
| | 11 | L33Z | | 11 | L09A, L33Z, L38Z | | 21A | W04A, W04B |
| | 21B | X33Z | | 21B | X33Z | | 21B | X06A, X06B, X06C |
| | 23 | Z01A | | 23 | Z01A | 5k780.3 | | KJZSV |
| | Pre | A07A | | Pre | A06A, A07A, A09A, A13A | | 05 | F18A, F18C |
| 5k770 | | BOP, KJZSV, KVT, UOP4 | 5k77c.0 | | BOP, KJZSV, KVT, UOP4 | | 21A | W04A, W04B |
| | 01 | B12Z | | 01 | B12Z | 5k780.4 | | KJZSV |
| | 05 | F12A, F12B, F12C, F12D, F12E, F12F, F12G, F12H | | 05 | F01A, F01D, F12A, F12B, F12C, F12D, F12E, F12F, F12G | | 05 | F18A, F18C |
| | 11 | L09A, L38Z | | 11 | L09A, L38Z | | 21A | W04A, W04B |
| 5k771 | | BOP, KJZSV, KK11, KKI, KKII, KVT, UOP4 | 5k77c.1 | | BOP, KJZSV, KVT, UOP4 | 5k780.5 | | KJZSV |
| | 01 | B12Z | | 01 | B12Z | | 05 | F18A, F18C |
| | 05 | F12A, F12B, F12C, F12D, F12E, F12F, F12G, F12H | | 05 | F01A, F01D, F12A, F12B, F12C, F12D, F12E, F12F, F12G | | 21A | W04A, W04B |
| | 11 | L09A, L38Z | | 11 | L09A, L38Z | | 21B | X06A, X06B, X06C |
| 5k772 | | BOP, KJZSV, KK11, KKI, KKII, KVT, UOP4 | 5k77g.0 | | BOP, KJZSV, KVT, UOP4 | 5k780.6 | | KJZSV |
| | 01 | B12Z | | 05 | F12A, F12B, F12C, F12D, F12E, F12F, F12G, F12H, F18A, F18C | | 05 | F18A, F18C |
| | 05 | F12A, F12B, F12C, F12D, F12E, F12F, F12G | | 5k77g.1 | BOP, KJZSV, KVT, UOP4 | | 21A | W04A, W04B |
| | 11 | L09A, L38Z | | 05 | F12A, F12B, F12C, F12D, F12E, F12F, F12G, F12H, F18A, F18C | 5k780.7 | | KJZSV |
| | 23 | Z01A | | 5k77g.2 | BOP, KJZSV, KVT, UOP4 | | 05 | F18A, F18C |
| | Pre | A06A, A07A, A09A, A13A | | 05 | F12A, F12B, F12C, F12D, F12E, F12F, F12G, F12H, F18A, F18C | 5k780.a | | KJZSV |
| 5k773.0 | | BOP, KJZSV, KK11, KKI, KKII, KVT, UOP4 | 5k77h.0 | | BOP, KJZSV, KK11, KKI, KKII, KVT, UOP4 | | 05 | F18A, F18C |
| | 01 | B12Z | | 01 | B12Z | 5k780.b | | KJZSV |
| | 05 | F12A, F12B, F12C, F12D, F12E, F12F, F12G | | 05 | F12A, F12B, F12C, F12D, F12E, F12F, F12G | | 05 | F18A, F18C |
| | 11 | L09A, L38Z | | 11 | L09A, L38Z | | 21A | W04A, W04B |
| | 23 | Z01A | | 23 | Z01A | | 21B | X06A, X06B, X06C |
| | Pre | A06A, A07A, A09A, A13A | | 01 | B12Z | 5k780.x | | KJZSV |
| 5k774 | | BOP, KJZSV, KK11, KKI, KKII, KVT, UOP4 | | 05 | F12A, F12B, F12C, F12D, F12E, F12F, F12G | | 05 | F18A, F18C |
| | 01 | B12Z | | 11 | L09A, L38Z | | 21A | W04A, W04B |
| | 05 | F12A, F12B, F12C, F12D, F12E, F12F, F12G | | 21A | W04A, W04B | | 21B | X06A, X06B, X06C |
| | 11 | L09A, L38Z | | 21B | X06A, X06B, X06C | 5k781.8 | | KJZSV |
| | 21A | W04A, W04B | | 23 | Z01A | | 05 | F18A, F18C |
| | 21B | X06A, X06B, X06C | | Pre | A06A, A07A, A09A, A13A | | 21A | W04A, W04B |
| | 23 | Z01A | | 5k77h.1 | BOP, KJZSV, KOP, KOPV, KVT, UOP4 | | 21B | X06A, X06B, X06C |
| | Pre | A06A, A07A, A09A, A13A | | 05 | F01A, F01B, F01C, F01D, F01F, F36A, F36B | 5k781.9 | | KJZSV |
| 5k775.0 | | BOP, KJZSV, KOP, KOPV, KVT, UOP4 | | 06 | G33Z | | 05 | F18A, F18C |
| | 05 | F01A, F01B, F01C, F01D, F01E, F01F, F01G, F36A, F36B | | 07 | H33Z, H38Z | | 21A | W04A, W04B |
| | 06 | G33Z | | 11 | L09A, L33Z, L38Z | 5k781.a | | KJZSV |
| | 07 | H33Z, H38Z | | 21B | X33Z | | 05 | F18A, F18C |
| | 11 | L09A, L33Z, L38Z | | 23 | Z01A | | 21A | W04A, W04B |
| | 21B | X33Z | | Pre | A06A, A07A, A09A, A13A | 5k782.0 | | X06A, X06B, X06C |
| | 23 | Z01A | | 5k77h.2 | BOP, KJZSV, KVT, UOP4 | | 05 | F18A, F18C |
| | Pre | A06A, A07A, A09A, A13A | | 01 | B12Z | | 21A | W04A, W04B |
| 5k776 | | BOP, KJZSV, KOP, KOPV, KVT, UOP4 | 5k77x | | BOP, KJZSV, KVT, UOP4 | | 21B | X06A, X06B, X06C |
| | 05 | F01A, F01B, F01C, F01D, F01E, F01F, F01G, F36A, F36B | | 01 | B12Z | 5k782.1 | | KJZSV |
| | 06 | G33Z | | 05 | F12A, F12B, F12C, F12D, F12E, F12F, F12G, F12H | | 05 | F18A, F18C |
| | 07 | H33Z, H38Z | | 11 | L09A, L38Z | | 21A | W04A, W04B |
| | 11 | L09A, L33Z, L38Z | | Pre | A06A, A07A, A09A, A13A | 5k782.2 | | X06A, X06B, X06C |
| | 21B | X33Z | | 5k780.0 | KJZSV | | 05 | F18A, F18C |
| | 23 | Z01A | | 05 | F18A, F18C | | 21A | W04A, W04B |
| | Pre | A06A, A07A, A09A, A13A | | 21A | W04A, W04B | 5k782.3 | | KJZSV |
| | | | | 21B | X06A, X06B, X06C | | 05 | F18A, F18C |
| | | | | | | | 21A | W04A, W04B |
| | | | | | | | 21B | X06A, X06B, X06C |

VYK

| ZZV | MDC | DRG | ZZV | MDC | DRG | ZZV | MDC | DRG |
|---------|-----|--|---------|-----|--|---------|-----|--|
| 5k782.4 | | KJZSV | 5k784.1 | | BOP, KJZSV, KVT, UOP4 | 5k784.x | | BOP, KJZSV, KVT, UOP4 |
| | 05 | F18A, F18C | | 05 | F18A, F18B, F18C, F18D | | 05 | F18A, F18B, F18C, F18D |
| | 21A | W04A, W04B | | 09 | J03A, J03B, J04A, J04B, J08A, J08B, J08C, J11A, J11B, J11J, J11Q, J11R, J11S, J16Z | | 09 | J03A, J03B, J04A, J04B, J08A, J08B, J08C, J11A, J11B, J11J, J11Q, J11R, J11S, J16Z |
| | 21B | X06A, X06B, X06C | | | | | 21A | W04A, W04B |
| 5k782.5 | | KJZSV | | | | | 21B | X06A, X06B, X06C |
| | 05 | F18A, F18C | 5k784.2 | | BOP, KJZSV, KVT, UOP4 | 5k785.0 | | BOP, KJZSV, KVT, UOP4 |
| | 21A | W04A, W04B | | 05 | F18A, F18B, F18C, F18D | | 05 | F12A, F12B, F12C, F12D, F12E, F12F, F12G, F12H, F17A, F17B |
| | 21B | X06A, X06B, X06C | | 09 | J03A, J03B, J04A, J04B, J08A, J08B, J08C, J11A, J11B, J11J, J11Q, J11R, J11S, J16Z | | 11 | L09A, L38Z |
| 5k782.6 | | KJZSV | | | | | | BOP, KJZSV, KVT, UOP4 |
| | 05 | F18A, F18C | | 21A | W04A, W04B | 5k785.1 | | F12A, F12B, F12C, F12D, F12E, F12F, F12G, F12H, F17A, F17B |
| | 21A | W04A, W04B | | 21B | X06A, X06B, X06C | | 05 | F12A, F12B, F12C, F12D, F12E, F12F, F12G, F12H, F17A, F17B |
| | 21B | X06A, X06B, X06C | | | | | 11 | L09A, L38Z |
| 5k782.7 | | KJZSV | 5k784.3 | | BOP, KJZSV, KVT, UOP4 | | | BOP, KJZSV, KVT, UOP4 |
| | 05 | F18A, F18C | | 05 | F18A, F18B, F18C, F18D | 5k785.2 | | F12A, F12B, F12C, F12D, F12E, F12F, F12G, F12H, F17A |
| | 21A | W04A, W04B | | 09 | J03A, J03B, J04A, J04B, J08A, J08B, J08C, J11A, J11B, J11J, J11Q, J11R, J11S, J16Z | | 05 | F12A, F12B, F12C, F12D, F12E, F12F, F12G, F12H, F17A |
| | 21B | X06A, X06B, X06C | | | | | 11 | L09A, L38Z |
| 5k782.x | | KJZSV | | | | | | BOP, KJZSV, KVT, UOP4 |
| | 05 | F18A, F18C | 5k784.4 | | BOP, KJZSV, KVT, UOP4 | 5k785.3 | | F12A, F12B, F12C, F12D, F12E, F12F, F12G, F12H, F17A |
| | 21A | W04A, W04B | | 05 | F18A, F18B, F18C, F18D | | 05 | F12A, F12B, F12C, F12D, F12E, F12F, F12G, F12H, F17A |
| | 21B | X06A, X06B, X06C | | 09 | J03A, J03B, J04A, J04B, J08A, J08B, J08C, J11A, J11B, J11J, J11Q, J11R, J11S, J16Z | | 11 | L09A, L38Z |
| 5k783.0 | | KJZSV | | | | | | L09A, L38Z |
| | 05 | F18A, F18B, F18C, F18D | | 21A | W04A, W04B | | 23 | Z01A |
| | 21A | W04A, W04B | | 21B | X06A, X06B, X06C | | Pre | A06A, A07A, A09A, A13A |
| | 21B | X06A, X06B, X06C | | | | | | BOP, KJZSV, KVT, UOP4 |
| 5k783.1 | | KJZSV | 5k784.5 | | BOP, KJZSV, KVT, UOP4 | 5k785.4 | | F12A, F12B, F12C, F12D, F12E, F12F, F12G, F12H, F17A |
| | 05 | F18A, F18B, F18C, F18D | | 05 | F18A, F18B, F18C, F18D | | 05 | F02A, F02B, F36A, F36B |
| | 21A | W04A, W04B | | 09 | J03A, J03B, J04A, J04B, J08A, J08B, J08C, J11A, J11B, J11J, J11Q, J11R, J11S, J16Z | | 06 | G33Z |
| | 21B | X06A, X06B, X06C | | | | | 07 | H33Z, H38Z |
| 5k783.2 | | KJZSV | | | | | 11 | L09A, L33Z, L38Z |
| | 05 | F18A, F18B, F18C, F18D | | 21A | W04A, W04B | | 21B | X33Z |
| | 21A | W04A, W04B | | 21B | X06A, X06B, X06C | | 23 | Z01A |
| | 21B | X06A, X06B, X06C | | | | | Pre | A06A, A07A, A09A, A13A |
| 5k783.3 | | KJZSV | 5k784.6 | | BOP, KJZSV, KVT, UOP4 | 5k785.5 | | BOP, KJZSV, KOP, KOPV, KVT, UOP4 |
| | 05 | F18A, F18B, F18C, F18D | | 05 | F18A, F18B, F18C, F18D | | 05 | F02A, F36A, F36B |
| | 21A | W04A, W04B | | 09 | J03A, J03B, J04A, J04B, J08A, J08B, J08C, J11A, J11B, J11J, J11Q, J11R, J11S, J16Z | | 06 | G33Z |
| | 21B | X06A, X06B, X06C | | | | | 07 | H33Z, H38Z |
| 5k783.4 | | KJZSV | | | | | 11 | L09A, L33Z, L38Z |
| | 05 | F18A, F18B, F18C, F18D | | 21A | W04A, W04B | | 21B | X33Z |
| | 21A | W04A, W04B | | 21B | X06A, X06B, X06C | | 23 | Z01A |
| | 21B | X06A, X06B, X06C | | | | | Pre | A06A, A07A, A09A, A13A |
| 5k783.5 | | KJZSV | 5k784.7 | | BOP, KJZSV, KVT, UOP4 | 5k785.6 | | BOP, KJZSV, KOP, KOPV, KVT, UOP4 |
| | 05 | F18A, F18B, F18C, F18D | | 05 | F18A, F18B, F18C, F18D | | 05 | F02A, F36A, F36B |
| | 21A | W04A, W04B | | 09 | J03A, J03B, J04A, J04B, J08A, J08B, J08C, J11A, J11B, J11J, J11Q, J11R, J11S, J16Z | | 06 | G33Z |
| | 21B | X06A, X06B, X06C | | | | | 07 | H33Z, H38Z |
| 5k783.6 | | KJZSV | | | | | 11 | L09A, L33Z, L38Z |
| | 05 | F18A, F18B, F18C, F18D | | 21A | W04A, W04B | | 21B | X33Z |
| | 21A | W04A, W04B | | 21B | X06A, X06B, X06C | | 23 | Z01A |
| | 21B | X06A, X06B, X06C | | | | | Pre | A06A, A07A, A09A, A13A |
| 5k783.a | | KJZSV | 5k784.a | | BOP, KJZSV, KVT, UOP4 | 5k785.9 | | BOP, KJZSV, KVT, UOP4 |
| | 05 | F18A, F18B, F18C, F18D | | 05 | F18A, F18B, F18C, F18D | | 05 | F12A, F12B, F12C, F12D, F12E, F12F, F12G, F12H, F17A |
| | 21A | W04A, W04B | | 09 | J03A, J03B, J04A, J04B, J08A, J08B, J08C, J11A, J11B, J11J, J11Q, J11R, J11S, J16Z | | 11 | L09A, L38Z |
| | 21B | X06A, X06B, X06C | | | | | 21A | W04A, W04B |
| 5k783.x | | KJZSV | | | | | 21B | X06A, X06B, X06C |
| | 05 | F18A, F18B, F18C, F18D | | 21A | W04A, W04B | | Pre | A06A, A07A, A09A, A13A |
| | 21A | W04A, W04B | | 21B | X06A, X06B, X06C | | | |
| | 21B | X06A, X06B, X06C | | | | | | |
| 5k784.0 | | BOP, KJZSV, KVT, UOP4 | | | | | | |
| | 05 | F18A, F18B, F18C, F18D | | 05 | F18A, F18B, F18C, F18D | | | |
| | 09 | J03A, J03B, J04A, J04B, J08A, J08B, J08C, J11A, J11B, J11J, J11Q, J11R, J11S, J16Z | | 09 | J03A, J03B, J04A, J04B, J08A, J08B, J08C, J11A, J11B, J11J, J11Q, J11R, J11S, J16Z | | | |
| | 21A | W04A, W04B | | | | | | |
| | 21B | X06A, X06B, X06C | | 21A | W04A, W04B | | | |
| | | | | 21B | X06A, X06B, X06C | | | |

| ZZV | MDC | DRG | ZZV | MDC | DRG | ZZV | MDC | DRG | |
|---------|------------------------|--|--|--|--|--|--|--|--|
| 5k785.a | | BOP, KJZSV, KOP, KOPV, KVT, UOP4 | 5k786.x | | BOP, KJZSV, KVT, UOP4 | 5k789.3 | | BOP, KJZSV, KVT, UOP4 | |
| | 05 | F02A, F36A, F36B | | 01 | B12Z | | 01 | B12Z | |
| | 06 | G33Z | | 05 | F12A, F12B, F12C, F12D, F12E, F12F, F12G, F12H | | 05 | F12A, F12B, F12C, F12D, F12E, F12F, F12G | |
| | 07 | H33Z, H38Z | | 11 | L09A, L38Z | | 21A | W04A, W04B | |
| | 11 | L09A, L33Z, L38Z | | Pre | A06A, A07A, A09A, A13A | | 21B | X06A, X06B, X06C | |
| | 21B | X33Z | | 5k787.0 | BOP, KJZSV, KVT, UOP4 | | 23 | Z01A | |
| | 23 | Z01A | | 05 | F12A, F12B, F12C, F12D, F12E, F12F, F12G, F12H, F18A, F18C | | Pre | A06A, A07A, A09A, A13A | |
| | Pre | A06A, A07A, A09A, A13A | | 5k787.1 | BOP, KJZSV, KVT, UOP4 | | 5k789.4 | BOP, KJZSV, KVT, UOP4 | |
| | 5k786.1 | 01 | | B12Z | 05 | | F12A, F12B, F12C, F12D, F12E, F12F, F12G, F12H, F18A, F18C | 01 | B12Z |
| | | 05 | | F12A, F12B, F12C, F12D, F12E, F12F, F12G, F12H | 05 | | F12A, F12B, F12C, F12D, F12E, F12F, F12G, F12H, F18A, F18C | 05 | F12A, F12B, F12C, F12D, F12E, F12F, F12G, F12H |
| 11 | | L09A, L38Z | 5k787.2 | BOP, KJZSV, KVT, UOP4 | 5k789.5 | BOP, KJZSV, KVT, UOP4 | | | |
| 5k786.2 | | BOP, KJZSV, KVT, UOP4 | 5k787.3 | | BOP, KJZSV, KVT, UOP4 | 5k789.6 | | BOP, KJZSV, KVT, UOP4 | |
| | 01 | B12Z | | 05 | F12A, F12B, F12C, F12D, F12E, F12F, F12G, F12H, F18A, F18C | | 01 | B12Z | |
| | 05 | F12A, F12B, F12C, F12D, F12E, F12F, F12G | | 05 | BOP, KJZSV, KVT, UOP4 | | 05 | F12A, F12B, F12C, F12D, F12E, F12F, F12G, F12H, F18A, F18C | |
| | 11 | L09A, L38Z | | 5k787.4 | BOP, KJZSV, KVT, UOP4 | | 01 | B12Z | |
| 5k786.3 | 23 | Z01A | 05 | F12A, F12B, F12C, F12D, F12E, F12F, F12G, F12H, F18A, F18C | 05 | F12A, F12B, F12C, F12D, F12E, F12F, F12G, F12H | | | |
| | Pre | A06A, A07A, A09A, A13A | 5k787.5 | BOP, KJZSV, KVT, UOP4 | 21A | W04A, W04B | | | |
| | 5k786.4 | 01 | B12Z | 05 | F12A, F12B, F12C, F12D, F12E, F12F, F12G, F12H, F18A, F18C | 21B | X06A, X06B, X06C | | |
| | | 05 | F12A, F12B, F12C, F12D, F12E, F12F, F12G | 5k787.6 | BOP, KJZSV, KVT, UOP4 | 23 | Z01A | | |
| | | 11 | L09A, L38Z | 05 | F12A, F12B, F12C, F12D, F12E, F12F, F12G, F12H, F18A, F18C | Pre | A06A, A07A, A09A, A13A | | |
| | 21A | W04A, W04B | 5k787.a | BOP, KJZSV, KVT, UOP4 | 5k789.7 | BOP, KJZSV, KOP, KOPV, KVT, UOP4 | | | |
| | 21B | X06A, X06B, X06C | 05 | F12A, F12B, F12C, F12D, F12E, F12F, F12G, F12H, F18A, F18C | 05 | F01A, F01B, F01C, F01D, F01E, F01F, F01G, F36A, F36B | | | |
| | 23 | Z01A | 5k787.x | BOP, KJZSV, KVT, UOP4 | 06 | G33Z | | | |
| | Pre | A06A, A07A, A09A, A13A | 05 | F12A, F12B, F12C, F12D, F12E, F12F, F12G, F12H, F18A, F18C | 07 | H33Z, H38Z | | | |
| | 5k786.5 | 05 | F02A, F36A, F36B | 5k788.0 | BOP, KJZSV, KVT, UOP4 | 11 | L33Z | | |
| 06 | | G33Z | 05 | F18A, F18C | 21B | X33Z | | | |
| 07 | | H33Z, H38Z | 5k788.1 | BOP, KJZSV, KVT, UOP4 | 23 | Z01A | | | |
| 11 | | L09A, L33Z, L38Z | 05 | F18A, F18C | Pre | A06A, A07A, A09A, A13A | | | |
| 21B | | X33Z | 5k788.2 | BOP, KJZSV, KVT, UOP4 | 05 | F01A, F01B, F01C, F01D, F01F, F36A, F36B | | | |
| 23 | | Z01A | 05 | F18A, F18C | 06 | G33Z | | | |
| Pre | | A06A, A07A, A09A, A13A | 5k788.3 | BOP, KJZSV, KVT, UOP4 | 07 | H33Z, H38Z | | | |
| 5k786.6 | | 05 | F02A, F36A, F36B | 05 | F12A, F12B, F12C, F12D, F12E, F12F, F12G, F12H, F18A, F18C | 11 | L33Z | | |
| | | 06 | G33Z | 5k788.4 | BOP, KJZSV, KVT, UOP4 | 21B | X33Z | | |
| | | 07 | H33Z, H38Z | 05 | F18A, F18C | 23 | Z01A | | |
| | 11 | L09A, L33Z, L38Z | 5k788.5 | BOP, KJZSV, KVT, UOP4 | Pre | A06A, A07A, A09A, A13A | | | |
| 21B | X33Z | 5k788.6 | BOP, KJZSV, KVT, UOP4 | 5k789.a | BOP, KJZSV, KOP, KOPV, KVT, UOP4 | | | | |
| 23 | Z01A | 05 | F18A, F18C | 05 | F01A, F01B, F01C, F01D, F01F, F36A, F36B | | | | |
| Pre | A06A, A07A, A09A, A13A | 5k788.a | BOP, KJZSV, KVT, UOP4 | 06 | G33Z | | | | |
| 5k786.8 | 05 | F02A, F36A, F36B | 05 | F12A, F12B, F12C, F12D, F12E, F12F, F12G, F12H, F18A, F18C | 07 | H33Z, H38Z | | | |
| | 06 | G33Z | 5k788.x | BOP, KJZSV, KVT, UOP4 | 11 | L33Z | | | |
| | 07 | H33Z, H38Z | 05 | F18A, F18C | 21B | X33Z | | | |
| | 11 | L09A, L33Z, L38Z | 5k789.0 | BOP, KJZSV, KVT, UOP4 | 23 | Z01A | | | |
| | 21B | X33Z | 01 | B12Z | Pre | A06A, A07A, A09A, A13A | | | |
| | 23 | Z01A | 05 | F12A, F12B, F12C, F12D, F12E, F12F, F12G | 5k789.b | BOP, KJZSV, KOP, KOPV, KVT, UOP4 | | | |
| | Pre | A06A, A07A, A09A, A13A | Pre | A06A, A07A, A09A, A13A | 05 | F01A, F01B, F01C, F01D, F01F, F36A, F36B | | | |
| | 5k786.8 | 05 | F02A, F36A, F36B | 5k789.1 | BOP, KJZSV, KVT, UOP4 | 06 | G33Z | | |
| | | 06 | G33Z | 01 | B12Z | 07 | H33Z, H38Z | | |
| | | 07 | H33Z, H38Z | 05 | F12A, F12B, F12C, F12D, F12E, F12F, F12G | 11 | L33Z | | |
| 11 | | L09A, L33Z, L38Z | 21A | W04A, W04B | 21B | X33Z | | | |
| 21B | | X33Z | 21B | X06A, X06B, X06C | 23 | Z01A | | | |
| 23 | | Z01A | Pre | A06A, A07A, A09A, A13A | Pre | A06A, A07A, A09A, A13A | | | |
| Pre | | A06A, A07A, A09A, A13A | 5k789.2 | BOP, KJZSV, KVT, UOP4 | 5k789.c | BOP, KJZSV, KOP, KOPV, KVT, UOP4 | | | |
| 5k786.8 | | 05 | F02A, F36A, F36B | 01 | B12Z | 05 | F01A, F01B, F01C, F01D, F01F, F36A, F36B | | |
| | | 06 | G33Z | 05 | F12A, F12B, F12C, F12D, F12E, F12F, F12G | 06 | G33Z | | |
| | | 07 | H33Z, H38Z | 21A | W04A, W04B | 07 | H33Z, H38Z | | |
| | 11 | L09A, L33Z, L38Z | 21B | X06A, X06B, X06C | 11 | L33Z | | | |
| | 21B | X33Z | Pre | A06A, A07A, A09A, A13A | 21B | X33Z | | | |
| 23 | Z01A | 01 | B12Z | 23 | Z01A | | | | |
| Pre | A06A, A07A, A09A, A13A | 05 | F12A, F12B, F12C, F12D, F12E, F12F, F12G, F12H | Pre | A06A, A07A, A09A, A13A | | | | |

VYK

| ZZV | MDC | DRG | ZZV | MDC | DRG | ZZV | MDC | DRG | | | |
|---------|---------|--|--|--|--|-------|--|--|---------|----|--|
| 5k789.d | | BOP, KJZSV, KOP, KOPV, KVT, UOP4 | 5k791.1 | | BOP, KJZSV, KOP, KOPV, KVT, UOP4 | 5k797 | | BOP, KJZSV, KOP, KOPV, KVT, UOP4 | | | |
| | 05 | F01A, F01B, F01C, F01D, F01F, F36A, F36B | | 04 | E05A, E05B, E05C, E08A, E08B, E08C | | 04 | E05A, E05B, E05C, E08A, E08B, E08C | | | |
| | 06 | G33Z | | 05 | F01A, F01B, F01D, F05Z, F07A, F07B, F09A, F09B, F09C, F30Z, F36A, F36B, F42Z | | 05 | F01A, F01B, F01D, F05Z, F07A, F07B, F09A, F09B, F09C, F30Z, F36A, F36B, F42Z | | | |
| | 07 | H33Z, H38Z | | | | | 06 | G33Z | | | |
| | 11 | L33Z | | 06 | G33Z | | 06 | G33Z | | | |
| | 21B | X33Z | | 07 | H33Z, H38Z | | 07 | H33Z, H38Z | | | |
| | 23 | Z01A | | 11 | L33Z | | 11 | L33Z | | | |
| | Pre | A06A, A07A, A09A, A13A | | 15 | P02A, P02B, P02C | | 15 | P02A, P02B, P02C | | | |
| | 5k789.e | | | BOP, KJZSV, KOP, KOPV, KVT, UOP4 | 5k791.2 | | | BOP, KJZSV, KOP, KOPV, KVT, UOP4 | 5k798.0 | | BOP, KJZSV, KOP, KOPV, KVT, UOP4 |
| | | 05 | | F01A, F01B, F01C, F01D, F01F, F36A, F36B | | | 04 | E05A, E05B, E05C, E08A, E08B, E08C | | 04 | E05A, E05B, E05C, E08A, E08B, E08C |
| 06 | | G33Z | 05 | F01A, F01B, F01D, F05Z, F07A, F07B, F09A, F09B, F09C, F30Z, F36A, F36B, F42Z | | 05 | F01A, F01B, F01C, F01D, F01F, F05Z, F07A, F07B, F09A, F09B, F09C, F30Z, F36A, F36B, F42Z | | | | |
| 07 | | H33Z, H38Z | | | | 06 | G33Z | | | | |
| 11 | | L33Z | 06 | G33Z | | 07 | H33Z, H38Z | | | | |
| 21B | | X33Z | 07 | H33Z, H38Z | | 11 | L33Z | | | | |
| 23 | | Z01A | 11 | L33Z | | 15 | P02A, P02B, P02C | | | | |
| Pre | | A06A, A07A, A09A, A13A | 15 | P02A, P02B, P02C | | 23 | Z01A | | | | |
| 5k789.f | | | BOP, KJZSV, KOP, KOPV, KVT, UOP4 | 5k792 | | | KJZSV | 5k798.1 | | | BOP, KJZSV, KOP, KOPV, KVT, UOP4 |
| | | 05 | F01A, F01B, F01C, F01D, F01F, F36A, F36B | | | 23 | Z04Z | | | 04 | E05A, E05B, E05C, E08A, E08B, E08C |
| | 06 | G33Z | 5k793 | | KJZSV | 05 | F01A, F01B, F01D, F05Z, F07A, F07B, F09A, F09B, F09C, F30Z, F36A, F36B, F42Z | | | | |
| | 07 | H33Z, H38Z | 23 | | Z04Z | 06 | G33Z | | | | |
| | 11 | L33Z | 5k794 | | KJZSV | 07 | H33Z, H38Z | | | | |
| | 21B | X33Z | | | | 11 | L33Z | | | | |
| | 23 | Z01A | 5k795 | | BOP, KJZSV, KOP, KOPV, KVT, UOP4 | 15 | P02A, P02B, P02C | | | | |
| | Pre | A06A, A07A, A09A, A13A | 04 | | E05A, E05B, E05C, E08A, E08B, E08C | 23 | Z01A | | | | |
| | 5k789.g | | BOP, KJZSV, KOP, KOPV, KVT, UOP4 | | 5k796 | | BOP, KJZSV, KOP, KOPV, KVT, UOP4 | | 5k799.0 | | BOP, KJZSV, KOP, KOPV, KVT, UOP4 |
| | | 05 | F01A, F01B, F01C, F01D, F01F, F36A, F36B | | | 05 | F01A, F01B, F01D, F03C, F03D, F03E, F05Z, F06C, F06D, F07A, F09A, F09B, F09C, F30Z, F36A, F36B, F42Z | | | 04 | E05A, E05B, E05C, E08A, E08B, E08C |
| 06 | | G33Z | | | | 05 | F01A, F01B, F01D, F05Z, F07A, F07B, F09A, F09B, F09C, F30Z, F36A, F36B, F42Z | | | | |
| 07 | | H33Z, H38Z | 06 | G33Z | | 06 | G33Z | | | | |
| 11 | | L33Z | 07 | H33Z, H38Z | | 07 | H33Z, H38Z | | | | |
| 21B | | X33Z | 11 | L33Z | | 11 | L33Z | | | | |
| 23 | | Z01A | 15 | P02A, P02B, P02C | | 15 | P02A, P02B, P02C | | | | |
| Pre | | A06A, A07A, A09A, A13A | 23 | Z01A | | 23 | Z01A | | | | |
| 5k789.x | | | BOP, KJZSV, KVT, UOP4 | 5k799.1 | | | BOP, KJZSV, KOP, KOPV, KVT, UOP4 | 5k799.1 | | | BOP, KJZSV, KOP, KOPV, KVT, UOP4 |
| | | 01 | B12Z | | | 04 | E05A, E05B, E05C, E08A, E08B, E08C | | | 04 | E05A, E05B, E05C, E08A, E08B, E08C |
| | 05 | F12A, F12B, F12C, F12D, F12E, F12F, F12G, F12H | 05 | | F01A, F01B, F01D, F05Z, F07A, F07B, F09A, F09B, F09C, F30Z, F36A, F36B, F42Z | 05 | F01A, F01B, F01D, F05Z, F07A, F07B, F09A, F09B, F09C, F30Z, F36A, F36B, F42Z | | | | |
| | 5k790 | | BOP, KJZSV, KOP, KOPV, KVT, UOP4 | | 5k799.1 | | BOP, KJZSV, KOP, KOPV, KVT, UOP4 | | 5k799.1 | | BOP, KJZSV, KOP, KOPV, KVT, UOP4 |
| | | 04 | E05A, E05B, E05C, E08A, E08B, E08C | | | 06 | G33Z | | | 04 | E05A, E05B, E05C, E08A, E08B, E08C |
| | | 05 | F01A, F01B, F01D, F05Z, F07A, F07B, F09A, F09B, F09C, F30Z, F36A, F36B, F42Z | | | 07 | H33Z, H38Z | | | 05 | F01A, F01B, F01D, F05Z, F07A, F07B, F09A, F09B, F09C, F30Z, F36A, F36B, F42Z |
| | | 06 | G33Z | | | 11 | L33Z | | | 06 | G33Z |
| | | 07 | H33Z, H38Z | | | 15 | P02A, P02B, P02C | | | 07 | H33Z, H38Z |
| | | 11 | L33Z | | | 23 | Z01A | | | 11 | L33Z |
| | | 15 | P02A, P02B, P02C | | | Pre | A07A | | | 15 | P02A, P02B, P02C |
| 21B | | X33Z | | | | Pre | A07A | | | | |
| 23 | | Z01A | 04 | E05A, E05B, E05C, E08A, E08B, E08C | | 04 | E05A, E05B, E05C, E08A, E08B, E08C | | | | |
| Pre | | A07A | 05 | F01A, F01B, F01D, F05Z, F07A, F07B, F09A, F09B, F09C, F30Z, F36A, F36B, F42Z | | 05 | F01A, F01B, F01D, F05Z, F07A, F07B, F09A, F09B, F09C, F30Z, F36A, F36B, F42Z | | | | |

VYK

| ZZV | MDC | DRG | ZZV | MDC | DRG | ZZV | MDC | DRG | | | | |
|----------|-------|--|------------------------------------|--|--|----------|--|--|----------|----------|--|--|
| 5k79a | | BOP, KJZSV, KOP, KOPV, KVT, UOP4 | 5I010.1↔ | | BOP, KJZSV, KVT, UOP4 | 5I010.5↔ | | BOP, KJZSV, KVT, UOP4 | | | | |
| | 04 | E05A, E05B, E05C, E08A, E08B, E08C | | 01 | B03Z, B07Z, B17A, B17B, B17C, B17J | | 01 | B03Z, B07Z, B17A, B17B, B17C, B17J | | | | |
| | 05 | F01A, F01B, F01D, F05Z, F07A, F07B, F09A, F09B, F09C, F30Z, F36A, F36B, F42Z | | 03 | D12A, D12J, D12Q | | 03 | D12A, D12J, D12Q | | | | |
| | 06 | G33Z | | 05 | F01A, F01B, F01D, F05Z, F06A, F06C, F07A, F07B, F14A, F14B, F28A, F42Z, F54A, F54B, F54J, F59A, F59B | | 05 | F01A, F01B, F01D, F05Z, F06A, F06C, F07A, F07B, F14A, F14B, F28A, F42Z, F54A, F54B, F54J, F59A, F59B | | | | |
| | 07 | H33Z, H38Z | | 08 | I08A, I08B, I08C, I08D, I08E, I13A, I13B | | 08 | I08A, I08B, I08C, I08D, I08E, I13A, I13B | | | | |
| | 11 | L33Z | | 10 | K09A, K09B | | 10 | K09A, K09B | | | | |
| | 15 | P02A, P02B, P02C | | 11 | L09A, L38Z | | 11 | L09A, L38Z | | | | |
| | Pre | A07A | | 21A | W04A, W04B | | 21A | W04A, W04B | | | | |
| | 5k79b | | | BOP, KJZSV, KOP, KOPV, KVT, UOP4 | 5I010.2↔ | | | BOP, KJZSV, KVT, UOP4 | 5I010.6↔ | | BOP, KJZSV, KVT, UOP4 | |
| | | 04 | | E05A, E05B, E05C, E08A, E08B, E08C | | | 01 | B03Z, B07Z, B17A, B17B, B17C, B17J | | 01 | B03Z, B07Z, B17A, B17B, B17C, B17J | |
| 05 | | F01A, F01B, F01D, F05Z, F07A, F07B, F09A, F09B, F09C, F30Z, F36A, F36B, F42Z | 03 | D12A, D12J, D12Q | | 03 | D12A, D12J, D12Q | | | | | |
| 06 | | G33Z | 05 | F01A, F01B, F01D, F05Z, F06A, F06C, F07A, F07B, F14A, F14B, F28A, F42Z, F54A, F54B, F54J, F59A, F59B | | 05 | F01A, F01B, F01D, F05Z, F06A, F06C, F07A, F07B, F14A, F14B, F28A, F42Z, F54A, F54B, F54J, F59A, F59B | | | | | |
| 07 | | H33Z, H38Z | 08 | I08A, I08B, I08C, I08D, I08E, I13A, I13B | | 08 | I08A, I08B, I08C, I08D, I08E, I13A, I13B | | | | | |
| 11 | | L33Z | 10 | K09A, K09B | | 10 | K09A, K09B | | | | | |
| 15 | | P02A, P02B, P02C | 11 | L09A, L38Z | | 11 | L09A, L38Z | | | | | |
| Pre | | A07A | 21A | W04A, W04B | | 21A | W04A, W04B | | | | | |
| 5k79c | | | BOP, KJZSV, KOP, KOPV, KVT, UOP4 | 5I010.3↔ | | | BOP, KJZSV, KVT, UOP4 | 5I010.x↔ | | | BOP, KJZSV, KVT, UOP4 | |
| | | 04 | E05A, E05B, E05C, E08A, E08B, E08C | | | 01 | B03Z, B07Z, B17A, B17B, B17C, B17J | | | 01 | B03Z, B07Z, B17A, B17B, B17C, B17J | |
| | 05 | F01A, F01B, F01D, F05Z, F07A, F07B, F09A, F09B, F09C, F30Z, F36A, F36B, F42Z | 03 | | D12A, D12J, D12Q | 03 | D12A, D12J, D12Q | | | | | |
| | 06 | G33Z | 05 | | F01A, F01B, F01D, F05Z, F06A, F06C, F07A, F07B, F14A, F14B, F28A, F42Z, F54A, F54B, F54J, F59A, F59B | 05 | F01A, F01B, F01D, F05Z, F06A, F06C, F07A, F07B, F14A, F14B, F28A, F42Z, F54A, F54B, F54J, F59A, F59B | | | | | |
| | 07 | H33Z, H38Z | 08 | | I08A, I08B, I08C, I08D, I08E, I13A, I13B | 08 | I08A, I08B, I08C, I08D, I08E, I13A, I13B | | | | | |
| | 11 | L33Z | 10 | | K09A, K09B | 10 | K09A, K09B | | | | | |
| | 15 | P02A, P02B, P02C | 11 | | L09A, L38Z | 11 | L09A, L38Z | | | | | |
| | Pre | A07A | 21A | | W04A, W04B | 21A | W04A, W04B | | | | | |
| | 5k79x | | BOP, KJZSV, KOP, KOPV, KVT, UOP4 | | 5I010.4↔ | | BOP, KJZSV, KVT, UOP4 | | 5I011.0↔ | | BOP, KJZSV, KVT, UOP4 | |
| | | 04 | E05A, E05B, E05C, E08A, E08B, E08C | | | 01 | B03Z, B07Z, B17A, B17B, B17C, B17J | | | 05 | F01A, F01B, F01D, F05Z, F07A, F07B, F14A, F14B, F28A, F42Z, F54A, F54B, F54J, F59A, F59B | |
| 05 | | F01A, F01B, F01D, F05Z, F07A, F07B, F09A, F09B, F09C, F30Z, F36A, F36B, F42Z | 03 | D12A, D12J, D12Q | | 08 | I08A, I08B, I08C, I08D, I08E, I13A, I13B | | | | | |
| 06 | | G33Z | 05 | F01A, F01B, F01D, F05Z, F06A, F06C, F07A, F07B, F14A, F14B, F28A, F42Z, F54A, F54B, F54J, F59A, F59B | | 10 | K09A, K09B | | | | | |
| 07 | | H33Z, H38Z | 08 | I08A, I08B, I08C, I08D, I08E, I13A, I13B | | 11 | L09A, L38Z | | | | | |
| 11 | | L33Z | 10 | K09A, K09B | | 21A | W04A, W04B | | | | | |
| 15 | | P02A, P02B, P02C | 11 | L09A, L38Z | | 21B | X06A, X06B, X06C | | | | | |
| Pre | | A07A | 21A | W04A, W04B | | 5I011.1↔ | 05 | F01A, F01B, F01D, F05Z, F07A, F07B, F28A, F42Z, F54A, F54B, F54J, F59A, F59B | | | | |
| 5I010.0↔ | | | BOP, KJZSV, KVT, UOP4 | 5I010.4↔ | | | | BOP, KJZSV, KVT, UOP4 | | 5I011.1↔ | | BOP, KJZSV, KVT, UOP4 |
| | | 01 | B03Z, B07Z, B17A, B17B, B17C, B17J | | | | 01 | B03Z, B07Z, B17A, B17B, B17C, B17J | | | 05 | F01A, F01B, F01D, F05Z, F07A, F07B, F28A, F42Z, F54A, F54B, F54J, F59A, F59B |
| | 03 | D12A, D12J, D12Q | 03 | | D12A, D12J, D12Q | | 08 | I08A, I08B, I08C, I08D, I08E, I13A, I13B | | | | |
| | 05 | F01A, F01B, F01D, F05Z, F06A, F06C, F07A, F07B, F14A, F14B, F28A, F42Z, F54A, F54B, F54J, F59A, F59B | 05 | | F01A, F01B, F01D, F05Z, F06A, F06C, F07A, F07B, F14A, F14B, F28A, F42Z, F54A, F54B, F54J, F59A, F59B | | 10 | K09A, K09B | | | | |
| | 08 | I08A, I08B, I08C, I08D, I08E, I13A, I13B | 08 | | I08A, I08B, I08C, I08D, I08E, I13A, I13B | 11 | L09A, L38Z | | | | | |
| | 10 | K09A, K09B | 10 | | K09A, K09B | 21A | W04A, W04B | | | | | |
| | 11 | L09A, L38Z | 11 | | L09A, L38Z | 21B | X06A, X06B, X06C | | | | | |
| | 21A | W04A, W04B | 21A | | W04A, W04B | | | | | | | |
| | 21B | X06A, X06B, X06C | 21B | | X06A, X06B, X06C | | | | | | | |

VYK

| ZZV | MDC | DRG | ZZV | MDC | DRG | ZZV | MDC | DRG | | | |
|---|---|--|--|--|--|----------|--|--|----------|----|--|
| 51013.4 | 05 | BOP, KJZSV, KVT, UOP4 | 51014.1↔ | 04 | BOP, KJZSV, KOP, KOPV, KVT, UOP4 | 51014.x↔ | 04 | BOP, KJZSV, KOP, KOPV, KVT, UOP4 | | | |
| | | F01A, F01B, F01D, F05Z, F07A, F07B, F14A, F14B, F28A, F42Z, F54A, F54B, F54J, F59A, F59B | | | E05A, E05B, E05C, E08A, E08B, E08C | | | E05A, E05B, E05C, E08A, E08B, E08C | | | |
| | | G10Z, G12A, G12B, G12J | | | F01A, F01B, F01D, F05Z, F07A, F07B, F09A, F09B, F09C, F30Z, F42Z | | | F01A, F01B, F01D, F05Z, F07A, F07B, F09A, F09B, F09C, F30Z, F42Z | | | |
| | | I08A, I08B, I08C, I08D, I08E, I13A, I13B | | | G15Z, G19A, G19B, G33Z, G38Z | | | G15Z, G19A, G19B, G33Z, G38Z | | | |
| | | L09A, L09B, L09C, L09J, L38Z | | | H33Z, H38Z | | | H33Z, H38Z | | | |
| | 21A W04A, W04B | I08A, I08B, I08C, I08D, I08E, I13A, I13B | | I08A, I08B, I08C, I08D, I08E, I13A, I13B | | | | | | | |
| | 21B X06A, X06B, X06C | L09A, L33Z, L38Z | | L09A, L33Z, L38Z | | | | | | | |
| | 51013.5 | 05 | | BOP, KJZSV, KVT, UOP4 | 51014.2↔ | | 04 | BOP, KJZSV, KOP, KOPV, KVT, UOP4 | 51015.0↔ | 01 | BOP, KJZSV, KVT, UOP4 |
| | | | | F01A, F01B, F01D, F05Z, F07A, F07B, F14A, F14B, F28A, F42Z, F54A, F54B, F54J, F59A, F59B | | | | E05A, E05B, E05C, E08A, E08B, E08C | | | B03Z, B07Z, B17A, B17B, B17C, B17J |
| | | | | G10Z, G12A, G12B, G12J | | | | F01A, F01B, F01D, F05Z, F07A, F07B, F09A, F09B, F09C, F30Z, F42Z | | | F01A, F01B, F01D, F05Z, F07A, F07B, F14A, F14B, F28A, F42Z, F54A, F54B, F54J, F59A, F59B |
| I08A, I08B, I08C, I08D, I08E, I13A, I13B | | | G15Z, G19A, G19B, G33Z, G38Z | G10Z, G12A, G12B, G12J | | | | | | | |
| L09A, L09B, L09C, L09J, L38Z | | | H33Z, H38Z | I08A, I08B, I08C, I08D, I08E, I13A, I13B | | | | | | | |
| 21A W04A, W04B | | L09A, L33Z, L38Z | K09A, K09B | | | | | | | | |
| 21B X06A, X06B, X06C | | P02A, P02B, P02C | L09A, L38Z | | | | | | | | |
| 51013.x | | 05 | BOP, KJZSV, KVT, UOP4 | 51014.3↔ | | 04 | BOP, KJZSV, KOP, KOPV, KVT, UOP4 | 51015.1↔ | | 05 | BOP, KJZSV, KVT, UOP4 |
| | | | F01A, F01B, F01D, F05Z, F07A, F07B, F14A, F14B, F28A, F42Z, F54A, F54B, F54J, F59A, F59B | | | | E05A, E05B, E05C, E08A, E08B, E08C | | | | F01A, F01B, F01D, F05Z, F07A, F07B, F14A, F14B, F28A, F42Z, F54A, F54B, F54J, F59A, F59B |
| | | | G10Z, G12A, G12B, G12J | | | | F01A, F01B, F01D, F05Z, F07A, F07B, F09A, F09B, F09C, F30Z, F42Z | | | | F01A, F01B, F01D, F05Z, F07A, F07B, F14A, F14B, F28A, F42Z, F54A, F54B, F54J, F59A, F59B |
| | I08A, I08B, I08C, I08D, I08E, I13A, I13B | | G15Z, G19A, G19B, G33Z, G38Z | | G10Z, G12A, G12B, G12J | | | | | | |
| | L09A, L09B, L09C, L09J, L38Z | | H33Z, H38Z | | I08A, I08B, I08C, I08D, I08E, I13A, I13B | | | | | | |
| | 21A W04A, W04B | L09A, L33Z, L38Z | L09A, L09B, L09C, L09J, L38Z | | | | | | | | |
| | 21B X06A, X06B, X06C | P02A, P02B, P02C | 21A W04A, W04B | | | | | | | | |
| | 51014.0↔ | 04 | BOP, KJZSV, KOP, KOPV, KVT, UOP4 | | 51014.3↔ | 04 | BOP, KJZSV, KOP, KOPV, KVT, UOP4 | | 51015.2↔ | 05 | BOP, KJZSV, KVT, UOP4 |
| | | | E05A, E05B, E05C, E08A, E08B, E08C | | | | E05A, E05B, E05C, E08A, E08B, E08C | | | | F01A, F01B, F01D, F05Z, F07A, F07B, F14A, F14B, F28A, F42Z, F54A, F54B, F54J, F59A, F59B |
| | | | F01A, F01B, F01D, F05Z, F07A, F07B, F09A, F09B, F09C, F30Z, F42Z | | | | F01A, F01B, F01D, F05Z, F07A, F07B, F09A, F09B, F09C, F30Z, F42Z | | | | G10Z, G12A, G12B, G12J |
| G15Z, G19A, G19B, G33Z, G38Z | | | G15Z, G19A, G19B, G33Z, G38Z | I08A, I08B, I08C, I08D, I08E, I13A, I13B | | | | | | | |
| H33Z, H38Z | | | H33Z, H38Z | L09A, L09B, L09C, L09J, L38Z | | | | | | | |
| 08 I08A, I08B, I08C, I08D, I08E, I13A, I13B | | I08A, I08B, I08C, I08D, I08E, I13A, I13B | 21A W04A, W04B | | | | | | | | |
| 11 L09A, L33Z, L38Z | | L09A, L33Z, L38Z | 21B X06A, X06B, X06C | | | | | | | | |
| 15 P02A, P02B, P02C | | P02A, P02B, P02C | BOP, KJZSV, KVT, UOP4 | | | | | | | | |
| 21A W04A, W04B | | 21A W04A, W04B | F01A, F01B, F01D, F05Z, F07A, F07B, F14A, F14B, F28A, F42Z, F54A, F54B, F54J, F59A, F59B | | | | | | | | |
| 21B X06A, X06B, X06C, X33Z | | 21B X06A, X06B, X06C, X33Z | G10Z, G12A, G12B, G12J | | | | | | | | |
| 23 Z01A | 23 Z01A | I08A, I08B, I08C, I08D, I08E, I13A, I13B | | | | | | | | | |
| Pre A07A | Pre A07A | L09A, L09B, L09C, L09J, L38Z | | | | | | | | | |
| 51014.0↔ | 04 | BOP, KJZSV, KOP, KOPV, KVT, UOP4 | 51014.3↔ | 04 | BOP, KJZSV, KOP, KOPV, KVT, UOP4 | 51015.3↔ | 05 | BOP, KJZSV, KVT, UOP4 | | | |
| | | E05A, E05B, E05C, E08A, E08B, E08C | | | E05A, E05B, E05C, E08A, E08B, E08C | | | F01A, F01B, F01D, F05Z, F07A, F07B, F14A, F14B, F28A, F42Z, F54A, F54B, F54J, F59A, F59B | | | |
| | | F01A, F01B, F01D, F05Z, F07A, F07B, F09A, F09B, F09C, F30Z, F42Z | | | F01A, F01B, F01D, F05Z, F07A, F07B, F09A, F09B, F09C, F30Z, F42Z | | | G10Z, G12A, G12B, G12J | | | |
| | | G15Z, G19A, G19B, G33Z, G38Z | | | G15Z, G19A, G19B, G33Z, G38Z | | | I08A, I08B, I08C, I08D, I08E, I13A, I13B | | | |
| | | H33Z, H38Z | | | H33Z, H38Z | | | L09A, L09B, L09C, L09J, L38Z | | | |
| | 08 I08A, I08B, I08C, I08D, I08E, I13A, I13B | I08A, I08B, I08C, I08D, I08E, I13A, I13B | | 21A W04A, W04B | | | | | | | |
| | 11 L09A, L33Z, L38Z | L09A, L33Z, L38Z | | 21B X06A, X06B, X06C | | | | | | | |
| | 15 P02A, P02B, P02C | P02A, P02B, P02C | | BOP, KJZSV, KVT, UOP4 | | | | | | | |
| | 21A W04A, W04B | 21A W04A, W04B | | F01A, F01B, F01D, F05Z, F07A, F07B, F14A, F14B, F28A, F42Z, F54A, F54B, F54J, F59A, F59B | | | | | | | |
| | 21B X06A, X06B, X06C, X33Z | 21B X06A, X06B, X06C, X33Z | | G10Z, G12A, G12B, G12J | | | | | | | |
| 23 Z01A | 23 Z01A | I08A, I08B, I08C, I08D, I08E, I13A, I13B | | | | | | | | | |
| Pre A07A | Pre A07A | L09A, L09B, L09C, L09J, L38Z | | | | | | | | | |

VYK

| ZZV | MDC | DRG | ZZV | MDC | DRG | ZZV | MDC | DRG | |
|----------|-----|--|----------|---------|--|----------|----------|--|--|
| 51015.4↔ | | BOP, KJZSV, KVT, UOP4 | 51016.2 | | BOP, KJZSV, KVT, UOP4 | 51016.x↔ | | BOP, KJZSV, KVT, UOP4 | |
| | 05 | F01A, F01B, F01D, F05Z, F07A, F07B, F14A, F14B, F28A, F42Z, F54A, F54B, F54J, F59A, F59B | | 05 | F01A, F01B, F01D, F05Z, F07A, F07B, F14A, F14B, F28A, F42Z, F54A, F54B, F54J, F59A, F59B | | 05 | F01A, F01B, F01D, F05Z, F07A, F07B, F14A, F14B, F28A, F42Z, F54A, F54B, F54J, F59A, F59B | |
| | 06 | G10Z, G12A, G12B, G12J | | 06 | G10Z, G12A, G12B, G12J | | 06 | G10Z, G12A, G12B, G12J | |
| | 08 | I08A, I08B, I08C, I08D, I08E, I13A, I13B | | 08 | I08A, I08B, I08C, I08D, I08E, I13A, I13B | | 08 | I08A, I08B, I08C, I08D, I08E, I13A, I13B | |
| | 11 | L09A, L09B, L09C, L09J, L38Z | | 11 | L09A, L09B, L09C, L09J, L38Z | | 11 | L09A, L09B, L09C, L09J, L38Z | |
| | 21A | W04A, W04B | | 21A | W04A, W04B | | 51017.0↔ | | BOP, KJZSV, KVT, UOP4 |
| | 21B | X06A, X06B, X06C | | 21B | X06A, X06B, X06C | | | 05 | F01A, F01B, F01D, F05Z, F07A, F07B, F14A, F14B, F28A, F42Z, F54A, F54B, F54J, F59A, F59B |
| | | | | | | | | 08 | I08A, I08B, I08C, I08D, I08E, I13A, I13B |
| 51015.5↔ | | BOP, KJZSV, KVT, UOP4 | 51016.3 | | BOP, KJZSV, KVT, UOP4 | 51017.1↔ | | BOP, KJZSV, KVT, UOP4 | |
| | 05 | F01A, F01B, F01D, F05Z, F07A, F07B, F14A, F14B, F28A, F42Z, F54A, F54B, F54J, F59A, F59B | | 05 | F01A, F01B, F01D, F05Z, F07A, F07B, F14A, F14B, F28A, F42Z, F54A, F54B, F54J, F59A, F59B | | 05 | F01A, F01B, F01D, F05Z, F07A, F07B, F14A, F14B, F28A, F42Z, F54A, F54B, F54J, F59A, F59B | |
| | 06 | G10Z, G12A, G12B, G12J | | 06 | G10Z, G12A, G12B, G12J, G18A, G38Z | | 08 | I08A, I08B, I08C, I08D, I08E, I13A, I13B | |
| | 08 | I08A, I08B, I08C, I08D, I08E, I13A, I13B | | 07 | H06A, H06B, H06C | | 10 | K09A, K09B | |
| | 11 | L09A, L09B, L09C, L09J, L38Z | | 08 | I08A, I08B, I08C, I08D, I08E, I13A, I13B | | 11 | L09A, L38Z | |
| | 21A | W04A, W04B | | 11 | L09A, L09B, L09C, L09J, L38Z | | 17 | R01A, R01B, R01C, R01D, R02Z, R12A, R12B, R12C | |
| | 21B | X06A, X06B, X06C | | | | | 21A | W04A, W04B | |
| | | | | | | | 21B | X04Z | |
| 51015.x↔ | | BOP, KJZSV, KVT, UOP4 | 51016.4↔ | | BOP, KJZSV, KVT, UOP4 | 51017.2↔ | | BOP, KJZSV, KVT, UOP4 | |
| | 05 | F01A, F01B, F01D, F05Z, F07A, F07B, F14A, F14B, F28A, F42Z, F54A, F54B, F54J, F59A, F59B | | 05 | F01A, F01B, F01D, F05Z, F07A, F07B, F14A, F14B, F28A, F42Z, F54A, F54B, F54J, F59A, F59B | | 05 | F01A, F01B, F01D, F05Z, F07A, F07B, F28A, F42Z, F54A, F54B, F54J, F59A, F59B | |
| | 06 | G10Z, G12A, G12B, G12J | | 06 | G10Z, G12A, G12B, G12J | | 08 | I08A, I08B, I08C, I08D, I08E, I13A, I13B | |
| | 08 | I08A, I08B, I08C, I08D, I08E, I13A, I13B | | 08 | I08A, I08B, I08C, I08D, I08E, I13A, I13B | | 10 | K09A, K09B | |
| | 11 | L09A, L09B, L09C, L09J, L38Z | | 11 | L09A, L09B, L09C, L09J, L38Z | | 11 | L09A, L38Z | |
| | 21A | W04A, W04B | | | | | 17 | R01A, R01B, R01C, R01D, R02Z, R12A, R12B, R12C | |
| | 21B | X06A, X06B, X06C | | 51016.5 | | | 21A | W04A, W04B | |
| | | | | | | | 21B | X04Z | |
| 51016.0 | | BOP, KJZSV, KVT, UOP4 | 51016.6 | | BOP, KJZSV, KVT, UOP4 | 51017.3↔ | | BOP, KJZSV, KVT, UOP4 | |
| | 05 | F01A, F01B, F01D, F05Z, F07A, F07B, F14A, F14B, F28A, F42Z, F54A, F54B, F54J, F59A, F59B | | 05 | F01A, F01B, F01D, F05Z, F07A, F07B, F14A, F14B, F28A, F42Z, F54A, F54B, F54J, F59A, F59B | | 05 | F01A, F01B, F01D, F05Z, F07A, F07B, F28A, F42Z, F54A, F54B, F54J, F59A, F59B | |
| | 06 | G10Z, G12A, G12B, G12J, G18A, G38Z | | 06 | G10Z, G12A, G12B, G12J, G18A, G38Z | | 08 | I08A, I08B, I08C, I08D, I08E, I13A, I13B | |
| | 08 | I08A, I08B, I08C, I08D, I08E, I13A, I13B | | 08 | I08A, I08B, I08C, I08D, I08E, I13A, I13B | | 10 | K09A, K09B | |
| | 11 | L09A, L09B, L09C, L09J, L38Z | | 11 | L09A, L09B, L09C, L09J, L38Z | | 11 | L09A, L38Z | |
| | 21A | W04A, W04B | | | | | 17 | R01A, R01B, R01C, R01D, R02Z, R12A, R12B, R12C | |
| | 21B | X06A, X06B, X06C | | 51016.7 | | | 21A | W04A, W04B | |
| | | | | | | | 21B | X04Z | |
| 51016.1 | | BOP, KJZSV, KVT, UOP4 | 51016.7 | | BOP, KJZSV, KVT, UOP4 | 51017.3↔ | | BOP, KJZSV, KVT, UOP4 | |
| | 05 | F01A, F01B, F01D, F05Z, F07A, F07B, F14A, F14B, F28A, F42Z, F54A, F54B, F54J, F59A, F59B | | 05 | F01A, F01B, F01D, F05Z, F07A, F07B, F14A, F14B, F28A, F42Z, F54A, F54B, F54J, F59A, F59B | | 05 | F01A, F01B, F01D, F05Z, F07A, F07B, F28A, F42Z, F54A, F54B, F54J, F59A, F59B | |
| | 06 | G10Z, G12A, G12B, G12J, G18A, G38Z | | 06 | G10Z, G12A, G12B, G12J, G18A, G38Z | | 08 | I08A, I08B, I08C, I08D, I08E, I13A, I13B | |
| | 07 | H06A, H06B, H06C | | 07 | H06A, H06B, H06C | | 10 | K09A, K09B | |
| | 08 | I08A, I08B, I08C, I08D, I08E, I13A, I13B | | 08 | I08A, I08B, I08C, I08D, I08E, I13A, I13B | | 11 | L09A, L38Z | |
| | 11 | L09A, L09B, L09C, L09J, L38Z | | 06 | G10Z, G12A, G12B, G12J | | 17 | R01A, R01B, R01C, R01D, R02Z, R12A, R12B, R12C | |
| | 21A | W04A, W04B | | 08 | I08A, I08B, I08C, I08D, I08E, I13A, I13B | | 21A | W04A, W04B | |
| | 21B | X06A, X06B, X06C | | 11 | L09A, L09B, L09C, L09J, L38Z | | 21B | X04Z | |

VYK

| ZZV | MDC | DRG | ZZV | MDC | DRG | ZZV | MDC | DRG | | | |
|----------|----------|--|----------------------------------|------------------------------------|--|--|--|--|--|--|--|
| 51019.8↔ | | BOP, KJZSV, KVT, UOP4 | 51019.d↔ | | BOP, KJZSV, KOP, KOPV, KVT, UOP4 | 51019.h↔ | | BOP, KJZSV, KVT, UOP4 | | | |
| | 05 | F39A, F39B, F39J, F39Q | | | 04 | | E05A, E05B, E05C, E08A, E08B, E08C | 05 | F01A, F01B, F01D, F05Z, F07A, F07B, F14A, F14B, F28A, F42Z, F54A, F54B, F54J, F59A, F59B | | |
| | 06 | G18A, G38Z | | | 05 | | F01A, F01B, F01D, F05Z, F07A, F07B, F09A, F09B, F09C, F30Z, F42Z | 06 | G10Z, G12A, G12B, G12J | | |
| | 07 | H01A | | | 06 | | G15Z, G19A, G19B, G33Z, G38Z | 08 | I08A, I08B, I08C, I08D, I08E, I13A, I13B | | |
| | 08 | I08A, I08B, I08C, I08D, I08E, I13A, I13B | | | 07 | | H33Z, H38Z | 11 | L09A, L09B, L09C, L09J, L38Z | | |
| | 11 | L09A, L38Z | | | 08 | | I08A, I08B, I08C, I08D, I08E, I13A, I13B | 21A | W04A, W04B | | |
| | 21A | W04A, W04B | | | 11 | | L09A, L33Z, L38Z | 21B | X06A, X06B, X06C | | |
| | 21B | X04Z | | | 15 | | P02A, P02B, P02C | 51019.i↔ | | BOP, KJZSV, KVT, UOP4 | |
| | 51019.9↔ | | | BOP, KJZSV, KVT, UOP4 | 51019.e | | | | BOP, KJZSV, KOP, KOPV, KVT, UOP4 | 05 | F01A, F01B, F01D, F05Z, F07A, F07B, F14A, F14B, F28A, F42Z, F54A, F54B, F54J, F59A, F59B |
| | | 01 | | B03Z, B07Z, B17A, B17B, B17C, B17J | | | | | 04 | E05A, E05B, E05C, E08A, E08B, E08C | 06 |
| 03 | | D12A, D12J, D12Q | | 05 | | F01A, F01B, F01D, F05Z, F07A, F07B, F09A, F09B, F09C, F30Z, F42Z | 08 | | I08A, I08B, I08C, I08D, I08E, I13A, I13B | | |
| 05 | | F01A, F01B, F01D, F05Z, F07A, F07B, F14A, F14B, F28A, F42Z, F54A, F54B, F54J, F59A, F59B | | 06 | | G15Z, G19A, G19B, G33Z, G38Z | 11 | | L09A, L09B, L09C, L09J, L38Z | | |
| 08 | | I08A, I08B, I08C, I08D, I08E, I13A, I13B | | 07 | | H33Z, H38Z | 21A | | W04A, W04B | | |
| 10 | | K09A, K09B | | 08 | | I08A, I08B, I08C, I08D, I08E, I13A, I13B | 21B | | X06A, X06B, X06C | | |
| 11 | | L09A, L38Z | | 11 | | L09A, L33Z, L38Z | 51019.x↔ | | | BOP, KJZSV, KVT, UOP4 | |
| 21A | | W04A, W04B | | 15 | | P02A, P02B, P02C | | | 05 | F39A, F39B, F39J, F39Q | |
| 21B | | X06A, X06B, X06C | | 21A | | W04A, W04B | | | 08 | I08A, I08B, I08C, I08D, I08E, I13A, I13B | |
| 51019.a↔ | | | BOP, KJZSV, KOP, KOPV, KVT, UOP4 | 51019.f | | | | BOP, KJZSV, KOP, KOPV, KVT, UOP4 | 11 | L09A, L38Z | |
| | 04 | E05A, E05B, E05C, E08A, E08B, E08C | | | 04 | E05A, E05B, E05C, E08A, E08B, E08C | | 21A | W04A, W04B | | |
| | 05 | F01A, F01B, F01D, F05Z, F07A, F07B, F09A, F09B, F09C, F30Z, F42Z | | | 05 | F01A, F01B, F01D, F05Z, F07A, F07B, F09A, F09B, F09C, F30Z, F42Z | | 21B | X04Z | | |
| | 06 | G15Z, G19A, G19B, G33Z, G38Z | | | 06 | G03A, G15Z, G18A, G19A, G19B, G33Z, G38Z | | 5101b.01↔ | | BOP, KJZSV, KVT, UOP4 | |
| | 07 | H33Z, H38Z | | | 07 | H01A, H33Z, H38Z | | | 05 | F01A, F01B, F01D, F05Z, F07A, F07B, F14A, F14B, F28A, F42Z, F54A, F54B, F54J, F59A, F59B | |
| | 08 | I08A, I08B, I08C, I08D, I08E, I13A, I13B | | | 08 | I08A, I08B, I08C, I08D, I08E, I13A, I13B | | | 06 | G10Z, G12A, G12B, G12J | |
| | 11 | L09A, L33Z, L38Z | | | 11 | L09A, L33Z, L38Z | | | 08 | I08A, I08B, I08C, I08D, I08E, I13A, I13B | |
| | 15 | P02A, P02B, P02C | | | 15 | P02A, P02B, P02C | 11 | | L09A, L09B, L09C, L09J, L38Z | | |
| | 21A | W04A, W04B | | | 21A | W04A, W04B | 5101b.02↔ | | | BOP, KJZSV, KVT, UOP4 | |
| | 21B | X06A, X06B, X06C, X33Z | | | 21B | X06A, X06B, X06C, X33Z | | | 05 | F01A, F01B, F01D, F05Z, F07A, F07B, F14A, F14B, F28A, F42Z, F54A, F54B, F54J, F59A, F59B | |
| 23 | Z01A | | 23 | Z01A | 06 | G10Z, G12A, G12B, G12J | | | | | |
| Pre | A07A | | Pre | A07A | 08 | I08A, I08B, I08C, I08D, I08E, I13A, I13B | | | | | |
| 51019.b↔ | | BOP, KJZSV, KOP, KOPV, KVT, UOP4 | 51019.g↔ | | BOP, KJZSV, KVT, UOP4 | 11 | | | L09A, L09B, L09C, L09J, L38Z | | |
| | 04 | E05A, E05B, E05C, E08A, E08B, E08C | | | 05 | F01A, F01B, F01D, F05Z, F07A, F07B, F14A, F14B, F28A, F42Z, F54A, F54B, F54J, F59A, F59B | | 5101b.11 | | BOP, KJZSV, KVT, UOP4 | |
| | 05 | F01A, F01B, F01D, F05Z, F07A, F07B, F09A, F09B, F09C, F30Z, F42Z | | | 06 | G10Z, G12A, G12B, G12J | | | 05 | F01A, F01B, F01D, F05Z, F07A, F07B, F14A, F14B, F28A, F42Z, F54A, F54B, F54J, F59A, F59B | |
| | 06 | G15Z, G19A, G19B, G33Z, G38Z | | | 08 | I08A, I08B, I08C, I08D, I08E, I13A, I13B | | | 06 | G10Z, G12A, G12B, G12J | |
| | 07 | H33Z, H38Z | | | 11 | L09A, L33Z, L38Z | | | 08 | I08A, I08B, I08C, I08D, I08E, I13A, I13B | |
| | 08 | I08A, I08B, I08C, I08D, I08E, I13A, I13B | | | 15 | P02A, P02B, P02C | | | 11 | L09A, L09B, L09C, L09J, L38Z | |
| | 11 | L09A, L33Z, L38Z | | | 21A | W04A, W04B | 5101b.12 | | | BOP, KJZSV, KVT, UOP4 | |
| | 15 | P02A, P02B, P02C | | | 21B | X06A, X06B, X06C, X33Z | | | 05 | F01A, F01B, F01D, F05Z, F07A, F07B, F14A, F14B, F28A, F42Z, F54A, F54B, F54J, F59A, F59B | |
| | 21A | W04A, W04B | | | 23 | Z01A | | | 06 | G10Z, G12A, G12B, G12J | |
| | 21B | X06A, X06B, X06C, X33Z | | | Pre | A07A | | | 08 | I08A, I08B, I08C, I08D, I08E, I13A, I13B | |
| 23 | Z01A | | 51019.c↔ | | BOP, KJZSV, KVT, UOP4 | 11 | | | L09A, L09B, L09C, L09J, L38Z | | |
| Pre | A07A | | | 05 | F01A, F01B, F01D, F05Z, F07A, F07B, F14A, F14B, F28A, F42Z, F54A, F54B, F54J, F59A, F59B | 5101b.12 | | | BOP, KJZSV, KVT, UOP4 | | |
| 51019.c↔ | | BOP, KJZSV, KVT, UOP4 | | | 06 | | | G10Z, G12A, G12B, G12J | 05 | F01A, F01B, F01D, F05Z, F07A, F07B, F14A, F14B, F28A, F42Z, F54A, F54B, F54J, F59A, F59B | |
| | 05 | F01A, F01B, F01D, F05Z, F07A, F07B, F14A, F14B, F28A, F42Z, F54A, F54B, F54J, F59A, F59B | | | 08 | | | I08A, I08B, I08C, I08D, I08E, I13A, I13B | 06 | G10Z, G12A, G12B, G12J | |
| | 08 | I08A, I08B, I08C, I08D, I08E, I13A, I13B | | | 11 | | | L09A, L09B, L09C, L09J, L38Z | 08 | I08A, I08B, I08C, I08D, I08E, I13A, I13B | |
| | 10 | K09A, K09B | | | 21A | | | W04A, W04B | 11 | L09A, L09B, L09C, L09J, L38Z | |
| | 11 | L09A, L38Z | | | 21B | | X06A, X06B, X06C | | | | |
| | 21A | W04A, W04B | | | | | | | | | |
| | 21B | X06A, X06B, X06C | | | | | | | | | |

VYK

| ZZV | MDC | DRG | ZZV | MDC | DRG | ZZV | MDC | DRG |
|-----------|-----------|--|-----------------------|--|--|-----------|--|--|
| 51120.0↔ | | BOP, KJZSV, KVT, UOP4 | 51120.23↔ | | BOP, KJZSV, KVT, UOP4 | 51120.40↔ | | BOP, KJZSV, KVT, UOP4 |
| | 01 | B04A, B04B, B04C, B04D, B04E | | 01 | B04A, B04B, B04C, B04D, B04E | | 01 | B04A, B04B, B04C, B04D, B04E |
| | 03 | D12A, D12B, D12J, D12Q | | 03 | D12A, D12B, D12J, D12Q | | 03 | D12A, D12B, D12J, D12Q |
| | 05 | F01A, F01B, F01D, F05Z, F06A, F06C, F07A, F07B, F14A, F14B, F28A, F42Z, F54A, F54B, F54J, F59A, F59B | | 05 | F01A, F01B, F01D, F05Z, F06A, F06C, F07A, F07B, F14A, F14B, F28A, F42Z, F54A, F54B, F54J, F59A, F59B | | 05 | F01A, F01B, F01D, F05Z, F06A, F06C, F07A, F07B, F14A, F14B, F28A, F42Z, F54A, F54B, F54J, F59A, F59B |
| | 08 | I08A, I08B, I08C, I08D, I08E, I13A, I13B | | 08 | I08A, I08B, I08C, I08D, I08E, I13A, I13B | | 08 | I08A, I08B, I08C, I08D, I08E, I13A, I13B |
| | 10 | K09A, K09B | | 10 | K09A, K09B | | 10 | K09A, K09B |
| | 11 | L09A, L38Z | | 11 | L09A, L38Z | | 11 | L09A, L38Z |
| | 21A | W04A, W04B | | 21A | W04A, W04B | | 21A | W04A, W04B |
| | 21B | X06A, X06B, X06C | | 21B | X06A, X06B, X06C | | 21B | X06A, X06B, X06C |
| | 51120.1↔ | | | BOP, KJZSV, KVT, UOP4 | 51120.24↔ | | | BOP, KJZSV, KVT, UOP4 |
| 01 | | B04A, B04B, B04C, B04D, B04E | 01 | B04A, B04B, B04C, B04D, B04E | | 05 | F01A, F01B, F01D, F05Z, F07A, F07B, F08A, F08B, F08C, F08D, F08E, F08J, F27A, F28A, F42Z | |
| 03 | | D12A, D12B, D12J, D12Q | 03 | D12A, D12B, D12J, D12Q | | 06 | G10Z, G12A, G12B, G12J, G18A, G38Z | |
| 05 | | F01A, F01B, F01D, F05Z, F06A, F06C, F07A, F07B, F14A, F14B, F28A, F42Z, F54A, F54B, F54J, F59A, F59B | 05 | F01A, F01B, F01D, F05Z, F06A, F06C, F07A, F07B, F14A, F14B, F28A, F42Z, F54A, F54B, F54J, F59A, F59B | | 07 | H01A | |
| 08 | | I08A, I08B, I08C, I08D, I08E, I13A, I13B | 08 | I08A, I08B, I08C, I08D, I08E, I13A, I13B | | 08 | I08A, I08B, I08C, I08D, I08E, I13A, I13B | |
| 10 | | K09A, K09B | 10 | K09A, K09B | | 11 | L09A, L09B, L09C, L09J, L38Z | |
| 11 | | L09A, L38Z | 11 | L09A, L38Z | | 21A | W04A, W04B | |
| 21A | | W04A, W04B | 21A | W04A, W04B | | 21B | X06A, X06B, X06C, X33Z | |
| 21B | | X06A, X06B, X06C | 21B | X06A, X06B, X06C | | | BOP, KJZSV, KVT, UOP4 | |
| 51120.20↔ | | | BOP, KJZSV, KVT, UOP4 | 51120.25↔ | | | BOP, KJZSV, KVT, UOP4 | 51120.5↔ |
| | 01 | B04A, B04B, B04C, B04D, B04E | 01 | | B04A, B04B, B04C, B04D, B04E | 01 | B04A, B04B, B04C, B04D, B04E | |
| | 03 | D12A, D12B, D12J, D12Q | 03 | | D12A, D12B, D12J, D12Q | 03 | D12A, D12B, D12J, D12Q | |
| | 05 | F01A, F01B, F01D, F05Z, F06A, F06C, F07A, F07B, F14A, F14B, F28A, F42Z, F54A, F54B, F54J, F59A, F59B | 05 | | F01A, F01B, F01D, F05Z, F06A, F06C, F07A, F07B, F14A, F14B, F28A, F42Z, F54A, F54B, F54J, F59A, F59B | 05 | F01A, F01B, F01D, F05Z, F06A, F06C, F07A, F07B, F14A, F14B, F28A, F42Z, F54A, F54B, F54J, F59A, F59B | |
| | 08 | I08A, I08B, I08C, I08D, I08E, I13A, I13B | 08 | | I08A, I08B, I08C, I08D, I08E, I13A, I13B | 08 | I08A, I08B, I08C, I08D, I08E, I13A, I13B | |
| | 10 | K09A, K09B | 10 | | K09A, K09B | 10 | K09A, K09B | |
| | 11 | L09A, L38Z | 11 | | L09A, L38Z | 11 | L09A, L38Z | |
| | 21A | W04A, W04B | 21A | | W04A, W04B | 21A | W04A, W04B | |
| | 21B | X06A, X06B, X06C | 21B | | X06A, X06B, X06C | 21B | X06A, X06B, X06C | |
| | 51120.22↔ | | BOP, KJZSV, KVT, UOP4 | | 51120.3↔ | | BOP, KJZSV, KVT, UOP4 | |
| 01 | | B04A, B04B, B04C, B04D, B04E | 01 | B04A, B04B, B04C, B04D, B04E | | 01 | B04A, B04B, B04C, B04D, B04E | |
| 03 | | D12A, D12B, D12J, D12Q | 03 | D12A, D12B, D12J, D12Q | | 03 | D12A, D12B, D12J, D12Q | |
| 05 | | F01A, F01B, F01D, F05Z, F06A, F06C, F07A, F07B, F14A, F14B, F28A, F42Z, F54A, F54B, F54J, F59A, F59B | 05 | F01A, F01B, F01D, F05Z, F06A, F06C, F07A, F07B, F14A, F14B, F28A, F42Z, F54A, F54B, F54J, F59A, F59B | | 05 | F01A, F01B, F01D, F05Z, F06A, F06C, F07A, F07B, F14A, F14B, F28A, F42Z, F54A, F54B, F54J, F59A, F59B | |
| 08 | | I08A, I08B, I08C, I08D, I08E, I13A, I13B | 08 | I08A, I08B, I08C, I08D, I08E, I13A, I13B | | 08 | I08A, I08B, I08C, I08D, I08E, I13A, I13B | |
| 10 | | K09A, K09B | 10 | K09A, K09B | | 10 | K09A, K09B | |
| 11 | | L09A, L38Z | 11 | L09A, L38Z | | 11 | L09A, L38Z | |
| 21A | | W04A, W04B | 21A | W04A, W04B | | 21A | W04A, W04B | |
| 21B | | X06A, X06B, X06C | 21B | X06A, X06B, X06C | | 21B | X06A, X06B, X06C | |
| | | | BOP, KJZSV, KVT, UOP4 | | | | BOP, KJZSV, KVT, UOP4 | 51120.8↔ |
| | 01 | B04A, B04B, B04C, B04D, B04E | 01 | | B04A, B04B, B04C, B04D, B04E | 05 | F01A, F01B, F01D, F05Z, F07A, F07B, F08A, F08B, F08C, F08D, F08E, F08J, F27A, F28A, F42Z | |
| | 03 | D12A, D12B, D12J, D12Q | 03 | | D12A, D12B, D12J, D12Q | 06 | G10Z, G12A, G12B, G12J | |
| | 05 | F01A, F01B, F01D, F05Z, F06A, F06C, F07A, F07B, F14A, F14B, F28A, F42Z, F54A, F54B, F54J, F59A, F59B | 05 | | F01A, F01B, F01D, F05Z, F06A, F06C, F07A, F07B, F14A, F14B, F28A, F42Z, F54A, F54B, F54J, F59A, F59B | 08 | I08A, I08B, I08C, I08D, I08E, I13A, I13B | |
| | 08 | I08A, I08B, I08C, I08D, I08E, I13A, I13B | 08 | | I08A, I08B, I08C, I08D, I08E, I13A, I13B | 11 | L09A, L09B, L09C, L09J, L38Z | |
| | 10 | K09A, K09B | 10 | | K09A, K09B | 21A | W04A, W04B | |
| | 11 | L09A, L38Z | 11 | | L09A, L38Z | 21B | X06A, X06B, X06C, X33Z | |
| | 21A | W04A, W04B | 21A | | W04A, W04B | | BOP, KJZSV, KVT, UOP4 | |
| | 21B | X06A, X06B, X06C | 21B | | X06A, X06B, X06C | | BOP, KJZSV, KVT, UOP4 | |

VYK

| ZZV | MDC | DRG | ZZV | MDC | DRG | ZZV | MDC | DRG | | | | |
|----------|----------|--|--|--|--|---------|--|--|--|---------|--|--|
| 51120.x↔ | | BOP, KJZSV, KVT, UOP4 | 51122.0↔ | | BOP, KJZSV, KVT, UOP4 | 51123.2 | | BOP, KJZSV, KVT, UOP4 | | | | |
| | 01 | B04A, B04B, B04C, B04D, B04E | | 05 | F01A, F01B, F01D, F05Z, F07A, F07B, F14A, F14B, F28A, F42Z, F54A, F54B, F54J, F59A, F59B | | 05 | F01A, F01B, F01D, F05Z, F07A, F07B, F08A, F08B, F08C, F08D, F08E, F08J, F27A, F28A, F42Z | | | | |
| | 03 | D12A, D12B, D12J, D12Q | | 08 | I08A, I08B, I08C, I08D, I08E, I13A, I13B | | 06 | G10Z, G12A, G12B, G12J | | | | |
| | 05 | F01A, F01B, F01D, F05Z, F06A, F06C, F07A, F07B, F14A, F14B, F28A, F42Z, F54A, F54B, F54J, F59A, F59B | | 10 | K09A, K09B | | 08 | I08A, I08B, I08C, I08D, I08E, I13A, I13B | | | | |
| | 08 | I08A, I08B, I08C, I08D, I08E, I13A, I13B | | 11 | L09A, L38Z | | 11 | L09A, L38Z | | | | |
| | 10 | K09A, K09B | | 21A | W04A, W04B | | 21A | W04A, W04B | | | | |
| | 11 | L09A, L38Z | | 21B | X05A, X05B, X06A, X06B, X06C | | 21B | X06A, X06B, X06C, X33Z | | | | |
| | 21A | W04A, W04B | | | BOP, KJZSV, KVT, UOP4 | | 51123.3 | | BOP, KJZSV, KVT, UOP4 | | | |
| | 21B | X06A, X06B, X06C | | 05 | F01A, F01B, F01D, F05Z, F07A, F07B, F14A, F14B, F28A, F42Z, F54A, F54B, F54J, F59A, F59B | | | 05 | F01A, F01B, F01D, F05Z, F07A, F07B, F08A, F08B, F08C, F08D, F08E, F08J, F27A, F28A, F42Z | | | |
| | 51121.0↔ | | | BOP, KJZSV, KVT, UOP4 | 51122.1↔ | | | | BOP, KJZSV, KVT, UOP4 | 51123.4 | | BOP, KJZSV, KVT, UOP4 |
| | | 05 | | F01A, F01B, F01D, F05Z, F07A, F07B, F14A, F14B, F28A, F42Z, F54A, F54B, F54J, F59A, F59B | | | | 05 | F01A, F01B, F01D, F05Z, F07A, F07B, F14A, F14B, F28A, F42Z, F54A, F54B, F54J, F59A, F59B | | 05 | F01A, F01B, F01D, F05Z, F07A, F07B, F08A, F08B, F08C, F08D, F08E, F08J, F27A, F28A, F42Z |
| | | 08 | | I08A, I08B, I08C, I08D, I08E, I13A, I13B | | | | 08 | I08A, I08B, I08C, I08D, I08E, I13A, I13B | | 06 | G10Z, G12A, G12B, G12J |
| 10 | | K09A, K09B | 10 | K09A, K09B | | 08 | | I08A, I08B, I08C, I08D, I08E, I13A, I13B | | | | |
| 11 | | L09A, L38Z | 11 | L09A, L38Z | | 11 | | L09A, L38Z | | | | |
| 21A | | W04A, W04B | 21A | W04A, W04B | | 21A | | W04A, W04B | | | | |
| 21B | | X05A, X05B, X06A, X06B, X06C | 21B | X05A, X05B, X06A, X06B, X06C | | 21B | | X06A, X06B, X06C, X33Z | | | | |
| 51121.1↔ | | | BOP, KJZSV, KVT, UOP4 | 51122.2↔ | | | | BOP, KJZSV, KVT, UOP4 | 51123.x | | | BOP, KJZSV, KVT, UOP4 |
| | | 05 | F01A, F01B, F01D, F05Z, F07A, F07B, F14A, F14B, F28A, F42Z, F54A, F54B, F54J, F59A, F59B | | | 05 | | F01A, F01B, F01D, F05Z, F07A, F07B, F14A, F14B, F28A, F42Z, F54A, F54B, F54J, F59A, F59B | | | 05 | F01A, F01B, F01D, F05Z, F07A, F07B, F08A, F08B, F08C, F08D, F08E, F08J, F27A, F28A, F42Z |
| | | 08 | I08A, I08B, I08C, I08D, I08E, I13A, I13B | | | 08 | | I08A, I08B, I08C, I08D, I08E, I13A, I13B | | | 06 | G10Z, G12A, G12B, G12J |
| | | 10 | K09A, K09B | | | 10 | K09A, K09B | 08 | | | I08A, I08B, I08C, I08D, I08E, I13A, I13B | |
| | | 11 | L09A, L38Z | | | 11 | L09A, L38Z | 11 | | | L09A, L38Z | |
| | 21A | W04A, W04B | 21A | | W04A, W04B | 21A | W04A, W04B | | | | | |
| | 21B | X05A, X05B, X06A, X06B, X06C | 21B | | X05A, X05B, X06A, X06B, X06C | 21B | X06A, X06B, X06C, X33Z | | | | | |
| | 51121.2↔ | | BOP, KJZSV, KVT, UOP4 | | 51122.x↔ | | BOP, KJZSV, KVT, UOP4 | 51124.0↔ | | | BOP, KJZSV, KOP, KOPV, KVT, UOP4 | |
| | | 05 | F01A, F01B, F01D, F05Z, F07A, F07B, F14A, F14B, F28A, F42Z, F54A, F54B, F54J, F59A, F59B | | | 05 | F01A, F01B, F01D, F05Z, F07A, F07B, F14A, F14B, F28A, F42Z, F54A, F54B, F54J, F59A, F59B | | | 04 | E05A, E05B, E05C, E08A, E08B, E08C | |
| | | 08 | I08A, I08B, I08C, I08D, I08E, I13A, I13B | | | 08 | I08A, I08B, I08C, I08D, I08E, I13A, I13B | | | 05 | F01A, F01B, F01D, F05Z, F07A, F07B, F09A, F09B, F09C, F30Z, F42Z | |
| | | 10 | K09A, K09B | | | 10 | K09A, K09B | | | 06 | G33Z | |
| | | 11 | L09A, L38Z | | | 11 | L09A, L38Z | | | 07 | H33Z, H38Z | |
| 21A | | W04A, W04B | 21A | W04A, W04B | | 08 | I08A, I08B, I08C, I08D, I08E, I13A, I13B | | | | | |
| 21B | | X05A, X05B, X06A, X06B, X06C | 21B | X05A, X05B, X06A, X06B, X06C | | 11 | L09A, L33Z, L38Z | | | | | |
| 51121.x↔ | | | BOP, KJZSV, KVT, UOP4 | 51123.0 | | | BOP, KJZSV, KVT, UOP4 | | 51123.1 | | BOP, KJZSV, KVT, UOP4 | |
| | | 05 | F01A, F01B, F01D, F05Z, F07A, F07B, F14A, F14B, F28A, F42Z, F54A, F54B, F54J, F59A, F59B | | | 05 | F01A, F01B, F01D, F05Z, F07A, F07B, F08A, F08B, F08C, F08D, F08E, F08J, F27A, F28A, F42Z | | | 05 | F01A, F01B, F01D, F05Z, F07A, F07B, F08A, F08B, F08C, F08D, F08E, F08J, F27A, F28A, F42Z | |
| | | 08 | I08A, I08B, I08C, I08D, I08E, I13A, I13B | | | 06 | G10Z, G12A, G12B, G12J | | | 06 | G10Z, G12A, G12B, G12J | |
| | | 10 | K09A, K09B | | | 08 | I08A, I08B, I08C, I08D, I08E, I13A, I13B | | | 08 | I08A, I08B, I08C, I08D, I08E, I13A, I13B | |
| | | 11 | L09A, L38Z | | | 11 | L09A, L38Z | | | 11 | L09A, L38Z | |
| | 21A | W04A, W04B | 21A | | W04A, W04B | 21A | W04A, W04B | | | | | |
| | 21B | X06A, X06B, X06C, X33Z | 21B | | X06A, X06B, X06C, X33Z | 21B | X06A, X06B, X06C, X33Z | | | | | |
| | 51122.0↔ | | BOP, KJZSV, KVT, UOP4 | | 51123.1 | | BOP, KJZSV, KVT, UOP4 | Pre | | | Z01A | |
| | | 05 | F01A, F01B, F01D, F05Z, F07A, F07B, F14A, F14B, F28A, F42Z, F54A, F54B, F54J, F59A, F59B | | | 05 | F01A, F01B, F01D, F05Z, F07A, F07B, F08A, F08B, F08C, F08D, F08E, F08J, F27A, F28A, F42Z | | | A07A | | |
| | | 06 | G10Z, G12A, G12B, G12J | | | 06 | G10Z, G12A, G12B, G12J | | | | | |
| | | 08 | I08A, I08B, I08C, I08D, I08E, I13A, I13B | | | 08 | I08A, I08B, I08C, I08D, I08E, I13A, I13B | | | | | |
| | | 11 | L09A, L38Z | | | 11 | L09A, L38Z | | | | | |
| 21A | | W04A, W04B | 21A | W04A, W04B | | | | | | | | |
| 21B | | X06A, X06B, X06C, X33Z | 21B | X06A, X06B, X06C, X33Z | | | | | | | | |

VYK

| ZZV | MDC | DRG | ZZV | MDC | DRG | ZZV | MDC | DRG | | | | | |
|----------|----------|--|--|--|--|--|--|--|--|--|----------|--|--|
| 51124.1↔ | | BOP, KJZSV, KOP, KOPV, KVT, UOP4 | 51125.0↔ | | BOP, KJZSV, KVT, UOP4 | 51125.5↔ | | BOP, KJZSV, KVT, UOP4 | | | | | |
| | 04 | E05A, E05B, E05C, E08A, E08B, E08C | | 05 | F01A, F01B, F01D, F05Z, F07A, F07B, F14A, F14B, F28A, F42Z, F54A, F54B, F54J, F59A, F59B | | 05 | F01A, F01B, F01D, F05Z, F07A, F07B, F14A, F14B, F28A, F42Z, F54A, F54B, F54J, F59A, F59B | | | | | |
| | 05 | F01A, F01B, F01D, F05Z, F07A, F07B, F09A, F09B, F09C, F30Z, F42Z | | 08 | I08A, I08B, I08C, I08D, I08E, I13A, I13B | | 08 | I08A, I08B, I08C, I08D, I08E, I13A, I13B | | | | | |
| | 06 | G33Z | | 10 | K09A, K09B | | 10 | K09A, K09B | | | | | |
| | 07 | H33Z, H38Z | | 11 | L09A, L38Z | | 11 | L09A, L38Z | | | | | |
| | 08 | I08A, I08B, I08C, I08D, I08E, I13A, I13B | | 21A | W04A, W04B | | 21A | W04A, W04B | | | | | |
| | 11 | L09A, L33Z, L38Z | | 21B | X06A, X06B, X06C | | 21B | X06A, X06B, X06C | | | | | |
| | 15 | P02A, P02B, P02C | | 51125.1↔ | | | BOP, KJZSV, KVT, UOP4 | 51125.x↔ | | BOP, KJZSV, KVT, UOP4 | | | |
| | 21A | W04A, W04B | | | 05 | | F01A, F01B, F01D, F05Z, F07A, F07B, F08A, F08B, F08C, F08D, F08E, F08F, F08J, F14A, F14B, F27A, F28A, F42Z | | 05 | F01A, F01B, F01D, F05Z, F07A, F07B, F14A, F14B, F28A, F42Z, F54A, F54B, F54J, F59A, F59B | | | |
| | 21B | X06A, X06B, X06C, X33Z | | | 06 | | G10Z, G12A, G12B, G12J | | 08 | I08A, I08B, I08C, I08D, I08E, I13A, I13B | | | |
| | 23 | Z01A | | | 08 | | I08A, I08B, I08C, I08D, I08E, I13A, I13B | | 10 | K09A, K09B | | | |
| | Pre | A07A | | | 11 | | L09A, L09B, L09C, L09J, L38Z | | 11 | L09A, L38Z | | | |
| | 51124.2↔ | | | | BOP, KJZSV, KOP, KOPV, KVT, UOP4 | | 51125.2↔ | | | BOP, KJZSV, KVT, UOP4 | 51126.0 | | BOP, KJZSV, KVT, UOP4 |
| | | 04 | | | E01A, E08A, E08B, E08C | | | | 05 | F01A, F01B, F01D, F05Z, F07A, F07B, F08A, F08B, F08C, F08D, F08E, F08F, F08J, F14A, F14B, F27A, F28A, F42Z | | 05 | F01A, F01B, F01D, F05Z, F07A, F07B, F08A, F08B, F08C, F08D, F08E, F08F, F08J, F14A, F14B, F27A, F28A, F42Z |
| | | 05 | | | F01A, F01B, F01D, F05Z, F07A, F07B, F09A, F09B, F09C, F30Z, F42Z | | | | 06 | G10Z, G12A, G12B, G12J | | 06 | G10Z, G12A, G12B, G12J, G18A, G38Z |
| 06 | | G33Z | 08 | | I08A, I08B, I08C, I08D, I08E, I13A, I13B | 07 | | | H01A | | | | |
| 07 | | H33Z, H38Z | 11 | | L09A, L09B, L09C, L09J, L38Z | 08 | | | I08A, I08B, I08C, I08D, I08E, I13A, I13B | | | | |
| 08 | | I08A, I08B, I08C, I08D, I08E, I13A, I13B | 21A | | W04A, W04B | 11 | | | L09A, L09B, L09C, L09J, L38Z | | | | |
| 11 | | L09A, L33Z, L38Z | 21A | | W04A, W04B | 21A | | | W04A, W04B | | | | |
| 15 | | P02A, P02B, P02C | 21B | | X06A, X06B, X06C, X33Z | 21B | | | X06A, X06B, X06C, X33Z | | | | |
| 21A | | W04A, W04B | 51125.3↔ | | | BOP, KJZSV, KVT, UOP4 | | | 51126.1 | | | BOP, KJZSV, KVT, UOP4 | |
| 21B | | X06A, X06B, X06C, X33Z | | | 05 | F01A, F01B, F01D, F05Z, F07A, F07B, F08A, F08B, F08C, F08D, F08E, F08F, F08J, F14A, F14B, F27A, F28A, F42Z | | | | 05 | | F01A, F01B, F01D, F05Z, F07A, F07B, F08A, F08B, F08C, F08D, F08E, F08J, F27A, F28A, F42Z | |
| 23 | | Z01A | | 06 | G10Z, G12A, G12B, G12J | 06 | | G10Z, G12A, G12B, G12J, G18A, G38Z | | | | | |
| Pre | | A07A | | 08 | I08A, I08B, I08C, I08D, I08E, I13A, I13B | 07 | | H01A, H06A, H06B, H06C | | | | | |
| 51124.3↔ | | | | BOP, KJZSV, KOP, KOPV, KVT, UOP4 | 51125.4↔ | | | BOP, KJZSV, KVT, UOP4 | | 51126.2 | | | BOP, KJZSV, KVT, UOP4 |
| | | 04 | | E05A, E05B, E05C, E08A, E08B, E08C | | 05 | | F01A, F01B, F01D, F05Z, F07A, F07B, F08A, F08B, F08C, F08D, F08E, F08F, F08J, F14A, F14B, F27A, F28A, F42Z | | | | 05 | F01A, F01B, F01D, F05Z, F07A, F07B, F08A, F08B, F08C, F08D, F08E, F08J, F27A, F28A, F42Z |
| | | 05 | | F01A, F01B, F01D, F05Z, F07A, F07B, F09A, F09B, F09C, F30Z, F42Z | | 06 | | G10Z, G12A, G12B, G12J | | | | 06 | G10Z, G12A, G12B, G12J |
| | 06 | G33Z | | 08 | | I08A, I08B, I08C, I08D, I08E, I13A, I13B | 08 | I08A, I08B, I08C, I08D, I08E, I13A, I13B | | | | | |
| | 07 | H33Z, H38Z | | 11 | | L09A, L09B, L09C, L09J, L38Z | 11 | L09A, L09B, L09C, L09J, L38Z | | | | | |
| | 08 | I08A, I08B, I08C, I08D, I08E, I13A, I13B | | 21A | | W04A, W04B | 21A | W04A, W04B | | | | | |
| | 11 | L09A, L33Z, L38Z | | 21B | | X06A, X06B, X06C, X33Z | 21B | X06A, X06B, X06C, X33Z | | | | | |
| | 15 | P02A, P02B, P02C | | 51124.x↔ | | | BOP, KJZSV, KOP, KOPV, KVT, UOP4 | 51124.x↔ | | | | BOP, KJZSV, KOP, KOPV, KVT, UOP4 | |
| | 21A | W04A, W04B | | | | 04 | E05A, E05B, E05C, E08A, E08B, E08C | | | | 04 | E05A, E05B, E05C, E08A, E08B, E08C | |
| | 21B | X06A, X06B, X06C, X33Z | | | | 05 | F01A, F01B, F01D, F05Z, F07A, F07B, F09A, F09B, F09C, F30Z, F42Z | | | | 05 | F01A, F01B, F01D, F05Z, F07A, F07B, F09A, F09B, F09C, F30Z, F42Z | |
| | 23 | Z01A | | | | 06 | G33Z | | | | 06 | G33Z | |
| | Pre | A07A | 07 | | | H33Z, H38Z | 07 | | H33Z, H38Z | | | | |
| | 51124.x↔ | | BOP, KJZSV, KOP, KOPV, KVT, UOP4 | | | 51124.x↔ | | | BOP, KJZSV, KOP, KOPV, KVT, UOP4 | | 51124.x↔ | | BOP, KJZSV, KOP, KOPV, KVT, UOP4 |
| | | 04 | E05A, E05B, E05C, E08A, E08B, E08C | | | | 04 | | E05A, E05B, E05C, E08A, E08B, E08C | | | 04 | E05A, E05B, E05C, E08A, E08B, E08C |
| | | 05 | F01A, F01B, F01D, F05Z, F07A, F07B, F09A, F09B, F09C, F30Z, F42Z | | | | 05 | | F01A, F01B, F01D, F05Z, F07A, F07B, F09A, F09B, F09C, F30Z, F42Z | | | 05 | F01A, F01B, F01D, F05Z, F07A, F07B, F09A, F09B, F09C, F30Z, F42Z |
| 06 | | G33Z | 06 | | G33Z | | 06 | | G33Z | | | | |
| 07 | | H33Z, H38Z | 07 | | H33Z, H38Z | | 07 | | H33Z, H38Z | | | | |
| 08 | | I08A, I08B, I08C, I08D, I08E, I13A, I13B | 08 | | I08A, I08B, I08C, I08D, I08E, I13A, I13B | | 08 | | I08A, I08B, I08C, I08D, I08E, I13A, I13B | | | | |
| 11 | | L09A, L33Z, L38Z | 11 | | L09A, L33Z, L38Z | | 11 | | L09A, L33Z, L38Z | | | | |
| 15 | | P02A, P02B, P02C | 15 | | P02A, P02B, P02C | | 15 | | P02A, P02B, P02C | | | | |
| 21A | | W04A, W04B | 21A | | W04A, W04B | | 21A | | W04A, W04B | | | | |
| 21B | | X06A, X06B, X06C, X33Z | 21B | | X06A, X06B, X06C, X33Z | | 21B | | X06A, X06B, X06C, X33Z | | | | |
| 23 | | Z01A | 23 | Z01A | 23 | | Z01A | | | | | | |
| Pre | | A07A | Pre | A07A | Pre | | A07A | | | | | | |

VYK

| ZZV | MDC | DRG | ZZV | MDC | DRG | ZZV | MDC | DRG | | | |
|---------|------------------------|--|--|--|--|----------|--|--|----------|----|--|
| 51133.0 | | BOP, KJZSV, KOP, KOPV, KVT, UOP4 | 51134.0↔ | | BOP, KJZSV, KVT, UOP4 | 51135.0↔ | | BOP, KJZSV, KOP, KOPV, KVT, UOP4 | | | |
| | 04 | E05A, E05B, E05C, E08A, E08B, E08C | | 01 | B04A, B04B, B04C, B04D, B04E | | 05 | F01A, F01B, F01D, F05Z, F07A, F07B, F08A, F08B, F08C, F08D, F08E, F08F, F08J, F27A, F28A, F42Z | | | |
| | 05 | F01A, F01B, F01D, F05Z, F07A, F07B, F08A, F08B, F08C, F08D, F08E, F08J, F27A, F28A, F30Z, F42Z | | 05 | F01A, F01B, F01D, F05Z, F07A, F07B, F09A, F09B, F09C, F30Z, F42Z | | 06 | G15Z, G19A, G19B, G33Z, G38Z | | | |
| | 06 | G10Z, G12A, G12B, G12J, G33Z | | 08 | I08A, I08B, I08C, I08D, I08E, I13A, I13B | | 07 | H33Z, H38Z | | | |
| | 07 | H33Z, H38Z | | 11 | L09A, L38Z | | 08 | I08A, I08B, I08C, I08D, I08E, I13A, I13B | | | |
| | 08 | I08A, I08B, I08C, I08D, I08E, I13A, I13B | | 15 | P02A, P02B, P02C | | 11 | L09A, L09B, L09C, L09J, L33Z, L38Z | | | |
| | 11 | L09A, L33Z, L38Z | | 21A | W04A, W04B | | 21A | W04A, W04B | | | |
| | 15 | P02A, P02B, P02C | | 21B | X06A, X06B, X06C | | 21B | X06A, X06B, X06C, X33Z | | | |
| | 21A | W04A, W04B | | | BOP, KJZSV, KOP, KOPV, KVT, UOP4 | | 23 | Z01A | | | |
| | 21B | X06A, X06B, X06C, X33Z | | 05 | F01A, F01B, F01D, F05Z, F07A, F07B, F09A, F09B, F09C, F30Z, F42Z | | Pre | A07A | | | |
| | 23 | Z01A | | 06 | G15Z, G19A, G19B, G33Z, G38Z | | | BOP, KJZSV, KOP, KOPV, KVT, UOP4 | | | |
| | Pre | A07A | | 07 | H33Z, H38Z | | 05 | F01A, F01B, F01D, F05Z, F07A, F07B, F08A, F08B, F08C, F08D, F08E, F08F, F08J, F27A, F28A, F42Z | | | |
| | 51133.1 | | | BOP, KJZSV, KOP, KOPV, KVT, UOP4 | 51134.1↔ | | | BOP, KJZSV, KOP, KOPV, KVT, UOP4 | 51135.1↔ | | BOP, KJZSV, KOP, KOPV, KVT, UOP4 |
| | | 04 | | E05A, E05B, E05C, E08A, E08B, E08C | | | 05 | F01A, F01B, F01D, F05Z, F07A, F07B, F09A, F09B, F09C, F30Z, F42Z | | 06 | G15Z, G19A, G19B, G33Z, G38Z |
| | | 05 | | F01A, F01B, F01D, F05Z, F07A, F07B, F08A, F08B, F08C, F08D, F08E, F08J, F27A, F28A, F30Z, F42Z | | | 07 | H33Z, H38Z | | 07 | H33Z, H38Z |
| 06 | | G10Z, G12A, G12B, G12J, G33Z | 08 | I08A, I08B, I08C, I08D, I08E, I13A, I13B | | 08 | I08A, I08B, I08C, I08D, I08E, I13A, I13B | | | | |
| 07 | | H33Z, H38Z | 11 | L09A, L33Z, L38Z | | 11 | L09A, L09B, L09C, L09J, L33Z, L38Z | | | | |
| 08 | | I08A, I08B, I08C, I08D, I08E, I13A, I13B | 15 | P02A, P02B, P02C | | 21A | W04A, W04B | | | | |
| 11 | | L09A, L33Z, L38Z | 21A | W04A, W04B | | 21B | X06A, X06B, X06C, X33Z | | | | |
| 15 | | P02A, P02B, P02C | 21B | X06A, X06B, X06C, X33Z | | 23 | Z01A | | | | |
| 21A | | W04A, W04B | Pre | A07A | | Pre | A07A | | | | |
| 21B | | X06A, X06B, X06C, X33Z | | BOP, KJZSV, KOP, KOPV, KVT, UOP4 | | | BOP, KJZSV, KOP, KOPV, KVT, UOP4 | | | | |
| 23 | | Z01A | 04 | E05A, E05B, E05C, E08A, E08B, E08C | | 05 | F01A, F01B, F01D, F05Z, F07A, F07B, F09A, F09B, F09C, F42Z | | | | |
| Pre | | A07A | 05 | F01A, F01B, F01D, F05Z, F07A, F07B, F09A, F09B, F09C, F42Z | | 06 | G15Z, G19A, G19B, G33Z, G38Z | | | | |
| 51133.2 | | | BOP, KJZSV, KVT, UOP4 | 51134.2↔ | | | BOP, KJZSV, KOP, KOPV, KVT, UOP4 | 51135.2↔ | | | BOP, KJZSV, KOP, KOPV, KVT, UOP4 |
| | | 05 | F01A, F01B, F01D, F05Z, F07A, F07B, F08A, F08B, F08C, F08D, F08E, F08J, F27A, F28A, F30Z, F42Z | | | 04 | E05A, E05B, E05C, E08A, E08B, E08C | | | 05 | F01A, F01B, F01D, F05Z, F07A, F07B, F08A, F08B, F08C, F08D, F08E, F08F, F08J, F27A, F28A, F42Z |
| | | 06 | G10Z, G12A, G12B, G12J | | | 05 | F01A, F01B, F01D, F05Z, F07A, F07B, F09A, F09B, F09C, F42Z | | | 06 | G15Z, G19A, G19B, G33Z, G38Z |
| | 08 | I08A, I08B, I08C, I08D, I08E, I13A, I13B | 06 | | G15Z, G19A, G19B, G33Z, G38Z | 07 | H33Z, H38Z | | | | |
| | 11 | L09A, L38Z | 07 | | H33Z, H38Z | 08 | I08A, I08B, I08C, I08D, I08E, I13A, I13B | | | | |
| | 15 | P02A, P02B, P02C | 08 | | I08A, I08B, I08C, I08D, I08E, I13A, I13B | 11 | L09A, L33Z, L38Z | | | | |
| | 21A | W04A, W04B | 11 | | L09A, L33Z, L38Z | 21A | W04A, W04B | | | | |
| | 21B | X06A, X06B, X06C, X33Z | 21A | | W04A, W04B | 21B | X06A, X06B, X06C, X33Z | | | | |
| | 51133.x | | BOP, KJZSV, KVT, UOP4 | | 51134.x↔ | | BOP, KJZSV, KOP, KOPV, KVT, UOP4 | | 51135.x↔ | | BOP, KJZSV, KOP, KOPV, KVT, UOP4 |
| | | 05 | F01A, F01B, F01D, F05Z, F07A, F07B, F08A, F08B, F08C, F08D, F08E, F08J, F27A, F28A, F30Z, F42Z | | | 04 | E05A, E05B, E05C, E08A, E08B, E08C | | | 05 | F01A, F01B, F01D, F05Z, F07A, F07B, F09A, F09B, F09C, F30Z, F42Z |
| | | 06 | G10Z, G12A, G12B, G12J | | | 05 | F01A, F01B, F01D, F05Z, F07A, F07B, F09A, F09B, F09C, F42Z | | | 06 | G15Z, G19A, G19B, G33Z, G38Z |
| | | 08 | I08A, I08B, I08C, I08D, I08E, I13A, I13B | | | 06 | G15Z, G19A, G19B, G33Z, G38Z | | | 07 | H33Z, H38Z |
| | | 11 | L09A, L38Z | | | 07 | H33Z, H38Z | | | 08 | I08A, I08B, I08C, I08D, I08E, I13A, I13B |
| | | 15 | P02A, P02B, P02C | | | 08 | I08A, I08B, I08C, I08D, I08E, I13A, I13B | | | 11 | L09A, L33Z, L38Z |
| | | 21A | W04A, W04B | | | 11 | L09A, L33Z, L38Z | | | 15 | P02A, P02B, P02C |
| 21B | | X06A, X06B, X06C, X33Z | 21A | W04A, W04B | | 21A | W04A, W04B | | | | |
| | | BOP, KJZSV, KVT, UOP4 | 21B | X06A, X06B, X06C, X33Z | | 21B | X06A, X06B, X06C, X33Z | | | | |
| 05 | | F01A, F01B, F01D, F05Z, F07A, F07B, F08A, F08B, F08C, F08D, F08E, F08J, F27A, F28A, F30Z, F42Z | Pre | A07A | | 23 | Z01A | | | | |
| 06 | | G10Z, G12A, G12B, G12J | | BOP, KJZSV, KOP, KOPV, KVT, UOP4 | | Pre | A07A | | | | |
| 08 | | I08A, I08B, I08C, I08D, I08E, I13A, I13B | 05 | F01A, F01B, F01D, F05Z, F07A, F07B, F09A, F09B, F09C, F30Z, F42Z | | | BOP, KJZSV, KVT, UOP4 | | | | |
| 11 | | L09A, L38Z | 06 | G15Z, G19A, G19B, G33Z, G38Z | | 01 | B03Z, B07Z, B17A, B17B, B17C, B17J | | | | |
| 15 | | P02A, P02B, P02C | 07 | H33Z, H38Z | | 05 | F01A, F01B, F01D, F05Z, F07A, F07B, F14A, F14B, F28A, F42Z, F54A, F54B, F54J, F59A, F59B | | | | |
| 21A | | W04A, W04B | 08 | I08A, I08B, I08C, I08D, I08E, I13A, I13B | | 08 | I08A, I08B, I08C, I08D, I08E, I13A, I13B | | | | |
| 21B | X06A, X06B, X06C, X33Z | 11 | L09A, L33Z, L38Z | 11 | L09A, L38Z | | | | | | |

| ZZV | MDC | DRG | ZZV | MDC | DRG | ZZV | MDC | DRG | | | |
|---------|---------|--|--|--|--|----------|--|--|-----------------------|----|--|
| 51136.0 | | BOP, KJZSV, KOP, KOPV, KVT, UOP4 | 51136.4↔ | | BOP, KJZSV, KOP, KOPV, KVT, UOP4 | 51137.0↔ | | BOP, KJZSV, KVT, UOP4 | | | |
| | 05 | F01A, F01B, F01D, F05Z, F07A, F07B, F08A, F08B, F08C, F08D, F08E, F08J, F27A, F28A, F42Z | | 05 | F01A, F01B, F01D, F05Z, F07A, F07B, F08A, F08B, F08C, F08D, F08E, F08J, F27A, F28A, F42Z | | 05 | F01A, F01B, F01D, F05Z, F07A, F07B, F08A, F08B, F08C, F08D, F08E, F08F, F08J, F27A, F27B, F27C, F28A, F42Z | | | |
| | 06 | G15Z, G18A, G19A, G19B, G33Z, G38Z | | 06 | G15Z, G19A, G19B, G33Z, G38Z | | 06 | G15Z, G19A, G19B, G33Z, G38Z | | | |
| | 07 | H01A, H33Z, H38Z | | 07 | H33Z, H38Z | | 07 | H33Z, H38Z | | | |
| | 08 | I08A, I08B, I08C, I08D, I08E, I13A, I13B | | 08 | I08A, I08B, I08C, I08D, I08E, I13A, I13B | | 08 | I08A, I08B, I08C, I08D, I08E, I13A, I13B | | | |
| | 11 | L09A, L09B, L09C, L09J, L33Z, L38Z | | 11 | L09A, L09B, L09C, L09J, L33Z, L38Z | | 10 | K01Z | | | |
| | 21A | W04A, W04B | | 21A | W04A, W04B | | 11 | L09A, L38Z | | | |
| | 21B | X06A, X06B, X06C, X33Z | | 21B | X06A, X06B, X06C, X33Z | | 21A | W04A, W04B | | | |
| | 23 | Z01A | | 23 | Z01A | | 21B | X04Z, X33Z | | | |
| | Pre | A07A | | Pre | A07A | | 51137.1↔ | | BOP, KJZSV, KVT, UOP4 | | |
| | 51136.1 | | | BOP, KJZSV, KOP, KOPV, KVT, UOP4 | 51136.5 | | | BOP, KJZSV, KOP, KOPV, KVT, UOP4 | 51137.2↔ | | BOP, KJZSV, KVT, UOP4 |
| | | 05 | | F01A, F01B, F01D, F05Z, F07A, F07B, F08A, F08B, F08C, F08D, F08E, F08J, F27A, F28A, F42Z | | | 05 | F01A, F01B, F01D, F05Z, F07A, F07B, F08A, F08B, F08C, F08D, F08E, F08J, F27A, F28A, F42Z | | 05 | F01A, F01B, F01D, F05Z, F07A, F07B, F08A, F08B, F08C, F08D, F08E, F08F, F08J, F27A, F27B, F27C, F28A, F42Z |
| | | 06 | | G15Z, G18A, G19A, G19B, G33Z, G38Z | | | 06 | G15Z, G18A, G19A, G19B, G33Z, G38Z | | 08 | I08A, I08B, I08C, I08D, I08E, I13A, I13B |
| 07 | | H01A, H06A, H06B, H06C, H33Z, H38Z | 07 | H01A, H33Z, H38Z | | 10 | K01Z | | | | |
| 08 | | I08A, I08B, I08C, I08D, I08E, I13A, I13B | 08 | I08A, I08B, I08C, I08D, I08E, I13A, I13B | | 11 | L09A, L38Z | | | | |
| 11 | | L09A, L09B, L09C, L09J, L33Z, L38Z | 11 | L09A, L09B, L09C, L09J, L33Z, L38Z | | 21A | W04A, W04B | | | | |
| 21A | | W04A, W04B | 21A | W04A, W04B | | 21B | X04Z, X33Z | | | | |
| 21B | | X06A, X06B, X06C, X33Z | 21B | X06A, X06B, X06C, X33Z | | 01 | BOP, KJZSV, KVT, UOP4 | | | | |
| 23 | | Z01A | 23 | Z01A | | 01 | B04A, B04B, B04C, B04D, B04E | | | | |
| Pre | | A07A | Pre | A07A | | 05 | F01A, F01B, F01D, F05Z, F07A, F07B, F08A, F08B, F08C, F08D, F08E, F08F, F08J, F27A, F27B, F27C, F28A, F42Z | | | | |
| 51136.2 | | | BOP, KJZSV, KOP, KOPV, KVT, UOP4 | 51136.6 | | | BOP, KJZSV, KOP, KOPV, KVT, UOP4 | 51137.x↔ | | | BOP, KJZSV, KVT, UOP4 |
| | | 05 | F01A, F01B, F01D, F05Z, F07A, F07B, F08A, F08B, F08C, F08D, F08E, F08J, F27A, F28A, F42Z | | | 05 | F01A, F01B, F01D, F05Z, F07A, F07B, F08A, F08B, F08C, F08D, F08E, F08J, F27A, F28A, F42Z | | | 08 | I08A, I08B, I08C, I08D, I08E, I13A, I13B |
| | | 06 | G15Z, G19A, G19B, G33Z, G38Z | | | 06 | G15Z, G18A, G19A, G19B, G33Z, G38Z | | | 10 | K01Z |
| | 07 | H33Z, H38Z | 07 | | H01A, H33Z, H38Z | 11 | L09A, L38Z | | | | |
| | 08 | I08A, I08B, I08C, I08D, I08E, I13A, I13B | 08 | | I08A, I08B, I08C, I08D, I08E, I13A, I13B | 21A | W04A, W04B | | | | |
| | 11 | L09A, L09B, L09C, L09J, L33Z, L38Z | 11 | | L09A, L09B, L09C, L09J, L33Z, L38Z | 21B | X04Z, X33Z | | | | |
| | 21A | W04A, W04B | 21A | | W04A, W04B | 01 | BOP, KJZSV, KVT, UOP4 | | | | |
| | 21B | X06A, X06B, X06C, X33Z | 21B | | X06A, X06B, X06C, X33Z | 01 | B04A, B04B, B04C, B04D, B04E | | | | |
| | 23 | Z01A | 23 | | Z01A | 05 | F01A, F01B, F01D, F05Z, F07A, F07B, F08A, F08B, F08C, F08D, F08E, F08F, F08J, F27A, F27B, F27C, F28A, F42Z | | | | |
| | Pre | A07A | Pre | | A07A | 08 | I08A, I08B, I08C, I08D, I08E, I13A, I13B | | | | |
| | 51136.3 | | BOP, KJZSV, KOP, KOPV, KVT, UOP4 | | 51136.x↔ | | BOP, KJZSV, KOP, KOPV, KVT, UOP4 | | 51138.0↔ | | BOP, KJZSV, KVT, UOP4 |
| | | 05 | F01A, F01B, F01D, F05Z, F07A, F07B, F08A, F08B, F08C, F08D, F08E, F08J, F27A, F28A, F42Z | | | 05 | F01A, F01B, F01D, F05Z, F07A, F07B, F08A, F08B, F08C, F08D, F08E, F08J, F27A, F28A, F42Z | | | 01 | B04A, B04B, B04C, B04D, B04E |
| | | 06 | G15Z, G18A, G19A, G19B, G33Z, G38Z | | | 06 | G15Z, G19A, G19B, G33Z, G38Z | | | 05 | F01A, F01B, F01D, F05Z, F07A, F07B, F08A, F08B, F08C, F08D, F08E, F08F, F08J, F27A, F27B, F27C, F28A, F42Z |
| 07 | | H06A, H06B, H06C, H33Z, H38Z | 07 | H33Z, H38Z | | 08 | I08A, I08B, I08C, I08D, I08E, I13A, I13B | | | | |
| 08 | | I08A, I08B, I08C, I08D, I08E, I13A, I13B | 08 | I08A, I08B, I08C, I08D, I08E, I13A, I13B | | 10 | K01Z | | | | |
| 11 | | L09A, L09B, L09C, L09J, L33Z, L38Z | 11 | L09A, L09B, L09C, L09J, L33Z, L38Z | | 11 | L09A, L38Z | | | | |
| 21A | | W04A, W04B | 21A | W04A, W04B | | 21A | W04A, W04B | | | | |
| 21B | | X06A, X06B, X06C, X33Z | 21B | X06A, X06B, X06C, X33Z | | 21B | X04Z, X33Z | | | | |
| 23 | | Z01A | 23 | Z01A | | 01 | BOP, KJZSV, KVT, UOP4 | | | | |
| Pre | | A07A | Pre | A07A | | 01 | B04A, B04B, B04C, B04D, B04E | | | | |

VYK

| ZZV | MDC | DRG | ZZV | MDC | DRG | ZZV | MDC | DRG | | | | | | |
|----------|----------|--|--|--|--|--|--|--|--|--|--|------------|--|--|
| 51139.d↔ | | BOP, KJZSV, KOP, KOPV, KVT, UOP4 | 51139.h↔ | | BOP, KJZSV, KVT, UOP4 | 51140.2↔ | | BOP, KJZSV, KVT, UOP4 | | | | | | |
| | 01 | B04A, B04B, B04C, B04D, B04E | | 05 | F01A, F01B, F01D, F05Z, F07A, F07B, F08A, F08B, F08C, F08D, F08E, F08F, F08J, F27A, F28A, F42Z | | 01 | B04A, B04B, B04C, B04D, B04E | | | | | | |
| | 05 | F01A, F01B, F01D, F05Z, F07A, F07B, F09A, F09B, F09C, F30Z, F42Z | | 06 | G10Z, G12A, G12B, G12J | | 03 | D12A, D12J, D12Q | | | | | | |
| | 06 | G15Z, G19A, G19B, G33Z, G38Z | | 08 | I08A, I08B, I08C, I08D, I08E, I13A, I13B | | 05 | F01A, F01B, F01D, F05Z, F06A, F06C, F07A, F07B, F14A, F14B, F28A, F42Z, F54A, F54B, F54J, F59A, F59B | | | | | | |
| | 07 | H33Z, H38Z | | 11 | L09A, L09B, L09C, L09J, L38Z | | 08 | I08A, I08B, I08C, I08D, I08E, I13A, I13B | | | | | | |
| | 08 | I08A, I08B, I08C, I08D, I08E, I13A, I13B | | 21A | W04A, W04B | | 11 | L09A, L38Z | | | | | | |
| | 11 | L09A, L33Z, L38Z | | 21B | X06A, X06B, X06C, X33Z | | 21A | W04A, W04B | | | | | | |
| | 15 | P02A, P02B, P02C | | 51139.i↔ | | | BOP, KJZSV, KVT, UOP4 | 21B | X06A, X06B, X06C | | | | | |
| | 21A | W04A, W04B | | | 05 | | F01A, F01B, F01D, F05Z, F07A, F07B, F08A, F08B, F08C, F08D, F08E, F08F, F08J, F27A, F28A, F42Z | 51140.3↔ | | BOP, KJZSV, KVT, UOP4 | | | | |
| | 21B | X06A, X06B, X06C, X33Z | | | 06 | | G10Z, G12A, G12B, G12J | | 01 | B04A, B04B, B04C, B04D, B04E | | | | |
| | 23 | Z01A | | | 08 | | I08A, I08B, I08C, I08D, I08E, I13A, I13B | | 03 | D12A, D12J, D12Q | | | | |
| | Pre | A07A | | | 11 | | L09A, L09B, L09C, L09J, L38Z | | 05 | F01A, F01B, F01D, F05Z, F06A, F06C, F07A, F07B, F14A, F14B, F28A, F42Z, F54A, F54B, F54J, F59A, F59B | | | | |
| | 51139.e | | | | BOP, KJZSV, KOP, KOPV, KVT, UOP4 | | 51139.x↔ | | | BOP, KJZSV, KVT, UOP4 | 51140.x↔ | | BOP, KJZSV, KVT, UOP4 | |
| | | 01 | | | B04A, B04B, B04C, B04D, B04E | | | | 05 | F39A, F39B, F39J, F39Q | | 01 | B03Z, B07Z, B17A, B17B, B17C, B17J | |
| | | 05 | | | F01A, F01B, F01D, F05Z, F07A, F07B, F09A, F09B, F09C, F30Z, F42Z | | | | 08 | I08A, I08B, I08C, I08D, I08E, I13A, I13B | | 03 | D12A, D12J, D12Q | |
| | | 06 | | | G15Z, G19A, G19B, G33Z, G38Z | | | | 11 | L09A, L38Z | | 05 | F01A, F01B, F01D, F05Z, F06A, F06C, F07A, F07B, F14A, F14B, F28A, F42Z, F54A, F54B, F54J, F59A, F59B | |
| | | 07 | | | H33Z, H38Z | | | | 21A | W04A, W04B | | 51141.0↔ | | BOP, KJZSV, KVT, UOP4 |
| 08 | | I08A, I08B, I08C, I08D, I08E, I13A, I13B | 21B | | X06A, X06B, X06C | 05 | | | F01A, F01B, F01D, F05Z, F07A, F07B, F14A, F14B, F28A, F42Z, F54A, F54B, F54J, F59A, F59B | | | | | |
| 11 | | L09A, L33Z, L38Z | 5113x↔ | | | BOP, KJZSV, KVT, UOP4 | | | 08 | I08A, I08B, I08C, I08D, I08E, I13A, I13B | | | | |
| 15 | | P02A, P02B, P02C | | | 05 | F39A, F39B, F39J, F39Q | | | 11 | L09A, L38Z | | | | |
| 21A | | W04A, W04B | | | 08 | I08A, I08B, I08C, I08D, I08E, I13A, I13B | | | 21A | W04A, W04B | | | | |
| 21B | | X06A, X06B, X06C, X33Z | | | 11 | L09A, L38Z | | | 21B | X06A, X06B, X06C | | | | |
| 23 | | Z01A | | | 21A | W04A, W04B | | | 51141.1↔ | | | | BOP, KJZSV, KVT, UOP4 | |
| Pre | | A07A | | | 21B | X06A, X06B, X06C | | | | 05 | | | F01A, F01B, F01D, F05Z, F07A, F07B, F14A, F14B, F28A, F42Z, F54A, F54B, F54J, F59A, F59B | |
| 51139.f | | | | BOP, KJZSV, KOP, KOPV, KVT, UOP4 | 51140.0↔ | | | | | BOP, KJZSV, KVT, UOP4 | | | 51141.1↔ | |
| | | 01 | | B04A, B04B, B04C, B04D, B04E | | 01 | | B04A, B04B, B04C, B04D, B04E | | 05 | | | | F01A, F01B, F01D, F05Z, F07A, F07B, F14A, F14B, F28A, F42Z, F54A, F54B, F54J, F59A, F59B |
| | | 05 | | F01A, F01B, F01D, F05Z, F07A, F07B, F09A, F09B, F09C, F30Z, F42Z | | 03 | | D12A, D12J, D12Q | | 08 | | | | I08A, I08B, I08C, I08D, I08E, I13A, I13B |
| | | 06 | | G03A, G15Z, G18A, G19A, G19B, G33Z, G38Z | | 05 | | F01A, F01B, F01D, F05Z, F06A, F06C, F07A, F07B, F14A, F14B, F28A, F42Z, F54A, F54B, F54J, F59A, F59B | | 11 | | | | L09A, L38Z |
| | | 07 | | H01A, H33Z, H38Z | | 08 | | I08A, I08B, I08C, I08D, I08E, I13A, I13B | | 21A | | | | W04A, W04B |
| | 08 | I08A, I08B, I08C, I08D, I08E, I13A, I13B | | 11 | | L09A, L38Z | 21B | X06A, X06B, X06C | | | | | | |
| | 11 | L09A, L33Z, L38Z | | 21A | | W04A, W04B | 51141.1↔ | | | BOP, KJZSV, KVT, UOP4 | | | | |
| | 15 | P02A, P02B, P02C | | 21B | | X06A, X06B, X06C | | 05 | | F01A, F01B, F01D, F05Z, F07A, F07B, F14A, F14B, F28A, F42Z, F54A, F54B, F54J, F59A, F59B | | | | |
| | 21A | W04A, W04B | | 51140.1↔ | | | | BOP, KJZSV, KVT, UOP4 | | 08 | I08A, I08B, I08C, I08D, I08E, I13A, I13B | | | |
| | 21B | X06A, X06B, X06C, X33Z | | | | 01 | | B04A, B04B, B04C, B04D, B04E | | 11 | L09A, L38Z | | | |
| | 23 | Z01A | | | | 03 | | D12A, D12J, D12Q | | 21A | W04A, W04B | | | |
| | Pre | A07A | 05 | | | F01A, F01B, F01D, F05Z, F06A, F06C, F07A, F07B, F14A, F14B, F28A, F42Z, F54A, F54B, F54J, F59A, F59B | | 21B | | X06A, X06B, X06C | | | | |
| | 51139.g↔ | | BOP, KJZSV, KVT, UOP4 | | | 51140.1↔ | | | | BOP, KJZSV, KVT, UOP4 | 51141.1↔ | | | BOP, KJZSV, KVT, UOP4 |
| | | 05 | F01A, F01B, F01D, F05Z, F07A, F07B, F08A, F08B, F08C, F08D, F08E, F08F, F08J, F27A, F28A, F42Z | | | | | 01 | | B04A, B04B, B04C, B04D, B04E | | 05 | | F01A, F01B, F01D, F05Z, F07A, F07B, F14A, F14B, F28A, F42Z, F54A, F54B, F54J, F59A, F59B |
| | | 06 | G10Z, G12A, G12B, G12J | | | | | 03 | | D12A, D12J, D12Q | | 08 | | I08A, I08B, I08C, I08D, I08E, I13A, I13B |
| | | 08 | I08A, I08B, I08C, I08D, I08E, I13A, I13B | | | | | 05 | F01A, F01B, F01D, F05Z, F06A, F06C, F07A, F07B, F14A, F14B, F28A, F42Z, F54A, F54B, F54J, F59A, F59B | 11 | | L09A, L38Z | | |
| | | 11 | L09A, L09B, L09C, L09J, L38Z | | | | | 08 | I08A, I08B, I08C, I08D, I08E, I13A, I13B | 21A | | W04A, W04B | | |
| 21A | | W04A, W04B | 11 | | L09A, L38Z | | | 21B | X06A, X06B, X06C | | | | | |
| 21B | | X06A, X06B, X06C, X33Z | 21A | | W04A, W04B | | | | | | | | | |
| | | | 21B | | X06A, X06B, X06C | | | | | | | | | |

| ZZV | MDC | DRG | ZZV | MDC | DRG | ZZV | MDC | DRG |
|----------|-----|--|----------|-----|--|----------|-----|--|
| 51141.x↔ | | BOP, KJZSV, KVT, UOP4 | 51143.02 | | BOP, KJZSV, KOP, KOPV, KVT, UOP4 | 51143.1x | | BOP, KJZSV, KOP, KOPV, KVT, UOP4 |
| | 05 | F01A, F01B, F01D, F05Z, F07A, F07B, F14A, F14B, F28A, F42Z, F54A, F54B, F54J, F59A, F59B | | 04 | E05A, E05B, E05C, E08A, E08B, E08C | | 04 | E05A, E05B, E05C, E08A, E08B, E08C |
| | 08 | I08A, I08B, I08C, I08D, I08E, I13A, I13B | | 05 | F01A, F01B, F01D, F05Z, F07A, F09A, F09B, F09C, F42Z | | 05 | F01A, F01B, F01D, F05Z, F07A, F09A, F09B, F09C, F42Z |
| | 11 | L09A, L38Z | | 06 | G15Z, G19A, G19B, G33Z, G38Z | | 06 | G15Z, G19A, G19B, G33Z, G38Z |
| | 21A | W04A, W04B | | 07 | H33Z, H38Z | | 07 | H33Z, H38Z |
| 51142.0↔ | | BOP, KJZSV, KVT, UOP4 | 51143.0x | | I08A, I08B, I08C, I08D, I08E, I13A, I13B | 51143.21 | | I08A, I08B, I08C, I08D, I08E, I13A, I13B |
| | 05 | F01A, F01B, F01D, F05Z, F07A, F07B, F14A, F14B, F28A, F42Z, F54A, F54B, F54J, F59A, F59B | | 11 | L09A, L33Z, L38Z | | 11 | L09A, L33Z, L38Z |
| | 08 | I08A, I08B, I08C, I08D, I08E, I13A, I13B | | 21A | W04A, W04B | | 21A | W04A, W04B |
| | 11 | L09A, L38Z | | 21B | X06A, X06B, X06C, X33Z | | 21B | X06A, X06B, X06C, X33Z |
| | 21A | W04A, W04B | | 23 | Z01A | | 23 | Z01A |
| 51142.1↔ | | BOP, KJZSV, KVT, UOP4 | 51143.11 | | BOP, KJZSV, KOP, KOPV, KVT, UOP4 | 51143.22 | | BOP, KJZSV, KOP, KOPV, KVT, UOP4 |
| | 05 | F01A, F01B, F01D, F05Z, F07A, F07B, F14A, F14B, F28A, F42Z, F54A, F54B, F54J, F59A, F59B | | 04 | E05A, E05B, E05C, E08A, E08B, E08C | | 04 | E05A, E05B, E05C, E08A, E08B, E08C |
| | 08 | I08A, I08B, I08C, I08D, I08E, I13A, I13B | | 05 | F01A, F01B, F01D, F05Z, F07A, F09A, F09B, F09C, F42Z | | 05 | F01A, F01B, F01D, F05Z, F07A, F09A, F09B, F09C, F42Z |
| | 11 | L09A, L38Z | | 06 | G15Z, G19A, G19B, G33Z, G38Z | | 06 | G15Z, G19A, G19B, G33Z, G38Z |
| | 21A | W04A, W04B | | 07 | H33Z, H38Z | | 07 | H33Z, H38Z |
| 51142.x↔ | | BOP, KJZSV, KVT, UOP4 | 51143.12 | | I08A, I08B, I08C, I08D, I08E, I13A, I13B | 51143.2x | | I08A, I08B, I08C, I08D, I08E, I13A, I13B |
| | 05 | F01A, F01B, F01D, F05Z, F07A, F07B, F14A, F14B, F28A, F42Z, F54A, F54B, F54J, F59A, F59B | | 11 | L09A, L33Z, L38Z | | 11 | L09A, L33Z, L38Z |
| | 08 | I08A, I08B, I08C, I08D, I08E, I13A, I13B | | 21A | W04A, W04B | | 21B | X33Z |
| | 11 | L09A, L38Z | | 21B | X06A, X06B, X06C, X33Z | | 23 | Z01A |
| | 21A | W04A, W04B | | 23 | Z01A | | Pre | A07A |
| 51143.01 | | BOP, KJZSV, KOP, KOPV, KVT, UOP4 | 51143.12 | | BOP, KJZSV, KOP, KOPV, KVT, UOP4 | 51143.2x | | BOP, KJZSV, KOP, KOPV, KVT, UOP4 |
| | 04 | E05A, E05B, E05C, E08A, E08B, E08C | | 04 | E05A, E05B, E05C, E08A, E08B, E08C | | 04 | E05A, E05B, E05C, E08A, E08B, E08C |
| | 05 | F01A, F01B, F01D, F05Z, F07A, F09A, F09B, F09C, F42Z | | 05 | F01A, F01B, F01D, F05Z, F07A, F09A, F09B, F09C, F42Z | | 05 | F01A, F01B, F01D, F05Z, F07A, F09A, F09B, F09C, F42Z |
| | 06 | G15Z, G19A, G19B, G33Z, G38Z | | 06 | G15Z, G19A, G19B, G33Z, G38Z | | 06 | G15Z, G19A, G19B, G33Z, G38Z |
| | 07 | H33Z, H38Z | | 07 | H33Z, H38Z | | 07 | H33Z, H38Z |
| | 08 | I08A, I08B, I08C, I08D, I08E, I13A, I13B | | 08 | I08A, I08B, I08C, I08D, I08E, I13A, I13B | | 08 | I08A, I08B, I08C, I08D, I08E, I13A, I13B |
| | 11 | L09A, L33Z, L38Z | | 11 | L09A, L33Z, L38Z | | 11 | L09A, L33Z, L38Z |
| | 21A | W04A, W04B | | 11 | L09A, L33Z, L38Z | | 21B | X33Z |
| | 21B | X06A, X06B, X06C | | 21A | W04A, W04B | | 23 | Z01A |
| | 23 | Z01A | | 21B | X06A, X06B, X06C, X33Z | | Pre | A07A |
| | Pre | A07A | | 23 | Z01A | | Pre | A07A |
| | | | | Pre | A07A | | | |

VYK

| ZZV | MDC | DRG | ZZV | MDC | DRG | ZZV | MDC | DRG | | |
|----------|----------|--|----------|--|--|----------|--|--|--|--|
| 51145.3↔ | | BOP, KJZSV, KVT, UOP4 | 51146.3 | | BOP, KJZSV, KVT, UOP4 | 51147.0↔ | | BOP, KJZSV, KVT, UOP4 | | |
| | 05 | F01A, F01B, F01D, F05Z, F07A, F07B, F08A, F08B, F08C, F08D, F08E, F08J, F27A, F28A, F42Z | | 05 | F01A, F01B, F01D, F05Z, F07A, F07B, F08A, F08B, F08C, F08D, F08E, F08J, F27A, F28A, F42Z | | 05 | F01A, F01B, F01D, F05Z, F07A, F07B, F08A, F08B, F08C, F08D, F08E, F08J, F27A, F28A, F42Z | | |
| | 06 | G10Z, G12A, G12B, G12J | | 06 | G10Z, G12A, G12B, G12J, G18A, G38Z | | 08 | I08A, I08B, I08C, I08D, I08E, I13A, I13B | | |
| | 08 | I08A, I08B, I08C, I08D, I08E, I13A, I13B | | 07 | H06A, H06B, H06C | | 11 | L09A, L38Z | | |
| | 11 | L09A, L09B, L09C, L09J, L38Z | | 08 | I08A, I08B, I08C, I08D, I08E, I13A, I13B | | 21A | W04A, W04B | | |
| | 21A | W04A, W04B | | 11 | L09A, L09B, L09C, L09J, L38Z | | 21B | X04Z, X33Z | | |
| | 21B | X06A, X06B, X06C, X33Z | | 21A | W04A, W04B | | 51147.1↔ | BOP, KJZSV, KVT, UOP4 | | |
| | 51145.x↔ | BOP, KJZSV, KVT, UOP4 | | 21B | X06A, X06B, X06C, X33Z | | | 05 | F01A, F01B, F01D, F05Z, F07A, F07B, F08A, F08B, F08C, F08D, F08E, F08J, F27A, F28A, F42Z | |
| | | 01 | | B03Z, B07Z, B17A, B17B, B17C, B17J | 51146.4↔ | | 05 | F01A, F01B, F01D, F05Z, F07A, F07B, F08A, F08B, F08C, F08D, F08E, F08J, F27A, F28A, F42Z | 08 | I08A, I08B, I08C, I08D, I08E, I13A, I13B |
| | | 05 | | F01A, F01B, F01D, F05Z, F07A, F07B, F14A, F14B, F28A, F42Z, F54A, F54B, F54J, F59A, F59B | | | 06 | G10Z, G12A, G12B, G12J | 11 | L09A, L38Z |
| 08 | | I08A, I08B, I08C, I08D, I08E, I13A, I13B | 08 | I08A, I08B, I08C, I08D, I08E, I13A, I13B | | 21A | W04A, W04B | | | |
| 11 | | L09A, L38Z | 11 | L09A, L09B, L09C, L09J, L38Z | | 21B | X04Z, X33Z | | | |
| 21A | | W04A, W04B | 21A | W04A, W04B | | 51147.2↔ | BOP, KJZSV, KVT, UOP4 | | | |
| 21B | | X04Z, X06A, X06B, X06C | 21B | X06A, X06B, X06C, X33Z | | | 05 | F01A, F01B, F01D, F05Z, F07A, F07B, F08A, F08B, F08C, F08D, F08E, F08J, F27A, F27B, F27C, F28A, F42Z | | |
| 51146.0 | | BOP, KJZSV, KVT, UOP4 | 51146.5 | BOP, KJZSV, KVT, UOP4 | | 08 | I08A, I08B, I08C, I08D, I08E, I13A, I13B | 08 | I08A, I08B, I08C, I08D, I08E, I13A, I13B | |
| | | 05 | | F01A, F01B, F01D, F05Z, F07A, F07B, F08A, F08B, F08C, F08D, F08E, F08J, F27A, F28A, F42Z | | 05 | F01A, F01B, F01D, F05Z, F07A, F07B, F08A, F08B, F08C, F08D, F08E, F08J, F27A, F28A, F42Z | 10 | K01Z | |
| | | 06 | | G10Z, G12A, G12B, G12J, G18A, G38Z | | 06 | G10Z, G12A, G12B, G12J, G18A, G38Z | 11 | L09A, L38Z | |
| | 07 | H01A | | 07 | | H01A | 21A | W04A, W04B | | |
| | 08 | I08A, I08B, I08C, I08D, I08E, I13A, I13B | | 08 | I08A, I08B, I08C, I08D, I08E, I13A, I13B | 21B | X04Z, X33Z | | | |
| | 11 | L09A, L09B, L09C, L09J, L38Z | | 11 | L09A, L09B, L09C, L09J, L38Z | 51147.x↔ | BOP, KJZSV, KVT, UOP4 | | | |
| | 21A | W04A, W04B | | 21A | W04A, W04B | | 05 | F01A, F01B, F01D, F05Z, F07A, F07B, F08A, F08B, F08C, F08D, F08E, F08J, F27A, F28A, F42Z | | |
| | 21B | X06A, X06B, X06C, X33Z | | 21B | X06A, X06B, X06C, X33Z | 08 | I08A, I08B, I08C, I08D, I08E, I13A, I13B | | | |
| | 51146.1 | BOP, KJZSV, KVT, UOP4 | | 51146.6 | BOP, KJZSV, KVT, UOP4 | 11 | L09A, L09B, L09C, L09J, L38Z | 11 | L09A, L38Z | |
| | | 05 | | | F01A, F01B, F01D, F05Z, F07A, F07B, F08A, F08B, F08C, F08D, F08E, F08J, F27A, F28A, F42Z | 05 | F01A, F01B, F01D, F05Z, F07A, F07B, F08A, F08B, F08C, F08D, F08E, F08J, F27A, F28A, F42Z | 21A | W04A, W04B | |
| 06 | | G10Z, G12A, G12B, G12J, G18A, G38Z | 06 | | G10Z, G12A, G12B, G12J, G18A, G38Z | 21B | X04Z, X33Z | | | |
| 07 | | H01A, H06A, H06B, H06C | 07 | | H01A | 51148.0↔ | BOP, KJZSV, KVT, UOP4 | | | |
| 08 | | I08A, I08B, I08C, I08D, I08E, I13A, I13B | 08 | | I08A, I08B, I08C, I08D, I08E, I13A, I13B | | 05 | F01A, F01B, F01D, F05Z, F07A, F07B, F08A, F08B, F08C, F08D, F08E, F08J, F27A, F27B, F27C, F28A, F42Z | | |
| 11 | | L09A, L09B, L09C, L09J, L38Z | 11 | | L09A, L09B, L09C, L09J, L38Z | 08 | I08A, I08B, I08C, I08D, I08E, I13A, I13B | | | |
| 21A | | W04A, W04B | 21A | | W04A, W04B | 10 | K01Z | | | |
| 21B | | X06A, X06B, X06C, X33Z | 21B | | X06A, X06B, X06C, X33Z | 11 | L09A, L38Z | | | |
| 51146.2 | | BOP, KJZSV, KVT, UOP4 | 51146.x↔ | | BOP, KJZSV, KVT, UOP4 | 21A | W04A, W04B | 21A | W04A, W04B | |
| | | 05 | | | F01A, F01B, F01D, F05Z, F07A, F07B, F08A, F08B, F08C, F08D, F08E, F08J, F27A, F28A, F42Z | 05 | F01A, F01B, F01D, F05Z, F07A, F07B, F08A, F08B, F08C, F08D, F08E, F08J, F27A, F28A, F42Z | 21B | X04Z, X33Z | |
| | 06 | G10Z, G12A, G12B, G12J | | 06 | G10Z, G12A, G12B, G12J | 51148.1↔ | BOP, KJZSV, KVT, UOP4 | | | |
| | 08 | I08A, I08B, I08C, I08D, I08E, I13A, I13B | | 08 | I08A, I08B, I08C, I08D, I08E, I13A, I13B | | 05 | F01A, F01B, F01D, F05Z, F07A, F07B, F08A, F08B, F08C, F08D, F08E, F08J, F27A, F27B, F27C, F28A, F42Z | | |
| | 11 | L09A, L09B, L09C, L09J, L38Z | | 11 | L09A, L09B, L09C, L09J, L38Z | 08 | I08A, I08B, I08C, I08D, I08E, I13A, I13B | | | |
| | 21A | W04A, W04B | | 21A | W04A, W04B | 10 | K01Z | | | |
| | 21B | X06A, X06B, X06C, X33Z | | 21B | X06A, X06B, X06C, X33Z | 11 | L09A, L38Z | | | |

VYK

| ZZV | MDC | DRG | ZZV | MDC | DRG | ZZV | MDC | DRG | | | | | | | | | |
|----------|--|--|--|--|--|--|--|--|--|--|--|------------------------|------------------------------------|------------------------------------|--|--|--|
| 51148.2↔ | 05 | BOP, KJZSV, KVT, UOP4 | 51149.5 | 05 | BOP, KJZSV, KVT, UOP4 | 51149.b↔ | 04 | BOP, KJZSV, KOP, KOPV, KVT, UOP4 | | | | | | | | | |
| | | F01A, F01B, F01D, F05Z, F07A, F07B, F08A, F08B, F08C, F08D, F08E, F08J, F27A, F27B, F27C, F28A, F42Z | | | 06 | | | F39A, F39B, F39J, F39Q | 05 | E05A, E05B, E05C, E08A, E08B, E08C | | | | | | | |
| | | 08 | | | I08A, I08B, I08C, I08D, I08E, I13A, I13B | | | 07 | G18A, G38Z | 05 | F01A, F01B, F01D, F05Z, F07A, F07B, F09A, F09B, F09C, F42Z | | | | | | |
| | | 10 | | | K01Z | | | 08 | H01A | 06 | G15Z, G19A, G19B, G33Z, G38Z | | | | | | |
| | | 11 | | | L09A, L38Z | | | 11 | I08A, I08B, I08C, I08D, I08E, I13A, I13B | 07 | H33Z, H38Z | | | | | | |
| | | 21A | | | W04A, W04B | | | 21A | L09A, L38Z | 08 | I08A, I08B, I08C, I08D, I08E, I13A, I13B | | | | | | |
| | | 21B | | | X04Z, X33Z | | | 21B | L09A, L38Z | 11 | L09A, L33Z, L38Z | | | | | | |
| | | 51148.x↔ | | | 05 | | | BOP, KJZSV, KVT, UOP4 | 51149.6 | 05 | BOP, KJZSV, KVT, UOP4 | 51149.c↔ | 05 | BOP, KJZSV, KVT, UOP4 | | | |
| | | | | | | | | F01A, F01B, F01D, F05Z, F07A, F07B, F08A, F08B, F08C, F08D, F08E, F08J, F27A, F27B, F27C, F28A, F42Z | | | 06 | | | F39A, F39B, F39J, F39Q | 05 | F01A, F01B, F01D, F05Z, F07A, F07B, F14A, F14B, F28A, F42Z, F54A, F54B, F54J, F59A, F59B | |
| | | | | | | | | 08 | | | I08A, I08B, I08C, I08D, I08E, I13A, I13B | | | 07 | G18A, G38Z | 08 | I08A, I08B, I08C, I08D, I08E, I13A, I13B |
| 10 | K01Z | | 08 | H01A | | 11 | L09A, L38Z | | | | | | | | | | |
| 11 | L09A, L38Z | | 11 | I08A, I08B, I08C, I08D, I08E, I13A, I13B | | 21A | W04A, W04B | | | | | | | | | | |
| 21A | W04A, W04B | | 21A | L09A, L38Z | | 21B | X06A, X06B, X06C, X33Z | | | | | | | | | | |
| 21B | X04Z, X33Z | | 21B | L09A, L38Z | | 23 | Z01A | | | | | | | | | | |
| 51149.0↔ | 05 | | BOP, KJZSV, KVT, UOP4 | 51149.7 | | 05 | BOP, KJZSV, KVT, UOP4 | 51149.d↔ | | | 04 | | | BOP, KJZSV, KOP, KOPV, KVT, UOP4 | | | |
| | | | F39A, F39B, F39J, F39Q | | | | 06 | | | | | | | F39A, F39B, F39J, F39Q | 05 | E05A, E05B, E05C, E08A, E08B, E08C | |
| | | | 08 | | | | I08A, I08B, I08C, I08D, I08E, I13A, I13B | | | | | | | 07 | G18A, G38Z | 05 | F01A, F01B, F01D, F05Z, F07A, F07B, F09A, F09B, F09C, F42Z |
| | | 11 | L09A, L38Z | | 08 | | H01A | | 06 | G15Z, G19A, G19B, G33Z, G38Z | | | | | | | |
| | | 21A | W04A, W04B | | 11 | | I08A, I08B, I08C, I08D, I08E, I13A, I13B | | 07 | H33Z, H38Z | | | | | | | |
| | | 21B | X04Z, X33Z | | 21A | | L09A, L38Z | | 08 | I08A, I08B, I08C, I08D, I08E, I13A, I13B | | | | | | | |
| | | 51149.1↔ | 05 | | BOP, KJZSV, KVT, UOP4 | | 51149.8↔ | | 05 | BOP, KJZSV, KVT, UOP4 | | 51149.e | 04 | BOP, KJZSV, KOP, KOPV, KVT, UOP4 | | | |
| | | | | | F39A, F39B, F39J, F39Q | | | | | 06 | | | | F39A, F39B, F39J, F39Q | 05 | E05A, E05B, E05C, E08A, E08B, E08C | |
| | | | | | 08 | | | | | I08A, I08B, I08C, I08D, I08E, I13A, I13B | | | | 07 | G18A, G38Z | 05 | F01A, F01B, F01D, F05Z, F07A, F07B, F09A, F09B, F09C, F42Z |
| | | | | | 11 | | | | | L09A, L38Z | | | | 08 | H01A | 06 | G15Z, G19A, G19B, G33Z, G38Z |
| 21A | W04A, W04B | | | 11 | I08A, I08B, I08C, I08D, I08E, I13A, I13B | 07 | | H33Z, H38Z | | | | | | | | | |
| 21B | X04Z, X33Z | | | 21A | L09A, L38Z | 08 | | I08A, I08B, I08C, I08D, I08E, I13A, I13B | | | | | | | | | |
| 51149.2 | 05 | | | BOP, KJZSV, KVT, UOP4 | 51149.9↔ | 01 | | B03Z, B07Z, B17A, B17B, B17C, B17J | | 51149.a↔ | 04 | | | E05A, E05B, E05C, E08A, E08B, E08C | | | |
| | | | | F39A, F39B, F39J, F39Q | | | | 03 | | | | | | D12A, D12J, D12Q | 05 | F01A, F01B, F01D, F05Z, F07A, F07B, F09A, F09B, F09C, F42Z | |
| | | | | 06 | | | | G18A, G38Z | | | | | | 05 | F01A, F01B, F01D, F05Z, F07A, F07B, F14A, F14B, F28A, F42Z, F54A, F54B, F54J, F59A, F59B | 06 | G15Z, G19A, G19B, G33Z, G38Z |
| | | | | 07 | | | | H01A | | | | | | 08 | I08A, I08B, I08C, I08D, I08E, I13A, I13B | 07 | H33Z, H38Z |
| | | 08 | I08A, I08B, I08C, I08D, I08E, I13A, I13B | 11 | | | L09A, L38Z | 08 | I08A, I08B, I08C, I08D, I08E, I13A, I13B | | | | | | | | |
| | | 11 | L09A, L38Z | 21A | | | W04A, W04B | 11 | L09A, L33Z, L38Z | | | | | | | | |
| | | 21A | W04A, W04B | 21B | | | X06A, X06B, X06C | 21A | W04A, W04B | | | | | | | | |
| | | 21B | X06A, X06B, X06C | 51149.a↔ | | | 04 | E05A, E05B, E05C, E08A, E08B, E08C | 21B | | | X06A, X06B, X06C, X33Z | | | | | |
| | | 51149.3↔ | 05 | | | | | BOP, KJZSV, KVT, UOP4 | 51149.a↔ | | | 04 | E05A, E05B, E05C, E08A, E08B, E08C | Pre | A07A | | |
| | | | | | | | | F39A, F39B, F39J, F39Q | | | | | 05 | | | F01A, F01B, F01D, F05Z, F07A, F07B, F09A, F09B, F09C, F42Z | |
| 06 | G18A, G38Z | | | | 06 | G15Z, G19A, G19B, G33Z, G38Z | | | | | | | | | | | |
| 07 | H01A | | | | 07 | H33Z, H38Z | | | | | | | | | | | |
| 08 | I08A, I08B, I08C, I08D, I08E, I13A, I13B | | | | 08 | I08A, I08B, I08C, I08D, I08E, I13A, I13B | | | | | | | | | | | |
| 11 | L09A, L38Z | | | | 11 | L09A, L33Z, L38Z | | | | | | | | | | | |
| 21A | W04A, W04B | | | | 21A | W04A, W04B | | | | | | | | | | | |
| 21B | X06A, X06B, X06C | | | | 21B | X06A, X06B, X06C, X33Z | | | | | | | | | | | |
| 51149.4 | 05 | | | | BOP, KJZSV, KVT, UOP4 | 51149.a↔ | | 06 | | G15Z, G19A, G19B, G33Z, G38Z | Pre | | A07A | | | | |
| | | | | F39A, F39B, F39J, F39Q | 07 | | H33Z, H38Z | | | | | | | | | | |
| | | 06 | G18A, G38Z | 08 | I08A, I08B, I08C, I08D, I08E, I13A, I13B | | | | | | | | | | | | |
| | | 07 | H01A | 11 | L09A, L33Z, L38Z | | | | | | | | | | | | |
| | | 08 | I08A, I08B, I08C, I08D, I08E, I13A, I13B | 21A | W04A, W04B | | | | | | | | | | | | |
| | | 11 | L09A, L38Z | 21B | X06A, X06B, X06C, X33Z | | | | | | | | | | | | |
| | | 21A | W04A, W04B | 23 | Z01A | | | | | | | | | | | | |
| | | 21B | X06A, X06B, X06C | Pre | A07A | | | | | | | | | | | | |

VYK

| ZZV | MDC | DRG | ZZV | MDC | DRG | ZZV | MDC | DRG | | | | | |
|----------|----------|--|--|--|--|--|--|--|--|--|--|------------|--|
| 51149.f | | BOP, KJZSV, KOP, KOPV, KVT, UOP4 | 51150.0↔ | | KJZSV | 51150.x↔ | | KJZSV | | | | | |
| | 04 | E05A, E05B, E05C, E08A, E08B, E08C | | 01 | B03Z, B07Z, B17A, B17B, B17C, B17J | | 01 | B03Z, B07Z, B17A, B17B, B17C, B17J | | | | | |
| | 05 | F01A, F01B, F01D, F05Z, F07A, F07B, F09A, F09B, F09C, F42Z | | 05 | F01A, F01B, F01D, F05Z, F07A, F07B, F14A, F14B, F28A, F42Z, F54A, F54B, F54J, F59A, F59B | | 05 | F01A, F01B, F01D, F05Z, F07A, F07B, F14A, F14B, F28A, F42Z, F54A, F54B, F54J, F59A, F59B | | | | | |
| | 06 | G03A, G15Z, G18A, G19A, G19B, G33Z, G38Z | | 08 | I08A, I08B, I08C, I08D, I08E, I13A, I13B | | 08 | I08A, I08B, I08C, I08D, I08E, I13A, I13B, I28A, I28B, I28J | | | | | |
| | 07 | H01A, H33Z, H38Z | | 21A | W04A, W04B | | 21A | W04A, W04B | | | | | |
| | 08 | I08A, I08B, I08C, I08D, I08E, I13A, I13B | | 21B | X06A, X06B, X06C | | 21B | X06A, X06B, X06C | | | | | |
| | 11 | L09A, L33Z, L38Z | | 51150.1↔ | | | KJZSV | 51151.0↔ | | KJZSV | | | |
| | 21A | W04A, W04B | | | 01 | | B03Z, B07Z, B17A, B17B, B17C, B17J | | 05 | F01A, F01B, F01D, F05Z, F07A, F07B, F14A, F14B, F28A, F42Z, F54A, F54B, F54J, F59A, F59B | | | |
| | 21B | X06A, X06B, X06C, X33Z | | | 05 | | F01A, F01B, F01D, F05Z, F07A, F07B, F14A, F14B, F28A, F42Z, F54A, F54B, F54J, F59A, F59B | | 08 | I08A, I08B, I08C, I08D, I08E, I13A, I13B | | | |
| | 23 | Z01A | | | 08 | | I08A, I08B, I08C, I08D, I08E, I13A, I13B | | 10 | K09A, K09B | | | |
| | Pre | A07A | | | 21A | | W04A, W04B | | 21A | W04A, W04B | | | |
| | 51149.g↔ | | | | BOP, KJZSV, KVT, UOP4 | | 51150.2↔ | | | KJZSV | 51151.1↔ | | KJZSV |
| | | 05 | | | F01A, F01B, F01D, F05Z, F07A, F07B, F08A, F08B, F08C, F08D, F08E, F08J, F27A, F28A, F42Z | | | | 01 | B03Z, B07Z, B17A, B17B, B17C, B17J | | 05 | F01A, F01B, F01D, F05Z, F07A, F07B, F14A, F14B, F28A, F42Z, F54A, F54B, F54J, F59A, F59B |
| | | 06 | | | G10Z, G12A, G12B, G12J | | | | 05 | F01A, F01B, F01D, F05Z, F07A, F07B, F14A, F14B, F28A, F42Z, F54A, F54B, F54J, F59A, F59B | | 08 | I08A, I08B, I08C, I08D, I08E, I13A, I13B |
| 08 | | I08A, I08B, I08C, I08D, I08E, I13A, I13B | 08 | | I08A, I08B, I08C, I08D, I08E, I13A, I13B | 10 | | | K09A, K09B | | | | |
| 11 | | L09A, L09B, L09C, L09J, L38Z | 21A | | W04A, W04B | 21A | | | W04A, W04B | | | | |
| 21A | | W04A, W04B | 21B | | X06A, X06B, X06C | 21B | | | X06A, X06B, X06C | | | | |
| 21B | | X06A, X06B, X06C, X33Z | 51150.3↔ | | | KJZSV | | | 51151.x↔ | | | KJZSV | |
| 51149.h↔ | | | | | BOP, KJZSV, KVT, UOP4 | 01 | | | | B03Z, B07Z, B17A, B17B, B17C, B17J | | 05 | F01A, F01B, F01D, F05Z, F07A, F07B, F14A, F14B, F28A, F42Z, F54A, F54B, F54J, F59A, F59B |
| | | 05 | | | F01A, F01B, F01D, F05Z, F07A, F07B, F08A, F08B, F08C, F08D, F08E, F08J, F27A, F28A, F42Z | 05 | | | | F01A, F01B, F01D, F05Z, F07A, F07B, F14A, F14B, F28A, F42Z, F54A, F54B, F54J, F59A, F59B | | 08 | I08A, I08B, I08C, I08D, I08E, I13A, I13B |
| | | 06 | | G10Z, G12A, G12B, G12J | 08 | I08A, I08B, I08C, I08D, I08E, I13A, I13B | | 10 | | K09A, K09B | | | |
| | | 08 | | I08A, I08B, I08C, I08D, I08E, I13A, I13B | 21A | W04A, W04B | | 21A | | W04A, W04B | | | |
| | | 11 | | L09A, L09B, L09C, L09J, L38Z | 21B | X06A, X06B, X06C | | 21B | | X06A, X06B, X06C | | | |
| | | 21A | | W04A, W04B | 51150.4↔ | | | KJZSV | | 51152.0↔ | | | KJZSV |
| | | 21B | | X06A, X06B, X06C, X33Z | | 01 | | B03Z, B07Z, B17A, B17B, B17C, B17J | | | | 05 | F01A, F01B, F01D, F05Z, F07A, F07B, F14A, F14B, F28A, F42Z, F54A, F54B, F54J, F59A, F59B |
| | 51149.i↔ | | | BOP, KJZSV, KVT, UOP4 | | 05 | F01A, F01B, F01D, F05Z, F07A, F07B, F14A, F14B, F28A, F42Z, F54A, F54B, F54J, F59A, F59B | 08 | | | I08A, I08B, I08C, I08D, I08E, I13A, I13B | | |
| | | 05 | | F01A, F01B, F01D, F05Z, F07A, F07B, F08A, F08B, F08C, F08D, F08E, F08J, F27A, F28A, F42Z | | 08 | I08A, I08B, I08C, I08D, I08E, I13A, I13B | 10 | | | K09A, K09B | | |
| | | 06 | | G10Z, G12A, G12B, G12J | | 21A | W04A, W04B | 21A | | | W04A, W04B | | |
| | | 08 | | I08A, I08B, I08C, I08D, I08E, I13A, I13B | | 21B | X06A, X06B, X06C | 21B | | | X06A, X06B, X06C | | |
| | | 11 | | L09A, L09B, L09C, L09J, L38Z | | 51150.5↔ | | KJZSV | | | 51152.1↔ | | KJZSV |
| | | 21A | | W04A, W04B | | | 01 | B03Z, B07Z, B17A, B17B, B17C, B17J | | | | 05 | F01A, F01B, F01D, F05Z, F07A, F07B, F14A, F14B, F28A, F42Z, F54A, F54B, F54J, F59A, F59B |
| | | 21B | X06A, X06B, X06C, X33Z | 05 | | | F01A, F01B, F01D, F05Z, F07A, F07B, F14A, F14B, F28A, F42Z, F54A, F54B, F54J, F59A, F59B | 08 | I08A, I08B, I08C, I08D, I08E, I13A, I13B | | | | |
| 51149.x↔ | | | BOP, KJZSV, KVT, UOP4 | 08 | | | I08A, I08B, I08C, I08D, I08E, I13A, I13B | 10 | K09A, K09B | | | | |
| | | 05 | F39A, F39B, F39J, F39Q | 21A | | | W04A, W04B | 21A | W04A, W04B | | | | |
| | | 08 | I08A, I08B, I08C, I08D, I08E, I13A, I13B | 21B | | | X06A, X06B, X06C | 21B | X06A, X06B, X06C | | | | |
| | | 11 | L09A, L38Z | 51152.2↔ | | | | KJZSV | 51152.2↔ | | | | KJZSV |
| | | 21A | W04A, W04B | | | | 01 | B03Z, B07Z, B17A, B17B, B17C, B17J | | | | 05 | F01A, F01B, F01D, F05Z, F07A, F07B, F14A, F14B, F28A, F42Z, F54A, F54B, F54J, F59A, F59B |
| | | 21B | X06A, X06B, X06C | | 05 | | F01A, F01B, F01D, F05Z, F07A, F07B, F14A, F14B, F28A, F42Z, F54A, F54B, F54J, F59A, F59B | 08 | | I08A, I08B, I08C, I08D, I08E, I13A, I13B | | | |
| | | 5114x↔ | | | BOP, KJZSV, KVT, UOP4 | | 08 | I08A, I08B, I08C, I08D, I08E, I13A, I13B | | 10 | | K09A, K09B | |
| | 05 | | F39A, F39B, F39J, F39Q | | 21A | | W04A, W04B | 21A | | W04A, W04B | | | |
| | 08 | | I08A, I08B, I08C, I08D, I08E, I13A, I13B | | 21B | | X06A, X06B, X06C | 21B | | X05A, X05B, X06A, X06B | | | |
| | 11 | | L09A, L38Z | | 51152.2↔ | | | KJZSV | | 51152.2↔ | | | KJZSV |
| | 21A | | W04A, W04B | | | | 01 | B03Z, B07Z, B17A, B17B, B17C, B17J | | | | 05 | F01A, F01B, F01D, F05Z, F07A, F07B, F14A, F14B, F28A, F42Z, F54A, F54B, F54J, F59A, F59B |
| | 21B | | X06A, X06B, X06C | | | 05 | F01A, F01B, F01D, F05Z, F07A, F07B, F14A, F14B, F28A, F42Z, F54A, F54B, F54J, F59A, F59B | 08 | | | I08A, I08B, I08C, I08D, I08E, I13A, I13B | | |
| | | | | | | 08 | I08A, I08B, I08C, I08D, I08E, I13A, I13B | 10 | | | K09A, K09B | | |
| | | | | | | 21A | W04A, W04B | 21A | | | W04A, W04B | | |
| | | | 21B | | | X06A, X06B, X06C | 21B | X05A, X05B, X06A, X06B | | | | | |

VYK

| ZZV | MDC | DRG | ZZV | MDC | DRG | ZZV | MDC | DRG |
|----------|-----|--|---------|-----|--|----------|-----|--|
| 51152.3↔ | | KJZSV | 51153.0 | | BOP, KJZSV, KOP, KOPV, KVT, UOP4 | 51153.4 | | BOP, KJZSV, KVT, UOP4 |
| | 05 | F01A, F01B, F01D, F05Z, F07A, F07B, F14A, F14B, F28A, F42Z, F54A, F54B, F54J, F59A, F59B | | 04 | E05A, E05B, E05C, E08A, E08B, E08C | | 05 | F01A, F01B, F01D, F05Z, F07A, F07B, F14A, F14B, F28A, F42Z, F54A, F54B, F54J, F59A, F59B |
| | 08 | I08A, I08B, I08C, I08D, I08E, I13A, I13B | | 05 | F01A, F01B, F01D, F05Z, F07A, F07B, F09A, F09B, F09C, F42Z | | 06 | G10Z, G12A, G12B, G12J |
| | 10 | K09A, K09B | | 06 | G15Z, G19A, G19B, G33Z, G38Z | | 08 | I08A, I08B, I08C, I08D, I08E, I13A, I13B |
| | 21A | W04A, W04B | | 07 | H33Z, H38Z | | 11 | L09A, L09B, L09C, L09J, L38Z |
| | 21B | X05A, X05B, X06A, X06B | | 08 | I08A, I08B, I08C, I08D, I08E, I13A, I13B | | 21A | W04A, W04B |
| 51152.4↔ | | KJZSV | | 11 | L33Z | 51153.5 | | BOP, KJZSV, KVT, UOP4 |
| | 05 | F01A, F01B, F01D, F05Z, F07A, F07B, F14A, F14B, F28A, F42Z, F54A, F54B, F54J, F59A, F59B | | 21A | W04A, W04B | | 05 | F01A, F01B, F01D, F05Z, F07A, F07B, F14A, F14B, F28A, F42Z, F54A, F54B, F54J, F59A, F59B |
| | 08 | I08A, I08B, I08C, I08D, I08E, I13A, I13B | | 21B | X06A, X06B, X06C, X33Z | | 06 | G10Z, G12A, G12B, G12J |
| | 10 | K09A, K09B | 51153.1 | Pre | A07A | | 08 | I08A, I08B, I08C, I08D, I08E, I13A, I13B |
| | 21A | W04A, W04B | | 04 | E05A, E05B, E05C, E08A, E08B, E08C | | 11 | L09A, L09B, L09C, L09J, L38Z |
| | 21B | X06A, X06B | | 05 | F01A, F01B, F01D, F05Z, F07A, F07B, F09A, F09B, F09C, F42Z | | 21A | W04A, W04B |
| 51152.5↔ | | KJZSV | | 06 | G15Z, G19A, G19B, G33Z, G38Z | 51153.x | | BOP, KJZSV, KVT, UOP4 |
| | 05 | F01A, F01B, F01D, F05Z, F07A, F07B, F14A, F14B, F28A, F42Z, F54A, F54B, F54J, F59A, F59B | | 07 | H33Z, H38Z | | 05 | F01A, F01B, F01D, F05Z, F07A, F07B, F14A, F14B, F28A, F42Z, F54A, F54B, F54J, F59A, F59B |
| | 08 | I08A, I08B, I08C, I08D, I08E, I13A, I13B | | 08 | I08A, I08B, I08C, I08D, I08E, I13A, I13B | | 06 | G10Z, G12A, G12B, G12J |
| | 10 | K09A, K09B | | 11 | L33Z | | 08 | I08A, I08B, I08C, I08D, I08E, I13A, I13B |
| | 21A | W04A, W04B | | 21A | W04A, W04B | | 11 | L09A, L09B, L09C, L09J, L38Z |
| | 21B | X05A, X05B, X06A, X06B | | 21B | X06A, X06B, X06C, X33Z | | 21A | W04A, W04B |
| 51152.6↔ | | KJZSV | | 23 | Z01A | | 21B | X06A, X06B, X06C |
| | 05 | F01A, F01B, F01D, F05Z, F07A, F07B, F14A, F14B, F28A, F42Z, F54A, F54B, F54J, F59A, F59B | | Pre | A07A | 51154.0↔ | | BOP, KJZSV, KOP, KOPV, KVT, UOP4 |
| | 08 | I08A, I08B, I08C, I08D, I08E, I13A, I13B | 51153.2 | | BOP, KJZSV, KOP, KOPV, KVT, UOP4 | | 04 | E05A, E05B, E05C, E08A, E08B, E08C |
| | 10 | K09A, K09B | | 04 | E05A, E05B, E05C, E08A, E08B, E08C | | 05 | F01A, F01B, F01D, F05Z, F07A, F07B, F09A, F09B, F09C, F42Z |
| | 21A | W04A, W04B | | 05 | F01A, F01B, F01D, F05Z, F07A, F07B, F09A, F09B, F09C, F42Z | | 06 | G15Z, G19A, G19B, G33Z, G38Z |
| | 21B | X05A, X05B, X06A, X06B | | 06 | G15Z, G19A, G19B, G33Z, G38Z | | 07 | H33Z, H38Z |
| 51152.7↔ | | KJZSV | | 07 | H33Z, H38Z | | 08 | I08A, I08B, I08C, I08D, I08E, I13A, I13B |
| | 05 | F01A, F01B, F01D, F05Z, F07A, F07B, F14A, F14B, F28A, F42Z, F54A, F54B, F54J, F59A, F59B | | 08 | I08A, I08B, I08C, I08D, I08E, I13A, I13B | | 11 | L33Z |
| | 08 | I08A, I08B, I08C, I08D, I08E, I13A, I13B | | 11 | L33Z | | 21A | W04A, W04B |
| | 10 | K09A, K09B | | 21A | W04A, W04B | | 21B | X06A, X06B, X06C, X33Z |
| | 21A | W04A, W04B | | 21B | X06A, X06B, X06C, X33Z | | 23 | Z01A |
| | 21B | X05A, X05B, X06A, X06B | | Pre | A07A | 51154.1↔ | | BOP, KJZSV, KOP, KOPV, KVT, UOP4 |
| 51152.x↔ | | KJZSV | 51153.3 | | BOP, KJZSV, KVT, UOP4 | | 04 | E05A, E05B, E05C, E08A, E08B, E08C |
| | 05 | F01A, F01B, F01D, F05Z, F07A, F07B, F14A, F14B, F28A, F42Z, F54A, F54B, F54J, F59A, F59B | | 05 | F01A, F01B, F01D, F05Z, F07A, F07B, F14A, F14B, F28A, F42Z, F54A, F54B, F54J, F59A, F59B | | 05 | F01A, F01B, F01D, F05Z, F07A, F07B, F09A, F09B, F09C, F42Z |
| | 08 | I08A, I08B, I08C, I08D, I08E, I13A, I13B | | 06 | G10Z, G12A, G12B, G12J | | 06 | G15Z, G19A, G19B, G33Z, G38Z |
| | 10 | K09A, K09B | | 08 | I08A, I08B, I08C, I08D, I08E, I13A, I13B | | 07 | H33Z, H38Z |
| | 21A | W04A, W04B | | 11 | L09A, L09B, L09C, L09J, L38Z | | 08 | I08A, I08B, I08C, I08D, I08E, I13A, I13B |
| | 21B | X06A, X06B | | 21A | W04A, W04B | | 11 | L33Z |
| | | | | 21B | X06A, X06B, X06C | | 21A | W04A, W04B |
| | | | | | | | 21B | X06A, X06B, X06C, X33Z |
| | | | | | | | 23 | Z01A |
| | | | | | | | Pre | A07A |

| ZZV | MDC | DRG | ZZV | MDC | DRG | ZZV | MDC | DRG | | | | |
|----------|----------|--|--|--|--|--|--|--|--|--|--|--|
| 51154.2↔ | | BOP, KJZSV, KOP, KOPV, KVT, UOP4 | 51155.3↔ | | BOP, KJZSV, KVT, UOP4 | 51156.2 | | BOP, KJZSV, KVT, UOP4 | | | | |
| | 04 | E05A, E05B, E05C, E08A, E08B, E08C | | 05 | F01A, F01B, F01D, F05Z, F07A, F07B, F14A, F14B, F28A, F42Z, F54A, F54B, F54J, F59A, F59B | | 01 | B03Z, B07Z, B17A, B17B, B17C, B17J | | | | |
| | 05 | F01A, F01B, F01D, F05Z, F07A, F07B, F09A, F09B, F09C, F42Z | | 08 | I08A, I08B, I08C, I08D, I08E, I13A, I13B | | 05 | F01A, F01B, F01D, F05Z, F07A, F07B, F14A, F14B, F28A, F42Z, F54A, F54B, F54J, F59A, F59B | | | | |
| | 06 | G15Z, G19A, G19B, G33Z, G38Z | | 10 | K09A, K09B | | 06 | G10Z, G12A, G12B, G12J | | | | |
| | 07 | H33Z, H38Z | | 21A | W04A, W04B | | 08 | I08A, I08B, I08C, I08D, I08E, I13A, I13B | | | | |
| | 08 | I08A, I08B, I08C, I08D, I08E, I13A, I13B | | 21B | X06A, X06B, X06C | | 10 | K09A, K09B | | | | |
| | 11 | L33Z | | 51155.4↔ | | | BOP, KJZSV, KVT, UOP4 | 11 | L09A, L09B, L09C, L09J, L38Z | | | |
| | 21A | W04A, W04B | | | 05 | | F01A, F01B, F01D, F05Z, F07A, F07B, F14A, F14B, F28A, F42Z, F54A, F54B, F54J, F59A, F59B | 21A | W04A, W04B | | | |
| | 21B | X06A, X06B, X06C, X33Z | | | 08 | | I08A, I08B, I08C, I08D, I08E, I13A, I13B | 21B | X06A, X06B, X06C | | | |
| | 23 | Z01A | | | 10 | | K09A, K09B | 51156.3 | | BOP, KJZSV, KVT, UOP4 | | |
| | Pre | A07A | | | 21A | | W04A, W04B | | 01 | B03Z, B07Z, B17A, B17B, B17C, B17J | | |
| | 51154.x↔ | | | | BOP, KJZSV, KOP, KOPV, KVT, UOP4 | | 51155.x↔ | | | BOP, KJZSV, KVT, UOP4 | 05 | F01A, F01B, F01D, F05Z, F07A, F07B, F14A, F14B, F28A, F42Z, F54A, F54B, F54J, F59A, F59B |
| | | 04 | | | E05A, E05B, E05C, E08A, E08B, E08C | | | | 05 | F01A, F01B, F01D, F05Z, F07A, F07B, F14A, F14B, F28A, F42Z, F54A, F54B, F54J, F59A, F59B | 06 | G10Z, G12A, G12B, G12J |
| | | 05 | | | F01A, F01B, F01D, F05Z, F07A, F07B, F09A, F09B, F09C, F42Z | | | | 08 | I08A, I08B, I08C, I08D, I08E, I13A, I13B | 07 | H06A, H06B, H06C |
| 06 | | G15Z, G19A, G19B, G33Z, G38Z | 10 | | K09A, K09B | 08 | | | I08A, I08B, I08C, I08D, I08E, I13A, I13B | | | |
| 07 | | H33Z, H38Z | 21A | | W04A, W04B | 10 | | | K09A, K09B | | | |
| 08 | | I08A, I08B, I08C, I08D, I08E, I13A, I13B | 21B | | X06A, X06B, X06C | 11 | | | L09A, L09B, L09C, L09J, L38Z | | | |
| 11 | | L33Z | 51156.0 | | | BOP, KJZSV, KVT, UOP4 | | | 21A | W04A, W04B | | |
| 21A | | W04A, W04B | | | 01 | B03Z, B07Z, B17A, B17B, B17C, B17J | | | 21B | X06A, X06B, X06C | | |
| 21B | | X06A, X06B, X06C, X33Z | | | 05 | F01A, F01B, F01D, F05Z, F07A, F07B, F14A, F14B, F28A, F42Z, F54A, F54B, F54J, F59A, F59B | | | 51156.4↔ | | BOP, KJZSV, KVT, UOP4 | |
| 23 | | Z01A | | 06 | G10Z, G12A, G12B, G12J | 01 | | | | B03Z, B07Z, B17A, B17B, B17C, B17J | | |
| Pre | | A07A | | 08 | I08A, I08B, I08C, I08D, I08E, I13A, I13B | 05 | | | | F01A, F01B, F01D, F05Z, F07A, F07B, F14A, F14B, F28A, F42Z, F54A, F54B, F54J, F59A, F59B | | |
| 51155.0↔ | | | | BOP, KJZSV, KVT, UOP4 | 51156.1 | | | | | BOP, KJZSV, KVT, UOP4 | 06 | G10Z, G12A, G12B, G12J |
| | | 01 | | B03Z, B07Z, B17A, B17B, B17C, B17J | | 01 | | B03Z, B07Z, B17A, B17B, B17C, B17J | | 08 | I08A, I08B, I08C, I08D, I08E, I13A, I13B | |
| | | 05 | | F01A, F01B, F01D, F05Z, F07A, F07B, F14A, F14B, F28A, F42Z, F54A, F54B, F54J, F59A, F59B | | 05 | | F01A, F01B, F01D, F05Z, F07A, F07B, F14A, F14B, F28A, F42Z, F54A, F54B, F54J, F59A, F59B | | 06 | G10Z, G12A, G12B, G12J | |
| | 08 | I08A, I08B, I08C, I08D, I08E, I13A, I13B | | 06 | | G10Z, G12A, G12B, G12J | 08 | I08A, I08B, I08C, I08D, I08E, I13A, I13B | | | | |
| | 21A | W04A, W04B | | 10 | | K09A, K09B | 10 | K09A, K09B | | | | |
| | 21B | X04Z, X06A, X06B, X06C | | 11 | | L09A, L09B, L09C, L09J, L38Z | 11 | L09A, L09B, L09C, L09J, L38Z | | | | |
| | 51155.1↔ | | | BOP, KJZSV, KVT, UOP4 | | 51156.2 | | BOP, KJZSV, KVT, UOP4 | | 21A | W04A, W04B | |
| | | 05 | | F01A, F01B, F01D, F05Z, F07A, F07B, F14A, F14B, F28A, F42Z, F54A, F54B, F54J, F59A, F59B | | | 01 | B03Z, B07Z, B17A, B17B, B17C, B17J | | 21B | X06A, X06B, X06C | |
| | | 06 | | G10Z, G12A, G12B, G12J | | | 05 | F01A, F01B, F01D, F05Z, F07A, F07B, F14A, F14B, F28A, F42Z, F54A, F54B, F54J, F59A, F59B | | 51156.5 | | BOP, KJZSV, KVT, UOP4 |
| | | 08 | I08A, I08B, I08C, I08D, I08E, I13A, I13B | 06 | | | G10Z, G12A, G12B, G12J | 01 | | | B03Z, B07Z, B17A, B17B, B17C, B17J | |
| | | 11 | L09A, L09B, L09C, L09J, L38Z | 07 | | | H06A, H06B, H06C | 05 | | | F01A, F01B, F01D, F05Z, F07A, F07B, F14A, F14B, F28A, F42Z, F54A, F54B, F54J, F59A, F59B | |
| | | 21A | W04A, W04B | 08 | | | I08A, I08B, I08C, I08D, I08E, I13A, I13B | 06 | G10Z, G12A, G12B, G12J | | | |
| | | 21B | X06A, X06B, X06C | 10 | | | K09A, K09B | 08 | I08A, I08B, I08C, I08D, I08E, I13A, I13B | | | |
| | | 51155.2↔ | | BOP, KJZSV, KVT, UOP4 | | | 51156.3 | | BOP, KJZSV, KVT, UOP4 | | 10 | K09A, K09B |
| 05 | | | F01A, F01B, F01D, F05Z, F07A, F07B, F14A, F14B, F28A, F42Z, F54A, F54B, F54J, F59A, F59B | 11 | L09A, L09B, L09C, L09J, L38Z | | | 11 | L09A, L09B, L09C, L09J, L38Z | | | |
| 06 | | | G10Z, G12A, G12B, G12J | 21A | W04A, W04B | | | 21A | W04A, W04B | | | |
| 08 | | | I08A, I08B, I08C, I08D, I08E, I13A, I13B | 21B | X06A, X06B, X06C | | | 21B | X06A, X06B, X06C | | | |
| 11 | | | L09A, L09B, L09C, L09J, L38Z | 51156.4↔ | | | | BOP, KJZSV, KVT, UOP4 | 01 | | B03Z, B07Z, B17A, B17B, B17C, B17J | |
| 21A | | | W04A, W04B | | 01 | | | B03Z, B07Z, B17A, B17B, B17C, B17J | 05 | | F01A, F01B, F01D, F05Z, F07A, F07B, F14A, F14B, F28A, F42Z, F54A, F54B, F54J, F59A, F59B | |
| 21B | | | X06A, X06B, X06C | | 05 | | | F01A, F01B, F01D, F05Z, F07A, F07B, F14A, F14B, F28A, F42Z, F54A, F54B, F54J, F59A, F59B | 06 | | G10Z, G12A, G12B, G12J | |
| 51155.2↔ | | | BOP, KJZSV, KVT, UOP4 | | 51156.5 | | | BOP, KJZSV, KVT, UOP4 | 08 | | I08A, I08B, I08C, I08D, I08E, I13A, I13B | |
| | 05 | | F01A, F01B, F01D, F05Z, F07A, F07B, F14A, F14B, F28A, F42Z, F54A, F54B, F54J, F59A, F59B | | | 01 | | B03Z, B07Z, B17A, B17B, B17C, B17J | 10 | | K09A, K09B | |
| | 06 | | G10Z, G12A, G12B, G12J | | | 05 | | F01A, F01B, F01D, F05Z, F07A, F07B, F14A, F14B, F28A, F42Z, F54A, F54B, F54J, F59A, F59B | 11 | L09A, L09B, L09C, L09J, L38Z | | |
| | 08 | | I08A, I08B, I08C, I08D, I08E, I13A, I13B | | | 06 | | G10Z, G12A, G12B, G12J | 21A | W04A, W04B | | |
| | 11 | | L09A, L09B, L09C, L09J, L38Z | | | 07 | | H06A, H06B, H06C | 21B | X06A, X06B, X06C | | |
| | 21A | | W04A, W04B | | | 08 | | I08A, I08B, I08C, I08D, I08E, I13A, I13B | 51156.5 | | BOP, KJZSV, KVT, UOP4 | |
| | 21B | | X06A, X06B, X06C | | | 10 | | K09A, K09B | | 01 | B03Z, B07Z, B17A, B17B, B17C, B17J | |
| | 51155.2↔ | | BOP, KJZSV, KVT, UOP4 | | | 51156.5 | | BOP, KJZSV, KVT, UOP4 | | 05 | F01A, F01B, F01D, F05Z, F07A, F07B, F14A, F14B, F28A, F42Z, F54A, F54B, F54J, F59A, F59B | |
| | | 05 | F01A, F01B, F01D, F05Z, F07A, F07B, F14A, F14B, F28A, F42Z, F54A, F54B, F54J, F59A, F59B | | | | 06 | G10Z, G12A, G12B, G12J | | 06 | G10Z, G12A, G12B, G12J | |
| | | 06 | G10Z, G12A, G12B, G12J | | | | 08 | I08A, I08B, I08C, I08D, I08E, I13A, I13B | | 08 | I08A, I08B, I08C, I08D, I08E, I13A, I13B | |
| | | 08 | I08A, I08B, I08C, I08D, I08E, I13A, I13B | | | | 10 | K09A, K09B | | 10 | K09A, K09B | |
| | | 11 | L09A, L09B, L09C, L09J, L38Z | 11 | | | L09A, L09B, L09C, L09J, L38Z | 11 | | L09A, L09B, L09C, L09J, L38Z | | |
| | | 21A | W04A, W04B | 21A | | | W04A, W04B | 21A | | W04A, W04B | | |
| | | 21B | X06A, X06B, X06C | 21B | | | X06A, X06B, X06C | 21B | | X06A, X06B, X06C | | |

VYK

| ZZV | MDC | DRG | ZZV | MDC | DRG | ZZV | MDC | DRG | | | | | |
|----------|----------|--|--|--|--|--|--|--|--|--|--|------------------------|------------------------|
| 51156.6 | | BOP, KJZSV, KVT, UOP4 | 51158.0↔ | | KJZSV | 51158.x↔ | | KJZSV | | | | | |
| | 01 | B03Z, B07Z, B17A, B17B, B17C, B17J | | 05 | F01A, F01B, F01D, F05Z, F07A, F07B, F14A, F14B, F28A, F42Z, F54A, F54B, F54J, F59A, F59B | | 05 | F01A, F01B, F01D, F05Z, F07A, F07B, F14A, F14B, F28A, F42Z, F54A, F54B, F54J, F59A, F59B | | | | | |
| | 05 | F01A, F01B, F01D, F05Z, F07A, F07B, F14A, F14B, F28A, F42Z, F54A, F54B, F54J, F59A, F59B | | 08 | I08A, I08B, I08C, I08D, I08E, I13A, I13B | | 08 | I08A, I08B, I08C, I08D, I08E, I13A, I13B | | | | | |
| | 06 | G10Z, G12A, G12B, G12J | | 10 | K09A, K09B | | 10 | K09A, K09B | | | | | |
| | 08 | I08A, I08B, I08C, I08D, I08E, I13A, I13B | | 21A | W04A, W04B | | 21A | W04A, W04B | | | | | |
| | 10 | K09A, K09B | | 21B | X04Z | | 21B | X04Z | | | | | |
| | 11 | L09A, L09B, L09C, L09J, L38Z | | 51158.1↔ | | | KJZSV | 51159.0↔ | | KJZSV | | | |
| | 21A | W04A, W04B | | | 05 | | F01A, F01B, F01D, F05Z, F07A, F07B, F14A, F14B, F28A, F42Z, F54A, F54B, F54J, F59A, F59B | | 05 | F28A, F39A, F39B, F39J, F39Q | | | |
| | 21B | X06A, X06B, X06C | | | 08 | | I08A, I08B, I08C, I08D, I08E, I13A, I13B | | 08 | I08A, I08B, I08C, I08D, I08E, I13A, I13B | | | |
| | 51156.x↔ | | | | BOP, KJZSV, KVT, UOP4 | | 51158.2↔ | | | KJZSV | 51159.1↔ | | KJZSV |
| | | 01 | | | B03Z, B07Z, B17A, B17B, B17C, B17J | | | | 05 | F01A, F01B, F01D, F05Z, F07A, F07B, F14A, F14B, F28A, F42Z, F54A, F54B, F54J, F59A, F59B | | 05 | F39A, F39B, F39J, F39Q |
| 05 | | F01A, F01B, F01D, F05Z, F07A, F07B, F14A, F14B, F28A, F42Z, F54A, F54B, F54J, F59A, F59B | 08 | | I08A, I08B, I08C, I08D, I08E, I13A, I13B | 08 | | | I08A, I08B, I08C, I08D, I08E, I13A, I13B | | | | |
| 06 | | G10Z, G12A, G12B, G12J | 10 | | K09A, K09B | 10 | | | K09A, K09B | | | | |
| 08 | | I08A, I08B, I08C, I08D, I08E, I13A, I13B | 21A | | W04A, W04B | 21A | | | W04A, W04B | | | | |
| 10 | | K09A, K09B | 21B | | X04Z | 21B | | | X04Z, X05A, X05B, X06A, X06B, X06C | | | | |
| 11 | | L09A, L09B, L09C, L09J, L38Z | 51158.3↔ | | | KJZSV | | | 51159.2 | | | KJZSV | |
| 21A | | W04A, W04B | | | 05 | F01A, F01B, F01D, F05Z, F07A, F07B, F14A, F14B, F28A, F42Z, F54A, F54B, F54J, F59A, F59B | | | | 05 | | F39A, F39B, F39J, F39Q | |
| 21B | | X06A, X06B, X06C | | 08 | I08A, I08B, I08C, I08D, I08E, I13A, I13B | 08 | | I08A, I08B, I08C, I08D, I08E, I13A, I13B | | | | | |
| 51157.0↔ | | | | BOP, KJZSV, KVT, UOP4 | 51158.4↔ | | | KJZSV | | 51159.3↔ | | | KJZSV |
| | | 05 | | F01A, F01B, F01D, F05Z, F07A, F07B, F14A, F14B, F28A, F42Z, F54A, F54B, F54J, F59A, F59B | | 05 | | F01A, F01B, F01D, F05Z, F07A, F07B, F14A, F14B, F28A, F42Z, F54A, F54B, F54J, F59A, F59B | | | | 05 | F39A, F39B, F39J, F39Q |
| | 08 | I08A, I08B, I08C, I08D, I08E, I13A, I13B | | 08 | | I08A, I08B, I08C, I08D, I08E, I13A, I13B | 08 | I08A, I08B, I08C, I08D, I08E, I13A, I13B | | | | | |
| | 10 | K09A, K09B | | 10 | | K09A, K09B | 10 | K09A, K09B | | | | | |
| | 21A | W04A, W04B | | 21A | | W04A, W04B | 21A | W04A, W04B | | | | | |
| | 21B | X04Z | | 21B | | X04Z | 21B | X04Z, X05A, X05B, X06A, X06B, X06C | | | | | |
| | 51157.1↔ | | | BOP, KJZSV, KVT, UOP4 | | 51158.5↔ | | KJZSV | | | 51159.4 | | KJZSV |
| | | 05 | | F01A, F01B, F01D, F05Z, F07A, F07B, F14A, F14B, F28A, F42Z, F54A, F54B, F54J, F59A, F59B | | | 05 | F01A, F01B, F01D, F05Z, F07A, F07B, F14A, F14B, F28A, F42Z, F54A, F54B, F54J, F59A, F59B | | | | 05 | F39A, F39B, F39J, F39Q |
| | | 08 | I08A, I08B, I08C, I08D, I08E, I13A, I13B | 08 | | | I08A, I08B, I08C, I08D, I08E, I13A, I13B | 08 | I08A, I08B, I08C, I08D, I08E, I13A, I13B | | | | |
| | | 10 | K09A, K09B | 10 | | | K09A, K09B | 10 | K09A, K09B | | | | |
| | | 21A | W04A, W04B | 21A | | | W04A, W04B | 21A | W04A, W04B | | | | |
| 21B | | X04Z | 21B | X04Z | 21B | | X04Z, X05A, X05B, X06A, X06B, X06C | | | | | | |
| 51157.2↔ | | | BOP, KJZSV, KVT, UOP4 | 51158.6↔ | | | KJZSV | 51159.5 | | KJZSV | | | |
| | | 05 | F01A, F01B, F01D, F05Z, F07A, F07B, F14A, F14B, F28A, F42Z, F54A, F54B, F54J, F59A, F59B | | 05 | | F01A, F01B, F01D, F05Z, F07A, F07B, F14A, F14B, F28A, F42Z, F54A, F54B, F54J, F59A, F59B | | 05 | F39A, F39B, F39J, F39Q | | | |
| | | 08 | I08A, I08B, I08C, I08D, I08E, I13A, I13B | | 08 | | I08A, I08B, I08C, I08D, I08E, I13A, I13B | | 08 | I08A, I08B, I08C, I08D, I08E, I13A, I13B | | | |
| | | 10 | K09A, K09B | | 10 | | K09A, K09B | | 10 | K09A, K09B | | | |
| | | 21A | W04A, W04B | | 21A | | W04A, W04B | | 21A | W04A, W04B | | | |
| | 21B | X04Z | 21B | | X04Z | 21B | X04Z, X05A, X05B, X06A, X06B, X06C | | | | | | |
| | 51157.x↔ | | BOP, KJZSV, KVT, UOP4 | | 51158.6↔ | | KJZSV | | 51159.6 | | KJZSV | | |
| | | 05 | F01A, F01B, F01D, F05Z, F07A, F07B, F14A, F14B, F28A, F42Z, F54A, F54B, F54J, F59A, F59B | | | 05 | F01A, F01B, F01D, F05Z, F07A, F07B, F14A, F14B, F28A, F42Z, F54A, F54B, F54J, F59A, F59B | | | 05 | F39A, F39B, F39J, F39Q | | |
| | | 08 | I08A, I08B, I08C, I08D, I08E, I13A, I13B | | | 08 | I08A, I08B, I08C, I08D, I08E, I13A, I13B | | | 08 | I08A, I08B, I08C, I08D, I08E, I13A, I13B | | |
| | | 10 | K09A, K09B | | | 10 | K09A, K09B | | | 10 | K09A, K09B | | |
| | | 21A | W04A, W04B | | | 21A | W04A, W04B | | | 21A | W04A, W04B | | |
| 21B | | X04Z | 21B | X04Z | | 21B | X04Z, X05A, X05B, X06A, X06B, X06C | | | | | | |
| 51157.x↔ | | | BOP, KJZSV, KVT, UOP4 | 51158.6↔ | | | KJZSV | 51159.7 | | | KJZSV | | |
| | | 05 | F01A, F01B, F01D, F05Z, F07A, F07B, F14A, F14B, F28A, F42Z, F54A, F54B, F54J, F59A, F59B | | | 05 | F01A, F01B, F01D, F05Z, F07A, F07B, F14A, F14B, F28A, F42Z, F54A, F54B, F54J, F59A, F59B | | | 05 | F39A, F39B, F39J, F39Q | | |
| | | 08 | I08A, I08B, I08C, I08D, I08E, I13A, I13B | | | 08 | I08A, I08B, I08C, I08D, I08E, I13A, I13B | | | 08 | I08A, I08B, I08C, I08D, I08E, I13A, I13B | | |
| | | 10 | K09A, K09B | | | 10 | K09A, K09B | | | 10 | K09A, K09B | | |
| | | 21A | W04A, W04B | | | 21A | W04A, W04B | | | 21A | W04A, W04B | | |
| | 21B | X04Z | 21B | | X04Z | 21B | X04Z, X05A, X05B, X06A, X06B, X06C | | | | | | |

| ZZV | MDC | DRG | ZZV | MDC | DRG | ZZV | MDC | DRG |
|----------|-----|--|----------|-----|--|----------|-----|--|
| 51159.8↔ | | KJZSV | 51159.d↔ | | KJZSV, KOP, KOPV | 51159.i↔ | | KJZSV |
| 05 | | F39A, F39B, F39J, F39Q | 04 | | E05A, E05B, E05C, E08A, E08B, E08C | 05 | | F01A, F01B, F01D, F05Z, F07A, F07B, F14A, F14B, F28A, F42Z, F54A, F54B, F54J, F59A, F59B |
| 08 | | I08A, I08B, I08C, I08D, I08E, I13A, I13B | 05 | | F01A, F01B, F01D, F05Z, F07A, F07B, F09A, F09B, F09C, F42Z | 06 | | G10Z, G12A, G12B, G12J |
| 21A | | W04A, W04B | 06 | | G15Z, G19A, G19B, G33Z, G38Z | 08 | | I08A, I08B, I08C, I08D, I08E, I13A, I13B |
| 21B | | X04Z, X05A, X05B, X06A, X06B, X06C | 07 | | H33Z, H38Z | 11 | | L09A, L09B, L09C, L09J, L38Z |
| 51159.9↔ | | KJZSV | 08 | | I08A, I08B, I08C, I08D, I08E, I13A, I13B | 21A | | W04A, W04B |
| 01 | | B03Z, B07Z, B17A, B17B, B17C, B17J | 11 | | L33Z | 21B | | X06A, X06B, X06C |
| 05 | | F01A, F01B, F01D, F05Z, F07A, F07B, F14A, F14B, F28A, F42Z, F54A, F54B, F54J, F59A, F59B | 21A | | W04A, W04B | 51159.x↔ | | KJZSV |
| 08 | | I08A, I08B, I08C, I08D, I08E, I13A, I13B | 21B | | X06A, X06B, X06C, X33Z | 05 | | F39A, F39B, F39J, F39Q |
| 21A | | W04A, W04B | 23 | | Z01A | 08 | | I08A, I08B, I08C, I08D, I08E, I13A, I13B |
| 21B | | X06A, X06B, X06C | Pre | | A07A | 21A | | W04A, W04B |
| 51159.a↔ | | KJZSV, KOP, KOPV | 51159.e | | KJZSV | 21B | | X04Z, X05A, X05B, X06A, X06B, X06C |
| 04 | | E05A, E05B, E05C, E08A, E08B, E08C | 04 | | E02A, E02B, E02C, E02D | 5115a.0↔ | | KJZSV |
| 05 | | F01A, F01B, F01D, F05Z, F07A, F07B, F09A, F09B, F09C, F42Z | 05 | | F01A, F01B, F01D, F05Z, F07A, F07B, F14A, F14B, F28A, F42Z, F54A, F54B, F54J, F59A, F59B | 01 | | B03Z, B07Z, B17A, B17B, B17C, B17J |
| 06 | | G15Z, G19A, G19B, G33Z, G38Z | 08 | | I08A, I08B, I08C, I08D, I08E, I13A, I13B | 05 | | F01A, F01B, F01D, F05Z, F07A, F07B, F14A, F14B, F42Z, F54A, F54B, F54J, F59A, F59B |
| 07 | | H33Z, H38Z | 14 | | 962Z, O02A, O02B | 08 | | I08A, I08B, I08C, I08D, I08E, I13A, I13B |
| 08 | | I08A, I08B, I08C, I08D, I08E, I13A, I13B | 21A | | W04A, W04B | 21A | | W04A, W04B |
| 11 | | L33Z | 21B | | X06A, X06B, X06C | 21B | | X06A, X06B, X06C |
| 21A | | W04A, W04B | 51159.f | | KJZSV | 5115a.1↔ | | KJZSV |
| 21B | | X06A, X06B, X06C, X33Z | 04 | | E02A, E02B, E02C, E02D | 05 | | F39A, F39B, F39J, F39Q |
| 23 | | Z01A | 05 | | F01A, F01B, F01D, F05Z, F07A, F07B, F14A, F14B, F28A, F42Z, F54A, F54B, F54J, F59A, F59B | 08 | | I08A, I08B, I08C, I08D, I08E, I13A, I13B |
| Pre | | A07A | 08 | | I08A, I08B, I08C, I08D, I08E, I13A, I13B | 21A | | W04A, W04B |
| 51159.b↔ | | KJZSV, KOP, KOPV | 14 | | 962Z, O02A, O02B | 21B | | X04Z, X05A, X05B, X06A, X06B, X06C |
| 04 | | E05A, E05B, E05C, E08A, E08B, E08C | 21A | | W04A, W04B | 5115a.2↔ | | KJZSV |
| 05 | | F01A, F01B, F01D, F05Z, F07A, F07B, F09A, F09B, F09C, F42Z | 21B | | X06A, X06B, X06C | 05 | | F39A, F39B, F39J, F39Q |
| 06 | | G15Z, G19A, G19B, G33Z, G38Z | 51159.g↔ | | KJZSV | 08 | | I08A, I08B, I08C, I08D, I08E, I13A, I13B |
| 07 | | H33Z, H38Z | 05 | | F01A, F01B, F01D, F05Z, F07A, F07B, F14A, F14B, F28A, F42Z, F54A, F54B, F54J, F59A, F59B | 21A | | W04A, W04B |
| 08 | | I08A, I08B, I08C, I08D, I08E, I13A, I13B | 06 | | G10Z, G12A, G12B, G12J | 21B | | X04Z, X05A, X05B, X06A, X06B, X06C |
| 11 | | L33Z | 08 | | I08A, I08B, I08C, I08D, I08E, I13A, I13B | 5115a.3↔ | | KJZSV |
| 21A | | W04A, W04B | 11 | | L09A, L09B, L09C, L09J, L38Z | 05 | | F39A, F39B, F39J, F39Q |
| 21B | | X06A, X06B, X06C, X33Z | 21A | | W04A, W04B | 08 | | I08A, I08B, I08C, I08D, I08E, I13A, I13B |
| 23 | | Z01A | 21B | | X06A, X06B, X06C | 21A | | W04A, W04B |
| Pre | | A07A | 51159.h↔ | | KJZSV | 21B | | X04Z, X05A, X05B, X06A, X06B, X06C |
| 51159.c↔ | | KJZSV | 05 | | F01A, F01B, F01D, F05Z, F07A, F07B, F14A, F14B, F28A, F42Z, F54A, F54B, F54J, F59A, F59B | 5115a.4↔ | | KJZSV |
| 05 | | F39A, F39B, F39J, F39Q | 06 | | G10Z, G12A, G12B, G12J | 05 | | F39A, F39B, F39J, F39Q |
| 08 | | I08A, I08B, I08C, I08D, I08E, I13A, I13B | 08 | | I08A, I08B, I08C, I08D, I08E, I13A, I13B | 08 | | I08A, I08B, I08C, I08D, I08E, I13A, I13B |
| 21A | | W04A, W04B | 11 | | L09A, L09B, L09C, L09J, L38Z | 21A | | W04A, W04B |
| 21B | | X04Z, X05A, X05B, X06A, X06B, X06C | 21A | | W04A, W04B | 21B | | X04Z, X05A, X05B, X06A, X06B, X06C |
| | | | 21B | | X06A, X06B, X06C | 5115a.5↔ | | KJZSV |
| | | | | | | 05 | | F39A, F39B, F39J, F39Q |
| | | | | | | 08 | | I08A, I08B, I08C, I08D, I08E, I13A, I13B |
| | | | | | | 21A | | W04A, W04B |
| | | | | | | 21B | | X04Z, X05A, X05B, X06A, X06B, X06C |

VYK

| ZZV | MDC | DRG | ZZV | MDC | DRG | ZZV | MDC | DRG |
|----------|-----|--|----------|-----|--|----------|-----|--|
| 5115a.6↔ | | KJZSV | 51160.2↔ | | KJZSV | 51161.1↔ | | KJZSV |
| 05 | | F39A, F39B, F39J, F39Q | 01 | | B04A, B04B, B04C, B04D, B04E | 05 | | F01A, F01B, F01D, F05Z, F07A, F07B, F14A, F14B, F28A, F42Z, F54A, F54B, F54J, F59A, F59B |
| 08 | | I08A, I08B, I08C, I08D, I08E, I13A, I13B | 05 | | F01A, F01B, F01D, F05Z, F07A, F07B, F14A, F14B, F28A, F42Z, F54A, F54B, F54J, F59A, F59B | 08 | | I08A, I08B, I08C, I08D, I08E, I13A, I13B |
| 21A | | W04A, W04B | 08 | | I08A, I08B, I08C, I08D, I08E, I13A, I13B | 10 | | K09A, K09B |
| 21B | | X04Z, X05A, X05B, X06A, X06B, X06C | 10 | | K09A, K09B | 21A | | W04A, W04B |
| 5115a.x↔ | | KJZSV | 21A | | W04A, W04B | 21B | | X06A, X06B |
| 05 | | F39A, F39B, F39J, F39Q | 21B | | X06A, X06B | 51161.x↔ | | KJZSV |
| 08 | | I08A, I08B, I08C, I08D, I08E, I13A, I13B | 51160.3↔ | | KJZSV | 05 | | F01A, F01B, F01D, F05Z, F07A, F07B, F28A, F42Z, F54A, F54B, F54J, F59A, F59B |
| 21A | | W04A, W04B | 01 | | B04A, B04B, B04C, B04D, B04E | 08 | | I08A, I08B, I08C, I08D, I08E, I13A, I13B |
| 21B | | X04Z, X05A, X05B, X06A, X06B, X06C | 05 | | F01A, F01B, F01D, F05Z, F07A, F07B, F14A, F14B, F28A, F42Z, F54A, F54B, F54J, F59A, F59B | 10 | | K09A, K09B |
| 5115b.0 | | KJZSV | 08 | | I08A, I08B, I08C, I08D, I08E, I13A, I13B | 21A | | W04A, W04B |
| 05 | | F39A, F39B, F39J, F39Q | 10 | | K09A, K09B | 21B | | X06A, X06B |
| 08 | | I08A, I08B, I08C, I08D, I08E, I13A, I13B | 21A | | W04A, W04B | 51162.0↔ | | KJZSV |
| 21A | | W04A, W04B | 21B | | X06A, X06B | 05 | | F01A, F01B, F01D, F05Z, F07A, F07B, F28A, F42Z, F54A, F54B, F54J, F59A, F59B |
| 21B | | X04Z, X05A, X05B, X06A, X06B, X06C | 51160.4↔ | | KJZSV | 08 | | I08A, I08B, I08C, I08D, I08E, I13A, I13B, I32A, I32B, I32C, I32D |
| 5115b.1 | | KJZSV | 01 | | B04A, B04B, B04C, B04D, B04E | 10 | | K09A, K09B |
| 05 | | F39A, F39B, F39J, F39Q | 05 | | F01A, F01B, F01D, F05Z, F07A, F07B, F14A, F14B, F28A, F42Z, F54A, F54B, F54J, F59A, F59B | 21A | | W04A, W04B |
| 08 | | I08A, I08B, I08C, I08D, I08E, I13A, I13B | 08 | | I08A, I08B, I08C, I08D, I08E, I13A, I13B | 21B | | X06A, X06B |
| 21A | | W04A, W04B | 10 | | K09A, K09B | 51162.1↔ | | KJZSV |
| 21B | | X04Z, X05A, X05B, X06A, X06B, X06C | 21A | | W04A, W04B | 05 | | F01A, F01B, F01D, F05Z, F07A, F07B, F28A, F42Z, F54A, F54B, F54J, F59A, F59B |
| 5115b.2 | | KJZSV | 21B | | X06A, X06B | 08 | | I08A, I08B, I08C, I08D, I08E, I13A, I13B, I32A, I32B, I32C, I32D |
| 05 | | F39A, F39B, F39J, F39Q | 51160.5↔ | | KJZSV | 10 | | K09A, K09B |
| 08 | | I08A, I08B, I08C, I08D, I08E, I13A, I13B | 01 | | B04A, B04B, B04C, B04D, B04E | 21A | | W04A, W04B |
| 21A | | W04A, W04B | 05 | | F01A, F01B, F01D, F05Z, F07A, F07B, F14A, F14B, F28A, F42Z, F54A, F54B, F54J, F59A, F59B | 21B | | X05A, X05B, X06A, X06B |
| 21B | | X04Z, X05A, X05B, X06A, X06B, X06C | 08 | | I08A, I08B, I08C, I08D, I08E, I13A, I13B | 51162.2↔ | | KJZSV |
| 5115x↔ | | KJZSV | 10 | | K09A, K09B | 05 | | F01A, F01B, F01D, F05Z, F07A, F07B, F28A, F42Z, F54A, F54B, F54J, F59A, F59B |
| 05 | | F39A, F39B, F39J, F39Q | 21A | | W04A, W04B | 08 | | I08A, I08B, I08C, I08D, I08E, I13A, I13B, I32A, I32B, I32C, I32D |
| 08 | | I08A, I08B, I08C, I08D, I08E, I13A, I13B | 21B | | X06A, X06B | 10 | | K09A, K09B |
| 21A | | W04A, W04B | 51160.x↔ | | KJZSV | 21A | | W04A, W04B |
| 21B | | X04Z, X05A, X05B, X06A, X06B, X06C | 01 | | B04A, B04B, B04C, B04D, B04E | 21B | | X05A, X05B, X06A, X06B |
| 51160.0↔ | | KJZSV | 05 | | F01A, F01B, F01D, F05Z, F07A, F07B, F14A, F14B, F28A, F42Z, F54A, F54B, F54J, F59A, F59B | 51162.3↔ | | KJZSV |
| 01 | | B04A, B04B, B04C, B04D, B04E | 08 | | I08A, I08B, I08C, I08D, I08E, I13A, I13B | 05 | | F01A, F01B, F01D, F05Z, F07A, F07B, F28A, F42Z, F54A, F54B, F54J, F59A, F59B |
| 05 | | F01A, F01B, F01D, F05Z, F07A, F07B, F14A, F14B, F28A, F42Z, F54A, F54B, F54J, F59A, F59B | 10 | | K09A, K09B | 08 | | I08A, I08B, I08C, I08D, I08E, I13A, I13B, I32A, I32B, I32C, I32D |
| 08 | | I08A, I08B, I08C, I08D, I08E, I13A, I13B | 21A | | W04A, W04B | 10 | | K09A, K09B |
| 10 | | K09A, K09B | 21B | | X06A, X06B | 21A | | W04A, W04B |
| 21A | | W04A, W04B | 51161.0↔ | | KJZSV | 21B | | X05A, X05B, X06A, X06B |
| 21B | | X06A, X06B | 01 | | B04A, B04B, B04C, B04D, B04E | 05 | | F01A, F01B, F01D, F05Z, F07A, F07B, F28A, F42Z, F54A, F54B, F54J, F59A, F59B |
| 51160.1↔ | | KJZSV | 05 | | F01A, F01B, F01D, F05Z, F07A, F07B, F14A, F14B, F28A, F42Z, F54A, F54B, F54J, F59A, F59B | 08 | | I08A, I08B, I08C, I08D, I08E, I13A, I13B |
| 01 | | B04A, B04B, B04C, B04D, B04E | 08 | | I08A, I08B, I08C, I08D, I08E, I13A, I13B | 10 | | K09A, K09B |
| 05 | | F01A, F01B, F01D, F05Z, F07A, F07B, F14A, F14B, F28A, F42Z, F54A, F54B, F54J, F59A, F59B | 10 | | K09A, K09B | 21A | | W04A, W04B |
| 08 | | I08A, I08B, I08C, I08D, I08E, I13A, I13B | 21A | | W04A, W04B | 21B | | X05A, X05B, X06A, X06B |
| 10 | | K09A, K09B | 21B | | X06A, X06B | | | |
| 21A | | W04A, W04B | | | | | | |
| 21B | | X06A, X06B | | | | | | |

| ZZV | MDC | DRG | ZZV | MDC | DRG | ZZV | MDC | DRG | | | |
|----------|----------|--|--|--|--|--|--|--|----------|--|--|
| 51162.4↔ | | KJZSV | 51163.2 | | BOP, KJZSV, KOP, KOPV, KVT, UOP4 | 51164.1↔ | | BOP, KJZSV, KOP, KOPV, KVT, UOP4 | | | |
| | 05 | F01A, F01B, F01D, F05Z, F07A, F07B, F28A, F42Z, F54A, F54B, F54J, F59A, F59B | | 04 | E05A, E05B, E05C, E08A, E08B, E08C | | 04 | E05A, E05B, E05C, E08A, E08B, E08C | | | |
| | 08 | I08A, I08B, I08C, I08D, I08E, I13A, I13B, I32A, I32B, I32C, I32D | | 05 | F01A, F01B, F01D, F05Z, F07A, F07B, F14A, F14B, F28A, F42Z, F54A, F54B, F54J, F59A, F59B | | 05 | F01A, F01B, F01D, F05Z, F07A, F07B, F14A, F14B, F28A, F42Z, F54A, F54B, F54J, F59A, F59B | | | |
| | 10 | K09A, K09B | | 06 | G33Z | | 06 | G15Z, G19A, G19B, G33Z, G38Z | | | |
| | 21A | W04A, W04B | | 07 | H33Z, H38Z | | 07 | H33Z, H38Z | | | |
| | 21B | X06A, X06B | | 08 | I08A, I08B, I08C, I08D, I08E, I13A, I13B | | 08 | I08A, I08B, I08C, I08D, I08E, I13A, I13B | | | |
| | 51162.x↔ | | | KJZSV | 51163.3 | | | BOP, KJZSV, KVT, UOP4 | 51164.2↔ | | BOP, KJZSV, KOP, KOPV, KVT, UOP4 |
| | | 05 | | F01A, F01B, F01D, F05Z, F07A, F07B, F28A, F42Z, F54A, F54B, F54J, F59A, F59B | | | 05 | F01A, F01B, F01D, F05Z, F07A, F07B, F14A, F14B, F28A, F42Z, F54A, F54B, F54J, F59A, F59B | | 04 | E05A, E05B, E05C, E08A, E08B, E08C |
| | | 08 | | I08A, I08B, I08C, I08D, I08E, I13A, I13B, I32A, I32B, I32C, I32D | | | 08 | I08A, I08B, I08C, I08D, I08E, I13A, I13B | | 05 | F01A, F01B, F01D, F05Z, F07A, F07B, F14A, F14B, F28A, F42Z, F54A, F54B, F54J, F59A, F59B |
| | | 10 | | K09A, K09B | | | 10 | K09A, K09B | | 06 | G33Z |
| 21A | | W04A, W04B | 11 | L09A, L38Z | | 07 | H33Z, H38Z | | | | |
| 21B | | X06A, X06B | 21A | W04A, W04B | | 08 | I08A, I08B, I08C, I08D, I08E, I13A, I13B | | | | |
| 51163.0 | | | BOP, KJZSV, KOP, KOPV, KVT, UOP4 | 51163.x | | | BOP, KJZSV, KVT, UOP4 | 51164.x↔ | | | BOP, KJZSV, KOP, KOPV, KVT, UOP4 |
| | | 04 | E05A, E05B, E05C, E08A, E08B, E08C | | | 05 | F01A, F01B, F01D, F05Z, F07A, F07B, F14A, F14B, F28A, F42Z, F54A, F54B, F54J, F59A, F59B | | | 04 | E05A, E05B, E05C, E08A, E08B, E08C |
| | | 05 | F01A, F01B, F01D, F05Z, F07A, F07B, F14A, F14B, F28A, F42Z, F54A, F54B, F54J, F59A, F59B | | | 08 | I08A, I08B, I08C, I08D, I08E, I13A, I13B | | | 05 | F01A, F01B, F01D, F05Z, F07A, F07B, F14A, F14B, F28A, F42Z, F54A, F54B, F54J, F59A, F59B |
| | | 06 | G33Z | | | 10 | K09A, K09B | | | 06 | G33Z |
| | 07 | H33Z, H38Z | 21A | | W04A, W04B | 07 | H33Z, H38Z | | | | |
| | 08 | I08A, I08B, I08C, I08D, I08E, I13A, I13B | 21B | | X06A, X06B | 08 | I08A, I08B, I08C, I08D, I08E, I13A, I13B | | | | |
| | 10 | K09A, K09B | 51164.0↔ | | | BOP, KJZSV, KOP, KOPV, KVT, UOP4 | 51164.x↔ | | | BOP, KJZSV, KOP, KOPV, KVT, UOP4 | |
| | 11 | L33Z | | | 04 | E05A, E05B, E05C, E08A, E08B, E08C | | | 04 | E05A, E05B, E05C, E08A, E08B, E08C | |
| | 21A | W04A, W04B | | | 05 | F01A, F01B, F01D, F05Z, F07A, F07B, F14A, F14B, F28A, F42Z, F54A, F54B, F54J, F59A, F59B | | | 05 | F01A, F01B, F01D, F05Z, F07A, F07B, F14A, F14B, F28A, F42Z, F54A, F54B, F54J, F59A, F59B | |
| | 21B | X06A, X06B, X33Z | | | 06 | G33Z | | | 06 | G33Z | |
| 23 | Z01A | 07 | | H33Z, H38Z | 07 | H33Z, H38Z | | | | | |
| Pre | A07A | 08 | | I08A, I08B, I08C, I08D, I08E, I13A, I13B | 08 | I08A, I08B, I08C, I08D, I08E, I13A, I13B | | | | | |
| 51163.1 | | BOP, KJZSV, KOP, KOPV, KVT, UOP4 | | 51164.0↔ | | BOP, KJZSV, KOP, KOPV, KVT, UOP4 | | 51164.x↔ | | BOP, KJZSV, KOP, KOPV, KVT, UOP4 | |
| | 04 | E05A, E05B, E05C, E08A, E08B, E08C | | | 04 | E05A, E05B, E05C, E08A, E08B, E08C | | | 04 | E05A, E05B, E05C, E08A, E08B, E08C | |
| | 05 | F01A, F01B, F01D, F05Z, F07A, F07B, F14A, F14B, F28A, F42Z, F54A, F54B, F54J, F59A, F59B | | | 05 | F01A, F01B, F01D, F05Z, F07A, F07B, F14A, F14B, F28A, F42Z, F54A, F54B, F54J, F59A, F59B | | | 05 | F01A, F01B, F01D, F05Z, F07A, F07B, F14A, F14B, F28A, F42Z, F54A, F54B, F54J, F59A, F59B | |
| | 06 | G33Z | | | 06 | G33Z | | | 06 | G33Z | |
| | 07 | H33Z, H38Z | 07 | | H33Z, H38Z | 07 | H33Z, H38Z | | | | |
| | 08 | I08A, I08B, I08C, I08D, I08E, I13A, I13B | 08 | | I08A, I08B, I08C, I08D, I08E, I13A, I13B | 08 | I08A, I08B, I08C, I08D, I08E, I13A, I13B | | | | |
| | 10 | K09A, K09B | 10 | | K09A, K09B | 10 | K09A, K09B | | | | |
| | 11 | L33Z | 11 | | L33Z | 11 | L33Z | | | | |
| | 21A | W04A, W04B | 21A | | W04A, W04B | 21A | W04A, W04B | | | | |
| | 21B | X06A, X06B, X33Z | 21B | | X06A, X06B, X33Z | 21B | X06A, X06B, X33Z | | | | |
| 23 | Z01A | 23 | Z01A | 23 | Z01A | | | | | | |
| Pre | A07A | Pre | A07A | Pre | A07A | | | | | | |

VYK

| ZZV | MDC | DRG | ZZV | MDC | DRG | ZZV | MDC | DRG | | | |
|----------|----------|--|--|--|--|---------|--|--|---------|----|--|
| 51165.0↔ | | BOP, KJZSV, KOP, KOPV, KVT, UOP4 | 51165.4↔ | | BOP, KJZSV, KOP, KOPV, KVT, UOP4 | 51166.2 | | BOP, KJZSV, KOP, KOPV, KVT, UOP4 | | | |
| | 05 | F01A, F01B, F01D, F05Z, F07A, F07B, F14A, F14B, F28A, F42Z, F54A, F54B, F54J, F59A, F59B | | 05 | F01A, F01B, F01D, F05Z, F07A, F07B, F14A, F14B, F28A, F42Z, F54A, F54B, F54J, F59A, F59B | | 05 | F01A, F01B, F01D, F05Z, F07A, F07B, F14A, F14B, F28A, F42Z, F54A, F54B, F54J, F59A, F59B | | | |
| | 06 | G15Z, G19A, G19B, G33Z, G38Z | | 06 | G15Z, G19A, G19B, G33Z, G38Z | | 06 | G15Z, G19A, G19B, G33Z, G38Z | | | |
| | 07 | H33Z, H38Z | | 07 | H33Z, H38Z | | 07 | H33Z, H38Z | | | |
| | 08 | I08A, I08B, I08C, I08D, I08E, I13A, I13B | | 08 | I08A, I08B, I08C, I08D, I08E, I13A, I13B | | 08 | I08A, I08B, I08C, I08D, I08E, I13A, I13B | | | |
| | 10 | K09A, K09B | | 10 | K09A, K09B | | 10 | K09A, K09B | | | |
| | 11 | L33Z | | 11 | L33Z | | 11 | L09A, L09B, L09C, L09J, L33Z, L38Z | | | |
| | 21A | W04A, W04B | | 21A | W04A, W04B | | 21A | W04A, W04B | | | |
| | 21B | X06A, X06B, X33Z | | 21B | X06A, X06B, X33Z | | 21B | X06A, X06B, X33Z | | | |
| | 23 | Z01A | | 23 | Z01A | | 23 | Z01A | | | |
| | Pre | A07A | | Pre | A07A | | Pre | A07A | | | |
| | 51165.1↔ | | | BOP, KJZSV, KOP, KOPV, KVT, UOP4 | 51165.x↔ | | | BOP, KJZSV, KOP, KOPV, KVT, UOP4 | 51166.3 | | BOP, KJZSV, KOP, KOPV, KVT, UOP4 |
| | | 05 | | F01A, F01B, F01D, F05Z, F07A, F07B, F14A, F14B, F28A, F42Z, F54A, F54B, F54J, F59A, F59B | | | 05 | F01A, F01B, F01D, F05Z, F07A, F07B, F14A, F14B, F28A, F42Z, F54A, F54B, F54J, F59A, F59B | | 05 | F01A, F01B, F01D, F05Z, F07A, F07B, F14A, F14B, F28A, F42Z, F54A, F54B, F54J, F59A, F59B |
| | | 06 | | G15Z, G19A, G19B, G33Z, G38Z | | | 06 | G15Z, G19A, G19B, G33Z, G38Z | | 06 | G15Z, G18A, G19A, G19B, G33Z, G38Z |
| 07 | | H33Z, H38Z | 07 | H33Z, H38Z | | 07 | H06A, H06B, H06C, H33Z, H38Z | | | | |
| 08 | | I08A, I08B, I08C, I08D, I08E, I13A, I13B | 08 | I08A, I08B, I08C, I08D, I08E, I13A, I13B | | 08 | I08A, I08B, I08C, I08D, I08E, I13A, I13B | | | | |
| 10 | | K09A, K09B | 10 | K09A, K09B | | 10 | K09A, K09B | | | | |
| 11 | | L33Z | 11 | L33Z | | 11 | L09A, L09B, L09C, L09J, L33Z, L38Z | | | | |
| 21A | | W04A, W04B | 21A | W04A, W04B | | 21A | W04A, W04B | | | | |
| 21B | | X06A, X06B, X33Z | 21B | X06A, X06B, X33Z | | 21B | X06A, X06B, X33Z | | | | |
| 23 | | Z01A | 23 | Z01A | | 23 | Z01A | | | | |
| Pre | | A07A | Pre | A07A | | Pre | A07A | | | | |
| 51165.2↔ | | | BOP, KJZSV, KOP, KOPV, KVT, UOP4 | 51166.0 | | | BOP, KJZSV, KOP, KOPV, KVT, UOP4 | 51166.4↔ | | | BOP, KJZSV, KOP, KOPV, KVT, UOP4 |
| | | 05 | F01A, F01B, F01D, F05Z, F07A, F07B, F14A, F14B, F28A, F42Z, F54A, F54B, F54J, F59A, F59B | | | 05 | F01A, F01B, F01D, F05Z, F07A, F07B, F14A, F14B, F28A, F42Z, F54A, F54B, F54J, F59A, F59B | | | 05 | F01A, F01B, F01D, F05Z, F07A, F07B, F14A, F14B, F28A, F42Z, F54A, F54B, F54J, F59A, F59B |
| | | 06 | G15Z, G19A, G19B, G33Z, G38Z | | | 06 | G15Z, G18A, G19A, G19B, G33Z, G38Z | | | 06 | G15Z, G19A, G19B, G33Z, G38Z |
| | 07 | H33Z, H38Z | 07 | | H01A, H33Z, H38Z | 07 | H33Z, H38Z | | | | |
| | 08 | I08A, I08B, I08C, I08D, I08E, I13A, I13B | 08 | | I08A, I08B, I08C, I08D, I08E, I13A, I13B | 08 | I08A, I08B, I08C, I08D, I08E, I13A, I13B | | | | |
| | 10 | K09A, K09B | 10 | | K09A, K09B | 10 | K09A, K09B | | | | |
| | 11 | L33Z | 11 | | L09A, L09B, L09C, L09J, L33Z, L38Z | 11 | L09A, L09B, L09C, L09J, L33Z, L38Z | | | | |
| | 21A | W04A, W04B | 21A | | W04A, W04B | 21A | W04A, W04B | | | | |
| | 21B | X06A, X06B, X33Z | 21B | | X06A, X06B, X33Z | 21B | X06A, X06B, X33Z | | | | |
| | 23 | Z01A | 23 | | Z01A | 23 | Z01A | | | | |
| | Pre | A07A | Pre | | A07A | Pre | A07A | | | | |
| | 51165.3↔ | | BOP, KJZSV, KOP, KOPV, KVT, UOP4 | | 51166.1 | | BOP, KJZSV, KOP, KOPV, KVT, UOP4 | | | | |
| | | 05 | F01A, F01B, F01D, F05Z, F07A, F07B, F14A, F14B, F28A, F42Z, F54A, F54B, F54J, F59A, F59B | | | 05 | F01A, F01B, F01D, F05Z, F07A, F07B, F14A, F14B, F28A, F42Z, F54A, F54B, F54J, F59A, F59B | | | | |
| | | 06 | G15Z, G19A, G19B, G33Z, G38Z | | | 06 | G15Z, G18A, G19A, G19B, G33Z, G38Z | | | | |
| 07 | | H33Z, H38Z | 07 | H01A, H06A, H06B, H06C, H33Z, H38Z | | | | | | | |
| 08 | | I08A, I08B, I08C, I08D, I08E, I13A, I13B | 08 | I08A, I08B, I08C, I08D, I08E, I13A, I13B | | | | | | | |
| 10 | | K09A, K09B | 10 | K09A, K09B | | | | | | | |
| 11 | | L33Z | 11 | L09A, L09B, L09C, L09J, L33Z, L38Z | | | | | | | |
| 21A | | W04A, W04B | 21A | W04A, W04B | | | | | | | |
| 21B | | X06A, X06B, X33Z | 21B | X06A, X06B, X33Z | | | | | | | |
| 23 | | Z01A | 23 | Z01A | | | | | | | |
| Pre | | A07A | Pre | A07A | | | | | | | |

| ZZV | MDC | DRG | ZZV | MDC | DRG | ZZV | MDC | DRG | | | | | |
|----------|----------|--|--|--|--|--|--|--|--|--|--|--|--|
| 51166.5 | | BOP, KJZSV, KOP, KOPV, KVT, UOP4 | 51167.1↔ | | KJZSV | 51168.x↔ | | KJZSV | | | | | |
| | 05 | F01A, F01B, F01D, F05Z, F07A, F07B, F14A, F14B, F28A, F42Z, F54A, F54B, F54J, F59A, F59B | | 05 | F01A, F01B, F01D, F05Z, F07A, F07B, F28A, F42Z, F54A, F54B, F54J, F59A, F59B | | 05 | F01A, F01B, F01D, F05Z, F07A, F07B, F28A, F42Z, F54A, F54B, F54J, F59A, F59B | | | | | |
| | 06 | G15Z, G18A, G19A, G19B, G33Z, G38Z | | 08 | I08A, I08B, I08C, I08D, I08E, I13A, I13B | | 08 | I08A, I08B, I08C, I08D, I08E, I13A, I13B | | | | | |
| | 07 | H01A, H33Z, H38Z | | 10 | K09A, K09B | | 10 | K09A, K09B | | | | | |
| | 08 | I08A, I08B, I08C, I08D, I08E, I13A, I13B | | 21A | W04A, W04B | | 21A | W04A, W04B | | | | | |
| | 10 | K09A, K09B | | 21B | X06A, X06B | | 21B | X06A, X06B | | | | | |
| | 11 | L09A, L09B, L09C, L09J, L33Z, L38Z | | 51167.2↔ | | | KJZSV | 51169.0↔ | | KJZSV | | | |
| | 21A | W04A, W04B | | | 05 | | F01A, F01B, F01D, F05Z, F07A, F07B, F28A, F42Z, F54A, F54B, F54J, F59A, F59B | | 01 | B04A, B04B, B04C, B04D, B04E | | | |
| | 21B | X06A, X06B, X33Z | | | 08 | | I08A, I08B, I08C, I08D, I08E, I13A, I13B | | 05 | F39A, F39B, F39J, F39Q | | | |
| | 23 | Z01A | | | 10 | | K09A, K09B | | 08 | I08A, I08B, I08C, I08D, I08E, I13A, I13B | | | |
| | Pre | A07A | | | 21A | | W04A, W04B | | 21A | W04A, W04B | | | |
| | 51166.6 | | | | BOP, KJZSV, KOP, KOPV, KVT, UOP4 | | 51167.x↔ | | | KJZSV | 51169.1↔ | | KJZSV |
| | | 05 | | | F01A, F01B, F01D, F05Z, F07A, F07B, F14A, F14B, F28A, F42Z, F54A, F54B, F54J, F59A, F59B | | | | 05 | F01A, F01B, F01D, F05Z, F07A, F07B, F28A, F42Z, F54A, F54B, F54J, F59A, F59B | | 01 | B04A, B04B, B04C, B04D, B04E |
| | | 06 | | | G15Z, G18A, G19A, G19B, G33Z, G38Z | | | | 08 | I08A, I08B, I08C, I08D, I08E, I13A, I13B | | 05 | F39A, F39B, F39J, F39Q |
| | | 07 | | | H01A, H33Z, H38Z | | | | 10 | K09A, K09B | | 08 | I08A, I08B, I08C, I08D, I08E, I13A, I13B |
| | | 08 | | | I08A, I08B, I08C, I08D, I08E, I13A, I13B | | | | 21A | W04A, W04B | | 21A | W04A, W04B |
| | | 10 | | | K09A, K09B | | | | 21B | X06A, X06B | | 21B | X06A, X06B |
| 11 | | L09A, L09B, L09C, L09J, L33Z, L38Z | 51168.0↔ | | | KJZSV | | | 51169.2 | | | KJZSV | |
| 21A | | W04A, W04B | | | 05 | F01A, F01B, F01D, F05Z, F07A, F07B, F28A, F42Z, F54A, F54B, F54J, F59A, F59B | | | | 01 | | B04A, B04B, B04C, B04D, B04E | |
| 21B | | X06A, X06B, X33Z | | | 08 | I08A, I08B, I08C, I08D, I08E, I13A, I13B | | | | 05 | | F39A, F39B, F39J, F39Q | |
| 23 | | Z01A | | | 10 | K09A, K09B | | | | 06 | | G18A, G38Z | |
| Pre | | A07A | | | 21A | W04A, W04B | | | | 07 | | H01A | |
| 51166.x↔ | | | | | BOP, KJZSV, KOP, KOPV, KVT, UOP4 | 51168.1↔ | | | | | | KJZSV | 51169.3↔ |
| | | 05 | | F01A, F01B, F01D, F05Z, F07A, F07B, F14A, F14B, F28A, F42Z, F54A, F54B, F54J, F59A, F59B | 05 | | | F01A, F01B, F01D, F05Z, F07A, F07B, F28A, F42Z, F54A, F54B, F54J, F59A, F59B | | 01 | | B04A, B04B, B04C, B04D, B04E | |
| | | 06 | | G15Z, G19A, G19B, G33Z, G38Z | 08 | | | I08A, I08B, I08C, I08D, I08E, I13A, I13B | | 05 | | F39A, F39B, F39J, F39Q | |
| | | 07 | | H33Z, H38Z | 10 | | | K09A, K09B | | 06 | | G18A, G38Z | |
| | | 08 | | I08A, I08B, I08C, I08D, I08E, I13A, I13B | 21A | | | W04A, W04B | | 07 | | H01A | |
| | | 10 | | K09A, K09B | 21B | | | X06A, X06B | | 08 | | I08A, I08B, I08C, I08D, I08E, I13A, I13B | |
| | 11 | L09A, L09B, L09C, L09J, L33Z, L38Z | | 51168.2↔ | | | KJZSV | 51169.4 | | | KJZSV | | |
| | 21A | W04A, W04B | | | 05 | | F01A, F01B, F01D, F05Z, F07A, F07B, F28A, F42Z, F54A, F54B, F54J, F59A, F59B | | | 01 | B04A, B04B, B04C, B04D, B04E | | |
| | 21B | X06A, X06B, X33Z | | | 08 | | I08A, I08B, I08C, I08D, I08E, I13A, I13B | | | 05 | F39A, F39B, F39J, F39Q | | |
| | 23 | Z01A | | | 10 | | K09A, K09B | | | 06 | G18A, G38Z | | |
| | Pre | A07A | | | 21A | | W04A, W04B | | | 07 | H01A | | |
| | 51167.0↔ | | | | KJZSV | | 51168.3↔ | | | | KJZSV | 51169.5 | |
| | | 05 | F01A, F01B, F01D, F05Z, F07A, F07B, F28A, F42Z, F54A, F54B, F54J, F59A, F59B | | 05 | | | | F01A, F01B, F01D, F05Z, F07A, F07B, F28A, F42Z, F54A, F54B, F54J, F59A, F59B | 01 | B04A, B04B, B04C, B04D, B04E | | |
| | | 08 | I08A, I08B, I08C, I08D, I08E, I13A, I13B | | 08 | | | | I08A, I08B, I08C, I08D, I08E, I13A, I13B | 05 | F39A, F39B, F39J, F39Q | | |
| | | 10 | K09A, K09B | | 10 | | | | K09A, K09B | 06 | G18A, G38Z | | |
| | | 21A | W04A, W04B | | 21A | | | | W04A, W04B | 07 | H01A | | |
| | | 21B | X06A, X06B | | 21B | | | | X06A, X06B | 08 | I08A, I08B, I08C, I08D, I08E, I13A, I13B | | |
| | | | | | | 21A | | | W04A, W04B | | | | |
| | | | | | | 21B | | | X06A, X06B | | | | |
| | | | | | | | | | | | | | |
| | | | | | | | | | | | | | |
| | | | | | | | | | | | | | |
| | | | | | | | | | | | | | |
| | | | | | | | | | | | | | |
| | | | | | | | | | | | | | |
| | | | | | | | | | | | | | |
| | | | | | | | | | | | | | |

VYK

| ZZV | MDC | DRG | ZZV | MDC | DRG | ZZV | MDC | DRG | | | |
|----------|----------|--|--|--|--|--|------------------------------|--|--|------------------------------|--|
| 51169.6 | | KJZSV | 51169.e | | BOP, KJZSV, KVT, UOP4 | 5116a.2↔ | | KJZSV | | | |
| | 01 | B04A, B04B, B04C, B04D, B04E | | 01 | B04A, B04B, B04C, B04D, B04E | | 01 | B04A, B04B, B04C, B04D, B04E | | | |
| | 05 | F39A, F39B, F39J, F39Q | | 05 | F39A, F39B, F39J, F39Q | | 05 | F39A, F39B, F39J, F39Q | | | |
| | 06 | G18A, G38Z | | 08 | I08A, I08B, I08C, I08D, I08E, I13A, I13B | | 08 | I08A, I08B, I08C, I08D, I08E, I13A, I13B | | | |
| | 07 | H01A | | 21A | W04A, W04B | | 21A | W04A, W04B | | | |
| | 08 | I08A, I08B, I08C, I08D, I08E, I13A, I13B | | 21B | X06A, X06B | | 21B | X06A, X06B | | | |
| | 21A | W04A, W04B | | 51169.f | | | BOP, KJZSV, KVT, UOP4 | 5116a.5↔ | | KJZSV | |
| | 21B | X06A, X06B | | | 01 | | B04A, B04B, B04C, B04D, B04E | | 01 | B04A, B04B, B04C, B04D, B04E | |
| | 51169.7 | | | | KJZSV | | 05 | | F39A, F39B, F39J, F39Q | 05 | F39A, F39B, F39J, F39Q |
| | | 01 | | | B04A, B04B, B04C, B04D, B04E | | 06 | | G03A, G18A, G38Z | 08 | I08A, I08B, I08C, I08D, I08E, I13A, I13B |
| 05 | | F39A, F39B, F39J, F39Q | 07 | H01A | 21A | W04A, W04B | | | | | |
| 06 | | G18A, G38Z | 08 | I08A, I08B, I08C, I08D, I08E, I13A, I13B | 21B | X06A, X06B | | | | | |
| 07 | | H01A | 21A | W04A, W04B | 5116a.6↔ | | KJZSV | | | | |
| 08 | | I08A, I08B, I08C, I08D, I08E, I13A, I13B | 21B | X06A, X06B | | 01 | B04A, B04B, B04C, B04D, B04E | | | | |
| 21A | | W04A, W04B | 51169.g↔ | | | BOP, KJZSV, KVT, UOP4 | 05 | F39A, F39B, F39J, F39Q | | | |
| 21B | | X06A, X06B | | 01 | | B04A, B04B, B04C, B04D, B04E | 08 | I08A, I08B, I08C, I08D, I08E, I13A, I13B | | | |
| 51169.8↔ | | | KJZSV | 05 | F39A, F39B, F39J, F39Q | 21A | W04A, W04B | | | | |
| | | 01 | B04A, B04B, B04C, B04D, B04E | 08 | I08A, I08B, I08C, I08D, I08E, I13A, I13B | 21B | X06A, X06B | | | | |
| | 05 | F39A, F39B, F39J, F39Q | 21A | W04A, W04B | 5116a.x↔ | | KJZSV | | | | |
| | 06 | G18A, G38Z | 21B | X06A, X06B | | 01 | B04A, B04B, B04C, B04D, B04E | | | | |
| | 07 | H01A | 51169.h↔ | | | KJZSV | 05 | F39A, F39B, F39J, F39Q | | | |
| | 08 | I08A, I08B, I08C, I08D, I08E, I13A, I13B | | 01 | | B04A, B04B, B04C, B04D, B04E | 08 | I08A, I08B, I08C, I08D, I08E, I13A, I13B | | | |
| | 21A | W04A, W04B | 05 | F39A, F39B, F39J, F39Q | 21A | W04A, W04B | | | | | |
| | 21B | X06A, X06B | 08 | I08A, I08B, I08C, I08D, I08E, I13A, I13B | 21B | X06A, X06B | | | | | |
| | 51169.9↔ | | KJZSV | 21A | W04A, W04B | 5116x↔ | | KJZSV | | | |
| | | 01 | B04A, B04B, B04C, B04D, B04E | 21B | X06A, X06B | | 01 | B04A, B04B, B04C, B04D, B04E | | | |
| 05 | | F39A, F39B, F39J, F39Q | 51169.i↔ | | BOP, KJZSV, KVT, UOP4 | | 05 | F39A, F39B, F39J, F39Q | | | |
| 08 | | I08A, I08B, I08C, I08D, I08E, I13A, I13B | | 01 | B04A, B04B, B04C, B04D, B04E | | 08 | I08A, I08B, I08C, I08D, I08E, I13A, I13B | | | |
| 21A | | W04A, W04B | 05 | F39A, F39B, F39J, F39Q | 21A | W04A, W04B | | | | | |
| 21B | | X06A, X06B | 08 | I08A, I08B, I08C, I08D, I08E, I13A, I13B | 21B | X06A, X06B | | | | | |
| 51169.a↔ | | | KJZSV | 21A | W04A, W04B | 51170.0↔ | | KJZSV | | | |
| | | 01 | B04A, B04B, B04C, B04D, B04E | 21B | X06A, X06B | | 01 | B03Z, B07Z, B17A, B17B, B17C, B17J | | | |
| | | 05 | F39A, F39B, F39J, F39Q | 51169.x↔ | | | KJZSV | 05 | F01A, F01B, F01D, F05Z, F07A, F07B, F14A, F14B, F28A, F42Z, F54A, F54B, F54J, F59A, F59B | | |
| | | 08 | I08A, I08B, I08C, I08D, I08E, I13A, I13B | | 01 | | B04A, B04B, B04C, B04D, B04E | 08 | I08A, I08B, I08C, I08D, I08E, I13A, I13B | | |
| | 21A | W04A, W04B | 05 | F39A, F39B, F39J, F39Q | 21A | W04A, W04B | | | | | |
| | 21B | X06A, X06B | 08 | I08A, I08B, I08C, I08D, I08E, I13A, I13B | 21B | X06A, X06B | | | | | |
| | 51169.b↔ | | KJZSV | 21A | W04A, W04B | 51170.1↔ | | KJZSV | | | |
| | | 01 | B04A, B04B, B04C, B04D, B04E | 21B | X06A, X06B | | 01 | B03Z, B07Z, B17A, B17B, B17C, B17J | | | |
| | | 05 | F39A, F39B, F39J, F39Q | 5116a.0↔ | | | KJZSV | 05 | F01A, F01B, F01D, F05Z, F07A, F07B, F14A, F14B, F28A, F42Z, F54A, F54B, F54J, F59A, F59B | | |
| | | 08 | I08A, I08B, I08C, I08D, I08E, I13A, I13B | | 01 | | B04A, B04B, B04C, B04D, B04E | 08 | I08A, I08B, I08C, I08D, I08E, I13A, I13B | | |
| 21A | | W04A, W04B | 05 | F39A, F39B, F39J, F39Q | 21A | W04A, W04B | | | | | |
| 21B | | X06A, X06B | 08 | I08A, I08B, I08C, I08D, I08E, I13A, I13B | 21B | X06A, X06B | | | | | |
| 51169.c↔ | | | KJZSV | 5116a.1↔ | | BOP, KJZSV, KVT, UOP4 | 51170.1↔ | | KJZSV | | |
| | | 01 | B04A, B04B, B04C, B04D, B04E | | 01 | B04A, B04B, B04C, B04D, B04E | | 01 | B03Z, B07Z, B17A, B17B, B17C, B17J | | |
| | | 05 | F39A, F39B, F39J, F39Q | | 05 | F39A, F39B, F39J, F39Q | | 05 | F01A, F01B, F01D, F05Z, F07A, F07B, F14A, F14B, F28A, F42Z, F54A, F54B, F54J, F59A, F59B | | |
| | | 08 | I08A, I08B, I08C, I08D, I08E, I13A, I13B | | 08 | I08A, I08B, I08C, I08D, I08E, I13A, I13B | | 08 | I08A, I08B, I08C, I08D, I08E, I13A, I13B | | |
| | 21A | W04A, W04B | 21A | | W04A, W04B | 21A | | W04A, W04B | | | |
| | 21B | X06A, X06B | 21B | | X06A, X06B | 21B | | X06A, X06B | | | |
| | 51169.d↔ | | BOP, KJZSV, KVT, UOP4 | | 5116a.1↔ | | | KJZSV | 51170.1↔ | | KJZSV |
| | | 01 | B04A, B04B, B04C, B04D, B04E | | | 01 | | B04A, B04B, B04C, B04D, B04E | | 01 | B03Z, B07Z, B17A, B17B, B17C, B17J |
| | | 05 | F39A, F39B, F39J, F39Q | | | 05 | | F39A, F39B, F39J, F39Q | | 05 | F01A, F01B, F01D, F05Z, F07A, F07B, F14A, F14B, F28A, F42Z, F54A, F54B, F54J, F59A, F59B |
| | | 08 | I08A, I08B, I08C, I08D, I08E, I13A, I13B | | | 08 | | I08A, I08B, I08C, I08D, I08E, I13A, I13B | | 08 | I08A, I08B, I08C, I08D, I08E, I13A, I13B |
| 21A | | W04A, W04B | 21A | W04A, W04B | | 21A | W04A, W04B | | | | |
| 21B | | X06A, X06B | 21B | X06A, X06B | | 21B | X06A, X06B | | | | |

| ZZV | MDC | DRG | ZZV | MDC | DRG | ZZV | MDC | DRG |
|----------|-----|--|----------|-----|--|----------|------------------------|--|
| 51170.2↔ | | KJZSV | 51171.0↔ | 05 | F01A, F01B, F01D, F05Z, F07A, F07B, F14A, F14B, F28A, F42Z, F54A, F54B, F54J, F59A, F59B | 51172.4↔ | 05 | F01A, F01B, F01D, F05Z, F07A, F07B, F14A, F14B, F28A, F42Z, F54A, F54B, F54J, F59A, F59B |
| | 01 | B03Z, B07Z, B17A, B17B, B17C, B17J | | 08 | I08A, I08B, I08C, I08D, I08E, I13A, I13B | | 08 | I08A, I08B, I08C, I08D, I08E, I13A, I13B |
| | 05 | F01A, F01B, F01D, F05Z, F07A, F07B, F14A, F14B, F28A, F42Z, F54A, F54B, F54J, F59A, F59B | | 10 | K09A, K09B | | 10 | K09A, K09B |
| | 08 | I08A, I08B, I08C, I08D, I08E, I13A, I13B | | 21A | W04A, W04B | | 21A | W04A, W04B |
| | 21A | W04A, W04B | | 21B | X06A, X06B | | 21B | X06A, X06B |
| | 21B | X06A, X06B | | | | | | |
| 51170.3↔ | | KJZSV | 51171.1↔ | | KJZSV | 51172.5↔ | | KJZSV |
| | 01 | B03Z, B07Z, B17A, B17B, B17C, B17J | | 05 | F01A, F01B, F01D, F05Z, F07A, F07B, F14A, F14B, F28A, F42Z, F54A, F54B, F54J, F59A, F59B | | 05 | F01A, F01B, F01D, F05Z, F07A, F07B, F14A, F14B, F28A, F42Z, F54A, F54B, F54J, F59A, F59B |
| | 05 | F01A, F01B, F01D, F05Z, F07A, F07B, F14A, F14B, F28A, F42Z, F54A, F54B, F54J, F59A, F59B | | 08 | I08A, I08B, I08C, I08D, I08E, I13A, I13B | | 08 | I08A, I08B, I08C, I08D, I08E, I13A, I13B |
| | 08 | I08A, I08B, I08C, I08D, I08E, I13A, I13B | | 10 | K09A, K09B | | 10 | K09A, K09B |
| | 21A | W04A, W04B | | 21A | W04A, W04B | | 21A | W04A, W04B |
| | 21B | X06A, X06B | | 21B | X06A, X06B | | 21B | X05A, X05B, X06A, X06B |
| 51170.4↔ | | KJZSV | 51171.x↔ | | KJZSV | 51172.6↔ | | KJZSV |
| | 01 | B03Z, B07Z, B17A, B17B, B17C, B17J | | 05 | F01A, F01B, F01D, F05Z, F07A, F07B, F14A, F14B, F28A, F42Z, F54A, F54B, F54J, F59A, F59B | | 05 | F01A, F01B, F01D, F05Z, F07A, F07B, F14A, F14B, F28A, F42Z, F54A, F54B, F54J, F59A, F59B |
| | 05 | F01A, F01B, F01D, F05Z, F07A, F07B, F14A, F14B, F28A, F42Z, F54A, F54B, F54J, F59A, F59B | | 08 | I08A, I08B, I08C, I08D, I08E, I13A, I13B | | 08 | I08A, I08B, I08C, I08D, I08E, I13A, I13B |
| | 08 | I08A, I08B, I08C, I08D, I08E, I13A, I13B | | 10 | K09A, K09B | | 10 | K09A, K09B |
| | 21A | W04A, W04B | | 21A | W04A, W04B | | 21A | W04A, W04B |
| | 21B | X06A, X06B | | 21B | X06A, X06B | | 21B | X05A, X05B, X06A, X06B |
| 51170.5↔ | | KJZSV | 51172.0↔ | | KJZSV | 51172.7↔ | | KJZSV |
| | 01 | B03Z, B07Z, B17A, B17B, B17C, B17J | | 05 | F01A, F01B, F01D, F05Z, F07A, F07B, F14A, F14B, F28A, F42Z, F54A, F54B, F54J, F59A, F59B | | 05 | F01A, F01B, F01D, F05Z, F07A, F07B, F14A, F14B, F28A, F42Z, F54A, F54B, F54J, F59A, F59B |
| | 05 | F01A, F01B, F01D, F05Z, F07A, F07B, F14A, F14B, F28A, F42Z, F54A, F54B, F54J, F59A, F59B | | 08 | I08A, I08B, I08C, I08D, I08E, I13A, I13B | | 08 | I08A, I08B, I08C, I08D, I08E, I13A, I13B |
| | 08 | I08A, I08B, I08C, I08D, I08E, I13A, I13B | | 10 | K09A, K09B | | 10 | K09A, K09B |
| | 21A | W04A, W04B | | 21A | W04A, W04B | | 21A | W04A, W04B |
| | 21B | X06A, X06B | | 21B | X06A, X06B | | 21B | X05A, X05B, X06A, X06B |
| 51170.6 | | KJZSV | 51172.1↔ | | KJZSV | 51172.x↔ | | KJZSV |
| | 01 | B03Z, B07Z, B17A, B17B, B17C, B17J | | 05 | F01A, F01B, F01D, F05Z, F07A, F07B, F14A, F14B, F28A, F42Z, F54A, F54B, F54J, F59A, F59B | | 05 | F01A, F01B, F01D, F05Z, F07A, F07B, F14A, F14B, F28A, F42Z, F54A, F54B, F54J, F59A, F59B |
| | 05 | F01A, F01B, F01D, F05Z, F07A, F07B, F14A, F14B, F28A, F42Z, F54A, F54B, F54J, F59A, F59B | | 08 | I08A, I08B, I08C, I08D, I08E, I13A, I13B | | 08 | I08A, I08B, I08C, I08D, I08E, I13A, I13B |
| | 08 | I08A, I08B, I08C, I08D, I08E, I13A, I13B | | 10 | K09A, K09B | | 10 | K09A, K09B |
| | 21A | W04A, W04B | | 21A | W04A, W04B | | 21A | W04A, W04B |
| | 21B | X06A, X06B | | 21B | X06A, X06B | | 21B | X06A, X06B |
| 51170.x↔ | | KJZSV | 51172.2↔ | | KJZSV | 51173.0 | | BOP, KJZSV, KOP, KOPV, KVT, UOP4 |
| | 01 | B03Z, B07Z, B17A, B17B, B17C, B17J | | 05 | F01A, F01B, F01D, F05Z, F07A, F07B, F14A, F14B, F28A, F42Z, F54A, F54B, F54J, F59A, F59B | | 04 | E05A, E05B, E05C, E08A, E08B, E08C |
| | 05 | F01A, F01B, F01D, F05Z, F07A, F07B, F14A, F14B, F28A, F42Z, F54A, F54B, F54J, F59A, F59B | | 08 | I08A, I08B, I08C, I08D, I08E, I13A, I13B | | 05 | F01A, F01B, F01D, F05Z, F07A, F07B, F14A, F14B, F28A, F42Z, F54A, F54B, F54J, F59A, F59B |
| | 08 | I08A, I08B, I08C, I08D, I08E, I13A, I13B | | 10 | K09A, K09B | | 06 | G01Z, G02Z, G33Z, G38Z |
| | 21A | W04A, W04B | | 21A | W04A, W04B | | 07 | H33Z, H38Z |
| | 21B | X06A, X06B | | 21B | X05A, X05B, X06A, X06B | | 08 | I08A, I08B, I08C, I08D, I08E, I13A, I13B |
| 51170.x↔ | | KJZSV | 51172.3↔ | | KJZSV | 51173.0 | | |
| | 01 | B03Z, B07Z, B17A, B17B, B17C, B17J | | 05 | F01A, F01B, F01D, F05Z, F07A, F07B, F14A, F14B, F28A, F42Z, F54A, F54B, F54J, F59A, F59B | | 10 | K09A, K09B |
| | 05 | F01A, F01B, F01D, F05Z, F07A, F07B, F14A, F14B, F28A, F42Z, F54A, F54B, F54J, F59A, F59B | | 08 | I08A, I08B, I08C, I08D, I08E, I13A, I13B | | 11 | L33Z |
| | 08 | I08A, I08B, I08C, I08D, I08E, I13A, I13B | | 10 | K09A, K09B | | 21A | W04A, W04B |
| | 21A | W04A, W04B | | 21A | W04A, W04B | | 21B | X06A, X06B, X33Z |
| | 21B | X06A, X06B | | 21B | X05A, X05B, X06A, X06B | | 23 | Z01A |
| | | | | | | Pre | A07A, A13A, A13B, A13C | |

VYK

| ZZV | MDC | DRG | ZZV | MDC | DRG | ZZV | MDC | DRG | | | |
|----------|----------|--|--|--|--|----------|--|--|----------|-----|--|
| 51175.4↔ | | BOP, KJZSV, KVT, UOP4 | 51176.2 | | BOP, KJZSV, KVT, UOP4 | 51176.6 | | BOP, KJZSV, KVT, UOP4 | | | |
| | 05 | F01A, F01B, F01D, F05Z, F07A, F07B, F14A, F14B, F28A, F42Z, F54A, F54B, F54J, F59A, F59B | | 01 | B03Z, B07Z, B17A, B17B, B17C, B17J | | 01 | B03Z, B07Z, B17A, B17B, B17C, B17J | | | |
| | 06 | G10Z, G12A, G12B, G12J | | 05 | F01A, F01B, F01D, F05Z, F07A, F07B, F14A, F14B, F28A, F42Z, F54A, F54B, F54J, F59A, F59B | | 05 | F01A, F01B, F01D, F05Z, F07A, F07B, F14A, F14B, F28A, F42Z, F54A, F54B, F54J, F59A, F59B | | | |
| | 08 | I08A, I08B, I08C, I08D, I08E, I13A, I13B | | 06 | G10Z, G12A, G12B, G12J | | 06 | G10Z, G12A, G12B, G12J, G18A, G38Z | | | |
| | 11 | L09A, L09B, L09C, L09J, L38Z | | 08 | I08A, I08B, I08C, I08D, I08E, I13A, I13B | | 07 | H01A | | | |
| | 21A | W04A, W04B | | 10 | K09A, K09B | | 08 | I08A, I08B, I08C, I08D, I08E, I13A, I13B | | | |
| | 21B | X06A, X06B | | 11 | L09A, L09B, L09C, L09J, L38Z | | 10 | K09A, K09B | | | |
| | 51175.x↔ | | | BOP, KJZSV, KVT, UOP4 | 51176.3 | | | BOP, KJZSV, KVT, UOP4 | 51176.x↔ | | BOP, KJZSV, KVT, UOP4 |
| | | 05 | | F01A, F01B, F01D, F05Z, F07A, F07B, F14A, F14B, F28A, F42Z, F54A, F54B, F54J, F59A, F59B | | | 21A | W04A, W04B | | 21A | W04A, W04B |
| | | 06 | | G10Z, G12A, G12B, G12J | | | 21B | X06A, X06B | | 21B | X06A, X06B |
| 08 | | I08A, I08B, I08C, I08D, I08E, I13A, I13B | 01 | B03Z, B07Z, B17A, B17B, B17C, B17J | | 01 | B03Z, B07Z, B17A, B17B, B17C, B17J | | | | |
| 11 | | L09A, L09B, L09C, L09J, L38Z | 05 | F01A, F01B, F01D, F05Z, F07A, F07B, F14A, F14B, F28A, F42Z, F54A, F54B, F54J, F59A, F59B | | 05 | F01A, F01B, F01D, F05Z, F07A, F07B, F14A, F14B, F28A, F42Z, F54A, F54B, F54J, F59A, F59B | | | | |
| 21A | | W04A, W04B | 06 | G01Z, G02Z, G10Z, G12A, G12B, G12J, G18A, G38Z | | 06 | G10Z, G12A, G12B, G12J | | | | |
| 21B | | X06A, X06B | 07 | H06A, H06B, H06C | | 08 | I08A, I08B, I08C, I08D, I08E, I13A, I13B | | | | |
| 51176.0 | | | BOP, KJZSV, KVT, UOP4 | 51176.4↔ | | | BOP, KJZSV, KVT, UOP4 | 51177.0↔ | | | BOP, KJZSV, KVT, UOP4 |
| | | 01 | B03Z, B07Z, B17A, B17B, B17C, B17J | | | 01 | B03Z, B07Z, B17A, B17B, B17C, B17J | | | 01 | B03Z, B07Z, B17A, B17B, B17C, B17J |
| | | 05 | F01A, F01B, F01D, F05Z, F07A, F07B, F14A, F14B, F28A, F42Z, F54A, F54B, F54J, F59A, F59B | | | 05 | F01A, F01B, F01D, F05Z, F07A, F07B, F14A, F14B, F28A, F42Z, F54A, F54B, F54J, F59A, F59B | | | 05 | F01A, F01B, F01D, F05Z, F07A, F07B, F14A, F14B, F28A, F42Z, F54A, F54B, F54J, F59A, F59B |
| | 06 | G10Z, G12A, G12B, G12J, G18A, G38Z | 06 | | G01Z, G02Z, G10Z, G12A, G12B, G12J, G38Z | 06 | G01Z, G02Z, G10Z, G12A, G12B, G12J, G38Z | | | | |
| | 07 | H01A | 08 | | I08A, I08B, I08C, I08D, I08E, I13A, I13B | 08 | I08A, I08B, I08C, I08D, I08E, I13A, I13B | | | | |
| | 08 | I08A, I08B, I08C, I08D, I08E, I13A, I13B | 10 | | K09A, K09B | 10 | K09A, K09B | | | | |
| | 10 | K09A, K09B | 11 | | L09A, L09B, L09C, L09J, L38Z | 11 | L09A, L09B, L09C, L09J, L38Z | | | | |
| | 11 | L09A, L09B, L09C, L09J, L38Z | 21A | | W04A, W04B | 21A | W04A, W04B | | | | |
| | 21A | W04A, W04B | 21B | | X06A, X06B | 21B | X06A, X06B | | | | |
| | 21B | X06A, X06B | Pre | | A13A, A13B, A13C | Pre | A13A, A13B, A13C | | | | |
| 51176.1 | | BOP, KJZSV, KVT, UOP4 | 51176.5 | | BOP, KJZSV, KVT, UOP4 | 51177.1↔ | | BOP, KJZSV, KVT, UOP4 | | | |
| | 01 | B03Z, B07Z, B17A, B17B, B17C, B17J | | 01 | B03Z, B07Z, B17A, B17B, B17C, B17J | | 01 | B03Z, B07Z, B17A, B17B, B17C, B17J | | | |
| | 05 | F01A, F01B, F01D, F05Z, F07A, F07B, F14A, F14B, F28A, F42Z, F54A, F54B, F54J, F59A, F59B | | 05 | F01A, F01B, F01D, F05Z, F07A, F07B, F14A, F14B, F28A, F42Z, F54A, F54B, F54J, F59A, F59B | | 05 | F01A, F01B, F01D, F05Z, F07A, F07B, F14A, F14B, F28A, F42Z, F54A, F54B, F54J, F59A, F59B | | | |
| | 06 | G10Z, G12A, G12B, G12J, G18A, G38Z | | 06 | G01Z, G02Z, G10Z, G12A, G12B, G12J, G38Z | | 06 | G01Z, G02Z, G10Z, G12A, G12B, G12J, G38Z | | | |
| | 07 | H01A, H06A, H06B, H06C | | 08 | I08A, I08B, I08C, I08D, I08E, I13A, I13B | | 08 | I08A, I08B, I08C, I08D, I08E, I13A, I13B | | | |
| | 08 | I08A, I08B, I08C, I08D, I08E, I13A, I13B | | 10 | K09A, K09B | | 10 | K09A, K09B | | | |
| | 10 | K09A, K09B | | 11 | L09A, L09B, L09C, L09J, L38Z | | 11 | L09A, L09B, L09C, L09J, L38Z | | | |
| | 11 | L09A, L09B, L09C, L09J, L38Z | | 21A | W04A, W04B | | 21A | W04A, W04B | | | |
| | 21A | W04A, W04B | | 21B | X06A, X06B | | 21B | X06A, X06B | | | |
| | 21B | X06A, X06B | | Pre | A13A, A13B, A13C | | Pre | A13A, A13B, A13C | | | |
| 51176.2↔ | | BOP, KJZSV, KVT, UOP4 | 51177.2↔ | | BOP, KJZSV, KVT, UOP4 | 51177.2↔ | | BOP, KJZSV, KVT, UOP4 | | | |
| | 01 | B03Z, B07Z, B17A, B17B, B17C, B17J | | 01 | B03Z, B07Z, B17A, B17B, B17C, B17J | | 01 | B03Z, B07Z, B17A, B17B, B17C, B17J | | | |
| | 05 | F01A, F01B, F01D, F05Z, F07A, F07B, F14A, F14B, F28A, F42Z, F54A, F54B, F54J, F59A, F59B | | 05 | F01A, F01B, F01D, F05Z, F07A, F07B, F14A, F14B, F28A, F42Z, F54A, F54B, F54J, F59A, F59B | | 05 | F01A, F01B, F01D, F05Z, F07A, F07B, F14A, F14B, F28A, F42Z, F54A, F54B, F54J, F59A, F59B | | | |
| | 06 | G10Z, G12A, G12B, G12J | | 06 | G10Z, G12A, G12B, G12J, G18A, G38Z | | 06 | G10Z, G12A, G12B, G12J, G18A, G38Z | | | |
| | 08 | I08A, I08B, I08C, I08D, I08E, I13A, I13B | | 07 | H01A | | 07 | H01A | | | |
| | 10 | K09A, K09B | | 08 | I08A, I08B, I08C, I08D, I08E, I13A, I13B | | 08 | I08A, I08B, I08C, I08D, I08E, I13A, I13B | | | |
| | 11 | L09A, L09B, L09C, L09J, L38Z | | 10 | K09A, K09B | | 10 | K09A, K09B | | | |
| | 21A | W04A, W04B | | 11 | L09A, L09B, L09C, L09J, L38Z | | 11 | L09A, L09B, L09C, L09J, L38Z | | | |
| | 21B | X06A, X06B | | 21A | W04A, W04B | | 21A | W04A, W04B | | | |
| | 21B | X06A, X06B | | 21B | X06A, X06B | | 21B | X06A, X06B | | | |

VYK

| ZZV | MDC | DRG | ZZV | MDC | DRG | ZZV | MDC | DRG |
|----------|-----|--|----------|-----|--|----------|------------------|--|
| 51177.x↔ | | KJZSV | 51178.6↔ | | KJZSV | 51179.6 | | KJZSV |
| | 05 | F01A, F01B, F01D, F05Z, F07A, F07B, F14A, F14B, F28A, F42Z, F54A, F54B, F54J, F59A, F59B | | 05 | F01A, F01B, F01D, F05Z, F07A, F07B, F14A, F14B, F28A, F42Z, F54A, F54B, F54J, F59A, F59B | | 05 | F39A, F39B, F39J, F39Q |
| | 08 | I08A, I08B, I08C, I08D, I08E, I13A, I13B | | 08 | I08A, I08B, I08C, I08D, I08E, I13A, I13B | | 06 | G18A, G38Z |
| | 10 | K09A, K09B | | 10 | K09A, K09B | | 07 | H01A |
| | 21A | W04A, W04B | | 21A | W04A, W04B | | 08 | I08A, I08B, I08C, I08D, I08E, I13A, I13B |
| | 21B | X04Z | | 21B | X04Z | 51179.7 | 21A | W04A, W04B |
| 51178.0↔ | | KJZSV | 51178.x↔ | | KJZSV | | 21B | X04Z |
| | 05 | F01A, F01B, F01D, F05Z, F07A, F07B, F14A, F14B, F28A, F42Z, F54A, F54B, F54J, F59A, F59B | | 05 | F01A, F01B, F01D, F05Z, F07A, F07B, F14A, F14B, F28A, F42Z, F54A, F54B, F54J, F59A, F59B | | 05 | F39A, F39B, F39J, F39Q |
| | 08 | I08A, I08B, I08C, I08D, I08E, I13A, I13B | | 08 | I08A, I08B, I08C, I08D, I08E, I13A, I13B | | 06 | G18A, G38Z |
| | 10 | K09A, K09B | | 10 | K09A, K09B | | 07 | H01A |
| | 21A | W04A, W04B | | 21A | W04A, W04B | | 08 | I08A, I08B, I08C, I08D, I08E, I13A, I13B |
| | 21B | X04Z | | 21B | X04Z | 51179.8↔ | 21A | W04A, W04B |
| 51178.1↔ | | KJZSV | 51179.0↔ | | KJZSV | | 21B | X04Z |
| | 05 | F01A, F01B, F01D, F05Z, F07A, F07B, F14A, F14B, F28A, F42Z, F54A, F54B, F54J, F59A, F59B | | 05 | F39A, F39B, F39J, F39Q | | KJZSV | |
| | 08 | I08A, I08B, I08C, I08D, I08E, I13A, I13B | | 08 | I08A, I08B, I08C, I08D, I08E, I13A, I13B | | 05 | F39A, F39B, F39J, F39Q |
| | 10 | K09A, K09B | | 21A | W04A, W04B | | 06 | G18A, G38Z |
| | 21A | W04A, W04B | | 21B | X04Z | | 07 | H01A |
| | 21B | X04Z | 51179.1↔ | | KJZSV | | 08 | I08A, I08B, I08C, I08D, I08E, I13A, I13B |
| 51178.2↔ | | KJZSV | | 05 | F39A, F39B, F39J, F39Q | | 21A | W04A, W04B |
| | 05 | F01A, F01B, F01D, F05Z, F07A, F07B, F14A, F14B, F28A, F42Z, F54A, F54B, F54J, F59A, F59B | | 08 | I08A, I08B, I08C, I08D, I08E, I13A, I13B | | 21B | X04Z |
| | 08 | I08A, I08B, I08C, I08D, I08E, I13A, I13B | | 21A | W04A, W04B | 51179.9↔ | KJZSV | |
| | 10 | K09A, K09B | | 21B | X04Z | | 01 | B03Z, B07Z, B17A, B17B, B17C, B17J |
| | 21A | W04A, W04B | 51179.2 | | KJZSV | | 05 | F01A, F01B, F01D, F05Z, F07A, F07B, F14A, F14B, F28A, F42Z, F54A, F54B, F54J, F59A, F59B |
| | 21B | X04Z | | 05 | F39A, F39B, F39J, F39Q | | 08 | I08A, I08B, I08C, I08D, I08E, I13A, I13B |
| 51178.3↔ | | KJZSV | | 06 | G18A, G38Z | | 21A | W04A, W04B |
| | 05 | F01A, F01B, F01D, F05Z, F07A, F07B, F14A, F14B, F28A, F42Z, F54A, F54B, F54J, F59A, F59B | | 07 | H01A | | 21B | X06A, X06B |
| | 08 | I08A, I08B, I08C, I08D, I08E, I13A, I13B | | 08 | I08A, I08B, I08C, I08D, I08E, I13A, I13B | 51179.a↔ | KJZSV, KOP, KOPV | |
| | 10 | K09A, K09B | | 21A | W04A, W04B | | 04 | E05A, E05B, E05C, E08A, E08B, E08C |
| | 21A | W04A, W04B | | 21B | X04Z | | 05 | F01A, F01B, F01D, F05Z, F07A, F07B, F09A, F09B, F09C, F42Z |
| | 21B | X04Z | 51179.3↔ | | KJZSV | | 06 | G15Z, G19A, G19B, G33Z, G38Z |
| 51178.4↔ | | KJZSV | | 05 | F39A, F39B, F39J, F39Q | | 07 | H33Z, H38Z |
| | 05 | F01A, F01B, F01D, F05Z, F07A, F07B, F14A, F14B, F28A, F42Z, F54A, F54B, F54J, F59A, F59B | | 06 | G18A, G38Z | | 08 | I08A, I08B, I08C, I08D, I08E, I13A, I13B |
| | 08 | I08A, I08B, I08C, I08D, I08E, I13A, I13B | | 07 | H01A | | 11 | L33Z |
| | 10 | K09A, K09B | | 08 | I08A, I08B, I08C, I08D, I08E, I13A, I13B | | 21A | W04A, W04B |
| | 21A | W04A, W04B | | 11 | L09A, L09B, L09C, L09J, L38Z | | 21B | X06A, X06B, X33Z |
| | 21B | X04Z | | 21A | W04A, W04B | | 23 | Z01A |
| 51178.5↔ | | KJZSV | | 21B | X04Z | | Pre | A07A |
| | 05 | F01A, F01B, F01D, F05Z, F07A, F07B, F14A, F14B, F28A, F42Z, F54A, F54B, F54J, F59A, F59B | 51179.4 | | KJZSV | 51179.b↔ | KJZSV, KOP, KOPV | |
| | 08 | I08A, I08B, I08C, I08D, I08E, I13A, I13B | | 05 | F39A, F39B, F39J, F39Q | | 04 | E05A, E05B, E05C, E08A, E08B, E08C |
| | 10 | K09A, K09B | | 06 | G18A, G38Z | | 05 | F01A, F01B, F01D, F05Z, F07A, F07B, F09A, F09B, F09C, F42Z |
| | 21A | W04A, W04B | | 07 | H01A | | 06 | G15Z, G19A, G19B, G33Z, G38Z |
| | 21B | X04Z | | 08 | I08A, I08B, I08C, I08D, I08E, I13A, I13B | | 07 | H33Z, H38Z |
| | | | 51179.5 | | KJZSV | | 08 | I08A, I08B, I08C, I08D, I08E, I13A, I13B |
| | | | | 05 | F39A, F39B, F39J, F39Q | | 11 | L33Z |
| | | | | 06 | G18A, G38Z | | 21A | W04A, W04B |
| | | | | 07 | H01A | | 21B | X06A, X06B, X33Z |
| | | | | 08 | I08A, I08B, I08C, I08D, I08E, I13A, I13B | | 23 | Z01A |
| | | | | 21A | W04A, W04B | | Pre | A07A |
| | | | | 21B | X04Z | | | |

| ZZV | MDC | DRG | ZZV | MDC | DRG | ZZV | MDC | DRG | |
|----------|------------|--|--|--|--|--|--|--|------------------------|
| 51179.c↔ | | KJZSV | 51179.h↔ | | KJZSV | 5117a.5↔ | | KJZSV | |
| | 05 | F01A, F01B, F01D, F05Z, F07A, F07B, F14A, F14B, F28A, F42Z, F54A, F54B, F54J, F59A, F59B | | 05 | F01A, F01B, F01D, F05Z, F07A, F07B, F14A, F14B, F28A, F42Z, F54A, F54B, F54J, F59A, F59B | | 05 | F39A, F39B, F39J, F39Q | |
| | 08 | I08A, I08B, I08C, I08D, I08E, I13A, I13B | | 06 | G10Z, G12A, G12B, G12J | | 08 | I08A, I08B, I08C, I08D, I08E, I13A, I13B | |
| | 10 | K09A, K09B | | 08 | I08A, I08B, I08C, I08D, I08E, I13A, I13B | | 21A | W04A, W04B | |
| | 21A | W04A, W04B | | 11 | L09A, L09B, L09C, L09J, L38Z | | 21B | X04Z | |
| 51179.d↔ | 21B | X06A, X06B | 5117a.6↔ | | | | | KJZSV | |
| | | BOP, KJZSV, KOP, KOPV, KVT, UOP4 | | 05 | F39A, F39B, F39J, F39Q | 08 | I08A, I08B, I08C, I08D, I08E, I13A, I13B | | |
| | 04 | E05A, E05B, E05C, E08A, E08B, E08C | | 21A | W04A, W04B | 21B | X04Z | | |
| | 05 | F01A, F01B, F01D, F05Z, F07A, F07B, F09A, F09B, F09C, F42Z | | 21B | X06A, X06B | 5117a.x↔ | | | |
| | 06 | G15Z, G19A, G19B, G33Z, G38Z | | 51179.i↔ | | | | | |
| | 07 | H33Z, H38Z | | | 05 | F01A, F01B, F01D, F05Z, F07A, F07B, F14A, F14B, F28A, F42Z, F54A, F54B, F54J, F59A, F59B | 05 | F39A, F39B, F39J, F39Q | |
| | 08 | I08A, I08B, I08C, I08D, I08E, I13A, I13B | | 06 | G10Z, G12A, G12B, G12J | 08 | I08A, I08B, I08C, I08D, I08E, I13A, I13B | | |
| | 11 | L33Z | | 08 | I08A, I08B, I08C, I08D, I08E, I13A, I13B | 21A | W04A, W04B | | |
| | 21A | W04A, W04B | | 11 | L09A, L09B, L09C, L09J, L38Z | 21B | X06A, X06B | | |
| | 21B | X06A, X06B, X33Z | | 51179.x↔ | | | 5117x↔ | | |
| | 23 | Z01A | | | 05 | F39A, F39B, F39J, F39Q | | 05 | F39A, F39B, F39J, F39Q |
| | 51179.e | Pre | | A07A | 08 | I08A, I08B, I08C, I08D, I08E, I13A, I13B | 08 | I08A, I08B, I08C, I08D, I08E, I13A, I13B | |
| | | BOP, KJZSV, KVT, UOP4 | 5117a.0↔ | | | 51180.0 | | | |
| 04 | | E02A, E02B, E02C, E02D | | 05 | F39A, F39B, F39J, F39Q | | 04 | E02A, E02B, E02C, E02D | |
| 05 | | F01A, F01B, F01D, F05Z, F07A, F07B, F14A, F14B, F28A, F42Z, F54A, F54B, F54J, F59A, F59B | 51179.y↔ | | | 05 | F01A, F01B, F01D, F05Z, F07A, F07B, F14A, F14B, F28A, F42Z, F54A, F54B, F54J, F59A, F59B | | |
| 08 | | I08A, I08B, I08C, I08D, I08E, I13A, I13B | | 08 | I08A, I08B, I08C, I08D, I08E, I13A, I13B | 08 | I08A, I08B, I08C, I08D, I08E, I13A, I13B | | |
| 14 | | 962Z, O02A, O02B | 5117a.1↔ | | | 14 | 962Z, O02A, O02B | | |
| 21A | | W04A, W04B | | 01 | B03Z, B07Z, B17A, B17B, B17C, B17J | 21A | W04A, W04B | | |
| 21B | | X06A, X06B | 03 | D12A, D12B, D12J, D12Q | 21B | X06A, X06B, X06C | | | |
| 51179.f | | | BOP, KJZSV, KVT, UOP4 | 05 | F01A, F01B, F01D, F05Z, F07A, F07B, F14A, F14B, F28A, F42Z, F54A, F54B, F54J, F59A, F59B | 51180.1 | | | |
| | | 04 | E02A, E02B, E02C, E02D | 08 | I08A, I08B, I08C, I08D, I08E, I13A, I13B | | 04 | E02A, E02B, E02C, E02D | |
| | 05 | F01A, F01B, F01D, F05Z, F07A, F07B, F14A, F14B, F28A, F42Z, F54A, F54B, F54J, F59A, F59B | 5117a.2↔ | | | 05 | F01A, F01B, F01D, F05Z, F07A, F07B, F14A, F14B, F28A, F42Z, F54A, F54B, F54J, F59A, F59B | | |
| | 06 | G03A, G18A, G38Z | | 05 | F01A, F01B, F01D, F05Z, F07A, F07B, F14A, F14B, F28A, F42Z, F54A, F54B, F54J, F59A, F59B | 08 | I08A, I08B, I08C, I08D, I08E, I13A, I13B | | |
| | 07 | H01A | 5117a.3↔ | | | 51180.2 | | | |
| | 08 | I08A, I08B, I08C, I08D, I08E, I13A, I13B | | 01 | B04A, B04B, B04C, B04D, B04E | | 14 | 962Z, O02A, O02B | |
| | 14 | 962Z, O02A, O02B | 05 | F39A, F39B, F39J, F39Q | 21A | W04A, W04B | | | |
| | 21A | W04A, W04B | 08 | I08A, I08B, I08C, I08D, I08E, I13A, I13B | 21B | X06A, X06B, X06C | | | |
| | 21B | X06A, X06B | 5117a.4↔ | | | 51180.x | | | |
| | 51179.g↔ | | | BOP, KJZSV, KVT, UOP4 | 05 | | F39A, F39B, F39J, F39Q | 04 | E02A, E02B, E02C, E02D |
| | | 05 | F01A, F01B, F01D, F05Z, F07A, F07B, F14A, F14B, F28A, F42Z, F54A, F54B, F54J, F59A, F59B | 08 | I08A, I08B, I08C, I08D, I08E, I13A, I13B | 05 | F01A, F01B, F01D, F05Z, F07A, F07B, F14A, F14B, F28A, F42Z, F54A, F54B, F54J, F59A, F59B | | |
| | | 06 | G10Z, G12A, G12B, G12J | 5117a.5↔ | | | 08 | I08A, I08B, I08C, I08D, I08E, I13A, I13B | |
| 08 | | I08A, I08B, I08C, I08D, I08E, I13A, I13B | 05 | | F01A, F01B, F01D, F05Z, F07A, F07B, F14A, F14B, F28A, F42Z, F54A, F54B, F54J, F59A, F59B | 14 | 962Z, O02A, O02B | | |
| 11 | | L09A, L09B, L09C, L09J, L38Z | 5117a.6↔ | | | 21A | W04A, W04B | | |
| 21A | W04A, W04B | 10 | | K09A, K09B | 21B | X06A, X06B, X06C | | | |
| 21B | X06A, X06B | 5117a.7↔ | | | BOP, KJZSV, KVT, UOP4 | | | | |
| | | | 21A | W04A, W04B | 04 | E02A, E02B, E02C, E02D | | | |
| | | 21B | X06A, X06B | 05 | F01A, F01B, F01D, F05Z, F07A, F07B, F14A, F14B, F28A, F42Z, F54A, F54B, F54J, F59A, F59B | | | | |
| | | 5117a.8↔ | | | 08 | I08A, I08B, I08C, I08D, I08E, I13A, I13B | | | |
| | | | 01 | B03Z, B07Z, B17A, B17B, B17C, B17J | 14 | 962Z, O02A, O02B | | | |
| | | 5117a.9↔ | | | 21A | W04A, W04B | | | |
| | | | 05 | F01A, F01B, F01D, F05Z, F07A, F07B, F14A, F14B, F28A, F42Z, F54A, F54B, F54J, F59A, F59B | 21B | X06A, X06B, X06C | | | |
| | | 5117a.10↔ | | | 51180.y | | | | |
| | | | 06 | G10Z, G12A, G12B, G12J | | 04 | E02A, E02B, E02C, E02D | | |
| | | 5117a.11↔ | | | 05 | F01A, F01B, F01D, F05Z, F07A, F07B, F14A, F14B, F28A, F42Z, F54A, F54B, F54J, F59A, F59B | | | |
| | | | 08 | I08A, I08B, I08C, I08D, I08E, I13A, I13B | 08 | I08A, I08B, I08C, I08D, I08E, I13A, I13B | | | |
| | | 5117a.12↔ | | | 51180.z | | | | |
| | | | 06 | G10Z, G12A, G12B, G12J | | 14 | 962Z, O02A, O02B | | |
| | | 5117a.13↔ | | | 21A | W04A, W04B | | | |
| | | | 08 | I08A, I08B, I08C, I08D, I08E, I13A, I13B | 21B | X06A, X06B, X06C | | | |
| | | 5117a.14↔ | | | 51180.aa | | | | |
| | | | 21B | X04Z, X06A, X06B | | | | | |

| ZZV | MDC | DRG | ZZV | MDC | DRG | ZZV | MDC | DRG |
|-----------|-----|--|-----------|-----|--|-----------|--|----------------------------|
| 51190.0↔ | 01 | B04A, B04B, B04C, B04D, B04E | 51195.3 | 05 | F39A, F39B, F39J, F39Q | 511a2.00↔ | | KJZSV |
| | 05 | F39A, F39B, F39J, F39Q | | 08 | I08A, I08B, I08C, I08D, I08E, I13A, I13B | 05 | F01A, F01B, F01D, F05Z, F07A, F07B, F14A, F14B, F28A, F42Z, F54A, F54B, F54J, F59A, F59B | |
| | 08 | I08A, I08B, I08C, I08D, I08E, I13A, I13B | 51195.4 | 05 | F39A, F39B, F39J, F39Q | 08 | I08A, I08B, I08C, I08D, I08E, I13A, I13B | |
| 51190.1↔ | 05 | F39A, F39B, F39J, F39Q | | 08 | I08A, I08B, I08C, I08D, I08E, I13A, I13B | 10 | K09A, K09B | |
| | 08 | I08A, I08B, I08C, I08D, I08E, I13A, I13B | 51195.5 | 05 | F39A, F39B, F39J, F39Q | 21A | W04A, W04B | |
| 51190.2↔ | 05 | F39A, F39B, F39J, F39Q | | 08 | I08A, I08B, I08C, I08D, I08E, I13A, I13B | 21B | X06A, X06B | |
| | 08 | I08A, I08B, I08C, I08D, I08E, I13A, I13B | 51195.6↔ | 05 | F39A, F39B, F39J, F39Q | 511a2.0x↔ | | KJZSV |
| 51190.3↔ | 05 | F39A, F39B, F39J, F39Q | | 08 | I08A, I08B, I08C, I08D, I08E, I13A, I13B | 05 | F01A, F01B, F01D, F05Z, F07A, F07B, F14A, F14B, F28A, F42Z, F54A, F54B, F54J, F59A, F59B | |
| | 08 | I08A, I08B, I08C, I08D, I08E, I13A, I13B | 51195.7↔ | 05 | F39A, F39B, F39J, F39Q | 08 | I08A, I08B, I08C, I08D, I08E, I13A, I13B | |
| 51191.10↔ | 05 | F39A, F39B, F39J, F39Q | | 08 | I08A, I08B, I08C, I08D, I08E, I13A, I13B | 10 | K09A, K09B | |
| | 08 | I08A, I08B, I08C, I08D, I08E, I13A, I13B | 51195.8↔ | 05 | F39A, F39B, F39J, F39Q | 21A | W04A, W04B | |
| 51191.11↔ | 05 | F39A, F39B, F39J, F39Q | | 08 | I08A, I08B, I08C, I08D, I08E, I13A, I13B | 21B | X06A, X06B | |
| | 08 | I08A, I08B, I08C, I08D, I08E, I13A, I13B | 5119x↔ | 05 | F39A, F39B, F39J, F39Q | 511a2.10↔ | | KJZSV |
| 51191.2↔ | 05 | F39A, F39B, F39J, F39Q | | 08 | I08A, I08B, I08C, I08D, I08E, I13A, I13B | 05 | F39A, F39B, F39J, F39Q | |
| | 08 | I08A, I08B, I08C, I08D, I08E, I13A, I13B | 511a1.70↔ | | BOP, KJZSV, KVT, UOP4 | 08 | I08A, I08B, I08C, I08D, I08E, I13A, I13B | |
| 51192.0↔ | 05 | F20J, F20Z, F39A, F39B, F39J, F39Q | | 01 | B04A, B04B, B04C, B04D, B04E | 21A | W04A, W04B | |
| | 08 | I08A, I08B, I08C, I08D, I08E, I13A, I13B | | 03 | D12A, D12B, D12J, D12Q | 21B | X04Z, X05A, X05B, X06A, X06B, X06C | |
| | 08 | I08A, I08B, I08C, I08D, I08E, I13A, I13B | | 05 | F01A, F01B, F01D, F05Z, F06A, F06C, F07A, F07B, F14A, F14B, F28A, F42Z, F54A, F54B, F54J, F59A, F59B | 511a2.11↔ | | KJZSV |
| 51192.1↔ | 05 | F20J, F20Z, F39A, F39B, F39J, F39Q | | 08 | I08A, I08B, I08C, I08D, I08E, I13A, I13B | 05 | F39A, F39B, F39J, F39Q | |
| | 08 | I08A, I08B, I08C, I08D, I08E, I13A, I13B | | 10 | K09A, K09B | 08 | I08A, I08B, I08C, I08D, I08E, I13A, I13B | |
| 51192.2↔ | 05 | F20J, F20Z, F39A, F39B, F39J, F39Q | | 11 | L09A, L38Z | 21A | W04A, W04B | |
| | 08 | I08A, I08B, I08C, I08D, I08E, I13A, I13B | | 21A | W04A, W04B | 21B | X04Z, X05A, X05B, X06A, X06B, X06C | |
| 51193.0↔ | 05 | F20J, F20Z, F39A, F39B, F39J, F39Q | | 21B | X06A, X06B, X06C | 511a2.1x↔ | | KJZSV |
| | 08 | I08A, I08B, I08C, I08D, I08E, I13A, I13B | 511a1.71↔ | | BOP, KJZSV, KVT, UOP4 | 05 | F39A, F39B, F39J, F39Q | |
| | 08 | I08A, I08B, I08C, I08D, I08E, I13A, I13B | | 01 | B04A, B04B, B04C, B04D, B04E | 08 | I08A, I08B, I08C, I08D, I08E, I13A, I13B | |
| 51193.1↔ | 05 | F20J, F20Z, F39A, F39B, F39J, F39Q | | 03 | D12A, D12B, D12J, D12Q | 21A | W04A, W04B | |
| | 08 | I08A, I08B, I08C, I08D, I08E, I13A, I13B | | 05 | F01A, F01B, F01D, F05Z, F06A, F06C, F07A, F07B, F14A, F14B, F28A, F42Z, F54A, F54B, F54J, F59A, F59B | 21B | X04Z, X05A, X05B, X06A, X06B, X06C | |
| 51193.2↔ | 05 | F20J, F20Z, F39A, F39B, F39J, F39Q | | 08 | I08A, I08B, I08C, I08D, I08E, I13A, I13B | 511a2.x↔ | | KJZSV |
| | 08 | I08A, I08B, I08C, I08D, I08E, I13A, I13B | | 10 | K09A, K09B | 05 | F39A, F39B, F39J, F39Q | |
| 51194.0↔ | 05 | F39A, F39B, F39J, F39Q | | 11 | L09A, L38Z | 08 | I08A, I08B, I08C, I08D, I08E, I13A, I13B | |
| | 08 | I08A, I08B, I08C, I08D, I08E, I13A, I13B | | 21A | W04A, W04B | 21A | W04A, W04B | |
| 51194.1↔ | 05 | F39A, F39B, F39J, F39Q | | 21B | X06A, X06B, X06C | 21B | X04Z, X05A, X05B, X06A, X06B, X06C | |
| | 08 | I08A, I08B, I08C, I08D, I08E, I13A, I13B | 511a1.7x↔ | | BOP, KJZSV, KVT, UOP4 | 51500.0 | | BOP, KJZSV, KOP, KVT, UOP4 |
| | 08 | I08A, I08B, I08C, I08D, I08E, I13A, I13B | | 01 | B04A, B04B, B04C, B04D, B04E | 05 | F01A, F01B, F01D, F05Z, F07A, F07B, F09A, F09B, F09C, F42Z | |
| 51194.2↔ | 05 | F39A, F39B, F39J, F39Q | | 03 | D12A, D12B, D12J, D12Q | 08 | I08A, I08B, I08C, I08D, I08E, I13A, I13B | |
| | 08 | I08A, I08B, I08C, I08D, I08E, I13A, I13B | | 05 | F01A, F01B, F01D, F05Z, F06A, F06C, F07A, F07B, F14A, F14B, F28A, F42Z, F54A, F54B, F54J, F59A, F59B | 15 | P02A, P02B, P02C | |
| 51194.3↔ | 05 | F39A, F39B, F39J, F39Q | | 08 | I08A, I08B, I08C, I08D, I08E, I13A, I13B | 51500.1 | | BOP, KJZSV, KOP, KVT, UOP4 |
| | 08 | I08A, I08B, I08C, I08D, I08E, I13A, I13B | | 10 | K09A, K09B | 05 | F01A, F01B, F01D, F05Z, F07A, F07B, F09A, F09B, F09C, F42Z | |
| 51194.x↔ | 05 | F39A, F39B, F39J, F39Q | | 11 | L09A, L38Z | 08 | I08A, I08B, I08C, I08D, I08E, I13A, I13B | |
| | 08 | I08A, I08B, I08C, I08D, I08E, I13A, I13B | | 21A | W04A, W04B | 51500.2 | | BOP, KJZSV, KOP, KVT, UOP4 |
| 51195.0↔ | 05 | F39A, F39B, F39J, F39Q | | 21B | X06A, X06B, X06C | 05 | F01A, F01B, F01D, F05Z, F07A, F07B, F09A, F09B, F09C, F42Z | |
| | 08 | I08A, I08B, I08C, I08D, I08E, I13A, I13B | | 01 | B04A, B04B, B04C, B04D, B04E | 08 | I08A, I08B, I08C, I08D, I08E, I13A, I13B | |
| 51195.1 | 05 | F39A, F39B, F39J, F39Q | | 03 | D12A, D12B, D12J, D12Q | | | |
| | 08 | I08A, I08B, I08C, I08D, I08E, I13A, I13B | | 05 | F01A, F01B, F01D, F05Z, F06A, F06C, F07A, F07B, F14A, F14B, F28A, F42Z, F54A, F54B, F54J, F59A, F59B | | | |
| 51195.2 | 05 | F39A, F39B, F39J, F39Q | | 08 | I08A, I08B, I08C, I08D, I08E, I13A, I13B | | | |
| | 08 | I08A, I08B, I08C, I08D, I08E, I13A, I13B | | 10 | K09A, K09B | | | |
| | | | | 11 | L09A, L38Z | | | |
| | | | | 21A | W04A, W04B | | | |
| | | | | 21B | X06A, X06B, X06C | | | |

| ZZV | MDC | DRG | ZZV | MDC | DRG | ZZV | MDC | DRG |
|---------|---------|--|---------|--|--|--|--|--|
| 5I500.3 | | BOP, KJZSV, KOP, KOPV, KVT, UOP4 | 5I501.0 | | BOP, KJZSV, KOP, KOPV, KVT, UOP4 | 5I501.4 | | BOP, KJZSV, KOP, KOPV, KVT, UOP4 |
| | 05 | F01A, F01B, F01D, F05Z, F07A, F07B, F09A, F09B, F09C, F42Z | | 05 | F01A, F01B, F01D, F05Z, F07A, F07B, F14A, F14B, F28A, F42Z, F54A, F54B, F54J, F59A, F59B | | 05 | F01A, F01B, F01D, F05Z, F07A, F07B, F14A, F14B, F28A, F42Z, F54A, F54B, F54J, F59A, F59B |
| | 06 | G33Z | | 06 | G15Z, G19A, G19B, G33Z, G38Z | | 06 | G15Z, G19A, G19B, G33Z, G38Z |
| | 07 | H33Z, H38Z | | 07 | H01A, H01B, H09A, H09B, H09C, H09J, H33Z, H38Z | | 07 | H01A, H01B, H09A, H09B, H09C, H09J, H33Z, H38Z |
| | 08 | I08A, I08B, I08C, I08D, I08E, I13A, I13B | | 08 | I08A, I08B, I08C, I08D, I08E, I13A, I13B | | 08 | I08A, I08B, I08C, I08D, I08E, I13A, I13B |
| | 11 | L33Z | | 11 | L33Z | | 11 | L33Z |
| | 21B | X33Z | | 21B | X33Z | | 21B | X33Z |
| | 23 | Z01A | | 23 | Z01A | | 23 | Z01A |
| | Pre | A07A | | Pre | A07A | | Pre | A07A |
| | 5I500.4 | | | BOP, KJZSV, KOP, KVT, UOP4 | 5I501.1 | | | BOP, KJZSV, KOP, KOPV, KVT, UOP4 |
| 05 | | F01A, F01B, F01D, F05Z, F07A, F07B, F09A, F09B, F09C, F42Z | 05 | F01A, F01B, F01D, F05Z, F07A, F07B, F14A, F14B, F28A, F42Z, F54A, F54B, F54J, F59A, F59B | | 05 | F01A, F01B, F01D, F05Z, F07A, F07B, F14A, F14B, F28A, F42Z, F54A, F54B, F54J, F59A, F59B | |
| 08 | | I08A, I08B, I08C, I08D, I08E, I13A, I13B | 06 | G15Z, G19A, G19B, G33Z, G38Z | | 06 | G15Z, G19A, G19B, G33Z, G38Z | |
| 5I500.5 | 15 | P02A, P02B, P02C | 07 | H01A, H01B, H09A, H09B, H09C, H09J, H33Z, H38Z | 07 | H01A, H01B, H09A, H09B, H09C, H09J, H33Z, H38Z | | |
| | | BOP, KJZSV, KOP, KVT, UOP4 | 08 | I08A, I08B, I08C, I08D, I08E, I13A, I13B | 08 | I08A, I08B, I08C, I08D, I08E, I13A, I13B | | |
| | 04 | E02A, E02B, E02C, E02D | 11 | L33Z | 11 | L33Z | | |
| | 05 | F01A, F01B, F01D, F05Z, F07A, F07B, F14A, F14B, F28A, F42Z, F54A, F54B, F54J, F59A, F59B | 21B | X33Z | 21B | X33Z | | |
| 5I500.6 | 08 | I08A, I08B, I08C, I08D, I08E, I13A, I13B | 23 | Z01A | 23 | Z01A | | |
| | 10 | K09A, K09B | Pre | A07A | Pre | A07A | | |
| | | BOP, KJZSV, KOP, KOPV, KVT, UOP4 | 5I501.2 | | BOP, KJZSV, KOP, KOPV, KVT, UOP4 | 5I502.10 | | B04A, B04B, B04C, B04D, B04E |
| | 05 | F01A, F01B, F01D, F05Z, F07A, F07B, F09A, F09B, F09C, F30Z, F42Z | | 05 | F01A, F01B, F01D, F05Z, F07A, F07B, F14A, F14B, F28A, F42Z, F54A, F54B, F54J, F59A, F59B | | 05 | F01A, F01B, F01D, F05Z, F07A, F07B, F08B, F08D, F14A, F14B, F28A, F42Z, F54A, F54B, F54J, F59A, F59B |
| | 06 | G33Z | | 06 | G15Z, G19A, G19B, G33Z, G38Z | | 07 | H06A, H06B, H06C |
| | 07 | H33Z, H38Z | | 07 | H01A, H01B, H09A, H09B, H09C, H09J, H33Z, H38Z | | 08 | I08A, I08B, I08C, I08D, I08E, I13A, I13B |
| | 08 | I08A, I08B, I08C, I08D, I08E, I13A, I13B | | 08 | I08A, I08B, I08C, I08D, I08E, I13A, I13B | | 09 | J03A, J03B, J04A, J04B, J08A, J08B, J08C, J11A, J11B, J11J, J11Q, J11R, J11S, J16Z |
| | 11 | L33Z | | 11 | L33Z | | 10 | K09A, K09B |
| | 15 | P02A, P02B, P02C | | 21B | X33Z | | 11 | L09A, L09B, L09C, L09J, L38Z |
| | 21B | X33Z | | 23 | Z01A | | 21A | W04A, W04B |
| 23 | Z01A | Pre | | A07A | 21B | | X04Z, X05A, X05B, X06A, X06B, X06C | |
| Pre | A07A | | | | | | | |
| 5I500.7 | | BOP, KJZSV, KOP, KVT, UOP4 | 5I501.3 | | BOP, KJZSV, KOP, KOPV, KVT, UOP4 | | | |
| | 05 | F01A, F01B, F01D, F05Z, F07A, F07B, F09A, F09B, F09C, F42Z | | 05 | F01A, F01B, F01D, F05Z, F07A, F07B, F14A, F14B, F28A, F42Z, F54A, F54B, F54J, F59A, F59B | | | |
| | 08 | I08A, I08B, I08C, I08D, I08E, I13A, I13B | | 06 | G15Z, G19A, G19B, G33Z, G38Z | | | |
| 5I500.8 | | BOP, KJZSV, KOP, KVT, UOP4 | 07 | H01A, H01B, H09A, H09B, H09C, H09J, H33Z, H38Z | | | | |
| | 05 | F01A, F01B, F01D, F05Z, F07A, F07B, F09A, F09B, F09C, F42Z | 08 | I08A, I08B, I08C, I08D, I08E, I13A, I13B | | | | |
| 5I500.x | | BOP, KJZSV, KOP, KVT, UOP4 | 11 | L33Z | | | | |
| | 05 | F01A, F01B, F01D, F05Z, F07A, F07B, F09A, F09B, F09C, F42Z | 21B | X33Z | | | | |
| | 08 | I08A, I08B, I08C, I08D, I08E, I13A, I13B | 23 | Z01A | | | | |
| | | | Pre | A07A | | | | |

VYK

| ZZV | MDC | DRG | ZZV | MDC | DRG | ZZV | MDC | DRG | | | |
|----------|---------|--|--|--|--|----------|--|--|----------|----|--|
| 51502.11 | 01 | B04A, B04B, B04C, B04D, B04E | 51502.31 | 01 | B04A, B04B, B04C, B04D, B04E | 51502.41 | 01 | B04A, B04B, B04C, B04D, B04E | | | |
| | 05 | F01A, F01B, F01D, F05Z, F07A, F07B, F08B, F08D, F14A, F14B, F28A, F42Z, F54A, F54B, F54J, F59A, F59B | | 05 | F01A, F01B, F01D, F05Z, F07A, F07B, F08B, F08D, F14A, F14B, F28A, F42Z, F54A, F54B, F54J, F59A, F59B | | 05 | F01A, F01B, F01D, F05Z, F07A, F07B, F08B, F08D, F14A, F14B, F28A, F42Z, F54A, F54B, F54J, F59A, F59B | | | |
| | 07 | H06A, H06B, H06C | | 07 | H06A, H06B, H06C | | 07 | H06A, H06B, H06C | | | |
| | 08 | I08A, I08B, I08C, I08D, I08E, I13A, I13B | | 08 | I08A, I08B, I08C, I08D, I08E, I13A, I13B | | 08 | I08A, I08B, I08C, I08D, I08E, I13A, I13B | | | |
| | 09 | J03A, J03B, J04A, J04B, J08A, J08B, J08C, J11A, J11B, J11J, J11Q, J11R, J11S, J16Z | | 09 | J03A, J03B, J04A, J04B, J08A, J08B, J08C, J11A, J11B, J11J, J11Q, J11R, J11S, J16Z | | 09 | J03A, J03B, J04A, J04B, J08A, J08B, J08C, J11A, J11B, J11J, J11Q, J11R, J11S, J16Z | | | |
| | 10 | K09A, K09B | | 10 | K09A, K09B | | 10 | K09A, K09B | | | |
| | 11 | L09A, L09B, L09C, L09J, L38Z | | 11 | L09A, L09B, L09C, L09J, L38Z | | 11 | L09A, L09B, L09C, L09J, L38Z | | | |
| | 21A | W04A, W04B | | 21A | W04A, W04B | | 21A | W04A, W04B | | | |
| | 21B | X04Z, X05A, X05B, X06A, X06B, X06C | | 21B | X04Z, X05A, X05B, X06A, X06B, X06C | | 21B | X04Z, X05A, X05B, X06A, X06B, X06C | | | |
| | 51502.2 | 01 | | B04A, B04B, B04C, B04D, B04E | 51502.32 | | 01 | B04A, B04B, B04C, B04D, B04E | 51502.50 | 01 | B04A, B04B, B04C, B04D, B04E |
| | | 05 | | F01A, F01B, F01D, F05Z, F07A, F07B, F08B, F08D, F14A, F14B, F28A, F42Z, F54A, F54B, F54J, F59A, F59B | | | 05 | F01A, F01B, F01D, F05Z, F07A, F07B, F08B, F08D, F14A, F14B, F28A, F42Z, F54A, F54B, F54J, F59A, F59B | | 05 | F01A, F01B, F01D, F05Z, F07A, F07B, F08A, F08B, F08C, F08D, F08E, F08F, F08J, F27A, F28A, F42Z |
| 07 | | H06A, H06B, H06C | 07 | H06A, H06B, H06C | | 07 | H06A, H06B, H06C | | | | |
| 08 | | I08A, I08B, I08C, I08D, I08E, I13A, I13B | 08 | I08A, I08B, I08C, I08D, I08E, I13A, I13B | | 08 | I08A, I08B, I08C, I08D, I08E, I13A, I13B | | | | |
| 09 | | J03A, J03B, J04A, J04B, J08A, J08B, J08C, J11A, J11B, J11J, J11Q, J11R, J11S, J16Z | 09 | J03A, J03B, J04A, J04B, J08A, J08B, J08C, J11A, J11B, J11J, J11Q, J11R, J11S, J16Z | | 09 | J03A, J03B, J04A, J04B, J08A, J08B, J08C, J11A, J11B, J11J, J11Q, J11R, J11S, J16Z | | | | |
| 10 | | K09A, K09B | 10 | K09A, K09B | | 10 | K09A, K09B | | | | |
| 11 | | L09A, L09B, L09C, L09J, L38Z | 11 | L09A, L09B, L09C, L09J, L38Z | | 11 | L09A, L09B, L09C, L09J, L38Z | | | | |
| 21A | | W04A, W04B | 21A | W04A, W04B | | 21A | W04A, W04B | | | | |
| 21B | | X04Z, X05A, X05B, X06A, X06B, X06C | 21B | X04Z, X05A, X05B, X06A, X06B, X06C | | 21B | X04Z, X05A, X05B, X06A, X06B, X06C, X33Z | | | | |
| 51502.30 | | 01 | B04A, B04B, B04C, B04D, B04E | 51502.40 | | 01 | B04A, B04B, B04C, B04D, B04E | 51502.51 | | 01 | B04A, B04B, B04C, B04D, B04E |
| | | 05 | F01A, F01B, F01D, F05Z, F07A, F07B, F08B, F08D, F14A, F14B, F28A, F42Z, F54A, F54B, F54J, F59A, F59B | | | 05 | F01A, F01B, F01D, F05Z, F07A, F07B, F08B, F08D, F14A, F14B, F28A, F42Z, F54A, F54B, F54J, F59A, F59B | | | 05 | F01A, F01B, F01D, F05Z, F07A, F07B, F08A, F08B, F08C, F08D, F08E, F08F, F08J, F27A, F28A, F42Z |
| | 07 | H06A, H06B, H06C | 07 | | H06A, H06B, H06C | 07 | H06A, H06B, H06C | | | | |
| | 08 | I08A, I08B, I08C, I08D, I08E, I13A, I13B | 08 | | I08A, I08B, I08C, I08D, I08E, I13A, I13B | 08 | I08A, I08B, I08C, I08D, I08E, I13A, I13B | | | | |
| | 09 | J03A, J03B, J04A, J04B, J08A, J08B, J08C, J11A, J11B, J11J, J11Q, J11R, J11S, J16Z | 09 | | J03A, J03B, J04A, J04B, J08A, J08B, J08C, J11A, J11B, J11J, J11Q, J11R, J11S, J16Z | 09 | J03A, J03B, J04A, J04B, J08A, J08B, J08C, J11A, J11B, J11J, J11Q, J11R, J11S, J16Z | | | | |
| | 10 | K09A, K09B | 10 | | K09A, K09B | 10 | K09A, K09B | | | | |
| | 11 | L09A, L09B, L09C, L09J, L38Z | 11 | | L09A, L09B, L09C, L09J, L38Z | 11 | L09A, L09B, L09C, L09J, L38Z | | | | |
| | 21A | W04A, W04B | 21A | | W04A, W04B | 21A | W04A, W04B | | | | |
| | 21B | X04Z, X05A, X05B, X06A, X06B, X06C | 21B | | X04Z, X05A, X05B, X06A, X06B, X06C | 21B | X04Z, X05A, X05B, X06A, X06B, X06C, X33Z | | | | |

VYK

| ZZV | MDC | DRG | ZZV | MDC | DRG | ZZV | MDC | DRG | | |
|----------|-----|--|--|--|--|--|--|--|------------------|------------------|
| 51502.6 | 01 | B04A, B04B, B04C, B04D, B04E | 51502.72 | 01 | B04A, B04B, B04C, B04D, B04E | 51502.a1 | 05 | F21A, F21B, F21J | | |
| | 05 | F01A, F01B, F01D, F05Z, F07A, F07B, F08A, F08B, F08C, F08D, F08E, F08F, F08J, F27A, F28A, F42Z | | 05 | F01A, F01B, F01D, F05Z, F07A, F07B, F08B, F08D, F14A, F14B, F28A, F42Z, F54A, F54B, F54J, F59A, F59B | | 08 | I08A, I08B, I08C, I08D, I08E, I13A, I13B | | |
| | 07 | H06A, H06B, H06C | | 07 | H06A, H06B, H06C | | 10 | K09A, K09B | | |
| | 08 | I08A, I08B, I08C, I08D, I08E, I13A, I13B | | 08 | I08A, I08B, I08C, I08D, I08E, I13A, I13B | | 11 | L09A, L09B, L09C, L09J, L38Z | | |
| | 09 | J03A, J03B, J04A, J04B, J08A, J08B, J08C, J11A, J11B, J11J, J11Q, J11R, J11S, J16Z | | 09 | J03A, J03B, J04A, J04B, J08A, J08B, J08C, J11A, J11B, J11J, J11Q, J11R, J11S, J16Z | | 21A | W04A, W04B | | |
| | 10 | K09A, K09B | | 10 | K09A, K09B | | 21B | X04Z, X05A, X05B, X06A, X06B, X06C | | |
| | 11 | L09A, L09B, L09C, L09J, L38Z | | 11 | L09A, L09B, L09C, L09J, L38Z | | 51502.a2 | 05 | F21A, F21B, F21J | |
| | 21A | W04A, W04B | | 21A | W04A, W04B | | 08 | I08A, I08B, I08C, I08D, I08E, I13A, I13B | | |
| | 21B | X04Z, X05A, X05B, X06A, X06B, X06C, X33Z | | 21B | X04Z, X05A, X05B, X06A, X06B, X06C | | 10 | K09A, K09B | | |
| | | | | | | | 11 | L09A, L09B, L09C, L09J, L38Z | | |
| | | | | | | | 21A | W04A, W04B | | |
| | | | | 21B | X04Z, X05A, X05B, X06A, X06B, X06C | | | | | |
| 51502.70 | 01 | B04A, B04B, B04C, B04D, B04E | 51502.73 | 01 | B04A, B04B, B04C, B04D, B04E | 51502.a3 | 05 | F21A, F21B, F21J | | |
| | 05 | F01A, F01B, F01D, F05Z, F07A, F07B, F08A, F08B, F08C, F08D, F08E, F08F, F08J, F27A, F28A, F42Z | | 05 | F01A, F01B, F01D, F05Z, F07A, F07B, F08B, F08D, F14A, F14B, F28A, F42Z, F54A, F54B, F54J, F59A, F59B | | 08 | I08A, I08B, I08C, I08D, I08E, I13A, I13B | | |
| | 07 | H06A, H06B, H06C | | 07 | H06A, H06B, H06C | | 10 | K09A, K09B | | |
| | 08 | I08A, I08B, I08C, I08D, I08E, I13A, I13B | | 08 | I08A, I08B, I08C, I08D, I08E, I13A, I13B | | 11 | L09A, L09B, L09C, L09J, L38Z | | |
| | 09 | J03A, J03B, J04A, J04B, J08A, J08B, J08C, J11A, J11B, J11J, J11Q, J11R, J11S, J16Z | | 09 | J03A, J03B, J04A, J04B, J08A, J08B, J08C, J11A, J11B, J11J, J11Q, J11R, J11S, J16Z | | 21A | W04A, W04B | | |
| | 10 | K09A, K09B | | 10 | K09A, K09B | | 21B | X04Z, X05A, X05B, X06A, X06B, X06C | | |
| | 11 | L09A, L09B, L09C, L09J, L38Z | | 11 | L09A, L09B, L09C, L09J, L38Z | | 51502.a4 | 05 | F21A, F21B, F21J | |
| | 21A | W04A, W04B | | 21A | W04A, W04B | | 08 | I08A, I08B, I08C, I08D, I08E, I13A, I13B | | |
| | 21B | X04Z, X05A, X05B, X06A, X06B, X06C, X33Z | | 21B | X04Z, X05A, X05B, X06A, X06B, X06C | | 10 | K09A, K09B | | |
| | | | | | | | 11 | L09A, L09B, L09C, L09J, L38Z | | |
| | | | | | | | 21A | W04A, W04B | | |
| | | | | 21B | X04Z, X05A, X05B, X06A, X06B, X06C | | | | | |
| 51502.71 | 01 | B04A, B04B, B04C, B04D, B04E | 51502.8 | 05 | F21A, F21B, F21J | 51502.a5 | 05 | F21A, F21B, F21J | | |
| | 05 | F01A, F01B, F01D, F05Z, F07A, F07B, F08B, F08D, F14A, F14B, F28A, F42Z, F54A, F54B, F54J, F59A, F59B | | 08 | I08A, I08B, I08C, I08D, I08E, I13A, I13B | | 08 | I08A, I08B, I08C, I08D, I08E, I13A, I13B | | |
| | 07 | H06A, H06B, H06C | | 10 | K09A, K09B | | 10 | K09A, K09B | | |
| | 08 | I08A, I08B, I08C, I08D, I08E, I13A, I13B | | 11 | L09A, L09B, L09C, L09J, L38Z | | 11 | L09A, L09B, L09C, L09J, L38Z | | |
| | 09 | J03A, J03B, J04A, J04B, J08A, J08B, J08C, J11A, J11B, J11J, J11Q, J11R, J11S, J16Z | | 21A | W04A, W04B | | 21A | W04A, W04B | | |
| | 10 | K09A, K09B | | 21B | X04Z, X05A, X05B, X06A, X06B, X06C | | 21B | X04Z, X05A, X05B, X06A, X06B, X06C | | |
| | 11 | L09A, L09B, L09C, L09J, L38Z | | 51502.9 | 01 | | B04A, B04B, B04C, B04D, B04E | 51502.ax | 05 | F21A, F21B, F21J |
| | 21A | W04A, W04B | | 05 | F01A, F01B, F01D, F05Z, F07A, F07B, F08A, F08B, F08C, F08D, F08E, F08J, F27A, F28A, F42Z | | 08 | I08A, I08B, I08C, I08D, I08E, I13A, I13B | | |
| | 21B | X04Z, X05A, X05B, X06A, X06B, X06C | | 08 | I08A, I08B, I08C, I08D, I08E, I13A, I13B | | 10 | K09A, K09B | | |
| | | | | 10 | K09A, K09B | | 11 | L09A, L09B, L09C, L09J, L38Z | | |
| | | | | 21A | W04A, W04B | | 21A | W04A, W04B | | |
| | | 21B | X04Z, X05A, X05B, X06A, X06B, X06C, X33Z | 21B | X04Z, X05A, X05B, X06A, X06B, X06C | | | | | |
| | | 51502.a0 | 05 | F21A, F21B, F21J | 51502.b† | 05 | F01A, F01B, F01D, F14A, F14B, F15Z, F24A, F24B, F28A, F36A, F36B, F54A, F54B, F54J, F59A | | | |
| | | | 08 | I08A, I08B, I08C, I08D, I08E, I13A, I13B | 10 | K09A, K09B | | | | |
| | | | 10 | K09A, K09B | 51502.c0† | 05 | F21A, F21B, F21J | | | |
| | | | 11 | L09A, L09B, L09C, L09J, L38Z | 08 | I08A, I08B, I08C, I08D, I08E, I13A, I13B | | | | |
| | | | 21A | W04A, W04B | 10 | K09A, K09B | | | | |
| | | | 21B | X04Z, X05A, X05B, X06A, X06B, X06C | 11 | L09A, L09B, L09C, L09J, L38Z | | | | |
| | | | | | 21A | W04A, W04B | | | | |
| | | | | | 21B | X04Z, X05A, X05B, X06A, X06B, X06C | | | | |

VYK

| ZZV | MDC | DRG | ZZV | MDC | DRG | ZZV | MDC | DRG | |
|-----------|------------------------|--|---------|------------------------------|--|------------------------------|--|--|--|
| 5I502.c1‡ | 05 | F21A, F21B, F21J | 5I511.3 | | BOP, KJZSV, KOP, KOPV, KVT, UOP4 | 5I512.3 | | BOP, KJZSV, KVT, UOP4 | |
| | 08 | I08A, I08B, I08C, I08D, I08E, I13A, I13B | | 01 | B02A, B02B, B02C, B02D, B20A, B20B, B20C, B20D, B20E, B39A, B39B | | 01 | B04A, B04B, B04C, B04D, B04E | |
| | 10 | K09A, K09B | | 05 | F05Z, F06A, F06C | | 05 | F01A, F01B, F01D, F05Z, F07A, F07B, F08A, F08B, F08C, F08D, F08E, F08J, F27A, F28A, F42Z | |
| | 11 | L09A, L09B, L09C, L09J, L38Z | | 06 | G33Z | | 06 | K09A, K09B | |
| | 21A | W04A, W04B | | 07 | H33Z, H38Z | | 07 | L09A, L38Z | |
| | 21B | X04Z, X05A, X05B, X06A, X06B, X06C | | 08 | I08A, I08B, I08C, I08D, I08E, I13A, I13B | | 08 | I08A, I08B, I08C, I08D, I08E, I13A, I13B | |
| 5I502.x | 05 | F21A, F21B, F21J | 5I511.x | 11 | L09A, L33Z, L38Z | 5I512.4 | 10 | K09A, K09B | |
| | 08 | I08A, I08B, I08C, I08D, I08E, I13A, I13B | | 21A | W01A, W01B, W01C, W36Z | | 11 | L09A, L38Z | |
| | 10 | K09A, K09B | | 21B | X06A, X06B, X06C, X33Z | | 21A | W04A, W04B | |
| | 11 | L09A, L09B, L09C, L09J, L38Z | | 23 | Z01A | | 21B | X06A, X06B, X06C, X33Z | |
| | 21A | W04A, W04B | | Pre | A07A | | | BOP, KJZSV, KVT, UOP4 | |
| | 21B | X04Z, X05A, X05B, X06A, X06B, X06C | | 5I512.0 | BOP, KJZSV, KVT, UOP4 | | 01 | B04A, B04B, B04C, B04D, B04E | 01 |
| 5I511.0 | 01 | BOP, KJZSV, KVT, UOP4 | 05 | | F01A, F01B, F01D, F05Z, F06A, F06C, F07A, F07B, F08A, F08B, F08C, F08D, F08E, F08J, F27A, F28A, F42Z | 05 | F01A, F01B, F01D, F05Z, F07A, F07B, F08A, F08B, F08C, F08D, F08E, F08J, F27A, F28A, F42Z | 05 | F01A, F01B, F01D, F05Z, F07A, F07B, F08A, F08B, F08C, F08D, F08E, F08J, F27A, F28A, F42Z |
| | 05 | F01A, F01B, F01D, F05Z, F06A, F06C, F07A, F07B, F08A, F08B, F08C, F08D, F08E, F08J, F27A, F28A, F42Z | 08 | | I08A, I08B, I08C, I08D, I08E, I13A, I13B | 08 | I08A, I08B, I08C, I08D, I08E, I13A, I13B | 08 | I08A, I08B, I08C, I08D, I08E, I13A, I13B |
| | 08 | I08A, I08B, I08C, I08D, I08E, I13A, I13B | 11 | | L09A, L38Z | 10 | K09A, K09B | 10 | K09A, K09B |
| | 10 | K09A, K09B | 21A | | W04A, W04B | 11 | L09A, L38Z | 11 | L09A, L38Z |
| | 11 | L09A, L38Z | 21B | | X06A, X06B, X06C, X33Z | 21A | W04A, W04B | 21A | W04A, W04B |
| | 21A | W04A, W04B | 5I511.1 | BOP, KJZSV, KVT, UOP4 | 21B | X06A, X06B, X06C, X33Z | 21B | X06A, X06B, X06C, X33Z | |
| 21B | X06A, X06B, X06C, X33Z | 01 | | B04A, B04B, B04C, B04D, B04E | 01 | B04A, B04B, B04C, B04D, B04E | 01 | B04A, B04B, B04C, B04D, B04E | |
| 5I511.1 | 01 | B04A, B04B, B04C, B04D, B04E | | 05 | F01A, F01B, F01D, F05Z, F06A, F06C, F07A, F07B, F08A, F08B, F08C, F08D, F08E, F08J, F27A, F28A, F42Z | 05 | F01A, F01B, F01D, F05Z, F07A, F07B, F08A, F08B, F08C, F08D, F08E, F08J, F27A, F28A, F42Z | 05 | F01A, F01B, F01D, F05Z, F07A, F07B, F08A, F08B, F08C, F08D, F08E, F08J, F27A, F28A, F42Z |
| | 05 | F01A, F01B, F01D, F05Z, F06A, F06C, F07A, F07B, F08A, F08B, F08C, F08D, F08E, F08J, F27A, F28A, F42Z | | 08 | I08A, I08B, I08C, I08D, I08E, I13A, I13B | 08 | I08A, I08B, I08C, I08D, I08E, I13A, I13B | 08 | I08A, I08B, I08C, I08D, I08E, I13A, I13B |
| | 08 | I08A, I08B, I08C, I08D, I08E, I13A, I13B | | 11 | L09A, L38Z | 10 | K09A, K09B | 10 | K09A, K09B |
| | 10 | K09A, K09B | | 21A | W04A, W04B | 11 | L09A, L38Z | 11 | L09A, L38Z |
| | 11 | L09A, L38Z | 21B | X06A, X06B, X06C, X33Z | 21A | W04A, W04B | 21A | W04A, W04B | |
| | 21A | W04A, W04B | 5I511.2 | BOP, KJZSV, KVT, UOP4 | 21B | X06A, X06B, X06C, X33Z | 21B | X06A, X06B, X06C, X33Z | |
| 21B | X06A, X06B, X06C, X33Z | 01 | | B04A, B04B, B04C, B04D, B04E | 01 | B04A, B04B, B04C, B04D, B04E | 01 | B04A, B04B, B04C, B04D, B04E | |
| 5I511.2 | 01 | B04A, B04B, B04C, B04D, B04E | | 05 | F01A, F01B, F01D, F05Z, F06A, F06C, F07A, F07B, F08A, F08B, F08C, F08D, F08E, F08J, F27A, F28A, F42Z | 05 | F01A, F01B, F01D, F05Z, F07A, F07B, F08A, F08B, F08C, F08D, F08E, F08J, F27A, F28A, F42Z | 05 | F01A, F01B, F01D, F05Z, F07A, F07B, F08A, F08B, F08C, F08D, F08E, F08J, F27A, F28A, F42Z |
| | 05 | F01A, F01B, F01D, F05Z, F06A, F06C, F07A, F07B, F08A, F08B, F08C, F08D, F08E, F08J, F27A, F28A, F42Z | | 08 | I08A, I08B, I08C, I08D, I08E, I13A, I13B | 08 | I08A, I08B, I08C, I08D, I08E, I13A, I13B | 08 | I08A, I08B, I08C, I08D, I08E, I13A, I13B |
| | 08 | I08A, I08B, I08C, I08D, I08E, I13A, I13B | | 11 | L09A, L38Z | 10 | K09A, K09B | 10 | K09A, K09B |
| | 10 | K09A, K09B | | 21A | W04A, W04B | 11 | L09A, L38Z | 11 | L09A, L38Z |
| | 11 | L09A, L38Z | 21B | X06A, X06B, X06C, X33Z | 21A | W04A, W04B | 21A | W04A, W04B | |
| | 21A | W04A, W04B | 5I512.2 | BOP, KJZSV, KVT, UOP4 | 21B | X06A, X06B, X06C, X33Z | 21B | X06A, X06B, X06C, X33Z | |
| 21B | X06A, X06B, X06C, X33Z | 01 | | B04A, B04B, B04C, B04D, B04E | 01 | B04A, B04B, B04C, B04D, B04E | 01 | B04A, B04B, B04C, B04D, B04E | |
| 5I512.3 | 01 | B04A, B04B, B04C, B04D, B04E | | 05 | F01A, F01B, F01D, F05Z, F07A, F07B, F08A, F08B, F08C, F08D, F08E, F08J, F27A, F28A, F42Z | 05 | F01A, F01B, F01D, F05Z, F07A, F07B, F08A, F08B, F08C, F08D, F08E, F08J, F27A, F28A, F42Z | 05 | F01A, F01B, F01D, F05Z, F07A, F07B, F08A, F08B, F08C, F08D, F08E, F08J, F27A, F28A, F42Z |
| | 05 | F01A, F01B, F01D, F05Z, F07A, F07B, F08A, F08B, F08C, F08D, F08E, F08J, F27A, F28A, F42Z | | 08 | I08A, I08B, I08C, I08D, I08E, I13A, I13B | 08 | I08A, I08B, I08C, I08D, I08E, I13A, I13B | 08 | I08A, I08B, I08C, I08D, I08E, I13A, I13B |
| | 08 | I08A, I08B, I08C, I08D, I08E, I13A, I13B | | 11 | L09A, L38Z | 10 | K09A, K09B | 10 | K09A, K09B |
| | 10 | K09A, K09B | | 21A | W04A, W04B | 11 | L09A, L38Z | 11 | L09A, L38Z |
| | 11 | L09A, L38Z | 21B | X06A, X06B, X06C, X33Z | 21A | W04A, W04B | 21A | W04A, W04B | |
| | 21A | W04A, W04B | | | 21B | X06A, X06B, X06C, X33Z | 21B | X06A, X06B, X06C, X33Z | |

VYK

| ZZV | MDC | DRG | ZZV | MDC | DRG | ZZV | MDC | DRG | | | |
|---------|---------|--|--|--|--|---------|--|--|---------|----|--|
| 51512.x | | BOP, KJZSV, KVT, UOP4 | 51514.3 | | BOP, KJZSV, KVT, UOP4 | 51514.x | | BOP, KJZSV, KVT, UOP4 | | | |
| | 01 | B04A, B04B, B04C, B04D, B04E | | 05 | F01A, F01B, F01D, F05Z, F07A, F07B, F08A, F08B, F08C, F08D, F08E, F08J, F27A, F28A, F42Z | | 01 | B04A, B04B, B04C, B04D, B04E | | | |
| | 05 | F01A, F01B, F01D, F05Z, F07A, F07B, F08A, F08B, F08C, F08D, F08E, F08J, F27A, F28A, F42Z | | 08 | I08A, I08B, I08C, I08D, I08E, I13A, I13B | | 05 | F01A, F01B, F01D, F05Z, F07A, F07B, F08A, F08B, F08C, F08D, F08E, F08J, F27A, F28A, F42Z | | | |
| | 08 | I08A, I08B, I08C, I08D, I08E, I13A, I13B | | 09 | J03A, J03B, J04A, J04B, J08A, J08B, J08C, J11A, J11B, J11J, J11Q, J11R, J11S, J16Z | | 08 | I08A, I08B, I08C, I08D, I08E, I13A, I13B | | | |
| | 11 | L09A, L38Z | | 10 | K01Z | | 11 | L09A, L38Z | | | |
| | 21A | W04A, W04B | | 11 | L09A, L38Z | | 21A | W04A, W04B | | | |
| | 21B | X06A, X06B, X06C, X33Z | | 21A | W04A, W04B | | 21B | X06A, X06B, X06C, X33Z | | | |
| | 51513 | | | BOP, KJZSV, KVT, UOP4 | 51514.4 | | | BOP, KJZSV, KVT, UOP4 | 51515.0 | | BOP, KJZSV, KVT, UOP4 |
| | | 01 | | B04A, B04B, B04C, B04D, B04E | | | 05 | F01A, F01B, F01D, F05Z, F07A, F07B, F08A, F08B, F08C, F08D, F08E, F08F, F08J, F27A, F28A, F42Z | | 05 | F01A, F01B, F01D, F05Z, F07A, F07B, F08A, F08B, F08C, F08D, F08E, F08J, F27A, F28A, F42Z |
| | | 05 | | F01A, F01B, F01D, F05Z, F07A, F07B, F08A, F08B, F08C, F08D, F08E, F08F, F08J, F27A, F28A, F42Z | | | 08 | I08A, I08B, I08C, I08D, I08E, I13A, I13B | | 06 | G10Z, G12A, G12B, G12J |
| 08 | | I08A, I08B, I08C, I08D, I08E, I13A, I13B | 08 | I08A, I08B, I08C, I08D, I08E, I13A, I13B | | 07 | H06A, H06B, H06C | | | | |
| 10 | | K09A, K09B | 09 | J03A, J03B, J04A, J04B, J08A, J08B, J08C, J11A, J11B, J11J, J11Q, J11R, J11S, J16Z | | 08 | I08A, I08B, I08C, I08D, I08E, I13A, I13B | | | | |
| 11 | | L09A, L38Z | 10 | K01Z | | 11 | L09A, L38Z | | | | |
| 21A | | W04A, W04B | 11 | L09A, L38Z | | 21A | W04A, W04B | | | | |
| 21B | | X06A, X06B, X06C, X33Z | 21A | W04A, W04B | | 21B | X06A, X06B, X06C, X33Z | | | | |
| 51514.0 | | | BOP, KJZSV, KVT, UOP4 | 51514.5 | | | BOP, KJZSV, KVT, UOP4 | 51515.1 | | | BOP, KJZSV, KVT, UOP4 |
| | | 01 | B04A, B04B, B04C, B04D, B04E | | | 05 | F01A, F01B, F01D, F05Z, F07A, F07B, F08A, F08B, F08C, F08D, F08E, F08J, F27A, F28A, F42Z | | | 05 | F01A, F01B, F01D, F05Z, F07A, F07B, F08A, F08B, F08C, F08D, F08E, F08J, F27A, F27B, F27C, F28A, F42Z |
| | 05 | F01A, F01B, F01D, F05Z, F07A, F07B, F08A, F08B, F08C, F08D, F08E, F08J, F27A, F28A, F42Z | 08 | | I08A, I08B, I08C, I08D, I08E, I13A, I13B | 08 | I08A, I08B, I08C, I08D, I08E, I13A, I13B | | | | |
| | 08 | I08A, I08B, I08C, I08D, I08E, I13A, I13B | 09 | | J03A, J03B, J04A, J04B, J08A, J08B, J08C, J11A, J11B, J11J, J11Q, J11R, J11S, J16Z | 09 | J03A, J03B, J04A, J04B, J08A, J08B, J08C, J11A, J11B, J11J, J11Q, J11R, J11S, J16Z | | | | |
| | 11 | L09A, L38Z | 10 | | K01Z | 10 | K01Z | | | | |
| | 21A | W04A, W04B | 11 | | L09A, L38Z | 11 | L09A, L38Z | | | | |
| | 21B | X06A, X06B, X06C, X33Z | 21A | | W04A, W04B | 21A | W04A, W04B | | | | |
| | 51514.1 | | BOP, KJZSV, KVT, UOP4 | | 51514.6 | | BOP, KJZSV, KVT, UOP4 | | 51515.2 | | BOP, KJZSV, KVT, UOP4 |
| | | 01 | B04A, B04B, B04C, B04D, B04E | | | 05 | F01A, F01B, F01D, F05Z, F07A, F07B, F08A, F08B, F08C, F08D, F08E, F08J, F27A, F27B, F27C, F28A, F42Z | | | 05 | F01A, F01B, F01D, F05Z, F07A, F07B, F08A, F08B, F08C, F08D, F08E, F08J, F27A, F27B, F27C, F28A, F42Z |
| | | 05 | F01A, F01B, F01D, F05Z, F07A, F07B, F08A, F08B, F08C, F08D, F08E, F08J, F27A, F28A, F42Z | | | 08 | I08A, I08B, I08C, I08D, I08E, I13A, I13B | | | 08 | I08A, I08B, I08C, I08D, I08E, I13A, I13B |
| 08 | | I08A, I08B, I08C, I08D, I08E, I13A, I13B | 09 | J03A, J03B, J04A, J04B, J08A, J08B, J08C, J11A, J11B, J11J, J11Q, J11R, J11S, J16Z | | 09 | J03A, J03B, J04A, J04B, J08A, J08B, J08C, J11A, J11B, J11J, J11Q, J11R, J11S, J16Z | | | | |
| 11 | | L09A, L38Z | 10 | K01Z | | 10 | K01Z | | | | |
| 21A | | W04A, W04B | 11 | L09A, L38Z | | 11 | L09A, L38Z | | | | |
| 21B | | X06A, X06B, X06C, X33Z | 21A | W04A, W04B | | 21A | W04A, W04B | | | | |
| 51514.2 | | | BOP, KJZSV, KVT, UOP4 | | | | | | | | X06A, X06B, X06C, X33Z |
| | | 01 | B04A, B04B, B04C, B04D, B04E | | | | | | | | |
| | | 05 | F01A, F01B, F01D, F05Z, F07A, F07B, F08A, F08B, F08C, F08D, F08E, F08J, F27A, F28A, F42Z | | | | | | | | |
| | 07 | H06A, H06B, H06C | | | | | | | | | |
| | 08 | I08A, I08B, I08C, I08D, I08E, I13A, I13B | | | | | | | | | |
| | 09 | J03A, J03B, J04A, J04B, J08A, J08B, J08C, J11A, J11B, J11J, J11Q, J11R, J11S, J16Z | | | | | | | | | |
| | 10 | K09A, K09B | | | | | | | | | |
| | 11 | L09A, L38Z | | | | | | | | | |
| | 21B | X06A, X06B, X06C, X33Z | | | | | | | | | |

VYK

| ZZV | MDC | DRG | ZZV | MDC | DRG | ZZV | MDC | DRG |
|---------|-----|--|----------|-----|--|----------|-----|--|
| 51516.x | | BOP, KJZSV, KVT, UOP4 | 51517.x | | BOP, KJZSV, KVT, UOP4 | 51521.1↔ | | BOP, KJZSV, KVT, UOP4 |
| | 01 | B04A, B04B, B04C, B04D, B04E | | 01 | B04A, B04B, B04C, B04D, B04E | | 01 | B04A, B04B, B04C, B04D, B04E |
| | 05 | F01A, F01B, F01D, F05Z, F07A, F07B, F08A, F08B, F08C, F08D, F08E, F08J, F27A, F28A, F42Z | | 05 | F01A, F01B, F01D, F05Z, F07A, F07B, F08A, F08B, F08C, F08D, F08E, F08J, F27A, F28A, F42Z | | 05 | F01A, F01B, F01D, F05Z, F06A, F06C, F07A, F07B, F08A, F08B, F08C, F08D, F08E, F08J, F27A, F28A, F42Z |
| | 08 | I08A, I08B, I08C, I08D, I08E, I13A, I13B | | 08 | I08A, I08B, I08C, I08D, I08E, I13A, I13B | | 08 | I08A, I08B, I08C, I08D, I08E, I13A, I13B |
| | 10 | K09A, K09B | | 10 | K09A, K09B | | 10 | K09A, K09B |
| | 11 | L09A, L38Z | | 11 | L09A, L38Z | | 11 | L09A, L38Z |
| | 21A | W04A, W04B | | 21A | W04A, W04B | | 21A | W04A, W04B |
| | 21B | X06A, X06B, X06C, X33Z | | 21B | X04Z, X33Z | | 21A | W04A, W04B |
| 51517.0 | | BOP, KJZSV, KVT, UOP4 | 51518 | | BOP, KJZSV, KVT, UOP4 | 51521.2↔ | | BOP, KJZSV, KVT, UOP4 |
| | 01 | B04A, B04B, B04C, B04D, B04E | | 01 | B04A, B04B, B04C, B04D, B04E | | 01 | B04A, B04B, B04C, B04D, B04E |
| | 05 | F01A, F01B, F01D, F05Z, F07A, F07B, F08A, F08B, F08C, F08D, F08E, F08J, F27A, F28A, F42Z | | 05 | F01A, F01B, F01D, F05Z, F07A, F07B, F08A, F08B, F08C, F08D, F08E, F08J, F27A, F28A, F42Z | | 05 | F01A, F01B, F01D, F05Z, F06A, F06C, F07A, F07B, F08A, F08B, F08C, F08D, F08E, F08J, F27A, F28A, F42Z |
| | 08 | I08A, I08B, I08C, I08D, I08E, I13A, I13B | | 08 | I08A, I08B, I08C, I08D, I08E, I13A, I13B | | 08 | I08A, I08B, I08C, I08D, I08E, I13A, I13B |
| | 10 | K09A, K09B | | 10 | K09A, K09B | | 10 | K09A, K09B |
| | 11 | L09A, L38Z | | 11 | L09A, L38Z | | 11 | L09A, L38Z |
| | 21A | W04A, W04B | | 21A | W04A, W04B | | 21A | W04A, W04B |
| | 21B | X04Z, X33Z | | 21B | X04Z, X33Z | | 21B | X06A, X06B, X06C, X33Z |
| 51517.1 | | BOP, KJZSV, KVT, UOP4 | 51519 | | BOP, KJZSV, KVT, UOP4 | 51521.3↔ | | BOP, KJZSV, KOP, KOPV, KVT, UOP4 |
| | 01 | B04A, B04B, B04C, B04D, B04E | | 01 | B04A, B04B, B04C, B04D, B04E | | 01 | B02A, B02B, B02C, B02D, B20A, B20B, B20C, B20D, B20E, B39A, B39B |
| | 05 | F01A, F01B, F01D, F05Z, F07A, F07B, F08A, F08B, F08C, F08D, F08E, F08J, F27A, F28A, F42Z | | 05 | F01A, F01B, F01D, F05Z, F07A, F07B, F08A, F08B, F08C, F08D, F08E, F08J, F27A, F28A, F42Z | | 05 | F05Z, F06A, F06C |
| | 08 | I08A, I08B, I08C, I08D, I08E, I13A, I13B | | 07 | H06A, H06B, H06C | | 06 | G33Z |
| | 10 | K09A, K09B | | 08 | I08A, I08B, I08C, I08D, I08E, I13A, I13B | | 07 | H33Z, H38Z |
| | 11 | L09A, L38Z | | 09 | J03A, J03B, J04A, J04B, J08A, J08B, J08C, J11A, J11B, J11J, J11Q, J11R, J11S, J16Z | | 08 | I08A, I08B, I08C, I08D, I08E, I13A, I13B |
| | 21A | W04A, W04B | | 10 | K09A, K09B | | 11 | L09A, L33Z, L38Z |
| | 21B | X04Z, X33Z | | 11 | L09A, L09B, L09C, L09J, L38Z | | 21A | W01A, W01B, W01C, W36Z |
| 51517.2 | | BOP, KJZSV, KVT, UOP4 | 51521.0↔ | | BOP, KJZSV, KVT, UOP4 | 51521.4 | | BOP, KJZSV, KVT, UOP4 |
| | 01 | B04A, B04B, B04C, B04D, B04E | | 01 | B04A, B04B, B04C, B04D, B04E | | 01 | B04A, B04B, B04C, B04D, B04E |
| | 05 | F01A, F01B, F01D, F05Z, F07A, F07B, F08A, F08B, F08C, F08D, F08E, F08J, F27A, F28A, F42Z | | 05 | F01A, F01B, F01D, F05Z, F06A, F06C, F07A, F07B, F08A, F08B, F08C, F08D, F08E, F08J, F27A, F28A, F42Z | | 05 | F01A, F01B, F01D, F05Z, F06A, F06C, F07A, F07B, F08A, F08B, F08C, F08D, F08E, F08J, F27A, F28A, F42Z |
| | 08 | I08A, I08B, I08C, I08D, I08E, I13A, I13B | | 08 | I08A, I08B, I08C, I08D, I08E, I13A, I13B | | 08 | I08A, I08B, I08C, I08D, I08E, I13A, I13B |
| | 10 | K09A, K09B | | 10 | K09A, K09B | | 11 | L09A, L38Z |
| | 11 | L09A, L38Z | | 11 | L09A, L38Z | | 21A | W04A, W04B |
| | 21A | W04A, W04B | | 21A | W04A, W04B | | 21B | X06A, X06B, X06C, X33Z |
| | 21B | X04Z, X33Z | | 21B | X06A, X06B, X06C, X33Z | | 23 | Z01A |
| 51517.3 | | BOP, KJZSV, KVT, UOP4 | 51521.1↔ | | BOP, KJZSV, KVT, UOP4 | 51521.5 | | BOP, KJZSV, KVT, UOP4 |
| | 01 | B04A, B04B, B04C, B04D, B04E | | 01 | B04A, B04B, B04C, B04D, B04E | | 01 | B04A, B04B, B04C, B04D, B04E |
| | 05 | F01A, F01B, F01D, F05Z, F07A, F07B, F08A, F08B, F08C, F08D, F08E, F08J, F27A, F28A, F42Z | | 05 | F01A, F01B, F01D, F05Z, F06A, F06C, F07A, F07B, F08A, F08B, F08C, F08D, F08E, F08J, F27A, F28A, F42Z | | 05 | F01A, F01B, F01D, F05Z, F06A, F06C, F07A, F07B, F08A, F08B, F08C, F08D, F08E, F08J, F27A, F28A, F42Z |
| | 08 | I08A, I08B, I08C, I08D, I08E, I13A, I13B | | 08 | I08A, I08B, I08C, I08D, I08E, I13A, I13B | | 08 | I08A, I08B, I08C, I08D, I08E, I13A, I13B |
| | 10 | K09A, K09B | | 10 | K09A, K09B | | 11 | L09A, L38Z |
| | 11 | L09A, L38Z | | 11 | L09A, L38Z | | 21A | W04A, W04B |
| | 21A | W04A, W04B | | 21A | W04A, W04B | | 21B | X06A, X06B, X06C, X33Z |
| | 21B | X04Z, X33Z | | 21B | X06A, X06B, X06C, X33Z | | Pre | A07A |

VYK

| ZZV | MDC | DRG | ZZV | MDC | DRG | ZZV | MDC | DRG | | | |
|----------|----------|--|--|--|--|--------|--|--|----------|----|--|
| 51521.x↔ | | BOP, KJZSV, KVT, UOP4 | 51522.4↔ | | BOP, KJZSV, KVT, UOP4 | 51523↔ | | BOP, KJZSV, KVT, UOP4 | | | |
| | 01 | B04A, B04B, B04C, B04D, B04E | | 01 | B04A, B04B, B04C, B04D, B04E | | 01 | B04A, B04B, B04C, B04D, B04E | | | |
| | 05 | F01A, F01B, F01D, F05Z, F06A, F06C, F07A, F07B, F08A, F08B, F08C, F08D, F08E, F08J, F27A, F28A, F42Z | | 05 | F01A, F01B, F01D, F05Z, F07A, F07B, F08A, F08B, F08C, F08D, F08E, F08J, F27A, F28A, F42Z | | 05 | F01A, F01B, F01D, F05Z, F07A, F07B, F08A, F08B, F08C, F08D, F08E, F08F, F08J, F27A, F28A, F42Z | | | |
| | 08 | I08A, I08B, I08C, I08D, I08E, I13A, I13B | | 08 | I08A, I08B, I08C, I08D, I08E, I13A, I13B | | 08 | I08A, I08B, I08C, I08D, I08E, I13A, I13B | | | |
| | 11 | L09A, L38Z | | 10 | K09A, K09B | | 10 | K09A, K09B | | | |
| | 21A | W04A, W04B | | 11 | L09A, L38Z | | 11 | L09A, L38Z | | | |
| | 21B | X06A, X06B, X06C, X33Z | | 21A | W04A, W04B | | 21A | W04A, W04B | | | |
| | 51522.0↔ | | | BOP, KJZSV, KVT, UOP4 | 51522.5↔ | | | BOP, KJZSV, KVT, UOP4 | 51524.0↔ | | BOP, KJZSV, KVT, UOP4 |
| | | 01 | | B04A, B04B, B04C, B04D, B04E | | | 01 | B04A, B04B, B04C, B04D, B04E | | 01 | B04A, B04B, B04C, B04D, B04E |
| | | 05 | | F01A, F01B, F01D, F05Z, F07A, F07B, F08A, F08B, F08C, F08D, F08E, F08J, F27A, F28A, F42Z | | | 05 | F01A, F01B, F01D, F05Z, F07A, F07B, F08A, F08B, F08C, F08D, F08E, F08J, F27A, F28A, F42Z | | 05 | F01A, F01B, F01D, F05Z, F07A, F07B, F08A, F08B, F08C, F08D, F08E, F08J, F27A, F28A, F42Z |
| 08 | | I08A, I08B, I08C, I08D, I08E, I13A, I13B | 08 | I08A, I08B, I08C, I08D, I08E, I13A, I13B | | 08 | I08A, I08B, I08C, I08D, I08E, I13A, I13B | | | | |
| 11 | | L09A, L38Z | 10 | K09A, K09B | | 11 | L09A, L38Z | | | | |
| 21A | | W04A, W04B | 11 | L09A, L38Z | | 21A | W04A, W04B | | | | |
| 21B | | X06A, X06B, X06C, X33Z | 21A | W04A, W04B | | 21B | X06A, X06B, X06C, X33Z | | | | |
| 51522.1↔ | | | BOP, KJZSV, KVT, UOP4 | 51522.6↔ | | | BOP, KJZSV, KVT, UOP4 | 51524.1↔ | | | BOP, KJZSV, KVT, UOP4 |
| | | 01 | B04A, B04B, B04C, B04D, B04E | | | 01 | B04A, B04B, B04C, B04D, B04E | | | 01 | B04A, B04B, B04C, B04D, B04E |
| | | 05 | F01A, F01B, F01D, F05Z, F07A, F07B, F08A, F08B, F08C, F08D, F08E, F08J, F27A, F28A, F42Z | | | 05 | F01A, F01B, F01D, F05Z, F07A, F07B, F08A, F08B, F08C, F08D, F08E, F08J, F27A, F28A, F42Z | | | 05 | F01A, F01B, F01D, F05Z, F07A, F07B, F08A, F08B, F08C, F08D, F08E, F08J, F27A, F28A, F42Z |
| | 08 | I08A, I08B, I08C, I08D, I08E, I13A, I13B | 08 | | I08A, I08B, I08C, I08D, I08E, I13A, I13B | 08 | I08A, I08B, I08C, I08D, I08E, I13A, I13B | | | | |
| | 11 | L09A, L38Z | 10 | | K09A, K09B | 11 | L09A, L38Z | | | | |
| | 21A | W04A, W04B | 11 | | L09A, L38Z | 21A | W04A, W04B | | | | |
| | 21B | X06A, X06B, X06C, X33Z | 21B | | X06A, X06B, X06C, X33Z | 21B | X06A, X06B, X06C, X33Z | | | | |
| | 51522.2↔ | | BOP, KJZSV, KVT, UOP4 | | 51522.7↔ | | BOP, KJZSV, KVT, UOP4 | | 51524.2 | | BOP, KJZSV, KVT, UOP4 |
| | | 01 | B04A, B04B, B04C, B04D, B04E | | | 01 | B04A, B04B, B04C, B04D, B04E | | | 01 | B04A, B04B, B04C, B04D, B04E |
| | | 05 | F01A, F01B, F01D, F05Z, F07A, F07B, F08A, F08B, F08C, F08D, F08E, F08J, F27A, F28A, F42Z | | | 05 | F01A, F01B, F01D, F05Z, F07A, F07B, F08A, F08B, F08C, F08D, F08E, F08J, F27A, F28A, F42Z | | | 05 | F01A, F01B, F01D, F05Z, F07A, F07B, F08A, F08B, F08C, F08D, F08E, F08J, F27A, F28A, F42Z |
| 08 | | I08A, I08B, I08C, I08D, I08E, I13A, I13B | 08 | I08A, I08B, I08C, I08D, I08E, I13A, I13B | | 07 | H06A, H06B, H06C | | | | |
| 10 | | K09A, K09B | 08 | I08A, I08B, I08C, I08D, I08E, I13A, I13B | | 08 | I08A, I08B, I08C, I08D, I08E, I13A, I13B | | | | |
| 11 | | L09A, L38Z | 10 | K09A, K09B | | 09 | J03A, J03B, J04A, J04B, J08A, J08B, J08C, J11A, J11B, J11J, J11Q, J11R, J11S, J16Z | | | | |
| 21A | | W04A, W04B | 11 | L09A, L38Z | | 10 | K09A, K09B | | | | |
| 21B | | X06A, X06B, X06C, X33Z | 21A | W04A, W04B | | 11 | L09A, L38Z | | | | |
| 51522.3↔ | | | BOP, KJZSV, KVT, UOP4 | 51522.x↔ | | | BOP, KJZSV, KVT, UOP4 | 51524.3↔ | | | BOP, KJZSV, KVT, UOP4 |
| | | 01 | B04A, B04B, B04C, B04D, B04E | | | 01 | B04A, B04B, B04C, B04D, B04E | | | 05 | F01A, F01B, F01D, F05Z, F07A, F07B, F08A, F08B, F08C, F08D, F08E, F08J, F27A, F27B, F27C, F28A, F42Z |
| | 05 | F01A, F01B, F01D, F05Z, F07A, F07B, F08A, F08B, F08C, F08D, F08E, F08J, F27A, F28A, F42Z | 05 | | F01A, F01B, F01D, F05Z, F07A, F07B, F08A, F08B, F08C, F08D, F08E, F08J, F27A, F28A, F42Z | 05 | F01A, F01B, F01D, F05Z, F07A, F07B, F08A, F08B, F08C, F08D, F08E, F08J, F27A, F27B, F27C, F28A, F42Z | | | | |
| | 08 | I08A, I08B, I08C, I08D, I08E, I13A, I13B | 08 | | I08A, I08B, I08C, I08D, I08E, I13A, I13B | 08 | I08A, I08B, I08C, I08D, I08E, I13A, I13B | | | | |
| | 10 | K09A, K09B | 11 | | L09A, L38Z | 09 | J03A, J03B, J04A, J04B, J08A, J08B, J08C, J11A, J11B, J11J, J11Q, J11R, J11S, J16Z | | | | |
| | 11 | L09A, L38Z | 21A | | W04A, W04B | 10 | K01Z | | | | |
| | 21A | W04A, W04B | 21A | | W04A, W04B | 11 | L09A, L38Z | | | | |
| | 21B | X06A, X06B, X06C, X33Z | 21B | | X06A, X06B, X06C, X33Z | 21A | W04A, W04B | | | | |
| | | | | | | 21B | X06A, X06B, X06C, X33Z | | | | |

VYK

| ZZV | MDC | DRG | ZZV | MDC | DRG | ZZV | MDC | DRG | | | |
|----------|----------|--|--|--|--|--|--|--|--|-----------------------|--|
| 51524.4 | | BOP, KJZSV, KVT, UOP4 | 51524.8↔ | | BOP, KJZSV, KVT, UOP4 | 51525.1↔ | | BOP, KJZSV, KVT, UOP4 | | | |
| | 05 | F01A, F01B, F01D, F05Z, F07A, F07B, F08A, F08B, F08C, F08D, F08E, F08J, F27A, F27B, F27C, F28A, F42Z | | 05 | F01A, F01B, F01D, F05Z, F07A, F07B, F08A, F08B, F08C, F08D, F08E, F08J, F27A, F27B, F27C, F28A, F42Z | | 05 | F01A, F01B, F01D, F05Z, F07A, F07B, F08A, F08B, F08C, F08D, F08E, F08J, F27A, F27B, F27C, F28A, F42Z | | | |
| | 08 | I08A, I08B, I08C, I08D, I08E, I13A, I13B | | 08 | I08A, I08B, I08C, I08D, I08E, I13A, I13B | | 08 | I08A, I08B, I08C, I08D, I08E, I13A, I13B | | | |
| | 09 | J03A, J03B, J04A, J04B, J08A, J08B, J08C, J11A, J11B, J11J, J11Q, J11R, J11S, J16Z | | 09 | J03A, J03B, J04A, J04B, J08A, J08B, J08C, J11A, J11B, J11J, J11Q, J11R, J11S, J16Z | | 09 | J03A, J03B, J04A, J04B, J08A, J08B, J08C, J11A, J11B, J11J, J11Q, J11R, J11S, J16Z | | | |
| | 10 | K01Z | | 10 | K01Z | | 10 | K01Z | | | |
| | 11 | L09A, L38Z | | 11 | L09A, L38Z | | 11 | L09A, L38Z | | | |
| | 21A | W04A, W04B | | 21A | W04A, W04B | | 21A | W04A, W04B | | | |
| | 21B | X06A, X06B, X06C, X33Z | | 21B | X06A, X06B, X06C, X33Z | | 21B | X06A, X06B, X06C, X33Z | | | |
| | 51524.5↔ | | | BOP, KJZSV, KVT, UOP4 | 51524.9↔ | | | BOP, KJZSV, KVT, UOP4 | 51525.10 | | BOP, KJZSV, KVT, UOP4 |
| | | 05 | | F01A, F01B, F01D, F05Z, F07A, F07B, F08A, F08B, F08C, F08D, F08E, F08J, F27A, F27B, F27C, F28A, F42Z | | | 05 | F01A, F01B, F01D, F05Z, F07A, F07B, F08A, F08B, F08C, F08D, F08E, F08J, F27A, F27B, F27C, F28A, F42Z | | 05 | F01A, F01B, F01D, F05Z, F07A, F07B, F08A, F08B, F08C, F08D, F08E, F08J, F27A, F28A, F42Z |
| 08 | | I08A, I08B, I08C, I08D, I08E, I13A, I13B | 08 | I08A, I08B, I08C, I08D, I08E, I13A, I13B | | 06 | G10Z, G12A, G12B, G12J | | | | |
| 09 | | J03A, J03B, J04A, J04B, J08A, J08B, J08C, J11A, J11B, J11J, J11Q, J11R, J11S, J16Z | 09 | J03A, J03B, J04A, J04B, J08A, J08B, J08C, J11A, J11B, J11J, J11Q, J11R, J11S, J16Z | | 07 | H06A, H06B, H06C | | | | |
| 10 | | K01Z | 10 | K01Z | | 08 | I08A, I08B, I08C, I08D, I08E, I13A, I13B | | | | |
| 11 | | L09A, L38Z | 11 | L09A, L38Z | | 11 | L09A, L38Z | | | | |
| 21A | | W04A, W04B | 21A | W04A, W04B | | 21A | W04A, W04B | | | | |
| 21B | | X06A, X06B, X06C, X33Z | 21B | X06A, X06B, X06C, X33Z | | 21B | X06A, X06B, X06C, X33Z | | | | |
| 51524.6↔ | | | BOP, KJZSV, KVT, UOP4 | 51524.x↔ | | | BOP, KJZSV, KVT, UOP4 | 51525.2↔ | | | BOP, KJZSV, KVT, UOP4 |
| | | 05 | F01A, F01B, F01D, F05Z, F07A, F07B, F08A, F08B, F08C, F08D, F08E, F08J, F27A, F27B, F27C, F28A, F42Z | | | 01 | B04A, B04B, B04C, B04D, B04E | | | 05 | F01A, F01B, F01D, F05Z, F07A, F07B, F08A, F08B, F08C, F08D, F08E, F08J, F27A, F27B, F27C, F28A, F42Z |
| | 08 | I08A, I08B, I08C, I08D, I08E, I13A, I13B | 05 | | F01A, F01B, F01D, F05Z, F07A, F07B, F08A, F08B, F08C, F08D, F08E, F08J, F27A, F28A, F42Z | 08 | I08A, I08B, I08C, I08D, I08E, I13A, I13B | | | | |
| | 09 | J03A, J03B, J04A, J04B, J08A, J08B, J08C, J11A, J11B, J11J, J11Q, J11R, J11S, J16Z | 08 | | I08A, I08B, I08C, I08D, I08E, I13A, I13B | 09 | J03A, J03B, J04A, J04B, J08A, J08B, J08C, J11A, J11B, J11J, J11Q, J11R, J11S, J16Z | | | | |
| | 10 | K01Z | 11 | | L09A, L38Z | 10 | K01Z | | | | |
| | 11 | L09A, L38Z | 21A | | W04A, W04B | 11 | L09A, L38Z | | | | |
| | 21A | W04A, W04B | 21B | | X06A, X06B, X06C, X33Z | 21A | W04A, W04B | | | | |
| | 21B | X06A, X06B, X06C, X33Z | 51525.0↔ | | | BOP, KJZSV, KVT, UOP4 | 51525.3↔ | | | BOP, KJZSV, KVT, UOP4 | |
| | 51524.7 | | | | BOP, KJZSV, KVT, UOP4 | | | | F01A, F01B, F01D, F05Z, F07A, F07B, F08A, F08B, F08C, F08D, F08E, F08J, F27A, F28A, F42Z | 05 | F01A, F01B, F01D, F05Z, F07A, F07B, F08A, F08B, F08C, F08D, F08E, F08J, F27A, F27B, F27C, F28A, F42Z |
| | | 01 | | | B04A, B04B, B04C, B04D, B04E | 06 | | | G10Z, G12A, G12B, G12J | 08 | I08A, I08B, I08C, I08D, I08E, I13A, I13B |
| 05 | | F01A, F01B, F01D, F05Z, F07A, F07B, F08A, F08B, F08C, F08D, F08E, F08J, F27A, F28A, F42Z | | 07 | H06A, H06B, H06C | 09 | | J03A, J03B, J04A, J04B, J08A, J08B, J08C, J11A, J11B, J11J, J11Q, J11R, J11S, J16Z | | | |
| 08 | | I08A, I08B, I08C, I08D, I08E, I13A, I13B | | 08 | I08A, I08B, I08C, I08D, I08E, I13A, I13B | 10 | | K01Z | | | |
| 11 | | L09A, L38Z | | 11 | L09A, L38Z | 11 | | L09A, L38Z | | | |
| 21A | | W04A, W04B | | 21A | W04A, W04B | 21A | | W04A, W04B | | | |
| 21B | | X06A, X06B, X06C, X33Z | | 21B | X06A, X06B, X06C, X33Z | 21B | | X06A, X06B, X06C, X33Z | | | |
| 51525.0 | | | | BOP, KJZSV, KVT, UOP4 | | F01A, F01B, F01D, F05Z, F07A, F07B, F08A, F08B, F08C, F08D, F08E, F08J, F27A, F28A, F42Z | | 08 | I08A, I08B, I08C, I08D, I08E, I13A, I13B | | |
| | | 05 | | F01A, F01B, F01D, F05Z, F07A, F07B, F08A, F08B, F08C, F08D, F08E, F08J, F27A, F28A, F42Z | 06 | G10Z, G12A, G12B, G12J | | 09 | J03A, J03B, J04A, J04B, J08A, J08B, J08C, J11A, J11B, J11J, J11Q, J11R, J11S, J16Z | | |
| | | 06 | G10Z, G12A, G12B, G12J | 07 | H06A, H06B, H06C | 10 | K01Z | | | | |
| | 07 | H06A, H06B, H06C | 08 | I08A, I08B, I08C, I08D, I08E, I13A, I13B | 11 | L09A, L38Z | | | | | |
| | 08 | I08A, I08B, I08C, I08D, I08E, I13A, I13B | 11 | L09A, L38Z | 21A | W04A, W04B | | | | | |
| | 11 | L09A, L38Z | 21A | W04A, W04B | 21B | X06A, X06B, X06C, X33Z | | | | | |
| | 21A | W04A, W04B | 21B | X06A, X06B, X06C, X33Z | | | | | | | |
| | 21B | X06A, X06B, X06C, X33Z | | | | | | | | | |
| | | | | | | | | | | | |
| | | | | | | | | | | | |

VYK

| ZZV | MDC | DRG | ZZV | MDC | DRG | ZZV | MDC | DRG | | | |
|----------|----------|--|--|--|--|----------|--|--|----------|----|--|
| 51525.4↔ | | BOP, KJZSV, KVT, UOP4 | 51525.x↔ | | BOP, KJZSV, KVT, UOP4 | 51526.4↔ | | BOP, KJZSV, KVT, UOP4 | | | |
| | 05 | F01A, F01B, F01D, F05Z, F07A, F07B, F08A, F08B, F08C, F08D, F08E, F08J, F27A, F27B, F27C, F28A, F42Z | | 05 | F01A, F01B, F01D, F05Z, F07A, F07B, F08A, F08B, F08C, F08D, F08E, F08J, F27A, F28A, F42Z | | 01 | B04A, B04B, B04C, B04D, B04E | | | |
| | 08 | I08A, I08B, I08C, I08D, I08E, I13A, I13B | | 06 | G10Z, G12A, G12B, G12J | | 05 | F01A, F01B, F01D, F05Z, F07A, F07B, F08A, F08B, F08C, F08D, F08E, F08J, F27A, F28A, F42Z | | | |
| | 09 | J03A, J03B, J04A, J04B, J08A, J08B, J08C, J11A, J11B, J11J, J11Q, J11R, J11S, J16Z | | 07 | H06A, H06B, H06C | | 08 | I08A, I08B, I08C, I08D, I08E, I13A, I13B | | | |
| | 10 | K01Z | | 08 | I08A, I08B, I08C, I08D, I08E, I13A, I13B | | 10 | K09A, K09B | | | |
| | 11 | L09A, L38Z | | 11 | L09A, L38Z | | 10 | K09A, K09B | | | |
| | 21A | W04A, W04B | | 21A | W04A, W04B | | 11 | L09A, L38Z | | | |
| | 21B | X06A, X06B, X06C, X33Z | | 21B | X06A, X06B, X06C, X33Z | | 21A | W04A, W04B | | | |
| | 51525.5↔ | | | BOP, KJZSV, KVT, UOP4 | 51526.0↔ | | | BOP, KJZSV, KVT, UOP4 | 51526.5↔ | | BOP, KJZSV, KVT, UOP4 |
| | | 05 | | F01A, F01B, F01D, F05Z, F07A, F07B, F08A, F08B, F08C, F08D, F08E, F08J, F27A, F27B, F27C, F28A, F42Z | | | 01 | B04A, B04B, B04C, B04D, B04E | | 01 | B04A, B04B, B04C, B04D, B04E |
| | | 08 | | I08A, I08B, I08C, I08D, I08E, I13A, I13B | | | 05 | F01A, F01B, F01D, F05Z, F07A, F07B, F08A, F08B, F08C, F08D, F08E, F08J, F27A, F28A, F42Z | | 05 | F01A, F01B, F01D, F05Z, F07A, F07B, F08A, F08B, F08C, F08D, F08E, F08J, F27A, F28A, F42Z |
| 09 | | J03A, J03B, J04A, J04B, J08A, J08B, J08C, J11A, J11B, J11J, J11Q, J11R, J11S, J16Z | 08 | I08A, I08B, I08C, I08D, I08E, I13A, I13B | | 08 | I08A, I08B, I08C, I08D, I08E, I13A, I13B | | | | |
| 10 | | K01Z | 10 | K09A, K09B | | 10 | K09A, K09B | | | | |
| 11 | | L09A, L38Z | 11 | L09A, L38Z | | 11 | L09A, L38Z | | | | |
| 21A | | W04A, W04B | 21A | W04A, W04B | | 21A | W04A, W04B | | | | |
| 21B | | X06A, X06B, X06C, X33Z | 21B | X06A, X06B, X06C, X33Z | | 21B | X06A, X06B, X06C, X33Z | | | | |
| 51525.6↔ | | | BOP, KJZSV, KVT, UOP4 | 51526.1↔ | | | BOP, KJZSV, KVT, UOP4 | 51526.6↔ | | | BOP, KJZSV, KVT, UOP4 |
| | | 05 | F01A, F01B, F01D, F05Z, F07A, F07B, F08A, F08B, F08C, F08D, F08E, F08J, F27A, F28A, F42Z | | | 01 | B04A, B04B, B04C, B04D, B04E | | | 01 | B04A, B04B, B04C, B04D, B04E |
| | | 06 | G10Z, G12A, G12B, G12J | | | 05 | F01A, F01B, F01D, F05Z, F07A, F07B, F08A, F08B, F08C, F08D, F08E, F08J, F27A, F28A, F42Z | | | 05 | F01A, F01B, F01D, F05Z, F07A, F07B, F08A, F08B, F08C, F08D, F08E, F08J, F27A, F28A, F42Z |
| | 07 | H06A, H06B, H06C | 08 | | I08A, I08B, I08C, I08D, I08E, I13A, I13B | 08 | I08A, I08B, I08C, I08D, I08E, I13A, I13B | | | | |
| | 08 | I08A, I08B, I08C, I08D, I08E, I13A, I13B | 10 | | K09A, K09B | 10 | K09A, K09B | | | | |
| | 11 | L09A, L38Z | 11 | | L09A, L38Z | 11 | L09A, L38Z | | | | |
| | 21A | W04A, W04B | 21A | | W04A, W04B | 21A | W04A, W04B | | | | |
| | 21B | X06A, X06B, X06C, X33Z | 21B | | X06A, X06B, X06C, X33Z | 21B | X06A, X06B, X06C, X33Z | | | | |
| | 51525.7↔ | | BOP, KJZSV, KVT, UOP4 | | 51526.2↔ | | BOP, KJZSV, KVT, UOP4 | | 51526.x↔ | | BOP, KJZSV, KVT, UOP4 |
| | | 05 | F01A, F01B, F01D, F05Z, F07A, F07B, F08A, F08B, F08C, F08D, F08E, F08J, F27A, F28A, F42Z | | | 01 | B04A, B04B, B04C, B04D, B04E | | | 01 | B04A, B04B, B04C, B04D, B04E |
| | | 08 | I08A, I08B, I08C, I08D, I08E, I13A, I13B | | | 05 | F01A, F01B, F01D, F05Z, F07A, F07B, F08A, F08B, F08C, F08D, F08E, F08J, F27A, F28A, F42Z | | | 05 | F01A, F01B, F01D, F05Z, F07A, F07B, F08A, F08B, F08C, F08D, F08E, F08J, F27A, F28A, F42Z |
| 11 | | L03Z, L04A, L04B, L04C, L04J, L09A, L10Z, L13A, L13B, L38Z | 08 | I08A, I08B, I08C, I08D, I08E, I13A, I13B | | 08 | I08A, I08B, I08C, I08D, I08E, I13A, I13B | | | | |
| 21A | | W04A, W04B | 10 | K09A, K09B | | 10 | K09A, K09B | | | | |
| 21B | | X06A, X06B, X06C, X33Z | 11 | L09A, L38Z | | 11 | L09A, L38Z | | | | |
| 51525.8↔ | | | BOP, KJZSV, KVT, UOP4 | 51526.3↔ | | | BOP, KJZSV, KVT, UOP4 | 51527.0↔ | | | BOP, KJZSV, KVT, UOP4 |
| | | 05 | F01A, F01B, F01D, F05Z, F07A, F07B, F08A, F08B, F08C, F08D, F08E, F08J, F27A, F28A, F42Z | | | 01 | B04A, B04B, B04C, B04D, B04E | | | 01 | B04A, B04B, B04C, B04D, B04E |
| | | 06 | G10Z, G12A, G12B, G12J, G18A, G38Z | | | 05 | F01A, F01B, F01D, F05Z, F07A, F07B, F08A, F08B, F08C, F08D, F08E, F08J, F27A, F28A, F42Z | | | 05 | F01A, F01B, F01D, F05Z, F07A, F07B, F08A, F08B, F08C, F08D, F08E, F08J, F27A, F28A, F42Z |
| | | 07 | H01A, H06A, H06B, H06C | | | 08 | I08A, I08B, I08C, I08D, I08E, I13A, I13B | | | 08 | I08A, I08B, I08C, I08D, I08E, I13A, I13B |
| | | 08 | I08A, I08B, I08C, I08D, I08E, I13A, I13B | | | 10 | K09A, K09B | | | 08 | I08A, I08B, I08C, I08D, I08E, I13A, I13B |
| | 11 | L03Z, L04A, L04B, L04C, L04J, L09A, L10Z, L13A, L13B, L38Z | 11 | | L09A, L38Z | 10 | K09A, K09B | | | | |
| | 21A | W04A, W04B | 21A | | W04A, W04B | 11 | L09A, L38Z | | | | |
| | 21B | X06A, X06B, X06C, X33Z | 21B | | X06A, X06B, X06C, X33Z | 21A | W04A, W04B | | | | |
| | | | | | | 21B | X04Z, X33Z | | | | |

| ZZV | MDC | DRG | ZZV | MDC | DRG | ZZV | MDC | DRG |
|----------|-----|--|----------|-----|--|----------|-----|--|
| 51527.1 | | BOP, KJZSV, KVT, UOP4 | 51529 | | BOP, KJZSV, KVT, UOP4 | 51530.2↔ | | BOP, KJZSV, KVT, UOP4 |
| | 01 | B04A, B04B, B04C, B04D, B04E | | 01 | B04A, B04B, B04C, B04D, B04E | | 01 | B04A, B04B, B04C, B04D, B04E |
| | 05 | F01A, F01B, F01D, F05Z, F07A, F07B, F08A, F08B, F08C, F08D, F08E, F08J, F27A, F28A, F42Z | | 05 | F01A, F01B, F01D, F05Z, F07A, F07B, F08A, F08B, F08C, F08D, F08E, F08J, F27A, F28A, F42Z | | 05 | F01A, F01B, F01D, F05Z, F06A, F06C, F07A, F07B, F14A, F14B, F28A, F42Z, F54A, F54B, F54J, F59A, F59B |
| | 08 | I08A, I08B, I08C, I08D, I08E, I13A, I13B | | 07 | H06A, H06B, H06C | | 08 | I08A, I08B, I08C, I08D, I08E, I13A, I13B |
| | 10 | K09A, K09B | | 08 | I08A, I08B, I08C, I08D, I08E, I13A, I13B | | 10 | K09A, K09B |
| | 11 | L09A, L38Z | | 09 | J03A, J03B, J04A, J04B, J08A, J08B, J08C, J11A, J11B, J11J, J11Q, J11R, J11S, J16Z | | 11 | L09A, L09B, L09C, L09J, L38Z |
| | 21A | W04A, W04B | | 10 | K09A, K09B | | 21A | W04A, W04B |
| | 21B | X04Z, X33Z | | 11 | L09A, L09B, L09C, L09J, L38Z | | 21B | X06A, X06B, X06C |
| 51527.2 | | BOP, KJZSV, KVT, UOP4 | 5152a | | BOP, KJZSV, KVT, UOP4 | 51530.3↔ | | BOP, KJZSV, KVT, UOP4 |
| | 01 | B04A, B04B, B04C, B04D, B04E | | 05 | F21A, F21B, F21J | | 01 | B04A, B04B, B04C, B04D, B04E |
| | 05 | F01A, F01B, F01D, F05Z, F07A, F07B, F08A, F08B, F08C, F08D, F08E, F08J, F27A, F28A, F42Z | | 08 | I08A, I08B, I08C, I08D, I08E, I13A, I13B | | 05 | F01A, F01B, F01D, F05Z, F06A, F06C, F07A, F07B, F14A, F14B, F28A, F42Z, F54A, F54B, F54J, F59A, F59B |
| | 08 | I08A, I08B, I08C, I08D, I08E, I13A, I13B | | 10 | K09A, K09B | | 08 | I08A, I08B, I08C, I08D, I08E, I13A, I13B |
| | 10 | K09A, K09B | | 11 | L09A, L09B, L09C, L09J, L38Z | | 10 | K09A, K09B |
| | 11 | L09A, L38Z | | 21A | W04A, W04B | | 11 | L09A, L09B, L09C, L09J, L38Z |
| | 21A | W04A, W04B | | 21B | X04Z, X05A, X05B, X06A, X06B, X06C, X33Z | | 21A | W04A, W04B |
| | 21B | X04Z, X33Z | | | | | 21B | X06A, X06B, X06C |
| 51527.3↔ | | BOP, KJZSV, KVT, UOP4 | 51530.0↔ | | BOP, KJZSV, KVT, UOP4 | 51530.4↔ | | BOP, KJZSV, KVT, UOP4 |
| | 01 | B04A, B04B, B04C, B04D, B04E | | 01 | B04A, B04B, B04C, B04D, B04E | | 01 | B04A, B04B, B04C, B04D, B04E |
| | 05 | F01A, F01B, F01D, F05Z, F07A, F07B, F08A, F08B, F08C, F08D, F08E, F08J, F27A, F28A, F42Z | | 05 | F01A, F01B, F01D, F05Z, F06A, F06C, F07A, F07B, F14A, F14B, F28A, F42Z, F54A, F54B, F54J, F59A, F59B | | 05 | F01A, F01B, F01D, F05Z, F06A, F06C, F07A, F07B, F14A, F14B, F28A, F42Z, F54A, F54B, F54J, F59A, F59B |
| | 08 | I08A, I08B, I08C, I08D, I08E, I13A, I13B | | 08 | I08A, I08B, I08C, I08D, I08E, I13A, I13B | | 08 | I08A, I08B, I08C, I08D, I08E, I13A, I13B |
| | 10 | K09A, K09B | | 10 | K09A, K09B | | 10 | K09A, K09B |
| | 11 | L09A, L38Z | | 11 | L09A, L09B, L09C, L09J, L38Z | | 11 | L09A, L09B, L09C, L09J, L38Z |
| | 21A | W04A, W04B | | 21A | W04A, W04B | | 21A | W04A, W04B |
| | 21B | X04Z, X33Z | | 21B | X06A, X06B, X06C | | 21B | X06A, X06B, X06C |
| 51527.x↔ | | BOP, KJZSV, KVT, UOP4 | 51530.1↔ | | BOP, KJZSV, KVT, UOP4 | 51530.x↔ | | BOP, KJZSV, KVT, UOP4 |
| | 01 | B04A, B04B, B04C, B04D, B04E | | 01 | B04A, B04B, B04C, B04D, B04E | | 01 | B04A, B04B, B04C, B04D, B04E |
| | 05 | F01A, F01B, F01D, F05Z, F07A, F07B, F08A, F08B, F08C, F08D, F08E, F08J, F27A, F28A, F42Z | | 05 | F01A, F01B, F01D, F05Z, F06A, F06C, F07A, F07B, F14A, F14B, F28A, F42Z, F54A, F54B, F54J, F59A, F59B | | 05 | F01A, F01B, F01D, F05Z, F06A, F06C, F07A, F07B, F14A, F14B, F28A, F42Z, F54A, F54B, F54J, F59A, F59B |
| | 08 | I08A, I08B, I08C, I08D, I08E, I13A, I13B | | 08 | I08A, I08B, I08C, I08D, I08E, I13A, I13B | | 08 | I08A, I08B, I08C, I08D, I08E, I13A, I13B |
| | 10 | K09A, K09B | | 10 | K09A, K09B | | 10 | K09A, K09B |
| | 11 | L09A, L38Z | | 11 | L09A, L09B, L09C, L09J, L38Z | | 11 | L09A, L09B, L09C, L09J, L38Z |
| | 21A | W04A, W04B | | 21A | W04A, W04B | | 21A | W04A, W04B |
| | 21B | X04Z, X33Z | | 21B | X06A, X06B, X06C | | 21B | X06A, X06B, X06C |
| 51528↔ | | BOP, KJZSV, KVT, UOP4 | | | BOP, KJZSV, KVT, UOP4 | | | BOP, KJZSV, KVT, UOP4 |
| | 01 | B04A, B04B, B04C, B04D, B04E | | 08 | I08A, I08B, I08C, I08D, I08E, I13A, I13B | | 01 | B04A, B04B, B04C, B04D, B04E |
| | 05 | F01A, F01B, F01D, F05Z, F07A, F07B, F08A, F08B, F08C, F08D, F08E, F08J, F27A, F28A, F42Z | | 10 | K09A, K09B | | 05 | F01A, F01B, F01D, F05Z, F06A, F06C, F07A, F07B, F14A, F14B, F28A, F42Z, F54A, F54B, F54J, F59A, F59B |
| | 08 | I08A, I08B, I08C, I08D, I08E, I13A, I13B | | 11 | L09A, L09B, L09C, L09J, L38Z | | 08 | I08A, I08B, I08C, I08D, I08E, I13A, I13B |
| | 10 | K09A, K09B | | 21A | W04A, W04B | | 10 | K09A, K09B |
| | 11 | L09A, L38Z | | 21B | X06A, X06B, X06C | | 11 | L09A, L09B, L09C, L09J, L38Z |
| | 21A | W04A, W04B | | | | | 21A | W04A, W04B |
| | 21B | X04Z, X33Z | | | | | 21B | X06A, X06B, X06C |

VYK

| ZZV | MDC | DRG | ZZV | MDC | DRG | ZZV | MDC | DRG |
|----------|----------|--|-----------------------|--|--|----------|--|--|
| 51534.0↔ | | BOP, KJZSV, KVT, UOP4 | 51535.0↔ | | BOP, KJZSV, KVT, UOP4 | 51535.x↔ | | BOP, KJZSV, KVT, UOP4 |
| | 01 | B04A, B04B, B04C, B04D, B04E | | 01 | B04A, B04B, B04C, B04D, B04E | | 01 | B04A, B04B, B04C, B04D, B04E |
| | 05 | F01A, F01B, F01D, F05Z, F07A, F07B, F14A, F14B, F28A, F42Z, F54A, F54B, F54J, F59A, F59B | | 05 | F01A, F01B, F01D, F05Z, F07A, F07B, F14A, F14B, F28A, F42Z, F54A, F54B, F54J, F59A, F59B | | 05 | F01A, F01B, F01D, F05Z, F07A, F07B, F14A, F14B, F28A, F42Z, F54A, F54B, F54J, F59A, F59B |
| | 08 | I08A, I08B, I08C, I08D, I08E, I13A, I13B | | 08 | I08A, I08B, I08C, I08D, I08E, I13A, I13B | | 08 | I08A, I08B, I08C, I08D, I08E, I13A, I13B |
| | 10 | K09A, K09B | | 10 | K09A, K09B | | 10 | K09A, K09B |
| | 11 | L09A, L09B, L09C, L09J, L38Z | | 11 | L09A, L09B, L09C, L09J, L38Z | | 11 | L09A, L09B, L09C, L09J, L38Z |
| | 15 | P02A, P02B, P02C | | 21A | W04A, W04B | | 21A | W04A, W04B |
| | 21A | W04A, W04B | | 21B | X04Z, X06A, X06B, X06C | | 21B | X04Z, X06A, X06B, X06C |
| | 21B | X06A, X06B, X06C | | | BOP, KJZSV, KVT, UOP4 | | 51536.0 | BOP, KJZSV, KOP, KOPV, KVT, UOP4 |
| | 51534.1↔ | | | BOP, KJZSV, KVT, UOP4 | 51535.1↔ | | | BOP, KJZSV, KVT, UOP4 |
| 01 | | B04A, B04B, B04C, B04D, B04E | 01 | B04A, B04B, B04C, B04D, B04E | | 01 | B04A, B04B, B04C, B04D, B04E | |
| 05 | | F01A, F01B, F01D, F05Z, F07A, F07B, F14A, F14B, F28A, F42Z, F54A, F54B, F54J, F59A, F59B | 05 | F01A, F01B, F01D, F05Z, F07A, F07B, F14A, F14B, F28A, F42Z, F54A, F54B, F54J, F59A, F59B | | 05 | F01A, F01B, F01D, F05Z, F07A, F07B, F14A, F14B, F28A, F42Z, F54A, F54B, F54J, F59A, F59B | |
| 08 | | I08A, I08B, I08C, I08D, I08E, I13A, I13B | 08 | I08A, I08B, I08C, I08D, I08E, I13A, I13B | | 06 | G15Z, G18A, G19A, G19B, G33Z, G38Z | |
| 10 | | K09A, K09B | 10 | K09A, K09B | | 07 | H01A, H33Z, H38Z | |
| 11 | | L09A, L09B, L09C, L09J, L38Z | 11 | L09A, L09B, L09C, L09J, L38Z | | 08 | I08A, I08B, I08C, I08D, I08E, I13A, I13B | |
| 15 | | P02A, P02B, P02C | 21A | W04A, W04B | | 10 | K09A, K09B | |
| 21A | | W04A, W04B | 21B | X04Z, X06A, X06B, X06C | | 11 | L09A, L09B, L09C, L09J, L33Z, L38Z | |
| 21B | | X06A, X06B, X06C | | BOP, KJZSV, KVT, UOP4 | | 21A | W04A, W04B | |
| 51534.2↔ | | | BOP, KJZSV, KVT, UOP4 | 51535.2↔ | | | BOP, KJZSV, KVT, UOP4 | 51536.1 |
| | 01 | B04A, B04B, B04C, B04D, B04E | 01 | | B04A, B04B, B04C, B04D, B04E | 01 | B04A, B04B, B04C, B04D, B04E | |
| | 05 | F01A, F01B, F01D, F05Z, F07A, F07B, F14A, F14B, F28A, F42Z, F54A, F54B, F54J, F59A, F59B | 05 | | F01A, F01B, F01D, F05Z, F07A, F07B, F14A, F14B, F28A, F42Z, F54A, F54B, F54J, F59A, F59B | 05 | F01A, F01B, F01D, F05Z, F07A, F07B, F14A, F14B, F28A, F42Z, F54A, F54B, F54J, F59A, F59B | |
| | 08 | I08A, I08B, I08C, I08D, I08E, I13A, I13B | 08 | | I08A, I08B, I08C, I08D, I08E, I13A, I13B | 08 | I08A, I08B, I08C, I08D, I08E, I13A, I13B | |
| | 10 | K09A, K09B | 10 | | K09A, K09B | 10 | K09A, K09B | |
| | 11 | L09A, L09B, L09C, L09J, L38Z | 11 | | L09A, L09B, L09C, L09J, L38Z | 11 | L09A, L09B, L09C, L09J, L33Z, L38Z | |
| | 15 | P02A, P02B, P02C | 21A | | W04A, W04B | 06 | G15Z, G18A, G19A, G19B, G33Z, G38Z | |
| | 21A | W04A, W04B | 21B | | X04Z, X06A, X06B, X06C | 07 | H01A, H06A, H06B, H06C, H33Z, H38Z | |
| | 21B | X06A, X06B, X06C | | | BOP, KJZSV, KVT, UOP4 | 08 | I08A, I08B, I08C, I08D, I08E, I13A, I13B | |
| | 51534.x↔ | | BOP, KJZSV, KVT, UOP4 | | 51535.3↔ | | BOP, KJZSV, KVT, UOP4 | |
| 01 | | B04A, B04B, B04C, B04D, B04E | 01 | B04A, B04B, B04C, B04D, B04E | | 01 | B04A, B04B, B04C, B04D, B04E | |
| 05 | | F01A, F01B, F01D, F05Z, F07A, F07B, F14A, F14B, F28A, F42Z, F54A, F54B, F54J, F59A, F59B | 05 | F01A, F01B, F01D, F05Z, F07A, F07B, F14A, F14B, F28A, F42Z, F54A, F54B, F54J, F59A, F59B | | 05 | F01A, F01B, F01D, F05Z, F07A, F07B, F14A, F14B, F28A, F42Z, F54A, F54B, F54J, F59A, F59B | |
| 08 | | I08A, I08B, I08C, I08D, I08E, I13A, I13B | 08 | I08A, I08B, I08C, I08D, I08E, I13A, I13B | | 08 | I08A, I08B, I08C, I08D, I08E, I13A, I13B | |
| 10 | | K09A, K09B | 10 | K09A, K09B | | 10 | K09A, K09B | |
| 11 | | L09A, L09B, L09C, L09J, L38Z | 11 | L09A, L09B, L09C, L09J, L38Z | | 11 | L09A, L09B, L09C, L09J, L33Z, L38Z | |
| 15 | | P02A, P02B, P02C | 21A | W04A, W04B | | 21A | W04A, W04B | |
| 21A | | W04A, W04B | 21B | X04Z, X06A, X06B, X06C | | 21B | X06A, X06B, X06C, X33Z | |
| 21B | | X06A, X06B, X06C | | BOP, KJZSV, KVT, UOP4 | | 23 | Z01A | |
| | | | | | | Pre | A07A | |
| 51534.x↔ | | BOP, KJZSV, KVT, UOP4 | 51535.4↔ | | BOP, KJZSV, KVT, UOP4 | 51536.1 | | BOP, KJZSV, KOP, KOPV, KVT, UOP4 |
| | 01 | B04A, B04B, B04C, B04D, B04E | | 01 | B04A, B04B, B04C, B04D, B04E | | 01 | B04A, B04B, B04C, B04D, B04E |
| | 05 | F01A, F01B, F01D, F05Z, F07A, F07B, F14A, F14B, F28A, F42Z, F54A, F54B, F54J, F59A, F59B | | 05 | F01A, F01B, F01D, F05Z, F07A, F07B, F14A, F14B, F28A, F42Z, F54A, F54B, F54J, F59A, F59B | | 05 | F01A, F01B, F01D, F05Z, F07A, F07B, F14A, F14B, F28A, F42Z, F54A, F54B, F54J, F59A, F59B |
| | 08 | I08A, I08B, I08C, I08D, I08E, I13A, I13B | | 08 | I08A, I08B, I08C, I08D, I08E, I13A, I13B | | 08 | I08A, I08B, I08C, I08D, I08E, I13A, I13B |
| | 10 | K09A, K09B | | 10 | K09A, K09B | | 10 | K09A, K09B |
| | 11 | L09A, L09B, L09C, L09J, L38Z | | 11 | L09A, L09B, L09C, L09J, L38Z | | 11 | L09A, L09B, L09C, L09J, L33Z, L38Z |
| | 15 | P02A, P02B, P02C | | 21A | W04A, W04B | | 21A | W04A, W04B |
| | 21A | W04A, W04B | | 21B | X04Z, X06A, X06B, X06C | | 21B | X06A, X06B, X06C, X33Z |
| | 21B | X06A, X06B, X06C | | | BOP, KJZSV, KVT, UOP4 | | 23 | Z01A |
| | | | | | | | Pre | A07A |

VYK

| ZZV | MDC | DRG | ZZV | MDC | DRG | ZZV | MDC | DRG | | | |
|----------|----------|--|------------------------------|--|--|---------|--|--|---------|-----|--|
| 51538.1↔ | | BOP, KJZSV, KVT, UOP4 | 51539.0↔ | | BOP, KJZSV, KVT, UOP4 | 51539.4 | | BOP, KJZSV, KVT, UOP4 | | | |
| | 01 | B04A, B04B, B04C, B04D, B04E | | 01 | B04A, B04B, B04C, B04D, B04E | | 01 | B04A, B04B, B04C, B04D, B04E | | | |
| | 05 | F01A, F01B, F01D, F05Z, F07A, F07B, F14A, F14B, F28A, F42Z, F54A, F54B, F54J, F59A, F59B | | 05 | F01A, F01B, F01D, F05Z, F07A, F07B, F14A, F14B, F28A, F42Z, F54A, F54B, F54J, F59A, F59B | | 05 | F01A, F01B, F01D, F05Z, F07A, F07B, F14A, F14B, F28A, F42Z, F54A, F54B, F54J, F59A, F59B | | | |
| | 08 | I08A, I08B, I08C, I08D, I08E, I13A, I13B | | 08 | I08A, I08B, I08C, I08D, I08E, I13A, I13B | | 06 | G18A, G38Z | | | |
| | 10 | K09A, K09B | | 10 | K09A, K09B | | 07 | H01A | | | |
| | 11 | L09A, L09B, L09C, L09J, L38Z | | 11 | L09A, L09B, L09C, L09J, L38Z | | 08 | I08A, I08B, I08C, I08D, I08E, I13A, I13B | | | |
| | 21A | W04A, W04B | | 21A | W04A, W04B | | 10 | K09A, K09B | | | |
| | 21B | X04Z, X06A, X06B, X06C | | 21B | X04Z, X06A, X06B, X06C | | 11 | L09A, L09B, L09C, L09J, L38Z | | | |
| | 51538.2↔ | | | BOP, KJZSV, KVT, UOP4 | 51539.1↔ | | | BOP, KJZSV, KVT, UOP4 | 51539.5 | | W04A, W04B |
| | | 01 | | B04A, B04B, B04C, B04D, B04E | | | 01 | B04A, B04B, B04C, B04D, B04E | | 21B | X06A, X06B, X06C |
| 05 | | F01A, F01B, F01D, F05Z, F07A, F07B, F14A, F14B, F28A, F42Z, F54A, F54B, F54J, F59A, F59B | 05 | F01A, F01B, F01D, F05Z, F07A, F07B, F14A, F14B, F28A, F42Z, F54A, F54B, F54J, F59A, F59B | | 01 | BOP, KJZSV, KVT, UOP4 | | | | |
| 08 | | I08A, I08B, I08C, I08D, I08E, I13A, I13B | 08 | I08A, I08B, I08C, I08D, I08E, I13A, I13B | | 05 | F01A, F01B, F01D, F05Z, F07A, F07B, F14A, F14B, F28A, F42Z, F54A, F54B, F54J, F59A, F59B | | | | |
| 10 | | K09A, K09B | 10 | K09A, K09B | | 06 | G18A, G38Z | | | | |
| 11 | | L09A, L09B, L09C, L09J, L38Z | 11 | L09A, L09B, L09C, L09J, L38Z | | 07 | H01A | | | | |
| 21A | | W04A, W04B | 21A | W04A, W04B | | 08 | I08A, I08B, I08C, I08D, I08E, I13A, I13B | | | | |
| 21B | | X04Z, X06A, X06B, X06C | 21B | X04Z, X06A, X06B, X06C | | 10 | K09A, K09B | | | | |
| 51538.3↔ | | | BOP, KJZSV, KVT, UOP4 | 51539.2 | | | BOP, KJZSV, KVT, UOP4 | 51539.6 | | | L09A, L09B, L09C, L09J, L38Z |
| | | 01 | B04A, B04B, B04C, B04D, B04E | | | 01 | B04A, B04B, B04C, B04D, B04E | | | 21A | W04A, W04B |
| | 05 | F01A, F01B, F01D, F05Z, F07A, F07B, F14A, F14B, F28A, F42Z, F54A, F54B, F54J, F59A, F59B | 05 | | F01A, F01B, F01D, F05Z, F07A, F07B, F14A, F14B, F28A, F42Z, F54A, F54B, F54J, F59A, F59B | 21B | X06A, X06B, X06C | | | | |
| | 08 | I08A, I08B, I08C, I08D, I08E, I13A, I13B | 06 | | G18A, G38Z | 01 | BOP, KJZSV, KVT, UOP4 | | | | |
| | 10 | K09A, K09B | 07 | | H01A | 05 | F01A, F01B, F01D, F05Z, F07A, F07B, F14A, F14B, F28A, F42Z, F54A, F54B, F54J, F59A, F59B | | | | |
| | 11 | L09A, L09B, L09C, L09J, L38Z | 08 | | I08A, I08B, I08C, I08D, I08E, I13A, I13B | 06 | G18A, G38Z | | | | |
| | 21A | W04A, W04B | 10 | | K09A, K09B | 07 | H01A | | | | |
| | 21B | X04Z, X06A, X06B, X06C | 11 | | L09A, L09B, L09C, L09J, L38Z | 08 | I08A, I08B, I08C, I08D, I08E, I13A, I13B | | | | |
| | 51538.4↔ | | BOP, KJZSV, KVT, UOP4 | | 51539.3↔ | | BOP, KJZSV, KVT, UOP4 | | 51539.7 | | K09A, K09B |
| | | 01 | B04A, B04B, B04C, B04D, B04E | | | 01 | B04A, B04B, B04C, B04D, B04E | | | 10 | L09A, L09B, L09C, L09J, L38Z |
| 05 | | F01A, F01B, F01D, F05Z, F07A, F07B, F14A, F14B, F28A, F42Z, F54A, F54B, F54J, F59A, F59B | 05 | F01A, F01B, F01D, F05Z, F07A, F07B, F14A, F14B, F28A, F42Z, F54A, F54B, F54J, F59A, F59B | | 21A | W04A, W04B | | | | |
| 08 | | I08A, I08B, I08C, I08D, I08E, I13A, I13B | 06 | G18A, G38Z | | 21B | X06A, X06B, X06C | | | | |
| 10 | | K09A, K09B | 07 | H01A | | 01 | BOP, KJZSV, KVT, UOP4 | | | | |
| 11 | | L09A, L09B, L09C, L09J, L38Z | 08 | I08A, I08B, I08C, I08D, I08E, I13A, I13B | | 05 | F01A, F01B, F01D, F05Z, F07A, F07B, F14A, F14B, F28A, F42Z, F54A, F54B, F54J, F59A, F59B | | | | |
| 21A | | W04A, W04B | 10 | K09A, K09B | | 06 | G18A, G38Z | | | | |
| 21B | | X04Z, X06A, X06B, X06C | 11 | L09A, L09B, L09C, L09J, L38Z | | 07 | H01A | | | | |
| 51538.x↔ | | | BOP, KJZSV, KVT, UOP4 | 51539.x↔ | | | BOP, KJZSV, KVT, UOP4 | 51539.x↔ | | | I08A, I08B, I08C, I08D, I08E, I13A, I13B |
| | | 01 | B04A, B04B, B04C, B04D, B04E | | | 01 | B04A, B04B, B04C, B04D, B04E | | | 10 | K09A, K09B |
| | 05 | F01A, F01B, F01D, F05Z, F07A, F07B, F14A, F14B, F28A, F42Z, F54A, F54B, F54J, F59A, F59B | 05 | | F01A, F01B, F01D, F05Z, F07A, F07B, F14A, F14B, F28A, F42Z, F54A, F54B, F54J, F59A, F59B | 11 | L09A, L09B, L09C, L09J, L38Z | | | | |
| | 08 | I08A, I08B, I08C, I08D, I08E, I13A, I13B | 06 | | G18A, G38Z | 21A | W04A, W04B | | | | |
| | 10 | K09A, K09B | 07 | | H01A | 21B | X06A, X06B, X06C | | | | |
| | 11 | L09A, L09B, L09C, L09J, L38Z | 08 | | I08A, I08B, I08C, I08D, I08E, I13A, I13B | | | | | | |
| | 21A | W04A, W04B | 10 | | K09A, K09B | | | | | | |
| | 21B | X04Z, X06A, X06B, X06C | 11 | | L09A, L09B, L09C, L09J, L38Z | | | | | | |
| | | | | | | | | | | | |
| | | | | | | | | | | | |

VYK

| ZZV | MDC | DRG | ZZV | MDC | DRG | ZZV | MDC | DRG | | | | |
|----------|----------|--|--|--|--|--|--|--|-----------------------|----------|--|------------------------------|
| 51539.8↔ | | BOP, KJZSV, KVT, UOP4 | 51539.c↔ | | BOP, KJZSV, KVT, UOP4 | 51539.g↔ | | BOP, KJZSV, KVT, UOP4 | | | | |
| | 01 | B04A, B04B, B04C, B04D, B04E | | 01 | B04A, B04B, B04C, B04D, B04E | | 01 | B04A, B04B, B04C, B04D, B04E | | | | |
| | 05 | F01A, F01B, F01D, F05Z, F07A, F07B, F14A, F14B, F28A, F42Z, F54A, F54B, F54J, F59A, F59B | | 05 | F01A, F01B, F01D, F05Z, F07A, F07B, F14A, F14B, F28A, F42Z, F54A, F54B, F54J, F59A, F59B | | 05 | F01A, F01B, F01D, F05Z, F07A, F07B, F14A, F14B, F28A, F42Z, F54A, F54B, F54J, F59A, F59B | | | | |
| | 06 | G18A, G38Z | | 08 | I08A, I08B, I08C, I08D, I08E, I13A, I13B | | 08 | I08A, I08B, I08C, I08D, I08E, I13A, I13B | | | | |
| | 07 | H01A | | 10 | K09A, K09B | | 10 | K09A, K09B | | | | |
| | 08 | I08A, I08B, I08C, I08D, I08E, I13A, I13B | | 11 | L09A, L09B, L09C, L09J, L38Z | | 11 | L09A, L09B, L09C, L09J, L38Z | | | | |
| | 10 | K09A, K09B | | 21A | W04A, W04B | | 21A | W04A, W04B | | | | |
| | 11 | L09A, L09B, L09C, L09J, L38Z | | 21B | X05A, X05B, X06A, X06B, X06C | | 21B | X04Z, X06A, X06B, X06C | | | | |
| | 21A | W04A, W04B | | | | | | | | | | |
| | 21B | X06A, X06B, X06C | | 51539.d↔ | | | | | | | | |
| | 51539.9↔ | | | | BOP, KJZSV, KVT, UOP4 | | 51539.e | | BOP, KJZSV, KVT, UOP4 | 51539.h↔ | | BOP, KJZSV, KVT, UOP4 |
| 01 | | B04A, B04B, B04C, B04D, B04E | 01 | | B04A, B04B, B04C, B04D, B04E | 01 | | B04A, B04B, B04C, B04D, B04E | | | | |
| 05 | | F01A, F01B, F01D, F05Z, F07A, F07B, F14A, F14B, F28A, F42Z, F54A, F54B, F54J, F59A, F59B | 05 | | F01A, F01B, F01D, F05Z, F07A, F07B, F14A, F14B, F28A, F42Z, F54A, F54B, F54J, F59A, F59B | 05 | | F01A, F01B, F01D, F05Z, F07A, F07B, F14A, F14B, F28A, F42Z, F54A, F54B, F54J, F59A, F59B | | | | |
| 08 | | I08A, I08B, I08C, I08D, I08E, I13A, I13B | 08 | | I08A, I08B, I08C, I08D, I08E, I13A, I13B | 08 | | I08A, I08B, I08C, I08D, I08E, I13A, I13B | | | | |
| 10 | | K09A, K09B | 10 | | K09A, K09B | 10 | | K09A, K09B | | | | |
| 11 | | L09A, L09B, L09C, L09J, L38Z | 11 | | L09A, L09B, L09C, L09J, L38Z | 11 | | L09A, L09B, L09C, L09J, L38Z | | | | |
| 21A | | W04A, W04B | 21A | | W04A, W04B | 21A | | W04A, W04B | | | | |
| 21B | | X06A, X06B, X06C | 21B | | X05A, X05B, X06A, X06B, X06C | 21B | | X04Z, X06A, X06B, X06C | | | | |
| 51539.a↔ | | | BOP, KJZSV, KVT, UOP4 | | 51539.f | | | BOP, KJZSV, KVT, UOP4 | 51539.i↔ | | | BOP, KJZSV, KVT, UOP4 |
| | | 01 | B04A, B04B, B04C, B04D, B04E | | | 01 | | B04A, B04B, B04C, B04D, B04E | | | 01 | B04A, B04B, B04C, B04D, B04E |
| | | 05 | F01A, F01B, F01D, F05Z, F07A, F07B, F14A, F14B, F28A, F42Z, F54A, F54B, F54J, F59A, F59B | 05 | | F01A, F01B, F01D, F05Z, F07A, F07B, F14A, F14B, F28A, F42Z, F54A, F54B, F54J, F59A, F59B | | 05 | | | F01A, F01B, F01D, F05Z, F07A, F07B, F14A, F14B, F28A, F42Z, F54A, F54B, F54J, F59A, F59B | |
| | 08 | I08A, I08B, I08C, I08D, I08E, I13A, I13B | 08 | I08A, I08B, I08C, I08D, I08E, I13A, I13B | | 08 | I08A, I08B, I08C, I08D, I08E, I13A, I13B | | | | | |
| | 10 | K09A, K09B | 10 | K09A, K09B | | 10 | K09A, K09B | | | | | |
| | 11 | L09A, L09B, L09C, L09J, L38Z | 11 | L09A, L09B, L09C, L09J, L38Z | | 11 | L09A, L09B, L09C, L09J, L38Z | | | | | |
| | 21A | W04A, W04B | 21A | W04A, W04B | | 21A | W04A, W04B | | | | | |
| | 21B | X06A, X06B, X06C | 21B | X06A, X06B, X06C | | 21B | X04Z, X06A, X06B, X06C | | | | | |
| | 51539.b↔ | | BOP, KJZSV, KVT, UOP4 | 51539.x↔ | | | BOP, KJZSV, KVT, UOP4 | 51539.y↔ | | | BOP, KJZSV, KVT, UOP4 | |
| | | 01 | B04A, B04B, B04C, B04D, B04E | | | 01 | B04A, B04B, B04C, B04D, B04E | | | 01 | B04A, B04B, B04C, B04D, B04E | |
| | | 05 | F01A, F01B, F01D, F05Z, F07A, F07B, F14A, F14B, F28A, F42Z, F54A, F54B, F54J, F59A, F59B | | | 05 | F01A, F01B, F01D, F05Z, F07A, F07B, F14A, F14B, F28A, F42Z, F54A, F54B, F54J, F59A, F59B | | | 05 | F01A, F01B, F01D, F05Z, F07A, F07B, F14A, F14B, F28A, F42Z, F54A, F54B, F54J, F59A, F59B | |
| 08 | | I08A, I08B, I08C, I08D, I08E, I13A, I13B | 06 | | G03A, G18A, G38Z | 08 | I08A, I08B, I08C, I08D, I08E, I13A, I13B | | | | | |
| 10 | | K09A, K09B | 07 | | H01A | 10 | K09A, K09B | | | | | |
| 11 | | L09A, L09B, L09C, L09J, L38Z | 08 | | I08A, I08B, I08C, I08D, I08E, I13A, I13B | 11 | L09A, L09B, L09C, L09J, L38Z | | | | | |
| 21A | | W04A, W04B | 10 | | K09A, K09B | 21A | W04A, W04B | | | | | |
| 21B | | X05A, X05B, X06A, X06B, X06C | 11 | | L09A, L09B, L09C, L09J, L38Z | 21B | X06A, X06B, X06C | | | | | |
| 51539.1↔ | | | BOP, KJZSV, KVT, UOP4 | | 51539.z↔ | | BOP, KJZSV, KVT, UOP4 | | 51539.aa↔ | | BOP, KJZSV, KVT, UOP4 | |
| | | 01 | B04A, B04B, B04C, B04D, B04E | | | 01 | B04A, B04B, B04C, B04D, B04E | | | 01 | B04A, B04B, B04C, B04D, B04E | |
| | | 05 | F01A, F01B, F01D, F05Z, F07A, F07B, F14A, F14B, F28A, F42Z, F54A, F54B, F54J, F59A, F59B | | | 05 | F01A, F01B, F01D, F05Z, F07A, F07B, F14A, F14B, F28A, F42Z, F54A, F54B, F54J, F59A, F59B | | | 05 | F01A, F01B, F01D, F05Z, F07A, F07B, F14A, F14B, F28A, F42Z, F54A, F54B, F54J, F59A, F59B | |
| | 08 | I08A, I08B, I08C, I08D, I08E, I13A, I13B | 06 | G03A, G18A, G38Z | | 08 | I08A, I08B, I08C, I08D, I08E, I13A, I13B | | | | | |
| | 10 | K09A, K09B | 07 | H01A | | 10 | K09A, K09B | | | | | |
| | 11 | L09A, L09B, L09C, L09J, L38Z | 08 | I08A, I08B, I08C, I08D, I08E, I13A, I13B | | 11 | L09A, L09B, L09C, L09J, L38Z | | | | | |
| | 21A | W04A, W04B | 10 | K09A, K09B | | 21A | W04A, W04B | | | | | |
| | 21B | X04Z, X05A, X05B, X06A, X06B, X06C | 11 | L09A, L09B, L09C, L09J, L38Z | | 21B | X04Z, X05A, X05B, X06A, X06B, X06C | | | | | |

| ZZV | MDC | DRG | ZZV | MDC | DRG | ZZV | MDC | DRG |
|----------|-----|--|-----------|-----|--|-----------|-----|--|
| 5153a.2↔ | | BOP, KJZSV, KVT, UOP4 | 51540.10↔ | | BOP, KJZSV, KVT, UOP4 | 51540.40↔ | | BOP, KJZSV, KOP, KOPV, KVT, UOP4 |
| | 01 | B04A, B04B, B04C, B04D, B04E | | 01 | B04A, B04B, B04C, B04D, B04E | | 01 | B04A, B04B, B04C, B04D, B04E |
| | 05 | F01A, F01B, F01D, F05Z, F07A, F07B, F28A, F42Z, F54A, F54B, F54J, F59A, F59B | | 05 | F01A, F01B, F01D, F05Z, F06A, F06C, F07A, F07B, F14A, F14B, F28A, F42Z, F54A, F54B, F54J, F59A, F59B | | 04 | E05A, E05B, E05C, E08A, E08B, E08C |
| | 08 | I08A, I08B, I08C, I08D, I08E, I13A, I13B | | 08 | I08A, I08B, I08C, I08D, I08E, I13A, I13B | | 05 | F01A, F01B, F01D, F05Z, F06A, F06C, F07A, F07B, F14A, F14B, F28A, F42Z, F54A, F54B, F54J, F59A, F59B |
| | 10 | K09A, K09B | | 09 | J03A, J03B, J04A, J04B, J08A, J08B, J08C, J11A, J11B, J11J, J11Q, J11R, J11S, J16Z | | 06 | G33Z |
| | 11 | L09A, L09B, L09C, L09J, L38Z | | 10 | K09A, K09B | | 07 | H33Z, H38Z |
| | 21A | W04A, W04B | | 21A | W04A, W04B | | 08 | I08A, I08B, I08C, I08D, I08E, I13A, I13B |
| | 21B | X04Z, X05A, X05B, X06A, X06B, X06C | | 21B | X06A, X06B, X06C | | 09 | J03A, J03B, J04A, J04B, J08A, J08B, J08C, J11A, J11B, J11J, J11Q, J11R, J11S, J16Z |
| | | BOP, KJZSV, KVT, UOP4 | | | BOP, KJZSV, KVT, UOP4 | | 10 | K09A, K09B |
| | | B04A, B04B, B04C, B04D, B04E | | | B04A, B04B, B04C, B04D, B04E | | 11 | L33Z |
| 5153a.3↔ | | BOP, KJZSV, KVT, UOP4 | 51540.11↔ | | BOP, KJZSV, KVT, UOP4 | 51540.41↔ | | BOP, KJZSV, KOP, KOPV, KVT, UOP4 |
| | 01 | B04A, B04B, B04C, B04D, B04E | | 01 | B04A, B04B, B04C, B04D, B04E | | 01 | B04A, B04B, B04C, B04D, B04E |
| | 05 | F01A, F01B, F01D, F05Z, F07A, F07B, F14A, F14B, F28A, F42Z, F54A, F54B, F54J, F59A, F59B | | 05 | F01A, F01B, F01D, F05Z, F06A, F06C, F07A, F07B, F14A, F14B, F28A, F42Z, F54A, F54B, F54J, F59A, F59B | | 04 | E05A, E05B, E05C, E08A, E08B, E08C |
| | 08 | I08A, I08B, I08C, I08D, I08E, I13A, I13B | | 08 | I08A, I08B, I08C, I08D, I08E, I13A, I13B | | 05 | F01A, F01B, F01D, F05Z, F06A, F06C, F07A, F07B, F14A, F14B, F28A, F42Z, F54A, F54B, F54J, F59A, F59B |
| | 10 | K09A, K09B | | 09 | J03A, J03B, J04A, J04B, J08A, J08B, J08C, J11A, J11B, J11J, J11Q, J11R, J11S, J16Z | | 06 | G33Z |
| | 11 | L09A, L09B, L09C, L09J, L38Z | | 10 | K09A, K09B | | 07 | H33Z, H38Z |
| | 21A | W04A, W04B | | 21A | W04A, W04B | | 08 | I08A, I08B, I08C, I08D, I08E, I13A, I13B |
| | 21B | X04Z, X05A, X05B, X06A, X06B, X06C | | 21B | X06A, X06B, X06C | | 09 | J03A, J03B, J04A, J04B, J08A, J08B, J08C, J11A, J11B, J11J, J11Q, J11R, J11S, J16Z |
| | | BOP, KJZSV, KVT, UOP4 | | | BOP, KJZSV, KVT, UOP4 | | 10 | K09A, K09B |
| | | B04A, B04B, B04C, B04D, B04E | | | B04A, B04B, B04C, B04D, B04E | | 11 | L33Z |
| 5153a.x↔ | | BOP, KJZSV, KVT, UOP4 | 51540.2↔ | | BOP, KJZSV, KVT, UOP4 | 51540.42↔ | | BOP, KJZSV, KOP, KOPV, KVT, UOP4 |
| | 01 | B04A, B04B, B04C, B04D, B04E | | 01 | B04A, B04B, B04C, B04D, B04E | | 01 | B04A, B04B, B04C, B04D, B04E |
| | 05 | F01A, F01B, F01D, F05Z, F07A, F07B, F14A, F14B, F28A, F42Z, F54A, F54B, F54J, F59A, F59B | | 05 | F01A, F01B, F01D, F05Z, F06A, F06C, F07A, F07B, F14A, F14B, F28A, F42Z, F54A, F54B, F54J, F59A, F59B | | 04 | E05A, E05B, E05C, E08A, E08B, E08C |
| | 08 | I08A, I08B, I08C, I08D, I08E, I13A, I13B | | 08 | I08A, I08B, I08C, I08D, I08E, I13A, I13B | | 05 | F01A, F01B, F01D, F05Z, F06A, F06C, F07A, F07B, F14A, F14B, F28A, F42Z, F54A, F54B, F54J, F59A, F59B |
| | 10 | K09A, K09B | | 09 | J03A, J03B, J04A, J04B, J08A, J08B, J08C, J11A, J11B, J11J, J11Q, J11R, J11S, J16Z | | 06 | G33Z |
| | 11 | L09A, L09B, L09C, L09J, L38Z | | 10 | K09A, K09B | | 07 | H33Z, H38Z |
| | 21A | W04A, W04B | | 21A | W04A, W04B | | 08 | I08A, I08B, I08C, I08D, I08E, I13A, I13B |
| | 21B | X06A, X06B, X06C | | 21B | X06A, X06B, X06C | | 09 | J03A, J03B, J04A, J04B, J08A, J08B, J08C, J11A, J11B, J11J, J11Q, J11R, J11S, J16Z |
| | | BOP, KJZSV, KVT, UOP4 | | | BOP, KJZSV, KVT, UOP4 | | 10 | K09A, K09B |
| | | B04A, B04B, B04C, B04D, B04E | | | B04A, B04B, B04C, B04D, B04E | | 11 | L33Z |
| 51540.0↔ | | BOP, KJZSV, KVT, UOP4 | 51540.3↔ | | BOP, KJZSV, KVT, UOP4 | 51540.43↔ | | BOP, KJZSV, KOP, KOPV, KVT, UOP4 |
| | 01 | B04A, B04B, B04C, B04D, B04E | | 01 | B04A, B04B, B04C, B04D, B04E | | 01 | B04A, B04B, B04C, B04D, B04E |
| | 05 | F01A, F01B, F01D, F05Z, F06A, F06C, F07A, F07B, F14A, F14B, F28A, F42Z, F54A, F54B, F54J, F59A, F59B | | 05 | F01A, F01B, F01D, F05Z, F06A, F06C, F07A, F07B, F14A, F14B, F28A, F42Z, F54A, F54B, F54J, F59A, F59B | | 04 | E05A, E05B, E05C, E08A, E08B, E08C |
| | 08 | I08A, I08B, I08C, I08D, I08E, I13A, I13B | | 08 | I08A, I08B, I08C, I08D, I08E, I13A, I13B | | 05 | F01A, F01B, F01D, F05Z, F06A, F06C, F07A, F07B, F14A, F14B, F28A, F42Z, F54A, F54B, F54J, F59A, F59B |
| | 09 | J03A, J03B, J04A, J04B, J08A, J08B, J08C, J11A, J11B, J11J, J11Q, J11R, J11S, J16Z | | 09 | J03A, J03B, J04A, J04B, J08A, J08B, J08C, J11A, J11B, J11J, J11Q, J11R, J11S, J16Z | | 06 | G33Z |
| | 10 | K09A, K09B | | 10 | K09A, K09B | | 07 | H33Z, H38Z |
| | 21A | W04A, W04B | | 21A | W04A, W04B | | 08 | I08A, I08B, I08C, I08D, I08E, I13A, I13B |
| | 21B | X06A, X06B, X06C | | 21B | X06A, X06B, X06C | | 09 | J03A, J03B, J04A, J04B, J08A, J08B, J08C, J11A, J11B, J11J, J11Q, J11R, J11S, J16Z |
| | | BOP, KJZSV, KVT, UOP4 | | | BOP, KJZSV, KVT, UOP4 | | 10 | K09A, K09B |
| | | B04A, B04B, B04C, B04D, B04E | | | B04A, B04B, B04C, B04D, B04E | | 11 | L33Z |

VYK

| ZZV | MDC | DRG | ZZV | MDC | DRG | ZZV | MDC | DRG | | | | | |
|-----------|----------|--|--|----------|--|--|--|--|--|--|-----------|----|--|
| 51540.42↔ | | BOP, KJZSV, KOP, KOPV, KVT, UOP4 | 51542.1↔ | | BOP, KJZSV, KVT, UOP4 | 51542.x↔ | | BOP, KJZSV, KVT, UOP4 | | | | | |
| | 01 | B04A, B04B, B04C, B04D, B04E | | 01 | B04A, B04B, B04C, B04D, B04E | | 01 | B04A, B04B, B04C, B04D, B04E | | | | | |
| | 04 | E05A, E05B, E05C, E08A, E08B, E08C | | 05 | F01A, F01B, F01D, F05Z, F07A, F07B, F14A, F14B, F28A, F42Z, F54A, F54B, F54J, F59A, F59B | | 05 | F01A, F01B, F01D, F05Z, F07A, F07B, F14A, F14B, F28A, F42Z, F54A, F54B, F54J, F59A, F59B | | | | | |
| | 05 | F01A, F01B, F01D, F05Z, F06A, F06C, F07A, F07B, F14A, F14B, F28A, F42Z, F54A, F54B, F54J, F59A, F59B | | 08 | I08A, I08B, I08C, I08D, I08E, I13A, I13B | | 08 | I08A, I08B, I08C, I08D, I08E, I13A, I13B | | | | | |
| | 06 | G33Z | | 09 | J03A, J03B, J04A, J04B, J08A, J08B, J08C, J11A, J11B, J11J, J11Q, J11R, J11S, J16Z | | 09 | J03A, J03B, J04A, J04B, J08A, J08B, J08C, J11A, J11B, J11J, J11Q, J11R, J11S, J16Z | | | | | |
| | 07 | H33Z, H38Z | | 10 | K09A, K09B | | 10 | K09A, K09B | | | | | |
| | 08 | I08A, I08B, I08C, I08D, I08E, I13A, I13B | | 21A | W04A, W04B | | 21A | W04A, W04B | | | | | |
| | 09 | J03A, J03B, J04A, J04B, J08A, J08B, J08C, J11A, J11B, J11J, J11Q, J11R, J11S, J16Z | | 21B | X05A, X05B, X06A, X06B, X06C | | 21B | X05A, X05B, X06A, X06B, X06C | | | | | |
| | 10 | K09A, K09B | | 51542.2↔ | 01 | | BOP, KJZSV, KVT, UOP4 | 51544.00↔ | 01 | BOP, KJZSV, KOP, KOPV, KVT, UOP4 | | | |
| | 11 | L33Z | | | 05 | | F01A, F01B, F01D, F05Z, F07A, F07B, F14A, F14B, F28A, F42Z, F54A, F54B, F54J, F59A, F59B | | 04 | E05A, E05B, E05C, E08A, E08B, E08C | | | |
| | 21A | W04A, W04B | | | 08 | | I08A, I08B, I08C, I08D, I08E, I13A, I13B | | 05 | F01A, F01B, F01D, F05Z, F07A, F07B, F14A, F14B, F28A, F42Z, F54A, F54B, F54J, F59A, F59B | | | |
| | 21B | X06A, X06B, X06C, X33Z | | | 09 | | J03A, J03B, J04A, J04B, J08A, J08B, J08C, J11A, J11B, J11J, J11Q, J11R, J11S, J16Z | | 06 | G15Z, G19A, G19B, G33Z, G38Z | | | |
| | 23 | Z01A | | | 10 | | K09A, K09B | | 07 | H33Z, H38Z | | | |
| | Pre | A07A | | | 21A | | W04A, W04B | | 08 | I08A, I08B, I08C, I08D, I08E, I13A, I13B | | | |
| | 51540.x↔ | | | | BOP, KJZSV, KVT, UOP4 | | 51542.3↔ | | | BOP, KJZSV, KVT, UOP4 | 51544.01↔ | | BOP, KJZSV, KVT, UOP4 |
| | | 01 | | | B04A, B04B, B04C, B04D, B04E | | | | 01 | B04A, B04B, B04C, B04D, B04E | | 01 | B04A, B04B, B04C, B04D, B04E |
| | | 05 | | | F01A, F01B, F01D, F05Z, F06A, F06C, F07A, F07B, F14A, F14B, F28A, F42Z, F54A, F54B, F54J, F59A, F59B | | | | 05 | F01A, F01B, F01D, F05Z, F07A, F07B, F14A, F14B, F28A, F42Z, F54A, F54B, F54J, F59A, F59B | | 05 | F01A, F01B, F01D, F05Z, F06A, F06C, F07A, F07B, F14A, F14B, F28A, F42Z, F54A, F54B, F54J, F59A, F59B |
| | | 08 | | | I08A, I08B, I08C, I08D, I08E, I13A, I13B | | | | 08 | I08A, I08B, I08C, I08D, I08E, I13A, I13B | | 08 | I08A, I08B, I08C, I08D, I08E, I13A, I13B |
| 09 | | J03A, J03B, J04A, J04B, J08A, J08B, J08C, J11A, J11B, J11J, J11Q, J11R, J11S, J16Z | 09 | | J03A, J03B, J04A, J04B, J08A, J08B, J08C, J11A, J11B, J11J, J11Q, J11R, J11S, J16Z | 09 | | | J03A, J03B, J04A, J04B, J08A, J08B, J08C, J11A, J11B, J11J, J11Q, J11R, J11S, J16Z | | | | |
| 10 | | K09A, K09B | 10 | | K09A, K09B | 10 | | | K09A, K09B | | | | |
| 21A | | W04A, W04B | 21A | | W04A, W04B | 21A | | | W04A, W04B | | | | |
| 21B | | X06A, X06B, X06C | 21B | | X05A, X05B, X06A, X06B, X06C | 21B | | | X06A, X06B, X06C | | | | |
| 51542.0↔ | | | BOP, KJZSV, KVT, UOP4 | | 51542.4↔ | | | | BOP, KJZSV, KVT, UOP4 | 51544.01↔ | | | BOP, KJZSV, KVT, UOP4 |
| | | 01 | B04A, B04B, B04C, B04D, B04E | | | 01 | | | B04A, B04B, B04C, B04D, B04E | | | 01 | B04A, B04B, B04C, B04D, B04E |
| | | 05 | F01A, F01B, F01D, F05Z, F07A, F07B, F14A, F14B, F28A, F42Z, F54A, F54B, F54J, F59A, F59B | | | 05 | | | F01A, F01B, F01D, F05Z, F07A, F07B, F14A, F14B, F28A, F42Z, F54A, F54B, F54J, F59A, F59B | | | 05 | F01A, F01B, F01D, F05Z, F06A, F06C, F07A, F07B, F14A, F14B, F28A, F42Z, F54A, F54B, F54J, F59A, F59B |
| | | 08 | I08A, I08B, I08C, I08D, I08E, I13A, I13B | | | 08 | | | I08A, I08B, I08C, I08D, I08E, I13A, I13B | | | 08 | I08A, I08B, I08C, I08D, I08E, I13A, I13B |
| | | 09 | J03A, J03B, J04A, J04B, J08A, J08B, J08C, J11A, J11B, J11J, J11Q, J11R, J11S, J16Z | 09 | | J03A, J03B, J04A, J04B, J08A, J08B, J08C, J11A, J11B, J11J, J11Q, J11R, J11S, J16Z | | 09 | J03A, J03B, J04A, J04B, J08A, J08B, J08C, J11A, J11B, J11J, J11Q, J11R, J11S, J16Z | | | | |
| | | 10 | K09A, K09B | 10 | | K09A, K09B | | 10 | K09A, K09B | | | | |
| | | 21A | W04A, W04B | 21A | | W04A, W04B | | 21A | W04A, W04B | | | | |
| | | 21B | X05A, X05B, X06A, X06B, X06C | 21B | | X05A, X05B, X06A, X06B, X06C | | 21B | X06A, X06B, X06C | | | | |

| ZZV | MDC | DRG | ZZV | MDC | DRG | ZZV | MDC | DRG |
|----------|-----|--|----------|-----|--|----------|-----|--|
| 51544.1↔ | | BOP, KJZSV, KOP, KOPV, KVT, UOP4 | 51544.x↔ | | BOP, KJZSV, KOP, KOPV, KVT, UOP4 | 51545.1↔ | | BOP, KJZSV, KOP, KOPV, KVT, UOP4 |
| | 01 | B04A, B04B, B04C, B04D, B04E | | 01 | B04A, B04B, B04C, B04D, B04E | | 01 | B04A, B04B, B04C, B04D, B04E |
| | 04 | E05A, E05B, E05C, E08A, E08B, E08C | | 04 | E05A, E05B, E05C, E08A, E08B, E08C | | 05 | F01A, F01B, F01D, F05Z, F07A, F07B, F14A, F14B, F28A, F42Z, F54A, F54B, F54J, F59A, F59B |
| | 05 | F01A, F01B, F01D, F05Z, F07A, F07B, F14A, F14B, F28A, F42Z, F54A, F54B, F54J, F59A, F59B | | 05 | F01A, F01B, F01D, F05Z, F07A, F07B, F14A, F14B, F28A, F42Z, F54A, F54B, F54J, F59A, F59B | | 06 | G15Z, G19A, G19B, G33Z, G38Z |
| | 06 | G15Z, G19A, G19B, G33Z, G38Z | | 06 | G15Z, G19A, G19B, G33Z, G38Z | | 07 | H33Z, H38Z |
| | 07 | H33Z, H38Z | | 07 | H33Z, H38Z | | 08 | I08A, I08B, I08C, I08D, I08E, I13A, I13B |
| | 08 | I08A, I08B, I08C, I08D, I08E, I13A, I13B | | 08 | I08A, I08B, I08C, I08D, I08E, I13A, I13B | | 09 | J03A, J03B, J04A, J04B, J08A, J08B, J08C, J11A, J11B, J11J, J11Q, J11R, J11S, J16Z |
| | 09 | J03A, J03B, J04A, J04B, J08A, J08B, J08C, J11A, J11B, J11J, J11Q, J11R, J11S, J16Z | | 09 | J03A, J03B, J04A, J04B, J08A, J08B, J08C, J11A, J11B, J11J, J11Q, J11R, J11S, J16Z | | 10 | K09A, K09B |
| | 10 | K09A, K09B | | 10 | K09A, K09B | | 11 | L33Z, L38Z |
| | 11 | L33Z | | 11 | L33Z | | 21A | W04A, W04B |
| | 21A | W04A, W04B | | 21A | W04A, W04B | | 21B | X04Z, X06A, X06B, X06C, X33Z |
| | 21B | X06A, X06B, X06C, X33Z | | 21B | X06A, X06B, X06C, X33Z | | 23 | Z01A |
| | 23 | Z01A | | 23 | Z01A | | Pre | A07A |
| | Pre | A07A | | Pre | A07A | | Pre | A07A |
| 51544.2↔ | | BOP, KJZSV, KOP, KOPV, KVT, UOP4 | 51545.0↔ | | BOP, KJZSV, KOP, KOPV, KVT, UOP4 | 51545.2↔ | | BOP, KJZSV, KOP, KOPV, KVT, UOP4 |
| | 01 | B04A, B04B, B04C, B04D, B04E | | 01 | B04A, B04B, B04C, B04D, B04E | | 01 | B04A, B04B, B04C, B04D, B04E |
| | 04 | E05A, E05B, E05C, E08A, E08B, E08C | | 05 | F01A, F01B, F01D, F05Z, F07A, F07B, F14A, F14B, F28A, F42Z, F54A, F54B, F54J, F59A, F59B | | 05 | F01A, F01B, F01D, F05Z, F07A, F07B, F14A, F14B, F28A, F42Z, F54A, F54B, F54J, F59A, F59B |
| | 05 | F01A, F01B, F01D, F05Z, F07A, F07B, F14A, F14B, F28A, F42Z, F54A, F54B, F54J, F59A, F59B | | 06 | G15Z, G19A, G19B, G33Z, G38Z | | 06 | G15Z, G19A, G19B, G33Z, G38Z |
| | 06 | G15Z, G19A, G19B, G33Z, G38Z | | 07 | H33Z, H38Z | | 07 | H33Z, H38Z |
| | 07 | H33Z, H38Z | | 08 | I08A, I08B, I08C, I08D, I08E, I13A, I13B | | 08 | I08A, I08B, I08C, I08D, I08E, I13A, I13B |
| | 08 | I08A, I08B, I08C, I08D, I08E, I13A, I13B | | 09 | J03A, J03B, J04A, J04B, J08A, J08B, J08C, J11A, J11B, J11J, J11Q, J11R, J11S, J16Z | | 09 | J03A, J03B, J04A, J04B, J08A, J08B, J08C, J11A, J11B, J11J, J11Q, J11R, J11S, J16Z |
| | 09 | J03A, J03B, J04A, J04B, J08A, J08B, J08C, J11A, J11B, J11J, J11Q, J11R, J11S, J16Z | | 10 | K09A, K09B | | 10 | K09A, K09B |
| | 10 | K09A, K09B | | 11 | L09A, L09B, L09C, L09J, L33Z, L38Z | | 11 | L09A, L09B, L09C, L09J, L33Z, L38Z |
| | 11 | L33Z | | 21A | W04A, W04B | | 21A | W04A, W04B |
| | 21A | W04A, W04B | | 21B | X04Z, X06A, X06B, X06C, X33Z | | 21B | X04Z, X06A, X06B, X06C, X33Z |
| | 21B | X06A, X06B, X06C, X33Z | | 23 | Z01A | | 23 | Z01A |
| | 23 | Z01A | | Pre | A07A | | Pre | A07A |
| | Pre | A07A | | Pre | A07A | | Pre | A07A |

VYK

| ZZV | MDC | DRG | ZZV | MDC | DRG | ZZV | MDC | DRG | | | |
|----------|---------|--|---------|--|--|----------|--|--|---------|----|--|
| 51545.x↔ | | BOP, KJZSV, KOP, KOPV, KVT, UOP4 | 51546.1 | | BOP, KJZSV, KOP, KOPV, KVT, UOP4 | 51546.3↔ | | BOP, KJZSV, KOP, KOPV, KVT, UOP4 | | | |
| | 01 | B04A, B04B, B04C, B04D, B04E | | 01 | B04A, B04B, B04C, B04D, B04E | | 01 | B04A, B04B, B04C, B04D, B04E | | | |
| | 05 | F01A, F01B, F01D, F05Z, F07A, F07B, F14A, F14B, F28A, F42Z, F54A, F54B, F54J, F59A, F59B | | 04 | E05A, E05B, E05C, E08A, E08B, E08C | | 04 | E05A, E05B, E05C, E08A, E08B, E08C | | | |
| | 06 | G15Z, G19A, G19B, G33Z, G38Z | | 05 | F01A, F01B, F01D, F05Z, F07A, F07B, F14A, F14B, F28A, F42Z, F54A, F54B, F54J, F59A, F59B | | 05 | F01A, F01B, F01D, F05Z, F07A, F07B, F14A, F14B, F28A, F42Z, F54A, F54B, F54J, F59A, F59B | | | |
| | 07 | H33Z, H38Z | | 06 | G15Z, G19A, G19B, G33Z, G38Z | | 06 | G15Z, G19A, G19B, G33Z, G38Z | | | |
| | 08 | I08A, I08B, I08C, I08D, I08E, I13A, I13B | | 07 | H33Z, H38Z | | 07 | H33Z, H38Z | | | |
| | 09 | J03A, J03B, J04A, J04B, J08A, J08B, J08C, J11A, J11B, J11J, J11Q, J11R, J11S, J16Z | | 08 | I08A, I08B, I08C, I08D, I08E, I13A, I13B | | 08 | I08A, I08B, I08C, I08D, I08E, I13A, I13B | | | |
| | 10 | K09A, K09B | | 09 | J03A, J03B, J04A, J04B, J08A, J08B, J08C, J11A, J11B, J11J, J11Q, J11R, J11S, J16Z | | 09 | J03A, J03B, J04A, J04B, J08A, J08B, J08C, J11A, J11B, J11J, J11Q, J11R, J11S, J16Z | | | |
| | 11 | L09A, L09B, L09C, L09J, L33Z, L38Z | | 10 | K09A, K09B | | 10 | K09A, K09B | | | |
| | 21A | W04A, W04B | | 11 | L09A, L09B, L09C, L09J, L33Z, L38Z | | 11 | L09A, L09B, L09C, L09J, L33Z, L38Z | | | |
| | 21B | X04Z, X06A, X06B, X06C, X33Z | | 21A | W04A, W04B | | 21A | W04A, W04B | | | |
| | 23 | Z01A | | 21B | X06A, X06B, X06C, X33Z | | 21B | X06A, X06B, X06C, X33Z | | | |
| | Pre | A07A | | 23 | Z01A | | 23 | Z01A | | | |
| | 51546.0 | | | BOP, KJZSV, KOP, KOPV, KVT, UOP4 | 51546.2 | | | BOP, KJZSV, KOP, KOPV, KVT, UOP4 | 51546.4 | | BOP, KJZSV, KOP, KOPV, KVT, UOP4 |
| | | 01 | | B04A, B04B, B04C, B04D, B04E | | | 01 | B04A, B04B, B04C, B04D, B04E | | 01 | B04A, B04B, B04C, B04D, B04E |
| | | 04 | | E05A, E05B, E05C, E08A, E08B, E08C | | | 04 | E05A, E05B, E05C, E08A, E08B, E08C | | 04 | E05A, E05B, E05C, E08A, E08B, E08C |
| | | 05 | | F01A, F01B, F01D, F05Z, F07A, F07B, F14A, F14B, F28A, F42Z, F54A, F54B, F54J, F59A, F59B | | | 05 | F01A, F01B, F01D, F05Z, F07A, F07B, F14A, F14B, F28A, F42Z, F54A, F54B, F54J, F59A, F59B | | 05 | F01A, F01B, F01D, F05Z, F07A, F07B, F14A, F14B, F28A, F42Z, F54A, F54B, F54J, F59A, F59B |
| 06 | | G15Z, G19A, G19B, G33Z, G38Z | 06 | G15Z, G19A, G19B, G33Z, G38Z | | 06 | G15Z, G19A, G19B, G33Z, G38Z | | | | |
| 07 | | H33Z, H38Z | 07 | H33Z, H38Z | | 07 | H33Z, H38Z | | | | |
| 08 | | I08A, I08B, I08C, I08D, I08E, I13A, I13B | 08 | I08A, I08B, I08C, I08D, I08E, I13A, I13B | | 08 | I08A, I08B, I08C, I08D, I08E, I13A, I13B | | | | |
| 09 | | J03A, J03B, J04A, J04B, J08A, J08B, J08C, J11A, J11B, J11J, J11Q, J11R, J11S, J16Z | 09 | J03A, J03B, J04A, J04B, J08A, J08B, J08C, J11A, J11B, J11J, J11Q, J11R, J11S, J16Z | | 09 | J03A, J03B, J04A, J04B, J08A, J08B, J08C, J11A, J11B, J11J, J11Q, J11R, J11S, J16Z | | | | |
| 10 | | K09A, K09B | 10 | K09A, K09B | | 10 | K09A, K09B | | | | |
| 11 | | L09A, L09B, L09C, L09J, L33Z, L38Z | 11 | L09A, L09B, L09C, L09J, L33Z, L38Z | | 11 | L09A, L09B, L09C, L09J, L33Z, L38Z | | | | |
| 21A | | W04A, W04B | 21A | W04A, W04B | | 21A | W04A, W04B | | | | |
| 21B | | X06A, X06B, X06C, X33Z | 21B | X06A, X06B, X06C, X33Z | | 21B | X06A, X06B, X06C, X33Z | | | | |
| 23 | | Z01A | 23 | Z01A | | 23 | Z01A | | | | |
| Pre | | A07A | Pre | A07A | | Pre | A07A | | | | |

VYK

| ZZV | MDC | DRG | ZZV | MDC | DRG | ZZV | MDC | DRG |
|----------|--|--|--|----------|--|----------|-----|--|
| 5154x↔ | | BOP, KJZSV, KVT, UOP4 | 51550.2↔ | | BOP, KJZSV, KVT, UOP4 | 51550.5↔ | | BOP, KJZSV, KVT, UOP4 |
| | 01 | B04A, B04B, B04C, B04D, B04E | | 01 | B04A, B04B, B04C, B04D, B04E | | 01 | B04A, B04B, B04C, B04D, B04E |
| | 05 | F01A, F01B, F01D, F05Z, F07A, F07B, F14A, F14B, F28A, F42Z, F54A, F54B, F54J, F59A, F59B | | 03 | D12A, D12J, D12Q | | 03 | D12A, D12J, D12Q |
| | 08 | I08A, I08B, I08C, I08D, I08E, I13A, I13B | | 04 | E02A, E02B, E02C, E02D | | 04 | E02A, E02B, E02C, E02D |
| | 09 | J03A, J03B, J04A, J04B, J08A, J08B, J08C, J11A, J11B, J11J, J11Q, J11R, J11S, J16Z | | 05 | F01A, F01B, F01D, F05Z, F06A, F06C, F07A, F07B, F14A, F14B, F28A, F42Z, F54A, F54B, F54J, F59A, F59B | | 05 | F01A, F01B, F01D, F05Z, F06A, F06C, F07A, F07B, F14A, F14B, F28A, F42Z, F54A, F54B, F54J, F59A, F59B |
| | 10 | K09A, K09B | | 06 | G01Z, G02Z, G38Z | | 08 | I08A, I08B, I08C, I08D, I08E, I13A, I13B |
| | 21A | W04A, W04B | | 08 | I08A, I08B, I08C, I08D, I08E, I13A, I13B | | 09 | J03A, J03B, J04A, J04B, J08A, J08B, J08C, J11A, J11B, J11J, J11Q, J11R, J11S, J16Z |
| | 21B | X06A, X06B, X06C | | 09 | J03A, J03B, J04A, J04B, J08A, J08B, J08C, J11A, J11B, J11J, J11Q, J11R, J11S, J16Z | | 10 | K09A, K09B |
| | 51550.0↔ | BOP, KJZSV, KVT, UOP4 | | 10 | K09A, K09B | | 17 | R01A, R01B, R01C, R01D, R02Z, R12A, R12B, R12C |
| | 01 | B04A, B04B, B04C, B04D, B04E | | 17 | R01A, R01B, R01C, R01D, R02Z, R12A, R12B, R12C | | 21A | W04A, W04B |
| 03 | D12A, D12J, D12Q | 21A | W04A, W04B | 21B | X06A, X06B, X06C | | | |
| 04 | E02C | 21B | X06A, X06B, X06C | 51550.x↔ | BOP, KJZSV, KVT, UOP4 | | | |
| 05 | F01A, F01B, F01D, F05Z, F06A, F06C, F07A, F07B, F14A, F14B, F28A, F42Z, F54A, F54B, F54J, F59A, F59B | Pre | A13A, A13B, A13C | 01 | B04A, B04B, B04C, B04D, B04E | | | |
| 06 | G01Z, G02Z, G38Z | 51550.3↔ | BOP, KJZSV, KVT, UOP4 | 03 | D12A, D12J, D12Q | | | |
| 08 | I08A, I08B, I08C, I08D, I08E, I13A, I13B | 01 | B04A, B04B, B04C, B04D, B04E | 04 | E02A, E02B, E02C, E02D | | | |
| 09 | J03A, J03B, J04A, J04B, J08A, J08B, J08C, J11A, J11B, J11J, J11Q, J11R, J11S, J16Z | 03 | D12A, D12J, D12Q | 05 | F01A, F01B, F01D, F05Z, F06A, F06C, F07A, F07B, F14A, F14B, F28A, F42Z, F54A, F54B, F54J, F59A, F59B | | | |
| 10 | K09A, K09B | 04 | E02A, E02B, E02C, E02D | 08 | I08A, I08B, I08C, I08D, I08E, I13A, I13B | | | |
| 17 | R01A, R01B, R01C, R01D, R02Z, R12A, R12B, R12C | 05 | F01A, F01B, F01D, F05Z, F06A, F06C, F07A, F07B, F14A, F14B, F28A, F42Z, F54A, F54B, F54J, F59A, F59B | 09 | J03A, J03B, J04A, J04B, J08A, J08B, J08C, J11A, J11B, J11J, J11Q, J11R, J11S, J16Z | | | |
| 21A | W04A, W04B | 06 | G01Z, G02Z, G38Z | 09 | J03A, J03B, J04A, J04B, J08A, J08B, J08C, J11A, J11B, J11J, J11Q, J11R, J11S, J16Z | | | |
| 21B | X06A, X06B, X06C | 08 | I08A, I08B, I08C, I08D, I08E, I13A, I13B | 10 | K09A, K09B | | | |
| Pre | A13A, A13B, A13C | 09 | J03A, J03B, J04A, J04B, J08A, J08B, J08C, J11A, J11B, J11J, J11Q, J11R, J11S, J16Z | 17 | R01A, R01B, R01C, R01D, R02Z, R12A, R12B, R12C | | | |
| 51550.1↔ | BOP, KJZSV, KVT, UOP4 | 10 | K09A, K09B | 21A | W04A, W04B | | | |
| 01 | B04A, B04B, B04C, B04D, B04E | 17 | R01A, R01B, R01C, R01D, R02Z, R12A, R12B, R12C | 21B | X06A, X06B, X06C | | | |
| 03 | D12A, D12J, D12Q | 21A | W04A, W04B | 51551.0↔ | BOP, KJZSV, KVT, UOP4 | | | |
| 04 | E02A, E02B, E02C, E02D | 21B | X06A, X06B, X06C | 01 | B04A, B04B, B04C, B04D, B04E | | | |
| 05 | F01A, F01B, F01D, F05Z, F06A, F06C, F07A, F07B, F14A, F14B, F28A, F42Z, F54A, F54B, F54J, F59A, F59B | Pre | A13A, A13B, A13C | 05 | F01A, F01B, F01D, F05Z, F07A, F07B, F14A, F14B, F28A, F42Z, F54A, F54B, F54J, F59A, F59B | | | |
| 06 | G01Z, G02Z, G38Z | 51550.4↔ | BOP, KJZSV, KVT, UOP4 | 08 | I08A, I08B, I08C, I08D, I08E, I13A, I13B | | | |
| 08 | I08A, I08B, I08C, I08D, I08E, I13A, I13B | 01 | B04A, B04B, B04C, B04D, B04E | 09 | J03A, J03B, J04A, J04B, J08A, J08B, J08C, J11A, J11B, J11J, J11Q, J11R, J11S, J16Z | | | |
| 09 | J03A, J03B, J04A, J04B, J08A, J08B, J08C, J11A, J11B, J11J, J11Q, J11R, J11S, J16Z | 03 | D12A, D12J, D12Q | 10 | K09A, K09B | | | |
| 10 | K09A, K09B | 04 | E02A, E02B, E02C, E02D | 17 | R01A, R01B, R01C, R01D, R02Z, R12A, R12B, R12C | | | |
| 17 | R01A, R01B, R01C, R01D, R02Z, R12A, R12B, R12C | 05 | F01A, F01B, F01D, F05Z, F06A, F06C, F07A, F07B, F14A, F14B, F28A, F42Z, F54A, F54B, F54J, F59A, F59B | 21A | W04A, W04B | | | |
| 21A | W04A, W04B | 08 | I08A, I08B, I08C, I08D, I08E, I13A, I13B | 21B | X05A, X05B, X06A, X06B, X06C | | | |
| 21B | X06A, X06B, X06C | 09 | J03A, J03B, J04A, J04B, J08A, J08B, J08C, J11A, J11B, J11J, J11Q, J11R, J11S, J16Z | | | | | |
| Pre | A13A, A13B, A13C | 10 | K09A, K09B | | | | | |
| | | 17 | R01A, R01B, R01C, R01D, R02Z, R12A, R12B, R12C | | | | | |
| | | 21A | W04A, W04B | | | | | |
| | | 21B | X06A, X06B, X06C | | | | | |

VYK

| ZZV | MDC | DRG | ZZV | MDC | DRG | ZZV | MDC | DRG |
|----------|----------|--|-----------------------|--|--|----------|--|--|
| 51551.1↔ | | BOP, KJZSV, KVT, UOP4 | 51552.1↔ | | BOP, KJZSV, KVT, UOP4 | 51552.4↔ | | BOP, KJZSV, KVT, UOP4 |
| | 01 | B04A, B04B, B04C, B04D, B04E | | 01 | B04A, B04B, B04C, B04D, B04E | | 01 | B04A, B04B, B04C, B04D, B04E |
| | 05 | F01A, F01B, F01D, F05Z, F07A, F07B, F14A, F14B, F28A, F42Z, F54A, F54B, F54J, F59A, F59B | | 05 | F01A, F01B, F01D, F05Z, F07A, F07B, F14A, F14B, F28A, F42Z, F54A, F54B, F54J, F59A, F59B | | 05 | F01A, F01B, F01D, F05Z, F07A, F07B, F14A, F14B, F28A, F42Z, F54A, F54B, F54J, F59A, F59B |
| | 08 | I08A, I08B, I08C, I08D, I08E, I13A, I13B | | 08 | I08A, I08B, I08C, I08D, I08E, I13A, I13B | | 08 | I08A, I08B, I08C, I08D, I08E, I13A, I13B |
| | 09 | J03A, J03B, J04A, J04B, J08A, J08B, J08C, J11A, J11B, J11J, J11Q, J11R, J11S, J16Z | | 09 | J03A, J03B, J04A, J04B, J08A, J08B, J08C, J11A, J11B, J11J, J11Q, J11R, J11S, J16Z | | 09 | J03A, J03B, J04A, J04B, J08A, J08B, J08C, J11A, J11B, J11J, J11Q, J11R, J11S, J16Z |
| | 10 | K09A, K09B | | 10 | K09A, K09B | | 10 | K09A, K09B |
| | 17 | R01A, R01B, R01C, R01D, R02Z, R12A, R12B, R12C | | 17 | R01A, R01B, R01C, R01D, R02Z, R12A, R12B, R12C | | 17 | R01A, R01B, R01C, R01D, R02Z, R12A, R12B, R12C |
| | 21A | W04A, W04B | | 21A | W04A, W04B | | 21A | W04A, W04B |
| | 21B | X05A, X05B, X06A, X06B, X06C | | 21B | X05A, X05B, X06A, X06B | | 21B | X05A, X05B, X06A, X06B |
| | 51551.x↔ | | | BOP, KJZSV, KVT, UOP4 | 51552.2↔ | | | BOP, KJZSV, KVT, UOP4 |
| 01 | | B04A, B04B, B04C, B04D, B04E | 01 | B04A, B04B, B04C, B04D, B04E | | 01 | B04A, B04B, B04C, B04D, B04E | |
| 05 | | F01A, F01B, F01D, F05Z, F07A, F07B, F14A, F14B, F28A, F42Z, F54A, F54B, F54J, F59A, F59B | 05 | F01A, F01B, F01D, F05Z, F07A, F07B, F14A, F14B, F28A, F42Z, F54A, F54B, F54J, F59A, F59B | | 05 | F01A, F01B, F01D, F05Z, F07A, F07B, F14A, F14B, F28A, F42Z, F54A, F54B, F54J, F59A, F59B | |
| 08 | | I08A, I08B, I08C, I08D, I08E, I13A, I13B | 08 | I08A, I08B, I08C, I08D, I08E, I13A, I13B | | 08 | I08A, I08B, I08C, I08D, I08E, I13A, I13B | |
| 09 | | J03A, J03B, J04A, J04B, J08A, J08B, J08C, J11A, J11B, J11J, J11Q, J11R, J11S, J16Z | 09 | J03A, J03B, J04A, J04B, J08A, J08B, J08C, J11A, J11B, J11J, J11Q, J11R, J11S, J16Z | | 09 | J03A, J03B, J04A, J04B, J08A, J08B, J08C, J11A, J11B, J11J, J11Q, J11R, J11S, J16Z | |
| 10 | | K09A, K09B | 10 | K09A, K09B | | 10 | K09A, K09B | |
| 17 | | R01A, R01B, R01C, R01D, R02Z, R12A, R12B, R12C | 17 | R01A, R01B, R01C, R01D, R02Z, R12A, R12B, R12C | | 17 | R01A, R01B, R01C, R01D, R02Z, R12A, R12B, R12C | |
| 21A | | W04A, W04B | 21A | W04A, W04B | | 21A | W04A, W04B | |
| 21B | | X05A, X05B, X06A, X06B, X06C | 21B | X05A, X05B, X06A, X06B | | 21B | X05A, X05B, X06A, X06B | |
| 51552.0↔ | | | BOP, KJZSV, KVT, UOP4 | 51552.3↔ | | | BOP, KJZSV, KVT, UOP4 | 51552.6↔ |
| | 01 | B04A, B04B, B04C, B04D, B04E | 01 | | B04A, B04B, B04C, B04D, B04E | 01 | B04A, B04B, B04C, B04D, B04E | |
| | 05 | F01A, F01B, F01D, F05Z, F07A, F07B, F14A, F14B, F28A, F42Z, F54A, F54B, F54J, F59A, F59B | 05 | | F01A, F01B, F01D, F05Z, F07A, F07B, F14A, F14B, F28A, F42Z, F54A, F54B, F54J, F59A, F59B | 05 | F01A, F01B, F01D, F05Z, F07A, F07B, F14A, F14B, F28A, F42Z, F54A, F54B, F54J, F59A, F59B | |
| | 08 | I08A, I08B, I08C, I08D, I08E, I13A, I13B | 08 | | I08A, I08B, I08C, I08D, I08E, I13A, I13B | 08 | I08A, I08B, I08C, I08D, I08E, I13A, I13B | |
| | 09 | J03A, J03B, J04A, J04B, J08A, J08B, J08C, J11A, J11B, J11J, J11Q, J11R, J11S, J16Z | 09 | | J03A, J03B, J04A, J04B, J08A, J08B, J08C, J11A, J11B, J11J, J11Q, J11R, J11S, J16Z | 09 | J03A, J03B, J04A, J04B, J08A, J08B, J08C, J11A, J11B, J11J, J11Q, J11R, J11S, J16Z | |
| | 10 | K09A, K09B | 10 | | K09A, K09B | 10 | K09A, K09B | |
| | 17 | R01A, R01B, R01C, R01D, R02Z, R12A, R12B, R12C | 17 | | R01A, R01B, R01C, R01D, R02Z, R12A, R12B, R12C | 17 | R01A, R01B, R01C, R01D, R02Z, R12A, R12B, R12C | |
| | 21A | W04A, W04B | 21A | | W04A, W04B | 21A | W04A, W04B | |
| | 21B | X05A, X05B, X06A, X06B | 21B | | X05A, X05B, X06A, X06B | 21B | X05A, X05B, X06A, X06B | |

| ZZV | MDC | DRG | ZZV | MDC | DRG | ZZV | MDC | DRG | | | |
|----------|----------|--|--|--|--|---------|--|--|--|--|--|
| 51552.7↔ | | BOP, KJZSV, KVT, UOP4 | 51553.1 | | BOP, KJZSV, KOP, KOPV, KVT, UOP4 | 51553.x | | BOP, KJZSV, KVT, UOP4 | | | |
| | 01 | B04A, B04B, B04C, B04D, B04E | | 04 | E05A, E05B, E05C, E08A, E08B, E08C | | 05 | F01A, F01B, F01D, F05Z, F07A, F07B, F14A, F14B, F28A, F42Z, F54A, F54B, F54J, F59A, F59B | | | |
| | 05 | F01A, F01B, F01D, F05Z, F07A, F07B, F14A, F14B, F28A, F42Z, F54A, F54B, F54J, F59A, F59B | | 05 | F01A, F01B, F01D, F05Z, F07A, F07B, F14A, F14B, F28A, F42Z, F54A, F54B, F54J, F59A, F59B | | 06 | G01Z, G02Z, G38Z | | | |
| | 08 | I08A, I08B, I08C, I08D, I08E, I13A, I13B | | 06 | G01Z, G02Z, G33Z, G38Z | | 08 | I08A, I08B, I08C, I08D, I08E, I13A, I13B | | | |
| | 09 | J03A, J03B, J04A, J04B, J08A, J08B, J08C, J11A, J11B, J11J, J11Q, J11R, J11S, J16Z | | 07 | H33Z, H38Z | | 10 | K09A, K09B | | | |
| | 10 | K09A, K09B | | 08 | I08A, I08B, I08C, I08D, I08E, I13A, I13B | | 21A | W04A, W04B | | | |
| | 17 | R01A, R01B, R01C, R01D, R02Z, R12A, R12B, R12C | | 10 | K09A, K09B | | 21B | X06A, X06B, X06C | | | |
| | 21A | W04A, W04B | | 11 | L33Z | | Pre | A13A, A13B, A13C | | | |
| | 21B | X05A, X05B, X06A, X06B | | 21A | W04A, W04B | | 51554.0↔ | BOP, KJZSV, KVT, UOP4 | | | |
| | 51552.x↔ | | | BOP, KJZSV, KVT, UOP4 | 51553.2 | | | | BOP, KJZSV, KOP, KOPV, KVT, UOP4 | 01 | B04A, B04B, B04C, B04D, B04E |
| | | 01 | | B04A, B04B, B04C, B04D, B04E | | | | 04 | E05A, E05B, E05C, E08A, E08B, E08C | 03 | D12A, D12J, D12Q |
| | | 05 | | F01A, F01B, F01D, F05Z, F07A, F07B, F14A, F14B, F28A, F42Z, F54A, F54B, F54J, F59A, F59B | | | | 05 | F01A, F01B, F01D, F05Z, F07A, F07B, F14A, F14B, F28A, F42Z, F54A, F54B, F54J, F59A, F59B | 04 | E02A, E02B, E02C, E02D |
| | | 08 | | I08A, I08B, I08C, I08D, I08E, I13A, I13B | | | | 06 | G01Z, G02Z, G33Z, G38Z | 05 | F01A, F01B, F01D, F05Z, F07A, F07B, F14A, F14B, F28A, F42Z, F54A, F54B, F54J, F59A, F59B |
| | | 09 | | J03A, J03B, J04A, J04B, J08A, J08B, J08C, J11A, J11B, J11J, J11Q, J11R, J11S, J16Z | | | | 06 | G01Z, G02Z, G33Z, G38Z | 06 | G10Z, G12A, G12B, G12J |
| | | 10 | | K09A, K09B | | | | 07 | H33Z, H38Z | 08 | I08A, I08B, I08C, I08D, I08E, I13A, I13B |
| | | 17 | | R01A, R01B, R01C, R01D, R02Z, R12A, R12B, R12C | | | | 08 | I08A, I08B, I08C, I08D, I08E, I13A, I13B | 09 | J03A, J03B, J04A, J04B, J08A, J08B, J08C, J11A, J11B, J11J, J11Q, J11R, J11S, J16Z |
| | | 21A | | W04A, W04B | | | | 10 | K09A, K09B | 10 | K09A, K09B |
| 21B | | X05A, X05B, X06A, X06B | 11 | L33Z | | 11 | | L09A, L09B, L09C, L09J, L38Z | | | |
| 51553.0 | | | BOP, KJZSV, KOP, KOPV, KVT, UOP4 | 51553.3 | | | | BOP, KJZSV, KVT, UOP4 | 17 | R01A, R01B, R01C, R01D, R02Z, R12A, R12B, R12C | |
| | | 01 | B04A, B04B, B04C, B04D, B04E | | | 21A | | W04A, W04B | 21A | W04A, W04B | |
| | | 04 | E05A, E05B, E05C, E08A, E08B, E08C | | | 21B | | X06A, X06B, X06C, X33Z | 21B | X06A, X06B, X06C | |
| | | 05 | F01A, F01B, F01D, F05Z, F07A, F07B, F14A, F14B, F28A, F42Z, F54A, F54B, F54J, F59A, F59B | | | 23 | | Z01A | 51554.1↔ | BOP, KJZSV, KVT, UOP4 | |
| | | 06 | G01Z, G02Z, G33Z, G38Z | | | Pre | | A07A, A13A, A13B, A13C | | 01 | B04A, B04B, B04C, B04D, B04E |
| | | 07 | H33Z, H38Z | | | 05 | | F01A, F01B, F01D, F05Z, F07A, F07B, F14A, F14B, F28A, F42Z, F54A, F54B, F54J, F59A, F59B | | 03 | D12A, D12J, D12Q |
| | | 08 | I08A, I08B, I08C, I08D, I08E, I13A, I13B | | | 06 | | G01Z, G02Z, G38Z | | 04 | E02A, E02B, E02C, E02D |
| | | 10 | K09A, K09B | | | 08 | I08A, I08B, I08C, I08D, I08E, I13A, I13B | 05 | | F01A, F01B, F01D, F05Z, F07A, F07B, F14A, F14B, F28A, F42Z, F54A, F54B, F54J, F59A, F59B | |
| | 11 | L33Z | 10 | | K09A, K09B | 06 | G10Z, G12A, G12B, G12J | | | | |
| | 21A | W04A, W04B | 21A | | W04A, W04B | 08 | I08A, I08B, I08C, I08D, I08E, I13A, I13B | | | | |
| | 21B | X06A, X06B, X06C, X33Z | 21B | | X06A, X06B, X06C | 09 | J03A, J03B, J04A, J04B, J08A, J08B, J08C, J11A, J11B, J11J, J11Q, J11R, J11S, J16Z | | | | |
| | 23 | Z01A | Pre | | A13A, A13B, A13C | 10 | K09A, K09B | | | | |
| | Pre | A07A, A13A, A13B, A13C | 05 | | F01A, F01B, F01D, F05Z, F07A, F07B, F14A, F14B, F28A, F42Z, F54A, F54B, F54J, F59A, F59B | 11 | L09A, L09B, L09C, L09J, L38Z | | | | |
| | | | 06 | | G01Z, G02Z, G38Z | 17 | R01A, R01B, R01C, R01D, R02Z, R12A, R12B, R12C | | | | |
| | | | 08 | | I08A, I08B, I08C, I08D, I08E, I13A, I13B | 21A | W04A, W04B | | | | |
| | | | 10 | | K09A, K09B | 21B | X06A, X06B, X06C | | | | |
| | | | 21A | | W04A, W04B | | | | | | |
| | | 21B | X06A, X06B, X06C | | | | | | | | |
| | | Pre | A13A, A13B, A13C | | | | | | | | |

| ZZV | MDC | DRG | ZZV | MDC | DRG | ZZV | MDC | DRG | | | | | |
|----------|----------|--|----------|------------------------|--|--|--|--|--|--|----------|--|--|
| 51554.2↔ | | BOP, KJZSV, KOP, KOPV, KVT, UOP4 | 51555.0↔ | | BOP, KJZSV, KVT, UOP4 | 51555.3↔ | | BOP, KJZSV, KVT, UOP4 | | | | | |
| | 01 | B04A, B04B, B04C, B04D, B04E | | 01 | B04A, B04B, B04C, B04D, B04E | | 01 | B04A, B04B, B04C, B04D, B04E | | | | | |
| | 03 | D12A, D12J, D12Q | | 05 | F01A, F01B, F01D, F05Z, F07A, F07B, F14A, F14B, F28A, F42Z, F54A, F54B, F54J, F59A, F59B | | 05 | F01A, F01B, F01D, F05Z, F07A, F07B, F14A, F14B, F28A, F42Z, F54A, F54B, F54J, F59A, F59B | | | | | |
| | 04 | E02A, E02B, E02C, E02D | | 06 | G10Z, G12A, G12B, G12J | | 06 | G10Z, G12A, G12B, G12J | | | | | |
| | 05 | F01A, F01B, F01D, F05Z, F07A, F07B, F14A, F14B, F28A, F30Z, F42Z, F54A, F54B, F54J, F59A, F59B | | 08 | I08A, I08B, I08C, I08D, I08E, I13A, I13B | | 08 | I08A, I08B, I08C, I08D, I08E, I13A, I13B | | | | | |
| | 06 | G10Z, G12A, G12B, G12J, G33Z | | 09 | J03A, J03B, J04A, J04B, J08A, J08B, J08C, J11A, J11B, J11J, J11Q, J11R, J11S, J16Z | | 09 | J03A, J03B, J04A, J04B, J08A, J08B, J08C, J11A, J11B, J11J, J11Q, J11R, J11S, J16Z | | | | | |
| | 07 | H33Z, H38Z | | 10 | K09A, K09B | | 10 | K09A, K09B | | | | | |
| | 08 | I08A, I08B, I08C, I08D, I08E, I13A, I13B | | 11 | L09A, L09B, L09C, L09J, L38Z | | 11 | L09A, L09B, L09C, L09J, L38Z | | | | | |
| | 09 | J03A, J03B, J04A, J04B, J08A, J08B, J08C, J11A, J11B, J11J, J11Q, J11R, J11S, J16Z | | 17 | R01A, R01B, R01C, R01D, R02Z, R12A, R12B, R12C | | 17 | R01A, R01B, R01C, R01D, R02Z, R12A, R12B, R12C | | | | | |
| | 10 | K09A, K09B | | 21A | W04A, W04B | | 21A | W04A, W04B | | | | | |
| | 11 | L09A, L09B, L09C, L09J, L33Z, L38Z | | 21B | X04Z, X06A, X06B, X06C | | 21B | X04Z, X06A, X06B, X06C | | | | | |
| | 17 | R01A, R01B, R01C, R01D, R02Z, R12A, R12B, R12C | | 51555.1↔ | | | BOP, KJZSV, KVT, UOP4 | 51555.4↔ | | BOP, KJZSV, KVT, UOP4 | | | |
| | 21A | W04A, W04B | | | 01 | | B04A, B04B, B04C, B04D, B04E | | 01 | B04A, B04B, B04C, B04D, B04E | | | |
| | 21B | X06A, X06B, X06C, X33Z | | | 05 | | F01A, F01B, F01D, F05Z, F07A, F07B, F14A, F14B, F28A, F42Z, F54A, F54B, F54J, F59A, F59B | | 05 | F01A, F01B, F01D, F05Z, F07A, F07B, F14A, F14B, F28A, F42Z, F54A, F54B, F54J, F59A, F59B | | | |
| | 23 | Z01A | | | 06 | | G10Z, G12A, G12B, G12J | | 06 | G10Z, G12A, G12B, G12J | | | |
| | Pre | A07A | | | 08 | | I08A, I08B, I08C, I08D, I08E, I13A, I13B | | 08 | I08A, I08B, I08C, I08D, I08E, I13A, I13B | | | |
| | 51554.x↔ | | | | BOP, KJZSV, KVT, UOP4 | | 51555.2↔ | | | BOP, KJZSV, KVT, UOP4 | 51555.x↔ | | BOP, KJZSV, KVT, UOP4 |
| | | 01 | | | B04A, B04B, B04C, B04D, B04E | | | | 01 | B04A, B04B, B04C, B04D, B04E | | 01 | B04A, B04B, B04C, B04D, B04E |
| | | 03 | | | D12A, D12J, D12Q | | | | 05 | F01A, F01B, F01D, F05Z, F07A, F07B, F14A, F14B, F28A, F42Z, F54A, F54B, F54J, F59A, F59B | | 05 | F01A, F01B, F01D, F05Z, F07A, F07B, F14A, F14B, F28A, F42Z, F54A, F54B, F54J, F59A, F59B |
| | | 04 | | | E02A, E02B, E02C, E02D | | | | 06 | G10Z, G12A, G12B, G12J | | 06 | G10Z, G12A, G12B, G12J |
| | | 05 | | | F01A, F01B, F01D, F05Z, F07A, F07B, F14A, F14B, F28A, F42Z, F54A, F54B, F54J, F59A, F59B | | | | 08 | I08A, I08B, I08C, I08D, I08E, I13A, I13B | | 08 | I08A, I08B, I08C, I08D, I08E, I13A, I13B |
| 06 | | G10Z, G12A, G12B, G12J | 09 | | J03A, J03B, J04A, J04B, J08A, J08B, J08C, J11A, J11B, J11J, J11Q, J11R, J11S, J16Z | 09 | | | J03A, J03B, J04A, J04B, J08A, J08B, J08C, J11A, J11B, J11J, J11Q, J11R, J11S, J16Z | | | | |
| 08 | | I08A, I08B, I08C, I08D, I08E, I13A, I13B | 10 | | K09A, K09B | 10 | | | K09A, K09B | | | | |
| 09 | | J03A, J03B, J04A, J04B, J08A, J08B, J08C, J11A, J11B, J11J, J11Q, J11R, J11S, J16Z | 11 | | L09A, L09B, L09C, L09J, L38Z | 11 | | | L09A, L09B, L09C, L09J, L38Z | | | | |
| 10 | | K09A, K09B | 17 | | R01A, R01B, R01C, R01D, R02Z, R12A, R12B, R12C | 17 | | | R01A, R01B, R01C, R01D, R02Z, R12A, R12B, R12C | | | | |
| 11 | | L09A, L09B, L09C, L09J, L38Z | 21A | | W04A, W04B | 21A | | | W04A, W04B | | | | |
| 17 | | R01A, R01B, R01C, R01D, R02Z, R12A, R12B, R12C | 21B | | X04Z, X06A, X06B, X06C | 21B | | | X04Z, X06A, X06B, X06C | | | | |
| 21A | | W04A, W04B | 51555.2↔ | | | BOP, KJZSV, KVT, UOP4 | | | 51555.x↔ | | | BOP, KJZSV, KVT, UOP4 | |
| 21B | | X06A, X06B, X06C | | | 01 | B04A, B04B, B04C, B04D, B04E | | | | 01 | | B04A, B04B, B04C, B04D, B04E | |
| | | | | | 05 | F01A, F01B, F01D, F05Z, F07A, F07B, F14A, F14B, F28A, F42Z, F54A, F54B, F54J, F59A, F59B | | | | 05 | | F01A, F01B, F01D, F05Z, F07A, F07B, F14A, F14B, F28A, F42Z, F54A, F54B, F54J, F59A, F59B | |
| | | | | | 06 | G10Z, G12A, G12B, G12J | | | | 06 | | G10Z, G12A, G12B, G12J | |
| | | | | | 08 | I08A, I08B, I08C, I08D, I08E, I13A, I13B | | | | 08 | | I08A, I08B, I08C, I08D, I08E, I13A, I13B | |
| | | | | 09 | J03A, J03B, J04A, J04B, J08A, J08B, J08C, J11A, J11B, J11J, J11Q, J11R, J11S, J16Z | 09 | | J03A, J03B, J04A, J04B, J08A, J08B, J08C, J11A, J11B, J11J, J11Q, J11R, J11S, J16Z | | | | | |
| | | | | 10 | K09A, K09B | 10 | | K09A, K09B | | | | | |
| | | | | 11 | L09A, L09B, L09C, L09J, L38Z | 11 | | L09A, L09B, L09C, L09J, L38Z | | | | | |
| | | | | 17 | R01A, R01B, R01C, R01D, R02Z, R12A, R12B, R12C | 17 | | R01A, R01B, R01C, R01D, R02Z, R12A, R12B, R12C | | | | | |
| | | | | 21A | W04A, W04B | 21A | | W04A, W04B | | | | | |
| | | 21B | | X04Z, X06A, X06B, X06C | 21B | X04Z, X06A, X06B, X06C | | | | | | | |

VYK

| ZZV | MDC | DRG | ZZV | MDC | DRG | ZZV | MDC | DRG | | | |
|---------|---------|--|--|--|--|---------|--|--|----------|----|--|
| 51556.0 | | BOP, KJZSV, KVT, UOP4 | 51556.3 | | BOP, KJZSV, KVT, UOP4 | 51556.6 | | BOP, KJZSV, KVT, UOP4 | | | |
| | 01 | B04A, B04B, B04C, B04D, B04E | | 01 | B04A, B04B, B04C, B04D, B04E | | 01 | B04A, B04B, B04C, B04D, B04E | | | |
| | 05 | F01A, F01B, F01D, F05Z, F07A, F07B, F14A, F14B, F28A, F42Z, F54A, F54B, F54J, F59A, F59B | | 05 | F01A, F01B, F01D, F05Z, F07A, F07B, F14A, F14B, F28A, F42Z, F54A, F54B, F54J, F59A, F59B | | 05 | F01A, F01B, F01D, F05Z, F07A, F07B, F14A, F14B, F28A, F42Z, F54A, F54B, F54J, F59A, F59B | | | |
| | 06 | G10Z, G12A, G12B, G12J, G18A, G38Z | | 06 | G10Z, G12A, G12B, G12J, G18A, G38Z | | 06 | G10Z, G12A, G12B, G12J, G18A, G38Z | | | |
| | 07 | H01A | | 08 | I08A, I08B, I08C, I08D, I08E, I13A, I13B | | 07 | H01A | | | |
| | 08 | I08A, I08B, I08C, I08D, I08E, I13A, I13B | | 09 | J03A, J03B, J04A, J04B, J08A, J08B, J08C, J11A, J11B, J11J, J11Q, J11R, J11S, J16Z | | 08 | I08A, I08B, I08C, I08D, I08E, I13A, I13B | | | |
| | 09 | J03A, J03B, J04A, J04B, J08A, J08B, J08C, J11A, J11B, J11J, J11Q, J11R, J11S, J16Z | | 10 | K09A, K09B | | 09 | J03A, J03B, J04A, J04B, J08A, J08B, J08C, J11A, J11B, J11J, J11Q, J11R, J11S, J16Z | | | |
| | 10 | K09A, K09B | | 11 | L09A, L09B, L09C, L09J, L38Z | | 10 | K09A, K09B | | | |
| | 11 | L09A, L09B, L09C, L09J, L38Z | | 17 | R01A, R01B, R01C, R01D, R02Z, R12A, R12B, R12C | | 11 | L09A, L09B, L09C, L09J, L38Z | | | |
| | 17 | R01A, R01B, R01C, R01D, R02Z, R12A, R12B, R12C | | 21A | W04A, W04B | | 17 | R01A, R01B, R01C, R01D, R02Z, R12A, R12B, R12C | | | |
| | 21A | W04A, W04B | | 21B | X06A, X06B, X06C | | 21A | W04A, W04B | | | |
| | 21B | X06A, X06B, X06C | | | | | 21B | X06A, X06B, X06C | | | |
| | 51556.1 | | | BOP, KJZSV, KVT, UOP4 | 51556.4↔ | | | BOP, KJZSV, KVT, UOP4 | 51556.x↔ | | BOP, KJZSV, KVT, UOP4 |
| | | 01 | | B04A, B04B, B04C, B04D, B04E | | | 01 | B04A, B04B, B04C, B04D, B04E | | 01 | B04A, B04B, B04C, B04D, B04E |
| | | 05 | | F01A, F01B, F01D, F05Z, F07A, F07B, F14A, F14B, F28A, F42Z, F54A, F54B, F54J, F59A, F59B | | | 05 | F01A, F01B, F01D, F05Z, F07A, F07B, F14A, F14B, F28A, F42Z, F54A, F54B, F54J, F59A, F59B | | 05 | F01A, F01B, F01D, F05Z, F07A, F07B, F14A, F14B, F28A, F42Z, F54A, F54B, F54J, F59A, F59B |
| | | 06 | | G10Z, G12A, G12B, G12J, G18A, G38Z | | | 06 | G10Z, G12A, G12B, G12J | | 06 | G10Z, G12A, G12B, G12J |
| | | 07 | | H01A | | | 08 | I08A, I08B, I08C, I08D, I08E, I13A, I13B | | 08 | I08A, I08B, I08C, I08D, I08E, I13A, I13B |
| 08 | | I08A, I08B, I08C, I08D, I08E, I13A, I13B | 09 | J03A, J03B, J04A, J04B, J08A, J08B, J08C, J11A, J11B, J11J, J11Q, J11R, J11S, J16Z | | 09 | J03A, J03B, J04A, J04B, J08A, J08B, J08C, J11A, J11B, J11J, J11Q, J11R, J11S, J16Z | | | | |
| 09 | | J03A, J03B, J04A, J04B, J08A, J08B, J08C, J11A, J11B, J11J, J11Q, J11R, J11S, J16Z | 10 | K09A, K09B | | 10 | K09A, K09B | | | | |
| 10 | | K09A, K09B | 11 | L09A, L09B, L09C, L09J, L38Z | | 11 | L09A, L09B, L09C, L09J, L38Z | | | | |
| 11 | | L09A, L09B, L09C, L09J, L38Z | 17 | R01A, R01B, R01C, R01D, R02Z, R12A, R12B, R12C | | 17 | R01A, R01B, R01C, R01D, R02Z, R12A, R12B, R12C | | | | |
| 17 | | R01A, R01B, R01C, R01D, R02Z, R12A, R12B, R12C | 21A | W04A, W04B | | 21A | W04A, W04B | | | | |
| 21A | | W04A, W04B | 21B | X06A, X06B, X06C | | 21B | X06A, X06B, X06C | | | | |
| 21B | | X06A, X06B, X06C | | | | | | | | | |
| 51556.2 | | | BOP, KJZSV, KVT, UOP4 | 51556.5 | | | BOP, KJZSV, KVT, UOP4 | 51557.0↔ | | | BOP, KJZSV, KVT, UOP4 |
| | | 01 | B04A, B04B, B04C, B04D, B04E | | | 01 | B04A, B04B, B04C, B04D, B04E | | | 01 | B04A, B04B, B04C, B04D, B04E |
| | | 05 | F01A, F01B, F01D, F05Z, F07A, F07B, F14A, F14B, F28A, F42Z, F54A, F54B, F54J, F59A, F59B | | | 05 | F01A, F01B, F01D, F05Z, F07A, F07B, F14A, F14B, F28A, F42Z, F54A, F54B, F54J, F59A, F59B | | | 05 | F01A, F01B, F01D, F05Z, F07A, F07B, F14A, F14B, F28A, F42Z, F54A, F54B, F54J, F59A, F59B |
| | | 06 | G10Z, G12A, G12B, G12J | | | 06 | G10Z, G12A, G12B, G12J, G18A, G38Z | | | 06 | G10Z, G12A, G12B, G12J, G18A, G38Z |
| | | 08 | I08A, I08B, I08C, I08D, I08E, I13A, I13B | | | 07 | H01A | | | 08 | I08A, I08B, I08C, I08D, I08E, I13A, I13B |
| | 08 | I08A, I08B, I08C, I08D, I08E, I13A, I13B | 08 | | I08A, I08B, I08C, I08D, I08E, I13A, I13B | 09 | J03A, J03B, J04A, J04B, J08A, J08B, J08C, J11A, J11B, J11J, J11Q, J11R, J11S, J16Z | | | | |
| | 09 | J03A, J03B, J04A, J04B, J08A, J08B, J08C, J11A, J11B, J11J, J11Q, J11R, J11S, J16Z | 09 | | J03A, J03B, J04A, J04B, J08A, J08B, J08C, J11A, J11B, J11J, J11Q, J11R, J11S, J16Z | 10 | K09A, K09B | | | | |
| | 10 | K09A, K09B | 10 | | K09A, K09B | 11 | L09A, L09B, L09C, L09J, L38Z | | | | |
| | 11 | L09A, L09B, L09C, L09J, L38Z | 11 | | L09A, L09B, L09C, L09J, L38Z | 17 | R01A, R01B, R01C, R01D, R02Z, R12A, R12B, R12C | | | | |
| | 17 | R01A, R01B, R01C, R01D, R02Z, R12A, R12B, R12C | 17 | | R01A, R01B, R01C, R01D, R02Z, R12A, R12B, R12C | 21A | W04A, W04B | | | | |
| | 21A | W04A, W04B | 21A | | W04A, W04B | 21B | X04Z, X06A, X06B, X06C | | | | |
| | 21B | X06A, X06B, X06C | 21B | | X06A, X06B, X06C | | | | | | |

| ZZV | MDC | DRG | ZZV | MDC | DRG | ZZV | MDC | DRG |
|----------|----------|--|-----------------------|--|--|----------|--|--|
| 51557.1↔ | | BOP, KJZSV, KVT, UOP4 | 51558.0↔ | | BOP, KJZSV, KVT, UOP4 | 51558.3↔ | | BOP, KJZSV, KVT, UOP4 |
| | 01 | B04A, B04B, B04C, B04D, B04E | | 01 | B04A, B04B, B04C, B04D, B04E | | 01 | B04A, B04B, B04C, B04D, B04E |
| | 05 | F01A, F01B, F01D, F05Z, F07A, F07B, F14A, F14B, F28A, F42Z, F54A, F54B, F54J, F59A, F59B | | 05 | F01A, F01B, F01D, F05Z, F07A, F07B, F14A, F14B, F28A, F42Z, F54A, F54B, F54J, F59A, F59B | | 05 | F01A, F01B, F01D, F05Z, F07A, F07B, F14A, F14B, F28A, F42Z, F54A, F54B, F54J, F59A, F59B |
| | 08 | I08A, I08B, I08C, I08D, I08E, I13A, I13B | | 08 | I08A, I08B, I08C, I08D, I08E, I13A, I13B | | 08 | I08A, I08B, I08C, I08D, I08E, I13A, I13B |
| | 09 | J03A, J03B, J04A, J04B, J08A, J08B, J08C, J11A, J11B, J11J, J11Q, J11R, J11S, J16Z | | 09 | J03A, J03B, J04A, J04B, J08A, J08B, J08C, J11A, J11B, J11J, J11Q, J11R, J11S, J16Z | | 09 | J03A, J03B, J04A, J04B, J08A, J08B, J08C, J11A, J11B, J11J, J11Q, J11R, J11S, J16Z |
| | 10 | K09A, K09B | | 10 | K09A, K09B | | 10 | K09A, K09B |
| | 11 | L09A, L09B, L09C, L09J, L38Z | | 17 | R01A, R01B, R01C, R01D, R02Z, R12A, R12B, R12C | | 17 | R01A, R01B, R01C, R01D, R02Z, R12A, R12B, R12C |
| | 17 | R01A, R01B, R01C, R01D, R02Z, R12A, R12B, R12C | | 21A | W04A, W04B | | 21A | W04A, W04B |
| | 21A | W04A, W04B | | 21B | X04Z, X06A, X06B, X06C | | 21B | X04Z, X06A, X06B, X06C |
| | 21B | X04Z, X06A, X06B, X06C | | | | | | |
| | 51557.2↔ | | | BOP, KJZSV, KVT, UOP4 | 51558.1↔ | | | BOP, KJZSV, KVT, UOP4 |
| 01 | | B04A, B04B, B04C, B04D, B04E | 01 | B04A, B04B, B04C, B04D, B04E | | 01 | B04A, B04B, B04C, B04D, B04E | |
| 05 | | F01A, F01B, F01D, F05Z, F07A, F07B, F14A, F14B, F28A, F42Z, F54A, F54B, F54J, F59A, F59B | 05 | F01A, F01B, F01D, F05Z, F07A, F07B, F14A, F14B, F28A, F42Z, F54A, F54B, F54J, F59A, F59B | | 05 | F01A, F01B, F01D, F05Z, F07A, F07B, F14A, F14B, F28A, F42Z, F54A, F54B, F54J, F59A, F59B | |
| 08 | | I08A, I08B, I08C, I08D, I08E, I13A, I13B | 08 | I08A, I08B, I08C, I08D, I08E, I13A, I13B | | 08 | I08A, I08B, I08C, I08D, I08E, I13A, I13B | |
| 09 | | J03A, J03B, J04A, J04B, J08A, J08B, J08C, J11A, J11B, J11J, J11Q, J11R, J11S, J16Z | 09 | J03A, J03B, J04A, J04B, J08A, J08B, J08C, J11A, J11B, J11J, J11Q, J11R, J11S, J16Z | | 09 | J03A, J03B, J04A, J04B, J08A, J08B, J08C, J11A, J11B, J11J, J11Q, J11R, J11S, J16Z | |
| 10 | | K09A, K09B | 10 | K09A, K09B | | 10 | K09A, K09B | |
| 17 | | R01A, R01B, R01C, R01D, R02Z, R12A, R12B, R12C | 17 | R01A, R01B, R01C, R01D, R02Z, R12A, R12B, R12C | | 17 | R01A, R01B, R01C, R01D, R02Z, R12A, R12B, R12C | |
| 21A | | W04A, W04B | 21A | W04A, W04B | | 21A | W04A, W04B | |
| 21B | | X04Z, X06A, X06B, X06C | 21B | X04Z, X06A, X06B, X06C | | 21B | X04Z, X06A, X06B, X06C | |
| | | | | | | | | |
| 51557.x↔ | | | BOP, KJZSV, KVT, UOP4 | 51558.2↔ | | | BOP, KJZSV, KVT, UOP4 | 51558.5↔ |
| | 01 | B04A, B04B, B04C, B04D, B04E | 01 | | B04A, B04B, B04C, B04D, B04E | 01 | B04A, B04B, B04C, B04D, B04E | |
| | 05 | F01A, F01B, F01D, F05Z, F07A, F07B, F14A, F14B, F28A, F42Z, F54A, F54B, F54J, F59A, F59B | 05 | | F01A, F01B, F01D, F05Z, F07A, F07B, F14A, F14B, F28A, F42Z, F54A, F54B, F54J, F59A, F59B | 05 | F01A, F01B, F01D, F05Z, F07A, F07B, F14A, F14B, F28A, F42Z, F54A, F54B, F54J, F59A, F59B | |
| | 08 | I08A, I08B, I08C, I08D, I08E, I13A, I13B | 08 | | I08A, I08B, I08C, I08D, I08E, I13A, I13B | 08 | I08A, I08B, I08C, I08D, I08E, I13A, I13B | |
| | 09 | J03A, J03B, J04A, J04B, J08A, J08B, J08C, J11A, J11B, J11J, J11Q, J11R, J11S, J16Z | 09 | | J03A, J03B, J04A, J04B, J08A, J08B, J08C, J11A, J11B, J11J, J11Q, J11R, J11S, J16Z | 09 | J03A, J03B, J04A, J04B, J08A, J08B, J08C, J11A, J11B, J11J, J11Q, J11R, J11S, J16Z | |
| | 10 | K09A, K09B | 10 | | K09A, K09B | 10 | K09A, K09B | |
| | 17 | R01A, R01B, R01C, R01D, R02Z, R12A, R12B, R12C | 17 | | R01A, R01B, R01C, R01D, R02Z, R12A, R12B, R12C | 17 | R01A, R01B, R01C, R01D, R02Z, R12A, R12B, R12C | |
| | 21A | W04A, W04B | 21A | | W04A, W04B | 21A | W04A, W04B | |
| | 21B | X04Z, X06A, X06B, X06C | 21B | | X04Z, X06A, X06B, X06C | 21B | X04Z, X06A, X06B, X06C | |
| | | | | | | | | |

| ZZV | MDC | DRG | ZZV | MDC | DRG | ZZV | MDC | DRG |
|----------|------------------------|--|-----------------------|--|--|---------|--|--|
| 51558.6↔ | | BOP, KJZSV, KVT, UOP4 | 51559.1↔ | | BOP, KJZSV, KVT, UOP4 | 51559.4 | | BOP, KJZSV, KVT, UOP4 |
| | 01 | B04A, B04B, B04C, B04D, B04E | | 01 | B04A, B04B, B04C, B04D, B04E | | 01 | B04A, B04B, B04C, B04D, B04E |
| | 05 | F01A, F01B, F01D, F05Z, F07A, F07B, F14A, F14B, F28A, F42Z, F54A, F54B, F54J, F59A, F59B | | 05 | F01A, F01B, F01D, F05Z, F07A, F07B, F14A, F14B, F28A, F42Z, F54A, F54B, F54J, F59A, F59B | | 05 | F01A, F01B, F01D, F05Z, F07A, F07B, F14A, F14B, F28A, F42Z, F54A, F54B, F54J, F59A, F59B |
| | 08 | I08A, I08B, I08C, I08D, I08E, I13A, I13B | | 08 | I08A, I08B, I08C, I08D, I08E, I13A, I13B | | 06 | G18A, G38Z |
| | 09 | J03A, J03B, J04A, J04B, J08A, J08B, J08C, J11A, J11B, J11J, J11Q, J11R, J11S, J16Z | | 09 | J03A, J03B, J04A, J04B, J08A, J08B, J08C, J11A, J11B, J11J, J11Q, J11R, J11S, J16Z | | 07 | H01A |
| | 10 | K09A, K09B | | 10 | K09A, K09B | | 08 | I08A, I08B, I08C, I08D, I08E, I13A, I13B |
| | 17 | R01A, R01B, R01C, R01D, R02Z, R12A, R12B, R12C | | 17 | R01A, R01B, R01C, R01D, R02Z, R12A, R12B, R12C | | 09 | J03A, J03B, J04A, J04B, J08A, J08B, J08C, J11A, J11B, J11J, J11Q, J11R, J11S, J16Z |
| | 21A | W04A, W04B | | 21A | W04A, W04B | | 10 | K09A, K09B |
| | 21B | X04Z, X06A, X06B, X06C | | 21B | X04Z, X06A, X06B, X06C | | 17 | R01A, R01B, R01C, R01D, R02Z, R12A, R12B, R12C |
| | 51558.x↔ | | | BOP, KJZSV, KVT, UOP4 | 51559.2 | | | BOP, KJZSV, KVT, UOP4 |
| 01 | | B04A, B04B, B04C, B04D, B04E | 01 | B04A, B04B, B04C, B04D, B04E | | 01 | B04A, B04B, B04C, B04D, B04E | |
| 05 | | F01A, F01B, F01D, F05Z, F07A, F07B, F14A, F14B, F28A, F42Z, F54A, F54B, F54J, F59A, F59B | 05 | F01A, F01B, F01D, F05Z, F07A, F07B, F14A, F14B, F28A, F42Z, F54A, F54B, F54J, F59A, F59B | | 05 | F01A, F01B, F01D, F05Z, F07A, F07B, F14A, F14B, F28A, F42Z, F54A, F54B, F54J, F59A, F59B | |
| 08 | | I08A, I08B, I08C, I08D, I08E, I13A, I13B | 06 | G18A, G38Z | | 05 | F01A, F01B, F01D, F05Z, F07A, F07B, F14A, F14B, F28A, F42Z, F54A, F54B, F54J, F59A, F59B | |
| 09 | | J03A, J03B, J04A, J04B, J08A, J08B, J08C, J11A, J11B, J11J, J11Q, J11R, J11S, J16Z | 07 | H01A | | 06 | G18A, G38Z | |
| 10 | | K09A, K09B | 08 | I08A, I08B, I08C, I08D, I08E, I13A, I13B | | 07 | H01A | |
| 17 | | R01A, R01B, R01C, R01D, R02Z, R12A, R12B, R12C | 09 | J03A, J03B, J04A, J04B, J08A, J08B, J08C, J11A, J11B, J11J, J11Q, J11R, J11S, J16Z | | 08 | I08A, I08B, I08C, I08D, I08E, I13A, I13B | |
| 21A | | W04A, W04B | 10 | K09A, K09B | | 09 | J03A, J03B, J04A, J04B, J08A, J08B, J08C, J11A, J11B, J11J, J11Q, J11R, J11S, J16Z | |
| 21B | | X04Z, X06A, X06B, X06C | 17 | R01A, R01B, R01C, R01D, R02Z, R12A, R12B, R12C | | 10 | K09A, K09B | |
| 51559.0↔ | | | BOP, KJZSV, KVT, UOP4 | 51559.3↔ | | | BOP, KJZSV, KVT, UOP4 | 51559.6 |
| | 01 | B04A, B04B, B04C, B04D, B04E | 01 | | B04A, B04B, B04C, B04D, B04E | 01 | B04A, B04B, B04C, B04D, B04E | |
| | 05 | F01A, F01B, F01D, F05Z, F07A, F07B, F14A, F14B, F28A, F42Z, F54A, F54B, F54J, F59A, F59B | 05 | | F01A, F01B, F01D, F05Z, F07A, F07B, F14A, F14B, F28A, F42Z, F54A, F54B, F54J, F59A, F59B | 05 | F01A, F01B, F01D, F05Z, F07A, F07B, F14A, F14B, F28A, F42Z, F54A, F54B, F54J, F59A, F59B | |
| | 06 | G10Z, G12A, G12B, G12J | 06 | | G18A, G38Z | 05 | F01A, F01B, F01D, F05Z, F07A, F07B, F14A, F14B, F28A, F42Z, F54A, F54B, F54J, F59A, F59B | |
| | 08 | I08A, I08B, I08C, I08D, I08E, I13A, I13B | 07 | | H01A | 06 | G18A, G38Z | |
| | 09 | J03A, J03B, J04A, J04B, J08A, J08B, J08C, J11A, J11B, J11J, J11Q, J11R, J11S, J16Z | 08 | | I08A, I08B, I08C, I08D, I08E, I13A, I13B | 07 | H01A | |
| | 10 | K09A, K09B | 09 | | J03A, J03B, J04A, J04B, J08A, J08B, J08C, J11A, J11B, J11J, J11Q, J11R, J11S, J16Z | 08 | I08A, I08B, I08C, I08D, I08E, I13A, I13B | |
| | 11 | L09A, L09B, L09C, L09J, L38Z | 10 | | K09A, K09B | 09 | J03A, J03B, J04A, J04B, J08A, J08B, J08C, J11A, J11B, J11J, J11Q, J11R, J11S, J16Z | |
| | 17 | R01A, R01B, R01C, R01D, R02Z, R12A, R12B, R12C | 17 | | R01A, R01B, R01C, R01D, R02Z, R12A, R12B, R12C | 10 | K09A, K09B | |
| | 21A | W04A, W04B | 21A | | W04A, W04B | 17 | R01A, R01B, R01C, R01D, R02Z, R12A, R12B, R12C | |
| 21B | X04Z, X06A, X06B, X06C | 21B | X06A, X06B, X06C | 21A | W04A, W04B | | | |
| | | | | 21B | X06A, X06B, X06C | | | |

VYK

| ZZV | MDC | DRG | ZZV | MDC | DRG | ZZV | MDC | DRG | | | |
|----------|----------|--|--|--|--|----------|--|--|---------|----|--|
| 51559.7 | | BOP, KJZSV, KVT, UOP4 | 51559.a↔ | | BOP, KJZSV, KVT, UOP4 | 51559.d↔ | | BOP, KJZSV, KVT, UOP4 | | | |
| | 01 | B04A, B04B, B04C, B04D, B04E | | 01 | B04A, B04B, B04C, B04D, B04E | | 01 | B04A, B04B, B04C, B04D, B04E | | | |
| | 05 | F01A, F01B, F01D, F05Z, F07A, F07B, F14A, F14B, F28A, F42Z, F54A, F54B, F54J, F59A, F59B | | 03 | D12A, D12J, D12Q | | 03 | D12A, D12J, D12Q | | | |
| | 06 | G18A, G38Z | | 04 | E02A, E02B, E02C, E02D | | 04 | E02A, E02B, E02C, E02D | | | |
| | 07 | H01A | | 05 | F01A, F01B, F01D, F05Z, F07A, F07B, F14A, F14B, F28A, F42Z, F54A, F54B, F54J, F59A, F59B | | 05 | F01A, F01B, F01D, F05Z, F07A, F07B, F14A, F14B, F28A, F42Z, F54A, F54B, F54J, F59A, F59B | | | |
| | 08 | I08A, I08B, I08C, I08D, I08E, I13A, I13B | | 06 | G10Z, G12A, G12B, G12J | | 06 | G10Z, G12A, G12B, G12J | | | |
| | 09 | J03A, J03B, J04A, J04B, J08A, J08B, J08C, J11A, J11B, J11J, J11Q, J11R, J11S, J16Z | | 08 | I08A, I08B, I08C, I08D, I08E, I13A, I13B | | 08 | I08A, I08B, I08C, I08D, I08E, I13A, I13B | | | |
| | 10 | K09A, K09B | | 09 | J03A, J03B, J04A, J04B, J08A, J08B, J08C, J11A, J11B, J11J, J11Q, J11R, J11S, J16Z | | 09 | J03A, J03B, J04A, J04B, J08A, J08B, J08C, J11A, J11B, J11J, J11Q, J11R, J11S, J16Z | | | |
| | 17 | R01A, R01B, R01C, R01D, R02Z, R12A, R12B, R12C | | 10 | K09A, K09B | | 10 | K09A, K09B | | | |
| | 21A | W04A, W04B | | 11 | L09A, L09B, L09C, L09J, L38Z | | 11 | L09A, L09B, L09C, L09J, L38Z | | | |
| | 21B | X06A, X06B, X06C | | 17 | R01A, R01B, R01C, R01D, R02Z, R12A, R12B, R12C | | 17 | R01A, R01B, R01C, R01D, R02Z, R12A, R12B, R12C | | | |
| | 51559.8↔ | | | BOP, KJZSV, KVT, UOP4 | 51559.b↔ | | | BOP, KJZSV, KVT, UOP4 | 51559.e | | BOP, KJZSV, KVT, UOP4 |
| | | 01 | | B04A, B04B, B04C, B04D, B04E | | | 01 | B04A, B04B, B04C, B04D, B04E | | 01 | B04A, B04B, B04C, B04D, B04E |
| | | 05 | | F01A, F01B, F01D, F05Z, F07A, F07B, F14A, F14B, F28A, F42Z, F54A, F54B, F54J, F59A, F59B | | | 03 | D12A, D12J, D12Q | | 03 | D12A, D12J, D12Q |
| | | 06 | | G18A, G38Z | | | 04 | E02A, E02B, E02C, E02D | | 04 | E02A, E02B, E02C, E02D |
| | | 07 | | H01A | | | 05 | F01A, F01B, F01D, F05Z, F07A, F07B, F14A, F14B, F28A, F42Z, F54A, F54B, F54J, F59A, F59B | | 05 | F01A, F01B, F01D, F05Z, F07A, F07B, F14A, F14B, F28A, F42Z, F54A, F54B, F54J, F59A, F59B |
| | | 08 | | I08A, I08B, I08C, I08D, I08E, I13A, I13B | | | 06 | G10Z, G12A, G12B, G12J | | 06 | G10Z, G12A, G12B, G12J |
| 09 | | J03A, J03B, J04A, J04B, J08A, J08B, J08C, J11A, J11B, J11J, J11Q, J11R, J11S, J16Z | 08 | I08A, I08B, I08C, I08D, I08E, I13A, I13B | | 08 | I08A, I08B, I08C, I08D, I08E, I13A, I13B | | | | |
| 10 | | K09A, K09B | 09 | J03A, J03B, J04A, J04B, J08A, J08B, J08C, J11A, J11B, J11J, J11Q, J11R, J11S, J16Z | | 09 | J03A, J03B, J04A, J04B, J08A, J08B, J08C, J11A, J11B, J11J, J11Q, J11R, J11S, J16Z | | | | |
| 17 | | R01A, R01B, R01C, R01D, R02Z, R12A, R12B, R12C | 10 | K09A, K09B | | 10 | K09A, K09B | | | | |
| 21A | | W04A, W04B | 11 | L09A, L09B, L09C, L09J, L38Z | | 11 | L09A, L09B, L09C, L09J, L38Z | | | | |
| 21B | | X06A, X06B, X06C | 17 | R01A, R01B, R01C, R01D, R02Z, R12A, R12B, R12C | | 17 | R01A, R01B, R01C, R01D, R02Z, R12A, R12B, R12C | | | | |
| 51559.9↔ | | | BOP, KJZSV, KVT, UOP4 | 51559.c↔ | | | BOP, KJZSV, KVT, UOP4 | 51559.f | | | BOP, KJZSV, KVT, UOP4 |
| | | 01 | B04A, B04B, B04C, B04D, B04E | | | 01 | B04A, B04B, B04C, B04D, B04E | | | 01 | B04A, B04B, B04C, B04D, B04E |
| | | 03 | D12A, D12J, D12Q | | | 03 | D12A, D12J, D12Q | | | 04 | E02A, E02B, E02C, E02D |
| | | 04 | E02A, E02B, E02C, E02D | | | 04 | E02A, E02B, E02C, E02D | | | 05 | F01A, F01B, F01D, F05Z, F07A, F07B, F14A, F14B, F28A, F42Z, F54A, F54B, F54J, F59A, F59B |
| | | 05 | F01A, F01B, F01D, F05Z, F07A, F07B, F14A, F14B, F28A, F42Z, F54A, F54B, F54J, F59A, F59B | | | 05 | F01A, F01B, F01D, F05Z, F07A, F07B, F14A, F14B, F28A, F42Z, F54A, F54B, F54J, F59A, F59B | | | 05 | F01A, F01B, F01D, F05Z, F07A, F07B, F14A, F14B, F28A, F42Z, F54A, F54B, F54J, F59A, F59B |
| | | 06 | G10Z, G12A, G12B, G12J | | | 06 | G10Z, G12A, G12B, G12J | | | 06 | G03A, G10Z, G12A, G12B, G12J, G18A, G38Z |
| | 08 | I08A, I08B, I08C, I08D, I08E, I13A, I13B | 08 | | I08A, I08B, I08C, I08D, I08E, I13A, I13B | 07 | H01A | | | | |
| | 09 | J03A, J03B, J04A, J04B, J08A, J08B, J08C, J11A, J11B, J11J, J11Q, J11R, J11S, J16Z | 09 | | J03A, J03B, J04A, J04B, J08A, J08B, J08C, J11A, J11B, J11J, J11Q, J11R, J11S, J16Z | 08 | I08A, I08B, I08C, I08D, I08E, I13A, I13B | | | | |
| | 10 | K09A, K09B | 10 | | K09A, K09B | 09 | J03A, J03B, J04A, J04B, J08A, J08B, J08C, J11A, J11B, J11J, J11Q, J11R, J11S, J16Z | | | | |
| | 11 | L09A, L09B, L09C, L09J, L38Z | 11 | | L09A, L09B, L09C, L09J, L38Z | 10 | K09A, K09B | | | | |
| | 17 | R01A, R01B, R01C, R01D, R02Z, R12A, R12B, R12C | 17 | | R01A, R01B, R01C, R01D, R02Z, R12A, R12B, R12C | 11 | L09A, L09B, L09C, L09J, L38Z | | | | |
| | 21A | W04A, W04B | 21A | | W04A, W04B | 17 | R01A, R01B, R01C, R01D, R02Z, R12A, R12B, R12C | | | | |
| | 21B | X06A, X06B, X06C | 21B | | X05A, X05B, X06A, X06B, X06C | 21A | W04A, W04B | | | | |
| | | | | | | 21B | X06A, X06B, X06C | | | | |

VYK

| ZZV | MDC | DRG | ZZV | MDC | DRG | ZZV | MDC | DRG | | | |
|----------|----------|--|--|--|--|---------|--|--|---------|-----|--|
| 51559.g↔ | | BOP, KJZSV, KVT, UOP4 | 51559.x↔ | | BOP, KJZSV, KVT, UOP4 | 51560.2 | | BOP, KJZSV, KVT, UOP4 | | | |
| | 01 | B04A, B04B, B04C, B04D, B04E | | 01 | B04A, B04B, B04C, B04D, B04E | | 01 | B04A, B04B, B04C, B04D, B04E | | | |
| | 05 | F01A, F01B, F01D, F05Z, F07A, F07B, F14A, F14B, F28A, F42Z, F54A, F54B, F54J, F59A, F59B | | 05 | F01A, F01B, F01D, F05Z, F07A, F07B, F14A, F14B, F28A, F42Z, F54A, F54B, F54J, F59A, F59B | | 03 | D12A, D12B, D12J, D12Q | | | |
| | 06 | G10Z, G12A, G12B, G12J | | 08 | I08A, I08B, I08C, I08D, I08E, I13A, I13B | | 04 | E02A, E02B, E02C, E02D | | | |
| | 08 | I08A, I08B, I08C, I08D, I08E, I13A, I13B | | 09 | J03A, J03B, J04A, J04B, J08A, J08B, J08C, J11A, J11B, J11J, J11Q, J11R, J11S, J16Z | | 05 | F01A, F01B, F01D, F05Z, F07A, F07B, F14A, F14B, F28A, F42Z, F54A, F54B, F54J, F59A, F59B | | | |
| | 09 | J03A, J03B, J04A, J04B, J08A, J08B, J08C, J11A, J11B, J11J, J11Q, J11R, J11S, J16Z | | 10 | K09A, K09B | | 08 | I08A, I08B, I08C, I08D, I08E, I13A, I13B | | | |
| | 10 | K09A, K09B | | 17 | R01A, R01B, R01C, R01D, R02Z, R12A, R12B, R12C | | 17 | R01A, R01B, R01C, R01D, R02Z, R12A, R12B, R12C | | | |
| | 11 | L09A, L09B, L09C, L09J, L38Z | | 21A | W04A, W04B | | 01 | BOP, KJZSV, KVT, UOP4 | | | |
| | 17 | R01A, R01B, R01C, R01D, R02Z, R12A, R12B, R12C | | 21B | X06A, X06B, X06C | | 03 | D12A, D12B, D12J, D12Q | | | |
| | 21A | W04A, W04B | | | BOP, KJZSV, KVT, UOP4 | | 04 | E02A, E02B, E02C, E02D | | | |
| | 21B | X04Z, X06A, X06B, X06C | | 05 | F01A, F01B, F01D, F05Z, F07A, F07B, F14A, F14B, F28A, F42Z, F54A, F54B, F54J, F59A, F59B | | 05 | F01A, F01B, F01D, F05Z, F07A, F07B, F14A, F14B, F28A, F42Z, F54A, F54B, F54J, F59A, F59B | | | |
| | 51559.h↔ | | | BOP, KJZSV, KVT, UOP4 | 5155x↔ | | | BOP, KJZSV, KVT, UOP4 | 51560.x | | BOP, KJZSV, KVT, UOP4 |
| | | 01 | | B04A, B04B, B04C, B04D, B04E | | | 01 | B04A, B04B, B04C, B04D, B04E | | 01 | B04A, B04B, B04C, B04D, B04E |
| | | 05 | | F01A, F01B, F01D, F05Z, F07A, F07B, F14A, F14B, F28A, F42Z, F54A, F54B, F54J, F59A, F59B | | | 08 | I08A, I08B, I08C, I08D, I08E, I13A, I13B | | 03 | D12A, D12B, D12J, D12Q |
| | | 06 | | G10Z, G12A, G12B, G12J | | | 09 | J03A, J03B, J04A, J04B, J08A, J08B, J08C, J11A, J11B, J11J, J11Q, J11R, J11S, J16Z | | 04 | E02A, E02B, E02C, E02D |
| | | 08 | | I08A, I08B, I08C, I08D, I08E, I13A, I13B | | | 10 | K09A, K09B | | 05 | F01A, F01B, F01D, F05Z, F07A, F07B, F13A, F14A, F14B, F27A, F27B, F27C, F28A, F42Z, F54A, F54B, F54J, F59A, F59B |
| | | 09 | | J03A, J03B, J04A, J04B, J08A, J08B, J08C, J11A, J11B, J11J, J11Q, J11R, J11S, J16Z | | | 17 | R01A, R01B, R01C, R01D, R02Z, R12A, R12B, R12C | | 08 | I08A, I08B, I08C, I08D, I08E, I13A, I13B |
| 10 | | K09A, K09B | 21A | W04A, W04B | | 10 | K01Z | | | | |
| 11 | | L09A, L09B, L09C, L09J, L38Z | 21B | X06A, X06B, X06C | | 21A | W04A, W04B | | | | |
| 17 | | R01A, R01B, R01C, R01D, R02Z, R12A, R12B, R12C | | BOP, KJZSV, KVT, UOP4 | | 21B | X04Z, X05A, X05B, X06A, X06B, X06C | | | | |
| 21A | | W04A, W04B | 01 | B03Z, B07Z, B17A, B17B, B17C, B17J | | | BOP, KJZSV, KVT, UOP4 | | | | |
| 21B | | X04Z, X06A, X06B, X06C | 03 | D12A, D12B, D12J, D12Q | | 01 | B04A, B04B, B04C, B04D, B04E | | | | |
| 51559.i↔ | | | BOP, KJZSV, KVT, UOP4 | 51560.0 | | | BOP, KJZSV, KVT, UOP4 | 51570.0 | | | BOP, KJZSV, KVT, UOP4 |
| | | 01 | B04A, B04B, B04C, B04D, B04E | | | 01 | B03Z, B07Z, B17A, B17B, B17C, B17J | | | 05 | F01A, F01B, F01D, F05Z, F07A, F07B, F14A, F14B, F28A, F42Z, F54A, F54B, F54J, F59A, F59B |
| | | 05 | F01A, F01B, F01D, F05Z, F07A, F07B, F14A, F14B, F28A, F42Z, F54A, F54B, F54J, F59A, F59B | | | 03 | D12A, D12B, D12J, D12Q | | | 08 | I08A, I08B, I08C, I08D, I08E, I13A, I13B |
| | | 06 | G10Z, G12A, G12B, G12J | | | 05 | F01A, F01B, F01D, F05Z, F07A, F07B, F14A, F14B, F28A, F42Z, F54A, F54B, F54J, F59A, F59B | | | 10 | K09A, K09B |
| | | 08 | I08A, I08B, I08C, I08D, I08E, I13A, I13B | | | 21A | W04A, W04B | | | 21A | W04A, W04B |
| | | 09 | J03A, J03B, J04A, J04B, J08A, J08B, J08C, J11A, J11B, J11J, J11Q, J11R, J11S, J16Z | | | 21B | X06A, X06B, X06C | | | 21B | X04Z, X05A, X05B, X06A, X06B, X06C |
| | 10 | K09A, K09B | | | BOP, KJZSV, KVT, UOP4 | | BOP, KJZSV, KVT, UOP4 | | | | |
| | 11 | L09A, L09B, L09C, L09J, L38Z | 01 | | B04A, B04B, B04C, B04D, B04E | 01 | B04A, B04B, B04C, B04D, B04E | | | | |
| | 17 | R01A, R01B, R01C, R01D, R02Z, R12A, R12B, R12C | 03 | | D12A, D12B, D12J, D12Q | 03 | D12A, D12J, D12Q | | | | |
| | 21A | W04A, W04B | 04 | | E02A, E02B, E02C, E02D | 04 | E02A, E02B, E02C, E02D | | | | |
| | 21B | X04Z, X06A, X06B, X06C | 05 | | F01A, F01B, F01D, F05Z, F07A, F07B, F14A, F14B, F28A, F42Z, F54A, F54B, F54J, F59A, F59B | 05 | F01A, F01B, F01D, F05Z, F07A, F07B, F13A, F14A, F14B, F28A, F42Z, F54A, F54B, F54J, F59A, F59B | | | | |
| | 51559.i↔ | | BOP, KJZSV, KVT, UOP4 | | 51560.1 | | BOP, KJZSV, KVT, UOP4 | | 51570.1 | | BOP, KJZSV, KVT, UOP4 |
| | | 01 | B04A, B04B, B04C, B04D, B04E | | | 01 | B04A, B04B, B04C, B04D, B04E | | | 01 | B04A, B04B, B04C, B04D, B04E |
| | | 05 | F01A, F01B, F01D, F05Z, F07A, F07B, F14A, F14B, F28A, F42Z, F54A, F54B, F54J, F59A, F59B | | | 03 | D12A, D12B, D12J, D12Q | | | 03 | D12A, D12J, D12Q |
| | | 06 | G10Z, G12A, G12B, G12J | | | 04 | E02A, E02B, E02C, E02D | | | 04 | E02A, E02B, E02C, E02D |
| | | 08 | I08A, I08B, I08C, I08D, I08E, I13A, I13B | | | 05 | F01A, F01B, F01D, F05Z, F07A, F07B, F14A, F14B, F28A, F42Z, F54A, F54B, F54J, F59A, F59B | | | 05 | F01A, F01B, F01D, F05Z, F07A, F07B, F13A, F14A, F14B, F28A, F42Z, F54A, F54B, F54J, F59A, F59B |
| | | 09 | J03A, J03B, J04A, J04B, J08A, J08B, J08C, J11A, J11B, J11J, J11Q, J11R, J11S, J16Z | | | 08 | I08A, I08B, I08C, I08D, I08E, I13A, I13B | | | 06 | G10Z, G12A, G12B, G12J |
| 10 | | K09A, K09B | 08 | I08A, I08B, I08C, I08D, I08E, I13A, I13B | | 08 | I08A, I08B, I08C, I08D, I08E, I13A, I13B | | | | |
| 11 | | L09A, L09B, L09C, L09J, L38Z | 17 | R01A, R01B, R01C, R01D, R02Z, R12A, R12B, R12C | | 09 | J03A, J03B, J04A, J04B, J08A, J08B, J08C, J11A, J11B, J11J, J11Q, J11R, J11S, J16Z | | | | |
| 17 | | R01A, R01B, R01C, R01D, R02Z, R12A, R12B, R12C | | BOP, KJZSV, KVT, UOP4 | | 10 | K09A, K09B | | | | |
| 21A | | W04A, W04B | 01 | B04A, B04B, B04C, B04D, B04E | | 11 | L09A, L09B, L09C, L09J, L38Z | | | | |
| 21B | | X04Z, X06A, X06B, X06C | 03 | D12A, D12B, D12J, D12Q | | 17 | R01A, R01B, R01C, R01D, R02Z, R12A, R12B, R12C | | | | |
| | | | 04 | E02A, E02B, E02C, E02D | | 21A | W04A, W04B | | | | |
| | | | 05 | F01A, F01B, F01D, F05Z, F07A, F07B, F14A, F14B, F28A, F42Z, F54A, F54B, F54J, F59A, F59B | | 21B | X04Z, X05A, X05B, X06A, X06B, X06C | | | | |

VYK

| ZZV | MDC | DRG | ZZV | MDC | DRG | ZZV | MDC | DRG | | | |
|---------|--|--|--|--|--|--|--|--|--|----------------------------------|--|
| 51570.2 | | BOP, KJZSV, KVT, UOP4 | 51570.5 | | BOP, KJZSV, KVT, UOP4 | 51571.1 | | BOP, KJZSV, KVT, UOP4 | | | |
| | 05 | F01A, F01B, F01D, F05Z, F07A, F07B, F13A, F14A, F14B, F28A, F42Z, F54A, F54B, F54J, F59A, F59B | | 05 | F01A, F01B, F01D, F05Z, F07A, F07B, F13A, F28A, F42Z, F54A, F54B, F54J, F59A, F59B | | 01 | B04A, B04B, B04C, B04D, B04E | | | |
| | 06 | G10Z, G12A, G12B, G12J | | 06 | G10Z, G12A, G12B, G12J | | 03 | D12A, D12J, D12Q | | | |
| | 08 | I08A, I08B, I08C, I08D, I08E, I13A, I13B | | 08 | I08A, I08B, I08C, I08D, I08E, I13A, I13B | | 04 | E02A, E02B, E02C, E02D | | | |
| | 10 | K09A, K09B | | 10 | K09A, K09B | | 05 | F01A, F01B, F01D, F05Z, F07A, F07B, F13A, F14A, F14B, F28A, F42Z, F54A, F54B, F54J, F59A, F59B | | | |
| | 17 | R01A, R01B, R01C, R01D, R02Z, R12A, R12B, R12C | | 11 | L09A, L09B, L09C, L09J, L38Z | | 06 | G10Z, G12A, G12B, G12J | | | |
| | 21A | W04A, W04B | | 21A | W04A, W04B | | 08 | I08A, I08B, I08C, I08D, I08E, I13A, I13B | | | |
| | 21B | X04Z, X05A, X05B, X06A, X06B, X06C | | 21B | X04Z, X05A, X05B, X06A, X06B, X06C | | 09 | J03A, J03B, J04A, J04B, J08A, J08B, J08C, J11A, J11B, J11J, J11Q, J11R, J11S, J16Z | | | |
| | 51570.3 | | | BOP, KJZSV, KOP, KOPV, KVT, UOP4 | 51570.6 | | | BOP, KJZSV, KVT, UOP4 | 51571.2 | | BOP, KJZSV, KVT, UOP4 |
| | | 04 | | E05A, E05B, E05C, E08A, E08B, E08C | | | 05 | F13A, F21A, F21B, F21J | | 05 | F01A, F01B, F01D, F05Z, F07A, F07B, F13A, F14A, F14B, F28A, F42Z, F54A, F54B, F54J, F59A, F59B |
| 05 | | F01A, F01B, F01D, F05Z, F07A, F07B, F13A, F14A, F14B, F28A, F42Z, F54A, F54B, F54J, F59A, F59B | 08 | I08A, I08B, I08C, I08D, I08E, I13A, I13B | | 06 | G10Z, G12A, G12B, G12J | | | | |
| 06 | | G15Z, G19A, G19B, G33Z, G38Z | 11 | L09A, L09B, L09C, L09J, L38Z | | 08 | I08A, I08B, I08C, I08D, I08E, I13A, I13B | | | | |
| 07 | | H33Z, H38Z | 21A | W04A, W04B | | 10 | K09A, K09B | | | | |
| 08 | | I08A, I08B, I08C, I08D, I08E, I13A, I13B | 21B | X06A, X06B, X06C | | 17 | R01A, R01B, R01C, R01D, R02Z, R12A, R12B, R12C | | | | |
| 11 | | L33Z | BOP, KJZSV, KOP, KOPV, KVT, UOP4 | 05 | | F01A, F01B, F01D, F05Z, F07A, F07B, F09A, F09B, F09C, F13A, F30Z, F42Z | 21A | W04A, W04B | | | |
| 21A | | W04A, W04B | 06 | G33Z | | 21B | X04Z, X05A, X05B, X06A, X06B, X06C | | | | |
| 21B | | X06A, X06B, X06C, X33Z | 07 | H33Z, H38Z | | 05 | F01A, F01B, F01D, F05Z, F07A, F07B, F13A, F14A, F14B, F28A, F42Z, F54A, F54B, F54J, F59A, F59B | | | | |
| 23 | | Z01A | 08 | I08A, I08B, I08C, I08D, I08E, I13A, I13B | | 06 | G10Z, G12A, G12B, G12J | | | | |
| 51570.4 | Pre | A07A | 51570.7 | | BOP, KJZSV, KOP, KOPV, KVT, UOP4 | 51571.3 | | BOP, KJZSV, KOP, KOPV, KVT, UOP4 | | | |
| | | BOP, KJZSV, KOP, KOPV, KVT, UOP4 | | 05 | F01A, F01B, F01D, F05Z, F07A, F07B, F09A, F09B, F09C, F13A, F30Z, F42Z | | 04 | E05A, E05B, E05C, E08A, E08B, E08C | | | |
| | 01 | B04A, B04B, B04C, B04D, B04E | | 06 | G33Z | | 05 | F01A, F01B, F01D, F05Z, F07A, F07B, F13A, F14A, F14B, F28A, F42Z, F54A, F54B, F54J, F59A, F59B | | | |
| | 03 | D12A, D12J, D12Q | | 07 | H33Z, H38Z | | 06 | G10Z, G12A, G12B, G12J | | | |
| | 04 | E05A, E05B, E05C, E08A, E08B, E08C | | 08 | I08A, I08B, I08C, I08D, I08E, I13A, I13B | | 08 | I08A, I08B, I08C, I08D, I08E, I13A, I13B | | | |
| | 05 | F01A, F01B, F01D, F05Z, F07A, F07B, F13A, F28A, F42Z, F54A, F54B, F54J, F59A, F59B | | 11 | L33Z | | 10 | K09A, K09B | | | |
| | 06 | G15Z, G19A, G19B, G33Z, G38Z | | 15 | P02A, P02B, P02C | | 17 | R01A, R01B, R01C, R01D, R02Z, R12A, R12B, R12C | | | |
| | 07 | H33Z, H38Z | | 21B | X33Z | | 21A | W04A, W04B | | | |
| | 08 | I08A, I08B, I08C, I08D, I08E, I13A, I13B | | Pre | A07A | | 21B | X04Z, X05A, X05B, X06A, X06B, X06C | | | |
| | 09 | J03A, J03B, J04A, J04B, J08A, J08B, J08C, J11A, J11B, J11J, J11Q, J11R, J11S, J16Z | | 51570.x | | | BOP, KJZSV, KVT, UOP4 | 51571.0 | | BOP, KJZSV, KOP, KOPV, KVT, UOP4 | |
| 10 | K09A, K09B | 05 | F13A, F21A, F21B, F21J | | 05 | F01A, F01B, F01D, F05Z, F07A, F07B, F13A, F14A, F14B, F27A, F27B, F27C, F28A, F42Z, F54A, F54B, F54J, F59A, F59B | | | | | |
| 11 | L33Z | 08 | I08A, I08B, I08C, I08D, I08E, I13A, I13B | | 11 | L09A, L09B, L09C, L09J, L38Z | 07 | | H33Z, H38Z | | |
| 21A | W04A, W04B | 11 | L33Z | | 21A | W04A, W04B | 08 | | I08A, I08B, I08C, I08D, I08E, I13A, I13B | | |
| 21B | X04Z, X05A, X05B, X06A, X06B, X06C, X33Z | 15 | P02A, P02B, P02C | | 21B | X06A, X06B, X06C | 11 | | L33Z | | |
| 23 | Z01A | 21B | X33Z | | BOP, KJZSV, KVT, UOP4 | 21A | W04A, W04B | | 21A | W04A, W04B | |
| Pre | A07A | Pre | A07A | | 05 | F01A, F01B, F01D, F05Z, F07A, F07B, F13A, F14A, F14B, F27A, F27B, F27C, F28A, F42Z, F54A, F54B, F54J, F59A, F59B | 21B | | X06A, X06B, X06C, X33Z | | |
| | BOP, KJZSV, KOP, KOPV, KVT, UOP4 | 05 | F13A, F21A, F21B, F21J | | 08 | I08A, I08B, I08C, I08D, I08E, I13A, I13B | 23 | | Z01A | | |
| | BOP, KJZSV, KOP, KOPV, KVT, UOP4 | 08 | I08A, I08B, I08C, I08D, I08E, I13A, I13B | | 11 | L09A, L09B, L09C, L09J, L38Z | Pre | | A07A | | |
| | BOP, KJZSV, KOP, KOPV, KVT, UOP4 | 11 | L33Z | | 21A | W04A, W04B | | | | | |

VYK

| ZZV | MDC | DRG | ZZV | MDC | DRG | ZZV | MDC | DRG | |
|-----------|-----------|--|-----------------------------|--|--|--|--|--|--|
| 51571.4 | | BOP, KJZSV, KOP, KOPV, KVT, UOP4 | 51591.52† | | KJZSV, KK11, KKI, KKII, KKP | 5m101 | | KJZSV | |
| | 01 | B04A, B04B, B04C, B04D, B04E | | 09 | J11A, J11B, J11J, J11Q, J11R, J11S | | 03 | D12A, D12B, D12J, D12Q | |
| | 03 | D12A, D12J, D12Q | | 17 | R60B, R60C, R61A, R61B, R61C, R61E, R62A, R63B, R63C, R63D, R63F | | 04 | E02A, E02B, E02C, E02D | |
| | 04 | E05A, E05B, E05C, E08A, E08B, E08C | | 51591.6 | BOP, KJZSV, KVT, UOP4 | | 06 | G10Z, G12A, G12B, G12J | |
| | 05 | F01A, F01B, F01D, F05Z, F07A, F07B, F13A, F28A, F42Z, F54A, F54B, F54J, F59A, F59B | | 04 | E02A, E02B, E02C, E02D | | 08 | I28A, I28B, I28J | |
| | 06 | G15Z, G19A, G19B, G33Z, G38Z | | 05 | F01A, F01B, F01D, F05Z, F07A, F07B, F14A, F14B, F28A, F42Z, F54A, F54B, F54J, F59A, F59B | | 09 | J03A, J03B, J04A, J04B, J08A, J08B, J08C, J11A, J11B, J11J, J11Q, J11R, J11S, J16Z, J21Z | |
| | 07 | H33Z, H38Z | | 08 | I08A, I08B, I08C, I08D, I08E, I13A, I13B | | 10 | K09A, K09B | |
| | 08 | I08A, I08B, I08C, I08D, I08E, I13A, I13B | | 21A | W04A, W04B | | 13 | N11A | |
| | 09 | J03A, J03B, J04A, J04B, J08A, J08B, J08C, J11A, J11B, J11J, J11Q, J11R, J11S, J16Z | | 21B | X04Z, X05A, X05B, X06A, X06B, X06C | | 16 | Q03A, Q03B | |
| | 10 | K09A, K09B | | 51591.8 | BOP, KJZSV, KVT, UOP4 | | 5m102↔ | KJZSV | |
| | 11 | L33Z | | 05 | F01A, F01B, F01D, F05Z, F07A, F07B, F14A, F14B, F28A, F42Z, F54A, F54B, F54J, F59A, F59B | | 03 | D12A, D12B, D12J, D12Q | |
| | 21A | W04A, W04B | | 06 | G10Z, G12A, G12B, G12J | | 04 | E02A, E02B, E02C, E02D | |
| | 21B | X04Z, X05A, X05B, X06A, X06B, X06C, X33Z | | 08 | I08A, I08B, I08C, I08D, I08E, I13A, I13B | | 06 | G10Z, G12A, G12B, G12J | |
| | 23 | Z01A | | 10 | K09A, K09B | | 08 | I28A, I28B, I28J | |
| | Pre | A07A | | 11 | L09A, L09B, L09C, L09J, L38Z | | 09 | J03A, J03B, J04A, J04B, J07A, J07B, J08A, J08B, J08C, J11A, J11B, J11J, J11Q, J11S, J16Z, J21Z, J24A, J24B, J24C, J24D, J24J, J25Z | |
| | 51572 | | | KJZSV | 17 | | R01A, R01B, R01C, R01D, R02Z, R12A, R12B, R12C | 10 | K09A, K09B |
| | | 01 | | B03Z, B07Z, B17A, B17B, B17C, B17J | 21A | | W04A, W04B | 13 | N11A |
| | | 05 | | F01A, F01B, F01D, F05Z, F07A, F07B, F14A, F14B, F28A, F42Z, F54A, F54B, F54J, F59A, F59B | 21B | | X04Z, X06A, X06B, X06C | 16 | Q03A, Q03B |
| | | 08 | | I08A, I08B, I08C, I08D, I08E, I13A, I13B | 51591.9 | | BOP, KJZSV, KVT, UOP4 | 5m103 | KJZSV |
| | 51590.01 | | | KJZSV | 01 | | B04A, B04B, B04C, B04D, B04E | 08 | I27A, I27B, I27C, I27D, I27J, I27Q |
| | | 06 | | G10Z, G12A, G12B, G12J | 03 | | D12A, D12B, D12J, D12Q | 09 | J03A, J03B, J04A, J04B, J08A, J08B, J08C, J11A, J11B, J11J, J11Q, J11R, J11S, J16Z, J21Z |
| 08 | | I28A, I28B, I28J | 04 | E02A, E02B, E02C, E02D | 5m104 | BOP, KJZSV, KVT, UOP4 | | | |
| 10 | | K09A, K09B | 05 | F01A, F01B, F01D, F05Z, F07A, F07B, F14A, F14B, F28A, F42Z, F54A, F54B, F54J, F59A, F59B | 09 | J03A, J03B, J04A, J04B, J08A, J08B, J08C, J11A, J11B, J11J, J11Q, J11R, J11S, J16Z | | | |
| 51590.02 | | KJZSV | 06 | G10Z, G12A, G12B, G12J | 5m106 | KJZSV | | | |
| | 06 | G10Z, G12A, G12B, G12J | 08 | I08A, I08B, I08C, I08D, I08E, I13A, I13B | 03 | D12A, D12B, D12J, D12Q | | | |
| | 08 | I28A, I28B, I28J | 09 | J03A, J03B, J04A, J04B, J08A, J08B, J08C, J11A, J11B, J11J, J11Q, J11R, J11S, J16Z | 04 | E02A, E02B, E02C, E02D | | | |
| | 10 | K09A, K09B | 10 | K09A, K09B | 06 | G10Z, G12A, G12B, G12J | | | |
| 51590.03 | | KJZSV | 11 | L09A, L09B, L09C, L09J, L38Z | 08 | I28A, I28B, I28J | | | |
| | 06 | G10Z, G12A, G12B, G12J | 17 | R01A, R01B, R01C, R01D, R02Z, R12A, R12B, R12C | 09 | J03A, J03B, J04A, J04B, J07A, J07B, J08A, J08B, J08C, J11A, J11B, J11J, J11Q, J11S, J16Z, J21Z, J24A, J24B, J24C, J24D, J24J, J25Z | | | |
| | 08 | I28A, I28B, I28J | 03 | D12A, D12B, D12J, D12Q | 10 | K09A, K09B | | | |
| | 10 | K09A, K09B | 04 | E02A, E02B, E02C, E02D | 13 | N11A | | | |
| 51590.04 | | KJZSV | 06 | G10Z, G12A, G12B, G12J | 16 | Q03A, Q03B | | | |
| | 06 | G10Z, G12A, G12B, G12J | 08 | I28A, I28B, I28J | 5m110.1 | BOP, KJZSV, KOP, KOPV, KVT, UOP4 | | | |
| | 08 | I28A, I28B, I28J | 09 | J03A, J03B, J04A, J04B, J08A, J08B, J08C, J11A, J11B, J11J, J11Q, J11R, J11S, J16Z, J21Z | 04 | E05A, E05B, E05C, E08A, E08B, E08C | | | |
| | 10 | K09A, K09B | 10 | K03A, K03B, K09A, K09B | 06 | G33Z | | | |
| 51591.50† | | KJZSV, KK11, KKI, KKII, KKP | 13 | N11A | 07 | H33Z, H38Z | | | |
| | 09 | J11A, J11B, J11J, J11Q, J11R, J11S | 16 | Q03A, Q03B | 11 | L33Z | | | |
| | 17 | R60B, R60C, R61A, R61B, R61C, R61E, R62A, R63B, R63C, R63D, R63F | | | 17 | R01A, R01B, R01C, R01D, R02Z, R12A, R12B, R12C | | | |
| | 51591.51† | | KJZSV, KK11, KKI, KKII, KKP | | | 21A | W04A, W04B | | |
| 09 | | J11A, J11B, J11J, J11Q, J11R, J11S | | | 21B | X06A, X06B, X06C | | | |
| 17 | | R60B, R60C, R61A, R61B, R61C, R61E, R62A, R63B, R63C, R63D, R63F | | | 23 | Z01A | | | |
| | | | | | Pre | A07A | | | |

| ZZV | MDC | DRG | ZZV | MDC | DRG | ZZV | MDC | DRG | | | |
|---------|---------|--|--|--|--|------------------------------------|--|--|------------------------------------|-----------------------|------------------------|
| 5m110.2 | | BOP, KJZSV, KOP, KOPV, KVT, UOP4 | 5m120.3 | | BOP, KJZSV, KOP, KOPV, KVT, UOP4 | 5m124 | | BOP, KJZSV, KVT, UOP4 | | | |
| | 04 | E05A, E05B, E05C, E08A, E08B, E08C | | 04 | E05A, E05B, E05C, E08A, E08B, E08C | | 03 | D02A, D02B, D18Z, D24A, D24B | | | |
| | 06 | G33Z | | 06 | G10Z, G12A, G12B, G12J, G33Z | | 04 | E02A, E02B, E02C | | | |
| | 07 | H33Z, H38Z | | 07 | H33Z, H38Z | | 08 | I06A, I06B, I06C, I06D, I06E | | | |
| | 11 | L33Z | | 08 | I28A, I28B, I28J | | 09 | J02A, J02B, J02C, J03A, J03B, J04A, J04B, J08A, J08B, J10A, J10B, J10J, J16Z, J21Z | | | |
| | 17 | R01A, R01B, R01C, R01D, R02Z, R12A, R12B, R12C | | 09 | J03A, J03B, J04A, J04B, J08A, J08B, J08C, J10A, J10B, J10J, J16Z, J21Z | | 10 | K14Z | | | |
| | 21A | W04A, W04B | | 10 | K09A, K09B | | 11 | L09A, L38Z | | | |
| | 21B | X06A, X06B, X06C | | 11 | L03Z, L04A, L04B, L04C, L04J, L10Z, L13A, L13B, L33Z, L38Z | | 13 | N11A | | | |
| | 23 | Z01A | | 12 | M01A, M01B, M09A, M09J, M38Z | | 17 | R01A, R01B, R01C, R01D, R02Z, R12A, R12B | | | |
| | Pre | A07A | | 13 | N01A, N01B, N01C, N01D, N01E, N11A, N38Z | | | BOP, KVT, UOP4 | | | |
| | 5m110.x | | | BOP, KJZSV, KOP, KOPV, KVT, UOP4 | 5m121 | | | BOP, KJZSV, KOP, KOPV, KVT, UOP4 | 5m130 | | BOP, KVT, UOP4 |
| | | 04 | | E05A, E05B, E05C, E08A, E08B, E08C | | | 06 | G10Z, G12A, G12B, G12J, G33Z | | 03 | D12A, D12J, D12Q |
| | | 06 | | G33Z | | | 07 | H33Z, H38Z | | 04 | E02A, E02B, E02C, E02D |
| 07 | | H33Z, H38Z | 08 | I28A, I28B, I28J | | 06 | G10Z, G12A, G12B, G12J | | | | |
| 11 | | L33Z | 09 | J03A, J03B, J04A, J04B, J08A, J08B, J08C, J10A, J10B, J10J, J16Z, J21Z | | 08 | I28A, I28B, I28J | | | | |
| 17 | | R01A, R01B, R01C, R01D, R02Z, R12A, R12B, R12C | 11 | L03Z, L04A, L04B, L04C, L04J, L10Z, L13A, L13B, L33Z, L38Z | | 09 | J03A, J03B, J04A, J04B, J08A, J08B, J08C, J11A, J11B, J11J, J11Q, J11R, J11S, J16Z, J21Z | | | | |
| 21A | | W04A, W04B | 12 | M01A, M01B, M09A, M09J, M38Z | | 10 | K09A, K09B | | | | |
| 21B | | X06A, X06B, X06C | 13 | N01A, N01B, N01C, N01D, N01E, N11A, N38Z | | 11 | L09A, L09B, L09C, L09J, L38Z | | | | |
| 23 | | Z01A | 17 | R01A, R01B, R01C, R01D, R02Z, R12A, R12B, R12C | | 12 | M06J, M06Z, M09A, M09B, M09J, M38Z | | | | |
| Pre | | A07A | 23 | Z01A | | 13 | N11A, N11J | | | | |
| 5m111 | | | BOP, KJZSV, KOP, KOPV, KVT, UOP4 | 5m122 | | | BOP, KJZSV, KVT, UOP4 | 5m131 | | | BOP, KJZSV, KVT, UOP4 |
| | | 04 | E05A, E05B, E05C, E08A, E08B, E08C | | | 03 | D18Z, D25A, D25B, D25C, D25D, D25J | | | 03 | D12A, D12J, D12Q |
| | | 06 | G33Z | | | 04 | E02A, E02B, E02C | | | 04 | E02A, E02B, E02C, E02D |
| | 07 | H33Z, H38Z | 08 | | I06A, I06B, I06C, I06D, I06E | 06 | G10Z, G12A, G12B, G12J | | | | |
| | 11 | L33Z | 09 | | J02A, J02B, J02C, J03A, J03B, J04A, J04B, J08A, J08B, J10A, J10B, J10J, J16Z, J21Z | 08 | I28A, I28B, I28J | | | | |
| | 17 | R01A, R01B, R01C, R01D, R02Z, R12A, R12B, R12C | 10 | | K14Z | 09 | J03A, J03B, J04A, J04B, J08A, J08B, J08C, J11A, J11B, J11J, J11Q, J11R, J11S, J16Z, J21Z | | | | |
| | 21A | W04A, W04B | 17 | | R01A, R01B, R01C, R01D, R02Z, R12A, R12B, R12C | 10 | K09A, K09B | | | | |
| | 21B | X06A, X06B, X06C | Pre | | A07A | 11 | L09A, L09B, L09C, L09J, L38Z | | | | |
| | 23 | Z01A | 5m123 | | | BOP, KJZSV, KVT, UOP4 | 12 | | M06J, M06Z, M09A, M09B, M09J, M38Z | | |
| | Pre | A07A | | | 03 | D18Z, D25A, D25B, D25C, D25D, D25J | 13 | | N11A, N11J | | |
| | 5m120.0 | | | | BOP, KJZSV, KOP, KOPV, KVT, UOP4 | 04 | E02A, E02B, E02C | | 14 | 962Z, O02A, O02B | |
| | | 04 | | | E05A, E05B, E05C, E08A, E08B, E08C | 08 | I06A, I06B, I06C, I06D, I06E | | 16 | Q03A, Q03B | |
| | | 06 | | | G10Z, G12A, G12B, G12J, G18A, G33Z, G38Z | 09 | J02A, J02B, J02C, J03A, J03B, J04A, J04B, J08A, J08B, J10A, J10B, J10J, J16Z, J21Z | | | BOP, KJZSV, KVT, UOP4 | |
| 07 | | H33Z, H38Z | | 10 | K14Z | 03 | D12A, D12J, D12Q | | | | |
| 08 | | I28A, I28B, I28J | | 17 | R01A, R01B, R01C, R01D, R02Z, R12A, R12B, R12C | 04 | E02A, E02B, E02C, E02D | | | | |
| 09 | | J03A, J03B, J04A, J04B, J08A, J08B, J08C, J10A, J10B, J10J, J16Z, J21Z | | 03 | BOP, KJZSV, KVT, UOP4 | 06 | G10Z, G12A, G12B, G12J | | | | |
| 10 | | K09A, K09B | | 04 | E02A, E02B, E02C | 08 | I28A, I28B, I28J | | | | |
| 11 | | L03Z, L04A, L04B, L04C, L04J, L10Z, L13A, L13B, L33Z, L38Z | | 08 | I06A, I06B, I06C, I06D, I06E | 09 | J03A, J03B, J04A, J04B, J08A, J08B, J08C, J11A, J11B, J11J, J11Q, J11R, J11S, J16Z, J21Z | | | | |
| 12 | | M01A, M01B, M09A, M09J, M38Z | | 09 | J02A, J02B, J02C, J03A, J03B, J04A, J04B, J08A, J08B, J10A, J10B, J10J, J16Z, J21Z | 10 | K09A, K09B | | | | |
| 13 | | N01A, N01B, N01C, N01D, N01E, N11A, N38Z | | 10 | K14Z | 11 | L09A, L09B, L09C, L09J, L38Z | | | | |
| 17 | | R01A, R01B, R01C, R01D, R02Z, R12A, R12B, R12C | | 17 | R01A, R01B, R01C, R01D, R02Z, R12A, R12B, R12C | 12 | M06J, M06Z, M09A, M09B, M09J, M38Z | | | | |
| 23 | | Z01A | 10 | K14Z | 13 | N11A, N11J | | | | | |
| Pre | | A07A | 13 | N11A | 14 | 962Z, O02A, O02B | | | | | |
| | | 17 | R01A, R01B, R01C, R01D, R02Z, R12A, R12B, R12C | 16 | Q03A, Q03B | | | | | | |

| ZZV | MDC | DRG | ZZV | MDC | DRG | ZZV | MDC | DRG | | | |
|---------|--------|--|------------------------|--|--|---------|--|--|---------|----|------------------------|
| 5m133↔ | | BOP, KJZSV, KVT, UOP4 | 5m136.3 | | BOP, KJZSV, KVT, UOP4 | 5m138.0 | | BOP, KJZSV, KVT, UOP4 | | | |
| | 03 | D12A, D12J, D12Q | | 03 | D12A, D12J, D12Q | | 03 | D12A, D12J, D12Q | | | |
| | 04 | E02A, E02B, E02C, E02D | | 04 | E02A, E02B, E02C, E02D | | 04 | E02A, E02B, E02C, E02D | | | |
| | 06 | G10Z, G12A, G12B, G12J | | 06 | G10Z, G12A, G12B, G12J | | 06 | G10Z, G12A, G12B, G12J | | | |
| | 08 | I28A, I28B, I28J | | 08 | I28A, I28B, I28J | | 08 | I28A, I28B, I28J | | | |
| | 09 | J03A, J03B, J04A, J04B, J08A, J08B, J08C, J11A, J11B, J11J, J11Q, J11R, J11S, J16Z, J21Z, J23Z, J24A, J24B, J24C, J24D, J24J, J26Z | | 09 | J03A, J03B, J04A, J04B, J08A, J08B, J08C, J11A, J11B, J11J, J11Q, J11R, J11S, J16Z, J21Z | | 09 | J03A, J03B, J04A, J04B, J08A, J08B, J08C, J11A, J11B, J11J, J11Q, J11R, J11S, J16Z, J21Z, J23Z, J26Z | | | |
| | 10 | K09A, K09B | | 10 | K09A, K09B | | 10 | K09A, K09B | | | |
| | 11 | L09A, L09B, L09C, L09J, L38Z | | 11 | L09A, L09B, L09C, L09J, L38Z | | 11 | L09A, L09B, L09C, L09J, L38Z | | | |
| | 13 | N11A, N11J | | 13 | N11A, N11J | | 12 | M06J, M06Z, M09A, M09B, M09J, M38Z | | | |
| | 14 | 962Z, O02A, O02B | | 14 | 962Z, O02A, O02B | | 12 | M06J, M06Z, M09A, M09B, M09J, M38Z | | | |
| | 16 | Q03A, Q03B | | 16 | Q03A, Q03B | | 13 | N01A, N01B, N01C, N01D, N01E, N02A, N02B, N02C, N03A, N03B, N04Z, N11A, N14Z, N21J, N21Z, N38Z | | | |
| | 5m134↔ | | | BOP, KJZSV, KVT, UOP4 | 5m137.0 | | | BOP, KJZSV, KVT, UOP4 | 5m138.3 | | BOP, KJZSV, KVT, UOP4 |
| | | 03 | | D12A, D12J, D12Q | | | 03 | D12A, D12J, D12Q | | 03 | D12A, D12J, D12Q |
| | | 04 | | E02A, E02B, E02C, E02D | | | 04 | E02A, E02B, E02C, E02D | | 04 | E02A, E02B, E02C, E02D |
| | | 06 | | G10Z, G12A, G12B, G12J | | | 06 | G10Z, G12A, G12B, G12J | | 06 | G10Z, G12A, G12B, G12J |
| | | 08 | | I28A, I28B, I28J | | | 08 | I28A, I28B, I28J | | 08 | I28A, I28B, I28J |
| 09 | | J03A, J03B, J04A, J04B, J08A, J08B, J08C, J11A, J11B, J11J, J11Q, J11R, J11S, J16Z, J21Z, J23Z, J24A, J24B, J24C, J24D, J24J, J26Z | 09 | J03A, J03B, J04A, J04B, J08A, J08B, J08C, J11A, J11B, J11J, J11Q, J11R, J11S, J16Z, J21Z | | 09 | J03A, J03B, J04A, J04B, J08A, J08B, J08C, J11A, J11B, J11J, J11Q, J11R, J11S, J16Z, J21Z, J23Z, J26Z | | | | |
| 10 | | K09A, K09B | 10 | K09A, K09B | | 10 | K09A, K09B | | | | |
| 11 | | L09A, L09B, L09C, L09J, L38Z | 11 | L09A, L09B, L09C, L09J, L38Z | | 11 | L09A, L09B, L09C, L09J, L38Z | | | | |
| 13 | | N11A, N11J | 12 | M06J, M06Z, M09A, M09B, M09J, M38Z | | 12 | M06J, M06Z, M09A, M09B, M09J, M38Z | | | | |
| 14 | | 962Z, O02A, O02B | 14 | 962Z, O02A, O02B | | 13 | N01A, N01B, N01C, N01D, N01E, N02A, N02B, N02C, N03A, N03B, N04Z, N11A, N14Z, N21J, N21Z, N38Z | | | | |
| 16 | | Q03A, Q03B | 16 | Q03A, Q03B | | 14 | 962Z, O02A, O02B | | | | |
| 5m136.0 | | | BOP, KJZSV, KVT, UOP4 | 5m137.3 | | | BOP, KJZSV, KVT, UOP4 | 5m139 | | | BOP, KJZSV, KVT, UOP4 |
| | | 03 | D12A, D12J, D12Q | | | 03 | D12A, D12J, D12Q | | | 03 | D12A, D12J, D12Q |
| | | 04 | E02A, E02B, E02C, E02D | | | 04 | E02A, E02B, E02C, E02D | | | 04 | E02A, E02B, E02C, E02D |
| | | 06 | G10Z, G12A, G12B, G12J | | | 06 | G10Z, G12A, G12B, G12J | | | 06 | G10Z, G12A, G12B, G12J |
| | | 08 | I28A, I28B, I28J | | | 08 | I28A, I28B, I28J | | | 08 | I28A, I28B, I28J |
| | 09 | J03A, J03B, J04A, J04B, J08A, J08B, J08C, J11A, J11B, J11J, J11Q, J11R, J11S, J16Z, J21Z | 09 | | J03A, J03B, J04A, J04B, J08A, J08B, J08C, J11A, J11B, J11J, J11Q, J11R, J11S, J16Z, J21Z | 09 | J03A, J03B, J04A, J04B, J08A, J08B, J08C, J11A, J11B, J11J, J11Q, J11R, J11S, J16Z, J21Z | | | | |
| | 10 | K09A, K09B | 10 | | K09A, K09B | 10 | K09A, K09B | | | | |
| | 11 | L09A, L09B, L09C, L09J, L38Z | 11 | | L09A, L09B, L09C, L09J, L38Z | 11 | L09A, L09B, L09C, L09J, L38Z | | | | |
| | 12 | M06J, M06Z, M09A, M09B, M09J, M38Z | 12 | | M06J, M06Z, M09A, M09B, M09J, M38Z | 12 | M06J, M06Z, M09A, M09B, M09J, M38Z | | | | |
| | 13 | N11A, N11J | 13 | | N11A, N11J | 13 | N01A, N01B, N01C, N01D, N01E, N02A, N02B, N02C, N03A, N03B, N04Z, N11A, N14Z, N21J, N21Z, N38Z | | | | |
| | 14 | 962Z, O02A, O02B | 14 | | 962Z, O02A, O02B | 14 | 962Z, O02A, O02B | | | | |
| | 16 | Q03A, Q03B | 16 | | Q03A, Q03B | 16 | Q03A, Q03B | | | | |
| | 17 | R01A, R01B, R01C, R01D, R02Z, R12A, R12B, R12C | 17 | | R01A, R01B, R01C, R01D, R02Z, R12A, R12B, R12C | 17 | R01A, R01B, R01C, R01D, R02Z, R12A, R12B, R12C | | | | |

VYK

| ZZV | MDC | DRG | ZZV | MDC | DRG | ZZV | MDC | DRG | | | |
|---------|---------|--|------------------------|--|--|---------|--|--|---------|--|--|
| 5m13c | | BOP, KJZSV, KVT, UOP4 | 5m13d.8 | | BOP, KJZSV, KVT, UOP4 | 5m13e.8 | | BOP, KJZSV, KVT, UOP4 | | | |
| | 03 | D12A, D12J, D12Q | | 03 | D12A, D12J, D12Q | | 03 | D12A, D12J, D12Q | | | |
| | 04 | E02A, E02B, E02C, E02D | | 04 | E02A, E02B, E02C, E02D | | 04 | E02A, E02B, E02C, E02D | | | |
| | 06 | G10Z, G12A, G12B, G12J | | 06 | G10Z, G12A, G12B, G12J | | 06 | G10Z, G12A, G12B, G12J | | | |
| | 08 | I28A, I28B, I28J | | 08 | I28A, I28B, I28J | | 08 | I28A, I28B, I28J | | | |
| | 09 | J03A, J03B, J04A, J04B, J08A, J08B, J08C, J11A, J11B, J11J, J11Q, J11R, J11S, J16Z, J21Z | | 09 | J03A, J03B, J04A, J04B, J08A, J08B, J08C, J11A, J11B, J11J, J11Q, J11R, J11S, J16Z, J21Z | | 09 | J03A, J03B, J04A, J04B, J08A, J08B, J08C, J11A, J11B, J11J, J11Q, J11R, J11S, J16Z, J21Z, J23Z, J26Z | | | |
| | 10 | K09A, K09B | | 10 | K09A, K09B | | 10 | K09A, K09B | | | |
| | 11 | L09A, L09B, L09C, L09J, L38Z | | 11 | L09A, L09B, L09C, L09J, L38Z | | 11 | L09A, L09B, L09C, L09J, L38Z | | | |
| | 12 | M06J, M06Z, M09A, M09B, M09J, M38Z | | 12 | M06J, M06Z, M09A, M09B, M09J, M38Z | | 12 | M06J, M06Z, M09A, M09B, M09J, M38Z | | | |
| | 13 | N11A, N11J | | 13 | N01A, N01B, N01C, N01D, N01E, N11A, N11J, N38Z | | 13 | N01A, N01B, N01C, N01D, N01E, N02A, N02B, N02C, N03A, N03B, N04Z, N11A, N14Z, N21J, N21Z, N38Z | | | |
| | 14 | 962Z, O02A, O02B | | 14 | 962Z, O02A, O02B | | 14 | 962Z, O02A, O02B | | | |
| | 16 | Q03A, Q03B | | 16 | Q03A, Q03B | | 14 | 962Z, O02A, O02B | | | |
| | 5m13d.0 | | | BOP, KJZSV, KVT, UOP4 | 5m13e.0 | | | BOP, KJZSV, KVT, UOP4 | 5m200.0 | | BOP, KJZSV, KVT, MVV, UOP4 |
| | | 03 | | D12A, D12J, D12Q | | | 03 | D12A, D12J, D12Q | | 05 | F21A, F21B, F21J |
| | | 04 | | E02A, E02B, E02C, E02D | | | 04 | E02A, E02B, E02C, E02D | | 06 | G10Z, G12A, G12B, G12J, G16A, G16B, G18A, G38Z |
| | | 06 | | G10Z, G12A, G12B, G12J | | | 06 | G10Z, G12A, G12B, G12J | | 08 | I28A, I28B, I28J |
| 08 | | I28A, I28B, I28J | 08 | I28A, I28B, I28J | | 13 | N11A | | | | |
| 09 | | J03A, J03B, J04A, J04B, J08A, J08B, J08C, J11A, J11B, J11J, J11Q, J11R, J11S, J16Z, J21Z, J23Z, J26Z | 09 | J03A, J03B, J04A, J04B, J08A, J08B, J08C, J11A, J11B, J11J, J11Q, J11R, J11S, J16Z, J21Z, J23Z, J26Z | | 16 | Q01Z | | | | |
| 10 | | K09A, K09B | 10 | K09A, K09B | | 17 | R01A, R01B, R01C, R01D, R02Z, R12A, R12B, R12C | | | | |
| 11 | | L09A, L09B, L09C, L09J, L38Z | 11 | L09A, L09B, L09C, L09J, L38Z | | 21A | W04A, W04B | | | | |
| 12 | | M06J, M06Z, M09A, M09B, M09J, M38Z | 12 | M06J, M06Z, M09A, M09B, M09J, M38Z | | 21B | X06A, X06B, X06C | | | | |
| 13 | | N01A, N01B, N01C, N01D, N01E, N02A, N02B, N02C, N03A, N03B, N04Z, N11A, N14Z, N21J, N21Z, N38Z | 13 | N01A, N01B, N01C, N01D, N01E, N02A, N02B, N02C, N03A, N03B, N04Z, N11A, N14Z, N21J, N21Z, N38Z | | 5m200.3 | BOP, KJZSV, KVT, UOP4 | | | | |
| 14 | | 962Z, O02A, O02B | 14 | 962Z, O02A, O02B | | 05 | F21A, F21B, F21J | | | | |
| 5m13d.3 | | | BOP, KJZSV, KVT, UOP4 | 5m13e.3 | | | BOP, KJZSV, KVT, UOP4 | 06 | | G10Z, G12A, G12B, G12J | |
| | | 03 | D12A, D12J, D12Q | | | 03 | D12A, D12J, D12Q | 08 | | I28A, I28B, I28J | |
| | | 04 | E02A, E02B, E02C, E02D | | | 04 | E02A, E02B, E02C, E02D | 13 | | N11A | |
| | | 06 | G10Z, G12A, G12B, G12J | | | 06 | G10Z, G12A, G12B, G12J | 16 | | Q01Z | |
| | | 08 | I28A, I28B, I28J | | | 08 | I28A, I28B, I28J | 17 | | R01A, R01B, R01C, R01D, R02Z, R12A, R12B, R12C | |
| | 09 | J03A, J03B, J04A, J04B, J08A, J08B, J08C, J11A, J11B, J11J, J11Q, J11R, J11S, J16Z, J21Z, J23Z, J26Z | 09 | | J03A, J03B, J04A, J04B, J08A, J08B, J08C, J11A, J11B, J11J, J11Q, J11R, J11S, J16Z, J21Z, J23Z, J26Z | 21A | W04A, W04B | | | | |
| | 10 | K09A, K09B | 10 | | K09A, K09B | 21B | X06A, X06B, X06C | | | | |
| | 11 | L09A, L09B, L09C, L09J, L38Z | 11 | | L09A, L09B, L09C, L09J, L38Z | 5m201 | BOP, KJZSV, KVT, MVV, UOP4 | | | | |
| | 12 | M06J, M06Z, M09A, M09B, M09J, M38Z | 12 | | M06J, M06Z, M09A, M09B, M09J, M38Z | 05 | F21A, F21B, F21J | | | | |
| | 13 | N01A, N01B, N01C, N01D, N01E, N02A, N02B, N02C, N03A, N03B, N04Z, N11A, N14Z, N21J, N21Z, N38Z | 13 | | N01A, N01B, N01C, N01D, N01E, N02A, N02B, N02C, N03A, N03B, N04Z, N11A, N14Z, N21J, N21Z, N38Z | 06 | G10Z, G12A, G12B, G12J, G16A, G16B, G18A, G38Z | | | | |
| | 14 | 962Z, O02A, O02B | 14 | | 962Z, O02A, O02B | 08 | I28A, I28B, I28J | | | | |
| | | | | | | 13 | N11A | | | | |
| | | | | | | 16 | Q01Z | | | | |
| | | | | | | 17 | R01A, R01B, R01C, R01D, R02Z, R12A, R12B, R12C | | | | |
| | | | | | | 21A | W04A, W04B | | | | |
| | | | | | | 21B | X06A, X06B, X06C | | | | |
| | | | | 5m202 | BOP, KJZSV, KVT, UOP4 | | | | | | |
| | | | | 05 | F21A, F21B, F21J | | | | | | |
| | | | | 06 | G10Z, G12A, G12B, G12J, G16A, G16B, G18A, G38Z | | | | | | |
| | | | | 08 | I28A, I28B, I28J | | | | | | |
| | | | | 13 | N11A | | | | | | |
| | | | | 16 | Q01Z | | | | | | |
| | | | | 17 | R01A, R01B, R01C, R01D, R02Z, R12A, R12B, R12C | | | | | | |
| | | | | 21A | W04A, W04B | | | | | | |
| | | | | 21B | X06A, X06B, X06C | | | | | | |

VYK

| ZZV | MDC | DRG | ZZV | MDC | DRG | ZZV | MDC | DRG | | | |
|----------|----------|--|--|--|--|----------------------------------|--|--|------------------------------------|--|--|
| 5m203 | | BOP, KJZSV, KVT, MVV, UOP4 | 5m300.0† | | KJZSV | 5n010.5 | | BOP, KJZSV, KOP, KOPV, KVT, UOP4 | | | |
| | 05 | F21A, F21B, F21J | | Pre | A42A, A42B | | 03 | D12A, D12J, D12Q | | | |
| | 06 | G10Z, G12A, G12B, G12J, G16A, G16B, G18A, G38Z | | 5m300.1† | KJZSV | | 06 | G15Z, G19A, G19B, G38Z | | | |
| | 08 | I28A, I28B, I28J | | 23 | Z42Z | | 07 | H33Z, H38Z | | | |
| | 13 | N11A | | 5m301.0† | KJZSV | | 11 | L33Z | | | |
| | 16 | Q01Z | | 23 | Z41Z | | 17 | R01A, R01B, R01C, R01D, R02Z, R12A, R12B, R12C | | | |
| | 17 | R01A, R01B, R01C, R01D, R02Z, R12A, R12B, R12C | | Pre | A42A, A42B | | 21A | W04A, W04B | | | |
| | 21A | W04A, W04B | | 5m301.1† | KJZSV | | 21B | X06A, X06B, X06C | | | |
| | 21B | X06A, X06B, X06C | | 23 | Z43Z | | 23 | Z01A | | | |
| | 5m290 | | | BOP, KJZSV, KVT, UOP4 | 5n010.0 | | | BOP, KJZSV, KOP, KOPV, KVT, UOP4 | 5n010.6† | | KJZSV |
| 16 | | Q01Z | 03 | D12A, D12J, D12Q | | 06 | G40Z, G46A, G46B, G46C, G47Z, G50Z | | | | |
| 17 | | R01A, R01B, R01C, R01D, R02Z, R12A, R12B, R12C | 06 | G15Z, G19A, G19B, G38Z | | 07 | H40Z | | | | |
| 21A | | W04A, W04B | 11 | L33Z | | 5n010.7 | | BOP, KJZSV, KOP, KOPV, KVT, UOP4 | | | |
| 21B | | X06A, X06B, X06C | 17 | R01A, R01B, R01C, R01D, R02Z, R12A, R12B, R12C | | | 03 | D12A, D12J, D12Q | | | |
| 5m291 | | | BOP, KJZSV, KVT, UOP4 | 5n010.1 | | | | BOP, KJZSV, KOP, KOPV, KVT, UOP4 | | 06 | G15Z, G19A, G19B, G38Z |
| | | 06 | G10Z, G12A, G12B, G12J | | | | 03 | D12A, D12J, D12Q | | 07 | H33Z, H38Z |
| | | 16 | Q01Z | | | | 06 | G15Z, G19A, G19B, G38Z | | 11 | L33Z |
| | | 17 | R01A, R01B, R01C, R01D, R02Z, R12A, R12B, R12C | | | | 07 | H33Z, H38Z | | 17 | R01A, R01B, R01C, R01D, R02Z, R12A, R12B, R12C |
| | | 21A | W04A, W04B | | | | 11 | L33Z | | 21A | W04A, W04B |
| | 21B | X06A, X06B, X06C | 17 | | R01A, R01B, R01C, R01D, R02Z, R12A, R12B, R12C | | 21B | X06A, X06B, X06C | | | |
| | 5m292 | | BOP, KJZSV, KVT, UOP4 | | 5n010.2 | | | BOP, KJZSV, KOP, KOPV, KVT, UOP4 | 23 | Z01A | |
| | | 06 | G10Z, G12A, G12B, G12J | | | | 03 | D12A, D12J, D12Q | Pre | A07A | |
| | | 16 | Q01Z | | | 06 | G15Z, G19A, G19B, G38Z | 5n010.8 | | BOP, KJZSV, KOP, KOPV, KVT, UOP4 | |
| | | 17 | R01A, R01B, R01C, R01D, R02Z, R12A, R12B, R12C | | | 07 | H33Z, H38Z | | 03 | D12A, D12J, D12Q | |
| 21A | | W04A, W04B | 11 | L33Z | | 06 | G15Z, G19A, G19B, G38Z | | | | |
| 21B | | X06A, X06B, X06C | 17 | R01A, R01B, R01C, R01D, R02Z, R12A, R12B, R12C | | 07 | H33Z, H38Z | | | | |
| 5m293.10 | | | BOP, KJZSV, KVT, UOP4 | 5n010.3 | | | BOP, KJZSV, KOP, KOPV, KVT, UOP4 | | 11 | L33Z | |
| | | 16 | Q01Z | | | 03 | D12A, D12J, D12Q | | 17 | R01A, R01B, R01C, R01D, R02Z, R12A, R12B, R12C | |
| | | 17 | R01A, R01B, R01C, R01D, R02Z, R12A, R12B, R12C | | | 06 | G15Z, G19A, G19B, G38Z | | 21A | W04A, W04B | |
| | | 21A | W04A, W04B | | | 07 | H33Z, H38Z | | 21B | X06A, X06B, X06C | |
| | 21B | X06A, X06B, X06C | 11 | | L33Z | 23 | Z01A | | | | |
| | 5m293.13 | | BOP, KJZSV, KVT, UOP4 | | 5n010.4 | | BOP, KJZSV, KOP, KOPV, KVT, UOP4 | | Pre | A07A | |
| | | 16 | Q01Z | | | 03 | D12A, D12J, D12Q | 5n010.x | | BOP, KJZSV, KOP, KOPV, KVT, UOP4 | |
| | | 17 | R01A, R01B, R01C, R01D, R02Z, R12A, R12B, R12C | | | 06 | G15Z, G19A, G19B, G38Z | | 03 | D12A, D12J, D12Q | |
| | | 21A | W04A, W04B | | | 07 | H33Z, H38Z | | 06 | G15Z, G19A, G19B, G38Z | |
| | | 21B | X06A, X06B, X06C | | | 11 | L33Z | | 07 | H33Z, H38Z | |
| 5m293.20 | | | BOP, KJZSV, KVT, UOP4 | 5n010.6† | | | BOP, KJZSV, KOP, KOPV, KVT, UOP4 | | 11 | L33Z | |
| | | 16 | Q01Z | | | 17 | R01A, R01B, R01C, R01D, R02Z, R12A, R12B, R12C | | 17 | R01A, R01B, R01C, R01D, R02Z, R12A, R12B, R12C | |
| | | 17 | R01A, R01B, R01C, R01D, R02Z, R12A, R12B, R12C | | | 21A | W04A, W04B | | 21A | W04A, W04B | |
| | | 21A | W04A, W04B | | | 21B | X06A, X06B, X06C | | 21B | X06A, X06B, X06C | |
| | | 21B | X06A, X06B, X06C | | | 23 | Z01A | | 23 | Z01A | |
| | 5m293.21 | | BOP, KJZSV, KVT, UOP4 | | 5n010.8 | | BOP, KJZSV, KOP, KOPV, KVT, UOP4 | | Pre | A07A | |
| | | 16 | Q01Z | | | 03 | D12A, D12J, D12Q | 5n011.6† | | KJZSV | |
| | | 17 | R01A, R01B, R01C, R01D, R02Z, R12A, R12B, R12C | | | 06 | G15Z, G19A, G19B, G38Z | | 06 | G40Z, G46A, G46B, G46C, G47Z, G50Z | |
| | | 21A | W04A, W04B | | | 07 | H33Z, H38Z | | 07 | H40Z | |
| | | 21B | X06A, X06B, X06C | | | 11 | L33Z | | 5n011.x | | BOP, KJZSV, KOP, KOPV, KVT, UOP4 |
| 5m293.21 | | | BOP, KJZSV, KVT, UOP4 | 5n010.x | | | BOP, KJZSV, KOP, KOPV, KVT, UOP4 | | | 03 | D12A, D12J, D12Q |
| | | 16 | Q01Z | | | 06 | G15Z, G19A, G19B, G38Z | | | 06 | G15Z, G19A, G19B, G38Z |
| | | 17 | R01A, R01B, R01C, R01D, R02Z, R12A, R12B, R12C | | | 07 | H33Z, H38Z | | | 11 | L33Z |
| | | 21A | W04A, W04B | | | 17 | R01A, R01B, R01C, R01D, R02Z, R12A, R12B, R12C | | | 17 | R01A, R01B, R01C, R01D, R02Z, R12A, R12B, R12C |
| | | 21B | X06A, X06B, X06C | | | 21A | W04A, W04B | | | 21A | W04A, W04B |
| | 5m294.1 | | BOP, KJZSV, KVT, UOP4 | | 5n011.6† | | BOP, KJZSV, KOP, KOPV, KVT, UOP4 | | | 21B | X06A, X06B, X06C |
| | | 16 | Q01Z | | | 21B | X06A, X06B, X06C | 23 | | Z01A | |
| | | 17 | R01A, R01B, R01C, R01D, R02Z, R12A, R12B, R12C | | | 23 | Z01A | Pre | | A07A | |
| | | 21A | W04A, W04B | | | Pre | A07A | 5n011.x | | | KJZSV |
| | | 21B | X06A, X06B, X06C | | | BOP, KJZSV, KOP, KOPV, KVT, UOP4 | 06 | | G40Z, G46A, G46B, G46C, G47Z, G50Z | | |
| 5m294.x | | | BOP, KJZSV, KVT, UOP4 | 5n010.4 | | | BOP, KJZSV, KOP, KOPV, KVT, UOP4 | | 07 | H40Z | |
| | | 16 | Q01Z | | | 03 | D12A, D12J, D12Q | | 5n011.x | | BOP, KJZSV, KOP, KOPV, KVT, UOP4 |
| | | 17 | R01A, R01B, R01C, R01D, R02Z, R12A, R12B, R12C | | | 06 | G15Z, G19A, G19B, G38Z | | | 03 | D12A, D12J, D12Q |
| | | 21A | W04A, W04B | | | 07 | H33Z, H38Z | | | 06 | G15Z, G19A, G19B, G38Z |
| | | 21B | X06A, X06B, X06C | | | 11 | L33Z | | | 07 | H33Z, H38Z |
| | 5m294.1 | | BOP, KJZSV, KVT, UOP4 | | 5n010.4 | | BOP, KJZSV, KOP, KOPV, KVT, UOP4 | | | 11 | L33Z |
| | | 16 | Q01Z | | | 17 | R01A, R01B, R01C, R01D, R02Z, R12A, R12B, R12C | | | 23 | Z01A |
| | | 17 | R01A, R01B, R01C, R01D, R02Z, R12A, R12B, R12C | | | 21A | W04A, W04B | | | Pre | A07A |
| | | 21A | W04A, W04B | | | 21B | X06A, X06B, X06C | 5n011.x | | | KJZSV |
| | | 21B | X06A, X06B, X06C | | | 23 | Z01A | | | 06 | G40Z, G46A, G46B, G46C, G47Z, G50Z |
| 5m294.x | | | BOP, KJZSV, KVT, UOP4 | 5n010.4 | | | BOP, KJZSV, KOP, KOPV, KVT, UOP4 | | | 07 | H40Z |
| | | 16 | Q01Z | | | 03 | D12A, D12J, D12Q | | 5n011.x | | BOP, KJZSV, KOP, KOPV, KVT, UOP4 |
| | | 17 | R01A, R01B, R01C, R01D, R02Z, R12A, R12B, R12C | | | 06 | G15Z, G19A, G19B, G38Z | | | 03 | D12A, D12J, D12Q |
| | | 21A | W04A, W04B | | | 07 | H33Z, H38Z | | | 06 | G15Z, G19A, G19B, G38Z |
| | | 21B | X06A, X06B, X06C | | | 11 | L33Z | | | 07 | H33Z, H38Z |
| | 5m294.x | | BOP, KJZSV, KVT, UOP4 | | 5n010.4 | | BOP, KJZSV, KOP, KOPV, KVT, UOP4 | | | 11 | L33Z |
| | | 16 | Q01Z | | | 17 | R01A, R01B, R01C, R01D, R02Z, R12A, R12B, R12C | | | 23 | Z01A |
| | | 17 | R01A, R01B, R01C, R01D, R02Z, R12A, R12B, R12C | | | 21A | W04A, W04B | | | Pre | A07A |
| | | 21A | W04A, W04B | | | 21B | X06A, X06B, X06C | 5n011.x | | | KJZSV |
| | | 21B | X06A, X06B, X06C | | | 23 | Z01A | | | 06 | G40Z, G46A, G46B, G46C, G47Z, G50Z |

| ZZV | MDC | DRG | ZZV | MDC | DRG | ZZV | MDC | DRG | | | | |
|---------|---------|--|------------------------------------|--|--|--|--|--|---------|---------|----------------------------------|----------------------------------|
| 5n012.0 | | BOP, KJZSV, KOP, KOPV, KVT, UOP4 | 5n012.5 | | BOP, KJZSV, KOP, KOPV, KVT, UOP4 | 5n013.3 | | BOP, KJZSV, KOP, KOPV, KVT, UOP4 | | | | |
| | 03 | D12A, D12J, D12Q | | 03 | D12A, D12J, D12Q | | 03 | D12A, D12J, D12Q | | | | |
| | 06 | G01Z, G02Z, G15Z, G19A, G19B, G38Z | | 06 | G01Z, G02Z, G15Z, G19A, G19B, G38Z | | 06 | G15Z, G19A, G19B, G38Z | | | | |
| | 07 | H33Z, H38Z | | 07 | H33Z, H38Z | | 07 | H33Z, H38Z | | | | |
| | 11 | L33Z | | 11 | L33Z | | 11 | L33Z | | | | |
| | 17 | R01A, R01B, R01C, R01D, R02Z, R12A, R12B, R12C | | 17 | R01A, R01B, R01C, R01D, R02Z, R12A, R12B, R12C | | 17 | R01A, R01B, R01C, R01D, R02Z, R12A, R12B, R12C | | | | |
| | 21A | W04A, W04B | | 21A | W04A, W04B | | 21A | W04A, W04B | | | | |
| | 21B | X06A, X06B, X06C | | 21B | X06A, X06B, X06C | | 21B | X06A, X06B, X06C | | | | |
| | 23 | Z01A | | 23 | Z01A | | 23 | Z01A | | | | |
| | Pre | A07A, A13A, A13B, A13C | | Pre | A07A, A13A, A13B, A13C | | Pre | A07A | | | | |
| | 5n012.1 | | | BOP, KJZSV, KOP, KOPV, KVT, UOP4 | 5n012.6† | | | KJZSV | 5n013.4 | | BOP, KJZSV, KOP, KOPV, KVT, UOP4 | |
| | | 03 | | D12A, D12J, D12Q | | | 06 | G40Z, G46A, G46B, G46C, G47Z, G50Z | | 03 | D12A, D12J, D12Q | |
| | | 06 | | G01Z, G02Z, G15Z, G19A, G19B, G38Z | | | 07 | H40Z | | 06 | G15Z, G19A, G19B, G38Z | |
| 07 | | H33Z, H38Z | 5n012.x | | | BOP, KJZSV, KOP, KOPV, KVT, UOP4 | 07 | H33Z, H38Z | | | | |
| 11 | | L33Z | | 03 | | D12A, D12J, D12Q | 11 | L33Z | | | | |
| 17 | | R01A, R01B, R01C, R01D, R02Z, R12A, R12B, R12C | | 06 | | G01Z, G02Z, G15Z, G19A, G19B, G38Z | 17 | R01A, R01B, R01C, R01D, R02Z, R12A, R12B, R12C | | | | |
| 21A | | W04A, W04B | | 07 | | H33Z, H38Z | 21A | W04A, W04B | | | | |
| 21B | | X06A, X06B, X06C | | 11 | | L33Z | 21B | X06A, X06B, X06C | | | | |
| 23 | | Z01A | | 17 | | R01A, R01B, R01C, R01D, R02Z, R12A, R12B, R12C | 23 | Z01A | | | | |
| Pre | | A07A, A13A, A13B, A13C | | 21A | | W04A, W04B | Pre | A07A | | | | |
| 5n012.2 | | | | BOP, KJZSV, KOP, KOPV, KVT, UOP4 | | 5n013.0 | | BOP, KJZSV, KOP, KOPV, KVT, UOP4 | | 5n013.5 | | BOP, KJZSV, KOP, KOPV, KVT, UOP4 |
| | | 03 | | D12A, D12J, D12Q | | | 03 | D12A, D12J, D12Q | | | 03 | D12A, D12J, D12Q |
| | | 06 | | G01Z, G02Z, G15Z, G19A, G19B, G38Z | | | 06 | G15Z, G19A, G19B, G38Z | | | 06 | G15Z, G19A, G19B, G38Z |
| | 07 | H33Z, H38Z | | 07 | H33Z, H38Z | | 07 | H33Z, H38Z | | | | |
| | 11 | L33Z | | 11 | L33Z | | 11 | L33Z | | | | |
| | 17 | R01A, R01B, R01C, R01D, R02Z, R12A, R12B, R12C | | 17 | R01A, R01B, R01C, R01D, R02Z, R12A, R12B, R12C | | 17 | R01A, R01B, R01C, R01D, R02Z, R12A, R12B, R12C | | | | |
| | 21A | W04A, W04B | 21A | W04A, W04B | 21A | | W04A, W04B | | | | | |
| | 21B | X06A, X06B, X06C | 21B | X06A, X06B, X06C | 21B | | X06A, X06B, X06C | | | | | |
| | 23 | Z01A | 23 | Z01A | 23 | | Z01A | | | | | |
| | Pre | A07A, A13A, A13B, A13C | Pre | A07A, A13A, A13B, A13C | Pre | | A07A | | | | | |
| | 5n012.3 | | BOP, KJZSV, KOP, KOPV, KVT, UOP4 | 5n013.1 | | | BOP, KJZSV, KOP, KOPV, KVT, UOP4 | 5n013.8 | | | BOP, KJZSV, KOP, KOPV, KVT, UOP4 | |
| | | 03 | D12A, D12J, D12Q | | 03 | | D12A, D12J, D12Q | | 03 | | D12A, D12J, D12Q | |
| | | 06 | G01Z, G02Z, G15Z, G19A, G19B, G38Z | | 06 | | G15Z, G19A, G19B, G38Z | | 06 | | G15Z, G19A, G19B, G38Z | |
| 07 | | H33Z, H38Z | 07 | | H33Z, H38Z | 07 | H33Z, H38Z | | | | | |
| 11 | | L33Z | 11 | | L33Z | 11 | L33Z | | | | | |
| 17 | | R01A, R01B, R01C, R01D, R02Z, R12A, R12B, R12C | 17 | | R01A, R01B, R01C, R01D, R02Z, R12A, R12B, R12C | 17 | R01A, R01B, R01C, R01D, R02Z, R12A, R12B, R12C | | | | | |
| 21A | | W04A, W04B | 21A | | W04A, W04B | 21A | W04A, W04B | | | | | |
| 21B | | X06A, X06B, X06C | 21B | | X06A, X06B, X06C | 21B | X06A, X06B, X06C | | | | | |
| 23 | | Z01A | 23 | | Z01A | 23 | Z01A | | | | | |
| Pre | | A07A, A13A, A13B, A13C | Pre | | A07A | Pre | A07A | | | | | |
| 5n012.4 | | | BOP, KJZSV, KOP, KOPV, KVT, UOP4 | | 5n013.2 | | BOP, KJZSV, KOP, KOPV, KVT, UOP4 | | 5n013.x | | BOP, KJZSV, KOP, KOPV, KVT, UOP4 | |
| | | 03 | D12A, D12J, D12Q | | | 03 | D12A, D12J, D12Q | | | 03 | D12A, D12J, D12Q | |
| | | 06 | G01Z, G02Z, G15Z, G19A, G19B, G38Z | | | 06 | G15Z, G19A, G19B, G38Z | | | 06 | G15Z, G19A, G19B, G38Z | |
| | 07 | H33Z, H38Z | 07 | H33Z, H38Z | | 07 | H33Z, H38Z | | | | | |
| | 11 | L33Z | 11 | L33Z | | 11 | L33Z | | | | | |
| | 17 | R01A, R01B, R01C, R01D, R02Z, R12A, R12B, R12C | 17 | R01A, R01B, R01C, R01D, R02Z, R12A, R12B, R12C | | 17 | R01A, R01B, R01C, R01D, R02Z, R12A, R12B, R12C | | | | | |
| | 21A | W04A, W04B | 21A | W04A, W04B | | 21A | W04A, W04B | | | | | |
| | 21B | X06A, X06B, X06C | 21B | X06A, X06B, X06C | | 21B | X06A, X06B, X06C | | | | | |
| | 23 | Z01A | 23 | Z01A | | 23 | Z01A | | | | | |
| | Pre | A07A, A13A, A13B, A13C | Pre | A07A | | Pre | A07A | | | | | |

VYK

| ZZV | MDC | DRG | ZZV | MDC | DRG | ZZV | MDC | DRG | | | | |
|---------|---------|--|-----------------------------|--|--|--|--|--|--|---------|---------------------------------------|---------------------------------------|
| 5n01x.0 | | BOP, KJZSV, KOP, KOPV, UOP4 | 5n01x.5 | | BOP, KJZSV, KOP, KOPV, UOP4 | 5n020.2 | | BOP, KJZSV, KOP, KOPV, KVT, MVV, UOP4 | | | | |
| | 03 | D12A, D12J, D12Q | | 03 | D12A, D12J, D12Q | | 03 | D12A, D12J, D12Q | | | | |
| | 06 | G15Z, G19A, G19B, G38Z | | 06 | G15Z, G19A, G19B, G38Z | | 05 | F36A, F36B | | | | |
| | 07 | H33Z, H38Z | | 07 | H33Z, H38Z | | 06 | G03A, G03B, G33Z, G38Z | | | | |
| | 11 | L33Z | | 11 | L33Z | | 07 | H33Z, H38Z | | | | |
| | 17 | R01A, R01B, R01C, R01D, R02Z, R12A, R12B, R12C | | 17 | R01A, R01B, R01C, R01D, R02Z, R12A, R12B, R12C | | 11 | L33Z | | | | |
| | 21A | W04A, W04B | | 21A | W04A, W04B | | 17 | R01A, R01B, R01C, R01D, R02Z, R12A, R12B, R12C | | | | |
| | 21B | X06A, X06B, X06C | | 21B | X06A, X06B, X06C | | 21A | W04A, W04B | | | | |
| | 23 | Z01A | | 23 | Z01A | | 21B | X06A, X06B, X06C, X33Z | | | | |
| | Pre | A07A | | Pre | A07A | | 22 | Y01Z, Y03A, Y03B | | | | |
| | 5n01x.1 | | | BOP, KJZSV, KOP, KOPV, UOP4 | 5n01x.6† | | | KJZSV | 5n020.3 | | BOP, KJZSV, KOP, KOPV, KVT, MVV, UOP4 | |
| | | 03 | | D12A, D12J, D12Q | | | 06 | G40Z, G46A, G46B, G46C, G47Z, G50Z | | 03 | D12A, D12J, D12Q | |
| | | 06 | | G15Z, G19A, G19B, G38Z | | | 07 | H40Z | | 05 | F36A, F36B | |
| 07 | | H33Z, H38Z | 5n01x.7 | | | BOP, KJZSV, KOP, KOPV, UOP4 | 06 | G03A, G03B, G33Z, G38Z | | | | |
| 11 | | L33Z | | 03 | | D12A, D12J, D12Q | 07 | H33Z, H38Z | | | | |
| 17 | | R01A, R01B, R01C, R01D, R02Z, R12A, R12B, R12C | | 06 | | G15Z, G19A, G19B, G38Z | 11 | L33Z | | | | |
| 21A | | W04A, W04B | | 07 | | H33Z, H38Z | 17 | R01A, R01B, R01C, R01D, R02Z, R12A, R12B, R12C | | | | |
| 21B | | X06A, X06B, X06C | | 11 | | L33Z | 21A | W04A, W04B | | | | |
| 23 | | Z01A | | 17 | | R01A, R01B, R01C, R01D, R02Z, R12A, R12B, R12C | 21B | X06A, X06B, X06C, X33Z | | | | |
| Pre | | A07A | | 21A | | W04A, W04B | 22 | Y01Z, Y03A, Y03B | | | | |
| 5n01x.2 | | | | BOP, KJZSV, KOP, KOPV, UOP4 | | 5n01x.8 | | BOP, KJZSV, KOP, KOPV, UOP4 | | 5n020.4 | | BOP, KJZSV, KOP, KOPV, KVT, MVV, UOP4 |
| | | 03 | | D12A, D12J, D12Q | | | 03 | D12A, D12J, D12Q | | | 03 | D12A, D12J, D12Q |
| | | 06 | | G15Z, G19A, G19B, G38Z | | | 06 | G15Z, G19A, G19B, G38Z | | | 05 | F36A, F36B |
| | 07 | H33Z, H38Z | | 07 | H33Z, H38Z | | 06 | G03A, G03B, G33Z, G38Z | | | | |
| | 11 | L33Z | | 11 | L33Z | | 07 | H33Z, H38Z | | | | |
| | 17 | R01A, R01B, R01C, R01D, R02Z, R12A, R12B, R12C | | 17 | R01A, R01B, R01C, R01D, R02Z, R12A, R12B, R12C | | 11 | L33Z | | | | |
| | 21A | W04A, W04B | 21A | W04A, W04B | 17 | | R01A, R01B, R01C, R01D, R02Z, R12A, R12B, R12C | | | | | |
| | 21B | X06A, X06B, X06C | 21B | X06A, X06B, X06C | 21A | | W04A, W04B | | | | | |
| | 23 | Z01A | 23 | Z01A | 21B | | X06A, X06B, X06C, X33Z | | | | | |
| | Pre | A07A | Pre | A07A | 22 | | Y01Z, Y03A, Y03B | | | | | |
| | 5n01x.3 | | BOP, KJZSV, KOP, KOPV, UOP4 | 5n01x.x† | | | KJZSV | 5n020.x | | | BOP, KJZSV, KOP, KOPV, KVT, MVV, UOP4 | |
| | | 03 | D12A, D12J, D12Q | | 06 | | G40Z, G46A, G46B, G46C, G47Z, G50Z | | 03 | | D12A, D12J, D12Q | |
| | | 06 | G15Z, G19A, G19B, G38Z | | 07 | | H40Z | | 05 | | F36A, F36B | |
| 07 | | H33Z, H38Z | 5n020.1 | | | BOP, KJZSV, KOP, KOPV, KVT, MVV, UOP4 | 06 | | G03A, G03B, G33Z, G38Z | | | |
| 11 | | L33Z | | | 03 | D12A, D12J, D12Q | 07 | | H33Z, H38Z | | | |
| 17 | | R01A, R01B, R01C, R01D, R02Z, R12A, R12B, R12C | | | 05 | F36A, F36B | 11 | | L33Z | | | |
| 21A | | W04A, W04B | | | 06 | G03A, G03B, G33Z, G38Z | 17 | | R01A, R01B, R01C, R01D, R02Z, R12A, R12B, R12C | | | |
| 21B | | X06A, X06B, X06C | | | 07 | H33Z, H38Z | 21A | | W04A, W04B | | | |
| 23 | | Z01A | | | 11 | L33Z | 21B | | X06A, X06B, X06C, X33Z | | | |
| Pre | | A07A | | | 17 | R01A, R01B, R01C, R01D, R02Z, R12A, R12B, R12C | 22 | | Y01Z, Y03A, Y03B | | | |
| 5n01x.4 | | | | | BOP, KJZSV, KOP, KOPV, UOP4 | Pre | | | A07A | Pre | | A07A |
| | | 03 | | | D12A, D12J, D12Q | | 03 | | D12A, D12J, D12Q | | 03 | D12A, D12J, D12Q |
| | | 06 | | | G15Z, G19A, G19B, G38Z | | 05 | | F36A, F36B | | 05 | F36A, F36B |
| | 07 | H33Z, H38Z | | 06 | G03A, G03B, G33Z, G38Z | | 06 | G03A, G03B, G33Z, G38Z | | | | |
| | 11 | L33Z | | 07 | H33Z, H38Z | | 07 | H33Z, H38Z | | | | |
| | 17 | R01A, R01B, R01C, R01D, R02Z, R12A, R12B, R12C | | 11 | L33Z | | 11 | L33Z | | | | |
| | 21A | W04A, W04B | 17 | R01A, R01B, R01C, R01D, R02Z, R12A, R12B, R12C | 17 | | R01A, R01B, R01C, R01D, R02Z, R12A, R12B, R12C | | | | | |
| | 21B | X06A, X06B, X06C | 21A | W04A, W04B | 21A | | W04A, W04B | | | | | |
| | 23 | Z01A | 21B | X06A, X06B, X06C, X33Z | 21B | | X06A, X06B, X06C, X33Z | | | | | |
| | Pre | A07A | 22 | Y01Z, Y03A, Y03B | 22 | | Y01Z, Y03A, Y03B | | | | | |
| | | | 23 | Z01A | 23 | | Z01A | | | | | |
| | | | Pre | A07A | Pre | | A07A | | | | | |

VYK

| ZZV | MDC | DRG | ZZV | MDC | DRG | ZZV | MDC | DRG | | | |
|-------|-------|--|----------------------------------|--|--|---------|--|--|------------------------|----------|--|
| 5n02b | | BOP, KJZSV, KOP, KOPV, KVT, UOP4 | 5n02f | | BOP, KJZSV, KOP, KOPV, KVT, UOP4 | 5n031 | | BOP, KJZSV, KOP, KOPV, KVT, UOP4 | | | |
| | 03 | D12A, D12J, D12Q | | 03 | D12A, D12J, D12Q | | 03 | D12A, D12B, D12J, D12Q | | | |
| | 05 | F36A, F36B | | 05 | F36A, F36B | | 06 | G15Z, G19A, G19B, G38Z | | | |
| | 06 | G01Z, G02Z, G03A, G03B, G03C, G33Z, G38Z | | 06 | G01Z, G02Z, G03A, G03B, G03C, G33Z, G38Z | | 07 | H33Z, H38Z | | | |
| | 07 | H33Z, H38Z | | 07 | H33Z, H38Z | | 11 | L33Z | | | |
| | 11 | L33Z | | 11 | L33Z | | 17 | R01A, R01B, R01C, R01D, R02Z, R12A, R12B, R12C | | | |
| | 17 | R01A, R01B, R01C, R01D, R02Z, R12A, R12B, R12C | | 17 | R01A, R01B, R01C, R01D, R02Z, R12A, R12B, R12C | | 23 | Z01A | | | |
| | 21A | W04A, W04B | | 21A | W04A, W04B | | Pre | A07A | | | |
| | 21B | X06A, X06B, X06C, X33Z | | 21B | X06A, X06B, X06C, X33Z | | 5n032.0† | G40Z, G46A, G46B, G46C, G47Z, G50Z, G53J | | | |
| | 22 | Y01Z, Y03A, Y03B | | 22 | Y01Z, Y03A, Y03B | | 5n032.1† | G40Z, G46A, G46B, G46C, G47Z, G50Z, G53J | | | |
| | 23 | Z01A | | 23 | Z01A | | 5n032.2† | G40Z, G46A, G46B, G46C, G47Z, G50Z, G53J | | | |
| | Pre | A07A, A13A, A13B, A13C | | Pre | A07A, A13A, A13B, A13C | | 5n032.3† | G40Z, G46A, G46B, G46C, G47Z, G50Z, G53J | | | |
| | 5n02c | | | BOP, KJZSV, KOP, KOPV, KVT, UOP4 | 5n02g | | | BOP, KJZSV, KOP, KOPV, KVT, UOP4 | 5n032.4† | | KJZSV |
| | | 03 | | D12A, D12J, D12Q | | | 03 | D12A, D12J, D12Q | | 06 | G40Z, G46A, G46B, G46C, G47Z, G50Z |
| | | 05 | | F36A, F36B | | | 05 | F36A, F36B | | 5n032.x† | 06 |
| 06 | | G01Z, G02Z, G03A, G03B, G03C, G33Z, G38Z | 06 | G01Z, G02Z, G03A, G03B, G03C, G33Z, G38Z | | 5n033.0 | BOP, KJZSV, KOP, KOPV, KVT, UOP4 | | | | |
| 07 | | H33Z, H38Z | 07 | H33Z, H38Z | | 03 | D12A, D12B, D12J, D12Q | | | | |
| 11 | | L33Z | 11 | L33Z | | | 06 | G15Z, G19A, G19B, G38Z | | | |
| 17 | | R01A, R01B, R01C, R01D, R02Z, R12A, R12B, R12C | 17 | R01A, R01B, R01C, R01D, R02Z, R12A, R12B, R12C | | 07 | H33Z, H38Z | | | | |
| 21A | | W04A, W04B | 21A | W04A, W04B | | 11 | L33Z | | | | |
| 21B | | X06A, X06B, X06C, X33Z | 21B | X06A, X06B, X06C, X33Z | | 17 | R01A, R01B, R01C, R01D, R02Z, R12A, R12B, R12C | | | | |
| 22 | | Y01Z, Y03A, Y03B | 22 | Y01Z, Y03A, Y03B | | 23 | Z01A | | | | |
| 23 | | Z01A | 23 | Z01A | | Pre | A07A | | | | |
| Pre | | A07A, A13A, A13B, A13C | Pre | A07A, A13A, A13B, A13C | | 5n033.1 | BOP, KJZSV, KOP, KOPV, KVT, UOP4 | | | | |
| 5n02d | | | BOP, KJZSV, KOP, KOPV, KVT, UOP4 | 5n02h | | | BOP, KJZSV, KOP, KOPV, KVT, UOP4 | 03 | | | D12A, D12B, D12J, D12Q |
| | | 03 | D12A, D12J, D12Q | | | 03 | D12A, D12J, D12Q | | | 06 | G15Z, G19A, G19B, G38Z |
| | | 05 | F36A, F36B | | | 04 | E05A, E05B, E05C, E08A, E08B, E08C | | | 07 | H33Z, H38Z |
| | 06 | G01Z, G02Z, G03A, G03B, G03C, G33Z, G38Z | 05 | | F36A, F36B | 11 | L33Z | | | | |
| | 07 | H33Z, H38Z | 06 | | G01Z, G02Z, G03A, G03B, G03C, G33Z, G38Z | 17 | R01A, R01B, R01C, R01D, R02Z, R12A, R12B, R12C | | | | |
| | 11 | L33Z | 07 | | H33Z, H38Z | 23 | Z01A | | | | |
| | 17 | R01A, R01B, R01C, R01D, R02Z, R12A, R12B, R12C | 11 | | L33Z | Pre | A07A | | | | |
| | 21A | W04A, W04B | 21A | | W04A, W04B | 5n033.2 | BOP, KJZSV, KOP, KOPV, KVT, UOP4 | | | | |
| | 21B | X06A, X06B, X06C, X33Z | 21B | | X06A, X06B, X06C, X33Z | 03 | D12A, D12B, D12J, D12Q | | | | |
| | 22 | Y01Z, Y03A, Y03B | 22 | | Y01Z, Y03A, Y03B | | 06 | | G15Z, G19A, G19B, G38Z | | |
| | 23 | Z01A | 23 | | Z01A | 07 | H33Z, H38Z | | | | |
| | Pre | A07A, A13A, A13B, A13C | Pre | | A07A, A13A, A13B, A13C | 11 | L33Z | | | | |
| | 5n02e | | BOP, KJZSV, KOP, KOPV, KVT, UOP4 | | 5n02x | | BOP, KJZSV, KOP, KOPV, KVT, UOP4 | | 17 | | R01A, R01B, R01C, R01D, R02Z, R12A, R12B, R12C |
| | | 03 | D12A, D12J, D12Q | | | 03 | D12A, D12J, D12Q | | | 23 | Z01A |
| | | 05 | F36A, F36B | | | 05 | F36A, F36B | | | Pre | A07A |
| 06 | | G01Z, G02Z, G03A, G03B, G03C, G33Z, G38Z | 06 | G01Z, G02Z, G03A, G03B, G03C, G33Z, G38Z | | 5n033.3 | BOP, KJZSV, KOP, KOPV, KVT, UOP4 | | | | |
| 07 | | H33Z, H38Z | 07 | H33Z, H38Z | | 03 | D12A, D12B, D12J, D12Q | | | | |
| 11 | | L33Z | 11 | L33Z | | | 06 | G15Z, G19A, G19B, G38Z | | | |
| 17 | | R01A, R01B, R01C, R01D, R02Z, R12A, R12B, R12C | 17 | R01A, R01B, R01C, R01D, R02Z, R12A, R12B, R12C | | 07 | H33Z, H38Z | | | | |
| 21A | | W04A, W04B | 21A | W04A, W04B | | 11 | L33Z | | | | |
| 21B | | X06A, X06B, X06C, X33Z | 21B | X06A, X06B, X06C, X33Z | | 17 | R01A, R01B, R01C, R01D, R02Z, R12A, R12B, R12C | | | | |
| 22 | | Y01Z, Y03A, Y03B | 22 | Y01Z, Y03A, Y03B | | 23 | Z01A | | | | |
| 23 | | Z01A | 23 | Z01A | | Pre | A07A | | | | |
| Pre | | A07A, A13A, A13B, A13C | Pre | A07A, A13A, A13B, A13C | | 03 | D12A, D12B, D12J, D12Q | | | | |
| 5n030 | | | BOP, KJZSV, KOP, KOPV, KVT, UOP4 | 5n030 | | | | BOP, KJZSV, KOP, KOPV, KVT, UOP4 | | 06 | |
| | | 03 | D12A, D12J, D12Q | | | 03 | D12A, D12J, D12Q | 07 | | | H33Z, H38Z |
| | | 05 | F36A, F36B | | | 05 | F36A, F36B | 11 | | | L33Z |
| | 06 | G01Z, G02Z, G03A, G03B, G03C, G33Z, G38Z | 06 | | G01Z, G02Z, G03A, G03B, G03C, G33Z, G38Z | 17 | R01A, R01B, R01C, R01D, R02Z, R12A, R12B, R12C | | | | |
| | 07 | H33Z, H38Z | 07 | | H33Z, H38Z | 23 | Z01A | | | | |
| | 11 | L33Z | 11 | | L33Z | Pre | A07A | | | | |
| | 17 | R01A, R01B, R01C, R01D, R02Z, R12A, R12B, R12C | 17 | | R01A, R01B, R01C, R01D, R02Z, R12A, R12B, R12C | 03 | D12A, D12B, D12J, D12Q | | | | |
| | 21A | W04A, W04B | 21A | | W04A, W04B | | 06 | G15Z, G19A, G19B, G38Z | | | |
| | 21B | X06A, X06B, X06C, X33Z | 21B | | X06A, X06B, X06C, X33Z | 07 | H33Z, H38Z | | | | |
| | 22 | Y01Z, Y03A, Y03B | 22 | | Y01Z, Y03A, Y03B | 11 | L33Z | | | | |
| | 23 | Z01A | 23 | | Z01A | 17 | R01A, R01B, R01C, R01D, R02Z, R12A, R12B, R12C | | | | |
| | Pre | A07A, A13A, A13B, A13C | Pre | | A07A, A13A, A13B, A13C | 23 | Z01A | | | | |
| | | | | | | Pre | A07A | | | | |

VYK

| ZZV | MDC | DRG | ZZV | MDC | DRG | ZZV | MDC | DRG |
|---------|-----|--|----------|----------|--|-------|-----|--|
| 5n033.4 | | BOP, KJZSV, KOP, KOPV, KVT, UOP4 | 5n034.x | | BOP, KJZSV, KOP, KOPV, KVT, UOP4 | 5n042 | | BOP, KJZSV, KOP, KOPV, KVT, UOP4 |
| | 03 | D12A, D12B, D12J, D12Q | | 03 | D12A, D12B, D12J, D12Q | | 03 | D12A, D12J, D12Q |
| | 06 | G15Z, G19A, G19B, G38Z | | 06 | G15Z, G19A, G19B, G38Z | | 05 | F36A, F36B |
| | 07 | H33Z, H38Z | | 07 | H33Z, H38Z | | 06 | G15Z, G19A, G19B, G33Z, G38Z |
| | 11 | L33Z | | 11 | L33Z | | 07 | H33Z, H38Z |
| | 17 | R01A, R01B, R01C, R01D, R02Z, R12A, R12B, R12C | | 17 | R01A, R01B, R01C, R01D, R02Z, R12A, R12B, R12C | | 11 | L33Z |
| | 23 | Z01A | | 23 | Z01A | | 17 | R01A, R01B, R01C, R01D, R02Z, R12A, R12B, R12C |
| | Pre | A07A | | Pre | A07A | | 21A | W04A, W04B |
| 5n033.x | | BOP, KJZSV, KOP, KOPV, KVT, UOP4 | 5n035.0† | | G40Z, G46A, G46B, G46C, G47Z, G50Z, G53J | | 21B | X06A, X06B, X06C, X33Z |
| | 03 | D12A, D12B, D12J, D12Q | | 5n035.1† | G40Z, G46A, G46B, G46C, G47Z, G50Z, G53J | | 22 | Y01Z, Y03A, Y03B |
| | 06 | G15Z, G19A, G19B, G38Z | | | H40Z | | 23 | Z01A |
| | 07 | H33Z, H38Z | | 5n035.2† | G40Z, G46A, G46B, G46C, G47Z, G50Z, G53J | 5n043 | Pre | A07A |
| | 11 | L33Z | | | G53J | | | BOP, KJZSV, KOP, KOPV, KVT, UOP4 |
| | 17 | R01A, R01B, R01C, R01D, R02Z, R12A, R12B, R12C | | 5n035.3† | G53J | | 03 | D12A, D12J, D12Q |
| | 23 | Z01A | | 5n035.4† | G40Z, G46A, G46B, G46C, G47Z, G50Z, G53J | | 05 | F36A, F36B |
| | Pre | A07A | | | H40Z | | 06 | G15Z, G19A, G19B, G33Z, G38Z |
| 5n034.0 | | BOP, KJZSV, KOP, KOPV, KVT, UOP4 | 5n035.5† | | G40Z, G46A, G46B, G46C, G47Z, G50Z, G53J | | 07 | H33Z, H38Z |
| | 03 | D12A, D12B, D12J, D12Q | | 5n035.6† | G40Z, G46A, G46B, G46C, G47Z, G50Z, G53J | | 11 | L33Z |
| | 06 | G15Z, G19A, G19B, G38Z | | | G40Z, G46A, G46B, G46C, G47Z, G50Z, G53J | | 17 | R01A, R01B, R01C, R01D, R02Z, R12A, R12B, R12C |
| | 07 | H33Z, H38Z | | 5n035.7† | G40Z, G46A, G46B, G46C, G47Z, G50Z, G53J | | 21A | W04A, W04B |
| | 11 | L33Z | | | G40Z, G46A, G46B, G46C, G47Z, G50Z, G53J | | 21B | X06A, X06B, X06C, X33Z |
| | 17 | R01A, R01B, R01C, R01D, R02Z, R12A, R12B, R12C | | 5n035.x† | G40Z, G46A, G46B, G46C, G47Z, G50Z, G53J | | 22 | Y01Z, Y03A, Y03B |
| | 23 | Z01A | | 5n040 | BOP, KJZSV, KOP, KOPV, KVT, UOP4 | | 23 | Z01A |
| | Pre | A07A | | | D12A, D12J, D12Q | | Pre | A07A |
| 5n034.1 | | BOP, KJZSV, KOP, KOPV, KVT, UOP4 | | 03 | D12A, D12J, D12Q | 5n049 | | BOP, KJZSV, KOP, KOPV, KVT, UOP4 |
| | 03 | D12A, D12B, D12J, D12Q | | 05 | F36A, F36B | | 03 | D12A, D12J, D12Q |
| | 06 | G15Z, G19A, G19B, G38Z | | 06 | G15Z, G19A, G19B, G33Z, G38Z | | 05 | F36A, F36B |
| | 07 | H33Z, H38Z | | | H33Z, H38Z | | 06 | G15Z, G19A, G19B, G33Z, G38Z |
| | 11 | L33Z | | 07 | H33Z, H38Z | | 07 | H33Z, H38Z |
| | 17 | R01A, R01B, R01C, R01D, R02Z, R12A, R12B, R12C | | 11 | L33Z | | 11 | L33Z |
| | 23 | Z01A | | 17 | R01A, R01B, R01C, R01D, R02Z, R12A, R12B, R12C | | 17 | R01A, R01B, R01C, R01D, R02Z, R12A, R12B, R12C |
| | Pre | A07A | | 21A | W04A, W04B | | 21A | W04A, W04B |
| 5n034.2 | | BOP, KJZSV, KOP, KOPV, KVT, UOP4 | | 21B | X06A, X06B, X06C, X33Z | | 21B | X06A, X06B, X06C, X33Z |
| | 03 | D12A, D12B, D12J, D12Q | | 22 | Y01Z, Y03A, Y03B | | 22 | Y01Z, Y03A, Y03B |
| | 06 | G15Z, G19A, G19B, G38Z | | 23 | Z01A | | 23 | Z01A |
| | 07 | H33Z, H38Z | | Pre | A07A | | Pre | A07A |
| | 11 | L33Z | 5n041 | | BOP, KJZSV, KOP, KOPV, KVT, UOP4 | 5n04a | | BOP, KJZSV, KOP, KOPV, KVT, UOP4 |
| | 17 | R01A, R01B, R01C, R01D, R02Z, R12A, R12B, R12C | | | D12A, D12J, D12Q | | 03 | D12A, D12J, D12Q |
| | 23 | Z01A | | 03 | D12A, D12J, D12Q | | 05 | F36A, F36B |
| | Pre | A07A | | 05 | F36A, F36B | | 06 | G01Z, G02Z, G03A, G03B, G33Z, G38Z |
| 5n034.3 | | BOP, KJZSV, KOP, KOPV, KVT, UOP4 | | 06 | G15Z, G19A, G19B, G33Z, G38Z | | 07 | H33Z, H38Z |
| | 03 | D12A, D12B, D12J, D12Q | | | H33Z, H38Z | | 11 | L33Z |
| | 06 | G15Z, G19A, G19B, G38Z | | 07 | H33Z, H38Z | | 17 | R01A, R01B, R01C, R01D, R02Z, R12A, R12B, R12C |
| | 07 | H33Z, H38Z | | 11 | L33Z | | 21A | W04A, W04B |
| | 11 | L33Z | | 17 | R01A, R01B, R01C, R01D, R02Z, R12A, R12B, R12C | | 21B | X06A, X06B, X06C, X33Z |
| | 17 | R01A, R01B, R01C, R01D, R02Z, R12A, R12B, R12C | | 21A | W04A, W04B | | 22 | Y01Z, Y03A, Y03B |
| | 23 | Z01A | | 21B | X06A, X06B, X06C, X33Z | | 23 | Z01A |
| | Pre | A07A | | 22 | Y01Z, Y03A, Y03B | | Pre | A07A |
| 5n034.4 | | BOP, KJZSV, KOP, KOPV, KVT, UOP4 | | 23 | Z01A | | | A07A, A13A, A13B, A13C |
| | 03 | D12A, D12B, D12J, D12Q | | Pre | A07A | | | |
| | 06 | G15Z, G19A, G19B, G38Z | | | | | | |
| | 07 | H33Z, H38Z | | | | | | |
| | 11 | L33Z | | | | | | |
| | 17 | R01A, R01B, R01C, R01D, R02Z, R12A, R12B, R12C | | | | | | |
| | 23 | Z01A | | | | | | |
| | Pre | A07A | | | | | | |

VYK

| ZZV | MDC | DRG | ZZV | MDC | DRG | ZZV | MDC | DRG | | | |
|-------|---------|--|---------------------------------------|--|--|----------|--|--|----------|----|---------------------------------------|
| 5n04b | | BOP, KJZSV, KOP, KOPV, KVT, UOP4 | 5n054.2 | | BOP, KJZSV, KOP, KOPV, KVT, MVV, UOP4 | 5n05a.11 | | BOP, KJZSV, KOP, KOPV, KVT, MVV, UOP4 | | | |
| | 03 | D12A, D12J, D12Q | | 03 | D12A, D12J, D12Q | | 03 | D18Z, D25A, D25B, D25C, D25D, D25J | | | |
| | 05 | F36A, F36B | | 05 | F36A, F36B | | 05 | F36A, F36B | | | |
| | 06 | G01Z, G02Z, G03A, G03B, G33Z, G38Z | | 06 | G15Z, G19A, G19B, G33Z, G38Z | | 06 | G03A, G03B, G33Z, G38Z | | | |
| | 07 | H33Z, H38Z | | 07 | H33Z, H38Z | | 07 | H33Z, H38Z | | | |
| | 11 | L33Z | | 11 | L33Z | | 09 | J08A, J08B, J08C | | | |
| | 17 | R01A, R01B, R01C, R01D, R02Z, R12A, R12B, R12C | | 17 | R01A, R01B, R01C, R01D, R02Z, R12A, R12B, R12C | | 11 | L33Z | | | |
| | 21A | W04A, W04B | | 21A | W04A, W04B | | 17 | R01A, R01B, R01C, R01D, R02Z, R12A, R12B, R12C | | | |
| | 21B | X06A, X06B, X06C, X33Z | | 21B | X06A, X06B, X06C, X33Z | | 21A | W04A, W04B | | | |
| | 22 | Y01Z, Y03A, Y03B | | 22 | Y01Z, Y03A, Y03B | | 21B | X06A, X06B, X06C, X33Z | | | |
| | 23 | Z01A | | 23 | Z01A | | 22 | Y01Z, Y03A, Y03B | | | |
| | Pre | A07A, A13A, A13B, A13C | | Pre | A07A | | 23 | Z01A | | | |
| | 5n04c | | | BOP, KJZSV, KOP, KOPV, KVT, UOP4 | 5n054.3 | | | BOP, KJZSV, KOP, KOPV, KVT, MVV, UOP4 | 5n05a.12 | | A07A, A09A, A13B |
| | | 03 | | D12A, D12J, D12Q | | | 03 | D12A, D12J, D12Q | | | BOP, KJZSV, KOP, KOPV, KVT, MVV, UOP4 |
| | | 05 | | F36A, F36B | | | 05 | F36A, F36B | | 03 | D12A, D12J, D12Q |
| 06 | | G01Z, G02Z, G03A, G03B, G33Z, G38Z | 06 | G15Z, G19A, G19B, G33Z, G38Z | | 05 | F36A, F36B | | | | |
| 07 | | H33Z, H38Z | 07 | H33Z, H38Z | | 06 | G15Z, G19A, G19B, G33Z, G38Z | | | | |
| 11 | | L33Z | 11 | L33Z | | 07 | H33Z, H38Z | | | | |
| 17 | | R01A, R01B, R01C, R01D, R02Z, R12A, R12B, R12C | 17 | R01A, R01B, R01C, R01D, R02Z, R12A, R12B, R12C | | 11 | L33Z | | | | |
| 21A | | W04A, W04B | 21A | W04A, W04B | | 17 | R01A, R01B, R01C, R01D, R02Z, R12A, R12B, R12C | | | | |
| 21B | | X06A, X06B, X06C, X33Z | 21B | X06A, X06B, X06C, X33Z | | 21A | W04A, W04B | | | | |
| 22 | | Y01Z, Y03A, Y03B | 22 | Y01Z, Y03A, Y03B | | 21B | X06A, X06B, X06C, X33Z | | | | |
| 23 | | Z01A | 23 | Z01A | | 22 | Y01Z, Y03A, Y03B | | | | |
| Pre | | A07A, A13A, A13B, A13C | Pre | A07A | | 23 | Z01A | | | | |
| 5n04x | | | BOP, KJZSV, KOP, KOPV, KVT, UOP4 | 5n054.x | | | BOP, KJZSV, KOP, KOPV, KVT, MVV, UOP4 | 5n05a.15 | | | A07A |
| | | 03 | D12A, D12J, D12Q | | | 03 | D12A, D12J, D12Q | | | | BOP, KJZSV, KOP, KOPV, KVT, MVV, UOP4 |
| | | 05 | F36A, F36B | | | 05 | F36A, F36B | | | 03 | D18Z, D25A, D25B, D25C, D25D, D25J |
| | 06 | G01Z, G02Z, G03A, G03B, G33Z, G38Z | 06 | | G15Z, G19A, G19B, G33Z, G38Z | 05 | F36A, F36B | | | | |
| | 07 | H33Z, H38Z | 07 | | H33Z, H38Z | 06 | G03A, G03B, G33Z, G38Z | | | | |
| | 11 | L33Z | 11 | | L33Z | 07 | H33Z, H38Z | | | | |
| | 17 | R01A, R01B, R01C, R01D, R02Z, R12A, R12B, R12C | 17 | | R01A, R01B, R01C, R01D, R02Z, R12A, R12B, R12C | 09 | J08A, J08B, J08C | | | | |
| | 21A | W04A, W04B | 21A | | W04A, W04B | 11 | L33Z | | | | |
| | 21B | X06A, X06B, X06C, X33Z | 21B | | X06A, X06B, X06C, X33Z | 17 | R01A, R01B, R01C, R01D, R02Z, R12A, R12B, R12C | | | | |
| | 22 | Y01Z, Y03A, Y03B | 22 | | Y01Z, Y03A, Y03B | 21A | W04A, W04B | | | | |
| | 23 | Z01A | 23 | | Z01A | 21B | X06A, X06B, X06C, X33Z | | | | |
| | Pre | A07A, A13A, A13B, A13C | Pre | | A07A | 22 | Y01Z, Y03A, Y03B | | | | |
| | 5n054.1 | | BOP, KJZSV, KOP, KOPV, KVT, MVV, UOP4 | | 5n05a.10 | | BOP, KJZSV, KOP, KOPV, KVT, MVV, UOP4 | | 5n05a.18 | | A07A, A09A, A13B |
| | | 03 | D12A, D12J, D12Q | | | 03 | D18Z, D25A, D25B, D25C, D25D, D25J | | | | BOP, KJZSV, KOP, KOPV, KVT, MVV, UOP4 |
| | | 05 | F36A, F36B | | | 05 | F36A, F36B | | | 03 | D12A, D12J, D12Q |
| 06 | | G15Z, G19A, G19B, G33Z, G38Z | 06 | G03A, G03B, G33Z, G38Z | | 05 | F36A, F36B | | | | |
| 07 | | H33Z, H38Z | 07 | H33Z, H38Z | | 06 | G15Z, G19A, G19B, G33Z, G38Z | | | | |
| 11 | | L33Z | 09 | J08A, J08B, J08C | | 07 | H33Z, H38Z | | | | |
| 17 | | R01A, R01B, R01C, R01D, R02Z, R12A, R12B, R12C | 11 | L33Z | | 11 | L33Z | | | | |
| 21A | | W04A, W04B | 17 | R01A, R01B, R01C, R01D, R02Z, R12A, R12B, R12C | | 17 | R01A, R01B, R01C, R01D, R02Z, R12A, R12B, R12C | | | | |
| 21B | | X06A, X06B, X06C, X33Z | 21A | W04A, W04B | | 21A | W04A, W04B | | | | |
| 22 | | Y01Z, Y03A, Y03B | 21B | X06A, X06B, X06C, X33Z | | 21B | X06A, X06B, X06C, X33Z | | | | |
| 23 | | Z01A | 22 | Y01Z, Y03A, Y03B | | 22 | Y01Z, Y03A, Y03B | | | | |
| Pre | | A07A | 23 | Z01A | | 23 | Z01A | | | | |
| | | | Pre | A07A, A09A, A13B | | Pre | A07A | | | | |

VYK

| ZZV | MDC | DRG | ZZV | MDC | DRG | ZZV | MDC | DRG | | | | | |
|----------|----------|--|---------------------------------------|--|--|--|--|--|--|---------------------------------------|----------|----|---------------------------------------|
| 5n05a.20 | | BOP, KJZSV, KOP, KOPV, KVT, MVV, UOP4 | 5n05a.28 | | BOP, KJZSV, KOP, KOPV, KVT, MVV, UOP4 | 5n05b.10 | | BOP, KJZSV, KOP, KOPV, KVT, MVV, UOP4 | | | | | |
| | 03 | D18Z, D25A, D25B, D25C, D25D, D25J | | 03 | D12A, D12J, D12Q | | 03 | D12A, D12J, D12Q | | | | | |
| | 05 | F36A, F36B | | 05 | F36A, F36B | | 05 | F36A, F36B | | | | | |
| | 06 | G03A, G03B, G33Z, G38Z | | 06 | G15Z, G19A, G19B, G33Z, G38Z | | 06 | G03A, G03B, G33Z, G38Z | | | | | |
| | 07 | H33Z, H38Z | | 07 | H33Z, H38Z | | 07 | H33Z, H38Z | | | | | |
| | 09 | J08A, J08B, J08C | | 11 | L33Z | | 11 | L33Z | | | | | |
| | 11 | L33Z | | 17 | R01A, R01B, R01C, R01D, R02Z, R12A, R12B, R12C | | 17 | R01A, R01B, R01C, R01D, R02Z, R12A, R12B, R12C | | | | | |
| | 17 | R01A, R01B, R01C, R01D, R02Z, R12A, R12B, R12C | | 21A | W04A, W04B | | 21A | W04A, W04B | | | | | |
| | 21A | W04A, W04B | | 21B | X06A, X06B, X06C, X33Z | | 21B | X06A, X06B, X06C, X33Z | | | | | |
| | 21B | X06A, X06B, X06C, X33Z | | 22 | Y01Z, Y03A, Y03B | | 22 | Y01Z, Y03A, Y03B | | | | | |
| | 22 | Y01Z, Y03A, Y03B | | 23 | Z01A | | 23 | Z01A | | | | | |
| | 23 | Z01A | | Pre | A07A | | Pre | A07A | | | | | |
| | Pre | A07A, A09A, A13B | | 5n05a.3 | | | BOP, KJZSV, KOP, KOPV, KVT, MVV, UOP4 | 5n05b.11 | | BOP, KJZSV, KOP, KOPV, KVT, MVV, UOP4 | | | |
| | 5n05a.21 | | | | BOP, KJZSV, KOP, KOPV, KVT, MVV, UOP4 | | 5n05a.4 | | | BOP, KJZSV, KOP, KOPV, KVT, MVV, UOP4 | 5n05b.12 | | BOP, KJZSV, KOP, KOPV, KVT, MVV, UOP4 |
| | | 03 | | | D18Z, D25A, D25B, D25C, D25D, D25J | | | | 03 | D18Z, D25A, D25B, D25C, D25D, D25J | | 03 | D12A, D12J, D12Q |
| | | 05 | | | F36A, F36B | | | | 05 | F36A, F36B | | 05 | F36A, F36B |
| | | 06 | | | G03A, G03B, G33Z, G38Z | | | | 06 | G03A, G03B, G33Z, G38Z | | 06 | G03A, G03B, G33Z, G38Z |
| 07 | | H33Z, H38Z | 07 | | H33Z, H38Z | 07 | | | H33Z, H38Z | | | | |
| 09 | | J08A, J08B, J08C | 09 | | J08A, J08B, J08C | 11 | | | L33Z | | | | |
| 11 | | L33Z | 11 | | L33Z | 11 | | | L33Z | | | | |
| 17 | | R01A, R01B, R01C, R01D, R02Z, R12A, R12B, R12C | 17 | | R01A, R01B, R01C, R01D, R02Z, R12A, R12B, R12C | 17 | | | R01A, R01B, R01C, R01D, R02Z, R12A, R12B, R12C | | | | |
| 21A | | W04A, W04B | 21A | | W04A, W04B | 21A | | | W04A, W04B | | | | |
| 21B | | X06A, X06B, X06C, X33Z | 21B | | X06A, X06B, X06C, X33Z | 21B | | | X06A, X06B, X06C, X33Z | | | | |
| 22 | | Y01Z, Y03A, Y03B | 22 | | Y01Z, Y03A, Y03B | 22 | | | Y01Z, Y03A, Y03B | | | | |
| 23 | | Z01A | 23 | | Z01A | 23 | | | Z01A | | | | |
| Pre | | A07A, A09A, A13B | Pre | | A07A, A09A, A13B | Pre | | | A07A, A09A, A13B | | | | |
| 5n05a.22 | | | BOP, KJZSV, KOP, KOPV, KVT, MVV, UOP4 | | 5n05a.x | | | | BOP, KJZSV, KOP, KOPV, KVT, MVV, UOP4 | 5n05b.15 | | | BOP, KJZSV, KOP, KOPV, KVT, MVV, UOP4 |
| | | 03 | D12A, D12J, D12Q | | | 03 | | | D12A, D12J, D12Q | | | 03 | D12A, D12J, D12Q |
| | | 05 | F36A, F36B | | | 05 | | | F36A, F36B | | | 05 | F36A, F36B |
| | | 06 | G15Z, G19A, G19B, G33Z, G38Z | 06 | | G03A, G03B, G33Z, G38Z | | 06 | G03A, G03B, G33Z, G38Z | | | | |
| | 07 | H33Z, H38Z | 07 | H33Z, H38Z | | 07 | H33Z, H38Z | | | | | | |
| | 11 | L33Z | 11 | L33Z | | 11 | L33Z | | | | | | |
| | 17 | R01A, R01B, R01C, R01D, R02Z, R12A, R12B, R12C | 17 | R01A, R01B, R01C, R01D, R02Z, R12A, R12B, R12C | | 17 | R01A, R01B, R01C, R01D, R02Z, R12A, R12B, R12C | | | | | | |
| | 21A | W04A, W04B | 21A | W04A, W04B | | 21A | W04A, W04B | | | | | | |
| | 21B | X06A, X06B, X06C, X33Z | 21B | X06A, X06B, X06C, X33Z | | 21B | X06A, X06B, X06C, X33Z | | | | | | |
| | 22 | Y01Z, Y03A, Y03B | 22 | Y01Z, Y03A, Y03B | | 22 | Y01Z, Y03A, Y03B | | | | | | |
| | 23 | Z01A | 23 | Z01A | | 23 | Z01A | | | | | | |
| | Pre | A07A | Pre | A07A, A09A, A13B | | Pre | A07A | | | | | | |
| | 5n05a.25 | | BOP, KJZSV, KOP, KOPV, KVT, MVV, UOP4 | | | | | | | | | | |
| | | 03 | D18Z, D25A, D25B, D25C, D25D, D25J | 03 | | D12A, D12J, D12Q | 03 | D12A, D12J, D12Q | | | | | |
| | | 05 | F36A, F36B | 05 | | F36A, F36B | 05 | F36A, F36B | | | | | |
| | | 06 | G03A, G03B, G33Z, G38Z | 06 | | G03A, G03B, G33Z, G38Z | 06 | G03A, G03B, G33Z, G38Z | | | | | |
| | | 07 | H33Z, H38Z | 07 | | H33Z, H38Z | 07 | H33Z, H38Z | | | | | |
| 09 | | J08A, J08B, J08C | 11 | L33Z | 11 | L33Z | | | | | | | |
| 11 | | L33Z | 17 | R01A, R01B, R01C, R01D, R02Z, R12A, R12B, R12C | 17 | R01A, R01B, R01C, R01D, R02Z, R12A, R12B, R12C | | | | | | | |
| 17 | | R01A, R01B, R01C, R01D, R02Z, R12A, R12B, R12C | 21A | W04A, W04B | 21A | W04A, W04B | | | | | | | |
| 21A | | W04A, W04B | 21B | X06A, X06B, X06C, X33Z | 21B | X06A, X06B, X06C, X33Z | | | | | | | |
| 21B | | X06A, X06B, X06C, X33Z | 22 | Y01Z, Y03A, Y03B | 22 | Y01Z, Y03A, Y03B | | | | | | | |
| 22 | | Y01Z, Y03A, Y03B | 23 | Z01A | 23 | Z01A | | | | | | | |
| 23 | | Z01A | Pre | A07A, A09A, A13B | Pre | A07A, A09A, A13B | | | | | | | |
| Pre | | A07A, A09A, A13B | | | | | | | | | | | |

VYK

| ZZV | MDC | DRG | ZZV | MDC | DRG | ZZV | MDC | DRG | | | |
|----------|----------|--|---------------------------------------|--|--|---------|--|--|----------|----|---------------------------------------|
| 5n05b.18 | | BOP, KJZSV, KOP, KOPV, KVT, MVV, UOP4 | 5n05b.25 | | BOP, KJZSV, KOP, KOPV, KVT, MVV, UOP4 | 5n05b.x | | BOP, KJZSV, KOP, KOPV, KVT, MVV, UOP4 | | | |
| | 03 | D12A, D12J, D12Q | | 03 | D12A, D12J, D12Q | | 03 | D12A, D12J, D12Q | | | |
| | 05 | F36A, F36B | | 05 | F36A, F36B | | 05 | F36A, F36B | | | |
| | 06 | G15Z, G19A, G19B, G33Z, G38Z | | 06 | G03A, G03B, G33Z, G38Z | | 06 | G03A, G03B, G33Z, G38Z | | | |
| | 07 | H33Z, H38Z | | 07 | H33Z, H38Z | | 07 | H33Z, H38Z | | | |
| | 11 | L33Z | | 11 | L33Z | | 11 | L33Z | | | |
| | 17 | R01A, R01B, R01C, R01D, R02Z, R12A, R12B, R12C | | 17 | R01A, R01B, R01C, R01D, R02Z, R12A, R12B, R12C | | 17 | R01A, R01B, R01C, R01D, R02Z, R12A, R12B, R12C | | | |
| | 21A | W04A, W04B | | 21A | W04A, W04B | | 21A | W04A, W04B | | | |
| | 21B | X06A, X06B, X06C, X33Z | | 21B | X06A, X06B, X06C, X33Z | | 21B | X06A, X06B, X06C, X33Z | | | |
| | 22 | Y01Z, Y03A, Y03B | | 22 | Y01Z, Y03A, Y03B | | 22 | Y01Z, Y03A, Y03B | | | |
| | 23 | Z01A | | 23 | Z01A | | 23 | Z01A | | | |
| | Pre | A07A | | Pre | A07A, A09A, A13B | | Pre | A07A, A09A, A13B | | | |
| | 5n05b.20 | | | BOP, KJZSV, KOP, KOPV, KVT, MVV, UOP4 | 5n05b.28 | | | BOP, KJZSV, KOP, KOPV, KVT, MVV, UOP4 | 5n05c.10 | | BOP, KJZSV, KOP, KOPV, KVT, MVV, UOP4 |
| | | 03 | | D12A, D12J, D12Q | | | 03 | D12A, D12J, D12Q | | 03 | D12A, D12J, D12Q |
| | | 05 | | F36A, F36B | | | 05 | F36A, F36B | | 05 | F36A, F36B |
| 06 | | G03A, G03B, G33Z, G38Z | 06 | G15Z, G19A, G19B, G33Z, G38Z | | 06 | G03A, G03B, G33Z, G38Z | | | | |
| 07 | | H33Z, H38Z | 07 | H33Z, H38Z | | 07 | H33Z, H38Z | | | | |
| 11 | | L33Z | 11 | L33Z | | 11 | L33Z | | | | |
| 17 | | R01A, R01B, R01C, R01D, R02Z, R12A, R12B, R12C | 17 | R01A, R01B, R01C, R01D, R02Z, R12A, R12B, R12C | | 17 | R01A, R01B, R01C, R01D, R02Z, R12A, R12B, R12C | | | | |
| 21A | | W04A, W04B | 21A | W04A, W04B | | 21A | W04A, W04B | | | | |
| 21B | | X06A, X06B, X06C, X33Z | 21B | X06A, X06B, X06C, X33Z | | 21B | X06A, X06B, X06C, X33Z | | | | |
| 22 | | Y01Z, Y03A, Y03B | 22 | Y01Z, Y03A, Y03B | | 22 | Y01Z, Y03A, Y03B | | | | |
| 23 | | Z01A | 23 | Z01A | | 23 | Z01A | | | | |
| Pre | | A07A, A09A, A13B | Pre | A07A | | Pre | A07A, A09A, A13B | | | | |
| 5n05b.21 | | | BOP, KJZSV, KOP, KOPV, KVT, MVV, UOP4 | 5n05b.3 | | | BOP, KJZSV, KOP, KOPV, KVT, MVV, UOP4 | 5n05c.11 | | | BOP, KJZSV, KOP, KOPV, KVT, MVV, UOP4 |
| | | 03 | D12A, D12J, D12Q | | | 03 | D12A, D12J, D12Q | | | 03 | D12A, D12J, D12Q |
| | | 05 | F36A, F36B | | | 05 | F36A, F36B | | | 05 | F36A, F36B |
| | 06 | G03A, G03B, G33Z, G38Z | 06 | | G03A, G03B, G33Z, G38Z | 06 | G03A, G03B, G33Z, G38Z | | | | |
| | 07 | H33Z, H38Z | 07 | | H33Z, H38Z | 07 | H33Z, H38Z | | | | |
| | 11 | L33Z | 11 | | L33Z | 11 | L33Z | | | | |
| | 17 | R01A, R01B, R01C, R01D, R02Z, R12A, R12B, R12C | 17 | | R01A, R01B, R01C, R01D, R02Z, R12A, R12B, R12C | 17 | R01A, R01B, R01C, R01D, R02Z, R12A, R12B, R12C | | | | |
| | 21A | W04A, W04B | 21A | | W04A, W04B | 21A | W04A, W04B | | | | |
| | 21B | X06A, X06B, X06C, X33Z | 21B | | X06A, X06B, X06C, X33Z | 21B | X06A, X06B, X06C, X33Z | | | | |
| | 22 | Y01Z, Y03A, Y03B | 22 | | Y01Z, Y03A, Y03B | 22 | Y01Z, Y03A, Y03B | | | | |
| | 23 | Z01A | 23 | | Z01A | 23 | Z01A | | | | |
| | Pre | A07A, A09A, A13B | Pre | | A07A, A09A, A13B | Pre | A07A, A09A, A13B | | | | |
| | 5n05b.22 | | BOP, KJZSV, KOP, KOPV, KVT, MVV, UOP4 | | 5n05b.4 | | BOP, KJZSV, KOP, KOPV, KVT, MVV, UOP4 | | 5n05c.12 | | BOP, KJZSV, KOP, KOPV, KVT, MVV, UOP4 |
| | | 03 | D12A, D12J, D12Q | | | 03 | D12A, D12J, D12Q | | | 03 | D12A, D12J, D12Q |
| | | 05 | F36A, F36B | | | 05 | F36A, F36B | | | 05 | F36A, F36B |
| 06 | | G15Z, G19A, G19B, G33Z, G38Z | 06 | G03A, G03B, G33Z, G38Z | | 06 | G15Z, G19A, G19B, G33Z, G38Z | | | | |
| 07 | | H33Z, H38Z | 07 | H33Z, H38Z | | 07 | H33Z, H38Z | | | | |
| 11 | | L33Z | 11 | L33Z | | 11 | L33Z | | | | |
| 17 | | R01A, R01B, R01C, R01D, R02Z, R12A, R12B, R12C | 17 | R01A, R01B, R01C, R01D, R02Z, R12A, R12B, R12C | | 17 | R01A, R01B, R01C, R01D, R02Z, R12A, R12B, R12C | | | | |
| 21A | | W04A, W04B | 21A | W04A, W04B | | 21A | W04A, W04B | | | | |
| 21B | | X06A, X06B, X06C, X33Z | 21B | X06A, X06B, X06C, X33Z | | 21B | X06A, X06B, X06C, X33Z | | | | |
| 22 | | Y01Z, Y03A, Y03B | 22 | Y01Z, Y03A, Y03B | | 22 | Y01Z, Y03A, Y03B | | | | |
| 23 | | Z01A | 23 | Z01A | | 23 | Z01A | | | | |
| Pre | | A07A | Pre | A07A, A09A, A13B | | Pre | A07A | | | | |

VYK

| ZZV | MDC | DRG | ZZV | MDC | DRG | ZZV | MDC | DRG | | | |
|----------|----------|--|---------------------------------------|--|--|---------|--|--|---------|----|---------------------------------------|
| 5n05c.15 | | BOP, KJZSV, KOP, KOPV, KVT, MVV, UOP4 | 5n05c.22 | | BOP, KJZSV, KOP, KOPV, KVT, MVV, UOP4 | 5n05c.4 | | BOP, KJZSV, KOP, KOPV, KVT, MVV, UOP4 | | | |
| | 03 | D12A, D12J, D12Q | | 03 | D12A, D12J, D12Q | | 03 | D12A, D12J, D12Q | | | |
| | 05 | F36A, F36B | | 05 | F36A, F36B | | 05 | F36A, F36B | | | |
| | 06 | G03A, G03B, G33Z, G38Z | | 06 | G15Z, G19A, G19B, G33Z, G38Z | | 06 | G03A, G03B, G33Z, G38Z | | | |
| | 07 | H33Z, H38Z | | 07 | H33Z, H38Z | | 07 | H33Z, H38Z | | | |
| | 11 | L33Z | | 11 | L33Z | | 11 | L33Z | | | |
| | 17 | R01A, R01B, R01C, R01D, R02Z, R12A, R12B, R12C | | 17 | R01A, R01B, R01C, R01D, R02Z, R12A, R12B, R12C | | 17 | R01A, R01B, R01C, R01D, R02Z, R12A, R12B, R12C | | | |
| | 21A | W04A, W04B | | 21A | W04A, W04B | | 21A | W04A, W04B | | | |
| | 21B | X06A, X06B, X06C, X33Z | | 21A | W04A, W04B | | 21B | X06A, X06B, X06C, X33Z | | | |
| | 22 | Y01Z, Y03A, Y03B | | 21B | X06A, X06B, X06C, X33Z | | 22 | Y01Z, Y03A, Y03B | | | |
| | 23 | Z01A | | 22 | Y01Z, Y03A, Y03B | | 23 | Z01A | | | |
| | Pre | A07A, A09A, A13B | | 23 | Z01A | | Pre | A07A, A09A, A13B | | | |
| | 5n05c.18 | | | BOP, KJZSV, KOP, KOPV, KVT, MVV, UOP4 | 5n05c.25 | | | BOP, KJZSV, KOP, KOPV, KVT, MVV, UOP4 | 5n05c.x | | BOP, KJZSV, KOP, KOPV, KVT, MVV, UOP4 |
| | | 03 | | D12A, D12J, D12Q | | | 03 | D12A, D12J, D12Q | | 03 | D12A, D12J, D12Q |
| 05 | | F36A, F36B | 05 | F36A, F36B | | 05 | F36A, F36B | | | | |
| 06 | | G15Z, G19A, G19B, G33Z, G38Z | 06 | G03A, G03B, G33Z, G38Z | | 06 | G03A, G03B, G33Z, G38Z | | | | |
| 07 | | H33Z, H38Z | 07 | H33Z, H38Z | | 07 | H33Z, H38Z | | | | |
| 11 | | L33Z | 11 | L33Z | | 11 | L33Z | | | | |
| 17 | | R01A, R01B, R01C, R01D, R02Z, R12A, R12B, R12C | 17 | R01A, R01B, R01C, R01D, R02Z, R12A, R12B, R12C | | 17 | R01A, R01B, R01C, R01D, R02Z, R12A, R12B, R12C | | | | |
| 21A | | W04A, W04B | 21A | W04A, W04B | | 21A | W04A, W04B | | | | |
| 21B | | X06A, X06B, X06C, X33Z | 21B | X06A, X06B, X06C, X33Z | | 21B | X06A, X06B, X06C, X33Z | | | | |
| 22 | | Y01Z, Y03A, Y03B | 22 | Y01Z, Y03A, Y03B | | 22 | Y01Z, Y03A, Y03B | | | | |
| 23 | | Z01A | 23 | Z01A | | 23 | Z01A | | | | |
| Pre | | A07A | Pre | A07A, A09A, A13B | | Pre | A07A, A09A, A13B | | | | |
| 5n05c.20 | | | BOP, KJZSV, KOP, KOPV, KVT, MVV, UOP4 | 5n05c.28 | | | BOP, KJZSV, KOP, KOPV, KVT, MVV, UOP4 | 5n05x.3 | | | BOP, KJZSV, KOP, KOPV, KVT, MVV, UOP4 |
| | | 03 | D12A, D12J, D12Q | | | 03 | D12A, D12J, D12Q | | | 03 | D12A, D12J, D12Q |
| | 05 | F36A, F36B | 05 | | F36A, F36B | 05 | F36A, F36B | | | | |
| | 06 | G03A, G03B, G33Z, G38Z | 06 | | G15Z, G19A, G19B, G33Z, G38Z | 06 | G03A, G03B, G33Z, G38Z | | | | |
| | 07 | H33Z, H38Z | 07 | | H33Z, H38Z | 07 | H33Z, H38Z | | | | |
| | 11 | L33Z | 11 | | L33Z | 11 | L33Z | | | | |
| | 17 | R01A, R01B, R01C, R01D, R02Z, R12A, R12B, R12C | 17 | | R01A, R01B, R01C, R01D, R02Z, R12A, R12B, R12C | 17 | R01A, R01B, R01C, R01D, R02Z, R12A, R12B, R12C | | | | |
| | 21A | W04A, W04B | 21A | | W04A, W04B | 21A | W04A, W04B | | | | |
| | 21B | X06A, X06B, X06C, X33Z | 21A | | W04A, W04B | 21B | X06A, X06B, X06C, X33Z | | | | |
| | 22 | Y01Z, Y03A, Y03B | 21B | | X06A, X06B, X06C, X33Z | 22 | Y01Z, Y03A, Y03B | | | | |
| | 23 | Z01A | 22 | | Y01Z, Y03A, Y03B | 23 | Z01A | | | | |
| | Pre | A07A, A09A, A13B | 23 | | Z01A | Pre | A07A | | | | |
| | 5n05c.21 | | BOP, KJZSV, KOP, KOPV, KVT, MVV, UOP4 | | 5n05c.3 | | BOP, KJZSV, KOP, KOPV, KVT, MVV, UOP4 | | 5n05x.4 | | BOP, KJZSV, KOP, KOPV, KVT, MVV, UOP4 |
| | | 03 | D12A, D12J, D12Q | | | 03 | D12A, D12J, D12Q | | | 03 | D12A, D12J, D12Q |
| 05 | | F36A, F36B | 05 | F36A, F36B | | 05 | F36A, F36B | | | | |
| 06 | | G03A, G03B, G33Z, G38Z | 06 | G03A, G03B, G33Z, G38Z | | 06 | G03A, G03B, G33Z, G38Z | | | | |
| 07 | | H33Z, H38Z | 07 | H33Z, H38Z | | 07 | H33Z, H38Z | | | | |
| 11 | | L33Z | 07 | H33Z, H38Z | | 11 | L33Z | | | | |
| 17 | | R01A, R01B, R01C, R01D, R02Z, R12A, R12B, R12C | 11 | L33Z | | 17 | R01A, R01B, R01C, R01D, R02Z, R12A, R12B, R12C | | | | |
| 21A | | W04A, W04B | 17 | R01A, R01B, R01C, R01D, R02Z, R12A, R12B, R12C | | 21A | W04A, W04B | | | | |
| 21B | | X06A, X06B, X06C, X33Z | 21A | W04A, W04B | | 21B | X06A, X06B, X06C, X33Z | | | | |
| 22 | | Y01Z, Y03A, Y03B | 21B | X06A, X06B, X06C, X33Z | | 22 | Y01Z, Y03A, Y03B | | | | |
| 23 | | Z01A | 22 | Y01Z, Y03A, Y03B | | 23 | Z01A | | | | |
| Pre | | A07A, A09A, A13B | 23 | Z01A | | Pre | A07A | | | | |

VYK

| ZZV | MDC | DRG | ZZV | MDC | DRG | ZZV | MDC | DRG | | | |
|---------|---------|--|---------------------------------------|--|--|--------|---------------------------------------|--|--|-----------------------|--|
| 5n05x.5 | | BOP, KJZSV, KOP, KOPV, KVT, MVV, UOP4 | 5n060.3 | | BOP, KJZSV, KOP, KOPV, KVT, MVV, UOP4 | 5n095† | 06 | G40Z, G46A, G46B, G46C, G47Z, G50Z, G53J | | | |
| | 03 | D12A, D12J, D12Q | | 03 | D12A, D12J, D12Q | 5n097† | 06 | G40Z, G46A, G46B, G46C, G47Z, G50Z, G53J | | | |
| | 05 | F36A, F36B | | 05 | F36A, F36B | 5n098† | 06 | G40Z, G46A, G46B, G46C, G47Z, G50Z, G53J | | | |
| | 06 | G03A, G03B, G33Z, G38Z | | 06 | G03A, G03B, G33Z, G38Z | 5n09a† | 06 | G40Z, G46A, G46B, G46C, G47Z, G50Z, G53J | | | |
| | 07 | H33Z, H38Z | | 07 | H33Z, H38Z | | 07 | H40Z | | | |
| | 11 | L33Z | | 11 | L33Z | Pre | A13D | | | | |
| | 17 | R01A, R01B, R01C, R01D, R02Z, R12A, R12B, R12C | | 17 | R01A, R01B, R01C, R01D, R02Z, R12A, R12B, R12C | 5n09c† | 06 | G40Z, G46A, G46B, G46C, G47Z, G50Z, G53J | | | |
| | 21A | W04A, W04B | | 21A | W04A, W04B | 5n09d† | 06 | G40Z, G46A, G46B, G46C, G47Z, G50Z, G53J | | | |
| | 21B | X06A, X06B, X06C, X33Z | | 21B | X06A, X06B, X06C, X33Z | | Pre | A13D | | | |
| | 22 | Y01Z, Y03A, Y03B | | 22 | Y01Z, Y03A, Y03B | 5n09e† | 06 | G40Z, G46A, G46B, G46C, G47Z, G50Z, G53J | | | |
| | 23 | Z01A | | 23 | Z01A | | 07 | H40Z | | | |
| | Pre | A07A | | Pre | A07A | Pre | A13D | | | | |
| | 5n05x.x | | | BOP, KJZSV, KOP, KOPV, KVT, MVV, UOP4 | 5n060.x | | BOP, KJZSV, KOP, KOPV, KVT, MVV, UOP4 | 5n09h | | BOP, KJZSV, KVT, UOP4 | |
| | | 03 | | D12A, D12J, D12Q | | 03 | D12A, D12J, D12Q | | | 03 | D12A, D12B, D12J, D12Q |
| 05 | | F36A, F36B | 05 | F36A, F36B | | | 06 | | G10Z, G12A, G12B, G12J | | |
| 06 | | G03A, G03B, G33Z, G38Z | 06 | G03A, G03B, G33Z, G38Z | | | 10 | | K09A, K09B | | |
| 07 | | H33Z, H38Z | 07 | H33Z, H38Z | | | | | BOP, KJZSV, KOP, KOPV, KVT, UOP4 | | |
| 11 | | L33Z | 11 | L33Z | | | 03 | | D12A, D12B, D12J, D12Q | | |
| 17 | | R01A, R01B, R01C, R01D, R02Z, R12A, R12B, R12C | 17 | R01A, R01B, R01C, R01D, R02Z, R12A, R12B, R12C | | | 06 | | G15Z, G19A, G19B, G38Z | | |
| 21A | | W04A, W04B | 21A | W04A, W04B | | | 07 | | H06A, H06B, H06C, H33Z, H38Z | | |
| 21B | | X06A, X06B, X06C, X33Z | 21B | X06A, X06B, X06C, X33Z | | | 10 | | K04A | | |
| 22 | | Y01Z, Y03A, Y03B | 22 | Y01Z, Y03A, Y03B | | | 11 | | L33Z | | |
| 23 | | Z01A | 23 | Z01A | | | 17 | | R01A, R01B, R01C, R01D, R02Z, R12A, R12B, R12C | | |
| Pre | | A07A | Pre | A07A | | | 21A | | W04A, W04B | | |
| 5n060.1 | | | BOP, KJZSV, KOP, KOPV, KVT, MVV, UOP4 | 5n091† | | | KJZSV | | 5n09j.00 | | BOP, KJZSV, KOP, KOPV, KVT, UOP4 |
| | | 03 | D12A, D12J, D12Q | | | 06 | G40Z, G46A, G46B, G46C, G47Z, G50Z | | | | 03 |
| | 05 | F36A, F36B | 07 | | H40Z | | 06 | G15Z, G19A, G19B, G38Z | | | |
| | 06 | G03A, G03B, G33Z, G38Z | 5n092 | | BOP, KJZSV, KOP, KOPV, KVT, UOP4 | | 07 | H06A, H06B, H06C, H33Z, H38Z | | | |
| | 07 | H33Z, H38Z | | | | | 11 | L33Z | | | |
| | 11 | L33Z | | | | | 17 | R01A, R01B, R01C, R01D, R02Z, R12A, R12B, R12C | | | |
| | 17 | R01A, R01B, R01C, R01D, R02Z, R12A, R12B, R12C | | | | | 21A | W04A, W04B | | | |
| | 21A | W04A, W04B | | | | | 21B | X06A, X06B, X06C | | | |
| | 21B | X06A, X06B, X06C, X33Z | | | | | 22 | Y01Z, Y03A, Y03B | | | |
| | 22 | Y01Z, Y03A, Y03B | | | | | 23 | Z01A | | | |
| | 23 | Z01A | | | | | Pre | A07A | | | |
| | Pre | A07A | 5n094.0 | | BOP, KJZSV, KOP, KOPV, KVT, UOP4 | | 03 | D12A, D12B, D12J, D12Q | | | |
| | 5n060.2 | | BOP, KJZSV, KOP, KOPV, KVT, MVV, UOP4 | | 5n094.6 | | BOP, KJZSV, KOP, KOPV, KVT, UOP4 | 5n09j.01 | | | BOP, KJZSV, KOP, KOPV, KVT, UOP4 |
| | | 03 | D12A, D12J, D12Q | | | 03 | D12A, D12B, D12J, D12Q | | | | 03 |
| 05 | | F36A, F36B | 04 | E05A, E05B, E05C, E08A, E08B, E08C | | | 06 | | G15Z, G19A, G19B, G38Z | | |
| 06 | | G03A, G03B, G33Z, G38Z | 06 | G15Z, G19A, G19B, G38Z | | | 07 | | H06A, H06B, H06C, H33Z, H38Z | | |
| 07 | | H33Z, H38Z | 07 | H33Z, H38Z | | | 10 | | K04A | | |
| 11 | | L33Z | 11 | L33Z | | | 11 | | L33Z | | |
| 17 | | R01A, R01B, R01C, R01D, R02Z, R12A, R12B, R12C | 17 | R01A, R01B, R01C, R01D, R02Z, R12A, R12B, R12C | | | 17 | | R01A, R01B, R01C, R01D, R02Z, R12A, R12B, R12C | | |
| 21A | | W04A, W04B | 21A | W04A, W04B | | | 21A | | W04A, W04B | | |
| 21B | | X06A, X06B, X06C, X33Z | 21B | X06A, X06B, X06C | | | 21B | | X06A, X06B, X06C | | |
| 22 | | Y01Z, Y03A, Y03B | 22 | Y01Z, Y03A, Y03B | | | 22 | | Y01Z, Y03A, Y03B | | |
| 23 | | Z01A | 23 | Z01A | | | 23 | | Z01A | | |
| Pre | | A07A | Pre | A07A | | | Pre | | A07A | | |
| 5n060.5 | | | BOP, KJZSV, KOP, KOPV, KVT, MVV, UOP4 | 5n094.6 | | | BOP, KJZSV, KOP, KOPV, KVT, UOP4 | | 5n09j.03 | | BOP, KJZSV, KOP, KOPV, KVT, UOP4 |
| | | 03 | D12A, D12J, D12Q | | | 03 | D12A, D12B, D12J, D12Q | | | | 03 |
| | 05 | F36A, F36B | 04 | | E05A, E05B, E05C, E08A, E08B, E08C | | 06 | G15Z, G19A, G19B, G38Z | | | |
| | 06 | G03A, G03B, G33Z, G38Z | 06 | | G15Z, G19A, G19B, G38Z | | 07 | H06A, H06B, H06C, H33Z, H38Z | | | |
| | 07 | H33Z, H38Z | 07 | | H33Z, H38Z | | 10 | K04A | | | |
| | 11 | L33Z | 11 | | L33Z | | 11 | L33Z | | | |
| | 17 | R01A, R01B, R01C, R01D, R02Z, R12A, R12B, R12C | 17 | | R01A, R01B, R01C, R01D, R02Z, R12A, R12B, R12C | | 17 | R01A, R01B, R01C, R01D, R02Z, R12A, R12B, R12C | | | |
| | 21A | W04A, W04B | 21A | | W04A, W04B | | 21A | W04A, W04B | | | |
| | 21B | X06A, X06B, X06C, X33Z | 21B | | X06A, X06B, X06C | | 21B | X06A, X06B, X06C | | | |
| | 22 | Y01Z, Y03A, Y03B | 22 | | Y01Z, Y03A, Y03B | | 22 | Y01Z, Y03A, Y03B | | | |
| | 23 | Z01A | 23 | | Z01A | | 23 | Z01A | | | |
| | Pre | A07A | Pre | | A07A | | Pre | A07A | | | |
| | 5n060.6 | | BOP, KJZSV, KOP, KOPV, KVT, MVV, UOP4 | | 5n094.6 | | BOP, KJZSV, KOP, KOPV, KVT, UOP4 | 5n09j.60† | | | G40Z, G46A, G46B, G46C, G47Z, G50Z, G53J |
| | | 03 | D12A, D12J, D12Q | | | 03 | D12A, D12B, D12J, D12Q | | | | 06 |
| 05 | | F36A, F36B | 04 | E05A, E05B, E05C, E08A, E08B, E08C | | | | | | | |
| 06 | | G03A, G03B, G33Z, G38Z | 06 | G15Z, G19A, G19B, G38Z | | | | | | | |
| 07 | | H33Z, H38Z | 07 | H33Z, H38Z | | | | | | | |
| 11 | | L33Z | 11 | L33Z | | | | | | | |
| 17 | | R01A, R01B, R01C, R01D, R02Z, R12A, R12B, R12C | 17 | R01A, R01B, R01C, R01D, R02Z, R12A, R12B, R12C | | | | | | | |
| 21A | | W04A, W04B | 21A | W04A, W04B | | | | | | | |
| 21B | | X06A, X06B, X06C, X33Z | 21B | X06A, X06B, X06C | | | | | | | |
| 22 | | Y01Z, Y03A, Y03B | 22 | Y01Z, Y03A, Y03B | | | | | | | |
| 23 | | Z01A | 23 | Z01A | | | | | | | |
| Pre | | A07A | Pre | A07A | | | | | | | |

VYK

| ZZV | MDC | DRG | ZZV | MDC | DRG | ZZV | MDC | DRG |
|-----------|-----|--|----------|-----|--|----------|-----|--|
| 5n09j.61‡ | 06 | G40Z, G46A, G46B, G46C, G47Z, G50Z, G53J | 5n09l.6‡ | 06 | G40Z, G46A, G46B, G46C, G47Z, G50Z, G53J | 5n10b.1 | | BOP, KJZSV, KOP, KOPV, KVT, UOP4 |
| 5n09j.63‡ | 06 | G40Z, G46A, G46B, G46C, G47Z, G50Z, G53J | 5n09n.0‡ | | KJZSV | 01 | | B03Z, B07Z, B17A, B17B, B17C, B17J |
| 5n09k.02 | | BOP, KJZSV, KOP, KOPV, KVT, UOP4 | 5n09n.1‡ | 06 | G40Z, G46A, G46B, G46C | 06 | | G15Z, G19A, G19B, G38Z |
| | 03 | D12A, D12B, D12J, D12Q | 5n09n.2‡ | 06 | G40Z, G46A, G46B, G46C | 07 | | H33Z, H38Z |
| | 06 | G15Z, G19A, G19B, G38Z | 5n09n.3‡ | 06 | G40Z, G46A, G46B, G46C | 23 | | Z01A |
| | 07 | H06A, H06B, H06C, H33Z, H38Z | 5n09n.x‡ | 06 | G40Z, G46A, G46B, G46C | Pre | | A07A |
| | 10 | K04A | | 06 | G40Z, G46A, G46B, G46C | 5n10c.0 | | BOP, KJZSV, KOP, KOPV, KVT, UOP4 |
| | 11 | L33Z | | 06 | G40Z, G46A, G46B, G46C | 06 | | G15Z, G19A, G19B, G38Z |
| | 17 | R01A, R01B, R01C, R01D, R02Z, R12A, R12B, R12C | 5n100 | 06 | G40Z, G46A, G46B, G46C | 07 | | H33Z, H38Z |
| | 21A | W04A, W04B | | 06 | BOP, KJZSV, KOP, KOPV, KVT, UOP4 | 23 | | Z01A |
| | 21B | X06A, X06B, X06C | | 06 | G15Z, G19A, G19B, G38Z | Pre | | A07A |
| | 22 | Y01Z, Y03A, Y03B | | 07 | H06A, H06B, H06C, H33Z, H38Z | 5n10c.1 | | BOP, KJZSV, KOP, KOPV, KVT, UOP4 |
| | 23 | Z01A | | 10 | K04A | 06 | | G15Z, G19A, G19B, G38Z |
| | Pre | A07A | | 11 | L33Z | 07 | | H33Z, H38Z |
| 5n09k.04 | | BOP, KJZSV, KOP, KOPV, KVT, UOP4 | | 17 | R01A, R01B, R01C, R01D, R02Z, R12A, R12B, R12C | 23 | | Z01A |
| | 03 | D12A, D12B, D12J, D12Q | | 21A | W04A, W04B | Pre | | A07A |
| | 06 | G15Z, G19A, G19B, G38Z | | 21B | X06A, X06B, X06C | 5n10d | | BOP, KJZSV, KOP, KOPV, KVT, UOP4 |
| | 07 | H06A, H06B, H06C, H33Z, H38Z | | 22 | Y01Z, Y03A, Y03B | 01 | | B03Z, B07Z, B17A, B17B, B17C, B17J |
| | 10 | K04A | | Pre | A07A | 06 | | G15Z, G19A, G19B, G38Z |
| | 11 | L33Z | 5n101 | | BOP, KJZSV, KOP, KOPV, KVT, UOP4 | 07 | | H33Z, H38Z |
| | 17 | R01A, R01B, R01C, R01D, R02Z, R12A, R12B, R12C | | 06 | G15Z, G19A, G19B, G38Z | 23 | | Z01A |
| | 21A | W04A, W04B | | 07 | H06A, H06B, H06C, H33Z, H38Z | Pre | | A07A |
| | 21B | X06A, X06B, X06C | | 10 | K04A | 5n10e | | BOP, KJZSV, KOP, KOPV, KVT, UOP4 |
| | 22 | Y01Z, Y03A, Y03B | | 11 | L33Z | 01 | | B03Z, B07Z, B17A, B17B, B17C, B17J |
| | 23 | Z01A | | 17 | R01A, R01B, R01C, R01D, R02Z, R12A, R12B, R12C | 06 | | G15Z, G19A, G19B, G38Z |
| | Pre | A07A | | 21A | W04A, W04B | 07 | | H33Z, H38Z |
| 5n09k.05 | | BOP, KJZSV, KOP, KOPV, KVT, UOP4 | | 21B | X06A, X06B, X06C | 23 | | Z01A |
| | 03 | D12A, D12B, D12J, D12Q | | 22 | Y01Z, Y03A, Y03B | Pre | | A07A |
| | 06 | G15Z, G19A, G19B, G38Z | | Pre | A07A | 5n10x | | BOP, KJZSV, KOP, KOPV, KVT, UOP4 |
| | 07 | H06A, H06B, H06C, H33Z, H38Z | 5n103 | | BOP, KJZSV, KOP, KOPV, KVT, UOP4 | 06 | | G15Z, G19A, G19B, G38Z |
| | 10 | K04A | | 06 | G15Z, G19A, G19B, G38Z | 07 | | H33Z, H38Z |
| | 11 | L33Z | | 07 | H06A, H06B, H06C, H33Z, H38Z | 23 | | Z01A |
| | 17 | R01A, R01B, R01C, R01D, R02Z, R12A, R12B, R12C | | 10 | K04A | Pre | | A07A |
| | 21A | W04A, W04B | | 11 | L33Z | 5n110 | | BOP, KJZSV, KOP, KOPV, KVT, UOP4 |
| | 21B | X06A, X06B, X06C | | 17 | R01A, R01B, R01C, R01D, R02Z, R12A, R12B, R12C | 06 | | G15Z, G19A, G19B, G38Z |
| | 22 | Y01Z, Y03A, Y03B | | 21A | W04A, W04B | 07 | | H06A, H06B, H06C, H33Z, H38Z |
| | 23 | Z01A | | 21B | X06A, X06B, X06C | 10 | | K04A |
| | Pre | A07A | | 22 | Y01Z, Y03A, Y03B | 11 | | L33Z |
| 5n09k.62‡ | 06 | G40Z, G46A, G46B, G46C, G47Z, G50Z, G53J | | Pre | A07A | 16 | | Q03A, Q03B |
| 5n09k.64‡ | 06 | G40Z, G46A, G46B, G46C, G47Z, G50Z, G53J | 5n106‡ | | KJZSV | 23 | | Z01A |
| 5n09k.65‡ | 06 | G40Z, G46A, G46B, G46C, G47Z, G50Z, G53J | | 06 | G40Z, G46A, G46B, G46C, G47Z, G50Z | Pre | | A07A |
| 5n09l.0 | | BOP, KJZSV, KOP, KOPV, KVT, UOP4 | 5n10a | | BOP, KJZSV, KOP, KOPV, KVT, UOP4 | 5n111 | | BOP, KJZSV, KOP, KOPV, KVT, UOP4 |
| | 03 | D12A, D12B, D12J, D12Q | | 01 | B03Z, B07Z, B17A, B17B, B17C, B17J | 06 | | G15Z, G19A, G19B, G38Z |
| | 06 | G15Z, G19A, G19B, G38Z | | 06 | G15Z, G19A, G19B, G38Z | 07 | | H06A, H06B, H06C, H33Z, H38Z |
| | 07 | H06A, H06B, H06C, H33Z, H38Z | | 07 | H33Z, H38Z | 10 | | K04A |
| | 10 | K04A | | 23 | Z01A | 11 | | L33Z |
| | 11 | L33Z | | Pre | A07A | 16 | | Q03A, Q03B |
| | 17 | R01A, R01B, R01C, R01D, R02Z, R12A, R12B, R12C | 5n10b.0 | | BOP, KJZSV, KOP, KOPV, KVT, UOP4 | 23 | | Z01A |
| | 21A | W04A, W04B | | 01 | B03Z, B07Z, B17A, B17B, B17C, B17J | Pre | | A07A |
| | 21B | X06A, X06B, X06C | | 06 | G15Z, G19A, G19B, G38Z | 5n112.0‡ | | G40Z, G46A, G46B, G46C, G47Z, G50Z, G53J |
| | 22 | Y01Z, Y03A, Y03B | | 07 | H33Z, H38Z | 5n112.1‡ | | G40Z, G46A, G46B, G46C, G47Z, G50Z, G53J |
| | 23 | Z01A | | 23 | Z01A | 5n112.2‡ | | G40Z, G46A, G46B, G46C, G47Z, G50Z, G53J |
| | Pre | A07A | | Pre | A07A | 5n112.3‡ | | G40Z, G46A, G46B, G46C, G47Z, G50Z, G53J |

| ZZV | MDC | DRG | ZZV | MDC | DRG | ZZV | MDC | DRG |
|----------|-----|--|----------|-----|--|----------|-----|--|
| 5n112.4‡ | | KJZSV | 5n114.0 | | BOP, KJZSV, KOP, KOPV, KVT, UOP4 | 5n115.3 | 06 | G13Z, G21A, G21B, G21J |
| | 06 | G40Z, G46A, G46B, G46C, G47Z, G50Z | | 06 | G15Z, G19A, G19B, G38Z | | 16 | Q03A, Q03B |
| 5n112.5‡ | | KJZSV | | 07 | H06A, H06B, H06C, H33Z, H38Z | | 17 | R01A, R01B, R01C, R01D, R02Z, R12A, R12B, R12C |
| | 06 | G40Z, G46A, G46B, G46C, G47Z, G50Z | | 10 | K04A | 5n115.4‡ | 06 | G40Z, G46A, G46B, G46C, G47Z, G50Z, G53J |
| 5n112.x‡ | 06 | G40Z, G46A, G46B, G46C, G47Z, G50Z, G53J | | 11 | L33Z | | 06 | G13Z, G21A, G21B, G21J |
| 5n113.0 | | BOP, KJZSV, KOP, KOPV, KVT, UOP4 | | 16 | Q03A, Q03B | | 16 | Q03A, Q03B |
| | 06 | G15Z, G19A, G19B, G38Z | 5n114.1 | | BOP, KJZSV, KOP, KOPV, KVT, UOP4 | | 17 | R01A, R01B, R01C, R01D, R02Z, R12A, R12B, R12C |
| | 07 | H06A, H06B, H06C, H33Z, H38Z | | 06 | G15Z, G19A, G19B, G38Z | 5n115.6 | 06 | G13Z, G21A, G21B, G21J |
| | 10 | K04A | | 07 | H06A, H06B, H06C, H33Z, H38Z | | 16 | Q03A, Q03B |
| | 11 | L33Z | | 10 | K04A | | 17 | R01A, R01B, R01C, R01D, R02Z, R12A, R12B, R12C |
| | 16 | Q03A, Q03B | | 11 | L33Z | 5n115.x‡ | 06 | G40Z, G46A, G46B, G46C, G47Z, G50Z, G53J |
| | 23 | Z01A | | 16 | Q03A, Q03B | | | BOP, KJZSV, KOP, KOPV, KVT, UOP4 |
| | Pre | A07A | | 23 | Z01A | 5n120 | | F36A, F36B |
| 5n113.1 | | BOP, KJZSV, KOP, KOPV, KVT, UOP4 | | Pre | A07A | | 05 | F36A, F36B |
| | 06 | G15Z, G19A, G19B, G38Z | 5n114.2 | | BOP, KJZSV, KOP, KOPV, KVT, UOP4 | | 06 | G15Z, G19A, G19B, G33Z, G38Z |
| | 07 | H06A, H06B, H06C, H33Z, H38Z | | 06 | G15Z, G19A, G19B, G38Z | | 07 | H33Z, H38Z |
| | 10 | K04A | | 07 | H06A, H06B, H06C, H33Z, H38Z | | 09 | J26Z |
| | 11 | L33Z | | 10 | K04A | | 11 | L33Z |
| | 16 | Q03A, Q03B | | 11 | L33Z | | 17 | R01A, R01B, R01C, R01D, R02Z, R12A, R12B, R12C |
| | 23 | Z01A | | 16 | Q03A, Q03B | | 21A | W04A, W04B |
| | Pre | A07A | | 23 | Z01A | | 21B | X06A, X06B, X06C, X33Z |
| 5n113.2 | | BOP, KJZSV, KOP, KOPV, KVT, UOP4 | | Pre | A07A | | 22 | Y01Z, Y03A, Y03B |
| | 06 | G15Z, G19A, G19B, G38Z | 5n114.3 | | BOP, KJZSV, KOP, KOPV, KVT, UOP4 | | 23 | Z01A |
| | 07 | H06A, H06B, H06C, H33Z, H38Z | | 06 | G15Z, G19A, G19B, G38Z | 5n121 | Pre | A07A |
| | 10 | K04A | | 07 | H06A, H06B, H06C, H33Z, H38Z | | | BOP, KJZSV, KOP, KOPV, KVT, UOP4 |
| | 11 | L33Z | | 10 | K04A | | 05 | F36A, F36B |
| | 16 | Q03A, Q03B | | 11 | L33Z | | 06 | G15Z, G19A, G19B, G33Z, G38Z |
| | 23 | Z01A | | 16 | Q03A, Q03B | | 07 | H33Z, H38Z |
| | Pre | A07A | | 23 | Z01A | | 09 | J26Z |
| 5n113.3 | | BOP, KJZSV, KOP, KOPV, KVT, UOP4 | | Pre | A07A | | 11 | L33Z |
| | 06 | G15Z, G19A, G19B, G38Z | 5n114.4 | | BOP, KJZSV, KOP, KOPV, KVT, UOP4 | | 17 | R01A, R01B, R01C, R01D, R02Z, R12A, R12B, R12C |
| | 07 | H06A, H06B, H06C, H33Z, H38Z | | 06 | G15Z, G19A, G19B, G38Z | | 21A | W04A, W04B |
| | 10 | K04A | | 07 | H06A, H06B, H06C, H33Z, H38Z | | 21B | X06A, X06B, X06C, X33Z |
| | 11 | L33Z | | 10 | K04A | | 22 | Y01Z, Y03A, Y03B |
| | 16 | Q03A, Q03B | | 11 | L33Z | | 23 | Z01A |
| | 23 | Z01A | | 16 | Q03A, Q03B | 5n122 | Pre | A07A |
| | Pre | A07A | | 23 | Z01A | | | BOP, KJZSV, KOP, KOPV, KVT, UOP4 |
| 5n113.4 | | BOP, KJZSV, KOP, KOPV, KVT, UOP4 | | Pre | A07A | | 05 | F36A, F36B |
| | 06 | G15Z, G19A, G19B, G38Z | 5n114.x | | BOP, KJZSV, KOP, KOPV, KVT, UOP4 | | 06 | G15Z, G19A, G19B, G33Z, G38Z |
| | 07 | H06A, H06B, H06C, H33Z, H38Z | | 06 | G15Z, G19A, G19B, G38Z | | 07 | H33Z, H38Z |
| | 10 | K04A | | 07 | H06A, H06B, H06C, H33Z, H38Z | | 09 | J26Z |
| | 11 | L33Z | | 10 | K04A | | 11 | L33Z |
| | 16 | Q03A, Q03B | | 11 | L33Z | | 17 | R01A, R01B, R01C, R01D, R02Z, R12A, R12B, R12C |
| | 23 | Z01A | | 16 | Q03A, Q03B | | 21A | W04A, W04B |
| | Pre | A07A | | 23 | Z01A | | 21B | X06A, X06B, X06C, X33Z |
| 5n113.x | | BOP, KJZSV, KOP, KOPV, KVT, UOP4 | | Pre | A07A | | 22 | Y01Z, Y03A, Y03B |
| | 06 | G15Z, G19A, G19B, G38Z | 5n115.0 | | G13Z, G21A, G21B, G21J | | 23 | Z01A |
| | 07 | H06A, H06B, H06C, H33Z, H38Z | | 16 | Q03A, Q03B | | Pre | A07A |
| | 10 | K04A | | 17 | R01A, R01B, R01C, R01D, R02Z, R12A, R12B, R12C | | | |
| | 11 | L33Z | 5n115.1‡ | 06 | G40Z, G46A, G46B, G46C, G47Z, G50Z, G53J | | | |
| | 16 | Q03A, Q03B | | | | | | |
| | 23 | Z01A | 5n115.2 | 06 | G13Z, G21A, G21B, G21J | | | |
| | Pre | A07A | | 16 | Q03A, Q03B | | | |
| | | | | 17 | R01A, R01B, R01C, R01D, R02Z, R12A, R12B, R12C | | | |

| ZZV | MDC | DRG | ZZV | MDC | DRG | ZZV | MDC | DRG |
|---------|---------|--|----------------------------------|--|--|---------|--|--|
| 5n123.0 | | BOP, KJZSV, KOP, KOPV, KVT, UOP4 | 5n124.2 | | BOP, KJZSV, KOP, KOPV, KVT, UOP4 | 5n125.4 | | BOP, KJZSV, KOP, KOPV, KVT, UOP4 |
| | 05 | F36A, F36B | | 05 | F36A, F36B | | 05 | F36A, F36B |
| | 06 | G15Z, G19A, G19B, G33Z, G38Z | | 06 | G15Z, G19A, G19B, G33Z, G38Z | | 06 | G15Z, G19A, G19B, G33Z, G38Z |
| | 07 | H33Z, H38Z | | 07 | H33Z, H38Z | | 07 | H33Z, H38Z |
| | 09 | J26Z | | 09 | J26Z | | 09 | J26Z |
| | 10 | K04A | | 10 | K04A | | 10 | K04A |
| | 11 | L33Z | | 11 | L33Z | | 11 | L33Z |
| | 17 | R01A, R01B, R01C, R01D, R02Z, R12A, R12B, R12C | | 17 | R01A, R01B, R01C, R01D, R02Z, R12A, R12B, R12C | | 17 | R01A, R01B, R01C, R01D, R02Z, R12A, R12B, R12C |
| | 21A | W04A, W04B | | 21A | W04A, W04B | | 21A | W04A, W04B |
| | 21B | X06A, X06B, X06C, X33Z | | 21B | X06A, X06B, X06C, X33Z | | 21B | X06A, X06B, X06C, X33Z |
| | 22 | Y01Z, Y03A, Y03B | | 22 | Y01Z, Y03A, Y03B | | 22 | Y01Z, Y03A, Y03B |
| | 23 | Z01A | | 23 | Z01A | | 23 | Z01A |
| | Pre | A07A | | Pre | A07A | | Pre | A07A |
| | 5n123.2 | | | BOP, KJZSV, KOP, KOPV, KVT, UOP4 | 5n124.4 | | | BOP, KJZSV, KOP, KOPV, KVT, UOP4 |
| 05 | | F36A, F36B | 05 | F36A, F36B | | 05 | F36A, F36B | |
| 06 | | G15Z, G19A, G19B, G33Z, G38Z | 06 | G15Z, G19A, G19B, G33Z, G38Z | | 06 | G15Z, G19A, G19B, G33Z, G38Z | |
| 07 | | H33Z, H38Z | 07 | H33Z, H38Z | | 07 | H33Z, H38Z | |
| 09 | | J26Z | 09 | J26Z | | 09 | J26Z | |
| 10 | | K04A | 10 | K04A | | 10 | K04A | |
| 11 | | L33Z | 11 | L33Z | | 11 | L33Z | |
| 17 | | R01A, R01B, R01C, R01D, R02Z, R12A, R12B, R12C | 17 | R01A, R01B, R01C, R01D, R02Z, R12A, R12B, R12C | | 17 | R01A, R01B, R01C, R01D, R02Z, R12A, R12B, R12C | |
| 21A | | W04A, W04B | 21A | W04A, W04B | | 21A | W04A, W04B | |
| 21B | | X06A, X06B, X06C, X33Z | 21B | X06A, X06B, X06C, X33Z | | 21B | X06A, X06B, X06C, X33Z | |
| 22 | | Y01Z, Y03A, Y03B | 22 | Y01Z, Y03A, Y03B | | 22 | Y01Z, Y03A, Y03B | |
| 23 | | Z01A | 23 | Z01A | | 23 | Z01A | |
| Pre | | A07A | Pre | A07A | | Pre | A07A | |
| 5n123.4 | | | BOP, KJZSV, KOP, KOPV, KVT, UOP4 | 5n125.0 | | | BOP, KJZSV, KOP, KOPV, KVT, UOP4 | 5n126.2 |
| | 05 | F36A, F36B | 05 | | F36A, F36B | 05 | F36A, F36B | |
| | 06 | G15Z, G19A, G19B, G33Z, G38Z | 06 | | G15Z, G19A, G19B, G33Z, G38Z | 06 | G15Z, G19A, G19B, G33Z, G38Z | |
| | 07 | H33Z, H38Z | 07 | | H33Z, H38Z | 07 | H33Z, H38Z | |
| | 09 | J26Z | 09 | | J26Z | 09 | J26Z | |
| | 10 | K04A | 10 | | K04A | 10 | K04A | |
| | 11 | L33Z | 11 | | L33Z | 11 | L33Z | |
| | 17 | R01A, R01B, R01C, R01D, R02Z, R12A, R12B, R12C | 17 | | R01A, R01B, R01C, R01D, R02Z, R12A, R12B, R12C | 17 | R01A, R01B, R01C, R01D, R02Z, R12A, R12B, R12C | |
| | 21A | W04A, W04B | 21A | | W04A, W04B | 21A | W04A, W04B | |
| | 21B | X06A, X06B, X06C, X33Z | 21B | | X06A, X06B, X06C, X33Z | 21B | X06A, X06B, X06C, X33Z | |
| | 22 | Y01Z, Y03A, Y03B | 22 | | Y01Z, Y03A, Y03B | 22 | Y01Z, Y03A, Y03B | |
| | 23 | Z01A | 23 | | Z01A | 23 | Z01A | |
| | Pre | A07A | Pre | | A07A | Pre | A07A | |
| | 5n124.0 | | BOP, KJZSV, KOP, KOPV, KVT, UOP4 | | 5n125.2 | | BOP, KJZSV, KOP, KOPV, KVT, UOP4 | |
| 05 | | F36A, F36B | 05 | F36A, F36B | | 05 | F36A, F36B | |
| 06 | | G15Z, G19A, G19B, G33Z, G38Z | 06 | G15Z, G19A, G19B, G33Z, G38Z | | 06 | G15Z, G19A, G19B, G33Z, G38Z | |
| 07 | | H33Z, H38Z | 07 | H33Z, H38Z | | 07 | H33Z, H38Z | |
| 09 | | J26Z | 09 | J26Z | | 09 | J26Z | |
| 10 | | K04A | 10 | K04A | | 10 | K04A | |
| 11 | | L33Z | 11 | L33Z | | 11 | L33Z | |
| 17 | | R01A, R01B, R01C, R01D, R02Z, R12A, R12B, R12C | 17 | R01A, R01B, R01C, R01D, R02Z, R12A, R12B, R12C | | 17 | R01A, R01B, R01C, R01D, R02Z, R12A, R12B, R12C | |
| 21A | | W04A, W04B | 21A | W04A, W04B | | 21A | W04A, W04B | |
| 21B | | X06A, X06B, X06C, X33Z | 21B | X06A, X06B, X06C, X33Z | | 21B | X06A, X06B, X06C, X33Z | |
| 22 | | Y01Z, Y03A, Y03B | 22 | Y01Z, Y03A, Y03B | | 22 | Y01Z, Y03A, Y03B | |
| 23 | | Z01A | 23 | Z01A | | 23 | Z01A | |
| Pre | | A07A | Pre | A07A | | Pre | A07A | |

VYK

| ZZV | MDC | DRG | ZZV | MDC | DRG | ZZV | MDC | DRG | | | |
|-------|--|--|--|--|--|------------------------------------|--|--|-------|----|----------------------------------|
| 5n129 | | BOP, KJZSV, KOP, KOPV, KVT, UOP4 | 5n12e | | BOP, KJZSV, KOP, KOPV, KVT, UOP4 | 5n130 | | BOP, KJZSV, KOP, KOPV, KVT, UOP4 | | | |
| | 05 | F36A, F36B | | 06 | G15Z, G19A, G19B, G38Z | | 05 | F36A, F36B | | | |
| | 06 | G15Z, G19A, G19B, G33Z, G38Z | | 07 | H33Z, H38Z | | 06 | G15Z, G19A, G19B, G33Z, G38Z | | | |
| | 07 | H33Z, H38Z | | 11 | L33Z | | 07 | H33Z, H38Z | | | |
| | 09 | J26Z | | 17 | R01A, R01B, R01C, R01D, R02Z, R12A, R12B, R12C | | 09 | J26Z | | | |
| | 11 | L33Z | | 21A | W04A, W04B | | 11 | L33Z | | | |
| | 17 | R01A, R01B, R01C, R01D, R02Z, R12A, R12B, R12C | | 21B | X06A, X06B, X06C, X33Z | | 17 | R01A, R01B, R01C, R01D, R02Z, R12A, R12B, R12C | | | |
| | 21A | W04A, W04B | | 22 | Y01Z, Y03A, Y03B | | 21A | W04A, W04B | | | |
| | 21B | X06A, X06B, X06C, X33Z | | 23 | Z01A | | 21B | X06A, X06B, X06C, X33Z | | | |
| | 22 | Y01Z, Y03A, Y03B | | Pre | A07A | | 22 | Y01Z, Y03A, Y03B | | | |
| | 23 | Z01A | | 5n12f | BOP, KJZSV, KOP, KOPV, KVT, UOP4 | | 23 | Z01A | | | |
| | Pre | A07A | | | 06 | | G15Z, G19A, G19B, G38Z | Pre | A07A | | |
| | 5n12a | | | BOP, KJZSV, KOP, KOPV, KVT, UOP4 | 5n12g | | | BOP, KJZSV, KOP, KOPV, KVT, UOP4 | 5n131 | | BOP, KJZSV, KOP, KOPV, KVT, UOP4 |
| | | 06 | | G15Z, G19A, G19B, G38Z | | | 06 | G01Z, G02Z, G15Z, G18A, G18B, G38Z | | 05 | F36A, F36B |
| 07 | | H33Z, H38Z | 07 | H06A, H06B, H06C, H33Z, H38Z | | 06 | G15Z, G19A, G19B, G33Z, G38Z | | | | |
| 11 | | L33Z | 10 | K04A | | 07 | H33Z, H38Z | | | | |
| 17 | | R01A, R01B, R01C, R01D, R02Z, R12A, R12B, R12C | 11 | L33Z | | 09 | J26Z | | | | |
| 21A | | W04A, W04B | 17 | R01A, R01B, R01C, R01D, R02Z, R12A, R12B, R12C | | 11 | L33Z | | | | |
| 21B | | X06A, X06B, X06C, X33Z | 21B | X33Z | | 17 | R01A, R01B, R01C, R01D, R02Z, R12A, R12B, R12C | | | | |
| 22 | | Y01Z, Y03A, Y03B | 23 | Z01A | | 21A | W04A, W04B | | | | |
| 23 | | Z01A | Pre | A07A | | 21B | X06A, X06B, X06C, X33Z | | | | |
| Pre | | A07A | 5n12h | BOP, KJZSV, KOP, KOPV, KVT, UOP4 | | 22 | Y01Z, Y03A, Y03B | | | | |
| 06 | | G15Z, G19A, G19B, G38Z | | 06 | | G01Z, G02Z, G15Z, G18A, G18B, G38Z | 23 | Z01A | | | |
| 07 | | H33Z, H38Z | 07 | H06A, H06B, H06C, H33Z, H38Z | | Pre | A07A | | | | |
| 11 | | L33Z | 10 | K04A | | 5n132 | | BOP, KJZSV, KOP, KOPV, KVT, UOP4 | | | |
| 17 | | R01A, R01B, R01C, R01D, R02Z, R12A, R12B, R12C | 11 | L33Z | | | 05 | F36A, F36B | | | |
| 21A | W04A, W04B | 17 | R01A, R01B, R01C, R01D, R02Z, R12A, R12B, R12C | 06 | G15Z, G19A, G19B, G33Z, G38Z | | | | | | |
| 21B | X06A, X06B, X06C, X33Z | 21B | X33Z | 07 | H33Z, H38Z | | | | | | |
| 22 | Y01Z, Y03A, Y03B | 23 | Z01A | 09 | J26Z | | | | | | |
| 23 | Z01A | Pre | A07A | 11 | L33Z | | | | | | |
| Pre | A07A | 5n12i | BOP, KJZSV, KOP, KOPV, KVT, UOP4 | 17 | R01A, R01B, R01C, R01D, R02Z, R12A, R12B, R12C | | | | | | |
| 06 | G15Z, G19A, G19B, G38Z | | 06 | G01Z, G02Z, G15Z, G18A, G18B, G38Z | 21A | W04A, W04B | | | | | |
| 07 | H33Z, H38Z | 07 | H06A, H06B, H06C, H33Z, H38Z | 21B | X06A, X06B, X06C, X33Z | | | | | | |
| 11 | L33Z | 10 | K04A | 22 | Y01Z, Y03A, Y03B | | | | | | |
| 17 | R01A, R01B, R01C, R01D, R02Z, R12A, R12B, R12C | 11 | L33Z | 23 | Z01A | | | | | | |
| 21A | W04A, W04B | 17 | R01A, R01B, R01C, R01D, R02Z, R12A, R12B, R12C | Pre | A07A | | | | | | |
| 21B | X06A, X06B, X06C, X33Z | 21B | X33Z | 5n139 | | BOP, KJZSV, KOP, KOPV, KVT, UOP4 | | | | | |
| 22 | Y01Z, Y03A, Y03B | 23 | Z01A | | 05 | F36A, F36B | | | | | |
| 23 | Z01A | Pre | A07A | 06 | G15Z, G19A, G19B, G33Z, G38Z | | | | | | |
| Pre | A07A | 5n12j | BOP, KJZSV, KOP, KOPV, KVT, UOP4 | 07 | H33Z, H38Z | | | | | | |
| 06 | G15Z, G19A, G19B, G38Z | | 06 | G15Z, G19A, G19B, G38Z | 09 | J26Z | | | | | |
| 07 | H33Z, H38Z | 07 | H06A, H06B, H06C, H33Z, H38Z | 11 | L33Z | | | | | | |
| 11 | L33Z | 10 | K04A | 17 | R01A, R01B, R01C, R01D, R02Z, R12A, R12B, R12C | | | | | | |
| 17 | R01A, R01B, R01C, R01D, R02Z, R12A, R12B, R12C | 11 | L33Z | 21A | W04A, W04B | | | | | | |
| 21A | W04A, W04B | 17 | R01A, R01B, R01C, R01D, R02Z, R12A, R12B, R12C | 21B | X06A, X06B, X06C, X33Z | | | | | | |
| 21B | X06A, X06B, X06C, X33Z | 21B | X33Z | 22 | Y01Z, Y03A, Y03B | | | | | | |
| 22 | Y01Z, Y03A, Y03B | 23 | Z01A | 23 | Z01A | | | | | | |
| 23 | Z01A | Pre | A07A | Pre | A07A | | | | | | |
| Pre | A07A | 5n12k | BOP, KJZSV, KOP, KOPV, KVT, UOP4 | | | | | | | | |
| 06 | G15Z, G19A, G19B, G38Z | | 06 | G15Z, G19A, G19B, G38Z | | | | | | | |
| 07 | H33Z, H38Z | 07 | H06A, H06B, H06C, H33Z, H38Z | | | | | | | | |
| 11 | L33Z | 10 | K04A | | | | | | | | |
| 17 | R01A, R01B, R01C, R01D, R02Z, R12A, R12B, R12C | 11 | L33Z | | | | | | | | |
| 21A | W04A, W04B | 17 | R01A, R01B, R01C, R01D, R02Z, R12A, R12B, R12C | | | | | | | | |
| 21B | X06A, X06B, X06C, X33Z | 21B | X33Z | | | | | | | | |
| 22 | Y01Z, Y03A, Y03B | 23 | Z01A | | | | | | | | |
| 23 | Z01A | Pre | A07A | | | | | | | | |
| Pre | A07A | | | | | | | | | | |

VYK

| ZZV | MDC | DRG | ZZV | MDC | DRG | ZZV | MDC | DRG | | | |
|---------|---------|--|---------------------------------------|--|--|---------|--|--|---------|----|---------------------------------------|
| 5n13a.0 | | BOP, KJZSV, KOP, KOPV, KVT, MVV, UOP4 | 5n13b.1 | | BOP, KJZSV, KOP, KOPV, KVT, MVV, UOP4 | 5n13c.2 | | BOP, KJZSV, KOP, KOPV, KVT, MVV, UOP4 | | | |
| | 05 | F36A, F36B | | 05 | F36A, F36B | | 05 | F36A, F36B | | | |
| | 06 | G03A, G03B, G03C, G33Z, G38Z | | 06 | G03A, G03B, G03C, G33Z, G38Z | | 06 | G03A, G03B, G03C, G33Z, G38Z | | | |
| | 07 | H33Z, H38Z | | 07 | H33Z, H38Z | | 07 | H33Z, H38Z | | | |
| | 09 | J26Z | | 09 | J26Z | | 09 | J26Z | | | |
| | 11 | L33Z | | 11 | L33Z | | 11 | L33Z | | | |
| | 17 | R01A, R01B, R01C, R01D, R02Z, R12A, R12B, R12C | | 17 | R01A, R01B, R01C, R01D, R02Z, R12A, R12B, R12C | | 17 | R01A, R01B, R01C, R01D, R02Z, R12A, R12B, R12C | | | |
| | 21A | W04A, W04B | | 21A | W04A, W04B | | 21A | W04A, W04B | | | |
| | 21B | X06A, X06B, X06C, X33Z | | 21B | X06A, X06B, X06C, X33Z | | 21B | X06A, X06B, X06C, X33Z | | | |
| | 22 | Y01Z, Y03A, Y03B | | 22 | Y01Z, Y03A, Y03B | | 22 | Y01Z, Y03A, Y03B | | | |
| | 23 | Z01A | | 23 | Z01A | | 23 | Z01A | | | |
| | Pre | A07A | | Pre | A07A | | Pre | A07A | | | |
| | 5n13a.1 | | | BOP, KJZSV, KOP, KOPV, KVT, MVV, UOP4 | 5n13b.2 | | | BOP, KJZSV, KOP, KOPV, KVT, MVV, UOP4 | 5n13x.0 | | BOP, KJZSV, KOP, KOPV, KVT, MVV, UOP4 |
| | | 05 | | F36A, F36B | | | 05 | F36A, F36B | | 05 | F36A, F36B |
| 06 | | G03A, G03B, G03C, G33Z, G38Z | 06 | G03A, G03B, G03C, G33Z, G38Z | | 06 | G03A, G03B, G03C, G33Z, G38Z | | | | |
| 07 | | H33Z, H38Z | 07 | H33Z, H38Z | | 07 | H33Z, H38Z | | | | |
| 09 | | J26Z | 09 | J26Z | | 09 | J26Z | | | | |
| 11 | | L33Z | 11 | L33Z | | 11 | L33Z | | | | |
| 17 | | R01A, R01B, R01C, R01D, R02Z, R12A, R12B, R12C | 17 | R01A, R01B, R01C, R01D, R02Z, R12A, R12B, R12C | | 17 | R01A, R01B, R01C, R01D, R02Z, R12A, R12B, R12C | | | | |
| 21A | | W04A, W04B | 21A | W04A, W04B | | 21A | W04A, W04B | | | | |
| 21B | | X06A, X06B, X06C, X33Z | 21B | X06A, X06B, X06C, X33Z | | 21B | X06A, X06B, X06C, X33Z | | | | |
| 22 | | Y01Z, Y03A, Y03B | 22 | Y01Z, Y03A, Y03B | | 22 | Y01Z, Y03A, Y03B | | | | |
| 23 | | Z01A | 23 | Z01A | | 23 | Z01A | | | | |
| Pre | | A07A | Pre | A07A | | Pre | A07A | | | | |
| 5n13a.2 | | | BOP, KJZSV, KOP, KOPV, KVT, MVV, UOP4 | 5n13c.0 | | | BOP, KJZSV, KOP, KOPV, KVT, MVV, UOP4 | 5n13x.1 | | | BOP, KJZSV, KOP, KOPV, KVT, MVV, UOP4 |
| | | 05 | F36A, F36B | | | 05 | F36A, F36B | | | 05 | F36A, F36B |
| | 06 | G03A, G03B, G03C, G33Z, G38Z | 06 | | G03A, G03B, G03C, G33Z, G38Z | 06 | G03A, G03B, G03C, G33Z, G38Z | | | | |
| | 07 | H33Z, H38Z | 07 | | H33Z, H38Z | 07 | H33Z, H38Z | | | | |
| | 09 | J26Z | 09 | | J26Z | 09 | J26Z | | | | |
| | 11 | L33Z | 11 | | L33Z | 11 | L33Z | | | | |
| | 17 | R01A, R01B, R01C, R01D, R02Z, R12A, R12B, R12C | 17 | | R01A, R01B, R01C, R01D, R02Z, R12A, R12B, R12C | 17 | R01A, R01B, R01C, R01D, R02Z, R12A, R12B, R12C | | | | |
| | 21A | W04A, W04B | 21A | | W04A, W04B | 21A | W04A, W04B | | | | |
| | 21B | X06A, X06B, X06C, X33Z | 21B | | X06A, X06B, X06C, X33Z | 21B | X06A, X06B, X06C, X33Z | | | | |
| | 22 | Y01Z, Y03A, Y03B | 22 | | Y01Z, Y03A, Y03B | 22 | Y01Z, Y03A, Y03B | | | | |
| | 23 | Z01A | 23 | | Z01A | 23 | Z01A | | | | |
| | Pre | A07A | Pre | | A07A | Pre | A07A | | | | |
| | 5n13b.0 | | BOP, KJZSV, KOP, KOPV, KVT, MVV, UOP4 | | 5n13c.1 | | BOP, KJZSV, KOP, KOPV, KVT, MVV, UOP4 | | 5n13x.2 | | BOP, KJZSV, KOP, KOPV, KVT, MVV, UOP4 |
| | | 05 | F36A, F36B | | | 05 | F36A, F36B | | | 05 | F36A, F36B |
| 06 | | G03A, G03B, G03C, G33Z, G38Z | 06 | G03A, G03B, G03C, G33Z, G38Z | | 06 | G03A, G03B, G03C, G33Z, G38Z | | | | |
| 07 | | H33Z, H38Z | 07 | H33Z, H38Z | | 07 | H33Z, H38Z | | | | |
| 09 | | J26Z | 09 | J26Z | | 09 | J26Z | | | | |
| 11 | | L33Z | 11 | L33Z | | 11 | L33Z | | | | |
| 17 | | R01A, R01B, R01C, R01D, R02Z, R12A, R12B, R12C | 17 | R01A, R01B, R01C, R01D, R02Z, R12A, R12B, R12C | | 17 | R01A, R01B, R01C, R01D, R02Z, R12A, R12B, R12C | | | | |
| 21A | | W04A, W04B | 21A | W04A, W04B | | 21A | W04A, W04B | | | | |
| 21B | | X06A, X06B, X06C, X33Z | 21B | X06A, X06B, X06C, X33Z | | 21B | X06A, X06B, X06C, X33Z | | | | |
| 22 | | Y01Z, Y03A, Y03B | 22 | Y01Z, Y03A, Y03B | | 22 | Y01Z, Y03A, Y03B | | | | |
| 23 | | Z01A | 23 | Z01A | | 23 | Z01A | | | | |
| Pre | | A07A | Pre | A07A | | Pre | A07A | | | | |

VYK

| ZZV | MDC | DRG | ZZV | MDC | DRG | ZZV | MDC | DRG | | | |
|---------|---------|--|---------------------------------------|--|--|---------|--|--|---------|----|---------------------------------------|
| 5n140.0 | | BOP, KJZSV, KOP, KOPV, KVT, MVV, UOP4 | 5n141.1 | | BOP, KJZSV, KOP, KOPV, KVT, MVV, UOP4 | 5n142.2 | | BOP, KJZSV, KOP, KOPV, KVT, MVV, UOP4 | | | |
| | 05 | F36A, F36B | | 05 | F36A, F36B | | 05 | F36A, F36B | | | |
| | 06 | G03A, G03B, G03C, G33Z, G38Z | | 06 | G03A, G03B, G03C, G33Z, G38Z | | 06 | G03A, G03B, G03C, G33Z, G38Z | | | |
| | 07 | H33Z, H38Z | | 07 | H33Z, H38Z | | 07 | H33Z, H38Z | | | |
| | 09 | J26Z | | 09 | J26Z | | 09 | J26Z | | | |
| | 11 | L33Z | | 11 | L33Z | | 11 | L33Z | | | |
| | 17 | R01A, R01B, R01C, R01D, R02Z, R12A, R12B, R12C | | 17 | R01A, R01B, R01C, R01D, R02Z, R12A, R12B, R12C | | 17 | R01A, R01B, R01C, R01D, R02Z, R12A, R12B, R12C | | | |
| | 21A | W04A, W04B | | 21A | W04A, W04B | | 21A | W04A, W04B | | | |
| | 21B | X06A, X06B, X06C, X33Z | | 21B | X06A, X06B, X06C, X33Z | | 21B | X06A, X06B, X06C, X33Z | | | |
| | 22 | Y01Z, Y03A, Y03B | | 22 | Y01Z, Y03A, Y03B | | 22 | Y01Z, Y03A, Y03B | | | |
| | 23 | Z01A | | 23 | Z01A | | 23 | Z01A | | | |
| | Pre | A07A | | Pre | A07A | | Pre | A07A | | | |
| | 5n140.1 | | | BOP, KJZSV, KOP, KOPV, KVT, MVV, UOP4 | 5n141.2 | | | BOP, KJZSV, KOP, KOPV, KVT, MVV, UOP4 | 5n143.0 | | BOP, KJZSV, KOP, KOPV, KVT, MVV, UOP4 |
| | | 05 | | F36A, F36B | | | 05 | F36A, F36B | | 05 | F36A, F36B |
| 06 | | G03A, G03B, G03C, G33Z, G38Z | 06 | G03A, G03B, G03C, G33Z, G38Z | | 06 | G03A, G03B, G03C, G33Z, G38Z | | | | |
| 07 | | H33Z, H38Z | 07 | H33Z, H38Z | | 07 | H33Z, H38Z | | | | |
| 09 | | J26Z | 09 | J26Z | | 09 | J26Z | | | | |
| 11 | | L33Z | 11 | L33Z | | 11 | L33Z | | | | |
| 17 | | R01A, R01B, R01C, R01D, R02Z, R12A, R12B, R12C | 17 | R01A, R01B, R01C, R01D, R02Z, R12A, R12B, R12C | | 17 | R01A, R01B, R01C, R01D, R02Z, R12A, R12B, R12C | | | | |
| 21A | | W04A, W04B | 21A | W04A, W04B | | 21A | W04A, W04B | | | | |
| 21B | | X06A, X06B, X06C, X33Z | 21B | X06A, X06B, X06C, X33Z | | 21B | X06A, X06B, X06C, X33Z | | | | |
| 22 | | Y01Z, Y03A, Y03B | 22 | Y01Z, Y03A, Y03B | | 22 | Y01Z, Y03A, Y03B | | | | |
| 23 | | Z01A | 23 | Z01A | | 23 | Z01A | | | | |
| Pre | | A07A | Pre | A07A | | Pre | A07A | | | | |
| 5n140.2 | | | BOP, KJZSV, KOP, KOPV, KVT, MVV, UOP4 | 5n142.0 | | | BOP, KJZSV, KOP, KOPV, KVT, MVV, UOP4 | 5n143.1 | | | BOP, KJZSV, KOP, KOPV, KVT, MVV, UOP4 |
| | | 05 | F36A, F36B | | | 05 | F36A, F36B | | | 05 | F36A, F36B |
| | 06 | G03A, G03B, G03C, G33Z, G38Z | 06 | | G03A, G03B, G03C, G33Z, G38Z | 06 | G03A, G03B, G03C, G33Z, G38Z | | | | |
| | 07 | H33Z, H38Z | 07 | | H33Z, H38Z | 07 | H33Z, H38Z | | | | |
| | 09 | J26Z | 09 | | J26Z | 09 | J26Z | | | | |
| | 11 | L33Z | 11 | | L33Z | 11 | L33Z | | | | |
| | 17 | R01A, R01B, R01C, R01D, R02Z, R12A, R12B, R12C | 17 | | R01A, R01B, R01C, R01D, R02Z, R12A, R12B, R12C | 17 | R01A, R01B, R01C, R01D, R02Z, R12A, R12B, R12C | | | | |
| | 21A | W04A, W04B | 21A | | W04A, W04B | 21A | W04A, W04B | | | | |
| | 21B | X06A, X06B, X06C, X33Z | 21B | | X06A, X06B, X06C, X33Z | 21B | X06A, X06B, X06C, X33Z | | | | |
| | 22 | Y01Z, Y03A, Y03B | 22 | | Y01Z, Y03A, Y03B | 22 | Y01Z, Y03A, Y03B | | | | |
| | 23 | Z01A | 23 | | Z01A | 23 | Z01A | | | | |
| | Pre | A07A | Pre | | A07A | Pre | A07A | | | | |
| | 5n141.0 | | BOP, KJZSV, KOP, KOPV, KVT, MVV, UOP4 | | 5n142.1 | | BOP, KJZSV, KOP, KOPV, KVT, MVV, UOP4 | | 5n143.2 | | BOP, KJZSV, KOP, KOPV, KVT, MVV, UOP4 |
| | | 05 | F36A, F36B | | | 05 | F36A, F36B | | | 05 | F36A, F36B |
| 06 | | G03A, G03B, G03C, G33Z, G38Z | 06 | G03A, G03B, G03C, G33Z, G38Z | | 06 | G03A, G03B, G03C, G33Z, G38Z | | | | |
| 07 | | H33Z, H38Z | 07 | H33Z, H38Z | | 07 | H33Z, H38Z | | | | |
| 09 | | J26Z | 09 | J26Z | | 09 | J26Z | | | | |
| 11 | | L33Z | 11 | L33Z | | 11 | L33Z | | | | |
| 17 | | R01A, R01B, R01C, R01D, R02Z, R12A, R12B, R12C | 17 | R01A, R01B, R01C, R01D, R02Z, R12A, R12B, R12C | | 17 | R01A, R01B, R01C, R01D, R02Z, R12A, R12B, R12C | | | | |
| 21A | | W04A, W04B | 21A | W04A, W04B | | 21A | W04A, W04B | | | | |
| 21B | | X06A, X06B, X06C, X33Z | 21B | X06A, X06B, X06C, X33Z | | 21B | X06A, X06B, X06C, X33Z | | | | |
| 22 | | Y01Z, Y03A, Y03B | 22 | Y01Z, Y03A, Y03B | | 22 | Y01Z, Y03A, Y03B | | | | |
| 23 | | Z01A | 23 | Z01A | | 23 | Z01A | | | | |
| Pre | | A07A | Pre | A07A | | Pre | A07A | | | | |

VYK

| ZZV | MDC | DRG | ZZV | MDC | DRG | ZZV | MDC | DRG | | | |
|---------|---------|--|---------------------------------------|--|--|---------|--|--|---------|----|---------------------------------------|
| 5n144.0 | | BOP, KJZSV, KOP, KOPV, KVT, MVV, UOP4 | 5n145.1 | | BOP, KJZSV, KOP, KOPV, KVT, MVV, UOP4 | 5n146.2 | | BOP, KJZSV, KOP, KOPV, KVT, MVV, UOP4 | | | |
| | 05 | F36A, F36B | | 05 | F36A, F36B | | 05 | F36A, F36B | | | |
| | 06 | G03A, G03B, G03C, G33Z, G38Z | | 06 | G03A, G03B, G33Z, G38Z | | 06 | G03A, G03B, G03C, G33Z, G38Z | | | |
| | 07 | H33Z, H38Z | | 07 | H33Z, H38Z | | 07 | H33Z, H38Z | | | |
| | 09 | J26Z | | 09 | J26Z | | 09 | J26Z | | | |
| | 11 | L33Z | | 11 | L33Z | | 11 | L33Z | | | |
| | 17 | R01A, R01B, R01C, R01D, R02Z, R12A, R12B, R12C | | 17 | R01A, R01B, R01C, R01D, R02Z, R12A, R12B, R12C | | 17 | R01A, R01B, R01C, R01D, R02Z, R12A, R12B, R12C | | | |
| | 21A | W04A, W04B | | 21A | W04A, W04B | | 21A | W04A, W04B | | | |
| | 21B | X06A, X06B, X06C, X33Z | | 21B | X06A, X06B, X06C, X33Z | | 21B | X06A, X06B, X06C, X33Z | | | |
| | 22 | Y01Z, Y03A, Y03B | | 22 | Y01Z, Y03A, Y03B | | 22 | Y01Z, Y03A, Y03B | | | |
| | 23 | Z01A | | 23 | Z01A | | 23 | Z01A | | | |
| | Pre | A07A | | Pre | A07A | | Pre | A07A | | | |
| | 5n144.1 | | | BOP, KJZSV, KOP, KOPV, KVT, MVV, UOP4 | 5n145.2 | | | BOP, KJZSV, KOP, KOPV, KVT, MVV, UOP4 | 5n14a.0 | | BOP, KJZSV, KOP, KOPV, KVT, MVV, UOP4 |
| | | 05 | | F36A, F36B | | | 05 | F36A, F36B | | 05 | F36A, F36B |
| | | 06 | | G03A, G03B, G03C, G33Z, G38Z | | | 06 | G03A, G03B, G03C, G33Z, G38Z | | 06 | G03A, G03B, G03C, G33Z, G38Z |
| | | 07 | | H33Z, H38Z | | | 07 | H33Z, H38Z | | 07 | H33Z, H38Z |
| 09 | | J26Z | 09 | J26Z | | 09 | J26Z | | | | |
| 11 | | L33Z | 11 | L33Z | | 11 | L33Z | | | | |
| 17 | | R01A, R01B, R01C, R01D, R02Z, R12A, R12B, R12C | 17 | R01A, R01B, R01C, R01D, R02Z, R12A, R12B, R12C | | 17 | R01A, R01B, R01C, R01D, R02Z, R12A, R12B, R12C | | | | |
| 21A | | W04A, W04B | 21A | W04A, W04B | | 21A | W04A, W04B | | | | |
| 21B | | X06A, X06B, X06C, X33Z | 21B | X06A, X06B, X06C, X33Z | | 21B | X06A, X06B, X06C, X33Z | | | | |
| 22 | | Y01Z, Y03A, Y03B | 22 | Y01Z, Y03A, Y03B | | 22 | Y01Z, Y03A, Y03B | | | | |
| 23 | | Z01A | 23 | Z01A | | 23 | Z01A | | | | |
| Pre | | A07A | Pre | A07A | | Pre | A07A | | | | |
| 5n144.2 | | | BOP, KJZSV, KOP, KOPV, KVT, MVV, UOP4 | 5n146.0 | | | BOP, KJZSV, KOP, KOPV, KVT, MVV, UOP4 | 5n14a.1 | | | BOP, KJZSV, KOP, KOPV, KVT, MVV, UOP4 |
| | | 05 | F36A, F36B | | | 05 | F36A, F36B | | | 05 | F36A, F36B |
| | | 06 | G03A, G03B, G03C, G33Z, G38Z | | | 06 | G03A, G03B, G03C, G33Z, G38Z | | | 06 | G03A, G03B, G33Z, G38Z |
| | | 07 | H33Z, H38Z | | | 07 | H33Z, H38Z | | | 07 | H33Z, H38Z |
| | 09 | J26Z | 09 | | J26Z | 09 | J26Z | | | | |
| | 11 | L33Z | 11 | | L33Z | 11 | L33Z | | | | |
| | 17 | R01A, R01B, R01C, R01D, R02Z, R12A, R12B, R12C | 17 | | R01A, R01B, R01C, R01D, R02Z, R12A, R12B, R12C | 17 | R01A, R01B, R01C, R01D, R02Z, R12A, R12B, R12C | | | | |
| | 21A | W04A, W04B | 21A | | W04A, W04B | 21A | W04A, W04B | | | | |
| | 21B | X06A, X06B, X06C, X33Z | 21B | | X06A, X06B, X06C, X33Z | 21B | X06A, X06B, X06C, X33Z | | | | |
| | 22 | Y01Z, Y03A, Y03B | 22 | | Y01Z, Y03A, Y03B | 22 | Y01Z, Y03A, Y03B | | | | |
| | 23 | Z01A | 23 | | Z01A | 23 | Z01A | | | | |
| | Pre | A07A | Pre | | A07A | Pre | A07A | | | | |
| | 5n145.0 | | BOP, KJZSV, KOP, KOPV, KVT, MVV, UOP4 | | 5n146.1 | | BOP, KJZSV, KOP, KOPV, KVT, MVV, UOP4 | | 5n14a.2 | | BOP, KJZSV, KOP, KOPV, KVT, MVV, UOP4 |
| | | 05 | F36A, F36B | | | 05 | F36A, F36B | | | 05 | F36A, F36B |
| | | 06 | G03A, G03B, G03C, G33Z, G38Z | | | 06 | G03A, G03B, G03C, G33Z, G38Z | | | 06 | G03A, G03B, G33Z, G38Z |
| | | 07 | H33Z, H38Z | | | 07 | H33Z, H38Z | | | 07 | H33Z, H38Z |
| 09 | | J26Z | 09 | J26Z | | 09 | J26Z | | | | |
| 11 | | L33Z | 11 | L33Z | | 11 | L33Z | | | | |
| 17 | | R01A, R01B, R01C, R01D, R02Z, R12A, R12B, R12C | 17 | R01A, R01B, R01C, R01D, R02Z, R12A, R12B, R12C | | 17 | R01A, R01B, R01C, R01D, R02Z, R12A, R12B, R12C | | | | |
| 21A | | W04A, W04B | 21A | W04A, W04B | | 21A | W04A, W04B | | | | |
| 21B | | X06A, X06B, X06C, X33Z | 21B | X06A, X06B, X06C, X33Z | | 21B | X06A, X06B, X06C, X33Z | | | | |
| 22 | | Y01Z, Y03A, Y03B | 22 | Y01Z, Y03A, Y03B | | 22 | Y01Z, Y03A, Y03B | | | | |
| 23 | | Z01A | 23 | Z01A | | 23 | Z01A | | | | |
| Pre | | A07A | Pre | A07A | | Pre | A07A | | | | |

| ZZV | MDC | DRG | ZZV | MDC | DRG | ZZV | MDC | DRG | | | |
|---------|----------|--|---------------------------------------|--|--|----------|--|--|---------|----|---------------------------------------|
| 5n14b.0 | | BOP, KJZSV, KOP, KOPV, KVT, MVV, UOP4 | 5n14x.01 | | BOP, KJZSV, KOP, KOPV, KVT, MVV, UOP4 | 5n14x.12 | | BOP, KJZSV, KOP, KOPV, KVT, MVV, UOP4 | | | |
| | 05 | F36A, F36B | | 05 | F36A, F36B | | 05 | F36A, F36B | | | |
| | 06 | G03A, G03B, G03C, G33Z, G38Z | | 06 | G03A, G03B, G03C, G33Z, G38Z | | 06 | G03A, G03B, G03C, G33Z, G38Z | | | |
| | 07 | H33Z, H38Z | | 07 | H33Z, H38Z | | 07 | H33Z, H38Z | | | |
| | 09 | J26Z | | 09 | J26Z | | 09 | J26Z | | | |
| | 11 | L33Z | | 11 | L33Z | | 11 | L33Z | | | |
| | 17 | R01A, R01B, R01C, R01D, R02Z, R12A, R12B, R12C | | 17 | R01A, R01B, R01C, R01D, R02Z, R12A, R12B, R12C | | 17 | R01A, R01B, R01C, R01D, R02Z, R12A, R12B, R12C | | | |
| | 21A | W04A, W04B | | 21A | W04A, W04B | | 21A | W04A, W04B | | | |
| | 21B | X06A, X06B, X06C, X33Z | | 21B | X06A, X06B, X06C, X33Z | | 21B | X06A, X06B, X06C, X33Z | | | |
| | 22 | Y01Z, Y03A, Y03B | | 22 | Y01Z, Y03A, Y03B | | 22 | Y01Z, Y03A, Y03B | | | |
| | 23 | Z01A | | 23 | Z01A | | 23 | Z01A | | | |
| | Pre | A07A | | Pre | A07A | | Pre | A07A | | | |
| | 5n14b.1 | | | BOP, KJZSV, KOP, KOPV, KVT, MVV, UOP4 | 5n14x.02 | | | BOP, KJZSV, KOP, KOPV, KVT, MVV, UOP4 | 5n150.0 | | BOP, KJZSV, KOP, KOPV, KVT, MVV, UOP4 |
| | | 05 | | F36A, F36B | | | 05 | F36A, F36B | | 05 | F36A, F36B |
| 06 | | G03A, G03B, G03C, G33Z, G38Z | 06 | G03A, G03B, G03C, G33Z, G38Z | | 06 | G03A, G03B, G03C, G33Z, G38Z | | | | |
| 07 | | H33Z, H38Z | 07 | H33Z, H38Z | | 07 | H33Z, H38Z | | | | |
| 09 | | J26Z | 09 | J26Z | | 09 | J26Z | | | | |
| 11 | | L33Z | 11 | L33Z | | 11 | L33Z | | | | |
| 17 | | R01A, R01B, R01C, R01D, R02Z, R12A, R12B, R12C | 17 | R01A, R01B, R01C, R01D, R02Z, R12A, R12B, R12C | | 17 | R01A, R01B, R01C, R01D, R02Z, R12A, R12B, R12C | | | | |
| 21A | | W04A, W04B | 21A | W04A, W04B | | 21A | W04A, W04B | | | | |
| 21B | | X06A, X06B, X06C, X33Z | 21B | X06A, X06B, X06C, X33Z | | 21B | X06A, X06B, X06C, X33Z | | | | |
| 22 | | Y01Z, Y03A, Y03B | 22 | Y01Z, Y03A, Y03B | | 22 | Y01Z, Y03A, Y03B | | | | |
| 23 | | Z01A | 23 | Z01A | | 23 | Z01A | | | | |
| Pre | | A07A | Pre | A07A | | Pre | A07A | | | | |
| 5n14b.2 | | | BOP, KJZSV, KOP, KOPV, KVT, MVV, UOP4 | 5n14x.10 | | | BOP, KJZSV, KOP, KOPV, KVT, MVV, UOP4 | 5n151.0 | | | BOP, KJZSV, KOP, KOPV, KVT, MVV, UOP4 |
| | | 05 | F36A, F36B | | | 05 | F36A, F36B | | | 05 | F36A, F36B |
| | 06 | G03A, G03B, G03C, G33Z, G38Z | 06 | | G03A, G03B, G03C, G33Z, G38Z | 06 | G03A, G03B, G03C, G33Z, G38Z | | | | |
| | 07 | H33Z, H38Z | 07 | | H33Z, H38Z | 07 | H33Z, H38Z | | | | |
| | 09 | J26Z | 09 | | J26Z | 09 | J26Z | | | | |
| | 11 | L33Z | 11 | | L33Z | 11 | L33Z | | | | |
| | 17 | R01A, R01B, R01C, R01D, R02Z, R12A, R12B, R12C | 17 | | R01A, R01B, R01C, R01D, R02Z, R12A, R12B, R12C | 17 | R01A, R01B, R01C, R01D, R02Z, R12A, R12B, R12C | | | | |
| | 21A | W04A, W04B | 21A | | W04A, W04B | 21A | W04A, W04B | | | | |
| | 21B | X06A, X06B, X06C, X33Z | 21B | | X06A, X06B, X06C, X33Z | 21B | X06A, X06B, X06C, X33Z | | | | |
| | 22 | Y01Z, Y03A, Y03B | 22 | | Y01Z, Y03A, Y03B | 22 | Y01Z, Y03A, Y03B | | | | |
| | 23 | Z01A | 23 | | Z01A | 23 | Z01A | | | | |
| | Pre | A07A | Pre | | A07A | Pre | A07A | | | | |
| | 5n14x.00 | | BOP, KJZSV, KOP, KOPV, KVT, MVV, UOP4 | | 5n14x.11 | | BOP, KJZSV, KOP, KOPV, KVT, MVV, UOP4 | | 5n152.0 | | BOP, KJZSV, KOP, KOPV, KVT, MVV, UOP4 |
| | | 05 | F36A, F36B | | | 05 | F36A, F36B | | | 05 | F36A, F36B |
| 06 | | G03A, G03B, G03C, G33Z, G38Z | 06 | G03A, G03B, G03C, G33Z, G38Z | | 06 | G03A, G03B, G03C, G33Z, G38Z | | | | |
| 07 | | H33Z, H38Z | 07 | H33Z, H38Z | | 07 | H33Z, H38Z | | | | |
| 09 | | J26Z | 09 | J26Z | | 09 | J26Z | | | | |
| 11 | | L33Z | 11 | L33Z | | 11 | L33Z | | | | |
| 17 | | R01A, R01B, R01C, R01D, R02Z, R12A, R12B, R12C | 17 | R01A, R01B, R01C, R01D, R02Z, R12A, R12B, R12C | | 17 | R01A, R01B, R01C, R01D, R02Z, R12A, R12B, R12C | | | | |
| 21A | | W04A, W04B | 21A | W04A, W04B | | 21A | W04A, W04B | | | | |
| 21B | | X06A, X06B, X06C, X33Z | 21B | X06A, X06B, X06C, X33Z | | 21B | X06A, X06B, X06C, X33Z | | | | |
| 22 | | Y01Z, Y03A, Y03B | 22 | Y01Z, Y03A, Y03B | | 22 | Y01Z, Y03A, Y03B | | | | |
| 23 | | Z01A | 23 | Z01A | | 23 | Z01A | | | | |
| Pre | | A07A | Pre | A07A | | Pre | A07A | | | | |

| ZZV | MDC | DRG | ZZV | MDC | DRG | ZZV | MDC | DRG | | | |
|---------|---------|--|---------------------------------------|--|--|---------|--|--|---------|----|---------------------------------------|
| 5n159 | | BOP, KJZSV, KOP, KOPV, KVT, MVV, UOP4 | 5n15x | | BOP, KJZSV, KOP, KOPV, KVT, MVV, UOP4 | 5n161.2 | | BOP, KJZSV, KOP, KOPV, KVT, MVV, UOP4 | | | |
| | 05 | F36A, F36B | | 05 | F36A, F36B | | 05 | F36A, F36B | | | |
| | 06 | G03A, G03B, G03C, G33Z, G38Z | | 06 | G03A, G03B, G03C, G33Z, G38Z | | 06 | G03A, G03B, G03C, G33Z, G38Z | | | |
| | 07 | H33Z, H38Z | | 07 | H33Z, H38Z | | 07 | H33Z, H38Z | | | |
| | 09 | J26Z | | 09 | J26Z | | 09 | J26Z | | | |
| | 11 | L33Z | | 11 | L33Z | | 11 | L33Z | | | |
| | 17 | R01A, R01B, R01C, R01D, R02Z, R12A, R12B, R12C | | 17 | R01A, R01B, R01C, R01D, R02Z, R12A, R12B, R12C | | 17 | R01A, R01B, R01C, R01D, R02Z, R12A, R12B, R12C | | | |
| | 21A | W04A, W04B | | 21A | W04A, W04B | | 21A | W04A, W04B | | | |
| | 21B | X06A, X06B, X06C, X33Z | | 21B | X06A, X06B, X06C, X33Z | | 21B | X06A, X06B, X06C, X33Z | | | |
| | 22 | Y01Z, Y03A, Y03B | | 22 | Y01Z, Y03A, Y03B | | 22 | Y01Z, Y03A, Y03B | | | |
| | 23 | Z01A | | 23 | Z01A | | 23 | Z01A | | | |
| | Pre | A07A | | Pre | A07A | | Pre | A07A | | | |
| | 5n15a.2 | | | BOP, KJZSV, KOP, KOPV, KVT, MVV, UOP4 | 5n160.0 | | | BOP, KJZSV, KOP, KOPV, KVT, MVV, UOP4 | 5n162.0 | | BOP, KJZSV, KOP, KOPV, KVT, MVV, UOP4 |
| | | 05 | | F36A, F36B | | | 05 | F36A, F36B | | 05 | F36A, F36B |
| 06 | | G03A, G03B, G03C, G33Z, G38Z | 06 | G03A, G03B, G03C, G33Z, G38Z | | 06 | G03A, G03B, G03C, G33Z, G38Z | | | | |
| 07 | | H33Z, H38Z | 07 | H33Z, H38Z | | 07 | H33Z, H38Z | | | | |
| 09 | | J26Z | 09 | J26Z | | 09 | J26Z | | | | |
| 11 | | L33Z | 11 | L33Z | | 11 | L33Z | | | | |
| 17 | | R01A, R01B, R01C, R01D, R02Z, R12A, R12B, R12C | 17 | R01A, R01B, R01C, R01D, R02Z, R12A, R12B, R12C | | 17 | R01A, R01B, R01C, R01D, R02Z, R12A, R12B, R12C | | | | |
| 21A | | W04A, W04B | 21A | W04A, W04B | | 21A | W04A, W04B | | | | |
| 21B | | X06A, X06B, X06C, X33Z | 21B | X06A, X06B, X06C, X33Z | | 21B | X06A, X06B, X06C, X33Z | | | | |
| 22 | | Y01Z, Y03A, Y03B | 22 | Y01Z, Y03A, Y03B | | 22 | Y01Z, Y03A, Y03B | | | | |
| 23 | | Z01A | 23 | Z01A | | 23 | Z01A | | | | |
| Pre | | A07A | Pre | A07A | | Pre | A07A | | | | |
| 5n15b.2 | | | BOP, KJZSV, KOP, KOPV, KVT, MVV, UOP4 | 5n160.2 | | | BOP, KJZSV, KOP, KOPV, KVT, MVV, UOP4 | 5n162.2 | | | BOP, KJZSV, KOP, KOPV, KVT, MVV, UOP4 |
| | | 05 | F36A, F36B | | | 05 | F36A, F36B | | | 05 | F36A, F36B |
| | 06 | G03A, G03B, G03C, G33Z, G38Z | 06 | | G03A, G03B, G03C, G33Z, G38Z | 06 | G03A, G03B, G03C, G33Z, G38Z | | | | |
| | 07 | H33Z, H38Z | 07 | | H33Z, H38Z | 07 | H33Z, H38Z | | | | |
| | 09 | J26Z | 09 | | J26Z | 09 | J26Z | | | | |
| | 11 | L33Z | 11 | | L33Z | 11 | L33Z | | | | |
| | 17 | R01A, R01B, R01C, R01D, R02Z, R12A, R12B, R12C | 17 | | R01A, R01B, R01C, R01D, R02Z, R12A, R12B, R12C | 17 | R01A, R01B, R01C, R01D, R02Z, R12A, R12B, R12C | | | | |
| | 21A | W04A, W04B | 21A | | W04A, W04B | 21A | W04A, W04B | | | | |
| | 21B | X06A, X06B, X06C, X33Z | 21B | | X06A, X06B, X06C, X33Z | 21B | X06A, X06B, X06C, X33Z | | | | |
| | 22 | Y01Z, Y03A, Y03B | 22 | | Y01Z, Y03A, Y03B | 22 | Y01Z, Y03A, Y03B | | | | |
| | 23 | Z01A | 23 | | Z01A | 23 | Z01A | | | | |
| | Pre | A07A | Pre | | A07A | Pre | A07A | | | | |
| | 5n15c.2 | | BOP, KJZSV, KOP, KOPV, KVT, MVV, UOP4 | | 5n161.0 | | BOP, KJZSV, KOP, KOPV, KVT, MVV, UOP4 | | 5n163.0 | | BOP, KJZSV, KOP, KOPV, KVT, MVV, UOP4 |
| | | 05 | F36A, F36B | | | 05 | F36A, F36B | | | 05 | F36A, F36B |
| 06 | | G03A, G03B, G03C, G33Z, G38Z | 06 | G03A, G03B, G03C, G33Z, G38Z | | 06 | G03A, G03B, G03C, G33Z, G38Z | | | | |
| 07 | | H33Z, H38Z | 07 | H33Z, H38Z | | 07 | H33Z, H38Z | | | | |
| 09 | | J26Z | 09 | J26Z | | 09 | J26Z | | | | |
| 11 | | L33Z | 11 | L33Z | | 11 | L33Z | | | | |
| 17 | | R01A, R01B, R01C, R01D, R02Z, R12A, R12B, R12C | 17 | R01A, R01B, R01C, R01D, R02Z, R12A, R12B, R12C | | 17 | R01A, R01B, R01C, R01D, R02Z, R12A, R12B, R12C | | | | |
| 21A | | W04A, W04B | 21A | W04A, W04B | | 21A | W04A, W04B | | | | |
| 21B | | X06A, X06B, X06C, X33Z | 21B | X06A, X06B, X06C, X33Z | | 21B | X06A, X06B, X06C, X33Z | | | | |
| 22 | | Y01Z, Y03A, Y03B | 22 | Y01Z, Y03A, Y03B | | 22 | Y01Z, Y03A, Y03B | | | | |
| 23 | | Z01A | 23 | Z01A | | 23 | Z01A | | | | |
| Pre | | A07A | Pre | A07A | | Pre | A07A | | | | |

VYK

| ZZV | MDC | DRG | ZZV | MDC | DRG | ZZV | MDC | DRG | | | |
|---------|---------|--|---------------------------------------|--|--|---------|---------|--|---------------------------------------|----------------------------------|--|
| 5n163.2 | | BOP, KJZSV, KOP, KOPV, KVT, MVV, UOP4 | 5n165.2 | | BOP, KJZSV, KOP, KOPV, KVT, MVV, UOP4 | 5n170.0 | | BOP, KJZSV, KOP, KOPV, KVT, UOP4 | | | |
| | 05 | F36A, F36B | | 05 | F36A, F36B | | 05 | F36A, F36B | | | |
| | 06 | G03A, G03B, G03C, G33Z, G38Z | | 06 | G03A, G03B, G03C, G33Z, G38Z | | 06 | G15Z, G19A, G19B, G33Z, G38Z | | | |
| | 07 | H33Z, H38Z | | 07 | H33Z, H38Z | | 07 | H12A, H33Z, H38Z | | | |
| | 09 | J26Z | | 09 | J26Z | | 10 | K04A | | | |
| | 11 | L33Z | | 11 | L33Z | | 11 | L33Z | | | |
| | 17 | R01A, R01B, R01C, R01D, R02Z, R12A, R12B, R12C | | 17 | R01A, R01B, R01C, R01D, R02Z, R12A, R12B, R12C | | 17 | R01A, R01B, R01C, R01D, R02Z, R12A, R12B, R12C | | | |
| | 21A | W04A, W04B | | 21A | W04A, W04B | | 21B | X33Z | | | |
| | 21B | X06A, X06B, X06C, X33Z | | 21B | X06A, X06B, X06C, X33Z | | 23 | Z01A | | | |
| | 22 | Y01Z, Y03A, Y03B | | 22 | Y01Z, Y03A, Y03B | | Pre | A07A | | | |
| | 23 | Z01A | | 23 | Z01A | | 5n170.2 | BOP, KJZSV, KOP, KOPV, KVT, UOP4 | | | |
| | Pre | A07A | | Pre | A07A | | | 05 | F36A, F36B | | |
| | 5n164.0 | | | BOP, KJZSV, KOP, KOPV, KVT, MVV, UOP4 | 5n166.2 | | | | BOP, KJZSV, KOP, KOPV, KVT, MVV, UOP4 | 06 | G15Z, G19A, G19B, G33Z, G38Z |
| | | 05 | | F36A, F36B | | | | 05 | F36A, F36B | 07 | H12A, H33Z, H38Z |
| | | 06 | | G03A, G03B, G03C, G33Z, G38Z | | | | 06 | G03A, G03B, G03C, G33Z, G38Z | 10 | K04A |
| | | 07 | | H33Z, H38Z | | | | 07 | H33Z, H38Z | 11 | L33Z |
| | | 09 | | J26Z | | | | 09 | J26Z | 17 | R01A, R01B, R01C, R01D, R02Z, R12A, R12B, R12C |
| 11 | | L33Z | 11 | L33Z | | 21B | | X33Z | | | |
| 17 | | R01A, R01B, R01C, R01D, R02Z, R12A, R12B, R12C | 17 | R01A, R01B, R01C, R01D, R02Z, R12A, R12B, R12C | | 23 | | Z01A | | | |
| 21A | | W04A, W04B | 21A | W04A, W04B | | Pre | | A07A | | | |
| 21B | | X06A, X06B, X06C, X33Z | 21B | X06A, X06B, X06C, X33Z | | 5n170.4 | | BOP, KJZSV, KOP, KOPV, KVT, UOP4 | | | |
| 22 | | Y01Z, Y03A, Y03B | 22 | Y01Z, Y03A, Y03B | | | | 05 | F36A, F36B | | |
| 23 | | Z01A | 23 | Z01A | | | | 06 | G15Z, G19A, G19B, G33Z, G38Z | | |
| Pre | | A07A | Pre | A07A | | | | 07 | H12A, H33Z, H38Z | | |
| 5n164.2 | | | BOP, KJZSV, KOP, KOPV, KVT, MVV, UOP4 | 5n16x | | | | | BOP, KJZSV, KOP, KOPV, KVT, MVV, UOP4 | 10 | K04A |
| | | 05 | F36A, F36B | | | | | 05 | F36A, F36B | 11 | L33Z |
| | | 06 | G03A, G03B, G03C, G33Z, G38Z | | | | | 06 | G03A, G03B, G03C, G33Z, G38Z | 17 | R01A, R01B, R01C, R01D, R02Z, R12A, R12B, R12C |
| | | 07 | H33Z, H38Z | | | | 07 | H33Z, H38Z | 21B | X33Z | |
| | | 09 | J26Z | | | | 09 | J26Z | 23 | Z01A | |
| | 11 | L33Z | 11 | | L33Z | | Pre | A07A | | | |
| | 17 | R01A, R01B, R01C, R01D, R02Z, R12A, R12B, R12C | 17 | | R01A, R01B, R01C, R01D, R02Z, R12A, R12B, R12C | | 5n171.0 | BOP, KJZSV, KOP, KOPV, KVT, UOP4 | | | |
| | 21A | W04A, W04B | 21A | | W04A, W04B | | | 05 | F36A, F36B | | |
| | 21B | X06A, X06B, X06C, X33Z | 21B | | X06A, X06B, X06C, X33Z | | | 06 | G15Z, G19A, G19B, G33Z, G38Z | | |
| | 22 | Y01Z, Y03A, Y03B | 22 | | Y01Z, Y03A, Y03B | | | 07 | H12A, H33Z, H38Z | | |
| | 23 | Z01A | 23 | | Z01A | | | 10 | K04A | | |
| | Pre | A07A | Pre | | A07A | | | 11 | L33Z | | |
| | 5n165.0 | | BOP, KJZSV, KOP, KOPV, KVT, MVV, UOP4 | | 5n16x.0 | | | | BOP, KJZSV, KOP, KOPV, KVT, MVV, UOP4 | 17 | R01A, R01B, R01C, R01D, R02Z, R12A, R12B, R12C |
| | | 05 | F36A, F36B | | | 05 | | F36A, F36B | 21B | X33Z | |
| | | 06 | G03A, G03B, G03C, G33Z, G38Z | | | 06 | | G03A, G03B, G03C, G33Z, G38Z | 23 | Z01A | |
| | | 07 | H33Z, H38Z | | | 07 | | H33Z, H38Z | Pre | A07A | |
| | | 09 | J26Z | | | 09 | | J26Z | 5n171.2 | BOP, KJZSV, KOP, KOPV, KVT, UOP4 | |
| 11 | | L33Z | 11 | L33Z | | 05 | | F36A, F36B | | | |
| 17 | | R01A, R01B, R01C, R01D, R02Z, R12A, R12B, R12C | 17 | R01A, R01B, R01C, R01D, R02Z, R12A, R12B, R12C | | 06 | | G15Z, G19A, G19B, G33Z, G38Z | | | |
| 21A | | W04A, W04B | 21A | W04A, W04B | | 07 | | H12A, H33Z, H38Z | | | |
| 21B | | X06A, X06B, X06C, X33Z | 21B | X06A, X06B, X06C, X33Z | | 10 | | K04A | | | |
| 22 | | Y01Z, Y03A, Y03B | 22 | Y01Z, Y03A, Y03B | | 11 | | L33Z | | | |
| 23 | | Z01A | 23 | Z01A | | 17 | | R01A, R01B, R01C, R01D, R02Z, R12A, R12B, R12C | | | |
| Pre | | A07A | Pre | A07A | | 21B | X33Z | | | | |
| | | | | | | 23 | Z01A | | | | |
| | | | | | | Pre | A07A | | | | |

VYK

| ZZV | MDC | DRG | ZZV | MDC | DRG | ZZV | MDC | DRG | | | |
|---------|---------|--|----------------------------------|--|--|---------|--|--|---------|----|----------------------------------|
| 5n171.4 | | BOP, KJZSV, KOP, KOPV, KVT, UOP4 | 5n173.2 | | BOP, KJZSV, KOP, KOPV, KVT, UOP4 | 5n175.0 | | BOP, KJZSV, KOP, KOPV, KVT, UOP4 | | | |
| | 05 | F36A, F36B | | 05 | F36A, F36B | | 05 | F36A, F36B | | | |
| | 06 | G15Z, G19A, G19B, G33Z, G38Z | | 06 | G15Z, G19A, G19B, G33Z, G38Z | | 06 | G15Z, G19A, G19B, G33Z, G38Z | | | |
| | 07 | H12A, H33Z, H38Z | | 07 | H12A, H33Z, H38Z | | 07 | H12A, H33Z, H38Z | | | |
| | 10 | K04A | | 10 | K04A | | 10 | K04A | | | |
| | 11 | L33Z | | 11 | L33Z | | 11 | L33Z | | | |
| | 17 | R01A, R01B, R01C, R01D, R02Z, R12A, R12B, R12C | | 17 | R01A, R01B, R01C, R01D, R02Z, R12A, R12B, R12C | | 17 | R01A, R01B, R01C, R01D, R02Z, R12A, R12B, R12C | | | |
| | 21B | X33Z | | 21B | X33Z | | 21B | X33Z | | | |
| | 23 | Z01A | | 23 | Z01A | | 23 | Z01A | | | |
| | Pre | A07A | | Pre | A07A | | Pre | A07A | | | |
| | 5n172.0 | | | BOP, KJZSV, KOP, KOPV, KVT, UOP4 | 5n173.4 | | | BOP, KJZSV, KOP, KOPV, KVT, UOP4 | 5n175.2 | | BOP, KJZSV, KOP, KOPV, KVT, UOP4 |
| | | 05 | | F36A, F36B | | | 05 | F36A, F36B | | 05 | F36A, F36B |
| | | 06 | | G15Z, G19A, G19B, G33Z, G38Z | | | 06 | G15Z, G19A, G19B, G33Z, G38Z | | 06 | G15Z, G19A, G19B, G33Z, G38Z |
| 07 | | H12A, H33Z, H38Z | 07 | H12A, H33Z, H38Z | | 07 | H12A, H33Z, H38Z | | | | |
| 10 | | K04A | 10 | K04A | | 10 | K04A | | | | |
| 11 | | L33Z | 11 | L33Z | | 11 | L33Z | | | | |
| 17 | | R01A, R01B, R01C, R01D, R02Z, R12A, R12B, R12C | 17 | R01A, R01B, R01C, R01D, R02Z, R12A, R12B, R12C | | 17 | R01A, R01B, R01C, R01D, R02Z, R12A, R12B, R12C | | | | |
| 21B | | X33Z | 21B | X33Z | | 21B | X33Z | | | | |
| 23 | | Z01A | 23 | Z01A | | 23 | Z01A | | | | |
| Pre | | A07A | Pre | A07A | | Pre | A07A | | | | |
| 5n172.2 | | | BOP, KJZSV, KOP, KOPV, KVT, UOP4 | 5n174.0 | | | BOP, KJZSV, KOP, KOPV, KVT, UOP4 | 5n175.4 | | | BOP, KJZSV, KOP, KOPV, KVT, UOP4 |
| | | 05 | F36A, F36B | | | 05 | F36A, F36B | | | 05 | F36A, F36B |
| | | 06 | G15Z, G19A, G19B, G33Z, G38Z | | | 06 | G15Z, G19A, G19B, G33Z, G38Z | | | 06 | G15Z, G19A, G19B, G33Z, G38Z |
| | 07 | H12A, H33Z, H38Z | 07 | | H12A, H33Z, H38Z | 07 | H12A, H33Z, H38Z | | | | |
| | 10 | K04A | 10 | | K04A | 10 | K04A | | | | |
| | 11 | L33Z | 11 | | L33Z | 11 | L33Z | | | | |
| | 17 | R01A, R01B, R01C, R01D, R02Z, R12A, R12B, R12C | 17 | | R01A, R01B, R01C, R01D, R02Z, R12A, R12B, R12C | 17 | R01A, R01B, R01C, R01D, R02Z, R12A, R12B, R12C | | | | |
| | 21B | X33Z | 21B | | X33Z | 21B | X33Z | | | | |
| | 23 | Z01A | 23 | | Z01A | 23 | Z01A | | | | |
| | Pre | A07A | Pre | | A07A | Pre | A07A | | | | |
| | 5n172.4 | | BOP, KJZSV, KOP, KOPV, KVT, UOP4 | | 5n174.2 | | BOP, KJZSV, KOP, KOPV, KVT, UOP4 | | 5n17x.0 | | BOP, KJZSV, KOP, KOPV, KVT, UOP4 |
| | | 05 | F36A, F36B | | | 05 | F36A, F36B | | | 05 | F36A, F36B |
| | | 06 | G15Z, G19A, G19B, G33Z, G38Z | | | 06 | G15Z, G19A, G19B, G33Z, G38Z | | | 06 | G15Z, G19A, G19B, G33Z, G38Z |
| 07 | | H12A, H33Z, H38Z | 07 | H12A, H33Z, H38Z | | 07 | H12A, H33Z, H38Z | | | | |
| 10 | | K04A | 10 | K04A | | 10 | K04A | | | | |
| 11 | | L33Z | 11 | L33Z | | 11 | L33Z | | | | |
| 17 | | R01A, R01B, R01C, R01D, R02Z, R12A, R12B, R12C | 17 | R01A, R01B, R01C, R01D, R02Z, R12A, R12B, R12C | | 17 | R01A, R01B, R01C, R01D, R02Z, R12A, R12B, R12C | | | | |
| 21B | | X33Z | 21B | X33Z | | 21B | X33Z | | | | |
| 23 | | Z01A | 23 | Z01A | | 23 | Z01A | | | | |
| Pre | | A07A | Pre | A07A | | Pre | A07A | | | | |
| 5n173.0 | | | BOP, KJZSV, KOP, KOPV, KVT, UOP4 | 5n174.4 | | | BOP, KJZSV, KOP, KOPV, KVT, UOP4 | 5n17x.2 | | | BOP, KJZSV, KOP, KOPV, KVT, UOP4 |
| | | 05 | F36A, F36B | | | 05 | F36A, F36B | | | 05 | F36A, F36B |
| | | 06 | G15Z, G19A, G19B, G33Z, G38Z | | | 06 | G15Z, G19A, G19B, G33Z, G38Z | | | 06 | G15Z, G19A, G19B, G33Z, G38Z |
| | 07 | H12A, H33Z, H38Z | 07 | | H12A, H33Z, H38Z | 07 | H12A, H33Z, H38Z | | | | |
| | 10 | K04A | 10 | | K04A | 10 | K04A | | | | |
| | 11 | L33Z | 11 | | L33Z | 11 | L33Z | | | | |
| | 17 | R01A, R01B, R01C, R01D, R02Z, R12A, R12B, R12C | 17 | | R01A, R01B, R01C, R01D, R02Z, R12A, R12B, R12C | 17 | R01A, R01B, R01C, R01D, R02Z, R12A, R12B, R12C | | | | |
| | 21B | X33Z | 21B | | X33Z | 21B | X33Z | | | | |
| | 23 | Z01A | 23 | | Z01A | 23 | Z01A | | | | |
| | Pre | A07A | Pre | | A07A | Pre | A07A | | | | |

VYK

| ZZV | MDC | DRG | ZZV | MDC | DRG | ZZV | MDC | DRG | | | |
|---------|---------|--|------------|------------|------------------------------------|------------------------------------|--|----------------------------------|------------|------------------------------------|------------|
| 5n17x.4 | | BOP, KJZSV, KOP, KOPV, KVT, UOP4 | 5n182.1 | | BOP, KJZSV, KOP, KOPV, KVT, UOP4 | 5n183.4 | | BOP, KJZSV, KOP, KOPV, KVT, UOP4 | | | |
| | 05 | F36A, F36B | | 06 | G01Z, G02Z, G15Z, G19A, G19B, G38Z | | 06 | G15Z, G19A, G19B, G38Z | | | |
| | 06 | G15Z, G19A, G19B, G33Z, G38Z | | 07 | H33Z, H38Z | | 07 | H33Z, H38Z | | | |
| | 07 | H12A, H33Z, H38Z | | 11 | L33Z | | 11 | L33Z | | | |
| | 10 | K04A | | 21A | W04A, W04B | | 21A | W04A, W04B | | | |
| | 11 | L33Z | | 21B | X06A, X06B | | 21B | X06A, X06B | | | |
| | 17 | R01A, R01B, R01C, R01D, R02Z, R12A, R12B, R12C | | 23 | Z01A | | 23 | Z01A | | | |
| | 21B | X33Z | | Pre | A07A, A13A, A13B, A13C | | Pre | A07A | | | |
| | 23 | Z01A | | 5n182.2 | | | BOP, KJZSV, KOP, KOPV, KVT, UOP4 | 5n183.x | | BOP, KJZSV, KOP, KOPV, KVT, UOP4 | |
| | Pre | A07A | | | 06 | | G01Z, G02Z, G15Z, G19A, G19B, G19C, G38Z | | 06 | G15Z, G19A, G19B, G38Z | |
| | 5n180.0 | | | | BOP, KJZSV, KOP, KOPV, KVT, UOP4 | | 07 | | H33Z, H38Z | 07 | H33Z, H38Z |
| | | 06 | | | G15Z, G19A, G19B, G38Z | | 11 | | L33Z | 11 | L33Z |
| | | 07 | | | H33Z, H38Z | | 21A | | W04A, W04B | 21A | W04A, W04B |
| 11 | | L33Z | 21B | | X06A, X06B | 21B | X06A, X06B | | | | |
| 21A | | W04A, W04B | 23 | | Z01A | 23 | Z01A | | | | |
| 21B | | X06A, X06B | Pre | | A07A, A13A, A13B, A13C | Pre | A07A | | | | |
| 23 | | Z01A | 5n182.4 | | | BOP, KJZSV, KOP, KOPV, KVT, UOP4 | 5n184.0 | | | BOP, KJZSV, KOP, KOPV, KVT, UOP4 | |
| Pre | | A07A | | | 06 | G01Z, G02Z, G15Z, G19A, G19B, G38Z | | | 06 | G01Z, G02Z, G15Z, G19A, G19B, G38Z | |
| 5n180.1 | | | | | BOP, KJZSV, KOP, KOPV, KVT, UOP4 | 07 | | | H33Z, H38Z | 07 | H33Z, H38Z |
| | | 06 | | | G15Z, G19A, G19B, G38Z | 11 | | | L33Z | 11 | L33Z |
| | | 07 | | | H33Z, H38Z | 21A | | | W04A, W04B | 21A | W04A, W04B |
| | | 11 | | L33Z | 21B | X06A, X06B | | 21B | X06A, X06B | | |
| | | 21A | | W04A, W04B | 23 | Z01A | | 23 | Z01A | | |
| | 21B | X06A, X06B | | Pre | A07A, A13A, A13B, A13C | Pre | | A07A | | | |
| | 23 | Z01A | | 5n182.x | | BOP, KJZSV, KOP, KOPV, KVT, UOP4 | | 5n184.1 | | BOP, KJZSV, KOP, KOPV, KVT, UOP4 | |
| | Pre | A07A | | | 06 | G01Z, G02Z, G15Z, G19A, G19B, G38Z | | | 06 | G01Z, G02Z, G15Z, G19A, G19B, G38Z | |
| | 5n180.2 | | | | BOP, KJZSV, KOP, KOPV, KVT, UOP4 | 07 | | | H33Z, H38Z | 07 | H33Z, H38Z |
| | | 06 | | | G15Z, G19A, G19B, G38Z | 11 | | | L33Z | 11 | L33Z |
| | | 07 | | | H33Z, H38Z | 21A | | | W04A, W04B | 21A | W04A, W04B |
| | | 11 | L33Z | | 21B | X06A, X06B | 21B | | X06A, X06B | | |
| | | 21A | W04A, W04B | | 23 | Z01A | 23 | | Z01A | | |
| 21B | | X06A, X06B | Pre | | A07A, A13A, A13B, A13C | Pre | A07A, A13A, A13B, A13C | | | | |
| 23 | | Z01A | 5n183.0 | | | BOP, KJZSV, KOP, KOPV, KVT, UOP4 | 5n184.2 | | | BOP, KJZSV, KOP, KOPV, KVT, UOP4 | |
| Pre | | A07A | | | 06 | G15Z, G19A, G19B, G38Z | | | 06 | G01Z, G02Z, G15Z, G19A, G19B, G38Z | |
| 5n180.4 | | | | | BOP, KJZSV, KOP, KOPV, KVT, UOP4 | 07 | | | H33Z, H38Z | 07 | H33Z, H38Z |
| | | 06 | | | G15Z, G19A, G19B, G38Z | 11 | | | L33Z | 11 | L33Z |
| | | 07 | | | H33Z, H38Z | 21A | | | W04A, W04B | 21A | W04A, W04B |
| | | 11 | | L33Z | 21B | X06A, X06B | | 21B | X06A, X06B | | |
| | | 21A | | W04A, W04B | 23 | Z01A | | 23 | Z01A | | |
| | 21B | X06A, X06B | | Pre | A07A | Pre | | A07A, A13A, A13B, A13C | | | |
| | 23 | Z01A | | 5n183.1 | | BOP, KJZSV, KOP, KOPV, KVT, UOP4 | | 5n184.4 | | BOP, KJZSV, KOP, KOPV, KVT, UOP4 | |
| | Pre | A07A | | | 06 | G15Z, G19A, G19B, G38Z | | | 06 | G01Z, G02Z, G15Z, G19A, G19B, G38Z | |
| | 5n180.x | | | | BOP, KJZSV, KOP, KOPV, KVT, UOP4 | 07 | | | H33Z, H38Z | 07 | H33Z, H38Z |
| | | 06 | | | G15Z, G19A, G19B, G38Z | 11 | | | L33Z | 11 | L33Z |
| | | 07 | | | H33Z, H38Z | 21A | | | W04A, W04B | 21A | W04A, W04B |
| | | 11 | L33Z | | 21B | X06A, X06B | 21B | | X06A, X06B | | |
| | | 21A | W04A, W04B | | 23 | Z01A | 23 | | Z01A | | |
| 21B | | X06A, X06B | Pre | | A07A | Pre | A07A, A13A, A13B, A13C | | | | |
| 23 | | Z01A | 5n183.2 | | | BOP, KJZSV, KOP, KOPV, KVT, UOP4 | 5n184.5 | | | BOP, KJZSV, KOP, KOPV, KVT, UOP4 | |
| Pre | | A07A | | | 06 | G15Z, G19A, G19B, G38Z | | | 06 | G01Z, G02Z, G15Z, G19A, G19B, G38Z | |
| 5n182.0 | | | | | BOP, KJZSV, KOP, KOPV, KVT, UOP4 | 07 | | | H33Z, H38Z | 07 | H33Z, H38Z |
| | | 06 | | | G01Z, G02Z, G15Z, G19A, G19B, G38Z | 11 | | | L33Z | 11 | L33Z |
| | | 07 | | | H33Z, H38Z | 21A | | | W04A, W04B | 21A | W04A, W04B |
| | | 11 | | L33Z | 21B | X06A, X06B | | 21B | X06A, X06B | | |
| | | 21A | | W04A, W04B | 23 | Z01A | | 23 | Z01A | | |
| | 21B | X06A, X06B | | Pre | A07A | Pre | | A07A, A13A, A13B, A13C | | | |
| | 23 | Z01A | | 5n183.4 | | BOP, KJZSV, KOP, KOPV, KVT, UOP4 | | 5n184.5 | | BOP, KJZSV, KOP, KOPV, KVT, UOP4 | |
| | Pre | A07A, A13A, A13B, A13C | | | 06 | G15Z, G19A, G19B, G38Z | | | 06 | G01Z, G02Z, G15Z, G19A, G19B, G38Z | |

| ZZV | MDC | DRG | ZZV | MDC | DRG | ZZV | MDC | DRG |
|----------|------------------------|--|------------------------|-----|--|---------|-----|--|
| 5n184.50 | | BOP, KJZSV, KOP, KOPV, KVT, UOP4 | 5n185.1 | | BOP, KJZSV, KOP, KOPV, KVT, UOP4 | 5n186.2 | | BOP, KJZSV, KOP, KOPV, KVT, UOP4 |
| | 06 | G01Z, G02Z, G15Z, G19A, G19B, G38Z | | 06 | G01Z, G02Z, G15Z, G19A, G19B, G38Z | | 06 | G01Z, G02Z, G15Z, G19A, G19B, G19C, G38Z |
| | 07 | H33Z, H38Z | | 07 | H33Z, H38Z | | 07 | H33Z, H38Z |
| | 11 | L33Z | | 11 | L33Z | | 11 | L33Z |
| | 21A | W04A, W04B | | 21A | W04A, W04B | | 21A | W04A, W04B |
| | 21B | X06A, X06B | | 21B | X06A, X06B | | 21B | X06A, X06B |
| | 23 | Z01A | | 23 | Z01A | | 23 | Z01A |
| | Pre | A07A, A13A, A13B, A13C | | Pre | A07A, A13A, A13B, A13C | | Pre | A07A, A13A, A13B, A13C |
| 5n184.51 | | BOP, KJZSV, KOP, KOPV, KVT, UOP4 | 5n185.2 | | BOP, KJZSV, KOP, KOPV, KVT, UOP4 | 5n186.4 | | BOP, KJZSV, KOP, KOPV, KVT, UOP4 |
| | 06 | G01Z, G02Z, G15Z, G19A, G19B, G38Z | | 06 | G01Z, G02Z, G15Z, G19A, G19B, G19C, G38Z | | 06 | G01Z, G02Z, G15Z, G19A, G19B, G38Z |
| | 07 | H33Z, H38Z | | 07 | H33Z, H38Z | | 07 | H33Z, H38Z |
| | 11 | L33Z | | 11 | L33Z | | 11 | L33Z |
| | 21A | W04A, W04B | | 21A | W04A, W04B | | 21A | W04A, W04B |
| | 21B | X06A, X06B | | 21B | X06A, X06B | | 21B | X06A, X06B |
| | 23 | Z01A | | 23 | Z01A | | 23 | Z01A |
| | Pre | A07A, A13A, A13B, A13C | | Pre | A07A, A13A, A13B, A13C | | Pre | A07A, A13A, A13B, A13C |
| 5n184.52 | | BOP, KJZSV, KOP, KOPV, KVT, UOP4 | 5n185.4 | | BOP, KJZSV, KOP, KOPV, KVT, UOP4 | 5n186.5 | | BOP, KJZSV, KOP, KOPV, KVT, UOP4 |
| | 06 | G01Z, G02Z, G15Z, G19A, G19B, G19C, G38Z | | 06 | G01Z, G02Z, G15Z, G19A, G19B, G38Z | | 06 | G01Z, G02Z, G15Z, G19A, G19B, G19C, G38Z |
| | 07 | H33Z, H38Z | | 07 | H33Z, H38Z | | 07 | H33Z, H38Z |
| | 11 | L33Z | | 11 | L33Z | | 11 | L33Z |
| | 21A | W04A, W04B | | 21A | W04A, W04B | | 21A | W04A, W04B |
| | 21B | X06A, X06B | | 21B | X06A, X06B | | 21B | X06A, X06B |
| | 23 | Z01A | | 23 | Z01A | | 23 | Z01A |
| | Pre | A07A, A13A, A13B, A13C | | Pre | A07A, A13A, A13B, A13C | | Pre | A07A, A13A, A13B, A13C |
| 5n184.55 | | BOP, KJZSV, KOP, KOPV, KVT, UOP4 | 5n185.5 | | BOP, KJZSV, KOP, KOPV, KVT, UOP4 | 5n186.x | | BOP, KJZSV, KOP, KOPV, KVT, UOP4 |
| | 06 | G01Z, G02Z, G15Z, G19A, G19B, G19C, G38Z | | 06 | G01Z, G02Z, G15Z, G19A, G19B, G19C, G38Z | | 06 | G01Z, G02Z, G15Z, G19A, G19B, G19C, G38Z |
| | 07 | H33Z, H38Z | | 07 | H33Z, H38Z | | 07 | H33Z, H38Z |
| | 11 | L33Z | | 11 | L33Z | | 11 | L33Z |
| | 21A | W04A, W04B | | 21A | W04A, W04B | | 21A | W04A, W04B |
| | 21B | X06A, X06B | | 21B | X06A, X06B | | 21B | X06A, X06B |
| | 23 | Z01A | | 23 | Z01A | | 23 | Z01A |
| | Pre | A07A, A13A, A13B, A13C | | Pre | A07A, A13A, A13B, A13C | | Pre | A07A, A13A, A13B, A13C |
| 5n184.5x | | BOP, KJZSV, KOP, KOPV, KVT, UOP4 | 5n185.x | | BOP, KJZSV, KOP, KOPV, KVT, UOP4 | 5n18a.0 | | BOP, KJZSV, KOP, KOPV, KVT, UOP4 |
| | 06 | G01Z, G02Z, G15Z, G19A, G19B, G19C, G38Z | | 06 | G01Z, G02Z, G15Z, G19A, G19B, G19C, G38Z | | 06 | G15Z, G19A, G19B, G38Z |
| | 07 | H33Z, H38Z | | 07 | H33Z, H38Z | | 07 | H33Z, H38Z |
| | 11 | L33Z | | 11 | L33Z | | 10 | K04A |
| | 21A | W04A, W04B | | 11 | L33Z | | 11 | L33Z |
| | 21A | W04A, W04B | | 21A | W04A, W04B | | 21A | W04A, W04B |
| | 21B | X06A, X06B | | 21B | X06A, X06B | | 21B | X06A, X06B |
| | 23 | Z01A | | 23 | Z01A | | 23 | Z01A |
| 5n184.x | | A07A, A13A, A13B, A13C | 5n186.0 | | A07A, A13A, A13B, A13C | 5n18a.1 | | A07A |
| | 06 | BOP, KJZSV, KOP, KOPV, KVT, UOP4 | | 06 | BOP, KJZSV, KOP, KOPV, KVT, UOP4 | | 06 | BOP, KJZSV, KOP, KOPV, KVT, UOP4 |
| | 06 | G01Z, G02Z, G15Z, G19A, G19B, G19C, G38Z | | 06 | G01Z, G02Z, G15Z, G19A, G19B, G38Z | | 06 | G15Z, G19A, G19B, G38Z |
| | 07 | H33Z, H38Z | | 07 | H33Z, H38Z | | 07 | H33Z, H38Z |
| | 11 | L33Z | | 11 | L33Z | | 10 | K04A |
| | 21A | W04A, W04B | | 11 | L33Z | | 11 | L33Z |
| | 21A | W04A, W04B | | 21A | W04A, W04B | | 21A | W04A, W04B |
| | 21B | X06A, X06B | | 21B | X06A, X06B | | 21B | X06A, X06B |
| 5n185.0 | | A07A, A13A, A13B, A13C | 5n186.1 | | A07A, A13A, A13B, A13C | | | A07A |
| | 06 | BOP, KJZSV, KOP, KOPV, KVT, UOP4 | | 06 | BOP, KJZSV, KOP, KOPV, KVT, UOP4 | | 06 | BOP, KJZSV, KOP, KOPV, KVT, UOP4 |
| | 06 | G01Z, G02Z, G15Z, G19A, G19B, G38Z | | 06 | G01Z, G02Z, G15Z, G19A, G19B, G38Z | | 06 | G01Z, G02Z, G15Z, G19A, G19B, G38Z |
| | 07 | H33Z, H38Z | | 07 | H33Z, H38Z | | 07 | H33Z, H38Z |
| | 11 | L33Z | | 11 | L33Z | | 11 | L33Z |
| | 21A | W04A, W04B | | 11 | L33Z | | 21A | W04A, W04B |
| | 21A | W04A, W04B | | 21A | W04A, W04B | | 21B | X06A, X06B |
| | 21B | X06A, X06B | | 21B | X06A, X06B | | 23 | Z01A |
| 23 | Z01A | 23 | Z01A | Pre | A07A | | | |
| Pre | A07A, A13A, A13B, A13C | Pre | A07A, A13A, A13B, A13C | Pre | A07A | | | |

| ZZV | MDC | DRG | ZZV | MDC | DRG | ZZV | MDC | DRG |
|---------|---------|----------------------------------|----------------------------------|----------------------------------|----------------------------------|---------|----------------------------------|----------------------------------|
| 5n18a.2 | | BOP, KJZSV, KOP, KOPV, KVT, UOP4 | 5n18b.4 | | BOP, KJZSV, KOP, KOPV, KVT, UOP4 | 5n18c.x | | BOP, KJZSV, KOP, KOPV, KVT, UOP4 |
| | 06 | G15Z, G19A, G19B, G38Z | | 06 | G15Z, G19A, G19B, G38Z | | 06 | G15Z, G19A, G19B, G19C, G38Z |
| | 07 | H33Z, H38Z | | 07 | H33Z, H38Z | | 07 | H33Z, H38Z |
| | 10 | K04A | | 10 | K04A, K04B | | 10 | K04A, K04B |
| | 11 | L33Z | | 11 | L33Z | | 11 | L33Z |
| | 21A | W04A, W04B | | 21A | W04A, W04B | | 21A | W04A, W04B |
| | 21B | X06A, X06B | | 21B | X06A, X06B | | 21B | X06A, X06B |
| | 23 | Z01A | | 23 | Z01A | | 23 | Z01A |
| | Pre | A07A | | Pre | A07A | | Pre | A07A |
| | 5n18a.4 | | | BOP, KJZSV, KOP, KOPV, KVT, UOP4 | 5n18b.x | | | BOP, KJZSV, KOP, KOPV, KVT, UOP4 |
| 06 | | G15Z, G19A, G19B, G38Z | 06 | G15Z, G19A, G19B, G19C, G38Z | | 06 | G15Z, G19A, G19B, G38Z | |
| 07 | | H33Z, H38Z | 07 | H33Z, H38Z | | 07 | H33Z, H38Z | |
| 10 | | K04A | 10 | K04A, K04B | | 10 | K04A, K04B | |
| 11 | | L33Z | 11 | L33Z | | 11 | L33Z | |
| 21A | | W04A, W04B | 21A | W04A, W04B | | 21A | W04A, W04B | |
| 21B | | X06A, X06B | 21B | X06A, X06B | | 21B | X06A, X06B | |
| 23 | | Z01A | 23 | Z01A | | 23 | Z01A | |
| Pre | | A07A | Pre | A07A | | Pre | A07A | |
| 5n18a.x | | | BOP, KJZSV, KOP, KOPV, KVT, UOP4 | 5n18c.0 | | | BOP, KJZSV, KOP, KOPV, KVT, UOP4 | 5n18d.1 |
| | 06 | G15Z, G19A, G19B, G38Z | 06 | | G15Z, G19A, G19B, G38Z | 06 | G15Z, G19A, G19B, G38Z | |
| | 07 | H33Z, H38Z | 07 | | H33Z, H38Z | 07 | H33Z, H38Z | |
| | 10 | K04A | 10 | | K04A, K04B | 10 | K04A, K04B | |
| | 11 | L33Z | 11 | | L33Z | 11 | L33Z | |
| | 21A | W04A, W04B | 21A | | W04A, W04B | 21A | W04A, W04B | |
| | 21B | X06A, X06B | 21B | | X06A, X06B | 21B | X06A, X06B | |
| | 23 | Z01A | 23 | | Z01A | 23 | Z01A | |
| | Pre | A07A | Pre | | A07A | Pre | A07A | |
| | 5n18b.0 | | BOP, KJZSV, KOP, KOPV, KVT, UOP4 | | 5n18c.1 | | BOP, KJZSV, KOP, KOPV, KVT, UOP4 | |
| 06 | | G15Z, G19A, G19B, G38Z | 06 | G15Z, G19A, G19B, G38Z | | 06 | G15Z, G19A, G19B, G19C, G38Z | |
| 07 | | H33Z, H38Z | 07 | H33Z, H38Z | | 07 | H33Z, H38Z | |
| 10 | | K04A, K04B | 10 | K04A, K04B | | 10 | K04A, K04B | |
| 11 | | L33Z | 11 | L33Z | | 11 | L33Z | |
| 21A | | W04A, W04B | 21A | W04A, W04B | | 21A | W04A, W04B | |
| 21B | | X06A, X06B | 21B | X06A, X06B | | 21B | X06A, X06B | |
| 23 | | Z01A | 23 | Z01A | | 23 | Z01A | |
| Pre | | A07A | Pre | A07A | | Pre | A07A | |
| 5n18b.1 | | | BOP, KJZSV, KOP, KOPV, KVT, UOP4 | 5n18c.2 | | | BOP, KJZSV, KOP, KOPV, KVT, UOP4 | 5n18d.4 |
| | 06 | G15Z, G19A, G19B, G38Z | 06 | | G15Z, G19A, G19B, G19C, G38Z | 06 | G15Z, G19A, G19B, G38Z | |
| | 07 | H33Z, H38Z | 07 | | H33Z, H38Z | 07 | H33Z, H38Z | |
| | 10 | K04A, K04B | 10 | | K04A, K04B | 10 | K04A, K04B | |
| | 11 | L33Z | 11 | | L33Z | 11 | L33Z | |
| | 21A | W04A, W04B | 21A | | W04A, W04B | 21A | W04A, W04B | |
| | 21B | X06A, X06B | 21B | | X06A, X06B | 21B | X06A, X06B | |
| | 23 | Z01A | 23 | | Z01A | 23 | Z01A | |
| | Pre | A07A | Pre | | A07A | Pre | A07A | |
| | 5n18b.2 | | BOP, KJZSV, KOP, KOPV, KVT, UOP4 | | 5n18c.4 | | BOP, KJZSV, KOP, KOPV, KVT, UOP4 | |
| 06 | | G15Z, G19A, G19B, G19C, G38Z | 06 | G15Z, G19A, G19B, G38Z | | 06 | G15Z, G19A, G19B, G19C, G38Z | |
| 07 | | H33Z, H38Z | 07 | H33Z, H38Z | | 07 | H33Z, H38Z | |
| 10 | | K04A, K04B | 10 | K04A, K04B | | 10 | K04A, K04B | |
| 11 | | L33Z | 11 | L33Z | | 11 | L33Z | |
| 21A | | W04A, W04B | 21A | W04A, W04B | | 21A | W04A, W04B | |
| 21B | | X06A, X06B | 21B | X06A, X06B | | 21B | X06A, X06B | |
| 23 | | Z01A | 23 | Z01A | | 23 | Z01A | |
| Pre | | A07A | Pre | A07A | | Pre | A07A | |

VYK

| ZZV | MDC | DRG | ZZV | MDC | DRG | ZZV | MDC | DRG | | |
|---------|---------|----------------------------------|----------------------------------|----------------------------------|------------------------------------|------------------------------------|----------------------------------|------------------------------------|--|------------------------------------|
| 5n18e.0 | | BOP, KJZSV, KOP, KOPV, KVT, UOP4 | 5n18x.1 | | BOP, KJZSV, KOP, KOPV, KVT, UOP4 | 5n191.x | | BOP, KJZSV, KOP, KOPV, KVT, UOP4 | | |
| | 06 | G15Z, G19A, G19B, G38Z | | 06 | G15Z, G19A, G19B, G38Z | | 06 | G15Z, G19A, G19B, G38Z | | |
| | 07 | H33Z, H38Z | | 07 | H33Z, H38Z | | 07 | H06A, H06B, H06C, H33Z, H38Z | | |
| | 10 | K07Z | | 11 | L33Z | | 23 | Z01A | | |
| | 11 | L33Z | | 21A | W04A, W04B | | Pre | A07A | | |
| | 21A | W04A, W04B | | 21B | X06A, X06B | | 5n192.0† | 06 | G40Z, G46A, G46B, G46C, G47Z, G50Z, G53J | |
| | 21B | X06A, X06B | | 23 | Z01A | | | 5n193.0 | | BOP, KJZSV, KOP, KOPV, KVT, UOP4 |
| | 23 | Z01A | | Pre | A07A | | 06 | | G15Z, G19A, G19B, G38Z | |
| | Pre | A07A | | 5n18x.2 | | | BOP, KJZSV, KOP, KOPV, KVT, UOP4 | 07 | H06A, H06B, H06C, H33Z, H38Z | |
| | 5n18e.1 | | | | BOP, KJZSV, KOP, KOPV, KVT, UOP4 | | 06 | G15Z, G19A, G19B, G19C, G38Z | 10 | K04A |
| 06 | | G15Z, G19A, G19B, G38Z | 07 | | H33Z, H38Z | 21A | W04A, W04B | | | |
| 07 | | H33Z, H38Z | 11 | | L33Z | 21B | X06A, X06B, X06C | | | |
| 10 | | K07Z | 21B | | X06A, X06B | 23 | Z01A | | | |
| 11 | | L33Z | 23 | | Z01A | Pre | A07A | | | |
| 21A | | W04A, W04B | Pre | | A07A | 5n193.2 | | BOP, KJZSV, KOP, KOPV, KVT, UOP4 | | |
| 21B | | X06A, X06B | 5n18x.4 | | | | BOP, KJZSV, KOP, KOPV, KVT, UOP4 | 06 | G15Z, G19A, G19B, G38Z | |
| 23 | | Z01A | | | 06 | | G15Z, G19A, G19B, G38Z | 07 | H06A, H06B, H06C, H33Z, H38Z | |
| Pre | | A07A | | | 07 | | H33Z, H38Z | 10 | K04A | |
| 5n18e.2 | | | | BOP, KJZSV, KOP, KOPV, KVT, UOP4 | 11 | | L33Z | 21A | W04A, W04B | |
| | 06 | G15Z, G19A, G19B, G19C, G38Z | | 21B | X06A, X06B | | 21B | X06A, X06B, X06C | | |
| | 07 | H33Z, H38Z | | 23 | Z01A | | 23 | Z01A | | |
| | 10 | K07Z | | Pre | A07A | | Pre | A07A | | |
| | 11 | L33Z | | 5n18x.x | | | BOP, KJZSV, KOP, KOPV, KVT, UOP4 | 5n193.4 | | BOP, KJZSV, KOP, KOPV, KVT, UOP4 |
| | 21A | W04A, W04B | | | 06 | | G15Z, G19A, G19B, G19C, G38Z | | 06 | G15Z, G19A, G19B, G38Z |
| | 21B | X06A, X06B | | | 07 | H33Z, H38Z | 07 | | H06A, H06B, H06C, H33Z, H38Z | |
| | 23 | Z01A | 11 | | L33Z | 10 | K04A | | | |
| | Pre | A07A | 21A | | W04A, W04B | 21A | W04A, W04B | | | |
| | 5n18e.4 | | BOP, KJZSV, KOP, KOPV, KVT, UOP4 | | 21B | X06A, X06B | 21B | | X06A, X06B, X06C | |
| 06 | | G15Z, G19A, G19B, G38Z | 23 | | Z01A | 23 | Z01A | | | |
| 07 | | H33Z, H38Z | Pre | | A07A | Pre | A07A | | | |
| 10 | | K07Z | 5n190.6† | | | KJZSV | 5n193.6† | | | G53J |
| 11 | | L33Z | | | 06 | G40Z, G46A, G46B, G46C, G47Z, G50Z | | | 5n193.x | |
| 21A | | W04A, W04B | | 06 | G40Z, G46A, G46B, G46C, G47Z, G50Z | 06 | | G15Z, G19A, G19B, G38Z | | |
| 21B | | X06A, X06B | | 5n190.x† | | KJZSV | | 07 | H06A, H06B, H06C, H33Z, H38Z | |
| 23 | | Z01A | | | 06 | G15Z, G19A, G19B, G38Z | | 10 | K04A | |
| Pre | | A07A | | | 07 | H06A, H06B, H06C, H33Z, H38Z | | 21A | W04A, W04B | |
| 5n18e.x | | | | | BOP, KJZSV, KOP, KOPV, KVT, UOP4 | 23 | | Z01A | 21B | X06A, X06B, X06C |
| | 06 | G15Z, G19A, G19B, G19C, G38Z | | | Pre | A07A | | 23 | Z01A | |
| | 07 | H33Z, H38Z | | | 5n191.2 | | | BOP, KJZSV, KOP, KOPV, KVT, UOP4 | Pre | A07A |
| | 10 | K07Z | | | | 06 | | G15Z, G19A, G19B, G38Z | 5n194.0 | |
| | 11 | L33Z | 07 | | | H06A, H06B, H06C, H33Z, H38Z | 06 | G01Z, G02Z, G15Z, G18A, G18B, G38Z | | |
| | 21A | W04A, W04B | 23 | | | Z01A | 07 | H33Z, H38Z | | |
| | 21B | X06A, X06B | Pre | | | A07A | 21A | W04A, W04B | | |
| | 23 | Z01A | 5n191.4 | | | BOP, KJZSV, KOP, KOPV, KVT, UOP4 | 21B | X06A, X06B, X06C, X33Z | | |
| | Pre | A07A | | 06 | | G15Z, G19A, G19B, G38Z | 23 | Z01A | | |
| | 5n18x.0 | | | BOP, KJZSV, KOP, KOPV, KVT, UOP4 | | 07 | H06A, H06B, H06C, H33Z, H38Z | Pre | | A07A |
| 06 | | G15Z, G19A, G19B, G38Z | | 23 | | Z01A | 5n194.2 | | | BOP, KJZSV, KOP, KOPV, KVT, UOP4 |
| 07 | | H33Z, H38Z | | Pre | | A07A | | 06 | | G01Z, G02Z, G15Z, G18A, G18B, G38Z |
| 11 | | L33Z | | 5n191.4 | | BOP, KJZSV, KOP, KOPV, KVT, UOP4 | | 07 | | H33Z, H38Z |
| 21A | | W04A, W04B | | | 06 | G15Z, G19A, G19B, G38Z | | 21A | W04A, W04B | |
| 21B | | X06A, X06B | | | 07 | H06A, H06B, H06C, H33Z, H38Z | | 21B | X06A, X06B, X06C, X33Z | |
| 23 | | Z01A | | | 23 | Z01A | | 23 | Z01A | |
| Pre | | A07A | | | Pre | A07A | | Pre | A07A | |

VYK

| ZZV | MDC | DRG | ZZV | MDC | DRG | ZZV | MDC | DRG |
|----------|-----|--|----------|-----|--|----------|-----|--|
| 5n194.4 | | BOP, KJZSV, KOP, KOPV, KVT, UOP4 | 5n19h.2 | | BOP, KJZSV, KOP, KOPV, KVT, UOP4 | 5n19m.2 | | BOP, KJZSV, KOP, KOPV, KVT, UOP4 |
| | 06 | G01Z, G02Z, G15Z, G18A, G18B, G38Z | | 06 | G15Z, G19A, G19B, G38Z | | 06 | G15Z, G19A, G19B, G38Z |
| | 07 | H33Z, H38Z | | 07 | H33Z, H38Z | | 07 | H33Z, H38Z |
| | 21A | W04A, W04B | | 23 | Z01A | | 23 | Z01A |
| | 21B | X06A, X06B, X06C, X33Z | 5n19h.4 | Pre | A07A | 5n19m.4 | Pre | A07A |
| | 23 | Z01A | | | BOP, KJZSV, KOP, KOPV, KVT, UOP4 | | | BOP, KJZSV, KOP, KOPV, KVT, UOP4 |
| | Pre | A07A | | 06 | G15Z, G19A, G19B, G38Z | | 06 | G15Z, G19A, G19B, G38Z |
| 5n194.6† | | KJZSV | | 07 | H33Z, H38Z | | 07 | H33Z, H38Z |
| | 06 | G40Z, G46A, G46B, G46C, G47Z, G50Z | | 23 | Z01A | | 23 | Z01A |
| 5n194.x† | | KJZSV | 5n19h.6† | Pre | A07A | 5n19m.6† | Pre | A07A |
| | 06 | G40Z, G46A, G46B, G46C, G47Z, G50Z | | 06 | G40Z, G46A, G46B, G46C, G47Z, G50Z, G53J | | 06 | G40Z, G46A, G46B, G46C, G47Z, G50Z, G53J |
| 5n195.0 | | BOP, KJZSV, KOP, KOPV, KVT, UOP4 | 5n19h.x† | | KJZSV | 5n19m.x† | | KJZSV |
| | 06 | G15Z, G19A, G19B, G38Z | | 06 | G40Z, G46A, G46B, G46C, G47Z, G50Z | | 06 | G40Z, G46A, G46B, G46C, G47Z, G50Z |
| | 07 | H33Z, H38Z | 5n19j.0 | | BOP, KJZSV, KOP, KOPV, KVT, UOP4 | 5n19n.0 | | BOP, KJZSV, KOP, KOPV, KVT, UOP4 |
| | 23 | Z01A | | 06 | G15Z, G19A, G19B, G38Z | | 06 | G15Z, G19A, G19B, G38Z |
| | Pre | A07A | | 07 | H33Z, H38Z | | 07 | H33Z, H38Z |
| 5n195.2 | | BOP, KJZSV, KOP, KOPV, KVT, UOP4 | | 23 | Z01A | | 23 | Z01A |
| | 06 | G15Z, G19A, G19B, G38Z | 5n19j.2 | Pre | A07A | 5n19n.1 | Pre | A07A |
| | 07 | H33Z, H38Z | | | BOP, KJZSV, KOP, KOPV, KVT, UOP4 | | | BOP, KJZSV, KOP, KOPV, KVT, UOP4 |
| | 23 | Z01A | | 06 | G15Z, G19A, G19B, G38Z | | 06 | G15Z, G19A, G19B, G38Z |
| | Pre | A07A | | 07 | H33Z, H38Z | | 07 | H33Z, H38Z |
| 5n195.4 | | BOP, KJZSV, KOP, KOPV, KVT, UOP4 | | 23 | Z01A | | 23 | Z01A |
| | 06 | G15Z, G19A, G19B, G38Z | 5n19j.4 | Pre | A07A | 5n19n.2 | Pre | A07A |
| | 07 | H33Z, H38Z | | | BOP, KJZSV, KOP, KOPV, KVT, UOP4 | | | BOP, KJZSV, KOP, KOPV, KVT, UOP4 |
| | 23 | Z01A | | 06 | G15Z, G19A, G19B, G38Z | | 06 | G15Z, G19A, G19B, G38Z |
| | Pre | A07A | | 07 | H33Z, H38Z | | 07 | H33Z, H38Z |
| 5n195.x | | BOP, KJZSV, KOP, KOPV, KVT, UOP4 | | 23 | Z01A | | 23 | Z01A |
| | 06 | G15Z, G19A, G19B, G38Z | 5n19j.6† | Pre | A07A | 5n19p.0 | Pre | A07A |
| | 07 | H33Z, H38Z | | | G40Z, G46A, G46B, G46C, G47Z, G50Z, G53J | | | BOP, KJZSV, KOP, KOPV, KVT, UOP4 |
| | 23 | Z01A | 5n19j.x† | | KJZSV | | 06 | G15Z, G19A, G19B, G38Z |
| | Pre | A07A | | 06 | G40Z, G46A, G46B, G46C, G47Z, G50Z | | 07 | H33Z, H38Z |
| 5n196.6† | 06 | G40Z, G46A, G46B, G46C, G47Z, G50Z, G53J | 5n19k.0 | | BOP, KJZSV, KOP, KOPV, KVT, UOP4 | 5n19p.2 | Pre | A07A |
| 5n196.x† | | KJZSV | | 06 | G15Z, G19A, G19B, G38Z | | | BOP, KJZSV, KOP, KOPV, KVT, UOP4 |
| | 06 | G40Z, G46A, G46B, G46C, G47Z, G50Z | | 07 | H33Z, H38Z | | 06 | G15Z, G19A, G19B, G38Z |
| 5n197.6† | 06 | G40Z, G46A, G46B, G46C, G47Z, G50Z, G53J | | 23 | Z01A | | 07 | H33Z, H38Z |
| 5n197.x† | | KJZSV | 5n19k.2 | Pre | A07A | | 23 | Z01A |
| | 06 | G40Z, G46A, G46B, G46C, G47Z, G50Z | | | BOP, KJZSV, KOP, KOPV, KVT, UOP4 | 5n19p.4 | Pre | A07A |
| 5n19c.6† | 06 | G40Z, G46A, G46B, G46C, G47Z, G50Z, G53J | | 06 | G15Z, G19A, G19B, G38Z | | | BOP, KJZSV, KOP, KOPV, KVT, UOP4 |
| 5n19c.x† | | KJZSV | | 07 | H33Z, H38Z | | 06 | G15Z, G19A, G19B, G38Z |
| | 06 | G40Z, G46A, G46B, G46C, G47Z, G50Z | | 23 | Z01A | | 07 | H33Z, H38Z |
| 5n19d.6† | 06 | G40Z, G46A, G46B, G46C, G47Z, G50Z, G53J | | Pre | A07A | | 23 | Z01A |
| 5n19d.x† | | KJZSV | 5n19k.4 | | BOP, KJZSV, KOP, KOPV, KVT, UOP4 | 5n19q† | Pre | A07A |
| | 06 | G40Z, G46A, G46B, G46C, G47Z, G50Z | | 06 | G15Z, G19A, G19B, G38Z | | | KJZSV |
| 5n19e.6† | 06 | G40Z, G46A, G46B, G46C, G47Z, G50Z, G53J | | 07 | H33Z, H38Z | | 06 | G40Z, G46A, G46B, G46C, G47Z, G50Z |
| 5n19e.x† | | KJZSV | | 23 | Z01A | | 07 | H33Z, H38Z |
| | 06 | G40Z, G46A, G46B, G46C, G47Z, G50Z, G53J | 5n19k.6† | Pre | A07A | | 23 | Z01A |
| 5n19e.6† | 06 | G40Z, G46A, G46B, G46C, G47Z, G50Z, G53J | | | BOP, KJZSV, KOP, KOPV, KVT, UOP4 | 5n19s.a | Pre | A07A |
| 5n19e.x† | | KJZSV | 5n19k.x† | | KJZSV | | | BOP, KJZSV, KVT, UOP4 |
| | 06 | G40Z, G46A, G46B, G46C, G47Z, G50Z | | 06 | G40Z, G46A, G46B, G46C, G47Z, G50Z | | 06 | G11A, G11B |
| 5n19h.0 | | BOP, KJZSV, KOP, KOPV, KVT, UOP4 | 5n19m.0 | | BOP, KJZSV, KOP, KOPV, KVT, UOP4 | 5n19s.b | 15 | P60A, P60B, P60C, P67B, P67C |
| | 06 | G15Z, G19A, G19B, G38Z | | 06 | G15Z, G19A, G19B, G38Z | | | BOP, KJZSV, KOP, KOPV, KVT, UOP4 |
| | 07 | H33Z, H38Z | | 07 | H33Z, H38Z | | 06 | G15Z, G19A, G19B, G38Z |
| | 23 | Z01A | | 23 | Z01A | | 07 | H33Z, H38Z |
| | Pre | A07A | | Pre | A07A | | 11 | L33Z |
| | | | | | | | 23 | Z01A |
| | | | | | | | Pre | A07A |

| ZZV | MDC | DRG | ZZV | MDC | DRG | ZZV | MDC | DRG | | | |
|----------|------------------------------------|--|--|--|--|--|--|--|------------------------|--|------------------------|
| 5n19s.c | | BOP, KJZSV, KOP, KOPV, KVT, UOP4 | 5n20a | | BOP, KJZSV, KOP, KOPV, KVT, UOP4 | 5n20x | | BOP, KJZSV, KOP, KOPV, KVT, UOP4 | | | |
| | 06 | G15Z, G19A, G19B, G38Z | | 05 | F36A, F36B | | 05 | F36A, F36B | | | |
| | 07 | H33Z, H38Z | | 06 | G01Z, G02Z, G15Z, G18A, G18B, G33Z, G38Z | | 06 | G01Z, G02Z, G15Z, G18A, G18B, G33Z, G38Z | | | |
| | 11 | L33Z | | 07 | H33Z, H38Z | | 07 | H33Z, H38Z | | | |
| | 17 | R01A, R01B, R01C, R01D, R02Z, R12A, R12B, R12C | | 10 | K04A | | 10 | K04A | | | |
| | 21A | W04A, W04B | | 11 | L33Z | | 11 | L33Z | | | |
| | 21B | X06A, X06B, X06C | | 17 | R01A, R01B, R01C, R01D, R02Z, R12A, R12B, R12C | | 17 | R01A, R01B, R01C, R01D, R02Z, R12A, R12B, R12C | | | |
| | 22 | Y01Z, Y03A, Y03B | | 21A | W04A, W04B | | 21A | W04A, W04B | | | |
| | 23 | Z01A | | 21B | X06A, X06B, X06C, X33Z | | 21B | X06A, X06B, X06C, X33Z | | | |
| | Pre | A07A | | 23 | Z01A | | 23 | Z01A | | | |
| | 5n19s.x | | | BOP, KJZSV, KVT, UOP4 | 5n20b | | | A07A, A13A, A13B, A13C | 5n210 | | A07A, A13A, A13B, A13C |
| | | 06 | | G11A, G11B | | | BOP, KJZSV, KOP, KOPV, KVT, UOP4 | BOP, KJZSV, KOP, KOPV, KVT, UOP4 | | | |
| | 5n19x.0 | 15 | | P60A, P60B, P60C, P66C, P67B, P67C | 05 | | F36A, F36B | 06 | G13Z, G21A, G21B, G21J | | |
| 06 | | G15Z, G19A, G19B, G38Z | 06 | G01Z, G02Z, G15Z, G18A, G18B, G33Z, G38Z | 17 | R01A, R01B, R01C, R01D, R02Z, R12A, R12B, R12C | | | | | |
| 07 | | H33Z, H38Z | 07 | H33Z, H38Z | 5n211.0 | BOP, KJZSV, KVT, UOP4 | | | | | |
| 23 | | Z01A | 10 | K04A | 06 | G13Z, G21A, G21B, G21J | | | | | |
| 5n19x.2 | Pre | A07A | 11 | L33Z | 07 | H06A, H06B, H06C | | | | | |
| | | BOP, KJZSV, KOP, KOPV, UOP4 | 17 | R01A, R01B, R01C, R01D, R02Z, R12A, R12B, R12C | 17 | R01A, R01B, R01C, R01D, R02Z, R12A, R12B, R12C | | | | | |
| | 06 | G15Z, G19A, G19B, G38Z | 21A | W04A, W04B | 5n211.2 | BOP, KJZSV, KVT, UOP4 | | | | | |
| | 07 | H33Z, H38Z | 21B | X06A, X06B, X06C, X33Z | 06 | G13Z, G21A, G21B, G21J | | | | | |
| 5n19x.4 | 23 | Z01A | 23 | Z01A | 07 | H06A, H06B, H06C | | | | | |
| | Pre | A07A | Pre | A07A, A13A, A13B, A13C | 17 | R01A, R01B, R01C, R01D, R02Z, R12A, R12B, R12C | | | | | |
| | | BOP, KJZSV, KOP, KOPV, UOP4 | 5n20c | BOP, KJZSV, KOP, KOPV, KVT, UOP4 | 5n214.0 | BOP, KJZSV, KVT, UOP4 | | | | | |
| | 06 | G15Z, G19A, G19B, G38Z | 05 | F36A, F36B | 06 | G13Z, G21A, G21B, G21J | | | | | |
| 5n19x.6‡ | 07 | H33Z, H38Z | 06 | G01Z, G02Z, G15Z, G18A, G18B, G33Z, G38Z | 07 | H06A, H06B, H06C | | | | | |
| | 23 | Z01A | 07 | H33Z, H38Z | 17 | R01A, R01B, R01C, R01D, R02Z, R12A, R12B, R12C | | | | | |
| | Pre | A07A | 10 | K09A, K09B | 5n214.1 | BOP, KJZSV, KVT, UOP4 | | | | | |
| | | KJZSV | 11 | L33Z | 06 | G13Z, G21A, G21B, G21J | | | | | |
| 5n19x.x‡ | 06 | G40Z, G46A, G46B, G46C, G47Z, G50Z | 17 | R01A, R01B, R01C, R01D, R02Z, R12A, R12B, R12C | 07 | H06A, H06B, H06C | | | | | |
| | 06 | G40Z, G46A, G46B, G46C, G47Z, G50Z | 21A | W04A, W04B | 17 | R01A, R01B, R01C, R01D, R02Z, R12A, R12B, R12C | | | | | |
| 5n200 | | BOP, KJZSV, KVT, UOP4 | 21B | X06A, X06B, X06C, X33Z | 5n214.2 | BOP, KJZSV, KVT, UOP4 | | | | | |
| | 06 | G01Z, G04A, G04B, G07A, G07B, G07C, G38Z | 23 | Z01A | 06 | G13Z, G21A, G21B, G21J | | | | | |
| | 17 | R01A, R01B, R01C, R01D, R02Z, R12A, R12B, R12C | Pre | A07A, A13A, A13B, A13C | 07 | H06A, H06B, H06C | | | | | |
| 5n201 | 21A | W04A, W04B | 5n20d | | BOP, KJZSV, KOP, KOPV, KVT, UOP4 | 17 | R01A, R01B, R01C, R01D, R02Z, R12A, R12B, R12C | | | | |
| | 21B | X06A, X06B, X06C | | 05 | F36A, F36B | 5n214.4 | BOP, KJZSV, KVT, UOP4 | | | | |
| | 06 | G01Z, G04A, G04B, G07A, G07B, G07C, G38Z | | 06 | G01Z, G02Z, G15Z, G18A, G18B, G33Z, G38Z | 06 | G13Z, G21A, G21B, G21J | | | | |
| | 17 | R01A, R01B, R01C, R01D, R02Z, R12A, R12B, R12C | | 07 | H33Z, H38Z | 17 | R01A, R01B, R01C, R01D, R02Z, R12A, R12B, R12C | | | | |
| 5n202 | 21A | W04A, W04B | 21A | W04A, W04B | 5n214.x | BOP, KJZSV, KVT, UOP4 | | | | | |
| | 21B | X06A, X06B, X06C | 21B | X06A, X06B, X06C, X33Z | 06 | G13Z, G21A, G21B, G21J | | | | | |
| | 06 | G01Z, G04A, G04B, G07A, G07B, G07C, G38Z | 23 | Z01A | 07 | H06A, H06B, H06C | | | | | |
| | 17 | R01A, R01B, R01C, R01D, R02Z, R12A, R12B, R12C | Pre | A07A, A13A, A13B, A13C | 17 | R01A, R01B, R01C, R01D, R02Z, R12A, R12B, R12C | | | | | |
| 5n203‡ | 21A | W04A, W04B | 5n20f | | BOP, KJZSV, KOP, KOPV, KVT, UOP4 | 5n215.0 | BOP, KJZSV, KVT, UOP4 | | | | |
| | 21B | X06A, X06B, X06C | | 05 | F36A, F36B | 06 | G13Z, G21A, G21B, G21J | | | | |
| | 06 | G40Z, G46A, G46B, G46C, G47Z, G50Z | | 06 | G01Z, G02Z, G15Z, G18A, G18B, G33Z, G38Z | 07 | H06A, H06B, H06C | | | | |
| | 06 | G40Z, G46A, G46B, G46C, G47Z, G50Z | | 07 | H33Z, H38Z | 17 | R01A, R01B, R01C, R01D, R02Z, R12A, R12B, R12C | | | | |
| | KJZSV | 11 | L33Z | 5n215.1 | BOP, KJZSV, KVT, UOP4 | | | | | | |
| | G40Z, G46A, G46B, G46C, G47Z, G50Z | 17 | R01A, R01B, R01C, R01D, R02Z, R12A, R12B, R12C | 06 | G13Z, G21A, G21B, G21J | | | | | | |
| | | 21A | W04A, W04B | 07 | H06A, H06B, H06C | | | | | | |
| | | 21B | X06A, X06B, X06C, X33Z | 17 | R01A, R01B, R01C, R01D, R02Z, R12A, R12B, R12C | | | | | | |
| | | 23 | Z01A | 5n215.2 | BOP, KJZSV, KVT, UOP4 | | | | | | |
| | | Pre | A07A, A13A, A13B, A13C | 06 | G13Z, G21A, G21B, G21J | | | | | | |
| | | | | 07 | H06A, H06B, H06C | | | | | | |
| | | | | 17 | R01A, R01B, R01C, R01D, R02Z, R12A, R12B, R12C | | | | | | |

VYK

| ZZV | MDC | DRG | ZZV | MDC | DRG | ZZV | MDC | DRG |
|-----------|-----|--|----------|-----|--|----------|-----|--|
| 5n215.4 | | BOP, KJZSV, KVT, UOP4 | 5n21b.1 | | BOP, KJZSV, KVT, UOP4 | 5n223.4 | | BOP, KJZSV, KVT, UOP4 |
| | 06 | G13Z, G21A, G21B, G21J | | 06 | G13Z, G21A, G21B, G21J | | 06 | G13Z, G21A, G21B, G21J |
| | 17 | R01A, R01B, R01C, R01D, R02Z, R12A, R12B, R12C | | 17 | R01A, R01B, R01C, R01D, R02Z, R12A, R12B, R12C | | 10 | K09A, K09B |
| 5n215.x | | BOP, KJZSV, KVT, UOP4 | 5n21b.2 | | BOP, KJZSV, KVT, UOP4 | 5n223.x | | BOP, KJZSV, KVT, UOP4 |
| | 06 | G13Z, G21A, G21B, G21J | | 06 | G13Z, G21A, G21B, G21J | | 06 | G13Z, G21A, G21B, G21J |
| | 07 | H06A, H06B, H06C | | 17 | R01A, R01B, R01C, R01D, R02Z, R12A, R12B, R12C | | 10 | K09A, K09B |
| | 17 | R01A, R01B, R01C, R01D, R02Z, R12A, R12B, R12C | 5n21x.0 | | BOP, KJZSV, KVT, UOP4 | | 17 | R01A, R01B, R01C, R01D, R02Z, R12A, R12B, R12C |
| 5n217.10‡ | | KJZSV | | 06 | G13Z, G21A, G21B, G21J | 5n224.0 | | BOP, KJZSV, KVT, UOP4 |
| | 06 | G40Z, G46A, G46B, G46C, G47Z, G50Z | | 17 | R01A, R01B, R01C, R01D, R02Z, R12A, R12B, R12C | | 06 | G13Z, G21A, G21B, G21J |
| 5n217.11‡ | 06 | G40Z, G46A, G46B, G46C, G47Z, G50Z, G53J | 5n21x.1‡ | | KJZSV | | 10 | K09A, K09B |
| 5n217.12‡ | 06 | G40Z, G46A, G46B, G46C, G47Z, G50Z, G53J | | 06 | G40Z, G46A, G46B, G46C, G47Z, G50Z | | 17 | R01A, R01B, R01C, R01D, R02Z, R12A, R12B, R12C |
| 5n217.13‡ | 06 | G40Z, G46A, G46B, G46C, G47Z, G50Z, G53J | 5n21x.2 | | BOP, KJZSV, KVT, UOP4 | 5n224.1 | | BOP, KJZSV, KVT, UOP4 |
| 5n217.1x‡ | | KJZSV | | 06 | G13Z, G21A, G21B, G21J | | 06 | G13Z, G21A, G21B, G21J |
| | 06 | G40Z, G46A, G46B, G46C, G47Z, G50Z | | 17 | R01A, R01B, R01C, R01D, R02Z, R12A, R12B, R12C | | 10 | K09A, K09B |
| 5n217.4‡ | | KJZSV | 5n21x.4‡ | | KJZSV | | 17 | R01A, R01B, R01C, R01D, R02Z, R12A, R12B, R12C |
| | 06 | G40Z, G46A, G46B, G46C, G47Z, G50Z | | 06 | G40Z, G46A, G46B, G46C, G47Z, G50Z | 5n224.2 | | BOP, KJZSV, KVT, UOP4 |
| 5n217.5‡ | | KJZSV | 5n21x.x‡ | | KJZSV | | 06 | G13Z, G21A, G21B, G21J |
| | 06 | G40Z, G46A, G46B, G46C, G47Z, G50Z | | 06 | G40Z, G46A, G46B, G46C, G47Z, G50Z | | 10 | K09A, K09B |
| 5n219.0 | | BOP, KJZSV, KVT, UOP4 | 5n220 | | BOP, KJZSV, KVT, UOP4 | 5n224.4 | | BOP, KJZSV, KVT, UOP4 |
| | 06 | G13Z, G21A, G21B, G21J | | 06 | G01Z, G04A, G04B, G07A, G07B, G07C, G38Z | | 06 | G13Z, G21A, G21B, G21J |
| | 16 | Q03A, Q03B | | 10 | K09A, K09B | | 10 | K09A, K09B |
| | 17 | R01A, R01B, R01C, R01D, R02Z, R12A, R12B, R12C | | 17 | R01A, R01B, R01C, R01D, R02Z, R12A, R12B, R12C | | 17 | R01A, R01B, R01C, R01D, R02Z, R12A, R12B, R12C |
| 5n219.1‡ | | KJZSV | 5n221 | | BOP, KJZSV, KVT, UOP4 | 5n224.x | | BOP, KJZSV, KVT, UOP4 |
| | 06 | G40Z, G46A, G46B, G46C, G47Z, G50Z | | 06 | G01Z, G04A, G04B, G07A, G07B, G07C, G38Z | | 06 | G13Z, G21A, G21B, G21J |
| | 10 | K09A, K09B | | 10 | K09A, K09B | | 10 | K09A, K09B |
| 5n219.2 | | BOP, KJZSV, KVT, UOP4 | | 17 | R01A, R01B, R01C, R01D, R02Z, R12A, R12B, R12C | 5n225.0‡ | | G40Z, G48A, G48B, G48C, G54J |
| | 06 | G13Z, G21A, G21B, G21J | 5n222.0‡ | | G40Z, G48A, G48B, G48C, G54J | | 06 | G40Z, G48A, G48B, G48C, G54J |
| | 16 | Q03A, Q03B | | 06 | G40Z, G48A, G48B, G48C, G54J | 5n225.1‡ | | G40Z, G48A, G48B, G48C, G54J |
| | 17 | R01A, R01B, R01C, R01D, R02Z, R12A, R12B, R12C | 5n222.1‡ | | G40Z, G48A, G48B, G48C, G54J | | 06 | G40Z, G48A, G48B, G48C, G54J |
| 5n219.4‡ | | KJZSV | 5n222.2‡ | | G40Z, G48A, G48B, G48C, G54J | 5n225.2‡ | | G40Z, G48A, G48B, G48C, G54J |
| | 06 | G40Z, G46A, G46B, G46C, G47Z, G50Z | | 06 | G40Z, G48A, G48B, G48C, G54J | | 06 | G40Z, G48A, G48B, G48C, G54J |
| 5n219.x‡ | | KJZSV | 5n222.3‡ | | G40Z, G48A, G48B, G48C, G54J | 5n225.3‡ | | G54J |
| | 06 | G40Z, G46A, G46B, G46C, G47Z, G50Z | | 06 | G40Z, G48A, G48B, G48C, G54J | 5n225.4‡ | | G40Z, G48A, G48B, G48C, G54J |
| 5n21a.0 | | BOP, KJZSV, KVT, UOP4 | 5n222.4‡ | | KJZSV | 5n225.5‡ | | G40Z, G48A, G48B, G48C, G54J |
| | 06 | G13Z, G21A, G21B, G21J | | 06 | G40Z, G48A, G48B | | 06 | G40Z, G48A, G48B, G48C, G54J |
| | 17 | R01A, R01B, R01C, R01D, R02Z, R12A, R12B, R12C | 5n222.5‡ | | KJZSV | 5n225.6‡ | | G40Z, G48A, G48B, G48C, G54J |
| 5n21a.1‡ | | KJZSV | 5n222.x‡ | | G40Z, G48A, G48B, G48C, G54J | 5n225.x‡ | | G40Z, G48A, G48B, G48C, G54J |
| | 06 | G40Z, G46A, G46B, G46C, G47Z, G50Z | | 06 | G40Z, G48A, G48B, G48C, G54J | | 06 | G40Z, G48A, G48B, G48C, G54J |
| 5n21a.2 | | BOP, KJZSV, KVT, UOP4 | 5n223.0 | | BOP, KJZSV, KVT, UOP4 | 5n226.1‡ | | KJZSV |
| | 06 | G13Z, G21A, G21B, G21J | | 06 | G13Z, G21A, G21B, G21J | | 06 | G40Z, G46A, G46B, G46C, G47Z, G50Z |
| | 17 | R01A, R01B, R01C, R01D, R02Z, R12A, R12B, R12C | | 10 | K09A, K09B | | 07 | H40Z |
| 5n21a.4‡ | | KJZSV | 5n223.1 | | R01A, R01B, R01C, R01D, R02Z, R12A, R12B, R12C | 5n226.2‡ | Pre | A13D |
| | 06 | G40Z, G46A, G46B, G46C, G47Z, G50Z | | 06 | BOP, KJZSV, KVT, UOP4 | | 06 | G40Z, G46A, G46B, G46C, G47Z, G50Z, G53J |
| 5n21a.5 | | BOP, KJZSV, KVT, UOP4 | | 10 | G13Z, G21A, G21B, G21J | | 07 | H40Z |
| | 06 | G13Z, G21A, G21B, G21J | | 10 | K09A, K09B | | Pre | A13D |
| | 17 | R01A, R01B, R01C, R01D, R02Z, R12A, R12B, R12C | 5n223.2 | | R01A, R01B, R01C, R01D, R02Z, R12A, R12B, R12C | 5n22x.0‡ | | KJZSV |
| 5n21a.x‡ | | KJZSV | | 06 | BOP, KJZSV, KVT, UOP4 | | 06 | G40Z, G48A, G48B, G48C |
| | 06 | G40Z, G46A, G46B, G46C, G47Z, G50Z | | 06 | G13Z, G21A, G21B, G21J | 5n22x.1‡ | | KJZSV |
| | 17 | R01A, R01B, R01C, R01D, R02Z, R12A, R12B, R12C | | 10 | K09A, K09B | | 06 | G40Z, G48A, G48B, G48C |
| | 06 | G40Z, G46A, G46B, G46C, G47Z, G50Z | | 17 | R01A, R01B, R01C, R01D, R02Z, R12A, R12B, R12C | 5n22x.2‡ | | KJZSV |
| | 17 | R01A, R01B, R01C, R01D, R02Z, R12A, R12B, R12C | | 17 | R01A, R01B, R01C, R01D, R02Z, R12A, R12B, R12C | | 06 | G40Z, G48A, G48B, G48C |
| | 06 | G40Z, G46A, G46B, G46C, G47Z, G50Z | | 17 | R01A, R01B, R01C, R01D, R02Z, R12A, R12B, R12C | 5n22x.4‡ | | KJZSV |
| | 17 | R01A, R01B, R01C, R01D, R02Z, R12A, R12B, R12C | | 17 | R01A, R01B, R01C, R01D, R02Z, R12A, R12B, R12C | | 06 | G40Z, G48A, G48B, G48C |
| | 06 | G40Z, G46A, G46B, G46C, G47Z, G50Z | | 17 | R01A, R01B, R01C, R01D, R02Z, R12A, R12B, R12C | 5n22x.x‡ | | KJZSV |
| | 17 | R01A, R01B, R01C, R01D, R02Z, R12A, R12B, R12C | | 17 | R01A, R01B, R01C, R01D, R02Z, R12A, R12B, R12C | | 06 | G40Z, G48A, G48B, G48C |

| ZZV | MDC | DRG | ZZV | MDC | DRG | ZZV | MDC | DRG | | | |
|---------|---------|--|--|--|--|---------|--|--|---------|----|--|
| 5n230.0 | | BOP, KJZSV, KOP, KOPV, KVT, UOP4 | 5n231.0 | | BOP, KJZSV, KOP, KOPV, KVT, UOP4 | 5n232.0 | | BOP, KJZSV, KOP, KOPV, KVT, UOP4 | | | |
| | 05 | F36A, F36B | | 05 | F36A, F36B | | 05 | F36A, F36B | | | |
| | 06 | G01Z, G02Z, G15Z, G18A, G18B, G33Z, G38Z | | 06 | G01Z, G02Z, G15Z, G18A, G18B, G33Z, G38Z | | 06 | G01Z, G02Z, G15Z, G18A, G18B, G33Z, G38Z | | | |
| | 07 | H33Z, H38Z | | 07 | H33Z, H38Z | | 07 | H33Z, H38Z | | | |
| | 10 | K09A, K09B | | 10 | K09A, K09B | | 10 | K09A, K09B | | | |
| | 11 | L10Z, L33Z, L38Z | | 11 | L10Z, L33Z, L38Z | | 11 | L10Z, L33Z, L38Z | | | |
| | 12 | M37Z, M38Z | | 12 | M37Z, M38Z | | 12 | M37Z, M38Z | | | |
| | 13 | N01A, N01B, N01C, N01D, N01E, N34Z, N38Z | | 13 | N01A, N01B, N01C, N01D, N01E, N34Z, N38Z | | 13 | N01A, N01B, N01C, N01D, N01E, N34Z, N38Z | | | |
| | 14 | O04A | | 14 | O04A | | 14 | O04A | | | |
| | 17 | R01A, R01B, R01C, R01D, R02Z, R12A, R12B, R12C | | 17 | R01A, R01B, R01C, R01D, R02Z, R12A, R12B, R12C | | 17 | R01A, R01B, R01C, R01D, R02Z, R12A, R12B, R12C | | | |
| | 21A | W04A, W04B | | 21A | W01A, W01B, W01C, W02A, W02B, W04A, W04B | | 21A | W01A, W01B, W01C, W02A, W02B, W04A, W04B | | | |
| | 21B | X06A, X06B, X33Z | | 21B | X06A, X06B, X33Z | | 21B | X06A, X06B, X33Z | | | |
| | 23 | Z01A | | 23 | Z01A | | 23 | Z01A | | | |
| | Pre | A07A, A13A, A13B, A13C | | Pre | A07A, A13A, A13B, A13C | | Pre | A07A, A13A, A13B, A13C | | | |
| | 5n230.2 | | | BOP, KJZSV, KOP, KOPV, KVT, UOP4 | 5n231.2 | | | BOP, KJZSV, KOP, KOPV, KVT, UOP4 | 5n232.2 | | BOP, KJZSV, KOP, KOPV, KVT, UOP4 |
| | | 05 | | F36A, F36B | | | 05 | F36A, F36B | | 05 | F36A, F36B |
| | | 06 | | G01Z, G02Z, G15Z, G18A, G18B, G33Z, G38Z | | | 06 | G01Z, G02Z, G15Z, G18A, G18B, G33Z, G38Z | | 06 | G01Z, G02Z, G15Z, G18A, G18B, G33Z, G38Z |
| 07 | | H33Z, H38Z | 07 | H33Z, H38Z | | 07 | H33Z, H38Z | | | | |
| 10 | | K09A, K09B | 10 | K09A, K09B | | 10 | K09A, K09B | | | | |
| 11 | | L10Z, L33Z, L38Z | 11 | L10Z, L33Z, L38Z | | 11 | L10Z, L33Z, L38Z | | | | |
| 12 | | M37Z, M38Z | 12 | M37Z, M38Z | | 12 | M37Z, M38Z | | | | |
| 13 | | N01A, N01B, N01C, N01D, N01E, N34Z, N38Z | 13 | N01A, N01B, N01C, N01D, N01E, N34Z, N38Z | | 13 | N01A, N01B, N01C, N01D, N01E, N34Z, N38Z | | | | |
| 14 | | O04A | 14 | O04A | | 14 | O04A | | | | |
| 17 | | R01A, R01B, R01C, R01D, R02Z, R12A, R12B, R12C | 17 | R01A, R01B, R01C, R01D, R02Z, R12A, R12B, R12C | | 17 | R01A, R01B, R01C, R01D, R02Z, R12A, R12B, R12C | | | | |
| 21A | | W04A, W04B | 21A | W04A, W04B | | 21A | W04A, W04B | | | | |
| 21B | | X06A, X06B, X33Z | 21B | X06A, X06B, X33Z | | 21B | X06A, X06B, X33Z | | | | |
| 23 | | Z01A | 23 | Z01A | | 23 | Z01A | | | | |
| Pre | | A07A, A13A, A13B, A13C | Pre | A07A, A13A, A13B, A13C | | Pre | A07A, A13A, A13B, A13C | | | | |
| 5n230.4 | | | BOP, KJZSV, KOP, KOPV, KVT, UOP4 | 5n231.4 | | | BOP, KJZSV, KOP, KOPV, KVT, UOP4 | 5n232.4 | | | BOP, KJZSV, KOP, KOPV, KVT, UOP4 |
| | | 05 | F36A, F36B | | | 05 | F36A, F36B | | | 05 | F36A, F36B |
| | | 06 | G01Z, G02Z, G15Z, G18A, G18B, G33Z, G38Z | | | 06 | G01Z, G02Z, G15Z, G18A, G18B, G33Z, G38Z | | | 06 | G01Z, G02Z, G15Z, G18A, G18B, G33Z, G38Z |
| | 07 | H33Z, H38Z | 07 | | H33Z, H38Z | 07 | H33Z, H38Z | | | | |
| | 10 | K09A, K09B | 10 | | K09A, K09B | 10 | K09A, K09B | | | | |
| | 11 | L10Z, L33Z, L38Z | 11 | | L10Z, L33Z, L38Z | 11 | L10Z, L33Z, L38Z | | | | |
| | 12 | M37Z, M38Z | 12 | | M37Z, M38Z | 12 | M37Z, M38Z | | | | |
| | 13 | N01A, N01B, N01C, N01D, N01E, N34Z, N38Z | 13 | | N01A, N01B, N01C, N01D, N01E, N34Z, N38Z | 13 | N01A, N01B, N01C, N01D, N01E, N34Z, N38Z | | | | |
| | 14 | O04A | 14 | | O04A | 14 | O04A | | | | |
| | 17 | R01A, R01B, R01C, R01D, R02Z, R12A, R12B, R12C | 17 | | R01A, R01B, R01C, R01D, R02Z, R12A, R12B, R12C | 17 | R01A, R01B, R01C, R01D, R02Z, R12A, R12B, R12C | | | | |
| | 21A | W04A, W04B | 21A | | W04A, W04B | 21A | W04A, W04B | | | | |
| | 21B | X06A, X06B, X33Z | 21B | | X06A, X06B, X33Z | 21B | X06A, X06B, X33Z | | | | |
| | 23 | Z01A | 23 | | Z01A | 23 | Z01A | | | | |
| | Pre | A07A, A13A, A13B, A13C | Pre | | A07A, A13A, A13B, A13C | Pre | A07A, A13A, A13B, A13C | | | | |

VYK

| ZZV | MDC | DRG | ZZV | MDC | DRG | ZZV | MDC | DRG | | | |
|---------|---------|--|----------------------------------|--|--|---------|--|--|---------|----|--|
| 5n233.0 | | BOP, KJZSV, KOP, KOPV, KVT, UOP4 | 5n234.0 | | BOP, KJZSV, KOP, KOPV, KVT, UOP4 | 5n235.0 | | BOP, KJZSV, KOP, KOPV, KVT, UOP4 | | | |
| | 05 | F36A, F36B | | 05 | F36A, F36B | | 05 | F36A, F36B | | | |
| | 06 | G01Z, G02Z, G03A, G15Z, G33Z, G38Z | | 06 | G01Z, G02Z, G15Z, G18A, G18B, G33Z, G38Z | | 06 | G01Z, G02Z, G15Z, G18A, G18B, G33Z, G38Z | | | |
| | 07 | H33Z, H38Z | | 07 | H33Z, H38Z | | 07 | H33Z, H38Z | | | |
| | 10 | K09A, K09B | | 10 | K09A, K09B | | 10 | K09A, K09B | | | |
| | 11 | L10Z, L33Z, L38Z | | 11 | L10Z, L33Z, L38Z | | 11 | L10Z, L33Z, L38Z | | | |
| | 12 | M37Z, M38Z | | 12 | M37Z, M38Z | | 12 | M37Z, M38Z | | | |
| | 13 | N01A, N01B, N01C, N01D, N01E, N34Z, N38Z | | 13 | N01A, N01B, N01C, N01D, N01E, N34Z, N38Z | | 13 | N01A, N01B, N01C, N01D, N01E, N34Z, N38Z | | | |
| | 14 | O04A | | 14 | O04A | | 14 | O04A | | | |
| | 17 | R01A, R01B, R01C, R01D, R02Z, R12A, R12B, R12C | | 17 | R01A, R01B, R01C, R01D, R02Z, R12A, R12B, R12C | | 17 | R01A, R01B, R01C, R01D, R02Z, R12A, R12B, R12C | | | |
| | 21A | W01A, W01B, W01C, W02A, W02B, W04A, W04B | | 21A | W04A, W04B | | 21A | W04A, W04B | | | |
| | 21B | X06A, X06B, X33Z | | 21B | X06A, X06B, X33Z | | 21B | X06A, X06B, X33Z | | | |
| | 23 | Z01A | | 23 | Z01A | | 23 | Z01A | | | |
| | Pre | A07A, A13A, A13B, A13C | | Pre | A07A, A13A, A13B, A13C | | Pre | A07A, A13A, A13B, A13C | | | |
| | 5n233.2 | | | BOP, KJZSV, KOP, KOPV, KVT, UOP4 | 5n234.2 | | | BOP, KJZSV, KOP, KOPV, KVT, UOP4 | 5n235.2 | | BOP, KJZSV, KOP, KOPV, KVT, UOP4 |
| | | 05 | | F36A, F36B | | | 05 | F36A, F36B | | 05 | F36A, F36B |
| | | 06 | | G01Z, G02Z, G15Z, G33Z, G38Z | | | 06 | G01Z, G02Z, G15Z, G18A, G18B, G33Z, G38Z | | 06 | G01Z, G02Z, G15Z, G18A, G18B, G33Z, G38Z |
| 07 | | H33Z, H38Z | 07 | H33Z, H38Z | | 07 | H33Z, H38Z | | | | |
| 10 | | K09A, K09B | 10 | K09A, K09B | | 10 | K09A, K09B | | | | |
| 11 | | L10Z, L33Z, L38Z | 11 | L10Z, L33Z, L38Z | | 11 | L10Z, L33Z, L38Z | | | | |
| 12 | | M37Z, M38Z | 12 | M37Z, M38Z | | 12 | M37Z, M38Z | | | | |
| 13 | | N01A, N01B, N01C, N01D, N01E, N34Z, N38Z | 13 | N01A, N01B, N01C, N01D, N01E, N34Z, N38Z | | 13 | N01A, N01B, N01C, N01D, N01E, N34Z, N38Z | | | | |
| 14 | | O04A | 14 | O04A | | 14 | O04A | | | | |
| 17 | | R01A, R01B, R01C, R01D, R02Z, R12A, R12B, R12C | 17 | R01A, R01B, R01C, R01D, R02Z, R12A, R12B, R12C | | 17 | R01A, R01B, R01C, R01D, R02Z, R12A, R12B, R12C | | | | |
| 21A | | W04A, W04B | 21A | W04A, W04B | | 21A | W04A, W04B | | | | |
| 21B | | X06A, X06B, X33Z | 21B | X06A, X06B, X33Z | | 21B | X06A, X06B, X33Z | | | | |
| 23 | | Z01A | 23 | Z01A | | 23 | Z01A | | | | |
| Pre | | A07A, A13A, A13B, A13C | Pre | A07A, A13A, A13B, A13C | | Pre | A07A, A13A, A13B, A13C | | | | |
| 5n233.4 | | | BOP, KJZSV, KOP, KOPV, KVT, UOP4 | 5n234.4 | | | BOP, KJZSV, KOP, KOPV, KVT, UOP4 | 5n235.4 | | | BOP, KJZSV, KOP, KOPV, KVT, UOP4 |
| | | 05 | F36A, F36B | | | 05 | F36A, F36B | | | 05 | F36A, F36B |
| | | 06 | G01Z, G02Z, G15Z, G33Z, G38Z | | | 06 | G01Z, G02Z, G15Z, G18A, G18B, G33Z, G38Z | | | 06 | G01Z, G02Z, G15Z, G18A, G18B, G33Z, G38Z |
| | 07 | H33Z, H38Z | 07 | | H33Z, H38Z | 07 | H33Z, H38Z | | | | |
| | 10 | K09A, K09B | 10 | | K09A, K09B | 10 | K09A, K09B | | | | |
| | 11 | L10Z, L33Z, L38Z | 11 | | L10Z, L33Z, L38Z | 11 | L10Z, L33Z, L38Z | | | | |
| | 12 | M37Z, M38Z | 12 | | M37Z, M38Z | 12 | M37Z, M38Z | | | | |
| | 13 | N01A, N01B, N01C, N01D, N01E, N34Z, N38Z | 13 | | N01A, N01B, N01C, N01D, N01E, N34Z, N38Z | 13 | N01A, N01B, N01C, N01D, N01E, N34Z, N38Z | | | | |
| | 14 | O04A | 14 | | O04A | 14 | O04A | | | | |
| | 17 | R01A, R01B, R01C, R01D, R02Z, R12A, R12B, R12C | 17 | | R01A, R01B, R01C, R01D, R02Z, R12A, R12B, R12C | 17 | R01A, R01B, R01C, R01D, R02Z, R12A, R12B, R12C | | | | |
| | 21A | W04A, W04B | 21A | | W04A, W04B | 21A | W04A, W04B | | | | |
| | 21B | X06A, X06B, X33Z | 21B | | X06A, X06B, X33Z | 21B | X06A, X06B, X33Z | | | | |
| | 23 | Z01A | 23 | | Z01A | 23 | Z01A | | | | |
| | Pre | A07A, A13A, A13B, A13C | Pre | | A07A, A13A, A13B, A13C | Pre | A07A, A13A, A13B, A13C | | | | |

VYK

| ZZV | MDC | DRG | ZZV | MDC | DRG | ZZV | MDC | DRG | |
|---------|---------|--|--|--|--|--|--|--|--|
| 5n236.0 | | BOP, KJZSV, KOP, KOPV, KVT, UOP4 | 5n23x | | BOP, KJZSV, KOP, KOPV, KVT, UOP4 | 5n240.04 | | BOP, KJZSV, KOP, KOPV, KVT, UOP4 | |
| | 05 | F36A, F36B | | 05 | F36A, F36B | | 05 | F36A, F36B | |
| | 06 | G01Z, G02Z, G15Z, G18A, G18B, G33Z, G38Z | | 06 | G01Z, G02Z, G15Z, G18A, G18B, G33Z, G38Z | | 06 | G01Z, G02Z, G15Z, G18A, G18B, G33Z, G38Z | |
| | 07 | H33Z, H38Z | | 07 | H33Z, H38Z | | 07 | H33Z, H38Z | |
| | 10 | K09A, K09B | | 10 | K09A, K09B | | 10 | K09A, K09B | |
| | 11 | L10Z, L33Z, L38Z | | 11 | L33Z | | 11 | L10Z, L33Z, L38Z | |
| | 12 | M37Z, M38Z | | 17 | R01A, R01B, R01C, R01D, R02Z, R12A, R12B, R12C | | 12 | M37Z, M38Z | |
| | 13 | N01A, N01B, N01C, N01D, N01E, N34Z, N38Z | | 21A | W04A, W04B | | 13 | N01A, N01B, N01C, N01D, N01E, N34Z, N38Z | |
| | 14 | O04A | | 21B | X06A, X06B | | 17 | R01A, R01B, R01C, R01D, R02Z, R12A, R12B, R12C | |
| | 17 | R01A, R01B, R01C, R01D, R02Z, R12A, R12B, R12C | | 23 | Z01A | | 21A | W04A, W04B | |
| | 21A | W04A, W04B | | Pre | A07A, A13A, A13B, A13C | | 21B | X06A, X06B, X33Z | |
| | 21B | X06A, X06B, X33Z | | 5n240.01 | BOP, KJZSV, KOP, KOPV, KVT, UOP4 | | 23 | Z01A | |
| | 23 | Z01A | | 05 | F36A, F36B | | Pre | A07A, A13A, A13B, A13C | |
| | Pre | A07A, A13A, A13B, A13C | | 06 | G01Z, G02Z, G15Z, G18A, G18B, G33Z, G38Z | | 5n240.21 | BOP, KJZSV, KOP, KOPV, KVT, UOP4 | |
| | 5n236.2 | | | BOP, KJZSV, KOP, KOPV, KVT, UOP4 | 07 | | H33Z, H38Z | 05 | F36A, F36B |
| | | 05 | | F36A, F36B | 10 | | K09A, K09B | 06 | G01Z, G02Z, G15Z, G18A, G18B, G33Z, G38Z |
| | | 06 | | G01Z, G02Z, G15Z, G18A, G18B, G33Z, G38Z | 11 | | L10Z, L33Z, L38Z | 07 | H33Z, H38Z |
| | | 07 | | H33Z, H38Z | 12 | | M37Z, M38Z | 10 | K09A, K09B |
| | | 10 | | K09A, K09B | 13 | | N01A, N01B, N01C, N01D, N01E, N34Z, N38Z | 11 | L10Z, L33Z, L38Z |
| | | 11 | | L10Z, L33Z, L38Z | 17 | | R01A, R01B, R01C, R01D, R02Z, R12A, R12B, R12C | 12 | M37Z, M38Z |
| 12 | | M37Z, M38Z | 21A | W04A, W04B | 13 | N01A, N01B, N01C, N01D, N01E, N34Z, N38Z | | | |
| 13 | | N01A, N01B, N01C, N01D, N01E, N34Z, N38Z | 21B | X06A, X06B, X33Z | 17 | R01A, R01B, R01C, R01D, R02Z, R12A, R12B, R12C | | | |
| 14 | | O04A | 23 | Z01A | 21A | W04A, W04B | | | |
| 17 | | R01A, R01B, R01C, R01D, R02Z, R12A, R12B, R12C | Pre | A07A, A13A, A13B, A13C | 21B | X06A, X06B, X33Z | | | |
| 21A | | W04A, W04B | 5n240.02 | BOP, KJZSV, KOP, KOPV, KVT, UOP4 | 23 | Z01A | | | |
| 21B | | X06A, X06B, X33Z | 05 | F36A, F36B | Pre | A07A, A13A, A13B, A13C | | | |
| 23 | | Z01A | 06 | G01Z, G02Z, G15Z, G18A, G18B, G33Z, G38Z | 5n240.25 | BOP, KJZSV, KOP, KOPV, KVT, UOP4 | | | |
| Pre | | A07A, A13A, A13B, A13C | 07 | H33Z, H38Z | 05 | F36A, F36B | | | |
| 5n236.4 | | | BOP, KJZSV, KOP, KOPV, KVT, UOP4 | 10 | K09A, K09B | 06 | G01Z, G02Z, G15Z, G18A, G18B, G33Z, G38Z | | |
| | | 05 | F36A, F36B | 11 | L10Z, L33Z, L38Z | 07 | H33Z, H38Z | | |
| | | 06 | G01Z, G02Z, G15Z, G18A, G18B, G33Z, G38Z | 12 | M37Z, M38Z | 10 | K09A, K09B | | |
| | | 07 | H33Z, H38Z | 13 | N01A, N01B, N01C, N01D, N01E, N34Z, N38Z | 11 | L10Z, L33Z, L38Z | | |
| | | 10 | K09A, K09B | 17 | R01A, R01B, R01C, R01D, R02Z, R12A, R12B, R12C | 12 | M37Z, M38Z | | |
| | | 11 | L10Z, L33Z, L38Z | 21A | W04A, W04B | 13 | N01A, N01B, N01C, N01D, N01E, N34Z, N38Z | | |
| | 12 | M37Z, M38Z | 21B | X06A, X06B, X33Z | 17 | R01A, R01B, R01C, R01D, R02Z, R12A, R12B, R12C | | | |
| | 13 | N01A, N01B, N01C, N01D, N01E, N34Z, N38Z | 23 | Z01A | 21A | W04A, W04B | | | |
| | 17 | R01A, R01B, R01C, R01D, R02Z, R12A, R12B, R12C | Pre | A07A, A13A, A13B, A13C | 21B | X06A, X06B, X33Z | | | |
| | 21A | W04A, W04B | 5n240.03 | BOP, KJZSV, KOP, KOPV, KVT, UOP4 | 23 | Z01A | | | |
| | 21B | X06A, X06B, X33Z | 05 | F36A, F36B | Pre | A07A, A13A, A13B, A13C | | | |
| | 23 | Z01A | 06 | G01Z, G02Z, G15Z, G18A, G18B, G33Z, G38Z | 5n240.4 | BOP, KJZSV, KOP, KOPV, KVT, UOP4 | | | |
| | Pre | A07A, A13A, A13B, A13C | 07 | H33Z, H38Z | 05 | F36A, F36B | | | |
| | 5n238 | | BOP, KJZSV, KOP, KOPV, KVT, UOP4 | 10 | K09A, K09B | 06 | G01Z, G02Z, G15Z, G18A, G18B, G33Z, G38Z | | |
| | | 05 | F36A, F36B | 11 | L10Z, L33Z, L38Z | 07 | H33Z, H38Z | | |
| | | 06 | G01Z, G02Z, G15Z, G18A, G18B, G33Z, G38Z | 12 | M37Z, M38Z | 10 | K09A, K09B | | |
| | | 07 | H33Z, H38Z | 13 | N01A, N01B, N01C, N01D, N01E, N34Z, N38Z | 11 | L10Z, L33Z, L38Z | | |
| | | 10 | K09A, K09B | 17 | R01A, R01B, R01C, R01D, R02Z, R12A, R12B, R12C | 12 | M37Z, M38Z | | |
| | | 11 | L10Z, L33Z, L38Z | 21A | W04A, W04B | 13 | N01A, N01B, N01C, N01D, N01E, N34Z, N38Z | | |
| | | 12 | M37Z, M38Z | 21B | X06A, X06B, X33Z | 17 | R01A, R01B, R01C, R01D, R02Z, R12A, R12B, R12C | | |
| 13 | | N01A, N01B, N01C, N01D, N01E, N34Z, N38Z | 23 | Z01A | 21A | W04A, W04B | | | |
| 17 | | R01A, R01B, R01C, R01D, R02Z, R12A, R12B, R12C | Pre | A07A, A13A, A13B, A13C | 21B | X06A, X06B, X33Z | | | |
| 21A | | W04A, W04B | 5n240.04 | BOP, KJZSV, KOP, KOPV, KVT, UOP4 | 23 | Z01A | | | |
| 21B | | X06A, X06B, X33Z | 05 | F36A, F36B | Pre | A07A, A13A, A13B, A13C | | | |
| 23 | | Z01A | 06 | G01Z, G02Z, G15Z, G18A, G18B, G33Z, G38Z | 5n240.4 | BOP, KJZSV, KOP, KOPV, KVT, UOP4 | | | |
| Pre | | A07A | 07 | H33Z, H38Z | 05 | F36A, F36B | | | |

VYK

| ZZV | MDC | DRG | ZZV | MDC | DRG | ZZV | MDC | DRG | | | |
|----------|----------|--|--|--|--|------------------------------------|--|--|--|--|--|
| 5n240.x | | BOP, KJZSV, KOP, KOPV, KVT, UOP4 | 5n242.21 | | BOP, KJZSV, KVT, UOP4 | 5n243.0 | | BOP, KJZSV, KVT, UOP4 | | | |
| | 05 | F36A, F36B | | 06 | G01Z, G02Z, G15Z, G18A, G18B, G33Z, G38Z | | 06 | G01Z, G02Z, G15Z, G18A, G18B, G18C, G38Z | | | |
| | 06 | G01Z, G02Z, G15Z, G18A, G18B, G33Z, G38Z | | 10 | K09A, K09B | | 10 | K09A, K09B | | | |
| | 07 | H33Z, H38Z | | 11 | L10Z, L38Z | | 11 | L10Z, L38Z | | | |
| | 10 | K09A, K09B | | 12 | M37Z, M38Z | | 12 | M37Z, M38Z | | | |
| | 11 | L10Z, L33Z, L38Z | | 13 | N01A, N01B, N01C, N01D, N01E, N34Z, N38Z | | 13 | N01A, N01B, N01C, N01D, N01E, N34Z, N38Z | | | |
| | 12 | M37Z, M38Z | | 17 | R01A, R01B, R01C, R01D, R02Z, R12A, R12B, R12C | | 17 | R01A, R01B, R01C, R01D, R02Z, R12A, R12B, R12C | | | |
| | 13 | N01A, N01B, N01C, N01D, N01E, N34Z, N38Z | | 21A | W04A, W04B | | 21A | W04A, W04B | | | |
| | 17 | R01A, R01B, R01C, R01D, R02Z, R12A, R12B, R12C | | 21B | X06A, X06B | | 21B | X06A, X06B | | | |
| | 21A | W04A, W04B | | Pre | A13A, A13B, A13C | | Pre | A13A, A13B, A13C | | | |
| | 21B | X06A, X06B, X33Z | | 5n242.25 | | | BOP, KJZSV, KVT, UOP4 | 5n243.2 | | BOP, KJZSV, KVT, UOP4 | |
| | 23 | Z01A | | | 06 | | G01Z, G02Z, G15Z, G18A, G18B, G38Z | | 06 | G01Z, G02Z, G15Z, G18A, G18B, G18C, G38Z | |
| | Pre | A07A, A13A, A13B, A13C | | | 10 | | K09A, K09B | | 10 | K09A, K09B | |
| | 5n242.01 | | | | BOP, KJZSV, KVT, UOP4 | | 11 | | L10Z, L38Z | 11 | L10Z, L38Z |
| | | 06 | | | G01Z, G02Z, G15Z, G18A, G18B, G38Z | | 12 | | M37Z, M38Z | 12 | M37Z, M38Z |
| | | 10 | | | K09A, K09B | | 13 | | N01A, N01B, N01C, N01D, N01E, N34Z, N38Z | 13 | N01A, N01B, N01C, N01D, N01E, N34Z, N38Z |
| | | 11 | | | L10Z, L38Z | | 17 | | R01A, R01B, R01C, R01D, R02Z, R12A, R12B, R12C | 17 | R01A, R01B, R01C, R01D, R02Z, R12A, R12B, R12C |
| 12 | | M37Z, M38Z | 21A | | W04A, W04B | 21A | W04A, W04B | | | | |
| 13 | | N01A, N01B, N01C, N01D, N01E, N34Z, N38Z | 21B | | X06A, X06B | 21B | X06A, X06B | | | | |
| 17 | | R01A, R01B, R01C, R01D, R02Z, R12A, R12B, R12C | Pre | | A13A, A13B, A13C | Pre | A13A, A13B, A13C | | | | |
| 21A | | W04A, W04B | 5n242.31 | | | BOP, KJZSV, KVT, UOP4 | 5n243.4 | | | BOP, KJZSV, KVT, UOP4 | |
| 21B | | X06A, X06B | | | 06 | G01Z, G02Z, G15Z, G18A, G18B, G38Z | | | 06 | G01Z, G02Z, G15Z, G18A, G18B, G18C, G38Z | |
| Pre | | A13A, A13B, A13C | | | 10 | K09A, K09B | | | 10 | K09A, K09B | |
| 5n242.02 | | | | | BOP, KJZSV, KVT, UOP4 | 11 | | | L10Z, L38Z | 11 | L10Z, L38Z |
| | | 06 | | | G01Z, G02Z, G15Z, G18A, G18B, G38Z | 12 | | | M37Z, M38Z | 12 | M37Z, M38Z |
| | | 10 | | | K09A, K09B | 13 | | | N01A, N01B, N01C, N01D, N01E, N34Z, N38Z | 13 | N01A, N01B, N01C, N01D, N01E, N34Z, N38Z |
| | | 11 | | | L10Z, L38Z | 17 | | | R01A, R01B, R01C, R01D, R02Z, R12A, R12B, R12C | 17 | R01A, R01B, R01C, R01D, R02Z, R12A, R12B, R12C |
| | | 12 | | M37Z, M38Z | 21A | W04A, W04B | | 21A | W04A, W04B | | |
| | | 13 | | N01A, N01B, N01C, N01D, N01E, N34Z, N38Z | 21B | X06A, X06B | | 21B | X06A, X06B | | |
| | | 17 | | R01A, R01B, R01C, R01D, R02Z, R12A, R12B, R12C | Pre | A13A, A13B, A13C | | Pre | A13A, A13B, A13C | | |
| | 21A | W04A, W04B | | 5n242.4 | | BOP, KJZSV, KVT, UOP4 | | 5n244.01 | | BOP, KJZSV, KOP, KOPV, KVT, UOP4 | |
| | 21B | X06A, X06B | | | 06 | G01Z, G02Z, G15Z, G18A, G18B, G38Z | | | 05 | F36A, F36B | |
| | Pre | A13A, A13B, A13C | | | 10 | K09A, K09B | | | 06 | G01Z, G02Z, G03A, G15Z, G18A, G18B, G33Z, G38Z | |
| | 5n242.03 | | | | BOP, KJZSV, KVT, UOP4 | 11 | | | L10Z, L38Z | 07 | H33Z, H38Z |
| | | 06 | | | G01Z, G02Z, G15Z, G18A, G18B, G38Z | 12 | | | M37Z, M38Z | 11 | L10Z, L33Z, L38Z |
| | | 10 | | | K09A, K09B | 13 | | | N01A, N01B, N01C, N01D, N01E, N34Z, N38Z | 12 | M37Z, M38Z |
| | | 11 | | | L10Z, L38Z | 17 | | | R01A, R01B, R01C, R01D, R02Z, R12A, R12B, R12C | 13 | N01A, N01B, N01C, N01D, N01E, N34Z, N38Z |
| | | 12 | M37Z, M38Z | | 21A | W04A, W04B | 17 | | R01A, R01B, R01C, R01D, R02Z, R12A, R12B, R12C | | |
| | | 13 | N01A, N01B, N01C, N01D, N01E, N34Z, N38Z | | 21B | X06A, X06B | 21A | | W04A, W04B | | |
| | | 17 | R01A, R01B, R01C, R01D, R02Z, R12A, R12B, R12C | | Pre | A13A, A13B, A13C | 21B | | X06A, X06B, X33Z | | |
| 21A | | W04A, W04B | 5n242.x | | | BOP, KJZSV, KVT, UOP4 | 23 | | Z01A | | |
| 21B | | X06A, X06B | | | 06 | G01Z, G02Z, G15Z, G18A, G18B, G38Z | Pre | | A07A, A13A, A13B, A13C | | |
| Pre | | A13A, A13B, A13C | | | 10 | K09A, K09B | | | | | |
| 5n242.04 | | | | | BOP, KJZSV, KVT, UOP4 | 11 | L10Z, L38Z | | | | |
| | | 06 | | | G01Z, G02Z, G15Z, G18A, G18B, G38Z | 12 | M37Z, M38Z | | | | |
| | | 10 | | | K09A, K09B | 13 | N01A, N01B, N01C, N01D, N01E, N34Z, N38Z | | | | |
| | | 11 | | | L10Z, L38Z | 17 | R01A, R01B, R01C, R01D, R02Z, R12A, R12B, R12C | | | | |
| | | 12 | | M37Z, M38Z | 21A | W04A, W04B | | | | | |
| | | 13 | | N01A, N01B, N01C, N01D, N01E, N34Z, N38Z | 21B | X06A, X06B | | | | | |
| | | 17 | | R01A, R01B, R01C, R01D, R02Z, R12A, R12B, R12C | Pre | A13A, A13B, A13C | | | | | |
| | 21A | W04A, W04B | | | | | | | | | |
| | 21B | X06A, X06B | | | | | | | | | |
| | Pre | A13A, A13B, A13C | | | | | | | | | |

VYK

| ZZV | MDC | DRG | ZZV | MDC | DRG | ZZV | MDC | DRG | | | |
|----------|----------|--|----------------------------------|--|--|---------|--|--|----------|----|----------------------------------|
| 5n244.02 | | BOP, KJZSV, KOP, KOPV, KVT, UOP4 | 5n244.25 | | BOP, KJZSV, KOP, KOPV, KVT, UOP4 | 5n244.x | | BOP, KJZSV, KOP, KOPV, KVT, UOP4 | | | |
| | 05 | F36A, F36B | | 05 | F36A, F36B | | 05 | F36A, F36B | | | |
| | 06 | G01Z, G02Z, G15Z, G18A, G18B, G33Z, G38Z | | 06 | G01Z, G02Z, G15Z, G18A, G18B, G33Z, G38Z | | 06 | G01Z, G02Z, G15Z, G18A, G18B, G33Z, G38Z | | | |
| | 07 | H33Z, H38Z | | 07 | H33Z, H38Z | | 07 | H33Z, H38Z | | | |
| | 11 | L10Z, L33Z, L38Z | | 11 | L10Z, L33Z, L38Z | | 11 | L10Z, L33Z, L38Z | | | |
| | 12 | M37Z, M38Z | | 12 | M37Z, M38Z | | 12 | M37Z, M38Z | | | |
| | 13 | N01A, N01B, N01C, N01D, N01E, N34Z, N38Z | | 13 | N01A, N01B, N01C, N01D, N01E, N34Z, N38Z | | 13 | N01A, N01B, N01C, N01D, N01E, N34Z, N38Z | | | |
| | 17 | R01A, R01B, R01C, R01D, R02Z, R12A, R12B, R12C | | 17 | R01A, R01B, R01C, R01D, R02Z, R12A, R12B, R12C | | 17 | R01A, R01B, R01C, R01D, R02Z, R12A, R12B, R12C | | | |
| | 21A | W04A, W04B | | 21A | W04A, W04B | | 21A | W04A, W04B | | | |
| | 21B | X06A, X06B, X33Z | | 21B | X06A, X06B, X33Z | | 21B | X06A, X06B, X33Z | | | |
| | 23 | Z01A | | 23 | Z01A | | 23 | Z01A | | | |
| | Pre | A07A, A13A, A13B, A13C | | Pre | A07A, A13A, A13B, A13C | | Pre | A07A, A13A, A13B, A13C | | | |
| | 5n244.03 | | | BOP, KJZSV, KOP, KOPV, KVT, UOP4 | 5n244.31 | | | BOP, KJZSV, KOP, KOPV, KVT, UOP4 | 5n245.01 | | BOP, KJZSV, KOP, KOPV, KVT, UOP4 |
| | | 05 | | F36A, F36B | | | 05 | F36A, F36B | | 05 | F36A, F36B |
| 06 | | G01Z, G02Z, G15Z, G18A, G18B, G33Z, G38Z | 06 | G01Z, G02Z, G15Z, G18A, G18B, G33Z, G38Z | | 06 | G01Z, G02Z, G15Z, G33Z, G38Z | | | | |
| 07 | | H33Z, H38Z | 07 | H33Z, H38Z | | 07 | H33Z, H38Z | | | | |
| 11 | | L10Z, L33Z, L38Z | 11 | L10Z, L33Z, L38Z | | 10 | K09A, K09B | | | | |
| 12 | | M37Z, M38Z | 12 | M37Z, M38Z | | 11 | L10Z, L33Z, L38Z | | | | |
| 13 | | N01A, N01B, N01C, N01D, N01E, N34Z, N38Z | 13 | N01A, N01B, N01C, N01D, N01E, N34Z, N38Z | | 12 | M37Z, M38Z | | | | |
| 17 | | R01A, R01B, R01C, R01D, R02Z, R12A, R12B, R12C | 17 | R01A, R01B, R01C, R01D, R02Z, R12A, R12B, R12C | | 13 | N01A, N01B, N01C, N01D, N01E, N34Z, N38Z | | | | |
| 21A | | W04A, W04B | 21A | W04A, W04B | | 17 | R01A, R01B, R01C, R01D, R02Z, R12A, R12B, R12C | | | | |
| 21B | | X06A, X06B, X33Z | 21B | X06A, X06B, X33Z | | 21A | W04A, W04B | | | | |
| 23 | | Z01A | 23 | Z01A | | 21B | X06A, X06B, X33Z | | | | |
| Pre | | A07A, A13A, A13B, A13C | Pre | A07A, A13A, A13B, A13C | | 23 | Z01A | | | | |
| 5n244.04 | | | BOP, KJZSV, KOP, KOPV, KVT, UOP4 | 5n244.35 | | | BOP, KJZSV, KOP, KOPV, KVT, UOP4 | 5n245.02 | | | BOP, KJZSV, KOP, KOPV, KVT, UOP4 |
| | | 05 | F36A, F36B | | | 05 | F36A, F36B | | | 05 | F36A, F36B |
| | 06 | G01Z, G02Z, G15Z, G18A, G18B, G33Z, G38Z | 06 | | G01Z, G02Z, G15Z, G18A, G18B, G33Z, G38Z | 06 | G01Z, G02Z, G15Z, G18A, G18B, G33Z, G38Z | | | | |
| | 07 | H33Z, H38Z | 07 | | H33Z, H38Z | 07 | H33Z, H38Z | | | | |
| | 11 | L10Z, L33Z, L38Z | 11 | | L10Z, L33Z, L38Z | 10 | K09A, K09B | | | | |
| | 12 | M37Z, M38Z | 12 | | M37Z, M38Z | 11 | L10Z, L33Z, L38Z | | | | |
| | 13 | N01A, N01B, N01C, N01D, N01E, N34Z, N38Z | 13 | | N01A, N01B, N01C, N01D, N01E, N34Z, N38Z | 12 | M37Z, M38Z | | | | |
| | 17 | R01A, R01B, R01C, R01D, R02Z, R12A, R12B, R12C | 17 | | R01A, R01B, R01C, R01D, R02Z, R12A, R12B, R12C | 13 | N01A, N01B, N01C, N01D, N01E, N34Z, N38Z | | | | |
| | 21A | W04A, W04B | 21A | | W04A, W04B | 17 | R01A, R01B, R01C, R01D, R02Z, R12A, R12B, R12C | | | | |
| | 21B | X06A, X06B, X33Z | 21B | | X06A, X06B, X33Z | 21A | W04A, W04B | | | | |
| | 23 | Z01A | 23 | | Z01A | 21B | X06A, X06B, X33Z | | | | |
| | Pre | A07A, A13A, A13B, A13C | Pre | | A07A, A13A, A13B, A13C | 23 | Z01A | | | | |
| | 5n244.21 | | BOP, KJZSV, KOP, KOPV, KVT, UOP4 | | 5n244.4 | | BOP, KJZSV, KOP, KOPV, KVT, UOP4 | | 5n245.03 | | BOP, KJZSV, KOP, KOPV, KVT, UOP4 |
| | | 05 | F36A, F36B | | | 05 | F36A, F36B | | | 05 | F36A, F36B |
| 06 | | G01Z, G02Z, G15Z, G18A, G18B, G33Z, G38Z | 06 | G01Z, G02Z, G15Z, G18A, G18B, G33Z, G38Z | | 06 | G01Z, G02Z, G15Z, G33Z, G38Z | | | | |
| 07 | | H33Z, H38Z | 07 | H33Z, H38Z | | 07 | H33Z, H38Z | | | | |
| 11 | | L10Z, L33Z, L38Z | 11 | L10Z, L33Z, L38Z | | 10 | K09A, K09B | | | | |
| 12 | | M37Z, M38Z | 12 | M37Z, M38Z | | 11 | L10Z, L33Z, L38Z | | | | |
| 13 | | N01A, N01B, N01C, N01D, N01E, N34Z, N38Z | 13 | N01A, N01B, N01C, N01D, N01E, N34Z, N38Z | | 12 | M37Z, M38Z | | | | |
| 17 | | R01A, R01B, R01C, R01D, R02Z, R12A, R12B, R12C | 17 | R01A, R01B, R01C, R01D, R02Z, R12A, R12B, R12C | | 13 | N01A, N01B, N01C, N01D, N01E, N34Z, N38Z | | | | |
| 21A | | W04A, W04B | 21A | W04A, W04B | | 17 | R01A, R01B, R01C, R01D, R02Z, R12A, R12B, R12C | | | | |
| 21B | | X06A, X06B, X33Z | 21B | X06A, X06B, X33Z | | 21A | W04A, W04B | | | | |
| 23 | | Z01A | 23 | Z01A | | 21B | X06A, X06B, X33Z | | | | |
| Pre | | A07A, A13A, A13B, A13C | Pre | A07A, A13A, A13B, A13C | | 23 | Z01A | | | | |
| | | | | | | Pre | A07A, A13A, A13B, A13C | | | | |

VYK

| ZZV | MDC | DRG | ZZV | MDC | DRG | ZZV | MDC | DRG | | | |
|----------|----------|--|----------------------------------|--|--|----------|--|--|----------|----|----------------------------------|
| 5n245.04 | | BOP, KJZSV, KOP, KOPV, KVT, UOP4 | 5n245.4 | | BOP, KJZSV, KOP, KOPV, KVT, UOP4 | 5n246.03 | | BOP, KJZSV, KOP, KOPV, KVT, UOP4 | | | |
| | 05 | F36A, F36B | | 05 | F36A, F36B | | 05 | F36A, F36B | | | |
| | 06 | G01Z, G02Z, G15Z, G33Z, G38Z | | 06 | G01Z, G02Z, G15Z, G33Z, G38Z | | 06 | G01Z, G02Z, G15Z, G18A, G18B, G33Z, G38Z | | | |
| | 07 | H33Z, H38Z | | 07 | H33Z, H38Z | | 07 | H33Z, H38Z | | | |
| | 10 | K09A, K09B | | 10 | K09A, K09B | | 10 | K09A, K09B | | | |
| | 11 | L10Z, L33Z, L38Z | | 11 | L10Z, L33Z, L38Z | | 11 | L10Z, L33Z, L38Z | | | |
| | 12 | M37Z, M38Z | | 12 | M37Z, M38Z | | 12 | M37Z, M38Z | | | |
| | 13 | N01A, N01B, N01C, N01D, N01E, N34Z, N38Z | | 13 | N01A, N01B, N01C, N01D, N01E, N34Z, N38Z | | 13 | N01A, N01B, N01C, N01D, N01E, N34Z, N38Z | | | |
| | 17 | R01A, R01B, R01C, R01D, R02Z, R12A, R12B, R12C | | 17 | R01A, R01B, R01C, R01D, R02Z, R12A, R12B, R12C | | 17 | R01A, R01B, R01C, R01D, R02Z, R12A, R12B, R12C | | | |
| | 21A | W04A, W04B | | 21A | W04A, W04B | | 21A | W04A, W04B | | | |
| | 21B | X06A, X06B, X33Z | | 21B | X06A, X06B, X33Z | | 21B | X06A, X06B, X33Z | | | |
| | 23 | Z01A | | 23 | Z01A | | 23 | Z01A | | | |
| | Pre | A07A, A13A, A13B, A13C | | Pre | A07A, A13A, A13B, A13C | | Pre | A07A, A13A, A13B, A13C | | | |
| | 5n245.21 | | | BOP, KJZSV, KOP, KOPV, KVT, UOP4 | 5n245.x | | | BOP, KJZSV, KOP, KOPV, KVT, UOP4 | 5n246.04 | | BOP, KJZSV, KOP, KOPV, KVT, UOP4 |
| | | 05 | | F36A, F36B | | | 05 | F36A, F36B | | 05 | F36A, F36B |
| 06 | | G01Z, G02Z, G15Z, G33Z, G38Z | 06 | G01Z, G02Z, G15Z, G33Z, G38Z | | 06 | G01Z, G02Z, G15Z, G18A, G18B, G33Z, G38Z | | | | |
| 07 | | H33Z, H38Z | 07 | H33Z, H38Z | | 07 | H33Z, H38Z | | | | |
| 10 | | K09A, K09B | 10 | K09A, K09B | | 10 | K09A, K09B | | | | |
| 11 | | L10Z, L33Z, L38Z | 11 | L10Z, L33Z, L38Z | | 11 | L10Z, L33Z, L38Z | | | | |
| 12 | | M37Z, M38Z | 12 | M37Z, M38Z | | 12 | M37Z, M38Z | | | | |
| 13 | | N01A, N01B, N01C, N01D, N01E, N34Z, N38Z | 13 | N01A, N01B, N01C, N01D, N01E, N34Z, N38Z | | 13 | N01A, N01B, N01C, N01D, N01E, N34Z, N38Z | | | | |
| 17 | | R01A, R01B, R01C, R01D, R02Z, R12A, R12B, R12C | 17 | R01A, R01B, R01C, R01D, R02Z, R12A, R12B, R12C | | 17 | R01A, R01B, R01C, R01D, R02Z, R12A, R12B, R12C | | | | |
| 21A | | W04A, W04B | 21A | W04A, W04B | | 21A | W04A, W04B | | | | |
| 21B | | X06A, X06B, X33Z | 21B | X06A, X06B, X33Z | | 21B | X06A, X06B, X33Z | | | | |
| 23 | | Z01A | 23 | Z01A | | 23 | Z01A | | | | |
| Pre | | A07A, A13A, A13B, A13C | Pre | A07A, A13A, A13B, A13C | | Pre | A07A, A13A, A13B, A13C | | | | |
| 5n245.25 | | | BOP, KJZSV, KOP, KOPV, KVT, UOP4 | 5n246.01 | | | BOP, KJZSV, KOP, KOPV, KVT, UOP4 | 5n246.21 | | | BOP, KJZSV, KOP, KOPV, KVT, UOP4 |
| | | 05 | F36A, F36B | | | 05 | F36A, F36B | | | 05 | F36A, F36B |
| | 06 | G01Z, G02Z, G15Z, G33Z, G38Z | 06 | | G01Z, G02Z, G15Z, G18A, G18B, G33Z, G38Z | 06 | G01Z, G02Z, G15Z, G18A, G18B, G33Z, G38Z | | | | |
| | 07 | H33Z, H38Z | 07 | | H33Z, H38Z | 07 | H33Z, H38Z | | | | |
| | 10 | K09A, K09B | 10 | | K09A, K09B | 10 | K09A, K09B | | | | |
| | 11 | L10Z, L33Z, L38Z | 11 | | L10Z, L33Z, L38Z | 11 | L10Z, L33Z, L38Z | | | | |
| | 12 | M37Z, M38Z | 12 | | M37Z, M38Z | 12 | M37Z, M38Z | | | | |
| | 13 | N01A, N01B, N01C, N01D, N01E, N34Z, N38Z | 13 | | N01A, N01B, N01C, N01D, N01E, N34Z, N38Z | 13 | N01A, N01B, N01C, N01D, N01E, N34Z, N38Z | | | | |
| | 17 | R01A, R01B, R01C, R01D, R02Z, R12A, R12B, R12C | 17 | | R01A, R01B, R01C, R01D, R02Z, R12A, R12B, R12C | 17 | R01A, R01B, R01C, R01D, R02Z, R12A, R12B, R12C | | | | |
| | 21A | W04A, W04B | 21A | | W04A, W04B | 21A | W04A, W04B | | | | |
| | 21B | X06A, X06B, X33Z | 21B | | X06A, X06B, X33Z | 21B | X06A, X06B, X33Z | | | | |
| | 23 | Z01A | 23 | | Z01A | 23 | Z01A | | | | |
| | Pre | A07A, A13A, A13B, A13C | Pre | | A07A, A13A, A13B, A13C | Pre | A07A, A13A, A13B, A13C | | | | |
| | 5n245.31 | | BOP, KJZSV, KOP, KOPV, KVT, UOP4 | | 5n246.02 | | BOP, KJZSV, KOP, KOPV, KVT, UOP4 | | 5n246.25 | | BOP, KJZSV, KOP, KOPV, KVT, UOP4 |
| | | 05 | F36A, F36B | | | 05 | F36A, F36B | | | 05 | F36A, F36B |
| 06 | | G01Z, G02Z, G15Z, G33Z, G38Z | 06 | G01Z, G02Z, G15Z, G33Z, G38Z | | 06 | G01Z, G02Z, G15Z, G18A, G18B, G33Z, G38Z | | | | |
| 07 | | H33Z, H38Z | 07 | H33Z, H38Z | | 07 | H33Z, H38Z | | | | |
| 10 | | K09A, K09B | 10 | K09A, K09B | | 10 | K09A, K09B | | | | |
| 11 | | L10Z, L33Z, L38Z | 11 | L10Z, L33Z, L38Z | | 11 | L10Z, L33Z, L38Z | | | | |
| 12 | | M37Z, M38Z | 12 | M37Z, M38Z | | 12 | M37Z, M38Z | | | | |
| 13 | | N01A, N01B, N01C, N01D, N01E, N34Z, N38Z | 13 | N01A, N01B, N01C, N01D, N01E, N34Z, N38Z | | 13 | N01A, N01B, N01C, N01D, N01E, N34Z, N38Z | | | | |
| 17 | | R01A, R01B, R01C, R01D, R02Z, R12A, R12B, R12C | 17 | R01A, R01B, R01C, R01D, R02Z, R12A, R12B, R12C | | 17 | R01A, R01B, R01C, R01D, R02Z, R12A, R12B, R12C | | | | |
| 21A | | W04A, W04B | 21A | W04A, W04B | | 21A | W04A, W04B | | | | |
| 21B | | X06A, X06B, X33Z | 21B | X06A, X06B, X33Z | | 21B | X06A, X06B, X33Z | | | | |
| 23 | | Z01A | 23 | Z01A | | 23 | Z01A | | | | |
| Pre | | A07A, A13A, A13B, A13C | Pre | A07A, A13A, A13B, A13C | | Pre | A07A, A13A, A13B, A13C | | | | |

VYK

| ZZV | MDC | DRG | ZZV | MDC | DRG | ZZV | MDC | DRG | | | |
|----------|----------|--|----------------------------------|--|--|----------|--|--|----------|----|------------------------------------|
| 5n247.x | | BOP, KJZSV, KOP, KOPV, KVT, UOP4 | 5n248.04 | | BOP, KJZSV, KOP, KOPV, KVT, UOP4 | 5n248.35 | | BOP, KJZSV, KOP, KOPV, KVT, UOP4 | | | |
| | 05 | F36A, F36B | | 05 | F36A, F36B | | 05 | F36A, F36B | | | |
| | 06 | G01Z, G02Z, G15Z, G18A, G18B, G33Z, G38Z | | 06 | G01Z, G02Z, G15Z, G33Z, G38Z | | 06 | G01Z, G02Z, G15Z, G33Z, G38Z | | | |
| | 07 | H33Z, H38Z | | 07 | H33Z, H38Z | | 07 | H33Z, H38Z | | | |
| | 10 | K09A, K09B | | 10 | K09A, K09B | | 10 | K09A, K09B | | | |
| | 11 | L10Z, L33Z, L38Z | | 11 | L10Z, L33Z, L38Z | | 11 | L10Z, L33Z, L38Z | | | |
| | 12 | M37Z, M38Z | | 12 | M37Z, M38Z | | 12 | M37Z, M38Z | | | |
| | 13 | N01A, N01B, N01C, N01D, N01E, N34Z, N38Z | | 13 | N01A, N01B, N01C, N01D, N01E, N34Z, N38Z | | 13 | N01A, N01B, N01C, N01D, N01E, N34Z, N38Z | | | |
| | 17 | R01A, R01B, R01C, R01D, R02Z, R12A, R12B, R12C | | 17 | R01A, R01B, R01C, R01D, R02Z, R12A, R12B, R12C | | 17 | R01A, R01B, R01C, R01D, R02Z, R12A, R12B, R12C | | | |
| | 21A | W04A, W04B | | 21A | W04A, W04B | | 21A | W04A, W04B | | | |
| | 21B | X06A, X06B, X33Z | | 21B | X06A, X06B, X33Z | | 21B | X06A, X06B, X33Z | | | |
| | 23 | Z01A | | 23 | Z01A | | 23 | Z01A | | | |
| | Pre | A07A, A13A, A13B, A13C | | Pre | A07A, A13A, A13B, A13C | | Pre | A07A, A13A, A13B, A13C | | | |
| | 5n248.01 | | | BOP, KJZSV, KOP, KOPV, KVT, UOP4 | 5n248.21 | | | BOP, KJZSV, KOP, KOPV, KVT, UOP4 | 5n248.4 | | BOP, KJZSV, KOP, KOPV, KVT, UOP4 |
| | | 05 | | F36A, F36B | | | 05 | F36A, F36B | | 05 | F36A, F36B |
| | | 06 | | G01Z, G02Z, G03A, G15Z, G33Z, G38Z | | | 06 | G01Z, G02Z, G15Z, G33Z, G38Z | | 06 | G01Z, G02Z, G15Z, G33Z, G38Z |
| | | 07 | | H33Z, H38Z | | | 07 | H33Z, H38Z | | 07 | H33Z, H38Z |
| 10 | | K09A, K09B | 10 | K09A, K09B | | 10 | K09A, K09B | | | | |
| 11 | | L10Z, L33Z, L38Z | 11 | L10Z, L33Z, L38Z | | 11 | L10Z, L33Z, L38Z | | | | |
| 12 | | M37Z, M38Z | 12 | M37Z, M38Z | | 12 | M37Z, M38Z | | | | |
| 13 | | N01A, N01B, N01C, N01D, N01E, N34Z, N38Z | 13 | N01A, N01B, N01C, N01D, N01E, N34Z, N38Z | | 13 | N01A, N01B, N01C, N01D, N01E, N34Z, N38Z | | | | |
| 17 | | R01A, R01B, R01C, R01D, R02Z, R12A, R12B, R12C | 17 | R01A, R01B, R01C, R01D, R02Z, R12A, R12B, R12C | | 17 | R01A, R01B, R01C, R01D, R02Z, R12A, R12B, R12C | | | | |
| 21A | | W04A, W04B | 21A | W04A, W04B | | 21A | W04A, W04B | | | | |
| 21B | | X06A, X06B, X33Z | 21B | X06A, X06B, X33Z | | 21B | X06A, X06B, X33Z | | | | |
| 23 | | Z01A | 23 | Z01A | | 23 | Z01A | | | | |
| Pre | | A07A, A13A, A13B, A13C | Pre | A07A, A13A, A13B, A13C | | Pre | A07A, A13A, A13B, A13C | | | | |
| 5n248.02 | | | BOP, KJZSV, KOP, KOPV, KVT, UOP4 | 5n248.25 | | | BOP, KJZSV, KOP, KOPV, KVT, UOP4 | 5n248.x | | | BOP, KJZSV, KOP, KOPV, KVT, UOP4 |
| | | 05 | F36A, F36B | | | 05 | F36A, F36B | | | 05 | F36A, F36B |
| | | 06 | G01Z, G02Z, G15Z, G33Z, G38Z | | | 06 | G01Z, G02Z, G15Z, G33Z, G38Z | | | 06 | G01Z, G02Z, G15Z, G33Z, G38Z |
| | | 07 | H33Z, H38Z | | | 07 | H33Z, H38Z | | | 07 | H33Z, H38Z |
| | 10 | K09A, K09B | 10 | | K09A, K09B | 10 | K09A, K09B | | | | |
| | 11 | L10Z, L33Z, L38Z | 11 | | L10Z, L33Z, L38Z | 11 | L10Z, L33Z, L38Z | | | | |
| | 12 | M37Z, M38Z | 12 | | M37Z, M38Z | 12 | M37Z, M38Z | | | | |
| | 13 | N01A, N01B, N01C, N01D, N01E, N34Z, N38Z | 13 | | N01A, N01B, N01C, N01D, N01E, N34Z, N38Z | 13 | N01A, N01B, N01C, N01D, N01E, N34Z, N38Z | | | | |
| | 17 | R01A, R01B, R01C, R01D, R02Z, R12A, R12B, R12C | 17 | | R01A, R01B, R01C, R01D, R02Z, R12A, R12B, R12C | 17 | R01A, R01B, R01C, R01D, R02Z, R12A, R12B, R12C | | | | |
| | 21A | W04A, W04B | 21A | | W04A, W04B | 21A | W04A, W04B | | | | |
| | 21B | X06A, X06B, X33Z | 21B | | X06A, X06B, X33Z | 21B | X06A, X06B, X33Z | | | | |
| | 23 | Z01A | 23 | | Z01A | 23 | Z01A | | | | |
| | Pre | A07A, A13A, A13B, A13C | Pre | | A07A, A13A, A13B, A13C | Pre | A07A, A13A, A13B, A13C | | | | |
| | 5n248.03 | | BOP, KJZSV, KOP, KOPV, KVT, UOP4 | | 5n248.31 | | BOP, KJZSV, KOP, KOPV, KVT, UOP4 | | 5n24x.01 | | BOP, KJZSV, KVT, UOP4 |
| | | 05 | F36A, F36B | | | 05 | F36A, F36B | | | 06 | G01Z, G02Z, G15Z, G18A, G18B, G38Z |
| | | 06 | G01Z, G02Z, G15Z, G33Z, G38Z | | | 06 | G01Z, G02Z, G15Z, G33Z, G38Z | | | 10 | K09A, K09B |
| | | 07 | H33Z, H38Z | | | 07 | H33Z, H38Z | | | 11 | L10Z, L38Z |
| 10 | | K09A, K09B | 10 | K09A, K09B | | 12 | M37Z, M38Z | | | | |
| 11 | | L10Z, L33Z, L38Z | 11 | L10Z, L33Z, L38Z | | 13 | N01A, N01B, N01C, N01D, N01E, N34Z, N38Z | | | | |
| 12 | | M37Z, M38Z | 12 | M37Z, M38Z | | 17 | R01A, R01B, R01C, R01D, R02Z, R12A, R12B, R12C | | | | |
| 13 | | N01A, N01B, N01C, N01D, N01E, N34Z, N38Z | 13 | N01A, N01B, N01C, N01D, N01E, N34Z, N38Z | | 21A | W04A, W04B | | | | |
| 17 | | R01A, R01B, R01C, R01D, R02Z, R12A, R12B, R12C | 17 | R01A, R01B, R01C, R01D, R02Z, R12A, R12B, R12C | | 21B | X06A, X06B | | | | |
| 21A | | W04A, W04B | 21A | W04A, W04B | | Pre | A13A, A13B, A13C | | | | |
| 21B | | X06A, X06B, X33Z | 21B | X06A, X06B, X33Z | | | | | | | |
| 23 | | Z01A | 23 | Z01A | | | | | | | |
| Pre | | A07A, A13A, A13B, A13C | Pre | A07A, A13A, A13B, A13C | | | | | | | |

VYK

| ZZV | MDC | DRG | ZZV | MDC | DRG | ZZV | MDC | DRG |
|----------|----------|--|-----------------------|--|--|----------|--|--|
| 5n24x.02 | | BOP, KJZSV, KVT, UOP4 | 5n24x.4 | | BOP, KJZSV, KVT, UOP4 | 5n250.04 | | BOP, KJZSV, KOP, KOPV, KVT, MVV, UOP4 |
| | 06 | G01Z, G02Z, G15Z, G18A, G18B, G38Z | | 06 | G01Z, G02Z, G15Z, G18A, G18B, G38Z | | 05 | F36A, F36B |
| | 10 | K09A, K09B | | 10 | K09A, K09B | | 06 | G15Z, G16A, G16B, G33Z, G38Z |
| | 11 | L10Z, L38Z | | 11 | L10Z, L38Z | | 07 | H33Z, H38Z |
| | 12 | M37Z, M38Z | | 12 | M37Z, M38Z | | 10 | K09A, K09B |
| | 13 | N01A, N01B, N01C, N01D, N01E, N34Z, N38Z | | 13 | N01A, N01B, N01C, N01D, N01E, N34Z, N38Z | | 11 | L10Z, L33Z, L38Z |
| | 17 | R01A, R01B, R01C, R01D, R02Z, R12A, R12B, R12C | | 17 | R01A, R01B, R01C, R01D, R02Z, R12A, R12B, R12C | | 12 | M37Z, M38Z |
| | 21A | W04A, W04B | | 21A | W04A, W04B | | 13 | N01A, N01B, N01C, N01D, N01E, N34Z, N38Z |
| | 21B | X06A, X06B | | 21B | X06A, X06B | | 17 | R01A, R01B, R01C, R01D, R02Z, R12A, R12B, R12C |
| | Pre | A13A, A13B, A13C | | Pre | A13A, A13B, A13C | | 21A | W04A, W04B |
| | 5n24x.03 | | | BOP, KJZSV, KVT, UOP4 | 5n24x.x | | | BOP, KJZSV, KVT, UOP4 |
| 06 | | G01Z, G02Z, G15Z, G18A, G18B, G38Z | 06 | G01Z, G02Z, G15Z, G18A, G18B, G38Z | | 05 | F36A, F36B | |
| 10 | | K09A, K09B | 10 | K09A, K09B | | 06 | G15Z, G16A, G16B, G33Z, G38Z | |
| 11 | | L10Z, L38Z | 11 | L10Z, L38Z | | 07 | H33Z, H38Z | |
| 12 | | M37Z, M38Z | 12 | M37Z, M38Z | | 11 | L10Z, L33Z, L38Z | |
| 13 | | N01A, N01B, N01C, N01D, N01E, N34Z, N38Z | 13 | N01A, N01B, N01C, N01D, N01E, N34Z, N38Z | | 12 | M37Z, M38Z | |
| 17 | | R01A, R01B, R01C, R01D, R02Z, R12A, R12B, R12C | 17 | R01A, R01B, R01C, R01D, R02Z, R12A, R12B, R12C | | 13 | N01A, N01B, N01C, N01D, N01E, N34Z, N38Z | |
| 21A | | W04A, W04B | 21A | W04A, W04B | | 17 | R01A, R01B, R01C, R01D, R02Z, R12A, R12B, R12C | |
| 21B | | X06A, X06B | 21B | X06A, X06B | | 21A | W04A, W04B | |
| Pre | | A13A, A13B, A13C | Pre | A13A, A13B, A13C | | 21B | X06A, X06B, X06C, X33Z | |
| 5n24x.04 | | | BOP, KJZSV, KVT, UOP4 | 5n250.02 | | | BOP, KJZSV, KOP, KOPV, KVT, MVV, UOP4 | 5n250.08 |
| | 06 | G01Z, G02Z, G15Z, G18A, G18B, G38Z | 05 | | F36A, F36B | 05 | F36A, F36B | |
| | 10 | K09A, K09B | 06 | | G15Z, G16A, G16B, G33Z, G38Z | 06 | G15Z, G16A, G16B, G33Z, G38Z | |
| | 11 | L10Z, L38Z | 07 | | H33Z, H38Z | 07 | H33Z, H38Z | |
| | 12 | M37Z, M38Z | 10 | | K09A, K09B | 11 | L10Z, L33Z, L38Z | |
| | 13 | N01A, N01B, N01C, N01D, N01E, N34Z, N38Z | 11 | | L10Z, L33Z, L38Z | 12 | M37Z, M38Z | |
| | 17 | R01A, R01B, R01C, R01D, R02Z, R12A, R12B, R12C | 12 | | M37Z, M38Z | 13 | N01A, N01B, N01C, N01D, N01E, N34Z, N38Z | |
| | 21A | W04A, W04B | 13 | | N01A, N01B, N01C, N01D, N01E, N34Z, N38Z | 17 | R01A, R01B, R01C, R01D, R02Z, R12A, R12B, R12C | |
| | 21B | X06A, X06B | 17 | | R01A, R01B, R01C, R01D, R02Z, R12A, R12B, R12C | 21A | W04A, W04B | |
| | Pre | A13A, A13B, A13C | 21A | | W04A, W04B | 21B | X06A, X06B, X06C, X33Z | |
| | 5n24x.21 | | BOP, KJZSV, KVT, UOP4 | | 5n250.03 | | BOP, KJZSV, KOP, KOPV, KVT, MVV, UOP4 | |
| 06 | | G01Z, G02Z, G15Z, G18A, G18B, G38Z | 05 | F36A, F36B | | 05 | F36A, F36B | |
| 10 | | K09A, K09B | 06 | G15Z, G16A, G16B, G33Z, G38Z | | 06 | G15Z, G16A, G16B, G33Z, G38Z | |
| 11 | | L10Z, L38Z | 07 | H33Z, H38Z | | 07 | H33Z, H38Z | |
| 12 | | M37Z, M38Z | 11 | L10Z, L33Z, L38Z | | 10 | K09A, K09B | |
| 13 | | N01A, N01B, N01C, N01D, N01E, N34Z, N38Z | 12 | M37Z, M38Z | | 11 | L10Z, L33Z, L38Z | |
| 17 | | R01A, R01B, R01C, R01D, R02Z, R12A, R12B, R12C | 13 | N01A, N01B, N01C, N01D, N01E, N34Z, N38Z | | 12 | M37Z, M38Z | |
| 21A | | W04A, W04B | 17 | R01A, R01B, R01C, R01D, R02Z, R12A, R12B, R12C | | 13 | N01A, N01B, N01C, N01D, N01E, N34Z, N38Z | |
| 21B | | X06A, X06B | 21A | W04A, W04B | | 17 | R01A, R01B, R01C, R01D, R02Z, R12A, R12B, R12C | |
| Pre | | A13A, A13B, A13C | 21B | X06A, X06B, X06C, X33Z | | 21A | W04A, W04B | |
| 5n24x.25 | | | BOP, KJZSV, KVT, UOP4 | 5n250.03 | | | BOP, KJZSV, KOP, KOPV, KVT, MVV, UOP4 | 5n250.26 |
| | 06 | G01Z, G02Z, G15Z, G18A, G18B, G38Z | 05 | | F36A, F36B | 05 | F36A, F36B | |
| | 10 | K09A, K09B | 06 | | G15Z, G16A, G16B, G33Z, G38Z | 06 | G15Z, G16A, G16B, G33Z, G38Z | |
| | 11 | L10Z, L38Z | 07 | | H33Z, H38Z | 07 | H33Z, H38Z | |
| | 12 | M37Z, M38Z | 11 | | L10Z, L33Z, L38Z | 10 | K09A, K09B | |
| | 13 | N01A, N01B, N01C, N01D, N01E, N34Z, N38Z | 12 | | M37Z, M38Z | 11 | L10Z, L33Z, L38Z | |
| | 17 | R01A, R01B, R01C, R01D, R02Z, R12A, R12B, R12C | 13 | | N01A, N01B, N01C, N01D, N01E, N34Z, N38Z | 12 | M37Z, M38Z | |
| | 21A | W04A, W04B | 17 | | R01A, R01B, R01C, R01D, R02Z, R12A, R12B, R12C | 13 | N01A, N01B, N01C, N01D, N01E, N34Z, N38Z | |
| | 21B | X06A, X06B | 21A | | W04A, W04B | 17 | R01A, R01B, R01C, R01D, R02Z, R12A, R12B, R12C | |
| | Pre | A13A, A13B, A13C | 21B | | X06A, X06B, X06C, X33Z | 21A | W04A, W04B | |

VYK

| ZZV | MDC | DRG | ZZV | MDC | DRG | ZZV | MDC | DRG | | | |
|----------|----------|--|---------------------------------------|--|--|----------|--|--|----------|----|---------------------------------------|
| 5n250.27 | | BOP, KJZSV, KOP, KOPV, KVT, MVV, UOP4 | 5n251.02 | | BOP, KJZSV, KOP, KOPV, KVT, MVV, UOP4 | 5n251.08 | | BOP, KJZSV, KOP, KOPV, KVT, MVV, UOP4 | | | |
| | 05 | F36A, F36B | | 05 | F36A, F36B | | 05 | F36A, F36B | | | |
| | 06 | G15Z, G16A, G16B, G33Z, G38Z | | 06 | G15Z, G16A, G16B, G33Z, G38Z | | 06 | G15Z, G16A, G16B, G33Z, G38Z | | | |
| | 07 | H33Z, H38Z | | 07 | H33Z, H38Z | | 07 | H33Z, H38Z | | | |
| | 11 | L10Z, L33Z, L38Z | | 11 | L10Z, L33Z, L38Z | | 11 | L10Z, L33Z, L38Z | | | |
| | 12 | M37Z, M38Z | | 12 | M37Z, M38Z | | 12 | M37Z, M38Z | | | |
| | 13 | N01A, N01B, N01C, N01D, N01E, N34Z, N38Z | | 13 | N01A, N01B, N01C, N01D, N01E, N34Z, N38Z | | 13 | N01A, N01B, N01C, N01D, N01E, N34Z, N38Z | | | |
| | 17 | R01A, R01B, R01C, R01D, R02Z, R12A, R12B, R12C | | 17 | R01A, R01B, R01C, R01D, R02Z, R12A, R12B, R12C | | 17 | R01A, R01B, R01C, R01D, R02Z, R12A, R12B, R12C | | | |
| | 21A | W04A, W04B | | 21A | W04A, W04B | | 21A | W04A, W04B | | | |
| | 21B | X06A, X06B, X06C, X33Z | | 21B | X06A, X06B, X06C, X33Z | | 21B | X06A, X06B, X06C, X33Z | | | |
| | 23 | Z01A | | 23 | Z01A | | 23 | Z01A | | | |
| | Pre | A07A | | Pre | A07A | | Pre | A07A | | | |
| | 5n250.28 | | | BOP, KJZSV, KOP, KOPV, KVT, MVV, UOP4 | 5n251.03 | | | BOP, KJZSV, KOP, KOPV, KVT, MVV, UOP4 | 5n251.26 | | BOP, KJZSV, KOP, KOPV, KVT, MVV, UOP4 |
| | | 05 | | F36A, F36B | | | 05 | F36A, F36B | | 05 | F36A, F36B |
| 06 | | G15Z, G16A, G16B, G33Z, G38Z | 06 | G15Z, G16A, G16B, G33Z, G38Z | | 06 | G15Z, G16A, G16B, G33Z, G38Z | | | | |
| 07 | | H33Z, H38Z | 07 | H33Z, H38Z | | 07 | H33Z, H38Z | | | | |
| 11 | | L10Z, L33Z, L38Z | 11 | L10Z, L33Z, L38Z | | 11 | L10Z, L33Z, L38Z | | | | |
| 12 | | M37Z, M38Z | 12 | M37Z, M38Z | | 12 | M37Z, M38Z | | | | |
| 13 | | N01A, N01B, N01C, N01D, N01E, N34Z, N38Z | 13 | N01A, N01B, N01C, N01D, N01E, N34Z, N38Z | | 13 | N01A, N01B, N01C, N01D, N01E, N34Z, N38Z | | | | |
| 17 | | R01A, R01B, R01C, R01D, R02Z, R12A, R12B, R12C | 17 | R01A, R01B, R01C, R01D, R02Z, R12A, R12B, R12C | | 17 | R01A, R01B, R01C, R01D, R02Z, R12A, R12B, R12C | | | | |
| 21A | | W04A, W04B | 21A | W04A, W04B | | 21A | W04A, W04B | | | | |
| 21B | | X06A, X06B, X06C, X33Z | 21B | X06A, X06B, X06C, X33Z | | 21B | X06A, X06B, X06C, X33Z | | | | |
| 23 | | Z01A | 23 | Z01A | | 23 | Z01A | | | | |
| Pre | | A07A | Pre | A07A | | Pre | A07A | | | | |
| 5n250.4 | | | BOP, KJZSV, KOP, KOPV, KVT, MVV, UOP4 | 5n251.04 | | | BOP, KJZSV, KOP, KOPV, KVT, MVV, UOP4 | 5n251.27 | | | BOP, KJZSV, KOP, KOPV, KVT, MVV, UOP4 |
| | | 05 | F36A, F36B | | | 05 | F36A, F36B | | | 05 | F36A, F36B |
| | 06 | G15Z, G16A, G16B, G33Z, G38Z | 06 | | G15Z, G16A, G16B, G33Z, G38Z | 06 | G15Z, G16A, G16B, G33Z, G38Z | | | | |
| | 07 | H33Z, H38Z | 07 | | H33Z, H38Z | 07 | H33Z, H38Z | | | | |
| | 11 | L10Z, L33Z, L38Z | 11 | | L10Z, L33Z, L38Z | 11 | L10Z, L33Z, L38Z | | | | |
| | 12 | M37Z, M38Z | 12 | | M37Z, M38Z | 12 | M37Z, M38Z | | | | |
| | 13 | N01A, N01B, N01C, N01D, N01E, N34Z, N38Z | 13 | | N01A, N01B, N01C, N01D, N01E, N34Z, N38Z | 13 | N01A, N01B, N01C, N01D, N01E, N34Z, N38Z | | | | |
| | 17 | R01A, R01B, R01C, R01D, R02Z, R12A, R12B, R12C | 17 | | R01A, R01B, R01C, R01D, R02Z, R12A, R12B, R12C | 17 | R01A, R01B, R01C, R01D, R02Z, R12A, R12B, R12C | | | | |
| | 21A | W04A, W04B | 21A | | W04A, W04B | 21A | W04A, W04B | | | | |
| | 21B | X06A, X06B, X06C, X33Z | 21B | | X06A, X06B, X06C, X33Z | 21B | X06A, X06B, X06C, X33Z | | | | |
| | 23 | Z01A | 23 | | Z01A | 23 | Z01A | | | | |
| | Pre | A07A | Pre | | A07A | Pre | A07A | | | | |
| | 5n250.x | | BOP, KJZSV, KOP, KOPV, KVT, MVV, UOP4 | | 5n251.05 | | BOP, KJZSV, KOP, KOPV, KVT, MVV, UOP4 | | 5n251.28 | | BOP, KJZSV, KOP, KOPV, KVT, MVV, UOP4 |
| | | 05 | F36A, F36B | | | 05 | F36A, F36B | | | 05 | F36A, F36B |
| 06 | | G15Z, G16A, G16B, G33Z, G38Z | 06 | G15Z, G16A, G16B, G33Z, G38Z | | 06 | G15Z, G16A, G16B, G33Z, G38Z | | | | |
| 07 | | H33Z, H38Z | 07 | H33Z, H38Z | | 07 | H33Z, H38Z | | | | |
| 11 | | L10Z, L33Z, L38Z | 11 | L10Z, L33Z, L38Z | | 11 | L10Z, L33Z, L38Z | | | | |
| 12 | | M37Z, M38Z | 12 | M37Z, M38Z | | 12 | M37Z, M38Z | | | | |
| 13 | | N01A, N01B, N01C, N01D, N01E, N34Z, N38Z | 13 | N01A, N01B, N01C, N01D, N01E, N34Z, N38Z | | 13 | N01A, N01B, N01C, N01D, N01E, N34Z, N38Z | | | | |
| 17 | | R01A, R01B, R01C, R01D, R02Z, R12A, R12B, R12C | 17 | R01A, R01B, R01C, R01D, R02Z, R12A, R12B, R12C | | 17 | R01A, R01B, R01C, R01D, R02Z, R12A, R12B, R12C | | | | |
| 21A | | W04A, W04B | 21A | W04A, W04B | | 21A | W04A, W04B | | | | |
| 21B | | X06A, X06B, X06C, X33Z | 21B | X06A, X06B, X06C, X33Z | | 21B | X06A, X06B, X06C, X33Z | | | | |
| 23 | | Z01A | 23 | Z01A | | 23 | Z01A | | | | |
| Pre | | A07A | Pre | A07A | | Pre | A07A | | | | |

| ZZV | MDC | DRG | ZZV | MDC | DRG | ZZV | MDC | DRG |
|----------|----------|--|---------------------------------------|--|--|----------|--|--|
| 5n251.36 | | BOP, KJZSV, KOP, KOPV, KVT, MVV, UOP4 | 5n252.02 | | BOP, KJZSV, KOP, KOPV, KVT, MVV, UOP4 | 5n252.08 | | BOP, KJZSV, KOP, KOPV, KVT, MVV, UOP4 |
| | 05 | F36A, F36B | | 05 | F36A, F36B | | 05 | F36A, F36B |
| | 06 | G15Z, G16A, G16B, G33Z, G38Z | | 06 | G15Z, G16A, G16B, G33Z, G38Z | | 06 | G15Z, G16A, G16B, G33Z, G38Z |
| | 07 | H33Z, H38Z | | 07 | H33Z, H38Z | | 07 | H33Z, H38Z |
| | 11 | L10Z, L33Z, L38Z | | 11 | L10Z, L33Z, L38Z | | 11 | L10Z, L33Z, L38Z |
| | 12 | M37Z, M38Z | | 12 | M37Z, M38Z | | 12 | M37Z, M38Z |
| | 13 | N01A, N01B, N01C, N01D, N01E, N34Z, N38Z | | 13 | N01A, N01B, N01C, N01D, N01E, N34Z, N38Z | | 13 | N01A, N01B, N01C, N01D, N01E, N34Z, N38Z |
| | 17 | R01A, R01B, R01C, R01D, R02Z, R12A, R12B, R12C | | 17 | R01A, R01B, R01C, R01D, R02Z, R12A, R12B, R12C | | 17 | R01A, R01B, R01C, R01D, R02Z, R12A, R12B, R12C |
| | 21A | W04A, W04B | | 21A | W04A, W04B | | 21A | W04A, W04B |
| | 21B | X06A, X06B, X06C, X33Z | | 21B | X06A, X06B, X06C, X33Z | | 21B | X06A, X06B, X06C, X33Z |
| | 23 | Z01A | | 23 | Z01A | | 23 | Z01A |
| | Pre | A07A | | Pre | A07A | | Pre | A07A |
| | 5n251.38 | | | BOP, KJZSV, KOP, KOPV, KVT, MVV, UOP4 | 5n252.03 | | | BOP, KJZSV, KOP, KOPV, KVT, MVV, UOP4 |
| 05 | | F36A, F36B | 05 | F36A, F36B | | 05 | F36A, F36B | |
| 06 | | G15Z, G16A, G16B, G33Z, G38Z | 06 | G15Z, G16A, G16B, G33Z, G38Z | | 06 | G15Z, G16A, G16B, G33Z, G38Z | |
| 07 | | H33Z, H38Z | 07 | H33Z, H38Z | | 07 | H33Z, H38Z | |
| 11 | | L10Z, L33Z, L38Z | 11 | L10Z, L33Z, L38Z | | 11 | L10Z, L33Z, L38Z | |
| 12 | | M37Z, M38Z | 12 | M37Z, M38Z | | 12 | M37Z, M38Z | |
| 13 | | N01A, N01B, N01C, N01D, N01E, N34Z, N38Z | 13 | N01A, N01B, N01C, N01D, N01E, N34Z, N38Z | | 13 | N01A, N01B, N01C, N01D, N01E, N34Z, N38Z | |
| 17 | | R01A, R01B, R01C, R01D, R02Z, R12A, R12B, R12C | 17 | R01A, R01B, R01C, R01D, R02Z, R12A, R12B, R12C | | 17 | R01A, R01B, R01C, R01D, R02Z, R12A, R12B, R12C | |
| 21A | | W04A, W04B | 21A | W04A, W04B | | 21A | W04A, W04B | |
| 21B | | X06A, X06B, X06C, X33Z | 21B | X06A, X06B, X06C, X33Z | | 21B | X06A, X06B, X06C, X33Z | |
| 23 | | Z01A | 23 | Z01A | | 23 | Z01A | |
| Pre | | A07A | Pre | A07A | | Pre | A07A | |
| 5n251.4 | | | BOP, KJZSV, KOP, KOPV, KVT, MVV, UOP4 | 5n252.04 | | | BOP, KJZSV, KOP, KOPV, KVT, MVV, UOP4 | 5n252.27 |
| | 05 | F36A, F36B | 05 | | F36A, F36B | 05 | F36A, F36B | |
| | 06 | G15Z, G16A, G16B, G33Z, G38Z | 06 | | G15Z, G16A, G16B, G33Z, G38Z | 06 | G15Z, G16A, G16B, G33Z, G38Z | |
| | 07 | H33Z, H38Z | 07 | | H33Z, H38Z | 07 | H33Z, H38Z | |
| | 11 | L10Z, L33Z, L38Z | 11 | | L10Z, L33Z, L38Z | 11 | L10Z, L33Z, L38Z | |
| | 12 | M37Z, M38Z | 12 | | M37Z, M38Z | 12 | M37Z, M38Z | |
| | 13 | N01A, N01B, N01C, N01D, N01E, N34Z, N38Z | 13 | | N01A, N01B, N01C, N01D, N01E, N34Z, N38Z | 13 | N01A, N01B, N01C, N01D, N01E, N34Z, N38Z | |
| | 17 | R01A, R01B, R01C, R01D, R02Z, R12A, R12B, R12C | 17 | | R01A, R01B, R01C, R01D, R02Z, R12A, R12B, R12C | 17 | R01A, R01B, R01C, R01D, R02Z, R12A, R12B, R12C | |
| | 21A | W04A, W04B | 21A | | W04A, W04B | 21A | W04A, W04B | |
| | 21B | X06A, X06B, X06C, X33Z | 21B | | X06A, X06B, X06C, X33Z | 21B | X06A, X06B, X06C, X33Z | |
| | 23 | Z01A | 23 | | Z01A | 23 | Z01A | |
| | Pre | A07A | Pre | | A07A | Pre | A07A | |
| | 5n251.x | | BOP, KJZSV, KOP, KOPV, KVT, MVV, UOP4 | | 5n252.05 | | BOP, KJZSV, KOP, KOPV, KVT, MVV, UOP4 | |
| 05 | | F36A, F36B | 05 | F36A, F36B | | 05 | F36A, F36B | |
| 06 | | G15Z, G16A, G16B, G33Z, G38Z | 06 | G15Z, G16A, G16B, G33Z, G38Z | | 06 | G15Z, G16A, G16B, G33Z, G38Z | |
| 07 | | H33Z, H38Z | 07 | H33Z, H38Z | | 07 | H33Z, H38Z | |
| 11 | | L10Z, L33Z, L38Z | 11 | L10Z, L33Z, L38Z | | 11 | L10Z, L33Z, L38Z | |
| 12 | | M37Z, M38Z | 12 | M37Z, M38Z | | 12 | M37Z, M38Z | |
| 13 | | N01A, N01B, N01C, N01D, N01E, N34Z, N38Z | 13 | N01A, N01B, N01C, N01D, N01E, N34Z, N38Z | | 13 | N01A, N01B, N01C, N01D, N01E, N34Z, N38Z | |
| 17 | | R01A, R01B, R01C, R01D, R02Z, R12A, R12B, R12C | 17 | R01A, R01B, R01C, R01D, R02Z, R12A, R12B, R12C | | 17 | R01A, R01B, R01C, R01D, R02Z, R12A, R12B, R12C | |
| 21A | | W04A, W04B | 21A | W04A, W04B | | 21A | W04A, W04B | |
| 21B | | X06A, X06B, X06C, X33Z | 21B | X06A, X06B, X06C, X33Z | | 21B | X06A, X06B, X06C, X33Z | |
| 23 | | Z01A | 23 | Z01A | | 23 | Z01A | |
| Pre | | A07A | Pre | A07A | | Pre | A07A | |

VYK

| ZZV | MDC | DRG | ZZV | MDC | DRG | ZZV | MDC | DRG |
|----------|----------|--|---------------------------------------|--|--|----------|--|--|
| 5n252.4 | | BOP, KJZSV, KOP, KOPV, KVT, MVV, UOP4 | 5n25x.04 | | BOP, KJZSV, KOP, KOPV, KVT, MVV, UOP4 | 5n25x.27 | | BOP, KJZSV, KOP, KOPV, KVT, MVV, UOP4 |
| | 05 | F36A, F36B | | 05 | F36A, F36B | | 05 | F36A, F36B |
| | 06 | G15Z, G16A, G16B, G33Z, G38Z | | 06 | G15Z, G16A, G16B, G33Z, G38Z | | 06 | G01Z, G02Z, G15Z, G33Z, G38Z |
| | 07 | H33Z, H38Z | | 07 | H33Z, H38Z | | 07 | H33Z, H38Z |
| | 11 | L10Z, L33Z, L38Z | | 10 | K09A, K09B | | 11 | L10Z, L33Z, L38Z |
| | 12 | M37Z, M38Z | | 11 | L10Z, L33Z, L38Z | | 12 | M37Z, M38Z |
| | 13 | N01A, N01B, N01C, N01D, N01E, N34Z, N38Z | | 12 | M37Z, M38Z | | 13 | N01A, N01B, N01C, N01D, N01E, N34Z, N38Z |
| | 17 | R01A, R01B, R01C, R01D, R02Z, R12A, R12B, R12C | | 13 | N01A, N01B, N01C, N01D, N01E, N34Z, N38Z | | 17 | R01A, R01B, R01C, R01D, R02Z, R12A, R12B, R12C |
| | 21A | W04A, W04B | | 17 | R01A, R01B, R01C, R01D, R02Z, R12A, R12B, R12C | | 21A | W04A, W04B |
| | 21B | X06A, X06B, X06C, X33Z | | 21A | W04A, W04B | | 21B | X06A, X06B, X06C, X33Z |
| | 23 | Z01A | | 21B | X06A, X06B, X06C, X33Z | | 23 | Z01A |
| | Pre | A07A | | 23 | Z01A | | Pre | A07A |
| | 5n252.x | | | BOP, KJZSV, KOP, KOPV, KVT, MVV, UOP4 | 5n25x.05 | | | BOP, KJZSV, KOP, KOPV, KVT, MVV, UOP4 |
| 05 | | F36A, F36B | 05 | F36A, F36B | | 05 | F36A, F36B | |
| 06 | | G15Z, G16A, G16B, G33Z, G38Z | 06 | G15Z, G16A, G16B, G33Z, G38Z | | 06 | G01Z, G02Z, G15Z, G33Z, G38Z | |
| 07 | | H33Z, H38Z | 07 | H33Z, H38Z | | 07 | H33Z, H38Z | |
| 11 | | L10Z, L33Z, L38Z | 11 | L10Z, L33Z, L38Z | | 11 | L10Z, L33Z, L38Z | |
| 12 | | M37Z, M38Z | 12 | M37Z, M38Z | | 12 | M37Z, M38Z | |
| 13 | | N01A, N01B, N01C, N01D, N01E, N34Z, N38Z | 13 | N01A, N01B, N01C, N01D, N01E, N34Z, N38Z | | 13 | N01A, N01B, N01C, N01D, N01E, N34Z, N38Z | |
| 17 | | R01A, R01B, R01C, R01D, R02Z, R12A, R12B, R12C | 17 | R01A, R01B, R01C, R01D, R02Z, R12A, R12B, R12C | | 17 | R01A, R01B, R01C, R01D, R02Z, R12A, R12B, R12C | |
| 21A | | W04A, W04B | 17 | R01A, R01B, R01C, R01D, R02Z, R12A, R12B, R12C | | 21A | W04A, W04B | |
| 21B | | X06A, X06B, X06C, X33Z | 21A | W04A, W04B | | 21B | X06A, X06B, X06C, X33Z | |
| 23 | | Z01A | 21B | X06A, X06B, X06C, X33Z | | 23 | Z01A | |
| Pre | | A07A | 23 | Z01A | | Pre | A07A | |
| 5n25x.02 | | | BOP, KJZSV, KOP, KOPV, KVT, MVV, UOP4 | 5n25x.08 | | | BOP, KJZSV, KOP, KOPV, KVT, MVV, UOP4 | 5n25x.4 |
| | 05 | F36A, F36B | 05 | | F36A, F36B | 05 | F36A, F36B | |
| | 06 | G01Z, G02Z, G15Z, G33Z, G38Z | 06 | | G01Z, G02Z, G15Z, G33Z, G38Z | 06 | G01Z, G02Z, G15Z, G33Z, G38Z | |
| | 07 | H33Z, H38Z | 07 | | H33Z, H38Z | 07 | H33Z, H38Z | |
| | 11 | L10Z, L33Z, L38Z | 11 | | L10Z, L33Z, L38Z | 11 | L10Z, L33Z, L38Z | |
| | 12 | M37Z, M38Z | 12 | | M37Z, M38Z | 12 | M37Z, M38Z | |
| | 13 | N01A, N01B, N01C, N01D, N01E, N34Z, N38Z | 13 | | N01A, N01B, N01C, N01D, N01E, N34Z, N38Z | 13 | N01A, N01B, N01C, N01D, N01E, N34Z, N38Z | |
| | 17 | R01A, R01B, R01C, R01D, R02Z, R12A, R12B, R12C | 17 | | R01A, R01B, R01C, R01D, R02Z, R12A, R12B, R12C | 17 | R01A, R01B, R01C, R01D, R02Z, R12A, R12B, R12C | |
| | 21A | W04A, W04B | 17 | | R01A, R01B, R01C, R01D, R02Z, R12A, R12B, R12C | 21A | W04A, W04B | |
| | 21B | X06A, X06B, X06C, X33Z | 21A | | W04A, W04B | 21B | X06A, X06B, X06C, X33Z | |
| | 23 | Z01A | 21B | | X06A, X06B, X06C, X33Z | 23 | Z01A | |
| | Pre | A07A | 23 | | Z01A | Pre | A07A | |
| | 5n25x.03 | | BOP, KJZSV, KOP, KOPV, KVT, MVV, UOP4 | | 5n25x.26 | | BOP, KJZSV, KOP, KOPV, KVT, MVV, UOP4 | |
| 05 | | F36A, F36B | 05 | F36A, F36B | | 05 | F36A, F36B | |
| 06 | | G01Z, G02Z, G15Z, G33Z, G38Z | 06 | G01Z, G02Z, G15Z, G33Z, G38Z | | 06 | G01Z, G02Z, G15Z, G33Z, G38Z | |
| 07 | | H33Z, H38Z | 07 | H33Z, H38Z | | 07 | H33Z, H38Z | |
| 11 | | L10Z, L33Z, L38Z | 10 | K09A, K09B | | 11 | L10Z, L33Z, L38Z | |
| 12 | | M37Z, M38Z | 11 | L10Z, L33Z, L38Z | | 12 | M37Z, M38Z | |
| 13 | | N01A, N01B, N01C, N01D, N01E, N34Z, N38Z | 12 | M37Z, M38Z | | 13 | N01A, N01B, N01C, N01D, N01E, N34Z, N38Z | |
| 17 | | R01A, R01B, R01C, R01D, R02Z, R12A, R12B, R12C | 13 | N01A, N01B, N01C, N01D, N01E, N34Z, N38Z | | 17 | R01A, R01B, R01C, R01D, R02Z, R12A, R12B, R12C | |
| 21A | | W04A, W04B | 17 | R01A, R01B, R01C, R01D, R02Z, R12A, R12B, R12C | | 21A | W04A, W04B | |
| 21B | | X06A, X06B, X06C, X33Z | 21A | W04A, W04B | | 21B | X06A, X06B, X06C, X33Z | |
| 23 | | Z01A | 21B | X06A, X06B, X06C, X33Z | | 23 | Z01A | |
| Pre | | A07A | 23 | Z01A | | Pre | A07A | |

| ZZV | MDC | DRG | ZZV | MDC | DRG | ZZV | MDC | DRG |
|----------|----------|--|---------------------------------------|--|--|---------|--|--|
| 5n270.01 | | BOP, KJZSV, KOP, KOPV, KVT, MVV, UOP4 | 5n270.20 | | BOP, KJZSV, KOP, KOPV, KVT, MVV, UOP4 | 5n270.4 | | BOP, KJZSV, KOP, KOPV, KVT, MVV, UOP4 |
| | 05 | F36A, F36B | | 05 | F36A, F36B | | 05 | F36A, F36B |
| | 06 | G01Z, G02Z, G15Z, G33Z, G38Z | | 06 | G01Z, G02Z, G15Z, G33Z, G38Z | | 06 | G01Z, G02Z, G15Z, G33Z, G38Z |
| | 07 | H33Z, H38Z | | 07 | H33Z, H38Z | | 07 | H33Z, H38Z |
| | 10 | K09A, K09B | | 10 | K09A, K09B | | 10 | K09A, K09B |
| | 11 | L10Z, L33Z, L38Z | | 11 | L10Z, L33Z, L38Z | | 11 | L10Z, L33Z, L38Z |
| | 12 | M37Z, M38Z | | 12 | M37Z, M38Z | | 12 | M37Z, M38Z |
| | 13 | N01A, N01B, N01C, N01D, N01E, N34Z, N38Z | | 13 | N01A, N01B, N01C, N01D, N01E, N34Z, N38Z | | 13 | N01A, N01B, N01C, N01D, N01E, N34Z, N38Z |
| | 17 | R01A, R01B, R01C, R01D, R02Z, R12A, R12B, R12C | | 17 | R01A, R01B, R01C, R01D, R02Z, R12A, R12B, R12C | | 17 | R01A, R01B, R01C, R01D, R02Z, R12A, R12B, R12C |
| | 21A | W04A, W04B | | 21A | W04A, W04B | | 21A | W04A, W04B |
| | 21B | X06A, X06B, X06C, X33Z | | 21B | X06A, X06B, X06C, X33Z | | 21B | X06A, X06B, X06C, X33Z |
| | 23 | Z01A | | 23 | Z01A | | 23 | Z01A |
| | Pre | A07A | | Pre | A07A | | Pre | A07A |
| | 5n270.02 | | | BOP, KJZSV, KOP, KOPV, KVT, MVV, UOP4 | 5n270.21 | | | BOP, KJZSV, KOP, KOPV, KVT, MVV, UOP4 |
| 05 | | F36A, F36B | 05 | F36A, F36B | | 05 | F36A, F36B | |
| 06 | | G01Z, G02Z, G15Z, G33Z, G38Z | 06 | G01Z, G02Z, G15Z, G33Z, G38Z | | 06 | G01Z, G02Z, G15Z, G33Z, G38Z | |
| 07 | | H33Z, H38Z | 07 | H33Z, H38Z | | 07 | H33Z, H38Z | |
| 10 | | K09A, K09B | 10 | K09A, K09B | | 10 | K09A, K09B | |
| 11 | | L10Z, L33Z, L38Z | 11 | L10Z, L33Z, L38Z | | 11 | L10Z, L33Z, L38Z | |
| 12 | | M37Z, M38Z | 12 | M37Z, M38Z | | 12 | M37Z, M38Z | |
| 13 | | N01A, N01B, N01C, N01D, N01E, N34Z, N38Z | 13 | N01A, N01B, N01C, N01D, N01E, N34Z, N38Z | | 13 | N01A, N01B, N01C, N01D, N01E, N34Z, N38Z | |
| 17 | | R01A, R01B, R01C, R01D, R02Z, R12A, R12B, R12C | 17 | R01A, R01B, R01C, R01D, R02Z, R12A, R12B, R12C | | 17 | R01A, R01B, R01C, R01D, R02Z, R12A, R12B, R12C | |
| 21A | | W04A, W04B | 21A | W04A, W04B | | 21A | W04A, W04B | |
| 21B | | X06A, X06B, X06C, X33Z | 21B | X06A, X06B, X06C, X33Z | | 21B | X06A, X06B, X06C, X33Z | |
| 23 | | Z01A | 23 | Z01A | | 23 | Z01A | |
| Pre | | A07A | Pre | A07A | | Pre | A07A | |
| 5n270.03 | | | BOP, KJZSV, KOP, KOPV, KVT, MVV, UOP4 | 5n270.30 | | | BOP, KJZSV, KOP, KOPV, KVT, MVV, UOP4 | 5n271.01 |
| | 05 | F36A, F36B | 05 | | F36A, F36B | 05 | F36A, F36B | |
| | 06 | G01Z, G02Z, G15Z, G33Z, G38Z | 06 | | G01Z, G02Z, G15Z, G33Z, G38Z | 06 | G01Z, G02Z, G15Z, G33Z, G38Z | |
| | 07 | H33Z, H38Z | 07 | | H33Z, H38Z | 07 | H33Z, H38Z | |
| | 10 | K09A, K09B | 10 | | K09A, K09B | 10 | K09A, K09B | |
| | 11 | L10Z, L33Z, L38Z | 11 | | L10Z, L33Z, L38Z | 11 | L10Z, L33Z, L38Z | |
| | 12 | M37Z, M38Z | 12 | | M37Z, M38Z | 12 | M37Z, M38Z | |
| | 13 | N01A, N01B, N01C, N01D, N01E, N34Z, N38Z | 13 | | N01A, N01B, N01C, N01D, N01E, N34Z, N38Z | 13 | N01A, N01B, N01C, N01D, N01E, N34Z, N38Z | |
| | 17 | R01A, R01B, R01C, R01D, R02Z, R12A, R12B, R12C | 17 | | R01A, R01B, R01C, R01D, R02Z, R12A, R12B, R12C | 17 | R01A, R01B, R01C, R01D, R02Z, R12A, R12B, R12C | |
| | 21A | W04A, W04B | 21A | | W04A, W04B | 21A | W04A, W04B | |
| | 21B | X06A, X06B, X06C, X33Z | 21B | | X06A, X06B, X06C, X33Z | 21B | X06A, X06B, X06C, X33Z | |
| | 23 | Z01A | 23 | | Z01A | 23 | Z01A | |
| | Pre | A07A | Pre | | A07A | Pre | A07A | |
| | 5n270.04 | | BOP, KJZSV, KOP, KOPV, KVT, MVV, UOP4 | | 5n270.31 | | BOP, KJZSV, KOP, KOPV, KVT, MVV, UOP4 | |
| 05 | | F36A, F36B | 05 | F36A, F36B | | 05 | F36A, F36B | |
| 06 | | G01Z, G02Z, G15Z, G33Z, G38Z | 06 | G01Z, G02Z, G15Z, G33Z, G38Z | | 06 | G01Z, G02Z, G15Z, G33Z, G38Z | |
| 07 | | H33Z, H38Z | 07 | H33Z, H38Z | | 07 | H33Z, H38Z | |
| 10 | | K09A, K09B | 10 | K09A, K09B | | 10 | K09A, K09B | |
| 11 | | L10Z, L33Z, L38Z | 11 | L10Z, L33Z, L38Z | | 11 | L10Z, L33Z, L38Z | |
| 12 | | M37Z, M38Z | 12 | M37Z, M38Z | | 12 | M37Z, M38Z | |
| 13 | | N01A, N01B, N01C, N01D, N01E, N34Z, N38Z | 13 | N01A, N01B, N01C, N01D, N01E, N34Z, N38Z | | 13 | N01A, N01B, N01C, N01D, N01E, N34Z, N38Z | |
| 17 | | R01A, R01B, R01C, R01D, R02Z, R12A, R12B, R12C | 17 | R01A, R01B, R01C, R01D, R02Z, R12A, R12B, R12C | | 17 | R01A, R01B, R01C, R01D, R02Z, R12A, R12B, R12C | |
| 21A | | W04A, W04B | 21A | W04A, W04B | | 21A | W04A, W04B | |
| 21B | | X06A, X06B, X06C, X33Z | 21B | X06A, X06B, X06C, X33Z | | 21B | X06A, X06B, X06C, X33Z | |
| 23 | | Z01A | 23 | Z01A | | 23 | Z01A | |
| Pre | | A07A | Pre | A07A | | Pre | A07A | |

VYK

| ZZV | MDC | DRG | ZZV | MDC | DRG | ZZV | MDC | DRG | | | |
|----------|----------|--|---------------------------------------|--|--|----------|--|--|----------|----|---------------------------------------|
| 5n271.03 | | BOP, KJZSV, KOP, KOPV, KVT, MVV, UOP4 | 5n271.30 | | BOP, KJZSV, KOP, KOPV, KVT, MVV, UOP4 | 5n272.01 | | BOP, KJZSV, KOP, KOPV, KVT, MVV, UOP4 | | | |
| | 05 | F36A, F36B | | 05 | F36A, F36B | | 05 | F36A, F36B | | | |
| | 06 | G01Z, G02Z, G15Z, G33Z, G38Z | | 06 | G01Z, G02Z, G15Z, G33Z, G38Z | | 06 | G01Z, G02Z, G15Z, G18A, G18B, G33Z, G38Z | | | |
| | 07 | H33Z, H38Z | | 07 | H33Z, H38Z | | 07 | H33Z, H38Z | | | |
| | 10 | K09A, K09B | | 10 | K09A, K09B | | 10 | K09A, K09B | | | |
| | 11 | L10Z, L33Z, L38Z | | 11 | L10Z, L33Z, L38Z | | 11 | L10Z, L33Z, L38Z | | | |
| | 12 | M37Z, M38Z | | 12 | M37Z, M38Z | | 12 | M37Z, M38Z | | | |
| | 13 | N01A, N01B, N01C, N01D, N01E, N34Z, N38Z | | 13 | N01A, N01B, N01C, N01D, N01E, N34Z, N38Z | | 13 | N01A, N01B, N01C, N01D, N01E, N34Z, N38Z | | | |
| | 17 | R01A, R01B, R01C, R01D, R02Z, R12A, R12B, R12C | | 17 | R01A, R01B, R01C, R01D, R02Z, R12A, R12B, R12C | | 17 | R01A, R01B, R01C, R01D, R02Z, R12A, R12B, R12C | | | |
| | 21A | W04A, W04B | | 21A | W04A, W04B | | 21A | W04A, W04B | | | |
| | 21B | X06A, X06B, X06C, X33Z | | 21B | X06A, X06B, X06C, X33Z | | 21B | X06A, X06B, X06C, X33Z | | | |
| | 23 | Z01A | | 23 | Z01A | | 23 | Z01A | | | |
| | Pre | A07A | | Pre | A07A | | Pre | A07A | | | |
| | 5n271.04 | | | BOP, KJZSV, KOP, KOPV, KVT, MVV, UOP4 | 5n271.31 | | | BOP, KJZSV, KOP, KOPV, KVT, MVV, UOP4 | 5n272.02 | | BOP, KJZSV, KOP, KOPV, KVT, MVV, UOP4 |
| | | 05 | | F36A, F36B | | | 05 | F36A, F36B | | 05 | F36A, F36B |
| 06 | | G01Z, G02Z, G15Z, G33Z, G38Z | 06 | G01Z, G02Z, G15Z, G33Z, G38Z | | 06 | G01Z, G02Z, G15Z, G18A, G18B, G33Z, G38Z | | | | |
| 07 | | H33Z, H38Z | 07 | H33Z, H38Z | | 07 | H33Z, H38Z | | | | |
| 10 | | K09A, K09B | 10 | K09A, K09B | | 10 | K09A, K09B | | | | |
| 11 | | L10Z, L33Z, L38Z | 11 | L10Z, L33Z, L38Z | | 11 | L10Z, L33Z, L38Z | | | | |
| 12 | | M37Z, M38Z | 12 | M37Z, M38Z | | 12 | M37Z, M38Z | | | | |
| 13 | | N01A, N01B, N01C, N01D, N01E, N34Z, N38Z | 13 | N01A, N01B, N01C, N01D, N01E, N34Z, N38Z | | 13 | N01A, N01B, N01C, N01D, N01E, N34Z, N38Z | | | | |
| 17 | | R01A, R01B, R01C, R01D, R02Z, R12A, R12B, R12C | 17 | R01A, R01B, R01C, R01D, R02Z, R12A, R12B, R12C | | 17 | R01A, R01B, R01C, R01D, R02Z, R12A, R12B, R12C | | | | |
| 21A | | W04A, W04B | 21A | W04A, W04B | | 21A | W04A, W04B | | | | |
| 21B | | X06A, X06B, X06C, X33Z | 21B | X06A, X06B, X06C, X33Z | | 21B | X06A, X06B, X06C, X33Z | | | | |
| 23 | | Z01A | 23 | Z01A | | 23 | Z01A | | | | |
| Pre | | A07A | Pre | A07A | | Pre | A07A | | | | |
| 5n271.20 | | | BOP, KJZSV, KOP, KOPV, KVT, MVV, UOP4 | 5n271.4 | | | BOP, KJZSV, KOP, KOPV, KVT, MVV, UOP4 | 5n272.03 | | | BOP, KJZSV, KOP, KOPV, KVT, MVV, UOP4 |
| | | 05 | F36A, F36B | | | 05 | F36A, F36B | | | 05 | F36A, F36B |
| | 06 | G01Z, G02Z, G15Z, G33Z, G38Z | 06 | | G01Z, G02Z, G15Z, G33Z, G38Z | 06 | G01Z, G02Z, G15Z, G18A, G18B, G33Z, G38Z | | | | |
| | 07 | H33Z, H38Z | 07 | | H33Z, H38Z | 07 | H33Z, H38Z | | | | |
| | 10 | K09A, K09B | 10 | | K09A, K09B | 10 | K09A, K09B | | | | |
| | 11 | L10Z, L33Z, L38Z | 11 | | L10Z, L33Z, L38Z | 11 | L10Z, L33Z, L38Z | | | | |
| | 12 | M37Z, M38Z | 12 | | M37Z, M38Z | 12 | M37Z, M38Z | | | | |
| | 13 | N01A, N01B, N01C, N01D, N01E, N34Z, N38Z | 13 | | N01A, N01B, N01C, N01D, N01E, N34Z, N38Z | 13 | N01A, N01B, N01C, N01D, N01E, N34Z, N38Z | | | | |
| | 17 | R01A, R01B, R01C, R01D, R02Z, R12A, R12B, R12C | 17 | | R01A, R01B, R01C, R01D, R02Z, R12A, R12B, R12C | 17 | R01A, R01B, R01C, R01D, R02Z, R12A, R12B, R12C | | | | |
| | 21A | W04A, W04B | 21A | | W04A, W04B | 21A | W04A, W04B | | | | |
| | 21B | X06A, X06B, X06C, X33Z | 21B | | X06A, X06B, X06C, X33Z | 21B | X06A, X06B, X06C, X33Z | | | | |
| | 23 | Z01A | 23 | | Z01A | 23 | Z01A | | | | |
| | Pre | A07A | Pre | | A07A | Pre | A07A | | | | |
| | 5n271.21 | | BOP, KJZSV, KOP, KOPV, KVT, MVV, UOP4 | | 5n271.x | | BOP, KJZSV, KOP, KOPV, KVT, MVV, UOP4 | | 5n272.04 | | BOP, KJZSV, KOP, KOPV, KVT, MVV, UOP4 |
| | | 05 | F36A, F36B | | | 05 | F36A, F36B | | | 05 | F36A, F36B |
| 06 | | G01Z, G02Z, G15Z, G33Z, G38Z | 06 | G01Z, G02Z, G15Z, G33Z, G38Z | | 06 | G01Z, G02Z, G15Z, G18A, G18B, G33Z, G38Z | | | | |
| 07 | | H33Z, H38Z | 07 | H33Z, H38Z | | 07 | H33Z, H38Z | | | | |
| 10 | | K09A, K09B | 10 | K09A, K09B | | 10 | K09A, K09B | | | | |
| 11 | | L10Z, L33Z, L38Z | 11 | L10Z, L33Z, L38Z | | 11 | L10Z, L33Z, L38Z | | | | |
| 12 | | M37Z, M38Z | 12 | M37Z, M38Z | | 12 | M37Z, M38Z | | | | |
| 13 | | N01A, N01B, N01C, N01D, N01E, N34Z, N38Z | 13 | N01A, N01B, N01C, N01D, N01E, N34Z, N38Z | | 13 | N01A, N01B, N01C, N01D, N01E, N34Z, N38Z | | | | |
| 17 | | R01A, R01B, R01C, R01D, R02Z, R12A, R12B, R12C | 17 | R01A, R01B, R01C, R01D, R02Z, R12A, R12B, R12C | | 17 | R01A, R01B, R01C, R01D, R02Z, R12A, R12B, R12C | | | | |
| 21A | | W04A, W04B | 21A | W04A, W04B | | 21A | W04A, W04B | | | | |
| 21B | | X06A, X06B, X06C, X33Z | 21B | X06A, X06B, X06C, X33Z | | 21B | X06A, X06B, X06C, X33Z | | | | |
| 23 | | Z01A | 23 | Z01A | | 23 | Z01A | | | | |
| Pre | | A07A | Pre | A07A | | Pre | A07A | | | | |

VYK

| ZZV | MDC | DRG | ZZV | MDC | DRG | ZZV | MDC | DRG |
|----------|----------|--|---------------------------------------|--|--|----------|--|--|
| 5n273.30 | | BOP, KJZSV, KOP, KOPV, KVT, MVV, UOP4 | 5n274.01 | | BOP, KJZSV, KOP, KOPV, KVT, MVV, UOP4 | 5n274.20 | | BOP, KJZSV, KOP, KOPV, KVT, MVV, UOP4 |
| | 05 | F36A, F36B | | 05 | F36A, F36B | | 05 | F36A, F36B |
| | 06 | G01Z, G02Z, G15Z, G18A, G18B, G33Z, G38Z | | 06 | G15Z, G16A, G16B, G33Z, G38Z | | 06 | G15Z, G16A, G16B, G33Z, G38Z |
| | 07 | H33Z, H38Z | | 07 | H33Z, H38Z | | 07 | H33Z, H38Z |
| | 10 | K09A, K09B | | 10 | K09A, K09B | | 10 | K09A, K09B |
| | 11 | L10Z, L33Z, L38Z | | 11 | L10Z, L33Z, L38Z | | 11 | L10Z, L33Z, L38Z |
| | 12 | M37Z, M38Z | | 12 | M37Z, M38Z | | 12 | M37Z, M38Z |
| | 13 | N01A, N01B, N01C, N01D, N01E, N34Z, N38Z | | 13 | N01A, N01B, N01C, N01D, N01E, N34Z, N38Z | | 13 | N01A, N01B, N01C, N01D, N01E, N34Z, N38Z |
| | 17 | R01A, R01B, R01C, R01D, R02Z, R12A, R12B, R12C | | 17 | R01A, R01B, R01C, R01D, R02Z, R12A, R12B, R12C | | 17 | R01A, R01B, R01C, R01D, R02Z, R12A, R12B, R12C |
| | 21A | W04A, W04B | | 21A | W04A, W04B | | 21A | W04A, W04B |
| | 21B | X06A, X06B, X06C, X33Z | | 21B | X06A, X06B, X06C, X33Z | | 21B | X06A, X06B, X06C, X33Z |
| | 23 | Z01A | | 23 | Z01A | | 23 | Z01A |
| | Pre | A07A | | Pre | A07A | | Pre | A07A |
| | 5n273.31 | | | BOP, KJZSV, KOP, KOPV, KVT, MVV, UOP4 | 5n274.02 | | | BOP, KJZSV, KOP, KOPV, KVT, MVV, UOP4 |
| 05 | | F36A, F36B | 05 | F36A, F36B | | 05 | F36A, F36B | |
| 06 | | G01Z, G02Z, G15Z, G18A, G18B, G33Z, G38Z | 06 | G15Z, G16A, G16B, G33Z, G38Z | | 06 | G15Z, G16A, G16B, G33Z, G38Z | |
| 07 | | H33Z, H38Z | 07 | H33Z, H38Z | | 07 | H33Z, H38Z | |
| 10 | | K09A, K09B | 10 | K09A, K09B | | 10 | K09A, K09B | |
| 11 | | L10Z, L33Z, L38Z | 11 | L10Z, L33Z, L38Z | | 11 | L10Z, L33Z, L38Z | |
| 12 | | M37Z, M38Z | 12 | M37Z, M38Z | | 12 | M37Z, M38Z | |
| 13 | | N01A, N01B, N01C, N01D, N01E, N34Z, N38Z | 13 | N01A, N01B, N01C, N01D, N01E, N34Z, N38Z | | 13 | N01A, N01B, N01C, N01D, N01E, N34Z, N38Z | |
| 17 | | R01A, R01B, R01C, R01D, R02Z, R12A, R12B, R12C | 17 | R01A, R01B, R01C, R01D, R02Z, R12A, R12B, R12C | | 17 | R01A, R01B, R01C, R01D, R02Z, R12A, R12B, R12C | |
| 21A | | W04A, W04B | 21A | W04A, W04B | | 21A | W04A, W04B | |
| 21B | | X06A, X06B, X06C, X33Z | 21B | X06A, X06B, X06C, X33Z | | 21B | X06A, X06B, X06C, X33Z | |
| 23 | | Z01A | 23 | Z01A | | 23 | Z01A | |
| Pre | | A07A | Pre | A07A | | Pre | A07A | |
| 5n273.4 | | | BOP, KJZSV, KOP, KOPV, KVT, MVV, UOP4 | 5n274.03 | | | BOP, KJZSV, KOP, KOPV, KVT, MVV, UOP4 | 5n274.4 |
| | 05 | F36A, F36B | 05 | | F36A, F36B | 05 | F36A, F36B | |
| | 06 | G01Z, G02Z, G15Z, G18A, G18B, G33Z, G38Z | 06 | | G15Z, G16A, G16B, G33Z, G38Z | 06 | G15Z, G16A, G16B, G33Z, G38Z | |
| | 07 | H33Z, H38Z | 07 | | H33Z, H38Z | 07 | H33Z, H38Z | |
| | 10 | K09A, K09B | 10 | | K09A, K09B | 10 | K09A, K09B | |
| | 11 | L10Z, L33Z, L38Z | 11 | | L10Z, L33Z, L38Z | 11 | L10Z, L33Z, L38Z | |
| | 12 | M37Z, M38Z | 12 | | M37Z, M38Z | 12 | M37Z, M38Z | |
| | 13 | N01A, N01B, N01C, N01D, N01E, N34Z, N38Z | 13 | | N01A, N01B, N01C, N01D, N01E, N34Z, N38Z | 13 | N01A, N01B, N01C, N01D, N01E, N34Z, N38Z | |
| | 17 | R01A, R01B, R01C, R01D, R02Z, R12A, R12B, R12C | 17 | | R01A, R01B, R01C, R01D, R02Z, R12A, R12B, R12C | 17 | R01A, R01B, R01C, R01D, R02Z, R12A, R12B, R12C | |
| | 21A | W04A, W04B | 21A | | W04A, W04B | 21A | W04A, W04B | |
| | 21B | X06A, X06B, X06C, X33Z | 21B | | X06A, X06B, X06C, X33Z | 21B | X06A, X06B, X06C, X33Z | |
| | 23 | Z01A | 23 | | Z01A | 23 | Z01A | |
| | Pre | A07A | Pre | | A07A | Pre | A07A | |
| | 5n273.x | | BOP, KJZSV, KOP, KOPV, KVT, MVV, UOP4 | | 5n274.04 | | BOP, KJZSV, KOP, KOPV, KVT, MVV, UOP4 | |
| 05 | | F36A, F36B | 05 | F36A, F36B | | 05 | F36A, F36B | |
| 06 | | G01Z, G02Z, G15Z, G18A, G18B, G33Z, G38Z | 06 | G15Z, G16A, G16B, G33Z, G38Z | | 06 | G15Z, G16A, G16B, G33Z, G38Z | |
| 07 | | H33Z, H38Z | 07 | H33Z, H38Z | | 07 | H33Z, H38Z | |
| 10 | | K09A, K09B | 10 | K09A, K09B | | 10 | K09A, K09B | |
| 11 | | L10Z, L33Z, L38Z | 11 | L10Z, L33Z, L38Z | | 11 | L10Z, L33Z, L38Z | |
| 12 | | M37Z, M38Z | 12 | M37Z, M38Z | | 12 | M37Z, M38Z | |
| 13 | | N01A, N01B, N01C, N01D, N01E, N34Z, N38Z | 13 | N01A, N01B, N01C, N01D, N01E, N34Z, N38Z | | 13 | N01A, N01B, N01C, N01D, N01E, N34Z, N38Z | |
| 17 | | R01A, R01B, R01C, R01D, R02Z, R12A, R12B, R12C | 17 | R01A, R01B, R01C, R01D, R02Z, R12A, R12B, R12C | | 17 | R01A, R01B, R01C, R01D, R02Z, R12A, R12B, R12C | |
| 21A | | W04A, W04B | 21A | W04A, W04B | | 21A | W04A, W04B | |
| 21B | | X06A, X06B, X06C, X33Z | 21B | X06A, X06B, X06C, X33Z | | 21B | X06A, X06B, X06C, X33Z | |
| 23 | | Z01A | 23 | Z01A | | 23 | Z01A | |
| Pre | | A07A | Pre | A07A | | Pre | A07A | |

VYK

| ZZV | MDC | DRG | ZZV | MDC | DRG | ZZV | MDC | DRG |
|----------|----------|--|---------------------------------------|--|--|---------|--|--|
| 5n275.01 | | BOP, KJZSV, KOP, KOPV, KVT, MVV, UOP4 | 5n275.20 | | BOP, KJZSV, KOP, KOPV, KVT, MVV, UOP4 | 5n275.4 | | BOP, KJZSV, KOP, KOPV, KVT, MVV, UOP4 |
| | 05 | F36A, F36B | | 05 | F36A, F36B | | 05 | F36A, F36B |
| | 06 | G01Z, G02Z, G15Z, G18A, G18B, G33Z, G38Z | | 06 | G01Z, G02Z, G15Z, G18A, G18B, G33Z, G38Z | | 06 | G01Z, G02Z, G15Z, G18A, G18B, G33Z, G38Z |
| | 07 | H33Z, H38Z | | 07 | H33Z, H38Z | | 07 | H33Z, H38Z |
| | 10 | K09A, K09B | | 10 | K09A, K09B | | 10 | K09A, K09B |
| | 11 | L10Z, L33Z, L38Z | | 11 | L10Z, L33Z, L38Z | | 11 | L10Z, L33Z, L38Z |
| | 12 | M37Z, M38Z | | 12 | M37Z, M38Z | | 12 | M37Z, M38Z |
| | 13 | N01A, N01B, N01C, N01D, N01E, N34Z, N38Z | | 13 | N01A, N01B, N01C, N01D, N01E, N34Z, N38Z | | 13 | N01A, N01B, N01C, N01D, N01E, N34Z, N38Z |
| | 17 | R01A, R01B, R01C, R01D, R02Z, R12A, R12B, R12C | | 17 | R01A, R01B, R01C, R01D, R02Z, R12A, R12B, R12C | | 17 | R01A, R01B, R01C, R01D, R02Z, R12A, R12B, R12C |
| | 21A | W04A, W04B | | 21A | W04A, W04B | | 21A | W04A, W04B |
| | 21B | X06A, X06B, X06C, X33Z | | 21B | X06A, X06B, X06C, X33Z | | 21B | X06A, X06B, X06C, X33Z |
| | 23 | Z01A | | 23 | Z01A | | 23 | Z01A |
| | Pre | A07A | | Pre | A07A | | Pre | A07A |
| | 5n275.02 | | | BOP, KJZSV, KOP, KOPV, KVT, MVV, UOP4 | 5n275.21 | | | BOP, KJZSV, KOP, KOPV, KVT, MVV, UOP4 |
| 05 | | F36A, F36B | 05 | F36A, F36B | | 05 | F36A, F36B | |
| 06 | | G01Z, G02Z, G15Z, G18A, G18B, G33Z, G38Z | 06 | G01Z, G02Z, G15Z, G18A, G18B, G33Z, G38Z | | 06 | G01Z, G02Z, G15Z, G18A, G18B, G33Z, G38Z | |
| 07 | | H33Z, H38Z | 07 | H33Z, H38Z | | 07 | H33Z, H38Z | |
| 10 | | K09A, K09B | 10 | K09A, K09B | | 10 | K09A, K09B | |
| 11 | | L10Z, L33Z, L38Z | 11 | L10Z, L33Z, L38Z | | 11 | L10Z, L33Z, L38Z | |
| 12 | | M37Z, M38Z | 12 | M37Z, M38Z | | 12 | M37Z, M38Z | |
| 13 | | N01A, N01B, N01C, N01D, N01E, N34Z, N38Z | 13 | N01A, N01B, N01C, N01D, N01E, N34Z, N38Z | | 13 | N01A, N01B, N01C, N01D, N01E, N34Z, N38Z | |
| 17 | | R01A, R01B, R01C, R01D, R02Z, R12A, R12B, R12C | 17 | R01A, R01B, R01C, R01D, R02Z, R12A, R12B, R12C | | 17 | R01A, R01B, R01C, R01D, R02Z, R12A, R12B, R12C | |
| 21A | | W04A, W04B | 21A | W04A, W04B | | 21A | W04A, W04B | |
| 21B | | X06A, X06B, X06C, X33Z | 21B | X06A, X06B, X06C, X33Z | | 21B | X06A, X06B, X06C, X33Z | |
| 23 | | Z01A | 23 | Z01A | | 23 | Z01A | |
| Pre | | A07A | Pre | A07A | | Pre | A07A | |
| 5n275.03 | | | BOP, KJZSV, KOP, KOPV, KVT, MVV, UOP4 | 5n275.30 | | | BOP, KJZSV, KOP, KOPV, KVT, MVV, UOP4 | 5n27x.x |
| | 05 | F36A, F36B | 05 | | F36A, F36B | 05 | F36A, F36B | |
| | 06 | G01Z, G02Z, G15Z, G18A, G18B, G33Z, G38Z | 06 | | G01Z, G02Z, G15Z, G18A, G18B, G33Z, G38Z | 06 | G01Z, G02Z, G15Z, G18A, G18B, G33Z, G38Z | |
| | 07 | H33Z, H38Z | 07 | | H33Z, H38Z | 07 | H33Z, H38Z | |
| | 10 | K09A, K09B | 10 | | K09A, K09B | 10 | K09A, K09B | |
| | 11 | L10Z, L33Z, L38Z | 11 | | L10Z, L33Z, L38Z | 11 | L10Z, L33Z, L38Z | |
| | 12 | M37Z, M38Z | 12 | | M37Z, M38Z | 12 | M37Z, M38Z | |
| | 13 | N01A, N01B, N01C, N01D, N01E, N34Z, N38Z | 13 | | N01A, N01B, N01C, N01D, N01E, N34Z, N38Z | 13 | N01A, N01B, N01C, N01D, N01E, N34Z, N38Z | |
| | 17 | R01A, R01B, R01C, R01D, R02Z, R12A, R12B, R12C | 17 | | R01A, R01B, R01C, R01D, R02Z, R12A, R12B, R12C | 17 | R01A, R01B, R01C, R01D, R02Z, R12A, R12B, R12C | |
| | 21A | W04A, W04B | 21A | | W04A, W04B | 21A | W04A, W04B | |
| | 21B | X06A, X06B, X06C, X33Z | 21B | | X06A, X06B, X06C, X33Z | 21B | X06A, X06B, X06C, X33Z | |
| | 23 | Z01A | 23 | | Z01A | 23 | Z01A | |
| | Pre | A07A | Pre | | A07A | Pre | A07A | |
| | 5n275.04 | | BOP, KJZSV, KOP, KOPV, KVT, MVV, UOP4 | | 5n275.31 | | BOP, KJZSV, KOP, KOPV, KVT, MVV, UOP4 | |
| 05 | | F36A, F36B | 05 | F36A, F36B | | 05 | F36A, F36B | |
| 06 | | G01Z, G02Z, G15Z, G18A, G18B, G33Z, G38Z | 06 | G01Z, G02Z, G15Z, G18A, G18B, G33Z, G38Z | | 06 | G01Z, G02Z, G15Z, G33Z, G38Z | |
| 07 | | H33Z, H38Z | 07 | H33Z, H38Z | | 07 | H33Z, H38Z | |
| 10 | | K09A, K09B | 10 | K09A, K09B | | 10 | K09A, K09B | |
| 11 | | L10Z, L33Z, L38Z | 11 | L10Z, L33Z, L38Z | | 11 | L10Z, L33Z, L38Z | |
| 12 | | M37Z, M38Z | 12 | M37Z, M38Z | | 12 | M37Z, M38Z | |
| 13 | | N01A, N01B, N01C, N01D, N01E, N34Z, N38Z | 13 | N01A, N01B, N01C, N01D, N01E, N34Z, N38Z | | 13 | N01A, N01B, N01C, N01D, N01E, N34Z, N38Z | |
| 17 | | R01A, R01B, R01C, R01D, R02Z, R12A, R12B, R12C | 17 | R01A, R01B, R01C, R01D, R02Z, R12A, R12B, R12C | | 17 | R01A, R01B, R01C, R01D, R02Z, R12A, R12B, R12C | |
| 21A | | W04A, W04B | 21A | W04A, W04B | | 21A | W04A, W04B | |
| 21B | | X06A, X06B, X06C, X33Z | 21B | X06A, X06B, X06C, X33Z | | 21B | X06A, X06B, X06C, X33Z | |
| 23 | | Z01A | 23 | Z01A | | 23 | Z01A | |
| Pre | | A07A | Pre | A07A | | Pre | A07A | |

VYK

| ZZV | MDC | DRG | ZZV | MDC | DRG | ZZV | MDC | DRG |
|----------|----------|--|---------------------------------------|--|--|----------|--|--|
| 5n280.02 | | BOP, KJZSV, KOP, KOPV, KVT, MVV, UOP4 | 5n280.21 | | BOP, KJZSV, KOP, KOPV, KVT, MVV, UOP4 | 5n281.02 | | BOP, KJZSV, KOP, KOPV, KVT, MVV, UOP4 |
| | 05 | F36A, F36B | | 05 | F36A, F36B | | 05 | F36A, F36B |
| | 06 | G01Z, G02Z, G15Z, G33Z, G38Z | | 06 | G01Z, G02Z, G15Z, G33Z, G38Z | | 06 | G01Z, G02Z, G15Z, G33Z, G38Z |
| | 07 | H33Z, H38Z | | 07 | H33Z, H38Z | | 07 | H33Z, H38Z |
| | 10 | K09A, K09B | | 10 | K09A, K09B | | 10 | K09A, K09B |
| | 11 | L10Z, L33Z, L38Z | | 11 | L10Z, L33Z, L38Z | | 11 | L10Z, L33Z, L38Z |
| | 12 | M37Z, M38Z | | 12 | M37Z, M38Z | | 12 | M37Z, M38Z |
| | 13 | N01A, N01B, N01C, N01D, N01E, N34Z, N38Z | | 13 | N01A, N01B, N01C, N01D, N01E, N34Z, N38Z | | 13 | N01A, N01B, N01C, N01D, N01E, N34Z, N38Z |
| | 17 | R01A, R01B, R01C, R01D, R02Z, R12A, R12B, R12C | | 17 | R01A, R01B, R01C, R01D, R02Z, R12A, R12B, R12C | | 17 | R01A, R01B, R01C, R01D, R02Z, R12A, R12B, R12C |
| | 21A | W04A, W04B | | 21A | W04A, W04B | | 21A | W04A, W04B |
| | 21B | X06A, X06B, X06C, X33Z | | 21B | X06A, X06B, X06C, X33Z | | 21B | X06A, X06B, X06C, X33Z |
| | 23 | Z01A | | 23 | Z01A | | 23 | Z01A |
| | Pre | A07A | | Pre | A07A | | Pre | A07A |
| | 5n280.03 | | | BOP, KJZSV, KOP, KOPV, KVT, MVV, UOP4 | 5n280.4 | | | BOP, KJZSV, KOP, KOPV, KVT, MVV, UOP4 |
| 05 | | F36A, F36B | 05 | F36A, F36B | | 05 | F36A, F36B | |
| 06 | | G01Z, G02Z, G15Z, G33Z, G38Z | 06 | G01Z, G02Z, G15Z, G33Z, G38Z | | 06 | G01Z, G02Z, G15Z, G33Z, G38Z | |
| 07 | | H33Z, H38Z | 07 | H33Z, H38Z | | 07 | H33Z, H38Z | |
| 10 | | K09A, K09B | 10 | K09A, K09B | | 10 | K09A, K09B | |
| 11 | | L10Z, L33Z, L38Z | 11 | L10Z, L33Z, L38Z | | 11 | L10Z, L33Z, L38Z | |
| 12 | | M37Z, M38Z | 12 | M37Z, M38Z | | 12 | M37Z, M38Z | |
| 13 | | N01A, N01B, N01C, N01D, N01E, N34Z, N38Z | 13 | N01A, N01B, N01C, N01D, N01E, N34Z, N38Z | | 13 | N01A, N01B, N01C, N01D, N01E, N34Z, N38Z | |
| 17 | | R01A, R01B, R01C, R01D, R02Z, R12A, R12B, R12C | 17 | R01A, R01B, R01C, R01D, R02Z, R12A, R12B, R12C | | 17 | R01A, R01B, R01C, R01D, R02Z, R12A, R12B, R12C | |
| 21A | | W04A, W04B | 21A | W04A, W04B | | 21A | W04A, W04B | |
| 21B | | X06A, X06B, X06C, X33Z | 21B | X06A, X06B, X06C, X33Z | | 21B | X06A, X06B, X06C, X33Z | |
| 23 | | Z01A | 23 | Z01A | | 23 | Z01A | |
| Pre | | A07A | Pre | A07A | | Pre | A07A | |
| 5n280.04 | | | BOP, KJZSV, KOP, KOPV, KVT, MVV, UOP4 | 5n280.x | | | BOP, KJZSV, KOP, KOPV, KVT, MVV, UOP4 | 5n281.04 |
| | 05 | F36A, F36B | 05 | | F36A, F36B | 05 | F36A, F36B | |
| | 06 | G01Z, G02Z, G15Z, G33Z, G38Z | 06 | | G01Z, G02Z, G15Z, G33Z, G38Z | 06 | G01Z, G02Z, G15Z, G33Z, G38Z | |
| | 07 | H33Z, H38Z | 07 | | H33Z, H38Z | 07 | H33Z, H38Z | |
| | 10 | K09A, K09B | 10 | | K09A, K09B | 10 | K09A, K09B | |
| | 11 | L10Z, L33Z, L38Z | 11 | | L10Z, L33Z, L38Z | 11 | L10Z, L33Z, L38Z | |
| | 12 | M37Z, M38Z | 12 | | M37Z, M38Z | 12 | M37Z, M38Z | |
| | 13 | N01A, N01B, N01C, N01D, N01E, N34Z, N38Z | 13 | | N01A, N01B, N01C, N01D, N01E, N34Z, N38Z | 13 | N01A, N01B, N01C, N01D, N01E, N34Z, N38Z | |
| | 17 | R01A, R01B, R01C, R01D, R02Z, R12A, R12B, R12C | 17 | | R01A, R01B, R01C, R01D, R02Z, R12A, R12B, R12C | 17 | R01A, R01B, R01C, R01D, R02Z, R12A, R12B, R12C | |
| | 21A | W04A, W04B | 21A | | W04A, W04B | 21A | W04A, W04B | |
| | 21B | X06A, X06B, X06C, X33Z | 21B | | X06A, X06B, X06C, X33Z | 21B | X06A, X06B, X06C, X33Z | |
| | 23 | Z01A | 23 | | Z01A | 23 | Z01A | |
| | Pre | A07A | Pre | | A07A | Pre | A07A | |
| | 5n280.20 | | BOP, KJZSV, KOP, KOPV, KVT, MVV, UOP4 | | 5n281.01 | | BOP, KJZSV, KOP, KOPV, KVT, MVV, UOP4 | |
| 05 | | F36A, F36B | 05 | F36A, F36B | | 05 | F36A, F36B | |
| 06 | | G01Z, G02Z, G15Z, G33Z, G38Z | 06 | G01Z, G02Z, G15Z, G33Z, G38Z | | 06 | G01Z, G02Z, G15Z, G33Z, G38Z | |
| 07 | | H33Z, H38Z | 07 | H33Z, H38Z | | 07 | H33Z, H38Z | |
| 10 | | K09A, K09B | 10 | K09A, K09B | | 10 | K09A, K09B | |
| 11 | | L10Z, L33Z, L38Z | 11 | L10Z, L33Z, L38Z | | 11 | L10Z, L33Z, L38Z | |
| 12 | | M37Z, M38Z | 12 | M37Z, M38Z | | 12 | M37Z, M38Z | |
| 13 | | N01A, N01B, N01C, N01D, N01E, N34Z, N38Z | 13 | N01A, N01B, N01C, N01D, N01E, N34Z, N38Z | | 13 | N01A, N01B, N01C, N01D, N01E, N34Z, N38Z | |
| 17 | | R01A, R01B, R01C, R01D, R02Z, R12A, R12B, R12C | 17 | R01A, R01B, R01C, R01D, R02Z, R12A, R12B, R12C | | 17 | R01A, R01B, R01C, R01D, R02Z, R12A, R12B, R12C | |
| 21A | | W04A, W04B | 21A | W04A, W04B | | 21A | W04A, W04B | |
| 21B | | X06A, X06B, X06C, X33Z | 21B | X06A, X06B, X06C, X33Z | | 21B | X06A, X06B, X06C, X33Z | |
| 23 | | Z01A | 23 | Z01A | | 23 | Z01A | |
| Pre | | A07A | Pre | A07A | | Pre | A07A | |

| ZZV | MDC | DRG | ZZV | MDC | DRG | ZZV | MDC | DRG |
|----------|----------|--|---------------------------------------|--|--|----------|--|--|
| 5n281.21 | | BOP, KJZSV, KOP, KOPV, KVT, MVV, UOP4 | 5n282.02 | | BOP, KJZSV, KOP, KOPV, KVT, MVV, UOP4 | 5n282.21 | | BOP, KJZSV, KOP, KOPV, KVT, MVV, UOP4 |
| | 05 | F36A, F36B | | 05 | F36A, F36B | | 05 | F36A, F36B |
| | 06 | G01Z, G02Z, G15Z, G33Z, G38Z | | 06 | G01Z, G02Z, G15Z, G18A, G18B, G33Z, G38Z | | 06 | G01Z, G02Z, G15Z, G18A, G18B, G33Z, G38Z |
| | 07 | H33Z, H38Z | | 07 | H33Z, H38Z | | 07 | H33Z, H38Z |
| | 10 | K09A, K09B | | 10 | K09A, K09B | | 10 | K09A, K09B |
| | 11 | L10Z, L33Z, L38Z | | 11 | L10Z, L33Z, L38Z | | 11 | L10Z, L33Z, L38Z |
| | 12 | M37Z, M38Z | | 12 | M37Z, M38Z | | 12 | M37Z, M38Z |
| | 13 | N01A, N01B, N01C, N01D, N01E, N34Z, N38Z | | 13 | N01A, N01B, N01C, N01D, N01E, N34Z, N38Z | | 13 | N01A, N01B, N01C, N01D, N01E, N34Z, N38Z |
| | 17 | R01A, R01B, R01C, R01D, R02Z, R12A, R12B, R12C | | 17 | R01A, R01B, R01C, R01D, R02Z, R12A, R12B, R12C | | 17 | R01A, R01B, R01C, R01D, R02Z, R12A, R12B, R12C |
| | 21A | W04A, W04B | | 21A | W04A, W04B | | 21A | W04A, W04B |
| | 21B | X06A, X06B, X06C, X33Z | | 21B | X06A, X06B, X06C, X33Z | | 21B | X06A, X06B, X06C, X33Z |
| | 23 | Z01A | | 23 | Z01A | | 23 | Z01A |
| | Pre | A07A | | Pre | A07A | | Pre | A07A |
| | 5n281.4 | | | BOP, KJZSV, KOP, KOPV, KVT, MVV, UOP4 | 5n282.03 | | | BOP, KJZSV, KOP, KOPV, KVT, MVV, UOP4 |
| 05 | | F36A, F36B | 05 | F36A, F36B | | 05 | F36A, F36B | |
| 06 | | G01Z, G02Z, G15Z, G33Z, G38Z | 06 | G01Z, G02Z, G15Z, G18A, G18B, G33Z, G38Z | | 06 | G01Z, G02Z, G15Z, G18A, G18B, G33Z, G38Z | |
| 07 | | H33Z, H38Z | 07 | H33Z, H38Z | | 07 | H33Z, H38Z | |
| 10 | | K09A, K09B | 10 | K09A, K09B | | 10 | K09A, K09B | |
| 11 | | L10Z, L33Z, L38Z | 11 | L10Z, L33Z, L38Z | | 11 | L10Z, L33Z, L38Z | |
| 12 | | M37Z, M38Z | 12 | M37Z, M38Z | | 12 | M37Z, M38Z | |
| 13 | | N01A, N01B, N01C, N01D, N01E, N34Z, N38Z | 13 | N01A, N01B, N01C, N01D, N01E, N34Z, N38Z | | 13 | N01A, N01B, N01C, N01D, N01E, N34Z, N38Z | |
| 17 | | R01A, R01B, R01C, R01D, R02Z, R12A, R12B, R12C | 17 | R01A, R01B, R01C, R01D, R02Z, R12A, R12B, R12C | | 17 | R01A, R01B, R01C, R01D, R02Z, R12A, R12B, R12C | |
| 21A | | W04A, W04B | 21A | W04A, W04B | | 21A | W04A, W04B | |
| 21B | | X06A, X06B, X06C, X33Z | 21B | X06A, X06B, X06C, X33Z | | 21B | X06A, X06B, X06C, X33Z | |
| 23 | | Z01A | 23 | Z01A | | 23 | Z01A | |
| Pre | | A07A | Pre | A07A | | Pre | A07A | |
| 5n281.x | | | BOP, KJZSV, KOP, KOPV, KVT, MVV, UOP4 | 5n282.04 | | | BOP, KJZSV, KOP, KOPV, KVT, MVV, UOP4 | 5n282.x |
| | 05 | F36A, F36B | 05 | | F36A, F36B | 05 | F36A, F36B | |
| | 06 | G01Z, G02Z, G15Z, G33Z, G38Z | 06 | | G01Z, G02Z, G15Z, G18A, G18B, G33Z, G38Z | 06 | G01Z, G02Z, G15Z, G18A, G18B, G33Z, G38Z | |
| | 07 | H33Z, H38Z | 07 | | H33Z, H38Z | 07 | H33Z, H38Z | |
| | 10 | K09A, K09B | 10 | | K09A, K09B | 10 | K09A, K09B | |
| | 11 | L10Z, L33Z, L38Z | 11 | | L10Z, L33Z, L38Z | 11 | L10Z, L33Z, L38Z | |
| | 12 | M37Z, M38Z | 12 | | M37Z, M38Z | 12 | M37Z, M38Z | |
| | 13 | N01A, N01B, N01C, N01D, N01E, N34Z, N38Z | 13 | | N01A, N01B, N01C, N01D, N01E, N34Z, N38Z | 13 | N01A, N01B, N01C, N01D, N01E, N34Z, N38Z | |
| | 17 | R01A, R01B, R01C, R01D, R02Z, R12A, R12B, R12C | 17 | | R01A, R01B, R01C, R01D, R02Z, R12A, R12B, R12C | 17 | R01A, R01B, R01C, R01D, R02Z, R12A, R12B, R12C | |
| | 21A | W04A, W04B | 21A | | W04A, W04B | 21A | W04A, W04B | |
| | 21B | X06A, X06B, X06C, X33Z | 21B | | X06A, X06B, X06C, X33Z | 21B | X06A, X06B, X06C, X33Z | |
| | 23 | Z01A | 23 | | Z01A | 23 | Z01A | |
| | Pre | A07A | Pre | | A07A | Pre | A07A | |
| | 5n282.01 | | BOP, KJZSV, KOP, KOPV, KVT, MVV, UOP4 | | 5n282.20 | | BOP, KJZSV, KOP, KOPV, KVT, MVV, UOP4 | |
| 05 | | F36A, F36B | 05 | F36A, F36B | | 05 | F36A, F36B | |
| 06 | | G01Z, G02Z, G15Z, G18A, G18B, G33Z, G38Z | 06 | G01Z, G02Z, G15Z, G18A, G18B, G33Z, G38Z | | 06 | G01Z, G02Z, G15Z, G18A, G18B, G33Z, G38Z | |
| 07 | | H33Z, H38Z | 07 | H33Z, H38Z | | 07 | H33Z, H38Z | |
| 10 | | K09A, K09B | 10 | K09A, K09B | | 10 | K09A, K09B | |
| 11 | | L10Z, L33Z, L38Z | 11 | L10Z, L33Z, L38Z | | 11 | L10Z, L33Z, L38Z | |
| 12 | | M37Z, M38Z | 12 | M37Z, M38Z | | 12 | M37Z, M38Z | |
| 13 | | N01A, N01B, N01C, N01D, N01E, N34Z, N38Z | 13 | N01A, N01B, N01C, N01D, N01E, N34Z, N38Z | | 13 | N01A, N01B, N01C, N01D, N01E, N34Z, N38Z | |
| 17 | | R01A, R01B, R01C, R01D, R02Z, R12A, R12B, R12C | 17 | R01A, R01B, R01C, R01D, R02Z, R12A, R12B, R12C | | 17 | R01A, R01B, R01C, R01D, R02Z, R12A, R12B, R12C | |
| 21A | | W04A, W04B | 21A | W04A, W04B | | 21A | W04A, W04B | |
| 21B | | X06A, X06B, X06C, X33Z | 21B | X06A, X06B, X06C, X33Z | | 21B | X06A, X06B, X06C, X33Z | |
| 23 | | Z01A | 23 | Z01A | | 23 | Z01A | |
| Pre | | A07A | Pre | A07A | | Pre | A07A | |

| ZZV | MDC | DRG | ZZV | MDC | DRG | ZZV | MDC | DRG | | | |
|----------|----------|--|---------------------------------------|--|--|----------|--|--|----------|----|---------------------------------------|
| 5n283.02 | | BOP, KJZSV, KOP, KOPV, KVT, MVV, UOP4 | 5n283.21 | | BOP, KJZSV, KOP, KOPV, KVT, MVV, UOP4 | 5n284.02 | | BOP, KJZSV, KOP, KOPV, KVT, MVV, UOP4 | | | |
| | 05 | F36A, F36B | | 05 | F36A, F36B | | 05 | F36A, F36B | | | |
| | 06 | G01Z, G02Z, G15Z, G18A, G18B, G33Z, G38Z | | 06 | G01Z, G02Z, G15Z, G18A, G18B, G33Z, G38Z | | 06 | G15Z, G16A, G16B, G33Z, G38Z | | | |
| | 07 | H33Z, H38Z | | 07 | H33Z, H38Z | | 07 | H33Z, H38Z | | | |
| | 10 | K09A, K09B | | 10 | K09A, K09B | | 10 | K09A, K09B | | | |
| | 11 | L10Z, L33Z, L38Z | | 11 | L10Z, L33Z, L38Z | | 11 | L10Z, L33Z, L38Z | | | |
| | 12 | M37Z, M38Z | | 12 | M37Z, M38Z | | 12 | M37Z, M38Z | | | |
| | 13 | N01A, N01B, N01C, N01D, N01E, N34Z, N38Z | | 13 | N01A, N01B, N01C, N01D, N01E, N34Z, N38Z | | 13 | N01A, N01B, N01C, N01D, N01E, N34Z, N38Z | | | |
| | 17 | R01A, R01B, R01C, R01D, R02Z, R12A, R12B, R12C | | 17 | R01A, R01B, R01C, R01D, R02Z, R12A, R12B, R12C | | 17 | R01A, R01B, R01C, R01D, R02Z, R12A, R12B, R12C | | | |
| | 21A | W04A, W04B | | 21A | W04A, W04B | | 21A | W04A, W04B | | | |
| | 21B | X06A, X06B, X06C, X33Z | | 21B | X06A, X06B, X06C, X33Z | | 21B | X06A, X06B, X06C, X33Z | | | |
| | 23 | Z01A | | 23 | Z01A | | 23 | Z01A | | | |
| | Pre | A07A | | Pre | A07A | | Pre | A07A | | | |
| | 5n283.03 | | | BOP, KJZSV, KOP, KOPV, KVT, MVV, UOP4 | 5n283.4 | | | BOP, KJZSV, KOP, KOPV, KVT, MVV, UOP4 | 5n284.03 | | BOP, KJZSV, KOP, KOPV, KVT, MVV, UOP4 |
| | | 05 | | F36A, F36B | | | 05 | F36A, F36B | | 05 | F36A, F36B |
| 06 | | G01Z, G02Z, G15Z, G18A, G18B, G33Z, G38Z | 06 | G01Z, G02Z, G15Z, G18A, G18B, G33Z, G38Z | | 06 | G15Z, G16A, G16B, G33Z, G38Z | | | | |
| 07 | | H33Z, H38Z | 07 | H33Z, H38Z | | 07 | H33Z, H38Z | | | | |
| 10 | | K09A, K09B | 10 | K09A, K09B | | 10 | K09A, K09B | | | | |
| 11 | | L10Z, L33Z, L38Z | 11 | L10Z, L33Z, L38Z | | 11 | L10Z, L33Z, L38Z | | | | |
| 12 | | M37Z, M38Z | 12 | M37Z, M38Z | | 12 | M37Z, M38Z | | | | |
| 13 | | N01A, N01B, N01C, N01D, N01E, N34Z, N38Z | 13 | N01A, N01B, N01C, N01D, N01E, N34Z, N38Z | | 13 | N01A, N01B, N01C, N01D, N01E, N34Z, N38Z | | | | |
| 17 | | R01A, R01B, R01C, R01D, R02Z, R12A, R12B, R12C | 17 | R01A, R01B, R01C, R01D, R02Z, R12A, R12B, R12C | | 17 | R01A, R01B, R01C, R01D, R02Z, R12A, R12B, R12C | | | | |
| 21A | | W04A, W04B | 21A | W04A, W04B | | 21A | W04A, W04B | | | | |
| 21B | | X06A, X06B, X06C, X33Z | 21B | X06A, X06B, X06C, X33Z | | 21B | X06A, X06B, X06C, X33Z | | | | |
| 23 | | Z01A | 23 | Z01A | | 23 | Z01A | | | | |
| Pre | | A07A | Pre | A07A | | Pre | A07A | | | | |
| 5n283.04 | | | BOP, KJZSV, KOP, KOPV, KVT, MVV, UOP4 | 5n283.x | | | BOP, KJZSV, KOP, KOPV, KVT, MVV, UOP4 | 5n284.04 | | | BOP, KJZSV, KOP, KOPV, KVT, MVV, UOP4 |
| | | 05 | F36A, F36B | | | 05 | F36A, F36B | | | 05 | F36A, F36B |
| | 06 | G01Z, G02Z, G15Z, G18A, G18B, G33Z, G38Z | 06 | | G01Z, G02Z, G15Z, G18A, G18B, G33Z, G38Z | 06 | G15Z, G16A, G16B, G33Z, G38Z | | | | |
| | 07 | H33Z, H38Z | 07 | | H33Z, H38Z | 07 | H33Z, H38Z | | | | |
| | 10 | K09A, K09B | 10 | | K09A, K09B | 10 | K09A, K09B | | | | |
| | 11 | L10Z, L33Z, L38Z | 11 | | L10Z, L33Z, L38Z | 11 | L10Z, L33Z, L38Z | | | | |
| | 12 | M37Z, M38Z | 12 | | M37Z, M38Z | 12 | M37Z, M38Z | | | | |
| | 13 | N01A, N01B, N01C, N01D, N01E, N34Z, N38Z | 13 | | N01A, N01B, N01C, N01D, N01E, N34Z, N38Z | 13 | N01A, N01B, N01C, N01D, N01E, N34Z, N38Z | | | | |
| | 17 | R01A, R01B, R01C, R01D, R02Z, R12A, R12B, R12C | 17 | | R01A, R01B, R01C, R01D, R02Z, R12A, R12B, R12C | 17 | R01A, R01B, R01C, R01D, R02Z, R12A, R12B, R12C | | | | |
| | 21A | W04A, W04B | 21A | | W04A, W04B | 21A | W04A, W04B | | | | |
| | 21B | X06A, X06B, X06C, X33Z | 21B | | X06A, X06B, X06C, X33Z | 21B | X06A, X06B, X06C, X33Z | | | | |
| | 23 | Z01A | 23 | | Z01A | 23 | Z01A | | | | |
| | Pre | A07A | Pre | | A07A | Pre | A07A | | | | |
| | 5n283.20 | | BOP, KJZSV, KOP, KOPV, KVT, MVV, UOP4 | | 5n284.01 | | BOP, KJZSV, KOP, KOPV, KVT, MVV, UOP4 | | 5n284.20 | | BOP, KJZSV, KOP, KOPV, KVT, MVV, UOP4 |
| | | 05 | F36A, F36B | | | 05 | F36A, F36B | | | 05 | F36A, F36B |
| 06 | | G01Z, G02Z, G15Z, G18A, G18B, G33Z, G38Z | 06 | G15Z, G16A, G16B, G33Z, G38Z | | 06 | G15Z, G16A, G16B, G33Z, G38Z | | | | |
| 07 | | H33Z, H38Z | 07 | H33Z, H38Z | | 07 | H33Z, H38Z | | | | |
| 10 | | K09A, K09B | 10 | K09A, K09B | | 10 | K09A, K09B | | | | |
| 11 | | L10Z, L33Z, L38Z | 11 | L10Z, L33Z, L38Z | | 11 | L10Z, L33Z, L38Z | | | | |
| 12 | | M37Z, M38Z | 12 | M37Z, M38Z | | 12 | M37Z, M38Z | | | | |
| 13 | | N01A, N01B, N01C, N01D, N01E, N34Z, N38Z | 13 | N01A, N01B, N01C, N01D, N01E, N34Z, N38Z | | 13 | N01A, N01B, N01C, N01D, N01E, N34Z, N38Z | | | | |
| 17 | | R01A, R01B, R01C, R01D, R02Z, R12A, R12B, R12C | 17 | R01A, R01B, R01C, R01D, R02Z, R12A, R12B, R12C | | 17 | R01A, R01B, R01C, R01D, R02Z, R12A, R12B, R12C | | | | |
| 21A | | W04A, W04B | 21A | W04A, W04B | | 21A | W04A, W04B | | | | |
| 21B | | X06A, X06B, X06C, X33Z | 21B | X06A, X06B, X06C, X33Z | | 21B | X06A, X06B, X06C, X33Z | | | | |
| 23 | | Z01A | 23 | Z01A | | 23 | Z01A | | | | |
| Pre | | A07A | Pre | A07A | | Pre | A07A | | | | |

| ZZV | MDC | DRG | ZZV | MDC | DRG | ZZV | MDC | DRG | | | |
|----------|----------|--|---------------------------------------|--|--|----------|--|--|---------|----|---------------------------------------|
| 5n284.21 | | BOP, KJZSV, KOP, KOPV, KVT, MVV, UOP4 | 5n285.02 | | BOP, KJZSV, KOP, KOPV, KVT, MVV, UOP4 | 5n285.21 | | BOP, KJZSV, KOP, KOPV, KVT, MVV, UOP4 | | | |
| | 05 | F36A, F36B | | 05 | F36A, F36B | | 05 | F36A, F36B | | | |
| | 06 | G15Z, G16A, G16B, G33Z, G38Z | | 06 | G01Z, G02Z, G15Z, G18A, G18B, G33Z, G38Z | | 06 | G01Z, G02Z, G15Z, G18A, G18B, G33Z, G38Z | | | |
| | 07 | H33Z, H38Z | | 07 | H33Z, H38Z | | 07 | H33Z, H38Z | | | |
| | 10 | K09A, K09B | | 10 | K09A, K09B | | 10 | K09A, K09B | | | |
| | 11 | L10Z, L33Z, L38Z | | 11 | L10Z, L33Z, L38Z | | 11 | L10Z, L33Z, L38Z | | | |
| | 12 | M37Z, M38Z | | 12 | M37Z, M38Z | | 12 | M37Z, M38Z | | | |
| | 13 | N01A, N01B, N01C, N01D, N01E, N34Z, N38Z | | 13 | N01A, N01B, N01C, N01D, N01E, N34Z, N38Z | | 13 | N01A, N01B, N01C, N01D, N01E, N34Z, N38Z | | | |
| | 17 | R01A, R01B, R01C, R01D, R02Z, R12A, R12B, R12C | | 17 | R01A, R01B, R01C, R01D, R02Z, R12A, R12B, R12C | | 17 | R01A, R01B, R01C, R01D, R02Z, R12A, R12B, R12C | | | |
| | 21A | W04A, W04B | | 21A | W04A, W04B | | 21A | W04A, W04B | | | |
| | 21B | X06A, X06B, X06C, X33Z | | 21B | X06A, X06B, X06C, X33Z | | 21B | X06A, X06B, X06C, X33Z | | | |
| | 23 | Z01A | | 23 | Z01A | | 23 | Z01A | | | |
| | Pre | A07A | | Pre | A07A | | Pre | A07A | | | |
| | 5n284.4 | | | BOP, KJZSV, KOP, KOPV, KVT, MVV, UOP4 | 5n285.03 | | | BOP, KJZSV, KOP, KOPV, KVT, MVV, UOP4 | 5n285.4 | | BOP, KJZSV, KOP, KOPV, KVT, MVV, UOP4 |
| | | 05 | | F36A, F36B | | | 05 | F36A, F36B | | 05 | F36A, F36B |
| 06 | | G15Z, G16A, G16B, G33Z, G38Z | 06 | G01Z, G02Z, G15Z, G18A, G18B, G33Z, G38Z | | 06 | G01Z, G02Z, G15Z, G18A, G18B, G33Z, G38Z | | | | |
| 07 | | H33Z, H38Z | 07 | H33Z, H38Z | | 07 | H33Z, H38Z | | | | |
| 10 | | K09A, K09B | 10 | K09A, K09B | | 10 | K09A, K09B | | | | |
| 11 | | L10Z, L33Z, L38Z | 11 | L10Z, L33Z, L38Z | | 11 | L10Z, L33Z, L38Z | | | | |
| 12 | | M37Z, M38Z | 12 | M37Z, M38Z | | 12 | M37Z, M38Z | | | | |
| 13 | | N01A, N01B, N01C, N01D, N01E, N34Z, N38Z | 13 | N01A, N01B, N01C, N01D, N01E, N34Z, N38Z | | 13 | N01A, N01B, N01C, N01D, N01E, N34Z, N38Z | | | | |
| 17 | | R01A, R01B, R01C, R01D, R02Z, R12A, R12B, R12C | 17 | R01A, R01B, R01C, R01D, R02Z, R12A, R12B, R12C | | 17 | R01A, R01B, R01C, R01D, R02Z, R12A, R12B, R12C | | | | |
| 21A | | W04A, W04B | 21A | W04A, W04B | | 21A | W04A, W04B | | | | |
| 21B | | X06A, X06B, X06C, X33Z | 21B | X06A, X06B, X06C, X33Z | | 21B | X06A, X06B, X06C, X33Z | | | | |
| 23 | | Z01A | 23 | Z01A | | 23 | Z01A | | | | |
| Pre | | A07A | Pre | A07A | | Pre | A07A | | | | |
| 5n284.x | | | BOP, KJZSV, KOP, KOPV, KVT, MVV, UOP4 | 5n285.04 | | | BOP, KJZSV, KOP, KOPV, KVT, MVV, UOP4 | 5n285.x | | | BOP, KJZSV, KOP, KOPV, KVT, MVV, UOP4 |
| | | 05 | F36A, F36B | | | 05 | F36A, F36B | | | 05 | F36A, F36B |
| | 06 | G15Z, G16A, G16B, G33Z, G38Z | 06 | | G01Z, G02Z, G15Z, G18A, G18B, G33Z, G38Z | 06 | G01Z, G02Z, G15Z, G18A, G18B, G33Z, G38Z | | | | |
| | 07 | H33Z, H38Z | 07 | | H33Z, H38Z | 07 | H33Z, H38Z | | | | |
| | 10 | K09A, K09B | 10 | | K09A, K09B | 10 | K09A, K09B | | | | |
| | 11 | L10Z, L33Z, L38Z | 11 | | L10Z, L33Z, L38Z | 11 | L10Z, L33Z, L38Z | | | | |
| | 12 | M37Z, M38Z | 12 | | M37Z, M38Z | 12 | M37Z, M38Z | | | | |
| | 13 | N01A, N01B, N01C, N01D, N01E, N34Z, N38Z | 13 | | N01A, N01B, N01C, N01D, N01E, N34Z, N38Z | 13 | N01A, N01B, N01C, N01D, N01E, N34Z, N38Z | | | | |
| | 17 | R01A, R01B, R01C, R01D, R02Z, R12A, R12B, R12C | 17 | | R01A, R01B, R01C, R01D, R02Z, R12A, R12B, R12C | 17 | R01A, R01B, R01C, R01D, R02Z, R12A, R12B, R12C | | | | |
| | 21A | W04A, W04B | 21A | | W04A, W04B | 21A | W04A, W04B | | | | |
| | 21B | X06A, X06B, X06C, X33Z | 21B | | X06A, X06B, X06C, X33Z | 21B | X06A, X06B, X06C, X33Z | | | | |
| | 23 | Z01A | 23 | | Z01A | 23 | Z01A | | | | |
| | Pre | A07A | Pre | | A07A | Pre | A07A | | | | |
| | 5n285.01 | | BOP, KJZSV, KOP, KOPV, KVT, MVV, UOP4 | | 5n285.20 | | BOP, KJZSV, KOP, KOPV, KVT, MVV, UOP4 | | 5n28x.x | | BOP, KJZSV, KOP, KOPV, KVT, MVV, UOP4 |
| | | 05 | F36A, F36B | | | 05 | F36A, F36B | | | 05 | F36A, F36B |
| 06 | | G01Z, G02Z, G15Z, G18A, G18B, G33Z, G38Z | 06 | G01Z, G02Z, G15Z, G18A, G18B, G33Z, G38Z | | 06 | G01Z, G02Z, G15Z, G18A, G18B, G33Z, G38Z | | | | |
| 07 | | H33Z, H38Z | 07 | H33Z, H38Z | | 07 | H33Z, H38Z | | | | |
| 10 | | K09A, K09B | 10 | K09A, K09B | | 10 | K09A, K09B | | | | |
| 11 | | L10Z, L33Z, L38Z | 11 | L10Z, L33Z, L38Z | | 11 | L10Z, L33Z, L38Z | | | | |
| 12 | | M37Z, M38Z | 12 | M37Z, M38Z | | 12 | M37Z, M38Z | | | | |
| 13 | | N01A, N01B, N01C, N01D, N01E, N34Z, N38Z | 13 | N01A, N01B, N01C, N01D, N01E, N34Z, N38Z | | 13 | N01A, N01B, N01C, N01D, N01E, N34Z, N38Z | | | | |
| 17 | | R01A, R01B, R01C, R01D, R02Z, R12A, R12B, R12C | 17 | R01A, R01B, R01C, R01D, R02Z, R12A, R12B, R12C | | 17 | R01A, R01B, R01C, R01D, R02Z, R12A, R12B, R12C | | | | |
| 21A | | W04A, W04B | 21A | W04A, W04B | | 21A | W04A, W04B | | | | |
| 21B | | X06A, X06B, X06C, X33Z | 21B | X06A, X06B, X06C, X33Z | | 21B | X06A, X06B, X06C, X33Z | | | | |
| 23 | | Z01A | 23 | Z01A | | 23 | Z01A | | | | |
| Pre | | A07A | Pre | A07A | | Pre | A07A | | | | |

| ZZV | MDC | DRG | ZZV | MDC | DRG | ZZV | MDC | DRG | | | |
|---------|---------|--|--|--|--|---------|--|--|---------|----|------------------------------------|
| 5n290 | | BOP, KJZSV, KOP, KOPV, KVT, UOP4 | 5n300.4 | | BOP, KJZSV, KVT, UOP4 | 5n302.4 | | BOP, KJZSV, KVT, UOP4 | | | |
| | 05 | F36A, F36B | | 06 | G01Z, G02Z, G15Z, G18A, G18B, G38Z | | 06 | G01Z, G02Z, G15Z, G18A, G18B, G38Z | | | |
| | 06 | G01Z, G02Z, G15Z, G18A, G18B, G33Z, G38Z | | 11 | L09A, L10Z, L38Z | | 11 | L09A, L10Z, L38Z | | | |
| | 07 | H33Z, H38Z | | 12 | M37Z, M38Z | | 12 | M37Z, M38Z | | | |
| | 11 | L33Z | | 13 | N11A | | 13 | N11A | | | |
| | 21B | X33Z | | 17 | R01A, R01B, R01C, R01D, R02Z, R12A, R12B, R12C | | 17 | R01A, R01B, R01C, R01D, R02Z, R12A, R12B, R12C | | | |
| | 23 | Z01A | | 21A | W04A, W04B | | 21A | W04A, W04B | | | |
| | Pre | A07A | | 21B | X06A, X06B, X06C | | 21B | X06A, X06B, X06C | | | |
| | 5n291 | | | BOP, KJZSV, KOP, KOPV, KVT, UOP4 | 5n301.0 | | | BOP, KJZSV, KVT, UOP4 | 5n303.0 | | BOP, KJZSV, KVT, UOP4 |
| | | 05 | | F36A, F36B | | | 06 | G01Z, G02Z, G15Z, G18A, G18B, G38Z | | 06 | G01Z, G02Z, G15Z, G18A, G18B, G38Z |
| | | 06 | | G01Z, G02Z, G15Z, G18A, G18B, G33Z, G38Z | | | 11 | L09A, L10Z, L38Z | | 11 | L09A, L10Z, L38Z |
| 07 | | H33Z, H38Z | 12 | M37Z, M38Z | | 12 | M37Z, M38Z | | | | |
| 11 | | L33Z | 13 | N11A | | 13 | N11A | | | | |
| 21B | | X33Z | 17 | R01A, R01B, R01C, R01D, R02Z, R12A, R12B, R12C | | 17 | R01A, R01B, R01C, R01D, R02Z, R12A, R12B, R12C | | | | |
| 23 | | Z01A | 21A | W04A, W04B | | 21A | W04A, W04B | | | | |
| Pre | | A07A | 21B | X06A, X06B, X06C | | 21B | X06A, X06B, X06C | | | | |
| 5n292 | | | BOP, KJZSV, KOP, KOPV, KVT, UOP4 | 5n301.2 | | | BOP, KJZSV, KVT, UOP4 | 5n303.2 | | | BOP, KJZSV, KVT, UOP4 |
| | | 05 | F36A, F36B | | | 06 | G01Z, G02Z, G15Z, G18A, G18B, G33Z, G38Z | | | 06 | G01Z, G02Z, G15Z, G18A, G18B, G38Z |
| | | 06 | G01Z, G02Z, G15Z, G18A, G18B, G33Z, G38Z | | | 11 | L09A, L10Z, L38Z | | | 11 | L09A, L10Z, L38Z |
| | 07 | H33Z, H38Z | 12 | | M37Z, M38Z | 12 | M37Z, M38Z | | | | |
| | 11 | L33Z | 13 | | N11A | 13 | N11A | | | | |
| | 21B | X33Z | 17 | | R01A, R01B, R01C, R01D, R02Z, R12A, R12B, R12C | 17 | R01A, R01B, R01C, R01D, R02Z, R12A, R12B, R12C | | | | |
| | 23 | Z01A | 21A | | W04A, W04B | 21A | W04A, W04B | | | | |
| | Pre | A07A | 21B | | X06A, X06B, X06C | 21B | X06A, X06B, X06C | | | | |
| | 5n29x | | BOP, KJZSV, KOP, KOPV, KVT, UOP4 | | 5n301.4 | | BOP, KJZSV, KVT, UOP4 | | 5n303.4 | | BOP, KJZSV, KVT, UOP4 |
| | | 05 | F36A, F36B | | | 06 | G01Z, G02Z, G15Z, G18A, G18B, G33Z, G38Z | | | 06 | G01Z, G02Z, G15Z, G18A, G18B, G38Z |
| | | 06 | G01Z, G02Z, G15Z, G18A, G18B, G33Z, G38Z | | | 11 | L09A, L10Z, L38Z | | | 11 | L09A, L10Z, L38Z |
| 07 | | H33Z, H38Z | 12 | M37Z, M38Z | | 12 | M37Z, M38Z | | | | |
| 11 | | L33Z | 13 | N11A | | 13 | N11A | | | | |
| 21B | | X33Z | 17 | R01A, R01B, R01C, R01D, R02Z, R12A, R12B, R12C | | 17 | R01A, R01B, R01C, R01D, R02Z, R12A, R12B, R12C | | | | |
| 23 | | Z01A | 21A | W04A, W04B | | 21A | W04A, W04B | | | | |
| Pre | | A07A | 21B | X06A, X06B, X06C | | 21B | X06A, X06B, X06C | | | | |
| 5n300.0 | | | BOP, KJZSV, KVT, UOP4 | 5n302.0 | | | BOP, KJZSV, KVT, UOP4 | 5n304.0 | | | BOP, KJZSV, KVT, UOP4 |
| | | 06 | G01Z, G02Z, G15Z, G18A, G18B, G38Z | | | 06 | G01Z, G02Z, G15Z, G18A, G18B, G38Z | | | 06 | G01Z, G02Z, G15Z, G18A, G18B, G38Z |
| | | 11 | L09A, L10Z, L38Z | | | 11 | L09A, L10Z, L38Z | | | 11 | L09A, L10Z, L38Z |
| | 12 | M37Z, M38Z | 12 | | M37Z, M38Z | 12 | M37Z, M38Z | | | | |
| | 13 | N11A | 13 | | N11A | 13 | N11A | | | | |
| | 17 | R01A, R01B, R01C, R01D, R02Z, R12A, R12B, R12C | 17 | | R01A, R01B, R01C, R01D, R02Z, R12A, R12B, R12C | 17 | R01A, R01B, R01C, R01D, R02Z, R12A, R12B, R12C | | | | |
| | 21A | W04A, W04B | 21A | | W04A, W04B | 21A | W04A, W04B | | | | |
| | 21B | X06A, X06B, X06C | 21B | | X06A, X06B, X06C | 21B | X06A, X06B, X06C | | | | |
| | Pre | A13A, A13B, A13C | Pre | | A13A, A13B, A13C | Pre | A13A, A13B, A13C | | | | |
| | 5n300.2 | | BOP, KJZSV, KVT, UOP4 | | 5n302.2 | | BOP, KJZSV, KVT, UOP4 | | 5n304.2 | | BOP, KJZSV, KVT, UOP4 |
| | | 06 | G01Z, G02Z, G15Z, G18A, G18B, G38Z | | | 06 | G01Z, G02Z, G15Z, G18A, G18B, G38Z | | | 06 | G01Z, G02Z, G15Z, G18A, G18B, G38Z |
| 11 | | L09A, L10Z, L38Z | 11 | L09A, L10Z, L38Z | | 11 | L09A, L10Z, L38Z | | | | |
| 12 | | M37Z, M38Z | 12 | M37Z, M38Z | | 12 | M37Z, M38Z | | | | |
| 13 | | N11A | 13 | N11A | | 13 | N11A | | | | |
| 17 | | R01A, R01B, R01C, R01D, R02Z, R12A, R12B, R12C | 17 | R01A, R01B, R01C, R01D, R02Z, R12A, R12B, R12C | | 17 | R01A, R01B, R01C, R01D, R02Z, R12A, R12B, R12C | | | | |
| 21A | | W04A, W04B | 21A | W04A, W04B | | 21A | W04A, W04B | | | | |
| 21B | | X06A, X06B, X06C | 21B | X06A, X06B, X06C | | 21B | X06A, X06B, X06C | | | | |
| Pre | | A13A, A13B, A13C | Pre | A13A, A13B, A13C | | Pre | A13A, A13B, A13C | | | | |

| ZZV | MDC | DRG | ZZV | MDC | DRG | ZZV | MDC | DRG |
|---------|---------|--|-----------------------|--|--|---------|--|--|
| 5n304.4 | | BOP, KJZSV, KVT, UOP4 | 5n30x.4 | | BOP, KJZSV, KVT, UOP4 | 5n311.2 | | BOP, KJZSV, KOP, KOPV, KVT, UOP4 |
| | 06 | G01Z, G02Z, G15Z, G18A, G18B, G38Z | | 06 | G01Z, G02Z, G15Z, G18A, G18B, G38Z | | 06 | G01Z, G02Z, G15Z, G38Z |
| | 11 | L09A, L10Z, L38Z | | 11 | L09A, L10Z, L38Z | | 07 | H33Z, H38Z |
| | 12 | M37Z, M38Z | | 12 | M37Z, M38Z | | 11 | L10Z, L33Z, L38Z |
| | 13 | N11A | | 13 | N11A | | 12 | M37Z, M38Z |
| | 17 | R01A, R01B, R01C, R01D, R02Z, R12A, R12B, R12C | | 17 | R01A, R01B, R01C, R01D, R02Z, R12A, R12B, R12C | | 13 | N11A |
| | 21A | W04A, W04B | | 21A | W04A, W04B | | 17 | R01A, R01B, R01C, R01D, R02Z, R12A, R12B, R12C |
| | 21B | X06A, X06B, X06C | | 21B | X06A, X06B, X06C | | 21A | W04A, W04B |
| | Pre | A13A, A13B, A13C | | Pre | A13A, A13B, A13C | | 21B | X06A, X06B, X06C, X33Z |
| | 5n305.0 | | | BOP, KJZSV, KVT, UOP4 | 5n310.0 | | | BOP, KJZSV, KOP, KOPV, KVT, UOP4 |
| 06 | | G01Z, G02Z, G15Z, G18A, G18B, G38Z | 06 | G01Z, G02Z, G15Z, G38Z | | 06 | G01Z, G02Z, G15Z, G38Z | |
| 11 | | L09A, L10Z, L38Z | 07 | H33Z, H38Z | | 07 | H33Z, H38Z | |
| 12 | | M37Z, M38Z | 11 | L10Z, L33Z, L38Z | | 11 | L10Z, L33Z, L38Z | |
| 13 | | N11A | 12 | M37Z, M38Z | | 12 | M37Z, M38Z | |
| 17 | | R01A, R01B, R01C, R01D, R02Z, R12A, R12B, R12C | 13 | N11A | | 13 | N11A | |
| 21A | | W04A, W04B | 17 | R01A, R01B, R01C, R01D, R02Z, R12A, R12B, R12C | | 17 | R01A, R01B, R01C, R01D, R02Z, R12A, R12B, R12C | |
| 21B | | X06A, X06B, X06C | 21A | W04A, W04B | | 21A | W04A, W04B | |
| Pre | | A13A, A13B, A13C | 21B | X06A, X06B, X06C, X33Z | | 21B | X06A, X06B, X06C, X33Z | |
| 5n305.2 | | | BOP, KJZSV, KVT, UOP4 | 5n310.2 | | | BOP, KJZSV, KOP, KOPV, KVT, UOP4 | 5n312.0 |
| | 06 | G01Z, G02Z, G15Z, G18A, G18B, G38Z | 06 | | G01Z, G02Z, G15Z, G38Z | 06 | G01Z, G02Z, G15Z, G38Z | |
| | 11 | L09A, L10Z, L38Z | 07 | | H33Z, H38Z | 07 | H33Z, H38Z | |
| | 12 | M37Z, M38Z | 11 | | L10Z, L33Z, L38Z | 11 | L10Z, L33Z, L38Z | |
| | 13 | N11A | 12 | | M37Z, M38Z | 12 | M37Z, M38Z | |
| | 17 | R01A, R01B, R01C, R01D, R02Z, R12A, R12B, R12C | 13 | | N11A | 13 | N11A | |
| | 21A | W04A, W04B | 17 | | R01A, R01B, R01C, R01D, R02Z, R12A, R12B, R12C | 17 | R01A, R01B, R01C, R01D, R02Z, R12A, R12B, R12C | |
| | 21B | X06A, X06B, X06C | 21A | | W04A, W04B | 21A | W04A, W04B | |
| | Pre | A13A, A13B, A13C | 21B | | X06A, X06B, X06C, X33Z | 21B | X06A, X06B, X06C, X33Z | |
| | 5n305.4 | | BOP, KJZSV, KVT, UOP4 | | 5n310.4 | | BOP, KJZSV, KOP, KOPV, KVT, UOP4 | |
| 06 | | G01Z, G02Z, G15Z, G18A, G18B, G38Z | 06 | G01Z, G02Z, G15Z, G38Z | | 06 | G01Z, G02Z, G15Z, G38Z | |
| 11 | | L09A, L10Z, L38Z | 07 | H33Z, H38Z | | 07 | H33Z, H38Z | |
| 12 | | M37Z, M38Z | 11 | L10Z, L33Z, L38Z | | 11 | L10Z, L33Z, L38Z | |
| 13 | | N11A | 12 | M37Z, M38Z | | 12 | M37Z, M38Z | |
| 17 | | R01A, R01B, R01C, R01D, R02Z, R12A, R12B, R12C | 13 | N11A | | 13 | N11A | |
| 21A | | W04A, W04B | 17 | R01A, R01B, R01C, R01D, R02Z, R12A, R12B, R12C | | 17 | R01A, R01B, R01C, R01D, R02Z, R12A, R12B, R12C | |
| 21B | | X06A, X06B, X06C | 21A | W04A, W04B | | 21A | W04A, W04B | |
| Pre | | A13A, A13B, A13C | 21B | X06A, X06B, X06C, X33Z | | 21B | X06A, X06B, X06C, X33Z | |
| 5n30x.0 | | | BOP, KJZSV, KVT, UOP4 | 5n311.0 | | | BOP, KJZSV, KOP, KOPV, KVT, UOP4 | 5n312.4 |
| | 06 | G01Z, G02Z, G15Z, G18A, G18B, G38Z | 06 | | G01Z, G02Z, G15Z, G38Z | 06 | G01Z, G02Z, G15Z, G38Z | |
| | 11 | L09A, L10Z, L38Z | 07 | | H33Z, H38Z | 07 | H33Z, H38Z | |
| | 12 | M37Z, M38Z | 11 | | L10Z, L33Z, L38Z | 11 | L10Z, L33Z, L38Z | |
| | 13 | N11A | 12 | | M37Z, M38Z | 12 | M37Z, M38Z | |
| | 17 | R01A, R01B, R01C, R01D, R02Z, R12A, R12B, R12C | 13 | | N11A | 13 | N11A | |
| | 21A | W04A, W04B | 17 | | R01A, R01B, R01C, R01D, R02Z, R12A, R12B, R12C | 17 | R01A, R01B, R01C, R01D, R02Z, R12A, R12B, R12C | |
| | 21B | X06A, X06B, X06C | 21A | | W04A, W04B | 21A | W04A, W04B | |
| | Pre | A13A, A13B, A13C | 21B | | X06A, X06B, X06C, X33Z | 21B | X06A, X06B, X06C, X33Z | |
| | 5n30x.2 | | BOP, KJZSV, KVT, UOP4 | | 5n311.0 | | BOP, KJZSV, KOP, KOPV, KVT, UOP4 | |
| 06 | | G01Z, G02Z, G15Z, G18A, G18B, G38Z | 06 | G01Z, G02Z, G15Z, G38Z | | 06 | G01Z, G02Z, G15Z, G38Z | |
| 11 | | L09A, L10Z, L38Z | 07 | H33Z, H38Z | | 07 | H33Z, H38Z | |
| 12 | | M37Z, M38Z | 11 | L10Z, L33Z, L38Z | | 11 | L10Z, L33Z, L38Z | |
| 13 | | N11A | 12 | M37Z, M38Z | | 12 | M37Z, M38Z | |
| 17 | | R01A, R01B, R01C, R01D, R02Z, R12A, R12B, R12C | 13 | N11A | | 13 | N11A | |
| 21A | | W04A, W04B | 17 | R01A, R01B, R01C, R01D, R02Z, R12A, R12B, R12C | | 17 | R01A, R01B, R01C, R01D, R02Z, R12A, R12B, R12C | |
| 21B | | X06A, X06B, X06C | 21A | W04A, W04B | | 21A | W04A, W04B | |
| Pre | | A13A, A13B, A13C | 21B | X06A, X06B, X06C, X33Z | | 21B | X06A, X06B, X06C, X33Z | |

VYK

| ZZV | MDC | DRG | ZZV | MDC | DRG | ZZV | MDC | DRG | |
|---------|------------------|--|--|---------|--|--|--|--|--|
| 5n322.1 | | BOP, KJZSV, KVT, UOP4 | 5n322.x | | BOP, KJZSV, KVT, UOP4 | 5n332.0 | | BOP, KJZSV, KVT, UOP4 | |
| | 06 | G01Z, G02Z, G15Z, G18A, G18B, G38Z | | 06 | G01Z, G02Z, G15Z, G18A, G18B, G38Z | | 05 | F13A | |
| | 13 | N11A | | 13 | N11A | | 06 | G01Z, G02Z, G13Z, G21A, G21B, G21J, G38Z | |
| | 17 | R01A, R01B, R01C, R01D, R02Z, R12A, R12B, R12C | | 17 | R01A, R01B, R01C, R01D, R02Z, R12A, R12B, R12C | | 11 | L09A, L38Z | |
| | 21A | W04A, W04B | | 21A | W04A, W04B | | 13 | N11A | |
| | 21B | X06A, X06B, X06C | | 21B | X06A, X06B, X06C | | 17 | R01A, R01B, R01C, R01D, R02Z, R12A, R12B, R12C | |
| 5n322.2 | Pre | A13A, A13B, A13C | 5n330.0 | Pre | A13A, A13B, A13C | 5n332.1 | 21A | W04A, W04B | |
| | 06 | G01Z, G02Z, G15Z, G18A, G18B, G38Z | | 06 | BOP, KJZSV, KVT, UOP4 | | 21B | X06A, X06B, X06C | |
| | 13 | N11A | | 17 | G13Z, G21A, G21B, G21J | | Pre | A13A, A13B, A13C | |
| | 17 | R01A, R01B, R01C, R01D, R02Z, R12A, R12B, R12C | | 21A | R01A, R01B, R01C, R01D, R02Z, R12A, R12B, R12C | | BOP, KJZSV, KVT, UOP4 | | |
| | 21A | W04A, W04B | | 21B | W04A, W04B | | 05 | F13A | |
| | 21B | X06A, X06B, X06C | | 21B | X06A, X06B, X06C | | 06 | G01Z, G02Z, G13Z, G21A, G21B, G21J, G38Z | |
| 5n322.3 | Pre | A13A, A13B, A13C | 5n330.1 | 06 | BOP, KJZSV, KVT, UOP4 | 5n332.2 | 11 | L09A, L38Z | |
| | 06 | G01Z, G02Z, G15Z, G18A, G18B, G38Z | | 06 | G13Z, G21A, G21B, G21J | | 13 | N11A | |
| | 13 | N11A | | 17 | R01A, R01B, R01C, R01D, R02Z, R12A, R12B, R12C | | 17 | R01A, R01B, R01C, R01D, R02Z, R12A, R12B, R12C | |
| | 17 | R01A, R01B, R01C, R01D, R02Z, R12A, R12B, R12C | | 21A | W04A, W04B | | 21A | W04A, W04B | |
| | 21A | W04A, W04B | | 21B | X06A, X06B, X06C | | 21B | X06A, X06B, X06C | |
| | 21B | X06A, X06B, X06C | | 5n330.2 | Pre | | BOP, KJZSV, KVT, UOP4 | Pre | A13A, A13B, A13C |
| Pre | A13A, A13B, A13C | 06 | G13Z, G21A, G21B, G21J | | BOP, KJZSV, KVT, UOP4 | | | | |
| 5n322.4 | 06 | BOP, KJZSV, KVT, UOP4 | 5n330.3 | | 17 | R01A, R01B, R01C, R01D, R02Z, R12A, R12B, R12C | 5n332.3 | 05 | F13A |
| | 06 | G01Z, G02Z, G15Z, G18A, G18B, G38Z | | | 06 | G13Z, G21A, G21B, G21J | | 06 | G01Z, G02Z, G13Z, G21A, G21B, G21J, G38Z |
| | 13 | N11A | | | 21A | W04A, W04B | | 11 | L09A, L38Z |
| | 17 | R01A, R01B, R01C, R01D, R02Z, R12A, R12B, R12C | | | 21B | X06A, X06B, X06C | | 13 | N11A |
| | 21A | W04A, W04B | | 5n330.x | 21B | X06A, X06B, X06C | | 17 | R01A, R01B, R01C, R01D, R02Z, R12A, R12B, R12C |
| | 21B | X06A, X06B, X06C | | | 06 | BOP, KJZSV, KVT, UOP4 | | 21A | W04A, W04B |
| Pre | A13A, A13B, A13C | 21A | G13Z, G21A, G21B, G21J | | 21B | X06A, X06B, X06C | | | |
| 5n322.5 | 06 | BOP, KJZSV, KVT, UOP4 | 5n331.0 | | 21B | X06A, X06B, X06C | 5n332.x | Pre | A13A, A13B, A13C |
| | 06 | G01Z, G02Z, G15Z, G18A, G18B, G38Z | | | 06 | BOP, KJZSV, KVT, UOP4 | | BOP, KJZSV, KVT, UOP4 | |
| | 13 | N11A | | | 21A | W04A, W04B | | 05 | F13A |
| | 17 | R01A, R01B, R01C, R01D, R02Z, R12A, R12B, R12C | | 21B | X06A, X06B, X06C | 06 | | G01Z, G02Z, G13Z, G21A, G21B, G21J, G38Z | |
| | 21A | W04A, W04B | | 5n331.1 | 21B | X06A, X06B, X06C | | 11 | L09A, L38Z |
| | 21B | X06A, X06B, X06C | | | 06 | G13Z, G21A, G21B, G21J | | 13 | N11A |
| Pre | A13A, A13B, A13C | 17 | R01A, R01B, R01C, R01D, R02Z, R12A, R12B, R12C | | 21A | W04A, W04B | | | |
| 5n322.6 | 06 | BOP, KJZSV, KVT, UOP4 | 5n331.2 | | 21B | X06A, X06B, X06C | 21B | X06A, X06B, X06C | |
| | 06 | G01Z, G02Z, G15Z, G18A, G18B, G38Z | | | 06 | BOP, KJZSV, KVT, UOP4 | Pre | A13A, A13B, A13C | |
| | 13 | N11A | | | 06 | G13Z, G21A, G21B, G21J | BOP, KJZSV, KVT, UOP4 | | |
| | 17 | R01A, R01B, R01C, R01D, R02Z, R12A, R12B, R12C | | 17 | R01A, R01B, R01C, R01D, R02Z, R12A, R12B, R12C | 05 | F13A | | |
| | 21A | W04A, W04B | | 5n331.3 | 21A | W04A, W04B | 06 | G01Z, G02Z, G13Z, G21A, G21B, G21J, G38Z | |
| | 21B | X06A, X06B, X06C | | | 21B | X06A, X06B, X06C | 13 | N11A | |
| Pre | A13A, A13B, A13C | 06 | BOP, KJZSV, KVT, UOP4 | | 21A | W04A, W04B | | | |
| 5n322.7 | 06 | BOP, KJZSV, KVT, UOP4 | 5n331.x | | 06 | G13Z, G21A, G21B, G21J | 21B | X06A, X06B, X06C | |
| | 06 | G01Z, G02Z, G15Z, G18A, G18B, G38Z | | | 06 | G13Z, G21A, G21B, G21J | Pre | A13A, A13B, A13C | |
| | 13 | N11A | | | 21A | W04A, W04B | BOP, KJZSV, KVT, UOP4 | | |
| | 17 | R01A, R01B, R01C, R01D, R02Z, R12A, R12B, R12C | | 21B | X06A, X06B, X06C | 06 | G01Z, G02Z, G13Z, G21A, G21B, G21J, G38Z | | |
| | 21A | W04A, W04B | | 5n333.0 | 21B | X06A, X06B, X06C | 17 | R01A, R01B, R01C, R01D, R02Z, R12A, R12B, R12C | |
| | 21B | X06A, X06B, X06C | | | 06 | BOP, KJZSV, KVT, UOP4 | 21A | W04A, W04B | |
| Pre | A13A, A13B, A13C | 06 | G13Z, G21A, G21B, G21J | | 21B | X06A, X06B, X06C | | | |
| 5n322.7 | 06 | BOP, KJZSV, KVT, UOP4 | 5n333.1 | | 17 | R01A, R01B, R01C, R01D, R02Z, R12A, R12B, R12C | Pre | A13A, A13B, A13C | |
| | 06 | G01Z, G02Z, G15Z, G18A, G18B, G38Z | | | 06 | G13Z, G21A, G21B, G21J | BOP, KJZSV, KVT, UOP4 | | |
| | 13 | N11A | | | 21A | W04A, W04B | 06 | G01Z, G02Z, G13Z, G21A, G21B, G21J, G38Z | |
| | 17 | R01A, R01B, R01C, R01D, R02Z, R12A, R12B, R12C | | 21B | X06A, X06B, X06C | 17 | R01A, R01B, R01C, R01D, R02Z, R12A, R12B, R12C | | |
| | 21A | W04A, W04B | | 5n333.1 | 21B | X06A, X06B, X06C | 21A | W04A, W04B | |
| | 21B | X06A, X06B, X06C | | | 06 | BOP, KJZSV, KVT, UOP4 | 21B | X06A, X06B, X06C | |
| Pre | A13A, A13B, A13C | 06 | G13Z, G21A, G21B, G21J | | Pre | A13A, A13B, A13C | | | |

VYK

Príloha B: Index Výkon-MDC-DRG

| ZZV | MDC | DRG | ZZV | MDC | DRG | ZZV | MDC | DRG |
|---------|------------------|--|------------------|-----|--|---------|-----|--|
| 5n333.2 | | BOP, KJZSV, KVT, UOP4 | 5n335.3 | | BOP, KJZSV, KVT, UOP4 | 5n33a.2 | | BOP, KJZSV, KVT, UOP4 |
| | 06 | G01Z, G02Z, G13Z, G21A, G21B, G21J, G38Z | | 06 | G13Z, G21A, G21B, G21J | | 05 | F13A |
| | 17 | R01A, R01B, R01C, R01D, R02Z, R12A, R12B, R12C | | 11 | L09A, L38Z | | 06 | G01Z, G02Z, G04A, G04B, G07A, G07B, G07C, G38Z |
| | 21A | W04A, W04B | | 17 | R01A, R01B, R01C, R01D, R02Z, R12A, R12B, R12C | | 11 | L09A, L38Z |
| | 21B | X06A, X06B, X06C | | 21A | W04A, W04B | | 13 | N11A |
| Pre | A13A, A13B, A13C | 21B | X06A, X06B, X06C | 21A | W04A, W04B | | | |
| 5n333.3 | | BOP, KJZSV, KVT, UOP4 | 5n335.x | | BOP, KJZSV, KVT, UOP4 | 5n33a.x | | BOP, KJZSV, KVT, UOP4 |
| | 06 | G01Z, G02Z, G13Z, G21A, G21B, G21J, G38Z | | 06 | G13Z, G21A, G21B, G21J | | 05 | F13A |
| | 21A | W04A, W04B | | 17 | R01A, R01B, R01C, R01D, R02Z, R12A, R12B, R12C | | 06 | G01Z, G02Z, G04A, G04B, G07A, G07B, G07C, G38Z |
| | 21B | X06A, X06B, X06C | | 21A | W04A, W04B | | 13 | N11A |
| | Pre | A13A, A13B, A13C | | 21B | X06A, X06B, X06C | | 21A | W04A, W04B |
| 5n333.x | | BOP, KJZSV, KVT, UOP4 | 5n339.0 | | BOP, KJZSV, KVT, UOP4 | 5n33b.0 | | BOP, KJZSV, KVT, UOP4 |
| | 06 | G01Z, G02Z, G13Z, G21A, G21B, G21J, G38Z | | 06 | G13Z, G21A, G21B, G21J | | 05 | F13A |
| | 21A | W04A, W04B | | 17 | R01A, R01B, R01C, R01D, R02Z, R12A, R12B, R12C | | 06 | G01Z, G02Z, G04A, G04B, G07A, G07B, G07C, G15Z, G18A, G18B, G38Z |
| | 21B | X06A, X06B, X06C | | 21A | W04A, W04B | | 13 | N11A |
| | Pre | A13A, A13B, A13C | | 21B | X06A, X06B, X06C | | 21A | W04A, W04B |
| 5n334.1 | | BOP, KJZSV, KVT, UOP4 | 5n339.1 | | BOP, KJZSV, KVT, UOP4 | 5n33b.1 | | BOP, KJZSV, KVT, UOP4 |
| | 06 | G15Z, G18A, G18B, G38Z | | 06 | G13Z, G21A, G21B, G21J | | 05 | F13A |
| | 17 | R01A, R01B, R01C, R01D, R02Z, R12A, R12B, R12C | | 17 | R01A, R01B, R01C, R01D, R02Z, R12A, R12B, R12C | | 06 | G01Z, G02Z, G04A, G04B, G07A, G07B, G07C, G15Z, G18A, G18B, G38Z |
| | 21A | W04A, W04B | | 21A | W04A, W04B | | 11 | L09A, L38Z |
| | 21B | X06A, X06B, X06C | | 21B | X06A, X06B, X06C | | 13 | N11A |
| 5n334.2 | | BOP, KJZSV, KVT, UOP4 | 5n339.2 | | BOP, KJZSV, KVT, UOP4 | 5n33b.2 | | BOP, KJZSV, KVT, UOP4 |
| | 06 | G15Z, G18A, G18B, G38Z | | 06 | G01Z, G02Z, G13Z, G21A, G21B, G21J, G38Z | | 05 | F13A |
| | 17 | R01A, R01B, R01C, R01D, R02Z, R12A, R12B, R12C | | 17 | R01A, R01B, R01C, R01D, R02Z, R12A, R12B, R12C | | 06 | G01Z, G02Z, G04A, G04B, G07A, G07B, G07C, G15Z, G18A, G18B, G38Z |
| | 21A | W04A, W04B | | 21A | W04A, W04B | | 11 | L09A, L38Z |
| | 21B | X06A, X06B, X06C | | 21B | X06A, X06B, X06C | | 13 | N11A |
| 5n334.3 | | BOP, KJZSV, KVT, UOP4 | 5n339.3 | | BOP, KJZSV, KVT, UOP4 | 5n33b.x | | BOP, KJZSV, KVT, UOP4 |
| | 06 | G15Z, G18A, G18B, G38Z | | 06 | G01Z, G02Z, G13Z, G21A, G21B, G21J, G38Z | | 05 | F13A |
| | 10 | K09A, K09B | | 21A | W04A, W04B | | 06 | G01Z, G02Z, G04A, G04B, G07A, G07B, G07C, G15Z, G18A, G18B, G38Z |
| | 17 | R01A, R01B, R01C, R01D, R02Z, R12A, R12B, R12C | | 21B | X06A, X06B, X06C | | 11 | L09A, L38Z |
| | 21A | W04A, W04B | | Pre | A13A, A13B, A13C | | 13 | N11A |
| 5n334.x | | BOP, KJZSV, KVT, UOP4 | 5n339.x | | BOP, KJZSV, KVT, UOP4 | 5n33b.0 | | BOP, KJZSV, KVT, UOP4 |
| | 06 | G15Z, G18A, G18B, G38Z | | 06 | G01Z, G02Z, G13Z, G21A, G21B, G21J, G38Z | | 05 | F13A |
| | 17 | R01A, R01B, R01C, R01D, R02Z, R12A, R12B, R12C | | 21A | W04A, W04B | | 06 | G01Z, G02Z, G04A, G04B, G07A, G07B, G07C, G15Z, G18A, G18B, G38Z |
| | 21A | W04A, W04B | | 21B | X06A, X06B, X06C | | 11 | L09A, L38Z |
| | 21B | X06A, X06B, X06C | | Pre | A13A, A13B, A13C | | 13 | N11A |
| 5n335.0 | | BOP, KJZSV, KVT, UOP4 | 5n33a.0 | | BOP, KJZSV, KVT, UOP4 | 5n33b.x | | BOP, KJZSV, KVT, UOP4 |
| | 06 | G13Z, G21A, G21B, G21J | | 05 | F13A | | 05 | F13A |
| | 11 | L09A, L38Z | | 06 | G01Z, G02Z, G04A, G04B, G07A, G07B, G07C, G38Z | | 06 | G01Z, G02Z, G04A, G04B, G07A, G07B, G07C, G15Z, G18A, G18B, G38Z |
| | 17 | R01A, R01B, R01C, R01D, R02Z, R12A, R12B, R12C | | 11 | L09A, L38Z | | 13 | N11A |
| | 21A | W04A, W04B | | 13 | N11A | | 21A | W04A, W04B |
| 5n335.1 | | BOP, KJZSV, KVT, UOP4 | 5n33a.1 | | BOP, KJZSV, KVT, UOP4 | 5n340.0 | | BOP, KJZSV, KVT, UOP4 |
| | 06 | G13Z, G21A, G21B, G21J | | 05 | F13A | | 06 | G15Z, G18A, G18B, G38Z |
| | 11 | L09A, L38Z | | 06 | G01Z, G02Z, G04A, G04B, G07A, G07B, G07C, G38Z | | 21A | W01A, W01B, W01C, W02A, W02B, W04A, W04B |
| | 17 | R01A, R01B, R01C, R01D, R02Z, R12A, R12B, R12C | | 11 | L09A, L38Z | | 21B | X06A, X06B |
| | 21A | W04A, W04B | | 13 | N11A | | 23 | Z01A |
| 5n335.2 | | BOP, KJZSV, KVT, UOP4 | 5n335.1 | | BOP, KJZSV, KVT, UOP4 | 5n340.1 | | BOP, KJZSV, KVT, UOP4 |
| | 06 | G13Z, G21A, G21B, G21J | | 05 | F13A | | 06 | G15Z, G18A, G18B, G38Z |
| | 11 | L09A, L38Z | | 06 | G01Z, G02Z, G04A, G04B, G07A, G07B, G07C, G38Z | | 21A | W01A, W01B, W01C, W02A, W02B, W04A, W04B |
| | 17 | R01A, R01B, R01C, R01D, R02Z, R12A, R12B, R12C | | 11 | L09A, L38Z | | 21B | X06A, X06B |
| | 21A | W04A, W04B | | 21A | W04A, W04B | | 23 | Z01A |
| 5n335.2 | | BOP, KJZSV, KVT, UOP4 | 5n335.2 | | BOP, KJZSV, KVT, UOP4 | 5n335.2 | | BOP, KJZSV, KVT, UOP4 |
| | 06 | G13Z, G21A, G21B, G21J | | 06 | G01Z, G02Z, G04A, G04B, G07A, G07B, G07C, G38Z | | 06 | G15Z, G18A, G18B, G38Z |
| | 11 | L09A, L38Z | | 11 | L09A, L38Z | | 21A | W01A, W01B, W01C, W02A, W02B, W04A, W04B |
| | 17 | R01A, R01B, R01C, R01D, R02Z, R12A, R12B, R12C | | 13 | N11A | | 21B | X06A, X06B |
| | 21A | W04A, W04B | | 21B | X06A, X06B | | 23 | Z01A |
| 5n335.2 | | BOP, KJZSV, KVT, UOP4 | 5n335.2 | | BOP, KJZSV, KVT, UOP4 | 5n335.2 | | BOP, KJZSV, KVT, UOP4 |
| | 06 | G13Z, G21A, G21B, G21J | | 06 | G01Z, G02Z, G04A, G04B, G07A, G07B, G07C, G38Z | | 06 | G15Z, G18A, G18B, G38Z |
| | 11 | L09A, L38Z | | 11 | L09A, L38Z | | 21A | W01A, W01B, W01C, W02A, W02B, W04A, W04B |
| | 17 | R01A, R01B, R01C, R01D, R02Z, R12A, R12B, R12C | | 13 | N11A | | 21B | X06A, X06B |
| | 21A | W04A, W04B | | 21B | X06A, X06B | | 23 | Z01A |
| 5n335.2 | | BOP, KJZSV, KVT, UOP4 | 5n335.2 | | BOP, KJZSV, KVT, UOP4 | 5n335.2 | | BOP, KJZSV, KVT, UOP4 |
| | 06 | G13Z, G21A, G21B, G21J | | 06 | G01Z, G02Z, G04A, G04B, G07A, G07B, G07C, G38Z | | 06 | G15Z, G18A, G18B, G38Z |
| | 11 | L09A, L38Z | | 11 | L09A, L38Z | | 21A | W01A, W01B, W01C, W02A, W02B, W04A, W04B |
| | 17 | R01A, R01B, R01C, R01D, R02Z, R12A, R12B, R12C | | 13 | N11A | | 21B | X06A, X06B |
| | 21A | W04A, W04B | | 21B | X06A, X06B | | 23 | Z01A |

| ZZV | MDC | DRG | ZZV | MDC | DRG | ZZV | MDC | DRG |
|----------|-----|--|---------|-----|--|----------|-----|--|
| 5n340.2 | | BOP, KJZSV, KVT, UOP4 | 5n344.1 | | BOP, KJZSV, KVT, UOP4 | 5n346.2 | | BOP, KJZSV, KVT, MVV, UOP4 |
| | 06 | G15Z, G18A, G18B, G38Z | | 06 | G15Z, G18A, G18B, G38Z | | 06 | G15Z, G18A, G18B, G38Z |
| | 21A | W01A, W01B, W01C, W02A, W02B, W04A, W04B | | 21A | W04A, W04B | | 07 | H06A, H06B, H06C |
| | 21B | X06A, X06B | 5n344.2 | | BOP, KJZSV, KVT, UOP4 | | 10 | K09A, K09B |
| | 23 | Z01A | | 06 | G15Z, G18A, G18B, G38Z | | 17 | R01A, R01B, R01C, R01D, R02Z, R12A, R12B, R12C |
| 5n340.3 | | BOP, KJZSV, KVT, UOP4 | | 21A | W04A, W04B | | 21A | W04A, W04B |
| | 06 | G15Z, G18A, G18B, G38Z | | 21B | X06A, X06B | | 21B | X06A, X06B |
| | 21A | W01A, W01B, W01C, W02A, W02B, W04A, W04B | 5n344.3 | | BOP, KJZSV, KVT, UOP4 | | Pre | A06A, A07A, A09A, A16A |
| | 21B | X06A, X06B | | 06 | G15Z, G18A, G18B, G38Z | 5n346.x | | BOP, KJZSV, KVT, MVV, UOP4 |
| | 23 | Z01A | | 21A | W04A, W04B | | 06 | G15Z, G18A, G18B, G38Z |
| 5n340.x | | BOP, KJZSV, KVT, UOP4 | 5n344.x | | BOP, KJZSV, KVT, UOP4 | | 07 | H06A, H06B, H06C |
| | 06 | G15Z, G18A, G18B, G38Z | | 06 | G15Z, G18A, G18B, G38Z | | 10 | K09A, K09B |
| | 21A | W04A, W04B | | 21A | W04A, W04B | | 17 | R01A, R01B, R01C, R01D, R02Z, R12A, R12B, R12C |
| | 21B | X06A, X06B | | 21B | X06A, X06B | | 21A | W04A, W04B |
| 5n341.0 | | BOP, KJZSV, KVT, UOP4 | 5n345.0 | | BOP, KJZSV, KVT, UOP4 | | 21B | X06A, X06B |
| | 06 | G15Z, G18A, G18B, G38Z | | 05 | F13A | | Pre | A06A, A07A, A09A, A16A |
| | 21A | W04A, W04B | | 06 | G15Z, G18A, G18B, G38Z | 5n34a.0 | | BOP, KJZSV, KOP, KOPV, KVT, UOP4 |
| | 21B | X06A, X06B | | 21A | W04A, W04B | | 05 | F36A, F36B |
| 5n341.1 | | BOP, KJZSV, KVT, UOP4 | | 21B | X06A, X06B | | 06 | G01Z, G02Z, G15Z, G33Z, G38Z |
| | 06 | G15Z, G18A, G18B, G38Z | 5n345.1 | | BOP, KJZSV, KVT, UOP4 | | 07 | H33Z, H38Z |
| | 21A | W04A, W04B | | 05 | F13A | | 10 | K09A, K09B |
| | 21B | X06A, X06B | | 06 | G15Z, G18A, G18B, G38Z | | 11 | L10Z, L33Z, L38Z |
| 5n341.2 | | BOP, KJZSV, KVT, UOP4 | | 21A | W04A, W04B | | 12 | M37Z, M38Z |
| | 06 | G15Z, G18A, G18B, G38Z | | 21B | X06A, X06B | | 13 | N01A, N01B, N01C, N01D, N01E, N34Z, N38Z |
| | 21A | W04A, W04B | 5n345.2 | | BOP, KJZSV, KVT, UOP4 | | 17 | R01A, R01B, R01C, R01D, R02Z, R12A, R12B, R12C |
| | 21B | X06A, X06B | | 05 | F13A | | 21A | W04A, W04B |
| 5n341.3 | | BOP, KJZSV, KVT, UOP4 | | 06 | G15Z, G18A, G18B, G38Z | | 21B | X06A, X06B, X33Z |
| | 06 | G15Z, G18A, G18B, G38Z | | 21A | W04A, W04B | | 23 | Z01A |
| | 21A | W04A, W04B | 5n345.3 | | BOP, KJZSV, KVT, UOP4 | | Pre | A07A, A13A, A13B, A13C |
| | 21B | X06A, X06B | | 05 | F13A | 5n34a.1† | | KJZSV |
| 5n341.x | | BOP, KJZSV, KVT, UOP4 | | 06 | G15Z, G18A, G18B, G38Z | | 06 | G40Z, G46A, G46B, G46C, G47Z, G50Z |
| | 06 | G15Z, G18A, G18B, G38Z | | 21A | W04A, W04B | 5n34a.x† | | KJZSV |
| | 21A | W04A, W04B | | 21B | X06A, X06B | | 06 | G40Z, G48A, G48B, G48C |
| | 21B | X06A, X06B | 5n345.x | | BOP, KJZSV, KVT, UOP4 | 5n34x.0† | | KJZSV |
| 5n342.0† | | KJZSV | | 05 | F13A | | 06 | G40Z, G46A, G46B, G46C, G47Z, G50Z |
| | 06 | G40Z, G46A, G46B, G46C, G47Z, G50Z | | 06 | G15Z, G18A, G18B, G38Z | | 06 | KJZSV |
| 5n342.2† | | KJZSV | | 21A | W04A, W04B | 5n34x.1† | | KJZSV |
| | 06 | G40Z, G48A, G48B, G48C | 5n346.0 | | BOP, KJZSV, KVT, MVV, UOP4 | | 06 | G40Z, G46A, G46B, G46C, G47Z, G50Z |
| 5n342.3† | | KJZSV | | 06 | G15Z, G18A, G18B, G38Z | 5n34x.2† | | KJZSV |
| | 06 | G40Z, G48A, G48B, G48C | | 07 | H06A, H06B, H06C | | 06 | G40Z, G48A, G48B, G48C |
| 5n342.x† | | KJZSV | | 10 | K09A, K09B | 5n34x.3† | | KJZSV |
| | 06 | G40Z, G48A, G48B, G48C | | 17 | R01A, R01B, R01C, R01D, R02Z, R12A, R12B, R12C | | 06 | G40Z, G48A, G48B, G48C |
| 5n343.0 | | BOP, KJZSV, KVT, UOP4 | | 21A | W04A, W04B | 5n34x.x† | | KJZSV |
| | 06 | G15Z, G18A, G18B, G38Z | | 21B | X06A, X06B | | 06 | G40Z, G48A, G48B, G48C |
| | 21A | W04A, W04B | 5n346.1 | | BOP, KJZSV, KVT, MVV, UOP4 | 5n350.1 | | BOP, KJZSV, KVT, UOP4 |
| | 21B | X06A, X06B | | 06 | G15Z, G18A, G18B, G38Z | | 06 | G15Z, G18A, G18B, G38Z |
| 5n343.1 | | BOP, KJZSV, KVT, UOP4 | | 07 | H06A, H06B, H06C | | 07 | H06A, H06B, H06C |
| | 06 | G15Z, G18A, G18B, G38Z | | 10 | K09A, K09B | | 17 | R01A, R01B, R01C, R01D, R02Z, R12A, R12B, R12C |
| | 21A | W04A, W04B | | 17 | R01A, R01B, R01C, R01D, R02Z, R12A, R12B, R12C | | 21A | W04A, W04B |
| | 21B | X06A, X06B | | 21A | W04A, W04B | | 21B | X06A, X06B, X06C |
| 5n343.2 | | BOP, KJZSV, KVT, UOP4 | | Pre | A06A, A07A, A09A, A16A | 5n350.2 | | BOP, KJZSV, KVT, UOP4 |
| | 06 | G15Z, G18A, G18B, G38Z | | 06 | G15Z, G18A, G18B, G38Z | | 06 | G15Z, G18A, G18B, G38Z |
| | 21A | W04A, W04B | | 07 | H06A, H06B, H06C | | 07 | H06A, H06B, H06C |
| | 21B | X06A, X06B | | 10 | K09A, K09B | | 17 | R01A, R01B, R01C, R01D, R02Z, R12A, R12B, R12C |
| 5n343.3 | | BOP, KJZSV, KVT, UOP4 | | 17 | R01A, R01B, R01C, R01D, R02Z, R12A, R12B, R12C | | 21A | W04A, W04B |
| | 06 | G15Z, G18A, G18B, G38Z | | 21A | W04A, W04B | | 21B | X06A, X06B |
| | 21A | W04A, W04B | | Pre | A06A, A07A, A09A, A16A | | 06 | G15Z, G18A, G18B, G38Z |
| | 21B | X06A, X06B | | | | | 07 | H06A, H06B, H06C |
| 5n343.x | | BOP, KJZSV, KVT, UOP4 | | | | | 17 | R01A, R01B, R01C, R01D, R02Z, R12A, R12B, R12C |
| | 06 | G15Z, G18A, G18B, G38Z | | | | | 21A | W04A, W04B |
| | 21A | W04A, W04B | | | | | 21B | X06A, X06B, X06C |
| | 21B | X06A, X06B | | | | | | |
| 5n344.0 | | BOP, KJZSV, KVT, UOP4 | | | | | | |
| | 06 | G15Z, G18A, G18B, G38Z | | | | | | |
| | 21A | W04A, W04B | | | | | | |
| | 21B | X06A, X06B | | | | | | |

| ZZV | MDC | DRG | ZZV | MDC | DRG | ZZV | MDC | DRG | | |
|---------|------------------|--|----------|----------|--|----------|----------|--|--|--|
| 5n350.3 | | BOP, KJZSV, KVT, UOP4 | 5n361.x | | BOP, KVT, UOP4 | 5n391.0 | | BOP, KJZSV, KVT, UOP4 | | |
| | 06 | G15Z, G18A, G18B, G38Z | | 06 | G07A, G07B, G07C, G22A, G22B, G22C, G23A, G23B, G23C, G23J | | 06 | G01Z, G04A, G04B, G07A, G07B, G07C, G38Z | | |
| | 07 | H06A, H06B, H06C | | 13 | N08Z | | 17 | R01A, R01B, R01C, R01D, R02Z, R12A, R12B, R12C | | |
| | 17 | R01A, R01B, R01C, R01D, R02Z, R12A, R12B, R12C | | 5n362 | BOP, KVT, UOP4 | | 21A | W04A, W04B | | |
| | 21A | W04A, W04B | | 06 | G07A, G07B, G07C, G22A, G22B, G22C, G23A, G23B, G23C, G23J | | 21B | X06A, X06B | | |
| 5n350.x | | BOP, KJZSV, KVT, UOP4 | 5n36a | | BOP, KJZSV, KVT, UOP4 | 5n391.2 | | BOP, KJZSV, KVT, UOP4 | | |
| | 06 | G15Z, G18A, G18B, G38Z | | 06 | G07A, G07B, G07C, G22A, G22B, G22C, G23A, G23B, G23C, G23J | | 06 | G01Z, G04A, G04B, G07A, G07B, G07C, G38Z | | |
| | 07 | H06A, H06B, H06C | | 13 | N11A, N11B, N11J | | 17 | R01A, R01B, R01C, R01D, R02Z, R12A, R12B, R12C | | |
| | 17 | R01A, R01B, R01C, R01D, R02Z, R12A, R12B, R12C | | 06 | G07A, G07B, G07C, G22A, G22B, G22C, G23A, G23B, G23C, G23J | | 21A | W04A, W04B | | |
| | 21A | W04A, W04B | | 13 | N11A, N11B, N11J | | 21B | X06A, X06B | | |
| 5n351.1 | | BOP, KJZSV, KVT, UOP4 | 5n36b.0 | | BOP, KVT, UOP4 | 5n391.4 | | BOP, KJZSV, KVT, UOP4 | | |
| | 06 | G15Z, G18A, G18B, G18C, G38Z | | 06 | G07A, G07B, G07C, G22A, G22B, G22C, G23A, G23B, G23C, G23J | | 06 | G01Z, G04A, G04B, G07A, G07B, G07C, G38Z | | |
| | 07 | H06A, H06B, H06C | | 13 | N08Z | | 17 | R01A, R01B, R01C, R01D, R02Z, R12A, R12B, R12C | | |
| | 17 | R01A, R01B, R01C, R01D, R02Z, R12A, R12B, R12C | | 5n36b.1 | BOP, KVT, UOP4 | | 21A | W04A, W04B | | |
| | 21A | W04A, W04B | | 06 | G07A, G07B, G07C, G22A, G22B, G22C, G23A, G23B, G23C, G23J | | 21B | X06A, X06B | | |
| 5n351.2 | | BOP, KJZSV, KVT, UOP4 | 5n36b.x | | BOP, KVT, UOP4 | 5n391.6† | | G40Z, G48A, G48B, G48C, G54J | | |
| | 06 | G15Z, G18A, G18B, G18C, G38Z | | 06 | G07A, G07B, G07C, G22A, G22B, G22C, G23A, G23B, G23C, G23J | | 5n391.x† | | KJZSV | |
| | 07 | H06A, H06B, H06C | | 13 | N08Z | | | 06 | G40Z, G48A, G48B, G48C | |
| | 17 | R01A, R01B, R01C, R01D, R02Z, R12A, R12B, R12C | | 5n36x | BOP, KVT, UOP4 | | | 5n392.0 | | BOP, KJZSV, KVT, UOP4 |
| | 21A | W04A, W04B | | 06 | G07A, G07B, G07C, G22A, G22B, G22C, G23A, G23B, G23C, G23J | | | | 06 | G01Z, G04A, G04B, G21A, G21B, G21J, G38Z |
| 21B | X06A, X06B, X06C | 13 | N08Z | 07 | H06A, H06B, H06C | | | | | |
| 5n351.3 | | BOP, KJZSV, KVT, UOP4 | 5n36x | | BOP, KVT, UOP4 | 5n392.2 | | | BOP, KJZSV, KVT, UOP4 | |
| | 06 | G15Z, G18A, G18B, G18C, G38Z | | 06 | G07A, G07B, G07C, G22A, G22B, G22C, G23A, G23B, G23C, G23J | | 06 | | G01Z, G04A, G04B, G21A, G21B, G21J, G38Z | |
| | 07 | H06A, H06B, H06C | | 13 | N11A, N11B, N11J | | 07 | H06A, H06B, H06C | | |
| | 17 | R01A, R01B, R01C, R01D, R02Z, R12A, R12B, R12C | | 5n390.0 | BOP, KJZSV, KVT, UOP4 | | 13 | N08Z | | |
| | 21A | W04A, W04B | | 06 | G01Z, G02Z, G13Z, G18B, G21A, G21B, G21J, G38Z | | 21A | W04A, W04B | | |
| 5n351.x | | BOP, KJZSV, KVT, UOP4 | 5n390.2 | | BOP, KJZSV, KVT, UOP4 | 5n392.4 | | BOP, KJZSV, KVT, UOP4 | | |
| | 06 | G15Z, G18A, G18B, G18C, G38Z | | 06 | G01Z, G02Z, G13Z, G18B, G21A, G21B, G21J, G38Z | | 06 | G01Z, G04A, G04B, G21A, G21B, G21J, G38Z | | |
| | 07 | H06A, H06B, H06C | | 07 | H06A, H06B, H06C | | 07 | H06A, H06B, H06C | | |
| | 17 | R01A, R01B, R01C, R01D, R02Z, R12A, R12B, R12C | | 17 | R01A, R01B, R01C, R01D, R02Z, R12A, R12B, R12C | | 13 | N11A, N11B, N11J | | |
| | 21A | W04A, W04B | | 21A | W04A, W04B | | 21A | W04A, W04B | | |
| 5n35x.x | | BOP, KJZSV, KVT, UOP4 | 5n390.4 | | BOP, KJZSV, KVT, UOP4 | 5n392.x | | BOP, KJZSV, KVT, UOP4 | | |
| | 06 | G15Z, G18A, G18B, G38Z | | 06 | G01Z, G02Z, G13Z, G18B, G21A, G21B, G21J, G38Z | | 06 | G01Z, G04A, G04B, G21A, G21B, G21J, G38Z | | |
| | 07 | H06A, H06B, H06C | | 07 | H06A, H06B, H06C | | 07 | H06A, H06B, H06C | | |
| | 17 | R01A, R01B, R01C, R01D, R02Z, R12A, R12B, R12C | | 17 | R01A, R01B, R01C, R01D, R02Z, R12A, R12B, R12C | | 13 | N11A, N11B, N11J | | |
| | 21A | W04A, W04B | | 21A | W04A, W04B | | 21A | W04A, W04B | | |
| 5n360 | | BOP, KVT, UOP4 | 5n390.6† | | KJZSV | 5n393.0 | | BOP, KJZSV, KVT, UOP4 | | |
| | 06 | G07A, G07B, G07C, G22A, G22B, G22C, G23A, G23B, G23C, G23J | | 06 | G40Z, G48A, G48B, G48C | | 06 | G01Z, G02Z, G15Z, G18A, G18B, G38Z | | |
| | 13 | N11A, N11B, N11J | | 5n390.x† | KJZSV | | 07 | H06A, H06B, H06C | | |
| | 5n361.0 | BOP, KVT, UOP4 | | 06 | G07A, G07B, G07C, G22A, G22B, G22C, G23A, G23B, G23C, G23J | | 17 | R01A, R01B, R01C, R01D, R02Z, R12A, R12B, R12C | | |
| | 06 | G07A, G07B, G07C, G22A, G22B, G22C, G23A, G23B, G23C, G23J | | 06 | G40Z, G48A, G48B, G48C | | 21A | W04A, W04B | | |
| 5n361.1 | | BOP, KVT, UOP4 | 5n390.x† | | KJZSV | Pre | | X06A, X06B | | |
| | 06 | G07A, G07B, G07C, G22A, G22B, G22C, G23A, G23B, G23C, G23J | | 06 | G40Z, G48A, G48B, G48C | | Pre | A13A, A13B, A13C | | |
| | 13 | N08Z | | 06 | G07A, G07B, G07C, G22A, G22B, G22C, G23A, G23B, G23C, G23J | | Pre | A13A, A13B, A13C | | |
| | 5n361.1 | BOP, KVT, UOP4 | | 06 | G07A, G07B, G07C, G22A, G22B, G22C, G23A, G23B, G23C, G23J | | Pre | A13A, A13B, A13C | | |
| | 06 | G07A, G07B, G07C, G22A, G22B, G22C, G23A, G23B, G23C, G23J | | 06 | G40Z, G48A, G48B, G48C | | Pre | A13A, A13B, A13C | | |
| 13 | N08Z | | | | | | | | | |

VYK

| ZZV | MDC | DRG | ZZV | MDC | DRG | ZZV | MDC | DRG | |
|---------|-----|--|---------|-----|----------------------------------|----------|----------|--|--|
| 5n393.2 | | BOP, KJZSV, KVT, UOP4 | 5n395.x | | BOP, KJZSV, KVT, UOP4 | 5n398.4 | | BOP, KJZSV, KOP, KOPV, KVT, UOP4 | |
| | 06 | G01Z, G02Z, G15Z, G18A, G18B, G38Z | | 06 | G15Z, G18A, G18B, G38Z | | 06 | G15Z, G19A, G19B, G38Z | |
| | 07 | H06A, H06B, H06C | | 07 | H06A, H06B, H06C | | 07 | H33Z, H38Z | |
| | 17 | R01A, R01B, R01C, R01D, R02Z, R12A, R12B, R12C | | 21A | W04A, W04B | | 21B | X33Z | |
| | 21A | W04A, W04B | | 21B | X06A, X06B | | 23 | Z01A | |
| 5n393.4 | | BOP, KJZSV, KVT, UOP4 | 5n396.0 | | BOP, KJZSV, KVT, UOP4 | 5n398.6† | Pre | A07A | |
| | 06 | G01Z, G02Z, G15Z, G18A, G18B, G38Z | | 06 | G15Z, G18A, G18B, G38Z | | 06 | G54J | |
| | 07 | H06A, H06B, H06C | | 07 | H06A, H06B, H06C | | 5n398.x | BOP, KJZSV, KOP, KOPV, KVT, UOP4 | |
| | 17 | R01A, R01B, R01C, R01D, R02Z, R12A, R12B, R12C | | 21A | W04A, W04B | | | 06 | G15Z, G19A, G19B, G38Z |
| | 21A | W04A, W04B | | 21B | X06A, X06B | | 07 | H33Z, H38Z | |
| 5n393.x | | BOP, KJZSV, KVT, UOP4 | 5n396.2 | | BOP, KJZSV, KVT, UOP4 | 5n399.0† | Pre | A07A | |
| | 06 | G01Z, G02Z, G15Z, G18A, G18B, G38Z | | 06 | G15Z, G18A, G18B, G38Z | | 06 | G40Z, G46A, G46B, G46C, G47Z, G50Z | |
| | 07 | H06A, H06B, H06C | | 07 | H06A, H06B, H06C | | 5n399.1† | KJZSV | |
| | 17 | R01A, R01B, R01C, R01D, R02Z, R12A, R12B, R12C | | 21A | W04A, W04B | | | 06 | G40Z, G48A, G48B, G48C |
| | 21A | W04A, W04B | | 21B | X06A, X06B | | 06 | KJZSV | |
| 5n393.4 | | BOP, KJZSV, KVT, UOP4 | 5n396.4 | | BOP, KJZSV, KVT, UOP4 | 5n399.2† | 06 | G40Z, G47Z | |
| | 06 | G01Z, G04A, G04B, G07A, G07B, G07C, G38Z | | 06 | G15Z, G18A, G18B, G38Z | | 5n39b.6† | KJZSV | |
| | 07 | H06A, H06B, H06C | | 07 | H06A, H06B, H06C | | | 06 | G40Z, G46A, G46B, G46C, G47Z, G50Z |
| | 17 | R01A, R01B, R01C, R01D, R02Z, R12A, R12B, R12C | | 21A | W04A, W04B | | 5n39b.x† | KJZSV | |
| | 21A | W04A, W04B | | 21B | X06A, X06B | | | 06 | G40Z, G46A, G46B, G46C, G47Z, G50Z |
| 5n394.0 | | BOP, KJZSV, KVT, UOP4 | 5n397.0 | | BOP, KJZSV, KOP, KOPV, KVT, UOP4 | 5n39c.6† | 06 | G40Z, G48A, G48B, G48C, G54J | |
| | 06 | G01Z, G04A, G04B, G07A, G07B, G07C, G38Z | | 06 | G15Z, G19A, G19B, G38Z | | 5n39c.x† | KJZSV | |
| | 07 | H06A, H06B, H06C | | 07 | H33Z, H38Z | | | 06 | G40Z, G48A, G48B, G48C, G54J |
| | 17 | R01A, R01B, R01C, R01D, R02Z, R12A, R12B, R12C | | 21B | X33Z | | 5n39d.6† | KJZSV | |
| | 21A | W04A, W04B | | Pre | A07A | | | 06 | G40Z, G48A, G48B, G48C, G54J |
| 5n394.2 | | BOP, KJZSV, KVT, UOP4 | 5n397.2 | | BOP, KJZSV, KOP, KOPV, KVT, UOP4 | 5n39d.7† | 06 | G40Z, G48A, G48B, G48C, G54J | |
| | 06 | G01Z, G04A, G04B, G07A, G07B, G07C, G38Z | | 06 | G15Z, G19A, G19B, G38Z | | 5n39d.x† | KJZSV | |
| | 07 | H06A, H06B, H06C | | 07 | H33Z, H38Z | | | 06 | G40Z, G48A, G48B, G48C, G54J |
| | 17 | R01A, R01B, R01C, R01D, R02Z, R12A, R12B, R12C | | 21B | X33Z | | 5n39g.6† | KJZSV | |
| | 21A | W04A, W04B | | 23 | Z01A | | | 06 | G40Z, G46A, G46B, G46C, G47Z, G50Z |
| 5n394.4 | | BOP, KJZSV, KVT, UOP4 | 5n397.4 | | BOP, KJZSV, KOP, KOPV, KVT, UOP4 | 5n39g.x† | 07 | H41A, H41B, H41C, H41J | |
| | 06 | G01Z, G04A, G04B, G07A, G07B, G07C, G38Z | | 06 | G15Z, G19A, G19B, G38Z | | 5n39h.0 | KJZSV | |
| | 07 | H06A, H06B, H06C | | 07 | H33Z, H38Z | | | 06 | G40Z, G46A, G46B, G46C, G47Z, G50Z |
| | 17 | R01A, R01B, R01C, R01D, R02Z, R12A, R12B, R12C | | 21B | X33Z | | 5n39h.2 | 07 | H41A, H41B, H41C, H41J |
| | 21A | W04A, W04B | | Pre | A07A | | | BOP, KJZSV, KVT, UOP4 | |
| 5n394.x | | BOP, KJZSV, KVT, UOP4 | 5n397.x | | BOP, KJZSV, KOP, KOPV, KVT, UOP4 | 5n39h.4 | 06 | G01Z, G04A, G04B, G07A, G07B, G07C, G38Z | |
| | 06 | G01Z, G04A, G04B, G07A, G07B, G07C, G38Z | | 06 | G15Z, G19A, G19B, G38Z | | 5n39h.2 | 17 | R01A, R01B, R01C, R01D, R02Z, R12A, R12B, R12C |
| | 07 | H06A, H06B, H06C | | 07 | H33Z, H38Z | | | 5n39h.4 | 21A |
| | 17 | R01A, R01B, R01C, R01D, R02Z, R12A, R12B, R12C | | 21B | X33Z | | 21B | | X06A, X06B |
| | 21A | W04A, W04B | | Pre | A07A | | 06 | BOP, KJZSV, KVT, UOP4 | |
| 5n395.0 | | BOP, KJZSV, KVT, UOP4 | 5n398.0 | | BOP, KJZSV, KOP, KOPV, KVT, UOP4 | 5n39h.6† | 06 | G01Z, G04A, G04B, G07A, G07B, G07C, G38Z | |
| | 06 | G15Z, G18A, G18B, G38Z | | 06 | G15Z, G19A, G19B, G38Z | | 5n39h.2 | 17 | R01A, R01B, R01C, R01D, R02Z, R12A, R12B, R12C |
| | 07 | H06A, H06B, H06C | | 07 | H33Z, H38Z | | | 5n39h.4 | 21A |
| | 21A | W04A, W04B | | 21B | X33Z | | 21B | | X06A, X06B |
| | 21B | X06A, X06B | | Pre | A07A | | 06 | BOP, KJZSV, KVT, UOP4 | |
| 5n395.2 | | BOP, KJZSV, KVT, UOP4 | 5n398.2 | | BOP, KJZSV, KOP, KOPV, KVT, UOP4 | 5n39h.6† | 06 | G01Z, G04A, G04B, G07A, G07B, G07C, G38Z | |
| | 06 | G15Z, G18A, G18B, G38Z | | 06 | G15Z, G19A, G19B, G38Z | | 5n39h.2 | 17 | R01A, R01B, R01C, R01D, R02Z, R12A, R12B, R12C |
| | 07 | H06A, H06B, H06C | | 07 | H33Z, H38Z | | | 5n39h.4 | 21A |
| | 21A | W04A, W04B | | 21B | X33Z | | 21B | | X06A, X06B |
| | 21B | X06A, X06B | | Pre | A07A | | 06 | KJZSV | |
| 5n395.4 | | BOP, KJZSV, KVT, UOP4 | 5n398.4 | | BOP, KJZSV, KOP, KOPV, KVT, UOP4 | 5n39h.6† | 06 | G40Z, G46A, G46B, G46C, G47Z, G50Z | |
| | 06 | G15Z, G18A, G18B, G38Z | | 06 | G15Z, G19A, G19B, G38Z | | 5n39h.2 | 17 | R01A, R01B, R01C, R01D, R02Z, R12A, R12B, R12C |
| | 07 | H06A, H06B, H06C | | 07 | H33Z, H38Z | | | 5n39h.4 | 21A |
| | 21A | W04A, W04B | | 21B | X33Z | | 21B | | X06A, X06B |
| | 21B | X06A, X06B | | Pre | A07A | | 06 | KJZSV | |

| ZZV | MDC | DRG | ZZV | MDC | DRG | ZZV | MDC | DRG |
|----------|-----|--|----------|-----|--|----------|-----|--|
| 5n39h.x† | | KJZSV | 5n410.6† | 06 | G40Z, G48A, G48B, G48C, G54J | 5n415.0† | | KJZSV |
| | 06 | G40Z, G46A, G46B, G46C, G47Z, G50Z | 5n410.7 | 06 | G13Z, G21A, G21B, G21J | 5n415.6† | 06 | G40Z, G48A, G48B, G48C KJZSV |
| 5n39j.0 | | BOP, KJZSV, KVT, UOP4 | | 09 | J03A, J03B, J04A, J04B, J08A, J08B, J08C, J11A, J11B, J11J, J11Q, J11R, J11S, J16Z | 5n415.7† | 06 | G40Z, G48A, G48B, G48C KJZSV |
| | 06 | G01Z, G04A, G04B, G07A, G07B, G07C, G38Z | | | | 5n415.x† | 06 | G40Z, G48A, G48B, G48C KJZSV |
| | 17 | R01A, R01B, R01C, R01D, R02Z, R12A, R12B, R12C | | 21A | W04A, W04B | 5n416.0† | 06 | G40Z, G48A, G48B, G48C KJZSV |
| | 21A | W04A, W04B | | 21B | X06A, X06B, X06C | 5n416.6† | 06 | G40Z, G48A, G48B, G48C KJZSV |
| 5n39j.2 | 21B | X06A, X06B | 5n410.x | 06 | G13Z, G21A, G21B, G21J | 5n416.6† | 06 | G40Z, G48A, G48B, G48C KJZSV |
| | 06 | BOP, KJZSV, KVT, UOP4 | | 09 | J03A, J03B, J04A, J04B, J08A, J08B, J08C, J11A, J11B, J11J, J11Q, J11R, J11S, J16Z | 5n416.7† | 06 | G40Z, G48A, G48B, G48C KJZSV |
| | 06 | G01Z, G04A, G04B, G07A, G07B, G07C, G38Z | | | | 5n416.x† | 06 | G40Z, G48A, G48B, G48C KJZSV |
| | 17 | R01A, R01B, R01C, R01D, R02Z, R12A, R12B, R12C | | 21A | W04A, W04B | 5n418.0 | 06 | G40Z, G48A, G48B, G48C KJZSV |
| | 21A | W04A, W04B | | 21B | X06A, X06B, X06C | | 06 | G13Z, G21A, G21B, G21J |
| | 21B | X06A, X06B | 5n411.0 | 06 | G13Z, G21A, G21B, G21J | | 09 | J03A, J03B, J04A, J04B, J08A, J08B, J08C, J11A, J11B, J11J, J11Q, J11R, J11S, J16Z |
| 5n39j.4 | | BOP, KJZSV, KVT, UOP4 | | 09 | J03A, J03B, J04A, J04B, J08A, J08B, J08C, J11A, J11B, J11J, J11Q, J11R, J11S, J16Z | | 21A | W04A, W04B |
| | 06 | G01Z, G04A, G04B, G07A, G07B, G07C, G38Z | | | | | 21B | X06A, X06B, X06C |
| | 17 | R01A, R01B, R01C, R01D, R02Z, R12A, R12B, R12C | | 21A | W04A, W04B | 5n418.6† | 06 | G40Z, G48A, G48B, G48C KJZSV |
| | 21A | W04A, W04B | | 21B | X06A, X06B, X06C | 5n418.7 | 06 | G13Z, G21A, G21B, G21J |
| | 21B | X06A, X06B | 5n411.6† | 06 | G40Z, G48A, G48B, G48C KJZSV | | 09 | J03A, J03B, J04A, J04B, J08A, J08B, J08C, J11A, J11B, J11J, J11Q, J11R, J11S, J16Z |
| 5n39j.6† | | KJZSV | | 06 | G40Z, G48A, G48B, G48C KJZSV | | 21A | W04A, W04B |
| 5n39j.x† | 06 | G40Z, G48A, G48B, G48C KJZSV | 5n411.7 | 06 | G13Z, G21A, G21B, G21J | | 21B | X06A, X06B, X06C |
| 5n39k | 06 | G40Z, G48A, G48B, G48C BOP, KJZSV, KVT, UOP4 | | 09 | J03A, J03B, J04A, J04B, J08A, J08B, J08C, J11A, J11B, J11J, J11Q, J11R, J11S, J16Z | 5n418.8 | 06 | G13Z, G21A, G21B, G21J |
| | 06 | G07A, G07B, G07C, G22A, G22B, G22C, G23A, G23B, G23C, G23J | | | | | 09 | J03A, J03B, J04A, J04B, J08A, J08B, J08C, J11A, J11B, J11J, J11Q, J11R, J11S, J16Z |
| 5n39l | 13 | N11A, N11B, N11J | | 21A | W04A, W04B | | 21A | W04A, W04B |
| | | BOP, KJZSV, KVT, UOP4 | | 21B | X06A, X06B, X06C | | 21B | X06A, X06B, X06C |
| | 06 | G07A, G07B, G07C, G22A, G22B, G22C, G23A, G23B, G23C, G23J | 5n411.x | 06 | G13Z, G21A, G21B, G21J | | 06 | G13Z, G21A, G21B, G21J |
| | 13 | N11A, N11B, N11J | | 09 | J03A, J03B, J04A, J04B, J08A, J08B, J08C, J11A, J11B, J11J, J11Q, J11R, J11S, J16Z | | 09 | J03A, J03B, J04A, J04B, J08A, J08B, J08C, J11A, J11B, J11J, J11Q, J11R, J11S, J16Z |
| 5n39x.0 | | BOP, KJZSV, KVT, UOP4 | | | | | 21A | W04A, W04B |
| | 06 | G01Z, G04A, G04B, G07A, G07B, G07C, G38Z | | 21A | W04A, W04B | | 21B | X06A, X06B, X06C |
| | 17 | R01A, R01B, R01C, R01D, R02Z, R12A, R12B, R12C | 5n412.0† | 06 | G40Z, G48A, G48B, G48C KJZSV | 5n418.x | 06 | G13Z, G21A, G21B, G21J |
| | 21A | W04A, W04B | | 06 | G40Z, G48A, G48B, G48C, G54J | | 09 | J03A, J03B, J04A, J04B, J08A, J08B, J08C, J11A, J11B, J11J, J11Q, J11R, J11S, J16Z |
| | 21B | X06A, X06B | 5n412.1† | 06 | G40Z, G48A, G48B, G48C, G54J | | 21A | W04A, W04B |
| 5n39x.2 | | BOP, KJZSV, KVT, UOP4 | 5n412.2† | 06 | G40Z, G48A, G48B, G48C, G54J | | 21B | X06A, X06B, X06C |
| | 06 | G01Z, G04A, G04B, G07A, G07B, G07C, G38Z | 5n412.3† | 06 | G40Z, G48A, G48B, G48C, G54J | 5n419.0 | 06 | G13Z, G21A, G21B, G21J |
| | 17 | R01A, R01B, R01C, R01D, R02Z, R12A, R12B, R12C | 5n412.4† | 06 | G40Z, G48A, G48B, G48C KJZSV | | 09 | J03A, J03B, J04A, J04B, J08A, J08B, J08C, J11A, J11B, J11J, J11Q, J11R, J11S, J16Z |
| | 21A | W04A, W04B | | 06 | G40Z, G48A, G48B, G48C KJZSV | | 21A | W04A, W04B |
| | 21B | X06A, X06B | 5n412.x† | 06 | G40Z, G48A, G48B, G48C KJZSV | | 21B | X06A, X06B, X06C |
| 5n39x.4 | | BOP, KJZSV, KVT, UOP4 | 5n413.0† | 06 | G40Z, G48A, G48B, G48C KJZSV | | 06 | G13Z, G21A, G21B, G21J |
| | 06 | G01Z, G04A, G04B, G07A, G07B, G07C, G38Z | | 06 | G40Z, G48A, G48B, G48C KJZSV | | 09 | J03A, J03B, J04A, J04B, J08A, J08B, J08C, J11A, J11B, J11J, J11Q, J11R, J11S, J16Z |
| | 17 | R01A, R01B, R01C, R01D, R02Z, R12A, R12B, R12C | 5n413.6† | 06 | G40Z, G48A, G48B, G48C KJZSV | 5n419.6† | 06 | G40Z, G48A, G48B, G48C KJZSV |
| | 21A | W04A, W04B | | 06 | G40Z, G48A, G48B, G48C KJZSV | | 06 | G13Z, G21A, G21B, G21J |
| | 21B | X06A, X06B | 5n413.7† | 06 | G40Z, G48A, G48B, G48C KJZSV | | 09 | J03A, J03B, J04A, J04B, J08A, J08B, J08C, J11A, J11B, J11J, J11Q, J11R, J11S, J16Z |
| 5n39x.6† | | KJZSV | 5n413.x† | 06 | G40Z, G48A, G48B, G48C KJZSV | | 13 | N06J, N06Q, N06Z |
| | 06 | G40Z, G48A, G48B, G48C KJZSV | | 06 | G40Z, G48A, G48B, G48C KJZSV | | 21A | W04A, W04B |
| 5n39x.x† | 06 | G40Z, G48A, G48B, G48C KJZSV | 5n414.0† | 06 | G40Z, G48A, G48B, G48C KJZSV | | 21B | X06A, X06B, X06C |
| | 06 | G40Z, G48A, G48B, G48C KJZSV | | 06 | G40Z, G48A, G48B, G48C KJZSV | 5n419.7 | 06 | G13Z, G21A, G21B, G21J |
| 5n410.0 | 06 | G13Z, G21A, G21B, G21J | 5n414.6† | 06 | G40Z, G48A, G48B, G48C KJZSV | | 09 | J03A, J03B, J04A, J04B, J08A, J08B, J08C, J11A, J11B, J11J, J11Q, J11R, J11S, J16Z |
| | 09 | J03A, J03B, J04A, J04B, J08A, J08B, J08C, J11A, J11B, J11J, J11Q, J11R, J11S, J16Z | 5n414.7† | 06 | G40Z, G48A, G48B, G48C KJZSV | | 13 | N06J, N06Q, N06Z |
| | 21A | W04A, W04B | | 06 | G40Z, G48A, G48B, G48C KJZSV | | 21A | W04A, W04B |
| | 21B | X06A, X06B, X06C | 5n414.x† | 06 | G40Z, G48A, G48B, G48C KJZSV | | 21B | X06A, X06B, X06C |
| | | | | 06 | G40Z, G48A, G48B, G48C KJZSV | | | |

| ZZV | MDC | DRG | ZZV | MDC | DRG | ZZV | MDC | DRG |
|----------|------------------------|--|----------|--|--|--|------------------|--|
| 5n419.x | | KJZSV | 5n420.02 | | BOP, KJZSV, KOP, KOPV, KVT, UOP4 | 5n421.01 | | BOP, KJZSV, KOP, KOPV, KVT, UOP4 |
| | 06 | G13Z, G21A, G21B, G21J | | 05 | F36A, F36B | | 05 | F36A, F36B |
| | 09 | J03A, J03B, J04A, J04B, J08A, J08B, J08C, J11A, J11B, J11J, J11Q, J11R, J11S, J16Z | | 06 | G15Z, G16A, G16B, G17A, G17B, G33Z, G38Z | | 06 | G15Z, G16A, G16B, G17A, G17B, G33Z, G38Z |
| | 13 | N06J, N06Q, N06Z | | 07 | H33Z, H38Z | | 07 | H33Z, H38Z |
| | 21A | W04A, W04B | | 11 | L10Z, L33Z, L38Z | | 11 | L10Z, L33Z, L38Z |
| 5n41a.7 | 21B | X06A, X06B, X06C | 12 | M01A, M01B, M37Z, M38Z | 12 | M37Z, M38Z | | |
| | | KJZSV | 13 | N01A, N01B, N01C, N01D, N01E, N34Z, N38Z | 13 | N01A, N01B, N01C, N01D, N01E, N34Z, N38Z | | |
| | 06 | G13Z, G21A, G21B, G21J | 17 | R01A, R01B, R01C, R01D, R02Z, R12A, R12B, R12C | 17 | R01A, R01B, R01C, R01D, R02Z, R12A, R12B, R12C | | |
| | 09 | J03A, J03B, J04A, J04B, J08A, J08B, J08C, J11A, J11B, J11J, J11Q, J11R, J11S, J16Z | 21A | W04A, W04B | 21A | W04A, W04B | | |
| | 13 | N06J, N06Q, N06Z | 21B | X06A, X06B, X06C, X33Z | 21B | X06A, X06B, X06C, X33Z | | |
| 5n41b.0 | 21A | W04A, W04B | 23 | Z01A | 23 | Z01A | | |
| | 21B | X06A, X06B, X06C | Pre | A07A | Pre | A07A | | |
| | | KJZSV | 5n420.21 | | BOP, KJZSV, KOP, KOPV, KVT, UOP4 | 5n421.02 | | BOP, KJZSV, KOP, KOPV, KVT, UOP4 |
| | 06 | G13Z, G21A, G21B, G21J | | 05 | F36A, F36B | | 05 | F36A, F36B |
| | 09 | J03A, J03B, J04A, J04B, J08A, J08B, J08C, J11A, J11B, J11J, J11Q, J11R, J11S, J16Z | | 06 | G15Z, G16A, G16B, G17A, G17B, G33Z, G38Z | | 06 | G15Z, G16A, G16B, G17A, G17B, G33Z, G38Z |
| 13 | N06J, N06Q, N06Z | 07 | | H33Z, H38Z | 07 | | H33Z, H38Z | |
| 21A | W04A, W04B | 11 | | L10Z, L33Z, L38Z | 11 | | L10Z, L33Z, L38Z | |
| 5n41b.1 | 21B | X06A, X06B, X06C | 12 | M37Z, M38Z | 12 | M01A, M01B, M37Z, M38Z | | |
| | | KJZSV | 13 | N01A, N01B, N01C, N01D, N01E, N34Z, N38Z | 13 | N01A, N01B, N01C, N01D, N01E, N34Z, N38Z | | |
| | 06 | G13Z, G21A, G21B, G21J | 17 | R01A, R01B, R01C, R01D, R02Z, R12A, R12B, R12C | 17 | R01A, R01B, R01C, R01D, R02Z, R12A, R12B, R12C | | |
| | 09 | J03A, J03B, J04A, J04B, J08A, J08B, J08C, J11A, J11B, J11J, J11Q, J11R, J11S, J16Z | 21A | W04A, W04B | 21A | W04A, W04B | | |
| | 13 | N06J, N06Q, N06Z | 21B | X06A, X06B, X06C, X33Z | 21B | X06A, X06B, X06C, X33Z | | |
| 5n41x.2‡ | 21A | W04A, W04B | 23 | Z01A | 23 | Z01A | | |
| | 21B | X06A, X06B, X06C | Pre | A07A | Pre | A07A | | |
| | | KJZSV | 5n420.22 | | BOP, KJZSV, KOP, KOPV, KVT, UOP4 | 5n421.x | | BOP, KJZSV, KOP, KOPV, KVT, UOP4 |
| | 06 | G40Z, G48A, G48B, G48C | | 05 | F36A, F36B | | 05 | F36A, F36B |
| | 06 | G40Z, G48A, G48B, G48C | | 06 | G15Z, G16A, G16B, G17A, G17B, G33Z, G38Z | | 06 | G15Z, G16A, G16B, G17A, G17B, G33Z, G38Z |
| 06 | G40Z, G48A, G48B, G48C | 07 | | H33Z, H38Z | 07 | | H33Z, H38Z | |
| 06 | G40Z, G48A, G48B, G48C | 11 | | L10Z, L33Z, L38Z | 11 | | L10Z, L33Z, L38Z | |
| 5n41x.6‡ | | KJZSV | 12 | M01A, M01B, M37Z, M38Z | 12 | M37Z, M38Z | | |
| | 06 | G40Z, G48A, G48B, G48C | 13 | N01A, N01B, N01C, N01D, N01E, N34Z, N38Z | 13 | N01A, N01B, N01C, N01D, N01E, N34Z, N38Z | | |
| | 06 | G40Z, G48A, G48B, G48C | 17 | R01A, R01B, R01C, R01D, R02Z, R12A, R12B, R12C | 17 | R01A, R01B, R01C, R01D, R02Z, R12A, R12B, R12C | | |
| | 06 | G40Z, G48A, G48B, G48C | 21A | W04A, W04B | 21A | W04A, W04B | | |
| | 06 | G40Z, G48A, G48B, G48C | 21B | X06A, X06B, X06C, X33Z | 21B | X06A, X06B, X06C, X33Z | | |
| 5n41x.7‡ | | KJZSV | 23 | Z01A | 23 | Z01A | | |
| | 06 | G40Z, G48A, G48B, G48C | Pre | A07A | Pre | A07A | | |
| | 06 | G40Z, G48A, G48B, G48C | 5n420.22 | | BOP, KJZSV, KOP, KOPV, KVT, UOP4 | 5n422.01 | | BOP, KJZSV, KOP, KOPV, KVT, UOP4 |
| | 06 | G40Z, G48A, G48B, G48C | | 05 | F36A, F36B | | 05 | F36A, F36B |
| | 06 | G40Z, G48A, G48B, G48C | | 06 | G15Z, G16A, G16B, G17A, G17B, G33Z, G38Z | | 06 | G15Z, G16A, G16B, G17A, G17B, G33Z, G38Z |
| 06 | G40Z, G48A, G48B, G48C | 07 | | H33Z, H38Z | 07 | | H33Z, H38Z | |
| 06 | G40Z, G48A, G48B, G48C | 11 | | L10Z, L33Z, L38Z | 11 | | L10Z, L33Z, L38Z | |
| 5n41x.x‡ | | KJZSV | 12 | M01A, M01B, M37Z, M38Z | 12 | M37Z, M38Z | | |
| | 06 | G40Z, G48A, G48B, G48C | 13 | N01A, N01B, N01C, N01D, N01E, N34Z, N38Z | 13 | N01A, N01B, N01C, N01D, N01E, N34Z, N38Z | | |
| | 06 | G40Z, G48A, G48B, G48C | 17 | R01A, R01B, R01C, R01D, R02Z, R12A, R12B, R12C | 17 | R01A, R01B, R01C, R01D, R02Z, R12A, R12B, R12C | | |
| | 06 | G40Z, G48A, G48B, G48C | 21A | W04A, W04B | 21A | W04A, W04B | | |
| | 06 | G40Z, G48A, G48B, G48C | 21B | X06A, X06B, X06C, X33Z | 21B | X06A, X06B, X06C, X33Z | | |
| 5n420.01 | | BOP, KJZSV, KOP, KOPV, KVT, UOP4 | 23 | Z01A | 23 | Z01A | | |
| | 05 | F36A, F36B | Pre | A07A | Pre | A07A | | |
| | 06 | G15Z, G16A, G16B, G17A, G17B, G33Z, G38Z | 5n420.x | | BOP, KJZSV, KOP, KOPV, KVT, UOP4 | 5n422.01 | | BOP, KJZSV, KOP, KOPV, KVT, UOP4 |
| | 07 | H33Z, H38Z | | 05 | F36A, F36B | | 05 | F36A, F36B |
| | 11 | L10Z, L33Z, L38Z | | 06 | G15Z, G16A, G16B, G17A, G17B, G33Z, G38Z | | 06 | G15Z, G16A, G16B, G17A, G17B, G33Z, G38Z |
| | 12 | M37Z, M38Z | | 07 | H33Z, H38Z | | 07 | H33Z, H38Z |
| | 13 | N01A, N01B, N01C, N01D, N01E, N34Z, N38Z | | 11 | L10Z, L33Z, L38Z | | 11 | L10Z, L33Z, L38Z |
| | 17 | R01A, R01B, R01C, R01D, R02Z, R12A, R12B, R12C | | 12 | M37Z, M38Z | | 12 | M37Z, M38Z |
| | 21A | W04A, W04B | | 13 | N01A, N01B, N01C, N01D, N01E, N34Z, N38Z | | 13 | N01A, N01B, N01C, N01D, N01E, N34Z, N38Z |
| | 21B | X06A, X06B, X06C, X33Z | | 17 | R01A, R01B, R01C, R01D, R02Z, R12A, R12B, R12C | | 17 | R01A, R01B, R01C, R01D, R02Z, R12A, R12B, R12C |
| | 23 | Z01A | | 21A | W04A, W04B | | 21A | W04A, W04B |
| | Pre | A07A | | 21B | X06A, X06B, X06C, X33Z | | 21B | X06A, X06B, X06C, X33Z |
| | | | | 23 | Z01A | | 23 | Z01A |
| | | | | Pre | A07A | | Pre | A07A |

VYK

| ZZV | MDC | DRG | ZZV | MDC | DRG | ZZV | MDC | DRG |
|----------|----------|--|----------------------------------|--|--|----------|--|--|
| 5n422.02 | | BOP, KJZSV, KOP, KOPV, KVT, UOP4 | 5n422.x | | BOP, KJZSV, KOP, KOPV, KVT, UOP4 | 5n423.22 | | BOP, KJZSV, KOP, KOPV, KVT, UOP4 |
| | 05 | F36A, F36B | | 05 | F36A, F36B | | 05 | F36A, F36B |
| | 06 | G15Z, G16A, G16B, G17A, G17B, G33Z, G38Z | | 06 | G15Z, G16A, G16B, G17A, G17B, G33Z, G38Z | | 06 | G15Z, G16A, G16B, G17A, G17B, G33Z, G38Z |
| | 07 | H33Z, H38Z | | 07 | H33Z, H38Z | | 07 | H33Z, H38Z |
| | 11 | L10Z, L33Z, L38Z | | 11 | L10Z, L33Z, L38Z | | 11 | L10Z, L33Z, L38Z |
| | 12 | M01A, M01B, M37Z, M38Z | | 12 | M37Z, M38Z | | 12 | M01A, M01B, M37Z, M38Z |
| | 13 | N01A, N01B, N01C, N01D, N01E, N34Z, N38Z | | 13 | N01A, N01B, N01C, N01D, N01E, N34Z, N38Z | | 13 | N01A, N01B, N01C, N01D, N01E, N34Z, N38Z |
| | 17 | R01A, R01B, R01C, R01D, R02Z, R12A, R12B, R12C | | 17 | R01A, R01B, R01C, R01D, R02Z, R12A, R12B, R12C | | 17 | R01A, R01B, R01C, R01D, R02Z, R12A, R12B, R12C |
| | 21A | W04A, W04B | | 21A | W04A, W04B | | 21A | W04A, W04B |
| | 21B | X06A, X06B, X06C, X33Z | | 21B | X06A, X06B, X06C, X33Z | | 21B | X06A, X06B, X06C, X33Z |
| | 23 | Z01A | | 23 | Z01A | | 23 | Z01A |
| | Pre | A07A | | Pre | A07A | | Pre | A07A |
| | 5n422.21 | | | BOP, KJZSV, KOP, KOPV, KVT, UOP4 | 5n423.01 | | | BOP, KJZSV, KOP, KOPV, KVT, UOP4 |
| 05 | | F36A, F36B | 05 | F36A, F36B | | 05 | F36A, F36B | |
| 06 | | G15Z, G16A, G16B, G17A, G17B, G33Z, G38Z | 06 | G15Z, G16A, G16B, G17A, G17B, G33Z, G38Z | | 06 | G15Z, G16A, G16B, G17A, G17B, G33Z, G38Z | |
| 07 | | H33Z, H38Z | 07 | H33Z, H38Z | | 07 | H33Z, H38Z | |
| 11 | | L10Z, L33Z, L38Z | 11 | L10Z, L33Z, L38Z | | 11 | L10Z, L33Z, L38Z | |
| 12 | | M37Z, M38Z | 12 | M37Z, M38Z | | 12 | M37Z, M38Z | |
| 13 | | N01A, N01B, N01C, N01D, N01E, N34Z, N38Z | 13 | N01A, N01B, N01C, N01D, N01E, N34Z, N38Z | | 13 | N01A, N01B, N01C, N01D, N01E, N34Z, N38Z | |
| 17 | | R01A, R01B, R01C, R01D, R02Z, R12A, R12B, R12C | 17 | R01A, R01B, R01C, R01D, R02Z, R12A, R12B, R12C | | 17 | R01A, R01B, R01C, R01D, R02Z, R12A, R12B, R12C | |
| 21A | | W04A, W04B | 21A | W04A, W04B | | 21A | W04A, W04B | |
| 21B | | X06A, X06B, X06C, X33Z | 21B | X06A, X06B, X06C, X33Z | | 21B | X06A, X06B, X06C, X33Z | |
| 23 | | Z01A | 23 | Z01A | | 23 | Z01A | |
| Pre | | A07A | Pre | A07A | | Pre | A07A | |
| 5n422.22 | | | BOP, KJZSV, KOP, KOPV, KVT, UOP4 | 5n423.02 | | | BOP, KJZSV, KOP, KOPV, KVT, UOP4 | 5n423.32 |
| | 05 | F36A, F36B | 05 | | F36A, F36B | 05 | F36A, F36B | |
| | 06 | G15Z, G16A, G16B, G17A, G17B, G33Z, G38Z | 06 | | G15Z, G16A, G16B, G17A, G17B, G33Z, G38Z | 06 | G15Z, G16A, G16B, G17A, G17B, G33Z, G38Z | |
| | 07 | H33Z, H38Z | 07 | | H33Z, H38Z | 07 | H33Z, H38Z | |
| | 11 | L10Z, L33Z, L38Z | 11 | | L10Z, L33Z, L38Z | 11 | L10Z, L33Z, L38Z | |
| | 12 | M01A, M01B, M37Z, M38Z | 12 | | M01A, M01B, M37Z, M38Z | 12 | M01A, M01B, M37Z, M38Z | |
| | 13 | N01A, N01B, N01C, N01D, N01E, N34Z, N38Z | 13 | | N01A, N01B, N01C, N01D, N01E, N34Z, N38Z | 13 | N01A, N01B, N01C, N01D, N01E, N34Z, N38Z | |
| | 17 | R01A, R01B, R01C, R01D, R02Z, R12A, R12B, R12C | 17 | | R01A, R01B, R01C, R01D, R02Z, R12A, R12B, R12C | 17 | R01A, R01B, R01C, R01D, R02Z, R12A, R12B, R12C | |
| | 21A | W04A, W04B | 21A | | W04A, W04B | 21A | W04A, W04B | |
| | 21B | X06A, X06B, X06C, X33Z | 21B | | X06A, X06B, X06C, X33Z | 21B | X06A, X06B, X06C, X33Z | |
| | 23 | Z01A | 23 | | Z01A | 23 | Z01A | |
| | Pre | A07A | Pre | | A07A | Pre | A07A | |
| | 5n422.7 | | BOP, KJZSV, KOP, KOPV, KVT, UOP4 | | 5n423.21 | | BOP, KJZSV, KOP, KOPV, KVT, UOP4 | |
| 05 | | F36A, F36B | 05 | F36A, F36B | | 05 | F36A, F36B | |
| 06 | | G15Z, G16A, G16B, G17A, G17B, G33Z, G38Z | 06 | G15Z, G16A, G16B, G17A, G17B, G33Z, G38Z | | 06 | G15Z, G16A, G16B, G17A, G17B, G33Z, G38Z | |
| 07 | | H33Z, H38Z | 07 | H33Z, H38Z | | 07 | H33Z, H38Z | |
| 11 | | L10Z, L33Z, L38Z | 11 | L10Z, L33Z, L38Z | | 11 | L10Z, L33Z, L38Z | |
| 12 | | M37Z, M38Z | 12 | M37Z, M38Z | | 12 | M37Z, M38Z | |
| 13 | | N01A, N01B, N01C, N01D, N01E, N34Z, N38Z | 13 | N01A, N01B, N01C, N01D, N01E, N34Z, N38Z | | 13 | N01A, N01B, N01C, N01D, N01E, N34Z, N38Z | |
| 17 | | R01A, R01B, R01C, R01D, R02Z, R12A, R12B, R12C | 17 | R01A, R01B, R01C, R01D, R02Z, R12A, R12B, R12C | | 17 | R01A, R01B, R01C, R01D, R02Z, R12A, R12B, R12C | |
| 21A | | W04A, W04B | 21A | W04A, W04B | | 21A | W04A, W04B | |
| 21B | | X06A, X06B, X06C, X33Z | 21B | X06A, X06B, X06C, X33Z | | 21B | X06A, X06B, X06C, X33Z | |
| 23 | | Z01A | 23 | Z01A | | 23 | Z01A | |
| Pre | | A07A | Pre | A07A | | Pre | A07A | |

| ZZV | MDC | DRG | ZZV | MDC | DRG | ZZV | MDC | DRG |
|----------|----------|--|----------------------------------|--|--|----------|--|--|
| 5n424.01 | | BOP, KJZSV, KOP, KOPV, KVT, UOP4 | 5n424.31 | | BOP, KJZSV, KOP, KOPV, KVT, UOP4 | 5n425.02 | | BOP, KJZSV, KOP, KOPV, KVT, MVV, UOP4 |
| | 05 | F36A, F36B | | 05 | F36A, F36B | | 05 | F36A, F36B |
| | 06 | G15Z, G16A, G16B, G17A, G17B, G33Z, G38Z | | 06 | G15Z, G16A, G16B, G17A, G17B, G33Z, G38Z | | 06 | G15Z, G16A, G16B, G17A, G17B, G33Z, G38Z |
| | 07 | H33Z, H38Z | | 07 | H33Z, H38Z | | 07 | H33Z, H38Z |
| | 11 | L10Z, L33Z, L38Z | | 11 | L10Z, L33Z, L38Z | | 11 | L10Z, L33Z, L38Z |
| | 12 | M37Z, M38Z | | 12 | M37Z, M38Z | | 12 | M01A, M01B, M37Z, M38Z |
| | 13 | N01A, N01B, N01C, N01D, N01E, N34Z, N38Z | | 13 | N01A, N01B, N01C, N01D, N01E, N34Z, N38Z | | 13 | N01A, N01B, N01C, N01D, N01E, N34Z, N38Z |
| | 17 | R01A, R01B, R01C, R01D, R02Z, R12A, R12B, R12C | | 17 | R01A, R01B, R01C, R01D, R02Z, R12A, R12B, R12C | | 17 | R01A, R01B, R01C, R01D, R02Z, R12A, R12B, R12C |
| | 21A | W04A, W04B | | 21A | W04A, W04B | | 21A | W04A, W04B |
| | 21B | X06A, X06B, X06C, X33Z | | 21B | X06A, X06B, X06C, X33Z | | 21B | X06A, X06B, X06C, X33Z |
| | 23 | Z01A | | 23 | Z01A | | 23 | Z01A |
| | Pre | A07A | | Pre | A07A | | Pre | A07A |
| | 5n424.02 | | | BOP, KJZSV, KOP, KOPV, KVT, UOP4 | 5n424.32 | | | BOP, KJZSV, KOP, KOPV, KVT, UOP4 |
| 05 | | F36A, F36B | 05 | F36A, F36B | | 05 | F36A, F36B | |
| 06 | | G15Z, G16A, G16B, G17A, G17B, G33Z, G38Z | 06 | G15Z, G16A, G16B, G17A, G17B, G33Z, G38Z | | 06 | G15Z, G16A, G16B, G17A, G17B, G33Z, G38Z | |
| 07 | | H33Z, H38Z | 07 | H33Z, H38Z | | 07 | H33Z, H38Z | |
| 11 | | L10Z, L33Z, L38Z | 11 | L10Z, L33Z, L38Z | | 11 | L10Z, L33Z, L38Z | |
| 12 | | M01A, M01B, M37Z, M38Z | 12 | M01A, M01B, M37Z, M38Z | | 12 | M37Z, M38Z | |
| 13 | | N01A, N01B, N01C, N01D, N01E, N34Z, N38Z | 13 | N01A, N01B, N01C, N01D, N01E, N34Z, N38Z | | 13 | N01A, N01B, N01C, N01D, N01E, N34Z, N38Z | |
| 17 | | R01A, R01B, R01C, R01D, R02Z, R12A, R12B, R12C | 17 | R01A, R01B, R01C, R01D, R02Z, R12A, R12B, R12C | | 17 | R01A, R01B, R01C, R01D, R02Z, R12A, R12B, R12C | |
| 21A | | W04A, W04B | 21A | W04A, W04B | | 21A | W04A, W04B | |
| 21B | | X06A, X06B, X06C, X33Z | 21B | X06A, X06B, X06C, X33Z | | 21B | X06A, X06B, X06C, X33Z | |
| 23 | | Z01A | 23 | Z01A | | 23 | Z01A | |
| Pre | | A07A | Pre | A07A | | Pre | A07A | |
| 5n424.21 | | | BOP, KJZSV, KOP, KOPV, KVT, UOP4 | 5n424.x | | | BOP, KJZSV, KOP, KOPV, KVT, UOP4 | 5n425.22 |
| | 05 | F36A, F36B | 05 | | F36A, F36B | 05 | F36A, F36B | |
| | 06 | G15Z, G16A, G16B, G17A, G17B, G33Z, G38Z | 06 | | G15Z, G16A, G16B, G17A, G17B, G33Z, G38Z | 06 | G15Z, G16A, G16B, G17A, G17B, G33Z, G38Z | |
| | 07 | H33Z, H38Z | 07 | | H33Z, H38Z | 07 | H33Z, H38Z | |
| | 11 | L10Z, L33Z, L38Z | 11 | | L10Z, L33Z, L38Z | 11 | L10Z, L33Z, L38Z | |
| | 12 | M37Z, M38Z | 12 | | M37Z, M38Z | 12 | M01A, M01B, M37Z, M38Z | |
| | 13 | N01A, N01B, N01C, N01D, N01E, N34Z, N38Z | 13 | | N01A, N01B, N01C, N01D, N01E, N34Z, N38Z | 13 | N01A, N01B, N01C, N01D, N01E, N34Z, N38Z | |
| | 17 | R01A, R01B, R01C, R01D, R02Z, R12A, R12B, R12C | 17 | | R01A, R01B, R01C, R01D, R02Z, R12A, R12B, R12C | 17 | R01A, R01B, R01C, R01D, R02Z, R12A, R12B, R12C | |
| | 21A | W04A, W04B | 21A | | W04A, W04B | 21A | W04A, W04B | |
| | 21B | X06A, X06B, X06C, X33Z | 21B | | X06A, X06B, X06C, X33Z | 21B | X06A, X06B, X06C, X33Z | |
| | 23 | Z01A | 23 | | Z01A | 23 | Z01A | |
| | Pre | A07A | Pre | | A07A | Pre | A07A | |
| | 5n424.22 | | BOP, KJZSV, KOP, KOPV, KVT, UOP4 | | 5n425.01 | | BOP, KJZSV, KOP, KOPV, KVT, MVV, UOP4 | |
| 05 | | F36A, F36B | 05 | F36A, F36B | | 05 | F36A, F36B | |
| 06 | | G15Z, G16A, G16B, G17A, G17B, G33Z, G38Z | 06 | G15Z, G16A, G16B, G17A, G17B, G33Z, G38Z | | 06 | G15Z, G16A, G16B, G17A, G17B, G33Z, G38Z | |
| 07 | | H33Z, H38Z | 07 | H33Z, H38Z | | 07 | H33Z, H38Z | |
| 11 | | L10Z, L33Z, L38Z | 11 | L10Z, L33Z, L38Z | | 11 | L10Z, L33Z, L38Z | |
| 12 | | M01A, M01B, M37Z, M38Z | 12 | M37Z, M38Z | | 12 | M37Z, M38Z | |
| 13 | | N01A, N01B, N01C, N01D, N01E, N34Z, N38Z | 13 | N01A, N01B, N01C, N01D, N01E, N34Z, N38Z | | 13 | N01A, N01B, N01C, N01D, N01E, N34Z, N38Z | |
| 17 | | R01A, R01B, R01C, R01D, R02Z, R12A, R12B, R12C | 17 | R01A, R01B, R01C, R01D, R02Z, R12A, R12B, R12C | | 17 | R01A, R01B, R01C, R01D, R02Z, R12A, R12B, R12C | |
| 21A | | W04A, W04B | 21A | W04A, W04B | | 21A | W04A, W04B | |
| 21B | | X06A, X06B, X06C, X33Z | 21B | X06A, X06B, X06C, X33Z | | 21B | X06A, X06B, X06C, X33Z | |
| 23 | | Z01A | 23 | Z01A | | 23 | Z01A | |
| Pre | | A07A | Pre | A07A | | Pre | A07A | |

VYK

| ZZV | MDC | DRG | ZZV | MDC | DRG | ZZV | MDC | DRG |
|----------|----------|--|---------------------------------------|--|--|----------|--|--|
| 5n425.32 | | BOP, KJZSV, KOP, KOPV, KVT, MVV, UOP4 | 5n426.22 | | BOP, KJZSV, KOP, KOPV, KVT, MVV, UOP4 | 5n427.02 | | BOP, KJZSV, KOP, KOPV, KVT, MVV, UOP4 |
| | 05 | F36A, F36B | | 05 | F36A, F36B | | 05 | F36A, F36B |
| | 06 | G15Z, G16A, G16B, G17A, G17B, G33Z, G38Z | | 06 | G15Z, G16A, G16B, G17A, G17B, G33Z, G38Z | | 06 | G15Z, G16A, G16B, G33Z, G38Z |
| | 07 | H33Z, H38Z | | 07 | H33Z, H38Z | | 07 | H33Z, H38Z |
| | 11 | L10Z, L33Z, L38Z | | 11 | L10Z, L33Z, L38Z | | 11 | L10Z, L33Z, L38Z |
| | 12 | M01A, M01B, M37Z, M38Z | | 12 | M37Z, M38Z | | 12 | M01A, M01B, M37Z, M38Z |
| | 13 | N01A, N01B, N01C, N01D, N01E, N34Z, N38Z | | 13 | N01A, N01B, N01C, N01D, N01E, N34Z, N38Z | | 13 | N01A, N01B, N01C, N01D, N01E, N34Z, N38Z |
| | 17 | R01A, R01B, R01C, R01D, R02Z, R12A, R12B, R12C | | 17 | R01A, R01B, R01C, R01D, R02Z, R12A, R12B, R12C | | 17 | R01A, R01B, R01C, R01D, R02Z, R12A, R12B, R12C |
| | 21A | W04A, W04B | | 21A | W04A, W04B | | 21A | W04A, W04B |
| | 21B | X06A, X06B, X06C, X33Z | | 21B | X06A, X06B, X06C, X33Z | | 21B | X06A, X06B, X06C, X33Z |
| | 23 | Z01A | | 23 | Z01A | | 23 | Z01A |
| | Pre | A07A | | Pre | A07A | | Pre | A07A |
| | 5n425.x | | | BOP, KJZSV, KOP, KOPV, KVT, MVV, UOP4 | 5n426.31 | | | BOP, KJZSV, KOP, KOPV, KVT, MVV, UOP4 |
| 05 | | F36A, F36B | 05 | F36A, F36B | | 05 | F36A, F36B | |
| 06 | | G15Z, G16A, G16B, G17A, G17B, G33Z, G38Z | 06 | G15Z, G16A, G16B, G17A, G17B, G33Z, G38Z | | 06 | G15Z, G16A, G16B, G33Z, G38Z | |
| 07 | | H33Z, H38Z | 07 | H33Z, H38Z | | 07 | H33Z, H38Z | |
| 11 | | L10Z, L33Z, L38Z | 11 | L10Z, L33Z, L38Z | | 11 | L10Z, L33Z, L38Z | |
| 12 | | M37Z, M38Z | 12 | M37Z, M38Z | | 12 | M01A, M01B, M37Z, M38Z | |
| 13 | | N01A, N01B, N01C, N01D, N01E, N34Z, N38Z | 13 | N01A, N01B, N01C, N01D, N01E, N34Z, N38Z | | 13 | N01A, N01B, N01C, N01D, N01E, N34Z, N38Z | |
| 17 | | R01A, R01B, R01C, R01D, R02Z, R12A, R12B, R12C | 17 | R01A, R01B, R01C, R01D, R02Z, R12A, R12B, R12C | | 17 | R01A, R01B, R01C, R01D, R02Z, R12A, R12B, R12C | |
| 21A | | W04A, W04B | 21A | W04A, W04B | | 21A | W04A, W04B | |
| 21B | | X06A, X06B, X06C, X33Z | 21B | X06A, X06B, X06C, X33Z | | 21B | X06A, X06B, X06C, X33Z | |
| 23 | | Z01A | 23 | Z01A | | 23 | Z01A | |
| Pre | | A07A | Pre | A07A | | Pre | A07A | |
| 5n426.01 | | | BOP, KJZSV, KOP, KOPV, KVT, MVV, UOP4 | 5n426.x | | | BOP, KJZSV, KOP, KOPV, KVT, MVV, UOP4 | 5n427.22 |
| | 05 | F36A, F36B | 05 | | F36A, F36B | 05 | F36A, F36B | |
| | 06 | G15Z, G16A, G16B, G17A, G17B, G33Z, G38Z | 06 | | G15Z, G16A, G16B, G17A, G17B, G33Z, G38Z | 06 | G15Z, G16A, G16B, G33Z, G38Z | |
| | 07 | H33Z, H38Z | 07 | | H33Z, H38Z | 07 | H33Z, H38Z | |
| | 11 | L10Z, L33Z, L38Z | 11 | | L10Z, L33Z, L38Z | 11 | L10Z, L33Z, L38Z | |
| | 12 | M37Z, M38Z | 12 | | M37Z, M38Z | 12 | M01A, M01B, M37Z, M38Z | |
| | 13 | N01A, N01B, N01C, N01D, N01E, N34Z, N38Z | 13 | | N01A, N01B, N01C, N01D, N01E, N34Z, N38Z | 13 | N01A, N01B, N01C, N01D, N01E, N34Z, N38Z | |
| | 17 | R01A, R01B, R01C, R01D, R02Z, R12A, R12B, R12C | 17 | | R01A, R01B, R01C, R01D, R02Z, R12A, R12B, R12C | 17 | R01A, R01B, R01C, R01D, R02Z, R12A, R12B, R12C | |
| | 21A | W04A, W04B | 21A | | W04A, W04B | 21A | W04A, W04B | |
| | 21B | X06A, X06B, X06C, X33Z | 21B | | X06A, X06B, X06C, X33Z | 21B | X06A, X06B, X06C, X33Z | |
| | 23 | Z01A | 23 | | Z01A | 23 | Z01A | |
| | Pre | A07A | Pre | | A07A | Pre | A07A | |
| | 5n426.21 | | BOP, KJZSV, KOP, KOPV, KVT, MVV, UOP4 | | 5n427.01 | | BOP, KJZSV, KOP, KOPV, KVT, MVV, UOP4 | |
| 05 | | F36A, F36B | 05 | F36A, F36B | | 05 | F36A, F36B | |
| 06 | | G15Z, G16A, G16B, G17A, G17B, G33Z, G38Z | 06 | G15Z, G16A, G16B, G33Z, G38Z | | 06 | G15Z, G16A, G16B, G33Z, G38Z | |
| 07 | | H33Z, H38Z | 07 | H33Z, H38Z | | 07 | H33Z, H38Z | |
| 11 | | L10Z, L33Z, L38Z | 11 | L10Z, L33Z, L38Z | | 11 | L10Z, L33Z, L38Z | |
| 12 | | M37Z, M38Z | 12 | M01A, M01B, M37Z, M38Z | | 12 | M01A, M01B, M37Z, M38Z | |
| 13 | | N01A, N01B, N01C, N01D, N01E, N34Z, N38Z | 13 | N01A, N01B, N01C, N01D, N01E, N34Z, N38Z | | 13 | N01A, N01B, N01C, N01D, N01E, N34Z, N38Z | |
| 17 | | R01A, R01B, R01C, R01D, R02Z, R12A, R12B, R12C | 17 | R01A, R01B, R01C, R01D, R02Z, R12A, R12B, R12C | | 17 | R01A, R01B, R01C, R01D, R02Z, R12A, R12B, R12C | |
| 21A | | W04A, W04B | 21A | W04A, W04B | | 21A | W04A, W04B | |
| 21B | | X06A, X06B, X06C, X33Z | 21B | X06A, X06B, X06C, X33Z | | 21B | X06A, X06B, X06C, X33Z | |
| 23 | | Z01A | 23 | Z01A | | 23 | Z01A | |
| Pre | | A07A | Pre | A07A | | Pre | A07A | |

| ZZV | MDC | DRG | ZZV | MDC | DRG | ZZV | MDC | DRG |
|----------|-----|--|----------|-----|--|---------|-----|--|
| 5n427.32 | | BOP, KJZSV, KOP, KOPV, KVT, MVV, UOP4 | 5n429.21 | | BOP, KJZSV, KOP, KOPV, KVT, UOP4 | 5n429.x | | BOP, KJZSV, KOP, KOPV, KVT, UOP4 |
| | 05 | F36A, F36B | | 05 | F36A, F36B | | 05 | F36A, F36B |
| | 06 | G15Z, G16A, G16B, G33Z, G38Z | | 06 | G15Z, G16A, G16B, G17A, G17B, G33Z, G38Z | | 06 | G15Z, G16A, G16B, G17A, G17B, G33Z, G38Z |
| | 07 | H33Z, H38Z | | 07 | H33Z, H38Z | | 07 | H33Z, H38Z |
| | 11 | L10Z, L33Z, L38Z | | 11 | L10Z, L33Z, L38Z | | 11 | L10Z, L33Z, L38Z |
| | 12 | M01A, M01B, M37Z, M38Z | | 12 | M37Z, M38Z | | 12 | M37Z, M38Z |
| | 13 | N01A, N01B, N01C, N01D, N01E, N34Z, N38Z | | 13 | N01A, N01B, N01C, N01D, N01E, N34Z, N38Z | | 13 | N01A, N01B, N01C, N01D, N01E, N34Z, N38Z |
| | 17 | R01A, R01B, R01C, R01D, R02Z, R12A, R12B, R12C | | 17 | R01A, R01B, R01C, R01D, R02Z, R12A, R12B, R12C | | 17 | R01A, R01B, R01C, R01D, R02Z, R12A, R12B, R12C |
| | 21A | W04A, W04B | | 21A | W04A, W04B | | 21A | W04A, W04B |
| | 21B | X06A, X06B, X06C, X33Z | | 21B | X06A, X06B, X06C, X33Z | | 21B | X06A, X06B, X06C, X33Z |
| | 23 | Z01A | | 23 | Z01A | | 23 | Z01A |
| | Pre | A07A | | Pre | A07A | | Pre | A07A |
| 5n427.x | | BOP, KJZSV, KOP, KOPV, KVT, MVV, UOP4 | 5n429.22 | | BOP, KJZSV, KOP, KOPV, KVT, UOP4 | 5n42a.0 | | BOP, KJZSV, KOP, KOPV, KVT, UOP4 |
| | 05 | F36A, F36B | | 05 | F36A, F36B | | 05 | F36A, F36B |
| | 06 | G15Z, G16A, G16B, G33Z, G38Z | | 06 | G15Z, G16A, G16B, G17A, G17B, G33Z, G38Z | | 06 | G15Z, G16A, G16B, G33Z, G38Z |
| | 07 | H33Z, H38Z | | 07 | H33Z, H38Z | | 07 | H33Z, H38Z |
| | 11 | L10Z, L33Z, L38Z | | 11 | L10Z, L33Z, L38Z | | 11 | L10Z, L33Z, L38Z |
| | 12 | M01A, M01B, M37Z, M38Z | | 12 | M01A, M01B, M37Z, M38Z | | 12 | M01A, M01B, M37Z, M38Z |
| | 13 | N01A, N01B, N01C, N01D, N01E, N34Z, N38Z | | 13 | N01A, N01B, N01C, N01D, N01E, N34Z, N38Z | | 13 | N01A, N01B, N01C, N01D, N01E, N34Z, N38Z |
| | 17 | R01A, R01B, R01C, R01D, R02Z, R12A, R12B, R12C | | 17 | R01A, R01B, R01C, R01D, R02Z, R12A, R12B, R12C | | 17 | R01A, R01B, R01C, R01D, R02Z, R12A, R12B, R12C |
| | 21A | W04A, W04B | | 21A | W04A, W04B | | 21A | W04A, W04B |
| | 21B | X06A, X06B, X06C, X33Z | | 21B | X06A, X06B, X06C, X33Z | | 21B | X06A, X06B, X06C, X33Z |
| | 23 | Z01A | | 23 | Z01A | | 23 | Z01A |
| | Pre | A07A | | Pre | A07A | | Pre | A07A |
| 5n429.01 | | BOP, KJZSV, KOP, KOPV, KVT, UOP4 | 5n429.31 | | BOP, KJZSV, KOP, KOPV, KVT, UOP4 | 5n42a.2 | | BOP, KJZSV, KOP, KOPV, KVT, UOP4 |
| | 05 | F36A, F36B | | 05 | F36A, F36B | | 05 | F36A, F36B |
| | 06 | G15Z, G16A, G16B, G17A, G17B, G33Z, G38Z | | 06 | G15Z, G16A, G16B, G17A, G17B, G33Z, G38Z | | 06 | G15Z, G16A, G16B, G33Z, G38Z |
| | 07 | H33Z, H38Z | | 07 | H33Z, H38Z | | 07 | H33Z, H38Z |
| | 11 | L10Z, L33Z, L38Z | | 11 | L10Z, L33Z, L38Z | | 11 | L10Z, L33Z, L38Z |
| | 12 | M37Z, M38Z | | 12 | M37Z, M38Z | | 12 | M01A, M01B, M37Z, M38Z |
| | 13 | N01A, N01B, N01C, N01D, N01E, N34Z, N38Z | | 13 | N01A, N01B, N01C, N01D, N01E, N34Z, N38Z | | 13 | N01A, N01B, N01C, N01D, N01E, N34Z, N38Z |
| | 17 | R01A, R01B, R01C, R01D, R02Z, R12A, R12B, R12C | | 17 | R01A, R01B, R01C, R01D, R02Z, R12A, R12B, R12C | | 17 | R01A, R01B, R01C, R01D, R02Z, R12A, R12B, R12C |
| | 21A | W04A, W04B | | 21A | W04A, W04B | | 21A | W04A, W04B |
| | 21B | X06A, X06B, X06C, X33Z | | 21B | X06A, X06B, X06C, X33Z | | 21B | X06A, X06B, X06C, X33Z |
| | 23 | Z01A | | 23 | Z01A | | 23 | Z01A |
| | Pre | A07A | | Pre | A07A | | Pre | A07A |
| 5n429.02 | | BOP, KJZSV, KOP, KOPV, KVT, UOP4 | 5n429.32 | | BOP, KJZSV, KOP, KOPV, KVT, UOP4 | 5n42a.5 | | BOP, KJZSV, KOP, KOPV, KVT, UOP4 |
| | 05 | F36A, F36B | | 05 | F36A, F36B | | 05 | F36A, F36B |
| | 06 | G15Z, G16A, G16B, G17A, G17B, G33Z, G38Z | | 06 | G15Z, G16A, G16B, G17A, G17B, G33Z, G38Z | | 06 | G15Z, G16A, G16B, G33Z, G38Z |
| | 07 | H33Z, H38Z | | 07 | H33Z, H38Z | | 07 | H33Z, H38Z |
| | 11 | L10Z, L33Z, L38Z | | 11 | L10Z, L33Z, L38Z | | 11 | L10Z, L33Z, L38Z |
| | 12 | M01A, M01B, M37Z, M38Z | | 12 | M01A, M01B, M37Z, M38Z | | 12 | M01A, M01B, M37Z, M38Z |
| | 13 | N01A, N01B, N01C, N01D, N01E, N34Z, N38Z | | 13 | N01A, N01B, N01C, N01D, N01E, N34Z, N38Z | | 13 | N01A, N01B, N01C, N01D, N01E, N34Z, N38Z |
| | 17 | R01A, R01B, R01C, R01D, R02Z, R12A, R12B, R12C | | 17 | R01A, R01B, R01C, R01D, R02Z, R12A, R12B, R12C | | 17 | R01A, R01B, R01C, R01D, R02Z, R12A, R12B, R12C |
| | 21A | W04A, W04B | | 21A | W04A, W04B | | 21A | W04A, W04B |
| | 21B | X06A, X06B, X06C, X33Z | | 21B | X06A, X06B, X06C, X33Z | | 21B | X06A, X06B, X06C, X33Z |
| | 23 | Z01A | | 23 | Z01A | | 23 | Z01A |
| | Pre | A07A | | Pre | A07A | | Pre | A07A |

| ZZV | MDC | DRG | ZZV | MDC | DRG | ZZV | MDC | DRG | | |
|---------|---------|--|----------------------------------|--|--|-------|--|--|--|-------|
| 5n42a.6 | | BOP, KJZSV, KOP, KOPV, KVT, UOP4 | 5n42c.2 | | BOP, KJZSV, KOP, KOPV, KVT, UOP4 | 5n42f | | BOP, KJZSV, KOP, KOPV, KVT, UOP4 | | |
| | 05 | F36A, F36B | | 05 | F36A, F36B | | 05 | F36A, F36B | | |
| | 06 | G15Z, G16A, G16B, G33Z, G38Z | | 06 | G15Z, G16A, G16B, G33Z, G38Z | | 06 | G15Z, G16A, G16B, G33Z, G38Z | | |
| | 07 | H33Z, H38Z | | 07 | H33Z, H38Z | | 07 | H33Z, H38Z | | |
| | 11 | L10Z, L33Z, L38Z | | 11 | L10Z, L33Z, L38Z | | 11 | L10Z, L33Z, L38Z | | |
| | 12 | M01A, M01B, M37Z, M38Z | | 12 | M01A, M01B, M37Z, M38Z | | 12 | M01A, M01B, M37Z, M38Z | | |
| | 13 | N01A, N01B, N01C, N01D, N01E, N34Z, N38Z | | 13 | N01A, N01B, N01C, N01D, N01E, N34Z, N38Z | | 13 | N01A, N01B, N01C, N01D, N01E, N34Z, N38Z | | |
| | 17 | R01A, R01B, R01C, R01D, R02Z, R12A, R12B, R12C | | 17 | R01A, R01B, R01C, R01D, R02Z, R12A, R12B, R12C | | 17 | R01A, R01B, R01C, R01D, R02Z, R12A, R12B, R12C | | |
| | 21A | W04A, W04B | | 21A | W04A, W04B | | 21A | W04A, W04B | | |
| | 21B | X06A, X06B, X06C, X33Z | | 21B | X06A, X06B, X06C, X33Z | | 21B | X06A, X06B, X06C, X33Z | | |
| | 23 | Z01A | | 23 | Z01A | | 23 | Z01A | | |
| | Pre | A07A | | Pre | A07A | | Pre | A07A | | |
| | 5n42a.8 | | | BOP, KJZSV, KOP, KOPV, KVT, UOP4 | 5n42c.x | | | BOP, KJZSV, KOP, KOPV, KVT, UOP4 | 5n42x | |
| 05 | | F36A, F36B | 05 | F36A, F36B | | 05 | F36A, F36B | | | |
| 06 | | G15Z, G16A, G16B, G33Z, G38Z | 06 | G15Z, G16A, G16B, G33Z, G38Z | | 06 | G15Z, G16A, G16B, G33Z, G38Z | | | |
| 07 | | H33Z, H38Z | 07 | H33Z, H38Z | | 07 | H33Z, H38Z | | | |
| 11 | | L10Z, L33Z, L38Z | 11 | L10Z, L33Z, L38Z | | 11 | L10Z, L33Z, L38Z | | | |
| 12 | | M01A, M01B, M37Z, M38Z | 12 | M01A, M01B, M37Z, M38Z | | 12 | M01A, M01B, M37Z, M38Z | | | |
| 13 | | N01A, N01B, N01C, N01D, N01E, N34Z, N38Z | 13 | N01A, N01B, N01C, N01D, N01E, N34Z, N38Z | | 13 | N01A, N01B, N01C, N01D, N01E, N34Z, N38Z | | | |
| 17 | | R01A, R01B, R01C, R01D, R02Z, R12A, R12B, R12C | 17 | R01A, R01B, R01C, R01D, R02Z, R12A, R12B, R12C | | 17 | R01A, R01B, R01C, R01D, R02Z, R12A, R12B, R12C | | | |
| 21A | | W04A, W04B | 21A | W04A, W04B | | 21A | W04A, W04B | | | |
| 21B | | X06A, X06B, X06C, X33Z | 21B | X06A, X06B, X06C, X33Z | | 21B | X06A, X06B, X06C, X33Z | | | |
| 23 | | Z01A | 23 | Z01A | | 23 | Z01A | | | |
| Pre | | A07A | Pre | A07A | | Pre | A07A | | | |
| 5n42a.x | | | BOP, KJZSV, KOP, KOPV, KVT, UOP4 | 5n42d | | | BOP, KJZSV, KOP, KOPV, KVT, UOP4 | 5n430 | | |
| | 05 | F36A, F36B | 05 | | F36A, F36B | 06 | G15Z, G18A, G18B, G38Z | | | |
| | 06 | G15Z, G16A, G16B, G33Z, G38Z | 06 | | G15Z, G16A, G16B, G33Z, G38Z | 14 | O04A | | | |
| | 07 | H33Z, H38Z | 07 | | H33Z, H38Z | 21A | W04A, W04B | | | |
| | 11 | L10Z, L33Z, L38Z | 11 | | L10Z, L33Z, L38Z | 21B | X06A, X06B | | | |
| | 12 | M01A, M01B, M37Z, M38Z | 12 | | M01A, M01B, M37Z, M38Z | 5n431 | | | BOP, KJZSV, KVT, UOP4 | |
| | 13 | N01A, N01B, N01C, N01D, N01E, N34Z, N38Z | 13 | | N01A, N01B, N01C, N01D, N01E, N34Z, N38Z | | 06 | | G13Z, G21A, G21B, G21J | |
| | 17 | R01A, R01B, R01C, R01D, R02Z, R12A, R12B, R12C | 17 | | R01A, R01B, R01C, R01D, R02Z, R12A, R12B, R12C | | 09 | | J03A, J03B, J04A, J04B, J08A, J08B, J08C, J11A, J11B, J11J, J11Q, J11R, J11S, J16Z | |
| | 21A | W04A, W04B | 21A | | W04A, W04B | | 13 | | N06J, N06Q, N06Z | |
| | 21B | X06A, X06B, X06C, X33Z | 21B | | X06A, X06B, X06C, X33Z | | 14 | | 962Z, O02A, O02B, O04A | |
| | 23 | Z01A | 23 | | Z01A | | 21A | | W04A, W04B | |
| | Pre | A07A | Pre | | A07A | | 21B | | X06A, X06B | |
| | 5n42c.1 | | BOP, KJZSV, KOP, KOPV, KVT, UOP4 | | 5n42e | | | | BOP, KJZSV, KOP, KOPV, KVT, UOP4 | 5n432 |
| 05 | | F36A, F36B | 05 | F36A, F36B | | | 06 | G15Z, G18A, G18B, G38Z | | |
| 06 | | G15Z, G16A, G16B, G33Z, G38Z | 06 | G15Z, G16A, G16B, G33Z, G38Z | | | 21A | W04A, W04B | | |
| 07 | | H33Z, H38Z | 07 | H33Z, H38Z | | | 21B | X06A, X06B | | |
| 11 | | L10Z, L33Z, L38Z | 11 | L10Z, L33Z, L38Z | | | 5n436 | | BOP, KJZSV, KVT, UOP4 | |
| 12 | | M01A, M01B, M37Z, M38Z | 12 | M01A, M01B, M37Z, M38Z | | | | 06 | G15Z, G18A, G18B, G18C, G38Z | |
| 13 | | N01A, N01B, N01C, N01D, N01E, N34Z, N38Z | 13 | N01A, N01B, N01C, N01D, N01E, N34Z, N38Z | | 21A | | W04A, W04B | | |
| 17 | | R01A, R01B, R01C, R01D, R02Z, R12A, R12B, R12C | 17 | R01A, R01B, R01C, R01D, R02Z, R12A, R12B, R12C | | 21B | | X06A, X06B | | |
| 21A | | W04A, W04B | 21A | W04A, W04B | | 5n439 | | | BOP, KJZSV, KVT, UOP4 | |
| 21B | | X06A, X06B, X06C, X33Z | 21B | X06A, X06B, X06C, X33Z | | | | 06 | G13Z, G21A, G21B, G21J | |
| 23 | | Z01A | 23 | Z01A | | | | 09 | J03A, J03B, J04A, J04B, J08A, J08B, J08C, J11A, J11B, J11J, J11Q, J11R, J11S, J16Z | |
| Pre | | A07A | Pre | A07A | | | | 13 | N06J, N06Q, N06Z | |
| | | | | | | | | 14 | 962Z, O02A, O02B | |
| | | | | 21A | W04A, W04B | | | | | |
| | | | | 21B | X06A, X06B | | | | | |

| ZZV | MDC | DRG | ZZV | MDC | DRG | ZZV | MDC | DRG |
|---------|-----|--|---------|-----|--|---------|-----|--|
| 5n451.1 | 06 | G26J, G26Q, G26Z | 5n45a | | BOP, KVT, UOP4 | 5n471.0 | | BOP, KJZSV, KVT, UOP4 |
| | 09 | J03A, J03B, J04A, J04B, J08A, J08B, J08C, J11A, J11B, J11J, J11Q, J11R, J11S, J16Z | | 06 | G26J, G26Q, G26Z | | 06 | G01Z, G02Z, G11A, G11B, G38Z |
| | 21A | W04A, W04B | | 14 | 962Z, O02A, O02B | | 09 | J03A, J03B, J04A, J04B, J08A, J08B, J08C, J09A, J09B, J09J, J16Z |
| 5n451.2 | 21B | X06A, X06B, X06C | 5n45b† | | BOP, KVT, UOP4 | 5n471.1 | | W04A, W04B |
| | 06 | G26J, G26Q, G26Z | | 06 | G26J, G26Q, G26Z | | 21B | X06A, X06B, X06C |
| | 09 | J03A, J03B, J04A, J04B, J08A, J08B, J08C, J11A, J11B, J11J, J11Q, J11R, J11S, J16Z | | 14 | 962Z, O02A, O02B | | Pre | A13A, A13B, A13C |
| 5n451.3 | 21A | W04A, W04B | 5n45c | | BOP, KVT, UOP4 | 5n471.x | | BOP, KJZSV, KVT, UOP4 |
| | 21B | X06A, X06B, X06C | | 06 | G26J, G26Q, G26Z | | 06 | G01Z, G02Z, G11A, G11B, G38Z |
| | 06 | G26J, G26Q, G26Z | | 14 | 962Z, O02A, O02B | | 09 | J03A, J03B, J04A, J04B, J08A, J08B, J08C, J09A, J09B, J09J, J16Z |
| 5n451.4 | 09 | J03A, J03B, J04A, J04B, J08A, J08B, J08C, J11A, J11B, J11J, J11Q, J11R, J11S, J16Z | 5n45d | | BOP, KVT, UOP4 | 5n472.0 | | W04A, W04B |
| | 21A | W04A, W04B | | 06 | G26J, G26Q, G26Z | | 21A | X06A, X06B, X06C |
| | 21B | X06A, X06B, X06C | | 14 | 962Z, O02A, O02B | | Pre | A13A, A13B, A13C |
| 5n451.5 | 21B | X06A, X06B, X06C | 5n45e | | BOP, KVT, UOP4 | 5n472.1 | | BOP, KJZSV, KVT, UOP4 |
| | 06 | G26J, G26Q, G26Z | | 06 | G26J, G26Q, G26Z | | 06 | G01Z, G02Z, G15Z, G16A, G16B, G38Z |
| | 09 | J03A, J03B, J04A, J04B, J08A, J08B, J08C, J11A, J11B, J11J, J11Q, J11R, J11S, J16Z | | 14 | 962Z, O02A, O02B | | 09 | J03A, J03B, J04A, J04B, J08A, J08B, J08C, J09A, J09B, J09J, J16Z |
| 5n451.6 | 21A | W04A, W04B | 5n45f | | BOP, KVT, UOP4 | 5n472.x | | W04A, W04B |
| | 21B | X06A, X06B, X06C | | 06 | G26J, G26Q, G26Z | | 21B | X06A, X06B, X06C |
| | 06 | G26J, G26Q, G26Z | | 16 | Q03A, Q03B | | Pre | A13A, A13B, A13C |
| 5n451.x | 09 | J03A, J03B, J04A, J04B, J08A, J08B, J08C, J11A, J11B, J11J, J11Q, J11R, J11S, J16Z | 5n45g.0 | | BOP, KVT, UOP4 | 5n473.0 | | BOP, KJZSV, KVT, UOP4 |
| | 21A | W04A, W04B | | 06 | G26J, G26Q, G26Z | | 06 | G01Z, G02Z, G15Z, G16A, G16B, G38Z |
| | 21B | X06A, X06B, X06C | | 14 | 962Z, O02A, O02B | | 09 | J03A, J03B, J04A, J04B, J08A, J08B, J08C, J11A, J11B, J11J, J11Q, J11R, J11S, J16Z |
| 5n452 | 21B | X06A, X06B, X06C | 5n45g.1 | | BOP, KVT, UOP4 | 5n473.x | | W04A, W04B |
| | 06 | G26J, G26Q, G26Z | | 06 | G26J, G26Q, G26Z | | 13 | N13A, N13B, N13J |
| | 09 | J03A, J03B, J04A, J04B, J08A, J08B, J08C, J09A, J09B, J09J, J16Z | | 14 | 962Z, O02A, O02B | | 21A | W04A, W04B |
| 5n453 | 21A | W04A, W04B | 5n45x† | | BOP, KVT, UOP4 | 5n477.0 | | X06A, X06B, X06C |
| | 21B | X06A, X06B, X06C | | 06 | G26J, G26Q, G26Z | | Pre | A13A, A13B, A13C |
| | 06 | G26J, G26Q, G26Z | | 14 | 962Z, O02A, O02B | | 06 | G01Z, G02Z, G11A, G11B, G38Z |
| 5n459 | 09 | J03A, J03B, J04A, J04B, J08A, J08B, J08C, J09A, J09B, J09J, J16Z | 5n461 | | BOP, KJZSV, KVT, UOP4 | 5n477.1 | | BOP, KJZSV, KVT, UOP4 |
| | 21A | W04A, W04B | | 06 | G26J, G26Q, G26Z | | 06 | G01Z, G02Z, G11A, G11B, G38Z |
| | 21B | X06A, X06B, X06C | | 14 | 962Z, O02A, O02B | | 09 | J03A, J03B, J04A, J04B, J08A, J08B, J08C, J09A, J09B, J09J, J16Z |
| 5n459 | 21B | X06A, X06B, X06C | 5n462 | | BOP, KJZSV, KVT, UOP4 | 5n477.x | | W04A, W04B |
| | 06 | G26J, G26Q, G26Z | | 06 | G26J, G26Q, G26Z | | 21A | X06A, X06B, X06C |
| | 09 | J03A, J03B, J04A, J04B, J08A, J08B, J08C, J11A, J11B, J11J, J11Q, J11R, J11S, J16Z | | 06 | G26J, G26Q, G26Z | | 21B | X06A, X06B, X06C |
| 5n459 | 21A | W04A, W04B | 5n46x | | BOP, KJZSV, KVT, UOP4 | 5n478.0 | | Pre |
| | 21B | X06A, X06B, X06C | | 06 | G26J, G26Q, G26Z | | 06 | G01Z, G02Z, G11A, G11B, G38Z |
| | 06 | G26J, G26Q, G26Z | | 06 | G26J, G26Q, G26Z | | 09 | J03A, J03B, J04A, J04B, J08A, J08B, J08C, J09A, J09B, J09J, J16Z |
| 5n459 | 09 | J03A, J03B, J04A, J04B, J08A, J08B, J08C, J11A, J11B, J11J, J11Q, J11R, J11S, J16Z | 5n470.0 | | BOP, KJZSV, KVT, UOP4 | 5n478.x | | W04A, W04B |
| | 21A | W04A, W04B | | 06 | G01Z, G02Z, G11A, G11B, G38Z | | 21A | W04A, W04B |
| | 21B | X06A, X06B, X06C | | 09 | J03A, J03B, J04A, J04B, J08A, J08B, J08C, J09A, J09B, J09J, J16Z | | 21B | X06A, X06B, X06C |
| 5n459 | 21A | W04A, W04B | 5n470.1 | | BOP, KJZSV, KVT, UOP4 | 5n479.0 | | Pre |
| | 21B | X06A, X06B, X06C | | 06 | G01Z, G02Z, G11A, G11B, G38Z | | 06 | G01Z, G02Z, G15Z, G16A, G16B, G38Z |
| | 06 | G26J, G26Q, G26Z | | 09 | J03A, J03B, J04A, J04B, J08A, J08B, J08C, J09A, J09B, J09J, J16Z | | 09 | J03A, J03B, J04A, J04B, J08A, J08B, J08C, J09A, J09B, J09J, J16Z |
| 5n459 | 09 | J03A, J03B, J04A, J04B, J08A, J08B, J08C, J11A, J11B, J11J, J11Q, J11R, J11S, J16Z | 5n470.x | | BOP, KJZSV, KVT, UOP4 | 5n479.x | | W04A, W04B |
| | 21A | W04A, W04B | | 06 | G01Z, G02Z, G11A, G11B, G38Z | | 21A | W04A, W04B |
| | 21B | X06A, X06B, X06C | | 09 | J03A, J03B, J04A, J04B, J08A, J08B, J08C, J09A, J09B, J09J, J16Z | | 21B | X06A, X06B, X06C |
| 5n459 | 21A | W04A, W04B | Pre | | A13A, A13B, A13C | Pre | | A13A, A13B, A13C |
| | 21B | X06A, X06B, X06C | | | A13A, A13B, A13C | | | A13A, A13B, A13C |

| ZZV | MDC | DRG | ZZV | MDC | DRG | ZZV | MDC | DRG | | | |
|---------|------------------|--|-----------------|----------------------------------|--|--|--|--|------|----------------------------------|------|
| 5n473.1 | | BOP, KJZSV, KVT, UOP4 | 5n47x.x | | BOP, KJZSV, KVT, UOP4 | 5n510.x | | BOP, KJZSV, KOP, KOPV, KVT, UOP4 | | | |
| | 06 | G01Z, G02Z, G15Z, G16A, G16B, G38Z | | 06 | G01Z, G02Z, G11A, G11B, G38Z | | 06 | G10Z, G18A, G33Z, G38Z | | | |
| | 09 | J03A, J03B, J04A, J04B, J08A, J08B, J08C, J09A, J09B, J09J, J16Z | | 09 | J03A, J03B, J04A, J04B, J08A, J08B, J08C, J09A, J09B, J09J, J16Z | | 07 | H01A, H01B, H09A, H09B, H09C, H09J, H33Z, H38Z | | | |
| | 21A | W04A, W04B | | 21A | W04A, W04B | | 09 | J26Z | | | |
| | 21B | X06A, X06B, X06C | | 21B | X06A, X06B, X06C | | 11 | L33Z | | | |
| 5n473.x | Pre | A13A, A13B, A13C | 5n491† 5n49a | Pre | A13A, A13B, A13C | 5n511.0 | Pre | A07A | | | |
| | 06 | BOP, KJZSV, KVT, UOP4 | | 06 | G54J | | BOP, KJZSV, KOP, KOPV, KVT, UOP4 | | | | |
| | 06 | G01Z, G02Z, G15Z, G16A, G16B, G38Z | | 06 | G15Z, G18A, G18B, G18C, G38Z | | 06 | G10Z, G33Z, G38Z | | | |
| | 09 | J03A, J03B, J04A, J04B, J08A, J08B, J08C, J09A, J09B, J09J, J16Z | | 21A | W04A, W04B | | 07 | H01A, H01B, H09A, H09B, H09C, H09J, H33Z, H38Z | | | |
| | 21A | W04A, W04B | | 21B | X06A, X06B, X06C | | 09 | J26Z | | | |
| 5n474 | 21B | X06A, X06B, X06C | 5n49e† | 06 | G40Z, G48A, G48B, G48C, G54J | 5n511.2 | 11 | L33Z | | | |
| | Pre | A13A, A13B, A13C | | 5n49f† | 06 | | G40Z, G48A, G48B, G48C, G54J | 21B | X33Z | | |
| | 06 | BOP, KJZSV, KVT, UOP4 | | | 5n49g† | | 06 | G40Z, G48A, G48B, G48C, G54J | 23 | Z01A | |
| | 06 | G01Z, G02Z, G15Z, G16A, G16B, G38Z | | | | | 5n49h.0† 5n49h.1† 5n49k.0† 5n49k.1† 5n49x† | 06 | G54J | Pre | A07A |
| | 09 | J03A, J03B, J04A, J04B, J08A, J08B, J08C, J09A, J09B, J09J, J16Z | | | | | | 06 | G54J | BOP, KJZSV, KOP, KOPV, KVT, UOP4 | |
| 21A | W04A, W04B | 06 | G54J | | | 06 | | G10Z, G33Z, G38Z | | | |
| 21B | X06A, X06B, X06C | 06 | G54J | 07 | | H01A, H01B, H09A, H09B, H09C, H09J, H33Z, H38Z | | | | | |
| 5n475 | Pre | A13A, A13B, A13C | 5n510.0 | 06 | G26J, G26Q, G26Z | 5n511.3† | | 09 | J26Z | | |
| | 06 | BOP, KJZSV, KVT, UOP4 | | 09 | J03A, J03B, J04A, J04B, J08A, J08B, J08C, J09A, J09B, J09J, J16Z | | 11 | L33Z | | | |
| | 06 | G01Z, G02Z, G15Z, G16A, G16B, G38Z | | 14 | 962Z, O02A, O02B | | 21B | X33Z | | | |
| | 09 | J03A, J03B, J04A, J04B, J08A, J08B, J08C, J09A, J09B, J09J, J16Z | | 06 | BOP, KJZSV, KOP, KOPV, KVT, UOP4 | | 23 | Z01A | | | |
| | 21A | W04A, W04B | | 06 | G10Z, G18A, G33Z, G38Z | | Pre | A07A | | | |
| 5n476 | 21B | X06A, X06B, X06C | 5n510.2 | 07 | H01A, H01B, H09A, H09B, H09C, H09J, H33Z, H38Z | 5n511.4 | 07 | H41A, H41B, H41C, H41J | | | |
| | Pre | A13A, A13B, A13C | | 09 | J26Z | | BOP, KJZSV, KOP, KOPV, KVT, UOP4 | | | | |
| | 06 | BOP, KJZSV, KVT, UOP4 | | 10 | K03A, K03B | | 06 | G10Z, G33Z, G38Z | | | |
| | 06 | G01Z, G02Z, G11A, G11B, G38Z | | 11 | L33Z | | 07 | H01A, H01B, H09A, H09B, H09C, H09J, H33Z, H38Z | | | |
| | 09 | J03A, J03B, J04A, J04B, J08A, J08B, J08C, J09A, J09B, J09J, J16Z | | 21B | X33Z | | 09 | J26Z | | | |
| 5n47x.0 | 21A | W04A, W04B | 5n510.4 | 23 | Z01A | 5n511.5 | 11 | L33Z | | | |
| | 21B | X06A, X06B, X06C | | Pre | A07A | | 21B | X33Z | | | |
| | Pre | A13A, A13B, A13C | | BOP, KJZSV, KOP, KOPV, KVT, UOP4 | 23 | | Z01A | 21B | X33Z | | |
| | 06 | BOP, KJZSV, KVT, UOP4 | | 06 | G10Z, G18A, G33Z, G38Z | | 23 | Z01A | | | |
| | 06 | G01Z, G02Z, G11A, G11B, G38Z | | 07 | H01A, H01B, H09A, H09B, H09C, H09J, H33Z, H38Z | | Pre | A07A | | | |
| 5n47x.1 | 09 | J03A, J03B, J04A, J04B, J08A, J08B, J08C, J09A, J09B, J09J, J16Z | 5n510.5 | 09 | J26Z | 5n511.x | 06 | BOP, KJZSV, KOP, KOPV, KVT, UOP4 | | | |
| | 21A | W04A, W04B | | 11 | L33Z | | 06 | G10Z, G33Z, G38Z | | | |
| | 21B | X06A, X06B, X06C | | 21B | X33Z | | 07 | H01A, H01B, H09A, H09B, H09C, H09J, H33Z, H38Z | | | |
| | Pre | A13A, A13B, A13C | | 23 | Z01A | | 09 | J26Z | | | |
| | 06 | BOP, KJZSV, KVT, UOP4 | | Pre | A07A | | 11 | L33Z | | | |
| 5n47x.1 | 06 | G01Z, G02Z, G11A, G11B, G38Z | 5n510.5 | 06 | BOP, KJZSV, KOP, KOPV, KVT, UOP4 | 5n511.x | 21B | X33Z | | | |
| | 09 | J03A, J03B, J04A, J04B, J08A, J08B, J08C, J09A, J09B, J09J, J16Z | | 06 | G10Z, G18A, G33Z, G38Z | | 23 | Z01A | | | |
| | 21A | W04A, W04B | | 07 | H01A, H01B, H09A, H09B, H09C, H09J, H33Z, H38Z | | Pre | A07A | | | |
| | 21B | X06A, X06B, X06C | | 09 | J26Z | | | | | | |
| | Pre | A13A, A13B, A13C | | 11 | L33Z | | | | | | |

VYK

| ZZV | MDC | DRG | ZZV | MDC | DRG | ZZV | MDC | DRG | | | | |
|---------|---------|--|----------------------------------|--|--|--|--|--|--|----------------------------------|----------------------------------|----------------------------------|
| 5n512.0 | | BOP, KJZSV, KOP, KOPV, KVT, UOP4 | 5n514.2 | | BOP, KJZSV, KOP, KOPV, KVT, UOP4 | 5n515.x | | BOP, KJZSV, KOP, KOPV, KVT, UOP4 | | | | |
| | 06 | G03B, G10Z, G18A, G33Z, G38Z | | 06 | G18A, G33Z, G38Z | | 06 | G18A, G33Z, G38Z | | | | |
| | 07 | H01A, H01B, H09A, H09B, H09C, H09J, H33Z, H38Z | | 07 | H01A, H01B, H09A, H09B, H09C, H09J, H33Z, H38Z | | 07 | H01A, H01B, H09A, H09B, H09C, H09J, H33Z, H38Z | | | | |
| | 09 | J26Z | | 09 | J26Z | | 09 | J26Z | | | | |
| | 11 | L33Z | | 11 | L33Z | | 11 | L33Z | | | | |
| | 21B | X33Z | | 21B | X33Z | | 21B | X33Z | | | | |
| | 23 | Z01A | | 23 | Z01A | | 23 | Z01A | | | | |
| | Pre | A07A | | Pre | A07A | | Pre | A07A | | | | |
| | 5n512.2 | | | BOP, KJZSV, KOP, KOPV, KVT, UOP4 | 5n514.3† | | | KJZSV | 5n51x.0 | | BOP, KJZSV, KOP, KOPV, KVT, UOP4 | |
| | | 06 | | G03B, G10Z, G18A, G33Z, G38Z | 5n514.4 | | | BOP, KJZSV, KOP, KOPV, KVT, UOP4 | | 06 | G18A, G33Z, G38Z | |
| 07 | | H01A, H01B, H09A, H09B, H09C, H09J, H33Z, H38Z | 06 | G18A, G33Z, G38Z | | 07 | H01A, H01B, H09A, H09B, H09C, H09J, H33Z, H38Z | | | | | |
| 09 | | J26Z | 06 | G18A, G33Z, G38Z | | 09 | J26Z | | | | | |
| 11 | | L33Z | 07 | H01A, H01B, H09A, H09B, H09C, H09J, H33Z, H38Z | | 11 | L33Z | | | | | |
| 21B | | X33Z | 09 | J26Z | | 21B | X33Z | | | | | |
| 23 | | Z01A | 11 | L33Z | | 23 | Z01A | | | | | |
| Pre | | A07A | 21B | X33Z | | Pre | A07A | | | | | |
| 5n512.4 | | | BOP, KJZSV, KOP, KOPV, KVT, UOP4 | 5n514.x | | | BOP, KJZSV, KOP, KOPV, KVT, UOP4 | 5n51x.2 | | | BOP, KJZSV, KOP, KOPV, KVT, UOP4 | |
| | | 06 | G03B, G10Z, G18A, G33Z, G38Z | | | 06 | G18A, G33Z, G38Z | | | 06 | G18A, G33Z, G38Z | |
| | 07 | H01A, H01B, H09A, H09B, H09C, H09J, H33Z, H38Z | 07 | | | H01A, H01B, H09A, H09B, H09C, H09J, H33Z, H38Z | 07 | | H01A, H01B, H09A, H09B, H09C, H09J, H33Z, H38Z | | | |
| | 09 | J26Z | 09 | | J26Z | 09 | J26Z | | | | | |
| | 11 | L33Z | 11 | | L33Z | 11 | L33Z | | | | | |
| | 21B | X33Z | 21B | | X33Z | 21B | X33Z | | | | | |
| | 23 | Z01A | 23 | | Z01A | 23 | Z01A | | | | | |
| | Pre | A07A | Pre | | A07A | Pre | A07A | | | | | |
| | 5n512.5 | | BOP, KJZSV, KOP, KOPV, KVT, UOP4 | | 5n515.0 | | BOP, KJZSV, KOP, KOPV, KVT, UOP4 | | 5n51x.3† | | KJZSV | |
| | | 06 | G03B, G10Z, G18A, G33Z, G38Z | | | 06 | G18A, G33Z, G38Z | | | 07 | H41A, H41B, H41C, H41J | |
| 07 | | H01A, H01B, H09A, H09B, H09C, H09J, H33Z, H38Z | 07 | H01A, H01B, H09A, H09B, H09C, H09J, H33Z, H38Z | | | BOP, KJZSV, KOP, KOPV, KVT, UOP4 | | | | | |
| 09 | | J26Z | 09 | J26Z | | 06 | G18A, G33Z, G38Z | | | | | |
| 11 | | L33Z | 11 | L33Z | | 07 | H01A, H01B, H09A, H09B, H09C, H09J, H33Z, H38Z | | | | | |
| 21B | | X33Z | 21B | X33Z | | 09 | J26Z | | | | | |
| 23 | | Z01A | 23 | Z01A | | 11 | L33Z | | | | | |
| Pre | | A07A | Pre | A07A | | 21B | X33Z | | | | | |
| 5n512.x | | | BOP, KJZSV, KOP, KOPV, KVT, UOP4 | 5n515.2 | | | BOP, KJZSV, KOP, KOPV, KVT, UOP4 | 5n51x.4 | | | BOP, KJZSV, KOP, KOPV, KVT, UOP4 | |
| | | 06 | G03B, G10Z, G18A, G33Z, G38Z | | | 06 | G18A, G33Z, G38Z | | | 06 | G18A, G33Z, G38Z | |
| | 07 | H01A, H01B, H09A, H09B, H09C, H09J, H33Z, H38Z | 07 | | H01A, H01B, H09A, H09B, H09C, H09J, H33Z, H38Z | 07 | H01A, H01B, H09A, H09B, H09C, H09J, H33Z, H38Z | | | | | |
| | 09 | J26Z | 09 | | J26Z | 09 | J26Z | | | | | |
| | 11 | L33Z | 11 | | L33Z | 11 | L33Z | | | | | |
| | 21B | X33Z | 21B | | X33Z | 21B | X33Z | | | | | |
| | 23 | Z01A | 23 | | Z01A | 23 | Z01A | | | | | |
| | Pre | A07A | Pre | | A07A | Pre | A07A | | | | | |
| | 5n514.0 | | BOP, KJZSV, KOP, KOPV, KVT, UOP4 | | 5n515.3† | | KJZSV | | 5n51x.5 | | BOP, KJZSV, KOP, KOPV, KVT, UOP4 | |
| | | 06 | G18A, G33Z, G38Z | | | 5n515.4 | | | | BOP, KJZSV, KOP, KOPV, KVT, UOP4 | 06 | G18A, G33Z, G38Z |
| 07 | | H01A, H01B, H09A, H09B, H09C, H09J, H33Z, H38Z | 06 | G18A, G33Z, G38Z | | | 07 | H01A, H01B, H09A, H09B, H09C, H09J, H33Z, H38Z | | | | |
| 09 | | J26Z | 06 | G18A, G33Z, G38Z | | | 09 | J26Z | | | | |
| 11 | | L33Z | 07 | H01A, H01B, H09A, H09B, H09C, H09J, H33Z, H38Z | | | 11 | L33Z | | | | |
| 21B | | X33Z | 09 | J26Z | | | 21B | X33Z | | | | |
| 23 | | Z01A | 11 | L33Z | | | 23 | Z01A | | | | |
| Pre | | A07A | 21B | X33Z | | | Pre | A07A | | | | |
| 5n514.0 | | | BOP, KJZSV, KOP, KOPV, KVT, UOP4 | 5n515.4 | | | | BOP, KJZSV, KOP, KOPV, KVT, UOP4 | | 5n51x.x | | BOP, KJZSV, KOP, KOPV, KVT, UOP4 |
| | | 06 | G18A, G33Z, G38Z | | | | 06 | G18A, G33Z, G38Z | | | 06 | G18A, G33Z, G38Z |
| | 07 | H01A, H01B, H09A, H09B, H09C, H09J, H33Z, H38Z | 07 | | H01A, H01B, H09A, H09B, H09C, H09J, H33Z, H38Z | | 07 | H01A, H01B, H09A, H09B, H09C, H09J, H33Z, H38Z | | | | |
| | 09 | J26Z | 09 | | J26Z | 09 | J26Z | | | | | |
| | 11 | L33Z | 11 | | L33Z | 11 | L33Z | | | | | |
| | 21B | X33Z | 21B | | X33Z | 21B | X33Z | | | | | |
| | 23 | Z01A | 23 | | Z01A | 23 | Z01A | | | | | |
| | Pre | A07A | Pre | | A07A | Pre | A07A | | | | | |

| ZZV | MDC | DRG | ZZV | MDC | DRG | ZZV | MDC | DRG | | | | |
|----------|---------|--|--|--|--|----------|--|--|----------------------------------|-------|--|----------------------------------|
| 5n522.25 | | BOP, KJZSV, KOP, KOPV, KVT, MVV, UOP4 | 5n523.22 | | BOP, KJZSV, KOP, KOPV, KVT, MVV, UOP4 | 5n523.45 | | BOP, KJZSV, KOP, KOPV, KVT, MVV, UOP4 | | | | |
| | 06 | G03B, G10Z, G16A, G18A, G33Z, G38Z | | 06 | G03B, G10Z, G16A, G18A, G33Z, G38Z | | 06 | G03B, G10Z, G16A, G18A, G33Z, G38Z | | | | |
| | 07 | H01A, H09A, H09B, H09C, H09J, H33Z, H38Z | | 07 | H01A, H09A, H09B, H09C, H09J, H33Z, H38Z | | 07 | H01A, H01B, H09A, H09B, H09C, H09J, H33Z, H38Z | | | | |
| | 09 | J14A, J26Z | | 09 | J14A, J26Z | | 09 | J14A, J26Z | | | | |
| | 11 | L33Z | | 11 | L33Z | | 11 | L33Z | | | | |
| | 13 | N11A | | 13 | N11A | | 13 | N11A | | | | |
| | 21A | W01A, W01B, W01C, W02A, W02B, W04A, W04B | | 21A | W01A, W01B, W01C, W02A, W02B, W04A, W04B | | 21A | W01A, W01B, W01C, W02A, W02B, W04A, W04B | | | | |
| | 21B | X06A, X06B, X06C, X33Z | | 21B | X06A, X06B, X06C, X33Z | | 21B | X06A, X06B, X06C, X33Z | | | | |
| | 23 | Z01A, Z02Z | | 23 | Z01A, Z02Z | | 23 | Z01A, Z02Z | | | | |
| | Pre | A07A, A09A, A13B | | Pre | A07A, A09A, A13B | | Pre | A07A, A09A, A13B | | | | |
| | 5n522.3 | | | BOP, KJZSV, KOP, KOPV, KVT, MVV, UOP4 | 5n523.25 | | | BOP, KJZSV, KOP, KOPV, KVT, MVV, UOP4 | 5n530 | | KJZSV | |
| | | 06 | | G03B, G10Z, G16A, G18A, G33Z, G38Z | | | 06 | G03B, G10Z, G16A, G18A, G33Z, G38Z | | 5n531 | | BOP, KJZSV, KOP, KOPV, KVT, UOP4 |
| | | 07 | | H01A, H01B, H09A, H09B, H09C, H09J, H33Z, H38Z | | | 07 | H01A, H09A, H09B, H09C, H09J, H33Z, H38Z | | 06 | G03B, G10Z, G33Z, G38Z | |
| 09 | | J14A, J26Z | 09 | J14A, J26Z | | 07 | H01A, H01B, H09A, H09B, H09C, H09J, H33Z, H38Z | | | | | |
| 11 | | L33Z | 11 | L33Z | | 09 | J26Z | | | | | |
| 13 | | N11A | 13 | N11A | | 11 | L33Z | | | | | |
| 21A | | W01A, W01B, W01C, W02A, W02B, W04A, W04B | 21A | W01A, W01B, W01C, W02A, W02B, W04A, W04B | | 21A | W04A, W04B | | | | | |
| 21B | | X06A, X06B, X06C, X33Z | 21B | X06A, X06B, X06C, X33Z | | 21B | X06A, X06B, X06C, X33Z | | | | | |
| 23 | | Z01A, Z02Z | 23 | Z01A, Z02Z | | 23 | Z01A | | | | | |
| Pre | | A07A, A09A, A13B | Pre | A07A, A09A, A13B | | Pre | A07A | | | | | |
| 5n522.4 | | | BOP, KJZSV, KOP, KOPV, KVT, MVV, UOP4 | 5n523.40 | | | BOP, KJZSV, KOP, KOPV, KVT, MVV, UOP4 | 5n532 | | | BOP, KJZSV, KOP, KOPV, KVT, UOP4 | |
| | | 06 | G03B, G10Z, G16A, G18A, G33Z, G38Z | | | 06 | G03B, G10Z, G16A, G18A, G33Z, G38Z | | | 06 | G03B, G10Z, G33Z, G38Z | |
| | | 07 | H01A, H01B, H09A, H09B, H09C, H09J, H33Z, H38Z | | | 07 | H01A, H01B, H09A, H09B, H09C, H09J, H33Z, H38Z | | | 07 | H01A, H01B, H09A, H09B, H09C, H09J, H33Z, H38Z | |
| | 09 | J14A, J26Z | 09 | | J14A, J26Z | 09 | J26Z | | | | | |
| | 11 | L33Z | 11 | | L33Z | 11 | L33Z | | | | | |
| | 13 | N11A | 13 | | N11A | 21A | W04A, W04B | | | | | |
| | 21A | W01A, W01B, W01C, W02A, W02B, W04A, W04B | 21A | | W01A, W01B, W01C, W02A, W02B, W04A, W04B | 21B | X06A, X06B, X06C, X33Z | | | | | |
| | 21B | X06A, X06B, X06C, X33Z | 21B | | X06A, X06B, X06C, X33Z | 23 | Z01A | | | | | |
| | 23 | Z01A, Z02Z | 23 | | Z01A, Z02Z | Pre | A07A | | | | | |
| | Pre | A07A, A09A, A13B | Pre | | A07A, A09A, A13B | 5n533 | | | BOP, KJZSV, KOP, KOPV, KVT, UOP4 | | | |
| | 5n522.5 | | BOP, KJZSV, KOP, KOPV, KVT, MVV, UOP4 | | 5n523.41 | | BOP, KJZSV, KOP, KOPV, KVT, MVV, UOP4 | | 5n534 | | BOP, KJZSV, KOP, KOPV, KVT, UOP4 | |
| | | 06 | G03B, G10Z, G16A, G18A, G33Z, G38Z | | | 06 | G03B, G10Z, G16A, G18A, G33Z, G38Z | | | 06 | G03B, G10Z, G33Z, G38Z | |
| | | 07 | H01A, H01B, H09A, H09B, H09C, H09J, H33Z, H38Z | | | 07 | H01A, H01B, H09A, H09B, H09C, H09J, H33Z, H38Z | | | 07 | H01A, H01B, H09A, H09B, H09C, H09J, H33Z, H38Z | |
| 09 | | J14A, J26Z | 09 | J14A, J26Z | | 09 | J26Z | | | | | |
| 11 | | L33Z | 11 | L33Z | | 11 | L33Z | | | | | |
| 13 | | N11A | 13 | N11A | | 21A | W04A, W04B | | | | | |
| 21A | | W01A, W01B, W01C, W02A, W02B, W04A, W04B | 21A | W01A, W01B, W01C, W02A, W02B, W04A, W04B | | 21B | X06A, X06B, X06C, X33Z | | | | | |
| 21B | | X06A, X06B, X06C, X33Z | 21B | X06A, X06B, X06C, X33Z | | 23 | Z01A, Z02Z | | | | | |
| 23 | | Z01A, Z02Z | 23 | Z01A, Z02Z | | Pre | A07A | | | | | |
| Pre | | A07A, A09A, A13B | Pre | A07A, A09A, A13B | | 5n534 | | BOP, KJZSV, KOP, KOPV, KVT, UOP4 | | | | |
| 5n523.20 | | | BOP, KJZSV, KOP, KOPV, KVT, MVV, UOP4 | 5n523.42 | | | BOP, KJZSV, KOP, KOPV, KVT, MVV, UOP4 | 5n534 | | | BOP, KJZSV, KOP, KOPV, KVT, UOP4 | |
| | | 06 | G03B, G10Z, G16A, G18A, G33Z, G38Z | | | 06 | G03B, G10Z, G16A, G18A, G33Z, G38Z | | | 06 | G03B, G10Z, G33Z, G38Z | |
| | | 07 | H01A, H09A, H09B, H09C, H09J, H33Z, H38Z | | | 07 | H01A, H01B, H09A, H09B, H09C, H09J, H33Z, H38Z | | | 07 | H01A, H01B, H09A, H09B, H09C, H09J, H33Z, H38Z | |
| | 09 | J14A, J26Z | 09 | | J14A, J26Z | 09 | J26Z | | | | | |
| | 11 | L33Z | 11 | | L33Z | 11 | L33Z | | | | | |
| | 13 | N11A | 13 | | N11A | 21A | W04A, W04B | | | | | |
| | 21A | W01A, W01B, W01C, W02A, W02B, W04A, W04B | 21A | | W01A, W01B, W01C, W02A, W02B, W04A, W04B | 21B | X06A, X06B, X06C, X33Z | | | | | |
| | 21B | X06A, X06B, X06C, X33Z | 21B | | X06A, X06B, X06C, X33Z | 23 | Z01A, Z02Z | | | | | |
| | 23 | Z01A, Z02Z | 23 | | Z01A, Z02Z | Pre | A07A | | | | | |
| | Pre | A07A, A09A, A13B | Pre | | A07A, A09A, A13B | | | | | | | |

| ZZV | MDC | DRG | ZZV | MDC | DRG | ZZV | MDC | DRG | | | |
|----------|----------|--|----------------------------------|--|--|----------|--|--|----------|----|------|
| 5n535 | | BOP, KJZSV, KOP, KOPV, KVT, UOP4 | 5n550.20 | | BOP, KJZSV, KOP, KOPV, KVT, UOP4 | 5n590.2 | | KJZSV | | | |
| | 06 | G03B, G10Z, G33Z, G38Z | | 06 | G03B, G33Z, G38Z | | 04 | E02A, E02B, E02C, E02D | | | |
| | 07 | H01A, H01B, H09A, H09B, H09C, H09J, H33Z, H38Z | | 07 | H01A, H01B, H09A, H09B, H09C, H09J, H33Z, H38Z | | 05 | F21A, F21B, F21J | | | |
| | 09 | J26Z | | 11 | L33Z | | 06 | G10Z, G12A, G12B, G12J | | | |
| | 11 | L33Z | | 21A | W01A, W01B, W01C, W02A, W02B, W04A, W04B | | 07 | H12A, H12B | | | |
| | 21A | W04A, W04B | | 21B | X06A, X06B, X06C, X33Z | | 08 | I28A, I28B, I28J | | | |
| | 21B | X06A, X06B, X06C, X33Z | | 23 | Z01A | | 09 | J03A, J03B, J04A, J04B, J08A, J08B, J08C, J11A, J11B, J11J, J11Q, J11R, J11S, J16Z, J21Z | | | |
| | 23 | Z01A, Z02Z | | Pre | A07A | | 10 | K09A, K09B | | | |
| | Pre | A07A | | | | | 11 | L09A, L09B, L09C, L09J, L38Z | | | |
| | 5n536 | | | BOP, KJZSV, KOP, KOPV, KVT, UOP4 | 5n550.22 | | | BOP, KJZSV, KOP, KOPV, KVT, UOP4 | 5n591.0 | | |
| 06 | | G03B, G10Z, G33Z, G38Z | 06 | G03B, G33Z, G38Z | | 13 | N11A, N11J | | | | |
| 07 | | H01A, H01B, H09A, H09B, H09C, H09J, H33Z, H38Z | 07 | H01A, H01B, H09A, H09B, H09C, H09J, H33Z, H38Z | | 14 | 962Z, O02A, O02B | | | | |
| 09 | | J26Z | 11 | L33Z | | 17 | R01A, R01B, R01C, R01D, R02Z, R12A, R12B, R12C | | | | |
| 11 | | L33Z | 21A | W01A, W01B, W01C, W02A, W02B, W04A, W04B | | 21A | W04A, W04B | | | | |
| 21A | | W04A, W04B | 21B | X06A, X06B, X06C, X33Z | | 21B | X06A, X06B, X06C | | | | |
| 21B | | X06A, X06B, X06C, X33Z | 23 | Z01A | | 22 | Y01Z, Y03A, Y03B | | | | |
| 23 | | Z01A, Z02Z | Pre | A07A | | | BOP, KJZSV, KOP, KOPV, KVT, UOP4 | | | | |
| Pre | | A07A | | | | 06 | G33Z | | | | |
| 5n53x | | | BOP, KJZSV, KOP, KOPV, KVT, UOP4 | 5n551 | | | BOP, KJZSV, KVT, UOP4 | 5n591.1 | | | |
| | 06 | G03B, G10Z, G33Z, G38Z | 07 | | H12A, H12B | 07 | H01A, H01B, H09A, H09B, H09C, H09J, H33Z, H38Z | | | | |
| | 07 | H01A, H01B, H09A, H09B, H09C, H09J, H33Z, H38Z | 21A | | W04A, W04B | 11 | L33Z | | | | |
| | 09 | J26Z | 21B | | X06A, X06B, X06C | 21A | W04A, W04B | | | | |
| | 11 | L33Z | | | BOP, KJZSV, KOP, KOPV, KVT, UOP4 | 21B | X06A, X06B, X06C | | | | |
| | 21A | W04A, W04B | 06 | | G03B, G33Z, G38Z | 23 | Z01A | | | | |
| | 21B | X06A, X06B, X06C, X33Z | 07 | | H01A, H01B, H09A, H09B, H09C, H09J, H33Z, H38Z | Pre | A07A | | | | |
| | 23 | Z01A, Z02Z | 11 | | L33Z | | BOP, KJZSV, KOP, KOPV, KVT, UOP4 | | | | |
| | Pre | A07A | 21A | | W01A, W01B, W01C, W02A, W02B, W04A, W04B | 06 | G33Z | | | | |
| | 5n540 | | BOP, KJZSV, KVT, UOP4 | | 5n552 | | | | 5n591.20 | | |
| Pre | | A01A, A01B, A18Z | 21B | X06A, X06B, X06C, X33Z | | 07 | H01A, H01B, H09A, H09B, H09C, H09J, H33Z, H38Z | | | | |
| 5n541 | | BOP, KJZSV, KVT, UOP4 | 5n590.0 | | | 5n591.22 | | | | | |
| | Pre | A01A, A01B, A18Z | | 05 | F13A, F21A, F21B, F21J | | 11 | L33Z | | | |
| 5n542 | | BOP, KJZSV, KVT, UOP4 | 5n590.0 | | | 5n591.20 | | | | | |
| | Pre | A01A, A01B, A18Z | | 06 | G10Z, G12A, G12B, G12J | | 21A | W04A, W04B | | | |
| 5n54x | | BOP, KJZSV, KVT, UOP4 | 5n590.0 | | | 5n591.20 | | | | | |
| | Pre | A01A, A01B, A18Z | | 07 | H05J, H05Z | | 21B | X06A, X06B, X06C, X33Z | | | |
| 5n550.10 | | BOP, KJZSV, KOP, KOPV, KVT, UOP4 | 5n590.0 | | | 5n591.20 | | | | | |
| | 06 | G03B, G33Z, G38Z | | 09 | J03A, J03B, J04A, J04B, J08A, J08B, J08C, J11A, J11B, J11J, J11Q, J11R, J11S, J16Z | | 06 | G33Z | | | |
| | 07 | H01A, H01B, H09A, H09B, H09C, H09J, H33Z, H38Z | | 10 | K09A, K09B | | 07 | H01A, H01B, H09A, H09B, H09C, H09J, H33Z, H38Z | | | |
| | 11 | L33Z | | 11 | L09A, L09B, L09C, L09J, L38Z | | 11 | L33Z | | | |
| | 21A | W01A, W01B, W01C, W02A, W02B, W04A, W04B | | 12 | M01A, M01B, M38Z | | 21A | W04A, W04B | | | |
| | 21B | X06A, X06B, X06C, X33Z | | 13 | N11A, N11B, N11J | | 21B | X06A, X06B, X06C, X33Z | | | |
| | 23 | Z01A | | 14 | 962Z, O02A, O02B, O04A | | 23 | Z01A | | | |
| | Pre | A07A | | 17 | R01A, R01B, R01C, R01D, R02Z, R12A, R12B, R12C | | Pre | A07A | | | |
| | 5n550.11 | | | BOP, KJZSV, KOP, KOPV, KVT, UOP4 | 5n590.0 | | | | 5n591.22 | | |
| | | 06 | | G03B, G33Z, G38Z | | | 21A | W04A, W04B | | 06 | G33Z |
| 07 | | H01A, H01B, H09A, H09B, H09C, H09J, H33Z, H38Z | 21B | X06A, X06B | | 07 | H01A, H01B, H09A, H09B, H09C, H09J, H33Z, H38Z | | | | |
| 11 | | L33Z | 22 | Y01Z, Y03A, Y03B | | 11 | L33Z | | | | |
| 21A | | W01A, W01B, W01C, W02A, W02B, W04A, W04B | | | | 21A | W04A, W04B | | | | |
| 21B | | X06A, X06B, X06C, X33Z | | | | 21B | X06A, X06B, X06C, X33Z | | | | |
| 23 | | Z01A | | | | 23 | Z01A | | | | |
| Pre | | A07A | | | | Pre | A07A | | | | |
| 5n550.11 | | | BOP, KJZSV, KOP, KOPV, KVT, UOP4 | 5n590.0 | | | | 5n591.x | | | |
| | | 06 | G03B, G33Z, G38Z | | | | | | | 06 | G33Z |
| | 07 | H01A, H01B, H09A, H09B, H09C, H09J, H33Z, H38Z | | | | 07 | H01A, H01B, H09A, H09B, H09C, H09J, H33Z, H38Z | | | | |
| | 11 | L33Z | | | | 11 | L33Z | | | | |
| | 21A | W01A, W01B, W01C, W02A, W02B, W04A, W04B | | | | 21A | W04A, W04B | | | | |
| | 21B | X06A, X06B, X06C, X33Z | | | | 21B | X06A, X06B, X06C, X33Z | | | | |
| | 23 | Z01A | | | | 23 | Z01A | | | | |
| | Pre | A07A | | | | Pre | A07A | | | | |
| | 5n550.11 | | BOP, KJZSV, KOP, KOPV, KVT, UOP4 | | 5n590.0 | | | | 5n591.x | | |
| | | 06 | G03B, G33Z, G38Z | | | | | | | 06 | G33Z |
| 07 | | H01A, H01B, H09A, H09B, H09C, H09J, H33Z, H38Z | | | | 07 | H01A, H01B, H09A, H09B, H09C, H09J, H33Z, H38Z | | | | |
| 11 | | L33Z | | | | 11 | L33Z | | | | |
| 21A | | W01A, W01B, W01C, W02A, W02B, W04A, W04B | | | | 21A | W04A, W04B | | | | |
| 21B | | X06A, X06B, X06C, X33Z | | | | 21B | X06A, X06B, X06C, X33Z | | | | |
| 23 | | Z01A | | | | 23 | Z01A | | | | |
| Pre | | A07A | | | | Pre | A07A | | | | |

| ZZV | MDC | DRG | ZZV | MDC | DRG | ZZV | MDC | DRG |
|---------|-----|--|---------|-----|--|----------|-----|--|
| 5n592‡ | | KJZSV | 5n613.5 | | BOP, KJZSV, KOP, KOPV, KVT, MVV, UOP4 | 5n623 | | BOP, KOP, KOPV, KVT, UOP4 |
| | 09 | J11A, J11B, J11J, J11Q, J11R, J11S | | 06 | G03A, G10Z, G33Z, G38Z | | 06 | G10Z, G33Z, G38Z |
| 5n593‡ | | KJZSV | | 07 | H02A, H02B, H33Z, H38Z | | 07 | H01A, H01B, H09A, H09B, H09C, H09J, H33Z, H38Z |
| | 09 | J11A, J11B, J11J, J11Q, J11R, J11S | | 11 | L33Z | | 11 | L33Z |
| 5n610 | | BOP, KJZSV, KVT, UOP4 | | 17 | R01A, R01B, R01C, R01D, R02Z, R12A, R12B, R12C | | 17 | R01A, R01B, R01C, R01D, R02Z, R12A, R12B, R12C |
| | 06 | G10Z, G12A, G12B, G12J | | 21A | W04A, W04B | | 21A | W04A, W04B |
| | 07 | H05J, H05Z | | 21B | X06A, X06B, X06C, X33Z | | 21B | X06A, X06B |
| | 17 | R01A, R01B, R01C, R01D, R02Z, R12A, R12B, R12C | | 23 | Z01A | | 23 | Z01A |
| | 21A | W04A, W04B | 5n614.1 | Pre | A07A | | Pre | A07A |
| | 21B | X06A, X06B, X06C | | | BOP, KJZSV, KVT, UOP4 | 5n624.1 | | BOP, KJZSV, KVT, UOP4 |
| 5n611.0 | | BOP, KJZSV, KVT, UOP4 | | 06 | G10Z, G12A, G12B, G12J | | 07 | H07A, H07B |
| | 07 | H05J, H05Z | 5n614.2 | | BOP, KJZSV, KVT, UOP4 | | 17 | R01A, R01B, R01C, R01D, R02Z, R12A, R12B, R12C |
| 5n611.2 | | BOP, KVT, UOP4 | | 06 | G10Z, G12A, G12B, G12J | | 21A | W04A, W04B |
| | 07 | H05J, H05Z | | 07 | H05J, H05Z | | 21B | X06A, X06B |
| 5n611.3 | | BOP, KJZSV, KVT, UOP4 | 5n620.0 | | BOP, KJZSV, KVT, UOP4 | 5n624.2 | | BOP, KJZSV, KVT, UOP4 |
| | 07 | H05J, H05Z | | 07 | H07A, H07B | | 07 | H05J, H05Z |
| 5n612 | | BOP, KJZSV, KVT, UOP4 | | 17 | R01A, R01B, R01C, R01D, R02Z, R12A, R12B, R12C | | 17 | R01A, R01B, R01C, R01D, R02Z, R12A, R12B, R12C |
| | 06 | G10Z, G12A, G12B, G12J | | 21A | W04A, W04B | | 21A | W04A, W04B |
| | 07 | H05J, H05Z | | 21B | X06A, X06B | | 21B | X06A, X06B |
| 5n613.1 | | BOP, KJZSV, KOP, KOPV, KVT, MVV, UOP4 | 5n620.2 | | BOP, KVT, UOP4 | 5n625.1 | | BOP, KVT, UOP4 |
| | 06 | G03A, G10Z, G33Z, G38Z | | 07 | H08A, H08B, H08J | | 07 | H08A, H08B, H08J |
| | 07 | H02A, H02B, H33Z, H38Z | | 17 | R01A, R01B, R01C, R01D, R02Z, R12A, R12B, R12C | | 17 | R01A, R01B, R01C, R01D, R02Z, R12A, R12B, R12C |
| | 11 | L33Z | | 21A | W04A, W04B | | 21A | W04A, W04B |
| | 17 | R01A, R01B, R01C, R01D, R02Z, R12A, R12B, R12C | | 21B | X06A, X06B | | 21B | X06A, X06B |
| | 21A | W04A, W04B | 5n620.4 | | BOP, KJZSV, KVT, UOP4 | 5n625.2 | | BOP, KVT, UOP4 |
| | 21B | X06A, X06B, X06C, X33Z | | 07 | H07A, H07B | | 07 | H08A, H08B, H08J |
| | 23 | Z01A | | 17 | R01A, R01B, R01C, R01D, R02Z, R12A, R12B, R12C | | 17 | R01A, R01B, R01C, R01D, R02Z, R12A, R12B, R12C |
| | Pre | A07A | | 21A | W04A, W04B | | 21A | W04A, W04B |
| 5n613.2 | | BOP, KJZSV, KOP, KOPV, KVT, MVV, UOP4 | | 21B | X06A, X06B | | 21B | X06A, X06B |
| | 06 | G03A, G10Z, G33Z, G38Z | 5n620.5 | | BOP, KJZSV, KVT, UOP4 | 5n62x | | BOP, KVT, UOP4 |
| | 07 | H01A, H02A, H02B, H33Z, H38Z | | 07 | H08A, H08B, H08J | | 07 | H08A, H08B, H08J |
| | 11 | L33Z | | 17 | R01A, R01B, R01C, R01D, R02Z, R12A, R12B, R12C | | 17 | R01A, R01B, R01C, R01D, R02Z, R12A, R12B, R12C |
| | 17 | R01A, R01B, R01C, R01D, R02Z, R12A, R12B, R12C | | 21A | W04A, W04B | | 21A | W04A, W04B |
| | 21A | W04A, W04B | | 21B | X06A, X06B | | 21B | X06A, X06B |
| | 21B | X06A, X06B, X06C, X33Z | 5n621.0 | | BOP, KJZSV, KVT, UOP4 | 5n631‡ | | KJZSV |
| | 23 | Z01A | | 07 | H05J, H05Z | | 07 | H08A, H41A, H41B, H41C, H41J |
| | Pre | A07A | | 17 | R01A, R01B, R01C, R01D, R02Z, R12A, R12B, R12C | 5n632.0‡ | | KJZSV |
| 5n613.3 | | BOP, KJZSV, KOP, KOPV, KVT, MVV, UOP4 | | 21A | W04A, W04B | | 07 | H08A, H41A, H41B, H41C, H41J |
| | 06 | G03A, G10Z, G33Z, G38Z | | 21B | X06A, X06B | 5n632.1‡ | | KJZSV |
| | 07 | H01A, H02A, H02B, H33Z, H38Z | 5n621.2 | | BOP, KVT, UOP4 | | 07 | H08A, H41A, H41B, H41C, H41J |
| | 11 | L33Z | | 07 | H08A, H08B, H08J | 5n632.2‡ | | KJZSV |
| | 17 | R01A, R01B, R01C, R01D, R02Z, R12A, R12B, R12C | | 17 | R01A, R01B, R01C, R01D, R02Z, R12A, R12B, R12C | | 07 | H08A, H41A, H41B, H41C, H41J |
| | 21A | W04A, W04B | | 21A | W04A, W04B | 5n632.3‡ | | KJZSV |
| | 21B | X06A, X06B, X06C, X33Z | | 21B | X06A, X06B | | 07 | H08A, H41A, H41B, H41C, H41J |
| | 23 | Z01A | 5n621.4 | | BOP, KJZSV, KVT, UOP4 | 5n632.3‡ | | KJZSV |
| | Pre | A07A | | 07 | H05J, H05Z | | 07 | H08A, H41A, H41B, H41C, H41J |
| 5n613.4 | | BOP, KJZSV, KOP, KOPV, KVT, MVV, UOP4 | | 17 | R01A, R01B, R01C, R01D, R02Z, R12A, R12B, R12C | 5n632.x‡ | | KJZSV |
| | 06 | G03A, G10Z, G33Z, G38Z | | 21A | W04A, W04B | | 07 | H08A, H41A, H41B, H41C, H41J |
| | 07 | H01A, H02A, H02B, H33Z, H38Z | | 21B | X06A, X06B | 5n633‡ | | KJZSV |
| | 11 | L33Z | | | | | 07 | H41A, H41B, H41C, H41J |
| | 17 | R01A, R01B, R01C, R01D, R02Z, R12A, R12B, R12C | | | | 5n634.0‡ | | KJZSV |
| | 21A | W04A, W04B | | | | | 07 | H41A, H41B, H41C, H41J |
| | 21B | X06A, X06B, X06C, X33Z | | | | 5n634.1‡ | | KJZSV |
| | 23 | Z01A | | | | | 06 | G40Z, G46A, G46B, G46C, G47Z, G50Z |
| | Pre | A07A | | | | | 07 | H41A, H41B, H41J |
| | | | | | | | | KJZSV |
| | | | | | | | 07 | H41A, H41B, H41C, H41J |

| ZZV | MDC | DRG | ZZV | MDC | DRG | ZZV | MDC | DRG |
|-----------|-----|--|-----------|-----|--|-----------|-----|--|
| 5n635‡ | | KJZSV | 5n640.10 | | BOP, KJZSV, KOP, KOPV, KVT, UOP4 | 5n640.23‡ | | KJZSV |
| | 07 | H41A, H41B, H41C, H41J | | | | | 07 | H41A, H41B, H41C, H41J |
| 5n63a‡ | | KJZSV | | 06 | G10Z, G12A, G12B, G12J, G33Z, G38Z | 5n640.2x‡ | | KJZSV |
| | 07 | H41A, H41B, H41C, H41J | | | | | 07 | H41A, H41B, H41C, H41J |
| 5n63b‡ | | KJZSV | | 07 | H01A, H01B, H09A, H09B, H09C, H09J, H38Z | 5n640.30 | | BOP, KJZSV, KOP, KOPV, KVT, UOP4 |
| | 07 | H41A, H41B, H41C, H41J | | | | | 06 | G10Z, G12A, G12B, G12J, G33Z, G38Z |
| 5n63c‡ | | KJZSV | | 17 | R01A, R01B, R01C, R01D, R02Z, R12A, R12B, R12C | | 07 | H01A, H01B, H09A, H09B, H09C, H09J, H38Z |
| | 07 | H41A, H41B, H41C, H41J | | 21A | W04A, W04B | | 17 | R01A, R01B, R01C, R01D, R02Z, R12A, R12B, R12C |
| 5n63d‡ | | KJZSV | | 21B | X06A, X06B, X06C | | 21A | W04A, W04B |
| | 07 | H41A, H41B, H41C, H41J | | Pre | A07A | | 21B | X06A, X06B, X06C |
| 5n63f.1‡ | | KJZSV | 5n640.11 | | BOP, KJZSV, KOP, KOPV, KVT, UOP4 | 5n640.31 | | BOP, KJZSV, KOP, KOPV, KVT, UOP4 |
| | 07 | H41A, H41B, H41C, H41J | | | | | 06 | G10Z, G12A, G12B, G12J, G33Z, G38Z |
| 5n63f.2‡ | | KJZSV | | 06 | G10Z, G12A, G12B, G12J, G33Z, G38Z | | 07 | H01A, H01B, H09A, H09B, H09C, H09J, H38Z |
| | 07 | H41A, H41B, H41C, H41J | | | | | 17 | R01A, R01B, R01C, R01D, R02Z, R12A, R12B, R12C |
| 5n63h.1‡ | | KJZSV | | 07 | H01A, H01B, H09A, H09B, H09C, H09J, H38Z | | 21A | W04A, W04B |
| | 07 | H41A, H41B, H41C, H41J | | | | | 21B | X06A, X06B, X06C |
| 5n63h.2‡ | | KJZSV | | 21A | W04A, W04B | | Pre | A07A |
| | 07 | H41A, H41B, H41C, H41J | | 21B | X06A, X06B, X06C | | | BOP, KJZSV, KOP, KOPV, KVT, UOP4 |
| 5n63m.01‡ | | KJZSV | | Pre | A07A | | 06 | G10Z, G12A, G12B, G12J, G33Z, G38Z |
| | 07 | H41A, H41B, H41C, H41J | 5n640.12 | | BOP, KJZSV, KOP, KOPV, KVT, UOP4 | | 07 | H01A, H01B, H09A, H09B, H09C, H09J, H38Z |
| 5n63m.02‡ | | KJZSV | | | | | 17 | R01A, R01B, R01C, R01D, R02Z, R12A, R12B, R12C |
| | 07 | H41A, H41B, H41C, H41J | | 06 | G10Z, G12A, G12B, G12J, G33Z, G38Z | 5n640.32 | | BOP, KJZSV, KOP, KOPV, KVT, UOP4 |
| 5n63m.03‡ | | KJZSV | | 07 | H01A, H01B, H09A, H09B, H09C, H09J, H38Z | | 06 | G10Z, G12A, G12B, G12J, G33Z, G38Z |
| | 07 | H41A, H41B, H41C, H41J | | | | | 07 | H01A, H01B, H09A, H09B, H09C, H09J, H38Z |
| 5n63m.11‡ | | KJZSV | | 21A | W04A, W04B | | 17 | R01A, R01B, R01C, R01D, R02Z, R12A, R12B, R12C |
| | 07 | H41A, H41B, H41C, H41J | | 21B | X06A, X06B, X06C | | 21A | W04A, W04B |
| 5n63m.12‡ | | KJZSV | | Pre | A07A | | 21B | X06A, X06B, X06C |
| | 07 | H41A, H41B, H41C, H41J | | | | | Pre | A07A |
| 5n63m.13‡ | | KJZSV | | 07 | H41A, H41B, H41C, H41J | | | BOP, KJZSV, KOP, KOPV, KVT, UOP4 |
| | 07 | H41A, H41B, H41C, H41J | 5n640.13‡ | | KJZSV | 5n640.33‡ | | KJZSV |
| 5n63x‡ | | KJZSV | | | | | 07 | H41A, H41B, H41C, H41J |
| | 07 | H41A, H41B, H41C, H41J | | 07 | H41A, H41B, H41C, H41J | 5n640.3x‡ | | KJZSV |
| 5n640.00 | | BOP, KJZSV, KOP, KOPV, KVT, UOP4 | | | | | 07 | H41A, H41B, H41C, H41J |
| | 06 | G10Z, G12A, G12B, G12J, G33Z, G38Z | 5n640.1x‡ | | KJZSV | 5n641.00 | | BOP, KJZSV, KOP, KOPV, KVT, UOP4 |
| | 07 | H01A, H01B, H09A, H09B, H09C, H09J, H38Z | | | | | 06 | G10Z, G12A, G12B, G12J, G33Z, G38Z |
| | 17 | R01A, R01B, R01C, R01D, R02Z, R12A, R12B, R12C | 5n640.20 | | BOP, KJZSV, KOP, KOPV, KVT, UOP4 | | 07 | H01A, H01B, H09A, H09B, H09C, H09J, H38Z |
| | 21A | W04A, W04B | | | | | 17 | R01A, R01B, R01C, R01D, R02Z, R12A, R12B, R12C |
| | 21B | X06A, X06B, X06C | | 06 | G10Z, G12A, G12B, G12J, G33Z, G38Z | | 21A | W04A, W04B |
| | Pre | A07A | | 07 | H01A, H01B, H09A, H09B, H09C, H09J, H38Z | | 21B | X06A, X06B, X06C |
| 5n640.01 | | BOP, KJZSV, KOP, KOPV, KVT, UOP4 | | 17 | R01A, R01B, R01C, R01D, R02Z, R12A, R12B, R12C | | Pre | A07A |
| | 06 | G10Z, G12A, G12B, G12J, G33Z, G38Z | | 21A | W04A, W04B | | | BOP, KJZSV, KOP, KOPV, KVT, UOP4 |
| | 07 | H01A, H01B, H09A, H09B, H09C, H09J, H38Z | 5n640.21 | | BOP, KJZSV, KOP, KOPV, KVT, UOP4 | 5n641.01 | | BOP, KJZSV, KOP, KOPV, KVT, UOP4 |
| | 17 | R01A, R01B, R01C, R01D, R02Z, R12A, R12B, R12C | | | | | 06 | G10Z, G12A, G12B, G12J, G33Z, G38Z |
| | 21A | W04A, W04B | | 06 | G10Z, G12A, G12B, G12J, G33Z, G38Z | | 07 | H01A, H01B, H09A, H09B, H09C, H09J, H38Z |
| | 21B | X06A, X06B, X06C | | 07 | H01A, H01B, H09A, H09B, H09C, H09J, H38Z | | 17 | R01A, R01B, R01C, R01D, R02Z, R12A, R12B, R12C |
| | Pre | A07A | | 17 | R01A, R01B, R01C, R01D, R02Z, R12A, R12B, R12C | | 21A | W04A, W04B |
| 5n640.02 | | BOP, KJZSV, KOP, KOPV, KVT, UOP4 | | 21A | W04A, W04B | | 21B | X06A, X06B, X06C |
| | 06 | G10Z, G12A, G12B, G12J, G33Z, G38Z | | 21B | X06A, X06B, X06C | | Pre | A07A |
| | 07 | H01A, H01B, H09A, H09B, H09C, H09J, H38Z | 5n640.22 | | BOP, KJZSV, KOP, KOPV, KVT, UOP4 | | | BOP, KJZSV, KOP, KOPV, KVT, UOP4 |
| | 17 | R01A, R01B, R01C, R01D, R02Z, R12A, R12B, R12C | | | | | 06 | G10Z, G12A, G12B, G12J, G33Z, G38Z |
| | 21A | W04A, W04B | | 06 | G10Z, G12A, G12B, G12J, G33Z, G38Z | | 07 | H01A, H01B, H09A, H09B, H09C, H09J, H38Z |
| | 21B | X06A, X06B, X06C | | 07 | H01A, H01B, H09A, H09B, H09C, H09J, H38Z | | 17 | R01A, R01B, R01C, R01D, R02Z, R12A, R12B, R12C |
| | Pre | A07A | | 17 | R01A, R01B, R01C, R01D, R02Z, R12A, R12B, R12C | | 21A | W04A, W04B |
| 5n640.03‡ | | KJZSV | | 21A | W04A, W04B | | 21B | X06A, X06B, X06C |
| | 07 | H41A, H41B, H41C, H41J | | 21B | X06A, X06B, X06C | | Pre | A07A |
| 5n640.0x‡ | | KJZSV | | Pre | A07A | | | |
| | 07 | H41A, H41B, H41C, H41J | | | | | | |

| ZZV | MDC | DRG | ZZV | MDC | DRG | ZZV | MDC | DRG |
|-----------|-----|--|-----------|-----|--|----------|-----|--|
| 5n641.02 | | BOP, KJZSV, KOP, KOPV, KVT, UOP4 | 5n641.21 | | BOP, KJZSV, KOP, KOPV, KVT, UOP4 | 5n64x.0 | | BOP, KJZSV, KOP, KOPV, KVT, UOP4 |
| | 06 | G10Z, G12A, G12B, G12J, G33Z, G38Z | | 06 | G10Z, G12A, G12B, G12J, G33Z, G38Z | | 06 | G10Z, G12A, G12B, G12J, G33Z, G38Z |
| | 07 | H01A, H01B, H09A, H09B, H09C, H09J, H38Z | | 07 | H01A, H01B, H09A, H09B, H09C, H09J, H38Z | | 07 | H02A, H02B, H38Z |
| | 17 | R01A, R01B, R01C, R01D, R02Z, R12A, R12B, R12C | | 17 | R01A, R01B, R01C, R01D, R02Z, R12A, R12B, R12C | | 17 | R01A, R01B, R01C, R01D, R02Z, R12A, R12B, R12C |
| | 21A | W04A, W04B | | 21A | W04A, W04B | | 21A | W04A, W04B |
| | 21B | X06A, X06B, X06C | | 21B | X06A, X06B, X06C | | 21B | X06A, X06B, X06C |
| | Pre | A07A | | Pre | A07A | 5n64x.1 | | BOP, KJZSV, KOP, KOPV, KVT, UOP4 |
| 5n641.03‡ | | KJZSV | 5n641.22 | | BOP, KJZSV, KOP, KOPV, KVT, UOP4 | | 06 | G10Z, G12A, G12B, G12J, G33Z, G38Z |
| 5n641.0x‡ | | KJZSV | | 06 | G10Z, G12A, G12B, G12J, G33Z, G38Z | | 07 | H05J, H05Z |
| 5n641.10 | | BOP, KJZSV, KOP, KOPV, KVT, UOP4 | | 07 | H01A, H01B, H09A, H09B, H09C, H09J, H38Z | | 17 | R01A, R01B, R01C, R01D, R02Z, R12A, R12B, R12C |
| | 06 | G10Z, G12A, G12B, G12J, G33Z, G38Z | | 17 | R01A, R01B, R01C, R01D, R02Z, R12A, R12B, R12C | | 21A | W04A, W04B |
| | 07 | H01A, H01B, H09A, H09B, H09C, H09J, H38Z | | 21A | W04A, W04B | | 21B | X06A, X06B, X06C |
| | 17 | R01A, R01B, R01C, R01D, R02Z, R12A, R12B, R12C | 5n641.23‡ | | A07A | 5n64x.2 | | BOP, KJZSV, KOP, KOPV, KVT, UOP4 |
| | 21A | W04A, W04B | | Pre | KJZSV | | 06 | G10Z, G12A, G12B, G12J, G33Z, G38Z |
| | 21B | X06A, X06B, X06C | 5n641.2x‡ | | KJZSV | | 07 | H02A, H02B, H38Z |
| | Pre | A07A | | 07 | H41A, H41B, H41C, H41J | | 17 | R01A, R01B, R01C, R01D, R02Z, R12A, R12B, R12C |
| 5n641.11 | | BOP, KJZSV, KOP, KOPV, KVT, UOP4 | 5n641.30 | | BOP, KJZSV, KOP, KOPV, KVT, UOP4 | | 21A | W04A, W04B |
| | 06 | G10Z, G12A, G12B, G12J, G33Z, G38Z | | 06 | G10Z, G12A, G12B, G12J, G33Z, G38Z | | 21B | X06A, X06B, X06C |
| | 07 | H01A, H01B, H09A, H09B, H09C, H09J, H38Z | | 07 | H01A, H01B, H09A, H09B, H09C, H09J, H38Z | 5n64x.3‡ | | KJZSV |
| | 17 | R01A, R01B, R01C, R01D, R02Z, R12A, R12B, R12C | | 17 | R01A, R01B, R01C, R01D, R02Z, R12A, R12B, R12C | 5n64x.x‡ | | KJZSV |
| | 21A | W04A, W04B | | 21A | W04A, W04B | | 07 | H41A, H41B, H41C, H41J |
| | 21B | X06A, X06B, X06C | | 21B | X06A, X06B, X06C | 5n650.0 | | BOP, KJZSV, KVT, UOP4 |
| | Pre | A07A | | Pre | A07A | | 06 | G10Z, G12A, G12B, G12J |
| 5n641.12 | | BOP, KJZSV, KOP, KOPV, KVT, UOP4 | 5n641.31 | | BOP, KJZSV, KOP, KOPV, KVT, UOP4 | | 07 | H05J, H05Z |
| | 06 | G10Z, G12A, G12B, G12J, G33Z, G38Z | | 06 | G10Z, G12A, G12B, G12J, G33Z, G38Z | | 17 | R01A, R01B, R01C, R01D, R02Z, R12A, R12B, R12C |
| | 07 | H01A, H01B, H09A, H09B, H09C, H09J, H38Z | | 07 | H01A, H01B, H09A, H09B, H09C, H09J, H38Z | 5n650.4 | | BOP, KJZSV, KVT, UOP4 |
| | 17 | R01A, R01B, R01C, R01D, R02Z, R12A, R12B, R12C | | 17 | R01A, R01B, R01C, R01D, R02Z, R12A, R12B, R12C | | 06 | G10Z, G12A, G12B, G12J |
| | 21A | W04A, W04B | | 21A | W04A, W04B | | 07 | H05J, H05Z |
| | 21B | X06A, X06B, X06C | | 21B | X06A, X06B, X06C | | 17 | R01A, R01B, R01C, R01D, R02Z, R12A, R12B, R12C |
| | Pre | A07A | | Pre | A07A | 5n650.x | | BOP, KJZSV, KVT, UOP4 |
| 5n641.13‡ | | KJZSV | 5n641.32 | | BOP, KJZSV, KOP, KOPV, KVT, UOP4 | | 06 | G10Z, G12A, G12B, G12J, G33Z, G38Z |
| 5n641.1x‡ | | KJZSV | | 06 | G10Z, G12A, G12B, G12J, G33Z, G38Z | | 07 | H05J, H05Z |
| 5n641.20 | | BOP, KJZSV, KOP, KOPV, KVT, UOP4 | | 07 | H01A, H01B, H09A, H09B, H09C, H09J, H38Z | | 17 | R01A, R01B, R01C, R01D, R02Z, R12A, R12B, R12C |
| | 06 | G10Z, G12A, G12B, G12J, G33Z, G38Z | | 17 | R01A, R01B, R01C, R01D, R02Z, R12A, R12B, R12C | | 21A | W04A, W04B |
| | 07 | H01A, H01B, H09A, H09B, H09C, H09J, H38Z | | 21A | W04A, W04B | | 21B | X06A, X06B, X06C |
| | 17 | R01A, R01B, R01C, R01D, R02Z, R12A, R12B, R12C | | 21B | X06A, X06B, X06C | 5n651.0 | | BOP, KJZSV, KOP, KOPV, KVT, UOP4 |
| | 21A | W04A, W04B | 5n641.33‡ | | A07A | | 06 | G10Z, G15Z, G19A, G19B, G33Z, G38Z |
| | 21B | X06A, X06B, X06C | | Pre | KJZSV | | 07 | H01A, H01B, H09A, H09B, H09C, H09J, H33Z, H38Z |
| | Pre | A07A | 5n641.3x‡ | | KJZSV | | 11 | L33Z |
| | | | | 07 | H41A, H41B, H41C, H41J | | 21B | X06A, X06B, X06C |
| | | | 5n642.03‡ | | KJZSV | | 23 | Z01A |
| | | | | 07 | H41A, H41B, H41C, H41J | | Pre | A07A |
| | | | 5n642.13‡ | | KJZSV | | | |
| | | | | 07 | H41A, H41B, H41C, H41J | | | |
| | | | 5n642.23‡ | | KJZSV | | | |
| | | | | 07 | H41A, H41B, H41C, H41J | | | |
| | | | 5n642.33‡ | | KJZSV | | | |
| | | | | 07 | H41A, H41B, H41C, H41J | | | |

| ZZV | MDC | DRG | ZZV | MDC | DRG | ZZV | MDC | DRG |
|----------|-----|--|----------|-----|--|----------|-----|--|
| 5n695.4 | | BOP, KJZSV, KOP, KOPV, KVT, UOP4 | 5n69b.3† | | KJZSV | 5n69d.2 | | BOP, KJZSV, KOP, KOPV, KVT, UOP4 |
| | 06 | G10Z, G12A, G12B, G12J, G33Z, G38Z | 5n69b.4 | | 07 H41A, H41B, H41C, H41J | 06 | | G10Z, G12A, G12B, G12J, G33Z, G38Z |
| | 07 | H02A, H02B, H38Z | | 06 | G10Z, G12A, G12B, G12J, G33Z, G38Z | 07 | | H01A, H01B, H09A, H09B, H09C, H09J, H38Z |
| | 17 | R01A, R01B, R01C, R01D, R02Z, R12A, R12B, R12C | | 07 | H02A, H02B, H38Z | 17 | | R01A, R01B, R01C, R01D, R02Z, R12A, R12B, R12C |
| | 21A | W04A, W04B | | 17 | R01A, R01B, R01C, R01D, R02Z, R12A, R12B, R12C | 21A | | W04A, W04B |
| | 21B | X06A, X06B, X06C | | 21A | W04A, W04B | 21B | | X06A, X06B, X06C |
| | 23 | Z01A | | 21B | X06A, X06B, X06C | Pre | | A07A |
| | Pre | A07A | | 23 | Z01A | 5n69d.3† | | KJZSV |
| 5n695.x† | | KJZSV | | Pre | A07A | 07 | | H41A, H41B, H41C, H41J |
| 5n69a.0 | | BOP, KJZSV, KOP, KOPV, KVT, UOP4 | 5n69b.x† | | KJZSV | 5n69d.4 | | BOP, KJZSV, KOP, KOPV, KVT, UOP4 |
| | 06 | G33Z | | 07 | H41A, H41B, H41C, H41J | 06 | | G10Z, G12A, G12B, G12J, G33Z, G38Z |
| | 07 | H02A, H02B, H38Z | 5n69c.0 | | BOP, KJZSV, KOP, KOPV, KVT, UOP4 | 07 | | H01A, H01B, H09A, H09B, H09C, H09J, H38Z |
| | 17 | R01A, R01B, R01C, R01D, R02Z, R12A, R12B, R12C | | 06 | G10Z, G12A, G12B, G12J, G33Z, G38Z | 17 | | R01A, R01B, R01C, R01D, R02Z, R12A, R12B, R12C |
| | 21A | W04A, W04B | | 07 | H02A, H02B, H38Z | 21A | | W04A, W04B |
| | 21B | X06A, X06B, X06C | | 17 | R01A, R01B, R01C, R01D, R02Z, R12A, R12B, R12C | 21B | | X06A, X06B, X06C |
| | 23 | Z01A | | 21A | W04A, W04B | Pre | | A07A |
| | Pre | A07A | | 21B | X06A, X06B, X06C | 5n69d.x† | | KJZSV |
| 5n69a.2 | | BOP, KJZSV, KOP, KOPV, KVT, UOP4 | | 23 | Z01A | 07 | | H41A, H41B, H41C, H41J |
| | 06 | G33Z | | Pre | A07A | 5n69e.0 | | BOP, KJZSV, KOP, KOPV, KVT, UOP4 |
| | 07 | H05J, H05Z | 5n69c.2 | | BOP, KJZSV, KOP, KOPV, KVT, UOP4 | 06 | | G10Z, G12A, G12B, G12J, G33Z, G38Z |
| | 17 | R01A, R01B, R01C, R01D, R02Z, R12A, R12B, R12C | | 06 | G10Z, G12A, G12B, G12J, G33Z, G38Z | 07 | | H01A, H01B, H09A, H09B, H09C, H09J, H38Z |
| | 21A | W04A, W04B | | 07 | H05J, H05Z | 17 | | R01A, R01B, R01C, R01D, R02Z, R12A, R12B, R12C |
| | 21B | X06A, X06B, X06C | | 17 | R01A, R01B, R01C, R01D, R02Z, R12A, R12B, R12C | 21A | | W04A, W04B |
| | 23 | Z01A | | 21A | W04A, W04B | 21B | | X06A, X06B, X06C |
| | Pre | A07A | | 21B | X06A, X06B, X06C | Pre | | A07A |
| 5n69a.3† | | KJZSV | | Pre | A07A | 5n69e.2 | | BOP, KJZSV, KOP, KOPV, KVT, UOP4 |
| 5n69a.4 | | BOP, KJZSV, KOP, KOPV, KVT, UOP4 | | 07 | H41A, H41B, H41C, H41J | 06 | | G10Z, G12A, G12B, G12J, G33Z, G38Z |
| | 06 | G33Z | 5n69c.3† | | KJZSV | 07 | | H01A, H01B, H09A, H09B, H09C, H09J, H38Z |
| | 07 | H02A, H02B, H38Z | | 07 | BOP, KJZSV, KOP, KOPV, KVT, UOP4 | 17 | | R01A, R01B, R01C, R01D, R02Z, R12A, R12B, R12C |
| | 17 | R01A, R01B, R01C, R01D, R02Z, R12A, R12B, R12C | 5n69c.4 | | G10Z, G12A, G12B, G12J, G33Z, G38Z | 21A | | W04A, W04B |
| | 21A | W04A, W04B | | 06 | G10Z, G12A, G12B, G12J, G33Z, G38Z | 21B | | X06A, X06B, X06C |
| | 21B | X06A, X06B, X06C | | 07 | H02A, H02B, H38Z | Pre | | A07A |
| | 23 | Z01A | | 17 | R01A, R01B, R01C, R01D, R02Z, R12A, R12B, R12C | 5n69e.3† | | KJZSV |
| | Pre | A07A | | 21A | W04A, W04B | 07 | | H41A, H41B, H41C, H41J |
| 5n69a.x† | | KJZSV | | 21B | X06A, X06B, X06C | 5n69e.4 | | BOP, KJZSV, KOP, KOPV, KVT, UOP4 |
| 5n69b.0 | | BOP, KJZSV, KOP, KOPV, KVT, UOP4 | | Pre | A07A | 06 | | G10Z, G12A, G12B, G12J, G33Z, G38Z |
| | 06 | G10Z, G12A, G12B, G12J, G33Z, G38Z | 5n69c.x† | | KJZSV | 07 | | H01A, H01B, H09A, H09B, H09C, H09J, H38Z |
| | 07 | H02A, H02B, H38Z | | 07 | H41A, H41B, H41C, H41J | 17 | | R01A, R01B, R01C, R01D, R02Z, R12A, R12B, R12C |
| | 17 | R01A, R01B, R01C, R01D, R02Z, R12A, R12B, R12C | 5n69d.0 | | BOP, KJZSV, KOP, KOPV, KVT, UOP4 | 21A | | W04A, W04B |
| | 21A | W04A, W04B | | 06 | G10Z, G12A, G12B, G12J, G33Z, G38Z | 21B | | X06A, X06B, X06C |
| | 21B | X06A, X06B, X06C | | 07 | H01A, H01B, H09A, H09B, H09C, H09J, H38Z | Pre | | A07A |
| | 23 | Z01A | | 17 | R01A, R01B, R01C, R01D, R02Z, R12A, R12B, R12C | 5n69e.x† | | KJZSV |
| | Pre | A07A | | 21A | W04A, W04B | 07 | | H41A, H41B, H41C, H41J |
| 5n69b.2 | | BOP, KJZSV, KOP, KOPV, KVT, UOP4 | | 21B | X06A, X06B, X06C | | | |
| | 06 | G10Z, G12A, G12B, G12J, G33Z, G38Z | | Pre | A07A | | | |
| | 07 | H05J, H05Z | | | | | | |
| | 17 | R01A, R01B, R01C, R01D, R02Z, R12A, R12B, R12C | | | | | | |
| | 21A | W04A, W04B | | | | | | |
| | 21B | X06A, X06B, X06C | | | | | | |
| | 23 | Z01A | | | | | | |
| | Pre | A07A | | | | | | |

| ZZV | MDC | DRG | ZZV | MDC | DRG | ZZV | MDC | DRG | |
|----------|--|--|--|--|--|--|--|--|--|
| 5n69f.0 | | BOP, KJZSV, KOP, KOPV, KVT, UOP4 | 5n69m | | BOP, KJZSV, KVT, UOP4 | 5n710.x | | BOP, KJZSV, KOP, KOPV, KVT, UOP4 | |
| | 06 | G10Z, G12A, G12B, G12J, G33Z, G38Z | | 06 | G10Z, G12A, G12B, G12J | | 06 | G33Z | |
| | 07 | H01A, H01B, H09A, H09B, H09C, H09J, H38Z | | 07 | H05J, H05Z | | 07 | H01A, H01B, H09A, H09B, H09C, H09J, H33Z, H38Z | |
| | 17 | R01A, R01B, R01C, R01D, R02Z, R12A, R12B, R12C | | 17 | R01A, R01B, R01C, R01D, R02Z, R12A, R12B, R12C | | 23 | Z01A | |
| | 21A | W04A, W04B | | 21A | W04A, W04B | | Pre | A07A | |
| 5n69f.2 | 21B | X06A, X06B, X06C | 5n69n† | 21B | X06A, X06B, X06C | 5n711 | BOP, KJZSV, KOP, KOPV, KVT, UOP4 | | |
| | Pre | A07A | | 07 | H41A, H41B, H41C, H41J | | 06 | G33Z | |
| | | BOP, KJZSV, KOP, KOPV, KVT, UOP4 | | 5n69x.0 | | | BOP, KJZSV, KOP, KOPV, KVT, UOP4 | 07 | H01A, H01B, H09A, H09B, H09C, H09J, H33Z, H38Z |
| | 06 | G10Z, G12A, G12B, G12J, G33Z, G38Z | | | 06 | | G10Z, G12A, G12B, G12J, G33Z, G38Z | 10 | K09A, K09B |
| | 07 | H01A, H01B, H09A, H09B, H09C, H09J, H38Z | | | 07 | | H02A, H02B, H38Z | 23 | Z01A |
| 17 | R01A, R01B, R01C, R01D, R02Z, R12A, R12B, R12C | 17 | R01A, R01B, R01C, R01D, R02Z, R12A, R12B, R12C | | Pre | A07A | | | |
| 21A | W04A, W04B | 21A | W04A, W04B | | 5n712.0 | BOP, KJZSV, KOP, KOPV, KVT, UOP4 | | | |
| 21B | X06A, X06B, X06C | 21B | X06A, X06B, X06C | 06 | | G33Z | | | |
| Pre | A07A | Pre | A07A | 07 | | H01A, H01B, H09A, H09B, H09C, H09J, H33Z, H38Z | | | |
| | BOP, KJZSV, KOP, KOPV, KVT, UOP4 | 5n69x.2 | | BOP, KJZSV, KOP, KOPV, KVT, UOP4 | | 10 | K09A, K09B | | |
| 06 | G10Z, G12A, G12B, G12J, G33Z, G38Z | | 06 | G10Z, G12A, G12B, G12J, G33Z, G38Z | | 23 | Z01A | | |
| 07 | H01A, H01B, H09A, H09B, H09C, H09J, H38Z | | 07 | H05J, H05Z | Pre | A07A | | | |
| 17 | R01A, R01B, R01C, R01D, R02Z, R12A, R12B, R12C | | 17 | R01A, R01B, R01C, R01D, R02Z, R12A, R12B, R12C | 5n712.1 | BOP, KJZSV, KOP, KOPV, KVT, UOP4 | | | |
| 21A | W04A, W04B | | 21A | W04A, W04B | | 06 | G33Z | | |
| 21B | X06A, X06B, X06C | 21B | X06A, X06B, X06C | 07 | | H01A, H01B, H09A, H09B, H09C, H09J, H33Z, H38Z | | | |
| Pre | A07A | Pre | A07A | 10 | | K09A, K09B | | | |
| | BOP, KJZSV, KOP, KOPV, KVT, UOP4 | 5n69x.3† | | BOP, KJZSV, KOP, KOPV, KVT, UOP4 | | 23 | Z01A | | |
| 07 | H41A, H41B, H41C, H41J | | 07 | H41A, H41B, H41C, H41J | Pre | A07A | | | |
| 5n69f.3† | | | BOP, KJZSV, KOP, KOPV, KVT, UOP4 | 5n69x.4 | | BOP, KJZSV, KOP, KOPV, KVT, UOP4 | 5n715 | BOP, KJZSV, KOP, KOPV, KVT, UOP4 | |
| | 06 | | G10Z, G12A, G12B, G12J, G33Z, G38Z | | 06 | G10Z, G12A, G12B, G12J, G33Z, G38Z | | 06 | G33Z |
| | 07 | | H01A, H01B, H09A, H09B, H09C, H09J, H38Z | | 07 | H02A, H02B, H38Z | | 07 | H01A, H01B, H09A, H09B, H09C, H09J, H33Z, H38Z |
| | 17 | R01A, R01B, R01C, R01D, R02Z, R12A, R12B, R12C | 17 | | R01A, R01B, R01C, R01D, R02Z, R12A, R12B, R12C | 10 | | K09A, K09B | |
| | 21A | W04A, W04B | 21A | | W04A, W04B | 23 | | Z01A | |
| 5n69f.4 | 21B | X06A, X06B, X06C | 5n69x.x† | 21B | X06A, X06B, X06C | 5n716.1 | Pre | A07A | |
| | Pre | A07A | | 07 | H41A, H41B, H41C, H41J | | BOP, KJZSV, KOP, KOPV, KVT, UOP4 | | |
| | | BOP, KJZSV, KOP, KOPV, KVT, UOP4 | | 06 | G10Z, G12A, G12B, G12J, G33Z, G38Z | | 06 | G03A, G10Z, G33Z, G38Z | |
| | 06 | G10Z, G12A, G12B, G12J, G33Z, G38Z | | 07 | H02A, H02B, H38Z | | 07 | H01A, H01B, H09A, H09B, H09C, H09J, H33Z, H38Z | |
| | 07 | H01A, H01B, H09A, H09B, H09C, H09J, H38Z | | 17 | R01A, R01B, R01C, R01D, R02Z, R12A, R12B, R12C | | 11 | L33Z | |
| 5n69f.x† | 17 | R01A, R01B, R01C, R01D, R02Z, R12A, R12B, R12C | 5n710.0 | 17 | R01A, R01B, R01C, R01D, R02Z, R12A, R12B, R12C | 5n716.2 | 21A | W04A, W04B | |
| | 21A | W04A, W04B | | 21A | W04A, W04B | | 21B | X06A, X06B, X06C | |
| | 21B | X06A, X06B, X06C | | 21B | X06A, X06B, X06C | | 23 | Z01A | |
| | Pre | A07A | | Pre | A07A | | Pre | A07A | |
| | | BOP, KJZSV, KVT, UOP4 | | 5n710.1 | | | BOP, KJZSV, KOP, KOPV, KVT, UOP4 | BOP, KJZSV, KOP, KOPV, KVT, UOP4 | |
| 07 | H41A, H41B, H41C, H41J | 06 | G33Z | | 06 | G03A, G10Z, G33Z, G38Z | | | |
| 5n69g | | BOP, KJZSV, KOP, KOPV, KVT, UOP4 | 07 | | H01A, H01B, H09A, H09B, H09C, H09J, H33Z, H38Z | 07 | H01A, H01B, H09A, H09B, H09C, H09J, H33Z, H38Z | | |
| | 06 | G10Z, G12A, G12B, G12J, G33Z, G38Z | 23 | | Z01A | 11 | L33Z | | |
| | 07 | H02A, H02B, H38Z | Pre | | A07A | 21A | W04A, W04B | | |
| | 17 | R01A, R01B, R01C, R01D, R02Z, R12A, R12B, R12C | 5n710.2 | | BOP, KJZSV, KOP, KOPV, KVT, UOP4 | 21B | X06A, X06B, X06C | | |
| | 21A | W04A, W04B | | 06 | G33Z | 23 | Z01A | | |
| 21B | X06A, X06B, X06C | 07 | | H01A, H01B, H09A, H09B, H09C, H09J, H33Z, H38Z | Pre | A07A | | | |
| Pre | A07A | 23 | | Z01A | 5n716.3 | BOP, KJZSV, KOP, KOPV, KVT, UOP4 | | | |
| | BOP, KJZSV, KVT, UOP4 | Pre | | A07A | | 06 | G03A, G10Z, G33Z, G38Z | | |
| 06 | G10Z, G12A, G12B, G12J | 5n710.x | | BOP, KJZSV, KOP, KOPV, KVT, UOP4 | | 07 | H01A, H01B, H09A, H09B, H09C, H09J, H33Z, H38Z | | |
| 07 | H05J, H05Z | | 06 | G33Z | | 11 | L33Z | | |
| 17 | R01A, R01B, R01C, R01D, R02Z, R12A, R12B, R12C | | 07 | H01A, H01B, H09A, H09B, H09C, H09J, H33Z, H38Z | | 21A | W04A, W04B | | |
| 21A | W04A, W04B | | 23 | Z01A | 21B | X06A, X06B, X06C | | | |
| 21B | X06A, X06B, X06C | | Pre | A07A | 23 | Z01A | | | |
| 5n69j | Pre | A07A | 5n710.2 | | BOP, KJZSV, KOP, KOPV, KVT, UOP4 | Pre | A07A | | |
| | 06 | G10Z, G12A, G12B, G12J | | 06 | G33Z | BOP, KJZSV, KOP, KOPV, KVT, UOP4 | | | |
| | 07 | H05J, H05Z | | 07 | H01A, H01B, H09A, H09B, H09C, H09J, H33Z, H38Z | 06 | G03A, G10Z, G33Z, G38Z | | |
| | 17 | R01A, R01B, R01C, R01D, R02Z, R12A, R12B, R12C | | 23 | Z01A | 07 | H01A, H01B, H09A, H09B, H09C, H09J, H33Z, H38Z | | |
| | 21A | W04A, W04B | | Pre | A07A | 11 | L33Z | | |
| 5n69k | 21B | X06A, X06B, X06C | 5n710.2 | | BOP, KJZSV, KOP, KOPV, KVT, UOP4 | 5n716.3 | 21A | W04A, W04B | |
| | 06 | G10Z, G12A, G12B, G12J | | 06 | G33Z | | 21B | X06A, X06B, X06C | |
| | 07 | H05J, H05Z | | 07 | H01A, H01B, H09A, H09B, H09C, H09J, H33Z, H38Z | | 23 | Z01A | |
| | 17 | R01A, R01B, R01C, R01D, R02Z, R12A, R12B, R12C | | 23 | Z01A | | Pre | A07A | |
| | 21A | W04A, W04B | | Pre | A07A | | BOP, KJZSV, KOP, KOPV, KVT, UOP4 | | |
| 5n69l | 21B | X06A, X06B, X06C | 5n710.2 | | BOP, KJZSV, KOP, KOPV, KVT, UOP4 | 5n716.3 | 06 | G03A, G10Z, G33Z, G38Z | |
| | 06 | G10Z, G12A, G12B, G12J | | 07 | H01A, H01B, H09A, H09B, H09C, H09J, H33Z, H38Z | | 07 | H01A, H01B, H09A, H09B, H09C, H09J, H33Z, H38Z | |
| | 07 | H05J, H05Z | | 23 | Z01A | | 11 | L33Z | |
| | 17 | R01A, R01B, R01C, R01D, R02Z, R12A, R12B, R12C | | Pre | A07A | | 21A | W04A, W04B | |
| | 21A | W04A, W04B | | 5n710.2 | | | BOP, KJZSV, KOP, KOPV, KVT, UOP4 | 21B | X06A, X06B, X06C |
| 21B | X06A, X06B, X06C | 06 | G33Z | | 23 | Z01A | | | |
| | BOP, KJZSV, KVT, UOP4 | 07 | H01A, H01B, H09A, H09B, H09C, H09J, H33Z, H38Z | | Pre | A07A | | | |
| 06 | G10Z, G12A, G12B, G12J | 23 | Z01A | | BOP, KJZSV, KOP, KOPV, KVT, UOP4 | | | | |
| 07 | H05J, H05Z | Pre | A07A | | 06 | G03A, G10Z, G33Z, G38Z | | | |
| 17 | R01A, R01B, R01C, R01D, R02Z, R12A, R12B, R12C | 5n710.2 | | BOP, KJZSV, KOP, KOPV, KVT, UOP4 | 07 | H01A, H01B, H09A, H09B, H09C, H09J, H33Z, H38Z | | | |
| 21A | W04A, W04B | | 06 | G33Z | 11 | L33Z | | | |
| 21B | X06A, X06B, X06C | | 07 | H01A, H01B, H09A, H09B, H09C, H09J, H33Z, H38Z | 21A | W04A, W04B | | | |
| | BOP, KJZSV, KVT, UOP4 | | 23 | Z01A | 21B | X06A, X06B, X06C | | | |
| 06 | G10Z, G12A, G12B, G12J | | Pre | A07A | 23 | Z01A | | | |
| 07 | H05J, H05Z | 5n710.2 | | BOP, KJZSV, KOP, KOPV, KVT, UOP4 | Pre | A07A | | | |
| 17 | R01A, R01B, R01C, R01D, R02Z, R12A, R12B, R12C | | 06 | G33Z | BOP, KJZSV, KOP, KOPV, KVT, UOP4 | | | | |
| 21A | W04A, W04B | | 07 | H01A, H01B, H09A, H09B, H09C, H09J, H33Z, H38Z | 06 | G03A, G10Z, G33Z, G38Z | | | |
| 21B | X06A, X06B, X06C | | 23 | Z01A | 07 | H01A, H01B, H09A, H09B, H09C, H09J, H33Z, H38Z | | | |
| | BOP, KJZSV, KVT, UOP4 | | Pre | A07A | 11 | L33Z | | | |

VYK

| ZZV | MDC | DRG | ZZV | MDC | DRG | ZZV | MDC | DRG | | | |
|----------|----------|--|--|--|--|---------|--|--|----------------------------------|---------|---------------------------------------|
| 5n716.40 | | BOP, KJZSV, KOP, KOPV, KVT, UOP4 | 5n721.0 | | BOP, KJZSV, KOP, KOPV, KVT, UOP4 | 5n722.3 | | BOP, KJZSV, KOP, KOPV, KVT, UOP4 | | | |
| | 06 | G03A, G10Z, G33Z, G38Z | | 06 | G03A, G10Z, G12A, G12B, G12J, G33Z, G38Z | | 06 | G03A, G10Z, G12A, G12B, G12J, G33Z, G38Z | | | |
| | 07 | H01A, H01B, H09A, H09B, H09J, H33Z, H38Z | | 07 | H01A, H01B, H09A, H09B, H09J, H33Z, H38Z | | 07 | H01A, H01B, H09A, H09B, H09J, H33Z, H38Z | | | |
| | 11 | L33Z | | 10 | K09A, K09B | | 11 | L33Z | | | |
| | 21A | W04A, W04B | | 11 | L33Z | | 21A | W04A, W04B | | | |
| | 21B | X06A, X06B, X06C | | 21A | W04A, W04B | | 21B | X06A, X06B, X06C, X33Z | | | |
| | 23 | Z01A | | 21B | X06A, X06B, X06C, X33Z | | 23 | Z01A | | | |
| | Pre | A07A | | 23 | Z01A | | Pre | A07A | | | |
| | 5n716.41 | | | BOP, KJZSV, KOP, KOPV, KVT, UOP4 | 5n721.2 | | | BOP, KJZSV, KOP, KOPV, KVT, UOP4 | 5n722.4 | | BOP, KJZSV, KOP, KOPV, KVT, UOP4 |
| | | 06 | | G03A, G10Z, G33Z, G38Z | | | 06 | G03A, G10Z, G12A, G12B, G12J, G33Z, G38Z | | 06 | G03A, G03B, G33Z, G38Z |
| 07 | | H01A, H01B, H09A, H09B, H09J, H33Z, H38Z | 07 | H01A, H01B, H09A, H09B, H09J, H33Z, H38Z | | 07 | H01A, H01B, H09A, H09B, H09C, H09J, H33Z, H38Z | | | | |
| 11 | | L33Z | 10 | K09A, K09B | | 11 | L33Z | | | | |
| 21A | | W04A, W04B | 11 | L33Z | | 21A | W04A, W04B | | | | |
| 21B | | X06A, X06B, X06C | 21A | W04A, W04B | | 21B | X06A, X06B, X06C, X33Z | | | | |
| 23 | | Z01A | 21B | X06A, X06B, X06C, X33Z | | 23 | Z01A | | | | |
| Pre | | A07A | 23 | Z01A | | Pre | A07A | | | | |
| 5n716.x | | | BOP, KJZSV, KOP, KOPV, KVT, UOP4 | 5n721.4 | | | BOP, KJZSV, KOP, KOPV, KVT, UOP4 | 5n722.5 | | | BOP, KJZSV, KOP, KOPV, KVT, UOP4 |
| | | 06 | G03A, G10Z, G33Z, G38Z | | | 06 | G03A, G10Z, G12A, G12B, G12J, G33Z, G38Z | | | 06 | G03A, G03B, G33Z, G38Z |
| | 07 | H01A, H01B, H09A, H09B, H09C, H09J, H33Z, H38Z | 07 | | H01A, H01B, H09A, H09B, H09J, H33Z, H38Z | 07 | H01A, H01B, H09A, H09B, H09C, H09J, H33Z, H38Z | | | | |
| | 11 | L33Z | 10 | | K09A, K09B | 11 | L33Z | | | | |
| | 21A | W04A, W04B | 11 | | L33Z | 21A | W04A, W04B | | | | |
| | 21B | X06A, X06B, X06C | 21A | | W04A, W04B | 21B | X06A, X06B, X06C, X33Z | | | | |
| | 23 | Z01A | 21B | | X06A, X06B, X06C, X33Z | 23 | Z01A | | | | |
| | Pre | A07A | 23 | | Z01A | Pre | A07A | | | | |
| | 5n720.0 | | BOP, KJZSV, KOP, KOPV, KVT, UOP4 | | 5n721.5 | | BOP, KJZSV, KOP, KOPV, KVT, UOP4 | | 5n723.1 | | BOP, KJZSV, KOP, KOPV, KVT, MVV, UOP4 |
| | | 06 | G03A, G10Z, G12A, G12B, G12J, G33Z, G38Z | | | 06 | G03A, G10Z, G12A, G12B, G12J, G33Z, G38Z | | | 06 | G03A, G03B, G33Z, G38Z |
| 07 | | H01A, H01B, H09A, H09B, H09J, H33Z, H38Z | 07 | H01A, H01B, H09A, H09B, H09J, H33Z, H38Z | | 07 | H01A, H01B, H09A, H09B, H09C, H09J, H33Z, H38Z | | | | |
| 10 | | K09A, K09B | 10 | K09A, K09B | | 11 | L33Z | | | | |
| 11 | | L33Z | 11 | L33Z | | 21A | W04A, W04B | | | | |
| 21A | | W04A, W04B | 21A | W04A, W04B | | 21B | X06A, X06B, X06C, X33Z | | | | |
| 21B | | X06A, X06B, X06C, X33Z | 21B | X06A, X06B, X06C, X33Z | | 23 | Z01A | | | | |
| 23 | | Z01A | 23 | Z01A | | Pre | A07A | | | | |
| Pre | | A07A | Pre | A07A | | 5n723.2 | | BOP, KJZSV, KOP, KOPV, KVT, MVV, UOP4 | | | |
| 5n720.2 | | | BOP, KJZSV, KOP, KOPV, KVT, UOP4 | 5n722.1 | | | | BOP, KJZSV, KOP, KOPV, KVT, UOP4 | | 5n723.3 | |
| | 06 | G03A, G10Z, G12A, G12B, G12J, G33Z, G38Z | 06 | | G03A, G03B, G33Z, G38Z | | 06 | G03A, G10Z, G12A, G12B, G12J, G33Z, G38Z | | | |
| | 07 | H01A, H01B, H09A, H09B, H09J, H33Z, H38Z | 07 | | H01A, H01B, H09A, H09B, H09C, H09J, H33Z, H38Z | | 07 | H01A, H01B, H09A, H09B, H09C, H09J, H33Z, H38Z | | | |
| | 10 | K09A, K09B | 10 | | K09A, K09B | | 11 | L33Z | | | |
| | 11 | L33Z | 11 | | L33Z | | 21A | W04A, W04B | | | |
| | 21A | W04A, W04B | 21A | | W04A, W04B | | 21B | X06A, X06B, X06C, X33Z | | | |
| | 21B | X06A, X06B, X06C, X33Z | 21B | | X06A, X06B, X06C, X33Z | | 23 | Z01A | | | |
| | 23 | Z01A | 23 | | Z01A | | Pre | A07A | | | |
| | Pre | A07A | Pre | | A07A | | 5n720.5 | | BOP, KJZSV, KOP, KOPV, KVT, UOP4 | | |
| | 5n720.5 | | BOP, KJZSV, KOP, KOPV, KVT, UOP4 | | 5n722.2 | | | BOP, KJZSV, KOP, KOPV, KVT, UOP4 | 5n722.2 | | |
| 06 | | G03A, G10Z, G12A, G12B, G12J, G33Z, G38Z | 06 | G03A, G10Z, G12A, G12B, G12J, G33Z, G38Z | | 06 | | G03A, G10Z, G12A, G12B, G12J, G33Z, G38Z | | | |
| 07 | | H01A, H01B, H09A, H09B, H09J, H33Z, H38Z | 07 | H01A, H01B, H09A, H09B, H09J, H33Z, H38Z | | 07 | | H01A, H01B, H09A, H09B, H09C, H09J, H33Z, H38Z | | | |
| 10 | | K09A, K09B | 10 | K09A, K09B | | 11 | | L33Z | | | |
| 11 | | L33Z | 11 | L33Z | | 21A | | W04A, W04B | | | |
| 21A | | W04A, W04B | 21A | W04A, W04B | | 21B | | X06A, X06B, X06C, X33Z | | | |
| 21B | | X06A, X06B, X06C, X33Z | 21B | X06A, X06B, X06C, X33Z | | 23 | | Z01A | | | |
| 23 | | Z01A | 23 | Z01A | | Pre | | A07A | | | |
| Pre | | A07A | Pre | A07A | | | | | | | |

| ZZV | MDC | DRG | ZZV | MDC | DRG | ZZV | MDC | DRG |
|----------|-----|--|----------|-----|--|---------|-----|--|
| 5n723.4 | | BOP, KJZSV, KOP, KOPV, KVT, MVV, UOP4 | 5n738† | | KJZSV | 5n74x | | BOP, KJZSV, KOP, KOPV, KVT, UOP4 |
| | 06 | G03A, G10Z, G12A, G12B, G12J, G33Z, G38Z | 5n739† | 07 | H41A, H41B, H41C, H41J | | 06 | G10Z, G33Z, G38Z |
| | 07 | H01A, H01B, H09A, H09B, H09C, H09J, H33Z, H38Z | | 07 | H41A, H41B, H41C, H41J | | 07 | H01A, H01B, H09A, H09B, H09C, H09J, H33Z, H38Z |
| | 11 | L33Z | 5n73a.0† | | KJZSV | | 11 | L33Z |
| | 21A | W04A, W04B | 5n73a.1† | 07 | H41A, H41B, H41C, H41J | | 21A | W04A, W04B |
| | 21B | X06A, X06B, X06C, X33Z | | 07 | H41A, H41B, H41C, H41J | | 21B | X06A, X06B, X06C, X33Z |
| | 23 | Z01A | 5n73b.0† | | KJZSV | | 23 | Z01A |
| | Pre | A07A | 5n73b.1† | 07 | H41A, H41B, H41C, H41J | 5n790.0 | Pre | A07A |
| 5n723.7 | | KJZSV | | 07 | H41A, H41B, H41C, H41J | | | BOP, KJZSV, KOP, KOPV, KVT, UOP4 |
| 5n72x.0 | 23 | Z04Z | 5n73x† | 07 | H41A, H41B, H41C, H41J | | 06 | G10Z, G15Z, G19A, G19B, G33Z, G38Z |
| | 06 | G03A, G10Z, G12A, G12B, G12J, G33Z, G38Z | 5n740 | | BOP, KJZSV, KOP, KOPV, KVT, UOP4 | | 07 | H01A, H01B, H09A, H09B, H09C, H09J, H33Z, H38Z |
| | 07 | H01A, H01B, H09A, H09B, H09C, H09J, H33Z, H38Z | | 06 | G10Z, G33Z, G38Z | | 11 | L33Z |
| | 11 | L33Z | | 07 | H01A, H01B, H09A, H09B, H09C, H09J, H33Z, H38Z | | 21B | X06A, X06B, X06C |
| | 21A | W04A, W04B | | 11 | L33Z | | 23 | Z01A |
| | 21B | X06A, X06B, X06C, X33Z | | 21A | W04A, W04B | 5n790.2 | Pre | A07A |
| | 23 | Z01A | | 21B | X06A, X06B, X06C, X33Z | | | BOP, KJZSV, KOP, KOPV, KVT, UOP4 |
| | Pre | A07A | | 23 | Z01A | | 06 | G10Z, G15Z, G19A, G19B, G33Z, G38Z |
| 5n72x.1 | Pre | A07A | 5n741 | Pre | A07A | | 07 | H01A, H01B, H09A, H09B, H09C, H09J, H33Z, H38Z |
| | | BOP, KJZSV, KOP, KOPV, KVT, MVV, UOP4 | | 06 | G10Z, G33Z, G38Z | | 11 | L33Z |
| | 06 | G03A, G10Z, G12A, G12B, G12J, G33Z, G38Z | | 07 | H01A, H01B, H09A, H09B, H09C, H09J, H33Z, H38Z | | 21B | X06A, X06B, X06C |
| | 07 | H01A, H01B, H09A, H09B, H09C, H09J, H33Z, H38Z | | 11 | L33Z | | 23 | Z01A |
| | 11 | L33Z | | 21A | W04A, W04B | 5n790.4 | Pre | A07A |
| | 21A | W04A, W04B | | 21B | X06A, X06B, X06C, X33Z | | | BOP, KJZSV, KOP, KOPV, KVT, UOP4 |
| | 21B | X06A, X06B, X06C, X33Z | | 23 | Z01A | | 06 | G10Z, G15Z, G19A, G19B, G33Z, G38Z |
| | 23 | Z01A | | Pre | A07A | | 07 | H01A, H01B, H09A, H09B, H09C, H09J, H33Z, H38Z |
| | Pre | A07A | 5n742 | | BOP, KJZSV, KOP, KOPV, KVT, UOP4 | | 11 | L33Z |
| 5n731† | | KJZSV | | 06 | G10Z, G33Z, G38Z | | 21B | X06A, X06B, X06C |
| | 07 | H08A, H41A, H41B, H41C, H41J | | 07 | H01A, H01B, H09A, H09B, H09C, H09J, H33Z, H38Z | | 23 | Z01A |
| 5n732.0† | | KJZSV | | 11 | L33Z | 5n790.x | Pre | A07A |
| | 07 | H08A, H41A, H41B, H41C, H41J | | 21A | W04A, W04B | | | BOP, KJZSV, KOP, KOPV, KVT, UOP4 |
| 5n732.1† | | KJZSV | | 21B | X06A, X06B, X06C, X33Z | | 06 | G10Z, G15Z, G19A, G19B, G33Z, G38Z |
| | 07 | H08A, H41A, H41B, H41C, H41J | | 23 | Z01A | | 07 | H01A, H01B, H09A, H09B, H09C, H09J, H33Z, H38Z |
| 5n732.2† | | KJZSV | 5n743 | Pre | A07A | | 11 | L33Z |
| | 07 | H08A, H41A, H41B, H41C, H41J | | | BOP, KJZSV, KOP, KOPV, KVT, UOP4 | | 21B | X06A, X06B, X06C |
| 5n732.3† | | KJZSV | | 06 | G10Z, G33Z, G38Z | | 23 | Z01A |
| | 07 | H08A, H41A, H41B, H41C, H41J | | 07 | H01A, H01B, H09A, H09B, H09C, H09J, H33Z, H38Z | 5n791.0 | Pre | A07A |
| 5n732.4† | | KJZSV | | 11 | L33Z | | | BOP, KJZSV, KOP, KOPV, KVT, UOP4 |
| | 07 | H08A, H41A, H41B, H41C, H41J | | 21A | W04A, W04B | | 06 | G10Z, G15Z, G19A, G19B, G33Z, G38Z |
| 5n732.5† | | KJZSV | | 21B | X06A, X06B, X06C, X33Z | | 07 | H01A, H01B, H09A, H09B, H09C, H09J, H33Z, H38Z |
| | 07 | H08A, H41A, H41B, H41C, H41J | 5n74a | 23 | Z01A | | 11 | L33Z |
| 5n732.x† | | KJZSV | | Pre | A07A | | 21B | X06A, X06B, X06C |
| | 07 | H08A, H41A, H41B, H41C, H41J | 5n74b | | BOP, KJZSV, KVT, UOP4 | | 23 | Z01A |
| 5n733† | | KJZSV | | Pre | A06A, A07A, A09A, A16A, A16B | | Pre | A07A |
| | 07 | H08A, H41A, H41B, H41C, H41J | | 07 | H01A, H01B, H09A, H09B, H09C, H09J, H38Z | 5n791.x | | BOP, KJZSV, KOP, KOPV, KVT, UOP4 |
| 5n733† | | KJZSV | | Pre | A02Z, A06A, A07A, A09A, A16A | | 06 | G10Z, G15Z, G19A, G19B, G33Z, G38Z |
| | 07 | H41A, H41B, H41C, H41J | 5n74c | | BOP, KJZSV, KVT, UOP4 | | 07 | H01A, H01B, H09A, H09B, H09C, H09J, H33Z, H38Z |
| 5n734† | | KJZSV | | Pre | A02Z, A06A, A07A, A09A, A16A | | 11 | L33Z |
| | 07 | H41A, H41B, H41C, H41J | | | BOP, KJZSV, KVT, UOP4 | | 21B | X06A, X06B, X06C |
| 5n735† | | KJZSV | | | A02Z, A06A, A07A, A09A, A16A, A16B | | 23 | Z01A |
| | 07 | H41A, H41B, H41C, H41J | | | | | Pre | A07A |
| 5n736† | | KJZSV | | | | | | BOP, KJZSV, KOP, KOPV, KVT, UOP4 |
| | 07 | H41A, H41B, H41C, H41J | | | | | 06 | G10Z, G15Z, G19A, G19B, G33Z, G38Z |
| 5n737† | | KJZSV | | | | | 07 | H01A, H01B, H09A, H09B, H09C, H09J, H33Z, H38Z |
| | 07 | H41A, H41B, H41C, H41J | | | | | 11 | L33Z |
| | 07 | H41A, H41B, H41C, H41J | | | | | 21B | X06A, X06B, X06C |
| | 07 | H41A, H41B, H41C, H41J | | | | | 23 | Z01A |
| | 07 | H41A, H41B, H41C, H41J | | | | | Pre | A07A |

| ZZV | MDC | DRG | ZZV | MDC | DRG | ZZV | MDC | DRG |
|---------|-----|--|---------|-----|--|---------|---------|--|
| 5n792.0 | | BOP, KJZSV, KOP, KOPV, KVT, UOP4 | 5n795.x | | BOP, KJZSV, KOP, KOPV, KVT, UOP4 | 5n79c.x | | BOP, KJZSV, KOP, KOPV, KVT, UOP4 |
| | 06 | G10Z, G33Z, G38Z | | 06 | G10Z, G12A, G12B, G12J, G33Z, G38Z | | 06 | G10Z, G12A, G12B, G12J, G33Z, G38Z |
| | 07 | H01A, H01B, H09A, H09B, H09C, H09J, H33Z, H38Z | | 07 | H01A, H01B, H09A, H09B, H09C, H09J, H33Z, H38Z | | 07 | H01A, H01B, H09A, H09B, H09C, H09J, H33Z, H38Z |
| | 11 | L33Z | | 11 | L33Z | | 10 | K09A, K09B |
| | 23 | Z01A | | 17 | R01A, R01B, R01C, R01D, R02Z, R12A, R12B, R12C | | 11 | L33Z |
| | Pre | A07A | | 21A | W04A, W04B | | 17 | R01A, R01B, R01C, R01D, R02Z, R12A, R12B, R12C |
| 5n792.x | | BOP, KJZSV, KOP, KOPV, KVT, UOP4 | | 21B | X06A, X06B, X06C | | 21A | W04A, W04B |
| | 06 | G10Z, G33Z, G38Z | | 23 | Z01A | | 21B | X06A, X06B, X06C |
| | 07 | H01A, H01B, H09A, H09B, H09C, H09J, H33Z, H38Z | | Pre | A07A | | 23 | Z01A |
| | 11 | L33Z | 5n79a.0 | | BOP, KJZSV, KOP, KOPV, KVT, UOP4 | | Pre | A07A |
| | 23 | Z01A | | 06 | G10Z, G33Z, G38Z | | 5n79d.0 | |
| | Pre | A07A | | 07 | H01A, H01B, H09A, H09B, H09C, H09J, H33Z, H38Z | | | BOP, KJZSV, KOP, KOPV, KVT, UOP4 |
| 5n793.0 | | BOP, KJZSV, KOP, KOPV, KVT, UOP4 | | 11 | L33Z | | 06 | G10Z, G12A, G12B, G12J, G33Z, G38Z |
| | 06 | G10Z, G33Z, G38Z | | 21A | W04A, W04B | | 07 | H01A, H01B, H09A, H09B, H09C, H09J, H33Z, H38Z |
| | 07 | H01A, H01B, H09A, H09B, H09C, H09J, H33Z, H38Z | | 21B | X06A, X06B, X06C | | 10 | K09A, K09B |
| | 10 | K09A, K09B | | 23 | Z01A | | 11 | L33Z |
| | 11 | L33Z | | Pre | A07A | | 17 | R01A, R01B, R01C, R01D, R02Z, R12A, R12B, R12C |
| | 23 | Z01A | 5n79a.x | | BOP, KJZSV, KOP, KOPV, KVT, UOP4 | | 21A | W04A, W04B |
| | Pre | A07A | | 06 | G10Z, G33Z, G38Z | | 21B | X06A, X06B, X06C |
| 5n793.x | | BOP, KJZSV, KOP, KOPV, KVT, UOP4 | | 07 | H01A, H01B, H09A, H09B, H09C, H09J, H33Z, H38Z | | 23 | Z01A |
| | 06 | G10Z, G33Z, G38Z | | 11 | L33Z | | Pre | A07A |
| | 07 | H01A, H01B, H09A, H09B, H09C, H09J, H33Z, H38Z | | 21A | W04A, W04B | | 5n79d.x | |
| | 10 | K09A, K09B | | 21B | X06A, X06B, X06C | | | BOP, KJZSV, KOP, KOPV, KVT, UOP4 |
| | 11 | L33Z | | 23 | Z01A | | 06 | G10Z, G12A, G12B, G12J, G33Z, G38Z |
| | 23 | Z01A | | Pre | A07A | | 07 | H01A, H01B, H09A, H09B, H09C, H09J, H33Z, H38Z |
| | Pre | A07A | 5n79b.0 | | BOP, KJZSV, KVT, UOP4 | | 10 | K09A, K09B |
| 5n794.0 | | BOP, KJZSV, KOP, KOPV, KVT, UOP4 | | 07 | H05J, H05Z | | 11 | L33Z |
| | 06 | G10Z, G33Z, G38Z | | 17 | R01A, R01B, R01C, R01D, R02Z, R12A, R12B, R12C | | 17 | R01A, R01B, R01C, R01D, R02Z, R12A, R12B, R12C |
| | 07 | H01A, H01B, H09A, H09B, H09C, H09J, H33Z, H38Z | | 21A | W04A, W04B | | 21A | W04A, W04B |
| | 10 | K09A, K09B | | 21B | X06A, X06B, X06C | | 21B | X06A, X06B, X06C |
| | 11 | L33Z | 5n79b.x | | BOP, KJZSV, KVT, UOP4 | | 23 | Z01A |
| | 23 | Z01A | | 07 | H05J, H05Z | | Pre | A07A |
| | Pre | A07A | | 17 | R01A, R01B, R01C, R01D, R02Z, R12A, R12B, R12C | | 5n79g.0 | |
| 5n794.x | | BOP, KJZSV, KOP, KOPV, KVT, UOP4 | | 21A | W04A, W04B | | | BOP, KJZSV, KOP, KOPV, KVT, UOP4 |
| | 06 | G10Z, G33Z, G38Z | | 21B | X06A, X06B, X06C | | 06 | G10Z, G12A, G12B, G12J, G33Z, G38Z |
| | 07 | H01A, H01B, H09A, H09B, H09C, H09J, H33Z, H38Z | 5n79c.0 | | BOP, KJZSV, KOP, KOPV, KVT, UOP4 | | 07 | H01A, H01B, H09A, H09B, H09C, H09J, H33Z, H38Z |
| | 10 | K09A, K09B | | 06 | G10Z, G12A, G12B, G12J, G33Z, G38Z | | 11 | L33Z |
| | 11 | L33Z | | 07 | H01A, H01B, H09A, H09B, H09C, H09J, H33Z, H38Z | | 17 | R01A, R01B, R01C, R01D, R02Z, R12A, R12B, R12C |
| | 23 | Z01A | | 10 | K09A, K09B | | 21A | W04A, W04B |
| | Pre | A07A | | 11 | L33Z | | 21B | X06A, X06B, X06C |
| 5n795.0 | | BOP, KJZSV, KOP, KOPV, KVT, UOP4 | | 17 | R01A, R01B, R01C, R01D, R02Z, R12A, R12B, R12C | | 23 | Z01A |
| | 06 | G10Z, G12A, G12B, G12J, G33Z, G38Z | | 21A | W04A, W04B | | Pre | A07A |
| | 07 | H01A, H01B, H09A, H09B, H09C, H09J, H33Z, H38Z | | 21B | X06A, X06B, X06C | | 5n79g.x | |
| | 11 | L33Z | | 23 | Z01A | | | BOP, KJZSV, KOP, KOPV, KVT, UOP4 |
| | 17 | R01A, R01B, R01C, R01D, R02Z, R12A, R12B, R12C | | Pre | A07A | | 06 | G10Z, G12A, G12B, G12J, G33Z, G38Z |
| | 21A | W04A, W04B | | | | | 07 | H01A, H01B, H09A, H09B, H09C, H09J, H33Z, H38Z |
| | 21B | X06A, X06B, X06C | | | | | 11 | L33Z |
| | 23 | Z01A | | | | | 17 | R01A, R01B, R01C, R01D, R02Z, R12A, R12B, R12C |
| | Pre | A07A | | | | | 21A | W04A, W04B |

| ZZV | MDC | DRG | ZZV | MDC | DRG | ZZV | MDC | DRG | |
|---------|---------|--|----------------------------------|--|--|---------|----------------------------------|--|--|
| 5n79h.0 | | BOP, KJZSV, KOP, KOPV, KVT, UOP4 | 5n79k.x | | BOP, KJZSV, KOP, KOPV, KVT, UOP4 | 5n79n.0 | | KJZSV | |
| | 06 | G10Z, G12A, G12B, G12J, G33Z, G38Z | | 06 | G10Z, G12A, G12B, G12J, G33Z, G38Z | | 5n79n.6† | | 07 H12A KJZSV |
| | 07 | H01A, H01B, H09A, H09B, H09C, H09J, H33Z, H38Z | | 07 | H01A, H01B, H09A, H09B, H09C, H09J, H33Z, H38Z | | 06 | | G40Z, G46A, G46B, G46C, G47Z, G50Z |
| | 11 | L33Z | | 11 | L33Z | | 07 | | H41A, H41B, H41J |
| | 17 | R01A, R01B, R01C, R01D, R02Z, R12A, R12B, R12C | | 17 | R01A, R01B, R01C, R01D, R02Z, R12A, R12B, R12C | | 5n79n.x‡ | | KJZSV |
| | 21A | W04A, W04B | | 21A | W04A, W04B | | 06 | | G40Z, G46A, G46B, G46C, G47Z, G50Z |
| | 21B | X06A, X06B, X06C | | 21B | X06A, X06B, X06C | | 07 | | H41A, H41B, H41C, H41J |
| | 23 | Z01A | | 23 | Z01A | | 5n79p‡ | | KJZSV |
| | Pre | A07A | | Pre | A07A | | 06 | | G40Z, G46A, G46B, G46C, G47Z, G50Z |
| | 5n79h.x | | | BOP, KJZSV, KOP, KOPV, KVT, UOP4 | 5n79m.0 | | | BOP, KJZSV, KOP, KOPV, KVT, UOP4 | 5n79x.0 |
| 06 | | G10Z, G12A, G12B, G12J, G33Z, G38Z | 06 | G10Z, G12A, G12B, G12J, G33Z, G38Z | | 06 | | G10Z, G12A, G12B, G12J, G33Z, G38Z | |
| 07 | | H01A, H01B, H09A, H09B, H09C, H09J, H33Z, H38Z | 07 | H01A, H01B, H09A, H09B, H09C, H09J, H33Z, H38Z | | 07 | | H01A, H01B, H09A, H09B, H09C, H09J, H33Z, H38Z | |
| 11 | | L33Z | 10 | K09A, K09B | | 10 | | K09A, K09B | |
| 17 | | R01A, R01B, R01C, R01D, R02Z, R12A, R12B, R12C | 11 | L33Z | | 11 | | L33Z | |
| 21A | | W04A, W04B | 17 | R01A, R01B, R01C, R01D, R02Z, R12A, R12B, R12C | | 17 | | R01A, R01B, R01C, R01D, R02Z, R12A, R12B, R12C | |
| 21B | | X06A, X06B, X06C | 21A | W04A, W04B | | 21A | | W04A, W04B | |
| 23 | | Z01A | 21B | X06A, X06B, X06C | | 21B | | X06A, X06B, X06C | |
| Pre | | A07A | 23 | Z01A | | 23 | | Z01A | |
| 5n79j.0 | | | BOP, KJZSV, KOP, KOPV, KVT, UOP4 | 5n79m.2 | | | BOP, KJZSV, KOP, KOPV, KVT, UOP4 | 5n79x.2 | |
| | 06 | G10Z, G12A, G12B, G12J, G33Z, G38Z | 06 | | G10Z, G12A, G12B, G12J, G33Z, G38Z | 06 | | | G10Z, G12A, G12B, G12J, G33Z, G38Z |
| | 07 | H01A, H01B, H09A, H09B, H09C, H09J, H33Z, H38Z | 07 | | H01A, H01B, H09A, H09B, H09C, H09J, H33Z, H38Z | 07 | | | H01A, H01B, H09A, H09B, H09C, H09J, H33Z, H38Z |
| | 11 | L33Z | 10 | | K09A, K09B | 10 | | | K09A, K09B |
| | 17 | R01A, R01B, R01C, R01D, R02Z, R12A, R12B, R12C | 11 | | L33Z | 11 | | | L33Z |
| | 21A | W04A, W04B | 17 | | R01A, R01B, R01C, R01D, R02Z, R12A, R12B, R12C | 17 | | | R01A, R01B, R01C, R01D, R02Z, R12A, R12B, R12C |
| | 21B | X06A, X06B, X06C | 21A | | W04A, W04B | 21A | | | W04A, W04B |
| | 23 | Z01A | 21B | | X06A, X06B, X06C | 21B | | | X06A, X06B, X06C |
| | Pre | A07A | Pre | | A07A | 23 | | | Z01A |
| | 5n79j.x | | BOP, KJZSV, KOP, KOPV, KVT, UOP4 | | 5n79m.4 | | BOP, KJZSV, KOP, KOPV, KVT, UOP4 | | 5n79x.4 |
| 06 | | G10Z, G12A, G12B, G12J, G33Z, G38Z | 06 | G10Z, G12A, G12B, G12J, G33Z, G38Z | | 06 | | G10Z, G12A, G12B, G12J, G33Z, G38Z | |
| 07 | | H01A, H01B, H09A, H09B, H09C, H09J, H33Z, H38Z | 07 | H01A, H01B, H09A, H09B, H09C, H09J, H33Z, H38Z | | 07 | | H01A, H01B, H09A, H09B, H09C, H09J, H33Z, H38Z | |
| 11 | | L33Z | 10 | K09A, K09B | | 10 | | K09A, K09B | |
| 17 | | R01A, R01B, R01C, R01D, R02Z, R12A, R12B, R12C | 11 | L33Z | | 11 | | L33Z | |
| 21A | | W04A, W04B | 17 | R01A, R01B, R01C, R01D, R02Z, R12A, R12B, R12C | | 17 | | R01A, R01B, R01C, R01D, R02Z, R12A, R12B, R12C | |
| 21B | | X06A, X06B, X06C | 21A | W04A, W04B | | 21A | | W04A, W04B | |
| 23 | | Z01A | 21B | X06A, X06B, X06C | | 21B | | X06A, X06B, X06C | |
| Pre | | A07A | Pre | A07A | | 23 | | Z01A | |
| 5n79k.0 | | | BOP, KJZSV, KOP, KOPV, KVT, UOP4 | 5n79m.x | | | BOP, KJZSV, KOP, KOPV, KVT, UOP4 | 5n79x.x | |
| | 06 | G10Z, G12A, G12B, G12J, G33Z, G38Z | 06 | | G10Z, G12A, G12B, G12J, G33Z, G38Z | 06 | | | G10Z, G12A, G12B, G12J, G33Z, G38Z |
| | 07 | H01A, H01B, H09A, H09B, H09C, H09J, H33Z, H38Z | 07 | | H01A, H01B, H09A, H09B, H09C, H09J, H33Z, H38Z | 07 | | | H01A, H01B, H09A, H09B, H09C, H09J, H33Z, H38Z |
| | 11 | L33Z | 10 | | K09A, K09B | 10 | | | K09A, K09B |
| | 17 | R01A, R01B, R01C, R01D, R02Z, R12A, R12B, R12C | 11 | | L33Z | 11 | | | L33Z |
| | 21A | W04A, W04B | 17 | | R01A, R01B, R01C, R01D, R02Z, R12A, R12B, R12C | 17 | | | R01A, R01B, R01C, R01D, R02Z, R12A, R12B, R12C |
| | 21B | X06A, X06B, X06C | 21A | | W04A, W04B | 21A | | | W04A, W04B |
| | 23 | Z01A | 21B | | X06A, X06B, X06C | 21B | | | X06A, X06B, X06C |
| | Pre | A07A | Pre | | A07A | 23 | | | Z01A |
| | | | | | | Pre | | | A07A |

VYK

| ZZV | MDC | DRG | ZZV | MDC | DRG | ZZV | MDC | DRG |
|----------|-----|------------------------------------|---------|-----|------------------------------|---------|-----|--|
| 5n823.1↔ | | BOP, KVT, UOP4 | 5n830.3 | | BOP, KVT, UOP4 | 5n854.1 | | BOP, KVT, UOP4 |
| | 05 | F21A, F21B, F21J | | 06 | G24J, G24Z, G25J, G25Z | | 06 | G08A, G08B, G08J, G25J, G25Z |
| | 06 | G09J, G09Z, G24J, G24Z, G25J, G25Z | | 21A | W04A, W04B | | 21A | W04A, W04B |
| | 07 | H06A, H06B, H06C | 5n830.x | | BOP, KVT, UOP4 | | 21B | X06A, X06B |
| 5n823.2↔ | | BOP, KVT, UOP4 | | 06 | G24J, G24Z, G25J, G25Z | 5n854.3 | | X06A, X06B, X06C |
| | 05 | F21A, F21B, F21J | | 21A | W04A, W04B | | 22 | Y01Z, Y03A, Y03B |
| | 06 | G09J, G09Z, G24J, G24Z, G25J, G25Z | | 21B | X06A, X06B | | 06 | BOP, KVT, UOP4 |
| | 07 | H06A, H06B, H06C | 5n831 | | BOP, KVT, UOP4 | | 06 | G08A, G08B, G08J, G25J, G25Z |
| 5n823.x↔ | | BOP, KVT, UOP4 | | 06 | G24J, G24Z, G25J, G25Z | | 21A | W04A, W04B |
| | 05 | F21A, F21B, F21J | | 21A | W04A, W04B | | 21B | X06A, X06B, X06C |
| | 06 | G09J, G09Z, G24J, G24Z, G25J, G25Z | 5n832 | | BOP, KVT, UOP4 | | 22 | Y01Z, Y03A, Y03B |
| | 07 | H06A, H06B, H06C | | 06 | G24J, G24Z, G25J, G25Z | 5n854.4 | | BOP, KVT, UOP4 |
| 5n824↔ | | BOP, KJZSV, KVT, UOP4 | | 21A | W04A, W04B | | 06 | G08A, G08B, G08J, G25J, G25Z |
| | 05 | F21A, F21B, F21J | | 21B | X06A, X06B | | 21A | W04A, W04B |
| | 06 | G09J, G09Z, G24J, G24Z, G25J, G25Z | 5n833.0 | | BOP, KVT, UOP4 | | 21B | X06A, X06B, X06C |
| | 07 | H06A, H06B, H06C | | 06 | G24J, G24Z, G25J, G25Z | | 22 | Y01Z, Y03A, Y03B |
| 5n825↔ | | BOP, KVT, UOP4 | | 21A | W04A, W04B | 5n854.x | | BOP, KVT, UOP4 |
| | 05 | F21A, F21B, F21J | 5n833.1 | | BOP, KVT, UOP4 | | 06 | G08A, G08B, G08J, G25J, G25Z |
| | 06 | G09J, G09Z, G24J, G24Z, G25J, G25Z | | 06 | G24J, G24Z, G25J, G25Z | | 21A | W04A, W04B |
| | 07 | H06A, H06B, H06C | | 21A | W04A, W04B | | 21B | X06A, X06B, X06C |
| 5n826↔ | | BOP, KVT, UOP4 | 5n833.2 | | BOP, KVT, UOP4 | 5n85x | | Y01Z, Y03A, Y03B |
| | 05 | F21A, F21B, F21J | | 06 | G24J, G24Z, G25J, G25Z | | 06 | BOP, KVT, UOP4 |
| | 06 | G09J, G09Z, G24J, G24Z, G25J, G25Z | | 21A | W04A, W04B | 5n860 | | G24J, G24Z, G25J, G25Z |
| | 07 | H06A, H06B, H06C | | 21B | X06A, X06B | | 06 | BOP, KJZSV, KVT, UOP4 |
| 5n827.0↔ | | BOP, KVT, UOP4 | 5n833.x | | BOP, KVT, UOP4 | | 06 | G01Z, G02Z, G24J, G24Z, G25J, G25Z, G38Z |
| | 05 | F21A, F21B, F21J | | 06 | G24J, G24Z, G25J, G25Z | | 21A | W04A, W04B |
| | 06 | G09J, G09Z, G24J, G24Z, G25J, G25Z | | 21A | W04A, W04B | | 21B | X06A, X06B, X06C |
| | 07 | H06A, H06B, H06C | | 21B | X06A, X06B | 5n861 | | Pre A13A, A13B, A13C |
| 5n827.1↔ | | BOP, KVT, UOP4 | 5n83x | | BOP, KVT, UOP4 | | 06 | BOP, KJZSV, KVT, UOP4 |
| | 05 | F21A, F21B, F21J | | 06 | G24J, G24Z, G25J, G25Z | | 06 | G01Z, G02Z, G24J, G24Z, G25J, G25Z, G38Z |
| | 06 | G09J, G09Z, G24J, G24Z, G25J, G25Z | | 21A | W04A, W04B | | 21A | W04A, W04B |
| | 07 | H06A, H06B, H06C | 5n840 | | X06A, X06B | | 21B | X06A, X06B, X06C |
| 5n827.2↔ | | BOP, KVT, UOP4 | | 06 | G24J, G24Z, G25J, G25Z | 5n862 | | Pre A13A, A13B, A13C |
| | 05 | F21A, F21B, F21J | 5n841 | | BOP, KVT, UOP4 | | 06 | BOP, KVT, UOP4 |
| | 06 | G09J, G09Z, G24J, G24Z, G25J, G25Z | | 06 | G24J, G24Z, G25J, G25Z | | 06 | G01Z, G02Z, G08A, G08B, G08J, G25J, G25Z, G38Z |
| | 07 | H06A, H06B, H06C | 5n842 | | BOP, KVT, UOP4 | | 21A | W04A, W04B |
| 5n827.x↔ | | BOP, KVT, UOP4 | | 06 | G24J, G24Z, G25J, G25Z | | 21B | X06A, X06B, X06C |
| | 05 | F21A, F21B, F21J | 5n843.0 | | BOP, KVT, UOP4 | | Pre | A13A, A13B, A13C |
| | 06 | G09J, G09Z, G24J, G24Z, G25J, G25Z | | 06 | G24J, G24Z, G25J, G25Z | 5n863 | | BOP, KVT, UOP4 |
| | 07 | H06A, H06B, H06C | 5n843.1 | | BOP, KVT, UOP4 | | 06 | G01Z, G02Z, G08A, G08B, G08J, G25J, G25Z, G38Z |
| 5n828↔ | | BOP, KJZSV, KVT, UOP4 | | 06 | G24J, G24Z, G25J, G25Z | | 21A | W04A, W04B |
| | 05 | F21A, F21B, F21J | 5n843.2 | | BOP, KVT, UOP4 | | 21B | X06A, X06B, X06C |
| | 06 | G09J, G09Z, G24J, G24Z, G25J, G25Z | | 06 | G24J, G24Z, G25J, G25Z | | Pre | A13A, A13B, A13C |
| | 07 | H06A, H06B, H06C | 5n843.x | | BOP, KVT, UOP4 | 5n864 | | BOP, KVT, UOP4 |
| 5n828x↔ | | BOP, KJZSV, KVT, UOP4 | | 06 | G24J, G24Z, G25J, G25Z | | 06 | G01Z, G02Z, G08A, G08B, G08J, G25J, G25Z, G38Z |
| | 05 | F21A, F21B, F21J | 5n84x | | BOP, KVT, UOP4 | | 21A | W04A, W04B |
| | 06 | G09J, G09Z, G24J, G24Z, G25J, G25Z | | 06 | G24J, G24Z, G25J, G25Z | | 21B | X06A, X06B, X06C |
| | 07 | H06A, H06B, H06C | 5n850 | | BOP, KVT, UOP4 | | Pre | A13A, A13B, A13C |
| 5n82x↔ | | BOP, KVT, UOP4 | | 06 | G24J, G24Z, G25J, G25Z | 5n86x | | BOP, KJZSV, KVT, UOP4 |
| | 05 | F21A, F21B, F21J | 5n851 | | BOP, KVT, UOP4 | | 06 | G01Z, G02Z, G24J, G24Z, G25J, G25Z, G38Z |
| | 06 | G09J, G09Z, G24J, G24Z, G25J, G25Z | | 06 | G24J, G24Z, G25J, G25Z | | 21A | W04A, W04B |
| | 07 | H06A, H06B, H06C | 5n852 | | BOP, KVT, UOP4 | | 21B | X06A, X06B, X06C |
| 5n830.1 | | BOP, KVT, UOP4 | | 06 | G24J, G24Z, G25J, G25Z | | Pre | A13A, A13B, A13C |
| | 06 | G24J, G24Z, G25J, G25Z | 5n853 | | BOP, KVT, UOP4 | | | |
| | 21A | W04A, W04B | | 06 | G08A, G08B, G08J, G25J, G25Z | | | |
| | 21B | X06A, X06B | | 21A | W04A, W04B | | | |
| 5n830.2 | | BOP, KVT, UOP4 | | 21B | X06A, X06B, X06C | | | |
| | 06 | G24J, G24Z, G25J, G25Z | | 22 | Y01Z, Y03A, Y03B | | | |
| | 21A | W04A, W04B | | | | | | |
| | 21B | X06A, X06B | | | | | | |

| ZZV | MDC | DRG | ZZV | MDC | DRG | ZZV | MDC | DRG | | | |
|---------|-------|--|------------------------------------|--|--|---------|--|--|-------|----|------------------------------------|
| 5n870 | | BOP, KJZSV, KOP, KOPV, KVT, UOP4 | 5n874.1 | | BOP, KJZSV, KOP, KOPV, KVT, UOP4 | 5n874.x | | BOP, KJZSV, KOP, KOPV, KVT, UOP4 | | | |
| | 04 | E05A, E05B, E05C, E08A, E08B, E08C | | 04 | E05A, E05B, E05C, E08A, E08B, E08C | | 04 | E05A, E05B, E05C, E08A, E08B, E08C | | | |
| | 06 | G01Z, G02Z, G15Z, G19A, G19B, G19C, G33Z, G38Z | | 06 | G01Z, G02Z, G15Z, G19A, G19B, G19C, G33Z, G38Z | | 06 | G01Z, G02Z, G15Z, G19A, G19B, G19C, G33Z, G38Z | | | |
| | 07 | H33Z, H38Z | | 07 | H33Z, H38Z | | 07 | H33Z, H38Z | | | |
| | 11 | L33Z | | 11 | L33Z | | 11 | L33Z | | | |
| | 21A | W04A, W04B | | 21A | W04A, W04B | | 21A | W04A, W04B | | | |
| | 21B | X06A, X06B, X06C | | 21B | X06A, X06B, X06C | | 21B | X06A, X06B, X06C | | | |
| | 23 | Z01A | | 23 | Z01A | | 23 | Z01A | | | |
| | Pre | A07A, A13A, A13B, A13C | | Pre | A07A, A13A, A13B, A13C | | Pre | A07A, A13A, A13B, A13C | | | |
| | 5n871 | | | BOP, KJZSV, KOP, KOPV, KVT, UOP4 | 5n874.2 | | | BOP, KJZSV, KOP, KOPV, KVT, UOP4 | 5n875 | | BOP, KJZSV, KOP, KOPV, KVT, UOP4 |
| | | 04 | | E05A, E05B, E05C, E08A, E08B, E08C | | | 04 | E05A, E05B, E05C, E08A, E08B, E08C | | 04 | E05A, E05B, E05C, E08A, E08B, E08C |
| 06 | | G01Z, G02Z, G15Z, G19A, G19B, G19C, G33Z, G38Z | 06 | G01Z, G02Z, G15Z, G19A, G19B, G33Z, G38Z | | 06 | G01Z, G02Z, G15Z, G19A, G19B, G33Z, G38Z | | | | |
| 07 | | H33Z, H38Z | 07 | H33Z, H38Z | | 07 | H33Z, H38Z | | | | |
| 11 | | L33Z | 11 | L33Z | | 11 | L33Z | | | | |
| 21A | | W04A, W04B | 21A | W04A, W04B | | 21A | W04A, W04B | | | | |
| 21B | | X06A, X06B, X06C | 21B | X06A, X06B, X06C | | 21B | X06A, X06B, X06C | | | | |
| 23 | | Z01A | 23 | Z01A | | 23 | Z01A | | | | |
| Pre | | A07A, A13A, A13B, A13C | Pre | A07A, A13A, A13B, A13C | | Pre | A07A, A13A, A13B, A13C | | | | |
| 5n872 | | | BOP, KJZSV, KOP, KOPV, KVT, UOP4 | 5n874.3 | | | BOP, KJZSV, KOP, KOPV, KVT, UOP4 | 5n876 | | | BOP, KJZSV, KOP, KOPV, KVT, UOP4 |
| | | 04 | E05A, E05B, E05C, E08A, E08B, E08C | | | 04 | E05A, E05B, E05C, E08A, E08B, E08C | | | 04 | E05A, E05B, E05C, E08A, E08B, E08C |
| | 06 | G01Z, G02Z, G15Z, G19A, G19B, G19C, G33Z, G38Z | 06 | | G01Z, G02Z, G15Z, G19A, G19B, G33Z, G38Z | 06 | G01Z, G02Z, G15Z, G19A, G19B, G33Z, G38Z | | | | |
| | 07 | H33Z, H38Z | 07 | | H33Z, H38Z | 07 | H33Z, H38Z | | | | |
| | 11 | L33Z | 11 | | L33Z | 11 | L33Z | | | | |
| | 21A | W04A, W04B | 21A | | W04A, W04B | 21A | W04A, W04B | | | | |
| | 21B | X06A, X06B, X06C | 21B | | X06A, X06B, X06C | 21B | X06A, X06B, X06C | | | | |
| | 23 | Z01A | 23 | | Z01A | 23 | Z01A | | | | |
| | Pre | A07A, A13A, A13B, A13C | Pre | | A07A, A13A, A13B, A13C | Pre | A07A, A13A, A13B, A13C | | | | |
| | 5n873 | | BOP, KJZSV, KOP, KOPV, KVT, UOP4 | | 5n874.4 | | BOP, KJZSV, KOP, KOPV, KVT, UOP4 | | 5n877 | | BOP, KJZSV, KOP, KOPV, KVT, UOP4 |
| | | 04 | E05A, E05B, E05C, E08A, E08B, E08C | | | 04 | E05A, E05B, E05C, E08A, E08B, E08C | | | 04 | E05A, E05B, E05C, E08A, E08B, E08C |
| 06 | | G01Z, G02Z, G15Z, G19A, G19B, G19C, G33Z, G38Z | 06 | G01Z, G02Z, G15Z, G19A, G19B, G33Z, G38Z | | 06 | G01Z, G02Z, G15Z, G19A, G19B, G33Z, G38Z | | | | |
| 07 | | H33Z, H38Z | 07 | H33Z, H38Z | | 07 | H33Z, H38Z | | | | |
| 11 | | L33Z | 11 | L33Z | | 11 | L33Z | | | | |
| 21A | | W04A, W04B | 21A | W04A, W04B | | 21A | W04A, W04B | | | | |
| 21B | | X06A, X06B, X06C | 21B | X06A, X06B, X06C | | 21B | X06A, X06B, X06C | | | | |
| 23 | | Z01A | 23 | Z01A | | 23 | Z01A | | | | |
| Pre | | A07A, A13A, A13B, A13C | Pre | A07A, A13A, A13B, A13C | | Pre | A07A, A13A, A13B, A13C | | | | |
| 5n874.0 | | | BOP, KJZSV, KOP, KOPV, KVT, UOP4 | 5n874.5 | | | BOP, KJZSV, KOP, KOPV, KVT, UOP4 | 5n878 | | | BOP, KJZSV, KOP, KOPV, KVT, UOP4 |
| | | 04 | E05A, E05B, E05C, E08A, E08B, E08C | | | 04 | E05A, E05B, E05C, E08A, E08B, E08C | | | 04 | E05A, E05B, E05C, E08A, E08B, E08C |
| | 06 | G01Z, G02Z, G15Z, G19A, G19B, G33Z, G38Z | 06 | | G01Z, G02Z, G15Z, G19A, G19B, G33Z, G38Z | 06 | G01Z, G02Z, G15Z, G19A, G19B, G33Z, G38Z | | | | |
| | 07 | H33Z, H38Z | 07 | | H33Z, H38Z | 07 | H33Z, H38Z | | | | |
| | 11 | L33Z | 11 | | L33Z | 11 | L33Z | | | | |
| | 21A | W04A, W04B | 21A | | W04A, W04B | 21A | W04A, W04B | | | | |
| | 21B | X06A, X06B, X06C | 21B | | X06A, X06B, X06C | 21B | X06A, X06B, X06C | | | | |
| | 23 | Z01A | 23 | | Z01A | 23 | Z01A | | | | |
| | Pre | A07A, A13A, A13B, A13C | Pre | | A07A, A13A, A13B, A13C | Pre | A07A, A13A, A13B, A13C | | | | |

VYK

| ZZV | MDC | DRG | ZZV | MDC | DRG | ZZV | MDC | DRG | |
|-------|------------|--|------------------------|--|--|--|--|--|--|
| 5n913 | | BOP, KJZSV, KVT, UOP4 | 5n917 | | BOP, KJZSV, KVT, UOP4 | 5n920.x | | BOP, KJZSV, UOP4 | |
| | 05 | F13A, F21A, F21B, F21J | | 05 | F13A, F21A, F21B, F21J | | 06 | G10Z, G12A, G12B, G12C, G12J | |
| | 06 | G10Z, G12A, G12B, G12J | | 06 | G10Z, G12A, G12B, G12J | | 07 | H06A, H06B, H06C | |
| | 07 | H06A, H06B, H06C | | 07 | H05J, H05Z | | 09 | J03A, J03B, J04A, J04B, J08A, J08B, J08C, J11A, J11B, J11J, J11Q, J11R, J11S, J16Z | |
| | 09 | J03A, J03B, J04A, J04B, J08A, J08B, J08C, J11A, J11B, J11J, J11Q, J11R, J11S, J16Z | | 09 | J03A, J03B, J04A, J04B, J08A, J08B, J08C, J11A, J11B, J11J, J11Q, J11R, J11S, J16Z | | 10 | K09A, K09B | |
| | 10 | K09A, K09B | | 10 | K09A, K09B | | 21A | W04A, W04B | |
| | 11 | L09A, L09B, L09C, L09J, L38Z | | 11 | L09A, L09B, L09C, L09J, L38Z | | 21B | X06A, X06B | |
| | 12 | M01A, M01B, M38Z | | 12 | M01A, M01B, M38Z | | 5n921 | BOP, KJZSV, UOP4 | |
| | 13 | N11A, N11B, N11J | | 13 | N11A, N11B, N11J | | 06 | G10Z, G12A, G12B, G12C, G12J | |
| | 14 | 962Z, O02A, O02B, O04A | | 14 | 962Z, O02A, O02B, O04A | | 07 | H06A, H06B, H06C | |
| | 17 | R01A, R01B, R01C, R01D, R02Z, R12A, R12B, R12C | | 17 | R01A, R01B, R01C, R01D, R02Z, R12A, R12B, R12C | | 08 | I27A, I27B, I27C, I27D, I27J, I27Q | |
| | 21A | W04A, W04B | | 21A | W04A, W04B | | 09 | J03A, J03B, J04A, J04B, J08A, J08B, J08C, J11A, J11B, J11J, J11Q, J11R, J11S, J16Z | |
| | 21B | X06A, X06B | | 21B | X06A, X06B | | 10 | K09A, K09B | |
| | 22 | Y01Z, Y03A, Y03B | | 22 | Y01Z, Y03A, Y03B | | 21A | W04A, W04B | |
| | 23 | Z01A | | 5n91x | BOP, KJZSV, KVT, UOP4 | | 21B | X06A, X06B, X06C | |
| | 5n914 | | | BOP, KJZSV, KVT, UOP4 | 05 | | F13A, F21A, F21B, F21J | 5n922 | BOP, KJZSV, UOP4 |
| | | 05 | | F13A, F21A, F21B, F21J | 06 | | G10Z, G12A, G12B, G12J | 06 | G10Z, G12A, G12B, G12C, G12J |
| | | 06 | | G10Z, G12A, G12B, G12J | 07 | | H05J, H05Z | 08 | I27A, I27B, I27C, I27D, I27J, I27Q |
| | | 07 | | H05J, H05Z | 09 | | J03A, J03B, J04A, J04B, J08A, J08B, J08C, J11A, J11B, J11J, J11Q, J11R, J11S, J16Z | 09 | J03A, J03B, J04A, J04B, J08A, J08B, J08C, J11A, J11B, J11J, J11Q, J11R, J11S, J16Z |
| | | 09 | | J03A, J03B, J04A, J04B, J08A, J08B, J08C, J11A, J11B, J11J, J11Q, J11R, J11S, J16Z | 10 | | K09A, K09B | 10 | K09A, K09B |
| | | 10 | | K09A, K09B | 11 | | L09A, L09B, L09C, L09J, L38Z | 5n923 | BOP, KJZSV, UOP4 |
| | | 11 | | L09A, L09B, L09C, L09J, L38Z | 12 | | M01A, M01B, M38Z | 06 | G10Z, G12A, G12B, G12C, G12J |
| | | 12 | | M01A, M01B, M38Z | 13 | | N11A, N11B, N11J | 08 | I27A, I27B, I27C, I27D, I27J, I27Q |
| 13 | | N11A, N11B, N11J | 14 | 962Z, O02A, O02B | 09 | J03A, J03B, J04A, J04B, J08A, J08B, J08C, J11A, J11B, J11J, J11Q, J11R, J11S, J16Z | | | |
| 14 | | 962Z, O02A, O02B, O04A | 17 | R01A, R01B, R01C, R01D, R02Z, R12A, R12B, R12C | 10 | K09A, K09B | | | |
| 17 | | R01A, R01B, R01C, R01D, R02Z, R12A, R12B, R12C | 21A | W04A, W04B | 5n929 | BOP, KJZSV, UOP4 | | | |
| 21A | | W04A, W04B | 21B | X06A, X06B | 06 | G10Z, G12A, G12B, G12C, G12J | | | |
| 21B | | X06A, X06B | 22 | Y01Z, Y03A, Y03B | 07 | H06A, H06B, H06C | | | |
| 22 | | Y01Z, Y03A, Y03B | 5n920.1 | BOP, KJZSV, UOP4 | 09 | J03A, J03B, J04A, J04B, J08A, J08B, J08C, J11A, J11B, J11J, J11Q, J11R, J11S, J16Z | | | |
| 5n915 | | BOP, KJZSV, KVT, UOP4 | 06 | G10Z, G12A, G12B, G12C, G12J | 10 | K09A, K09B | | | |
| | 05 | F13A | 07 | H06A, H06B, H06C | 5n929 | BOP, KJZSV, UOP4 | | | |
| | 06 | G10Z, G12A, G12B, G12J | 09 | J03A, J03B, J04A, J04B, J08A, J08B, J08C, J11A, J11B, J11J, J11Q, J11R, J11S, J16Z | 06 | G10Z, G12A, G12B, G12C, G12J | | | |
| | 07 | H06A, H06B, H06C | 10 | K09A, K09B | 07 | H06A, H06B, H06C | | | |
| | 09 | J03A, J03B, J04A, J04B, J08A, J08B, J08C, J11A, J11B, J11J, J11Q, J11R, J11S, J16Z | 21A | W04A, W04B | 09 | J03A, J03B, J04A, J04B, J08A, J08B, J08C, J11A, J11B, J11J, J11Q, J11R, J11S, J16Z | | | |
| | 10 | K09A, K09B | 21B | X06A, X06B | 10 | K09A, K09B | | | |
| | 11 | L03Z, L04A, L04B, L04C, L04J, L10Z, L13A, L13B, L38Z | 5n920.2 | BOP, KJZSV, KVT, UOP4 | 21A | W04A, W04B | | | |
| | 12 | M06J, M06Z, M09A, M09B, M09J, M38Z | 06 | G10Z, G12A, G12B, G12J | 21B | X06A, X06B, X06C | | | |
| | 13 | N11A, N11B, N11J | 07 | H06A, H06B, H06C | 5n92a | BOP, KJZSV, KVT, UOP4 | | | |
| | 17 | R01A, R01B, R01C, R01D, R02Z, R12A, R12B, R12C | 10 | K09A, K09B | 06 | G10Z, G12A, G12B, G12J | | | |
| | 21A | W04A, W04B | 5n920.3 | BOP, KJZSV, UOP4 | 07 | H06A, H06B, H06C | | | |
| 21B | X06A, X06B | 06 | G10Z, G12A, G12B, G12J | 10 | K09A, K09B | | | | |
| 5n916 | | BOP, KJZSV, KVT, UOP4 | 07 | H06A, H06B, H06C | 17 | R01A, R01B, R01C, R01D, R02Z, R12A, R12B, R12C | | | |
| | 05 | F13A | 09 | J03A, J03B, J04A, J04B, J08A, J08B, J08C, J11A, J11B, J11J, J11Q, J11R, J11S, J16Z | 5n92b | BOP, KJZSV, KVT, UOP4 | | | |
| | 06 | G10Z, G12A, G12B, G12J | 10 | K09A, K09B | 06 | G10Z, G12A, G12B, G12J | | | |
| | 07 | H06A, H06B, H06C | 21A | W04A, W04B | 07 | H06A, H06B, H06C | | | |
| | 09 | J03A, J03B, J04A, J04B, J08A, J08B, J08C, J11A, J11B, J11J, J11Q, J11R, J11S, J16Z | 21B | X06A, X06B | 10 | K09A, K09B | | | |
| | 10 | K09A, K09B | | | 11 | L09A, L38Z | | | |
| | 21A | W04A, W04B | | | 17 | R01A, R01B, R01C, R01D, R02Z, R12A, R12B, R12C | | | |
| | 21B | X06A, X06B | | | 23 | Z01A | | | |

VYK

| ZZV | MDC | DRG | ZZV | MDC | DRG | ZZV | MDC | DRG | | |
|---------|---------|--|------------------|--|--|--|--|--|-----------------------|--|
| 5n92c | | BOP, KJZSV, KVT, UOP4 | 5n930 | | BOP, KJZSV, UOP4 | 5n933 | | BOP, KJZSV, KVT, UOP4 | | |
| | 06 | G10Z, G12A, G12B, G12J, G38Z | | 06 | G10Z, G12A, G12B, G12J | | 05 | F13A | | |
| | 07 | H06A, H06B, H06C | | 07 | H06A, H06B, H06C | | 06 | G10Z, G12A, G12B, G12J, G18A, G38Z | | |
| | 10 | K09A, K09B | | 09 | J03A, J03B, J04A, J04B, J08A, J08B, J08C, J11A, J11B, J11J, J11Q, J11R, J11S, J16Z | | 07 | H06A, H06B, H06C | | |
| | 11 | L09A, L38Z | | | | | 10 | K09A, K09B | | |
| | 13 | N01A, N01B, N01C, N01D, N01E, N11A, N38Z | | 13 | N11A, N11B, N11J | | 11 | L09A, L38Z | | |
| | 17 | R01A, R01B, R01C, R01D, R02Z, R12A, R12B, R12C | | 17 | R01A, R01B, R01C, R01D, R02Z, R12A, R12B, R12C | | 17 | R01A, R01B, R01C, R01D, R02Z, R12A, R12B, R12C | | |
| | 23 | Z01A | | 21A | W04A, W04B | | 21A | W04A, W04B | | |
| | 5n92d.0 | | | BOP, KJZSV, KOP, KVT, UOP4 | 21B | | X06A, X06B | 21B | X06A, X06B | |
| | | 06 | | G03B, G10Z, G12A, G12B, G12J, G18A, G38Z | 22 | | Y01Z, Y03A, Y03B | 5n934.1 | BOP, KJZSV, KVT, UOP4 | |
| | | 07 | | H06A, H06B, H06C | 06 | | BOP, KJZSV, KVT, UOP4 | | 06 | G01Z, G02Z, G24J, G24Z, G25J, G25Z, G38Z |
| | | 10 | | K09A, K09B | 07 | | G01Z, G02Z, G10Z, G12A, G12B, G12J, G38Z | | 07 | H06A, H06B, H06C |
| | | 11 | | L09A, L38Z | 07 | | H06A, H06B, H06C | | 08 | I27A, I27B, I27C, I27D, I27J, I27Q |
| | | 13 | | N11A, N11J | 17 | | R01A, R01B, R01C, R01D, R02Z, R12A, R12B, R12C | | 09 | J03A, J03B, J04A, J04B, J08A, J08B, J08C, J11A, J11B, J11J, J11Q, J11R, J11S, J16Z |
| | | 17 | | R01A, R01B, R01C, R01D, R02Z, R12A, R12B, R12C | 21A | | W04A, W04B | | 17 | R01A, R01B, R01C, R01D, R02Z, R12A, R12B, R12C |
| | 5n92d.1 | | | BOP, KJZSV, KOP, KVT, MVV, UOP4 | 21B | | X06A, X06B | | 21A | W04A, W04B |
| | | 06 | | G03B, G10Z, G12A, G12B, G12J, G18A, G38Z | Pre | | A13A, A13B, A13C | 21B | X06A, X06B | |
| 07 | | H06A, H06B, H06C | 5n932.1 | 06 | BOP, KJZSV, KVT, UOP4 | Pre | A13A, A13B, A13C | | | |
| 10 | | K09A, K09B | | 06 | G01Z, G02Z, G24J, G24Z, G25J, G25Z, G38Z | 5n934.2 | BOP, KJZSV, KVT, UOP4 | | | |
| 13 | | N11A, N11J | | 07 | H06A, H06B, H06C | | 06 | G01Z, G02Z, G24J, G24Z, G25J, G25Z, G38Z | | |
| 17 | | R01A, R01B, R01C, R01D, R02Z, R12A, R12B, R12C | | 08 | I27A, I27B, I27C, I27D, I27J, I27Q | | 07 | H06A, H06B, H06C | | |
| 23 | | Z01A | | 09 | J03A, J03B, J04A, J04B, J08A, J08B, J08C, J11A, J11B, J11J, J11Q, J11R, J11S, J16Z | | 08 | I27A, I27B, I27C, I27D, I27J, I27Q | | |
| 5n92d.2 | | BOP, KJZSV, KOP, KVT, UOP4 | | 17 | R01A, R01B, R01C, R01D, R02Z, R12A, R12B, R12C | | 09 | J03A, J03B, J04A, J04B, J08A, J08B, J08C, J11A, J11B, J11J, J11Q, J11R, J11S, J16Z | | |
| | 06 | G03B, G10Z, G12A, G12B, G12J, G18A, G38Z | | 21A | W04A, W04B | | 17 | R01A, R01B, R01C, R01D, R02Z, R12A, R12B, R12C | | |
| | 07 | H06A, H06B, H06C | 21B | X06A, X06B | 21A | | W04A, W04B | | | |
| | 10 | K09A, K09B | Pre | A13A, A13B, A13C | 21B | X06A, X06B | | | | |
| | 11 | L09A, L38Z | 5n932.2 | 06 | BOP, KJZSV, KVT, UOP4 | Pre | A13A, A13B, A13C | | | |
| | 13 | N11A, N11J | | 06 | G01Z, G02Z, G24J, G24Z, G25J, G25Z, G38Z | 5n93x | BOP, KJZSV, KVT, UOP4 | | | |
| | 17 | R01A, R01B, R01C, R01D, R02Z, R12A, R12B, R12C | | 07 | H06A, H06B, H06C | | 06 | G24J, G24Z, G25J, G25Z | | |
| 5n92e | | BOP, KJZSV, KVT, UOP4 | | 08 | I27A, I27B, I27C, I27D, I27J, I27Q | | 07 | H06A, H06B, H06C | | |
| | 06 | G10Z, G12A, G12B, G12J | | 09 | J03A, J03B, J04A, J04B, J08A, J08B, J08C, J11A, J11B, J11J, J11Q, J11R, J11S, J16Z | | 09 | J03A, J03B, J04A, J04B, J08A, J08B, J08C, J11A, J11B, J11J, J11Q, J11R, J11S, J16Z | | |
| | 07 | H06A, H06B, H06C | | 17 | R01A, R01B, R01C, R01D, R02Z, R12A, R12B, R12C | | 17 | R01A, R01B, R01C, R01D, R02Z, R12A, R12B, R12C | | |
| | 10 | K03A, K03B, K09A, K09B | | 21A | W04A, W04B | | 21A | W04A, W04B | | |
| | 11 | L09A, L38Z | 21B | X06A, X06B | 21B | | X06A, X06B | | | |
| | 13 | N01A, N01B, N01C, N01D, N01E, N02A, N02B, N02C, N03A, N03B, N04Z, N14Z, N21J, N21Z, N38Z | Pre | A13A, A13B, A13C | 5n991 | BOP, KJZSV, KVT, UOP4 | | | | |
| | 17 | R01A, R01B, R01C, R01D, R02Z, R12A, R12B, R12C | 06 | BOP, KJZSV, KVT, UOP4 | | 05 | F13A, F21A, F21B, F21J | | | |
| 5n92x | | BOP, KJZSV, KVT, UOP4 | 06 | G01Z, G02Z, G24J, G24Z, G25J, G25Z, G38Z | | 06 | G01Z, G02Z, G10Z, G12A, G12B, G12J, G38Z | | | |
| | 06 | G10Z, G12A, G12B, G12J | 07 | H06A, H06B, H06C | | 07 | H05J, H05Z | | | |
| | 07 | H06A, H06B, H06C | 08 | I27A, I27B, I27C, I27D, I27J, I27Q | | 11 | L09A, L09B, L09C, L09J, L38Z | | | |
| | 10 | K09A, K09B | 09 | J03A, J03B, J04A, J04B, J08A, J08B, J08C, J11A, J11B, J11J, J11Q, J11R, J11S, J16Z | | 13 | N11A, N11B, N11J | | | |
| | 13 | N11A, N11B, N11J | 17 | R01A, R01B, R01C, R01D, R02Z, R12A, R12B, R12C | | 14 | O04A | | | |
| | 17 | R01A, R01B, R01C, R01D, R02Z, R12A, R12B, R12C | 21A | W04A, W04B | 17 | R01A, R01B, R01C, R01D, R02Z, R12A, R12B, R12C | | | | |
| | | | 21B | X06A, X06B | 21A | W04A, W04B | | | | |
| | | Pre | A13A, A13B, A13C | 21B | X06A, X06B | | | | | |
| | | | | 22 | Y01Z, Y03A, Y03B | | | | | |
| | | | | Pre | A13A, A13B, A13C | | | | | |

VYK

| ZZV | MDC | DRG | ZZV | MDC | DRG | ZZV | MDC | DRG | | | | |
|---------|---------|--|--|------------------------|--|--|------------------------------|--|--|--|--|--|
| 5n991.1 | | BOP, KJZSV, KVT, UOP4 | 5n995 | | BOP, KJZSV, KVT, UOP4 | 5n998.2 | | BOP, KJZSV, KVT, UOP4 | | | | |
| | 05 | F13A | | 05 | F21A, F21B, F21J | | 05 | F21A, F21B, F21J | | | | |
| | 06 | G01Z, G02Z, G10Z, G12A, G12B, G12J, G38Z | | 06 | G10Z, G12A, G12B, G12J | | 06 | G10Z, G12A, G12B, G12J | | | | |
| | 07 | H06A, H06B, H06C | | 07 | H06A, H06B, H06C | | 07 | H12A, H12B | | | | |
| | 09 | J03A, J03B, J04A, J04B, J08A, J08B, J08C, J11A, J11B, J11J, J11Q, J11R, J11S, J16Z | | 10 | K09A, K09B | | 11 | L09A, L09B, L09C, L09J, L38Z | | | | |
| | 13 | N11A, N11B, N11J | | 11 | L02A, L02B, L02C, L38Z | | 13 | N11A, N11B, N11J | | | | |
| | 14 | O04A | | 17 | R01A, R01B, R01C, R01D, R02Z, R12A, R12B, R12C | | 14 | O04A | | | | |
| | 17 | R01A, R01B, R01C, R01D, R02Z, R12A, R12B, R12C | | 21A | W04A, W04B | | 17 | R01A, R01B, R01C, R01D, R02Z, R12A, R12B, R12C | | | | |
| | 21A | W04A, W04B | | 21B | X06A, X06B, X06C | | 21A | W04A, W04B | | | | |
| | 21B | X06A, X06B, X06C | | 5n996 | | | BOP, KJZSV, KVT, UOP4 | 21B | X06A, X06B, X06C | | | |
| | 22 | Y01Z, Y03A, Y03B | | | 04 | | E02A, E02B, E02C, E02D | 22 | Y01Z, Y03A, Y03B | | | |
| | Pre | A13A, A13B, A13C | | | 05 | | F21A, F21B, F21J | 5n998.3 | | BOP, KVT, UOP4 | | |
| | 5n991.2 | | | | BOP, KJZSV, KVT, UOP4 | | 06 | | G10Z, G12A, G12B, G12J | 05 | F21A, F21B, F21J | |
| | | 05 | | | F13A | | 07 | | H06A, H06B, H06C | 06 | G10Z, G12A, G12B, G12J | |
| | | 06 | | | G01Z, G02Z, G10Z, G12A, G12B, G12J, G38Z | | 11 | | L02A, L02B, L02C, L38Z | 07 | H12A, H12B | |
| | | 07 | | | H06A, H06B, H06C | | 17 | | R01A, R01B, R01C, R01D, R02Z, R12A, R12B, R12C | 11 | L09A, L09B, L09C, L09J, L38Z | |
| | | 09 | | | J03A, J03B, J04A, J04B, J08A, J08B, J08C, J11A, J11B, J11J, J11Q, J11R, J11S, J16Z | | 21A | | W04A, W04B | 13 | N11A, N11B, N11J | |
| 13 | | N11A, N11B, N11J | 21B | | X06A, X06B, X06C | 14 | O04A | | | | | |
| 14 | | O04A | 5n997 | | | BOP, KJZSV, KVT, UOP4 | 17 | | R01A, R01B, R01C, R01D, R02Z, R12A, R12B, R12C | | | |
| 17 | | R01A, R01B, R01C, R01D, R02Z, R12A, R12B, R12C | | | 05 | F21A, F21B, F21C, F21J | 21A | | W04A, W04B | | | |
| 21A | | W04A, W04B | | | 06 | G10Z, G12A, G12B, G12J | 21B | | X06A, X06B, X06C | | | |
| 21B | | X06A, X06B, X06C | | | 07 | H06A, H06B, H06C | 22 | | Y01Z, Y03A, Y03B | | | |
| 22 | | Y01Z, Y03A, Y03B | | | 11 | L09A, L09B, L09C, L09J, L38Z | 5o100.1↔ | | | BOP, KJZSV, KVT, UOP4 | | |
| Pre | | A13A, A13B, A13C | | | 13 | N11A, N11B, N11J | | | 08 | I28A, I28B, I28J | | |
| 5n991.x | | | | | BOP, KJZSV, KVT, UOP4 | 17 | | | R01A, R01B, R01C, R01D, R02Z, R12A, R12B, R12C | 11 | L03Z, L04A, L04B, L04C, L04J, L10Z, L13A, L13B, L38Z | |
| | | 05 | | | F13A | 21A | | | W04A, W04B | 17 | R01A, R01B, R01C, R01D, R02Z, R12A, R12B, R12C | |
| | | 06 | | G10Z, G12A, G12B, G12J | 21B | X06A, X06B, X06C | | | 21A | W01A, W01B, W01C, W02A, W02B, W04A, W04B | | |
| | | 07 | | H06A, H06B, H06C | 22 | Y01Z, Y03A, Y03B | | | 21B | X06A, X06B, X06C | | |
| | | 13 | | N11A, N11B, N11J | 5n998.0 | | | BOP, KJZSV, KVT, UOP4 | 5o100.2↔ | | BOP, KJZSV, KVT, UOP4 | |
| | 21A | W04A, W04B | | 05 | | F21A, F21B, F21J | | 08 | | I28A, I28B, I28J | | |
| | 21B | X06A, X06B, X06C | | 06 | | G10Z, G12A, G12B, G12J | | 11 | | L03Z, L04A, L04B, L04C, L04J, L10Z, L13A, L13B, L38Z | | |
| | 22 | Y01Z, Y03A, Y03B | | 07 | | H12A, H12B | | 17 | | R01A, R01B, R01C, R01D, R02Z, R12A, R12B, R12C | | |
| | 5n993 | | | BOP, KJZSV, KVT, UOP4 | | 11 | | L09A, L09B, L09C, L09J, L38Z | | 21A | W01A, W01B, W01C, W02A, W02B, W04A, W04B | |
| | | 05 | | F13A | | 13 | | N11A, N11B, N11J | | 21B | X06A, X06B, X06C | |
| | | 06 | | G10Z, G12A, G12B, G12J | | 14 | | O04A | | 5o100.4↔ | | BOP, KJZSV, KVT, UOP4 |
| | | 07 | H12A, H12B | 17 | | R01A, R01B, R01C, R01D, R02Z, R12A, R12B, R12C | | 08 | | | I28A, I28B, I28J | |
| | | 11 | L09A, L09B, L09C, L09J, L38Z | 21A | | W04A, W04B | | 11 | | | L03Z, L04A, L04B, L04C, L04J, L10Z, L13A, L13B, L38Z | |
| | | 13 | N11A, N11B, N11J | 21B | | X06A, X06B, X06C | | 17 | | | R01A, R01B, R01C, R01D, R02Z, R12A, R12B, R12C | |
| | | 17 | R01A, R01B, R01C, R01D, R02Z, R12A, R12B, R12C | 22 | | Y01Z, Y03A, Y03B | | 21A | | | W01A, W01B, W01C, W02A, W02B, W04A, W04B | |
| | | 21A | W04A, W04B | 5n998.1 | | | BOP, KJZSV, KVT, UOP4 | 21B | | | X06A, X06B, X06C | |
| | | 21B | X06A, X06B, X06C | | | 05 | F21A, F21B, F21J | 5o100.5 | | | | BOP, KJZSV, KVT, UOP4 |
| 22 | | Y01Z, Y03A, Y03B | 06 | | | G10Z, G12A, G12B, G12J | 08 | | | | I28A, I28B, I28J | |
| 5n994 | | | BOP, KJZSV, KOP, KOPV, KVT, UOP4 | | | 07 | H12A, H12B | | | | 11 | L03Z, L04A, L04B, L04C, L04J, L10Z, L13A, L13B, L38Z |
| | | 06 | G10Z, G12A, G12B, G12J, G33Z | | | 11 | L09A, L09B, L09C, L09J, L38Z | | | | 17 | R01A, R01B, R01C, R01D, R02Z, R12A, R12B, R12C |
| | | 07 | H01A, H01B, H09A, H09B, H09C, H09J, H33Z, H38Z | | | 13 | N11A, N11B, N11J | | | | 21A | W04A, W04B |
| | | 11 | L33Z | | 14 | O04A | 21B | | X06A, X06B, X06C | | | |
| | | 17 | R01A, R01B, R01C, R01D, R02Z, R12A, R12B, R12C | | 17 | R01A, R01B, R01C, R01D, R02Z, R12A, R12B, R12C | 08 | | I28A, I28B, I28J | | | |
| | | 23 | Z01A | | 21A | W04A, W04B | 11 | | L03Z, L04A, L04B, L04C, L04J, L10Z, L13A, L13B, L38Z | | | |
| | | Pre | A07A | | 21B | X06A, X06B, X06C | 17 | | R01A, R01B, R01C, R01D, R02Z, R12A, R12B, R12C | | | |
| | | | 22 | | Y01Z, Y03A, Y03B | 21A | W04A, W04B | | | | | |
| | | | | | | 21B | X06A, X06B, X06C | | | | | |

| ZZV | MDC | DRG | ZZV | MDC | DRG | ZZV | MDC | DRG |
|----------|-----|--|----------|-----|--|-----------|-----|--|
| 5o107.4↔ | | BOP, KJZSV, KVT, UOP4 | 5o109.5 | | BOP, KJZSV, KVT, UOP4 | 5o110.1↔ | | BOP, KJZSV, KOP, KVT, MVV, UOP4 |
| | 11 | L03Z, L04A, L04B, L04C, L04J, L10Z, L13A, L13B, L38Z | | 11 | L03Z, L04A, L04B, L04C, L04J, L10Z, L13A, L13B, L38Z | | 06 | G10Z, G18A, G38Z |
| | 21A | W04A, W04B | | 21A | W04A, W04B | | 07 | H01A |
| 5o107.5 | 21B | X06A, X06B, X06C | 5o109.x↔ | 21B | X06A, X06B, X06C | 5o110.2↔ | 11 | L03Z, L04A, L04B, L04C, L04J, L10Z, L13A, L13B, L38Z |
| | 11 | BOP, KJZSV, KVT, UOP4 | | 11 | BOP, KJZSV, KVT, UOP4 | | 17 | R01A, R01B, R01C, R01D, R02Z, R12A, R12B, R12C |
| | 21A | L03Z, L04A, L04B, L04C, L04J, L10Z, L13A, L13B, L38Z | | 21A | L03Z, L04A, L04B, L04C, L04J, L10Z, L13A, L13B, L38Z | | 21A | W04A, W04B |
| 5o107.x↔ | 21B | W04A, W04B | 5o10a.1↔ | 21B | W04A, W04B | 5o110.3↔ | 21B | X06A, X06B, X06C |
| | 11 | BOP, KJZSV, KVT, UOP4 | | 11 | BOP, KJZSV, KVT, UOP4 | | 06 | G10Z, G18A, G38Z |
| | 21A | L03Z, L04A, L04B, L04C, L04J, L10Z, L13A, L13B, L38Z | | 21A | L03Z, L04A, L04B, L04C, L04J, L10Z, L13A, L13B, L38Z | | 07 | H01A |
| 5o108.1↔ | 21B | X06A, X06B, X06C | 5o10a.2↔ | 21B | X06A, X06B, X06C | 5o110.4↔ | 11 | L03Z, L04A, L04B, L04C, L04J, L10Z, L13A, L13B, L38Z |
| | 11 | BOP, KJZSV, KVT, UOP4 | | 11 | BOP, KJZSV, KVT, UOP4 | | 17 | R01A, R01B, R01C, R01D, R02Z, R12A, R12B, R12C |
| | 21A | L03Z, L04A, L04B, L04C, L04J, L10Z, L13A, L13B, L38Z | | 21A | L03Z, L04A, L04B, L04C, L04J, L10Z, L13A, L13B, L38Z | | 21A | W04A, W04B |
| 5o108.2↔ | 21B | W04A, W04B | 5o10a.4↔ | 21B | W04A, W04B | 5o110.5↔ | 21B | X06A, X06B, X06C |
| | 11 | BOP, KJZSV, KVT, UOP4 | | 11 | BOP, KJZSV, KVT, UOP4 | | 06 | G10Z, G18A, G38Z |
| | 21A | L03Z, L04A, L04B, L04C, L04J, L10Z, L13A, L13B, L38Z | | 21A | L03Z, L04A, L04B, L04C, L04J, L10Z, L13A, L13B, L38Z | | 07 | H01A |
| 5o108.4↔ | 21B | X06A, X06B, X06C | 5o10a.x↔ | 21B | X06A, X06B, X06C | 5o110.6↔ | 11 | L03Z, L04A, L04B, L04C, L04J, L10Z, L13A, L13B, L38Z |
| | 11 | BOP, KJZSV, KVT, UOP4 | | 11 | BOP, KVT, UOP4 | | 17 | R01A, R01B, R01C, R01D, R02Z, R12A, R12B, R12C |
| | 21A | L03Z, L04A, L04B, L04C, L04J, L10Z, L13A, L13B, L38Z | | 21A | L03Z, L09A, L09B, L09C, L09J, L10Z, L13A, L13B, L38Z | | 21A | W04A, W04B |
| 5o108.5 | 21B | W04A, W04B | 5o10x.1↔ | 21B | W04A, W04B | 5o110.7↔ | 21B | X06A, X06B, X06C |
| | 11 | BOP, KJZSV, KVT, UOP4 | | 11 | BOP, KJZSV, KVT, UOP4 | | 06 | G10Z, G18A, G38Z |
| | 21A | L03Z, L04A, L04B, L04C, L04J, L10Z, L13A, L13B, L38Z | | 21A | L03Z, L04A, L04B, L04C, L04J, L10Z, L13A, L13B, L38Z | | 07 | H01A |
| 5o108.x↔ | 21B | X06A, X06B, X06C | 5o10x.2↔ | 21B | X06A, X06B, X06C | 5o110.8↔ | 11 | L03Z, L04A, L04B, L04C, L04J, L10Z, L13A, L13B, L38Z |
| | 11 | BOP, KJZSV, KVT, UOP4 | | 11 | BOP, KJZSV, KVT, UOP4 | | 17 | R01A, R01B, R01C, R01D, R02Z, R12A, R12B, R12C |
| | 21A | L03Z, L04A, L04B, L04C, L04J, L10Z, L13A, L13B, L38Z | | 21A | L03Z, L04A, L04B, L04C, L04J, L10Z, L13A, L13B, L38Z | | 21A | W04A, W04B |
| 5o109.1↔ | 21B | W04A, W04B | 5o10x.4↔ | 21B | W04A, W04B | 5o110.9↔ | 21B | X06A, X06B, X06C |
| | 11 | BOP, KJZSV, KVT, UOP4 | | 11 | BOP, KJZSV, KVT, UOP4 | | 06 | G10Z, G18A, G38Z |
| | 21A | L03Z, L04A, L04B, L04C, L04J, L10Z, L13A, L13B, L38Z | | 21A | L03Z, L04A, L04B, L04C, L04J, L10Z, L13A, L13B, L38Z | | 07 | H01A |
| 5o109.2↔ | 21B | X06A, X06B, X06C | 5o10x.5 | 21B | X06A, X06B, X06C | 5o110.10↔ | 11 | L03Z, L04A, L04B, L04C, L04J, L10Z, L13A, L13B, L38Z |
| | 11 | BOP, KJZSV, KVT, UOP4 | | 11 | BOP, KJZSV, KVT, UOP4 | | 17 | R01A, R01B, R01C, R01D, R02Z, R12A, R12B, R12C |
| | 21A | L03Z, L04A, L04B, L04C, L04J, L10Z, L13A, L13B, L38Z | | 21A | L03Z, L04A, L04B, L04C, L04J, L10Z, L13A, L13B, L38Z | | 21A | W04A, W04B |
| 5o109.4↔ | 21B | W04A, W04B | 5o10x.x↔ | 21B | W04A, W04B | 5o110.11↔ | 21B | X06A, X06B, X06C |
| | 11 | BOP, KJZSV, KVT, UOP4 | | 11 | BOP, KJZSV, KVT, UOP4 | | 06 | G10Z, G18A, G38Z |
| | 21A | L03Z, L04A, L04B, L04C, L04J, L10Z, L13A, L13B, L38Z | | 21A | L03Z, L04A, L04B, L04C, L04J, L10Z, L13A, L13B, L38Z | | 07 | H01A |
| | 21B | X06A, X06B, X06C | | 21B | X06A, X06B, X06C | | 11 | L03Z, L04A, L04B, L04C, L04J, L10Z, L13A, L13B, L38Z |
| | | | | | | | 17 | R01A, R01B, R01C, R01D, R02Z, R12A, R12B, R12C |
| | | | | | | | 21A | W04A, W04B |
| | | | | | | | 21B | X06A, X06B, X06C |

VYK

| ZZV | MDC | DRG | ZZV | MDC | DRG | ZZV | MDC | DRG |
|----------|-----|--|----------|-----|--|-----------|-----|--|
| 5o110.x↔ | | BOP, KJZSV, KVT, MVV, UOP4 | 5o112.1↔ | | BOP, KJZSV, KOP, KVT, MVV, UOP4 | 5o114.4↔ | | BOP, KJZSV, KVT, MVV, UOP4 |
| | 06 | G10Z, G18A, G38Z | | 06 | G10Z, G18A, G38Z | | 06 | G10Z, G18A, G38Z |
| | 07 | H01A | | 07 | H01A | | 07 | H01A |
| | 11 | L03Z, L04A, L04B, L04C, L04J, L10Z, L13A, L13B, L38Z | | 11 | L03Z, L04A, L04B, L04C, L04J, L10Z, L13A, L13B, L38Z | | 11 | L03Z, L04A, L04B, L04C, L04J, L10Z, L13A, L13B, L38Z |
| | 17 | R01A, R01B, R01C, R01D, R02Z, R12A, R12B, R12C | | 17 | R01A, R01B, R01C, R01D, R02Z, R12A, R12B, R12C | | 17 | R01A, R01B, R01C, R01D, R02Z, R12A, R12B, R12C |
| | 21A | W04A, W04B | | 21A | W04A, W04B | | 21A | W04A, W04B |
| | 21B | X06A, X06B, X06C | | 21B | X06A, X06B, X06C | | 21B | X06A, X06B, X06C |
| 5o111.1↔ | | BOP, KJZSV, KOP, KVT, MVV, UOP4 | 5o112.2↔ | | BOP, KJZSV, KVT, MVV, UOP4 | 5o115.01↔ | | BOP, KJZSV, KOP, KVT, MVV, UOP4 |
| | 06 | G10Z, G18A, G38Z | | 06 | G10Z, G18A, G38Z | | 06 | G10Z, G38Z |
| | 07 | H01A | | 07 | H01A | | 11 | L03Z, L04A, L04B, L04C, L04J, L10Z, L13A, L13B, L38Z |
| | 10 | K03A, K03B | | 11 | L03Z, L04A, L04B, L04C, L04J, L10Z, L13A, L13B, L38Z | | 17 | R01A, R01B, R01C, R01D, R02Z, R12A, R12B, R12C |
| | 11 | L03Z, L04A, L04B, L04C, L04J, L10Z, L13A, L13B, L38Z | | 17 | R01A, R01B, R01C, R01D, R02Z, R12A, R12B, R12C | | 21A | W04A, W04B |
| | 17 | R01A, R01B, R01C, R01D, R02Z, R12A, R12B, R12C | | 21A | W04A, W04B | | 21B | X06A, X06B, X06C |
| | 21A | W04A, W04B | | 21B | X06A, X06B, X06C | 5o115.02↔ | | BOP, KJZSV, KVT, MVV, UOP4 |
| | 21B | X06A, X06B, X06C | 5o112.4↔ | | BOP, KJZSV, KVT, MVV, UOP4 | | 06 | G10Z, G38Z |
| 5o111.2↔ | | BOP, KJZSV, KVT, MVV, UOP4 | | 06 | G10Z, G18A, G38Z | | 11 | L03Z, L04A, L04B, L04C, L04J, L10Z, L13A, L13B, L38Z |
| | 06 | G10Z, G18A, G38Z | | 07 | H01A | | 17 | R01A, R01B, R01C, R01D, R02Z, R12A, R12B, R12C |
| | 07 | H01A | | 11 | L03Z, L04A, L04B, L04C, L04J, L10Z, L13A, L13B, L38Z | | 21A | W04A, W04B |
| | 11 | L03Z, L04A, L04B, L04C, L04J, L10Z, L13A, L13B, L38Z | | 17 | R01A, R01B, R01C, R01D, R02Z, R12A, R12B, R12C | | 21B | X06A, X06B, X06C |
| | 17 | R01A, R01B, R01C, R01D, R02Z, R12A, R12B, R12C | | 21A | W04A, W04B | 5o115.04↔ | | BOP, KJZSV, KVT, MVV, UOP4 |
| | 21A | W04A, W04B | | 21B | X06A, X06B, X06C | | 06 | G10Z, G38Z |
| | 21B | X06A, X06B, X06C | 5o112.5↔ | | BOP, KJZSV, KVT, MVV, UOP4 | | 11 | L03Z, L04A, L04B, L04C, L04J, L10Z, L13A, L13B, L38Z |
| 5o111.4↔ | | BOP, KJZSV, KVT, MVV, UOP4 | | 06 | G10Z, G18A, G38Z | | 17 | R01A, R01B, R01C, R01D, R02Z, R12A, R12B, R12C |
| | 06 | G10Z, G18A, G38Z | | 07 | H01A | | 21A | W04A, W04B |
| | 07 | H01A | | 11 | L03Z, L04A, L04B, L04C, L04J, L10Z, L13A, L13B, L38Z | | 21B | X06A, X06B, X06C |
| | 11 | L03Z, L04A, L04B, L04C, L04J, L10Z, L13A, L13B, L38Z | | 17 | R01A, R01B, R01C, R01D, R02Z, R12A, R12B, R12C | 5o115.0x↔ | | BOP, KJZSV, KVT, MVV, UOP4 |
| | 17 | R01A, R01B, R01C, R01D, R02Z, R12A, R12B, R12C | | 21A | W04A, W04B | | 06 | G10Z, G38Z |
| | 21A | W04A, W04B | | 21B | X06A, X06B, X06C | | 11 | L03Z, L04A, L04B, L04C, L04J, L10Z, L13A, L13B, L38Z |
| | 21B | X06A, X06B, X06C | 5o112.x↔ | | BOP, KJZSV, KVT, MVV, UOP4 | | 17 | R01A, R01B, R01C, R01D, R02Z, R12A, R12B, R12C |
| 5o111.5↔ | | BOP, KJZSV, KVT, MVV, UOP4 | | 06 | G10Z, G18A, G38Z | | 21A | W04A, W04B |
| | 06 | G10Z, G18A, G38Z | | 07 | H01A | | 21B | X06A, X06B, X06C |
| | 07 | H01A | | 11 | L03Z, L04A, L04B, L04C, L04J, L10Z, L13A, L13B, L38Z | 5o115.11↔ | | BOP, KJZSV, KVT, UOP4 |
| | 11 | L03Z, L04A, L04B, L04C, L04J, L10Z, L13A, L13B, L38Z | | 17 | R01A, R01B, R01C, R01D, R02Z, R12A, R12B, R12C | | 06 | G10Z, G38Z |
| | 17 | R01A, R01B, R01C, R01D, R02Z, R12A, R12B, R12C | | 21A | W04A, W04B | | 11 | L03Z, L04A, L04B, L04C, L04J, L10Z, L13A, L13B, L38Z |
| | 21A | W04A, W04B | | 21B | X06A, X06B, X06C | | 17 | R01A, R01B, R01C, R01D, R02Z, R12A, R12B, R12C |
| | 21B | X06A, X06B, X06C | 5o113.4↔ | | BOP, KJZSV, KVT, MVV, UOP4 | | 21A | W04A, W04B |
| 5o111.x↔ | | BOP, KJZSV, KVT, MVV, UOP4 | | 06 | G10Z, G18A, G38Z | | 21B | X06A, X06B, X06C |
| | 06 | G10Z, G18A, G38Z | | 07 | H01A | | 23 | Z03Z |
| | 07 | H01A | | 11 | L03Z, L04A, L04B, L04C, L04J, L10Z, L13A, L13B, L38Z | 5o115.12↔ | | BOP, KJZSV, KVT, UOP4 |
| | 11 | L03Z, L04A, L04B, L04C, L04J, L10Z, L13A, L13B, L38Z | | 17 | R01A, R01B, R01C, R01D, R02Z, R12A, R12B, R12C | | 06 | G10Z, G38Z |
| | 17 | R01A, R01B, R01C, R01D, R02Z, R12A, R12B, R12C | | 21A | W04A, W04B | | 11 | L03Z, L04A, L04B, L04C, L04J, L10Z, L13A, L13B, L38Z |
| | 21A | W04A, W04B | | 21B | X06A, X06B, X06C | | 17 | R01A, R01B, R01C, R01D, R02Z, R12A, R12B, R12C |
| | 21B | X06A, X06B, X06C | | | | | 21A | W04A, W04B |

VYK

| ZZV | MDC | DRG | ZZV | MDC | DRG | ZZV | MDC | DRG |
|-----------|--|--|----------------------------|--|--|----------------------------|--|--|
| 5o115.14↔ | | BOP, KJZSV, KVT, UOP4 | 5o116.5↔ | | BOP, KJZSV, KVT, UOP4 | 5o11x.1↔ | | BOP, KJZSV, KVT, UOP4 |
| | 06 | G10Z, G38Z | | 06 | G10Z, G18A, G38Z | | 06 | G10Z, G18A, G38Z |
| | 11 | L03Z, L04A, L04B, L04C, L04J, L10Z, L13A, L13B, L38Z | | 11 | L03Z, L04A, L04B, L04C, L04J, L10Z, L13A, L13B, L38Z | | 11 | L03Z, L04A, L04B, L04C, L04J, L10Z, L13A, L13B, L38Z |
| | 17 | R01A, R01B, R01C, R01D, R02Z, R12A, R12B, R12C | | 17 | R01A, R01B, R01C, R01D, R02Z, R12A, R12B, R12C | | 21A | W04A, W04B |
| | 21A | W04A, W04B | | 21A | W04A, W04B | | 21B | X06A, X06B, X06C |
| 5o115.15 | 21B | X06A, X06B, X06C | 5o116.x↔ | 21B | X06A, X06B, X06C | 5o11x.2↔ | 06 | G10Z, G18A, G38Z |
| | 23 | Z03Z | | 06 | BOP, KJZSV, KVT, UOP4 | | 11 | L03Z, L04A, L04B, L04C, L04J, L10Z, L13A, L13B, L38Z |
| | | BOP, KJZSV, KVT, UOP4 | | 11 | G10Z, G18A, G38Z | | 21B | X06A, X06B, X06C |
| | 06 | G10Z, G38Z | | 17 | L03Z, L04A, L04B, L04C, L04J, L10Z, L13A, L13B, L38Z | | | |
| | 11 | L03Z, L04A, L04B, L04C, L04J, L10Z, L13A, L13B, L38Z | | 17 | R01A, R01B, R01C, R01D, R02Z, R12A, R12B, R12C | | 5o11x.3↔ | 06 |
| 17 | R01A, R01B, R01C, R01D, R02Z, R12A, R12B, R12C | 21A | W04A, W04B | 11 | L03Z, L04A, L04B, L04C, L04J, L10Z, L13A, L13B, L38Z | | | |
| 21A | W04A, W04B | 21B | X06A, X06B, X06C | 21A | W04A, W04B | | | |
| 21B | X06A, X06B, X06C | 5o117.1↔ | BOP, KJZSV, KVT, MVV, UOP4 | | 21B | X06A, X06B, X06C | | |
| 23 | Z03Z | | 06 | G10Z, G18A, G38Z | 5o11x.4↔ | 06 | G10Z, G18A, G38Z | |
| 5o115.1x↔ | 06 | G10Z, G38Z | 11 | L03Z, L04A, L04B, L04C, L04J, L10Z, L13A, L13B, L38Z | | 11 | L03Z, L04A, L04B, L04C, L04J, L10Z, L13A, L13B, L38Z | |
| | 11 | L03Z, L04A, L04B, L04C, L04J, L10Z, L13A, L13B, L38Z | 17 | R01A, R01B, R01C, R01D, R02Z, R12A, R12B, R12C | 21A | W04A, W04B | | |
| | 17 | R01A, R01B, R01C, R01D, R02Z, R12A, R12B, R12C | 21A | W04A, W04B | | 21B | X06A, X06B, X06C | |
| | 21A | W04A, W04B | 21B | X06A, X06B, X06C | 5o11x.5↔ | | 06 | G10Z, G18A, G38Z |
| | 21B | X06A, X06B, X06C | 5o117.2↔ | BOP, KJZSV, KVT, MVV, UOP4 | | 11 | L03Z, L04A, L04B, L04C, L04J, L10Z, L13A, L13B, L38Z | |
| 23 | Z03Z | 06 | | G10Z, G18A, G38Z | 21A | W04A, W04B | | |
| 5o115.21↔ | | KJZSV | 11 | L03Z, L04A, L04B, L04C, L04J, L10Z, L13A, L13B, L38Z | | 21B | X06A, X06B, X06C | |
| | 23 | Z04Z | 17 | R01A, R01B, R01C, R01D, R02Z, R12A, R12B, R12C | 5o11x.x↔ | | 06 | G10Z, G18A, G38Z |
| 5o115.22↔ | | KJZSV | 21A | W04A, W04B | | 11 | L03Z, L04A, L04B, L04C, L04J, L10Z, L13A, L13B, L38Z | |
| | 23 | Z04Z | | 21B | X06A, X06B, X06C | | | |
| 5o115.24↔ | | KJZSV | 5o117.4↔ | BOP, KJZSV, KVT, MVV, UOP4 | 21A | W04A, W04B | | |
| | 23 | Z04Z | | 06 | | G10Z, G18A, G38Z | 21B | X06A, X06B, X06C |
| 5o115.2x↔ | | KJZSV | 11 | L03Z, L04A, L04B, L04C, L04J, L10Z, L13A, L13B, L38Z | 5o120.1↔ | 06 | | G18A, G38Z |
| | 23 | Z04Z | 17 | R01A, R01B, R01C, R01D, R02Z, R12A, R12B, R12C | | 11 | L03Z, L04A, L04B, L04C, L04J, L10Z, L13A, L13B, L38Z | |
| 5o116.1↔ | | BOP, KJZSV, KVT, UOP4 | 5o117.5↔ | | BOP, KJZSV, KVT, MVV, UOP4 | 5o120.2↔ | | BOP, KJZSV, KVT, UOP4 |
| | 06 | G10Z, G18A, G38Z | | 06 | G10Z, G18A, G38Z | | 06 | G18A, G38Z |
| | 11 | L03Z, L04A, L04B, L04C, L04J, L10Z, L13A, L13B, L38Z | | 11 | L03Z, L04A, L04B, L04C, L04J, L10Z, L13A, L13B, L38Z | | 11 | L03Z, L04A, L04B, L04C, L04J, L10Z, L13A, L13B, L38Z |
| | 17 | R01A, R01B, R01C, R01D, R02Z, R12A, R12B, R12C | | 17 | R01A, R01B, R01C, R01D, R02Z, R12A, R12B, R12C | | 21A | W04A, W04B |
| | 21A | W04A, W04B | | 21A | W04A, W04B | | | 21B |
| 21B | X06A, X06B, X06C | 21B | X06A, X06B, X06C | 5o120.4↔ | 06 | G18A, G38Z | | |
| 5o116.2↔ | | BOP, KJZSV, KVT, UOP4 | 5o117.x↔ | | | BOP, KJZSV, KVT, MVV, UOP4 | 5o120.5↔ | |
| | 06 | G10Z, G18A, G38Z | | 06 | G10Z, G18A, G38Z | 06 | | G18A, G38Z |
| | 11 | L03Z, L04A, L04B, L04C, L04J, L10Z, L13A, L13B, L38Z | | 11 | L03Z, L04A, L04B, L04C, L04J, L10Z, L13A, L13B, L38Z | 11 | | L03Z, L04A, L04B, L04C, L04J, L10Z, L13A, L13B, L38Z |
| | 17 | R01A, R01B, R01C, R01D, R02Z, R12A, R12B, R12C | | 17 | R01A, R01B, R01C, R01D, R02Z, R12A, R12B, R12C | 21A | | W04A, W04B |
| | 21A | W04A, W04B | | 21A | W04A, W04B | | | 21B |
| 21B | X06A, X06B, X06C | 21B | X06A, X06B, X06C | 5o120.4↔ | 06 | G18A, G38Z | | |
| 5o116.4↔ | | BOP, KJZSV, KVT, UOP4 | 5o117.x↔ | | | BOP, KJZSV, KVT, MVV, UOP4 | 5o120.5↔ | |
| | 06 | G10Z, G18A, G38Z | | 06 | G10Z, G18A, G38Z | 06 | | G18A, G38Z |
| | 11 | L03Z, L04A, L04B, L04C, L04J, L10Z, L13A, L13B, L38Z | | 11 | L03Z, L04A, L04B, L04C, L04J, L10Z, L13A, L13B, L38Z | 11 | | L03Z, L04A, L04B, L04C, L04J, L10Z, L13A, L13B, L38Z |
| | 17 | R01A, R01B, R01C, R01D, R02Z, R12A, R12B, R12C | | 17 | R01A, R01B, R01C, R01D, R02Z, R12A, R12B, R12C | 21A | | W04A, W04B |
| | 21A | W04A, W04B | | 21A | W04A, W04B | | | 21B |
| 21B | X06A, X06B, X06C | 21B | X06A, X06B, X06C | 5o120.4↔ | 06 | G18A, G38Z | | |
| 5o116.4↔ | | BOP, KJZSV, KVT, UOP4 | 5o117.x↔ | | | BOP, KJZSV, KVT, MVV, UOP4 | 5o120.5↔ | |
| | 06 | G10Z, G18A, G38Z | | 06 | G10Z, G18A, G38Z | 06 | | G18A, G38Z |
| | 11 | L03Z, L04A, L04B, L04C, L04J, L10Z, L13A, L13B, L38Z | | 11 | L03Z, L04A, L04B, L04C, L04J, L10Z, L13A, L13B, L38Z | 11 | | L03Z, L04A, L04B, L04C, L04J, L10Z, L13A, L13B, L38Z |
| | 17 | R01A, R01B, R01C, R01D, R02Z, R12A, R12B, R12C | | 17 | R01A, R01B, R01C, R01D, R02Z, R12A, R12B, R12C | 21A | | W04A, W04B |
| | 21A | W04A, W04B | | 21A | W04A, W04B | | | 21B |
| 21B | X06A, X06B, X06C | 21B | X06A, X06B, X06C | 5o120.4↔ | 06 | G18A, G38Z | | |

VYK

| ZZV | MDC | DRG | ZZV | MDC | DRG | ZZV | MDC | DRG | |
|----------|-----|--|-----------|-----|--|-----------|-----|--|-----------------------|
| 5o120.x↔ | | BOP, KJZSV, KVT, UOP4 | 5o122.x↔ | | BOP, KJZSV, KVT, UOP4 | 5o132.5‡ | | KJZSV | |
| | 06 | G18A, G38Z | | 06 | G18A, G38Z | | 11 | L19Z, L20A, L20B, L20C, L20J, L20Q, L20R | |
| | 11 | L03Z, L04A, L04B, L04C, L04J, L10Z, L13A, L13B, L38Z | | 11 | L03Z, L04A, L04B, L04C, L04J, L10Z, L13A, L13B, L38Z | 5o132.6‡↔ | 11 | L19Z, L20A, L20B, L20C, L20J, L20Q, L20R | |
| | 21A | W04A, W04B | | 21A | W04A, W04B | 5o132.x‡↔ | | KJZSV | |
| | 21B | X06A, X06B, X06C | | 21B | X06A, X06B, X06C | | 11 | L11Z, L18A, L18B, L38Z | |
| 5o121.1↔ | | BOP, KJZSV, KVT, UOP4 | 5o12x.1↔ | | BOP, KJZSV, KVT, UOP4 | 5o133.1‡↔ | | KJZSV | |
| | 06 | G18A, G38Z | | 06 | G18A, G38Z | | 11 | L11Z, L18A, L18B, L38Z | |
| | 11 | L03Z, L04A, L04B, L04C, L04J, L10Z, L13A, L13B, L38Z | | 11 | L03Z, L04A, L04B, L04C, L04J, L10Z, L13A, L13B, L38Z | 5o133.6‡↔ | 11 | L19Z, L20A, L20B, L20C, L20J, L20Q, L20R | |
| | 21A | W04A, W04B | | 21A | W04A, W04B | 5o133.x‡↔ | 11 | L11Z, L18A, L18B, L20A, L20B, L20C, L20J, L20Q, L20R, L38Z | |
| | 21B | X06A, X06B, X06C | | 21B | X06A, X06B, X06C | 5o134.0‡ | | KJZSV | |
| 5o121.2↔ | | BOP, KJZSV, KVT, UOP4 | 5o12x.2↔ | | BOP, KJZSV, KVT, UOP4 | | 11 | L11Z, L18A, L18B, L38Z | |
| | 06 | G18A, G38Z | | 06 | G18A, G38Z | 5o134.1‡ | | KJZSV | |
| | 11 | L03Z, L04A, L04B, L04C, L04J, L10Z, L13A, L13B, L38Z | | 11 | L03Z, L04A, L04B, L04C, L04J, L10Z, L13A, L13B, L38Z | | 11 | L11Z, L18A, L18B, L38Z | |
| | 21A | W04A, W04B | | 21A | W04A, W04B | 5o134.2‡ | | KJZSV | |
| | 21B | X06A, X06B, X06C | | 21B | X06A, X06B, X06C | | 11 | L40J, L40Z | |
| 5o121.4↔ | | BOP, KJZSV, KVT, UOP4 | 5o12x.4↔ | | BOP, KJZSV, KVT, UOP4 | 5o134.3‡ | 11 | L11Z, L18A, L18B, L20A, L20B, L20C, L20J, L20Q, L20R, L38Z | |
| | 06 | G18A, G38Z | | 06 | G18A, G38Z | | 11 | L19Z, L20A, L20B, L20C, L20J, L20Q, L20R | |
| | 11 | L03Z, L04A, L04B, L04C, L04J, L10Z, L13A, L13B, L38Z | | 11 | L03Z, L04A, L04B, L04C, L04J, L10Z, L13A, L13B, L38Z | 5o134.4‡ | 11 | L11Z, L18A, L18B, L20A, L20B, L20C, L20J, L20Q, L20R, L38Z | |
| | 21A | W04A, W04B | | 21A | W04A, W04B | | 11 | L11Z, L18A, L18B, L20A, L20B, L20C, L20J, L20Q, L20R, L38Z | |
| | 21B | X06A, X06B, X06C | | 21B | X06A, X06B, X06C | 5o140↔ | | BOP, KJZSV, KVT, UOP4 | |
| 5o121.5↔ | | BOP, KJZSV, KVT, UOP4 | 5o12x.5↔ | | BOP, KJZSV, KVT, UOP4 | | Pre | A01A, A02Z, A06A, A07A, A09A, A11A, A11B, A13A, A17A, A17B | |
| | 06 | G18A, G38Z | | 06 | G18A, G38Z | | | 5o141↔ | BOP, KJZSV, KVT, UOP4 |
| | 11 | L03Z, L04A, L04B, L04C, L04J, L10Z, L13A, L13B, L38Z | | 11 | L03Z, L04A, L04B, L04C, L04J, L10Z, L13A, L13B, L38Z | | 23 | Z04Z | |
| | 21A | W04A, W04B | | 21A | W04A, W04B | | Pre | A01A, A02Z, A06A, A07A, A09A, A11A, A11B, A13A, A17A, A17B | |
| | 21B | X06A, X06B, X06C | | 21B | X06A, X06B, X06C | | | 5o142↔ | BOP, KJZSV, KVT, UOP4 |
| 5o121.x↔ | | BOP, KJZSV, KVT, UOP4 | 5o12x.x↔ | | BOP, KJZSV, KVT, UOP4 | | Pre | A01A, A02Z, A06A, A07A, A09A, A11A, A11B, A13A, A17A, A17B | |
| | 06 | G18A, G38Z | | 06 | G18A, G38Z | | | 5o143↔ | BOP, KJZSV, KVT, UOP4 |
| | 11 | L03Z, L04A, L04B, L04C, L04J, L10Z, L13A, L13B, L38Z | | 11 | L03Z, L04A, L04B, L04C, L04J, L10Z, L13A, L13B, L38Z | | 11 | L03Z, L04A, L04B, L04C, L04J, L10Z, L13A, L13B, L38Z | |
| | 21A | W04A, W04B | | 21A | W04A, W04B | | 21A | W04A, W04B | |
| | 21B | X06A, X06B, X06C | | 21B | X06A, X06B, X06C | | 21B | X06A, X06B, X06C | |
| 5o122.1↔ | | BOP, KJZSV, KVT, UOP4 | 5o130‡↔ | | KJZSV | | 11 | BOP, KJZSV, KVT, UOP4 | |
| | 06 | G18A, G38Z | | 11 | L11Z, L18A, L18B, L38Z | | | L03Z, L04A, L04B, L04C, L04J, L10Z, L13A, L13B, L38Z | |
| | 11 | L03Z, L04A, L04B, L04C, L04J, L10Z, L13A, L13B, L38Z | 5o131.0‡↔ | 11 | L11Z, L18A, L18B, L38Z, L42A, L46J | | 21A | W04A, W04B | |
| | 21A | W04A, W04B | | | BOP, KJZSV, KVT, UOP4 | | 21B | X06A, X06B, X06C | |
| | 21B | X06A, X06B, X06C | 5o131.1↔ | 08 | I28A, I28B, I28J | | 11 | BOP, KJZSV, KVT, UOP4 | |
| 5o122.2↔ | | BOP, KJZSV, KVT, UOP4 | | 11 | L03Z, L04A, L04B, L04C, L04J, L10Z, L13A, L13B, L38Z | | | L03Z, L04A, L04B, L04C, L04J, L10Z, L13A, L13B, L38Z | |
| | 06 | G18A, G38Z | | 17 | R01A, R01B, R01C, R01D, R02Z, R12A, R12B, R12C | | 21A | W04A, W04B | |
| | 11 | L03Z, L04A, L04B, L04C, L04J, L10Z, L13A, L13B, L38Z | 5o131.2‡↔ | 11 | L11Z, L18A, L18B, L38Z, L42A, L46J | | 21B | X06A, X06B, X06C | |
| | 21A | W04A, W04B | | | L11Z, L18A, L18B, L38Z, L42A, L46J | | | BOP, KJZSV, KVT, UOP4 | |
| | 21B | X06A, X06B, X06C | 5o131.3‡↔ | 11 | L11Z, L18A, L18B, L38Z, L42A, L46J | | 11 | L03Z, L04A, L04B, L04C, L04J, L10Z, L13A, L13B, L38Z | |
| 5o122.4↔ | | BOP, KJZSV, KVT, UOP4 | | | BOP, KJZSV, KVT, UOP4 | | 21A | W04A, W04B | |
| | 06 | G18A, G38Z | 5o132.0↔ | 06 | G18A, G38Z | | 21B | X06A, X06B, X06C | |
| | 11 | L03Z, L04A, L04B, L04C, L04J, L10Z, L13A, L13B, L38Z | | 11 | L03Z, L04A, L04B, L04C, L04J, L10Z, L13A, L13B, L38Z | | | BOP, KJZSV, KVT, UOP4 | |
| | 21A | W04A, W04B | | 21A | W04A, W04B | | 11 | L03Z, L04A, L04B, L04C, L04J, L10Z, L13A, L13B, L38Z | |
| | 21B | X06A, X06B, X06C | | 21B | X06A, X06B, X06C | | 21A | W04A, W04B | |
| 5o122.5 | | BOP, KJZSV, KVT, UOP4 | 5o132.1‡↔ | | KJZSV | | 21B | X06A, X06B, X06C | |
| | 06 | G18A, G38Z | | 11 | L11Z, L18A, L18B, L38Z | | 08 | I28A, I28B, I28J | |
| | 11 | L03Z, L04A, L04B, L04C, L04J, L10Z, L13A, L13B, L38Z | 5o132.4‡ | 11 | L19Z, L20A, L20B, L20C, L20J, L20Q, L20R | | 11 | L03Z, L04A, L04B, L04C, L04J, L10Z, L13A, L13B, L38Z | |
| | 21A | W04A, W04B | | | | | 17 | R01A, R01B, R01C, R01D, R02Z, R12A, R12B, R12C | |
| | 21B | X06A, X06B, X06C | | | | | | | |

VYK

| ZZV | MDC | DRG | ZZV | MDC | DRG | ZZV | MDC | DRG |
|---------|-----|--|-----------|----------|--|----------|--|--|
| 5o151↔ | | BOP, KJZSV, KVT, UOP4 | 5o15c | 08 | I28A, I28B, I28J | 5o165.4↔ | 11 | L03Z, L04A, L04B, L04C, L04J, L10Z, L13A, L13B, L38Z |
| | 11 | L03Z, L04A, L04B, L04C, L04J, L10Z, L13A, L13B, L38Z | | 11 | L03Z, L04A, L04B, L04C, L04J, L10Z, L13A, L13B, L38Z | | 11 | L03Z, L04A, L04B, L04C, L04J, L10Z, L13A, L13B, L38Z |
| | 21A | W04A, W04B | | 17 | R01A, R01B, R01C, R01D, R02Z, R12A, R12B, R12C | | 21A | W04A, W04B |
| 5o152↔ | 21B | X06A, X06B, X06C | 5o15d | 21A | W04A, W04B | 5o165.5‡ | 21B | X06A, X06B, X06C |
| | 08 | I28A, I28B, I28J | | 21B | X06A, X06B, X06C | | 11 | L18A, L18B, L19Z, L20A, L20B, L20C, L20J, L20Q, L20R, L38Z |
| | 11 | L03Z, L04A, L04B, L04C, L04J, L10Z, L13A, L13B, L38Z | | 08 | I28A, I28B, I28J | | 11 | L18A, L18B, L19Z, L20A, L20B, L20C, L20J, L20Q, L20R, L38Z |
| 5o154↔ | 17 | R01A, R01B, R01C, R01D, R02Z, R12A, R12B, R12C | 5o15x↔ | 11 | L03Z, L04A, L04B, L04C, L04J, L10Z, L13A, L13B, L38Z | 5o191.1↔ | 11 | L03Z, L04A, L04B, L04C, L04J, L10Z, L13A, L13B, L38Z |
| | 21A | W04A, W04B | | 11 | L03Z, L04A, L04B, L04C, L04J, L10Z, L13A, L13B, L38Z | | 08 | I28A, I28B, I28J |
| | 21B | X06A, X06B, X06C | | 21A | W04A, W04B | | 11 | L03Z, L04A, L04B, L04C, L04J, L10Z, L13A, L13B, L38Z |
| 5o155↔ | 08 | I28A, I28B, I28J | 5o162.1↔ | 21B | X06A, X06B, X06C | 5o191.2↔ | 17 | R01A, R01B, R01C, R01D, R02Z, R12A, R12B, R12C |
| | 11 | L03Z, L04A, L04B, L04C, L04J, L10Z, L13A, L13B, L38Z | | 11 | L03Z, L04A, L04B, L04C, L04J, L10Z, L13A, L13B, L38Z | | 08 | I28A, I28B, I28J |
| | 17 | R01A, R01B, R01C, R01D, R02Z, R12A, R12B, R12C | | 21A | W04A, W04B | | 11 | L03Z, L04A, L04B, L04C, L04J, L10Z, L13A, L13B, L38Z |
| 5o156↔ | 21A | W04A, W04B | 5o162.4↔ | 21B | X06A, X06B, X06C | 5o191.3↔ | 17 | R01A, R01B, R01C, R01D, R02Z, R12A, R12B, R12C |
| | 21B | X06A, X06B, X06C | | 11 | L03Z, L04A, L04B, L04C, L04J, L10Z, L13A, L13B, L38Z | | 08 | I28A, I28B, I28J |
| | 08 | I28A, I28B, I28J | | 21A | W04A, W04B | | 11 | L03Z, L04A, L04B, L04C, L04J, L10Z, L13A, L13B, L38Z |
| 5o157↔ | 11 | L03Z, L04A, L04B, L04C, L04J, L10Z, L13A, L13B, L38Z | 5o162.6‡↔ | 21B | X06A, X06B, X06C | 5o191.4↔ | 11 | L03Z, L04A, L04B, L04C, L04J, L10Z, L13A, L13B, L38Z |
| | 17 | R01A, R01B, R01C, R01D, R02Z, R12A, R12B, R12C | | 11 | L20B, L40J, L40Z | | 08 | I28A, I28B, I28J |
| | 21A | W04A, W04B | | 5o163.1↔ | 11 | | L03Z, L04A, L04B, L04C, L04J, L10Z, L13A, L13B, L38Z | 11 |
| 5o158↔ | 21B | X06A, X06B, X06C | 5o163.4↔ | 21A | W04A, W04B | 5o191.5 | 17 | R01A, R01B, R01C, R01D, R02Z, R12A, R12B, R12C |
| | 08 | I28A, I28B, I28J | | 21B | X06A, X06B, X06C | | 08 | I28A, I28B, I28J |
| | 11 | L03Z, L04A, L04B, L04C, L04J, L10Z, L13A, L13B, L38Z | | 11 | L03Z, L04A, L04B, L04C, L04J, L10Z, L13A, L13B, L38Z | | 11 | L03Z, L04A, L04B, L04C, L04J, L10Z, L13A, L13B, L38Z |
| 5o15a‡↔ | 17 | R01A, R01B, R01C, R01D, R02Z, R12A, R12B, R12C | 5o163.6‡↔ | 21A | W04A, W04B | 5o191.x↔ | 17 | R01A, R01B, R01C, R01D, R02Z, R12A, R12B, R12C |
| | 11 | L40J, L40Z | | 21B | X06A, X06B, X06C | | 08 | I28A, I28B, I28J |
| | 11 | L40J, L40Z | | 11 | L18A, L18B, L19Z, L20A, L20B, L20C, L20J, L20Q, L20R, L38Z | | 11 | L03Z, L04A, L04B, L04C, L04J, L10Z, L13A, L13B, L38Z |
| 5o15b‡↔ | | BOP, KVT, UOP4 | 5o163.7‡↔ | 11 | L18A, L18B, L19Z, L20A, L20B, L20C, L20J, L20Q, L20R, L38Z | 5o192.1↔ | 11 | L03Z, L04A, L04B, L04C, L04J, L10Z, L13A, L13B, L38Z |
| | 08 | I28A, I28B, I28J | | 10 | K03A, K03B, K14Z | | 21A | W04A, W04B |
| | 11 | L03Z, L04A, L04B, L04C, L04J, L10Z, L13A, L13B, L38Z | | 21A | W04A, W04B | | 21B | X06A, X06B, X06C |
| 5o15c↔ | 17 | R01A, R01B, R01C, R01D, R02Z, R12A, R12B, R12C | 5o163.8 | 21B | X06A, X06B, X06C | 5o192.2↔ | 11 | L03Z, L04A, L04B, L04C, L04J, L10Z, L13A, L13B, L38Z |
| | 21A | W04A, W04B | | 11 | L03Z, L04A, L04B, L04C, L04J, L10Z, L13A, L13B, L38Z | | 21A | W04A, W04B |
| | 21B | X06A, X06B, X06C | | 21A | W04A, W04B | | 21B | X06A, X06B, X06C |

VYK

| ZZV | MDC | DRG | ZZV | MDC | DRG | ZZV | MDC | DRG |
|----------|-----|---|----------|-----|---|----------|-----|---|
| 5o192.4↔ | | BOP, KJZSV, KVT, UOP4 L03Z, L04A, L04B, L04C, L04J, L10Z, L13A, L13B, L38Z | 5o194.4↔ | | BOP, KJZSV, KVT, UOP4 L03Z, L04A, L04B, L04C, L04J, L10Z, L13A, L13B, L38Z | 5o200.0↔ | | BOP, KJZSV, KVT, UOP4 L03Z, L04A, L04B, L04C, L04J, L10Z, L13A, L13B, L38Z |
| | 11 | | | 11 | | | 11 | |
| | 21A | W04A, W04B | | 21A | W04A, W04B | | 21A | W04A, W04B |
| | 21B | X06A, X06B, X06C | | 21B | X06A, X06B, X06C | | 21B | X06A, X06B, X06C |
| 5o192.5 | | BOP, KJZSV, KVT, UOP4 | 5o194.5 | | BOP, KJZSV, KVT, UOP4 | 5o200.4↔ | | BOP, KJZSV, KVT, UOP4 |
| | 11 | L03Z, L04A, L04B, L04C, L04J, L10Z, L13A, L13B, L38Z | | 11 | L03Z, L04A, L04B, L04C, L04J, L10Z, L13A, L13B, L38Z | | 11 | L03Z, L04A, L04B, L04C, L04J, L10Z, L13A, L13B, L38Z |
| | 21A | W04A, W04B | | 21A | W04A, W04B | | 21A | W04A, W04B |
| | 21B | X06A, X06B, X06C | | 21B | X06A, X06B, X06C | | 21B | X06A, X06B, X06C |
| 5o192.x↔ | | BOP, KJZSV, KVT, UOP4 | 5o194.x↔ | | BOP, KJZSV, KVT, UOP4 | 5o200.x↔ | | BOP, KJZSV, KVT, UOP4 |
| | 11 | L03Z, L04A, L04B, L04C, L04J, L10Z, L13A, L13B, L38Z | | 11 | L03Z, L04A, L04B, L04C, L04J, L10Z, L13A, L13B, L38Z | | 11 | L03Z, L04A, L04B, L04C, L04J, L10Z, L13A, L13B, L38Z |
| | 21A | W04A, W04B | | 21A | W04A, W04B | | 21A | W04A, W04B |
| | 21B | X06A, X06B, X06C | | 21B | X06A, X06B, X06C | | 21B | X06A, X06B, X06C |
| 5o193.1↔ | | BOP, KJZSV, KVT, UOP4 | 5o195.0 | | BOP, KJZSV, KVT, UOP4 | 5o201.0↔ | | BOP, KJZSV, KVT, UOP4 |
| | 11 | L03Z, L04A, L04B, L04C, L04J, L10Z, L13A, L13B, L38Z | | 11 | L03Z, L04A, L04B, L04C, L04J, L10Z, L13A, L13B, L38Z | | 11 | L03Z, L04A, L04B, L04C, L04J, L10Z, L13A, L13B, L38Z |
| | 21A | W04A, W04B | | 21A | W04A, W04B | | 21A | W04A, W04B |
| | 21B | X06A, X06B, X06C | | 21B | X06A, X06B, X06C | | 21B | X06A, X06B, X06C |
| 5o193.2↔ | | BOP, KJZSV, KVT, UOP4 | 5o195.1 | | BOP, KJZSV, KVT, UOP4 | 5o201.4↔ | | BOP, KJZSV, KVT, UOP4 |
| | 11 | L03Z, L04A, L04B, L04C, L04J, L10Z, L13A, L13B, L38Z | | 09 | J03A, J03B, J04A, J04B, J08A, J08B, J08C, J11A, J11B, J11J, J11Q, J11R, J11S, J16Z | | 11 | L03Z, L04A, L04B, L04C, L04J, L10Z, L13A, L13B, L38Z |
| | 21A | W04A, W04B | | | | | 21A | W04A, W04B |
| | 21B | X06A, X06B, X06C | | | | | 21B | X06A, X06B, X06C |
| 5o193.4↔ | | BOP, KJZSV, KVT, UOP4 | 5o195.2 | | BOP, KJZSV, KVT, UOP4 | 5o201.x↔ | | BOP, KJZSV, KVT, UOP4 |
| | 11 | L03Z, L04A, L04B, L04C, L04J, L10Z, L13A, L13B, L38Z | | 11 | L03Z, L04A, L04B, L04C, L04J, L10Z, L13A, L13B, L38Z | | 11 | L03Z, L04A, L04B, L04C, L04J, L10Z, L13A, L13B, L38Z |
| | 21A | W04A, W04B | | 21A | W04A, W04B | | 21A | W04A, W04B |
| | 21B | X06A, X06B, X06C | | 21B | X06A, X06B, X06C | | 21B | X06A, X06B, X06C |
| 5o193.5 | | BOP, KJZSV, KVT, UOP4 | 5o19x.1↔ | | BOP, KJZSV, KVT, UOP4 | 5o202.0↔ | | BOP, KJZSV, KVT, UOP4 |
| | 11 | L03Z, L04A, L04B, L04C, L04J, L10Z, L13A, L13B, L38Z | | 11 | L03Z, L04A, L04B, L04C, L04J, L10Z, L13A, L13B, L38Z | | 11 | L03Z, L04A, L04B, L04C, L04J, L10Z, L13A, L13B, L38Z |
| | 21A | W04A, W04B | | 21A | W04A, W04B | | 12 | M06J, M06Z, M09A, M09B, M09J, M38Z |
| | 21B | X06A, X06B, X06C | | 21B | X06A, X06B, X06C | | 13 | N11A, N11J |
| 5o193.x↔ | | BOP, KJZSV, KVT, UOP4 | 5o19x.2↔ | | BOP, KJZSV, KVT, UOP4 | | 17 | R01A, R01B, R01C, R01D, R02Z, R12A, R12B, R12C |
| | 11 | L03Z, L04A, L04B, L04C, L04J, L10Z, L13A, L13B, L38Z | | 11 | L03Z, L04A, L04B, L04C, L04J, L10Z, L13A, L13B, L38Z | | 21A | W04A, W04B |
| | 21A | W04A, W04B | | 21A | W04A, W04B | | 21B | X06A, X06B, X06C |
| | 21B | X06A, X06B, X06C | | 21B | X06A, X06B, X06C | | 21B | X06A, X06B, X06C |
| 5o194.1↔ | | BOP, KJZSV, KVT, UOP4 | 5o19x.3↔ | | BOP, KJZSV, KVT, UOP4 | 5o202.4↔ | | BOP, KJZSV, KVT, UOP4 |
| | 11 | L03Z, L04A, L04B, L04C, L04J, L10Z, L13A, L13B, L38Z | | 11 | L03Z, L04A, L04B, L04C, L04J, L10Z, L13A, L13B, L38Z | | 11 | L03Z, L04A, L04B, L04C, L04J, L10Z, L13A, L13B, L38Z |
| | 21A | W04A, W04B | | 21A | W04A, W04B | | 12 | M06J, M06Z, M09A, M09B, M09J, M38Z |
| | 21B | X06A, X06B, X06C | | 21B | X06A, X06B, X06C | | 13 | N08Z |
| 5o194.2↔ | | BOP, KJZSV, KVT, UOP4 | 5o19x.4↔ | | BOP, KJZSV, KVT, UOP4 | | 17 | R01A, R01B, R01C, R01D, R02Z, R12A, R12B, R12C |
| | 11 | L03Z, L04A, L04B, L04C, L04J, L10Z, L13A, L13B, L38Z | | 11 | L03Z, L04A, L04B, L04C, L04J, L10Z, L13A, L13B, L38Z | | 21A | W04A, W04B |
| | 21A | W04A, W04B | | 21A | W04A, W04B | | 21B | X06A, X06B, X06C |
| | 21B | X06A, X06B, X06C | | 21B | X06A, X06B, X06C | | 21B | X06A, X06B, X06C |
| 5o194.3↔ | | BOP, KJZSV, KVT, UOP4 | 5o19x.5 | | BOP, KJZSV, KVT, UOP4 | 5o202.x↔ | | BOP, KJZSV, KVT, UOP4 |
| | 11 | L03Z, L04A, L04B, L04C, L04J, L10Z, L13A, L13B, L38Z | | 11 | L03Z, L04A, L04B, L04C, L04J, L10Z, L13A, L13B, L38Z | | 11 | L03Z, L04A, L04B, L04C, L04J, L10Z, L13A, L13B, L38Z |
| | 21A | W04A, W04B | | 21A | W04A, W04B | | 12 | M06J, M06Z, M09A, M09B, M09J, M38Z |
| | 21B | X06A, X06B, X06C | | 21B | X06A, X06B, X06C | | 13 | N11A, N11J |
| | | | 5o19x.x↔ | | BOP, KJZSV, KVT, UOP4 | | 17 | R01A, R01B, R01C, R01D, R02Z, R12A, R12B, R12C |
| | | | | 11 | L03Z, L04A, L04B, L04C, L04J, L10Z, L13A, L13B, L38Z | | 21A | W04A, W04B |
| | | | | | | | 21B | X06A, X06B, X06C |
| | | | | 21A | W04A, W04B | | | |
| | | | | 21B | X06A, X06B, X06C | | | |

VYK

| ZZV | MDC | DRG | ZZV | MDC | DRG | ZZV | MDC | DRG |
|--|------------------|--|------------------------------------|--|--|--|--|--|
| 5o203.0↔ | | BOP, KJZSV, KVT, UOP4 | 5o206.4↔ | 11 | BOP, KJZSV, KVT, UOP4 | 5o20a.0↔ | 06 | BOP, KJZSV, KVT, UOP4 |
| | 11 | L03Z, L04A, L04B, L04C, L04J, L10Z, L13A, L13B, L38Z | | 11 | L03Z, L04A, L04B, L04C, L04J, L10Z, L13A, L13B, L38Z | | 11 | G18A, G38Z |
| | 21A | W04A, W04B | | 12 | M06J, M06Z, M09A, M09B, M09J, M38Z | | 21A | W04A, W04B |
| 5o203.4↔ | 21B | X06A, X06B, X06C | 13 | N11A, N11J | 21B | X06A, X06B, X06C | | |
| | 11 | BOP, KJZSV, KVT, UOP4 | 17 | R01A, R01B, R01C, R01D, R02Z, R12A, R12B, R12C | 5o20a.4↔ | BOP, KJZSV, KVT, UOP4 | | |
| | | L03Z, L04A, L04B, L04C, L04J, L10Z, L13A, L13B, L38Z | 21A | W04A, W04B | | 06 | G18A, G38Z | |
| 21A | | W04A, W04B | 21B | X06A, X06B, X06C | | 11 | L03Z, L04A, L04B, L04C, L04J, L10Z, L13A, L13B, L38Z | |
| 5o203.x↔ | 21B | X06A, X06B, X06C | 5o206.x↔ | 11 | BOP, KJZSV, KVT, UOP4 | 5o20a.x↔ | 21A | W04A, W04B |
| | 11 | BOP, KJZSV, KVT, UOP4 | | 11 | L03Z, L04A, L04B, L04C, L04J, L10Z, L13A, L13B, L38Z | | 21B | X06A, X06B, X06C |
| | | L03Z, L04A, L04B, L04C, L04J, L10Z, L13A, L13B, L38Z | | 12 | M06J, M06Z, M09A, M09B, M09J, M38Z | | 06 | BOP, KJZSV, KVT, UOP4 |
| 21A | | W04A, W04B | 13 | N11A, N11J | 11 | G18A, G38Z | | |
| 5o204.0↔ | 21B | X06A, X06B, X06C | 17 | R01A, R01B, R01C, R01D, R02Z, R12A, R12B, R12C | 5o20b.0↔ | 11 | L03Z, L04A, L04B, L04C, L04J, L10Z, L13A, L13B, L38Z | |
| | 11 | BOP, KJZSV, KVT, UOP4 | 21A | W04A, W04B | | 21A | W04A, W04B | |
| | | L03Z, L04A, L04B, L04C, L04J, L10Z, L13A, L13B, L38Z | 21B | X06A, X06B, X06C | | 21B | X06A, X06B, X06C | |
| 21A | | W04A, W04B | 5o207.0↔ | BOP, KJZSV, KVT, UOP4 | 06 | BOP, KJZSV, KVT, UOP4 | | |
| 21B | X06A, X06B, X06C | 11 | | L03Z, L04A, L04B, L04C, L04J, L10Z, L13A, L13B, L38Z | 11 | G18A, G38Z | | |
| 5o204.4↔ | 11 | BOP, KJZSV, KVT, UOP4 | | 13 | N11A | 5o20b.4↔ | 11 | L03Z, L04A, L04B, L04C, L04J, L10Z, L13A, L13B, L38Z |
| | | L03Z, L04A, L04B, L04C, L04J, L10Z, L13A, L13B, L38Z | 21A | W04A, W04B | 21A | | W04A, W04B | |
| | | 21A | W04A, W04B | 21B | X06A, X06B, X06C | | 21B | X06A, X06B, X06C |
| 5o204.x↔ | 21B | X06A, X06B, X06C | 5o207.4↔ | BOP, KJZSV, KVT, UOP4 | 5o20b.x↔ | BOP, KJZSV, KVT, UOP4 | | |
| | 11 | BOP, KJZSV, KVT, UOP4 | | 11 | | L03Z, L04A, L04B, L04C, L04J, L10Z, L13A, L13B, L38Z | 06 | G18A, G38Z |
| | | L03Z, L04A, L04B, L04C, L04J, L10Z, L13A, L13B, L38Z | | 13 | | N11A | 11 | L03Z, L04A, L04B, L04C, L04J, L10Z, L13A, L13B, L38Z |
| 21A | | W04A, W04B | 21A | W04A, W04B | 21A | W04A, W04B | | |
| 5o205.0↔ | 21B | X06A, X06B, X06C | 5o207.x↔ | 21B | X06A, X06B, X06C | 21B | X06A, X06B, X06C | |
| | 11 | BOP, KJZSV, KVT, UOP4 | | 11 | BOP, KJZSV, KVT, UOP4 | 5o20c.0↔ | BOP, KJZSV, KVT, UOP4 | |
| | | L03Z, L04A, L04B, L04C, L04J, L10Z, L13A, L13B, L38Z | | 11 | L03Z, L04A, L04B, L04C, L04J, L10Z, L13A, L13B, L38Z | | 06 | G18A, G38Z |
| 21A | | W04A, W04B | 13 | N11A | 11 | | L03Z, L04A, L04B, L04C, L04J, L10Z, L13A, L13B, L38Z | |
| 5o205.4↔ | 21B | X06A, X06B, X06C | 5o209.0↔ | 21A | W04A, W04B | 5o20d.0↔ | 21A | W04A, W04B |
| | 11 | BOP, KJZSV, KVT, UOP4 | | 21B | X06A, X06B, X06C | | 21B | X06A, X06B, X06C |
| | | L03Z, L04A, L04B, L04C, L04J, L10Z, L13A, L13B, L38Z | | 06 | BOP, KJZSV, KVT, UOP4 | | 06 | BOP, KJZSV, KVT, UOP4 |
| 13 | | N08Z | 11 | G18A, G38Z | 11 | G18A, G38Z | | |
| 5o205.x↔ | 21A | W04A, W04B | 5o209.4↔ | 11 | L03Z, L04A, L04B, L04C, L04J, L10Z, L13A, L13B, L38Z | 5o20d.4↔ | 11 | L03Z, L04A, L04B, L04C, L04J, L10Z, L13A, L13B, L38Z |
| | 21B | X06A, X06B, X06C | | 13 | N11A | | 13 | N11A |
| | 11 | BOP, KJZSV, KVT, UOP4 | | 21A | W04A, W04B | | 21A | W04A, W04B |
| L03Z, L04A, L04B, L04C, L04J, L10Z, L13A, L13B, L38Z | | 21B | X06A, X06B, X06C | 21B | X06A, X06B, X06C | | | |
| 21A | | W04A, W04B | 5o209.x↔ | BOP, KJZSV, KVT, UOP4 | 06 | BOP, KJZSV, KVT, UOP4 | | |
| 21B | X06A, X06B, X06C | 06 | | G18A, G38Z | 11 | L03Z, L04A, L04B, L04C, L04J, L10Z, L13A, L13B, L38Z | | |
| 5o206.0↔ | 11 | BOP, KJZSV, KVT, UOP4 | | 11 | L03Z, L04A, L04B, L04C, L04J, L10Z, L13A, L13B, L38Z | 13 | N11A | |
| | | L03Z, L04A, L04B, L04C, L04J, L10Z, L13A, L13B, L38Z | 13 | N11A | 21A | W04A, W04B | | |
| | | 12 | M06J, M06Z, M09A, M09B, M09J, M38Z | 21A | W04A, W04B | 21B | X06A, X06B, X06C | |
| 5o206.4↔ | 11 | BOP, KJZSV, KVT, UOP4 | 5o209.x↔ | 06 | G18A, G38Z | 5o20d.4↔ | BOP, KJZSV, KVT, UOP4 | |
| | | L03Z, L04A, L04B, L04C, L04J, L10Z, L13A, L13B, L38Z | | 11 | L03Z, L04A, L04B, L04C, L04J, L10Z, L13A, L13B, L38Z | | 06 | G18A, G38Z |
| | | 12 | | M06J, M06Z, M09A, M09B, M09J, M38Z | 11 | | L03Z, L04A, L04B, L04C, L04J, L10Z, L13A, L13B, L38Z | 11 |
| 5o206.x↔ | 11 | BOP, KJZSV, KVT, UOP4 | 5o209.x↔ | 06 | G18A, G38Z | 5o20d.4↔ | 13 | N11A |
| | | L03Z, L04A, L04B, L04C, L04J, L10Z, L13A, L13B, L38Z | | 11 | L03Z, L04A, L04B, L04C, L04J, L10Z, L13A, L13B, L38Z | | 21A | W04A, W04B |
| | | 13 | | N11A, N11J | 11 | | L03Z, L04A, L04B, L04C, L04J, L10Z, L13A, L13B, L38Z | 21B |
| 5o206.4↔ | 11 | BOP, KJZSV, KVT, UOP4 | 5o209.x↔ | 13 | N11A | 5o20d.4↔ | 13 | N11A |
| | | L03Z, L04A, L04B, L04C, L04J, L10Z, L13A, L13B, L38Z | | 21A | W04A, W04B | | 21A | W04A, W04B |
| | | 12 | | M06J, M06Z, M09A, M09B, M09J, M38Z | 21B | | X06A, X06B, X06C | 21B |
| 5o206.x↔ | 11 | BOP, KJZSV, KVT, UOP4 | 5o209.x↔ | 17 | R01A, R01B, R01C, R01D, R02Z, R12A, R12B, R12C | 5o20d.4↔ | 06 | BOP, KJZSV, KVT, UOP4 |
| | | L03Z, L04A, L04B, L04C, L04J, L10Z, L13A, L13B, L38Z | | 13 | N11A | | 11 | L03Z, L04A, L04B, L04C, L04J, L10Z, L13A, L13B, L38Z |
| | | 21A | | W04A, W04B | 13 | | N11A | 13 |
| 5o206.x↔ | 11 | BOP, KJZSV, KVT, UOP4 | 5o209.x↔ | 21A | W04A, W04B | 5o20d.4↔ | 21A | W04A, W04B |
| | | L03Z, L04A, L04B, L04C, L04J, L10Z, L13A, L13B, L38Z | | 21B | X06A, X06B, X06C | | 21B | X06A, X06B, X06C |
| | | 21A | | W04A, W04B | 21B | | X06A, X06B, X06C | 21B |

VYK

| ZZV | MDC | DRG | ZZV | MDC | DRG | ZZV | MDC | DRG |
|----------|-----|--|---------|-----|--|---------|-----|--|
| 5o20d.x↔ | | BOP, KJZSV, KVT, UOP4 | 5o210.x | | BOP, KJZSV, KVT, MVV, UOP4 | 5o212.4 | | BOP, KJZSV, KVT, MVV, UOP4 |
| | 06 | G18A, G38Z | | 06 | G18A, G38Z | | 06 | G18A, G38Z |
| | 11 | L03Z, L04A, L04B, L04C, L04J, L10Z, L13A, L13B, L38Z | | 11 | L02A, L02B, L02C, L03Z, L04A, L04B, L04C, L04J, L10Z, L33Z, L38Z | | 11 | L02A, L02B, L02C, L03Z, L04A, L04B, L04C, L04J, L10Z, L33Z, L38Z |
| | 13 | N11A | | 12 | M37Z, M38Z | | 12 | M37Z, M38Z |
| | 21A | W04A, W04B | | 13 | N01A, N01B, N01C, N01D, N01E, N34Z, N38Z | | 13 | N01A, N01B, N01C, N01D, N01E, N34Z, N38Z |
| 5o20e.0 | 21B | X06A, X06B, X06C | 5o211.0 | 21A | W04A, W04B | 5o212.5 | 21A | W04A, W04B |
| | | BOP, KJZSV, KVT, UOP4 | | 21B | X06A, X06B, X06C | | 21B | X06A, X06B, X06C |
| | 11 | L03Z, L04A, L04B, L04C, L04J, L10Z, L13A, L13B, L38Z | | | BOP, KJZSV, KVT, MVV, UOP4 | | | BOP, KJZSV, KVT, MVV, UOP4 |
| 5o20x.0↔ | 13 | N11A | 5o211.4 | 06 | G18A, G38Z | 5o212.x | 06 | G18A, G38Z |
| | 21A | W04A, W04B | | 11 | L02A, L02B, L02C, L03Z, L04A, L04B, L04C, L04J, L10Z, L33Z, L38Z | | 11 | L02A, L02B, L02C, L03Z, L04A, L04B, L04C, L04J, L10Z, L33Z, L38Z |
| | 21B | X06A, X06B, X06C | | 12 | M37Z, M38Z | | 12 | M37Z, M38Z |
| 5o20x.4↔ | 11 | BOP, KJZSV, KVT, UOP4 | 5o211.5 | 13 | N01A, N01B, N01C, N01D, N01E, N34Z, N38Z | 5o213.0 | 13 | N01A, N01B, N01C, N01D, N01E, N34Z, N38Z |
| | 21A | W04A, W04B | | 21A | W04A, W04B | | 21A | W04A, W04B |
| | 21B | X06A, X06B, X06C | | 21B | X06A, X06B, X06C | | 21B | X06A, X06B, X06C |
| 5o20x.x↔ | 11 | L03Z, L04A, L04B, L04C, L04J, L10Z, L13A, L13B, L38Z | 5o211.5 | | BOP, KJZSV, KVT, MVV, UOP4 | 5o213.4 | | BOP, KJZSV, KVT, MVV, UOP4 |
| | 21A | W04A, W04B | | 06 | G18A, G38Z | | 06 | G18A, G38Z |
| | 21B | X06A, X06B, X06C | | 11 | L02A, L02B, L02C, L03Z, L04A, L04B, L04C, L04J, L10Z, L33Z, L38Z | | 11 | L02A, L02B, L02C, L03Z, L04A, L04B, L04C, L04J, L10Z, L33Z, L38Z |
| 5o210.0 | 11 | BOP, KJZSV, KVT, UOP4 | 5o211.x | 12 | M37Z, M38Z | 5o213.5 | 12 | M37Z, M38Z |
| | 12 | M37Z, M38Z | | 13 | N01A, N01B, N01C, N01D, N01E, N34Z, N38Z | | 13 | N01A, N01B, N01C, N01D, N01E, N34Z, N38Z |
| | 13 | N01A, N01B, N01C, N01D, N01E, N34Z, N38Z | | 21A | W04A, W04B | | 21A | W04A, W04B |
| | 21A | W04A, W04B | | 21B | X06A, X06B, X06C | | 21B | X06A, X06B, X06C |
| | 21B | X06A, X06B, X06C | | | BOP, KJZSV, KVT, MVV, UOP4 | | | BOP, KJZSV, KVT, MVV, UOP4 |
| 5o210.4 | 06 | G18A, G38Z | 5o212.0 | 06 | G18A, G38Z | 5o213.5 | 06 | G18A, G38Z |
| | 11 | L02A, L02B, L02C, L03Z, L04A, L04B, L04C, L04J, L10Z, L33Z, L38Z | | 11 | L02A, L02B, L02C, L03Z, L04A, L04B, L04C, L04J, L10Z, L33Z, L38Z | | 11 | L02A, L02B, L02C, L03Z, L04A, L04B, L04C, L04J, L10Z, L33Z, L38Z |
| | 12 | M37Z, M38Z | | 12 | M37Z, M38Z | | 12 | M37Z, M38Z |
| | 13 | N01A, N01B, N01C, N01D, N01E, N34Z, N38Z | | 13 | N01A, N01B, N01C, N01D, N01E, N34Z, N38Z | | 13 | N01A, N01B, N01C, N01D, N01E, N34Z, N38Z |
| | 21A | W04A, W04B | | 21A | W04A, W04B | | 21A | W04A, W04B |
| 5o210.5 | 21B | X06A, X06B, X06C | 5o212.0 | 21B | X06A, X06B, X06C | 5o213.5 | 21B | X06A, X06B, X06C |
| | | BOP, KJZSV, KVT, MVV, UOP4 | | | BOP, KJZSV, KVT, MVV, UOP4 | | | BOP, KJZSV, KVT, MVV, UOP4 |
| | 06 | G18A, G38Z | | 06 | G18A, G38Z | | 06 | G18A, G38Z |
| | 11 | L02A, L02B, L02C, L03Z, L04A, L04B, L04C, L04J, L10Z, L33Z, L38Z | | 11 | L02A, L02B, L02C, L03Z, L04A, L04B, L04C, L04J, L10Z, L33Z, L38Z | | 11 | L02A, L02B, L02C, L03Z, L04A, L04B, L04C, L04J, L10Z, L33Z, L38Z |
| | 12 | M37Z, M38Z | | 12 | M37Z, M38Z | | 12 | M37Z, M38Z |

VYK

| ZZV | MDC | DRG | ZZV | MDC | DRG | ZZV | MDC | DRG |
|---------|-----|--|---------|-----|--|---------|-----|--|
| 5o214.x | | BOP, KJZSV, KVT, MVV, UOP4 | 5o215.4 | | BOP, KJZSV, KVT, MVV, UOP4 | 5o216.x | | BOP, KJZSV, KVT, MVV, UOP4 |
| | 06 | G18A, G38Z | | 06 | G18A, G38Z | | 06 | G18A, G38Z |
| | 11 | L02A, L02B, L02C, L03Z, L04A, L04B, L04C, L04J, L10Z, L33Z, L38Z | | 11 | L02A, L02B, L02C, L03Z, L04A, L04B, L04C, L04J, L10Z, L33Z, L38Z | | 11 | L02A, L02B, L02C, L03Z, L04A, L04B, L04C, L04J, L10Z, L33Z, L38Z |
| | 12 | M37Z, M38Z | | 12 | M06J, M06Z, M09A, M09B, M09J, M37Z, M38Z | | 12 | M06J, M06Z, M09A, M09B, M09J, M37Z, M38Z |
| | 13 | N01A, N01B, N01C, N01D, N01E, N34Z, N38Z | | 13 | N01A, N01B, N01C, N01D, N01E, N11A, N11B, N11J, N34Z, N38Z | | 13 | N01A, N01B, N01C, N01D, N01E, N11A, N11B, N11J, N34Z, N38Z |
| 5o214.0 | 21A | W04A, W04B | 5o215.x | 17 | R01A, R01B, R01C, R01D, R02Z, R12A, R12B, R12C | 5o217.0 | 17 | R01A, R01B, R01C, R01D, R02Z, R12A, R12B, R12C |
| | 21B | X06A, X06B, X06C | | 21A | W04A, W04B | | 21A | W04A, W04B |
| | 06 | G18A, G38Z | | 21B | X06A, X06B, X06C | | 21B | X06A, X06B, X06C |
| | 11 | L02A, L02B, L02C, L03Z, L04A, L04B, L04C, L04J, L10Z, L33Z, L38Z | | 06 | G18A, G38Z | | 06 | G18A, G38Z |
| | 12 | M06J, M06Z, M09A, M09B, M09J, M37Z, M38Z | | 11 | L02A, L02B, L02C, L03Z, L04A, L04B, L04C, L04J, L10Z, L33Z, L38Z | | 11 | L02A, L02B, L02C, L03Z, L04A, L04B, L04C, L04J, L10Z, L33Z, L38Z |
| 5o214.4 | 13 | N01A, N01B, N01C, N01D, N01E, N11A, N11B, N11J, N34Z, N38Z | 5o216.0 | 12 | M06J, M06Z, M09A, M09B, M09J, M37Z, M38Z | 5o217.4 | 12 | M37Z, M38Z |
| | 17 | R01A, R01B, R01C, R01D, R02Z, R12A, R12B, R12C | | 13 | N01A, N01B, N01C, N01D, N01E, N34Z, N38Z | | 13 | N01A, N01B, N01C, N01D, N01E, N34Z, N38Z |
| | 21A | W04A, W04B | | 17 | R01A, R01B, R01C, R01D, R02Z, R12A, R12B, R12C | | 21A | W04A, W04B |
| | 21B | X06A, X06B, X06C | | 21A | W04A, W04B | | 21B | X06A, X06B, X06C |
| | 06 | G18A, G38Z | | 21B | X06A, X06B, X06C | | 06 | G18A, G38Z |
| 5o214.x | 11 | L02A, L02B, L02C, L03Z, L04A, L04B, L04C, L04J, L10Z, L33Z, L38Z | 5o216.4 | 06 | G18A, G38Z | 5o217.x | 11 | L02A, L02B, L02C, L03Z, L04A, L04B, L04C, L04J, L10Z, L33Z, L38Z |
| | 12 | M06J, M06Z, M09A, M09B, M09J, M37Z, M38Z | | 11 | L02A, L02B, L02C, L03Z, L04A, L04B, L04C, L04J, L10Z, L33Z, L38Z | | 12 | M37Z, M38Z |
| | 13 | N01A, N01B, N01C, N01D, N01E, N11A, N11B, N11J, N34Z, N38Z | | 12 | M06J, M06Z, M09A, M09B, M09J, M37Z, M38Z | | 13 | N01A, N01B, N01C, N01D, N01E, N34Z, N38Z |
| | 17 | R01A, R01B, R01C, R01D, R02Z, R12A, R12B, R12C | | 13 | N01A, N01B, N01C, N01D, N01E, N11A, N11B, N11J, N34Z, N38Z | | 21A | W04A, W04B |
| | 21A | W04A, W04B | | 17 | R01A, R01B, R01C, R01D, R02Z, R12A, R12B, R12C | | 21B | X06A, X06B, X06C |
| 5o214.x | 21B | X06A, X06B, X06C | 5o216.4 | 06 | G18A, G38Z | 5o21a.0 | 06 | G18A, G38Z |
| | 06 | G18A, G38Z | | 11 | L02A, L02B, L02C, L03Z, L04A, L04B, L04C, L04J, L10Z, L33Z, L38Z | | 11 | L02A, L02B, L02C, L03Z, L04A, L04B, L04C, L04J, L10Z, L33Z, L38Z |
| | 11 | L02A, L02B, L02C, L03Z, L04A, L04B, L04C, L04J, L10Z, L33Z, L38Z | | 12 | M06J, M06Z, M09A, M09B, M09J, M37Z, M38Z | | 12 | M06J, M06Z, M09A, M09B, M09J, M37Z, M38Z |
| | 12 | M06J, M06Z, M09A, M09B, M09J, M37Z, M38Z | | 13 | N01A, N01B, N01C, N01D, N01E, N11A, N11B, N11J, N34Z, N38Z | | 13 | N01A, N01B, N01C, N01D, N01E, N11A, N11B, N11J, N34Z, N38Z |
| | 13 | N01A, N01B, N01C, N01D, N01E, N11A, N11B, N11J, N34Z, N38Z | | 17 | R01A, R01B, R01C, R01D, R02Z, R12A, R12B, R12C | | 17 | R01A, R01B, R01C, R01D, R02Z, R12A, R12B, R12C |
| 5o215.0 | 17 | R01A, R01B, R01C, R01D, R02Z, R12A, R12B, R12C | 5o216.4 | 21A | W04A, W04B | 5o21a.0 | 12 | M06J, M06Z, M09A, M09B, M09J, M37Z, M38Z |
| | 21A | W04A, W04B | | 21B | X06A, X06B, X06C | | 13 | N01A, N01B, N01C, N01D, N01E, N11A, N11B, N11J, N34Z, N38Z |
| | 21B | X06A, X06B, X06C | | 06 | G18A, G38Z | | 17 | R01A, R01B, R01C, R01D, R02Z, R12A, R12B, R12C |
| | 06 | G18A, G38Z | | 11 | L02A, L02B, L02C, L03Z, L04A, L04B, L04C, L04J, L10Z, L33Z, L38Z | | 21A | W04A, W04B |
| | 11 | L02A, L02B, L02C, L03Z, L04A, L04B, L04C, L04J, L10Z, L33Z, L38Z | | 21B | X06A, X06B, X06C | | 21B | X06A, X06B, X06C |

| ZZV | MDC | DRG | ZZV | MDC | DRG | ZZV | MDC | DRG | | | |
|---------|---------|--|--|--|--|---------|--|--|---------|----|--|
| 5o21a.4 | | BOP, KJZSV, KVT, MVV, UOP4 | 5o21b.x | | BOP, KJZSV, KVT, MVV, UOP4 | 5o21x.x | | BOP, KJZSV, KVT, MVV, UOP4 | | | |
| | 06 | G18A, G38Z | | 06 | G18A, G38Z | | 06 | G18A, G38Z | | | |
| | 11 | L02A, L02B, L02C, L03Z, L04A, L04B, L04C, L04J, L10Z, L33Z, L38Z | | 11 | L02A, L02B, L02C, L03Z, L04A, L04B, L04C, L04J, L10Z, L33Z, L38Z | | 11 | L02A, L02B, L02C, L03Z, L04A, L04B, L04C, L04J, L10Z, L33Z, L38Z | | | |
| | 12 | M06J, M06Z, M09A, M09B, M09J, M37Z, M38Z | | 12 | M37Z, M38Z | | 12 | M37Z, M38Z | | | |
| | 13 | N01A, N01B, N01C, N01D, N01E, N11A, N11B, N11J, N34Z, N38Z | | 13 | N01A, N01B, N01C, N01D, N01E, N34Z, N38Z | | 13 | N01A, N01B, N01C, N01D, N01E, N34Z, N38Z | | | |
| | 17 | R01A, R01B, R01C, R01D, R02Z, R12A, R12B, R12C | | | | | | | | | |
| | 21A | W04A, W04B | | | | | | | | | |
| | 21B | X06A, X06B, X06C | | | | | | | | | |
| | 5o21a.x | | | BOP, KJZSV, KVT, MVV, UOP4 | 5o21c.0 | | | BOP, KJZSV, KVT, MVV, UOP4 | 5o220.0 | | BOP, KJZSV, KVT, MVV, UOP4 |
| | | 06 | | G18A, G38Z | | | 06 | G18A, G38Z | | 06 | G18A, G38Z |
| 11 | | L02A, L02B, L02C, L03Z, L04A, L04B, L04C, L04J, L10Z, L33Z, L38Z | 11 | L02A, L02B, L02C, L03Z, L04A, L04B, L04C, L04J, L10Z, L33Z, L38Z | | 11 | L03Z, L04A, L04B, L04C, L04J, L10Z, L13A, L13B, L33Z, L38Z | | | | |
| 12 | | M06J, M06Z, M09A, M09B, M09J, M37Z, M38Z | 12 | M37Z, M38Z | | 12 | M06J, M06Z, M09A, M09B, M09J, M37Z, M38Z | | | | |
| 13 | | N01A, N01B, N01C, N01D, N01E, N11A, N11B, N11J, N34Z, N38Z | 13 | N01A, N01B, N01C, N01D, N01E, N34Z, N38Z | | 13 | N01A, N01B, N01C, N01D, N01E, N11A, N11B, N11J, N34Z, N38Z | | | | |
| 17 | | R01A, R01B, R01C, R01D, R02Z, R12A, R12B, R12C | | | | 17 | R01A, R01B, R01C, R01D, R02Z, R12A, R12B, R12C | | | | |
| 21A | | W04A, W04B | | | | 21A | W04A, W04B | | | | |
| 21B | | X06A, X06B, X06C | | | | 21B | X06A, X06B, X06C | | | | |
| 5o21b.0 | | | BOP, KJZSV, KVT, MVV, UOP4 | 5o21c.4 | | | BOP, KJZSV, KVT, MVV, UOP4 | 5o220.4 | | | BOP, KJZSV, KVT, MVV, UOP4 |
| | | 06 | G18A, G38Z | | | 06 | G18A, G38Z | | | 06 | G18A, G38Z |
| | 11 | L02A, L02B, L02C, L03Z, L04A, L04B, L04C, L04J, L10Z, L33Z, L38Z | 11 | | L02A, L02B, L02C, L03Z, L04A, L04B, L04C, L04J, L10Z, L33Z, L38Z | 11 | L03Z, L04A, L04B, L04C, L04J, L10Z, L13A, L13B, L33Z, L38Z | | | | |
| | 12 | M37Z, M38Z | 12 | | M37Z, M38Z | 12 | M06J, M06Z, M09A, M09B, M09J, M37Z, M38Z | | | | |
| | 13 | N01A, N01B, N01C, N01D, N01E, N34Z, N38Z | 13 | | N01A, N01B, N01C, N01D, N01E, N34Z, N38Z | 13 | N01A, N01B, N01C, N01D, N01E, N08Z, N34Z, N38Z | | | | |
| | 21A | W04A, W04B | | | | 17 | R01A, R01B, R01C, R01D, R02Z, R12A, R12B, R12C | | | | |
| | 21B | X06A, X06B, X06C | | | | 21A | W04A, W04B | | | | |
| | 5o21b.4 | | BOP, KJZSV, KVT, MVV, UOP4 | | 5o21c.x | | BOP, KJZSV, KVT, MVV, UOP4 | | 5o220.5 | | BOP, KJZSV, KVT, MVV, UOP4 |
| | | 06 | G18A, G38Z | | | 06 | G18A, G38Z | | | 06 | G18A, G38Z |
| | | 11 | L02A, L02B, L02C, L03Z, L04A, L04B, L04C, L04J, L10Z, L33Z, L38Z | | | 11 | L02A, L02B, L02C, L03Z, L04A, L04B, L04C, L04J, L10Z, L33Z, L38Z | | | 11 | L03Z, L04A, L04B, L04C, L04J, L10Z, L13A, L13B, L33Z, L38Z |
| 12 | | M37Z, M38Z | 12 | M37Z, M38Z | | 12 | M06J, M06Z, M09A, M09B, M09J, M37Z, M38Z | | | | |
| 13 | | N01A, N01B, N01C, N01D, N01E, N34Z, N38Z | 13 | N01A, N01B, N01C, N01D, N01E, N34Z, N38Z | | 13 | N01A, N01B, N01C, N01D, N01E, N08Z, N34Z, N38Z | | | | |
| 21A | | W04A, W04B | | | | 17 | R01A, R01B, R01C, R01D, R02Z, R12A, R12B, R12C | | | | |
| 21B | | X06A, X06B, X06C | | | | 21A | W04A, W04B | | | | |
| 5o21b.5 | | | BOP, KJZSV, KVT, MVV, UOP4 | 5o21x.0 | | | BOP, KJZSV, KVT, MVV, UOP4 | 5o220.x | | | BOP, KJZSV, KVT, MVV, UOP4 |
| | | 06 | G18A, G38Z | | | 06 | G18A, G38Z | | | 06 | G18A, G38Z |
| | | 11 | L02A, L02B, L02C, L03Z, L04A, L04B, L04C, L04J, L10Z, L33Z, L38Z | | | 11 | L02A, L02B, L02C, L03Z, L04A, L04B, L04C, L04J, L10Z, L33Z, L38Z | | | 11 | L03Z, L04A, L04B, L04C, L04J, L10Z, L13A, L13B, L33Z, L38Z |
| | 12 | M37Z, M38Z | 12 | | M37Z, M38Z | 12 | M06J, M06Z, M09A, M09B, M09J, M37Z, M38Z | | | | |
| | 13 | N01A, N01B, N01C, N01D, N01E, N34Z, N38Z | 13 | | N01A, N01B, N01C, N01D, N01E, N34Z, N38Z | 13 | N01A, N01B, N01C, N01D, N01E, N11A, N11B, N11J, N34Z, N38Z | | | | |
| | 21A | W04A, W04B | | | | 17 | R01A, R01B, R01C, R01D, R02Z, R12A, R12B, R12C | | | | |
| | 21B | X06A, X06B, X06C | | | | 21A | W04A, W04B | | | | |
| | 5o21b.x | | BOP, KJZSV, KVT, MVV, UOP4 | | 5o21x.4 | | BOP, KJZSV, KVT, MVV, UOP4 | | 5o220.x | | BOP, KJZSV, KVT, MVV, UOP4 |
| | | 06 | G18A, G38Z | | | 06 | G18A, G38Z | | | 06 | G18A, G38Z |
| | | 11 | L02A, L02B, L02C, L03Z, L04A, L04B, L04C, L04J, L10Z, L33Z, L38Z | | | 11 | L02A, L02B, L02C, L03Z, L04A, L04B, L04C, L04J, L10Z, L33Z, L38Z | | | 11 | L03Z, L04A, L04B, L04C, L04J, L10Z, L13A, L13B, L33Z, L38Z |
| 12 | | M37Z, M38Z | 12 | M37Z, M38Z | | 12 | M06J, M06Z, M09A, M09B, M09J, M37Z, M38Z | | | | |
| 13 | | N01A, N01B, N01C, N01D, N01E, N34Z, N38Z | 13 | N01A, N01B, N01C, N01D, N01E, N34Z, N38Z | | 13 | N01A, N01B, N01C, N01D, N01E, N11A, N11B, N11J, N34Z, N38Z | | | | |
| 21A | | W04A, W04B | | | | 17 | R01A, R01B, R01C, R01D, R02Z, R12A, R12B, R12C | | | | |
| 21B | | X06A, X06B, X06C | | | | 21A | W04A, W04B | | | | |
| | | | | | | 21B | X06A, X06B, X06C | | | | |

VYK

| ZZV | MDC | DRG | ZZV | MDC | DRG | ZZV | MDC | DRG |
|---------|-----|--|---------|-----|--|---------|-----|--|
| 5o224.x | | BOP, KJZSV, KVT, MVV, UOP4 | 5o22x.5 | | BOP, KJZSV, KVT, MVV, UOP4 | 5o230.x | | BOP, KJZSV, KVT, UOP4 |
| | 06 | G18A, G38Z | | 06 | G18A, G38Z | | 06 | G18A, G38Z |
| | 11 | L03Z, L04A, L04B, L04C, L04J, L10Z, L13A, L13B, L33Z, L38Z | | 11 | L03Z, L04A, L04B, L04C, L04J, L10Z, L13A, L13B, L33Z, L38Z | | 11 | L03Z, L04A, L04B, L04C, L04J, L10Z, L13A, L13B, L33Z, L38Z |
| | 12 | M06J, M06Z, M09A, M09B, M09J, M37Z, M38Z | | 12 | M37Z, M38Z | | 12 | M06J, M06Z, M09A, M09B, M09J, M38Z |
| | 13 | N01A, N01B, N01C, N01D, N01E, N11A, N11B, N11J, N34Z, N38Z | | 13 | N01A, N01B, N01C, N01D, N01E, N34Z, N38Z | | 13 | N11A, N11J |
| | 17 | R01A, R01B, R01C, R01D, R02Z, R12A, R12B, R12C | | 21A | W04A, W04B | | 17 | R01A, R01B, R01C, R01D, R02Z, R12A, R12B, R12C |
| | 21A | W04A, W04B | | 21B | X06A, X06B, X06C | | 21A | W04A, W04B |
| | 21B | X06A, X06B, X06C | | | BOP, KJZSV, KVT, MVV, UOP4 | | 21B | X06A, X06B, X06C |
| | | BOP, KJZSV, KVT, MVV, UOP4 | | | BOP, KJZSV, KVT, MVV, UOP4 | | | BOP, KJZSV, KVT, UOP4 |
| | | G18A, G38Z | | | G18A, G38Z | | | G18A, G38Z |
| 5o225.0 | | BOP, KJZSV, KVT, MVV, UOP4 | 5o22x.x | | BOP, KJZSV, KVT, MVV, UOP4 | 5o231.1 | | BOP, KJZSV, KVT, UOP4 |
| | 06 | G18A, G38Z | | 06 | G18A, G38Z | | 06 | G18A, G38Z |
| | 11 | L03Z, L04A, L04B, L04C, L04J, L10Z, L13A, L13B, L33Z, L38Z | | 11 | L03Z, L04A, L04B, L04C, L04J, L10Z, L13A, L13B, L33Z, L38Z | | 11 | L03Z, L04A, L04B, L04C, L04J, L10Z, L13A, L13B, L33Z, L38Z |
| | 12 | M37Z, M38Z | | 12 | M37Z, M38Z | | 12 | M06J, M06Z, M09A, M09B, M09J, M38Z |
| | 13 | N01A, N01B, N01C, N01D, N01E, N34Z, N38Z | | 13 | N01A, N01B, N01C, N01D, N01E, N34Z, N38Z | | 13 | N11A, N11J |
| | 21A | W04A, W04B | | 21A | W04A, W04B | | 17 | R01A, R01B, R01C, R01D, R02Z, R12A, R12B, R12C |
| | 21B | X06A, X06B, X06C | | 21B | X06A, X06B, X06C | | 21A | W04A, W04B |
| | | BOP, KJZSV, KVT, MVV, UOP4 | | | BOP, KJZSV, KVT, UOP4 | | 21B | X06A, X06B, X06C |
| | | G18A, G38Z | | | G18A, G38Z | | | BOP, KJZSV, KVT, UOP4 |
| | | L03Z, L04A, L04B, L04C, L04J, L10Z, L13A, L13B, L33Z, L38Z | | | L03Z, L04A, L04B, L04C, L04J, L10Z, L13A, L13B, L33Z, L38Z | | | G18A, G38Z |
| 5o225.4 | | BOP, KJZSV, KVT, MVV, UOP4 | 5o230.1 | | BOP, KJZSV, KVT, UOP4 | 5o231.2 | | BOP, KJZSV, KVT, UOP4 |
| | 06 | G18A, G38Z | | 06 | G18A, G38Z | | 06 | G18A, G38Z |
| | 11 | L03Z, L04A, L04B, L04C, L04J, L10Z, L13A, L13B, L33Z, L38Z | | 11 | L03Z, L04A, L04B, L04C, L04J, L10Z, L13A, L13B, L33Z, L38Z | | 11 | L03Z, L04A, L04B, L04C, L04J, L10Z, L13A, L13B, L33Z, L38Z |
| | 12 | M37Z, M38Z | | 12 | M06J, M06Z, M09A, M09B, M09J, M38Z | | 12 | M06J, M06Z, M09A, M09B, M09J, M38Z |
| | 13 | N01A, N01B, N01C, N01D, N01E, N34Z, N38Z | | 13 | N11A, N11J | | 13 | N11A, N11J |
| | 21A | W04A, W04B | | 17 | R01A, R01B, R01C, R01D, R02Z, R12A, R12B, R12C | | 17 | R01A, R01B, R01C, R01D, R02Z, R12A, R12B, R12C |
| | 21B | X06A, X06B, X06C | | 21A | W04A, W04B | | 21A | W04A, W04B |
| | | BOP, KJZSV, KVT, MVV, UOP4 | | 21B | X06A, X06B, X06C | | 21B | X06A, X06B, X06C |
| | | G18A, G38Z | | | BOP, KJZSV, KVT, UOP4 | | | BOP, KJZSV, KVT, UOP4 |
| | | L03Z, L04A, L04B, L04C, L04J, L10Z, L13A, L13B, L33Z, L38Z | | | G18A, G38Z | | | G18A, G38Z |
| 5o225.x | | BOP, KJZSV, KVT, MVV, UOP4 | 5o230.2 | | BOP, KJZSV, KVT, UOP4 | 5o231.4 | | BOP, KJZSV, KVT, UOP4 |
| | 06 | G18A, G38Z | | 06 | G18A, G38Z | | 06 | G18A, G38Z |
| | 11 | L03Z, L04A, L04B, L04C, L04J, L10Z, L13A, L13B, L33Z, L38Z | | 11 | L03Z, L04A, L04B, L04C, L04J, L10Z, L13A, L13B, L33Z, L38Z | | 11 | L03Z, L04A, L04B, L04C, L04J, L10Z, L13A, L13B, L33Z, L38Z |
| | 12 | M37Z, M38Z | | 12 | M06J, M06Z, M09A, M09B, M09J, M38Z | | 12 | M06J, M06Z, M09A, M09B, M09J, M38Z |
| | 13 | N01A, N01B, N01C, N01D, N01E, N34Z, N38Z | | 13 | N11A, N11J | | 12 | M06J, M06Z, M09A, M09B, M09J, M38Z |
| | 21A | W04A, W04B | | 17 | R01A, R01B, R01C, R01D, R02Z, R12A, R12B, R12C | | 13 | N08Z |
| | 21B | X06A, X06B, X06C | | 21A | W04A, W04B | | 17 | R01A, R01B, R01C, R01D, R02Z, R12A, R12B, R12C |
| | | BOP, KJZSV, KVT, MVV, UOP4 | | 21B | X06A, X06B, X06C | | 21A | W04A, W04B |
| | | G18A, G38Z | | | BOP, KJZSV, KVT, UOP4 | | 21B | X06A, X06B, X06C |
| | | L03Z, L04A, L04B, L04C, L04J, L10Z, L13A, L13B, L33Z, L38Z | | | G18A, G38Z | | | BOP, KJZSV, KVT, UOP4 |
| 5o22x.0 | | BOP, KJZSV, KVT, MVV, UOP4 | 5o230.4 | | BOP, KJZSV, KVT, UOP4 | 5o231.5 | | BOP, KJZSV, KVT, UOP4 |
| | 06 | G18A, G38Z | | 06 | G18A, G38Z | | 06 | G18A, G38Z |
| | 11 | L03Z, L04A, L04B, L04C, L04J, L10Z, L13A, L13B, L33Z, L38Z | | 11 | L03Z, L04A, L04B, L04C, L04J, L10Z, L13A, L13B, L33Z, L38Z | | 11 | L03Z, L04A, L04B, L04C, L04J, L10Z, L13A, L13B, L33Z, L38Z |
| | 12 | M37Z, M38Z | | 12 | M06J, M06Z, M09A, M09B, M09J, M38Z | | 12 | M06J, M06Z, M09A, M09B, M09J, M38Z |
| | 13 | N01A, N01B, N01C, N01D, N01E, N34Z, N38Z | | 13 | N11A, N11J | | 12 | M06J, M06Z, M09A, M09B, M09J, M38Z |
| | 21A | W04A, W04B | | 17 | R01A, R01B, R01C, R01D, R02Z, R12A, R12B, R12C | | 13 | N08Z |
| | 21B | X06A, X06B, X06C | | 21A | W04A, W04B | | 17 | R01A, R01B, R01C, R01D, R02Z, R12A, R12B, R12C |
| | | BOP, KJZSV, KVT, MVV, UOP4 | | 21B | X06A, X06B, X06C | | 21A | W04A, W04B |
| | | G18A, G38Z | | | BOP, KJZSV, KVT, UOP4 | | 21B | X06A, X06B, X06C |
| | | L03Z, L04A, L04B, L04C, L04J, L10Z, L13A, L13B, L33Z, L38Z | | | G18A, G38Z | | | BOP, KJZSV, KVT, UOP4 |
| 5o22x.4 | | BOP, KJZSV, KVT, MVV, UOP4 | 5o230.5 | | BOP, KJZSV, KVT, UOP4 | | | |
| | 06 | G18A, G38Z | | 06 | G18A, G38Z | | | |
| | 11 | L03Z, L04A, L04B, L04C, L04J, L10Z, L13A, L13B, L33Z, L38Z | | 11 | L03Z, L04A, L04B, L04C, L04J, L10Z, L13A, L13B, L33Z, L38Z | | | |
| | 12 | M37Z, M38Z | | 12 | M06J, M06Z, M09A, M09B, M09J, M38Z | | | |
| | 13 | N01A, N01B, N01C, N01D, N01E, N34Z, N38Z | | 13 | N11A, N11J | | | |
| | 21A | W04A, W04B | | 17 | R01A, R01B, R01C, R01D, R02Z, R12A, R12B, R12C | | | |
| | 21B | X06A, X06B, X06C | | 21A | W04A, W04B | | | |
| | | BOP, KJZSV, KVT, MVV, UOP4 | | 21B | X06A, X06B, X06C | | | |
| | | G18A, G38Z | | | BOP, KJZSV, KVT, UOP4 | | | |
| | | L03Z, L04A, L04B, L04C, L04J, L10Z, L13A, L13B, L33Z, L38Z | | | G18A, G38Z | | | |

VYK

| ZZV | MDC | DRG | ZZV | MDC | DRG | ZZV | MDC | DRG | | | | | | | | | | | | | | | | | | | | | | | | | | | | | | | | | | | |
|-----------|-----------|--|------------------|--|--|------------------------------|--|--|--|--|------------------------|------------------------------|------------------|------------------------------|----------|--|--|------------------------------|------------------------------------|--|--|------------|--|-----|--|------------|------------|------------------------------|--|------------------------------------|--|---------|--|--|------|----|--|-----|------------|----|--|-----|------------------|
| 5o235.5 | | BOP, KJZSV, KVT, UOP4 | 5o242.r†↔ | 11 | L64A, L64J, L64Q, L64R, L74Z | 5o256.a†↔ | 11 | KJZSV | | | | | | | | | | | | | | | | | | | | | | | | | | | | | | | | | | | |
| | 06 | G18A, G38Z | | | | | | | 5o256.r†↔ | 11 | L11Z, L18A, L18B, L38Z | | | | | | | | | | | | | | | | | | | | | | | | | | | | | | | | |
| | 11 | L03Z, L04A, L04B, L04C, L04J, L10Z, L13A, L13B, L33Z, L38Z | | | | | | | | | | 5o259.0 | 11 | L11Z, L18A, L18B, L38Z | | | | | | | | | | | | | | | | | | | | | | | | | | | | | |
| | 12 | M06J, M06Z, M09A, M09B, M09J, M38Z | | | | | | | | | | | | | 11 | L18A, L18B, L19Z, L20A, L20B, L20C, L20J, L20Q, L20R, L38Z | | | | | | | | | | | | | | | | | | | | | | | | | | | |
| | 13 | N08Z | | | | | | | | | | | | | | | 21A | W04A, W04B | | | | | | | | | | | | | | | | | | | | | | | | | |
| | 17 | R01A, R01B, R01C, R01D, R02Z, R12A, R12B, R12C | | | | | | | | | | | | | | | | | 21B | X06A, X06B, X06C | | | | | | | | | | | | | | | | | | | | | | | |
| | 21A | W04A, W04B | | | | | | | | | | | | | | | | | | | 5o259.1 | 11 | L18A, L18B, L19Z, L20A, L20B, L20C, L20J, L20Q, L20R, L38Z | | | | | | | | | | | | | | | | | | | | |
| | 21B | X06A, X06B, X06C | | | | | | | | | | | | | | | | | | | | | | 21A | W04A, W04B | | | | | | | | | | | | | | | | | | |
| | 5o235.x | BOP, KJZSV, KVT, UOP4 | | | | | | | | | | | | | | | | | | | | | | | | 5o244.a†↔ | 11 | L64A, L64J, L64Q, L64R, L74Z | 21B | X06A, X06B, X06C | | | | | | | | | | | | | |
| | | 06 | | | | | | | | | | | | | | | | | | | | | | | | | | | | | G18A, G38Z | 5o259.2 | 11 | L18A, L18B, L19Z, L20A, L20B, L20C, L20J, L20Q, L20R, L38Z | | | | | | | | | |
| 11 | | L03Z, L04A, L04B, L04C, L04J, L10Z, L13A, L13B, L33Z, L38Z | 21A | W04A, W04B | | | | | | | | | | | | | | | | | | | | | | | | | | | | | | | | | | | | | | | |
| 12 | | M06J, M06Z, M09A, M09B, M09J, M38Z | | | 21B | X06A, X06B, X06C | | | | | | | | | | | | | | | | | | | | | | | | | | | | | | | | | | | | | |
| 13 | | N11A, N11J | | | | | 5o259.3 | 11 | L18A, L18B, L19Z, L20A, L20B, L20C, L20J, L20Q, L20R, L38Z | | | | | | | | | | | | | | | | | | | | | | | | | | | | | | | | | | |
| 17 | | R01A, R01B, R01C, R01D, R02Z, R12A, R12B, R12C | | | | | | | | 21A | W04A, W04B | | | | | | | | | | | | | | | | | | | | | | | | | | | | | | | | |
| 21A | | W04A, W04B | | | | | | | | | | 21B | X06A, X06B, X06C | | | | | | | | | | | | | | | | | | | | | | | | | | | | | | |
| 21B | | X06A, X06B, X06C | | | | | | | | | | | | 5o259.3 | 11 | L18A, L18B, L19Z, L20A, L20B, L20C, L20J, L20Q, L20R, L38Z | | | | | | | | | | | | | | | | | | | | | | | | | | | |
| 5o23x.1 | | BOP, KJZSV, KVT, UOP4 | | | | | | | | | | | | | | | 5o246.r1†↔ | 11 | L20A, L20B, L20C, L20J, L20Q, L20R | 21A | W04A, W04B | | | | | | | | | | | | | | | | | | | | | | |
| | | 06 | | | | | | | | | | | | | | | | | | | | G18A, G38Z | 5o25x.a†↔ | 11 | L40J, L40Z | | | | | | | | | | | | | | | | | | |
| | 11 | L03Z, L04A, L04B, L04C, L04J, L10Z, L13A, L13B, L33Z, L38Z | | | | | | | | | | | | | | | | | | | | 5o25x.r†↔ | | | | 11 | L40J, L40Z | | | | | | | | | | | | | | | | |
| | 21A | W04A, W04B | | | | | | | | | | | | | | | | | | | | | | | | | | 5o260.1↔ | 11 | BOP, KJZSV, KVT, UOP4 | | | | | | | | | | | | | |
| | 21B | X06A, X06B, X06C | 11 | L03Z, L04A, L04B, L04C, L04J, L10Z, L13A, L13B, L38Z | | | | | | | | | | | | | | | | | | | | | | | | | | | | | | | | | | | | | | | |
| | 5o23x.2 | BOP, KJZSV, KVT, UOP4 | | | 5o246.r2†↔ | 11 | | | | | | | | | | | | | | | | | | | | | | | | | L20A, L20B, L20C, L20J, L20Q, L20R, L64A, L64J, L64Q, L64R, L74Z | 12 | M06J, M06Z, M09A, M09B, M09J, M38Z | | | | | | | | | | |
| | | 06 | | | | | G18A, G38Z | 5o250.0↔ | 11 | | | | | | | | | | | | | | | | | | | | | | | | | BOP, KJZSV, KVT, UOP4 | | | | | | | | | |
| | | 11 | | | | | L03Z, L04A, L04B, L04C, L04J, L10Z, L13A, L13B, L33Z, L38Z | | | 21A | W04A, W04B | | | | | | | | | | | | | | | | | | | | | | | | | | | | | | | | |
| | | 21A | | | | | W04A, W04B | | | | | 21B | X06A, X06B, X06C | | | | | | | | | | | | | | | | | | | | | | | | | | | | | | |
| | | 21B | | | | | X06A, X06B, X06C | | | | | | | 5o250.4↔ | 11 | BOP, KJZSV, KVT, UOP4 | | | | | | | | | | | | | | | | | | | | | | | | | | | |
| 5o23x.4 | | BOP, KJZSV, KVT, UOP4 | | | | | 5o247.r†↔ | | | | | | | | | | 11 | L64A, L64J, L64Q, L64R, L74Z | 12 | M06J, M06Z, M09A, M09B, M09J, M38Z | | | | | | | | | | | | | | | | | | | | | | | |
| | | 06 | | | | | | | | | | | | | | | | | | | G18A, G38Z | | 5o250.0↔ | 11 | L03Z, L04A, L04B, L04C, L04J, L10Z, L13A, L13B, L38Z | | | | | | | | | | | | | | | | | | |
| | | 11 | | | | | | | | | | | | | | | | | | | L03Z, L04A, L04B, L04C, L04J, L10Z, L13A, L13B, L33Z, L38Z | 21A | | | | W04A, W04B | | | | | | | | | | | | | | | | | |
| | | 21A | | | | | | | | | | | | | | | | | | | W04A, W04B | | | | | | 21B | X06A, X06B, X06C | | | | | | | | | | | | | | | |
| | | 21B | X06A, X06B, X06C | 5o250.5 | | | | | | | | | | | | | | | | | 11 | | | | | | | | L03Z, L04A, L04B, L04C, L04J, L10Z, L13A, L13B, L38Z | | | | | | | | | | | | | | |
| | 5o23x.5 | BOP, KJZSV, KVT, UOP4 | 5o24x.a†↔ | | 11 | L64A, L64J, L64Q, L64R, L74Z | | | | | | | | | | | | | | | | | | | | | | | | 13 | N11A, N11J | | | | | | | | | | | | |
| | | 06 | | | | | | G18A, G38Z | 5o250.4↔ | | | | | | | | | | | | | | | | | | | | | | | 11 | BOP, KJZSV, KVT, UOP4 | | | | | | | | | | |
| | | 11 | | | | | | L03Z, L04A, L04B, L04C, L04J, L10Z, L13A, L13B, L33Z, L38Z | | 21A | W04A, W04B | | | | | | | | | | | | | | | | | | | | | | | | | | | | | | | | |
| | | 21A | | | | | | W04A, W04B | | | | 21B | X06A, X06B, X06C | | | | | | | | | | | | | | | | | | | | | | | | | | | | | | |
| | | 21B | | | | | | X06A, X06B, X06C | | | | | | 5o250.6↔ | 11 | L18A, L18B, L19Z, L20A, L20B, L20C, L20J, L20Q, L20R, L38Z | | | | | | | | | | | | | | | | | | | | | | | | | | | |
| 5o23x.x | | BOP, KJZSV, KVT, UOP4 | | | | | 5o24x.r†↔ | 11 | | | | | | | | | L64A, L64J, L64Q, L64R, L74Z | 13 | N08Z | | | | | | | | | | | | | | | | | | | | | | | | |
| | | 06 | | | | | | | | | | | | | | | | | | G18A, G38Z | | | 5o250.4↔ | 11 | BOP, KJZSV, KVT, UOP4 | | | | | | | | | | | | | | | | | | |
| | | 11 | | | | | | | | | | | | | | | | | | L03Z, L04A, L04B, L04C, L04J, L10Z, L13A, L13B, L33Z, L38Z | | 21A | | | | W04A, W04B | | | | | | | | | | | | | | | | | |
| | | 21A | | | | | | | | | | | | | | | | | | W04A, W04B | | | | | | | 21B | X06A, X06B, X06C | | | | | | | | | | | | | | | |
| | | 21B | | X06A, X06B, X06C | | | | | | | | | | | | | | | | 5o260.4↔ | 11 | | | | | | | | L03Z, L04A, L04B, L04C, L04J, L10Z, L13A, L13B, L38Z | | | | | | | | | | | | | | |
| | 5o240.6†↔ | L40J, L40Z | 5o250.5 | 11 | L03Z, L04A, L04B, L04C, L04J, L10Z, L13A, L13B, L38Z | 12 | | | | | | | | | | | | | | | | | | | | | | | | M06J, M06Z, M09A, M09B, M09J, M38Z | | | | | | | | | | | | | |
| | | 5o240.a†↔ | | | | | | | L18A, L18B, L19Z, L20A, L20B, L20C, L20J, L20Q, L20R, L38Z | | | | | | | | | | | | | | | | | | | | | | 5o253.6↔ | 11 | L18A, L18B, L19Z, L20A, L20B, L20C, L20J, L20Q, L20R, L38Z | 13 | N08Z | | | | | | | | |
| | | | | | | | | | 5o240.r†↔ | L18A, L18B, L19Z, L20A, L20B, L20C, L20J, L20Q, L20R, L38Z | 5o253.6↔ | | | | | | | | | | | | | | | | | | | | | | | | | 11 | L18A, L18B, L19Z, L20A, L20B, L20C, L20J, L20Q, L20R, L38Z | 21A | W04A, W04B | | | | |
| | | | | | | | | | | 5o241†↔ | | L64A, L64J, L64Q, L64R, L74Z | 5o253.6↔ | | | | | | | | | | | | | | | | | | | | | | | | | | | 11 | L18A, L18B, L19Z, L20A, L20B, L20C, L20J, L20Q, L20R, L38Z | 21B | X06A, X06B, X06C |
| | | | | | | | | | | | | 5o242.a†↔ | | L64A, L64J, L64Q, L64R, L74Z | 5o256.6↔ | 11 | | | | | | | | | | | | | | | | | | | | | | | | | | | |
| 5o242.a†↔ | | | | | | | L64A, L64J, L64Q, L64R, L74Z | 5o256.6↔ | | | | | | 11 | | | L18A, L18B, L19Z, L20A, L20B, L20C, L20J, L20Q, L20R, L38Z | 21B | X06A, X06B, X06C | | | | | | | | | | | | | | | | | | | | | | | | |

VYK

| ZZV | MDC | DRG | ZZV | MDC | DRG | ZZV | MDC | DRG |
|----------|-----|--|-----------|-----|--|-----------|-----|--|
| 5o260.x↔ | | BOP, KJZSV, KVT, UOP4 | 5o262.x↔ | | BOP, KJZSV, KVT, UOP4 | 5o271.2↔ | | BOP, KVT, UOP4 |
| | 11 | L03Z, L04A, L04B, L04C, L04J, L10Z, L13A, L13B, L38Z | | 11 | L03Z, L04A, L04B, L04C, L04J, L10Z, L13A, L13B, L38Z | | 11 | L18A, L18B, L19Z, L20A, L20B, L20C, L20J, L20Q, L20R, L38Z |
| | 12 | M06J, M06Z, M09A, M09B, M09J, M38Z | | 21A | W04A, W04B | | 12 | M06J, M06Z, M09A, M09B, M09J, M38Z |
| | 13 | N11A, N11J | | 21B | X06A, X06B, X06C | | 14 | O05J |
| | 21A | W04A, W04B | 5o266.0 | | BOP, KJZSV, KVT, UOP4 | 5o271.t↔ | | BOP, KVT, UOP4 |
| | 21B | X06A, X06B, X06C | | 11 | L03Z, L04A, L04B, L04C, L04J, L10Z, L13A, L13B, L38Z | | 11 | L18A, L18B, L19Z, L20A, L20B, L20C, L20J, L20Q, L20R, L38Z |
| 5o261.1↔ | | BOP, KJZSV, KVT, UOP4 | | 21A | W04A, W04B | | 12 | M06J, M06Z, M09A, M09B, M09J, M38Z |
| | 11 | L03Z, L04A, L04B, L04C, L04J, L10Z, L13A, L13B, L38Z | | 21B | X06A, X06B, X06C | | 14 | O05J |
| | 21A | W04A, W04B | 5o266.1 | | BOP, KJZSV, KVT, UOP4 | 5o272.t†↔ | | L64A, L64J, L64Q, L64R, L74Z |
| | 21B | X06A, X06B, X06C | | 11 | L03Z, L04A, L04B, L04C, L04J, L10Z, L13A, L13B, L38Z | 5o273.t†↔ | | L64A, L64J, L64Q, L64R, L74Z |
| 5o261.2↔ | | BOP, KJZSV, KVT, UOP4 | | 21A | W04A, W04B | 5o274.4↔ | | BOP, KVT, UOP4 |
| | 11 | L03Z, L04A, L04B, L04C, L04J, L10Z, L13A, L13B, L38Z | | 21B | X06A, X06B, X06C | | 11 | L18A, L18B, L19Z, L20A, L20B, L20C, L20J, L20Q, L20R, L38Z |
| | 21A | W04A, W04B | 5o26x.1↔ | | BOP, KJZSV, KVT, UOP4 | | 12 | M06J, M06Z, M09A, M09B, M09J, M38Z |
| | 21B | X06A, X06B, X06C | | 11 | L03Z, L04A, L04B, L04C, L04J, L10Z, L13A, L13B, L38Z | | 14 | O05J |
| 5o261.4↔ | | BOP, KJZSV, KVT, UOP4 | | 21A | W04A, W04B | 5o27x†↔ | | L64A, L64J, L64Q, L64R, L74Z |
| | 11 | L03Z, L04A, L04B, L04C, L04J, L10Z, L13A, L13B, L38Z | | 21B | X06A, X06B, X06C | 5o280.0 | | BOP, KJZSV, KVT, UOP4 |
| | 21A | W04A, W04B | 5o26x.2↔ | | BOP, KJZSV, KVT, UOP4 | | 06 | G18A, G38Z |
| | 21B | X06A, X06B, X06C | | 11 | L03Z, L04A, L04B, L04C, L04J, L10Z, L13A, L13B, L38Z | | 11 | L03Z, L04A, L04B, L04C, L04J, L10Z, L13A, L13B, L33Z, L38Z |
| 5o261.5 | | BOP, KJZSV, KVT, UOP4 | | 21A | W04A, W04B | | 12 | M06J, M06Z, M09A, M09B, M09J, M37Z, M38Z |
| | 11 | L03Z, L04A, L04B, L04C, L04J, L10Z, L13A, L13B, L38Z | 5o26x.4↔ | | BOP, KJZSV, KVT, UOP4 | | 13 | N01A, N01B, N01C, N01D, N01E, N11A, N11B, N11J, N34Z, N38Z |
| | 21A | W04A, W04B | | 11 | L03Z, L04A, L04B, L04C, L04J, L10Z, L13A, L13B, L38Z | | 17 | R01A, R01B, R01C, R01D, R02Z, R12A, R12B, R12C |
| | 21B | X06A, X06B, X06C | | 21A | W04A, W04B | | 21A | W04A, W04B |
| 5o261.x↔ | | BOP, KJZSV, KVT, UOP4 | | 21B | X06A, X06B, X06C | 5o280.1 | | X06A, X06B, X06C |
| | 11 | L03Z, L04A, L04B, L04C, L04J, L10Z, L13A, L13B, L38Z | 5o26x.5 | | BOP, KJZSV, KVT, UOP4 | | 06 | G18A, G38Z |
| | 21A | W04A, W04B | | 11 | L03Z, L04A, L04B, L04C, L04J, L10Z, L13A, L13B, L38Z | | 11 | L03Z, L04A, L04B, L04C, L04J, L10Z, L13A, L13B, L33Z, L38Z |
| | 21B | X06A, X06B, X06C | | 21A | W04A, W04B | | 12 | M06J, M06Z, M09A, M09B, M09J, M37Z, M38Z |
| 5o262.0 | | BOP, KJZSV, KVT, UOP4 | | 21B | X06A, X06B, X06C | | 13 | N01A, N01B, N01C, N01D, N01E, N11A, N11B, N11J, N34Z, N38Z |
| | 11 | L03Z, L04A, L04B, L04C, L04J, L10Z, L13A, L13B, L38Z | 5o26x.x↔ | | BOP, KJZSV, KVT, UOP4 | | 17 | R01A, R01B, R01C, R01D, R02Z, R12A, R12B, R12C |
| | 21A | W04A, W04B | | 11 | L03Z, L04A, L04B, L04C, L04J, L10Z, L13A, L13B, L38Z | | 21A | W04A, W04B |
| | 21B | X06A, X06B, X06C | | 21A | W04A, W04B | | 21B | X06A, X06B, X06C |
| 5o262.1↔ | | BOP, KJZSV, KVT, UOP4 | | 21B | X06A, X06B, X06C | 5o281.0 | | BOP, KJZSV, KVT, UOP4 |
| | 11 | L03Z, L04A, L04B, L04C, L04J, L10Z, L13A, L13B, L38Z | 5o270.0↔ | | BOP, KVT, UOP4 | | 06 | G18A, G38Z |
| | 21A | W04A, W04B | | 11 | L03Z, L04A, L04B, L04C, L04J, L10Z, L13A, L13B, L38Z | | 11 | L03Z, L04A, L04B, L04C, L04J, L10Z, L13A, L13B, L33Z, L38Z |
| | 21B | X06A, X06B, X06C | | 14 | O05J | | 12 | M06J, M06Z, M09A, M09B, M09J, M37Z, M38Z |
| 5o262.2↔ | | BOP, KJZSV, KVT, UOP4 | | 21A | W04A, W04B | | 13 | N01A, N01B, N01C, N01D, N01E, N11A, N11B, N11J, N34Z, N38Z |
| | 11 | L03Z, L04A, L04B, L04C, L04J, L10Z, L13A, L13B, L38Z | | 21B | X06A, X06B, X06C | | 17 | R01A, R01B, R01C, R01D, R02Z, R12A, R12B, R12C |
| | 21A | W04A, W04B | 5o270.2†↔ | | L18A, L18B, L19Z, L20A, L20B, L20C, L20J, L20Q, L20R, L38Z | | 21A | W04A, W04B |
| | 21B | X06A, X06B, X06C | | 11 | L18A, L18B, L19Z, L20A, L20B, L20C, L20J, L20Q, L20R, L38Z | | 21B | X06A, X06B, X06C |
| 5o262.4↔ | | BOP, KJZSV, KVT, UOP4 | 5o270.t†↔ | | L18A, L18B, L19Z, L20A, L20B, L20C, L20J, L20Q, L20R, L38Z | | 06 | G18A, G38Z |
| | 11 | L03Z, L04A, L04B, L04C, L04J, L10Z, L13A, L13B, L38Z | | 11 | L18A, L18B, L19Z, L20A, L20B, L20C, L20J, L20Q, L20R, L38Z | | 11 | L03Z, L04A, L04B, L04C, L04J, L10Z, L13A, L13B, L33Z, L38Z |
| | 21A | W04A, W04B | 5o271.0↔ | | BOP, KVT, UOP4 | | 12 | M06J, M06Z, M09A, M09B, M09J, M37Z, M38Z |
| | 21B | X06A, X06B, X06C | | 11 | L03Z, L04A, L04B, L04C, L04J, L10Z, L13A, L13B, L38Z | | 13 | N01A, N01B, N01C, N01D, N01E, N11A, N11B, N11J, N34Z, N38Z |
| 5o262.5 | | BOP, KJZSV, KVT, UOP4 | | 12 | M06J, M06Z, M09A, M09B, M09J, M38Z | | 17 | R01A, R01B, R01C, R01D, R02Z, R12A, R12B, R12C |
| | 11 | L03Z, L04A, L04B, L04C, L04J, L10Z, L13A, L13B, L38Z | | 13 | N11A, N11J | | 21A | W04A, W04B |
| | 21A | W04A, W04B | | 14 | O05J | | 21B | X06A, X06B, X06C |
| | 21B | X06A, X06B, X06C | | 21A | W04A, W04B | | | |
| | | | | 21B | X06A, X06B, X06C | | | |

| ZZV | MDC | DRG | ZZV | MDC | DRG | ZZV | MDC | DRG | | |
|---------|------------------|--|------------|--|--|--|--|--|--|--|
| 5o281.4 | | BOP, KJZSV, KVT, UOP4 | 5o290.0↔ | | BOP, KJZSV, KVT, UOP4 | 5o293.0↔ | | BOP, KJZSV, KVT, UOP4 | | |
| | 06 | G18A, G38Z | | 11 | L03Z, L04A, L04B, L04C, L04J, L10Z, L13A, L13B, L38Z | | 11 | L03Z, L04A, L04B, L04C, L04J, L10Z, L13A, L13B, L38Z | | |
| | 11 | L03Z, L04A, L04B, L04C, L04J, L10Z, L13A, L13B, L33Z, L38Z | | 21A | W04A, W04B | | 12 | M06J, M06Z, M09A, M09B, M09J, M38Z | | |
| | 12 | M06J, M06Z, M09A, M09B, M09J, M37Z, M38Z | | 21B | X06A, X06B, X06C | | 13 | N01A, N01B, N01C, N01D, N01E, N02A, N02B, N02C, N03A, N03B, N04Z, N14Z, N21J, N21Z, N38Z | | |
| | 13 | N01A, N01B, N01C, N01D, N01E, N08Z, N34Z, N38Z | | 5o290.4↔ | BOP, KJZSV, KVT, UOP4 | | 17 | R01A, R01B, R01C, R01D, R02Z, R12A, R12B, R12C | | |
| | 17 | R01A, R01B, R01C, R01D, R02Z, R12A, R12B, R12C | | | 11 | | L03Z, L04A, L04B, L04C, L04J, L10Z, L13A, L13B, L38Z | 21A | W04A, W04B | |
| | 21A | W04A, W04B | | 21A | W04A, W04B | | 21B | X06A, X06B, X06C | | |
| | 21B | X06A, X06B, X06C | | 5o290.x↔ | BOP, KJZSV, KVT, UOP4 | | 5o293.4↔ | BOP, KJZSV, KVT, UOP4 | | |
| | 5o282.0 | BOP, KJZSV, KVT, UOP4 | | | 11 | | | L03Z, L04A, L04B, L04C, L04J, L10Z, L13A, L13B, L38Z | 11 | L03Z, L04A, L04B, L04C, L04J, L10Z, L13A, L13B, L38Z |
| | | 06 | | G18A, G38Z | 21A | | W04A, W04B | 12 | M06J, M06Z, M09A, M09B, M09J, M38Z | |
| 11 | | L03Z, L04A, L04B, L04C, L04J, L10Z, L13A, L13B, L33Z, L38Z | 21B | X06A, X06B, X06C | 13 | N01A, N01B, N01C, N01D, N01E, N02A, N02B, N02C, N03A, N03B, N04Z, N14Z, N21J, N21Z, N38Z | | | | |
| 12 | | M06J, M06Z, M09A, M09B, M09J, M37Z, M38Z | 5o291.0↔ | BOP, KJZSV, KVT, UOP4 | 17 | R01A, R01B, R01C, R01D, R02Z, R12A, R12B, R12C | | | | |
| 13 | | N01A, N01B, N01C, N01D, N01E, N11A, N11B, N11J, N34Z, N38Z | | 11 | L03Z, L04A, L04B, L04C, L04J, L10Z, L13A, L13B, L38Z | 21A | W04A, W04B | | | |
| 17 | | R01A, R01B, R01C, R01D, R02Z, R12A, R12B, R12C | 21A | W04A, W04B | 21B | X06A, X06B, X06C | | | | |
| 21A | | W04A, W04B | 5o291.4↔ | BOP, KJZSV, KVT, UOP4 | 5o293.x↔ | BOP, KJZSV, KVT, UOP4 | | | | |
| 21B | | X06A, X06B, X06C | | 11 | | L03Z, L04A, L04B, L04C, L04J, L10Z, L13A, L13B, L38Z | 11 | L03Z, L04A, L04B, L04C, L04J, L10Z, L13A, L13B, L38Z | | |
| 5o282.4 | | BOP, KJZSV, KVT, UOP4 | 21A | W04A, W04B | 5o293.4↔ | BOP, KJZSV, KVT, UOP4 | | | | |
| | | 06 | G18A, G38Z | 21B | | X06A, X06B, X06C | 12 | M06J, M06Z, M09A, M09B, M09J, M38Z | | |
| | 11 | L03Z, L04A, L04B, L04C, L04J, L10Z, L13A, L13B, L33Z, L38Z | 5o291.x↔ | BOP, KJZSV, KVT, UOP4 | | 13 | N01A, N01B, N01C, N01D, N01E, N02A, N02B, N02C, N03A, N03B, N04Z, N14Z, N21J, N21Z, N38Z | | | |
| | 12 | M06J, M06Z, M09A, M09B, M09J, M37Z, M38Z | | 11 | | L03Z, L04A, L04B, L04C, L04J, L10Z, L13A, L13B, L38Z | 17 | R01A, R01B, R01C, R01D, R02Z, R12A, R12B, R12C | | |
| | 13 | N01A, N01B, N01C, N01D, N01E, N08Z, N34Z, N38Z | 5o292.0↔ | BOP, KJZSV, KVT, UOP4 | | 21A | W04A, W04B | | | |
| | 17 | R01A, R01B, R01C, R01D, R02Z, R12A, R12B, R12C | | 11 | | L03Z, L04A, L04B, L04C, L04J, L10Z, L13A, L13B, L38Z | 21B | X06A, X06B, X06C | | |
| | 21A | W04A, W04B | 5o292.4↔ | BOP, KJZSV, KVT, UOP4 | | 5o294.0↔ | BOP, KJZSV, KVT, UOP4 | | | |
| | 21B | X06A, X06B, X06C | | 21A | | | W04A, W04B | 11 | L03Z, L04A, L04B, L04C, L04J, L10Z, L13A, L13B, L38Z | |
| | 5o285.0 | BOP, KJZSV, KVT, UOP4 | 21B | X06A, X06B, X06C | | 5o294.4↔ | BOP, KJZSV, KVT, UOP4 | | | |
| | | 06 | G18A, G38Z | 5o292.t↔ | | | BOP, KJZSV, KVT, UOP4 | 12 | M06J, M06Z, M09A, M09B, M09J, M38Z | |
| 11 | | L03Z, L04A, L04B, L04C, L04J, L10Z, L13A, L13B, L33Z, L38Z | 11 | | L03Z, L04A, L04B, L04C, L04J, L10Z, L13A, L13B, L38Z | | 13 | N01A, N01B, N01C, N01D, N01E, N02A, N02B, N02C, N03A, N03B, N04Z, N14Z, N21J, N21Z, N38Z | | |
| 12 | | M37Z, M38Z | 5o292.x↔ | BOP, KJZSV, KVT, UOP4 | 17 | | R01A, R01B, R01C, R01D, R02Z, R12A, R12B, R12C | | | |
| 13 | | N01A, N01B, N01C, N01D, N01E, N34Z, N38Z | | 11 | L03Z, L04A, L04B, L04C, L04J, L10Z, L13A, L13B, L38Z | | 21A | W04A, W04B | | |
| 21A | | W04A, W04B | 5o292.x↔ | BOP, KJZSV, KVT, UOP4 | 21B | | X06A, X06B, X06C | | | |
| 21B | | X06A, X06B, X06C | | 11 | L03Z, L04A, L04B, L04C, L04J, L10Z, L13A, L13B, L38Z | | 11 | L03Z, L04A, L04B, L04C, L04J, L10Z, L13A, L13B, L38Z | | |
| 5o285.1 | | BOP, KJZSV, KVT, UOP4 | 5o292.x↔ | BOP, KJZSV, KVT, UOP4 | 5o294.4↔ | | BOP, KJZSV, KVT, UOP4 | | | |
| | | 06 | | G18A, G38Z | | | 11 | L03Z, L04A, L04B, L04C, L04J, L10Z, L13A, L13B, L33Z, L38Z | 12 | M06J, M06Z, M09A, M09B, M09J, M38Z |
| | | 11 | | L03Z, L04A, L04B, L04C, L04J, L10Z, L13A, L13B, L33Z, L38Z | | | 21A | W04A, W04B | 13 | N08Z |
| | 12 | M06J, M06Z, M09A, M09B, M09J, M37Z, M38Z | | 21B | | X06A, X06B, X06C | 17 | R01A, R01B, R01C, R01D, R02Z, R12A, R12B, R12C | | |
| | 13 | N01A, N01B, N01C, N01D, N01E, N11A, N11B, N11J, N34Z, N38Z | | 5o292.x↔ | | BOP, KJZSV, KVT, UOP4 | 21A | W04A, W04B | | |
| | 17 | R01A, R01B, R01C, R01D, R02Z, R12A, R12B, R12C | | | | 11 | L03Z, L04A, L04B, L04C, L04J, L10Z, L13A, L13B, L38Z | 21B | X06A, X06B, X06C | |
| | 21A | W04A, W04B | | 5o292.x↔ | | BOP, KJZSV, KVT, UOP4 | 5o294.4↔ | BOP, KJZSV, KVT, UOP4 | | |
| | 21B | X06A, X06B, X06C | | | | 21A | | W04A, W04B | 11 | L03Z, L04A, L04B, L04C, L04J, L10Z, L13A, L13B, L38Z |
| | 5o28x | BOP, KJZSV, KVT, UOP4 | | 5o292.x↔ | | BOP, KJZSV, KVT, UOP4 | 5o294.4↔ | BOP, KJZSV, KVT, UOP4 | | |
| | | 06 | | | | G18A, G38Z | | 11 | L03Z, L04A, L04B, L04C, L04J, L10Z, L13A, L13B, L38Z | 12 |
| 11 | | L03Z, L04A, L04B, L04C, L04J, L10Z, L13A, L13B, L38Z | 21A | | W04A, W04B | 13 | | N08Z | | |
| 21A | | W04A, W04B | 21B | | X06A, X06B, X06C | 17 | | R01A, R01B, R01C, R01D, R02Z, R12A, R12B, R12C | | |
| 21B | X06A, X06B, X06C | | | 21A | W04A, W04B | | | | | |
| | | | | 21B | X06A, X06B, X06C | | | | | |

VYK

| ZZV | MDC | DRG | ZZV | MDC | DRG | ZZV | MDC | DRG |
|----------|----------|--|----------|---------|--|----------|----------|--|
| 5o294.x↔ | | BOP, KJZSV, KVT, UOP4 | 5o297.4↔ | | BOP, KJZSV, KVT, UOP4 | 5o29x.4↔ | | BOP, KJZSV, KVT, UOP4 |
| | 11 | L03Z, L04A, L04B, L04C, L04J, L10Z, L13A, L13B, L38Z | | 11 | L03Z, L04A, L04B, L04C, L04J, L10Z, L13A, L13B, L38Z | | 11 | L03Z, L04A, L04B, L04C, L04J, L10Z, L13A, L13B, L38Z |
| | 12 | M06J, M06Z, M09A, M09B, M09J, M38Z | | 12 | M06J, M06Z, M09A, M09B, M09J, M38Z | | 21A | W04A, W04B |
| | 13 | N11A, N11B, N11J | | 13 | N11A, N11J | | 21B | X06A, X06B, X06C |
| | 17 | R01A, R01B, R01C, R01D, R02Z, R12A, R12B, R12C | | 17 | R01A, R01B, R01C, R01D, R02Z, R12A, R12B, R12C | | 5o29x.t↔ | BOP, KVT, UOP4 |
| | 21A | W04A, W04B | | 21A | W04A, W04B | | 11 | L03Z, L04A, L04B, L04C, L04J, L10Z, L13A, L13B, L38Z |
| | 21B | X06A, X06B, X06C | | 21B | X06A, X06B, X06C | | 14 | O05J |
| 5o295.0↔ | | BOP, KJZSV, KVT, UOP4 | 5o297.t↔ | | BOP, KVT, UOP4 | 5o29x.x↔ | | BOP, KJZSV, KVT, UOP4 |
| | 11 | L03Z, L04A, L04B, L04C, L04J, L10Z, L13A, L13B, L38Z | | 11 | L03Z, L04A, L04B, L04C, L04J, L10Z, L13A, L13B, L38Z | | 11 | L03Z, L04A, L04B, L04C, L04J, L10Z, L13A, L13B, L38Z |
| | 12 | M06J, M06Z, M09A, M09B, M09J, M38Z | | 12 | M06J, M06Z, M09A, M09B, M09J, M38Z | | 21A | W04A, W04B |
| | 13 | N01A, N01B, N01C, N01D, N01E, N02A, N02B, N02C, N03A, N03B, N04Z, N14Z, N21J, N21Z, N38Z | | 13 | N11A, N11J | | 21B | X06A, X06B, X06C |
| | 14 | | | 14 | O05J | | | |
| | 17 | R01A, R01B, R01C, R01D, R02Z, R12A, R12B, R12C | | 17 | R01A, R01B, R01C, R01D, R02Z, R12A, R12B, R12C | | 5o300.0 | BOP, KJZSV, KVT, UOP4 |
| | 21A | W04A, W04B | | 21A | W04A, W04B | | 11 | L06A, L06B, L06J |
| 5o295.4↔ | | BOP, KJZSV, KVT, UOP4 | 5o297.x↔ | | BOP, KJZSV, KVT, UOP4 | 5o300.4 | | BOP, KJZSV, KVT, UOP4 |
| | 11 | L03Z, L04A, L04B, L04C, L04J, L10Z, L13A, L13B, L38Z | | 11 | L03Z, L04A, L04B, L04C, L04J, L10Z, L13A, L13B, L38Z | | 11 | L06A, L06B, L06J |
| | 12 | M06J, M06Z, M09A, M09B, M09J, M38Z | | 12 | M06J, M06Z, M09A, M09B, M09J, M38Z | | 12 | M06J, M06Z, M09A, M09B, M09J, M38Z |
| | 13 | N08Z | | 13 | N11A, N11J | | 13 | N11A, N11B, N11J |
| | 17 | R01A, R01B, R01C, R01D, R02Z, R12A, R12B, R12C | | 17 | R01A, R01B, R01C, R01D, R02Z, R12A, R12B, R12C | | 14 | 962Z, O02A, O02B |
| | 21A | W04A, W04B | | 21A | W04A, W04B | | 21A | W04A, W04B |
| | 21B | X06A, X06B, X06C | | 21B | X06A, X06B, X06C | | 21B | X06A, X06B, X06C |
| 5o295.x↔ | | BOP, KJZSV, KVT, UOP4 | 5o29d.0‡ | | L18A, L18B, L19Z, L20A, L20B, L20C, L20J, L20Q, L20R, L38Z | 5o300.5 | | BOP, KJZSV, KVT, UOP4 |
| | 11 | L03Z, L04A, L04B, L04C, L04J, L10Z, L13A, L13B, L38Z | | 11 | L18A, L18B, L19Z, L20A, L20B, L20C, L20J, L20Q, L20R, L38Z | | 11 | L06A, L06B, L06J |
| | 12 | M06J, M06Z, M09A, M09B, M09J, M38Z | | 12 | M06J, M06Z, M09A, M09B, M09J, M38Z | | 12 | M06J, M06Z, M09A, M09B, M09J, M38Z |
| | 13 | N11A, N11B, N11J | | 13 | N11A, N11J | | 13 | N11A, N11B, N11J |
| | 17 | R01A, R01B, R01C, R01D, R02Z, R12A, R12B, R12C | | 17 | R01A, R01B, R01C, R01D, R02Z, R12A, R12B, R12C | | 14 | 962Z, O02A, O02B |
| | 21A | W04A, W04B | | 21A | W04A, W04B | | 21A | W04A, W04B |
| | 21B | X06A, X06B, X06C | | 21B | X06A, X06B, X06C | | 21B | X06A, X06B, X06C |
| 5o296.0↔ | | BOP, KJZSV, KVT, UOP4 | 5o29d.1‡ | | L18A, L18B, L19Z, L20A, L20B, L20C, L20J, L20Q, L20R, L38Z | 5o300.x | | BOP, KJZSV, KVT, UOP4 |
| | 11 | L03Z, L04A, L04B, L04C, L04J, L10Z, L13A, L13B, L38Z | | 11 | L18A, L18B, L19Z, L20A, L20B, L20C, L20J, L20Q, L20R, L38Z | | 11 | L06A, L06B, L06J |
| | 21A | W04A, W04B | | 12 | M06J, M06Z, M09A, M09B, M09J, M38Z | | 12 | M06J, M06Z, M09A, M09B, M09J, M38Z |
| | 21B | X06A, X06B, X06C | | 14 | O05J | | 13 | N11A, N11B, N11J |
| | 5o296.t↔ | BOP, KVT, UOP4 | | 14 | O05J | | 14 | 962Z, O02A, O02B |
| | 11 | L06A, L06B, L06J | | 5o29d.4 | BOP, KVT, UOP4 | | 21A | W04A, W04B |
| | 14 | O05J | | 11 | L18A, L18B, L19Z, L20A, L20B, L20C, L20J, L20Q, L20R, L38Z | | 21B | X06A, X06B, X06C |
| 5o296.x↔ | | BOP, KJZSV, KVT, UOP4 | 5o29x.0↔ | | BOP, KJZSV, KVT, UOP4 | 5o301.0 | | BOP, KJZSV, KVT, UOP4 |
| | 11 | L06A, L06B, L06J | | 11 | L03Z, L04A, L04B, L04C, L04J, L10Z, L13A, L13B, L38Z | | 11 | L06A, L06B, L06J |
| | 21A | W04A, W04B | | 12 | M06J, M06Z, M09A, M09B, M09J, M38Z | | 12 | M06J, M06Z, M09A, M09B, M09J, M38Z |
| 5o297.0↔ | | BOP, KJZSV, KVT, UOP4 | 5o29x.0↔ | | BOP, KJZSV, KVT, UOP4 | 5o301.4 | | BOP, KJZSV, KVT, UOP4 |
| | 11 | L03Z, L04A, L04B, L04C, L04J, L10Z, L13A, L13B, L38Z | | 11 | L03Z, L04A, L04B, L04C, L04J, L10Z, L13A, L13B, L38Z | | 11 | L06A, L06B, L06J |
| | 21A | W04A, W04B | | 14 | O05J | | 12 | M06J, M06Z, M09A, M09B, M09J, M38Z |
| 5o296.0↔ | | BOP, KJZSV, KVT, UOP4 | 5o29x.0↔ | | BOP, KJZSV, KVT, UOP4 | 5o301.4 | | BOP, KJZSV, KVT, UOP4 |
| | 11 | L03Z, L04A, L04B, L04C, L04J, L10Z, L13A, L13B, L38Z | | 11 | L03Z, L04A, L04B, L04C, L04J, L10Z, L13A, L13B, L38Z | | 11 | L06A, L06B, L06J |
| | 21A | W04A, W04B | | 12 | M06J, M06Z, M09A, M09B, M09J, M38Z | | 12 | M06J, M06Z, M09A, M09B, M09J, M38Z |
| 5o296.0↔ | | BOP, KJZSV, KVT, UOP4 | 5o29x.0↔ | | BOP, KJZSV, KVT, UOP4 | 5o301.4 | | BOP, KJZSV, KVT, UOP4 |
| | 11 | L03Z, L04A, L04B, L04C, L04J, L10Z, L13A, L13B, L38Z | | 11 | L03Z, L04A, L04B, L04C, L04J, L10Z, L13A, L13B, L38Z | | 13 | N11A, N11B, N11J |
| | 21A | W04A, W04B | | 17 | R01A, R01B, R01C, R01D, R02Z, R12A, R12B, R12C | | 17 | R01A, R01B, R01C, R01D, R02Z, R12A, R12B, R12C |
| 5o296.0↔ | | BOP, KJZSV, KVT, UOP4 | 5o29x.0↔ | | BOP, KJZSV, KVT, UOP4 | 5o301.4 | | BOP, KJZSV, KVT, UOP4 |
| | 11 | L03Z, L04A, L04B, L04C, L04J, L10Z, L13A, L13B, L38Z | | 11 | L03Z, L04A, L04B, L04C, L04J, L10Z, L13A, L13B, L38Z | | 21A | W04A, W04B |
| | 21B | X06A, X06B, X06C | | 21A | W04A, W04B | | 21B | X06A, X06B, X06C |
| 5o296.0↔ | | BOP, KJZSV, KVT, UOP4 | 5o29x.0↔ | | BOP, KJZSV, KVT, UOP4 | 5o301.4 | | BOP, KJZSV, KVT, UOP4 |
| | 11 | L03Z, L04A, L04B, L04C, L04J, L10Z, L13A, L13B, L38Z | | 11 | L03Z, L04A, L04B, L04C, L04J, L10Z, L13A, L13B, L38Z | | 11 | L06A, L06B, L06J |
| | 21A | W04A, W04B | | 12 | M06J, M06Z, M09A, M09B, M09J, M38Z | | 12 | M06J, M06Z, M09A, M09B, M09J, M38Z |
| 5o296.0↔ | | BOP, KJZSV, KVT, UOP4 | 5o29x.0↔ | | BOP, KJZSV, KVT, UOP4 | 5o301.4 | | BOP, KJZSV, KVT, UOP4 |
| | 11 | L03Z, L04A, L04B, L04C, L04J, L10Z, L13A, L13B, L38Z | | 11 | L03Z, L04A, L04B, L04C, L04J, L10Z, L13A, L13B, L38Z | | 13 | N11A, N11B, N11J |
| | 21A | W04A, W04B | | 17 | R01A, R01B, R01C, R01D, R02Z, R12A, R12B, R12C | | 17 | R01A, R01B, R01C, R01D, R02Z, R12A, R12B, R12C |
| 5o296.0↔ | | BOP, KJZSV, KVT, UOP4 | 5o29x.0↔ | | BOP, KJZSV, KVT, UOP4 | 5o301.4 | | BOP, KJZSV, KVT, UOP4 |
| | 11 | L03Z, L04A, L04B, L04C, L04J, L10Z, L13A, L13B, L38Z | | 11 | L03Z, L04A, L04B, L04C, L04J, L10Z, L13A, L13B, L38Z | | 21A | W04A, W04B |
| | 21B | X06A, X06B, X06C | | 21B | X06A, X06B, X06C | | 21B | X06A, X06B, X06C |

| ZZV | MDC | DRG | ZZV | MDC | DRG | ZZV | MDC | DRG | |
|---------|------------------|--|------------------|-----|--|---------|---------|--|--|
| 5o301.x | | BOP, KJZSV, KVT, UOP4 | 5o303.4 | | BOP, KJZSV, KVT, UOP4 | 5o305.4 | | BOP, KJZSV, KVT, UOP4 | |
| | 11 | L06A, L06B, L06J | | 06 | G01Z, G04A, G04B, G07A, G07B, G07C, G18A, G38Z | | 11 | L06A, L06B, L06J | |
| | 12 | M06J, M06Z, M09A, M09B, M09J, M38Z | | 11 | L03Z, L04A, L04B, L04C, L04J, L10Z, L13A, L13B, L38Z | | 12 | M01A, M01B, M09A, M09J, M38Z | |
| | 13 | N11A, N11B, N11J | | 12 | M06J, M06Z, M09A, M09B, M09J, M38Z | | 13 | N11A, N11J | |
| | 17 | R01A, R01B, R01C, R01D, R02Z, R12A, R12B, R12C | | 13 | N11A, N11J | | 17 | R01A, R01B, R01C, R01D, R02Z, R12A, R12B, R12C | |
| | 21A | W04A, W04B | | 17 | R01A, R01B, R01C, R01D, R02Z, R12A, R12B, R12C | | 21A | W04A, W04B | |
| 5o302.0 | 21B | X06A, X06B, X06C | 5o303.5 | 21A | W04A, W04B | 5o305.x | 21B | X06A, X06B, X06C | |
| | | BOP, KJZSV, KVT, UOP4 | | | BOP, KJZSV, KVT, UOP4 | | | BOP, KJZSV, KVT, UOP4 | |
| | 11 | L06A, L06B, L06J | | 06 | G01Z, G04A, G04B, G07A, G07B, G07C, G18A, G38Z | | 11 | L06A, L06B, L06J | |
| | 12 | M06J, M06Z, M09A, M09B, M09J, M38Z | | 11 | L03Z, L04A, L04B, L04C, L04J, L10Z, L13A, L13B, L38Z | | 12 | M01A, M01B, M09A, M09J, M38Z | |
| | 13 | N11A, N11J | | 12 | M06J, M06Z, M09A, M09B, M09J, M38Z | | 13 | N11A, N11J | |
| | 17 | R01A, R01B, R01C, R01D, R02Z, R12A, R12B, R12C | | 13 | N11A, N11J | | 17 | R01A, R01B, R01C, R01D, R02Z, R12A, R12B, R12C | |
| 5o302.4 | 21A | W04A, W04B | 5o303.x | 21A | W04A, W04B | 5o307.4 | 21A | W04A, W04B | |
| | 21B | X06A, X06B, X06C | | 21B | X06A, X06B, X06C | | 21B | X06A, X06B, X06C | |
| | | BOP, KJZSV, KVT, UOP4 | | 06 | G01Z, G04A, G04B, G07A, G07B, G07C, G38Z | | | BOP, KJZSV, KVT, UOP4 | |
| | 11 | L06A, L06B, L06J | | 11 | L03Z, L04A, L04B, L04C, L04J, L10Z, L13A, L13B, L38Z | | 11 | L03Z, L04A, L04B, L04C, L04J, L10Z, L13A, L13B, L38Z | |
| | 12 | M06J, M06Z, M09A, M09B, M09J, M38Z | | 12 | M06J, M06Z, M09A, M09B, M09J, M38Z | | 13 | N11A, N11J | |
| | 13 | N11A, N11J | | 13 | N11A, N11J | | 17 | R01A, R01B, R01C, R01D, R02Z, R12A, R12B, R12C | |
| 5o302.5 | 17 | R01A, R01B, R01C, R01D, R02Z, R12A, R12B, R12C | 5o304.0 | 17 | R01A, R01B, R01C, R01D, R02Z, R12A, R12B, R12C | 5o307.x | 21A | W04A, W04B | |
| | 21A | W04A, W04B | | 21A | W04A, W04B | | 21B | X06A, X06B, X06C | |
| | 21B | X06A, X06B, X06C | | 21B | X06A, X06B, X06C | | 11 | L03Z, L04A, L04B, L04C, L04J, L10Z, L13A, L13B, L38Z | |
| | | BOP, KJZSV, KVT, UOP4 | | 11 | L03Z, L04A, L04B, L04C, L04J, L10Z, L13A, L13B, L38Z | | 5o308.1 | 11 | L03Z, L04A, L04B, L04C, L04J, L10Z, L13A, L13B, L38Z |
| | 11 | L06A, L06B, L06J | | 12 | M06J, M06Z, M09A, M09B, M09J, M38Z | | | 21A | W04A, W04B |
| | 12 | M06J, M06Z, M09A, M09B, M09J, M38Z | | 13 | N11A, N11J | | 21B | X06A, X06B, X06C | |
| 5o302.x | 13 | N11A, N11J | 5o304.4 | 13 | N04Z, N06J, N06Q, N06Z | 5o308.4 | 11 | L03Z, L04A, L04B, L04C, L04J, L10Z, L13A, L13B, L38Z | |
| | 17 | R01A, R01B, R01C, R01D, R02Z, R12A, R12B, R12C | | 21A | W04A, W04B | | 5o308.5 | 11 | L03Z, L04A, L04B, L04C, L04J, L10Z, L13A, L13B, L38Z |
| | 21A | W04A, W04B | | 21B | X06A, X06B, X06C | | | 21A | W04A, W04B |
| | 21B | X06A, X06B, X06C | | 11 | L08A, L08B, L08J | | 21B | X06A, X06B, X06C | |
| | | BOP, KJZSV, KVT, UOP4 | | 12 | M03A, M03B, M03C, M03J, M38Z | | 5o308.x | 11 | L03Z, L04A, L04B, L04C, L04J, L10Z, L13A, L13B, L38Z |
| | 11 | L06A, L06B, L06J | | 13 | N04Z, N06J, N06Q, N06Z | | | 21A | W04A, W04B |
| 5o303.0 | 12 | M06J, M06Z, M09A, M09B, M09J, M38Z | 5o304.x | 21A | W04A, W04B | 5o309 | 21B | X06A, X06B, X06C | |
| | 13 | N11A, N11J | | 11 | L08A, L08B, L08J | | 11 | L08A, L08B, L08J | |
| | 17 | R01A, R01B, R01C, R01D, R02Z, R12A, R12B, R12C | | 12 | M03A, M03B, M03C, M03J, M38Z | | 12 | M03A, M03B, M03C, M03J, M38Z | |
| | 21A | W04A, W04B | | 13 | N04Z, N06J, N06Q, N06Z | | 19 | U01Z | |
| | 21B | X06A, X06B, X06C | | 21A | W04A, W04B | | 21A | W04A, W04B | |
| | | BOP, KJZSV, KVT, UOP4 | | 21B | X06A, X06B, X06C | | 21B | X06A, X06B, X06C | |
| 5o303.4 | 06 | G01Z, G04A, G04B, G07A, G07B, G07C, G16A, G16B, G18A, G38Z | 5o305.0 | | BOP, KJZSV, KVT, UOP4 | 5o30a.0 | 06 | G01Z, G02Z, G38Z | |
| | 11 | L03Z, L04A, L04B, L04C, L04J, L10Z, L13A, L13B, L38Z | | 11 | L06A, L06B, L06J | | 11 | L03Z, L04A, L04B, L04C, L04J, L10Z, L13A, L13B, L38Z | |
| | 12 | M06J, M06Z, M09A, M09B, M09J, M38Z | | 12 | M01A, M01B, M09A, M09J, M38Z | | Pre | A13A, A13B, A13C | |
| | 13 | N11A, N11J | | 13 | N11A, N11J | | | | |
| | 17 | R01A, R01B, R01C, R01D, R02Z, R12A, R12B, R12C | | 17 | R01A, R01B, R01C, R01D, R02Z, R12A, R12B, R12C | | | | |
| | 21A | W04A, W04B | | 21A | W04A, W04B | | | | |
| 21B | X06A, X06B, X06C | 21B | X06A, X06B, X06C | | | | | | |

VYK

| ZZV | MDC | DRG | ZZV | MDC | DRG | ZZV | MDC | DRG | |
|---------|-----|--|---------|-----|--|---------|---------|--|--|
| 5o30a.4 | | BOP, KJZSV, KVT, UOP4 | 5o30x.0 | | BOP, KJZSV, KVT, UOP4 | 5o311.5 | | BOP, KJZSV, KVT, UOP4 | |
| | 06 | G01Z, G02Z, G38Z | | 11 | L06A, L06B, L06J | | 06 | G18A, G38Z | |
| | 11 | L03Z, L04A, L04B, L04C, L04J, L10Z, L13A, L13B, L38Z | | 12 | M06J, M06Z, M09A, M09B, M09J, M38Z | | 11 | L03Z, L04A, L04B, L04C, L04J, L10Z, L13A, L13B, L38Z | |
| 5o30a.5 | Pre | A13A, A13B, A13C | 5o30x.4 | 13 | N11A, N11J | 5o311.x | 12 | M01A, M01B, M37Z, M38Z | |
| | 06 | G01Z, G02Z, G38Z | | 14 | 962Z, O02A, O02B | | 17 | R01A, R01B, R01C, R01D, R02Z, R12A, R12B, R12C | |
| | 11 | L03Z, L04A, L04B, L04C, L04J, L10Z, L13A, L13B, L38Z | | 21A | W04A, W04B | | 21A | W04A, W04B | |
| 5o30a.x | Pre | A13A, A13B, A13C | 5o30x.5 | 21B | X06A, X06B, X06C | 5o312.0 | 21B | X06A, X06B, X06C | |
| | 06 | G01Z, G02Z, G38Z | | 11 | BOP, KJZSV, KVT, UOP4 | | 5o312.4 | 06 | G18A, G38Z |
| | 11 | L03Z, L04A, L04B, L04C, L04J, L10Z, L13A, L13B, L38Z | | 12 | L06A, L06B, L06J | | | 11 | L03Z, L04A, L04B, L04C, L04J, L10Z, L13A, L13B, L33Z, L38Z |
| 5o30b.0 | Pre | A13A, A13B, A13C | 5o30x.x | 13 | N11A, N11J | 5o312.5 | | 12 | M01A, M01B, M37Z, M38Z |
| | 11 | L06A, L06B, L06J | | 14 | 962Z, O02A, O02B | | 5o312.x | 17 | R01A, R01B, R01C, R01D, R02Z, R12A, R12B, R12C |
| | 12 | M06J, M06Z, M09A, M09B, M09J, M38Z | | 21A | W04A, W04B | | | 21A | W04A, W04B |
| 5o30b.4 | 13 | N11A, N11J | 5o310 | 21B | X06A, X06B, X06C | 5o312.5 | | 21B | X06A, X06B, X06C |
| | 17 | R01A, R01B, R01C, R01D, R02Z, R12A, R12B, R12C | | 11 | BOP, KVT, UOP4 | | 5o312.5 | 06 | G18A, G38Z |
| | 21A | W04A, W04B | | 12 | L06A, L06B, L06J | | | 11 | L03Z, L04A, L04B, L04C, L04J, L10Z, L13A, L13B, L33Z, L38Z |
| 5o30b.5 | 21B | X06A, X06B, X06C | 5o311.0 | 13 | N13A, N13B, N13J | 5o312.5 | | 12 | M01A, M01B, M37Z, M38Z |
| | 11 | BOP, KJZSV, KVT, UOP4 | | 17 | R01A, R01B, R01C, R01D, R02Z, R12A, R12B, R12C | | 5o312.5 | 17 | R01A, R01B, R01C, R01D, R02Z, R12A, R12B, R12C |
| | 12 | L06A, L06B, L06J | | 21A | W04A, W04B | | | 21A | W04A, W04B |
| 5o30b.x | 12 | M06J, M06Z, M09A, M09B, M09J, M38Z | 5o311.4 | 21B | X06A, X06B, X06C | 5o312.x | | 21B | X06A, X06B, X06C |
| | 13 | N11A, N11J | | 06 | BOP, KJZSV, KVT, UOP4 | | 5o312.x | 06 | G18A, G38Z |
| | 17 | R01A, R01B, R01C, R01D, R02Z, R12A, R12B, R12C | | 11 | G18A, G38Z | | | 11 | L03Z, L04A, L04B, L04C, L04J, L10Z, L13A, L13B, L38Z |
| 5o30c | 21A | W04A, W04B | 5o311.4 | 12 | L03Z, L04A, L04B, L04C, L04J, L10Z, L13A, L13B, L38Z | 5o312.x | | 12 | M01A, M01B, M37Z, M38Z |
| | 21B | X06A, X06B, X06C | | 17 | M01A, M01B, M37Z, M38Z | | 5o312.x | 17 | R01A, R01B, R01C, R01D, R02Z, R12A, R12B, R12C |
| | 11 | BOP, KJZSV, KVT, UOP4 | | 21A | W04A, W04B | | | 21A | W04A, W04B |
| 5o30c | 11 | L06A, L06B, L06J | 5o311.4 | 21B | X06A, X06B, X06C | 5o312.x | | 21B | X06A, X06B, X06C |
| | 12 | M06J, M06Z, M09A, M09B, M09J, M38Z | | 06 | G18A, G38Z | | 5o312.x | 06 | G18A, G38Z |
| | 13 | N11A, N11J | | 11 | L03Z, L04A, L04B, L04C, L04J, L10Z, L13A, L13B, L38Z | | | 11 | L03Z, L04A, L04B, L04C, L04J, L10Z, L13A, L13B, L33Z, L38Z |
| 5o30c | 17 | R01A, R01B, R01C, R01D, R02Z, R12A, R12B, R12C | 5o311.4 | 12 | M01A, M01B, M37Z, M38Z | 5o312.x | | 12 | M01A, M01B, M37Z, M38Z |
| | 21A | W04A, W04B | | 17 | R01A, R01B, R01C, R01D, R02Z, R12A, R12B, R12C | | 5o312.x | 17 | R01A, R01B, R01C, R01D, R02Z, R12A, R12B, R12C |
| | 21B | X06A, X06B, X06C | | 21A | W04A, W04B | | | 5o312.x | 21A |
| 5o30c | 21B | X06A, X06B, X06C | 5o311.4 | 21B | X06A, X06B, X06C | 5o312.x | | | 21B |

VYK

| ZZV | MDC | DRG | ZZV | MDC | DRG | ZZV | MDC | DRG | | | |
|---------|---------|--|----------------------------|----------------------------|--|--|--|--|--|------------------------|--|
| 5o313.0 | | BOP, KJZSV, KVT, MVV, UOP4 | 5o314.5 | | BOP, KJZSV, KVT, MVV, UOP4 | 5o31a.0 | | BOP, KJZSV, KVT, UOP4 | | | |
| | 06 | G18A, G38Z | | 06 | G18A, G38Z | | 06 | G18A, G38Z | | | |
| | 11 | L03Z, L04A, L04B, L04C, L04J, L10Z, L13A, L13B, L33Z, L38Z | | 11 | L03Z, L04A, L04B, L04C, L04J, L10Z, L13A, L13B, L33Z, L38Z | | 11 | L03Z, L04A, L04B, L04C, L04J, L10Z, L13A, L13B, L38Z | | | |
| | 12 | M01A, M01B, M37Z, M38Z | | 12 | M01A, M01B, M37Z, M38Z | | 13 | N01A, N01B, N01C, N01D, N01E, N11A, N11B, N11J, N34Z, N38Z | | | |
| | 13 | N01A, N38Z | | 17 | R01A, R01B, R01C, R01D, R02Z, R12A, R12B, R12C | | 17 | R01A, R01B, R01C, R01D, R02Z, R12A, R12B, R12C | | | |
| | 17 | R01A, R01B, R01C, R01D, R02Z, R12A, R12B, R12C | | 21A | W04A, W04B | | 21A | W04A, W04B | | | |
| | 21A | W04A, W04B | | 21B | X06A, X06B, X06C | | 21A | W04A, W04B | | | |
| | 21B | X06A, X06B, X06C | | 5o314.x | | | BOP, KJZSV, KVT, MVV, UOP4 | 5o31a.4 | | BOP, KJZSV, KVT, UOP4 | |
| | 5o313.4 | | | | BOP, KJZSV, KVT, MVV, UOP4 | | 06 | | G18A, G38Z | 06 | G18A, G38Z |
| | | 06 | | | G18A, G38Z | | 11 | | L03Z, L04A, L04B, L04C, L04J, L10Z, L13A, L13B, L33Z, L38Z | 11 | L03Z, L04A, L04B, L04C, L04J, L10Z, L13A, L13B, L38Z |
| 11 | | L03Z, L04A, L04B, L04C, L04J, L10Z, L13A, L13B, L33Z, L38Z | 12 | | M01A, M01B, M37Z, M38Z | 13 | N01A, N01B, N01C, N01D, N01E, N11A, N11B, N11J, N34Z, N38Z | | | | |
| 12 | | M01A, M01B, M37Z, M38Z | 17 | | R01A, R01B, R01C, R01D, R02Z, R12A, R12B, R12C | 17 | R01A, R01B, R01C, R01D, R02Z, R12A, R12B, R12C | | | | |
| 13 | | N01A, N38Z | 21A | | W04A, W04B | 21A | W04A, W04B | | | | |
| 17 | | R01A, R01B, R01C, R01D, R02Z, R12A, R12B, R12C | 21B | | X06A, X06B, X06C | 21B | X06A, X06B, X06C | | | | |
| 21A | | W04A, W04B | 5o315.0 | | | BOP, KJZSV, KOP, KOPV, KVT, MVV, UOP4 | 5o31a.5 | | | BOP, KJZSV, KVT, UOP4 | |
| 21B | | X06A, X06B, X06C | | | 06 | G01Z, G18A, G33Z, G38Z | | | 06 | G18A, G38Z | |
| 5o313.5 | | | | | BOP, KJZSV, KVT, MVV, UOP4 | 07 | | | H33Z, H38Z | 11 | L03Z, L04A, L04B, L04C, L04J, L10Z, L13A, L13B, L33Z, L38Z |
| | | 06 | | G18A, G38Z | 11 | L03Z, L04A, L04B, L04C, L04J, L10Z, L13A, L13B, L33Z, L38Z | | 13 | N01A, N01B, N01C, N01D, N01E, N11A, N11B, N11J, N34Z, N38Z | | |
| | 11 | L03Z, L04A, L04B, L04C, L04J, L10Z, L13A, L13B, L33Z, L38Z | | 12 | M01A, M01B, M37Z, M38Z | 17 | | R01A, R01B, R01C, R01D, R02Z, R12A, R12B, R12C | | | |
| | 12 | M01A, M01B, M37Z, M38Z | | 13 | N01A, N01B, N01C, N01D, N01E, N34Z, N38Z | 21A | | W04A, W04B | | | |
| | 13 | N01A, N38Z | | 17 | R01A, R01B, R01C, R01D, R02Z, R12A, R12B, R12C | 21B | | X06A, X06B, X06C | | | |
| | 17 | R01A, R01B, R01C, R01D, R02Z, R12A, R12B, R12C | | 21A | W04A, W04B | 5o31a.x | | | BOP, KJZSV, KVT, UOP4 | | |
| | 21A | W04A, W04B | | 21B | X06A, X06B, X06C, X33Z | | | 06 | G18A, G38Z | | |
| | 21B | X06A, X06B, X06C | | 23 | Z01A | | | 11 | L03Z, L04A, L04B, L04C, L04J, L10Z, L13A, L13B, L38Z | | |
| | 5o313.x | | BOP, KJZSV, KVT, MVV, UOP4 | Pre | A07A | | 13 | N01A, N01B, N01C, N01D, N01E, N11A, N11B, N11J, N34Z, N38Z | | | |
| | | 06 | G18A, G38Z | 5o315.4 | | | BOP, KJZSV, KOP, KOPV, KVT, MVV, UOP4 | 17 | R01A, R01B, R01C, R01D, R02Z, R12A, R12B, R12C | | |
| 11 | | L03Z, L04A, L04B, L04C, L04J, L10Z, L13A, L13B, L33Z, L38Z | 06 | | G01Z, G18A, G33Z, G38Z | | 21A | W04A, W04B | | | |
| 12 | | M01A, M01B, M37Z, M38Z | 07 | | H33Z, H38Z | | 21B | X06A, X06B, X06C, X33Z | | | |
| 13 | | N01A, N38Z | 11 | | L03Z, L04A, L04B, L04C, L04J, L10Z, L13A, L13B, L33Z, L38Z | | 23 | Z01A | | | |
| 17 | | R01A, R01B, R01C, R01D, R02Z, R12A, R12B, R12C | 12 | | M01A, M01B, M37Z, M38Z | | Pre | A07A | | | |
| 21A | | W04A, W04B | 13 | | N01A, N01B, N01C, N01D, N01E, N34Z, N38Z | | 5o31b.0 | | BOP, KJZSV, KVT, MVV, UOP4 | | |
| 21B | | X06A, X06B, X06C | 17 | | R01A, R01B, R01C, R01D, R02Z, R12A, R12B, R12C | 06 | | G18A, G38Z | | | |
| 5o314.0 | | | BOP, KJZSV, KVT, MVV, UOP4 | | 21A | W04A, W04B | | 11 | L03Z, L04A, L04B, L04C, L04J, L10Z, L13A, L13B, L33Z, L38Z | | |
| | | 06 | G18A, G38Z | | 21B | X06A, X06B, X06C, X33Z | | 13 | N01A, N01B, N01C, N01D, N01E, N11A, N11B, N11J, N34Z, N38Z | | |
| | 11 | L03Z, L04A, L04B, L04C, L04J, L10Z, L13A, L13B, L33Z, L38Z | Pre | | A07A | 17 | | R01A, R01B, R01C, R01D, R02Z, R12A, R12B, R12C | | | |
| | 12 | M01A, M01B, M37Z, M38Z | 5o315.x | | BOP, KJZSV, KOP, KOPV, KVT, MVV, UOP4 | 21A | | W04A, W04B | | | |
| | 13 | N01A, N38Z | | 06 | G01Z, G18A, G33Z, G38Z | 21B | | X06A, X06B, X06C | | | |
| | 17 | R01A, R01B, R01C, R01D, R02Z, R12A, R12B, R12C | | 07 | H33Z, H38Z | 5o314.4 | | | BOP, KJZSV, KVT, MVV, UOP4 | | |
| | 21A | W04A, W04B | | 11 | L03Z, L04A, L04B, L04C, L04J, L10Z, L13A, L13B, L33Z, L38Z | | | 06 | G18A, G38Z | | |
| | 21B | X06A, X06B, X06C | | 12 | M01A, M01B, M37Z, M38Z | | | 11 | L03Z, L04A, L04B, L04C, L04J, L10Z, L13A, L13B, L33Z, L38Z | | |
| | 5o314.4 | | | BOP, KJZSV, KVT, MVV, UOP4 | 13 | | N01A, N01B, N01C, N01D, N01E, N34Z, N38Z | 12 | M01A, M01B, M37Z, M38Z | | |
| | | 06 | | G18A, G38Z | 17 | | R01A, R01B, R01C, R01D, R02Z, R12A, R12B, R12C | 13 | N01A, N01B, N01C, N01D, N01E, N34Z, N38Z | | |
| 11 | | L03Z, L04A, L04B, L04C, L04J, L10Z, L13A, L13B, L33Z, L38Z | | 21A | W04A, W04B | | 17 | R01A, R01B, R01C, R01D, R02Z, R12A, R12B, R12C | | | |
| 12 | | M01A, M01B, M37Z, M38Z | | 21B | X06A, X06B, X06C, X33Z | | 21A | W04A, W04B | | | |
| 13 | | N01A, N38Z | | Pre | A07A | | 21B | X06A, X06B, X06C | | | |
| 17 | | R01A, R01B, R01C, R01D, R02Z, R12A, R12B, R12C | 5o315.0 | | BOP, KJZSV, KOP, KOPV, KVT, MVV, UOP4 | | 5o315.0 | | BOP, KJZSV, KOP, KOPV, KVT, MVV, UOP4 | | |
| 21A | | W04A, W04B | | 06 | G01Z, G18A, G33Z, G38Z | | | 06 | G01Z, G18A, G33Z, G38Z | | |
| 21B | | X06A, X06B, X06C | | 07 | H33Z, H38Z | 07 | | H33Z, H38Z | | | |
| 5o314.4 | | | | BOP, KJZSV, KVT, MVV, UOP4 | 11 | L03Z, L04A, L04B, L04C, L04J, L10Z, L13A, L13B, L33Z, L38Z | | 11 | L03Z, L04A, L04B, L04C, L04J, L10Z, L13A, L13B, L33Z, L38Z | | |
| | | 06 | | G18A, G38Z | 12 | M01A, M01B, M37Z, M38Z | | 12 | M01A, M01B, M37Z, M38Z | | |
| | 11 | L03Z, L04A, L04B, L04C, L04J, L10Z, L13A, L13B, L33Z, L38Z | | 13 | N01A, N01B, N01C, N01D, N01E, N34Z, N38Z | 13 | | N01A, N01B, N01C, N01D, N01E, N34Z, N38Z | | | |
| | 12 | M01A, M01B, M37Z, M38Z | | 17 | R01A, R01B, R01C, R01D, R02Z, R12A, R12B, R12C | 17 | | R01A, R01B, R01C, R01D, R02Z, R12A, R12B, R12C | | | |
| | 13 | N01A, N38Z | | 21A | W04A, W04B | 21A | | W04A, W04B | | | |
| | 17 | R01A, R01B, R01C, R01D, R02Z, R12A, R12B, R12C | | 21B | X06A, X06B, X06C, X33Z | 21B | | X06A, X06B, X06C | | | |
| | 21A | W04A, W04B | | Pre | A07A | 5o315.0 | | | BOP, KJZSV, KVT, MVV, UOP4 | | |
| | 21B | X06A, X06B, X06C | 5o315.0 | | BOP, KJZSV, KOP, KOPV, KVT, MVV, UOP4 | | 5o315.0 | | BOP, KJZSV, KOP, KOPV, KVT, MVV, UOP4 | | |
| | 5o314.4 | | | BOP, KJZSV, KVT, MVV, UOP4 | 06 | | | G01Z, G18A, G33Z, G38Z | 06 | G01Z, G18A, G33Z, G38Z | |
| | | 06 | | G18A, G38Z | 07 | | | H33Z, H38Z | 07 | H33Z, H38Z | |
| 11 | | L03Z, L04A, L04B, L04C, L04J, L10Z, L13A, L13B, L33Z, L38Z | | 11 | L03Z, L04A, L04B, L04C, L04J, L10Z, L13A, L13B, L33Z, L38Z | | | 11 | L03Z, L04A, L04B, L04C, L04J, L10Z, L13A, L13B, L33Z, L38Z | | |
| 12 | | M01A, M01B, M37Z, M38Z | | 12 | M01A, M01B, M37Z, M38Z | | | 12 | M01A, M01B, M37Z, M38Z | | |
| 13 | | N01A, N38Z | | 13 | N01A, N01B, N01C, N01D, N01E, N34Z, N38Z | | | 13 | N01A, N01B, N01C, N01D, N01E, N34Z, N38Z | | |
| 17 | | R01A, R01B, R01C, R01D, R02Z, R12A, R12B, R12C | | 17 | R01A, R01B, R01C, R01D, R02Z, R12A, R12B, R12C | | | 17 | R01A, R01B, R01C, R01D, R02Z, R12A, R12B, R12C | | |
| 21A | | W04A, W04B | | 21A | W04A, W04B | | | 21A | W04A, W04B | | |
| 21B | | X06A, X06B, X06C | | 21B | X06A, X06B, X06C, X33Z | | | 21B | X06A, X06B, X06C | | |
| Pre | | A07A | | Pre | A07A | Pre | | A07A | | | |

VYK

| ZZV | MDC | DRG | ZZV | MDC | DRG | ZZV | MDC | DRG |
|---------|---------|--|----------------------------|--|--|---------|--|--|
| 5o31b.4 | | BOP, KJZSV, KVT, MVV, UOP4 | 5o31c.x | | BOP, KJZSV, KVT, MVV, UOP4 | 5o31x.0 | | BOP, KJZSV, KVT, UOP4 |
| | 06 | G18A, G38Z | | 06 | G18A, G38Z | | 06 | G18A, G38Z |
| | 11 | L03Z, L04A, L04B, L04C, L04J, L10Z, L13A, L13B, L33Z, L38Z | | 11 | L03Z, L04A, L04B, L04C, L04J, L10Z, L13A, L13B, L33Z, L38Z | | 11 | L03Z, L04A, L04B, L04C, L04J, L10Z, L13A, L13B, L38Z |
| | 13 | N01A, N01B, N01C, N01D, N01E, N11A, N11B, N11J, N34Z, N38Z | | 12 | M01A, M01B, M37Z, M38Z | | 12 | M01A, M01B, M37Z, M38Z |
| | 17 | R01A, R01B, R01C, R01D, R02Z, R12A, R12B, R12C | | 17 | R01A, R01B, R01C, R01D, R02Z, R12A, R12B, R12C | | 13 | N01A, N01B, N01C, N01D, N01E, N11A, N11B, N11J, N34Z, N38Z |
| | 21A | W04A, W04B | | 21A | W04A, W04B | | 17 | R01A, R01B, R01C, R01D, R02Z, R12A, R12B, R12C |
| | 21B | X06A, X06B, X06C | | 21B | X06A, X06B, X06C | | 21A | W04A, W04B |
| | 5o31b.5 | | | BOP, KJZSV, KVT, MVV, UOP4 | 5o31d.0 | | | BOP, KJZSV, KVT, MVV, UOP4 |
| 06 | | G18A, G38Z | 06 | G18A, G38Z | | 06 | G18A, G38Z | |
| 11 | | L03Z, L04A, L04B, L04C, L04J, L10Z, L13A, L13B, L33Z, L38Z | 11 | L03Z, L04A, L04B, L04C, L04J, L10Z, L13A, L13B, L33Z, L38Z | | 11 | L03Z, L04A, L04B, L04C, L04J, L10Z, L13A, L13B, L38Z | |
| 13 | | N01A, N01B, N01C, N01D, N01E, N11A, N11B, N11J, N34Z, N38Z | 13 | N01A, N01B, N01C, N01D, N01E, N11A, N11B, N11J, N34Z, N38Z | | 12 | M01A, M01B, M37Z, M38Z | |
| 17 | | R01A, R01B, R01C, R01D, R02Z, R12A, R12B, R12C | 17 | R01A, R01B, R01C, R01D, R02Z, R12A, R12B, R12C | | 13 | N01A, N01B, N01C, N01D, N01E, N11A, N11B, N11J, N34Z, N38Z | |
| 21A | | W04A, W04B | 21A | W04A, W04B | | 17 | R01A, R01B, R01C, R01D, R02Z, R12A, R12B, R12C | |
| 21B | | X06A, X06B, X06C | 21B | X06A, X06B, X06C | | 21A | W04A, W04B | |
| 5o31b.x | | | BOP, KJZSV, KVT, MVV, UOP4 | 5o31d.4 | | | BOP, KJZSV, KVT, MVV, UOP4 | 5o31x.5 |
| | 06 | G18A, G38Z | 06 | | G18A, G38Z | 06 | G18A, G38Z | |
| | 11 | L03Z, L04A, L04B, L04C, L04J, L10Z, L13A, L13B, L33Z, L38Z | 11 | | L03Z, L04A, L04B, L04C, L04J, L10Z, L13A, L13B, L33Z, L38Z | 11 | L03Z, L04A, L04B, L04C, L04J, L10Z, L13A, L13B, L38Z | |
| | 13 | N01A, N01B, N01C, N01D, N01E, N11A, N11B, N11J, N34Z, N38Z | 13 | | N01A, N01B, N01C, N01D, N01E, N11A, N11B, N11J, N34Z, N38Z | 12 | M01A, M01B, M37Z, M38Z | |
| | 17 | R01A, R01B, R01C, R01D, R02Z, R12A, R12B, R12C | 17 | | R01A, R01B, R01C, R01D, R02Z, R12A, R12B, R12C | 13 | N01A, N01B, N01C, N01D, N01E, N11A, N11B, N11J, N34Z, N38Z | |
| | 21A | W04A, W04B | 21A | | W04A, W04B | 17 | R01A, R01B, R01C, R01D, R02Z, R12A, R12B, R12C | |
| | 21B | X06A, X06B, X06C | 21B | | X06A, X06B, X06C | 21A | W04A, W04B | |
| | 5o31c.0 | | BOP, KJZSV, KVT, MVV, UOP4 | | 5o31d.5 | | BOP, KJZSV, KVT, MVV, UOP4 | |
| 06 | | G18A, G38Z | 06 | G18A, G38Z | | 06 | G18A, G38Z | |
| 11 | | L03Z, L04A, L04B, L04C, L04J, L10Z, L13A, L13B, L33Z, L38Z | 11 | L03Z, L04A, L04B, L04C, L04J, L10Z, L13A, L13B, L33Z, L38Z | | 11 | L03Z, L04A, L04B, L04C, L04J, L10Z, L13A, L13B, L38Z | |
| 12 | | M01A, M01B, M37Z, M38Z | 13 | N01A, N01B, N01C, N01D, N01E, N11A, N11B, N11J, N34Z, N38Z | | 12 | M01A, M01B, M37Z, M38Z | |
| 17 | | R01A, R01B, R01C, R01D, R02Z, R12A, R12B, R12C | 17 | R01A, R01B, R01C, R01D, R02Z, R12A, R12B, R12C | | 13 | N01A, N01B, N01C, N01D, N01E, N11A, N11B, N11J, N34Z, N38Z | |
| 21A | | W04A, W04B | 21A | W04A, W04B | | 17 | R01A, R01B, R01C, R01D, R02Z, R12A, R12B, R12C | |
| 21B | | X06A, X06B, X06C | 21B | X06A, X06B, X06C | | 21A | W04A, W04B | |
| 5o31c.4 | | | BOP, KJZSV, KVT, MVV, UOP4 | 5o31d.x | | | BOP, KJZSV, KVT, MVV, UOP4 | 5o320.0 |
| | 06 | G18A, G38Z | 06 | | G18A, G38Z | 06 | G18A, G38Z | |
| | 11 | L03Z, L04A, L04B, L04C, L04J, L10Z, L13A, L13B, L33Z, L38Z | 11 | | L03Z, L04A, L04B, L04C, L04J, L10Z, L13A, L13B, L33Z, L38Z | 10 | K03A, K03B | |
| | 12 | M01A, M01B, M37Z, M38Z | 13 | | N01A, N01B, N01C, N01D, N01E, N11A, N11B, N11J, N34Z, N38Z | 11 | L06A, L06B, L06J | |
| | 17 | R01A, R01B, R01C, R01D, R02Z, R12A, R12B, R12C | 17 | | R01A, R01B, R01C, R01D, R02Z, R12A, R12B, R12C | 12 | M01A, M01B, M38Z | |
| | 21A | W04A, W04B | 17 | | R01A, R01B, R01C, R01D, R02Z, R12A, R12B, R12C | 13 | N01A, N01B, N01C, N01D, N01E, N11A, N11B, N11J, N34Z, N38Z | |
| | 21B | X06A, X06B, X06C | 21A | | W04A, W04B | 17 | R01A, R01B, R01C, R01D, R02Z, R12A, R12B, R12C | |
| | | | 21B | | X06A, X06B, X06C | 21A | W04A, W04B | |

VYK

| ZZV | MDC | DRG | ZZV | MDC | DRG | ZZV | MDC | DRG |
|---------|-----|--|---------|-----|--|---------|-----|--|
| 5o327.4 | | BOP, KJZSV, KVT, UOP4 | 5o32x.5 | | BOP, KJZSV, KVT, UOP4 | 5o330.x | | BOP, KJZSV, KOP, KOPV, KVT, MVV, UOP4 |
| | 06 | G18A, G38Z | | 06 | G18A, G38Z | | 06 | G18A, G33Z, G38Z |
| | 11 | L03Z, L04A, L04B, L04C, L04J, L10Z, L13A, L13B, L38Z | | 11 | L06A, L06B, L06J | | 07 | H33Z, H38Z |
| | 12 | M01A, M01B, M37Z, M38Z | | 12 | M01A, M01B, M38Z | | 11 | L02A, L02B, L02C, L03Z, L10Z, L33Z, L38Z |
| | 13 | N01A, N01B, N01C, N01D, N01E, N11A, N11B, N11J, N34Z, N38Z | | 13 | N01A, N01B, N01C, N01D, N01E, N11A, N11B, N11J, N34Z, N38Z | | 12 | M37Z, M38Z |
| | 17 | R01A, R01B, R01C, R01D, R02Z, R12A, R12B, R12C | | 17 | R01A, R01B, R01C, R01D, R02Z, R12A, R12B, R12C | | 13 | N01A, N01B, N01C, N01D, N01E, N34Z, N38Z |
| | 21A | W04A, W04B | | 21A | W04A, W04B | | 21A | W04A, W04B |
| | 21B | X06A, X06B, X06C | | 21B | X06A, X06B, X06C | | 21B | X06A, X06B, X06C, X33Z |
| | | | | | | | 23 | Z01A |
| | | | | | | | Pre | A07A |
| 5o327.k | | BOP, KJZSV, KVT, UOP4 | 5o32x.x | | BOP, KJZSV, KVT, UOP4 | 5o331.0 | | BOP, KJZSV, KOP, KOPV, KVT, MVV, UOP4 |
| | 06 | G18A, G38Z | | 06 | G18A, G38Z | | 06 | G18A, G33Z, G38Z |
| | 11 | L03Z, L04A, L04B, L04C, L04J, L10Z, L13A, L13B, L38Z | | 11 | L06A, L06B, L06J | | 07 | H33Z, H38Z |
| | 12 | M01A, M01B, M37Z, M38Z | | 12 | M01A, M01B, M38Z | | 11 | L02A, L02B, L02C, L03Z, L10Z, L33Z, L38Z |
| | 13 | N01A, N01B, N01C, N01D, N01E, N11A, N11B, N11J, N34Z, N38Z | | 13 | N01A, N01B, N01C, N01D, N01E, N11A, N11B, N11J, N34Z, N38Z | | 12 | M37Z, M38Z |
| | 17 | R01A, R01B, R01C, R01D, R02Z, R12A, R12B, R12C | | 17 | R01A, R01B, R01C, R01D, R02Z, R12A, R12B, R12C | | 13 | N01A, N01B, N01C, N01D, N01E, N34Z, N38Z |
| | 21A | W04A, W04B | | 21A | W04A, W04B | | 21A | W04A, W04B |
| | 21B | X06A, X06B, X06C | | 21B | X06A, X06B, X06C | | 21B | X06A, X06B, X06C, X33Z |
| | | | | | | | 23 | Z01A |
| | | | | | | | Pre | A07A |
| 5o327.x | | BOP, KJZSV, KVT, UOP4 | 5o330.0 | | BOP, KJZSV, KOP, KOPV, KVT, MVV, UOP4 | 5o331.4 | | BOP, KJZSV, KOP, KOPV, KVT, MVV, UOP4 |
| | 06 | G18A, G38Z | | 06 | G18A, G33Z, G38Z | | 06 | G18A, G33Z, G38Z |
| | 11 | L03Z, L04A, L04B, L04C, L04J, L10Z, L13A, L13B, L38Z | | 07 | H33Z, H38Z | | 07 | H33Z, H38Z |
| | 12 | M01A, M01B, M37Z, M38Z | | 11 | L02A, L02B, L02C, L03Z, L10Z, L33Z, L38Z | | 11 | L02A, L02B, L02C, L03Z, L10Z, L33Z, L38Z |
| | 13 | N01A, N01B, N01C, N01D, N01E, N11A, N11B, N11J, N34Z, N38Z | | 12 | M37Z, M38Z | | 12 | M37Z, M38Z |
| | 17 | R01A, R01B, R01C, R01D, R02Z, R12A, R12B, R12C | | 13 | N01A, N01B, N01C, N01D, N01E, N34Z, N38Z | | 13 | N01A, N01B, N01C, N01D, N01E, N34Z, N38Z |
| | 21A | W04A, W04B | | 21A | W04A, W04B | | 21A | W04A, W04B |
| | 21B | X06A, X06B, X06C | | 21B | X06A, X06B, X06C, X33Z | | 21B | X06A, X06B, X06C, X33Z |
| | | | | | | | 23 | Z01A |
| | | | | | | | Pre | A07A |
| 5o32x.0 | | BOP, KJZSV, KVT, UOP4 | 5o330.4 | | BOP, KJZSV, KOP, KOPV, KVT, MVV, UOP4 | 5o331.5 | | BOP, KJZSV, KOP, KOPV, KVT, MVV, UOP4 |
| | 06 | G18A, G38Z | | 06 | G18A, G33Z, G38Z | | 06 | G18A, G33Z, G38Z |
| | 11 | L06A, L06B, L06J | | 07 | H33Z, H38Z | | 07 | H33Z, H38Z |
| | 12 | M01A, M01B, M38Z | | 11 | L02A, L02B, L02C, L03Z, L10Z, L33Z, L38Z | | 11 | L02A, L02B, L02C, L03Z, L10Z, L33Z, L38Z |
| | 13 | N01A, N01B, N01C, N01D, N01E, N11A, N11B, N11J, N34Z, N38Z | | 12 | M37Z, M38Z | | 12 | M37Z, M38Z |
| | 17 | R01A, R01B, R01C, R01D, R02Z, R12A, R12B, R12C | | 13 | N01A, N01B, N01C, N01D, N01E, N34Z, N38Z | | 13 | N01A, N01B, N01C, N01D, N01E, N34Z, N38Z |
| | 21A | W04A, W04B | | 21A | W04A, W04B | | 21A | W04A, W04B |
| | 21B | X06A, X06B, X06C | | 21B | X06A, X06B, X06C, X33Z | | 21B | X06A, X06B, X06C, X33Z |
| | | | | | | | 23 | Z01A |
| | | | | | | | Pre | A07A |
| 5o32x.4 | | BOP, KJZSV, KVT, UOP4 | 5o330.5 | | BOP, KJZSV, KOP, KOPV, KVT, MVV, UOP4 | 5o331.x | | BOP, KJZSV, KOP, KOPV, KVT, MVV, UOP4 |
| | 06 | G18A, G38Z | | 06 | G18A, G33Z, G38Z | | 06 | G18A, G33Z, G38Z |
| | 11 | L06A, L06B, L06J | | 07 | H33Z, H38Z | | 07 | H33Z, H38Z |
| | 12 | M01A, M01B, M38Z | | 11 | L02A, L02B, L02C, L03Z, L10Z, L33Z, L38Z | | 11 | L02A, L02B, L02C, L03Z, L10Z, L33Z, L38Z |
| | 13 | N01A, N01B, N01C, N01D, N01E, N11A, N11B, N11J, N34Z, N38Z | | 12 | M37Z, M38Z | | 12 | M37Z, M38Z |
| | 17 | R01A, R01B, R01C, R01D, R02Z, R12A, R12B, R12C | | 13 | N01A, N01B, N01C, N01D, N01E, N34Z, N38Z | | 13 | N01A, N01B, N01C, N01D, N01E, N34Z, N38Z |
| | 21A | W04A, W04B | | 21A | W04A, W04B | | 21A | W04A, W04B |
| | 21B | X06A, X06B, X06C | | 21B | X06A, X06B, X06C, X33Z | | 21B | X06A, X06B, X06C, X33Z |
| | | | | | | | 23 | Z01A |
| | | | | | | | Pre | A07A |

VYK

| ZZV | MDC | DRG | ZZV | MDC | DRG | ZZV | MDC | DRG | | |
|---------|-----|--|----------|---------|--|--|--|--|--|------------------------------------|
| 5o33x.5 | | BOP, KJZSV, KOP, KOPV, KVT, MVV, UOP4 | 5o345.1 | | BOP, KJZSV, KVT, UOP4 | 5o353.3 | | BOP, KJZSV, KVT, UOP4 | | |
| | 06 | G18A, G33Z, G38Z | | 11 | L18A, L18B, L19Z, L20A, L20B, L20C, L20J, L20Q, L20R, L38Z | | 11 | L06A, L06B, L06J | | |
| | 07 | H33Z, H38Z | | 12 | M06J, M06Z, M09A, M09B, M09J, M38Z | | 12 | M06J, M06Z, M09A, M09B, M09J, M38Z | | |
| | 11 | L02A, L02B, L02C, L03Z, L10Z, L33Z, L38Z | | 13 | N11A, N11B, N11J | | 13 | N13A, N13B, N13J | | |
| | 12 | M37Z, M38Z | | | BOP, KJZSV, KVT, UOP4 | | 17 | R01A, R01B, R01C, R01D, R02Z, R12A, R12B, R12C | | |
| | 13 | N01A, N01B, N01C, N01D, N01E, N34Z, N38Z | | 5o345.2 | 11 | | L18A, L18B, L19Z, L20A, L20B, L20C, L20J, L20Q, L20R, L38Z | 21A | W04A, W04B | |
| | 21A | W04A, W04B | | | 12 | | M06J, M06Z, M09A, M09B, M09J, M38Z | 21B | X06A, X06B, X06C | |
| | 21B | X06A, X06B, X06C, X33Z | | | 13 | | N11A, N11B, N11J | 5o353.4 | | BOP, KJZSV, KVT, UOP4 |
| | 23 | Z01A | | 5o345.3 | 11 | | L18A, L18B, L19Z, L20A, L20B, L20C, L20J, L20Q, L20R, L38Z | | 11 | L06A, L06B, L06J |
| | Pre | A07A | | | 12 | | M06J, M06Z, M09A, M09B, M09J, M38Z | | 12 | M06J, M06Z, M09A, M09B, M09J, M38Z |
| 5o33x.x | | BOP, KJZSV, KOP, KOPV, KVT, MVV, UOP4 | 13 | | N11A, N11B, N11J | 13 | N13A, N13B, N13J | | | |
| | 06 | G18A, G33Z, G38Z | | | BOP, KJZSV, KVT, UOP4 | 17 | R01A, R01B, R01C, R01D, R02Z, R12A, R12B, R12C | | | |
| | 07 | H33Z, H38Z | 5o345.4 | | 11 | L18A, L18B, L19Z, L20A, L20B, L20C, L20J, L20Q, L20R, L38Z | 21A | | W04A, W04B | |
| | 11 | L02A, L02B, L02C, L03Z, L10Z, L33Z, L38Z | | | 12 | M06J, M06Z, M09A, M09B, M09J, M38Z | 21B | | X06A, X06B, X06C | |
| | 12 | M37Z, M38Z | | | | BOP, KJZSV, KVT, UOP4 | 5o361.0 | | | BOP, KJZSV, KVT, UOP4 |
| | 13 | N01A, N01B, N01C, N01D, N01E, N34Z, N38Z | | | 11 | L18A, L18B, L19Z, L20A, L20B, L20C, L20J, L20Q, L20R, L38Z | | | 11 | L06A, L06B, L06J |
| | 21A | W04A, W04B | | | 12 | M06J, M06Z, M09A, M09B, M09J, M38Z | | | 13 | N13A, N13B, N13J |
| | 21B | X06A, X06B, X06C, X33Z | | | 13 | N11A, N11B, N11J | | 17 | R01A, R01B, R01C, R01D, R02Z, R12A, R12B, R12C | |
| | 23 | Z01A | | 5o34x | 11 | L18A, L18B, L19Z, L20A, L20B, L20C, L20J, L20Q, L20R, L38Z | | 21A | W04A, W04B | |
| | Pre | A07A | | | | BOP, KJZSV, KVT, UOP4 | | 21B | X06A, X06B, X06C | |
| 5o340.0 | | BOP, KJZSV, KVT, UOP4 | | | 11 | L18A, L18B, L19Z, L20A, L20B, L20C, L20J, L20Q, L20R, L38Z | | 5o361.1 | | L06A, L06B, L06J |
| | 11 | L18A, L18B, L19Z, L20A, L20B, L20C, L20J, L20Q, L20R, L38Z | | | | KJZSV | | | 5o361.2 | |
| 5o340.1 | | BOP, KJZSV, KVT, UOP4 | 5o350.2† | | | KJZSV | | 11 | | L06A, L06B, L06J |
| | 11 | L06A, L06B, L06J | | | 11 | L18A, L18B, L19Z, L20A, L20B, L20C, L20J, L20Q, L20R, L38Z | | 12 | M06J, M06Z, M09A, M09B, M09J, M38Z | |
| 5o340.2 | | BOP, KJZSV, KVT, UOP4 | 5o350.3‡ | | | KJZSV | 5o361.3 | | BOP, KJZSV, KVT, UOP4 | |
| | 11 | L18A, L18B, L19Z, L20A, L20B, L20C, L20J, L20Q, L20R, L38Z | | | 11 | L18A, L18B, L19Z, L20A, L20B, L20C, L20J, L20Q, L20R, L38Z | | 06 | G18A, G38Z | |
| 5o344.0 | | BOP, KJZSV, KVT, UOP4 | 5o350.t† | | | KJZSV | 11 | L03Z, L04A, L04B, L04C, L04J, L10Z, L13A, L13B, L38Z | | |
| | 11 | L18A, L18B, L19Z, L20A, L20B, L20C, L20J, L20Q, L20R, L38Z | | | 11 | L18A, L18B, L19Z, L20A, L20B, L20C, L20J, L20Q, L20R, L38Z | 5o361.4 | | W04A, W04B | |
| 5o344.1 | | BOP, KJZSV, KVT, UOP4 | 5o353.0 | | BOP, KJZSV, KVT, UOP4 | 21A | | X06A, X06B, X06C | | |
| | 11 | L18A, L18B, L19Z, L20A, L20B, L20C, L20J, L20Q, L20R, L38Z | | 11 | L06A, L06B, L06J | 11 | L06A, L06B, L06J | | | |
| 5o344.2 | | BOP, KJZSV, KVT, UOP4 | 5o353.1 | | BOP, KJZSV, KVT, UOP4 | 12 | M06J, M06Z, M09A, M09B, M09J, M38Z | | | |
| | 11 | L18A, L18B, L19Z, L20A, L20B, L20C, L20J, L20Q, L20R, L38Z | | 11 | L06A, L06B, L06J | 13 | N13A, N13B, N13J | | | |
| 5o344.3 | | BOP, KJZSV, KVT, UOP4 | 5o353.2 | | BOP, KJZSV, KVT, UOP4 | 17 | R01A, R01B, R01C, R01D, R02Z, R12A, R12B, R12C | | | |
| | 11 | L18A, L18B, L19Z, L20A, L20B, L20C, L20J, L20Q, L20R, L38Z | | 11 | L06A, L06B, L06J | 21A | W04A, W04B | | | |
| 5o345.0 | | BOP, KJZSV, KVT, UOP4 | | 12 | M06J, M06Z, M09A, M09B, M09J, M38Z | 21B | X06A, X06B, X06C | | | |
| | 11 | L18A, L18B, L19Z, L20A, L20B, L20C, L20J, L20Q, L20R, L38Z | | 13 | N13A, N13B, N13J | 5o362.0 | | BOP, KJZSV, KVT, UOP4 | | |
| | | | | 17 | R01A, R01B, R01C, R01D, R02Z, R12A, R12B, R12C | | 11 | L06A, L06B, L06J | | |
| | | | | 21A | W04A, W04B | 12 | M06J, M06Z, M09A, M09B, M09J, M38Z | | | |
| | | | | 21B | X06A, X06B, X06C | 13 | N13A, N13B, N13J | | | |
| | | | | | | 17 | R01A, R01B, R01C, R01D, R02Z, R12A, R12B, R12C | | | |
| | | | | | | 21A | W04A, W04B | | | |
| | | | | | | 21B | X06A, X06B, X06C | | | |

| ZZV | MDC | DRG | ZZV | MDC | DRG | ZZV | MDC | DRG |
|---------|-----|--|----------|-----|--|---------|-----|------------------------------------|
| 5o362.1 | | BOP, KJZSV, KVT, UOP4 | 5o391.1‡ | | KJZSV | 5o394.1 | | BOP, KJZSV, KVT, UOP4 |
| | 11 | L06A, L06B, L06J | | 11 | L18A, L18B, L19Z, L20A, L20B, L20C, L20J, L20Q, L20R, L38Z | | 11 | L06A, L06B, L06J |
| | 12 | M06J, M06Z, M09A, M09B, M09J, M38Z | | | | | 21A | W04A, W04B |
| | 13 | N13A, N13B, N13J | 5o391.3‡ | | KJZSV | | 21B | X06A, X06B, X06C |
| | 17 | R01A, R01B, R01C, R01D, R02Z, R12A, R12B, R12C | | 11 | L18A, L18B, L19Z, L20A, L20B, L20C, L20J, L20Q, L20R, L38Z | 5o394.3 | | BOP, KJZSV, KVT, UOP4 |
| | 21A | W04A, W04B | | | | | 11 | L11Z, L18A, L18B, L38Z |
| | 21B | X06A, X06B, X06C | 5o391.4 | | BOP, KJZSV, KVT, UOP4 | | 12 | M06J, M06Z, M09A, M09B, M09J, M38Z |
| 5o370.0 | | BOP, KJZSV, KVT, UOP4 | | 11 | L06A, L06B, L06J | 5o394.4 | | BOP, KJZSV, KVT, UOP4 |
| | 11 | L06A, L06B, L06J | | 21A | W04A, W04B | | 11 | L06A, L06B, L06J |
| | 12 | M06J, M06Z, M09A, M09B, M09J, M38Z | | 21B | X06A, X06B, X06C | | 21A | W04A, W04B |
| | 13 | N11A, N11B, N11J | 5o391.5 | | BOP, KJZSV, KVT, UOP4 | | 21B | X06A, X06B, X06C |
| | 17 | R01A, R01B, R01C, R01D, R02Z, R12A, R12B, R12C | | 11 | L06A, L06B, L06J | 5o394.t | | BOP, KJZSV, KVT, UOP4 |
| | | | | 21A | W04A, W04B | | 11 | L11Z, L18A, L18B, L38Z |
| 5o370.4 | | BOP, KJZSV, KVT, UOP4 | | 21B | X06A, X06B, X06C | | 12 | M06J, M06Z, M09A, M09B, M09J, M38Z |
| | 11 | L06A, L06B, L06J | 5o391.t‡ | | KJZSV | 5o394.x | | BOP, KJZSV, KVT, UOP4 |
| | 12 | M06J, M06Z, M09A, M09B, M09J, M38Z | | 11 | L18A, L18B, L19Z, L20A, L20B, L20C, L20J, L20Q, L20R, L38Z | | 11 | L11Z, L18A, L18B, L38Z |
| | 13 | N08Z | | | | | 12 | M06J, M06Z, M09A, M09B, M09J, M38Z |
| | 17 | R01A, R01B, R01C, R01D, R02Z, R12A, R12B, R12C | 5o391.x‡ | | KJZSV | 5o395.0 | | BOP, KJZSV, KVT, UOP4 |
| | | | | 11 | L18A, L18B, L19Z, L20A, L20B, L20C, L20J, L20Q, L20R, L38Z | | 11 | L06A, L06B, L06J |
| 5o371.0 | | BOP, KJZSV, KVT, UOP4 | | | | | 21A | W04A, W04B |
| | 11 | L06A, L06B, L06J | 5o392.0 | | BOP, KJZSV, KVT, UOP4 | | 21B | X06A, X06B, X06C |
| | 12 | M06J, M06Z, M09A, M09B, M09J, M38Z | | 11 | L06A, L06B, L06J | 5o395.1 | | BOP, KJZSV, KVT, UOP4 |
| | 13 | N11A, N11B, N11J | | 12 | M06J, M06Z, M09A, M09B, M09J, M38Z | | 11 | L06A, L06B, L06J |
| | 17 | R01A, R01B, R01C, R01D, R02Z, R12A, R12B, R12C | | 13 | N13A, N13B, N13J | | 21A | W04A, W04B |
| | | | | 17 | R01A, R01B, R01C, R01D, R02Z, R12A, R12B, R12C | 5o395.3 | | BOP, KJZSV, KVT, UOP4 |
| 5o371.4 | | BOP, KJZSV, KVT, UOP4 | | | | | 11 | L06A, L06B, L06J |
| | 11 | L06A, L06B, L06J | | 21A | W04A, W04B | | 21A | W04A, W04B |
| | 12 | M06J, M06Z, M09A, M09B, M09J, M38Z | | 21B | X06A, X06B, X06C | | 21B | X06A, X06B, X06C |
| | 13 | N08Z | 5o392.4 | | BOP, KJZSV, KVT, UOP4 | 5o395.4 | | BOP, KJZSV, KVT, UOP4 |
| | 17 | R01A, R01B, R01C, R01D, R02Z, R12A, R12B, R12C | | 11 | L06A, L06B, L06J | | 11 | L06A, L06B, L06J |
| | | | | 12 | M06J, M06Z, M09A, M09B, M09J, M38Z | | 21A | W04A, W04B |
| 5o371.5 | | BOP, KJZSV, KVT, UOP4 | | 13 | N13A, N13B, N13J | | 21B | X06A, X06B, X06C |
| | 11 | L06A, L06B, L06J | | 17 | R01A, R01B, R01C, R01D, R02Z, R12A, R12B, R12C | 5o395.5 | | BOP, KJZSV, KVT, UOP4 |
| | 12 | M06J, M06Z, M09A, M09B, M09J, M38Z | | | | | 11 | L06A, L06B, L06J |
| | 13 | N08Z | | 21A | W04A, W04B | | 21A | W04A, W04B |
| | 17 | R01A, R01B, R01C, R01D, R02Z, R12A, R12B, R12C | | 21B | X06A, X06B, X06C | | 21B | X06A, X06B, X06C |
| | | | 5o392.5 | | BOP, KJZSV, KVT, UOP4 | 5o395.t | | BOP, KJZSV, KVT, UOP4 |
| 5o372 | | BOP, KJZSV, KVT, UOP4 | | 11 | L06A, L06B, L06J | | 11 | L06A, L06B, L06J |
| | 11 | L06A, L06B, L06J | | 12 | M06J, M06Z, M09A, M09B, M09J, M38Z | | 21A | W04A, W04B |
| | 12 | M06J, M06Z, M09A, M09B, M09J, M38Z | | 13 | N13A, N13B, N13J | 5o395.x | | BOP, KJZSV, KVT, UOP4 |
| | 13 | N11A, N11B, N11J | | 17 | R01A, R01B, R01C, R01D, R02Z, R12A, R12B, R12C | | 11 | L06A, L06B, L06J |
| | 17 | R01A, R01B, R01C, R01D, R02Z, R12A, R12B, R12C | | | | | 21A | W04A, W04B |
| | | | | 21A | W04A, W04B | | 21B | X06A, X06B, X06C |
| 5o37x | | BOP, KJZSV, KVT, UOP4 | 5o393.0 | | BOP, KJZSV, KVT, UOP4 | | | BOP, KJZSV, KVT, UOP4 |
| | 11 | L06A, L06B, L06J | | 11 | L06A, L06B, L06J | | 11 | L06A, L06B, L06J |
| | 12 | M06J, M06Z, M09A, M09B, M09J, M38Z | | 21A | W04A, W04B | 5o396.4 | | BOP, KJZSV, KVT, UOP4 |
| | 13 | N11A, N11B, N11J | | 21B | X06A, X06B, X06C | | 11 | L06A, L06B, L06J |
| | 17 | R01A, R01B, R01C, R01D, R02Z, R12A, R12B, R12C | 5o393.4 | | BOP, KJZSV, KVT, UOP4 | | 21A | W04A, W04B |
| | | | | 11 | L06A, L06B, L06J | | 21B | X06A, X06B, X06C |
| | | | | 21A | W04A, W04B | 5o397.0 | | BOP, KJZSV, KVT, UOP4 |
| 5o390.0 | | BOP, KJZSV, KVT, UOP4 | | 21B | X06A, X06B, X06C | | 11 | L06A, L06B, L06J |
| | 11 | L03Z, L04A, L04B, L04C, L04J, L10Z, L13A, L13B, L38Z | 5o393.5 | | BOP, KJZSV, KVT, UOP4 | | 21A | W04A, W04B |
| | | | | 11 | L06A, L06B, L06J | | 21B | X06A, X06B, X06C |
| | 21A | W04A, W04B | | 21A | W04A, W04B | 5o397.3 | | BOP, KJZSV, KVT, UOP4 |
| | 21B | X06A, X06B, X06C | | 21B | X06A, X06B, X06C | | 11 | L06A, L06B, L06J |
| 5o391.0 | | BOP, KJZSV, KVT, UOP4 | 5o394.0 | | BOP, KJZSV, KVT, UOP4 | | 21A | W04A, W04B |
| | 11 | L06A, L06B, L06J | | 11 | L06A, L06B, L06J | 5o397.4 | | BOP, KJZSV, KVT, UOP4 |
| | 21A | W04A, W04B | | 21A | W04A, W04B | | 11 | L06A, L06B, L06J |
| | 21B | X06A, X06B, X06C | | 21B | X06A, X06B, X06C | | 21A | W04A, W04B |
| | | | | | | | 21B | X06A, X06B, X06C |

| ZZV | MDC | DRG | ZZV | MDC | DRG | ZZV | MDC | DRG |
|---------|-----|------------------------------|---------|-----|------------------------------|---------|-----|------------------------------|
| 5o397.t | | BOP, KVT, UOP4 | 5o40a.1 | | BOP, KJZSV, KVT, UOP4 | 5o40b.3 | | BOP, KJZSV, KVT, UOP4 |
| | 11 | L06A, L06B, L06J | | 11 | L08A, L08B, L08J | | 11 | L08A, L08B, L08J |
| | 21A | W04A, W04B | | 12 | M03A, M03B, M03C, M03J, M38Z | | 12 | M03A, M03B, M03C, M03J, M38Z |
| | 21B | X06A, X06B, X06C | | 14 | 962Z, O02A, O02B | | 13 | N11A, N11J |
| 5o398.0 | | BOP, KJZSV, KVT, UOP4 | | 19 | U01Z | | 14 | 962Z, O02A, O02B |
| | 11 | L06A, L06B, L06J | | 21A | W04A, W04B | | 19 | U01Z |
| | 21A | W04A, W04B | | 21B | X06A, X06B, X06C | | 21A | W04A, W04B |
| | 21B | X06A, X06B, X06C | | | | | 21B | X06A, X06B, X06C |
| 5o398.4 | | BOP, KJZSV, KVT, UOP4 | 5o40a.2 | | BOP, KJZSV, KVT, UOP4 | 5o40b.4 | | BOP, KJZSV, KVT, UOP4 |
| | 11 | L06A, L06B, L06J | | 11 | L08A, L08B, L08J | | 11 | L08A, L08B, L08J |
| | 21A | W04A, W04B | | 12 | M03A, M03B, M03C, M03J, M38Z | | 12 | M03A, M03B, M03C, M03J, M38Z |
| | 21B | X06A, X06B, X06C | | 14 | 962Z, O02A, O02B | | 13 | N11A, N11J |
| 5o398.5 | | BOP, KJZSV, KVT, UOP4 | | 19 | U01Z | | 14 | 962Z, O02A, O02B |
| | 11 | L06A, L06B, L06J | | 21A | W04A, W04B | | 19 | U01Z |
| | 21A | W04A, W04B | | 21B | X06A, X06B, X06C | | 21A | W04A, W04B |
| | 21B | X06A, X06B, X06C | | | | | 21B | X06A, X06B, X06C |
| 5o398.t | | BOP, KJZSV, KVT, UOP4 | 5o40a.3 | | BOP, KJZSV, KVT, UOP4 | 5o40b.5 | | BOP, KJZSV, KVT, UOP4 |
| 5o39x.0 | | BOP, KJZSV, KVT, UOP4 | | 11 | L08A, L08B, L08J | | 11 | L08A, L08B, L08J |
| | 11 | L06A, L06B, L06J | | 12 | M03A, M03B, M03C, M03J, M38Z | | 12 | M03A, M03B, M03C, M03J, M38Z |
| | 21A | W04A, W04B | | 13 | N11A, N11J | | 13 | N11A, N11J |
| | 21B | X06A, X06B, X06C | | 14 | 962Z, O02A, O02B | | 14 | 962Z, O02A, O02B |
| 5o39x.4 | | BOP, KJZSV, KVT, UOP4 | | 19 | U01Z | | 19 | U01Z |
| | 11 | L06A, L06B, L06J | | 21A | W04A, W04B | | 21A | W04A, W04B |
| | 21A | W04A, W04B | | 21B | X06A, X06B, X06C | | 21B | X06A, X06B, X06C |
| | 21B | X06A, X06B, X06C | | | | | | |
| 5o39x.5 | | BOP, KJZSV, KVT, UOP4 | 5o40a.4 | | BOP, KJZSV, KVT, UOP4 | 5o40b.6 | | BOP, KJZSV, KVT, UOP4 |
| | 11 | L06A, L06B, L06J | | 11 | L08A, L08B, L08J | | 11 | L08A, L08B, L08J |
| | 21A | W04A, W04B | | 12 | M03A, M03B, M03C, M03J, M38Z | | 12 | M03A, M03B, M03C, M03J, M38Z |
| | 21B | X06A, X06B, X06C | | 13 | N11A, N11J | | 13 | N11A, N11J |
| 5o39x.t | | BOP, KJZSV, KVT, UOP4 | | 14 | 962Z, O02A, O02B | | 14 | 962Z, O02A, O02B |
| 5o408.1 | | BOP, KJZSV, KVT, UOP4 | | 19 | U01Z | | 19 | U01Z |
| | 11 | L08A, L08B, L08J | | 21A | W04A, W04B | | 21A | W04A, W04B |
| | 12 | M03A, M03B, M03C, M03J, M38Z | | 21B | X06A, X06B, X06C | | 21B | X06A, X06B, X06C |
| | 19 | U01Z | 5o40a.5 | | BOP, KJZSV, KVT, UOP4 | 5o40b.x | | BOP, KJZSV, KVT, UOP4 |
| | 21A | W04A, W04B | | 11 | L08A, L08B, L08J | | 11 | L08A, L08B, L08J |
| | 21B | X06A, X06B, X06C | | 12 | M03A, M03B, M03C, M03J, M38Z | | 12 | M03A, M03B, M03C, M03J, M38Z |
| 5o408.2 | | BOP, KJZSV, KVT, UOP4 | | 13 | N11A, N11J | | 13 | N11A, N11J |
| | 11 | L08A, L08B, L08J | | 14 | 962Z, O02A, O02B | | 14 | 962Z, O02A, O02B |
| | 12 | M03A, M03B, M03C, M03J, M38Z | | 19 | U01Z | | 19 | U01Z |
| | 13 | N11A, N11J | | 21A | W04A, W04B | | 21A | W04A, W04B |
| | 14 | 962Z, O02A, O02B | | 21B | X06A, X06B, X06C | | 21B | X06A, X06B, X06C |
| | 19 | U01Z | 5o40a.x | | BOP, KJZSV, KVT, UOP4 | 5o40e.0 | | BOP, KJZSV, KVT, UOP4 |
| | 21A | W04A, W04B | | 11 | L08A, L08B, L08J | | 11 | L08A, L08B, L08J |
| | 21B | X06A, X06B, X06C | | 12 | M03A, M03B, M03C, M03J, M38Z | | 12 | M03A, M03B, M03C, M03J, M38Z |
| 5o408.x | | BOP, KJZSV, KVT, UOP4 | | 13 | N11A, N11J | | 19 | U01Z |
| | 11 | L08A, L08B, L08J | | 14 | 962Z, O02A, O02B | | 21A | W04A, W04B |
| | 12 | M03A, M03B, M03C, M03J, M38Z | | 19 | U01Z | | 21B | X06A, X06B, X06C |
| | 19 | U01Z | | 21A | W04A, W04B | 5o40e.1 | | BOP, KVT, UOP4 |
| | 21A | W04A, W04B | | 21B | X06A, X06B, X06C | | 11 | L08A, L08B, L08J |
| | 21B | X06A, X06B, X06C | 5o40b.1 | | BOP, KJZSV, KVT, UOP4 | | 12 | M03A, M03B, M03C, M03J, M38Z |
| 5o409.1 | | BOP, KJZSV, KVT, UOP4 | | 11 | L08A, L08B, L08J | | 13 | N11A, N11B, N11J |
| | 11 | L08A, L08B, L08J | | 12 | M03A, M03B, M03C, M03J, M38Z | | 14 | 962Z, O02A, O02B |
| | 12 | M03A, M03B, M03C, M03J, M38Z | | 19 | U01Z | | 19 | U01Z |
| | 19 | U01Z | | 21A | W04A, W04B | | 21A | W04A, W04B |
| | 21A | W04A, W04B | | 21B | X06A, X06B, X06C | | 21B | X06A, X06B, X06C |
| | 21B | X06A, X06B, X06C | 5o40b.2 | | BOP, KJZSV, KVT, UOP4 | | | |
| 5o409.x | | BOP, KJZSV, KVT, UOP4 | | 11 | L08A, L08B, L08J | | | |
| | 11 | L08A, L08B, L08J | | 12 | M03A, M03B, M03C, M03J, M38Z | | | |
| | 12 | M03A, M03B, M03C, M03J, M38Z | | 19 | U01Z | | | |
| | 19 | U01Z | | 21A | W04A, W04B | | | |
| | 21A | W04A, W04B | | 21B | X06A, X06B, X06C | | | |
| | 21B | X06A, X06B, X06C | | | | | | |

VYK

| ZZV | MDC | DRG | ZZV | MDC | DRG | ZZV | MDC | DRG | | |
|---------|-----|--|------------|----------|--|---------|--|--|--|-----------------------|
| 5o40e.2 | | BOP, KVT, UOP4 | 5o411.0 | | BOP, KVT, UOP4 | 5o420.1 | | BOP, KVT, UOP4 | | |
| | 11 | L08A, L08B, L08J | | 11 | L08A, L08B, L08J | | 11 | L17A, L17B, L17J, L17Q, L20A, L20B, L20C, L20J, L20Q, L20R | | |
| | 12 | M03A, M03B, M03C, M03J, M38Z | | 13 | N11A, N11B, N11J | | 12 | M03A, M03B, M03C, M03J, M38Z | | |
| | 13 | N11A, N11B, N11J | | 21A | W04A, W04B | | 13 | N11A, N11B, N11J | | |
| | 14 | 962Z, O02A, O02B | | 21B | X06A, X06B, X06C | | 21A | W04A, W04B | | |
| | 19 | U01Z | | | BOP, KVT, UOP4 | | 21B | X06A, X06B, X06C | | |
| | 21A | W04A, W04B | | 5o411.1 | 11 | | L08A, L08B, L08J | 5o422.2 | | BOP, KJZSV, KVT, UOP4 |
| | 21B | X06A, X06B, X06C | | 13 | N11A, N11B, N11J | | 11 | | L17A, L17B, L17J, L17Q, L20A, L20B, L20C, L20J, L20Q, L20R | |
| | | 21A | W04A, W04B | 12 | M03A, M03B, M03C, M03J, M38Z | | | | | |
| 5o40e.3 | | BOP, KVT, UOP4 | 5o411.2 | | BOP, KVT, UOP4 | 5o422.t | | BOP, KJZSV, KVT, UOP4 | | |
| | 11 | L08A, L08B, L08J | | 11 | L08A, L08B, L08J | | 11 | L17A, L17B, L17J, L17Q, L20A, L20B, L20C, L20J, L20Q, L20R | | |
| | 12 | M03A, M03B, M03C, M03J, M38Z | | 13 | N11A, N11B, N11J | | 12 | M03A, M03B, M03C, M03J, M38Z | | |
| | 13 | N11A, N11J | | 21A | W04A, W04B | | 13 | N11A, N11B, N11J | | |
| | 17 | R01A, R01B, R01C, R01D, R02Z, R12A, R12B, R12C | | 21B | X06A, X06B, X06C | | 21A | W04A, W04B | | |
| | 19 | U01Z | | | BOP, KJZSV, KVT, UOP4 | | 21B | X06A, X06B, X06C | | |
| | 21A | W04A, W04B | | 5o412.0 | 11 | | L08A, L08B, L08J | 5o422.0 | | BOP, KJZSV, KVT, UOP4 |
| | 21B | X06A, X06B, X06C | | 13 | N11A, N11B, N11J | | 11 | | L17A, L17B, L17J, L17Q, L20A, L20B, L20C, L20J, L20Q, L20R | |
| | | 21A | W04A, W04B | 12 | M03A, M03B, M03C, M03J, M38Z | | | | | |
| 5o40e.4 | | BOP, KJZSV, KVT, UOP4 | 5o412.1 | | BOP, KJZSV, KVT, UOP4 | 5o430.0 | | BOP, KVT, UOP4 | | |
| | 11 | L08A, L08B, L08J | | 11 | L08A, L08B, L08J | | 11 | L17A, L17B, L17J, L17Q, L20A, L20B, L20C, L20J, L20Q, L20R | | |
| | 12 | M03A, M03B, M03C, M03J, M38Z | | 13 | N11A, N11B, N11J | | 12 | M03A, M03B, M03C, M03J, M38Z | | |
| | 13 | N11A, N11B, N11J | | 21A | W04A, W04B | | 13 | N11A, N11B, N11J | | |
| | 14 | 962Z, O02A, O02B | | 21B | X06A, X06B, X06C | | 21A | W04A, W04B | | |
| | 19 | U01Z | | | BOP, KJZSV, KVT, UOP4 | | 21B | X06A, X06B, X06C | | |
| | 21A | W04A, W04B | | 5o41e. x | 11 | | L03Z, L04A, L04B, L04C, L04J, L10Z, L13A, L13B, L38Z | 5o430.1 | | BOP, KVT, UOP4 |
| | 21B | X06A, X06B, X06C | | | | | 11 | | L17A, L17B, L17J, L17Q, L20A, L20B, L20C, L20J, L20Q, L20R | |
| | | | | 12 | M06J, M06Z, M09A, M09B, M09J, M38Z | | | | | |
| 5o40e.5 | | BOP, KJZSV, KVT, UOP4 | 5o41e.0 | | BOP, KJZSV, KVT, UOP4 | 5o430.2 | | BOP, KVT, UOP4 | | |
| | 11 | L08A, L08B, L08J | | 10 | K03A, K03B | | 11 | L17A, L17B, L17J, L17Q, L20A, L20B, L20C, L20J, L20Q, L20R | | |
| | 12 | M03A, M03B, M03C, M03J, M38Z | | 11 | L03Z, L04A, L04B, L04C, L04J, L10Z, L13A, L13B, L38Z | | 12 | M06J, M06Z, M09A, M09B, M09J, M38Z | | |
| | 13 | N11A, N11B, N11J | | 21A | W04A, W04B | | 13 | N11A, N11B, N11J | | |
| | 14 | 962Z, O02A, O02B | | 21B | X06A, X06B, X06C | | 21A | W04A, W04B | | |
| | 19 | U01Z | | | BOP, KJZSV, KVT, UOP4 | | 21B | X06A, X06B, X06C | | |
| | 21A | W04A, W04B | | 5o41e.1 | 11 | | L03Z, L04A, L04B, L04C, L04J, L10Z, L13A, L13B, L33Z, L38Z | 5o430.3 | | BOP, KVT, UOP4 |
| | 21B | X06A, X06B, X06C | | | | | 11 | | L17A, L17B, L17J, L17Q, L20A, L20B, L20C, L20J, L20Q, L20R | |
| | | | | 12 | M06J, M06Z, M09A, M09B, M09J, M38Z | | | | | |
| 5o40e.6 | | BOP, KJZSV, KVT, UOP4 | 5o41e.2 | | BOP, KJZSV, KVT, UOP4 | 5o433.0 | | BOP, KVT, UOP4 | | |
| | 11 | L08A, L08B, L08J | | 10 | K03A, K03B | | 11 | L17A, L17B, L17J, L17Q, L20A, L20B, L20C, L20J, L20Q, L20R | | |
| | 12 | M03A, M03B, M03C, M03J, M38Z | | 11 | L03Z, L04A, L04B, L04C, L04J, L10Z, L13A, L13B, L38Z | | 12 | M06J, M06Z, M09A, M09B, M09J, M38Z | | |
| | 13 | N11A, N11B, N11J | | 13 | N04Z, N06J, N06Q, N06Z | | 13 | N11A, N11B, N11J | | |
| | 14 | 962Z, O02A, O02B | | 21A | W04A, W04B | | 21A | W04A, W04B | | |
| | 19 | U01Z | | 21B | X06A, X06B, X06C | | 21B | X06A, X06B, X06C | | |
| | 21A | W04A, W04B | | 5o41e.3 | 11 | | L03Z, L04A, L04B, L04C, L04J, L10Z, L13A, L13B, L33Z, L38Z | 5o433.0 | | BOP, KVT, UOP4 |
| | 21B | X06A, X06B, X06C | | | | | 11 | | L17A, L17B, L17J, L17Q, L20A, L20B, L20C, L20J, L20Q, L20R | |
| | | | | 12 | M06J, M06Z, M09A, M09B, M09J, M38Z | | | | | |
| 5o40e.7 | | BOP, KJZSV, KVT, UOP4 | 5o420.0 | | BOP, KJZSV, KVT, UOP4 | 5o433.0 | | BOP, KVT, UOP4 | | |
| | 11 | L08A, L08B, L08J | | 11 | L03Z, L04A, L04B, L04C, L04J, L10Z, L13A, L13B, L38Z | | 11 | L17A, L17B, L17J, L17Q, L20A, L20B, L20C, L20J, L20Q, L20R | | |
| | 13 | N11A, N11J | | 13 | N04Z, N06J, N06Q, N06Z | | 12 | M06J, M06Z, M09A, M09B, M09J, M38Z | | |
| | 14 | 962Z, O02A, O02B | | 21A | W04A, W04B | | 13 | N08Z | | |
| | 19 | U01Z | | 21A | W04A, W04B | | 21A | W04A, W04B | | |
| | 21A | W04A, W04B | | 21B | X06A, X06B, X06C | | 21B | X06A, X06B, X06C | | |
| | 21B | X06A, X06B, X06C | | | | | | | | |
| | | | | | | | | | | |
| 5o40e.8 | | BOP, KJZSV, KVT, UOP4 | 5o420.0 | | BOP, KJZSV, KVT, UOP4 | 5o433.0 | | BOP, KVT, UOP4 | | |
| | 11 | L08A, L08B, L08J | | 11 | L03Z, L04A, L04B, L04C, L04J, L10Z, L13A, L13B, L33Z, L38Z | | 11 | L17A, L17B, L17J, L17Q, L20A, L20B, L20C, L20J, L20Q, L20R | | |
| | 13 | N11A, N11J | | 13 | N04Z, N06J, N06Q, N06Z | | 12 | M06J, M06Z, M09A, M09B, M09J, M38Z | | |
| | 14 | 962Z, O02A, O02B | | 21A | W04A, W04B | | 13 | N08Z | | |
| | 19 | U01Z | | 21A | W04A, W04B | | 21A | W04A, W04B | | |
| | 21A | W04A, W04B | | 21B | X06A, X06B, X06C | | 21B | X06A, X06B, X06C | | |
| | 21B | X06A, X06B, X06C | | | | | | | | |
| | | | | | | | | | | |
| 5o40x | | BOP, KJZSV, KVT, UOP4 | 5o420.0 | | BOP, KJZSV, KVT, UOP4 | 5o433.0 | | BOP, KVT, UOP4 | | |
| | 11 | L08A, L08B, L08J | | 11 | L17A, L17B, L17J, L17Q, L20A, L20B, L20C, L20J, L20Q, L20R | | 11 | L17A, L17B, L17J, L17Q, L20A, L20B, L20C, L20J, L20Q, L20R | | |
| | 12 | M03A, M03B, M03C, M03J, M38Z | | | | | 12 | M06J, M06Z, M09A, M09B, M09J, M38Z | | |
| | 19 | U01Z | | | | | 13 | N08Z | | |
| 5o410† | | KJZSV | | | | | | | | |
| | 11 | L40J, L40Z | | | | | | | | |
| | | | | | | | | | | |
| | | | | | | | | | | |

| ZZV | MDC | DRG | ZZV | MDC | DRG | ZZV | MDC | DRG | | | |
|---------|------------------|--|--|--|--|--|--|--|--|--|--|
| 5o433.1 | | BOP, KVT, UOP4 | 5o452 | | BOP, KVT, UOP4 | 5o499† | 11 | L18A, L18B, L19Z, L20A, L20B, L20C, L20J, L20Q, L20R, L38Z | | | |
| | 11 | L17A, L17B, L17J, L17Q, L20A, L20B, L20C, L20J, L20Q, L20R | | 11 | L17A, L17B, L17J, L17Q, L20A, L20B, L20C, L20J, L20Q, L20R | | 12 | M06J, M06Z, M09A, M09B, M09J, M38Z | | | |
| | 12 | M06J, M06Z, M09A, M09B, M09J, M38Z | | 13 | N11A, N11B, N11J | | 5o49b | | BOP, KJZSV, KVT, UOP4 | | |
| | 13 | N11A, N11B, N11J | | 21A | W04A, W04B | | | 06 | G01Z, G02Z, G38Z | | |
| | 21A | W04A, W04B | | 21B | X06A, X06B, X06C | | | 11 | L08A, L08B, L08J | | |
| 5o43x | 21B | X06A, X06B, X06C | 5o45x | | BOP, KVT, UOP4 | 12 | M03A, M03B, M03C, M03J, M38Z | | | | |
| | | BOP, KVT, UOP4 | | 11 | L17A, L17B, L17J, L17Q, L20A, L20B, L20C, L20J, L20Q, L20R | Pre | A13A, A13B, A13C | | | | |
| | 11 | L17A, L17B, L17J, L17Q, L20A, L20B, L20C, L20J, L20Q, L20R | | 13 | N11A, N11B, N11J | | 06 | G01Z, G02Z, G38Z | | | |
| | 12 | M06J, M06Z, M09A, M09B, M09J, M38Z | | 21A | W04A, W04B | | 11 | L08A, L08B, L08J | | | |
| | 5o440 | 21B | | X06A, X06B, X06C | 5o490 | | BOP, KJZSV, KVT, UOP4 | 12 | M03A, M03B, M03C, M03J, M38Z | | |
| | | BOP, KVT, UOP4 | 11 | L03Z, L04A, L04B, L04C, L04J, L10Z, L13A, L13B, L38Z | | Pre | A13A, A13B, A13C | | | | |
| 11 | | L17A, L17B, L17J, L17Q, L20A, L20B, L20C, L20J, L20Q, L20R | 21A | W04A, W04B | | | 11 | L18A, L18B, L19Z, L20A, L20B, L20C, L20J, L20Q, L20R, L38Z | | | |
| 12 | | M06J, M06Z, M09A, M09B, M09J, M38Z | 21B | X06A, X06B, X06C | | | 12 | M06J, M06Z, M09A, M09B, M09J, M38Z | | | |
| 21A | | W04A, W04B | 5o491 | | | BOP, KJZSV, KVT, UOP4 | 5o49e† | 11 | L18A, L18B, L19Z, L20A, L20B, L20C, L20J, L20Q, L20R, L38Z | | |
| 21B | X06A, X06B, X06C | 11 | | L06A, L06B, L06J | 12 | M06J, M06Z, M09A, M09B, M09J, M38Z | | | | | |
| 5o441 | | BOP, KVT, UOP4 | | 12 | M06J, M06Z, M09A, M09B, M09J, M38Z | 5o49x† | | 11 | L18A, L18B, L19Z, L20A, L20B, L20C, L20J, L20Q, L20R, L38Z | | |
| | 11 | L17A, L17B, L17J, L17Q, L20A, L20B, L20C, L20J, L20Q, L20R | | 13 | N11A, N11J | | | 12 | M06J, M06Z, M09A, M09B, M09J, M38Z | | |
| | 12 | M03A, M03B, M03C, M03J, M38Z | | 14 | 962Z, O02A, O02B | | | 5o49x† | 11 | L18A, L18B, L19Z, L20A, L20B, L20C, L20J, L20Q, L20R, L38Z | |
| | 13 | N11A, N11B, N11J | 21A | W04A, W04B | 12 | | M06J, M06Z, M09A, M09B, M09J, M38Z | | | | |
| | 14 | 962Z, O02A, O02B | 21B | X06A, X06B, X06C | 5o900.1 | | 11 | | L03Z, L04A, L04B, L04C, L04J, L10Z, L13A, L13B, L38Z | | |
| 21A | W04A, W04B | 5o492 | | BOP, KJZSV, KVT, UOP4 | | 12 | M06J, M06Z, M09A, M09B, M09J, M38Z | | | | |
| 21B | X06A, X06B, X06C | | 11 | L18A, L18B, L19Z, L20A, L20B, L20C, L20J, L20Q, L20R, L38Z | | 13 | N11A, N11B, N11J | | | | |
| 5o442 | | | BOP, KVT, UOP4 | 12 | | M06J, M06Z, M09A, M09B, M09J, M38Z | 17 | R01A, R01B, R01C, R01D, R02Z, R12A, R12B, R12C | | | |
| | 11 | | L17A, L17B, L17J, L17Q, L20A, L20B, L20C, L20J, L20Q, L20R | 5o493 | | | BOP, KVT, UOP4 | 21A | W04A, W04B | | |
| | 12 | | M06J, M06Z, M09A, M09B, M09J, M38Z | | 11 | L18A, L18B, L19Z, L20A, L20B, L20C, L20J, L20Q, L20R, L38Z | 21B | X06A, X06B, X06C | | | |
| | 21A | W04A, W04B | 12 | | M06J, M06Z, M09A, M09B, M09J, M38Z | 5o900.2 | 11 | L03Z, L04A, L04B, L04C, L04J, L10Z, L13A, L13B, L38Z | | | |
| | 21B | X06A, X06B, X06C | 5o494† | | | | BOP, KJZSV, KVT, UOP4 | 12 | M06J, M06Z, M09A, M09B, M09J, M38Z | | |
| 5o443 | | BOP, KVT, UOP4 | | | 11 | | L18A, L18B, L19Z, L20A, L20B, L20C, L20J, L20Q, L20R, L38Z | 13 | N11A, N11B, N11J | | |
| | 11 | L17A, L17B, L17J, L17Q, L20A, L20B, L20C, L20J, L20Q, L20R | | 5o495† | | | BOP, KVT, UOP4 | 17 | R01A, R01B, R01C, R01D, R02Z, R12A, R12B, R12C | | |
| | 12 | M06J, M06Z, M09A, M09B, M09J, M38Z | | | 11 | | L18A, L18B, L19Z, L20A, L20B, L20C, L20J, L20Q, L20R, L38Z | 21A | W04A, W04B | | |
| | 21A | W04A, W04B | | | 12 | M06J, M06Z, M09A, M09B, M09J, M38Z | 21B | X06A, X06B, X06C | | | |
| | 21B | X06A, X06B, X06C | 5o496 | | | BOP, KVT, UOP4 | 5o900.3† | 11 | L11Z, L18A, L18B, L38Z | | |
| 5o444x | | BOP, KVT, UOP4 | | | 11 | L17A, L17B, L17J, L17Q, L20A, L20B, L20C, L20J, L20Q, L20R | | 5o900.4 | 11 | L03Z, L04A, L04B, L04C, L04J, L10Z, L13A, L13B, L38Z | |
| | 11 | L17A, L17B, L17J, L17Q, L20A, L20B, L20C, L20J, L20Q, L20R | | 13 | N11A, N11B, N11J | 12 | | | M06J, M06Z, M09A, M09B, M09J, M38Z | | |
| | 12 | M06J, M06Z, M09A, M09B, M09J, M38Z | | 21A | W04A, W04B | 13 | | | N11A, N11B, N11J | | |
| | 21A | W04A, W04B | | 21B | X06A, X06B, X06C | 17 | | | R01A, R01B, R01C, R01D, R02Z, R12A, R12B, R12C | | |
| | 21B | X06A, X06B, X06C | 5o497 | | BOP, KVT, UOP4 | 5o900.x† | 21A | | W04A, W04B | | |
| 5o450† | | BOP, KVT, UOP4 | | 11 | L17A, L17B, L17J, L17Q, L20A, L20B, L20C, L20J, L20Q, L20R | | 21B | X06A, X06B, X06C | | | |
| | 11 | L64A, L64J, L64Q, L64R, L74Z | | 13 | N11A, N11B, N11J | | 5o900.3† | 11 | L11Z, L18A, L18B, L38Z | | |
| | 5o451 | | | BOP, KVT, UOP4 | 21A | | | W04A, W04B | 5o900.4 | 11 | L03Z, L04A, L04B, L04C, L04J, L10Z, L13A, L13B, L38Z |
| | | 11 | | L17A, L17B, L17J, L17Q, L20A, L20B, L20C, L20J, L20Q, L20R | 21B | | | X06A, X06B, X06C | | 12 | M06J, M06Z, M09A, M09B, M09J, M38Z |
| | | 13 | N11A, N11B, N11J | 5o498 | | BOP, KVT, UOP4 | | 13 | | N11A, N11B, N11J | |
| 21A | | W04A, W04B | 11 | | L17A, L17B, L17J, L17Q, L20A, L20B, L20C, L20J, L20Q, L20R | 17 | | R01A, R01B, R01C, R01D, R02Z, R12A, R12B, R12C | | | |
| 21B | | X06A, X06B, X06C | 13 | | N11A, N11B, N11J | 21A | W04A, W04B | | | | |
| | BOP, KVT, UOP4 | 21A | W04A, W04B | | 21B | X06A, X06B, X06C | | | | | |
| | BOP, KVT, UOP4 | 21B | X06A, X06B, X06C | | | KJZSV | | | | | |
| | BOP, KVT, UOP4 | | | | L11Z, L18A, L18B, L38Z | | | | | | |

VYK

| ZZV | MDC | DRG | ZZV | MDC | DRG | ZZV | MDC | DRG | | | | |
|----------|------------------|--|--|--|--|--|--|--|------------------------|----------|--|------------------------|
| 5o901.1 | | BOP, KJZSV, KVT, UOP4 | 5o902.4 | 06 | G10Z, G12A, G12B, G12J | 5o905.1 | 06 | G15Z | | | | |
| | 11 | L03Z, L04A, L04B, L04C, L04J, L10Z, L13A, L13B, L38Z | | 07 | H06A, H06B, H06C | | 10 | K03A, K03B | | | | |
| | 12 | M06J, M06Z, M09A, M09B, M09J, M38Z | | 10 | K09A, K09B | | 11 | L03Z, L04A, L04B, L04C, L04J, L10Z, L13A, L13B, L38Z | | | | |
| | 13 | N11A, N11B, N11J | | 11 | L03Z, L04A, L04B, L04C, L04J, L10Z, L13A, L13B, L38Z | | 12 | M06J, M06Z, M09A, M09B, M09J, M38Z | | | | |
| | 17 | R01A, R01B, R01C, R01D, R02Z, R12A, R12B, R12C | | 12 | M06J, M06Z, M09A, M09B, M09J, M38Z | | 13 | N11A, N11B, N11J | | | | |
| | 21A | W04A, W04B | | 13 | N11A, N11B, N11J | | 17 | R01A, R01B, R01C, R01D, R02Z, R12A, R12B, R12C | | | | |
| | 21B | X06A, X06B, X06C | | 17 | R01A, R01B, R01C, R01D, R02Z, R12A, R12B, R12C | | 21A | W04A, W04B | | | | |
| | 5o901.2 | | | BOP, KJZSV, KVT, UOP4 | 5o902.x† | | 21A | W04A, W04B | 5o905.2 | 21B | X06A, X06B, X06C | |
| 11 | | L03Z, L04A, L04B, L04C, L04J, L10Z, L13A, L13B, L38Z | 21B | X06A, X06B, X06C | | 06 | G15Z | | | | | |
| 12 | | M06J, M06Z, M09A, M09B, M09J, M38Z | 11 | L11Z, L18A, L18B, L38Z | | 11 | L03Z, L04A, L04B, L04C, L04J, L10Z, L13A, L13B, L38Z | | | | | |
| 13 | | N11A, N11B, N11J | 5o903.1 | 06 | | G10Z, G12A, G12B, G12J | 12 | M06J, M06Z, M09A, M09B, M09J, M38Z | | | | |
| 17 | | R01A, R01B, R01C, R01D, R02Z, R12A, R12B, R12C | | 07 | | H06A, H06B, H06C | 13 | N11A, N11B, N11J | | | | |
| 21A | | W04A, W04B | | 10 | | K09A, K09B | 17 | R01A, R01B, R01C, R01D, R02Z, R12A, R12B, R12C | | | | |
| 21B | | X06A, X06B, X06C | | 11 | | L03Z, L04A, L04B, L04C, L04J, L10Z, L13A, L13B, L38Z | 21A | W04A, W04B | | | | |
| 5o901.3† | | | | KJZSV | | 5o903.2 | 12 | M06J, M06Z, M09A, M09B, M09J, M38Z | | 5o905.3† | 21B | X06A, X06B, X06C |
| | 11 | L11Z, L18A, L18B, L38Z | | 13 | N11A, N11B, N11J | | KJZSV | | | | | |
| | 5o901.4 | | | BOP, KJZSV, KVT, UOP4 | 5o903.2 | | 17 | R01A, R01B, R01C, R01D, R02Z, R12A, R12B, R12C | 5o905.4 | | 11 | L11Z, L18A, L18B, L38Z |
| | | 11 | | L03Z, L04A, L04B, L04C, L04J, L10Z, L13A, L13B, L38Z | | | 21A | W04A, W04B | | | 06 | G15Z |
| | | 12 | M06J, M06Z, M09A, M09B, M09J, M38Z | 21B | | | X06A, X06B, X06C | 11 | | | L03Z, L04A, L04B, L04C, L04J, L10Z, L13A, L13B, L38Z | |
| | | 13 | N11A, N11B, N11J | 06 | | | BOP, KJZSV, KVT, UOP4 | 12 | | | M06J, M06Z, M09A, M09B, M09J, M38Z | |
| | | 17 | R01A, R01B, R01C, R01D, R02Z, R12A, R12B, R12C | 07 | | | G10Z, G12A, G12B, G12J | 13 | | | N11A, N11B, N11J | |
| | | 21A | W04A, W04B | 10 | | | H06A, H06B, H06C | 17 | | | R01A, R01B, R01C, R01D, R02Z, R12A, R12B, R12C | |
| 21B | | X06A, X06B, X06C | 11 | K09A, K09B | | 21A | W04A, W04B | | | | | |
| 5o901.x† | | | KJZSV | 5o903.3† | | 11 | L03Z, L04A, L04B, L04C, L04J, L10Z, L13A, L13B, L38Z | 5o905.x† | | 21B | X06A, X06B, X06C | |
| | 11 | L11Z, L18A, L18B, L38Z | 12 | | M06J, M06Z, M09A, M09B, M09J, M38Z | KJZSV | | | | | | |
| | 5o902.1 | | BOP, KJZSV, KVT, UOP4 | | 5o903.4 | 13 | N11A, N11B, N11J | | 5o906.1 | 11 | L11Z, L18A, L18B, L38Z | |
| | | 06 | G10Z, G12A, G12B, G12J | | | 06 | BOP, KJZSV, KVT, UOP4 | | | 06 | G10Z, G12A, G12B, G12J, G15Z | |
| | | 07 | H06A, H06B, H06C | | | 07 | G10Z, G12A, G12B, G12J | | | 07 | H06A, H06B, H06C | |
| | | 10 | K09A, K09B | | | 10 | H06A, H06B, H06C | | | 10 | K03A, K03B, K09A, K09B | |
| | | 11 | L03Z, L04A, L04B, L04C, L04J, L10Z, L13A, L13B, L38Z | | | 10 | K09A, K09B | | | 11 | L03Z, L04A, L04B, L04C, L04J, L10Z, L13A, L13B, L38Z | |
| | | 12 | M06J, M06Z, M09A, M09B, M09J, M38Z | | | 11 | L03Z, L04A, L04B, L04C, L04J, L10Z, L13A, L13B, L38Z | | | 12 | M06J, M06Z, M09A, M09B, M09J, M38Z | |
| 13 | | N11A, N11B, N11J | 12 | M06J, M06Z, M09A, M09B, M09J, M38Z | | 13 | N11A, N11B, N11J | | | | | |
| 17 | | R01A, R01B, R01C, R01D, R02Z, R12A, R12B, R12C | 13 | N11A, N11B, N11J | | 17 | R01A, R01B, R01C, R01D, R02Z, R12A, R12B, R12C | | | | | |
| 5o902.2 | | BOP, KJZSV, KVT, UOP4 | 5o903.x† | 21A | W04A, W04B | 5o904.1 | 21A | W04A, W04B | | | | |
| | 06 | G10Z, G12A, G12B, G12J | | 21B | X06A, X06B, X06C | | 21B | X06A, X06B, X06C | | | | |
| | 07 | H06A, H06B, H06C | | 5o904.† | 11 | | L11Z, L18A, L18B, L38Z | 11 | L11Z, L18A, L18B, L38Z | | | |
| | 10 | K09A, K09B | | | | | | | | | | |
| | 11 | L03Z, L04A, L04B, L04C, L04J, L10Z, L13A, L13B, L38Z | | | | | | | | | | |
| | 12 | M06J, M06Z, M09A, M09B, M09J, M38Z | | | | | | | | | | |
| | 13 | N11A, N11B, N11J | | | | | | | | | | |
| | 17 | R01A, R01B, R01C, R01D, R02Z, R12A, R12B, R12C | | | | | | | | | | |
| 21A | W04A, W04B | | | | | | | | | | | |
| 21B | X06A, X06B, X06C | | | | | | | | | | | |
| 5o902.3† | | KJZSV | | | | | | | | | | |
| | 11 | L11Z, L18A, L18B, L38Z | | | | | | | | | | |

| ZZV | MDC | DRG | ZZV | MDC | DRG | ZZV | MDC | DRG | | | |
|----------|----------|--|--|--|--|--|--|--|--|----|--|
| 5o906.2 | | BOP, KJZSV, KVT, UOP4 | 5o907.1 | | BOP, KJZSV, KOP, KOPV, KVT, UOP4 | 5o907.x | | BOP, KJZSV, KOP, KOPV, KVT, UOP4 | | | |
| | 06 | G10Z, G12A, G12B, G12J, G15Z | | 04 | E05A, E05B, E05C, E08A, E08B, E08C | | 04 | E05A, E05B, E05C, E08A, E08B, E08C | | | |
| | 07 | H06A, H06B, H06C | | 06 | G10Z, G12A, G12B, G12J, G15Z, G18A, G33Z, G38Z | | 06 | G10Z, G12A, G12B, G12J, G15Z, G33Z | | | |
| | 10 | K09A, K09B | | 07 | H33Z, H38Z | | 07 | H33Z, H38Z | | | |
| | 11 | L03Z, L04A, L04B, L04C, L04J, L10Z, L13A, L13B, L38Z | | 08 | I28A, I28B, I28J | | 08 | I28A, I28B, I28J | | | |
| | 12 | M06J, M06Z, M09A, M09B, M09J, M38Z | | 09 | J03A, J03B, J04A, J04B, J08A, J08B, J08C, J10A, J10B, J10J, J16Z | | 09 | J03A, J03B, J04A, J04B, J08A, J08B, J08C, J10A, J10B, J10J, J16Z | | | |
| | 13 | N11A, N11B, N11J | | 10 | K09A, K09B | | 10 | K09A, K09B | | | |
| | 17 | R01A, R01B, R01C, R01D, R02Z, R12A, R12B, R12C | | 11 | L03Z, L04A, L04B, L04C, L04J, L10Z, L13A, L13B, L33Z, L38Z | | 11 | L03Z, L04A, L04B, L04C, L04J, L10Z, L13A, L13B, L33Z, L38Z | | | |
| | 21A | W04A, W04B | | 12 | M01A, M01B, M38Z | | 12 | M01A, M01B, M38Z | | | |
| | 21B | X06A, X06B, X06C | | 13 | N01A, N01B, N01C, N01D, N01E, N38Z | | 13 | N01A, N01B, N01C, N01D, N01E, N38Z | | | |
| | 5o906.3‡ | | | KJZSV | 17 | | R01A, R01B, R01C, R01D, R02Z, R12A, R12B, R12C | 17 | R01A, R01B, R01C, R01D, R02Z, R12A, R12B, R12C | | |
| | | 11 | | L11Z, L18A, L18B, L38Z | 21B | | X33Z | 21B | X33Z | | |
| | 5o906.4 | | | BOP, KJZSV, KVT, UOP4 | 23 | | Z01A | 23 | Z01A | | |
| | | 06 | | G10Z, G12A, G12B, G12J, G15Z | Pre | | A07A | Pre | A07A | | |
| | | 07 | | H06A, H06B, H06C | 5o907.2 | | | BOP, KJZSV, KOP, KOPV, KVT, UOP4 | 5o908.1 | | BOP, KJZSV, KOP, KOPV, KVT, UOP4 |
| | | 10 | | K03A, K03B, K09A, K09B | | | 04 | E05A, E05B, E05C, E08A, E08B, E08C | | 04 | E05A, E05B, E05C, E08A, E08B, E08C |
| | | 11 | | L03Z, L04A, L04B, L04C, L04J, L10Z, L13A, L13B, L38Z | | | 06 | G10Z, G12A, G12B, G12J, G15Z, G18A, G33Z, G38Z | | 06 | G10Z, G12A, G12B, G12J, G15Z, G18A, G33Z, G38Z |
| 12 | | M06J, M06Z, M09A, M09B, M09J, M38Z | 07 | H33Z, H38Z | | 07 | H33Z, H38Z | | | | |
| 13 | | N11A, N11B, N11J | 08 | I28A, I28B, I28J | | 08 | I28A, I28B, I28J | | | | |
| 17 | | R01A, R01B, R01C, R01D, R02Z, R12A, R12B, R12C | 09 | J03A, J03B, J04A, J04B, J08A, J08B, J08C, J10A, J10B, J10J, J16Z | | 09 | J03A, J03B, J04A, J04B, J08A, J08B, J08C, J10A, J10B, J10J, J16Z | | | | |
| 21A | | W04A, W04B | 10 | K09A, K09B | | 10 | K09A, K09B | | | | |
| 21B | | X06A, X06B, X06C | 11 | L03Z, L04A, L04B, L04C, L04J, L10Z, L13A, L13B, L33Z, L38Z | | 11 | L03Z, L04A, L04B, L04C, L04J, L10Z, L13A, L13B, L33Z, L38Z | | | | |
| 5o906.50 | | | BOP, KJZSV, KOP, KVT, MVV, UOP4 | 12 | | M01A, M01B, M38Z | 12 | M01A, M01B, M38Z | | | |
| | | 06 | G03B, G10Z, G12A, G12B, G12J, G18A, G38Z | 13 | | N01A, N01B, N01C, N01D, N01E, N38Z | 13 | N01A, N01B, N01C, N01D, N01E, N38Z | | | |
| | | 07 | H06A, H06B, H06C | 17 | | R01A, R01B, R01C, R01D, R02Z, R12A, R12B, R12C | 17 | R01A, R01B, R01C, R01D, R02Z, R12A, R12B, R12C | | | |
| | | 10 | K09A, K09B | 21B | | X33Z | 21B | X33Z | | | |
| | | 13 | N11A, N11J | 23 | | Z01A | 23 | Z01A | | | |
| | | 17 | R01A, R01B, R01C, R01D, R02Z, R12A, R12B, R12C | Pre | | A07A | Pre | A07A | | | |
| | | 23 | Z01A | 5o907.4 | | | BOP, KJZSV, KOP, KOPV, KVT, UOP4 | 5o908.2 | | | BOP, KJZSV, KOP, KOPV, KVT, UOP4 |
| | 5o906.51 | | BOP, KJZSV, KOP, KVT, MVV, UOP4 | | | 04 | E05A, E05B, E05C, E08A, E08B, E08C | | | 04 | E05A, E05B, E05C, E08A, E08B, E08C |
| | | 06 | G03B, G10Z, G12A, G12B, G12J, G18A, G38Z | | | 06 | G10Z, G12A, G12B, G12J, G15Z, G18A, G33Z, G38Z | | | 06 | G10Z, G12A, G12B, G12J, G15Z, G18A, G33Z, G38Z |
| | 07 | H06A, H06B, H06C | 07 | | H33Z, H38Z | 07 | H33Z, H38Z | | | | |
| | 10 | K09A, K09B | 08 | | I28A, I28B, I28J | 08 | I28A, I28B, I28J | | | | |
| | 13 | N11A, N11J | 09 | | J03A, J03B, J04A, J04B, J08A, J08B, J08C, J10A, J10B, J10J, J16Z | 09 | J03A, J03B, J04A, J04B, J08A, J08B, J08C, J10A, J10B, J10J, J16Z | | | | |
| | 17 | R01A, R01B, R01C, R01D, R02Z, R12A, R12B, R12C | 10 | | K09A, K09B | 10 | K09A, K09B | | | | |
| | 23 | Z01A | 11 | | L03Z, L04A, L04B, L04C, L04J, L10Z, L13A, L13B, L33Z, L38Z | 11 | L03Z, L04A, L04B, L04C, L04J, L10Z, L13A, L13B, L33Z, L38Z | | | | |
| | 5o906.x‡ | | KJZSV | | 12 | M01A, M01B, M38Z | 12 | | M01A, M01B, M38Z | | |
| | | 11 | L11Z, L18A, L18B, L38Z | | 13 | N01A, N01B, N01C, N01D, N01E, N38Z | 13 | | N01A, N01B, N01C, N01D, N01E, N38Z | | |
| | | | | | 17 | R01A, R01B, R01C, R01D, R02Z, R12A, R12B, R12C | 17 | | R01A, R01B, R01C, R01D, R02Z, R12A, R12B, R12C | | |
| | | | 21B | | X33Z | 21B | X33Z | | | | |
| | | | 23 | | Z01A | 23 | Z01A | | | | |
| | | | Pre | | A07A | Pre | A07A | | | | |

VYK

| ZZV | MDC | DRG | ZZV | MDC | DRG | ZZV | MDC | DRG | | | |
|---------|---------|--|--|--|--|---------|--|--|--|------------------------------------|------------------------|
| 5o908.4 | | BOP, KJZSV, KOP, KOPV, KVT, UOP4 | 5o909.2 | | BOP, KJZSV, KVT, UOP4 | 5o90x.3 | | BOP, KJZSV, KVT, UOP4 | | | |
| | 04 | E05A, E05B, E05C, E08A, E08B, E08C | | 06 | G10Z, G12A, G12B, G12J, G15Z | | 11 | L03Z, L04A, L04B, L04C, L04J, L10Z, L13A, L13B, L38Z | | | |
| | 06 | G10Z, G12A, G12B, G12J, G15Z, G18A, G33Z, G38Z | | 07 | H06A, H06B, H06C | | 12 | M06J, M06Z, M09A, M09B, M09J, M38Z | | | |
| | 07 | H33Z, H38Z | | 10 | K09A, K09B | | 13 | N01A, N01B, N01C, N01D, N01E, N02A, N02B, N02C, N03A, N03B, N07J, N07Z, N25J, N25Q, N25Z, N38Z | | | |
| | 08 | I28A, I28B, I28J | | 11 | L03Z, L04A, L04B, L04C, L04J, L10Z, L13A, L13B, L38Z | | 17 | R01A, R01B, R01C, R01D, R02Z, R12A, R12B, R12C | | | |
| | 09 | J03A, J03B, J04A, J04B, J08A, J08B, J08C, J10A, J10B, J10J, J16Z | | 12 | M06J, M06Z, M09A, M09B, M09J, M38Z | | 21A | W04A, W04B | | | |
| | 10 | K09A, K09B | | 13 | N01A, N01B, N01C, N01D, N01E, N02A, N02B, N02C, N03A, N03B, N07J, N07Z, N25J, N25Q, N25Z, N38Z | | 21B | X06A, X06B, X06C | | | |
| | 11 | L03Z, L04A, L04B, L04C, L04J, L10Z, L13A, L13B, L33Z, L38Z | | 17 | R01A, R01B, R01C, R01D, R02Z, R12A, R12B, R12C | | 5o90x.4 | | | | |
| | 12 | M01A, M01B, M38Z | | 21A | W04A, W04B | | 11 | L03Z, L04A, L04B, L04C, L04J, L10Z, L13A, L13B, L38Z | | | |
| | 13 | N01A, N01B, N01C, N01D, N01E, N38Z | | 21B | X06A, X06B, X06C | | 12 | M06J, M06Z, M09A, M09B, M09J, M38Z | | | |
| | 17 | R01A, R01B, R01C, R01D, R02Z, R12A, R12B, R12C | | 5o909.4 | BOP, KJZSV, KVT, UOP4 | | 13 | N11A, N11B, N11J | | | |
| | 21B | X33Z | | 06 | G10Z, G12A, G12B, G12J, G15Z | | 17 | R01A, R01B, R01C, R01D, R02Z, R12A, R12B, R12C | | | |
| | 23 | Z01A | | 07 | H06A, H06B, H06C | | 21A | W04A, W04B | | | |
| | Pre | A07A | | 10 | K09A, K09B | | 21B | X06A, X06B, X06C | | | |
| | 5o908.x | | | BOP, KJZSV, KOP, KOPV, KVT, UOP4 | 5o909.x | | | BOP, KJZSV, KVT, UOP4 | 5o90x.5† | | KJZSV |
| | | 04 | | E05A, E05B, E05C, E08A, E08B, E08C | | | 06 | G10Z, G12A, G12B, G12J, G15Z | 5o90x.x† | | L11Z, L18A, L18B, L38Z |
| | | 06 | | G10Z, G12A, G12B, G12J, G15Z, G33Z | | | 07 | H06A, H06B, H06C | 11 | L11Z, L18A, L18B, L38Z | |
| | | 07 | | H33Z, H38Z | | | 10 | K09A, K09B | 5o910† | | KJZSV |
| | | 08 | | I28A, I28B, I28J | | | 11 | L03Z, L04A, L04B, L04C, L04J, L10Z, L13A, L13B, L38Z | 11 | L11Z, L18A, L18B, L38Z | |
| | | 09 | | J03A, J03B, J04A, J04B, J08A, J08B, J08C, J10A, J10B, J10J, J16Z | | | 12 | M06J, M06Z, M09A, M09B, M09J, M38Z | 5o911 | | BOP, KJZSV, KVT, UOP4 |
| | | 10 | | K09A, K09B | | | 13 | N01A, N01B, N01C, N01D, N01E, N02A, N02B, N02C, N03A, N03B, N07J, N07Z, N11A, N11B, N11J, N25J, N25Q, N25Z, N38Z | 11 | L06A, L06B, L06J | |
| | | 11 | | L03Z, L04A, L04B, L04C, L04J, L10Z, L13A, L13B, L33Z, L38Z | | | 17 | R01A, R01B, R01C, R01D, R02Z, R12A, R12B, R12C | 12 | M06J, M06Z, M09A, M09B, M09J, M38Z | |
| | | 12 | | M01A, M01B, M38Z | | | 21A | W04A, W04B | 13 | N11A, N11B, N11J | |
| 13 | | N01A, N01B, N01C, N01D, N01E, N38Z | 21B | X06A, X06B, X06C | | 17 | R01A, R01B, R01C, R01D, R02Z, R12A, R12B, R12C | | | | |
| 17 | | R01A, R01B, R01C, R01D, R02Z, R12A, R12B, R12C | 5o909.x | BOP, KJZSV, KVT, UOP4 | | 21A | W04A, W04B | | | | |
| 21B | | X33Z | 06 | G10Z, G12A, G12B, G12J, G15Z | | 21B | X06A, X06B, X06C | | | | |
| 23 | | Z01A | 07 | H06A, H06B, H06C | | 5o912 | | BOP, KJZSV, KVT, UOP4 | | | |
| Pre | | A07A | 10 | K09A, K09B | | 11 | L06A, L06B, L06J | | | | |
| 5o909.1 | | | BOP, KJZSV, KVT, UOP4 | 5o90x.1 | | | BOP, KJZSV, KVT, UOP4 | 12 | M06J, M06Z, M09A, M09B, M09J, M38Z | | |
| | | 06 | G10Z, G12A, G12B, G12J, G15Z | | | 11 | L03Z, L04A, L04B, L04C, L04J, L10Z, L13A, L13B, L38Z | 13 | N11A, N11B, N11J | | |
| | | 07 | H06A, H06B, H06C | | | 12 | M06J, M06Z, M09A, M09B, M09J, M38Z | 17 | R01A, R01B, R01C, R01D, R02Z, R12A, R12B, R12C | | |
| | | 10 | K03A, K03B, K09A, K09B | | | 13 | N11A, N11B, N11J | 21A | W04A, W04B | | |
| | | 11 | L03Z, L04A, L04B, L04C, L04J, L10Z, L13A, L13B, L38Z | | | 17 | R01A, R01B, R01C, R01D, R02Z, R12A, R12B, R12C | 21B | X06A, X06B, X06C | | |
| | | 12 | M06J, M06Z, M09A, M09B, M09J, M38Z | | | 21A | W04A, W04B | 5o91x | | BOP, KJZSV, KVT, UOP4 | |
| | | 13 | N01A, N01B, N01C, N01D, N01E, N02A, N02B, N02C, N03A, N03B, N07J, N07Z, N11A, N11B, N11J, N25J, N25Q, N25Z, N38Z | | | 21B | X06A, X06B, X06C | 11 | L06A, L06B, L06J | | |
| | | 17 | R01A, R01B, R01C, R01D, R02Z, R12A, R12B, R12C | | | 5o90x.2 | BOP, KJZSV, KVT, UOP4 | 12 | M06J, M06Z, M09A, M09B, M09J, M38Z | | |
| | | 21A | W04A, W04B | | | 11 | L03Z, L04A, L04B, L04C, L04J, L10Z, L13A, L13B, L38Z | 13 | N11A, N11B, N11J | | |
| | 21B | X06A, X06B, X06C | 12 | | M06J, M06Z, M09A, M09B, M09J, M38Z | 17 | R01A, R01B, R01C, R01D, R02Z, R12A, R12B, R12C | | | | |
| | | | 13 | | N11A, N11B, N11J | 21A | W04A, W04B | | | | |
| | | | 17 | | R01A, R01B, R01C, R01D, R02Z, R12A, R12B, R12C | 21B | X06A, X06B, X06C | | | | |
| | | | 21A | | W04A, W04B | 5o920.1 | | BOP, KJZSV, KVT, UOP4 | | | |
| | | | 21B | | X06A, X06B, X06C | 11 | L03Z, L04A, L04B, L04C, L04J, L10Z, L13A, L13B, L38Z | | | | |
| | | | | | | 12 | M01A, M01B, M38Z | | | | |
| | | | | | | 13 | N04Z, N06J, N06Q, N06Z | | | | |
| | | | | | | 21A | W04A, W04B | | | | |
| | | | | | | 21B | X06A, X06B, X06C | | | | |

| ZZV | MDC | DRG | ZZV | MDC | DRG | ZZV | MDC | DRG | | | | |
|----------------------|---------|--|---------|------------------------|--|------------------|--|--|---------|------------------------------|-----|------------------------|
| 5o920.2 | 11 | BOP, KJZSV, KVT, UOP4 | 5o924.1 | 11 | BOP, KJZSV, KVT, UOP4 | 5o950.2 | 11 | BOP, KVT, UOP4 | | | | |
| | | L03Z, L04A, L04B, L04C, L04J, L10Z, L13A, L13B, L38Z | | | L03Z, L04A, L04B, L04C, L04J, L10Z, L13A, L13B, L38Z | | | L17A, L17B, L17J, L17Q, L20A, L20B, L20C, L20J, L20Q, L20R | | | | |
| | | 12 M01A, M01B, M38Z | | | 12 M06J, M06Z, M09A, M09B, M09J, M38Z | | | 12 M06J, M06Z, M09A, M09B, M09J, M38Z | | | | |
| | | 13 N04Z, N06J, N06Q, N06Z | | | 13 N11A, N11J | | | 13 N13A, N13B, N13J | | | | |
| | | 21A W04A, W04B | | | 5o92x | | | 5o952.1 | 11 | BOP, KJZSV, KVT, UOP4 | | |
| 21B X06A, X06B, X06C | 11 | L03Z, L04A, L04B, L04C, L04J, L10Z, L13A, L13B, L38Z | 12 | L08A, L08B, L08J | | | | | | | | |
| 5o920.3 | 11 | BOP, KJZSV, KVT, UOP4 | 5o930.1 | 11 | L06A, L06B, L06J | 5o952.2 | 11 | L08A, L08B, L08J | | | | |
| | | L03Z, L04A, L04B, L04C, L04J, L10Z, L13A, L13B, L38Z | | | 13 | | | N04Z, N06J, N06Q, N06Z | 12 | M03A, M03B, M03C, M03J, M38Z | | |
| | | 12 M01A, M01B, M38Z | | | 5o930.2 | | | BOP, KVT, UOP4 | 11 | L06A, L06B, L06J | 13 | N11A, N11J |
| | | 13 N04Z, N06J, N06Q, N06Z | | | 11 | | | L06A, L06B, L06J | 13 | N04Z, N06J, N06Q, N06Z | 14 | 962Z, O02A, O02B |
| | | 21A W04A, W04B | | | 5o930.3 | | | BOP, KVT, UOP4 | 21A | W04A, W04B | 21A | W04A, W04B |
| 21B X06A, X06B, X06C | 5o930.x | BOP, KVT, UOP4 | 21B | X06A, X06B, X06C | 21B | X06A, X06B, X06C | | | | | | |
| 5o920.x | 11 | BOP, KJZSV, KVT, UOP4 | 5o931.1 | 11 | L06A, L06B, L06J | 5o956.1 | 11 | L06A, L06J | | | | |
| | | L03Z, L04A, L04B, L04C, L04J, L10Z, L13A, L13B, L38Z | | | 13 | | | N04Z, N06J, N06Q, N06Z | 13 | N13A, N13B, N13J | | |
| | | 12 M01A, M01B, M38Z | | | 11 | | | L06A, L06B, L06J | 11 | BOP, KJZSV, KVT, UOP4 | | |
| | | 13 N04Z, N06J, N06Q, N06Z | | | 5o931.2 | | | BOP, KVT, UOP4 | 13 | N13A, N13B, N13J | | |
| | | 21A W04A, W04B | | | 11 | | | L06A, L06B, L06J | 5o957.0 | BOP, KJZSV, KVT, UOP4 | | |
| 21B X06A, X06B, X06C | 5o931.x | BOP, KVT, UOP4 | 13 | N13A, N13B, N13J | | | | | | | | |
| 5o922.1 | 11 | BOP, KJZSV, KVT, UOP4 | 5o932.1 | 11 | L06A, L06B, L06J | 5o957.1 | 11 | L06A, L06B, L06J | | | | |
| | | L03Z, L04A, L04B, L04C, L04J, L10Z, L13A, L13B, L38Z | | | 13 | | | N04Z, N23J, N23Q, N23Z | 13 | N13A, N13B, N13J | | |
| | | 12 M01A, M01B, M38Z | | | 11 | | | L06A, L06B, L06J | 11 | BOP, KJZSV, KVT, UOP4 | | |
| | | 13 N04Z, N06J, N06Q, N06Z | | | 5o932.x | | | BOP, KVT, UOP4 | 13 | N13A, N13B, N13J | | |
| | | 21A W04A, W04B | | | 11 | | | L06A, L06B, L06J | 5o957.3 | BOP, KJZSV, KVT, UOP4 | | |
| 21B X06A, X06B, X06C | 5o932.2 | BOP, KJZSV, KVT, UOP4 | 13 | N13A, N13B, N13J | | | | | | | | |
| 5o922.2 | 11 | BOP, KJZSV, KVT, UOP4 | 5o932.x | 11 | L06A, L06B, L06J | 5o957.2 | 11 | L06A, L06B, L06J | | | | |
| | | L03Z, L04A, L04B, L04C, L04J, L10Z, L13A, L13B, L38Z | | | 13 | | | N04Z, N23J, N23Q, N23Z | 13 | N13A, N13B, N13J | | |
| | | 12 M01A, M01B, M38Z | | | 11 | | | L06A, L06B, L06J | 11 | BOP, KJZSV, KVT, UOP4 | | |
| | | 13 N04Z, N06J, N06Q, N06Z | | | 5o93x | | | BOP, KVT, UOP4 | 13 | N13A, N13B, N13J | | |
| | | 21A W04A, W04B | | | 5o941.1 | | | BOP, KJZSV, KVT, UOP4 | 12 | M03A, M03B, M03C, M03J, M38Z | | |
| 21B X06A, X06B, X06C | 11 | L06A, L06B, L06J | 13 | N11A, N11J | | | | | | | | |
| 5o922.3 | 11 | BOP, KJZSV, KVT, UOP4 | 5o941.2 | 11 | L06A, L06B, L06J | 5o958.0 | 11 | L08A, L08B, L08J | | | | |
| | | L03Z, L04A, L04B, L04C, L04J, L10Z, L13A, L13B, L38Z | | | 13 | | | N04Z, N06J, N06Q, N06Z | 12 | M03A, M03B, M03C, M03J, M38Z | | |
| | | 12 M01A, M01B, M38Z | | | 5o941.3 | | | BOP, KJZSV, KVT, UOP4 | 14 | 962Z, O02A, O02B | | |
| | | 13 N04Z, N06J, N06Q, N06Z | | | 11 | | | L06A, L06B, L06J | 21A | W04A, W04B | | |
| | | 21A W04A, W04B | | | 5o942.0 | | | BOP, KJZSV, KVT, UOP4 | 21B | X06A, X06B, X06C | | |
| 21B X06A, X06B, X06C | 5o942.1 | BOP, KJZSV, KVT, UOP4 | 5o958.1 | 11 | L06A, L06B, L06J | | | | | | | |
| 5o922.x | 11 | BOP, KJZSV, KVT, UOP4 | | | 5o94x | 11 | L06A, L06B, L06J | 5o958.2 | 11 | L06A, L06B, L06J | | |
| | | L03Z, L04A, L04B, L04C, L04J, L10Z, L13A, L13B, L38Z | | | | | 13 | | | N04Z, N23J, N23Q, N23Z | 13 | N13A, N13B, N13J |
| | | 12 M01A, M01B, M38Z | | | | | 11 | | | L06A, L06B, L06J | 11 | BOP, KJZSV, KVT, UOP4 |
| | | 13 N04Z, N06J, N06Q, N06Z | | | | | 5o942.1 | | | BOP, KJZSV, KVT, UOP4 | 13 | N13A, N13B, N13J |
| | | 21A W04A, W04B | 11 | L06A, L06B, L06J | | | 5o960 | | | BOP, KJZSV, KVT, UOP4 | | |
| 21B X06A, X06B, X06C | 5o942.2 | BOP, KJZSV, KVT, UOP4 | 5o961 | 11 | L06A, L06B, L06J | | | | | | | |
| 5o924.0 | 11 | BOP, KJZSV, KVT, UOP4 | | | 5o950.1 | 11 | L17A, L17B, L17J, L17Q, L20A, L20B, L20C, L20J, L20Q, L20R | 5o958.3 | 11 | L06A, L06B, L06J | | |
| | | L03Z, L04A, L04B, L04C, L04J, L10Z, L13A, L13B, L38Z | | | | | 13 | | | N04Z, N23J, N23Q, N23Z | 13 | N04Z, N06J, N06Q, N06Z |
| | | 12 M01A, M01B, M38Z | | | | | 11 | | | L06A, L06B, L06J | 11 | BOP, KJZSV, KVT, UOP4 |
| | | 13 N04Z, N06J, N06Q, N06Z | | | | | 5o94x | | | BOP, KJZSV, KVT, UOP4 | 13 | N13A, N13B, N13J |
| | | 21A W04A, W04B | 11 | L06A, L06B, L06J | | | 11 | | | BOP, KJZSV, KVT, UOP4 | | |
| 21B X06A, X06B, X06C | 13 | N04Z, N23J, N23Q, N23Z | 13 | N04Z, N06J, N06Q, N06Z | | | | | | | | |

VYK

| ZZV | MDC | DRG | ZZV | MDC | DRG | ZZV | MDC | DRG |
|----------|-----|--|----------|-----|--|----------|-----|--|
| 5o962 | | BOP, KJZSV, KVT, UOP4 | 5o993.10 | | BOP, KJZSV, KVT, UOP4 | 5o994.40 | | BOP, KVT, UOP4 |
| | 11 | L06A, L06B, L06J | | 11 | L06A, L06B, L06J | | 11 | L06A, L06B, L06J |
| | 13 | N04Z, N06J, N06Q, N06Z | | 12 | M06J, M06Z, M09A, M09B, M09J, M38Z | | 12 | M06J, M06Z, M09A, M09B, M09J, M38Z |
| 5o963 | | BOP, KJZSV, KVT, UOP4 | | 17 | R01A, R01B, R01C, R01D, R02Z, R12A, R12B, R12C | | 13 | N23J, N23Q, N23Z |
| | 11 | L06A, L06B, L06J | | 21A | W04A, W04B | | 17 | R01A, R01B, R01C, R01D, R02Z, R12A, R12B, R12C |
| | 13 | N04Z, N06J, N06Q, N06Z | | 21B | X06A, X06B, X06C | | 21A | W04A, W04B |
| 5o96x | | BOP, KJZSV, KVT, UOP4 | 5o993.11 | | BOP, KJZSV, KVT, UOP4 | 5o994.41 | | BOP, KVT, UOP4 |
| | 11 | L06A, L06B, L06J | | 11 | L06A, L06B, L06J | | 21B | X06A, X06B, X06C |
| | 13 | N04Z, N06J, N06Q, N06Z | | 12 | M06J, M06Z, M09A, M09B, M09J, M38Z | | 11 | L06A, L06B, L06J |
| 5o990 | | BOP, KVT, UOP4 | | 17 | R01A, R01B, R01C, R01D, R02Z, R12A, R12B, R12C | | 12 | M06J, M06Z, M09A, M09B, M09J, M38Z |
| | 11 | L06A, L06B, L06J | | 21A | W04A, W04B | | 13 | N23J, N23Q, N23Z |
| | 13 | N13A, N13B, N13J | | 21B | X06A, X06B, X06C | | 17 | R01A, R01B, R01C, R01D, R02Z, R12A, R12B, R12C |
| 5o992.10 | | BOP, KJZSV, KVT, UOP4 | 5o993.40 | | BOP, KVT, UOP4 | 5o994.70 | | BOP, KVT, UOP4 |
| | 11 | L06A, L06B, L06J | | 11 | L06A, L06B, L06J | | 11 | L06A, L06B, L06J |
| | 12 | M06J, M06Z, M09A, M09B, M09J, M38Z | | 12 | M06J, M06Z, M09A, M09B, M09J, M38Z | | 12 | M06J, M06Z, M09A, M09B, M09J, M38Z |
| | 17 | R01A, R01B, R01C, R01D, R02Z, R12A, R12B, R12C | | 13 | N23J, N23Q, N23Z | | 13 | N23J, N23Q, N23Z |
| | 21A | W04A, W04B | | 17 | R01A, R01B, R01C, R01D, R02Z, R12A, R12B, R12C | | 17 | R01A, R01B, R01C, R01D, R02Z, R12A, R12B, R12C |
| | 21B | X06A, X06B, X06C | | 21A | W04A, W04B | | 21A | W04A, W04B |
| 5o992.11 | | BOP, KJZSV, KVT, UOP4 | 5o993.41 | | BOP, KVT, UOP4 | 5o994.71 | | BOP, KVT, UOP4 |
| | 11 | L06A, L06B, L06J | | 11 | L06A, L06B, L06J | | 11 | L06A, L06B, L06J |
| | 12 | M06J, M06Z, M09A, M09B, M09J, M38Z | | 12 | M06J, M06Z, M09A, M09B, M09J, M38Z | | 12 | M06J, M06Z, M09A, M09B, M09J, M38Z |
| | 17 | R01A, R01B, R01C, R01D, R02Z, R12A, R12B, R12C | | 13 | N23J, N23Q, N23Z | | 12 | M06J, M06Z, M09A, M09B, M09J, M38Z |
| | 21A | W04A, W04B | | 17 | R01A, R01B, R01C, R01D, R02Z, R12A, R12B, R12C | | 13 | N23J, N23Q, N23Z |
| | 21B | X06A, X06B, X06C | | 21A | W04A, W04B | | 17 | R01A, R01B, R01C, R01D, R02Z, R12A, R12B, R12C |
| 5o992.40 | | BOP, KVT, UOP4 | 5o993.70 | | BOP, KVT, UOP4 | 5o995.1 | | BOP, KJZSV, KVT, UOP4 |
| | 11 | L06A, L06B, L06J | | 11 | L06A, L06B, L06J | | 11 | L06A, L06B, L06J |
| | 12 | M06J, M06Z, M09A, M09B, M09J, M38Z | | 12 | M06J, M06Z, M09A, M09B, M09J, M38Z | | 12 | M06J, M06Z, M09A, M09B, M09J, M38Z |
| | 13 | N23J, N23Q, N23Z | | 13 | N23J, N23Q, N23Z | | 17 | R01A, R01B, R01C, R01D, R02Z, R12A, R12B, R12C |
| | 17 | R01A, R01B, R01C, R01D, R02Z, R12A, R12B, R12C | | 17 | R01A, R01B, R01C, R01D, R02Z, R12A, R12B, R12C | | 21A | W04A, W04B |
| | 21A | W04A, W04B | | 21B | X06A, X06B, X06C | | 21A | W04A, W04B |
| | 21B | X06A, X06B, X06C | | 21B | X06A, X06B, X06C | | 21B | X06A, X06B, X06C |
| 5o992.41 | | BOP, KVT, UOP4 | 5o993.71 | | BOP, KVT, UOP4 | 5o995.2 | | BOP, KJZSV, KVT, UOP4 |
| | 11 | L06A, L06B, L06J | | 11 | L06A, L06B, L06J | | 11 | L06A, L06B, L06J |
| | 12 | M06J, M06Z, M09A, M09B, M09J, M38Z | | 12 | M06J, M06Z, M09A, M09B, M09J, M38Z | | 12 | M06J, M06Z, M09A, M09B, M09J, M38Z |
| | 13 | N23J, N23Q, N23Z | | 13 | N23J, N23Q, N23Z | | 17 | R01A, R01B, R01C, R01D, R02Z, R12A, R12B, R12C |
| | 17 | R01A, R01B, R01C, R01D, R02Z, R12A, R12B, R12C | | 17 | R01A, R01B, R01C, R01D, R02Z, R12A, R12B, R12C | | 21A | W04A, W04B |
| | 21A | W04A, W04B | | 21A | W04A, W04B | | 21A | W04A, W04B |
| | 21B | X06A, X06B, X06C | | 21B | X06A, X06B, X06C | | 21B | X06A, X06B, X06C |
| 5o992.70 | | BOP, KVT, UOP4 | 5o994.10 | | BOP, KJZSV, KVT, UOP4 | 5o995.3 | | BOP, KJZSV, KVT, UOP4 |
| | 11 | L06A, L06B, L06J | | 11 | L06A, L06B, L06J | | 11 | L06A, L06B, L06J |
| | 12 | M06J, M06Z, M09A, M09B, M09J, M38Z | | 12 | M06J, M06Z, M09A, M09B, M09J, M38Z | | 12 | M06J, M06Z, M09A, M09B, M09J, M38Z |
| | 13 | N23J, N23Q, N23Z | | 17 | R01A, R01B, R01C, R01D, R02Z, R12A, R12B, R12C | | 17 | R01A, R01B, R01C, R01D, R02Z, R12A, R12B, R12C |
| | 17 | R01A, R01B, R01C, R01D, R02Z, R12A, R12B, R12C | | 21A | W04A, W04B | | 21A | W04A, W04B |
| | 21A | W04A, W04B | | 21B | X06A, X06B, X06C | | 21B | X06A, X06B, X06C |
| | 21B | X06A, X06B, X06C | | 21B | X06A, X06B, X06C | | 21B | X06A, X06B, X06C |
| 5o992.71 | | BOP, KVT, UOP4 | 5o994.11 | | BOP, KJZSV, KVT, UOP4 | 5o995.4 | | BOP, KJZSV, KVT, UOP4 |
| | 11 | L06A, L06B, L06J | | 11 | L06A, L06B, L06J | | 11 | L06A, L06B, L06J |
| | 12 | M06J, M06Z, M09A, M09B, M09J, M38Z | | 12 | M06J, M06Z, M09A, M09B, M09J, M38Z | | 12 | M06J, M06Z, M09A, M09B, M09J, M38Z |
| | 13 | N23J, N23Q, N23Z | | 17 | R01A, R01B, R01C, R01D, R02Z, R12A, R12B, R12C | | 17 | R01A, R01B, R01C, R01D, R02Z, R12A, R12B, R12C |
| | 17 | R01A, R01B, R01C, R01D, R02Z, R12A, R12B, R12C | | 21A | W04A, W04B | | 21A | W04A, W04B |
| | 21A | W04A, W04B | | 21B | X06A, X06B, X06C | | 21B | X06A, X06B, X06C |
| | 21B | X06A, X06B, X06C | | 21B | X06A, X06B, X06C | | 21B | X06A, X06B, X06C |

| ZZV | MDC | DRG | ZZV | MDC | DRG | ZZV | MDC | DRG |
|---------|-----|--|---------|-----|--|---------|-----|--|
| 5o995.7 | | BOP, KJZSV, KVT, UOP4 | 5p122.2 | | BOP, KJZSV, KVT, MVV, UOP4 | 5p124.4 | | BOP, KJZSV, KVT, MVV, UOP4 |
| | 11 | L06A, L06B, L06J | | 11 | L03Z, L04A, L04B, L04C, L04J, L10Z, L13A, L13B, L38Z | | 11 | L03Z, L04A, L04B, L04C, L04J, L10Z, L13A, L13B, L38Z |
| | 12 | M06J, M06Z, M09A, M09B, M09J, M38Z | | 12 | M01A, M01B, M38Z | | 12 | M01A, M01B, M38Z |
| | 17 | R01A, R01B, R01C, R01D, R02Z, R12A, R12B, R12C | | 23 | Z01A | | 23 | Z01A |
| | 21A | W04A, W04B | 5p122.3 | | BOP, KJZSV, KVT, MVV, UOP4 | 5p124.8 | | BOP, KJZSV, KVT, MVV, UOP4 |
| | 21B | X06A, X06B, X06C | | 11 | L03Z, L04A, L04B, L04C, L04J, L10Z, L13A, L13B, L38Z | | 11 | L03Z, L04A, L04B, L04C, L04J, L10Z, L13A, L13B, L38Z |
| 5o995.x | | BOP, KJZSV, KVT, UOP4 | | 12 | M01A, M01B, M38Z | | 12 | M01A, M01B, M38Z |
| | 11 | L06A, L06B, L06J | | 23 | Z01A | | 23 | Z01A |
| | 12 | M06J, M06Z, M09A, M09B, M09J, M38Z | 5p122.4 | | BOP, KJZSV, KVT, MVV, UOP4 | 5p125.2 | | BOP, KJZSV, KVT, MVV, UOP4 |
| | 17 | R01A, R01B, R01C, R01D, R02Z, R12A, R12B, R12C | | 11 | L03Z, L04A, L04B, L04C, L04J, L10Z, L13A, L13B, L38Z | | 11 | L03Z, L04A, L04B, L04C, L04J, L10Z, L13A, L13B, L38Z |
| | 21A | W04A, W04B | | 12 | M01A, M01B, M38Z | | 12 | M01A, M01B, M38Z |
| | 21B | X06A, X06B, X06C | | 23 | Z01A | | 23 | Z01A |
| 5o99x | | BOP, KJZSV, KVT, UOP4 | 5p122.8 | | BOP, KJZSV, KVT, MVV, UOP4 | 5p125.3 | | BOP, KJZSV, KVT, MVV, UOP4 |
| | 11 | L06A, L06B, L06J | | 11 | L03Z, L04A, L04B, L04C, L04J, L10Z, L13A, L13B, L38Z | | 11 | L03Z, L04A, L04B, L04C, L04J, L10Z, L13A, L13B, L38Z |
| | 12 | M06J, M06Z, M09A, M09B, M09J, M38Z | | 12 | M01A, M01B, M38Z | | 12 | M01A, M01B, M38Z |
| | 17 | R01A, R01B, R01C, R01D, R02Z, R12A, R12B, R12C | | 23 | Z01A | | 23 | Z01A |
| | 21A | W04A, W04B | | 11 | L03Z, L04A, L04B, L04C, L04J, L10Z, L13A, L13B, L38Z | | 11 | L03Z, L04A, L04B, L04C, L04J, L10Z, L13A, L13B, L38Z |
| | 21B | X06A, X06B, X06C | | 12 | M01A, M01B, M38Z | | 12 | M01A, M01B, M38Z |
| 5p111.t | | BOP, KJZSV, KVT, UOP4 | | 23 | Z01A | | 23 | Z01A |
| | 12 | M06J, M06Z, M09A, M09B, M09J, M38Z | 5p123.2 | | BOP, KJZSV, KVT, MVV, UOP4 | 5p125.4 | | BOP, KJZSV, KVT, MVV, UOP4 |
| 5p111.x | | BOP, KJZSV, KVT, UOP4 | | 11 | L03Z, L04A, L04B, L04C, L04J, L10Z, L13A, L13B, L38Z | | 11 | L03Z, L04A, L04B, L04C, L04J, L10Z, L13A, L13B, L38Z |
| | 12 | M06J, M06Z, M09A, M09B, M09J, M38Z | | 12 | M01A, M01B, M38Z | | 12 | M01A, M01B, M38Z |
| 5p112.0 | | BOP, KJZSV, KVT, UOP4 | | 23 | Z01A | | 23 | Z01A |
| | 12 | M06J, M06Z, M09A, M09B, M09J, M38Z | 5p123.3 | | BOP, KJZSV, KVT, MVV, UOP4 | 5p125.5 | | BOP, KJZSV, KVT, MVV, UOP4 |
| 5p112.1 | | BOP, KJZSV, KVT, UOP4 | | 11 | L03Z, L04A, L04B, L04C, L04J, L10Z, L13A, L13B, L38Z | | 11 | L03Z, L04A, L04B, L04C, L04J, L10Z, L13A, L13B, L38Z |
| | 12 | M06J, M06Z, M09A, M09B, M09J, M38Z | | 12 | M01A, M01B, M38Z | | 12 | M01A, M01B, M38Z |
| 5p112.2 | | BOP, KJZSV, KVT, UOP4 | | 23 | Z01A | | 23 | Z01A |
| | 12 | M06J, M06Z, M09A, M09B, M09J, M38Z | 5p123.4 | | BOP, KJZSV, KVT, MVV, UOP4 | 5p126.2 | | BOP, KJZSV, KVT, MVV, UOP4 |
| 5p113.0 | | BOP, KJZSV, KVT, UOP4 | | 11 | L03Z, L04A, L04B, L04C, L04J, L10Z, L13A, L13B, L38Z | | 11 | L03Z, L04A, L04B, L04C, L04J, L10Z, L13A, L13B, L38Z |
| | 12 | M06J, M06Z, M09A, M09B, M09J, M38Z | | 12 | M01A, M01B, M38Z | | 12 | M01A, M01B, M38Z |
| | 12 | M06J, M06Z, M09A, M09B, M09J, M38Z | | 23 | Z01A | | 23 | Z01A |
| 5p113.1 | | BOP, KJZSV, KVT, UOP4 | | 11 | L03Z, L04A, L04B, L04C, L04J, L10Z, L13A, L13B, L38Z | | 11 | L03Z, L04A, L04B, L04C, L04J, L10Z, L13A, L13B, L38Z |
| | 12 | M06J, M06Z, M09A, M09B, M09J, M38Z | | 12 | M01A, M01B, M38Z | | 12 | M01A, M01B, M38Z |
| 5p11x | | BOP, KJZSV, KVT, UOP4 | | 23 | Z01A | | 23 | Z01A |
| | 12 | M06J, M06Z, M09A, M09B, M09J, M38Z | 5p123.8 | | BOP, KJZSV, KVT, MVV, UOP4 | 5p126.3 | | BOP, KJZSV, KVT, MVV, UOP4 |
| 5p121.1 | | BOP, KVT, UOP4 | | 11 | L03Z, L04A, L04B, L04C, L04J, L10Z, L13A, L13B, L38Z | | 11 | L03Z, L04A, L04B, L04C, L04J, L10Z, L13A, L13B, L38Z |
| | 11 | L03Z, L04A, L04B, L04C, L04J, L10Z, L13A, L13B, L38Z | | 12 | M01A, M01B, M38Z | | 12 | M01A, M01B, M38Z |
| | 12 | M01A, M01B, M09A, M09J, M38Z | | 23 | Z01A | | 23 | Z01A |
| 5p121.2 | | BOP, KVT, UOP4 | 5p124.2 | | BOP, KJZSV, KVT, MVV, UOP4 | 5p126.4 | | BOP, KJZSV, KVT, MVV, UOP4 |
| | 11 | L03Z, L04A, L04B, L04C, L04J, L10Z, L13A, L13B, L38Z | | 11 | L03Z, L04A, L04B, L04C, L04J, L10Z, L13A, L13B, L38Z | | 11 | L03Z, L04A, L04B, L04C, L04J, L10Z, L13A, L13B, L38Z |
| | 12 | M01A, M01B, M09A, M09J, M38Z | | 12 | M01A, M01B, M38Z | | 12 | M01A, M01B, M38Z |
| 5p121.3 | | BOP, KVT, UOP4 | | 23 | Z01A | | 23 | Z01A |
| | 12 | M06J, M06Z, M09A, M09B, M09J, M38Z | 5p124.3 | | BOP, KJZSV, KVT, MVV, UOP4 | 5p126.8 | | BOP, KJZSV, KVT, MVV, UOP4 |
| 5p121.4 | | BOP, KVT, UOP4 | | 11 | L03Z, L04A, L04B, L04C, L04J, L10Z, L13A, L13B, L38Z | | 11 | L03Z, L04A, L04B, L04C, L04J, L10Z, L13A, L13B, L38Z |
| | 11 | L05A, L05B | | 12 | M01A, M01B, M38Z | | 12 | M01A, M01B, M38Z |
| | 12 | M02A, M02B, M02J, M38Z | | 23 | Z01A | | 23 | Z01A |
| 5p121.x | | BOP, KVT, UOP4 | | 11 | L03Z, L04A, L04B, L04C, L04J, L10Z, L13A, L13B, L38Z | | 11 | L03Z, L04A, L04B, L04C, L04J, L10Z, L13A, L13B, L38Z |
| | 11 | L05A, L05B | | 12 | M01A, M01B, M38Z | | 12 | M01A, M01B, M38Z |
| | 12 | M02A, M02B, M02J, M38Z | | 23 | Z01A | | 23 | Z01A |

VYK

| ZZV | MDC | DRG | ZZV | MDC | DRG | ZZV | MDC | DRG |
|---------|-----|--|--------|-----|--|--------|-----|--|
| 5p127.2 | | BOP, KJZSV, KVT, MVV, UOP4 | 5p14d | | BOP, KVT, UOP4 | 5p197 | | BOP, KVT, UOP4 |
| | 11 | L03Z, L04A, L04B, L04C, L04J, L10Z, L13A, L13B, L38Z | | 12 | M06J, M06Z, M09A, M09B, M09J, M11J, M11Z, M38Z | | 11 | L18A, L18B, L19Z, L20A, L20B, L20C, L20J, L20Q, L20R, L38Z |
| | 12 | M01A, M01B, M38Z | 5p14e | | BOP, KVT, UOP4 | | 12 | M06J, M06Z, M09A, M09B, M09J, M38Z |
| | 23 | Z01A | | 12 | M06J, M06Z, M09A, M09B, M09J, M11J, M11Z, M38Z | 5p198† | 11 | L18A, L18B, L19Z, L20A, L20B, L20C, L20J, L20Q, L20R, L38Z |
| 5p127.3 | | BOP, KJZSV, KVT, MVV, UOP4 | 5p14f | | BOP, KVT, UOP4 | | 12 | M06J, M06Z, M09A, M09B, M09J, M38Z |
| | 11 | L03Z, L04A, L04B, L04C, L04J, L10Z, L13A, L13B, L38Z | | 12 | M06J, M06Z, M09A, M09B, M09J, M11J, M11Z, M38Z | 5p199 | | BOP, KJZSV, KVT, UOP4 |
| | 12 | M01A, M01B, M38Z | 5p14g | | BOP, KVT, UOP4 | | 12 | M06J, M06Z, M09A, M09B, M09J, M38Z |
| | 23 | Z01A | | 12 | M06J, M06Z, M09A, M09B, M09J, M38Z | | 12 | M06J, M06Z, M09A, M09B, M09J, M38Z |
| 5p127.4 | | BOP, KJZSV, KVT, MVV, UOP4 | 5p14h | | BOP, KVT, UOP4 | | 21A | W04A, W04B |
| | 11 | L03Z, L04A, L04B, L04C, L04J, L10Z, L13A, L13B, L38Z | | 12 | M06J, M06Z, M09A, M09B, M09J, M38Z | | 21B | X06A, X06B, X06C |
| | 12 | M01A, M01B, M38Z | 5p14i | | BOP, KVT, UOP4 | 5p19a | | BOP, KJZSV, KVT, UOP4 |
| | 23 | Z01A | | 12 | M06J, M06Z, M09A, M09B, M09J, M11J, M11Z, M38Z | | 12 | M06J, M06Z, M09A, M09B, M09J, M38Z |
| 5p127.5 | | BOP, KJZSV, KVT, MVV, UOP4 | 5p14j | | M11J, M11Z, M38Z | | 21A | W04A, W04B |
| | 11 | L03Z, L04A, L04B, L04C, L04J, L10Z, L13A, L13B, L38Z | 5p14x | | BOP, KVT, UOP4 | | 21B | X06A, X06B, X06C |
| | 12 | M01A, M01B, M38Z | | 12 | M06J, M06Z, M09A, M09B, M09J, M38Z | 5p19b† | | KJZSV |
| | 23 | Z01A | 5p151↔ | | BOP, KJZSV, KVT, UOP4 | | 11 | L18A, L18B, L19Z, L20A, L20B, L20C, L20J, L20Q, L20R, L38Z |
| 5p12x | | BOP, KJZSV, KVT, MVV, UOP4 | | 12 | M06J, M06Z, M09A, M09B, M09J, M38Z | | 12 | M06J, M06Z, M09A, M09B, M09J, M38Z |
| | 11 | L03Z, L04A, L04B, L04C, L04J, L10Z, L13A, L13B, L38Z | 5p152↔ | | BOP, KJZSV, KVT, UOP4 | 5p19x† | | KJZSV |
| | 12 | M01A, M01B, M38Z | | 12 | M06J, M06Z, M09A, M09B, M09J, M38Z | | 11 | L18A, L18B, L19Z, L20A, L20B, L20C, L20J, L20Q, L20R, L38Z |
| 5p131 | | BOP, KVT, UOP4 | 5p153↔ | | BOP, KJZSV, KVT, UOP4 | | 12 | M06J, M06Z, M09A, M09B, M09J, M38Z |
| | 12 | M06J, M06Z, M09A, M09B, M09J, M38Z | | 12 | M06J, M06Z, M09A, M09B, M09J, M38Z | 5p201 | | BOP, KVT, UOP4 |
| 5p132 | | BOP, KJZSV, KVT, UOP4 | 5p15x↔ | | M06J, M06Z, M09A, M09B, M09J, M38Z | | 10 | K09A, K09B |
| | 12 | M06J, M06Z, M09A, M09B, M09J, M38Z | 5p191 | | BOP, KJZSV, KVT, UOP4 | | 12 | M04A, M04B, M04C, M04D, M04J, M04Q, M37Z, M38Z |
| 5p133 | | BOP, KJZSV, KVT, UOP4 | | 12 | M06J, M06Z, M09A, M09B, M09J, M38Z | | 21A | W04A, W04B |
| | 12 | M06J, M06Z, M09A, M09B, M09J, M38Z | | 21A | W04A, W04B | | 21B | X06A, X06B, X06C |
| 5p134 | | BOP, KJZSV, KVT, UOP4 | 5p192 | | BOP, KVT, UOP4 | 5p20x | | BOP, KVT, UOP4 |
| | 12 | M06J, M06Z, M09A, M09B, M09J, M38Z | | 11 | L18A, L18B, L19Z, L20A, L20B, L20C, L20J, L20Q, L20R, L38Z | | 12 | M04A, M04B, M04C, M04D, M04J, M04Q, M37Z, M38Z |
| 5p135 | | BOP, KJZSV, KVT, UOP4 | | 12 | M06J, M06Z, M09A, M09B, M09J, M38Z | 5p211 | | BOP, KVT, UOP4 |
| | 12 | M06J, M06Z, M09A, M09B, M09J, M38Z | 5p193 | | BOP, KVT, UOP4 | | 12 | M04A, M04B, M04C, M04D, M04J, M04Q, M37Z, M38Z |
| 5p136 | | BOP, KJZSV, KVT, UOP4 | | 11 | L18A, L18B, L19Z, L20A, L20B, L20C, L20J, L20Q, L20R, L38Z | 5p212 | | BOP, KJZSV, KVT, UOP4 |
| | 12 | M06J, M06Z, M09A, M09B, M09J, M38Z | 5p194 | | M06J, M06Z, M09A, M09B, M09J, M38Z | | 10 | K09A, K09B |
| 5p13x | | BOP, KJZSV, KVT, UOP4 | | 12 | M06J, M06Z, M09A, M09B, M09J, M38Z | | 12 | M04A, M04B, M04C, M04D, M04J, M04Q, M37Z, M38Z |
| | 12 | M06J, M06Z, M09A, M09B, M09J, M38Z | 5p195† | | BOP, KVT, UOP4 | | 21A | W04A, W04B |
| 5p148 | | BOP, KVT, UOP4 | | 11 | L18A, L18B, L19Z, L20A, L20B, L20C, L20J, L20Q, L20R, L38Z | | 21B | X06A, X06B, X06C |
| | 11 | L05A, L05B | | 12 | M06J, M06Z, M09A, M09B, M09J, M38Z | 5p221 | | BOP, KJZSV, KVT, UOP4 |
| | 12 | M02A, M02B, M02J, M38Z | | 11 | L18A, L18B, L19Z, L20A, L20B, L20C, L20J, L20Q, L20R, L38Z | | 12 | M04A, M04B, M04C, M04D, M04J, M04Q, M37Z, M38Z |
| 5p149 | | BOP, KVT, UOP4 | | 12 | M06J, M06Z, M09A, M09B, M09J, M38Z | | 21A | W04A, W04B |
| | 11 | L05A, L05B | 5p196 | | BOP, KJZSV, KVT, UOP4 | | 21B | X06A, X06B, X06C |
| | 12 | M02A, M02B, M02J, M38Z | | 12 | M06J, M06Z, M09A, M09B, M09J, M38Z | 5p241 | | BOP, KJZSV, KVT, UOP4 |
| 5p14a | | BOP, KVT, UOP4 | | 12 | M06J, M06Z, M09A, M09B, M09J, M38Z | | 10 | K09A, K09B |
| | 12 | M06J, M06Z, M09A, M09B, M09J, M38Z | | 21A | W04A, W04B | | 12 | M04A, M04B, M04C, M04D, M04J, M04Q, M37Z, M38Z |
| 5p14b | | BOP, KVT, UOP4 | | 21B | X06A, X06B, X06C | | 19 | U01Z |
| | 12 | M06J, M06Z, M09A, M09B, M09J, M38Z | | 21B | X06A, X06B, X06C | | 21A | W04A, W04B |
| 5p14c | | BOP, KVT, UOP4 | | | | | 21B | X06A, X06B, X06C |
| | 12 | M06J, M06Z, M09A, M09B, M09J, M11J, M11Z, M38Z | | | | | | |

| ZZV | MDC | DRG | ZZV | MDC | DRG | ZZV | MDC | DRG | | |
|----------|-----|--|----------|----------|--|----------|--|--|--|--|
| 5p242 | | BOP, KJZSV, KVT, UOP4 | 5p307.0 | | BOP, KVT, UOP4 | 5p391.1↔ | | BOP, KJZSV, KVT, UOP4 | | |
| | 10 | K09A, K09B | | 10 | K09A, K09B | | 10 | K09A, K09B | | |
| | 12 | M04A, M04B, M04C, M04D, M04J, M04Q, M37Z, M38Z | | 12 | M04A, M04B, M04C, M04D, M04J, M04Q, M37Z, M38Z | | 12 | M01A, M01B, M04A, M04B, M04C, M04D, M04J, M04Q, M09A, M09B, M09J, M37Z, M38Z | | |
| | 19 | U01Z | | 21A | W04A, W04B | | | | | |
| | 21A | W04A, W04B | | 21B | X06A, X06B, X06C | | | | | |
| 5p301.0↔ | 21B | X06A, X06B, X06C | 5p30x↔ | 22 | Y01Z, Y03A, Y03B | 5p391.4 | | BOP, KJZSV, KVT, UOP4 | | |
| | | BOP, KVT, UOP4 | | | BOP, KVT, UOP4 | | | | | |
| | 08 | I28A, I28B, I28J | | 10 | K09A, K09B | | 10 | K09A, K09B | | |
| | 10 | K09A, K09B | | 12 | M04A, M04B, M04C, M04D, M04J, M04Q, M37Z, M38Z | | 12 | M04A, M04B, M04C, M04D, M04J, M04Q, M37Z, M38Z | | |
| | 12 | M04A, M04B, M04C, M04D, M04J, M04Q, M37Z, M38Z | | 21A | W04A, W04B | | 5p391.x | | BOP, KJZSV, KVT, UOP4 | |
| 5p301.2↔ | 21A | W04A, W04B | 5p311↔ | 21B | X06A, X06B, X06C | 5p395.0 | 10 | K09A, K09B | | |
| | 21B | X06A, X06B, X06C | | 22 | Y01Z, Y03A, Y03B | | 12 | M04A, M04B, M04C, M04D, M04J, M04Q, M37Z, M38Z | | |
| | 22 | Y01Z, Y03A, Y03B | | | BOP, KVT, UOP4 | | 10 | K09A, K09B | | |
| | | BOP, KVT, UOP4 | | 10 | K09A, K09B | | 12 | M04A, M04B, M04C, M04D, M04J, M04Q, M37Z, M38Z | | |
| | 08 | I28A, I28B, I28J | | 12 | M04A, M04B, M04C, M04D, M04J, M04Q, M37Z, M38Z | | 5p395.1 | | BOP, KVT, UOP4 | |
| 5p302.0↔ | 10 | K09A, K09B | 5p312↔ | | BOP, KVT, UOP4 | 5p395.2 | 12 | M04A, M04B, M04C, M04D, M04J, M04Q, M37Z, M38Z | | |
| | 12 | M04A, M04B, M04C, M04J, M04Q, M37Z, M38Z | | 10 | K09A, K09B | | 12 | M04A, M04B, M04C, M04D, M04J, M04Q, M37Z, M38Z | | |
| | 21A | W04A, W04B | | 12 | M04A, M04B, M04C, M04D, M04J, M04Q, M37Z, M38Z | | 21A | W04A, W04B | | |
| | 21B | X06A, X06B, X06C | | 12 | M04A, M04B, M04C, M04D, M04J, M04Q, M37Z, M38Z | | 21B | X06A, X06B, X06C | | |
| | 22 | Y01Z, Y03A, Y03B | | 5p31x↔ | | | BOP, KJZSV, KVT, UOP4 | 10 | K09A, K09B | |
| 5p302.2↔ | | BOP, KVT, UOP4 | 5p320.1↔ | 10 | K09A, K09B | 5p39x†↔ | 12 | M04A, M04B, M04C, M04D, M04J, M04Q, M37Z, M38Z | | |
| | 08 | I28A, I28B, I28J | | 12 | M04A, M04B, M04C, M04D, M04J, M04Q, M37Z, M38Z | | 12 | M04A, M04B, M04C, M04D, M04J, M04Q, M37Z, M38Z | | |
| | 10 | K09A, K09B | | 10 | K09A, K09B | | 12 | M04A, M04B, M04C, M04D, M04J, M04Q, M37Z, M38Z | | |
| | 12 | M04A, M04B, M04C, M04D, M04J, M04Q, M37Z, M38Z | | 12 | M04A, M04B, M04C, M04J, M04Q, M37Z, M38Z | | 5p401.2↔ | | BOP, KVT, UOP4 | |
| | 21A | W04A, W04B | | 5p320.4↔ | | | BOP, KJZSV, KVT, UOP4 | 12 | M04A, M04B, M04C, M04D, M04J, M04Q, M37Z, M38Z | |
| 5p303.1↔ | 21B | X06A, X06B, X06C | 5p321.1↔ | 10 | K09A, K09B | 5p402.0↔ | | BOP, KVT, UOP4 | | |
| | 22 | Y01Z, Y03A, Y03B | | 12 | M04A, M04B, M04C, M04J, M04Q, M37Z, M38Z | | 12 | M04A, M04B, M04C, M04D, M04J, M04Q, M37Z, M38Z | | |
| | | BOP, KVT, UOP4 | | 10 | K09A, K09B | | 5p402.1↔ | | BOP, KVT, UOP4 | |
| | 08 | I28A, I28B, I28J | | 12 | M04A, M04B, M04C, M04J, M04Q, M37Z, M38Z | | 12 | M04A, M04B, M04C, M04D, M04J, M04Q, M37Z, M38Z | | |
| | 10 | K09A, K09B | | 5p321.4↔ | | | BOP, KJZSV, KVT, UOP4 | 5p402.3↔ | | BOP, KVT, UOP4 |
| 5p303.4↔ | 12 | M04A, M04B, M04C, M04J, M04Q, M37Z, M38Z | 5p32x↔ | 10 | K09A, K09B | 5p402.4↔ | 12 | M04A, M04B, M04C, M04D, M04J, M04Q, M37Z, M38Z | | |
| | 21A | W04A, W04B | | 12 | M04A, M04B, M04C, M04J, M04Q, M37Z, M38Z | | 12 | M04A, M04B, M04C, M04D, M04J, M04Q, M37Z, M38Z | | |
| | 21B | X06A, X06B, X06C | | 10 | K09A, K09B | | 5p403.0 | | BOP, KVT, UOP4 | |
| | 22 | Y01Z, Y03A, Y03B | | 12 | M04A, M04B, M04C, M04D, M04J, M04Q, M37Z, M38Z | | 12 | M04A, M04B, M04C, M04D, M04J, M04Q, M37Z, M38Z | | |
| | | BOP, KVT, UOP4 | | 5p341†↔ | | | M04A, M04B, M04C, M04D, M04J, M04Q, M37Z, M38Z | 5p403.1 | | M04A, M04B, M04C, M04D, M04J, M04Q, M37Z, M38Z |
| 5p305.0↔ | 08 | I28A, I28B, I28J | 5p342†↔ | 12 | M04A, M04B, M04C, M04D, M04J, M04Q, M37Z, M38Z | 5p403.2 | | BOP, KJZSV, KVT, UOP4 | | |
| | 10 | K09A, K09B | | 12 | M04A, M04B, M04C, M04D, M04J, M04Q, M37Z, M38Z | | 12 | M04A, M04B, M04C, M04D, M04J, M04Q, M37Z, M38Z | | |
| | 12 | M04A, M04B, M04C, M04J, M04Q, M37Z, M38Z | | 5p343†↔ | | | M04A, M04B, M04C, M04D, M04J, M04Q, M37Z, M38Z | 5p40x↔ | | BOP, KVT, UOP4 |
| | 21A | W04A, W04B | | 12 | M04A, M04B, M04C, M04D, M04J, M04Q, M37Z, M38Z | | 12 | M04A, M04B, M04C, M04D, M04J, M04Q, M37Z, M38Z | | |
| | 21B | X06A, X06B, X06C | | 5p34x†↔ | | | M04A, M04B, M04C, M04D, M04J, M04Q, M37Z, M38Z | 5p411↔ | | BOP, KVT, UOP4 |
| 5p305.2↔ | 22 | Y01Z, Y03A, Y03B | 5p351↔ | 10 | K09A, K09B | 5p413↔ | 12 | M04A, M04B, M04C, M04D, M04J, M04Q, M37Z, M38Z | | |
| | | BOP, KVT, UOP4 | | 12 | M04A, M04B, M04C, M04D, M04J, M04Q, M37Z, M38Z | | 12 | M04A, M04B, M04C, M04D, M04J, M04Q, M37Z, M38Z | | |
| | 10 | K09A, K09B | | 21A | W04A, W04B | | 5p41x↔ | | BOP, KVT, UOP4 | |
| | 12 | M04A, M04B, M04C, M04J, M04Q, M37Z, M38Z | | 21B | X06A, X06B, X06C | | 12 | M04A, M04B, M04C, M04D, M04J, M04Q, M37Z, M38Z | | |
| | 21A | W04A, W04B | | 22 | Y01Z, Y03A, Y03B | | 5p421↔ | | BOP, KVT, UOP4 | |
| 5p305.2↔ | 21B | X06A, X06B, X06C | 5p35x↔ | 12 | M04A, M04B, M04C, M04D, M04J, M04Q, M37Z, M38Z | 5p422↔ | 12 | M04A, M04B, M04C, M04D, M04J, M04Q, M37Z, M38Z | | |
| | 22 | Y01Z, Y03A, Y03B | | 21A | W04A, W04B | | 12 | M04A, M04B, M04C, M04D, M04J, M04Q, M37Z, M38Z | | |
| | | BOP, KVT, UOP4 | | 21B | X06A, X06B, X06C | | | | | |
| | 10 | K09A, K09B | | 22 | Y01Z, Y03A, Y03B | | | | | |
| | 12 | M04A, M04B, M04C, M04D, M04J, M04Q, M37Z, M38Z | | 5p391.0 | | | BOP, KJZSV, KVT, UOP4 | | | |
| 5p305.2↔ | 21A | W04A, W04B | 5p391.0 | 12 | M06J, M06Z, M09A, M09B, M09J, M38Z | | | | | |
| | 21B | X06A, X06B, X06C | | | | | | | | |
| | 22 | Y01Z, Y03A, Y03B | | | | | | | | |
| | | BOP, KVT, UOP4 | | | | | | | | |
| | 10 | K09A, K09B | | | | | | | | |

VYK

| ZZV | MDC | DRG | ZZV | MDC | DRG | ZZV | MDC | DRG |
|---------|-----|--|---------|-----|--|-------|-----|--|
| 5p42x↔ | | BOP, KVT, UOP4 | 5p494↔ | | BOP, KVT, UOP4 | 5p523 | | BOP, KJZSV, KVT, UOP4 |
| | 12 | M04A, M04B, M04C, M04D, M04J, M04Q, M37Z, M38Z | | 12 | M04A, M04B, M04C, M04D, M04J, M04Q, M37Z, M38Z | | 10 | K09A, K09B |
| 5p431↔ | | BOP, KJZSV, KVT, UOP4 | 5p49x↔ | | BOP, KVT, UOP4 | | 12 | M03A, M03B, M03C, M03J, M38Z |
| | 12 | M04A, M04B, M04C, M04D, M04J, M04Q, M37Z, M38Z | | 12 | M04A, M04B, M04C, M04D, M04J, M04Q, M37Z, M38Z | | 21A | W04A, W04B |
| | 21A | W04A, W04B | 5p501‡ | | M05J, M05Z | | 21B | X06A, X06B, X06C |
| | 21B | X06A, X06B, X06C | 5p502‡ | | M05J, M05Z | | 22 | Y01Z, Y02A, Y02B, Y03A, Y03B |
| 5p432↔ | | BOP, KVT, UOP4 | 5p503 | | BOP, KVT, UOP4 | 5p530 | | BOP, KJZSV, KVT, UOP4 |
| | 12 | M04A, M04B, M04C, M04D, M04J, M04Q, M37Z, M38Z | | 11 | L09A, L09B, L09C, L09J, L38Z | | 09 | J03A, J03B, J04A, J04B, J08A, J08B, J08C, J11A, J11B, J11C, J11J, J11Q, J11R, J11S, J16Z |
| | 21A | W04A, W04B | | 12 | M05J, M05Z, M38Z | | 12 | M03A, M03B, M03C, M03J, M38Z |
| | 21B | X06A, X06B, X06C | | 15 | P60A, P60B, P60C, P67B, P67C | | 19 | U01Z |
| 5p433‡↔ | | KJZSV | 5p504 | | BOP, KVT, UOP4 | | 21A | W04A, W04B |
| | 12 | M04A, M04B, M04C, M04D, M04J, M04Q, M37Z, M38Z | | 11 | L09A, L09B, L09C, L09J, L38Z | | 21B | X06A, X06B, X06C |
| 5p434‡↔ | | KJZSV | | 12 | M05J, M05Z, M38Z | | 22 | Y01Z, Y03A, Y03B |
| | 12 | M04A, M04B, M04C, M04D, M04J, M04Q, M37Z, M38Z | | 15 | P60A, P60B, P60C, P67B, P67C | 5p531 | | BOP, KJZSV, KVT, UOP4 |
| 5p435‡ | | KJZSV | | 22 | Y01Z, Y03A, Y03B | | 12 | M03A, M03B, M03C, M03J, M38Z |
| | 12 | M04A, M04B, M04C, M04D, M04J, M04Q, M37Z, M38Z | 5p505.1 | | BOP, KVT, UOP4 | | 19 | U01Z |
| 5p43x‡↔ | | KJZSV | | 11 | L09A, L09B, L09C, L09J, L38Z | | 21A | W04A, W04B |
| | 12 | M04A, M04B, M04C, M04D, M04J, M04Q, M37Z, M38Z | | 12 | M05J, M05Z, M38Z | | 21B | X06A, X06B, X06C |
| 5p451↔ | | M04A, M04B, M04C, M04D, M04J, M04Q, M37Z, M38Z | | 22 | Y01Z, Y03A, Y03B | | 22 | Y01Z, Y03A, Y03B |
| 5p452↔ | | M04A, M04B, M04C, M04D, M04J, M04Q, M37Z, M38Z | 5p505.2 | | BOP, KVT, UOP4 | 5p532 | | BOP, KJZSV, KVT, UOP4 |
| 5p453↔ | | M04A, M04B, M04C, M04D, M04J, M04Q, M37Z, M38Z | | 11 | L09A, L09B, L09C, L09J, L38Z | | 09 | J03A, J03B, J04A, J04B, J08A, J08B, J08C, J11A, J11B, J11J, J11Q, J11R, J11S, J16Z |
| 5p45x↔ | | M04A, M04B, M04C, M04D, M04J, M04Q, M37Z, M38Z | | 12 | M05J, M05Z, M38Z | | 12 | M03A, M03B, M03C, M03J, M38Z |
| 5p461↔ | | BOP, KVT, UOP4 | 5p506 | | BOP, KVT, UOP4 | | 19 | U01Z |
| | 12 | M04A, M04B, M04C, M04D, M04J, M04Q, M37Z, M38Z | | 11 | L09A, L09B, L09C, L09J, L38Z | | 21A | W04A, W04B |
| | 21A | W04A, W04B | | 12 | M05J, M38Z | | 21B | X06A, X06B, X06C |
| | 21B | X06A, X06B, X06C | | 15 | P60A, P60B, P60C, P67B, P67C | 5p533 | | BOP, KJZSV, KVT, UOP4 |
| 5p462↔ | | BOP, KVT, UOP4 | | 22 | Y01Z, Y03A, Y03B | | 09 | J03A, J03B, J04A, J04B, J08A, J08B, J08C, J11A, J11B, J11J, J11Q, J11R, J11S, J16Z |
| | 12 | M04A, M04B, M04C, M04D, M04J, M04Q, M37Z, M38Z | 5p509 | | M05J, M05Z, M38Z | | 12 | M03A, M03B, M03C, M03J, M38Z |
| | 21A | W04A, W04B | 5p511 | | BOP, KVT, UOP4 | | 19 | U01Z |
| | 21B | X06A, X06B, X06C | | 09 | J03A, J03B, J04A, J04B, J08A, J08B, J08C, J11A, J11B, J11C, J11J, J11Q, J11R, J11S, J16Z | | 21A | W04A, W04B |
| 5p463↔ | | BOP, KVT, UOP4 | | 12 | M05J, M05Z, M38Z | | 21B | X06A, X06B, X06C |
| | 12 | M04A, M04B, M04C, M04D, M04J, M04Q, M37Z, M38Z | 5p512 | | BOP, KVT, UOP4 | | 22 | Y01Z, Y03A, Y03B |
| 5p464↔ | | BOP, KVT, UOP4 | | 09 | J03A, J03B, J04A, J04B, J08A, J08B, J08C, J11A, J11B, J11C, J11J, J11Q, J11R, J11S, J16Z | 5p534 | | BOP, KJZSV, KVT, UOP4 |
| | 12 | M04A, M04B, M04C, M04D, M04J, M04Q, M37Z, M38Z | | 12 | M05J, M05Z, M38Z | | 09 | J03A, J03B, J04A, J04B, J08A, J08B, J08C, J11A, J11B, J11J, J11Q, J11R, J11S, J16Z |
| 5p465↔ | | BOP, KVT, UOP4 | 5p51x | | BOP, KVT, UOP4 | | 12 | M03A, M03B, M03C, M03J, M38Z |
| | 12 | M04A, M04B, M04C, M04D, M04J, M04Q, M37Z, M38Z | | 09 | J03A, J03B, J04A, J04B, J08A, J08B, J08C, J11A, J11B, J11C, J11J, J11Q, J11R, J11S, J16Z | | 19 | U01Z |
| | 21A | W04A, W04B | | 12 | M05J, M05Z, M38Z | | 21A | W04A, W04B |
| | 21B | X06A, X06B, X06C | | 09 | J03A, J03B, J04A, J04B, J08A, J08B, J08C, J11A, J11B, J11C, J11J, J11Q, J11R, J11S, J16Z | | 21B | X06A, X06B, X06C |
| 5p46x↔ | | BOP, KVT, UOP4 | | 12 | M05J, M05Z, M38Z | | 22 | Y01Z, Y03A, Y03B |
| | 12 | M04A, M04B, M04C, M04D, M04J, M04Q, M37Z, M38Z | 5p521 | | BOP, KJZSV, KVT, UOP4 | 5p535 | | BOP, KJZSV, KVT, UOP4 |
| 5p491↔ | | BOP, KVT, UOP4 | | 10 | K09A, K09B | | 09 | J03A, J03B, J04A, J04B, J08A, J08B, J08C, J11A, J11B, J11C, J11J, J11Q, J11R, J11S, J16Z |
| | 12 | M04A, M04B, M04C, M04D, M04J, M04Q, M37Z, M38Z | | 12 | M03A, M03B, M03C, M03J, M38Z | | 12 | M03A, M03B, M03C, M03J, M38Z |
| 5p492↔ | | BOP, KVT, UOP4 | | 22 | Y01Z, Y02A, Y02B, Y03A, Y03B | | 19 | U01Z |
| | 12 | M04A, M04B, M04C, M04D, M04J, M04Q, M37Z, M38Z | 5p522 | | BOP, KJZSV, KVT, UOP4 | | 21A | W04A, W04B |
| 5p493↔ | | BOP, KVT, UOP4 | | 10 | K09A, K09B | | 21B | X06A, X06B, X06C |
| | 12 | M04A, M04B, M04C, M04D, M04J, M04Q, M37Z, M38Z | | 12 | M03A, M03B, M03C, M03J, M38Z | | 22 | Y01Z, Y03A, Y03B |
| | 21A | W04A, W04B | | 22 | Y01Z, Y02A, Y02B, Y03A, Y03B | | | |
| | 21B | X06A, X06B, X06C | | | | | | |

| ZZV | MDC | DRG | ZZV | MDC | DRG | ZZV | MDC | DRG | | | |
|---------|-------|------------------------------|---------|------------------------------|------------------------------|---------|------------------------------|--|---------|----|------------------------------|
| 5p536 | | BOP, KJZSV, KVT, UOP4 | 5p551 | 06 | BOP, KJZSV, KVT, UOP4 | 5p595.1 | 11 | BOP, KJZSV, KVT, UOP4 | | | |
| | 12 | M03A, M03B, M03C, M03J, M38Z | | 11 | G01Z, G02Z, G38Z | | 11 | L09A, L09B, L09C, L09J, L38Z | | | |
| | 19 | U01Z | | 12 | L08A, L08B, L08J | | 12 | M03A, M03B, M03C, M03J, M38Z | | | |
| | 21A | W04A, W04B | | Pre | M03A, M03B, M03C, M03J, M38Z | | 5p595.2 | BOP, KJZSV, KVT, UOP4 | | | |
| 5p537 | 21B | X06A, X06B, X06C | 5p552 | 06 | A13A, A13B, A13C | 5p595.2 | 11 | BOP, KJZSV, KVT, UOP4 | | | |
| | 22 | Y01Z, Y03A, Y03B | | 06 | BOP, KJZSV, KVT, UOP4 | | 11 | L09A, L09B, L09C, L09J, L38Z | | | |
| | 5p53x | | | BOP, KJZSV, KVT, UOP4 | 5p553.0 | | 10 | G01Z, G02Z, G38Z | 5p595.x | 12 | M03A, M03B, M03C, M03J, M38Z |
| | | 12 | | M03A, M03B, M03C, M03J, M38Z | | | 11 | K09A, K09B | | 11 | BOP, KJZSV, KVT, UOP4 |
| 19 | | U01Z | 12 | L08A, L08B, L08J | | 11 | L09A, L09B, L09C, L09J, L38Z | | | | |
| 21A | | W04A, W04B | Pre | M03A, M03B, M03C, M03J, M38Z | | 12 | M03A, M03B, M03C, M03J, M38Z | | | | |
| 5p541 | 21B | X06A, X06B, X06C | 5p553.1 | 06 | A13A, A13B, A13C | 5p597.1 | 11 | BOP, KJZSV, KVT, UOP4 | | | |
| | 22 | Y01Z, Y03A, Y03B | | 06 | BOP, KJZSV, KVT, UOP4 | | 11 | L09A, L09B, L09C, L09J, L38Z | | | |
| | 5p542 | | | BOP, KJZSV, KVT, UOP4 | 5p553.2 | | 11 | G01Z, G02Z, G38Z | 5p597.2 | 12 | M03A, M03B, M03C, M03J, M38Z |
| | | 10 | | K09A, K09B | | | 12 | BOP, KJZSV, KVT, UOP4 | | 11 | BOP, KJZSV, KVT, UOP4 |
| 11 | | L08A, L08B, L08J | 06 | G01Z, G02Z, G38Z | | 12 | L09A, L09B, L09C, L09J, L38Z | | | | |
| 12 | | M03A, M03B, M03C, M03J, M38Z | 11 | L08A, L08B, L08J | | 12 | M03A, M03B, M03C, M03J, M38Z | | | | |
| 5p543.0 | Pre | A13A, A13B, A13C | 5p553.3 | Pre | A13A, A13B, A13C | 5p597.x | 11 | BOP, KJZSV, KVT, UOP4 | | | |
| | 06 | BOP, KJZSV, KVT, UOP4 | | 06 | BOP, KJZSV, KVT, UOP4 | | 11 | L09A, L09B, L09C, L09J, L38Z | | | |
| | 11 | G01Z, G02Z, G38Z | | 11 | G01Z, G02Z, G38Z | | 12 | M03A, M03B, M03C, M03J, M38Z | | | |
| | 12 | L08A, L08B, L08J | | 12 | L08A, L08B, L08J | | 5p59a.0 | BOP, KVT, UOP4 | | | |
| 5p543.1 | 12 | M03A, M03B, M03C, M03J, M38Z | 5p553.x | Pre | A13A, A13B, A13C | 5p59a.1 | 12 | M03A, M03B, M03C, M03J, M38Z | | | |
| | Pre | A13A, A13B, A13C | | 06 | BOP, KJZSV, KVT, UOP4 | | 12 | BOP, KVT, UOP4 | | | |
| | 06 | BOP, KJZSV, KVT, UOP4 | | 11 | G01Z, G02Z, G38Z | | 12 | M03A, M03B, M03C, M03J, M38Z | | | |
| | 11 | G01Z, G02Z, G38Z | | 12 | L08A, L08B, L08J | | 5p59a.2 | BOP, KVT, UOP4 | | | |
| 5p543.2 | 12 | M03A, M03B, M03C, M03J, M38Z | 5p557.0 | Pre | A13A, A13B, A13C | 5p59a.2 | 05 | F01A, F01B, F01D, F05Z, F07A, F07B, F14A, F14B, F28A, F42Z, F54A, F54B, F54J, F59A, F59B | | | |
| | Pre | A13A, A13B, A13C | | 06 | BOP, KJZSV, KVT, UOP4 | | 12 | M03A, M03B, M03C, M03J, M38Z | | | |
| | 06 | BOP, KJZSV, KVT, UOP4 | | 11 | G01Z, G02Z, G38Z | | 5p59a.3 | BOP, KJZSV, KVT, UOP4 | | | |
| | 11 | L08A, L08B, L08J | | 12 | L08A, L08B, L08J | | 05 | F01A, F01B, F01D, F05Z, F07A, F07B, F14A, F14B, F28A, F42Z, F54A, F54B, F54J, F59A, F59B | | | |
| 5p543.3 | 12 | M03A, M03B, M03C, M03J, M38Z | 5p557.1 | Pre | A13A, A13B, A13C | 5p59a.4 | 12 | M03A, M03B, M03C, M03J, M38Z | | | |
| | Pre | A13A, A13B, A13C | | 06 | BOP, KJZSV, KVT, UOP4 | | 5p59a.5 | BOP, KVT, UOP4 | | | |
| | 06 | BOP, KJZSV, KVT, UOP4 | | 11 | G01Z, G02Z, G38Z | | 11 | L09A, L09B, L09C, L09J, L38Z | | | |
| | 11 | L08A, L08B, L08J | | 12 | L08A, L08B, L08J | | 12 | M03A, M03B, M03C, M03J, M38Z | | | |
| 5p543.x | 12 | M03A, M03B, M03C, M03J, M38Z | 5p557.2 | Pre | A13A, A13B, A13C | 5p59a.6 | 11 | BOP, KJZSV, KVT, UOP4 | | | |
| | Pre | A13A, A13B, A13C | | 06 | BOP, KJZSV, KVT, UOP4 | | 12 | M03A, M03B, M03C, M03J, M38Z | | | |
| | 06 | BOP, KJZSV, KVT, UOP4 | | 11 | G01Z, G02Z, G38Z | | 5p59a.6 | BOP, KJZSV, KVT, UOP4 | | | |
| | 11 | L08A, L08B, L08J | | 12 | L08A, L08B, L08J | | 11 | L09A, L09B, L09C, L09J, L38Z | | | |
| 5p54x | 12 | M03A, M03B, M03C, M03J, M38Z | 5p55x | Pre | A13A, A13B, A13C | | 12 | M03A, M03B, M03C, M03J, M38Z | | | |
| | Pre | A13A, A13B, A13C | | 06 | BOP, KJZSV, KVT, UOP4 | | | | | | |
| | 06 | BOP, KJZSV, KVT, UOP4 | | 11 | G01Z, G02Z, G38Z | | | | | | |
| | 11 | L08A, L08B, L08J | | 12 | L08A, L08B, L08J | | | | | | |
| | | M03A, M03B, M03C, M03J, M38Z | | | | | | | | | |
| | | A13A, A13B, A13C | | | | | | | | | |

VYK

Príloha B: Index Výkon-MDC-DRG

| ZZV | MDC | DRG | ZZV | MDC | DRG | ZZV | MDC | DRG |
|----------|-----|--|----------|-----|--|----------|-----|--|
| 5p59a.7 | | BOP, KJZSV, KVT, UOP4 | 5q003 | | BOP, KJZSV, KVT, UOP4 | 5q012.7↔ | | BOP, KVT, UOP4 |
| | 09 | J03A, J03B, J04A, J04B, J08A, J08B, J08C, J11A, J11B, J11J, J11Q, J11R, J11S, J16Z | | 13 | N01A, N01B, N01C, N01D, N01E, N02A, N02B, N02C, N03A, N03B, N07J, N07Z, N25J, N25Q, N25Z, N38Z | | 09 | J03A, J03B, J04A, J04B, J08A, J08B, J08C, J11A, J11B, J11J, J11Q, J11R, J11S, J16Z |
| | 12 | M03A, M03B, M03C, M03J, M38Z | 5q010.0↔ | | BOP, KJZSV, KVT, UOP4 | | 10 | K09A, K09B |
| | 21A | W04A, W04B | | 13 | N01A, N01B, N01C, N01D, N01E, N02A, N02B, N02C, N03A, N03B, N07J, N07Z, N25J, N25Q, N25Z, N38Z | | 13 | N01A, N01B, N01C, N01D, N01E, N02A, N02B, N02C, N03A, N03B, N05A, N05B, N05J, N38Z |
| | 21B | X06A, X06B, X06C | | | BOP, KVT, UOP4 | | 14 | O04A |
| | 22 | Y01Z, Y03A, Y03B | 5q010.4↔ | | BOP, KVT, UOP4 | 5q013.0↔ | | BOP, KJZSV, KVT, UOP4 |
| 5p59x | | BOP, KJZSV, KVT, UOP4 | | 13 | N01A, N01B, N01C, N01D, N01E, N02A, N02B, N02C, N03A, N03B, N07J, N07Z, N25J, N25Q, N25Z, N38Z | | 09 | J03A, J03B, J04A, J04B, J08A, J08B, J08C, J11A, J11B, J11J, J11Q, J11R, J11S, J16Z |
| | 12 | M03A, M03B, M03C, M03J, M38Z | | | BOP, KJZSV, KVT, UOP4 | | 10 | K09A, K09B |
| 5p5a0 | | BOP, KJZSV, KVT, UOP4 | 5q010.8↔ | | BOP, KJZSV, KVT, UOP4 | | 13 | N01A, N01B, N01C, N01D, N01E, N02A, N02B, N02C, N03A, N03B, N05A, N05B, N05J, N38Z |
| | 10 | K09A, K09B | | 13 | N01A, N01B, N01C, N01D, N01E, N02A, N02B, N02C, N03A, N03B, N07J, N07Z, N25J, N25Q, N25Z, N38Z | | 10 | K09A, K09B |
| | 13 | N11A, N11J | | | BOP, KJZSV, KVT, UOP4 | | 13 | N01A, N01B, N01C, N01D, N01E, N02A, N02B, N02C, N03A, N03B, N05A, N05B, N05J, N38Z |
| | 19 | U01Z | 5q011.0↔ | | BOP, KJZSV, KVT, UOP4 | | 14 | O04A |
| 5p5a1 | | BOP, KJZSV, KVT, UOP4 | | 10 | K09A, K09B | 5q013.4↔ | | BOP, KJZSV, KVT, UOP4 |
| | 10 | K09A, K09B | | 13 | N01A, N01B, N01C, N01D, N01E, N02A, N02B, N02C, N03A, N03B, N05A, N05B, N05J, N38Z | | 09 | J03A, J03B, J04A, J04B, J08A, J08B, J08C, J11A, J11B, J11J, J11Q, J11R, J11S, J16Z |
| | 12 | M03A, M03B, M03C, M03J, M38Z | 5q011.4↔ | | BOP, KVT, UOP4 | | 10 | K09A, K09B |
| | 19 | U01Z | | 10 | K09A, K09B | | 13 | N01A, N01B, N01C, N01D, N01E, N02A, N02B, N02C, N03A, N03B, N05A, N05B, N05J, N38Z |
| 5q001.0↔ | | BOP, KJZSV, KVT, UOP4 | 5q011.8↔ | | BOP, KJZSV, KVT, UOP4 | | 14 | O04A |
| | 13 | N01A, N01B, N01C, N01D, N01E, N02A, N02B, N02C, N03A, N03B, N07J, N07Z, N25J, N25Q, N25Z, N38Z | | 10 | K09A, K09B | 5q013.8↔ | | BOP, KJZSV, KVT, UOP4 |
| | | | | 13 | N01A, N01B, N01C, N01D, N01E, N02A, N02B, N02C, N03A, N03B, N05A, N05B, N05J, N38Z | | 09 | J03A, J03B, J04A, J04B, J08A, J08B, J08C, J11A, J11B, J11J, J11Q, J11R, J11S, J16Z |
| 5q001.1↔ | | BOP, KVT, UOP4 | 5q012.0 | | BOP, KJZSV, KVT, UOP4 | | 10 | K09A, K09B |
| | 13 | N01A, N01B, N01C, N01D, N01E, N02A, N02B, N02C, N03A, N03B, N07J, N07Z, N25J, N25Q, N25Z, N38Z | | 09 | J03A, J03B, J04A, J04B, J08A, J08B, J08C, J11A, J11B, J11J, J11Q, J11R, J11S, J16Z | | 13 | N01A, N01B, N01C, N01D, N01E, N02A, N02B, N02C, N03A, N03B, N05A, N05B, N05J, N38Z |
| | | | | 10 | K09A, K09B | 5q014.0↔ | | BOP, KJZSV, KVT, UOP4 |
| | 14 | O05J | | 13 | N01A, N01B, N01C, N01D, N01E, N02A, N02B, N02C, N03A, N03B, N05A, N05B, N05J, N38Z | | 13 | N01A, N01B, N01C, N01D, N01E, N02A, N02B, N02C, N03A, N03B, N04Z, N14Z, N21J, N21Z, N38Z |
| 5q001.2 | | BOP, KVT, UOP4 | 5q012.1↔ | | BOP, KVT, UOP4 | | 14 | 962Z, O02A, O02B, O04A |
| | 13 | N01A, N01B, N01C, N01D, N01E, N02A, N02B, N02C, N03A, N03B, N07J, N07Z, N25J, N25Q, N25Z, N38Z | | 09 | J03A, J03B, J04A, J04B, J08A, J08B, J08C, J11A, J11B, J11J, J11Q, J11R, J11S, J16Z | | 19 | U01Z |
| | 14 | O05J | | 10 | K09A, K09B | 5q014.4↔ | | BOP, KJZSV, KVT, UOP4 |
| 5q001.4↔ | | BOP, KVT, UOP4 | | 13 | N01A, N01B, N01C, N01D, N01E, N02A, N02B, N02C, N03A, N03B, N05A, N05B, N05J, N38Z | | 13 | N01A, N01B, N01C, N01D, N01E, N02A, N02B, N02C, N03A, N03B, N04Z, N14Z, N21J, N21Z, N38Z |
| | 13 | N01A, N01B, N01C, N01D, N01E, N02A, N02B, N02C, N03A, N03B, N07J, N07Z, N25J, N25Q, N25Z, N38Z | | 14 | O04A | | 14 | 962Z, O02A, O02B, O04A |
| | 14 | O05J | 5q012.4↔ | | BOP, KVT, UOP4 | | 19 | U01Z |
| 5q001.8↔ | | BOP, KJZSV, KVT, UOP4 | | 09 | J03A, J03B, J04A, J04B, J08A, J08B, J08C, J11A, J11B, J11J, J11Q, J11R, J11S, J16Z | | 13 | N01A, N01B, N01C, N01D, N01E, N02A, N02B, N02C, N03A, N03B, N04Z, N14Z, N21J, N21Z, N38Z |
| | 13 | N01A, N01B, N01C, N01D, N01E, N02A, N02B, N02C, N03A, N03B, N07J, N07Z, N25J, N25Q, N25Z, N38Z | | 10 | K09A, K09B | 5q014.8↔ | | BOP, KJZSV, KVT, UOP4 |
| | | | | 13 | N01A, N01B, N01C, N01D, N01E, N02A, N02B, N02C, N03A, N03B, N05A, N05B, N05J, N38Z | | 13 | N01A, N01B, N01C, N01D, N01E, N02A, N02B, N02C, N03A, N03B, N04Z, N14Z, N21J, N21Z, N38Z |
| 5q002.0 | | BOP, KJZSV, KVT, UOP4 | | 14 | O04A | | 14 | 962Z, O02A, O02B, O04A |
| | 13 | N01A, N01B, N01C, N01D, N01E, N02A, N02B, N02C, N03A, N03B, N07J, N07Z, N25J, N25Q, N25Z, N38Z | | 09 | J03A, J03B, J04A, J04B, J08A, J08B, J08C, J11A, J11B, J11J, J11Q, J11R, J11S, J16Z | | 19 | U01Z |
| | | | | 10 | K09A, K09B | | 19 | U01Z |
| 5q002.1 | | BOP, KVT, UOP4 | | 13 | N01A, N01B, N01C, N01D, N01E, N02A, N02B, N02C, N03A, N03B, N05A, N05B, N05J, N38Z | | | |
| | 13 | N01A, N01B, N01C, N01D, N01E, N02A, N02B, N02C, N03A, N03B, N07J, N07Z, N25J, N25Q, N25Z, N38Z | | 14 | O04A | | | |
| | | | | 09 | J03A, J03B, J04A, J04B, J08A, J08B, J08C, J11A, J11B, J11J, J11Q, J11R, J11S, J16Z | | | |
| 5q002.4 | | BOP, KVT, UOP4 | | 10 | K09A, K09B | | | |
| | 13 | N01A, N01B, N01C, N01D, N01E, N02A, N02B, N02C, N03A, N03B, N07J, N07Z, N25J, N25Q, N25Z, N38Z | | 13 | N01A, N01B, N01C, N01D, N01E, N02A, N02B, N02C, N03A, N03B, N05A, N05B, N05J, N38Z | | | |
| | | | | 14 | O04A | | | |
| 5q002.8 | | BOP, KJZSV, KVT, UOP4 | | 10 | K09A, K09B | | | |
| | 13 | N01A, N01B, N01C, N01D, N01E, N02A, N02B, N02C, N03A, N03B, N07J, N07Z, N25J, N25Q, N25Z, N38Z | | 13 | N01A, N01B, N01C, N01D, N01E, N02A, N02B, N02C, N03A, N03B, N05A, N05B, N05J, N38Z | | | |
| | | | | 14 | O04A | | | |

VYK

| ZZV | MDC | DRG | ZZV | MDC | DRG | ZZV | MDC | DRG |
|----------|-----|--|----------|-----|--|----------|--|------------------------------|
| 5q030.0↔ | | BOP, KJZSV, KVT, UOP4 | 5q031.8↔ | | BOP, KJZSV, KVT, UOP4 | 5q101.0↔ | 13 | BOP, KJZSV, KVT, UOP4 |
| | 09 | J03A, J03B, J04A, J04B, J08A, J08B, J08C, J11A, J11B, J11J, J11Q, J11R, J11S, J16Z | | 09 | J03A, J03B, J04A, J04B, J08A, J08B, J08C, J11A, J11B, J11J, J11Q, J11R, J11S, J16Z | | N01A, N01B, N01C, N01D, N01E, N02A, N02B, N02C, N03A, N03B, N07J, N07Z, N25J, N25Q, N25Z, N38Z | |
| | 13 | N01A, N01B, N01C, N01D, N01E, N02A, N02B, N02C, N03A, N03B, N05A, N05B, N05J, N38Z | | 13 | N01A, N01B, N01C, N01D, N01E, N02A, N02B, N02C, N03A, N03B, N05A, N05B, N05J, N38Z | | 14 | O02A, O02B, O03J, O03Z, O04A |
| 5q030.4↔ | 14 | 962Z, O03J, O03Z | 5q042.0↔ | 14 | 962Z, O03J, O03Z | 5q101.4↔ | 13 | BOP, KVT, UOP4 |
| | | BOP, KVT, UOP4 | | | BOP, KJZSV, KVT, UOP4 | | N01A, N01B, N01C, N01D, N01E, N02A, N02B, N02C, N03A, N03B, N07J, N07Z, N25J, N25Q, N25Z, N38Z | |
| | 09 | J03A, J03B, J04A, J04B, J08A, J08B, J08C, J11A, J11B, J11J, J11Q, J11R, J11S, J16Z | | 13 | N01A, N01B, N01C, N01D, N01E, N02A, N02B, N02C, N03A, N03B, N07J, N07Z, N25J, N25Q, N25Z, N38Z | | 14 | O02A, O02B, O03J, O03Z, O04A |
| 5q030.8↔ | 13 | N01A, N01B, N01C, N01D, N01E, N02A, N02B, N02C, N03A, N03B, N05A, N05B, N05J, N38Z | 5q042.4↔ | 21A | W04A, W04B | 5q101.8↔ | 13 | BOP, KJZSV, KVT, UOP4 |
| | 14 | 962Z, O03J, O03Z | | 21B | X06A, X06B, X06C | | N01A, N01B, N01C, N01D, N01E, N02A, N02B, N02C, N03A, N03B, N07J, N07Z, N25J, N25Q, N25Z, N38Z | |
| | | BOP, KJZSV, KVT, UOP4 | | 13 | BOP, KJZSV, KVT, UOP4 | | 14 | O02A, O02B, O03J, O03Z, O04A |
| 5q031.0↔ | 09 | J03A, J03B, J04A, J04B, J08A, J08B, J08C, J11A, J11B, J11J, J11Q, J11R, J11S, J16Z | 5q043.0↔ | 21A | W04A, W04B | 5q110.0 | 13 | BOP, KJZSV, KVT, UOP4 |
| | 13 | N01A, N01B, N01C, N01D, N01E, N02A, N02B, N02C, N03A, N03B, N05A, N05B, N05J, N38Z | | 21B | X06A, X06B, X06C | | N10J, N10Z | |
| | 14 | 962Z, O03J, O03Z | | 13 | BOP, KJZSV, KVT, UOP4 | | 14 | O02A, O02B, O40J, O40Z |
| 5q031.4↔ | 09 | J03A, J03B, J04A, J04B, J08A, J08B, J08C, J11A, J11B, J11J, J11Q, J11R, J11S, J16Z | 5q043.4↔ | 13 | N01A, N01B, N01C, N01D, N01E, N02A, N02B, N02C, N03A, N03B, N07J, N07Z, N25J, N25Q, N25Z, N38Z | 5q110.3 | 13 | BOP, KVT, UOP4 |
| | 13 | N01A, N01B, N01C, N01D, N01E, N02A, N02B, N02C, N03A, N03B, N05A, N05B, N05J, N38Z | | 21A | W04A, W04B | | 13 | N10J, N10Z, N11A, N11B, N11J |
| | 14 | 962Z, O03J, O03Z | | 21B | X06A, X06B, X06C | | 14 | O02A, O02B, O40J, O40Z |
| 5q031.5↔ | 09 | J03A, J03B, J04A, J04B, J08A, J08B, J08C, J11A, J11B, J11J, J11Q, J11R, J11S, J16Z | 5q043.8↔ | 13 | N01A, N01B, N01C, N01D, N01E, N02A, N02B, N02C, N03A, N03B, N07J, N07Z, N25J, N25Q, N25Z, N38Z | 5q110.4 | 13 | BOP, KVT, UOP4 |
| | 13 | N01A, N01B, N01C, N01D, N01E, N02A, N02B, N02C, N03A, N03B, N05A, N05B, N05J, N38Z | | 21A | W04A, W04B | | N10J, N10Z, N11A, N11B, N11J | |
| | 14 | 962Z, O03J, O03Z | | 21B | X06A, X06B, X06C | | 14 | O02A, O02B, O40J, O40Z |
| 5q031.7↔ | 09 | J03A, J03B, J04A, J04B, J08A, J08B, J08C, J11A, J11B, J11J, J11Q, J11R, J11S, J16Z | 5q090.0↔ | 13 | N01A, N01B, N01C, N01D, N01E, N02A, N02B, N02C, N03A, N03B, N07J, N07Z, N25J, N25Q, N25Z, N38Z | 5q110.7 | 13 | BOP, KVT, UOP4 |
| | 13 | N01A, N01B, N01C, N01D, N01E, N02A, N02B, N02C, N03A, N03B, N05A, N05B, N05J, N38Z | | 21A | W04A, W04B | | 13 | N10J, N10Z, N11A, N11B, N11J |
| | 14 | 962Z, O03J, O03Z | | 21B | X06A, X06B, X06C | | 14 | O02A, O02B, O40J, O40Z |
| 5q031.8↔ | 09 | J03A, J03B, J04A, J04B, J08A, J08B, J08C, J11A, J11B, J11J, J11Q, J11R, J11S, J16Z | 5q090.1↔ | 13 | N01A, N01B, N01C, N01D, N01E, N02A, N02B, N02C, N03A, N03B, N07J, N07Z, N25J, N25Q, N25Z, N38Z | 5q120.0↔ | 13 | BOP, KJZSV, KVT, UOP4 |
| | 13 | N01A, N01B, N01C, N01D, N01E, N02A, N02B, N02C, N03A, N03B, N05A, N05B, N05J, N38Z | | 14 | O05J | | N01A, N01B, N01C, N01D, N01E, N02A, N02B, N02C, N03A, N03B, N07J, N07Z, N25J, N25Q, N25Z, N38Z | |
| | 14 | 962Z, O03J, O03Z | | 13 | BOP, KVT, UOP4 | | 14 | O02A, O02B |
| 5q031.9↔ | 09 | J03A, J03B, J04A, J04B, J08A, J08B, J08C, J11A, J11B, J11J, J11Q, J11R, J11S, J16Z | 5q090.4↔ | 13 | N01A, N01B, N01C, N01D, N01E, N02A, N02B, N02C, N03A, N03B, N07J, N07Z, N25J, N25Q, N25Z, N38Z | 5q120.4↔ | 13 | BOP, KVT, UOP4 |
| | 13 | N01A, N01B, N01C, N01D, N01E, N02A, N02B, N02C, N03A, N03B, N05A, N05B, N05J, N38Z | | 14 | O05J | | N01A, N01B, N01C, N01D, N01E, N02A, N02B, N02C, N03A, N03B, N07J, N07Z, N25J, N25Q, N25Z, N38Z | |
| | 14 | 962Z, O03J, O03Z | | 13 | BOP, KVT, UOP4 | | 14 | O02A, O02B |
| 5q032.0↔ | 09 | J03A, J03B, J04A, J04B, J08A, J08B, J08C, J11A, J11B, J11J, J11Q, J11R, J11S, J16Z | 5q090.8↔ | 13 | N01A, N01B, N01C, N01D, N01E, N02A, N02B, N02C, N03A, N03B, N07J, N07Z, N25J, N25Q, N25Z, N38Z | 5q130.0↔ | 13 | BOP, KJZSV, KVT, UOP4 |
| | 13 | N01A, N01B, N01C, N01D, N01E, N02A, N02B, N02C, N03A, N03B, N05A, N05B, N05J, N38Z | | 14 | O05J | | N01A, N01B, N01C, N01D, N01E, N02A, N02B, N02C, N03A, N03B, N07J, N07Z, N25J, N25Q, N25Z, N38Z | |
| | 14 | 962Z, O03J, O03Z | | 13 | BOP, KJZSV, KVT, UOP4 | | 14 | O02A, O02B |
| 5q032.1↔ | 09 | J03A, J03B, J04A, J04B, J08A, J08B, J08C, J11A, J11B, J11J, J11Q, J11R, J11S, J16Z | | | | 5q130.4↔ | 13 | BOP, KVT, UOP4 |
| | 13 | N01A, N01B, N01C, N01D, N01E, N02A, N02B, N02C, N03A, N03B, N05A, N05B, N05J, N38Z | | | | | N01A, N01B, N01C, N01D, N01E, N02A, N02B, N02C, N03A, N03B, N07J, N07Z, N25J, N25Q, N25Z, N38Z | |
| | 14 | 962Z, O03J, O03Z | | | | | 962Z, O03J, O03Z | |



| ZZV | MDC | DRG | ZZV | MDC | DRG | ZZV | MDC | DRG |
|----------|-----|--|---------|-----|--|----------|-----|--|
| 5q130.8↔ | | BOP, KJZSV, KVT, UOP4 | 5q220 | | BOP, KVT, UOP4 | 5q291 | | BOP, KVT, UOP4 |
| | 13 | N01A, N01B, N01C, N01D, N01E, N02A, N02B, N02C, N03A, N03B, N07J, N07Z, N25J, N25Q, N25Z, N38Z | | 09 | J03A, J03B, J04A, J04B, J08A, J08B, J08C, J11A, J11B, J11J, J11Q, J11R, J11S, J16Z | | 13 | N13A, N13B, N13J |
| | 14 | 962Z, O03J, O03Z | | 13 | N09A, N09B, N09J, N09Q | | 14 | 962Z, O02A, O02B, O05J |
| 5q131.0↔ | | BOP, KJZSV, KVT, UOP4 | | 14 | 962Z, O02A, O02B, O05J | 5q293‡ | | BOP, KVT, UOP4 |
| | 13 | N01A, N01B, N01C, N01D, N01E, N02A, N02B, N02C, N03A, N03B, N05A, N05B, N05J, N38Z | 5q221.0 | | BOP, KJZSV, KVT, UOP4 | | 12 | M06J, M06Z, M09A, M09B, M09J, M11J, M11Z, M38Z |
| | 21A | W04A, W04B | | 09 | J03A, J03B, J04A, J04B, J08A, J08B, J08C, J11A, J11B, J11J, J11Q, J11R, J11S, J16Z | | 13 | N09A, N09B, N09J, N09Q |
| | 21B | X06A, X06B, X06C | | 13 | N01A, N01B, N01C, N01D, N01E, N02A, N02B, N02C, N03A, N03B, N09A, N09B, N09J, N09Q, N38Z | 5q401.0 | | BOP, KJZSV, KVT, UOP4 |
| 5q131.4↔ | | BOP, KVT, UOP4 | | 14 | 962Z, O02A, O02B | | 13 | N21J, N21Z, N23J, N23Q, N23Z |
| | 13 | N01A, N01B, N01C, N01D, N01E, N02A, N02B, N02C, N03A, N03B, N05A, N05B, N05J, N38Z | | 21B | X06A, X06B, X06C | | 14 | 962Z, O02A, O02B, O04A |
| | 21A | W04A, W04B | 5q221.1 | | BOP, KJZSV, KVT, UOP4 | 5q401.1 | | BOP, KJZSV, KVT, UOP4 |
| | 21B | X06A, X06B, X06C | | 09 | J03A, J03B, J04A, J04B, J08A, J08B, J08C, J11A, J11B, J11J, J11Q, J11R, J11S, J16Z | | 13 | N21J, N21Z, N23J, N23Q, N23Z |
| 5q131.8↔ | | BOP, KJZSV, KVT, UOP4 | | 13 | N01A, N01B, N01C, N01D, N01E, N02A, N02B, N02C, N03A, N03B, N09A, N09B, N09J, N09Q, N38Z | 5q401.2 | | 962Z, O02A, O02B, O04A |
| | 13 | N01A, N01B, N01C, N01D, N01E, N02A, N02B, N02C, N03A, N03B, N05A, N05B, N05J, N38Z | | 14 | 962Z, O02A, O02B | | 13 | N21J, N21Z, N23J, N23Q, N23Z |
| | 21A | W04A, W04B | | 21B | X06A, X06B, X06C | | 14 | 962Z, O02A, O02B, O04A |
| | 21B | X06A, X06B, X06C | | 09 | J03A, J03B, J04A, J04B, J08A, J08B, J08C, J11A, J11B, J11J, J11Q, J11R, J11S, J16Z | 5q401.4 | | BOP, KVT, UOP4 |
| 5q132.0 | | BOP, KJZSV, KVT, UOP4 | | 13 | N01A, N01B, N01C, N01D, N01E, N02A, N02B, N02C, N03A, N03B, N09A, N09B, N09J, N09Q, N38Z | | 13 | N21J, N21Z, N23J, N23Q, N23Z |
| | 13 | N01A, N01B, N01C, N01D, N01E, N02A, N02B, N02C, N03A, N03B, N05A, N05B, N05J, N38Z | 5q221.4 | | BOP, KJZSV, KVT, UOP4 | 5q401.7 | | BOP, KJZSV, KVT, UOP4 |
| | 21A | W04A, W04B | | 09 | J03A, J03B, J04A, J04B, J08A, J08B, J08C, J11A, J11B, J11J, J11Q, J11R, J11S, J16Z | | 13 | N23J, N23Q, N23Z |
| | 21B | X06A, X06B, X06C | | 14 | 962Z, O02A, O02B | | 14 | 962Z, O02A, O02B, O04A |
| 5q132.4 | | BOP, KVT, UOP4 | | 21B | X06A, X06B, X06C | 5q401.8 | | BOP, KJZSV, KVT, UOP4 |
| | 13 | N01A, N01B, N01C, N01D, N01E, N02A, N02B, N02C, N03A, N03B, N05A, N05B, N05J, N38Z | | 09 | J03A, J03B, J04A, J04B, J08A, J08B, J08C, J11A, J11B, J11J, J11Q, J11R, J11S, J16Z | | 13 | N21J, N21Z, N23J, N23Q, N23Z |
| | 21A | W04A, W04B | 5q221.7 | | BOP, KJZSV, KVT, UOP4 | 5q401.a1 | | 962Z, O02A, O02B, O04A |
| | 21B | X06A, X06B, X06C | | 09 | J03A, J03B, J04A, J04B, J08A, J08B, J08C, J11A, J11B, J11J, J11Q, J11R, J11S, J16Z | | 13 | N21J, N21Z, N23J, N23Q, N23Z |
| 5q132.8 | | BOP, KJZSV, KVT, UOP4 | | 13 | N01A, N01B, N01C, N01D, N01E, N02A, N02B, N02C, N03A, N03B, N09A, N09B, N09J, N09Q, N38Z | 5q402.2 | | BOP, KVT, UOP4 |
| | 13 | N01A, N01B, N01C, N01D, N01E, N02A, N02B, N02C, N03A, N03B, N05A, N05B, N05J, N38Z | | 14 | 962Z, O02A, O02B | | 13 | N01A, N01B, N01C, N01D, N01E, N02A, N02B, N02C, N03A, N03B, N07J, N07Z, N25J, N25Q, N25Z, N38Z |
| | 21A | W04A, W04B | | 21B | X06A, X06B, X06C | | 14 | 962Z, O02A, O02B, O05J |
| | 21B | X06A, X06B, X06C | | 09 | J03A, J03B, J04A, J04B, J08A, J08B, J08C, J11A, J11B, J11J, J11Q, J11R, J11S, J16Z | 5q402.7 | | BOP, KVT, UOP4 |
| 5q133↔ | | BOP, KJZSV, KVT, UOP4 | | 13 | N01A, N01B, N01C, N01D, N01E, N02A, N02B, N02C, N03A, N03B, N09A, N09B, N09J, N09Q, N38Z | | 13 | N01A, N01B, N01C, N01D, N01E, N02A, N02B, N02C, N03A, N03B, N07J, N07Z, N25J, N25Q, N25Z, N38Z |
| | 13 | N01A, N01B, N01C, N01D, N01E, N02A, N02B, N02C, N03A, N03B, N07J, N07Z, N25J, N25Q, N25Z, N38Z | | 14 | 962Z, O02A, O02B | | 14 | 962Z, O02A, O02B, O05J |
| | 21A | W04A, W04B | | 21B | X06A, X06B, X06C | 5q403.1 | | BOP, KVT, UOP4 |
| | 21B | X06A, X06B, X06C | | 13 | BOP, KVT, UOP4 | | 13 | N01A, N01B, N01C, N01D, N01E, N02A, N02B, N02C, N03A, N03B, N07J, N07Z, N25J, N25Q, N25Z, N38Z |
| 5q140↔ | | BOP, KVT, UOP4 | | 14 | 962Z, O02A, O02B | | 14 | 962Z, O02A, O02B |
| | 13 | N10J, N10Z | 5q223 | | X06A, X06B, X06C | | 14 | 962Z, O02A, O02B |
| | 13 | N10J, N10Z | | 13 | BOP, KVT, UOP4 | 5q403.2 | | BOP, KJZSV, KVT, UOP4 |
| | 13 | N10J, N10Z | | 14 | N13A, N13B, N13J | | 13 | N01A, N01B, N01C, N01D, N01E, N02A, N02B, N02C, N03A, N03B, N07J, N07Z, N25J, N25Q, N25Z, N38Z |
| 5q210 | | BOP, KVT, UOP4 | | 14 | O05J | | 14 | 962Z, O02A, O02B |
| | 13 | N09A, N09B, N09J, N09Q | 5q230 | | BOP, KJZSV, KVT, UOP4 | | 14 | 962Z, O02A, O02B |
| | 14 | O05J | | 13 | N13A, N13B, N13J | | 13 | N01A, N01B, N01C, N01D, N01E, N02A, N02B, N02C, N03A, N03B, N07J, N07Z, N25J, N25Q, N25Z, N38Z |
| | 21A | W04A, W04B | | 14 | 962Z, O02A, O02B, O05A | | 14 | 962Z, O02A, O02B |
| | 21B | X06A, X06B, X06C | | 21A | W04A, W04B | 5q403.3 | | BOP, KJZSV, KVT, UOP4 |
| 5q211 | | BOP, KVT, UOP4 | | 21B | X06A, X06B, X06C | | 13 | N01A, N01B, N01C, N01D, N01E, N02A, N02B, N02C, N03A, N03B, N07J, N07Z, N25J, N25Q, N25Z, N38Z |
| | 13 | N09A, N09B, N09J, N09Q | 5q231.0 | | BOP, KJZSV, KVT, UOP4 | | 14 | 962Z, O02A, O02B |
| | 14 | O05J | | 13 | N13A, N13B, N13J | | 13 | N01A, N01B, N01C, N01D, N01E, N02A, N02B, N02C, N03A, N03B, N07J, N07Z, N25J, N25Q, N25Z, N38Z |
| | 21A | W04A, W04B | | 14 | 962Z, O02A, O02B, O05A | | 14 | 962Z, O02A, O02B |
| | 21B | X06A, X06B, X06C | | 21A | W04A, W04B | | 13 | N01A, N01B, N01C, N01D, N01E, N02A, N02B, N02C, N03A, N03B, N07J, N07Z, N25J, N25Q, N25Z, N38Z |
| 5q212 | | BOP, KVT, UOP4 | | 21B | X06A, X06B, X06C | | 14 | 962Z, O02A, O02B |
| | 13 | N09A, N09B, N09J, N09Q | 5q231.4 | | BOP, KJZSV, KVT, UOP4 | | 13 | N01A, N01B, N01C, N01D, N01E, N02A, N02B, N02C, N03A, N03B, N07J, N07Z, N25J, N25Q, N25Z, N38Z |
| | 14 | O05J | | 13 | N13A, N13B, N13J | | 14 | 962Z, O02A, O02B |
| | 21A | W04A, W04B | | 14 | 962Z, O02A, O02B, O05A | | 14 | 962Z, O02A, O02B |
| | 21B | X06A, X06B, X06C | | 21A | W04A, W04B | | | |
| 5q213 | | BOP, KVT, UOP4 | | 21B | X06A, X06B, X06C | | | |
| | 13 | N09A, N09B, N09J, N09Q | | 13 | N09A, N09B, N09J, N09Q | | | |
| | 14 | O05J | 5q290‡ | | | | | |

| ZZV | MDC | DRG | ZZV | MDC | DRG | ZZV | MDC | DRG |
|----------|-----|--|----------|-----|--|----------|-----|--|
| 5q404.0 | | BOP, KJZSV, KVT, UOP4 | 5q426.20 | | BOP, KJZSV, KVT, UOP4 | 5q427.18 | | BOP, KJZSV, KVT, UOP4 |
| | 13 | N01A, N01B, N01C, N01D, N01E, N02A, N02B, N02C, N03A, N03B, N07J, N07Z, N25J, N25Q, N25Z, N38Z | | 13 | N01A, N01B, N01C, N01D, N01E, N02A, N02B, N02C, N03A, N03B, N04Z, N14Z, N21J, N21Z, N38Z | | 13 | N01A, N01B, N01C, N01D, N01E, N02A, N02B, N02C, N03A, N03B, N04Z, N14Z, N21J, N21Z, N38Z |
| | 14 | 962Z, O02A, O02B | | 14 | 962Z, O02A, O02B, O04A | | 14 | 962Z, O02A, O02B, O04A |
| 5q404.4 | | BOP, KVT, UOP4 | 5q426.24 | | BOP, KVT, UOP4 | 5q427.21 | | BOP, KVT, UOP4 |
| | 13 | N01A, N01B, N01C, N01D, N01E, N02A, N02B, N02C, N03A, N03B, N07J, N07Z, N25J, N25Q, N25Z, N38Z | | 13 | N01A, N01B, N01C, N01D, N01E, N02A, N02B, N02C, N03A, N03B, N04Z, N14Z, N21J, N21Z, N38Z | | 11 | L06A, L06B, L06J |
| | 14 | 962Z, O02A, O02B | | 14 | 962Z, O02A, O02B, O04A | | 13 | N06J, N06Q, N06Z, N14Z |
| 5q404.8 | | BOP, KJZSV, KVT, UOP4 | 5q426.28 | | BOP, KJZSV, KVT, UOP4 | 5q427.22 | | O04A |
| | 13 | N01A, N01B, N01C, N01D, N01E, N02A, N02B, N02C, N03A, N03B, N07J, N07Z, N25J, N25Q, N25Z, N38Z | | 13 | N01A, N01B, N01C, N01D, N01E, N02A, N02B, N02C, N03A, N03B, N04Z, N14Z, N21J, N21Z, N38Z | | 11 | BOP, KVT, UOP4 |
| | 14 | 962Z, O02A, O02B | | 14 | 962Z, O02A, O02B, O04A | | 11 | L06A, L06B, L06J |
| 5q405.0 | | BOP, KJZSV, KVT, UOP4 | 5q426.30 | | BOP, KJZSV, KVT, UOP4 | 5q427.23 | | N06J, N06Q, N06Z, N14Z |
| | 13 | N09A, N09B, N09J, N09Q | | 13 | N01A, N01B, N01C, N01D, N01E, N02A, N02B, N02C, N03A, N03B, N04Z, N14Z, N21J, N21Z, N38Z | | 13 | O04A |
| 5q405.4 | | BOP, KJZSV, KVT, UOP4 | | | | | | BOP, KJZSV, KVT, UOP4 |
| | 13 | N09A, N09B, N09J, N09Q | | | | | | L06A, L06B, L06J |
| 5q405.8 | | BOP, KJZSV, KVT, UOP4 | | | | | | N06J, N06Q, N06Z, N14Z |
| | 13 | N09A, N09B, N09J, N09Q | | | | | | O04A |
| 5q410.0 | | BOP, KJZSV, KVT, UOP4 | 5q426.31 | | BOP, KVT, UOP4 | 5q428.00 | | BOP, KJZSV, KVT, UOP4 |
| | 13 | N01A, N01B, N01C, N01D, N01E, N02A, N02B, N02C, N03A, N03B, N04Z, N14Z, N21J, N21Z, N38Z | | 13 | N01A, N01B, N01C, N01D, N01E, N02A, N02B, N02C, N03A, N03B, N04Z, N14Z, N21J, N21Z, N38Z | | 13 | N01A, N01B, N01C, N01D, N01E, N02A, N02B, N02C, N03A, N03B, N04Z, N14Z, N21J, N21Z, N38Z |
| | 14 | 962Z, O02A, O02B | | 14 | 962Z, O02A, O02B | | 14 | 962Z, O02A, O02B, O04A |
| 5q410.4 | | BOP, KJZSV, KVT, UOP4 | 5q426.34 | | BOP, KVT, UOP4 | 5q428.04 | | U01Z |
| | 13 | N01A, N01B, N01C, N01D, N01E, N02A, N02B, N02C, N03A, N03B, N04Z, N14Z, N21J, N21Z, N38Z | | 13 | N01A, N01B, N01C, N01D, N01E, N02A, N02B, N02C, N03A, N03B, N04Z, N14Z, N21J, N21Z, N38Z | | 13 | BOP, KJZSV, KVT, UOP4 |
| | 14 | 962Z, O02A, O02B | | 14 | 962Z, O02A, O02B | | 14 | N01A, N01B, N01C, N01D, N01E, N02A, N02B, N02C, N03A, N03B, N04Z, N14Z, N21J, N21Z, N38Z |
| 5q410.7 | | BOP, KJZSV, KVT, UOP4 | 5q426.37 | | BOP, KVT, UOP4 | 5q428.07 | | 962Z, O02A, O02B, O04A |
| | 13 | N01A, N01B, N01C, N01D, N01E, N02A, N02B, N02C, N03A, N03B, N04Z, N14Z, N21J, N21Z, N38Z | | 13 | N01A, N01B, N01C, N01D, N01E, N02A, N02B, N02C, N03A, N03B, N04Z, N14Z, N21J, N21Z, N38Z | | 13 | U01Z |
| | 14 | 962Z, O02A, O02B | | 14 | 962Z, O02A, O02B | | 13 | BOP, KJZSV, KVT, UOP4 |
| 5q420 | | BOP, KVT, UOP4 | 5q426.38 | | BOP, KJZSV, KVT, UOP4 | 5q428.08 | | N01A, N01B, N01C, N01D, N01E, N02A, N02B, N02C, N03A, N03B, N04Z, N14Z, N21J, N21Z, N38Z |
| | 13 | N01A, N01B, N01C, N01D, N01E, N02A, N02B, N02C, N03A, N03B, N04Z, N14Z, N21J, N21Z, N38Z | | 13 | N01A, N01B, N01C, N01D, N01E, N02A, N02B, N02C, N03A, N03B, N04Z, N14Z, N21J, N21Z, N38Z | | 13 | 962Z, O02A, O02B, O04A |
| | 14 | 962Z, O02A, O02B | | 14 | 962Z, O02A, O02B | | 14 | U01Z |
| 5q426.10 | | BOP, KJZSV, KVT, UOP4 | 5q427.10 | | BOP, KJZSV, KVT, UOP4 | 5q428.10 | | BOP, KJZSV, KVT, UOP4 |
| | 13 | N01A, N01B, N01C, N01D, N01E, N02A, N02B, N02C, N03A, N03B, N04Z, N14Z, N21J, N21Z, N38Z | | 13 | N01A, N01B, N01C, N01D, N01E, N02A, N02B, N02C, N03A, N03B, N04Z, N14Z, N21J, N21Z, N38Z | | 13 | N01A, N01B, N01C, N01D, N01E, N02A, N02B, N02C, N03A, N03B, N04Z, N14Z, N21J, N21Z, N38Z |
| | 14 | 962Z, O02A, O02B | | 14 | 962Z, O02A, O02B, O04A | | 14 | 962Z, O02A, O02B, O04A |
| 5q426.14 | | BOP, KVT, UOP4 | 5q427.11 | | BOP, KVT, UOP4 | 5q428.20 | | U01Z |
| | 13 | N01A, N01B, N01C, N01D, N01E, N02A, N02B, N02C, N03A, N03B, N04Z, N14Z, N21J, N21Z, N38Z | | 13 | N01A, N01B, N01C, N01D, N01E, N02A, N02B, N02C, N03A, N03B, N04Z, N14Z, N21J, N21Z, N38Z | | 13 | BOP, KJZSV, KVT, MVV, UOP4 |
| | 14 | 962Z, O02A, O02B | | 14 | 962Z, O02A, O02B, O04A | | 14 | N01A, N01B, N01C, N01D, N01E, N38Z |
| 5q426.18 | | BOP, KJZSV, KVT, UOP4 | 5q427.14 | | BOP, KVT, UOP4 | 5q428.24 | | 962Z, O02A, O02B |
| | 13 | N01A, N01B, N01C, N01D, N01E, N02A, N02B, N02C, N03A, N03B, N04Z, N14Z, N21J, N21Z, N38Z | | 13 | N01A, N01B, N01C, N01D, N01E, N02A, N02B, N02C, N03A, N03B, N04Z, N14Z, N21J, N21Z, N38Z | | 13 | BOP, KJZSV, KVT, MVV, UOP4 |
| | 14 | 962Z, O02A, O02B | | 14 | 962Z, O02A, O02B, O04A | | 14 | N01A, N01B, N01C, N01D, N01E, N38Z |
| | | | 5q427.17 | | BOP, KVT, UOP4 | 5q428.27 | | 962Z, O02A, O02B |
| | | | | 13 | N01A, N01B, N01C, N01D, N01E, N02A, N02B, N02C, N03A, N03B, N04Z, N14Z, N21J, N21Z, N38Z | | 13 | BOP, KJZSV, KVT, MVV, UOP4 |
| | | | | 14 | 962Z, O02A, O02B, O04A | | 13 | N01A, N01B, N01C, N01D, N01E, N38Z |
| | | | | | | | 14 | 962Z, O02A, O02B |

VYK

| ZZV | MDC | DRG | ZZV | MDC | DRG | ZZV | MDC | DRG |
|----------|-----|--|---------|-----|--|---------|-----|--|
| 5q428.28 | | BOP, KJZSV, KVT, MVV, UOP4 | 5q595 | | BOP, KVT, UOP4 | 5q633.0 | | BOP, KJZSV, KVT, UOP4 |
| | 13 | N01A, N01B, N01C, N01D, N01E, N38Z | | 13 | N01A, N01B, N01C, N01D, N01E, N02A, N02B, N02C, N03A, N03B, N07J, N07Z, N25J, N25Q, N25Z, N38Z | | 06 | G18A, G38Z |
| 5q428.30 | | 962Z, O02A, O02B BOP, KJZSV, KVT, MVV, UOP4 | | 14 | 962Z, O02A, O02B | 5q633.7 | | G18A, G38Z |
| | 13 | N01A, N01B, N01C, N01D, N01E, N38Z | 5q596 | | BOP, KVT, UOP4 | | 06 | BOP, KJZSV, KVT, UOP4 |
| 5q428.34 | | 962Z, O02A, O02B BOP, KJZSV, KVT, MVV, UOP4 | | 05 | F21A, F21B, F21J | | 13 | G18A, G38Z |
| | 13 | N01A, N01B, N01C, N01D, N01E, N38Z | | 06 | G10Z, G12A, G12B, G12J | 5q634.0 | | N04Z, N06J, N06Q, N06Z |
| | 14 | 962Z, O02A, O02B | | 07 | H12A, H12B | | 19 | U01Z |
| | 13 | N01A, N01B, N01C, N01D, N01E, N38Z | | 11 | L09A, L09B, L09C, L09J, L38Z | | 06 | BOP, KJZSV, KVT, UOP4 |
| 5q428.37 | | 962Z, O02A, O02B BOP, KJZSV, KVT, MVV, UOP4 | | 13 | N11A, N11B, N11J | | 13 | G18A, G38Z |
| | 13 | N01A, N01B, N01C, N01D, N01E, N38Z | | 14 | O04A | 5q634.7 | | N04Z, N06J, N06Q, N06Z |
| | 14 | 962Z, O02A, O02B | | 17 | R01A, R01B, R01C, R01D, R02Z, R12A, R12B, R12C | | 19 | U01Z |
| | 13 | N01A, N01B, N01C, N01D, N01E, N38Z | | 21A | W04A, W04B | | 06 | BOP, KJZSV, KVT, UOP4 |
| 5q428.38 | | 962Z, O02A, O02B BOP, KJZSV, KVT, MVV, UOP4 | 5q597.0 | | X06A, X06B, X06C | 5q640 | | G18A, G38Z |
| | 13 | N01A, N01B, N01C, N01D, N01E, N38Z | | 22 | Y01Z, Y03A, Y03B | | 11 | N04Z, N06J, N06Q, N06Z |
| | 14 | 962Z, O02A, O02B | | | BOP, KJZSV, KVT, UOP4 | | 13 | U01Z |
| | 13 | N01A, N01B, N01C, N01D, N01E, N38Z | 5q597.4 | | L06A, L06B, L06J | 5q641 | | BOP, KVT, UOP4 |
| 5q501 | | 962Z, O02A, O02B N10J, N10Z | | 11 | N06J, N06Q, N06Z, N14Z | | 11 | L06A, L06B, L06J |
| | 13 | N10J, N10Z | | 13 | BOP, KVT, UOP4 | 5q642 | | N06J, N06Q, N06Z, N14Z |
| 5q502 | | 962Z, O02A, O02B, O40J, O40Z | 5q597.7 | | L06A, L06B, L06J | | 14 | O04A |
| | 13 | N10J, N10Z | | 11 | N06J, N06Q, N06Z, N14Z | | 11 | BOP, KVT, UOP4 |
| 5q520 | | 962Z, O02A, O02B, O40J, O40Z | 5q597.8 | | L06A, L06B, L06J | 5q650.4 | | L06A, L06B, L06J |
| | 06 | G10Z, G12A, G12B, G12J | | 13 | N06J, N06Q, N06Z, N14Z | | 13 | N04Z, N06J, N06Q, N06Z, N14Z |
| | 10 | K09A, K09B | 5q598† | | N10J, N10Z | | 19 | U01Z |
| | 13 | N11A, N11B, N11J | 5q610 | | BOP, UOP4 | | 21A | W04A, W04B |
| | 17 | R01A, R01B, R01C, R01D, R02Z, R12A, R12B, R12C | | 13 | N09A, N09B, N09J, N09Q | 5q650.7 | | X06A, X06B, X06C |
| 5q530.0 | | 962Z, O02A, O02B BOP, KJZSV, KVT, UOP4 | 5q620.1 | | 962Z, O02A, O02B BOP, UOP4 | | 13 | BOP, KJZSV, KVT, UOP4 |
| | 13 | N04Z, N06J, N06Q, N06Z | | 09 | J03A, J03B, J04A, J04B, J08A, J08B, J08C, J11A, J11B, J11C, J11J, J11Q, J11R, J11S, J16Z | | 19 | N03A, N04Z, N06J, N06Q, N06Z, N38Z |
| | 14 | 962Z, O02A, O02B | | 13 | N09A, N09B, N09J, N09Q | | 21A | U01Z |
| | 21A | W04A, W04B | | 14 | 962Z, O05J, O60A, O60B, O60C, O60D | 5q651 | | W04A, W04B |
| | 21B | X06A, X06B, X06C | | | BOP, UOP4 | | 21B | X06A, X06B, X06C |
| 5q530.3 | | 962Z, O02A, O02B BOP, KJZSV, KVT, UOP4 | 5q620.2 | | J03A, J03B, J04A, J04B, J08A, J08B, J08C, J11A, J11B, J11C, J11J, J11Q, J11R, J11S, J16Z | | | BOP, KVT, UOP4 |
| | 13 | N01A, N01B, N01C, N01D, N01E, N02A, N02B, N02C, N03A, N03B, N07J, N07Z, N25J, N25Q, N25Z, N38Z | | 09 | J03A, J03B, J04A, J04B, J08A, J08B, J08C, J11A, J11B, J11C, J11J, J11Q, J11R, J11S, J16Z | 5q652 | | N09A, N09B, N09J, N09Q |
| | 14 | 962Z, O02A, O02B | | 11 | L09A, L09B, L09C, L09J, L38Z | | 13 | BOP, KJZSV, KVT, UOP4 |
| | 21A | W04A, W04B | | 13 | N13A, N13B, N13J | 5q653 | | N04Z, N06J, N06Q, N06Z |
| | 21B | X06A, X06B, X06C | | 14 | 962Z, O02A, O02B, O05J | | 13 | U01Z |
| 5q530.4 | | 962Z, O02A, O02B BOP, KJZSV, KVT, UOP4 | 5q621 | | W04A, W04B | | 19 | U01Z |
| | 13 | N04Z, N06J, N06Q, N06Z | | 21A | X06A, X06B, X06C | 5q654 | | W04A, W04B |
| | 14 | 962Z, O02A, O02B | | 21B | X06A, X06B, X06C | | 21B | X06A, X06B, X06C |
| | 21A | W04A, W04B | | | BOP, UOP4 | | | BOP, KJZSV, KVT, UOP4 |
| | 21B | X06A, X06B, X06C | | 09 | J03A, J03B, J04A, J04B, J08A, J08B, J08C, J11A, J11B, J11C, J11J, J11Q, J11R, J11S, J16Z | | 13 | N04Z, N06J, N06Q, N06Z |
| 5q530.8 | | 962Z, O02A, O02B BOP, KJZSV, KVT, UOP4 | | 13 | N13A, N13B, N13J | 5q690 | | U01Z |
| | 13 | N04Z, N06J, N06Q, N06Z | | 14 | 962Z, O02A, O02B, O05J | | 21A | W04A, W04B |
| | 14 | 962Z, O02A, O02B | | 21B | X06A, X06B, X06C | | 21B | X06A, X06B, X06C |
| | 21A | W04A, W04B | | | BOP, KVT, UOP4 | | | BOP, KJZSV, KVT, UOP4 |
| | 21B | X06A, X06B, X06C | | 13 | N04Z, N06J, N06Q, N06Z | | 11 | L06A, L06B, L06J |
| 5q590† | | N10J, N10Z | 5q630 | | N04Z, N06J, N06Q, N06Z | | 12 | M06J, M06Z, M09A, M09B, M09J, M38Z |
| 5q591† | | N10J, N10Z | | 13 | N04Z, N06J, N06Q, N06Z | | 13 | N04Z, N06J, N06Q, N06Z |
| 5q593 | | 962Z, O02A, O02B, O40J, O40Z | | 21A | W04A, W04B | | 17 | R01A, R01B, R01C, R01D, R02Z, R12A, R12B, R12C |
| 5q594 | | 962Z, O02A, O02B, O40J, O40Z | 5q632 | | X06A, X06B, X06C | | 21A | W04A, W04B |
| | 13 | N10J, N10Z | | | BOP, KVT, UOP4 | | 21B | X06A, X06B, X06C |
| | 14 | 962Z, O02A, O02B, O40J, O40Z | | 06 | G18A, G38Z | | | |
| | | | | 13 | N04Z, N06J, N06Q, N06Z | | | |
| | | | | 19 | U01Z | | | |

| ZZV | MDC | DRG | ZZV | MDC | DRG | ZZV | MDC | DRG | | | | | | |
|-------|---------|--|--|--|--|--|------------------------------------|--|------------------------|-----------------------|--|--------|----|-------|
| 5q691 | | BOP, KJZSV, KVT, UOP4 | 5q720.2 | | BOP, UOP4 | 5q752 | | BOP, KJZSV, KVT, UOP4 | | | | | | |
| | 09 | J03A, J03B, J04A, J04B, J08A, J08B, J08C, J11A, J11B, J11J, J11Q, J11R, J11S, J16Z | | 09 | J03A, J03B, J04A, J04B, J08A, J08B, J08C, J11A, J11B, J11C, J11J, J11Q, J11R, J11S, J16Z | | 13 | N09A, N09B, N09J, N09Q | | | | | | |
| | 10 | K09A, K09B | | 11 | L09A, L09B, L09C, L09J, L38Z | | 21A | W04A, W04B | | | | | | |
| | 13 | N13A, N13B, N13J | | 13 | N13A, N13B, N13J | | 21B | X06A, X06B, X06C | | | | | | |
| | 14 | 962Z, O60A, O60B, O60C, O60D | | 14 | 962Z, O02A, O02B, O05J | | 5q753 | 13 | N09A, N09B, N09J, N09Q | | | | | |
| | 21A | W04A, W04B | | 21A | W04A, W04B | | | 21A | W04A, W04B | | | | | |
| | 21B | X06A, X06B, X06C | | 21B | X06A, X06B, X06C | | 21B | X06A, X06B, X06C | | | | | | |
| | 5q692 | | | BOP, KJZSV, KVT, UOP4 | 5q721 | | | BOP, UOP4 | 5q790 | | BOP, KJZSV, UOP4 | | | |
| | | 09 | | J03A, J03B, J04A, J04B, J08A, J08B, J08C, J11A, J11B, J11J, J11Q, J11R, J11S, J16Z | | | 09 | J03A, J03B, J04A, J04B, J08A, J08B, J08C, J11A, J11B, J11C, J11J, J11Q, J11R, J11S, J16Z | | 09 | J03A, J03B, J04A, J04B, J08A, J08B, J08C, J11A, J11B, J11J, J11Q, J11R, J11S, J16Z | | | |
| | | 10 | | K09A, K09B | | | 13 | N09A, N09B, N09J, N09Q | | 10 | K09A, K09B | | | |
| 13 | | N13A, N13B, N13J | 14 | 962Z, O05J, O60A, O60B, O60C, O60D | | 13 | N09A, N09B, N09J, N09Q | | | | | | | |
| 14 | | 962Z, O60A, O60B, O60C, O60D | 5q722 | | | BOP, KJZSV, KVT, UOP4 | 14 | 962Z, O60A, O60B, O60C, O60D | | | | | | |
| 21A | | W04A, W04B | | 13 | | N09A, N09B, N09J, N09Q | 21A | W04A, W04B | | | | | | |
| 21B | | X06A, X06B, X06C | 21A | W04A, W04B | | 21B | X06A, X06B, X06C | | | | | | | |
| 5q693 | | | BOP, KJZSV, KVT, UOP4 | 5q730 | | | BOP, KJZSV, UOP4 | 5r111‡ | | | KJZSV | | | |
| | | 09 | J03A, J03B, J04A, J04B, J08A, J08B, J08C, J11A, J11B, J11J, J11Q, J11R, J11S, J16Z | | | 10 | K09A, K09B | | | 14 | 962Z | | | |
| | | 10 | K09A, K09B | | | 13 | N13A, N13B, N13J | | | 14 | 962Z | | | |
| | 13 | N13A, N13B, N13J | 5q731 | | | BOP, KJZSV, UOP4 | 14 | | 962Z | | | | | |
| | 14 | 962Z, O60A, O60B, O60C, O60D | | | 10 | K09A, K09B | 14 | | 962Z | | | | | |
| | 21A | W04A, W04B | 13 | | N13A, N13B, N13J | 14 | 962Z | | | | | | | |
| | 21B | X06A, X06B, X06C | 10 | | K09A, K09B | 14 | 962Z | | | | | | | |
| | 5q710 | | BOP, UOP4 | | 5q732 | | BOP, KJZSV, UOP4 | | 5r121‡ | | KJZSV | | | |
| | | 09 | J03A, J03B, J04A, J04B, J08A, J08B, J08C, J11A, J11B, J11J, J11Q, J11R, J11S, J16Z | | | 13 | N13A, N13B, N13J | | | 14 | 962Z | | | |
| | | 13 | N09A, N09B, N09J, N09Q | | | 19 | U01Z | | | 14 | 962Z | | | |
| 14 | | 962Z, O02A, O02B, O05J | 5q740 | | | BOP, KJZSV, KVT, UOP4 | 14 | 962Z | | | | | | |
| 09 | | J03A, J03B, J04A, J04B, J08A, J08B, J08C, J11A, J11B, J11J, J11Q, J11R, J11S, J16Z | | 13 | | N13A, N13B, N13J | 14 | 962Z | | | | | | |
| 5q711 | | | BOP, UOP4 | 5q741 | | | BOP, KJZSV, KOP, KOPV, KVT, UOP4 | 5r131‡ | | | KJZSV | | | |
| | | 09 | J03A, J03B, J04A, J04B, J08A, J08B, J08C, J11A, J11B, J11J, J11Q, J11R, J11S, J16Z | | | 06 | G33Z | | | 14 | 962Z | | | |
| | | 13 | N09A, N09B, N09J, N09Q | | | 07 | H33Z, H38Z | | | 14 | 962Z | | | |
| | | 14 | 962Z, O02A, O02B, O05J | | | 11 | L33Z | | | 14 | 962Z | | | |
| | | 5q712 | | | | BOP, UOP4 | 5q742 | | | | BOP, KJZSV, UOP4 | 5r133‡ | | KJZSV |
| | 09 | | J03A, J03B, J04A, J04B, J08A, J08B, J08C, J11A, J11B, J11J, J11Q, J11R, J11S, J16Z | | 13 | N01A, N01B, N01C, N01D, N01E, N38Z | | | 14 | 962Z | | | | |
| | 13 | | N09A, N09B, N09J, N09Q | | 21B | X33Z | | | 14 | 962Z | | | | |
| | 14 | | 962Z, O02A, O02B, O05J | | 23 | Z01A | | | 14 | 962Z | | | | |
| | 5q720.1 | | | | BOP, UOP4 | 5q743 | | | | BOP, KJZSV, KVT, UOP4 | 5r141‡ | | | KJZSV |
| | | | 09 | | J03A, J03B, J04A, J04B, J08A, J08B, J08C, J11A, J11B, J11C, J11J, J11Q, J11R, J11S, J16Z | | | | Pre | A07A | | | 14 | 962Z |
| 13 | | | N09A, N09B, N09J, N09Q | 5q742 | | | | BOP, KJZSV, UOP4 | 14 | 962Z | | | | |
| 14 | | | 962Z, O02A, O02B, O05J | | 09 | | | J03A, J03B, J04A, J04B, J08A, J08B, J08C, J11A, J11B, J11J, J11Q, J11R, J11S, J16Z | 14 | 962Z | | | | |
| 5q721 | | | | BOP, KJZSV, KVT, UOP4 | 5q750 | | | | BOP, KVT, UOP4 | 5r142‡ | | | | KJZSV |
| | | | 09 | J03A, J03B, J04A, J04B, J08A, J08B, J08C, J11A, J11B, J11J, J11Q, J11R, J11S, J16Z | | | | 13 | N09A, N09B, N09J, N09Q | | | | 14 | 962Z |
| | | 13 | N09A, N09B, N09J, N09Q | 14 | | | 962Z, O60A, O60B, O60C, O60D | 14 | 962Z | | | | | |
| | | 14 | 962Z, O05J, O60A, O60B, O60C, O60D | 21A | | | W04A, W04B | 14 | 962Z | | | | | |
| | | 5q722 | | BOP, KJZSV, KVT, UOP4 | | | 5q751 | | BOP, KJZSV, KVT, UOP4 | | | 5r213‡ | | KJZSV |
| | | | 09 | J03A, J03B, J04A, J04B, J08A, J08B, J08C, J11A, J11B, J11J, J11Q, J11R, J11S, J16Z | | | | 21B | X06A, X06B, X06C | | | | 14 | 962Z |
| | 13 | | N09A, N09B, N09J, N09Q | 13 | | N13A, N13B, N13J | | 14 | 962Z | | | | | |
| | 14 | | 962Z, O05J, O60A, O60B, O60C, O60D | 5q750 | | | | BOP, KVT, UOP4 | 14 | | 962Z | | | |
| | 21A | | W04A, W04B | | | 13 | | N09A, N09B, N09J, N09Q | 14 | | 962Z | | | |
| | 21B | | X06A, X06B, X06C | 14 | | O05J | | 14 | 962Z | | | | | |
| 5q723 | | | BOP, KJZSV, KVT, UOP4 | 5q752 | | BOP, UOP4 | | 5r216‡ | | KJZSV | | | | |
| | 09 | | J03A, J03B, J04A, J04B, J08A, J08B, J08C, J11A, J11B, J11J, J11Q, J11R, J11S, J16Z | | 09 | J03A, J03B, J04A, J04B, J08A, J08B, J08C, J11A, J11B, J11C, J11J, J11Q, J11R, J11S, J16Z | | | 14 | 962Z | | | | |
| | 10 | | K09A, K09B | | 11 | L09A, L09B, L09C, L09J, L38Z | | | 14 | 962Z | | | | |
| | 13 | | N13A, N13B, N13J | | 13 | N13A, N13B, N13J | | | 14 | 962Z | | | | |
| | 14 | 962Z, O02A, O02B, O05J | 14 | | 962Z, O02A, O02B, O05J | 14 | 962Z | | | | | | | |
| | 21A | W04A, W04B | 21A | | W04A, W04B | 14 | 962Z | | | | | | | |
| | 21B | X06A, X06B, X06C | 21B | | X06A, X06B, X06C | 14 | 962Z | | | | | | | |
| | 5q724 | | BOP, KJZSV, KVT, UOP4 | | 5q753 | | BOP, KJZSV, KVT, UOP4 | | 5r217‡ | | KJZSV | | | |
| | | 09 | J03A, J03B, J04A, J04B, J08A, J08B, J08C, J11A, J11B, J11J, J11Q, J11R, J11S, J16Z | | | 13 | N09A, N09B, N09J, N09Q | | | 14 | 962Z | | | |
| | | 13 | N09A, N09B, N09J, N09Q | | | 14 | 962Z, O05J, O60A, O60B, O60C, O60D | | | 14 | 962Z | | | |
| 14 | | 962Z, O05J, O60A, O60B, O60C, O60D | 21A | W04A, W04B | | 14 | 962Z | | | | | | | |
| 5q725 | | | BOP, KJZSV, KVT, UOP4 | 5q754 | | | BOP, KJZSV, KVT, UOP4 | 5r221‡ | | | KJZSV | | | |
| | | 09 | J03A, J03B, J04A, J04B, J08A, J08B, J08C, J11A, J11B, J11J, J11Q, J11R, J11S, J16Z | | | 13 | N09A, N09B, N09J, N09Q | | | 14 | 962Z | | | |
| | | 13 | N09A, N09B, N09J, N09Q | | | 21A | W04A, W04B | | | 14 | 962Z | | | |
| | | 14 | 962Z, O05J, O60A, O60B, O60C, O60D | | | 21B | X06A, X06B, X06C | | | 14 | 962Z | | | |
| | | 5q726 | | | | BOP, KJZSV, KVT, UOP4 | 5q755 | | | | BOP, KJZSV, KVT, UOP4 | 5r222‡ | | KJZSV |
| | | | 09 | | | J03A, J03B, J04A, J04B, J08A, J08B, J08C, J11A, J11B, J11J, J11Q, J11R, J11S, J16Z | | | | 13 | N09A, N09B, N09J, N09Q | | 14 | 962Z |
| | 13 | | N09A, N09B, N09J, N09Q | | 21A | W04A, W04B | | | 14 | 962Z | | | | |
| | 14 | | 962Z, O05J, O60A, O60B, O60C, O60D | | 21B | X06A, X06B, X06C | | | 14 | 962Z | | | | |

VYK

| ZZV | MDC | DRG | ZZV | MDC | DRG | ZZV | MDC | DRG |
|---------|-----|--|----------|-----|--|----------|-----|--|
| 5r224‡ | | KJZSV | 5r331.0↔ | | BOP, KJZSV, KVT, UOP4 | 5r333.0↔ | | BOP, KJZSV, KVT, UOP4 |
| | 14 | 962Z | | 13 | N01A, N01B, N01C, N01D, N01E, N02A, N02B, N02C, N03A, N03B, N07J, N07Z, N25J, N25Q, N25Z, N38Z | | 13 | N01A, N01B, N01C, N01D, N01E, N02A, N02B, N02C, N03A, N03B, N07J, N07Z, N25J, N25Q, N25Z, N38Z |
| 5r231‡ | | KJZSV | | | | | | |
| | 14 | 962Z | | | | | | |
| 5r232‡ | | KJZSV | | | | | | |
| | 14 | 962Z | | | | | | |
| 5r233‡ | | KJZSV | 5r331.1↔ | | BOP, KVT, UOP4 | 5r333.1↔ | | BOP, KVT, UOP4 |
| | 14 | 962Z | | 13 | N01A, N01B, N01C, N01D, N01E, N02A, N02B, N02C, N03A, N03B, N07J, N07Z, N25J, N25Q, N25Z, N38Z | | 13 | N01A, N01B, N01C, N01D, N01E, N02A, N02B, N02C, N03A, N03B, N07J, N07Z, N25J, N25Q, N25Z, N38Z |
| 5r234‡ | | KJZSV | | | | | | |
| | 14 | 962Z | | | | | | |
| 5r311.1 | | BOP, KJZSV, KVT, UOP4 | | | | | | |
| | 14 | 962Z, O01A, O01B, O01C, O01D, O01E, O01F, O01G, O01H | 5r331.4↔ | | BOP, KVT, UOP4 | 5r333.4↔ | | BOP, KVT, UOP4 |
| | | | | 13 | N01A, N01B, N01C, N01D, N01E, N02A, N02B, N02C, N03A, N03B, N07J, N07Z, N25J, N25Q, N25Z, N38Z | | 13 | N01A, N01B, N01C, N01D, N01E, N02A, N02B, N02C, N03A, N03B, N07J, N07Z, N25J, N25Q, N25Z, N38Z |
| 5r311.2 | | BOP, KJZSV, KVT, UOP4 | | | | | | |
| | 14 | 962Z, O01A, O01B, O01C, O01D, O01E, O01F | | | | | | |
| 5r312.1 | | BOP, KJZSV, KVT, UOP4 | 5r331.6↔ | | BOP, KJZSV, KVT, UOP4 | 5r333.6↔ | | BOP, KJZSV, KVT, UOP4 |
| | 14 | 962Z, O01A, O01B, O01C, O01D, O01E, O01F, O01G, O01H | | 13 | N01A, N01B, N01C, N01D, N01E, N02A, N02B, N02C, N03A, N03B, N07J, N07Z, N25J, N25Q, N25Z, N38Z | | 13 | N01A, N01B, N01C, N01D, N01E, N02A, N02B, N02C, N03A, N03B, N07J, N07Z, N25J, N25Q, N25Z, N38Z |
| 5r312.2 | | BOP, KJZSV, KVT, UOP4 | | | | | | |
| | 14 | 962Z, O01A, O01B, O01C, O01D, O01E, O01F | 5r331.7↔ | | BOP, KJZSV, KVT, UOP4 | 5r333.7↔ | | BOP, KJZSV, KVT, UOP4 |
| 5r314 | | BOP, KJZSV, KVT, UOP4 | | | | | | |
| | 14 | 962Z, O01A, O01B, O01C, O01D, O01E, O01F, O01G, O01H | | 13 | N01A, N01B, N01C, N01D, N01E, N02A, N02B, N02C, N03A, N03B, N07J, N07Z, N25J, N25Q, N25Z, N38Z | | 13 | N01A, N01B, N01C, N01D, N01E, N02A, N02B, N02C, N03A, N03B, N07J, N07Z, N25J, N25Q, N25Z, N38Z |
| 5r315.1 | | BOP, KJZSV, KVT, UOP4 | | | | | | |
| | 14 | 962Z, O01A, O01B, O01C, O01D, O01E, O01F, O01G, O01H | 5r331.x↔ | | BOP, KJZSV, KVT, UOP4 | 5r333.x↔ | | BOP, KJZSV, KVT, UOP4 |
| | | | | 13 | N01A, N01B, N01C, N01D, N01E, N02A, N02B, N02C, N03A, N03B, N07J, N07Z, N25J, N25Q, N25Z, N38Z | | 13 | N01A, N01B, N01C, N01D, N01E, N02A, N02B, N02C, N03A, N03B, N07J, N07Z, N25J, N25Q, N25Z, N38Z |
| 5r315.2 | | BOP, KJZSV, KVT, UOP4 | | | | | | |
| | 14 | 962Z, O01A, O01B, O01C, O01D, O01E, O01F | | | | | | |
| 5r316.1 | | BOP, KJZSV, KVT, UOP4 | 5r332.0↔ | | BOP, KJZSV, KVT, UOP4 | 5r334.0↔ | | BOP, KJZSV, KVT, UOP4 |
| | 14 | 962Z, O01A, O01B, O01C, O01D, O01E, O01F, O01G, O01H | | 13 | N01A, N01B, N01C, N01D, N01E, N02A, N02B, N02C, N03A, N03B, N07J, N07Z, N25J, N25Q, N25Z, N38Z | | 13 | N01A, N01B, N01C, N01D, N01E, N02A, N02B, N02C, N03A, N03B, N07J, N07Z, N25J, N25Q, N25Z, N38Z |
| 5r316.2 | | BOP, KJZSV, KVT, UOP4 | | | | | | |
| | 14 | 962Z, O01A, O01B, O01C, O01D, O01E, O01F | 5r332.1↔ | | BOP, KVT, UOP4 | 5r334.1↔ | | BOP, KVT, UOP4 |
| 5r317.1 | | BOP, KJZSV, KVT, UOP4 | | | | | | |
| | 14 | 962Z, O01A, O01B, O01C, O01D, O01E, O01F, O01G, O01H | | 13 | N01A, N01B, N01C, N01D, N01E, N02A, N02B, N02C, N03A, N03B, N07J, N07Z, N25J, N25Q, N25Z, N38Z | | 13 | N01A, N01B, N01C, N01D, N01E, N02A, N02B, N02C, N03A, N03B, N07J, N07Z, N25J, N25Q, N25Z, N38Z |
| 5r317.2 | | BOP, KJZSV, KVT, UOP4 | | | | | | |
| | 14 | 962Z, O01A, O01B, O01C, O01D, O01E, O01F | 5r332.4↔ | | BOP, KVT, UOP4 | 5r334.4↔ | | BOP, KVT, UOP4 |
| 5r321.1 | | BOP, KJZSV, KVT, UOP4 | | | | | | |
| | 14 | 962Z, O01A, O01B, O01C, O01D, O01E, O01F, O01G, O01H | | 13 | N01A, N01B, N01C, N01D, N01E, N02A, N02B, N02C, N03A, N03B, N07J, N07Z, N25J, N25Q, N25Z, N38Z | | 13 | N01A, N01B, N01C, N01D, N01E, N02A, N02B, N02C, N03A, N03B, N07J, N07Z, N25J, N25Q, N25Z, N38Z |
| 5r321.2 | | BOP, KJZSV, KVT, UOP4 | 5r332.6↔ | | BOP, KJZSV, KVT, UOP4 | 5r334.6↔ | | BOP, KJZSV, KVT, UOP4 |
| | 14 | 962Z, O01A, O01B, O01C, O01D, O01E, O01F | | 13 | N01A, N01B, N01C, N01D, N01E, N02A, N02B, N02C, N03A, N03B, N07J, N07Z, N25J, N25Q, N25Z, N38Z | | 13 | N01A, N01B, N01C, N01D, N01E, N02A, N02B, N02C, N03A, N03B, N07J, N07Z, N25J, N25Q, N25Z, N38Z |
| 5r322.1 | | BOP, KJZSV, KVT, UOP4 | | | | | | |
| | 14 | 962Z, O01A, O01B, O01C, O01D, O01E, O01F, O01G, O01H, O02A | 5r332.7↔ | | BOP, KJZSV, KVT, UOP4 | 5r334.7↔ | | BOP, KJZSV, KVT, UOP4 |
| 5r322.2 | | BOP, KJZSV, KVT, UOP4 | | | | | | |
| | 14 | 962Z, O01A, O01B, O01C, O01D, O01E, O01F, O02A | | 13 | N01A, N01B, N01C, N01D, N01E, N02A, N02B, N02C, N03A, N03B, N07J, N07Z, N25J, N25Q, N25Z, N38Z | | 13 | N01A, N01B, N01C, N01D, N01E, N02A, N02B, N02C, N03A, N03B, N07J, N07Z, N25J, N25Q, N25Z, N38Z |
| 5r323.1 | | BOP, KJZSV, KVT, UOP4 | | | | | | |
| | 14 | 962Z, O01A, O01B, O01C, O01D, O01E, O01F, O01G, O01H, O02A | 5r332.x↔ | | BOP, KJZSV, KVT, UOP4 | 5r334.x↔ | | BOP, KJZSV, KVT, UOP4 |
| 5r323.2 | | BOP, KJZSV, KVT, UOP4 | | | | | | |
| | 14 | 962Z, O01A, O01B, O01C, O01D, O01E, O01F, O02A | | 13 | N01A, N01B, N01C, N01D, N01E, N02A, N02B, N02C, N03A, N03B, N07J, N07Z, N25J, N25Q, N25Z, N38Z | | 13 | N01A, N01B, N01C, N01D, N01E, N02A, N02B, N02C, N03A, N03B, N07J, N07Z, N25J, N25Q, N25Z, N38Z |
| | | | | 14 | 962Z, O03J, O03Z | | 14 | 962Z, O03J, O03Z |

| ZZV | MDC | DRG | ZZV | MDC | DRG | ZZV | MDC | DRG |
|----------|-----|--|----------|-----|------------------------------------|-----------|-----|------------------------------------|
| 5r335.0↔ | | BOP, KJZSV, KVT, UOP4 | 5r415‡ | | KJZSV | 5s102.10 | | BOP, KJZSV, KVT, UOP4 |
| | 13 | N01A, N01B, N01C, N01D, N01E, N02A, N02B, N02C, N03A, N03B, N07J, N07Z, N25J, N25Q, N25Z, N38Z | | 14 | 962Z, O01A, O02A, O06Z, O60A | | 03 | D04Z, D18Z, D28J, D28Z, D29J, D29Z |
| | 14 | 962Z, O03J, O03Z | 5r416‡ | | KJZSV | | 08 | I17Z |
| 5r335.1↔ | | BOP, KVT, UOP4 | | 14 | 962Z, O01A, O02A, O06Z, O60A | | 09 | J08A, J08B, J08C |
| | 13 | N01A, N01B, N01C, N01D, N01E, N02A, N02B, N02C, N03A, N03B, N07J, N07Z, N25J, N25Q, N25Z, N38Z | 5r417‡ | | KJZSV | | 21A | W04A, W04B |
| | 14 | 962Z, O03J, O03Z | | 14 | 962Z, O01A, O02A, O06Z, O60A | 5s102.21 | 21B | X06A, X06B, X06C |
| 5r335.4↔ | | BOP, KVT, UOP4 | 5r418‡ | | KJZSV | | 03 | BOP, KJZSV, KVT, UOP4 |
| | 13 | N01A, N01B, N01C, N01D, N01E, N02A, N02B, N02C, N03A, N03B, N07J, N07Z, N25J, N25Q, N25Z, N38Z | | 14 | 962Z, O01A, O02A, O06Z, O60A | | 08 | I17Z |
| | 14 | 962Z, O03J, O03Z | 5r421‡ | | KJZSV | | 09 | J08A, J08B, J08C |
| 5r335.6↔ | | BOP, KJZSV, KVT, UOP4 | | 14 | 962Z | | 21A | W04A, W04B |
| | 13 | N01A, N01B, N01C, N01D, N01E, N02A, N02B, N02C, N03A, N03B, N07J, N07Z, N25J, N25Q, N25Z, N38Z | 5r422‡ | | KJZSV | 5s102.22 | 21B | X06A, X06B, X06C |
| | 14 | 962Z, O03J, O03Z | | 14 | 962Z | | 03 | BOP, KJZSV, KVT, UOP4 |
| 5r335.7↔ | | BOP, KJZSV, KVT, UOP4 | 5r423‡ | | KJZSV | | 08 | I17Z |
| | 13 | N01A, N01B, N01C, N01D, N01E, N02A, N02B, N02C, N03A, N03B, N07J, N07Z, N25J, N25Q, N25Z, N38Z | | 14 | 962Z | | 09 | J08A, J08B, J08C |
| | 14 | 962Z, O03J, O03Z | 5r491 | | BOP, KJZSV, KVT, UOP4 | | 21A | W04A, W04B |
| 5r335.x↔ | | BOP, KJZSV, KVT, UOP4 | | 14 | 962Z, O01A, O02A, O06Z, O60A | | 21B | X06A, X06B, X06C |
| | 13 | N01A, N01B, N01C, N01D, N01E, N02A, N02B, N02C, N03A, N03B, N07J, N07Z, N25J, N25Q, N25Z, N38Z | 5r492 | | BOP, KJZSV, KVT, UOP4 | 5s102.23 | 03 | BOP, KJZSV, KVT, UOP4 |
| | 14 | 962Z, O03J, O03Z | | 14 | 962Z, O01A, O02A, O06Z, O60A | | 08 | I17Z |
| 5r335.x↔ | | BOP, KJZSV, KVT, UOP4 | 5r493‡ | | KJZSV | | 09 | J08A, J08B, J08C |
| | 13 | N01A, N01B, N01C, N01D, N01E, N02A, N02B, N02C, N03A, N03B, N07J, N07Z, N25J, N25Q, N25Z, N38Z | | 14 | 962Z | | 21A | W04A, W04B |
| | 14 | 962Z, O03J, O03Z | 5r912 | | BOP, KJZSV, KVT, UOP4 | | 21B | X06A, X06B, X06C |
| 5r336.0 | | BOP, KJZSV, KVT, UOP4 | | 14 | 962Z, O02A, O02B | | 03 | D04Z, D18Z, D28J, D28Z, D29J, D29Z |
| | 14 | 962Z, O03J, O03Z | 5r913‡ | | KJZSV | 5s102.x | 08 | I17Z |
| 5r336.1 | | BOP, KVT, UOP4 | | 14 | 962Z | | 09 | J08A, J08B, J08C |
| | 14 | 962Z, O03J, O03Z | 5r914.1‡ | | KJZSV | | 21A | W04A, W04B |
| 5r336.4 | | BOP, KVT, UOP4 | | 14 | 962Z | | 21B | X06A, X06B, X06C |
| | 14 | 962Z, O03J, O03Z | 5r914.2‡ | | KJZSV | | 03 | D29J, D29Z |
| 5r336.6 | | BOP, KJZSV, KVT, UOP4 | | 14 | 962Z | | 08 | I17Z |
| | 14 | 962Z, O03J, O03Z | 5r914.3‡ | | KJZSV | 5s103.0‡ | 03 | D29J, D29Z |
| 5r336.7 | | BOP, KJZSV, KVT, UOP4 | | 14 | 962Z | 5s103.11‡ | 03 | D29J, D29Z |
| | 14 | 962Z, O03J, O03Z | 5r914.4‡ | | KJZSV | 5s103.12 | 03 | BOP, KVT, UOP4 |
| 5r336.x | | BOP, KJZSV, KVT, UOP4 | | 14 | 962Z | | 03 | D18Z, D28J, D28Z, D29J, D29Z |
| | 14 | 962Z, O03J, O03Z | 5r921‡ | | KJZSV | | 08 | I17Z |
| 5r339 | | BOP, KJZSV, KVT, UOP4 | | 14 | 962Z | | 09 | J08A, J08B, J08C |
| | 14 | 962Z, O03J, O03Z | 5r922‡ | | KJZSV | | 21A | W04A, W04B |
| 5r341 | | BOP, KJZSV, KVT, UOP4 | | 14 | 962Z | | 21B | X06A, X06B, X06C |
| | 14 | 962Z, O03J, O03Z | 5r923‡ | | KJZSV | 5s103.13‡ | 03 | D29J, D29Z |
| 5r342 | | BOP, KVT, UOP4 | | 14 | BOP, KJZSV, KVT, UOP4 | 5s103.2‡ | 03 | D13J, D13Q, D13Z |
| | 14 | 962Z, O03J, O03Z | 5r924 | | 962Z, O02A, O02B, O40J, O40Z | 5s103.30‡ | 03 | D29J, D29Z |
| 5r343 | | BOP, KJZSV, KVT, UOP4 | | 14 | KJZSV | 5s103.31 | 03 | BOP, KVT, UOP4 |
| | 14 | 962Z, O03J, O03Z | 5r931 | | BOP, KJZSV, KVT, UOP4 | | 03 | D18Z, D28J, D28Z, D29J, D29Z |
| 5r34x | | BOP, KJZSV, KVT, UOP4 | | 14 | 962Z, O02A, O02B | | 08 | I17Z |
| | 14 | 962Z, O03J, O03Z | 5r932‡ | | KJZSV | | 09 | J08A, J08B, J08C |
| 5r411‡ | | KJZSV | | 14 | 962Z | 5s103.32 | 21A | W04A, W04B |
| | 14 | 962Z, O01A, O02A, O06Z, O60A | 5r991 | | BOP, KVT, UOP4 | | 21B | X06A, X06B, X06C |
| 5r412‡ | | KJZSV | | 14 | 962Z, O05J, O40J, O40Z | | 03 | BOP, KVT, UOP4 |
| | 14 | 962Z, O01A, O02A, O06Z, O60A | 5s101.10 | | BOP, KJZSV, KVT, UOP4 | | 03 | D04Z, D18Z, D28J, D28Z, D29J, D29Z |
| 5r413 | | BOP, KJZSV, KVT, UOP4 | | 03 | D04Z, D18Z, D28J, D28Z, D29J, D29Z | | 08 | I17Z |
| | 14 | 962Z, O01A, O02A, O06Z, O60A | | 08 | I17Z | | 09 | J08A, J08B, J08C |
| 5r414‡ | | KJZSV | 5s101.11 | | BOP, KJZSV, KVT, UOP4 | 5s105.2 | 21A | W04A, W04B |
| | 14 | 962Z, O01A, O02A, O06Z, O60A | | 03 | D04Z, D18Z, D28J, D28Z, D29J, D29Z | | 21B | X06A, X06B, X06C |
| | | | | 08 | I17Z | | 03 | BOP, KJZSV, KVT, UOP4 |
| | | | | 09 | J08A, J08B, J08C | | 08 | I17Z |
| | | | | 21A | W04A, W04B | | 09 | J08A, J08B |
| | | | | 21B | X06A, X06B, X06C | | 21A | W04A, W04B |
| | | | | | | | 21B | X06A, X06B, X06C |

| ZZV | MDC | DRG | ZZV | MDC | DRG | ZZV | MDC | DRG | |
|---------|------------------|------------------------------------|------------------|---------|------------------------------------|-----------|-----------------------|------------------------------------|------------------|
| 5s105.3 | | BOP, KJZSV, KVT, UOP4 | 5s211.3 | | BOP, KJZSV, KVT, UOP4 | 5s222.01 | | BOP, KJZSV, KVT, UOP4 | |
| | 03 | D04Z, D18Z, D28J, D28Z, D29J, D29Z | | 03 | D18Z, D28J, D28Z, D29J, D29Z | | 03 | D04Z, D18Z, D28J, D28Z, D29J, D29Z | |
| | 08 | I17Z | | 08 | I17Z | | 08 | I17Z | |
| | 09 | J08A, J08B, J08C | | 09 | J08A, J08B, J08C | | 09 | J08A, J08B, J08C | |
| | 21A | W04A, W04B | | 21A | W04A, W04B | | 21A | W04A, W04B | |
| 21B | X06A, X06B, X06C | 21B | X06A, X06B, X06C | 21B | X06A, X06B, X06C | | | | |
| 5s105.4 | | BOP, KJZSV, KVT, UOP4 | 5s212 | | BOP, KJZSV, KVT, UOP4 | 5s222.10↔ | | BOP, KJZSV, KVT, UOP4 | |
| | 01 | B09A, B09B | | 08 | I23A, I23B, I23J | | 03 | D04Z, D18Z, D28J, D28Z, D29J, D29Z | |
| | 08 | I15A, I15B | | 09 | J08A | | 08 | I17Z | |
| | 21A | W01A, W01B, W01C, W36Z | | 5s220.1 | | | BOP, KJZSV, KVT, UOP4 | 09 | J08A, J08B, J08C |
| | 21B | X06A, X06B, X06C | | 03 | D18Z, D28J, D28Z, D29J, D29Z | | 21A | W04A, W04B | |
| 5s105.5 | | BOP, KJZSV, KVT, UOP4 | 5s220.2 | | BOP, KJZSV, KVT, UOP4 | 5s222.11↔ | | BOP, KJZSV, KVT, UOP4 | |
| | 03 | D18Z, D24A, D24B | | 03 | D18Z, D28J, D28Z, D29J, D29Z | | 03 | D04Z, D18Z, D28J, D28Z, D29J, D29Z | |
| | 08 | I17Z | | 08 | I17Z | | 08 | I17Z | |
| | 09 | J08A, J08B, J08C | | 09 | J08A, J08B | | 09 | J08A, J08B, J08C | |
| | 21A | W04A, W04B | | 21A | W04A, W04B | | 21A | W04A, W04B | |
| 21B | X06A, X06B, X06C | 21B | X06A, X06B, X06C | 21B | X06A, X06B, X06C | | | | |
| 5s11f.3 | | BOP, KJZSV, KVT, UOP4 | 5s220.3 | | BOP, KJZSV, KVT, UOP4 | 5s222.20 | | BOP, KJZSV, KVT, UOP4 | |
| | 03 | D04Z, D18Z, D28J, D28Z, D29J, D29Z | | 03 | D18Z, D28J, D28Z, D29J, D29Z | | 03 | D04Z, D18Z, D28J, D28Z, D29J, D29Z | |
| | 08 | I17Z | | 08 | I17Z | | 08 | I17Z | |
| | 09 | J08A, J08B | | 09 | J08A, J08B | | 09 | J08A, J08B, J08C | |
| | 21A | W04A, W04B | | 21A | W04A, W04B | | 21A | W04A, W04B | |
| 21B | X06A, X06B, X06C | 21B | X06A, X06B, X06C | 21B | X06A, X06B, X06C | | | | |
| 5s11f.5 | | BOP, KJZSV, KVT, UOP4 | 5s221.1 | | BOP, KJZSV, KVT, UOP4 | 5s222.21 | | BOP, KJZSV, KVT, UOP4 | |
| | 01 | B09A, B09B | | 03 | D18Z, D28J, D28Z, D29J, D29Z | | 03 | D04Z, D18Z, D28J, D28Z, D29J, D29Z | |
| | 03 | D16Z | | 08 | I17Z | | 08 | I17Z | |
| | 08 | I23A, I23J | | 09 | J08A, J08B | | 09 | J08A, J08B, J08C | |
| | 21A | W04A, W04B | | 21A | W04A, W04B | | 21A | W04A, W04B | |
| 21B | X06A, X06B, X06C | 21B | X06A, X06B, X06C | 21B | X06A, X06B, X06C | | | | |
| 5s210.1 | | BOP, KJZSV, KVT, UOP4 | 5s221.2 | | BOP, KJZSV, KVT, UOP4 | 5s222.30 | | BOP, KJZSV, KVT, UOP4 | |
| | 03 | D18Z, D28J, D28Z, D29J, D29Z | | 03 | D18Z, D28J, D28Z, D29J, D29Z | | 03 | D04Z, D18Z, D28J, D28Z, D29J, D29Z | |
| | 08 | I17Z | | 08 | I17Z | | 08 | I17Z | |
| | 09 | J08A, J08B | | 09 | J08A, J08B, J08C | | 09 | J08A, J08B, J08C | |
| | 21A | W04A, W04B | | 21A | W04A, W04B | | 21A | W04A, W04B | |
| 21B | X06A, X06B, X06C | 21B | X06A, X06B, X06C | 21B | X06A, X06B, X06C | | | | |
| 5s210.2 | | BOP, KJZSV, KVT, UOP4 | 5s221.3 | | BOP, KJZSV, KVT, UOP4 | 5s222.31 | | BOP, KJZSV, KVT, UOP4 | |
| | 03 | D18Z, D28J, D28Z, D29J, D29Z | | 03 | D18Z, D28J, D28Z, D29J, D29Z | | 03 | D04Z, D18Z, D28J, D28Z, D29J, D29Z | |
| | 08 | I17Z | | 08 | I17Z | | 08 | I17Z | |
| | 09 | J08A, J08B | | 09 | J08A, J08B, J08C | | 09 | J08A, J08B, J08C | |
| | 21A | W04A, W04B | | 21A | W04A, W04B | | 21A | W04A, W04B | |
| 21B | X06A, X06B, X06C | 21B | X06A, X06B, X06C | 21B | X06A, X06B, X06C | | | | |
| 5s210.3 | | BOP, KJZSV, KVT, UOP4 | 5s221.4 | | BOP, KJZSV, KVT, UOP4 | 5s222.40 | | BOP, KJZSV, KVT, UOP4 | |
| | 03 | D18Z, D28J, D28Z, D29J, D29Z | | 03 | D18Z, D28J, D28Z, D29J, D29Z | | 03 | D04Z, D18Z, D28J, D28Z, D29J, D29Z | |
| | 08 | I17Z | | 08 | I17Z | | 08 | I17Z | |
| | 09 | J08A, J08B | | 09 | J08A, J08B, J08C | | 09 | J08A, J08B, J08C | |
| | 21A | W04A, W04B | | 21A | W04A, W04B | | 21A | W04A, W04B | |
| 21B | X06A, X06B, X06C | 21B | X06A, X06B, X06C | 21B | X06A, X06B, X06C | | | | |
| 5s211.1 | | BOP, KJZSV, KVT, UOP4 | 5s222.00 | | BOP, KJZSV, KVT, UOP4 | 5s222.41 | | BOP, KJZSV, KVT, UOP4 | |
| | 03 | D18Z, D28J, D28Z, D29J, D29Z | | 03 | D04Z, D18Z, D28J, D28Z, D29J, D29Z | | 03 | D04Z, D18Z, D28J, D28Z, D29J, D29Z | |
| | 08 | I17Z | | 08 | I17Z | | 08 | I17Z | |
| | 09 | J08A, J08B, J08C | | 09 | J08A, J08B, J08C | | 09 | J08A, J08B, J08C | |
| | 21A | W04A, W04B | | 21A | W04A, W04B | | 21A | W04A, W04B | |
| 21B | X06A, X06B, X06C | 21B | X06A, X06B, X06C | 21B | X06A, X06B, X06C | | | | |
| 5s211.2 | | BOP, KJZSV, KVT, UOP4 | 5s222.00 | | BOP, KJZSV, KVT, UOP4 | 5s222.41 | | BOP, KJZSV, KVT, UOP4 | |
| | 03 | D18Z, D28J, D28Z, D29J, D29Z | | 03 | D04Z, D18Z, D28J, D28Z, D29J, D29Z | | 03 | D04Z, D18Z, D28J, D28Z, D29J, D29Z | |
| | 08 | I17Z | | 08 | I17Z | | 08 | I17Z | |
| | 09 | J08A, J08B, J08C | | 09 | J08A, J08B, J08C | | 09 | J08A, J08B, J08C | |
| | 21A | W04A, W04B | | 21A | W04A, W04B | | 21A | W04A, W04B | |
| 21B | X06A, X06B, X06C | 21B | X06A, X06B, X06C | 21B | X06A, X06B, X06C | | | | |

VYK

| ZZV | MDC | DRG | ZZV | MDC | DRG | ZZV | MDC | DRG |
|----------|------------------|------------------------------------|-----------|--|--|--|-----|--|
| 5s222.50 | | BOP, KJZSV, KVT, UOP4 | 5s224 | | BOP, KJZSV, KVT, UOP4 | 5s298 | | BOP, KJZSV, KVT, UOP4 |
| | 03 | D04Z, D18Z, D28J, D28Z, D29J, D29Z | | 03 | D18Z, D25A, D25B, D25C, D25D, D25J | | 03 | D18Z, D25A, D25B, D25C, D25D, D25J |
| | 08 | I17Z | | 08 | I17Z | | 08 | I17Z |
| | 09 | J08A, J08B, J08C | | 09 | J03A, J03B, J04A, J04B, J08A, J08B, J08C, J11A, J11B, J11J, J11Q, J11R, J11S, J16Z | | 09 | J03A, J03B, J04A, J04B, J08A, J08B, J08C, J11A, J11B, J11J, J11Q, J11R, J11S, J16Z |
| | 21A | W04A, W04B | | 21A | W04A, W04B | | 21A | W04A, W04B |
| 5s222.51 | 21B | X06A, X06B, X06C | 21B | X06A, X06B, X06C | 21B | X06A, X06B, X06C | | |
| | | BOP, KJZSV, KVT, UOP4 | 5s225.0a↔ | | BOP, KJZSV, KVT, UOP4 | 5s300.0 | | BOP, KJZSV, KVT, UOP4 |
| | 03 | D04Z, D18Z, D28J, D28Z, D29J, D29Z | 03 | D18Z, D25A, D25B, D25C, D25D, D25J | 03 | D03Z, D12A, D12J, D12Q | | |
| | 08 | I17Z | 08 | I17Z | 08 | I17Z | | |
| | 09 | J08A, J08B, J08C | 09 | J03A, J03B, J04A, J04B, J08A, J08B, J08C, J11A, J11B, J11J, J11Q, J11R, J11S, J16Z | 09 | J03A, J03B, J04A, J04B, J08A, J08B, J08C, J11A, J11B, J11J, J11Q, J11R, J11S, J16Z | | |
| 5s222.60 | 21A | W04A, W04B | 21A | W04A, W04B | 21A | W04A, W04B | | |
| | 21B | X06A, X06B, X06C | 21B | X06A, X06B, X06C | 21B | X06A, X06B, X06C | | |
| | | BOP, KJZSV, KVT, UOP4 | 5s225.0b↔ | | BOP, KJZSV, KVT, UOP4 | 5s300.1 | | BOP, KJZSV, KVT, UOP4 |
| | 03 | D18Z, D24A, D24B | 03 | D18Z, D25A, D25B, D25C, D25D, D25J | 03 | D03Z, D12A, D12J, D12Q | | |
| | 08 | I17Z | 08 | I17Z | 08 | I17Z | | |
| 5s222.61 | 09 | J08A, J08B, J08C | 09 | J03A, J03B, J04A, J04B, J08A, J08B, J08C, J11A, J11B, J11J, J11Q, J11R, J11S, J16Z | 09 | J03A, J03B, J04A, J04B, J08A, J08B, J08C, J11A, J11B, J11J, J11Q, J11R, J11S, J16Z | | |
| | 21A | W04A, W04B | 21A | W04A, W04B | 21A | W04A, W04B | | |
| | 21B | X06A, X06B, X06C | 21B | X06A, X06B, X06C | 21B | X06A, X06B, X06C | | |
| | | BOP, KJZSV, KVT, UOP4 | 5s225.0c↔ | | BOP, KJZSV, KVT, UOP4 | 5s300.2 | | BOP, KJZSV, KVT, UOP4 |
| | 03 | D18Z, D24A, D24B | 03 | D18Z, D25A, D25B, D25C, D25D, D25J | 03 | D03Z, D12A, D12J, D12Q | | |
| 5s222.70 | 08 | I17Z | 08 | I17Z | 08 | I17Z | | |
| | 09 | J08A, J08B, J08C | 09 | J03A, J03B, J04A, J04B, J08A, J08B, J08C, J11A, J11B, J11J, J11Q, J11R, J11S, J16Z | 09 | J03A, J03B, J04A, J04B, J08A, J08B, J08C, J11A, J11B, J11J, J11Q, J11R, J11S, J16Z | | |
| | 21A | W04A, W04B | 21A | W04A, W04B | 21A | W04A, W04B | | |
| | 21B | X06A, X06B, X06C | 21B | X06A, X06B, X06C | 21B | X06A, X06B, X06C | | |
| | | BOP, KJZSV, KVT, UOP4 | 5s222a | | BOP, KJZSV, KVT, UOP4 | 5s302.10 | | BOP, KJZSV, KVT, UOP4 |
| 5s222.71 | 03 | D18Z, D24A, D24B | 03 | D18Z, D28J, D28Z, D29J, D29Z | 03 | D18Z, D25A, D25B, D25C, D25D, D25J | | |
| | 08 | I17Z | 08 | I17Z | 08 | I17Z | | |
| | 09 | J08A, J08B, J08C | 09 | J08A, J08B | 09 | J08A, J08B, J08C | | |
| | 21A | W04A, W04B | 21A | W04A, W04B | 21A | W04A, W04B | | |
| | 21B | X06A, X06B, X06C | 21B | X06A, X06B, X06C | 21B | X06A, X06B, X06C | | |
| 5s222.77 | | BOP, KJZSV, KVT, UOP4 | 5s222b | | BOP, KJZSV, KVT, UOP4 | 5s302.11 | | BOP, KJZSV, KVT, UOP4 |
| | 03 | D18Z, D24A, D24B | 03 | D18Z, D28J, D28Z, D29J, D29Z | 03 | D18Z, D25A, D25B, D25C, D25D, D25J | | |
| | 08 | I17Z | 08 | I17Z | 08 | I17Z | | |
| | 09 | J08A, J08B, J08C | 09 | J08A, J08B, J08C | 09 | J08A, J08B, J08C | | |
| | 21A | W04A, W04B | 21A | W04A, W04B | 21A | W04A, W04B | | |
| 5s222.80 | 21B | X06A, X06B, X06C | 5s229 | | BOP, KJZSV, KVT, UOP4 | 5s302.12 | | BOP, KJZSV, KVT, UOP4 |
| | | BOP, KJZSV, KVT, UOP4 | 03 | D18Z, D25A, D25B, D25C, D25D, D25J | 03 | D18Z, D25A, D25B, D25C, D25D, D25J | | |
| | 03 | D18Z, D24A, D24B | 08 | I23A, I23J | 08 | I17Z | | |
| | 08 | I17Z | 09 | J08A, J08B | 09 | J08A, J08B, J08C | | |
| | 09 | J08A, J08B, J08C | 21A | W04A, W04B | 21A | W04A, W04B | | |
| 5s222.81 | 21A | W04A, W04B | 21B | X06A, X06B, X06C | 21B | X06A, X06B, X06C | | |
| | 21B | X06A, X06B, X06C | 5s291 | | BOP, KJZSV, KVT, UOP4 | 5s302.2 | | BOP, KJZSV, KVT, UOP4 |
| | | BOP, KJZSV, KVT, UOP4 | 03 | D18Z, D28J, D28Z, D29J, D29Z | 03 | D18Z, D25A, D25B, D25C, D25D, D25J | | |
| | 03 | D18Z, D24A, D24B | 08 | I17Z | 08 | I17Z | | |
| | 08 | I17Z | 09 | J08A, J08B, J08C | 09 | J08A, J08B, J08C | | |
| 5s222.88 | 09 | J08A, J08B, J08C | 21A | W04A, W04B | 21A | W04A, W04B | | |
| | 21A | W04A, W04B | 21B | X06A, X06B, X06C | 21B | X06A, X06B, X06C | | |
| | 21B | X06A, X06B, X06C | 5s290 | | BOP, KJZSV, KVT, UOP4 | 5s302.2 | | BOP, KJZSV, KVT, UOP4 |
| | | BOP, KJZSV, KVT, UOP4 | 03 | D18Z, D25A, D25B, D25C, D25D, D25J | 03 | D18Z, D25A, D25B, D25C, D25D, D25J | | |
| | 03 | D18Z, D24A, D24B | 08 | I23A, I23J | 08 | I17Z | | |
| 5s222.90 | 08 | I17Z | 09 | J08A, J08B | 09 | J08A, J08B, J08C | | |
| | 09 | J08A, J08B, J08C | 21A | W04A, W04B | 21A | W04A, W04B | | |
| | 21A | W04A, W04B | 21B | X06A, X06B, X06C | 21B | X06A, X06B, X06C | | |
| | 21B | X06A, X06B, X06C | 5s291 | | BOP, KJZSV, KVT, UOP4 | 5s302.2 | | BOP, KJZSV, KVT, UOP4 |
| | | BOP, KJZSV, KVT, UOP4 | 03 | D18Z, D28J, D28Z, D29J, D29Z | 03 | D18Z, D25A, D25B, D25C, D25D, D25J | | |
| 5s222.91 | 03 | D18Z, D24A, D24B | 08 | I17Z | 08 | I17Z | | |
| | 08 | I17Z | 09 | J08A, J08B, J08C | 09 | J08A, J08B, J08C | | |
| | 09 | J08A, J08B, J08C | 21A | W04A, W04B | 21A | W04A, W04B | | |
| | 21A | W04A, W04B | 21B | X06A, X06B, X06C | 21B | X06A, X06B, X06C | | |
| | 21B | X06A, X06B, X06C | 5s222.x | | BOP, KJZSV, KVT, UOP4 | 5s222.x | | BOP, KJZSV, KVT, UOP4 |
| 5s222.x | | BOP, KJZSV, KVT, UOP4 | 03 | D18Z, D24A, D24B | 03 | D18Z, D24A, D24B | | |
| | 03 | D18Z, D24A, D24B | 08 | I17Z | 08 | I17Z | | |
| | 08 | I17Z | 09 | J08A, J08B, J08C | 09 | J08A, J08B, J08C | | |
| | 09 | J08A, J08B, J08C | 21A | W04A, W04B | 21A | W04A, W04B | | |
| | 21A | W04A, W04B | 21B | X06A, X06B, X06C | 21B | X06A, X06B, X06C | | |
| 21B | X06A, X06B, X06C | | | | | | | |

VYK

| ZZV | MDC | DRG | ZZV | MDC | DRG | ZZV | MDC | DRG |
|----------|------------------|------------------------------------|----------|-----|------------------------------------|----------|-----|------------------------------------|
| 5s302.3 | | BOP, KJZSV, KVT, UOP4 | 5s302.h | | BOP, KJZSV, KVT, UOP4 | 5s30f.6 | | BOP, KJZSV, KVT, UOP4 |
| | 03 | D18Z, D25A, D25B, D25C, D25D, D25J | | 03 | D18Z, D25A, D25B, D25C, D25D, D25J | | 03 | D18Z, D25A, D25B, D25C, D25D, D25J |
| | 08 | I17Z | | 08 | I17Z | | 08 | I17Z |
| | 09 | J08A, J08B, J08C | | 09 | J08A, J08B, J08C | | 09 | J08A, J08B, J08C |
| | 21A | W04A, W04B | | 21A | W04A, W04B | | 21A | W04A, W04B |
| 5s302.4 | 21B | X06A, X06B, X06C | 5s302.j | 21B | X06A, X06B, X06C | 5s30f.70 | 21B | X06A, X06B, X06C |
| | | BOP, KJZSV, KVT, UOP4 | | | BOP, KJZSV, KVT, UOP4 | | | BOP, KJZSV, KVT, UOP4 |
| | 03 | D18Z, D25A, D25B, D25C, D25D, D25J | | 03 | D18Z, D25A, D25B, D25C, D25D, D25J | | 03 | D18Z, D25A, D25B, D25C, D25D, D25J |
| | 08 | I17Z | | 08 | I17Z | | 08 | I17Z |
| | 09 | J08A, J08B, J08C | | 09 | J08A, J08B, J08C | | 09 | J08A, J08B, J08C |
| 5s302.5 | 21A | W04A, W04B | 5s30f.0 | 21A | W04A, W04B | 5s30f.71 | 21A | W04A, W04B |
| | 21B | X06A, X06B, X06C | | 21B | X06A, X06B, X06C | | 21B | X06A, X06B, X06C |
| | | BOP, KJZSV, KVT, UOP4 | | | BOP, KJZSV, KVT, UOP4 | | | BOP, KJZSV, KVT, UOP4 |
| | 03 | D18Z, D24A, D24B | | 03 | D18Z, D25A, D25B, D25C, D25D, D25J | | 03 | D18Z, D25A, D25B, D25C, D25D, D25J |
| | 08 | I17Z | | 08 | I17Z | | 08 | I17Z |
| 5s302.60 | 09 | J08A, J08B, J08C | 5s30f.1 | 09 | J08A, J08B, J08C | 5s30f.72 | 09 | J08A, J08B, J08C |
| | 21A | W04A, W04B | | 21A | W04A, W04B | | 21A | W04A, W04B |
| | 21B | X06A, X06B, X06C | | 21B | X06A, X06B, X06C | | 21B | X06A, X06B, X06C |
| | | BOP, KJZSV, KVT, UOP4 | | | BOP, KJZSV, KVT, UOP4 | | | BOP, KJZSV, KVT, UOP4 |
| | 03 | D18Z, D25A, D25B, D25C, D25D, D25J | | 03 | D18Z, D25A, D25B, D25C, D25D, D25J | | 03 | D18Z, D25A, D25B, D25C, D25D, D25J |
| 5s302.61 | 08 | I17Z | 5s30f.2 | 08 | I17Z | 5s30f.73 | 08 | I17Z |
| | 09 | J08A, J08B, J08C | | 09 | J08A, J08B, J08C | | 09 | J08A, J08B, J08C |
| | 21A | W04A, W04B | | 21A | W04A, W04B | | 21A | W04A, W04B |
| | 21B | X06A, X06B, X06C | | 21B | X06A, X06B, X06C | | 21B | X06A, X06B, X06C |
| | | BOP, KJZSV, KVT, UOP4 | | | BOP, KJZSV, KVT, UOP4 | | | BOP, KJZSV, KVT, UOP4 |
| 5s302.62 | 03 | D18Z, D25A, D25B, D25C, D25D, D25J | 5s30f.3 | 03 | D18Z, D25A, D25B, D25C, D25D, D25J | 5s311.0 | 03 | D18Z, D25A, D25B, D25C, D25D, D25J |
| | 08 | I17Z | | 08 | I17Z | | 08 | I17Z |
| | 09 | J08A, J08B, J08C | | 09 | J08A, J08B, J08C | | 09 | J08A, J08B, J08C |
| | 21A | W04A, W04B | | 21A | W04A, W04B | | 21A | W04A, W04B |
| | 21B | X06A, X06B, X06C | | 21B | X06A, X06B, X06C | | 21B | X06A, X06B, X06C |
| 5s302.7 | | BOP, KJZSV, KVT, UOP4 | 5s30f.4 | | BOP, KJZSV, KVT, UOP4 | 5s311.1 | | BOP, KJZSV, KVT, UOP4 |
| | 03 | D18Z, D25A, D25B, D25C, D25D, D25J | | 03 | D18Z, D25A, D25B, D25C, D25D, D25J | | 03 | D18Z, D25A, D25B, D25C, D25D, D25J |
| | 08 | I17Z | | 08 | I17Z | | 08 | I17Z |
| | 09 | J08A, J08B, J08C | | 09 | J08A, J08B, J08C | | 09 | J08A, J08B, J08C |
| | 21A | W04A, W04B | | 21A | W04A, W04B | | 21A | W04A, W04B |
| 5s302.80 | 21B | X06A, X06B, X06C | 5s30f.50 | 21B | X06A, X06B, X06C | 5s311.2 | 21B | X06A, X06B, X06C |
| | | BOP, KJZSV, KVT, UOP4 | | | BOP, KJZSV, KVT, UOP4 | | | BOP, KJZSV, KVT, UOP4 |
| | 03 | D18Z, D25A, D25B, D25C, D25D, D25J | | 03 | D18Z, D25A, D25B, D25C, D25D, D25J | | 03 | D18Z, D25A, D25B, D25C, D25D, D25J |
| | 08 | I17Z | | 08 | I17Z | | 08 | I17Z |
| | 09 | J08A, J08B, J08C | | 09 | J08A, J08B, J08C | | 09 | J08A, J08B, J08C |
| 5s302.81 | 21A | W04A, W04B | 5s30f.51 | 21A | W04A, W04B | 5s311.3 | 21A | W04A, W04B |
| | 21B | X06A, X06B, X06C | | 21B | X06A, X06B, X06C | | 21B | X06A, X06B, X06C |
| | | BOP, KJZSV, KVT, UOP4 | | | BOP, KJZSV, KVT, UOP4 | | | BOP, KJZSV, KVT, UOP4 |
| | 03 | D18Z, D25A, D25B, D25C, D25D, D25J | | 03 | D18Z, D25A, D25B, D25C, D25D, D25J | | 03 | D18Z, D25A, D25B, D25C, D25D, D25J |
| | 08 | I17Z | | 08 | I17Z | | 08 | I17Z |
| 5s302.a | 09 | J08A, J08B, J08C | | 09 | J08A, J08B, J08C | | 09 | J08A, J08B, J08C |
| | 21A | W04A, W04B | | 21A | W04A, W04B | | 21A | W04A, W04B |
| | 21B | X06A, X06B, X06C | | 21B | X06A, X06B, X06C | | 21B | X06A, X06B, X06C |
| | | BOP, KJZSV, KVT, UOP4 | | | BOP, KJZSV, KVT, UOP4 | | | BOP, KJZSV, KVT, UOP4 |
| | 03 | D18Z, D25A, D25B, D25C, D25D, D25J | | | | | | |
| | I17Z | | | | | | | |
| | J08A, J08B, J08C | | | | | | | |
| | W04A, W04B | | | | | | | |
| | X06A, X06B, X06C | | | | | | | |

| ZZV | MDC | DRG | ZZV | MDC | DRG | ZZV | MDC | DRG | | |
|---------|------------------------------|------------------------------------|------------------------------------|---------|------------------------------------|------------------|------------------------------------|------------------------------|-----|------------------------------------|
| 5s312 | | BOP, KJZSV, KVT, UOP4 | 5s31a.2 | | BOP, KJZSV, KVT, UOP4 | 5s901.10 | | BOP, KJZSV, KVT, UOP4 | | |
| | 03 | D18Z, D25A, D25B, D25C, D25D, D25J | | 03 | D18Z, D25A, D25B, D25C, D25D, D25J | | 03 | D18Z, D28J, D28Z, D29J, D29Z | | |
| | 08 | I17Z | | 08 | I06A, I06B, I06C, I06D, I06E | | 08 | I17Z | | |
| | 09 | J08A, J08B | | 09 | J08A, J08B | | 09 | J08A, J08B, J08C | | |
| | 21A | W04A, W04B | | 21A | W04A, W04B | | 21A | W04A, W04B | | |
| 5s313.1 | 21B | X06A, X06B, X06C | 5s31b.1 | 21B | X06A, X06B, X06C | 5s901.11 | 21B | X06A, X06B, X06C | | |
| | | BOP, KJZSV, KVT, UOP4 | | | BOP, KJZSV, KVT, UOP4 | | | BOP, KJZSV, KVT, UOP4 | | |
| | 03 | D18Z, D28J, D28Z, D29J, D29Z | | 03 | D18Z, D25A, D25B, D25C, D25D, D25J | | 03 | D18Z, D28J, D28Z, D29J, D29Z | | |
| | 08 | I17Z | | 08 | I06A, I06B, I06C, I06D, I06E | | 08 | I17Z | | |
| | 09 | J08A, J08B, J08C | | 09 | J08A, J08B | | 09 | J08A, J08B, J08C | | |
| 5s313.x | 21A | W04A, W04B | 5s31b.2 | 21A | W04A, W04B | 5s901.20 | 21A | W04A, W04B | | |
| | 21B | X06A, X06B, X06C | | 5s31b.2 | 21B | | X06A, X06B, X06C | 5s901.20 | 21B | X06A, X06B, X06C |
| | | BOP, KJZSV, KVT, UOP4 | | | | | BOP, KJZSV, KVT, UOP4 | | | BOP, KJZSV, KVT, UOP4 |
| | 03 | D18Z, D25A, D25B, D25C, D25D, D25J | | | 03 | | D18Z, D25A, D25B, D25C, D25D, D25J | | 03 | D18Z, D28J, D28Z, D29J, D29Z |
| | 08 | I06A, I06B, I06C, I06D, I06E | | | 08 | | I06A, I06B, I06C, I06D, I06E | | 08 | I17Z |
| 09 | J08A, J08B, J08C | 09 | J08A, J08B | | 09 | J08A, J08B, J08C | | | | |
| 5s314 | 21A | W04A, W04B | 5s390 | 21A | W04A, W04B | 5s901.21 | 21A | W04A, W04B | | |
| | 21B | X06A, X06B, X06C | | 5s390 | 21B | | X06A, X06B, X06C | 5s901.21 | 21B | X06A, X06B, X06C |
| | | BOP, KJZSV, KVT, UOP4 | | | | | BOP, KJZSV, KVT, UOP4 | | | BOP, KJZSV, KVT, UOP4 |
| | 03 | D18Z, D25A, D25B, D25C, D25D, D25J | | | 03 | | D18Z, D25A, D25B, D25C, D25D, D25J | | 03 | D18Z, D28J, D28Z, D29J, D29Z |
| | 08 | I17Z | | | 08 | | I17Z | | 08 | I17Z |
| 09 | J08A, J08B | 09 | J08A, J08B | | 09 | J08A, J08B, J08C | | | | |
| 5s315 | 21A | W04A, W04B | 5s391 | 21A | W04A, W04B | 5s901.x | 21A | W04A, W04B | | |
| | 21B | X06A, X06B, X06C | | 5s391 | 21B | | X06A, X06B, X06C | 5s901.x | 21B | X06A, X06B, X06C |
| | | BOP, KJZSV, KVT, UOP4 | | | | | BOP, KVT, UOP4 | | | BOP, KJZSV, KVT, UOP4 |
| | 03 | D18Z, D25A, D25B, D25C, D25D, D25J | | | 03 | | D18Z, D25A, D25B, D25C, D25D, D25J | | 03 | D18Z, D28J, D28Z, D29J, D29Z |
| | 08 | I17Z | | | 08 | | I17Z | | 08 | I17Z |
| 09 | J08A, J08B | 09 | J08A, J08B | | 09 | J08A, J08B, J08C | | | | |
| 5s316 | 21A | W04A, W04B | 5s392 | 21A | W04A, W04B | 5s902 | 21A | W04A, W04B | | |
| | 21B | X06A, X06B, X06C | | 5s392 | 21B | | X06A, X06B, X06C | 5s902 | 21B | X06A, X06B, X06C |
| | | BOP, KJZSV, KVT, UOP4 | | | | | BOP, KJZSV, KVT, UOP4 | | | BOP, KJZSV, KVT, UOP4 |
| | 03 | D18Z, D25A, D25B, D25C, D25D, D25J | | | 03 | | D18Z, D25A, D25B, D25C, D25D, D25J | | 03 | D04Z, D15A, D15J, D18Z |
| | 08 | I17Z | | | 08 | | I17Z | | 08 | I17Z |
| 09 | J08A, J08B | 09 | J08A, J08B | | 09 | J08A, J08B, J08C | | | | |
| 5s317 | 21A | W04A, W04B | 5s393 | 21A | W04A, W04B | 5s903 | 21A | W04A, W04B | | |
| | 21B | X06A, X06B, X06C | | 5s393 | 21B | | X06A, X06B, X06C | 5s903 | 21B | X06A, X06B, X06C |
| | | BOP, KJZSV, KVT, UOP4 | | | | | BOP, KJZSV, KVT, UOP4 | | | BOP, KJZSV, KVT, UOP4 |
| | 03 | D18Z, D25A, D25B, D25C, D25D, D25J | | | 03 | | D18Z, D25A, D25B, D25C, D25D, D25J | | 03 | D18Z, D25A, D25B, D25C, D25D, D25J |
| | 08 | I17Z | | | 08 | | I17Z | | 08 | I17Z |
| 09 | J08A, J08B | 09 | J08A, J08B | | 09 | J08A, J08B, J08C | | | | |
| 5s318 | 21A | W04A, W04B | 5s394 | 21A | W04A, W04B | 5s904.10 | 21A | W04A, W04B | | |
| | 21B | X06A, X06B, X06C | | 5s394 | 21B | | X06A, X06B, X06C | 5s904.10 | 21B | X06A, X06B, X06C |
| | | BOP, KJZSV, KVT, UOP4 | | | | | BOP, KJZSV, KVT, UOP4 | | | BOP, KVT, UOP4 |
| | 03 | D18Z, D25A, D25B, D25C, D25D, D25J | | | 03 | | D18Z, D25A, D25B, D25C, D25D, D25J | | 03 | D04Z, D18Z, D28J, D28Z, D29J, D29Z |
| | 08 | I17Z | | | 08 | | I17Z | | 08 | I17Z |
| 09 | J08A, J08B | 09 | J08A, J08B | | 09 | J08A, J08B, J08C | | | | |
| 5s319 | 21A | W04A, W04B | 5s395 | 21A | W04A, W04B | 5s904.11 | 21A | W04A, W04B | | |
| | 21B | X06A, X06B, X06C | | 5s395 | 21B | | X06A, X06B, X06C | 5s904.11 | 21B | X06A, X06B, X06C |
| | | BOP, KJZSV, KVT, UOP4 | | | | | BOP, KJZSV, KVT, UOP4 | | | BOP, KVT, UOP4 |
| | 03 | D18Z, D25A, D25B, D25C, D25D, D25J | | | 03 | | D18Z, D25A, D25B, D25C, D25D, D25J | | 03 | D04Z, D18Z, D28J, D28Z, D29J, D29Z |
| | 08 | I17Z | | | 08 | | I23A, I23J | | 08 | I17Z |
| 09 | J08A, J08B | 09 | J08A, J08B | | 09 | J08A, J08B, J08C | | | | |
| 5s31a.1 | 21A | W04A, W04B | 5s900 | 21A | W04A, W04B | 5s940 | 21A | W04A, W04B | | |
| | 21B | X06A, X06B, X06C | | 5s900 | 21B | | X06A, X06B, X06C | 5s940 | 21B | X06A, X06B, X06C |
| | | BOP, KJZSV, KVT, UOP4 | | | | | BOP, KJZSV, KVT, UOP4 | | | D13J, D13Q, D13Z |
| | 03 | D18Z, D25A, D25B, D25C, D25D, D25J | | | 03 | | D18Z, D28J, D28Z, D29J, D29Z | | 03 | D13J, D13Q, D13Z |
| | 08 | I06A, I06B, I06C, I06D, I06E | | | 08 | | I17Z | | 08 | I17Z |
| 09 | J08A, J08B | 09 | J08A, J08B, J08C | | 09 | J08A, J08B, J08C | | | | |
| 5s31a.2 | 21A | W04A, W04B | 5s900 | 21A | W04A, W04B | 5s941 | 21A | W04A, W04B | | |
| | 21B | X06A, X06B, X06C | | 5s900 | 21B | | X06A, X06B, X06C | 5s941 | 21B | X06A, X06B, X06C |
| | | BOP, KJZSV, KVT, UOP4 | | | | | BOP, KJZSV, KVT, UOP4 | | | KJZSV |
| | 03 | D18Z, D25A, D25B, D25C, D25D, D25J | | | | | BOP, KJZSV, KVT, UOP4 | | | KJZSV |
| 08 | I06A, I06B, I06C, I06D, I06E | | D18Z, D25A, D25B, D25C, D25D, D25J | | | KJZSV | | | | |
| | J08A, J08B | | I17Z | | 5s991† | | KJZSV | | | |
| | J08A, J08B, J08C | | J08A, J08B, J08C | | | | KJZSV | | | |
| | W04A, W04B | | W04A, W04B | | | | KJZSV | | | |
| | X06A, X06B, X06C | | X06A, X06B, X06C | | | | D28J, D28Z | | | |

VYK

| ZZV | MDC | DRG | ZZV | MDC | DRG | ZZV | MDC | DRG |
|----------|------------------|--|----------|-----|--|----------|----------|--|
| 5s992 | | BOP, KJZSV, KVT, UOP4 | 5t001.5↔ | 05 | BOP, KJZSV, KVT, UOP4 | 5t001.f↔ | 01 | BOP, KJZSV, KVT, UOP4 |
| | 03 | D18Z, D28J, D28Z, D29J, D29Z | | 08 | F13A | | 08 | B03Z, B17A, B17B, B17C, B17J |
| | 08 | I17Z | | 21A | I12A, I12B, I12C, I12J, I21J, I21Z, I31J, I31Z | | 05 | F13A |
| | 09 | J08A, J08B | | 21B | W04A, W04B | | 08 | I08A, I08B, I08C, I08D, I08E, I08F, I08J |
| | 21A | W04A, W04B | | | X06A, X06B, X06C | | 21A | W01A, W01B, W01C, W02A, W02B |
| 5s99b.10 | 21B | X06A, X06B, X06C | 5t001.6↔ | 05 | BOP, KJZSV, KVT, UOP4 | 5t001.g↔ | 21B | X04Z |
| | 03 | BOP, KJZSV, KVT, UOP4 | | 08 | F13A | | 01 | BOP, KJZSV, KVT, UOP4 |
| | 08 | D04Z, D18Z, D28J, D28Z, D29J, D29Z | | 21A | I12A, I12B, I12C, I12J, I21J, I21Z, I31J, I31Z | | 01 | B03Z, B17A, B17B, B17C, B17J |
| | 08 | I17Z | | 21B | W04A, W04B | | 05 | F13A |
| | 09 | J08A, J08B, J08C | | | X06A, X06B, X06C | | 08 | I08A, I08B, I08C, I08D, I08E, I08F, I08J |
| 5s99b.11 | 21A | W04A, W04B | 5t001.7↔ | 05 | BOP, KJZSV, KVT, UOP4 | 5t001.h↔ | 21A | W01A, W01B, W01C, W02A, W02B |
| | 21B | X06A, X06B, X06C | | 08 | F13A | | 21B | X04Z |
| | 03 | BOP, KJZSV, KVT, UOP4 | | 08 | I12A, I12B, I12C, I12J, I21J, I21Z, I31J, I31Z | | 01 | BOP, KJZSV, KVT, UOP4 |
| | 08 | D04Z, D18Z, D28J, D28Z, D29J, D29Z | | 21A | W04A, W04B | | 01 | B03Z, B17A, B17B, B17C, B17J |
| | 08 | I17Z | | 21B | X06A, X06B, X06C | | 05 | F13A |
| 5s99b.20 | 09 | J08A, J08B, J08C | 5t001.8↔ | 05 | BOP, KJZSV, KVT, UOP4 | 5t001.i↔ | 08 | I08A, I08B, I08C, I08D, I08E, I08F, I08J |
| | 21A | W04A, W04B | | 08 | F13A | | 21A | W01A, W01B, W01C, W02A, W02B |
| | 21B | X06A, X06B, X06C | | 08 | I12A, I12B, I12C, I12J, I21J, I21Z, I31J, I31Z | | 21B | X04Z |
| | 03 | BOP, KJZSV, KVT, UOP4 | | 21A | W04A, W04B | | 01 | BOP, KJZSV, KVT, UOP4 |
| | 03 | D04Z, D18Z, D28J, D28Z, D29J, D29Z | | 21B | X06A, X06B, X06C | | 01 | B03Z, B17A, B17B, B17C, B17J |
| 5s99b.21 | 08 | I17Z | 5t001.9↔ | 05 | F13A | 5t001.j↔ | 05 | F13A |
| | 09 | J08A, J08B, J08C | | 08 | I12A, I12B, I12C, I12J, I21J, I21Z, I31J, I31Z | | 08 | I12A, I12B, I12C, I12J, I18A, I18B, I18J, I18Q, I18R, I30J, I30Z |
| | 21A | W04A, W04B | | 21A | W04A, W04B | | 21A | W04A, W04B |
| | 21B | X06A, X06B, X06C | | 21B | X06A, X06B, X06C | | 21B | X04Z |
| | 03 | BOP, KJZSV, KVT, UOP4 | | | BOP, KJZSV, KVT, UOP4 | | 5t001.k↔ | BOP, KJZSV, KVT, UOP4 |
| 5t001.0↔ | 03 | D04Z, D18Z, D28J, D28Z, D29J, D29Z | 5t001.a↔ | 05 | F13A | 5t001.l↔ | 05 | F13A |
| | 08 | I17Z | | 08 | I12A, I12B, I12C, I12J, I32A, I32B, I32C, I32D, I32E, I32F, I32J, I32Q, I32R, I32S, I32T, I32U | | 08 | I12A, I12B, I12C, I12J, I13A, I13B, I13C, I13D, I13E, I13J |
| | 09 | J08A, J08B, J08C | | 21A | W04A, W04B | | 21A | W04A, W04B |
| | 21A | W04A, W04B | | 21B | X05A, X05B | | 21B | X04Z |
| | 21B | X06A, X06B, X06C | | | BOP, KJZSV, KVT, UOP4 | | 5t001.m↔ | BOP, KJZSV, KVT, UOP4 |
| 5t001.1↔ | 04 | E02A, E02B, E02C, E02D | 5t001.b↔ | 05 | F13A | 5t001.n↔ | 05 | F13A |
| | 05 | F13A | | 08 | I12A, I12B, I12C, I12J, I32A, I32B, I32C, I32D, I32E, I32F, I32J, I32Q, I32R, I32S, I32T, I32U | | 08 | I12A, I12B, I12C, I12J, I13A, I13B, I13C, I13D, I13E, I13J |
| | 08 | I12A, I12B, I12C, I12J, I28A, I28B, I28J | | 21A | W04A, W04B | | 21A | W04A, W04B |
| | 21A | W04A, W04B | | 21B | X05A, X05B | | 21B | X04Z |
| | 21B | X06A, X06B, X06C | | | BOP, KJZSV, KVT, UOP4 | | 5t001.p↔ | BOP, KJZSV, KVT, UOP4 |
| 5t001.2↔ | 05 | F13A | 5t001.c↔ | 05 | F13A | 5t001.q↔ | 05 | F13A |
| | 08 | I12A, I12B, I12C, I12J, I13A, I13B, I13C, I13D, I13E, I13J | | 08 | I12A, I12B, I12C, I12J, I32A, I32B, I32C, I32D, I32E, I32F, I32J, I32Q, I32R, I32S, I32T, I32U | | 08 | I12A, I12B, I12C, I12J, I13A, I13B, I13C, I13D, I13E, I13J |
| | 21A | W04A, W04B | | 21A | W04A, W04B | | 21A | W04A, W04B |
| | 21B | X06A, X06B, X06C | | 21B | X05A, X05B | | 21B | X04Z |
| | 05 | F13A | | | BOP, KJZSV, KVT, UOP4 | | 5t001.r↔ | BOP, KJZSV, KVT, UOP4 |
| 5t001.3↔ | 08 | I12A, I12B, I12C, I12J, I13A, I13B, I13C, I13D, I13E, I13J | 5t001.d | 05 | F13A | 5t001.s↔ | 05 | F13A |
| | 21A | W04A, W04B | | 08 | I08A, I08B, I08C, I08D, I08E, I08F, I08J, I12A, I12B, I12C, I12J | | 08 | I12A, I12B, I12C, I12J, I13A, I13B, I13C, I13D, I13E, I13J |
| | 21B | X06A, X06B, X06C | | 21A | W04A, W04B | | 21A | W04A, W04B |
| | 05 | F13A | | 21B | X06A, X06B, X06C | | 21B | X04Z |
| | 08 | I12A, I12B, I12C, I12J, I13A, I13B, I13C, I13D, I13E, I13J | | | BOP, KJZSV, KVT, UOP4 | | 5t001.t↔ | BOP, KJZSV, KVT, UOP4 |
| 5t001.4↔ | 21A | W04A, W04B | 5t001.e↔ | 05 | F13A | 5t001.u↔ | 05 | F13A |
| | 21B | X06A, X06B, X06C | | 01 | B03Z, B17A, B17B, B17C, B17J | | 08 | I12A, I12B, I12C, I12J, I13A, I13B, I13C, I13D, I13E, I13J |
| | 05 | F13A | | 05 | F13A | | 21A | W04A, W04B |
| | 08 | I12A, I12B, I12C, I12J, I21J, I21Z, I31J, I31Z | | 08 | I08A, I08B, I08C, I08D, I08E, I08F, I08J | | 21B | X04Z |
| | 21A | W04A, W04B | | 21A | W01A, W01B, W01C, W02A, W02B | | | |
| 21B | X06A, X06B, X06C | 21B | X04Z | | | | | |

| ZZV | MDC | DRG | ZZV | MDC | DRG | ZZV | MDC | DRG | | |
|----------|--|--|------------------|--|--|----------|----------|--|--|--|
| 5t001.r↔ | | BOP, KJZSV, KVT, UOP4 | 5t002.1↔ | | BOP, KJZSV, KVT, UOP4 | 5t002.c↔ | | BOP, KJZSV, KVT, UOP4 | | |
| | 05 | F13A | | 05 | F13A | | 05 | F13A | | |
| | 08 | I12A, I12B, I12C, I12J, I13A, I13B, I13C, I13D, I13E, I13J | | 08 | I12A, I12B, I12C, I12J, I13A, I13B, I13C, I13D, I13E, I13J | | 08 | I12A, I12B, I12C, I12J, I32A, I32B, I32C, I32D, I32E, I32F, I32J, I32Q, I32R, I32S, I32T, I32U | | |
| | 21A | W04A, W04B | | 21A | W04A, W04B | | 21A | W04A, W04B | | |
| 5t001.s↔ | 21B | X04Z | 5t002.2↔ | 21B | X06A, X06B, X06C | 5t002.d | 21B | X05A, X05B | | |
| | | BOP, KJZSV, KVT, UOP4 | | | BOP, KJZSV, KVT, UOP4 | | | BOP, KJZSV, KVT, UOP4 | | |
| | 05 | F13A, F27A, F27B, F27C | | 05 | F13A | | 05 | F13A | | |
| | 08 | I12A, I12B, I12C, I12J, I20A, I20B, I20C, I20D, I20E, I20F, I20J, I20Q, I20R | | 08 | I12A, I12B, I12C, I12J, I13A, I13B, I13C, I13D, I13E, I13J | | 08 | I08A, I08B, I08C, I08D, I08E, I08F, I08J, I12A, I12B, I12C, I12J | | |
| 5t001.t↔ | 10 | K01Z | 5t002.3↔ | 21A | W04A, W04B | 5t002.e↔ | 21A | W04A, W04B | | |
| | 21A | W04A, W04B | | 21B | X06A, X06B, X06C | | 21B | X06A, X06B, X06C | | |
| | 21B | X04Z | | | BOP, KJZSV, KVT, UOP4 | | | BOP, KJZSV, KVT, UOP4 | | |
| | | BOP, KJZSV, KVT, UOP4 | | 05 | F13A | | 05 | F13A | | |
| 5t001.u↔ | 05 | F13A, F27A, F27B, F27C | 5t002.4↔ | 08 | I12A, I12B, I12C, I12J, I13A, I13B, I13C, I13D, I13E, I13J | 5t002.f↔ | 08 | I12A, I12B, I12C, I12J, I21J, I21Z | | |
| | 08 | I12A, I12B, I12C, I12J, I20A, I20B, I20C, I20D, I20E, I20F, I20J, I20Q, I20R | | 21A | W04A, W04B | | 21A | W04A, W04B | | |
| | 10 | K01Z | | 21B | X06A, X06B, X06C | | 21B | X04Z | | |
| | 21A | W04A, W04B | | | BOP, KJZSV, KVT, UOP4 | | 01 | B03Z, B17A, B17B, B17C, B17J | | |
| 5t001.v↔ | 21B | X04Z | 5t002.5↔ | 05 | F13A | 5t002.g↔ | 05 | F13A | | |
| | | BOP, KJZSV, KVT, UOP4 | | 08 | I12A, I12B, I12C, I12J, I21J, I21Z, I31J, I31Z | | 08 | I08A, I08B, I08C, I08D, I08E, I08F, I08J | | |
| | 05 | F13A, F27A, F27B, F27C | | 21A | W04A, W04B | | 21A | W01A, W01B, W01C, W02A, W02B | | |
| | 08 | I12A, I12B, I12C, I12J, I20A, I20B, I20C, I20D, I20E, I20F, I20J, I20Q, I20R | | 21B | X06A, X06B, X06C | | 21B | X04Z | | |
| 5t001.w↔ | 21A | W04A, W04B | 5t002.6↔ | | BOP, KJZSV, KVT, UOP4 | 5t002.h↔ | | BOP, KJZSV, KVT, UOP4 | | |
| | 21B | X04Z | | 05 | F13A | | 01 | B03Z, B17A, B17B, B17C, B17J | | |
| | | BOP, KJZSV, KVT, UOP4 | | 08 | I12A, I12B, I12C, I12J, I21J, I21Z, I31J, I31Z | | 05 | F13A | | |
| | 05 | F13A | | 21A | W04A, W04B | | 08 | I08A, I08B, I08C, I08D, I08E, I08F, I08J | | |
| 5t001.x | 08 | I12A, I12B, I12C, I12J, I20A, I20B, I20C, I20D, I20E, I20F, I20J, I20Q, I20R | 5t002.7↔ | 21B | X06A, X06B, X06C | 5t002.i↔ | 21A | W01A, W01B, W01C, W02A, W02B | | |
| | 21A | W04A, W04B | | | BOP, KJZSV, KVT, UOP4 | | 5t002.j↔ | 21B | X04Z | |
| | 21B | X04Z | | 05 | F13A | | | 01 | B03Z, B17A, B17B, B17C, B17J | |
| | | BOP, KJZSV, KVT, UOP4 | | 08 | I12A, I12B, I12C, I12J, I21J, I21Z, I31J, I31Z | | | 05 | F13A | |
| 5t001.y | 01 | B03Z, B17A, B17B, B17C, B17J | 5t002.8↔ | 21A | W04A, W04B | 5t002.k↔ | | 08 | I12A, I12B, I12C, I12J, I18A, I18B, I18J, I18Q, I18R, I30J, I30Z | |
| | 05 | F13A | | 21B | X06A, X06B, X06C | | 5t002.l↔ | 21A | W04A, W04B | |
| | 08 | I12A, I12B, I12C, I12J, I28A, I28B, I28J | | | BOP, KJZSV, KVT, UOP4 | | | 5t002.m↔ | 21B | X04Z |
| | 21A | W04A, W04B | | 05 | F13A | | | | 05 | F13A |
| 5t001.z↔ | 21B | X06A, X06B, X06C | 5t002.9↔ | 08 | I12A, I12B, I12C, I12J, I21J, I21Z, I31J, I31Z | 5t002.n↔ | | | 08 | I12A, I12B, I12C, I12J, I13A, I13B, I13C, I13D, I13E, I13J |
| | | BOP, KJZSV, KVT, UOP4 | | 21A | W04A, W04B | | 5t002.o↔ | | 21A | W04A, W04B |
| | 04 | E02A, E02B, E02C, E02D | | 21B | X06A, X06B, X06C | | | 5t002.p↔ | 21B | X04Z |
| | 05 | F13A | | | BOP, KJZSV, KVT, UOP4 | | | | 5t002.q↔ | 05 |
| 5t002.0↔ | 08 | I12A, I12B, I12C, I12J, I28A, I28B, I28J | 5t002.a↔ | 05 | F13A | 5t002.r↔ | | | | 08 |
| | 21A | W04A, W04B | | 08 | I12A, I12B, I12C, I12J, I32A, I32B, I32C, I32D, I32E, I32F, I32J, I32Q, I32R, I32S, I32T, I32U | | 5t002.s↔ | | | 21A |
| | 21B | X06A, X06B, X06C | | 21A | W04A, W04B | | | 5t002.t↔ | | 21B |
| | | BOP, KJZSV, KVT, UOP4 | | 21B | X06A, X06B, X06C | | | | 5t002.u↔ | 05 |
| 04 | E02A, E02B, E02C, E02D | 5t002.b↔ | | BOP, KJZSV, KVT, UOP4 | 5t002.v↔ | 08 | | | | I12A, I12B, I12C, I12J, I32A, I32B, I32C, I32D, I32E, I32F, I32J, I32Q, I32R, I32S, I32T, I32U |
| 05 | F13A | | 05 | F13A | | 5t002.w↔ | 21A | | | W04A, W04B |
| 08 | I12A, I12B, I12C, I12J, I28A, I28B, I28J | | 08 | I12A, I12B, I12C, I12J, I32A, I32B, I32C, I32D, I32E, I32F, I32J, I32Q, I32R, I32S, I32T, I32U | | | 5t002.x↔ | 21B | | X04Z |
| 21A | W04A, W04B | | 21A | W04A, W04B | | | | 5t002.y↔ | 21B | X05A, X05B |
| 21B | X06A, X06B, X06C | 21B | X06A, X06B, X06C | 5t002.z↔ | | | | | | |

VYK

| ZZV | MDC | DRG | ZZV | MDC | DRG | ZZV | MDC | DRG |
|----------|-----|--|----------|-----|--|----------|-----|--|
| 5t002.n↔ | | BOP, KJZSV, KVT, UOP4 | 5t002.z↔ | | BOP, KJZSV, KVT, UOP4 | 5t003.a↔ | | BOP, KJZSV, KVT, UOP4, VIAL |
| | 05 | F13A | | 04 | E02A, E02B, E02C, E02D | | 05 | F13A |
| | 08 | I12A, I12B, I12C, I12J, I13A, I13B, I13C, I13D, I13E, I13J | | 05 | F13A | | 08 | I12A, I12B, I12C, I12J, I32A, I32B, I32C, I32D, I32E, I32F, I32J, I32Q, I32R, I32S, I32T, I32U |
| | 21A | W04A, W04B | | 08 | I12A, I12B, I12C, I12J, I28A, I28B, I28J | | 21A | W04A, W04B |
| | 21B | X04Z | | 21A | W04A, W04B | | 21B | X05A, X05B |
| 5t002.p↔ | | BOP, KJZSV, KVT, UOP4 | 5t003.0↔ | | BOP, KJZSV, KVT, UOP4, VIAL | 5t003.b↔ | | BOP, KJZSV, KVT, UOP4, VIAL |
| | 05 | F13A | | 04 | E02A, E02B, E02C, E02D | | 05 | F13A |
| | 08 | I12A, I12B, I12C, I12J, I13A, I13B, I13C, I13D, I13E, I13J | | 05 | F13A | | 08 | I12A, I12B, I12C, I12J, I32A, I32B, I32C, I32D, I32E, I32F, I32J, I32Q, I32R, I32S, I32T, I32U |
| | 21A | W04A, W04B | | 08 | I23A, I23B, I23J | | 21A | W04A, W04B |
| | 21B | X04Z | | 21A | W04A, W04B | | 21B | X05A, X05B |
| 5t002.q↔ | | BOP, KJZSV, KVT, UOP4 | 5t003.1↔ | | BOP, KJZSV, KVT, UOP4, VIAL | 5t003.c↔ | | BOP, KJZSV, KVT, UOP4, VIAL |
| | 05 | F13A | | 05 | F13A | | 05 | F13A |
| | 08 | I12A, I12B, I12C, I12J, I13A, I13B, I13C, I13D, I13E, I13J | | 08 | I08A, I08B, I08C, I08D, I08E, I08F, I08J, I12A, I12B, I12C, I12J, I23A, I23B, I23J | | 08 | I12A, I12B, I12C, I12J, I23A, I23B, I23J |
| | 21A | W04A, W04B | | 21A | W04A, W04B | | 21A | W04A, W04B |
| | 21B | X04Z | | 21B | X06A, X06B, X06C | | 21B | X05A, X05B |
| 5t002.r↔ | | BOP, KJZSV, KVT, UOP4 | 5t003.2↔ | | BOP, KJZSV, KVT, UOP4, VIAL | 5t003.d | | BOP, KJZSV, KVT, UOP4, VIAL |
| | 05 | F13A | | 05 | F13A | | 05 | F13A |
| | 08 | I12A, I12B, I12C, I12J, I13A, I13B, I13C, I13D, I13E, I13J | | 08 | I08A, I08B, I08C, I08D, I08E, I08F, I08J, I12A, I12B, I12C, I12J, I23A, I23B, I23J | | 08 | I12A, I12B, I12C, I12J, I23A, I23B, I23J |
| | 21A | W04A, W04B | | 21A | W04A, W04B | | 21A | W04A, W04B |
| | 21B | X04Z | | 21B | X06A, X06B, X06C | | 21B | X05A, X05B |
| 5t002.s↔ | | BOP, KJZSV, KVT, UOP4 | 5t003.3↔ | | BOP, KJZSV, KVT, UOP4, VIAL | 5t003.e↔ | | BOP, KJZSV, KVT, UOP4, VIAL |
| | 05 | F13A, F27A, F27B, F27C | | 05 | F13A | | 05 | F13A |
| | 08 | I12A, I12B, I12C, I12J, I20A, I20B, I20C, I20D, I20E, I20F, I20J, I20Q, I20R | | 08 | I08A, I08B, I08C, I08D, I08E, I08F, I08J, I12A, I12B, I12C, I12J, I23A, I23B, I23J | | 08 | I12A, I12B, I12C, I12J, I23A, I23B, I23J |
| | 10 | K01Z | | 21A | W04A, W04B | | 21A | W04A, W04B |
| | 21A | W04A, W04B | | 21B | X06A, X06B, X06C | | 21B | X04Z, X05A, X05B, X06A, X06B, X06C |
| | 21B | X04Z | | 21B | X06A, X06B, X06C | | 21B | X04Z, X05A, X05B, X06A, X06B, X06C |
| 5t002.t↔ | | BOP, KJZSV, KVT, UOP4 | 5t003.4↔ | | BOP, KJZSV, KVT, UOP4, VIAL | 5t003.f↔ | | BOP, KJZSV, KVT, UOP4, VIAL |
| | 05 | F13A, F27A, F27B, F27C | | 05 | F13A | | 05 | F13A |
| | 08 | I12A, I12B, I12C, I12J, I20A, I20B, I20C, I20D, I20E, I20F, I20J, I20Q, I20R | | 08 | I08A, I08B, I08C, I08D, I08E, I08F, I08J, I23A, I23B, I23J | | 08 | I12A, I12B, I12C, I12J, I21J, I21Z |
| | 10 | K01Z | | 21A | W04A, W04B | | 21A | W04A, W04B |
| | 21A | W04A, W04B | | 21B | X06A, X06B, X06C | | 21B | X04Z |
| | 21B | X04Z | | 21B | X06A, X06B, X06C | | 21B | X04Z |
| 5t002.u↔ | | BOP, KJZSV, KVT, UOP4 | 5t003.5↔ | | BOP, KJZSV, KVT, UOP4, VIAL | 5t003.g↔ | | BOP, KJZSV, KVT, UOP4, VIAL |
| | 05 | F13A, F27A, F27B, F27C | | 05 | F13A | | 05 | F13A |
| | 08 | I12A, I12B, I12C, I12J, I20A, I20B, I20C, I20D, I20E, I20F, I20J, I20Q, I20R | | 08 | I08A, I08B, I08C, I08D, I08E, I08F, I08J, I23A, I23B, I23J | | 08 | I12A, I12B, I12C, I12J, I21J, I21Z |
| | 10 | K01Z | | 21A | W04A, W04B | | 21A | W04A, W04B |
| | 21A | W04A, W04B | | 21B | X06A, X06B, X06C | | 21B | X04Z |
| | 21B | X04Z | | 21B | X06A, X06B, X06C | | 21B | X04Z |
| 5t002.v↔ | | BOP, KJZSV, KVT, UOP4 | 5t003.6↔ | | BOP, KJZSV, KVT, UOP4, VIAL | 5t003.h↔ | | BOP, KJZSV, KVT, UOP4, VIAL |
| | 05 | F13A, F27A, F27B, F27C | | 05 | F13A | | 05 | F13A |
| | 08 | I12A, I12B, I12C, I12J, I20A, I20B, I20C, I20D, I20E, I20F, I20J, I20Q, I20R | | 08 | I08A, I08B, I08C, I08D, I08E, I08F, I08J, I23A, I23B, I23J | | 08 | I12A, I12B, I12C, I12J, I21J, I21Z |
| | 10 | K01Z | | 21A | W04A, W04B | | 21A | W04A, W04B |
| | 21A | W04A, W04B | | 21B | X04Z | | 21B | X04Z |
| | 21B | X04Z | | 21B | X04Z | | 21B | X04Z |
| 5t002.w↔ | | BOP, KJZSV, KVT, UOP4 | 5t003.7↔ | | BOP, KJZSV, KVT, UOP4, VIAL | 5t003.i↔ | | BOP, KJZSV, KVT, UOP4, VIAL |
| | 05 | F13A | | 05 | F13A | | 05 | F13A |
| | 08 | I12A, I12B, I12C, I12J, I20A, I20B, I20C, I20D, I20E, I20F, I20J, I20Q, I20R | | 08 | I08A, I08B, I08C, I08D, I08E, I08F, I08J, I23A, I23B, I23J | | 08 | I12A, I12B, I12C, I12J, I21J, I21Z |
| | 10 | K01Z | | 21A | W04A, W04B | | 21A | W04A, W04B |
| | 21A | W04A, W04B | | 21B | X04Z | | 21B | X04Z |
| | 21B | X04Z | | 21B | X04Z | | 21B | X04Z |
| 5t002.x | | BOP, KJZSV, KVT, UOP4 | 5t003.8↔ | | BOP, KJZSV, KVT, UOP4, VIAL | 5t003.j↔ | | BOP, KJZSV, KVT, UOP4, VIAL |
| | 05 | F13A | | 05 | F13A | | 05 | F13A |
| | 08 | I12A, I12B, I12C, I12J, I28A, I28B, I28J | | 08 | I08A, I08B, I08C, I08D, I08E, I08F, I08J, I23A, I23B, I23J | | 08 | I12A, I12B, I12C, I12J, I23A, I23B, I23J |
| | 21A | W04A, W04B | | 21A | W04A, W04B | | 21A | W04A, W04B |
| | 21B | X06A, X06B, X06C | | 21B | X04Z | | 21B | X04Z, X06A, X06B, X06C |

| ZZV | MDC | DRG | ZZV | MDC | DRG | ZZV | MDC | DRG |
|----------|------|--|------------------------|----------|--|----------|-----------------------------|--|
| 5t003.k↔ | | BOP, KJZSV, KVT, UOP4, VIAL | 5t003.v↔ | | BOP, KJZSV, KVT, UOP4, VIAL | 5t004.7↔ | | BOP, KJZSV, KVT, UOP4, VIAL |
| | 05 | F13A | | 05 | F13A | | 05 | F13A |
| | 08 | I12A, I12B, I12C, I12J, I23A, I23B, I23J | | 08 | I12A, I12B, I12C, I12J, I20A, I20B, I20C, I20D, I20E, I20F, I20J, I20Q, I20R | | 08 | I08A, I08B, I08C, I08D, I08E, I08F, I08J, I23A, I23J |
| | 21A | W04A, W04B | | 21A | W04A, W04B | | 5t004.8↔ | |
| 21B | X04Z | 21B | X04Z | 05 | F13A | | | |
| 5t003.m↔ | | BOP, KJZSV, KVT, UOP4, VIAL | 5t003.w↔ | | BOP, KJZSV, KVT, UOP4, VIAL | 5t004.9↔ | | BOP, KJZSV, KVT, UOP4, VIAL |
| | 05 | F13A | | 05 | F13A | | 05 | F13A |
| | 08 | I12A, I12B, I12C, I12J, I23A, I23B, I23J | | 08 | I12A, I12B, I12C, I12J, I23A, I23B, I23J | | 08 | I08A, I08B, I08C, I08D, I08E, I08F, I08J, I23A, I23J |
| | 21A | W04A, W04B | | 21A | W04A, W04B | | 5t004.a↔ | |
| 21B | X04Z | 21B | X04Z | 05 | F13A | | | |
| 5t003.n↔ | | BOP, KJZSV, KVT, UOP4, VIAL | 5t003.x | | BOP, KJZSV, KVT, UOP4, VIAL | 5t004.b↔ | | BOP, KJZSV, KVT, UOP4, VIAL |
| | 05 | F13A | | 05 | F13A | | 05 | F13A |
| | 08 | I12A, I12B, I12C, I12J, I23A, I23B, I23J | | 08 | I12A, I12B, I12C, I12J, I23A, I23B, I23J | | 08 | I12A, I12B, I12C, I12J, I32A, I32B, I32C, I32D, I32E, I32F, I32J, I32Q, I32R, I32S, I32T, I32U |
| | 21A | W04A, W04B | | 21A | W04A, W04B | | 5t004.c↔ | |
| 21B | X04Z | 21B | X06A, X06B, X06C | 05 | F13A | | | |
| 5t003.p↔ | | BOP, KJZSV, KVT, UOP4, VIAL | 5t003.z↔ | | BOP, KJZSV, KVT, UOP4, VIAL | 5t004.d | | BOP, KJZSV, KVT, UOP4, VIAL |
| | 05 | F13A | | 04 | E02A, E02B, E02C, E02D | | 05 | F13A |
| | 08 | I12A, I12B, I12C, I12J, I23A, I23B, I23J | | 05 | F13A | | 08 | I12A, I12B, I12C, I12J, I23A, I23J |
| | 21A | W04A, W04B | | 5t004.0↔ | | | BOP, KJZSV, KVT, UOP4, VIAL | 5t004.e↔ |
| 21B | X04Z | 04 | E02A, E02B, E02C, E02D | | 05 | F13A | | |
| 5t003.q↔ | | BOP, KJZSV, KVT, UOP4, VIAL | 5t004.1↔ | | BOP, KJZSV, KVT, UOP4, VIAL | 5t004.f↔ | | BOP, KJZSV, KVT, UOP4, VIAL |
| | 05 | F13A | | 05 | F13A | | 05 | F13A |
| | 08 | I12A, I12B, I12C, I12J, I23A, I23B, I23J | | 08 | I23A, I23B, I23J | | 08 | I12A, I12B, I12C, I12J, I23A, I23J |
| | 21A | W04A, W04B | | 5t004.2↔ | | | BOP, KJZSV, KVT, UOP4, VIAL | 5t004.g↔ |
| 21B | X04Z | 05 | F13A | | 05 | F13A | | |
| 5t003.r↔ | | BOP, KJZSV, KVT, UOP4, VIAL | 5t004.3↔ | | BOP, KJZSV, KVT, UOP4, VIAL | 5t004.h↔ | | BOP, KJZSV, KVT, UOP4, VIAL |
| | 05 | F13A | | 05 | F13A | | 05 | F13A |
| | 08 | I12A, I12B, I12C, I12J, I23A, I23B, I23J | | 08 | I08A, I08B, I08C, I08D, I08E, I08F, I08J, I12A, I12B, I12C, I12J, I23A, I23J | | 08 | I12A, I12B, I12C, I12J, I23A, I23J |
| | 21A | W04A, W04B | | 5t004.4↔ | | | BOP, KJZSV, KVT, UOP4, VIAL | 5t004.i↔ |
| 21B | X04Z | 05 | F13A | | 05 | F13A | | |
| 5t003.s↔ | | BOP, KJZSV, KVT, UOP4, VIAL | 5t004.5↔ | | BOP, KJZSV, KVT, UOP4, VIAL | 5t004.j↔ | | BOP, KJZSV, KVT, UOP4, VIAL |
| | 05 | F13A | | 05 | F13A | | 05 | F13A |
| | 08 | I12A, I12B, I12C, I12J, I20A, I20B, I20C, I20D, I20E, I20F, I20J, I20Q, I20R | | 08 | I08A, I08B, I08C, I08D, I08E, I08F, I08J, I23A, I23J | | 08 | I12A, I12B, I12C, I12J, I21A, I21Z |
| | 21A | W04A, W04B | | 5t004.6↔ | | | BOP, KJZSV, KVT, UOP4, VIAL | 5t004.k↔ |
| 21B | X04Z | 05 | F13A | | 05 | F13A | | |
| 5t003.t↔ | | BOP, KJZSV, KVT, UOP4, VIAL | 5t004.7↔ | | BOP, KJZSV, KVT, UOP4, VIAL | 5t004.l↔ | | BOP, KJZSV, KVT, UOP4, VIAL |
| | 05 | F13A | | 05 | F13A | | 05 | F13A |
| | 08 | I12A, I12B, I12C, I12J, I20A, I20B, I20C, I20D, I20E, I20F, I20J, I20Q, I20R | | 08 | I08A, I08B, I08C, I08D, I08E, I08F, I08J, I23A, I23J | | 08 | I12A, I12B, I12C, I12J, I21A, I21Z |
| | 21A | W04A, W04B | | 5t004.8↔ | | | BOP, KJZSV, KVT, UOP4, VIAL | 5t004.m↔ |
| 21B | X04Z | 05 | F13A | | 05 | F13A | | |
| 5t003.u↔ | | BOP, KJZSV, KVT, UOP4, VIAL | 5t004.9↔ | | BOP, KJZSV, KVT, UOP4, VIAL | 5t004.n↔ | | BOP, KJZSV, KVT, UOP4, VIAL |
| | 05 | F13A | | 05 | F13A | | 05 | F13A |
| | 08 | I12A, I12B, I12C, I12J, I20A, I20B, I20C, I20D, I20E, I20F, I20J, I20Q, I20R | | 08 | I08A, I08B, I08C, I08D, I08E, I08F, I08J, I23A, I23J | | 08 | I12A, I12B, I12C, I12J, I21A, I21Z |
| | 21A | W04A, W04B | | 5t004.0↔ | | | BOP, KJZSV, KVT, UOP4, VIAL | 5t004.o↔ |
| 21B | X04Z | 05 | F13A | | 05 | F13A | | |

VYK

| ZZV | MDC | DRG | ZZV | MDC | DRG | ZZV | MDC | DRG | | |
|----------|--|--|-----------------------------|-----------------------------|--|-----------------------------|-----------------------------|--|-----|-----------------------------|
| 5t004.h↔ | | BOP, KJZSV, KVT, UOP4, VIAL | 5t004.t↔ | | BOP, KJZSV, KVT, UOP4, VIAL | 5t005.3↔ | | BOP, KJZSV, KVT, UOP4, VIAL | | |
| | 05 | F13A | | 05 | F13A | | 05 | F13A | | |
| | 08 | I12A, I12B, I12C, I12J, I21J, I21Z | | 08 | I12A, I12B, I12C, I12J, I20A, I20B, I20C, I20D, I20E, I20F, I20J, I20Q, I20R | | 08 | I08A, I08B, I08C, I08D, I08E, I08F, I08J, I12A, I12B, I12C, I12J, I13A, I13B, I13C, I13D, I13E, I13J | | |
| | 21A | W04A, W04B | | 21A | W04A, W04B | | 21A | W04A, W04B | | |
| 5t004.j↔ | 21B | X04Z | 5t004.u↔ | 21B | X04Z | 5t005.4↔ | 21B | X06A, X06B, X06C | | |
| | | BOP, KJZSV, KVT, UOP4, VIAL | | | BOP, KJZSV, KVT, UOP4, VIAL | | | BOP, KJZSV, KVT, UOP4, VIAL | | |
| | 05 | F13A | | 05 | F13A | | 05 | F13A | | |
| | 08 | I12A, I12B, I12C, I12J, I23A, I23J | | 08 | I12A, I12B, I12C, I12J, I20A, I20B, I20C, I20D, I20E, I20F, I20J, I20Q, I20R | | 08 | I08A, I08B, I08C, I08D, I08E, I08F, I08J, I12A, I12B, I12C, I12J, I21J, I21Z, I31J, I31Z | | |
| 5t004.k↔ | 21A | W04A, W04B | 5t004.v↔ | 21A | W04A, W04B | 5t005.5↔ | 21A | W04A, W04B | | |
| | 21B | X04Z, X06A, X06B, X06C | | 21B | X04Z | | 21B | X06A, X06B, X06C | | |
| | | BOP, KJZSV, KVT, UOP4, VIAL | | | BOP, KJZSV, KVT, UOP4, VIAL | | | BOP, KJZSV, KVT, UOP4, VIAL | | |
| | 05 | F13A | | 05 | F13A | | 05 | F13A | | |
| 5t004.m↔ | 08 | I12A, I12B, I12C, I12J, I23A, I23J | 5t004.w↔ | 08 | I12A, I12B, I12C, I12J, I20A, I20B, I20C, I20D, I20E, I20F, I20J, I20Q, I20R | 5t005.6↔ | 08 | I08A, I08B, I08C, I08D, I08E, I08F, I08J, I12A, I12B, I12C, I12J, I21J, I21Z, I31J, I31Z | | |
| | 21A | W04A, W04B | | 5t004.x | 21A | | W04A, W04B | 5t005.7↔ | 21A | W04A, W04B |
| | 21B | X04Z | | | 21B | | X04Z | | 21B | X06A, X06B, X06C |
| | | BOP, KJZSV, KVT, UOP4, VIAL | | | | | BOP, KJZSV, KVT, UOP4, VIAL | | | BOP, KJZSV, KVT, UOP4, VIAL |
| 05 | F13A | 05 | F13A | | 05 | F13A | | | | |
| 5t004.n↔ | 08 | I12A, I12B, I12C, I12J, I23A, I23J | 5t004.z↔ | 08 | I12A, I12B, I12C, I12J, I23A, I23B, I23J | 5t005.8↔ | 08 | I08A, I08B, I08C, I08D, I08E, I08F, I08J, I12A, I12B, I12C, I12J, I21J, I21Z, I31J, I31Z | | |
| | 21A | W04A, W04B | | 5t005.0↔ | 21A | | W04A, W04B | 5t005.9↔ | 21A | W04A, W04B |
| | 21B | X04Z | | | 21B | | X06A, X06B, X06C | | 21B | X06A, X06B, X06C |
| | | BOP, KJZSV, KVT, UOP4, VIAL | | | | | BOP, KJZSV, KVT, UOP4, VIAL | | | BOP, KJZSV, KVT, UOP4, VIAL |
| 05 | F13A | 04 | E02A, E02B, E02C, E02D | | 05 | F13A | | | | |
| 5t004.p↔ | 08 | I12A, I12B, I12C, I12J, I23A, I23J | 5t005.1↔ | 05 | F13A | 5t005.a↔ | 05 | F13A | | |
| | 21A | W04A, W04B | | 08 | I12A, I12B, I12C, I12J, I28A, I28B, I28J | | 08 | I08A, I08B, I08C, I08D, I08E, I08F, I08J, I12A, I12B, I12C, I12J, I21J, I21Z, I31J, I31Z | | |
| | 21B | X04Z | | 21A | W04A, W04B | | 21A | W04A, W04B | | |
| | | BOP, KJZSV, KVT, UOP4, VIAL | | 21B | X06A, X06B, X06C | | 21B | X06A, X06B, X06C | | |
| 5t004.q↔ | 05 | F13A | 5t005.2↔ | 05 | F13A | 5t005.a↔ | 05 | F13A | | |
| | 08 | I12A, I12B, I12C, I12J, I23A, I23J | | 08 | I08A, I08B, I08C, I08D, I08E, I08F, I08J, I12A, I12B, I12C, I12J, I13A, I13B, I13C, I13D, I13E, I13J | | 08 | I12A, I12B, I12C, I12J, I32A, I32B, I32C, I32D, I32E, I32F, I32J, I32Q, I32R, I32S, I32T, I32U | | |
| | 21A | W04A, W04B | | 21A | W04A, W04B | | 21A | W04A, W04B | | |
| | 21B | X04Z | | 21B | X06A, X06B, X06C | | 21B | X05A, X05B | | |
| 5t004.r↔ | | BOP, KJZSV, KVT, UOP4, VIAL | | BOP, KJZSV, KVT, UOP4, VIAL | | BOP, KJZSV, KVT, UOP4, VIAL | | | | |
| | 05 | F13A | | BOP, KJZSV, KVT, UOP4, VIAL | | BOP, KJZSV, KVT, UOP4, VIAL | | | | |
| | 08 | I12A, I12B, I12C, I12J, I23A, I23J | | BOP, KJZSV, KVT, UOP4, VIAL | | BOP, KJZSV, KVT, UOP4, VIAL | | | | |
| | 21A | W04A, W04B | | BOP, KJZSV, KVT, UOP4, VIAL | | BOP, KJZSV, KVT, UOP4, VIAL | | | | |
| 5t004.s↔ | 21B | X04Z | | BOP, KJZSV, KVT, UOP4, VIAL | | BOP, KJZSV, KVT, UOP4, VIAL | | | | |
| | | BOP, KJZSV, KVT, UOP4, VIAL | | BOP, KJZSV, KVT, UOP4, VIAL | | BOP, KJZSV, KVT, UOP4, VIAL | | | | |
| | 05 | F13A | | BOP, KJZSV, KVT, UOP4, VIAL | | BOP, KJZSV, KVT, UOP4, VIAL | | | | |
| | 08 | I12A, I12B, I12C, I12J, I20A, I20B, I20C, I20D, I20E, I20F, I20J, I20Q, I20R | | BOP, KJZSV, KVT, UOP4, VIAL | | BOP, KJZSV, KVT, UOP4, VIAL | | | | |
| | BOP, KJZSV, KVT, UOP4, VIAL | | BOP, KJZSV, KVT, UOP4, VIAL | | BOP, KJZSV, KVT, UOP4, VIAL | | | | | |
| 05 | F13A | | BOP, KJZSV, KVT, UOP4, VIAL | | BOP, KJZSV, KVT, UOP4, VIAL | | | | | |
| 08 | I12A, I12B, I12C, I12J, I20A, I20B, I20C, I20D, I20E, I20F, I20J, I20Q, I20R | | BOP, KJZSV, KVT, UOP4, VIAL | | BOP, KJZSV, KVT, UOP4, VIAL | | | | | |
| 21A | W04A, W04B | | BOP, KJZSV, KVT, UOP4, VIAL | | BOP, KJZSV, KVT, UOP4, VIAL | | | | | |
| 21B | X04Z | | BOP, KJZSV, KVT, UOP4, VIAL | | BOP, KJZSV, KVT, UOP4, VIAL | | | | | |

VYK

| ZZV | MDC | DRG | ZZV | MDC | DRG | ZZV | MDC | DRG |
|----------|-----|---|----------|-----|--|----------|----------|---|
| 5t005.b↔ | | BOP, KJZSV, KVT, UOP4, VIAL | 5t005.j↔ | | BOP, KJZSV, KVT, UOP4, VIAL | 5t005.u↔ | | BOP, KJZSV, KVT, UOP4, VIAL |
| | 05 | F13A | | 01 | B03Z, B17A, B17B, B17C, B17J | | 05 | F13A, F27A, F27B, F27C |
| | 08 | I12A, I12B, I12C, I12J, I32A, I32B, I32C, I32D, I32E, I32F, I32J, I32Q, I32R, I32S, I32T, I32U | | 05 | F13A | | 08 | I12A, I12B, I12C, I12J, I20A, I20B, I20C, I20D, I20E, I20F, I20J, I20Q, I20R |
| | 21A | W04A, W04B | | 08 | I12A, I12B, I12C, I12J, I18A, I18B, I18J, I18Q, I18R, I30J, I30Z | | 10 | K01Z |
| | 21B | X05A, X05B | | 21A | W04A, W04B | | 21A | W04A, W04B |
| | | | | 21B | X04Z | | 21B | X04Z |
| 5t005.c↔ | | BOP, KJZSV, KVT, UOP4, VIAL | 5t005.k↔ | | BOP, KJZSV, KVT, UOP4, VIAL | 5t005.v↔ | | BOP, KJZSV, KVT, UOP4, VIAL |
| | 05 | F13A | | 05 | F13A | | 05 | F13A, F27A, F27B, F27C |
| | 08 | I12A, I12B, I12C, I12J, I32A, I32B, I32C, I32D, I32E, I32F, I32J, I32Q, I32R, I32S, I32T, I32U | | 08 | I12A, I12B, I12C, I12J, I13A, I13B, I13C, I13D, I13E, I13J | | 08 | I12A, I12B, I12C, I12J, I20A, I20B, I20C, I20D, I20E, I20F, I20J, I20Q, I20R |
| | 21A | W04A, W04B | | 21A | W04A, W04B | | 10 | K01Z |
| | 21B | X05A, X05B | | 21B | X04Z | | 21A | W04A, W04B |
| | | | | | | | 21B | X04Z |
| 5t005.d | | BOP, KJZSV, KVT, UOP4, VIAL | 5t005.m↔ | | BOP, KJZSV, KVT, UOP4, VIAL | 5t005.w↔ | | BOP, KJZSV, KVT, UOP4, VIAL |
| | 05 | F13A | | 05 | F13A | | 05 | F13A |
| | 08 | I08A, I08B, I08C, I08D, I08E, I08F, I08J, I12A, I12B, I12C, I12J | | 08 | I12A, I12B, I12C, I12J, I13A, I13B, I13C, I13D, I13E, I13J | | 08 | I12A, I12B, I12C, I12J, I20A, I20B, I20C, I20D, I20E, I20F, I20J, I20Q, I20R |
| | 21A | W04A, W04B | | 21A | W04A, W04B | | 21A | W04A, W04B |
| | 21B | X06A, X06B, X06C | | 21B | X04Z | | 21B | X04Z |
| | | | | | | | | |
| 5t005.e↔ | | BOP, KJZSV, KVT, UOP4, VIAL | 5t005.n↔ | | BOP, KJZSV, KVT, UOP4, VIAL | 5t005.x | | BOP, KJZSV, KVT, UOP4, VIAL |
| | 01 | B03Z, B17A, B17B, B17C, B17J | | 05 | F13A | | 05 | F13A |
| | 05 | F13A | | 08 | I12A, I12B, I12C, I12J, I13A, I13B, I13C, I13D, I13E, I13J | | 08 | I12A, I12B, I12C, I12J, I28A, I28B, I28J |
| | 08 | I08A, I08B, I08C, I08D, I08E, I08F, I08J | | 21A | W04A, W04B | | 21A | W04A, W04B |
| | 21A | W01A, W01B, W01C, W02A, W02B | | 21B | X04Z | | 21B | X06A, X06B, X06C |
| | 21B | X04Z | | | | | 5t005.z↔ | |
| 5t005.f↔ | | BOP, KJZSV, KVT, UOP4, VIAL | 5t005.p↔ | | BOP, KJZSV, KVT, UOP4, VIAL | 5t005.z↔ | 04 | E02A, E02B, E02C, E02D |
| | 01 | B03Z, B17A, B17B, B17C, B17J | | 05 | F13A | | 05 | F13A |
| | 05 | F13A | | 08 | I12A, I12B, I12C, I12J, I13A, I13B, I13C, I13D, I13E, I13J | | 08 | I12A, I12B, I12C, I12J, I28A, I28B, I28J |
| | 08 | I08A, I08B, I08C, I08D, I08E, I08F, I08J | | 21A | W04A, W04B | | 21A | W04A, W04B |
| | 21A | W01A, W01B, W01C, W02A, W02B | | 21B | X04Z | | 21B | X06A, X06B, X06C |
| | 21B | X04Z | | | | | 5t006.0↔ | |
| 5t005.g↔ | | BOP, KJZSV, KVT, UOP4, VIAL | 5t005.q↔ | | BOP, KJZSV, KVT, UOP4, VIAL | 5t006.0↔ | 01 | B03Z, B18Z |
| | 01 | B03Z, B17A, B17B, B17C, B17J | | 05 | F13A | | 04 | E02A, E02B, E02C, E02D |
| | 05 | F13A | | 08 | I12A, I12B, I12C, I12J, I13A, I13B, I13C, I13D, I13E, I13J | | 05 | F13A |
| | 08 | I08A, I08B, I08C, I08D, I08E, I08F, I08J | | 21A | W04A, W04B | | 08 | I12A, I12B, I12C, I12J, I28A, I28B, I28J |
| | 21A | W01A, W01B, W01C, W02A, W02B | | 21B | X04Z | | 21A | W04A, W04B |
| | 21B | X04Z | | | | | 21B | X06A, X06B, X06C |
| 5t005.h↔ | | BOP, KJZSV, KVT, UOP4, VIAL | 5t005.r↔ | | BOP, KJZSV, KVT, UOP4, VIAL | 5t006.1↔ | | BOP, KJZSV, KVT, UOP4, VIAL |
| | 01 | B03Z, B17A, B17B, B17C, B17J | | 05 | F13A | | 05 | F13A |
| | 05 | F13A | | 08 | I12A, I12B, I12C, I12J, I13A, I13B, I13C, I13D, I13E, I13J | | 08 | I08A, I08B, I08C, I08D, I08E, I08F, I08J, I12A, I12B, I12C, I12J, I13A, I13B, I13C, I13D, I13E, I13J |
| | 08 | I08A, I08B, I08C, I08D, I08E, I08F, I08J | | 21A | W04A, W04B | | 21A | W04A, W04B |
| | 21A | W01A, W01B, W01C, W02A, W02B | | 21B | X04Z | | 21B | X06A, X06B, X06C |
| | 21B | X04Z | | | | | 5t006.2↔ | |
| 5t005.i↔ | | BOP, KJZSV, KVT, UOP4, VIAL | 5t005.s↔ | | BOP, KJZSV, KVT, UOP4, VIAL | 5t006.2↔ | 05 | F13A |
| | 01 | B03Z, B17A, B17B, B17C, B17J | | 05 | F13A, F27A, F27B, F27C | | 08 | I08A, I08B, I08C, I08D, I08E, I08F, I08J, I12A, I12B, I12C, I12J, I13A, I13B, I13C, I13D, I13E, I13J |
| | 05 | F13A | | 08 | I12A, I12B, I12C, I12J, I20A, I20B, I20C, I20D, I20E, I20F, I20J, I20Q, I20R | | 21A | W04A, W04B |
| | 08 | I08A, I08B, I08C, I08D, I08E, I08F, I08J | | 10 | K01Z | | 21B | X06A, X06B, X06C |
| | 21A | W01A, W01B, W01C, W02A, W02B | | 21A | W04A, W04B | | | |
| | 21B | X04Z | | 21B | X04Z | | | |
| 5t005.j↔ | | BOP, KJZSV, KVT, UOP4, VIAL | 5t005.t↔ | | BOP, KJZSV, KVT, UOP4, VIAL | 5t006.2↔ | 05 | F13A |
| | 01 | B03Z, B17A, B17B, B17C, B17J | | 05 | F13A, F27A, F27B, F27C | | 08 | I08A, I08B, I08C, I08D, I08E, I08F, I08J, I12A, I12B, I12C, I12J, I13A, I13B, I13C, I13D, I13E, I13J |
| | 05 | F13A | | 08 | I12A, I12B, I12C, I12J, I20A, I20B, I20C, I20D, I20E, I20F, I20J, I20Q, I20R | | 21A | W04A, W04B |
| | 08 | I08A, I08B, I08C, I08D, I08E, I08F, I08J | | 10 | K01Z | | 21B | X06A, X06B, X06C |
| | 21A | W01A, W01B, W01C, W02A, W02B | | 21A | W04A, W04B | | | |
| | 21B | X04Z | | 21B | X04Z | | | |

VYK

| ZZV | MDC | DRG | ZZV | MDC | DRG | ZZV | MDC | DRG |
|----------|-----|--|----------|-----|--|----------|-----|--|
| 5t006.3↔ | | BOP, KJZSV, KVT, UOP4, VIAL | 5t006.b↔ | | BOP, KJZSV, KVT, UOP4, VIAL | 5t006.j↔ | | BOP, KJZSV, KVT, UOP4, VIAL |
| | 05 | F13A | | 05 | F13A | | 05 | F13A |
| | 08 | I08A, I08B, I08C, I08D, I08E, I08F, I08J, I12A, I12B, I12C, I12J, I13A, I13B, I13C, I13D, I13E, I13J | | 08 | I12A, I12B, I12C, I12J, I32A, I32B, I32C, I32D, I32E, I32F, I32J, I32Q, I32R, I32S, I32T, I32U | | 08 | I12A, I12B, I12C, I12J, I13A, I18B, I18J, I18Q, I18R, I30J, I30Z |
| | 21A | W04A, W04B | | 21A | W04A, W04B | | 21A | W04A, W04B |
| 5t006.4↔ | 21B | X06A, X06B, X06C | 5t006.c↔ | 21B | X05A, X05B | 5t006.k↔ | 21B | X04Z |
| | | BOP, KJZSV, KVT, UOP4, VIAL | | | BOP, KJZSV, KVT, UOP4, VIAL | | | BOP, KJZSV, KVT, UOP4, VIAL |
| | 05 | F13A | | 05 | F13A, F27A, F27B, F27C | | 05 | F13A |
| | 08 | I08A, I08B, I08C, I08D, I08E, I08F, I08J, I12A, I12B, I12C, I12J, I21J, I21Z, I31J, I31Z | | 08 | I12A, I12B, I12C, I12J, I32A, I32B, I32C, I32D, I32E, I32F, I32J, I32Q, I32R, I32S, I32T, I32U | | 08 | I12A, I12B, I12C, I12J, I13A, I13B, I13C, I13D, I13E, I13J |
| 5t006.5↔ | 21A | W04A, W04B | 5t006.d | 10 | K09A, K09B | 5t006.l↔ | 21A | W04A, W04B |
| | 21B | X06A, X06B, X06C | | 21A | W04A, W04B | | 21B | X04Z |
| | | BOP, KJZSV, KVT, UOP4, VIAL | | 21B | X05A, X05B, X06A, X06B, X06C | | | BOP, KJZSV, KVT, UOP4, VIAL |
| | 05 | F13A | | 05 | F13A, F27A, F27B, F27C | | 05 | F13A |
| 5t006.6↔ | 08 | I08A, I08B, I08C, I08D, I08E, I08F, I08J, I12A, I12B, I12C, I12J, I21J, I21Z, I31J, I31Z | 5t006.e↔ | 08 | I08A, I08B, I08C, I08D, I08E, I08F, I08J, I12A, I12B, I12C, I12J | 5t006.m↔ | 08 | I12A, I12B, I12C, I12J, I13A, I13B, I13C, I13D, I13E, I13J |
| | 21A | W04A, W04B | | 10 | K09A, K09B | | 21A | W04A, W04B |
| | 21B | X06A, X06B, X06C | | 21A | W04A, W04B | | 21B | X04Z |
| | | BOP, KJZSV, KVT, UOP4, VIAL | | 21B | X06A, X06B, X06C | | | BOP, KJZSV, KVT, UOP4, VIAL |
| 5t006.7↔ | 05 | F13A | 5t006.f↔ | 05 | F13A | 5t006.n↔ | 05 | F13A |
| | 08 | I08A, I08B, I08C, I08D, I08E, I08F, I08J, I12A, I12B, I12C, I12J, I21J, I21Z, I31J, I31Z | | 08 | I08A, I08B, I08C, I08D, I08E, I08F, I08J, I12A, I12B, I12C, I12J | | 08 | I12A, I12B, I12C, I12J, I13A, I13B, I13C, I13D, I13E, I13J |
| | 21A | W04A, W04B | | 21A | W01A, W01B, W01C, W02A, W02B | | 21A | W04A, W04B |
| | 21B | X06A, X06B, X06C | | 21B | X04Z | | 21B | X04Z |
| 5t006.8↔ | | BOP, KJZSV, KVT, UOP4, VIAL | 5t006.g↔ | | BOP, KJZSV, KVT, UOP4, VIAL | 5t006.o↔ | | BOP, KJZSV, KVT, UOP4, VIAL |
| | 05 | F13A | | 05 | F13A | | 05 | F13A |
| | 08 | I08A, I08B, I08C, I08D, I08E, I08F, I08J, I12A, I12B, I12C, I12J, I21J, I21Z, I31J, I31Z | | 08 | I08A, I08B, I08C, I08D, I08E, I08F, I08J, I12A, I12B, I12C, I12J | | 08 | I12A, I12B, I12C, I12J, I13A, I13B, I13C, I13D, I13E, I13J |
| | 21A | W04A, W04B | | 21A | W01A, W01B, W01C, W02A, W02B | | 21A | W04A, W04B |
| 5t006.9↔ | 21B | X06A, X06B, X06C | 5t006.h↔ | 21B | X04Z | 5t006.p↔ | 21B | X04Z |
| | | BOP, KJZSV, KVT, UOP4, VIAL | | 05 | F13A | | | BOP, KJZSV, KVT, UOP4, VIAL |
| | 05 | F13A | | 08 | I08A, I08B, I08C, I08D, I08E, I08F, I08J, I12A, I12B, I12C, I12J | | 05 | F13A |
| | 08 | I08A, I08B, I08C, I08D, I08E, I08F, I08J, I12A, I12B, I12C, I12J, I21J, I21Z, I31J, I31Z | | 21A | W01A, W01B, W01C, W02A, W02B | | 08 | I12A, I12B, I12C, I12J, I13A, I13B, I13C, I13D, I13E, I13J |
| 5t006.a↔ | 21A | W04A, W04B | 5t006.i↔ | 21A | W01A, W01B, W01C, W02A, W02B | 5t006.q↔ | 21A | W04A, W04B |
| | 21B | X06A, X06B, X06C | | 21B | X04Z | | 21B | X04Z |
| | | BOP, KJZSV, KVT, UOP4, VIAL | | 05 | F13A | | | BOP, KJZSV, KVT, UOP4, VIAL |
| | 05 | F13A | | 08 | I08A, I08B, I08C, I08D, I08E, I08F, I08J, I12A, I12B, I12C, I12J | | 05 | F13A |
| 5t006.b↔ | 08 | I12A, I12B, I12C, I12J, I32A, I32B, I32C, I32D, I32E, I32F, I32J, I32Q, I32R, I32S, I32T, I32U | 5t006.j↔ | 08 | I08A, I08B, I08C, I08D, I08E, I08F, I08J, I12A, I12B, I12C, I12J | 5t006.r↔ | 08 | I12A, I12B, I12C, I12J, I13A, I13B, I13C, I13D, I13E, I13J |
| | 21A | W04A, W04B | | 21A | W01A, W01B, W01C, W02A, W02B | | 21A | W04A, W04B |
| | 21B | X05A, X05B | | 21B | X04Z | | 21B | X04Z |
| | | BOP, KJZSV, KVT, UOP4, VIAL | | 05 | F13A | | | BOP, KJZSV, KVT, UOP4, VIAL |
| 5t006.c↔ | 05 | F13A | 5t006.k↔ | 08 | I08A, I08B, I08C, I08D, I08E, I08F, I08J, I12A, I12B, I12C, I12J | 5t006.s↔ | 08 | I12A, I12B, I12C, I12J, I20A, I20B, I20C, I20D, I20E, I20F, I20J, I20Q, I20R |
| | 08 | I08A, I08B, I08C, I08D, I08E, I08F, I08J, I12A, I12B, I12C, I12J, I21J, I21Z, I31J, I31Z | | 21A | W01A, W01B, W01C, W02A, W02B | | 05 | F13A, F27A, F27B, F27C |
| | 21A | W04A, W04B | | 21B | X04Z | | 08 | I12A, I12B, I12C, I12J, I20A, I20B, I20C, I20D, I20E, I20F, I20J, I20Q, I20R |
| | 21B | X06A, X06B, X06C | | 05 | F13A | | 10 | K01Z |
| 5t006.d | | BOP, KJZSV, KVT, UOP4, VIAL | 5t006.l↔ | | BOP, KJZSV, KVT, UOP4, VIAL | 5t006.t↔ | | BOP, KJZSV, KVT, UOP4, VIAL |
| | 05 | F13A | | 05 | F13A | | 05 | F13A, F27A, F27B, F27C |
| | 08 | I08A, I08B, I08C, I08D, I08E, I08F, I08J, I12A, I12B, I12C, I12J, I21J, I21Z, I31J, I31Z | | 08 | I08A, I08B, I08C, I08D, I08E, I08F, I08J, I12A, I12B, I12C, I12J | | 08 | I12A, I12B, I12C, I12J, I20A, I20B, I20C, I20D, I20E, I20F, I20J, I20Q, I20R |
| | 21A | W04A, W04B | | 21A | W01A, W01B, W01C, W02A, W02B | | 10 | K01Z |
| 5t006.e | 21B | X06A, X06B, X06C | 5t006.m↔ | 21B | X04Z | 5t006.u↔ | 21A | W04A, W04B |
| | | BOP, KJZSV, KVT, UOP4, VIAL | | 05 | F13A | | 21B | X04Z |
| | 05 | F13A | | 08 | I08A, I08B, I08C, I08D, I08E, I08F, I08J, I12A, I12B, I12C, I12J | | | BOP, KJZSV, KVT, UOP4, VIAL |
| | 08 | I08A, I08B, I08C, I08D, I08E, I08F, I08J, I12A, I12B, I12C, I12J, I21J, I21Z, I31J, I31Z | | 21A | W01A, W01B, W01C, W02A, W02B | | 05 | F13A, F27A, F27B, F27C |
| 5t006.f | 21A | W04A, W04B | 5t006.n↔ | 21A | W01A, W01B, W01C, W02A, W02B | 5t006.v↔ | 08 | I12A, I12B, I12C, I12J, I20A, I20B, I20C, I20D, I20E, I20F, I20J, I20Q, I20R |
| | 21B | X06A, X06B, X06C | | 21B | X04Z | | 10 | K01Z |
| | | BOP, KJZSV, KVT, UOP4, VIAL | | 05 | F13A | | 21A | W04A, W04B |
| | 05 | F13A | | 08 | I08A, I08B, I08C, I08D, I08E, I08F, I08J, I12A, I12B, I12C, I12J | | 21B | X04Z |
| 5t006.g | 08 | I08A, I08B, I08C, I08D, I08E, I08F, I08J, I12A, I12B, I12C, I12J, I21J, I21Z, I31J, I31Z | 5t006.o↔ | 08 | I08A, I08B, I08C, I08D, I08E, I08F, I08J, I12A, I12B, I12C, I12J | 5t006.w↔ | 08 | I12A, I12B, I12C, I12J, I20A, I20B, I20C, I20D, I20E, I20F, I20J, I20Q, I20R |
| | 21A | W04A, W04B | | 21A | W01A, W01B, W01C, W02A, W02B | | 10 | K01Z |
| | 21B | X06A, X06B, X06C | | 21B | X04Z | | 21A | W04A, W04B |
| | | BOP, KJZSV, KVT, UOP4, VIAL | | 05 | F13A | | 21B | X04Z |
| 5t006.h | 05 | F13A | 5t006.p↔ | 08 | I08A, I08B, I08C, I08D, I08E, I08F, I08J, I12A, I12B, I12C, I12J | 5t006.x↔ | 08 | I12A, I12B, I12C, I12J, I20A, I20B, I20C, I20D, I20E, I20F, I20J, I20Q, I20R |
| | 08 | I08A, I08B, I08C, I08D, I08E, I08F, I08J, I12A, I12B, I12C, I12J, I21J, I21Z, I31J, I31Z | | 21A | W01A, W01B, W01C, W02A, W02B | | 10 | K01Z |
| | 21A | W04A, W04B | | 21B | X04Z | | 21A | W04A, W04B |
| | 21B | X06A, X06B, X06C | | 05 | F13A | | 21B | X04Z |
| 5t006.i | | BOP, KJZSV, KVT, UOP4, VIAL | 5t006.q↔ | | BOP, KJZSV, KVT, UOP4, VIAL | 5t006.y↔ | | BOP, KJZSV, KVT, UOP4, VIAL |
| | 05 | F13A | | 05 | F13A | | 05 | F13A, F27A, F27B, F27C |
| | 08 | I08A, I08B, I08C, I08D, I08E, I08F, I08J, I12A, I12B, I12C, I12J, I21J, I21Z, I31J, I31Z | | 08 | I08A, I08B, I08C, I08D, I08E, I08F, I08J, I12A, I12B, I12C, I12J | | 08 | I12A, I12B, I12C, I12J, I20A, I20B, I20C, I20D, I20E, I20F, I20J, I20Q, I20R |
| | 21A | W04A, W04B | | 21A | W01A, W01B, W01C, W02A, W02B | | 10 | K01Z |
| 5t006.j | 21B | X06A, X06B, X06C | 5t006.r↔ | 21A | W01A, W01B, W01C, W02A, W02B | 5t006.z↔ | 21A | W04A, W04B |
| | | BOP, KJZSV, KVT, UOP4, VIAL | | 21B | X04Z | | 21B | X04Z |
| | 05 | F13A | | 05 | F13A | | | BOP, KJZSV, KVT, UOP4, VIAL |
| | 08 | I08A, I08B, I08C, I08D, I08E, I08F, I08J, I12A, I12B, I12C, I12J, I21J, I21Z, I31J, I31Z | | 08 | I08A, I08B, I08C, I08D, I08E, I08F, I08J, I12A, I12B, I12C, I12J | | 05 | F13A, F27A, F27B, F27C |

VYK

| ZZV | MDC | DRG | ZZV | MDC | DRG | ZZV | MDC | DRG |
|----------|-----|--|----------|-----|--|----------|-----|--|
| 5t006.u↔ | | BOP, KJZSV, KVT, UOP4, VIAL | 5t007.3↔ | | BOP, KJZSV, KVT, UOP4, VIAL | 5t007.d | | BOP, KJZSV, KVT, UOP4, VIAL |
| | 05 | F13A, F27A, F27B, F27C | | 05 | F13A | | 05 | F13A |
| | 08 | I12A, I12B, I12C, I12J, I20A, I20B, I20C, I20D, I20E, I20F, I20J, I20Q, I20R | | 08 | I08A, I08B, I08C, I08D, I08E, I08F, I08J, I12A, I12B, I12C, I12J, I23A, I23J | | 08 | I08A, I08B, I08C, I08D, I08E, I08F, I08J, I12A, I12B, I12C, I12J, I23A, I23J |
| | 10 | K01Z | | 21A | W04A, W04B | | 21A | W04A, W04B |
| | 21A | W04A, W04B | | 21B | X06A, X06B, X06C | | 21B | X04Z, X05A, X05B, X06A, X06B, X06C |
| 5t006.v↔ | | BOP, KJZSV, KVT, UOP4, VIAL | 5t007.4↔ | | BOP, KJZSV, KVT, UOP4, VIAL | 5t007.e↔ | | BOP, KJZSV, KVT, UOP4, VIAL |
| | 05 | F13A, F27A, F27B, F27C | | 05 | F13A | | 05 | F13A |
| | 08 | I12A, I12B, I12C, I12J, I20A, I20B, I20C, I20D, I20E, I20F, I20J, I20Q, I20R | | 08 | I08A, I08B, I08C, I08D, I08E, I08F, I08J, I23A, I23J | | 08 | I08A, I08B, I08C, I08D, I08E, I08F, I08J, I12A, I12B, I12C, I12J, I21J, I21Z |
| | 10 | K01Z | | 05 | F13A | | 21A | W04A, W04B |
| | 21A | W04A, W04B | | 08 | I08A, I08B, I08C, I08D, I08E, I08F, I08J, I23A, I23J | | 21B | X04Z |
| 5t006.w↔ | | BOP, KJZSV, KVT, UOP4, VIAL | 5t007.5↔ | | BOP, KJZSV, KVT, UOP4, VIAL | 5t007.f↔ | | BOP, KJZSV, KVT, UOP4, VIAL |
| | 05 | F13A, F27A, F27B, F27C | | 05 | F13A | | 05 | F13A |
| | 08 | I12A, I12B, I12C, I12J, I20A, I20B, I20C, I20D, I20E, I20F, I20J, I20Q, I20R | | 08 | I08A, I08B, I08C, I08D, I08E, I08F, I08J, I23A, I23J | | 08 | I08A, I08B, I08C, I08D, I08E, I08F, I08J, I12A, I12B, I12C, I12J, I21J, I21Z |
| | 10 | K09A, K09B | | 05 | F13A | | 21A | W04A, W04B |
| | 21A | W04A, W04B | | 08 | I08A, I08B, I08C, I08D, I08E, I08F, I08J, I23A, I23J | | 21B | X04Z |
| 5t006.x | | BOP, KJZSV, KVT, UOP4 | 5t007.6↔ | | BOP, KJZSV, KVT, UOP4, VIAL | 5t007.g↔ | | BOP, KJZSV, KVT, UOP4, VIAL |
| | 05 | F13A | | 05 | F13A | | 05 | F13A |
| | 08 | I12A, I12B, I12C, I12J, I28A, I28B, I28J | | 08 | I08A, I08B, I08C, I08D, I08E, I08F, I08J, I23A, I23J | | 08 | I08A, I08B, I08C, I08D, I08E, I08F, I08J, I12A, I12B, I12C, I12J, I21J, I21Z |
| | 21A | W04A, W04B | | 05 | F13A | | 21A | W04A, W04B |
| | 21B | X06A, X06B, X06C | | 08 | I08A, I08B, I08C, I08D, I08E, I08F, I08J, I23A, I23J | | 21B | X04Z |
| 5t006.z↔ | | BOP, KJZSV, KVT, UOP4, VIAL | 5t007.7↔ | | BOP, KJZSV, KVT, UOP4, VIAL | 5t007.h↔ | | BOP, KJZSV, KVT, UOP4, VIAL |
| | 01 | B03Z, B18Z | | 05 | F13A | | 05 | F13A |
| | 04 | E02A, E02B, E02C, E02D | | 08 | I08A, I08B, I08C, I08D, I08E, I08F, I08J, I23A, I23J | | 08 | I08A, I08B, I08C, I08D, I08E, I08F, I08J, I12A, I12B, I12C, I12J, I21J, I21Z |
| | 05 | F13A | | 05 | F13A | | 21A | W04A, W04B |
| | 08 | I12A, I12B, I12C, I12J, I28A, I28B, I28J | | 08 | I08A, I08B, I08C, I08D, I08E, I08F, I08J, I23A, I23J | | 21B | X04Z |
| 5t007.0↔ | | BOP, KJZSV, KVT, UOP4, VIAL | 5t007.8↔ | | BOP, KJZSV, KVT, UOP4, VIAL | 5t007.i↔ | | BOP, KJZSV, KVT, UOP4, VIAL |
| | 04 | E02A, E02B, E02C, E02D | | 05 | F13A | | 05 | F13A |
| | 05 | F13A | | 08 | I08A, I08B, I08C, I08D, I08E, I08F, I08J, I23A, I23J | | 08 | I12A, I12B, I12C, I12J, I32A, I32B, I32C, I32D, I32E, I32F, I32J, I32Q, I32R, I32S, I32T, I32U |
| | 08 | I23A, I23B, I23J | | 05 | F13A | | 21A | W04A, W04B |
| | | BOP, KJZSV, KVT, UOP4, VIAL | | 08 | I12A, I12B, I12C, I12J, I32A, I32B, I32C, I32D, I32E, I32F, I32J, I32Q, I32R, I32S, I32T, I32U | | 21B | X05A, X05B |
| 5t007.1↔ | | BOP, KJZSV, KVT, UOP4, VIAL | 5t007.9↔ | | BOP, KJZSV, KVT, UOP4, VIAL | 5t007.j↔ | | BOP, KJZSV, KVT, UOP4, VIAL |
| | 05 | F13A | | 05 | F13A | | 05 | F13A |
| | 08 | I08A, I08B, I08C, I08D, I08E, I08F, I08J, I12A, I12B, I12C, I12J, I23A, I23J | | 08 | I08A, I08B, I08C, I08D, I08E, I08F, I08J, I23A, I23J | | 08 | I12A, I12B, I12C, I12J, I23A, I23J |
| | 21A | W04A, W04B | | 05 | F13A | | 21A | W04A, W04B |
| | 21B | X06A, X06B, X06C | | 08 | I12A, I12B, I12C, I12J, I32A, I32B, I32C, I32D, I32E, I32F, I32J, I32Q, I32R, I32S, I32T, I32U | | 21B | X04Z, X06A, X06B, X06C |
| 5t007.2↔ | | BOP, KJZSV, KVT, UOP4, VIAL | 5t007.a↔ | | BOP, KJZSV, KVT, UOP4, VIAL | 5t007.k↔ | | BOP, KJZSV, KVT, UOP4, VIAL |
| | 05 | F13A | | 05 | F13A | | 05 | F13A |
| | 08 | I08A, I08B, I08C, I08D, I08E, I08F, I08J, I12A, I12B, I12C, I12J, I23A, I23J | | 08 | I12A, I12B, I12C, I12J, I32A, I32B, I32C, I32D, I32E, I32F, I32J, I32Q, I32R, I32S, I32T, I32U | | 08 | I12A, I12B, I12C, I12J, I23A, I23J |
| | 21A | W04A, W04B | | 05 | F13A | | 21A | W04A, W04B |
| | 21B | X06A, X06B, X06C | | 08 | I12A, I12B, I12C, I12J, I32A, I32B, I32C, I32D, I32E, I32F, I32J, I32Q, I32R, I32S, I32T, I32U | | 21B | X04Z |
| 5t007.3↔ | | BOP, KJZSV, KVT, UOP4, VIAL | 5t007.b↔ | | BOP, KJZSV, KVT, UOP4, VIAL | 5t007.l↔ | | BOP, KJZSV, KVT, UOP4, VIAL |
| | 05 | F13A | | 05 | F13A | | 05 | F13A |
| | 08 | I08A, I08B, I08C, I08D, I08E, I08F, I08J, I12A, I12B, I12C, I12J, I23A, I23J | | 08 | I12A, I12B, I12C, I12J, I32A, I32B, I32C, I32D, I32E, I32F, I32J, I32Q, I32R, I32S, I32T, I32U | | 08 | I12A, I12B, I12C, I12J, I23A, I23J |
| | 21A | W04A, W04B | | 05 | F13A | | 21A | W04A, W04B |
| | 21B | X06A, X06B, X06C | | 08 | I12A, I12B, I12C, I12J, I32A, I32B, I32C, I32D, I32E, I32F, I32J, I32Q, I32R, I32S, I32T, I32U | | 21B | X04Z |
| 5t007.4↔ | | BOP, KJZSV, KVT, UOP4, VIAL | 5t007.c↔ | | BOP, KJZSV, KVT, UOP4, VIAL | 5t007.m↔ | | BOP, KJZSV, KVT, UOP4, VIAL |
| | 05 | F13A | | 05 | F13A | | 05 | F13A |
| | 08 | I08A, I08B, I08C, I08D, I08E, I08F, I08J, I12A, I12B, I12C, I12J, I23A, I23J | | 08 | I12A, I12B, I12C, I12J, I32A, I32B, I32C, I32D, I32E, I32F, I32J, I32Q, I32R, I32S, I32T, I32U | | 08 | I12A, I12B, I12C, I12J, I23A, I23J |
| | 21A | W04A, W04B | | 05 | F13A | | 21A | W04A, W04B |
| | 21B | X06A, X06B, X06C | | 08 | I12A, I12B, I12C, I12J, I32A, I32B, I32C, I32D, I32E, I32F, I32J, I32Q, I32R, I32S, I32T, I32U | | 21B | X04Z |
| 5t007.5↔ | | BOP, KJZSV, KVT, UOP4, VIAL | 5t007.d↔ | | BOP, KJZSV, KVT, UOP4, VIAL | 5t007.n↔ | | BOP, KJZSV, KVT, UOP4, VIAL |
| | 05 | F13A | | 05 | F13A | | 05 | F13A |
| | 08 | I08A, I08B, I08C, I08D, I08E, I08F, I08J, I12A, I12B, I12C, I12J, I23A, I23J | | 08 | I12A, I12B, I12C, I12J, I32A, I32B, I32C, I32D, I32E, I32F, I32J, I32Q, I32R, I32S, I32T, I32U | | 08 | I12A, I12B, I12C, I12J, I23A, I23J |
| | 21A | W04A, W04B | | 05 | F13A | | 21A | W04A, W04B |
| | 21B | X06A, X06B, X06C | | 08 | I12A, I12B, I12C, I12J, I32A, I32B, I32C, I32D, I32E, I32F, I32J, I32Q, I32R, I32S, I32T, I32U | | 21B | X04Z |

VYK

| ZZV | MDC | DRG | ZZV | MDC | DRG | ZZV | MDC | DRG | | |
|----------|-----|--|----------|----------|--|--|----------|--|--|--|
| 5t007.p↔ | | BOP, KJZSV, KVT, UOP4, VIAL | 5t007.x | | BOP, KJZSV, KVT, UOP4 | 5t008.a↔ | | BOP, KJZSV, KVT, UOP4, VIAL | | |
| | 05 | F13A | | 05 | F13A | | 05 | F13A | | |
| | 08 | I12A, I12B, I12C, I12J, I23A, I23J | | 08 | I12A, I12B, I12C, I12J, I23A, I23B, I23J | | 08 | I12A, I12B, I12C, I12J, I32A, I32B, I32C, I32D, I32E, I32F, I32J, I32Q, I32R, I32S, I32T, I32U | | |
| | 21A | W04A, W04B | | 21A | W04A, W04B | | 21A | W04A, W04B | | |
| | 21B | X04Z | | 21B | X06A, X06B, X06C | | 21B | X05A, X05B | | |
| 5t007.q↔ | | BOP, KJZSV, KVT, UOP4, VIAL | 5t007.z↔ | | BOP, KJZSV, KVT, UOP4, VIAL | 5t008.b↔ | | BOP, KJZSV, KVT, UOP4, VIAL | | |
| | 05 | F13A | | 04 | E02A, E02B, E02C, E02D | | 05 | F13A | | |
| | 08 | I12A, I12B, I12C, I12J, I23A, I23J | | 05 | F13A | | 08 | I12A, I12B, I12C, I12J, I32A, I32B, I32C, I32D, I32E, I32F, I32J, I32Q, I32R, I32S, I32T, I32U | | |
| | 21A | W04A, W04B | | 08 | I23A, I23B, I23J | | 21A | W04A, W04B | | |
| | 21B | X04Z | 5t008.0↔ | | BOP, KJZSV, KVT, UOP4, VIAL | | 21B | X05A, X05B | | |
| 5t007.r↔ | | BOP, KJZSV, KVT, UOP4, VIAL | | 04 | E02A, E02B, E02C, E02D | 5t008.c↔ | | BOP, KJZSV, KVT, UOP4, VIAL | | |
| | 05 | F13A | | 05 | F13A | | 05 | F13A | | |
| | 08 | I12A, I12B, I12C, I12J, I23A, I23J | 5t008.1↔ | | BOP, KJZSV, KVT, UOP4, VIAL | | 08 | I12A, I12B, I12C, I12J, I32A, I32B, I32C, I32D, I32E, I32F, I32J, I32Q, I32R, I32S, I32T, I32U | | |
| | 21A | W04A, W04B | | 05 | F13A | | 21A | W04A, W04B | | |
| | 21B | X04Z | | 08 | I08A, I08B, I08C, I08D, I08E, I08F, I08J, I12A, I12B, I12C, I12J, I23A, I23J | | 21B | X05A, X05B | | |
| 5t007.s↔ | | BOP, KJZSV, KVT, UOP4, VIAL | | 21A | W04A, W04B | 5t008.d | | BOP, KJZSV, KVT, UOP4, VIAL | | |
| | 05 | F13A, F27A, F27B, F27C | | 21B | X06A, X06B, X06C | | 05 | F13A | | |
| | 08 | I12A, I12B, I12C, I12J, I20A, I20B, I20C, I20D, I20E, I20F, I20J, I20Q, I20R | 5t008.2↔ | | BOP, KJZSV, KVT, UOP4, VIAL | | 08 | I12A, I12B, I12C, I12J, I23A, I23J | | |
| | 10 | K09A, K09B, K09C | | 05 | F13A | | 21A | W04A, W04B | | |
| | 21A | W04A, W04B | | 08 | I08A, I08B, I08C, I08D, I08E, I08F, I08J, I12A, I12B, I12C, I12J, I23A, I23J | | 21B | X05A, X05B | | |
| | 21B | X04Z | | 21A | W04A, W04B | 5t008.e↔ | | BOP, KJZSV, KVT, UOP4, VIAL | | |
| 5t007.t↔ | | BOP, KJZSV, KVT, UOP4, VIAL | 5t008.3↔ | | BOP, KJZSV, KVT, UOP4, VIAL | | 05 | F13A | | |
| | 05 | F13A, F27A, F27B, F27C | | 05 | F13A | | 08 | I08A, I08B, I08C, I08D, I08E, I08F, I08J, I12A, I12B, I12C, I12J, I23A, I23J | | |
| | 08 | I12A, I12B, I12C, I12J, I20A, I20B, I20C, I20D, I20E, I20F, I20J, I20Q, I20R | | 08 | I08A, I08B, I08C, I08D, I08E, I08F, I08J, I12A, I12B, I12C, I12J, I23A, I23J | | 21A | W04A, W04B | | |
| | 10 | K09A, K09B, K09C | | 21A | W04A, W04B | | 21B | X04Z, X05A, X05B, X06A, X06B, X06C | | |
| | 21A | W04A, W04B | | 21B | X06A, X06B, X06C | 5t008.f↔ | | BOP, KJZSV, KVT, UOP4, VIAL | | |
| | 21B | X04Z | | 5t008.4↔ | | BOP, KJZSV, KVT, UOP4, VIAL | | 05 | F13A | |
| 5t007.u↔ | | BOP, KJZSV, KVT, UOP4, VIAL | | 05 | F13A | | 08 | I08A, I08B, I08C, I08D, I08E, I08F, I08J, I12A, I12B, I12C, I12J, I21J, I21Z | | |
| | 05 | F13A, F27A, F27B, F27C | | 08 | I08A, I08B, I08C, I08D, I08E, I08F, I08J, I23A, I23J | | 21A | W04A, W04B | | |
| | 08 | I12A, I12B, I12C, I12J, I20A, I20B, I20C, I20D, I20E, I20F, I20J, I20Q, I20R | 5t008.5↔ | | BOP, KJZSV, KVT, UOP4, VIAL | | 21B | X04Z | | |
| | 10 | K09A, K09B, K09C | | 05 | F13A | 5t008.g↔ | | BOP, KJZSV, KVT, UOP4, VIAL | | |
| | 21A | W04A, W04B | | 08 | I08A, I08B, I08C, I08D, I08E, I08F, I08J, I23A, I23J | | 05 | F13A | | |
| | 21B | X04Z | | 5t008.6↔ | | BOP, KJZSV, KVT, UOP4, VIAL | | 08 | I08A, I08B, I08C, I08D, I08E, I08F, I08J, I12A, I12B, I12C, I12J, I21J, I21Z | |
| 5t007.v↔ | | BOP, KJZSV, KVT, UOP4, VIAL | | 05 | F13A | | 21A | W04A, W04B | | |
| | 05 | F13A, F27A, F27B, F27C | | 08 | I08A, I08B, I08C, I08D, I08E, I08F, I08J, I23A, I23J | | 21B | X04Z | | |
| | 08 | I12A, I12B, I12C, I12J, I20A, I20B, I20C, I20D, I20E, I20F, I20J, I20Q, I20R | 5t008.7↔ | | BOP, KJZSV, KVT, UOP4, VIAL | | 5t008.h↔ | BOP, KJZSV, KVT, UOP4, VIAL | | |
| | 10 | K09A, K09B, K09C | | 05 | F13A | | | 05 | F13A | |
| | 21A | W04A, W04B | | 08 | I08A, I08B, I08C, I08D, I08E, I08F, I08J, I23A, I23J | | | 08 | I08A, I08B, I08C, I08D, I08E, I08F, I08J, I12A, I12B, I12C, I12J, I21J, I21Z | |
| | 21B | X04Z | | 5t008.8↔ | | BOP, KJZSV, KVT, UOP4, VIAL | | 21A | W04A, W04B | |
| 5t007.w↔ | | BOP, KJZSV, KVT, UOP4, VIAL | | 05 | F13A | | 21B | X04Z | | |
| | 05 | F13A, F27A, F27B, F27C | | 08 | I08A, I08B, I08C, I08D, I08E, I08F, I08J, I23A, I23J | | 5t008.i↔ | BOP, KJZSV, KVT, UOP4, VIAL | | |
| | 08 | I12A, I12B, I12C, I12J, I23A, I23J | | 5t008.9↔ | | BOP, KJZSV, KVT, UOP4, VIAL | | | 05 | F13A |
| | 10 | K09A, K09B, K09C | | | 05 | F13A | | | 08 | I08A, I08B, I08C, I08D, I08E, I08F, I08J, I12A, I12B, I12C, I12J, I21J, I21Z |
| | 21A | W04A, W04B | | | 08 | I08A, I08B, I08C, I08D, I08E, I08F, I08J, I23A, I23J | | 21A | W04A, W04B | |
| | 21B | X04Z | | | 08 | I08A, I08B, I08C, I08D, I08E, I08F, I08J, I23A, I23J | | 21B | X04Z | |

| ZZV | MDC | DRG | ZZV | MDC | DRG | ZZV | MDC | DRG | |
|----------|-----------------------------|--|--|-----|--|----------|-----------------------------|--|--|
| 5t008.j↔ | | BOP, KJZSV, KVT, UOP4, VIAL | 5t008.u↔ | | BOP, KJZSV, KVT, UOP4, VIAL | 5t00a.5↔ | | BOP, KJZSV, KVT, UOP4, VIAL | |
| | 05 | F13A | | 05 | F13A | | 05 | F13A | |
| | 08 | I12A, I12B, I12C, I12J, I23A, I23J | | 08 | I12A, I12B, I12C, I12J, I20A, I20B, I20C, I20D, I20E, I20F, I20J, I20Q, I20R | | 08 | I08A, I08B, I08C, I08D, I08E, I08F, I08J, I23A, I23B, I23J | |
| | 21A | W04A, W04B | | 21A | W04A, W04B | | 21A | BOP, KJZSV, KVT, UOP4, VIAL | |
| 5t008.k↔ | 21B | X04Z, X06A, X06B, X06C | 5t008.v↔ | 21B | X04Z | 5t00a.6↔ | 05 | F13A | |
| | | BOP, KJZSV, KVT, UOP4, VIAL | | | BOP, KJZSV, KVT, UOP4, VIAL | | 08 | I08A, I08B, I08C, I08D, I08E, I08F, I08J, I23A, I23B, I23J | |
| | 05 | F13A | | 05 | F13A | | 5t00a.7↔ | 05 | F13A |
| | 08 | I12A, I12B, I12C, I12J, I23A, I23J | | 08 | I12A, I12B, I12C, I12J, I20A, I20B, I20C, I20D, I20E, I20F, I20J, I20Q, I20R | | | 08 | I08A, I08B, I08C, I08D, I08E, I08F, I08J, I23A, I23B, I23J |
| 5t008.m↔ | 21A | W04A, W04B | 5t008.w↔ | 21A | W04A, W04B | 5t00a.8↔ | 05 | F13A | |
| | 21B | X04Z | | 21B | X04Z | | 08 | I08A, I08B, I08C, I08D, I08E, I08F, I08J, I23A, I23B, I23J | |
| | | BOP, KJZSV, KVT, UOP4, VIAL | | | BOP, KJZSV, KVT, UOP4, VIAL | | 5t00a.9↔ | 05 | F13A |
| | 05 | F13A | | 05 | F13A | | | 08 | I08A, I08B, I08C, I08D, I08E, I08F, I08J, I23A, I23B, I23J |
| 5t008.n↔ | 08 | I12A, I12B, I12C, I12J, I23A, I23J | 5t008.x | 08 | I12A, I12B, I12C, I12J, I23A, I23J | 5t00a.a↔ | 05 | F13A | |
| | 21A | W04A, W04B | | 21A | W04A, W04B | | 08 | I08A, I08B, I08C, I08D, I08E, I08F, I08J, I23A, I23B, I23J | |
| | 21B | X04Z | | 21B | X04Z | | | BOP, KJZSV, KVT, UOP4, VIAL | |
| | | BOP, KJZSV, KVT, UOP4, VIAL | | | BOP, KJZSV, KVT, UOP4 | | 5t00a.b↔ | 05 | F13A |
| 5t008.p↔ | 05 | F13A | 5t008.z↔ | 05 | F13A | 08 | | I12A, I12B, I12C, I12J, I32A, I32B, I32C, I32D, I32E, I32F, I32J, I32Q, I32R, I32S, I32T, I32U | |
| | 08 | I12A, I12B, I12C, I12J, I23A, I23J | | 04 | E02A, E02B, E02C, E02D | 5t00a.c↔ | 21A | W04A, W04B | |
| | 21A | W04A, W04B | | 05 | F13A | | 21B | X05A, X05B | |
| | 21B | X04Z | | 08 | I23A, I23B, I23J | | BOP, KJZSV, KVT, UOP4, VIAL | | |
| 5t008.q↔ | | BOP, KJZSV, KVT, UOP4, VIAL | 5t00a.0↔ | | BOP, KJZSV, KVT, UOP4, VIAL | 5t00a.d | 05 | F13A | |
| | 05 | F13A | | 04 | E02A, E02B, E02C, E02D | | 08 | I12A, I12B, I12C, I12J, I32A, I32B, I32C, I32D, I32E, I32F, I32J, I32Q, I32R, I32S, I32T, I32U | |
| | 08 | I12A, I12B, I12C, I12J, I23A, I23J | | 05 | F13A | | 5t00a.e↔ | 05 | F13A |
| | 21A | W04A, W04B | | 08 | I23A, I23B, I23J | | | 08 | I12A, I12B, I12C, I12J, I23A, I23B, I23J, I32A, I32B, I32C, I32D |
| 5t008.r↔ | 21B | X04Z | 5t00a.1↔ | | BOP, KJZSV, KVT, UOP4, VIAL | 5t00a.e↔ | 21A | W04A, W04B | |
| | | BOP, KJZSV, KVT, UOP4, VIAL | | 05 | F13A | | 21B | X05A, X05B | |
| | 05 | F13A | | 08 | I08A, I08B, I08C, I08D, I08E, I08F, I08J, I12A, I12B, I12C, I12J, I23A, I23B, I23J | | | BOP, KJZSV, KVT, UOP4, VIAL | |
| | 08 | I12A, I12B, I12C, I12J, I23A, I23J | | 21A | W04A, W04B | | 05 | F13A | |
| 5t008.s↔ | 21A | W04A, W04B | 5t00a.2↔ | 21B | X06A, X06B, X06C | 5t00a.d | 08 | I12A, I12B, I12C, I12J, I23A, I23B, I23J, I32A, I32B, I32C, I32D | |
| | 21B | X04Z | | | BOP, KJZSV, KVT, UOP4, VIAL | | 21A | W04A, W04B | |
| | | BOP, KJZSV, KVT, UOP4, VIAL | | 05 | F13A | | 21B | X05A, X05B | |
| | 05 | F13A | | 08 | I08A, I08B, I08C, I08D, I08E, I08F, I08J, I12A, I12B, I12C, I12J, I23A, I23B, I23J | | | BOP, KJZSV, KVT, UOP4, VIAL | |
| 5t008.t↔ | 08 | I12A, I12B, I12C, I12J, I20A, I20B, I20C, I20D, I20E, I20F, I20J, I20Q, I20R | 5t00a.3↔ | 21A | W04A, W04B | 5t00a.d | 05 | F13A | |
| | 21A | W04A, W04B | | 21B | X06A, X06B, X06C | | 08 | I12A, I12B, I12C, I12J, I23A, I23B, I23J, I32A, I32B, I32C, I32D | |
| | 21B | X04Z | | | BOP, KJZSV, KVT, UOP4, VIAL | | 21A | W04A, W04B | |
| | | BOP, KJZSV, KVT, UOP4, VIAL | | 05 | F13A | | 21B | X04Z, X05A, X05B, X06A, X06B, X06C | |
| 5t008.t↔ | 05 | F13A | 5t00a.4↔ | 08 | I08A, I08B, I08C, I08D, I08E, I08F, I08J, I12A, I12B, I12C, I12J, I23A, I23B, I23J | 5t00a.e↔ | | BOP, KJZSV, KVT, UOP4, VIAL | |
| | 08 | I12A, I12B, I12C, I12J, I20A, I20B, I20C, I20D, I20E, I20F, I20J, I20Q, I20R | | 21A | W04A, W04B | | 05 | F13A | |
| | 21A | W04A, W04B | | 21B | X06A, X06B, X06C | | 08 | I12A, I12B, I12C, I12J, I21J, I21Z | |
| | 21B | X04Z | | | BOP, KJZSV, KVT, UOP4, VIAL | | 21A | W04A, W04B | |
| | BOP, KJZSV, KVT, UOP4, VIAL | 05 | F13A | 21B | X04Z | | | | |
| | BOP, KJZSV, KVT, UOP4, VIAL | 08 | I08A, I08B, I08C, I08D, I08E, I08F, I08J, I23A, I23B, I23J | | BOP, KJZSV, KVT, UOP4, VIAL | | | | |

VYK

| ZZV | MDC | DRG | ZZV | MDC | DRG | ZZV | MDC | DRG |
|----------|-----|--|----------|-----|--|----------|-----|--|
| 5t00a.f↔ | | BOP, KJZSV, KVT, UOP4, VIAL | 5t00a.s↔ | | BOP, KJZSV, KVT, UOP4, VIAL | 5t00b.2↔ | | BOP, KJZSV, KVT, UOP4, VIAL |
| | 05 | F13A | | 05 | F13A | | 05 | F13A |
| | 08 | I12A, I12B, I12C, I12J, I21J, I21Z | | 08 | I12A, I12B, I12C, I12J, I20A, I20B, I20C, I20D, I20E, I20F, I20J, I20Q, I20R | | 08 | I08A, I08B, I08C, I08D, I08E, I08F, I08J, I12A, I12B, I12C, I12J, I23A, I23B, I23J |
| | 21A | W04A, W04B | | 21A | W04A, W04B | | 21A | W04A, W04B |
| | 21B | X04Z | | 21B | X04Z | | 21B | X06A, X06B, X06C |
| 5t00a.g↔ | | BOP, KJZSV, KVT, UOP4, VIAL | 5t00a.t↔ | | BOP, KJZSV, KVT, UOP4, VIAL | 5t00b.3↔ | | BOP, KJZSV, KVT, UOP4, VIAL |
| | 05 | F13A | | 05 | F13A | | 05 | F13A |
| | 08 | I12A, I12B, I12C, I12J, I21J, I21Z | | 08 | I12A, I12B, I12C, I12J, I20A, I20B, I20C, I20D, I20E, I20F, I20J, I20Q, I20R | | 08 | I08A, I08B, I08C, I08D, I08E, I08F, I08J, I12A, I12B, I12C, I12J, I23A, I23B, I23J |
| | 21A | W04A, W04B | | 21A | W04A, W04B | | 21A | W04A, W04B |
| | 21B | X04Z | | 21B | X04Z | | 21B | X06A, X06B, X06C |
| 5t00a.h↔ | | BOP, KJZSV, KVT, UOP4, VIAL | 5t00a.u↔ | | BOP, KJZSV, KVT, UOP4, VIAL | 5t00b.4↔ | | BOP, KJZSV, KVT, UOP4, VIAL |
| | 05 | F13A | | 05 | F13A | | 05 | F13A |
| | 08 | I12A, I12B, I12C, I12J, I21J, I21Z | | 08 | I12A, I12B, I12C, I12J, I20A, I20B, I20C, I20D, I20E, I20F, I20J, I20Q, I20R | | 08 | I08A, I08B, I08C, I08D, I08E, I08F, I08J, I23A, I23B, I23J |
| | 21A | W04A, W04B | | 21A | W04A, W04B | | 21A | W04A, W04B |
| | 21B | X04Z | | 21B | X04Z | | 21B | X06A, X06B, X06C |
| 5t00a.j↔ | | BOP, KJZSV, KVT, UOP4, VIAL | 5t00a.v↔ | | BOP, KJZSV, KVT, UOP4, VIAL | 5t00b.5↔ | | BOP, KJZSV, KVT, UOP4, VIAL |
| | 05 | F13A | | 05 | F13A | | 05 | F13A |
| | 08 | I12A, I12B, I12C, I12J, I23A, I23B, I23J | | 08 | I12A, I12B, I12C, I12J, I20A, I20B, I20C, I20D, I20E, I20F, I20J, I20Q, I20R | | 08 | I08A, I08B, I08C, I08D, I08E, I08F, I08J, I23A, I23B, I23J |
| | 21A | W04A, W04B | | 05 | F13A | | 21A | BOP, KJZSV, KVT, UOP4, VIAL |
| | 21B | X04Z, X06A, X06B, X06C | | 08 | I12A, I12B, I12C, I12J, I20A, I20B, I20C, I20D, I20E, I20F, I20J, I20Q, I20R | | 05 | F13A |
| 5t00a.k↔ | | BOP, KJZSV, KVT, UOP4, VIAL | 5t00a.w↔ | | BOP, KJZSV, KVT, UOP4, VIAL | 5t00b.6↔ | | BOP, KJZSV, KVT, UOP4, VIAL |
| | 05 | F13A | | 05 | F13A | | 05 | F13A |
| | 08 | I12A, I12B, I12C, I12J, I23A, I23B, I23J | | 08 | I12A, I12B, I12C, I12J, I20A, I20B, I20C, I20D, I20E, I20F, I20J, I20Q, I20R | | 08 | I08A, I08B, I08C, I08D, I08E, I08F, I08J, I23A, I23B, I23J |
| | 21A | W04A, W04B | | 21A | W04A, W04B | | 05 | F13A |
| | 21B | X04Z | | 21B | X04Z | | 08 | I08A, I08B, I08C, I08D, I08E, I08F, I08J, I23A, I23B, I23J |
| 5t00a.m↔ | | BOP, KJZSV, KVT, UOP4, VIAL | 5t00a.x | | BOP, KJZSV, KVT, UOP4, VIAL | 5t00b.7↔ | | BOP, KJZSV, KVT, UOP4, VIAL |
| | 05 | F13A | | 05 | F13A | | 05 | F13A |
| | 08 | I12A, I12B, I12C, I12J, I23A, I23B, I23J | | 08 | I12A, I12B, I12C, I12J, I23A, I23B, I23J | | 08 | I08A, I08B, I08C, I08D, I08E, I08F, I08J, I23A, I23B, I23J |
| | 21A | W04A, W04B | | 21A | W04A, W04B | | 05 | F13A |
| | 21B | X04Z | | 21B | X04Z | | 08 | I08A, I08B, I08C, I08D, I08E, I08F, I08J, I23A, I23B, I23J |
| 5t00a.n↔ | | BOP, KJZSV, KVT, UOP4, VIAL | 5t00a.z↔ | | BOP, KJZSV, KVT, UOP4, VIAL | 5t00b.8↔ | | BOP, KJZSV, KVT, UOP4, VIAL |
| | 05 | F13A | | 04 | E02A, E02B, E02C, E02D | | 05 | F13A |
| | 08 | I12A, I12B, I12C, I12J, I23A, I23B, I23J | | 05 | F13A | | 08 | I12A, I12B, I12C, I12J, I32A, I32B, I32C, I32D, I32E, I32F, I32J, I32Q, I32R, I32S, I32T, I32U |
| | 21A | W04A, W04B | | 08 | I23A, I23B, I23J | | 21A | W04A, W04B |
| | 21B | X04Z | | 21B | X06A, X06B, X06C | | 21B | X05A, X05B |
| 5t00a.p↔ | | BOP, KJZSV, KVT, UOP4, VIAL | 5t00b.0↔ | | BOP, KJZSV, KVT, UOP4, VIAL | 5t00b.a↔ | | BOP, KJZSV, KVT, UOP4, VIAL |
| | 05 | F13A | | 04 | E02A, E02B, E02C, E02D | | 05 | F13A |
| | 08 | I12A, I12B, I12C, I12J, I23A, I23B, I23J | | 05 | F13A | | 08 | I12A, I12B, I12C, I12J, I32A, I32B, I32C, I32D, I32E, I32F, I32J, I32Q, I32R, I32S, I32T, I32U |
| | 21A | W04A, W04B | | 08 | I23A, I23B, I23J | | 21A | W04A, W04B |
| | 21B | X04Z | | 08 | I23A, I23B, I23J | | 21B | X05A, X05B |
| 5t00a.q↔ | | BOP, KJZSV, KVT, UOP4, VIAL | 5t00b.1↔ | | BOP, KJZSV, KVT, UOP4, VIAL | 5t00b.b↔ | | BOP, KJZSV, KVT, UOP4, VIAL |
| | 05 | F13A | | 05 | F13A | | 05 | F13A |
| | 08 | I12A, I12B, I12C, I12J, I23A, I23B, I23J | | 08 | I08A, I08B, I08C, I08D, I08E, I08F, I08J, I12A, I12B, I12C, I12J, I23A, I23B, I23J | | 08 | I12A, I12B, I12C, I12J, I32A, I32B, I32C, I32D, I32E, I32F, I32J, I32Q, I32R, I32S, I32T, I32U |
| | 21A | W04A, W04B | | 21A | W04A, W04B | | 21A | W04A, W04B |
| | 21B | X04Z | | 21B | X06A, X06B, X06C | | 21B | X05A, X05B |
| 5t00a.r↔ | | BOP, KJZSV, KVT, UOP4, VIAL | | | | | | |
| | 05 | F13A | | | | | | |
| | 08 | I12A, I12B, I12C, I12J, I23A, I23B, I23J | | | | | | |
| | 21A | W04A, W04B | | | | | | |
| | 21B | X04Z | | | | | | |

VYK

| ZZV | MDC | DRG | ZZV | MDC | DRG | ZZV | MDC | DRG |
|----------|-----|--|----------|-----|--|----------|-----|--|
| 5t00b.c↔ | | BOP, KJZSV, KVT, UOP4, VIAL | 5t00b.n↔ | | BOP, KJZSV, KVT, UOP4, VIAL | 5t00b.x | | BOP, KJZSV, KVT, UOP4 |
| | 05 | F13A | | 05 | F13A | | 05 | F13A |
| | 08 | I12A, I12B, I12C, I12J, I23A, I23B, I23J, I32A, I32B, I32C, I32D | | 08 | I12A, I12B, I12C, I12J, I23A, I23B, I23J | | 08 | I12A, I12B, I12C, I12J, I23A, I23B, I23J |
| | 21A | W04A, W04B | | 21A | W04A, W04B | | 21A | W04A, W04B |
| 5t00b.d | 21B | X05A, X05B | 5t00b.p↔ | 21B | X04Z | 5t00b.z↔ | 21B | X06A, X06B, X06C |
| | | BOP, KJZSV, KVT, UOP4, VIAL | | | BOP, KJZSV, KVT, UOP4, VIAL | | | BOP, KJZSV, KVT, UOP4, VIAL |
| | 05 | F13A | | 05 | F13A | | 04 | E02A, E02B, E02C, E02D |
| | 08 | I12A, I12B, I12C, I12J, I23A, I23B, I23J | | 08 | I12A, I12B, I12C, I12J, I23A, I23B, I23J | | 05 | F13A |
| 5t00b.e↔ | 21A | W04A, W04B | 5t00b.q↔ | 21A | W04A, W04B | 5t00x.0↔ | 08 | I23A, I23B, I23J |
| | 21B | X04Z, X06A, X06B, X06C | | 21B | X04Z | | 04 | BOP, KJZSV, KVT, UOP4, VIAL |
| | | BOP, KJZSV, KVT, UOP4, VIAL | | | BOP, KJZSV, KVT, UOP4, VIAL | | 04 | E02A, E02B, E02C, E02D |
| | 05 | F13A | | 05 | F13A | | 05 | F13A |
| 5t00b.f↔ | 08 | I12A, I12B, I12C, I12J, I21J, I21Z | 5t00b.r↔ | 08 | I12A, I12B, I12C, I12J, I23A, I23B, I23J | 5t00x.1↔ | 08 | I23A, I23B, I23J |
| | 21A | W04A, W04B | | 21A | W04A, W04B | | 04 | BOP, KJZSV, KVT, UOP4, VIAL |
| | 21B | X04Z | | 21B | X04Z | | 05 | F13A |
| | | BOP, KJZSV, KVT, UOP4, VIAL | | | BOP, KJZSV, KVT, UOP4, VIAL | | 08 | I23A, I23B, I23J |
| 5t00b.g↔ | 05 | F13A | 5t00b.s↔ | 05 | F13A | 5t00x.2↔ | 04 | BOP, KJZSV, KVT, UOP4, VIAL |
| | 08 | I12A, I12B, I12C, I12J, I21J, I21Z | | 08 | I12A, I12B, I12C, I12J, I23A, I23B, I23J | | 05 | F13A |
| | 21A | W04A, W04B | | 21A | W04A, W04B | | 08 | I08A, I08B, I08C, I08D, I08E, I08F, I08J, I23A, I23B, I23J |
| | 21B | X04Z | | 21B | X04Z | | 21A | W04A, W04B |
| 5t00b.h↔ | | BOP, KJZSV, KVT, UOP4, VIAL | 5t00b.t↔ | | BOP, KJZSV, KVT, UOP4, VIAL | 5t00x.3↔ | 21B | X06A, X06B, X06C |
| | 05 | F13A | | 05 | F13A | | 04 | BOP, KJZSV, KVT, UOP4, VIAL |
| | 08 | I12A, I12B, I12C, I12J, I21J, I21Z | | 08 | I12A, I12B, I12C, I12J, I20A, I20B, I20C, I20D, I20E, I20F, I20J, I20Q, I20R | | 05 | F13A |
| | 21A | W04A, W04B | | 21A | W04A, W04B | | 08 | I08A, I08B, I08C, I08D, I08E, I08F, I08J, I23A, I23B, I23J |
| 5t00b.i↔ | 21B | X04Z | 5t00b.u↔ | 21B | X04Z | 5t00x.4↔ | 21A | W04A, W04B |
| | | BOP, KJZSV, KVT, UOP4, VIAL | | | BOP, KJZSV, KVT, UOP4, VIAL | | 21B | X06A, X06B, X06C |
| | 05 | F13A | | 05 | F13A | | 04 | BOP, KJZSV, KVT, UOP4, VIAL |
| | 08 | I12A, I12B, I12C, I12J, I21J, I21Z | | 08 | I12A, I12B, I12C, I12J, I20A, I20B, I20C, I20D, I20E, I20F, I20J, I20Q, I20R | | 05 | F13A |
| 5t00b.j↔ | 21A | W04A, W04B | 5t00b.v↔ | 21A | W04A, W04B | 5t00x.5↔ | 08 | I08A, I08B, I08C, I08D, I08E, I08F, I08J, I23A, I23B, I23J |
| | 21B | X04Z | | 21B | X04Z | | 04 | BOP, KJZSV, KVT, UOP4, VIAL |
| | | BOP, KJZSV, KVT, UOP4, VIAL | | | BOP, KJZSV, KVT, UOP4, VIAL | | 05 | F13A |
| | 05 | F13A | | 05 | F13A | | 08 | I08A, I08B, I08C, I08D, I08E, I08F, I08J, I23A, I23B, I23J |
| 5t00b.k↔ | 08 | I12A, I12B, I12C, I12J, I23A, I23B, I23J | 5t00b.w↔ | 08 | I12A, I12B, I12C, I12J, I20A, I20B, I20C, I20D, I20E, I20F, I20J, I20Q, I20R | 5t00x.6↔ | 04 | BOP, KJZSV, KVT, UOP4, VIAL |
| | 21A | W04A, W04B | | 21A | W04A, W04B | | 05 | F13A |
| | 21B | X04Z, X06A, X06B, X06C | | 21B | X04Z | | 08 | I08A, I08B, I08C, I08D, I08E, I08F, I08J, I23A, I23B, I23J |
| | | BOP, KJZSV, KVT, UOP4, VIAL | | | BOP, KJZSV, KVT, UOP4, VIAL | | 04 | BOP, KJZSV, KVT, UOP4, VIAL |
| 5t00b.l↔ | 05 | F13A | 5t00b.x↔ | 05 | F13A | 5t00x.7↔ | 05 | F13A |
| | 08 | I12A, I12B, I12C, I12J, I23A, I23B, I23J | | 08 | I12A, I12B, I12C, I12J, I20A, I20B, I20C, I20D, I20E, I20F, I20J, I20Q, I20R | | 08 | I08A, I08B, I08C, I08D, I08E, I08F, I08J, I23A, I23B, I23J |
| | 21A | W04A, W04B | | 21A | W04A, W04B | | 04 | BOP, KJZSV, KVT, UOP4, VIAL |
| | 21B | X04Z | | 21B | X04Z | | 05 | F13A |
| 5t00b.m↔ | | BOP, KJZSV, KVT, UOP4, VIAL | 5t00b.y↔ | | BOP, KJZSV, KVT, UOP4, VIAL | 5t00x.8↔ | 08 | I08A, I08B, I08C, I08D, I08E, I08F, I08J, I23A, I23B, I23J |
| | 05 | F13A | | 05 | F13A | | 04 | BOP, KJZSV, KVT, UOP4, VIAL |
| | 08 | I12A, I12B, I12C, I12J, I23A, I23B, I23J | | 08 | I12A, I12B, I12C, I12J, I20A, I20B, I20C, I20D, I20E, I20F, I20J, I20Q, I20R | | 05 | F13A |
| | 21A | W04A, W04B | | 21A | W04A, W04B | | 08 | I08A, I08B, I08C, I08D, I08E, I08F, I08J, I23A, I23B, I23J |
| 5t00b.n↔ | 21B | X04Z | 5t00b.z↔ | 21B | X04Z | 5t00x.9↔ | 04 | BOP, KJZSV, KVT, UOP4, VIAL |
| | | BOP, KJZSV, KVT, UOP4, VIAL | | | BOP, KJZSV, KVT, UOP4, VIAL | | 05 | F13A |
| | 05 | F13A | | 05 | F13A | | 08 | I08A, I08B, I08C, I08D, I08E, I08F, I08J, I23A, I23B, I23J |
| | 08 | I12A, I12B, I12C, I12J, I23A, I23B, I23J | | 08 | I12A, I12B, I12C, I12J, I23A, I23B, I23J | | | |

VYK

| ZZV | MDC | DRG | ZZV | MDC | DRG | ZZV | MDC | DRG |
|----------|-----|--|----------|-----|--|----------|-----|--|
| 5t00x.a↔ | | BOP, KJZSV, KVT, UOP4, VIAL | 5t00x.n↔ | | BOP, KJZSV, KVT, UOP4, VIAL | 5t010.1↔ | | BOP, KJZSV, KVT, UOP4, VIAL |
| | 05 | F13A | | 05 | F13A | | 08 | I08A, I08B, I08C, I08D, I08E, I08F, I08J, I13A, I13B, I13C, I13D, I13J, I33Z |
| | 08 | I32A, I32B, I32C, I32D, I32E, I32F, I32J, I32Q, I32R, I32S, I32T, I32U | | 08 | I23A, I23B, I23J | | 21A | W04A, W04B |
| | 21A | W04A, W04B | | 21B | X04Z | | 21B | X06A, X06B, X06C |
| 5t00x.b↔ | | BOP, KJZSV, KVT, UOP4, VIAL | 5t00x.p↔ | | BOP, KJZSV, KVT, UOP4, VIAL | 5t010.2↔ | | BOP, KJZSV, KVT, UOP4, VIAL |
| | 05 | F13A | | 05 | F13A | | 08 | I08A, I08B, I08C, I08D, I08E, I08F, I08J, I13A, I13B, I13C, I13D, I13J, I33Z |
| | 08 | I32A, I32B, I32C, I32D, I32E, I32F, I32J, I32Q, I32R, I32S, I32T, I32U | | 08 | I23A, I23B, I23J | | 21A | W04A, W04B |
| | 21A | W04A, W04B | | 21B | X04Z | | 21B | X06A, X06B, X06C |
| 5t00x.c↔ | | BOP, KJZSV, KVT, UOP4, VIAL | 5t00x.q↔ | | BOP, KJZSV, KVT, UOP4, VIAL | 5t010.3↔ | | BOP, KJZSV, KVT, UOP4, VIAL |
| | 05 | F13A | | 05 | F13A | | 08 | I08A, I08B, I08C, I08D, I08E, I08F, I08J, I13A, I13B, I13C, I13D, I13J, I33Z |
| | 08 | I23A, I23B, I23J | | 08 | I23A, I23B, I23J | | 21A | W04A, W04B |
| | 21A | W04A, W04B | | 21B | X04Z | | 21B | X06A, X06B, X06C |
| 5t00x.d | | BOP, KJZSV, KVT, UOP4, VIAL | 5t00x.r↔ | | BOP, KJZSV, KVT, UOP4, VIAL | 5t010.4↔ | | BOP, KJZSV, KVT, UOP4, VIAL |
| | 05 | F13A | | 05 | F13A | | 08 | I08A, I08B, I08C, I08D, I08E, I08F, I08J, I21J, I21Z, I31J, I31Z, I33Z |
| | 08 | I23A, I23B, I23J | | 08 | I23A, I23B, I23J | | 21A | W04A, W04B |
| | 21A | W04A, W04B | | 21B | X04Z | | 21B | X06A, X06B, X06C |
| 5t00x.e↔ | | BOP, KJZSV, KVT, UOP4, VIAL | 5t00x.s↔ | | BOP, KJZSV, KVT, UOP4, VIAL | 5t010.5↔ | | BOP, KJZSV, KVT, UOP4, VIAL |
| | 05 | F13A | | 05 | F13A | | 08 | I08A, I08B, I08C, I08D, I08E, I08F, I08J, I21J, I21Z, I31J, I31Z, I33Z |
| | 08 | I21J, I21Z | | 08 | I20A, I20B, I20C, I20D, I20E, I20F, I20J, I20Q, I20R | | 21A | W04A, W04B |
| | 21A | W04A, W04B | | 21B | X04Z | | 21B | X06A, X06B, X06C |
| 5t00x.f↔ | | BOP, KJZSV, KVT, UOP4, VIAL | 5t00x.t↔ | | BOP, KJZSV, KVT, UOP4, VIAL | 5t010.6↔ | | BOP, KJZSV, KVT, UOP4, VIAL |
| | 05 | F13A | | 05 | F13A | | 08 | I08A, I08B, I08C, I08D, I08E, I08F, I08J, I21J, I21Z, I31J, I31Z, I33Z |
| | 08 | I21J, I21Z | | 08 | I20A, I20B, I20C, I20D, I20E, I20F, I20J, I20Q, I20R | | 21A | W04A, W04B |
| | 21A | W04A, W04B | | 21B | X04Z | | 21B | X06A, X06B, X06C |
| 5t00x.g↔ | | BOP, KJZSV, KVT, UOP4, VIAL | 5t00x.u↔ | | BOP, KJZSV, KVT, UOP4, VIAL | 5t010.7↔ | | BOP, KJZSV, KVT, UOP4, VIAL |
| | 05 | F13A | | 05 | F13A | | 08 | I08A, I08B, I08C, I08D, I08E, I08F, I08J, I21J, I21Z, I31J, I31Z, I33Z |
| | 08 | I21J, I21Z | | 08 | I20A, I20B, I20C, I20D, I20E, I20F, I20J, I20Q, I20R | | 21A | W04A, W04B |
| | 21A | W04A, W04B | | 21B | X04Z | | 21B | X06A, X06B, X06C |
| 5t00x.h↔ | | BOP, KJZSV, KVT, UOP4, VIAL | 5t00x.v↔ | | BOP, KJZSV, KVT, UOP4, VIAL | 5t010.8↔ | | BOP, KJZSV, KVT, UOP4, VIAL |
| | 05 | F13A | | 05 | F13A | | 08 | I08A, I08B, I08C, I08D, I08E, I08F, I08J, I21J, I21Z, I31J, I31Z, I33Z |
| | 08 | I21J, I21Z | | 08 | I20A, I20B, I20C, I20D, I20E, I20F, I20J, I20Q, I20R | | 21A | W04A, W04B |
| | 21A | W04A, W04B | | 21B | X04Z | | 21B | X06A, X06B, X06C |
| 5t00x.j↔ | | BOP, KJZSV, KVT, UOP4, VIAL | 5t00x.w↔ | | BOP, KJZSV, KVT, UOP4, VIAL | 5t010.9↔ | | BOP, KJZSV, KVT, UOP4, VIAL |
| | 05 | F13A | | 05 | F13A | | 08 | I08A, I08B, I08C, I08D, I08E, I08F, I08J, I21J, I21Z, I31J, I31Z, I33Z |
| | 08 | I23A, I23B, I23J | | 08 | I23A, I23B, I23J | | 21A | W04A, W04B |
| | 21A | W04A, W04B | | 21B | X04Z | | 21B | X06A, X06B, X06C |
| 5t00x.k↔ | | BOP, KJZSV, KVT, UOP4, VIAL | 5t00x.x | | BOP, KJZSV, KVT, UOP4, VIAL | 5t010.b↔ | | BOP, KJZSV, KVT, UOP4, VIAL |
| | 05 | F13A | | 05 | F13A | | 08 | I32A, I32B, I32C, I32D, I32E, I32F, I32J, I32Q, I32R, I32S, I32T, I32U, I33Z |
| | 08 | I23A, I23B, I23J | | 08 | I23A, I23B, I23J | | 21A | W04A, W04B |
| | 21A | W04A, W04B | | 21B | X06A, X06B, X06C | | 21B | X06A, X06B, X06C |
| 5t00x.m↔ | | BOP, KJZSV, KVT, UOP4, VIAL | 5t00x.z↔ | | BOP, KJZSV, KVT, UOP4, VIAL | | | |
| | 05 | F13A | | 04 | E02A, E02B, E02C, E02D | | | |
| | 08 | I23A, I23B, I23J | | 05 | F13A | | | |
| | 21A | W04A, W04B | | 08 | I23A, I23B, I23J | | | |

VYK

| ZZV | MDC | DRG | ZZV | MDC | DRG | ZZV | MDC | DRG |
|----------|-----|--|----------|----------|--|----------|----------|--|
| 5t010.c↔ | | BOP, KJZSV, KVT, UOP4, VIAL | 5t010.p↔ | | BOP, KJZSV, KVT, UOP4, VIAL | 5t011.2↔ | | BOP, KJZSV, KVT, UOP4, VIAL |
| | 08 | I32A, I32B, I32C, I32D, I32E, I32F, I32J, I32Q, I32R, I32S, I32T, I32U, I33Z | | 08 | I13A, I13B, I13C, I13D, I13J, I33Z | | 08 | I08A, I08B, I08C, I08D, I08E, I08F, I08J, I13A, I13B, I13C, I13D, I13J, I33Z |
| | 21A | W04A, W04B | | 21A | W04A, W04B | | 21A | W04A, W04B |
| | 21B | X05A, X05B | | 21B | X04Z | | 21B | X06A, X06B, X06C |
| 5t010.d | | BOP, KJZSV, KVT, UOP4, VIAL | 5t010.q↔ | | BOP, KJZSV, KVT, UOP4, VIAL | 5t011.3↔ | | BOP, KJZSV, KVT, UOP4, VIAL |
| | 08 | I08A, I08B, I08C, I08D, I08E, I08F, I08J, I33Z, I47A | | 08 | I13A, I13B, I13C, I13D, I13J, I33Z | | 08 | I08A, I08B, I08C, I08D, I08E, I08F, I08J, I13A, I13B, I13C, I13D, I13J, I33Z |
| 5t010.e↔ | | BOP, KJZSV, KVT, UOP4, VIAL | | 21A | W04A, W04B | | 21A | W04A, W04B |
| | 08 | I08A, I08B, I08C, I08D, I08E, I08F, I08J, I33Z | | 21B | X04Z | | 21B | X06A, X06B, X06C |
| 5t010.f↔ | | BOP, KJZSV, KVT, UOP4, VIAL | 5t010.r↔ | | BOP, KJZSV, KVT, UOP4, VIAL | 5t011.4↔ | | BOP, KJZSV, KVT, UOP4, VIAL |
| | 01 | B03Z, B17A, B17B, B17C, B17J | | 08 | I13A, I13B, I13C, I13D, I13J, I33Z | | 08 | I08A, I08B, I08C, I08D, I08E, I08F, I08J, I21J, I21Z, I31J, I31Z, I33Z |
| | 08 | I08A, I08B, I08C, I08D, I08E, I08F, I08J, I33Z | | 21A | W04A, W04B | | 21A | W04A, W04B |
| | 21A | W01A, W01B, W01C, W02A, W02B | | 21B | X04Z | | 21B | X06A, X06B, X06C |
| | 21B | X04Z | 5t010.s↔ | | BOP, KJZSV, KVT, UOP4, VIAL | 5t011.5↔ | | BOP, KJZSV, KVT, UOP4, VIAL |
| 5t010.g↔ | | BOP, KJZSV, KVT, UOP4, VIAL | | 08 | I20A, I20B, I20C, I20D, I20J, I20Q, I20R, I33Z | | 08 | I08A, I08B, I08C, I08D, I08E, I08F, I08J, I21J, I21Z, I31J, I31Z, I33Z |
| | 01 | B03Z, B17A, B17B, B17C, B17J | | 05 | F27A, F27B, F27C | | 21A | W04A, W04B |
| | 08 | I08A, I08B, I08C, I08D, I08E, I08F, I08J, I33Z | | 08 | I20A, I20B, I20C, I20D, I20J, I20Q, I20R, I33Z | | 21B | X06A, X06B, X06C |
| | 21A | W01A, W01B, W01C, W02A, W02B | | 10 | K01Z | | 5t011.6↔ | BOP, KJZSV, KVT, UOP4, VIAL |
| | 21B | X04Z | | 21A | W04A, W04B | | 08 | I08A, I08B, I08C, I08D, I08E, I08F, I08J, I21J, I21Z, I31J, I31Z, I33Z |
| 5t010.h↔ | | BOP, KJZSV, KVT, UOP4, VIAL | 5t010.t↔ | | BOP, KJZSV, KVT, UOP4, VIAL | | 21A | W04A, W04B |
| | 01 | B03Z, B17A, B17B, B17C, B17J | | 05 | F27A, F27B, F27C | | 21B | X06A, X06B, X06C |
| | 08 | I08A, I08B, I08C, I08D, I08E, I08F, I08J, I33Z | | 08 | I20A, I20B, I20C, I20D, I20J, I20Q, I20R, I33Z | | 5t011.7↔ | BOP, KJZSV, KVT, UOP4, VIAL |
| | 21A | W01A, W01B, W01C, W02A, W02B | | 10 | K01Z | | 08 | I08A, I08B, I08C, I08D, I08E, I08F, I08J, I21J, I21Z, I31J, I31Z, I33Z |
| | 21B | X04Z | | 21A | W04A, W04B | | 21A | W04A, W04B |
| 5t010.i↔ | | BOP, KJZSV, KVT, UOP4, VIAL | | 21B | X04Z | | 21B | X06A, X06B, X06C |
| | 01 | B03Z, B17A, B17B, B17C, B17J | 5t010.u↔ | | BOP, KJZSV, KVT, UOP4, VIAL | | 5t011.8↔ | BOP, KJZSV, KVT, UOP4, VIAL |
| | 08 | I08A, I08B, I08C, I08D, I08E, I08F, I08J, I33Z | | 05 | F27A, F27B, F27C | | 08 | I08A, I08B, I08C, I08D, I08E, I08F, I08J, I21J, I21Z, I31J, I31Z, I33Z |
| | 21A | W01A, W01B, W01C, W02A, W02B | | 08 | I20A, I20B, I20C, I20D, I20J, I20Q, I20R, I33Z | | 21A | W04A, W04B |
| | 21B | X04Z | | 10 | K01Z | | 21B | X06A, X06B, X06C |
| 5t010.j↔ | | BOP, KJZSV, KVT, UOP4, VIAL | | 21A | W04A, W04B | | 5t011.9↔ | BOP, KJZSV, KVT, UOP4, VIAL |
| | 01 | B03Z, B17A, B17B, B17C, B17J | | 21B | X04Z | | 08 | I08A, I08B, I08C, I08D, I08E, I08F, I08J, I21J, I21Z, I31J, I31Z, I33Z |
| | 08 | I13A, I13B, I13C, I13D, I13J, I33Z | | 5t010.v↔ | BOP, KJZSV, KVT, UOP4, VIAL | | 21A | W04A, W04B |
| | 10 | K09A, K09B | | 05 | F27A, F27B, F27C | | 21B | X06A, X06B, X06C |
| | 21A | W04A, W04B | | 08 | I20A, I20B, I20C, I20D, I20J, I20Q, I20R, I33Z | | 5t011.b↔ | BOP, KJZSV, KVT, UOP4, VIAL |
| | 21B | X04Z | | 10 | K01Z | | 08 | I32A, I32B, I32C, I32D, I32E, I32F, I32J, I32Q, I32R, I32S, I32T, I32U, I33Z |
| 5t010.k↔ | | BOP, KJZSV, KVT, UOP4, VIAL | | 21A | W04A, W04B | | 21A | W04A, W04B |
| | 01 | B03Z, B17A, B17B, B17C, B17J | | 21B | X04Z | | 21B | X06A, X06B, X06C |
| | 08 | I13A, I13B, I13C, I13D, I13J, I33Z | 5t010.w↔ | | BOP, KJZSV, KVT, UOP4, VIAL | | 5t011.c↔ | BOP, KJZSV, KVT, UOP4, VIAL |
| | 10 | K09A, K09B | | 05 | F27A, F27B, F27C | | 08 | I32A, I32B, I32C, I32D, I32E, I32F, I32J, I32Q, I32R, I32S, I32T, I32U, I33Z |
| | 21A | W04A, W04B | | 08 | I20A, I20B, I20C, I20D, I20J, I20Q, I20R, I33Z | | 21A | W04A, W04B |
| | 21B | X04Z | | 10 | K01Z | | 21B | X05A, X05B |
| 5t010.l↔ | | BOP, KJZSV, KVT, UOP4, VIAL | | 21A | W04A, W04B | | 5t011.d↔ | BOP, KJZSV, KVT, UOP4, VIAL |
| | 01 | B03Z, B17A, B17B, B17C, B17J | | 21B | X04Z | | 08 | I32A, I32B, I32C, I32D, I32E, I32F, I32J, I32Q, I32R, I32S, I32T, I32U, I33Z |
| | 08 | I13A, I13B, I13C, I13D, I13J, I33Z | 5t010.x | | BOP, KJZSV, KVT, UOP4, VIAL | | 21A | W04A, W04B |
| | 10 | K09A, K09B | | 01 | B03Z, B17A, B17B, B17C, B17J | | 21B | X05A, X05B |
| | 21A | W04A, W04B | | 08 | I28A, I28B, I28J, I33Z | | | |
| | 21B | X04Z | | 21A | W04A, W04B | | | |
| 5t010.m↔ | | BOP, KJZSV, KVT, UOP4, VIAL | | 21B | X06A, X06B, X06C | | | |
| | 01 | B03Z, B17A, B17B, B17C, B17J | 5t011.1↔ | | BOP, KJZSV, KVT, UOP4, VIAL | | | |
| | 08 | I13A, I13B, I13C, I13D, I13J, I33Z | | 08 | I08A, I08B, I08C, I08D, I08E, I08F, I08J, I13A, I13B, I13C, I13D, I13J, I33Z | | | |
| | 10 | K09A, K09B | | 21A | W04A, W04B | | | |
| | 21A | W04A, W04B | | 21B | X06A, X06B, X06C | | | |
| | 21B | X04Z | | | | | | |
| 5t010.n↔ | | BOP, KJZSV, KVT, UOP4, VIAL | | | | | | |
| | 01 | B03Z, B17A, B17B, B17C, B17J | | | | | | |
| | 08 | I13A, I13B, I13C, I13D, I13J, I33Z | | | | | | |
| | 10 | K09A, K09B | | | | | | |
| | 21A | W04A, W04B | | | | | | |
| | 21B | X04Z | | | | | | |

| ZZV | MDC | DRG | ZZV | MDC | DRG | ZZV | MDC | DRG |
|----------|-----|--|----------|-----|--|----------|-----|--|
| 5t011.d | | BOP, KJZSV, KVT, UOP4, VIAL | 5t011.q↔ | | BOP, KJZSV, KVT, UOP4, VIAL | 5t012.6↔ | | BOP, KJZSV, KVT, UOP4, VIAL |
| | 08 | I08A, I08B, I08C, I08D, I08E, I08F, I08J, I33Z, I47A | | 08 | I13A, I13B, I13C, I13D, I13J, I33Z | | 08 | I08A, I08B, I08C, I08D, I08E, I08F, I08J, I21J, I21Z, I31J, I31Z, I33Z |
| 5t011.e↔ | | BOP, KJZSV, KVT, UOP4, VIAL | | 21A | W04A, W04B | | 21A | W04A, W04B |
| | 08 | I08A, I08B, I08C, I08D, I08E, I08F, I08J, I33Z | 5t011.r↔ | | BOP, KJZSV, KVT, UOP4, VIAL | 5t012.8↔ | | X06A, X06B, X06C |
| 5t011.f↔ | | BOP, KJZSV, KVT, UOP4, VIAL | | 08 | I13A, I13B, I13C, I13D, I13J, I33Z | | 08 | BOP, KJZSV, KVT, UOP4, VIAL |
| | 01 | B03Z, B17A, B17B, B17C, B17J | | 21A | W04A, W04B | | 21A | I08A, I08B, I08C, I08D, I08E, I08F, I08J, I21J, I21Z, I31J, I31Z, I33Z |
| | 08 | I08A, I08B, I08C, I08D, I08E, I08F, I08J, I33Z | 5t011.s↔ | | BOP, KJZSV, KVT, UOP4, VIAL | | 21B | W04A, W04B |
| | 21A | W01A, W01B, W01C, W02A, W02B | | 08 | I20A, I20B, I20C, I20D, I20J, I20Q, I20R, I33Z | 5t012.9↔ | | X06A, X06B, X06C |
| | 21B | X04Z | 5t011.t↔ | | BOP, KJZSV, KVT, UOP4, VIAL | | 08 | BOP, KJZSV, KVT, UOP4, VIAL |
| 5t011.g↔ | | BOP, KJZSV, KVT, UOP4, VIAL | | 05 | F27A, F27B, F27C | | 08 | I08A, I08B, I08C, I08D, I08E, I08F, I08J, I21J, I21Z, I31J, I31Z, I33Z |
| | 01 | B03Z, B17A, B17B, B17C, B17J | | 08 | I20A, I20B, I20C, I20D, I20J, I20Q, I20R, I33Z | | 21A | W04A, W04B |
| | 08 | I08A, I08B, I08C, I08D, I08E, I08F, I08J, I33Z | | 10 | K01Z | 5t012.a↔ | | X06A, X06B, X06C |
| | 21A | W01A, W01B, W01C, W02A, W02B | | 21A | W04A, W04B | | 08 | BOP, KJZSV, KVT, UOP4, VIAL |
| | 21B | X04Z | 5t011.u↔ | | BOP, KJZSV, KVT, UOP4, VIAL | | 08 | I32A, I32B, I32C, I32D, I32E, I32F, I32J, I32Q, I32R, I32S, I32T, I32U, I33Z |
| 5t011.h↔ | | BOP, KJZSV, KVT, UOP4, VIAL | | 08 | I20A, I20B, I20C, I20D, I20J, I20Q, I20R, I33Z | | 21A | W04A, W04B |
| | 01 | B03Z, B17A, B17B, B17C, B17J | 5t011.x | | BOP, KJZSV, KVT, UOP4, B17J | 5t012.b↔ | | X05A, X05B |
| | 08 | I08A, I08B, I08C, I08D, I08E, I08F, I08J, I33Z | | 01 | B03Z, B17A, B17B, B17C, B17J | | 08 | BOP, KJZSV, KVT, UOP4, VIAL |
| | 21A | W01A, W01B, W01C, W02A, W02B | | 08 | I28A, I28B, I28J, I33Z | | 08 | I32A, I32B, I32C, I32D, I32E, I32F, I32J, I32Q, I32R, I32S, I32T, I32U, I33Z |
| | 21B | X04Z | | 21A | W04A, W04B | | 21A | W04A, W04B |
| 5t011.i↔ | | BOP, KJZSV, KVT, UOP4, VIAL | | 21B | X06A, X06B, X06C | | 21B | X05A, X05B |
| | 01 | B03Z, B17A, B17B, B17C, B17J | 5t012.0↔ | | BOP, KJZSV, KVT, UOP4, VIAL | 5t012.c↔ | | BOP, KJZSV, KVT, UOP4, VIAL |
| | 08 | I13A, I13B, I13C, I13D, I13J, I33Z | | 04 | E02A, E02B, E02C, E02D | | 08 | I32A, I32B, I32C, I32D, I32E, I32F, I32J, I32Q, I32R, I32S, I32T, I32U, I33Z |
| | 10 | K09A, K09B | | 08 | I28A, I28B, I28J, I33Z | | 21A | W04A, W04B |
| | 21A | W04A, W04B | | 21A | W04A, W04B | | 21B | X06A, X06B, X06C |
| | 21B | X04Z | 5t012.1↔ | | BOP, KJZSV, KVT, UOP4, VIAL | | 08 | BOP, KJZSV, KVT, UOP4, VIAL |
| 5t011.m↔ | | BOP, KJZSV, KVT, UOP4, VIAL | | 08 | I08A, I08B, I08C, I08D, I08E, I08F, I08J, I13A, I13B, I13C, I13D, I13J, I33Z | 5t012.d | | I08A, I08B, I08C, I08D, I08E, I08J, I27B, I33Z, I37Z, I47A |
| | 01 | B03Z, B17A, B17B, B17C, B17J | | 21A | W04A, W04B | | 08 | BOP, KJZSV, KVT, UOP4, VIAL |
| | 08 | I13A, I13B, I13C, I13D, I13J, I33Z | 5t012.2↔ | | BOP, KJZSV, KVT, UOP4, VIAL | 5t012.e↔ | | BOP, KJZSV, KVT, UOP4, VIAL |
| | 10 | K09A, K09B | | 08 | I08A, I08B, I08C, I08D, I08E, I08F, I08J, I13A, I13B, I13C, I13D, I13J, I33Z | | 08 | I08A, I08B, I08C, I08D, I08E, I08J, I27B, I33Z, I37Z |
| | 21A | W04A, W04B | | 21A | W04A, W04B | | 08 | BOP, KJZSV, KVT, UOP4, VIAL |
| | 21B | X04Z | | 21B | X06A, X06B, X06C | 5t012.f↔ | | BOP, KJZSV, KVT, UOP4, VIAL |
| 5t011.n↔ | | BOP, KJZSV, KVT, UOP4, VIAL | 5t012.3↔ | | BOP, KJZSV, KVT, UOP4, VIAL | | 01 | B03Z, B17A, B17B, B17C, B17J |
| | 01 | B03Z, B17A, B17B, B17C, B17J | | 08 | I08A, I08B, I08C, I08D, I08E, I08F, I08J, I13A, I13B, I13C, I13D, I13J, I33Z | | 08 | I08A, I08B, I08C, I08D, I08E, I08J, I27B, I33Z, I37Z |
| | 08 | I13A, I13B, I13C, I13D, I13J, I33Z | | 21A | W04A, W04B | | 21A | W01A, W01B, W01C, W02A, W02B |
| | 10 | K09A, K09B | | 21B | X06A, X06B, X06C | 5t012.g↔ | | X04Z |
| | 21A | W04A, W04B | 5t012.5↔ | | BOP, KJZSV, KVT, UOP4, VIAL | | 01 | BOP, KJZSV, KVT, UOP4, VIAL |
| | 21B | X04Z | | 08 | I08A, I08B, I08C, I08D, I08E, I08F, I08J, I21J, I21Z, I31J, I31Z, I33Z | | 08 | B03Z, B17A, B17B, B17C, B17J |
| 5t011.p↔ | | BOP, KJZSV, KVT, UOP4, VIAL | | 21A | W04A, W04B | | 08 | I08A, I08B, I08C, I08D, I08E, I08J, I27B, I33Z, I37Z |
| | 08 | I13A, I13B, I13C, I13D, I13J, I33Z | | 21B | X06A, X06B, X06C | | 21A | W01A, W01B, W01C, W02A, W02B |
| | 21A | W04A, W04B | | 21B | X06A, X06B, X06C | | 21B | X04Z |
| | 21B | X04Z | | | | | | |

VYK

| ZZV | MDC | DRG | ZZV | MDC | DRG | ZZV | MDC | DRG | | | | |
|----------|----------|--|--|--|--|-----------|-----------------------------|--|--|--|--|------------------------------------|
| 5t012.h↔ | | BOP, KJZSV, KVT, UOP4, VIAL | 5t013.1↔ | 08 | I08A, I08B, I08C, I08D, I08E, I08F, I08J, I13A, I13B, I13C, I13D, I13J, I33Z | 5t013.c↔ | 08 | I32A, I32B, I32C, I32D, I32E, I32F, I32J, I32Q, I32R, I32S, I32T, I32U, I33Z | | | | |
| | 01 | B03Z, B17A, B17B, B17C, B17J | | 21A | W04A, W04B | | 21A | W04A, W04B | | | | |
| | 08 | I08A, I08B, I08C, I08D, I08E, I08J, I27B, I33Z, I37Z | | 21B | X06A, X06B, X06C | | 21B | X05A, X05B | | | | |
| | 21A | W01A, W01B, W01C, W02A, W02B | | | BOP, KJZSV, KVT, UOP4, VIAL | | | BOP, KJZSV, KVT, UOP4, VIAL | | | | |
| 5t012.k↔ | | BOP, KJZSV, KVT, UOP4, VIAL | 5t013.2↔ | 08 | I08A, I08B, I08C, I08D, I08E, I08F, I08J, I13A, I13B, I13C, I13D, I13J, I33Z | 5t013.d | 08 | I08A, I08B, I08C, I08D, I08E, I08F, I08J, I33Z, I47A | | | | |
| | 08 | I08A, I08D, I08E, I13A, I13B, I13C, I13D, I13J, I27B, I33Z, I37Z | | 21A | W04A, W04B | | 5t013.e↔ | 08 | I08A, I08B, I08C, I08D, I08E, I08F, I08J, I33Z | | | |
| | 21A | W04A, W04B | | 5t013.3↔ | 21B | | | X06A, X06B, X06C | 5t013.f↔ | 08 | I08A, I08B, I08C, I08D, I08E, I08F, I08J, I33Z | |
| | 21B | X04Z | | | | | | BOP, KJZSV, KVT, UOP4, VIAL | | | BOP, KJZSV, KVT, UOP4, VIAL | |
| 5t012.m↔ | | BOP, KJZSV, KVT, UOP4, VIAL | 5t013.4↔ | 08 | I08A, I08B, I08C, I08D, I08E, I08F, I08J, I13A, I13B, I13C, I13D, I13J, I33Z | 5t013.g↔ | | 01 | | B03Z, B17A, B17B, B17C, B17J | | |
| | 08 | I08A, I08D, I08E, I13A, I13B, I13C, I13D, I13J, I27B, I33Z, I37Z | | 21A | W04A, W04B | | 5t013.h↔ | 08 | | I08A, I08B, I08C, I08D, I08E, I08F, I08J, I33Z | | |
| | 21A | W04A, W04B | | 5t013.5↔ | 21B | | | X06A, X06B, X06C | 5t013.i↔ | 21A | W01A, W01B, W01C, W02A, W02B | |
| | 21B | X04Z | | | | | | BOP, KJZSV, KVT, UOP4, VIAL | | 5t013.j↔ | 21B | X04Z |
| 5t012.n↔ | | BOP, KJZSV, KVT, UOP4, VIAL | 5t013.6↔ | 08 | I08A, I08B, I08C, I08D, I08E, I08F, I08J, I21J, I21Z, I31J, I31Z, I33Z | 5t013.k↔ | | 08 | | | I08A, I08B, I08C, I08D, I08E, I08F, I08J, I33Z | |
| | 08 | I08A, I08D, I08E, I13A, I13B, I13C, I13D, I13J, I27B, I33Z, I37Z | | 21A | W04A, W04B | | 5t013.l↔ | 21A | | | W01A, W01B, W01C, W02A, W02B | |
| | 21A | W04A, W04B | | 5t013.7↔ | 21B | | | X06A, X06B, X06C | 5t013.m↔ | | 21B | X04Z |
| | 21B | X04Z | | | | | | BOP, KJZSV, KVT, UOP4, VIAL | | 5t013.n↔ | 08 | I13A, I13B, I13C, I13D, I13J, I33Z |
| 5t012.r↔ | | BOP, KJZSV, KVT, UOP4, VIAL | 5t013.8↔ | 08 | I08A, I08B, I08C, I08D, I08E, I08F, I08J, I21J, I21Z, I31J, I31Z, I33Z | 5t013.o↔ | | 21A | | | W04A, W04B | |
| | 08 | I13A, I13B, I13C, I13D, I13J, I33Z, I37Z | | 21A | W04A, W04B | | 5t013.p↔ | 21B | | | X04Z | |
| | 21A | W04A, W04B | | 5t013.9↔ | 21B | | | X06A, X06B, X06C | 5t013.q↔ | | 08 | I13A, I13B, I13C, I13D, I13J, I33Z |
| | 21B | X04Z | | | | | | BOP, KJZSV, KVT, UOP4, VIAL | | 5t013.r↔ | 21A | W04A, W04B |
| 5t012.s↔ | | BOP, KJZSV, KVT, UOP4, VIAL | 5t013.9↔ | 08 | I08A, I08B, I08C, I08D, I08E, I08F, I08J, I21J, I21Z, I31J, I31Z, I33Z | 5t013.s↔ | | 21B | | | X04Z | |
| | 08 | I20A, I20B, I20C, I20D, I20J, I20Q, I20R, I33Z, I37Z | | 21A | W04A, W04B | | 5t013.t↔ | 08 | | | I13A, I13B, I13C, I13D, I13J, I33Z | |
| | 5t012.t↔ | | | BOP, KJZSV, KVT, UOP4, VIAL | 5t013.a↔ | | | 21B | X06A, X06B, X06C | | 5t013.u↔ | 21A |
| | | 08 | | I20A, I20B, I20C, I20D, I20J, I20Q, I20R, I33Z, I37Z | | | | | BOP, KJZSV, KVT, UOP4, VIAL | 5t013.v↔ | | 21B |
| 5t012.u↔ | | | BOP, KJZSV, KVT, UOP4, VIAL | 5t013.b↔ | | 08 | | I32A, I32B, I32C, I32D, I32E, I32F, I32J, I32Q, I32R, I32S, I32T, I32U, I33Z | 5t013.w↔ | | | 21A |
| | | 08 | I20A, I20B, I20C, I20D, I20J, I20Q, I20R, I33Z, I37Z | | | 21A | W04A, W04B | 5t013.x↔ | | | | 21B |
| | 5t012.x | | BOP, KJZSV, KVT, UOP4, VIAL | | 5t013.c↔ | 21B | X06A, X06B, X06C | | | | 5t013.y↔ | 08 |
| | | 01 | B03Z, B17A, B17B, B17C, B17J | | | | BOP, KJZSV, KVT, UOP4, VIAL | | | 5t013.z↔ | | 21A |
| 08 | | I28A, I28B, I28J, I33Z | | BOP, KJZSV, KVT, UOP4, VIAL | | 5t013.aa↔ | 21B | | X04Z | | | |
| 21A | | W04A, W04B | | BOP, KJZSV, KVT, UOP4, VIAL | | | 5t013.ab↔ | 08 | I13A, I13B, I13C, I13D, I13J, I33Z | | | |
| 5t012.z↔ | | BOP, KJZSV, KVT, UOP4, VIAL | 5t013.d↔ | 08 | I08A, I08B, I08C, I08D, I08E, I08F, I08J, I21J, I21Z, I31J, I31Z, I33Z | | | 5t013.ac↔ | 21A | | W04A, W04B | |
| | 04 | E02A, E02B, E02C, E02D | | 21A | W04A, W04B | | | | 5t013.ad↔ | 21B | X04Z | |
| | 08 | I28A, I28B, I28J, I33Z | | 21B | X06A, X06B, X06C | 5t013.ae↔ | | | | 08 | I13A, I13B, I13C, I13D, I13J, I33Z | |
| | 21A | W04A, W04B | | | BOP, KJZSV, KVT, UOP4, VIAL | | 5t013.ae↔ | | | 21A | W04A, W04B | |
| 5t013.0↔ | | BOP, KJZSV, KVT, UOP4, VIAL | 5t013.e↔ | 08 | I08A, I08B, I08C, I08D, I08E, I08F, I08J, I21J, I21Z, I31J, I31Z, I33Z | | | 5t013.af↔ | | 21B | X04Z | |
| | 04 | E02A, E02B, E02C, E02D | | 21A | W04A, W04B | | | | 5t013.ah↔ | 08 | I13A, I13B, I13C, I13D, I13J, I33Z | |
| | 08 | I28A, I28B, I28J, I33Z | | 21B | X06A, X06B, X06C | 5t013.ai↔ | | | | 21A | W04A, W04B | |
| | 21A | W04A, W04B | | | BOP, KJZSV, KVT, UOP4, VIAL | | 5t013.aj↔ | | | 21B | X04Z | |

VYK

| ZZV | MDC | DRG | ZZV | MDC | DRG | ZZV | MDC | DRG |
|----------|-----|--|----------|-----|--|----------|------------------------------|--|
| 5t013.q↔ | | BOP, KJZSV, KVT, UOP4, VIAL | 5t014.5↔ | | BOP, KJZSV, KVT, UOP4, VIAL | 5t014.h↔ | | BOP, KJZSV, KVT, UOP4, VIAL |
| | 08 | I13A, I13B, I13C, I13D, I13J, I33Z | | 08 | I08A, I08B, I08C, I08D, I08E, I08F, I08J, I11Z, I33Z | | 01 | B03Z, B17A, B17B, B17C, B17J |
| | 21A | W04A, W04B | | 21A | W04A, W04B | | 08 | I11Z, I33Z |
| 5t013.r↔ | 21B | X04Z | 5t014.6↔ | 21B | X06A, X06B, X06C | 21A | W01A, W01B, W01C, W02A, W02B | |
| | | BOP, KJZSV, KVT, UOP4, VIAL | | | BOP, KJZSV, KVT, UOP4, VIAL | 21B | X04Z | |
| | 08 | I13A, I13B, I13C, I13D, I13J, I33Z | | 08 | I08A, I08B, I08C, I08D, I08E, I08F, I08J, I11Z, I33Z | 5t014.k↔ | | BOP, KJZSV, KVT, UOP4, VIAL |
| | 21A | W04A, W04B | | 21A | W04A, W04B | | 08 | I11Z, I33Z |
| | 21B | X04Z | | 21B | X06A, X06B, X06C | 21A | W04A, W04B | |
| 5t013.s↔ | | BOP, KJZSV, KVT, UOP4, VIAL | 5t014.7↔ | | BOP, KJZSV, KVT, UOP4, VIAL | 21B | X04Z | |
| | 08 | I20A, I20B, I20C, I20D, I20J, I20Q, I20R, I33Z | | 08 | I08A, I08B, I08C, I08D, I08E, I08F, I08J, I11Z, I33Z | 5t014.m↔ | | BOP, KJZSV, KVT, UOP4, VIAL |
| 5t013.t↔ | | BOP, KJZSV, KVT, UOP4, VIAL | 5t014.8↔ | | BOP, KJZSV, KVT, UOP4, VIAL | | 08 | I11Z, I33Z |
| | 05 | F27A, F27B, F27C | | 08 | I08A, I08B, I08C, I08D, I08E, I08F, I08J, I11Z, I33Z | 21A | W04A, W04B | |
| | 08 | I20A, I20B, I20C, I20D, I20J, I20Q, I20R, I33Z | | 21A | W04A, W04B | 21B | X04Z | |
| | 10 | K01Z | 5t014.9↔ | | BOP, KJZSV, KVT, UOP4, VIAL | 5t014.n↔ | | BOP, KJZSV, KVT, UOP4, VIAL |
| | 21A | W04A, W04B | | 08 | I08A, I08B, I08C, I08D, I08E, I08F, I08J, I11Z, I33Z | | 08 | I11Z, I33Z |
| | 21B | X04Z | | 21A | W04A, W04B | 21A | W04A, W04B | |
| 5t013.u↔ | | BOP, KJZSV, KVT, UOP4, VIAL | | 21B | X06A, X06B, X06C | 21B | X04Z | |
| | 08 | I20A, I20B, I20C, I20D, I20J, I20Q, I20R, I33Z | 5t014.b↔ | | BOP, KJZSV, KVT, UOP4, VIAL | 5t014.p↔ | | BOP, KJZSV, KVT, UOP4, VIAL |
| 5t013.x | 01 | B03Z, B17A, B17B, B17C, B17J | | 08 | I08A, I08B, I08C, I08D, I08E, I08F, I08J, I11Z, I33Z | | 08 | I11Z, I33Z |
| | 08 | I28A, I28B, I28J, I33Z | | 21A | W04A, W04B | 21A | W04A, W04B | |
| | 21A | W04A, W04B | | 21B | X06A, X06B, X06C | 21B | X04Z | |
| | 21B | X06A, X06B, X06C | 5t014.c↔ | | BOP, KJZSV, KVT, UOP4, VIAL | 5t014.q↔ | | BOP, KJZSV, KVT, UOP4, VIAL |
| 5t013.z↔ | | BOP, KJZSV, KVT, UOP4, VIAL | | 08 | I32A, I32B, I32C, I32D, I32E, I32F, I32J, I32Q, I32R, I32S, I32T, I32U, I33Z | | 08 | I11Z, I33Z |
| | 04 | E02A, E02B, E02C, E02D | | 21A | W04A, W04B | 21A | W04A, W04B | |
| | 08 | I28A, I28B, I28J, I33Z | | 21B | X05A, X05B | 21B | X04Z | |
| | 21A | W04A, W04B | 5t014.d | | BOP, KJZSV, KVT, UOP4, VIAL | 5t014.r↔ | | BOP, KJZSV, KVT, UOP4, VIAL |
| | 21B | X06A, X06B, X06C | | 08 | I08A, I08B, I08C, I08D, I08E, I08F, I08J, I33Z, I47A | | 08 | I11Z, I33Z |
| 5t014.0↔ | | BOP, KJZSV, KVT, UOP4, VIAL | | 21A | W04A, W04B | 21A | W04A, W04B | |
| | 04 | E02A, E02B, E02C, E02D | | 21B | X05A, X05B | 21B | X04Z | |
| | 08 | I28A, I28B, I28J, I33Z | 5t014.e↔ | | BOP, KJZSV, KVT, UOP4, VIAL | 5t014.s↔ | | BOP, KJZSV, KVT, UOP4, VIAL |
| | 21A | W04A, W04B | | 08 | I32A, I32B, I32C, I32D, I32E, I32F, I32J, I32Q, I32R, I32S, I32T, I32U, I33Z | | 08 | I20A, I20B, I20C, I20D, I20J, I20Q, I20R, I33Z |
| | 21B | X06A, X06B, X06C | | 21A | W04A, W04B | 5t014.t↔ | | BOP, KJZSV, KVT, UOP4, VIAL |
| 5t014.1↔ | | BOP, KJZSV, KVT, UOP4, VIAL | | 21B | X05A, X05B | | 05 | F27A, F27B, F27C |
| | 08 | I08A, I08B, I08C, I08D, I08E, I08F, I08J, I11Z, I33Z | | 08 | I08A, I08B, I08C, I08D, I08E, I08F, I08J, I33Z, I47A | | 08 | I20A, I20B, I20C, I20D, I20J, I20Q, I20R, I33Z |
| | 21A | W04A, W04B | | 21A | W04A, W04B | | 10 | K01Z |
| | 21B | X06A, X06B, X06C | | 21B | X05A, X05B | 21A | W04A, W04B | |
| 5t014.2↔ | | BOP, KJZSV, KVT, UOP4, VIAL | | 08 | I08A, I08B, I08C, I08D, I08E, I08F, I08J, I33Z | 21B | X04Z | |
| | 08 | I08A, I08B, I08C, I08D, I08E, I08F, I08J, I11Z, I33Z | 5t014.f↔ | | BOP, KJZSV, KVT, UOP4, VIAL | 5t014.u↔ | | BOP, KJZSV, KVT, UOP4, VIAL |
| | 21A | W04A, W04B | | 01 | B03Z, B17A, B17B, B17C, B17J | | 08 | I20A, I20B, I20C, I20D, I20J, I20Q, I20R, I33Z |
| | 21B | X06A, X06B, X06C | | 08 | I11Z, I33Z | 5t014.x | | BOP, KJZSV, KVT, UOP4, VIAL |
| 5t014.3↔ | | BOP, KJZSV, KVT, UOP4, VIAL | | 21A | W01A, W01B, W01C, W02A, W02B | | 01 | B03Z, B17A, B17B, B17C, B17J |
| | 08 | I08A, I08B, I08C, I08D, I08E, I08F, I08J, I11Z, I33Z | | 21B | X04Z | | 08 | I28A, I28B, I28J, I33Z |
| | 21A | W04A, W04B | 5t014.g↔ | | BOP, KJZSV, KVT, UOP4, VIAL | 21A | W04A, W04B | |
| | 21B | X06A, X06B, X06C | | 01 | B03Z, B17A, B17B, B17C, B17J | 21B | X06A, X06B, X06C | |
| 5t014.4↔ | | BOP, KJZSV, KVT, UOP4, VIAL | | 08 | I11Z, I33Z | 5t014.z↔ | | BOP, KJZSV, KVT, UOP4, VIAL |
| | 08 | I08A, I08B, I08C, I08D, I08E, I08F, I08J, I11Z, I33Z | | 21A | W01A, W01B, W01C, W02A, W02B | | 04 | E02A, E02B, E02C, E02D |
| | 21A | W04A, W04B | | 21B | X04Z | | 08 | I28A, I28B, I28J, I33Z |
| | 21B | X06A, X06B, X06C | | | | 21A | W04A, W04B | |
| | 08 | I08A, I08B, I08C, I08D, I08E, I08F, I08J, I11Z, I33Z | | | | 21B | X06A, X06B, X06C | |
| | 21A | W04A, W04B | | | | | | |
| | 21B | X06A, X06B, X06C | | | | | | |

| ZZV | MDC | DRG | ZZV | MDC | DRG | ZZV | MDC | DRG |
|----------|-----|--|----------|-----|--|----------|-----|--|
| 5t015.1↔ | | BOP, KJZSV, KVT, UOP4, VIAL | 5t015.c↔ | | BOP, KJZSV, KVT, UOP4, VIAL | 5t015.n↔ | | BOP, KJZSV, KVT, UOP4, VIAL |
| | 08 | I08A, I08B, I08C, I08D, I08E, I08F, I08J, I13A, I13B, I13C, I13D, I13J, I33Z | | 08 | I32A, I32B, I32C, I32D, I32E, I32F, I32J, I32Q, I32R, I32S, I32T, I32U, I33Z | | 01 | B03Z, B17A, B17B, B17C, B17J |
| | 21A | W04A, W04B | | 21A | W04A, W04B | | 08 | I08A, I08D, I08E, I13A, I13B, I13C, I13D, I13J, I27B, I33Z, I37Z |
| | 21B | X06A, X06B, X06C | | 21B | X05A, X05B | | 10 | K09A, K09B |
| 5t015.2↔ | | BOP, KJZSV, KVT, UOP4, VIAL | 5t015.d | | BOP, KJZSV, KVT, UOP4, VIAL | 5t015.r↔ | | BOP, KJZSV, KVT, UOP4, VIAL |
| | 08 | I08A, I08B, I08C, I08D, I08E, I08F, I08J, I13A, I13B, I13C, I13D, I13J, I33Z | | 08 | I08A, I08B, I08C, I08D, I08E, I08J, I27B, I33Z, I37Z, I47A | | 08 | I13A, I13B, I13C, I13D, I13J, I33Z, I37Z |
| | 21A | W04A, W04B | 5t015.e↔ | | BOP, KJZSV, KVT, UOP4, VIAL | | 21A | W04A, W04B |
| | 21B | X06A, X06B, X06C | | 08 | I08A, I08B, I08C, I08D, I08E, I08J, I27B, I33Z, I37Z | | 21B | X04Z |
| 5t015.3↔ | | BOP, KJZSV, KVT, UOP4, VIAL | 5t015.f↔ | | BOP, KJZSV, KVT, UOP4, VIAL | 5t015.s↔ | | BOP, KJZSV, KVT, UOP4, VIAL |
| | 08 | I08A, I08B, I08C, I08D, I08E, I08F, I08J, I13A, I13B, I13C, I13D, I13J, I33Z | | 01 | B03Z, B17A, B17B, B17C, B17J | | 08 | I20A, I20B, I20C, I20D, I20J, I20Q, I20R, I33Z, I37Z |
| | 21A | W04A, W04B | | 08 | I08A, I08B, I08C, I08D, I08E, I08J, I27B, I33Z, I37Z | 5t015.t↔ | | BOP, KJZSV, KVT, UOP4, VIAL |
| | 21B | X06A, X06B, X06C | | 21A | W01A, W01B, W01C, W02A, W02B | | 08 | I20A, I20B, I20C, I20D, I20J, I20Q, I20R, I33Z, I37Z |
| 5t015.4↔ | | BOP, KJZSV, KVT, UOP4, VIAL | 5t015.g↔ | | BOP, KJZSV, KVT, UOP4, VIAL | 5t015.u↔ | | BOP, KJZSV, KVT, UOP4, VIAL |
| | 08 | I08A, I08B, I08C, I08D, I08E, I08F, I08J, I21J, I21Z, I31J, I31Z, I33Z | | 01 | B03Z, B17A, B17B, B17C, B17J | | 08 | I20A, I20B, I20C, I20D, I20J, I20Q, I20R, I33Z, I37Z |
| | 21A | W04A, W04B | | 08 | I08A, I08B, I08C, I08D, I08E, I08J, I27B, I33Z, I37Z | 5t015.x | | BOP, KJZSV, KVT, UOP4 |
| | 21B | X06A, X06B, X06C | | 21A | W01A, W01B, W01C, W02A, W02B | | 01 | B03Z, B17A, B17B, B17C, B17J |
| 5t015.5↔ | | BOP, KJZSV, KVT, UOP4, VIAL | 5t015.h↔ | | BOP, KJZSV, KVT, UOP4, VIAL | | 08 | I28A, I28B, I28J, I33Z |
| | 08 | I08A, I08B, I08C, I08D, I08E, I08F, I08J, I21J, I21Z, I31J, I31Z, I33Z | | 01 | B03Z, B17A, B17B, B17C, B17J | 5t016.1↔ | | BOP, KJZSV, KVT, UOP4, VIAL |
| | 21A | W04A, W04B | | 08 | I08A, I08B, I08C, I08D, I08E, I08J, I27B, I33Z, I37Z | | 08 | I08A, I08B, I08C, I08D, I08E, I08F, I08J, I13A, I13B, I13C, I13D, I13J, I33Z |
| | 21B | X06A, X06B, X06C | | 21A | W01A, W01B, W01C, W02A, W02B | | 21A | W04A, W04B |
| 5t015.6↔ | | BOP, KJZSV, KVT, UOP4, VIAL | 5t015.i↔ | | BOP, KJZSV, KVT, UOP4, VIAL | | 21B | X06A, X06B, X06C |
| | 08 | I08A, I08B, I08C, I08D, I08E, I08F, I08J, I21J, I21Z, I31J, I31Z, I33Z | | 01 | B03Z, B17A, B17B, B17C, B17J | 5t016.2↔ | | BOP, KJZSV, KVT, UOP4, VIAL |
| | 21A | W04A, W04B | | 08 | I08A, I08B, I08C, I08D, I08E, I08J, I27B, I33Z, I37Z | | 08 | I08A, I08B, I08C, I08D, I08E, I08F, I08J, I13A, I13B, I13C, I13D, I13J, I33Z |
| | 21B | X06A, X06B, X06C | | 21A | W01A, W01B, W01C, W02A, W02B | | 21A | W04A, W04B |
| 5t015.7↔ | | BOP, KJZSV, KVT, UOP4, VIAL | 5t015.k↔ | | BOP, KJZSV, KVT, UOP4, VIAL | | 21B | X06A, X06B, X06C |
| | 08 | I08A, I08B, I08C, I08D, I08E, I08F, I08J, I21J, I21Z, I31J, I31Z, I33Z | | 01 | B03Z, B17A, B17B, B17C, B17J | 5t016.3↔ | | BOP, KJZSV, KVT, UOP4, VIAL |
| | 21A | W04A, W04B | | 08 | I08A, I08D, I08E, I13A, I13B, I13C, I13D, I13J, I27B, I33Z, I37Z | | 08 | I08A, I08B, I08C, I08D, I08E, I08F, I08J, I13A, I13B, I13C, I13D, I13J, I33Z |
| | 21B | X06A, X06B, X06C | | 10 | K09A, K09B | | 21A | W04A, W04B |
| 5t015.8↔ | | BOP, KJZSV, KVT, UOP4, VIAL | 5t015.l↔ | | BOP, KJZSV, KVT, UOP4, VIAL | | 21B | X06A, X06B, X06C |
| | 08 | I08A, I08B, I08C, I08D, I08E, I08F, I08J, I21J, I21Z, I31J, I31Z, I33Z | | 01 | B03Z, B17A, B17B, B17C, B17J | 5t016.4↔ | | BOP, KJZSV, KVT, UOP4, VIAL |
| | 21A | W04A, W04B | | 08 | I08A, I08D, I08E, I13A, I13B, I13C, I13D, I13J, I27B, I33Z, I37Z | | 08 | I08A, I08B, I08C, I08D, I08E, I08F, I08J, I21J, I21Z, I31J, I31Z, I33Z |
| | 21B | X06A, X06B, X06C | | 10 | K09A, K09B | | 21A | W04A, W04B |
| 5t015.9↔ | | BOP, KJZSV, KVT, UOP4, VIAL | 5t015.m↔ | | BOP, KJZSV, KVT, UOP4, VIAL | | 21B | X06A, X06B, X06C |
| | 08 | I08A, I08B, I08C, I08D, I08E, I08F, I08J, I21J, I21Z, I31J, I31Z, I33Z | | 01 | B03Z, B17A, B17B, B17C, B17J | 5t016.5↔ | | BOP, KJZSV, KVT, UOP4, VIAL |
| | 21A | W04A, W04B | | 08 | I08A, I08D, I08E, I13A, I13B, I13C, I13D, I13J, I27B, I33Z, I37Z | | 08 | I08A, I08B, I08C, I08D, I08E, I08F, I08J, I21J, I21Z, I31J, I31Z, I33Z |
| | 21B | X06A, X06B, X06C | | 10 | K09A, K09B | | 21A | W04A, W04B |
| 5t015.b↔ | | BOP, KJZSV, KVT, UOP4, VIAL | | 21A | W04A, W04B | | 21B | X06A, X06B, X06C |
| | 08 | I32A, I32B, I32C, I32D, I32E, I32F, I32J, I32Q, I32R, I32S, I32T, I32U, I33Z | | 21B | X04Z | | | |
| | 21A | W04A, W04B | | | | | | |
| | 21B | X05A, X05B | | | | | | |

VYK

| ZZV | MDC | DRG | ZZV | MDC | DRG | ZZV | MDC | DRG |
|----------|-----|--|----------|-----|--|----------|-----|--|
| 5t016.6↔ | | BOP, KJZSV, KVT, UOP4, VIAL | 5t016.h↔ | | BOP, KJZSV, KVT, UOP4, VIAL | 5t017.1↔ | | BOP, KJZSV, KVT, UOP4, VIAL |
| | 08 | I08A, I08B, I08C, I08D, I08E, I08F, I08J, I21J, I21Z, I31J, I31Z, I33Z | | 01 | B03Z, B17A, B17B, B17C, B17J | | 08 | I08A, I08B, I08C, I08D, I08E, I08F, I08J, I13A, I13B, I13C, I13D, I13J, I33Z |
| | 21A | W04A, W04B | | 08 | I08A, I08B, I08C, I08D, I08E, I08J, I27B, I33Z, I37Z | | 21A | W04A, W04B |
| | 21B | X06A, X06B, X06C | | 21A | W01A, W01B, W01C, W02A, W02B | | 21B | X06A, X06B, X06C |
| 5t016.7↔ | | BOP, KJZSV, KVT, UOP4, VIAL | 5t016.k↔ | | BOP, KJZSV, KVT, UOP4, VIAL | 5t017.2↔ | | BOP, KJZSV, KVT, UOP4, VIAL |
| | 08 | I08A, I08B, I08C, I08D, I08E, I08F, I08J, I21J, I21Z, I31J, I31Z, I33Z | | 01 | B03Z, B17A, B17B, B17C, B17J | | 08 | I08A, I08B, I08C, I08D, I08E, I08F, I08J, I13A, I13B, I13C, I13D, I13J, I33Z |
| | 21A | W04A, W04B | | 08 | I08A, I08D, I08E, I13A, I13B, I13C, I13D, I13J, I27B, I33Z, I37Z | | 21A | W04A, W04B |
| | 21B | X06A, X06B, X06C | | 21A | W04A, W04B | | 21B | X06A, X06B, X06C |
| 5t016.8↔ | | BOP, KJZSV, KVT, UOP4, VIAL | 5t016.m↔ | | BOP, KJZSV, KVT, UOP4, VIAL | 5t017.3↔ | | BOP, KJZSV, KVT, UOP4, VIAL |
| | 08 | I08A, I08B, I08C, I08D, I08E, I08F, I08J, I21J, I21Z, I31J, I31Z, I33Z | | 01 | B03Z, B17A, B17B, B17C, B17J | | 08 | I08A, I08B, I08C, I08D, I08E, I08F, I08J, I13A, I13B, I13C, I13D, I13J, I33Z |
| | 21A | W04A, W04B | | 08 | I08A, I08D, I08E, I13A, I13B, I13C, I13D, I13J, I27B, I33Z, I37Z | | 21A | W04A, W04B |
| | 21B | X06A, X06B, X06C | | 21A | W04A, W04B | | 21B | X06A, X06B, X06C |
| 5t016.9↔ | | BOP, KJZSV, KVT, UOP4, VIAL | 5t016.n↔ | | BOP, KJZSV, KVT, UOP4, VIAL | 5t017.4↔ | | BOP, KJZSV, KVT, UOP4, VIAL |
| | 08 | I08A, I08B, I08C, I08D, I08E, I08F, I08J, I21J, I21Z, I31J, I31Z, I33Z | | 01 | B03Z, B17A, B17B, B17C, B17J | | 08 | I08A, I08B, I08C, I08D, I08E, I08F, I08J, I21J, I21Z, I31J, I31Z, I33Z |
| | 21A | W04A, W04B | | 08 | I08A, I08D, I08E, I13A, I13B, I13C, I13D, I13J, I27B, I33Z, I37Z | | 21A | W04A, W04B |
| | 21B | X06A, X06B, X06C | | 21A | W04A, W04B | | 21B | X06A, X06B, X06C |
| 5t016.b↔ | | BOP, KJZSV, KVT, UOP4, VIAL | 5t016.r↔ | | BOP, KJZSV, KVT, UOP4, VIAL | 5t017.5↔ | | BOP, KJZSV, KVT, UOP4, VIAL |
| | 08 | I32A, I32B, I32C, I32D, I32E, I32F, I32J, I32Q, I32R, I32S, I32T, I32U, I33Z | | 01 | B03Z, B17A, B17B, B17C, B17J | | 08 | I08A, I08B, I08C, I08D, I08E, I08F, I08J, I21J, I21Z, I31J, I31Z, I33Z |
| | 21A | W04A, W04B | | 08 | I08A, I08D, I08E, I13A, I13B, I13C, I13D, I13J, I27B, I33Z, I37Z | | 21A | W04A, W04B |
| | 21B | X05A, X05B | | 21A | W04A, W04B | | 21B | X06A, X06B, X06C |
| 5t016.c↔ | | BOP, KJZSV, KVT, UOP4, VIAL | 5t016.s↔ | | BOP, KJZSV, KVT, UOP4, VIAL | 5t017.6↔ | | BOP, KJZSV, KVT, UOP4, VIAL |
| | 08 | I32A, I32B, I32C, I32D, I32E, I32F, I32J, I32Q, I32R, I32S, I32T, I32U, I33Z | | 08 | I20A, I20B, I20C, I20D, I20J, I20Q, I20R, I33Z, I37Z | | 08 | I08A, I08B, I08C, I08D, I08E, I08F, I08J, I21J, I21Z, I31J, I31Z, I33Z |
| | 21A | W04A, W04B | | 21A | W04A, W04B | | 21A | W04A, W04B |
| | 21B | X05A, X05B | | 21B | X04Z | | 21B | X06A, X06B, X06C |
| 5t016.d | | BOP, KJZSV, KVT, UOP4, VIAL | 5t016.t↔ | | BOP, KJZSV, KVT, UOP4, VIAL | 5t017.7↔ | | BOP, KJZSV, KVT, UOP4, VIAL |
| | 08 | I08A, I08B, I08C, I08D, I08E, I08J, I27B, I33Z, I37Z, I47A | | 08 | I20A, I20B, I20C, I20D, I20J, I20Q, I20R, I33Z, I37Z | | 08 | I08A, I08B, I08C, I08D, I08E, I08F, I08J, I21J, I21Z, I31J, I31Z, I33Z |
| 5t016.e↔ | | BOP, KJZSV, KVT, UOP4, VIAL | 5t016.u↔ | | BOP, KJZSV, KVT, UOP4, VIAL | 5t017.8↔ | | BOP, KJZSV, KVT, UOP4, VIAL |
| | 08 | I08A, I08B, I08C, I08D, I08E, I08J, I27B, I33Z, I37Z | | 08 | I20A, I20B, I20C, I20D, I20J, I20Q, I20R, I33Z, I37Z | | 08 | I08A, I08B, I08C, I08D, I08E, I08F, I08J, I21J, I21Z, I31J, I31Z, I33Z |
| 5t016.f↔ | | BOP, KJZSV, KVT, UOP4, VIAL | 5t016.x | | BOP, KJZSV, KVT, UOP4, VIAL | 5t017.9↔ | | BOP, KJZSV, KVT, UOP4, VIAL |
| | 01 | B03Z, B17A, B17B, B17C, B17J | | 01 | B03Z, B17A, B17B, B17C, B17J | | 08 | I08A, I08B, I08C, I08D, I08E, I08F, I08J, I21J, I21Z, I31J, I31Z, I33Z |
| | 08 | I08A, I08B, I08C, I08D, I08E, I08J, I27B, I33Z, I37Z | | 08 | I28A, I28B, I28J, I33Z | | 21A | W04A, W04B |
| | 21A | W01A, W01B, W01C, W02A, W02B | | 21A | W04A, W04B | | 21B | X06A, X06B, X06C |
| | 21B | X04Z | | 21B | X06A, X06B, X06C | | 21B | X06A, X06B, X06C |
| 5t016.g↔ | | BOP, KJZSV, KVT, UOP4, VIAL | 5t017.0↔ | | BOP, KJZSV, KVT, UOP4, VIAL | 5t017.a↔ | | BOP, KJZSV, KVT, UOP4, VIAL |
| | 01 | B03Z, B17A, B17B, B17C, B17J | | 04 | E02A, E02B, E02C, E02D | | 08 | I32A, I32B, I32C, I32D, I32E, I32F, I32J, I32Q, I32R, I32S, I32T, I32U, I33Z |
| | 08 | I08A, I08B, I08C, I08D, I08E, I08J, I27B, I33Z, I37Z | | 08 | I28A, I28B, I28J, I33Z | | 21A | W04A, W04B |
| | 21A | W01A, W01B, W01C, W02A, W02B | | 21A | W04A, W04B | | 21B | X05A, X05B |
| | 21B | X04Z | | 21B | X06A, X06B, X06C | | | |

VYK

| ZZV | MDC | DRG | ZZV | MDC | DRG | ZZV | MDC | DRG |
|----------|-----|--|----------|-----|--|----------|-----|--|
| 5t017.b↔ | | BOP, KJZSV, KVT, UOP4, VIAL | 5t017.p↔ | | BOP, KJZSV, KVT, UOP4, VIAL | 5t018.2↔ | | BOP, KJZSV, KVT, UOP4, VIAL |
| | 08 | I32A, I32B, I32C, I32D, I32E, I32F, I32J, I32Q, I32R, I32S, I32T, I32U, I33Z | | 08 | I13A, I13B, I13C, I13D, I13J, I33Z | | 08 | I08A, I08B, I08C, I08D, I08E, I08F, I08J, I13A, I13B, I13C, I13D, I13J, I33Z |
| | 21A | W04A, W04B | | 21A | W04A, W04B | | 21A | W04A, W04B |
| | 21B | X05A, X05B | | 21B | X04Z | | 21B | X06A, X06B, X06C |
| 5t017.c↔ | | BOP, KJZSV, KVT, UOP4, VIAL | 5t017.q↔ | | BOP, KJZSV, KVT, UOP4, VIAL | 5t018.3↔ | | BOP, KJZSV, KVT, UOP4, VIAL |
| | 08 | I32A, I32B, I32C, I32D, I32E, I32F, I32J, I32Q, I32R, I32S, I32T, I32U, I33Z | | 08 | I13A, I13B, I13C, I13D, I13J, I33Z | | 08 | I08A, I08B, I08C, I08D, I08E, I08F, I08J, I13A, I13B, I13C, I13D, I13J, I33Z |
| | 21A | W04A, W04B | | 21A | W04A, W04B | | 21A | W04A, W04B |
| | 21B | X05A, X05B | | 21B | X04Z | | 21B | X06A, X06B, X06C |
| 5t017.d | | BOP, KJZSV, KVT, UOP4, VIAL | 5t017.r↔ | | BOP, KJZSV, KVT, UOP4, VIAL | 5t018.4↔ | | BOP, KJZSV, KVT, UOP4, VIAL |
| | 08 | I08A, I08B, I08C, I08D, I08E, I08F, I08J, I33Z, I47A | | 08 | I13A, I13B, I13C, I13D, I13J, I33Z | | 08 | I08A, I08B, I08C, I08D, I08E, I08F, I08J, I21J, I21Z, I31J, I31Z, I33Z |
| | 21A | W04A, W04B | | 21A | W04A, W04B | | 21A | W04A, W04B |
| | 21B | X06A, X06B, X06C | | 21B | X04Z | | 21B | X06A, X06B, X06C |
| 5t017.e↔ | | BOP, KJZSV, KVT, UOP4, VIAL | 5t017.s↔ | | BOP, KJZSV, KVT, UOP4, VIAL | 5t018.5↔ | | BOP, KJZSV, KVT, UOP4, VIAL |
| | 08 | I08A, I08B, I08C, I08D, I08E, I08F, I08J, I33Z | | 05 | F27A, F27B, F27C | | 08 | I08A, I08B, I08C, I08D, I08E, I08F, I08J, I21J, I21Z, I31J, I31Z, I33Z |
| | 08 | I08A, I08B, I08C, I08D, I08E, I08F, I08J, I33Z | | 08 | I20A, I20B, I20C, I20D, I20J, I20Q, I20R, I33Z | | 21A | W04A, W04B |
| | 01 | B03Z, B17A, B17B, B17C, B17J | | 10 | K01Z | | 21B | X04Z |
| | 08 | I08A, I08B, I08C, I08D, I08E, I08F, I08J, I33Z | 5t017.t↔ | | BOP, KJZSV, KVT, UOP4, VIAL | 5t018.6↔ | | BOP, KJZSV, KVT, UOP4, VIAL |
| | 21A | W01A, W01B, W01C, W02A, W02B | | 05 | F27A, F27B, F27C | | 08 | I08A, I08B, I08C, I08D, I08E, I08F, I08J, I21J, I21Z, I31J, I31Z, I33Z |
| | 21B | X04Z | | 08 | I20A, I20B, I20C, I20D, I20J, I20Q, I20R, I33Z | | 21A | W04A, W04B |
| 5t017.g↔ | | BOP, KJZSV, KVT, UOP4, VIAL | | 10 | K01Z | | 21B | X06A, X06B, X06C |
| | 01 | B03Z, B17A, B17B, B17C, B17J | 5t017.u↔ | | BOP, KJZSV, KVT, UOP4, VIAL | 5t018.7↔ | | BOP, KJZSV, KVT, UOP4, VIAL |
| | 08 | I08A, I08B, I08C, I08D, I08E, I08F, I08J, I33Z | | 05 | F27A, F27B, F27C | | 08 | I08A, I08B, I08C, I08D, I08E, I08F, I08J, I21J, I21Z, I31J, I31Z, I33Z |
| | 21A | W01A, W01B, W01C, W02A, W02B | | 08 | I20A, I20B, I20C, I20D, I20J, I20Q, I20R, I33Z | | 21A | W04A, W04B |
| | 21B | X04Z | | 10 | K01Z | | 21B | X06A, X06B, X06C |
| 5t017.h↔ | | BOP, KJZSV, KVT, UOP4, VIAL | 5t017.x | | BOP, KJZSV, KVT, UOP4, VIAL | 5t018.8↔ | | BOP, KJZSV, KVT, UOP4, VIAL |
| | 01 | B03Z, B17A, B17B, B17C, B17J | | 01 | B03Z, B17A, B17B, B17C, B17J | | 08 | I08A, I08B, I08C, I08D, I08E, I08F, I08J, I21J, I21Z, I31J, I31Z, I33Z |
| | 08 | I08A, I08B, I08C, I08D, I08E, I08F, I08J, I33Z | | 08 | I28A, I28B, I28J, I33Z | | 21A | W04A, W04B |
| | 21A | W01A, W01B, W01C, W02A, W02B | | 21A | W04A, W04B | | 21B | X06A, X06B, X06C |
| | 21B | X04Z | 5t017.z↔ | | BOP, KJZSV, KVT, UOP4, VIAL | 5t018.9↔ | | BOP, KJZSV, KVT, UOP4, VIAL |
| 5t017.k↔ | | BOP, KJZSV, KVT, UOP4, VIAL | | 04 | E02A, E02B, E02C, E02D | | 08 | I08A, I08B, I08C, I08D, I08E, I08F, I08J, I21J, I21Z, I31J, I31Z, I33Z |
| | 08 | I13A, I13B, I13C, I13D, I13J, I33Z | | 08 | I28A, I28B, I28J, I33Z | | 21A | W04A, W04B |
| | 21A | W04A, W04B | | 21A | W04A, W04B | | 21B | X06A, X06B, X06C |
| | 21B | X04Z | 5t018.0↔ | | BOP, KJZSV, KVT, UOP4, VIAL | 5t018.a↔ | | BOP, KJZSV, KVT, UOP4, VIAL |
| 5t017.m↔ | | BOP, KJZSV, KVT, UOP4, VIAL | | 04 | E02A, E02B, E02C, E02D | | 08 | I32A, I32B, I32C, I32D, I32E, I32F, I32J, I32Q, I32R, I32S, I32T, I32U, I33Z |
| | 08 | I13A, I13B, I13C, I13D, I13J, I33Z | | 08 | I28A, I28B, I28J, I33Z | | 21A | W04A, W04B |
| | 21A | W04A, W04B | | 21A | W04A, W04B | | 21B | X05A, X05B |
| | 21B | X04Z | 5t018.1↔ | | BOP, KJZSV, KVT, UOP4, VIAL | 5t018.b↔ | | BOP, KJZSV, KVT, UOP4, VIAL |
| 5t017.n↔ | | BOP, KJZSV, KVT, UOP4, VIAL | | 08 | I08A, I08B, I08C, I08D, I08E, I08F, I08J, I13A, I13B, I13C, I13D, I13J, I33Z | | 08 | I32A, I32B, I32C, I32D, I32E, I32F, I32J, I32Q, I32R, I32S, I32T, I32U, I33Z |
| | 08 | I13A, I13B, I13C, I13D, I13J, I33Z | | 21A | W04A, W04B | | 21A | W04A, W04B |
| | 21A | W04A, W04B | | 21B | X06A, X06B, X06C | | 21B | X05A, X05B |
| | 21B | X04Z | | | | | | |

| ZZV | MDC | DRG | ZZV | MDC | DRG | ZZV | MDC | DRG |
|----------|-----|--|----------|-----|--|----------|-----|--|
| 5t018.c↔ | | BOP, KJZSV, KVT, UOP4, VIAL | 5t018.q↔ | | BOP, KJZSV, KVT, UOP4, VIAL | 5t019.3↔ | | BOP, KJZSV, KVT, UOP4, VIAL |
| | 08 | I32A, I32B, I32C, I32D, I32E, I32F, I32J, I32Q, I32R, I32S, I32T, I32U, I33Z | | 08 | I13A, I13B, I13C, I13D, I13J, I33Z | | 08 | I08A, I08B, I08C, I08D, I08E, I08F, I08J, I13A, I13B, I13C, I13D, I13J, I33Z |
| | 21A | W04A, W04B | | 21A | W04A, W04B | | 21A | W04A, W04B |
| | 21B | X05A, X05B | | 21B | X04Z | | 21B | X06A, X06B, X06C |
| 5t018.d | | BOP, KJZSV, KVT, UOP4, VIAL | 5t018.r↔ | | BOP, KJZSV, KVT, UOP4, VIAL | 5t019.4↔ | | BOP, KJZSV, KVT, UOP4, VIAL |
| | 08 | I08A, I08B, I08C, I08D, I08E, I08J, I27B, I33Z, I37Z, I47A | | 08 | I13A, I13B, I13C, I13D, I13J, I33Z, I37Z | | 08 | I08A, I08B, I08C, I08D, I08E, I08F, I08J, I21J, I21Z, I31J, I31Z, I33Z |
| | 21A | W04A, W04B | | 21A | W04A, W04B | | 21A | W04A, W04B |
| | 21B | X06A, X06B, X06C | | 21B | X04Z | | 21B | X06A, X06B, X06C |
| 5t018.e↔ | | BOP, KJZSV, KVT, UOP4, VIAL | 5t018.s↔ | | BOP, KJZSV, KVT, UOP4, VIAL | 5t019.5↔ | | BOP, KJZSV, KVT, UOP4, VIAL |
| | 08 | I08A, I08B, I08C, I08D, I08E, I08J, I27B, I33Z, I37Z | | 08 | I20A, I20B, I20C, I20D, I20J, I20Q, I20R, I33Z, I37Z | | 08 | I08A, I08B, I08C, I08D, I08E, I08F, I08J, I21J, I21Z, I31J, I31Z, I33Z |
| 5t018.f↔ | | BOP, KJZSV, KVT, UOP4, VIAL | 5t018.t↔ | | BOP, KJZSV, KVT, UOP4, VIAL | | | |
| | 01 | B03Z, B17A, B17B, B17C, B17J | | 05 | F27A, F27B, F27C | | 21A | W04A, W04B |
| | 08 | I08A, I08B, I08C, I08D, I08E, I08J, I27B, I33Z, I37Z | | 08 | I20A, I20B, I20C, I20D, I20J, I20Q, I20R, I33Z, I37Z | | 21B | X06A, X06B, X06C |
| | 21A | W01A, W01B, W01C, W02A, W02B | | 10 | K01Z | 5t019.6↔ | | BOP, KJZSV, KVT, UOP4, VIAL |
| | 21B | X04Z | | 21A | W04A, W04B | | 08 | I08A, I08B, I08C, I08D, I08E, I08F, I08J, I21J, I21Z, I31J, I31Z, I33Z |
| 5t018.g↔ | | BOP, KJZSV, KVT, UOP4, VIAL | 5t018.u↔ | | BOP, KJZSV, KVT, UOP4, VIAL | | 21A | W04A, W04B |
| | 01 | B03Z, B17A, B17B, B17C, B17J | | 05 | F27A, F27B, F27C | | 21B | X06A, X06B, X06C |
| | 08 | I08A, I08B, I08C, I08D, I08E, I08J, I27B, I33Z, I37Z | | 08 | I20A, I20B, I20C, I20D, I20J, I20Q, I20R, I33Z, I37Z | 5t019.7↔ | | BOP, KJZSV, KVT, UOP4, VIAL |
| | 21A | W01A, W01B, W01C, W02A, W02B | | 10 | K01Z | | 08 | I08A, I08B, I08C, I08D, I08E, I08F, I08J, I21J, I21Z, I31J, I31Z, I33Z |
| | 21B | X04Z | | 21A | W04A, W04B | | 21A | W04A, W04B |
| 5t018.h↔ | | BOP, KJZSV, KVT, UOP4, VIAL | 5t018.x | | BOP, KJZSV, KVT, UOP4, VIAL | | 21B | X06A, X06B, X06C |
| | 01 | B03Z, B17A, B17B, B17C, B17J | | 01 | B03Z, B17A, B17B, B17C, B17J | 5t019.8↔ | | BOP, KJZSV, KVT, UOP4, VIAL |
| | 08 | I08A, I08B, I08C, I08D, I08E, I08J, I27B, I33Z, I37Z | | 08 | I28A, I28B, I28J, I33Z | | 08 | I08A, I08B, I08C, I08D, I08E, I08F, I08J, I21J, I21Z, I31J, I31Z, I33Z |
| | 21A | W01A, W01B, W01C, W02A, W02B | | 21A | W04A, W04B | | 21A | W04A, W04B |
| | 21B | X04Z | | 21B | X06A, X06B, X06C | | 21B | X06A, X06B, X06C |
| 5t018.i↔ | | BOP, KJZSV, KVT, UOP4, VIAL | 5t018.z↔ | | BOP, KJZSV, KVT, UOP4, VIAL | 5t019.9↔ | | BOP, KJZSV, KVT, UOP4, VIAL |
| | 01 | B03Z, B17A, B17B, B17C, B17J | | 04 | E02A, E02B, E02C, E02D | | 08 | I08A, I08B, I08C, I08D, I08E, I08F, I08J, I21J, I21Z, I31J, I31Z, I33Z |
| | 08 | I08A, I08B, I08C, I08D, I08E, I08J, I27B, I33Z, I37Z | | 08 | I28A, I28B, I28J, I33Z | | 21A | W04A, W04B |
| | 21A | W01A, W01B, W01C, W02A, W02B | | 21A | W04A, W04B | | 21B | X06A, X06B, X06C |
| | 21B | X04Z | | 21B | X06A, X06B, X06C | 5t019.a↔ | | KJZSV |
| 5t018.k↔ | | BOP, KJZSV, KVT, UOP4, VIAL | 5t019.0↔ | | BOP, KJZSV, KVT, UOP4, VIAL | 5t019.b↔ | | BOP, KJZSV, KVT, UOP4, VIAL |
| | 08 | I08A, I08D, I08E, I13A, I13B, I13C, I13D, I13J, I27B, I33Z, I37Z | | 04 | E02A, E02B, E02C, E02D | | 08 | I32A, I32B, I32C, I32D |
| | 21A | W04A, W04B | | 08 | I28A, I28B, I28J, I33Z | | 08 | I32A, I32B, I32C, I32D, I32E, I32F, I32J, I32Q, I32R, I32S, I32T, I32U, I33Z |
| | 21B | X04Z | | 21A | W04A, W04B | | 21A | W04A, W04B |
| 5t018.l↔ | | BOP, KJZSV, KVT, UOP4, VIAL | | 21B | X06A, X06B, X06C | | 21B | X05A, X05B |
| | 08 | I08A, I08D, I08E, I13A, I13B, I13C, I13D, I13J, I27B, I33Z, I37Z | 5t019.1↔ | | BOP, KJZSV, KVT, UOP4, VIAL | 5t019.c↔ | | BOP, KJZSV, KVT, UOP4, VIAL |
| | 21A | W04A, W04B | | 08 | I08A, I08B, I08C, I08D, I08E, I08F, I08J, I13A, I13B, I13C, I13D, I13J, I33Z | | 08 | I32A, I32B, I32C, I32D, I32E, I32F, I32J, I32Q, I32R, I32S, I32T, I32U, I33Z |
| | 21B | X04Z | | 21A | W04A, W04B | | 21A | W04A, W04B |
| 5t018.m↔ | | BOP, KJZSV, KVT, UOP4, VIAL | | 21B | X06A, X06B, X06C | | 21B | X05A, X05B |
| | 08 | I08A, I08D, I08E, I13A, I13B, I13C, I13D, I13J, I27B, I33Z, I37Z | 5t019.2↔ | | BOP, KJZSV, KVT, UOP4, VIAL | 5t019.d | | BOP, KJZSV, KVT, UOP4, VIAL |
| | 21A | W04A, W04B | | 08 | I08A, I08B, I08C, I08D, I08E, I08F, I08J, I13A, I13B, I13C, I13D, I13J, I33Z | | 08 | I08A, I08B, I08C, I08D, I08E, I08J, I27B, I33Z, I37Z, I47A |
| | 21B | X04Z | | 21A | W04A, W04B | | 21A | W04A, W04B |
| 5t018.n↔ | | BOP, KJZSV, KVT, UOP4, VIAL | | 21B | X06A, X06B, X06C | | 21B | X06A, X06B, X06C |
| | 08 | I08A, I08D, I08E, I13A, I13B, I13C, I13D, I13J, I27B, I33Z, I37Z | | | | | | |
| | 21A | W04A, W04B | | | | | | |
| | 21B | X04Z | | | | | | |
| 5t018.o↔ | | BOP, KJZSV, KVT, UOP4, VIAL | | | | | | |
| | 08 | I13A, I13B, I13C, I13D, I13J, I33Z | | | | | | |
| | 21A | W04A, W04B | | | | | | |
| | 21B | X04Z | | | | | | |

| ZZV | MDC | DRG | ZZV | MDC | DRG | ZZV | MDC | DRG |
|----------|-----|--|----------|-----|--|----------|------------------------------|--|
| 5t019.e↔ | | BOP, KJZSV, KVT, UOP4, VIAL | 5t019.t↔ | | BOP, KJZSV, KVT, UOP4, VIAL | 5t01a.e↔ | | BOP, KJZSV, KVT, UOP4, VIAL |
| | 08 | I08A, I08B, I08C, I08D, I08E, I08J, I27B, I33Z, I37Z | | 05 | F27A, F27B, F27C | | 08 | I08A, I08B, I08C, I08D, I08E, I08F, I08J, I33Z |
| 5t019.f↔ | | BOP, KJZSV, KVT, UOP4, VIAL | | 08 | I20A, I20B, I20C, I20D, I20J, I20Q, I20R, I33Z, I37Z | 5t01a.f↔ | | BOP, KJZSV, KVT, UOP4, VIAL |
| | 01 | B03Z, B17A, B17B, B17C, B17J | | 10 | K01Z | | 01 | B03Z, B17A, B17B, B17C, B17J |
| | 08 | I08A, I08B, I08C, I08D, I08E, I08J, I27B, I33Z, I37Z | 5t019.u↔ | | BOP, KJZSV, KVT, UOP4, VIAL | | 08 | I11Z, I33Z |
| | 21A | W01A, W01B, W01C, W02A, W02B | | 05 | F27A, F27B, F27C | 21A | W01A, W01B, W01C, W02A, W02B | |
| | 21B | X04Z | | 08 | I20A, I20B, I20C, I20D, I20J, I20Q, I20R, I33Z, I37Z | 21B | X04Z | |
| 5t019.g↔ | | BOP, KJZSV, KVT, UOP4, VIAL | | 10 | K01Z | 5t01a.g↔ | | BOP, KJZSV, KVT, UOP4, VIAL |
| | 01 | B03Z, B17A, B17B, B17C, B17J | | 21A | W04A, W04B | | 01 | B03Z, B17A, B17B, B17C, B17J |
| | 08 | I08A, I08B, I08C, I08D, I08E, I08J, I27B, I33Z, I37Z | 5t019.x | | BOP, KJZSV, KVT, UOP4 | | 08 | I11Z, I33Z |
| | 21A | W01A, W01B, W01C, W02A, W02B | | 01 | B03Z, B17A, B17B, B17C, B17J | 21A | W01A, W01B, W01C, W02A, W02B | |
| | 21B | X04Z | | 08 | I28A, I28B, I28J, I33Z | 21B | X04Z | |
| 5t019.h↔ | | BOP, KJZSV, KVT, UOP4, VIAL | 5t019.z↔ | | BOP, KJZSV, KVT, UOP4, VIAL | 5t01a.h↔ | | BOP, KJZSV, KVT, UOP4, VIAL |
| | 01 | B03Z, B17A, B17B, B17C, B17J | | 04 | E02A, E02B, E02C, E02D | | 01 | B03Z, B17A, B17B, B17C, B17J |
| | 08 | I08A, I08B, I08C, I08D, I08E, I08J, I27B, I33Z, I37Z | | 08 | I28A, I28B, I28J, I33Z | | 08 | I11Z, I33Z |
| | 21A | W01A, W01B, W01C, W02A, W02B | | 21A | W04A, W04B | 21A | W01A, W01B, W01C, W02A, W02B | |
| | 21B | X04Z | 5t01a.1↔ | | BOP, KJZSV, KVT, UOP4, VIAL | 21B | X04Z | |
| 5t019.k↔ | | BOP, KJZSV, KVT, UOP4, VIAL | | 08 | I08A, I08B, I08C, I08D, I08E, I08F, I08J, I11Z, I33Z | 5t01a.k↔ | | BOP, KJZSV, KVT, UOP4, VIAL |
| | 08 | I08A, I08D, I08E, I13A, I13B, I13C, I13D, I13J, I27B, I33Z, I37Z | | 21A | W04A, W04B | | 08 | I11Z, I33Z |
| | 21A | W04A, W04B | 5t01a.2↔ | | BOP, KJZSV, KVT, UOP4, VIAL | 21A | W04A, W04B | |
| | 21B | X04Z | | 08 | I08A, I08B, I08C, I08D, I08E, I08F, I08J, I11Z, I33Z | 21B | X04Z | |
| 5t019.m↔ | | BOP, KJZSV, KVT, UOP4, VIAL | | 21A | W04A, W04B | 5t01a.m↔ | | BOP, KJZSV, KVT, UOP4, VIAL |
| | 08 | I08A, I08D, I08E, I13A, I13B, I13C, I13D, I13J, I27B, I33Z, I37Z | 5t01a.3↔ | | BOP, KJZSV, KVT, UOP4, VIAL | | 08 | I11Z, I33Z |
| | 21A | W04A, W04B | | 08 | I08A, I08B, I08C, I08D, I08E, I08F, I08J, I11Z, I33Z | 21A | W04A, W04B | |
| | 21B | X04Z | | 21A | W04A, W04B | 21B | X04Z | |
| 5t019.n↔ | | BOP, KJZSV, KVT, UOP4, VIAL | | 21B | X06A, X06B, X06C | 5t01a.n↔ | | BOP, KJZSV, KVT, UOP4, VIAL |
| | 08 | I08A, I08D, I08E, I13A, I13B, I13C, I13D, I13J, I27B, I33Z, I37Z | 5t01a.5↔ | | BOP, KJZSV, KVT, UOP4, VIAL | | 08 | I11Z, I33Z |
| | 21A | W04A, W04B | | 08 | I08A, I08B, I08C, I08D, I08E, I08F, I08J, I11Z, I33Z | 21A | W04A, W04B | |
| | 21B | X04Z | | 21A | W04A, W04B | 21B | X04Z | |
| 5t019.p↔ | | BOP, KJZSV, KVT, UOP4, VIAL | 5t01a.6↔ | | BOP, KJZSV, KVT, UOP4, VIAL | 5t01a.p↔ | | BOP, KJZSV, KVT, UOP4, VIAL |
| | 08 | I13A, I13B, I13C, I13D, I13J, I33Z | | 08 | I08A, I08B, I08C, I08D, I08E, I08F, I08J, I11Z, I33Z | | 08 | I11Z, I33Z |
| | 21A | W04A, W04B | | 21A | W04A, W04B | 21A | W04A, W04B | |
| | 21B | X04Z | 5t01a.8↔ | | BOP, KJZSV, KVT, UOP4, VIAL | 21B | X04Z | |
| 5t019.q↔ | | BOP, KJZSV, KVT, UOP4, VIAL | | 08 | I08A, I08B, I08C, I08D, I08E, I08F, I08J, I11Z, I33Z | 5t01a.q↔ | | BOP, KJZSV, KVT, UOP4, VIAL |
| | 08 | I13A, I13B, I13C, I13D, I13J, I33Z | | 21A | W04A, W04B | | 08 | I11Z, I33Z |
| | 21A | W04A, W04B | 5t01a.d | | BOP, KJZSV, KVT, UOP4, VIAL | 21A | W04A, W04B | |
| | 21B | X04Z | | 08 | I08A, I08B, I08C, I08D, I08E, I08F, I08J, I11Z, I33Z | 21B | X04Z | |
| 5t019.r↔ | | BOP, KJZSV, KVT, UOP4, VIAL | | 21A | W04A, W04B | 5t01a.r↔ | | BOP, KJZSV, KVT, UOP4, VIAL |
| | 08 | I13A, I13B, I13C, I13D, I13J, I33Z, I37Z | | 21B | X06A, X06B, X06C | | 08 | I11Z, I33Z |
| | 21A | W04A, W04B | | 08 | I08A, I08B, I08C, I08D, I08E, I08F, I08J, I11Z, I33Z | 21A | W04A, W04B | |
| | 21B | X04Z | | 21A | W04A, W04B | 21B | X04Z | |
| | 21B | X04Z | | 08 | I08A, I08B, I08C, I08D, I08E, I08F, I08J, I33Z, I47A | 5t01a.s↔ | | BOP, KJZSV, KVT, UOP4, VIAL |
| | | | | | | | 08 | I20A, I20B, I20C, I20D, I20J, I20Q, I20R, I33Z |
| | | | | | | | | BOP, KJZSV, KVT, UOP4, VIAL |
| | | | | | | | 08 | I20A, I20B, I20C, I20D, I20J, I20Q, I20R, I33Z |
| | | | | | | | | BOP, KJZSV, KVT, UOP4, VIAL |
| | | | | | | | 08 | I20A, I20B, I20C, I20D, I20J, I20Q, I20R, I33Z |

VYK

| ZZV | MDC | DRG | ZZV | MDC | DRG | ZZV | MDC | DRG | | |
|----------|-----|--|----------|----------|--|----------|--|--|----|------------------------------|
| 5t01a.x | | BOP, KJZSV, KVT, UOP4 | 5t01x.3↔ | | BOP, KJZSV, KVT, UOP4, VIAL | 5t01x.d | | BOP, KJZSV, KVT, UOP4, VIAL | | |
| | 01 | B03Z, B17A, B17B, B17C, B17J | | 08 | I08A, I08B, I08C, I08D, I08E, I08F, I08J, I13A, I13B, I13C, I13D, I13J, I33Z | | 08 | I08A, I08B, I08C, I08D, I08E, I08F, I08J, I33Z, I47A | | |
| | 08 | I28A, I28B, I28J, I33Z | | 21A | W04A, W04B | | 21A | W04A, W04B | | |
| | 21A | W04A, W04B | | 21B | X06A, X06B, X06C | | 21B | X06A, X06B, X06C | | |
| 5t01b.0 | | BOP, KJZSV, KVT, UOP4 | 5t01x.4↔ | | BOP, KJZSV, KVT, UOP4, VIAL | 5t01x.e↔ | | BOP, KJZSV, KVT, UOP4, VIAL | | |
| | 01 | B03Z, B17A, B17B, B17C, B17J | | 08 | I08A, I08B, I08C, I08D, I08E, I08F, I08J, I21J, I21Z, I31J, I31Z, I33Z | | 01 | B03Z, B17A, B17B, B17C, B17J | | |
| | 08 | I28A, I28B, I28J, I33Z | | 21A | W04A, W04B | | 08 | I08A, I08B, I08C, I08D, I08E, I08F, I08J, I33Z | | |
| | 21A | W04A, W04B | | 21B | X06A, X06B, X06C | | 21A | W01A, W01B, W01C, W02A, W02B | | |
| 5t01b.t | | BOP, KJZSV, KVT, UOP4, VIAL | 5t01x.5↔ | | BOP, KJZSV, KVT, UOP4, VIAL | 5t01x.f↔ | | BOP, KJZSV, KVT, UOP4, VIAL | | |
| | 05 | F27A, F27B, F27C | | 08 | I08A, I08B, I08C, I08D, I08E, I08F, I08J, I21J, I21Z, I31J, I31Z, I33Z | | 01 | B03Z, B17A, B17B, B17C, B17J | | |
| | 08 | I20A, I20B, I20C, I20D, I20E, I20F, I20J, I20Q, I20R, I33Z | | 21A | W04A, W04B | | 08 | I08A, I08B, I08C, I08D, I08E, I08F, I08J, I33Z | | |
| | 10 | K01Z | | 21B | X04Z | | 21A | W01A, W01B, W01C, W02A, W02B | | |
| | 21A | W04A, W04B | | 5t01x.6↔ | | | BOP, KJZSV, KVT, UOP4, VIAL | 5t01x.g↔ | | BOP, KJZSV, KVT, UOP4, VIAL |
| | 21B | X04Z | | | 08 | | I08A, I08B, I08C, I08D, I08E, I08F, I08J, I21J, I21Z, I31J, I31Z, I33Z | | 01 | B03Z, B17A, B17B, B17C, B17J |
| 5t01b.u | | BOP, KJZSV, KVT, UOP4 | 5t01x.7↔ | | BOP, KJZSV, KVT, UOP4, VIAL | 5t01x.h↔ | | BOP, KJZSV, KVT, UOP4, VIAL | | |
| | 01 | B03Z, B17A, B17B, B17C, B17J | | 08 | I08A, I08B, I08C, I08D, I08E, I08F, I08J, I21J, I21Z, I31J, I31Z, I33Z | | 01 | B03Z, B17A, B17B, B17C, B17J | | |
| | 08 | I28A, I28B, I28J, I33Z | | 21A | W04A, W04B | | 08 | I08A, I08B, I08C, I08D, I08E, I08F, I08J, I33Z | | |
| | 21A | W04A, W04B | | 21B | X06A, X06B, X06C | | 21A | W01A, W01B, W01C, W02A, W02B | | |
| 5t01b.v | | BOP, KJZSV, KVT, UOP4 | 5t01x.8↔ | | BOP, KJZSV, KVT, UOP4, VIAL | 5t01x.i↔ | | BOP, KJZSV, KVT, UOP4, VIAL | | |
| | 01 | B03Z, B17A, B17B, B17C, B17J | | 08 | I08A, I08B, I08C, I08D, I08E, I08F, I08J, I18A, I18B, I18J, I18Q, I18R, I30J, I30Z, I33Z | | 01 | B03Z, B17A, B17B, B17C, B17J | | |
| | 08 | I28A, I28B, I28J, I33Z | | 21A | W04A, W04B | | 08 | I08A, I08B, I08C, I08D, I08E, I08F, I08J, I33Z | | |
| | 21A | W04A, W04B | | 21B | X06A, X06B, X06C | | 21A | W01A, W01B, W01C, W02A, W02B | | |
| 5t01b.w | | BOP, KJZSV, KVT, UOP4 | 5t01x.9↔ | | BOP, KJZSV, KVT, UOP4, VIAL | 5t01x.k↔ | | BOP, KJZSV, KVT, UOP4, VIAL | | |
| | 01 | B03Z, B17A, B17B, B17C, B17J | | 08 | I08A, I08B, I08C, I08D, I08E, I08F, I08J, I18A, I18B, I18J, I18Q, I18R, I30J, I30Z, I33Z | | 01 | B03Z, B17A, B17B, B17C, B17J | | |
| | 08 | I28A, I28B, I28J, I33Z | | 21A | W04A, W04B | | 08 | I08A, I08B, I08C, I08D, I08E, I08F, I08J, I33Z | | |
| | 21A | W04A, W04B | | 21B | X06A, X06B, X06C | | 21A | W01A, W01B, W01C, W02A, W02B | | |
| 5t01b.x | | BOP, KJZSV, KVT, UOP4 | 5t01x.a↔ | | BOP, KJZSV, KVT, UOP4, VIAL | 5t01x.l↔ | | BOP, KJZSV, KVT, UOP4, VIAL | | |
| | 01 | B03Z, B17A, B17B, B17C, B17J | | 08 | I32A, I32B, I32C, I32D, I32E, I32F, I32J, I32Q, I32R, I32S, I32T, I32U, I33Z | | 01 | B03Z, B17A, B17B, B17C, B17J | | |
| | 08 | I28A, I28B, I28J, I33Z | | 21A | W04A, W04B | | 08 | I08A, I08B, I08C, I08D, I08E, I08F, I08J, I33Z | | |
| | 21A | W04A, W04B | | 21B | X06A, X06B, X06C | | 21A | W04A, W04B | | |
| 5t01x.0↔ | | BOP, KJZSV, KVT, UOP4, VIAL | 5t01x.b↔ | | BOP, KJZSV, KVT, UOP4, VIAL | 5t01x.m↔ | | BOP, KJZSV, KVT, UOP4, VIAL | | |
| | 04 | E02A, E02B, E02C, E02D | | 08 | I32A, I32B, I32C, I32D, I32E, I32F, I32J, I32Q, I32R, I32S, I32T, I32U, I33Z | | 01 | B03Z, B17A, B17B, B17C, B17J | | |
| | 08 | I28A, I28B, I28J, I33Z | | 21A | W04A, W04B | | 08 | I08A, I08B, I08C, I08D, I08E, I08F, I08J, I33Z | | |
| | 21A | W04A, W04B | | 21B | X06A, X06B, X06C | | 21A | W04A, W04B | | |
| 5t01x.1↔ | | BOP, KJZSV, KVT, UOP4, VIAL | 5t01x.c↔ | | BOP, KJZSV, KVT, UOP4, VIAL | 5t01x.n↔ | | BOP, KJZSV, KVT, UOP4, VIAL | | |
| | 08 | I08A, I08B, I08C, I08D, I08E, I08F, I08J, I13A, I13B, I13C, I13D, I13J, I33Z | | 08 | I32A, I32B, I32C, I32D, I32E, I32F, I32J, I32Q, I32R, I32S, I32T, I32U, I33Z | | 01 | B03Z, B17A, B17B, B17C, B17J | | |
| | 21A | W04A, W04B | | 21A | W04A, W04B | | 08 | I13A, I13B, I13C, I13D, I13J, I33Z | | |
| | 21B | X06A, X06B, X06C | | 21B | X05A, X05B | | 21A | W04A, W04B | | |
| 5t01x.2↔ | | BOP, KJZSV, KVT, UOP4, VIAL | 5t01x.d↔ | | BOP, KJZSV, KVT, UOP4, VIAL | 5t01x.o↔ | | BOP, KJZSV, KVT, UOP4, VIAL | | |
| | 08 | I08A, I08B, I08C, I08D, I08E, I08F, I08J, I13A, I13B, I13C, I13D, I13J, I33Z | | 08 | I32A, I32B, I32C, I32D, I32E, I32F, I32J, I32Q, I32R, I32S, I32T, I32U, I33Z | | 01 | B03Z, B17A, B17B, B17C, B17J | | |
| | 21A | W04A, W04B | | 21A | W04A, W04B | | 08 | I13A, I13B, I13C, I13D, I13J, I33Z | | |
| | 21B | X06A, X06B, X06C | | 21B | X05A, X05B | | 21A | W04A, W04B | | |

VYK

| ZZV | MDC | DRG | ZZV | MDC | DRG | ZZV | MDC | DRG |
|----------|-----|--|----------|-----|--|----------|-----|--|
| 5t01x.q↔ | | BOP, KJZSV, KVT, UOP4, VIAL | 5t020.4↔ | 08 | I12A, I12B, I12C, I12J, I18A, I18J, I18Q, I18R, I30J, I30Z | 5t020.f↔ | 08 | I08A, I08B, I08C, I08D, I08E, I08F, I08J |
| | 08 | I13A, I13B, I13C, I13D, I13J, I33Z | | 21A | W04A, W04B | | 21A | W01A, W01B, W01C, W02A, W02B |
| | 21A | W04A, W04B | | 21B | X06A, X06B, X06C | | 21B | X04Z |
| 5t01x.r↔ | | BOP, KJZSV, KVT, UOP4, VIAL | 5t020.5↔ | 08 | I12A, I12B, I12C, I12J, I18A, I18J, I18Q, I18R, I30J, I30Z | 5t020.g↔ | | BOP, KJZSV, KVT, UOP4 |
| | 08 | I13A, I13B, I13C, I13D, I13J, I33Z | | 21A | W04A, W04B | | 08 | I08A, I08B, I08C, I08D, I08E, I08F, I08J |
| | 21A | W04A, W04B | | 21B | X06A, X06B, X06C | | 21A | W01A, W01B, W01C, W02A, W02B |
| 5t01x.s↔ | | BOP, KJZSV, KVT, UOP4, VIAL | 5t020.6↔ | 08 | I12A, I12B, I12C, I12J, I18A, I18J, I18Q, I18R, I30J, I30Z | 5t020.h↔ | 21B | X04Z |
| | 05 | F27A, F27B, F27C | | 21A | W04A, W04B | | 08 | I08A, I08B, I08C, I08D, I08E, I08F, I08J |
| | 08 | I20A, I20B, I20C, I20D, I20J, I20Q, I20R, I33Z | | 21B | X06A, X06B, X06C | | 21A | W01A, W01B, W01C, W02A, W02B |
| 5t01x.t↔ | | BOP, KJZSV, KVT, UOP4, VIAL | 5t020.7↔ | 08 | I12A, I12B, I12C, I12J, I18A, I18J, I18Q, I18R, I30J, I30Z | 5t020.i↔ | 21B | X04Z |
| | 05 | F27A, F27B, F27C | | 21A | W04A, W04B | | 08 | I08A, I08B, I08C, I08D, I08E, I08F, I08J |
| | 08 | I20A, I20B, I20C, I20D, I20E, I20F, I20J, I20Q, I20R, I33Z | | 21B | X06A, X06B, X06C | | 21A | W01A, W01B, W01C, W02A, W02B |
| 5t01x.u↔ | | BOP, KJZSV, KVT, UOP4, VIAL | 5t020.8↔ | 08 | I12A, I12B, I12C, I12J, I18A, I18J, I18Q, I18R, I30J, I30Z | 5t020.j↔ | 21B | X04Z |
| | 05 | F27A, F27B, F27C | | 21A | W04A, W04B | | 08 | I08A, I08B, I08C, I08D, I08E, I08F, I08J |
| | 08 | I20A, I20B, I20C, I20D, I20E, I20F, I20J, I20Q, I20R, I33Z | | 21B | X06A, X06B, X06C | | 21A | W01A, W01B, W01C, W02A, W02B |
| 5t01x.v↔ | | BOP, KJZSV, KVT, UOP4, VIAL | 5t020.9↔ | 08 | I12A, I12B, I12C, I12J, I18A, I18J, I18Q, I18R, I30J, I30Z | 5t020.k↔ | 21B | X04Z |
| | 05 | F27A, F27B, F27C | | 21A | W04A, W04B | | 08 | I08A, I08B, I08C, I08D, I08E, I08F, I08J |
| | 08 | I20A, I20B, I20C, I20D, I20E, I20F, I20J, I20Q, I20R, I33Z | | 21B | X06A, X06B, X06C | | 21A | W01A, W01B, W01C, W02A, W02B |
| 5t01x.w↔ | | BOP, KJZSV, KVT, UOP4, VIAL | 5t020.a↔ | 08 | I12A, I12B, I12C, I12J, I18A, I18J, I18Q, I18R, I30J, I30Z | 5t020.l↔ | 21B | X04Z |
| | 05 | F27A, F27B, F27C | | 21A | W04A, W04B | | 08 | I08A, I08B, I08C, I08D, I08E, I08F, I08J |
| | 08 | I20A, I20B, I20C, I20D, I20E, I20F, I20J, I20Q, I20R, I33Z | | 21B | X06A, X06B, X06C | | 21A | W01A, W01B, W01C, W02A, W02B |
| 5t01x.x | | BOP, KJZSV, KVT, UOP4 | 5t020.b↔ | 08 | I12A, I12B, I12C, I12J, I32A, I32B, I32C, I32D, I32E, I32F, I32J, I32Q, I32R, I32S, I32T, I32U | 5t020.m↔ | 21B | X04Z |
| | 01 | B03Z, B17A, B17B, B17C, B17J | | 21A | W04A, W04B | | 08 | I08A, I08B, I08C, I08D, I08E, I08F, I08J |
| | 08 | I28A, I28B, I28J, I33Z | | 21B | X05A, X05B | | 21A | W04A, W04B |
| 5t01x.y↔ | | BOP, KJZSV, KVT, UOP4, VIAL | 5t020.c↔ | 08 | I12A, I12B, I12C, I12J, I32A, I32B, I32C, I32D, I32E, I32F, I32J, I32Q, I32R, I32S, I32T, I32U | 5t020.n↔ | 21B | X04Z |
| | 04 | E02A, E02B, E02C, E02D | | 21A | W04A, W04B | | 08 | I08A, I08B, I08C, I08D, I08E, I08F, I08J |
| | 08 | I28A, I28B, I28J, I33Z | | 21B | X05A, X05B | | 21A | W04A, W04B |
| 5t020.0↔ | | BOP, KJZSV, KVT, UOP4 | 5t020.d | 08 | I08A, I08B, I08C, I08D, I08E, I08F, I08J, I12A, I12B, I12C, I12J | 5t020.o↔ | 21B | X04Z |
| | 01 | B03Z, B18Z | | 08 | I09A, I09B | | 05 | F27A, F27B, F27C |
| | 04 | E02A, E02B, E02C, E02D | | 21A | W04A, W04B | | 08 | I12A, I12B, I12C, I12J, I20A, I20B, I20C, I20D, I20E, I20F, I20J, I20Q, I20R |
| 5t020.1↔ | | BOP, KJZSV, KVT, UOP4 | 5t020.e↔ | 08 | I08A, I08B, I08C, I08D, I08E, I08F, I08J | 5t020.p↔ | 10 | K01Z |
| | 08 | I12A, I12B, I12C, I12J, I13A, I13B, I13C, I13D, I13E, I13J | | 21A | W04A, W04B | | 21A | W04A, W04B |
| | 21A | W04A, W04B | | 21B | X06A, X06B, X06C | | 21B | X04Z |
| 5t020.2↔ | | BOP, KJZSV, KVT, UOP4 | 5t020.3↔ | 08 | I12A, I12B, I12C, I12J, I13A, I13B, I13C, I13D, I13E, I13J | 5t020.q↔ | 05 | F27A, F27B, F27C |
| | 08 | I12A, I12B, I12C, I12J, I13A, I13B, I13C, I13D, I13E, I13J | | 21A | W04A, W04B | | 08 | I12A, I12B, I12C, I12J, I20A, I20B, I20C, I20D, I20E, I20F, I20J, I20Q, I20R |
| | 21A | W04A, W04B | | 21B | X06A, X06B, X06C | | 10 | K01Z |
| 5t020.3↔ | | BOP, KJZSV, KVT, UOP4 | 5t020.4↔ | 08 | I12A, I12B, I12C, I12J, I13A, I13B, I13C, I13D, I13E, I13J | 5t020.r↔ | 21A | W04A, W04B |
| | 08 | I12A, I12B, I12C, I12J, I13A, I13B, I13C, I13D, I13E, I13J | | 21A | W04A, W04B | | 21B | X04Z |
| | 21A | W04A, W04B | | 21B | X06A, X06B, X06C | | 08 | I12A, I12B, I12C, I12J, I13A, I13B, I13C, I13D, I13E, I13J |

| ZZV | MDC | DRG | ZZV | MDC | DRG | ZZV | MDC | DRG | | |
|----------|------------------|--|--|-----------|--|--|--|--|--|--|
| 5t020.u↔ | | BOP, KJZSV, KVT, UOP4 | 5t021.9↔ | 08 | BOP, KJZSV, KVT, UOP4 | 5t021.n↔ | 08 | BOP, KJZSV, KVT, UOP4 | | |
| | 05 | F27A, F27B, F27C | | 08 | I12A, I12B, I12C, I12J, I21J, I21Z, I31J, I31Z | | 08 | I12A, I12B, I12C, I12J, I13A, I13B, I13C, I13D, I13E, I13J | | |
| | 08 | I12A, I12B, I12C, I12J, I20A, I20B, I20C, I20D, I20E, I20F, I20J, I20Q, I20R | | 21A | W04A, W04B | | 21A | W04A, W04B | | |
| | 10 | K01Z | | 21B | X06A, X06B, X06C | | 21B | X04Z | | |
| | 21A | W04A, W04B | | 5t021.a↔ | 08 | | BOP, KJZSV, KVT, UOP4 | 5t021.p↔ | 08 | BOP, KJZSV, KVT, UOP4 |
| 21B | X04Z | 08 | I12A, I12B, I12C, I12J, I32A, I32B, I32C, I32D, I32E, I32F, I32J, I32Q, I32R, I32S, I32T, I32U | | 08 | I12A, I12B, I12C, I12J, I13A, I13B, I13C, I13D, I13E, I13J | | | | |
| 5t020.x | | BOP, KJZSV, KVT, UOP4 | 5t021.b↔ | 21A | W04A, W04B | 5t021.q↔ | 21A | W04A, W04B | | |
| | 08 | I12A, I12B, I12C, I12J, I28A, I28B, I28C, I28J | | 21B | X05A, X05B | | 08 | BOP, KJZSV, KVT, UOP4 | | |
| | 21A | W04A, W04B | | 5t021.c↔ | 08 | | BOP, KJZSV, KVT, UOP4 | 5t021.r↔ | 08 | I12A, I12B, I12C, I12J, I13A, I13B, I13C, I13D, I13E, I13J |
| | 21B | X06A, X06B, X06C | | | 08 | | I12A, I12B, I12C, I12J, I32A, I32B, I32C, I32D, I32E, I32F, I32J, I32Q, I32R, I32S, I32T, I32U | | 21A | W04A, W04B |
| 5t020.z↔ | 01 | B03Z, B18Z | 5t021.d | 21B | X05A, X05B | 5t021.s↔ | 21A | W04A, W04B | | |
| | 04 | E02A, E02B, E02C, E02D | | 5t021.e↔ | 08 | | BOP, KJZSV, KVT, UOP4 | 5t021.t↔ | 08 | BOP, KJZSV, KVT, UOP4 |
| | 08 | I12A, I12B, I12C, I12J, I28A, I28B, I28C, I28J | | | 08 | | I12A, I12B, I12C, I12J, I32A, I32B, I32C, I32D, I32E, I32F, I32J, I32Q, I32R, I32S, I32T, I32U | | 05 | F27A, F27B, F27C |
| | 21A | W04A, W04B | | 5t021.f↔ | 10 | | K09A, K09B | 5t021.u↔ | 08 | I12A, I12B, I12C, I12J, I20A, I20B, I20C, I20D, I20E, I20F, I20J, I20Q, I20R |
| | 21B | X06A, X06B, X06C | | | 21A | | W04A, W04B | | 10 | K01Z |
| 5t021.0↔ | 01 | B03Z, B18Z | 5t021.g↔ | 21B | X06A, X06B, X06C | 5t021.v↔ | 21A | W04A, W04B | | |
| | 04 | E02A, E02B, E02C, E02D | | 5t021.h↔ | 08 | | BOP, KJZSV, KVT, UOP4 | 5t021.x | 21B | X04Z |
| | 08 | I12A, I12B, I12C, I12J, I28A, I28B, I28C, I28J | | | 08 | | I08A, I08B, I08C, I08D, I08E, I08F, I08J | | 08 | I12A, I12B, I12C, I12J, I28A, I28B, I28C, I28J |
| | 21A | W04A, W04B | | 5t021.i↔ | 21A | | W01A, W01B, W01C, W02A, W02B | 5t021.y↔ | 21A | W04A, W04B |
| 21B | X06A, X06B, X06C | 21B | X04Z | | 21B | X06A, X06B, X06C | | | | |
| 5t021.1↔ | | BOP, KJZSV, KVT, UOP4 | 5t021.j↔ | 5t021.k↔ | 08 | BOP, KJZSV, KVT, UOP4 | 5t021.z↔ | 01 | B03Z, B18Z | |
| | 08 | I12A, I12B, I12C, I12J, I13A, I13B, I13C, I13D, I13E, I13J | | | 08 | I12A, I12B, I12C, I12J, I13A, I13B, I13C, I13D, I13E, I13J | | 04 | E02A, E02B, E02C, E02D | |
| | 21A | W04A, W04B | | 5t021.l↔ | 21A | W04A, W04B | 5t022.0↔ | 08 | I12A, I12B, I12C, I12J, I28A, I28B, I28C, I28J | |
| | 21B | X06A, X06B, X06C | | | 21B | X04Z | | 01 | B03Z, B18Z | |
| 5t021.2↔ | | BOP, KJZSV, KVT, UOP4 | 5t021.m↔ | 5t021.o↔ | 08 | I12A, I12B, I12C, I12J, I13A, I13B, I13C, I13D, I13E, I13J | 5t022.1↔ | 04 | E02A, E02B, E02C, E02D | |
| | 08 | I12A, I12B, I12C, I12J, I13A, I13B, I13C, I13D, I13E, I13J | | | 21A | W04A, W04B | | 08 | I12A, I12B, I12C, I12J, I28A, I28B, I28C, I28J | |
| | 21A | W04A, W04B | | 5t021.p↔ | 21B | X04Z | 5t022.2↔ | 21A | W04A, W04B | |
| | 21B | X06A, X06B, X06C | | | 08 | BOP, KJZSV, KVT, UOP4 | | 21B | X06A, X06B, X06C | |
| 5t021.3↔ | | BOP, KJZSV, KVT, UOP4 | 5t021.q↔ | 5t021.r↔ | 08 | I12A, I12B, I12C, I12J, I13A, I13B, I13C, I13D, I13E, I13J | 5t022.3↔ | 01 | B03Z, B18Z | |
| | 08 | I12A, I12B, I12C, I12J, I13A, I13B, I13C, I13D, I13E, I13J | | | 08 | I08A, I08B, I08C, I08D, I08E, I08F, I08J | | 04 | E02A, E02B, E02C, E02D | |
| | 21A | W04A, W04B | | 5t021.s↔ | 21A | W01A, W01B, W01C, W02A, W02B | 5t022.4↔ | 08 | I12A, I12B, I12C, I12J, I28A, I28B, I28C, I28J | |
| | 21B | X06A, X06B, X06C | | | 21B | X04Z | | 21A | W04A, W04B | |
| 5t021.4↔ | | BOP, KJZSV, KVT, UOP4 | 5t021.t↔ | 5t021.u↔ | 08 | I12A, I12B, I12C, I12J, I18A, I18J, I18Q, I18R, I30J, I30Z | 5t022.5↔ | 21B | X06A, X06B, X06C | |
| | 08 | I12A, I12B, I12C, I12J, I13A, I13B, I13C, I13D, I13E, I13J | | | 08 | I08A, I08B, I08C, I08D, I08E, I08F, I08J | | 01 | B03Z, B18Z | |
| | 21A | W04A, W04B | | 5t021.v↔ | 21A | W01A, W01B, W01C, W02A, W02B | 5t022.6↔ | 04 | E02A, E02B, E02C, E02D | |
| | 21B | X06A, X06B, X06C | | | 21B | X04Z | | 08 | I12A, I12B, I12C, I12J, I28A, I28B, I28C, I28J | |
| 5t021.5↔ | | BOP, KJZSV, KVT, UOP4 | 5t021.u↔ | 5t021.w↔ | 08 | I12A, I12B, I12C, I12J, I18A, I18J, I18Q, I18R, I30J, I30Z | 5t022.7↔ | 21A | W04A, W04B | |
| | 08 | I12A, I12B, I12C, I12J, I13A, I13B, I13C, I13D, I13E, I13J | | | 08 | I08A, I08B, I08C, I08D, I08E, I08F, I08J | | 21B | X06A, X06B, X06C | |
| | 21A | W04A, W04B | | 5t021.x↔ | 21A | W01A, W01B, W01C, W02A, W02B | 5t022.8↔ | 01 | B03Z, B18Z | |
| | 21B | X06A, X06B, X06C | | | 21B | X04Z | | 04 | E02A, E02B, E02C, E02D | |
| 5t021.6↔ | | BOP, KJZSV, KVT, UOP4 | 5t021.v↔ | 5t021.y↔ | 08 | I12A, I12B, I12C, I12J, I18A, I18J, I18Q, I18R, I30J, I30Z | 5t022.9↔ | 08 | I12A, I12B, I12C, I12J, I28A, I28B, I28C, I28J | |
| | 08 | I12A, I12B, I12C, I12J, I13A, I13B, I13C, I13D, I13E, I13J | | | 08 | I08A, I08B, I08C, I08D, I08E, I08F, I08J | | 21A | W04A, W04B | |
| | 21A | W04A, W04B | | 5t021.z↔ | 21A | W01A, W01B, W01C, W02A, W02B | 5t022.0↔ | 21B | X06A, X06B, X06C | |
| | 21B | X06A, X06B, X06C | | | 21B | X04Z | | 01 | B03Z, B18Z | |
| 5t021.7↔ | | BOP, KJZSV, KVT, UOP4 | 5t021.w↔ | 5t021.z↔ | 08 | I12A, I12B, I12C, I12J, I13A, I13B, I13C, I13D, I13E, I13J | 5t022.1↔ | 04 | E02A, E02B, E02C, E02D | |
| | 08 | I12A, I12B, I12C, I12J, I21J, I21Z, I31J, I31Z | | | 21A | W04A, W04B | | 08 | I12A, I12B, I12C, I12J, I28A, I28B, I28C, I28J | |
| | 21A | W04A, W04B | | 5t021.aa↔ | 21B | X04Z | 5t022.2↔ | 21A | W04A, W04B | |
| | 21B | X06A, X06B, X06C | | | 08 | BOP, KJZSV, KVT, UOP4 | | 21B | X06A, X06B, X06C | |
| 5t021.8↔ | | BOP, KJZSV, KVT, UOP4 | 5t021.x↔ | 5t021.bb↔ | 08 | I12A, I12B, I12C, I12J, I21J, I21Z, I31J, I31Z | 5t022.3↔ | 01 | B03Z, B18Z | |
| | 08 | I12A, I12B, I12C, I12J, I21J, I21Z, I31J, I31Z | | | 21A | W04A, W04B | | 04 | E02A, E02B, E02C, E02D | |
| | 21A | W04A, W04B | | 5t021.cc↔ | 21B | X04Z | 5t022.4↔ | 08 | I12A, I12B, I12C, I12J, I28A, I28B, I28C, I28J | |
| | 21B | X06A, X06B, X06C | | | 08 | BOP, KJZSV, KVT, UOP4 | | 21A | W04A, W04B | |
| 5t021.9↔ | | BOP, KJZSV, KVT, UOP4 | 5t021.y↔ | 5t021.dd↔ | 08 | I12A, I12B, I12C, I12J, I21J, I21Z, I31J, I31Z | 5t022.5↔ | 21B | X06A, X06B, X06C | |
| | 08 | I12A, I12B, I12C, I12J, I21J, I21Z, I31J, I31Z | | | 21A | W04A, W04B | | 08 | I12A, I12B, I12C, I12J, I13A, I13B, I13C, I13D, I13E, I13J | |
| | 21A | W04A, W04B | | 5t021.ee↔ | 21B | X04Z | 5t022.6↔ | 21A | W04A, W04B | |
| | 21B | X06A, X06B, X06C | | | 08 | BOP, KJZSV, KVT, UOP4 | | 21B | X06A, X06B, X06C | |

VYK

| ZZV | MDC | DRG | ZZV | MDC | DRG | ZZV | MDC | DRG |
|----------|-----|--|----------|-----|--|----------|-----|--|
| 5t022.2↔ | | BOP, KJZSV, KVT, UOP4 | 5t022.e↔ | | BOP, KJZSV, KVT, UOP4 | 5t022.u↔ | | BOP, KJZSV, KVT, UOP4 |
| | 08 | I12A, I12B, I12C, I12J, I13A, I13B, I13C, I13D, I13E, I13J | | 08 | I08A, I08B, I08C, I08D, I08E, I08F, I08J | | 05 | F27A, F27B, F27C |
| | 21A | W04A, W04B | | 21A | W01A, W01B, W01C, W02A, W02B | | 08 | I12A, I12B, I12C, I12J, I20A, I20B, I20C, I20D, I20E, I20F, I20J, I20Q, I20R |
| | 21B | X06A, X06B, X06C | | 21B | X04Z | | 10 | K01Z |
| 5t022.3↔ | | BOP, KJZSV, KVT, UOP4 | 5t022.f↔ | | BOP, KJZSV, KVT, UOP4 | | 21A | W04A, W04B |
| | 08 | I12A, I12B, I12C, I12J, I13A, I13B, I13C, I13D, I13E, I13J | | 08 | I08A, I08B, I08C, I08D, I08E, I08F, I08J | | 21B | X04Z |
| | 21A | W04A, W04B | | 21A | W01A, W01B, W01C, W02A, W02B | 5t022.x | | BOP, KJZSV, KVT, UOP4 |
| | 21B | X06A, X06B, X06C | | 21B | X04Z | | 08 | I12A, I12B, I12C, I12J, I28A, I28B, I28C, I28J |
| 5t022.4↔ | | BOP, KJZSV, KVT, UOP4 | 5t022.g↔ | | BOP, KJZSV, KVT, UOP4 | | 21A | W04A, W04B |
| | 08 | I12A, I12B, I12C, I12J, I21J, I21Z, I31J, I31Z | | 08 | I08A, I08B, I08C, I08D, I08E, I08F, I08J | | 21B | X06A, X06B, X06C |
| | 21A | W04A, W04B | | 21A | W01A, W01B, W01C, W02A, W02B | 5t022.z↔ | | BOP, KJZSV, KVT, UOP4 |
| | 21B | X06A, X06B, X06C | | 21B | X04Z | | 01 | B03Z, B18Z |
| 5t022.5↔ | | BOP, KJZSV, KVT, UOP4 | 5t022.h↔ | | BOP, KJZSV, KVT, UOP4 | | 04 | E02A, E02B, E02C, E02D |
| | 08 | I12A, I12B, I12C, I12J, I21J, I21Z, I31J, I31Z | | 08 | I08A, I08B, I08C, I08D, I08E, I08F, I08J | | 08 | I12A, I12B, I12C, I12J, I28A, I28B, I28C, I28J |
| | 21A | W04A, W04B | | 21A | W01A, W01B, W01C, W02A, W02B | | 21A | W04A, W04B |
| | 21B | X06A, X06B, X06C | | 21B | X04Z | | 21B | X06A, X06B, X06C |
| 5t022.6↔ | | BOP, KJZSV, KVT, UOP4 | 5t022.i↔ | | BOP, KJZSV, KVT, UOP4 | 5t023.0↔ | | BOP, KJZSV, KVT, UOP4 |
| | 08 | I12A, I12B, I12C, I12J, I21J, I21Z, I31J, I31Z | | 08 | I12A, I12B, I12C, I12J, I13A, I13B, I13C, I13D, I13E, I13J | | 01 | B03Z, B18Z |
| | 21A | W04A, W04B | | 21A | W04A, W04B | | 04 | E02A, E02B, E02C, E02D |
| | 21B | X06A, X06B, X06C | 5t022.k↔ | | BOP, KJZSV, KVT, UOP4 | | 08 | I12A, I12B, I12C, I12J, I28A, I28B, I28C, I28J |
| 5t022.7↔ | | BOP, KJZSV, KVT, UOP4 | | 08 | I12A, I12B, I12C, I12J, I13A, I13B, I13C, I13D, I13E, I13J | | 21A | W04A, W04B |
| | 08 | I12A, I12B, I12C, I12J, I21J, I21Z, I31J, I31Z | | 21A | W04A, W04B | 5t023.1↔ | | BOP, KJZSV, KVT, UOP4 |
| | 21A | W04A, W04B | | 21B | X04Z | | 08 | I12A, I12B, I12C, I12J, I13A, I13B, I13C, I13D, I13E, I13J |
| | 21B | X06A, X06B, X06C | 5t022.m↔ | | BOP, KJZSV, KVT, UOP4 | | 21A | W04A, W04B |
| 5t022.8↔ | | BOP, KJZSV, KVT, UOP4 | | 08 | I12A, I12B, I12C, I12J, I13A, I13B, I13C, I13D, I13E, I13J | | 21B | X06A, X06B, X06C |
| | 08 | I12A, I12B, I12C, I12J, I21J, I21Z, I31J, I31Z | | 21A | W04A, W04B | 5t023.2↔ | | BOP, KJZSV, KVT, UOP4 |
| | 21A | W04A, W04B | | 21B | X04Z | | 08 | I12A, I12B, I12C, I12J, I13A, I13B, I13C, I13D, I13E, I13J |
| | 21B | X06A, X06B, X06C | 5t022.n↔ | | BOP, KJZSV, KVT, UOP4 | | 21A | W04A, W04B |
| 5t022.9↔ | | BOP, KJZSV, KVT, UOP4 | | 08 | I12A, I12B, I12C, I12J, I13A, I13B, I13C, I13D, I13E, I13J | | 21B | X06A, X06B, X06C |
| | 08 | I12A, I12B, I12C, I12J, I21J, I21Z, I31J, I31Z | | 21A | W04A, W04B | 5t023.3↔ | | BOP, KJZSV, KVT, UOP4 |
| | 21A | W04A, W04B | | 21B | X04Z | | 08 | I12A, I12B, I12C, I12J, I13A, I13B, I13C, I13D, I13E, I13J |
| | 21B | X06A, X06B, X06C | 5t022.p↔ | | BOP, KJZSV, KVT, UOP4 | | 21A | W04A, W04B |
| 5t022.a↔ | | BOP, KJZSV, KVT, UOP4 | | 08 | I12A, I12B, I12C, I12J, I13A, I13B, I13C, I13D, I13E, I13J | | 21B | X06A, X06B, X06C |
| | 08 | I12A, I12B, I12C, I12J, I32A, I32B, I32C, I32D, I32E, I32F, I32J, I32Q, I32R, I32S, I32T, I32U | | 21A | W04A, W04B | 5t023.4↔ | | BOP, KJZSV, KVT, UOP4 |
| | 21A | W04A, W04B | | 21B | X04Z | | 08 | I12A, I12B, I12C, I12J, I21J, I21Z, I31J, I31Z |
| | 21B | X05A, X05B | 5t022.q↔ | | BOP, KJZSV, KVT, UOP4 | | 21A | W04A, W04B |
| 5t022.b↔ | | BOP, KJZSV, KVT, UOP4 | | 08 | I12A, I12B, I12C, I12J, I13A, I13B, I13C, I13D, I13E, I13J | | 21B | X06A, X06B, X06C |
| | 08 | I12A, I12B, I12C, I12J, I32A, I32B, I32C, I32D, I32E, I32F, I32J, I32Q, I32R, I32S, I32T, I32U | | 21A | W04A, W04B | 5t023.5↔ | | BOP, KJZSV, KVT, UOP4 |
| | 21A | W04A, W04B | | 21B | X04Z | | 08 | I12A, I12B, I12C, I12J, I21J, I21Z, I31J, I31Z |
| | 21B | X05A, X05B | 5t022.r↔ | | BOP, KJZSV, KVT, UOP4 | | 21A | W04A, W04B |
| 5t022.c↔ | | BOP, KJZSV, KVT, UOP4 | | 08 | I12A, I12B, I12C, I12J, I13A, I13B, I13C, I13D, I13E, I13J | | 21B | X06A, X06B, X06C |
| | 08 | I12A, I12B, I12C, I12J, I32A, I32B, I32C, I32D, I32E, I32F, I32J, I32Q, I32R, I32S, I32T, I32U | | 21A | W04A, W04B | 5t023.6↔ | | BOP, KJZSV, KVT, UOP4 |
| | 10 | K09A, K09B | | 21B | X04Z | | 08 | I12A, I12B, I12C, I12J, I21J, I21Z, I31J, I31Z |
| | 21A | W04A, W04B | 5t022.s↔ | | BOP, KJZSV, KVT, UOP4 | | 21A | W04A, W04B |
| | 21B | X06A, X06B, X06C | | 05 | F27A, F27B, F27C | | 21B | X06A, X06B, X06C |
| 5t022.d | | BOP, KJZSV, KVT, UOP4 | | 08 | I12A, I12B, I12C, I12J, I20A, I20B, I20C, I20D, I20E, I20F, I20J, I20Q, I20R | 5t023.7↔ | | BOP, KJZSV, KVT, UOP4 |
| | 08 | I08A, I08B, I08C, I08D, I08E, I08F, I08J, I12A, I12B, I12C, I12J, I37Z | | 10 | K01Z | | 08 | I12A, I12B, I12C, I12J, I21J, I21Z, I31J, I31Z |
| | 10 | K09A, K09B | | 21A | W04A, W04B | | 21A | W04A, W04B |
| | 21A | W04A, W04B | | 21B | X04Z | | 21B | X06A, X06B, X06C |
| | 21B | X06A, X06B, X06C | 5t022.t↔ | | BOP, KJZSV, KVT, UOP4 | 5t023.8↔ | | BOP, KJZSV, KVT, UOP4 |
| | 08 | I08A, I08B, I08C, I08D, I08E, I08F, I08J, I12A, I12B, I12C, I12J, I37Z | | 05 | F27A, F27B, F27C | | 08 | I12A, I12B, I12C, I12J, I21J, I21Z, I31J, I31Z |
| | 10 | K09A, K09B | | 08 | I12A, I12B, I12C, I12J, I20A, I20B, I20C, I20D, I20E, I20F, I20J, I20Q, I20R | | 21A | W04A, W04B |
| | 21A | W04A, W04B | | 10 | K01Z | | 21B | X06A, X06B, X06C |
| | 21B | X06A, X06B, X06C | | 21A | W04A, W04B | | | |
| | | | | 21B | X04Z | | | |

VYK

| ZZV | MDC | DRG | ZZV | MDC | DRG | ZZV | MDC | DRG |
|----------|-----|--|----------|-----|--|----------|-----|--|
| 5t023.9↔ | | BOP, KJZSV, KVT, UOP4 | 5t023.n↔ | | BOP, KJZSV, KVT, UOP4 | 5t024.2↔ | | BOP, KJZSV, KVT, UOP4 |
| | 08 | I12A, I12B, I12C, I12J, I21J, I21Z, I31J, I31Z | | 08 | I12A, I12B, I12C, I12J, I13A, I13B, I13C, I13D, I13E, I13J | | 08 | I12A, I12B, I12C, I12J, I13A, I13B, I13C, I13D, I13E, I13J |
| | 21A | W04A, W04B | | 21A | W04A, W04B | | 21A | W04A, W04B |
| 5t023.a↔ | | X06A, X06B, X06C | 5t023.p↔ | | X04Z | 5t024.3↔ | | X06A, X06B, X06C |
| | 08 | BOP, KJZSV, KVT, UOP4 | | 08 | BOP, KJZSV, KVT, UOP4 | | 08 | BOP, KJZSV, KVT, UOP4 |
| | 08 | I12A, I12B, I12C, I12J, I32A, I32B, I32C, I32D, I32E, I32F, I32J, I32Q, I32R, I32S, I32T, I32U | | 08 | I12A, I12B, I12C, I12J, I13A, I13B, I13C, I13D, I13E, I13J | | 08 | I12A, I12B, I12C, I12J, I13A, I13B, I13C, I13D, I13E, I13J |
| 5t023.b↔ | | W04A, W04B | 5t023.q↔ | | W04A, W04B | 5t024.4↔ | | W04A, W04B |
| | 21A | X05A, X05B | | 21A | W04A, W04B | | 21A | W04A, W04B |
| | 21B | X05A, X05B | | 21B | X04Z | | 21B | X06A, X06B, X06C |
| 5t023.c↔ | | BOP, KJZSV, KVT, UOP4 | 5t023.r↔ | | BOP, KJZSV, KVT, UOP4 | 5t024.5↔ | | BOP, KJZSV, KVT, UOP4 |
| | 08 | I12A, I12B, I12C, I12J, I32A, I32B, I32C, I32D, I32E, I32F, I32J, I32Q, I32R, I32S, I32T, I32U | | 08 | I12A, I12B, I12C, I12J, I13A, I13B, I13C, I13D, I13E, I13J | | 08 | I12A, I12B, I12C, I12J, I21J, I21Z, I31J, I31Z |
| | 21A | W04A, W04B | | 21A | W04A, W04B | | 21A | W04A, W04B |
| 5t023.d | | X05A, X05B | 5t023.s↔ | | X04Z | 5t024.6↔ | | X06A, X06B, X06C |
| | 08 | BOP, KJZSV, KVT, UOP4 | | 05 | BOP, KJZSV, KVT, UOP4 | | 08 | BOP, KJZSV, KVT, UOP4 |
| | 08 | I12A, I12B, I12C, I12J, I32A, I32B, I32C, I32D, I32E, I32F, I32J, I32Q, I32R, I32S, I32T, I32U | | 08 | F27A, F27B, F27C | | 08 | I12A, I12B, I12C, I12J, I20A, I20B, I20C, I20D, I20E, I20F, I20J, I20Q, I20R |
| 5t023.e↔ | | K09A, K09B | 5t023.t↔ | | K01Z | 5t024.7↔ | | K01Z |
| | 21A | W04A, W04B | | 21A | W04A, W04B | | 08 | I12A, I12B, I12C, I12J, I20A, I20B, I20C, I20D, I20E, I20F, I20J, I20Q, I20R |
| | 21B | X06A, X06B, X06C | | 21B | X04Z | | 10 | K01Z |
| 5t023.f↔ | | BOP, KJZSV, KVT, UOP4 | 5t023.u↔ | | BOP, KJZSV, KVT, UOP4 | 5t024.8↔ | | BOP, KJZSV, KVT, UOP4 |
| | 08 | I08A, I08B, I08C, I08D, I08E, I08F, I08J | | 05 | F27A, F27B, F27C | | 08 | I12A, I12B, I12C, I12J, I20A, I20B, I20C, I20D, I20E, I20F, I20J, I20Q, I20R |
| | 21A | W01A, W01B, W01C, W02A, W02B | | 08 | I12A, I12B, I12C, I12J, I20A, I20B, I20C, I20D, I20E, I20F, I20J, I20Q, I20R | | 10 | K01Z |
| 5t023.g↔ | | X04Z | 5t023.v↔ | | X04Z | 5t024.9↔ | | X06A, X06B, X06C |
| | 08 | BOP, KJZSV, KVT, UOP4 | | 05 | BOP, KJZSV, KVT, UOP4 | | 08 | I12A, I12B, I12C, I12J, I21J, I21Z, I31J, I31Z |
| | 08 | I08A, I08B, I08C, I08D, I08E, I08F, I08J | | 08 | F27A, F27B, F27C | | 21A | W04A, W04B |
| 5t023.h↔ | | W01A, W01B, W01C, W02A, W02B | 5t023.w↔ | | W04A, W04B | 5t024.a↔ | | X06A, X06B, X06C |
| | 21A | W01A, W01B, W01C, W02A, W02B | | 10 | K01Z | | 08 | I12A, I12B, I12C, I12J, I32A, I32B, I32C, I32D, I32E, I32F, I32J, I32Q, I32R, I32S, I32T, I32U |
| | 21B | X04Z | | 21A | W04A, W04B | | 21B | X06A, X06B, X06C |
| 5t023.i↔ | | BOP, KJZSV, KVT, UOP4 | 5t023.x | | BOP, KJZSV, KVT, UOP4 | 5t024.b↔ | | BOP, KJZSV, KVT, UOP4 |
| | 08 | I08A, I08B, I08C, I08D, I08E, I08F, I08J | | 08 | I12A, I12B, I12C, I12J, I28A, I28B, I28C, I28J | | 08 | I12A, I12B, I12C, I12J, I32A, I32B, I32C, I32D, I32E, I32F, I32J, I32Q, I32R, I32S, I32T, I32U |
| | 21A | W01A, W01B, W01C, W02A, W02B | | 21A | W04A, W04B | | 21A | W04A, W04B |
| 5t023.j↔ | | X04Z | 5t023.y↔ | | X06A, X06B, X06C | 5t024.c↔ | | X05A, X05B |
| | 08 | BOP, KJZSV, KVT, UOP4 | | 01 | B03Z, B18Z | | 08 | I12A, I12B, I12C, I12J, I32A, I32B, I32C, I32D, I32E, I32F, I32J, I32Q, I32R, I32S, I32T, I32U |
| | 08 | I08A, I08B, I08C, I08D, I08E, I08F, I08J | | 04 | E02A, E02B, E02C, E02D | | 21A | W04A, W04B |
| 5t023.k↔ | | W01A, W01B, W01C, W02A, W02B | 5t024.0↔ | | W04A, W04B | 5t024.d | | BOP, KJZSV, KVT, UOP4 |
| | 21A | W01A, W01B, W01C, W02A, W02B | | 08 | I12A, I12B, I12C, I12J, I28A, I28B, I28C, I28J | | 08 | I08A, I08B, I08C, I08D, I08E, I08F, I08J, I12A, I12B, I12C, I12J, I37Z |
| | 21B | X04Z | | 21A | W04A, W04B | | 10 | K09A, K09B |
| 5t023.l↔ | | BOP, KJZSV, KVT, UOP4 | 5t024.1↔ | | X06A, X06B, X06C | 21A | | W04A, W04B |
| | 08 | I12A, I12B, I12C, I12J, I13A, I13B, I13C, I13D, I13E, I13J | | 01 | B03Z, B18Z | | 21B | X06A, X06B, X06C |
| | 21A | W04A, W04B | | 04 | E02A, E02B, E02C, E02D | | 08 | I12A, I12B, I12C, I12J, I28A, I28B, I28C, I28J |
| 5t023.m↔ | | X04Z | 21A | | W04A, W04B | 21B | | X06A, X06B, X06C |
| | 08 | BOP, KJZSV, KVT, UOP4 | | 21B | X06A, X06B, X06C | | 08 | I12A, I12B, I12C, I12J, I13A, I13B, I13C, I13D, I13E, I13J |
| | 08 | I12A, I12B, I12C, I12J, I13A, I13B, I13C, I13D, I13E, I13J | | 08 | I12A, I12B, I12C, I12J, I13A, I13B, I13C, I13D, I13E, I13J | | 21A | W04A, W04B |
| 21B | | X04Z | 21B | | X06A, X06B, X06C | 21B | | X06A, X06B, X06C |
| | 21A | W04A, W04B | | 21A | W04A, W04B | | 21B | X06A, X06B, X06C |
| | 21B | X04Z | | 21B | X06A, X06B, X06C | | | |

VYK

| ZZV | MDC | DRG | ZZV | MDC | DRG | ZZV | MDC | DRG |
|----------|-----|--|----------|-----|--|----------|------------|--|
| 5t025.n↔ | | BOP, KJZSV, KVT, UOP4 | 5t026.5↔ | | BOP, KJZSV, KVT, UOP4 | 5t026.t↔ | | BOP, KJZSV, KVT, UOP4 |
| | 08 | I12A, I12B, I12C, I12J, I13A, I13B, I13C, I13D, I13E, I13J | | 08 | I12A, I12B, I12C, I12J, I21J, I21Z, I31J, I31Z | | 05 | F27A, F27B, F27C |
| | 21A | W04A, W04B | | 21A | W04A, W04B | | 08 | I12A, I12B, I12C, I12J, I20A, I20B, I20C, I20D, I20J, I20Q, I20R |
| 5t025.p↔ | 21B | X04Z | 5t026.8↔ | 21B | X06A, X06B, X06C | 10 | K01Z | |
| | | BOP, KJZSV, KVT, UOP4 | | | BOP, KJZSV, KVT, UOP4 | 21A | W04A, W04B | |
| | 08 | I12A, I12B, I12C, I12J, I13A, I13B, I13C, I13D, I13E, I13J | | 08 | I12A, I12B, I12C, I12J, I21J, I21Z, I31J, I31Z | 21B | X04Z | |
| 5t025.q↔ | 21A | W04A, W04B | 5t026.a↔ | 21A | W04A, W04B | 5t026.u↔ | | BOP, KJZSV, KVT, UOP4 |
| | 21B | X04Z | | 21B | X06A, X06B, X06C | | 05 | F27A, F27B, F27C |
| | | BOP, KJZSV, KVT, UOP4 | | 08 | I12A, I12B, I12C, I12J, I32A, I32B, I32C, I32D, I32E, I32F, I32J, I32Q, I32R, I32S, I32T, I32U | | 08 | I12A, I12B, I12C, I12J, I20A, I20B, I20C, I20D, I20J, I20Q, I20R |
| 5t025.r↔ | 08 | I12A, I12B, I12C, I12J, I13A, I13B, I13C, I13D, I13E, I13J | 5t026.b↔ | 21A | W04A, W04B | 5t026.z↔ | 10 | K01Z |
| | 21A | W04A, W04B | | 21B | X05A, X05B | | 21A | W04A, W04B |
| | 21B | X04Z | | 08 | I12A, I12B, I12C, I12J, I32A, I32B, I32C, I32D, I32E, I32F, I32J, I32Q, I32R, I32S, I32T, I32U | | 21B | X05A, X05B |
| 5t025.s↔ | | BOP, KJZSV, KVT, UOP4 | 5t026.c↔ | | BOP, KJZSV, KVT, UOP4 | 5t027.0↔ | | BOP, KJZSV, KVT, UOP4 |
| | 05 | F27A, F27B, F27C | | 08 | I12A, I12B, I12C, I12J, I32A, I32B, I32C, I32D, I32E, I32F, I32J, I32Q, I32R, I32S, I32T, I32U | | 01 | B03Z, B18Z |
| | 08 | I12A, I12B, I12C, I12J, I20A, I20B, I20C, I20D, I20E, I20F, I20J, I20Q, I20R | | 21A | W04A, W04B | | 04 | E02A, E02B, E02C, E02D |
| 5t025.t↔ | 10 | K01Z | 5t026.d | 21B | X05A, X05B | 5t027.2↔ | 08 | I12A, I12B, I12C, I12J, I28A, I28B, I28C, I28J |
| | 21A | W04A, W04B | | 10 | K09A, K09B | | 21A | W04A, W04B |
| | 21B | X04Z | | 21A | W04A, W04B | | 21B | X06A, X06B, X06C |
| 5t025.u↔ | | BOP, KJZSV, KVT, UOP4 | 5t026.g↔ | | BOP, KJZSV, KVT, UOP4 | 5t027.5↔ | | BOP, KJZSV, KVT, UOP4 |
| | 05 | F27A, F27B, F27C | | 08 | I08A, I08B, I08C, I08D, I08E, I08F, I08J, I12A, I12B, I12C, I12J, I37Z | | 08 | I12A, I12B, I12C, I12J, I13A, I13B, I13C, I13D, I13E, I13J |
| | 08 | I12A, I12B, I12C, I12J, I20A, I20B, I20C, I20D, I20E, I20F, I20J, I20Q, I20R | | 10 | K09A, K09B | | 21A | W04A, W04B |
| 5t025.x | 21A | W04A, W04B | 5t026.m↔ | 21A | W04A, W04B | 5t027.8↔ | 21A | W04A, W04B |
| | 21B | X04Z | | 21B | X06A, X06B, X06C | | 21B | X06A, X06B, X06C |
| | | BOP, KJZSV, KVT, UOP4 | | 08 | I08A, I08B, I08C, I08D, I08E, I08F, I08J | | 08 | I12A, I12B, I12C, I12J, I21J, I21Z, I31J, I31Z |
| 5t025.z↔ | 08 | I12A, I12B, I12C, I12J, I28A, I28B, I28C, I28J | 5t026.q↔ | 21A | W01A, W01B, W01C, W02A, W02B | 5t027.a↔ | 21A | W04A, W04B |
| | 21A | W04A, W04B | | 21B | X04Z | | 21B | X06A, X06B, X06C |
| | 21B | X06A, X06B, X06C | | 08 | I12A, I12B, I12C, I12J, I13A, I13B, I13C, I13D, I13E, I13J | | 08 | I12A, I12B, I12C, I12J, I32A, I32B, I32C, I32D, I32E, I32F, I32J, I32Q, I32R, I32S, I32T, I32U |
| 5t026.0↔ | | BOP, KJZSV, KVT, UOP4 | 5t026.s↔ | | BOP, KJZSV, KVT, UOP4 | 5t027.b↔ | | BOP, KJZSV, KVT, UOP4 |
| | 01 | B03Z, B18Z | | 05 | F27A, F27B, F27C | | 21A | W04A, W04B |
| | 04 | E02A, E02B, E02C, E02D | | 08 | I12A, I12B, I12C, I12J, I20A, I20B, I20C, I20D, I20J, I20Q, I20R | | 21B | X05A, X05B |
| 5t026.2↔ | 08 | I12A, I12B, I12C, I12J, I28A, I28B, I28C, I28J | 5t026.t↔ | 10 | K01Z | 5t027.c↔ | 08 | I12A, I12B, I12C, I12J, I32A, I32B, I32C, I32D, I32E, I32F, I32J, I32Q, I32R, I32S, I32T, I32U |
| | 21A | W04A, W04B | | 21A | W04A, W04B | | 21A | W04A, W04B |
| | 21B | X06A, X06B, X06C | | 21B | X04Z | | 21B | X05A, X05B |

| ZZV | MDC | DRG | ZZV | MDC | DRG | ZZV | MDC | DRG |
|----------|-----|--|----------|-----|--|----------|--|--|
| 5t027.c↔ | | BOP, KJZSV, KVT, UOP4 | 5t028.2↔ | | BOP, KJZSV, KVT, UOP4 | 5t029.5↔ | | BOP, KJZSV, KVT, UOP4 |
| | 08 | I12A, I12B, I12C, I12J, I32A, I32B, I32C, I32D, I32E, I32F, I32J, I32Q, I32R, I32S, I32T, I32U | | 08 | I12A, I12B, I12C, I12J, I13A, I13B, I13C, I13D, I13E, I13J | | 08 | I12A, I12B, I12C, I12J, I21J, I21Z, I31J, I31Z |
| | 10 | K09A, K09B | | 21A | W04A, W04B | | 21A | W04A, W04B |
| | 21A | W04A, W04B | | 21B | X06A, X06B, X06C | | 21B | X06A, X06B, X06C |
| | 21B | X06A, X06B, X06C | | | | | | |
| 5t027.d | | BOP, KJZSV, KVT, UOP4 | 5t028.5↔ | | BOP, KJZSV, KVT, UOP4 | 5t029.8↔ | | BOP, KJZSV, KVT, UOP4 |
| | 08 | I08A, I08B, I08C, I08D, I08E, I08F, I08J, I12A, I12B, I12C, I12J, I37Z | | 08 | I12A, I12B, I12C, I12J, I21J, I21Z, I31J, I31Z | | 08 | I12A, I12B, I12C, I12J, I21J, I21Z, I31J, I31Z |
| | 10 | K09A, K09B | | 21A | W04A, W04B | | 21A | W04A, W04B |
| | 21A | W04A, W04B | | 21B | X06A, X06B, X06C | | 21B | X06A, X06B, X06C |
| | 21B | X06A, X06B, X06C | | | | | | |
| 5t027.g↔ | | BOP, KJZSV, KVT, UOP4 | 5t028.8↔ | | BOP, KJZSV, KVT, UOP4 | 5t029.a↔ | | BOP, KJZSV, KVT, UOP4 |
| | 08 | I08A, I08B, I08C, I08D, I08E, I08F, I08J | | 08 | I12A, I12B, I12C, I12J, I21J, I21Z, I31J, I31Z | | 08 | I12A, I12B, I12C, I12J, I32A, I32B, I32C, I32D, I32E, I32F, I32J, I32Q, I32R, I32S, I32T, I32U |
| | 21A | W01A, W01B, W01C, W02A, W02B | | 21A | W04A, W04B | | 21A | W04A, W04B |
| | 21B | X04Z | | 21B | X06A, X06B, X06C | | 21B | X06A, X06B, X06C |
| | | | | | | | | |
| 5t027.m↔ | | BOP, KJZSV, KVT, UOP4 | 5t028.a↔ | | BOP, KJZSV, KVT, UOP4 | 5t029.c↔ | | BOP, KJZSV, KVT, UOP4 |
| | 08 | I12A, I12B, I12C, I12J, I13A, I13B, I13C, I13D, I13E, I13J | | 08 | I12A, I12B, I12C, I12J, I32A, I32B, I32C, I32D, I32E, I32F, I32J, I32Q, I32R, I32S, I32T, I32U | | 08 | I12A, I12B, I12C, I12J, I32A, I32B, I32C, I32D, I32E, I32F, I32J, I32Q, I32R, I32S, I32T, I32U |
| | 21A | W04A, W04B | | 21A | W04A, W04B | | 21A | W04A, W04B |
| | 21B | X04Z | | 21B | X05A, X05B | | 21B | X05A, X05B |
| | | | | | | | | |
| 5t027.q↔ | | BOP, KJZSV, KVT, UOP4 | 5t028.b↔ | | BOP, KJZSV, KVT, UOP4 | 5t029.d | | BOP, KJZSV, KVT, UOP4 |
| | 08 | I12A, I12B, I12C, I12J, I13A, I13B, I13C, I13D, I13E, I13J | | 08 | I20A, I20B, I20C, I20D, I20E, I20F, I20J, I20Q, I20R | | 08 | I08A, I08B, I08C, I08D, I08E, I08F, I08J, I37Z |
| | 21A | W04A, W04B | | 21A | W04A, W04B | | 21A | W01A, W01B, W01C, W02A, W02B |
| | 21B | X04Z | | 21B | X05A, X05B | | 21B | X04Z |
| | | | | | | | | |
| 5t027.s↔ | | BOP, KJZSV, KVT, UOP4 | 5t028.c↔ | | BOP, KJZSV, KVT, UOP4 | 5t029.g↔ | | BOP, KJZSV, KVT, UOP4 |
| | 05 | F27A, F27B, F27C | | 08 | I12A, I12B, I12C, I12J, I32A, I32B, I32C, I32D, I32E, I32F, I32J, I32Q, I32R, I32S, I32T, I32U | | 08 | I08A, I08B, I08C, I08D, I08E, I08F, I08J |
| | 08 | I12A, I12B, I12C, I12J, I20A, I20B, I20C, I20D, I20J, I20Q, I20R | | 10 | K09A, K09B | | 21A | W01A, W01B, W01C, W02A, W02B |
| | 10 | K01Z | | 21A | W04A, W04B | | 21A | W04A, W04B |
| | 21A | W04A, W04B | | 21B | X04Z | | 21B | X04Z |
| 5t027.t↔ | | BOP, KJZSV, KVT, UOP4 | 5t028.d | | BOP, KJZSV, KVT, UOP4 | 5t029.m↔ | | BOP, KJZSV, KVT, UOP4 |
| | 05 | F27A, F27B, F27C | | 08 | I08A, I08B, I08C, I08D, I08E, I08F, I08J, I37Z | | 08 | I12A, I12B, I12C, I12J, I13A, I13B, I13C, I13D, I13E, I13J |
| | 08 | I12A, I12B, I12C, I12J, I20A, I20B, I20C, I20D, I20J, I20Q, I20R | | 08 | I08A, I08B, I08C, I08D, I08E, I08F, I08J | | 21A | W04A, W04B |
| | 10 | K01Z | | 21A | W01A, W01B, W01C, W02A, W02B | | 21B | X04Z |
| | 21A | W04A, W04B | | 21B | X04Z | | | |
| 5t027.u↔ | | BOP, KJZSV, KVT, UOP4 | 5t028.g↔ | | BOP, KJZSV, KVT, UOP4 | 5t029.q↔ | | BOP, KJZSV, KVT, UOP4 |
| | 05 | F27A, F27B, F27C | | 08 | I08A, I08B, I08C, I08D, I08E, I08F, I08J | | 08 | I13A, I13B, I13C, I13D, I13E, I13J |
| | 08 | I12A, I12B, I12C, I12J, I20A, I20B, I20C, I20D, I20J, I20Q, I20R | | 21A | W01A, W01B, W01C, W02A, W02B | | 21A | W04A, W04B |
| | 10 | K01Z | | 21B | X04Z | | 21B | X04Z |
| | 21A | W04A, W04B | | | | | | |
| 5t027.x | | BOP, KJZSV, KVT, UOP4 | 5t028.m↔ | | BOP, KJZSV, KVT, UOP4 | 5t029.s↔ | | BOP, KJZSV, KVT, UOP4 |
| | 08 | I12A, I12B, I12C, I12J, I28A, I28B, I28C, I28J | | 08 | I12A, I12B, I12C, I12J, I13A, I13B, I13C, I13D, I13E, I13J | | 08 | I20A, I20B, I20C, I20D, I20J, I20Q, I20R |
| | 21A | W04A, W04B | | 21A | W04A, W04B | | 21A | W04A, W04B |
| | 21B | X06A, X06B, X06C | | 21B | X04Z | | 21B | X04Z |
| | | | | | | | | |
| 5t027.z↔ | | BOP, KJZSV, KVT, UOP4 | 5t028.q↔ | | BOP, KJZSV, KVT, UOP4 | 5t029.t↔ | | BOP, KJZSV, KVT, UOP4 |
| | 01 | B03Z, B18Z | | 08 | I13A, I13B, I13C, I13D, I13E, I13J | | 08 | I20A, I20B, I20C, I20D, I20J, I20Q, I20R |
| | 04 | E02A, E02B, E02C, E02D | | 08 | I20A, I20B, I20C, I20D, I20J, I20Q, I20R | | 08 | I20A, I20B, I20C, I20D, I20J, I20Q, I20R |
| | 08 | I12A, I12B, I12C, I12J, I28A, I28B, I28C, I28J | | 21A | W04A, W04B | | 08 | I12A, I12B, I12C, I12J, I28A, I28B, I28C, I28J |
| | 21A | W04A, W04B | | 21B | X06A, X06B, X06C | | 21A | W04A, W04B |
| 5t027.z↔ | | BOP, KJZSV, KVT, UOP4 | 5t028.s↔ | | BOP, KJZSV, KVT, UOP4 | 5t029.u↔ | | BOP, KJZSV, KVT, UOP4 |
| | 01 | B03Z, B18Z | | 08 | I20A, I20B, I20C, I20D, I20J, I20Q, I20R | | 08 | I20A, I20B, I20C, I20D, I20J, I20Q, I20R |
| | 04 | E02A, E02B, E02C, E02D | | 21A | W04A, W04B | | 08 | I20A, I20B, I20C, I20D, I20J, I20Q, I20R |
| | 08 | I12A, I12B, I12C, I12J, I28A, I28B, I28C, I28J | | 21B | X06A, X06B, X06C | | 21A | W04A, W04B |
| | 21A | W04A, W04B | | | | | 21B | X06A, X06B, X06C |
| 5t027.z↔ | | BOP, KJZSV, KVT, UOP4 | 5t028.t↔ | | BOP, KJZSV, KVT, UOP4 | 5t029.x | | BOP, KJZSV, KVT, UOP4 |
| | 01 | B03Z, B18Z | | 08 | I20A, I20B, I20C, I20D, I20J, I20Q, I20R | | 08 | I12A, I12B, I12C, I12J, I28A, I28B, I28C, I28J |
| | 04 | E02A, E02B, E02C, E02D | | 21A | W04A, W04B | | 21A | W04A, W04B |
| | 08 | I12A, I12B, I12C, I12J, I28A, I28B, I28C, I28J | | 21B | X06A, X06B, X06C | | 21B | X06A, X06B, X06C |
| | 21A | W04A, W04B | | | | | | |
| 5t027.z↔ | | BOP, KJZSV, KVT, UOP4 | 5t028.u↔ | | BOP, KJZSV, KVT, UOP4 | 5t02x.0↔ | | BOP, KJZSV, KVT, UOP4 |
| | 01 | B03Z, B18Z | | 08 | I20A, I20B, I20C, I20D, I20J, I20Q, I20R | | 01 | B03Z, B18Z |
| | 04 | E02A, E02B, E02C, E02D | | 21A | W04A, W04B | | 04 | E02A, E02B, E02C, E02D |
| | 08 | I12A, I12B, I12C, I12J, I28A, I28B, I28C, I28J | | 21B | X06A, X06B, X06C | | 08 | I12A, I12B, I12C, I12J, I28A, I28B, I28C, I28J |
| | 21A | W04A, W04B | | | | | 21A | W04A, W04B |
| 5t027.z↔ | | BOP, KJZSV, KVT, UOP4 | 5t028.x | | BOP, KJZSV, KVT, UOP4 | 5t02x.1↔ | | BOP, KJZSV, KVT, UOP4 |
| | 01 | B03Z, B18Z | | 08 | I12A, I12B, I12C, I12J, I28A, I28B, I28C, I28J | | 08 | I12A, I12B, I12C, I12J, I13A, I13B, I13C, I13D, I13E, I13J |
| | 04 | E02A, E02B, E02C, E02D | | 21A | W04A, W04B | | 21A | W04A, W04B |
| | 08 | I12A, I12B, I12C, I12J, I28A, I28B, I28C, I28J | | 21B | X06A, X06B, X06C | | 21B | X06A, X06B, X06C |
| | 21A | W04A, W04B | | | | | | |
| 5t027.z↔ | | BOP, KJZSV, KVT, UOP4 | 5t029.2↔ | | BOP, KJZSV, KVT, UOP4 | | | |
| | 01 | B03Z, B18Z | | 08 | I12A, I12B, I12C, I12J, I13A, I13B, I13C, I13D, I13E, I13J | 08 | I12A, I12B, I12C, I12J, I13A, I13B, I13C, I13D, I13E, I13J | |
| | 04 | E02A, E02B, E02C, E02D | | 21A | W04A, W04B | 21A | W04A, W04B | |
| | 08 | I12A, I12B, I12C, I12J, I28A, I28B, I28C, I28J | | 21B | X06A, X06B, X06C | 21B | X06A, X06B, X06C | |
| | 21A | W04A, W04B | | | | | | |

Príloha B: Index Výkon-MDC-DRG

| ZZV | MDC | DRG | ZZV | MDC | DRG | ZZV | MDC | DRG |
|----------|-----|--|----------|-----|--|----------|-----|--|
| 5t02x.2↔ | | BOP, KJZSV, KVT, UOP4 | 5t02x.e↔ | 08 | BOP, KJZSV, KVT, UOP4 | 5t02x.u↔ | 05 | BOP, KJZSV, KVT, UOP4 |
| | 08 | I12A, I12B, I12C, I12J, I13A, I13B, I13C, I13D, I13E, I13J | | 08 | I08A, I08B, I08C, I08D, I08E, I08F, I08J | | 08 | F27A, F27B, F27C |
| | 21A | W04A, W04B | | 21A | W01A, W01B, W01C, W02A, W02B | | 10 | K01Z |
| 5t02x.3↔ | 21B | X06A, X06B, X06C | 5t02x.f↔ | 21B | X04Z | 5t02x.x | 21A | W04A, W04B |
| | 08 | BOP, KJZSV, KVT, UOP4 | | 08 | BOP, KJZSV, KVT, UOP4 | | 21B | X04Z |
| | 08 | I12A, I12B, I12C, I12J, I13A, I13B, I13C, I13D, I13E, I13J | | 21A | W01A, W01B, W01C, W02A, W02B | | 08 | BOP, KJZSV, KVT, UOP4 |
| 5t02x.4↔ | 21A | W04A, W04B | 5t02x.g↔ | 08 | I08A, I08B, I08C, I08D, I08E, I08F, I08J | 5t02x.z↔ | 21A | W04A, W04B |
| | 21B | X06A, X06B, X06C | | 21A | W01A, W01B, W01C, W02A, W02B | | 08 | I12A, I12B, I12C, I12J, I28A, I28B, I28C, I28J |
| | 08 | BOP, KJZSV, KVT, UOP4 | | 21B | X04Z | | 21A | W04A, W04B |
| 5t02x.5↔ | 08 | I12A, I12B, I12C, I12J, I18A, I18J, I18Q, I18R, I30J, I30Z | 5t02x.h↔ | 08 | BOP, KJZSV, KVT, UOP4 | 5t040.0↔ | 21B | X06A, X06B, X06C |
| | 21A | W04A, W04B | | 08 | I08A, I08B, I08C, I08D, I08E, I08F, I08J | | 01 | B03Z, B18Z |
| | 21B | X06A, X06B, X06C | | 21A | W01A, W01B, W01C, W02A, W02B | | 04 | E02A, E02B, E02C, E02D |
| 5t02x.6↔ | 08 | BOP, KJZSV, KVT, UOP4 | 5t02x.k↔ | 21B | X04Z | 5t040.1↔ | 08 | I12A, I12B, I12C, I12J, I28A, I28B, I28C, I28J |
| | 08 | I12A, I12B, I12C, I12J, I18A, I18J, I18Q, I18R, I30J, I30Z | | 08 | BOP, KJZSV, KVT, UOP4 | | 21A | W04A, W04B |
| | 21A | W04A, W04B | | 21A | I12A, I12B, I12C, I12J, I13A, I13B, I13C, I13D, I13E, I13J | | 21B | X06A, X06B, X06C |
| 5t02x.7↔ | 21B | X06A, X06B, X06C | 5t02x.m↔ | 21A | W04A, W04B | 5t040.2↔ | 21A | W04A, W04B |
| | 08 | BOP, KJZSV, KVT, UOP4 | | 21B | X04Z | | 21B | X06A, X06B, X06C |
| | 08 | I12A, I12B, I12C, I12J, I18A, I18J, I18Q, I18R, I30J, I30Z | | 08 | BOP, KJZSV, KVT, UOP4 | | 08 | BOP, KJZSV, KVT, UOP4, VIAL |
| 5t02x.8↔ | 21A | W04A, W04B | 5t02x.n↔ | 08 | I12A, I12B, I12C, I12J, I13A, I13B, I13C, I13D, I13E, I13J | 5t040.3↔ | 08 | I08A, I08B, I08C, I08D, I08E, I08F, I08J, I12A, I12B, I12C, I12J, I13A, I13B, I13C, I13D, I13J |
| | 21B | X06A, X06B, X06C | | 21A | W04A, W04B | | 21A | W04A, W04B |
| | 08 | BOP, KJZSV, KVT, UOP4 | | 21B | X04Z | | 21B | X06A, X06B, X06C |
| 5t02x.9↔ | 08 | I12A, I12B, I12C, I12J, I18A, I18J, I18Q, I18R, I30J, I30Z | 5t02x.p↔ | 08 | BOP, KJZSV, KVT, UOP4 | 5t040.4↔ | 08 | I08A, I08B, I08C, I08D, I08E, I08F, I08J, I12A, I12B, I12C, I12J, I13A, I13B, I13C, I13D, I13J |
| | 21A | W04A, W04B | | 08 | I12A, I12B, I12C, I12J, I13A, I13B, I13C, I13D, I13E, I13J | | 21A | W04A, W04B |
| | 21B | X06A, X06B, X06C | | 21A | W04A, W04B | | 21B | X06A, X06B, X06C |
| 5t02x.a↔ | 08 | BOP, KJZSV, KVT, UOP4 | 5t02x.q↔ | 21B | X04Z | 5t040.5↔ | 08 | BOP, KJZSV, KVT, UOP4, VIAL |
| | 08 | I12A, I12B, I12C, I12J, I32A, I32B, I32C, I32D, I32E, I32F, I32J, I32Q, I32R, I32S, I32T, I32U | | 08 | BOP, KJZSV, KVT, UOP4 | | 08 | I08A, I08B, I08C, I08D, I08E, I08F, I08J, I12A, I12B, I12C, I12J, I13A, I13B, I13C, I13D, I13J |
| | 21A | W04A, W04B | | 21A | W04A, W04B | | 21A | W04A, W04B |
| 5t02x.b↔ | 21B | X05A, X05B | 5t02x.r↔ | 21B | X04Z | 5t040.5↔ | 21B | X06A, X06B, X06C |
| | 08 | BOP, KJZSV, KVT, UOP4 | | 08 | BOP, KJZSV, KVT, UOP4 | | 08 | I08A, I08B, I08C, I08D, I08E, I08F, I08J, I12A, I12B, I12C, I12J, I18A, I18J, I18Q, I18R, I30J, I30Z |
| | 08 | I12A, I12B, I12C, I12J, I32A, I32B, I32C, I32D, I32E, I32F, I32J, I32Q, I32R, I32S, I32T, I32U | | 21A | W04A, W04B | | 21A | W04A, W04B |
| 5t02x.c↔ | 21B | X05A, X05B | 5t02x.s↔ | 05 | F27A, F27B, F27C | 5t040.5↔ | 21B | X06A, X06B, X06C |
| | 10 | K09A, K09B | | 08 | I12A, I12B, I12C, I12J, I20A, I20B, I20C, I20D, I20E, I20F, I20J, I20Q, I20R | | 08 | BOP, KJZSV, KVT, UOP4, VIAL |
| | 21A | W04A, W04B | | 10 | K01Z | | 08 | I08A, I08B, I08C, I08D, I08E, I08F, I08J, I12A, I12B, I12C, I12J, I18A, I18J, I18Q, I18R, I30J, I30Z |
| 5t02x.d | 21B | X06A, X06B, X06C | 5t02x.t↔ | 21A | W04A, W04B | 5t040.5↔ | 21B | X06A, X06B, X06C |
| | 08 | BOP, KJZSV, KVT, UOP4 | | 21B | X04Z | | 21A | W04A, W04B |
| | 08 | I08A, I08B, I08C, I08D, I08E, I08F, I08J, I12A, I12B, I12C, I12J | | 05 | F27A, F27B, F27C | | 21B | X06A, X06B, X06C |
| | 10 | K09A, K09B | | 08 | I12A, I12B, I12C, I12J, I20A, I20B, I20C, I20D, I20E, I20F, I20J, I20Q, I20R | | | |
| | 21A | W04A, W04B | | 10 | K01Z | | | |
| | 21B | X06A, X06B, X06C | | 21A | W04A, W04B | | | |
| | | | | 21B | X04Z | | | |

VYK

| ZZV | MDC | DRG | ZZV | MDC | DRG | ZZV | MDC | DRG |
|----------|-----|--|----------|-----|--|----------|-----|--|
| 5t041.3↔ | | BOP, KJZSV, KVT, UOP4, VIAL | 5t041.c↔ | | BOP, KJZSV, KVT, UOP4, VIAL | 5t041.n↔ | | BOP, KJZSV, KVT, UOP4, VIAL |
| | 08 | I08A, I08B, I08C, I08D, I08E, I08F, I08J, I12A, I12B, I12C, I12J, I13A, I13B, I13C, I13D, I13J | | 08 | I12A, I12B, I12C, I12J, I32A, I32B, I32C, I32D, I32E, I32F, I32J, I32Q, I32R, I32S, I32T, I32U | | 08 | I12A, I12B, I12C, I12J, I13A, I13B, I13C, I13D, I13J |
| | 21A | W04A, W04B | | 21A | W04A, W04B | | 21A | W04A, W04B |
| | 21B | X06A, X06B, X06C | | 21B | X05A, X05B | 5t041.p↔ | 21B | X04Z |
| 5t041.4↔ | | BOP, KJZSV, KVT, UOP4, VIAL | 5t041.d | | BOP, KJZSV, KVT, UOP4, VIAL | | | BOP, KJZSV, KVT, UOP4, VIAL |
| | 08 | I08A, I08B, I08C, I08D, I08E, I08F, I08J, I12A, I12B, I12C, I12J, I21J, I21Z, I31J, I31Z | | 08 | I08A, I08B, I08C, I08D, I08E, I08F, I08J, I12A, I12B, I12C, I12J | | 08 | I12A, I12B, I12C, I12J, I13A, I13B, I13C, I13D, I13E, I13J |
| | 21A | W04A, W04B | | 21A | W04A, W04B | | 21A | W04A, W04B |
| | 21B | X06A, X06B, X06C | | 21B | X06A, X06B, X06C | 5t041.q↔ | 21B | X04Z |
| 5t041.5↔ | | BOP, KJZSV, KVT, UOP4, VIAL | 5t041.e↔ | | BOP, KJZSV, KVT, UOP4, VIAL | | | BOP, KJZSV, KVT, UOP4, VIAL |
| | 08 | I08A, I08B, I08C, I08D, I08E, I08F, I08J, I12A, I12B, I12C, I12J, I21J, I21Z, I31J, I31Z | | 01 | B03Z, B17A, B17B, B17C, B17J | | 08 | I12A, I12B, I12C, I12J, I13A, I13B, I13C, I13D, I13E, I13J |
| | 21A | W04A, W04B | | 08 | I08A, I08B, I08C, I08D, I08E, I08F, I08J | 5t041.r↔ | 21A | W04A, W04B |
| | 21B | X06A, X06B, X06C | | 21A | W01A, W01B, W01C, W02A, W02B | | 21B | X04Z |
| 5t041.6↔ | | BOP, KJZSV, KVT, UOP4, VIAL | 5t041.f↔ | | BOP, KJZSV, KVT, UOP4, VIAL | | | BOP, KJZSV, KVT, UOP4, VIAL |
| | 08 | I08A, I08B, I08C, I08D, I08E, I08F, I08J, I12A, I12B, I12C, I12J, I21J, I21Z, I31J, I31Z | | 01 | B03Z, B17A, B17B, B17C, B17J | 5t041.s↔ | 08 | I12A, I12B, I12C, I12J, I20C, I28A, I28B, I28J |
| | 21A | W04A, W04B | | 08 | I08A, I08B, I08C, I08D, I08E, I08F, I08J | | 21A | W04A, W04B |
| | 21B | X06A, X06B, X06C | | 21A | W01A, W01B, W01C, W02A, W02B | 5t041.t↔ | 21B | X04Z, X06A, X06B, X06C |
| 5t041.7↔ | | BOP, KJZSV, KVT, UOP4, VIAL | 5t041.g↔ | | BOP, KJZSV, KVT, UOP4, VIAL | | | BOP, KJZSV, KVT, UOP4, VIAL |
| | 08 | I08A, I08B, I08C, I08D, I08E, I08F, I08J, I12A, I12B, I12C, I12J, I21J, I21Z, I31J, I31Z | | 01 | B03Z, B17A, B17B, B17C, B17J | 5t041.u↔ | 08 | I12A, I12B, I12C, I12J, I20C, I28A, I28B, I28J |
| | 21A | W04A, W04B | | 08 | I08A, I08B, I08C, I08D, I08E, I08F, I08J | | 21A | W04A, W04B |
| | 21B | X06A, X06B, X06C | | 21A | W01A, W01B, W01C, W02A, W02B | 5t041.v↔ | 21B | X04Z, X06A, X06B, X06C |
| 5t041.8↔ | | BOP, KJZSV, KVT, UOP4, VIAL | 5t041.h↔ | | BOP, KJZSV, KVT, UOP4, VIAL | | | BOP, KJZSV, KVT, UOP4, VIAL |
| | 08 | I08A, I08B, I08C, I08D, I08E, I08F, I08J, I12A, I12B, I12C, I12J, I21J, I21Z, I31J, I31Z | | 01 | B03Z, B17A, B17B, B17C, B17J | 5t041.w↔ | 08 | I12A, I12B, I12C, I12J, I20C, I28A, I28B, I28J |
| | 21A | W04A, W04B | | 08 | I08A, I08B, I08C, I08D, I08E, I08F, I08J | | 21A | W04A, W04B |
| | 21B | X06A, X06B, X06C | | 21A | W01A, W01B, W01C, W02A, W02B | 5t041.x | 21B | X04Z, X06A, X06B, X06C |
| 5t041.9↔ | | BOP, KJZSV, KVT, UOP4, VIAL | 5t041.i↔ | | BOP, KJZSV, KVT, UOP4, VIAL | | | BOP, KJZSV, KVT, UOP4, VIAL |
| | 08 | I08A, I08B, I08C, I08D, I08E, I08F, I08J, I12A, I12B, I12C, I12J, I21J, I21Z, I31J, I31Z | | 08 | I12A, I12B, I12C, I12J, I28A, I28B, I28J | 5t041.z↔ | 08 | I12A, I12B, I12C, I12J, I28A, I28B, I28J |
| | 21A | W04A, W04B | | 21A | W04A, W04B | | 21A | W04A, W04B |
| | 21B | X06A, X06B, X06C | | 21B | X04Z, X06A, X06B, X06C | | 21B | X06A, X06B, X06C |
| 5t041.a↔ | | BOP, KJZSV, KVT, UOP4, VIAL | 5t041.k↔ | | BOP, KJZSV, KVT, UOP4, VIAL | | | BOP, KJZSV, KVT, UOP4, VIAL |
| | 08 | I12A, I12B, I12C, I12J, I32A, I32B, I32C, I32D, I32E, I32F, I32J, I32Q, I32R, I32S, I32T, I32U | | 08 | I12A, I12B, I12C, I12J, I28A, I28B, I28J | | 04 | E02A, E02B, E02C, E02D |
| | 21A | W04A, W04B | | 21A | W04A, W04B | | 08 | I12A, I12B, I12C, I12J, I28A, I28B, I28J |
| | 21B | X05A, X05B | | 21B | X04Z | | 21A | W04A, W04B |
| 5t041.b↔ | | BOP, KJZSV, KVT, UOP4, VIAL | 5t041.l↔ | | BOP, KJZSV, KVT, UOP4, VIAL | | 21B | X06A, X06B, X06C |
| | 08 | I12A, I12B, I12C, I12J, I32A, I32B, I32C, I32D, I32E, I32F, I32J, I32Q, I32R, I32S, I32T, I32U | | 08 | I12A, I12B, I12C, I12J, I13A, I13B, I13C, I13D, I13J | | 21B | X06A, X06B, X06C |
| | 21A | W04A, W04B | | 21A | W04A, W04B | | | |
| | 21B | X05A, X05B | | 21B | X04Z | | | |

| ZZV | MDC | DRG | ZZV | MDC | DRG | ZZV | MDC | DRG |
|----------|-----|--|----------|-----|--|----------|-----|--|
| 5t042.0↔ | | BOP, KJZSV, KVT, UOP4, VIAL | 5t042.9↔ | 08 | I08A, I08B, I08C, I08D, I08E, I08F, I08J, I12A, I12B, I12C, I12J, I21J, I21Z, I31J, I31Z | 5t042.h↔ | 01 | B03Z, B17A, B17B, B17C, B17J |
| | 04 | E02A, E02B, E02C, E02D | | 21A | W04A, W04B | | 08 | I08A, I08B, I08C, I08D, I08E, I08F, I08J |
| | 08 | I12A, I12B, I12C, I12J, I28A, I28B, I28J | | 21B | X06A, X06B, X06C | | 21A | W01A, W01B, W01C, W02A, W02B |
| | 21A | W04A, W04B | | | | | 21B | X04Z |
| 5t042.1↔ | | BOP, KJZSV, KVT, UOP4, VIAL | 5t042.a↔ | 08 | I12A, I12B, I12C, I12J, I32A, I32B, I32C, I32D, I32E, I32F, I32J, I32Q, I32R, I32S, I32T, I32U | 5t042.j↔ | | BOP, KJZSV, KVT, UOP4, VIAL |
| | 08 | I08A, I08B, I08C, I08D, I08E, I08F, I08J, I12A, I12B, I12C, I12J, I13A, I13B, I13C, I13D, I13J | | 21A | W04A, W04B | | 08 | I12A, I12B, I12C, I12J, I28A, I28B, I28J |
| | 21A | W04A, W04B | | 21B | X05A, X05B | | 21A | W04A, W04B |
| | 21B | X06A, X06B, X06C | | | | | 21B | X04Z, X06A, X06B, X06C |
| 5t042.2↔ | | BOP, KJZSV, KVT, UOP4, VIAL | 5t042.b↔ | 08 | I12A, I12B, I12C, I12J, I32A, I32B, I32C, I32D, I32E, I32F, I32J, I32Q, I32R, I32S, I32T, I32U | 5t042.k↔ | | BOP, KJZSV, KVT, UOP4, VIAL |
| | 08 | I08A, I08B, I08C, I08D, I08E, I08F, I08J, I12A, I12B, I12C, I12J, I13A, I13B, I13C, I13D, I13E, I13J | | 21A | W04A, W04B | | 08 | I12A, I12B, I12C, I12J, I13A, I13B, I13C, I13D, I13J |
| | 21A | W04A, W04B | | 21B | X05A, X05B | | 21A | W04A, W04B |
| | 21B | X06A, X06B, X06C | | | | | 21B | X04Z |
| 5t042.3↔ | | BOP, KJZSV, KVT, UOP4, VIAL | 5t042.c↔ | 08 | I12A, I12B, I12C, I12J, I32A, I32B, I32C, I32D, I32E, I32F, I32J, I32Q, I32R, I32S, I32T, I32U | 5t042.m↔ | | BOP, KJZSV, KVT, UOP4, VIAL |
| | 08 | I08A, I08B, I08C, I08D, I08E, I08F, I08J, I12A, I12B, I12C, I12J, I13A, I13B, I13C, I13D, I13J | | 21A | W04A, W04B | | 08 | I12A, I12B, I12C, I12J, I13A, I13B, I13C, I13D, I13J |
| | 21A | W04A, W04B | | 21B | X05A, X05B | | 21A | W04A, W04B |
| | 21B | X06A, X06B, X06C | | | | | 21B | X04Z |
| 5t042.4↔ | | BOP, KJZSV, KVT, UOP4, VIAL | 5t042.d | 08 | I08A, I08B, I08C, I08D, I08E, I08F, I08J, I12A, I12B, I12C, I12J, I21J, I21Z, I31J, I31Z | 5t042.n↔ | | BOP, KJZSV, KVT, UOP4, VIAL |
| | 08 | I08A, I08B, I08C, I08D, I08E, I08F, I08J, I12A, I12B, I12C, I12J, I13A, I13B, I13C, I13D, I13J | | 21A | W04A, W04B | | 08 | I12A, I12B, I12C, I12J, I13A, I13B, I13C, I13D, I13J |
| | 21A | W04A, W04B | | 21B | X05A, X05B | | 21A | W04A, W04B |
| | 21B | X06A, X06B, X06C | | | | | 21B | X04Z |
| 5t042.5↔ | | BOP, KJZSV, KVT, UOP4, VIAL | 5t042.e↔ | 01 | B03Z, B17A, B17B, B17C, B17J | 5t042.p↔ | | BOP, KJZSV, KVT, UOP4, VIAL |
| | 08 | I08A, I08B, I08C, I08D, I08E, I08F, I08J, I12A, I12B, I12C, I12J, I21J, I21Z, I31J, I31Z | | 08 | I08A, I08B, I08C, I08D, I08E, I08F, I08J | | 08 | I12A, I12B, I12C, I12J, I13A, I13B, I13C, I13D, I13E, I13J |
| | 21A | W04A, W04B | | 21A | W01A, W01B, W01C, W02A, W02B | | 21A | W04A, W04B |
| | 21B | X06A, X06B, X06C | | 21B | X04Z | | 21B | X04Z |
| 5t042.6↔ | | BOP, KJZSV, KVT, UOP4, VIAL | 5t042.f↔ | 01 | B03Z, B17A, B17B, B17C, B17J | 5t042.q↔ | | BOP, KJZSV, KVT, UOP4, VIAL |
| | 08 | I08A, I08B, I08C, I08D, I08E, I08F, I08J, I12A, I12B, I12C, I12J, I21J, I21Z, I31J, I31Z | | 08 | I08A, I08B, I08C, I08D, I08E, I08F, I08J | | 08 | I12A, I12B, I12C, I12J, I13A, I13B, I13C, I13D, I13E, I13J |
| | 21A | W04A, W04B | | 21A | W01A, W01B, W01C, W02A, W02B | | 21A | W04A, W04B |
| | 21B | X06A, X06B, X06C | | 21B | X04Z | | 21B | X04Z |
| 5t042.7↔ | | BOP, KJZSV, KVT, UOP4, VIAL | 5t042.g↔ | 01 | B03Z, B17A, B17B, B17C, B17J | 5t042.r↔ | | BOP, KJZSV, KVT, UOP4, VIAL |
| | 08 | I08A, I08B, I08C, I08D, I08E, I08F, I08J, I12A, I12B, I12C, I12J, I21J, I21Z, I31J, I31Z | | 08 | I08A, I08B, I08C, I08D, I08E, I08F, I08J | | 08 | I12A, I12B, I12C, I12J, I13A, I13B, I13C, I13D, I13E, I13J |
| | 21A | W04A, W04B | | 21A | W01A, W01B, W01C, W02A, W02B | | 21A | W04A, W04B |
| | 21B | X06A, X06B, X06C | | 21B | X04Z | | 21B | X04Z |
| 5t042.8↔ | | BOP, KJZSV, KVT, UOP4, VIAL | | 01 | B03Z, B17A, B17B, B17C, B17J | 5t042.s↔ | | BOP, KJZSV, KVT, UOP4, VIAL |
| | 08 | I08A, I08B, I08C, I08D, I08E, I08F, I08J, I12A, I12B, I12C, I12J, I21J, I21Z, I31J, I31Z | | 08 | I08A, I08B, I08C, I08D, I08E, I08F, I08J | | 08 | I12A, I12B, I12C, I12J, I20C, I28A, I28B, I28J |
| | 21A | W04A, W04B | | 21A | W01A, W01B, W01C, W02A, W02B | | 21A | W04A, W04B |
| | 21B | X06A, X06B, X06C | | 21B | X04Z | | 21B | X04Z, X06A, X06B, X06C |
| | | BOP, KJZSV, KVT, UOP4, VIAL | | 01 | B03Z, B17A, B17B, B17C, B17J | 5t042.t↔ | | BOP, KJZSV, KVT, UOP4, VIAL |
| | 08 | I08A, I08B, I08C, I08D, I08E, I08F, I08J, I12A, I12B, I12C, I12J, I21J, I21Z, I31J, I31Z | | 08 | I08A, I08B, I08C, I08D, I08E, I08F, I08J | | 08 | I12A, I12B, I12C, I12J, I20C, I28A, I28B, I28J |
| | 21A | W04A, W04B | | 21A | W01A, W01B, W01C, W02A, W02B | | 21A | W04A, W04B |
| | 21B | X06A, X06B, X06C | | 21B | X04Z | | 21B | X04Z, X06A, X06B, X06C |
| | | BOP, KJZSV, KVT, UOP4, VIAL | | 01 | B03Z, B17A, B17B, B17C, B17J | 5t042.u↔ | | BOP, KJZSV, KVT, UOP4, VIAL |
| | 08 | I08A, I08B, I08C, I08D, I08E, I08F, I08J, I12A, I12B, I12C, I12J, I21J, I21Z, I31J, I31Z | | 08 | I08A, I08B, I08C, I08D, I08E, I08F, I08J | | 08 | I12A, I12B, I12C, I12J, I20C, I28A, I28B, I28J |
| | 21A | W04A, W04B | | 21A | W01A, W01B, W01C, W02A, W02B | | 21A | W04A, W04B |
| | 21B | X06A, X06B, X06C | | 21B | X04Z | | 21B | X04Z, X06A, X06B, X06C |

VYK

| ZZV | MDC | DRG | ZZV | MDC | DRG | ZZV | MDC | DRG |
|----------|-----|--|----------|-----|--|----------|-----|--|
| 5t042.v↔ | | BOP, KJZSV, KVT, UOP4, VIAL | 5t043.6↔ | | BOP, KJZSV, KVT, UOP4, VIAL | 5t043.f↔ | | BOP, KJZSV, KVT, UOP4, VIAL |
| | 08 | I12A, I12B, I12C, I12J, I20C, I28A, I28B, I28J | | 08 | I08A, I08B, I08C, I08D, I08E, I08F, I08J, I12A, I12B, I12C, I12J, I21J, I21Z, I31J, I31Z | | 01 | B03Z, B17A, B17B, B17C, B17J |
| | 21A | W04A, W04B | | 21A | W04A, W04B | | 08 | I08A, I08B, I08C, I08D, I08E, I08F, I08J |
| 5t042.w↔ | 21B | X04Z, X06A, X06B, X06C | | 21B | X06A, X06B, X06C | | 21A | W01A, W01B, W01C, W02A, W02B |
| | | BOP, KJZSV, KVT, UOP4, VIAL | 5t043.7↔ | | BOP, KJZSV, KVT, UOP4, VIAL | | 21B | X04Z |
| | 08 | I12A, I12B, I12C, I12J, I20C, I28A, I28B, I28J | | 08 | I08A, I08B, I08C, I08D, I08E, I08F, I08J, I12A, I12B, I12C, I12J, I21J, I21Z, I31J, I31Z | 5t043.g↔ | | BOP, KJZSV, KVT, UOP4, VIAL |
| | 21A | W04A, W04B | | 21A | W04A, W04B | | 01 | B03Z, B17A, B17B, B17C, B17J |
| 5t042.x | 21B | X04Z, X06A, X06B, X06C | | 21B | X06A, X06B, X06C | | 08 | I08A, I08B, I08C, I08D, I08E, I08F, I08J |
| | | BOP, KJZSV, KVT, UOP4 | 5t043.8↔ | | BOP, KJZSV, KVT, UOP4, VIAL | | 21A | W01A, W01B, W01C, W02A, W02B |
| | 08 | I12A, I12B, I12C, I12J, I28A, I28B, I28J | | 08 | I08A, I08B, I08C, I08D, I08E, I08F, I08J, I12A, I12B, I12C, I12J, I21J, I21Z, I31J, I31Z | | 21B | X04Z |
| | 21A | W04A, W04B | | 21A | W04A, W04B | 5t043.h↔ | | BOP, KJZSV, KVT, UOP4, VIAL |
| 5t042.z↔ | 21B | X06A, X06B, X06C | | 21B | X06A, X06B, X06C | | 01 | B03Z, B17A, B17B, B17C, B17J |
| | | BOP, KJZSV, KVT, UOP4, VIAL | 5t043.9↔ | | BOP, KJZSV, KVT, UOP4, VIAL | | 08 | I08A, I08B, I08C, I08D, I08E, I08F, I08J |
| | 04 | E02A, E02B, E02C, E02D | | 08 | I08A, I08B, I08C, I08D, I08E, I08F, I08J, I12A, I12B, I12C, I12J, I21J, I21Z, I31J, I31Z | | 21A | W01A, W01B, W01C, W02A, W02B |
| | 08 | I12A, I12B, I12C, I12J, I28A, I28B, I28J | | 21A | W04A, W04B | | 21B | X04Z |
| | 21A | W04A, W04B | | 21B | X06A, X06B, X06C | 5t043.i↔ | | BOP, KJZSV, KVT, UOP4, VIAL |
| 5t043.0↔ | 21B | X06A, X06B, X06C | | 21B | X06A, X06B, X06C | | 01 | B03Z, B17A, B17B, B17C, B17J |
| | | BOP, KJZSV, KVT, UOP4, VIAL | 5t043.a↔ | | BOP, KJZSV, KVT, UOP4, VIAL | | 08 | I08A, I08B, I08C, I08D, I08E, I08F, I08J |
| | 04 | E02A, E02B, E02C, E02D | | 08 | I12A, I12B, I12C, I12J, I32A, I32B, I32C, I32D, I32E, I32F, I32J, I32Q, I32R, I32S, I32T, I32U | | 21A | W01A, W01B, W01C, W02A, W02B |
| | 08 | I12A, I12B, I12C, I12J, I28A, I28B, I28J | | 21A | W04A, W04B | | 21B | X04Z |
| | 21A | W04A, W04B | | 21B | X06A, X06B, X06C | 5t043.j↔ | | BOP, KJZSV, KVT, UOP4, VIAL |
| 5t043.1↔ | 21B | X06A, X06B, X06C | | 21B | X06A, X06B, X06C | | 08 | I12A, I12B, I12C, I12J, I28A, I28B, I28J |
| | | BOP, KJZSV, KVT, UOP4, VIAL | 5t043.b↔ | | BOP, KJZSV, KVT, UOP4, VIAL | | 21A | W04A, W04B |
| | 08 | I08A, I08B, I08C, I08D, I08E, I08F, I08J, I12A, I12B, I12C, I12J, I13A, I13B, I13C, I13D, I13J | | 08 | I12A, I12B, I12C, I12J, I32A, I32B, I32C, I32D, I32E, I32F, I32J, I32Q, I32R, I32S, I32T, I32U | | 21B | X04Z, X06A, X06B, X06C |
| | 21A | W04A, W04B | | 21A | W04A, W04B | 5t043.k↔ | | BOP, KJZSV, KVT, UOP4, VIAL |
| 5t043.2↔ | 21B | X06A, X06B, X06C | | 21B | X05A, X05B | | 08 | I12A, I12B, I12C, I12J, I13A, I13B, I13C, I13D, I13J |
| | | BOP, KJZSV, KVT, UOP4, VIAL | 5t043.c↔ | | BOP, KJZSV, KVT, UOP4, VIAL | | 21A | W04A, W04B |
| | 08 | I08A, I08B, I08C, I08D, I08E, I08F, I08J, I12A, I12B, I12C, I12J, I13A, I13B, I13C, I13D, I13E, I13J | | 08 | I12A, I12B, I12C, I12J, I32A, I32B, I32C, I32D, I32E, I32F, I32J, I32Q, I32R, I32S, I32T, I32U | | 21B | X04Z |
| | 21A | W04A, W04B | | 21A | W04A, W04B | 5t043.l↔ | | BOP, KJZSV, KVT, UOP4, VIAL |
| 5t043.3↔ | 21B | X06A, X06B, X06C | | 21B | X05A, X05B | | 08 | I12A, I12B, I12C, I12J, I13A, I13B, I13C, I13D, I13J |
| | | BOP, KJZSV, KVT, UOP4, VIAL | 5t043.d | | BOP, KJZSV, KVT, UOP4, VIAL | | 21A | W04A, W04B |
| | 08 | I08A, I08B, I08C, I08D, I08E, I08F, I08J, I12A, I12B, I12C, I12J, I13A, I13B, I13C, I13D, I13E, I13J | | 08 | I08A, I08B, I08C, I08D, I08E, I08F, I08J, I12A, I12B, I12C, I12J, I47A | | 21B | X04Z |
| | 21A | W04A, W04B | | 21A | W04A, W04B | 5t043.m↔ | | BOP, KJZSV, KVT, UOP4, VIAL |
| 5t043.4↔ | 21B | X06A, X06B, X06C | | 21B | X06A, X06B, X06C | | 08 | I12A, I12B, I12C, I12J, I13A, I13B, I13C, I13D, I13J |
| | | BOP, KJZSV, KVT, UOP4, VIAL | 5t043.e↔ | | BOP, KJZSV, KVT, UOP4, VIAL | | 21A | W04A, W04B |
| | 08 | I08A, I08B, I08C, I08D, I08E, I08F, I08J, I12A, I12B, I12C, I12J, I21J, I21Z, I31J, I31Z | | 01 | B03Z, B17A, B17B, B17C, B17J | | 21B | X04Z |
| | 21A | W04A, W04B | | 08 | I08A, I08B, I08C, I08D, I08E, I08F, I08J | 5t043.n↔ | | BOP, KJZSV, KVT, UOP4, VIAL |
| 5t043.5↔ | 21B | X06A, X06B, X06C | | 21A | W01A, W01B, W01C, W02A, W02B | | 08 | I12A, I12B, I12C, I12J, I13A, I13B, I13C, I13D, I13E, I13J |
| | | BOP, KJZSV, KVT, UOP4, VIAL | | 21B | X04Z | | 21A | W04A, W04B |
| | 08 | I08A, I08B, I08C, I08D, I08E, I08F, I08J, I12A, I12B, I12C, I12J, I21J, I21Z, I31J, I31Z | | | | 5t043.o↔ | | BOP, KJZSV, KVT, UOP4, VIAL |
| | 21A | W04A, W04B | | | | | 08 | I12A, I12B, I12C, I12J, I13A, I13B, I13C, I13D, I13E, I13J |
| | 21B | X06A, X06B, X06C | | | | | 21A | W04A, W04B |
| | | | | | | | 21B | X04Z |
| | | | | | | | | BOP, KJZSV, KVT, UOP4, VIAL |
| | | | | | | | 08 | I12A, I12B, I12C, I12J, I13A, I13B, I13C, I13D, I13E, I13J |
| | | | | | | | 21A | W04A, W04B |
| | | | | | | | 21B | X04Z |
| | | | | | | | | BOP, KJZSV, KVT, UOP4, VIAL |
| | | | | | | | 08 | I12A, I12B, I12C, I12J, I13A, I13B, I13C, I13D, I13E, I13J |
| | | | | | | | 21A | W04A, W04B |
| | | | | | | | 21B | X04Z |

| ZZV | MDC | DRG | ZZV | MDC | DRG | ZZV | MDC | DRG |
|----------|-----|--|----------|-----|--|----------|------------------------------|--|
| 5t044.g↔ | | BOP, KJZSV, KVT, UOP4, VIAL | 5t044.t↔ | | BOP, KJZSV, KVT, UOP4, VIAL | 5t045.h↔ | | BOP, KJZSV, KVT, UOP4, VIAL |
| | 01 | B03Z, B17A, B17B, B17C, B17J | | 08 | I20A, I20B, I20C, I20D, I20J, I20Q, I20R, I32A, I32B, I32C, I32D | | 01 | B03Z, B17A, B17B, B17C, B17J |
| | 08 | I02A, I02B, I02C, I02D, I08A, I08B, I08C, I08D, I08E, I08F, I08J, I22A, I32A, I32B, I32C, I32D, I50Z | 5t044.u↔ | | BOP, KJZSV, KVT, UOP4, VIAL | | 08 | I08A, I08B, I08C, I08D, I08E, I08F, I08J, I30J, I30Z |
| | 21A | W01A, W01B, W01C, W02A, W02B | | 08 | I20A, I20B, I20C, I20D, I20J, I20Q, I20R, I32A, I32B, I32C, I32D | 21A | W01A, W01B, W01C, W02A, W02B | |
| | 21B | X01A, X01B, X01C | 5t044.v↔ | | BOP, KJZSV, KVT, UOP4, VIAL | 21B | X04Z | |
| 5t044.h↔ | | BOP, KJZSV, KVT, UOP4, VIAL | | 08 | I20A, I20B, I20C, I20D, I20J, I20Q, I20R, I32A, I32B, I32C, I32D | 5t045.j↔ | | BOP, KJZSV, KVT, UOP4, VIAL |
| | 01 | B03Z, B17A, B17B, B17C, B17J | | 08 | I20A, I20B, I20C, I20D, I20J, I20Q, I20R, I32A, I32B, I32C, I32D | | 08 | I12A, I12B, I12C, I12J, I28A, I28B, I28J |
| | 08 | I02A, I02B, I02C, I02D, I08A, I08B, I08C, I08D, I08E, I08F, I08J, I22A, I32A, I32B, I32C, I32D, I50Z | 5t044.w↔ | | BOP, KJZSV, KVT, UOP4, VIAL | 21A | W04A, W04B | |
| | 21A | W01A, W01B, W01C, W02A, W02B | | 08 | I20A, I20B, I20C, I20D, I20J, I20Q, I20R, I32A, I32B, I32C, I32D | 21B | X04Z, X06A, X06B, X06C | |
| | 21B | X01A, X01B, X01C | 5t044.x↔ | | BOP, KJZSV, KVT, UOP4, VIAL | 5t045.k↔ | | BOP, KJZSV, KVT, UOP4, VIAL |
| 5t044.j↔ | | KJZSV | | 08 | I02A, I02B, I02C, I02D, I12A, I12B, I12C, I12J, I22A, I28A, I28B, I28J, I32A, I32B, I32C, I32D, I32E, I32F, I32J, I32Q, I32R, I32S, I32T, I32U, I50Z | | 08 | I12A, I12B, I12C, I12J, I13A, I13B, I13C, I13D, I13J |
| 5t044.k↔ | | BOP, KJZSV, KVT, UOP4, VIAL | | 21A | W04A, W04B | 21A | W04A, W04B | |
| | 08 | I02A, I02B, I02C, I02D, I12A, I12B, I12C, I12J, I13A, I13B, I13C, I13D, I13E, I13J, I22A, I32A, I32B, I32C, I32D, I50Z | 5t044.z↔ | | KJZSV | 21B | X04Z | |
| | 21A | W04A, W04B | | 08 | I32A, I32B, I32C, I32D | 5t045.n↔ | | BOP, KJZSV, KVT, UOP4, VIAL |
| | 21B | X01A, X01B, X01C | 5t045.1↔ | | BOP, KJZSV, KVT, UOP4, VIAL | | 08 | I13A, I13B, I13C, I13D, I13J |
| 5t044.m↔ | | BOP, KJZSV, KVT, UOP4, VIAL | | 08 | I08A, I08B, I08C, I08D, I08E, I08F, I08J, I13A, I13B, I13C, I13D, I13J | 5t045.p↔ | | BOP, KJZSV, KVT, UOP4, VIAL |
| | 08 | I02A, I02B, I02C, I02D, I12A, I12B, I12C, I12J, I13A, I13B, I13C, I13D, I13E, I13J, I22A, I32A, I32B, I32C, I32D, I50Z | 5t045.3↔ | | BOP, KJZSV, KVT, UOP4, VIAL | | 08 | I13A, I13B, I13C, I13D, I13E, I13J |
| | 21A | W04A, W04B | | 08 | I08A, I08B, I08C, I08D, I08E, I08F, I08J, I12A, I12B, I12C, I12J, I13A, I13B, I13C, I13D, I13J | 5t045.r↔ | | BOP, KJZSV, KVT, UOP4, VIAL |
| | 21B | X01A, X01B, X01C | 5t045.4↔ | | BOP, KJZSV, KVT, UOP4, VIAL | | 08 | I13A, I13B, I13C, I13D, I13E, I13J |
| 5t044.n↔ | | BOP, KJZSV, KVT, UOP4, VIAL | | 21A | W04A, W04B | 5t045.s↔ | | BOP, KJZSV, KVT, UOP4, VIAL |
| | 08 | I02A, I02B, I02C, I02D, I12A, I12B, I12C, I12J, I13A, I13B, I13C, I13D, I13E, I13J, I22A, I32A, I32B, I32C, I32D, I50Z | | 21B | X06A, X06B, X06C | | 08 | I12A, I12B, I12C, I12J, I20C, I28A, I28B, I28J |
| | 21A | W04A, W04B | | 08 | I08A, I08B, I08C, I08D, I08E, I08F, I08J, I12A, I12B, I12C, I12J, I21J, I21Z, I31J, I31Z | 21A | W04A, W04B | |
| | 21B | X01A, X01B, X01C | 5t045.d | | BOP, KJZSV, KVT, UOP4, VIAL | 21B | X04Z, X06A, X06B, X06C | |
| 5t044.p↔ | | BOP, KJZSV, KVT, UOP4, VIAL | | 08 | I08A, I08B, I08C, I08D, I08E, I08F, I08J, I47A | 5t045.t↔ | | BOP, KJZSV, KVT, UOP4, VIAL |
| | 08 | I13A, I13B, I13C, I13D, I13E, I13J, I32A, I32B, I32C, I32D | 5t045.e↔ | | BOP, KJZSV, KVT, UOP4, VIAL | | 08 | I20A, I20B, I20C, I20D, I20J, I20Q, I20R |
| 5t044.q↔ | | BOP, KJZSV, KVT, UOP4, VIAL | | 01 | B03Z, B17A, B17B, B17C, B17J | 5t045.u↔ | | BOP, KJZSV, KVT, UOP4, VIAL |
| | 08 | I13A, I13B, I13C, I13D, I13E, I13J, I32A, I32B, I32C, I32D | | 08 | I08A, I08B, I08C, I08D, I08E, I08F, I08J | | 08 | I20A, I20B, I20C, I20D, I20J, I20Q, I20R |
| 5t044.r↔ | | BOP, KJZSV, KVT, UOP4, VIAL | | 21A | W01A, W01B, W01C, W02A, W02B | 5t045.v↔ | | BOP, KJZSV, KVT, UOP4, VIAL |
| | 08 | I02A, I02B, I02C, I02D, I12A, I12B, I12C, I12J, I13A, I13B, I13C, I13D, I13E, I13J, I22A, I32A, I32B, I32C, I32D, I50Z | | 21B | X04Z | | 08 | I20A, I20B, I20C, I20D, I20J, I20Q, I20R |
| | 21A | W04A, W04B | | | | 5t045.w↔ | | BOP, KJZSV, KVT, UOP4, VIAL |
| | 21B | X01A, X01B, X01C | | | | | 08 | I20A, I20B, I20C, I20D, I20J, I20Q, I20R |
| 5t044.s↔ | | BOP, KJZSV, KVT, UOP4, VIAL | | | | 5t045.x | | BOP, KJZSV, KVT, UOP4, VIAL |
| | 08 | I20A, I20B, I20C, I20D, I20J, I20Q, I20R, I32A, I32B, I32C, I32D | | | | | 08 | I12A, I12B, I12C, I12J, I28A, I28B, I28J |
| | | | | | | 21A | W04A, W04B | |
| | | | | | | 21B | X06A, X06B, X06C | |
| | | | | | | 5t046.1↔ | | BOP, KJZSV, KVT, UOP4, VIAL |
| | | | | | | | 08 | I08A, I08B, I08C, I08D, I08E, I08F, I08J, I13A, I13B, I13C, I13D, I13E, I13J, I46A, I47A |
| | | | | | | 5t046.3↔ | | BOP, KJZSV, KVT, UOP4, VIAL |
| | | | | | | | 08 | I08A, I08B, I08C, I08D, I08E, I08F, I08J, I13A, I13B, I13C, I13D, I13J, I46A, I47A |

| ZZV | MDC | DRG | ZZV | MDC | DRG | ZZV | MDC | DRG |
|----------|-----|--|----------|-----|--|----------|-----|--|
| 5t046.d | | BOP, KJZSV, KVT, UOP4, VIAL | 5t047.2↔ | | BOP, KJZSV, KVT, UOP4, VIAL | 5t047.a↔ | | BOP, KJZSV, KVT, UOP4, VIAL |
| | 08 | I08A, I08B, I08C, I08D, I08E, I08F, I08J, I46A, I47A | | 08 | I08A, I08B, I08C, I08D, I08E, I08F, I08J, I12A, I12B, I12C, I12J, I13A, I13B, I13C, I13D, I13J, I46A, I47A | | 08 | I12A, I12B, I12C, I12J, I32A, I32B, I32C, I32D, I32E, I32F, I32J, I32Q, I32R, I32S, I32T, I32U, I46A, I47A |
| 5t046.e↔ | | BOP, KJZSV, KVT, UOP4, VIAL | | 21A | W04A, W04B | | 21A | W04A, W04B |
| | 08 | I08A, I08B, I08C, I08D, I08E, I08F, I08J, I46A, I47A | | 21B | X06A, X06B, X06C | | 21B | X05A, X05B |
| 5t046.h↔ | | BOP, KJZSV, KVT, UOP4, VIAL | 5t047.3↔ | | BOP, KJZSV, KVT, UOP4, VIAL | 5t047.b↔ | | BOP, KJZSV, KVT, UOP4, VIAL |
| | 08 | I08A, I08B, I08C, I08D, I08E, I08F, I08J, I30J, I30Z, I46A, I47A | | 08 | I08A, I08B, I08C, I08D, I08E, I08F, I08J, I12A, I12B, I12C, I12J, I13A, I13B, I13C, I13D, I13J, I46A, I47A | | 08 | I12A, I12B, I12C, I12J, I32A, I32B, I32C, I32D, I32E, I32F, I32J, I32Q, I32R, I32S, I32T, I32U, I46A, I47A |
| 5t046.k↔ | | BOP, KJZSV, KVT, UOP4, VIAL | | 21A | W04A, W04B | | 21A | W04A, W04B |
| | 08 | I13A, I13B, I13C, I13D, I13J, I46A, I47A | | 21B | X06A, X06B, X06C | | 21B | X05A, X05B |
| 5t046.n↔ | | BOP, KJZSV, KVT, UOP4, VIAL | 5t047.4↔ | | BOP, KJZSV, KVT, UOP4, VIAL | 5t047.c↔ | | BOP, KJZSV, KVT, UOP4, VIAL |
| | 08 | I13A, I13B, I13C, I13D, I13J, I46A, I47A | | 08 | I08A, I08B, I08C, I08D, I08E, I08F, I08J, I12A, I12B, I12C, I12J, I21J, I21Z, I31J, I31Z, I46A, I47A | | 08 | I12A, I12B, I12C, I12J, I32A, I32B, I32C, I32D, I32E, I32F, I32J, I32Q, I32R, I32S, I32T, I32U, I46A, I47A |
| 5t046.p↔ | | BOP, KJZSV, KVT, UOP4, VIAL | | 21A | W04A, W04B | | 21A | W04A, W04B |
| | 08 | I13A, I13B, I13C, I13D, I13E, I13J, I46A, I47A | | 21B | X06A, X06B, X06C | | 21B | X05A, X05B |
| 5t046.r↔ | | BOP, KJZSV, KVT, UOP4, VIAL | 5t047.5↔ | | BOP, KJZSV, KVT, UOP4, VIAL | 5t047.d | | BOP, KJZSV, KVT, UOP4, VIAL |
| | 08 | I13A, I13B, I13C, I13D, I13E, I13J, I46A, I47A | | 08 | I08A, I08B, I08C, I08D, I08E, I08F, I08J, I12A, I12B, I12C, I12J, I21J, I21Z, I31J, I31Z, I46A, I47A | | 08 | I08A, I08B, I08C, I08D, I08E, I08F, I08J, I12A, I12B, I12C, I12J, I46A, I47A |
| 5t046.s↔ | | BOP, KJZSV, KVT, UOP4, VIAL | | 21A | W04A, W04B | | 21A | W04A, W04B |
| | 08 | I20A, I20B, I20C, I20D, I20J, I20Q, I20R, I46A, I47A | | 21B | X06A, X06B, X06C | | 21B | X06A, X06B, X06C |
| 5t046.t↔ | | BOP, KJZSV, KVT, UOP4, VIAL | 5t047.6↔ | | BOP, KJZSV, KVT, UOP4, VIAL | 5t047.e↔ | | BOP, KJZSV, KVT, UOP4, VIAL |
| | 08 | I20A, I20B, I20C, I20D, I20J, I20Q, I20R, I46A, I47A | | 08 | I08A, I08B, I08C, I08D, I08E, I08F, I08J, I12A, I12B, I12C, I12J, I21J, I21Z, I31J, I31Z, I46A, I47A | | 01 | B03Z, B17A, B17B, B17C, B17J |
| 5t046.u↔ | | BOP, KJZSV, KVT, UOP4, VIAL | | 21A | W04A, W04B | | 08 | I08A, I08B, I08C, I08D, I08E, I08F, I08J, I46A, I47A |
| | 08 | I20A, I20B, I20C, I20D, I20J, I20Q, I20R, I46A, I47A | | 21B | X06A, X06B, X06C | | 21A | W01A, W01B, W01C, W02A, W02B |
| 5t046.v↔ | | BOP, KJZSV, KVT, UOP4, VIAL | 5t047.7↔ | | BOP, KJZSV, KVT, UOP4, VIAL | 5t047.f↔ | | BOP, KJZSV, KVT, UOP4, VIAL |
| | 08 | I20A, I20B, I20C, I20D, I20J, I20Q, I20R, I46A, I47A | | 08 | I08A, I08B, I08C, I08D, I08E, I08F, I08J, I12A, I12B, I12C, I12J, I21J, I21Z, I31J, I31Z, I46A, I47A | | 01 | B03Z, B17A, B17B, B17C, B17J |
| 5t046.w↔ | | BOP, KJZSV, KVT, UOP4, VIAL | | 21A | W04A, W04B | | 08 | I08A, I08B, I08C, I08D, I08E, I08F, I08J, I46A, I47A |
| | 08 | I20A, I20B, I20C, I20D, I20J, I20Q, I20R, I46A, I47A | | 21B | X06A, X06B, X06C | | 21A | W01A, W01B, W01C, W02A, W02B |
| 5t047.0↔ | | BOP, KJZSV, KVT, UOP4, VIAL | 5t047.8↔ | | BOP, KJZSV, KVT, UOP4, VIAL | 5t047.g↔ | | BOP, KJZSV, KVT, UOP4, VIAL |
| | 04 | E02A, E02B, E02C, E02D | | 08 | I08A, I08B, I08C, I08D, I08E, I08F, I08J, I12A, I12B, I12C, I12J, I21J, I21Z, I31J, I31Z, I46A, I47A | | 01 | B03Z, B17A, B17B, B17C, B17J |
| | 08 | I12A, I12B, I12C, I12J, I28A, I28B, I28J, I46A, I47A | | 21A | W04A, W04B | | 08 | I08A, I08B, I08C, I08D, I08E, I08F, I08J, I46A, I47A |
| | 21A | W04A, W04B | | 21B | X06A, X06B, X06C | | 21A | W01A, W01B, W01C, W02A, W02B |
| 5t047.1↔ | | BOP, KJZSV, KVT, UOP4, VIAL | 5t047.9↔ | | BOP, KJZSV, KVT, UOP4, VIAL | | 21B | X04Z |
| | 08 | I08A, I08B, I08C, I08D, I08E, I08F, I08J, I12A, I12B, I12C, I12J, I13A, I13B, I13C, I13D, I13J, I46A, I47A | | 08 | I08A, I08B, I08C, I08D, I08E, I08F, I08J, I12A, I12B, I12C, I12J, I21J, I21Z, I31J, I31Z, I46A, I47A | | 21A | W01A, W01B, W01C, W02A, W02B |
| | 21A | W04A, W04B | | 21A | W04A, W04B | | 21B | X04Z |
| | 21B | X06A, X06B, X06C | | 21B | X06A, X06B, X06C | 5t047.h↔ | | BOP, KJZSV, KVT, UOP4, VIAL |
| | | | | | | | 01 | B03Z, B17A, B17B, B17C, B17J |
| | | | | | | | 08 | I08A, I08B, I08C, I08D, I08E, I08F, I08J, I46A, I47A |
| | | | | | | | 21A | W01A, W01B, W01C, W02A, W02B |
| | | | | | | | 21B | X04Z |

VYK

| ZZV | MDC | DRG | ZZV | MDC | DRG | ZZV | MDC | DRG |
|----------|-----|--|----------|-----|--|----------|-----|--|
| 5t047.j↔ | | BOP, KJZSV, KVT, UOP4, VIAL | 5t047.v↔ | | BOP, KJZSV, KVT, UOP4, VIAL | 5t048.6↔ | | BOP, KJZSV, KVT, UOP4, VIAL |
| | 08 | I12A, I12B, I12C, I12J, I28A, I28B, I28J, I46A, I47A | | 08 | I12A, I12B, I12C, I12J, I20C, I28A, I28B, I28J, I46A, I47A | | 08 | I08A, I08B, I08C, I08D, I08E, I08F, I08J, I12A, I12B, I12C, I12J, I21J, I21Z, I31J, I31Z, I46A, I47A |
| | 21A | W04A, W04B | | 21A | W04A, W04B | | 21A | W04A, W04B |
| | 21B | X04Z, X06A, X06B, X06C | | 21B | X04Z, X06A, X06B, X06C | | 21B | X06A, X06B, X06C |
| 5t047.k↔ | | BOP, KJZSV, KVT, UOP4, VIAL | 5t047.w↔ | | BOP, KJZSV, KVT, UOP4, VIAL | 5t048.7↔ | | BOP, KJZSV, KVT, UOP4, VIAL |
| | 08 | I12A, I12B, I12C, I12J, I13A, I13B, I13C, I13D, I13J, I46A, I47A | | 08 | I12A, I12B, I12C, I12J, I20C, I28A, I28B, I28J, I46A, I47A | | 08 | I08A, I08B, I08C, I08D, I08E, I08F, I08J, I12A, I12B, I12C, I12J, I21J, I21Z, I31J, I31Z, I46A, I47A |
| | 21A | W04A, W04B | | 21A | W04A, W04B | | 21A | W04A, W04B |
| | 21B | X04Z | | 21B | X04Z, X06A, X06B, X06C | | 21B | X06A, X06B, X06C |
| 5t047.m↔ | | BOP, KJZSV, KVT, UOP4, VIAL | 5t047.x | | BOP, KJZSV, KVT, UOP4 | 5t048.8↔ | | BOP, KJZSV, KVT, UOP4, VIAL |
| | 08 | I12A, I12B, I12C, I12J, I13A, I13B, I13C, I13D, I13J, I46A, I47A | | 08 | I12A, I12B, I12C, I12J, I28A, I28B, I28J, I46A, I47A | | 08 | I08A, I08B, I08C, I08D, I08E, I08F, I08J, I12A, I12B, I12C, I12J, I21J, I21Z, I31J, I31Z, I46A, I47A |
| | 21A | W04A, W04B | | 21A | W04A, W04B | | 21A | W04A, W04B |
| | 21B | X04Z | | 21B | X06A, X06B, X06C | | 21B | X06A, X06B, X06C |
| 5t047.n↔ | | BOP, KJZSV, KVT, UOP4, VIAL | 5t047.z↔ | | BOP, KJZSV, KVT, UOP4, VIAL | 5t048.9↔ | | BOP, KJZSV, KVT, UOP4, VIAL |
| | 08 | I12A, I12B, I12C, I12J, I13A, I13B, I13C, I13D, I13J, I46A, I47A | | 04 | E02A, E02B, E02C, E02D | | 08 | I08A, I08B, I08C, I08D, I08E, I08F, I08J, I12A, I12B, I12C, I12J, I21J, I21Z, I31J, I31Z, I46A, I47A |
| | 21A | W04A, W04B | | 08 | I12A, I12B, I12C, I12J, I28A, I28B, I28J, I46A, I47A | | 21A | W04A, W04B |
| | 21B | X04Z | | 21A | W04A, W04B | | 21B | X06A, X06B, X06C |
| 5t047.p↔ | | BOP, KJZSV, KVT, UOP4, VIAL | 5t048.0↔ | | BOP, KJZSV, KVT, UOP4, VIAL | 5t048.a↔ | | BOP, KJZSV, KVT, UOP4, VIAL |
| | 08 | I12A, I12B, I12C, I12J, I13A, I13B, I13C, I13D, I13E, I13J, I46A, I47A | | 04 | E02A, E02B, E02C, E02D | | 08 | I12A, I12B, I12C, I12J, I32A, I32B, I32C, I32D, I32E, I32F, I32J, I32Q, I32R, I32S, I32T, I32U, I46A, I47A |
| | 21A | W04A, W04B | | 08 | I12A, I12B, I12C, I12J, I28A, I28B, I28J, I46A, I47A | | 21A | W04A, W04B |
| | 21B | X04Z | | 21A | W04A, W04B | | 21B | X06A, X06B, X06C |
| 5t047.q↔ | | BOP, KJZSV, KVT, UOP4, VIAL | 5t048.1↔ | | BOP, KJZSV, KVT, UOP4, VIAL | 5t048.b↔ | | BOP, KJZSV, KVT, UOP4, VIAL |
| | 08 | I12A, I12B, I12C, I12J, I13A, I13B, I13C, I13D, I13E, I13J, I46A, I47A | | 08 | I08A, I08B, I08C, I08D, I08E, I08F, I08J, I12A, I12B, I12C, I12J, I13A, I13B, I13C, I13D, I13J, I46A, I47A | | 08 | I12A, I12B, I12C, I12J, I32A, I32B, I32C, I32D, I32E, I32F, I32J, I32Q, I32R, I32S, I32T, I32U, I46A, I47A |
| | 21A | W04A, W04B | | 21A | W04A, W04B | | 21A | W04A, W04B |
| | 21B | X04Z | | 21B | X06A, X06B, X06C | | 21B | X05A, X05B |
| 5t047.r↔ | | BOP, KJZSV, KVT, UOP4, VIAL | 5t048.2↔ | | BOP, KJZSV, KVT, UOP4, VIAL | 5t048.c↔ | | BOP, KJZSV, KVT, UOP4, VIAL |
| | 08 | I12A, I12B, I12C, I12J, I13A, I13B, I13C, I13D, I13E, I13J, I46A, I47A | | 08 | I08A, I08B, I08C, I08D, I08E, I08F, I08J, I12A, I12B, I12C, I12J, I13A, I13B, I13C, I13D, I13E, I13J, I46A, I47A | | 08 | I12A, I12B, I12C, I12J, I32A, I32B, I32C, I32D, I32E, I32F, I32J, I32Q, I32R, I32S, I32T, I32U, I46A, I47A |
| | 21A | W04A, W04B | | 21A | W04A, W04B | | 21A | W04A, W04B |
| | 21B | X04Z | | 21B | X06A, X06B, X06C | | 21B | X05A, X05B |
| 5t047.s↔ | | BOP, KJZSV, KVT, UOP4, VIAL | 5t048.3↔ | | BOP, KJZSV, KVT, UOP4, VIAL | 5t048.d | | BOP, KJZSV, KVT, UOP4, VIAL |
| | 08 | I12A, I12B, I12C, I12J, I20C, I28A, I28B, I28J, I46A, I47A | | 08 | I08A, I08B, I08C, I08D, I08E, I08F, I08J, I12A, I12B, I12C, I12J, I13A, I13B, I13C, I13D, I13E, I13J, I46A, I47A | | 08 | I08A, I08B, I08C, I08D, I08E, I08F, I08J, I12A, I12B, I12C, I12J, I21J, I21Z, I31J, I31Z, I46A, I47A |
| | 21A | W04A, W04B | | 21A | W04A, W04B | | 21A | W04A, W04B |
| | 21B | X04Z, X06A, X06B, X06C | | 21B | X06A, X06B, X06C | | 21B | X06A, X06B, X06C |
| 5t047.t↔ | | BOP, KJZSV, KVT, UOP4, VIAL | 5t048.4↔ | | BOP, KJZSV, KVT, UOP4, VIAL | | | |
| | 08 | I12A, I12B, I12C, I12J, I20C, I28A, I28B, I28J, I46A, I47A | | 08 | I08A, I08B, I08C, I08D, I08E, I08F, I08J, I12A, I12B, I12C, I12J, I21J, I21Z, I31J, I31Z, I46A, I47A | | | |
| | 21A | W04A, W04B | | 21A | W04A, W04B | | | |
| | 21B | X04Z, X06A, X06B, X06C | | 21B | X06A, X06B, X06C | | | |
| 5t047.u↔ | | BOP, KJZSV, KVT, UOP4, VIAL | 5t048.5↔ | | BOP, KJZSV, KVT, UOP4, VIAL | | | |
| | 08 | I12A, I12B, I12C, I12J, I20C, I28A, I28B, I28J, I46A, I47A | | 08 | I08A, I08B, I08C, I08D, I08E, I08F, I08J, I12A, I12B, I12C, I12J, I21J, I21Z, I31J, I31Z, I46A, I47A | | | |
| | 21A | W04A, W04B | | 21A | W04A, W04B | | | |
| | 21B | X04Z, X06A, X06B, X06C | | 21B | X06A, X06B, X06C | | | |

VYK

| ZZV | MDC | DRG | ZZV | MDC | DRG | ZZV | MDC | DRG |
|----------|-----|--|----------|-----|--|----------|-----|--|
| 5t048.e↔ | | BOP, KJZSV, KVT, UOP4, VIAL | 5t048.q↔ | 08 | I12A, I12B, I12C, I12J, I13A, I13B, I13C, I13D, I13E, I13J, I46A, I47A | 5t049.5↔ | 08 | I08A, I08B, I08C, I08D, I08E, I08F, I08J, I12A, I12B, I12C, I12J, I21J, I21Z, I31J, I31Z, I46A, I47A |
| | 01 | B03Z, B17A, B17B, B17C, B17J | | 21A | W04A, W04B | | 21A | W04A, W04B |
| | 08 | I08A, I08B, I08C, I08D, I08E, I08F, I08J, I46A, I47A | | 21B | X04Z | | 21B | X06A, X06B, X06C |
| | 21A | W01A, W01B, W01C, W02A, W02B | | | BOP, KJZSV, KVT, UOP4, VIAL | | | BOP, KJZSV, KVT, UOP4, VIAL |
| 5t048.f↔ | | BOP, KJZSV, KVT, UOP4, VIAL | 5t048.r↔ | 08 | I12A, I12B, I12C, I12J, I13A, I13B, I13C, I13D, I13E, I13J, I46A, I47A | 5t049.8↔ | 08 | I08A, I08B, I08C, I08D, I08E, I08F, I08J, I12A, I12B, I12C, I12J, I21J, I21Z, I31J, I31Z, I46A, I47A |
| | 01 | B03Z, B17A, B17B, B17C, B17J | | 21A | W04A, W04B | | 21A | W04A, W04B |
| | 08 | I08A, I08B, I08C, I08D, I08E, I08F, I08J, I46A, I47A | | 21B | X04Z | | 21B | X06A, X06B, X06C |
| | 21A | W01A, W01B, W01C, W02A, W02B | | | BOP, KJZSV, KVT, UOP4, VIAL | | | BOP, KJZSV, KVT, UOP4, VIAL |
| 5t048.g↔ | | BOP, KJZSV, KVT, UOP4, VIAL | 5t048.s↔ | 08 | I12A, I12B, I12C, I12J, I20C, I28A, I28B, I28J, I46A, I47A | 5t049.d | 21A | W04A, W04B |
| | 01 | B03Z, B17A, B17B, B17C, B17J | | 21A | W04A, W04B | | 21B | X06A, X06B, X06C |
| | 08 | I08A, I08B, I08C, I08D, I08E, I08F, I08J, I46A, I47A | | 21B | X04Z, X06A, X06B, X06C | | | BOP, KJZSV, KVT, UOP4, VIAL |
| | 21A | W01A, W01B, W01C, W02A, W02B | | | BOP, KJZSV, KVT, UOP4, VIAL | | 08 | I08A, I08B, I08C, I08D, I08E, I08F, I08J, I46A, I47A |
| 5t048.h↔ | | BOP, KJZSV, KVT, UOP4, VIAL | 5t048.t↔ | 08 | I12A, I12B, I12C, I12J, I20C, I28A, I28B, I28J, I46A, I47A | 5t049.g↔ | | BOP, KJZSV, KVT, UOP4, VIAL |
| | 01 | B03Z, B17A, B17B, B17C, B17J | | 21A | W04A, W04B | | 01 | B03Z, B17A, B17B, B17C, B17J |
| | 08 | I08A, I08B, I08C, I08D, I08E, I08F, I08J, I46A, I47A | | 21B | X04Z, X06A, X06B, X06C | | 08 | I08A, I08B, I08C, I08D, I08E, I08F, I08J, I46A, I47A |
| | 21A | W01A, W01B, W01C, W02A, W02B | | | BOP, KJZSV, KVT, UOP4, VIAL | | 21A | W01A, W01B, W01C, W02A, W02B |
| 5t048.i↔ | | BOP, KJZSV, KVT, UOP4, VIAL | 5t048.u↔ | 08 | I12A, I12B, I12C, I12J, I20C, I28A, I28B, I28J, I46A, I47A | 5t049.m↔ | 21B | X04Z |
| | 01 | B03Z, B17A, B17B, B17C, B17J | | 21A | W04A, W04B | | | BOP, KJZSV, KVT, UOP4, VIAL |
| | 08 | I08A, I08B, I08C, I08D, I08E, I08F, I08J, I46A, I47A | | 21B | X04Z, X06A, X06B, X06C | | 08 | I12A, I12B, I12C, I12J, I13A, I13B, I13C, I13D, I13E, I13J, I46A, I47A |
| | 21A | W01A, W01B, W01C, W02A, W02B | | | BOP, KJZSV, KVT, UOP4, VIAL | | 21A | W04A, W04B |
| 5t048.j↔ | | BOP, KJZSV, KVT, UOP4, VIAL | 5t048.v↔ | 08 | I12A, I12B, I12C, I12J, I20C, I28A, I28B, I28J, I46A, I47A | 5t049.n↔ | 21B | X04Z |
| | 08 | I12A, I12B, I12C, I12J, I28A, I28B, I28J, I46A, I47A | | 21A | W04A, W04B | | | BOP, KJZSV, KVT, UOP4, VIAL |
| | 21A | W04A, W04B | | 21B | X04Z, X06A, X06B, X06C | | 08 | I13A, I13B, I13C, I13D, I13E, I13J, I46A, I47A |
| | 21B | X04Z, X06A, X06B, X06C | | | BOP, KJZSV, KVT, UOP4, VIAL | | | BOP, KJZSV, KVT, UOP4, VIAL |
| 5t048.k↔ | | BOP, KJZSV, KVT, UOP4, VIAL | 5t048.w↔ | 08 | I12A, I12B, I12C, I12J, I20C, I28A, I28B, I28J, I46A, I47A | 5t049.s↔ | 08 | I20A, I20B, I20C, I20D, I20J, I20Q, I20R, I46A, I47A |
| | 08 | I12A, I12B, I12C, I12J, I13A, I13B, I13C, I13D, I13J, I46A, I47A | | 21A | W04A, W04B | | | BOP, KJZSV, KVT, UOP4, VIAL |
| | 21A | W04A, W04B | | 21B | X04Z, X06A, X06B, X06C | | 08 | I20A, I20B, I20C, I20D, I20J, I20Q, I20R, I46A, I47A |
| | 21B | X04Z | | | BOP, KJZSV, KVT, UOP4, VIAL | | | BOP, KJZSV, KVT, UOP4, VIAL |
| 5t048.l↔ | | BOP, KJZSV, KVT, UOP4, VIAL | 5t048.x | 08 | I12A, I12B, I12C, I12J, I28A, I28B, I28J, I46A, I47A | 5t049.t↔ | 08 | I20A, I20B, I20C, I20D, I20J, I20Q, I20R, I46A, I47A |
| | 08 | I12A, I12B, I12C, I12J, I13A, I13B, I13C, I13D, I13J, I46A, I47A | | 21A | W04A, W04B | | | BOP, KJZSV, KVT, UOP4, VIAL |
| | 21A | W04A, W04B | | 21B | X06A, X06B, X06C | | 08 | I20A, I20B, I20C, I20D, I20J, I20Q, I20R, I46A, I47A |
| | 21B | X04Z | | | BOP, KJZSV, KVT, UOP4, VIAL | | | BOP, KJZSV, KVT, UOP4, VIAL |
| 5t048.m↔ | | BOP, KJZSV, KVT, UOP4, VIAL | 5t048.y↔ | 04 | E02A, E02B, E02C, E02D | 5t049.u↔ | 08 | I20A, I20B, I20C, I20D, I20J, I20Q, I20R, I46A, I47A |
| | 08 | I12A, I12B, I12C, I12J, I13A, I13B, I13C, I13D, I13E, I13J, I46A, I47A | | 08 | I12A, I12B, I12C, I12J, I28A, I28B, I28J, I46A, I47A | | | BOP, KJZSV, KVT, UOP4, VIAL |
| | 21A | W04A, W04B | | 21A | W04A, W04B | | 08 | I20A, I20B, I20C, I20D, I20J, I20Q, I20R, I46A, I47A |
| | 21B | X04Z | | 21B | X06A, X06B, X06C | | | BOP, KJZSV, KVT, UOP4, VIAL |
| 5t048.n↔ | | BOP, KJZSV, KVT, UOP4, VIAL | 5t049.2↔ | | BOP, KJZSV, KVT, UOP4, VIAL | 5t049.v↔ | 08 | I20A, I20B, I20C, I20D, I20J, I20Q, I20R, I46A, I47A |
| | 08 | I12A, I12B, I12C, I12J, I13A, I13B, I13C, I13D, I13J, I46A, I47A | | 08 | I08A, I08B, I08C, I08D, I08E, I08F, I08J, I12A, I12B, I12C, I12J, I13A, I13B, I13C, I13D, I13E, I13J, I46A, I47A | | | BOP, KJZSV, KVT, UOP4, VIAL |
| | 21A | W04A, W04B | | 21A | W04A, W04B | | 08 | I20A, I20B, I20C, I20D, I20J, I20Q, I20R, I46A, I47A |
| | 21B | X04Z | | 21B | X06A, X06B, X06C | | | BOP, KJZSV, KVT, UOP4, VIAL |
| 5t048.o↔ | | BOP, KJZSV, KVT, UOP4, VIAL | 5t049.3↔ | | BOP, KJZSV, KVT, UOP4, VIAL | 5t049.w↔ | 08 | I20A, I20B, I20C, I20D, I20J, I20Q, I20R, I46A, I47A |
| | 08 | I12A, I12B, I12C, I12J, I13A, I13B, I13C, I13D, I13J, I46A, I47A | | 08 | I08A, I08B, I08C, I08D, I08E, I08F, I08J, I12A, I12B, I12C, I12J, I13A, I13B, I13C, I13D, I13E, I13J, I46A, I47A | | | BOP, KJZSV, KVT, UOP4, VIAL |
| | 21A | W04A, W04B | | 21A | W04A, W04B | | 08 | I20A, I20B, I20C, I20D, I20J, I20Q, I20R, I46A, I47A |
| | 21B | X04Z | | 21B | X06A, X06B, X06C | | | BOP, KJZSV, KVT, UOP4, VIAL |
| 5t048.p↔ | | BOP, KJZSV, KVT, UOP4, VIAL | 5t049.4↔ | | BOP, KJZSV, KVT, UOP4, VIAL | 5t04a.1↔ | 08 | I08A, I08B, I08C, I08D, I08E, I08F, I08J, I12A, I12B, I12C, I12J, I13A, I13B, I13C, I13D, I13E, I13J |
| | 08 | I12A, I12B, I12C, I12J, I13A, I13B, I13C, I13D, I13J, I46A, I47A | | 21A | W04A, W04B | | 21A | W04A, W04B |
| | 21A | W04A, W04B | | 21B | X06A, X06B, X06C | | 21B | X06A, X06B, X06C |
| | 21B | X04Z | | | | | | |

VYK

| ZZV | MDC | DRG | ZZV | MDC | DRG | ZZV | MDC | DRG |
|----------|-----|--|----------|-----|--|----------|-----|--|
| 5t04a.2↔ | | BOP, KJZSV, KVT, UOP4, VIAL | 5t04a.e↔ | | BOP, KJZSV, KVT, UOP4, VIAL | 5t04a.s↔ | | BOP, KJZSV, KVT, UOP4, VIAL |
| | 08 | I08A, I08B, I08C, I08D, I08E, I08F, I08J, I12A, I12B, I12C, I12J, I13A, I13B, I13C, I13D, I13E, I13J | | 01 | B03Z, B17A, B17B, B17C, B17J | | 08 | I20A, I20B, I20C, I20D, I20J, I20Q, I20R |
| | 21A | W04A, W04B | | 08 | I08A, I08B, I08C, I08D, I08E, I08F, I08J | 5t04a.t↔ | | BOP, KJZSV, KVT, UOP4, VIAL |
| | 21B | X06A, X06B, X06C | | 21A | W01A, W01B, W01C, W02A, W02B | | 08 | I20A, I20B, I20C, I20D, I20J, I20Q, I20R |
| 5t04a.3↔ | | BOP, KJZSV, KVT, UOP4, VIAL | 5t04a.f↔ | | BOP, KJZSV, KVT, UOP4, VIAL | 5t04a.u↔ | | BOP, KJZSV, KVT, UOP4, VIAL |
| | 08 | I08A, I08B, I08C, I08D, I08E, I08F, I08J, I12A, I12B, I12C, I12J, I13A, I13B, I13C, I13D, I13E, I13J | | 01 | B03Z, B17A, B17B, B17C, B17J | | 08 | I20A, I20B, I20C, I20D, I20J, I20Q, I20R |
| | 21A | W04A, W04B | | 08 | I08A, I08B, I08C, I08D, I08E, I08F, I08J | 5t04a.v↔ | | BOP, KJZSV, KVT, UOP4, VIAL |
| | 21B | X06A, X06B, X06C | | 21A | W01A, W01B, W01C, W02A, W02B | | 08 | I20A, I20B, I20C, I20D, I20J, I20Q, I20R |
| 5t04a.4↔ | | BOP, KJZSV, KVT, UOP4, VIAL | 5t04a.g↔ | | BOP, KJZSV, KVT, UOP4, VIAL | 5t04a.w↔ | | BOP, KJZSV, KVT, UOP4, VIAL |
| | 08 | I08A, I08B, I08C, I08D, I08E, I08F, I08J, I12A, I12B, I12C, I12J, I21J, I21Z, I31J, I31Z | | 01 | B03Z, B17A, B17B, B17C, B17J | | 08 | I20A, I20B, I20C, I20D, I20J, I20Q, I20R |
| | 21A | W04A, W04B | | 08 | I08A, I08B, I08C, I08D, I08E, I08F, I08J | 5t04a.x | | BOP, KJZSV, KVT, UOP4 |
| | 21B | X06A, X06B, X06C | | 21A | W01A, W01B, W01C, W02A, W02B | | 08 | I12A, I12B, I12C, I12J, I28A, I28B, I28J |
| 5t04a.5↔ | | BOP, KJZSV, KVT, UOP4, VIAL | 5t04a.h↔ | | BOP, KJZSV, KVT, UOP4, VIAL | 21A | | W04A, W04B |
| | 08 | I08A, I08B, I08C, I08D, I08E, I08F, I08J, I12A, I12B, I12C, I12J, I21J, I21Z, I31J, I31Z | | 01 | B03Z, B17A, B17B, B17C, B17J | 21B | | X06A, X06B, X06C |
| | 21A | W04A, W04B | | 08 | I08A, I08B, I08C, I08D, I08E, I08F, I08J | 5t04b.0↔ | | BOP, KJZSV, KVT, UOP4, VIAL |
| | 21B | X06A, X06B, X06C | | 21A | W01A, W01B, W01C, W02A, W02B | | 04 | E02A, E02B, E02C, E02D |
| 5t04a.6↔ | | BOP, KJZSV, KVT, UOP4, VIAL | 5t04a.i↔ | | BOP, KJZSV, KVT, UOP4, VIAL | | 08 | I12A, I12B, I12C, I12J, I28A, I28B, I28J |
| | 08 | I08A, I08B, I08C, I08D, I08E, I08F, I08J, I12A, I12B, I12C, I12J, I21J, I21Z, I31J, I31Z | | 08 | I08A, I08B, I08C, I08D, I08E, I08F, I08J | 21A | | W04A, W04B |
| | 21A | W04A, W04B | | 21A | W01A, W01B, W01C, W02A, W02B | 21B | | X06A, X06B, X06C |
| | 21B | X06A, X06B, X06C | | 21B | X04Z | 5t04b.1↔ | | BOP, KJZSV, KVT, UOP4, VIAL |
| 5t04a.7↔ | | BOP, KJZSV, KVT, UOP4, VIAL | 5t04a.k↔ | | BOP, KJZSV, KVT, UOP4, VIAL | | 08 | I08A, I08B, I08C, I08D, I08E, I08F, I08J, I12A, I12B, I12C, I12J, I13A, I13B, I13C, I13D, I13E, I13J |
| | 08 | I08A, I08B, I08C, I08D, I08E, I08F, I08J, I12A, I12B, I12C, I12J, I21J, I21Z, I31J, I31Z | | 08 | I12A, I12B, I12C, I12J, I13A, I13B, I13C, I13D, I13E, I13J | 21A | | W04A, W04B |
| | 21A | W04A, W04B | | 21A | W04A, W04B | 21B | | X06A, X06B, X06C |
| | 21B | X06A, X06B, X06C | | 21B | X04Z | 5t04b.2↔ | | BOP, KJZSV, KVT, UOP4, VIAL |
| 5t04a.8↔ | | BOP, KJZSV, KVT, UOP4, VIAL | 5t04a.l↔ | | BOP, KJZSV, KVT, UOP4, VIAL | | 08 | I08A, I08B, I08C, I08D, I08E, I08F, I08J, I12A, I12B, I12C, I12J, I13A, I13B, I13C, I13D, I13E, I13J |
| | 08 | I08A, I08B, I08C, I08D, I08E, I08F, I08J, I12A, I12B, I12C, I12J, I21J, I21Z, I31J, I31Z | | 08 | I12A, I12B, I12C, I12J, I13A, I13B, I13C, I13D, I13E, I13J | 21A | | W04A, W04B |
| | 21A | W04A, W04B | | 21A | W04A, W04B | 21B | | X06A, X06B, X06C |
| | 21B | X06A, X06B, X06C | | 21B | X04Z | 5t04b.3↔ | | BOP, KJZSV, KVT, UOP4, VIAL |
| 5t04a.9↔ | | BOP, KJZSV, KVT, UOP4, VIAL | 5t04a.m↔ | | BOP, KJZSV, KVT, UOP4, VIAL | | 08 | I08A, I08B, I08C, I08D, I08E, I08F, I08J, I12A, I12B, I12C, I12J, I13A, I13B, I13C, I13D, I13E, I13J |
| | 08 | I08A, I08B, I08C, I08D, I08E, I08F, I08J, I12A, I12B, I12C, I12J, I21J, I21Z, I31J, I31Z | | 08 | I13A, I13B, I13C, I13D, I13E, I13J | 21A | | W04A, W04B |
| | 21A | W04A, W04B | | 21A | W04A, W04B | 21B | | X06A, X06B, X06C |
| | 21B | X06A, X06B, X06C | | 21B | X04Z | 5t04b.4↔ | | BOP, KJZSV, KVT, UOP4, VIAL |
| 5t04a.a↔ | | BOP, KJZSV, KVT, UOP4, VIAL | 5t04a.n↔ | | BOP, KJZSV, KVT, UOP4, VIAL | | 08 | I08A, I08B, I08C, I08D, I08E, I08F, I08J, I12A, I12B, I12C, I12J, I13A, I13B, I13C, I13D, I13E, I13J |
| | 08 | I12A, I12B, I12C, I12J, I32A, I32B, I32C, I32D, I32E, I32F, I32J, I32Q, I32R, I32S, I32T, I32U | | 08 | I12A, I12B, I12C, I12J, I13A, I13B, I13C, I13D, I13E, I13J | 21A | | W04A, W04B |
| | 21A | W04A, W04B | | 21A | W04A, W04B | 21B | | X06A, X06B, X06C |
| | 21B | X06A, X06B, X06C | | 21B | X04Z | 5t04b.5↔ | | BOP, KJZSV, KVT, UOP4, VIAL |
| 5t04a.d | | BOP, KJZSV, KVT, UOP4, VIAL | 5t04a.o↔ | | BOP, KJZSV, KVT, UOP4, VIAL | | 08 | I08A, I08B, I08C, I08D, I08E, I08F, I08J, I12A, I12B, I12C, I12J, I21J, I21Z, I31J, I31Z |
| | 08 | I08A, I08B, I08C, I08D, I08E, I08F, I08J, I47A | | 08 | I12A, I12B, I12C, I12J, I13A, I13B, I13C, I13D, I13E, I13J | 21A | | W04A, W04B |
| | 21A | W04A, W04B | | 21A | W04A, W04B | 21B | | X06A, X06B, X06C |
| | 21B | X05A, X05B | | 21B | X04Z | | | |

| ZZV | MDC | DRG | ZZV | MDC | DRG | ZZV | MDC | DRG |
|----------|-----|--|----------|-----|--|----------|----------------------|--|
| 5t04b.6↔ | | BOP, KJZSV, KVT, UOP4, VIAL | 5t04b.f↔ | | BOP, KJZSV, KVT, UOP4, VIAL | 5t04b.s↔ | | BOP, KJZSV, KVT, UOP4, VIAL |
| | 08 | I08A, I08B, I08C, I08D, I08E, I08F, I08J, I12A, I12B, I12C, I12J, I21J, I21Z, I31J, I31Z | | 01 | B03Z, B17A, B17B, B17C, B17J | | 08 | I12A, I12B, I12C, I12J, I20C, I28A, I28B, I28J |
| | 21A | W04A, W04B | | 08 | I08A, I08B, I08C, I08D, I08E, I08F, I08J | | 21A | W04A, W04B |
| | 21B | X06A, X06B, X06C | | 21A | W01A, W01B, W01C, W02A, W02B | 5t04b.t↔ | | 21B X04Z, X06A, X06B, X06C |
| 5t04b.7↔ | | BOP, KJZSV, KVT, UOP4, VIAL | | 21B | X04Z | | | BOP, KJZSV, KVT, UOP4, VIAL |
| | 08 | I08A, I08B, I08C, I08D, I08E, I08F, I08J, I12A, I12B, I12C, I12J, I21J, I21Z, I31J, I31Z | 5t04b.g↔ | | BOP, KJZSV, KVT, UOP4, VIAL | | 08 | I12A, I12B, I12C, I12J, I20C, I28A, I28B, I28J |
| | 21A | W04A, W04B | | 01 | B03Z, B17A, B17B, B17C, B17J | | 21A | W04A, W04B |
| | 21B | X06A, X06B, X06C | | 08 | I08A, I08B, I08C, I08D, I08E, I08F, I08J | 5t04b.u↔ | | 21B X04Z, X06A, X06B, X06C |
| 5t04b.8↔ | | BOP, KJZSV, KVT, UOP4, VIAL | | 21A | W01A, W01B, W01C, W02A, W02B | | | BOP, KJZSV, KVT, UOP4, VIAL |
| | 08 | I08A, I08B, I08C, I08D, I08E, I08F, I08J, I12A, I12B, I12C, I12J, I21J, I21Z, I31J, I31Z | | 21B | X04Z | | 08 | I12A, I12B, I12C, I12J, I20C, I28A, I28B, I28J |
| | 21A | W04A, W04B | 5t04b.h↔ | | BOP, KJZSV, KVT, UOP4, VIAL | | 21A | W04A, W04B |
| | 21B | X06A, X06B, X06C | | 01 | B03Z, B17A, B17B, B17C, B17J | 5t04b.v↔ | | 21B X04Z, X06A, X06B, X06C |
| 5t04b.9↔ | | BOP, KJZSV, KVT, UOP4, VIAL | | 08 | I08A, I08B, I08C, I08D, I08E, I08F, I08J | | | BOP, KJZSV, KVT, UOP4, VIAL |
| | 08 | I08A, I08B, I08C, I08D, I08E, I08F, I08J, I12A, I12B, I12C, I12J, I21J, I21Z, I31J, I31Z | | 21A | W01A, W01B, W01C, W02A, W02B | | 08 | I12A, I12B, I12C, I12J, I20C, I28A, I28B, I28J |
| | 21A | W04A, W04B | | 21B | X04Z | | 21A | W04A, W04B |
| | 21B | X06A, X06B, X06C | 5t04b.i↔ | | BOP, KJZSV, KVT, UOP4, VIAL | 5t04b.w↔ | | 21B X04Z, X06A, X06B, X06C |
| | 08 | I12A, I12B, I12C, I12J, I32A, I32B, I32C, I32D, I32E, I32F, I32J, I32Q, I32R, I32S, I32T, I32U | | 08 | I12A, I12B, I12C, I12J, I28A, I28B, I28J | | | BOP, KJZSV, KVT, UOP4, VIAL |
| | 21A | W04A, W04B | | 21A | W04A, W04B | | 08 | I12A, I12B, I12C, I12J, I20C, I28A, I28B, I28J |
| | 21B | X06A, X06B, X06C | | 21B | X04Z, X06A, X06B, X06C | | 21A | W04A, W04B |
| 5t04b.a↔ | | BOP, KJZSV, KVT, UOP4, VIAL | 5t04b.k↔ | | BOP, KJZSV, KVT, UOP4, VIAL | 5t04b.x | | 21B X04Z, X06A, X06B, X06C |
| | 08 | I12A, I12B, I12C, I12J, I32A, I32B, I32C, I32D, I32E, I32F, I32J, I32Q, I32R, I32S, I32T, I32U | | 08 | I12A, I12B, I12C, I12J, I13A, I13B, I13C, I13D, I13E, I13J | | 08 | I12A, I12B, I12C, I12J, I28A, I28B, I28J |
| | 21A | W04A, W04B | | 21A | W04A, W04B | | 21A | W04A, W04B |
| | 21B | X05A, X05B | | 21B | X04Z | | 21B | X06A, X06B, X06C |
| 5t04b.b↔ | | BOP, KJZSV, KVT, UOP4, VIAL | | 08 | I12A, I12B, I12C, I12J, I13A, I13B, I13C, I13D, I13E, I13J | 5t04b.z↔ | | BOP, KJZSV, KVT, UOP4, VIAL |
| | 08 | I12A, I12B, I12C, I12J, I32A, I32B, I32C, I32D, I32E, I32F, I32J, I32Q, I32R, I32S, I32T, I32U | 5t04b.m↔ | | BOP, KJZSV, KVT, UOP4, VIAL | | 04 | E02A, E02B, E02C, E02D |
| | 21A | W04A, W04B | | 08 | I12A, I12B, I12C, I12J, I13A, I13B, I13C, I13D, I13E, I13J | | 08 | I12A, I12B, I12C, I12J, I28A, I28B, I28J |
| | 21B | X05A, X05B | | 21A | W04A, W04B | | 21A | W04A, W04B |
| 5t04b.c↔ | | BOP, KJZSV, KVT, UOP4, VIAL | | 21B | X04Z | 5t04x.0↔ | | 21B X06A, X06B, X06C |
| | 08 | I12A, I12B, I12C, I12J, I32A, I32B, I32C, I32D, I32E, I32F, I32J, I32Q, I32R, I32S, I32T, I32U | 5t04b.n↔ | | BOP, KJZSV, KVT, UOP4, VIAL | | | BOP, KJZSV, KVT, UOP4, VIAL |
| | 21A | W04A, W04B | | 08 | I12A, I12B, I12C, I12J, I13A, I13B, I13C, I13D, I13E, I13J | | 04 | E02A, E02B, E02C, E02D |
| | 21B | X05A, X05B | | 21A | W04A, W04B | | 08 | I12A, I12B, I12C, I12J, I28A, I28B, I28J |
| 5t04b.d | | BOP, KJZSV, KVT, UOP4, VIAL | 5t04b.p↔ | | BOP, KJZSV, KVT, UOP4, VIAL | | 21A | W04A, W04B |
| | 08 | I08A, I08B, I08C, I08D, I08E, I08F, I08J, I12A, I12B, I12C, I12J | | 08 | I12A, I12B, I12C, I12J, I13A, I13B, I13C, I13D, I13E, I13J | 5t04x.1↔ | | 21B X06A, X06B, X06C |
| | 21A | W04A, W04B | | 21A | W04A, W04B | | | BOP, KJZSV, KVT, UOP4, VIAL |
| | 21B | X06A, X06B, X06C | | 21B | X04Z | | 08 | I08A, I08B, I08C, I08D, I08E, I08F, I08J, I12A, I12B, I12C, I12J, I13A, I13B, I13C, I13D, I13E, I13J |
| 5t04b.e↔ | | BOP, KJZSV, KVT, UOP4, VIAL | 5t04b.q↔ | | BOP, KJZSV, KVT, UOP4, VIAL | 5t04x.2↔ | | 21A W04A, W04B |
| | 01 | B03Z, B17A, B17B, B17C, B17J | | 08 | I12A, I12B, I12C, I12J, I13A, I13B, I13C, I13D, I13E, I13J | | 21B X06A, X06B, X06C | |
| | 08 | I08A, I08B, I08C, I08D, I08E, I08F, I08J | | 21A | W04A, W04B | | 08 | I08A, I08B, I08C, I08D, I08E, I08F, I08J, I12A, I12B, I12C, I12J, I13A, I13B, I13C, I13D, I13E, I13J |
| | 21A | W01A, W01B, W01C, W02A, W02B | 5t04b.r↔ | | BOP, KJZSV, KVT, UOP4, VIAL | | 21A | W04A, W04B |
| | 21B | X04Z | | 08 | I12A, I12B, I12C, I12J, I13A, I13B, I13C, I13D, I13E, I13J | | 21B | X06A, X06B, X06C |
| | | | | 21A | W04A, W04B | | | |
| | | | | 21B | X04Z | | | |

VYK

| ZZV | MDC | DRG | ZZV | MDC | DRG | ZZV | MDC | DRG |
|----------|-----|--|----------|-----|--|----------|-----|--|
| 5t04x.3↔ | | BOP, KJZSV, KVT, UOP4, VIAL | 5t04x.c↔ | | BOP, KJZSV, KVT, UOP4, VIAL | 5t04x.n↔ | | BOP, KJZSV, KVT, UOP4, VIAL |
| | 08 | I08A, I08B, I08C, I08D, I08E, I08F, I08J, I12A, I12B, I12C, I12J, I13A, I13B, I13C, I13D, I13E, I13J | | 08 | I12A, I12B, I12C, I12J, I32A, I32B, I32C, I32D, I32E, I32F, I32J, I32Q, I32R, I32S, I32T, I32U | | 08 | I12A, I12B, I12C, I12J, I13A, I13B, I13C, I13D, I13E, I13J |
| | 21A | W04A, W04B | | 21A | W04A, W04B | | 21A | W04A, W04B |
| | 21B | X06A, X06B, X06C | | 21B | X05A, X05B | 5t04x.p↔ | | BOP, KJZSV, KVT, UOP4, VIAL |
| 5t04x.4↔ | | BOP, KJZSV, KVT, UOP4, VIAL | 5t04x.d | | BOP, KJZSV, KVT, UOP4, VIAL | | 08 | I12A, I12B, I12C, I12J, I13A, I13B, I13C, I13D, I13E, I13J |
| | 08 | I08A, I08B, I08C, I08D, I08E, I08F, I08J, I12A, I12B, I12C, I12J, I21J, I21Z, I31J, I31Z | | 08 | I08A, I08B, I08C, I08D, I08E, I08F, I08J, I12A, I12B, I12C, I12J | | 21A | W04A, W04B |
| | 21A | W04A, W04B | | 21A | W04A, W04B | | 21B | X04Z |
| | 21B | X06A, X06B, X06C | | 21B | X06A, X06B, X06C | 5t04x.q↔ | | BOP, KJZSV, KVT, UOP4, VIAL |
| 5t04x.5↔ | | BOP, KJZSV, KVT, UOP4, VIAL | 5t04x.e↔ | | BOP, KJZSV, KVT, UOP4, VIAL | | 08 | I12A, I12B, I12C, I12J, I13A, I13B, I13C, I13D, I13E, I13J |
| | 08 | I08A, I08B, I08C, I08D, I08E, I08F, I08J, I12A, I12B, I12C, I12J, I21J, I21Z, I31J, I31Z | | 01 | B03Z, B17A, B17B, B17C, B17J | | 21A | W04A, W04B |
| | 21A | W04A, W04B | | 08 | I08A, I08B, I08C, I08D, I08E, I08F, I08J | | 21B | X04Z |
| | 21B | X06A, X06B, X06C | | 21A | W01A, W01B, W01C, W02A, W02B | 5t04x.r↔ | | BOP, KJZSV, KVT, UOP4, VIAL |
| 5t04x.6↔ | | BOP, KJZSV, KVT, UOP4, VIAL | | 21B | X04Z | | 08 | I12A, I12B, I12C, I12J, I13A, I13B, I13C, I13D, I13E, I13J |
| | 08 | I08A, I08B, I08C, I08D, I08E, I08F, I08J, I12A, I12B, I12C, I12J, I21J, I21Z, I31J, I31Z | 5t04x.f↔ | | BOP, KJZSV, KVT, UOP4, VIAL | | 21A | W04A, W04B |
| | 21A | W04A, W04B | | 01 | B03Z, B17A, B17B, B17C, B17J | | 21B | X04Z |
| | 21B | X06A, X06B, X06C | | 08 | I08A, I08B, I08C, I08D, I08E, I08F, I08J | 5t04x.s↔ | | BOP, KJZSV, KVT, UOP4, VIAL |
| 5t04x.7↔ | | BOP, KJZSV, KVT, UOP4, VIAL | | 21A | W01A, W01B, W01C, W02A, W02B | | 08 | I12A, I12B, I12C, I12J, I20C, I28A, I28B, I28J |
| | 08 | I08A, I08B, I08C, I08D, I08E, I08F, I08J, I12A, I12B, I12C, I12J, I21J, I21Z, I31J, I31Z | 5t04x.g↔ | | BOP, KJZSV, KVT, UOP4, VIAL | | 21A | W04A, W04B |
| | 21A | W04A, W04B | | 01 | B03Z, B17A, B17B, B17C, B17J | | 21B | X04Z, X06A, X06B, X06C |
| | 21B | X06A, X06B, X06C | | 08 | I08A, I08B, I08C, I08D, I08E, I08F, I08J | 5t04x.t↔ | | BOP, KJZSV, KVT, UOP4, VIAL |
| 5t04x.8↔ | | BOP, KJZSV, KVT, UOP4, VIAL | | 21A | W01A, W01B, W01C, W02A, W02B | | 08 | I12A, I12B, I12C, I12J, I20C, I28A, I28B, I28J |
| | 08 | I08A, I08B, I08C, I08D, I08E, I08F, I08J, I12A, I12B, I12C, I12J, I21J, I21Z, I31J, I31Z | | 21B | X04Z | | 21A | W04A, W04B |
| | 21A | W04A, W04B | | 01 | B03Z, B17A, B17B, B17C, B17J | | 21B | X04Z, X06A, X06B, X06C |
| | 21B | X06A, X06B, X06C | | 08 | I08A, I08B, I08C, I08D, I08E, I08F, I08J | 5t04x.u↔ | | BOP, KJZSV, KVT, UOP4, VIAL |
| 5t04x.9↔ | | BOP, KJZSV, KVT, UOP4, VIAL | | 21A | W01A, W01B, W01C, W02A, W02B | | 08 | I12A, I12B, I12C, I12J, I20C, I28A, I28B, I28J |
| | 08 | I08A, I08B, I08C, I08D, I08E, I08F, I08J, I12A, I12B, I12C, I12J, I21J, I21Z, I31J, I31Z | 5t04x.h↔ | | BOP, KJZSV, KVT, UOP4, VIAL | | 21A | W04A, W04B |
| | 21A | W04A, W04B | | 01 | B03Z, B17A, B17B, B17C, B17J | | 21B | X04Z, X06A, X06B, X06C |
| | 21B | X06A, X06B, X06C | | 08 | I08A, I08B, I08C, I08D, I08E, I08F, I08J | 5t04x.v↔ | | BOP, KJZSV, KVT, UOP4, VIAL |
| 5t04x.a↔ | | BOP, KJZSV, KVT, UOP4, VIAL | | 21A | W01A, W01B, W01C, W02A, W02B | | 08 | I12A, I12B, I12C, I12J, I20C, I28A, I28B, I28J |
| | 08 | I12A, I12B, I12C, I12J, I32A, I32B, I32C, I32D, I32E, I32F, I32J, I32Q, I32R, I32S, I32T, I32U | 5t04x.i↔ | | BOP, KJZSV, KVT, UOP4, VIAL | | 21A | W04A, W04B |
| | 21A | W04A, W04B | | 08 | I12A, I12B, I12C, I12J, I28A, I28B, I28J | | 21B | X04Z, X06A, X06B, X06C |
| | 21B | X05A, X05B | | 21A | W04A, W04B | 5t04x.w↔ | | BOP, KJZSV, KVT, UOP4, VIAL |
| 5t04x.b↔ | | BOP, KJZSV, KVT, UOP4, VIAL | | 21B | X04Z | | 08 | I12A, I12B, I12C, I12J, I20C, I28A, I28B, I28J |
| | 08 | I12A, I12B, I12C, I12J, I32A, I32B, I32C, I32D, I32E, I32F, I32J, I32Q, I32R, I32S, I32T, I32U | 5t04x.k↔ | | BOP, KJZSV, KVT, UOP4, VIAL | | 21A | W04A, W04B |
| | 21A | W04A, W04B | | 08 | I12A, I12B, I12C, I12J, I13A, I13B, I13C, I13D, I13E, I13J | | 21B | X06A, X06B, X06C |
| | 21B | X05A, X05B | | 21A | W04A, W04B | 5t04x.x | | BOP, KJZSV, KVT, UOP4, VIAL |
| | | | | 21B | X04Z | | 08 | I12A, I12B, I12C, I12J, I28A, I28B, I28J |
| | | | | | | | 21A | W04A, W04B |
| | | | | | | | 21B | X06A, X06B, X06C |
| | | | | | | | | BOP, KJZSV, KVT, UOP4, VIAL |
| | | | | | | | 04 | E02A, E02B, E02C, E02D |
| | | | | | | | 08 | I12A, I12B, I12C, I12J, I28A, I28B, I28J |
| | | | | | | | 21A | W04A, W04B |
| | | | | | | | 21B | X06A, X06B, X06C |

| ZZV | MDC | DRG | ZZV | MDC | DRG | ZZV | MDC | DRG |
|----------|-----|--|----------|-----|--|----------|-----|--|
| 5t051.2↔ | | BOP, KJZSV, KVT, UOP4, VIAL | 5t051.b↔ | | BOP, KJZSV, KVT, UOP4, VIAL | 5t051.m↔ | | BOP, KJZSV, KVT, UOP4, VIAL |
| | 08 | I08A, I08B, I08C, I08D, I08E, I08F, I08J, I12A, I12B, I12C, I12J, I13A, I13B, I13C, I13D, I13J | | 08 | I12A, I12B, I12C, I12J, I32A, I32B, I32C, I32D, I32E, I32F, I32J, I32Q, I32R, I32S, I32T, I32U | | 08 | I12A, I12B, I12C, I12J, I13A, I13B, I13C, I13D, I13J |
| | 21A | W04A, W04B | | 21A | W04A, W04B | | 21A | W04A, W04B |
| | 21B | X06A, X06B, X06C | | 21B | X05A, X05B | 5t051.n↔ | 21B | X04Z |
| 5t051.3↔ | | BOP, KJZSV, KVT, UOP4, VIAL | 5t051.c↔ | | BOP, KJZSV, KVT, UOP4, VIAL | | 08 | I12A, I12B, I12C, I12J, I13A, I13B, I13C, I13D, I13J |
| | 08 | I08A, I08B, I08C, I08D, I08E, I08F, I08J, I12A, I12B, I12C, I12J, I13A, I13B, I13C, I13D, I13J | | 08 | I12A, I12B, I12C, I12J, I32A, I32B, I32C, I32D, I32E, I32F, I32J, I32Q, I32R, I32S, I32T, I32U | | 21A | W04A, W04B |
| | 21A | W04A, W04B | | 21A | W04A, W04B | | 21B | X04Z |
| | 21B | X06A, X06B, X06C | | 21B | X05A, X05B | 5t051.p↔ | | BOP, KJZSV, KVT, UOP4, VIAL |
| 5t051.4↔ | | BOP, KJZSV, KVT, UOP4, VIAL | 5t051.d | | BOP, KJZSV, KVT, UOP4, VIAL | | 08 | I12A, I12B, I12C, I12J, I13A, I13B, I13C, I13D, I13J |
| | 08 | I08A, I08B, I08C, I08D, I08E, I08F, I08J, I12A, I12B, I12C, I12J, I21J, I21Z, I31J, I31Z | | 08 | I08A, I08B, I08C, I08D, I08E, I08F, I08J, I12A, I12B, I12C, I12J | 5t051.q↔ | | BOP, KJZSV, KVT, UOP4, VIAL |
| | 21A | W04A, W04B | | 21A | W04A, W04B | | 08 | I12A, I12B, I12C, I12J, I13A, I13B, I13C, I13D, I13J |
| | 21B | X06A, X06B, X06C | | 21B | X06A, X06B, X06C | | 21A | W04A, W04B |
| 5t051.5↔ | | BOP, KJZSV, KVT, UOP4, VIAL | 5t051.e↔ | | BOP, KJZSV, KVT, UOP4, VIAL | | 21B | X04Z |
| | 08 | I08A, I08B, I08C, I08D, I08E, I08F, I08J, I12A, I12B, I12C, I12J, I21J, I21Z, I31J, I31Z | | 01 | B03Z, B17A, B17B, B17C, B17J | 5t051.r↔ | | BOP, KJZSV, KVT, UOP4, VIAL |
| | 21A | W04A, W04B | | 08 | I08A, I08B, I08C, I08D, I08E, I08F, I08J | | 08 | I12A, I12B, I12C, I12J, I13A, I13B, I13C, I13D, I13J |
| | 21B | X06A, X06B, X06C | | 21A | W01A, W01B, W01C, W02A, W02B | | 21A | W04A, W04B |
| 5t051.6↔ | | BOP, KJZSV, KVT, UOP4, VIAL | | 21B | X04Z | 5t051.s↔ | 21B | X04Z |
| | 08 | I08A, I08B, I08C, I08D, I08E, I08F, I08J, I12A, I12B, I12C, I12J, I21J, I21Z, I31J, I31Z | 5t051.f↔ | | BOP, KJZSV, KVT, UOP4, VIAL | | 08 | I12A, I12B, I12C, I12J, I28A, I28B, I28J |
| | 21A | W04A, W04B | | 01 | B03Z, B17A, B17B, B17C, B17J | | 21A | W04A, W04B |
| | 21B | X06A, X06B, X06C | | 08 | I08A, I08B, I08C, I08D, I08E, I08F, I08J | | 21B | X04Z, X06A, X06B, X06C |
| 5t051.7↔ | | BOP, KJZSV, KVT, UOP4, VIAL | | 21A | W01A, W01B, W01C, W02A, W02B | 5t051.t↔ | | BOP, KJZSV, KVT, UOP4, VIAL |
| | 08 | I08A, I08B, I08C, I08D, I08E, I08F, I08J, I12A, I12B, I12C, I12J, I21J, I21Z, I31J, I31Z | | 21B | X04Z | | 08 | I12A, I12B, I12C, I12J, I28A, I28B, I28J |
| | 21A | W04A, W04B | 5t051.g↔ | | BOP, KJZSV, KVT, UOP4, VIAL | | 21A | W04A, W04B |
| | 21B | X06A, X06B, X06C | | 01 | B03Z, B17A, B17B, B17C, B17J | | 21B | X04Z, X06A, X06B, X06C |
| 5t051.8↔ | | BOP, KJZSV, KVT, UOP4, VIAL | | 08 | I08A, I08B, I08C, I08D, I08E, I08F, I08J | 5t051.u↔ | | BOP, KJZSV, KVT, UOP4, VIAL |
| | 08 | I08A, I08B, I08C, I08D, I08E, I08F, I08J, I12A, I12B, I12C, I12J, I21J, I21Z, I31J, I31Z | | 21A | W01A, W01B, W01C, W02A, W02B | | 08 | I12A, I12B, I12C, I12J, I28A, I28B, I28J |
| | 21A | W04A, W04B | | 21B | X04Z | | 21A | W04A, W04B |
| | 21B | X06A, X06B, X06C | 5t051.h↔ | | BOP, KJZSV, KVT, UOP4, VIAL | | 21B | X04Z, X06A, X06B, X06C |
| 5t051.9↔ | | BOP, KJZSV, KVT, UOP4, VIAL | | 01 | B03Z, B17A, B17B, B17C, B17J | 5t051.v↔ | | BOP, KJZSV, KVT, UOP4, VIAL |
| | 08 | I08A, I08B, I08C, I08D, I08E, I08F, I08J, I12A, I12B, I12C, I12J, I21J, I21Z, I31J, I31Z | | 08 | I08A, I08B, I08C, I08D, I08E, I08F, I08J | | 08 | I12A, I12B, I12C, I12J, I28A, I28B, I28J |
| | 21A | W04A, W04B | | 21A | W01A, W01B, W01C, W02A, W02B | | 21A | W04A, W04B |
| | 21B | X06A, X06B, X06C | | 21B | X04Z | | 21B | X04Z, X06A, X06B, X06C |
| 5t051.a↔ | | BOP, KJZSV, KVT, UOP4, VIAL | 5t051.i↔ | | BOP, KJZSV, KVT, UOP4, VIAL | 5t051.w↔ | | BOP, KJZSV, KVT, UOP4, VIAL |
| | 08 | I12A, I12B, I12C, I12J, I32A, I32B, I32C, I32D, I32E, I32F, I32J, I32Q, I32R, I32S, I32T, I32U | | 08 | I12A, I12B, I12C, I12J, I28A, I28B, I28J | | 08 | I12A, I12B, I12C, I12J, I28A, I28B, I28J |
| | 21A | W04A, W04B | | 21A | W04A, W04B | | 21A | W04A, W04B |
| | 21B | X05A, X05B | 5t051.k↔ | | BOP, KJZSV, KVT, UOP4, VIAL | | 21B | X04Z, X06A, X06B, X06C |
| | | | | 08 | I12A, I12B, I12C, I12J, I13A, I13B, I13C, I13D, I13J | | 03 | D12A, D12B, D12J, D12Q |
| | | | | 21A | W04A, W04B | | 08 | I12A, I12B, I12C, I12J, I28A, I28B, I28J |
| | | | | 21B | X04Z | | 21A | W04A, W04B |
| | | | | | | | 21B | X06A, X06B, X06C |

VYK

| ZZV | MDC | DRG | ZZV | MDC | DRG | ZZV | MDC | DRG |
|----------|-----|--|----------|-----|--|----------|-----|--|
| 5t051.z↔ | | BOP, KJZSV, KVT, UOP4, VIAL | 5t052.8↔ | | BOP, KJZSV, KVT, UOP4, VIAL | 5t052.g↔ | | BOP, KJZSV, KVT, UOP4, VIAL |
| | 04 | E02A, E02B, E02C, E02D | | 08 | I08A, I08B, I08C, I08D, I08E, I08F, I08J, I12A, I12B, I12C, I12J, I21J, I21Z, I31J, I31Z | | 01 | B03Z, B17A, B17B, B17C, B17J |
| | 08 | I12A, I12B, I12C, I12J, I28A, I28B, I28J | | 21A | W04A, W04B | | 08 | I08A, I08B, I08C, I08D, I08E, I08F, I08J |
| | 21A | W04A, W04B | | 21B | X06A, X06B, X06C | | 21A | W01A, W01B, W01C, W02A, W02B |
| | 21B | X06A, X06B, X06C | 5t052.9↔ | | BOP, KJZSV, KVT, UOP4, VIAL | | 21B | X04Z |
| 5t052.0↔ | | BOP, KJZSV, KVT, UOP4, VIAL | | 08 | I08A, I08B, I08C, I08D, I08E, I08F, I08J, I12A, I12B, I12C, I12J, I21J, I21Z, I31J, I31Z | 5t052.h↔ | | BOP, KJZSV, KVT, UOP4, VIAL |
| | 04 | E02A, E02B, E02C, E02D | | 21A | W04A, W04B | | 01 | B03Z, B17A, B17B, B17C, B17J |
| | 08 | I12A, I12B, I12C, I12J, I28A, I28B, I28J | | 21B | X06A, X06B, X06C | | 08 | I08A, I08B, I08C, I08D, I08E, I08F, I08J |
| | 21A | W04A, W04B | 5t052.a↔ | | BOP, KJZSV, KVT, UOP4, VIAL | | 21A | W01A, W01B, W01C, W02A, W02B |
| | 21B | X06A, X06B, X06C | | 08 | I12A, I12B, I12C, I12J, I32A, I32B, I32C, I32D, I32E, I32F, I32J, I32Q, I32R, I32S, I32T, I32U | | 21B | X04Z |
| 5t052.1↔ | | BOP, KJZSV, KVT, UOP4, VIAL | | 21A | W04A, W04B | 5t052.j↔ | | BOP, KJZSV, KVT, UOP4, VIAL |
| | 08 | I08A, I08B, I08C, I08D, I08E, I08F, I08J, I12A, I12B, I12C, I12J, I13A, I13B, I13C, I13D, I13J | | 21B | X05A, X05B | | 08 | I12A, I12B, I12C, I12J, I28A, I28B, I28J |
| | 21A | W04A, W04B | 5t052.b↔ | | BOP, KJZSV, KVT, UOP4, VIAL | | 21A | W04A, W04B |
| | 21B | X06A, X06B, X06C | | 08 | I12A, I12B, I12C, I12J, I32A, I32B, I32C, I32D, I32E, I32F, I32J, I32Q, I32R, I32S, I32T, I32U | 5t052.k↔ | | BOP, KJZSV, KVT, UOP4, VIAL |
| 5t052.2↔ | | BOP, KJZSV, KVT, UOP4, VIAL | | 21A | W04A, W04B | | 08 | I12A, I12B, I12C, I12J, I13A, I13B, I13C, I13D, I13J |
| | 08 | I08A, I08B, I08C, I08D, I08E, I08F, I08J, I12A, I12B, I12C, I12J, I13A, I13B, I13C, I13D, I13J | | 21B | X05A, X05B | | 21A | W04A, W04B |
| | 21A | W04A, W04B | 5t052.c↔ | | BOP, KJZSV, KVT, UOP4, VIAL | 5t052.m↔ | | BOP, KJZSV, KVT, UOP4, VIAL |
| | 21B | X06A, X06B, X06C | | 08 | I12A, I12B, I12C, I12J, I32A, I32B, I32C, I32D, I32E, I32F, I32J, I32Q, I32R, I32S, I32T, I32U | | 08 | I12A, I12B, I12C, I12J, I13A, I13B, I13C, I13D, I13J |
| 5t052.3↔ | | BOP, KJZSV, KVT, UOP4, VIAL | | 21A | W04A, W04B | | 21A | W04A, W04B |
| | 08 | I08A, I08B, I08C, I08D, I08E, I08F, I08J, I12A, I12B, I12C, I12J, I13A, I13B, I13C, I13D, I13J | | 21B | X05A, X05B | | 21B | X04Z |
| | 21A | W04A, W04B | 5t052.d | | BOP, KJZSV, KVT, UOP4, VIAL | 5t052.n↔ | | BOP, KJZSV, KVT, UOP4, VIAL |
| | 21B | X06A, X06B, X06C | | 08 | I08A, I08B, I08C, I08D, I08E, I08F, I08J, I12A, I12B, I12C, I12J | | 08 | I12A, I12B, I12C, I12J, I13A, I13B, I13C, I13D, I13J |
| 5t052.4↔ | | BOP, KJZSV, KVT, UOP4, VIAL | | 21A | W04A, W04B | | 21A | W04A, W04B |
| | 08 | I08A, I08B, I08C, I08D, I08E, I08F, I08J, I12A, I12B, I12C, I12J, I21J, I21Z, I31J, I31Z | | 21B | X06A, X06B, X06C | 5t052.p↔ | | BOP, KJZSV, KVT, UOP4, VIAL |
| | 21A | W04A, W04B | 5t052.e↔ | | BOP, KJZSV, KVT, UOP4, VIAL | | 08 | I12A, I12B, I12C, I12J, I13A, I13B, I13C, I13D, I13J |
| | 21B | X06A, X06B, X06C | | 01 | B03Z, B17A, B17B, B17C, B17J | | 21A | W04A, W04B |
| 5t052.5↔ | | BOP, KJZSV, KVT, UOP4, VIAL | | 08 | I08A, I08B, I08C, I08D, I08E, I08F, I08J | 5t052.q↔ | | BOP, KJZSV, KVT, UOP4, VIAL |
| | 08 | I08A, I08B, I08C, I08D, I08E, I08F, I08J, I12A, I12B, I12C, I12J, I21J, I21Z, I31J, I31Z | | 21A | W01A, W01B, W01C, W02A, W02B | | 08 | I12A, I12B, I12C, I12J, I13A, I13B, I13C, I13D, I13J |
| | 21A | W04A, W04B | | 21B | X04Z | | 21A | W04A, W04B |
| | 21B | X06A, X06B, X06C | 5t052.f↔ | | BOP, KJZSV, KVT, UOP4, VIAL | | 21B | X04Z |
| 5t052.6↔ | | BOP, KJZSV, KVT, UOP4, VIAL | | 01 | B03Z, B17A, B17B, B17C, B17J | 5t052.r↔ | | BOP, KJZSV, KVT, UOP4, VIAL |
| | 08 | I08A, I08B, I08C, I08D, I08E, I08F, I08J, I12A, I12B, I12C, I12J, I21J, I21Z, I31J, I31Z | | 08 | I08A, I08B, I08C, I08D, I08E, I08F, I08J | | 08 | I12A, I12B, I12C, I12J, I13A, I13B, I13C, I13D, I13J |
| | 21A | W04A, W04B | | 21A | W01A, W01B, W01C, W02A, W02B | | 21A | W04A, W04B |
| | 21B | X06A, X06B, X06C | | 21B | X04Z | 5t052.s↔ | | BOP, KJZSV, KVT, UOP4, VIAL |
| 5t052.7↔ | | BOP, KJZSV, KVT, UOP4, VIAL | | 08 | I08A, I08B, I08C, I08D, I08E, I08F, I08J | | 08 | I12A, I12B, I12C, I12J, I28A, I28B, I28J |
| | 08 | I08A, I08B, I08C, I08D, I08E, I08F, I08J, I12A, I12B, I12C, I12J, I21J, I21Z, I31J, I31Z | | 21A | W01A, W01B, W01C, W02A, W02B | | 21A | W04A, W04B |
| | 21A | W04A, W04B | | 21B | X04Z | | 21B | X04Z |
| | 21B | X06A, X06B, X06C | | | | | | |

VYK

| ZZV | MDC | DRG | ZZV | MDC | DRG | ZZV | MDC | DRG | |
|----------|-----|--|----------|----------|--|-----------------------------|----------|--|-----------------------------|
| 5t052.t↔ | | BOP, KJZSV, KVT, UOP4, VIAL | 5t053.4↔ | | BOP, KJZSV, KVT, UOP4, VIAL | 5t053.d | | BOP, KJZSV, KVT, UOP4, VIAL | |
| | 08 | I12A, I12B, I12C, I12J, I28A, I28B, I28J | | 08 | I08A, I08B, I08C, I08D, I08E, I08F, I08J, I12A, I12B, I12C, I12J, I21J, I21Z, I31J, I31Z | | 08 | I08A, I08B, I08C, I08D, I08E, I08F, I08J, I12A, I12B, I12C, I12J | |
| | 21A | W04A, W04B | | 21A | W04A, W04B | | 21A | W04A, W04B | |
| | 21B | X04Z, X06A, X06B, X06C | | 21B | X06A, X06B, X06C | | 21B | X06A, X06B, X06C | |
| 5t052.u↔ | | BOP, KJZSV, KVT, UOP4, VIAL | 5t053.5↔ | | BOP, KJZSV, KVT, UOP4, VIAL | 5t053.e↔ | | BOP, KJZSV, KVT, UOP4, VIAL | |
| | 08 | I12A, I12B, I12C, I12J, I28A, I28B, I28J | | 08 | I08A, I08B, I08C, I08D, I08E, I08F, I08J, I12A, I12B, I12C, I12J, I21J, I21Z, I31J, I31Z | | 01 | B03Z, B17A, B17B, B17C, B17J | |
| | 21A | W04A, W04B | | 21A | W04A, W04B | | 08 | I08A, I08B, I08C, I08D, I08E, I08F, I08J | |
| | 21B | X04Z, X06A, X06B, X06C | | 21B | X06A, X06B, X06C | | 21A | W01A, W01B, W01C, W02A, W02B | |
| 5t052.v↔ | | BOP, KJZSV, KVT, UOP4, VIAL | 5t053.6↔ | | BOP, KJZSV, KVT, UOP4, VIAL | 5t053.f↔ | | BOP, KJZSV, KVT, UOP4, VIAL | |
| | 08 | I12A, I12B, I12C, I12J, I28A, I28B, I28J | | 08 | I08A, I08B, I08C, I08D, I08E, I08F, I08J, I12A, I12B, I12C, I12J, I21J, I21Z, I31J, I31Z | | 01 | B03Z, B17A, B17B, B17C, B17J | |
| | 21A | W04A, W04B | | 21A | W04A, W04B | | 08 | I08A, I08B, I08C, I08D, I08E, I08F, I08J | |
| | 21B | X04Z, X06A, X06B, X06C | | 21B | X06A, X06B, X06C | | 21A | W01A, W01B, W01C, W02A, W02B | |
| 5t052.w↔ | | BOP, KJZSV, KVT, UOP4, VIAL | 5t053.7↔ | | BOP, KJZSV, KVT, UOP4, VIAL | 5t053.g↔ | | BOP, KJZSV, KVT, UOP4, VIAL | |
| | 08 | I12A, I12B, I12C, I12J, I28A, I28B, I28J | | 08 | I08A, I08B, I08C, I08D, I08E, I08F, I08J, I12A, I12B, I12C, I12J, I21J, I21Z, I31J, I31Z | | 01 | B03Z, B17A, B17B, B17C, B17J | |
| | 21A | W04A, W04B | | 21A | W04A, W04B | | 08 | I08A, I08B, I08C, I08D, I08E, I08F, I08J | |
| | 21B | X04Z, X06A, X06B, X06C | | 21B | X06A, X06B, X06C | | 21A | W01A, W01B, W01C, W02A, W02B | |
| 5t052.x | | BOP, KJZSV, KVT, UOP4 | 5t053.8↔ | | BOP, KJZSV, KVT, UOP4, VIAL | 5t053.h↔ | | BOP, KJZSV, KVT, UOP4, VIAL | |
| | 03 | D12A, D12B, D12J, D12Q | | 08 | I08A, I08B, I08C, I08D, I08E, I08F, I08J, I12A, I12B, I12C, I12J, I21J, I21Z, I31J, I31Z | | 01 | B03Z, B17A, B17B, B17C, B17J | |
| | 08 | I12A, I12B, I12C, I12J, I28A, I28B, I28J | | 21A | W04A, W04B | | 08 | I08A, I08B, I08C, I08D, I08E, I08F, I08J | |
| | 21A | W04A, W04B | | 21B | X06A, X06B, X06C | | 21A | W01A, W01B, W01C, W02A, W02B | |
| | 21B | X06A, X06B, X06C | | 5t053.9↔ | | BOP, KJZSV, KVT, UOP4, VIAL | 5t053.i↔ | | BOP, KJZSV, KVT, UOP4, VIAL |
| 5t052.z↔ | | BOP, KJZSV, KVT, UOP4, VIAL | | 08 | I08A, I08B, I08C, I08D, I08E, I08F, I08J, I12A, I12B, I12C, I12J, I21J, I21Z, I31J, I31Z | | 01 | B03Z, B17A, B17B, B17C, B17J | |
| | 04 | E02A, E02B, E02C, E02D | | 21A | W04A, W04B | | 08 | I08A, I08B, I08C, I08D, I08E, I08F, I08J | |
| | 08 | I12A, I12B, I12C, I12J, I28A, I28B, I28J | | 21B | X06A, X06B, X06C | | 21A | W01A, W01B, W01C, W02A, W02B | |
| | 21A | W04A, W04B | | 5t053.a↔ | | BOP, KJZSV, KVT, UOP4, VIAL | 5t053.j↔ | | BOP, KJZSV, KVT, UOP4, VIAL |
| | 21B | X06A, X06B, X06C | | 08 | I12A, I12B, I12C, I12J, I32A, I32B, I32C, I32D, I32E, I32F, I32J, I32Q, I32R, I32S, I32T, I32U | | 08 | I12A, I12B, I12C, I12J, I28A, I28B, I28J | |
| 5t053.0↔ | | BOP, KJZSV, KVT, UOP4, VIAL | | 21A | W04A, W04B | | 21A | W04A, W04B | |
| | 04 | E02A, E02B, E02C, E02D | | 21B | X06A, X06B, X06C | | 21B | X04Z, X06A, X06B, X06C | |
| | 08 | I12A, I12B, I12C, I12J, I28A, I28B, I28J | | 5t053.b↔ | | BOP, KJZSV, KVT, UOP4, VIAL | 5t053.k↔ | | BOP, KJZSV, KVT, UOP4, VIAL |
| | 21A | W04A, W04B | | 08 | I12A, I12B, I12C, I12J, I32A, I32B, I32C, I32D, I32E, I32F, I32J, I32Q, I32R, I32S, I32T, I32U | | 08 | I12A, I12B, I12C, I12J, I13A, I13B, I13C, I13D, I13J | |
| | 21B | X06A, X06B, X06C | | 21A | W04A, W04B | | 21A | W04A, W04B | |
| 5t053.1↔ | | BOP, KJZSV, KVT, UOP4, VIAL | | 21B | X05A, X05B | | 21B | X04Z | |
| | 08 | I08A, I08B, I08C, I08D, I08E, I08F, I08J, I12A, I12B, I12C, I12J, I13A, I13B, I13C, I13D, I13J | | 5t053.c↔ | | BOP, KJZSV, KVT, UOP4, VIAL | 5t053.l↔ | | BOP, KJZSV, KVT, UOP4, VIAL |
| | 21A | W04A, W04B | | 08 | I12A, I12B, I12C, I12J, I32A, I32B, I32C, I32D, I32E, I32F, I32J, I32Q, I32R, I32S, I32T, I32U | | 08 | I12A, I12B, I12C, I12J, I13A, I13B, I13C, I13D, I13J | |
| | 21B | X06A, X06B, X06C | | 21A | W04A, W04B | | 21A | W04A, W04B | |
| 5t053.2↔ | | BOP, KJZSV, KVT, UOP4, VIAL | | 21B | X05A, X05B | | 21B | X04Z | |
| | 08 | I08A, I08B, I08C, I08D, I08E, I08F, I08J, I12A, I12B, I12C, I12J, I13A, I13B, I13C, I13D, I13J | | 5t053.d↔ | | BOP, KJZSV, KVT, UOP4, VIAL | 5t053.m↔ | | BOP, KJZSV, KVT, UOP4, VIAL |
| | 21A | W04A, W04B | | 08 | I12A, I12B, I12C, I12J, I32A, I32B, I32C, I32D, I32E, I32F, I32J, I32Q, I32R, I32S, I32T, I32U | | 08 | I12A, I12B, I12C, I12J, I13A, I13B, I13C, I13D, I13J | |
| | 21B | X06A, X06B, X06C | | 21A | W04A, W04B | | 21A | W04A, W04B | |
| 5t053.3↔ | | BOP, KJZSV, KVT, UOP4, VIAL | | 21B | X05A, X05B | | 21B | X04Z | |
| | 08 | I08A, I08B, I08C, I08D, I08E, I08F, I08J, I12A, I12B, I12C, I12J, I13A, I13B, I13C, I13D, I13J | | 5t053.e↔ | | BOP, KJZSV, KVT, UOP4, VIAL | 5t053.n↔ | | BOP, KJZSV, KVT, UOP4, VIAL |
| | 21A | W04A, W04B | | 08 | I12A, I12B, I12C, I12J, I32A, I32B, I32C, I32D, I32E, I32F, I32J, I32Q, I32R, I32S, I32T, I32U | | 08 | I12A, I12B, I12C, I12J, I13A, I13B, I13C, I13D, I13J | |
| | 21B | X06A, X06B, X06C | | 21A | W04A, W04B | | 21A | W04A, W04B | |
| | | | | 21B | X05A, X05B | | 21B | X04Z | |

| ZZV | MDC | DRG | ZZV | MDC | DRG | ZZV | MDC | DRG |
|----------|-----|--|----------|-----|--|----------|-----|--|
| 5t053.p↔ | | BOP, KJZSV, KVT, UOP4, VIAL | 5t054.1↔ | | BOP, KJZSV, KVT, UOP4, VIAL | 5t054.a↔ | | BOP, KJZSV, KVT, UOP4, VIAL |
| | 08 | I12A, I12B, I12C, I12J, I13A, I13B, I13C, I13D, I13J | | 08 | I08A, I08B, I08C, I08D, I08E, I08F, I08J, I12A, I12B, I12C, I12J, I13A, I13B, I13C, I13D, I13J | | 08 | I12A, I12B, I12C, I12J, I32A, I32B, I32C, I32D, I32E, I32F, I32J, I32Q, I32R, I32S, I32T, I32U |
| | 21A | W04A, W04B | | 21A | W04A, W04B | | 21A | W04A, W04B |
| | 21B | X04Z | | 21B | X06A, X06B, X06C | | 21B | X05A, X05B |
| 5t053.q↔ | | BOP, KJZSV, KVT, UOP4, VIAL | 5t054.2↔ | | BOP, KJZSV, KVT, UOP4, VIAL | 5t054.b↔ | | BOP, KJZSV, KVT, UOP4, VIAL |
| | 08 | I12A, I12B, I12C, I12J, I13A, I13B, I13C, I13D, I13J | | 08 | I08A, I08B, I08C, I08D, I08E, I08F, I08J, I12A, I12B, I12C, I12J, I13A, I13B, I13C, I13D, I13J | | 08 | I12A, I12B, I12C, I12J, I32A, I32B, I32C, I32D, I32E, I32F, I32J, I32Q, I32R, I32S, I32T, I32U |
| | 21A | W04A, W04B | | 21A | W04A, W04B | | 21A | W04A, W04B |
| | 21B | X04Z | | 21B | X06A, X06B, X06C | | 21B | X05A, X05B |
| 5t053.r↔ | | BOP, KJZSV, KVT, UOP4, VIAL | 5t054.3↔ | | BOP, KJZSV, KVT, UOP4, VIAL | 5t054.c↔ | | BOP, KJZSV, KVT, UOP4, VIAL |
| | 08 | I12A, I12B, I12C, I12J, I13A, I13B, I13C, I13D, I13J | | 08 | I08A, I08B, I08C, I08D, I08E, I08F, I08J, I12A, I12B, I12C, I12J, I13A, I13B, I13C, I13D, I13J | | 08 | I12A, I12B, I12C, I12J, I32A, I32B, I32C, I32D, I32E, I32F, I32J, I32Q, I32R, I32S, I32T, I32U |
| | 21A | W04A, W04B | | 21A | W04A, W04B | | 21A | W04A, W04B |
| | 21B | X04Z | | 21B | X06A, X06B, X06C | | 21B | X05A, X05B |
| 5t053.s↔ | | BOP, KJZSV, KVT, UOP4, VIAL | 5t054.4↔ | | BOP, KJZSV, KVT, UOP4, VIAL | 5t054.d | | BOP, KJZSV, KVT, UOP4, VIAL |
| | 08 | I12A, I12B, I12C, I12J, I28A, I28B, I28J | | 08 | I08A, I08B, I08C, I08D, I08E, I08F, I08J, I12A, I12B, I12C, I12J, I13A, I13B, I13C, I13D, I13J | | 08 | I08A, I08B, I08C, I08D, I08E, I08F, I08J, I12A, I12B, I12C, I12J |
| | 21A | W04A, W04B | | 21A | W04A, W04B | | 21A | W04A, W04B |
| | 21B | X04Z, X06A, X06B, X06C | | 21B | X06A, X06B, X06C | | 21B | X06A, X06B, X06C |
| 5t053.t↔ | | BOP, KJZSV, KVT, UOP4, VIAL | 5t054.5↔ | | BOP, KJZSV, KVT, UOP4, VIAL | 5t054.e↔ | | BOP, KJZSV, KVT, UOP4, VIAL |
| | 08 | I12A, I12B, I12C, I12J, I28A, I28B, I28J | | 08 | I08A, I08B, I08C, I08D, I08E, I08F, I08J, I12A, I12B, I12C, I12J, I21J, I21Z, I31J, I31Z | | 01 | B03Z, B17A, B17B, B17C, B17J |
| | 21A | W04A, W04B | | 21A | W04A, W04B | | 08 | I08A, I08B, I08C, I08D, I08E, I08F, I08J |
| | 21B | X04Z, X06A, X06B, X06C | | 21B | X06A, X06B, X06C | | 21A | W01A, W01B, W01C, W02A, W02B |
| 5t053.u↔ | | BOP, KJZSV, KVT, UOP4, VIAL | 5t054.6↔ | | BOP, KJZSV, KVT, UOP4, VIAL | 5t054.f↔ | | BOP, KJZSV, KVT, UOP4, VIAL |
| | 08 | I12A, I12B, I12C, I12J, I28A, I28B, I28J | | 08 | I08A, I08B, I08C, I08D, I08E, I08F, I08J, I12A, I12B, I12C, I12J, I21J, I21Z, I31J, I31Z | | 01 | B03Z, B17A, B17B, B17C, B17J |
| | 21A | W04A, W04B | | 21A | W04A, W04B | | 08 | I08A, I08B, I08C, I08D, I08E, I08F, I08J |
| | 21B | X04Z, X06A, X06B, X06C | | 21B | X06A, X06B, X06C | | 21A | W01A, W01B, W01C, W02A, W02B |
| 5t053.v↔ | | BOP, KJZSV, KVT, UOP4, VIAL | 5t054.7↔ | | BOP, KJZSV, KVT, UOP4, VIAL | 5t054.g↔ | | BOP, KJZSV, KVT, UOP4, VIAL |
| | 08 | I12A, I12B, I12C, I12J, I28A, I28B, I28J | | 08 | I08A, I08B, I08C, I08D, I08E, I08F, I08J, I12A, I12B, I12C, I12J, I21J, I21Z, I31J, I31Z | | 01 | B03Z, B17A, B17B, B17C, B17J |
| | 21A | W04A, W04B | | 21A | W04A, W04B | | 08 | I08A, I08B, I08C, I08D, I08E, I08F, I08J |
| | 21B | X04Z, X06A, X06B, X06C | | 21B | X06A, X06B, X06C | | 21A | W01A, W01B, W01C, W02A, W02B |
| 5t053.w↔ | | BOP, KJZSV, KVT, UOP4, VIAL | 5t054.8↔ | | BOP, KJZSV, KVT, UOP4, VIAL | 5t054.h↔ | | BOP, KJZSV, KVT, UOP4, VIAL |
| | 08 | I12A, I12B, I12C, I12J, I28A, I28B, I28J | | 08 | I08A, I08B, I08C, I08D, I08E, I08F, I08J, I12A, I12B, I12C, I12J, I21J, I21Z, I31J, I31Z | | 01 | B03Z, B17A, B17B, B17C, B17J |
| | 21A | W04A, W04B | | 21A | W04A, W04B | | 08 | I08A, I08B, I08C, I08D, I08E, I08F, I08J |
| | 21B | X04Z, X06A, X06B, X06C | | 21B | X06A, X06B, X06C | | 21A | W01A, W01B, W01C, W02A, W02B |
| 5t053.x | | BOP, KJZSV, KVT, UOP4 | 5t054.9↔ | | BOP, KJZSV, KVT, UOP4, VIAL | | | |
| | 03 | D12A, D12B, D12J, D12Q | | 08 | I08A, I08B, I08C, I08D, I08E, I08F, I08J, I12A, I12B, I12C, I12J, I21J, I21Z, I31J, I31Z | | 21A | W04A, W04B |
| | 08 | I12A, I12B, I12C, I12J, I28A, I28B, I28J | | 21A | W04A, W04B | | 21B | X06A, X06B, X06C |
| | 21A | W04A, W04B | | 21A | W04A, W04B | | 21A | W01A, W01B, W01C, W02A, W02B |
| | 21B | X06A, X06B, X06C | | 21B | X06A, X06B, X06C | | 21B | X04Z |
| 5t053.z↔ | | BOP, KJZSV, KVT, UOP4, VIAL | | | | | | |
| | 04 | E02A, E02B, E02C, E02D | | | | | | |
| | 08 | I12A, I12B, I12C, I12J, I28A, I28B, I28J | | | | | | |
| | 21A | W04A, W04B | | | | | | |
| | 21B | X06A, X06B, X06C | | | | | | |
| 5t054.0↔ | | BOP, KJZSV, KVT, UOP4, VIAL | | | | | | |
| | 04 | E02A, E02B, E02C, E02D | | | | | | |
| | 08 | I12A, I12B, I12C, I12J, I28A, I28B, I28J | | | | | | |
| | 21A | W04A, W04B | | | | | | |
| | 21B | X06A, X06B, X06C | | | | | | |

VYK

| ZZV | MDC | DRG | ZZV | MDC | DRG | ZZV | MDC | DRG |
|----------|-----|--|----------|-----|--|----------|-----|--|
| 5t054.j↔ | | BOP, KJZSV, KVT, UOP4, VIAL | 5t054.w↔ | | BOP, KJZSV, KVT, UOP4, VIAL | 5t05x.7↔ | | BOP, KJZSV, KVT, UOP4, VIAL |
| | 08 | I12A, I12B, I12C, I12J, I28A, I28B, I28J | | 08 | I12A, I12B, I12C, I12J, I28A, I28B, I28J | | 08 | I08A, I08B, I08C, I08D, I08E, I08F, I08J, I12A, I12B, I12C, I12J, I21J, I21Z, I31J, I31Z |
| | 21A | W04A, W04B | | 21A | W04A, W04B | | 21A | W04A, W04B |
| | 21B | X04Z, X06A, X06B, X06C | | 21B | X04Z, X06A, X06B, X06C | | 21B | X06A, X06B, X06C |
| 5t054.k↔ | | BOP, KJZSV, KVT, UOP4, VIAL | 5t054.x | | BOP, KJZSV, KVT, UOP4 | 5t05x.8↔ | | BOP, KJZSV, KVT, UOP4, VIAL |
| | 08 | I12A, I12B, I12C, I12J, I13A, I13B, I13C, I13D, I13J | | 03 | D12A, D12B, D12J, D12Q | | 08 | I08A, I08B, I08C, I08D, I08E, I08F, I08J, I12A, I12B, I12C, I12J, I21J, I21Z, I31J, I31Z |
| | 21A | W04A, W04B | | 08 | I12A, I12B, I12C, I12J, I28A, I28B, I28J | | 21A | W04A, W04B |
| | 21B | X04Z | | 21A | W04A, W04B | | 21B | X06A, X06B, X06C |
| 5t054.m↔ | | BOP, KJZSV, KVT, UOP4, VIAL | 5t054.z↔ | | BOP, KJZSV, KVT, UOP4, VIAL | 5t05x.9↔ | | BOP, KJZSV, KVT, UOP4, VIAL |
| | 08 | I12A, I12B, I12C, I12J, I13A, I13B, I13C, I13D, I13J | | 04 | E02A, E02B, E02C, E02D | | 08 | I08A, I08B, I08C, I08D, I08E, I08F, I08J, I12A, I12B, I12C, I12J, I21J, I21Z, I31J, I31Z |
| | 21A | W04A, W04B | | 08 | I12A, I12B, I12C, I12J, I28A, I28B, I28J | | 21A | W04A, W04B |
| | 21B | X04Z | | 21A | W04A, W04B | | 21B | X06A, X06B, X06C |
| 5t054.n↔ | | BOP, KJZSV, KVT, UOP4, VIAL | 5t05x.0↔ | | BOP, KJZSV, KVT, UOP4, VIAL | 5t05x.a↔ | | BOP, KJZSV, KVT, UOP4, VIAL |
| | 08 | I12A, I12B, I12C, I12J, I13A, I13B, I13C, I13D, I13J | | 04 | E02A, E02B, E02C, E02D | | 08 | I12A, I12B, I12C, I12J, I32A, I32B, I32C, I32D, I32E, I32F, I32J, I32Q, I32R, I32S, I32T, I32U |
| | 21A | W04A, W04B | | 08 | I12A, I12B, I12C, I12J, I28A, I28B, I28J | | 21A | W04A, W04B |
| | 21B | X04Z | | 21A | W04A, W04B | | 21B | X05A, X05B |
| 5t054.p↔ | | BOP, KJZSV, KVT, UOP4, VIAL | 5t05x.1↔ | | BOP, KJZSV, KVT, UOP4, VIAL | 5t05x.b↔ | | BOP, KJZSV, KVT, UOP4, VIAL |
| | 08 | I12A, I12B, I12C, I12J, I13A, I13B, I13C, I13D, I13J | | 08 | I08A, I08B, I08C, I08D, I08E, I08F, I08J, I12A, I12B, I12C, I12J, I13A, I13B, I13C, I13D, I13J | | 08 | I12A, I12B, I12C, I12J, I32A, I32B, I32C, I32D, I32E, I32F, I32J, I32Q, I32R, I32S, I32T, I32U |
| | 21A | W04A, W04B | | 21A | W04A, W04B | | 21A | W04A, W04B |
| | 21B | X04Z | | 21B | X06A, X06B, X06C | | 21B | X05A, X05B |
| 5t054.q↔ | | BOP, KJZSV, KVT, UOP4, VIAL | 5t05x.2↔ | | BOP, KJZSV, KVT, UOP4, VIAL | 5t05x.c↔ | | BOP, KJZSV, KVT, UOP4, VIAL |
| | 08 | I12A, I12B, I12C, I12J, I13A, I13B, I13C, I13D, I13J | | 08 | I08A, I08B, I08C, I08D, I08E, I08F, I08J, I12A, I12B, I12C, I12J, I13A, I13B, I13C, I13D, I13J | | 08 | I12A, I12B, I12C, I12J, I32A, I32B, I32C, I32D, I32E, I32F, I32J, I32Q, I32R, I32S, I32T, I32U |
| | 21A | W04A, W04B | | 21A | W04A, W04B | | 21A | W04A, W04B |
| | 21B | X04Z | | 21B | X06A, X06B, X06C | | 21B | X05A, X05B |
| 5t054.r↔ | | BOP, KJZSV, KVT, UOP4, VIAL | 5t05x.3↔ | | BOP, KJZSV, KVT, UOP4, VIAL | 5t05x.d | | BOP, KJZSV, KVT, UOP4, VIAL |
| | 08 | I12A, I12B, I12C, I12J, I13A, I13B, I13C, I13D, I13J | | 08 | I08A, I08B, I08C, I08D, I08E, I08F, I08J, I12A, I12B, I12C, I12J, I13A, I13B, I13C, I13D, I13J | | 08 | I08A, I08B, I08C, I08D, I08E, I08F, I08J, I12A, I12B, I12C, I12J |
| | 21A | W04A, W04B | | 21A | W04A, W04B | | 21A | W04A, W04B |
| | 21B | X04Z | | 21B | X06A, X06B, X06C | | 21B | X06A, X06B, X06C |
| 5t054.s↔ | | BOP, KJZSV, KVT, UOP4, VIAL | 5t05x.4↔ | | BOP, KJZSV, KVT, UOP4, VIAL | 5t05x.e↔ | | BOP, KJZSV, KVT, UOP4, VIAL |
| | 08 | I12A, I12B, I12C, I12J, I28A, I28B, I28J | | 08 | I08A, I08B, I08C, I08D, I08E, I08F, I08J, I12A, I12B, I12C, I12J, I21J, I21Z, I31J, I31Z | | 01 | B03Z, B17A, B17B, B17C, B17J |
| | 21A | W04A, W04B | | 21A | W04A, W04B | | 08 | I08A, I08B, I08C, I08D, I08E, I08F, I08J |
| | 21B | X04Z, X06A, X06B, X06C | | 21B | X06A, X06B, X06C | | 21A | W01A, W01B, W01C, W02A, W02B |
| 5t054.t↔ | | BOP, KJZSV, KVT, UOP4, VIAL | 5t05x.5↔ | | BOP, KJZSV, KVT, UOP4, VIAL | 5t05x.f↔ | | BOP, KJZSV, KVT, UOP4, VIAL |
| | 08 | I12A, I12B, I12C, I12J, I28A, I28B, I28J | | 08 | I08A, I08B, I08C, I08D, I08E, I08F, I08J, I12A, I12B, I12C, I12J, I21J, I21Z, I31J, I31Z | | 01 | B03Z, B17A, B17B, B17C, B17J |
| | 21A | W04A, W04B | | 21A | W04A, W04B | | 08 | I08A, I08B, I08C, I08D, I08E, I08F, I08J |
| | 21B | X04Z, X06A, X06B, X06C | | 21B | X06A, X06B, X06C | | 21A | W01A, W01B, W01C, W02A, W02B |
| 5t054.u↔ | | BOP, KJZSV, KVT, UOP4, VIAL | 5t05x.6↔ | | BOP, KJZSV, KVT, UOP4, VIAL | | 21B | X04Z |
| | 08 | I12A, I12B, I12C, I12J, I28A, I28B, I28J | | 08 | I08A, I08B, I08C, I08D, I08E, I08F, I08J, I12A, I12B, I12C, I12J, I21J, I21Z, I31J, I31Z | | | |
| | 21A | W04A, W04B | | 21A | W04A, W04B | | | |
| | 21B | X04Z, X06A, X06B, X06C | | 21B | X06A, X06B, X06C | | | |
| 5t054.v↔ | | BOP, KJZSV, KVT, UOP4, VIAL | | 08 | I08A, I08B, I08C, I08D, I08E, I08F, I08J, I12A, I12B, I12C, I12J, I21J, I21Z, I31J, I31Z | | | |
| | 08 | I12A, I12B, I12C, I12J, I28A, I28B, I28J | | 21A | W04A, W04B | | | |
| | 21A | W04A, W04B | | 21B | X06A, X06B, X06C | | | |
| | 21B | X04Z, X06A, X06B, X06C | | | | | | |

| ZZV | MDC | DRG | ZZV | MDC | DRG | ZZV | MDC | DRG | | | | |
|----------|------------------------------|--|------------------------|--|--|---|--|---|---|------------------------|---|---|
| 5t05x.g↔ | | BOP, KJZSV, KVT, UOP4, VIAL | 5t05x.t↔ | 08 | I12A, I12B, I12C, I12J, I28A, I28B, I28J | 5t065 | 03 | BOP, KJZSV, KVT, UOP4, D18Z, D28J, D28Z, D29J, D29Z | | | | |
| | 01 | B03Z, B17A, B17B, B17C, B17J | | 21A | W04A, W04B | | 04 | E02A, E02B, E02C, E02D | | | | |
| | 08 | I08A, I08B, I08C, I08D, I08E, I08F, I08J | | 21B | X04Z, X06A, X06B, X06C | | 08 | I12A, I12B, I12C, I12J, I28A, I28B, I28J | | | | |
| | 21A | W01A, W01B, W01C, W02A, W02B | | 5t05x.u↔ | 08 | | I12A, I12B, I12C, I12J, I28A, I28B, I28J | 09 | J08A, J08B, J08C | | | |
| 5t05x.h↔ | 21B | X04Z | 5t05x.v↔ | | 21A | W04A, W04B | 21A | W04A, W04B | | | | |
| | | BOP, KJZSV, KVT, UOP4, VIAL | | | 21B | X04Z, X06A, X06B, X06C | 21B | X04Z, X05A, X05B, X06A, X06B, X06C | | | | |
| | 01 | B03Z, B17A, B17B, B17C, B17J | | | 5t05x.w↔ | 5t05x.x | 08 | I12A, I12B, I12C, I12J, I28A, I28B, I28J | 5t066 | 03 | BOP, KJZSV, KVT, UOP4, D18Z, D28J, D28Z, D29J, D29Z | |
| | 08 | I08A, I08B, I08C, I08D, I08E, I08F, I08J | | 21A | | | W04A, W04B | 04 | | E02A, E02B, E02C, E02D | | |
| 21A | W01A, W01B, W01C, W02A, W02B | 21B | X04Z, X06A, X06B, X06C | 08 | | | I12A, I12B, I12C, I12J, I28A, I28B, I28J | | | | | |
| 21B | X04Z | 5t05x.y↔ | 5t05x.z↔ | 09 | | | J08A, J08B, J08C | 5t067 | | 09 | J08A, J08B, J08C | |
| 5t05x.j↔ | | | | BOP, KJZSV, KVT, UOP4, VIAL | 08 | I12A, I12B, I12C, I12J, I28A, I28B, I28J | 21A | | W04A, W04B | | | |
| | 08 | | | I12A, I12B, I12C, I12J, I28A, I28B, I28J | 21A | W04A, W04B | 21B | | X04Z, X05A, X05B, X06A, X06B, X06C | | | |
| | 21A | | | W04A, W04B | 5t05x.k↔ | 5t061 | 21B | | X04Z, X06A, X06B, X06C | 5t068 | 03 | BOP, KJZSV, KVT, UOP4, D18Z, D28J, D28Z, D29J, D29Z |
| | 21B | X04Z, X06A, X06B, X06C | 03 | D12A, D12B, D12J, D12Q | | | 04 | E02A, E02B, E02C, E02D | | | | |
| 5t05x.l↔ | | BOP, KJZSV, KVT, UOP4, VIAL | 08 | I12A, I12B, I12C, I12J, I28A, I28B, I28J | | | 08 | I12A, I12B, I12C, I12J, I28A, I28B, I28J | | | | |
| | 08 | I12A, I12B, I12C, I12J, I13A, I13B, I13C, I13D, I13J | 21A | W04A, W04B | | | 09 | J08A, J08B, J08C | | | | |
| | 21A | W04A, W04B | 5t05x.m↔ | 5t062 | 21B | X06A, X06B, X06C | 21A | W04A, W04B | | | | |
| | 21B | X04Z | | | 04 | E02A, E02B, E02C, E02D | 21B | X04Z, X05A, X05B, X06A, X06B, X06C | | | | |
| 5t05x.n↔ | | BOP, KJZSV, KVT, UOP4, VIAL | | | 08 | I12A, I12B, I12C, I12J, I28A, I28B, I28J | 5t069 | 03 | BOP, KJZSV, KVT, UOP4, D18Z, D28J, D28Z, D29J, D29Z | | | |
| | 08 | I12A, I12B, I12C, I12J, I13A, I13B, I13C, I13D, I13J | | | 21A | W04A, W04B | | 04 | E02A, E02B, E02C, E02D | | | |
| | 21A | W04A, W04B | 21B | X06A, X06B, X06C | 08 | I12A, I12B, I12C, I12J, I28A, I28B, I28J | | | | | | |
| | 21B | X04Z | 5t063 | 04 | E02A, E02B, E02C, E02D | 09 | | J08A, J08B, J08C | | | | |
| 5t05x.o↔ | | BOP, KJZSV, KVT, UOP4, VIAL | | 08 | I12A, I12B, I12C, I12J, I28A, I28B, I28J | 21A | W04A, W04B | | | | | |
| | 08 | I12A, I12B, I12C, I12J, I13A, I13B, I13C, I13D, I13J | | 09 | J08A, J08B, J08C | 21B | X04Z, X05A, X05B, X06A, X06B, X06C | | | | | |
| | 21A | W04A, W04B | | 21A | W04A, W04B | 5t06a | 03 | BOP, KJZSV, KVT, UOP4, D18Z, D28J, D28Z, D29J, D29Z | | | | |
| | 21B | X04Z | 21B | X04Z, X05A, X05B, X06A, X06B, X06C | 04 | | E02A, E02B, E02C, E02D | | | | | |
| 5t05x.p↔ | | BOP, KJZSV, KVT, UOP4, VIAL | 5t064 | 5t065 | 08 | | I12A, I12B, I12C, I12J, I28A, I28B, I28J | 08 | I12A, I12B, I12C, I12J, I28A, I28B, I28J | | | |
| | 08 | I12A, I12B, I12C, I12J, I13A, I13B, I13C, I13D, I13J | | | 09 | | J08A, J08B, J08C | 09 | J08A, J08B, J08C | | | |
| | 21A | W04A, W04B | | | 21A | W04A, W04B | 21A | W04A, W04B | | | | |
| | 21B | X04Z | | | 21B | X04Z, X05A, X05B, X06A, X06B, X06C | 21B | X04Z, X05A, X05B, X06A, X06B, X06C | | | | |
| 5t05x.q↔ | | BOP, KJZSV, KVT, UOP4, VIAL | 5t066 | 5t066 | 03 | BOP, KJZSV, KVT, UOP4, D18Z, D28J, D28Z, D29J, D29Z | 5t06b | 03 | BOP, KJZSV, KVT, UOP4, D18Z, D28J, D28Z, D29J, D29Z | | | |
| | 08 | I12A, I12B, I12C, I12J, I13A, I13B, I13C, I13D, I13J | | | 04 | E02A, E02B, E02C, E02D | | 04 | E02A, E02B, E02C, E02D | | | |
| | 21A | W04A, W04B | | | 08 | I12A, I12B, I12C, I12J, I28A, I28B, I28J | | 08 | I12A, I12B, I12C, I12J, I28A, I28B, I28J | | | |
| | 21B | X04Z | | | 09 | J08A, J08B, J08C | | 09 | J08A, J08B, J08C | | | |
| 5t05x.r↔ | | BOP, KJZSV, KVT, UOP4, VIAL | 5t067 | 5t067 | 21A | W04A, W04B | 5t06c | 21A | W04A, W04B | | | |
| | 08 | I12A, I12B, I12C, I12J, I13A, I13B, I13C, I13D, I13J | | | 21B | X04Z, X05A, X05B, X06A, X06B, X06C | | 21B | X04Z, X05A, X05B, X06A, X06B, X06C | | | |
| | 21A | W04A, W04B | | | 5t068 | 5t068 | | 03 | BOP, KJZSV, KVT, UOP4, D18Z, D28J, D28Z, D29J, D29Z | 5t06d | 03 | BOP, KJZSV, KVT, UOP4, D18Z, D28J, D28Z, D29J, D29Z |
| | 21B | X04Z | | | | | | 04 | E02A, E02B, E02C, E02D | | 04 | E02A, E02B, E02C, E02D |
| 5t05x.s↔ | | BOP, KJZSV, KVT, UOP4, VIAL | 08 | I12A, I12B, I12C, I12J, I28A, I28B, I28J | | | 08 | I12A, I12B, I12C, I12J, I28A, I28B, I28J | 5t06e | | 08 | I12A, I12B, I12C, I12J, I28A, I28B, I28J |
| | 08 | I12A, I12B, I12C, I12J, I13A, I13B, I13C, I13D, I13J | 09 | J08A, J08B, J08C | | | 09 | J08A, J08B, J08C | | | 5t06f | 09 |
| | 21A | W04A, W04B | 21A | W04A, W04B | 21A | W04A, W04B | 5t06g | 21A | | W04A, W04B | | |
| | 21B | X04Z | 21B | X04Z, X05A, X05B, X06A, X06B, X06C | 21B | X04Z, X05A, X05B, X06A, X06B, X06C | | | | | | |

VYK

| ZZV | MDC | DRG | ZZV | MDC | DRG | ZZV | MDC | DRG | | | |
|---------|-----|--|----------|----------|--|----------|--|------------------------------|--|------------------------------|--|
| 5t06c | | BOP, KJZSV, KVT, UOP4 | 5t070.0↔ | | BOP, KJZSV, KVT, UOP4, | 5t070.9↔ | | BOP, KJZSV, KVT, UOP4, | | | |
| | 03 | D18Z, D28J, D28Z, D29J, D29Z | | | VIAL | | | 08 | I08A, I08B, I08C, I08D, I08E, I08F, I08J, I12A, I12B, I12C, I12J, I21J, I21Z, I31J, I31Z | | |
| | 04 | E02A, E02B, E02C, E02D | | 08 | I12A, I12B, I12C, I12J, I28A, I28B, I28J | | 21A | W04A, W04B | | | |
| | 08 | I12A, I12B, I12C, I12J, I28A, I28B, I28J | | 21B | X06A, X06B, X06C | | 21B | X06A, X06B, X06C | | | |
| | 09 | J08A, J08B, J08C | | 5t070.1↔ | | | BOP, KJZSV, KVT, UOP4, | 5t070.a↔ | | BOP, KJZSV, KVT, UOP4, | |
| | 21A | W04A, W04B | | | | | VIAL | | | 08 | I12A, I12B, I12C, I12J, I32A, I32B, I32C, I32D, I32E, I32F, I32J, I32Q, I32R, I32S, I32T, I32U |
| | 21B | X04Z, X05A, X05B, X06A, X06B, X06C | | | 08 | | I08A, I08B, I08C, I08D, I08E, I08F, I08J, I12A, I12B, I12C, I12J, I13A, I13B, I13C, I13D, I13E, I13J | | 21A | W04A, W04B | |
| 5t06d | | BOP, KJZSV, KVT, UOP4 | 5t070.2↔ | | BOP, KJZSV, KVT, UOP4, | 5t070.b↔ | | BOP, KJZSV, KVT, UOP4, | | | |
| | 03 | D18Z, D28J, D28Z, D29J, D29Z | | | VIAL | | | 08 | I12A, I12B, I12C, I12J, I32A, I32B, I32C, I32D, I32E, I32F, I32J, I32Q, I32R, I32S, I32T, I32U | | |
| | 04 | E02A, E02B, E02C, E02D | | 08 | I08A, I08B, I08C, I08D, I08E, I08F, I08J, I12A, I12B, I12C, I12J, I13A, I13B, I13C, I13D, I13E, I13J | | 21A | W04A, W04B | | | |
| | 08 | I12A, I12B, I12C, I12J, I28A, I28B, I28J | | 21B | X06A, X06B, X06C | | 21B | X05A, X05B | | | |
| | 09 | J08A, J08B, J08C | | 5t070.3↔ | | | BOP, KJZSV, KVT, UOP4, | 5t070.c↔ | | BOP, KJZSV, KVT, UOP4, | |
| | 21A | W04A, W04B | | | | | VIAL | | | 08 | I12A, I12B, I12C, I12J, I32A, I32B, I32C, I32D, I32E, I32F, I32J, I32Q, I32R, I32S, I32T, I32U |
| | 21B | X04Z, X05A, X05B, X06A, X06B, X06C | | | 21A | | W04A, W04B | | 21A | W04A, W04B | |
| 5t06f.0 | | BOP, KJZSV, KVT, UOP4 | 5t070.4↔ | | BOP, KJZSV, KVT, UOP4, | 5t070.d | | BOP, KJZSV, KVT, UOP4, | | | |
| | 03 | D18Z, D28J, D28Z, D29J, D29Z | | | VIAL | | | 08 | I08A, I08B, I08C, I08D, I08E, I08F, I08J, I12A, I12B, I12C, I12J, I21J, I21Z, I31J, I31Z | | |
| | 04 | E02A, E02B, E02C, E02D | | 08 | I08A, I08B, I08C, I08D, I08E, I08F, I08J, I12A, I12B, I12C, I12J, I13A, I13B, I13C, I13D, I13E, I13J | | 21A | W04A, W04B | | | |
| | 08 | I12A, I12B, I12C, I12J, I28A, I28B, I28J | | 21B | X06A, X06B, X06C | | 21B | X05A, X05B | | | |
| | 09 | J08A, J08B, J08C | | 5t070.5↔ | | | BOP, KJZSV, KVT, UOP4, | 5t070.e↔ | | BOP, KJZSV, KVT, UOP4, | |
| | 21A | W04A, W04B | | | | | VIAL | | | 08 | I08A, I08B, I08C, I08D, I08E, I08F, I08J |
| | 21B | X04Z, X05A, X05B, X06A, X06B, X06C | | | 08 | | I08A, I08B, I08C, I08D, I08E, I08F, I08J, I12A, I12B, I12C, I12J, I21J, I21Z, I31J, I31Z | | 21A | W01A, W01B, W01C, W02A, W02B | |
| 5t06f.1 | | BOP, KJZSV, KVT, UOP4 | 5t070.6↔ | | BOP, KJZSV, KVT, UOP4, | 5t070.f↔ | | BOP, KJZSV, KVT, UOP4, | | | |
| | 03 | D18Z, D28J, D28Z, D29J, D29Z | | | VIAL | | | 08 | I08A, I08B, I08C, I08D, I08E, I08F, I08J | | |
| | 04 | E02A, E02B, E02C, E02D | | 08 | I08A, I08B, I08C, I08D, I08E, I08F, I08J, I12A, I12B, I12C, I12J, I21J, I21Z, I31J, I31Z | | 21A | W04A, W04B | | | |
| | 08 | I12A, I12B, I12C, I12J, I28A, I28B, I28J | | 21B | X06A, X06B, X06C | | 21B | X04Z | | | |
| | 09 | J08A, J08B, J08C | | 5t070.7↔ | | | BOP, KJZSV, KVT, UOP4, | 5t070.g↔ | | BOP, KJZSV, KVT, UOP4, | |
| | 21A | W04A, W04B | | | | | VIAL | | | 08 | I08A, I08B, I08C, I08D, I08E, I08F, I08J |
| | 21B | X04Z, X05A, X05B, X06A, X06B, X06C | | | 08 | | I08A, I08B, I08C, I08D, I08E, I08F, I08J, I12A, I12B, I12C, I12J, I21J, I21Z, I31J, I31Z | | 21A | W01A, W01B, W01C, W02A, W02B | |
| 5t06v | | BOP, KJZSV, KVT, UOP4 | 5t070.8↔ | | BOP, KJZSV, KVT, UOP4, | 5t070.h↔ | | BOP, KJZSV, KVT, UOP4, | | | |
| | 03 | D18Z, D28J, D28Z, D29J, D29Z | | | VIAL | | | 08 | I08A, I08B, I08C, I08D, I08E, I08F, I08J | | |
| | 04 | E02A, E02B, E02C, E02D | | 08 | I08A, I08B, I08C, I08D, I08E, I08F, I08J, I12A, I12B, I12C, I12J, I21J, I21Z, I31J, I31Z | | 21A | W01A, W01B, W01C, W02A, W02B | | | |
| | 08 | I12A, I12B, I12C, I12J, I28A, I28B, I28J, I33Z | | 21B | X06A, X06B, X06C | | 21B | X04Z | | | |
| | 09 | J08A, J08B, J08C | | 5t070.9↔ | | | BOP, KJZSV, KVT, UOP4, | 5t070.i↔ | | BOP, KJZSV, KVT, UOP4, | |
| | 21A | W04A, W04B | | | | | VIAL | | | 08 | I08A, I08B, I08C, I08D, I08E, I08F, I08J |
| | 21B | X04Z, X05A, X05B, X06A, X06B, X06C | | | 08 | | I08A, I08B, I08C, I08D, I08E, I08F, I08J, I12A, I12B, I12C, I12J, I21J, I21Z, I31J, I31Z | | 21A | W01A, W01B, W01C, W02A, W02B | |
| 5t06x | | BOP, KJZSV, KVT, UOP4 | | | | | | | | | |
| | 03 | D18Z, D28J, D28Z, D29J, D29Z | | | | | | | | | |
| | 04 | E02A, E02B, E02C, E02D | | | | | | | | | |
| | 08 | I12A, I12B, I12C, I12J, I28A, I28B, I28J | | | | | | | | | |
| | 09 | J08A, J08B, J08C | | | | | | | | | |
| | 21A | W04A, W04B | | | | | | | | | |
| | 21B | X04Z, X05A, X05B, X06A, X06B, X06C | | | | | | | | | |
| 5t06z | | BOP, KJZSV, KVT, UOP4 | | | | | | | | | |
| | 03 | D18Z, D28J, D28Z, D29J, D29Z | | | | | | | | | |
| | 04 | E02A, E02B, E02C, E02D | | | | | | | | | |
| | 08 | I12A, I12B, I12C, I12J, I28A, I28B, I28J | | | | | | | | | |
| | 09 | J08A, J08B, J08C | | | | | | | | | |
| | 21A | W04A, W04B | | | | | | | | | |
| | 21B | X04Z, X05A, X05B, X06A, X06B, X06C | | | | | | | | | |

| ZZV | MDC | DRG | ZZV | MDC | DRG | ZZV | MDC | DRG |
|----------|-----|--|----------|-----|--|------------------------|-----|--|
| 5t070.j↔ | | BOP, KJZSV, KVT, UOP4, VIAL | 5t070.w↔ | 08 | I12A, I12B, I12C, I12J, I20A, I20B, I20C, I20D, I20E, I20F, I20J, I20Q, I20R | 5t071.7↔ | | BOP, KVT, UOP4 |
| | 08 | I12A, I12B, I12C, I12J, I18A, I18B, I18J, I18Q, I18R, I30J, I30Z | | 08 | I12A, I12B, I12C, I12J, I28A, I28B, I28J | | 01 | B03Z, B17A, B17B, B17C, B17J |
| | 21A | W04A, W04B | | 21A | W04A, W04B | | 08 | I12A, I12B, I12C, I12J, I23A, I23B, I23J |
| 5t070.k↔ | 21B | X04Z | 5t070.x | 21B | X04Z | 5t071.8↔ | 21A | W04A, W04B |
| | | BOP, KJZSV, KVT, UOP4, VIAL | | | BOP, KJZSV, KVT, UOP4 | | 21B | X06A, X06B, X06C |
| | 08 | I12A, I12B, I12C, I12J, I13A, I13B, I13C, I13D, I13E, I13J | | 08 | I12A, I12B, I12C, I12J, I28A, I28B, I28J | | 01 | B03Z, B17A, B17B, B17C, B17J |
| 5t070.m↔ | 21A | W04A, W04B | 5t070.z↔ | 21A | W04A, W04B | 5t071.9↔ | 08 | I12A, I12B, I12C, I12J, I23A, I23B, I23J |
| | 21B | X04Z | | 21B | X06A, X06B, X06C | | 21A | W04A, W04B |
| | | BOP, KJZSV, KVT, UOP4, VIAL | | 08 | I12A, I12B, I12C, I12J, I28A, I28B, I28J | | 21B | X06A, X06B, X06C |
| 5t070.n↔ | 08 | I12A, I12B, I12C, I12J, I13A, I13B, I13C, I13D, I13E, I13J | 5t071.0↔ | 08 | I12A, I12B, I12C, I12J, I28A, I28B, I28J | 5t071.a↔ | 01 | BOP, KVT, UOP4 |
| | 21A | W04A, W04B | | 21A | W04A, W04B | | 08 | I12A, I12B, I12C, I12J, I23A, I23B, I23J |
| | 21B | X04Z | | 21B | X06A, X06B, X06C | | 21A | W04A, W04B |
| 5t070.p↔ | | BOP, KJZSV, KVT, UOP4, VIAL | 5t071.1↔ | 01 | B03Z, B17A, B17B, B17C, B17J | 5t071.b↔ | 21B | X06A, X06B, X06C |
| | 08 | I12A, I12B, I12C, I12J, I13A, I13B, I13C, I13D, I13E, I13J | | 04 | E02A, E02B, E02C, E02D | | 01 | B03Z, B17A, B17B, B17C, B17J |
| | 21A | W04A, W04B | | 08 | I12A, I12B, I12C, I12J, I23A, I23B, I23J | | 08 | I12A, I12B, I12C, I12J, I23A, I23B, I23J |
| 5t070.q↔ | 21B | X04Z | 5t071.2↔ | 21A | W04A, W04B | 5t071.c↔ | 21A | W04A, W04B |
| | | BOP, KJZSV, KVT, UOP4, VIAL | | 21B | X06A, X06B, X06C | | 21B | X05A, X05B, X06A, X06B, X06C |
| | 08 | I12A, I12B, I12C, I12J, I13A, I13B, I13C, I13D, I13E, I13J | | 01 | B03Z, B17A, B17B, B17C, B17J | | 08 | I12A, I12B, I12C, I12J, I23A, I23B, I23J |
| 5t070.r↔ | 21A | W04A, W04B | 5t071.3↔ | 08 | I12A, I12B, I12C, I12J, I23A, I23B, I23J | 5t071.d | 21A | W04A, W04B |
| | 21B | X04Z | | 21A | W04A, W04B | | 21B | X05A, X05B, X06A, X06B, X06C |
| | | BOP, KJZSV, KVT, UOP4, VIAL | | 21B | X06A, X06B, X06C | | 01 | BOP, KVT, UOP4 |
| 5t070.s↔ | 08 | I12A, I12B, I12C, I12J, I13A, I13B, I13C, I13D, I13E, I13J | 5t071.4↔ | 01 | B03Z, B17A, B17B, B17C, B17J | 5t071.e↔ | 08 | I12A, I12B, I12C, I12J, I23A, I23B, I23J |
| | 21A | W04A, W04B | | 08 | I12A, I12B, I12C, I12J, I23A, I23B, I23J | | 21A | W04A, W04B |
| | 21B | X04Z | | 21A | W04A, W04B | | 21B | X04Z, X06A, X06B, X06C |
| 5t070.t↔ | | BOP, KJZSV, KVT, UOP4, VIAL | 5t071.5↔ | 01 | B03Z, B17A, B17B, B17C, B17J | 5t071.f↔ | 01 | BOP, KVT, UOP4 |
| | 08 | I12A, I12B, I12C, I12J, I20A, I20B, I20C, I20D, I20E, I20F, I20J, I20Q, I20R | | 08 | I12A, I12B, I12C, I12J, I23A, I23B, I23J | | 01 | B03Z, B17A, B17B, B17C, B17J |
| | 21A | W04A, W04B | | 21A | W04A, W04B | | 08 | I12A, I12B, I12C, I12J, I21J, I21Z |
| 5t070.u↔ | 21B | X04Z | 5t071.6↔ | 08 | I12A, I12B, I12C, I12J, I23A, I23B, I23J | 5t071.g↔ | 21A | W04A, W04B |
| | | BOP, KJZSV, KVT, UOP4, VIAL | | 21A | W04A, W04B | | 21B | X04Z, X06A, X06B, X06C |
| | 08 | I12A, I12B, I12C, I12J, I20A, I20B, I20C, I20D, I20E, I20F, I20J, I20Q, I20R | | 21B | X06A, X06B, X06C | | 01 | BOP, KVT, UOP4 |
| 5t070.v↔ | 21A | W04A, W04B | 5t071.7↔ | 01 | B03Z, B17A, B17B, B17C, B17J | 5t071.h↔ | 01 | B03Z, B17A, B17B, B17C, B17J |
| | 21B | X04Z | | 08 | I12A, I12B, I12C, I12J, I23A, I23B, I23J | | 08 | I12A, I12B, I12C, I12J, I21J, I21Z |
| | | BOP, KJZSV, KVT, UOP4, VIAL | | 21A | W04A, W04B | | 21A | W04A, W04B |
| | 08 | I12A, I12B, I12C, I12J, I20A, I20B, I20C, I20D, I20E, I20F, I20J, I20Q, I20R | | | 21B | X04Z, X06A, X06B, X06C | | |
| | 21A | W04A, W04B | | | | | | |
| | 21B | X04Z | | | | | | |

| ZZV | MDC | DRG | ZZV | MDC | DRG | ZZV | MDC | DRG | | | | |
|----------|------------------------|--|----------|----------|--|------------------|------------------------------|--|--|--|------------|------------|
| 5t071.g↔ | | BOP, KVT, UOP4 | 5t071.t↔ | | BOP, KVT, UOP4 | 5t072.3↔ | | BOP, KVT, UOP4 | | | | |
| | 01 | B03Z, B17A, B17B, B17C, B17J | | 01 | B03Z, B17A, B17B, B17C, B17J | | 01 | B03Z, B17A, B17B, B17C, B17J | | | | |
| | 08 | I12A, I12B, I12C, I12J, I21J, I21Z | | 08 | I12A, I12B, I12C, I12J, I23A, I23B, I23J | | 08 | I12A, I12B, I12C, I12J, I23A, I23B, I23J | | | | |
| | 21A | W04A, W04B | | 21A | W04A, W04B | | 21A | W04A, W04B | | | | |
| 5t071.h↔ | 21B | X04Z, X06A, X06B, X06C | 5t071.u↔ | 21B | X04Z, X06A, X06B, X06C | 5t072.4↔ | 21B | X06A, X06B, X06C | | | | |
| | | BOP, KVT, UOP4 | | | BOP, KVT, UOP4 | | | BOP, KVT, UOP4 | | | | |
| | 01 | B03Z, B17A, B17B, B17C, B17J | | 01 | B03Z, B17A, B17B, B17C, B17J | | 01 | B03Z, B17A, B17B, B17C, B17J | | | | |
| | 08 | I12A, I12B, I12C, I12J, I21J, I21Z | | 08 | I12A, I12B, I12C, I12J, I23A, I23B, I23J | | 08 | I12A, I12B, I12C, I12J, I23A, I23B, I23J | | | | |
| 5t071.i↔ | 21A | W04A, W04B | 5t071.v↔ | 21A | W04A, W04B | 5t072.5↔ | 21A | W04A, W04B | | | | |
| | 21B | X04Z, X06A, X06B, X06C | | 21B | X04Z, X06A, X06B, X06C | | 21B | X06A, X06B, X06C | | | | |
| | | BOP, KVT, UOP4 | | | BOP, KVT, UOP4 | | | BOP, KVT, UOP4 | | | | |
| | 01 | B03Z, B17A, B17B, B17C, B17J | | 01 | B03Z, B17A, B17B, B17C, B17J | | 01 | B03Z, B17A, B17B, B17C, B17J | | | | |
| 5t071.k↔ | 08 | I12A, I12B, I12C, I12J, I23A, I23B, I23J | 5t071.w↔ | 08 | I12A, I12B, I12C, I12J, I23A, I23B, I23J | 5t072.6↔ | 08 | I12A, I12B, I12C, I12J, I23A, I23B, I23J | | | | |
| | 21A | W04A, W04B | | 21A | W04A, W04B | | 21A | W04A, W04B | | | | |
| | 21B | X04Z, X06A, X06B, X06C | | 21B | X04Z, X06A, X06B, X06C | | 21B | X06A, X06B, X06C | | | | |
| | | BOP, KVT, UOP4 | | | BOP, KVT, UOP4 | | | BOP, KVT, UOP4 | | | | |
| 5t071.l↔ | 01 | B03Z, B17A, B17B, B17C, B17J | 5t071.x | 01 | B03Z, B17A, B17B, B17C, B17J | 5t072.7↔ | 01 | B03Z, B17A, B17B, B17C, B17J | | | | |
| | 08 | I12A, I12B, I12C, I12J, I23A, I23B, I23J | | 08 | I12A, I12B, I12C, I12J, I23A, I23B, I23J | | 08 | I12A, I12B, I12C, I12J, I23A, I23B, I23J | | | | |
| | 21A | W04A, W04B | | 21A | W04A, W04B | | 21A | W04A, W04B | | | | |
| | 21B | X04Z, X06A, X06B, X06C | | 21B | X06A, X06B, X06C | | 21B | X06A, X06B, X06C | | | | |
| 5t071.m↔ | | BOP, KVT, UOP4 | 5t071.z↔ | | BOP, KVT, UOP4 | 5t072.8↔ | | BOP, KVT, UOP4 | | | | |
| | 01 | B03Z, B17A, B17B, B17C, B17J | | 01 | B03Z, B17A, B17B, B17C, B17J | | 01 | B03Z, B17A, B17B, B17C, B17J | | | | |
| | 08 | I12A, I12B, I12C, I12J, I23A, I23B, I23J | | 04 | E02A, E02B, E02C, E02D | | 08 | I12A, I12B, I12C, I12J, I23A, I23B, I23J | | | | |
| | 21A | W04A, W04B | | 08 | I12A, I12B, I12C, I12J, I23A, I23B, I23J | | 21A | W04A, W04B | | | | |
| 5t071.n↔ | 21B | X04Z, X06A, X06B, X06C | 5t072.0↔ | 21A | W04A, W04B | 5t072.9↔ | 21B | X06A, X06B, X06C | | | | |
| | | BOP, KVT, UOP4 | | 21B | X06A, X06B, X06C | | 01 | B03Z, B17A, B17B, B17C, B17J | | | | |
| | 01 | B03Z, B17A, B17B, B17C, B17J | | 01 | B03Z, B17A, B17B, B17C, B17J | | 08 | I12A, I12B, I12C, I12J, I23A, I23B, I23J | | | | |
| | 08 | I12A, I12B, I12C, I12J, I23A, I23B, I23J | | 04 | E02A, E02B, E02C, E02D | | 21A | W04A, W04B | | | | |
| 5t071.o↔ | 21A | W04A, W04B | 5t072.1↔ | 08 | I12A, I12B, I12C, I12J, I23A, I23B, I23J | 5t072.a↔ | 21B | X06A, X06B, X06C | | | | |
| | 21B | X04Z, X06A, X06B, X06C | | 21A | W04A, W04B | | 01 | B03Z, B17A, B17B, B17C, B17J | | | | |
| | | BOP, KVT, UOP4 | | 21B | X06A, X06B, X06C | | 08 | I12A, I12B, I12C, I12J, I23A, I23B, I23J | | | | |
| | 01 | B03Z, B17A, B17B, B17C, B17J | | 01 | B03Z, B17A, B17B, B17C, B17J | | 21A | W04A, W04B | | | | |
| 5t071.p↔ | 08 | I12A, I12B, I12C, I12J, I23A, I23B, I23J | 5t072.2↔ | 08 | I12A, I12B, I12C, I12J, I23A, I23B, I23J | 5t072.b↔ | 21B | X05A, X05B, X06A, X06B, X06C | | | | |
| | 21A | W04A, W04B | | 21A | W04A, W04B | | 01 | BOP, KVT, UOP4 | | | | |
| | 21B | X04Z, X06A, X06B, X06C | | 21B | X06A, X06B, X06C | | 01 | B03Z, B17A, B17B, B17C, B17J | | | | |
| | | BOP, KVT, UOP4 | | 01 | B03Z, B17A, B17B, B17C, B17J | | 08 | I12A, I12B, I12C, I12J, I23A, I23B, I23J | | | | |
| 5t071.q↔ | 01 | B03Z, B17A, B17B, B17C, B17J | 5t072.2↔ | 08 | I12A, I12B, I12C, I12J, I23A, I23B, I23J | 5t072.b↔ | 21A | W04A, W04B | | | | |
| | 08 | I12A, I12B, I12C, I12J, I23A, I23B, I23J | | 08 | I12A, I12B, I12C, I12J, I23A, I23B, I23J | | 21B | X05A, X05B, X06A, X06B, X06C | | | | |
| | 21A | W04A, W04B | | 21A | W04A, W04B | | | BOP, KVT, UOP4 | | | | |
| | 21B | X04Z, X06A, X06B, X06C | | 21B | X06A, X06B, X06C | | 01 | B03Z, B17A, B17B, B17C, B17J | | | | |
| 5t071.r↔ | | BOP, KVT, UOP4 | 5t072.2↔ | 01 | B03Z, B17A, B17B, B17C, B17J | 5t072.b↔ | 08 | I12A, I12B, I12C, I12J, I23A, I23B, I23J | | | | |
| | 01 | B03Z, B17A, B17B, B17C, B17J | | 01 | B03Z, B17A, B17B, B17C, B17J | | 21A | W04A, W04B | | | | |
| | 08 | I12A, I12B, I12C, I12J, I23A, I23B, I23J | | 08 | I12A, I12B, I12C, I12J, I23A, I23B, I23J | | 21B | X05A, X05B, X06A, X06B, X06C | | | | |
| | 21A | W04A, W04B | | 21A | W04A, W04B | | | BOP, KVT, UOP4 | | | | |
| 5t071.s↔ | 21B | X04Z, X06A, X06B, X06C | 5t072.2↔ | 21B | X06A, X06B, X06C | 5t072.b↔ | 01 | B03Z, B17A, B17B, B17C, B17J | | | | |
| | | BOP, KVT, UOP4 | | 5t072.2↔ | 01 | | B03Z, B17A, B17B, B17C, B17J | 5t072.b↔ | 08 | I12A, I12B, I12C, I12J, I23A, I23B, I23J | | |
| | 01 | B03Z, B17A, B17B, B17C, B17J | | | 5t072.2↔ | | 08 | | I12A, I12B, I12C, I12J, I23A, I23B, I23J | 5t072.b↔ | 21A | W04A, W04B |
| | 08 | I12A, I12B, I12C, I12J, I23A, I23B, I23J | | | | | 5t072.2↔ | | 21A | | W04A, W04B | 5t072.b↔ |
| 21A | W04A, W04B | 5t072.2↔ | 21B | | | X06A, X06B, X06C | | | 5t072.b↔ | | | |
| 21B | X04Z, X06A, X06B, X06C | | 5t072.2↔ | | | | | 5t072.b↔ | | | | |

VYK

| ZZV | MDC | DRG | ZZV | MDC | DRG | ZZV | MDC | DRG |
|----------|-----|--|----------|--|--|----------|--|--|
| 5t072.c↔ | | BOP, KVT, UOP4 | 5t072.n↔ | | BOP, KVT, UOP4 | 5t072.x | | BOP, KVT, UOP4 |
| | 01 | B03Z, B17A, B17B, B17C, B17J | | 01 | B03Z, B17A, B17B, B17C, B17J | | 01 | B03Z, B17A, B17B, B17C, B17J |
| | 08 | I12A, I12B, I12C, I12J, I23A, I23B, I23J | | 08 | I12A, I12B, I12C, I12J, I23A, I23B, I23J | | 04 | E02A, E02B, E02C, E02D |
| | 21A | W04A, W04B | | 21A | W04A, W04B | | 08 | I12A, I12B, I12C, I12J, I23A, I23B, I23J |
| 5t072.d | 21B | X05A, X05B, X06A, X06B, X06C | 5t072.p↔ | 21B | X04Z, X06A, X06B, X06C | 5t072.z↔ | 21A | W04A, W04B |
| | | BOP, KVT, UOP4 | | | BOP, KVT, UOP4 | | 21B | X06A, X06B, X06C |
| | 01 | B03Z, B17A, B17B, B17C, B17J | | 01 | B03Z, B17A, B17B, B17C, B17J | | | BOP, KVT, UOP4 |
| | 08 | I12A, I12B, I12C, I12J, I23A, I23B, I23J | | 08 | I12A, I12B, I12C, I12J, I23A, I23B, I23J | | 01 | B03Z, B17A, B17B, B17C, B17J |
| 5t072.e↔ | 21A | W04A, W04B | 5t072.q↔ | 21A | W04A, W04B | 5t073.0↔ | 04 | E02A, E02B, E02C, E02D |
| | 21B | X04Z, X06A, X06B, X06C | | 21B | X04Z, X06A, X06B, X06C | | 08 | I12A, I12B, I12C, I12J, I23A, I23B, I23J |
| | | BOP, KJZSV, KVT, UOP4 | | | BOP, KVT, UOP4 | | 21A | W04A, W04B |
| | 01 | B03Z, B17A, B17B, B17C, B17J | | 01 | B03Z, B17A, B17B, B17C, B17J | | 21B | X06A, X06B, X06C |
| 5t072.f↔ | 08 | I12A, I12B, I12C, I12J, I21J, I21Z | 5t072.r↔ | 08 | I12A, I12B, I12C, I12J, I23A, I23B, I23J | 5t073.1↔ | 01 | B03Z, B17A, B17B, B17C, B17J |
| | 21A | W04A, W04B | | 21A | W04A, W04B | | 04 | E02A, E02B, E02C, E02D |
| | 21B | X04Z, X06A, X06B, X06C | | 21B | X04Z, X06A, X06B, X06C | | 08 | I12A, I12B, I12C, I12J, I23A, I23B, I23J |
| | | BOP, KVT, UOP4 | | | BOP, KVT, UOP4 | | 21A | W04A, W04B |
| 5t072.g↔ | 01 | B03Z, B17A, B17B, B17C, B17J | 5t072.s↔ | 01 | B03Z, B17A, B17B, B17C, B17J | 5t073.2↔ | 21B | X06A, X06B, X06C |
| | 08 | I12A, I12B, I12C, I12J, I21J, I21Z | | 08 | I12A, I12B, I12C, I12J, I23A, I23B, I23J | | | BOP, KJZSV, KVT, UOP4 |
| | 21A | W04A, W04B | | 21A | W04A, W04B | | 01 | B03Z, B17A, B17B, B17C, B17J |
| | 21B | X04Z, X06A, X06B, X06C | | 21B | X04Z, X06A, X06B, X06C | | 08 | I12A, I12B, I12C, I12J, I23A, I23B, I23J |
| 5t072.h↔ | | BOP, KVT, UOP4 | 5t072.t↔ | | BOP, KVT, UOP4 | 5t073.3↔ | 21A | W04A, W04B |
| | 01 | B03Z, B17A, B17B, B17C, B17J | | 01 | B03Z, B17A, B17B, B17C, B17J | | 21B | X06A, X06B, X06C |
| | 08 | I12A, I12B, I12C, I12J, I21J, I21Z | | 08 | I12A, I12B, I12C, I12J, I23A, I23B, I23J | | | BOP, KJZSV, KVT, UOP4 |
| | 21A | W04A, W04B | | 21A | W04A, W04B | | 01 | B03Z, B17A, B17B, B17C, B17J |
| 5t072.i↔ | 21B | X04Z, X06A, X06B, X06C | 5t072.u↔ | 21B | X04Z, X06A, X06B, X06C | 5t073.4↔ | 08 | I12A, I12B, I12C, I12J, I23A, I23B, I23J |
| | | BOP, KVT, UOP4 | | | BOP, KVT, UOP4 | | 21A | W04A, W04B |
| | 01 | B03Z, B17A, B17B, B17C, B17J | | 01 | B03Z, B17A, B17B, B17C, B17J | | 21B | X06A, X06B, X06C |
| | 08 | I12A, I12B, I12C, I12J, I23A, I23B, I23J | | 08 | I12A, I12B, I12C, I12J, I23A, I23B, I23J | | | BOP, KJZSV, KVT, UOP4 |
| 5t072.j↔ | 21A | W04A, W04B | 5t072.v↔ | 21A | W04A, W04B | 5t073.5↔ | 01 | B03Z, B17A, B17B, B17C, B17J |
| | 21B | X04Z, X06A, X06B, X06C | | 21B | X04Z, X06A, X06B, X06C | | 08 | I12A, I12B, I12C, I12J, I23A, I23B, I23J |
| | | BOP, KVT, UOP4 | | | BOP, KVT, UOP4 | | 21A | W04A, W04B |
| | 01 | B03Z, B17A, B17B, B17C, B17J | | 01 | B03Z, B17A, B17B, B17C, B17J | | 21B | X06A, X06B, X06C |
| 5t072.k↔ | 08 | I12A, I12B, I12C, I12J, I23A, I23B, I23J | 5t072.w↔ | 08 | I12A, I12B, I12C, I12J, I23A, I23B, I23J | 5t073.6↔ | | BOP, KJZSV, KVT, UOP4 |
| | 21A | W04A, W04B | | 21A | W04A, W04B | | 01 | B03Z, B17A, B17B, B17C, B17J |
| | 21B | X04Z, X06A, X06B, X06C | | 21B | X04Z, X06A, X06B, X06C | | 08 | I12A, I12B, I12C, I12J, I23A, I23B, I23J |
| | | BOP, KVT, UOP4 | | | BOP, KVT, UOP4 | | 21A | W04A, W04B |
| 5t072.l↔ | 01 | B03Z, B17A, B17B, B17C, B17J | | B03Z, B17A, B17B, B17C, B17J | 5t073.7↔ | 21B | X06A, X06B, X06C | |
| | 08 | I12A, I12B, I12C, I12J, I23A, I23B, I23J | 08 | I12A, I12B, I12C, I12J, I23A, I23B, I23J | | | BOP, KVT, UOP4 | |
| | 21A | W04A, W04B | 21A | W04A, W04B | | 01 | B03Z, B17A, B17B, B17C, B17J | |
| | 21B | X04Z, X06A, X06B, X06C | 21B | X04Z, X06A, X06B, X06C | | 08 | I12A, I12B, I12C, I12J, I23A, I23B, I23J | |

VYK

| ZZV | MDC | DRG | ZZV | MDC | DRG | ZZV | MDC | DRG |
|----------|-----|--|----------|-----|--|----------|-----|--|
| 5t073.7↔ | | BOP, KJZSV, KVT, UOP4 | 5t073.g↔ | | BOP, KJZSV, KVT, UOP4 | 5t073.u↔ | | BOP, KJZSV, KVT, UOP4 |
| | 01 | B03Z, B17A, B17B, B17C, B17J | | 01 | B03Z, B17A, B17B, B17C, B17J | | 01 | B03Z, B17A, B17B, B17C, B17J |
| | 08 | I12A, I12B, I12C, I12J, I23A, I23B, I23J | | 08 | I12A, I12B, I12C, I12J, I21J, I21Z | | 08 | I12A, I12B, I12C, I12J, I23A, I23B, I23J |
| | 21A | W04A, W04B | | 21A | W04A, W04B | | 21A | W04A, W04B |
| 5t073.8↔ | 21B | X06A, X06B, X06C | 5t073.h↔ | 21B | X04Z, X06A, X06B, X06C | 5t073.v↔ | 21B | X04Z, X06A, X06B, X06C |
| | | BOP, KJZSV, KVT, UOP4 | | | BOP, KJZSV, KVT, UOP4 | | | BOP, KJZSV, KVT, UOP4 |
| | 01 | B03Z, B17A, B17B, B17C, B17J | | 01 | B03Z, B17A, B17B, B17C, B17J | | 01 | B03Z, B17A, B17B, B17C, B17J |
| | 08 | I12A, I12B, I12C, I12J, I23A, I23B, I23J | | 08 | I12A, I12B, I12C, I12J, I21J, I21Z | | 08 | I12A, I12B, I12C, I12J, I23A, I23B, I23J |
| 5t073.9↔ | 21A | W04A, W04B | 5t073.k↔ | 21A | W04A, W04B | 5t073.w↔ | 21A | W04A, W04B |
| | 21B | X06A, X06B, X06C | | 21B | X04Z, X06A, X06B, X06C | | 21B | X04Z, X06A, X06B, X06C |
| | | BOP, KJZSV, KVT, UOP4 | | | BOP, KJZSV, KVT, UOP4 | | | BOP, KJZSV, KVT, UOP4 |
| | 01 | B03Z, B17A, B17B, B17C, B17J | | 01 | B03Z, B17A, B17B, B17C, B17J | | 01 | B03Z, B17A, B17B, B17C, B17J |
| 5t073.a↔ | 08 | I12A, I12B, I12C, I12J, I23A, I23B, I23J | 5t073.m↔ | 08 | I12A, I12B, I12C, I12J, I23A, I23J | 5t073.x | 08 | I12A, I12B, I12C, I12J, I23A, I23B, I23J |
| | 21A | W04A, W04B | | 21A | W04A, W04B | | 21A | W04A, W04B |
| | 21B | X06A, X06B, X06C | | 21B | X04Z, X06A, X06B, X06C | | 21B | X04Z, X06A, X06B, X06C |
| | | BOP, KJZSV, KVT, UOP4 | | | BOP, KJZSV, KVT, UOP4 | | | BOP, KJZSV, KVT, UOP4 |
| 5t073.b↔ | 01 | B03Z, B17A, B17B, B17C, B17J | 5t073.n↔ | 01 | B03Z, B17A, B17B, B17C, B17J | 5t073.z↔ | 01 | B03Z, B17A, B17B, B17C, B17J |
| | 08 | I12A, I12B, I12C, I12J, I23A, I23B, I23J | | 08 | I12A, I12B, I12C, I12J, I23A, I23J | | 08 | I12A, I12B, I12C, I12J, I23A, I23B, I23J |
| | 21A | W04A, W04B | | 21A | W04A, W04B | | 21A | W04A, W04B |
| | 21B | X05A, X05B, X06A, X06B, X06C | | 21B | X04Z, X06A, X06B, X06C | | 21B | X06A, X06B, X06C |
| 5t073.c↔ | | BOP, KJZSV, KVT, UOP4 | 5t073.p↔ | | BOP, KJZSV, KVT, UOP4 | 5t074.0↔ | | BOP, KJZSV, KVT, UOP4 |
| | 01 | B03Z, B17A, B17B, B17C, B17J | | 01 | B03Z, B17A, B17B, B17C, B17J | | 01 | B03Z, B17A, B17B, B17C, B17J |
| | 08 | I12A, I12B, I12C, I12J, I23A, I23B, I23J | | 08 | I12A, I12B, I12C, I12J, I23A, I23J | | 04 | E02A, E02B, E02C, E02D |
| | 21A | W04A, W04B | | 21A | W04A, W04B | | 08 | I12A, I12B, I12C, I12J, I23A, I23B, I23J |
| 5t073.d | 21B | X05A, X05B, X06A, X06B, X06C | 5t073.q↔ | 21B | X04Z, X06A, X06B, X06C | 5t074.1↔ | 21A | W04A, W04B |
| | | BOP, KVT, UOP4 | | | BOP, KJZSV, KVT, UOP4 | | 21B | X06A, X06B, X06C |
| | 01 | B03Z, B17A, B17B, B17C, B17J | | 01 | B03Z, B17A, B17B, B17C, B17J | | 01 | BOP, KVT, UOP4 |
| | 08 | I12A, I12B, I12C, I12J, I23A, I23B, I23J | | 08 | I12A, I12B, I12C, I12J, I23A, I23J | | 08 | I12A, I12B, I12C, I12J, I23A, I23B, I23J |
| 5t073.e↔ | 21A | W04A, W04B | 5t073.r↔ | 21A | W04A, W04B | 5t074.2↔ | 21A | W04A, W04B |
| | 21B | X04Z, X06A, X06B, X06C | | 21B | X04Z, X06A, X06B, X06C | | 21B | X06A, X06B, X06C |
| | | BOP, KJZSV, KVT, UOP4 | | | BOP, KJZSV, KVT, UOP4 | | | BOP, KVT, UOP4 |
| | 01 | B03Z, B17A, B17B, B17C, B17J | | 01 | B03Z, B17A, B17B, B17C, B17J | | 01 | B03Z, B17A, B17B, B17C, B17J |
| 5t073.f↔ | 08 | I12A, I12B, I12C, I12J, I21J, I21Z | 5t073.s↔ | 08 | I12A, I12B, I12C, I12J, I23A, I23B, I23J | 5t074.3↔ | 08 | I12A, I12B, I12C, I12J, I23A, I23B, I23J |
| | 21A | W04A, W04B | | 21A | W04A, W04B | | 21A | W04A, W04B |
| | 21B | X04Z, X06A, X06B, X06C | | 21B | X04Z, X06A, X06B, X06C | | 21B | X06A, X06B, X06C |
| | | BOP, KJZSV, KVT, UOP4 | | | BOP, KJZSV, KVT, UOP4 | | | BOP, KVT, UOP4 |
| 5t073.g↔ | 01 | B03Z, B17A, B17B, B17C, B17J | 5t073.t↔ | 01 | B03Z, B17A, B17B, B17C, B17J | | 01 | B03Z, B17A, B17B, B17C, B17J |
| | 08 | I12A, I12B, I12C, I12J, I21J, I21Z | | 08 | I12A, I12B, I12C, I12J, I23A, I23B, I23J | | 08 | I12A, I12B, I12C, I12J, I23A, I23B, I23J |
| | 21A | W04A, W04B | | 21A | W04A, W04B | | 21A | W04A, W04B |
| | 21B | X04Z, X06A, X06B, X06C | | 21B | X04Z, X06A, X06B, X06C | | 21B | X06A, X06B, X06C |

VYK

| ZZV | MDC | DRG | ZZV | MDC | DRG | ZZV | MDC | DRG |
|----------|--|--|--|-----|--|-----------|-----|--|
| 5t074.4↔ | | BOP, KVT, UOP4 | 5t074.d | | BOP, KJZSV, KVT, UOP4 | 5t074.q↔ | | BOP, KJZSV, KVT, UOP4 |
| | 01 | B03Z, B17A, B17B, B17C, B17J | | 01 | B03Z, B17A, B17B, B17C, B17J | | 01 | B03Z, B17A, B17B, B17C, B17J |
| | 08 | I12A, I12B, I12C, I12J, I23A, I23B, I23J | | 08 | I12A, I12B, I12C, I12J, I23A, I23B, I23J | | 08 | I12A, I12B, I12C, I12J, I23A, I23B, I23J |
| | 21A | W04A, W04B | | 21A | W04A, W04B | | 21A | W04A, W04B |
| 5t074.5↔ | 21B | X06A, X06B, X06C | 5t074.e↔ | 21B | X04Z, X06A, X06B, X06C | 5t074.r↔ | 21B | X04Z, X06A, X06B, X06C |
| | | BOP, KJZSV, KVT, UOP4 | | | BOP, KJZSV, KVT, UOP4 | | | BOP, KVT, UOP4 |
| | 01 | B03Z, B17A, B17B, B17C, B17J | | 01 | B03Z, B17A, B17B, B17C, B17J | | 01 | B03Z, B17A, B17B, B17C, B17J |
| | 08 | I12A, I12B, I12C, I12J, I23A, I23B, I23J | | 08 | I12A, I12B, I12C, I12J, I21J, I21Z | | 08 | I12A, I12B, I12C, I12J, I23A, I23B, I23J |
| 5t074.6↔ | 21A | W04A, W04B | 5t074.f↔ | 21A | W04A, W04B | 5t074.s↔ | 21A | W04A, W04B |
| | 21B | X06A, X06B, X06C | | 21B | X04Z, X06A, X06B, X06C | | 21B | X04Z, X06A, X06B, X06C |
| | | BOP, KVT, UOP4 | | | BOP, KVT, UOP4 | | | BOP, KJZSV, KVT, UOP4 |
| | 01 | B03Z, B17A, B17B, B17C, B17J | | 01 | B03Z, B17A, B17B, B17C, B17J | | 01 | B03Z, B17A, B17B, B17C, B17J |
| 5t074.7↔ | 08 | I12A, I12B, I12C, I12J, I23A, I23B, I23J | 5t074.g↔ | 08 | I12A, I12B, I12C, I12J, I21J, I21Z | 5t074.t↔ | 08 | I12A, I12B, I12C, I12J, I23A, I23B, I23J |
| | 21A | W04A, W04B | | 21A | W04A, W04B | | 21A | W04A, W04B |
| | 21B | X06A, X06B, X06C | | 21B | X04Z, X06A, X06B, X06C | | 21B | X04Z, X06A, X06B, X06C |
| | | BOP, KVT, UOP4 | | | BOP, KJZSV, KVT, UOP4 | | | BOP, KJZSV, KVT, UOP4 |
| 5t074.8↔ | 01 | B03Z, B17A, B17B, B17C, B17J | 5t074.h↔ | 01 | B03Z, B17A, B17B, B17C, B17J | 5t074.u↔ | 01 | B03Z, B17A, B17B, B17C, B17J |
| | 08 | I12A, I12B, I12C, I12J, I23A, I23B, I23J | | 08 | I12A, I12B, I12C, I12J, I21J, I21Z | | 08 | I12A, I12B, I12C, I12J, I23A, I23B, I23J |
| | 21A | W04A, W04B | | 21A | W04A, W04B | | 21A | W04A, W04B |
| | 21B | X06A, X06B, X06C | | 21B | X04Z, X06A, X06B, X06C | | 21B | X04Z, X06A, X06B, X06C |
| 5t074.9↔ | | BOP, KVT, UOP4 | 5t074.i↔ | | BOP, KVT, UOP4 | 5t074.v↔ | | BOP, KVT, UOP4 |
| | 01 | B03Z, B17A, B17B, B17C, B17J | | 01 | B03Z, B17A, B17B, B17C, B17J | | 01 | B03Z, B17A, B17B, B17C, B17J |
| | 08 | I12A, I12B, I12C, I12J, I23A, I23B, I23J | | 08 | I12A, I12B, I12C, I12J, I23A, I23B, I23J | | 08 | I12A, I12B, I12C, I12J, I23A, I23B, I23J |
| | 21A | W04A, W04B | | 21A | W04A, W04B | | 21A | W04A, W04B |
| 5t074.a↔ | 21B | X06A, X06B, X06C | 5t074.k↔ | 21B | X04Z, X06A, X06B, X06C | 5t074.w↔ | 21B | X04Z, X06A, X06B, X06C |
| | | BOP, KJZSV, KVT, UOP4 | | | BOP, KVT, UOP4 | | | BOP, KJZSV, KVT, UOP4 |
| | 01 | B03Z, B17A, B17B, B17C, B17J | | 01 | B03Z, B17A, B17B, B17C, B17J | | 01 | B03Z, B17A, B17B, B17C, B17J |
| | 08 | I12A, I12B, I12C, I12J, I23A, I23B, I23J | | 08 | I12A, I12B, I12C, I12J, I23A, I23B, I23J | | 08 | I12A, I12B, I12C, I12J, I23A, I23B, I23J |
| 5t074.b↔ | 21A | W04A, W04B | 5t074.m↔ | 21A | W04A, W04B | 5t074.x | 21A | W04A, W04B |
| | 21B | X05A, X05B, X06A, X06B, X06C | | 21B | X04Z, X06A, X06B, X06C | | 21B | X04Z, X06A, X06B, X06C |
| | | BOP, KVT, UOP4 | | | BOP, KJZSV, KVT, UOP4 | | | BOP, KVT, UOP4 |
| | 01 | B03Z, B17A, B17B, B17C, B17J | | 01 | B03Z, B17A, B17B, B17C, B17J | | 01 | B03Z, B17A, B17B, B17C, B17J |
| 5t074.c↔ | 08 | I12A, I12B, I12C, I12J, I23A, I23B, I23J | 5t074.n↔ | 08 | I12A, I12B, I12C, I12J, I23A, I23B, I23J | 5t074.z↔ | 04 | E02A, E02B, E02C, E02D |
| | 21A | W04A, W04B | | 21A | W04A, W04B | | 08 | I12A, I12B, I12C, I12J, I23A, I23B, I23J |
| | 21B | X05A, X05B, X06A, X06B, X06C | | 21B | X04Z, X06A, X06B, X06C | | 21A | W04A, W04B |
| | | BOP, KVT, UOP4 | | | BOP, KVT, UOP4 | | 21B | X06A, X06B, X06C |
| 5t074.c↔ | 01 | B03Z, B17A, B17B, B17C, B17J | 5t074.p↔ | 01 | B03Z, B17A, B17B, B17C, B17J | 5t075.0†↔ | 01 | BOP, KJZSV, KVT, UOP4 |
| | 08 | I12A, I12B, I12C, I12J, I23A, I23B, I23J | | 08 | I12A, I12B, I12C, I12J, I23A, I23B, I23J | | 08 | I12A, I12B, I12C, I12J, I23A, I23B, I23J |
| | 21A | W04A, W04B | | 21A | W04A, W04B | | 08 | I12A, I12B, I12C, I12J, I23A, I23B, I23J |
| | 21B | X05A, X05B, X06A, X06B, X06C | | 21B | X04Z, X06A, X06B, X06C | | 08 | I12A, I12B, I12C, I12J, I23A, I23B, I23J |
| | BOP, KVT, UOP4 | | BOP, KJZSV, KVT, UOP4 | | BOP, KJZSV, KVT, UOP4 | | | |
| 01 | B03Z, B17A, B17B, B17C, B17J | 01 | B03Z, B17A, B17B, B17C, B17J | 08 | I12A, I12B, I12C, I12J, I23A, I23B, I23J | | | |
| 08 | I12A, I12B, I12C, I12J, I23A, I23B, I23J | 08 | I12A, I12B, I12C, I12J, I23A, I23B, I23J | 08 | I12A, I12B, I12C, I12J, I23A, I23B, I23J | | | |
| 21A | W04A, W04B | 21A | W04A, W04B | 08 | I12A, I12B, I12C, I12J, I23A, I23B, I23J | | | |
| 21B | X05A, X05B, X06A, X06B, X06C | 21B | X04Z, X06A, X06B, X06C | 08 | I12A, I12B, I12C, I12J, I23A, I23B, I23J | | | |

VYK

| ZZV | MDC | DRG | ZZV | MDC | DRG | ZZV | MDC | DRG |
|----------|-----|--|----------|----------|--|----------|----------|--|
| 5t075.2↔ | | BOP, KJZSV, KVT, UOP4 | 5t075.x | | BOP, KVT, UOP4 | 5t076.e↔ | | BOP, KJZSV, KVT, UOP4 |
| | 08 | I13A, I13B, I59J, I59Z | | 01 | B03Z, B17A, B17B, B17C, B17J | | 01 | B03Z, B17A, B17B, B17C, B17J |
| 5t075.3↔ | | BOP, KJZSV, KVT, UOP4 | | 08 | I12A, I12B, I12C, I12J, I23A, I23B, I23J | | 08 | I12A, I12B, I12C, I12J, I21J, I21Z |
| | 08 | I13A, I13B, I59J, I59Z | | 21A | W04A, W04B | | 21A | W04A, W04B |
| 5t075.4↔ | | BOP, KJZSV, KVT, UOP4 | | 21B | X06A, X06B, X06C | | 21B | X04Z, X06A, X06B, X06C |
| | 08 | I12A, I12B, I12C, I12J, I23A, I23B, I23J | 5t076.1↔ | | BOP, KJZSV, KVT, UOP4 | 5t076.f↔ | | BOP, KJZSV, KVT, UOP4 |
| 5t075.7↔ | | BOP, KJZSV, KVT, UOP4 | | 01 | B03Z, B17A, B17B, B17C, B17J | | 01 | B03Z, B17A, B17B, B17C, B17J |
| | 08 | I12A, I12B, I12C, I12J, I23A, I23B, I23J | | 08 | I12A, I12B, I12C, I12J, I23A, I23B, I23J | | 08 | I12A, I12B, I12C, I12J, I21J, I21Z |
| 5t075.d | | BOP, KJZSV, KVT, UOP4 | | 21A | W04A, W04B | | 21A | W04A, W04B |
| | 08 | I08A, I08B, I08C, I08D, I08E, I08F, I08J | | 21B | X06A, X06B, X06C | | 21B | X04Z, X06A, X06B, X06C |
| 5t075.e↔ | | BOP, KJZSV, KVT, UOP4 | 5t076.2↔ | | BOP, KJZSV, KVT, UOP4 | 5t076.g↔ | | BOP, KVT, UOP4 |
| | 01 | B03Z, B17A, B17B, B17C, B17J | | 01 | B03Z, B17A, B17B, B17C, B17J | | 01 | B03Z, B17A, B17B, B17C, B17J |
| | 08 | I12A, I12B, I12C, I12J, I21J, I21Z | | 08 | I12A, I12B, I12C, I12J, I23A, I23B, I23J | | 08 | I12A, I12B, I12C, I12J, I21J, I21Z |
| | 21A | W04A, W04B | | 21A | W04A, W04B | | 21A | W04A, W04B |
| | 21B | X04Z, X06A, X06B, X06C | | 21B | X06A, X06B, X06C | | 21B | X04Z, X06A, X06B, X06C |
| 5t075.f↔ | | BOP, KVT, UOP4 | 5t076.3↔ | | BOP, KJZSV, KVT, UOP4 | 5t076.h↔ | | BOP, KJZSV, KVT, UOP4 |
| | 01 | B03Z, B17A, B17B, B17C, B17J | | 01 | B03Z, B17A, B17B, B17C, B17J | | 01 | B03Z, B17A, B17B, B17C, B17J |
| | 08 | I12A, I12B, I12C, I12J, I21J, I21Z | | 08 | I12A, I12B, I12C, I12J, I23A, I23B, I23J | | 08 | I12A, I12B, I12C, I12J, I21J, I21Z |
| | 21A | W04A, W04B | | 21A | W04A, W04B | | 21A | W04A, W04B |
| | 21B | X04Z, X06A, X06B, X06C | | 21B | X06A, X06B, X06C | | 21B | X04Z, X06A, X06B, X06C |
| 5t075.g↔ | | BOP, KVT, UOP4 | 5t076.4↔ | | BOP, KJZSV, KVT, UOP4 | 5t076.k↔ | | BOP, KJZSV, KVT, UOP4 |
| | 01 | B03Z, B17A, B17B, B17C, B17J | | 01 | B03Z, B17A, B17B, B17C, B17J | | 01 | B03Z, B17A, B17B, B17C, B17J |
| | 08 | I12A, I12B, I12C, I12J, I21J, I21Z | | 08 | I12A, I12B, I12C, I12J, I23A, I23B, I23J | | 08 | I12A, I12B, I12C, I12J, I23A, I23B, I23J |
| | 21A | W04A, W04B | | 21A | W04A, W04B | | 21A | W04A, W04B |
| | 21B | X04Z, X06A, X06B, X06C | | 21B | X06A, X06B, X06C | | 21B | X04Z, X06A, X06B, X06C |
| 5t075.h↔ | | BOP, KVT, UOP4 | 5t076.5↔ | | BOP, KJZSV, KVT, UOP4 | 5t076.m↔ | | BOP, KVT, UOP4 |
| | 01 | B03Z, B17A, B17B, B17C, B17J | | 01 | B03Z, B17A, B17B, B17C, B17J | | 01 | B03Z, B17A, B17B, B17C, B17J |
| | 08 | I12A, I12B, I12C, I12J, I21J, I21Z | | 08 | I12A, I12B, I12C, I12J, I23A, I23B, I23J | | 08 | I12A, I12B, I12C, I12J, I23A, I23B, I23J |
| | 21A | W04A, W04B | | 21A | W04A, W04B | | 21A | W04A, W04B |
| | 21B | X04Z, X06A, X06B, X06C | | 21B | X06A, X06B, X06C | | 21B | X04Z, X06A, X06B, X06C |
| 5t075.j↔ | | BOP, KVT, UOP4 | 5t076.6↔ | | BOP, KJZSV, KVT, UOP4 | 5t076.n↔ | | BOP, KJZSV, KVT, UOP4 |
| | 01 | B03Z, B17A, B17B, B17C, B17J | | 01 | B03Z, B17A, B17B, B17C, B17J | | 01 | B03Z, B17A, B17B, B17C, B17J |
| | 08 | I12A, I12B, I12C, I12J, I21J, I21Z | | 08 | I12A, I12B, I12C, I12J, I23A, I23B, I23J | | 08 | I12A, I12B, I12C, I12J, I23A, I23B, I23J |
| | 21A | W04A, W04B | | 21A | W04A, W04B | | 21A | W04A, W04B |
| | 21B | X04Z, X06A, X06B, X06C | | 21B | X06A, X06B, X06C | | 21B | X04Z, X06A, X06B, X06C |
| 5t075.k↔ | | BOP, KJZSV, KVT, UOP4 | 5t076.7↔ | | BOP, KJZSV, KVT, UOP4 | 5t076.p↔ | | BOP, KJZSV, KVT, UOP4 |
| | 08 | I13A, I13B, I59J, I59Z | | 01 | B03Z, B17A, B17B, B17C, B17J | | 01 | B03Z, B17A, B17B, B17C, B17J |
| 5t075.n↔ | | BOP, KJZSV, KVT, UOP4 | | 08 | I12A, I12B, I12C, I12J, I23A, I23B, I23J | | 08 | I12A, I12B, I12C, I12J, I23A, I23B, I23J |
| | 08 | I13A, I13B, I59J, I59Z | | 21A | W04A, W04B | | 21A | W04A, W04B |
| 5t075.p↔ | | BOP, KJZSV, KVT, UOP4 | | 21B | X06A, X06B, X06C | | 21B | X04Z, X06A, X06B, X06C |
| | 08 | I59J, I59Z | 5t076.8↔ | | BOP, KJZSV, KVT, UOP4 | 5t076.q↔ | | BOP, KJZSV, KVT, UOP4 |
| 5t075.q↔ | | BOP, KJZSV, KVT, UOP4 | | 01 | B03Z, B17A, B17B, B17C, B17J | | 01 | B03Z, B17A, B17B, B17C, B17J |
| | 08 | I59J, I59Z | | 08 | I12A, I12B, I12C, I12J, I23A, I23B, I23J | | 08 | I12A, I12B, I12C, I12J, I23A, I23B, I23J |
| 5t075.r↔ | | BOP, KJZSV, KVT, UOP4 | | 21A | W04A, W04B | | 21A | W04A, W04B |
| | 08 | I59J, I59Z | | 21B | X06A, X06B, X06C | | 21B | X04Z, X06A, X06B, X06C |
| 5t075.s↔ | | BOP, KVT, UOP4 | 5t076.9↔ | | BOP, KJZSV, KVT, UOP4 | 5t076.r↔ | | BOP, KJZSV, KVT, UOP4 |
| | 08 | I20A, I20B, I20C, I20D, I20E, I20F, I20J, I20Q, I20R | | 01 | B03Z, B17A, B17B, B17C, B17J | | 01 | B03Z, B17A, B17B, B17C, B17J |
| 5t075.t↔ | | BOP, KVT, UOP4 | | 08 | I12A, I12B, I12C, I12J, I23A, I23B, I23J | | 08 | I12A, I12B, I12C, I12J, I23A, I23B, I23J |
| | 08 | I20A, I20B, I20C, I20D, I20E, I20F, I20J, I20Q, I20R | | 21A | W04A, W04B | | 21A | W04A, W04B |
| 5t075.u↔ | | BOP, KVT, UOP4 | | 21B | X06A, X06B, X06C | | 21B | X04Z, X06A, X06B, X06C |
| | 08 | I20A, I20B, I20C, I20D, I20E, I20F, I20J, I20Q, I20R | | 5t076.8↔ | BOP, KJZSV, KVT, UOP4 | | 5t076.q↔ | BOP, KJZSV, KVT, UOP4 |
| 5t075.v↔ | | BOP, KVT, UOP4 | | 01 | B03Z, B17A, B17B, B17C, B17J | | 08 | I59J, I59Z |
| | 08 | I20A, I20B, I20C, I20D, I20E, I20F, I20J, I20Q, I20R | | 08 | I12A, I12B, I12C, I12J, I23A, I23B, I23J | | 5t076.r↔ | BOP, KJZSV, KVT, UOP4 |
| 5t075.w↔ | | BOP, KVT, UOP4 | | 21A | W04A, W04B | | 01 | B03Z, B17A, B17B, B17C, B17J |
| | 08 | I20A, I20B, I20C, I20D, I20E, I20F, I20J, I20Q, I20R | | 21B | X06A, X06B, X06C | | 08 | I12A, I12B, I12C, I12J, I23A, I23B, I23J |
| | 08 | I20A, I20B, I20C, I20D, I20E, I20F, I20J, I20Q, I20R | | 5t076.9↔ | BOP, KJZSV, KVT, UOP4 | | 21A | W04A, W04B |
| | 08 | I20A, I20B, I20C, I20D, I20E, I20F, I20J, I20Q, I20R | | 01 | B03Z, B17A, B17B, B17C, B17J | | 21B | X04Z, X06A, X06B, X06C |
| | 08 | I20A, I20B, I20C, I20D, I20E, I20F, I20J, I20Q, I20R | | 08 | I12A, I12B, I12C, I12J, I23A, I23B, I23J | | | |
| | 08 | I20A, I20B, I20C, I20D, I20E, I20F, I20J, I20Q, I20R | | 21A | W04A, W04B | | | |
| | 08 | I20A, I20B, I20C, I20D, I20E, I20F, I20J, I20Q, I20R | | 21B | X06A, X06B, X06C | | | |

VYK

| ZZV | MDC | DRG | ZZV | MDC | DRG | ZZV | MDC | DRG |
|----------|-----|--|----------|-----|--|----------|-----|--|
| 5t076.x | | BOP, KJZSV, KVT, UOP4 | 5t077.e↔ | 08 | BOP, KJZSV, KVT, UOP4 | 5t078.1↔ | 08 | BOP, KJZSV, KVT, UOP4 |
| | 01 | B03Z, B17A, B17B, B17C, B17J | | | I08A, I08B, I08C, I08D, I08E, I08F, I08J | | 08 | I12J, I13A, I13B, I23J, I59J, I59Z |
| | 08 | I12A, I12B, I12C, I12J, I23A, I23B, I23J | 5t077.f↔ | 01 | BOP, KVT, UOP4 | 5t078.2↔ | 08 | BOP, KJZSV, KVT, UOP4 |
| | 21A | W04A, W04B | | | B03Z, B17A, B17B, B17C, B17J | | 08 | I13A, I13B, I59J, I59Z |
| | 21B | X06A, X06B, X06C | | | I12A, I12B, I12C, I12J, I21J, I21Z | 5t078.e↔ | 01 | BOP, KJZSV, KVT, UOP4 |
| 5t077.1↔ | | BOP, KJZSV, KVT, UOP4 | | | W04A, W04B | | 08 | B03Z, B17A, B17B, B17C, B17J |
| | 01 | B03Z, B17A, B17B, B17C, B17J | 5t077.g↔ | 21A | W04A, W04B | | 08 | I12A, I12B, I12C, I12J, I21J, I21Z |
| | 08 | I12A, I12B, I12C, I12J, I23A, I23B, I23J | | | X04Z, X06A, X06B, X06C | | 21A | W04A, W04B |
| | 21A | W04A, W04B | | | BOP, KJZSV, KVT, UOP4 | 5t078.f↔ | 21B | X04Z, X06A, X06B, X06C |
| | 21B | X06A, X06B, X06C | | | B03Z, B17A, B17B, B17C, B17J | | 01 | BOP, KJZSV, KVT, UOP4 |
| 5t077.2↔ | | BOP, KJZSV, KVT, UOP4 | | | I12A, I12B, I12C, I12J, I21J, I21Z | | 08 | B03Z, B17A, B17B, B17C, B17J |
| | 01 | B03Z, B17A, B17B, B17C, B17J | 5t077.h↔ | 21A | W04A, W04B | | 08 | I12A, I12B, I12C, I12J, I21J, I21Z |
| | 08 | I12A, I12B, I12C, I12J, I23A, I23B, I23J | | | X04Z, X06A, X06B, X06C | | 21A | W04A, W04B |
| | 21A | W04A, W04B | | | BOP, KJZSV, KVT, UOP4 | 5t078.g↔ | 21B | X04Z, X06A, X06B, X06C |
| | 21B | X06A, X06B, X06C | | | B03Z, B17A, B17B, B17C, B17J | | 01 | BOP, KJZSV, KVT, UOP4 |
| 5t077.3↔ | | BOP, KJZSV, KVT, UOP4 | | | I12A, I12B, I12C, I12J, I21J, I21Z | | 08 | B03Z, B17A, B17B, B17C, B17J |
| | 01 | B03Z, B17A, B17B, B17C, B17J | 5t077.k↔ | 08 | I12A, I12B, I12C, I12J, I21J, I21Z | | 08 | I12A, I12B, I12C, I12J, I21J, I21Z |
| | 08 | I12A, I12B, I12C, I12J, I23A, I23B, I23J | | | W04A, W04B | | 21A | W04A, W04B |
| | 21A | W04A, W04B | | | X04Z, X06A, X06B, X06C | 5t078.h↔ | 21B | X04Z, X06A, X06B, X06C |
| | 21B | X06A, X06B, X06C | | | BOP, KJZSV, KVT, UOP4 | | 01 | BOP, KJZSV, KVT, UOP4 |
| 5t077.4↔ | | BOP, KJZSV, KVT, UOP4 | | | B03Z, B17A, B17B, B17C, B17J | | 08 | B03Z, B17A, B17B, B17C, B17J |
| | 01 | B03Z, B17A, B17B, B17C, B17J | 5t077.m↔ | 08 | I12A, I12B, I12C, I12J, I23A, I23B, I23J | | 21A | W04A, W04B |
| | 08 | I12A, I12B, I12C, I12J, I23A, I23B, I23J | | | BOP, KVT, UOP4 | 5t078.x | 21B | X04Z, X06A, X06B, X06C |
| | 21A | W04A, W04B | | | B03Z, B17A, B17B, B17C, B17J | | 01 | BOP, KJZSV, KVT, UOP4 |
| | 21B | X06A, X06B, X06C | | | I12A, I12B, I12C, I12J, I23A, I23B, I23J | | 08 | B03Z, B17A, B17B, B17C, B17J |
| 5t077.5↔ | | BOP, KJZSV, KVT, UOP4 | | | W04A, W04B | | 08 | I12A, I12B, I12C, I12J, I23A, I23B, I23J |
| | 01 | B03Z, B17A, B17B, B17C, B17J | 5t077.n↔ | 01 | B03Z, B17A, B17B, B17C, B17J | | 21A | W04A, W04B |
| | 08 | I12A, I12B, I12C, I12J, I23A, I23B, I23J | | | X04Z, X06A, X06B, X06C | 5t079.1↔ | 21B | X06A, X06B, X06C |
| | 21A | W04A, W04B | | | BOP, KVT, UOP4 | | 01 | BOP, KJZSV, KVT, UOP4 |
| | 21B | X06A, X06B, X06C | | | B03Z, B17A, B17B, B17C, B17J | | 08 | B03Z, B17A, B17B, B17C, B17J |
| 5t077.6↔ | | BOP, KVT, UOP4 | | | I12A, I12B, I12C, I12J, I23A, I23B, I23J | | 08 | I12A, I12B, I12C, I12J, I23A, I23B, I23J |
| | 01 | B03Z, B17A, B17B, B17C, B17J | 5t077.p↔ | 21A | W04A, W04B | | 21A | W04A, W04B |
| | 08 | I12A, I12B, I12C, I12J, I23A, I23B, I23J | | | X04Z, X06A, X06B, X06C | 5t079.2↔ | 21B | X06A, X06B, X06C |
| | 21A | W04A, W04B | | | BOP, KJZSV, KVT, UOP4 | | 01 | BOP, KJZSV, KVT, UOP4 |
| | 21B | X06A, X06B, X06C | | | B03Z, B17A, B17B, B17C, B17J | | 08 | B03Z, B17A, B17B, B17C, B17J |
| 5t077.7↔ | | BOP, KJZSV, KVT, UOP4 | | | I12A, I12B, I12C, I12J, I23A, I23B, I23J | | 08 | I12A, I12B, I12C, I12J, I23A, I23B, I23J |
| | 01 | B03Z, B17A, B17B, B17C, B17J | 5t077.q↔ | 08 | I12A, I12B, I12C, I12J, I23A, I23B, I23J | | 21A | W04A, W04B |
| | 08 | I12A, I12B, I12C, I12J, I23A, I23B, I23J | | | BOP, KJZSV, KVT, UOP4 | 5t079.3↔ | 21B | X06A, X06B, X06C |
| | 21A | W04A, W04B | | | I59J, I59Z | | 01 | BOP, KJZSV, KVT, UOP4 |
| | 21B | X06A, X06B, X06C | 5t077.r↔ | 01 | BOP, KVT, UOP4 | | 08 | B03Z, B17A, B17B, B17C, B17J |
| 5t077.8↔ | | BOP, KJZSV, KVT, UOP4 | | | B03Z, B17A, B17B, B17C, B17J | | 08 | I12A, I12B, I12C, I12J, I23A, I23B, I23J |
| | 01 | B03Z, B17A, B17B, B17C, B17J | | | I12A, I12B, I12C, I12J, I23A, I23B, I23J | | 21A | W04A, W04B |
| | 08 | I12A, I12B, I12C, I12J, I23A, I23B, I23J | | | W04A, W04B | 5t079.4↔ | 21B | X06A, X06B, X06C |
| | 21A | W04A, W04B | 5t077.x | 21A | W04A, W04B | | 01 | BOP, KJZSV, KVT, UOP4 |
| | 21B | X06A, X06B, X06C | | | X04Z, X06A, X06B, X06C | | 08 | B03Z, B17A, B17B, B17C, B17J |
| 5t077.9↔ | | BOP, KJZSV, KVT, UOP4 | | | BOP, KJZSV, KVT, UOP4 | | 08 | I12A, I12B, I12C, I12J, I23A, I23B, I23J |
| | 01 | B03Z, B17A, B17B, B17C, B17J | | | B03Z, B17A, B17B, B17C, B17J | | 21A | W04A, W04B |
| | 08 | I12A, I12B, I12C, I12J, I23A, I23B, I23J | | | I12A, I12B, I12C, I12J, I23A, I23B, I23J | 5t079.4↔ | 21B | X06A, X06B, X06C |
| | 21A | W04A, W04B | | | W04A, W04B | | | |
| | 21B | X06A, X06B, X06C | | | X06A, X06B, X06C | | | |

VYK

Príloha B: Index Výkon-MDC-DRG

| ZZV | MDC | DRG | ZZV | MDC | DRG | ZZV | MDC | DRG | | |
|----------|--|--|-----------|--|--|-----------|--|--|-----|--|
| 5t079.5↔ | | BOP, KJZSV, KVT, UOP4 | 5t079.m↔ | | BOP, KJZSV, KVT, UOP4 | 5t07a.5↔ | | BOP, KVT, UOP4 | | |
| | 01 | B03Z, B17A, B17B, B17C, B17J | | 01 | B03Z, B17A, B17B, B17C, B17J | | 01 | B03Z, B17A, B17B, B17C, B17J | | |
| | 08 | I12A, I12B, I12C, I12J, I23A, I23B, I23J | | 08 | I12A, I12B, I12C, I12J, I23A, I23B, I23J | | 08 | I12A, I12B, I12C, I12J, I23A, I23B, I23J | | |
| | 21A | W04A, W04B | | 21A | W04A, W04B | | 21A | W04A, W04B | | |
| 5t079.6↔ | 21B | X06A, X06B, X06C | 5t079.n↔ | 21B | X04Z, X06A, X06B, X06C | 5t07a.6↔ | 21B | X06A, X06B, X06C | | |
| | 01 | BOP, KJZSV, KVT, UOP4 | | 01 | BOP, KJZSV, KVT, UOP4 | | 01 | BOP, KVT, UOP4 | | |
| | 01 | B03Z, B17A, B17B, B17C, B17J | | 01 | B03Z, B17A, B17B, B17C, B17J | | 01 | B03Z, B17A, B17B, B17C, B17J | | |
| 5t079.7↔ | 08 | I12A, I12B, I12C, I12J, I23A, I23B, I23J | 5t079.o↔ | 08 | I12A, I12B, I12C, I12J, I23A, I23B, I23J | 5t07a.7↔ | 08 | I12A, I12B, I12C, I12J, I23A, I23B, I23J | | |
| | 21A | W04A, W04B | | 21A | W04A, W04B | | 21A | W04A, W04B | | |
| | 21B | X06A, X06B, X06C | | 21B | X04Z, X06A, X06B, X06C | | 21B | X06A, X06B, X06C | | |
| | 01 | BOP, KJZSV, KVT, UOP4 | | 01 | BOP, KJZSV, KVT, UOP4 | | 01 | BOP, KVT, UOP4 | | |
| 5t079.8↔ | 01 | B03Z, B17A, B17B, B17C, B17J | 5t079.p↔ | 08 | I59J, I59Z | 5t07a.8↔ | 01 | B03Z, B17A, B17B, B17C, B17J | | |
| | 08 | I12A, I12B, I12C, I12J, I23A, I23B, I23J | | 5t079.q↔ | 08 | | BOP, KJZSV, KVT, UOP4 | 5t07a.9↔ | 08 | I12A, I12B, I12C, I12J, I23A, I23B, I23J |
| | 21A | W04A, W04B | | | 08 | | I59J, I59Z | | 21A | W04A, W04B |
| 21B | X06A, X06B, X06C | 5t079.r↔ | 08 | I59J, I59Z | 5t07a.10↔ | 21B | X06A, X06B, X06C | | | |
| 01 | BOP, KJZSV, KVT, UOP4 | | 01 | BOP, KJZSV, KVT, UOP4 | | 01 | BOP, KVT, UOP4 | | | |
| 5t079.9↔ | 01 | B03Z, B17A, B17B, B17C, B17J | 5t079.s↔ | 08 | I20A, I20B, I20C, I20D, I20E, I20F, I20J, I20Q, I20R | 5t07a.11↔ | 01 | B03Z, B17A, B17B, B17C, B17J | | |
| | 08 | I12A, I12B, I12C, I12J, I23A, I23B, I23J | | 5t079.t↔ | 08 | | I20A, I20B, I20C, I20D, I20E, I20F, I20J, I20Q, I20R | 5t07a.12↔ | 08 | I12A, I12B, I12C, I12J, I23A, I23B, I23J |
| | 21A | W04A, W04B | | | 01 | | BOP, KJZSV, KVT, UOP4 | | 21A | W04A, W04B |
| 21B | X06A, X06B, X06C | 5t079.u↔ | 01 | B03Z, B17A, B17B, B17C, B17J | 5t07a.13↔ | 21B | X06A, X06B, X06C | | | |
| 01 | BOP, KJZSV, KVT, UOP4 | | 08 | I12A, I12B, I12C, I12J, I23A, I23B, I23J | | 01 | B03Z, B17A, B17B, B17C, B17J | | | |
| 5t079.d | 08 | I08A, I08B, I08C, I08D, I08E, I08F, I08J | 5t079.v↔ | 01 | B03Z, B17A, B17B, B17C, B17J | 5t07a.14↔ | 08 | I12A, I12B, I12C, I12J, I23A, I23B, I23J | | |
| | 01 | BOP, KJZSV, KVT, UOP4 | | 5t07a.15↔ | 01 | | B03Z, B17A, B17B, B17C, B17J | 5t07a.15↔ | 01 | B03Z, B17A, B17B, B17C, B17J |
| | 08 | I08A, I08B, I08C, I08D, I08E, I08F, I08J | | | 08 | | I12A, I12B, I12C, I12J, I23A, I23B, I23J | | 08 | I12A, I12B, I12C, I12J, I23A, I23B, I23J |
| 08 | I08A, I08B, I08C, I08D, I08E, I08F, I08J | 5t079.e↔ | 21A | W04A, W04B | 5t07a.16↔ | 21A | W04A, W04B | | | |
| 01 | BOP, KJZSV, KVT, UOP4 | | 21B | X06A, X06B, X06C | | 21B | X05A, X05B, X06A, X06B, X06C | | | |
| 5t079.f↔ | 01 | B03Z, B17A, B17B, B17C, B17J | 5t079.w↔ | 01 | B03Z, B17A, B17B, B17C, B17J | 5t07a.17↔ | 01 | B03Z, B17A, B17B, B17C, B17J | | |
| | 08 | I12A, I12B, I12C, I12J, I21J, I21Z | | 5t07a.18↔ | 08 | | I12A, I12B, I12C, I12J, I23A, I23B, I23J | 5t07a.18↔ | 08 | I12A, I12B, I12C, I12J, I23A, I23B, I23J |
| | 21A | W04A, W04B | | | 21A | | W04A, W04B | | 21A | W04A, W04B |
| 21B | X04Z, X06A, X06B, X06C | 5t079.g↔ | 21B | X06A, X06B, X06C | 5t07a.19↔ | 21B | X06A, X06B, X06C | | | |
| 01 | BOP, KJZSV, KVT, UOP4 | | 01 | BOP, KVT, UOP4 | | 01 | BOP, KVT, UOP4 | | | |
| 5t079.h↔ | 01 | B03Z, B17A, B17B, B17C, B17J | 5t079.x↔ | 08 | I12A, I12B, I12C, I12J, I23A, I23B, I23J | 5t07a.20↔ | 01 | B03Z, B17A, B17B, B17C, B17J | | |
| | 08 | I12A, I12B, I12C, I12J, I21J, I21Z | | 5t07a.21↔ | 08 | | I12A, I12B, I12C, I12J, I23A, I23B, I23J | 5t07a.21↔ | 08 | I12A, I12B, I12C, I12J, I23A, I23B, I23J |
| | 21A | W04A, W04B | | | 21A | | W04A, W04B | | 21A | W04A, W04B |
| | 21B | X04Z, X06A, X06B, X06C | | | 21B | | X06A, X06B, X06C | | 21B | X06A, X06B, X06C |
| 01 | BOP, KJZSV, KVT, UOP4 | 5t07a.22↔ | 01 | B03Z, B17A, B17B, B17C, B17J | 5t07a.22↔ | 01 | B03Z, B17A, B17B, B17C, B17J | | | |
| 08 | I12A, I12B, I12C, I12J, I21J, I21Z | | 08 | I12A, I12B, I12C, I12J, I23A, I23B, I23J | | 08 | I12A, I12B, I12C, I12J, I23A, I23B, I23J | | | |
| 5t079.i↔ | 21A | W04A, W04B | 5t079.y↔ | 21A | W04A, W04B | 5t07a.23↔ | 21A | W04A, W04B | | |
| | 21B | X04Z, X06A, X06B, X06C | | 21B | X06A, X06B, X06C | | 21B | X06A, X06B, X06C | | |
| | 01 | BOP, KJZSV, KVT, UOP4 | | 01 | BOP, KVT, UOP4 | | 01 | BOP, KVT, UOP4 | | |
| 5t079.j↔ | 01 | B03Z, B17A, B17B, B17C, B17J | 5t079.z↔ | 08 | I12A, I12B, I12C, I12J, I23A, I23B, I23J | 5t07a.24↔ | 01 | B03Z, B17A, B17B, B17C, B17J | | |
| | 08 | I12A, I12B, I12C, I12J, I21J, I21Z | | 5t07a.25↔ | 08 | | I12A, I12B, I12C, I12J, I23A, I23B, I23J | 5t07a.25↔ | 08 | I12A, I12B, I12C, I12J, I23A, I23B, I23J |
| | 21A | W04A, W04B | | | 21A | | W04A, W04B | | 21A | W04A, W04B |
| | 21B | X04Z, X06A, X06B, X06C | | | 21B | | X06A, X06B, X06C | | 21B | X06A, X06B, X06C |
| 01 | BOP, KJZSV, KVT, UOP4 | 5t079.aa↔ | 01 | B03Z, B17A, B17B, B17C, B17J | 5t07a.26↔ | 01 | B03Z, B17A, B17B, B17C, B17J | | | |
| 08 | I12A, I12B, I12C, I12J, I23A, I23B, I23J | | 08 | I12A, I12B, I12C, I12J, I23A, I23B, I23J | | 08 | I12A, I12B, I12C, I12J, I23A, I23B, I23J | | | |
| 5t079.k↔ | 21A | W04A, W04B | 5t079.bb↔ | 21A | W04A, W04B | 5t07a.27↔ | 21A | W04A, W04B | | |
| | 21B | X04Z, X06A, X06B, X06C | | 21B | X06A, X06B, X06C | | 21B | X06A, X06B, X06C | | |
| | 01 | BOP, KJZSV, KVT, UOP4 | | 01 | BOP, KVT, UOP4 | | 01 | BOP, KVT, UOP4 | | |

VYK

| ZZV | MDC | DRG | ZZV | MDC | DRG | ZZV | MDC | DRG |
|----------|-----|--|----------|--|--|--|-----|--|
| 5t07a.g↔ | | BOP, KVT, UOP4 | 5t07a.t↔ | | BOP, KVT, UOP4 | 5t07b.4↔ | | BOP, KJZSV, KVT, UOP4 |
| | 01 | B03Z, B17A, B17B, B17C, B17J | | 01 | B03Z, B17A, B17B, B17C, B17J | | 01 | B03Z, B17A, B17B, B17C, B17J |
| | 08 | I12A, I12B, I12C, I12J, I21J, I21Z | | 08 | I12A, I12B, I12C, I12J, I23A, I23B, I23J | | 08 | I12A, I12B, I12C, I12J, I23A, I23B, I23J |
| | 21A | W04A, W04B | | 21A | W04A, W04B | | 21A | W04A, W04B |
| 5t07a.h↔ | 21B | X04Z, X06A, X06B, X06C | 5t07a.v↔ | 21B | X04Z, X06A, X06B, X06C | 5t07b.5↔ | 21B | X06A, X06B, X06C |
| | | BOP, KVT, UOP4 | | | BOP, KVT, UOP4 | | | BOP, KJZSV, KVT, UOP4 |
| | 01 | B03Z, B17A, B17B, B17C, B17J | | 01 | B03Z, B17A, B17B, B17C, B17J | | 01 | B03Z, B17A, B17B, B17C, B17J |
| | 08 | I12A, I12B, I12C, I12J, I21J, I21Z | | 08 | I12A, I12B, I12C, I12J, I23A, I23B, I23J | | 08 | I12A, I12B, I12C, I12J, I23A, I23B, I23J |
| 5t07a.j↔ | 21A | W04A, W04B | 5t07a.w↔ | 21A | W04A, W04B | 5t07b.6↔ | 21A | W04A, W04B |
| | 21B | X04Z, X06A, X06B, X06C | | 21B | X04Z, X06A, X06B, X06C | | 21B | X06A, X06B, X06C |
| | | BOP, KVT, UOP4 | | | BOP, KVT, UOP4 | | | BOP, KVT, UOP4 |
| | 01 | B03Z, B17A, B17B, B17C, B17J | | 01 | B03Z, B17A, B17B, B17C, B17J | | 01 | B03Z, B17A, B17B, B17C, B17J |
| 5t07a.k↔ | 08 | I12A, I12B, I12C, I12J, I23A, I23B, I23J | 5t07a.x | 08 | I12A, I12B, I12C, I12J, I23A, I23B, I23J | 5t07b.7↔ | 08 | I12A, I12B, I12C, I12J, I23A, I23B, I23J |
| | 21A | W04A, W04B | | 21A | W04A, W04B | | 21A | W04A, W04B |
| | 21B | X04Z, X06A, X06B, X06C | | 21B | X04Z, X06A, X06B, X06C | | 21B | X06A, X06B, X06C |
| | | BOP, KJZSV, KVT, UOP4 | | | BOP, KVT, UOP4 | | | BOP, KJZSV, KVT, UOP4 |
| 5t07a.m↔ | 01 | B03Z, B17A, B17B, B17C, B17J | 5t07a.z↔ | 01 | B03Z, B17A, B17B, B17C, B17J | 5t07b.8↔ | 01 | B03Z, B17A, B17B, B17C, B17J |
| | 08 | I12A, I12B, I12C, I12J, I23A, I23B, I23J | | 04 | E02A, E02B, E02C, E02D | | 08 | I12A, I12B, I12C, I12J, I23A, I23B, I23J |
| | 21A | W04A, W04B | | 08 | I12A, I12B, I12C, I12J, I23A, I23B, I23J | | 21A | W04A, W04B |
| | 21B | X04Z, X06A, X06B, X06C | | 21A | W04A, W04B | | 21B | X06A, X06B, X06C |
| 5t07a.n↔ | | BOP, KVT, UOP4 | 5t07b.0↔ | 21B | X06A, X06B, X06C | 5t07b.9↔ | | BOP, KJZSV, KVT, UOP4 |
| | 01 | B03Z, B17A, B17B, B17C, B17J | | 01 | B03Z, B17A, B17B, B17C, B17J | | 01 | B03Z, B17A, B17B, B17C, B17J |
| | 08 | I12A, I12B, I12C, I12J, I23A, I23B, I23J | | 04 | E02A, E02B, E02C, E02D | | 08 | I12A, I12B, I12C, I12J, I23A, I23B, I23J |
| | 21A | W04A, W04B | | 08 | I12A, I12B, I12C, I12J, I23A, I23B, I23J | | 21A | W04A, W04B |
| 5t07a.p↔ | 21B | X04Z, X06A, X06B, X06C | 5t07b.1↔ | 21A | W04A, W04B | 5t07b.a↔ | 21B | X06A, X06B, X06C |
| | | BOP, KVT, UOP4 | | 21B | X06A, X06B, X06C | | | BOP, KJZSV, KVT, UOP4 |
| | 01 | B03Z, B17A, B17B, B17C, B17J | | 01 | B03Z, B17A, B17B, B17C, B17J | | 01 | B03Z, B17A, B17B, B17C, B17J |
| | 08 | I12A, I12B, I12C, I12J, I23A, I23B, I23J | | 08 | I12A, I12B, I12C, I12J, I23A, I23B, I23J | | 08 | I12A, I12B, I12C, I12J, I23A, I23B, I23J |
| 5t07a.q↔ | 21A | W04A, W04B | 5t07b.2↔ | 08 | I12A, I12B, I12C, I12J, I23A, I23B, I23J | 5t07b.b↔ | 21A | W04A, W04B |
| | 21B | X04Z, X06A, X06B, X06C | | 01 | B03Z, B17A, B17B, B17C, B17J | | 21B | X05A, X05B, X06A, X06B, X06C |
| | | BOP, KVT, UOP4 | | 08 | I12A, I12B, I12C, I12J, I23A, I23B, I23J | | | BOP, KVT, UOP4 |
| | 01 | B03Z, B17A, B17B, B17C, B17J | | 01 | B03Z, B17A, B17B, B17C, B17J | | 01 | B03Z, B17A, B17B, B17C, B17J |
| 5t07a.r↔ | 08 | I12A, I12B, I12C, I12J, I23A, I23B, I23J | 5t07b.3↔ | 08 | I12A, I12B, I12C, I12J, I23A, I23B, I23J | 5t07b.c↔ | 08 | I12A, I12B, I12C, I12J, I23A, I23B, I23J |
| | 21A | W04A, W04B | | 21A | W04A, W04B | | 21A | W04A, W04B |
| | 21B | X04Z, X06A, X06B, X06C | | 21B | X06A, X06B, X06C | | 21B | X05A, X05B, X06A, X06B, X06C |
| | | BOP, KVT, UOP4 | | | BOP, KJZSV, KVT, UOP4 | | | BOP, KVT, UOP4 |
| 5t07a.s↔ | 01 | B03Z, B17A, B17B, B17C, B17J | | B03Z, B17A, B17B, B17C, B17J | 01 | B03Z, B17A, B17B, B17C, B17J | | |
| | 08 | I12A, I12B, I12C, I12J, I23A, I23B, I23J | 08 | I12A, I12B, I12C, I12J, I23A, I23B, I23J | 08 | I12A, I12B, I12C, I12J, I23A, I23B, I23J | | |
| | 21A | W04A, W04B | 21A | W04A, W04B | 21A | W04A, W04B | | |
| | 21B | X04Z, X06A, X06B, X06C | 21B | X06A, X06B, X06C | 21B | X05A, X05B, X06A, X06B, X06C | | |

VYK

| ZZV | MDC | DRG | ZZV | MDC | DRG | ZZV | MDC | DRG |
|----------|--|--|-----------------------|-----|--|----------|--|--|
| 5t07b.d | | BOP, KJZSV, KVT, UOP4 | 5t07b.r↔ | | BOP, KVT, UOP4 | 5t07c.3↔ | | BOP, KJZSV, KVT, UOP4 |
| | 01 | B03Z, B17A, B17B, B17C, B17J | | 01 | B03Z, B17A, B17B, B17C, B17J | | 01 | B03Z, B17A, B17B, B17C, B17J |
| | 08 | I12A, I12B, I12C, I12J, I23A, I23J | | 08 | I12A, I12B, I12C, I12J, I23A, I23B, I23J | | 08 | I12A, I12B, I12C, I12J, I23A, I23B, I23J |
| | 21A | W04A, W04B | | 21A | W04A, W04B | | 21A | W04A, W04B |
| 5t07b.e↔ | 21B | X04Z, X06A, X06B, X06C | 5t07b.s↔ | 21B | X04Z, X06A, X06B, X06C | 5t07c.d | 21B | X06A, X06B, X06C |
| | | BOP, KJZSV, KVT, UOP4 | | | BOP, KJZSV, KVT, UOP4 | | | BOP, KJZSV, KVT, UOP4 |
| | 01 | B03Z, B17A, B17B, B17C, B17J | | 01 | B03Z, B17A, B17B, B17C, B17J | | 08 | I08A, I08B, I08C, I08D, I08E, I08F, I08J |
| | 08 | I12A, I12B, I12C, I12J, I21J, I21Z | | 08 | I12A, I12B, I12C, I12J, I23A, I23B, I23J | | 5t07c.e↔ | BOP, KJZSV, KVT, UOP4 |
| 5t07b.f↔ | 21A | W04A, W04B | 5t07b.t↔ | 21A | W04A, W04B | 01 | B03Z, B17A, B17B, B17C, B17J | |
| | 21B | X04Z, X06A, X06B, X06C | | 21B | X04Z, X06A, X06B, X06C | 08 | I12A, I12B, I12C, I12J, I21J, I21Z | |
| | | BOP, KJZSV, KVT, UOP4 | | | BOP, KJZSV, KVT, UOP4 | 21A | W04A, W04B | |
| | 01 | B03Z, B17A, B17B, B17C, B17J | | 01 | B03Z, B17A, B17B, B17C, B17J | 21B | X04Z, X06A, X06B, X06C | |
| 5t07b.g↔ | 08 | I12A, I12B, I12C, I12J, I21J, I21Z | 5t07b.u↔ | 08 | I12A, I12B, I12C, I12J, I23A, I23B, I23J | 5t07c.f↔ | BOP, KJZSV, KVT, UOP4 | |
| | 21A | W04A, W04B | | 21A | W04A, W04B | 01 | B03Z, B17A, B17B, B17C, B17J | |
| | 21B | X04Z, X06A, X06B, X06C | | 21B | X04Z, X06A, X06B, X06C | 08 | I12A, I12B, I12C, I12J, I21J, I21Z | |
| | | BOP, KJZSV, KVT, UOP4 | | | BOP, KJZSV, KVT, UOP4 | 21A | W04A, W04B | |
| 5t07b.h↔ | 01 | B03Z, B17A, B17B, B17C, B17J | 5t07b.v↔ | 01 | B03Z, B17A, B17B, B17C, B17J | 21B | X04Z, X06A, X06B, X06C | |
| | 08 | I12A, I12B, I12C, I12J, I21J, I21Z | | 08 | I12A, I12B, I12C, I12J, I23A, I23B, I23J | 5t07c.g↔ | BOP, KJZSV, KVT, UOP4 | |
| | 21A | W04A, W04B | | 21A | W04A, W04B | 01 | B03Z, B17A, B17B, B17C, B17J | |
| | 21B | X04Z, X06A, X06B, X06C | | 21B | X04Z, X06A, X06B, X06C | 08 | I12A, I12B, I12C, I12J, I21J, I21Z | |
| 5t07b.k↔ | | BOP, KJZSV, KVT, UOP4 | 5t07b.w↔ | | BOP, KVT, UOP4 | 21A | W04A, W04B | |
| | 01 | B03Z, B17A, B17B, B17C, B17J | | 01 | B03Z, B17A, B17B, B17C, B17J | 21B | X04Z, X06A, X06B, X06C | |
| | 08 | I12A, I12B, I12C, I12J, I23A, I23J | | 08 | I12A, I12B, I12C, I12J, I23A, I23B, I23J | 5t07c.h↔ | BOP, KJZSV, KVT, UOP4 | |
| | 21A | W04A, W04B | | 21A | W04A, W04B | 01 | B03Z, B17A, B17B, B17C, B17J | |
| 5t07b.l↔ | 21B | X04Z, X06A, X06B, X06C | 5t07b.x | 21B | X04Z, X06A, X06B, X06C | 08 | I12A, I12B, I12C, I12J, I21J, I21Z | |
| | | BOP, KJZSV, KVT, UOP4 | | | BOP, KVT, UOP4 | 21A | W04A, W04B | |
| | 01 | B03Z, B17A, B17B, B17C, B17J | | 01 | B03Z, B17A, B17B, B17C, B17J | 21B | X04Z, X06A, X06B, X06C | |
| | 08 | I12A, I12B, I12C, I12J, I23A, I23J | | 08 | I12A, I12B, I12C, I12J, I23A, I23B, I23J | 5t07c.k↔ | BOP, KJZSV, KVT, UOP4 | |
| 5t07b.m↔ | 21A | W04A, W04B | 5t07b.z↔ | 21A | W04A, W04B | 01 | B03Z, B17A, B17B, B17C, B17J | |
| | 21B | X04Z, X06A, X06B, X06C | | 21B | X04Z, X06A, X06B, X06C | 08 | I12A, I12B, I12C, I12J, I23A, I23J | |
| | | BOP, KJZSV, KVT, UOP4 | | | BOP, KJZSV, KVT, UOP4 | 21A | W04A, W04B | |
| | 01 | B03Z, B17A, B17B, B17C, B17J | | 01 | B03Z, B17A, B17B, B17C, B17J | 21B | X04Z, X06A, X06B, X06C | |
| 5t07b.n↔ | 08 | I12A, I12B, I12C, I12J, I23A, I23J | 5t07c.1↔ | 08 | I12A, I12B, I12C, I12J, I23A, I23B, I23J | 5t07c.n↔ | BOP, KJZSV, KVT, UOP4 | |
| | 21A | W04A, W04B | | 21A | W04A, W04B | 01 | B03Z, B17A, B17B, B17C, B17J | |
| | 21B | X04Z, X06A, X06B, X06C | | 21B | X06A, X06B, X06C | 08 | I12A, I12B, I12C, I12J, I23A, I23J | |
| | | BOP, KJZSV, KVT, UOP4 | | | BOP, KJZSV, KVT, UOP4 | 21A | W04A, W04B | |
| 5t07b.o↔ | 01 | B03Z, B17A, B17B, B17C, B17J | 5t07c.2↔ | 01 | B03Z, B17A, B17B, B17C, B17J | 21B | X04Z, X06A, X06B, X06C | |
| | 08 | I12A, I12B, I12C, I12J, I23A, I23J | | 08 | I12A, I12B, I12C, I12J, I23A, I23B, I23J | 5t07c.x | BOP, KJZSV, KVT, UOP4 | |
| | 21A | W04A, W04B | | 21A | W04A, W04B | 01 | B03Z, B17A, B17B, B17C, B17J | |
| | 21B | X04Z, X06A, X06B, X06C | | 21B | X06A, X06B, X06C | 08 | I12A, I12B, I12C, I12J, I23A, I23J | |
| 5t07b.p↔ | | BOP, KJZSV, KVT, UOP4 | 5t07c.3↔ | | BOP, KJZSV, KVT, UOP4 | 21A | W04A, W04B | |
| | 01 | B03Z, B17A, B17B, B17C, B17J | | 01 | B03Z, B17A, B17B, B17C, B17J | 21B | X06A, X06B, X06C | |
| | 08 | I12A, I12B, I12C, I12J, I23A, I23B, I23J | | 08 | I12A, I12B, I12C, I12J, I23A, I23B, I23J | 5t07d.0↔ | BOP, KJZSV, KVT, UOP4 | |
| | 21A | W04A, W04B | | 21A | W04A, W04B | 01 | B03Z, B17A, B17B, B17C, B17J | |
| 5t07b.q↔ | 21B | X04Z, X06A, X06B, X06C | 5t07c.4↔ | 21B | X06A, X06B, X06C | 04 | E02A, E02B, E02C, E02D | |
| | | BOP, KJZSV, KVT, UOP4 | | | BOP, KJZSV, KVT, UOP4 | 08 | I12A, I12B, I12C, I12J, I23A, I23B, I23J | |
| | 01 | B03Z, B17A, B17B, B17C, B17J | | 01 | B03Z, B17A, B17B, B17C, B17J | 21A | W04A, W04B | |
| | 08 | I12A, I12B, I12C, I12J, I23A, I23B, I23J | | 08 | I12A, I12B, I12C, I12J, I23A, I23B, I23J | 21B | X06A, X06B, X06C | |
| | BOP, KJZSV, KVT, UOP4 | | BOP, KJZSV, KVT, UOP4 | | | | | |
| 01 | B03Z, B17A, B17B, B17C, B17J | | | | | | | |
| 08 | I12A, I12B, I12C, I12J, I23A, I23B, I23J | | | | | | | |
| 21A | W04A, W04B | | | | | | | |
| 21B | X04Z, X06A, X06B, X06C | | | | | | | |

| ZZV | MDC | DRG | ZZV | MDC | DRG | ZZV | MDC | DRG |
|----------|--|--|--|-----|--|----------|-----|--|
| 5t07d.1↔ | | BOP, KJZSV, KVT, UOP4 | 5t07d.a↔ | | BOP, KVT, UOP4 | 5t07d.k↔ | | BOP, KVT, UOP4 |
| | 01 | B03Z, B17A, B17B, B17C, B17J | | 01 | B03Z, B17A, B17B, B17C, B17J | | 01 | B03Z, B17A, B17B, B17C, B17J |
| | 08 | I12A, I12B, I12C, I12J, I23A, I23B, I23J | | 08 | I12A, I12B, I12C, I12J, I23A, I23B, I23J | | 08 | I12A, I12B, I12C, I12J, I23A, I23B, I23J |
| | 21A | W04A, W04B | | 21A | W04A, W04B | | 21A | W04A, W04B |
| 5t07d.2↔ | 21B | X06A, X06B, X06C | 5t07d.b↔ | 21B | X05A, X05B, X06A, X06B, X06C | 5t07d.m↔ | 21B | X04Z, X06A, X06B, X06C |
| | | BOP, KVT, UOP4 | | | BOP, KVT, UOP4 | | | BOP, KJZSV, KVT, UOP4 |
| | 01 | B03Z, B17A, B17B, B17C, B17J | | 01 | B03Z, B17A, B17B, B17C, B17J | | 01 | B03Z, B17A, B17B, B17C, B17J |
| | 08 | I12A, I12B, I12C, I12J, I23A, I23B, I23J | | 08 | I12A, I12B, I12C, I12J, I23A, I23B, I23J | | 08 | I12A, I12B, I12C, I12J, I23A, I23B, I23J |
| 5t07d.3↔ | 21A | W04A, W04B | 5t07d.c↔ | 21A | W04A, W04B | 5t07d.n↔ | 21A | W04A, W04B |
| | 21B | X06A, X06B, X06C | | 21B | X05A, X05B, X06A, X06B, X06C | | 21B | X04Z, X06A, X06B, X06C |
| | | BOP, KVT, UOP4 | | | BOP, KJZSV, KVT, UOP4 | | | BOP, KVT, UOP4 |
| | 01 | B03Z, B17A, B17B, B17C, B17J | | 01 | B03Z, B17A, B17B, B17C, B17J | | 01 | B03Z, B17A, B17B, B17C, B17J |
| 5t07d.4↔ | 08 | I12A, I12B, I12C, I12J, I23A, I23B, I23J | 5t07d.d | 08 | I12A, I12B, I12C, I12J, I23A, I23B, I23J | 5t07d.p↔ | 08 | I12A, I12B, I12C, I12J, I23A, I23B, I23J |
| | 21A | W04A, W04B | | 21A | W04A, W04B | | 21A | W04A, W04B |
| | 21B | X06A, X06B, X06C | | 21B | X05A, X05B, X06A, X06B, X06C | | 21B | X04Z, X06A, X06B, X06C |
| | | BOP, KJZSV, KVT, UOP4 | | | BOP, KJZSV, KVT, UOP4 | | | BOP, KJZSV, KVT, UOP4 |
| 5t07d.5↔ | 01 | B03Z, B17A, B17B, B17C, B17J | 5t07d.e↔ | 01 | B03Z, B17A, B17B, B17C, B17J | 5t07d.q↔ | 01 | B03Z, B17A, B17B, B17C, B17J |
| | 08 | I12A, I12B, I12C, I12J, I23A, I23B, I23J | | 08 | I12A, I12B, I12C, I12J, I23A, I23B, I23J | | 08 | I12A, I12B, I12C, I12J, I23A, I23B, I23J |
| | 21A | W04A, W04B | | 21A | W04A, W04B | | 21A | W04A, W04B |
| | 21B | X06A, X06B, X06C | | 21B | X04Z, X06A, X06B, X06C | | 21B | X04Z, X06A, X06B, X06C |
| 5t07d.6↔ | | BOP, KJZSV, KVT, UOP4 | 5t07d.f↔ | | BOP, KJZSV, KVT, UOP4 | 5t07d.r↔ | | BOP, KJZSV, KVT, UOP4 |
| | 01 | B03Z, B17A, B17B, B17C, B17J | | 01 | B03Z, B17A, B17B, B17C, B17J | | 01 | B03Z, B17A, B17B, B17C, B17J |
| | 08 | I12A, I12B, I12C, I12J, I23A, I23B, I23J | | 08 | I12A, I12B, I12C, I12J, I21J, I21Z | | 08 | I12A, I12B, I12C, I12J, I23A, I23B, I23J |
| | 21A | W04A, W04B | | 21A | W04A, W04B | | 21A | W04A, W04B |
| 5t07d.7↔ | 21B | X06A, X06B, X06C | 5t07d.g↔ | 21B | X04Z, X06A, X06B, X06C | 5t07d.s↔ | 21B | X04Z, X06A, X06B, X06C |
| | | BOP, KVT, UOP4 | | | BOP, KJZSV, KVT, UOP4 | | | BOP, KVT, UOP4 |
| | 01 | B03Z, B17A, B17B, B17C, B17J | | 01 | B03Z, B17A, B17B, B17C, B17J | | 01 | B03Z, B17A, B17B, B17C, B17J |
| | 08 | I12A, I12B, I12C, I12J, I23A, I23B, I23J | | 08 | I12A, I12B, I12C, I12J, I21J, I21Z | | 08 | I12A, I12B, I12C, I12J, I23A, I23B, I23J |
| 5t07d.8↔ | 21A | W04A, W04B | 5t07d.h↔ | 21A | W04A, W04B | 5t07d.t↔ | 21A | W04A, W04B |
| | 21B | X06A, X06B, X06C | | 21B | X04Z, X06A, X06B, X06C | | 21B | X04Z, X06A, X06B, X06C |
| | | BOP, KJZSV, KVT, UOP4 | | | BOP, KJZSV, KVT, UOP4 | | | BOP, KJZSV, KVT, UOP4 |
| | 01 | B03Z, B17A, B17B, B17C, B17J | | 01 | B03Z, B17A, B17B, B17C, B17J | | 01 | B03Z, B17A, B17B, B17C, B17J |
| 5t07d.9↔ | 08 | I12A, I12B, I12C, I12J, I23A, I23B, I23J | 5t07d.j↔ | 08 | I12A, I12B, I12C, I12J, I21J, I21Z | 5t07d.u↔ | 08 | I12A, I12B, I12C, I12J, I23A, I23B, I23J |
| | 21A | W04A, W04B | | 21A | W04A, W04B | | 21A | W04A, W04B |
| | 21B | X06A, X06B, X06C | | 21B | X04Z, X06A, X06B, X06C | | 21B | X04Z, X06A, X06B, X06C |
| | | BOP, KVT, UOP4 | | | BOP, KJZSV, KVT, UOP4 | | | BOP, KJZSV, KVT, UOP4 |
| | BOP, KVT, UOP4 | | BOP, KVT, UOP4 | | BOP, KJZSV, KVT, UOP4 | | | |
| 01 | B03Z, B17A, B17B, B17C, B17J | 01 | B03Z, B17A, B17B, B17C, B17J | 01 | B03Z, B17A, B17B, B17C, B17J | | | |
| 08 | I12A, I12B, I12C, I12J, I23A, I23B, I23J | 08 | I12A, I12B, I12C, I12J, I23A, I23B, I23J | 08 | I12A, I12B, I12C, I12J, I23A, I23B, I23J | | | |
| 21A | W04A, W04B | 21A | W04A, W04B | 21A | W04A, W04B | | | |
| 21B | X06A, X06B, X06C | 21B | X04Z, X06A, X06B, X06C | 21B | X04Z, X06A, X06B, X06C | | | |
| | BOP, KJZSV, KVT, UOP4 | | BOP, KJZSV, KVT, UOP4 | | BOP, KJZSV, KVT, UOP4 | | | |
| 01 | B03Z, B17A, B17B, B17C, B17J | 01 | B03Z, B17A, B17B, B17C, B17J | 01 | B03Z, B17A, B17B, B17C, B17J | | | |
| 08 | I12A, I12B, I12C, I12J, I23A, I23B, I23J | 08 | I12A, I12B, I12C, I12J, I23A, I23B, I23J | 08 | I12A, I12B, I12C, I12J, I23A, I23B, I23J | | | |
| 21A | W04A, W04B | 21A | W04A, W04B | 21A | W04A, W04B | | | |
| 21B | X06A, X06B, X06C | 21B | X04Z, X06A, X06B, X06C | 21B | X04Z, X06A, X06B, X06C | | | |

VYK

| ZZV | MDC | DRG | ZZV | MDC | DRG | ZZV | MDC | DRG |
|----------|--|--|--|-----|--|----------|--|--|
| 5t07d.w↔ | | BOP, KJZSV, KVT, UOP4 | 5t07t.4↔ | | BOP, KVT, UOP4 | 5t07t.d | | BOP, KJZSV, KVT, UOP4 |
| | 01 | B03Z, B17A, B17B, B17C, B17J | | 01 | B03Z, B17A, B17B, B17C, B17J | | 01 | B03Z, B17A, B17B, B17C, B17J |
| | 08 | I12A, I12B, I12C, I12J, I23A, I23B, I23J | | 08 | I12A, I12B, I12C, I12J, I23A, I23B, I23J | | 08 | I12A, I12B, I12C, I12J, I23A, I23B, I23J |
| | 21A | W04A, W04B | | 21A | W04A, W04B | | 21A | W04A, W04B |
| 5t07d.x | 21B | X04Z, X06A, X06B, X06C | 5t07t.5↔ | 21B | X06A, X06B, X06C | 5t07t.e↔ | 21B | X04Z, X06A, X06B, X06C |
| | | BOP, KJZSV, KVT, UOP4 | | | BOP, KVT, UOP4 | | | BOP, KJZSV, KVT, UOP4 |
| | 01 | B03Z, B17A, B17B, B17C, B17J | | 01 | B03Z, B17A, B17B, B17C, B17J | | 01 | B03Z, B17A, B17B, B17C, B17J |
| | 04 | E02A, E02B, E02C, E02D | | 08 | I12A, I12B, I12C, I12J, I23A, I23B, I23J | | 08 | I12A, I12B, I12C, I12J, I21J, I21Z |
| 5t07d.z↔ | 08 | I12A, I12B, I12C, I12J, I23A, I23B, I23J | 5t07t.6↔ | 21A | W04A, W04B | 5t07t.f↔ | 21A | W04A, W04B |
| | 21A | W04A, W04B | | 21B | X06A, X06B, X06C | | 21B | X04Z, X06A, X06B, X06C |
| | 21B | X06A, X06B, X06C | | | BOP, KVT, UOP4 | | | BOP, KJZSV, KVT, UOP4 |
| | | BOP, KJZSV, KVT, UOP4 | | 01 | B03Z, B17A, B17B, B17C, B17J | | 01 | B03Z, B17A, B17B, B17C, B17J |
| 5t07e.0↔ | 01 | B03Z, B17A, B17B, B17C, B17J | 5t07t.7↔ | 08 | I12A, I12B, I12C, I12J, I23A, I23B, I23J | 5t07t.g↔ | 08 | I12A, I12B, I12C, I12J, I21J, I21Z |
| | 04 | E02A, E02B, E02C, E02D | | 21A | W04A, W04B | | 21A | W04A, W04B |
| | 08 | I12A, I12B, I12C, I12J, I23A, I23B, I23J | | 21B | X06A, X06B, X06C | | 21B | X04Z, X06A, X06B, X06C |
| | 21A | W04A, W04B | | | BOP, KJZSV, KVT, UOP4 | | | BOP, KJZSV, KVT, UOP4 |
| 5t07e.1↔ | 21B | X06A, X06B, X06C | 5t07t.8↔ | 01 | B03Z, B17A, B17B, B17C, B17J | 5t07t.h↔ | 01 | B03Z, B17A, B17B, B17C, B17J |
| | | BOP, KJZSV, KVT, UOP4 | | 08 | I12A, I12B, I12C, I12J, I23A, I23B, I23J | | 08 | I12A, I12B, I12C, I12J, I21J, I21Z |
| | 01 | B03Z, B17A, B17B, B17C, B17J | | 21A | W04A, W04B | | 21A | W04A, W04B |
| | 08 | I23A, I23B, I23J | | 21B | X06A, X06B, X06C | | 21B | X04Z, X06A, X06B, X06C |
| 5t07t.0↔ | 21A | W04A, W04B | 5t07t.9↔ | | BOP, KJZSV, KVT, UOP4 | 5t07t.j↔ | | BOP, KJZSV, KVT, UOP4 |
| | 21B | X06A, X06B, X06C | | 01 | B03Z, B17A, B17B, B17C, B17J | | 01 | B03Z, B17A, B17B, B17C, B17J |
| | | BOP, KJZSV, KVT, UOP4 | | 08 | I12A, I12B, I12C, I12J, I23A, I23B, I23J | | 08 | I12A, I12B, I12C, I12J, I23A, I23B, I23J |
| | 01 | B03Z, B17A, B17B, B17C, B17J | | 21A | W04A, W04B | | 21A | W04A, W04B |
| 5t07t.1↔ | 04 | E02A, E02B, E02C, E02D | 5t07t.a↔ | 21B | X06A, X06B, X06C | 5t07t.k↔ | 21B | X04Z, X06A, X06B, X06C |
| | 08 | I12A, I12B, I12C, I12J, I23A, I23B, I23J | | | BOP, KJZSV, KVT, UOP4 | | | BOP, KVT, UOP4 |
| | 21A | W04A, W04B | | 01 | B03Z, B17A, B17B, B17C, B17J | | 01 | B03Z, B17A, B17B, B17C, B17J |
| | 21B | X06A, X06B, X06C | | 08 | I12A, I12B, I12C, I12J, I23A, I23B, I23J | | 08 | I12A, I12B, I12C, I12J, I23A, I23B, I23J |
| 5t07t.2↔ | | BOP, KJZSV, KVT, UOP4 | 5t07t.b↔ | 21A | W04A, W04B | 5t07t.m↔ | 21A | W04A, W04B |
| | 01 | B03Z, B17A, B17B, B17C, B17J | | 21B | X05A, X05B, X06A, X06B, X06C | | 21B | X04Z, X06A, X06B, X06C |
| | 08 | I12A, I12B, I12C, I12J, I23A, I23B, I23J | | | BOP, KVT, UOP4 | | | BOP, KVT, UOP4 |
| | 21A | W04A, W04B | | 01 | B03Z, B17A, B17B, B17C, B17J | | 01 | B03Z, B17A, B17B, B17C, B17J |
| 5t07t.3↔ | 21B | X06A, X06B, X06C | 5t07t.c↔ | 08 | I12A, I12B, I12C, I12J, I23A, I23B, I23J | 5t07t.n↔ | 08 | I12A, I12B, I12C, I12J, I23A, I23B, I23J |
| | | BOP, KJZSV, KVT, UOP4 | | 21A | W04A, W04B | | 21A | W04A, W04B |
| | 01 | B03Z, B17A, B17B, B17C, B17J | | 21B | X05A, X05B, X06A, X06B, X06C | | 21B | X04Z, X06A, X06B, X06C |
| | 08 | I12A, I12B, I12C, I12J, I23A, I23B, I23J | | | BOP, KVT, UOP4 | | | BOP, KVT, UOP4 |
| | BOP, KJZSV, KVT, UOP4 | 01 | B03Z, B17A, B17B, B17C, B17J | 01 | B03Z, B17A, B17B, B17C, B17J | 5t07t.p↔ | 01 | B03Z, B17A, B17B, B17C, B17J |
| 01 | B03Z, B17A, B17B, B17C, B17J | 08 | I12A, I12B, I12C, I12J, I23A, I23B, I23J | 08 | I12A, I12B, I12C, I12J, I23A, I23B, I23J | | | |
| 08 | I12A, I12B, I12C, I12J, I23A, I23B, I23J | 21A | W04A, W04B | 21A | W04A, W04B | | | |
| 21A | W04A, W04B | 21B | X05A, X05B, X06A, X06B, X06C | 21B | X04Z, X06A, X06B, X06C | | | |
| | BOP, KJZSV, KVT, UOP4 | | BOP, KVT, UOP4 | | BOP, KJZSV, KVT, UOP4 | 01 | B03Z, B17A, B17B, B17C, B17J | |
| 01 | B03Z, B17A, B17B, B17C, B17J | 01 | B03Z, B17A, B17B, B17C, B17J | 08 | I12A, I12B, I12C, I12J, I23A, I23B, I23J | 08 | I12A, I12B, I12C, I12J, I23A, I23B, I23J | |
| 08 | I12A, I12B, I12C, I12J, I23A, I23B, I23J | 08 | I12A, I12B, I12C, I12J, I23A, I23B, I23J | 21A | W04A, W04B | 21A | W04A, W04B | |
| 21A | W04A, W04B | 21A | W04A, W04B | 21B | X05A, X05B, X06A, X06B, X06C | 21B | X04Z, X06A, X06B, X06C | |
| 21B | X06A, X06B, X06C | 21B | X05A, X05B, X06A, X06B, X06C | | BOP, KVT, UOP4 | | BOP, KVT, UOP4 | |
| | BOP, KJZSV, KVT, UOP4 | | BOP, KVT, UOP4 | | BOP, KJZSV, KVT, UOP4 | | BOP, KJZSV, KVT, UOP4 | |
| 01 | B03Z, B17A, B17B, B17C, B17J | 01 | B03Z, B17A, B17B, B17C, B17J | 01 | B03Z, B17A, B17B, B17C, B17J | 01 | B03Z, B17A, B17B, B17C, B17J | |
| 08 | I12A, I12B, I12C, I12J, I23A, I23B, I23J | 08 | I12A, I12B, I12C, I12J, I23A, I23B, I23J | 08 | I12A, I12B, I12C, I12J, I23A, I23B, I23J | 08 | I12A, I12B, I12C, I12J, I23A, I23B, I23J | |
| 21A | W04A, W04B | 21A | W04A, W04B | 21A | W04A, W04B | 21A | W04A, W04B | |
| 21B | X06A, X06B, X06C | 21B | X05A, X05B, X06A, X06B, X06C | 21B | X04Z, X06A, X06B, X06C | 21B | X04Z, X06A, X06B, X06C | |

VYK

| ZZV | MDC | DRG | ZZV | MDC | DRG | ZZV | MDC | DRG |
|----------|-----|--|----------|-----|--|----------|-----|--|
| 5t07t.q↔ | | BOP, KJZSV, KVT, UOP4 | 5t07v.1↔ | | BOP, KJZSV, KVT, UOP4 | 5t07v.a↔ | | BOP, KJZSV, KVT, UOP4 |
| | 01 | B03Z, B17A, B17B, B17C, B17J | | 01 | B03Z, B17A, B17B, B17C, B17J | | 01 | B03Z, B17A, B17B, B17C, B17J |
| | 08 | I12A, I12B, I12C, I12J, I23A, I23B, I23J | | 08 | I12A, I12B, I12C, I12J, I23A, I23B, I23J | | 08 | I12A, I12B, I12C, I12J, I23A, I23B, I23J |
| | 21A | W04A, W04B | | 21A | W04A, W04B | | 21A | W04A, W04B |
| 5t07t.r↔ | 21B | X04Z, X06A, X06B, X06C | 5t07v.2↔ | 21B | X06A, X06B, X06C | 5t07v.b↔ | 21B | X05A, X05B, X06A, X06B, X06C |
| | | BOP, KVT, UOP4 | | | BOP, KJZSV, KVT, UOP4 | | | BOP, KJZSV, KVT, UOP4 |
| | 01 | B03Z, B17A, B17B, B17C, B17J | | 01 | B03Z, B17A, B17B, B17C, B17J | | 01 | B03Z, B17A, B17B, B17C, B17J |
| | 08 | I12A, I12B, I12C, I12J, I23A, I23B, I23J | | 08 | I12A, I12B, I12C, I12J, I23A, I23B, I23J | | 08 | I12A, I12B, I12C, I12J, I23A, I23B, I23J |
| 5t07t.s↔ | 21A | W04A, W04B | 5t07v.3↔ | 21A | W04A, W04B | 5t07v.d | 21A | W04A, W04B |
| | 21B | X04Z, X06A, X06B, X06C | | 21B | X06A, X06B, X06C | | 21B | X05A, X05B, X06A, X06B, X06C |
| | | BOP, KVT, UOP4 | | | BOP, KJZSV, KVT, UOP4 | | | BOP, KJZSV, KVT, UOP4 |
| | 01 | B03Z, B17A, B17B, B17C, B17J | | 01 | B03Z, B17A, B17B, B17C, B17J | | 01 | B03Z, B17A, B17B, B17C, B17J |
| 5t07t.t↔ | 08 | I12A, I12B, I12C, I12J, I23A, I23B, I23J | 5t07v.4↔ | 08 | I12A, I12B, I12C, I12J, I23A, I23B, I23J | 5t07v.f↔ | 08 | I12A, I12B, I12C, I12J, I23A, I23B, I23J |
| | 21A | W04A, W04B | | 21A | W04A, W04B | | 21A | W04A, W04B |
| | 21B | X04Z, X06A, X06B, X06C | | 21B | X06A, X06B, X06C | | 21B | X04Z, X06A, X06B, X06C |
| | | BOP, KJZSV, KVT, UOP4 | | | BOP, KVT, UOP4 | | | BOP, KJZSV, KVT, UOP4 |
| 5t07t.u↔ | 01 | B03Z, B17A, B17B, B17C, B17J | 5t07v.5↔ | 01 | B03Z, B17A, B17B, B17C, B17J | 5t07v.g↔ | 01 | B03Z, B17A, B17B, B17C, B17J |
| | 08 | I12A, I12B, I12C, I12J, I23A, I23B, I23J | | 08 | I12A, I12B, I12C, I12J, I23A, I23B, I23J | | 08 | I12A, I12B, I12C, I12J, I21J, I21Z |
| | 21A | W04A, W04B | | 21A | W04A, W04B | | 21A | W04A, W04B |
| | 21B | X04Z, X06A, X06B, X06C | | 21B | X06A, X06B, X06C | | 21B | X04Z, X06A, X06B, X06C |
| 5t07t.v↔ | | BOP, KJZSV, KVT, UOP4 | 5t07v.6↔ | | BOP, KJZSV, KVT, UOP4 | 5t07v.h↔ | | BOP, KJZSV, KVT, UOP4 |
| | 01 | B03Z, B17A, B17B, B17C, B17J | | 01 | B03Z, B17A, B17B, B17C, B17J | | 01 | B03Z, B17A, B17B, B17C, B17J |
| | 08 | I12A, I12B, I12C, I12J, I23A, I23B, I23J | | 08 | I12A, I12B, I12C, I12J, I23A, I23B, I23J | | 08 | I12A, I12B, I12C, I12J, I21J, I21Z |
| | 21A | W04A, W04B | | 21A | W04A, W04B | | 21A | W04A, W04B |
| 5t07t.w↔ | 21B | X04Z, X06A, X06B, X06C | 5t07v.7↔ | 21B | X06A, X06B, X06C | 5t07v.k↔ | 21B | X04Z, X06A, X06B, X06C |
| | | BOP, KVT, UOP4 | | | BOP, KVT, UOP4 | | | BOP, KVT, UOP4 |
| | 01 | B03Z, B17A, B17B, B17C, B17J | | 01 | B03Z, B17A, B17B, B17C, B17J | | 01 | B03Z, B17A, B17B, B17C, B17J |
| | 08 | I12A, I12B, I12C, I12J, I23A, I23B, I23J | | 08 | I12A, I12B, I12C, I12J, I23A, I23B, I23J | | 08 | I12A, I12B, I12C, I12J, I23A, I23B, I23J |
| 5t07t.x | 21A | W04A, W04B | 5t07v.8↔ | 21A | W04A, W04B | 5t07v.m↔ | 21A | W04A, W04B |
| | 21B | X04Z, X06A, X06B, X06C | | 21B | X06A, X06B, X06C | | 21B | X04Z, X06A, X06B, X06C |
| | | BOP, KVT, UOP4 | | | BOP, KJZSV, KVT, UOP4 | | | BOP, KJZSV, KVT, UOP4 |
| | 01 | B03Z, B17A, B17B, B17C, B17J | | 01 | B03Z, B17A, B17B, B17C, B17J | | 01 | B03Z, B17A, B17B, B17C, B17J |
| 5t07t.z↔ | 08 | I12A, I12B, I12C, I12J, I23A, I23B, I23J | 5t07v.9↔ | 08 | I12A, I12B, I12C, I12J, I23A, I23B, I23J | 5t07v.n↔ | 08 | I12A, I12B, I12C, I12J, I23A, I23B, I23J |
| | 21A | W04A, W04B | | 21A | W04A, W04B | | 21A | W04A, W04B |
| | 21B | X06A, X06B, X06C | | 21B | X06A, X06B, X06C | | 21B | X04Z, X06A, X06B, X06C |
| | | BOP, KJZSV, KVT, UOP4 | | | BOP, KJZSV, KVT, UOP4 | | | BOP, KVT, UOP4 |
| | 01 | B03Z, B17A, B17B, B17C, B17J | | 01 | B03Z, B17A, B17B, B17C, B17J | | 01 | B03Z, B17A, B17B, B17C, B17J |
| | 04 | E02A, E02B, E02C, E02D | | 08 | I12A, I12B, I12C, I12J, I23A, I23B, I23J | | 08 | I12A, I12B, I12C, I12J, I23A, I23B, I23J |
| | 08 | I12A, I12B, I12C, I12J, I23A, I23B, I23J | | 21A | W04A, W04B | | 21A | W04A, W04B |
| | 21A | W04A, W04B | | 21B | X06A, X06B, X06C | | 21B | X04Z, X06A, X06B, X06C |
| | 21B | X06A, X06B, X06C | | | | | 21B | X04Z, X06A, X06B, X06C |

VYK

| ZZV | MDC | DRG | ZZV | MDC | DRG | ZZV | MDC | DRG |
|----------|------------------------------|--|-----------------------|-----|------------------------------|----------|-----|------------------------------|
| 5t07v.p↔ | | BOP, KJZSV, KVT, UOP4 | 5t07x.3↔ | 01 | BOP, KJZSV, KVT, UOP4 | 5t07x.e↔ | 01 | BOP, KJZSV, KVT, UOP4 |
| | 01 | B03Z, B17A, B17B, B17C, B17J | | 01 | B03Z, B17A, B17B, B17C, B17J | | 01 | B03Z, B17A, B17B, B17C, B17J |
| | 08 | I12A, I12B, I12C, I12J, I23A, I23B, I23J | | 08 | I23A, I23B, I23J | | 08 | I21J, I21Z |
| | 21A | W04A, W04B | | 21A | W04A, W04B | | 21A | W04A, W04B |
| 5t07v.q↔ | 21B | X04Z, X06A, X06B, X06C | 5t07x.4↔ | 21B | X06A, X06B, X06C | 5t07x.f↔ | 21B | X04Z, X06A, X06B, X06C |
| | | BOP, KJZSV, KVT, UOP4 | | | BOP, KJZSV, KVT, UOP4 | | | BOP, KVT, UOP4 |
| | 01 | B03Z, B17A, B17B, B17C, B17J | | 01 | B03Z, B17A, B17B, B17C, B17J | | 01 | B03Z, B17A, B17B, B17C, B17J |
| | 08 | I12A, I12B, I12C, I12J, I23A, I23B, I23J | | 08 | I23A, I23B, I23J | | 08 | I21J, I21Z |
| 5t07v.r↔ | 21A | W04A, W04B | 5t07x.5↔ | 21A | W04A, W04B | 5t07x.g↔ | 21A | W04A, W04B |
| | 21B | X04Z, X06A, X06B, X06C | | 21B | X06A, X06B, X06C | | 21B | X04Z, X06A, X06B, X06C |
| | | BOP, KJZSV, KVT, UOP4 | | | BOP, KVT, UOP4 | | | BOP, KJZSV, KVT, UOP4 |
| | 01 | B03Z, B17A, B17B, B17C, B17J | | 01 | B03Z, B17A, B17B, B17C, B17J | | 01 | B03Z, B17A, B17B, B17C, B17J |
| 5t07v.s↔ | 08 | I12A, I12B, I12C, I12J, I23A, I23B, I23J | 5t07x.6↔ | 08 | I23A, I23B, I23J | 5t07x.h↔ | 08 | I21J, I21Z |
| | 21A | W04A, W04B | | 21A | W04A, W04B | | 21A | W04A, W04B |
| | 21B | X04Z, X06A, X06B, X06C | | 21B | X06A, X06B, X06C | | 21B | X04Z, X06A, X06B, X06C |
| | | BOP, KJZSV, KVT, UOP4 | | | BOP, KVT, UOP4 | | | BOP, KJZSV, KVT, UOP4 |
| 5t07v.t↔ | 01 | B03Z, B17A, B17B, B17C, B17J | 5t07x.7↔ | 01 | B03Z, B17A, B17B, B17C, B17J | 5t07x.j↔ | 01 | B03Z, B17A, B17B, B17C, B17J |
| | 08 | I12A, I12B, I12C, I12J, I23A, I23B, I23J | | 08 | I23A, I23B, I23J | | 08 | I21J, I21Z |
| | 21A | W04A, W04B | | 21A | W04A, W04B | | 21A | W04A, W04B |
| | 21B | X04Z, X06A, X06B, X06C | | 21B | X06A, X06B, X06C | | 21B | X04Z, X06A, X06B, X06C |
| 5t07v.u↔ | | BOP, KJZSV, KVT, UOP4 | 5t07x.8↔ | | BOP, KVT, UOP4 | 5t07x.k↔ | | BOP, KVT, UOP4 |
| | 01 | B03Z, B17A, B17B, B17C, B17J | | 01 | B03Z, B17A, B17B, B17C, B17J | | 01 | B03Z, B17A, B17B, B17C, B17J |
| | 08 | I12A, I12B, I12C, I12J, I23A, I23B, I23J | | 08 | I23A, I23B, I23J | | 08 | I23A, I23B, I23J |
| | 21A | W04A, W04B | | 21A | W04A, W04B | | 21A | W04A, W04B |
| 5t07v.v↔ | 21B | X04Z, X06A, X06B, X06C | 5t07x.9↔ | 21B | X06A, X06B, X06C | 5t07x.m↔ | 21B | X04Z, X06A, X06B, X06C |
| | | BOP, KJZSV, KVT, UOP4 | | | BOP, KVT, UOP4 | | | BOP, KVT, UOP4 |
| | 01 | B03Z, B17A, B17B, B17C, B17J | | 01 | B03Z, B17A, B17B, B17C, B17J | | 01 | B03Z, B17A, B17B, B17C, B17J |
| | 08 | I12A, I12B, I12C, I12J, I23A, I23B, I23J | | 08 | I23A, I23B, I23J | | 08 | I23A, I23B, I23J |
| 5t07x.0↔ | 21A | W04A, W04B | 5t07x.a↔ | 21A | W04A, W04B | 5t07x.n↔ | 21A | W04A, W04B |
| | 21B | X04Z, X06A, X06B, X06C | | 21B | X06A, X06B, X06C | | 21B | X04Z, X06A, X06B, X06C |
| | | BOP, KJZSV, KVT, UOP4 | | | BOP, KVT, UOP4 | | | BOP, KVT, UOP4 |
| | 01 | B03Z, B17A, B17B, B17C, B17J | | 01 | B03Z, B17A, B17B, B17C, B17J | | 01 | B03Z, B17A, B17B, B17C, B17J |
| 5t07x.1↔ | 08 | I12A, I12B, I12C, I12J, I23A, I23B, I23J | 5t07x.b↔ | 08 | I23A, I23B, I23J | 5t07x.p↔ | 08 | I23A, I23B, I23J |
| | 21A | W04A, W04B | | 21A | W04A, W04B | | 21A | W04A, W04B |
| | 21B | X04Z, X06A, X06B, X06C | | 21B | X05A, X05B, X06A, X06B, X06C | | 21B | X04Z, X06A, X06B, X06C |
| | | BOP, KJZSV, KVT, UOP4 | | | BOP, KVT, UOP4 | | | BOP, KVT, UOP4 |
| 5t07x.2↔ | 01 | B03Z, B17A, B17B, B17C, B17J | 5t07x.c↔ | 01 | B03Z, B17A, B17B, B17C, B17J | 5t07x.q↔ | 01 | B03Z, B17A, B17B, B17C, B17J |
| | 08 | I23A, I23B, I23J | | 08 | I23A, I23B, I23J | | 08 | I23A, I23B, I23J |
| | 21A | W04A, W04B | | 21A | W04A, W04B | | 21A | W04A, W04B |
| | 21B | X06A, X06B, X06C | | 21B | X05A, X05B, X06A, X06B, X06C | | 21B | X04Z, X06A, X06B, X06C |
| 5t07x.3↔ | | BOP, KJZSV, KVT, UOP4 | 5t07x.d | | BOP, KJZSV, KVT, UOP4 | 5t07x.r↔ | | BOP, KVT, UOP4 |
| | 01 | B03Z, B17A, B17B, B17C, B17J | | 01 | B03Z, B17A, B17B, B17C, B17J | | 01 | B03Z, B17A, B17B, B17C, B17J |
| | 08 | I23A, I23B, I23J | | 08 | I23A, I23B, I23J | | 08 | I23A, I23B, I23J |
| | 21A | W04A, W04B | | 21A | W04A, W04B | | 21A | W04A, W04B |
| | BOP, KJZSV, KVT, UOP4 | | BOP, KJZSV, KVT, UOP4 | | BOP, KJZSV, KVT, UOP4 | | | |
| 01 | B03Z, B17A, B17B, B17C, B17J | | BOP, KJZSV, KVT, UOP4 | 01 | B03Z, B17A, B17B, B17C, B17J | | | |
| 08 | I23A, I23B, I23J | | BOP, KJZSV, KVT, UOP4 | 08 | I23A, I23B, I23J | | | |
| 21A | W04A, W04B | | BOP, KJZSV, KVT, UOP4 | 21A | W04A, W04B | | | |
| 21B | X06A, X06B, X06C | | BOP, KJZSV, KVT, UOP4 | 21B | X04Z, X06A, X06B, X06C | | | |

VYK

| ZZV | MDC | DRG | ZZV | MDC | DRG | ZZV | MDC | DRG | | | |
|----------|-----|---|----------|-----|---|-----------|-----------|---|---|---|---|
| 5t07x.s↔ | | BOP, KVT, UOP4 | 5t080.3↔ | 05 | BOP, KVT, UOP4, VIAL F27A, F27B, F27C | 5t081.2↔ | 08 | BOP, KVT, UOP4, VIAL I20A, I20B, I20C, I20D, I20E, I20F, I20J, I20Q, I20R | | | |
| | 01 | B03Z, B17A, B17B, B17C, B17J | | 08 | I20A, I20B, I20C, I20D, I20J, I20Q, I20R | | 5t081.3↔ | 08 | BOP, KVT, UOP4, VIAL I20A, I20B, I20C, I20D, I20E, I20F, I20J, I20Q, I20R | | |
| | 08 | I23A, I23B, I23J | | 10 | K01Z | | | 5t081.4↔ | 08 | BOP, KVT, UOP4, VIAL I20A, I20B, I20C, I20D, I20E, I20F, I20J, I20Q, I20R | |
| | 21A | W04A, W04B | | 21A | W04A, W04B | | | | 5t082.01 | 08 | BOP, KVT, UOP4, VIAL I20A, I20B, I20C, I20D, I20E, I20F, I20J, I20Q, I20R |
| | 21B | X04Z, X06A, X06B, X06C | | 21B | X04Z | | | | | 05 | F27A, F27B, F27C |
| 5t07x.t↔ | | BOP, KVT, UOP4 | 5t080.4↔ | 05 | BOP, KVT, UOP4, VIAL F27A, F27B, F27C | 5t082.02↔ | 08 | BOP, KVT, UOP4, VIAL I20A, I20B, I20C, I20D, I20E, I20F, I20J, I20Q, I20R | | | |
| | 01 | B03Z, B17A, B17B, B17C, B17J | | 08 | I20A, I20B, I20C, I20D, I20J, I20Q, I20R | | 5t082.11 | 05 | F27A, F27B, F27C | | |
| | 08 | I23A, I23B, I23J | | 10 | K01Z | | | 5t082.12 | 08 | BOP, KVT, UOP4, VIAL I20A, I20B, I20C, I20D, I20E, I20F, I20J, I20Q, I20R | |
| | 21A | W04A, W04B | | 21A | W04A, W04B | | | | 5t082.13 | 10 | K01Z |
| | 21B | X04Z, X06A, X06B, X06C | | 21B | X04Z | | | | | 21A | W04A, W04B |
| 5t07x.u↔ | | BOP, KVT, UOP4 | 5t080.a↔ | 05 | BOP, KVT, UOP4, VIAL F27A, F27B, F27C | 5t082.14 | 21B | X04Z | | | |
| | 01 | B03Z, B17A, B17B, B17C, B17J | | 08 | I20A, I20B, I20C, I20D, I20E, I20F, I20J, I20Q, I20R | | 5t082.2a | 05 | BOP, KVT, UOP4, VIAL F27A, F27B, F27C | | |
| | 08 | I23A, I23B, I23J | | 10 | K09A, K09B | | | 5t082.2b | 08 | BOP, KVT, UOP4, VIAL I20A, I20B, I20C, I20D, I20E, I20F, I20J, I20Q, I20R | |
| | 21A | W04A, W04B | | 21A | W04A, W04B | | | | 5t082.2c | 21A | W04A, W04B |
| | 21B | X04Z, X06A, X06B, X06C | | 21B | X04Z | | | | | 21B | X04Z |
| 5t07x.v↔ | | BOP, KVT, UOP4 | 5t080.b↔ | 05 | BOP, KVT, UOP4, VIAL F27A, F27B, F27C | 5t081.0↔ | 08 | BOP, KVT, UOP4, VIAL I20A, I20B, I20C, I20D, I20E, I20F, I20J, I20Q, I20R | | | |
| | 01 | B03Z, B17A, B17B, B17C, B17J | | 08 | I20A, I20B, I20C, I20D, I20E, I20F, I20J, I20Q, I20R | | 5t081.1↔ | 21A | W04A, W04B | | |
| | 08 | I23A, I23B, I23J | | 10 | K09A, K09B | | | 5t081.2↔ | 21B | X04Z | |
| | 21A | W04A, W04B | | 21A | W04A, W04B | | | | 5t081.3↔ | 08 | BOP, KVT, UOP4, VIAL I20A, I20B, I20C, I20D, I20E, I20F, I20J, I20Q, I20R |
| | 21B | X04Z, X06A, X06B, X06C | | 21B | X04Z | | | | | 08 | BOP, KVT, UOP4, VIAL I20A, I20B, I20C, I20D, I20E, I20F, I20J, I20Q, I20R |
| 5t07x.w↔ | | BOP, KVT, UOP4 | 5t080.c↔ | 05 | BOP, KVT, UOP4, VIAL F27A, F27B, F27C | 5t081.4↔ | 08 | BOP, KVT, UOP4, VIAL I20A, I20B, I20C, I20D, I20E, I20F, I20J, I20Q, I20R | | | |
| | 01 | B03Z, B17A, B17B, B17C, B17J | | 08 | I20A, I20B, I20C, I20D, I20E, I20F, I20J, I20Q, I20R | | 5t081.5↔ | 21A | W04A, W04B | | |
| | 08 | I23A, I23B, I23J | | 10 | K09A, K09B | | | 5t081.6↔ | 21B | X04Z | |
| | 21A | W04A, W04B | | 21A | W04A, W04B | | | | 5t081.7↔ | 08 | BOP, KVT, UOP4, VIAL I20A, I20B, I20C, I20D, I20E, I20F, I20J, I20Q, I20R |
| | 21B | X04Z, X06A, X06B, X06C | | 21B | X04Z | | | | | 08 | BOP, KVT, UOP4, VIAL I20A, I20B, I20C, I20D, I20E, I20F, I20J, I20Q, I20R |
| 5t07x.x | | BOP, KVT, UOP4 | 5t080.d↔ | 05 | BOP, KVT, UOP4, VIAL F27A, F27B, F27C | 5t081.8↔ | 21A | W04A, W04B | | | |
| | 01 | B03Z, B17A, B17B, B17C, B17J | | 08 | I20A, I20B, I20C, I20D, I20E, I20F, I20J, I20Q, I20R | | 5t081.9↔ | 21B | X04Z | | |
| | 08 | I23A, I23B, I23J | | 10 | K09A, K09B | | | 5t082.0↔ | 08 | BOP, KVT, UOP4, VIAL I20A, I20B, I20C, I20D, I20E, I20F, I20J, I20Q, I20R | |
| | 21A | W04A, W04B | | 21A | W04A, W04B | | | | 5t082.1↔ | 21A | W04A, W04B |
| | 21B | X04Z, X06A, X06B, X06C | | 21B | X04Z | | | | | 21B | X04Z |
| 5t07x.z↔ | | BOP, KJZSV, KVT, UOP4 | 5t080.e↔ | 05 | BOP, KVT, UOP4, VIAL F27A, F27B, F27C | 5t082.2↔ | 08 | BOP, KVT, UOP4, VIAL I20A, I20B, I20C, I20D, I20E, I20F, I20J, I20Q, I20R | | | |
| | 01 | B03Z, B17A, B17B, B17C, B17J | | 08 | I20A, I20B, I20C, I20D, I20E, I20F, I20J, I20Q, I20R | | 5t082.3↔ | 21A | W04A, W04B | | |
| | 04 | E02A, E02B, E02C, E02D | | 10 | K09A, K09B | | | 5t082.4↔ | 21B | X04Z | |
| | 08 | I23A, I23B, I23J | | 21A | W04A, W04B | | | | 5t082.5↔ | 08 | BOP, KVT, UOP4, VIAL I20A, I20B, I20C, I20D, I20E, I20F, I20J, I20Q, I20R |
| | 21A | W04A, W04B | | 21B | X04Z | | | | | 21A | W04A, W04B |
| 5t080.0↔ | | BOP, KVT, UOP4, VIAL | 5t080.f↔ | 05 | BOP, KVT, UOP4, VIAL F27A, F27B, F27C | 5t082.6↔ | 21B | X04Z | | | |
| | 05 | F27A, F27B, F27C | | 08 | I20A, I20B, I20C, I20D, I20E, I20F, I20J, I20Q, I20R | | 5t082.7↔ | 08 | BOP, KVT, UOP4, VIAL I20A, I20B, I20C, I20D, I20E, I20F, I20J, I20Q, I20R | | |
| | 08 | I20A, I20B, I20C, I20D, I20E, I20F, I20J, I20Q, I20R | | 10 | K09A, K09B | | | 5t082.8↔ | 21A | W04A, W04B | |
| | 10 | K01Z | | 21A | W04A, W04B | | | | 5t082.9↔ | 21B | X04Z |
| | 21A | W04A, W04B | | 21B | X04Z | | | | | 08 | BOP, KVT, UOP4, VIAL I20A, I20B, I20C, I20D, I20E, I20F, I20J, I20Q, I20R |
| 5t080.1↔ | | BOP, KVT, UOP4, VIAL | 5t080.g↔ | 05 | BOP, KVT, UOP4, VIAL F27A, F27B, F27C | 5t082.10↔ | 21A | W04A, W04B | | | |
| | 05 | F27A, F27B, F27C | | 08 | I20A, I20B, I20C, I20D, I20E, I20F, I20J, I20Q, I20R | | 5t082.11↔ | 21B | X04Z | | |
| | 08 | I20A, I20B, I20C, I20D, I20E, I20F, I20J, I20Q, I20R | | 10 | K09A, K09B | | | 5t082.12↔ | 08 | BOP, KVT, UOP4, VIAL I20A, I20B, I20C, I20D, I20E, I20F, I20J, I20Q, I20R | |
| | 10 | K01Z | | 21A | W04A, W04B | | | | 5t082.13↔ | 21A | W04A, W04B |
| | 21A | W04A, W04B | | 21B | X04Z | | | | | 21B | X04Z |
| 5t080.2↔ | | BOP, KVT, UOP4, VIAL | 5t080.h↔ | 05 | BOP, KVT, UOP4, VIAL F27A, F27B, F27C | 5t082.14↔ | 08 | BOP, KVT, UOP4, VIAL I20A, I20B, I20C, I20D, I20E, I20F, I20J, I20Q, I20R | | | |
| | 05 | F27A, F27B, F27C | | 08 | I20A, I20B, I20C, I20D, I20E, I20F, I20J, I20Q, I20R | | 5t082.15↔ | 21A | W04A, W04B | | |
| | 08 | I20A, I20B, I20C, I20D, I20E, I20F, I20J, I20Q, I20R | | 10 | K09A, K09B | | | 5t082.16↔ | 21B | X04Z | |
| | 10 | K01Z | | 21A | W04A, W04B | | | | 5t082.17↔ | 08 | BOP, KVT, UOP4, VIAL I20A, I20B, I20C, I20D, I20E, I20F, I20J, I20Q, I20R |
| | 21A | W04A, W04B | | 21B | X04Z | | | | | 21A | W04A, W04B |

VYK

| ZZV | MDC | DRG | ZZV | MDC | DRG | ZZV | MDC | DRG | | | | | | | | |
|----------|------|--|------------------------------------|------------|--|------------------------------|--|--|------------------------------------|-----------|-----------------------|--|------------------------|--|-----------------------|--|
| 5t082.2d | | BOP, KVT, UOP4, VIAL | 5t083.c↔ | 05 | BOP, KVT, UOP4, VIAL | 5t090.a↔ | | BOP, KJZSV, KVT, UOP4 | | | | | | | | |
| | 08 | I20A, I20B, I20C, I20D, I20E, I20F, I20J, I20Q, I20R | | 08 | F27A, F27B, F27C | | 08 | I32A, I32B, I32C, I32D, I32E, I32F, I32J, I32Q, I32R, I32S, I32T, I32U | | | | | | | | |
| | 21A | W04A, W04B | | 10 | I20A, I20B, I20C, I20D, I20E, I20F, I20J, I20Q, I20R | | 21A | W04A, W04B | | | | | | | | |
| 5t082.2e | 21B | X04Z | 5t083.d↔ | 21A | W04A, W04B | 5t090.b↔ | 21B | X05A, X05B | | | | | | | | |
| | 08 | BOP, KVT, UOP4, VIAL | | 21B | X04Z | | 08 | BOP, KJZSV, KVT, UOP4 | | | | | | | | |
| | 08 | I20A, I20B, I20C, I20D, I20E, I20F, I20J, I20Q, I20R | | 05 | BOP, KVT, UOP4, VIAL | | 08 | I32A, I32B, I32C, I32D, I32E, I32F, I32J, I32Q, I32R, I32S, I32T, I32U | | | | | | | | |
| 5t082.2f | 21A | W04A, W04B | 5t083.e↔ | 08 | F27A, F27B, F27C | 5t090.c↔ | 21A | W04A, W04B | | | | | | | | |
| | 21B | X04Z | | 10 | I20A, I20B, I20C, I20D, I20E, I20F, I20J, I20Q, I20R | | 21B | X05A, X05B | | | | | | | | |
| | 08 | BOP, KVT, UOP4, VIAL | | 21A | K09A, K09B | | 08 | BOP, KJZSV, KVT, UOP4 | | | | | | | | |
| 5t082.2x | 08 | I20A, I20B, I20C, I20D, I20E, I20F, I20J, I20Q, I20R | 5t083.e↔ | 21A | W04A, W04B | 5t090.d | 08 | I32A, I32B, I32C, I32D, I32E, I32F, I32J, I32Q, I32R, I32S, I32T, I32U | | | | | | | | |
| | 21A | W04A, W04B | | 21B | X04Z | | 21A | W04A, W04B | | | | | | | | |
| | 21B | X04Z | | 05 | BOP, KVT, UOP4, VIAL | | 21B | X05A, X05B | | | | | | | | |
| 5t083.0↔ | 05 | BOP, KVT, UOP4, VIAL | 5t08x↔ | 08 | F27A, F27B, F27C | 5t090.0↔ | 08 | BOP, KJZSV, KVT, UOP4 | | | | | | | | |
| | | 08 | | | I20A, I20B, I20C, I20D, I20E, I20F, I20J, I20Q, I20R | | | 04 | E02A, E02B, E02C, E02D | 5t090.e↔ | 01 | B03Z, B17A, B17B, B17C, B17J | | | | |
| | | 10 | | | K01Z | | | 08 | I28A, I28B, I28J | | | 5t090.f↔ | 08 | I08A, I08B, I08C, I08D, I08E, I08F, I08J | | |
| | | 21A | | | W04A, W04B | | | 21A | W04A, W04B | | | | | 5t090.g↔ | 21A | W01A, W01B, W01C, W02A, W02B |
| | | 21B | | | X04Z | | | 21B | X06A, X06B, X06C | | | | | | | 5t090.h↔ |
| 5t083.1↔ | 05 | BOP, KVT, UOP4, VIAL | 5t090.1↔ | 08 | BOP, KJZSV, KVT, UOP4 | 5t090.i↔ | 01 | B03Z, B17A, B17B, B17C, B17J | | | | | | | | |
| | | 08 | | | I20A, I20B, I20C, I20D, I20E, I20F, I20J, I20Q, I20R | | | 08 | I13A, I13B, I13C, I13D, I13E, I13J | 5t090.j↔ | 08 | | | | | |
| | | 10 | | | K01Z | | | 21A | W04A, W04B | | | 5t090.k↔ | 21A | | | |
| | | 21A | | | W04A, W04B | | | 21B | X06A, X06B, X06C | | | | | 5t090.l↔ | 21B | |
| | | 21B | | | X04Z | | | 08 | BOP, KJZSV, KVT, UOP4 | | | | | | | 5t090.m↔ |
| 5t083.2↔ | 05 | BOP, KVT, UOP4, VIAL | 5t090.2↔ | 08 | BOP, KJZSV, KVT, UOP4 | 5t090.n↔ | 08 | I08A, I08B, I08C, I08D, I08E, I08F, I08J | | | | | | | | |
| | | 08 | | | F27A, F27B, F27C | | | 08 | I13A, I13B, I13C, I13D, I13E, I13J | 5t090.o↔ | 21A | | | | | |
| | | 08 | | | I20A, I20B, I20C, I20D, I20E, I20F, I20J, I20Q, I20R | | | 21A | W04A, W04B | | | 5t090.p↔ | 21B | | | |
| | | 10 | | | K01Z | | | 21B | X06A, X06B, X06C | | | | | 5t090.q↔ | 01 | |
| | | 21A | | | W04A, W04B | | | 08 | BOP, KJZSV, KVT, UOP4 | | | | | | | 5t090.r↔ |
| 21B | X04Z | 08 | I13A, I13B, I13C, I13D, I13E, I13J | 5t090.s↔ | 21A | W01A, W01B, W01C, W02A, W02B | | | | | | | | | | |
| 5t083.3↔ | 05 | BOP, KVT, UOP4, VIAL | 5t090.3↔ | | | 21A | W04A, W04B | 5t090.t↔ | 21B | X04Z | | | | | | |
| | | 08 | | | | | F27A, F27B, F27C | | | 21B | X06A, X06B, X06C | 5t090.u↔ | 01 | | | |
| | | 08 | | | | | I20A, I20B, I20C, I20D, I20J, I20Q, I20R | | | 08 | BOP, KJZSV, KVT, UOP4 | | | 5t090.v↔ | 08 | |
| | | 10 | | | | | K01Z | | | 21A | W04A, W04B | | | | | 5t090.w↔ |
| | | 21A | | W04A, W04B | 21B | | X06A, X06B, X06C | | | 5t090.x↔ | 21B | | | | | |
| 21B | X04Z | 08 | BOP, KJZSV, KVT, UOP4 | 5t090.y↔ | 01 | B03Z, B17A, B17B, B17C, B17J | | | | | | | | | | |
| 5t083.4↔ | 05 | BOP, KVT, UOP4, VIAL | 5t090.4↔ | | | 21A | W04A, W04B | 5t090.z↔ | 08 | | | I08A, I08B, I08C, I08D, I08E, I08F, I08J | | | | |
| | | 08 | | | | | F27A, F27B, F27C | | | | | 08 | I21J, I21Z, I31J, I31Z | 5t090.aa↔ | 21A | |
| | | 08 | | | | | I20A, I20B, I20C, I20D, I20J, I20Q, I20R | | | | | 21A | W04A, W04B | | | 5t090.ab↔ |
| | | 10 | | | | | K01Z | | | 21B | X06A, X06B, X06C | 5t090.ac↔ | 01 | | | |
| | | 21A | | W04A, W04B | 08 | | BOP, KJZSV, KVT, UOP4 | | | 5t090.ad↔ | 08 | | | | | |
| 21B | X04Z | 21A | W04A, W04B | 5t090.ae↔ | 21A | W01A, W01B, W01C, W02A, W02B | | | | | | | | | | |
| 5t083.a↔ | 05 | BOP, KVT, UOP4, VIAL | 5t090.5↔ | | | 21B | X06A, X06B, X06C | 5t090.af↔ | 21B | | | | | X04Z | | |
| | | 08 | | | | | F27A, F27B, F27C | | | | | | | 08 | BOP, KJZSV, KVT, UOP4 | 5t090.ag↔ |
| | | 08 | | | | | I20A, I20B, I20C, I20D, I20E, I20F, I20J, I20Q, I20R | | | | | 21A | W04A, W04B | 5t090.ah↔ | 08 | |
| | | 10 | | | | | K09A, K09B | | | 21B | X06A, X06B, X06C | 5t090.ai↔ | 21A | | | |
| | | 21A | | W04A, W04B | 08 | | I21J, I21Z, I31J, I31Z | | | 5t090.aj↔ | 21B | | | | | |
| 21B | X04Z | 21A | W04A, W04B | 5t090.ak↔ | 01 | B03Z, B17A, B17B, B17C, B17J | | | | | | | | | | |
| 5t083.b↔ | 05 | BOP, KVT, UOP4, VIAL | 5t090.6↔ | | | 21B | X06A, X06B, X06C | 5t090.al↔ | 08 | | | | | | | I18A, I18B, I18J, I18Q, I18R, I30J, I30Z |
| | | 08 | | | | | F27A, F27B, F27C | | | | | | | 08 | BOP, KJZSV, KVT, UOP4 | 5t090.am↔ |
| | | 08 | | | | | I20A, I20B, I20C, I20D, I20E, I20F, I20J, I20Q, I20R | | | | | 21A | W04A, W04B | 5t090.an↔ | 21B | |
| | | 10 | | | | | K09A, K09B | | | 08 | BOP, KJZSV, KVT, UOP4 | 5t090.ao↔ | 08 | | | |
| | | 21A | | W04A, W04B | 21A | | W04A, W04B | | | 5t090.ap↔ | 21A | | | | | |
| 21B | X04Z | 21B | X06A, X06B, X06C | 5t090.aq↔ | 21B | X04Z | | | | | | | | | | |
| 5t083.2↔ | 05 | BOP, KVT, UOP4, VIAL | 5t090.7↔ | | | 08 | I21J, I21Z, I31J, I31Z | 5t090.ar↔ | 08 | | | | | | | I13A, I13B, I13C, I13D, I13E, I13J |
| | | 08 | | | | | F27A, F27B, F27C | | | | | | | 21A | W04A, W04B | 5t090.as↔ |
| | | 08 | | | | | I20A, I20B, I20C, I20D, I20E, I20F, I20J, I20Q, I20R | | | | | 21B | X06A, X06B, X06C | 5t090.at↔ | 21B | |
| | | 10 | | | | | K09A, K09B | | | 08 | BOP, KJZSV, KVT, UOP4 | 5t090.au↔ | 08 | | | |
| | | 21A | | W04A, W04B | 21A | | W04A, W04B | | | 5t090.av↔ | 21A | | | | | |
| 21B | X04Z | 21B | X06A, X06B, X06C | 5t090.aw↔ | 21B | X04Z | | | | | | | | | | |
| 5t083.2↔ | 05 | BOP, KVT, UOP4, VIAL | 5t090.8↔ | | | 08 | I21J, I21Z, I31J, I31Z | 5t090.ax↔ | 08 | | | | | | | I13A, I13B, I13C, I13D, I13E, I13J |
| | | 08 | | | | | F27A, F27B, F27C | | | | | | | 21A | W04A, W04B | 5t090.ay↔ |
| | | 08 | | | | | I20A, I20B, I20C, I20D, I20E, I20F, I20J, I20Q, I20R | | | | | 21B | X06A, X06B, X06C | 5t090.az↔ | 21B | |
| | | 10 | | | | | K09A, K09B | | | 08 | BOP, KJZSV, KVT, UOP4 | 5t090.ba↔ | 08 | | | |
| | | 21A | | W04A, W04B | 21A | | W04A, W04B | | | 5t090.bb↔ | 21A | | | | | |
| 21B | X04Z | 21B | X06A, X06B, X06C | 5t090.bb↔ | 21B | X04Z | | | | | | | | | | |

| ZZV | MDC | DRG | ZZV | MDC | DRG | ZZV | MDC | DRG |
|----------|-----|--|----------|-----|--|----------|------------------|--|
| 5t090.m↔ | | BOP, KJZSV, KVT, UOP4 | 5t091.0↔ | | BOP, KJZSV, KVT, UOP4 | 5t091.d | | BOP, KJZSV, KVT, UOP4, VIAL |
| | 08 | I13A, I13B, I13C, I13D, I13E, I13J | | 08 | I12A, I12B, I12C, I12J, I28A, I28B, I28J | | 08 | I08A, I08B, I08C, I08D, I08E, I08F, I08J, I12A, I12B, I12C, I12J |
| | 21A | W04A, W04B | | 21A | W04A, W04B | | 21A | W04A, W04B |
| 5t090.n↔ | 21B | X04Z | 5t091.1↔ | 21B | X06A, X06B, X06C | 5t091.e↔ | 21B | X06A, X06B, X06C |
| | 08 | BOP, KJZSV, KVT, UOP4 | | 08 | BOP, KJZSV, KVT, UOP4, VIAL | | 01 | B03Z, B17A, B17B, B17C, B17J |
| | 08 | I13A, I13B, I13C, I13D, I13E, I13J | | 08 | I08A, I08B, I08C, I08D, I08E, I08F, I08J, I12A, I12B, I12C, I12J, I13A, I13B, I13C, I13D, I13E, I13J | | 08 | I08A, I08B, I08C, I08D, I08E, I08F, I08J, I12A, I12B, I12C, I12J |
| 5t090.p↔ | 21A | W04A, W04B | 5t091.3↔ | 21A | W04A, W04B | 5t091.f↔ | 21A | W04A, W04B |
| | 21B | X04Z | | 21B | X06A, X06B, X06C | | 21B | X04Z |
| | 08 | BOP, KJZSV, KVT, UOP4 | | 08 | BOP, KJZSV, KVT, UOP4, VIAL | | 01 | B03Z, B17A, B17B, B17C, B17J |
| 5t090.q↔ | 08 | I13A, I13B, I13C, I13D, I13E, I13J | 5t091.4↔ | 08 | I08A, I08B, I08C, I08D, I08E, I08F, I08J, I12A, I12B, I12C, I12J, I13A, I13B, I13C, I13D, I13E, I13J | 5t091.h↔ | 08 | I08A, I08B, I08C, I08D, I08E, I08F, I08J, I12A, I12B, I12C, I12J |
| | 21A | W04A, W04B | | 21A | W04A, W04B | | 21A | W04A, W04B |
| | 21B | X04Z | | 21B | X06A, X06B, X06C | | 21B | X04Z |
| 5t090.r↔ | 08 | BOP, KJZSV, KVT, UOP4 | 5t091.6↔ | 08 | BOP, KJZSV, KVT, UOP4, VIAL | 5t091.k↔ | 08 | BOP, KJZSV, KVT, UOP4, VIAL |
| | 08 | I13A, I13B, I13C, I13D, I13E, I13J | | 08 | I08A, I08B, I08C, I08D, I08E, I08F, I08J, I12A, I12B, I12C, I12J, I21J, I21Z, I31J, I31Z | | 08 | I12A, I12B, I12C, I12J, I13A, I13B, I13C, I13D, I13E, I13J |
| | 21A | W04A, W04B | | 21A | W04A, W04B | | 21A | W04A, W04B |
| 5t090.s↔ | 21B | X04Z | 5t091.7↔ | 21B | X06A, X06B, X06C | 5t091.n↔ | 21B | X04Z |
| | 05 | F27A, F27B, F27C | | 08 | BOP, KJZSV, KVT, UOP4, VIAL | | 08 | I12A, I12B, I12C, I12J, I13A, I13B, I13C, I13D, I13E, I13J |
| | 08 | I20A, I20B, I20C, I20D, I20E, I20F, I20J, I20Q, I20R | | 08 | I08A, I08B, I08C, I08D, I08E, I08F, I08J, I12A, I12B, I12C, I12J, I21J, I21Z, I31J, I31Z | | 08 | I12A, I12B, I12C, I12J, I13A, I13B, I13C, I13D, I13E, I13J |
| 5t090.t↔ | 10 | K01Z | 5t091.9↔ | 21A | W04A, W04B | 5t091.p↔ | 21A | W04A, W04B |
| | 21A | W04A, W04B | | 21B | X06A, X06B, X06C | | 21B | X04Z |
| | 21B | X04Z | | 08 | BOP, KJZSV, KVT, UOP4, VIAL | | 08 | I12A, I12B, I12C, I12J, I13A, I13B, I13C, I13D, I13E, I13J |
| 5t090.u↔ | 05 | F27A, F27B, F27C | 5t091.b↔ | 08 | I12A, I12B, I12C, I12J, I32A, I32B, I32C, I32D, I32E, I32F, I32J, I32Q, I32R, I32S, I32T, I32U | 5t091.r↔ | 08 | I12A, I12B, I12C, I12J, I13A, I13B, I13C, I13D, I13E, I13J |
| | 08 | I20A, I20B, I20C, I20D, I20E, I20F, I20J, I20Q, I20R | | 21A | W04A, W04B | | 21A | W04A, W04B |
| | 10 | K01Z | | 21B | X05A, X05B | | 21B | X04Z |
| 5t090.v↔ | 21A | W04A, W04B | 5t091.c↔ | 08 | BOP, KJZSV, KVT, UOP4, VIAL | 5t091.s↔ | 08 | BOP, KJZSV, KVT, UOP4, VIAL |
| | 21B | X04Z | | 08 | I12A, I12B, I12C, I12J, I32A, I32B, I32C, I32D, I32E, I32F, I32J, I32Q, I32R, I32S, I32T, I32U | | 08 | I12A, I12B, I12C, I12J, I20A, I20B, I20C, I20D, I20E, I20F, I20J, I20Q, I20R |
| | 05 | F27A, F27B, F27C | | 21A | W04A, W04B | | 21A | W04A, W04B |
| 5t090.w↔ | 08 | I20A, I20B, I20C, I20D, I20E, I20F, I20J, I20Q, I20R | 5t091.x | 21B | X06A, X06B, X06C | 5t091.z↔ | 21B | X04Z |
| | 10 | K01Z | | 08 | BOP, KJZSV, KVT, UOP4, VIAL | | 04 | E02A, E02B, E02C, E02D |
| | 21A | W04A, W04B | | 21A | W04A, W04B | | 08 | I28A, I28B, I28J |
| 5t090.x | 21B | X04Z | 5t091.y | 21B | X05A, X05B | 21A | W04A, W04B | |
| | 08 | BOP, KJZSV, KVT, UOP4 | | 08 | I12A, I12B, I12C, I12J, I32A, I32B, I32C, I32D, I32E, I32F, I32J, I32Q, I32R, I32S, I32T, I32U | 21B | X06A, X06B, X06C | |
| | 01 | B03Z, B17A, B17B, B17C, B17J | | 21A | W04A, W04B | 21B | X06A, X06B, X06C | |
| 5t090.y | 08 | I28A, I28B, I28J | 5t091.z↔ | 21B | X05A, X05B | 08 | I28A, I28B, I28J | |
| | 21A | W04A, W04B | | 08 | I12A, I12B, I12C, I12J, I32A, I32B, I32C, I32D, I32E, I32F, I32J, I32Q, I32R, I32S, I32T, I32U | 21A | W04A, W04B | |
| | 21B | X06A, X06B, X06C | | 21B | X05A, X05B | 21B | X06A, X06B, X06C | |
| 5t090.z↔ | 04 | E02A, E02B, E02C, E02D | | | | | | |
| | 08 | I28A, I28B, I28J | | | | | | |
| | 21A | W04A, W04B | | | | | | |
| | 21B | X06A, X06B, X06C | | | | | | |

| ZZV | MDC | DRG | ZZV | MDC | DRG | ZZV | MDC | DRG |
|----------|-----|--|----------|-----|--|----------|-----------------------------|--|
| 5t091.t↔ | | BOP, KJZSV, KVT, UOP4, VIAL | 5t092.9↔ | 08 | I08A, I08B, I08C, I08D, I08E, I08F, I08J, I21J, I21Z, I31J, I31Z | 5t092.r↔ | 08 | I13A, I13B, I13C, I13D, I13E, I13J |
| | 08 | I12A, I12B, I12C, I12J, I20A, I20B, I20C, I20D, I20E, I20F, I20J, I20Q, I20R | | 08 | I08A, I08B, I08C, I08D, I08E, I08F, I08J, I21J, I21Z, I31J, I31Z | | 21A | W04A, W04B |
| | 21A | W04A, W04B | | 21A | W04A, W04B | | 21B | X04Z |
| 5t091.v↔ | 21B | X04Z | 5t092.b↔ | 21B | X06A, X06B, X06C | 5t092.s↔ | BOP, KJZSV, KVT, UOP4, VIAL | BOP, KJZSV, KVT, UOP4, VIAL |
| | 08 | I12A, I12B, I12C, I12J, I20A, I20B, I20C, I20D, I20E, I20F, I20J, I20Q, I20R | | 08 | I32A, I32B, I32C, I32D, I32E, I32F, I32J, I32Q, I32R, I32S, I32T, I32U | | 08 | I20A, I20B, I20C, I20D, I20E, I20F, I20J, I20Q, I20R |
| | 21A | W04A, W04B | | 21A | W04A, W04B | | 21A | W04A, W04B |
| 5t091.w↔ | 21B | X04Z | 5t092.c↔ | 21B | X05A, X05B | 5t092.t↔ | 21B | X04Z |
| | 08 | I12A, I12B, I12C, I12J, I20A, I20B, I20C, I20D, I20E, I20F, I20J, I20Q, I20R | | 08 | I32A, I32B, I32C, I32D, I32E, I32F, I32J, I32Q, I32R, I32S, I32T, I32U | | 08 | I20A, I20B, I20C, I20D, I20E, I20F, I20J, I20Q, I20R |
| | 21A | W04A, W04B | | 21A | W04A, W04B | | 21A | W04A, W04B |
| 5t091.x | 21B | X04Z | 5t092.d | 21B | X06A, X06B, X06C | 5t092.u↔ | 21B | X04Z |
| | 08 | I12A, I12B, I12C, I12J, I28A, I28B, I28J | | 08 | I08A, I08B, I08C, I08D, I08E, I08F, I08J | | 08 | I20A, I20B, I20C, I20D, I20E, I20F, I20J, I20Q, I20R |
| | 21A | W04A, W04B | | 21A | W04A, W04B | | 21A | W04A, W04B |
| 5t091.z↔ | 21B | X06A, X06B, X06C | 5t092.e↔ | 21B | X05A, X05B | 5t092.v↔ | 21B | X04Z |
| | 08 | I12A, I12B, I12C, I12J, I28A, I28B, I28J | | 08 | I08A, I08B, I08C, I08D, I08E, I08F, I08J | | 08 | I20A, I20B, I20C, I20D, I20E, I20F, I20J, I20Q, I20R |
| | 21A | W04A, W04B | | 01 | B03Z, B17A, B17B, B17C, B17J | | 21A | W04A, W04B |
| 5t092.0↔ | 21B | X06A, X06B, X06C | 5t092.f↔ | 08 | I08A, I08B, I08C, I08D, I08E, I08F, I08J | 5t092.w↔ | 21B | X04Z |
| | 08 | I28A, I28B, I28J | | 08 | I08A, I08B, I08C, I08D, I08E, I08F, I08J | | 08 | I20A, I20B, I20C, I20D, I20E, I20F, I20J, I20Q, I20R |
| | 21A | W04A, W04B | | 21A | W04A, W04B | | 21A | W04A, W04B |
| 5t092.1↔ | 21B | X06A, X06B, X06C | 5t092.g↔ | 21B | X04Z | 5t092.x | 21B | X04Z |
| | 08 | I08A, I08B, I08C, I08D, I08E, I08F, I08J, I13A, I13B, I13C, I13D, I13E, I13J | | 01 | B03Z, B17A, B17B, B17C, B17J | | 08 | I28A, I28B, I28J |
| | 21A | W04A, W04B | | 08 | I08A, I08B, I08C, I08D, I08E, I08F, I08J | | 21A | W04A, W04B |
| 5t092.2↔ | 21B | X06A, X06B, X06C | 5t092.h↔ | 21A | W04A, W04B | 5t092.z↔ | 21B | X06A, X06B, X06C |
| | 08 | I08A, I08B, I08C, I08D, I08E, I08F, I08J, I13A, I13B, I13C, I13D, I13E, I13J | | 21B | X04Z | | 08 | I28A, I28B, I28J |
| | 21A | W04A, W04B | | 01 | B03Z, B17A, B17B, B17C, B17J | | 21A | W04A, W04B |
| 5t092.3↔ | 21B | X06A, X06B, X06C | 5t092.i↔ | 08 | I08A, I08B, I08C, I08D, I08E, I08F, I08J | 5t093.0↔ | 21B | X06A, X06B, X06C |
| | 08 | I08A, I08B, I08C, I08D, I08E, I08F, I08J, I21J, I21Z, I31J, I31Z | | 08 | I08A, I08B, I08C, I08D, I08E, I08F, I08J | | 08 | E02A, E02B, E02C, E02D |
| | 21A | W04A, W04B | | 21A | W04A, W04B | | 08 | I28A, I28B, I28J |
| 5t092.4↔ | 21B | X06A, X06B, X06C | 5t092.j↔ | 21B | X04Z | 5t093.1↔ | 21A | W04A, W04B |
| | 08 | I08A, I08B, I08C, I08D, I08E, I08F, I08J, I21J, I21Z, I31J, I31Z | | 08 | I13A, I13B, I13C, I13D, I13E, I13J | | 21B | X06A, X06B, X06C |
| | 21A | W04A, W04B | | 21A | W04A, W04B | | 08 | I08A, I08B, I08C, I08D, I08E, I08F, I08J, I13A, I13B, I13C, I13D, I13E, I13J |
| 5t092.5↔ | 21B | X06A, X06B, X06C | 5t092.k↔ | 21B | X04Z | 5t093.2↔ | 21A | W04A, W04B |
| | 08 | I08A, I08B, I08C, I08D, I08E, I08F, I08J, I21J, I21Z, I31J, I31Z | | 08 | I13A, I13B, I13C, I13D, I13E, I13J | | 21B | X06A, X06B, X06C |
| | 21A | W04A, W04B | | 21A | W04A, W04B | | 08 | I08A, I08B, I08C, I08D, I08E, I08F, I08J, I13A, I13B, I13C, I13D, I13E, I13J |
| 5t092.6↔ | 21B | X06A, X06B, X06C | 5t092.l↔ | 21B | X04Z | 5t093.3↔ | 21A | W04A, W04B |
| | 08 | I08A, I08B, I08C, I08D, I08E, I08F, I08J, I21J, I21Z, I31J, I31Z | | 08 | I13A, I13B, I13C, I13D, I13E, I13J | | 21B | X06A, X06B, X06C |
| | 21A | W04A, W04B | | 21A | W04A, W04B | | 08 | I08A, I08B, I08C, I08D, I08E, I08F, I08J, I13A, I13B, I13C, I13D, I13E, I13J |
| 5t092.7↔ | 21B | X06A, X06B, X06C | 5t092.m↔ | 21B | X04Z | | 21A | W04A, W04B |
| | 08 | I08A, I08B, I08C, I08D, I08E, I08F, I08J, I21J, I21Z, I31J, I31Z | | 08 | I13A, I13B, I13C, I13D, I13E, I13J | | 21B | X06A, X06B, X06C |
| | 21A | W04A, W04B | | 21A | W04A, W04B | | | |
| | 21B | X06A, X06B, X06C | | | | | | |

| ZZV | MDC | DRG | ZZV | MDC | DRG | ZZV | MDC | DRG |
|----------|-----|--|----------|-----|--|----------|-------|--|
| 5t093.4↔ | | BOP, KJZSV, KVT, UOP4, VIAL | 5t093.h↔ | | BOP, KJZSV, KVT, UOP4, VIAL | 5t093.w↔ | | BOP, KJZSV, KVT, UOP4, VIAL |
| | 08 | I08A, I08B, I08C, I08D, I08E, I08F, I08J, I21J, I21Z, I31J, I31Z | | 01 | B03Z, B17A, B17B, B17C, B17J | | 08 | I20A, I20B, I20C, I20D, I20E, I20F, I20J, I20Q, I20R |
| | 21A | W04A, W04B | | 08 | I08A, I08B, I08C, I08D, I08E, I08F, I08J | | 21A | W04A, W04B |
| | 21B | X06A, X06B, X06C | | 21A | W01A, W01B, W01C, W02A, W02B | 5t093.x | 21B | X04Z |
| 5t093.6↔ | | BOP, KJZSV, KVT, UOP4, VIAL | | 21B | X04Z | | 08 | I28A, I28B, I28J |
| | 08 | I08A, I08B, I08C, I08D, I08E, I08F, I08J, I21J, I21Z, I31J, I31Z | 5t093.k↔ | | BOP, KJZSV, KVT, UOP4, VIAL | | 21A | W04A, W04B |
| | 21A | W04A, W04B | | 08 | I13A, I13B, I13C, I13D, I13E, I13J | 5t093.z↔ | 21B | X06A, X06B, X06C |
| | 21B | X06A, X06B, X06C | | 21A | W04A, W04B | | 04 | E02A, E02B, E02C, E02D |
| 5t093.7↔ | | BOP, KJZSV, KVT, UOP4, VIAL | | 21B | X04Z | | 08 | I28A, I28B, I28J |
| | 08 | I08A, I08B, I08C, I08D, I08E, I08F, I08J, I21J, I21Z, I31J, I31Z | 5t093.n↔ | | BOP, KJZSV, KVT, UOP4, VIAL | | 21A | W04A, W04B |
| | 21A | W04A, W04B | | 08 | I13A, I13B, I13C, I13D, I13E, I13J | 5t094±↔ | 21B | X06A, X06B, X06C |
| | 21B | X06A, X06B, X06C | | 21A | W04A, W04B | | KJZSV | |
| 5t093.9↔ | | BOP, KJZSV, KVT, UOP4, VIAL | | 21B | X04Z | 5t095±↔ | 08 | I28A, I28B, I28C, I28J |
| | 08 | I08A, I08B, I08C, I08D, I08E, I08F, I08J, I21J, I21Z, I31J, I31Z | 5t093.p↔ | | BOP, KJZSV, KVT, UOP4, VIAL | | KJZSV | |
| | 21A | W04A, W04B | | 08 | I13A, I13B, I13C, I13D, I13E, I13J | 5t096↔ | 08 | I28A, I28B, I28J |
| | 21B | X06A, X06B, X06C | | 21A | W04A, W04B | | 21A | W04A, W04B |
| 5t093.b↔ | | BOP, KJZSV, KVT, UOP4, VIAL | | 21B | X04Z | | 21B | X06A, X06B, X06C |
| | 08 | I32A, I32B, I32C, I32D, I32E, I32F, I32J, I32Q, I32R, I32S, I32T, I32U | 5t093.r↔ | | BOP, KJZSV, KVT, UOP4, VIAL | 5t09x.0↔ | 08 | BOP, KJZSV, UOP4 |
| | 21A | W04A, W04B | | 08 | I13A, I13B, I13C, I13D, I13E, I13J | | 21A | I28A, I28B, I28J |
| | 21B | X06A, X06B, X06C | | 21A | W04A, W04B | | 21B | W04A, W04B |
| 5t093.c↔ | | BOP, KJZSV, KVT, UOP4, VIAL | | 21B | X04Z | | 21B | X06A, X06B, X06C |
| | 08 | I32A, I32B, I32C, I32D, I32E, I32F, I32J, I32Q, I32R, I32S, I32T, I32U | 5t093.s↔ | | BOP, KJZSV, KVT, UOP4, VIAL | 5t09x.1↔ | 08 | BOP, KJZSV, UOP4 |
| | 21A | W04A, W04B | | 05 | F27A, F27B, F27C | | 08 | I13A, I13B, I13C, I13D, I13E, I13J |
| | 21B | X05A, X05B | | 08 | I20A, I20B, I20C, I20D, I20E, I20F, I20J, I20Q, I20R | 5t09x.2↔ | 21A | W04A, W04B |
| 5t093.d | | BOP, KJZSV, KVT, UOP4, VIAL | | 10 | K01Z | | 21B | X06A, X06B, X06C |
| | 08 | I08A, I08B, I08C, I08D, I08E, I08F, I08J | 5t093.t↔ | | BOP, KJZSV, KVT, UOP4, VIAL | 5t09x.3↔ | 08 | BOP, KJZSV, UOP4 |
| | 21A | W04A, W04B | | 05 | F27A, F27B, F27C | | 08 | I13A, I13B, I13C, I13D, I13E, I13J |
| | 21B | X06A, X06B, X06C | | 08 | I20A, I20B, I20C, I20D, I20E, I20F, I20J, I20Q, I20R | 5t09x.4↔ | 21A | W04A, W04B |
| 5t093.e↔ | | BOP, KJZSV, KVT, UOP4, VIAL | | 10 | K01Z | | 21A | W04A, W04B |
| | 01 | B03Z, B17A, B17B, B17C, B17J | | 21A | W04A, W04B | 5t09x.5↔ | 21B | X06A, X06B, X06C |
| | 08 | I08A, I08B, I08C, I08D, I08E, I08F, I08J | 5t093.u↔ | | X04Z | | 08 | BOP, KJZSV, UOP4 |
| | 21A | W01A, W01B, W01C, W02A, W02B | | 05 | F27A, F27B, F27C | | 21A | I21J, I21Z, I31J, I31Z |
| | 21B | X04Z | | 08 | I20A, I20B, I20C, I20D, I20E, I20F, I20J, I20Q, I20R | 5t09x.6↔ | 21A | W04A, W04B |
| 5t093.f↔ | | BOP, KJZSV, KVT, UOP4, VIAL | | 10 | K01Z | | 21B | X06A, X06B, X06C |
| | 01 | B03Z, B17A, B17B, B17C, B17J | 5t093.v↔ | | BOP, KJZSV, KVT, UOP4, VIAL | 5t09x.7↔ | 21B | X06A, X06B, X06C |
| | 08 | I08A, I08B, I08C, I08D, I08E, I08F, I08J | | 05 | F27A, F27B, F27C | | 08 | BOP, KJZSV, UOP4 |
| | 21A | W01A, W01B, W01C, W02A, W02B | | 08 | I20A, I20B, I20C, I20D, I20E, I20F, I20J, I20Q, I20R | | 08 | I18A, I18B, I18J, I18Q, I18R, I30J, I30Z |
| | 21B | X04Z | | 10 | K01Z | 5t09x.8↔ | 21A | W04A, W04B |
| | | | | 21A | W04A, W04B | | 21B | X06A, X06B, X06C |
| | | | | 21B | X04Z | | 08 | I18A, I18B, I18J, I18Q, I18R, I30J, I30Z |
| | | | | | | | 21A | W04A, W04B |
| | | | | | | | 21B | X06A, X06B, X06C |

VYK

| ZZV | MDC | DRG | ZZV | MDC | DRG | ZZV | MDC | DRG |
|----------|-----|--|----------|-----|--|----------|-----|--|
| 5t09x.9↔ | | BOP, KJZSV, UOP4 | 5t09x.k↔ | 08 | I13A, I13B, I13C, I13D, I13E, I13J | 5t09x.z↔ | 08 | I16J, I16Q, I16Z |
| | 08 | I18A, I18B, I18J, I18Q, I18R, I30J, I30Z | | 21A | W04A, W04B | | 21A | W04A, W04B |
| | 21A | W04A, W04B | | 21B | X06A, X06B, X06C | | 21B | X06A, X06B, X06C |
| 5t09x.a↔ | | BOP, KJZSV, UOP4 | 5t09x.m↔ | | BOP, KJZSV, UOP4 | 5t100.2↔ | | BOP, KJZSV, KVT, UOP4, VIAL |
| | 08 | I32A, I32B, I32C, I32D, I32E, I32F, I32J, I32Q, I32R, I32S, I32T, I32U | | 08 | I13A, I13B, I13C, I13D, I13E, I13J | | 08 | I08A, I08B, I08C, I08D, I08E, I08F, I08J, I13A, I13B, I13C, I13D, I13J |
| | 21A | W04A, W04B | | 21A | W04A, W04B | | 21A | W04A, W04B |
| 5t09x.b↔ | | BOP, KJZSV, UOP4 | 5t09x.n↔ | | BOP, KJZSV, UOP4 | 5t100.5↔ | | X06A, X06B, X06C |
| | 08 | I32A, I32B, I32C, I32D, I32E, I32F, I32J, I32Q, I32R, I32S, I32T, I32U | | 08 | I13A, I13B, I13C, I13D, I13E, I13J | | 08 | I08A, I08B, I08C, I08D, I08E, I08F, I08J, I21J, I21Z, I31J, I31Z |
| | 21A | W04A, W04B | | 21A | W04A, W04B | | 21A | W04A, W04B |
| 5t09x.c↔ | | BOP, KJZSV, UOP4 | 5t09x.p↔ | | BOP, KJZSV, UOP4 | 5t100.8↔ | | X06A, X06B, X06C |
| | 08 | I32A, I32B, I32C, I32D, I32E, I32F, I32J, I32Q, I32R, I32S, I32T, I32U | | 08 | I13A, I13B, I13C, I13D, I13E, I13J | | 08 | I08A, I08B, I08C, I08D, I08E, I08F, I08J, I21J, I21Z, I31J, I31Z |
| | 21A | W04A, W04B | | 21A | W04A, W04B | | 21A | W04A, W04B |
| 5t09x.d | | BOP, KJZSV, UOP4 | 5t09x.q↔ | | BOP, KJZSV, UOP4 | 5t100.g↔ | | BOP, KJZSV, KVT, UOP4, VIAL |
| | 01 | B03Z, B17A, B17B, B17C, B17J | | 08 | I13A, I13B, I13C, I13D, I13E, I13J | | 08 | I08A, I08B, I08C, I08D, I08E, I08F, I08J |
| | 08 | I08A, I08B, I08C, I08D, I08E, I08F, I08J | | 21A | W04A, W04B | | 21A | W01A, W01B, W01C, W02A, W02B |
| 5t09x.e↔ | | BOP, KJZSV, UOP4 | 5t09x.r↔ | | BOP, KJZSV, UOP4 | 5t100.q↔ | | X04Z |
| | 01 | B03Z, B17A, B17B, B17C, B17J | | 08 | I13A, I13B, I13C, I13D, I13E, I13J | | 08 | I08A, I08B, I08C, I08D, I08E, I08F, I08J |
| | 08 | I08A, I08B, I08C, I08D, I08E, I08F, I08J | | 21A | W04A, W04B | | 21A | W01A, W01B, W01C, W02A, W02B |
| 5t09x.f↔ | | BOP, KJZSV, UOP4 | 5t09x.s↔ | | BOP, KJZSV, UOP4 | 5t100.m↔ | | X04Z |
| | 01 | B03Z, B17A, B17B, B17C, B17J | | 05 | F27A, F27B, F27C | | 08 | I20A, I20B, I20C, I20D, I20E, I20F, I20J, I20Q, I20R |
| | 08 | I08A, I08B, I08C, I08D, I08E, I08F, I08J | | 10 | K01Z | | 10 | K01Z |
| 5t09x.g↔ | | BOP, KJZSV, UOP4 | 5t09x.t↔ | | BOP, KJZSV, UOP4 | 5t100.x | | BOP, KJZSV, KVT, UOP4 |
| | 01 | B03Z, B17A, B17B, B17C, B17J | | 05 | F27A, F27B, F27C | | 08 | I13A, I13B, I13C, I13D, I13J |
| | 08 | I08A, I08B, I08C, I08D, I08E, I08F, I08J | | 08 | I20A, I20B, I20C, I20D, I20E, I20F, I20J, I20Q, I20R | | 21A | W04A, W04B |
| 5t09x.h↔ | | BOP, KJZSV, UOP4 | 5t09x.u↔ | | BOP, KJZSV, UOP4 | 5t101.2↔ | | X04Z |
| | 01 | B03Z, B17A, B17B, B17C, B17J | | 05 | F27A, F27B, F27C | | 08 | I20A, I20B, I20C, I20D, I20E, I20F, I20J, I20Q, I20R |
| | 08 | I08A, I08B, I08C, I08D, I08E, I08F, I08J | | 10 | K01Z | | 10 | K01Z |
| 5t09x.i↔ | | BOP, KJZSV, UOP4 | 5t09x.v↔ | | BOP, KJZSV, UOP4 | 5t101.5↔ | | BOP, KJZSV, KVT, UOP4, VIAL |
| | 01 | B03Z, B17A, B17B, B17C, B17J | | 05 | F27A, F27B, F27C | | 08 | I08A, I08B, I08C, I08D, I08E, I08F, I08J, I13A, I13B, I13C, I13D, I13J |
| | 08 | I08A, I08B, I08C, I08D, I08E, I08F, I08J | | 08 | I20A, I20B, I20C, I20D, I20E, I20F, I20J, I20Q, I20R | | 21A | W04A, W04B |
| 5t09x.j↔ | | BOP, KJZSV, UOP4 | 5t09x.w↔ | | BOP, KJZSV, UOP4 | 5t101.8↔ | | X06A, X06B, X06C |
| | 01 | B03Z, B17A, B17B, B17C, B17J | | 08 | I20A, I20B, I20C, I20D, I20E, I20F, I20J, I20Q, I20R | | 08 | I08A, I08B, I08C, I08D, I08E, I08F, I08J, I21J, I21Z, I31J, I31Z |
| | 08 | I08A, I08B, I08C, I08D, I08E, I08F, I08J | | 21A | W04A, W04B | | 21A | W04A, W04B |
| 5t09x.k↔ | | BOP, KJZSV, UOP4 | 5t09x.x | | BOP, KJZSV, UOP4 | 5t101.8↔ | | X06A, X06B, X06C |
| | 01 | B03Z, B17A, B17B, B17C, B17J | | 08 | I28A, I28B, I28J | | 08 | I08A, I08B, I08C, I08D, I08E, I08F, I08J, I21J, I21Z, I31J, I31Z |
| | 08 | I18A, I18B, I18J, I18Q, I18R, I30J, I30Z | | 21A | W04A, W04B | | 21A | W04A, W04B |
| | 21A | W04A, W04B | | | | | | |
| | 21B | X04Z | | | | | | |

VYK

| ZZV | MDC | DRG | ZZV | MDC | DRG | ZZV | MDC | DRG |
|----------|-----|--|----------|-----|--|----------|-----|--|
| 5t101.g↔ | | BOP, KJZSV, KVT, UOP4, VIAL | 5t104.2↔ | | BOP, KJZSV, KVT, UOP4, VIAL | 5t106.5↔ | | BOP, KJZSV, KVT, UOP4, VIAL |
| | 08 | I08A, I08B, I08C, I08D, I08E, I08F, I08J | | 08 | I08A, I08B, I08C, I08D, I08E, I08F, I08J, I13A, I13B, I13C, I13D, I13J | | 08 | I08A, I08B, I08C, I08D, I08E, I08F, I08J, I21J, I21Z, I31J, I31Z |
| | 10 | K09A, K09B | | 21A | W04A, W04B | | 21A | W04A, W04B |
| | 21A | W01A, W01B, W01C, W02A, W02B | | 21B | X06A, X06B, X06C | | 21B | X06A, X06B, X06C |
| 5t101.m↔ | 21B | X04Z | 5t104.5↔ | | BOP, KJZSV, KVT, UOP4, VIAL | 5t106.8↔ | | BOP, KJZSV, KVT, UOP4, VIAL |
| | | BOP, KJZSV, KVT, UOP4, VIAL | | 08 | I08A, I08B, I08C, I08D, I08E, I08F, I08J, I21J, I21Z, I31J, I31Z | | 08 | I08A, I08B, I08C, I08D, I08E, I08F, I08J, I21J, I21Z, I31J, I31Z |
| | 08 | I13A, I13B, I13C, I13D, I13J | | 21A | W04A, W04B | | 21A | W04A, W04B |
| | 21A | W01A, W01B, W01C, W02A, W02B | | 21B | X06A, X06B, X06C | | 21B | X06A, X06B, X06C |
| 5t101.q↔ | 21B | X04Z | 5t104.8↔ | | BOP, KJZSV, KVT, UOP4, VIAL | 5t106.g↔ | | BOP, KJZSV, KVT, UOP4, VIAL |
| | | BOP, KJZSV, KVT, UOP4, VIAL | | 08 | I08A, I08B, I08C, I08D, I08E, I08F, I08J, I21J, I21Z, I31J, I31Z | | 08 | I08A, I08B, I08C, I08D, I08E, I08F, I08J |
| | 08 | I13A, I13B, I13C, I13D, I13J | | 21A | W04A, W04B | | 10 | K09A, K09B |
| | 21A | W01A, W01B, W01C, W02A, W02B | | 21B | X06A, X06B, X06C | | 21A | W01A, W01B, W01C, W02A, W02B |
| 5t101.x | 21B | X04Z | 5t104.g↔ | | BOP, KJZSV, KVT, UOP4, VIAL | 5t106.m↔ | | BOP, KJZSV, KVT, UOP4, VIAL |
| | | BOP, KJZSV, KVT, UOP4, VIAL | | 08 | I08A, I08B, I08C, I08D, I08E, I08F, I08J | | 08 | I13A, I13B, I13C, I13D, I13J |
| | 08 | I28A, I28B, I28J | | 10 | K09A, K09B | | 21A | W01A, W01B, W01C, W02A, W02B |
| | 21A | W04A, W04B | | 21A | W01A, W01B, W01C, W02A, W02B | | 21B | X04Z |
| 5t103.2↔ | 21B | X06A, X06B, X06C | 5t104.m↔ | | BOP, KJZSV, KVT, UOP4, VIAL | 5t106.q↔ | | BOP, KJZSV, KVT, UOP4, VIAL |
| | | BOP, KJZSV, KVT, UOP4, VIAL | | 08 | I08A, I08B, I08C, I08D, I08E, I08F, I08J | | 08 | I13A, I13B, I13C, I13D, I13J |
| | 08 | I08A, I08B, I08C, I08D, I08E, I08F, I08J, I13A, I13B, I13C, I13D, I13J | | 21A | W01A, W01B, W01C, W02A, W02B | | 21A | W01A, W01B, W01C, W02A, W02B |
| | 21A | W04A, W04B | | 21B | X04Z | | 21B | X04Z |
| 5t103.5↔ | 21B | X06A, X06B, X06C | 5t104.q↔ | | BOP, KJZSV, KVT, UOP4, VIAL | 5t106.x | | BOP, KJZSV, KVT, UOP4, VIAL |
| | | BOP, KJZSV, KVT, UOP4, VIAL | | 08 | I13A, I13B, I13C, I13D, I13J | | 08 | I28A, I28B, I28J |
| | 08 | I08A, I08B, I08C, I08D, I08E, I08F, I08J, I21J, I21Z, I31J, I31Z | | 21A | W01A, W01B, W01C, W02A, W02B | | 21A | W04A, W04B |
| | 21A | W04A, W04B | | 21B | X04Z | | 21B | X06A, X06B, X06C |
| 5t103.8↔ | 21B | X06A, X06B, X06C | 5t104.x | | BOP, KJZSV, KVT, UOP4, VIAL | 5t107.2↔ | | BOP, KJZSV, KVT, UOP4, VIAL |
| | | BOP, KJZSV, KVT, UOP4, VIAL | | 08 | I13A, I13B, I13C, I13D, I13J | | 08 | I08A, I08B, I08C, I08D, I08E, I08F, I08J, I13A, I13B, I13C, I13D, I13J |
| | 08 | I08A, I08B, I08C, I08D, I08E, I08F, I08J, I21J, I21Z, I31J, I31Z | | 21A | W01A, W01B, W01C, W02A, W02B | | 21A | W04A, W04B |
| | 21A | W04A, W04B | | 21B | X04Z | | 21B | X06A, X06B, X06C |
| 5t103.g↔ | 21B | X06A, X06B, X06C | 5t105.2↔ | | BOP, KJZSV, KVT, UOP4, VIAL | 5t107.5↔ | | BOP, KJZSV, KVT, UOP4, VIAL |
| | | BOP, KJZSV, KVT, UOP4, VIAL | | 08 | I08A, I08B, I08C, I08D, I08E, I08F, I08J, I13A, I13B, I13C, I13D, I13J | | 08 | I08A, I08B, I08C, I08D, I08E, I08F, I08J, I21J, I21Z, I31J, I31Z |
| | 08 | I08A, I08B, I08C, I08D, I08E, I08F, I08J | | 21A | W01A, W01B, W01C, W02A, W02B | | 21A | W04A, W04B |
| | 10 | K09A, K09B | | 21B | X04Z | | 21B | X06A, X06B, X06C |
| 5t103.m↔ | 21A | W01A, W01B, W01C, W02A, W02B | 5t105.g↔ | | BOP, KJZSV, KVT, UOP4, VIAL | 5t107.8↔ | | BOP, KJZSV, KVT, UOP4, VIAL |
| | 21B | X04Z | | 08 | I08A, I08B, I08C, I08D, I08E, I08F, I08J | | 08 | I08A, I08B, I08C, I08D, I08E, I08F, I08J, I21J, I21Z, I31J, I31Z |
| | | BOP, KJZSV, KVT, UOP4, VIAL | | 10 | K09A, K09B | | 21A | W04A, W04B |
| | 08 | I13A, I13B, I13C, I13D, I13J | | 21A | W01A, W01B, W01C, W02A, W02B | | 21B | X06A, X06B, X06C |
| 5t103.q↔ | 21A | W01A, W01B, W01C, W02A, W02B | 5t105.x | | BOP, KJZSV, KVT, UOP4, VIAL | 5t107.g↔ | | BOP, KJZSV, KVT, UOP4, VIAL |
| | 21B | X04Z | | 08 | I08A, I08B, I08C, I08D, I08E, I08F, I08J | | 08 | I08A, I08B, I08C, I08D, I08E, I08F, I08J |
| | | BOP, KJZSV, KVT, UOP4, VIAL | | 21A | W04A, W04B | | 10 | K09A, K09B |
| | 08 | I13A, I13B, I13C, I13D, I13J | | 21B | X06A, X06B, X06C | | 21A | W01A, W01B, W01C, W02A, W02B |
| 5t103.x | 21A | W01A, W01B, W01C, W02A, W02B | 5t106.2↔ | | BOP, KJZSV, KVT, UOP4, VIAL | 5t107.m↔ | | BOP, KJZSV, KVT, UOP4, VIAL |
| | 21B | X04Z | | 08 | I08A, I08B, I08C, I08D, I08E, I08F, I08J, I13A, I13B, I13C, I13D, I13J | | 08 | I13A, I13B, I13C, I13D, I13J |
| | | BOP, KJZSV, KVT, UOP4, VIAL | | 21A | W04A, W04B | | 21A | W01A, W01B, W01C, W02A, W02B |
| | 08 | I28A, I28B, I28J | | 21B | X06A, X06B, X06C | | 21B | X04Z |

VYK

| ZZV | MDC | DRG | ZZV | MDC | DRG | ZZV | MDC | DRG |
|----------|-----|--|----------|-----|--|----------|-----|--|
| 5t107.q↔ | | BOP, KJZSV, KVT, UOP4, VIAL | 5t10a.8↔ | | BOP, KJZSV, KVT, UOP4, VIAL | 5t10b.q↔ | | BOP, KJZSV, KVT, UOP4, VIAL |
| 5t107.x | 08 | I13A, I13B, I13C, I13D, I13J | | 08 | I08A, I08B, I08C, I08D, I08E, I08F, I08J, I21J, I21Z, I31J, I31Z | | 08 | I13A, I13B, I13C, I13D, I13J |
| | 08 | BOP, KJZSV, KVT, UOP4 | | 21A | W04A, W04B | | 21A | W01A, W01B, W01C, W02A, W02B |
| | 21A | I28A, I28B, I28J | | 21B | X06A, X06B, X06C | 5t10b.x | 21B | X04Z |
| 5t108.2↔ | 21B | X06A, X06B, X06C | 5t10a.g↔ | | BOP, KJZSV, KVT, UOP4, VIAL | | 08 | I28A, I28B, I28J |
| | 08 | BOP, KJZSV, KVT, UOP4, VIAL | | 08 | I08A, I08B, I08C, I08D, I08E, I08F, I08J | | 21A | W04A, W04B |
| | 21A | W04A, W04B | | 10 | K09A, K09B | 5t10c.2↔ | 08 | I08A, I08B, I08C, I08D, I08E, I08F, I08J, I13A, I13B, I13C, I13D, I13J |
| 5t108.g↔ | 21B | X06A, X06B, X06C | | 21A | W01A, W01B, W01C, W02A, W02B | | 08 | I08A, I08B, I08C, I08D, I08E, I08F, I08J, I13A, I13B, I13C, I13D, I13J |
| | 08 | BOP, KJZSV, KVT, UOP4, VIAL | 5t10a.m↔ | | BOP, KJZSV, KVT, UOP4, VIAL | | 21A | W04A, W04B |
| | 08 | I08A, I08B, I08C, I08D, I08E, I08F, I08J | | 08 | I13A, I13B, I13C, I13D, I13J | 5t10c.g↔ | 21B | X06A, X06B, X06C |
| | 10 | K09A, K09B | | 21A | W01A, W01B, W01C, W02A, W02B | | 08 | I08A, I08B, I08C, I08D, I08E, I08F, I08J |
| | 21A | W01A, W01B, W01C, W02A, W02B | | 21B | X04Z | | 10 | K09A, K09B |
| 5t108.m↔ | 21B | X04Z | 5t10a.q↔ | | BOP, KJZSV, KVT, UOP4, VIAL | | 21A | W01A, W01B, W01C, W02A, W02B |
| | 08 | BOP, KJZSV, KVT, UOP4, VIAL | | 08 | I13A, I13B, I13C, I13D, I13J | | 21B | X04Z |
| | 08 | I13A, I13B, I13C, I13D, I13J | | 21A | W01A, W01B, W01C, W02A, W02B | 5t10c.x | 08 | I28A, I28B, I28J |
| | 21A | W01A, W01B, W01C, W02A, W02B | | 21B | X04Z | | 21A | W04A, W04B |
| | 21B | X04Z | 5t10a.x | | BOP, KJZSV, KVT, UOP4 | | 21B | X06A, X06B, X06C |
| 5t108.x | 08 | BOP, KJZSV, KVT, UOP4 | | 08 | I28A, I28B, I28J | 5t10t.2↔ | 08 | BOP, KJZSV, KVT, UOP4, VIAL |
| | 08 | I28A, I28B, I28J | | 21A | W04A, W04B | | 08 | I08A, I08B, I08C, I08D, I08E, I08F, I08J, I13A, I13B, I13C, I13D, I13J |
| | 21A | W04A, W04B | | 21B | X06A, X06B, X06C | | 21A | W04A, W04B |
| 5t109.g↔ | 21B | X06A, X06B, X06C | 5t10b.2↔ | | BOP, KJZSV, KVT, UOP4, VIAL | | 21B | X06A, X06B, X06C |
| | 08 | BOP, KJZSV, KVT, UOP4, VIAL | | 08 | I08A, I08B, I08C, I08D, I08E, I08F, I08J, I13A, I13B, I13C, I13D, I13J | | 08 | I08A, I08B, I08C, I08D, I08E, I08F, I08J, I21J, I21Z, I31J, I31Z |
| | 08 | I08A, I08B, I08C, I08D, I08E, I08F, I08J | | 21A | W04A, W04B | 5t10t.5↔ | 08 | I08A, I08B, I08C, I08D, I08E, I08F, I08J, I21J, I21Z, I31J, I31Z |
| | 10 | K09A, K09B | | 21B | X06A, X06B, X06C | | 21A | W04A, W04B |
| | 21A | W01A, W01B, W01C, W02A, W02B | 5t10b.5↔ | | BOP, KJZSV, KVT, UOP4, VIAL | | 21B | X06A, X06B, X06C |
| | 21B | X04Z | | 08 | I08A, I08B, I08C, I08D, I08E, I08F, I08J, I21J, I21Z, I31J, I31Z | | 08 | I08A, I08B, I08C, I08D, I08E, I08F, I08J, I21J, I21Z, I31J, I31Z |
| 5t109.m↔ | | BOP, KJZSV, KVT, UOP4, VIAL | | 21A | W04A, W04B | 5t10t.8↔ | 08 | I08A, I08B, I08C, I08D, I08E, I08F, I08J, I21J, I21Z, I31J, I31Z |
| | 08 | I13A, I13B, I13C, I13D, I13J | | 21B | X06A, X06B, X06C | | 21A | W04A, W04B |
| | 21A | W01A, W01B, W01C, W02A, W02B | 5t10b.8↔ | | BOP, KJZSV, KVT, UOP4, VIAL | | 21B | X06A, X06B, X06C |
| | 21B | X04Z | | 08 | I08A, I08B, I08C, I08D, I08E, I08F, I08J, I21J, I21Z, I31J, I31Z | 5t10t.g↔ | 08 | I08A, I08B, I08C, I08D, I08E, I08F, I08J |
| 5t109.x | 08 | BOP, KJZSV, KVT, UOP4 | | 21A | W04A, W04B | | 10 | K09A, K09B |
| | 08 | I28A, I28B, I28J | | 21B | X06A, X06B, X06C | | 21A | W01A, W01B, W01C, W02A, W02B |
| | 21A | W04A, W04B | 5t10b.g↔ | | BOP, KJZSV, KVT, UOP4, VIAL | | 21B | X04Z |
| | 21B | X06A, X06B, X06C | | 08 | I08A, I08B, I08C, I08D, I08E, I08F, I08J | 5t10t.m↔ | 08 | I13A, I13B, I13C, I13D, I13J |
| 5t10a.2↔ | 08 | BOP, KJZSV, KVT, UOP4, VIAL | | 10 | K09A, K09B | | 21A | W01A, W01B, W01C, W02A, W02B |
| | 08 | I08A, I08B, I08C, I08D, I08E, I08F, I08J, I13A, I13B, I13C, I13D, I13J | | 21A | W01A, W01B, W01C, W02A, W02B | | 21B | X04Z |
| | 21A | W04A, W04B | 5t10b.m↔ | | BOP, KJZSV, KVT, UOP4, VIAL | 5t10t.q↔ | 08 | BOP, KJZSV, KVT, UOP4, VIAL |
| | 21B | X06A, X06B, X06C | | 08 | I13A, I13B, I13C, I13D, I13J | | 08 | I13A, I13B, I13C, I13D, I13J |
| 5t10a.5↔ | 08 | BOP, KJZSV, KVT, UOP4, VIAL | | 21A | W01A, W01B, W01C, W02A, W02B | | 21A | W01A, W01B, W01C, W02A, W02B |
| | 08 | I08A, I08B, I08C, I08D, I08E, I08F, I08J, I21J, I21Z, I31J, I31Z | | 21B | X04Z | | 21B | X04Z |
| | 21A | W04A, W04B | | 21A | W01A, W01B, W01C, W02A, W02B | | | |
| | 21B | X06A, X06B, X06C | | 21B | X04Z | | | |

VYK

| ZZV | MDC | DRG | ZZV | MDC | DRG | ZZV | MDC | DRG | |
|----------|--|--|------------------|------------------------------|--|------------------|------------------------------|--|--|
| 5t10t.x | | BOP, KJZSV, KVT, UOP4 | 5t10x.g↔ | | BOP, KJZSV, KVT, UOP4, VIAL | 5t110.2↔ | | BOP, KJZSV, KVT, UOP4, VIAL | |
| | 08 | I28A, I28B, I28J | | 08 | I08A, I08B, I08C, I08D, I08E, I08F, I08J | | 08 | I08A, I08B, I08C, I08D, I08E, I08F, I08J, I13A, I13B, I13C, I13D, I13J | |
| | 21A | W04A, W04B | | 10 | K09A, K09B | | 21A | W04A, W04B | |
| 5t10v.2↔ | 21B | X06A, X06B, X06C | 21A | W01A, W01B, W01C, W02A, W02B | 21B | X06A, X06B, X06C | | | |
| | | BOP, KJZSV, KVT, UOP4, VIAL | 5t10x.m↔ | | BOP, KJZSV, KVT, UOP4, VIAL | 5t110.5↔ | | BOP, KJZSV, KVT, UOP4, VIAL | |
| | 08 | I08A, I08B, I08C, I08D, I08E, I08F, I08J, I13A, I13B, I13C, I13D, I13J | | 08 | I13A, I13B, I13C, I13D, I13J | | 08 | I08A, I08B, I08C, I08D, I08E, I08F, I08J, I21J, I21Z, I31J, I31Z | |
| 21A | W04A, W04B | 21A | | W01A, W01B, W01C, W02A, W02B | 21A | | W04A, W04B | | |
| 5t10v.5↔ | 21B | X06A, X06B, X06C | 21B | X04Z | 21B | X06A, X06B, X06C | 5t110.8↔ | | BOP, KJZSV, KVT, UOP4, VIAL |
| | | BOP, KJZSV, KVT, UOP4, VIAL | 5t10x.q↔ | | BOP, KJZSV, KVT, UOP4, VIAL | 5t110.8↔ | | | BOP, KJZSV, KVT, UOP4, VIAL |
| | 08 | I08A, I08B, I08C, I08D, I08E, I08F, I08J, I13A, I21J, I21Z, I31J, I31Z | | 08 | I13A, I13B, I13C, I13D, I13J | | | 08 | I08A, I08B, I08C, I08D, I08E, I08F, I08J, I21J, I21Z, I31J, I31Z |
| 21A | W04A, W04B | 21A | | W01A, W01B, W01C, W02A, W02B | 21A | | W04A, W04B | | |
| 5t10v.8↔ | 21B | X06A, X06B, X06C | 21B | X04Z | 21B | X06A, X06B, X06C | 5t110.g↔ | | BOP, KJZSV, KVT, UOP4, VIAL |
| | | BOP, KJZSV, KVT, UOP4, VIAL | 5t10x.x | | BOP, KJZSV, KVT, UOP4, VIAL | 5t110.g↔ | | | BOP, KJZSV, KVT, UOP4, VIAL |
| | 08 | I08A, I08B, I08C, I08D, I08E, I08F, I08J, I13A, I21J, I21Z, I31J, I31Z | | 08 | I28A, I28B, I28J | | | 08 | I08A, I08B, I08C, I08D, I08E, I08F, I08J |
| 21A | W04A, W04B | 21A | | W04A, W04B | 21A | | W04A, W04B | | |
| 5t10v.g↔ | 21B | X06A, X06B, X06C | 5t10z.2↔ | | BOP, KJZSV, KVT, UOP4, VIAL | 5t110.m↔ | | BOP, KJZSV, KVT, UOP4, VIAL | |
| | | BOP, KJZSV, KVT, UOP4, VIAL | | 08 | I08A, I08B, I08C, I08D, I08E, I08F, I08J, I13A, I13B, I13C, I13D, I13J | | 08 | I13A, I13B, I13C, I13D, I13J | |
| | 08 | I08A, I08B, I08C, I08D, I08E, I08F, I08J, I13A | | 21A | W04A, W04B | | 21A | W04A, W04B | |
| 5t10v.m↔ | 10 | K09A, K09B | 5t10z.5↔ | | BOP, KJZSV, KVT, UOP4, VIAL | 5t110.q↔ | | BOP, KJZSV, KVT, UOP4, VIAL | |
| | 21A | W01A, W01B, W01C, W02A, W02B | | 08 | I08A, I08B, I08C, I08D, I08E, I08F, I08J, I21J, I21Z, I31J, I31Z | | 08 | I13A, I13B, I13C, I13D, I13J | |
| | 21B | X04Z | | 21A | W04A, W04B | | 21A | W04A, W04B | |
| 5t10v.q↔ | | BOP, KJZSV, KVT, UOP4, VIAL | 5t10z.8↔ | | BOP, KJZSV, KVT, UOP4, VIAL | 5t110.x | | BOP, KJZSV, KVT, UOP4, VIAL | |
| | 08 | I13A, I13B, I13C, I13D, I13J | | 08 | I08A, I08B, I08C, I08D, I08E, I08F, I08J, I21J, I21Z, I31J, I31Z | | 08 | I28A, I28B, I28J | |
| | 21A | W01A, W01B, W01C, W02A, W02B | | 21A | W04A, W04B | | 21A | W04A, W04B | |
| 5t10v.x | 21B | X04Z | 5t10z.g↔ | | BOP, KJZSV, KVT, UOP4, VIAL | 5t113.2↔ | | BOP, KJZSV, KVT, UOP4, VIAL | |
| | | BOP, KJZSV, KVT, UOP4, VIAL | | 08 | I08A, I08B, I08C, I08D, I08E, I08F, I08J, I21J, I21Z, I31J, I31Z | | 08 | I08A, I08B, I08C, I08D, I08E, I08F, I08J, I13A, I13B, I13C, I13D, I13J | |
| | 08 | I13A, I13B, I13C, I13D, I13J | | 21A | W04A, W04B | | 21A | W04A, W04B | |
| 5t10x.2↔ | 21A | W01A, W01B, W01C, W02A, W02B | 5t10z.m↔ | | BOP, KJZSV, KVT, UOP4, VIAL | 5t113.5↔ | | BOP, KJZSV, KVT, UOP4, VIAL | |
| | 21B | X04Z | | 08 | I08A, I08B, I08C, I08D, I08E, I08F, I08J | | 08 | I08A, I08B, I08C, I08D, I08E, I08F, I08J, I21J, I21Z, I31J, I31Z | |
| | | BOP, KJZSV, KVT, UOP4, VIAL | | 10 | K09A, K09B | | 21A | W04A, W04B | |
| 5t10x.5↔ | 08 | I08A, I08B, I08C, I08D, I08E, I08F, I08J, I13A, I13B, I13C, I13D, I13J | 5t10z.q↔ | | BOP, KJZSV, KVT, UOP4, VIAL | 5t113.8↔ | | BOP, KJZSV, KVT, UOP4, VIAL | |
| | 21A | W04A, W04B | | 08 | I13A, I13B, I13C, I13D, I13J | | 08 | I08A, I08B, I08C, I08D, I08E, I08F, I08J, I21J, I21Z, I31J, I31Z | |
| | 21B | X06A, X06B, X06C | | 21A | W01A, W01B, W01C, W02A, W02B | | 21A | W04A, W04B | |
| 5t10x.8↔ | | BOP, KJZSV, KVT, UOP4, VIAL | 5t10z.x | | BOP, KJZSV, KVT, UOP4, VIAL | 5t113.g↔ | | BOP, KJZSV, KVT, UOP4, VIAL | |
| | 08 | I08A, I08B, I08C, I08D, I08E, I08F, I08J, I21J, I21Z, I31J, I31Z | | 08 | I13A, I13B, I13C, I13D, I13J | | 08 | I08A, I08B, I08C, I08D, I08E, I08F, I08J, I21J, I21Z, I31J, I31Z | |
| | 21A | W04A, W04B | | 21A | W01A, W01B, W01C, W02A, W02B | | 21A | W04A, W04B | |
| | BOP, KJZSV, KVT, UOP4, VIAL | 21B | X04Z | 21B | X04Z | 21B | X06A, X06B, X06C | | |
| 08 | I08A, I08B, I08C, I08D, I08E, I08F, I08J, I21J, I21Z, I31J, I31Z | 08 | I28A, I28B, I28J | 08 | I28A, I28B, I28J | 10 | K09A, K09B | | |
| 21A | W04A, W04B | 21A | W04A, W04B | 21A | W04A, W04B | 21A | W01A, W01B, W01C, W02A, W02B | | |
| 21B | X06A, X06B, X06C | 21B | X06A, X06B, X06C | 21B | X06A, X06B, X06C | 21B | X04Z | | |

| ZZV | MDC | DRG | ZZV | MDC | DRG | ZZV | MDC | DRG |
|----------|-----|--|----------|-----|--|----------|-----|--|
| 5t113.m↔ | | BOP, KJZSV, KVT, UOP4, VIAL | 5t115.g↔ | | BOP, KJZSV, KVT, UOP4, VIAL | 5t117.8↔ | | BOP, KJZSV, KVT, UOP4, VIAL |
| | 08 | I13A, I13B, I13C, I13D, I13J | | 08 | I08A, I08B, I08C, I08D, I08E, I08F, I08J | | 08 | I08A, I08B, I08C, I08D, I08E, I08F, I08J, I21J, I21Z, I31J, I31Z |
| | 21A | W01A, W01B, W01C, W02A, W02B | | 10 | K09A, K09B | | 21A | W04A, W04B |
| | 21B | X04Z | | 21A | W01A, W01B, W01C, W02A, W02B | | 21B | X06A, X06B, X06C |
| 5t113.q↔ | | BOP, KJZSV, KVT, UOP4, VIAL | | 21B | X04Z | 5t117.g↔ | | BOP, KJZSV, KVT, UOP4, VIAL |
| | 08 | I13A, I13B, I13C, I13D, I13J | 5t115.x | | BOP, KJZSV, KVT, UOP4 | | 08 | I08A, I08B, I08C, I08D, I08E, I08F, I08J |
| | 21A | W04A, W04B | | 08 | I28A, I28B, I28J | | 10 | K09A, K09B |
| | 21B | X06A, X06B, X06C | | 21A | W04A, W04B | | 21A | W01A, W01B, W01C, W02A, W02B |
| 5t113.x | | BOP, KJZSV, KVT, UOP4 | | 21B | X06A, X06B, X06C | | 21B | X04Z |
| | 08 | I28A, I28B, I28J | 5t116.2↔ | | BOP, KJZSV, KVT, UOP4, VIAL | 5t117.m↔ | | BOP, KJZSV, KVT, UOP4, VIAL |
| | 21A | W04A, W04B | | 08 | I08A, I08B, I08C, I08D, I08E, I08F, I08J, I13A, I13B, I13C, I13D, I13J | | 08 | I13A, I13B, I13C, I13D, I13J |
| | 21B | X06A, X06B, X06C | | 21A | W04A, W04B | | 21A | W01A, W01B, W01C, W02A, W02B |
| 5t114.2↔ | | BOP, KJZSV, KVT, UOP4, VIAL | | 21B | X06A, X06B, X06C | | 21B | X04Z |
| | 08 | I08A, I08B, I08C, I08D, I08E, I08F, I08J, I13A, I13B, I13C, I13D, I13J | 5t116.5↔ | | BOP, KJZSV, KVT, UOP4, VIAL | 5t117.q↔ | | BOP, KJZSV, KVT, UOP4, VIAL |
| | 21A | W04A, W04B | | 08 | I08A, I08B, I08C, I08D, I08E, I08F, I08J, I21J, I21Z, I31J, I31Z | | 08 | I13A, I13B, I13C, I13D, I13J |
| | 21B | X06A, X06B, X06C | | 21A | W04A, W04B | 5t117.x | | BOP, KJZSV, KVT, UOP4 |
| 5t114.5↔ | | BOP, KJZSV, KVT, UOP4, VIAL | | 21B | X06A, X06B, X06C | | 21A | W04A, W04B |
| | 08 | I08A, I08B, I08C, I08D, I08E, I08F, I08J, I21J, I21Z, I31J, I31Z | 5t116.8↔ | | BOP, KJZSV, KVT, UOP4, VIAL | | 21B | X06A, X06B, X06C |
| | 21A | W04A, W04B | | 08 | I08A, I08B, I08C, I08D, I08E, I08F, I08J, I21J, I21Z, I31J, I31Z | 5t118.2↔ | | BOP, KJZSV, KVT, UOP4, VIAL |
| | 21B | X06A, X06B, X06C | | 21A | W04A, W04B | | 08 | I08A, I08B, I08C, I08D, I08E, I08F, I08J, I13A, I13B, I13C, I13D, I13J |
| 5t114.8↔ | | BOP, KJZSV, KVT, UOP4, VIAL | | 21B | X06A, X06B, X06C | | 21A | W04A, W04B |
| | 08 | I08A, I08B, I08C, I08D, I08E, I08F, I08J, I21J, I21Z, I31J, I31Z | 5t116.g↔ | | BOP, KJZSV, KVT, UOP4, VIAL | 5t118.g↔ | | BOP, KJZSV, KVT, UOP4, VIAL |
| | 21A | W04A, W04B | | 08 | I08A, I08B, I08C, I08D, I08E, I08F, I08J | | 08 | I08A, I08B, I08C, I08D, I08E, I08F, I08J |
| | 21B | X06A, X06B, X06C | | 10 | K09A, K09B | | 10 | K09A, K09B |
| 5t114.g↔ | | BOP, KJZSV, KVT, UOP4, VIAL | | 21A | W01A, W01B, W01C, W02A, W02B | | 21A | W01A, W01B, W01C, W02A, W02B |
| | 08 | I08A, I08B, I08C, I08D, I08E, I08F, I08J | 5t116.m↔ | | BOP, KJZSV, KVT, UOP4, VIAL | 5t118.m↔ | | BOP, KJZSV, KVT, UOP4, VIAL |
| | 10 | K09A, K09B | | 08 | I13A, I13B, I13C, I13D, I13J | | 08 | I13A, I13B, I13C, I13D, I13J |
| | 21A | W01A, W01B, W01C, W02A, W02B | | 21A | W01A, W01B, W01C, W02A, W02B | | 21A | W01A, W01B, W01C, W02A, W02B |
| | 21B | X04Z | | 21B | X04Z | | 21B | X04Z |
| 5t114.m↔ | | BOP, KJZSV, KVT, UOP4, VIAL | | 08 | I13A, I13B, I13C, I13D, I13J | 5t118.x | | BOP, KJZSV, KVT, UOP4 |
| | 08 | I13A, I13B, I13C, I13D, I13J | 5t116.q↔ | | BOP, KJZSV, KVT, UOP4, VIAL | | 08 | I28A, I28B, I28J |
| | 21A | W01A, W01B, W01C, W02A, W02B | | 08 | I13A, I13B, I13C, I13D, I13J | | 21A | W04A, W04B |
| | 21B | X04Z | | 08 | I28A, I28B, I28J | | 21B | X06A, X06B, X06C |
| 5t114.q↔ | | BOP, KJZSV, KVT, UOP4, VIAL | 5t116.x | | BOP, KJZSV, KVT, UOP4 | 5t11a.2↔ | | BOP, KJZSV, KVT, UOP4, VIAL |
| | 08 | I13A, I13B, I13C, I13D, I13E, I13J | | 08 | I28A, I28B, I28J | | 08 | I08A, I08B, I08C, I08D, I08E, I08F, I08J, I13A, I13B, I13C, I13D, I13J |
| | 21A | W04A, W04B | | 21A | W04A, W04B | | 21A | W04A, W04B |
| | 21B | X06A, X06B, X06C | | 21B | X06A, X06B, X06C | | 21B | X06A, X06B, X06C |
| 5t114.x | | BOP, KJZSV, KVT, UOP4 | 5t117.2↔ | | BOP, KJZSV, KVT, UOP4, VIAL | 5t11a.5↔ | | BOP, KJZSV, KVT, UOP4, VIAL |
| | 08 | I28A, I28B, I28J | | 08 | I08A, I08B, I08C, I08D, I08E, I08F, I08J, I13A, I13B, I13C, I13D, I13J | | 08 | I08A, I08B, I08C, I08D, I08E, I08F, I08J, I21J, I21Z, I31J, I31Z |
| | 21A | W04A, W04B | | 21A | W04A, W04B | | 21A | W04A, W04B |
| | 21B | X06A, X06B, X06C | | 21B | X06A, X06B, X06C | | 21B | X06A, X06B, X06C |
| 5t115.2↔ | | BOP, KJZSV, KVT, UOP4, VIAL | 5t117.5↔ | | BOP, KJZSV, KVT, UOP4, VIAL | | 08 | I08A, I08B, I08C, I08D, I08E, I08F, I08J, I21J, I21Z, I31J, I31Z |
| | 08 | I08A, I08B, I08C, I08D, I08E, I08F, I08J, I13A, I13B, I13C, I13D, I13J | | 08 | I08A, I08B, I08C, I08D, I08E, I08F, I08J, I21J, I21Z, I31J, I31Z | | 21A | W04A, W04B |
| | | | | 21A | W04A, W04B | | 21B | X06A, X06B, X06C |
| | | | | 21B | X06A, X06B, X06C | | | |

| ZZV | MDC | DRG | ZZV | MDC | DRG | ZZV | MDC | DRG |
|----------|-----|--|----------|-----|--|----------|-----|--|
| 5t11a.8↔ | | BOP, KJZSV, KVT, UOP4, VIAL | 5t11c.2↔ | | BOP, KJZSV, KVT, UOP4, VIAL | 5t11v.5↔ | | BOP, KJZSV, KVT, UOP4, VIAL |
| | 08 | I08A, I08B, I08C, I08D, I08E, I08F, I08J, I21J, I21Z, I31J, I31Z | | 08 | I08A, I08B, I08C, I08D, I08E, I08F, I08J, I13A, I13B, I13C, I13D, I13J | | 08 | I08A, I08B, I08C, I08D, I08E, I08F, I08J, I13A, I21J, I21Z, I31J, I31Z |
| | 21A | W04A, W04B | | 21A | W04A, W04B | | 21A | W04A, W04B |
| | 21B | X06A, X06B, X06C | | 21B | X06A, X06B, X06C | | 21B | X06A, X06B, X06C |
| 5t11a.g↔ | | BOP, KJZSV, KVT, UOP4, VIAL | 5t11c.g↔ | | BOP, KJZSV, KVT, UOP4, VIAL | 5t11v.8↔ | | BOP, KJZSV, KVT, UOP4, VIAL |
| | 08 | I08A, I08B, I08C, I08D, I08E, I08F, I08J | | 08 | I08A, I08B, I08C, I08D, I08E, I08F, I08J | | 08 | I08A, I08B, I08C, I08D, I08E, I08F, I08J, I13A, I21J, I21Z, I31J, I31Z |
| | 10 | K09A, K09B | | 10 | K09A, K09B | | 21A | W04A, W04B |
| | 21A | W01A, W01B, W01C, W02A, W02B | | 21A | W01A, W01B, W01C, W02A, W02B | | 21B | X06A, X06B, X06C |
| | 21B | X04Z | | 21B | X04Z | 5t11v.g↔ | | BOP, KJZSV, KVT, UOP4, VIAL |
| 5t11a.m↔ | | BOP, KJZSV, KVT, UOP4, VIAL | 5t11c.x | | BOP, KJZSV, KVT, UOP4 | | 08 | I08A, I08B, I08C, I08D, I08E, I08F, I08J, I13A |
| | 08 | I13A, I13B, I13C, I13D, I13J | | 08 | I28A, I28B, I28J | | 10 | K09A, K09B |
| | 21A | W01A, W01B, W01C, W02A, W02B | | 21A | W04A, W04B | | 21A | W01A, W01B, W01C, W02A, W02B |
| | 21B | X04Z | | 21B | X06A, X06B, X06C | | 21B | X04Z |
| 5t11a.q↔ | | BOP, KJZSV, KVT, UOP4, VIAL | 5t11t.2↔ | | BOP, KJZSV, KVT, UOP4, VIAL | 5t11v.m↔ | | BOP, KJZSV, KVT, UOP4, VIAL |
| | 08 | I13A, I13B, I13C, I13D, I13J | | 08 | I08A, I08B, I08C, I08D, I08E, I08F, I08J, I13A, I13B, I13C, I13D, I13J | | 08 | I13A, I13B, I13C, I13D, I13J |
| 5t11b.2↔ | | BOP, KJZSV, KVT, UOP4, VIAL | | 21A | W04A, W04B | | 21A | W01A, W01B, W01C, W02A, W02B |
| | 08 | I08A, I08B, I08C, I08D, I08E, I08F, I08J, I13A, I13B, I13C, I13D, I13J | 5t11t.5↔ | | BOP, KJZSV, KVT, UOP4, VIAL | | 21B | X04Z |
| | 21A | W04A, W04B | | 08 | I08A, I08B, I08C, I08D, I08E, I08F, I08J, I21J, I21Z, I31J, I31Z | 5t11v.q↔ | | BOP, KJZSV, KVT, UOP4, VIAL |
| | 21B | X06A, X06B, X06C | | 21A | W04A, W04B | | 08 | I13A, I13B, I13C, I13D, I13E, I13J |
| 5t11b.5↔ | | BOP, KJZSV, KVT, UOP4, VIAL | 5t11t.8↔ | | BOP, KJZSV, KVT, UOP4, VIAL | | 21A | W04A, W04B |
| | 08 | I08A, I08B, I08C, I08D, I08E, I08F, I08J, I21J, I21Z, I31J, I31Z | | 08 | I08A, I08B, I08C, I08D, I08E, I08F, I08J, I21J, I21Z, I31J, I31Z | 5t11v.x | | BOP, KJZSV, KVT, UOP4 |
| | 21A | W04A, W04B | | 21A | W04A, W04B | | 08 | I13A, I28A, I28B, I28J |
| | 21B | X06A, X06B, X06C | | 21B | X06A, X06B, X06C | | 21A | W04A, W04B |
| 5t11b.8↔ | | BOP, KJZSV, KVT, UOP4, VIAL | | 21B | X06A, X06B, X06C | 5t11x.2↔ | | BOP, KJZSV, KVT, UOP4, VIAL |
| | 08 | I08A, I08B, I08C, I08D, I08E, I08F, I08J, I21J, I21Z, I31J, I31Z | 5t11t.g↔ | | BOP, KJZSV, KVT, UOP4, VIAL | | 08 | I08A, I08B, I08C, I08D, I08E, I08F, I08J, I13A, I13B, I13C, I13D, I13J |
| | 21A | W04A, W04B | | 08 | I08A, I08B, I08C, I08D, I08E, I08F, I08J | | 21A | W04A, W04B |
| | 21B | X06A, X06B, X06C | | 10 | K09A, K09B | | 21B | X06A, X06B, X06C |
| 5t11b.g↔ | | BOP, KJZSV, KVT, UOP4, VIAL | | 21A | W01A, W01B, W01C, W02A, W02B | 5t11x.5↔ | | BOP, KJZSV, KVT, UOP4, VIAL |
| | 08 | I08A, I08B, I08C, I08D, I08E, I08F, I08J | | 21B | X04Z | | 08 | I08A, I08B, I08C, I08D, I08E, I08F, I08J, I21J, I21Z, I31J, I31Z |
| | 10 | K09A, K09B | 5t11t.m↔ | | BOP, KJZSV, KVT, UOP4, VIAL | | 21A | W04A, W04B |
| | 21A | W01A, W01B, W01C, W02A, W02B | | 08 | I13A, I13B, I13C, I13D, I13J | | 21B | X06A, X06B, X06C |
| | 21B | X04Z | | 21A | W01A, W01B, W01C, W02A, W02B | 5t11x.8↔ | | BOP, KJZSV, KVT, UOP4, VIAL |
| 5t11b.m↔ | | BOP, KJZSV, KVT, UOP4, VIAL | 5t11t.q↔ | | BOP, KJZSV, KVT, UOP4, VIAL | | 08 | I08A, I08B, I08C, I08D, I08E, I08F, I08J, I21J, I21Z, I31J, I31Z |
| | 08 | I13A, I13B, I13C, I13D, I13J | | 08 | I13A, I13B, I13C, I13D, I13E, I13J | | 21A | W04A, W04B |
| | 21A | W01A, W01B, W01C, W02A, W02B | | 21A | W04A, W04B | | 21B | X06A, X06B, X06C |
| | 21B | X04Z | 5t11t.x | | BOP, KJZSV, KVT, UOP4 | 5t11x.g↔ | | BOP, KJZSV, KVT, UOP4, VIAL |
| 5t11b.q↔ | | BOP, KJZSV, KVT, UOP4, VIAL | | 08 | I28A, I28B, I28J | | 08 | I08A, I08B, I08C, I08D, I08E, I08F, I08J |
| | 08 | I13A, I13B, I13C, I13D, I13J | | 21A | W04A, W04B | | 10 | K09A, K09B |
| | 21A | W04A, W04B | | 21B | X06A, X06B, X06C | | 21A | W01A, W01B, W01C, W02A, W02B |
| | 21B | X06A, X06B, X06C | 5t11v.2↔ | | BOP, KJZSV, KVT, UOP4, VIAL | | 21B | X04Z |
| 5t11b.x | | BOP, KJZSV, KVT, UOP4 | | 08 | I08A, I08B, I08C, I08D, I08E, I08F, I08J, I13A, I13B, I13C, I13D, I13J | | | |
| | 08 | I28A, I28B, I28J | | 21A | W04A, W04B | | | |
| | 21A | W04A, W04B | | 21B | X06A, X06B, X06C | | | |
| | 21B | X06A, X06B, X06C | | | | | | |

VYK

| ZZV | MDC | DRG | ZZV | MDC | DRG | ZZV | MDC | DRG |
|----------|------------------|--|----------|-----|--|----------|-----|--|
| 5t11x.m↔ | | BOP, KJZSV, KVT, UOP4, VIAL | 5t120.3↔ | | BOP, KJZSV, KVT, UOP4, VIAL | 5t120.n↔ | | BOP, KJZSV, KVT, UOP4, VIAL |
| | 08 | I13A, I13B, I13C, I13D, I13J | | 08 | I08A, I08B, I08C, I08D, I08E, I08F, I08J, I13A, I13B, I13C, I13D, I13E, I13J | | 08 | I13A, I13B, I13C, I13D, I13E, I13J |
| | 21A | W01A, W01B, W01C, W02A, W02B | | 21A | W04A, W04B | | 21A | W04A, W04B |
| 5t11x.q↔ | 21B | X04Z | 5t120.4↔ | 21B | X06A, X06B, X06C | 5t120.p↔ | 21B | X04Z |
| | | BOP, KJZSV, KVT, UOP4, VIAL | | | BOP, KJZSV, KVT, UOP4, VIAL | | | BOP, KJZSV, KVT, UOP4, VIAL |
| | 08 | I13A, I13B, I13C, I13D, I13E, I13J | | 08 | I08A, I08B, I08C, I08D, I08E, I08F, I08J, I21J, I21Z, I31J, I31Z | | 08 | I13A, I13B, I13C, I13D, I13E, I13J |
| 5t11x.x | 21A | W04A, W04B | 5t120.6↔ | 21A | W04A, W04B | 5t120.r↔ | 21A | W04A, W04B |
| | 21B | X06A, X06B, X06C | | 21B | X06A, X06B, X06C | | 21B | X04Z |
| | | BOP, KJZSV, KVT, UOP4 | | | BOP, KJZSV, KVT, UOP4, VIAL | | | BOP, KJZSV, KVT, UOP4, VIAL |
| 5t11y.2↔ | 08 | I28A, I28B, I28J | 5t120.7↔ | 08 | I08A, I08B, I08C, I08D, I08E, I08F, I08J, I13A, I13B, I21J, I21Z, I31J, I31Z | 5t120.x | 08 | I13A, I13B, I13C, I13D, I13E, I13J |
| | 21A | W04A, W04B | | 21A | W04A, W04B | | 21A | W04A, W04B |
| | 21B | X06A, X06B, X06C | | 21B | X06A, X06B, X06C | | 21B | X04Z |
| 5t11y.5↔ | | BOP, KJZSV, KVT, UOP4, VIAL | 5t120.9↔ | | BOP, KJZSV, KVT, UOP4, VIAL | 5t121.1↔ | | BOP, KJZSV, KVT, UOP4, VIAL |
| | 08 | I08A, I08B, I08C, I08D, I08E, I08F, I08J, I21J, I21Z, I31J, I31Z | | 08 | I08A, I08B, I08C, I08D, I08E, I08F, I08J, I21J, I21Z, I31J, I31Z | | 08 | I08A, I08B, I08C, I08D, I08E, I08F, I08J, I13A, I13B, I13C, I13D, I13E, I13J |
| | 21A | W04A, W04B | | 21A | W04A, W04B | | 21A | W04A, W04B |
| 5t11y.8↔ | 21B | X06A, X06B, X06C | 5t120.e↔ | 21B | X06A, X06B, X06C | 5t121.3↔ | 21B | X06A, X06B, X06C |
| | | BOP, KJZSV, KVT, UOP4, VIAL | | | BOP, KJZSV, KVT, UOP4, VIAL | | | BOP, KJZSV, KVT, UOP4, VIAL |
| | 08 | I08A, I08B, I08C, I08D, I08E, I08F, I08J, I21J, I21Z, I31J, I31Z | | 08 | I08A, I08B, I08C, I08D, I08E, I08F, I08J, I21J, I21Z, I31J, I31Z | | 08 | I08A, I08B, I08C, I08D, I08E, I08F, I08J, I13A, I13B, I13C, I13D, I13E, I13J |
| 5t11y.g↔ | 21A | W04A, W04B | 5t120.f↔ | 21A | W04A, W04B | 5t121.4↔ | 21A | W04A, W04B |
| | 21B | X06A, X06B, X06C | | 21B | X06A, X06B, X06C | | 21B | X06A, X06B, X06C |
| | | BOP, KJZSV, KVT, UOP4, VIAL | | | BOP, KJZSV, KVT, UOP4, VIAL | | | BOP, KJZSV, KVT, UOP4, VIAL |
| 5t11y.m↔ | 08 | I08A, I08B, I08C, I08D, I08E, I08F, I08J | 5t120.h↔ | 08 | I08A, I08B, I08C, I08D, I08E, I08F, I08J | 5t121.6↔ | 08 | I08A, I08B, I08C, I08D, I08E, I08F, I08J, I21J, I21Z, I31J, I31Z |
| | 10 | K09A, K09B | | 10 | K09A, K09B | | 10 | K09A, K09B |
| | 21A | W01A, W01B, W01C, W02A, W02B | | 21A | W01A, W01B, W01C, W02A, W02B | | 21A | W04A, W04B |
| 5t11y.q↔ | 21B | X04Z | 5t120.j↔ | 21B | X04Z | 5t121.7↔ | 21B | X06A, X06B, X06C |
| | | BOP, KJZSV, KVT, UOP4, VIAL | | | BOP, KJZSV, KVT, UOP4, VIAL | | | BOP, KJZSV, KVT, UOP4, VIAL |
| | 08 | I13A, I13B, I13C, I13D, I13E, I13J | | 08 | I08A, I08B, I08C, I08D, I08E, I08F, I08J | | 08 | I08A, I08B, I08C, I08D, I08E, I08F, I08J, I21J, I21Z, I31J, I31Z |
| 5t11y.x | 21A | W01A, W01B, W01C, W02A, W02B | 5t120.k↔ | 21A | W01A, W01B, W01C, W02A, W02B | 5t121.9↔ | 21A | W04A, W04B |
| | 21B | X04Z | | 21B | X04Z | | 21B | X06A, X06B, X06C |
| | | BOP, KJZSV, KVT, UOP4 | | | BOP, KJZSV, KVT, UOP4, VIAL | | | BOP, KJZSV, KVT, UOP4, VIAL |
| 5t120.1↔ | 08 | I28A, I28B, I28J | 5t120.k↔ | 08 | I18A, I18B, I18J, I18Q, I18R, I30J, I30Z | 5t121.9↔ | 08 | I08A, I08B, I08C, I08D, I08E, I08F, I08J, I21J, I21Z, I31J, I31Z |
| | 21A | W04A, W04B | | 21A | W04A, W04B | | 21A | W04A, W04B |
| | 21B | X06A, X06B, X06C | | 21B | X04Z | | 21B | X06A, X06B, X06C |
| 5t120.1↔ | | BOP, KJZSV, KVT, UOP4, VIAL | 5t120.k↔ | | BOP, KJZSV, KVT, UOP4, VIAL | 5t121.9↔ | | BOP, KJZSV, KVT, UOP4, VIAL |
| | 08 | I08A, I08B, I08C, I08D, I08E, I08F, I08J, I13A, I13B, I13C, I13D, I13E, I13J | | 08 | I13A, I13B, I13C, I13D, I13E, I13J | | 08 | I08A, I08B, I08C, I08D, I08E, I08F, I08J, I21J, I21Z, I31J, I31Z |
| | 21A | W04A, W04B | | 21A | W04A, W04B | | 21A | W04A, W04B |
| | X06A, X06B, X06C | 21B | X04Z | 21B | X06A, X06B, X06C | | | |

VYK

| ZZV | MDC | DRG | ZZV | MDC | DRG | ZZV | MDC | DRG | | | |
|----------|------------------------------------|--|--|--|--|--|--|--|--|--|--|
| 5t121.e↔ | | BOP, KJZSV, KVT, UOP4, VIAL | 5t123.1↔ | 08 | I08A, I08B, I08C, I08D, I08E, I08F, I08J, I13A, I13B, I13C, I13D, I13J | 5t123.k↔ | 08 | I13A, I13B, I13C, I13D, I13J | | | |
| | 01 | B03Z, B17A, B17B, B17C, B17J | | 21A | W01A, W01B, W01C, W02A, W02B | | 21A | W01A, W01B, W01C, W02A, W02B | | | |
| | 08 | I08A, I08B, I08C, I08D, I08E, I08F, I08J | | 21A | W04A, W04B | | 21B | X04Z | | | |
| | 10 | K09A, K09B | | 21B | X06A, X06B, X06C | | 5t123.n↔ | BOP, KJZSV, KVT, UOP4, VIAL | | | |
| | 21A | W01A, W01B, W01C, W02A, W02B | | 08 | I08A, I08B, I08C, I08D, I08E, I08F, I08J, I13A, I13B, I13C, I13D, I13J | | | 08 | I13A, I13B, I13C, I13D, I13J | | |
| 5t121.f↔ | 21B | X04Z | 5t123.3↔ | 08 | I08A, I08B, I08C, I08D, I08E, I08F, I08J, I13A, I13B, I13C, I13D, I13J | 5t123.p↔ | 21A | W01A, W01B, W01C, W02A, W02B | | | |
| | BOP, KJZSV, KVT, UOP4, VIAL | 5t123.4↔ | | 21A | W04A, W04B | | BOP, KJZSV, KVT, UOP4, VIAL | | | | |
| | 01 | | | B03Z, B17A, B17B, B17C, B17J | 21B | | X06A, X06B, X06C | 08 | I13A, I13B, I13C, I13D, I13E, I13J | | |
| | 08 | I08A, I08B, I08C, I08D, I08E, I08F, I08J | | 08 | I08A, I08B, I08C, I08D, I08E, I08F, I08J, I21J, I21Z, I31J, I31Z | | 21A | W01A, W01B, W01C, W02A, W02B | | | |
| | 10 | K09A, K09B | | 21A | W04A, W04B | | 21B | X04Z | | | |
| 5t121.h↔ | 21A | W01A, W01B, W01C, W02A, W02B | 5t123.6↔ | 21B | X06A, X06B, X06C | 5t123.r↔ | BOP, KJZSV, KVT, UOP4, VIAL | | | | |
| | 21B | X04Z | | BOP, KJZSV, KVT, UOP4, VIAL | 08 | | I13A, I13B, I13C, I13D, I13E, I13J | | | | |
| | BOP, KJZSV, KVT, UOP4, VIAL | 08 | | I08A, I08B, I08C, I08D, I08E, I08F, I08J, I21J, I21Z, I31J, I31Z | 21A | | W01A, W01B, W01C, W02A, W02B | | | | |
| | 01 | B03Z, B17A, B17B, B17C, B17J | | 21A | W04A, W04B | | 21B | X04Z | | | |
| | 08 | I08A, I08B, I08C, I08D, I08E, I08F, I08J | | 21B | X06A, X06B, X06C | | 5t123.x | BOP, KJZSV, KVT, UOP4, VIAL | | | |
| 21A | W01A, W01B, W01C, W02A, W02B | 5t123.7↔ | BOP, KJZSV, KVT, UOP4, VIAL | 08 | I28A, I28B, I28J | | | | | | |
| 21B | X04Z | | 08 | I08A, I08B, I08C, I08D, I08E, I08F, I08J, I21J, I21Z, I31J, I31Z | 21A | W04A, W04B | | | | | |
| 5t121.j↔ | BOP, KJZSV, KVT, UOP4, VIAL | 5t123.9↔ | 08 | I08A, I08B, I08C, I08D, I08E, I08F, I08J, I21J, I21Z, I31J, I31Z | 5t124.1↔ | 21B | X06A, X06B, X06C | | | | |
| | 08 | | I18A, I18B, I18J, I18Q, I18R, I30J, I30Z | BOP, KJZSV, KVT, UOP4, VIAL | | 08 | I08A, I08B, I08C, I08D, I08E, I08F, I08J, I13A, I13B, I13C, I13D, I13E, I13J | | | | |
| | 21A | | W04A, W04B | 08 | | I08A, I08B, I08C, I08D, I08E, I08F, I08J, I21J, I21Z, I31J, I31Z | 21A | W04A, W04B | | | |
| | 21B | | X04Z | 21A | | W04A, W04B | 21B | X06A, X06B, X06C | | | |
| | BOP, KJZSV, KVT, UOP4, VIAL | | 5t123.e↔ | 21B | | X06A, X06B, X06C | 5t124.3↔ | BOP, KJZSV, KVT, UOP4, VIAL | | | |
| 08 | I13A, I13B, I13C, I13D, I13E, I13J | 08 | | I08A, I08B, I08C, I08D, I08E, I08F, I08J, I21J, I21Z, I31J, I31Z | 08 | I08A, I08B, I08C, I08D, I08E, I08F, I08J, I13A, I13B, I13C, I13D, I13E, I13J | | | | | |
| 5t121.k↔ | 21A | W01A, W01B, W01C, W02A, W02B | 5t123.f↔ | 21A | W04A, W04B | 5t124.4↔ | 21A | W04A, W04B | | | |
| | 21B | X04Z | | 21B | X06A, X06B, X06C | | 21B | X06A, X06B, X06C | | | |
| | BOP, KJZSV, KVT, UOP4, VIAL | 01 | | B03Z, B17A, B17B, B17C, B17J | BOP, KJZSV, KVT, UOP4, VIAL | | BOP, KJZSV, KVT, UOP4, VIAL | | | | |
| | 08 | I13A, I13B, I13C, I13D, I13E, I13J | | 08 | I08A, I08B, I08C, I08D, I08E, I08F, I08J | | 08 | I08A, I08B, I08C, I08D, I08E, I08F, I08J, I21J, I21Z, I31J, I31Z | | | |
| | 21A | W01A, W01B, W01C, W02A, W02B | | 10 | K09A, K09B | | 21A | W04A, W04B | | | |
| 5t121.n↔ | 21B | X04Z | 5t123.g↔ | 21A | W01A, W01B, W01C, W02A, W02B | 5t124.6↔ | 21B | X06A, X06B, X06C | | | |
| | BOP, KJZSV, KVT, UOP4, VIAL | 21B | | X04Z | BOP, KJZSV, KVT, UOP4, VIAL | | BOP, KJZSV, KVT, UOP4, VIAL | | | | |
| | 08 | I13A, I13B, I13C, I13D, I13E, I13J | | 01 | B03Z, B17A, B17B, B17C, B17J | | 08 | I08A, I08B, I08C, I08D, I08E, I08F, I08J, I21J, I21Z, I31J, I31Z | | | |
| | 21A | W01A, W01B, W01C, W02A, W02B | | 08 | I08A, I08B, I08C, I08D, I08E, I08F, I08J | | 21A | W04A, W04B | | | |
| | 21B | X04Z | | 10 | K09A, K09B | | 21B | X06A, X06B, X06C | | | |
| 5t121.p↔ | BOP, KJZSV, KVT, UOP4, VIAL | 5t123.h↔ | 5t123.h↔ | BOP, KJZSV, KVT, UOP4, VIAL | 5t124.7↔ | BOP, KJZSV, KVT, UOP4, VIAL | | | | | |
| | 08 | | | I13A, I13B, I13C, I13D, I13E, I13J | | 01 | B03Z, B17A, B17B, B17C, B17J | 08 | I08A, I08B, I08C, I08D, I08E, I08F, I08J, I21J, I21Z, I31J, I31Z | | |
| | 21A | | | W01A, W01B, W01C, W02A, W02B | | 08 | I08A, I08B, I08C, I08D, I08E, I08F, I08J | 21A | W04A, W04B | | |
| | 21B | | | X04Z | | 10 | K09A, K09B | 21B | X06A, X06B, X06C | | |
| | BOP, KJZSV, KVT, UOP4, VIAL | | | 21A | | W01A, W01B, W01C, W02A, W02B | 08 | I08A, I08B, I08C, I08D, I08E, I08F, I08J, I21J, I21Z, I31J, I31Z | | | |
| 5t121.r↔ | 08 | I13A, I13B, I13C, I13D, I13E, I13J | 5t123.i↔ | 5t123.i↔ | 5t124.8↔ | 5t124.8↔ | | | | | |
| | 21A | W01A, W01B, W01C, W02A, W02B | | | | | 01 | B03Z, B17A, B17B, B17C, B17J | 08 | I08A, I08B, I08C, I08D, I08E, I08F, I08J | |
| | 21B | X04Z | | | | | 08 | I08A, I08B, I08C, I08D, I08E, I08F, I08J | 21A | W04A, W04B | |
| | BOP, KJZSV, KVT, UOP4, VIAL | 10 | | | | | K09A, K09B | 21B | X06A, X06B, X06C | 08 | I08A, I08B, I08C, I08D, I08E, I08F, I08J, I21J, I21Z, I31J, I31Z |
| | 08 | I13A, I13B, I13C, I13D, I13E, I13J | | | | | 21A | W01A, W01B, W01C, W02A, W02B | 21A | W04A, W04B | |
| 5t121.x | 21A | W01A, W01B, W01C, W02A, W02B | 5t123.j↔ | 5t123.j↔ | 5t124.9↔ | 5t124.9↔ | | | | | |
| | 21B | X04Z | | | | | 21B | X04Z | 21B | X06A, X06B, X06C | |
| | BOP, KJZSV, KVT, UOP4, VIAL | 01 | | | | | B03Z, B17A, B17B, B17C, B17J | 01 | B03Z, B17A, B17B, B17C, B17J | 21A | W04A, W04B |
| | 08 | I28A, I28B, I28J | | | | | 08 | I08A, I08B, I08C, I08D, I08E, I08F, I08J | 08 | I08A, I08B, I08C, I08D, I08E, I08F, I08J, I21J, I21Z, I31J, I31Z | |
| | 21A | W04A, W04B | | | | | 21A | W01A, W01B, W01C, W02A, W02B | 21A | W04A, W04B | |
| 21B | X06A, X06B, X06C | 21B | X04Z | 21B | X06A, X06B, X06C | 21B | X06A, X06B, X06C | | | | |

VYK

| ZZV | MDC | DRG | ZZV | MDC | DRG | ZZV | MDC | DRG | | | |
|----------|-----|--|----------|----------|--|--|--|--|--|--|------------|
| 5t124.9↔ | | BOP, KJZSV, KVT, UOP4, VIAL | 5t124.x | | BOP, KJZSV, KVT, UOP4 | 5t128.x | | BOP, KJZSV, KVT, UOP4 | | | |
| | 08 | I08A, I08B, I08C, I08D, I08E, I08F, I08J, I21J, I21Z, I31J, I31Z | | 08 | I28A, I28B, I28J | | 08 | I28A, I28B, I28J | | | |
| | 21A | W04A, W04B | | 21A | W04A, W04B | | 21A | W04A, W04B | | | |
| | 21B | X06A, X06B, X06C | | 21B | X06A, X06B, X06C | | 21B | X06A, X06B, X06C | | | |
| 5t124.e↔ | | BOP, KJZSV, KVT, UOP4, VIAL | 5t125.1↔ | | BOP, KJZSV, KVT, UOP4, VIAL | 5t129.e↔ | | BOP, KJZSV, KVT, UOP4, VIAL | | | |
| | 01 | B03Z, B17A, B17B, B17C, B17J | | 08 | I08A, I08B, I08C, I08D, I08E, I08F, I08J, I13A, I13B, I13C, I13D, I13J | | 01 | B03Z, B17A, B17B, B17C, B17J | | | |
| | 08 | I08A, I08B, I08C, I08D, I08E, I08F, I08J | | 5t125.e↔ | BOP, KJZSV, KVT, UOP4, VIAL | | 08 | I08A, I08B, I08C, I08D, I08E, I08F, I08J | | | |
| | 10 | K09A, K09B | | | 01 | B03Z, B17A, B17B, B17C, B17J | | 10 | K09A, K09B | | |
| | 21A | W01A, W01B, W01C, W02A, W02B | | | 08 | I08A, I08B, I08C, I08D, I08E, I08F, I08J | | 21A | W01A, W01B, W01C, W02A, W02B | | |
| | 21B | X04Z | | | 10 | K09A, K09B | | 21B | X04Z | | |
| 5t124.f↔ | | BOP, KJZSV, KVT, UOP4, VIAL | | | 21A | W01A, W01B, W01C, W02A, W02B | 5t129.f↔ | | BOP, KJZSV, KVT, UOP4, VIAL | | |
| | 01 | B03Z, B17A, B17B, B17C, B17J | 5t125.f↔ | | BOP, KJZSV, KVT, UOP4, VIAL | | 01 | B03Z, B17A, B17B, B17C, B17J | | | |
| | 08 | I08A, I08B, I08C, I08D, I08E, I08F, I08J | | | 01 | B03Z, B17A, B17B, B17C, B17J | | 08 | I08A, I08B, I08C, I08D, I08E, I08F, I08J | | |
| | 10 | K09A, K09B | | | 08 | I08A, I08B, I08C, I08D, I08E, I08F, I08J | | 10 | K09A, K09B | | |
| | 21A | W01A, W01B, W01C, W02A, W02B | | | 10 | K09A, K09B | | 21A | W01A, W01B, W01C, W02A, W02B | | |
| | 21B | X04Z | | | 21A | W01A, W01B, W01C, W02A, W02B | | 21B | X04Z | | |
| 5t124.h↔ | | BOP, KJZSV, KVT, UOP4, VIAL | | | 21B | X04Z | 5t129.h↔ | | BOP, KJZSV, KVT, UOP4, VIAL | | |
| | 01 | B03Z, B17A, B17B, B17C, B17J | 5t125.h↔ | | BOP, KJZSV, KVT, UOP4, VIAL | | 01 | B03Z, B17A, B17B, B17C, B17J | | | |
| | 08 | I08A, I08B, I08C, I08D, I08E, I08F, I08J | | | 01 | B03Z, B17A, B17B, B17C, B17J | | 08 | I08A, I08B, I08C, I08D, I08E, I08F, I08J | | |
| | 21A | W01A, W01B, W01C, W02A, W02B | | | 08 | I08A, I08B, I08C, I08D, I08E, I08F, I08J | | 21A | W01A, W01B, W01C, W02A, W02B | | |
| | 21B | X04Z | | | 10 | K09A, K09B | | 21B | X04Z | | |
| 5t124.j↔ | | BOP, KJZSV, KVT, UOP4, VIAL | | | 21A | W01A, W01B, W01C, W02A, W02B | 5t129.k↔ | | BOP, KJZSV, KVT, UOP4, VIAL | | |
| | 08 | I18A, I18B, I18J, I18Q, I18R, I30J, I30Z | | | 21B | X04Z | | 08 | I13A, I13B, I13C, I13D, I13J | | |
| | 21A | W04A, W04B | 5t125.k↔ | | BOP, KJZSV, KVT, UOP4, VIAL | | 21A | W01A, W01B, W01C, W02A, W02B | | | |
| | 21B | X04Z | | | 08 | I13A, I13B, I13C, I13D, I13J | | 21B | X04Z | | |
| 5t124.k↔ | | BOP, KJZSV, KVT, UOP4, VIAL | | | 5t125.x | | 5t129.n↔ | | BOP, KJZSV, KVT, UOP4, VIAL | | |
| | 08 | I13A, I13B, I13C, I13D, I13J | | | 08 | I28A, I28B, I28J | | 08 | I13A, I13B, I13C, I13D, I13J | | |
| | 21A | W01A, W01B, W01C, W02A, W02B | | | 21A | W04A, W04B | | 21A | W01A, W01B, W01C, W02A, W02B | | |
| | 21B | X04Z | | | 21B | X06A, X06B, X06C | | 21B | X04Z | | |
| 5t124.n↔ | | BOP, KJZSV, KVT, UOP4, VIAL | 5t128.1↔ | | BOP, KJZSV, KVT, UOP4, VIAL | 5t129.x | | BOP, KJZSV, KVT, UOP4 | | | |
| | 08 | I13A, I13B, I13C, I13D, I13E, I13J | | | 08 | I08A, I08B, I08C, I08D, I08E, I08F, I08J, I13A, I13B, I13C, I13D, I13J | | 08 | I28A, I28B, I28J | | |
| | 21A | W01A, W01B, W01C, W02A, W02B | | | 5t128.e↔ | | 21A | W04A, W04B | | | |
| | 21B | X04Z | | | | 01 | B03Z, B17A, B17B, B17C, B17J | | 21B | X06A, X06B, X06C | |
| 5t124.p↔ | | BOP, KJZSV, KVT, UOP4, VIAL | | | | 08 | I08A, I08B, I08C, I08D, I08E, I08F, I08J | 5t12a.1↔ | | BOP, KJZSV, KVT, UOP4, VIAL | |
| | 08 | I13A, I13B, I13C, I13D, I13E, I13J | | | | 10 | K09A, K09B | | 08 | I08A, I08B, I08C, I08D, I08E, I08F, I08J, I13A, I13B, I13C, I13D, I13J | |
| | 21A | W01A, W01B, W01C, W02A, W02B | | | 5t128.f↔ | | 21A | W01A, W01B, W01C, W02A, W02B | | 21A | W04A, W04B |
| | 21B | X04Z | | | | 01 | B03Z, B17A, B17B, B17C, B17J | | 21B | X06A, X06B, X06C | |
| 5t124.r↔ | | BOP, KJZSV, KVT, UOP4, VIAL | | | | 08 | I08A, I08B, I08C, I08D, I08E, I08F, I08J | 5t12a.3↔ | | BOP, KJZSV, KVT, UOP4, VIAL | |
| | 08 | I13A, I13B, I13C, I13D, I13E, I13J | | | | 10 | K09A, K09B | | 08 | I08A, I08B, I08C, I08D, I08E, I08F, I08J, I13A, I13B, I13C, I13D, I13J | |
| | 21A | W01A, W01B, W01C, W02A, W02B | | | | 21A | W01A, W01B, W01C, W02A, W02B | | 21A | W04A, W04B | |
| | 21B | X04Z | | | | 21B | X04Z | | 21B | X06A, X06B, X06C | |
| | 08 | I13A, I13B, I13C, I13D, I13E, I13J | | | | 01 | B03Z, B17A, B17B, B17C, B17J | 5t12a.4↔ | | BOP, KJZSV, KVT, UOP4, VIAL | |
| | 21A | W01A, W01B, W01C, W02A, W02B | | | | 08 | I08A, I08B, I08C, I08D, I08E, I08F, I08J | | 08 | I08A, I08B, I08C, I08D, I08E, I08F, I08J, I21J, I21Z, I31J, I31Z | |
| | 21B | X04Z | | | | 10 | K09A, K09B | | 21A | W04A, W04B | |
| | | | | | | 21A | W01A, W01B, W01C, W02A, W02B | | 21B | X06A, X06B, X06C | |
| | | | | | | 21B | X04Z | | | | |

| ZZV | MDC | DRG | ZZV | MDC | DRG | ZZV | MDC | DRG |
|----------|-----|--|----------|-----|--|----------|-----|--|
| 5t12a.6↔ | | BOP, KJZSV, KVT, UOP4, VIAL | 5t12a.p↔ | | BOP, KJZSV, KVT, UOP4, VIAL | 5t12b.f↔ | | BOP, KJZSV, KVT, UOP4, VIAL |
| | 08 | I08A, I08B, I08C, I08D, I08E, I08F, I08J, I13A, I13B, I21J, I21Z, I31J, I31Z | | 08 | I13A, I13B, I13C, I13D, I13E, I13J | | 01 | B03Z, B17A, B17B, B17C, B17J |
| | 21A | W04A, W04B | | 21A | W01A, W01B, W01C, W02A, W02B | | 08 | I08A, I08B, I08C, I08D, I08E, I08F, I08J |
| | 21B | X06A, X06B, X06C | | 21B | X04Z | | 10 | K09A, K09B |
| 5t12a.7↔ | | BOP, KJZSV, KVT, UOP4, VIAL | 5t12a.r↔ | | BOP, KJZSV, KVT, UOP4, VIAL | | 21A | W01A, W01B, W01C, W02A, W02B |
| | 08 | I08A, I08B, I08C, I08D, I08E, I08F, I08J, I21J, I21Z, I31J, I31Z | | 08 | I13A, I13B, I13C, I13D, I13E, I13J | 5t12b.h↔ | | BOP, KJZSV, KVT, UOP4, VIAL |
| | 21A | W04A, W04B | | 21A | W01A, W01B, W01C, W02A, W02B | | 01 | B03Z, B17A, B17B, B17C, B17J |
| | 21B | X06A, X06B, X06C | | 21B | X04Z | | 08 | I08A, I08B, I08C, I08D, I08E, I08F, I08J |
| 5t12a.9↔ | | BOP, KJZSV, KVT, UOP4, VIAL | 5t12a.x | | BOP, KJZSV, KVT, UOP4 | | 21A | W01A, W01B, W01C, W02A, W02B |
| | 08 | I08A, I08B, I08C, I08D, I08E, I08F, I08J, I21J, I21Z, I31J, I31Z | | 08 | I28A, I28B, I28J | | 21B | X04Z |
| | 21A | W04A, W04B | 5t12b.1↔ | | BOP, KJZSV, KVT, UOP4, VIAL | 5t12b.k↔ | | BOP, KJZSV, KVT, UOP4, VIAL |
| | 21B | X06A, X06B, X06C | | 08 | I08A, I08B, I08C, I08D, I08E, I08F, I08J, I13A, I13B, I13C, I13D, I13J | | 08 | I13A, I13B, I13C, I13D, I13J |
| 5t12a.e↔ | | BOP, KJZSV, KVT, UOP4, VIAL | | 21A | W04A, W04B | | 21A | W01A, W01B, W01C, W02A, W02B |
| | 01 | B03Z, B17A, B17B, B17C, B17J | | 21B | X06A, X06B, X06C | | 21B | X04Z |
| | 08 | I08A, I08B, I08C, I08D, I08E, I08F, I08J | 5t12b.3↔ | | BOP, KJZSV, KVT, UOP4, VIAL | 5t12b.n↔ | | BOP, KJZSV, KVT, UOP4, VIAL |
| | 10 | K09A, K09B | | 08 | I08A, I08B, I08C, I08D, I08E, I08F, I08J, I13A, I13B, I13C, I13D, I13J | | 08 | I13A, I13B, I13C, I13D, I13J |
| | 21A | W01A, W01B, W01C, W02A, W02B | | 21A | W04A, W04B | | 21A | W01A, W01B, W01C, W02A, W02B |
| | 21B | X04Z | | 21B | X06A, X06B, X06C | 5t12b.p↔ | | BOP, KJZSV, KVT, UOP4, VIAL |
| 5t12a.f↔ | | BOP, KJZSV, KVT, UOP4, VIAL | 5t12b.4↔ | | BOP, KJZSV, KVT, UOP4, VIAL | | 08 | I13A, I13B, I13C, I13D, I13E, I13J |
| | 01 | B03Z, B17A, B17B, B17C, B17J | | 08 | I08A, I08B, I08C, I08D, I08E, I08F, I08J, I21J, I21Z, I31J, I31Z | | 21A | W01A, W01B, W01C, W02A, W02B |
| | 08 | I08A, I08B, I08C, I08D, I08E, I08F, I08J | | 21A | W04A, W04B | | 21B | X04Z |
| | 10 | K09A, K09B | | 21B | X06A, X06B, X06C | 5t12b.r↔ | | BOP, KJZSV, KVT, UOP4, VIAL |
| | 21A | W01A, W01B, W01C, W02A, W02B | 5t12b.6↔ | | BOP, KJZSV, KVT, UOP4, VIAL | | 08 | I13A, I13B, I13C, I13D, I13E, I13J |
| | 21B | X04Z | | 08 | I08A, I08B, I08C, I08D, I08E, I08F, I08J, I13A, I13B, I21J, I21Z, I31J, I31Z | | 21A | W01A, W01B, W01C, W02A, W02B |
| 5t12a.h↔ | | BOP, KJZSV, KVT, UOP4, VIAL | | 21A | W04A, W04B | | 21B | X04Z |
| | 01 | B03Z, B17A, B17B, B17C, B17J | 5t12b.7↔ | | BOP, KJZSV, KVT, UOP4, VIAL | 5t12b.x | | BOP, KJZSV, KVT, UOP4 |
| | 08 | I08A, I08B, I08C, I08D, I08E, I08F, I08J | | 08 | I08A, I08B, I08C, I08D, I08E, I08F, I08J, I21J, I21Z, I31J, I31Z | | 08 | I28A, I28B, I28J |
| | 21A | W01A, W01B, W01C, W02A, W02B | | 21A | W04A, W04B | | 21A | W04A, W04B |
| | 21B | X04Z | | 21B | X06A, X06B, X06C | | 21B | X06A, X06B, X06C |
| 5t12a.j↔ | | BOP, KJZSV, KVT, UOP4, VIAL | | 21A | W04A, W04B | 5t12c.1↔ | | BOP, KJZSV, KVT, UOP4, VIAL |
| | 08 | I18A, I18B, I18J, I18Q, I18R, I30J, I30Z | 5t12b.9↔ | | BOP, KJZSV, KVT, UOP4, VIAL | | 08 | I08A, I08B, I08C, I08D, I08E, I08F, I08J, I13A, I13B, I13C, I13D, I13J |
| | 21A | W04A, W04B | | 08 | I08A, I08B, I08C, I08D, I08E, I08F, I08J, I21J, I21Z, I31J, I31Z | | 21A | W04A, W04B |
| | 21B | X04Z | | 21A | W04A, W04B | 5t12c.3↔ | | BOP, KJZSV, KVT, UOP4, VIAL |
| 5t12a.k↔ | | BOP, KJZSV, KVT, UOP4, VIAL | | 21B | X06A, X06B, X06C | | 08 | I08A, I08B, I08C, I08D, I08E, I08F, I08J, I13A, I13B, I13C, I13D, I13J |
| | 08 | I13A, I13B, I13C, I13D, I13J | 5t12b.e↔ | | BOP, KJZSV, KVT, UOP4, VIAL | | 21A | W04A, W04B |
| | 21A | W01A, W01B, W01C, W02A, W02B | | 01 | B03Z, B17A, B17B, B17C, B17J | | 21B | X06A, X06B, X06C |
| | 21B | X04Z | | 08 | I08A, I08B, I08C, I08D, I08E, I08F, I08J | | 21B | X06A, X06B, X06C |
| 5t12a.n↔ | | BOP, KJZSV, KVT, UOP4, VIAL | | 10 | K09A, K09B | | | |
| | 08 | I13A, I13B, I13C, I13D, I13J | | 21A | W01A, W01B, W01C, W02A, W02B | | | |
| | 21A | W01A, W01B, W01C, W02A, W02B | | 21B | X04Z | | | |
| | 21B | X04Z | | | | | | |

VYK

Príloha B: Index Výkon-MDC-DRG

| ZZV | MDC | DRG | ZZV | MDC | DRG | ZZV | MDC | DRG |
|----------|-----------------------------|--|----------|-----|--|----------|-----|--|
| 5t12c.e↔ | | BOP, KJZSV, KVT, UOP4, VIAL | 5t12d.p↔ | 08 | BOP, KJZSV, KVT, UOP4, VIAL | 5t12t.f↔ | 01 | BOP, KJZSV, KVT, UOP4, VIAL |
| | 01 | B03Z, B17A, B17B, B17C, B17J | | 08 | I13A, I13B, I13C, I13D, I13E, I13J | | 01 | B03Z, B17A, B17B, B17C, B17J |
| | 08 | I08A, I08B, I08C, I08D, I08E, I08F, I08J | | 21A | W01A, W01B, W01C, W02A, W02B | | 08 | I08A, I08B, I08C, I08D, I08E, I08F, I08J |
| | 10 | K09A, K09B | | 21B | X04Z | | 10 | K09A, K09B |
| 5t12c.f↔ | 21A | W01A, W01B, W01C, W02A, W02B | 5t12d.r↔ | | BOP, KJZSV, KVT, UOP4, VIAL | 5t12t.h↔ | 21A | W01A, W01B, W01C, W02A, W02B |
| | 21B | X04Z | | 08 | I13A, I13B, I13C, I13D, I13E, I13J | | 21A | W01A, W01B, W01C, W02A, W02B |
| | | BOP, KJZSV, KVT, UOP4, VIAL | | 21A | W01A, W01B, W01C, W02A, W02B | | 21B | X04Z |
| | 01 | B03Z, B17A, B17B, B17C, B17J | | 21B | X04Z | | 01 | B03Z, B17A, B17B, B17C, B17J |
| 5t12c.g↔ | 08 | I08A, I08B, I08C, I08D, I08E, I08F, I08J | 5t12d.x | | BOP, KJZSV, KVT, UOP4 | 5t12t.i↔ | 08 | I08A, I08B, I08C, I08D, I08E, I08F, I08J |
| | 10 | K09A, K09B | | 08 | I28A, I28B, I28J | | 21A | W01A, W01B, W01C, W02A, W02B |
| | 21A | W01A, W01B, W01C, W02A, W02B | | 21A | W04A, W04B | | 21A | W01A, W01B, W01C, W02A, W02B |
| | 21B | X04Z | | 21B | X06A, X06B, X06C | | 21B | X04Z |
| 5t12c.h↔ | | BOP, KJZSV, KVT, UOP4, VIAL | 5t12t.l↔ | | BOP, KJZSV, KVT, UOP4, VIAL | 5t12t.j↔ | | BOP, KJZSV, KVT, UOP4, VIAL |
| | 01 | B03Z, B17A, B17B, B17C, B17J | | 08 | I08A, I08B, I08C, I08D, I08E, I08F, I08J, I13A, I13B, I13C, I13D, I13J | | 08 | I18A, I18B, I18J, I18Q, I18R, I30J, I30Z |
| | 08 | I08A, I08B, I08C, I08D, I08E, I08F, I08J | | 21A | W04A, W04B | | 21A | W04A, W04B |
| | 21A | W01A, W01B, W01C, W02A, W02B | | 21B | X06A, X06B, X06C | | 21B | X04Z |
| 5t12c.k↔ | 21B | X04Z | 5t12t.m↔ | | BOP, KJZSV, KVT, UOP4, VIAL | 5t12t.k↔ | | BOP, KJZSV, KVT, UOP4, VIAL |
| | | BOP, KJZSV, KVT, UOP4, VIAL | | 08 | I08A, I08B, I08C, I08D, I08E, I08F, I08J, I13A, I13B, I13C, I13D, I13J | | 08 | I13A, I13B, I13C, I13D, I13J |
| | 08 | I13A, I13B, I13C, I13D, I13J | | 21A | W04A, W04B | | 21A | W01A, W01B, W01C, W02A, W02B |
| | 21A | W01A, W01B, W01C, W02A, W02B | | 21B | X06A, X06B, X06C | | 21B | X04Z |
| 5t12c.l↔ | 21B | X04Z | 5t12t.n↔ | | BOP, KJZSV, KVT, UOP4, VIAL | 5t12t.p↔ | | BOP, KJZSV, KVT, UOP4, VIAL |
| | | BOP, KJZSV, KVT, UOP4, VIAL | | 08 | I08A, I08B, I08C, I08D, I08E, I08F, I08J, I21J, I21Z, I31J, I31Z | | 08 | I13A, I13B, I13C, I13D, I13E, I13J |
| | 08 | I13A, I13B, I13C, I13D, I13J | | 21A | W04A, W04B | | 21A | W01A, W01B, W01C, W02A, W02B |
| | 21A | W01A, W01B, W01C, W02A, W02B | | 21B | X06A, X06B, X06C | | 21B | X04Z |
| 5t12c.m↔ | | BOP, KJZSV, KVT, UOP4 | 5t12t.o↔ | | BOP, KJZSV, KVT, UOP4, VIAL | 5t12t.q↔ | | BOP, KJZSV, KVT, UOP4, VIAL |
| | 08 | I28A, I28B, I28J | | 08 | I08A, I08B, I08C, I08D, I08E, I08F, I08J, I21J, I21Z, I31J, I31Z | | 08 | I13A, I13B, I13C, I13D, I13E, I13J |
| | 21A | W04A, W04B | | 21A | W04A, W04B | | 21A | W01A, W01B, W01C, W02A, W02B |
| | 21B | X06A, X06B, X06C | | 21B | X06A, X06B, X06C | | 21B | X04Z |
| 5t12d.a↔ | | BOP, KJZSV, KVT, UOP4, VIAL | 5t12t.p↔ | | BOP, KJZSV, KVT, UOP4, VIAL | 5t12t.r↔ | | BOP, KJZSV, KVT, UOP4, VIAL |
| | 01 | B03Z, B17A, B17B, B17C, B17J | | 08 | I08A, I08B, I08C, I08D, I08E, I08F, I08J, I13A, I13B, I21J, I21Z, I31J, I31Z | | 08 | I13A, I13B, I13C, I13D, I13E, I13J |
| | 08 | I08A, I08B, I08C, I08D, I08E, I08F, I08J | | 21A | W04A, W04B | | 21A | W01A, W01B, W01C, W02A, W02B |
| | 21A | W01A, W01B, W01C, W02A, W02B | | 21B | X06A, X06B, X06C | | 21B | X04Z |
| 5t12d.b↔ | 21B | X04Z | 5t12t.s↔ | | BOP, KJZSV, KVT, UOP4, VIAL | 5t12t.v↔ | | BOP, KJZSV, KVT, UOP4, VIAL |
| | | BOP, KJZSV, KVT, UOP4, VIAL | | 08 | I08A, I08B, I08C, I08D, I08E, I08F, I08J, I21J, I21Z, I31J, I31Z | | 08 | I08A, I08B, I08C, I08D, I08E, I08F, I08J, I13A, I13B, I13C, I13D, I13J |
| | 08 | I18A, I18B, I18J, I18Q, I18R, I30J, I30Z | | 21A | W04A, W04B | | 21A | W04A, W04B |
| | 21A | W04A, W04B | | 21B | X06A, X06B, X06C | | 21B | X06A, X06B, X06C |
| 5t12d.c↔ | 21B | X04Z | 5t12t.t↔ | | BOP, KJZSV, KVT, UOP4, VIAL | 5t12v.1↔ | | BOP, KJZSV, KVT, UOP4, VIAL |
| | | BOP, KJZSV, KVT, UOP4, VIAL | | 08 | I08A, I08B, I08C, I08D, I08E, I08F, I08J, I21J, I21Z, I31J, I31Z | | 08 | I08A, I08B, I08C, I08D, I08E, I08F, I08J, I13A, I13B, I13C, I13D, I13J |
| | 08 | I13A, I13B, I13C, I13D, I13J | | 21A | W04A, W04B | | 21A | W04A, W04B |
| | 21A | W01A, W01B, W01C, W02A, W02B | | 21B | X06A, X06B, X06C | | 21B | X06A, X06B, X06C |
| 5t12d.d↔ | 21B | X04Z | 5t12t.u↔ | | BOP, KJZSV, KVT, UOP4, VIAL | 5t12v.2↔ | | BOP, KJZSV, KVT, UOP4, VIAL |
| | | BOP, KJZSV, KVT, UOP4, VIAL | | 08 | I08A, I08B, I08C, I08D, I08E, I08F, I08J, I21J, I21Z, I31J, I31Z | | 08 | I08A, I08B, I08C, I08D, I08E, I08F, I08J, I13A, I13B, I13C, I13D, I13J |
| | 08 | I13A, I13B, I13C, I13D, I13J | | 21A | W04A, W04B | | 21A | W04A, W04B |
| | 21A | W01A, W01B, W01C, W02A, W02B | | 21B | X06A, X06B, X06C | | 21B | X06A, X06B, X06C |
| 5t12d.e↔ | 21B | X04Z | 5t12t.v↔ | | BOP, KJZSV, KVT, UOP4, VIAL | 5t12v.3↔ | | BOP, KJZSV, KVT, UOP4, VIAL |
| | | BOP, KJZSV, KVT, UOP4, VIAL | | 01 | B03Z, B17A, B17B, B17C, B17J | | 08 | I08A, I08B, I08C, I08D, I08E, I08F, I08J |
| | 08 | I13A, I13B, I13C, I13D, I13J | | 08 | I08A, I08B, I08C, I08D, I08E, I08F, I08J | | 10 | K09A, K09B |
| | 21A | W01A, W01B, W01C, W02A, W02B | | 21A | W01A, W01B, W01C, W02A, W02B | | 21A | W04A, W04B |
| | BOP, KJZSV, KVT, UOP4, VIAL | 21B | X04Z | 21B | X06A, X06B, X06C | | | |

VYK

| ZZV | MDC | DRG | ZZV | MDC | DRG | ZZV | MDC | DRG |
|----------|-----|--|----------|-----|--|----------|-----|--|
| 5t12v.4↔ | | BOP, KJZSV, KVT, UOP4, VIAL | 5t12v.n↔ | | BOP, KJZSV, KVT, UOP4, VIAL | 5t12x.e↔ | | BOP, KJZSV, KVT, UOP4, VIAL |
| | 08 | I08A, I08B, I08C, I08D, I08E, I08F, I08J, I13A, I21J, I21Z, I31J, I31Z | | 08 | I13A, I13B, I13C, I13D, I13J | | 01 | B03Z, B17A, B17B, B17C, B17J |
| | 21A | W04A, W04B | | 21A | W01A, W01B, W01C, W02A, W02B | | 08 | I08A, I08B, I08C, I08D, I08E, I08F, I08J |
| 5t12v.6↔ | 21B | X06A, X06B, X06C | 5t12v.p↔ | 21B | X04Z | | 10 | K09A, K09B |
| | | BOP, KJZSV, KVT, UOP4, VIAL | | | BOP, KJZSV, KVT, UOP4, VIAL | | 21A | W01A, W01B, W01C, W02A, W02B |
| | 08 | I08A, I08B, I08C, I08D, I08E, I08F, I08J, I13A, I21J, I21Z, I31J, I31Z | | 08 | I13A, I13B, I13C, I13D, I13E, I13J | 5t12x.f↔ | 21B | X04Z |
| | 21A | W04A, W04B | | 21A | W01A, W01B, W01C, W02A, W02B | | 01 | B03Z, B17A, B17B, B17C, B17J |
| | 21B | X06A, X06B, X06C | | 21B | X04Z | | 08 | I08A, I08B, I08C, I08D, I08E, I08F, I08J |
| 5t12v.7↔ | | BOP, KJZSV, KVT, UOP4, VIAL | 5t12v.r↔ | | BOP, KJZSV, KVT, UOP4, VIAL | | 10 | K09A, K09B |
| | 08 | I08A, I08B, I08C, I08D, I08E, I08F, I08J, I13A, I21J, I21Z, I31J, I31Z | | 08 | I13A, I13B, I13C, I13D, I13E, I13J | | 21A | W01A, W01B, W01C, W02A, W02B |
| | 21A | W04A, W04B | | 21A | W01A, W01B, W01C, W02A, W02B | | 21B | X04Z |
| | 21B | X06A, X06B, X06C | | 21B | X04Z | 5t12x.h↔ | 01 | B03Z, B17A, B17B, B17C, B17J |
| 5t12v.9↔ | | BOP, KJZSV, KVT, UOP4, VIAL | 5t12v.x | | BOP, KJZSV, KVT, UOP4 | | 08 | I08A, I08B, I08C, I08D, I08E, I08F, I08J |
| | 08 | I08A, I08B, I08C, I08D, I08E, I08F, I08J, I13A, I21J, I21Z, I31J, I31Z | | 08 | I13A, I28A, I28B, I28J | | 21A | W01A, W01B, W01C, W02A, W02B |
| | 21A | W04A, W04B | | 21A | W04A, W04B | | 21B | X04Z |
| | 21B | X06A, X06B, X06C | | 21B | X06A, X06B, X06C | | 01 | B03Z, B17A, B17B, B17C, B17J |
| 5t12v.e↔ | | BOP, KJZSV, KVT, UOP4, VIAL | 5t12x.1↔ | | BOP, KJZSV, KVT, UOP4, VIAL | | 08 | I08A, I08B, I08C, I08D, I08E, I08F, I08J |
| | 01 | B03Z, B17A, B17B, B17C, B17J | | 08 | I08A, I08B, I08C, I08D, I08E, I08F, I08J, I13A, I13B, I13C, I13D, I13J | | 21A | W01A, W01B, W01C, W02A, W02B |
| | 08 | I08A, I08B, I08C, I08D, I08E, I08F, I08J, I13A | | 21A | W04A, W04B | 5t12x.j↔ | 21B | X04Z |
| | 10 | K09A, K09B | | 21B | X06A, X06B, X06C | | 08 | I18A, I18B, I18J, I18Q, I18R, I30J, I30Z |
| | 21A | W01A, W01B, W01C, W02A, W02B | 5t12x.3↔ | | BOP, KJZSV, KVT, UOP4, VIAL | | 21A | W04A, W04B |
| | 21B | X04Z | | 08 | I08A, I08B, I08C, I08D, I08E, I08F, I08J, I13A, I13B, I13C, I13D, I13J | | 21B | X04Z |
| 5t12v.f↔ | | BOP, KJZSV, KVT, UOP4, VIAL | 5t12x.4↔ | | BOP, KJZSV, KVT, UOP4, VIAL | 5t12x.k↔ | 08 | I13A, I13B, I13C, I13D, I13J |
| | 01 | B03Z, B17A, B17B, B17C, B17J | | 08 | I08A, I08B, I08C, I08D, I08E, I08F, I08J, I21J, I21Z, I31J, I31Z | | 21A | W04A, W04B |
| | 08 | I08A, I08B, I08C, I08D, I08E, I08F, I08J, I13A | | 21A | W04A, W04B | | 21B | X04Z |
| | 10 | K09A, K09B | | 21B | X06A, X06B, X06C | 5t12x.n↔ | 08 | I13A, I13B, I13C, I13D, I13J |
| | 21A | W01A, W01B, W01C, W02A, W02B | 5t12x.6↔ | | BOP, KJZSV, KVT, UOP4, VIAL | | 21A | W04A, W04B |
| | 21B | X04Z | | 08 | I08A, I08B, I08C, I08D, I08E, I08F, I08J, I13A, I13B, I21J, I21Z, I31J, I31Z | | 21B | X04Z |
| 5t12v.h↔ | | BOP, KJZSV, KVT, UOP4, VIAL | | 21A | W04A, W04B | 5t12x.p↔ | 08 | I13A, I13B, I13C, I13D, I13E, I13J |
| | 01 | B03Z, B17A, B17B, B17C, B17J | 5t12x.7↔ | | BOP, KJZSV, KVT, UOP4, VIAL | | 21A | W04A, W04B |
| | 08 | I08A, I08B, I08C, I08D, I08E, I08F, I08J, I13A | | 08 | I08A, I08B, I08C, I08D, I08E, I08F, I08J, I21J, I21Z, I31J, I31Z | 5t12x.r↔ | 08 | I13A, I13B, I13C, I13D, I13E, I13J |
| | 10 | K09A, K09B | | 21A | W04A, W04B | | 21A | W04A, W04B |
| | 21A | W01A, W01B, W01C, W02A, W02B | | 21B | X06A, X06B, X06C | | 21B | X04Z |
| | 21B | X04Z | 5t12x.9↔ | | BOP, KJZSV, KVT, UOP4, VIAL | 5t12x.x | 08 | I28A, I28B, I28J |
| 5t12v.j↔ | | BOP, KJZSV, KVT, UOP4, VIAL | | 08 | I08A, I08B, I08C, I08D, I08E, I08F, I08J, I21J, I21Z, I31J, I31Z | | 21A | W04A, W04B |
| | 08 | I13A, I18A, I18B, I18J, I18Q, I18R, I30J, I30Z | | 21A | W04A, W04B | | 21B | X06A, X06B, X06C |
| | 21A | W04A, W04B | | 21B | X06A, X06B, X06C | 5t12z.1↔ | 08 | I08A, I08B, I08C, I08D, I08E, I08F, I08J, I13A, I13B, I13C, I13D, I13J |
| | 21B | X04Z | | 21B | X06A, X06B, X06C | | 21A | W04A, W04B |
| 5t12v.k↔ | | BOP, KJZSV, KVT, UOP4, VIAL | | 21B | X06A, X06B, X06C | | 21B | X06A, X06B, X06C |
| | 08 | I13A, I13B, I13C, I13D, I13J | | | | | | |
| | 21A | W01A, W01B, W01C, W02A, W02B | | | | | | |
| | 21B | X04Z | | | | | | |

VYK

| ZZV | MDC | DRG | ZZV | MDC | DRG | ZZV | MDC | DRG |
|----------|-----|--|----------|-----|--|----------|--|-----------------------|
| 5t135.3↔ | | BOP, KJZSV, KVT, UOP4, VIAL | 5t137.7↔ | | BOP, KJZSV, KVT, UOP4, VIAL | 5t137.x | | BOP, KJZSV, KVT, UOP4 |
| | 08 | I08A, I08B, I08C, I08D, I08E, I08F, I08J, I13A, I13B, I13C, I13D, I13J | | 08 | I08A, I08B, I08C, I08D, I08E, I08F, I08J, I21J, I21Z, I31J, I31Z | 08 | I28A, I28B, I28J | |
| 5t135.e↔ | | BOP, KJZSV, KVT, UOP4, VIAL | | 21A | W04A, W04B | 21A | W04A, W04B | |
| | 01 | B03Z, B17A, B17B, B17C, B17J | | 21B | X06A, X06B, X06C | 21B | X06A, X06B, X06C | |
| | 08 | I08A, I08B, I08C, I08D, I08E, I08F, I08J | 5t137.9↔ | | BOP, KJZSV, KVT, UOP4, VIAL | 5t138.1↔ | | |
| | 10 | K09A, K09B | | 08 | I08A, I08B, I08C, I08D, I08E, I08F, I08J, I21J, I21Z, I31J, I31Z | 08 | I08A, I08B, I08C, I08D, I08E, I08F, I08J, I13A, I13B, I13C, I13D, I13J | |
| | 21A | W01A, W01B, W01C, W02A, W02B | | 21A | W04A, W04B | 21A | W04A, W04B | |
| | 21B | X04Z | | 21B | X06A, X06B, X06C | 21B | X06A, X06B, X06C | |
| 5t135.f↔ | | BOP, KJZSV, KVT, UOP4, VIAL | 5t137.e↔ | | BOP, KJZSV, KVT, UOP4, VIAL | 5t138.3↔ | | |
| | 01 | B03Z, B17A, B17B, B17C, B17J | | 01 | B03Z, B17A, B17B, B17C, B17J | 08 | I08A, I08B, I08C, I08D, I08E, I08F, I08J, I13A, I13B, I13C, I13D, I13J | |
| | 08 | I08A, I08B, I08C, I08D, I08E, I08F, I08J | | 08 | I08A, I08B, I08C, I08D, I08E, I08F, I08J | 21A | W04A, W04B | |
| | 10 | K09A, K09B | | 10 | K09A, K09B | 21B | X06A, X06B, X06C | |
| | 21A | W01A, W01B, W01C, W02A, W02B | | 21A | W01A, W01B, W01C, W02A, W02B | 5t138.4↔ | | |
| | 21B | X04Z | | 21B | X04Z | 08 | I08A, I08B, I08C, I08D, I08E, I08F, I08J, I21J, I21Z, I31J, I31Z | |
| 5t135.h↔ | | BOP, KJZSV, KVT, UOP4, VIAL | 5t137.f↔ | | BOP, KJZSV, KVT, UOP4, VIAL | 21A | W04A, W04B | |
| | 01 | B03Z, B17A, B17B, B17C, B17J | | 01 | B03Z, B17A, B17B, B17C, B17J | 21B | X06A, X06B, X06C | |
| | 08 | I08A, I08B, I08C, I08D, I08E, I08F, I08J | | 08 | I08A, I08B, I08C, I08D, I08E, I08F, I08J | 5t138.6↔ | | |
| | 21A | W01A, W01B, W01C, W02A, W02B | | 10 | K09A, K09B | 08 | I08A, I08B, I08C, I08D, I08E, I08F, I08J, I21J, I21Z, I31J, I31Z | |
| | 21B | X04Z | | 21A | W01A, W01B, W01C, W02A, W02B | 21A | W04A, W04B | |
| 5t135.k↔ | | BOP, KJZSV, KVT, UOP4, VIAL | | 21B | X04Z | 21B | X06A, X06B, X06C | |
| | 08 | I13A, I13B, I13C, I13D, I13J | 5t137.h↔ | | BOP, KJZSV, KVT, UOP4, VIAL | 5t138.7↔ | | |
| 5t135.x | | BOP, KJZSV, KVT, UOP4 | | 01 | B03Z, B17A, B17B, B17C, B17J | 08 | I08A, I08B, I08C, I08D, I08E, I08F, I08J, I21J, I21Z, I31J, I31Z | |
| | 08 | I28A, I28B, I28J | | 08 | I08A, I08B, I08C, I08D, I08E, I08F, I08J | 21A | W04A, W04B | |
| | 21A | W04A, W04B | | 21A | W01A, W01B, W01C, W02A, W02B | 21B | X06A, X06B, X06C | |
| | 21B | X06A, X06B, X06C | | 21B | X04Z | 5t138.9↔ | | |
| 5t137.1↔ | | BOP, KJZSV, KVT, UOP4, VIAL | | 21A | W01A, W01B, W01C, W02A, W02B | 08 | I08A, I08B, I08C, I08D, I08E, I08F, I08J, I21J, I21Z, I31J, I31Z | |
| | 08 | I08A, I08B, I08C, I08D, I08E, I08F, I08J, I13A, I13B, I13C, I13D, I13J | 5t137.j↔ | | KJZSV, KVT, VIAL | 21A | W04A, W04B | |
| | 21A | W04A, W04B | 5t137.k↔ | | BOP, KJZSV, KVT, UOP4, VIAL | 21B | X06A, X06B, X06C | |
| | 21B | X06A, X06B, X06C | | 08 | I13A, I13B, I13C, I13D, I13J | 5t138.e↔ | | |
| 5t137.3↔ | | BOP, KJZSV, KVT, UOP4, VIAL | | 21A | W01A, W01B, W01C, W02A, W02B | 01 | B03Z, B17A, B17B, B17C, B17J | |
| | 08 | I08A, I08B, I08C, I08D, I08E, I08F, I08J, I13A, I13B, I13C, I13D, I13J | | 21B | X04Z | 08 | I08A, I08B, I08C, I08D, I08E, I08F, I08J | |
| | 21A | W04A, W04B | 5t137.n↔ | | BOP, KJZSV, KVT, UOP4, VIAL | 10 | K09A, K09B | |
| | 21B | X06A, X06B, X06C | | 08 | I13A, I13B, I13C, I13D, I13J | 21A | W01A, W01B, W01C, W02A, W02B | |
| 5t137.4↔ | | BOP, KJZSV, KVT, UOP4, VIAL | | 21A | W01A, W01B, W01C, W02A, W02B | 21B | X04Z | |
| | 08 | I08A, I08B, I08C, I08D, I08E, I08F, I08J, I21J, I21Z, I31J, I31Z | | 21B | X04Z | 5t138.f↔ | | |
| | 21A | W04A, W04B | 5t137.p↔ | | BOP, KJZSV, KVT, UOP4, VIAL | 08 | I08A, I08B, I08C, I08D, I08E, I08F, I08J | |
| | 21B | X06A, X06B, X06C | | 08 | I13A, I13B, I13C, I13D, I13J | 10 | K09A, K09B | |
| 5t137.6↔ | | BOP, KJZSV, KVT, UOP4, VIAL | | 21A | W01A, W01B, W01C, W02A, W02B | 21A | W01A, W01B, W01C, W02A, W02B | |
| | 08 | I08A, I08B, I08C, I08D, I08E, I08F, I08J, I21J, I21Z, I31J, I31Z | | 21B | X04Z | 21B | X04Z | |
| | 21A | W04A, W04B | 5t137.r↔ | | BOP, KJZSV, KVT, UOP4, VIAL | | | |
| | 21B | X06A, X06B, X06C | | 08 | I13A, I13B, I13C, I13D, I13J | | | |
| | | | | 21A | W01A, W01B, W01C, W02A, W02B | | | |
| | | | | 21B | X04Z | | | |

VYK

| ZZV | MDC | DRG | ZZV | MDC | DRG | ZZV | MDC | DRG |
|----------|-----|--|----------|-----|--|----------|-----|--|
| 5t138.h↔ | | BOP, KJZSV, KVT, UOP4, VIAL | 5t139.h↔ | | BOP, KJZSV, KVT, UOP4, VIAL | 5t13a.f↔ | | BOP, KJZSV, KVT, UOP4, VIAL |
| | 01 | B03Z, B17A, B17B, B17C, B17J | | 01 | B03Z, B17A, B17B, B17C, B17J | | 01 | B03Z, B17A, B17B, B17C, B17J |
| | 08 | I08A, I08B, I08C, I08D, I08E, I08F, I08J | | 08 | I08A, I08B, I08C, I08D, I08E, I08F, I08J | | 08 | I08A, I08B, I08C, I08D, I08E, I08F, I08J |
| | 21A | W01A, W01B, W01C, W02A, W02B | | 21A | W01A, W01B, W01C, W02A, W02B | | 10 | K09A, K09B |
| 5t138.j↔ | 21B | X04Z | 5t139.k↔ | 21B | X04Z | 5t13a.h↔ | 21A | W01A, W01B, W01C, W02A, W02B |
| | | BOP, KJZSV, KVT, UOP4, VIAL | | | BOP, KJZSV, KVT, UOP4, VIAL | | | BOP, KJZSV, KVT, UOP4, VIAL |
| | 08 | I24J, I24Q, I24Z, I30J, I30Z | | 08 | I13A, I13B, I13C, I13D, I13J | | 01 | B03Z, B17A, B17B, B17C, B17J |
| | 21A | W04A, W04B | | 21A | W01A, W01B, W01C, W02A, W02B | | 08 | I08A, I08B, I08C, I08D, I08E, I08F, I08J |
| 5t138.k↔ | 21B | X04Z | 5t139.n↔ | 21B | X04Z | 5t13a.j↔ | 21A | W01A, W01B, W01C, W02A, W02B |
| | | BOP, KJZSV, KVT, UOP4, VIAL | | | BOP, KJZSV, KVT, UOP4, VIAL | | | BOP, KJZSV, KVT, UOP4, VIAL |
| | 08 | I13A, I13B, I13C, I13D, I13J | | 08 | I13A, I13B, I13C, I13D, I13J | | 08 | I24J, I24Q, I24Z, I30J, I30Z |
| | 21A | W01A, W01B, W01C, W02A, W02B | | 21A | W01A, W01B, W01C, W02A, W02B | | 21A | W04A, W04B |
| 5t138.n↔ | 21B | X04Z | 5t13a.1↔ | 21B | X04Z | 5t13a.k↔ | 21B | X04Z |
| | | BOP, KJZSV, KVT, UOP4, VIAL | | | BOP, KJZSV, KVT, UOP4, VIAL | | | BOP, KJZSV, KVT, UOP4, VIAL |
| | 08 | I13A, I13B, I13C, I13D, I13J | | 08 | I28A, I28B, I28J | | 08 | I13A, I13B, I13C, I13D, I13J |
| | 21A | W01A, W01B, W01C, W02A, W02B | | 21A | W04A, W04B | | 21A | W01A, W01B, W01C, W02A, W02B |
| 5t138.p↔ | 21B | X04Z | 5t13a.3↔ | 21B | X06A, X06B, X06C | 5t13a.n↔ | 21B | X04Z |
| | | BOP, KJZSV, KVT, UOP4, VIAL | | | BOP, KJZSV, KVT, UOP4, VIAL | | | BOP, KJZSV, KVT, UOP4, VIAL |
| | 08 | I13A, I13B, I13C, I13D, I13J | | 08 | I08A, I08B, I08C, I08D, I08E, I08F, I08J, I13A, I13B, I13C, I13D, I13J | | 08 | I13A, I13B, I13C, I13D, I13J |
| | 21A | W01A, W01B, W01C, W02A, W02B | | 21A | W04A, W04B | | 21A | W01A, W01B, W01C, W02A, W02B |
| 5t138.r↔ | 21B | X04Z | 5t13a.4↔ | 21B | X06A, X06B, X06C | 5t13a.p↔ | 21B | X04Z |
| | | BOP, KJZSV, KVT, UOP4, VIAL | | | BOP, KJZSV, KVT, UOP4, VIAL | | | BOP, KJZSV, KVT, UOP4, VIAL |
| | 08 | I13A, I13B, I13C, I13D, I13J | | 08 | I08A, I08B, I08C, I08D, I08E, I08F, I08J, I21J, I21Z, I31J, I31Z | | 08 | I13A, I13B, I13C, I13D, I13J |
| | 21A | W01A, W01B, W01C, W02A, W02B | | 21A | W04A, W04B | | 21A | W01A, W01B, W01C, W02A, W02B |
| 5t138.x | 21B | X04Z | 5t13a.6↔ | 21B | X06A, X06B, X06C | 5t13a.r↔ | 21B | X04Z |
| | | BOP, KJZSV, KVT, UOP4, VIAL | | | BOP, KJZSV, KVT, UOP4, VIAL | | | BOP, KJZSV, KVT, UOP4, VIAL |
| | 08 | I28A, I28B, I28J | | 08 | I08A, I08B, I08C, I08D, I08E, I08F, I08J, I13A, I13B, I21J, I21Z, I31J, I31Z | | 08 | I13A, I13B, I13C, I13D, I13J |
| | 21A | W04A, W04B | | 21A | W04A, W04B | | 21A | W01A, W01B, W01C, W02A, W02B |
| 5t139.e↔ | 21B | X06A, X06B, X06C | 5t13a.7↔ | 21B | X06A, X06B, X06C | 5t13b.1↔ | 21B | X06A, X06B, X06C |
| | | BOP, KJZSV, KVT, UOP4, VIAL | | | BOP, KJZSV, KVT, UOP4, VIAL | | | BOP, KJZSV, KVT, UOP4, VIAL |
| | 01 | B03Z, B17A, B17B, B17C, B17J | | 08 | I08A, I08B, I08C, I08D, I08E, I08F, I08J, I21J, I21Z, I31J, I31Z | | 08 | I08A, I08B, I08C, I08D, I08E, I08F, I08J, I13A, I13B, I13C, I13D, I13J |
| | 08 | I08A, I08B, I08C, I08D, I08E, I08F, I08J | | 21A | W04A, W04B | | 21A | W01A, W01B, W01C, W02A, W02B |
| 5t139.f↔ | 10 | K09A, K09B | 5t13a.9↔ | 21B | X06A, X06B, X06C | 5t13b.3↔ | 21B | X04Z |
| | 21A | W01A, W01B, W01C, W02A, W02B | | | BOP, KJZSV, KVT, UOP4, VIAL | | | BOP, KJZSV, KVT, UOP4, VIAL |
| | 21B | X04Z | | 08 | I08A, I08B, I08C, I08D, I08E, I08F, I08J, I21J, I21Z, I31J, I31Z | | 08 | I08A, I08B, I08C, I08D, I08E, I08F, I08J, I13A, I13B, I13C, I13D, I13J |
| | | BOP, KJZSV, KVT, UOP4, VIAL | | 21A | W04A, W04B | | 21A | W04A, W04B |
| 5t139.g↔ | 01 | B03Z, B17A, B17B, B17C, B17J | 5t13a.e↔ | 01 | B03Z, B17A, B17B, B17C, B17J | 5t13b.4↔ | 21B | X06A, X06B, X06C |
| | 08 | I08A, I08B, I08C, I08D, I08E, I08F, I08J | | 08 | I08A, I08B, I08C, I08D, I08E, I08F, I08J | | 08 | I08A, I08B, I08C, I08D, I08E, I08F, I08J, I13A, I13B, I13C, I13D, I13J |
| | 10 | K09A, K09B | | 10 | K09A, K09B | | 21A | W01A, W01B, W01C, W02A, W02B |
| | 21A | W01A, W01B, W01C, W02A, W02B | | 21A | W01A, W01B, W01C, W02A, W02B | | 21B | X04Z |
| | 21B | X04Z | | 21B | X04Z | | | |
| | | BOP, KJZSV, KVT, UOP4, VIAL | | | BOP, KJZSV, KVT, UOP4, VIAL | | | |

VYK

| ZZV | MDC | DRG | ZZV | MDC | DRG | ZZV | MDC | DRG |
|----------|-----|--|----------|-----|--|----------|------------------------------|--|
| 5t13b.4↔ | | BOP, KJZSV, KVT, UOP4, VIAL | 5t13b.p↔ | | BOP, KJZSV, KVT, UOP4, VIAL | 5t13d.h↔ | | BOP, KJZSV, KVT, UOP4, VIAL |
| | 08 | I08A, I08B, I08C, I08D, I08E, I08F, I08J, I21J, I21Z, I31J, I31Z | | 08 | I13A, I13B, I13C, I13D, I13J | | 01 | B03Z, B17A, B17B, B17C, B17J |
| | 21A | W04A, W04B | | 21A | W01A, W01B, W01C, W02A, W02B | | 08 | I08A, I08B, I08C, I08D, I08E, I08F, I08J |
| 5t13b.6↔ | 21B | X06A, X06B, X06C | 5t13b.r↔ | 21B | X04Z | 21A | W01A, W01B, W01C, W02A, W02B | |
| | | BOP, KJZSV, KVT, UOP4, VIAL | | | BOP, KJZSV, KVT, UOP4, VIAL | 5t13d.j↔ | 21A | W01A, W01B, W01C, W02A, W02B |
| | 08 | I08A, I08B, I08C, I08D, I08E, I08F, I08J, I13A, I13B, I21J, I21Z, I31J, I31Z | | 08 | I13A, I13B, I13C, I13D, I13J | | 21B | X04Z |
| | 21A | W04A, W04B | | 21A | W01A, W01B, W01C, W02A, W02B | | | BOP, KJZSV, KVT, UOP4, VIAL |
| | 21B | X06A, X06B, X06C | 5t13b.x | 21B | X04Z | | 08 | I24J, I24Q, I24Z, I30J, I30Z |
| 5t13b.7↔ | | BOP, KJZSV, KVT, UOP4, VIAL | | | BOP, KJZSV, KVT, UOP4 | 21A | W04A, W04B | |
| | 08 | I08A, I08B, I08C, I08D, I08E, I08F, I08J, I21J, I21Z, I31J, I31Z | | 08 | I28A, I28B, I28J | 21B | X04Z | |
| | 21A | W04A, W04B | | 21A | W04A, W04B | 5t13d.k↔ | | BOP, KJZSV, KVT, UOP4, VIAL |
| | 21B | X06A, X06B, X06C | 5t13c.1↔ | 21B | X06A, X06B, X06C | | 08 | I13A, I13B, I13C, I13D, I13J |
| 5t13b.9↔ | | BOP, KJZSV, KVT, UOP4, VIAL | | | BOP, KJZSV, KVT, UOP4, VIAL | 21A | W01A, W01B, W01C, W02A, W02B | |
| | 08 | I08A, I08B, I08C, I08D, I08E, I08F, I08J, I21J, I21Z, I31J, I31Z | | 08 | I08A, I08B, I08C, I08D, I08E, I08F, I08J, I13A, I13B, I13C, I13D, I13J | 21B | X04Z | |
| | 21A | W04A, W04B | 5t13c.3↔ | 21A | W04A, W04B | 5t13d.n↔ | | BOP, KJZSV, KVT, UOP4, VIAL |
| | 21B | X06A, X06B, X06C | | 21B | X06A, X06B, X06C | | 08 | I13A, I13B, I13C, I13D, I13J |
| 5t13b.e↔ | | BOP, KJZSV, KVT, UOP4, VIAL | | | BOP, KJZSV, KVT, UOP4, VIAL | 21A | W01A, W01B, W01C, W02A, W02B | |
| | 01 | B03Z, B17A, B17B, B17C, B17J | 5t13c.e↔ | | BOP, KJZSV, KVT, UOP4, VIAL | 21B | X04Z | |
| | 08 | I08A, I08B, I08C, I08D, I08E, I08F, I08J | | 01 | B03Z, B17A, B17B, B17C, B17J | 5t13d.p↔ | | BOP, KJZSV, KVT, UOP4, VIAL |
| | 10 | K09A, K09B | | 08 | I08A, I08B, I08C, I08D, I08E, I08F, I08J | | 08 | I13A, I13B, I13C, I13D, I13J |
| | 21A | W01A, W01B, W01C, W02A, W02B | | 10 | K09A, K09B | | 21A | W01A, W01B, W01C, W02A, W02B |
| | 21B | X04Z | | 21A | W01A, W01B, W01C, W02A, W02B | | 21B | X04Z |
| 5t13b.f↔ | | BOP, KJZSV, KVT, UOP4, VIAL | | 21B | X04Z | 5t13d.x | | BOP, KJZSV, KVT, UOP4 |
| | 01 | B03Z, B17A, B17B, B17C, B17J | 5t13c.f↔ | | BOP, KJZSV, KVT, UOP4, VIAL | | 08 | I28A, I28B, I28J |
| | 08 | I08A, I08B, I08C, I08D, I08E, I08F, I08J | | 01 | B03Z, B17A, B17B, B17C, B17J | | 21A | W04A, W04B |
| | 10 | K09A, K09B | | 08 | I08A, I08B, I08C, I08D, I08E, I08F, I08J | | 21B | X06A, X06B, X06C |
| | 21A | W01A, W01B, W01C, W02A, W02B | | 10 | K09A, K09B | 5t13v.1↔ | | BOP, KJZSV, KVT, UOP4, VIAL |
| | 21B | X04Z | | 21A | W01A, W01B, W01C, W02A, W02B | | 08 | I08A, I08B, I08C, I08D, I08E, I08F, I08J, I13A, I13B, I13C, I13D, I13J |
| 5t13b.h↔ | | BOP, KJZSV, KVT, UOP4, VIAL | | 21B | X04Z | | 21A | W04A, W04B |
| | 01 | B03Z, B17A, B17B, B17C, B17J | 5t13c.h↔ | | BOP, KJZSV, KVT, UOP4, VIAL | 5t13v.3↔ | 21B | X06A, X06B, X06C |
| | 08 | I08A, I08B, I08C, I08D, I08E, I08F, I08J | | 01 | B03Z, B17A, B17B, B17C, B17J | | | BOP, KJZSV, KVT, UOP4, VIAL |
| | 21A | W01A, W01B, W01C, W02A, W02B | | 08 | I08A, I08B, I08C, I08D, I08E, I08F, I08J | | 08 | I08A, I08B, I08C, I08D, I08E, I08F, I08J, I13A, I13B, I13C, I13D, I13J |
| | 21B | X04Z | | 21A | W01A, W01B, W01C, W02A, W02B | | 21A | W04A, W04B |
| 5t13b.j↔ | | KJZSV, KVT | | 21B | X04Z | 5t13v.4↔ | 21B | X06A, X06B, X06C |
| 5t13b.k↔ | | BOP, KJZSV, KVT, UOP4, VIAL | | | BOP, KJZSV, KVT, UOP4, VIAL | | | BOP, KJZSV, KVT, UOP4, VIAL |
| | 08 | I13A, I13B, I13C, I13D, I13J | 5t13c.k↔ | | BOP, KJZSV, KVT, UOP4, VIAL | | 08 | I08A, I08B, I08C, I08D, I08E, I08F, I08J, I13A, I21J, I21Z, I31J, I31Z |
| | 21A | W01A, W01B, W01C, W02A, W02B | | 08 | I13A, I13B, I13C, I13D, I13J | | 21A | W04A, W04B |
| | 21B | X04Z | | 21A | W01A, W01B, W01C, W02A, W02B | | 21B | X06A, X06B, X06C |
| 5t13b.n↔ | | BOP, KJZSV, KVT, UOP4, VIAL | 5t13c.x | | BOP, KJZSV, KVT, UOP4 | 5t13v.6↔ | | BOP, KJZSV, KVT, UOP4, VIAL |
| | 08 | I13A, I13B, I13C, I13D, I13J | | 08 | I28A, I28B, I28J | | 08 | I08A, I08B, I08C, I08D, I08E, I08F, I08J, I13A, I21J, I21Z, I31J, I31Z |
| | 21A | W01A, W01B, W01C, W02A, W02B | | 21A | W04A, W04B | | 21A | W04A, W04B |
| | 21B | X04Z | | 21B | X06A, X06B, X06C | | 21B | X06A, X06B, X06C |

| ZZV | MDC | DRG | ZZV | MDC | DRG | ZZV | MDC | DRG |
|----------|-----|--|----------|-----|--|----------|------------------------------|--|
| 5t13v.7↔ | | BOP, KJZSV, KVT, UOP4, VIAL | 5t13v.r↔ | | BOP, KJZSV, KVT, UOP4, VIAL | 5t13x.f↔ | | BOP, KJZSV, KVT, UOP4, VIAL |
| | 08 | I08A, I08B, I08C, I08D, I08E, I08F, I08J, I13A, I21J, I21Z, I31J, I31Z | | 08 | I13A, I13B, I13C, I13D, I13J | | 01 | B03Z, B17A, B17B, B17C, B17J |
| | 21A | W04A, W04B | | 21A | W01A, W01B, W01C, W02A, W02B | | 08 | I08A, I08B, I08C, I08D, I08E, I08F, I08J |
| 5t13v.9↔ | 21B | X06A, X06B, X06C | 5t13v.x | | BOP, KJZSV, KVT, UOP4 | 10 | K09A, K09B | |
| | | BOP, KJZSV, KVT, UOP4, VIAL | | 08 | I13A, I28A, I28B, I28J | 21A | W01A, W01B, W01C, W02A, W02B | |
| | 08 | I08A, I08B, I08C, I08D, I08E, I08F, I08J, I13A, I21J, I21Z, I31J, I31Z | | 21A | W04A, W04B | 21B | X04Z | |
| 5t13v.e↔ | 21B | X06A, X06B, X06C | 5t13x.1↔ | | BOP, KJZSV, KVT, UOP4, VIAL | 5t13x.h↔ | | BOP, KJZSV, KVT, UOP4, VIAL |
| | | BOP, KJZSV, KVT, UOP4, VIAL | | 08 | I08A, I08B, I08C, I08D, I08E, I08F, I08J, I13A, I13B, I13C, I13D, I13J | | 01 | B03Z, B17A, B17B, B17C, B17J |
| | 01 | B03Z, B17A, B17B, B17C, B17J | | 21A | W04A, W04B | | 08 | I08A, I08B, I08C, I08D, I08E, I08F, I08J |
| 5t13v.f↔ | 08 | I08A, I08B, I08C, I08D, I08E, I08F, I08J, I13A | 5t13x.3↔ | | BOP, KJZSV, KVT, UOP4, VIAL | 5t13x.j↔ | | BOP, KJZSV, KVT, UOP4, VIAL |
| | 10 | K09A, K09B | | 08 | I08A, I08B, I08C, I08D, I08E, I08F, I08J, I13A, I13B, I13C, I13D, I13J | | 08 | I24J, I24Q, I24Z, I30J, I30Z |
| | 21A | W01A, W01B, W01C, W02A, W02B | | 21A | W04A, W04B | | 21A | W04A, W04B |
| 5t13v.h↔ | 21B | X04Z | 5t13x.4↔ | | BOP, KJZSV, KVT, UOP4, VIAL | 5t13x.k↔ | | BOP, KJZSV, KVT, UOP4, VIAL |
| | | BOP, KJZSV, KVT, UOP4, VIAL | | 08 | I08A, I08B, I08C, I08D, I08E, I08F, I08J, I21J, I21Z, I31J, I31Z | | 08 | I13A, I13B, I13C, I13D, I13J |
| | 01 | B03Z, B17A, B17B, B17C, B17J | | 21A | W04A, W04B | | 21A | W01A, W01B, W01C, W02A, W02B |
| 5t13v.j↔ | 08 | I08A, I08B, I08C, I08D, I08E, I08F, I08J, I13A | 5t13x.6↔ | | BOP, KJZSV, KVT, UOP4, VIAL | 5t13x.n↔ | | BOP, KJZSV, KVT, UOP4, VIAL |
| | 21A | W01A, W01B, W01C, W02A, W02B | | 08 | I08A, I08B, I08C, I08D, I08E, I08F, I08J, I13A, I13B, I21J, I21Z, I31J, I31Z | | 08 | I13A, I13B, I13C, I13D, I13J |
| | 21B | X04Z | | 21B | X06A, X06B, X06C | | 21A | W01A, W01B, W01C, W02A, W02B |
| 5t13v.k↔ | | BOP, KJZSV, KVT, UOP4, VIAL | 5t13x.7↔ | | BOP, KJZSV, KVT, UOP4, VIAL | 5t13x.p↔ | | BOP, KJZSV, KVT, UOP4, VIAL |
| | 01 | B03Z, B17A, B17B, B17C, B17J | | 08 | I08A, I08B, I08C, I08D, I08E, I08F, I08J, I21J, I21Z, I31J, I31Z | | 08 | I13A, I13B, I13C, I13D, I13J |
| | 08 | I08A, I08B, I08C, I08D, I08E, I08F, I08J, I13A | | 21A | W04A, W04B | | 21A | W01A, W01B, W01C, W02A, W02B |
| 5t13v.l↔ | 21A | W01A, W01B, W01C, W02A, W02B | 5t13x.9↔ | | BOP, KJZSV, KVT, UOP4, VIAL | 5t13x.r↔ | | BOP, KJZSV, KVT, UOP4, VIAL |
| | 21B | X04Z | | 08 | I08A, I08B, I08C, I08D, I08E, I08F, I08J, I21J, I21Z, I31J, I31Z | | 08 | I13A, I13B, I13C, I13D, I13J |
| | | BOP, KJZSV, KVT, UOP4, VIAL | | 21A | W04A, W04B | | 21A | W01A, W01B, W01C, W02A, W02B |
| 5t13v.m↔ | 08 | I13A, I13B, I13C, I13D, I13J | 5t13x.e↔ | | BOP, KJZSV, KVT, UOP4, VIAL | 5t13z.1↔ | | BOP, KJZSV, KVT, UOP4, VIAL |
| | 21A | W01A, W01B, W01C, W02A, W02B | | 01 | B03Z, B17A, B17B, B17C, B17J | | 08 | I08A, I08B, I08C, I08D, I08E, I08F, I08J, I13A, I13B, I13C, I13D, I13J |
| | 21B | X04Z | | 08 | I08A, I08B, I08C, I08D, I08E, I08F, I08J | | 21A | W04A, W04B |
| 5t13v.n↔ | | BOP, KJZSV, KVT, UOP4, VIAL | 5t13z.3↔ | | BOP, KJZSV, KVT, UOP4, VIAL | 5t13z.3↔ | | BOP, KJZSV, KVT, UOP4, VIAL |
| | 08 | I13A, I13B, I13C, I13D, I13J | | 08 | I08A, I08B, I08C, I08D, I08E, I08F, I08J | | 08 | I08A, I08B, I08C, I08D, I08E, I08F, I08J, I13A, I13B, I13C, I13D, I13J |
| | 21A | W01A, W01B, W01C, W02A, W02B | | 10 | K09A, K09B | | 21A | W01A, W01B, W01C, W02A, W02B |
| 5t13v.o↔ | 21B | X04Z | | | 21B | X04Z | | |
| | | BOP, KJZSV, KVT, UOP4, VIAL | | | | | | |
| | 08 | I13A, I13B, I13C, I13D, I13J | | | | | | |
| 5t13v.p↔ | 21A | W01A, W01B, W01C, W02A, W02B | | | | | | |
| | 21B | X04Z | | | | | | |
| | | BOP, KJZSV, KVT, UOP4, VIAL | | | | | | |

VYK

| ZZV | MDC | DRG | ZZV | MDC | DRG | ZZV | MDC | DRG |
|----------|-----|--|----------|-----|--|----------|-----|--|
| 5t13z.4↔ | | BOP, KJZSV, KVT, UOP4, VIAL | 5t13z.n↔ | | BOP, KJZSV, KVT, UOP4, VIAL | 5t140.x | | BOP, KJZSV, KVT, UOP4 |
| | 08 | I08A, I08B, I08C, I08D, I08E, I08F, I08J, I21J, I21Z, I31J, I31Z | | 08 | I13A, I13B, I13C, I13D, I13J | | 08 | I28A, I28B, I28J |
| | 21A | W04A, W04B | | 21A | W01A, W01B, W01C, W02A, W02B | | 21A | W04A, W04B |
| | 21B | X06A, X06B, X06C | | 21B | X04Z | | 21B | X06A, X06B, X06C |
| 5t13z.6↔ | | BOP, KJZSV, KVT, UOP4, VIAL | 5t13z.p↔ | | BOP, KJZSV, KVT, UOP4, VIAL | 5t140.z↔ | | BOP, KJZSV, KVT, UOP4, VIAL |
| | 08 | I08A, I08B, I08C, I08D, I08E, I08F, I08J, I13A, I13B, I21J, I21Z, I31J, I31Z | | 08 | I13A, I13B, I13C, I13D, I13J | | 08 | I28A, I28B, I28C, I28J |
| | 21A | W04A, W04B | | 21A | W01A, W01B, W01C, W02A, W02B | | 21A | W04A, W04B |
| | 21B | X06A, X06B, X06C | | 21B | X04Z | | 21B | X06A, X06B, X06C |
| 5t13z.7↔ | | BOP, KJZSV, KVT, UOP4, VIAL | 5t13z.r↔ | | BOP, KJZSV, KVT, UOP4, VIAL | 5t141.0↔ | | BOP, KJZSV, KVT, UOP4, VIAL |
| | 08 | I08A, I08B, I08C, I08D, I08E, I08F, I08J, I21J, I21Z, I31J, I31Z | | 08 | I13A, I13B, I13C, I13D, I13J | | 08 | I21J, I21Z |
| | 21A | W04A, W04B | | 21A | W01A, W01B, W01C, W02A, W02B | | 21A | W04A, W04B |
| | 21B | X06A, X06B, X06C | | 21B | X04Z | | 21B | X06A, X06B, X06C |
| 5t13z.9↔ | | BOP, KJZSV, KVT, UOP4, VIAL | 5t13z.x | | BOP, KJZSV, KVT, UOP4 | 5t141.a↔ | | BOP, KJZSV, KVT, UOP4, VIAL |
| | 08 | I08A, I08B, I08C, I08D, I08E, I08F, I08J, I21J, I21Z, I31J, I31Z | | 08 | I28A, I28B, I28J | | 08 | I32A, I32B, I32C, I32D, I32E, I32F, I32J, I32Q, I32R, I32S, I32T, I32U |
| | 21A | W04A, W04B | | 21A | W04A, W04B | | 21A | W04A, W04B |
| | 21B | X06A, X06B, X06C | | 21B | X06A, X06B, X06C | | 21B | X05A |
| 5t13z.e↔ | | BOP, KJZSV, KVT, UOP4, VIAL | 5t140.0↔ | | BOP, KJZSV, KVT, UOP4, VIAL | 5t141.b↔ | | BOP, KVT, UOP4, VIAL |
| | 01 | B03Z, B17A, B17B, B17C, B17J | | 08 | I29J, I29Q, I29Z | | 08 | I32A, I32B, I32C, I32D, I32E, I32F, I32J, I32Q, I32R, I32S, I32T, I32U |
| | 08 | I08A, I08B, I08C, I08D, I08E, I08F, I08J | | 21A | W04A, W04B | | 21A | W04A, W04B |
| | 10 | K09A, K09B | | 21B | X06A, X06B, X06C | | 21B | X05A |
| 5t13z.f↔ | | BOP, KJZSV, KVT, UOP4, VIAL | 5t140.a↔ | | BOP, KJZSV, KVT, UOP4, VIAL | 5t141.c↔ | | BOP, KJZSV, KVT, UOP4, VIAL |
| | 01 | B03Z, B17A, B17B, B17C, B17J | | 08 | I32A, I32B, I32C, I32D, I32E, I32F, I32J, I32Q, I32R, I32S, I32T, I32U | | 08 | I32A, I32B, I32C, I32D, I32E, I32F, I32J, I32Q, I32R, I32S, I32T, I32U |
| | 08 | I08A, I08B, I08C, I08D, I08E, I08F, I08J | | 21A | W04A, W04B | | 21A | W04A, W04B |
| | 10 | K09A, K09B | | 21B | X05A | | 21B | X05A |
| 5t13z.h↔ | | BOP, KJZSV, KVT, UOP4, VIAL | 5t140.b↔ | | BOP, KJZSV, KVT, UOP4, VIAL | 5t141.u↔ | | BOP, KJZSV, KVT, UOP4, VIAL |
| | 01 | B03Z, B17A, B17B, B17C, B17J | | 08 | I32A, I32B, I32C, I32D, I32E, I32F, I32J, I32Q, I32R, I32S, I32T, I32U | | 08 | I20A, I20B, I20C, I20D, I20E, I20F, I20J, I20Q, I20R |
| | 08 | I08A, I08B, I08C, I08D, I08E, I08F, I08J | | 21A | W04A, W04B | | 21A | W04A, W04B |
| | 10 | K09A, K09B | | 21B | X05A | | 21B | X04Z |
| 5t13z.j↔ | | BOP, KJZSV, KVT, UOP4, VIAL | 5t140.c↔ | | BOP, KJZSV, KVT, UOP4, VIAL | 5t141.v↔ | | BOP, KJZSV, KVT, UOP4, VIAL |
| | 01 | B03Z, B17A, B17B, B17C, B17J | | 01 | B03Z, B07Z, B17A, B17B, B17C, B17J | | 08 | I20A, I20B, I20C, I20D, I20E, I20F, I20J, I20Q, I20R |
| | 08 | I08A, I08B, I08C, I08D, I08E, I08F, I08J | | 08 | I32A, I32B, I32C, I32D, I32E, I32F, I32J, I32Q, I32R, I32S, I32T, I32U | | 21A | W04A, W04B |
| | 10 | K09A, K09B | | 21A | W04A, W04B | | 21B | X04Z |
| 5t13z.k↔ | | BOP, KJZSV, KVT, UOP4, VIAL | 5t140.u↔ | | BOP, KJZSV, KVT, UOP4, VIAL | 5t141.w↔ | | BOP, KJZSV, KVT, UOP4, VIAL |
| | 01 | B03Z, B17A, B17B, B17C, B17J | | 08 | I20A, I20B, I20C, I20D, I20E, I20F, I20J, I20Q, I20R | | 08 | I20A, I20B, I20C, I20D, I20E, I20F, I20J, I20Q, I20R |
| | 08 | I08A, I08B, I08C, I08D, I08E, I08F, I08J | | 21A | W04A, W04B | | 21A | W04A, W04B |
| | 10 | K09A, K09B | | 21B | X04Z | | 21B | X06A, X06B, X06C |
| 5t13z.l↔ | | BOP, KJZSV, KVT, UOP4, VIAL | 5t140.v↔ | | BOP, KJZSV, KVT, UOP4, VIAL | 5t141.z↔ | | BOP, KJZSV, KVT, UOP4, VIAL |
| | 01 | B03Z, B17A, B17B, B17C, B17J | | 08 | I20A, I20B, I20C, I20D, I20E, I20F, I20J, I20Q, I20R | | 08 | I28A, I28B, I28C, I28J |
| | 08 | I08A, I08B, I08C, I08D, I08E, I08F, I08J | | 21A | W04A, W04B | | 21A | W04A, W04B |
| | 10 | K09A, K09B | | 21B | X04Z | | 21B | X06A, X06B, X06C |
| 5t13z.m↔ | | BOP, KJZSV, KVT, UOP4, VIAL | 5t140.w↔ | | BOP, KJZSV, KVT, UOP4, VIAL | 5t143.0↔ | | BOP, KJZSV, KVT, UOP4, VIAL |
| | 01 | B03Z, B17A, B17B, B17C, B17J | | 08 | I20A, I20B, I20C, I20D, I20E, I20F, I20J, I20Q, I20R | | 08 | I21J, I21Z |
| | 08 | I08A, I08B, I08C, I08D, I08E, I08F, I08J | | 21A | W04A, W04B | | 21A | W04A, W04B |
| | 10 | K09A, K09B | | 21B | X04Z | | 21B | X06A, X06B, X06C |

VYK

| ZZV | MDC | DRG | ZZV | MDC | DRG | ZZV | MDC | DRG |
|----------|-----|--|----------|-----|--|----------|-----|--|
| 5t143.a↔ | | BOP, KJZSV, KVT, UOP4, VIAL | 5t144.c↔ | | BOP, KJZSV, KVT, UOP4, VIAL | 5t14b.u↔ | | BOP, KJZSV, KVT, UOP4, VIAL |
| | 08 | I32A, I32B, I32C, I32D, I32E, I32F, I32J, I32Q, I32R, I32S, I32T, I32U | | 08 | I32A, I32B, I32C, I32D, I32E, I32F, I32J, I32Q, I32R, I32S, I32T, I32U | | 08 | I20A, I20B, I20C, I20D, I20E, I20F, I20J, I20Q, I20R |
| | 21A | W04A, W04B | | 21A | W04A, W04B | | 21A | W04A, W04B |
| | 21B | X05A | | 21B | X05A | | 21B | X04Z |
| 5t143.b↔ | | BOP, KJZSV, KVT, UOP4, VIAL | 5t144.u↔ | | BOP, KJZSV, KVT, UOP4, VIAL | 5t14b.v↔ | | BOP, KJZSV, KVT, UOP4, VIAL |
| | 08 | I32A, I32B, I32C, I32D, I32E, I32F, I32J, I32Q, I32R, I32S, I32T, I32U | | 08 | I20A, I20B, I20C, I20D, I20E, I20F, I20J, I20Q, I20R | | 08 | I20A, I20B, I20C, I20D, I20E, I20F, I20J, I20Q, I20R |
| | 21A | W04A, W04B | | 21A | W04A, W04B | | 21A | W04A, W04B |
| | 21B | X05A | | 21B | X04Z | | 21B | X04Z |
| 5t143.c↔ | | BOP, KJZSV, KVT, UOP4, VIAL | 5t144.v↔ | | BOP, KJZSV, KVT, UOP4, VIAL | 5t14b.w↔ | | BOP, KJZSV, KVT, UOP4, VIAL |
| | 08 | I32A, I32B, I32C, I32D, I32E, I32F, I32J, I32Q, I32R, I32S, I32T, I32U | | 08 | I20A, I20B, I20C, I20D, I20E, I20F, I20J, I20Q, I20R | | 08 | I20A, I20B, I20C, I20D, I20E, I20F, I20J, I20Q, I20R |
| | 21A | W04A, W04B | | 21A | W04A, W04B | | 21A | W04A, W04B |
| | 21B | X05A | | 21B | X04Z | | 21B | X04Z |
| 5t143.u↔ | | BOP, KJZSV, KVT, UOP4, VIAL | 5t144.w↔ | | BOP, KJZSV, KVT, UOP4, VIAL | 5t14b.x | | BOP, KJZSV, KVT, UOP4, VIAL |
| | 08 | I20A, I20B, I20C, I20D, I20E, I20F, I20J, I20Q, I20R | | 08 | I20A, I20B, I20C, I20D, I20E, I20F, I20J, I20Q, I20R | | 08 | I28A, I28B, I28J |
| | 21A | W04A, W04B | | 21A | W04A, W04B | | 21A | W04A, W04B |
| | 21B | X04Z | | 21B | X04Z | | 21B | X06A, X06B, X06C |
| 5t143.v↔ | | BOP, KJZSV, KVT, UOP4, VIAL | 5t144.x | | BOP, KJZSV, KVT, UOP4, VIAL | 5t14b.z↔ | | BOP, KJZSV, KVT, UOP4, VIAL |
| | 08 | I20A, I20B, I20C, I20D, I20E, I20F, I20J, I20Q, I20R | | 08 | I28A, I28B, I28J | | 08 | I28A, I28B, I28C, I28J |
| | 21A | W04A, W04B | | 21A | W04A, W04B | | 21A | W04A, W04B |
| | 21B | X04Z | | 21B | X06A, X06B, X06C | | 21B | X06A, X06B, X06C |
| 5t143.w↔ | | BOP, KJZSV, KVT, UOP4, VIAL | 5t144.z↔ | | BOP, KJZSV, KVT, UOP4, VIAL | 5t14d.0↔ | | BOP, KJZSV, KVT, UOP4, VIAL |
| | 08 | I20A, I20B, I20C, I20D, I20E, I20F, I20J, I20Q, I20R | | 08 | I28A, I28B, I28C, I28J | | 08 | I29J, I29Q, I29Z |
| | 21A | W04A, W04B | | 21A | W04A, W04B | | 21A | W04A, W04B |
| | 21B | X04Z | | 21B | X06A, X06B, X06C | | 21B | X06A, X06B, X06C |
| 5t143.x | | BOP, KJZSV, KVT, UOP4, VIAL | 5t14a.0↔ | | BOP, KJZSV, KVT, UOP4, VIAL | 5t14d.u↔ | | BOP, KJZSV, KVT, UOP4, VIAL |
| | 08 | I28A, I28B, I28J | | 08 | I21J, I21Z | | 08 | I20A, I20B, I20C, I20D, I20E, I20F, I20J, I20Q, I20R |
| | 21A | W04A, W04B | | 21A | W04A, W04B | | 21A | W04A, W04B |
| | 21B | X06A, X06B, X06C | | 21B | X06A, X06B, X06C | | 21B | X04Z |
| 5t143.z↔ | | BOP, KJZSV, KVT, UOP4, VIAL | 5t14a.x | | BOP, KJZSV, KVT, UOP4, VIAL | 5t14d.v↔ | | BOP, KJZSV, KVT, UOP4, VIAL |
| | 08 | I28A, I28B, I28C, I28J | | 08 | I28A, I28B, I28J | | 08 | I20A, I20B, I20C, I20D, I20E, I20F, I20J, I20Q, I20R |
| | 21A | W04A, W04B | | 21A | W04A, W04B | | 21A | W04A, W04B |
| | 21B | X06A, X06B, X06C | | 21B | X06A, X06B, X06C | | 21B | X04Z |
| 5t144.0↔ | | BOP, KJZSV, KVT, UOP4, VIAL | 5t14b.0↔ | | BOP, KJZSV, KVT, UOP4, VIAL | 5t14d.x | | BOP, KJZSV, KVT, UOP4, VIAL |
| | 08 | I21J, I21Z | | 08 | I29J, I29Q, I29Z | | 08 | I28A, I28B, I28J |
| | 21A | W04A, W04B | | 21A | W04A, W04B | | 21A | W04A, W04B |
| | 21B | X06A, X06B, X06C | | 21B | X06A, X06B, X06C | | 21B | X06A, X06B, X06C |
| 5t144.a↔ | | BOP, KJZSV, KVT, UOP4, VIAL | 5t14b.a↔ | | BOP, KJZSV, KVT, UOP4, VIAL | 5t14d.z↔ | | BOP, KJZSV, KVT, UOP4, VIAL |
| | 08 | I32A, I32B, I32C, I32D, I32E, I32F, I32J, I32Q, I32R, I32S, I32T, I32U | | 08 | I32A, I32B, I32C, I32D, I32E, I32F, I32J, I32Q, I32R, I32S, I32T, I32U | | 08 | I28A, I28B, I28C, I28J |
| | 21A | W04A, W04B | | 21A | W04A, W04B | | 21A | W04A, W04B |
| | 21B | X05A | | 21B | X05A | | 21B | X06A, X06B, X06C |
| 5t144.b↔ | | BOP, KVT, UOP4, VIAL | 5t14b.b↔ | | BOP, KJZSV, KVT, UOP4, VIAL | 5t14t.0↔ | | BOP, KJZSV, KVT, UOP4, VIAL |
| | 08 | I32A, I32B, I32C, I32D, I32E, I32F, I32J, I32Q, I32R, I32S, I32T, I32U | | 08 | I32A, I32B, I32C, I32D, I32E, I32F, I32J, I32Q, I32R, I32S, I32T, I32U | | 08 | I29J, I29Q, I29Z |
| | 21A | W04A, W04B | | 21A | W04A, W04B | | 21A | W04A, W04B |
| | 21B | X05A | | 21B | X05A | | 21B | X06A, X06B, X06C |
| | 08 | I32A, I32B, I32C, I32D, I32E, I32F, I32J, I32Q, I32R, I32S, I32T, I32U | 5t14b.c↔ | | BOP, KJZSV, KVT, UOP4, VIAL | 5t14t.a↔ | | BOP, KJZSV, KVT, UOP4, VIAL |
| | 21A | W04A, W04B | | 08 | I32A, I32B, I32C, I32D, I32E, I32F, I32J, I32Q, I32R, I32S, I32T, I32U | | 08 | I32A, I32B, I32C, I32D, I32E, I32F, I32J, I32Q, I32R, I32S, I32T, I32U |
| | 21B | X05A | | 21A | W04A, W04B | | 21A | W04A, W04B |
| | | | | 21B | X05A | | 21B | X05A |

VYK

| ZZV | MDC | DRG | ZZV | MDC | DRG | ZZV | MDC | DRG |
|----------|-----|--|----------|-----|--|----------|-----|--|
| 5t14t.b↔ | | BOP, KJZSV, KVT, UOP4, VIAL | 5t14v.x | | BOP, KJZSV, KVT, UOP4 | 5t14z.b↔ | | BOP, KJZSV, KVT, UOP4, VIAL |
| | 08 | I32A, I32B, I32C, I32D, I32E, I32F, I32J, I32Q, I32R, I32S, I32T, I32U | | 08 | I13A, I28A, I28B, I28J | | 08 | I32A, I32B, I32C, I32D, I32E, I32F, I32J, I32Q, I32R, I32S, I32T, I32U |
| | 21A | W04A, W04B | | 21A | W04A, W04B | | 21A | W04A, W04B |
| | 21B | X05A | 5t14x.0↔ | | BOP, KJZSV, KVT, UOP4, VIAL | | 21B | X05A |
| 5t14t.c↔ | | BOP, KJZSV, KVT, UOP4, VIAL | | 08 | I29J, I29Q, I29Z | 5t14z.c↔ | | BOP, KJZSV, KVT, UOP4, VIAL |
| | 08 | I32A, I32B, I32C, I32D, I32E, I32F, I32J, I32Q, I32R, I32S, I32T, I32U | | 21A | W04A, W04B | | 08 | I32A, I32B, I32C, I32D, I32E, I32F, I32J, I32Q, I32R, I32S, I32T, I32U |
| | 21A | W04A, W04B | | 21B | X06A, X06B, X06C | | 21A | W04A, W04B |
| | 21B | X05A | 5t14x.a↔ | | BOP, KJZSV, KVT, UOP4, VIAL | | 21B | X05A |
| 5t14t.u↔ | | BOP, KJZSV, KVT, UOP4, VIAL | | 08 | I32A, I32B, I32C, I32D, I32E, I32F, I32J, I32Q, I32R, I32S, I32T, I32U | 5t14z.j↔ | | BOP, KJZSV, KVT, UOP4, VIAL |
| | 08 | I20A, I20B, I20C, I20D, I20E, I20F, I20J, I20Q, I20R | | 21A | W04A, W04B | | 08 | I20A, I20B, I20C, I20D, I20E, I20F, I20J, I20Q, I20R |
| | 21A | W04A, W04B | | 21B | X05A, X05B | | 21A | W04A, W04B |
| | 21B | X04Z | 5t14x.b↔ | | BOP, KJZSV, KVT, UOP4, VIAL | | 21B | X04Z |
| 5t14t.v↔ | | BOP, KJZSV, KVT, UOP4, VIAL | | 08 | I32A, I32B, I32C, I32D, I32E, I32F, I32J, I32Q, I32R, I32S, I32T, I32U | 5t14z.u↔ | | BOP, KJZSV, KVT, UOP4, VIAL |
| | 08 | I20A, I20B, I20C, I20D, I20E, I20F, I20J, I20Q, I20R | | 21A | W04A, W04B | | 08 | I20A, I20B, I20C, I20D, I20E, I20F, I20J, I20Q, I20R |
| | 21A | W04A, W04B | | 21B | X05A, X05B | | 21A | W04A, W04B |
| | 21B | X04Z | 5t14x.c↔ | | BOP, KJZSV, KVT, UOP4, VIAL | | 21B | X04Z |
| 5t14t.w↔ | | BOP, KJZSV, KVT, UOP4, VIAL | | 08 | I32A, I32B, I32C, I32D, I32E, I32F, I32J, I32Q, I32R, I32S, I32T, I32U | 5t14z.v↔ | | BOP, KJZSV, KVT, UOP4, VIAL |
| | 08 | I20A, I20B, I20C, I20D, I20E, I20F, I20J, I20Q, I20R | | 21A | W04A, W04B | | 08 | I20A, I20B, I20C, I20D, I20E, I20F, I20J, I20Q, I20R |
| | 21A | W04A, W04B | | 21B | X05A, X05B | | 21A | W04A, W04B |
| | 21B | X04Z | 5t14x.u↔ | | BOP, KJZSV, KVT, UOP4, VIAL | | 21B | X04Z |
| 5t14t.x | | BOP, KJZSV, KVT, UOP4 | | 08 | I20A, I20B, I20C, I20D, I20E, I20F, I20J, I20Q, I20R | 5t14z.w↔ | | BOP, KJZSV, KVT, UOP4, VIAL |
| | 08 | I28A, I28B, I28J | | 21A | W04A, W04B | | 08 | I20A, I20B, I20C, I20D, I20E, I20F, I20J, I20Q, I20R |
| | 21A | W04A, W04B | | 21B | X04Z | | 21A | W04A, W04B |
| | 21B | X06A, X06B, X06C | 5t14x.v↔ | | BOP, KJZSV, KVT, UOP4, VIAL | | 21B | X04Z |
| 5t14t.z↔ | | BOP, KJZSV, KVT, UOP4, VIAL | | 08 | I20A, I20B, I20C, I20D, I20E, I20F, I20J, I20Q, I20R | 5t14z.x | | BOP, KJZSV, KVT, UOP4 |
| | 08 | I28A, I28B, I28C, I28J | | 21A | W04A, W04B | | 08 | I28A, I28B, I28J |
| | 21A | W04A, W04B | | 21B | X04Z | | 21A | W04A, W04B |
| | 21B | X06A, X06B, X06C | 5t14x.w↔ | | BOP, KJZSV, KVT, UOP4, VIAL | | 21B | X06A, X06B, X06C |
| 5t14v.a↔ | | BOP, KJZSV, KVT, UOP4, VIAL | | 08 | I20A, I20B, I20C, I20D, I20E, I20F, I20J, I20Q, I20R | 5t14z.z↔ | | BOP, KJZSV, KVT, UOP4, VIAL |
| | 08 | I13A, I32A, I32B, I32C, I32D, I32E, I32F, I32J, I32Q, I32R, I32S, I32T, I32U | | 21A | W04A, W04B | | 08 | I28A, I28B, I28C, I28J |
| | 21A | W04A, W04B | | 21B | X04Z | | 21A | W04A, W04B |
| | 21B | X05A | 5t14x.x | | BOP, KJZSV, KVT, UOP4 | | 21B | X06A, X06B, X06C |
| 5t14v.b↔ | | BOP, KJZSV, KVT, UOP4, VIAL | | 08 | I28A, I28B, I28J | 5t150.0↔ | | BOP, KJZSV, KVT, UOP4, VIAL |
| | 08 | I13A, I32A, I32B, I32C, I32D, I32E, I32F, I32J, I32Q, I32R, I32S, I32T, I32U | | 21A | W04A, W04B | | 08 | I28B, I29J, I29Q, I29Z |
| | 21A | W04A, W04B | | 21B | X06A, X06B, X06C | | 21A | W04A, W04B |
| | 21B | X05A | 5t14x.z↔ | | BOP, KJZSV, KVT, UOP4, VIAL | | 21B | X05A, X06A, X06B, X06C |
| 5t14v.u↔ | | BOP, KJZSV, KVT, UOP4, VIAL | | 08 | I28A, I28B, I28C, I28J | 5t150.a↔ | | BOP, KJZSV, KVT, UOP4, VIAL |
| | 08 | I13A, I20A, I20B, I20C, I20D, I20E, I20F, I20J, I20Q, I20R | | 21A | W04A, W04B | | 08 | I32A, I32B, I32C, I32D, I32E, I32F, I32J, I32Q, I32R, I32S, I32T, I32U |
| | 21A | W04A, W04B | | 21B | X06A, X06B, X06C | | 21A | W04A, W04B |
| | 21B | X04Z | 5t14z.0↔ | | BOP, KJZSV, KVT, UOP4, VIAL | | 21B | X05A |
| 5t14v.v↔ | | BOP, KJZSV, KVT, UOP4, VIAL | | 08 | I29J, I29Q, I29Z | 5t150.b↔ | | BOP, KJZSV, KVT, UOP4, VIAL |
| | 08 | I13A, I20A, I20B, I20C, I20D, I20E, I20F, I20J, I20Q, I20R | | 21A | W04A, W04B | | 08 | I32A, I32B, I32C, I32D, I32E, I32F, I32J, I32Q, I32R, I32S, I32T, I32U |
| | 21A | W04A, W04B | | 21B | X06A, X06B, X06C | | 21A | W04A, W04B |
| | 21B | X04Z | 5t14z.a↔ | | BOP, KJZSV, KVT, UOP4, VIAL | | 21B | X05A |
| | | | | 08 | I32A, I32B, I32C, I32D, I32E, I32F, I32J, I32Q, I32R, I32S, I32T, I32U | | | |
| | | | | 21A | W04A, W04B | | | |
| | | | | 21B | X05A | | | |

| ZZV | MDC | DRG | ZZV | MDC | DRG | ZZV | MDC | DRG |
|----------|-----|--|----------|-----|--|----------|-----|--|
| 5t150.c↔ | | BOP, KJZSV, KVT, UOP4, VIAL | 5t151.v↔ | | BOP, KJZSV, KVT, UOP4, VIAL | 5t153.z↔ | | BOP, KJZSV, KVT, UOP4, VIAL |
| | 01 | B03Z, B07Z, B17A, B17B, B17C, B17J | | 08 | I20A, I20B, I20C, I20D, I20J, I20Q, I20R | | 08 | I28A, I28B, I28J |
| | 08 | I32A, I32B, I32C, I32D, I32E, I32F, I32J, I32Q, I32R, I32S, I32T, I32U | | 21A | W04A, W04B | | 21A | W04A, W04B |
| | 21A | W04A, W04B | | 21B | X04Z, X05A | 5t154.0↔ | | X05A, X06A, X06B, X06C |
| | 21B | X05A | 5t151.w↔ | | BOP, KJZSV, KVT, UOP4, VIAL | | | BOP, KJZSV, KVT, UOP4, VIAL |
| 5t150.u↔ | | BOP, KJZSV, KVT, UOP4, VIAL | | 08 | I20A, I20B, I20C, I20D, I20E, I20F, I20J, I20Q, I20R | | 08 | I21J, I21Z, I28B |
| | 08 | I20A, I20B, I20C, I20D, I20J, I20Q, I20R | | 21A | W04A, W04B | | 21A | W04A, W04B |
| | 21A | W04A, W04B | | 21B | X04Z, X05A | 5t154.a↔ | | X05A, X06A, X06B, X06C |
| | 21B | X04Z, X05A | 5t151.x | | BOP, KJZSV, KVT, UOP4 | | | BOP, KJZSV, KVT, UOP4, VIAL |
| 5t150.v↔ | | BOP, KJZSV, KVT, UOP4, VIAL | | 08 | I28A, I28B, I28J | | 08 | I32A, I32B, I32C, I32D, I32E, I32F, I32J, I32Q, I32R, I32S, I32T, I32U |
| | 08 | I20A, I20B, I20C, I20D, I20J, I20Q, I20R | | 21A | W04A, W04B | | 21A | W04A, W04B |
| | 21A | W04A, W04B | | 21B | X06A, X06B, X06C | | 21B | X05A |
| | 21B | X04Z, X05A | 5t151.z↔ | | BOP, KJZSV, KVT, UOP4, VIAL | 5t154.b↔ | | BOP, KVT, UOP4, VIAL |
| 5t150.w↔ | | BOP, KJZSV, KVT, UOP4, VIAL | | 08 | I28A, I28B, I28C, I28J | | 08 | I32A, I32B, I32C, I32D, I32E, I32F, I32J, I32Q, I32R, I32S, I32T, I32U |
| | 08 | I20A, I20B, I20C, I20D, I20E, I20F, I20J, I20Q, I20R | | 21A | W04A, W04B | | 21A | W04A, W04B |
| | 21A | W04A, W04B | | 21B | X05A, X06A, X06B, X06C | | 21B | X05A |
| | 21B | X04Z, X05A | 5t153.0↔ | | BOP, KJZSV, KVT, UOP4, VIAL | 5t154.c↔ | | BOP, KJZSV, KVT, UOP4, VIAL |
| 5t150.x | | BOP, KJZSV, KVT, UOP4 | | 08 | I21J, I21Z, I28B | | 08 | I32A, I32B, I32C, I32D, I32E, I32F, I32J, I32Q, I32R, I32S, I32T, I32U |
| | 08 | I28A, I28B, I28J | | 21A | W04A, W04B | | 21A | W04A, W04B |
| | 21A | W04A, W04B | | 21B | X05A, X06A, X06B, X06C | | 21B | X05A |
| | 21B | X06A, X06B, X06C | 5t153.a↔ | | BOP, KJZSV, KVT, UOP4, VIAL | 5t154.u↔ | | BOP, KJZSV, KVT, UOP4, VIAL |
| 5t150.z↔ | | BOP, KJZSV, KVT, UOP4, VIAL | | 08 | I32A, I32B, I32C, I32D, I32E, I32F, I32J, I32Q, I32R, I32S, I32T, I32U | | 08 | I20A, I20B, I20C, I20D, I20J, I20Q, I20R |
| | 08 | I28A, I28B, I28J | | 21A | W04A, W04B | | 21A | W04A, W04B |
| | 21A | W04A, W04B | | 21B | X05A | | 21B | X04Z, X05A |
| | 21B | X05A, X06A, X06B, X06C | 5t153.b↔ | | BOP, KJZSV, KVT, UOP4, VIAL | 5t154.v↔ | | BOP, KJZSV, KVT, UOP4, VIAL |
| 5t151.0↔ | | BOP, KJZSV, KVT, UOP4, VIAL | | 08 | I32A, I32B, I32C, I32D, I32E, I32F, I32J, I32Q, I32R, I32S, I32T, I32U | | 08 | I20A, I20B, I20C, I20D, I20J, I20Q, I20R |
| | 08 | I21J, I21Z | | 21A | W04A, W04B | | 21A | W04A, W04B |
| | 21A | W04A, W04B | | 21B | X05A | | 21B | X04Z, X05A |
| | 21B | X05A, X06A, X06B, X06C | 5t153.c↔ | | BOP, KJZSV, KVT, UOP4, VIAL | 5t154.w↔ | | BOP, KJZSV, KVT, UOP4, VIAL |
| 5t151.a↔ | | BOP, KJZSV, KVT, UOP4, VIAL | | 08 | I32A, I32B, I32C, I32D, I32E, I32F, I32J, I32Q, I32R, I32S, I32T, I32U | | 08 | I20A, I20B, I20C, I20D, I20E, I20F, I20J, I20Q, I20R |
| | 08 | I32A, I32B, I32C, I32D, I32E, I32F, I32J, I32Q, I32R, I32S, I32T, I32U | | 21A | W04A, W04B | | 21A | W04A, W04B |
| | 21A | W04A, W04B | | 21B | X05A | | 21B | X04Z, X05A |
| | 21B | X05A | 5t153.u↔ | | BOP, KJZSV, KVT, UOP4, VIAL | 5t154.x | | BOP, KJZSV, KVT, UOP4 |
| 5t151.b↔ | | BOP, KVT, UOP4, VIAL | | 08 | I20A, I20B, I20C, I20D, I20J, I20Q, I20R | | 08 | I28A, I28B, I28J |
| | 08 | I32A, I32B, I32C, I32D, I32E, I32F, I32J, I32Q, I32R, I32S, I32T, I32U | | 21A | W04A, W04B | | 21A | W04A, W04B |
| | 21A | W04A, W04B | | 21B | X04Z, X05A | | 21B | X06A, X06B, X06C |
| | 21B | X05A | 5t153.v↔ | | BOP, KJZSV, KVT, UOP4, VIAL | 5t154.z↔ | | BOP, KJZSV, KVT, UOP4, VIAL |
| 5t151.c↔ | | BOP, KJZSV, KVT, UOP4, VIAL | | 08 | I20A, I20B, I20C, I20D, I20E, I20F, I20J, I20Q, I20R | | 08 | I28A, I28B, I28J |
| | 08 | I32A, I32B, I32C, I32D, I32E, I32F, I32J, I32Q, I32R, I32S, I32T, I32U | | 21A | W04A, W04B | | 21A | W04A, W04B |
| | 21A | W04A, W04B | | 21B | X04Z, X05A | | 21B | X05A, X06A, X06B, X06C |
| | 21B | X05A | 5t153.w↔ | | BOP, KJZSV, KVT, UOP4, VIAL | 5t15b.0↔ | | BOP, KJZSV, KVT, UOP4, VIAL |
| 5t151.u↔ | | BOP, KJZSV, KVT, UOP4, VIAL | | 08 | I20A, I20B, I20C, I20D, I20E, I20F, I20J, I20Q, I20R | | 08 | I28B, I29J, I29Q, I29Z |
| | 08 | I20A, I20B, I20C, I20D, I20J, I20Q, I20R | | 21A | W04A, W04B | | 21A | W04A, W04B |
| | 21A | W04A, W04B | | 21B | X04Z, X05A | | 21B | X05A, X06A, X06B, X06C |
| | 21B | X04Z, X05A | 5t153.x | | BOP, KJZSV, KVT, UOP4 | 5t15b.a↔ | | BOP, KJZSV, KVT, UOP4, VIAL |
| | | | | 08 | I28A, I28B, I28J | | 08 | I32A, I32B, I32C, I32D, I32E, I32F, I32J, I32Q, I32R, I32S, I32T, I32U |
| | | | | 21A | W04A, W04B | | 21A | W04A, W04B |
| | | | | 21B | X06A, X06B, X06C | | 21B | X05A |

VYK

| ZZV | MDC | DRG | ZZV | MDC | DRG | ZZV | MDC | DRG |
|----------|-----|--|----------|-----|--|----------|-----|--|
| 5t15b.b↔ | | BOP, KJZSV, KVT, UOP4, VIAL | 5t15v.a↔ | | BOP, KJZSV, KVT, UOP4, VIAL | 5t15x.w↔ | | BOP, KJZSV, KVT, UOP4, VIAL |
| | 08 | I32A, I32B, I32C, I32D, I32E, I32F, I32J, I32Q, I32R, I32S, I32T, I32U | | 08 | I13A, I32A, I32B, I32C, I32D, I32E, I32F, I32J, I32Q, I32R, I32S, I32T, I32U | | 08 | I20A, I20B, I20C, I20D, I20E, I20F, I20J, I20Q, I20R |
| | 21A | W04A, W04B | | 21A | W04A, W04B | | 21A | W04A, W04B |
| | 21B | X05A | | 21B | X05A | | 21B | X04Z |
| 5t15b.c↔ | | BOP, KJZSV, KVT, UOP4, VIAL | 5t15v.b↔ | | BOP, KJZSV, KVT, UOP4, VIAL | 5t15x.x | | BOP, KJZSV, KVT, UOP4 |
| | 08 | I32A, I32B, I32C, I32D, I32E, I32F, I32J, I32Q, I32R, I32S, I32T, I32U | | 08 | I13A, I32A, I32B, I32C, I32D, I32E, I32F, I32J, I32Q, I32R, I32S, I32T, I32U | | 08 | I28A, I28B, I28J |
| | 21A | W04A, W04B | | 21A | W04A, W04B | | 21A | W04A, W04B |
| | 21B | X05A | | 21B | X05A | | 21B | X06A, X06B, X06C |
| 5t15b.u↔ | | BOP, KJZSV, KVT, UOP4, VIAL | 5t15v.u↔ | | BOP, KJZSV, KVT, UOP4, VIAL | 5t15x.z↔ | | BOP, KJZSV, KVT, UOP4, VIAL |
| | 08 | I20A, I20B, I20C, I20D, I20J, I20Q, I20R | | 08 | I13A, I20A, I20B, I20C, I20D, I20J, I20Q, I20R | | 08 | I28A, I28B, I28J |
| | 21A | W04A, W04B | | 21A | W04A, W04B | | 21A | W04A, W04B |
| | 21B | X04Z, X05A | | 21B | X04Z, X05A | | 21B | X06A, X06B, X06C |
| 5t15b.v↔ | | BOP, KJZSV, KVT, UOP4, VIAL | 5t15v.v↔ | | BOP, KJZSV, KVT, UOP4, VIAL | 5t15z.0↔ | | BOP, KJZSV, KVT, UOP4, VIAL |
| | 08 | I20A, I20B, I20C, I20D, I20E, I20F, I20J, I20Q, I20R | | 08 | I13A, I20A, I20B, I20C, I20D, I20J, I20Q, I20R | | 08 | I28B, I29J, I29Q, I29Z |
| | 21A | W04A, W04B | | 21A | W04A, W04B | | 21A | W04A, W04B |
| | 21B | X04Z, X05A | | 21B | X04Z, X05A | | 21B | X05A, X06A, X06B, X06C |
| 5t15b.w↔ | | BOP, KJZSV, KVT, UOP4, VIAL | 5t15v.x | | BOP, KJZSV, KVT, UOP4 | 5t15z.a↔ | | BOP, KJZSV, KVT, UOP4, VIAL |
| | 08 | I20A, I20B, I20C, I20D, I20E, I20F, I20J, I20Q, I20R | | 08 | I13A, I28A, I28B, I28J | | 08 | I32A, I32B, I32C, I32D, I32E, I32F, I32J, I32Q, I32R, I32S, I32T, I32U |
| | 21A | W04A, W04B | | 21A | W04A, W04B | | 21A | W04A, W04B |
| | 21B | X04Z, X05A | | 21B | X06A, X06B, X06C | | 21B | X05A |
| 5t15b.x | | BOP, KJZSV, KVT, UOP4 | 5t15x.0↔ | | BOP, KJZSV, KVT, UOP4, VIAL | 5t15z.b↔ | | BOP, KJZSV, KVT, UOP4, VIAL |
| | 08 | I28A, I28B, I28J | | 08 | I28B, I29J, I29Q, I29Z | | 08 | I32A, I32B, I32C, I32D, I32E, I32F, I32J, I32Q, I32R, I32S, I32T, I32U |
| | 21A | W04A, W04B | | 21A | W04A, W04B | | 21A | W04A, W04B |
| | 21B | X06A, X06B, X06C | | 21B | X06A, X06B, X06C | | 21B | X05A |
| 5t15b.z↔ | | BOP, KJZSV, KVT, UOP4, VIAL | 5t15x.a↔ | | BOP, KJZSV, KVT, UOP4, VIAL | 5t15z.c↔ | | BOP, KJZSV, KVT, UOP4, VIAL |
| | 08 | I28A, I28B, I28J | | 08 | I32A, I32B, I32C, I32D, I32E, I32F, I32J, I32Q, I32R, I32S, I32T, I32U | | 08 | I32A, I32B, I32C, I32D, I32E, I32F, I32J, I32Q, I32R, I32S, I32T, I32U |
| | 21A | W04A, W04B | | 21A | W04A, W04B | | 21A | W04A, W04B |
| | 21B | X05A, X06A, X06B, X06C | | 21B | X05A, X05B | | 21B | X05A |
| 5t15d.0↔ | | BOP, KJZSV, KVT, UOP4, VIAL | 5t15x.b↔ | | BOP, KJZSV, KVT, UOP4, VIAL | 5t15z.u↔ | | BOP, KJZSV, KVT, UOP4, VIAL |
| | 08 | I28B, I29J, I29Q, I29Z | | 08 | I32A, I32B, I32C, I32D, I32E, I32F, I32J, I32Q, I32R, I32S, I32T, I32U | | 08 | I20A, I20B, I20C, I20D, I20J, I20Q, I20R |
| | 21A | W04A, W04B | | 21A | W04A, W04B | | 21A | W04A, W04B |
| | 21B | X05A, X06A, X06B, X06C | | 21B | X05A, X05B | | 21B | X04Z, X05A |
| 5t15d.u↔ | | BOP, KJZSV, KVT, UOP4, VIAL | 5t15x.c↔ | | BOP, KJZSV, KVT, UOP4, VIAL | 5t15z.v↔ | | BOP, KJZSV, KVT, UOP4, VIAL |
| | 08 | I20A, I20B, I20C, I20D, I20J, I20Q, I20R | | 08 | I32A, I32B, I32C, I32D, I32E, I32F, I32J, I32Q, I32R, I32S, I32T, I32U | | 08 | I20A, I20B, I20C, I20D, I20J, I20Q, I20R |
| | 21A | W04A, W04B | | 21A | W04A, W04B | | 21A | W04A, W04B |
| | 21B | X04Z, X05A | | 21B | X05A, X05B | | 21B | X04Z, X05A |
| 5t15d.v↔ | | BOP, KJZSV, KVT, UOP4, VIAL | 5t15x.u↔ | | BOP, KJZSV, KVT, UOP4, VIAL | 5t15z.w↔ | | BOP, KJZSV, KVT, UOP4, VIAL |
| | 08 | I20A, I20B, I20C, I20D, I20J, I20Q, I20R | | 08 | I20A, I20B, I20C, I20D, I20E, I20F, I20J, I20Q, I20R | | 08 | I20A, I20B, I20C, I20D, I20E, I20F, I20J, I20Q, I20R |
| | 21A | W04A, W04B | | 21A | W04A, W04B | | 21A | W04A, W04B |
| | 21B | X04Z, X05A | | 21B | X04Z | | 21B | X06A, X06B, X06C |
| 5t15d.x | | BOP, KJZSV, KVT, UOP4 | 5t15x.v↔ | | BOP, KJZSV, KVT, UOP4, VIAL | 5t15z.z↔ | | BOP, KJZSV, KVT, UOP4, VIAL |
| | 08 | I28A, I28B, I28J | | 08 | I20A, I20B, I20C, I20D, I20E, I20F, I20J, I20Q, I20R | | 08 | I28A, I28B, I28J |
| | 21A | W04A, W04B | | 21A | W04A, W04B | | 21A | W04A, W04B |
| | 21B | X06A, X06B, X06C | | 21B | X04Z | | 21B | X06A, X06B, X06C |
| 5t15d.z↔ | | BOP, KJZSV, KVT, UOP4, VIAL | | | | | | |
| | 08 | I28A, I28B, I28J | | 08 | I20A, I20B, I20C, I20D, I20E, I20F, I20J, I20Q, I20R | | 08 | I28A, I28B, I28J |
| | 21A | W04A, W04B | | 21A | W04A, W04B | | 21A | W04A, W04B |
| | 21B | X05A, X06A, X06B, X06C | | 21B | X04Z | | 21B | X05A, X06A, X06B, X06C |

VYK

| ZZV | MDC | DRG | ZZV | MDC | DRG | ZZV | MDC | DRG |
|----------|-----------------------------|--|-----------------------------|-----|--|--------|-----|--|
| 5t16s.0↔ | | BOP, KJZSV, KVT, UOP4, VIAL | 5t16t.3↔ | | BOP, KJZSV, KVT, UOP4, VIAL | 5t17h | | BOP, KJZSV, KVT, UOP4, VIAL |
| | 08 | I20A, I20B, I20C, I20D, I20J, I20Q, I20R | | 08 | I20A, I20B, I20C, I20D, I20J, I20Q, I20R | | 08 | I08A, I08B, I08C, I08D, I08E, I08F, I08J |
| | 21A | W04A, W04B | | 21A | W04A, W04B | | 21A | W04A, W04B |
| 5t16s.1↔ | 21B | X04Z | 5t16t.4↔ | 21B | X04Z | 5t17k | 21B | X06A, X06B, X06C |
| | | BOP, KJZSV, KVT, UOP4, VIAL | | | BOP, KJZSV, KVT, UOP4, VIAL | | | BOP, KJZSV, KVT, UOP4, VIAL |
| | 08 | I20A, I20B, I20C, I20D, I20J, I20Q, I20R | | 08 | I20A, I20B, I20C, I20D, I20J, I20Q, I20R | | 08 | I08A, I08B, I08C, I08D, I08E, I08F, I08J |
| 5t16s.3↔ | 21A | W04A, W04B | 5t16t.7↔ | 21A | W04A, W04B | 5t17n | 21A | W04A, W04B |
| | 21B | X04Z | | 21B | X04Z | | 21B | X06A, X06B, X06C |
| | | BOP, KJZSV, KVT, UOP4, VIAL | | | BOP, KJZSV, KVT, UOP4, VIAL | | | BOP, KJZSV, KVT, UOP4, VIAL |
| 5t16s.4↔ | 08 | I20A, I20B, I20C, I20D, I20J, I20Q, I20R | 5t16t.b↔ | 08 | I20A, I20B, I20C, I20D, I20J, I20Q, I20R | 5t17o | 08 | I08A, I08B, I08C, I08D, I08E, I08F, I08J |
| | 21A | W04A, W04B | | 21A | W04A, W04B | | 21A | W04A, W04B |
| | 21B | X04Z | | 21B | X04Z | | 21B | X06A, X06B, X06C |
| 5t16s.b↔ | | BOP, KJZSV, KVT, UOP4, VIAL | 5t16t.d↔ | | BOP, KJZSV, KVT, UOP4, VIAL | 5t17r | | BOP, KJZSV, KVT, UOP4, VIAL |
| | 08 | I20A, I20B, I20C, I20D, I20J, I20Q, I20R | | 08 | I20A, I20B, I20C, I20D, I20J, I20Q, I20R | | 08 | I08A, I08B, I08C, I08D, I08E, I08F, I08J |
| | 21A | W04A, W04B | | 21A | W04A, W04B | | 21A | W04A, W04B |
| 5t16s.d↔ | 21B | X04Z | 5t16t.v↔ | 21B | X04Z | 5t17s | 21B | X06A, X06B, X06C |
| | | BOP, KJZSV, KVT, UOP4, VIAL | | | BOP, KJZSV, KVT, UOP4, VIAL | | | BOP, KJZSV, KVT, UOP4, VIAL |
| | 08 | I20A, I20B, I20C, I20D, I20J, I20Q, I20R | | 08 | I13A, I20A, I20B, I20C, I20D, I20J, I20Q, I20R | | 08 | I08A, I08B, I08C, I08D, I08E, I08F, I08J |
| 5t16s.v↔ | 21A | W04A, W04B | 5t16t.x↔ | 21A | W04A, W04B | 5t17t | 21A | W04A, W04B |
| | 21B | X04Z | | 21B | X04Z | | 21B | X06A, X06B, X06C |
| | | BOP, KJZSV, KVT, UOP4, VIAL | | | BOP, KJZSV, KVT, UOP4, VIAL | | | BOP, KJZSV, KVT, UOP4, VIAL |
| 5t16s.x↔ | 08 | I13A, I20A, I20B, I20C, I20D, I20J, I20Q, I20R | 5t16t.z↔ | 08 | I20A, I20B, I20C, I20D, I20E, I20F, I20J, I20Q, I20R | 5t17u | 08 | I08A, I08B, I08C, I08D, I08E, I08F, I08J |
| | 21A | W04A, W04B | | 21A | W04A, W04B | | 21A | W04A, W04B |
| | 21B | X04Z | | 21B | X04Z | | 21B | X06A, X06B, X06C |
| 5t16s.z↔ | | BOP, KJZSV, KVT, UOP4, VIAL | 5t172 | | BOP, KJZSV, KVT, UOP4, VIAL | 5t17x | Pre | B61A |
| | 08 | I20A, I20B, I20C, I20D, I20J, I20Q, I20R | | 08 | I08A, I08B, I08C, I08D, I08E, I08F, I08J | | 08 | I08A, I08B, I08C, I08D, I08E, I08F, I08J |
| | 21A | W04A, W04B | | 21A | W04A, W04B | | 21A | W04A, W04B |
| 5t16t.0↔ | 21B | X04Z | 5t174 | 21B | X04Z | 5t17z | 21B | X06A, X06B, X06C |
| | | BOP, KJZSV, KVT, UOP4, VIAL | | | BOP, KJZSV, KVT, UOP4, VIAL | | | BOP, KJZSV, KVT, UOP4, VIAL |
| | 08 | I20A, I20B, I20C, I20D, I20J, I20Q, I20R | | 08 | I08A, I08B, I08C, I08D, I08E, I08F, I08J | | 08 | I08A, I08B, I08C, I08D, I08E, I08F, I08J |
| 5t16t.1↔ | 21A | W04A, W04B | 5t17g | 21A | W04A, W04B | 5t18i↔ | 21A | W04A, W04B |
| | 21B | X04Z | | 21B | X06A, X06B, X06C | | 21B | X06A, X06B, X06C |
| | | BOP, KJZSV, KVT, UOP4, VIAL | | | BOP, KJZSV, KVT, UOP4, VIAL | | | BOP, KJZSV, KVT, UOP4, VIAL |
| 5t16t.1↔ | 08 | I20A, I20B, I20C, I20D, I20J, I20Q, I20R | 5t17g | 08 | I08A, I08B, I08C, I08D, I08E, I08F, I08J | 5t18i↔ | 01 | B03Z, B17A, B17B, B17C, B17J |
| | 21A | W04A, W04B | | 21A | W04A, W04B | | 08 | I08A, I08B, I08C, I08D, I08E, I08F, I08J |
| | 21B | X04Z | | 21B | X06A, X06B, X06C | | 21A | W01A, W01B, W01C, W02A, W02B |
| | BOP, KJZSV, KVT, UOP4, VIAL | | BOP, KJZSV, KVT, UOP4, VIAL | 21B | X04Z | | | |

VYK

| ZZV | MDC | DRG | ZZV | MDC | DRG | ZZV | MDC | DRG |
|----------|-----|--|----------|-----|--|----------|-----|--|
| 5t190.r↔ | | BOP, KJZSV, KVT, UOP4, VIAL | 5t191.a↔ | | BOP, KJZSV, KVT, UOP4, VIAL | 5t191.p↔ | | BOP, KJZSV, KVT, UOP4, VIAL |
| | 08 | I20A, I20B, I20C, I20D, I20E, I20F, I20J, I20Q, I20R | | 08 | I32A, I32B, I32C, I32D, I32E, I32F, I32J, I32Q, I32R, I32S, I32T, I32U | | 08 | I20A, I20B, I20C, I20D, I20J, I20Q, I20R |
| | 21A | W04A, W04B | | 21A | W04A, W04B | | 21A | W04A, W04B |
| | 21B | X04Z | | 21B | X05A, X05B | | 21B | X04Z |
| 5t190.x | | BOP, KJZSV, KVT, UOP4 | 5t191.c↔ | | BOP, KJZSV, KVT, UOP4, VIAL | 5t191.q↔ | | BOP, KJZSV, KVT, UOP4, VIAL |
| | 01 | B03Z, B17A, B17B, B17C, B17J | | 08 | I32A, I32B, I32C, I32D, I32E, I32F, I32J, I32Q, I32R, I32S, I32T, I32U | | 08 | I20A, I20B, I20C, I20D, I20E, I20F, I20J, I20Q, I20R |
| | 08 | I28A, I28B, I28J | | 21A | W04A, W04B | | 21A | W04A, W04B |
| | 21A | W04A, W04B | | 21B | X05A, X05B | | 21B | X04Z |
| | 21B | X06A, X06B, X06C | 5t191.d↔ | | BOP, KJZSV, KVT, UOP4, VIAL | 5t191.r↔ | | BOP, KJZSV, KVT, UOP4, VIAL |
| 5t191.0↔ | | BOP, KJZSV, KVT, UOP4, VIAL | | 08 | I32A, I32B, I32C, I32D, I32E, I32F, I32J, I32Q, I32R, I32S, I32T, I32U | | 08 | I20A, I20B, I20C, I20D, I20E, I20F, I20J, I20Q, I20R |
| | 08 | I16J, I16Q, I16Z | | 21A | W04A, W04B | | 21A | W04A, W04B |
| | 21A | W04A, W04B | | 21B | X05A, X05B | | 21B | X04Z |
| | 21B | X06A, X06B, X06C | 5t191.e↔ | | BOP, KJZSV, KVT, UOP4, VIAL | 5t191.x | | BOP, KJZSV, KVT, UOP4 |
| 5t191.1↔ | | BOP, KJZSV, KVT, UOP4, VIAL | | 08 | I08A, I08B, I08C, I08D, I08E, I08F, I08J | | 01 | B03Z, B17A, B17B, B17C, B17J |
| | 08 | I16J, I16Q, I16Z | | 21A | W04A, W04B | | 08 | I28A, I28B, I28J |
| | 21A | W04A, W04B | | 21B | X06A, X06B, X06C | | 21A | W04A, W04B |
| | 21B | X06A, X06B, X06C | 5t191.f | | BOP, KJZSV, KVT, UOP4, VIAL | | 21B | X06A, X06B, X06C |
| 5t191.2↔ | | BOP, KJZSV, KVT, UOP4, VIAL | | 01 | B03Z, B17A, B17B, B17C, B17J | 5t193.0↔ | | BOP, KJZSV, KVT, UOP4, VIAL |
| | 08 | I28A, I28B, I28J | | 08 | I28A, I28B, I28J | | 08 | I16J, I16Q, I16Z |
| | 21A | W04A, W04B | | 21A | W04A, W04B | | 21A | W04A, W04B |
| | 21B | X06A, X06B, X06C | | 21B | X06A, X06B, X06C | | 21B | X06A, X06B, X06C |
| 5t191.3↔ | | BOP, KJZSV, KVT, UOP4, VIAL | 5t191.g↔ | | BOP, KJZSV, KVT, UOP4, VIAL | 5t193.1↔ | | BOP, KJZSV, KVT, UOP4, VIAL |
| | 08 | I28A, I28B, I28J | | 08 | I08A, I08B, I08C, I08D, I08E, I08F, I08J | | 08 | I16J, I16Q, I16Z |
| | 21A | W04A, W04B | | 21A | W01A, W01B, W01C, W02A, W02B | | 21A | W04A, W04B |
| | 21B | X06A, X06B, X06C | | 21B | X04Z | | 21B | X06A, X06B, X06C |
| 5t191.4↔ | | BOP, KJZSV, KVT, UOP4, VIAL | 5t191.h↔ | | BOP, KJZSV, KVT, UOP4, VIAL | 5t193.2↔ | | BOP, KJZSV, KVT, UOP4, VIAL |
| | 08 | I08A, I08B, I08C, I08D, I08E, I08F, I08J, I21J, I21Z, I31J, I31Z | | 08 | I18A, I18B, I18J, I18Q, I18R, I30J, I30Z | | 08 | I28A, I28B, I28J |
| | 21A | W04A, W04B | | 21A | W04A, W04B | | 21A | W04A, W04B |
| | 21B | X06A, X06B, X06C | | 21B | X04Z | | 21B | X06A, X06B, X06C |
| 5t191.5↔ | | BOP, KJZSV, KVT, UOP4, VIAL | 5t191.i↔ | | BOP, KJZSV, KVT, UOP4, VIAL | 5t193.3↔ | | BOP, KJZSV, KVT, UOP4, VIAL |
| | 08 | I08A, I08B, I08C, I08D, I08E, I08F, I08J, I21J, I21Z, I31J, I31Z | | 08 | I18A, I18B, I18J, I18Q, I18R, I30J, I30Z | | 08 | I28A, I28B, I28J |
| | 21A | W04A, W04B | | 21A | W04A, W04B | | 21A | W04A, W04B |
| | 21B | X06A, X06B, X06C | | 21B | X04Z | | 21B | X06A, X06B, X06C |
| 5t191.6↔ | | BOP, KJZSV, KVT, UOP4, VIAL | 5t191.j↔ | | BOP, KJZSV, KVT, UOP4, VIAL | 5t193.4↔ | | BOP, KJZSV, KVT, UOP4, VIAL |
| | 08 | I08A, I08B, I08C, I08D, I08E, I08F, I08J, I32A, I32B, I32C, I32D, I32E, I32F, I32J, I32Q, I32R, I32S, I32T, I32U | | 08 | I18A, I18B, I18J, I18Q, I18R, I30J, I30Z | | 08 | I08A, I08B, I08C, I08D, I08E, I08F, I08J, I21J, I21Z, I31J, I31Z |
| | 21A | W04A, W04B | | 21A | W04A, W04B | | 21A | W04A, W04B |
| | 21B | X05A, X05B | | 21B | X04Z | | 21B | X06A, X06B, X06C |
| 5t191.8↔ | | BOP, KJZSV, KVT, UOP4, VIAL | 5t191.k↔ | | BOP, KJZSV, KVT, UOP4, VIAL | 5t193.5↔ | | BOP, KJZSV, KVT, UOP4, VIAL |
| | 08 | I32A, I32B, I32C, I32D, I32E, I32F, I32J, I32Q, I32R, I32S, I32T, I32U | | 08 | I13A, I13B, I13C, I13D, I13E, I13J | | 08 | I08A, I08B, I08C, I08D, I08E, I08F, I08J, I21J, I21Z, I31J, I31Z |
| | 21A | W04A, W04B | | 21A | W04A, W04B | | 21A | W04A, W04B |
| | 21B | X05A, X05B | | 21B | X04Z | | 21B | X06A, X06B, X06C |
| 5t191.9↔ | | BOP, KJZSV, KVT, UOP4, VIAL | 5t191.m↔ | | BOP, KJZSV, KVT, UOP4, VIAL | 5t193.6↔ | | BOP, KJZSV, KVT, UOP4, VIAL |
| | 08 | I32A, I32B, I32C, I32D, I32E, I32F, I32J, I32Q, I32R, I32S, I32T, I32U | | 08 | I20A, I20B, I20C, I20D, I20J, I20Q, I20R | | 08 | I08A, I08B, I08C, I08D, I08E, I08F, I08J, I32A, I32B, I32C, I32D, I32E, I32F, I32J, I32Q, I32R, I32S, I32T, I32U |
| | 21A | W04A, W04B | | 21A | W04A, W04B | | 21A | W04A, W04B |
| | 21B | X05A, X05B | | 21B | X04Z | | 21B | X05A, X05B |
| | | | 5t191.n↔ | | BOP, KJZSV, KVT, UOP4, VIAL | | | |
| | | | | 08 | I20A, I20B, I20C, I20D, I20J, I20Q, I20R | | | |
| | | | | 21A | W04A, W04B | | | |
| | | | | 21B | X04Z | | | |

VYK

| ZZV | MDC | DRG | ZZV | MDC | DRG | ZZV | MDC | DRG |
|----------|-----|--|----------|-----|--|----------|-----|--|
| 5t193.8↔ | | BOP, KJZSV, KVT, UOP4, VIAL | 5t193.k↔ | | BOP, KJZSV, KVT, UOP4, VIAL | 5t194.5↔ | | BOP, KJZSV, KVT, UOP4, VIAL |
| | 08 | I32A, I32B, I32C, I32D, I32E, I32F, I32J, I32Q, I32R, I32S, I32T, I32U | | 08 | I13A, I13B, I13C, I13D, I13E, I13J | | 08 | I08A, I08B, I08C, I08D, I08E, I08F, I08J, I21J, I21Z, I31J, I31Z |
| | 21A | W04A, W04B | | 21A | W04A, W04B | | 21A | W04A, W04B |
| | 21B | X05A, X05B | | 21B | X04Z | | 21B | X06A, X06B, X06C |
| 5t193.9↔ | | BOP, KJZSV, KVT, UOP4, VIAL | 5t193.m↔ | | BOP, KJZSV, KVT, UOP4, VIAL | 5t194.6↔ | | BOP, KJZSV, KVT, UOP4, VIAL |
| | 08 | I32A, I32B, I32C, I32D, I32E, I32F, I32J, I32Q, I32R, I32S, I32T, I32U | | 08 | I20A, I20B, I20C, I20D, I20J, I20Q, I20R | | 08 | I08A, I08B, I08C, I08D, I08E, I08F, I08J, I32A, I32B, I32C, I32D, I32E, I32F, I32J, I32Q, I32R, I32S, I32T, I32U |
| | 21A | W04A, W04B | | 21A | W04A, W04B | | 21A | W04A, W04B |
| | 21B | X05A, X05B | | 21B | X04Z | | 21B | X05A, X05B |
| 5t193.a↔ | | BOP, KJZSV, KVT, UOP4, VIAL | 5t193.n↔ | | BOP, KJZSV, KVT, UOP4, VIAL | 5t194.8↔ | | BOP, KJZSV, KVT, UOP4, VIAL |
| | 08 | I32A, I32B, I32C, I32D, I32E, I32F, I32J, I32Q, I32R, I32S, I32T, I32U | | 08 | I20A, I20B, I20C, I20D, I20J, I20Q, I20R | | 08 | I32A, I32B, I32C, I32D, I32E, I32F, I32J, I32Q, I32R, I32S, I32T, I32U |
| | 21A | W04A, W04B | | 21A | W04A, W04B | | 21A | W04A, W04B |
| | 21B | X05A, X05B | | 21B | X04Z | | 21B | X05A, X05B |
| 5t193.c↔ | | BOP, KJZSV, KVT, UOP4, VIAL | 5t193.p↔ | | BOP, KJZSV, KVT, UOP4, VIAL | 5t194.9↔ | | BOP, KJZSV, KVT, UOP4, VIAL |
| | 08 | I32A, I32B, I32C, I32D, I32E, I32F, I32J, I32Q, I32R, I32S, I32T, I32U | | 08 | I20A, I20B, I20C, I20D, I20J, I20Q, I20R | | 08 | I32A, I32B, I32C, I32D, I32E, I32F, I32J, I32Q, I32R, I32S, I32T, I32U |
| | 21A | W04A, W04B | | 21A | W04A, W04B | | 21A | W04A, W04B |
| | 21B | X05A, X05B | | 21B | X04Z | | 21B | X05A, X05B |
| 5t193.d↔ | | BOP, KJZSV, KVT, UOP4, VIAL | 5t193.q↔ | | BOP, KJZSV, KVT, UOP4, VIAL | 5t194.a↔ | | BOP, KJZSV, KVT, UOP4, VIAL |
| | 08 | I32A, I32B, I32C, I32D, I32E, I32F, I32J, I32Q, I32R, I32S, I32T, I32U | | 08 | I20A, I20B, I20C, I20D, I20E, I20F, I20J, I20Q, I20R | | 08 | I32A, I32B, I32C, I32D, I32E, I32F, I32J, I32Q, I32R, I32S, I32T, I32U |
| | 21A | W04A, W04B | | 21A | W04A, W04B | | 21A | W04A, W04B |
| | 21B | X05A, X05B | | 21B | X04Z | | 21B | X05A, X05B |
| 5t193.e↔ | | BOP, KJZSV, KVT, UOP4, VIAL | 5t193.r↔ | | BOP, KJZSV, KVT, UOP4, VIAL | 5t194.c↔ | | BOP, KJZSV, KVT, UOP4, VIAL |
| | 08 | I08A, I08B, I08C, I08D, I08E, I08F, I08J | | 08 | I20A, I20B, I20C, I20D, I20E, I20F, I20J, I20Q, I20R | | 08 | I32A, I32B, I32C, I32D, I32E, I32F, I32J, I32Q, I32R, I32S, I32T, I32U |
| | 21A | W04A, W04B | | 21A | W04A, W04B | | 21A | W04A, W04B |
| | 21B | X06A, X06B, X06C | | 21B | X04Z | | 21B | X05A, X05B |
| 5t193.f | | BOP, KJZSV, KVT, UOP4, VIAL | 5t193.x | | BOP, KJZSV, KVT, UOP4 | 5t194.d↔ | | BOP, KJZSV, KVT, UOP4, VIAL |
| | 01 | B03Z, B17A, B17B, B17C, B17J | | 01 | B03Z, B17A, B17B, B17C, B17J | | 08 | I32A, I32B, I32C, I32D, I32E, I32F, I32J, I32Q, I32R, I32S, I32T, I32U |
| | 08 | I28A, I28B, I28J | | 08 | I28A, I28B, I28J | | 21A | W04A, W04B |
| | 21A | W04A, W04B | | 21A | W04A, W04B | | 21B | X05A, X05B |
| | 21B | X06A, X06B, X06C | | 21B | X06A, X06B, X06C | | 21B | X05A, X05B |
| 5t193.g↔ | | BOP, KJZSV, KVT, UOP4, VIAL | 5t194.0↔ | | BOP, KJZSV, KVT, UOP4, VIAL | 5t194.e↔ | | BOP, KJZSV, KVT, UOP4, VIAL |
| | 08 | I08A, I08B, I08C, I08D, I08E, I08F, I08J | | 08 | I16J, I16Q, I16Z | | 08 | I08A, I08B, I08C, I08D, I08E, I08F, I08J |
| | 21A | W01A, W01B, W01C, W02A, W02B | | 21A | W04A, W04B | | 21A | W04A, W04B |
| | 21B | X04Z | | 21B | X06A, X06B, X06C | | 21B | X06A, X06B, X06C |
| 5t193.h↔ | | BOP, KJZSV, KVT, UOP4, VIAL | 5t194.1↔ | | BOP, KJZSV, KVT, UOP4, VIAL | 5t194.f | | BOP, KJZSV, KVT, UOP4, VIAL |
| | 08 | I18A, I18B, I18J, I18Q, I18R, I30J, I30Z | | 08 | I16J, I16Q, I16Z | | 01 | B03Z, B17A, B17B, B17C, B17J |
| | 21A | W04A, W04B | | 21A | W04A, W04B | | 08 | I28A, I28B, I28J |
| | 21B | X04Z | | 21B | X06A, X06B, X06C | | 21A | W04A, W04B |
| 5t193.j↔ | | BOP, KJZSV, KVT, UOP4, VIAL | 5t194.2↔ | | BOP, KJZSV, KVT, UOP4, VIAL | | 21A | W04A, W04B |
| | 08 | I18A, I18B, I18J, I18Q, I18R, I30J, I30Z | | 08 | I28A, I28B, I28J | | 21B | X06A, X06B, X06C |
| | 21A | W04A, W04B | | 21A | W04A, W04B | | 21B | X06A, X06B, X06C |
| | 21B | X04Z | | 21B | X06A, X06B, X06C | | 21B | X06A, X06B, X06C |
| | 08 | I18A, I18B, I18J, I18Q, I18R, I30J, I30Z | 5t194.3↔ | | BOP, KJZSV, KVT, UOP4, VIAL | 5t194.g↔ | | BOP, KJZSV, KVT, UOP4, VIAL |
| | 21A | W04A, W04B | | 08 | I28A, I28B, I28J | | 08 | I08A, I08B, I08C, I08D, I08E, I08F, I08J |
| | 21B | X04Z | | 21A | W04A, W04B | | 21A | W01A, W01B, W01C, W02A, W02B |
| | | | | 21B | X06A, X06B, X06C | | 21B | X04Z |
| | | | | 08 | I08A, I08B, I08C, I08D, I08E, I08F, I08J, I21J, I21Z, I31J, I31Z | | | |
| | | | | 21A | W04A, W04B | | | |
| | | | | 21B | X06A, X06B, X06C | | | |

| ZZV | MDC | DRG | ZZV | MDC | DRG | ZZV | MDC | DRG | |
|----------|--|--|--|-----|--|----------|----------|--|--|
| 5t194.h↔ | | BOP, KJZSV, KVT, UOP4, VIAL | 5t199.k↔ | 08 | I13A, I13B, I13C, I13D, I13E, I13J | 5t19a.a↔ | 08 | I32A, I32B, I32C, I32D, I32E, I32F, I32J, I32Q, I32R, I32S, I32T, I32U | |
| | 08 | I18A, I18B, I18J, I18Q, I18R, I30J, I30Z | | 08 | I20A, I20B, I20C, I20D, I20J, I20Q, I20R | | 08 | I32A, I32B, I32C, I32D, I32E, I32F, I32J, I32Q, I32R, I32S, I32T, I32U | |
| | 21A | W04A, W04B | | 21A | W04A, W04B | | 21A | W04A, W04B | |
| 5t194.j↔ | 21B | X04Z | 5t199.m↔ | 21B | X04Z | 5t19a.c↔ | 21B | X05A, X05B | |
| | | BOP, KJZSV, KVT, UOP4, VIAL | | | BOP, KJZSV, KVT, UOP4, VIAL | | | BOP, KJZSV, KVT, UOP4, VIAL | |
| | 08 | I18A, I18B, I18J, I18Q, I18R, I30J, I30Z | | 08 | I20A, I20B, I20C, I20D, I20J, I20Q, I20R | | 08 | I32A, I32B, I32C, I32D, I32E, I32F, I32J, I32Q, I32R, I32S, I32T, I32U | |
| 5t194.k↔ | 21A | W04A, W04B | 5t199.x | 21A | W04A, W04B | 5t19a.d↔ | 21A | W04A, W04B | |
| | 21B | X04Z | | 01 | B03Z, B17A, B17B, B17C, B17J | | 21B | X05A, X05B | |
| | | BOP, KJZSV, KVT, UOP4, VIAL | | 08 | I28A, I28B, I28J | | | BOP, KJZSV, KVT, UOP4, VIAL | |
| 5t194.m↔ | 08 | I13A, I13B, I13C, I13D, I13E, I13J | 5t19a.0↔ | 21A | W04A, W04B | 5t19a.g↔ | 08 | I32A, I32B, I32C, I32D, I32E, I32F, I32J, I32Q, I32R, I32S, I32T, I32U | |
| | 21A | W04A, W04B | | 21B | X06A, X06B, X06C | | 21A | W04A, W04B | |
| | 21B | X04Z | | | BOP, KJZSV, KVT, UOP4, VIAL | | 21B | X05A, X05B | |
| 5t194.n↔ | | BOP, KJZSV, KVT, UOP4, VIAL | 5t19a.1↔ | 08 | I16J, I16Q, I16Z | 5t19a.h↔ | 21B | X05A, X05B | |
| | 08 | I20A, I20B, I20C, I20D, I20J, I20Q, I20R | | 21A | W04A, W04B | | | BOP, KJZSV, KVT, UOP4, VIAL | |
| | 21A | W04A, W04B | | 21B | X06A, X06B, X06C | | 08 | I08A, I08B, I08C, I08D, I08E, I08F, I08J | |
| 5t194.p↔ | 21B | X04Z | 5t19a.3↔ | | BOP, KJZSV, KVT, UOP4, VIAL | 5t19a.j↔ | 21A | W01A, W01B, W01C, W02A, W02B | |
| | | BOP, KJZSV, KVT, UOP4, VIAL | | 08 | I28A, I28B, I28J | | 5t19a.k↔ | 21B | X04Z |
| | 08 | I20A, I20B, I20C, I20D, I20J, I20Q, I20R | | 21A | W04A, W04B | | | | BOP, KJZSV, KVT, UOP4, VIAL |
| 21A | W04A, W04B | 21B | X06A, X06B, X06C | 08 | I18A, I18B, I18J, I18Q, I18R, I30J, I30Z | | | | |
| 5t194.q↔ | 21B | X04Z | 5t19a.4↔ | | BOP, KJZSV, KVT, UOP4, VIAL | 5t19a.m↔ | 21A | W04A, W04B | |
| | | BOP, KJZSV, KVT, UOP4, VIAL | | 08 | I08A, I08B, I08C, I08D, I08E, I08F, I08J, I21J, I21Z, I31J, I31Z | | 5t19a.p↔ | 21B | X04Z |
| | 08 | I20A, I20B, I20C, I20D, I20J, I20Q, I20R | | 21A | W04A, W04B | | | | BOP, KJZSV, KVT, UOP4, VIAL |
| 21A | W04A, W04B | 21B | X06A, X06B, X06C | 08 | I20A, I20B, I20C, I20D, I20J, I20Q, I20R | | | | |
| 5t194.r↔ | 21B | X04Z | 5t19a.5↔ | | BOP, KJZSV, KVT, UOP4, VIAL | 5t19a.q↔ | 21A | W04A, W04B | |
| | | BOP, KJZSV, KVT, UOP4, VIAL | | 08 | I08A, I08B, I08C, I08D, I08E, I08F, I08J, I21J, I21Z, I31J, I31Z | | 5t19a.r↔ | 21B | X04Z |
| | 08 | I20A, I20B, I20C, I20D, I20E, I20F, I20J, I20Q, I20R | | 21A | W04A, W04B | | | | BOP, KJZSV, KVT, UOP4, VIAL |
| 21A | W04A, W04B | 21B | X06A, X06B, X06C | 08 | I20A, I20B, I20C, I20D, I20J, I20Q, I20R | | | | |
| 5t194.x | 21B | X04Z | 5t19a.6↔ | | BOP, KJZSV, KVT, UOP4, VIAL | 5t19a.s↔ | 21A | W04A, W04B | |
| | | BOP, KJZSV, KVT, UOP4, VIAL | | 08 | I08A, I08B, I08C, I08D, I08E, I08F, I08J, I32A, I32B, I32C, I32D, I32E, I32F, I32J, I32Q, I32R, I32S, I32T, I32U | | 5t19a.t↔ | 21B | X04Z |
| | 08 | I20A, I20B, I20C, I20D, I20E, I20F, I20J, I20Q, I20R | | 21A | W04A, W04B | | | | BOP, KJZSV, KVT, UOP4, VIAL |
| 21A | W04A, W04B | 21B | X06A, X06B, X06C | 08 | I20A, I20B, I20C, I20D, I20J, I20Q, I20R | | | | |
| 5t199.h↔ | 21B | X04Z | 5t19a.8↔ | | BOP, KJZSV, KVT, UOP4, VIAL | 5t19a.u↔ | 21A | W04A, W04B | |
| | | BOP, KJZSV, KVT, UOP4, VIAL | | 08 | I32A, I32B, I32C, I32D, I32E, I32F, I32J, I32Q, I32R, I32S, I32T, I32U | | 5t19a.v↔ | 21B | X04Z |
| | 08 | I18A, I18B, I18J, I18Q, I18R, I30J, I30Z | | 08 | I32A, I32B, I32C, I32D, I32E, I32F, I32J, I32Q, I32R, I32S, I32T, I32U | | | | BOP, KJZSV, KVT, UOP4, VIAL |
| 5t199.j↔ | 21A | W04A, W04B | 5t19a.9↔ | 08 | I32A, I32B, I32C, I32D, I32E, I32F, I32J, I32Q, I32R, I32S, I32T, I32U | 5t19a.w↔ | | 08 | I20A, I20B, I20C, I20D, I20E, I20F, I20J, I20Q, I20R |
| | 21B | X04Z | | 21A | W04A, W04B | | 5t19a.y↔ | 21A | W04A, W04B |
| | | BOP, KJZSV, KVT, UOP4, VIAL | | 21B | X05A, X05B | | | | BOP, KJZSV, KVT, UOP4, VIAL |
| 08 | I18A, I18B, I18J, I18Q, I18R, I30J, I30Z | 08 | I32A, I32B, I32C, I32D, I32E, I32F, I32J, I32Q, I32R, I32S, I32T, I32U | 08 | I20A, I20B, I20C, I20D, I20E, I20F, I20J, I20Q, I20R | | | | |
| 5t199.k↔ | 21A | W04A, W04B | 5t199.y | 21A | W04A, W04B | 5t199.z | 21A | W04A, W04B | |
| | 21B | X04Z | | 21B | X05A, X05B | | 21B | X04Z | |
| | | BOP, KJZSV, KVT, UOP4, VIAL | | | BOP, KJZSV, KVT, UOP4, VIAL | | | BOP, KJZSV, KVT, UOP4, VIAL | |

| ZZV | MDC | DRG | ZZV | MDC | DRG | ZZV | MDC | DRG |
|----------|-----|--|----------|-----|--|----------|--|-----------------------------|
| 5t19a.x | | BOP, KJZSV, KVT, UOP4 | 5t19b.c↔ | | BOP, KJZSV, KVT, UOP4, VIAL | 5t19b.q↔ | | BOP, KJZSV, KVT, UOP4, VIAL |
| | 01 | B03Z, B17A, B17B, B17C, B17J | | 08 | I32A, I32B, I32C, I32D, I32E, I32F, I32J, I32Q, I32R, I32S, I32T, I32U | 08 | I20A, I20B, I20C, I20D, I20E, I20F, I20J, I20Q, I20R | |
| | 08 | I28A, I28B, I28J | | 21A | W04A, W04B | 21A | W04A, W04B | |
| | 21A | W04A, W04B | | 21B | X05A, X05B | 21B | X04Z | |
| | 21B | X06A, X06B, X06C | 5t19b.d↔ | | BOP, KJZSV, KVT, UOP4, VIAL | 5t19b.r↔ | | |
| 5t19b.0↔ | | BOP, KJZSV, KVT, UOP4, VIAL | | 08 | I32A, I32B, I32C, I32D, I32E, I32F, I32J, I32Q, I32R, I32S, I32T, I32U | 08 | I20A, I20B, I20C, I20D, I20E, I20F, I20J, I20Q, I20R | |
| | 08 | I16J, I16Q, I16Z | | 21A | W04A, W04B | 21A | W04A, W04B | |
| | 21A | W04A, W04B | | 21B | X05A, X05B | 21B | X04Z | |
| | 21B | X06A, X06B, X06C | 5t19b.e↔ | | BOP, KJZSV, KVT, UOP4, VIAL | 5t19b.x | | |
| 5t19b.1↔ | | BOP, KJZSV, KVT, UOP4, VIAL | | 08 | I08A, I08B, I08C, I08D, I08E, I08F, I08J | 08 | BOP, KJZSV, KVT, UOP4, B03Z, B17A, B17B, B17C, B17J | |
| | 08 | I16J, I16Q, I16Z | | 21A | W04A, W04B | 08 | I28A, I28B, I28J | |
| | 21A | W04A, W04B | | 21B | X06A, X06B, X06C | 21A | W04A, W04B | |
| | 21B | X06A, X06B, X06C | 5t19b.f | | BOP, KJZSV, KVT, UOP4, VIAL | 21B | X06A, X06B, X06C | |
| 5t19b.2↔ | | BOP, KJZSV, KVT, UOP4, VIAL | | 01 | B03Z, B17A, B17B, B17C, B17J | 5t19d.0↔ | | |
| | 08 | I28A, I28B, I28J | | 08 | I28A, I28B, I28J | 08 | I16J, I16Q, I16Z | |
| | 21A | W04A, W04B | | 21A | W04A, W04B | 21A | W04A, W04B | |
| | 21B | X06A, X06B, X06C | | 21B | X06A, X06B, X06C | 21B | X06A, X06B, X06C | |
| 5t19b.3↔ | | BOP, KJZSV, KVT, UOP4, VIAL | 5t19b.g↔ | | BOP, KJZSV, KVT, UOP4, VIAL | 5t19d.1↔ | | |
| | 08 | I28A, I28B, I28J | | 08 | I08A, I08B, I08C, I08D, I08E, I08F, I08J | 08 | I28A, I28B, I28J | |
| | 21A | W04A, W04B | | 21A | W01A, W01B, W01C, W02A, W02B | 21A | W04A, W04B | |
| | 21B | X06A, X06B, X06C | | 21B | X04Z | 21B | X06A, X06B, X06C | |
| 5t19b.4↔ | | BOP, KJZSV, KVT, UOP4, VIAL | 5t19b.h↔ | | BOP, KJZSV, KVT, UOP4, VIAL | 5t19d.2↔ | | |
| | 08 | I08A, I08B, I08C, I08D, I08E, I08F, I08J, I21J, I21Z, I31J, I31Z | | 08 | I18A, I18B, I18J, I18Q, I18R, I30J, I30Z | 08 | I28A, I28B, I28J | |
| | 21A | W04A, W04B | | 21A | W04A, W04B | 21A | W04A, W04B | |
| | 21B | X06A, X06B, X06C | | 21B | X04Z | 21B | X06A, X06B, X06C | |
| 5t19b.5↔ | | BOP, KJZSV, KVT, UOP4, VIAL | 5t19b.i↔ | | BOP, KJZSV, KVT, UOP4, VIAL | 5t19d.3↔ | | |
| | 08 | I08A, I08B, I08C, I08D, I08E, I08F, I08J, I21J, I21Z, I31J, I31Z | | 08 | I18A, I18B, I18J, I18Q, I18R, I30J, I30Z | 08 | I28A, I28B, I28J | |
| | 21A | W04A, W04B | | 21A | W04A, W04B | 21A | W04A, W04B | |
| | 21B | X06A, X06B, X06C | | 21B | X04Z | 21B | X06A, X06B, X06C | |
| 5t19b.6↔ | | BOP, KJZSV, KVT, UOP4, VIAL | 5t19b.k↔ | | BOP, KJZSV, KVT, UOP4, VIAL | 5t19d.4↔ | | |
| | 08 | I08A, I08B, I08C, I08D, I08E, I08F, I08J, I32A, I32B, I32C, I32D, I32E, I32F, I32J, I32Q, I32R, I32S, I32T, I32U | | 08 | I13A, I13B, I13C, I13D, I13E, I13J | 08 | I08A, I08B, I08C, I08D, I08E, I08F, I08J, I21J, I21Z, I31J, I31Z | |
| | 21A | W04A, W04B | | 21A | W04A, W04B | 21A | W04A, W04B | |
| | 21B | X05A, X05B | | 21B | X04Z | 21B | X06A, X06B, X06C | |
| 5t19b.8↔ | | BOP, KJZSV, KVT, UOP4, VIAL | 5t19b.l↔ | | BOP, KJZSV, KVT, UOP4, VIAL | 5t19d.5↔ | | |
| | 08 | I32A, I32B, I32C, I32D, I32E, I32F, I32J, I32Q, I32R, I32S, I32T, I32U | | 08 | I20A, I20B, I20C, I20D, I20J, I20Q, I20R | 08 | I08A, I08B, I08C, I08D, I08E, I08F, I08J, I21J, I21Z, I31J, I31Z | |
| | 21A | W04A, W04B | | 21A | W04A, W04B | 21A | W04A, W04B | |
| | 21B | X05A, X05B | | 21B | X04Z | 21B | X06A, X06B, X06C | |
| 5t19b.9↔ | | BOP, KJZSV, KVT, UOP4, VIAL | 5t19b.m↔ | | BOP, KJZSV, KVT, UOP4, VIAL | 5t19d.6↔ | | |
| | 08 | I32A, I32B, I32C, I32D, I32E, I32F, I32J, I32Q, I32R, I32S, I32T, I32U | | 08 | I20A, I20B, I20C, I20D, I20J, I20Q, I20R | 08 | I08A, I08B, I08C, I08D, I08E, I08F, I08J, I32A, I32B, I32C, I32D, I32E, I32F, I32J, I32Q, I32R, I32S, I32T, I32U | |
| | 21A | W04A, W04B | | 21A | W04A, W04B | 21A | W04A, W04B | |
| | 21B | X05A, X05B | | 21B | X04Z | 21B | X06A, X06B, X06C | |
| 5t19b.a↔ | | BOP, KJZSV, KVT, UOP4, VIAL | 5t19b.n↔ | | BOP, KJZSV, KVT, UOP4, VIAL | 5t19d.8↔ | | |
| | 08 | I32A, I32B, I32C, I32D, I32E, I32F, I32J, I32Q, I32R, I32S, I32T, I32U | | 08 | I20A, I20B, I20C, I20D, I20J, I20Q, I20R | 08 | I32A, I32B, I32C, I32D, I32E, I32F, I32J, I32Q, I32R, I32S, I32T, I32U | |
| | 21A | W04A, W04B | | 21A | W04A, W04B | 21A | W04A, W04B | |
| | 21B | X05A, X05B | | 21B | X04Z | 21B | X05A, X05B | |
| | 08 | I32A, I32B, I32C, I32D, I32E, I32F, I32J, I32Q, I32R, I32S, I32T, I32U | 5t19b.p↔ | | BOP, KJZSV, KVT, UOP4, VIAL | | | |
| | 21A | W04A, W04B | | 08 | I20A, I20B, I20C, I20D, I20J, I20Q, I20R | | | |
| | 21B | X05A, X05B | | 21A | W04A, W04B | | | |
| | | | | 21B | X04Z | | | |

VYK

| ZZV | MDC | DRG | ZZV | MDC | DRG | ZZV | MDC | DRG |
|----------|-----|--|----------|-----|--|----------|----------|--|
| 5t19d.9↔ | | BOP, KJZSV, KVT, UOP4, VIAL | 5t19d.m↔ | | BOP, KJZSV, KVT, UOP4, VIAL | 5t19t.8↔ | | BOP, KJZSV, KVT, UOP4, VIAL |
| | 08 | I32A, I32B, I32C, I32D, I32E, I32F, I32J, I32Q, I32R, I32S, I32T, I32U | | 08 | I20A, I20B, I20C, I20D, I20J, I20Q, I20R | | 08 | I32A, I32B, I32C, I32D, I32E, I32F, I32J, I32Q, I32R, I32S, I32T, I32U |
| | 21A | W04A, W04B | | 21A | W04A, W04B | | 21A | W04A, W04B |
| | 21B | X05A, X05B | | 21B | X04Z | | 21B | X05A, X05B |
| 5t19d.a↔ | | BOP, KJZSV, KVT, UOP4, VIAL | 5t19d.n↔ | | BOP, KJZSV, KVT, UOP4, VIAL | 5t19t.9↔ | | BOP, KJZSV, KVT, UOP4, VIAL |
| | 08 | I32A, I32B, I32C, I32D, I32E, I32F, I32J, I32Q, I32R, I32S, I32T, I32U | | 08 | I20A, I20B, I20C, I20D, I20J, I20Q, I20R | | 08 | I32A, I32B, I32C, I32D, I32E, I32F, I32J, I32Q, I32R, I32S, I32T, I32U |
| | 21A | W04A, W04B | | 21A | W04A, W04B | | 21A | W04A, W04B |
| | 21B | X05A, X05B | | 21B | X04Z | | 21B | X05A, X05B |
| 5t19d.c↔ | | BOP, KJZSV, KVT, UOP4, VIAL | 5t19d.p↔ | | BOP, KJZSV, KVT, UOP4, VIAL | 5t19t.a↔ | | BOP, KJZSV, KVT, UOP4, VIAL |
| | 08 | I32A, I32B, I32C, I32D, I32E, I32F, I32J, I32Q, I32R, I32S, I32T, I32U | | 08 | I20A, I20B, I20C, I20D, I20J, I20Q, I20R | | 08 | I32A, I32B, I32C, I32D, I32E, I32F, I32J, I32Q, I32R, I32S, I32T, I32U |
| | 21A | W04A, W04B | | 21A | W04A, W04B | | 21A | W04A, W04B |
| | 21B | X05A, X05B | | 21B | X04Z | | 21B | X05A, X05B |
| 5t19d.d↔ | | BOP, KJZSV, KVT, UOP4, VIAL | 5t19d.q↔ | | BOP, KJZSV, KVT, UOP4, VIAL | 5t19t.c↔ | | BOP, KJZSV, KVT, UOP4, VIAL |
| | 08 | I32A, I32B, I32C, I32D, I32E, I32F, I32J, I32Q, I32R, I32S, I32T, I32U | | 08 | I20A, I20B, I20C, I20D, I20E, I20F, I20J, I20Q, I20R | | 08 | I32A, I32B, I32C, I32D, I32E, I32F, I32J, I32Q, I32R, I32S, I32T, I32U |
| | 21A | W04A, W04B | | 21A | W04A, W04B | | 21A | W04A, W04B |
| | 21B | X05A, X05B | | 21B | X04Z | | 21B | X05A, X05B |
| 5t19d.e↔ | | BOP, KJZSV, KVT, UOP4, VIAL | 5t19d.r↔ | | BOP, KJZSV, KVT, UOP4, VIAL | 5t19t.d↔ | | BOP, KJZSV, KVT, UOP4, VIAL |
| | 08 | I08A, I08B, I08C, I08D, I08E, I08F, I08J | | 08 | I20A, I20B, I20C, I20D, I20E, I20F, I20J, I20Q, I20R | | 08 | I32A, I32B, I32C, I32D, I32E, I32F, I32J, I32Q, I32R, I32S, I32T, I32U |
| | 21A | W04A, W04B | | 21A | W04A, W04B | | 21A | W04A, W04B |
| | 21B | X06A, X06B, X06C | | 21B | X04Z | | 21B | X05A, X05B |
| 5t19d.f | | BOP, KJZSV, KVT, UOP4, VIAL | 5t19d.x | | BOP, KJZSV, KVT, UOP4, B03Z, B17A, B17B, B17C, B17J | | 08 | I32A, I32B, I32C, I32D, I32E, I32F, I32J, I32Q, I32R, I32S, I32T, I32U |
| | 01 | B03Z, B17A, B17B, B17C, B17J | | 08 | I28A, I28B, I28J | | 21A | W04A, W04B |
| | 08 | I28A, I28B, I28J | | 21A | W04A, W04B | | 21B | X05A, X05B |
| | 21A | W04A, W04B | | 21B | X06A, X06B, X06C | | | BOP, KJZSV, KVT, UOP4, VIAL |
| | 21B | X06A, X06B, X06C | 5t19t.0↔ | | BOP, KJZSV, KVT, UOP4, VIAL | | 08 | I08A, I08B, I08C, I08D, I08E, I08F, I08J |
| 5t19d.g↔ | | BOP, KJZSV, KVT, UOP4, VIAL | | 08 | I16J, I16Q, I16Z | | 21A | W04A, W04B |
| | 08 | I08A, I08B, I08C, I08D, I08E, I08F, I08J | | 21A | W04A, W04B | | 21B | X06A, X06B, X06C |
| | 21A | W01A, W01B, W01C, W02A, W02B | 5t19t.1↔ | | BOP, KJZSV, KVT, UOP4, VIAL | | | BOP, KJZSV, KVT, UOP4, VIAL |
| | 21B | X04Z | | 08 | I28A, I28B, I28J | | 01 | B03Z, B17A, B17B, B17C, B17J |
| 5t19d.h↔ | | BOP, KJZSV, KVT, UOP4, VIAL | | 21A | W04A, W04B | | 08 | I28A, I28B, I28J |
| | 08 | I18A, I18B, I18J, I18Q, I18R, I30J, I30Z | | 21B | X06A, X06B, X06C | | 21A | W04A, W04B |
| | 21A | W04A, W04B | 5t19t.4↔ | | BOP, KJZSV, KVT, UOP4, VIAL | | 21B | X06A, X06B, X06C |
| | 21B | X04Z | | 08 | I08A, I08B, I08C, I08D, I08E, I08F, I08J, I21J, I21Z, I31J, I31Z | | | BOP, KJZSV, KVT, UOP4, VIAL |
| 5t19d.j↔ | | BOP, KJZSV, KVT, UOP4, VIAL | | 21A | W04A, W04B | | 5t19t.g↔ | |
| | 08 | I18A, I18B, I18J, I18Q, I18R, I30J, I30Z | | 21B | X06A, X06B, X06C | | | BOP, KJZSV, KVT, UOP4, VIAL |
| | 21A | W04A, W04B | 5t19t.5↔ | | BOP, KJZSV, KVT, UOP4, VIAL | | 08 | I08A, I08B, I08C, I08D, I08E, I08F, I08J, I21J, I21Z, I31J, I31Z |
| | 21B | X04Z | | 08 | I08A, I08B, I08C, I08D, I08E, I08F, I08J, I21J, I21Z, I31J, I31Z | | 21A | W01A, W01B, W01C, W02A, W02B |
| 5t19d.k↔ | | BOP, KJZSV, KVT, UOP4, VIAL | | 21A | W04A, W04B | | 21B | X04Z |
| | 08 | I13A, I13B, I13C, I13D, I13E, I13J | 5t19t.6↔ | | BOP, KJZSV, KVT, UOP4, VIAL | | | BOP, KJZSV, KVT, UOP4, VIAL |
| | 21A | W04A, W04B | | 08 | I08A, I08B, I08C, I08D, I08E, I08F, I08J, I32A, I32B, I32C, I32D, I32E, I32F, I32J, I32Q, I32R, I32S, I32T, I32U | | 5t19t.h↔ | |
| | 21B | X04Z | | 21A | W04A, W04B | | | BOP, KJZSV, KVT, UOP4, VIAL |
| | | | | 21B | X05A, X05B | | 08 | I18A, I18B, I18J, I18Q, I18R, I30J, I30Z |
| | | | | | | | 21A | W04A, W04B |
| | | | | | | | 21B | X04Z |

VYK

| ZZV | MDC | DRG | ZZV | MDC | DRG | ZZV | MDC | DRG |
|----------|-----|--|----------|-----|--|----------|-----|--|
| 5t19t.k↔ | | BOP, KJZSV, KVT, UOP4, VIAL | 5t19x.5↔ | | BOP, KJZSV, KVT, UOP4, VIAL | 5t19x.h↔ | | BOP, KJZSV, KVT, UOP4, VIAL |
| | 08 | I13A, I13B, I13C, I13D, I13E, I13J | | 08 | I08A, I08B, I08C, I08D, I08E, I08F, I08J, I21J, I21Z, I31J, I31Z | | 08 | I18A, I18B, I18J, I18Q, I18R, I30J, I30Z |
| | 21A | W04A, W04B | | 21A | W04A, W04B | | 21A | W04A, W04B |
| | 21B | X04Z | | 21B | X06A, X06B, X06C | | 21B | X04Z |
| 5t19t.m↔ | | BOP, KJZSV, KVT, UOP4, VIAL | 5t19x.6↔ | | BOP, KJZSV, KVT, UOP4, VIAL | 5t19x.j↔ | | BOP, KJZSV, KVT, UOP4, VIAL |
| | 08 | I20A, I20B, I20C, I20D, I20J, I20Q, I20R | | 08 | I08A, I08B, I08C, I08D, I08E, I08F, I08J, I32A, I32B, I32C, I32D, I32E, I32F, I32J, I32Q, I32R, I32S, I32T, I32U | | 08 | I18A, I18B, I18J, I18Q, I18R, I30J, I30Z |
| | 21A | W04A, W04B | | 21A | W04A, W04B | | 21A | W04A, W04B |
| | 21B | X04Z | | 21B | X05A, X05B | | 21B | X04Z |
| 5t19t.n↔ | | BOP, KJZSV, KVT, UOP4, VIAL | 5t19x.8↔ | | BOP, KJZSV, KVT, UOP4, VIAL | 5t19x.k↔ | | BOP, KJZSV, KVT, UOP4, VIAL |
| | 08 | I20A, I20B, I20C, I20D, I20J, I20Q, I20R | | 08 | I32A, I32B, I32C, I32D, I32E, I32F, I32J, I32Q, I32R, I32S, I32T, I32U | | 08 | I13A, I13B, I13C, I13D, I13E, I13J |
| | 21A | W04A, W04B | | 21A | W04A, W04B | | 21A | W04A, W04B |
| | 21B | X04Z | | 21B | X05A, X05B | | 21B | X04Z |
| 5t19t.p↔ | | BOP, KJZSV, KVT, UOP4, VIAL | 5t19x.9↔ | | BOP, KJZSV, KVT, UOP4, VIAL | 5t19x.m↔ | | BOP, KJZSV, KVT, UOP4, VIAL |
| | 08 | I20A, I20B, I20C, I20D, I20J, I20Q, I20R | | 08 | I32A, I32B, I32C, I32D, I32E, I32F, I32J, I32Q, I32R, I32S, I32T, I32U | | 08 | I20A, I20B, I20C, I20D, I20E, I20F, I20J, I20Q, I20R |
| | 21A | W04A, W04B | | 21A | W04A, W04B | | 21A | W04A, W04B |
| | 21B | X04Z | | 21B | X05A, X05B | | 21B | X04Z |
| 5t19t.q↔ | | BOP, KJZSV, KVT, UOP4, VIAL | 5t19x.a↔ | | BOP, KJZSV, KVT, UOP4, VIAL | 5t19x.n↔ | | BOP, KJZSV, KVT, UOP4, VIAL |
| | 08 | I20A, I20B, I20C, I20D, I20E, I20F, I20J, I20Q, I20R | | 08 | I32A, I32B, I32C, I32D, I32E, I32F, I32J, I32Q, I32R, I32S, I32T, I32U | | 08 | I20A, I20B, I20C, I20D, I20J, I20Q, I20R |
| | 21A | W04A, W04B | | 21A | W04A, W04B | | 21A | W04A, W04B |
| | 21B | X04Z | | 21B | X05A, X05B | | 21B | X04Z |
| 5t19t.r↔ | | BOP, KJZSV, KVT, UOP4, VIAL | 5t19x.c↔ | | BOP, KJZSV, KVT, UOP4, VIAL | 5t19x.p↔ | | BOP, KJZSV, KVT, UOP4, VIAL |
| | 08 | I20A, I20B, I20C, I20D, I20E, I20F, I20J, I20Q, I20R | | 08 | I32A, I32B, I32C, I32D, I32E, I32F, I32J, I32Q, I32R, I32S, I32T, I32U | | 08 | I20A, I20B, I20C, I20D, I20J, I20Q, I20R |
| | 21A | W04A, W04B | | 21A | W04A, W04B | | 21A | W04A, W04B |
| | 21B | X04Z | | 21B | X05A, X05B | | 21B | X04Z |
| 5t19t.x | | BOP, KJZSV, KVT, UOP4 | 5t19x.d↔ | | BOP, KJZSV, KVT, UOP4, VIAL | 5t19x.q↔ | | BOP, KJZSV, KVT, UOP4, VIAL |
| | 01 | B03Z, B17A, B17B, B17C, B17J | | 08 | I32A, I32B, I32C, I32D, I32E, I32F, I32J, I32Q, I32R, I32S, I32T, I32U | | 08 | I20A, I20B, I20C, I20D, I20E, I20F, I20J, I20Q, I20R |
| | 08 | I28A, I28B, I28J | | 21A | W04A, W04B | | 21A | W04A, W04B |
| | 21A | W04A, W04B | | 21B | X05A, X05B | | 21B | X04Z |
| | 21B | X06A, X06B, X06C | | 21B | X05A, X05B | | 21B | X04Z |
| 5t19x.0↔ | | BOP, KJZSV, KVT, UOP4, VIAL | 5t19x.e↔ | | BOP, KJZSV, KVT, UOP4, VIAL | 5t19x.r↔ | | BOP, KJZSV, KVT, UOP4, VIAL |
| | 08 | I16J, I16Q, I16Z | | 08 | I08A, I08B, I08C, I08D, I08E, I08F, I08J | | 08 | I20A, I20B, I20C, I20D, I20E, I20F, I20J, I20Q, I20R |
| | 21A | W04A, W04B | | 21A | W04A, W04B | | 21A | W04A, W04B |
| | 21B | X06A, X06B, X06C | | 21B | X06A, X06B, X06C | | 21B | X04Z |
| 5t19x.1↔ | | BOP, KJZSV, KVT, UOP4, VIAL | 5t19x.f | | BOP, KJZSV, KVT, UOP4, VIAL | 5t19x.x | | BOP, KJZSV, KVT, UOP4 |
| | 08 | I28A, I28B, I28J | | 08 | I28A, I28B, I28J | | 01 | B03Z, B17A, B17B, B17C, B17J |
| | 21A | W04A, W04B | | 21A | W04A, W04B | | 08 | I28A, I28B, I28J |
| | 21B | X06A, X06B, X06C | | 21B | X06A, X06B, X06C | | 21A | W04A, W04B |
| 5t19x.2↔ | | BOP, KJZSV, KVT, UOP4, VIAL | 5t19x.g↔ | | BOP, KJZSV, KVT, UOP4, VIAL | 5t19z.0↔ | | BOP, KJZSV, KVT, UOP4, VIAL |
| | 08 | I28A, I28B, I28J | | 08 | I08A, I08B, I08C, I08D, I08E, I08F, I08J | | 08 | I16J, I16Q, I16Z |
| | 21A | W04A, W04B | | 21A | W04A, W04B | | 21A | W04A, W04B |
| | 21B | X06A, X06B, X06C | | 21B | X06A, X06B, X06C | | 21B | X06A, X06B, X06C |
| 5t19x.3↔ | | BOP, KJZSV, KVT, UOP4, VIAL | | 08 | I28A, I28B, I28J | 5t19z.1↔ | | BOP, KJZSV, KVT, UOP4, VIAL |
| | 08 | I28A, I28B, I28J | | 21A | W04A, W04B | | 08 | I16J, I16Q, I16Z |
| | 21A | W04A, W04B | | 21B | X06A, X06B, X06C | | 21A | W04A, W04B |
| | 21B | X06A, X06B, X06C | | 21B | X06A, X06B, X06C | | 21B | X06A, X06B, X06C |
| 5t19x.4↔ | | BOP, KJZSV, KVT, UOP4, VIAL | | 08 | I08A, I08B, I08C, I08D, I08E, I08F, I08J | 5t19z.2↔ | | BOP, KJZSV, KVT, UOP4, VIAL |
| | 08 | I08A, I08B, I08C, I08D, I08E, I08F, I08J, I21J, I21Z, I31J, I31Z | | 21A | W01A, W01B, W01C, W02A, W02B | | 08 | I28A, I28B, I28J |
| | 21A | W04A, W04B | | 21B | X04Z | | 21A | W04A, W04B |
| | 21B | X06A, X06B, X06C | | | | | 21B | X06A, X06B, X06C |

VYK

| ZZV | MDC | DRG | ZZV | MDC | DRG | ZZV | MDC | DRG | |
|----------|-----|--|----------|-----------------------------|------------------------------|--|-----------------------------|--|--|
| 5t19z.3↔ | | BOP, KJZSV, KVT, UOP4, VIAL | 5t19z.f | 01 | B03Z, B17A, B17B, B17C, B17J | 5t211.0↔ | 08 | I16J, I16Q, I16Z | |
| | 08 | I28A, I28B, I28J | | 08 | I28A, I28B, I28J | | 21A | W04A, W04B | |
| | 21A | W04A, W04B | | 21B | X06A, X06B, X06C | | 21B | X06A, X06B, X06C | |
| 5t19z.4↔ | 21B | X06A, X06B, X06C | 5t19z.g↔ | 21A | W04A, W04B | 5t211.1↔ | BOP, KJZSV, KVT, UOP4, VIAL | 08 | I08A, I08B, I08C, I08D, I08E, I08F, I08J, I13A, I13B, I13C, I13D, I13E, I13J |
| | 08 | I08A, I08B, I08C, I08D, I08E, I08F, I08J, I21J, I21Z, I31J, I31Z | | 21B | X06A, X06B, X06C | | 21A | W04A, W04B | |
| | 21A | W04A, W04B | | 21A | W01A, W01B, W01C, W02A, W02B | | 21B | X06A, X06B, X06C | |
| 5t19z.5↔ | 21B | X06A, X06B, X06C | 5t19z.h↔ | 21B | X04Z | 5t211.2↔ | BOP, KJZSV, KVT, UOP4, VIAL | 08 | I08A, I08B, I08C, I08D, I08E, I08F, I08J, I13A, I13B, I13C, I13D, I13E, I13J |
| | 08 | I08A, I08B, I08C, I08D, I08E, I08F, I08J, I21J, I21Z, I31J, I31Z | | 21A | W04A, W04B | | 21A | W04A, W04B | |
| | 21A | W04A, W04B | | 21A | W04A, W04B | | 21B | X06A, X06B, X06C | |
| 5t19z.6↔ | 21B | X06A, X06B, X06C | 5t19z.i↔ | 21B | X04Z | 5t211.3↔ | BOP, KJZSV, KVT, UOP4, VIAL | 08 | I08A, I08B, I08C, I08D, I08E, I08F, I08J, I13A, I13B, I13C, I13D, I13E, I13J |
| | 08 | I08A, I08B, I08C, I08D, I08E, I08F, I08J, I32A, I32B, I32C, I32D, I32E, I32F, I32J, I32Q, I32R, I32S, I32T, I32U | | 21A | W04A, W04B | | 21A | W04A, W04B | |
| | 21A | W04A, W04B | | 21B | X04Z | | 21B | X06A, X06B, X06C | |
| 5t19z.8↔ | 21B | X05A, X05B | 5t19z.k↔ | BOP, KJZSV, KVT, UOP4, VIAL | 5t211.4↔ | BOP, KJZSV, KVT, UOP4, VIAL | 08 | I08A, I08B, I08C, I08D, I08E, I08F, I08J, I18A, I18B, I18J, I18Q, I18R, I30J, I30Z | |
| | 08 | I32A, I32B, I32C, I32D, I32E, I32F, I32J, I32Q, I32R, I32S, I32T, I32U | | 08 | | I13A, I13B, I13C, I13D, I13E, I13J | 21A | W04A, W04B | |
| | 21A | W04A, W04B | | 21A | | W04A, W04B | 21B | X06A, X06B, X06C | |
| 5t19z.9↔ | 21B | X05A, X05B | 5t19z.m↔ | BOP, KJZSV, KVT, UOP4, VIAL | 5t211.5↔ | BOP, KJZSV, KVT, UOP4, VIAL | 08 | I08A, I08B, I08C, I08D, I08E, I08F, I08J, I18A, I18B, I18J, I18Q, I18R, I30J, I30Z | |
| | 08 | I32A, I32B, I32C, I32D, I32E, I32F, I32J, I32Q, I32R, I32S, I32T, I32U | | 08 | | I20A, I20B, I20C, I20D, I20J, I20Q, I20R | 21A | W04A, W04B | |
| | 21A | W04A, W04B | | 21A | | W04A, W04B | 21B | X04Z | |
| 5t19z.a↔ | 21B | X05A, X05B | 5t19z.n↔ | BOP, KJZSV, KVT, UOP4, VIAL | 5t211.6↔ | BOP, KJZSV, KVT, UOP4, VIAL | 08 | I08A, I08B, I08C, I08D, I08E, I08F, I08J, I18A, I18B, I18J, I18Q, I18R, I30J, I30Z | |
| | 08 | I32A, I32B, I32C, I32D, I32E, I32F, I32J, I32Q, I32R, I32S, I32T, I32U | | 08 | | I20A, I20B, I20C, I20D, I20J, I20Q, I20R | 21A | W04A, W04B | |
| | 21A | W04A, W04B | | 21A | | W04A, W04B | 21B | X04Z | |
| 5t19z.c↔ | 21B | X05A, X05B | 5t19z.p↔ | BOP, KJZSV, KVT, UOP4, VIAL | 5t211.7↔ | BOP, KJZSV, KVT, UOP4, VIAL | 08 | I08A, I08B, I08C, I08D, I08E, I08F, I08J, I13A, I13B, I18A, I18B, I18J, I18Q, I18R, I30J, I30Z | |
| | 08 | I32A, I32B, I32C, I32D, I32E, I32F, I32J, I32Q, I32R, I32S, I32T, I32U | | 08 | | I20A, I20B, I20C, I20D, I20J, I20Q, I20R | 21A | W04A, W04B | |
| | 21A | W04A, W04B | | 21A | | W04A, W04B | 21B | X04Z | |
| 5t19z.d↔ | 21B | X05A, X05B | 5t19z.q↔ | BOP, KJZSV, KVT, UOP4, VIAL | 5t211.8↔ | BOP, KJZSV, KVT, UOP4, VIAL | 08 | I08A, I08B, I08C, I08D, I08E, I08F, I08J, I18A, I18B, I18J, I18Q, I18R, I30J, I30Z | |
| | 08 | I32A, I32B, I32C, I32D, I32E, I32F, I32J, I32Q, I32R, I32S, I32T, I32U | | 08 | | I20A, I20B, I20C, I20D, I20E, I20F, I20J, I20Q, I20R | 21A | W04A, W04B | |
| | 21A | W04A, W04B | | 21A | | W04A, W04B | 21B | X06A, X06B, X06C | |
| 5t19z.e↔ | 21B | X05A, X05B | 5t19z.r↔ | BOP, KJZSV, KVT, UOP4, VIAL | 5t211.9↔ | BOP, KJZSV, KVT, UOP4, VIAL | 08 | I08A, I08B, I08C, I08D, I08E, I08F, I08J, I18A, I18B, I18J, I18Q, I18R, I30J, I30Z | |
| | 08 | I32A, I32B, I32C, I32D, I32E, I32F, I32J, I32Q, I32R, I32S, I32T, I32U | | 08 | | I20A, I20B, I20C, I20D, I20E, I20F, I20J, I20Q, I20R | 21A | W04A, W04B | |
| | 21A | W04A, W04B | | 21A | | W04A, W04B | 21B | X06A, X06B, X06C | |
| 5t19z.e↔ | 21B | X06A, X06B, X06C | 5t19z.x | BOP, KJZSV, KVT, UOP4, VIAL | 5t211.9↔ | BOP, KJZSV, KVT, UOP4, VIAL | 08 | I08A, I08B, I08C, I08D, I08E, I08F, I08J, I18A, I18B, I18J, I18Q, I18R, I30J, I30Z | |
| | 08 | I08A, I08B, I08C, I08D, I08E, I08F, I08J | | 01 | | B03Z, B17A, B17B, B17C, B17J | 08 | I08A, I08B, I08C, I08D, I08E, I08F, I08J, I18A, I18B, I18J, I18Q, I18R, I30J, I30Z | |
| | 21A | W04A, W04B | | 08 | | I28A, I28B, I28J | 21A | W04A, W04B | |
| | | | | | | | | 21B | X06A, X06B, X06C |

VYK

| ZZV | MDC | DRG | ZZV | MDC | DRG | ZZV | MDC | DRG |
|----------|-----|--|----------|----------|--|----------|-----|--|
| 5t211.a↔ | | BOP, KJZSV, KVT, UOP4, VIAL | 5t211.m↔ | | BOP, KJZSV, KVT, UOP4, VIAL | 5t213.0↔ | | BOP, KJZSV, KVT, UOP4, VIAL |
| | 08 | I32A, I32B, I32C, I32D, I32E, I32F, I32G, I32J, I32Q, I32R, I32S, I32T, I32U | | 08 | I13A, I13B, I13C, I13D, I13E, I13J | | 08 | I16J, I16Q, I16Z |
| | 21A | W04A, W04B | | 21A | W04A, W04B | | 21A | W04A, W04B |
| | 21B | X05A, X05B | | 21B | X04Z | | 21B | X06A, X06B, X06C |
| 5t211.b↔ | | BOP, KVT, UOP4, VIAL | 5t211.n↔ | | BOP, KJZSV, KVT, UOP4, VIAL | 5t213.1↔ | | BOP, KJZSV, KVT, UOP4, VIAL |
| | 08 | I32A, I32B, I32C, I32D, I32E, I32F, I32G, I32J, I32Q, I32R, I32S, I32T, I32U | | 08 | I13A, I13B, I13C, I13D, I13E, I13J | | 08 | I08A, I08B, I08C, I08D, I08E, I08F, I08J, I13A, I13B, I13C, I13D, I13E, I13J |
| | 21A | W04A, W04B | | 21A | W04A, W04B | | 21A | W04A, W04B |
| | 21B | X05A, X05B | | 21B | X04Z | | 21B | X06A, X06B, X06C |
| 5t211.c↔ | | BOP, KVT, UOP4, VIAL | 5t211.p↔ | | BOP, KJZSV, KVT, UOP4, VIAL | 5t213.2↔ | | BOP, KJZSV, KVT, UOP4, VIAL |
| | 08 | I32A, I32B, I32C, I32D, I32E, I32F, I32G, I32J, I32Q, I32R, I32S, I32T, I32U | | 08 | I13A, I13B, I13C, I13D, I13E, I13J | | 08 | I08A, I08B, I08C, I08D, I08E, I08F, I08J, I13A, I13B, I13C, I13D, I13E, I13J |
| | 21A | W04A, W04B | | 21A | W04A, W04B | | 21A | W04A, W04B |
| | 21B | X05A, X05B | | 21B | X04Z | | 21B | X06A, X06B, X06C |
| 5t211.d | | BOP, KJZSV, KVT, UOP4, VIAL | 5t211.q↔ | | BOP, KJZSV, KVT, UOP4, VIAL | 5t213.3↔ | | BOP, KJZSV, KVT, UOP4, VIAL |
| | 08 | I08A, I08B, I08C, I08D, I08E, I08F, I08J | | 08 | I13A, I13B, I13C, I13D, I13E, I13J | | 08 | I08A, I08B, I08C, I08D, I08E, I08F, I08J, I13A, I13B, I13C, I13D, I13E, I13J |
| | 21A | W04A, W04B | | 21A | W04A, W04B | | 21A | W04A, W04B |
| | 21B | X06A, X06B, X06C | | 21B | X04Z | | 21B | X06A, X06B, X06C |
| 5t211.e↔ | | BOP, KJZSV, KVT, UOP4, VIAL | 5t211.r↔ | | BOP, KJZSV, KVT, UOP4, VIAL | 5t213.4↔ | | BOP, KJZSV, KVT, UOP4, VIAL |
| | 08 | I08A, I08B, I08C, I08D, I08E, I08F, I08J | | 08 | I13A, I13B, I13C, I13D, I13E, I13J | | 08 | I08A, I08B, I08C, I08D, I08E, I08F, I08J, I18A, I18B, I18J, I18Q, I18R, I30J, I30Z |
| | 21A | W01A, W01B, W01C, W02A, W02B | | 21A | W04A, W04B | | 21A | W04A, W04B |
| | 21B | X04Z | | 21B | X04Z | | 21B | X06A, X06B, X06C |
| 5t211.f↔ | | BOP, KJZSV, KVT, UOP4, VIAL | 5t211.s↔ | | BOP, KJZSV, KVT, UOP4, VIAL | 5t213.5↔ | | BOP, KJZSV, KVT, UOP4, VIAL |
| | 08 | I08A, I08B, I08C, I08D, I08E, I08F, I08J | | 08 | I20A, I20B, I20C, I20D, I20E, I20F, I20J, I20Q, I20R | | 08 | I08A, I08B, I08C, I08D, I08E, I08F, I08J, I18A, I18B, I18J, I18Q, I18R, I30J, I30Z |
| | 21A | W01A, W01B, W01C, W02A, W02B | | 21A | W04A, W04B | | 21A | W04A, W04B |
| | 21B | X04Z | | 21B | X04Z | | 21B | X06A, X06B, X06C |
| 5t211.g↔ | | BOP, KJZSV, KVT, UOP4, VIAL | 5t211.t↔ | | BOP, KJZSV, KVT, UOP4, VIAL | 5t213.6↔ | | BOP, KJZSV, KVT, UOP4, VIAL |
| | 08 | I08A, I08B, I08C, I08D, I08E, I08F, I08J | | 08 | I20A, I20B, I20C, I20D, I20E, I20F, I20J, I20Q, I20R | | 08 | I08A, I08B, I08C, I08D, I08E, I08F, I08J, I13A, I13B, I18A, I18B, I18J, I18Q, I18R, I30J, I30Z |
| | 21A | W01A, W01B, W01C, W02A, W02B | | 21A | W04A, W04B | | 21A | W04A, W04B |
| | 21B | X04Z | | 21B | X04Z | | 21B | X06A, X06B, X06C |
| 5t211.h↔ | | BOP, KJZSV, KVT, UOP4, VIAL | 5t211.u↔ | | BOP, KJZSV, KVT, UOP4, VIAL | 5t213.7↔ | | BOP, KJZSV, KVT, UOP4, VIAL |
| | 01 | B03Z, B17A, B17B, B17C, B17J | | 08 | I20A, I20B, I20C, I20D, I20E, I20F, I20J, I20Q, I20R | | 08 | I08A, I08B, I08C, I08D, I08E, I08F, I08J, I18A, I18B, I18J, I18Q, I18R, I30J, I30Z |
| | 08 | I08A, I08B, I08C, I08D, I08E, I08F, I08J | | 21A | W04A, W04B | | 21A | W04A, W04B |
| | 21A | W01A, W01B, W01C, W02A, W02B | | 21B | X04Z | | 21B | X06A, X06B, X06C |
| | 21B | X04Z | | 5t211.w↔ | BOP, KVT, UOP4, VIAL | 5t213.8↔ | | BOP, KJZSV, KVT, UOP4, VIAL |
| 5t211.i↔ | | BOP, KJZSV, KVT, UOP4, VIAL | | 08 | I20A, I20B, I20C, I20D, I20E, I20F, I20J, I20Q, I20R | | 08 | I08A, I08B, I08C, I08D, I08E, I08F, I08J, I18A, I18B, I18J, I18Q, I18R, I30J, I30Z |
| | 08 | I18A, I18B, I18J, I18Q, I18R, I30J, I30Z | | 21A | W04A, W04B | | 21A | W04A, W04B |
| | 21A | W04A, W04B | | 21B | X04Z | | 21B | X06A, X06B, X06C |
| | 21B | X04Z | | 5t211.x | BOP, KVT, UOP4 | 5t213.9↔ | | BOP, KJZSV, KVT, UOP4, VIAL |
| 5t211.k↔ | | BOP, KJZSV, KVT, UOP4, VIAL | | 08 | I28A, I28B, I28J | | 08 | I08A, I08B, I08C, I08D, I08E, I08F, I08J, I18A, I18B, I18J, I18Q, I18R, I30J, I30Z |
| | 08 | I13A, I13B, I13C, I13D, I13E, I13J | | 21A | W04A, W04B | | 21A | W04A, W04B |
| | 21A | W04A, W04B | | 21B | X06A, X06B, X06C | | 21B | X06A, X06B, X06C |
| | 21B | X04Z | | 5t211.z↔ | BOP, KJZSV, KVT, UOP4, VIAL | | 21A | W04A, W04B |
| | | | | 08 | I28A, I28B, I28C, I28J | | 21B | X06A, X06B, X06C |
| | | | | 21A | W04A, W04B | | | |
| | | | | 21B | X06A, X06B, X06C | | | |

| ZZV | MDC | DRG | ZZV | MDC | DRG | ZZV | MDC | DRG |
|----------|-----|--|----------|-----|--|----------|-----|--|
| 5t213.a↔ | | BOP, KJZSV, KVT, UOP4, VIAL | 5t213.m↔ | | BOP, KJZSV, KVT, UOP4, VIAL | 5t214.0↔ | | BOP, KVT, UOP4, VIAL |
| | 08 | I32A, I32B, I32C, I32D, I32E, I32F, I32G, I32J, I32Q, I32R, I32S, I32T, I32U | | 08 | I13A, I13B, I13C, I13D, I13E, I13J | | 08 | I16J, I16Q, I16Z |
| | 21A | W04A, W04B | | 21A | W04A, W04B | | 21A | W04A, W04B |
| | 21B | X05A, X05B | | 21B | X04Z | | 21B | X06A, X06B, X06C |
| 5t213.b↔ | | BOP, KJZSV, KVT, UOP4, VIAL | 5t213.n↔ | | BOP, KJZSV, KVT, UOP4, VIAL | 5t214.1↔ | | BOP, KJZSV, KVT, UOP4, VIAL |
| | 08 | I32A, I32B, I32C, I32D, I32E, I32F, I32G, I32J, I32Q, I32R, I32S, I32T, I32U | | 08 | I13A, I13B, I13C, I13D, I13E, I13J | | 08 | I08A, I08B, I08C, I08D, I08E, I08F, I08J, I13A, I13B, I13C, I13D, I13E, I13J |
| | 21A | W04A, W04B | | 21A | W04A, W04B | | 21A | W04A, W04B |
| | 21B | X05A, X05B | | 21B | X04Z | | 21B | X06A, X06B, X06C |
| 5t213.c↔ | | BOP, KJZSV, KVT, UOP4, VIAL | 5t213.p↔ | | BOP, KJZSV, KVT, UOP4, VIAL | 5t214.2↔ | | BOP, KJZSV, KVT, UOP4, VIAL |
| | 08 | I32A, I32B, I32C, I32D, I32E, I32F, I32G, I32J, I32Q, I32R, I32S, I32T, I32U | | 08 | I13A, I13B, I13C, I13D, I13E, I13J | | 08 | I08A, I08B, I08C, I08D, I08E, I08F, I08J, I13A, I13B, I13C, I13D, I13E, I13J |
| | 21A | W04A, W04B | | 21A | W04A, W04B | | 21A | W04A, W04B |
| | 21B | X05A, X05B | | 21B | X04Z | | 21B | X06A, X06B, X06C |
| 5t213.d | | BOP, KJZSV, KVT, UOP4, VIAL | 5t213.q↔ | | BOP, KJZSV, KVT, UOP4, VIAL | 5t214.3↔ | | BOP, KJZSV, KVT, UOP4, VIAL |
| | 08 | I08A, I08B, I08C, I08D, I08E, I08F, I08J | | 08 | I13A, I13B, I13C, I13D, I13E, I13J | | 08 | I08A, I08B, I08C, I08D, I08E, I08F, I08J, I13A, I13B, I13C, I13D, I13E, I13J |
| | 21A | W04A, W04B | | 21A | W04A, W04B | | 21A | W04A, W04B |
| | 21B | X06A, X06B, X06C | | 21B | X04Z | | 21B | X06A, X06B, X06C |
| 5t213.e↔ | | BOP, KJZSV, KVT, UOP4, VIAL | 5t213.r↔ | | BOP, KJZSV, KVT, UOP4, VIAL | 5t214.4↔ | | BOP, KJZSV, KVT, UOP4, VIAL |
| | 08 | I08A, I08B, I08C, I08D, I08E, I08F, I08J | | 08 | I13A, I13B, I13C, I13D, I13E, I13J | | 08 | I08A, I08B, I08C, I08D, I08E, I08F, I08J, I18A, I18B, I18J, I18Q, I18R, I24J, I24Q, I24Z |
| | 21A | W01A, W01B, W01C, W02A, W02B | | 21A | W04A, W04B | | 21A | W04A, W04B |
| | 21B | X04Z | | 21B | X04Z | | 21B | X06A, X06B, X06C |
| 5t213.f↔ | | BOP, KJZSV, KVT, UOP4, VIAL | 5t213.s↔ | | BOP, KJZSV, KVT, UOP4, VIAL | 5t214.5↔ | | BOP, KVT, UOP4, VIAL |
| | 08 | I08A, I08B, I08C, I08D, I08E, I08F, I08J | | 08 | I20A, I20B, I20C, I20D, I20E, I20F, I20J, I20Q, I20R | | 08 | I08A, I08B, I08C, I08D, I08E, I08F, I08J, I18A, I18B, I18J, I18Q, I18R, I24J, I24Q, I24Z |
| | 21A | W01A, W01B, W01C, W02A, W02B | | 21A | W04A, W04B | | 21A | W04A, W04B |
| | 21B | X04Z | | 21B | X04Z | | 21B | X06A, X06B, X06C |
| 5t213.g↔ | | BOP, KJZSV, KVT, UOP4, VIAL | 5t213.t↔ | | BOP, KJZSV, KVT, UOP4, VIAL | 5t214.6↔ | | BOP, KVT, UOP4, VIAL |
| | 08 | I08A, I08B, I08C, I08D, I08E, I08F, I08J | | 08 | I20A, I20B, I20C, I20D, I20E, I20F, I20J, I20Q, I20R | | 08 | I08A, I08B, I08C, I08D, I08E, I08F, I08J, I13A, I13B, I18A, I18B, I18J, I18Q, I18R, I24J, I24Q, I24Z |
| | 21A | W01A, W01B, W01C, W02A, W02B | | 21A | W04A, W04B | | 21A | W04A, W04B |
| | 21B | X04Z | | 21B | X04Z | | 21B | X06A, X06B, X06C |
| 5t213.h↔ | | BOP, KJZSV, KVT, UOP4, VIAL | 5t213.u↔ | | BOP, KJZSV, KVT, UOP4, VIAL | 5t214.7↔ | | BOP, KJZSV, KVT, UOP4, VIAL |
| | 01 | B03Z, B17A, B17B, B17C, B17J | | 08 | I20A, I20B, I20C, I20D, I20E, I20F, I20J, I20Q, I20R | | 08 | I08A, I08B, I08C, I08D, I08E, I08F, I08J, I18A, I18B, I18J, I18Q, I18R, I24J, I24Q, I24Z |
| | 08 | I08A, I08B, I08C, I08D, I08E, I08F, I08J | | 21A | W04A, W04B | | 21A | W04A, W04B |
| | 21A | W01A, W01B, W01C, W02A, W02B | | 21B | X04Z | | 21B | X06A, X06B, X06C |
| 5t213.i↔ | | BOP, KJZSV, KVT, UOP4, VIAL | 5t213.v↔ | | BOP, KJZSV, KVT, UOP4, VIAL | 5t214.8↔ | | BOP, KJZSV, KVT, UOP4, VIAL |
| | 08 | I18A, I18B, I18J, I18Q, I18R, I30J, I30Z | | 08 | I20A, I20B, I20C, I20D, I20E, I20F, I20J, I20Q, I20R | | 08 | I08A, I08B, I08C, I08D, I08E, I08F, I08J, I18A, I18B, I18J, I18Q, I18R, I24J, I24Q, I24Z |
| | 21A | W04A, W04B | | 21A | W04A, W04B | | 21A | W04A, W04B |
| | 21B | X04Z | | 21B | X04Z | | 21B | X06A, X06B, X06C |
| 5t213.j↔ | | BOP, KJZSV, KVT, UOP4, VIAL | 5t213.w↔ | | BOP, KJZSV, KVT, UOP4, VIAL | 5t214.9↔ | | BOP, KVT, UOP4, VIAL |
| | 08 | I18A, I18B, I18J, I18Q, I18R, I30J, I30Z | | 08 | I20A, I20B, I20C, I20D, I20E, I20F, I20J, I20Q, I20R | | 08 | I08A, I08B, I08C, I08D, I08E, I08F, I08J, I18A, I18B, I18J, I18Q, I18R, I24J, I24Q, I24Z |
| | 21A | W04A, W04B | | 21A | W04A, W04B | | 21A | W04A, W04B |
| | 21B | X04Z | | 21B | X04Z | | 21B | X06A, X06B, X06C |
| 5t213.k↔ | | BOP, KJZSV, KVT, UOP4, VIAL | 5t213.x | | BOP, KJZSV, KVT, UOP4, VIAL | 5t214.a↔ | | BOP, KVT, UOP4, VIAL |
| | 08 | I13A, I13B, I13C, I13D, I13E, I13J | | 08 | I28A, I28B, I28J | | 08 | I32A, I32B, I32C, I32D, I32E, I32F, I32G, I32J, I32Q, I32R, I32S, I32T, I32U |
| | 21A | W04A, W04B | | 21A | W04A, W04B | | 21A | W04A, W04B |
| | 21B | X04Z | | 21B | X06A, X06B, X06C | | 21B | X06A, X06B, X06C |
| | | BOP, KJZSV, KVT, UOP4, VIAL | 5t213.z↔ | | BOP, KJZSV, KVT, UOP4, VIAL | | | BOP, KVT, UOP4, VIAL |
| | 08 | I13A, I13B, I13C, I13D, I13E, I13J | | 08 | I28A, I28B, I28C, I28J | | 08 | I32A, I32B, I32C, I32D, I32E, I32F, I32G, I32J, I32Q, I32R, I32S, I32T, I32U |
| | 21A | W04A, W04B | | 21A | W04A, W04B | | 21A | W04A, W04B |
| | 21B | X04Z | | 21B | X06A, X06B, X06C | | 21B | X05A, X05B |

VYK

| ZZV | MDC | DRG | ZZV | MDC | DRG | ZZV | MDC | DRG |
|----------|-----|--|----------|-----|--|----------|-----|--|
| 5t214.b↔ | | BOP, KVT, UOP4, VIAL | 5t214.p↔ | | BOP, KJZSV, KVT, UOP4, VIAL | 5t215.e↔ | | BOP, KJZSV, KVT, UOP4, VIAL |
| | 08 | I32A, I32B, I32C, I32D, I32E, I32F, I32G, I32J, I32Q, I32R, I32S, I32T, I32U | | 08 | I13A, I13B, I13C, I13D, I13E, I13J | | 08 | I08A, I08B, I08C, I08D, I08E, I08F, I08J |
| | 21A | W04A, W04B | | 21A | W04A, W04B | | 21A | W01A, W01B, W01C, W02A, W02B |
| 5t214.c↔ | 21B | X05A, X05B | 5t214.q↔ | 21B | X04Z | 5t215.f↔ | 21B | X04Z |
| | 08 | BOP, KVT, UOP4, VIAL | | 08 | BOP, KJZSV, KVT, UOP4, VIAL | | 08 | BOP, KJZSV, KVT, UOP4, VIAL |
| | 21A | I32A, I32B, I32C, I32D, I32E, I32F, I32G, I32J, I32Q, I32R, I32S, I32T, I32U | | 21A | I13A, I13B, I13C, I13D, I13E, I13J | | 21A | I08A, I08B, I08C, I08D, I08E, I08F, I08J |
| 5t214.d | 21B | W04A, W04B | 5t214.r↔ | 21B | W04A, W04B | 5t215.g↔ | 21B | W01A, W01B, W01C, W02A, W02B |
| | 08 | X05A, X05B | | 08 | BOP, KJZSV, KVT, UOP4, VIAL | | 08 | BOP, KJZSV, KVT, UOP4, VIAL |
| | 21A | I08A, I08B, I08C, I08D, I08E, I08F, I08J | | 21A | I13A, I13B, I13C, I13D, I13E, I13J | | 21A | I08A, I08B, I08C, I08D, I08E, I08F, I08J |
| 5t214.e↔ | 21B | W04A, W04B | 5t214.s↔ | 21B | X04Z | 5t215.h↔ | 21B | W01A, W01B, W01C, W02A, W02B |
| | 08 | X06A, X06B, X06C | | 08 | BOP, KJZSV, KVT, UOP4, VIAL | | 01 | B03Z, B17A, B17B, B17C, B17J |
| | 21A | BOP, KJZSV, KVT, UOP4, VIAL | | 21A | I20A, I20B, I20C, I20D, I20E, I20F, I20J, I20Q, I20R | | 08 | I08A, I08B, I08C, I08D, I08E, I08F, I08J |
| 5t214.f↔ | 08 | I08A, I08B, I08C, I08D, I08E, I08F, I08J | 5t214.t↔ | 21A | W04A, W04B | 5t215.k↔ | 21A | W01A, W01B, W01C, W02A, W02B |
| | 21A | W01A, W01B, W01C, W02A, W02B | | 21B | X04Z | | 21B | X04Z |
| | 21B | X04Z | | 08 | BOP, KJZSV, KVT, UOP4, VIAL | | 08 | BOP, KJZSV, KVT, UOP4, VIAL |
| 5t214.g↔ | 08 | I08A, I08B, I08C, I08D, I08E, I08F, I08J | 5t214.u↔ | 08 | I20A, I20B, I20C, I20D, I20E, I20F, I20J, I20Q, I20R | 5t215.x | 08 | I13A, I13B, I13C, I13D, I13J |
| | 21A | W01A, W01B, W01C, W02A, W02B | | 21A | W04A, W04B | | 08 | I28A, I28B, I28J |
| | 21B | X04Z | | 21B | X04Z | | 21A | W04A, W04B |
| 5t214.h↔ | 08 | I08A, I08B, I08C, I08D, I08E, I08F, I08J | 5t214.v↔ | 08 | BOP, KVT, UOP4, VIAL | 5t216.1↔ | 21B | X06A, X06B, X06C |
| | 21A | W01A, W01B, W01C, W02A, W02B | | 08 | I20A, I20B, I20C, I20D, I20E, I20F, I20J, I20Q, I20R | | 08 | BOP, KJZSV, KVT, UOP4, VIAL |
| | 21B | X04Z | | 21A | W04A, W04B | | 08 | I08A, I08B, I08C, I08D, I08E, I08F, I08J, I13A, I13B, I13C, I13D, I13J |
| 5t214.i↔ | 01 | B03Z, B17A, B17B, B17C, B17J | 5t214.w↔ | 21B | X04Z | 5t216.2↔ | 21A | W04A, W04B |
| | 08 | I08A, I08B, I08C, I08D, I08E, I08F, I08J | | 08 | BOP, KVT, UOP4, VIAL | | 08 | I08A, I08B, I08C, I08D, I08E, I08F, I08J, I13A, I13B, I13C, I13D, I13J |
| | 21A | W01A, W01B, W01C, W02A, W02B | | 08 | I20A, I20B, I20C, I20D, I20E, I20F, I20J, I20Q, I20R | | 21B | X06A, X06B, X06C |
| 5t214.j↔ | 21B | X04Z | 5t214.x | 21A | W04A, W04B | 5t216.3↔ | 08 | I08A, I08B, I08C, I08D, I08E, I08F, I08J, I13A, I13B, I13C, I13D, I13J |
| | 08 | I24J, I24Q, I24Z, I30J, I30Z | | 08 | BOP, KJZSV, KVT, UOP4, VIAL | | 21A | W04A, W04B |
| | 21A | W04A, W04B | | 21A | W04A, W04B | | 21B | X06A, X06B, X06C |
| 5t214.k↔ | 21B | X04Z | 5t214.z↔ | 08 | I28A, I28B, I28C, I28J | 5t216.4↔ | 08 | I08A, I08B, I08C, I08D, I08E, I08F, I08J, I13A, I13B, I13C, I13D, I13J |
| | 08 | BOP, KJZSV, KVT, UOP4, VIAL | | 21A | W04A, W04B | | 08 | I08A, I08B, I08C, I08D, I08E, I08F, I08J, I13A, I13B, I13C, I13D, I13J |
| | 21A | I13A, I13B, I13C, I13D, I13E, I13J | | 21B | X06A, X06B, X06C | | 21A | W04A, W04B |
| 5t214.l↔ | 21B | X04Z | 5t215.1↔ | 08 | BOP, KJZSV, KVT, UOP4, VIAL | 5t216.5↔ | 21B | X06A, X06B, X06C |
| | 08 | I13A, I13B, I13C, I13D, I13E, I13J | | 08 | I08A, I08B, I08C, I08D, I08E, I08F, I08J, I13A, I13B, I13C, I13D, I13J | | 08 | I08A, I08B, I08C, I08D, I08E, I08F, I08J, I18A, I18B, I18J, I18Q, I18R, I21J, I21Z, I31J, I31Z |
| | 21A | W04A, W04B | | 21A | W04A, W04B | | 21A | W04A, W04B |
| 5t214.m↔ | 21B | X04Z | 5t215.2↔ | 08 | I08A, I08B, I08C, I08D, I08E, I08F, I08J, I13A, I13B, I13C, I13D, I13J | 5t216.6↔ | 21B | X06A, X06B, X06C |
| | 08 | BOP, KJZSV, KVT, UOP4, VIAL | | 08 | I08A, I08B, I08C, I08D, I08E, I08F, I08J, I13A, I13B, I13C, I13D, I13J | | 21A | W04A, W04B |
| | 21A | I13A, I13B, I13C, I13D, I13E, I13J | | 08 | I08A, I08B, I08C, I08D, I08E, I08F, I08J, I13A, I13B, I13C, I13D, I13J | | 21B | X06A, X06B, X06C |
| 5t214.n↔ | 21B | X04Z | | | | | | |
| | 08 | BOP, KJZSV, KVT, UOP4, VIAL | | | | | | |
| | 21A | I13A, I13B, I13C, I13D, I13E, I13J | | | | | | |
| | 21A | W04A, W04B | | | | | | |
| | 21B | X04Z | | | | | | |

VYK

| ZZV | MDC | DRG | ZZV | MDC | DRG | ZZV | MDC | DRG |
|----------|-----|--|----------|-----|--|----------|-----|--|
| 5t216.5↔ | | BOP, KJZSV, KVT, UOP4, VIAL | 5t216.k↔ | | BOP, KJZSV, KVT, UOP4, VIAL | 5t217.6↔ | | BOP, KJZSV, KVT, UOP4, VIAL |
| | 08 | I08A, I08B, I08C, I08D, I08E, I08F, I08J, I18A, I18B, I18J, I18Q, I18R, I21J, I21Z, I31J, I31Z | | 08 | I13A, I13B, I13C, I13D, I13J | | 08 | I08A, I08B, I08C, I08D, I08E, I08F, I08J, I13A, I13B, I18A, I18B, I18J, I18Q, I18R, I21J, I21Z, I31J, I31Z |
| | 21A | W04A, W04B | | 21A | W04A, W04B | | 21A | W04A, W04B |
| 5t216.6↔ | 21B | X06A, X06B, X06C | 5t216.m↔ | 21B | X04Z | 5t217.7↔ | 21B | X06A, X06B, X06C |
| | | BOP, KJZSV, KVT, UOP4, VIAL | | | BOP, KJZSV, KVT, UOP4, VIAL | | | BOP, KJZSV, KVT, UOP4, VIAL |
| | 08 | I08A, I08B, I08C, I08D, I08E, I08F, I08J, I13A, I13B, I18A, I18B, I18J, I18Q, I18R, I21J, I21Z, I31J, I31Z | | 08 | I13A, I13B, I13C, I13D, I13J | | 08 | I08A, I08B, I08C, I08D, I08E, I08F, I08J, I18A, I18B, I18J, I18Q, I18R, I21J, I21Z, I31J, I31Z |
| 5t216.7↔ | 21A | W04A, W04B | 5t216.n↔ | 21A | W04A, W04B | 5t217.8↔ | 21A | W04A, W04B |
| | 21B | X06A, X06B, X06C | | 21B | X04Z | | 21B | X06A, X06B, X06C |
| | | BOP, KJZSV, KVT, UOP4, VIAL | | | BOP, KJZSV, KVT, UOP4, VIAL | | | BOP, KJZSV, KVT, UOP4, VIAL |
| 5t216.8↔ | 08 | I08A, I08B, I08C, I08D, I08E, I08F, I08J, I18A, I18B, I18J, I18Q, I18R, I21J, I21Z, I31J, I31Z | 5t216.p↔ | 08 | I13A, I13B, I13C, I13D, I13J | 5t217.9↔ | 08 | I08A, I08B, I08C, I08D, I08E, I08F, I08J, I18A, I18B, I18J, I18Q, I18R, I21J, I21Z, I31J, I31Z |
| | 21A | W04A, W04B | | 08 | I13A, I13B, I13C, I13D, I13J | | 21A | W04A, W04B |
| | 21B | X06A, X06B, X06C | | 21B | X04Z | | 21B | X06A, X06B, X06C |
| 5t216.9↔ | | BOP, KJZSV, KVT, UOP4, VIAL | 5t216.q↔ | | BOP, KJZSV, KVT, UOP4, VIAL | 5t217.e↔ | | BOP, KJZSV, KVT, UOP4, VIAL |
| | 08 | I08A, I08B, I08C, I08D, I08E, I08F, I08J, I18A, I18B, I18J, I18Q, I18R, I21J, I21Z, I31J, I31Z | | 08 | I13A, I13B, I13C, I13D, I13J | | 08 | I08A, I08B, I08C, I08D, I08E, I08F, I08J, I18A, I18B, I18J, I18Q, I18R, I21J, I21Z, I31J, I31Z |
| | 21A | W04A, W04B | | 08 | I13A, I13B, I13C, I13D, I13J | | 21A | W04A, W04B |
| 5t216.e↔ | 21B | X06A, X06B, X06C | 5t216.r↔ | 21B | X04Z | 5t217.f↔ | 21B | X06A, X06B, X06C |
| | | BOP, KJZSV, KVT, UOP4, VIAL | | | BOP, KJZSV, KVT, UOP4, VIAL | | | BOP, KJZSV, KVT, UOP4, VIAL |
| | 08 | I08A, I08B, I08C, I08D, I08E, I08F, I08J, I18A, I18B, I18J, I18Q, I18R, I21J, I21Z, I31J, I31Z | | 08 | I13A, I13B, I13C, I13D, I13J | | 08 | I08A, I08B, I08C, I08D, I08E, I08F, I08J, I18A, I18B, I18J, I18Q, I18R, I21J, I21Z, I31J, I31Z |
| 5t216.f↔ | 21A | W04A, W04B | 5t216.t↔ | 21A | W04A, W04B | 5t217.g↔ | 21A | W04A, W04B |
| | 21B | X06A, X06B, X06C | | 08 | I20A, I20B, I20C, I20D, I20E, I20F, I20J, I20Q, I20R | | 21B | X06A, X06B, X06C |
| | | BOP, KJZSV, KVT, UOP4, VIAL | | 21A | W04A, W04B | | 08 | I08A, I08B, I08C, I08D, I08E, I08F, I08J |
| 5t216.g↔ | 08 | I08A, I08B, I08C, I08D, I08E, I08F, I08J | 5t216.x | 21B | X04Z | 5t217.h↔ | 08 | I08A, I08B, I08C, I08D, I08E, I08F, I08J |
| | 21A | W01A, W01B, W01C, W02A, W02B | | 08 | BOP, KJZSV, KVT, UOP4, VIAL | | 21A | W01A, W01B, W01C, W02A, W02B |
| | 21B | X04Z | | 08 | I08A, I08B, I08C, I08D, I08E, I08F, I08J, I13A, I13B, I13C, I13D, I13J | | 21B | X04Z |
| 5t216.h↔ | | BOP, KJZSV, KVT, UOP4, VIAL | 5t217.1↔ | | BOP, KJZSV, KVT, UOP4, VIAL | 5t217.i↔ | | BOP, KJZSV, KVT, UOP4, VIAL |
| | 08 | I08A, I08B, I08C, I08D, I08E, I08F, I08J | | 08 | I08A, I08B, I08C, I08D, I08E, I08F, I08J, I13A, I13B, I13C, I13D, I13J | | 08 | I08A, I08B, I08C, I08D, I08E, I08F, I08J |
| | 21A | W01A, W01B, W01C, W02A, W02B | | 08 | I08A, I08B, I08C, I08D, I08E, I08F, I08J, I13A, I13B, I13C, I13D, I13J | | 21A | W01A, W01B, W01C, W02A, W02B |
| 5t216.i↔ | 21B | X04Z | 5t217.2↔ | 21A | W04A, W04B | 5t217.j↔ | 21B | X04Z |
| | | BOP, KJZSV, KVT, UOP4, VIAL | | 21B | X06A, X06B, X06C | | 08 | I08A, I08B, I08C, I08D, I08E, I08F, I08J |
| | 08 | I08A, I08B, I08C, I08D, I08E, I08F, I08J | | 08 | BOP, KJZSV, KVT, UOP4, VIAL | | 21A | W01A, W01B, W01C, W02A, W02B |
| 5t216.j↔ | 21A | W01A, W01B, W01C, W02A, W02B | 5t217.3↔ | 08 | I08A, I08B, I08C, I08D, I08E, I08F, I08J, I13A, I13B, I13C, I13D, I13J | 5t217.k↔ | 21B | X04Z |
| | 21B | X04Z | | 08 | I08A, I08B, I08C, I08D, I08E, I08F, I08J, I13A, I13B, I13C, I13D, I13J | | 08 | I08A, I08B, I08C, I08D, I08E, I08F, I08J |
| | | BOP, KJZSV, KVT, UOP4, VIAL | | 21A | W04A, W04B | | 21A | W01A, W01B, W01C, W02A, W02B |
| 5t216.k↔ | 01 | B03Z, B17A, B17B, B17C, B17J | 5t217.4↔ | 21B | X06A, X06B, X06C | 5t217.l↔ | 21B | X04Z |
| | 08 | I08A, I08B, I08C, I08D, I08E, I08F, I08J | | 08 | BOP, KJZSV, KVT, UOP4, VIAL | | 08 | I08A, I08B, I08C, I08D, I08E, I08F, I08J |
| | 21A | W01A, W01B, W01C, W02A, W02B | | 08 | I08A, I08B, I08C, I08D, I08E, I08F, I08J, I18A, I18B, I18J, I18Q, I18R, I21J, I21Z, I31J, I31Z | | 21A | W01A, W01B, W01C, W02A, W02B |
| 5t216.l↔ | 21B | X04Z | 5t217.5↔ | 21A | W04A, W04B | 5t217.m↔ | 21B | X04Z |
| | | BOP, KJZSV, KVT, UOP4, VIAL | | 21B | X06A, X06B, X06C | | 08 | I08A, I08B, I08C, I08D, I08E, I08F, I08J, I18A, I18B, I18J, I18Q, I18R, I21J, I21Z, I31J, I31Z |
| | 08 | I08A, I08B, I08C, I08D, I08E, I08F, I08J | | 08 | BOP, KJZSV, KVT, UOP4, VIAL | | 21A | W04A, W04B |
| 5t216.m↔ | 21A | W01A, W01B, W01C, W02A, W02B | 5t217.6↔ | 21B | X06A, X06B, X06C | 5t217.n↔ | 21B | X04Z |
| | 21B | X04Z | | 08 | I08A, I08B, I08C, I08D, I08E, I08F, I08J, I18A, I18B, I18J, I18Q, I18R, I21J, I21Z, I31J, I31Z | | 21A | W04A, W04B |
| | | BOP, KJZSV, KVT, UOP4, VIAL | | 21A | W04A, W04B | | 21B | X06A, X06B, X06C |

| ZZV | MDC | DRG | ZZV | MDC | DRG | ZZV | MDC | DRG |
|----------|-----|--|----------|-----|--|----------|-----|--|
| 5t219.t↔ | | BOP, KJZSV, KVT, UOP4, VIAL | 5t21a.9↔ | | BOP, KVT, UOP4, VIAL | 5t21a.p↔ | | BOP, KJZSV, KVT, UOP4, VIAL |
| | 08 | I20A, I20B, I20C, I20D, I20E, I20F, I20J, I20Q, I20R | | 08 | I08A, I08B, I08C, I08D, I08E, I08F, I08J, I18A, I18B, I18J, I18Q, I18R, I21J, I21Z, I31J, I31Z | | 08 | I13A, I13B, I13C, I13D, I13E, I13J |
| 5t219.x | | BOP, KJZSV, KVT, UOP4 | | 21A | W04A, W04B | | 21A | W04A, W04B |
| | 08 | I28A, I28B, I28J | | 21B | X06A, X06B, X06C | | 21B | X04Z |
| | 21A | W04A, W04B | 5t21a.b↔ | | BOP, KVT, UOP4, VIAL | 5t21a.q↔ | | BOP, KJZSV, KVT, UOP4, VIAL |
| | 21B | X06A, X06B, X06C | | 08 | I32A, I32B, I32C, I32D, I32E, I32F, I32G, I32J, I32Q, I32R, I32S, I32T, I32U | | 08 | I13A, I13B, I13C, I13D, I13E, I13J |
| 5t21a.0↔ | | BOP, KJZSV, KVT, UOP4, VIAL | | 21A | W04A, W04B | | 21A | W04A, W04B |
| | 08 | I16J, I16Q, I16Z | | 21B | X05A, X05B | | 21B | X04Z |
| | 21A | W04A, W04B | 5t21a.c↔ | | BOP, KVT, UOP4, VIAL | 5t21a.r↔ | | BOP, KJZSV, KVT, UOP4, VIAL |
| | 21B | X06A, X06B, X06C | | 08 | I32A, I32B, I32C, I32D, I32E, I32F, I32G, I32J, I32Q, I32R, I32S, I32T, I32U | | 08 | I13A, I13B, I13C, I13D, I13E, I13J |
| 5t21a.1↔ | | BOP, KJZSV, KVT, UOP4, VIAL | | 21A | W04A, W04B | | 21A | W04A, W04B |
| | 08 | I08A, I08B, I08C, I08D, I08E, I08F, I08J, I13A, I13B, I13C, I13D, I13E, I13J | | 21B | X05A, X05B | | 21B | X04Z |
| | 21A | W04A, W04B | 5t21a.e↔ | | BOP, KJZSV, KVT, UOP4, VIAL | 5t21a.v↔ | | BOP, KVT, UOP4, VIAL |
| | 21B | X06A, X06B, X06C | | 08 | I08A, I08B, I08C, I08D, I08E, I08F, I08J | | 08 | I20A, I20B, I20C, I20D, I20E, I20F, I20J, I20Q, I20R |
| 5t21a.2↔ | | BOP, KJZSV, KVT, UOP4, VIAL | | 21A | W01A, W01B, W01C, W02A, W02B | | 21A | W04A, W04B |
| | 08 | I08A, I08B, I08C, I08D, I08E, I08F, I08J, I13A, I13B, I13C, I13D, I13E, I13J | | 21B | X04Z | | 21B | X04Z |
| | 21A | W04A, W04B | 5t21a.f↔ | | BOP, KJZSV, KVT, UOP4, VIAL | 5t21a.w↔ | | BOP, KVT, UOP4, VIAL |
| | 21B | X06A, X06B, X06C | | 08 | I08A, I08B, I08C, I08D, I08E, I08F, I08J | | 08 | I20A, I20B, I20C, I20D, I20E, I20F, I20J, I20Q, I20R |
| 5t21a.3↔ | | BOP, KJZSV, KVT, UOP4, VIAL | | 21A | W01A, W01B, W01C, W02A, W02B | | 21A | W04A, W04B |
| | 08 | I08A, I08B, I08C, I08D, I08E, I08F, I08J, I13A, I13B, I13C, I13D, I13E, I13J | | 21B | X04Z | | 21B | X04Z |
| | 21A | W04A, W04B | 5t21a.g↔ | | BOP, KJZSV, KVT, UOP4, VIAL | 5t21a.x | | BOP, KJZSV, KVT, UOP4 |
| | 21B | X06A, X06B, X06C | | 08 | I08A, I08B, I08C, I08D, I08E, I08F, I08J | | 08 | I28A, I28B, I28J |
| 5t21a.4↔ | | BOP, KVT, UOP4, VIAL | | 21A | W01A, W01B, W01C, W02A, W02B | | 21A | W04A, W04B |
| | 08 | I08A, I08B, I08C, I08D, I08E, I08F, I08J, I18A, I18B, I18J, I18Q, I18R, I30J, I30Z, I59J, I59Z | | 21B | X04Z | | 21B | X06A, X06B, X06C |
| | 21A | W04A, W04B | 5t21a.h↔ | | BOP, KJZSV, KVT, UOP4, VIAL | 5t21a.z↔ | | BOP, KJZSV, KVT, UOP4, VIAL |
| | 21B | X06A, X06B, X06C | | 08 | I08A, I08B, I08C, I08D, I08E, I08F, I08J | | 08 | I28A, I28B, I28C, I28J |
| 5t21a.5↔ | | BOP, KVT, UOP4, VIAL | | 21A | W01A, W01B, W01C, W02A, W02B | | 21A | W04A, W04B |
| | 08 | I08A, I08B, I08C, I08D, I08E, I08F, I08J, I18A, I18B, I18J, I18Q, I18R, I30J, I30Z, I59J, I59Z | | 21B | X04Z | | 21B | X06A, X06B, X06C |
| | 21A | W04A, W04B | 5t21a.i↔ | | BOP, KJZSV, KVT, UOP4, VIAL | 5t21b.0↔ | | BOP, KJZSV, KVT, UOP4, VIAL |
| | 21B | X06A, X06B, X06C | | 01 | B03Z, B17A, B17B, B17C, B17J | | 08 | I16J, I16Q, I16Z |
| 5t21a.6↔ | | BOP, KVT, UOP4, VIAL | | 08 | I08A, I08B, I08C, I08D, I08E, I08F, I08J | | 21A | W04A, W04B |
| | 08 | I08A, I08B, I08C, I08D, I08E, I08F, I08J, I13A, I13B, I18A, I18B, I18J, I18Q, I18R, I30J, I30Z, I59J, I59Z | | 21A | W01A, W01B, W01C, W02A, W02B | | 21B | X06A, X06B, X06C |
| | 21A | W04A, W04B | 5t21a.j↔ | | BOP, KJZSV, KVT, UOP4, VIAL | | 21A | W04A, W04B |
| | 21B | X06A, X06B, X06C | | 08 | I13A, I13B, I13C, I13D, I13E, I13J | | 21B | X06A, X06B, X06C |
| 5t21a.7↔ | | BOP, KJZSV, KVT, UOP4, VIAL | | 21A | W04A, W04B | 5t21b.1↔ | | BOP, KJZSV, KVT, UOP4, VIAL |
| | 08 | I08A, I08B, I08C, I08D, I08E, I08F, I08J, I18A, I18B, I18J, I18Q, I18R, I30J, I30Z, I59J, I59Z | | 21B | X04Z | | 08 | I08A, I08B, I08C, I08D, I08E, I08F, I08J, I13A, I13B, I13C, I13D, I13E, I13J |
| | 21A | W04A, W04B | 5t21a.k↔ | | BOP, KJZSV, KVT, UOP4, VIAL | | 21A | W04A, W04B |
| | 21B | X06A, X06B, X06C | | 08 | I13A, I13B, I13C, I13D, I13E, I13J | | 21B | X06A, X06B, X06C |
| 5t21a.8↔ | | BOP, KVT, UOP4, VIAL | | 21A | W04A, W04B | 5t21b.2↔ | | BOP, KJZSV, KVT, UOP4, VIAL |
| | 08 | I08A, I08B, I08C, I08D, I08E, I08F, I08J, I18A, I18B, I18J, I18Q, I18R, I30J, I30Z, I59J, I59Z | | 21B | X04Z | | 08 | I08A, I08B, I08C, I08D, I08E, I08F, I08J, I13A, I13B, I13C, I13D, I13E, I13J |
| | 21A | W04A, W04B | 5t21a.l↔ | | BOP, KJZSV, KVT, UOP4, VIAL | | 21A | W04A, W04B |
| | 21B | X06A, X06B, X06C | | 08 | I13A, I13B, I13C, I13D, I13E, I13J | | 21B | X06A, X06B, X06C |
| 5t21a.9↔ | | BOP, KJZSV, KVT, UOP4, VIAL | | 21A | W04A, W04B | 5t21b.3↔ | | BOP, KJZSV, KVT, UOP4, VIAL |
| | 08 | I08A, I08B, I08C, I08D, I08E, I08F, I08J, I18A, I18B, I18J, I18Q, I18R, I30J, I30Z, I59J, I59Z | | 21B | X04Z | | 08 | I08A, I08B, I08C, I08D, I08E, I08F, I08J, I18A, I18B, I18J, I18Q, I18R, I30J, I30Z, I59J, I59Z |
| | 21A | W04A, W04B | 5t21a.m↔ | | BOP, KJZSV, KVT, UOP4, VIAL | | 21A | W04A, W04B |
| | 21B | X06A, X06B, X06C | | 08 | I13A, I13B, I13C, I13D, I13E, I13J | | 21B | X06A, X06B, X06C |
| 5t21a.0↔ | | BOP, KJZSV, KVT, UOP4, VIAL | | 21A | W04A, W04B | 5t21b.4↔ | | BOP, KJZSV, KVT, UOP4, VIAL |
| | 08 | I08A, I08B, I08C, I08D, I08E, I08F, I08J, I18A, I18B, I18J, I18Q, I18R, I30J, I30Z, I59J, I59Z | | 21B | X04Z | | 08 | I08A, I08B, I08C, I08D, I08E, I08F, I08J, I18A, I18B, I18J, I18Q, I18R, I30J, I30Z |
| | 21A | W04A, W04B | 5t21a.n↔ | | BOP, KJZSV, KVT, UOP4, VIAL | | 21A | W04A, W04B |
| | 21B | X06A, X06B, X06C | | 08 | I13A, I13B, I13C, I13D, I13E, I13J | | 21B | X06A, X06B, X06C |
| 5t21a.1↔ | | BOP, KJZSV, KVT, UOP4, VIAL | | 21A | W04A, W04B | | 08 | I08A, I08B, I08C, I08D, I08E, I08F, I08J, I18A, I18B, I18J, I18Q, I18R, I30J, I30Z |
| | 08 | I08A, I08B, I08C, I08D, I08E, I08F, I08J, I18A, I18B, I18J, I18Q, I18R, I30J, I30Z, I59J, I59Z | | 21B | X04Z | | 21A | W04A, W04B |
| | 21A | W04A, W04B | | | | | 21B | X06A, X06B, X06C |
| | 21B | X06A, X06B, X06C | | | | | | |

VYK

| ZZV | MDC | DRG | ZZV | MDC | DRG | ZZV | MDC | DRG |
|----------|-----|--|----------|-----|--|----------|-----|--|
| 5t21b.5↔ | | BOP, KJZSV, KVT, UOP4, VIAL | 5t21b.f↔ | | BOP, KJZSV, KVT, UOP4, VIAL | 5t21b.t↔ | | BOP, KJZSV, KVT, UOP4, VIAL |
| | 08 | I08A, I08B, I08C, I08D, I08E, I08F, I08J, I18A, I18B, I18J, I18Q, I18R, I30J, I30Z | | 08 | I08A, I08B, I08C, I08D, I08E, I08F, I08J | | 08 | I20A, I20B, I20C, I20D, I20J, I20Q, I20R |
| | 21A | W04A, W04B | | 21A | W01A, W01B, W01C, W02A, W02B | | 21A | W04A, W04B |
| | 21B | X06A, X06B, X06C | | 21B | X04Z | | 21B | X04Z |
| 5t21b.6↔ | | BOP, KJZSV, KVT, UOP4, VIAL | 5t21b.g↔ | | BOP, KJZSV, KVT, UOP4, VIAL | 5t21b.u↔ | | BOP, KJZSV, KVT, UOP4, VIAL |
| | 08 | I08A, I08B, I08C, I08D, I08E, I08F, I08J, I13A, I13B, I18A, I18B, I18J, I18Q, I18R, I30J, I30Z | | 08 | I08A, I08B, I08C, I08D, I08E, I08F, I08J | | 08 | I20A, I20B, I20C, I20D, I20E, I20F, I20J, I20Q, I20R |
| | 21A | W04A, W04B | | 21A | W01A, W01B, W01C, W02A, W02B | | 21A | W04A, W04B |
| | 21B | X06A, X06B, X06C | | 21B | X04Z | | 21B | X04Z |
| 5t21b.7↔ | | BOP, KJZSV, KVT, UOP4, VIAL | 5t21b.h↔ | | BOP, KJZSV, KVT, UOP4, VIAL | 5t21b.v↔ | | BOP, KJZSV, KVT, UOP4, VIAL |
| | 08 | I08A, I08B, I08C, I08D, I08E, I08F, I08J, I18A, I18B, I18J, I18Q, I18R, I30J, I30Z | | 01 | B03Z, B17A, B17B, B17C, B17J | | 08 | I20A, I20B, I20C, I20D, I20E, I20F, I20J, I20Q, I20R |
| | 21A | W04A, W04B | | 08 | I08A, I08B, I08C, I08D, I08E, I08F, I08J | | 21A | W04A, W04B |
| | 21B | X06A, X06B, X06C | | 21A | W01A, W01B, W01C, W02A, W02B | | 21B | X04Z |
| 5t21b.8↔ | | BOP, KJZSV, KVT, UOP4, VIAL | 5t21b.j↔ | | BOP, KJZSV, KVT, UOP4, VIAL | 5t21b.w↔ | | BOP, KJZSV, KVT, UOP4, VIAL |
| | 08 | I08A, I08B, I08C, I08D, I08E, I08F, I08J, I18A, I18B, I18J, I18Q, I18R, I30J, I30Z | | 08 | I18A, I18B, I18J, I18Q, I18R, I30J, I30Z | | 08 | I20A, I20B, I20C, I20D, I20E, I20F, I20J, I20Q, I20R |
| | 21A | W04A, W04B | | 21A | W04A, W04B | | 21A | W04A, W04B |
| | 21B | X06A, X06B, X06C | | 21B | X04Z | | 21B | X04Z |
| 5t21b.9↔ | | BOP, KJZSV, KVT, UOP4, VIAL | 5t21b.k↔ | | BOP, KJZSV, KVT, UOP4, VIAL | 5t21b.x | | BOP, KJZSV, KVT, UOP4 |
| | 08 | I08A, I08B, I08C, I08D, I08E, I08F, I08J, I18A, I18B, I18J, I18Q, I18R, I30J, I30Z | | 08 | I13A, I13B, I13C, I13D, I13E, I13J | | 08 | I28A, I28B, I28J |
| | 21A | W04A, W04B | | 21A | W04A, W04B | | 21A | W04A, W04B |
| | 21B | X06A, X06B, X06C | | 21B | X04Z | | 21B | X06A, X06B, X06C |
| 5t21b.a↔ | | BOP, KJZSV, KVT, UOP4, VIAL | 5t21b.m↔ | | BOP, KJZSV, KVT, UOP4, VIAL | 5t21b.z↔ | | BOP, KJZSV, KVT, UOP4, VIAL |
| | 08 | I32A, I32B, I32C, I32D, I32E, I32F, I32J, I32Q, I32R, I32S, I32T, I32U | | 08 | I13A, I13B, I13C, I13D, I13E, I13J | | 08 | I28A, I28B, I28C, I28J |
| | 21A | W04A, W04B | | 21A | W04A, W04B | | 21A | W04A, W04B |
| | 21B | X05A, X05B | | 21B | X04Z | | 21B | X06A, X06B, X06C |
| 5t21b.b↔ | | BOP, KJZSV, KVT, UOP4, VIAL | 5t21b.n↔ | | BOP, KJZSV, KVT, UOP4, VIAL | 5t21c.1↔ | | BOP, KJZSV, KVT, UOP4, VIAL |
| | 08 | I32A, I32B, I32C, I32D, I32E, I32F, I32J, I32Q, I32R, I32S, I32T, I32U | | 08 | I13A, I13B, I13C, I13D, I13E, I13J | | 08 | I08A, I08B, I08C, I08D, I08E, I08F, I08J, I13A, I13B, I13C, I13D, I13J |
| | 21A | W04A, W04B | | 21A | W04A, W04B | | 21A | W04A, W04B |
| | 21B | X05A, X05B | | 21B | X04Z | | 21B | X06A, X06B, X06C |
| 5t21b.c↔ | | BOP, KJZSV, KVT, UOP4, VIAL | 5t21b.p↔ | | BOP, KJZSV, KVT, UOP4, VIAL | 5t21c.3↔ | | BOP, KJZSV, KVT, UOP4, VIAL |
| | 08 | I32A, I32B, I32C, I32D, I32E, I32F, I32J, I32Q, I32R, I32S, I32T, I32U | | 08 | I13A, I13B, I13C, I13D, I13E, I13J | | 08 | I08A, I08B, I08C, I08D, I08E, I08F, I08J |
| | 21A | W04A, W04B | | 21A | W04A, W04B | | 21A | W01A, W01B, W01C, W02A, W02B |
| | 21B | X05A, X05B | | 21B | X04Z | | 21B | X04Z |
| 5t21b.d | | BOP, KJZSV, KVT, UOP4, VIAL | 5t21b.q↔ | | BOP, KJZSV, KVT, UOP4, VIAL | 5t21c.e↔ | | BOP, KJZSV, KVT, UOP4, VIAL |
| | 08 | I08A, I08B, I08C, I08D, I08E, I08F, I08J | | 08 | I13A, I13B, I13C, I13D, I13E, I13J | | 08 | I08A, I08B, I08C, I08D, I08E, I08F, I08J |
| | 21A | W04A, W04B | | 21A | W04A, W04B | | 21A | W01A, W01B, W01C, W02A, W02B |
| | 21B | X06A, X06B, X06C | | 21B | X04Z | | 21B | X04Z |
| 5t21b.e↔ | | BOP, KJZSV, KVT, UOP4, VIAL | 5t21b.r↔ | | BOP, KJZSV, KVT, UOP4, VIAL | 5t21c.f↔ | | BOP, KJZSV, KVT, UOP4, VIAL |
| | 08 | I08A, I08B, I08C, I08D, I08E, I08F, I08J | | 08 | I13A, I13B, I13C, I13D, I13E, I13J | | 08 | I08A, I08B, I08C, I08D, I08E, I08F, I08J |
| | 21A | W01A, W01B, W01C, W02A, W02B | | 21A | W04A, W04B | | 21A | W01A, W01B, W01C, W02A, W02B |
| | 21B | X04Z | | 21B | X04Z | | 21B | X04Z |
| | | | 5t21b.s↔ | | BOP, KJZSV, KVT, UOP4, VIAL | 5t21c.g↔ | | BOP, KJZSV, KVT, UOP4, VIAL |
| | | | | 08 | I20A, I20B, I20C, I20D, I20E, I20F, I20J, I20Q, I20R | | 08 | I08A, I08B, I08C, I08D, I08E, I08F, I08J |
| | | | | 21A | W04A, W04B | | | |
| | | | | 21B | X04Z | | | |

| ZZV | MDC | DRG | ZZV | MDC | DRG | ZZV | MDC | DRG |
|----------|-----|--|----------|-----|--|----------|--|-----------------------------|
| 5t21c.h↔ | | BOP, KJZSV, KVT, UOP4, VIAL | 5t21t.6↔ | | BOP, KJZSV, KVT, UOP4, VIAL | 5t21t.f↔ | | BOP, KJZSV, KVT, UOP4, VIAL |
| | 01 | B03Z, B17A, B17B, B17C, B17J | | 08 | I08A, I08B, I08C, I08D, I08E, I08F, I08J, I13A, I13B, I18A, I18B, I18J, I18Q, I18R, I30J, I30Z, I59J, I59Z | 08 | I08A, I08B, I08C, I08D, I08E, I08F, I08J | |
| | 08 | I08A, I08B, I08C, I08D, I08E, I08F, I08J | | 21A | W04A, W04B | 21A | W01A, W01B, W01C, W02A, W02B | |
| | 21A | W01A, W01B, W01C, W02A, W02B | | 21B | X06A, X06B, X06C | 21B | X04Z | |
| | 21B | X04Z | 5t21t.7↔ | | BOP, KJZSV, KVT, UOP4, VIAL | 5t21t.g↔ | | BOP, KJZSV, KVT, UOP4, VIAL |
| 5t21c.k↔ | | BOP, KJZSV, KVT, UOP4, VIAL | | 08 | I08A, I08B, I08C, I08D, I08E, I08F, I08J, I18A, I18B, I18J, I18Q, I18R, I30J, I30Z, I59J, I59Z | 08 | I08A, I08B, I08C, I08D, I08E, I08F, I08J | |
| | 08 | I13A, I13B, I13C, I13D, I13J | | 21A | W04A, W04B | 21A | W01A, W01B, W01C, W02A, W02B | |
| | 21A | W04A, W04B | | 21B | X06A, X06B, X06C | 21B | X04Z | |
| | 21B | X04Z | 5t21t.8↔ | | BOP, KJZSV, KVT, UOP4, VIAL | 5t21t.h↔ | | BOP, KJZSV, KVT, UOP4, VIAL |
| 5t21c.n↔ | | BOP, KJZSV, KVT, UOP4, VIAL | | 08 | I08A, I08B, I08C, I08D, I08E, I08F, I08J, I18A, I18B, I18J, I18Q, I18R, I30J, I30Z, I59J, I59Z | 01 | B03Z, B17A, B17B, B17C, B17J | |
| | 08 | I13A, I13B, I13C, I13D, I13J | | 21A | W04A, W04B | 08 | I08A, I08B, I08C, I08D, I08E, I08F, I08J | |
| | 21A | W04A, W04B | | 21B | X06A, X06B, X06C | 21A | W01A, W01B, W01C, W02A, W02B | |
| | 21B | X04Z | 5t21t.9↔ | | BOP, KJZSV, KVT, UOP4, VIAL | 21B | X04Z | |
| 5t21c.x | | BOP, KJZSV, KVT, UOP4 | | 08 | I08A, I08B, I08C, I08D, I08E, I08F, I08J, I18A, I18B, I18J, I18Q, I18R, I30J, I30Z, I59J, I59Z | 5t21t.j↔ | | BOP, KJZSV, KVT, UOP4, VIAL |
| | 08 | I28A, I28B, I28J | | 21A | W04A, W04B | 08 | I13A, I13B, I30J, I30Z, I59J, I59Z | |
| | 21A | W04A, W04B | | 21B | X06A, X06B, X06C | 21A | W04A, W04B | |
| | 21B | X06A, X06B, X06C | 5t21t.a↔ | | BOP, KJZSV, KVT, UOP4, VIAL | 21B | X04Z | |
| 5t21t.0↔ | | BOP, KJZSV, KVT, UOP4, VIAL | | 08 | I32A, I32B, I32C, I32D, I32E, I32F, I32J, I32Q, I32R, I32S, I32T, I32U | 5t21t.k↔ | | BOP, KJZSV, KVT, UOP4, VIAL |
| | 08 | I16J, I16Q, I16Z | | 21A | W04A, W04B | 08 | I13A, I13B, I13C, I13D, I13J | |
| | 21A | W04A, W04B | | 21B | X05A, X05B | 21A | W04A, W04B | |
| | 21B | X06A, X06B, X06C | 5t21t.b↔ | | BOP, KJZSV, KVT, UOP4, VIAL | 21B | X04Z | |
| 5t21t.1↔ | | BOP, KJZSV, KVT, UOP4, VIAL | | 08 | I32A, I32B, I32C, I32D, I32E, I32F, I32J, I32Q, I32R, I32S, I32T, I32U | 5t21t.m↔ | | BOP, KJZSV, KVT, UOP4, VIAL |
| | 08 | I08A, I08B, I08C, I08D, I08E, I08F, I08J, I13A, I13B, I13C, I13D, I13J | | 21A | W04A, W04B | 08 | I13A, I13B, I13C, I13D, I13J | |
| | 21A | W04A, W04B | | 21B | X06A, X06B, X06C | 21A | W04A, W04B | |
| | 21B | X06A, X06B, X06C | 5t21t.c↔ | | BOP, KJZSV, KVT, UOP4, VIAL | 21B | X04Z | |
| 5t21t.2↔ | | BOP, KJZSV, KVT, UOP4, VIAL | | 08 | I32A, I32B, I32C, I32D, I32E, I32F, I32J, I32Q, I32R, I32S, I32T, I32U | 5t21t.n↔ | | BOP, KJZSV, KVT, UOP4, VIAL |
| | 08 | I08A, I08B, I08C, I08D, I08E, I08F, I08J, I13A, I13B, I13C, I13D, I13J | | 21A | W04A, W04B | 08 | I13A, I13B, I13C, I13D, I13J | |
| | 21A | W04A, W04B | | 21B | X05A, X05B | 21A | W04A, W04B | |
| | 21B | X06A, X06B, X06C | 5t21t.d | | BOP, KJZSV, KVT, UOP4, VIAL | 21B | X04Z | |
| 5t21t.3↔ | | BOP, KJZSV, KVT, UOP4, VIAL | | 08 | I08A, I08B, I08C, I08D, I08E, I08F, I08J, I18A, I18B, I18J, I18Q, I18R, I30J, I30Z, I59J, I59Z | 5t21t.p↔ | | BOP, KJZSV, KVT, UOP4, VIAL |
| | 08 | I08A, I08B, I08C, I08D, I08E, I08F, I08J, I13A, I13B, I13C, I13D, I13J | | 21A | W04A, W04B | 08 | I13A, I13B, I13C, I13D, I13J | |
| | 21A | W04A, W04B | | 21B | X05A, X05B | 21A | W04A, W04B | |
| | 21B | X06A, X06B, X06C | 5t21t.e↔ | | BOP, KJZSV, KVT, UOP4, VIAL | 21B | X04Z | |
| 5t21t.4↔ | | BOP, KJZSV, KVT, UOP4, VIAL | | 08 | I32A, I32B, I32C, I32D, I32E, I32F, I32J, I32Q, I32R, I32S, I32T, I32U | 5t21t.q↔ | | BOP, KJZSV, KVT, UOP4, VIAL |
| | 08 | I08A, I08B, I08C, I08D, I08E, I08F, I08J, I18A, I18B, I18J, I18Q, I18R, I30J, I30Z, I59J, I59Z | | 21A | W04A, W04B | 08 | I13A, I13B, I13C, I13D, I13J | |
| | 21A | W04A, W04B | | 21B | X06A, X06B, X06C | 21A | W04A, W04B | |
| | 21B | X06A, X06B, X06C | | 08 | I08A, I08B, I08C, I08D, I08E, I08F, I08J | 21B | X04Z | |
| 5t21t.5↔ | | BOP, KJZSV, KVT, UOP4, VIAL | | 21A | W04A, W04B | 5t21t.r↔ | | BOP, KJZSV, KVT, UOP4, VIAL |
| | 08 | I08A, I08B, I08C, I08D, I08E, I08F, I08J, I18A, I18B, I18J, I18Q, I18R, I30J, I30Z, I59J, I59Z | | 21B | X06A, X06B, X06C | 08 | I13A, I13B, I13C, I13D, I13J | |
| | 21A | W04A, W04B | | 08 | I08A, I08B, I08C, I08D, I08E, I08F, I08J | 21A | W04A, W04B | |
| | 21B | X06A, X06B, X06C | | 21A | W01A, W01B, W01C, W02A, W02B | 21B | X04Z | |
| | 21B | X06A, X06B, X06C | | 21B | X04Z | | | |

VYK

| ZZV | MDC | DRG | ZZV | MDC | DRG | ZZV | MDC | DRG |
|----------|-----|--|----------|----------|--|----------|--|-----------------------------|
| 5t21t.t↔ | | BOP, KJZSV, KVT, UOP4, VIAL | 5t21v.6↔ | | BOP, KJZSV, KVT, UOP4, VIAL | 5t21v.h↔ | | BOP, KJZSV, KVT, UOP4, VIAL |
| | 08 | I20A, I20B, I20C, I20D, I20J, I20Q, I20R | | 08 | I08A, I08B, I08C, I08D, I08E, I08F, I08J, I13A, I18A, I18B, I18J, I18Q, I18R, I30J, I30Z, I59J, I59Z | 01 | B03Z, B17A, B17B, B17C, B17J | |
| | 21A | W04A, W04B | | 21A | W04A, W04B | 08 | I08A, I08B, I08C, I08D, I08E, I08F, I08J, I13A | |
| | 21B | X04Z | | 21B | X06A, X06B, X06C | 21A | W01A, W01B, W01C, W02A, W02B | |
| 5t21t.u↔ | | BOP, KJZSV, KVT, UOP4, VIAL | 5t21v.7↔ | | BOP, KJZSV, KVT, UOP4, VIAL | 21B | X04Z | |
| | 08 | I20A, I20B, I20C, I20D, I20E, I20F, I20J, I20Q, I20R | | 08 | I08A, I08B, I08C, I08D, I08E, I08F, I08J, I13A, I18A, I18B, I18J, I18Q, I18R, I30J, I30Z, I59J, I59Z | 5t21v.k↔ | BOP, KJZSV, KVT, UOP4, VIAL | |
| | 21A | W04A, W04B | | 21A | W04A, W04B | 08 | I13A, I13B, I13C, I13D, I13J | |
| | 21B | X04Z | | 21B | X06A, X06B, X06C | 21A | W04A, W04B | |
| 5t21t.v↔ | | BOP, KJZSV, KVT, UOP4, VIAL | 5t21v.8↔ | | BOP, KJZSV, KVT, UOP4, VIAL | 21B | X04Z | |
| | 08 | I20A, I20B, I20C, I20D, I20E, I20F, I20J, I20Q, I20R | | 08 | I08A, I08B, I08C, I08D, I08E, I08F, I08J, I13A, I18A, I18B, I18J, I18Q, I18R, I30J, I30Z, I59J, I59Z | 5t21v.m↔ | BOP, KJZSV, KVT, UOP4, VIAL | |
| | 21A | W04A, W04B | | 21A | W04A, W04B | 08 | I13A, I13B, I13C, I13D, I13J | |
| | 21B | X04Z | | 21B | X06A, X06B, X06C | 21A | W04A, W04B | |
| 5t21t.w↔ | | BOP, KJZSV, KVT, UOP4, VIAL | 5t21v.9↔ | | BOP, KJZSV, KVT, UOP4, VIAL | 21B | X04Z | |
| | 08 | I20A, I20B, I20C, I20D, I20E, I20F, I20J, I20Q, I20R | | 08 | I08A, I08B, I08C, I08D, I08E, I08F, I08J, I13A, I18A, I18B, I18J, I18Q, I18R, I30J, I30Z, I59J, I59Z | 5t21v.n↔ | BOP, KJZSV, KVT, UOP4, VIAL | |
| | 21A | W04A, W04B | | 21A | W04A, W04B | 08 | I13A, I13B, I13C, I13D, I13J | |
| | 21B | X04Z | | 21B | X06A, X06B, X06C | 21A | W04A, W04B | |
| 5t21t.x | | BOP, KJZSV, KVT, UOP4 | | 08 | I08A, I08B, I08C, I08D, I08E, I08F, I08J, I13A, I18A, I18B, I18J, I18Q, I18R, I30J, I30Z, I59J, I59Z | 21B | X04Z | |
| | 08 | I28A, I28B, I28J | | 21A | W04A, W04B | 5t21v.p↔ | BOP, KJZSV, KVT, UOP4, VIAL | |
| | 21A | W04A, W04B | | 21B | X06A, X06B, X06C | 08 | I13A, I13B, I13C, I13D, I13J | |
| | 21B | X06A, X06B, X06C | | 5t21v.a↔ | BOP, KJZSV, KVT, UOP4, VIAL | 21A | W04A, W04B | |
| 5t21t.z↔ | | BOP, KJZSV, KVT, UOP4, VIAL | | 08 | I13A, I32A, I32B, I32C, I32D, I32E, I32F, I32J, I32Q, I32R, I32S, I32T, I32U | 21B | X04Z | |
| | 08 | I28A, I28B, I28C, I28J | | 21A | W04A, W04B | 5t21v.q↔ | BOP, KJZSV, KVT, UOP4, VIAL | |
| | 21A | W04A, W04B | | 21B | X06A, X06B, X06C | 08 | I13A, I13B, I13C, I13D, I13J | |
| | 21B | X06A, X06B, X06C | | 5t21v.b↔ | BOP, KJZSV, KVT, UOP4, VIAL | 21A | W04A, W04B | |
| 5t21v.1↔ | | BOP, KJZSV, KVT, UOP4, VIAL | | 08 | I13A, I32A, I32B, I32C, I32D, I32E, I32F, I32J, I32Q, I32R, I32S, I32T, I32U | 21B | X04Z | |
| | 08 | I08A, I08B, I08C, I08D, I08E, I08F, I08J, I13A, I13B, I13C, I13D, I13J | | 21A | W04A, W04B | 5t21v.r↔ | BOP, KJZSV, KVT, UOP4, VIAL | |
| | 21A | W04A, W04B | | 21B | X05A, X05B | 08 | I13A, I13B, I13C, I13D, I13J | |
| | 21B | X06A, X06B, X06C | | 5t21v.d | BOP, KJZSV, KVT, UOP4, VIAL | 21A | W04A, W04B | |
| 5t21v.2↔ | | BOP, KJZSV, KVT, UOP4, VIAL | | 08 | I08A, I08B, I08C, I08D, I08E, I08F, I08J, I13A, I13B, I13C, I13D, I13J | 21B | X04Z | |
| | 08 | I08A, I08B, I08C, I08D, I08E, I08F, I08J, I13A, I13B, I13C, I13D, I13J | | 21A | W04A, W04B | 5t21v.s↔ | BOP, KJZSV, KVT, UOP4, VIAL | |
| | 21A | W04A, W04B | | 21B | X06A, X06B, X06C | 08 | I13A, I20A, I20B, I20C, I20D, I20E, I20F, I20J, I20Q, I20R | |
| | 21B | X06A, X06B, X06C | | 5t21v.e↔ | BOP, KJZSV, KVT, UOP4, VIAL | 21A | W04A, W04B | |
| 5t21v.3↔ | | BOP, KJZSV, KVT, UOP4, VIAL | | 08 | I08A, I08B, I08C, I08D, I08E, I08F, I08J, I13A, I13B, I13C, I13D, I13J | 21B | X04Z | |
| | 08 | I08A, I08B, I08C, I08D, I08E, I08F, I08J, I13A, I13B, I13C, I13D, I13J | | 21A | W04A, W04B | 5t21v.t↔ | BOP, KJZSV, KVT, UOP4, VIAL | |
| | 21A | W04A, W04B | | 21B | X06A, X06B, X06C | 08 | I13A, I20A, I20B, I20C, I20D, I20J, I20Q, I20R | |
| | 21B | X06A, X06B, X06C | | 5t21v.f↔ | BOP, KJZSV, KVT, UOP4, VIAL | 21A | W04A, W04B | |
| 5t21v.4↔ | | BOP, KJZSV, KVT, UOP4, VIAL | | 08 | I08A, I08B, I08C, I08D, I08E, I08F, I08J, I13A | 21B | X04Z | |
| | 08 | I08A, I08B, I08C, I08D, I08E, I08F, I08J, I13A, I18A, I18B, I18J, I18Q, I18R, I30J, I30Z, I59J, I59Z | | 21A | W01A, W01B, W01C, W02A, W02B | 5t21v.u↔ | BOP, KJZSV, KVT, UOP4, VIAL | |
| | 21A | W04A, W04B | | 21B | X04Z | 08 | I13A, I20A, I20B, I20C, I20D, I20E, I20F, I20J, I20Q, I20R | |
| | 21B | X06A, X06B, X06C | | 5t21v.g↔ | BOP, KJZSV, KVT, UOP4, VIAL | 21A | W04A, W04B | |
| 5t21v.5↔ | | BOP, KJZSV, KVT, UOP4, VIAL | | 08 | I08A, I08B, I08C, I08D, I08E, I08F, I08J, I13A | 21B | X04Z | |
| | 08 | I08A, I08B, I08C, I08D, I08E, I08F, I08J, I13A, I18A, I18B, I18J, I18Q, I18R, I30J, I30Z, I59J, I59Z | | 21A | W01A, W01B, W01C, W02A, W02B | 5t21v.v↔ | BOP, KJZSV, KVT, UOP4, VIAL | |
| | 21A | W04A, W04B | | 21B | X04Z | 08 | I13A, I20A, I20B, I20C, I20D, I20E, I20F, I20J, I20Q, I20R | |
| | 21B | X06A, X06B, X06C | | 5t21v.h↔ | BOP, KJZSV, KVT, UOP4, VIAL | 21A | W04A, W04B | |
| | 21B | X06A, X06B, X06C | | 08 | I08A, I08B, I08C, I08D, I08E, I08F, I08J, I13A | 21B | X04Z | |
| | | | | 21A | W01A, W01B, W01C, W02A, W02B | 5t21v.x | BOP, KJZSV, KVT, UOP4 | |
| | | | | 21B | X04Z | 08 | I13A, I28A, I28B, I28J | |
| | | | | | | 21A | W04A, W04B | |
| | | | | | | 21B | X06A, X06B, X06C | |

| ZZV | MDC | DRG | ZZV | MDC | DRG | ZZV | MDC | DRG |
|----------|-----|--|----------|-----|--|----------|-----|--|
| 5t21x.0↔ | | BOP, KJZSV, KVT, UOP4, VIAL | 5t21x.b↔ | | BOP, KVT, UOP4, VIAL | 5t21x.n↔ | | BOP, KJZSV, KVT, UOP4, VIAL |
| | 08 | I16J, I16Q, I16Z | | 08 | I32A, I32B, I32C, I32D, I32E, I32F, I32G, I32J, I32Q, I32R, I32S, I32T, I32U | | 08 | I13A, I13B, I13C, I13D, I13E, I13J |
| | 21A | W04A, W04B | | 21A | W04A, W04B | | 21A | W04A, W04B |
| 5t21x.1↔ | 21B | X06A, X06B, X06C | | 21B | X05A, X05B | | 21B | X04Z |
| | | BOP, KJZSV, KVT, UOP4, VIAL | 5t21x.c↔ | | BOP, KJZSV, KVT, UOP4, VIAL | 5t21x.p↔ | | BOP, KJZSV, KVT, UOP4, VIAL |
| | 08 | I08A, I08B, I08C, I08D, I08E, I08F, I08J, I13A, I13B, I13C, I13D, I13E, I13J | | 08 | I32A, I32B, I32C, I32D, I32E, I32F, I32G, I32J, I32Q, I32R, I32S, I32T, I32U | | 08 | I13A, I13B, I13C, I13D, I13E, I13J |
| | 21A | W04A, W04B | | 21A | W04A, W04B | | 21A | W04A, W04B |
| | 21B | X06A, X06B, X06C | | 21B | X05A, X05B | | 21B | X04Z |
| 5t21x.2↔ | | BOP, KJZSV, KVT, UOP4, VIAL | 5t21x.d | | BOP, KJZSV, KVT, UOP4, VIAL | 5t21x.q↔ | | BOP, KJZSV, KVT, UOP4, VIAL |
| | 08 | I08A, I08B, I08C, I08D, I08E, I08F, I08J, I13A, I13B, I13C, I13D, I13E, I13J | | 08 | I08A, I08B, I08C, I08D, I08E, I08F, I08J | | 08 | I13A, I13B, I13C, I13D, I13E, I13J |
| | 21A | W04A, W04B | | 21A | W04A, W04B | | 21A | W04A, W04B |
| | 21B | X06A, X06B, X06C | | 21B | X06A, X06B, X06C | | 21B | X04Z |
| 5t21x.3↔ | | BOP, KJZSV, KVT, UOP4, VIAL | 5t21x.e↔ | | BOP, KJZSV, KVT, UOP4, VIAL | 5t21x.r↔ | | BOP, KJZSV, KVT, UOP4, VIAL |
| | 08 | I08A, I08B, I08C, I08D, I08E, I08F, I08J, I13A, I13B, I13C, I13D, I13E, I13J | | 08 | I08A, I08B, I08C, I08D, I08E, I08F, I08J | | 08 | I13A, I13B, I13C, I13D, I13E, I13J |
| | 21A | W04A, W04B | | 21A | W01A, W01B, W01C, W02A, W02B | | 21A | W04A, W04B |
| | 21B | X06A, X06B, X06C | | 21B | X04Z | | 21B | X04Z |
| 5t21x.4↔ | | BOP, KVT, UOP4, VIAL | 5t21x.f↔ | | BOP, KJZSV, KVT, UOP4, VIAL | 5t21x.s↔ | | BOP, KJZSV, KVT, UOP4, VIAL |
| | 08 | I08A, I08B, I08C, I08D, I08E, I08F, I08J, I18A, I18B, I18J, I18Q, I18R, I30J, I30Z | | 08 | I08A, I08B, I08C, I08D, I08E, I08F, I08J | | 08 | I20A, I20B, I20C, I20D, I20E, I20F, I20J, I20Q, I20R |
| | 21A | W04A, W04B | | 21A | W01A, W01B, W01C, W02A, W02B | | 21A | W04A, W04B |
| | 21B | X06A, X06B, X06C | | 21B | X04Z | | 21B | X04Z |
| 5t21x.5↔ | | BOP, KVT, UOP4, VIAL | 5t21x.g↔ | | BOP, KJZSV, KVT, UOP4, VIAL | 5t21x.t↔ | | BOP, KJZSV, KVT, UOP4, VIAL |
| | 08 | I08A, I08B, I08C, I08D, I08E, I08F, I08J, I18A, I18B, I18J, I18Q, I18R, I30J, I30Z | | 08 | I08A, I08B, I08C, I08D, I08E, I08F, I08J | | 08 | I20A, I20B, I20C, I20D, I20E, I20F, I20J, I20Q, I20R |
| | 21A | W04A, W04B | | 21A | W01A, W01B, W01C, W02A, W02B | | 21A | W04A, W04B |
| | 21B | X06A, X06B, X06C | | 21B | X04Z | | 21B | X04Z |
| 5t21x.6↔ | | BOP, KJZSV, KVT, UOP4, VIAL | 5t21x.h↔ | | BOP, KJZSV, KVT, UOP4, VIAL | 5t21x.u↔ | | BOP, KJZSV, KVT, UOP4, VIAL |
| | 08 | I08A, I08B, I08C, I08D, I08E, I08F, I08J, I13A, I13B, I18A, I18B, I18J, I18Q, I18R, I30J, I30Z | | 01 | B03Z, B17A, B17B, B17C, B17J | | 08 | I20A, I20B, I20C, I20D, I20E, I20F, I20J, I20Q, I20R |
| | 21A | W04A, W04B | | 08 | I08A, I08B, I08C, I08D, I08E, I08F, I08J | | 21A | W04A, W04B |
| | 21B | X06A, X06B, X06C | | 21A | W01A, W01B, W01C, W02A, W02B | | 21B | X04Z |
| 5t21x.7↔ | | BOP, KVT, UOP4, VIAL | | 21B | X04Z | 5t21x.v↔ | | BOP, KJZSV, KVT, UOP4, VIAL |
| | 08 | I08A, I08B, I08C, I08D, I08E, I08F, I08J, I18A, I18B, I18J, I18Q, I18R, I30J, I30Z | | | | | 08 | I20A, I20B, I20C, I20D, I20E, I20F, I20J, I20Q, I20R |
| | 21A | W04A, W04B | 5t21x.j↔ | | BOP, KJZSV, KVT, UOP4, VIAL | | 21A | W04A, W04B |
| | 21B | X06A, X06B, X06C | | 08 | I18A, I18B, I18J, I18Q, I18R, I30J, I30Z | | 21B | X04Z |
| 5t21x.8↔ | | BOP, KVT, UOP4, VIAL | | 21A | W04A, W04B | 5t21x.w↔ | | BOP, KJZSV, KVT, UOP4, VIAL |
| | 08 | I08A, I08B, I08C, I08D, I08E, I08F, I08J, I18A, I18B, I18J, I18Q, I18R, I30J, I30Z | | 21B | X04Z | | 08 | I20A, I20B, I20C, I20D, I20E, I20F, I20J, I20Q, I20R |
| | 21A | W04A, W04B | 5t21x.k↔ | | BOP, KJZSV, KVT, UOP4, VIAL | | 21A | W04A, W04B |
| | 21B | X06A, X06B, X06C | | 08 | I13A, I13B, I13C, I13D, I13E, I13J | | 21B | X04Z |
| 5t21x.9↔ | | BOP, KVT, UOP4, VIAL | | 21A | W04A, W04B | 5t21x.x | | BOP, KJZSV, KVT, UOP4, VIAL |
| | 08 | I08A, I08B, I08C, I08D, I08E, I08F, I08J, I18A, I18B, I18J, I18Q, I18R, I30J, I30Z | | 21B | X04Z | | 08 | I28A, I28B, I28J |
| | 21A | W04A, W04B | 5t21x.l↔ | | BOP, KJZSV, KVT, UOP4, VIAL | | 21A | W04A, W04B |
| | 21B | X06A, X06B, X06C | | 08 | I13A, I13B, I13C, I13D, I13E, I13J | | 21B | X06A, X06B, X06C |
| 5t21x.a↔ | | BOP, KJZSV, KVT, UOP4, VIAL | | 21A | W04A, W04B | 5t21x.z↔ | | BOP, KJZSV, KVT, UOP4, VIAL |
| | 08 | I32A, I32B, I32C, I32D, I32E, I32F, I32G, I32J, I32Q, I32R, I32S, I32T, I32U | | 21B | X04Z | | 08 | I28A, I28B, I28C, I28J |
| | 21A | W04A, W04B | | | | | 21A | W04A, W04B |
| | 21B | X05A, X05B | | | | | 21B | X06A, X06B, X06C |

VYK

| ZZV | MDC | DRG | ZZV | MDC | DRG | ZZV | MDC | DRG |
|----------|-----|--|----------|-----|--|----------|-----|--|
| 5t21z.1↔ | | BOP, KJZSV, KVT, UOP4, VIAL | 5t21z.b↔ | | BOP, KJZSV, KVT, UOP4, VIAL | 5t21z.n↔ | | BOP, KJZSV, KVT, UOP4, VIAL |
| | 08 | I08A, I08B, I08C, I08D, I08E, I08F, I08J, I13A, I13B, I13C, I13D, I13E, I13J | | 08 | I32A, I32B, I32C, I32D, I32E, I32F, I32G, I32J, I32Q, I32R, I32S, I32T, I32U | | 08 | I13A, I13B, I13C, I13D, I13E, I13J |
| | 21A | W04A, W04B | | 21A | W04A, W04B | | 21A | W04A, W04B |
| | 21B | X06A, X06B, X06C | | 21B | X05A, X05B | | 21B | X04Z |
| 5t21z.2↔ | | BOP, KJZSV, KVT, UOP4, VIAL | 5t21z.c↔ | | BOP, KJZSV, KVT, UOP4, VIAL | 5t21z.p↔ | | BOP, KJZSV, KVT, UOP4, VIAL |
| | 08 | I08A, I08B, I08C, I08D, I08E, I08F, I08J, I13A, I13B, I13C, I13D, I13E, I13J | | 08 | I32A, I32B, I32C, I32D, I32E, I32F, I32G, I32J, I32Q, I32R, I32S, I32T, I32U | | 08 | I13A, I13B, I13C, I13D, I13E, I13J |
| | 21A | W04A, W04B | | 21A | W04A, W04B | | 21A | W04A, W04B |
| | 21B | X06A, X06B, X06C | | 21B | X05A, X05B | | 21B | X04Z |
| 5t21z.3↔ | | BOP, KJZSV, KVT, UOP4, VIAL | 5t21z.d | | BOP, KJZSV, KVT, UOP4, VIAL | 5t21z.q↔ | | BOP, KJZSV, KVT, UOP4, VIAL |
| | 08 | I08A, I08B, I08C, I08D, I08E, I08F, I08J, I13A, I13B, I13C, I13D, I13E, I13J | | 08 | I08A, I08B, I08C, I08D, I08E, I08F, I08J | | 08 | I13A, I13B, I13C, I13D, I13E, I13J |
| | 21A | W04A, W04B | | 21A | W04A, W04B | | 21A | W04A, W04B |
| | 21B | X06A, X06B, X06C | | 21B | X06A, X06B, X06C | | 21B | X04Z |
| 5t21z.4↔ | | BOP, KJZSV, KVT, UOP4, VIAL | 5t21z.e↔ | | BOP, KJZSV, KVT, UOP4, VIAL | 5t21z.r↔ | | BOP, KJZSV, KVT, UOP4, VIAL |
| | 08 | I08A, I08B, I08C, I08D, I08E, I08F, I08J, I18A, I18B, I18J, I18Q, I18R, I30J, I30Z | | 08 | I08A, I08B, I08C, I08D, I08E, I08F, I08J | | 08 | I13A, I13B, I13C, I13D, I13E, I13J |
| | 21A | W04A, W04B | | 21A | W01A, W01B, W01C, W02A, W02B | | 21A | W04A, W04B |
| | 21B | X06A, X06B, X06C | | 21B | X04Z | | 21B | X04Z |
| 5t21z.5↔ | | BOP, KJZSV, KVT, UOP4, VIAL | 5t21z.f↔ | | BOP, KJZSV, KVT, UOP4, VIAL | 5t21z.s↔ | | BOP, KJZSV, KVT, UOP4, VIAL |
| | 08 | I08A, I08B, I08C, I08D, I08E, I08F, I08J, I18A, I18B, I18J, I18Q, I18R, I30J, I30Z | | 08 | I08A, I08B, I08C, I08D, I08E, I08F, I08J | | 08 | I20A, I20B, I20C, I20D, I20E, I20F, I20J, I20Q, I20R |
| | 21A | W04A, W04B | | 21A | W01A, W01B, W01C, W02A, W02B | | 21A | W04A, W04B |
| | 21B | X06A, X06B, X06C | | 21B | X04Z | | 21B | X04Z |
| 5t21z.6↔ | | BOP, KJZSV, KVT, UOP4, VIAL | 5t21z.g↔ | | BOP, KJZSV, KVT, UOP4, VIAL | 5t21z.t↔ | | BOP, KJZSV, KVT, UOP4, VIAL |
| | 08 | I08A, I08B, I08C, I08D, I08E, I08F, I08J, I13A, I13B, I18A, I18B, I18J, I18Q, I18R, I30J, I30Z | | 08 | I08A, I08B, I08C, I08D, I08E, I08F, I08J | | 08 | I20A, I20B, I20C, I20D, I20E, I20F, I20J, I20Q, I20R |
| | 21A | W04A, W04B | | 21A | W01A, W01B, W01C, W02A, W02B | | 21A | W04A, W04B |
| | 21B | X06A, X06B, X06C | | 21B | X04Z | | 21B | X04Z |
| 5t21z.7↔ | | BOP, KJZSV, KVT, UOP4, VIAL | 5t21z.h↔ | | BOP, KJZSV, KVT, UOP4, VIAL | 5t21z.u↔ | | BOP, KJZSV, KVT, UOP4, VIAL |
| | 08 | I08A, I08B, I08C, I08D, I08E, I08F, I08J, I18A, I18B, I18J, I18Q, I18R, I30J, I30Z | | 01 | B03Z, B17A, B17B, B17C, B17J | | 08 | I20A, I20B, I20C, I20D, I20E, I20F, I20J, I20Q, I20R |
| | 21A | W04A, W04B | | 08 | I08A, I08B, I08C, I08D, I08E, I08F, I08J | | 21A | W04A, W04B |
| | 21B | X06A, X06B, X06C | | 21A | W01A, W01B, W01C, W02A, W02B | | 21B | X04Z |
| 5t21z.8↔ | | BOP, KJZSV, KVT, UOP4, VIAL | 5t21z.i↔ | | BOP, KJZSV, KVT, UOP4, VIAL | 5t21z.v↔ | | BOP, KJZSV, KVT, UOP4, VIAL |
| | 08 | I08A, I08B, I08C, I08D, I08E, I08F, I08J, I18A, I18B, I18J, I18Q, I18R, I30J, I30Z | | 08 | I18A, I18B, I18J, I18Q, I18R, I30J, I30Z | | 08 | I20A, I20B, I20C, I20D, I20E, I20F, I20J, I20Q, I20R |
| | 21A | W04A, W04B | | 21A | W04A, W04B | | 21A | W04A, W04B |
| | 21B | X06A, X06B, X06C | | 21B | X04Z | | 21B | X04Z |
| 5t21z.9↔ | | BOP, KJZSV, KVT, UOP4, VIAL | 5t21z.k↔ | | BOP, KJZSV, KVT, UOP4, VIAL | 5t21z.w↔ | | BOP, KJZSV, KVT, UOP4, VIAL |
| | 08 | I08A, I08B, I08C, I08D, I08E, I08F, I08J, I18A, I18B, I18J, I18Q, I18R, I30J, I30Z | | 08 | I13A, I13B, I13C, I13D, I13E, I13J | | 08 | I20A, I20B, I20C, I20D, I20E, I20F, I20J, I20Q, I20R |
| | 21A | W04A, W04B | | 21A | W04A, W04B | | 21A | W04A, W04B |
| | 21B | X06A, X06B, X06C | | 21B | X04Z | | 21B | X04Z |
| 5t21z.a↔ | | BOP, KJZSV, KVT, UOP4, VIAL | 5t21z.l↔ | | BOP, KJZSV, KVT, UOP4, VIAL | 5t21z.x | | BOP, KJZSV, KVT, UOP4, VIAL |
| | 08 | I32A, I32B, I32C, I32D, I32E, I32F, I32G, I32J, I32Q, I32R, I32S, I32T, I32U | | 08 | I13A, I13B, I13C, I13D, I13E, I13J | | 08 | I28A, I28B, I28J |
| | 21A | W04A, W04B | | 21A | W04A, W04B | | 21A | W04A, W04B |
| | 21B | X05A, X05B | | 21B | X04Z | | 21B | X06A, X06B, X06C |
| | | | | | | | 21B | X06A, X06B, X06C |
| | | | | | | | | BOP, KJZSV, KVT, UOP4, VIAL |
| | | | | | | | | I28A, I28B, I28C, I28J |
| | | | | | | | | W04A, W04B |
| | | | | | | | | X06A, X06B, X06C |
| | | | | | | | | BOP, KJZSV, KVT, UOP4, VIAL |
| | | | | | | | | I08A, I08B, I08C, I08D, I08E, I08F, I08J |
| | | | | | | | | W04A, W04B |
| | | | | | | | | X06A, X06B, X06C |

VYK

| ZZV | MDC | DRG | ZZV | MDC | DRG | ZZV | MDC | DRG |
|----------|-----|--|----------|-----|--|----------|-----|--|
| 5t221.k↔ | | BOP, KJZSV, KVT, UOP4, VIAL | 5t22a.n↔ | | BOP, KJZSV, KVT, UOP4, VIAL | 5t22x.e↔ | | BOP, KJZSV, KVT, UOP4, VIAL |
| | 08 | I59J, I59Z | | 08 | I20A, I20B, I20C, I20D, I20E, I20F, I20J, I20Q, I20R | | 08 | I08A, I08B, I08C, I08D, I08E, I08F, I08J |
| 5t221.n↔ | | BOP, KJZSV, KVT, UOP4, VIAL | 5t22a.p↔ | | BOP, KJZSV, KVT, UOP4, VIAL | 21A | | W04A, W04B |
| | 08 | I20A, I20B, I20C, I20D, I20E, I20F, I20J, I20Q, I20R | | 08 | I20A, I20B, I20C, I20D, I20E, I20F, I20J, I20Q, I20R | 21B | | X06A, X06B, X06C |
| 5t221.p↔ | | BOP, KJZSV, KVT, UOP4, VIAL | 5t22a.q↔ | | BOP, KJZSV, KVT, UOP4, VIAL | 5t22x.h↔ | | BOP, KJZSV, KVT, UOP4, VIAL |
| | 08 | I20A, I20B, I20C, I20D, I20E, I20F, I20J, I20Q, I20R | | 08 | I20A, I20B, I20C, I20D, I20E, I20F, I20J, I20Q, I20R | | 08 | I18A, I18B, I18J, I18Q, I18R, I30J, I30Z |
| 5t221.q↔ | | BOP, KJZSV, KVT, UOP4, VIAL | 5t22a.r↔ | | BOP, KJZSV, KVT, UOP4, VIAL | 5t22x.j↔ | | BOP, KJZSV, KVT, UOP4, VIAL |
| | 08 | I20A, I20B, I20C, I20D, I20E, I20F, I20J, I20Q, I20R | | 08 | I20A, I20B, I20C, I20D, I20E, I20F, I20J, I20Q, I20R | | 08 | I59J, I59Z |
| 5t221.r↔ | | BOP, KJZSV, KVT, UOP4, VIAL | 5t22a.s↔ | | BOP, KJZSV, KVT, UOP4, VIAL | 5t22x.k↔ | | BOP, KJZSV, KVT, UOP4, VIAL |
| | 08 | I20A, I20B, I20C, I20D, I20E, I20F, I20J, I20Q, I20R | | 08 | I20A, I20B, I20C, I20D, I20E, I20F, I20J, I20Q, I20R | | 08 | I59J, I59Z |
| 5t224.e↔ | | BOP, KJZSV, KVT, UOP4, VIAL | 5t22d.h↔ | | BOP, KJZSV, KVT, UOP4, VIAL | 5t22x.n↔ | | BOP, KJZSV, KVT, UOP4, VIAL |
| | 08 | I08A, I08B, I08C, I08D, I08E, I08F, I08J | | 08 | I18A, I18B, I18J, I18Q, I18R, I30J, I30Z | | 08 | I20A, I20B, I20C, I20D, I20E, I20F, I20J, I20Q, I20R |
| | 21A | W04A, W04B | 5t22d.j↔ | | BOP, KJZSV, KVT, UOP4, VIAL | 5t22x.p↔ | | BOP, KJZSV, KVT, UOP4, VIAL |
| | 21B | X06A, X06B, X06C | | 08 | I59J, I59Z | | 08 | I20A, I20B, I20C, I20D, I20E, I20F, I20J, I20Q, I20R |
| 5t224.h↔ | | BOP, KJZSV, KVT, UOP4, VIAL | 5t22d.k↔ | | BOP, KJZSV, KVT, UOP4, VIAL | 5t22x.q↔ | | BOP, KJZSV, KVT, UOP4, VIAL |
| | 08 | I18A, I18B, I18J, I18Q, I18R, I30J, I30Z | | 08 | I59J, I59Z | | 08 | I20A, I20B, I20C, I20D, I20E, I20F, I20J, I20Q, I20R |
| 5t224.j↔ | | BOP, KJZSV, KVT, UOP4, VIAL | 5t22d.n↔ | | BOP, KJZSV, KVT, UOP4, VIAL | | 08 | I20A, I20B, I20C, I20D, I20E, I20F, I20J, I20Q, I20R |
| | 08 | I59J, I59Z | | 08 | I20A, I20B, I20C, I20D, I20E, I20F, I20J, I20Q, I20R | 5t22x.r↔ | | BOP, KJZSV, KVT, UOP4, VIAL |
| 5t224.k↔ | | BOP, KJZSV, KVT, UOP4, VIAL | 5t22d.p↔ | | BOP, KJZSV, KVT, UOP4, VIAL | | 08 | I20A, I20B, I20C, I20D, I20E, I20F, I20J, I20Q, I20R |
| | 08 | I59J, I59Z | | 08 | I20A, I20B, I20C, I20D, I20E, I20F, I20J, I20Q, I20R | 5t22z.e↔ | | BOP, KJZSV, KVT, UOP4, VIAL |
| 5t224.n↔ | | BOP, KJZSV, KVT, UOP4, VIAL | 5t22d.q↔ | | BOP, KJZSV, KVT, UOP4, VIAL | | 08 | I08A, I08B, I08C, I08D, I08E, I08F, I08J |
| | 08 | I20A, I20B, I20C, I20D, I20E, I20F, I20J, I20Q, I20R | | 08 | I20A, I20B, I20C, I20D, I20E, I20F, I20J, I20Q, I20R | 21A | | W04A, W04B |
| 5t224.p↔ | | BOP, KJZSV, KVT, UOP4, VIAL | 5t22t.e↔ | | BOP, KJZSV, KVT, UOP4, VIAL | 21B | | X06A, X06B, X06C |
| | 08 | I20A, I20B, I20C, I20D, I20E, I20F, I20J, I20Q, I20R | | 08 | I08A, I08B, I08C, I08D, I08E, I08F, I08J | 5t22z.h↔ | | BOP, KJZSV, KVT, UOP4, VIAL |
| 5t224.q↔ | | BOP, KJZSV, KVT, UOP4, VIAL | 5t22t.f↔ | | BOP, KJZSV, KVT, UOP4, VIAL | | 08 | I18A, I18B, I18J, I18Q, I18R, I30J, I30Z |
| | 08 | I20A, I20B, I20C, I20D, I20E, I20F, I20J, I20Q, I20R | | 08 | I18A, I18B, I18J, I18Q, I18R, I30J, I30Z | 5t22z.j↔ | | BOP, KJZSV, KVT, UOP4, VIAL |
| 5t224.r↔ | | BOP, KJZSV, KVT, UOP4, VIAL | 5t22t.g↔ | | BOP, KJZSV, KVT, UOP4, VIAL | | 08 | I59J, I59Z |
| | 08 | I20A, I20B, I20C, I20D, I20E, I20F, I20J, I20Q, I20R | | 08 | I59J, I59Z | 5t22z.k↔ | | BOP, KJZSV, KVT, UOP4, VIAL |
| 5t229.h↔ | | BOP, KJZSV, KVT, UOP4, VIAL | 5t22t.h↔ | | BOP, KJZSV, KVT, UOP4, VIAL | | 08 | I59J, I59Z |
| | 08 | I18A, I18B, I18J, I18Q, I18R, I30J, I30Z | | 08 | I18A, I18B, I18J, I18Q, I18R, I30J, I30Z | 5t22z.n↔ | | BOP, KJZSV, KVT, UOP4, VIAL |
| 5t229.k↔ | | BOP, KJZSV, KVT, UOP4, VIAL | 5t22t.i↔ | | BOP, KJZSV, KVT, UOP4, VIAL | | 08 | I20A, I20B, I20C, I20D, I20E, I20F, I20J, I20Q, I20R |
| | 08 | I59J, I59Z | | 08 | I20A, I20B, I20C, I20D, I20E, I20F, I20J, I20Q, I20R | 5t22z.p↔ | | BOP, KJZSV, KVT, UOP4, VIAL |
| 5t22a.h↔ | | BOP, KJZSV, KVT, UOP4, VIAL | 5t22t.j↔ | | BOP, KJZSV, KVT, UOP4, VIAL | | 08 | I20A, I20B, I20C, I20D, I20E, I20F, I20J, I20Q, I20R |
| | 08 | I18A, I18B, I18J, I18Q, I18R, I30J, I30Z | | 08 | I59J, I59Z | 5t22z.q↔ | | BOP, KJZSV, KVT, UOP4, VIAL |
| 5t22a.j↔ | | BOP, KJZSV, KVT, UOP4, VIAL | 5t22t.k↔ | | BOP, KJZSV, KVT, UOP4, VIAL | | 08 | I20A, I20B, I20C, I20D, I20E, I20F, I20J, I20Q, I20R |
| | 08 | I59J, I59Z | | 08 | I20A, I20B, I20C, I20D, I20E, I20F, I20J, I20Q, I20R | 5t22z.r↔ | | BOP, KJZSV, KVT, UOP4, VIAL |
| 5t22a.k↔ | | BOP, KJZSV, KVT, UOP4, VIAL | 5t22t.l↔ | | BOP, KJZSV, KVT, UOP4, VIAL | | 08 | I20A, I20B, I20C, I20D, I20E, I20F, I20J, I20Q, I20R |
| | 08 | I59J, I59Z | | 08 | I20A, I20B, I20C, I20D, I20E, I20F, I20J, I20Q, I20R | | | |

VYK

| ZZV | MDC | DRG | ZZV | MDC | DRG | ZZV | MDC | DRG |
|----------|--|--|-----------------------------|-----|--|----------|-----|--|
| 5t300.0↔ | | BOP, KJZSV, KVT, UOP4, VIAL | 5t300.9↔ | | BOP, KJZSV, KVT, UOP4, VIAL | 5t300.n↔ | | BOP, KJZSV, KVT, UOP4, VIAL |
| | 05 | F13A | | 05 | F13A | | 05 | F13A |
| | 08 | I12A, I12B, I12C, I12J, I16J, I16Q, I16Z | | 08 | I12A, I12B, I12C, I12J, I32A, I32B, I32C, I32D, I32E, I32F, I32J, I32Q, I32R, I32S, I32T, I32U | | 08 | I12A, I12B, I12C, I12J, I20A, I20B, I20C, I20D, I20J, I20Q, I20R |
| | 21A | W04A, W04B | | 21A | W04A, W04B | | 10 | K09A, K09B |
| 5t300.1↔ | 21B | X06A, X06B, X06C | 5t300.e↔ | 21B | X05A, X05B | 5t300.p↔ | 21A | W04A, W04B |
| | | BOP, KJZSV, KVT, UOP4, VIAL | | | BOP, KJZSV, KVT, UOP4, VIAL | | 21B | X04Z |
| | 05 | F13A | | 05 | F13A | | | BOP, KJZSV, KVT, UOP4, VIAL |
| | 08 | I12A, I12B, I12C, I12J, I16J, I16Q, I16Z | | 08 | I08A, I08B, I08C, I08D, I08E, I08F, I08J, I12A, I12B, I12C, I12J, I28A, I28B, I28J | | 05 | F13A |
| 5t300.2↔ | 21A | W04A, W04B | 5t300.f | 10 | K09A, K09B | 5t300.q↔ | 08 | I12A, I12B, I12C, I12J, I20A, I20B, I20C, I20D, I20J, I20Q, I20R |
| | 21B | X06A, X06B, X06C | | 21A | W04A, W04B | | 10 | K09A, K09B |
| | | BOP, KJZSV, KVT, UOP4, VIAL | | 21B | X04Z, X06A, X06B, X06C | | 21A | W04A, W04B |
| | 05 | F13A | | | BOP, KJZSV, KVT, UOP4, VIAL | | 21B | X04Z |
| 5t300.3↔ | 08 | I12A, I12B, I12C, I12J, I28A, I28B, I28J | 5t300.g↔ | 05 | F13A | 5t300.r↔ | | BOP, KJZSV, KVT, UOP4, VIAL |
| | 10 | K09A, K09B | | 08 | I08A, I08B, I08C, I08D, I08E, I08F, I08J | | 05 | F13A |
| | 21A | W04A, W04B | | 21A | W01A, W01B, W01C, W02A, W02B | | 08 | I12A, I12B, I12C, I12J, I20A, I20B, I20C, I20D, I20E, I20F, I20J, I20Q, I20R |
| | 21B | X06A, X06B, X06C | | 21B | X04Z | | 10 | K09A, K09B |
| 5t300.4↔ | | BOP, KJZSV, KVT, UOP4, VIAL | 5t300.h↔ | | BOP, KJZSV, KVT, UOP4, VIAL | 5t300.x | 21A | W04A, W04B |
| | 05 | F13A | | 05 | F13A | | 21B | X04Z |
| | 08 | I08A, I08B, I08C, I08D, I08E, I08F, I08J, I12A, I12B, I12C, I12J, I21J, I21Z, I31J, I31Z | | 08 | I12A, I12B, I12J, I18A, I18B, I18J, I18Q, I18R, I30J, I30Z | | | BOP, KJZSV, KVT, UOP4 |
| | 10 | K09A, K09B | | 10 | K09A, K09B | | 05 | F13A |
| 5t300.5↔ | 21A | W04A, W04B | 5t300.j↔ | 21A | W04A, W04B | 5t301.0↔ | 08 | I12A, I12B, I12C, I12J, I28A, I28B, I28J |
| | 21B | X06A, X06B, X06C | | 21B | X04Z | | 10 | K09A, K09B |
| | | BOP, KJZSV, KVT, UOP4, VIAL | | | BOP, KJZSV, KVT, UOP4, VIAL | | 21A | W04A, W04B |
| | 05 | F13A | | 05 | F13A | | 21B | X06A, X06B, X06C |
| 5t300.6↔ | 08 | I08A, I08B, I08C, I08D, I08E, I08F, I08J, I12A, I12B, I12C, I12J, I21J, I21Z, I31J, I31Z | 5t300.k↔ | 08 | I12A, I12B, I12C, I12J, I18A, I18B, I18J, I18Q, I18R, I30J, I30Z | 5t301.1↔ | | BOP, KJZSV, KVT, UOP4, VIAL |
| | 10 | K09A, K09B | | 10 | K09A, K09B | | 05 | F13A |
| | 21A | W04A, W04B | | 21A | W04A, W04B | | 08 | I16J, I16Q, I16Z |
| | 21B | X06A, X06B, X06C | | 21B | X04Z | | 21A | W04A, W04B |
| 5t300.7↔ | | BOP, KJZSV, KVT, UOP4, VIAL | 5t300.l↔ | | BOP, KJZSV, KVT, UOP4, VIAL | 5t301.2↔ | 21B | X06A, X06B, X06C |
| | 05 | F13A | | 05 | F13A | | | BOP, KJZSV, KVT, UOP4, VIAL |
| | 08 | I08A, I08B, I08C, I08D, I08E, I08F, I08J, I12A, I12B, I12C, I12J, I32A, I32B, I32C, I32D, I32E, I32F, I32J, I32Q, I32R, I32S, I32T, I32U | | 08 | I12A, I12B, I12C, I12J, I13A, I13B, I13C, I13D, I13J | | 05 | F13A |
| | 21A | W04A, W04B | | 10 | K09A, K09B | | 08 | I28A, I28B, I28J |
| 5t300.8↔ | 21B | X05A, X05B | 5t300.m↔ | 21A | W04A, W04B | 5t301.3↔ | 10 | K09A, K09B |
| | | BOP, KJZSV, KVT, UOP4, VIAL | | 21B | X04Z | | 21A | W04A, W04B |
| | 05 | F13A | | 05 | F13A | | 21B | X06A, X06B, X06C |
| | 08 | I12A, I12B, I12C, I12J, I32A, I32B, I32C, I32D, I32E, I32F, I32J, I32Q, I32R, I32S, I32T, I32U | | 08 | I12A, I12B, I12C, I12J, I20A, I20B, I20C, I20D, I20J, I20Q, I20R | | | BOP, KJZSV, KVT, UOP4, VIAL |
| | BOP, KJZSV, KVT, UOP4, VIAL | | BOP, KJZSV, KVT, UOP4, VIAL | 05 | F13A | | | |
| 05 | F13A | | BOP, KJZSV, KVT, UOP4, VIAL | 08 | I28A, I28B, I28J | | | |
| 08 | I12A, I12B, I12C, I12J, I32A, I32B, I32C, I32D, I32E, I32F, I32J, I32Q, I32R, I32S, I32T, I32U | | BOP, KJZSV, KVT, UOP4, VIAL | 10 | K09A, K09B | | | |
| 21A | W04A, W04B | | BOP, KJZSV, KVT, UOP4, VIAL | 21A | W04A, W04B | | | |
| 21B | X05A, X05B | | BOP, KJZSV, KVT, UOP4, VIAL | 21B | X06A, X06B, X06C | | | |

VYK

| ZZV | MDC | DRG | ZZV | MDC | DRG | ZZV | MDC | DRG |
|----------|-----|--|----------|-----|--|----------|-----|--|
| 5t301.4↔ | | BOP, KJZSV, KVT, UOP4, VIAL | 5t301.h↔ | | BOP, KJZSV, KVT, UOP4, VIAL | 5t302.0↔ | | BOP, KJZSV, KVT, UOP4, VIAL |
| | 05 | F13A | | 05 | F13A | | 05 | F13A |
| | 08 | I08A, I08B, I08C, I08D, I08E, I08F, I08J, I21J, I21Z, I31J, I31Z | | 08 | I18A, I18B, I18J, I18Q, I18R, I30J, I30Z | | 08 | I12A, I12B, I12C, I12J, I16J, I16Q, I16Z |
| | 10 | K09A, K09B | | 21A | W04A, W04B | | 21A | W04A, W04B |
| | 21A | W04A, W04B | | 21B | X04Z | | 21B | X06A, X06B, X06C |
| | 21B | X06A, X06B, X06C | | | | | | |
| 5t301.5↔ | | BOP, KJZSV, KVT, UOP4, VIAL | 5t301.j↔ | | BOP, KJZSV, KVT, UOP4, VIAL | 5t302.1↔ | | BOP, KJZSV, KVT, UOP4, VIAL |
| | 05 | F13A | | 05 | F13A | | 05 | F13A |
| | 08 | I08A, I08B, I08C, I08D, I08E, I08F, I08J, I21J, I21Z, I31J, I31Z | | 08 | I18A, I18B, I18J, I18Q, I18R, I30J, I30Z | | 08 | I12A, I12B, I12C, I12J, I16J, I16Q, I16Z |
| | 10 | K09A, K09B | | 21A | W04A, W04B | | 21A | W04A, W04B |
| | 21A | W04A, W04B | | 21B | X04Z | | 21B | X06A, X06B, X06C |
| | 21B | X06A, X06B, X06C | | | | | | |
| 5t301.6↔ | | BOP, KJZSV, KVT, UOP4, VIAL | 5t301.k↔ | | BOP, KJZSV, KVT, UOP4, VIAL | 5t302.2↔ | | BOP, KJZSV, KVT, UOP4, VIAL |
| | 05 | F13A | | 05 | F13A | | 05 | F13A |
| | 08 | I08A, I08B, I08C, I08D, I08E, I08F, I08J, I32A, I32B, I32C, I32D, I32E, I32F, I32J, I32Q, I32R, I32S, I32T, I32U | | 08 | I18A, I18B, I18J, I18Q, I18R, I30J, I30Z | | 08 | I12A, I12B, I12C, I12J, I28A, I28B, I28J |
| | 21A | W04A, W04B | | 21A | W04A, W04B | | 10 | K09A, K09B |
| | 21B | X05A, X05B | | 21B | X04Z | | 21A | W04A, W04B |
| | | | | | | | 21B | X06A, X06B, X06C |
| 5t301.8↔ | | BOP, KJZSV, KVT, UOP4, VIAL | 5t301.m↔ | | BOP, KJZSV, KVT, UOP4, VIAL | 5t302.3↔ | | BOP, KJZSV, KVT, UOP4, VIAL |
| | 05 | F13A | | 05 | F13A | | 05 | F13A |
| | 08 | I32A, I32B, I32C, I32D, I32E, I32F, I32J, I32Q, I32R, I32S, I32T, I32U | | 08 | I20A, I20B, I20C, I20D, I20E, I20F, I20J, I20Q, I20R | | 08 | I12A, I12B, I12C, I12J, I28A, I28B, I28J |
| | 21A | W04A, W04B | | 10 | K09A, K09B | | 10 | K09A, K09B |
| | 21B | X05A, X05B | | 21A | W04A, W04B | | 21A | W04A, W04B |
| | | | | 21B | X04Z | | 21B | X06A, X06B, X06C |
| 5t301.9↔ | | BOP, KJZSV, KVT, UOP4, VIAL | 5t301.n↔ | | BOP, KJZSV, KVT, UOP4, VIAL | 5t302.4↔ | | BOP, KJZSV, KVT, UOP4, VIAL |
| | 05 | F13A | | 05 | F13A | | 05 | F13A |
| | 08 | I32A, I32B, I32C, I32D, I32E, I32F, I32J, I32Q, I32R, I32S, I32T, I32U | | 08 | I20A, I20B, I20C, I20D, I20E, I20F, I20J, I20Q, I20R | | 08 | I08A, I08B, I08C, I08D, I08E, I08F, I08J, I12A, I12B, I12C, I12J, I21J, I21Z, I31J, I31Z |
| | 21A | W04A, W04B | | 10 | K09A, K09B | | 10 | K09A, K09B |
| | 21B | X05A, X05B | | 21A | W04A, W04B | | 21A | W04A, W04B |
| | | | | 21B | X04Z | | 21B | X06A, X06B, X06C |
| 5t301.e↔ | | BOP, KJZSV, KVT, UOP4, VIAL | 5t301.p↔ | | BOP, KJZSV, KVT, UOP4, VIAL | 5t302.5↔ | | BOP, KJZSV, KVT, UOP4, VIAL |
| | 05 | F13A | | 05 | F13A | | 05 | F13A |
| | 08 | I32A, I32B, I32C, I32D, I32E, I32F, I32J, I32Q, I32R, I32S, I32T, I32U | | 08 | I20A, I20B, I20C, I20D, I20E, I20F, I20J, I20Q, I20R | | 08 | I08A, I08B, I08C, I08D, I08E, I08F, I08J, I12A, I12B, I12C, I12J, I21J, I21Z, I31J, I31Z |
| | 21A | W04A, W04B | | 10 | K09A, K09B | | 10 | K09A, K09B |
| | 21B | X05A, X05B | | 21A | W04A, W04B | | 21A | W04A, W04B |
| | | | | 21B | X04Z | | 21B | X06A, X06B, X06C |
| 5t301.f | | BOP, KJZSV, KVT, UOP4, VIAL | 5t301.q↔ | | BOP, KJZSV, KVT, UOP4, VIAL | 5t302.6↔ | | BOP, KJZSV, KVT, UOP4, VIAL |
| | 05 | F13A | | 05 | F13A | | 05 | F13A |
| | 08 | I08A, I08B, I08C, I08D, I08E, I08F, I08J, I28A, I28B, I28J | | 08 | I20A, I20B, I20C, I20D, I20E, I20F, I20J, I20Q, I20R | | 08 | I08A, I08B, I08C, I08D, I08E, I08F, I08J, I12A, I12B, I12C, I12J, I21J, I21Z, I31J, I31Z |
| | 10 | K09A, K09B | | 10 | K09A, K09B | | 10 | K09A, K09B |
| | 21A | W04A, W04B | | 21A | W04A, W04B | | 21A | W04A, W04B |
| | 21B | X04Z, X06A, X06B, X06C | | 21B | X04Z | | 21B | X06A, X06B, X06C |
| 5t301.g↔ | | BOP, KJZSV, KVT, UOP4, VIAL | 5t301.r↔ | | BOP, KJZSV, KVT, UOP4, VIAL | 5t302.8↔ | | BOP, KJZSV, KVT, UOP4, VIAL |
| | 05 | F13A | | 05 | F13A | | 05 | F13A |
| | 08 | I28A, I28B, I28J | | 08 | I20A, I20B, I20C, I20D, I20E, I20F, I20J, I20Q, I20R | | 08 | I12A, I12B, I12C, I12J, I32A, I32B, I32C, I32D, I32E, I32F, I32J, I32Q, I32R, I32S, I32T, I32U |
| | 10 | K09A, K09B | | 10 | K09A, K09B | | 21A | W04A, W04B |
| | 21A | W04A, W04B | | 21A | W04A, W04B | | 21B | X05A, X05B |
| | 21B | X04Z, X06A, X06B, X06C | | 21B | X04Z | | | |
| 5t301.h↔ | | BOP, KJZSV, KVT, UOP4, VIAL | 5t301.x | | BOP, KJZSV, KVT, UOP4, VIAL | 5t302.9↔ | | BOP, KJZSV, KVT, UOP4, VIAL |
| | 05 | F13A | | 05 | F13A | | 05 | F13A |
| | 08 | I08A, I08B, I08C, I08D, I08E, I08F, I08J | | 08 | I28A, I28B, I28J | | 08 | I12A, I12B, I12C, I12J, I32A, I32B, I32C, I32D, I32E, I32F, I32J, I32Q, I32R, I32S, I32T, I32U |
| | 21A | W01A, W01B, W01C, W02A, W02B | | 10 | K09A, K09B | | 21A | W04A, W04B |
| | 21B | X04Z | | 21A | W04A, W04B | | 21B | X05A, X05B |
| | | | | 21B | X06A, X06B, X06C | | | |

VYK

| ZZV | MDC | DRG | ZZV | MDC | DRG | ZZV | MDC | DRG |
|----------|-----|--|----------|-----|--|----------|-----|--|
| 5t302.9↔ | | BOP, KJZSV, KVT, UOP4, VIAL | 5t302.n↔ | | BOP, KJZSV, KVT, UOP4, VIAL | 5t303.3↔ | | BOP, KJZSV, KVT, UOP4, VIAL |
| | 05 | F13A | | 05 | F13A | | 05 | F13A |
| | 08 | I12A, I12B, I12C, I12J, I32A, I32B, I32C, I32D, I32E, I32F, I32J, I32Q, I32R, I32S, I32T, I32U | | 08 | I12A, I12B, I12C, I12J, I20A, I20B, I20C, I20D, I20E, I20F, I20J, I20Q, I20R | | 08 | I12A, I12B, I12C, I12J, I28A, I28B, I28J |
| | 21A | W04A, W04B | | 10 | K09A, K09B | | 21A | W04A, W04B |
| | 21B | X05A, X05B | | 21A | W04A, W04B | | 21B | X06A, X06B, X06C |
| 5t302.e↔ | | BOP, KJZSV, KVT, UOP4, VIAL | 5t302.p↔ | | BOP, KJZSV, KVT, UOP4, VIAL | 5t303.4↔ | | BOP, KJZSV, KVT, UOP4, VIAL |
| | 05 | F13A | | 05 | F13A | | 05 | F13A |
| | 08 | I08A, I08B, I08C, I08D, I08E, I08F, I08J, I12A, I12B, I12C, I12J, I28A, I28B, I28J | | 08 | I12A, I12B, I12C, I12J, I20A, I20B, I20C, I20D, I20E, I20F, I20J, I20Q, I20R | | 08 | I08A, I08B, I08C, I08D, I08E, I08F, I08J, I12A, I12B, I12C, I12J, I21J, I21Z, I31J, I31Z |
| | 10 | K09A, K09B | | 10 | K09A, K09B | | 21A | W04A, W04B |
| | 21A | W04A, W04B | | 21A | W04A, W04B | | 21B | X06A, X06B, X06C |
| 5t302.f | | BOP, KJZSV, KVT, UOP4, VIAL | 5t302.q↔ | | BOP, KJZSV, KVT, UOP4, VIAL | 5t303.5↔ | | BOP, KJZSV, KVT, UOP4, VIAL |
| | 05 | F13A | | 05 | F13A | | 05 | F13A |
| | 08 | I12A, I12B, I12C, I12J, I28A, I28B, I28J | | 08 | I12A, I12B, I12C, I12J, I20A, I20B, I20C, I20D, I20E, I20F, I20J, I20Q, I20R | | 08 | I08A, I08B, I08C, I08D, I08E, I08F, I08J, I12A, I12B, I12C, I12J, I21J, I21Z, I31J, I31Z |
| | 10 | K09A, K09B | | 10 | K09A, K09B | | 21A | W04A, W04B |
| | 21A | W04A, W04B | | 21A | W04A, W04B | | 21B | X06A, X06B, X06C |
| 5t302.g↔ | | BOP, KJZSV, KVT, UOP4, VIAL | 5t302.r↔ | | BOP, KJZSV, KVT, UOP4, VIAL | 5t303.6↔ | | BOP, KJZSV, KVT, UOP4, VIAL |
| | 05 | F13A | | 05 | F13A | | 05 | F13A |
| | 08 | I12A, I12B, I12C, I12J, I18A, I18B, I18J, I18Q, I18R, I30J, I30Z | | 08 | I12A, I12B, I12C, I12J, I20A, I20B, I20C, I20D, I20E, I20F, I20J, I20Q, I20R | | 08 | I08A, I08B, I08C, I08D, I08E, I08F, I08J, I12A, I12B, I12C, I12J, I32A, I32B, I32C, I32D, I32E, I32F, I32J, I32Q, I32R, I32S, I32T, I32U |
| | 21A | W04A, W04B | | 10 | K09A, K09B | | 09 | J03A, J03B, J04A, J04B, J08A, J08B, J08C, J11A, J11B, J11J, J11Q, J11R, J11S, J16Z |
| | 21B | X06A, X06B, X06C | | 21A | W04A, W04B | | 21A | W04A, W04B |
| 5t302.h↔ | | BOP, KJZSV, KVT, UOP4, VIAL | 5t302.x | | BOP, KJZSV, KVT, UOP4, VIAL | 5t303.8↔ | | BOP, KJZSV, KVT, UOP4, VIAL |
| | 05 | F13A | | 05 | F13A | | 05 | F13A |
| | 08 | I12A, I12B, I12C, I12J, I18A, I18B, I18J, I18Q, I18R, I30J, I30Z | | 08 | I12A, I12B, I12C, I12J, I28A, I28B, I28J | | 08 | I12A, I12B, I12C, I12J, I32A, I32B, I32C, I32D, I32E, I32F, I32J, I32Q, I32R, I32S, I32T, I32U |
| | 21A | W04A, W04B | | 10 | K09A, K09B | | 09 | J03A, J03B, J04A, J04B, J08A, J08B, J08C, J11A, J11B, J11J, J11Q, J11R, J11S, J16Z |
| | 21B | X04Z | | 21A | W04A, W04B | | 21A | W04A, W04B |
| 5t302.j↔ | | BOP, KJZSV, KVT, UOP4, VIAL | 5t303.0↔ | | BOP, KJZSV, KVT, UOP4, VIAL | 5t303.9↔ | | BOP, KJZSV, KVT, UOP4, VIAL |
| | 05 | F13A | | 05 | F13A | | 05 | F13A |
| | 08 | I12A, I12B, I12C, I12J, I18A, I18B, I18J, I18Q, I18R, I30J, I30Z | | 08 | I12A, I12B, I12C, I12J, I16J, I16Q, I16Z | | 08 | I12A, I12B, I12C, I12J, I32A, I32B, I32C, I32D, I32E, I32F, I32J, I32Q, I32R, I32S, I32T, I32U |
| | 21A | W04A, W04B | | 21A | W04A, W04B | | 09 | J03A, J03B, J04A, J04B, J08A, J08B, J08C, J11A, J11B, J11J, J11Q, J11R, J11S, J16Z |
| | 21B | X04Z | | 21B | X06A, X06B, X06C | | 21A | W04A, W04B |
| 5t302.k↔ | | BOP, KJZSV, KVT, UOP4, VIAL | 5t303.1↔ | | BOP, KJZSV, KVT, UOP4, VIAL | 5t303.e↔ | | BOP, KJZSV, KVT, UOP4, VIAL |
| | 05 | F13A | | 05 | F13A | | 05 | F13A |
| | 08 | I12A, I12B, I12C, I12J | | 08 | I12A, I12B, I12C, I12J, I16J, I16Q, I16Z | | 08 | I12A, I12B, I12C, I12J, I32A, I32B, I32C, I32D, I32E, I32F, I32J, I32Q, I32R, I32S, I32T, I32U |
| | 21A | W04A, W04B | | 21A | W04A, W04B | | 09 | J03A, J03B, J04A, J04B, J08A, J08B, J08C, J11A, J11B, J11J, J11Q, J11R, J11S, J16Z |
| | 21B | X04Z | | 21B | X06A, X06B, X06C | | 21A | W04A, W04B |
| 5t302.m↔ | | BOP, KJZSV, KVT, UOP4, VIAL | 5t303.2↔ | | BOP, KJZSV, KVT, UOP4, VIAL | 5t303.9↔ | | BOP, KJZSV, KVT, UOP4, VIAL |
| | 05 | F13A | | 05 | F13A | | 05 | F13A |
| | 08 | I12A, I12B, I12C, I12J, I20A, I20B, I20C, I20D, I20E, I20F, I20J, I20Q, I20R | | 08 | I12A, I12B, I12C, I12J, I28A, I28B, I28J | | 08 | I08A, I08B, I08C, I08D, I08E, I08F, I08J, I12A, I12B, I12C, I12J, I28A, I28B, I28J |
| | 10 | K09A, K09B | | 21A | W04A, W04B | | 21A | W04A, W04B |
| | 21A | W04A, W04B | | 21B | X06A, X06B, X06C | | 21B | X04Z, X06A, X06B, X06C |

| ZZV | MDC | DRG | ZZV | MDC | DRG | ZZV | MDC | DRG |
|----------|-----|--|----------|-----|--|----------|-----|--|
| 5t303.f | | BOP, KJZSV, KVT, UOP4, VIAL | 5t303.r↔ | | BOP, KJZSV, KVT, UOP4, VIAL | 5t304.8↔ | | BOP, KJZSV, KVT, UOP4, VIAL |
| | 05 | F13A | | 05 | F13A | | 05 | F13A |
| | 08 | I12A, I12B, I12C, I12J, I28A, I28B, I28J | | 08 | I12A, I12B, I12C, I12J, I20A, I20B, I20C, I20D, I20E, I20F, I20J, I20Q, I20R | | 08 | I12A, I12B, I12C, I12J, I32A, I32B, I32C, I32D, I32E, I32F, I32J, I32Q, I32R, I32S, I32T, I32U |
| 5t303.g↔ | 21A | W04A, W04B | 5t303.x | 21A | W04A, W04B | 5t304.9↔ | 09 | J03A, J03B, J04A, J04B, J08A, J08B, J08C, J11A, J11B, J11J, J11Q, J11R, J11S, J16Z |
| | 21B | X04Z, X06A, X06B, X06C | | 21B | X04Z | | 21A | W04A, W04B |
| | | BOP, KJZSV, KVT, UOP4, VIAL | | | BOP, KJZSV, KVT, UOP4 | | 21B | X05A, X05B |
| 5t303.h↔ | 05 | F13A | 5t304.0↔ | 05 | F13A | 5t304.e↔ | 05 | F13A |
| | 08 | I08A, I08B, I08C, I08D, I08E, I08F, I08J | | 08 | I12A, I12B, I12C, I12J, I28A, I28B, I28J | | 08 | I12A, I12B, I12C, I12J, I32A, I32B, I32C, I32D, I32E, I32F, I32J, I32Q, I32R, I32S, I32T, I32U |
| | 21A | W01A, W01B, W01C, W02A, W02B | | 21A | W04A, W04B | | 09 | J03A, J03B, J04A, J04B, J08A, J08B, J08C, J11A, J11B, J11J, J11Q, J11R, J11S, J16Z |
| 5t303.i↔ | 21B | X04Z | 5t304.1↔ | 21B | X06A, X06B, X06C | 5t304.f | 21A | W04A, W04B |
| | | BOP, KJZSV, KVT, UOP4, VIAL | | | BOP, KJZSV, KVT, UOP4, VIAL | | 21B | X05A, X05B |
| | 05 | F13A | | 05 | F13A | | | BOP, KJZSV, KVT, UOP4, VIAL |
| 5t303.j↔ | 08 | I12A, I12B, I12C, I12J, I18A, I18B, I18J, I18Q, I18R, I30J, I30Z | 5t304.2↔ | 08 | I12A, I12B, I12C, I12J, I16J, I16Q, I16Z | 5t304.g↔ | 05 | F13A |
| | 21A | W04A, W04B | | 21A | W04A, W04B | | 08 | I08A, I08B, I08C, I08D, I08E, I08F, I08J, I12A, I12B, I12C, I12J, I27A, I27B, I27C, I27D, I27J, I27Q |
| | 21B | X04Z | | 21B | X06A, X06B, X06C | | 21A | W04A, W04B |
| 5t303.k↔ | | BOP, KJZSV, KVT, UOP4, VIAL | 5t304.3↔ | | BOP, KJZSV, KVT, UOP4, VIAL | 5t304.h↔ | 21B | X04Z, X06A, X06B, X06C |
| | 05 | F13A | | 05 | F13A | | | BOP, KJZSV, KVT, UOP4, VIAL |
| | 08 | I12A, I12B, I12C, I12J, I13A, I13B, I13C, I13D, I13J | | 08 | I12A, I12B, I12C, I12J, I27A, I27B, I27C, I27D, I27J, I27Q | | 05 | F13A |
| 5t303.l↔ | 21A | W04A, W04B | 5t304.4↔ | 21A | W04A, W04B | 5t304.i↔ | 08 | I12A, I12B, I12C, I12J, I27A, I27B, I27C, I27D, I27J, I27Q |
| | 21B | X04Z | | 21B | X06A, X06B, X06C | | 21A | W04A, W04B |
| | | BOP, KJZSV, KVT, UOP4, VIAL | | | BOP, KJZSV, KVT, UOP4, VIAL | | 21B | X04Z, X06A, X06B, X06C |
| 5t303.m↔ | 05 | F13A | 5t304.5↔ | 05 | F13A | 5t304.j↔ | 05 | F13A |
| | 08 | I12A, I12B, I12C, I12J, I20A, I20B, I20C, I20D, I20J, I20Q, I20R | | 08 | I08A, I08B, I08C, I08D, I08E, I08F, I08J, I12A, I12B, I12C, I12J, I21J, I21Z, I31J, I31Z | | 08 | I12A, I12B, I12C, I12J, I27A, I27B, I27C, I27D, I27J, I27Q |
| | 21A | W04A, W04B | | 21A | W04A, W04B | | 21A | W04A, W04B |
| 5t303.n↔ | 21B | X04Z | 5t304.6↔ | 21B | X06A, X06B, X06C | 5t304.k↔ | 21B | X04Z, X06A, X06B, X06C |
| | | BOP, KJZSV, KVT, UOP4, VIAL | | | BOP, KJZSV, KVT, UOP4, VIAL | | | BOP, KJZSV, KVT, UOP4, VIAL |
| | 05 | F13A | | 05 | F13A | | | BOP, KJZSV, KVT, UOP4, VIAL |
| 5t303.o↔ | 08 | I12A, I12B, I12C, I12J, I20A, I20B, I20C, I20D, I20J, I20Q, I20R | | 05 | F13A | | 05 | F13A |
| | 21A | W04A, W04B | | 08 | I08A, I08B, I08C, I08D, I08E, I08F, I08J, I12A, I12B, I12C, I12J, I21J, I21Z, I31J, I31Z | | 08 | I12A, I12B, I12C, I12J, I18A, I18B, I18J, I18Q, I18R, I30J, I30Z |
| | 21B | X04Z | | 21A | W04A, W04B | | 21A | W04A, W04B |
| 5t303.p↔ | | BOP, KJZSV, KVT, UOP4, VIAL | | 21B | X06A, X06B, X06C | | 21B | X04Z |
| | 05 | F13A | | 05 | F13A | | 05 | F13A |
| | 08 | I12A, I12B, I12C, I12J, I20A, I20B, I20C, I20D, I20J, I20Q, I20R | | 08 | I08A, I08B, I08C, I08D, I08E, I08F, I08J, I12A, I12B, I12C, I12J, I32A, I32B, I32C, I32D, I32E, I32F, I32J, I32Q, I32R, I32S, I32T, I32U | | 08 | I12A, I12B, I12C, I12J, I18A, I18B, I18J, I18Q, I18R, I30J, I30Z |
| 5t303.q↔ | 21A | W04A, W04B | | 09 | J03A, J03B, J04A, J04B, J08A, J08B, J08C, J11A, J11B, J11J, J11Q, J11R, J11S, J16Z | | 21A | W04A, W04B |
| | 21B | X04Z | | 21A | W04A, W04B | | 21B | X04Z |
| | | BOP, KJZSV, KVT, UOP4, VIAL | | 21B | X05A, X05B | | | |

| ZZV | MDC | DRG | ZZV | MDC | DRG | ZZV | MDC | DRG |
|----------|-----|--|----------|-----------------------------|--|--|--|--|
| 5t304.k↔ | | BOP, KJZSV, KVT, UOP4, VIAL | 5t305.2↔ | | BOP, KJZSV, KVT, UOP4, VIAL | 5t305.e↔ | | BOP, KJZSV, KVT, UOP4, VIAL |
| | 05 | F13A | | 05 | F13A | | 05 | F13A |
| | 08 | I12A, I12B, I12C, I12J, I13A, I13B, I13C, I13D, I13J | | 08 | I12A, I12B, I12C, I12J, I27A, I27B, I27C, I27D, I27J, I27Q | | 08 | I08A, I08B, I08C, I08D, I08E, I08F, I08J, I12A, I12B, I12C, I12J, I27A, I27B, I27C, I27D, I27J, I27Q |
| | 21A | W04A, W04B | | 21A | W04A, W04B | | 21A | W04A, W04B |
| 5t304.m↔ | 21B | X04Z | 5t305.3↔ | 21B | X06A, X06B, X06C | 5t305.f | 21B | X04Z, X06A, X06B, X06C |
| | | BOP, KJZSV, KVT, UOP4, VIAL | | | BOP, KJZSV, KVT, UOP4, VIAL | | | BOP, KJZSV, KVT, UOP4, VIAL |
| | 05 | F13A | | 05 | F13A | | 05 | F13A |
| | 08 | I12A, I12B, I12C, I12J, I20A, I20B, I20C, I20D, I20E, I20F, I20J, I20Q, I20R | | 08 | I12A, I12B, I12C, I12J, I27A, I27B, I27C, I27D, I27J, I27Q | | 08 | I12A, I12B, I12C, I12J, I27A, I27B, I27C, I27D, I27J, I27Q |
| 5t304.n↔ | 21A | W04A, W04B | 5t305.4↔ | 21A | W04A, W04B | 5t305.g↔ | 21A | W04A, W04B |
| | 21B | X04Z | | 21B | X06A, X06B, X06C | | 21B | X04Z, X06A, X06B, X06C |
| | | BOP, KJZSV, KVT, UOP4, VIAL | | | BOP, KJZSV, KVT, UOP4, VIAL | | | BOP, KJZSV, KVT, UOP4, VIAL |
| | 05 | F13A | | 05 | F13A | | 05 | F13A |
| 5t304.p↔ | 08 | I12A, I12B, I12C, I12J, I20A, I20B, I20C, I20D, I20E, I20F, I20J, I20Q, I20R | 5t305.5↔ | 08 | I08A, I08B, I08C, I08D, I08E, I08F, I08J, I12A, I12B, I12C, I12J, I21J, I21Z, I31J, I31Z | 5t305.h↔ | 08 | I12A, I12B, I12C, I12J, I27A, I27B, I27C, I27D, I27J, I27Q |
| | 21A | W04A, W04B | | 21A | W04A, W04B | | 21A | W04A, W04B |
| | 21B | X04Z | | 21B | X06A, X06B, X06C | | 21B | X04Z, X06A, X06B, X06C |
| | | BOP, KJZSV, KVT, UOP4, VIAL | | | BOP, KJZSV, KVT, UOP4, VIAL | | | BOP, KJZSV, KVT, UOP4, VIAL |
| 5t304.q↔ | 05 | F13A | 5t305.6↔ | 05 | F13A | 5t305.i↔ | 05 | F13A |
| | 08 | I12A, I12B, I12C, I12J, I20A, I20B, I20C, I20D, I20E, I20F, I20J, I20Q, I20R | | 08 | I08A, I08B, I08C, I08D, I08E, I08F, I08J, I12A, I12B, I12C, I12J, I21J, I21Z, I31J, I31Z | | 08 | I12A, I12B, I12C, I12J, I18A, I18B, I18J, I18Q, I18R, I30J, I30Z |
| | 21A | W04A, W04B | | 21A | W04A, W04B | | 21A | W04A, W04B |
| | 21B | X04Z | | 21B | X06A, X06B, X06C | | 21B | X04Z |
| 5t304.r↔ | | BOP, KJZSV, KVT, UOP4, VIAL | 5t305.8↔ | | BOP, KJZSV, KVT, UOP4, VIAL | 5t305.k↔ | | BOP, KJZSV, KVT, UOP4, VIAL |
| | 05 | F13A | | 05 | F13A | | 05 | F13A |
| | 08 | I12A, I12B, I12C, I12J, I20A, I20B, I20C, I20D, I20E, I20F, I20J, I20Q, I20R | | 08 | J03A, J03B, J04A, J04B, J08A, J08B, J08C, J11A, J11B, J11J, J11Q, J11R, J11S, J16Z | | 08 | I12A, I12B, I12C, I12J, I13A, I13B, I13C, I13D, I13J |
| | 21A | W04A, W04B | | 21A | W04A, W04B | | 21A | W04A, W04B |
| 5t304.x | 21B | X04Z | 5t305.9↔ | 21B | X05A, X05B | 5t305.m↔ | 21B | X04Z |
| | | BOP, KJZSV, KVT, UOP4 | | | BOP, KJZSV, KVT, UOP4, VIAL | | | BOP, KJZSV, KVT, UOP4, VIAL |
| | 05 | F13A | | 05 | F13A | | 05 | F13A |
| | 08 | I12A, I12B, I12C, I12J, I27A, I27B, I27C, I27D, I27J, I27Q | | 08 | I12A, I12B, I12C, I12J, I32A, I32B, I32C, I32D, I32E, I32F, I32J, I32Q, I32R, I32S, I32T, I32U | | 08 | I12A, I12B, I12C, I12J, I20A, I20B, I20C, I20D, I20J, I20Q, I20R |
| 5t305.0↔ | 21A | W04A, W04B | 5t305.1↔ | 09 | J03A, J03B, J04A, J04B, J08A, J08B, J08C, J11A, J11B, J11J, J11Q, J11R, J11S, J16Z | 5t305.n↔ | 21A | W04A, W04B |
| | 21B | X06A, X06B, X06C | | 21A | W04A, W04B | | 21B | X04Z |
| | | BOP, KJZSV, KVT, UOP4, VIAL | | 21B | X05A, X05B | | | BOP, KJZSV, KVT, UOP4, VIAL |
| | 05 | F13A | | 05 | F13A | | 05 | F13A |
| 5t305.1↔ | 08 | I12A, I12B, I12C, I12J, I16J, I16Q, I16Z | | BOP, KJZSV, KVT, UOP4, VIAL | 08 | I12A, I12B, I12C, I12J, I20A, I20B, I20C, I20D, I20J, I20Q, I20R | | |
| | 21A | W04A, W04B | | BOP, KJZSV, KVT, UOP4, VIAL | 21A | W04A, W04B | | |
| | 21B | X06A, X06B, X06C | | BOP, KJZSV, KVT, UOP4, VIAL | 21B | X04Z | | |
| | | BOP, KJZSV, KVT, UOP4, VIAL | | BOP, KJZSV, KVT, UOP4, VIAL | | BOP, KJZSV, KVT, UOP4, VIAL | | |
| 5t305.1↔ | 05 | F13A | | BOP, KJZSV, KVT, UOP4, VIAL | 5t305.p↔ | 05 | F13A | |
| | 08 | I12A, I12B, I12C, I12J, I16J, I16Q, I16Z | | BOP, KJZSV, KVT, UOP4, VIAL | | 08 | I12A, I12B, I12C, I12J, I20A, I20B, I20C, I20D, I20J, I20Q, I20R | |
| | 21A | W04A, W04B | | BOP, KJZSV, KVT, UOP4, VIAL | | 21A | W04A, W04B | |
| | 21B | X06A, X06B, X06C | | BOP, KJZSV, KVT, UOP4, VIAL | | 21B | X04Z | |

| ZZV | MDC | DRG | ZZV | MDC | DRG | ZZV | MDC | DRG | |
|----------|-----|--|----------|-----|--|----------|----------|--|-----------------------------|
| 5t305.q↔ | | BOP, KJZSV, KVT, UOP4, VIAL | 5t306.8↔ | | BOP, KVT, UOP4, VIAL | 5t306.r↔ | | BOP, KJZSV, KVT, UOP4, VIAL | |
| | 05 | F13A | | 08 | I12A, I12B, I12C, I12J, I32A, I32B, I32C, I32D, I32E, I32F, I32J, I32Q, I32R, I32S, I32T, I32U | | 08 | I12A, I12B, I12C, I12J, I20A, I20B, I20C, I20D, I20E, I20F, I20J, I20Q, I20R | |
| | 08 | I12A, I12B, I12C, I12J, I20A, I20B, I20C, I20D, I20E, I20F, I20J, I20Q, I20R | | 21A | W04A, W04B | | 21A | W04A, W04B | |
| | 21A | W04A, W04B | | 21B | X05A, X05B | | 21B | X04Z | |
| | 21B | X04Z | | | | | | | |
| 5t305.r↔ | | BOP, KJZSV, KVT, UOP4, VIAL | 5t306.9↔ | | BOP, KJZSV, KVT, UOP4, VIAL | 5t306.x | | BOP, KJZSV, KVT, UOP4, VIAL | |
| | 05 | F13A | | 08 | I12A, I12B, I12C, I12J, I32A, I32B, I32C, I32D, I32E, I32F, I32J, I32Q, I32R, I32S, I32T, I32U | | 08 | I12A, I12B, I12C, I12J, I28A, I28B, I28J | |
| | 08 | I12A, I12B, I12C, I12J, I20A, I20B, I20C, I20D, I20E, I20F, I20J, I20Q, I20R | | 21A | W04A, W04B | | 21A | W04A, W04B | |
| | 21A | W04A, W04B | | 21B | X05A, X05B | | 21B | X06A, X06B, X06C | |
| | 21B | X04Z | | | | | 5t307.0↔ | | BOP, KJZSV, KVT, UOP4, VIAL |
| 5t305.x | | BOP, KJZSV, KVT, UOP4, VIAL | 5t306.e↔ | | BOP, KJZSV, KVT, UOP4, VIAL | 5t307.1↔ | | BOP, KJZSV, KVT, UOP4, VIAL | |
| | 05 | F13A | | 08 | I08A, I08B, I08C, I08D, I08E, I08F, I08J | | 08 | I12A, I12B, I12C, I12J, I16J, I16Q, I16Z | |
| | 08 | I12A, I12B, I12C, I12J, I27A, I27B, I27C, I27D, I27J, I27Q | | | | | 21A | W04A, W04B | |
| | 21A | W04A, W04B | | | | | 21B | X06A, X06B, X06C | |
| | 21B | X06A, X06B, X06C | | | | | | | |
| 5t306.0↔ | | BOP, KVT, UOP4, VIAL | 5t306.g↔ | | BOP, KJZSV, KVT, UOP4, VIAL | 5t307.2↔ | | BOP, KJZSV, KVT, UOP4, VIAL | |
| | 08 | I12A, I12B, I12C, I12J, I16J, I16Q, I16Z | | 08 | I08A, I08B, I08C, I08D, I08E, I08F, I08J | | 08 | I12A, I12B, I12C, I12J, I16J, I16Q, I16Z | |
| | 21A | W04A, W04B | | 21A | W01A, W01B, W01C, W02A, W02B | | 21A | W04A, W04B | |
| | 21B | X06A, X06B, X06C | | 21B | X04Z | | 21B | X06A, X06B, X06C | |
| | | | | | | | | | |
| 5t306.1↔ | | BOP, KJZSV, KVT, UOP4, VIAL | 5t306.h↔ | | BOP, KVT, UOP4, VIAL | 5t307.3↔ | | BOP, KJZSV, KVT, UOP4, VIAL | |
| | 08 | I12A, I12B, I12C, I12J, I16J, I16Q, I16Z | | 01 | B03Z, B17A, B17B, B17C, B17J | | 08 | I12A, I12B, I12C, I12J, I23A, I23B, I23J | |
| | 21A | W04A, W04B | | 08 | I12A, I12B, I12C, I12J, I18A, I18B, I18J, I18Q, I18R, I30J, I30Z | | 21A | W04A, W04B | |
| | 21B | X06A, X06B, X06C | | 21A | W04A, W04B | | 21B | X06A, X06B, X06C | |
| | | | | 21B | X04Z | | | | |
| 5t306.2↔ | | BOP, KJZSV, KVT, UOP4, VIAL | 5t306.j↔ | | BOP, KJZSV, KVT, UOP4, VIAL | 5t307.4↔ | | BOP, KJZSV, KVT, UOP4, VIAL | |
| | 08 | I12A, I12B, I12C, I12J, I28A, I28B, I28J | | 08 | I13A, I13B, I13C, I13D, I13J | | 08 | I08A, I08B, I08C, I08D, I08E, I08F, I08J, I12A, I12B, I12C, I12J, I21J, I21Z, I31J, I31Z | |
| | 21A | W04A, W04B | | | | | 21A | W04A, W04B | |
| | 21B | X06A, X06B, X06C | | | | | 21B | X06A, X06B, X06C | |
| | | | | | | | | | |
| 5t306.3↔ | | BOP, KJZSV, KVT, UOP4, VIAL | 5t306.k↔ | | BOP, KVT, UOP4, VIAL | 5t307.5↔ | | BOP, KJZSV, KVT, UOP4, VIAL | |
| | 08 | I12A, I12B, I12C, I12J, I28A, I28B, I28J | | 01 | B03Z, B17A, B17B, B17C, B17J | | 08 | I08A, I08B, I08C, I08D, I08E, I08F, I08J, I12A, I12B, I12C, I12J, I21J, I21Z, I31J, I31Z | |
| | 21A | W04A, W04B | | 08 | I12A, I12B, I12C, I12J, I13A, I13B, I13C, I13D, I13J | | 21A | W04A, W04B | |
| | 21B | X06A, X06B, X06C | | 21A | W04A, W04B | | 21B | X06A, X06B, X06C | |
| | | | | 21B | X04Z | | | | |
| 5t306.4↔ | | BOP, KVT, UOP4, VIAL | 5t306.m↔ | | BOP, KJZSV, KVT, UOP4, VIAL | 5t307.6↔ | | BOP, KJZSV, KVT, UOP4, VIAL | |
| | 08 | I08A, I08B, I08C, I08D, I08E, I08F, I08J, I12A, I12B, I12C, I12J, I21J, I21Z, I31J, I31Z | | 08 | I12A, I12B, I12C, I12J, I20A, I20B, I20C, I20D, I20E, I20F, I20J, I20Q, I20R | | 08 | I08A, I08B, I08C, I08D, I08E, I08F, I08J, I12A, I12B, I12C, I12J, I21J, I21Z, I31J, I31Z | |
| | 21A | W04A, W04B | | 21A | W04A, W04B | | 21A | W04A, W04B | |
| | 21B | X06A, X06B, X06C | | 21B | X04Z | | 21B | X06A, X06B, X06C | |
| | | | | | | | | | |
| 5t306.5↔ | | BOP, KJZSV, KVT, UOP4, VIAL | 5t306.n↔ | | BOP, KJZSV, KVT, UOP4, VIAL | 5t307.7↔ | | BOP, KJZSV, KVT, UOP4, VIAL | |
| | 08 | I08A, I08B, I08C, I08D, I08E, I08F, I08J, I12A, I12B, I12C, I12J, I21J, I21Z, I31J, I31Z | | 08 | I12A, I12B, I12C, I12J, I20A, I20B, I20C, I20D, I20E, I20F, I20J, I20Q, I20R | | 08 | I08A, I08B, I08C, I08D, I08E, I08F, I08J, I12A, I12B, I12C, I12J, I32A, I32B, I32C, I32D, I32E, I32F, I32J, I32Q, I32R, I32S, I32T, I32U | |
| | 21A | W04A, W04B | | 21A | W04A, W04B | | 09 | J03A, J03B, J04A, J04B, J08A, J08B, J08C, J11A, J11B, J11J, J11Q, J11R, J11S, J16Z | |
| | 21B | X06A, X06B, X06C | | 21B | X04Z | | 21A | W04A, W04B | |
| | | | | | | | 21B | X05A, X05B | |
| 5t306.6↔ | | BOP, KJZSV, KVT, UOP4, VIAL | 5t306.p↔ | | BOP, KJZSV, KVT, UOP4, VIAL | 5t307.8↔ | | BOP, KJZSV, KVT, UOP4, VIAL | |
| | 08 | I08A, I08B, I08C, I08D, I08E, I08F, I08J, I12A, I12B, I12C, I12J, I32A, I32B, I32C, I32D, I32E, I32F, I32J, I32Q, I32R, I32S, I32T, I32U | | 08 | I12A, I12B, I12C, I12J, I20A, I20B, I20C, I20D, I20E, I20F, I20J, I20Q, I20R | | | | |
| | 21A | W04A, W04B | | 21A | W04A, W04B | | | | |
| | 21B | X05A, X05B | | 21B | X04Z | | | | |
| | | | | | | | | | |
| 5t306.q↔ | | BOP, KVT, UOP4, VIAL | 5t306.q↔ | | BOP, KVT, UOP4, VIAL | 5t307.9↔ | | BOP, KVT, UOP4, VIAL | |
| | 08 | I12A, I12B, I12C, I12J, I20A, I20B, I20C, I20D, I20E, I20F, I20J, I20Q, I20R | | 08 | I12A, I12B, I12C, I12J, I20A, I20B, I20C, I20D, I20E, I20F, I20J, I20Q, I20R | | | | |
| | 21A | W04A, W04B | | 21A | W04A, W04B | | | | |
| | 21B | X04Z | | 21B | X04Z | | | | |
| | | | | | | | | | |

VYK

| ZZV | MDC | DRG | ZZV | MDC | DRG | ZZV | MDC | DRG |
|----------|------------------|--|----------|-----|--|----------|------------------------|--|
| 5t308.p↔ | | BOP, KVT, UOP4, VIAL | 5t309.3↔ | | BOP, KJZSV, KVT, UOP4, VIAL | 5t309.9↔ | | BOP, KJZSV, KVT, UOP4, VIAL |
| | 08 | I20A, I20B, I20C, I20D, I20E, I20F, I20J, I20Q, I20R | | 01 | B03Z, B07Z, B17A, B17B, B17C, B17J | | 01 | B03Z, B07Z, B17A, B17B, B17C, B17J |
| | 10 | K09A, K09B | | 08 | I27A, I27B, I27C, I27D, I27J, I27Q | | 08 | I27A, I27B, I27C, I27D, I27J, I27Q |
| | 21A | W04A, W04B | | 09 | J03A, J03B, J04A, J04B, J08A, J08B, J08C, J11A, J11B, J11J, J11Q, J11R, J11S, J16Z | | 09 | J03A, J03B, J04A, J04B, J08A, J08B, J08C, J11A, J11B, J11J, J11Q, J11R, J11S, J16Z |
| 21B | X04Z | | | 10 | K09A, K09B | 10 | K09A, K09B | |
| 5t308.q↔ | | BOP, KVT, UOP4, VIAL | 5t309.4↔ | | BOP, KJZSV, KVT, UOP4, VIAL | 5t309.e↔ | | BOP, KJZSV, KVT, UOP4, VIAL |
| | 08 | I20A, I20B, I20C, I20D, I20E, I20F, I20J, I20Q, I20R | | 01 | B03Z, B07Z, B17A, B17B, B17C, B17J | | 01 | B03Z, B07Z, B17A, B17B, B17C, B17J |
| | 10 | K09A, K09B | | 08 | I08A, I08B, I08C, I08D, I08E, I08F, I08J, I27A, I27B, I27C, I27D, I27J, I27Q | | 08 | I08A, I08B, I08C, I08D, I08E, I08F, I08J, I27A, I27B, I27C, I27D, I27J, I27Q |
| | 21A | W04A, W04B | | 09 | J03A, J03B, J04A, J04B, J08A, J08B, J08C, J11A, J11B, J11J, J11Q, J11R, J11S, J16Z | | 09 | J03A, J03B, J04A, J04B, J08A, J08B, J08C, J11A, J11B, J11J, J11Q, J11R, J11S, J16Z |
| 21B | X04Z | | | 10 | K09A, K09B | 10 | K09A, K09B | |
| 5t308.r↔ | | BOP, KJZSV, KVT, UOP4, VIAL | 5t309.5↔ | | BOP, KJZSV, KVT, UOP4, VIAL | 5t309.f | | BOP, KJZSV, KVT, UOP4, VIAL |
| | 08 | I20A, I20B, I20C, I20D, I20E, I20F, I20J, I20Q, I20R | | 01 | B03Z, B07Z, B17A, B17B, B17C, B17J | | 01 | B03Z, B07Z, B17A, B17B, B17C, B17J |
| | 10 | K09A, K09B | | 08 | I08A, I08B, I08C, I08D, I08E, I08F, I08J, I27A, I27B, I27C, I27D, I27J, I27Q | | 08 | I27A, I27B, I27C, I27D, I27J, I27Q |
| | 21A | W04A, W04B | | 09 | J03A, J03B, J04A, J04B, J08A, J08B, J08C, J11A, J11B, J11J, J11Q, J11R, J11S, J16Z | | 09 | J03A, J03B, J04A, J04B, J08A, J08B, J08C, J11A, J11B, J11J, J11Q, J11R, J11S, J16Z |
| 21B | X04Z | | | 10 | K09A, K09B | 10 | K09A, K09B | |
| 5t308.x | | BOP, KVT, UOP4 | 5t309.6↔ | | BOP, KJZSV, KVT, UOP4, VIAL | 5t309.g↔ | | BOP, KJZSV, KVT, UOP4, VIAL |
| | 08 | I28A, I28B, I28J | | 01 | B03Z, B07Z, B17A, B17B, B17C, B17J | | 01 | B03Z, B07Z, B17A, B17B, B17C, B17J |
| | 10 | K09A, K09B | | 08 | I08A, I08B, I08C, I08D, I08E, I08F, I08J, I27A, I27B, I27C, I27D, I27J, I27Q | | 08 | I27A, I27B, I27C, I27D, I27J, I27Q |
| | 21A | W04A, W04B | | 09 | J03A, J03B, J04A, J04B, J08A, J08B, J08C, J11A, J11B, J11J, J11Q, J11R, J11S, J16Z | | 09 | J03A, J03B, J04A, J04B, J08A, J08B, J08C, J11A, J11B, J11J, J11Q, J11R, J11S, J16Z |
| 21B | X06A, X06B, X06C | | | 10 | K09A, K09B | 10 | K09A, K09B | |
| 5t309.0↔ | | BOP, KVT, UOP4, VIAL | 5t309.8↔ | | BOP, KVT, UOP4, VIAL | 5t309.h↔ | | BOP, KVT, UOP4, VIAL |
| | 01 | B03Z, B07Z, B17A, B17B, B17C, B17J | | 01 | B03Z, B07Z, B17A, B17B, B17C, B17J | | 01 | B03Z, B07Z, B17A, B17B, B17C, B17J |
| | 08 | I27A, I27B, I27C, I27D, I27J, I27Q | | 08 | I27A, I27B, I27C, I27D, I27J, I27Q | | 08 | I27A, I27B, I27C, I27D, I27J, I27Q |
| | 09 | J03A, J03B, J04A, J04B, J08A, J08B, J08C, J11A, J11B, J11J, J11Q, J11R, J11S, J16Z | | 08 | I27A, I27B, I27C, I27D, I27J, I27Q | | 09 | J03A, J03B, J04A, J04B, J08A, J08B, J08C, J11A, J11B, J11J, J11Q, J11R, J11S, J16Z |
| 10 | K09A, K09B | | | 10 | K09A, K09B | 10 | K09A, K09B | |
| 21A | W04A, W04B | | | 21A | W04A, W04B | 21A | W04A, W04B | |
| 21B | X06A, X06B, X06C | | | 21B | X06A, X06B, X06C | 21B | X04Z, X06A, X06B, X06C | |
| 5t309.1↔ | | BOP, KJZSV, KVT, UOP4, VIAL | 5t309.2↔ | | BOP, KJZSV, KVT, UOP4, VIAL | 5t309.2↔ | | BOP, KJZSV, KVT, UOP4, VIAL |
| | 01 | B03Z, B07Z, B17A, B17B, B17C, B17J | | 01 | B03Z, B07Z, B17A, B17B, B17C, B17J | | 01 | B03Z, B07Z, B17A, B17B, B17C, B17J |
| | 08 | I27A, I27B, I27C, I27D, I27J, I27Q | | 08 | I27A, I27B, I27C, I27D, I27J, I27Q | | 08 | I27A, I27B, I27C, I27D, I27J, I27Q |
| | 09 | J03A, J03B, J04A, J04B, J08A, J08B, J08C, J11A, J11B, J11J, J11Q, J11R, J11S, J16Z | | 09 | J03A, J03B, J04A, J04B, J08A, J08B, J08C, J11A, J11B, J11J, J11Q, J11R, J11S, J16Z | | 09 | J03A, J03B, J04A, J04B, J08A, J08B, J08C, J11A, J11B, J11J, J11Q, J11R, J11S, J16Z |
| 10 | K09A, K09B | | | 10 | K09A, K09B | 10 | K09A, K09B | |
| 21A | W04A, W04B | | | 21A | W04A, W04B | 21A | W04A, W04B | |
| 21B | X06A, X06B, X06C | | | 21B | X06A, X06B, X06C | 21B | X04Z, X06A, X06B, X06C | |
| 5t309.2↔ | | BOP, KJZSV, KVT, UOP4, VIAL | | | | | | BOP, KJZSV, KVT, UOP4, VIAL |
| | 01 | B03Z, B07Z, B17A, B17B, B17C, B17J | | | | | | B03Z, B07Z, B17A, B17B, B17C, B17J |
| | 08 | I27A, I27B, I27C, I27D, I27J, I27Q | | | | | | I27A, I27B, I27C, I27D, I27J, I27Q |
| | 09 | J03A, J03B, J04A, J04B, J08A, J08B, J08C, J11A, J11B, J11J, J11Q, J11R, J11S, J16Z | | | | | | J03A, J03B, J04A, J04B, J08A, J08B, J08C, J11A, J11B, J11J, J11Q, J11R, J11S, J16Z |
| 10 | K09A, K09B | | | | | | K09A, K09B | |
| 21A | W04A, W04B | | | | | | W04A, W04B | |
| 21B | X06A, X06B, X06C | | | | | | X06A, X06B, X06C | |

VYK

| ZZV | MDC | DRG | ZZV | MDC | DRG | ZZV | MDC | DRG |
|----------|-----|--|----------|-----------------------------|--|-----------------------------|-----------------------------|--|
| 5t309.j↔ | | BOP, KJZSV, KVT, UOP4, VIAL | 5t309.q↔ | 01 | BOP, KJZSV, KVT, UOP4, VIAL | 5t30a.4↔ | 05 | F13A, F27A, F27B, F27C |
| | 01 | B03Z, B07Z, B17A, B17B, B17C, B17J | | 01 | B03Z, B07Z, B17A, B17B, B17C, B17J | | 08 | I08A, I08B, I08C, I08D, I08E, I08F, I08J, I12A, I12B, I12C, I12J, I21J, I21Z, I31J, I31Z |
| | 08 | I27A, I27B, I27C, I27D, I27J, I27Q | | 08 | I27A, I27B, I27C, I27D, I27J, I27Q | | 10 | K09A, K09B |
| | 09 | J03A, J03B, J04A, J04B, J08A, J08B, J08C, J11A, J11B, J11J, J11Q, J11R, J11S, J16Z | | 09 | J03A, J03B, J04A, J04B, J08A, J08B, J08C, J11A, J11B, J11J, J11Q, J11R, J11S, J16Z | | 21A | W04A, W04B |
| | 10 | K09A, K09B | | 10 | K09A, K09B | | 21B | X06A, X06B, X06C |
| | 21A | W04A, W04B | | 21A | W04A, W04B | | 5t30a.5↔ | BOP, KJZSV, KVT, UOP4, VIAL |
| | 21B | X04Z, X06A, X06B, X06C | | 21B | X04Z, X06A, X06B, X06C | | | 05 |
| 5t309.k↔ | | BOP, KVT, UOP4, VIAL | 5t309.r↔ | | BOP, KJZSV, KVT, UOP4, VIAL | 5t30a.6↔ | 08 | I08A, I08B, I08C, I08D, I08E, I08F, I08J, I12A, I12B, I12C, I12J, I21J, I21Z, I31J, I31Z |
| | 01 | B03Z, B07Z, B17A, B17B, B17C, B17J | | 01 | B03Z, B07Z, B17A, B17B, B17C, B17J | | 10 | K09A, K09B |
| | 08 | I27A, I27B, I27C, I27D, I27J, I27Q | | 08 | I27A, I27B, I27C, I27D, I27J, I27Q | | 21A | W04A, W04B |
| | 09 | J03A, J03B, J04A, J04B, J08A, J08B, J08C, J11A, J11B, J11J, J11Q, J11R, J11S, J16Z | | 09 | J03A, J03B, J04A, J04B, J08A, J08B, J08C, J11A, J11B, J11J, J11Q, J11R, J11S, J16Z | | 21B | X06A, X06B, X06C |
| | 10 | K09A, K09B | | 10 | K09A, K09B | | BOP, KJZSV, KVT, UOP4, VIAL | |
| | 21A | W04A, W04B | | 21A | W04A, W04B | | | 05 |
| | 21B | X04Z, X06A, X06B, X06C | | 21B | X04Z, X06A, X06B, X06C | | 08 | I08A, I08B, I08C, I08D, I08E, I08F, I08J, I12A, I12B, I12C, I12J, I32A, I32B, I32C, I32D, I32E, I32F, I32J, I32R, I32S, I32T, I32U |
| 5t309.m↔ | | BOP, KJZSV, KVT, UOP4, VIAL | 5t309.x | | BOP, KVT, UOP4 | 5t30a.8↔ | 21A | W04A, W04B |
| | 01 | B03Z, B07Z, B17A, B17B, B17C, B17J | | 01 | B03Z, B07Z, B17A, B17B, B17C, B17J | | 21B | X05A, X05B |
| | 08 | I27A, I27B, I27C, I27D, I27J, I27Q | | 08 | I27A, I27B, I27C, I27D, I27J, I27Q | | BOP, KJZSV, KVT, UOP4, VIAL | |
| | 09 | J03A, J03B, J04A, J04B, J08A, J08B, J08C, J11A, J11B, J11J, J11Q, J11R, J11S, J16Z | | 09 | J03A, J03B, J04A, J04B, J08A, J08B, J08C, J11A, J11B, J11J, J11Q, J11R, J11S, J16Z | | | 05 |
| | 10 | K09A, K09B | | 10 | K09A, K09B | | 08 | I12A, I12B, I12C, I12J, I32A, I32B, I32C, I32D, I32E, I32F, I32J, I32Q, I32R, I32S, I32T, I32U |
| | 21A | W04A, W04B | | 21A | W04A, W04B | | 21A | W04A, W04B |
| | 21B | X04Z, X06A, X06B, X06C | | 21B | X06A, X06B, X06C | | 21B | X05A, X05B |
| 5t309.n↔ | | BOP, KJZSV, KVT, UOP4, VIAL | 5t30a.0↔ | | BOP, KJZSV, KVT, UOP4, VIAL | 5t30a.9↔ | BOP, KJZSV, KVT, UOP4, VIAL | |
| | 01 | B03Z, B07Z, B17A, B17B, B17C, B17J | | 05 | F13A | | 05 | F13A |
| | 08 | I27A, I27B, I27C, I27D, I27J, I27Q | | 08 | I12A, I12B, I12C, I12J, I16J, I16Q, I16Z | | 08 | I12A, I12B, I12C, I12J, I32A, I32B, I32C, I32D, I32E, I32F, I32J, I32Q, I32R, I32S, I32T, I32U |
| | 09 | J03A, J03B, J04A, J04B, J08A, J08B, J08C, J11A, J11B, J11J, J11Q, J11R, J11S, J16Z | | 21A | W04A, W04B | | 21A | W04A, W04B |
| | 10 | K09A, K09B | | 21B | X06A, X06B, X06C | | 21B | X05A, X05B |
| | 21A | W04A, W04B | | BOP, KJZSV, KVT, UOP4, VIAL | | | | |
| | 21B | X04Z, X06A, X06B, X06C | | | 05 | | F13A | |
| 5t309.p↔ | | BOP, KJZSV, KVT, UOP4, VIAL | 5t30a.1↔ | | BOP, KJZSV, KVT, UOP4, VIAL | 5t30a.e↔ | BOP, KJZSV, KVT, UOP4, VIAL | |
| | 01 | B03Z, B07Z, B17A, B17B, B17C, B17J | | 05 | F13A | | 05 | F13A, F27A, F27B, F27C |
| | 08 | I27A, I27B, I27C, I27D, I27J, I27Q | | 08 | I12A, I12B, I12C, I12J, I16J, I16Q, I16Z | | 08 | I08A, I08B, I08C, I08D, I08E, I08F, I08J, I12A, I12B, I12C, I12J, I28A, I28B, I28J |
| | 09 | J03A, J03B, J04A, J04B, J08A, J08B, J08C, J11A, J11B, J11J, J11Q, J11R, J11S, J16Z | | 21A | W04A, W04B | | 10 | K09A, K09B |
| | 10 | K09A, K09B | | 21B | X06A, X06B, X06C | | 21A | W04A, W04B |
| | 21A | W04A, W04B | | BOP, KJZSV, KVT, UOP4, VIAL | | | | |
| | 21B | X04Z, X06A, X06B, X06C | | | 05 | | F13A, F27A, F27B, F27C | |
| 5t309.q↔ | | BOP, KJZSV, KVT, UOP4, VIAL | 5t30a.2↔ | | BOP, KJZSV, KVT, UOP4, VIAL | 5t30a.f | BOP, KJZSV, KVT, UOP4, VIAL | |
| | 01 | B03Z, B07Z, B17A, B17B, B17C, B17J | | 05 | F13A, F27A, F27B, F27C | | 05 | F13A, F27A, F27B, F27C |
| | 08 | I27A, I27B, I27C, I27D, I27J, I27Q | | 08 | I12A, I12B, I12C, I12J, I28A, I28B, I28J | | 08 | I12A, I12B, I12C, I12J, I28A, I28B, I28J |
| | 09 | J03A, J03B, J04A, J04B, J08A, J08B, J08C, J11A, J11B, J11J, J11Q, J11R, J11S, J16Z | | 10 | K09A, K09B | | 10 | K09A, K09B |
| | 10 | K09A, K09B | | 21A | W04A, W04B | | 21A | W04A, W04B |
| | 21A | W04A, W04B | | 21B | X06A, X06B, X06C | | 21B | X04Z, X06A, X06B, X06C |
| | 21B | X04Z, X06A, X06B, X06C | | BOP, KJZSV, KVT, UOP4, VIAL | | | | |
| 5t309.r↔ | | BOP, KJZSV, KVT, UOP4, VIAL | 5t30a.3↔ | | | BOP, KJZSV, KVT, UOP4, VIAL | 5t30a.g↔ | BOP, KJZSV, KVT, UOP4, VIAL |
| | 01 | B03Z, B07Z, B17A, B17B, B17C, B17J | | 05 | F13A, F27A, F27B, F27C | 05 | | F13A |
| | 08 | I27A, I27B, I27C, I27D, I27J, I27Q | | 08 | I12A, I12B, I12C, I12J, I28A, I28B, I28J | 08 | | I08A, I08B, I08C, I08D, I08E, I08F, I08J |
| | 09 | J03A, J03B, J04A, J04B, J08A, J08B, J08C, J11A, J11B, J11J, J11Q, J11R, J11S, J16Z | | 10 | K09A, K09B | 21A | | W01A, W01B, W01C, W02A, W02B |
| | 10 | K09A, K09B | | 21A | W04A, W04B | 21B | | X04Z |
| | 21A | W04A, W04B | | 21B | X06A, X06B, X06C | | | |
| | 21B | X04Z, X06A, X06B, X06C | | | | | | |

VYK

| ZZV | MDC | DRG | ZZV | MDC | DRG | ZZV | MDC | DRG |
|----------|-----|--|----------|-----|--|----------|-----|--|
| 5t30a.h↔ | | BOP, KJZSV, KVT, UOP4, VIAL | 5t30a.x | | BOP, KJZSV, KVT, UOP4 | 5t30b.8↔ | | BOP, KJZSV, KVT, UOP4, VIAL |
| | 05 | F13A, F27A, F27B, F27C | | 05 | F13A, F27A, F27B, F27C | | 05 | F13A |
| | 08 | I12A, I12B, I12J, I18A, I18B, I18J, I18Q, I18R, I30J, I30Z | | 08 | I12A, I12B, I12C, I12J, I28A, I28B, I28J | | 08 | I12A, I12B, I12C, I12J, I32A, I32B, I32C, I32D, I32E, I32F, I32J, I32Q, I32R, I32S, I32T, I32U |
| | 10 | K09A, K09B | | 10 | K09A, K09B | | 21A | W04A, W04B |
| | 21A | W04A, W04B | | 21A | W04A, W04B | | 21B | X04Z |
| | 21B | X04Z | | 21B | X06A, X06B, X06C | | | |
| 5t30a.j↔ | | BOP, KJZSV, KVT, UOP4, VIAL | 5t30b.0↔ | | BOP, KJZSV, KVT, UOP4, VIAL | 5t30b.9↔ | | BOP, KJZSV, KVT, UOP4, VIAL |
| | 05 | F13A, F27A, F27B, F27C | | 05 | F13A | | 05 | F13A |
| | 08 | I12A, I12B, I12C, I12J, I18A, I18B, I18J, I18Q, I18R, I30J, I30Z | | 08 | I12A, I12B, I12C, I12J, I16J, I16Q, I16Z | | 08 | I12A, I12B, I12C, I12J, I32A, I32B, I32C, I32D, I32E, I32F, I32J, I32Q, I32R, I32S, I32T, I32U |
| | 10 | K09A, K09B | | 21A | W04A, W04B | | 21A | W04A, W04B |
| | 21A | W04A, W04B | | 21B | X06A, X06B, X06C | | 21B | X05A, X05B |
| | 21B | X04Z | | | | | | |
| 5t30a.k↔ | | BOP, KJZSV, KVT, UOP4, VIAL | 5t30b.1↔ | | BOP, KJZSV, KVT, UOP4, VIAL | 5t30b.e↔ | | BOP, KJZSV, KVT, UOP4, VIAL |
| | 05 | F13A, F27A, F27B, F27C | | 05 | F13A | | 05 | F13A |
| | 08 | I12A, I12B, I12C, I12J, I13A, I13B, I13C, I13D, I13J | | 08 | I12A, I12B, I12C, I12J, I16J, I16Q, I16Z | | 08 | I08A, I08B, I08C, I08D, I08E, I08F, I08J, I12A, I12B, I12C, I12J, I28A, I28B, I28J |
| | 10 | K09A, K09B | | 21A | W04A, W04B | | 10 | K09A, K09B |
| | 21A | W04A, W04B | | 21B | X06A, X06B, X06C | | 21A | W04A, W04B |
| | 21B | X04Z | | | | | 21B | X04Z, X06A, X06B, X06C |
| 5t30a.m↔ | | BOP, KJZSV, KVT, UOP4, VIAL | 5t30b.2↔ | | BOP, KJZSV, KVT, UOP4, VIAL | 5t30b.f | | BOP, KJZSV, KVT, UOP4, VIAL |
| | 05 | F13A, F27A, F27B, F27C | | 05 | F13A | | 05 | F13A |
| | 08 | I12A, I12B, I12C, I12J, I20A, I20B, I20C, I20D, I20E, I20F, I20J, I20Q, I20R | | 08 | I12A, I12B, I12C, I12J, I28A, I28B, I28J | | 08 | I12A, I12B, I12C, I12J, I28A, I28B, I28J |
| | 10 | K09A, K09B | | 10 | K09A, K09B | | 10 | K09A, K09B |
| | 21A | W04A, W04B | | 21A | W04A, W04B | | 21A | W04A, W04B |
| | 21B | X04Z | | 21B | X06A, X06B, X06C | | 21B | X04Z, X06A, X06B, X06C |
| 5t30a.n↔ | | BOP, KJZSV, KVT, UOP4, VIAL | 5t30b.3↔ | | BOP, KJZSV, KVT, UOP4, VIAL | 5t30b.g↔ | | BOP, KJZSV, KVT, UOP4, VIAL |
| | 05 | F13A, F27A, F27B, F27C | | 05 | F13A | | 05 | F13A |
| | 08 | I12A, I12B, I12C, I12J, I20A, I20B, I20C, I20D, I20E, I20F, I20J, I20Q, I20R | | 08 | I12A, I12B, I12C, I12J, I28A, I28B, I28J | | 08 | I08A, I08B, I08C, I08D, I08E, I08F, I08J |
| | 10 | K09A, K09B | | 10 | K09A, K09B | | 21A | W01A, W01B, W01C, W02A, W02B |
| | 21A | W04A, W04B | | 21A | W04A, W04B | | 21B | X04Z |
| | 21B | X04Z | | 21B | X06A, X06B, X06C | | | |
| 5t30a.p↔ | | BOP, KJZSV, KVT, UOP4, VIAL | 5t30b.4↔ | | BOP, KJZSV, KVT, UOP4, VIAL | 5t30b.h↔ | | BOP, KJZSV, KVT, UOP4, VIAL |
| | 05 | F13A, F27A, F27B, F27C | | 05 | F13A | | 05 | F13A |
| | 08 | I12A, I12B, I12C, I12J, I20A, I20B, I20C, I20D, I20E, I20F, I20J, I20Q, I20R | | 08 | I08A, I08B, I08C, I08D, I08E, I08F, I08J, I12A, I12B, I12C, I12J, I21J, I21Z, I31J, I31Z | | 08 | I12A, I12B, I12C, I12J, I18A, I18B, I18J, I18Q, I18R, I30J, I30Z |
| | 10 | K09A, K09B | | 10 | K09A, K09B | | 10 | K09A, K09B |
| | 21A | W04A, W04B | | 21A | W04A, W04B | | 21A | W04A, W04B |
| | 21B | X04Z | | 21B | X06A, X06B, X06C | | 21B | X04Z |
| 5t30a.q↔ | | BOP, KJZSV, KVT, UOP4, VIAL | 5t30b.5↔ | | BOP, KJZSV, KVT, UOP4, VIAL | 5t30b.j↔ | | BOP, KJZSV, KVT, UOP4, VIAL |
| | 05 | F13A, F27A, F27B, F27C | | 05 | F13A | | 05 | F13A |
| | 08 | I12A, I12B, I12C, I12J, I20A, I20B, I20C, I20D, I20E, I20F, I20J, I20Q, I20R | | 08 | I08A, I08B, I08C, I08D, I08E, I08F, I08J, I12A, I12B, I12C, I12J, I21J, I21Z, I31J, I31Z | | 08 | I12A, I12B, I12C, I12J, I18A, I18B, I18J, I18Q, I18R, I30J, I30Z |
| | 10 | K09A, K09B | | 10 | K09A, K09B | | 10 | K09A, K09B |
| | 21A | W04A, W04B | | 21A | W04A, W04B | | 21A | W04A, W04B |
| | 21B | X04Z | | 21B | X06A, X06B, X06C | | 21B | X04Z |
| 5t30a.r↔ | | BOP, KJZSV, KVT, UOP4, VIAL | 5t30b.6↔ | | BOP, KJZSV, KVT, UOP4, VIAL | 5t30b.k↔ | | BOP, KJZSV, KVT, UOP4, VIAL |
| | 05 | F13A, F27A, F27B, F27C | | 05 | F13A | | 05 | F13A |
| | 08 | I12A, I12B, I12C, I12J, I20A, I20B, I20C, I20D, I20E, I20F, I20J, I20Q, I20R | | 08 | I08A, I08B, I08C, I08D, I08E, I08F, I08J, I12A, I12B, I12C, I12J, I32A, I32B, I32C, I32D, I32E, I32F, I32J, I32Q, I32R, I32S, I32T, I32U | | 08 | I12A, I12B, I12C, I12J, I13A, I13B, I13C, I13D, I13J |
| | 10 | K09A, K09B | | 21A | W04A, W04B | | 10 | K09A, K09B |
| | 21A | W04A, W04B | | 21B | X05A, X05B | | 21A | W04A, W04B |
| | 21B | X04Z | | | | | 21B | X04Z |

VYK

| ZZV | MDC | DRG | ZZV | MDC | DRG | ZZV | MDC | DRG |
|----------|----------|--|----------|-----------------------------|--|----------|-----------------------------|--|
| 5t30b.m↔ | | BOP, KJZSV, KVT, UOP4, VIAL | 5t30c.3↔ | | BOP, KJZSV, KVT, UOP4, VIAL | 5t30c.g↔ | | BOP, KJZSV, KVT, UOP4, VIAL |
| | 05 | F13A | | 08 | I12A, I12B, I12C, I12J, I27A, I27B, I27C, I27D, I27J, I27Q | | 08 | I08A, I08B, I08C, I08D, I08E, I08F, I08J |
| | 08 | I12A, I12B, I12C, I12J, I20A, I20B, I20C, I20D, I20E, I20F, I20J, I20Q, I20R | | 21A | W04A, W04B | | 21A | W01A, W01B, W01C, W02A, W02B |
| | 10 | K09A, K09B | | 21B | X06A, X06B, X06C | | 21B | X04Z |
| | 21A | W04A, W04B | | 5t30c.4↔ | | | BOP, KJZSV, KVT, UOP4, VIAL | 5t30c.h↔ |
| 5t30b.n↔ | | BOP, KJZSV, KVT, UOP4, VIAL | 5t30c.5↔ | | BOP, KJZSV, KVT, UOP4, VIAL | 5t30c.j↔ | | BOP, KJZSV, KVT, UOP4, VIAL |
| | 05 | F13A | | 08 | I08A, I08B, I08C, I08D, I08E, I08F, I08J, I12A, I12B, I12C, I12J, I21J, I21Z, I31J, I31Z | | 08 | I12A, I12B, I12C, I12J, I18A, I18B, I18J, I18Q, I18R, I30J, I30Z |
| | 08 | I12A, I12B, I12C, I12J, I20A, I20B, I20C, I20D, I20E, I20F, I20J, I20Q, I20R | | 21A | W04A, W04B | | 21A | W04A, W04B |
| | 10 | K09A, K09B | | 21B | X06A, X06B, X06C | | 21B | X04Z |
| | 21A | W04A, W04B | | 5t30c.6↔ | | | BOP, KJZSV, KVT, UOP4, VIAL | 5t30c.k↔ |
| 5t30b.p↔ | | BOP, KJZSV, KVT, UOP4, VIAL | 5t30c.8↔ | | BOP, KJZSV, KVT, UOP4, VIAL | 5t30c.m↔ | | BOP, KJZSV, KVT, UOP4, VIAL |
| | 05 | F13A | | 08 | I08A, I08B, I08C, I08D, I08E, I08F, I08J, I12A, I12B, I12C, I12J, I32A, I32B, I32C, I32D, I32E, I32F, I32J, I32Q, I32R, I32S, I32T, I32U | | 08 | I12A, I12B, I12C, I12J, I13A, I13B, I13C, I13D, I13J |
| | 08 | I12A, I12B, I12C, I12J, I20A, I20B, I20C, I20D, I20E, I20F, I20J, I20Q, I20R | | 09 | J03A, J03B, J04A, J04B, J08A, J08B, J08C, J11A, J11B, J11J, J11Q, J11R, J11S, J16Z | | 21A | W04A, W04B |
| | 10 | K09A, K09B | | 21B | X05A, X05B | | 21B | X04Z |
| | 21A | W04A, W04B | | 5t30c.9↔ | | | BOP, KJZSV, KVT, UOP4, VIAL | 5t30c.n↔ |
| 5t30b.q↔ | | BOP, KJZSV, KVT, UOP4, VIAL | 5t30c.e↔ | | BOP, KJZSV, KVT, UOP4, VIAL | 5t30c.p↔ | | BOP, KJZSV, KVT, UOP4, VIAL |
| | 05 | F13A | | 08 | I12A, I12B, I12C, I12J, I32A, I32B, I32C, I32D, I32E, I32F, I32J, I32Q, I32R, I32S, I32T, I32U | | 08 | I12A, I12B, I12C, I12J, I20A, I20B, I20C, I20D, I20J, I20Q, I20R |
| | 08 | I12A, I12B, I12C, I12J, I20A, I20B, I20C, I20D, I20E, I20F, I20J, I20Q, I20R | | 09 | J03A, J03B, J04A, J04B, J08A, J08B, J08C, J11A, J11B, J11J, J11Q, J11R, J11S, J16Z | | 21A | W04A, W04B |
| | 10 | K09A, K09B | | 21A | W04A, W04B | | 21B | X04Z |
| | 21A | W04A, W04B | | 5t30c.f | | | BOP, KJZSV, KVT, UOP4, VIAL | 5t30c.q↔ |
| 5t30b.r↔ | | BOP, KJZSV, KVT, UOP4, VIAL | 5t30c.g↔ | | BOP, KJZSV, KVT, UOP4, VIAL | 5t30c.r↔ | | BOP, KJZSV, KVT, UOP4, VIAL |
| | 05 | F13A | | 08 | I12A, I12B, I12C, I12J, I20A, I20B, I20C, I20D, I20E, I20F, I20J, I20Q, I20R | | 08 | I12A, I12B, I12C, I12J, I20A, I20B, I20C, I20D, I20E, I20F, I20J, I20Q, I20R |
| | 08 | I12A, I12B, I12C, I12J, I20A, I20B, I20C, I20D, I20E, I20F, I20J, I20Q, I20R | | 21A | W04A, W04B | | 21A | W04A, W04B |
| | 10 | K09A, K09B | | 21B | X05A, X05B | | 21B | X04Z |
| | 21A | W04A, W04B | | 5t30c.h↔ | | | BOP, KJZSV, KVT, UOP4, VIAL | 5t30c.s↔ |
| 5t30b.x | | BOP, KJZSV, KVT, UOP4, VIAL | 5t30c.i↔ | | BOP, KJZSV, KVT, UOP4, VIAL | 5t30c.t↔ | | BOP, KJZSV, KVT, UOP4, VIAL |
| | 05 | F13A | | 08 | I08A, I08B, I08C, I08D, I08E, I08F, I08J, I12A, I12B, I12C, I12J, I27A, I27B, I27C, I27D, I27J, I27Q | | 08 | I12A, I12B, I12C, I12J, I20A, I20B, I20C, I20D, I20E, I20F, I20J, I20Q, I20R |
| | 08 | I12A, I12B, I12C, I12J, I28A, I28B, I28J | | 21A | W04A, W04B | | 21A | W04A, W04B |
| | 10 | K09A, K09B | | 21B | X06A, X06B, X06C | | 21B | X04Z |
| | 21A | W04A, W04B | | 5t30c.l↔ | | | BOP, KJZSV, KVT, UOP4, VIAL | 5t30c.u↔ |
| 5t30c.0↔ | | BOP, KJZSV, KVT, UOP4, VIAL | 5t30c.o↔ | | BOP, KJZSV, KVT, UOP4, VIAL | 5t30c.v↔ | | BOP, KJZSV, KVT, UOP4, VIAL |
| | 08 | I12A, I12B, I12C, I12J, I16J, I16Q, I16Z | | 08 | I08A, I08B, I08C, I08D, I08E, I08F, I08J, I12A, I12B, I12C, I12J, I27A, I27B, I27C, I27D, I27J, I27Q | | 08 | I12A, I12B, I12C, I12J, I20A, I20B, I20C, I20D, I20E, I20F, I20J, I20Q, I20R |
| | 21A | W04A, W04B | | 21A | W04A, W04B | | 21A | W04A, W04B |
| | 21B | X06A, X06B, X06C | | 21B | X06A, X06B, X06C | | 21B | X04Z |
| | 5t30c.1↔ | | | BOP, KJZSV, KVT, UOP4, VIAL | 5t30c.p↔ | | | BOP, KJZSV, KVT, UOP4, VIAL |
| 5t30c.2↔ | | BOP, KJZSV, KVT, UOP4, VIAL | 5t30c.q↔ | | BOP, KJZSV, KVT, UOP4, VIAL | 5t30c.x | | BOP, KJZSV, KVT, UOP4, VIAL |
| | 08 | I12A, I12B, I12C, I12J, I16J, I16Q, I16Z | | 08 | I08A, I08B, I08C, I08D, I08E, I08F, I08J, I12A, I12B, I12C, I12J, I27A, I27B, I27C, I27D, I27J, I27Q | | 08 | I12A, I12B, I12C, I12J, I27A, I27B, I27C, I27D, I27J, I27Q |
| | 21A | W04A, W04B | | 21A | W04A, W04B | | 21A | W04A, W04B |
| | 21B | X06A, X06B, X06C | | 21B | X04Z, X06A, X06B, X06C | | 21A | W04A, W04B |
| | 5t30c.3↔ | | | BOP, KJZSV, KVT, UOP4, VIAL | 21B | | X04Z, X06A, X06B, X06C | 21B |

| ZZV | MDC | DRG | ZZV | MDC | DRG | ZZV | MDC | DRG |
|----------|-----|--|----------|-----|--|----------|-----|--|
| 5t30x.0↔ | | BOP, KJZSV, KVT, UOP4, VIAL | 5t30x.5↔ | | BOP, KJZSV, KVT, UOP4, VIAL | 5t30x.f | | BOP, KJZSV, KVT, UOP4, VIAL |
| | 01 | B03Z, B07Z, B17A, B17B, B17C, B17J | | 01 | B03Z, B07Z, B17A, B17B, B17C, B17J | | 01 | B03Z, B07Z, B17A, B17B, B17C, B17J |
| | 08 | I27A, I27B, I27C, I27D, I27J, I27Q | | 08 | I08A, I08B, I08C, I08D, I08E, I08F, I08J, I27A, I27B, I27C, I27D, I27J, I27Q | | 08 | I27A, I27B, I27C, I27D, I27J, I27Q |
| | 09 | J03A, J03B, J04A, J04B, J08A, J08B, J08C, J11A, J11B, J11J, J11Q, J11R, J11S, J16Z | | 09 | J03A, J03B, J04A, J04B, J08A, J08B, J08C, J11A, J11B, J11J, J11Q, J11R, J11S, J16Z | | 09 | J03A, J03B, J04A, J04B, J08A, J08B, J08C, J11A, J11B, J11J, J11Q, J11R, J11S, J16Z |
| | 10 | K09A, K09B | | 10 | K09A, K09B | | 10 | K09A, K09B |
| | 21A | W04A, W04B | | 21A | W04A, W04B | | 21A | W04A, W04B |
| 5t30x.1↔ | 21B | X06A, X06B, X06C | 5t30x.6↔ | 21B | X06A, X06B, X06C | 5t30x.g↔ | 21B | X04Z, X06A, X06B, X06C |
| | | BOP, KJZSV, KVT, UOP4, VIAL | | | BOP, KJZSV, KVT, UOP4, VIAL | | | BOP, KJZSV, KVT, UOP4, VIAL |
| | 01 | B03Z, B07Z, B17A, B17B, B17C, B17J | | 01 | B03Z, B07Z, B17A, B17B, B17C, B17J | | 01 | B03Z, B07Z, B17A, B17B, B17C, B17J |
| | 08 | I27A, I27B, I27C, I27D, I27J, I27Q | | 08 | I08A, I08B, I08C, I08D, I08E, I08F, I08J, I27A, I27B, I27C, I27D, I27J, I27Q | | 08 | I27A, I27B, I27C, I27D, I27J, I27Q |
| | 09 | J03A, J03B, J04A, J04B, J08A, J08B, J08C, J11A, J11B, J11J, J11Q, J11R, J11S, J16Z | | 09 | J03A, J03B, J04A, J04B, J08A, J08B, J08C, J11A, J11B, J11J, J11Q, J11R, J11S, J16Z | | 09 | J03A, J03B, J04A, J04B, J08A, J08B, J08C, J11A, J11B, J11J, J11Q, J11R, J11S, J16Z |
| | 10 | K09A, K09B | | 10 | K09A, K09B | | 10 | K09A, K09B |
| 5t30x.2↔ | 21A | W04A, W04B | 5t30x.8↔ | 21A | W04A, W04B | 5t30x.h↔ | 21A | W04A, W04B |
| | 21B | X06A, X06B, X06C | | 21B | X05A, X05B, X06A, X06B, X06C | | 21B | X04Z, X06A, X06B, X06C |
| | | BOP, KJZSV, KVT, UOP4, VIAL | | | BOP, KJZSV, KVT, UOP4, VIAL | | | BOP, KJZSV, KVT, UOP4, VIAL |
| | 01 | B03Z, B07Z, B17A, B17B, B17C, B17J | | 01 | B03Z, B07Z, B17A, B17B, B17C, B17J | | 01 | B03Z, B07Z, B17A, B17B, B17C, B17J |
| | 08 | I27A, I27B, I27C, I27D, I27J, I27Q | | 08 | I27A, I27B, I27C, I27D, I27J, I27Q | | 08 | I27A, I27B, I27C, I27D, I27J, I27Q |
| | 09 | J03A, J03B, J04A, J04B, J08A, J08B, J08C, J11A, J11B, J11J, J11Q, J11R, J11S, J16Z | | 09 | J03A, J03B, J04A, J04B, J08A, J08B, J08C, J11A, J11B, J11J, J11Q, J11R, J11S, J16Z | | 09 | J03A, J03B, J04A, J04B, J08A, J08B, J08C, J11A, J11B, J11J, J11Q, J11R, J11S, J16Z |
| 5t30x.3↔ | 10 | K09A, K09B | 5t30x.9↔ | 10 | K09A, K09B | 5t30x.j↔ | 10 | K09A, K09B |
| | 21A | W04A, W04B | | 21A | W04A, W04B | | 21A | W04A, W04B |
| | 21B | X06A, X06B, X06C | | 21B | X05A, X05B, X06A, X06B, X06C | | 21B | X04Z, X06A, X06B, X06C |
| | | BOP, KJZSV, KVT, UOP4, VIAL | | | BOP, KJZSV, KVT, UOP4, VIAL | | | BOP, KJZSV, KVT, UOP4, VIAL |
| | 01 | B03Z, B07Z, B17A, B17B, B17C, B17J | | 01 | B03Z, B07Z, B17A, B17B, B17C, B17J | | 01 | B03Z, B07Z, B17A, B17B, B17C, B17J |
| | 08 | I27A, I27B, I27C, I27D, I27J, I27Q | | 08 | I27A, I27B, I27C, I27D, I27J, I27Q | | 08 | I27A, I27B, I27C, I27D, I27J, I27Q |
| 5t30x.4↔ | 09 | J03A, J03B, J04A, J04B, J08A, J08B, J08C, J11A, J11B, J11J, J11Q, J11R, J11S, J16Z | 5t30x.e↔ | 09 | J03A, J03B, J04A, J04B, J08A, J08B, J08C, J11A, J11B, J11J, J11Q, J11R, J11S, J16Z | 5t30x.k↔ | 09 | J03A, J03B, J04A, J04B, J08A, J08B, J08C, J11A, J11B, J11J, J11Q, J11R, J11S, J16Z |
| | 10 | K09A, K09B | | 10 | K09A, K09B | | 10 | K09A, K09B |
| | 21A | W04A, W04B | | 21A | W04A, W04B | | 21A | W04A, W04B |
| | 21B | X06A, X06B, X06C | | 21B | X05A, X05B, X06A, X06B, X06C | | 21B | X04Z, X06A, X06B, X06C |
| | | BOP, KJZSV, KVT, UOP4, VIAL | | | BOP, KJZSV, KVT, UOP4, VIAL | | | BOP, KJZSV, KVT, UOP4, VIAL |
| | 01 | B03Z, B07Z, B17A, B17B, B17C, B17J | | 01 | B03Z, B07Z, B17A, B17B, B17C, B17J | | 01 | B03Z, B07Z, B17A, B17B, B17C, B17J |
| 5t30x.5↔ | 08 | I08A, I08B, I08C, I08D, I08E, I08F, I08J, I27A, I27B, I27C, I27D, I27J, I27Q | 5t30x.6↔ | 08 | I08A, I08B, I08C, I08D, I08E, I08F, I08J, I27A, I27B, I27C, I27D, I27J, I27Q | 5t30x.g↔ | 08 | I27A, I27B, I27C, I27D, I27J, I27Q |
| | 09 | J03A, J03B, J04A, J04B, J08A, J08B, J08C, J11A, J11B, J11J, J11Q, J11R, J11S, J16Z | | 09 | J03A, J03B, J04A, J04B, J08A, J08B, J08C, J11A, J11B, J11J, J11Q, J11R, J11S, J16Z | | 09 | J03A, J03B, J04A, J04B, J08A, J08B, J08C, J11A, J11B, J11J, J11Q, J11R, J11S, J16Z |
| | 10 | K09A, K09B | | 10 | K09A, K09B | | 10 | K09A, K09B |
| | 21A | W04A, W04B | | 21A | W04A, W04B | | 21A | W04A, W04B |
| | 21B | X06A, X06B, X06C | | 21B | X06A, X06B, X06C | | 21B | X04Z, X06A, X06B, X06C |
| | | BOP, KJZSV, KVT, UOP4, VIAL | | | BOP, KJZSV, KVT, UOP4, VIAL | | | BOP, KJZSV, KVT, UOP4, VIAL |

VYK

Príloha B: Index Výkon-MDC-DRG

| ZZV | MDC | DRG | ZZV | MDC | DRG | ZZV | MDC | DRG | | | | |
|----------|----------|--|------------------------------------|--|--|-----------------------------|--|--|--|--|--|--|
| 5t30x.m↔ | | BOP, KJZSV, KVT, UOP4, VIAL | 5t30x.x | | BOP, KJZSV, KVT, UOP4 | 5t310.8↔ | | BOP, KVT, UOP4, VIAL | | | | |
| | 01 | B03Z, B07Z, B17A, B17B, B17C, B17J | | 01 | B03Z, B07Z, B17A, B17B, B17C, B17J | | 08 | I12A, I12B, I12C, I12J, I32A, I32B, I32C, I32D, I32E, I32F, I32J, I32Q, I32R, I32S, I32T, I32U | | | | |
| | 08 | I27A, I27B, I27C, I27D, I27J, I27Q | | 08 | I27A, I27B, I27C, I27D, I27J, I27Q | | 09 | J03A, J03B, J04A, J04B, J08A, J08B, J08C, J11A, J11B, J11J, J11Q, J11R, J11S, J16Z | | | | |
| | 09 | J03A, J03B, J04A, J04B, J08A, J08B, J08C, J11A, J11B, J11J, J11Q, J11R, J11S, J16Z | | 09 | J03A, J03B, J04A, J04B, J08A, J08B, J08C, J11A, J11B, J11J, J11Q, J11R, J11S, J16Z | | 21A | W04A, W04B | | | | |
| | 10 | K09A, K09B | | 10 | K09A, K09B | | 21B | X05A, X05B | | | | |
| | 21A | W04A, W04B | | 21A | W04A, W04B | | | BOP, KVT, UOP4, VIAL | | | | |
| | 21B | X04Z, X06A, X06B, X06C | | 21B | X06A, X06B, X06C | | 08 | I12A, I12B, I12C, I12J, I16J, I16Q, I16Z | | | | |
| | 5t30x.n↔ | | | BOP, KJZSV, KVT, UOP4, VIAL | 5t310.0↔ | | | BOP, KVT, UOP4, VIAL | 5t310.9↔ | | BOP, KVT, UOP4, VIAL | |
| | | 01 | | B03Z, B07Z, B17A, B17B, B17C, B17J | | | 08 | I12A, I12B, I12C, I12J, I16J, I16Q, I16Z | | 08 | I12A, I12B, I12C, I12J, I32A, I32B, I32C, I32D, I32E, I32F, I32J, I32Q, I32R, I32S, I32T, I32U | |
| | | 08 | | I27A, I27B, I27C, I27D, I27J, I27Q | | | 21A | W04A, W04B | | 09 | J03A, J03B, J04A, J04B, J08A, J08B, J08C, J11A, J11B, J11J, J11Q, J11R, J11S, J16Z | |
| 09 | | J03A, J03B, J04A, J04B, J08A, J08B, J08C, J11A, J11B, J11J, J11Q, J11R, J11S, J16Z | 21B | X06A, X06B, X06C | | 21A | W04A, W04B | | | | | |
| 10 | | K09A, K09B | 21B | X06A, X06B, X06C | | 21B | X05A, X05B | | | | | |
| 21A | | W04A, W04B | 5t310.1↔ | | | BOP, KJZSV, KVT, UOP4, VIAL | 5t310.e↔ | | | BOP, KJZSV, KVT, UOP4, VIAL | | |
| 21B | | X04Z, X06A, X06B, X06C | 08 | I12A, I12B, I12C, I12J, I16J, I16Q, I16Z | | 08 | | I08A, I08B, I08C, I08D, I08E, I08F, I08J, I12A, I12B, I12C, I12J, I23A, I23B, I23J | | | | |
| 5t30x.p↔ | | | BOP, KJZSV, KVT, UOP4, VIAL | 5t310.3↔ | | | | BOP, KJZSV, KVT, UOP4, VIAL | | 5t310.f | | BOP, KJZSV, KVT, UOP4, VIAL |
| | | 01 | B03Z, B07Z, B17A, B17B, B17C, B17J | | | 08 | | I12A, I12B, I12C, I12J, I23A, I23B, I23J | | | 08 | I12A, I12B, I12C, I12J, I23A, I23B, I23J |
| | | 08 | I27A, I27B, I27C, I27D, I27J, I27Q | | | 21A | | W04A, W04B | | | 21A | W04A, W04B |
| | 09 | J03A, J03B, J04A, J04B, J08A, J08B, J08C, J11A, J11B, J11J, J11Q, J11R, J11S, J16Z | 21B | | X06A, X06B, X06C | 21B | | X04Z, X06A, X06B, X06C | | | | |
| | 10 | K09A, K09B | 5t310.4↔ | | | BOP, KVT, UOP4, VIAL | | 5t310.g↔ | | | BOP, KJZSV, KVT, UOP4, VIAL | |
| | 21A | W04A, W04B | 08 | | I08A, I08B, I08C, I08D, I08E, I08F, I08J, I12A, I12B, I12C, I12J, I21J, I21Z, I31J, I31Z | 01 | | | B03Z, B17A, B17B, B17C, B17J | | | |
| | 21B | X04Z, X06A, X06B, X06C | 21A | | W04A, W04B | 08 | | | I08A, I08B, I08C, I08D, I08E, I08F, I08J | | | |
| | 5t30x.q↔ | | BOP, KJZSV, KVT, UOP4, VIAL | | 5t310.5↔ | | | | BOP, KJZSV, KVT, UOP4, VIAL | | 5t310.h↔ | |
| | | 01 | B03Z, B07Z, B17A, B17B, B17C, B17J | | | 08 | I08A, I08B, I08C, I08D, I08E, I08F, I08J, I12A, I12B, I12C, I12J, I21J, I21Z, I31J, I31Z | | 08 | | | I12A, I12B, I12C, I12J, I18A, I18B, I18J, I18Q, I18R, I30J, I30Z |
| | | 08 | I27A, I27B, I27C, I27D, I27J, I27Q | | | 21A | W04A, W04B | | 21A | | | W04A, W04B |
| 09 | | J03A, J03B, J04A, J04B, J08A, J08B, J08C, J11A, J11B, J11J, J11Q, J11R, J11S, J16Z | 21B | X06A, X06B, X06C | | 21B | X04Z | | | | | |
| 10 | | K09A, K09B | 5t310.6↔ | | | BOP, KVT, UOP4, VIAL | 5t310.j↔ | | | BOP, KJZSV, KVT, UOP4, VIAL | | |
| 21A | | W04A, W04B | 08 | I08A, I08B, I08C, I08D, I08E, I08F, I08J, I12A, I12B, I12C, I12J, I32A, I32B, I32C, I32D, I32E, I32F, I32J, I32Q, I32R, I32S, I32T, I32U | | 08 | | | I12A, I12B, I12C, I12J, I18A, I18B, I18J, I18Q, I18R, I30J, I30Z | | | |
| 21B | | X04Z, X06A, X06B, X06C | 21A | W04A, W04B | | 21A | | | W04A, W04B | | | |
| 5t30x.r↔ | | | BOP, KJZSV, KVT, UOP4, VIAL | 5t310.7↔ | | | | BOP, KVT, UOP4, VIAL | 5t310.k↔ | | | BOP, KVT, UOP4, VIAL |
| | | 01 | B03Z, B07Z, B17A, B17B, B17C, B17J | | | 08 | | I12A, I12B, I12C, I12J, I32A, I32B, I32C, I32D, I32E, I32F, I32J, I32Q, I32R, I32S, I32T, I32U | | 08 | | I12A, I12B, I12C, I12J, I13A, I13B, I13C, I13D, I13E, I13J |
| | | 08 | I27A, I27B, I27C, I27D, I27J, I27Q | | | 09 | | J03A, J03B, J04A, J04B, J08A, J08B, J08C, J11A, J11B, J11J, J11Q, J11R, J11S, J16Z | | 21A | | W04A, W04B |
| | 09 | J03A, J03B, J04A, J04B, J08A, J08B, J08C, J11A, J11B, J11J, J11Q, J11R, J11S, J16Z | 21B | | X05A, X05B | 21B | | X04Z | | | | |
| | 10 | K09A, K09B | 5t310.8↔ | | | BOP, KVT, UOP4, VIAL | | 5t310.m↔ | | | BOP, KVT, UOP4, VIAL | |
| | 21A | W04A, W04B | 08 | | I12A, I12B, I12C, I12J, I32A, I32B, I32C, I32D, I32E, I32F, I32J, I32Q, I32R, I32S, I32T, I32U | 08 | | | | I12A, I12B, I12C, I12J, I20A, I20B, I20C, I20D, I20E, I20F, I20J, I20Q, I20R | | |
| | 21B | X04Z, X06A, X06B, X06C | 21A | | W04A, W04B | 21A | | | | W04A, W04B | | |
| | | | 21B | | X05A, X05B | 21B | X04Z | | | | | |

VYK

| ZZV | MDC | DRG | ZZV | MDC | DRG | ZZV | MDC | DRG |
|----------|-----|--|----------|-----|--|----------|-----|--|
| 5t310.n↔ | | BOP, KJZSV, KVT, UOP4, VIAL | 5t311.8↔ | | BOP, KVT, UOP4, VIAL | 5t311.n↔ | | BOP, KJZSV, KVT, UOP4, VIAL |
| | 08 | I12A, I12B, I12C, I12J, I20A, I20B, I20C, I20D, I20E, I20F, I20J, I20Q, I20R | | 01 | B03Z, B07Z, B17A, B17B, B17C, B17J | | 08 | I20A, I20B, I20C, I20D, I20J, I20Q, I20R |
| | 21A | W04A, W04B | | 08 | I32A, I32B, I32C, I32D, I32E, I32F, I32J, I32Q, I32R, I32S, I32T, I32U | | 21A | W04A, W04B |
| | 21B | X04Z | | 21A | W04A, W04B | | 21B | X04Z |
| | | BOP, KJZSV, KVT, UOP4, VIAL | | 21B | X05A, X05B | | | BOP, KJZSV, KVT, UOP4, VIAL |
| 5t310.p↔ | | BOP, KJZSV, KVT, UOP4, VIAL | 5t311.9↔ | | BOP, KVT, UOP4, VIAL | 5t311.p↔ | | BOP, KJZSV, KVT, UOP4, VIAL |
| | 08 | I12A, I12B, I12C, I12J, I20A, I20B, I20C, I20D, I20E, I20F, I20J, I20Q, I20R | | 01 | B03Z, B07Z, B17A, B17B, B17C, B17J | | 08 | I20A, I20B, I20C, I20D, I20J, I20Q, I20R |
| | 21A | W04A, W04B | | 08 | I32A, I32B, I32C, I32D, I32E, I32F, I32J, I32Q, I32R, I32S, I32T, I32U | | 21A | W04A, W04B |
| | 21B | X04Z | | 21A | W04A, W04B | | 21B | X04Z |
| | | BOP, KVT, UOP4, VIAL | | 21B | X05A, X05B | | | BOP, KJZSV, KVT, UOP4, VIAL |
| 5t310.q↔ | | BOP, KVT, UOP4, VIAL | 5t311.e↔ | | BOP, KJZSV, KVT, UOP4, VIAL | 5t311.q↔ | | BOP, KJZSV, KVT, UOP4, VIAL |
| | 08 | I12A, I12B, I12C, I12J, I20A, I20B, I20C, I20D, I20E, I20F, I20J, I20Q, I20R | | 08 | I08A, I08B, I08C, I08D, I08E, I08F, I08J, I28A, I28B, I28J | | 08 | I20A, I20B, I20C, I20D, I20E, I20F, I20J, I20Q, I20R |
| | 21A | W04A, W04B | | 21A | W04A, W04B | | 21A | W04A, W04B |
| | 21B | X04Z | | 21B | X04Z, X06A, X06B, X06C | | 21B | X04Z |
| | | BOP, KVT, UOP4, VIAL | | | BOP, KJZSV, KVT, UOP4, VIAL | | | BOP, KJZSV, KVT, UOP4, VIAL |
| 5t310.r↔ | | BOP, KVT, UOP4, VIAL | 5t311.f | | BOP, KJZSV, KVT, UOP4, VIAL | 5t311.r↔ | | BOP, KJZSV, KVT, UOP4, VIAL |
| | 08 | I12A, I12B, I12C, I12J, I20A, I20B, I20C, I20D, I20E, I20F, I20J, I20Q, I20R | | 08 | I28A, I28B, I28J | | 08 | I20A, I20B, I20C, I20D, I20E, I20F, I20J, I20Q, I20R |
| | 21A | W04A, W04B | | 21A | W04A, W04B | | 21A | W04A, W04B |
| | 21B | X04Z | | 21B | X04Z, X06A, X06B, X06C | | 21B | X04Z |
| | | BOP, KVT, UOP4 | | | BOP, KJZSV, KVT, UOP4, VIAL | | | BOP, KVT, UOP4 |
| 5t310.x | | BOP, KVT, UOP4 | 5t311.g↔ | | BOP, KJZSV, KVT, UOP4, VIAL | 5t311.x | | BOP, KVT, UOP4 |
| | 08 | I12A, I12B, I12C, I12J, I23A, I23B, I23J | | 01 | B03Z, B17A, B17B, B17C, B17J | | 08 | I28A, I28B, I28J |
| | 21A | W04A, W04B | | 08 | I08A, I08B, I08C, I08D, I08E, I08F, I08J | | 21A | W04A, W04B |
| | 21B | X06A, X06B, X06C | | 21A | W01A, W01B, W01C, W02A, W02B | | 21A | W04A, W04B |
| | | BOP, KVT, UOP4, VIAL | | 21B | X04Z | | 21B | X06A, X06B, X06C |
| 5t311.0↔ | | BOP, KVT, UOP4, VIAL | 5t311.h↔ | | BOP, KVT, UOP4, VIAL | 5t312.0↔ | | BOP, KJZSV, KVT, UOP4, VIAL |
| | 08 | I16J, I16Q, I16Z | | 01 | B03Z, B17A, B17B, B17C, B17J | | 08 | I12A, I12B, I12C, I12J, I16J, I16Q, I16Z |
| | 21A | W04A, W04B | | 08 | I18A, I18J, I18Q, I18R, I30J, I30Z | | 21A | W04A, W04B |
| | 21B | X06A, X06B, X06C | | 21A | W04A, W04B | | 21B | X06A, X06B, X06C |
| | | BOP, KVT, UOP4, VIAL | | 21B | X04Z | | | BOP, KJZSV, KVT, UOP4, VIAL |
| 5t311.4↔ | | BOP, KVT, UOP4, VIAL | 5t311.i↔ | | BOP, KJZSV, KVT, UOP4, VIAL | 5t312.4↔ | | BOP, KJZSV, KVT, UOP4, VIAL |
| | 08 | I08A, I08B, I08C, I08D, I08E, I08F, I08J, I21J, I21Z, I31J, I31Z | | 01 | B03Z, B17A, B17B, B17C, B17J | | 08 | I08A, I08B, I08C, I08D, I08E, I08F, I08J, I12A, I12B, I12C, I12J, I21J, I21Z, I31J, I31Z |
| | 21A | W04A, W04B | | 08 | I18A, I18J, I18Q, I18R, I30J, I30Z | | 21A | W04A, W04B |
| | 21B | X06A, X06B, X06C | | 21A | W04A, W04B | | 21B | X06A, X06B, X06C |
| | | BOP, KJZSV, KVT, UOP4, VIAL | | 21B | X04Z | | | BOP, KJZSV, KVT, UOP4, VIAL |
| 5t311.5↔ | | BOP, KJZSV, KVT, UOP4, VIAL | 5t311.j↔ | | BOP, KJZSV, KVT, UOP4, VIAL | 5t312.5↔ | | BOP, KJZSV, KVT, UOP4, VIAL |
| | 08 | I08A, I08B, I08C, I08D, I08E, I08F, I08J, I21J, I21Z, I31J, I31Z | | 01 | B03Z, B17A, B17B, B17C, B17J | | 08 | I08A, I08B, I08C, I08D, I08E, I08F, I08J, I12A, I12B, I12C, I12J, I21J, I21Z, I31J, I31Z |
| | 21A | W04A, W04B | | 08 | I18A, I18J, I18Q, I18R, I30J, I30Z | | 21A | W04A, W04B |
| | 21B | X06A, X06B, X06C | | 21A | W04A, W04B | | 21B | X06A, X06B, X06C |
| | | BOP, KVT, UOP4, VIAL | | 21B | X04Z | | | BOP, KJZSV, KVT, UOP4, VIAL |
| 5t311.6↔ | | BOP, KVT, UOP4, VIAL | 5t311.k↔ | | BOP, KVT, UOP4, VIAL | 5t312.6↔ | | BOP, KJZSV, KVT, UOP4, VIAL |
| | 01 | B03Z, B07Z, B17A, B17B, B17C, B17J | | 01 | B03Z, B17A, B17B, B17C, B17J | | 01 | B03Z, B07Z, B17A, B17B, B17C, B17J |
| | 08 | I08A, I08B, I08C, I08D, I08E, I08F, I08J, I32A, I32B, I32C, I32D, I32E, I32F, I32J, I32Q, I32R, I32S, I32T, I32U | | 05 | F27A, F27B, F27C | | 08 | I08A, I08B, I08C, I08D, I08E, I08F, I08J, I12A, I12B, I12C, I12J, I32A, I32B, I32C, I32D, I32E, I32F, I32J, I32Q, I32R, I32S, I32T, I32U |
| | 21A | W04A, W04B | | 08 | I13A, I13B, I13C, I13D, I13E, I13J | | 21A | W04A, W04B |
| | 21B | X05A, X05B | | 10 | K01Z | | 21B | X05A, X05B |
| 5t311.7↔ | | BOP, KVT, UOP4, VIAL | 5t311.l↔ | | BOP, KVT, UOP4, VIAL | 5t312.7↔ | | BOP, KJZSV, KVT, UOP4, VIAL |
| | 01 | B03Z, B07Z, B17A, B17B, B17C, B17J | | 21A | W04A, W04B | | 01 | B03Z, B07Z, B17A, B17B, B17C, B17J |
| | 08 | I32A, I32B, I32C, I32D, I32E, I32F, I32J, I32Q, I32R, I32S, I32T, I32U | | 21B | X04Z | | 08 | I12A, I12B, I12C, I12J, I32A, I32B, I32C, I32D, I32E, I32F, I32J, I32Q, I32R, I32S, I32T, I32U |
| | 21A | W04A, W04B | | | BOP, KJZSV, KVT, UOP4, VIAL | | 21A | W04A, W04B |
| | 21B | X05A, X05B | | 08 | I20A, I20B, I20C, I20D, I20J, I20Q, I20R | | 21B | X05A, X05B |

VYK

| ZZV | MDC | DRG | ZZV | MDC | DRG | ZZV | MDC | DRG |
|----------|-----|--|----------|-----|--|----------|--|--|
| 5t312.8↔ | | BOP, KJZSV, KVT, UOP4, VIAL | 5t312.p↔ | | BOP, KJZSV, KVT, UOP4, VIAL | 5t313.6↔ | | BOP, KVT, UOP4, VIAL |
| | 01 | B03Z, B07Z, B17A, B17B, B17C, B17J | | 08 | I12A, I12B, I12C, I12J, I20A, I20B, I20C, I20D, I20J, I20Q, I20R | 08 | 118A, I18B, I18J, I18Q, I18R, I30J, I30Z | |
| | 08 | I12A, I12B, I12C, I12J, I32A, I32B, I32C, I32D, I32E, I32F, I32J, I32Q, I32R, I32S, I32T, I32U | | 21A | W04A, W04B | 21A | W04A, W04B | |
| | 21A | W04A, W04B | | 21B | X04Z | 21B | X04Z | |
| | 21B | X05A, X05B | 5t312.q↔ | | BOP, KJZSV, KVT, UOP4, VIAL | 5t317.0↔ | | BOP, KVT, UOP4, VIAL |
| 5t312.9↔ | | BOP, KJZSV, KVT, UOP4, VIAL | | 08 | I12A, I12B, I12C, I12J, I20A, I20B, I20C, I20D, I20E, I20F, I20J, I20Q, I20R | 08 | I16J, I16Q, I16Z | |
| | 01 | B03Z, B07Z, B17A, B17B, B17C, B17J | | 21A | W04A, W04B | 21A | W04A, W04B | |
| | 08 | I12A, I12B, I12C, I12J, I32A, I32B, I32C, I32D, I32E, I32F, I32J, I32Q, I32R, I32S, I32T, I32U | | 21B | X04Z | 21B | X06A, X06B, X06C | |
| | 21A | W04A, W04B | 5t312.r↔ | | BOP, KJZSV, KVT, UOP4, VIAL | 5t317.1↔ | | I23A, I23B, I23J |
| | 21B | X05A, X05B | | 08 | I12A, I12B, I12C, I12J, I20A, I20B, I20C, I20D, I20E, I20F, I20J, I20Q, I20R | 5t317.3↔ | | I23A, I23B, I23J |
| 5t312.e↔ | | BOP, KJZSV, KVT, UOP4, VIAL | | 21A | W04A, W04B | 5t317.4↔ | | BOP, KVT, UOP4, VIAL |
| | 08 | I08A, I08B, I08C, I08D, I08E, I08F, I08J | | 21B | X04Z | 08 | I08A, I08B, I08C, I08D, I08E, I08F, I08J, I21J, I21Z, I31J, I31Z | |
| 5t312.f | | BOP, KJZSV, KVT, UOP4, VIAL | 5t312.x | | BOP, KJZSV, KVT, UOP4 | | 21A | W04A, W04B |
| | 08 | I08A, I08B, I08C, I08D, I08E, I08F, I08J | | 08 | I12A, I12B, I12C, I12J, I28A, I28B, I28J | | 21B | X06A, X06B, X06C |
| 5t312.g↔ | | BOP, KJZSV, KVT, UOP4, VIAL | | 21A | W04A, W04B | 5t317.6↔ | | I32A, I32B, I32C, I32D, I32E, I32F, I32J, I32Q, I32R, I32S, I32T, I32U |
| | 01 | B03Z, B17A, B17B, B17C, B17J | 5t313.0↔ | | BOP, KVT, UOP4, VIAL | 5t317.7↔ | | BOP, KVT, UOP4, VIAL |
| | 08 | I08A, I08B, I08C, I08D, I08E, I08F, I08J | | 08 | I12A, I12B, I12C, I12J, I18A, I18B, I18J, I18Q, I18R, I30J, I30Z | 01 | B03Z, B07Z, B17A, B17B, B17C, B17J | |
| | 21A | W01A, W01B, W01C, W02A, W02B | | 10 | K09A, K09B | 08 | I32A, I32B, I32C, I32D, I32E, I32F, I32J, I32Q, I32R, I32S, I32T, I32U | |
| | 21B | X04Z | | 21A | W04A, W04B | | 21A | W04A, W04B |
| 5t312.h↔ | | BOP, KJZSV, KVT, UOP4, VIAL | | 21B | X04Z | 5t317.8↔ | | BOP, KVT, UOP4, VIAL |
| | 08 | I12A, I12B, I12C, I12J, I18A, I18J, I18Q, I18R, I30J, I30Z | 5t313.1↔ | | BOP, KVT, UOP4, VIAL | 01 | B03Z, B07Z, B17A, B17B, B17C, B17J | |
| | 21A | W04A, W04B | | 08 | I12A, I12B, I12C, I12J, I18A, I18B, I18J, I18Q, I18R, I30J, I30Z | 08 | I32A, I32B, I32C, I32D, I32E, I32F, I32J, I32Q, I32R, I32S, I32T, I32U | |
| | 21B | X04Z | | 10 | K09A, K09B | | 21A | W04A, W04B |
| 5t312.j↔ | | BOP, KJZSV, KVT, UOP4, VIAL | | 21A | W04A, W04B | 5t317.9↔ | | I32A, I32B, I32C, I32D, I32E, I32F, I32J, I32Q, I32R, I32S, I32T, I32U |
| | 08 | I13A, I13B, I13C, I13D, I13E, I13J | | 21B | X04Z | 08 | I32A, I32B, I32C, I32D, I32E, I32F, I32J, I32Q, I32R, I32S, I32T, I32U | |
| 5t312.k↔ | | BOP, KJZSV, KVT, UOP4, VIAL | 5t313.2↔ | | BOP, KVT, UOP4, VIAL | 5t317.e↔ | | BOP, KVT, UOP4, VIAL |
| | 01 | B03Z, B17A, B17B, B17C, B17J | | 01 | B03Z, B17A, B17B, B17C, B17J | 08 | I08A, I08B, I08C, I08D, I08E, I08F, I08J | |
| | 05 | F27A, F27B, F27C | | 08 | I12A, I12B, I12C, I12J, I18A, I18B, I18J, I18Q, I18R, I30J, I30Z | 5t317.g↔ | | BOP, KJZSV, KVT, UOP4, VIAL |
| | 08 | I12A, I12B, I12C, I12J, I13A, I13B, I13C, I13D, I13E, I13J | | 10 | K09A, K09B | 01 | B03Z, B17A, B17B, B17C, B17J | |
| | 10 | K01Z | | 21A | W04A, W04B | 08 | I08A, I08B, I08C, I08D, I08E, I08F, I08J | |
| | 21A | W04A, W04B | | 21B | X04Z | 21A | W01A, W01B, W01C, W02A, W02B | |
| | 21B | X04Z | 5t313.3↔ | | BOP, KJZSV, KVT, UOP4, VIAL | 21B | X04Z | |
| 5t312.m↔ | | BOP, KJZSV, KVT, UOP4, VIAL | | 01 | B03Z, B17A, B17B, B17C, B17J | 5t317.h↔ | | BOP, KVT, UOP4, VIAL |
| | 08 | I12A, I12B, I12C, I12J, I20A, I20B, I20C, I20D, I20J, I20Q, I20R | | 08 | I12A, I12B, I12C, I12J, I18A, I18B, I18J, I18Q, I18R, I30J, I30Z | 01 | B03Z, B17A, B17B, B17C, B17J | |
| | 21A | W04A, W04B | | 10 | K09A, K09B | 08 | I18A, I18B, I18J, I18Q, I18R, I30J, I30Z | |
| | 21B | X04Z | | 21A | W04A, W04B | | 21A | W04A, W04B |
| 5t312.n↔ | | BOP, KJZSV, KVT, UOP4, VIAL | 5t313.4↔ | | BOP, KJZSV, KVT, UOP4, VIAL | 21B | X04Z | |
| | 08 | I12A, I12B, I12C, I12J, I20A, I20B, I20C, I20D, I20J, I20Q, I20R | | 01 | B03Z, B17A, B17B, B17C, B17J | 5t317.j↔ | | BOP, KVT, UOP4, VIAL |
| | 21A | W04A, W04B | | 08 | I12A, I12B, I12C, I12J, I18A, I18B, I18J, I18Q, I18R, I30J, I30Z | 08 | I13A, I13B, I13C, I13D, I13E, I13J | |
| | 21B | X04Z | | 21A | W04A, W04B | | | |
| | 21B | X04Z | 5t313.5↔ | | BOP, KJZSV, KVT, UOP4, VIAL | | | |
| | | | | 08 | I18A, I18B, I18J, I18Q, I18R, I24J, I24Q, I24Z, I30J, I30Z | | | |
| | | | | 21A | W04A, W04B | | | |
| | | | | 21B | X04Z | | | |

| ZZV | MDC | DRG | ZZV | MDC | DRG | ZZV | MDC | DRG |
|----------|-----|--|----------|-----|--|----------|-----|--|
| 5t317.k↔ | | BOP, KVT, UOP4, VIAL | 5t318.x | | BOP, KVT, UOP4 | 5t31a.h↔ | | BOP, KVT, UOP4, VIAL |
| | 01 | B03Z, B17A, B17B, B17C, B17J | | 08 | I28A, I28B, I28J | | 01 | B03Z, B17A, B17B, B17C, B17J |
| | 05 | F27A, F27B, F27C | | 21A | W04A, W04B | | 08 | I08A, I08B, I08C, I08D, I08E, I08F, I08J |
| | 08 | I13A, I13B, I13C, I13D, I13E, I13J | 5t319↔ | | BOP, KVT, UOP4, VIAL | | 21A | W04A, W04B |
| | 10 | K01Z | | 08 | I32A, I32B, I32C, I32D, I32E, I32F, I32G, I32J, I32Q, I32R, I32S, I32T, I32U | | 21B | X04Z |
| | 21A | W04A, W04B | | 09 | J03A, J03B, J04A, J04B, J08A, J08B, J08C, J11A, J11B, J11J, J11Q, J11R, J11S, J16Z | 5t31a.j↔ | | BOP, KVT, UOP4, VIAL |
| | 21B | X04Z | | 21A | W04A, W04B | | 08 | I13A, I13B, I13C, I13D, I13E, I13J |
| 5t317.m↔ | 08 | I20A, I20B, I20C, I20D, I20E, I20F, I20J, I20Q, I20R | | 21B | X05A, X05B | 5t31a.k↔ | | BOP, KVT, UOP4, VIAL |
| 5t317.n↔ | | BOP, KVT, UOP4, VIAL | 5t31a.0↔ | | BOP, KVT, UOP4, VIAL | | 01 | B03Z, B17A, B17B, B17C, B17J |
| | 08 | I20A, I20B, I20C, I20D, I20J, I20Q, I20R | | 08 | I16J, I16Q, I16Z | | 05 | F27A, F27B, F27C |
| 5t317.p↔ | | BOP, KVT, UOP4, VIAL | | 21A | W04A, W04B | | 08 | I13A, I13B, I13C, I13D, I13E, I13J |
| | 08 | I20A, I20B, I20C, I20D, I20J, I20Q, I20R | | 21B | X06A, X06B, X06C | | 10 | K01Z |
| 5t317.q↔ | | BOP, KVT, UOP4, VIAL | 5t31a.1↔ | 08 | I23A, I23B, I23J | | 21A | W04A, W04B |
| | 08 | I20A, I20B, I20C, I20D, I20E, I20F, I20J, I20Q, I20R | 5t31a.3↔ | 08 | I23A, I23B, I23J | | 21B | X04Z |
| 5t317.r↔ | | BOP, KVT, UOP4, VIAL | 5t31a.4↔ | | BOP, KVT, UOP4, VIAL | 5t31a.m↔ | 08 | I20A, I20B, I20C, I20D, I20E, I20F, I20J, I20Q, I20R |
| | 08 | I20A, I20B, I20C, I20D, I20E, I20F, I20J, I20Q, I20R | | 08 | I08A, I08B, I08C, I08D, I08E, I08F, I08J, I21J, I21Z, I31J, I31Z | 5t31a.n↔ | | BOP, KVT, UOP4, VIAL |
| 5t317.x | | BOP, KVT, UOP4 | | 21A | W04A, W04B | | 08 | I20A, I20B, I20C, I20D, I20J, I20Q, I20R |
| | 08 | I28A, I28B, I28J | | 21B | X06A, X06B, X06C | 5t31a.p↔ | | BOP, KVT, UOP4, VIAL |
| | 21A | W04A, W04B | 5t31a.5↔ | | BOP, KVT, UOP4, VIAL | | 08 | I20A, I20B, I20C, I20D, I20J, I20Q, I20R |
| | 21B | X06A, X06B, X06C | | 08 | I08A, I08B, I08C, I08D, I08E, I08F, I08J, I21J, I21Z, I31J, I31Z | 5t31a.q↔ | | BOP, KVT, UOP4, VIAL |
| 5t318.0↔ | | BOP, KVT, UOP4, VIAL | | 21A | W04A, W04B | | 08 | I20A, I20B, I20C, I20D, I20E, I20F, I20J, I20Q, I20R |
| | 08 | I16J, I16Q, I16Z | | 21B | X06A, X06B, X06C | 5t31a.r↔ | | BOP, KVT, UOP4, VIAL |
| | 21A | W04A, W04B | 5t31a.6↔ | 08 | I32A, I32B, I32C, I32D, I32E, I32F, I32J, I32Q, I32R, I32S, I32T, I32U | | 08 | I20A, I20B, I20C, I20D, I20E, I20F, I20J, I20Q, I20R |
| | 21B | X06A, X06B, X06C | | 21A | W04A, W04B | 5t31a.x | | BOP, KVT, UOP4 |
| 5t318.4↔ | | BOP, KVT, UOP4, VIAL | | 21B | X06A, X06B, X06C | | 08 | I28A, I28B, I28J |
| | 08 | I08A, I08B, I08C, I08D, I08E, I08F, I08J, I21J, I21Z, I31J, I31Z | 5t31a.7↔ | | BOP, KVT, UOP4, VIAL | | 21A | W04A, W04B |
| | 21A | W04A, W04B | | 01 | B03Z, B07Z, B17A, B17B, B17C, B17J | | 21B | X06A, X06B, X06C |
| | 21B | X06A, X06B, X06C | | 08 | I32A, I32B, I32C, I32D, I32E, I32F, I32J, I32Q, I32R, I32S, I32T, I32U | 5t31b.h | | BOP, KVT, UOP4, VIAL |
| 5t318.7↔ | | BOP, KVT, UOP4, VIAL | | 21A | W04A, W04B | | 08 | I12A, I12B, I12C, I12J, I18A, I18J, I18Q, I18R, I30J, I30Z |
| | 08 | I32A, I32B, I32C, I32D, I32E, I32F, I32J, I32Q, I32R, I32S, I32T, I32U | | 21B | X05A, X05B | | 21A | W04A, W04B |
| | 09 | J03A, J03B, J04A, J04B, J08A, J08B, J08C, J11A, J11B, J11J, J11Q, J11R, J11S, J16Z | 5t31a.8↔ | | BOP, KVT, UOP4, VIAL | | 21B | X04Z |
| | 21A | W04A, W04B | | 01 | B03Z, B07Z, B17A, B17B, B17C, B17J | 5t31b.m | | BOP, KVT, UOP4, VIAL |
| | 21B | X05A, X05B | | 08 | I32A, I32B, I32C, I32D, I32E, I32F, I32J, I32Q, I32R, I32S, I32T, I32U | | 01 | B03Z, B17A, B17B, B17C, B17J |
| 5t318.g↔ | | BOP, KJZSV, KVT, UOP4, VIAL | | 21A | W04A, W04B | | 05 | F27A, F27B, F27C |
| | 08 | I08A, I08B, I08C, I08D, I08E, I08F, I08J | | 21B | X05A, X05B | | 08 | I13A, I13B, I13C, I13D, I13E, I13J |
| | 21A | W01A, W01B, W01C, W02A, W02B | 5t31a.9↔ | 08 | I32A, I32B, I32C, I32D, I32E, I32F, I32J, I32Q, I32R, I32S, I32T, I32U | | 10 | K01Z |
| | 21B | X04Z | | 21A | W04A, W04B | 5t31c.0↔ | | W04A, W04B |
| 5t318.h↔ | | BOP, KVT, UOP4, VIAL | | 21B | X05A, X05B | | 21B | X04Z |
| | 08 | I18A, I18B, I18J, I18Q, I18R, I30J, I30Z | 5t31a.e↔ | 08 | I08A, I08B, I08C, I08D, I08E, I08F, I08J | | 08 | BOP, KVT, UOP4, VIAL |
| | 10 | K09A, K09B | | 21A | W04A, W04B | | 08 | I16J, I16Q, I16Z |
| | 21A | W04A, W04B | 5t31a.g↔ | | BOP, KJZSV, KVT, UOP4, VIAL | | 21A | W04A, W04B |
| | 21B | X04Z | | 01 | B03Z, B17A, B17B, B17C, B17J | 5t31c.1↔ | | X06A, X06B, X06C |
| 5t318.k↔ | | BOP, KVT, UOP4, VIAL | | 08 | I08A, I08B, I08C, I08D, I08E, I08F, I08J | | 21B | X06A, X06B, X06C |
| | 08 | I13A, I13B, I13C, I13D, I13E, I13J | | 21A | W01A, W01B, W01C, W02A, W02B | | 08 | I16J, I16Q, I16Z |
| | 21A | W04A, W04B | | 21B | X04Z | 5t31c.3↔ | | W04A, W04B |
| | 21B | X04Z | | | | | 21A | W04A, W04B |
| 5t318.m↔ | 08 | I20A, I20B, I20C, I20D, I20E, I20F, I20J, I20Q, I20R | | | | | 21B | X06A, X06B, X06C |

VYK

| ZZV | MDC | DRG | ZZV | MDC | DRG | ZZV | MDC | DRG |
|----------|-----|--|----------|-----|--|----------|-----|--|
| 5t31c.4↔ | | BOP, KVT, UOP4, VIAL | 5t31c.h↔ | | BOP, KVT, UOP4, VIAL | 5t31d.4↔ | | BOP, KJZSV, KVT, UOP4, VIAL |
| | 08 | I08A, I08B, I08C, I08D, I08E, I08F, I08J, I21J, I21Z, I31J, I31Z | | 01 | B03Z, B17A, B17B, B17C, B17J | | 08 | I08A, I08B, I08C, I08D, I08E, I08F, I08J, I21J, I21Z, I31J, I31Z |
| | 21A | W04A, W04B | | 08 | I18A, I18B, I18J, I18Q, I18R, I30J, I30Z | | 21A | W04A, W04B |
| | 21B | X06A, X06B, X06C | | 21A | W04A, W04B | | 21B | X06A, X06B, X06C |
| 5t31c.5↔ | | BOP, KJZSV, KVT, UOP4, VIAL | 5t31c.j↔ | | BOP, KJZSV, KVT, UOP4, VIAL | 5t31d.5↔ | | BOP, KJZSV, KVT, UOP4, VIAL |
| | 08 | I08A, I08B, I08C, I08D, I08E, I08F, I08J, I21J, I21Z, I31J, I31Z | | 01 | B03Z, B17A, B17B, B17C, B17J | | 08 | I08A, I08B, I08C, I08D, I08E, I08F, I08J, I21J, I21Z, I31J, I31Z |
| | 21A | W04A, W04B | | 08 | I18A, I18B, I18J, I18Q, I18R, I30J, I30Z | | 21A | W04A, W04B |
| | 21B | X06A, X06B, X06C | | 21A | W04A, W04B | | 21B | X06A, X06B, X06C |
| 5t31c.6↔ | | BOP, KVT, UOP4, VIAL | 5t31c.k↔ | | BOP, KVT, UOP4, VIAL | 5t31d.6↔ | | BOP, KJZSV, KVT, UOP4, VIAL |
| | 08 | I08A, I08B, I08C, I08D, I08E, I08F, I08J, I32A, I32B, I32C, I32D, I32E, I32F, I32J, I32Q, I32R, I32S, I32T, I32U | | 08 | I13A, I13B, I13C, I13D, I13E, I13J | | 01 | B03Z, B07Z, B17A, B17B, B17C, B17J |
| | 09 | J03A, J03B, J04A, J04B, J08A, J08B, J08C, J11A, J11B, J11J, J11Q, J11R, J11S, J16Z | | 21A | W04A, W04B | | 08 | I08A, I08B, I08C, I08D, I08E, I08F, I08J, I32A, I32B, I32C, I32D, I32E, I32F, I32J, I32Q, I32R, I32S, I32T, I32U |
| | 21A | W04A, W04B | | 21B | X04Z | | 21A | W04A, W04B |
| | 21B | X05A, X05B | 5t31c.m↔ | | BOP, KVT, UOP4, VIAL | | 21B | X05A, X05B |
| 5t31c.7↔ | | BOP, KVT, UOP4, VIAL | | 08 | I20A, I20B, I20C, I20D, I20E, I20F, I20J, I20Q, I20R | 5t31d.7↔ | | BOP, KJZSV, KVT, UOP4, VIAL |
| | 08 | I32A, I32B, I32C, I32D, I32E, I32F, I32J, I32Q, I32R, I32S, I32T, I32U | | 21A | W04A, W04B | | 01 | B03Z, B07Z, B17A, B17B, B17C, B17J |
| | 09 | J03A, J03B, J04A, J04B, J08A, J08B, J08C, J11A, J11B, J11J, J11Q, J11R, J11S, J16Z | 5t31c.n↔ | | BOP, KJZSV, KVT, UOP4, VIAL | | 08 | I32A, I32B, I32C, I32D, I32E, I32F, I32J, I32Q, I32R, I32S, I32T, I32U |
| | 21A | W04A, W04B | | 08 | I20A, I20B, I20C, I20D, I20E, I20F, I20J, I20Q, I20R | | 21A | W04A, W04B |
| | 21B | X05A, X05B | | 21A | W04A, W04B | | 21B | X05A, X05B |
| 5t31c.8↔ | | BOP, KVT, UOP4, VIAL | 5t31c.p↔ | | BOP, KJZSV, KVT, UOP4, VIAL | 5t31d.8↔ | | BOP, KJZSV, KVT, UOP4, VIAL |
| | 08 | I32A, I32B, I32C, I32D, I32E, I32F, I32J, I32Q, I32R, I32S, I32T, I32U | | 08 | I20A, I20B, I20C, I20D, I20E, I20F, I20J, I20Q, I20R | | 01 | B03Z, B07Z, B17A, B17B, B17C, B17J |
| | 09 | J03A, J03B, J04A, J04B, J08A, J08B, J08C, J11A, J11B, J11J, J11Q, J11R, J11S, J16Z | | 21A | W04A, W04B | | 08 | I32A, I32B, I32C, I32D, I32E, I32F, I32J, I32Q, I32R, I32S, I32T, I32U |
| | 21A | W04A, W04B | | 21B | X04Z | | 21A | W04A, W04B |
| | 21B | X05A, X05B | 5t31c.q↔ | | BOP, KVT, UOP4, VIAL | | 21B | X05A, X05B |
| 5t31c.9↔ | | BOP, KVT, UOP4, VIAL | | 08 | I20A, I20B, I20C, I20D, I20E, I20F, I20J, I20Q, I20R | 5t31d.9↔ | | BOP, KJZSV, KVT, UOP4, VIAL |
| | 08 | I32A, I32B, I32C, I32D, I32E, I32F, I32J, I32Q, I32R, I32S, I32T, I32U | | 21A | W04A, W04B | | 01 | B03Z, B07Z, B17A, B17B, B17C, B17J |
| | 09 | J03A, J03B, J04A, J04B, J08A, J08B, J08C, J11A, J11B, J11J, J11Q, J11R, J11S, J16Z | 5t31c.r↔ | | BOP, KVT, UOP4, VIAL | | 08 | I32A, I32B, I32C, I32D, I32E, I32F, I32J, I32Q, I32R, I32S, I32T, I32U |
| | 21A | W04A, W04B | | 08 | I20A, I20B, I20C, I20D, I20E, I20F, I20J, I20Q, I20R | | 21A | W04A, W04B |
| | 21B | X05A, X05B | | 21A | W04A, W04B | | 21B | X05A, X05B |
| 5t31c.e↔ | | BOP, KJZSV, KVT, UOP4, VIAL | 5t31c.x | | BOP, KVT, UOP4 | 5t31d.e↔ | | BOP, KJZSV, KVT, UOP4, VIAL |
| | 08 | I08A, I08B, I08C, I08D, I08E, I08F, I08J, I23A, I23B, I23J | | 08 | I23A, I23B, I23J | | 08 | I08A, I08B, I08C, I08D, I08E, I08F, I08J |
| | 21A | W04A, W04B | | 21A | W04A, W04B | | 01 | B03Z, B17A, B17B, B17C, B17J |
| | 21B | X04Z, X06A, X06B, X06C | | 21B | X06A, X06B, X06C | | 08 | I08A, I08B, I08C, I08D, I08E, I08F, I08J |
| 5t31c.g↔ | | BOP, KJZSV, KVT, UOP4, VIAL | 5t31d.0↔ | | BOP, KJZSV, KVT, UOP4, VIAL | 5t31d.g↔ | | BOP, KJZSV, KVT, UOP4, VIAL |
| | 01 | B03Z, B17A, B17B, B17C, B17J | | 08 | I16J, I16Q, I16Z | | 01 | B03Z, B17A, B17B, B17C, B17J |
| | 08 | I08A, I08B, I08C, I08D, I08E, I08F, I08J | | 21A | W04A, W04B | | 08 | I08A, I08B, I08C, I08D, I08E, I08F, I08J |
| | 21A | W01A, W01B, W01C, W02A, W02B | 5t31d.1↔ | | BOP, KJZSV, KVT, UOP4, VIAL | | 21A | W01A, W01B, W01C, W02A, W02B |
| | 21B | X04Z | | 08 | I16J, I16Q, I16Z | | 21B | X04Z |
| | | | | 21A | W04A, W04B | | | |
| | | | | 21B | X06A, X06B, X06C | | | |
| | | | | 08 | I28A, I28B, I28J | | | |
| | | | | 21A | W04A, W04B | | | |
| | | | | 21B | X06A, X06B, X06C | | | |

VYK

| ZZV | MDC | DRG | ZZV | MDC | DRG | ZZV | MDC | DRG |
|----------|-----|--|----------|----------|--|----------|----------|--|
| 5t31d.h↔ | | BOP, KJZSV, KVT, UOP4, VIAL | 5t31h.0↔ | | BOP, KJZSV, KVT, UOP4, VIAL | 5t31h.k↔ | | BOP, KJZSV, KVT, UOP4, VIAL |
| | 01 | B03Z, B17A, B17B, B17C, B17J | | 08 | I16J, I16Q, I16Z | | 01 | B03Z, B17A, B17B, B17C, B17J |
| | 08 | I18A, I18B, I18J, I18Q, I18R, I30J, I30Z | | 21A | W04A, W04B | | 05 | F27A, F27B, F27C |
| | 21A | W04A, W04B | 5t31h.4↔ | | BOP, KJZSV, KVT, UOP4, VIAL | | 08 | I13A, I13B, I13C, I13D, I13E, I13J |
| | 21B | X04Z | | 08 | I08A, I08B, I08C, I08D, I08E, I08F, I08J, I21J, I21Z, I31J, I31Z | | 10 | K01Z |
| 5t31d.j↔ | | BOP, KJZSV, KVT, UOP4, VIAL | | 21A | W04A, W04B | 5t31h.n↔ | | BOP, KJZSV, KVT, UOP4, VIAL |
| | 01 | B03Z, B17A, B17B, B17C, B17J | | 21B | X06A, X06B, X06C | | 08 | I20A, I20B, I20C, I20D, I20J, I20Q, I20R |
| | 08 | I18A, I18B, I18J, I18Q, I18R, I30J, I30Z | 5t31h.5↔ | | BOP, KJZSV, KVT, UOP4, VIAL | | 5t31h.p↔ | BOP, KJZSV, KVT, UOP4, VIAL |
| | 21A | W04A, W04B | | 08 | I08A, I08B, I08C, I08D, I08E, I08F, I08J, I21J, I21Z, I31J, I31Z | | 08 | I20A, I20B, I20C, I20D, I20J, I20Q, I20R |
| | 21B | X04Z | | 21A | W04A, W04B | 5t31h.q↔ | | BOP, KJZSV, KVT, UOP4, VIAL |
| 5t31d.k↔ | | BOP, KJZSV, KVT, UOP4, VIAL | | 21B | X06A, X06B, X06C | | 08 | I20A, I20B, I20C, I20D, I20E, I20F, I20J, I20Q, I20R |
| | 01 | B03Z, B17A, B17B, B17C, B17J | 5t31h.7↔ | | BOP, KJZSV, KVT, UOP4, VIAL | | 5t31h.r↔ | BOP, KJZSV, KVT, UOP4, VIAL |
| | 05 | F27A, F27B, F27C | | 01 | B03Z, B07Z, B17A, B17B, B17C, B17J | | 08 | I20A, I20B, I20C, I20D, I20E, I20F, I20J, I20Q, I20R |
| | 08 | I13A, I13B, I13C, I13D, I13E, I13J | | 08 | I32A, I32B, I32C, I32D, I32E, I32F, I32J, I32Q, I32R, I32S, I32T, I32U | 5t31h.x | | BOP, KJZSV, KVT, UOP4, VIAL |
| | 10 | K01Z | | 21A | W04A, W04B | | 08 | I28A, I28B, I28J |
| | 21A | W04A, W04B | | 21B | X05A, X05B | | 21A | W04A, W04B |
| | 21B | X04Z | 5t31h.8↔ | | BOP, KJZSV, KVT, UOP4, VIAL | | 21B | X06A, X06B, X06C |
| 5t31d.m↔ | | BOP, KJZSV, KVT, UOP4, VIAL | | 01 | B03Z, B07Z, B17A, B17B, B17C, B17J | 5t31j.0↔ | | BOP, KJZSV, KVT, UOP4, VIAL |
| | 08 | I20A, I20B, I20C, I20D, I20J, I20Q, I20R | | 08 | I32A, I32B, I32C, I32D, I32E, I32F, I32J, I32Q, I32R, I32S, I32T, I32U | | 08 | I16J, I16Q, I16Z |
| | 21A | W04A, W04B | | 21A | W04A, W04B | | 21A | W04A, W04B |
| | 21B | X04Z | | 21B | X05A, X05B | 5t31j.1↔ | | BOP, KJZSV, KVT, UOP4, VIAL |
| 5t31d.n↔ | | BOP, KJZSV, KVT, UOP4, VIAL | | 5t31h.e↔ | | | 08 | I16J, I16Q, I16Z |
| | 08 | I20A, I20B, I20C, I20D, I20J, I20Q, I20R | | | BOP, KJZSV, KVT, UOP4, VIAL | | 21A | W04A, W04B |
| | 21A | W04A, W04B | | 08 | I08A, I08B, I08C, I08D, I08E, I08F, I08J | 5t31j.2↔ | | BOP, KJZSV, KVT, UOP4, VIAL |
| | 21B | X04Z | | | BOP, KJZSV, KVT, UOP4, VIAL | | 08 | I23A, I23B, I23J |
| 5t31d.p↔ | | BOP, KJZSV, KVT, UOP4, VIAL | | 5t31h.g↔ | | | 21A | W04A, W04B |
| | 08 | I20A, I20B, I20C, I20D, I20J, I20Q, I20R | | | B03Z, B17A, B17B, B17C, B17J | 5t31j.3↔ | | BOP, KJZSV, KVT, UOP4, VIAL |
| | 21A | W04A, W04B | | 08 | I08A, I08B, I08C, I08D, I08E, I08F, I08J | | 08 | I23A, I23B, I23J |
| | 21B | X04Z | | 21A | W01A, W01B, W01C, W02A, W02B | | 21A | W04A, W04B |
| 5t31d.q↔ | | BOP, KJZSV, KVT, UOP4, VIAL | | 21B | X04Z | | 21B | X06A, X06B, X06C |
| | 08 | I20A, I20B, I20C, I20D, I20E, I20F, I20J, I20Q, I20R | | 5t31h.h↔ | | | 21B | X06A, X06B, X06C |
| | 21A | W04A, W04B | | | BOP, KJZSV, KVT, UOP4, VIAL | 5t31j.4↔ | | BOP, KJZSV, KVT, UOP4, VIAL |
| | 21B | X04Z | | 01 | B03Z, B17A, B17B, B17C, B17J | | 08 | I08A, I08B, I08C, I08D, I08E, I08F, I08J, I21J, I21Z, I31J, I31Z |
| 5t31d.r↔ | | BOP, KJZSV, KVT, UOP4, VIAL | | 08 | I08A, I08B, I08C, I08D, I08E, I08F, I08J | | 21A | W04A, W04B |
| | 08 | I20A, I20B, I20C, I20D, I20E, I20F, I20J, I20Q, I20R | | 21A | W04A, W04B | 5t31j.5↔ | | BOP, KJZSV, KVT, UOP4, VIAL |
| | 21A | W04A, W04B | | 21B | X04Z | | 08 | I08A, I08B, I08C, I08D, I08E, I08F, I08J, I21J, I21Z, I31J, I31Z |
| | 21B | X04Z | | 5t31h.j↔ | | | 21A | W04A, W04B |
| 5t31d.x | | BOP, KJZSV, KVT, UOP4, VIAL | | | BOP, KJZSV, KVT, UOP4, VIAL | | 21B | X06A, X06B, X06C |
| | 08 | I28A, I28B, I28J | | 08 | I13A, I13B, I13C, I13D, I13E, I13J | | | |
| | 21A | W04A, W04B | | | | | | |
| | 21B | X06A, X06B, X06C | | | | | | |
| 5t31g↔ | | BOP, KJZSV, KVT, UOP4, VIAL | | | | | | |
| | 08 | I18A, I18B, I18J, I18Q, I18R, I30J, I30Z | | | | | | |
| | 21A | W04A, W04B | | | | | | |
| | 21B | X04Z | | | | | | |

VYK

Príloha B: Index Výkon-MDC-DRG

| ZZV | MDC | DRG | ZZV | MDC | DRG | ZZV | MDC | DRG |
|----------|------------|--|----------|--|--|----------|--|--|
| 5t31j.6↔ | | BOP, KJZSV, KVT, UOP4, VIAL | 5t31j.j↔ | 08 | I18A, I18B, I18J, I18Q, I18R, I30J, I30Z | 5t31k.5↔ | | BOP, KJZSV, KVT, UOP4, VIAL |
| | 08 | I08A, I08B, I08C, I08D, I08E, I08F, I08J, I32A, I32B, I32C, I32D, I32E, I32F, I32J, I32Q, I32R, I32S, I32T, I32U | | 21A | W04A, W04B | | 08 | I08A, I08B, I08C, I08D, I08E, I08F, I08J, I21J, I21Z, I31J, I31Z |
| | 09 | J03A, J03B, J04A, J04B, J08A, J08B, J08C, J11A, J11B, J11J, J11Q, J11R, J11S, J16Z | | 21B | X04Z | | 21A | W04A, W04B |
| | 21A | W04A, W04B | | 21B | X04Z | | 21B | X06A, X06B, X06C |
| 5t31j.7↔ | 21B | X05A, X05B | 5t31j.k↔ | | BOP, KJZSV, KVT, UOP4, VIAL | 5t31k.6↔ | | BOP, KJZSV, KVT, UOP4, VIAL |
| | 08 | I32A, I32B, I32C, I32D, I32E, I32F, I32J, I32Q, I32R, I32S, I32T, I32U | | 08 | I13A, I13B, I13C, I13D, I13E, I13J | | 01 | B03Z, B07Z, B17A, B17B, B17C, B17J |
| | 09 | J03A, J03B, J04A, J04B, J08A, J08B, J08C, J11A, J11B, J11J, J11Q, J11R, J11S, J16Z | | 21A | W04A, W04B | | 08 | I08A, I08B, I08C, I08D, I08E, I08F, I08J, I32A, I32B, I32C, I32D, I32E, I32F, I32J, I32Q, I32R, I32S, I32T, I32U |
| | 21A | W04A, W04B | | 21B | X04Z | | 21A | W04A, W04B |
| 5t31j.8↔ | 21B | X05A, X05B | 5t31j.l↔ | | BOP, KJZSV, KVT, UOP4, VIAL | 5t31k.7↔ | | BOP, KJZSV, KVT, UOP4, VIAL |
| | 08 | I32A, I32B, I32C, I32D, I32E, I32F, I32J, I32Q, I32R, I32S, I32T, I32U | | 08 | I20A, I20B, I20C, I20D, I20E, I20F, I20J, I20Q, I20R | | 01 | B03Z, B07Z, B17A, B17B, B17C, B17J |
| | 09 | J03A, J03B, J04A, J04B, J08A, J08B, J08C, J11A, J11B, J11J, J11Q, J11R, J11S, J16Z | | 21A | W04A, W04B | | 08 | I32A, I32B, I32C, I32D, I32E, I32F, I32J, I32Q, I32R, I32S, I32T, I32U |
| | 21A | W04A, W04B | | 21B | X04Z | | 21A | W04A, W04B |
| 5t31j.9↔ | 21B | X05A, X05B | 5t31j.m↔ | | BOP, KJZSV, KVT, UOP4, VIAL | 5t31k.8↔ | | BOP, KJZSV, KVT, UOP4, VIAL |
| | 08 | I32A, I32B, I32C, I32D, I32E, I32F, I32J, I32Q, I32R, I32S, I32T, I32U | | 08 | I20A, I20B, I20C, I20D, I20E, I20F, I20J, I20Q, I20R | | 01 | B03Z, B07Z, B17A, B17B, B17C, B17J |
| | 09 | J03A, J03B, J04A, J04B, J08A, J08B, J08C, J11A, J11B, J11J, J11Q, J11R, J11S, J16Z | | 21A | W04A, W04B | | 08 | I32A, I32B, I32C, I32D, I32E, I32F, I32J, I32Q, I32R, I32S, I32T, I32U |
| | 21A | W04A, W04B | | 21B | X04Z | | 21A | W04A, W04B |
| 5t31j.e↔ | 21B | X05A, X05B | 5t31j.n↔ | | BOP, KJZSV, KVT, UOP4, VIAL | 5t31k.9↔ | | BOP, KJZSV, KVT, UOP4, VIAL |
| | 08 | I32A, I32B, I32C, I32D, I32E, I32F, I32J, I32Q, I32R, I32S, I32T, I32U | | 08 | I20A, I20B, I20C, I20D, I20E, I20F, I20J, I20Q, I20R | | 01 | B03Z, B07Z, B17A, B17B, B17C, B17J |
| | 09 | J03A, J03B, J04A, J04B, J08A, J08B, J08C, J11A, J11B, J11J, J11Q, J11R, J11S, J16Z | | 21A | W04A, W04B | | 08 | I32A, I32B, I32C, I32D, I32E, I32F, I32J, I32Q, I32R, I32S, I32T, I32U |
| | 21A | W04A, W04B | | 21B | X04Z | | 21A | W04A, W04B |
| 5t31j.f | 21B | X05A, X05B | 5t31j.o↔ | | BOP, KJZSV, KVT, UOP4, VIAL | 5t31k.e↔ | | BOP, KJZSV, KVT, UOP4, VIAL |
| | 08 | I08A, I08B, I08C, I08D, I08E, I08F, I08J, I23A, I23B, I23J | | 08 | I20A, I20B, I20C, I20D, I20E, I20F, I20J, I20Q, I20R | | 08 | I08A, I08B, I08C, I08D, I08E, I08F, I08J |
| | 21A | W04A, W04B | | 21A | W04A, W04B | | | BOP, KJZSV, KVT, UOP4, VIAL |
| | 21B | X04Z, X06A, X06B, X06C | | 21B | X04Z | | 01 | B03Z, B07Z, B17A, B17B, B17C, B17J |
| 5t31j.g↔ | 08 | I23A, I23B, I23J | 5t31j.p↔ | | BOP, KJZSV, KVT, UOP4, VIAL | 5t31k.g↔ | | BOP, KJZSV, KVT, UOP4, VIAL |
| | 21A | W04A, W04B | | 08 | I20A, I20B, I20C, I20D, I20E, I20F, I20J, I20Q, I20R | | 08 | I08A, I08B, I08C, I08D, I08E, I08F, I08J |
| | 21B | X04Z, X06A, X06B, X06C | | 21A | W04A, W04B | | 21A | W01A, W01B, W01C, W02A, W02B |
| | 01 | B03Z, B17A, B17B, B17C, B17J | | 21B | X04Z | | 21B | X04Z |
| 5t31j.h↔ | 08 | I08A, I08B, I08C, I08D, I08E, I08F, I08J | 5t31j.q↔ | | BOP, KJZSV, KVT, UOP4, VIAL | 5t31k.h↔ | | BOP, KJZSV, KVT, UOP4, VIAL |
| | 21A | W01A, W01B, W01C, W02A, W02B | | 08 | I20A, I20B, I20C, I20D, I20E, I20F, I20J, I20Q, I20R | | 01 | B03Z, B17A, B17B, B17C, B17J |
| | 21B | X04Z | | 21A | W04A, W04B | | 08 | I18A, I18B, I18J, I18Q, I18R, I30J, I30Z |
| | 08 | I18A, I18B, I18J, I18Q, I18R, I30J, I30Z | | 21B | X04Z | | 21A | W04A, W04B |
| 21A | W04A, W04B | 5t31k.0↔ | | BOP, KJZSV, KVT, UOP4, VIAL | 5t31k.1↔ | | BOP, KJZSV, KVT, UOP4, VIAL | |
| 21B | X04Z | | 08 | I16J, I16Q, I16Z | | 08 | I16J, I16Q, I16Z | |
| | | | 21A | W04A, W04B | | 21A | W04A, W04B | |
| | | | 21B | X06A, X06B, X06C | | 21B | X06A, X06B, X06C | |
| | | 5t31k.1↔ | | BOP, KJZSV, KVT, UOP4, VIAL | 5t31k.2↔ | | BOP, KJZSV, KVT, UOP4, VIAL | |
| | | | 08 | I16J, I16Q, I16Z | | 08 | I28A, I28B, I28J | |
| | | | 21A | W04A, W04B | | 21A | W04A, W04B | |
| | | | 21B | X06A, X06B, X06C | | 21B | X06A, X06B, X06C | |
| | | 5t31k.2↔ | | BOP, KJZSV, KVT, UOP4, VIAL | 5t31k.3↔ | | BOP, KJZSV, KVT, UOP4, VIAL | |
| | | | 08 | I08A, I08B, I08C, I08D, I08E, I08F, I08J, I21J, I21Z, I31J, I31Z | | 08 | I28A, I28B, I28J | |
| | | | 21A | W04A, W04B | | 21A | W04A, W04B | |
| | | | 21B | X06A, X06B, X06C | | 21B | X06A, X06B, X06C | |
| | | 5t31k.3↔ | | BOP, KJZSV, KVT, UOP4, VIAL | 5t31k.4↔ | | BOP, KJZSV, KVT, UOP4, VIAL | |
| | | | 08 | I08A, I08B, I08C, I08D, I08E, I08F, I08J, I21J, I21Z, I31J, I31Z | | 08 | I08A, I08B, I08C, I08D, I08E, I08F, I08J, I21J, I21Z, I31J, I31Z | |
| | | | 21A | W04A, W04B | | 21A | W04A, W04B | |
| | | | 21B | X06A, X06B, X06C | | 21B | X06A, X06B, X06C | |

| ZZV | MDC | DRG | ZZV | MDC | DRG | ZZV | MDC | DRG |
|----------|------------|--|--|------------------|--|--|-----------------------------|--|
| 5t31k.j↔ | | BOP, KJZSV, KVT, UOP4, VIAL | 5t31x.3↔ | 08 | I23A, I23B, I23J | 5t31x.f | 08 | I23A, I23B, I23J |
| | 01 | B03Z, B17A, B17B, B17C, B17J | | 21A | W04A, W04B | | 21A | W04A, W04B |
| | 08 | I18A, I18B, I18J, I18Q, I18R, I30J, I30Z | | 21B | X06A, X06B, X06C | | 21B | X04Z, X06A, X06B, X06C |
| | 21A | W04A, W04B | | 5t31x.4↔ | | | BOP, KJZSV, KVT, UOP4, VIAL | 5t31x.g↔ |
| 21B | X04Z | 08 | I08A, I08B, I08C, I08D, I08E, I08F, I08J, I21J, I21Z, I31J, I31Z | | 01 | B03Z, B17A, B17B, B17C, B17J | | |
| 5t31k.k↔ | | BOP, KJZSV, KVT, UOP4, VIAL | 5t31x.5↔ | 21A | W04A, W04B | 5t31x.h↔ | 08 | I08A, I08B, I08C, I08D, I08E, I08F, I08J |
| | 01 | B03Z, B17A, B17B, B17C, B17J | | 21B | X06A, X06B, X06C | | 21A | W01A, W01B, W01C, W02A, W02B |
| | 05 | F27A, F27B, F27C | | | BOP, KJZSV, KVT, UOP4, VIAL | | 21B | X04Z |
| | 08 | I13A, I13B, I13C, I13D, I13E, I13J | | 08 | I08A, I08B, I08C, I08D, I08E, I08F, I08J, I21J, I21Z, I31J, I31Z | | 5t31x.i↔ | |
| 10 | K01Z | 5t31x.6↔ | 21A | W04A, W04B | 08 | I18A, I18B, I18J, I18Q, I18R, I30J, I30Z | | |
| 21A | W04A, W04B | | 21B | X06A, X06B, X06C | 21A | W04A, W04B | | |
| 5t31k.m↔ | | BOP, KJZSV, KVT, UOP4, VIAL | 5t31x.7↔ | | BOP, KJZSV, KVT, UOP4, VIAL | 5t31x.j↔ | 21B | X04Z |
| | 08 | I20A, I20B, I20C, I20D, I20J, I20Q, I20R | | 08 | I08A, I08B, I08C, I08D, I08E, I08F, I08J, I32A, I32B, I32C, I32D, I32E, I32F, I32J, I32Q, I32R, I32S, I32T, I32U | | 08 | I18A, I18B, I18J, I18Q, I18R, I30J, I30Z |
| | 21A | W04A, W04B | | 09 | J03A, J03B, J04A, J04B, J08A, J08B, J08C, J11A, J11B, J11J, J11Q, J11R, J11S, J16Z | | 21A | W04A, W04B |
| | 21B | X04Z | | 21A | W04A, W04B | | 5t31x.k↔ | 21B |
| 5t31k.n↔ | | BOP, KJZSV, KVT, UOP4, VIAL | 5t31x.8↔ | 21B | X05A, X05B | 5t31x.l↔ | | |
| | 08 | I20A, I20B, I20C, I20D, I20J, I20Q, I20R | | 08 | I32A, I32B, I32C, I32D, I32E, I32F, I32J, I32Q, I32R, I32S, I32T, I32U | | 08 | I20A, I20B, I20C, I20D, I20E, I20F, I20J, I20Q, I20R |
| | 21A | W04A, W04B | | 09 | J03A, J03B, J04A, J04B, J08A, J08B, J08C, J11A, J11B, J11J, J11Q, J11R, J11S, J16Z | | 21A | W04A, W04B |
| | 21B | X04Z | | 21A | W04A, W04B | | 5t31x.m↔ | 21B |
| 5t31k.p↔ | | BOP, KJZSV, KVT, UOP4, VIAL | 5t31x.9↔ | | BOP, KJZSV, KVT, UOP4, VIAL | 5t31x.n↔ | | |
| | 08 | I20A, I20B, I20C, I20D, I20J, I20Q, I20R | | 08 | I32A, I32B, I32C, I32D, I32E, I32F, I32J, I32Q, I32R, I32S, I32T, I32U | | 08 | I20A, I20B, I20C, I20D, I20E, I20F, I20J, I20Q, I20R |
| | 21A | W04A, W04B | | 08 | I32A, I32B, I32C, I32D, I32E, I32F, I32J, I32Q, I32R, I32S, I32T, I32U | | 21A | W04A, W04B |
| | 21B | X04Z | | 09 | J03A, J03B, J04A, J04B, J08A, J08B, J08C, J11A, J11B, J11J, J11Q, J11R, J11S, J16Z | | 5t31x.o↔ | 21B |
| 5t31k.q↔ | | BOP, KJZSV, KVT, UOP4, VIAL | 5t31x.e↔ | | BOP, KJZSV, KVT, UOP4, VIAL | 5t31x.p↔ | | |
| | 08 | I20A, I20B, I20C, I20D, I20E, I20F, I20J, I20Q, I20R | | 08 | I32A, I32B, I32C, I32D, I32E, I32F, I32J, I32Q, I32R, I32S, I32T, I32U | | 08 | I20A, I20B, I20C, I20D, I20E, I20F, I20J, I20Q, I20R |
| | 21A | W04A, W04B | | 09 | J03A, J03B, J04A, J04B, J08A, J08B, J08C, J11A, J11B, J11J, J11Q, J11R, J11S, J16Z | | 21A | W04A, W04B |
| | 21B | X04Z | | 21A | W04A, W04B | | 5t31x.q↔ | 21B |
| 5t31k.r↔ | | BOP, KJZSV, KVT, UOP4, VIAL | 5t31x.1↔ | 21B | X05A, X05B | 5t31x.r↔ | | |
| | 08 | I20A, I20B, I20C, I20D, I20E, I20F, I20J, I20Q, I20R | | 08 | I32A, I32B, I32C, I32D, I32E, I32F, I32J, I32Q, I32R, I32S, I32T, I32U | | 08 | I20A, I20B, I20C, I20D, I20E, I20F, I20J, I20Q, I20R |
| | 21A | W04A, W04B | | 08 | I32A, I32B, I32C, I32D, I32E, I32F, I32J, I32Q, I32R, I32S, I32T, I32U | | 21A | W04A, W04B |
| | 21B | X04Z | | 09 | J03A, J03B, J04A, J04B, J08A, J08B, J08C, J11A, J11B, J11J, J11Q, J11R, J11S, J16Z | | 5t31x.s↔ | 21B |
| 5t31k.s↔ | | BOP, KJZSV, KVT, UOP4, VIAL | 5t31x.2↔ | | BOP, KJZSV, KVT, UOP4, VIAL | 5t31x.t↔ | | |
| | 08 | I28A, I28B, I28J | | 08 | I23A, I23B, I23J | | 08 | I20A, I20B, I20C, I20D, I20E, I20F, I20J, I20Q, I20R |
| | 21A | W04A, W04B | | 21A | W04A, W04B | | 21A | W04A, W04B |
| | 21B | X06A, X06B, X06C | | 21B | X06A, X06B, X06C | | 21B | X04Z |
| 5t31x.0↔ | | BOP, KJZSV, KVT, UOP4, VIAL | 5t31x.3↔ | | BOP, KJZSV, KVT, UOP4, VIAL | 5t31x.u↔ | | BOP, KJZSV, KVT, UOP4, VIAL |
| | 08 | I16J, I16Q, I16Z | | 08 | I08A, I08B, I08C, I08D, I08E, I08F, I08J, I23A, I23B, I23J | | 08 | I23A, I23B, I23J |
| | 21A | W04A, W04B | | 21A | W04A, W04B | | 21A | W04A, W04B |
| | 21B | X06A, X06B, X06C | | 21B | X04Z, X06A, X06B, X06C | | 21B | X06A, X06B, X06C |
| 5t31x.1↔ | | BOP, KJZSV, KVT, UOP4, VIAL | 5t31x.4↔ | | BOP, KJZSV, KVT, UOP4, VIAL | 5t31x.v↔ | | BOP, KJZSV, KVT, UOP4, VIAL |
| | 08 | I16J, I16Q, I16Z | | 08 | I08A, I08B, I08C, I08D, I08E, I08F, I08J, I23A, I23B, I23J | | 08 | I20A, I20B, I20C, I20D, I20E, I20F, I20J, I20Q, I20R |
| | 21A | W04A, W04B | | 21A | W04A, W04B | | 21A | W04A, W04B |
| | 21B | X06A, X06B, X06C | | 21B | X05A, X05B | | 21B | X04Z |
| 5t31x.2↔ | | BOP, KJZSV, KVT, UOP4, VIAL | 5t31x.5↔ | | BOP, KJZSV, KVT, UOP4, VIAL | 5t31x.w↔ | | BOP, KJZSV, KVT, UOP4, VIAL |
| | 08 | I23A, I23B, I23J | | 08 | I08A, I08B, I08C, I08D, I08E, I08F, I08J, I23A, I23B, I23J | | 08 | I20A, I20B, I20C, I20D, I20E, I20F, I20J, I20Q, I20R |
| | 21A | W04A, W04B | | 21A | W04A, W04B | | 21A | W04A, W04B |
| | 21B | X06A, X06B, X06C | | 21B | X04Z, X06A, X06B, X06C | | 21B | X04Z |

VYK

| ZZV | MDC | DRG | ZZV | MDC | DRG | ZZV | MDC | DRG |
|--------|-----|--|--------|-----|--|--------|-----|--|
| 5t320↔ | | BOP, KVT, UOP4, VIAL | 5t32x↔ | | BOP, KVT, UOP4 | 5t338↔ | | BOP, KJZSV, KVT, UOP4, VIAL |
| | 01 | B03Z, B17A, B17B, B17C, B17J | | 01 | B03Z, B17A, B17B, B17C, B17J | | 01 | B03Z, B17A, B17B, B17C, B17J |
| | 08 | I18A, I18B, I18J, I18Q, I18R, I30J, I30Z | | 08 | I18A, I18B, I18J, I18Q, I18R, I30J, I30Z | | 08 | I18A, I18J, I18Q, I18R, I30J, I30Z |
| | 21A | W04A, W04B | | 21A | W04A, W04B | | 21A | W04A, W04B |
| | 21B | X04Z | | 21B | X04Z | | 21B | X04Z |
| 5t321↔ | | BOP, KVT, UOP4, VIAL | 5t330↔ | | BOP, KVT, UOP4, VIAL | 5t339↔ | | BOP, KJZSV, KVT, UOP4, VIAL |
| | 01 | B03Z, B17A, B17B, B17C, B17J | | 01 | B03Z, B07Z, B17A, B17B, B17C, B17J | | 01 | B03Z, B17A, B17B, B17C, B17J |
| | 08 | I18A, I18B, I18J, I18Q, I18R, I30J, I30Z | | 08 | I18A, I18B, I18J, I18Q, I18R, I30J, I30Z | | 08 | I18A, I18J, I18Q, I18R, I30J, I30Z |
| | 21A | W04A, W04B | | 10 | K09A, K09B | | 21A | W04A, W04B |
| | 21B | X04Z | | 21A | W04A, W04B | | 21B | X04Z |
| 5t322↔ | | BOP, KVT, UOP4, VIAL | 5t331↔ | | BOP, KVT, UOP4, VIAL | 5t33a↔ | | BOP, KJZSV, KVT, UOP4, VIAL |
| | 01 | B03Z, B17A, B17B, B17C, B17J | | 01 | B03Z, B07Z, B17A, B17B, B17C, B17J | | 01 | B03Z, B17A, B17B, B17C, B17J |
| | 08 | I18A, I18B, I18J, I18Q, I18R, I30J, I30Z | | 08 | I18A, I18B, I18J, I18Q, I18R, I30J, I30Z | | 08 | I18A, I18J, I18Q, I18R, I30J, I30Z |
| | 21A | W04A, W04B | | 21A | W04A, W04B | | 21A | W04A, W04B |
| | 21B | X04Z | | 21B | X04Z | | 21B | X04Z |
| 5t323↔ | | BOP, KVT, UOP4, VIAL | 5t332↔ | | BOP, KVT, UOP4, VIAL | 5t33x↔ | | BOP, KJZSV, KVT, UOP4, VIAL |
| | 01 | B03Z, B17A, B17B, B17C, B17J | | 01 | B03Z, B07Z, B17A, B17B, B17C, B17J | | 01 | B03Z, B17A, B17B, B17C, B17J |
| | 08 | I18A, I18B, I18J, I18Q, I18R, I30J, I30Z | | 08 | I18A, I18B, I18J, I18Q, I18R, I30J, I30Z | | 08 | I18A, I18J, I18Q, I18R, I30J, I30Z |
| | 21A | W04A, W04B | | 21A | W04A, W04B | | 21A | W04A, W04B |
| | 21B | X04Z | | 21B | X04Z | | 21B | X04Z |
| 5t324↔ | | BOP, KVT, UOP4, VIAL | 5t333↔ | | BOP, KVT, UOP4, VIAL | 5t340↔ | | BOP, KJZSV, KVT, UOP4, VIAL |
| | 01 | B03Z, B17A, B17B, B17C, B17J | | 01 | B03Z, B07Z, B17A, B17B, B17C, B17J | | 01 | B03Z, B17A, B17B, B17C, B17J |
| | 08 | I18A, I18B, I18J, I18Q, I18R, I30J, I30Z | | 08 | I18A, I18B, I18J, I18Q, I18R, I30J, I30Z | | 08 | I12A, I12B, I12C, I12J, I18A, I18B, I18J, I18Q, I18R, I30J, I30Z |
| | 21A | W04A, W04B | | 10 | K09A, K09B | | 21A | W04A, W04B |
| | 21B | X04Z | | 21A | W04A, W04B | | 21B | X04Z |
| 5t325↔ | | BOP, KVT, UOP4, VIAL | 5t334↔ | | BOP, KVT, UOP4, VIAL | 5t341↔ | | BOP, KJZSV, KVT, UOP4, VIAL |
| | 01 | B03Z, B17A, B17B, B17C, B17J | | 01 | B03Z, B07Z, B17A, B17B, B17C, B17J | | 01 | B03Z, B17A, B17B, B17C, B17J |
| | 08 | I18A, I18B, I18J, I18Q, I18R, I30J, I30Z | | 08 | I18A, I18B, I18J, I18Q, I18R, I30J, I30Z | | 08 | I12A, I12B, I12C, I12J, I18A, I18B, I18J, I18Q, I18R, I30J, I30Z |
| | 21A | W04A, W04B | | 21A | W04A, W04B | | 21A | W04A, W04B |
| | 21B | X04Z | | 21B | X04Z | | 21B | X04Z |
| 5t326↔ | | BOP, KVT, UOP4, VIAL | 5t335↔ | | BOP, KVT, UOP4, VIAL | 5t342↔ | | BOP, KJZSV, KVT, UOP4, VIAL |
| | 01 | B03Z, B17A, B17B, B17C, B17J | | 01 | B03Z, B07Z, B17A, B17B, B17C, B17J | | 01 | B03Z, B07Z, B17A, B17B, B17C, B17J |
| | 08 | I18A, I18B, I18J, I18Q, I18R, I30J, I30Z | | 08 | I18A, I18B, I18J, I18Q, I18R, I30J, I30Z | | 08 | I12A, I12B, I12C, I12J, I18A, I18B, I18J, I18Q, I18R, I30J, I30Z |
| | 21A | W04A, W04B | | 21A | W04A, W04B | | 10 | K09A, K09B |
| | 21B | X04Z | | 21B | X04Z | | 21A | W04A, W04B |
| 5t327↔ | | BOP, KVT, UOP4, VIAL | 5t336↔ | | BOP, KJZSV, KVT, UOP4, VIAL | 5t343↔ | | BOP, KJZSV, KVT, UOP4, VIAL |
| | 01 | B03Z, B17A, B17B, B17C, B17J | | 01 | B03Z, B17A, B17B, B17C, B17J | | 01 | B03Z, B07Z, B17A, B17B, B17C, B17J |
| | 08 | I18A, I18B, I18J, I18Q, I18R, I30J, I30Z | | 08 | I18A, I18J, I18Q, I18R, I30J, I30Z | | 08 | I18A, I18J, I18Q, I18R, I30J, I30Z |
| | 21A | W04A, W04B | | 21A | W04A, W04B | | 10 | K09A, K09B |
| | 21B | X04Z | | 21B | X04Z | | 21A | W04A, W04B |
| 5t328↔ | | BOP, KVT, UOP4, VIAL | 5t337↔ | | BOP, KJZSV, KVT, UOP4, VIAL | | 21B | X04Z |
| | 01 | B03Z, B17A, B17B, B17C, B17J | | 01 | B03Z, B17A, B17B, B17C, B17J | | 01 | B03Z, B07Z, B17A, B17B, B17C, B17J |
| | 08 | I18A, I18B, I18J, I18Q, I18R, I30J, I30Z | | 08 | I18A, I18J, I18Q, I18R, I30J, I30Z | | 08 | I18A, I18B, I18J, I18Q, I18R, I30J, I30Z |
| | 21A | W04A, W04B | | 21A | W04A, W04B | | 10 | K09A, K09B |
| | 21B | X04Z | | 21B | X04Z | | 21A | W04A, W04B |
| 5t329↔ | | BOP, KVT, UOP4, VIAL | | | | | 21B | X04Z |
| | 01 | B03Z, B17A, B17B, B17C, B17J | | | | | | |
| | 08 | I18A, I18B, I18J, I18Q, I18R, I30J, I30Z | | | | | | |
| | 21A | W04A, W04B | | | | | | |
| | 21B | X04Z | | | | | | |

| ZZV | MDC | DRG | ZZV | MDC | DRG | ZZV | MDC | DRG |
|--------|-----|--|--------|-----|--|----------|-----|--|
| 5t344 | | BOP, KJZSV, KVT, UOP4, VIAL | 5t35x↔ | | BOP, KVT, UOP4, VIAL | 5t368 | | BOP, KJZSV, KVT, UOP4, VIAL |
| | 01 | B03Z, B07Z, B17A, B17B, B17C, B17J | | 08 | I12A, I12B, I12C, I12J, I29J, I29Q, I29Z | | 01 | B03Z, B17A, B17B, B17C, B17J |
| | 08 | I18A, I18B, I18J, I18Q, I18R, I30J, I30Z | | 21A | W04A, W04B | | 05 | F27A, F27B, F27C |
| | 10 | K09A, K09B | 5t362↔ | | BOP, KJZSV, KVT, UOP4, VIAL | | 08 | I12A, I12B, I12C, I12J, I59J, I59Z |
| | 21A | W04A, W04B | | 01 | B03Z, B17A, B17B, B17C, B17J | | 10 | K01Z |
| | 21B | X04Z | | 05 | F27A, F27B, F27C | 5t369 | | BOP, KJZSV, KVT, UOP4, VIAL |
| 5t34x↔ | | BOP, KJZSV, KVT, UOP4, VIAL | | 08 | I12A, I12B, I12C, I12J, I59J, I59Z | | 01 | B03Z, B17A, B17B, B17C, B17J |
| | 08 | I12A, I12B, I12C, I12J, I18A, I18B, I18J, I18Q, I18R, I30J, I30Z | | 10 | K01Z | | 05 | F27A, F27B, F27C |
| | 21A | W04A, W04B | | 21A | W04A, W04B | | 08 | I12A, I12B, I12C, I12J, I59J, I59Z |
| | 21B | X04Z | 5t363↔ | | BOP, KJZSV, KVT, UOP4, VIAL | | 10 | K01Z |
| 5t350↔ | | BOP, KVT, UOP4, VIAL | | 01 | B03Z, B17A, B17B, B17C, B17J | | 21A | W04A, W04B |
| | 08 | I29J, I29Q, I29Z | | 05 | F27A, F27B, F27C | | 21B | X04Z |
| | 21A | W04A, W04B | | 08 | I12A, I12B, I12C, I12J, I59J, I59Z | 5t36x↔ | | BOP, KJZSV, KVT, UOP4, VIAL |
| | 21B | X06A, X06B, X06C | | 10 | K01Z | | 01 | B03Z, B17A, B17B, B17C, B17J |
| 5t351↔ | | BOP, KVT, UOP4, VIAL | | 21A | W04A, W04B | | 05 | F27A, F27B, F27C |
| | 08 | I29J, I29Q, I29Z | | 21B | X04Z | | 08 | I12A, I12B, I12C, I12J, I59J, I59Z |
| | 21A | W04A, W04B | 5t364↔ | | BOP, KJZSV, KVT, UOP4, VIAL | | 10 | K01Z |
| | 21B | X06A, X06B, X06C | | 01 | B03Z, B17A, B17B, B17C, B17J | | 21A | W04A, W04B |
| 5t352↔ | | BOP, KVT, UOP4, VIAL | | 05 | F27A, F27B, F27C | | 21B | X04Z |
| | 08 | I29J, I29Q, I29Z | | 08 | I12A, I12B, I12C, I12J, I59J, I59Z | 5t370↔ | | BOP, KVT, UOP4 |
| | 21A | W04A, W04B | | 10 | K01Z | | 01 | B03Z, B17A, B17B, B17C, B17J |
| | 21B | X06A, X06B, X06C | | 21A | W04A, W04B | | 08 | I12A, I12B, I12C, I12J, I27A, I27B, I27C, I27D, I27J, I27Q |
| 5t353↔ | | BOP, KVT, UOP4, VIAL | | 21B | X04Z | | 21A | W04A, W04B |
| | 08 | I29J, I29Q, I29Z | 5t365↔ | | BOP, KJZSV, KVT, UOP4, VIAL | | 21B | X04Z, X05A, X05B, X06A, X06B, X06C |
| | 21A | W04A, W04B | | 01 | B03Z, B17A, B17B, B17C, B17J | 5t371↔ | | BOP, KVT, UOP4 |
| | 21B | X06A, X06B, X06C | | 05 | F27A, F27B, F27C | | 01 | B03Z, B17A, B17B, B17C, B17J |
| 5t354↔ | | BOP, KVT, UOP4, VIAL | | 08 | I12A, I12B, I12C, I12J, I59J, I59Z | | 08 | I12A, I12B, I12C, I12J, I27A, I27B, I27C, I27D, I27J, I27Q |
| | 08 | I12A, I12B, I12C, I12J, I29J, I29Q, I29Z | | 10 | K01Z | | 21A | W04A, W04B |
| | 21A | W04A, W04B | | 21A | W04A, W04B | | 21B | X04Z, X05A, X05B, X06A, X06B, X06C |
| | 21B | X06A, X06B, X06C | | 21B | X04Z | 5t372↔ | | BOP, KVT, UOP4, VIAL |
| 5t355↔ | | BOP, KVT, UOP4, VIAL | | 01 | B03Z, B17A, B17B, B17C, B17J | | 08 | I08A, I08B, I08C, I08D, I08E, I08F, I08J, I21J, I21Z, I31J, I31Z |
| | 08 | I12A, I12B, I12C, I12J, I29J, I29Q, I29Z | | 05 | F27A, F27B, F27C | | 21A | W04A, W04B |
| | 21A | W04A, W04B | | 08 | I12A, I12B, I12C, I12J, I59J, I59Z | | 21B | X06A, X06B, X06C |
| | 21B | X06A, X06B, X06C | 5t366↔ | | BOP, KJZSV, KVT, UOP4, VIAL | 5t373.0↔ | | BOP, KVT, UOP4, VIAL |
| 5t356↔ | | BOP, KVT, UOP4, VIAL | | 01 | B03Z, B17A, B17B, B17C, B17J | | 01 | B03Z, B07Z, B17A, B17B, B17C, B17J |
| | 08 | I12A, I12B, I12C, I12J, I29J, I29Q, I29Z | | 05 | F27A, F27B, F27C | | 08 | I08A, I08B, I08C, I08D, I08E, I08F, I08J, I32A, I32B, I32C, I32D, I32E, I32F, I32J, I32Q, I32R, I32S, I32T, I32U |
| | 21A | W04A, W04B | | 08 | I12A, I12B, I12C, I12J, I59J, I59Z | | 21A | W04A, W04B |
| | 21B | X06A, X06B, X06C | | 10 | K01Z | | 21B | X05A, X05B |
| 5t357↔ | | BOP, KVT, UOP4, VIAL | | 21A | W04A, W04B | 5t374↔ | | BOP, KJZSV, KVT, UOP4, VIAL |
| | 08 | I12A, I12B, I12C, I12J, I29J, I29Q, I29Z | 5t367↔ | | BOP, KJZSV, KVT, UOP4, VIAL | | 08 | I12A, I12B, I12C, I12J, I16J, I16Q, I16Z |
| | 21A | W04A, W04B | | 01 | B03Z, B17A, B17B, B17C, B17J | | 21A | W04A, W04B |
| | 21B | X06A, X06B, X06C | | 05 | F27A, F27B, F27C | | 21B | X06A, X06B, X06C |
| 5t358↔ | | BOP, KJZSV, KVT, UOP4, VIAL | | 08 | I12A, I12B, I12C, I12J, I59J, I59Z | | | |
| | 08 | I12A, I12B, I12C, I12J, I29J, I29Q, I29Z | | 10 | K01Z | | | |
| | 21A | W04A, W04B | | 21A | W04A, W04B | | | |
| | 21B | X06A, X06B, X06C | | 21B | X04Z | | | |
| 5t359↔ | | BOP, KJZSV, KVT, UOP4, VIAL | | 01 | B03Z, B17A, B17B, B17C, B17J | | | |
| | 08 | I12A, I12B, I12C, I12J, I29J, I29Q, I29Z | | 05 | F27A, F27B, F27C | | | |
| | 21A | W04A, W04B | | 08 | I12A, I12B, I12C, I12J, I59J, I59Z | | | |
| | 21B | X06A, X06B, X06C | | 10 | K01Z | | | |
| 5t35a↔ | | BOP, KVT, UOP4, VIAL | | 21A | W04A, W04B | | | |
| | 08 | I12A, I12B, I12C, I12J, I29J, I29Q, I29Z | | 21B | X04Z | | | |
| | 21A | W04A, W04B | | | | | | |
| | 21B | X06A, X06B, X06C | | | | | | |

VYK

| ZZV | MDC | DRG | ZZV | MDC | DRG | ZZV | MDC | DRG | | |
|--------|--|--|------------|----------|--|------------|--|--|------------------------------|--|
| 5t375↔ | | BOP, KJZSV, KVT, UOP4, VIAL | 5t384↔ | 01 | B03Z, B17A, B17B, B17C, B17J | 5t387.2↔ | 01 | B03Z, B17A, B17B, B17C, B17J | | |
| | 08 | I12A, I12B, I12C, I12J, I16J, I16Q, I16Z | | 08 | I12A, I12B, I12C, I12J, I16J, I16Q, I16Z | | 05 | F27A, F27B | | |
| | 21A | W04A, W04B | | 10 | K09A, K09B | | 06 | G33Z | | |
| 5t376↔ | 21B | X06A, X06B, X06C | 5t385↔ | 21A | W04A, W04B | 5t388.1↔ | 07 | H33Z, H38Z | | |
| | | BOP, KJZSV, KVT, UOP4, VIAL | | 21B | X06A, X06B, X06C | | 08 | I01Z, I03A, I03B, I12A, I12B, I12C, I12J, I13A, I13B, I13C, I13D, I13J, I20A, I20B, I20C, I20D, I20J, I20Q, I20R | | |
| | 08 | I12A, I12B, I12C, I12J, I16J, I16Q, I16Z | | 01 | B03Z, B17A, B17B, B17C, B17J | | 10 | K01Z | | |
| 5t37x↔ | 21A | W04A, W04B | 5t386↔ | 08 | I08A, I08B, I08C, I08D, I08E, I08F, I08J, I12A, I12B, I12C, I12J, I21J, I21Z, I31J, I31Z | 5t388.2↔ | 11 | L33Z | | |
| | 21B | X06A, X06B, X06C | | 21A | W04A, W04B | | 21A | W04A, W04B | | |
| | | BOP, KJZSV, KVT, UOP4 | | 21B | X06A, X06B, X06C | | 21B | X04Z, X33Z | | |
| 5t380 | 01 | B03Z, B17A, B17B, B17C, B17J | 5t387.0↔ | 05 | F27A, F27B, F27C | 5t388.3↔ | 23 | Z01A | | |
| | 08 | I12A, I12B, I12C, I12J, I27A, I27B, I27C, I27D, I27J, I27Q | | 06 | G33Z | | Pre | A07A | | |
| | 21A | W04A, W04B | | 07 | H33Z, H38Z | | 5t388.2↔ | 01 | B03Z, B17A, B17B, B17C, B17J | |
| | 21B | X06A, X06B, X06C | | 08 | I01Z, I03A, I03B, I12A, I12B, I12C, I12J, I13A, I13B, I13C, I13D, I13J | | | 05 | F27A, F27B, F27C | |
| | | BOP, KJZSV, KOP, KOPV, KVT, UOP4, VIAL | | 10 | K01Z | | | 06 | G33Z | |
| | 01 | B03Z, B18Z | | 11 | L33Z | | 07 | H33Z, H38Z | | |
| | 06 | G33Z | | 21A | W04A, W04B | | 08 | I01Z, I03A, I03B, I12A, I12B, I12C, I12J, I13A, I13B, I13C, I13D, I13J, I20A, I20B, I20C, I20D, I20J, I20Q, I20R | | |
| | 07 | H33Z, H38Z | | 21B | X05A, X05B | | 10 | K01Z | | |
| | 08 | I06A, I06B, I06C, I06D, I06E, I08A, I08B, I08C, I08D, I08E, I08F, I08J, I09A, I09B, I09C, I09D, I09E, I12A, I12B, I12C, I12J | | 01 | B03Z, B17A, B17B, B17C, B17J | | 11 | L33Z | | |
| | 11 | L33Z | | 05 | F27A, F27B, F27C | | 21A | W04A, W04B | | |
| 21A | W04A, W04B | 06 | G33Z | 21B | X04Z, X33Z | | | | | |
| 21B | X06A, X06B, X06C, X33Z | 07 | H33Z, H38Z | 23 | Z01A | | | | | |
| 5t381 | Pre | A07A | 5t387.1↔ | 08 | I01Z, I03A, I03B, I12A, I12B, I12C, I12J, I13A, I13B, I13C, I13D, I13J | 5t388.3↔ | Pre | A07A | | |
| | | BOP, KJZSV, KVT, UOP4, VIAL | | 01 | B03Z, B17A, B17B, B17C, B17J | | 5t388.3↔ | 01 | B03Z, B17A, B17B, B17C, B17J | |
| | 01 | B03Z, B17A, B17B, B17C, B17J | | 05 | F27A, F27B, F27C | | | 05 | F27A, F27B, F27C | |
| 08 | I12A, I12B, I12C, I12J, I28A, I28B, I28J | 06 | G33Z | 06 | G33Z | | | | | |
| 5t382↔ | 21A | W04A, W04B | 5t387.1↔ | 07 | H33Z, H38Z | 5t388.3↔ | 07 | H33Z, H38Z | | |
| | 21B | X04Z, X06A, X06B, X06C | | 08 | I01Z, I03A, I03B, I12A, I12B, I12C, I12J, I13A, I13B, I13C, I13D, I13J, I20A, I20B, I20C, I20D, I20J, I20Q, I20R | | 08 | I01Z, I03A, I03B, I12A, I12B, I12C, I12J, I13A, I13B, I13C, I13D, I13J, I20A, I20B, I20C, I20D, I20J, I20Q, I20R | | |
| | | BOP, KJZSV, KVT, UOP4, VIAL | | 10 | K01Z | | 10 | K01Z | | |
| 5t383↔ | 01 | B03Z, B17A, B17B, B17C, B17J | 5t387.1↔ | 11 | L33Z | 5t388.3↔ | 11 | L33Z | | |
| | 08 | I03A, I03B, I08A, I08B, I08C, I08D, I08E, I08F, I08J | | 21A | W04A, W04B | | 21A | W04A, W04B | | |
| | 21A | W01A, W01B, W01C, W02A, W02B | | 21B | X04Z, X33Z | | 21B | X04Z, X33Z | | |
| | 21B | X04Z | | 23 | Z01A | | 23 | Z01A | | |
| | | BOP, KJZSV, KOP, KOPV, KVT, UOP4, VIAL | | Pre | A07A | | Pre | A07A | | |
| | 01 | B03Z, B17A, B17B, B17C, B17J | | 5t387.1↔ | 01 | | B03Z, B17A, B17B, B17C, B17J | 5t388.3↔ | 01 | B03Z, B17A, B17B, B17C, B17J |
| | 06 | G33Z | | | 05 | | F27A, F27B, F27C | | 05 | F27A, F27B, F27C |
| | 07 | H33Z, H38Z | | | 06 | | G33Z | | 06 | G33Z |
| | 08 | I01Z, I03A, I03B, I04Z, I12A, I12B, I12C, I12J | | | 07 | | H33Z, H38Z | | 07 | H33Z, H38Z |
| | 11 | L33Z | | | 08 | | I01Z, I03A, I03B, I12A, I12B, I12C, I12J, I13A, I13B, I13C, I13D, I13J, I20A, I20B, I20C, I20D, I20J, I20Q, I20R | | 08 | I01Z, I03A, I03B, I12A, I12B, I12C, I12J, I13A, I13B, I13C, I13D, I13J, I20A, I20B, I20C, I20D, I20J, I20Q, I20R |
| 21A | W04A, W04B | 10 | K01Z | | 10 | K01Z | | | | |
| 21B | X04Z, X33Z | 11 | L33Z | | 11 | L33Z | | | | |
| 23 | Z01A | 21A | W04A, W04B | | 21A | W04A, W04B | | | | |
| Pre | A07A | 21B | X04Z, X33Z | | 21B | X04Z, X33Z | | | | |
| | | 23 | Z01A | | 23 | Z01A | | | | |
| | | Pre | A07A | Pre | A07A | | | | | |

VYK

| ZZV | MDC | DRG | ZZV | MDC | DRG | ZZV | MDC | DRG |
|----------|----------|--|----------------------|------------------------|--|--|--|------------------------------|
| 5t389.1↔ | | BOP, KJZSV, KVT, UOP4, VIAL | 5t390.3↔ | | BOP, KVT, UOP4, VIAL | 5t390.h↔ | | BOP, KVT, UOP4, VIAL |
| | 01 | B03Z, B17A, B17B, B17C, B17J | | 08 | I12A, I12B, I12C, I12J, I28A, I28B, I28J | | 01 | B03Z, B17A, B17B, B17C, B17J |
| | 05 | F27A, F27B | 21A | W04A, W04B | 08 | I12A, I12B, I12C, I12J, I18A, I18B, I18J, I18Q, I18R, I30J, I30Z | | |
| | 08 | I12A, I12B, I12C, I12J, I20A, I20B, I20C, I20D, I20J, I20Q, I20R | 21B | X06A, X06B, X06C | 21A | W04A, W04B | | |
| | 10 | K01Z | 5t390.4↔ | | BOP, KVT, UOP4, VIAL | 21B | X04Z | |
| | 21A | W04A, W04B | | 08 | I08A, I08B, I08C, I08D, I08E, I08F, I08J, I12A, I12B, I12C, I12J, I21J, I21Z, I31J, I31Z | 5t390.j↔ | | BOP, KVT, UOP4, VIAL |
| | 21B | X04Z | 21A | W04A, W04B | 01 | | B03Z, B17A, B17B, B17C, B17J | |
| 5t389.3↔ | | BOP, KJZSV, KVT, UOP4, VIAL | 21B | X06A, X06B, X06C | 08 | I12A, I12B, I12C, I12J, I18A, I18B, I18J, I18Q, I18R, I30J, I30Z | | |
| | 01 | B03Z, B17A, B17B, B17C, B17J | 5t390.5↔ | | BOP, KVT, UOP4, VIAL | 21A | W04A, W04B | |
| | 05 | F27A, F27B | | 08 | I08A, I08B, I08C, I08D, I08E, I08F, I08J, I12A, I12B, I12C, I12J, I21J, I21Z, I31J, I31Z | 21B | X04Z | |
| | 08 | I12A, I12B, I12C, I12J, I20A, I20B, I20C, I20D, I20J, I20Q, I20R | 21A | W04A, W04B | 5t390.k↔ | | BOP, KVT, UOP4, VIAL | |
| | 10 | K01Z | 21B | X06A, X06B, X06C | | 01 | B03Z, B17A, B17B, B17C, B17J | |
| | 21A | W04A, W04B | 5t390.6↔ | | BOP, KVT, UOP4, VIAL | 08 | I12A, I12B, I12C, I12J, I13A, I13B, I13C, I13D, I13E, I13J | |
| | 21B | X04Z | | 08 | I08A, I08B, I08C, I08D, I08E, I08F, I08J, I12A, I12B, I12C, I12J, I32A, I32B, I32C, I32D, I32E, I32F, I32J, I32Q, I32R, I32S, I32T, I32U | 21A | W04A, W04B | |
| 5t38a.1↔ | | BOP, KVT, UOP4, VIAL | 21A | W04A, W04B | 5t390.m↔ | | BOP, KVT, UOP4, VIAL | |
| | 08 | I20A, I20B, I20C, I20D, I20E, I20F, I20J, I20Q, I20R | 21B | X05A, X05B | | 08 | I12A, I12B, I12C, I12J, I20A, I20B, I20C, I20D, I20E, I20F, I20J, I20Q, I20R | |
| 5t38a.2↔ | | BOP, KVT, UOP4, VIAL | 5t390.7↔ | | BOP, KVT, UOP4, VIAL | 21A | W04A, W04B | |
| | 08 | I20A, I20B, I20C, I20D, I20E, I20F, I20J, I20Q, I20R | | 08 | I12A, I12B, I12C, I12J, I32A, I32B, I32C, I32D, I32E, I32F, I32J, I32Q, I32R, I32S, I32T, I32U | 21B | X04Z | |
| 5t38a.3↔ | | BOP, KVT, UOP4, VIAL | 21A | W04A, W04B | 5t390.n↔ | | BOP, KVT, UOP4, VIAL | |
| | 08 | I20A, I20B, I20C, I20D, I20E, I20F, I20J, I20Q, I20R | 21B | X05A, X05B | | 08 | I12A, I12B, I12C, I12J, I20A, I20B, I20C, I20D, I20E, I20F, I20J, I20Q, I20R | |
| 5t38a.4↔ | | BOP, KVT, UOP4, VIAL | 5t390.8↔ | | BOP, KVT, UOP4, VIAL | 21A | W04A, W04B | |
| | 08 | I20A, I20B, I20C, I20D, I20E, I20F, I20J, I20Q, I20R | | 08 | I12A, I12B, I12C, I12J, I32A, I32B, I32C, I32D, I32E, I32F, I32J, I32Q, I32R, I32S, I32T, I32U | 21B | X04Z | |
| 5t38a.5↔ | | BOP, KVT, UOP4, VIAL | 21A | W04A, W04B | 5t390.p↔ | | BOP, KVT, UOP4, VIAL | |
| | 08 | I20A, I20B, I20C, I20D, I20E, I20F, I20J, I20Q, I20R | 21B | X05A, X05B | | 08 | I12A, I12B, I12C, I12J, I20A, I20B, I20C, I20D, I20E, I20F, I20J, I20Q, I20R | |
| 5t38a.a↔ | | BOP, KVT, UOP4, VIAL | 5t390.9↔ | | BOP, KVT, UOP4, VIAL | 21A | W04A, W04B | |
| | 08 | I20A, I20B, I20C, I20D, I20E, I20F, I20J, I20Q, I20R | | 08 | I12A, I12B, I12C, I12J, I32A, I32B, I32C, I32D, I32E, I32F, I32J, I32Q, I32R, I32S, I32T, I32U | 21B | X04Z | |
| 5t38a.b↔ | | BOP, KVT, UOP4, VIAL | 21A | W04A, W04B | 5t390.q↔ | | BOP, KVT, UOP4, VIAL | |
| | 08 | I20A, I20B, I20C, I20D, I20E, I20F, I20J, I20Q, I20R | 21B | X05A, X05B | | 08 | I12A, I12B, I12C, I12J, I20A, I20B, I20C, I20D, I20E, I20F, I20J, I20Q, I20R | |
| 5t38x | | BOP, KVT, UOP4, VIAL | 5t390.e↔ | | BOP, KJZSV, KVT, UOP4, VIAL | 21A | W04A, W04B | |
| | 08 | I20A, I20B, I20C, I20D, I20E, I20F, I20J, I20Q, I20R | | 08 | I08A, I08B, I08C, I08D, I08E, I08F, I08J, I12A, I12B, I12C, I12J, I28A, I28B, I28J | 21B | X04Z | |
| 5t390.0↔ | | BOP, KVT, UOP4, VIAL | 21A | W04A, W04B | 5t390.r↔ | | BOP, KVT, UOP4, VIAL | |
| | 08 | I12A, I12B, I12C, I12J, I16J, I16Q, I16Z | 21B | X04Z, X06A, X06B, X06C | | 08 | I12A, I12B, I12C, I12J, I20A, I20B, I20C, I20D, I20E, I20F, I20J, I20Q, I20R | |
| | 21A | W04A, W04B | 5t390.f | | BOP, KJZSV, KVT, UOP4, VIAL | 21A | W04A, W04B | |
| | 21B | X06A, X06B, X06C | | 08 | I12A, I12B, I12C, I12J, I28A, I28B, I28J | 21B | X04Z | |
| | 5t390.1↔ | | BOP, KVT, UOP4, VIAL | 21A | W04A, W04B | 5t390.x | | BOP, KVT, UOP4, VIAL |
| 08 | | I12A, I12B, I12C, I12J, I16J, I16Q, I16Z | 21B | X04Z, X06A, X06B, X06C | 08 | | I12A, I12B, I12C, I12J, I28A, I28B, I28J | |
| 5t390.g↔ | | BOP, KVT, UOP4, VIAL | 5t390.g↔ | | BOP, KJZSV, KVT, UOP4, VIAL | 21A | W04A, W04B | |
| | 08 | I08A, I08B, I08C, I08D, I08E, I08F, I08J | | 08 | I08A, I08B, I08C, I08D, I08E, I08F, I08J | 21B | X06A, X06B, X06C | |
| | 21A | W01A, W01B, W01C, W02A, W02B | 5t391.0↔ | | BOP, KJZSV, KVT, UOP4, VIAL | 08 | I12A, I12B, I12C, I12J, I16J, I16Q, I16Z | |
| | 21B | X04Z | | 08 | I12A, I12B, I12C, I12J, I16J, I16Q, I16Z | 21A | W04A, W04B | |
| 5t391.1↔ | | BOP, KJZSV, KVT, UOP4, VIAL | 5t391.1↔ | | BOP, KJZSV, KVT, UOP4, VIAL | 21B | X06A, X06B, X06C | |
| | 08 | I12A, I12B, I12C, I12J, I16J, I16Q, I16Z | | 08 | I12A, I12B, I12C, I12J, I16J, I16Q, I16Z | 21A | W04A, W04B | |
| | 21A | W04A, W04B | | 21B | X06A, X06B, X06C | | | |

VYK

| ZZV | MDC | DRG | ZZV | MDC | DRG | ZZV | MDC | DRG | |
|----------|-----|--|----------|-----|--|----------|-----|--|--|
| 5t391.2↔ | | BOP, KJZSV, KVT, UOP4, VIAL | 5t391.e↔ | | BOP, KJZSV, KVT, UOP4, VIAL | 5t391.p↔ | | BOP, KJZSV, KVT, UOP4, VIAL | |
| | 01 | B03Z, B17A, B17B, B17C, B17J | | 01 | B03Z, B17A, B17B, B17C, B17J | | 08 | I12A, I12B, I12C, I12J, I20A, I20B, I20C, I20D, I20E, I20F, I20J, I20Q, I20R | |
| | 08 | I12A, I12B, I12C, I12J, I28A, I28B, I28J | | 08 | I08A, I08B, I08C, I08D, I08E, I08F, I08J, I12A, I12B, I12C, I12J, I28A, I28B, I28J | | 21A | W04A, W04B | |
| | 21A | W04A, W04B | | 21A | W04A, W04B | | 21B | X04Z | |
| | 21B | X06A, X06B, X06C | | 21B | X04Z, X06A, X06B, X06C | 5t391.q↔ | | BOP, KJZSV, KVT, UOP4, VIAL | |
| 5t391.3↔ | | BOP, KJZSV, KVT, UOP4, VIAL | 5t391.f | | BOP, KJZSV, KVT, UOP4, VIAL | | 08 | I12A, I12B, I12C, I12J, I20A, I20B, I20C, I20D, I20E, I20F, I20J, I20Q, I20R | |
| | 01 | B03Z, B17A, B17B, B17C, B17J | | 01 | B03Z, B17A, B17B, B17C, B17J | | 21A | W04A, W04B | |
| | 08 | I12A, I12B, I12C, I12J, I28A, I28B, I28J | | 08 | I12A, I12B, I12C, I12J, I28A, I28B, I28J | | 21B | X04Z | |
| | 21A | W04A, W04B | | 21A | W04A, W04B | 5t391.r↔ | | BOP, KJZSV, KVT, UOP4, VIAL | |
| | 21B | X06A, X06B, X06C | | 21B | X04Z, X06A, X06B, X06C | | 08 | I12A, I12B, I12C, I12J, I20A, I20B, I20C, I20D, I20E, I20F, I20J, I20Q, I20R | |
| 5t391.4↔ | | BOP, KJZSV, KVT, UOP4, VIAL | 5t391.g↔ | | BOP, KJZSV, KVT, UOP4, VIAL | | 21A | W04A, W04B | |
| | 08 | I08A, I08B, I08C, I08D, I08E, I08F, I08J, I12A, I12B, I12C, I12J, I21J, I21Z, I31J, I31Z | | 01 | B03Z, B17A, B17B, B17C, B17J | | 21B | X04Z | |
| | 21A | W04A, W04B | | 08 | I08A, I08B, I08C, I08D, I08E, I08F, I08J | 5t391.x | | BOP, KJZSV, KVT, UOP4 | |
| | 21B | X06A, X06B, X06C | | 21A | W01A, W01B, W01C, W02A, W02B | | 01 | B03Z, B17A, B17B, B17C, B17J | |
| 5t391.5↔ | | BOP, KJZSV, KVT, UOP4, VIAL | | 21B | X04Z | | 08 | I12A, I12B, I12C, I12J, I28A, I28B, I28J | |
| | 08 | I08A, I08B, I08C, I08D, I08E, I08F, I08J, I12A, I12B, I12C, I12J, I21J, I21Z, I31J, I31Z | 5t391.h↔ | | BOP, KJZSV, KVT, UOP4, VIAL | | 21A | W04A, W04B | |
| | 21A | W04A, W04B | | 01 | B03Z, B17A, B17B, B17C, B17J | | 21B | X06A, X06B, X06C | |
| | 21B | X06A, X06B, X06C | | 08 | I12A, I12B, I12C, I12J, I18A, I18B, I18J, I18Q, I18R, I30J, I30Z | 5t392.0↔ | | BOP, KJZSV, KVT, UOP4, VIAL | |
| 5t391.6↔ | | BOP, KJZSV, KVT, UOP4, VIAL | | 21A | W04A, W04B | | 08 | I12A, I12B, I12C, I12J, I16J, I16Q, I16Z | |
| | 01 | B03Z, B07Z, B17A, B17B, B17C, B17J | | 21B | X04Z | | 21A | W04A, W04B | |
| | 08 | I08A, I08B, I08C, I08D, I08E, I08F, I08J, I12A, I12B, I12C, I12J, I32A, I32B, I32C, I32D, I32E, I32F, I32J, I32Q, I32R, I32S, I32T, I32U | 5t391.j↔ | | BOP, KJZSV, KVT, UOP4, VIAL | | 21B | X06A, X06B, X06C | |
| | 21A | W04A, W04B | | 01 | B03Z, B17A, B17B, B17C, B17J | 5t392.2↔ | | BOP, KJZSV, KVT, UOP4, VIAL | |
| | 21B | X05A, X05B | | 08 | I12A, I12B, I12C, I12J, I18A, I18B, I18J, I18Q, I18R, I30J, I30Z | | 01 | B03Z, B17A, B17B, B17C, B17J | |
| 5t391.7↔ | | BOP, KJZSV, KVT, UOP4, VIAL | | 21A | W04A, W04B | | 08 | I12A, I12B, I12C, I12J, I28A, I28B, I28J | |
| | 01 | B03Z, B07Z, B17A, B17B, B17C, B17J | | 21B | X04Z | | 21A | W04A, W04B | |
| | 08 | I12A, I12B, I12C, I12J, I32A, I32B, I32C, I32D, I32E, I32F, I32J, I32Q, I32R, I32S, I32T, I32U | 5t391.k↔ | | BOP, KJZSV, KVT, UOP4, VIAL | | 21B | X06A, X06B, X06C | |
| | 21A | W04A, W04B | | 01 | B03Z, B17A, B17B, B17C, B17J | 5t392.3↔ | | BOP, KJZSV, KVT, UOP4, VIAL | |
| | 21B | X05A, X05B | | 05 | F27A, F27B, F27C | | 01 | B03Z, B17A, B17B, B17C, B17J | |
| 5t391.8↔ | | BOP, KJZSV, KVT, UOP4, VIAL | | 08 | I12A, I12B, I12C, I12J, I13A, I13B, I13C, I13D, I13E, I13J | | 08 | I12A, I12B, I12C, I12J, I28A, I28B, I28J | |
| | 01 | B03Z, B07Z, B17A, B17B, B17C, B17J | | 10 | K01Z | | 21A | W04A, W04B | |
| | 08 | I12A, I12B, I12C, I12J, I32A, I32B, I32C, I32D, I32E, I32F, I32J, I32Q, I32R, I32S, I32T, I32U | | 21A | W04A, W04B | | 21B | X06A, X06B, X06C | |
| | 21A | W04A, W04B | | 21B | X04Z | 5t392.4↔ | | BOP, KJZSV, KVT, UOP4, VIAL | |
| | 21B | X05A, X05B | | | | | 08 | I08A, I08B, I08C, I08D, I08E, I08F, I08J, I12A, I12B, I12C, I12J, I21J, I21Z, I31J, I31Z | |
| 5t391.9↔ | | BOP, KJZSV, KVT, UOP4, VIAL | 5t391.m↔ | | BOP, KJZSV, KVT, UOP4, VIAL | | 21A | W04A, W04B | |
| | 01 | B03Z, B07Z, B17A, B17B, B17C, B17J | | 08 | I12A, I12B, I12C, I12J, I20A, I20B, I20C, I20D, I20E, I20F, I20J, I20Q, I20R | | 21B | X06A, X06B, X06C | |
| | 08 | I12A, I12B, I12C, I12J, I32A, I32B, I32C, I32D, I32E, I32F, I32J, I32Q, I32R, I32S, I32T, I32U | | 21A | W04A, W04B | 5t392.5↔ | | BOP, KJZSV, KVT, UOP4, VIAL | |
| | 21A | W04A, W04B | | 21B | X04Z | | 08 | I08A, I08B, I08C, I08D, I08E, I08F, I08J, I12A, I12B, I12C, I12J, I21J, I21Z, I31J, I31Z | |
| | 21B | X05A, X05B | | | | | 21A | W04A, W04B | |
| | | | 5t391.n↔ | | BOP, KJZSV, KVT, UOP4, VIAL | | 21B | X06A, X06B, X06C | |
| | | | | 08 | I12A, I12B, I12C, I12J, I20A, I20B, I20C, I20D, I20E, I20F, I20J, I20Q, I20R | | | | |
| | | | | 21A | W04A, W04B | | | | |
| | | | | 21B | X04Z | | | | |

| ZZV | MDC | DRG | ZZV | MDC | DRG | ZZV | MDC | DRG |
|----------|------------|--|----------|-----|--|----------|----------|--|
| 5t392.6↔ | | BOP, KJZSV, KVT, UOP4, VIAL | 5t392.h↔ | 01 | BOP, KJZSV, KVT, UOP4, VIAL | 5t39x.0↔ | 08 | I16J, I16Q, I16Z |
| | 01 | B03Z, B07Z, B17A, B17B, B17C, B17J | | 01 | B03Z, B17A, B17B, B17C, B17J | | 21A | W04A, W04B |
| | 08 | I08A, I08B, I08C, I08D, I08E, I08F, I08J, I12A, I12B, I12C, I12J, I32A, I32B, I32C, I32D, I32E, I32F, I32J, I32Q, I32R, I32S, I32T, I32U | | 08 | I12A, I12B, I12C, I12J, I18A, I18B, I18J, I18Q, I18R, I30J, I30Z | | 21B | X06A, X06B, X06C |
| | 21A | W04A, W04B | | 21A | W04A, W04B | | 5t39x.1↔ | 08 |
| 21B | X05A, X05B | 21B | X04Z | 21A | W04A, W04B | | | |
| 5t392.7↔ | | BOP, KJZSV, KVT, UOP4, VIAL | 5t392.j↔ | | BOP, KJZSV, KVT, UOP4, VIAL | 5t39x.2↔ | | BOP, KJZSV, KVT, UOP4, VIAL |
| | 01 | B03Z, B07Z, B17A, B17B, B17C, B17J | | 01 | B03Z, B17A, B17B, B17C, B17J | | 08 | I28A, I28B, I28J |
| | 08 | I12A, I12B, I12C, I12J, I32A, I32B, I32C, I32D, I32E, I32F, I32J, I32Q, I32R, I32S, I32T, I32U | | 08 | I12A, I12B, I12C, I12J, I18A, I18B, I18J, I18Q, I18R, I30J, I30Z | | 21B | X05A, X05B, X06A, X06B, X06C |
| | 21A | W04A, W04B | | 21A | W04A, W04B | | 5t39x.3↔ | 08 |
| 21B | X05A, X05B | 21B | X04Z | 21B | X05A, X05B, X06A, X06B, X06C | | | |
| 5t392.8↔ | | BOP, KJZSV, KVT, UOP4, VIAL | 5t392.k↔ | | BOP, KJZSV, KVT, UOP4, VIAL | 5t39x.4↔ | | BOP, KJZSV, KVT, UOP4, VIAL |
| | 01 | B03Z, B07Z, B17A, B17B, B17C, B17J | | 01 | B03Z, B17A, B17B, B17C, B17J | | 08 | I08A, I08B, I08C, I08D, I08E, I08F, I08J, I21J, I21Z, I31J, I31Z |
| | 08 | I12A, I12B, I12C, I12J, I32A, I32B, I32C, I32D, I32E, I32F, I32J, I32Q, I32R, I32S, I32T, I32U | | 05 | F27A, F27B, F27C | | 21A | W04A, W04B |
| | 21A | W04A, W04B | | 08 | I12A, I12B, I12C, I12J, I13A, I13B, I13C, I13D, I13E, I13J | | 21B | X06A, X06B, X06C |
| 5t392.9↔ | | BOP, KJZSV, KVT, UOP4, VIAL | 5t392.m↔ | | BOP, KJZSV, KVT, UOP4, VIAL | 5t39x.5↔ | | BOP, KJZSV, KVT, UOP4, VIAL |
| | 01 | B03Z, B07Z, B17A, B17B, B17C, B17J | | 08 | I12A, I12B, I12C, I12J, I20A, I20B, I20C, I20D, I20E, I20F, I20J, I20Q, I20R | | 08 | I08A, I08B, I08C, I08D, I08E, I08F, I08J, I21J, I21Z, I31J, I31Z |
| | 08 | I12A, I12B, I12C, I12J, I32A, I32B, I32C, I32D, I32E, I32F, I32J, I32Q, I32R, I32S, I32T, I32U | | 21A | W04A, W04B | | 21A | W04A, W04B |
| | 21A | W04A, W04B | | 21B | X04Z | | 21B | X06A, X06B, X06C |
| 5t392.e↔ | | BOP, KJZSV, KVT, UOP4, VIAL | 5t392.n↔ | | BOP, KJZSV, KVT, UOP4, VIAL | 5t39x.6↔ | | BOP, KJZSV, KVT, UOP4, VIAL |
| | 01 | B03Z, B17A, B17B, B17C, B17J | | 08 | I12A, I12B, I12C, I12J, I20A, I20B, I20C, I20D, I20J, I20Q, I20R | | 08 | I08A, I08B, I08C, I08D, I08E, I08F, I08J, I32A, I32B, I32C, I32D, I32E, I32F, I32J, I32Q, I32R, I32S, I32T, I32U |
| | 08 | I08A, I08B, I08C, I08D, I08E, I08F, I08J, I12A, I12B, I12C, I12J, I28A, I28B, I28J | | 21A | W04A, W04B | | 21A | W04A, W04B |
| | 21A | W04A, W04B | | 21B | X04Z | | 21B | X05A, X05B |
| 5t392.f | | BOP, KJZSV, KVT, UOP4, VIAL | 5t392.p↔ | | BOP, KJZSV, KVT, UOP4, VIAL | 5t39x.7↔ | | BOP, KJZSV, KVT, UOP4, VIAL |
| | 01 | B03Z, B17A, B17B, B17C, B17J | | 08 | I12A, I12B, I12C, I12J, I20A, I20B, I20C, I20D, I20E, I20F, I20J, I20Q, I20R | | 08 | I32A, I32B, I32C, I32D, I32E, I32F, I32J, I32Q, I32R, I32S, I32T, I32U |
| | 08 | I08A, I08B, I08C, I08D, I08E, I08F, I08J, I12A, I12B, I12C, I12J, I28A, I28B, I28J | | 21A | W04A, W04B | | 21A | W04A, W04B |
| | 21A | W04A, W04B | | 21B | X04Z | | 21B | X05A, X05B |
| 5t392.g↔ | | BOP, KJZSV, KVT, UOP4, VIAL | 5t392.q↔ | | BOP, KJZSV, KVT, UOP4, VIAL | 5t39x.8↔ | | BOP, KJZSV, KVT, UOP4, VIAL |
| | 01 | B03Z, B17A, B17B, B17C, B17J | | 08 | I12A, I12B, I12C, I12J, I20A, I20B, I20C, I20D, I20E, I20F, I20J, I20Q, I20R | | 08 | I32A, I32B, I32C, I32D, I32E, I32F, I32J, I32Q, I32R, I32S, I32T, I32U |
| | 08 | I08A, I08B, I08C, I08D, I08E, I08F, I08J | | 21A | W04A, W04B | | 21A | W04A, W04B |
| | 21A | W04A, W04B | | 21B | X04Z | | 21B | X05A, X05B |
| 5t392.x | | BOP, KJZSV, KVT, UOP4, VIAL | 5t392.r↔ | | BOP, KJZSV, KVT, UOP4, VIAL | 5t39x.9↔ | | BOP, KJZSV, KVT, UOP4, VIAL |
| | 01 | B03Z, B17A, B17B, B17C, B17J | | 08 | I12A, I12B, I12C, I12J, I20A, I20B, I20C, I20D, I20E, I20F, I20J, I20Q, I20R | | 08 | I32A, I32B, I32C, I32D, I32E, I32F, I32J, I32Q, I32R, I32S, I32T, I32U |
| | 08 | I08A, I08B, I08C, I08D, I08E, I08F, I08J | | 21A | W04A, W04B | | 21A | W04A, W04B |
| | 21A | W01A, W01B, W01C, W02A, W02B | | 21B | X04Z | | 21B | X05A, X05B |
| 5t392.y | | BOP, KJZSV, KVT, UOP4, VIAL | 5t392.s↔ | | BOP, KJZSV, KVT, UOP4, VIAL | 5t39x.e↔ | | BOP, KJZSV, KVT, UOP4, VIAL |
| | 01 | B03Z, B17A, B17B, B17C, B17J | | 08 | I12A, I12B, I12C, I12J, I28A, I28B, I28J | | 08 | I08A, I08B, I08C, I08D, I08E, I08F, I08J, I28A, I28B, I28J |
| | 08 | I08A, I08B, I08C, I08D, I08E, I08F, I08J | | 21A | W04A, W04B | | 21A | W04A, W04B |
| | 21A | W01A, W01B, W01C, W02A, W02B | | 21B | X06A, X06B, X06C | | 21B | X04Z, X06A, X06B, X06C |

VYK

| ZZV | MDC | DRG | ZZV | MDC | DRG | ZZV | MDC | DRG |
|----------|-----|--|----------|--|--|----------|--|--|
| 5t39x.f | | BOP, KJZSV, KVT, UOP4, VIAL | 5t400.0↔ | | BOP, KVT, UOP4, VIAL | 5t400.f | | BOP, KJZSV, KVT, UOP4, VIAL |
| | 08 | I28A, I28B, I28J | | 05 | F13A | | 05 | F13A |
| | 21A | W04A, W04B | | 08 | I12A, I12B, I12C, I12J, I24J, I24Q, I24Z | | 08 | I12A, I12B, I12C, I12J, I24J, I24Q, I24Z |
| 5t39x.g↔ | 21B | X04Z, X06A, X06B, X06C | 5t400.1↔ | 21A | W04A, W04B | 5t400.g↔ | 21A | W04A, W04B |
| | | BOP, KJZSV, KVT, UOP4, VIAL | | 21B | X06A, X06B, X06C | | 21B | X04Z, X06A, X06B, X06C |
| | 08 | I08A, I08B, I08C, I08D, I08E, I08F, I08J | | | BOP, KVT, UOP4, VIAL | | | BOP, KJZSV, KVT, UOP4, VIAL |
| 5t39x.h↔ | 21A | W01A, W01B, W01C, W02A, W02B | 5t400.2↔ | 05 | F13A | 5t400.h↔ | 05 | F13A |
| | 21B | X04Z | | 08 | I12A, I12B, I12C, I12J, I24J, I24Q, I24Z | | 08 | I12A, I12B, I12C, I12J, I24J, I24Q, I24Z |
| | | BOP, KJZSV, KVT, UOP4, VIAL | | 21A | W04A, W04B | | 21A | W04A, W04B |
| 5t39x.j↔ | 08 | I18A, I18B, I18J, I18Q, I18R, I30J, I30Z | 5t400.3↔ | 05 | F13A | 5t400.j↔ | 05 | F13A |
| | 10 | K09A, K09B | | 08 | I12A, I12B, I12C, I12J, I24J, I24Q, I24Z | | 08 | I12A, I12B, I12C, I12J, I24J, I24Q, I24Z |
| | 21A | W04A, W04B | | 21A | W04A, W04B | | 21A | W04A, W04B |
| 5t39x.k↔ | 21B | X04Z | 5t400.4↔ | 21B | X06A, X06B, X06C | 5t400.k↔ | 10 | K09A, K09B |
| | | BOP, KJZSV, KVT, UOP4, VIAL | | | BOP, KVT, UOP4, VIAL | | 21A | W04A, W04B |
| | 08 | I13A, I13B, I13C, I13D, I13E, I13J | | 05 | F13A | | 21B | X04Z |
| 5t39x.m↔ | 10 | K09A, K09B | 5t400.5↔ | 08 | I08A, I08B, I08C, I08D, I08E, I08F, I08J, I12A, I12B, I12C, I12J, I24J, I24Q, I24Z | 5t400.m↔ | 05 | F13A |
| | 21A | W04A, W04B | | | BOP, KVT, UOP4, VIAL | | 08 | I12A, I12B, I12C, I12J, I24J, I24Q, I24Z |
| | 21B | X04Z | | 05 | F13A | | 21A | W04A, W04B |
| 5t39x.n↔ | 08 | I20A, I20B, I20C, I20D, I20E, I20F, I20J, I20Q, I20R | 5t400.6↔ | 21B | X06A, X06B, X06C | 5t400.n↔ | 21B | X04Z, X06A, X06B, X06C |
| | 21A | W04A, W04B | | | BOP, KVT, UOP4, VIAL | | | BOP, KVT, UOP4, VIAL |
| | 21B | X04Z | | 05 | F13A | | 05 | F13A |
| 5t39x.p↔ | 08 | I20A, I20B, I20C, I20D, I20E, I20F, I20J, I20Q, I20R | 5t400.8↔ | 08 | I08A, I08B, I08C, I08D, I08E, I08F, I08J, I12A, I12B, I12C, I12J, I24J, I24Q, I24Z | 5t400.p↔ | 08 | I12A, I12B, I12C, I12J, I24J, I24Q, I24Z |
| | 21A | W04A, W04B | | | BOP, KVT, UOP4, VIAL | | 21A | W04A, W04B |
| | 21B | X04Z | | 05 | F13A | | 21B | X04Z, X06A, X06B, X06C |
| 5t39x.q↔ | 08 | I20A, I20B, I20C, I20D, I20E, I20F, I20J, I20Q, I20R | 5t400.9↔ | 21A | W04A, W04B | 5t400.q↔ | 05 | F13A |
| | 21A | W04A, W04B | | | BOP, KVT, UOP4, VIAL | | 08 | I12A, I12B, I12C, I12J, I24J, I24Q, I24Z |
| | 21B | X04Z | | 05 | F13A | | 21A | W04A, W04B |
| 5t39x.r↔ | 08 | I20A, I20B, I20C, I20D, I20E, I20F, I20J, I20Q, I20R | 5t400.e↔ | 08 | I12A, I12B, I12C, I12J, I32A, I32B, I32C, I32D, I32E, I32F, I32G, I32J, I32Q, I32R, I32S, I32T, I32U | 5t400.r↔ | 21B | X04Z, X06A, X06B, X06C |
| | 21A | W04A, W04B | | | BOP, KJZSV, KVT, UOP4, VIAL | | | BOP, KVT, UOP4, VIAL |
| | 21B | X04Z | | 05 | F13A | | 05 | F13A |
| 5t39x.x | 08 | I28A, I28B, I28J | | BOP, KJZSV, KVT, UOP4, VIAL | 5t400.x | 08 | I12A, I12B, I12C, I12J, I24J, I24Q, I24Z | |
| | 21A | W04A, W04B | 05 | F13A | | 21A | W04A, W04B | |
| | 21B | X06A, X06B, X06C | 08 | I08A, I08B, I08C, I08D, I08E, I08F, I08J, I12A, I12B, I12C, I12J, I24J, I24Q, I24Z | | 21B | X05A, X05B | |

| ZZV | MDC | DRG | ZZV | MDC | DRG | ZZV | MDC | DRG |
|----------|-----|--|----------|----------|--|----------|-----|--|
| 5t401.0↔ | | BOP, KJZSV, KVT, UOP4, VIAL | 5t401.e↔ | | BOP, KJZSV, KVT, UOP4, VIAL | 5t401.r↔ | | BOP, KJZSV, KVT, UOP4, VIAL |
| | 05 | F13A | | 05 | F13A | | 05 | F13A |
| | 08 | I12A, I12B, I12C, I12J, I24J, I24Q, I24Z | | 08 | I08A, I08B, I08C, I08D, I08E, I08F, I08J, I12A, I12B, I12C, I12J, I24J, I24Q, I24Z | | 08 | I12A, I12B, I12C, I12J, I24J, I24Q, I24Z |
| | 21A | W04A, W04B | | 21A | W04A, W04B | | 21A | W04A, W04B |
| | 21B | X06A, X06B, X06C | | 21B | X04Z, X06A, X06B, X06C | | 21B | X04Z, X06A, X06B, X06C |
| 5t401.1↔ | | BOP, KJZSV, KVT, UOP4, VIAL | 5t401.f | | BOP, KJZSV, KVT, UOP4, VIAL | 5t401.x | | BOP, KJZSV, KVT, UOP4, VIAL |
| | 05 | F13A | | 05 | F13A | | 05 | F13A |
| | 08 | I12A, I12B, I12C, I12J, I24J, I24Q, I24Z | | 08 | I12A, I12B, I12C, I12J, I24J, I24Q, I24Z | | 08 | I12A, I12B, I12C, I12J, I24J, I24Q, I24Z |
| | 21A | W04A, W04B | | 21A | W04A, W04B | | 21A | W04A, W04B |
| | 21B | X06A, X06B, X06C | | 21B | X04Z, X06A, X06B, X06C | | 21B | X05A, X05B |
| 5t401.2↔ | | BOP, KJZSV, KVT, UOP4, VIAL | 5t401.g↔ | | BOP, KJZSV, KVT, UOP4, VIAL | 5t402.0↔ | | BOP, KVT, UOP4, VIAL |
| | 05 | F13A | | 05 | F13A | | 08 | I12A, I12B, I12C, I12J, I16J, I16Q, I16Z |
| | 08 | I12A, I12B, I12C, I12J, I24J, I24Q, I24Z | | 08 | I12A, I12B, I12C, I12J, I24J, I24Q, I24Z | | 21A | W04A, W04B |
| | 21A | W04A, W04B | | 21A | W04A, W04B | | 21B | X06A, X06B, X06C |
| | 21B | X06A, X06B, X06C | | 21B | X04Z, X06A, X06B, X06C | | 21B | X06A, X06B, X06C |
| 5t401.3↔ | | BOP, KJZSV, KVT, UOP4, VIAL | 5t401.h↔ | | BOP, KJZSV, KVT, UOP4, VIAL | 5t402.1↔ | | BOP, KJZSV, KVT, UOP4, VIAL |
| | 05 | F13A | | 05 | F13A | | 08 | I12A, I12B, I12C, I12J, I16J, I16Q, I16Z |
| | 08 | I12A, I12B, I12C, I12J, I24J, I24Q, I24Z | | 08 | I12A, I12B, I12C, I12J, I24J, I24Q, I24Z | | 21A | W04A, W04B |
| | 21A | W04A, W04B | | 21A | W04A, W04B | | 21B | X06A, X06B, X06C |
| | 21B | X06A, X06B, X06C | | 21B | X04Z | | 21B | X06A, X06B, X06C |
| 5t401.4↔ | | BOP, KJZSV, KVT, UOP4, VIAL | 5t401.i↔ | | BOP, KJZSV, KVT, UOP4, VIAL | 5t402.2↔ | | BOP, KJZSV, KVT, UOP4, VIAL |
| | 05 | F13A | | 05 | F13A | | 08 | I12A, I12B, I12C, I12J, I28A, I28B, I28J |
| | 08 | I08A, I08B, I08C, I08D, I08E, I08F, I08J, I12A, I12B, I12C, I12J, I24J, I24Q, I24Z | | 08 | I12A, I12B, I12C, I12J, I24J, I24Q, I24Z | | 21A | W04A, W04B |
| | 21A | W04A, W04B | | 10 | K09A, K09B | | 21B | X06A, X06B, X06C |
| | 21B | X06A, X06B, X06C | | 21A | W04A, W04B | | 21B | X06A, X06B, X06C |
| 5t401.5↔ | | BOP, KJZSV, KVT, UOP4, VIAL | 5t401.k↔ | | BOP, KJZSV, KVT, UOP4, VIAL | 5t402.4↔ | | BOP, KVT, UOP4, VIAL |
| | 05 | F13A | | 05 | F13A | | 08 | I08A, I08B, I08C, I08D, I08E, I08F, I08J, I12A, I12B, I12C, I12J, I21J, I21Z, I31J, I31Z |
| | 08 | I08A, I08B, I08C, I08D, I08E, I08F, I08J, I12A, I12B, I12C, I12J, I24J, I24Q, I24Z | | 08 | I59J, I59Z | | 21A | W04A, W04B |
| | 21A | W04A, W04B | | 5t401.k↔ | BOP, KJZSV, KVT, UOP4, VIAL | | 21B | X06A, X06B, X06C |
| | 21B | X06A, X06B, X06C | | 05 | F13A | | 21B | X06A, X06B, X06C |
| 5t401.6↔ | | BOP, KJZSV, KVT, UOP4, VIAL | 5t401.l↔ | | BOP, KJZSV, KVT, UOP4, VIAL | 5t402.5↔ | | BOP, KVT, UOP4, VIAL |
| | 05 | F13A | | 05 | F13A | | 08 | I08A, I08B, I08C, I08D, I08E, I08F, I08J, I12A, I12B, I12C, I12J, I21J, I21Z, I31J, I31Z |
| | 08 | I08A, I08B, I08C, I08D, I08E, I08F, I08J, I12A, I12B, I12C, I12J, I24J, I24Q, I24Z | | 08 | I12A, I12B, I12C, I12J, I24J, I24Q, I24Z | | 21A | W04A, W04B |
| | 21A | W04A, W04B | | 21A | W04A, W04B | | 21B | X06A, X06B, X06C |
| | 21B | X06A, X06B, X06C | | 21B | X04Z | | 21B | X06A, X06B, X06C |
| 5t401.7↔ | | BOP, KJZSV, KVT, UOP4, VIAL | 5t401.m↔ | | BOP, KJZSV, KVT, UOP4, VIAL | 5t402.6↔ | | BOP, KJZSV, KVT, UOP4, VIAL |
| | 05 | F13A | | 05 | F13A | | 08 | I08A, I08B, I08C, I08D, I08E, I08F, I08J, I12A, I12B, I12C, I12J, I32A, I32B, I32C, I32D, I32E, I32F, I32G, I32H, I32I, I32J, I32K, I32L, I32M, I32N, I32O, I32P, I32Q, I32R, I32S, I32T, I32U |
| | 08 | I08A, I08B, I08C, I08D, I08E, I08F, I08J, I12A, I12B, I12C, I12J, I24J, I24Q, I24Z | | 08 | I12A, I12B, I12C, I12J, I24J, I24Q, I24Z | | 21A | W04A, W04B |
| | 21A | W04A, W04B | | 21A | W04A, W04B | | 21B | X06A, X06B, X06C |
| | 21B | X06A, X06B, X06C | | 21B | X04Z, X06A, X06B, X06C | | 21B | X06A, X06B, X06C |
| 5t401.8↔ | | BOP, KJZSV, KVT, UOP4, VIAL | 5t401.n↔ | | BOP, KJZSV, KVT, UOP4, VIAL | 5t402.8↔ | | BOP, KVT, UOP4, VIAL |
| | 05 | F13A | | 05 | F13A | | 08 | I12A, I12B, I12C, I12J, I32A, I32B, I32C, I32D, I32E, I32F, I32G, I32H, I32I, I32J, I32K, I32L, I32M, I32N, I32O, I32P, I32Q, I32R, I32S, I32T, I32U |
| | 08 | I12A, I12B, I12C, I12J, I32A, I32B, I32C, I32D, I32E, I32F, I32G, I32H, I32I, I32J, I32K, I32L, I32M, I32N, I32O, I32P, I32Q, I32R, I32S, I32T, I32U | | 08 | I12A, I12B, I12C, I12J, I24J, I24Q, I24Z | | 21A | W04A, W04B |
| | 21A | W04A, W04B | | 21A | W04A, W04B | | 21B | X05A, X05B |
| | 21B | X05A, X05B | | 21B | X04Z, X06A, X06B, X06C | | 21B | X05A, X05B |
| 5t401.9↔ | | BOP, KJZSV, KVT, UOP4, VIAL | 5t401.o↔ | | BOP, KJZSV, KVT, UOP4, VIAL | 5t402.9↔ | | BOP, KVT, UOP4, VIAL |
| | 05 | F13A | | 05 | F13A | | 08 | I12A, I12B, I12C, I12J, I32A, I32B, I32C, I32D, I32E, I32F, I32G, I32H, I32I, I32J, I32K, I32L, I32M, I32N, I32O, I32P, I32Q, I32R, I32S, I32T, I32U |
| | 08 | I12A, I12B, I12C, I12J, I32A, I32B, I32C, I32D, I32E, I32F, I32G, I32H, I32I, I32J, I32K, I32L, I32M, I32N, I32O, I32P, I32Q, I32R, I32S, I32T, I32U | | 08 | I12A, I12B, I12C, I12J, I24J, I24Q, I24Z | | 21A | W04A, W04B |
| | 21A | W04A, W04B | | 21A | W04A, W04B | | 21B | X05A, X05B |
| | 21B | X05A, X05B | | 21B | X04Z, X06A, X06B, X06C | | 21B | X05A, X05B |

VYK

| ZZV | MDC | DRG | ZZV | MDC | DRG | ZZV | MDC | DRG |
|----------|-----|--|----------|-----|--|----------|-----|--|
| 5t402.e↔ | | BOP, KJZSV, KVT, UOP4, VIAL | 5t403.0↔ | | BOP, KVT, UOP4, VIAL | 5t403.m↔ | | BOP, KVT, UOP4, VIAL |
| | 08 | I08A, I08B, I08C, I08D, I08E, I08F, I08J, I12A, I12B, I12C, I12J, I28A, I28B, I28J | | 01 | B03Z, B17A, B17B, B17C, B17J | | 01 | B03Z, B17A, B17B, B17C, B17J |
| | 21A | W04A, W04B | | 08 | I12A, I12B, I12C, I12J, I23A, I23B, I23J | | 08 | I12A, I12B, I12C, I12J, I23A, I23B, I23J |
| 5t402.g↔ | 21B | X04Z, X06A, X06B, X06C | 5t403.1↔ | 21A | W04A, W04B | 5t403.n↔ | 21A | W04A, W04B |
| | | BOP, KJZSV, KVT, UOP4, VIAL | | 21B | X06A, X06B, X06C | | 21B | X04Z, X06A, X06B, X06C |
| | 08 | I08A, I08B, I08C, I08D, I08E, I30J, I30Z | | 08 | I23A, I23B, I23J | | | BOP, KJZSV, KVT, UOP4, VIAL |
| 5t402.h↔ | 21A | W01A, W01B, W01C, W02A, W02B | 5t403.4↔ | | BOP, KVT, UOP4, VIAL | 5t403.p↔ | 08 | I20A, I20B, I20C, I20D, I20E, I20F, I20J, I20Q, I20R |
| | 21B | X04Z | | 01 | B03Z, B17A, B17B, B17C, B17J | | 08 | BOP, KJZSV, KVT, UOP4, VIAL |
| | 08 | I12A, I12B, I12C, I12J, I18A, I18B, I18J, I18Q, I18R, I30J, I30Z | | 08 | I08A, I08B, I08C, I08D, I08E, I08F, I08J, I12A, I12B, I12C, I12J, I23A, I23B, I23J | | 08 | I20A, I20B, I20C, I20D, I20E, I20F, I20J, I20Q, I20R |
| 5t402.j↔ | 21A | W04A, W04B | 5t403.5↔ | 21A | W04A, W04B | 5t403.q↔ | 01 | BOP, KJZSV, KVT, UOP4, VIAL |
| | 21B | X04Z | | 21B | X06A, X06B, X06C | | 01 | B03Z, B17A, B17B, B17C, B17J |
| | 08 | I12A, I12B, I12C, I12J, I18A, I18B, I18J, I18Q, I18R, I30J, I30Z | | 01 | B03Z, B17A, B17B, B17C, B17J | | 08 | I12A, I12B, I12C, I12J, I23A, I23B, I23J |
| 5t402.k↔ | 21A | W04A, W04B | 5t403.8↔ | 08 | I08A, I08B, I08C, I08D, I08E, I08F, I08J, I12A, I12B, I12C, I12J, I23A, I23B, I23J | 5t403.r↔ | 21A | W04A, W04B |
| | 21B | X04Z | | 21A | W04A, W04B | | 21B | X04Z, X06A, X06B, X06C |
| | 08 | I12A, I12B, I12C, I12J, I59J, I59Z | | 21B | X06A, X06B, X06C | | 08 | I20A, I20B, I20C, I20D, I20E, I20F, I20J, I20Q, I20R |
| 5t402.l↔ | 08 | I12A, I12B, I12C, I12J, I20A, I20B, I20C, I20D, I20E, I20F, I20J, I20Q, I20R | 5t403.9↔ | 01 | B03Z, B17A, B17B, B17C, B17J | 5t403.x | 01 | B03Z, B17A, B17B, B17C, B17J |
| | 21A | W04A, W04B | | 08 | I12A, I12B, I12C, I12J, I23A, I23B, I23J | | 08 | I12A, I12B, I12C, I12J, I23A, I23B, I23J |
| | 21B | X04Z | | 21A | W04A, W04B | | 21A | W04A, W04B |
| 5t402.m↔ | 08 | I12A, I12B, I12C, I12J, I20A, I20B, I20C, I20D, I20E, I20F, I20J, I20Q, I20R | 5t403.g↔ | 21B | X05A, X05B, X06A, X06B, X06C | 5t404.0↔ | 21B | X06A, X06B, X06C |
| | 21A | W04A, W04B | | 01 | BOP, KVT, UOP4, VIAL | | 08 | BOP, KVT, UOP4, VIAL |
| | 21B | X04Z | | 01 | B03Z, B17A, B17B, B17C, B17J | | 08 | I12A, I12B, I12C, I12J, I16J, I16Q, I16Z |
| 5t402.n↔ | 08 | I12A, I12B, I12C, I12J, I20A, I20B, I20C, I20D, I20E, I20F, I20J, I20Q, I20R | 5t403.h↔ | 08 | I12A, I12B, I12C, I12J, I21J, I21Z | 5t404.1↔ | 21A | W04A, W04B |
| | 21A | W04A, W04B | | 01 | BOP, KVT, UOP4, VIAL | | 21B | X06A, X06B, X06C |
| | 21B | X04Z | | 01 | B03Z, B17A, B17B, B17C, B17J | | 08 | BOP, KVT, UOP4, VIAL |
| 5t402.o↔ | 08 | I12A, I12B, I12C, I12J, I20A, I20B, I20C, I20D, I20E, I20F, I20J, I20Q, I20R | 5t403.i↔ | 08 | I12A, I12B, I12C, I12J, I21J, I21Z | 5t404.3↔ | 21A | W04A, W04B |
| | 21A | W04A, W04B | | 01 | BOP, KJZSV, KVT, UOP4, VIAL | | 21B | X06A, X06B, X06C |
| | 21B | X04Z | | 08 | I12A, I12B, I12C, I12J, I21J, I21Z | | 08 | BOP, KJZSV, KVT, UOP4, VIAL |
| 5t402.p↔ | 08 | I20A, I20B, I20C, I20D, I20E, I20F, I20J, I20Q, I20R | 5t403.j↔ | 21A | W04A, W04B | 5t404.4↔ | 08 | I12A, I12B, I12C, I12J, I28A, I28B, I28J |
| | 21A | W04A, W04B | | 21B | X04Z | | 21A | W04A, W04B |
| | 21B | X04Z | | 01 | BOP, KVT, UOP4, VIAL | | 21B | X06A, X06B, X06C |
| 5t402.q↔ | 08 | I12A, I12B, I12C, I12J, I20A, I20B, I20C, I20D, I20E, I20F, I20J, I20Q, I20R | 5t403.k↔ | 08 | I12A, I12B, I12C, I12J, I23A, I23B, I23J | 5t404.5↔ | 08 | I08A, I08B, I08C, I08D, I08E, I08F, I08J, I12A, I12B, I12C, I12J, I21J, I21Z, I31J, I31Z |
| | 21A | W04A, W04B | | 01 | B03Z, B17A, B17B, B17C, B17J | | 10 | K09A, K09B |
| | 21B | X04Z | | 08 | I12A, I12B, I12C, I12J, I23A, I23B, I23J | | 21A | W04A, W04B |
| 5t402.r↔ | 08 | I12A, I12B, I12C, I12J, I20A, I20B, I20C, I20D, I20E, I20F, I20J, I20Q, I20R | 5t403.l↔ | 21A | W04A, W04B | 5t404.6↔ | 21B | X06A, X06B, X06C |
| | 21A | W04A, W04B | | 01 | BOP, KVT, UOP4, VIAL | | 08 | BOP, KJZSV, KVT, UOP4, VIAL |
| | 21B | X04Z | | 01 | B03Z, B17A, B17B, B17C, B17J | | 08 | I08A, I08B, I08C, I08D, I08E, I08F, I08J, I12A, I12B, I12C, I12J, I21J, I21Z, I31J, I31Z |
| 5t402.s↔ | 08 | I12A, I12B, I12C, I12J, I28A, I28B, I28J | 5t403.m↔ | 08 | I12A, I12B, I12C, I12J, I23A, I23B, I23J | 5t404.7↔ | 10 | K09A, K09B |
| | 21A | W04A, W04B | | 21A | W04A, W04B | | 21A | W04A, W04B |
| | 21B | X06A, X06B, X06C | | 21B | X04Z, X06A, X06B, X06C | | 21B | X06A, X06B, X06C |

VYK

| ZZV | MDC | DRG | ZZV | MDC | DRG | ZZV | MDC | DRG |
|----------|-----|--|----------|----------|--|----------|----------|--|
| 5t404.6↔ | | BOP, KJZSV, KVT, UOP4, VIAL | 5t404.q↔ | | BOP, KVT, UOP4, VIAL | 5t405.9↔ | | BOP, KVT, UOP4, VIAL |
| | 08 | I08A, I08B, I08C, I08D, I08E, I08F, I08J, I12A, I12B, I12C, I12J, I32A, I32B, I32C, I32D, I32E, I32F, I32J, I32Q, I32R, I32S, I32T, I32U | | 08 | I12A, I12B, I12C, I12J, I20A, I20B, I20C, I20D, I20E, I20F, I20J, I20Q, I20R | | 08 | I12A, I12B, I12C, I12J, I32A, I32B, I32C, I32D, I32E, I32F, I32J, I32Q, I32R, I32S, I32T, I32U |
| | 21A | W04A, W04B | | 21A | W04A, W04B | | 09 | J03A, J03B, J04A, J04B, J08A, J08B, J08C, J11A, J11B, J11J, J11Q, J11R, J11S, J16Z |
| | 21B | X05A, X05B | | 21B | X04Z | | 21A | W04A, W04B |
| 5t404.8↔ | | BOP, KVT, UOP4, VIAL | 5t404.r↔ | | BOP, KJZSV, KVT, UOP4, VIAL | 5t405.e↔ | | BOP, KJZSV, KVT, UOP4, VIAL |
| | 08 | I12A, I12B, I12C, I12J, I32A, I32B, I32C, I32D, I32E, I32F, I32J, I32Q, I32R, I32S, I32T, I32U | | 08 | I12A, I12B, I12C, I12J, I20A, I20B, I20C, I20D, I20E, I20F, I20J, I20Q, I20R | | 08 | I08A, I08B, I08C, I08D, I08E, I08F, I08J, I12A, I12B, I12C, I12J, I28A, I28B, I28J |
| | 21A | W04A, W04B | | 21A | W04A, W04B | | 21A | W04A, W04B |
| | 21B | X05A, X05B | | 21B | X04Z | | 21B | X04Z, X06A, X06B, X06C |
| 5t404.9↔ | | BOP, KVT, UOP4, VIAL | 5t404.x | | BOP, KVT, UOP4 | 5t405.f | | BOP, KJZSV, KVT, UOP4, VIAL |
| | 08 | I12A, I12B, I12C, I12J, I32A, I32B, I32C, I32D, I32E, I32F, I32J, I32Q, I32R, I32S, I32T, I32U | | 08 | I12A, I12B, I12C, I12J, I28A, I28B, I28J | | 08 | I12A, I12B, I12C, I12J, I28A, I28B, I28J |
| | 21A | W04A, W04B | | 21A | W04A, W04B | | 21A | W04A, W04B |
| | 21B | X05A, X05B | | 21B | X06A, X06B, X06C | | 21B | X04Z, X06A, X06B, X06C |
| 5t404.g↔ | | BOP, KJZSV, KVT, UOP4, VIAL | 5t405.0↔ | | BOP, KVT, UOP4, VIAL | 5t405.g↔ | | BOP, KVT, UOP4, VIAL |
| | 08 | I08A, I08B, I08C, I08D, I08E, I30J, I30Z | | 08 | I12A, I12B, I12C, I12J, I16J, I16Q, I16Z | | 08 | I12A, I12B, I12C, I12J, I28A, I28B, I28J |
| | 21A | W01A, W01B, W01C, W02A, W02B | | 21A | W04A, W04B | | 21A | W04A, W04B |
| | 21B | X04Z | | 21B | X06A, X06B, X06C | | 21B | X04Z, X06A, X06B, X06C |
| 5t404.h↔ | | BOP, KVT, UOP4, VIAL | 5t405.1↔ | | BOP, KVT, UOP4, VIAL | 5t405.h↔ | | BOP, KVT, UOP4, VIAL |
| | 08 | I12A, I12B, I12C, I12J, I18A, I18B, I18J, I18Q, I18R, I30J, I30Z | | 08 | I12A, I12B, I12C, I12J, I16J, I16Q, I16Z | | 08 | I08A, I08B, I08C, I08D, I08E, I30J, I30Z |
| | 10 | K09A, K09B | | 21A | W04A, W04B | | 21A | W01A, W01B, W01C, W02A, W02B |
| | 21A | W04A, W04B | | 21B | X06A, X06B, X06C | | 21B | X04Z |
| | 21B | X04Z | | 5t405.4↔ | BOP, KVT, UOP4, VIAL | | 21B | X04Z |
| 5t404.i↔ | | BOP, KJZSV, KVT, UOP4, VIAL | | 08 | I08A, I08B, I08C, I08D, I08E, I08F, I08J, I12A, I12B, I12C, I12J, I21J, I21Z, I31J, I31Z | | 21A | W04A, W04B |
| | 08 | I12A, I12B, I12C, I12J, I18A, I18B, I18J, I18Q, I18R, I30J, I30Z | | 21A | W04A, W04B | | 21B | X06A, X06B, X06C |
| | 10 | K09A, K09B | | 21B | X06A, X06B, X06C | | 5t405.5↔ | BOP, KJZSV, KVT, UOP4, VIAL |
| | 21A | W04A, W04B | | 5t405.6↔ | BOP, KJZSV, KVT, UOP4, VIAL | | 08 | I08A, I08B, I08C, I08D, I08E, I08F, I08J, I12A, I12B, I12C, I12J, I21J, I21Z, I31J, I31Z |
| | 21B | X04Z | | | | | 21A | W04A, W04B |
| 5t404.j↔ | | BOP, KJZSV, KVT, UOP4, VIAL | | 08 | I08A, I08B, I08C, I08D, I08E, I08F, I08J, I12A, I12B, I12C, I12J, I21J, I21Z, I31J, I31Z | | 21B | X06A, X06B, X06C |
| | 08 | I12A, I12B, I12C, I12J, I18A, I18B, I18J, I18Q, I18R, I30J, I30Z | | 5t405.8↔ | BOP, KVT, UOP4, VIAL | | 5t405.j↔ | BOP, KJZSV, KVT, UOP4, VIAL |
| | 10 | K09A, K09B | | | | | 08 | I59J, I59Z |
| | 21A | W04A, W04B | | | | | 5t405.k↔ | BOP, KVT, UOP4, VIAL |
| | 21B | X04Z | | | | | 08 | I12A, I12B, I12C, I12J, I59J, I59Z |
| 5t404.k↔ | | BOP, KVT, UOP4, VIAL | | | | | 21A | W04A, W04B |
| | 08 | I12A, I12B, I12C, I12J, I59J, I59Z | | | | | 21B | X04Z |
| | 10 | K09A, K09B | | | | | 5t405.m↔ | BOP, KVT, UOP4, VIAL |
| | 21A | W04A, W04B | | | | | 08 | I12A, I12B, I12C, I12J, I20A, I20B, I20C, I20D, I20E, I20F, I20J, I20Q, I20R |
| | 21B | X04Z | | | | | 21A | W04A, W04B |
| 5t404.l↔ | | BOP, KVT, UOP4, VIAL | | | | | 21B | X04Z |
| | 08 | I12A, I12B, I12C, I12J, I20A, I20B, I20C, I20D, I20E, I20F, I20J, I20Q, I20R | | | | | 5t405.n↔ | BOP, KJZSV, KVT, UOP4, VIAL |
| | 21A | W04A, W04B | | | | | 08 | I12A, I12B, I12C, I12J, I20A, I20B, I20C, I20D, I20E, I20F, I20J, I20Q, I20R |
| | 21B | X04Z | | | | | 21A | W04A, W04B |
| 5t404.m↔ | | BOP, KJZSV, KVT, UOP4, VIAL | | | | | 21B | X04Z |
| | 08 | I12A, I12B, I12C, I12J, I20A, I20B, I20C, I20D, I20E, I20F, I20J, I20Q, I20R | | | | | 5t405.p↔ | BOP, KJZSV, KVT, UOP4, VIAL |
| | 21A | W04A, W04B | | | | | 08 | I12A, I12B, I12C, I12J, I20A, I20B, I20C, I20D, I20E, I20F, I20J, I20Q, I20R |
| | 21B | X04Z | | | | | 21A | W04A, W04B |
| 5t404.n↔ | | BOP, KJZSV, KVT, UOP4, VIAL | | | | | 21B | X04Z |
| | 08 | I12A, I12B, I12C, I12J, I20A, I20B, I20C, I20D, I20E, I20F, I20J, I20Q, I20R | | | | | 5t405.q↔ | BOP, KJZSV, KVT, UOP4, VIAL |
| | 21A | W04A, W04B | | | | | 08 | I20A, I20B, I20C, I20D, I20E, I20F, I20J, I20Q, I20R |
| | 21B | X04Z | | | | | 5t405.r↔ | BOP, KVT, UOP4, VIAL |
| 5t404.o↔ | | BOP, KJZSV, KVT, UOP4, VIAL | | | | | 08 | I20A, I20B, I20C, I20D, I20E, I20F, I20J, I20Q, I20R |
| | 08 | I12A, I12B, I12C, I12J, I20A, I20B, I20C, I20D, I20E, I20F, I20J, I20Q, I20R | | | | | | |
| | 21A | W04A, W04B | | | | | | |
| | 21B | X04Z | | | | | | |

| ZZV | MDC | DRG | ZZV | MDC | DRG | ZZV | MDC | DRG |
|----------|-----|--|----------|-----|--|----------|--|-----------------------------|
| 5t405.x | | BOP, KVT, UOP4 | 5t406.n↔ | | BOP, KJZSV, KVT, UOP4, VIAL | 5t407.6↔ | | BOP, KJZSV, KVT, UOP4, VIAL |
| | 08 | I12A, I12B, I12C, I12J, I28A, I28B, I28J | | 08 | I20A, I20B, I20C, I20D, I20E, I20F, I20J, I20Q, I20R | 05 | F13A | |
| | 21A | W04A, W04B | | | | 08 | I08A, I08B, I08C, I08D, I08E, I08F, I08J, I12A, I12B, I12C, I12J, I32A, I32B, I32C, I32D, I32E, I32F, I32J, I32Q, I32R, I32S, I32T, I32U | |
| 5t406.0↔ | 21B | X06A, X06B, X06C | 5t406.p↔ | | BOP, KJZSV, KVT, UOP4, VIAL | | | |
| | | BOP, KVT, UOP4, VIAL | | 08 | I20A, I20B, I20C, I20D, I20E, I20F, I20J, I20Q, I20R | 09 | J03A, J03B, J04A, J04B, J08A, J08B, J08C, J11A, J11B, J11J, J11Q, J11R, J11S, J16Z | |
| | 08 | I12A, I12B, I12C, I12J, I24J, I24Q, I24Z | | | | 21A | W04A, W04B | |
| | 21A | W04A, W04B | 5t406.q↔ | | BOP, KVT, UOP4, VIAL | 21B | X05A, X05B | |
| | 21B | X06A, X06B, X06C | | 08 | I20A, I20B, I20C, I20D, I20E, I20F, I20J, I20Q, I20R | 5t407.8↔ | BOP, KJZSV, KVT, UOP4, VIAL | |
| 5t406.1↔ | | BOP, KVT, UOP4, VIAL | 5t406.r↔ | | BOP, KJZSV, KVT, UOP4, VIAL | | | |
| | 08 | I12A, I12B, I12C, I12J, I16J, I16Q, I16Z | | 08 | I20A, I20B, I20C, I20D, I20E, I20F, I20J, I20Q, I20R | 05 | F13A | |
| | 21A | W04A, W04B | | | | 08 | I12A, I12B, I12C, I12J, I24J, I24Q, I24Z | |
| | 21B | X06A, X06B, X06C | 5t406.x | | BOP, KVT, UOP4 | 21A | W04A, W04B | |
| 5t406.4↔ | | BOP, KVT, UOP4, VIAL | | 08 | I12A, I12B, I12C, I12J, I24J, I24Q, I24Z | 21B | X06A, X06B, X06C | |
| | 08 | I08A, I08B, I08C, I08D, I08E, I08F, I08J, I12A, I12B, I12C, I12J, I24J, I24Q, I24Z | | | | 5t407.0↔ | BOP, KJZSV, KVT, UOP4, VIAL | |
| | 21A | W04A, W04B | | | | 05 | F13A | |
| | 21B | X06A, X06B, X06C | | | | 08 | I12A, I12B, I12C, I12J, I16J, I16Q, I16Z | |
| 5t406.5↔ | | BOP, KJZSV, KVT, UOP4, VIAL | | | | 21A | W04A, W04B | |
| | 08 | I08A, I08B, I08C, I08D, I08E, I08F, I08J, I12A, I12B, I12C, I12J, I24J, I24Q, I24Z | | | | 21B | X06A, X06B, X06C | |
| | 21A | W04A, W04B | 5t407.1↔ | | BOP, KJZSV, KVT, UOP4, VIAL | | | |
| | 21B | X06A, X06B, X06C | | 05 | F13A | 5t407.9↔ | BOP, KJZSV, KVT, UOP4, VIAL | |
| 5t406.6↔ | | BOP, KVT, UOP4, VIAL | | 08 | I12A, I12B, I12C, I12J, I16J, I16Q, I16Z | 05 | F13A | |
| | 08 | I08A, I08B, I08C, I08D, I08E, I08F, I08J, I12A, I12B, I12C, I12J, I24J, I24Q, I24Z | | | | 08 | I12A, I12B, I12C, I12J, I32A, I32B, I32C, I32D, I32E, I32F, I32J, I32Q, I32R, I32S, I32T, I32U | |
| | 21A | W04A, W04B | | | | 09 | J03A, J03B, J04A, J04B, J08A, J08B, J08C, J11A, J11B, J11J, J11Q, J11R, J11S, J16Z | |
| | 21B | X05A, X05B | | | | 21A | W04A, W04B | |
| 5t406.8↔ | | BOP, KVT, UOP4, VIAL | | | | 21B | X05A, X05B | |
| | 08 | I12A, I12B, I12C, I12J, I32A, I32B, I32C, I32D, I32E, I32F, I32G, I32J, I32Q, I32R, I32S, I32T, I32U | 5t407.2↔ | | BOP, KJZSV, KVT, UOP4, VIAL | | | |
| | 21A | W04A, W04B | | 05 | F13A | 5t407.e↔ | BOP, KJZSV, KVT, UOP4, VIAL | |
| | 21B | X05A, X05B | | 08 | I12A, I12B, I12C, I12J, I28A, I28B, I28J | 05 | F13A | |
| 5t406.9↔ | | BOP, KJZSV, KVT, UOP4, VIAL | | | | 08 | I08A, I08B, I08C, I08D, I08E, I08F, I08J, I12A, I12B, I12C, I12J, I28A, I28B, I28J | |
| | 08 | I12A, I12B, I12C, I12J, I32A, I32B, I32C, I32D, I32E, I32F, I32G, I32J, I32Q, I32R, I32S, I32T, I32U | 5t407.3↔ | | BOP, KJZSV, KVT, UOP4, VIAL | 21A | W04A, W04B | |
| | 21A | W04A, W04B | | 05 | F13A | 21B | X04Z, X06A, X06B, X06C | |
| | 21B | X05A, X05B | | 08 | I12A, I12B, I12C, I12J, I28A, I28B, I28J | 5t407.f | BOP, KJZSV, KVT, UOP4, VIAL | |
| 5t406.g↔ | | BOP, KJZSV, KVT, UOP4, VIAL | | | | | | |
| | 08 | I12A, I12B, I12C, I12J, I32A, I32B, I32C, I32D, I32E, I32F, I32G, I32J, I32Q, I32R, I32S, I32T, I32U | 5t407.4↔ | | BOP, KJZSV, KVT, UOP4, VIAL | 05 | F13A | |
| | 21A | W04A, W04B | | 05 | F13A | 08 | I12A, I12B, I12C, I12J, I28A, I28B, I28J | |
| | 21B | X05A, X05B | | 08 | I08A, I08B, I08C, I08D, I08E, I08F, I08J, I12A, I12B, I12C, I12J, I21J, I21Z, I31J, I31Z | 21A | W04A, W04B | |
| 5t406.h↔ | | BOP, KJZSV, KVT, UOP4, VIAL | | | | 21B | X06A, X06B, X06C | |
| | 08 | I12A, I12B, I12C, I12J, I24J, I24Q, I24Z | 5t407.5↔ | | BOP, KJZSV, KVT, UOP4, VIAL | 5t407.g↔ | BOP, KJZSV, KVT, UOP4, VIAL | |
| | 21A | W04A, W04B | | 05 | F13A | | | |
| | 21B | X04Z | | 08 | I08A, I08B, I08C, I08D, I08E, I08F, I08J, I12A, I12B, I12C, I12J, I18A, I18B, I18J, I18Q, I18R, I30J, I30Z | 05 | F13A | |
| 5t406.k↔ | | BOP, KVT, UOP4, VIAL | | | | 08 | I08A, I08B, I08C, I08D, I08E, I30J, I30Z | |
| | 08 | I12A, I12B, I12C, I12J, I24J, I24Q, I24Z | | 21A | W04A, W04B | 21A | W01A, W01B, W01C, W02A, W02B | |
| | 21A | W04A, W04B | | 21B | X06A, X06B, X06C | 21B | X04Z | |
| | 21B | X04Z | | | | 5t407.h↔ | BOP, KJZSV, KVT, UOP4, VIAL | |
| 5t406.m↔ | | BOP, KVT, UOP4, VIAL | | | | 05 | F13A | |
| | 08 | I20A, I20B, I20C, I20D, I20E, I20F, I20J, I20Q, I20R | | | | 08 | I12A, I12B, I12C, I12J, I18A, I18J, I18Q, I18R, I30J, I30Z | |
| | 21A | W04A, W04B | | | | 21A | W04A, W04B | |
| | 21B | X04Z | | | | 21B | X04Z | |

| ZZV | MDC | DRG | ZZV | MDC | DRG | ZZV | MDC | DRG |
|----------|------------------|--|----------|--|--|--|------------------------------------|--|
| 5t407.j↔ | | BOP, KJZSV, KVT, UOP4, VIAL | 5t408.1↔ | 05 | F13A | 5t408.9↔ | 05 | F13A |
| | 05 | F13A | | 05 | F13A | | 05 | F13A |
| | 08 | I12A, I12B, I12C, I12J, I18A, I18B, I18J, I18Q, I18R, I30J, I30Z | | 08 | I12A, I12B, I12C, I12J, I16J, I16Q, I16Z | | 08 | I12A, I12B, I12C, I12J, I32A, I32B, I32C, I32D, I32E, I32F, I32J, I32Q, I32R, I32S, I32T, I32U |
| | 21A | W04A, W04B | | 21A | W04A, W04B | | 09 | J03A, J03B, J04A, J04B, J08A, J08B, J08C, J11A, J11B, J11J, J11Q, J11R, J11S, J16Z |
| 5t407.k↔ | 21B | X04Z | 5t408.2↔ | 21B | X06A, X06B, X06C | 5t408.e↔ | 21A | W04A, W04B |
| | | BOP, KJZSV, KVT, UOP4, VIAL | | | BOP, KJZSV, KVT, UOP4, VIAL | | 21B | X05A, X05B |
| | 05 | F13A | | 05 | F13A | | | BOP, KJZSV, KVT, UOP4, VIAL |
| | 08 | I12A, I12B, I12C, I12J, I59J, I59Z | | 08 | I12A, I12B, I12C, I12J, I28A, I28B, I28J | | 05 | F13A |
| 5t407.m↔ | 21A | W04A, W04B | 5t408.3↔ | 21A | W04A, W04B | 5t408.f | 08 | I08A, I08B, I08C, I08D, I08E, I08F, I08J, I12A, I12B, I12C, I12J, I28A, I28B, I28J |
| | 21B | X04Z | | 21B | X06A, X06B, X06C | | 21A | W04A, W04B |
| | | BOP, KJZSV, KVT, UOP4, VIAL | | | BOP, KJZSV, KVT, UOP4, VIAL | | 21B | X04Z, X06A, X06B, X06C |
| | 05 | F13A | | 05 | F13A | | | BOP, KJZSV, KVT, UOP4, VIAL |
| 5t407.n↔ | 08 | I12A, I12B, I12C, I12J, I20A, I20B, I20C, I20D, I20E, I20F, I20J, I20Q, I20R | 5t408.4↔ | 08 | I12A, I12B, I12C, I12J, I28A, I28B, I28J | 5t408.g↔ | 05 | F13A |
| | 21A | W04A, W04B | | 21A | W04A, W04B | | 08 | I12A, I12B, I12C, I12J, I28A, I28B, I28J |
| | 21B | X04Z | | 21B | X06A, X06B, X06C | | 21A | W04A, W04B |
| | | BOP, KJZSV, KVT, UOP4, VIAL | | | BOP, KJZSV, KVT, UOP4, VIAL | | 21B | X04Z, X06A, X06B, X06C |
| 5t407.p↔ | 05 | F13A | 5t408.5↔ | 05 | F13A | 5t408.h↔ | BOP, KJZSV, KVT, UOP4, VIAL | |
| | 08 | I12A, I12B, I12C, I12J, I20A, I20B, I20C, I20D, I20E, I20F, I20J, I20Q, I20R | | 08 | I08A, I08B, I08C, I08D, I08E, I08F, I08J, I12A, I12B, I12C, I12J, I18A, I18B, I18J, I18Q, I18R, I30J, I30Z | | 05 | F13A |
| | 21A | W04A, W04B | | 21A | W04A, W04B | | 08 | I08A, I08B, I08C, I08D, I08E, I30J, I30Z |
| | 21B | X04Z | | 21B | X06A, X06B, X06C | | 21A | W01A, W01B, W01C, W02A, W02B |
| 5t407.q↔ | | BOP, KJZSV, KVT, UOP4, VIAL | 5t408.6↔ | | BOP, KJZSV, KVT, UOP4, VIAL | 5t408.i↔ | 21B | X04Z |
| | 05 | F13A | | 05 | F13A | | | BOP, KJZSV, KVT, UOP4, VIAL |
| | 08 | I12A, I12B, I12C, I12J, I20A, I20B, I20C, I20D, I20E, I20F, I20J, I20Q, I20R | | 08 | I08A, I08B, I08C, I08D, I08E, I08F, I08J, I12A, I12B, I12C, I12J, I18A, I18B, I18J, I18Q, I18R, I30J, I30Z | | 05 | F13A |
| | 21A | W04A, W04B | | 21A | W04A, W04B | | 08 | I12A, I12B, I12C, I12J, I18A, I18B, I18J, I18Q, I18R, I30J, I30Z |
| 5t407.r↔ | 21B | X04Z | 5t408.7↔ | 21B | X06A, X06B, X06C | 5t408.j↔ | 21A | W04A, W04B |
| | | BOP, KJZSV, KVT, UOP4, VIAL | | | BOP, KJZSV, KVT, UOP4, VIAL | | 21B | X04Z |
| | 05 | F13A | | 05 | F13A | | | BOP, KJZSV, KVT, UOP4, VIAL |
| | 08 | I12A, I12B, I12C, I12J, I20A, I20B, I20C, I20D, I20E, I20F, I20J, I20Q, I20R | | 08 | I08A, I08B, I08C, I08D, I08E, I08F, I08J, I12A, I12B, I12C, I12J, I32A, I32B, I32C, I32D, I32E, I32F, I32J, I32Q, I32R, I32S, I32T, I32U | | 05 | F13A |
| 5t407.x | 21A | W04A, W04B | 5t408.8↔ | 09 | J03A, J03B, J04A, J04B, J08A, J08B, J08C, J11A, J11B, J11J, J11Q, J11R, J11S, J16Z | 5t408.k↔ | 08 | I12A, I12B, I12C, I12J, I18A, I18B, I18J, I18Q, I18R, I30J, I30Z |
| | 21B | X04Z | | 21A | W04A, W04B | | 21A | W04A, W04B |
| | | BOP, KJZSV, KVT, UOP4, VIAL | | 21B | X05A, X05B | | 21B | X04Z |
| | 05 | F13A | | | BOP, KJZSV, KVT, UOP4, VIAL | | | BOP, KJZSV, KVT, UOP4, VIAL |
| 5t408.0↔ | 08 | I12A, I12B, I12C, I12J, I28A, I28B, I28J | 05 | F13A | 5t408.l↔ | 05 | F13A | |
| | 21A | W04A, W04B | 08 | I12A, I12B, I12C, I12J, I32A, I32B, I32C, I32D, I32E, I32F, I32J, I32Q, I32R, I32S, I32T, I32U | | 08 | I12A, I12B, I12C, I12J, I59J, I59Z | |
| | 21B | X06A, X06B, X06C | 09 | J03A, J03B, J04A, J04B, J08A, J08B, J08C, J11A, J11B, J11J, J11Q, J11R, J11S, J16Z | | 21A | W04A, W04B | |
| | | BOP, KJZSV, KVT, UOP4, VIAL | 21A | W04A, W04B | | 21B | X04Z | |
| | 05 | F13A | 21B | X05A, X05B | 5t408.m↔ | BOP, KJZSV, KVT, UOP4, VIAL | | |
| | 08 | I12A, I12B, I12C, I12J, I16J, I16Q, I16Z | | | | 05 | F13A | |
| 21A | W04A, W04B | | | 08 | | I12A, I12B, I12C, I12J, I20A, I20B, I20C, I20D, I20E, I20F, I20J, I20Q, I20R | | |
| 21B | X06A, X06B, X06C | | | 21A | | W04A, W04B | | |

VYK

| ZZV | MDC | DRG | ZZV | MDC | DRG | ZZV | MDC | DRG |
|----------|-----|--|----------|-----|--|----------|-----|--|
| 5t40x.8↔ | | BOP, KVT, UOP4, VIAL | 5t410.x | | BOP, KVT, UOP4 | 5t412.8↔ | | BOP, KVT, UOP4, VIAL |
| | 08 | I32A, I32B, I32C, I32D, I32E, I32F, I32G, I32J, I32Q, I32R, I32S, I32T, I32U | | 08 | I28A, I28B, I28J | | 05 | F13A |
| | 21A | W04A, W04B | | 21A | W04A, W04B | | 08 | I12A, I12B, I12C, I12J, I32A, I32B, I32C, I32D, I32E, I32F, I32G, I32J, I32Q, I32R, I32S, I32T, I32U |
| 5t40x.9↔ | 21B | X05A, X05B | 5t411.g↔ | | X06A, X06B, X06C | 5t412.9↔ | | J03A, J03B, J04A, J04B, J08A, J08B, J08C, J11A, J11B, J11J, J11Q, J11R, J11S, J16Z |
| | 08 | BOP, KVT, UOP4, VIAL | | 08 | I08A, I08B, I08C, I08D, I08E, I30J, I30Z | | 09 | |
| | 21A | I32A, I32B, I32C, I32D, I32E, I32F, I32G, I32J, I32Q, I32R, I32S, I32T, I32U | | 21A | W01A, W01B, W01C, W02A, W02B | | 21A | W04A, W04B |
| 5t40x.e↔ | 21B | W04A, W04B | 5t411.h↔ | | X04Z | 5t412.e↔ | 21B | X05A, X05B |
| | 08 | BOP, KVT, UOP4, VIAL | | 08 | I24J, I24Q, I24Z, I30J, I30Z | | 05 | BOP, KVT, UOP4, VIAL |
| | 21A | I08A, I08B, I08C, I08D, I08E, I08F, I08J, I24J, I24Q, I24Z | | 21A | W04A, W04B | | 08 | F13A |
| 5t40x.f | 21B | W04A, W04B | 5t411.x | | X04Z | 5t412.g↔ | 08 | I12A, I12B, I12C, I12J, I32A, I32B, I32C, I32D, I32E, I32F, I32G, I32J, I32Q, I32R, I32S, I32T, I32U |
| | 08 | BOP, KVT, UOP4, VIAL | | 08 | I24J, I24Q, I24Z | | 09 | J03A, J03B, J04A, J04B, J08A, J08B, J08C, J11A, J11B, J11J, J11Q, J11R, J11S, J16Z |
| | 21A | I24J, I24Q, I24Z | | 21A | W04A, W04B | | 21A | W04A, W04B |
| 5t40x.g↔ | 21B | X04Z, X06A, X06B, X06C | 5t412.0↔ | | X06A, X06B, X06C | 5t412.h↔ | 21B | X05A, X05B |
| | 08 | BOP, KVT, UOP4, VIAL | | 05 | BOP, KVT, UOP4, VIAL | | 05 | BOP, KVT, UOP4, VIAL |
| | 21A | I24J, I24Q, I24Z | | 08 | F13A | | 08 | I12A, I12B, I12C, I12J, I16J, I16Q, I16Z, I32J, I32Q, I32R, I32S, I32T, I32U |
| 5t40x.h↔ | 21B | W04A, W04B | 5t412.1↔ | | X04Z | 5t412.i↔ | 08 | I12A, I12B, I12C, I12J, I28A, I28B, I28J |
| | 08 | BOP, KVT, UOP4, VIAL | | 05 | F13A | | 21A | W04A, W04B |
| | 21A | I24J, I24Q, I24Z | | 08 | I12A, I12B, I12C, I12J, I16J, I16Q, I16Z | | 21B | X06A, X06B, X06C |
| 5t40x.j↔ | 21B | X04Z | 5t412.2↔ | | X04Z | 5t412.j↔ | 05 | F13A |
| | 08 | BOP, KVT, UOP4, VIAL | | 05 | BOP, KVT, UOP4, VIAL | | 08 | I08A, I08B, I08C, I08D, I08E, I30J, I30Z |
| | 21A | I24J, I24Q, I24Z | | 08 | F13A | | 21A | W01A, W01B, W01C, W02A, W02B |
| 5t40x.k↔ | 21B | X04Z, X06A, X06B, X06C | 5t412.3↔ | | X04Z | 5t412.k↔ | 21B | X04Z |
| | 08 | BOP, KVT, UOP4, VIAL | | 08 | I12A, I12B, I12C, I12J, I28A, I28B, I28J | | 05 | BOP, KVT, UOP4, VIAL |
| | 21A | I24J, I24Q, I24Z | | 21A | W04A, W04B | | 08 | F13A |
| 5t40x.l↔ | 21B | W04A, W04B | 5t412.4↔ | | X04Z | 5t412.l↔ | 08 | I12A, I12B, I12C, I12J, I18A, I18B, I18J, I18Q, I30Z |
| | 08 | BOP, KVT, UOP4, VIAL | | 05 | BOP, KVT, UOP4, VIAL | | 21A | W04A, W04B |
| | 21A | I24J, I24Q, I24Z | | 08 | F13A | | 21B | X06A, X06B, X06C |
| 5t40x.m↔ | 21B | X04Z | 5t412.5↔ | | X04Z | 5t412.m↔ | 21A | W04A, W04B |
| | 08 | BOP, KVT, UOP4, VIAL | | 05 | BOP, KVT, UOP4, VIAL | | 05 | BOP, KVT, UOP4, VIAL |
| | 21A | I24J, I24Q, I24Z | | 08 | F13A | | 08 | I12A, I12B, I12C, I12J, I18A, I18B, I18J, I18Q, I30Z |
| 5t40x.n↔ | 21B | X04Z, X06A, X06B, X06C | 5t412.6↔ | | X04Z | 5t412.n↔ | 21A | W04A, W04B |
| | 08 | BOP, KVT, UOP4, VIAL | | 08 | I08A, I08B, I08C, I08D, I08E, I08F, I08J, I12A, I12B, I12C, I12J, I18A, I18B, I18J, I18Q, I18R, I30J, I30Z | | 21B | X04Z |
| | 21A | I24J, I24Q, I24Z | | 21A | W04A, W04B | | 05 | F13A |
| 5t40x.o↔ | 21B | X04Z, X06A, X06B, X06C | 5t412.7↔ | | X04Z | 5t412.o↔ | 08 | I12A, I12B, I12C, I12J, I18A, I18B, I18J, I18Q, I30Z |
| | 08 | BOP, KVT, UOP4, VIAL | | 05 | BOP, KVT, UOP4, VIAL | | 21A | W04A, W04B |
| | 21A | I24J, I24Q, I24Z | | 08 | F13A | | 21B | X04Z |
| 5t40x.p↔ | 21B | X04Z | 5t412.8↔ | | X04Z | 5t412.p↔ | 21A | W04A, W04B |
| | 08 | BOP, KVT, UOP4, VIAL | | 08 | I08A, I08B, I08C, I08D, I08E, I08F, I08J, I12A, I12B, I12C, I12J, I18A, I18B, I18J, I18Q, I18R, I30J, I30Z | | 05 | BOP, KVT, UOP4, VIAL |
| | 21A | I24J, I24Q, I24Z | | 21A | W04A, W04B | | 08 | F13A |
| 5t40x.q↔ | 21B | X04Z, X06A, X06B, X06C | 5t412.9↔ | | X04Z | 5t412.q↔ | 08 | I12A, I12B, I12C, I12J, I59J, I59Z |
| | 08 | BOP, KVT, UOP4, VIAL | | 05 | BOP, KVT, UOP4, VIAL | | 21A | W04A, W04B |
| | 21A | I24J, I24Q, I24Z | | 08 | I08A, I08B, I08C, I08D, I08E, I08F, I08J, I12A, I12B, I12C, I12J, I32A, I32B, I32C, I32D, I32E, I32F, I32J, I32Q, I32R, I32S, I32T, I32U | | 21B | X04Z |
| 5t40x.r↔ | 21B | X04Z, X06A, X06B, X06C | 5t413.0↔ | | X04Z | 5t413.0↔ | 21A | W04A, W04B |
| | 08 | BOP, KVT, UOP4, VIAL | | 08 | I08A, I08B, I08C, I08D, I08E, I08F, I08J, I12A, I12B, I12C, I12J, I32A, I32B, I32C, I32D, I32E, I32F, I32J, I32Q, I32R, I32S, I32T, I32U | | 21B | X04Z |
| | 21A | I24J, I24Q, I24Z | | 09 | J03A, J03B, J04A, J04B, J08A, J08B, J08C, J11A, J11B, J11J, J11Q, J11R, J11S, J16Z | | | |
| 5t40x.s↔ | 21B | X04Z, X06A, X06B, X06C | 5t413.1↔ | | X04Z | 5t413.1↔ | | |
| | 08 | BOP, KVT, UOP4, VIAL | | 21A | W04A, W04B | | | |
| | 21A | I24J, I24Q, I24Z | | 21B | X05A, X05B | | | |

VYK

| ZZV | MDC | DRG | ZZV | MDC | DRG | ZZV | MDC | DRG |
|----------|------------------|--|----------|-----|--|----------|-----|--|
| 5t412.n↔ | | BOP, KVT, UOP4, VIAL | 5t413.6↔ | | BOP, KJZSV, KVT, UOP4, VIAL | 5t413.m↔ | | BOP, KVT, UOP4, VIAL |
| | 05 | F13A | | 05 | F13A | | 05 | F13A |
| | 08 | I12A, I12B, I12C, I12J, I20A, I20B, I20C, I20D, I20E, I20F, I20J, I20Q, I20R | | 08 | I08A, I08B, I08C, I08D, I08E, I08F, I08J, I12A, I12B, I12C, I12J, I32A, I32B, I32C, I32D, I32E, I32F, I32J, I32Q, I32R, I32S, I32T, I32U | | 08 | I12A, I12B, I12C, I12J, I20A, I20B, I20C, I20D, I20E, I20F, I20J, I20Q, I20R |
| | 21A | W04A, W04B | | 21A | W04A, W04B | | 21A | W04A, W04B |
| 5t412.p↔ | 21B | X04Z | 5t413.8↔ | 21B | X05A, X05B | 5t413.n↔ | 21B | X04Z |
| | | BOP, KVT, UOP4, VIAL | | | BOP, KVT, UOP4, VIAL | | | BOP, KJZSV, KVT, UOP4, VIAL |
| | 05 | F13A | | 05 | F13A | | 05 | F13A |
| | 08 | I12A, I12B, I12C, I12J, I20A, I20B, I20C, I20D, I20E, I20F, I20J, I20Q, I20R | | 08 | I12A, I12B, I12C, I12J, I32A, I32B, I32C, I32D, I32E, I32F, I32G, I32J, I32Q, I32R, I32S, I32T, I32U | | 08 | I12A, I12B, I12C, I12J, I20A, I20B, I20C, I20D, I20E, I20F, I20J, I20Q, I20R |
| 5t412.q↔ | 21A | W04A, W04B | 5t413.9↔ | 21A | W04A, W04B | 5t413.p↔ | 21A | W04A, W04B |
| | 21B | X04Z | | 21B | X05A, X05B | | 21B | X04Z |
| | | BOP, KVT, UOP4, VIAL | | | BOP, KVT, UOP4, VIAL | | | BOP, KJZSV, KVT, UOP4, VIAL |
| | 05 | F13A | | 05 | F13A | | 05 | F13A |
| 5t412.r↔ | 08 | I12A, I12B, I12C, I12J, I20A, I20B, I20C, I20D, I20E, I20F, I20J, I20Q, I20R | 5t413.g↔ | 08 | I12A, I12B, I12C, I12J, I32A, I32B, I32C, I32D, I32E, I32F, I32G, I32J, I32Q, I32R, I32S, I32T, I32U | 5t413.q↔ | 08 | I12A, I12B, I12C, I12J, I20A, I20B, I20C, I20D, I20E, I20F, I20J, I20Q, I20R |
| | 21A | W04A, W04B | | 21A | W04A, W04B | | 21A | W04A, W04B |
| | 21B | X04Z | | 21B | X05A, X05B | | 21B | X04Z |
| | | BOP, KVT, UOP4, VIAL | | | BOP, KVT, UOP4, VIAL | | | BOP, KJZSV, KVT, UOP4, VIAL |
| 5t412.x | 05 | F13A | 5t413.h↔ | 05 | F13A | 5t413.r↔ | 05 | F13A |
| | 08 | I12A, I12B, I12C, I12J, I28A, I28B, I28J | | 08 | I12A, I12B, I12C, I12J, I32A, I32B, I32C, I32D, I32E, I32F, I32G, I32J, I32Q, I32R, I32S, I32T, I32U | | 08 | I12A, I12B, I12C, I12J, I20A, I20B, I20C, I20D, I20E, I20F, I20J, I20Q, I20R |
| | 21A | W04A, W04B | | 21A | W01A, W01B, W01C, W02A, W02B | | 21A | W04A, W04B |
| | 21B | X06A, X06B, X06C | | 21B | X04Z | | 21B | X04Z |
| 5t413.0↔ | | BOP, KVT, UOP4, VIAL | 5t413.j↔ | | BOP, KVT, UOP4, VIAL | 5t413.s↔ | | BOP, KJZSV, KVT, UOP4, VIAL |
| | 05 | F13A | | 05 | F13A | | 05 | F13A |
| | 08 | I12A, I12B, I12C, I12J, I16J, I16Q, I16Z | | 08 | I12A, I12B, I12C, I12J, I18A, I18B, I18J, I18Q, I18R, I30J, I30Z | | 08 | I12A, I12B, I12C, I12J, I28A, I28B, I28J |
| | 21A | W04A, W04B | | 21A | W04A, W04B | | 21A | W04A, W04B |
| 5t413.1↔ | 21B | X06A, X06B, X06C | 5t413.k↔ | 21B | X05A, X05B | 5t414.0↔ | 21B | X06A, X06B, X06C |
| | | BOP, KVT, UOP4, VIAL | | | BOP, KJZSV, KVT, UOP4, VIAL | | | BOP, KJZSV, KVT, UOP4, VIAL |
| | 05 | F13A | | 05 | F13A | | 05 | F13A |
| | 08 | I12A, I12B, I12C, I12J, I16J, I16Q, I16Z | | 08 | I12A, I12B, I12C, I12J, I18A, I18B, I18J, I18Q, I18R, I30J, I30Z | | 08 | I12A, I12B, I12C, I12J, I28A, I28B, I28J |
| 5t413.3↔ | 21A | W04A, W04B | 5t413.l↔ | 21A | W04A, W04B | 5t414.1↔ | 21A | W04A, W04B |
| | 21B | X06A, X06B, X06C | | 21B | X04Z | | 21B | X06A, X06B, X06C |
| | | BOP, KJZSV, KVT, UOP4, VIAL | | | BOP, KJZSV, KVT, UOP4, VIAL | | | BOP, KJZSV, KVT, UOP4, VIAL |
| | 05 | F13A | | 05 | F13A | | 05 | F13A |
| 5t413.4↔ | 08 | I12A, I12B, I12C, I12J, I28A, I28B, I28J | 5t413.m↔ | 08 | I12A, I12B, I12C, I12J, I18A, I18B, I18J, I18Q, I18R, I30J, I30Z | 5t414.2↔ | 08 | I16J, I16Q, I16Z |
| | 21A | W04A, W04B | | 21A | W04A, W04B | | 21A | W04A, W04B |
| | 21B | X06A, X06B, X06C | | 21B | X04Z | | 21B | X06A, X06B, X06C |
| | | BOP, KVT, UOP4, VIAL | | | BOP, KJZSV, KVT, UOP4, VIAL | | | BOP, KJZSV, KVT, UOP4, VIAL |
| 5t413.5↔ | 05 | F13A | 5t413.n↔ | 05 | F13A | 5t414.3↔ | 05 | F13A |
| | 08 | I08A, I08B, I08C, I08D, I08E, I08F, I08J, I12A, I12B, I12C, I12J, I21J, I21Z, I31J, I31Z | | 08 | I12A, I12B, I12C, I12J, I18A, I18B, I18J, I18Q, I18R, I30J, I30Z | | 08 | I12A, I12B, I12C, I12J, I28A, I28B, I28J |
| | 21A | W04A, W04B | | 21A | W04A, W04B | | 21A | W04A, W04B |
| | 21B | X06A, X06B, X06C | | 21B | X04Z | | 21B | X06A, X06B, X06C |
| 5t413.5↔ | | BOP, KJZSV, KVT, UOP4, VIAL | 5t413.o↔ | | BOP, KVT, UOP4, VIAL | 5t414.4↔ | | BOP, KJZSV, KVT, UOP4, VIAL |
| | 05 | F13A | | 05 | F13A | | 05 | F13A |
| | 08 | I08A, I08B, I08C, I08D, I08E, I08F, I08J, I12A, I12B, I12C, I12J, I21J, I21Z, I31J, I31Z | | 08 | I12A, I12B, I12C, I12J, I59J, I59Z | | 08 | I28A, I28B, I28J |
| | 21A | W04A, W04B | | 21A | W04A, W04B | | 21A | W04A, W04B |
| 21B | X06A, X06B, X06C | 21B | X04Z | 21B | X06A, X06B, X06C | | | |

| ZZV | MDC | DRG | ZZV | MDC | DRG | ZZV | MDC | DRG |
|----------|-----|--|----------|-----|--|----------|-----|--|
| 5t414.4↔ | | BOP, KVT, UOP4, VIAL | 5t414.j↔ | | BOP, KJZSV, KVT, UOP4, VIAL | 5t41x.5↔ | | BOP, KVT, UOP4, VIAL |
| | 08 | I08A, I08B, I08C, I08D, I08E, I08F, I08J, I18A, I18B, I18J, I18Q, I18R, I30J, I30Z | | 08 | I18A, I18B, I18J, I18Q, I18R, I30J, I30Z | | 08 | I08A, I08B, I08C, I08D, I08E, I08F, I08J, I18A, I18B, I18J, I18Q, I18R, I30J, I30Z |
| | 21A | W04A, W04B | | 21A | W04A, W04B | | 21A | W04A, W04B |
| | 21B | X06A, X06B, X06C | | 21B | X04Z | | 21B | X06A, X06B, X06C |
| 5t414.5↔ | | BOP, KJZSV, KVT, UOP4, VIAL | 5t414.k↔ | | BOP, KJZSV, KVT, UOP4, VIAL | 5t41x.6↔ | | BOP, KVT, UOP4, VIAL |
| | 08 | I08A, I08B, I08C, I08D, I08E, I08F, I08J, I18A, I18B, I18J, I18Q, I18R, I30J, I30Z | | 08 | I59J, I59Z | | 08 | I08A, I08B, I08C, I08D, I08E, I08F, I08J, I32A, I32B, I32C, I32D, I32E, I32F, I32J, I32Q, I32R, I32S, I32T, I32U |
| | 21A | W04A, W04B | | 21A | W04A, W04B | | 09 | J03A, J03B, J04A, J04B, J08A, J08B, J08C, J11A, J11B, J11J, J11Q, J11R, J11S, J16Z |
| | 21B | X06A, X06B, X06C | 5t414.m↔ | | BOP, KJZSV, KVT, UOP4, VIAL | | 21A | W04A, W04B |
| 5t414.6↔ | | BOP, KJZSV, KVT, UOP4, VIAL | | 08 | I20A, I20B, I20C, I20D, I20E, I20F, I20J, I20Q, I20R | | 21B | X05A, X05B |
| | 08 | I08A, I08B, I08C, I08D, I08E, I08F, I08J, I32A, I32B, I32C, I32D, I32E, I32F, I32J, I32Q, I32R, I32S, I32T, I32U | | 21A | W04A, W04B | 5t41x.8↔ | | BOP, KVT, UOP4, VIAL |
| | 09 | J03A, J03B, J04A, J04B, J08A, J08B, J08C, J11A, J11B, J11J, J11Q, J11R, J11S, J16Z | 5t414.n↔ | | BOP, KJZSV, KVT, UOP4, VIAL | | 08 | I32A, I32B, I32C, I32D, I32E, I32F, I32G, I32J, I32Q, I32R, I32S, I32T, I32U |
| | 21A | W04A, W04B | | 08 | I20A, I20B, I20C, I20D, I20E, I20F, I20J, I20Q, I20R | | 09 | J03A, J03B, J04A, J04B, J08A, J08B, J08C, J11A, J11B, J11J, J11Q, J11R, J11S, J16Z |
| | 21B | X05A, X05B | | 21A | W04A, W04B | | 21A | W04A, W04B |
| 5t414.8↔ | | BOP, KJZSV, KVT, UOP4, VIAL | 5t414.p↔ | | BOP, KJZSV, KVT, UOP4, VIAL | | 21B | X05A, X05B |
| | 08 | I32A, I32B, I32C, I32D, I32E, I32F, I32G, I32J, I32Q, I32R, I32S, I32T, I32U | | 08 | I20A, I20B, I20C, I20D, I20E, I20F, I20J, I20Q, I20R | 5t41x.9↔ | | BOP, KVT, UOP4, VIAL |
| | 09 | J03A, J03B, J04A, J04B, J08A, J08B, J08C, J11A, J11B, J11J, J11Q, J11R, J11S, J16Z | | 21A | W04A, W04B | | 08 | I32A, I32B, I32C, I32D, I32E, I32F, I32G, I32J, I32Q, I32R, I32S, I32T, I32U |
| | 21A | W04A, W04B | | 21B | X04Z | | 09 | J03A, J03B, J04A, J04B, J08A, J08B, J08C, J11A, J11B, J11J, J11Q, J11R, J11S, J16Z |
| | 21B | X05A, X05B | 5t414.q↔ | | BOP, KJZSV, KVT, UOP4, VIAL | | 21A | W04A, W04B |
| 5t414.9↔ | | BOP, KJZSV, KVT, UOP4, VIAL | | 08 | I20A, I20B, I20C, I20D, I20E, I20F, I20J, I20Q, I20R | | 21B | X05A, X05B |
| | 08 | I32A, I32B, I32C, I32D, I32E, I32F, I32G, I32J, I32Q, I32R, I32S, I32T, I32U | | 21A | W04A, W04B | 5t41x.e↔ | | BOP, KVT, UOP4, VIAL |
| | 09 | J03A, J03B, J04A, J04B, J08A, J08B, J08C, J11A, J11B, J11J, J11Q, J11R, J11S, J16Z | 5t414.r↔ | | BOP, KJZSV, KVT, UOP4, VIAL | | 08 | I08A, I08B, I08C, I08D, I08E, I08F, I08J, I28A, I28B, I28J |
| | 21A | W04A, W04B | | 08 | I20A, I20B, I20C, I20D, I20E, I20F, I20J, I20Q, I20R | | 21A | W04A, W04B |
| | 21B | X05A, X05B | | 21A | W04A, W04B | | 21B | X04Z, X06A, X06B, X06C |
| 5t414.e↔ | | BOP, KJZSV, KVT, UOP4, VIAL | 5t414.x | | BOP, KJZSV, KVT, UOP4 | 5t41x.f | | BOP, KVT, UOP4, VIAL |
| | 08 | I08A, I08B, I08C, I08D, I08E, I08F, I08J, I28A, I28B, I28J | | 08 | I28A, I28B, I28J | | 08 | I28A, I28B, I28J |
| | 21A | W04A, W04B | | 21A | W04A, W04B | | 21A | W04A, W04B |
| | 21B | X05A, X05B | | 21B | X06A, X06B, X06C | | 21B | X04Z, X06A, X06B, X06C |
| 5t414.f | | BOP, KJZSV, KVT, UOP4, VIAL | 5t41x.0↔ | | BOP, KVT, UOP4, VIAL | 5t41x.g↔ | | BOP, KVT, UOP4, VIAL |
| | 08 | I28A, I28B, I28J | | 08 | I16J, I16Q, I16Z | | 08 | I08A, I08B, I08C, I08D, I08E, I30J, I30Z |
| | 21A | W04A, W04B | | 21A | W04A, W04B | | 21A | W01A, W01B, W01C, W02A, W02B |
| | 21B | X04Z, X06A, X06B, X06C | | 21B | X06A, X06B, X06C | | 21B | X04Z |
| 5t414.g↔ | | BOP, KJZSV, KVT, UOP4, VIAL | 5t41x.1↔ | | BOP, KVT, UOP4, VIAL | 5t41x.h↔ | | BOP, KVT, UOP4, VIAL |
| | 08 | I08A, I08B, I08C, I08D, I08E, I30J, I30Z | | 08 | I16J, I16Q, I16Z | | 08 | I24J, I24Q, I24Z, I30J, I30Z |
| | 21A | W01A, W01B, W01C, W02A, W02B | | 21A | W04A, W04B | | 21A | W04A, W04B |
| | 21B | X04Z | | 21B | X06A, X06B, X06C | | 21B | X04Z |
| 5t414.h↔ | | BOP, KJZSV, KVT, UOP4, VIAL | 5t41x.2↔ | | BOP, KVT, UOP4, VIAL | 5t41x.j↔ | | BOP, KVT, UOP4, VIAL |
| | 08 | I24J, I24Q, I24Z, I30J, I30Z | | 08 | I28A, I28B, I28J | | 08 | I18A, I18B, I18J, I18Q, I18R, I30J, I30Z |
| | 21A | W04A, W04B | | 21A | W04A, W04B | | 21A | W04A, W04B |
| | 21B | X04Z | | 21B | X06A, X06B, X06C | | 21B | X04Z |
| | | | 5t41x.3↔ | | BOP, KVT, UOP4, VIAL | 5t41x.k↔ | | BOP, KVT, UOP4, VIAL |
| | | | | 08 | I28A, I28B, I28J | | 08 | I59J, I59Z |
| | | | | 21A | W04A, W04B | | 21A | W04A, W04B |
| | | | | 21B | X06A, X06B, X06C | | 21B | X04Z |
| | | | 5t41x.4↔ | | BOP, KVT, UOP4, VIAL | 5t41x.m↔ | | BOP, KVT, UOP4, VIAL |
| | | | | 08 | I08A, I08B, I08C, I08D, I08E, I08F, I08J, I18A, I18B, I18J, I18Q, I18R, I30J, I30Z | | 08 | I20A, I20B, I20C, I20D, I20E, I20F, I20J, I20Q, I20R |
| | | | | 21A | W04A, W04B | | 21A | W04A, W04B |
| | | | | 21B | X06A, X06B, X06C | | 21B | X04Z |

VYK

| ZZV | MDC | DRG | ZZV | MDC | DRG | ZZV | MDC | DRG |
|----------|-----|--|----------|-----|--|----------|-----|--|
| 5t41x.n↔ | | BOP, KVT, UOP4, VIAL | 5t420.8↔ | | BOP, KVT, UOP4, VIAL | 5t420.n↔ | | BOP, KVT, UOP4, VIAL |
| | 08 | I20A, I20B, I20C, I20D, I20E, I20F, I20J, I20Q, I20R | | 08 | I12A, I12B, I12C, I12J, I32A, I32B, I32C, I32D, I32E, I32F, I32G, I32J, I32Q, I32R, I32S, I32T, I32U | | 08 | I12A, I12B, I12C, I12J, I20A, I20B, I20C, I20D, I20E, I20F, I20J, I20Q, I20R |
| | 21A | W04A, W04B | | 09 | J03A, J03B, J04A, J04B, J08A, J08B, J08C, J11A, J11B, J11J, J11Q, J11R, J11S, J16Z | | 21A | W04A, W04B |
| | 21B | X04Z | | 21A | W04A, W04B | 5t420.p↔ | | BOP, KVT, UOP4, VIAL |
| 5t41x.p↔ | | BOP, KVT, UOP4, VIAL | | 21B | X05A, X05B | | 21B | X04Z |
| | 08 | I20A, I20B, I20C, I20D, I20E, I20F, I20J, I20Q, I20R | 5t420.9↔ | | BOP, KVT, UOP4, VIAL | | 08 | I12A, I12B, I12C, I12J, I20A, I20B, I20C, I20D, I20E, I20F, I20J, I20Q, I20R |
| | 21A | W04A, W04B | | 08 | I12A, I12B, I12C, I12J, I32A, I32B, I32C, I32D, I32E, I32F, I32G, I32J, I32Q, I32R, I32S, I32T, I32U | | 21A | W04A, W04B |
| | 21B | X04Z | | 09 | J03A, J03B, J04A, J04B, J08A, J08B, J08C, J11A, J11B, J11J, J11Q, J11R, J11S, J16Z | 5t420.q↔ | | BOP, KVT, UOP4, VIAL |
| 5t41x.q↔ | | BOP, KVT, UOP4, VIAL | | 21A | W04A, W04B | | 08 | I12A, I12B, I12C, I12J, I20A, I20B, I20C, I20D, I20E, I20F, I20J, I20Q, I20R |
| | 08 | I20A, I20B, I20C, I20D, I20E, I20F, I20J, I20Q, I20R | 5t420.e↔ | | BOP, KVT, UOP4, VIAL | | 21A | W04A, W04B |
| | 21A | W04A, W04B | | 08 | I08A, I08B, I08C, I08D, I08E, I08F, I08J, I12A, I12B, I12C, I12J, I28A, I28B, I28J | 5t420.r↔ | | BOP, KVT, UOP4, VIAL |
| | 21B | X04Z | | 21A | W04A, W04B | | 08 | I12A, I12B, I12C, I12J, I20A, I20B, I20C, I20D, I20E, I20F, I20J, I20Q, I20R |
| 5t41x.r↔ | | BOP, KVT, UOP4, VIAL | | 21B | X05A, X05B | | 21A | W04A, W04B |
| | 08 | I20A, I20B, I20C, I20D, I20E, I20F, I20J, I20Q, I20R | 5t420.f | | BOP, KVT, UOP4, VIAL | | 21B | X04Z |
| | 21A | W04A, W04B | | 08 | I12A, I12B, I12C, I12J, I28A, I28B, I28J | 5t420.x | | BOP, KVT, UOP4 |
| | 21B | X04Z | | 21A | W04A, W04B | | 08 | I12A, I12B, I12C, I12J, I28A, I28B, I28J |
| 5t41x.x | | BOP, KVT, UOP4 | | 21B | X04Z, X06A, X06B, X06C | | 21A | W04A, W04B |
| | 08 | I28A, I28B, I28J | 5t420.g↔ | | BOP, KVT, UOP4, VIAL | | 21B | X06A, X06B, X06C |
| | 21A | W04A, W04B | | 08 | I08A, I08B, I08C, I08D, I08E, I08F, I08J, I21A, I21B, I21C, I21J, I21Q, I21R, I21S, I21T, I21U, I21V, I21W, I21X, I21Y, I21Z | 5t421.0↔ | | BOP, KVT, UOP4, VIAL |
| | 21B | X06A, X06B, X06C | | 21A | W01A, W01B, W01C, W02A, W02B | | 08 | I16J, I16Q, I16Z |
| 5t420.0↔ | | BOP, KVT, UOP4, VIAL | | 21B | X04Z | | 21A | W04A, W04B |
| | 08 | I12A, I12B, I12C, I12J, I16J, I16Q, I16Z | 5t420.h↔ | | BOP, KVT, UOP4, VIAL | | 21B | X06A, X06B, X06C |
| | 21A | W04A, W04B | | 01 | B03Z, B17A, B17B, B17C, B17J | 5t421.1↔ | | BOP, KVT, UOP4, VIAL |
| | 21B | X06A, X06B, X06C | | 08 | I12A, I12B, I12C, I12J, I24J, I24Q, I24Z, I30J, I30Z | | 08 | I16J, I16Q, I16Z |
| 5t420.1↔ | | BOP, KVT, UOP4, VIAL | | 21A | W04A, W04B | | 21A | W04A, W04B |
| | 08 | I12A, I12B, I12C, I12J, I16J, I16Q, I16Z | 5t420.i↔ | | BOP, KVT, UOP4, VIAL | | 21B | X06A, X06B, X06C |
| | 21A | W04A, W04B | | 01 | B03Z, B17A, B17B, B17C, B17J | 5t421.4↔ | | BOP, KVT, UOP4, VIAL |
| | 21B | X06A, X06B, X06C | | 08 | I12A, I12B, I12C, I12J, I18A, I18B, I18J, I18Q, I18R, I30J, I30Z | | 08 | I08A, I08B, I08C, I08D, I08E, I08F, I08J, I21J, I21Z, I31J, I31Z |
| 5t420.3↔ | | BOP, KVT, UOP4, VIAL | | 21A | W04A, W04B | | 21A | W04A, W04B |
| | 08 | I12A, I12B, I12C, I12J, I28A, I28B, I28J | 5t420.j↔ | | BOP, KVT, UOP4, VIAL | | 21B | X06A, X06B, X06C |
| | 21A | W04A, W04B | | 01 | B03Z, B17A, B17B, B17C, B17J | 5t421.5↔ | | BOP, KVT, UOP4, VIAL |
| | 21B | X06A, X06B, X06C | | 08 | I12A, I12B, I12C, I12J, I18A, I18B, I18J, I18Q, I18R, I30J, I30Z | | 08 | I08A, I08B, I08C, I08D, I08E, I08F, I08J, I21J, I21Z, I31J, I31Z |
| 5t420.4↔ | | BOP, KVT, UOP4, VIAL | | 21A | W04A, W04B | | 21A | W04A, W04B |
| | 08 | I08A, I08B, I08C, I08D, I08E, I08F, I08J, I12A, I12B, I12C, I12J, I18A, I18B, I18J, I18Q, I18R, I30J, I30Z | 5t420.k↔ | | BOP, KVT, UOP4, VIAL | | 21B | X06A, X06B, X06C |
| | 21A | W04A, W04B | | 08 | I12A, I12B, I12C, I12J, I59J, I59Z | 5t421.6↔ | | BOP, KVT, UOP4, VIAL |
| | 21B | X06A, X06B, X06C | | 21A | W04A, W04B | | 08 | I08A, I08B, I08C, I08D, I08E, I08F, I08J, I32A, I32B, I32C, I32D, I32E, I32F, I32J, I32Q, I32R, I32S, I32T, I32U |
| 5t420.5↔ | | BOP, KVT, UOP4, VIAL | | 21B | X04Z | | 21A | W04A, W04B |
| | 08 | I08A, I08B, I08C, I08D, I08E, I08F, I08J, I12A, I12B, I12C, I12J, I18A, I18B, I18J, I18Q, I18R, I30J, I30Z | 5t420.l↔ | | BOP, KVT, UOP4, VIAL | | 21B | X05A, X05B |
| | 21A | W04A, W04B | | 01 | B03Z, B17A, B17B, B17C, B17J | 5t421.8↔ | | BOP, KVT, UOP4, VIAL |
| | 21B | X06A, X06B, X06C | | 08 | I12A, I12B, I12C, I12J, I18A, I18B, I18J, I18Q, I18R, I30J, I30Z | | 08 | I32A, I32B, I32C, I32D, I32E, I32F, I32J, I32Q, I32R, I32S, I32T, I32U |
| 5t420.6↔ | | BOP, KVT, UOP4, VIAL | | 21A | W04A, W04B | | 21A | W04A, W04B |
| | 08 | I08A, I08B, I08C, I08D, I08E, I08F, I08J, I12A, I12B, I12C, I12J, I32A, I32B, I32C, I32D, I32E, I32F, I32J, I32Q, I32R, I32S, I32T, I32U | 5t420.m↔ | | BOP, KVT, UOP4, VIAL | | 21B | X05A, X05B |
| | 09 | J03A, J03B, J04A, J04B, J08A, J08B, J08C, J11A, J11B, J11J, J11Q, J11R, J11S, J16Z | | 08 | I12A, I12B, I12C, I12J, I20A, I20B, I20C, I20D, I20E, I20F, I20J, I20Q, I20R | 5t421.9↔ | | BOP, KVT, UOP4, VIAL |
| | 21A | W04A, W04B | | 21A | W04A, W04B | | 08 | I32A, I32B, I32C, I32D, I32E, I32F, I32J, I32Q, I32R, I32S, I32T, I32U |
| | 21B | X05A, X05B | | 21B | X04Z | | 21A | W04A, W04B |
| | | | | | | | 21B | X05A, X05B |

| ZZV | MDC | DRG | ZZV | MDC | DRG | ZZV | MDC | DRG |
|----------|-----|--|----------|-----|--|-----------|-----|--|
| 5t421.e↔ | | BOP, KJZSV, KVT, UOP4, VIAL | 5t422.1↔ | | BOP, KVT, UOP4, VIAL | 5t422.j↔ | | BOP, KVT, UOP4, VIAL |
| | 08 | I08A, I08B, I08C, I08D, I08E, I08F, I08J, I28A, I28B, I28J | | 08 | I12A, I12B, I12C, I12J, I16J, I16Q, I16Z | | 08 | I59J, I59Z |
| | 21A | W04A, W04B | | 21A | W04A, W04B | 5t422.k↔ | | BOP, KVT, UOP4, VIAL |
| | 21B | X04Z, X06A, X06B, X06C | | 21B | X06A, X06B, X06C | | 08 | I12A, I12B, I12C, I12J, I59J, I59Z |
| 5t421.g↔ | | BOP, KJZSV, KVT, UOP4, VIAL | 5t422.3↔ | | BOP, KVT, UOP4, VIAL | | 21A | W04A, W04B |
| | 08 | I08A, I08B, I08C, I08D, I08E, I30J, I30Z | | 05 | F13A | | 21B | X04Z |
| | 21A | W01A, W01B, W01C, W02A, W02B | | 08 | I12A, I12B, I12C, I12J, I28A, I28B, I28J | 5t422.m↔ | | BOP, KVT, UOP4, VIAL |
| | 21B | X04Z | | 21A | W04A, W04B | | 08 | I12A, I12B, I12C, I12J, I20A, I20B, I20C, I20D, I20E, I20F, I20J, I20Q, I20R |
| 5t421.h↔ | | BOP, KVT, UOP4, VIAL | 5t422.4↔ | | BOP, KVT, UOP4, VIAL | | 21A | W04A, W04B |
| | 08 | I18A, I18B, I18J, I18Q, I18R, I30J, I30Z | | 08 | I08A, I08B, I08C, I08D, I08E, I08F, I08J, I12A, I12B, I12C, I12J, I21J, I21Z, I31J, I31Z | 5t422.n↔ | | BOP, KVT, UOP4, VIAL |
| | 21A | W04A, W04B | | 21A | W04A, W04B | | 08 | I12A, I12B, I12C, I12J, I20A, I20B, I20C, I20D, I20E, I20F, I20J, I20Q, I20R |
| | 21B | X04Z | | 21B | X06A, X06B, X06C | | 21A | W04A, W04B |
| 5t421.j↔ | | BOP, KJZSV, KVT, UOP4, VIAL | 5t422.5↔ | | BOP, KVT, UOP4, VIAL | | 21B | X04Z |
| | 08 | I59J, I59Z | | 08 | I08A, I08B, I08C, I08D, I08E, I08F, I08J, I12A, I12B, I12C, I12J, I21J, I21Z, I31J, I31Z | 5t422.p↔ | | BOP, KVT, UOP4, VIAL |
| 5t421.k↔ | | BOP, KVT, UOP4, VIAL | | 21A | W04A, W04B | | 08 | I12A, I12B, I12C, I12J, I20A, I20B, I20C, I20D, I20E, I20F, I20J, I20Q, I20R |
| | 01 | B03Z, B17A, B17B, B17C, B17J | | 21B | X06A, X06B, X06C | | 21A | W04A, W04B |
| | 05 | F27A, F27B, F27C | 5t422.6↔ | | BOP, KVT, UOP4, VIAL | | 21B | X04Z |
| | 08 | I59J, I59Z | | 08 | I08A, I08B, I08C, I08D, I08E, I08F, I08J, I12A, I12B, I12C, I12J, I32A, I32B, I32C, I32D, I32E, I32F, I32J, I32Q, I32R, I32S, I32T, I32U | 5t422.q↔ | | BOP, KVT, UOP4, VIAL |
| | 10 | K01Z | | 21A | W04A, W04B | | 08 | I12A, I12B, I12C, I12J, I20A, I20B, I20C, I20D, I20E, I20F, I20J, I20Q, I20R |
| | 21A | W04A, W04B | | 21B | X05A, X05B | | 21A | W04A, W04B |
| | 21B | X04Z | | 21B | X05A, X05B | | 21B | X04Z |
| 5t421.m↔ | | BOP, KVT, UOP4, VIAL | 5t422.8↔ | | BOP, KVT, UOP4, VIAL | 5t422.r↔ | | BOP, KVT, UOP4, VIAL |
| | 08 | I20A, I20B, I20C, I20D, I20E, I20F, I20J, I20Q, I20R | | 08 | I12A, I12B, I12C, I12J, I32A, I32B, I32C, I32D, I32E, I32F, I32J, I32Q, I32R, I32S, I32T, I32U | | 08 | I12A, I12B, I12C, I12J, I20A, I20B, I20C, I20D, I20E, I20F, I20J, I20Q, I20R |
| | 21A | W04A, W04B | | 21A | W04A, W04B | | 21A | W04A, W04B |
| | 21B | X04Z | | 21B | X05A, X05B | | 21B | X04Z |
| 5t421.n↔ | | BOP, KJZSV, KVT, UOP4, VIAL | 5t422.9↔ | | BOP, KVT, UOP4, VIAL | 5t422.x | | BOP, KVT, UOP4 |
| | 08 | I20A, I20B, I20C, I20D, I20E, I20F, I20J, I20Q, I20R | | 08 | I12A, I12B, I12C, I12J, I32A, I32B, I32C, I32D, I32E, I32F, I32J, I32Q, I32R, I32S, I32T, I32U | | 08 | I12A, I12B, I12C, I12J, I28A, I28B, I28J |
| | 21A | W04A, W04B | | 21A | W04A, W04B | | 21A | W04A, W04B |
| | 21B | X04Z | | 21B | X05A, X05B | | 21B | X06A, X06B, X06C |
| 5t421.p↔ | | BOP, KJZSV, KVT, UOP4, VIAL | | 21B | X05A, X05B | 5t423.10↔ | | BOP, KVT, UOP4, VIAL |
| | 08 | I20A, I20B, I20C, I20D, I20E, I20F, I20J, I20Q, I20R | 5t422.e↔ | | BOP, KVT, UOP4, VIAL | | 08 | I12A, I12B, I12C, I12J, I24J, I24Q, I24Z, I30J, I30Z |
| | 21A | W04A, W04B | | 05 | F13A | | 10 | K09A, K09B |
| | 21B | X04Z | | 08 | I12A, I12B, I12C, I12J, I28A, I28B, I28J | | 21A | W04A, W04B |
| 5t421.q↔ | | BOP, KJZSV, KVT, UOP4, VIAL | | 21A | W04A, W04B | | 21B | X04Z |
| | 08 | I20A, I20B, I20C, I20D, I20E, I20F, I20J, I20Q, I20R | | 21B | X06A, X06B, X06C | 5t423.11↔ | | BOP, KVT, UOP4, VIAL |
| | 21A | W04A, W04B | 5t422.f | | BOP, KVT, UOP4, VIAL | | 08 | I12A, I12B, I12C, I12J, I18A, I18B, I18J, I18Q, I18R, I30J, I30Z |
| | 21B | X04Z | | 05 | F13A | | 10 | K09A, K09B |
| 5t421.r↔ | | BOP, KJZSV, KVT, UOP4, VIAL | | 08 | I12A, I12B, I12C, I12J, I28A, I28B, I28J | | 21A | W04A, W04B |
| | 08 | I20A, I20B, I20C, I20D, I20E, I20F, I20J, I20Q, I20R | | 21A | W04A, W04B | | 21B | X04Z |
| | 21A | W04A, W04B | 5t422.g↔ | | X06A, X06B, X06C | 5t423.20↔ | | BOP, KVT, UOP4, VIAL |
| | 21B | X04Z | | 05 | F13A | | 01 | B03Z, B17A, B17B, B17C, B17J |
| 5t421.x | | BOP, KJZSV, KVT, UOP4 | | 08 | I12A, I12B, I12C, I12J, I28A, I28B, I28J | | 08 | I18A, I18J, I18Q, I18R, I30J, I30Z |
| | 08 | I28A, I28B, I28J | | 21A | W04A, W04B | | 21A | W04A, W04B |
| | 21A | W04A, W04B | | 21B | X06A, X06B, X06C | | 21B | X04Z |
| | 21B | X06A, X06B, X06C | | 21A | W01A, W01B, W01C, W02A, W02B | 5t423.21↔ | | BOP, KJZSV, KVT, UOP4, VIAL |
| 5t422.0↔ | | BOP, KVT, UOP4, VIAL | | 21B | X04Z | | 01 | B03Z, B17A, B17B, B17C, B17J |
| | 08 | I12A, I12B, I12C, I12J, I16J, I16Q, I16Z | 5t422.h↔ | | BOP, KVT, UOP4, VIAL | | 08 | I18A, I18J, I18Q, I18R, I30J, I30Z |
| | 21A | W04A, W04B | | 08 | I12A, I12B, I12C, I12J, I18A, I18B, I18J, I18Q, I18R, I30J, I30Z | | 21A | W04A, W04B |
| | 21B | X06A, X06B, X06C | | 21A | W04A, W04B | | 21B | X04Z |
| | | | | 21B | X04Z | | | |

| ZZV | MDC | DRG | ZZV | MDC | DRG | ZZV | MDC | DRG |
|-----------|-----|--|----------|-----|--|----------|-----|--|
| 5t423.22↔ | | BOP, KVT, UOP4, VIAL | 5t427.3↔ | | BOP, KVT, UOP4, VIAL | 5t427.k↔ | | BOP, KVT, UOP4, VIAL |
| | 01 | B03Z, B17A, B17B, B17C, B17J | | 05 | F13A | | 08 | I32A, I32B, I32C, I32D, I59J, I59Z |
| | 08 | I18A, I18J, I18Q, I18R, I30J, I30Z | | 08 | I12A, I12B, I12C, I12J, I28A, I28B, I28J, I32A, I32B, I32C, I32D | | 21A | W04A, W04B |
| | 21A | W04A, W04B | | 21A | W04A, W04B | 5t427.m↔ | 08 | I20A, I20B, I20C, I20D, I20E, I20F, I20J, I20Q, I20R, I32A, I32B, I32C, I32D |
| | 21B | X04Z | | 21B | X06A, X06B, X06C | | 08 | BOP, KVT, UOP4, VIAL |
| 5t423.3↔ | | BOP, KVT, UOP4, VIAL | 5t427.4↔ | | BOP, KVT, UOP4, VIAL | 5t427.n↔ | 08 | I20A, I20B, I20C, I20D, I20E, I20F, I20J, I20Q, I20R, I32A, I32B, I32C, I32D |
| | 01 | B03Z, B17A, B17B, B17C, B17J | | 08 | I08A, I08B, I08C, I08D, I08E, I08F, I08J, I21J, I21Z, I31J, I31Z, I32A, I32B, I32C, I32D | | 08 | BOP, KVT, UOP4, VIAL |
| | 08 | I18A, I18B, I18J, I18Q, I18R, I24J, I24Q, I24Z, I30J, I30Z | | 21A | W04A, W04B | 5t427.p↔ | 08 | I20A, I20B, I20C, I20D, I20E, I20F, I20J, I20Q, I20R, I32A, I32B, I32C, I32D |
| | 21A | W04A, W04B | | 21B | X06A, X06B, X06C | | 08 | BOP, KVT, UOP4, VIAL |
| | 21B | X04Z | 5t427.5↔ | | BOP, KVT, UOP4, VIAL | | 08 | I20A, I20B, I20C, I20D, I20E, I20F, I20J, I20Q, I20R, I32A, I32B, I32C, I32D |
| 5t423.4↔ | | BOP, KVT, UOP4, VIAL | | 08 | I08A, I08B, I08C, I08D, I08E, I08F, I08J, I21J, I21Z, I31J, I31Z, I32A, I32B, I32C, I32D | 5t427.q↔ | 08 | I20A, I20B, I20C, I20D, I20E, I20F, I20J, I20Q, I20R, I32A, I32B, I32C, I32D |
| | 01 | B03Z, B17A, B17B, B17C, B17J | | 21A | W04A, W04B | | 08 | BOP, KVT, UOP4, VIAL |
| | 08 | I24J, I24Q, I24Z, I30J, I30Z | | 21B | X06A, X06B, X06C | 5t427.r↔ | 08 | I20A, I20B, I20C, I20D, I20E, I20F, I20J, I20Q, I20R, I32A, I32B, I32C, I32D |
| | 21A | W04A, W04B | 5t427.6↔ | | BOP, KVT, UOP4, VIAL | | 08 | BOP, KVT, UOP4, VIAL |
| | 21B | X04Z | | 08 | I08A, I08B, I08C, I08D, I08E, I08F, I08J, I21J, I21Z, I31J, I31Z, I32A, I32B, I32C, I32D | 5t427.x | 08 | I28A, I28B, I28J, I32A, I32B, I32C, I32D |
| 5t423.x↔ | | BOP, KVT, UOP4, VIAL | | 21A | W04A, W04B | | 21A | W04A, W04B |
| | 01 | B03Z, B17A, B17B, B17C, B17J | | 21B | X05A, X05B | 5t428.0↔ | 21B | X06A, X06B, X06C |
| | 08 | I18A, I18J, I18Q, I18R, I30J, I30Z | 5t427.8↔ | | BOP, KVT, UOP4, VIAL | | 08 | BOP, KJZSV, KVT, UOP4, VIAL |
| | 21A | W04A, W04B | | 08 | I32A, I32B, I32C, I32D, I32E, I32F, I32J, I32Q, I32R, I32S, I32T, I32U | | 21A | W04A, W04B |
| | 21B | X04Z | | 21A | W04A, W04B | 5t428.1↔ | 21B | X06A, X06B, X06C |
| 5t426.0↔ | | BOP, KVT, UOP4, VIAL | | 21B | X05A, X05B | | 08 | I16J, I16Q, I16Z, I32A, I32B, I32C, I32D |
| | 08 | I16J, I16Q, I16Z | 5t427.9↔ | | BOP, KVT, UOP4, VIAL | | 21A | W04A, W04B |
| | 21A | W04A, W04B | | 08 | I32A, I32B, I32C, I32D, I32E, I32F, I32J, I32Q, I32R, I32S, I32T, I32U | 5t428.3↔ | 21B | X06A, X06B, X06C |
| | 21B | X06A, X06B, X06C | | 21A | W04A, W04B | | 08 | BOP, KVT, UOP4, VIAL |
| 5t426.4↔ | | BOP, KVT, UOP4, VIAL | | 21B | X05A, X05B | 5t428.4↔ | 08 | I08A, I08B, I08C, I08D, I08E, I08F, I08J, I21J, I21Z, I31J, I31Z, I32A, I32B, I32C, I32D |
| | 08 | I08A, I08B, I08C, I08D, I08E, I08F, I08J, I18A, I18B, I18J, I18Q, I18R, I30J, I30Z | 5t427.e↔ | | BOP, KVT, UOP4, VIAL | | 21A | W04A, W04B |
| | 21A | W04A, W04B | | 05 | F13A | 5t428.5↔ | 21B | X06A, X06B, X06C |
| | 21B | X06A, X06B, X06C | | 08 | I12A, I12B, I12C, I12J, I28A, I28B, I28J, I32A, I32B, I32C, I32D | | 08 | BOP, KVT, UOP4, VIAL |
| 5t426.g↔ | | BOP, KVT, UOP4, VIAL | | 21A | W04A, W04B | | 08 | I08A, I08B, I08C, I08D, I08E, I08F, I08J, I21J, I21Z, I31J, I31Z, I32A, I32B, I32C, I32D |
| | 08 | I08A, I08B, I08C, I08D, I08E, I30J, I30Z | 5t427.f | | BOP, KVT, UOP4, VIAL | 5t428.6↔ | 21A | W04A, W04B |
| | 21A | W01A, W01B, W01C, W02A, W02B | | 05 | F13A | | 21B | X06A, X06B, X06C |
| | 21B | X04Z | | 08 | I12A, I12B, I12C, I12J, I28A, I28B, I28J, I32A, I32B, I32C, I32D | | 08 | BOP, KVT, UOP4, VIAL |
| 5t426.h↔ | | BOP, KVT, UOP4, VIAL | | 21A | W04A, W04B | | 08 | I08A, I08B, I08C, I08D, I08E, I08F, I08J, I21J, I21Z, I31J, I31Z, I32A, I32B, I32C, I32D |
| | 08 | I18A, I18J, I18Q, I18R, I30J, I30Z | | 21B | X06A, X06B, X06C | 5t428.8↔ | 21A | W04A, W04B |
| | 21A | W04A, W04B | 5t427.g↔ | | BOP, KVT, UOP4, VIAL | | 21B | X05A, X05B |
| | 21B | X04Z | | 08 | I08A, I08B, I08C, I08D, I08E, I30J, I30Z, I32A, I32B, I32C, I32D | | 08 | BOP, KVT, UOP4, VIAL |
| 5t426.k↔ | | BOP, KVT, UOP4, VIAL | | 21A | W01A, W01B, W01C, W02A, W02B | | 08 | I32A, I32B, I32C, I32D, I32E, I32F, I32J, I32Q, I32R, I32S, I32T, I32U |
| | 08 | I59J, I59Z | | 21B | X04Z | 5t428.8↔ | 21A | W04A, W04B |
| | 21A | W04A, W04B | | 21B | X06A, X06B, X06C | | 21B | X06A, X06B, X06C |
| | 21B | X04Z | 5t427.h↔ | | BOP, KVT, UOP4, VIAL | | 21A | W04A, W04B |
| 5t426.m↔ | | BOP, KVT, UOP4, VIAL | | 01 | B03Z, B17A, B17B, B17C, B17J | | 21B | X05A, X05B |
| | 08 | I20A, I20B, I20C, I20D, I20E, I20F, I20J, I20Q, I20R | | 08 | I18A, I18J, I18Q, I18R, I30J, I30Z, I32A, I32B, I32C, I32D | 5t428.8↔ | 08 | I32A, I32B, I32C, I32D, I32E, I32F, I32J, I32Q, I32R, I32S, I32T, I32U |
| | 21A | W04A, W04B | | 21A | W04A, W04B | | 21A | W04A, W04B |
| | 21B | X06A, X06B, X06C | 5t427.i↔ | | BOP, KVT, UOP4, VIAL | | 21B | X05A, X05B |
| 5t426.x | | BOP, KVT, UOP4, VIAL | | 08 | I32A, I32B, I32C, I32D, I59J, I59Z | | 21B | X05A, X05B |
| | 08 | I28A, I28B, I28J | | | | | | |
| | 21A | W04A, W04B | | | | | | |
| | 21B | X06A, X06B, X06C | | | | | | |
| 5t427.0↔ | | BOP, KJZSV, KVT, UOP4, VIAL | | | | | | |
| | 08 | I16J, I16Q, I16Z, I32A, I32B, I32C, I32D | | | | | | |
| | 21A | W04A, W04B | | | | | | |
| | 21B | X06A, X06B, X06C | | | | | | |
| 5t427.1↔ | | BOP, KJZSV, KVT, UOP4, VIAL | | | | | | |
| | 08 | I16J, I16Q, I16Z, I32A, I32B, I32C, I32D | | | | | | |

| ZZV | MDC | DRG | ZZV | MDC | DRG | ZZV | MDC | DRG | |
|----------|-----|--|----------|-----|--|----------|-----|--|------------------|
| 5t428.9↔ | | BOP, KVT, UOP4, VIAL | 5t429↔ | | BOP, KVT, UOP4, VIAL | 5t42c.f | | BOP, KVT, UOP4, VIAL | |
| | 08 | I32A, I32B, I32C, I32D, I32E, I32F, I32J, I32Q, I32R, I32S, I32T, I32U | | 08 | I32A, I32B, I32C, I32D, I32E, I32F, I32G, I32J, I32Q, I32R, I32S, I32T, I32U | | 08 | I08A, I08B, I08C, I08D, I08E, I08F, I08J, I28A, I28B, I28J | |
| | 21A | W04A, W04B | | 09 | J03A, J03B, J04A, J04B, J08A, J08B, J08C, J11A, J11B, J11J, J11Q, J11R, J11S, J16Z | | 21A | W04A, W04B | |
| | 21B | X05A, X05B | | | | 5t42c.g↔ | | X04Z, X06A, X06B, X06C | |
| 5t428.e↔ | | BOP, KVT, UOP4, VIAL | | | | | 21B | BOP, KJZSV, KVT, UOP4, VIAL | |
| | 05 | F13A | | 21A | W04A, W04B | | 08 | I08A, I08B, I08C, I08D, I08E, I30J, I30Z | |
| | 08 | I12A, I12B, I12C, I12J, I28A, I28B, I28J, I32A, I32B, I32C, I32D | 5t42c.0↔ | | BOP, KVT, UOP4, VIAL | | 21A | W01A, W01B, W01C, W02A, W02B | |
| | 21A | W04A, W04B | | 08 | I16J, I16Q, I16Z | | 21B | X04Z | |
| | 21B | X06A, X06B, X06C | | 21A | W04A, W04B | 5t42c.h↔ | | BOP, KVT, UOP4, VIAL | |
| 5t428.f | | BOP, KVT, UOP4, VIAL | | 21B | X06A, X06B, X06C | | 01 | B03Z, B17A, B17B, B17C, B17J | |
| | 05 | F13A | 5t42c.1↔ | | BOP, KVT, UOP4, VIAL | | 08 | I24J, I24Q, I24Z, I30J, I30Z | |
| | 08 | I12A, I12B, I12C, I12J, I28A, I28B, I28J, I32A, I32B, I32C, I32D | | 08 | I16J, I16Q, I16Z | | 21A | W04A, W04B | |
| | 21A | W04A, W04B | | 21A | W04A, W04B | | 21B | X04Z | |
| | 21B | X06A, X06B, X06C | 5t42c.3↔ | | BOP, KVT, UOP4, VIAL | 5t42c.j↔ | | BOP, KVT, UOP4, VIAL | |
| 5t428.g↔ | | BOP, KJZSV, KVT, UOP4, VIAL | | 08 | I28A, I28B, I28J | | 08 | I59J, I59Z | |
| | 08 | I08A, I08B, I08C, I08D, I08E, I30J, I30Z, I32A, I32B, I32C, I32D | | 21A | W04A, W04B | 5t42c.k↔ | | BOP, KVT, UOP4, VIAL | |
| | 21A | W01A, W01B, W01C, W02A, W02B | 5t42c.4↔ | | BOP, KVT, UOP4, VIAL | | 08 | I59J, I59Z | |
| | 21B | X04Z | | 08 | I08A, I08B, I08C, I08D, I08E, I08F, I08J, I18A, I18B, I18J, I18Q, I18R, I30J, I30Z | | 21A | W04A, W04B | |
| 5t428.h↔ | | BOP, KVT, UOP4, VIAL | | 21A | W04A, W04B | 5t42c.m↔ | | BOP, KVT, UOP4, VIAL | |
| | 01 | B03Z, B17A, B17B, B17C, B17J | 5t42c.5↔ | | BOP, KVT, UOP4, VIAL | | 08 | I20A, I20B, I20C, I20D, I20E, I20F, I20J, I20Q, I20R | |
| | 08 | I18A, I18J, I18Q, I18R, I30J, I30Z, I32A, I32B, I32C, I32D | | 08 | I08A, I08B, I08C, I08D, I08E, I08F, I08J, I18A, I18B, I18J, I18Q, I18R, I30J, I30Z | | 21A | W04A, W04B | |
| | 21A | W04A, W04B | | 21A | W04A, W04B | 5t42c.n↔ | | 21B | X04Z |
| | 21B | X04Z | | 21B | X06A, X06B, X06C | | 08 | I20A, I20B, I20C, I20D, I20E, I20F, I20J, I20Q, I20R | |
| 5t428.j↔ | | BOP, KVT, UOP4, VIAL | 5t42c.6↔ | | BOP, KVT, UOP4, VIAL | 5t42c.p↔ | | BOP, KVT, UOP4, VIAL | |
| | 08 | I32A, I32B, I32C, I32D, I59J, I59Z | | 08 | I08A, I08B, I08C, I08D, I08E, I08F, I08J, I32A, I32B, I32C, I32D, I32E, I32F, I32J, I32Q, I32R, I32S, I32T, I32U | | 08 | I20A, I20B, I20C, I20D, I20E, I20F, I20J, I20Q, I20R | |
| 5t428.k↔ | | BOP, KVT, UOP4, VIAL | | 09 | J03A, J03B, J04A, J04B, J08A, J08B, J08C, J11A, J11B, J11J, J11Q, J11R, J11S, J16Z | 5t42c.q↔ | | BOP, KVT, UOP4, VIAL | |
| | 08 | I32A, I32B, I32C, I32D, I59J, I59Z | | 21A | W04A, W04B | | 08 | I20A, I20B, I20C, I20D, I20E, I20F, I20J, I20Q, I20R | |
| | 21A | W04A, W04B | | 21B | X06A, X06B, X06C | | 21A | W04A, W04B | |
| 5t428.m↔ | | BOP, KVT, UOP4, VIAL | | 21B | X05A, X05B | 5t42c.r↔ | | 21B | X04Z |
| | 08 | I20A, I20B, I20C, I20D, I20E, I20F, I20J, I20Q, I20R, I32A, I32B, I32C, I32D | 5t42c.8↔ | | BOP, KVT, UOP4, VIAL | | 08 | I20A, I20B, I20C, I20D, I20E, I20F, I20J, I20Q, I20R | |
| 5t428.n↔ | | BOP, KVT, UOP4, VIAL | | 08 | I32A, I32B, I32C, I32D, I32E, I32F, I32G, I32J, I32Q, I32R, I32S, I32T, I32U | | 21A | W04A, W04B | |
| | 08 | I20A, I20B, I20C, I20D, I20E, I20F, I20J, I20Q, I20R, I32A, I32B, I32C, I32D | | 09 | J03A, J03B, J04A, J04B, J08A, J08B, J08C, J11A, J11B, J11J, J11Q, J11R, J11S, J16Z | 5t42c.x | | 21B | X04Z |
| | 21A | W04A, W04B | | 21A | W04A, W04B | | 08 | I28A, I28B, I28J | |
| 5t428.p↔ | | BOP, KVT, UOP4, VIAL | | 21B | X05A, X05B | | 21A | W04A, W04B | |
| | 08 | I20A, I20B, I20C, I20D, I20E, I20F, I20J, I20Q, I20R, I32A, I32B, I32C, I32D | | 21B | X06A, X06B, X06C | 5t42d.0↔ | | 21B | X06A, X06B, X06C |
| 5t428.q↔ | | BOP, KVT, UOP4, VIAL | 5t42c.9↔ | | BOP, KVT, UOP4, VIAL | | 08 | I16J, I16Q, I16Z | |
| | 08 | I20A, I20B, I20C, I20D, I20E, I20F, I20J, I20Q, I20R, I32A, I32B, I32C, I32D | | 08 | I32A, I32B, I32C, I32D, I32E, I32F, I32G, I32J, I32Q, I32R, I32S, I32T, I32U | | 21A | W04A, W04B | |
| 5t428.r↔ | | BOP, KVT, UOP4, VIAL | | 09 | J03A, J03B, J04A, J04B, J08A, J08B, J08C, J11A, J11B, J11J, J11Q, J11R, J11S, J16Z | 5t42d.1↔ | | 21B | X06A, X06B, X06C |
| | 08 | I20A, I20B, I20C, I20D, I20E, I20F, I20J, I20Q, I20R, I32A, I32B, I32C, I32D | | 21A | W04A, W04B | | 08 | I16J, I16Q, I16Z | |
| 5t428.x | | BOP, KVT, UOP4 | | 21B | X05A, X05B | 5t42d.3↔ | | 21A | W04A, W04B |
| | 08 | I28A, I28B, I28J, I32A, I32B, I32C, I32D | 5t42c.e↔ | | BOP, KVT, UOP4, VIAL | | 21B | X06A, X06B, X06C | |
| | 21A | W04A, W04B | | 08 | I08A, I08B, I08C, I08D, I08E, I08F, I08J, I28A, I28B, I28J | | 08 | I28A, I28B, I28J | |
| | 21B | X06A, X06B, X06C | | 21A | W04A, W04B | | 21A | W04A, W04B | |
| | | | | 21B | X04Z, X06A, X06B, X06C | | 21B | X06A, X06B, X06C | |

VYK

| ZZV | MDC | DRG | ZZV | MDC | DRG | ZZV | MDC | DRG | |
|----------|------------------------------|--|----------|--|--|--|----------------------|--|--|
| 5t42d.4↔ | | BOP, KVT, UOP4, VIAL | 5t42d.m↔ | | BOP, KVT, UOP4, VIAL | 5t42e.9↔ | | BOP, KVT, UOP4, VIAL | |
| | 08 | I08A, I08B, I08C, I08D, I08E, I08F, I08J, I18A, I18B, I18J, I18Q, I18R, I30J, I30Z | | 08 | I20A, I20B, I20C, I20D, I20E, I20F, I20J, I20Q, I20R | | 08 | I32A, I32B, I32C, I32D, I32E, I32F, I32J, I32Q, I32R, I32S, I32T, I32U | |
| | 21A | W04A, W04B | | 21A | W04A, W04B | | 21A | W04A, W04B | |
| 5t42d.5↔ | 21B | X06A, X06B, X06C | 5t42d.n↔ | 21B | X04Z | 5t42e.e↔ | 21B | X05A, X05B | |
| | 08 | BOP, KVT, UOP4, VIAL | | 08 | BOP, KVT, UOP4, VIAL | | 08 | BOP, KVT, UOP4, VIAL | |
| | 08 | I08A, I08B, I08C, I08D, I08E, I08F, I08J, I18A, I18B, I18J, I18Q, I18R, I30J, I30Z | | 08 | I20A, I20B, I20C, I20D, I20E, I20F, I20J, I20Q, I20R | | 08 | I08A, I08B, I08C, I08D, I08E, I08F, I08J, I28A, I28B, I28J | |
| 5t42d.6↔ | 21A | W04A, W04B | 5t42d.p↔ | 21A | W04A, W04B | 5t42e.g↔ | 21A | W04A, W04B | |
| | 21B | X06A, X06B, X06C | | 21B | X04Z | | 21B | X04Z, X06A, X06B, X06C | |
| | 08 | BOP, KVT, UOP4, VIAL | | 08 | BOP, KVT, UOP4, VIAL | | 08 | BOP, KJZSV, KVT, UOP4, VIAL | |
| 5t42d.8↔ | 08 | I08A, I08B, I08C, I08D, I08E, I08F, I08J, I32A, I32B, I32C, I32D, I32E, I32F, I32G, I32J, I32Q, I32R, I32S, I32T, I32U | 5t42d.q↔ | 21A | W04A, W04B | 5t42e.h↔ | 08 | I18A, I18B, I18J, I18Q, I18R, I30J, I30Z | |
| | 09 | J03A, J03B, J04A, J04B, J08A, J08B, J08C, J11A, J11B, J11J, J11Q, J11R, J11S, J16Z | | 08 | BOP, KVT, UOP4, VIAL | | 10 | K09A, K09B | |
| | 21A | W04A, W04B | | 08 | I20A, I20B, I20C, I20D, I20E, I20F, I20J, I20Q, I20R | | 21A | W04A, W04B | |
| | 21B | X05A, X05B | 21A | W04A, W04B | 21B | | X04Z | | |
| | 08 | BOP, KVT, UOP4, VIAL | 5t42d.r↔ | 21B | X04Z | | 01 | B03Z, B17A, B17B, B17C, B17J | |
| 5t42d.9↔ | 08 | I32A, I32B, I32C, I32D, I32E, I32F, I32G, I32J, I32Q, I32R, I32S, I32T, I32U | 5t42d.x | 08 | BOP, KVT, UOP4, VIAL | 5t42e.i↔ | 08 | I18A, I18B, I18J, I18Q, I18R, I24J, I24Q, I24Z, I30J, I30Z | |
| | 09 | J03A, J03B, J04A, J04B, J08A, J08B, J08C, J11A, J11B, J11J, J11Q, J11R, J11S, J16Z | | 08 | I28A, I28B, I28J | | 21A | W04A, W04B | |
| | 21A | W04A, W04B | | 21A | W04A, W04B | | 21B | X04Z, X06A, X06B, X06C | |
| | 21B | X05A, X05B | 21B | X06A, X06B, X06C | 08 | | BOP, KVT, UOP4, VIAL | | |
| | 08 | BOP, KVT, UOP4, VIAL | 5t42e.0↔ | 08 | I16J, I16Q, I16Z | | 08 | I59J, I59Z | |
| 5t42d.e↔ | 08 | I32A, I32B, I32C, I32D, I32E, I32F, I32G, I32J, I32Q, I32R, I32S, I32T, I32U | 5t42e.1↔ | 21A | W04A, W04B | 5t42e.k↔ | 21A | W04A, W04B | |
| | 09 | J03A, J03B, J04A, J04B, J08A, J08B, J08C, J11A, J11B, J11J, J11Q, J11R, J11S, J16Z | | 21B | X06A, X06B, X06C | | 21B | X04Z | |
| | 21A | W04A, W04B | | 08 | BOP, KVT, UOP4, VIAL | | 08 | I20A, I20B, I20C, I20D, I20E, I20F, I20J, I20Q, I20R | |
| | 21B | X05A, X05B | 5t42e.3↔ | 21A | W04A, W04B | | 21A | W04A, W04B | |
| | 08 | BOP, KVT, UOP4, VIAL | 08 | BOP, KVT, UOP4, VIAL | 21B | | X04Z | | |
| 5t42d.g↔ | 08 | I08A, I08B, I08C, I08D, I08E, I08F, I08J, I28A, I28B, I28J | 5t42e.4↔ | 21B | X06A, X06B, X06C | 5t42e.l↔ | 08 | I20A, I20B, I20C, I20D, I20E, I20F, I20J, I20Q, I20R | |
| | 21A | W04A, W04B | | 08 | BOP, KVT, UOP4, VIAL | | 21A | W04A, W04B | |
| | 21B | X04Z, X06A, X06B, X06C | | 08 | I08A, I08B, I08C, I08D, I08E, I08F, I08J, I21J, I21Z, I31J, I31Z | | 21B | X04Z | |
| | 08 | BOP, KJZSV, KVT, UOP4, VIAL | 5t42e.5↔ | 21A | W04A, W04B | | 08 | BOP, KVT, UOP4, VIAL | |
| | 08 | I08A, I08B, I08C, I08D, I08E, I30J, I30Z | | 21B | X06A, X06B, X06C | | 08 | I20A, I20B, I20C, I20D, I20E, I20F, I20J, I20Q, I20R | |
| 21A | W01A, W01B, W01C, W02A, W02B | 21B | | X06A, X06B, X06C | 21A | W04A, W04B | | | |
| 5t42d.h↔ | 21B | X04Z | 5t42e.6↔ | 08 | BOP, KVT, UOP4, VIAL | 5t42e.m↔ | 21B | X04Z | |
| | 01 | B03Z, B17A, B17B, B17C, B17J | | 08 | I08A, I08B, I08C, I08D, I08E, I08F, I08J, I32A, I32B, I32C, I32D, I32E, I32F, I32J, I32Q, I32R, I32S, I32T, I32U | | 08 | I20A, I20B, I20C, I20D, I20E, I20F, I20J, I20Q, I20R | |
| | 08 | I18A, I18B, I18J, I18Q, I18R, I30J, I30Z | | 21A | W04A, W04B | | 21A | W04A, W04B | |
| | 21A | W04A, W04B | 21B | X06A, X06B, X06C | 21B | | X04Z | | |
| | 21B | X04Z | 5t42e.8↔ | 08 | BOP, KVT, UOP4, VIAL | | 08 | BOP, KVT, UOP4, VIAL | |
| 08 | BOP, KVT, UOP4, VIAL | 08 | | I32A, I32B, I32C, I32D, I32E, I32F, I32J, I32Q, I32R, I32S, I32T, I32U | 08 | I20A, I20B, I20C, I20D, I20E, I20F, I20J, I20Q, I20R | | | |
| 08 | I59J, I59Z | 21A | | W04A, W04B | 21A | W04A, W04B | | | |
| 5t42d.j↔ | 08 | BOP, KVT, UOP4, VIAL | 5t42e.7↔ | 21B | X05A, X05B | 5t42e.n↔ | 08 | I20A, I20B, I20C, I20D, I20E, I20F, I20J, I20Q, I20R | |
| | 08 | I59J, I59Z | | 08 | BOP, KVT, UOP4, VIAL | | 21A | W04A, W04B | |
| | 21A | W04A, W04B | | 08 | I08A, I08B, I08C, I08D, I08E, I08F, I08J, I21J, I21Z, I31J, I31Z | | 21B | X04Z | |
| 5t42d.k↔ | 21B | X04Z | 5t42e.9↔ | 08 | I08A, I08B, I08C, I08D, I08E, I08F, I08J, I21J, I21Z, I31J, I31Z | | 5t42e.o↔ | 08 | I16J, I16Q, I16Z, I32A, I32B, I32C, I32D |
| | 08 | I59J, I59Z | | 21A | W04A, W04B | | | 21A | W04A, W04B |
| | 21A | W04A, W04B | | 21B | X05A, X05B | 21B | | X06A, X06B, X06C | |
| | | | | | | 08 | | I16J, I16Q, I16Z, I32A, I32B, I32C, I32D | |

VYK

| ZZV | MDC | DRG | ZZV | MDC | DRG | ZZV | MDC | DRG |
|----------|-----|--|----------|-----|--|----------|-----|--|
| 5t42f.3↔ | | BOP, KVT, UOP4, VIAL | 5t42f.k↔ | | BOP, KVT, UOP4, VIAL | 5t42h.6↔ | | BOP, KVT, UOP4, VIAL |
| | 05 | F13A | | 08 | I32A, I32B, I32C, I32D, I59J, I59Z | | 08 | I08A, I08B, I08C, I08D, I08E, I08F, I08J, I32A, I32B, I32C, I32D, I32E, I32F, I32J, I32Q, I32R, I32S, I32T, I32U |
| | 08 | I12A, I12B, I12C, I12J, I28A, I28B, I28J, I32A, I32B, I32C, I32D | | 21A | W04A, W04B | | 21A | W04A, W04B |
| | 21A | W04A, W04B | | 21B | X04Z | | 21B | X05A, X05B |
| | 21B | X06A, X06B, X06C | 5t42f.m↔ | | I20A, I20B, I20C, I20D, I20E, I20F, I20J, I20Q, I20R, I32A, I32B, I32C, I32D | 5t42h.8↔ | | BOP, KVT, UOP4, VIAL |
| 5t42f.4↔ | | BOP, KVT, UOP4, VIAL | | 08 | I20A, I20B, I20C, I20D, I20E, I20F, I20J, I20Q, I20R, I32A, I32B, I32C, I32D | | 08 | I32A, I32B, I32C, I32D, I32E, I32F, I32J, I32Q, I32R, I32S, I32T, I32U |
| | 08 | I08A, I08B, I08C, I08D, I08E, I08F, I08J, I21J, I21Z, I31J, I31Z, I32A, I32B, I32C, I32D | 5t42f.n↔ | | BOP, KVT, UOP4, VIAL | | 21A | W04A, W04B |
| | 21A | W04A, W04B | | 08 | I20A, I20B, I20C, I20D, I20E, I20F, I20J, I20Q, I20R, I32A, I32B, I32C, I32D | | 21B | X05A, X05B |
| | 21B | X06A, X06B, X06C | 5t42f.p↔ | | BOP, KVT, UOP4, VIAL | 5t42h.9↔ | | BOP, KVT, UOP4, VIAL |
| 5t42f.5↔ | | BOP, KVT, UOP4, VIAL | | 08 | I20A, I20B, I20C, I20D, I20E, I20F, I20J, I20Q, I20R, I32A, I32B, I32C, I32D | | 08 | I32A, I32B, I32C, I32D, I32E, I32F, I32J, I32Q, I32R, I32S, I32T, I32U |
| | 08 | I08A, I08B, I08C, I08D, I08E, I08F, I08J, I21J, I21Z, I31J, I31Z, I32A, I32B, I32C, I32D | 5t42f.q↔ | | BOP, KVT, UOP4, VIAL | | 21A | W04A, W04B |
| | 21A | W04A, W04B | | 08 | I20A, I20B, I20C, I20D, I20E, I20F, I20J, I20Q, I20R, I32A, I32B, I32C, I32D | | 21B | X05A, X05B |
| | 21B | X06A, X06B, X06C | 5t42f.r↔ | | BOP, KVT, UOP4, VIAL | 5t42h.e↔ | | BOP, KJZSV, KVT, UOP4, VIAL |
| 5t42f.6↔ | | BOP, KVT, UOP4, VIAL | | 08 | I20A, I20B, I20C, I20D, I20E, I20F, I20J, I20Q, I20R, I32A, I32B, I32C, I32D | | 08 | I08A, I08B, I08C, I08D, I08E, I08F, I08J, I28A, I28B, I28J |
| | 08 | I08A, I08B, I08C, I08D, I08E, I08F, I08J, I32A, I32B, I32C, I32D, I32E, I32F, I32J, I32Q, I32R, I32S, I32T, I32U | 5t42f.x | | BOP, KVT, UOP4 | | 21A | W04A, W04B |
| | 21A | W04A, W04B | | 08 | I28A, I28B, I28J, I32A, I32B, I32C, I32D | 5t42h.f | | BOP, KJZSV, KVT, UOP4, VIAL |
| | 21B | X05A, X05B | | 21A | W04A, W04B | | 08 | I28A, I28B, I28J |
| 5t42f.8↔ | | BOP, KVT, UOP4, VIAL | | 21B | X06A, X06B, X06C | | 21A | W04A, W04B |
| | 08 | I32A, I32B, I32C, I32D, I32E, I32F, I32J, I32Q, I32R, I32S, I32T, I32U | 5t42g↔ | | BOP, KVT, UOP4, VIAL | | 21B | X04Z, X06A, X06B, X06C |
| | 21A | W04A, W04B | | 08 | I32A, I32B, I32C, I32D, I32E, I32F, I32J, I32Q, I32R, I32S, I32T, I32U | 5t42h.g↔ | | BOP, KJZSV, KVT, UOP4, VIAL |
| | 21B | X05A, X05B | | 21A | W04A, W04B | | 08 | I18A, I18B, I18J, I18Q, I18R, I30J, I30Z |
| 5t42f.9↔ | | BOP, KVT, UOP4, VIAL | | 21B | X05A, X05B | | 10 | K09A, K09B |
| | 08 | I32A, I32B, I32C, I32D, I32E, I32F, I32J, I32Q, I32R, I32S, I32T, I32U | 5t42h.0↔ | | BOP, KVT, UOP4, VIAL | | 21A | W04A, W04B |
| | 21A | W04A, W04B | | 08 | I16J, I16Q, I16Z | | 21B | X04Z |
| | 21B | X05A, X05B | | 21A | W04A, W04B | 5t42h.h↔ | | BOP, KVT, UOP4, VIAL |
| 5t42f.e↔ | | BOP, KVT, UOP4, VIAL | | 21B | X06A, X06B, X06C | | 01 | B03Z, B17A, B17B, B17C, B17J |
| | 05 | F13A | 5t42h.1↔ | | BOP, KVT, UOP4, VIAL | | 08 | I24J, I24Q, I24Z, I30J, I30Z |
| | 08 | I12A, I12B, I12C, I12J, I28A, I28B, I28J, I32A, I32B, I32C, I32D | | 08 | I16J, I16Q, I16Z | | 21A | W04A, W04B |
| | 21A | W04A, W04B | | 21A | W04A, W04B | | 21B | X04Z |
| | 21B | X06A, X06B, X06C | 5t42h.2↔ | | BOP, KVT, UOP4, VIAL | 5t42h.j↔ | | BOP, KJZSV, KVT, UOP4, VIAL |
| 5t42f.f | | BOP, KVT, UOP4, VIAL | | 08 | I28A, I28B, I28J | | 08 | I28A, I28B, I28J |
| | 05 | F13A | | 21A | W04A, W04B | | 21A | W04A, W04B |
| | 08 | I12A, I12B, I12C, I12J, I28A, I28B, I28J, I32A, I32B, I32C, I32D | 5t42h.3↔ | | BOP, KJZSV, KVT, UOP4, VIAL | | 21B | X04Z, X06A, X06B, X06C |
| | 21A | W04A, W04B | | 08 | I28A, I28B, I28J | 5t42h.k↔ | | BOP, KVT, UOP4, VIAL |
| | 21B | X06A, X06B, X06C | | 21A | W04A, W04B | | 08 | I59J, I59Z |
| 5t42f.g↔ | | BOP, KJZSV, KVT, UOP4, VIAL | | 21B | X06A, X06B, X06C | | 21A | W04A, W04B |
| | 08 | I08A, I08B, I08C, I08D, I08E, I30J, I30Z, I32A, I32B, I32C, I32D | 5t42h.4↔ | | BOP, KVT, UOP4, VIAL | 5t42h.m↔ | | BOP, KVT, UOP4, VIAL |
| | 21A | W01A, W01B, W01C, W02A, W02B | | 08 | I08A, I08B, I08C, I08D, I08E, I08F, I08J, I21J, I21Z, I31J, I31Z | | 08 | I20A, I20B, I20C, I20D, I20E, I20F, I20J, I20Q, I20R |
| | 21B | X04Z | | 21A | W04A, W04B | | 21A | W04A, W04B |
| 5t42f.h↔ | | BOP, KVT, UOP4, VIAL | | 21B | X06A, X06B, X06C | 5t42h.n↔ | | BOP, KVT, UOP4, VIAL |
| | 01 | B03Z, B17A, B17B, B17C, B17J | 5t42h.5↔ | | BOP, KJZSV, KVT, UOP4, VIAL | | 08 | I20A, I20B, I20C, I20D, I20E, I20F, I20J, I20Q, I20R |
| | 08 | I18A, I18J, I18Q, I18R, I30J, I30Z, I32A, I32B, I32C, I32D | | 08 | I08A, I08B, I08C, I08D, I08E, I08F, I08J, I21J, I21Z, I31J, I31Z | | 21A | W04A, W04B |
| | 21A | W04A, W04B | | 21A | W04A, W04B | 5t42h.p↔ | | BOP, KJZSV, KVT, UOP4, VIAL |
| | 21B | X04Z | | 21B | X06A, X06B, X06C | | 08 | I20A, I20B, I20C, I20D, I20E, I20F, I20J, I20Q, I20R |
| 5t42f.j↔ | | BOP, KVT, UOP4, VIAL | | | | | 21A | W04A, W04B |
| | 08 | I32A, I32B, I32C, I32D, I59J, I59Z | | | | | 21B | X04Z |

VYK

| ZZV | MDC | DRG | ZZV | MDC | DRG | ZZV | MDC | DRG |
|----------|-----|--|----------|-----|--|--------|-----|--|
| 5t42h.q↔ | | BOP, KVT, UOP4, VIAL | 5t42i.f | | BOP, KVT, UOP4, VIAL | 5t432↔ | | BOP, KVT, UOP4, VIAL |
| | 08 | I20A, I20B, I20C, I20D, I20E, I20F, I20J, I20Q, I20R | | 08 | I28A, I28B, I28J | | 01 | B03Z, B17A, B17B, B17C, B17J |
| | 21A | W04A, W04B | | 21A | W04A, W04B | | 08 | I12A, I12B, I12C, I12J, I18A, I18B, I18J, I18Q, I18R, I30J, I30Z |
| | 21B | X04Z | 5t42i.g↔ | | BOP, KJZSV, KVT, UOP4, VIAL | | 21A | W04A, W04B |
| 5t42h.r↔ | | BOP, KJZSV, KVT, UOP4, VIAL | | 08 | I18A, I18B, I18J, I18Q, I18R, I30J, I30Z | | 21B | X04Z |
| | 08 | I20A, I20B, I20C, I20D, I20E, I20F, I20J, I20Q, I20R | | 10 | K09A, K09B | 5t433↔ | | BOP, KVT, UOP4, VIAL |
| | 21A | W04A, W04B | | 21A | W04A, W04B | | 01 | B03Z, B17A, B17B, B17C, B17J |
| | 21B | X04Z | | 21B | X04Z | | 08 | I12A, I12B, I12C, I12J, I18A, I18B, I18J, I18Q, I18R, I30J, I30Z |
| 5t42h.x | | BOP, KVT, UOP4 | 5t42i.h↔ | | BOP, KVT, UOP4, VIAL | | 21A | W04A, W04B |
| | 08 | I28A, I28B, I28J | | 01 | B03Z, B17A, B17B, B17C, B17J | | 21B | X04Z |
| | 21A | W04A, W04B | | 08 | I24J, I24Q, I24Z, I30J, I30Z | 5t434↔ | | BOP, KVT, UOP4, VIAL |
| | 21B | X06A, X06B, X06C | | 21A | W04A, W04B | | 01 | B03Z, B17A, B17B, B17C, B17J |
| 5t42i.0↔ | | BOP, KVT, UOP4, VIAL | | 21B | X04Z | | 08 | I12A, I12B, I12C, I12J, I18A, I18B, I18J, I18Q, I18R, I30J, I30Z |
| | 08 | I16J, I16Q, I16Z | 5t42i.j↔ | | BOP, KVT, UOP4, VIAL | | 21A | W04A, W04B |
| | 21A | W04A, W04B | | 08 | I28A, I28B, I28J | | 21B | X04Z |
| | 21B | X06A, X06B, X06C | | 21A | W04A, W04B | 5t435↔ | | BOP, KVT, UOP4, VIAL |
| 5t42i.1↔ | | BOP, KVT, UOP4, VIAL | | 21B | X04Z, X06A, X06B, X06C | | 01 | B03Z, B17A, B17B, B17C, B17J |
| | 08 | I16J, I16Q, I16Z | 5t42i.k↔ | | BOP, KVT, UOP4, VIAL | | 08 | I12A, I12B, I12C, I12J, I18A, I18B, I18J, I18Q, I18R, I30J, I30Z |
| | 21A | W04A, W04B | | 08 | I59J, I59Z | | 21A | W04A, W04B |
| | 21B | X06A, X06B, X06C | | 21A | W04A, W04B | | 21B | X04Z |
| 5t42i.2↔ | | BOP, KVT, UOP4, VIAL | | 21B | X04Z | 5t436↔ | | BOP, KVT, UOP4, VIAL |
| | 08 | I28A, I28B, I28J | 5t42i.m↔ | | BOP, KVT, UOP4, VIAL | | 01 | B03Z, B17A, B17B, B17C, B17J |
| | 21A | W04A, W04B | | 08 | I20A, I20B, I20C, I20D, I20E, I20F, I20J, I20Q, I20R | | 08 | I12A, I12B, I12C, I12J, I18A, I18B, I18J, I18Q, I18R, I30J, I30Z |
| | 21B | X06A, X06B, X06C | | 21A | W04A, W04B | | 21A | W04A, W04B |
| 5t42i.3↔ | | BOP, KVT, UOP4, VIAL | | 21B | X04Z | | 21B | X04Z |
| | 08 | I28A, I28B, I28J | 5t42i.n↔ | | BOP, KVT, UOP4, VIAL | 5t437↔ | | BOP, KVT, UOP4, VIAL |
| | 21A | W04A, W04B | | 08 | I20A, I20B, I20C, I20D, I20E, I20F, I20J, I20Q, I20R | | 01 | B03Z, B17A, B17B, B17C, B17J |
| | 21B | X06A, X06B, X06C | | 21A | W04A, W04B | | 08 | I12A, I12B, I12C, I12J, I18A, I18B, I18J, I18Q, I18R, I30J, I30Z |
| 5t42i.4↔ | | BOP, KVT, UOP4, VIAL | | 21B | X04Z | | 21A | W04A, W04B |
| | 08 | I08A, I08B, I08C, I08D, I08E, I08F, I08J, I21J, I21Z, I31J, I31Z | 5t42i.p↔ | | BOP, KVT, UOP4, VIAL | | 21B | X04Z |
| | 21A | W04A, W04B | | 08 | I20A, I20B, I20C, I20D, I20E, I20F, I20J, I20Q, I20R | 5t438↔ | | BOP, KVT, UOP4, VIAL |
| | 21B | X06A, X06B, X06C | | 21A | W04A, W04B | | 01 | B03Z, B17A, B17B, B17C, B17J |
| 5t42i.5↔ | | BOP, KVT, UOP4, VIAL | | 21B | X04Z | | 08 | I12A, I12B, I12C, I12J, I18A, I18B, I18J, I18Q, I18R, I30J, I30Z |
| | 08 | I08A, I08B, I08C, I08D, I08E, I08F, I08J, I21J, I21Z, I31J, I31Z | 5t42i.q↔ | | BOP, KVT, UOP4, VIAL | | 21A | W04A, W04B |
| | 21A | W04A, W04B | | 08 | I20A, I20B, I20C, I20D, I20E, I20F, I20J, I20Q, I20R | | 21B | X04Z |
| | 21B | X06A, X06B, X06C | | 21A | W04A, W04B | 5t439↔ | | BOP, KVT, UOP4, VIAL |
| 5t42i.6↔ | | BOP, KVT, UOP4, VIAL | | 21B | X04Z | | 01 | B03Z, B17A, B17B, B17C, B17J |
| | 08 | I08A, I08B, I08C, I08D, I08E, I08F, I08J, I32A, I32B, I32C, I32D, I32E, I32F, I32J, I32Q, I32R, I32S, I32T, I32U | 5t42i.r↔ | | BOP, KVT, UOP4, VIAL | | 08 | I12A, I12B, I12C, I12J, I18A, I18B, I18J, I18Q, I18R, I30J, I30Z |
| | 21A | W04A, W04B | | 08 | I20A, I20B, I20C, I20D, I20E, I20F, I20J, I20Q, I20R | | 21A | W04A, W04B |
| | 21B | X05A, X05B | | 21A | W04A, W04B | | 21B | X04Z |
| 5t42i.8↔ | | BOP, KVT, UOP4, VIAL | | 21B | X04Z | 5t439↔ | | BOP, KVT, UOP4, VIAL |
| | 08 | I32A, I32B, I32C, I32D, I32E, I32F, I32J, I32Q, I32R, I32S, I32T, I32U | 5t42i.x | | BOP, KVT, UOP4 | | 01 | B03Z, B17A, B17B, B17C, B17J |
| | 21A | W04A, W04B | | 08 | I28A, I28B, I28J | | 08 | I18A, I18B, I18J, I18Q, I18R, I30J, I30Z |
| | 21B | X05A, X05B | | 21A | W04A, W04B | | 21A | W04A, W04B |
| 5t42i.9↔ | | BOP, KVT, UOP4, VIAL | | 21B | X06A, X06B, X06C | | 21B | X04Z |
| | 08 | I32A, I32B, I32C, I32D, I32E, I32F, I32J, I32Q, I32R, I32S, I32T, I32U | 5t430↔ | | BOP, KVT, UOP4, VIAL | | 01 | B03Z, B17A, B17B, B17C, B17J |
| | 21A | W04A, W04B | | 01 | B03Z, B17A, B17B, B17C, B17J | | 08 | I12A, I12B, I12C, I12J, I18A, I18B, I18J, I18Q, I18R, I30J, I30Z |
| | 21B | X05A, X05B | | 08 | I18A, I18B, I18J, I18Q, I18R, I30J, I30Z | | 21A | W04A, W04B |
| 5t42i.e↔ | | BOP, KVT, UOP4, VIAL | | 21A | W04A, W04B | | 21B | X04Z |
| | 08 | I08A, I08B, I08C, I08D, I08E, I08F, I08J, I28A, I28B, I28J | 5t431↔ | | BOP, KVT, UOP4, VIAL | 5t43a↔ | | BOP, KVT, UOP4, VIAL |
| | 21A | W04A, W04B | | 01 | B03Z, B17A, B17B, B17C, B17J | | 01 | B03Z, B17A, B17B, B17C, B17J |
| | 21B | X04Z, X06A, X06B, X06C | | 08 | I18A, I18B, I18J, I18Q, I18R, I30J, I30Z | | 08 | I12A, I12B, I12C, I12J, I18A, I18B, I18J, I18Q, I18R, I30J, I30Z |
| | | | | 21A | W04A, W04B | | 21A | W04A, W04B |
| | | | | 21B | X04Z | | 21B | X04Z |

| ZZV | MDC | DRG | ZZV | MDC | DRG | ZZV | MDC | DRG |
|---------|-----|--|----------|----------|--|----------|-----|--|
| 5t43b↔ | | BOP, KVT, UOP4, VIAL | 5t440.2 | | BOP, KVT, UOP4, VIAL | 5t446↔ | | BOP, KVT, UOP4, VIAL |
| | 01 | B03Z, B17A, B17B, B17C, B17J | | 01 | B03Z, B17A, B17B, B17C, B17J | | 08 | I29J, I29Q, I29Z |
| | 08 | I12A, I12B, I12C, I12J, I18A, I18B, I18J, I18Q, I18R, I30J, I30Z | | 08 | I29J, I29Q, I29Z | | 21A | W04A, W04B |
| | 21A | W04A, W04B | | 10 | K09A, K09B | 5t447↔ | | X06A, X06B, X06C |
| | 21B | X04Z | | 21A | W04A, W04B | | 08 | BOP, KVT, UOP4, VIAL |
| 5t43c↔ | | BOP, KVT, UOP4, VIAL | 5t440.3 | | BOP, KJZSV, KVT, UOP4, VIAL | | 21A | W04A, W04B |
| | 01 | B03Z, B17A, B17B, B17C, B17J | | 01 | B03Z, B17A, B17B, B17C, B17J | 5t448↔ | | X06A, X06B, X06C |
| | 08 | I12A, I12B, I12C, I12J, I18A, I18B, I18J, I18Q, I18R, I30J, I30Z | | 08 | I29J, I29Q, I29Z | | 08 | BOP, KVT, UOP4, VIAL |
| | 21A | W04A, W04B | | 10 | K09A, K09B | | 21A | W04A, W04B |
| | 21B | X04Z | | 21A | W04A, W04B | 5t449↔ | | X06A, X06B, X06C |
| 5t43d↔ | | BOP, KVT, UOP4, VIAL | 5t441.1 | | BOP, KVT, UOP4, VIAL | | 08 | BOP, KVT, UOP4, VIAL |
| | 01 | B03Z, B17A, B17B, B17C, B17J | | 01 | B03Z, B17A, B17B, B17C, B17J | 5t44a↔ | | BOP, KVT, UOP4, VIAL |
| | 08 | I12A, I12B, I12C, I12J, I18A, I18B, I18J, I18Q, I18R, I30J, I30Z | | 08 | I29J, I29Q, I29Z | | 08 | I16J, I16Q, I16Z |
| | 21A | W04A, W04B | | 10 | K09A, K09B | | 21A | W04A, W04B |
| | 21B | X04Z | | 21A | W04A, W04B | 5t44b↔ | | X06A, X06B, X06C |
| 5t43e↔ | | BOP, KVT, UOP4, VIAL | 5t441.2 | | BOP, KVT, UOP4, VIAL | | 08 | BOP, KVT, UOP4, VIAL |
| | 01 | B03Z, B17A, B17B, B17C, B17J | | 01 | B03Z, B17A, B17B, B17C, B17J | 5t44x↔ | | BOP, KVT, UOP4, VIAL |
| | 08 | I12A, I12B, I12C, I12J, I18A, I18B, I18J, I18Q, I18R, I30J, I30Z | | 08 | I29J, I29Q, I29Z | | 08 | I16J, I16Q, I16Z |
| | 21A | W04A, W04B | | 10 | K09A, K09B | | 21A | W04A, W04B |
| | 21B | X04Z | | 21A | W04A, W04B | 5t450↔ | | X06A, X06B, X06C |
| 5t43f↔ | | BOP, KVT, UOP4, VIAL | 5t441.3 | | BOP, KVT, UOP4, VIAL | | 21B | BOP, KVT, UOP4, VIAL |
| | 01 | B03Z, B17A, B17B, B17C, B17J | | 08 | I12A, I12B, I12C, I12J, I16J, I16Q, I16Z | | 01 | B03Z, B17A, B17B, B17C, B17J |
| | 08 | I12A, I12B, I12C, I12J, I18A, I18B, I18J, I18Q, I18R, I30J, I30Z | | 21A | W04A, W04B | | 08 | I18A, I18B, I18J, I18Q, I18R, I30J, I30Z |
| | 21A | W04A, W04B | | 21B | X06A, X06B, X06C | | 21A | W04A, W04B |
| | 21B | X04Z | | 5t442.1 | BOP, KJZSV, KVT, UOP4, VIAL | 5t451↔ | | X04Z |
| 5t43g↔ | | BOP, KVT, UOP4, VIAL | | 01 | B03Z, B17A, B17B, B17C, B17J | | 01 | BOP, KVT, UOP4, VIAL |
| | 01 | B03Z, B17A, B17B, B17C, B17J | | 08 | I29J, I29Q, I29Z | | 08 | B03Z, B17A, B17B, B17C, B17J |
| | 08 | I12A, I12B, I12C, I12J, I18A, I18B, I18J, I18Q, I18R, I30J, I30Z | | 10 | K09A, K09B | | 08 | I18A, I18B, I18J, I18Q, I18R, I30J, I30Z |
| | 21A | W04A, W04B | | 21A | W04A, W04B | | 21A | W04A, W04B |
| | 21B | X04Z | | 21B | X06A, X06B, X06C | 5t452.0↔ | | X04Z |
| 5t43h↔ | | BOP, KVT, UOP4, VIAL | 5t444.0↔ | | BOP, KVT, UOP4, VIAL | | 01 | BOP, KJZSV, KVT, UOP4, VIAL |
| | 01 | B03Z, B17A, B17B, B17C, B17J | | 08 | I12A, I12B, I12C, I12J, I29J, I29Q, I29Z | | 01 | B03Z, B17A, B17B, B17C, B17J |
| | 08 | I12A, I12B, I12C, I12J, I18A, I18B, I18J, I18Q, I18R, I30J, I30Z | | 21A | W04A, W04B | | 08 | I12A, I12B, I12C, I12J, I18A, I18B, I18J, I18Q, I18R, I30J, I30Z |
| | 21A | W04A, W04B | | 21B | X06A, X06B, X06C | 5t452.1↔ | | X04Z |
| | 21B | X04Z | | 5t444.1↔ | BOP, KVT, UOP4, VIAL | | 01 | BOP, KVT, UOP4, VIAL |
| 5t43x↔ | | BOP, KVT, UOP4, VIAL | | 08 | I12A, I12B, I12C, I12J, I29J, I29Q, I29Z | | 01 | B03Z, B17A, B17B, B17C, B17J |
| | 01 | B03Z, B17A, B17B, B17C, B17J | | 21A | W04A, W04B | | 08 | I12A, I12B, I12C, I12J, I18A, I18B, I18J, I18Q, I18R, I30J, I30Z |
| | 08 | I12A, I12B, I12C, I12J, I18A, I18B, I18J, I18Q, I18R, I30J, I30Z | | 21B | X06A, X06B, X06C | 5t452.2↔ | | X04Z |
| | 21A | W04A, W04B | | 5t444.2↔ | BOP, KVT, UOP4, VIAL | | 01 | BOP, KVT, UOP4, VIAL |
| | 21B | X04Z | | 08 | I12A, I12B, I12C, I12J, I29J, I29Q, I29Z | | 01 | B03Z, B17A, B17B, B17C, B17J |
| 5t440.1 | | BOP, KVT, UOP4, VIAL | | 21A | W04A, W04B | | 08 | I12A, I12B, I12C, I12J, I18A, I18B, I18J, I18Q, I18R, I30J, I30Z |
| | 01 | B03Z, B17A, B17B, B17C, B17J | | 21B | X06A, X06B, X06C | | 21A | W04A, W04B |
| | 08 | I29J, I29Q, I29Z | | 5t444.x↔ | BOP, KVT, UOP4, VIAL | | 21B | X04Z |
| | 10 | K09A, K09B | | 08 | I12A, I12B, I12C, I12J, I29J, I29Q, I29Z | | 01 | BOP, KVT, UOP4, VIAL |
| | 21A | W04A, W04B | | 21A | W04A, W04B | | 01 | B03Z, B17A, B17B, B17C, B17J |
| | 21B | X06A, X06B, X06C | | 21B | X06A, X06B, X06C | | 08 | I12A, I12B, I12C, I12J, I18A, I18B, I18J, I18Q, I18R, I30J, I30Z |
| | | | | 5t445↔ | BOP, KVT, UOP4, VIAL | | 21A | W04A, W04B |
| | | | | 01 | B03Z, B17A, B17B, B17C, B17J | | 21B | X04Z |
| | | | | 08 | I29J, I29Q, I29Z | | | |
| | | | | 10 | K09A, K09B | | | |
| | | | | 21A | W04A, W04B | | | |
| | | | | 21B | X06A, X06B, X06C | | | |

| ZZV | MDC | DRG | ZZV | MDC | DRG | ZZV | MDC | DRG |
|----------|-----|---|----------|-----|---|----------|-----|--|
| 5t452.3↔ | | BOP, KVT, UOP4, VIAL 01 B03Z, B17A, B17B, B17C, B17J 08 I12A, I12B, I12C, I12J, I18A, I18B, I18J, I18Q, I18R, I30J, I30Z 21A W04A, W04B 21B X04Z | 5t461 | | BOP, KJZSV, KVT, UOP4, VIAL 08 I20A, I20B, I20C, I20D, I20E, I20F, I20J, I20Q, I20R 21A W04A, W04B 21B X04Z | 5t490.g↔ | | BOP, KJZSV, KVT, UOP4, VIAL 08 I08A, I08B, I08C, I08D, I08E, I30J, I30Z 21A W01A, W01B, W01C, W02A, W02B 21B X04Z |
| 5t452.x↔ | | BOP, KVT, UOP4, VIAL 01 B03Z, B17A, B17B, B17C, B17J 08 I12A, I12B, I12C, I12J, I18A, I18B, I18J, I18Q, I18R, I30J, I30Z 21A W04A, W04B 21B X04Z | 5t490.0↔ | | BOP, KJZSV, KVT, UOP4, VIAL 08 I12A, I12B, I12C, I12J, I16J, I16Q, I16Z 21A W04A, W04B 21B X06A, X06B, X06C | 5t490.h↔ | | BOP, KVT, UOP4, VIAL 01 B03Z, B17A, B17B, B17C, B17J 08 I12A, I12B, I12C, I12J, I18A, I18B, I18J, I18Q, I18R, I30J, I30Z 21A W04A, W04B 21B X04Z |
| 5t453.0↔ | | BOP, KJZSV, KVT, UOP4, VIAL 01 B03Z, B17A, B17B, B17C, B17J 08 I12A, I12B, I12C, I12J, I18A, I18B, I18J, I18Q, I18R, I30J, I30Z 21A W04A, W04B 21B X04Z | 5t490.1↔ | | BOP, KVT, UOP4, VIAL 08 I12A, I12B, I12C, I12J, I16J, I16Q, I16Z 21A W04A, W04B 21B X06A, X06B, X06C | 5t490.j↔ | | BOP, KVT, UOP4, VIAL 08 I59J, I59Z |
| 5t453.1↔ | | BOP, KVT, UOP4, VIAL 01 B03Z, B17A, B17B, B17C, B17J 08 I12A, I12B, I12C, I12J, I18A, I18B, I18J, I18Q, I18R, I30J, I30Z 21A W04A, W04B 21B X04Z | 5t490.3↔ | | BOP, KVT, UOP4, VIAL 08 I12A, I12B, I12C, I12J, I28A, I28B, I28J 21A W04A, W04B 21B X06A, X06B, X06C | 5t490.k↔ | | BOP, KVT, UOP4, VIAL 08 I12A, I12B, I12C, I12J, I59J, I59Z 21A W04A, W04B 21B X04Z |
| 5t453.2↔ | | BOP, KVT, UOP4, VIAL 01 B03Z, B17A, B17B, B17C, B17J 08 I18A, I18B, I18J, I18Q, I18R, I30J, I30Z 21A W04A, W04B 21B X04Z | 5t490.4↔ | | BOP, KVT, UOP4, VIAL 08 I08A, I08B, I08C, I08D, I08E, I08F, I08J, I12A, I12B, I12C, I12J, I18A, I18B, I18J, I18Q, I18R, I30J, I30Z 21A W04A, W04B 21B X06A, X06B, X06C | 5t490.m↔ | | BOP, KVT, UOP4, VIAL 08 I12A, I12B, I12C, I12J, I20A, I20B, I20C, I20D, I20E, I20F, I20J, I20Q, I20R 21A W04A, W04B 21B X04Z |
| 5t453.3↔ | | BOP, KVT, UOP4, VIAL 01 B03Z, B17A, B17B, B17C, B17J 08 I12A, I12B, I12C, I12J, I18A, I18B, I18J, I18Q, I18R, I30J, I30Z 21A W04A, W04B 21B X04Z | 5t490.5↔ | | BOP, KVT, UOP4, VIAL 08 I08A, I08B, I08C, I08D, I08E, I08F, I08J, I12A, I12B, I12C, I12J, I18A, I18B, I18J, I18Q, I18R, I30J, I30Z 21A W04A, W04B 21B X06A, X06B, X06C | 5t490.n↔ | | BOP, KVT, UOP4, VIAL 08 I20A, I20B, I20C, I20D, I20E, I20F, I20J, I20Q, I20R |
| 5t453.x↔ | | BOP, KVT, UOP4, VIAL 01 B03Z, B17A, B17B, B17C, B17J 08 I12A, I12B, I12C, I12J, I18A, I18B, I18J, I18Q, I18R, I30J, I30Z 21A W04A, W04B 21B X04Z | 5t490.6↔ | | BOP, KVT, UOP4, VIAL 08 I08A, I08B, I08C, I08D, I08E, I08F, I08J, I12A, I12B, I12C, I12J, I32A, I32B, I32C, I32D, I32E, I32F, I32J, I32Q, I32R, I32S, I32T, I32U 21A W04A, W04B 21B X05A, X05B | 5t490.p↔ | | BOP, KVT, UOP4, VIAL 08 I20A, I20B, I20C, I20D, I20E, I20F, I20J, I20Q, I20R |
| 5t454.0↔ | | BOP, KVT, UOP4, VIAL 01 B03Z, B17A, B17B, B17C, B17J 08 I18A, I18B, I18J, I18Q, I18R, I30J, I30Z 21A W04A, W04B 21B X04Z | 5t490.8↔ | | BOP, KVT, UOP4, VIAL 08 I12A, I12B, I12C, I12J, I32A, I32B, I32C, I32D, I32E, I32F, I32J, I32Q, I32R, I32S, I32T, I32U 21A W04A, W04B 21B X05A, X05B | 5t490.q↔ | | BOP, KVT, UOP4, VIAL 08 I20A, I20B, I20C, I20D, I20E, I20F, I20J, I20Q, I20R |
| 5t454.1↔ | | BOP, KVT, UOP4, VIAL 01 B03Z, B17A, B17B, B17C, B17J 08 I18A, I18B, I18J, I18Q, I18R, I30J, I30Z 21A W04A, W04B 21B X04Z | 5t490.9↔ | | BOP, KVT, UOP4, VIAL 08 I12A, I12B, I12C, I12J, I32A, I32B, I32C, I32D, I32E, I32F, I32J, I32Q, I32R, I32S, I32T, I32U 21A W04A, W04B 21B X05A, X05B | 5t490.r↔ | | BOP, KVT, UOP4, VIAL 08 I20A, I20B, I20C, I20D, I20E, I20F, I20J, I20Q, I20R |
| 5t454.2↔ | | BOP, KVT, UOP4, VIAL 01 B03Z, B17A, B17B, B17C, B17J 08 I18A, I18B, I18J, I18Q, I18R, I30J, I30Z 21A W04A, W04B 21B X04Z | 5t490.e↔ | | BOP, KVT, UOP4, VIAL 08 I08A, I08B, I08C, I08D, I08E, I08F, I08J, I28A, I28B, I28J 21A W04A, W04B 21B X04Z, X06A, X06B, X06C | 5t490.x | | BOP, KVT, UOP4 08 I12A, I12B, I12C, I12J, I28A, I28B, I28J 21A W04A, W04B 21B X06A, X06B, X06C |
| 5t454.3↔ | | BOP, KJZSV, KVT, UOP4, VIAL 08 I20A, I20B, I20C, I20D, I20E, I20F, I20J, I20Q, I20R 21A W04A, W04B 21B X04Z | 5t490.f | | BOP, KVT, UOP4, VIAL 08 I08A, I08B, I08C, I08D, I08E, I08F, I08J, I28A, I28B, I28J 21A W04A, W04B 21B X04Z, X06A, X06B, X06C | 5t491.0↔ | | BOP, KVT, UOP4, VIAL 08 I16J, I16Q, I16Z 21A W04A, W04B 21B X06A, X06B, X06C |
| 5t454.4↔ | | BOP, KVT, UOP4, VIAL 01 B03Z, B17A, B17B, B17C, B17J 08 I12A, I12B, I12C, I12J, I18A, I18B, I18J, I18Q, I18R, I30J, I30Z 21A W04A, W04B 21B X04Z | 5t490.g↔ | | BOP, KVT, UOP4, VIAL 08 I12A, I12B, I12C, I12J, I32A, I32B, I32C, I32D, I32E, I32F, I32J, I32Q, I32R, I32S, I32T, I32U 21A W04A, W04B 21B X05A, X05B | 5t491.4↔ | | BOP, KVT, UOP4, VIAL 08 I08A, I08B, I08C, I08D, I08E, I08F, I08J, I18A, I18B, I18J, I18Q, I18R, I30J, I30Z 21A W04A, W04B 21B X06A, X06B, X06C |
| 5t454.5↔ | | BOP, KVT, UOP4, VIAL 01 B03Z, B17A, B17B, B17C, B17J 08 I18A, I18B, I18J, I18Q, I18R, I30J, I30Z 21A W04A, W04B 21B X04Z | 5t490.h↔ | | BOP, KVT, UOP4, VIAL 08 I08A, I08B, I08C, I08D, I08E, I08F, I08J, I28A, I28B, I28J 21A W04A, W04B 21B X04Z, X06A, X06B, X06C | 5t491.5↔ | | BOP, KVT, UOP4, VIAL 08 I08A, I08B, I08C, I08D, I08E, I08F, I08J, I18A, I18B, I18J, I18Q, I18R, I30J, I30Z 21A W04A, W04B 21B X06A, X06B, X06C |
| 5t454.6↔ | | BOP, KVT, UOP4, VIAL 01 B03Z, B17A, B17B, B17C, B17J 08 I18A, I18B, I18J, I18Q, I18R, I30J, I30Z 21A W04A, W04B 21B X04Z | 5t490.i↔ | | BOP, KVT, UOP4, VIAL 08 I08A, I08B, I08C, I08D, I08E, I08F, I08J, I28A, I28B, I28J 21A W04A, W04B 21B X04Z, X06A, X06B, X06C | 5t491.h↔ | | BOP, KVT, UOP4, VIAL 01 B03Z, B17A, B17B, B17C, B17J 08 I18A, I18B, I18J, I18Q, I18R, I30J, I30Z 21A W04A, W04B 21B X04Z |

VYK

| ZZV | MDC | DRG | ZZV | MDC | DRG | ZZV | MDC | DRG |
|----------|-----|--|----------|-----|--|----------|-----|--|
| 5t491.k↔ | | BOP, KVT, UOP4, VIAL | 5t49x.e↔ | | BOP, KVT, UOP4, VIAL | 5t500.00 | | BOP, KJZSV, KOP, KOPV, KVT, UOP4, VIAL |
| | 08 | I59J, I59Z | | 08 | I08A, I08B, I08C, I08D, I08E, I08F, I08J, I28A, I28B, I28J | | 06 | G33Z |
| | 21A | W04A, W04B | | 21A | W04A, W04B | | 07 | H33Z, H38Z |
| | 21B | X04Z | | 21B | X04Z, X06A, X06B, X06C | | 08 | I01Z, I03A, I03B, I05Z, I08A, I08B, I08C, I08D, I08E, I08F, I08J, I12A, I12B, I12C, I12J, I36Z, I47A, I47B |
| 5t491.x↔ | | BOP, KVT, UOP4 | 5t49x.f | | BOP, KVT, UOP4, VIAL | | 11 | L33Z |
| | 08 | I28A, I28B, I28J | | 08 | I28A, I28B, I28J | | 21A | W01A, W01B, W01C, W02A, W02B |
| | 21A | W04A, W04B | | 21A | W04A, W04B | | 21B | X04Z, X33Z |
| | 21B | X06A, X06B, X06C | | 21B | X04Z, X06A, X06B, X06C | | 23 | Z01A |
| 5t492.0↔ | | BOP, KVT, UOP4, VIAL | 5t49x.g↔ | | BOP, KJZSV, KVT, UOP4, VIAL | | Pre | A07A |
| | 08 | I16J, I16Q, I16Z | | 08 | I30J, I30Z | | 06 | G33Z |
| | 21A | W04A, W04B | | 21A | W01A, W01B, W01C, W02A, W02B | | 07 | H33Z, H38Z |
| | 21B | X06A, X06B, X06C | | 21B | X04Z | 5t500.01 | 08 | I01Z, I03A, I03B, I05Z, I08A, I08B, I08C, I08D, I08E, I08F, I08J, I12A, I12B, I12C, I12J, I36Z, I47A, I47B |
| 5t492.h↔ | | BOP, KVT, UOP4, VIAL | 5t49x.h↔ | | BOP, KVT, UOP4, VIAL | | 11 | L33Z |
| | 01 | B03Z, B17A, B17B, B17C, B17J | | 01 | B03Z, B17A, B17B, B17C, B17J | | 21A | W01A, W01B, W01C, W02A, W02B |
| | 08 | I18A, I18B, I18J, I18Q, I18R, I30J, I30Z | | 08 | I18A, I18B, I18J, I18Q, I18R, I30J, I30Z | | 21B | X04Z, X33Z |
| | 21A | W04A, W04B | | 21A | W04A, W04B | | 23 | Z01A |
| | 21B | X04Z | | 21B | X04Z | | Pre | A07A |
| 5t492.x↔ | | BOP, KVT, UOP4 | 5t49x.j↔ | | BOP, KVT, UOP4, VIAL | | 06 | G33Z |
| | 08 | I28A, I28B, I28J | | 01 | B03Z, B17A, B17B, B17C, B17J | | 07 | H33Z, H38Z |
| | 21A | W04A, W04B | | 08 | I18A, I18B, I18J, I18Q, I18R, I30J, I30Z | | 08 | I01Z, I03A, I03B, I05Z, I08A, I08B, I08C, I08D, I08E, I08F, I08J, I12A, I12B, I12C, I12J, I36Z, I47A, I47B |
| | 21B | X06A, X06B, X06C | | 21A | W04A, W04B | | 11 | L33Z |
| 5t49x.0↔ | | BOP, KVT, UOP4, VIAL | 5t49x.k↔ | | BOP, KVT, UOP4, VIAL | | 21A | W01A, W01B, W01C, W02A, W02B |
| | 08 | I16J, I16Q, I16Z | | 08 | I59J, I59Z | | 21B | X04Z, X33Z |
| | 21A | W04A, W04B | | 21A | W04A, W04B | | 23 | Z01A |
| | 21B | X06A, X06B, X06C | | 21B | X04Z | 5t500.02 | Pre | A07A |
| 5t49x.1↔ | | BOP, KVT, UOP4, VIAL | 5t49x.l↔ | | BOP, KVT, UOP4, VIAL | | 06 | G33Z |
| | 08 | I16J, I16Q, I16Z | | 08 | I59J, I59Z | | 07 | H33Z, H38Z |
| | 21A | W04A, W04B | | 21A | W04A, W04B | | 08 | I01Z, I03A, I03B, I05Z, I08A, I08B, I08C, I08D, I08E, I08F, I08J, I12A, I12B, I12C, I12J, I36Z, I47A, I47B |
| | 21B | X06A, X06B, X06C | | 21B | X04Z | | 11 | L33Z |
| 5t49x.2↔ | | BOP, KVT, UOP4, VIAL | 5t49x.m↔ | | BOP, KVT, UOP4, VIAL | | 21A | W01A, W01B, W01C, W02A, W02B |
| | 08 | I28A, I28B, I28J | | 08 | I20A, I20B, I20C, I20D, I20E, I20F, I20J, I20Q, I20R | | 21B | X04Z, X33Z |
| | 21A | W04A, W04B | | 21A | W04A, W04B | | 23 | Z01A |
| | 21B | X06A, X06B, X06C | | 21B | X04Z | | Pre | A07A |
| 5t49x.3↔ | | BOP, KVT, UOP4, VIAL | 5t49x.n↔ | | BOP, KVT, UOP4, VIAL | | 06 | G33Z |
| | 08 | I28A, I28B, I28J | | 08 | I20A, I20B, I20C, I20D, I20E, I20F, I20J, I20Q, I20R | | 07 | H33Z, H38Z |
| | 21A | W04A, W04B | | 21A | W04A, W04B | | 08 | I01Z, I03A, I03B, I05Z, I08A, I08B, I08C, I08D, I08E, I08F, I08J, I12A, I12B, I12C, I12J, I36Z, I47A, I47B |
| | 21B | X06A, X06B, X06C | | 21B | X04Z | | 11 | L33Z |
| 5t49x.4↔ | | BOP, KVT, UOP4, VIAL | 5t49x.o↔ | | BOP, KVT, UOP4, VIAL | | 21A | W01A, W01B, W01C, W02A, W02B |
| | 08 | I08A, I08B, I08C, I08D, I08E, I08F, I08J, I18A, I18B, I18J, I18Q, I18R, I30J, I30Z | | 08 | I20A, I20B, I20C, I20D, I20E, I20F, I20J, I20Q, I20R | | 21B | X04Z, X33Z |
| | 21A | W04A, W04B | | 21A | W04A, W04B | | 23 | Z01A |
| | 21B | X06A, X06B, X06C | | 21B | X04Z | 5t500.10 | Pre | A07A |
| 5t49x.5↔ | | BOP, KVT, UOP4, VIAL | 5t49x.p↔ | | BOP, KVT, UOP4, VIAL | | 06 | G33Z |
| | 08 | I08A, I08B, I08C, I08D, I08E, I08F, I08J, I18A, I18B, I18J, I18Q, I18R, I30J, I30Z | | 08 | I20A, I20B, I20C, I20D, I20E, I20F, I20J, I20Q, I20R | | 07 | H33Z, H38Z |
| | 21A | W04A, W04B | | 21A | W04A, W04B | | 08 | I01Z, I03A, I03B, I05Z, I08A, I08B, I08C, I08D, I08E, I08F, I08J, I12A, I12B, I12C, I12J, I36Z, I47A, I47B |
| | 21B | X06A, X06B, X06C | | 21B | X04Z | | 11 | L33Z |
| 5t49x.6↔ | | BOP, KVT, UOP4, VIAL | 5t49x.q↔ | | BOP, KVT, UOP4, VIAL | | 21A | W01A, W01B, W01C, W02A, W02B |
| | 08 | I08A, I08B, I08C, I08D, I08E, I08F, I08J, I32A, I32B, I32C, I32D, I32E, I32F, I32J, I32Q, I32R, I32S, I32T, I32U | | 10 | K09A, K09B | | 21B | X04Z, X33Z |
| | 21A | W04A, W04B | | 21A | W04A, W04B | | 23 | Z01A |
| | 21B | X05A, X05B | | 21B | X04Z | | Pre | A07A |
| 5t49x.8↔ | | BOP, KVT, UOP4, VIAL | 5t49x.r↔ | | BOP, KVT, UOP4, VIAL | | 06 | G33Z |
| | 08 | I32A, I32B, I32C, I32D, I32E, I32F, I32J, I32Q, I32R, I32S, I32T, I32U | | 08 | I20A, I20B, I20C, I20D, I20E, I20F, I20J, I20Q, I20R | 5t500.11 | 07 | H33Z, H38Z |
| | 21A | W04A, W04B | | 10 | K09A, K09B | | 08 | I01Z, I03A, I03B, I05Z, I08A, I08B, I08C, I08D, I08E, I08F, I08J, I12A, I12B, I12C, I12J, I36Z, I47A, I47B |
| | 21B | X05A, X05B | | 21A | W04A, W04B | | 11 | L33Z |
| 5t49x.9↔ | | BOP, KVT, UOP4, VIAL | 5t49x.x | | BOP, KVT, UOP4 | | 21A | W01A, W01B, W01C, W02A, W02B |
| | 08 | I32A, I32B, I32C, I32D, I32E, I32F, I32J, I32Q, I32R, I32S, I32T, I32U | | 08 | I28A, I28B, I28J | | 21B | X04Z, X33Z |
| | 21A | W04A, W04B | | 21A | W04A, W04B | | 23 | Z01A |
| | 21B | X05A, X05B | | 21B | X06A, X06B, X06C | | Pre | A07A |



| ZZV | MDC | DRG | ZZV | MDC | DRG | ZZV | MDC | DRG |
|----------|-----|--|----------|-----|--|----------|-----|--|
| 5t500.12 | | BOP, KJZSV, KOP, KOPV, KVT, UOP4, VIAL | 5t503.1↔ | | BOP, KJZSV, KOP, KOPV, KVT, UOP4, VIAL | 5t507.0↔ | | BOP, KJZSV, KVT, UOP4, VIAL |
| | 06 | G33Z | | 06 | G33Z | | 08 | I03A, I03B, I05Z, I08A, I08B, I08C, I08D, I08E, I08F, I08J, I12A, I12B, I12C, I12J, I36Z, I47A, I47B |
| | 07 | H33Z, H38Z | | 07 | H33Z, H38Z | | 10 | K09A, K09B |
| | 08 | I01Z, I03A, I03B, I05Z, I08A, I08B, I08C, I08D, I08E, I08F, I08J, I12A, I12B, I12C, I12J, I36Z, I47A, I47B | | 08 | I01Z, I03A, I03B, I05Z, I08A, I08B, I08C, I08D, I08E, I08F, I08J, I12A, I12B, I12C, I12J, I36Z, I47A, I47B | | 21A | W01A, W01B, W01C, W02A, W02B |
| | 11 | L33Z | | 10 | K09A, K09B | | 21B | X04Z |
| | 21A | W01A, W01B, W01C, W02A, W02B | | 11 | L33Z | 5t507.1↔ | | BOP, KJZSV, KVT, UOP4, VIAL |
| | 21B | X04Z, X33Z | | 21A | W01A, W01B, W01C, W02A, W02B | | 08 | I03A, I03B, I05Z, I08A, I08B, I08C, I08D, I08E, I08F, I08J, I12A, I12B, I12C, I12J, I47A, I47B |
| | 23 | Z01A | | 21B | X04Z, X33Z | | 10 | K09A, K09B |
| | Pre | A07A | | 23 | Z01A | | 21A | W01A, W01B, W01C, W02A, W02B |
| 5t502.0↔ | | BOP, KJZSV, KOP, KOPV, KVT, UOP4, VIAL | 5t504.0↔ | | BOP, KJZSV, KOP, KOPV, KVT, UOP4, VIAL | 5t507.2↔ | | BOP, KJZSV, KVT, UOP4, VIAL |
| | 06 | G33Z | | 06 | G33Z | | 08 | I03A, I03B, I05Z, I08A, I08B, I08C, I08D, I08E, I08F, I08J, I12A, I12B, I12C, I12J, I47A, I47B |
| | 07 | H33Z, H38Z | | 07 | H33Z, H38Z | | 10 | K09A, K09B |
| | 08 | I01Z, I03A, I03B, I05Z, I08A, I08B, I08C, I08D, I08E, I08F, I08J, I12A, I12B, I12C, I12J, I36Z, I47A, I47B | | 08 | I01Z, I03A, I03B, I05Z, I08A, I08B, I08C, I08D, I08E, I08F, I08J, I12A, I12B, I12C, I12J, I36Z, I47A, I47B | | 21A | W01A, W01B, W01C, W02A, W02B |
| | 11 | L33Z | | 10 | K09A, K09B | | 21B | X04Z |
| | 21A | W01A, W01B, W01C, W02A, W02B | | 11 | L33Z | | 08 | I03A, I03B, I05Z, I08A, I08B, I08C, I08D, I08E, I08F, I08J, I12A, I12B, I12C, I12J, I47A, I47B |
| | 21B | X04Z, X33Z | | 21A | W01A, W01B, W01C, W02A, W02B | | 10 | K09A, K09B |
| | 23 | Z01A | | 21B | X04Z, X33Z | | 21A | W01A, W01B, W01C, W02A, W02B |
| | Pre | A07A | | 23 | Z01A | | 21B | X04Z |
| 5t502.1↔ | | BOP, KJZSV, KOP, KOPV, KVT, UOP4, VIAL | 5t504.1↔ | | BOP, KJZSV, KOP, KOPV, KVT, UOP4, VIAL | 5t508.0↔ | | BOP, KJZSV, KOP, KOPV, KVT, UOP4, VIAL |
| | 06 | G33Z | | 06 | G33Z | | 06 | G33Z |
| | 07 | H33Z, H38Z | | 07 | H33Z, H38Z | | 07 | H33Z, H38Z |
| | 08 | I01Z, I03A, I03B, I05Z, I08A, I08B, I08C, I08D, I08E, I08F, I08J, I12A, I12B, I12C, I12J, I36Z, I47A, I47B | | 08 | I01Z, I03A, I03B, I05Z, I08A, I08B, I08C, I08D, I08E, I08F, I08J, I12A, I12B, I12C, I12J, I36Z, I47A, I47B | | 08 | I01Z, I03A, I03B, I05Z, I08A, I08B, I08C, I08D, I08E, I08F, I08J, I12A, I12B, I12C, I12J, I36Z, I47A, I47B |
| | 11 | L33Z | | 10 | K09A, K09B | | 11 | L33Z |
| | 21A | W01A, W01B, W01C, W02A, W02B | | 11 | L33Z | | 21A | W01A, W01B, W01C, W02A, W02B |
| | 21B | X04Z, X33Z | | 21A | W01A, W01B, W01C, W02A, W02B | | 21B | X04Z, X33Z |
| | 23 | Z01A | | 21B | X04Z, X33Z | | 23 | Z01A |
| | Pre | A07A | | 23 | Z01A | | Pre | A07A |
| 5t502.2↔ | | BOP, KJZSV, KOP, KOPV, KVT, UOP4, VIAL | 5t505.0↔ | | BOP, KJZSV, KVT, UOP4, VIAL | 5t508.1↔ | | BOP, KJZSV, KOP, KOPV, KVT, UOP4, VIAL |
| | 06 | G33Z | | 08 | I03A, I03B, I05Z, I08A, I08B, I08C, I08D, I08E, I08F, I08J, I12A, I12B, I12C, I12J, I47A, I47B | | 06 | G33Z |
| | 07 | H33Z, H38Z | | 10 | K09A, K09B | | 07 | H33Z, H38Z |
| | 08 | I01Z, I03A, I03B, I05Z, I08A, I08B, I08C, I08D, I08E, I08F, I08J, I12A, I12B, I12C, I12J, I36Z, I47A, I47B | | 21A | W01A, W01B, W01C, W02A, W02B | | 08 | I01Z, I03A, I03B, I05Z, I08A, I08B, I08C, I08D, I08E, I08F, I08J, I12A, I12B, I12C, I12J, I36Z, I47A, I47B |
| | 11 | L33Z | | 21B | X04Z, X33Z | | 11 | L33Z |
| | 21A | W01A, W01B, W01C, W02A, W02B | | 23 | Z01A | | 21A | W01A, W01B, W01C, W02A, W02B |
| | 21B | X04Z, X33Z | | Pre | A07A | | 21B | X04Z, X33Z |
| | 23 | Z01A | | Pre | A07A | | 23 | Z01A |
| | Pre | A07A | | Pre | A07A | | Pre | A07A |
| 5t503.0↔ | | BOP, KJZSV, KOP, KOPV, KVT, UOP4, VIAL | 5t505.1↔ | | BOP, KJZSV, KVT, UOP4, VIAL | | | |
| | 06 | G33Z | | 08 | I03A, I03B, I05Z, I08A, I08B, I08C, I08D, I08E, I08F, I08J, I12A, I12B, I12C, I12J, I47A, I47B | | | |
| | 07 | H33Z, H38Z | | 10 | K09A, K09B | | | |
| | 08 | I01Z, I03A, I03B, I05Z, I08A, I08B, I08C, I08D, I08E, I08F, I08J, I12A, I12B, I12C, I12J, I36Z, I47A, I47B | | 21A | W01A, W01B, W01C, W02A, W02B | | | |
| | 10 | K09A, K09B | | 21B | X04Z | | | |
| | 11 | L33Z | | | | | | |
| | 21A | W01A, W01B, W01C, W02A, W02B | | | | | | |
| | 21B | X04Z, X33Z | | | | | | |
| | 23 | Z01A | | | | | | |
| | Pre | A07A | | | | | | |

VYK

| ZZV | MDC | DRG | ZZV | MDC | DRG | ZZV | MDC | DRG |
|-----------|-----|--|-----------|-----|--|-----------|-----|--|
| 5t508.2↔ | | BOP, KJZSV, KOP, KOPV, KVT, UOP4, VIAL | 5t509.11↔ | | BOP, KJZSV, KOP, KOPV, KVT, UOP4, VIAL | 5t510↔ | | BOP, KJZSV, KOP, KOPV, KVT, UOP4, VIAL |
| | 06 | G33Z | | 06 | G33Z | | 05 | F13A |
| | 07 | H33Z, H38Z | | 07 | H33Z, H38Z | | 06 | G33Z |
| | 08 | I01Z, I03A, I03B, I05Z, I08A, I08B, I08C, I08D, I08E, I08F, I08J, I12A, I12B, I12C, I12J, I36Z, I47A, I47B | | 08 | I01Z, I03A, I03B, I05Z, I08A, I08B, I08C, I08D, I08E, I08F, I08J, I12A, I12B, I12C, I12J, I36Z, I47A, I47B | | 07 | H33Z, H38Z |
| | 11 | L33Z | | 11 | L33Z | | 08 | I01Z, I03A, I03B, I05Z, I12A, I12B, I12C, I12J, I47A, I47B |
| | 21A | W01A, W01B, W01C, W02A, W02B | | 21A | W01A, W01B, W01C, W02A, W02B | | 10 | K09A, K09B |
| | 21B | X04Z, X33Z | | 21B | X04Z, X33Z | | 11 | L33Z |
| | 23 | Z01A | | 23 | Z01A | | 21A | W04A, W04B |
| | Pre | A07A | | Pre | A07A | | 21B | X04Z, X33Z |
| | | | | | | | 23 | Z01A |
| 5t509.00↔ | | BOP, KJZSV, KOP, KOPV, KVT, UOP4, VIAL | 5t509.12↔ | | BOP, KJZSV, KOP, KOPV, KVT, UOP4, VIAL | 5t511.00↔ | | BOP, KJZSV, KOP, KOPV, KVT, UOP4, VIAL |
| | 06 | G33Z | | 06 | G33Z | | 05 | F13A |
| | 07 | H33Z, H38Z | | 07 | H33Z, H38Z | | 06 | G33Z |
| | 08 | I01Z, I03A, I03B, I05Z, I08A, I08B, I08C, I08D, I08E, I08F, I08J, I12A, I12B, I12C, I12J, I36Z, I47A, I47B | | 08 | I01Z, I03A, I03B, I05Z, I08A, I08B, I08C, I08D, I08E, I08F, I08J, I12A, I12B, I12C, I12J, I36Z, I47A, I47B | | 07 | H33Z, H38Z |
| | 10 | K09A, K09B | | 11 | L33Z | | 08 | I12A, I12B, I12C, I12J, I46A, I46B |
| | 11 | L33Z | | 21A | W01A, W01B, W01C, W02A, W02B | | 10 | K09A, K09B |
| | 21A | W01A, W01B, W01C, W02A, W02B | | 21B | X04Z, X33Z | | 11 | L33Z |
| | 21B | X04Z, X33Z | | 23 | Z01A | | 21A | W04A, W04B |
| | 23 | Z01A | | Pre | A07A | | 21B | X04Z, X33Z |
| | Pre | A07A | | | | | 23 | Z01A |
| 5t509.01↔ | | BOP, KJZSV, KOP, KOPV, KVT, UOP4, VIAL | 5t50x.0↔ | | BOP, KJZSV, KOP, KOPV, KVT, UOP4, VIAL | 5t511.01↔ | | BOP, KJZSV, KOP, KOPV, KVT, UOP4, VIAL |
| | 06 | G33Z | | 06 | G33Z | | 05 | F13A |
| | 07 | H33Z, H38Z | | 07 | H33Z, H38Z | | 06 | G33Z |
| | 08 | I01Z, I03A, I03B, I05Z, I08A, I08B, I08C, I08D, I08E, I08F, I08J, I12A, I12B, I12C, I12J, I36Z, I47A, I47B | | 08 | I01Z, I03A, I03B, I05Z, I08A, I08B, I08C, I08D, I08E, I08F, I08J, I12A, I12B, I12C, I12J, I36Z, I47A, I47B | | 07 | H33Z, H38Z |
| | 10 | K09A, K09B | | 11 | L33Z | | 08 | I12A, I12B, I12C, I12J, I46A, I46B |
| | 11 | L33Z | | 21A | W01A, W01B, W01C, W02A, W02B | | 10 | K09A, K09B |
| | 21A | W01A, W01B, W01C, W02A, W02B | | 21B | X04Z, X33Z | | 11 | L33Z |
| | 21B | X04Z, X33Z | | 23 | Z01A | | 21A | W04A, W04B |
| | 23 | Z01A | | Pre | A07A | | 21B | X04Z, X33Z |
| | Pre | A07A | | | | | 23 | Z01A |
| 5t509.10↔ | | BOP, KJZSV, KOP, KOPV, KVT, UOP4, VIAL | 5t50x.1↔ | | BOP, KJZSV, KOP, KOPV, KVT, UOP4, VIAL | 5t511.2↔ | | BOP, KJZSV, KOP, KOPV, KVT, UOP4, VIAL |
| | 06 | G33Z | | 06 | G33Z | | 05 | F13A |
| | 07 | H33Z, H38Z | | 07 | H33Z, H38Z | | 06 | G33Z |
| | 08 | I01Z, I03A, I03B, I05Z, I08A, I08B, I08C, I08D, I08E, I08F, I08J, I12A, I12B, I12C, I12J, I36Z, I47A, I47B | | 08 | I01Z, I03A, I03B, I05Z, I08A, I08B, I08C, I08D, I08E, I08F, I08J, I12A, I12B, I12C, I12J, I36Z, I47A, I47B | | 07 | H33Z, H38Z |
| | 11 | L33Z | | 11 | L33Z | | 08 | I01Z, I03A, I03B, I08A, I08B, I08C, I08D, I08E, I08F, I08J, I12A, I12B, I12C, I12J, I46A, I46B |
| | 21A | W01A, W01B, W01C, W02A, W02B | | 21A | W01A, W01B, W01C, W02A, W02B | | 10 | K09A, K09B |
| | 21B | X04Z, X33Z | | 21B | X04Z, X33Z | | 11 | L33Z |
| | 23 | Z01A | | 23 | Z01A | | 21A | W04A, W04B |
| | Pre | A07A | | Pre | A07A | | 21B | X04Z, X33Z |
| | | | | | | | 23 | Z01A |
| 5t509.2↔ | | BOP, KJZSV, KOP, KOPV, KVT, UOP4, VIAL | 5t50x.2↔ | | BOP, KJZSV, KOP, KOPV, KVT, UOP4, VIAL | 5t511.3↔ | | BOP, KJZSV, KOP, KOPV, KVT, UOP4, VIAL |
| | 06 | G33Z | | 06 | G33Z | | 05 | F13A |
| | 07 | H33Z, H38Z | | 07 | H33Z, H38Z | | 06 | G33Z |
| | 08 | I01Z, I03A, I03B, I05Z, I08A, I08B, I08C, I08D, I08E, I08F, I08J, I12A, I12B, I12C, I12J, I36Z, I47A, I47B | | 08 | I01Z, I03A, I03B, I05Z, I08A, I08B, I08C, I08D, I08E, I08F, I08J, I12A, I12B, I12C, I12J, I36Z, I47A, I47B | | 07 | H33Z, H38Z |
| | 11 | L33Z | | 11 | L33Z | | 08 | I01Z, I03A, I03B, I08A, I08B, I08C, I08D, I08E, I08F, I08J, I12A, I12B, I12C, I12J, I46A, I46B |
| | 21A | W01A, W01B, W01C, W02A, W02B | | 21A | W01A, W01B, W01C, W02A, W02B | | 10 | K09A, K09B |
| | 21B | X04Z, X33Z | | 21B | X04Z, X33Z | | 11 | L33Z |
| | 23 | Z01A | | 23 | Z01A | | 21A | W04A, W04B |
| | Pre | A07A | | Pre | A07A | | 21B | X04Z, X33Z |
| | | | | | | | 23 | Z01A |



| ZZV | MDC | DRG | ZZV | MDC | DRG | ZZV | MDC | DRG |
|-----------|-----|--|-----------|-----|--|-----------|-----|--|
| 5t511.4↔ | | BOP, KJZSV, KOP, KOPV, KVT, UOP4, VIAL | 5t511.x↔ | | BOP, KJZSV, KOP, KOPV, KVT, UOP4, VIAL | 5t512.21↔ | | BOP, KJZSV, KOP, KOPV, KVT, UOP4, VIAL |
| | 05 | F13A | | 05 | F13A | | 05 | F13A |
| | 06 | G33Z | | 06 | G33Z | | 06 | G33Z |
| | 07 | H33Z, H38Z | | 07 | H33Z, H38Z | | 07 | H33Z, H38Z |
| | 08 | I01Z, I03A, I03B, I08A, I08B, I08C, I08D, I08E, I08F, I08J, I12A, I12B, I12C, I12J, I46A, I46B | | 08 | I01Z, I03A, I03B, I08A, I08B, I08C, I08D, I08E, I08F, I08J, I12A, I12B, I12C, I12J, I46A, I46B | | 08 | I01Z, I03A, I03B, I08A, I08B, I08C, I08D, I08E, I08F, I08J, I12A, I12B, I12C, I12J, I46A, I46B |
| | 10 | K09A, K09B | | 10 | K09A, K09B | | 10 | K09A, K09B |
| | 11 | L33Z | | 11 | L33Z | | 11 | L33Z |
| | 21A | W04A, W04B | | 21A | W04A, W04B | | 21A | W04A, W04B |
| | 21B | X04Z, X33Z | | 21B | X04Z, X33Z | | 21B | X04Z, X33Z |
| | 23 | Z01A | | 23 | Z01A | | 23 | Z01A |
| | Pre | A07A | | Pre | A07A | | Pre | A07A |
| 5t511.80↔ | | BOP, KJZSV, KOP, KOPV, KVT, UOP4, VIAL | 5t512.10↔ | | BOP, KJZSV, KOP, KOPV, KVT, UOP4, VIAL | 5t512.3↔ | | BOP, KJZSV, KOP, KOPV, KVT, UOP4, VIAL |
| | 05 | F13A | | 05 | F13A | | 05 | F13A |
| | 06 | G33Z | | 06 | G33Z | | 06 | G33Z |
| | 07 | H33Z, H38Z | | 07 | H33Z, H38Z | | 07 | H33Z, H38Z |
| | 08 | I01Z, I03A, I03B, I08A, I08B, I08C, I08D, I08E, I08F, I08J, I12A, I12B, I12C, I12J, I46A, I46B | | 08 | I01Z, I03A, I03B, I08A, I08B, I08C, I08D, I08E, I08F, I08J, I12A, I12B, I12C, I12J, I46A, I46B | | 08 | I01Z, I03A, I03B, I08A, I08B, I08C, I08D, I08E, I08F, I08J, I12A, I12B, I12C, I12J, I46A, I46B |
| | 10 | K09A, K09B | | 10 | K09A, K09B | | 10 | K09A, K09B |
| | 11 | L33Z | | 11 | L33Z | | 11 | L33Z |
| | 21A | W04A, W04B | | 21A | W04A, W04B | | 21A | W04A, W04B |
| | 21B | X04Z, X33Z | | 21B | X04Z, X33Z | | 21B | X04Z, X33Z |
| | 23 | Z01A | | 23 | Z01A | | 23 | Z01A |
| | Pre | A07A | | Pre | A07A | | Pre | A07A |
| 5t511.81↔ | | BOP, KJZSV, KOP, KOPV, KVT, UOP4, VIAL | 5t512.11↔ | | BOP, KJZSV, KOP, KOPV, KVT, UOP4, VIAL | 5t512.60↔ | | BOP, KJZSV, KOP, KOPV, KVT, UOP4, VIAL |
| | 05 | F13A | | 05 | F13A | | 05 | F13A |
| | 06 | G33Z | | 06 | G33Z | | 06 | G33Z |
| | 07 | H33Z, H38Z | | 07 | H33Z, H38Z | | 07 | H33Z, H38Z |
| | 08 | I01Z, I03A, I03B, I08A, I08B, I08C, I08D, I08E, I08F, I08J, I12A, I12B, I12C, I12J, I46A, I46B | | 08 | I01Z, I03A, I03B, I08A, I08B, I08C, I08D, I08E, I08F, I08J, I12A, I12B, I12C, I12J, I46A, I46B | | 08 | I12A, I12B, I12C, I12J, I46A, I46B |
| | 10 | K09A, K09B | | 10 | K09A, K09B | | 10 | K09A, K09B |
| | 11 | L33Z | | 11 | L33Z | | 11 | L33Z |
| | 21A | W04A, W04B | | 21A | W04A, W04B | | 21A | W04A, W04B |
| | 21B | X04Z, X33Z | | 21B | X04Z, X33Z | | 21B | X04Z, X33Z |
| | 23 | Z01A | | 23 | Z01A | | 23 | Z01A |
| | Pre | A07A | | Pre | A07A | | Pre | A07A |
| 5t511.82↔ | | BOP, KJZSV, KOP, KOPV, KVT, UOP4, VIAL | 5t512.20↔ | | BOP, KJZSV, KOP, KOPV, KVT, UOP4, VIAL | 5t512.61↔ | | BOP, KJZSV, KOP, KOPV, KVT, UOP4, VIAL |
| | 05 | F13A | | 05 | F13A | | 05 | F13A |
| | 06 | G33Z | | 06 | G33Z | | 06 | G33Z |
| | 07 | H33Z, H38Z | | 07 | H33Z, H38Z | | 07 | H33Z, H38Z |
| | 08 | I01Z, I03A, I03B, I08A, I08B, I08C, I08D, I08E, I08F, I08J, I12A, I12B, I12C, I12J, I46A, I46B | | 08 | I01Z, I03A, I03B, I08A, I08B, I08C, I08D, I08E, I08F, I08J, I12A, I12B, I12C, I12J, I46A, I46B | | 08 | I12A, I12B, I12C, I12J, I46A, I46B |
| | 10 | K09A, K09B | | 10 | K09A, K09B | | 10 | K09A, K09B |
| | 11 | L33Z | | 11 | L33Z | | 11 | L33Z |
| | 21A | W04A, W04B | | 21A | W04A, W04B | | 21A | W04A, W04B |
| | 21B | X04Z, X33Z | | 21B | X04Z, X33Z | | 21B | X04Z, X33Z |
| | 23 | Z01A | | 23 | Z01A | | 23 | Z01A |
| | Pre | A07A | | Pre | A07A | | Pre | A07A |

VYK

| ZZV | MDC | DRG | ZZV | MDC | DRG | ZZV | MDC | DRG |
|-----------|-----------|--|--|--|--|----------|--|--|
| 5t512.80↔ | | BOP, KJZSV, KOP, KOPV, KVT, UOP4, VIAL | 5t513.2↔ | | BOP, KJZSV, KOP, KOPV, KVT, UOP4, VIAL | 5t513.x↔ | | BOP, KJZSV, KOP, KOPV, KVT, UOP4, VIAL |
| | 05 | F13A | | 05 | F13A | | 05 | F13A |
| | 06 | G33Z | | 06 | G33Z | | 06 | G33Z |
| | 07 | H33Z, H38Z | | 07 | H33Z, H38Z | | 07 | H33Z, H38Z |
| | 08 | I01Z, I03A, I03B, I08A, I08B, I08C, I08D, I08E, I08F, I08J, I12A, I12B, I12C, I12J, I46A, I46B | | 08 | I01Z, I03A, I03B, I08A, I08B, I08C, I08D, I08E, I08F, I08J, I12A, I12B, I12C, I12J, I46A, I46B | | 08 | I01Z, I03A, I03B, I08A, I08B, I08C, I08D, I08E, I08F, I08J, I12A, I12B, I12C, I12J, I46A, I46B |
| | 10 | K09A, K09B | | 10 | K09A, K09B | | 10 | K09A, K09B |
| | 11 | L33Z | | 11 | L33Z | | 11 | L33Z |
| | 21A | W04A, W04B | | 21A | W04A, W04B | | 21A | W04A, W04B |
| | 21B | X04Z, X33Z | | 21B | X04Z, X33Z | | 21B | X04Z, X33Z |
| | 23 | Z01A | | 23 | Z01A | | 23 | Z01A |
| | Pre | A07A | | Pre | A07A | | Pre | A07A |
| | 5t512.81↔ | | | BOP, KJZSV, KOP, KOPV, KVT, UOP4, VIAL | 5t513.80↔ | | | BOP, KJZSV, KOP, KOPV, KVT, UOP4, VIAL |
| 05 | | F13A | 05 | F13A | | 05 | F13A | |
| 06 | | G33Z | 06 | G33Z | | 06 | G33Z | |
| 07 | | H33Z, H38Z | 07 | H33Z, H38Z | | 07 | H33Z, H38Z | |
| 08 | | I01Z, I03A, I03B, I08A, I08B, I08C, I08D, I08E, I08F, I08J, I12A, I12B, I12C, I12J, I46A, I46B | 08 | I01Z, I03A, I03B, I08A, I08B, I08C, I08D, I08E, I08F, I08J, I12A, I12B, I12C, I12J, I46A, I46B | | 08 | I01Z, I03A, I03B, I08A, I08B, I08C, I08D, I08E, I08F, I08J, I12A, I12B, I12C, I12J, I46A, I46B | |
| 10 | | K09A, K09B | 10 | K09A, K09B | | 10 | K09A, K09B | |
| 11 | | L33Z | 11 | L33Z | | 11 | L33Z | |
| 21A | | W04A, W04B | 21A | W04A, W04B | | 21A | W04A, W04B | |
| 21B | | X04Z, X33Z | 21B | X04Z, X33Z | | 21B | X04Z, X33Z | |
| 23 | | Z01A | 23 | Z01A | | 23 | Z01A | |
| Pre | | A07A | Pre | A07A | | Pre | A07A | |
| 5t512.82↔ | | | BOP, KJZSV, KOP, KOPV, KVT, UOP4, VIAL | 5t513.81↔ | | | BOP, KJZSV, KOP, KOPV, KVT, UOP4, VIAL | 5t514.80↔ |
| | 05 | F13A | 05 | | F13A | 05 | F13A | |
| | 06 | G33Z | 06 | | G33Z | 06 | G33Z | |
| | 07 | H33Z, H38Z | 07 | | H33Z, H38Z | 07 | H33Z, H38Z | |
| | 08 | I01Z, I03A, I03B, I08A, I08B, I08C, I08D, I08E, I08F, I08J, I12A, I12B, I12C, I12J, I46A, I46B | 08 | | I01Z, I03A, I03B, I08A, I08B, I08C, I08D, I08E, I08F, I08J, I12A, I12B, I12C, I12J, I46A, I46B | 08 | I01Z, I03A, I03B, I08A, I08B, I08C, I08D, I08E, I08F, I08J, I12A, I12B, I12C, I12J, I46A, I46B | |
| | 10 | K09A, K09B | 10 | | K09A, K09B | 10 | K09A, K09B | |
| | 11 | L33Z | 11 | | L33Z | 11 | L33Z | |
| | 21A | W04A, W04B | 21A | | W04A, W04B | 21A | W04A, W04B | |
| | 21B | X04Z, X33Z | 21B | | X04Z, X33Z | 21B | X04Z, X33Z | |
| | 23 | Z01A | 23 | | Z01A | 23 | Z01A | |
| | Pre | A07A | Pre | | A07A | Pre | A07A | |
| | 5t512.x↔ | | BOP, KJZSV, KOP, KOPV, KVT, UOP4, VIAL | | 5t513.82↔ | | BOP, KJZSV, KOP, KOPV, KVT, UOP4, VIAL | |
| 05 | | F13A | 05 | F13A | | 05 | F13A | |
| 06 | | G33Z | 06 | G33Z | | 06 | G33Z | |
| 07 | | H33Z, H38Z | 07 | H33Z, H38Z | | 07 | H33Z, H38Z | |
| 08 | | I01Z, I03A, I03B, I08A, I08B, I08C, I08D, I08E, I08F, I08J, I12A, I12B, I12C, I12J, I46A, I46B | 08 | I01Z, I03A, I03B, I08A, I08B, I08C, I08D, I08E, I08F, I08J, I12A, I12B, I12C, I12J, I46A, I46B | | 08 | I01Z, I03A, I03B, I08A, I08B, I08C, I08D, I08E, I08F, I08J, I12A, I12B, I12C, I12J, I46A, I46B | |
| 10 | | K09A, K09B | 10 | K09A, K09B | | 10 | K09A, K09B | |
| 11 | | L33Z | 11 | L33Z | | 11 | L33Z | |
| 21A | | W04A, W04B | 21A | W04A, W04B | | 21A | W04A, W04B | |
| 21B | | X04Z, X33Z | 21B | X04Z, X33Z | | 21B | X04Z, X33Z | |
| 23 | | Z01A | 23 | Z01A | | 23 | Z01A | |
| Pre | | A07A | Pre | A07A | | Pre | A07A | |

| ZZV | MDC | DRG | ZZV | MDC | DRG | ZZV | MDC | DRG |
|-----------|-----|--|-----------|--------|--|-----------------------------|-----|--|
| 5t514.82↔ | | BOP, KJZSV, KOP, KOPV, KVT, UOP4, VIAL | 5t515.81↔ | | BOP, KJZSV, KOP, KOPV, KVT, UOP4, VIAL | 5t516.80↔ | | BOP, KJZSV, KOP, KOPV, KVT, UOP4, VIAL |
| | 05 | F13A | | 05 | F13A | | 05 | F13A |
| | 06 | G33Z | | 06 | G33Z | | 06 | G33Z |
| | 07 | H33Z, H38Z | | 07 | H33Z, H38Z | | 07 | H33Z, H38Z |
| | 08 | I01Z, I03A, I03B, I08A, I08B, I08C, I08D, I08E, I08F, I08J, I12A, I12B, I12C, I12J, I46A, I46B | | 08 | I01Z, I03A, I03B, I08A, I08B, I08C, I08D, I08E, I08F, I08J, I12A, I12B, I12C, I12J, I46A, I46B | | 08 | I01Z, I03A, I03B, I08A, I08B, I08C, I08D, I08E, I08F, I08J, I12A, I12B, I12C, I12J, I46A, I46B |
| | 10 | K09A, K09B | | 10 | K09A, K09B | | 10 | K09A, K09B |
| | 11 | L33Z | | 11 | L33Z | | 11 | L33Z |
| | 21A | W04A, W04B | | 21A | W04A, W04B | | 21A | W04A, W04B |
| | 21B | X04Z, X33Z | | 21B | X04Z, X33Z | | 21B | X04Z, X33Z |
| | 23 | Z01A | | 23 | Z01A | | 23 | Z01A |
| | Pre | A07A | | Pre | A07A | | Pre | A07A |
| 5t514.x↔ | | BOP, KJZSV, KOP, KOPV, KVT, UOP4, VIAL | 5t515.82↔ | | BOP, KJZSV, KOP, KOPV, KVT, UOP4, VIAL | 5t516.81↔ | | BOP, KJZSV, KOP, KOPV, KVT, UOP4, VIAL |
| | 05 | F13A | | 05 | F13A | | 05 | F13A |
| | 06 | G33Z | | 06 | G33Z | | 06 | G33Z |
| | 07 | H33Z, H38Z | | 07 | H33Z, H38Z | | 07 | H33Z, H38Z |
| | 08 | I01Z, I03A, I03B, I08A, I08B, I08C, I08D, I08E, I08F, I08J, I12A, I12B, I12C, I12J, I46A, I46B | | 08 | I01Z, I03A, I03B, I08A, I08B, I08C, I08D, I08E, I08F, I08J, I12A, I12B, I12C, I12J, I46A, I46B | | 08 | I01Z, I03A, I03B, I08A, I08B, I08C, I08D, I08E, I08F, I08J, I12A, I12B, I12C, I12J, I46A, I46B |
| | 10 | K09A, K09B | | 10 | K09A, K09B | | 10 | K09A, K09B |
| | 11 | L33Z | | 11 | L33Z | | 11 | L33Z |
| | 21A | W04A, W04B | | 21A | W04A, W04B | | 21A | W04A, W04B |
| | 21B | X04Z, X33Z | | 21B | X04Z, X33Z | | 21B | X04Z, X33Z |
| | 23 | Z01A | | 23 | Z01A | | 23 | Z01A |
| | Pre | A07A | | Pre | A07A | | Pre | A07A |
| 5t515.2↔ | | BOP, KJZSV, KOP, KOPV, KVT, UOP4, VIAL | 5t515.x↔ | | BOP, KJZSV, KOP, KOPV, KVT, UOP4, VIAL | 5t516.82↔ | | BOP, KJZSV, KOP, KOPV, KVT, UOP4, VIAL |
| | 05 | F13A | | 05 | F13A | | 05 | F13A |
| | 06 | G33Z | | 06 | G33Z | | 06 | G33Z |
| | 07 | H33Z, H38Z | | 07 | H33Z, H38Z | | 07 | H33Z, H38Z |
| | 08 | I01Z, I03A, I03B, I08A, I08B, I08C, I08D, I08E, I08F, I08J, I12A, I12B, I12C, I12J, I46A, I46B | | 08 | I01Z, I03A, I03B, I08A, I08B, I08C, I08D, I08E, I08F, I08J, I12A, I12B, I12C, I12J, I46A, I46B | | 08 | I01Z, I03A, I03B, I08A, I08B, I08C, I08D, I08E, I08F, I08J, I12A, I12B, I12C, I12J, I46A, I46B |
| | 10 | K09A, K09B | | 10 | K09A, K09B | | 10 | K09A, K09B |
| | 11 | L33Z | | 11 | L33Z | | 11 | L33Z |
| | 21A | W04A, W04B | | 21A | W04A, W04B | | 21A | W04A, W04B |
| | 21B | X04Z, X33Z | | 21B | X04Z, X33Z | | 21B | X04Z, X33Z |
| | 23 | Z01A | | 23 | Z01A | | 23 | Z01A |
| | Pre | A07A | | Pre | A07A | | Pre | A07A |
| 5t515.80↔ | | BOP, KJZSV, KOP, KOPV, KVT, UOP4, VIAL | 5t516.2↔ | | BOP, KJZSV, KOP, KOPV, KVT, UOP4, VIAL | 5t516.x↔ | | BOP, KJZSV, KOP, KOPV, KVT, UOP4, VIAL |
| | 05 | F13A | | 05 | F13A | | 05 | F13A |
| | 06 | G33Z | | 06 | G33Z | | 06 | G33Z |
| | 07 | H33Z, H38Z | | 07 | H33Z, H38Z | | 07 | H33Z, H38Z |
| | 08 | I01Z, I03A, I03B, I08A, I08B, I08C, I08D, I08E, I08F, I08J, I12A, I12B, I12C, I12J, I46A, I46B | | 08 | I01Z, I03A, I03B, I08A, I08B, I08C, I08D, I08E, I08F, I08J, I12A, I12B, I12C, I12J, I46A, I46B | | 08 | I01Z, I03A, I03B, I08A, I08B, I08C, I08D, I08E, I08F, I08J, I12A, I12B, I12C, I12J, I46A, I46B |
| | 10 | K09A, K09B | | 10 | K09A, K09B | | 10 | K09A, K09B |
| | 11 | L33Z | | 11 | L33Z | | 11 | L33Z |
| | 21A | W04A, W04B | | 21A | W04A, W04B | | 21A | W04A, W04B |
| | 21B | X04Z, X33Z | | 21B | X04Z, X33Z | | 21B | X04Z, X33Z |
| | 23 | Z01A | | 23 | Z01A | | 23 | Z01A |
| | Pre | A07A | | Pre | A07A | | Pre | A07A |
| | | | | 5t517↔ | | BOP, KJZSV, KVT, UOP4, VIAL | | |
| | | | | 01 | B03Z, B17A, B17B, B17C, B17J | | | |
| | | | | 05 | F13A | | | |
| | | | | 08 | I03A, I03B, I05Z, I47A, I47B | | | |
| | | | | 21A | W01A, W01B, W01C, W02A, W02B | | | |
| | | | | 21B | X04Z | | | |

VYK

| ZZV | MDC | DRG | ZZV | MDC | DRG | ZZV | MDC | DRG | | | | |
|--------|------|--|-----------|-----|--|-----------|-----|--|-----|--|-----|--|
| 5t518↔ | | BOP, KJZSV, KVT, UOP4, VIAL | 5t51f.2↔ | 01 | B03Z, B17A, B17B, B17C, B17J | 5t51f.x↔ | 01 | B03Z, B17A, B17B, B17C, B17J | | | | |
| | 05 | F13A | | 05 | F13A | | 05 | F13A | | | | |
| | 08 | I03A, I03B, I05Z, I47A, I47B | | 08 | I01Z, I03A, I03B, I08A, I08B, I08C, I08D, I08E, I08F, I08J, I12A, I12B, I12C, I12J, I46A, I46B | | 08 | I01Z, I03A, I03B, I08A, I08B, I08C, I08D, I08E, I08F, I08J, I12A, I12B, I12C, I12J, I46A, I46B | | | | |
| | 21A | W01A, W01B, W01C, W02A, W02B | | 21A | W01A, W01B, W01C, W02A, W02B | | 21A | W01A, W01B, W01C, W02A, W02B | | | | |
| | 21B | X04Z | | 21B | X04Z | | 21B | X04Z | | | | |
| 5t519↔ | | BOP, KJZSV, KVT, UOP4, VIAL | 5t51f.31↔ | 01 | B03Z, B17A, B17B, B17C, B17J | 5t51g.2↔ | 01 | B03Z, B17A, B17B, B17C, B17J | | | | |
| | 05 | F13A | | 05 | F13A | | 05 | F13A | | | | |
| | 08 | I03A, I03B, I05Z, I47A, I47B | | 08 | I01Z, I03A, I03B, I08A, I08B, I08C, I08D, I08E, I08F, I08J, I12A, I12B, I12C, I12J, I46A, I46B | | 08 | I01Z, I03A, I03B, I08A, I08B, I08C, I08D, I08E, I08F, I08J, I12A, I12B, I12C, I12J, I46A, I46B | | | | |
| | 21A | W01A, W01B, W01C, W02A, W02B | | 21A | W01A, W01B, W01C, W02A, W02B | | 21A | W01A, W01B, W01C, W02A, W02B | | | | |
| | 21B | X04Z | | 21B | X04Z | | 21B | X04Z | | | | |
| 5t51a↔ | | BOP, KJZSV, KVT, UOP4, VIAL | 5t51f.80↔ | 01 | B03Z, B17A, B17B, B17C, B17J | 5t51g.50↔ | 01 | B03Z, B17A, B17B, B17C, B17J | | | | |
| | 05 | F13A | | 05 | F13A | | 05 | F13A | | | | |
| | 08 | I08A, I08B, I08C, I08D, I08E, I08F, I08J | | 08 | I01Z, I03A, I03B, I08A, I08B, I08C, I08D, I08E, I08F, I08J, I12A, I12B, I12C, I12J, I46A, I46B | | 08 | I01Z, I03A, I03B, I08A, I08B, I08C, I08D, I08E, I08F, I08J, I12A, I12B, I12C, I12J, I46A, I46B | | | | |
| | 21A | W01A, W01B, W01C, W02A, W02B | | 21A | W01A, W01B, W01C, W02A, W02B | | 21A | W01A, W01B, W01C, W02A, W02B | | | | |
| | 21B | X04Z | | 21B | X04Z | | 21B | X04Z | | | | |
| 5t51b↔ | | BOP, KJZSV, KVT, UOP4, VIAL | 5t51f.81↔ | 01 | B03Z, B17A, B17B, B17C, B17J | 5t51g.51↔ | 01 | B03Z, B17A, B17B, B17C, B17J | | | | |
| | 05 | F13A | | 05 | F13A | | 05 | F13A | | | | |
| | 08 | I08A, I08B, I08C, I08D, I08E, I08F, I08J | | 08 | I01Z, I03A, I03B, I08A, I08B, I08C, I08D, I08E, I08F, I08J, I12A, I12B, I12C, I12J, I46A, I46B | | 08 | I01Z, I03A, I03B, I08A, I08B, I08C, I08D, I08E, I08F, I08J, I12A, I12B, I12C, I12J, I46A, I46B | | | | |
| | 21A | W01A, W01B, W01C, W02A, W02B | | 21A | W01A, W01B, W01C, W02A, W02B | | 21A | W01A, W01B, W01C, W02A, W02B | | | | |
| | 21B | X04Z | | 21B | X04Z | | 21B | X04Z | | | | |
| 5t51c↔ | | BOP, KJZSV, KVT, UOP4, VIAL | 5t51f.82↔ | 01 | B03Z, B17A, B17B, B17C, B17J | 5t51g.80↔ | 01 | B03Z, B17A, B17B, B17C, B17J | | | | |
| | 05 | F13A | | 05 | F13A | | 05 | F13A | | | | |
| | 08 | I08A, I08B, I08C, I08D, I08E, I08F, I08J | | 08 | I01Z, I03A, I03B, I08A, I08B, I08C, I08D, I08E, I08F, I08J, I12A, I12B, I12C, I12J, I46A, I46B | | 08 | I01Z, I03A, I03B, I08A, I08B, I08C, I08D, I08E, I08F, I08J, I12A, I12B, I12C, I12J, I46A, I46B | | | | |
| | 21A | W01A, W01B, W01C, W02A, W02B | | 21A | W01A, W01B, W01C, W02A, W02B | | 21A | W01A, W01B, W01C, W02A, W02B | | | | |
| | 21B | X04Z | | 21B | X04Z | | 21B | X04Z | | | | |
| 5t51d↔ | | BOP, KJZSV, KVT, UOP4, VIAL | | | | | | | | | | |
| | 01 | B03Z, B17A, B17B, B17C, B17J | | | | | | | 01 | B03Z, B17A, B17B, B17C, B17J | 01 | B03Z, B17A, B17B, B17C, B17J |
| | 05 | F13A | | | | | | | 05 | F13A | 05 | F13A |
| | 08 | I08A, I08B, I08C, I08D, I08E, I08F, I08J | | | | | | | 08 | I01Z, I03A, I03B, I08A, I08B, I08C, I08D, I08E, I08F, I08J, I12A, I12B, I12C, I12J, I46A, I46B | 08 | I01Z, I03A, I03B, I08A, I08B, I08C, I08D, I08E, I08F, I08J, I12A, I12B, I12C, I12J, I46A, I46B |
| | 21A | W01A, W01B, W01C, W02A, W02B | | | | | | | 21A | W01A, W01B, W01C, W02A, W02B | 21A | W01A, W01B, W01C, W02A, W02B |
| 5t51e↔ | | BOP, KJZSV, KVT, UOP4, VIAL | | | | | | | | | | |
| | 01 | B03Z, B17A, B17B, B17C, B17J | | | | | | | 01 | B03Z, B17A, B17B, B17C, B17J | 01 | B03Z, B17A, B17B, B17C, B17J |
| | 05 | F13A | | | | | | | 05 | F13A | 05 | F13A |
| | 08 | I03A, I03B, I05Z, I47A, I47B | | | | | | | 08 | I01Z, I03A, I03B, I08A, I08B, I08C, I08D, I08E, I08F, I08J, I12A, I12B, I12C, I12J, I46A, I46B | 08 | I01Z, I03A, I03B, I08A, I08B, I08C, I08D, I08E, I08F, I08J, I12A, I12B, I12C, I12J, I46A, I46B |
| | 21A | W01A, W01B, W01C, W02A, W02B | | | | | | | 21A | W01A, W01B, W01C, W02A, W02B | 21A | W01A, W01B, W01C, W02A, W02B |
| 21B | X04Z | 21B | X04Z | 21B | X04Z | | | | | | | |

VYK

Príloha B: Index Výkon-MDC-DRG

| ZZV | MDC | DRG | ZZV | MDC | DRG | ZZV | MDC | DRG | | | | |
|-----------|-----------|--|--|--|--|----------|--|--|--|----------|--|--|
| 5t51g.81↔ | | BOP, KJZSV, KVT, UOP4, VIAL | 5t51j.80↔ | | BOP, KJZSV, KOP, KOPV, KVT, UOP4, VIAL | 5t51x↔ | | BOP, KJZSV, KVT, UOP4, VIAL | | | | |
| | 01 | B03Z, B17A, B17B, B17C, B17J | | 05 | F13A | | 01 | B03Z, B17A, B17B, B17C, B17J | | | | |
| | 05 | F13A | | 06 | G33Z | | 05 | F13A | | | | |
| | 08 | I01Z, I03A, I03B, I08A, I08B, I08C, I08D, I08E, I08F, I08J, I12A, I12B, I12C, I12J, I46A, I46B | | 07 | H33Z, H38Z | | 08 | I08A, I08B, I08C, I08D, I08E, I08F, I08J | | | | |
| | 21A | W01A, W01B, W01C, W02A, W02B | | 08 | I01Z, I03A, I03B, I08A, I08B, I08C, I08D, I08E, I08F, I08J, I12A, I12B, I12C, I12J, I46A, I46B | | 21A | W01A, W01B, W01C, W02A, W02B | | | | |
| | 21B | X04Z | | 10 | K09A, K09B | | 21B | X04Z | | | | |
| | 5t51g.82↔ | | | BOP, KJZSV, KVT, UOP4, VIAL | 5t51j.81↔ | | | BOP, KJZSV, KOP, KOPV, KVT, UOP4, VIAL | 5t520.00 | | BOP, KJZSV, KOP, KOPV, KVT, UOP4, VIAL | |
| | | 01 | | B03Z, B17A, B17B, B17C, B17J | | | 05 | F13A | | 06 | G33Z | |
| | | 05 | | F13A | | | 06 | G33Z | | 07 | H33Z, H38Z | |
| | | 08 | | I01Z, I03A, I03B, I08A, I08B, I08C, I08D, I08E, I08F, I08J, I12A, I12B, I12C, I12J, I46A, I46B | | | 07 | H33Z, H38Z | | 08 | I01Z, I03A, I03B, I04Z, I12A, I12B, I12C, I12J, I36Z, I44A, I44B, I44C | |
| 21A | | W01A, W01B, W01C, W02A, W02B | 08 | I01Z, I03A, I03B, I08A, I08B, I08C, I08D, I08E, I08F, I08J, I12A, I12B, I12C, I12J, I46A, I46B | | 11 | L33Z | | | | | |
| 21B | | X04Z | 10 | K09A, K09B | | 21A | W04A, W04B | | | | | |
| 5t51g.x↔ | | | BOP, KJZSV, KVT, UOP4, VIAL | 5t51j.82↔ | | | BOP, KJZSV, KOP, KOPV, KVT, UOP4, VIAL | 5t520.01 | | | BOP, KJZSV, KOP, KOPV, KVT, UOP4, VIAL | |
| | | 01 | B03Z, B17A, B17B, B17C, B17J | | | 05 | F13A | | | 06 | G33Z | |
| | | 05 | F13A | | | 06 | G33Z | | | 07 | H33Z, H38Z | |
| | | 08 | I01Z, I03A, I03B, I08A, I08B, I08C, I08D, I08E, I08F, I08J, I12A, I12B, I12C, I12J, I46A, I46B | | | 07 | H33Z, H38Z | | | 08 | I01Z, I03A, I03B, I04Z, I12A, I12B, I12C, I12J, I36Z, I44A, I44B, I44C | |
| | 21A | W01A, W01B, W01C, W02A, W02B | 08 | | I01Z, I03A, I03B, I08A, I08B, I08C, I08D, I08E, I08F, I08J, I12A, I12B, I12C, I12J, I46A, I46B | 11 | L33Z | | | | | |
| | 21B | X04Z | 10 | | K09A, K09B | 21A | W04A, W04B | | | | | |
| | 5t51h↔ | | BOP, KJZSV, KVT, UOP4, VIAL | | 5t51j.x↔ | | BOP, KJZSV, KOP, KOPV, KVT, UOP4, VIAL | | 5t520.02 | | BOP, KJZSV, KOP, KOPV, KVT, UOP4, VIAL | |
| | | 01 | B03Z, B17A, B17B, B17C, B17J | | | 05 | F13A | | | 06 | G33Z | |
| | | 05 | F13A | | | 06 | G33Z | | | 07 | H33Z, H38Z | |
| | | 08 | I08A, I08B, I08C, I08D, I08E, I08F, I08J | | | 07 | H33Z, H38Z | | | 08 | I01Z, I03A, I03B, I04Z, I12A, I12B, I12C, I12J, I36Z, I44A, I44B, I44C | |
| 21A | | W01A, W01B, W01C, W02A, W02B | 08 | I01Z, I03A, I03B, I08A, I08B, I08C, I08D, I08E, I08F, I08J, I12A, I12B, I12C, I12J, I46A, I46B | | 11 | L33Z | | | | | |
| 21B | | X04Z | 10 | K09A, K09B | | 21A | W04A, W04B | | | | | |
| 5t51j.2↔ | | | BOP, KJZSV, KOP, KOPV, KVT, UOP4, VIAL | 5t51k↔ | | | BOP, KJZSV, KVT, UOP4, VIAL | 5t520.10 | | | BOP, KJZSV, KOP, KOPV, KVT, UOP4, VIAL | |
| | | 05 | F13A | | | 05 | F13A | | | 06 | G33Z | |
| | | 06 | G33Z | | | 06 | G33Z | | | 07 | H33Z, H38Z | |
| | | 07 | H33Z, H38Z | | | 07 | H33Z, H38Z | | | 08 | I01Z, I03A, I03B, I04Z, I12A, I12B, I12C, I12J, I36Z, I44A, I44B, I44C | |
| | 08 | I01Z, I03A, I03B, I08A, I08B, I08C, I08D, I08E, I08F, I08J, I12A, I12B, I12C, I12J, I46A, I46B | 08 | | I01Z, I03A, I03B, I08A, I08B, I08C, I08D, I08E, I08F, I08J, I12A, I12B, I12C, I12J, I46A, I46B | 11 | L33Z | | | | | |
| | 10 | K09A, K09B | 10 | | K09A, K09B | 21A | W04A, W04B | | | | | |
| | 11 | L33Z | 11 | | L33Z | 21B | X04Z, X33Z | | | | | |
| | 21A | W04A, W04B | 21A | | W04A, W04B | 23 | Z01A | | | | | |
| | 21B | X04Z, X33Z | 21B | | X04Z, X33Z | Pre | A07A | | | | | |
| | 23 | Z01A | 23 | | Z01A | 5t520.11 | | | BOP, KJZSV, KOP, KOPV, KVT, UOP4, VIAL | | | |
| Pre | A07A | Pre | A07A | 06 | G33Z | | | | | | | |
| 5t51k↔ | | BOP, KJZSV, KVT, UOP4, VIAL | 5t51x↔ | | BOP, KJZSV, KVT, UOP4, VIAL | | 5t520.11 | | BOP, KJZSV, KVT, UOP4, VIAL | | | |
| | 01 | B03Z, B17A, B17B, B17C, B17J | | 05 | F13A | | | 06 | G33Z | | | |
| | 05 | F13A | | 06 | G33Z | | | 07 | H33Z, H38Z | | | |
| | 08 | I03A, I03B, I05Z, I47A, I47B | | 07 | H33Z, H38Z | | | 08 | I01Z, I03A, I03B, I04Z, I12A, I12B, I12C, I12J, I36Z, I44A, I44B, I44C | | | |
| | 21A | W01A, W01B, W01C, W02A, W02B | | 08 | I01Z, I03A, I03B, I08A, I08B, I08C, I08D, I08E, I08F, I08J, I12A, I12B, I12C, I12J, I46A, I46B | | | 11 | L33Z | | | |
| | 21B | X04Z | | 10 | K09A, K09B | | | 21A | W04A, W04B | | | |
| | 5t51x↔ | | | BOP, KJZSV, KVT, UOP4, VIAL | 5t520.11 | | | | BOP, KJZSV, KOP, KOPV, KVT, UOP4, VIAL | 5t520.11 | | BOP, KJZSV, KOP, KOPV, KVT, UOP4, VIAL |
| | | 01 | | B03Z, B17A, B17B, B17C, B17J | | | | 05 | F13A | | 06 | G33Z |
| | | 05 | | F13A | | 06 | | G33Z | 07 | | H33Z, H38Z | |
| | | 08 | | I08A, I08B, I08C, I08D, I08E, I08F, I08J | | 07 | | H33Z, H38Z | 08 | | I01Z, I03A, I03B, I04Z, I12A, I12B, I12C, I12J, I36Z, I44A, I44B, I44C | |
| 21A | | W01A, W01B, W01C, W02A, W02B | 08 | I01Z, I03A, I03B, I08A, I08B, I08C, I08D, I08E, I08F, I08J, I12A, I12B, I12C, I12J, I46A, I46B | | 11 | L33Z | | | | | |
| 21B | | X04Z | 10 | K09A, K09B | | 21A | W04A, W04B | | | | | |
| 23 | | Z01A | 11 | L33Z | | 21B | X04Z, X33Z | | | | | |
| Pre | | A07A | 21A | W04A, W04B | | 23 | Z01A | | | | | |
| | | | 21B | X04Z, X33Z | | Pre | A07A | | | | | |
| | | | Pre | A07A | | | | | | | | |

VYK

| ZZV | MDC | DRG | ZZV | MDC | DRG | ZZV | MDC | DRG |
|----------|----------|--|--|--|--|----------|--|--|
| 5t520.12 | | BOP, KJZSV, KOP, KOPV, KVT, UOP4, VIAL | 5t521.11 | | BOP, KJZSV, KOP, KOPV, KVT, UOP4, VIAL | 5t522.10 | | BOP, KJZSV, KOP, KOPV, KVT, UOP4, VIAL |
| | 06 | G33Z | | 06 | G33Z | | 06 | G33Z |
| | 07 | H33Z, H38Z | | 07 | H33Z, H38Z | | 07 | H33Z, H38Z |
| | 08 | I01Z, I03A, I03B, I04Z, I12A, I12B, I12C, I12J, I36Z, I44A, I44B, I44C | | 08 | I01Z, I03A, I03B, I04Z, I12A, I12B, I12C, I12J, I36Z, I44A, I44B | | 08 | I01Z, I03A, I03B, I04Z, I12A, I12B, I12C, I12J, I36Z, I44A, I44B |
| | 11 | L33Z | | 11 | L33Z | | 11 | L33Z |
| | 21A | W04A, W04B | | 21A | W04A, W04B | | 21A | W04A, W04B |
| | 21B | X04Z, X33Z | | 21B | X04Z, X33Z | | 21B | X04Z, X33Z |
| | 23 | Z01A | | 23 | Z01A | | 23 | Z01A |
| | Pre | A07A | | Pre | A07A | | Pre | A07A |
| | 5t521.00 | | | BOP, KJZSV, KOP, KOPV, KVT, UOP4, VIAL | 5t521.12 | | | BOP, KJZSV, KOP, KOPV, KVT, UOP4, VIAL |
| 06 | | G33Z | 06 | G33Z | | 06 | G33Z | |
| 07 | | H33Z, H38Z | 07 | H33Z, H38Z | | 07 | H33Z, H38Z | |
| 08 | | I01Z, I03A, I03B, I04Z, I12A, I12B, I12C, I12J, I36Z, I44A, I44B | 08 | I01Z, I03A, I03B, I04Z, I12A, I12B, I12C, I12J, I36Z, I44A, I44B | | 08 | I01Z, I03A, I03B, I04Z, I12A, I12B, I12C, I12J, I36Z, I44A, I44B | |
| 11 | | L33Z | 11 | L33Z | | 11 | L33Z | |
| 21A | | W04A, W04B | 21A | W04A, W04B | | 21A | W04A, W04B | |
| 21B | | X04Z, X33Z | 21B | X04Z, X33Z | | 21B | X04Z, X33Z | |
| 23 | | Z01A | 23 | Z01A | | 23 | Z01A | |
| Pre | | A07A | Pre | A07A | | Pre | A07A | |
| 5t521.01 | | | BOP, KJZSV, KOP, KOPV, KVT, UOP4, VIAL | 5t522.00 | | | BOP, KJZSV, KOP, KOPV, KVT, UOP4, VIAL | 5t522.12 |
| | 06 | G33Z | 06 | | G33Z | 06 | G33Z | |
| | 07 | H33Z, H38Z | 07 | | H33Z, H38Z | 07 | H33Z, H38Z | |
| | 08 | I01Z, I03A, I03B, I04Z, I12A, I12B, I12C, I12J, I36Z, I44A, I44B | 08 | | I01Z, I03A, I03B, I04Z, I12A, I12B, I12C, I12J, I36Z, I44A, I44B | 08 | I01Z, I03A, I03B, I04Z, I12A, I12B, I12C, I12J, I36Z, I44A, I44B | |
| | 11 | L33Z | 11 | | L33Z | 11 | L33Z | |
| | 21A | W04A, W04B | 21A | | W04A, W04B | 21A | W04A, W04B | |
| | 21B | X04Z, X33Z | 21B | | X04Z, X33Z | 21B | X04Z, X33Z | |
| | 23 | Z01A | 23 | | Z01A | 23 | Z01A | |
| | Pre | A07A | Pre | | A07A | Pre | A07A | |
| | 5t521.02 | | BOP, KJZSV, KOP, KOPV, KVT, UOP4, VIAL | | 5t522.01 | | BOP, KJZSV, KOP, KOPV, KVT, UOP4, VIAL | |
| 06 | | G33Z | 06 | G33Z | | 06 | G33Z | |
| 07 | | H33Z, H38Z | 07 | H33Z, H38Z | | 07 | H33Z, H38Z | |
| 08 | | I01Z, I03A, I03B, I04Z, I12A, I12B, I12C, I12J, I36Z, I44A, I44B | 08 | I01Z, I03A, I03B, I04Z, I12A, I12B, I12C, I12J, I36Z, I44A, I44B | | 08 | I01Z, I03A, I03B, I04Z, I12A, I12B, I12C, I12J, I36Z, I44A, I44B | |
| 11 | | L33Z | 11 | L33Z | | 11 | L33Z | |
| 21A | | W04A, W04B | 21A | W04A, W04B | | 21A | W04A, W04B | |
| 21B | | X04Z, X33Z | 21B | X04Z, X33Z | | 21B | X04Z, X33Z | |
| 23 | | Z01A | 23 | Z01A | | 23 | Z01A | |
| Pre | | A07A | Pre | A07A | | Pre | A07A | |
| 5t521.10 | | | BOP, KJZSV, KOP, KOPV, KVT, UOP4, VIAL | 5t522.02 | | | BOP, KJZSV, KOP, KOPV, KVT, UOP4, VIAL | 5t523.01 |
| | 06 | G33Z | 06 | | G33Z | 06 | G33Z | |
| | 07 | H33Z, H38Z | 07 | | H33Z, H38Z | 07 | H33Z, H38Z | |
| | 08 | I01Z, I03A, I03B, I04Z, I12A, I12B, I12C, I12J, I36Z, I44A, I44B | 08 | | I01Z, I03A, I03B, I04Z, I12A, I12B, I12C, I12J, I36Z, I44A, I44B | 08 | I01Z, I03A, I03B, I04Z, I12A, I12B, I12C, I12J, I36Z, I44A, I44B | |
| | 11 | L33Z | 11 | | L33Z | 11 | L33Z | |
| | 21A | W04A, W04B | 21A | | W04A, W04B | 21A | W04A, W04B | |
| | 21B | X04Z, X33Z | 21B | | X04Z, X33Z | 21B | X04Z, X33Z | |
| | 23 | Z01A | 23 | | Z01A | 23 | Z01A | |
| | Pre | A07A | Pre | | A07A | Pre | A07A | |

| ZZV | MDC | DRG | ZZV | MDC | DRG | ZZV | MDC | DRG |
|----------|----------|--|--|--|--|----------|--|--|
| 5t523.02 | | BOP, KJZSV, KOP, KOPV, KVT, UOP4, VIAL | 5t524.01 | | BOP, KJZSV, KOP, KOPV, KVT, UOP4, VIAL | 5t525.0↔ | | BOP, KJZSV, KOP, KOPV, KVT, UOP4, VIAL |
| | 06 | G33Z | | 06 | G33Z | | 06 | G33Z |
| | 07 | H33Z, H38Z | | 07 | H33Z, H38Z | | 07 | H33Z, H38Z |
| | 08 | I01Z, I03A, I03B, I04Z, I12A, I12B, I12C, I12J, I36Z, I44A, I44B | | 08 | I01Z, I03A, I03B, I04Z, I12A, I12B, I12C, I12J, I36Z, I44A, I44B | | 08 | I01Z, I03A, I03B, I04Z, I12A, I12B, I12C, I12J, I36Z, I43A, I43B |
| | 11 | L33Z | | 11 | L33Z | | 11 | L33Z |
| | 21A | W04A, W04B | | 21A | W04A, W04B | | 21A | W04A, W04B |
| | 21B | X04Z, X33Z | | 21B | X04Z, X33Z | | 21B | X04Z, X33Z |
| | 23 | Z01A | | 23 | Z01A | | 23 | Z01A |
| | Pre | A07A | | Pre | A07A | | Pre | A07A |
| | 5t523.10 | | | BOP, KJZSV, KOP, KOPV, KVT, UOP4, VIAL | 5t524.02 | | | BOP, KJZSV, KOP, KOPV, KVT, UOP4, VIAL |
| 06 | | G33Z | 06 | G33Z | | 06 | G33Z | |
| 07 | | H33Z, H38Z | 07 | H33Z, H38Z | | 07 | H33Z, H38Z | |
| 08 | | I01Z, I03A, I03B, I04Z, I12A, I12B, I12C, I12J, I36Z, I44A, I44B | 08 | I01Z, I03A, I03B, I04Z, I12A, I12B, I12C, I12J, I36Z, I44A, I44B | | 08 | I01Z, I03A, I03B, I04Z, I12A, I12B, I12C, I12J, I36Z, I43A, I43B | |
| 11 | | L33Z | 11 | L33Z | | 11 | L33Z | |
| 21A | | W04A, W04B | 21A | W04A, W04B | | 21A | W04A, W04B | |
| 21B | | X04Z, X33Z | 21B | X04Z, X33Z | | 21B | X04Z, X33Z | |
| 23 | | Z01A | 23 | Z01A | | 23 | Z01A | |
| Pre | | A07A | Pre | A07A | | Pre | A07A | |
| 5t523.11 | | | BOP, KJZSV, KOP, KOPV, KVT, UOP4, VIAL | 5t524.10 | | | BOP, KJZSV, KOP, KOPV, KVT, UOP4, VIAL | 5t525.2↔ |
| | 06 | G33Z | 06 | | G33Z | 06 | G33Z | |
| | 07 | H33Z, H38Z | 07 | | H33Z, H38Z | 07 | H33Z, H38Z | |
| | 08 | I01Z, I03A, I03B, I04Z, I12A, I12B, I12C, I12J, I36Z, I44A, I44B | 08 | | I01Z, I03A, I03B, I04Z, I12A, I12B, I12C, I12J, I36Z, I44A, I44B | 08 | I01Z, I03A, I03B, I04Z, I12A, I12B, I12C, I12J, I36Z, I43A, I43B | |
| | 11 | L33Z | 11 | | L33Z | 11 | L33Z | |
| | 21A | W04A, W04B | 21A | | W04A, W04B | 21A | W04A, W04B | |
| | 21B | X04Z, X33Z | 21B | | X04Z, X33Z | 21B | X04Z, X33Z | |
| | 23 | Z01A | 23 | | Z01A | 23 | Z01A | |
| | Pre | A07A | Pre | | A07A | Pre | A07A | |
| | 5t523.12 | | BOP, KJZSV, KOP, KOPV, KVT, UOP4, VIAL | | 5t524.11 | | BOP, KJZSV, KOP, KOPV, KVT, UOP4, VIAL | |
| 06 | | G33Z | 06 | G33Z | | 06 | G33Z | |
| 07 | | H33Z, H38Z | 07 | H33Z, H38Z | | 07 | H33Z, H38Z | |
| 08 | | I01Z, I03A, I03B, I04Z, I12A, I12B, I12C, I12J, I36Z, I44A, I44B | 08 | I01Z, I03A, I03B, I04Z, I12A, I12B, I12C, I12J, I36Z, I44A, I44B | | 08 | I01Z, I03A, I03B, I04Z, I12A, I12B, I12C, I12J, I36Z, I43A, I43B | |
| 11 | | L33Z | 11 | L33Z | | 11 | L33Z | |
| 21A | | W04A, W04B | 21A | W04A, W04B | | 21A | W04A, W04B | |
| 21B | | X04Z, X33Z | 21B | X04Z, X33Z | | 21B | X04Z, X33Z | |
| 23 | | Z01A | 23 | Z01A | | 23 | Z01A | |
| Pre | | A07A | Pre | A07A | | Pre | A07A | |
| 5t524.00 | | | BOP, KJZSV, KOP, KOPV, KVT, UOP4, VIAL | 5t524.12 | | | BOP, KJZSV, KOP, KOPV, KVT, UOP4, VIAL | 5t526.1↔ |
| | 06 | G33Z | 06 | | G33Z | 06 | G33Z | |
| | 07 | H33Z, H38Z | 07 | | H33Z, H38Z | 07 | H33Z, H38Z | |
| | 08 | I01Z, I03A, I03B, I04Z, I12A, I12B, I12C, I12J, I36Z, I44A, I44B | 08 | | I01Z, I03A, I03B, I04Z, I12A, I12B, I12C, I12J, I36Z, I44A, I44B | 08 | I01Z, I03A, I03B, I04Z, I12A, I12B, I12C, I12J, I36Z, I43A, I43B | |
| | 11 | L33Z | 11 | | L33Z | 11 | L33Z | |
| | 21A | W04A, W04B | 21A | | W04A, W04B | 21A | W04A, W04B | |
| | 21B | X04Z, X33Z | 21B | | X04Z, X33Z | 21B | X04Z, X33Z | |
| | 23 | Z01A | 23 | | Z01A | 23 | Z01A | |
| | Pre | A07A | Pre | | A07A | Pre | A07A | |

VYK

| ZZV | MDC | DRG | ZZV | MDC | DRG | ZZV | MDC | DRG |
|-----------|-----------|--|--|--|--|----------|--|--|
| 5t526.2↔ | | BOP, KJZSV, KOP, KOPV, KVT, UOP4, VIAL | 5t527.22↔ | | BOP, KJZSV, KOP, KOPV, KVT, UOP4, VIAL | 5t528.2↔ | | BOP, KJZSV, KOP, KOPV, KVT, UOP4, VIAL |
| | 06 | G33Z | | 06 | G33Z | | 06 | G33Z |
| | 07 | H33Z, H38Z | | 07 | H33Z, H38Z | | 07 | H33Z, H38Z |
| | 08 | I01Z, I03A, I03B, I04Z, I12A, I12B, I12C, I12J, I36Z, I43A, I43B | | 08 | I01Z, I03A, I03B, I04Z, I12A, I12B, I12C, I12J, I36Z, I44A, I44B, I44C | | 08 | I01Z, I03A, I03B, I04Z, I12A, I12B, I12C, I12J, I36Z, I43A, I43B |
| | 11 | L33Z | | 11 | L33Z | | 11 | L33Z |
| | 21A | W04A, W04B | | 21A | W04A, W04B | | 21A | W04A, W04B |
| | 21B | X04Z, X33Z | | 21B | X04Z, X33Z | | 21B | X04Z, X33Z |
| | 23 | Z01A | | 23 | Z01A | | 23 | Z01A |
| | Pre | A07A | | Pre | A07A | | Pre | A07A |
| | 5t527.10↔ | | | BOP, KJZSV, KOP, KOPV, KVT, UOP4, VIAL | 5t527.30↔ | | | BOP, KJZSV, KOP, KOPV, KVT, UOP4, VIAL |
| 06 | | G33Z | 06 | G33Z | | 06 | G33Z | |
| 07 | | H33Z, H38Z | 07 | H33Z, H38Z | | 07 | H33Z, H38Z | |
| 08 | | I01Z, I03A, I03B, I04Z, I12A, I12B, I12C, I12J, I36Z, I44A, I44B, I44C | 08 | I01Z, I03A, I03B, I04Z, I12A, I12B, I12C, I12J, I36Z, I44A, I44B, I44C | | 08 | I01Z, I03A, I03B, I04Z, I12A, I12B, I12C, I12J, I36Z, I44A, I44B | |
| 11 | | L33Z | 11 | L33Z | | 11 | L33Z | |
| 21A | | W04A, W04B | 21A | W04A, W04B | | 21A | W04A, W04B | |
| 21B | | X04Z, X33Z | 21B | X04Z, X33Z | | 21B | X04Z, X33Z | |
| 23 | | Z01A | 23 | Z01A | | 23 | Z01A | |
| Pre | | A07A | Pre | A07A | | Pre | A07A | |
| 5t527.11↔ | | | BOP, KJZSV, KOP, KOPV, KVT, UOP4, VIAL | 5t527.31↔ | | | BOP, KJZSV, KOP, KOPV, KVT, UOP4, VIAL | 5t529.2↔ |
| | 06 | G33Z | 06 | | G33Z | 06 | G33Z | |
| | 07 | H33Z, H38Z | 07 | | H33Z, H38Z | 07 | H33Z, H38Z | |
| | 08 | I01Z, I03A, I03B, I04Z, I12A, I12B, I12C, I12J, I36Z, I44A, I44B, I44C | 08 | | I01Z, I03A, I03B, I04Z, I12A, I12B, I12C, I12J, I36Z, I44A, I44B, I44C | 08 | I01Z, I03A, I03B, I04Z, I12A, I12B, I12C, I12J, I36Z, I44A, I44B | |
| | 11 | L33Z | 11 | | L33Z | 11 | L33Z | |
| | 21A | W04A, W04B | 21A | | W04A, W04B | 21A | W04A, W04B | |
| | 21B | X04Z, X33Z | 21B | | X04Z, X33Z | 21B | X04Z, X33Z | |
| | 23 | Z01A | 23 | | Z01A | 23 | Z01A | |
| | Pre | A07A | Pre | | A07A | Pre | A07A | |
| | 5t527.20↔ | | BOP, KJZSV, KOP, KOPV, KVT, UOP4, VIAL | | 5t528.0↔ | | BOP, KJZSV, KOP, KOPV, KVT, UOP4, VIAL | |
| 06 | | G33Z | 06 | G33Z | | 06 | G33Z | |
| 07 | | H33Z, H38Z | 07 | H33Z, H38Z | | 07 | H33Z, H38Z | |
| 08 | | I01Z, I03A, I03B, I04Z, I12A, I12B, I12C, I12J, I36Z, I44A, I44B, I44C | 08 | I01Z, I03A, I03B, I04Z, I12A, I12B, I12C, I12J, I36Z, I43A, I43B | | 08 | I01Z, I03A, I03B, I04Z, I12A, I12B, I12C, I12J, I36Z, I44A, I44B | |
| 11 | | L33Z | 11 | L33Z | | 11 | L33Z | |
| 21A | | W04A, W04B | 21A | W04A, W04B | | 21A | W04A, W04B | |
| 21B | | X04Z, X33Z | 21B | X04Z, X33Z | | 21B | X04Z, X33Z | |
| 23 | | Z01A | 23 | Z01A | | 23 | Z01A | |
| Pre | | A07A | Pre | A07A | | Pre | A07A | |
| 5t527.21↔ | | | BOP, KJZSV, KOP, KOPV, KVT, UOP4, VIAL | 5t528.1↔ | | | BOP, KJZSV, KOP, KOPV, KVT, UOP4, VIAL | 5t52a.2↔ |
| | 06 | G33Z | 06 | | G33Z | 06 | G33Z | |
| | 07 | H33Z, H38Z | 07 | | H33Z, H38Z | 07 | H33Z, H38Z | |
| | 08 | I01Z, I03A, I03B, I04Z, I12A, I12B, I12C, I12J, I36Z, I44A, I44B, I44C | 08 | | I01Z, I03A, I03B, I04Z, I12A, I12B, I12C, I12J, I36Z, I43A, I43B | 08 | I01Z, I03A, I03B, I04Z, I12A, I12B, I12C, I12J, I36Z, I44A, I44B | |
| | 11 | L33Z | 11 | | L33Z | 11 | L33Z | |
| | 21A | W04A, W04B | 21A | | W04A, W04B | 21A | W04A, W04B | |
| | 21B | X04Z, X33Z | 21B | | X04Z, X33Z | 21B | X04Z, X33Z | |
| | 23 | Z01A | 23 | | Z01A | 23 | Z01A | |
| | Pre | A07A | Pre | | A07A | Pre | A07A | |

VYK

| ZZV | MDC | DRG | ZZV | MDC | DRG | ZZV | MDC | DRG |
|----------|----------|--|--|--|--|----------|--|--|
| 5t52b.↔ | | BOP, KJZSV, KOP, KOPV, KVT, UOP4, VIAL | 5t52d.1↔ | | BOP, KJZSV, KOP, KOPV, KVT, UOP4, VIAL | 5t52x.0↔ | | BOP, KJZSV, KOP, KOPV, KVT, UOP4, VIAL |
| | 06 | G33Z | | 06 | G33Z | | 06 | G33Z |
| | 07 | H33Z, H38Z | | 07 | H33Z, H38Z | | 07 | H33Z, H38Z |
| | 08 | I01Z, I03A, I03B, I04Z, I12A, I12B, I12C, I12J, I36Z, I44A, I44B | | 08 | I01Z, I03A, I03B, I04Z, I12A, I12B, I12C, I12J, I36Z, I44A, I44B | | 08 | I01Z, I03A, I03B, I04Z, I12A, I12B, I12C, I12J, I36Z, I44A, I44B |
| | 11 | L33Z | | 11 | L33Z | | 11 | L33Z |
| | 21A | W04A, W04B | | 21A | W04A, W04B | | 21A | W04A, W04B |
| | 21B | X04Z, X33Z | | 21B | X04Z, X33Z | | 21B | X04Z, X33Z |
| | 23 | Z01A | | 23 | Z01A | | 23 | Z01A |
| | Pre | A07A | | Pre | A07A | | Pre | A07A |
| | 5t52c.0↔ | | | BOP, KJZSV, KOP, KOPV, KVT, UOP4, VIAL | 5t52d.2↔ | | | BOP, KJZSV, KOP, KOPV, KVT, UOP4, VIAL |
| 06 | | G33Z | 06 | G33Z | | 06 | G33Z | |
| 07 | | H33Z, H38Z | 07 | H33Z, H38Z | | 07 | H33Z, H38Z | |
| 08 | | I01Z, I03A, I03B, I04Z, I12A, I12B, I12C, I12J, I36Z, I44A, I44B | 08 | I01Z, I03A, I03B, I04Z, I12A, I12B, I12C, I12J, I36Z, I44A, I44B | | 08 | I01Z, I03A, I03B, I04Z, I12A, I12B, I12C, I12J, I36Z, I44A, I44B | |
| 11 | | L33Z | 11 | L33Z | | 11 | L33Z | |
| 21A | | W04A, W04B | 21A | W04A, W04B | | 21A | W04A, W04B | |
| 21B | | X04Z, X33Z | 21B | X04Z, X33Z | | 21B | X04Z, X33Z | |
| 23 | | Z01A | 23 | Z01A | | 23 | Z01A | |
| Pre | | A07A | Pre | A07A | | Pre | A07A | |
| 5t52c.1↔ | | | BOP, KJZSV, KOP, KOPV, KVT, UOP4, VIAL | 5t52e.0↔ | | | BOP, KJZSV, KOP, KOPV, KVT, UOP4, VIAL | 5t52x.2↔ |
| | 06 | G33Z | 06 | | G33Z | 06 | G33Z | |
| | 07 | H33Z, H38Z | 07 | | H33Z, H38Z | 07 | H33Z, H38Z | |
| | 08 | I01Z, I03A, I03B, I04Z, I12A, I12B, I12C, I12J, I36Z, I44A, I44B | 08 | | I01Z, I03A, I03B, I04Z, I12A, I12B, I12C, I12J, I36Z, I44A, I44B | 08 | I01Z, I03A, I03B, I04Z, I12A, I12B, I12C, I12J, I36Z, I44A, I44B | |
| | 11 | L33Z | 11 | | L33Z | 11 | L33Z | |
| | 21A | W04A, W04B | 21A | | W04A, W04B | 21A | W04A, W04B | |
| | 21B | X04Z, X33Z | 21B | | X04Z, X33Z | 21B | X04Z, X33Z | |
| | 23 | Z01A | 23 | | Z01A | 23 | Z01A | |
| | Pre | A07A | Pre | | A07A | Pre | A07A | |
| | 5t52c.2↔ | | BOP, KJZSV, KOP, KOPV, KVT, UOP4, VIAL | | 5t52e.1↔ | | BOP, KJZSV, KOP, KOPV, KVT, UOP4, VIAL | |
| 06 | | G33Z | 06 | G33Z | | 05 | F13A | |
| 07 | | H33Z, H38Z | 07 | H33Z, H38Z | | 06 | G33Z | |
| 08 | | I01Z, I03A, I03B, I04Z, I12A, I12B, I12C, I12J, I36Z, I44A, I44B | 08 | I01Z, I03A, I03B, I04Z, I12A, I12B, I12C, I12J, I36Z, I44A, I44B | | 07 | H33Z, H38Z | |
| 11 | | L33Z | 11 | L33Z | | 08 | I01Z, I03A, I03B, I12A, I12B, I12C, I12J, I44A, I44B, I44C | |
| 21A | | W04A, W04B | 21A | W04A, W04B | | 11 | L33Z | |
| 21B | | X04Z, X33Z | 21A | W04A, W04B | | 21A | W04A, W04B | |
| 23 | | Z01A | 21B | X04Z, X33Z | | 21B | X04Z, X33Z | |
| Pre | | A07A | 23 | Z01A | | 23 | Z01A | |
| 5t52d.0↔ | | | BOP, KJZSV, KOP, KOPV, KVT, UOP4, VIAL | 5t52e.2↔ | | | BOP, KJZSV, KOP, KOPV, KVT, UOP4, VIAL | 5t531.10↔ |
| | 06 | G33Z | 06 | | G33Z | 05 | F13A | |
| | 07 | H33Z, H38Z | 07 | | H33Z, H38Z | 06 | G33Z | |
| | 08 | I01Z, I03A, I03B, I04Z, I12A, I12B, I12C, I12J, I36Z, I44A, I44B | 08 | | I01Z, I03A, I03B, I04Z, I12A, I12B, I12C, I12J, I36Z, I44A, I44B | 07 | H33Z, H38Z | |
| | 11 | L33Z | 11 | | L33Z | 08 | I01Z, I03A, I03B, I04Z, I12A, I12B, I12C, I12J, I43A, I43B | |
| | 21A | W04A, W04B | 21A | | W04A, W04B | 11 | L33Z | |
| | 21B | X04Z, X33Z | 21A | | W04A, W04B | 21A | W04A, W04B | |
| | 23 | Z01A | 21B | | X04Z, X33Z | 21B | X04Z, X33Z | |
| | Pre | A07A | 23 | | Z01A | 23 | Z01A | |
| | | | Pre | | A07A | Pre | A07A | |

VYK

| ZZV | MDC | DRG | ZZV | MDC | DRG | ZZV | MDC | DRG |
|-----------|-----------|--|--|--|--|----------|--|--|
| 5t531.11↔ | | BOP, KJZSV, KOP, KOPV, KVT, UOP4, VIAL | 5t531.50↔ | | BOP, KJZSV, KOP, KOPV, KVT, UOP4, VIAL | 5t532.0↔ | | BOP, KJZSV, KOP, KOPV, KVT, UOP4, VIAL |
| | 05 | F13A | | 05 | F13A | | 05 | F13A |
| | 06 | G33Z | | 06 | G33Z | | 06 | G33Z |
| | 07 | H33Z, H38Z | | 07 | H33Z, H38Z | | 07 | H33Z, H38Z |
| | 08 | I01Z, I03A, I03B, I04Z, I12A, I12B, I12C, I12J, I43A, I43B | | 08 | I01Z, I03A, I03B, I04Z, I12A, I12B, I12C, I12J, I43A, I43B | | 08 | I01Z, I03A, I03B, I04Z, I12A, I12B, I12C, I12J, I43A, I43B |
| | 11 | L33Z | | 11 | L33Z | | 11 | L33Z |
| | 21A | W04A, W04B | | 21A | W04A, W04B | | 21A | W04A, W04B |
| | 21B | X04Z, X33Z | | 21B | X04Z, X33Z | | 21B | X04Z, X33Z |
| | 23 | Z01A | | 23 | Z01A | | 23 | Z01A |
| | Pre | A07A | | Pre | A07A | | Pre | A07A |
| | 5t531.20↔ | | | BOP, KJZSV, KOP, KOPV, KVT, UOP4, VIAL | 5t531.51↔ | | | BOP, KJZSV, KOP, KOPV, KVT, UOP4, VIAL |
| 05 | | F13A | 05 | F13A | | 05 | F13A | |
| 06 | | G33Z | 06 | G33Z | | 06 | G33Z | |
| 07 | | H33Z, H38Z | 07 | H33Z, H38Z | | 07 | H33Z, H38Z | |
| 08 | | I01Z, I03A, I03B, I04Z, I12A, I12B, I12C, I12J, I43A, I43B | 08 | I01Z, I03A, I03B, I04Z, I12A, I12B, I12C, I12J, I43A, I43B | | 08 | I01Z, I03A, I03B, I04Z, I12A, I12B, I12C, I12J, I43A, I43B | |
| 11 | | L33Z | 11 | L33Z | | 11 | L33Z | |
| 21A | | W04A, W04B | 21A | W04A, W04B | | 21A | W04A, W04B | |
| 21B | | X04Z, X33Z | 21B | X04Z, X33Z | | 21B | X04Z, X33Z | |
| 23 | | Z01A | 23 | Z01A | | 23 | Z01A | |
| Pre | | A07A | Pre | A07A | | Pre | A07A | |
| 5t531.21↔ | | | BOP, KJZSV, KOP, KOPV, KVT, UOP4, VIAL | 5t531.52↔ | | | BOP, KJZSV, KOP, KOPV, KVT, UOP4, VIAL | 5t532.42↔ |
| | 05 | F13A | 05 | | F13A | 05 | F13A | |
| | 06 | G33Z | 06 | | G33Z | 06 | G33Z | |
| | 07 | H33Z, H38Z | 07 | | H33Z, H38Z | 07 | H33Z, H38Z | |
| | 08 | I01Z, I03A, I03B, I04Z, I12A, I12B, I12C, I12J, I43A, I43B | 08 | | I01Z, I03A, I03B, I04Z, I12A, I12B, I12C, I12J, I43A, I43B | 08 | I01Z, I03A, I03B, I04Z, I12A, I12B, I12C, I12J, I43A, I43B | |
| | 11 | L33Z | 11 | | L33Z | 11 | L33Z | |
| | 21A | W04A, W04B | 21A | | W04A, W04B | 21A | W04A, W04B | |
| | 21B | X04Z, X33Z | 21B | | X04Z, X33Z | 21B | X04Z, X33Z | |
| | 23 | Z01A | 23 | | Z01A | 23 | Z01A | |
| | Pre | A07A | Pre | | A07A | Pre | A07A | |
| | 5t531.30↔ | | BOP, KJZSV, KOP, KOPV, KVT, UOP4, VIAL | | 5t531.6↔ | | BOP, KJZSV, KOP, KOPV, KVT, UOP4, VIAL | |
| 05 | | F13A | 05 | F13A | | 05 | F13A | |
| 06 | | G33Z | 06 | G33Z | | 06 | G33Z | |
| 07 | | H33Z, H38Z | 07 | H33Z, H38Z | | 07 | H33Z, H38Z | |
| 08 | | I01Z, I03A, I03B, I04Z, I12A, I12B, I12C, I12J, I43A, I43B | 08 | I01Z, I03A, I03B, I04Z, I12A, I12B, I12C, I12J, I43A, I43B | | 08 | I01Z, I03A, I03B, I04Z, I12A, I12B, I12C, I12J, I43A, I43B | |
| 11 | | L33Z | 11 | L33Z | | 11 | L33Z | |
| 21A | | W04A, W04B | 21A | W04A, W04B | | 21A | W04A, W04B | |
| 21B | | X04Z, X33Z | 21B | X04Z, X33Z | | 21B | X04Z, X33Z | |
| 23 | | Z01A | 23 | Z01A | | 23 | Z01A | |
| Pre | | A07A | Pre | A07A | | Pre | A07A | |
| 5t531.31↔ | | | BOP, KJZSV, KOP, KOPV, KVT, UOP4, VIAL | 5t531.x↔ | | | BOP, KJZSV, KOP, KOPV, KVT, UOP4, VIAL | 5t532.52↔ |
| | 05 | F13A | 05 | | F13A | 05 | F13A | |
| | 06 | G33Z | 06 | | G33Z | 06 | G33Z | |
| | 07 | H33Z, H38Z | 07 | | H33Z, H38Z | 07 | H33Z, H38Z | |
| | 08 | I01Z, I03A, I03B, I04Z, I12A, I12B, I12C, I12J, I43A, I43B | 08 | | I01Z, I03A, I03B, I04Z, I12A, I12B, I12C, I12J, I43A, I43B | 08 | I01Z, I03A, I03B, I04Z, I12A, I12B, I12C, I12J, I43A, I43B | |
| | 11 | L33Z | 11 | | L33Z | 11 | L33Z | |
| | 21A | W04A, W04B | 21A | | W04A, W04B | 21A | W04A, W04B | |
| | 21B | X04Z, X33Z | 21B | | X04Z, X33Z | 21B | X04Z, X33Z | |
| | 23 | Z01A | 23 | | Z01A | 23 | Z01A | |
| | Pre | A07A | Pre | | A07A | Pre | A07A | |

| ZZV | MDC | DRG | ZZV | MDC | DRG | ZZV | MDC | DRG |
|-----------|-----------|--|--|--|--|----------|--|--|
| 5t532.6↔ | | BOP, KJZSV, KOP, KOPV, KVT, UOP4, VIAL | 5t532.x↔ | | BOP, KJZSV, KOP, KOPV, KVT, UOP4, VIAL | 5t533.8↔ | | BOP, KJZSV, KOP, KOPV, KVT, UOP4, VIAL |
| | 05 | F13A | | 05 | F13A | | 05 | F13A |
| | 06 | G33Z | | 06 | G33Z | | 06 | G33Z |
| | 07 | H33Z, H38Z | | 07 | H33Z, H38Z | | 07 | H33Z, H38Z |
| | 08 | I01Z, I03A, I03B, I04Z, I12A, I12B, I12C, I12J, I44A, I44B | | 08 | I01Z, I03A, I03B, I04Z, I12A, I12B, I12C, I12J, I43A, I43B | | 08 | I01Z, I03A, I03B, I04Z, I12A, I12B, I12C, I12J, I43A, I43B |
| | 11 | L33Z | | 11 | L33Z | | 11 | L33Z |
| | 21A | W04A, W04B | | 21A | W04A, W04B | | 21A | W04A, W04B |
| | 21B | X04Z, X33Z | | 21B | X04Z, X33Z | | 21B | X04Z, X33Z |
| | 23 | Z01A | | 23 | Z01A | | 23 | Z01A |
| | Pre | A07A | | Pre | A07A | | Pre | A07A |
| | 5t532.7↔ | | | BOP, KJZSV, KOP, KOPV, KVT, UOP4, VIAL | 5t533.0↔ | | | BOP, KJZSV, KOP, KOPV, KVT, UOP4, VIAL |
| 05 | | F13A | 05 | F13A | | 05 | F13A | |
| 06 | | G33Z | 06 | G33Z | | 06 | G33Z | |
| 07 | | H33Z, H38Z | 07 | H33Z, H38Z | | 07 | H33Z, H38Z | |
| 08 | | I01Z, I03A, I03B, I04Z, I12A, I12B, I12C, I12J, I43A, I43B | 08 | I01Z, I03A, I03B, I04Z, I12A, I12B, I12C, I12J, I43A, I43B | | 08 | I01Z, I03A, I03B, I04Z, I12A, I12B, I12C, I12J, I43A, I43B | |
| 11 | | L33Z | 11 | L33Z | | 11 | L33Z | |
| 21A | | W04A, W04B | 21A | W04A, W04B | | 21A | W04A, W04B | |
| 21B | | X04Z, X33Z | 21B | X04Z, X33Z | | 21B | X04Z, X33Z | |
| 23 | | Z01A | 23 | Z01A | | 23 | Z01A | |
| Pre | | A07A | Pre | A07A | | Pre | A07A | |
| 5t532.8↔ | | | BOP, KJZSV, KOP, KOPV, KVT, UOP4, VIAL | 5t533.50↔ | | | BOP, KJZSV, KOP, KOPV, KVT, UOP4, VIAL | 5t533.a0↔ |
| | 05 | F13A | 05 | | F13A | 05 | F13A | |
| | 06 | G33Z | 06 | | G33Z | 06 | G33Z | |
| | 07 | H33Z, H38Z | 07 | | H33Z, H38Z | 07 | H33Z, H38Z | |
| | 08 | I01Z, I03A, I03B, I04Z, I12A, I12B, I12C, I12J, I43A, I43B | 08 | | I01Z, I03A, I03B, I04Z, I12A, I12B, I12C, I12J, I43A, I43B | 08 | I01Z, I03A, I03B, I04Z, I12A, I12B, I12C, I12J, I43A, I43B | |
| | 11 | L33Z | 11 | | L33Z | 11 | L33Z | |
| | 21A | W04A, W04B | 21A | | W04A, W04B | 21A | W04A, W04B | |
| | 21B | X04Z, X33Z | 21B | | X04Z, X33Z | 21B | X04Z, X33Z | |
| | 23 | Z01A | 23 | | Z01A | 23 | Z01A | |
| | Pre | A07A | Pre | | A07A | Pre | A07A | |
| | 5t532.a0↔ | | BOP, KJZSV, KOP, KOPV, KVT, UOP4, VIAL | | 5t533.52↔ | | BOP, KJZSV, KOP, KOPV, KVT, UOP4, VIAL | |
| 05 | | F13A | 05 | F13A | | 05 | F13A | |
| 06 | | G33Z | 06 | G33Z | | 06 | G33Z | |
| 07 | | H33Z, H38Z | 07 | H33Z, H38Z | | 07 | H33Z, H38Z | |
| 08 | | I01Z, I03A, I03B, I04Z, I12A, I12B, I12C, I12J, I43A, I43B | 08 | I01Z, I03A, I03B, I04Z, I12A, I12B, I12C, I12J, I43A, I43B | | 08 | I01Z, I03A, I03B, I04Z, I12A, I12B, I12C, I12J, I43A, I43B | |
| 11 | | L33Z | 11 | L33Z | | 11 | L33Z | |
| 21A | | W04A, W04B | 21A | W04A, W04B | | 21A | W04A, W04B | |
| 21B | | X04Z, X33Z | 21B | X04Z, X33Z | | 21B | X04Z, X33Z | |
| 23 | | Z01A | 23 | Z01A | | 23 | Z01A | |
| Pre | | A07A | Pre | A07A | | Pre | A07A | |
| 5t532.a1↔ | | | BOP, KJZSV, KOP, KOPV, KVT, UOP4, VIAL | 5t533.7↔ | | | BOP, KJZSV, KOP, KOPV, KVT, UOP4, VIAL | 5t533.x↔ |
| | 05 | F13A | 05 | | F13A | 05 | F13A | |
| | 06 | G33Z | 06 | | G33Z | 06 | G33Z | |
| | 07 | H33Z, H38Z | 07 | | H33Z, H38Z | 07 | H33Z, H38Z | |
| | 08 | I01Z, I03A, I03B, I04Z, I12A, I12B, I12C, I12J, I43A, I43B | 08 | | I01Z, I03A, I03B, I04Z, I12A, I12B, I12C, I12J, I43A, I43B | 08 | I01Z, I03A, I03B, I04Z, I12A, I12B, I12C, I12J, I43A, I43B | |
| | 11 | L33Z | 11 | | L33Z | 11 | L33Z | |
| | 21A | W04A, W04B | 21A | | W04A, W04B | 21A | W04A, W04B | |
| | 21B | X04Z, X33Z | 21B | | X04Z, X33Z | 21B | X04Z, X33Z | |
| | 23 | Z01A | 23 | | Z01A | 23 | Z01A | |
| | Pre | A07A | Pre | | A07A | Pre | A07A | |

VYK

| ZZV | MDC | DRG | ZZV | MDC | DRG | ZZV | MDC | DRG |
|----------|----------|--|--|--|--|-----------|--|--|
| 5t534.0↔ | | BOP, KJZSV, KOP, KOPV, KVT, UOP4, VIAL | 5t535.10↔ | | BOP, KJZSV, KOP, KOPV, KVT, UOP4, VIAL | 5t535.30↔ | | BOP, KJZSV, KOP, KOPV, KVT, UOP4, VIAL |
| | 05 | F13A | | 05 | F13A | | 05 | F13A |
| | 06 | G33Z | | 06 | G33Z | | 06 | G33Z |
| | 07 | H33Z, H38Z | | 07 | H33Z, H38Z | | 07 | H33Z, H38Z |
| | 08 | I01Z, I03A, I03B, I04Z, I12A, I12B, I12C, I12J, I43A, I43B | | 08 | I01Z, I03A, I03B, I04Z, I12A, I12B, I12C, I12J, I44A, I44B, I44C | | 08 | I01Z, I03A, I03B, I04Z, I12A, I12B, I12C, I12J, I44A, I44B, I44C |
| | 11 | L33Z | | 11 | L33Z | | 11 | L33Z |
| | 21A | W04A, W04B | | 21A | W04A, W04B | | 21A | W04A, W04B |
| | 21B | X04Z, X33Z | | 21B | X04Z, X33Z | | 21B | X04Z, X33Z |
| | 23 | Z01A | | 23 | Z01A | | 23 | Z01A |
| | Pre | A07A | | Pre | A07A | | Pre | A07A |
| | 5t534.7↔ | | | BOP, KJZSV, KOP, KOPV, KVT, UOP4, VIAL | 5t535.11↔ | | | BOP, KJZSV, KOP, KOPV, KVT, UOP4, VIAL |
| 05 | | F13A | 05 | F13A | | 05 | F13A | |
| 06 | | G33Z | 06 | G33Z | | 06 | G33Z | |
| 07 | | H33Z, H38Z | 07 | H33Z, H38Z | | 07 | H33Z, H38Z | |
| 08 | | I01Z, I03A, I03B, I04Z, I12A, I12B, I12C, I12J, I43A, I43B | 08 | I01Z, I03A, I03B, I04Z, I12A, I12B, I12C, I12J, I44A, I44B, I44C | | 08 | I01Z, I03A, I03B, I04Z, I12A, I12B, I12C, I12J, I44A, I44B, I44C | |
| 11 | | L33Z | 11 | L33Z | | 11 | L33Z | |
| 21A | | W04A, W04B | 21A | W04A, W04B | | 21A | W04A, W04B | |
| 21B | | X04Z, X33Z | 21B | X04Z, X33Z | | 21B | X04Z, X33Z | |
| 23 | | Z01A | 23 | Z01A | | 23 | Z01A | |
| Pre | | A07A | Pre | A07A | | Pre | A07A | |
| 5t534.8↔ | | | BOP, KJZSV, KOP, KOPV, KVT, UOP4, VIAL | 5t535.20↔ | | | BOP, KJZSV, KOP, KOPV, KVT, UOP4, VIAL | 5t536.42↔ |
| | 05 | F13A | 05 | | F13A | 05 | F13A | |
| | 06 | G33Z | 06 | | G33Z | 06 | G33Z | |
| | 07 | H33Z, H38Z | 07 | | H33Z, H38Z | 07 | H33Z, H38Z | |
| | 08 | I01Z, I03A, I03B, I04Z, I12A, I12B, I12C, I12J, I43A, I43B | 08 | | I01Z, I03A, I03B, I04Z, I12A, I12B, I12C, I12J, I44A, I44B, I44C | 08 | I01Z, I03A, I03B, I04Z, I12A, I12B, I12C, I12J, I43A, I43B | |
| | 11 | L33Z | 11 | | L33Z | 11 | L33Z | |
| | 21A | W04A, W04B | 21A | | W04A, W04B | 21A | W04A, W04B | |
| | 21B | X04Z, X33Z | 21B | | X04Z, X33Z | 21B | X04Z, X33Z | |
| | 23 | Z01A | 23 | | Z01A | 23 | Z01A | |
| | Pre | A07A | Pre | | A07A | Pre | A07A | |
| | 5t534.9↔ | | BOP, KJZSV, KOP, KOPV, KVT, UOP4, VIAL | | 5t535.21↔ | | BOP, KJZSV, KOP, KOPV, KVT, UOP4, VIAL | |
| 05 | | F13A | 05 | F13A | | 05 | F13A | |
| 06 | | G33Z | 06 | G33Z | | 06 | G33Z | |
| 07 | | H33Z, H38Z | 07 | H33Z, H38Z | | 07 | H33Z, H38Z | |
| 08 | | I01Z, I03A, I03B, I04Z, I12A, I12B, I12C, I12J, I43A, I43B | 08 | I01Z, I03A, I03B, I04Z, I12A, I12B, I12C, I12J, I44A, I44B, I44C | | 08 | I01Z, I03A, I03B, I04Z, I12A, I12B, I12C, I12J, I43A, I43B | |
| 11 | | L33Z | 11 | L33Z | | 11 | L33Z | |
| 21A | | W04A, W04B | 21A | W04A, W04B | | 21A | W04A, W04B | |
| 21B | | X04Z, X33Z | 21B | X04Z, X33Z | | 21B | X04Z, X33Z | |
| 23 | | Z01A | 23 | Z01A | | 23 | Z01A | |
| Pre | | A07A | Pre | A07A | | Pre | A07A | |
| 5t534.x↔ | | | BOP, KJZSV, KOP, KOPV, KVT, UOP4, VIAL | 5t535.22↔ | | | BOP, KJZSV, KOP, KOPV, KVT, UOP4, VIAL | 5t536.60↔ |
| | 05 | F13A | 05 | | F13A | 05 | F13A | |
| | 06 | G33Z | 06 | | G33Z | 06 | G33Z | |
| | 07 | H33Z, H38Z | 07 | | H33Z, H38Z | 07 | H33Z, H38Z | |
| | 08 | I01Z, I03A, I03B, I04Z, I12A, I12B, I12C, I12J, I43A, I43B | 08 | | I01Z, I03A, I03B, I04Z, I12A, I12B, I12C, I12J, I44A, I44B, I44C | 08 | I01Z, I03A, I03B, I04Z, I12A, I12B, I12C, I12J, I43A, I43B | |
| | 11 | L33Z | 11 | | L33Z | 11 | L33Z | |
| | 21A | W04A, W04B | 21A | | W04A, W04B | 21A | W04A, W04B | |
| | 21B | X04Z, X33Z | 21B | | X04Z, X33Z | 21B | X04Z, X33Z | |
| | 23 | Z01A | 23 | | Z01A | 23 | Z01A | |
| | Pre | A07A | Pre | | A07A | Pre | A07A | |

| ZZV | MDC | DRG | ZZV | MDC | DRG | ZZV | MDC | DRG | | | |
|-----------|-----------|--|--|--|--|-----------------------------|--|--|-----------------------------|-----------------------------|------------------------------------|
| 5t536.61↔ | | BOP, KJZSV, KOP, KOPV, KVT, UOP4, VIAL | 5t536.x↔ | | BOP, KJZSV, KOP, KOPV, KVT, UOP4, VIAL | 5t538.72↔ | | BOP, KJZSV, KVT, UOP4, VIAL | | | |
| | 05 | F13A | | 05 | F13A | | 05 | F13A | | | |
| | 06 | G33Z | | 06 | G33Z | | 08 | I12A, I12B, I12C, I12J, I44A, I44B | | | |
| | 07 | H33Z, H38Z | | 07 | H33Z, H38Z | | 21A | W04A, W04B | | | |
| | 08 | I01Z, I03A, I03B, I04Z, I12A, I12B, I12C, I12J, I43A, I43B | | 08 | I01Z, I03A, I03B, I04Z, I12A, I12B, I12C, I12J, I43A, I43B | | 21B | X04Z | | | |
| | 11 | L33Z | | 11 | L33Z | | 5t538.8↔ | | BOP, KJZSV, KVT, UOP4, VIAL | | |
| | 21A | W04A, W04B | | 21A | W04A, W04B | | 05 | F13A | | | |
| | 21B | X04Z, X33Z | | 21B | X04Z, X33Z | | 08 | I12A, I12B, I12C, I12J, I44A, I44B | | | |
| | 23 | Z01A | | 23 | Z01A | | 21A | W04A, W04B | | | |
| | Pre | A07A | | Pre | A07A | | 21B | X04Z | | | |
| | 5t536.70↔ | | | BOP, KJZSV, KOP, KOPV, KVT, UOP4, VIAL | 5t537↔ | | | BOP, KJZSV, KVT, UOP4, VIAL | 5t538.9↔ | | BOP, KJZSV, KVT, UOP4, VIAL |
| | | 05 | | F13A | | | 05 | F13A | | 05 | F13A |
| | | 06 | | G33Z | | | 08 | I04Z, I12A, I12B, I12C, I12J, I44A, I44B | | 08 | I12A, I12B, I12C, I12J, I44A, I44B |
| 07 | | H33Z, H38Z | 21A | W04A, W04B | | 21A | W04A, W04B | | | | |
| 08 | | I01Z, I03A, I03B, I04Z, I12A, I12B, I12C, I12J, I43A, I43B | 21B | X04Z | | 21B | X04Z | | | | |
| 11 | | L33Z | 5t538.20↔ | | | BOP, KJZSV, KVT, UOP4, VIAL | 5t538.a↔ | | | BOP, KJZSV, KVT, UOP4, VIAL | |
| 21A | | W04A, W04B | 05 | F13A | | 05 | F13A | | | | |
| 21B | | X04Z, X33Z | 08 | I12A, I12B, I12C, I12J, I44A, I44B | | 08 | I12A, I12B, I12C, I12J, I44A, I44B | | | | |
| 23 | | Z01A | 21A | W04A, W04B | | 21A | W04A, W04B | | | | |
| Pre | | A07A | 21B | X04Z | | 21B | X04Z | | | | |
| 5t536.71↔ | | | BOP, KJZSV, KOP, KOPV, KVT, UOP4, VIAL | 5t538.22↔ | | | BOP, KJZSV, KVT, UOP4, VIAL | 5t538.b↔ | | | BOP, KJZSV, KVT, UOP4, VIAL |
| | | 05 | F13A | | | 05 | F13A | | | 05 | F13A |
| | | 06 | G33Z | | | 08 | I12A, I12B, I12C, I12J, I44A, I44B | | | 08 | I12A, I12B, I12C, I12J, I44A, I44B |
| | 07 | H33Z, H38Z | 21A | | W04A, W04B | 21A | W04A, W04B | | | | |
| | 08 | I01Z, I03A, I03B, I04Z, I12A, I12B, I12C, I12J, I43A, I43B | 21B | | X04Z | 21B | X04Z | | | | |
| | 11 | L33Z | 5t538.30↔ | | | BOP, KJZSV, KVT, UOP4, VIAL | 5t538.c↔ | | | BOP, KJZSV, KVT, UOP4, VIAL | |
| | 21A | W04A, W04B | 05 | | F13A | 05 | F13A | | | | |
| | 21B | X04Z, X33Z | 08 | | I12A, I12B, I12C, I12J, I44A, I44B | 08 | I12A, I12B, I12C, I12J, I44A, I44B | | | | |
| | 23 | Z01A | 21A | | W04A, W04B | 21A | W04A, W04B | | | | |
| | Pre | A07A | 21B | | X04Z | 21B | X04Z | | | | |
| | 5t536.90↔ | | BOP, KJZSV, KOP, KOPV, KVT, UOP4, VIAL | | 5t538.32↔ | | BOP, KJZSV, KVT, UOP4, VIAL | | 5t538.x↔ | | BOP, KJZSV, KVT, UOP4, VIAL |
| | | 05 | F13A | | | 05 | F13A | | | 05 | F13A |
| | | 06 | G33Z | | | 08 | I12A, I12B, I12C, I12J, I44A, I44B | | | 08 | I12A, I12B, I12C, I12J, I44A, I44B |
| 07 | | H33Z, H38Z | 21A | W04A, W04B | | 21A | W04A, W04B | | | | |
| 08 | | I01Z, I03A, I03B, I04Z, I12A, I12B, I12C, I12J, I43A, I43B | 21B | X04Z | | 21B | X04Z | | | | |
| 11 | | L33Z | 5t538.60↔ | | | BOP, KJZSV, KVT, UOP4, VIAL | 5t539.0↔ | | | BOP, KJZSV, KVT, UOP4, VIAL | |
| 21A | | W04A, W04B | 05 | F13A | | 05 | F13A | | | | |
| 21B | | X04Z, X33Z | 08 | I12A, I12B, I12C, I12J, I44A, I44B | | 08 | I12A, I12B, I12C, I12J, I44A, I44B | | | | |
| 23 | | Z01A | 21A | W04A, W04B | | 21A | W04A, W04B | | | | |
| Pre | | A07A | 21B | X04Z | | 21B | X04Z | | | | |
| 5t536.92↔ | | | BOP, KJZSV, KOP, KOPV, KVT, UOP4, VIAL | 5t538.62↔ | | | BOP, KJZSV, KVT, UOP4, VIAL | 5t539.1↔ | | | BOP, KJZSV, KVT, UOP4, VIAL |
| | | 05 | F13A | | | 05 | F13A | | | 05 | F13A |
| | | 06 | G33Z | | | 08 | I12A, I12B, I12C, I12J, I44A, I44B | | | 08 | I12A, I12B, I12C, I12J, I44A, I44B |
| | 07 | H33Z, H38Z | 21A | | W04A, W04B | 21A | W04A, W04B | | | | |
| | 08 | I01Z, I03A, I03B, I04Z, I12A, I12B, I12C, I12J, I43A, I43B | 21B | | X04Z | 21B | X04Z | | | | |
| | 11 | L33Z | 5t538.70↔ | | | BOP, KJZSV, KVT, UOP4, VIAL | 5t53a↔ | | | BOP, KJZSV, KVT, UOP4, VIAL | |
| | 21A | W04A, W04B | 05 | | F13A | 05 | F13A | | | | |
| | 21B | X04Z, X33Z | 08 | | I12A, I12B, I12C, I12J, I44A, I44B | 08 | I04Z, I12A, I12B, I12C, I12J, I44A, I44B, I44C | | | | |
| | 23 | Z01A | 21A | | W04A, W04B | 21A | W04A, W04B | | | | |
| | Pre | A07A | 21B | | X04Z | 21B | X04Z | | | | |

VYK

| ZZV | MDC | DRG | ZZV | MDC | DRG | ZZV | MDC | DRG |
|----------|-----|--|----------|-----|--|----------|-----|--|
| 5t53b↔ | | BOP, KJZSV, KVT, UOP4, VIAL | 5t540.01 | 08 | I05Z, I12A, I12B, I12C, I12J | 5t545↔ | | BOP, KJZSV, KVT, UOP4, VIAL |
| | 05 | F13A | | 21A | W04A, W04B | | 08 | I05Z, I08A, I08B, I08C, I08D, I08E, I08F, I08J, I12A, I12B, I12C, I12J |
| | 08 | I04Z, I12A, I12B, I12C, I12J, I44A, I44B, I44C | | 21B | X06A, X06B, X06C | | 21A | W04A, W04B |
| | 21A | W04A, W04B | | 21B | X06A, X06B, X06C | | 21B | X06A, X06B, X06C |
| 5t53c↔ | | BOP, KJZSV, KVT, UOP4, VIAL | 5t540.0x | 08 | I05Z, I12A, I12B, I12C, I12J | 5t546↔ | | BOP, KJZSV, KVT, UOP4, VIAL |
| | 05 | F13A | | 21A | W04A, W04B | | 08 | I05Z, I08A, I08B, I08C, I08D, I08E, I08F, I08J, I12A, I12B, I12C, I12J |
| | 08 | I04Z, I12A, I12B, I12C, I12J, I44A, I44B, I44C | | 21B | X06A, X06B, X06C | | 21A | W04A, W04B |
| | 21A | W04A, W04B | | 21B | X06A, X06B, X06C | | 21B | X06A, X06B, X06C |
| 5t53d↔ | | BOP, KJZSV, KVT, UOP4, VIAL | 5t540.10 | 08 | I05Z, I12A, I12B, I12C, I12J | 5t547↔ | | BOP, KJZSV, KVT, UOP4, VIAL |
| | 05 | F13A | | 21A | W04A, W04B | | 08 | I08A, I08B, I08C, I08D, I08E, I08F, I08J, I12A, I12B, I12C, I12J, I21J, I21Z, I31J, I31Z, I32A, I32B, I32C, I32D, I32E, I32F, I32J, I32Q, I32R, I32S, I32T, I32U |
| | 08 | I04Z, I12A, I12B, I12C, I12J, I44A, I44B, I44C | | 21B | X06A, X06B, X06C | | 21A | W04A, W04B |
| | 21A | W04A, W04B | | 21B | X06A, X06B, X06C | | 21B | X06A, X06B, X06C |
| 5t53e↔ | | BOP, KJZSV, KVT, UOP4, VIAL | 5t540.1x | 08 | I05Z, I12A, I12B, I12C, I12J | 5t548↔ | | BOP, KJZSV, KVT, UOP4, VIAL |
| | 05 | F13A | | 21A | W04A, W04B | | 08 | I05Z, I12A, I12B, I12C, I12J |
| | 08 | I04Z, I12A, I12B, I12C, I12J, I44A, I44B, I44C | | 21B | X06A, X06B, X06C | | 21A | W04A, W04B |
| | 21A | W04A, W04B | | 21B | X06A, X06B, X06C | | 21B | X05A, X05B |
| 5t53f↔ | | BOP, KJZSV, KVT, UOP4, VIAL | 5t541.0 | 08 | I05Z, I12A, I12B, I12C, I12J | 5t549.1↔ | | BOP, KVT, UOP4, VIAL |
| | 05 | F13A | | 21A | W04A, W04B | | 01 | B03Z, B07Z, B17A, B17B, B17C, B17J |
| | 08 | I04Z, I12A, I12B, I12C, I12J, I44A, I44B | | 21B | X06A, X06B, X06C | | 08 | I12A, I12B, I12C, I12J, I32A, I32B, I32C, I32D, I32E, I32F, I32J, I32Q, I32R, I32S, I32T, I32U |
| | 21A | W04A, W04B | | 21B | X06A, X06B, X06C | | 21A | W04A, W04B |
| 5t53g↔ | | BOP, KJZSV, KVT, UOP4, VIAL | 5t542.00 | 08 | I05Z, I12A, I12B, I12C, I12J | 5t549.2↔ | | BOP, KVT, UOP4, VIAL |
| | 05 | F13A | | 21A | W04A, W04B | | 01 | B03Z, B07Z, B17A, B17B, B17C, B17J |
| | 08 | I04Z, I12A, I12B, I12C, I12J, I44A, I44B | | 21B | X06A, X06B, X06C | | 08 | I12A, I12B, I12C, I12J, I32A, I32B, I32C, I32D, I32E, I32F, I32J, I32Q, I32R, I32S, I32T, I32U |
| | 21A | W04A, W04B | | 21B | X06A, X06B, X06C | | 21A | W04A, W04B |
| 5t53h↔ | | BOP, KJZSV, KVT, UOP4, VIAL | 5t542.01 | 08 | I05Z, I12A, I12B, I12C, I12J | 5t549.3↔ | | BOP, KVT, UOP4, VIAL |
| | 05 | F13A | | 21A | W04A, W04B | | 01 | B03Z, B07Z, B17A, B17B, B17C, B17J |
| | 08 | I04Z, I12A, I12B, I12C, I12J, I44A, I44B, I44C | | 21B | X06A, X06B, X06C | | 08 | I12A, I12B, I12C, I12J, I32A, I32B, I32C, I32D, I32E, I32F, I32J, I32Q, I32R, I32S, I32T, I32U |
| | 21A | W04A, W04B | | 21B | X06A, X06B, X06C | | 21A | W04A, W04B |
| 5t53i↔ | | BOP, KJZSV, KVT, UOP4, VIAL | 5t542.10 | 08 | I05Z, I12A, I12B, I12C, I12J | 5t549.4↔ | | BOP, KVT, UOP4, VIAL |
| | 05 | F13A | | 21A | W04A, W04B | | 01 | B03Z, B07Z, B17A, B17B, B17C, B17J |
| | 08 | I04Z, I12A, I12B, I12C, I12J, I44A, I44B, I44C | | 21B | X06A, X06B, X06C | | 08 | I12A, I12B, I12C, I12J, I32A, I32B, I32C, I32D, I32E, I32F, I32J, I32Q, I32R, I32S, I32T, I32U |
| | 21A | W04A, W04B | | 21B | X06A, X06B, X06C | | 21A | W04A, W04B |
| 5t53j↔ | | BOP, KJZSV, KVT, UOP4, VIAL | 5t542.11 | 08 | I05Z, I12A, I12B, I12C, I12J | 5t549.4↔ | | BOP, KVT, UOP4, VIAL |
| | 05 | F13A | | 21A | W04A, W04B | | 01 | B03Z, B07Z, B17A, B17B, B17C, B17J |
| | 08 | I04Z, I12A, I12B, I12C, I12J, I44A, I44B, I44C | | 21B | X06A, X06B, X06C | | 08 | I12A, I12B, I12C, I12J, I32A, I32B, I32C, I32D, I32E, I32F, I32J, I32Q, I32R, I32S, I32T, I32U |
| | 21A | W04A, W04B | | 21B | X06A, X06B, X06C | | 21A | W04A, W04B |
| 5t53x↔ | | BOP, KJZSV, KVT, UOP4, VIAL | 5t543↔ | 08 | I05Z, I08A, I08B, I08C, I08D, I08E, I08F, I08J, I12A, I12B, I12C, I12J | 5t544↔ | | BOP, KVT, UOP4, VIAL |
| | 05 | F13A | | 21A | W04A, W04B | | 01 | B03Z, B07Z, B17A, B17B, B17C, B17J |
| | 08 | I12A, I12B, I12C, I12J, I44A, I44B | | 21B | X06A, X06B, X06C | | 08 | I12A, I12B, I12C, I12J, I32A, I32B, I32C, I32D, I32E, I32F, I32J, I32Q, I32R, I32S, I32T, I32U |
| | 21A | W04A, W04B | | 21B | X06A, X06B, X06C | | 21A | W04A, W04B |
| 5t540.00 | | BOP, KJZSV, KVT, UOP4, VIAL | 5t544↔ | 08 | I05Z, I08A, I08B, I08C, I08D, I08E, I08F, I08J, I12A, I12B, I12C, I12J | 5t544↔ | | BOP, KVT, UOP4, VIAL |
| | 08 | I05Z, I12A, I12B, I12C, I12J | | 21A | W04A, W04B | | 01 | B03Z, B07Z, B17A, B17B, B17C, B17J |
| | 21A | W04A, W04B | | 21B | X06A, X06B, X06C | | 08 | I12A, I12B, I12C, I12J, I32A, I32B, I32C, I32D, I32E, I32F, I32J, I32Q, I32R, I32S, I32T, I32U |
| | 21B | X06A, X06B, X06C | | 21B | X06A, X06B, X06C | | 21A | W04A, W04B |

| ZZV | MDC | DRG | ZZV | MDC | DRG | ZZV | MDC | DRG |
|----------|-----|--|----------|--|--|------------------------------|-----|--|
| 5t549.5↔ | | BOP, KJZSV, KVT, UOP4, VIAL | 5t552.0↔ | 05 | F13A | 5t55a↔ | 05 | F13A |
| | 01 | B03Z, B07Z, B17A, B17B, B17C, B17J | | 08 | I05Z, I12A, I12B, I12C, I12J, I43A, I43B | | 08 | I08A, I08B, I08C, I08D, I08E, I08F, I08J, I12A, I12B, I12C, I12J, I23A, I23B, I23J |
| | 08 | I12A, I12B, I12C, I12J, I32A, I32B, I32C, I32D, I32E, I32F, I32J, I32Q, I32R, I32S, I32T, I32U | | 21A | W04A, W04B | | 21A | W04A, W04B |
| | 21A | W04A, W04B | | 21B | X06A, X06B, X06C | | 21B | X06A, X06B, X06C |
| | 21B | X05A, X05B | | | BOP, KJZSV, KVT, UOP4, VIAL | | | BOP, KJZSV, KVT, UOP4, VIAL |
| 5t549.6↔ | | BOP, KJZSV, KVT, UOP4, VIAL | 5t552.1↔ | 05 | F13A | 5t55b↔ | 05 | F13A |
| | 01 | B03Z, B07Z, B17A, B17B, B17C, B17J | | 08 | I05Z, I12A, I12B, I12C, I12J, I43A, I43B | | 08 | I12A, I12B, I12C, I12J, I23A, I23J |
| | 08 | I12A, I12B, I12C, I12J, I32A, I32B, I32C, I32D, I32E, I32F, I32J, I32Q, I32R, I32S, I32T, I32U | | 21A | W04A, W04B | | 21A | W04A, W04B |
| | 21A | W04A, W04B | | 21B | X06A, X06B, X06C | | 21B | X05A, X05B, X06A, X06B, X06C |
| | 21B | X05A, X05B | | | BOP, KJZSV, KVT, UOP4, VIAL | | | BOP, KJZSV, KVT, UOP4, VIAL |
| 5t549.6↔ | | BOP, KJZSV, KVT, UOP4, VIAL | 5t553↔ | 05 | F13A | 5t55c↔ | 05 | F13A |
| | 01 | B03Z, B07Z, B17A, B17B, B17C, B17J | | 08 | I05Z, I08A, I08B, I08C, I08D, I08E, I08F, I08J, I12A, I12B, I12C, I12J | | 08 | I12A, I12B, I12C, I12J, I23A, I23B, I23J |
| | 08 | I12A, I12B, I12C, I12J, I32A, I32B, I32C, I32D, I32E, I32F, I32J, I32Q, I32R, I32S, I32T, I32U | | 21A | W04A, W04B | | 21A | W04A, W04B |
| | 21A | W04A, W04B | | 21B | X06A, X06B, X06C | | 21B | X05A, X05B, X06A, X06B, X06C |
| | 21B | X05A, X05B | | | BOP, KJZSV, KVT, UOP4, VIAL | | | BOP, KJZSV, KVT, UOP4, VIAL |
| 5t54a↔ | | BOP, KVT, UOP4 | 5t554↔ | 05 | F13A | 5t55f↔ | 05 | F13A |
| | 08 | I12A, I12B, I12C, I12J, I28A, I28B, I28J | | 08 | I05Z, I08A, I08B, I08C, I08D, I08E, I08F, I08J, I12A, I12B, I12C, I12J | | 08 | I05Z, I08A, I08B, I08C, I08D, I08E, I08F, I08J, I12A, I12B, I12C, I12J |
| | 21A | W04A, W04B | | 21A | W04A, W04B | | 21A | W04A, W04B |
| | 21B | X05A, X05B, X06A, X06B, X06C | | 21B | X06A, X06B, X06C | | 21B | X05A, X05B, X06A, X06B, X06C |
| | | BOP, KJZSV, KVT, UOP4 | | | BOP, KJZSV, KVT, UOP4, VIAL | | | BOP, KJZSV, KVT, UOP4, VIAL |
| 5t54x↔ | | BOP, KJZSV, KVT, UOP4 | 5t555↔ | 05 | F13A | 5t55g↔ | 05 | F13A |
| | 08 | I12A, I12B, I12C, I12J, I28A, I28B, I28J | | 08 | I05Z, I08A, I08B, I08C, I08D, I08E, I08F, I08J, I12A, I12B, I12C, I12J | | 08 | I05Z, I08A, I08B, I08C, I08D, I08E, I08F, I08J, I12A, I12B, I12C, I12J |
| | 21A | W04A, W04B | | 21A | W04A, W04B | | 21A | W04A, W04B |
| | 21B | X05A, X05B, X06A, X06B, X06C | | 21B | X06A, X06B, X06C | | 21B | X06A, X06B, X06C |
| | | BOP, KJZSV, KVT, UOP4 | | | BOP, KJZSV, KVT, UOP4, VIAL | | | BOP, KJZSV, KVT, UOP4, VIAL |
| 5t550.0↔ | | BOP, KJZSV, KVT, UOP4 | 5t556↔ | 01 | B03Z, B07Z, B17A, B17B, B17C, B17J | 5t55h↔ | 01 | B03Z, B07Z, B17A, B17B, B17C, B17J |
| | 05 | F13A | | 05 | F13A | | 05 | F13A |
| | 08 | I05Z, I12A, I12B, I12C, I12J | | 08 | I12A, I12B, I12C, I12J, I32A, I32B, I32C, I32D, I32E, I32F, I32J, I32Q, I32R, I32S, I32T, I32U | | 08 | I05Z, I12A, I12B, I12C, I12J |
| | 21A | W04A, W04B | | 21A | W04A, W04B | | 21A | W04A, W04B |
| | 21B | X06A, X06B, X06C | | 21B | X05A, X05B | | 21B | X06A, X06B, X06C |
| 5t550.4↔ | | BOP, KJZSV, KVT, UOP4 | 5t557↔ | | BOP, KJZSV, KVT, UOP4, VIAL | 5t55i↔ | | BOP, KJZSV, KVT, UOP4, VIAL |
| | 05 | F13A | | 05 | F13A | | 05 | F13A |
| | 08 | I05Z, I12A, I12B, I12C, I12J | | 08 | I08A, I08B, I08C, I08D, I08E, I08F, I08J, I12A, I12B, I12C, I12J, I23A, I23B, I23J | | 08 | I05Z, I12A, I12B, I12C, I12J |
| | 21A | W04A, W04B | | 21A | W04A, W04B | | 21A | W04A, W04B |
| | 21B | X06A, X06B, X06C | | 21B | X05A, X05B | | 21B | X05A, X05B, X06A, X06B, X06C |
| 5t550.7↔ | | BOP, KJZSV, KVT, UOP4 | 5t558↔ | | BOP, KJZSV, KVT, UOP4, VIAL | 5t55k.1↔ | | BOP, KJZSV, KVT, UOP4, VIAL |
| | 05 | F13A | | 05 | F13A | | 05 | F13A |
| | 08 | I05Z, I12A, I12B, I12C, I12J | | 08 | I08A, I08B, I08C, I08D, I08E, I08F, I08J, I12A, I12B, I12C, I12J, I23A, I23B, I23J | | 08 | I05Z, I12A, I12B, I12C, I12J |
| | 21A | W04A, W04B | | 21A | W04A, W04B | | 21A | W04A, W04B |
| | 21B | X06A, X06B, X06C | | 21B | X06A, X06B, X06C | | 21B | X06A, X06B, X06C |
| 5t550.u↔ | | BOP, KJZSV, KVT, UOP4 | 5t559↔ | | BOP, KJZSV, KVT, UOP4, VIAL | 5t55k.2↔ | | BOP, KJZSV, KVT, UOP4, VIAL |
| | 05 | F13A | | 05 | F13A | | 05 | F13A |
| | 08 | I05Z, I12A, I12B, I12C, I12J | | 08 | I12A, I12B, I12C, I12J, I23A, I23J | | 08 | I05Z, I12A, I12B, I12C, I12J |
| | 21A | W04A, W04B | | 21A | W04A, W04B | | 21A | W04A, W04B |
| | 21B | X06A, X06B, X06C | | 21B | X06A, X06B, X06C | | 21B | X06A, X06B, X06C |
| 5t550.v↔ | | BOP, KJZSV, KVT, UOP4 | 5t559↔ | | BOP, KJZSV, KVT, UOP4, VIAL | 5t55k.3↔ | | BOP, KJZSV, KVT, UOP4, VIAL |
| | 05 | F13A | | 05 | F13A | | 08 | I05Z, I12A, I12B, I12C, I12J |
| | 08 | I05Z, I12A, I12B, I12C, I12J | | 08 | I08A, I08B, I08C, I08D, I08E, I08F, I08J, I12A, I12B, I12C, I12J | | 21A | W04A, W04B |
| | 21A | W04A, W04B | | 21A | W04A, W04B | | 21A | W04A, W04B |
| | 21B | X06A, X06B, X06C | | 21B | X06A, X06B, X06C | | 21B | X06A, X06B, X06C |
| 5t551↔ | | BOP, KJZSV, KVT, UOP4, VIAL | | BOP, KJZSV, KVT, UOP4, VIAL | | BOP, KJZSV, KVT, UOP4, VIAL | | |
| | 05 | F13A | 05 | F13A | 08 | I05Z, I12A, I12B, I12C, I12J | | |
| | 08 | I05Z, I08A, I08B, I08C, I08D, I08E, I08F, I08J, I12A, I12B, I12C, I12J | 08 | I08A, I08B, I08C, I08D, I08E, I08F, I08J, I12A, I12B, I12C, I12J, I23A, I23B, I23J | 21A | W04A, W04B | | |
| | 21A | W04A, W04B | 21A | W04A, W04B | 21A | W04A, W04B | | |
| | 21B | X06A, X06B, X06C | 21B | X06A, X06B, X06C | 21B | X06A, X06B, X06C | | |

| ZZV | MDC | DRG | ZZV | MDC | DRG | ZZV | MDC | DRG | | |
|----------|----------|--|------------|--|--|--|--|--|--|--|
| 5t55x↔ | | BOP, KJZSV, KVT, UOP4 | 5t571.00↔ | | BOP, KJZSV, KOP, KOPV, KVT, UOP4, VIAL | 5t576↔ | | BOP, KJZSV, KVT, UOP4, VIAL | | |
| | 05 | F13A | | 05 | F13A | | 05 | F13A | | |
| | 08 | I12A, I12B, I12C, I12J, I28A, I28B, I28J | | 06 | G33Z | | 08 | I12A, I12B, I12C, I12J, I23A, I23B, I23J | | |
| | 21A | W04A, W04B | | 07 | H33Z, H38Z | | 21A | W04A, W04B | | |
| 5t560.0↔ | 21B | X05A, X05B, X06A, X06B, X06C | 5t571.01↔ | 08 | I01Z, I03A, I03B, I12A, I12B, I12C, I12J, I43A, I43B | 5t577↔ | 21B | X04Z, X06A, X06B, X06C | | |
| | | BOP, KJZSV, KOP, KOPV, KVT, UOP4, VIAL | | 11 | L33Z | | | BOP, KJZSV, KVT, UOP4, VIAL | | |
| | 06 | G33Z | | 21A | W04A, W04B | | 05 | F13A | | |
| | 07 | H33Z, H38Z | | 21B | X04Z, X33Z | | 08 | I12A, I12B, I12C, I12J, I23A, I23B, I23J | | |
| | 08 | I01Z, I03A, I03B, I05Z, I12A, I12B, I12C, I12J | | 23 | Z01A | | 21A | W04A, W04B | | |
| | 11 | L33Z | | Pre | A07A | | 21B | X04Z, X06A, X06B, X06C | | |
| | 21A | W04A, W04B | | 5t571.1↔ | BOP, KJZSV, KOP, KOPV, KVT, UOP4, VIAL | | 05 | F13A | | |
| | 21B | X04Z, X33Z | | | 05 | | F13A | 05 | F13A | |
| | 23 | Z01A | | | 06 | | G33Z | 08 | I12A, I12B, I12C, I12J, I23A, I23J | |
| | Pre | A07A | | | 07 | | H33Z, H38Z | 21A | W04A, W04B | |
| | 5t560.1↔ | | | | BOP, KJZSV, KOP, KOPV, KVT, UOP4, VIAL | | 08 | I01Z, I03A, I03B, I12A, I12B, I12C, I12J, I43A, I43B | 5t577x↔ | 08 |
| 06 | | G33Z | 11 | | L33Z | 05 | F13A | | | |
| 07 | | H33Z, H38Z | 21A | | W04A, W04B | 08 | I12A, I12B, I12C, I12J, I23A, I23J | | | |
| 08 | | I01Z, I03A, I03B, I05Z, I12A, I12B, I12C, I12J | 21B | | X04Z, X33Z | 21A | W04A, W04B | | | |
| 11 | | L33Z | 23 | | Z01A | 21B | X04Z, X06A, X06B, X06C | | | |
| 21A | | W04A, W04B | Pre | | A07A | 04 | E02A, E02B, E02C | | | |
| 21B | | X04Z, X33Z | 5t571.2↔ | | BOP, KJZSV, KVT, UOP4 | 08 | I12A, I12B, I12C, I12J, I28A, I28B, I28J | | | |
| 23 | | Z01A | | 05 | F13A | 21A | W04A, W04B | | | |
| Pre | | A07A | | 08 | I12A, I12B, I12C, I12J, I23A, I23J | 21B | X04Z, X05A, X05B, X06A, X06B, X06C | | | |
| 5t560.2↔ | | | | BOP, KJZSV, KOP, KOPV, KVT, UOP4, VIAL | 21A | W04A, W04B | 5t581.2 | 04 | | E02A, E02B, E02C |
| | | 06 | | G33Z | 21B | X04Z, X06A, X06B, X06C | | 08 | | I12A, I12B, I12C, I12J, I28A, I28B, I28J |
| | 07 | H33Z, H38Z | | BOP, KJZSV, KVT, UOP4 | 05 | F13A | | 21A | W04A, W04B | |
| | 08 | I01Z, I03A, I03B, I05Z, I12A, I12B, I12C, I12J | | 05 | F13A | 21B | | X04Z, X05A, X05B, X06A, X06B, X06C | | |
| | 11 | L33Z | | 08 | I12A, I12B, I12C, I12J, I23A, I23J | 04 | | E02A, E02B, E02C | | |
| | 21A | W04A, W04B | | 21A | W04A, W04B | 08 | | I12A, I12B, I12C, I12J, I28A, I28B, I28J | | |
| | 21B | X04Z, X33Z | | 21B | X04Z, X06A, X06B, X06C | 21A | | W04A, W04B | | |
| | 23 | Z01A | | BOP, KJZSV, KVT, UOP4 | 21A | W04A, W04B | | 21B | X04Z, X05A, X05B, X06A, X06B, X06C | |
| | Pre | A07A | 5t571.3↔ | BOP, KJZSV, KVT, UOP4 | 5t581.g | BOP, KJZSV, KOP, KVT, UOP4 | | | | |
| | 5t561↔ | | | BOP, KJZSV, KVT, UOP4, VIAL | 05 | F13A | | 04 | E02A, E02B, E02C, E36Z | |
| | | 08 | | I12A, I12B, I12C, I12J, I20A, I20B, I20C, I20D, I20J, I20Q, I20R | 08 | I12A, I12B, I12C, I12J, I23A, I23J | | 06 | G36Z | |
| 21A | | W04A, W04B | | 21A | W04A, W04B | 08 | I12A, I12B, I12C, I12J, I26Z, I28A, I28B, I28J, I95Z | | | |
| 21B | | X04Z | | 21B | X04Z, X06A, X06B, X06C | 11 | L33Z | | | |
| 5t562↔ | | | | BOP, KJZSV, KVT, UOP4, VIAL | 5t572↔ | | BOP, KJZSV, KVT, UOP4, VIAL | 21A | W04A, W04B | |
| | | 08 | | I12A, I12B, I12C, I12J, I20A, I20B, I20C, I20D, I20J, I20Q, I20R | | 05 | F13A | 21B | X04Z, X05A, X05B, X06A, X06B, X06C | |
| | | 21A | | W04A, W04B | | 08 | I12A, I12B, I12C, I12J, I20A, I20B, I20C, I20D, I20J, I20Q, I20R | Pre | A06A, A07A, A09A, A13A | |
| | | 21B | | X04Z | | 21A | W04A, W04B | 5t581.x | BOP, KJZSV, KVT, UOP4 | |
| 5t56x↔ | | | | BOP, KJZSV, KVT, UOP4 | 5t573↔ | | BOP, KJZSV, KVT, UOP4, VIAL | 04 | E02A, E02B, E02C | |
| | | 08 | | I12A, I12B, I12C, I12J, I28A, I28B, I28J | | 05 | F13A | 08 | I12A, I12B, I12C, I12J, I28A, I28B, I28J | |
| | | 21A | W04A, W04B | 08 | | I12A, I12B, I12C, I12J, I20A, I20B, I20C, I20D, I20J, I20Q, I20R | 21A | W04A, W04B | | |
| | 21B | X04Z | 21A | W04A, W04B | | 21B | X04Z, X05A, X05B, X06A, X06B, X06C | | | |
| 5t56x↔ | | BOP, KJZSV, KVT, UOP4 | 5t575↔ | | BOP, KJZSV, KVT, UOP4, VIAL | 5t582 | BOP, KJZSV, KVT, UOP4 | | | |
| | 08 | I12A, I12B, I12C, I12J, I28A, I28B, I28J | | 05 | F13A | 04 | E02A, E02B, E02C | | | |
| | 21A | W04A, W04B | | 08 | I12A, I12B, I12C, I12J, I20A, I20B, I20C, I20D, I20J, I20Q, I20R | 08 | I12A, I12B, I12C, I12J, I28A, I28B, I28J | | | |
| | 21B | X04Z, X06A, X06B, X06C | | 21A | W04A, W04B | 21A | W04A, W04B | | | |
| 5t570↔ | | BOP, KJZSV, KVT, UOP4 | 5t575↔ | | BOP, KJZSV, KVT, UOP4, VIAL | 21B | X04Z, X05A, X05B, X06A, X06B, X06C | | | |
| | 05 | F13A | | 05 | F13A | 5t583 | BOP, KJZSV, KVT, UOP4 | | | |
| | 08 | I12A, I12B, I12C, I12J, I28A, I28B, I28J | | 08 | I12A, I12B, I12C, I12J, I23A, I23J | 04 | E02A, E02B, E02C | | | |
| | 21A | W04A, W04B | | 21A | W04A, W04B | 08 | I12A, I12B, I12C, I12J, I28A, I28B, I28J | | | |
| | 21B | X04Z, X06A, X06B, X06C | | 21B | X04Z, X06A, X06B, X06C | 21A | W04A, W04B | | | |

VYK

| ZZV | MDC | DRG | ZZV | MDC | DRG | ZZV | MDC | DRG |
|----------|------------------------------------|--|----------|--|--|--|--|--|
| 5t584.2 | | BOP, KJZSV, KVT, UOP4 | 5t590.1↔ | | BOP, KJZSV, KVT, UOP4, VIAL | 5t598↔ | | BOP, KJZSV, KVT, UOP4, VIAL |
| | 04 | E02A, E02B, E02C | | | | | 08 | 112A, 112B, 112C, 112J, 120A, 120B, 120C, 120D, 120J, 120Q, 120R |
| | 08 | I12A, I12B, I12C, I12J, I28A, I28B, I28J | | 08 | I08A, I08B, I08C, I08D, I08E, I08J, I12A, I12B, I12C, I12J, I27B, I37Z | | 21A | W04A, W04B |
| | 21A | W04A, W04B | | 21A | W04A, W04B | | 21B | X04Z |
| 5t584.g | 21B | X04Z, X05A, X05B, X06A, X06B, X06C | 5t590.x↔ | | BOP, KJZSV, KVT, UOP4, VIAL | 5t599 | | BOP, KJZSV, KVT, UOP4 |
| | | BOP, KJZSV, KOP, KVT, UOP4 | | | | | 08 | 112A, 112B, 112C, 112J, I28A, I28B, I28J |
| | 04 | E02A, E02B, E02C, E36Z | | 08 | I08A, I08B, I08C, I08D, I08E, I08J, I12A, I12B, I12C, I12J, I27B, I37Z | | 21A | W04A, W04B |
| | 06 | G36Z | | 21A | W04A, W04B | | 21B | X04Z, X05A, X05B, X06A, X06B, X06C |
| | 08 | I12A, I12B, I12C, I12J, I26Z, I28A, I28B, I28J, I95Z | 21B | X06A, X06B, X06C | 5t59g | | BOP, KJZSV, KVT, UOP4 | |
| | 11 | L33Z | 5t591↔ | | | BOP, KJZSV, KVT, UOP4, VIAL | 08 | I12A, I12B, I12C, 112J, I28A, I28B, I28J |
| | 21A | W04A, W04B | | 08 | I08A, I08B, I08C, I08D, I08E, I08J, I12A, I12B, I12C, I12J, I27B, I37Z, I47A | 21A | W04A, W04B | |
| | 21B | X04Z, X05A, X05B, X06A, X06B, X06C | 5t592↔ | | BOP, KJZSV, KVT, UOP4, VIAL | 21B | X06A, X06B, X06C | |
| | Pre | A06A, A07A, A09A, A13A | | 01 | B03Z, B17A, B17B, B17C, B17J | 5t59x | | BOP, KJZSV, KVT, UOP4 |
| | 5t584.x | | | BOP, KJZSV, KVT, UOP4 | 08 | | I08A, I08B, I08C, I08D, I08E, I08F, I08J | 08 |
| 04 | | E02A, E02B, E02C | | 21A | W01A, W01B, W01C, W02A, W02B | 21A | W04A, W04B | |
| 08 | | I12A, I12B, I12C, I12J, I28A, I28B, I28J | 21B | X04Z | 21B | X06A, X06B, X06C | | |
| 21A | | W04A, W04B | 5t593↔ | | BOP, KJZSV, KVT, UOP4, VIAL | 5t600 | | BOP, KJZSV, KVT, UOP4, VIAL |
| 21B | X04Z, X05A, X05B, X06A, X06B, X06C | 08 | | I08A, I08B, I08C, I08D, I08E, I08F, I08J | 01 | | B03Z, B18Z | |
| 5t585 | | BOP, KJZSV, KVT, UOP4 | | 21A | W01A, W01B, W01C, W02A, W02B | | 05 | F13A |
| | 08 | I12A, I12B, I12C, I12J, I28A, I28B, I28J | | 21B | X04Z | | 08 | I08A, I08B, I08C, I08D, I08E, I08F, I08J, I10A, I10B, I10C, I10D, I10E, I10J, I12A, I12B, I12C, I12J |
| | 21A | W04A, W04B | 5t594↔ | | BOP, KJZSV, KVT, UOP4, VIAL | 11 | L09A, L38Z | |
| | 21B | X04Z, X05A, X05B, X06A, X06B, X06C | | 08 | I12A, I12B, I12C, I12J, I16J, I16Q, I16Z | 17 | R01A, R01B, R01C, R01D, R02Z, R12A, R12B, R12C | |
| 5t586.2 | | BOP, KJZSV, KVT, UOP4 | | 21A | W04A, W04B | 21A | W04A, W04B | |
| | 08 | I12A, I12B, I12C, I12J, I28A, I28B, I28J | | 21B | X06A, X06B, X06C | 21B | X06A, X06B, X06C | |
| | 21A | W04A, W04B | 5t595↔ | | BOP, KJZSV, KVT, UOP4, VIAL | 5t601 | | BOP, KJZSV, KVT, UOP4, VIAL |
| | 21B | X04Z, X05A, X05B, X06A, X06B, X06C | | 08 | I08A, I08B, I08C, I08D, I08E, I08F, I08J, I12A, I12B, I12C, I12J, I21J, I21Z, I31J, I31Z | | 01 | B03Z, B18Z |
| 5t586.g | | BOP, KJZSV, KVT, UOP4 | | 21A | W04A, W04B | | 05 | F13A |
| | 08 | I12A, I12B, I12C, I12J, I28A, I28B, I28J | | 21B | X06A, X06B, X06C | | 08 | I08A, I08B, I08C, I08D, I08E, I08F, I08J, I10A, I10B, I10C, I10D, I10E, I10J, I12A, I12B, I12C, I12J |
| | 21A | W04A, W04B | 5t596↔ | | BOP, KJZSV, KVT, UOP4, VIAL | 11 | L09A, L38Z | |
| | 21B | X04Z, X05A, X05B, X06A, X06B, X06C | | 08 | I12A, I12B, I12C, I12J, I32A, I32B, I32C, I32D, I32E, I32F, I32J, I32Q, I32R, I32S, I32T, I32U | 21A | W04A, W04B | |
| 5t586.x | | BOP, KJZSV, KVT, UOP4 | | 21A | W04A, W04B | 21B | X04Z, X05A, X05B, X06A, X06B, X06C | |
| | 08 | I12A, I12B, I12C, I12J, I28A, I28B, I28J | | 21B | X05A, X05B | 5t602 | | KJZSV, VIAL |
| | 21A | W04A, W04B | 01 | B03Z, B17A, B17B, B17C, B17J | 01 | | B03Z, B18Z | |
| | 21B | X04Z, X05A, X05B, X06A, X06B, X06C | 08 | I12A, I12B, I12C, I12J, I18A, I18J, I18Q, I18R, I30J, I30Z | 08 | | I08A, I08B, I08C, I08D, I08E, I08F, I08J, I10A, I10B, I10C, I10D, I10E, I10F, I10J | |
| 5t587 | | BOP, KJZSV, KVT, UOP4 | 5t597↔ | | BOP, KJZSV, KVT, UOP4, VIAL | | 5t603 | |
| | 04 | E02A, E02B, E02C | | 01 | B03Z, B17A, B17B, B17C, B17J | 01 | | B03Z, B18Z |
| | 08 | I12A, I12B, I12C, I12J, I28A, I28B, I28J | | 08 | I12A, I12B, I12C, I12J, I18A, I18J, I18Q, I18R, I30J, I30Z | 08 | | I08A, I08B, I08C, I08D, I08E, I08F, I08J, I10A, I10B, I10C, I10D, I10E, I10F, I10J |
| | 21A | W04A, W04B | | 21A | W04A, W04B | 11 | | L09A, L38Z |
| 5t58x | 21B | X04Z, X05A, X05B, X06A, X06B, X06C | | | 08 | I08A, I08B, I08C, I08D, I08E, I08F, I08J, I10A, I10B, I10C, I10D, I10E, I10J, I23A, I23B, I23J | | |
| | | BOP, KJZSV, KVT, UOP4 | 5t599.0↔ | | BOP, KJZSV, KVT, UOP4, VIAL | 11 | L09A, L38Z | |
| | 08 | I28A, I28B, I28J | | 05 | F27A, F27B, F27C | 17 | R01A, R01B, R01C, R01D, R02Z, R12A, R12B, R12C | |
| | 21A | W04A, W04B | | 08 | I12A, I12B, I12C, I12J, I59J, I59Z | 21A | W04A, W04B | |
| 21B | X04Z, X05A, X05B, X06A, X06B, X06C | 10 | | K01Z | 21B | X06A, X06B, X06C | | |
| 5t590.0↔ | | BOP, KJZSV, KVT, UOP4, VIAL | 21A | W04A, W04B | Pre | B61A | | |
| | 08 | I08A, I08B, I08C, I08D, I08E, I08J, I12A, I12B, I12C, I12J, I27B, I37Z | 21B | X04Z | | | | |
| | 21A | W04A, W04B | | | | | | |
| | 21B | X06A, X06B, X06C | | | | | | |

| ZZV | MDC | DRG | ZZV | MDC | DRG | ZZV | MDC | DRG |
|---------|-----|--|---------|-----|--|---------|-----|--|
| 5t621.b | | BOP, KJZSV, KVT, UOP4, VIAL | 5t622.a | | BOP, KJZSV, KVT, UOP4, VIAL | 5t624.1 | | BOP, KJZSV, KVT, UOP4, VIAL |
| | 01 | B02A, B02B, B02C, B02D, B20A, B20B, B20C, B20D, B39A, B39B | | 01 | B02A, B02B, B02C, B02D, B20A, B20B, B20C, B20D, B39A, B39B | | 01 | B03Z, B18Z |
| | 08 | I08A, I08B, I08C, I08D, I08E, I08F, I08J, I10A, I10B, I10C, I10D, I10E, I10J | | 08 | I08A, I08B, I08C, I08D, I08E, I08F, I08J, I10A, I10B, I10C, I10D, I10E, I10J | | 08 | I08A, I08B, I08C, I08D, I08E, I08F, I08J, I10A, I10B, I10C, I10D, I10E, I10J |
| | 11 | L09A, L38Z | | 11 | L09A, L38Z | | 11 | L09A, L38Z |
| | 17 | R01A, R01B, R01C, R01D, R02Z, R12A, R12B, R12C | | 17 | R01A, R01B, R01C, R01D, R02Z, R12A, R12B, R12C | | 17 | R01A, R01B, R01C, R01D, R02Z, R12A, R12B, R12C |
| | 21A | W04A, W04B | | 21A | W04A, W04B | | 21A | W04A, W04B |
| 5t622.1 | 21B | X06A, X06B, X06C | 5t622.b | 21B | X06A, X06B, X06C | 5t624.2 | 21B | X06A, X06B, X06C |
| | | BOP, KJZSV, KVT, UOP4, VIAL | | | BOP, KJZSV, KVT, UOP4, VIAL | | | BOP, KJZSV, KVT, UOP4, VIAL |
| | 01 | B02A, B02B, B02C, B02D, B20A, B20B, B20C, B20D, B39A, B39B | | 01 | B02A, B02B, B02C, B02D, B20A, B20B, B20C, B20D, B39A, B39B | | 01 | B03Z, B18Z |
| | 08 | I08A, I08B, I08C, I08D, I08E, I08F, I08J, I10A, I10B, I10C, I10D, I10E, I10J | | 08 | I08A, I08B, I08C, I08D, I08E, I08F, I08J, I10A, I10B, I10C, I10D, I10E, I10J | | 08 | I08A, I08B, I08C, I08D, I08E, I08F, I08J, I10A, I10B, I10C, I10D, I10E, I10J |
| | 11 | L09A, L38Z | | 11 | L09A, L38Z | | 11 | L09A, L38Z |
| | 17 | R01A, R01B, R01C, R01D, R02Z, R12A, R12B, R12C | | 17 | R01A, R01B, R01C, R01D, R02Z, R12A, R12B, R12C | | 17 | R01A, R01B, R01C, R01D, R02Z, R12A, R12B, R12C |
| 5t622.2 | 21A | W04A, W04B | 5t623.1 | 21A | W04A, W04B | 5t624.3 | 21A | W04A, W04B |
| | 21B | X06A, X06B, X06C | | 21B | X06A, X06B, X06C | | 21B | X06A, X06B, X06C |
| | | BOP, KJZSV, KVT, UOP4, VIAL | | | BOP, KJZSV, KVT, UOP4, VIAL | | | BOP, KJZSV, KVT, UOP4, VIAL |
| | 01 | B02A, B02B, B02C, B02D, B20A, B20B, B20C, B20D, B39A, B39B | | 01 | B03Z, B18Z | | 01 | B03Z, B18Z |
| | 08 | I08A, I08B, I08C, I08D, I08E, I08F, I08J, I10A, I10B, I10C, I10D, I10E, I10J | | 08 | I08A, I08B, I08C, I08D, I08E, I08F, I08J, I10A, I10B, I10C, I10D, I10E, I10J | | 08 | I08A, I08B, I08C, I08D, I08E, I08F, I08J, I10A, I10B, I10C, I10D, I10E, I10J |
| | 11 | L09A, L38Z | | 11 | L09A, L38Z | | 11 | L09A, L38Z |
| 5t622.3 | 17 | R01A, R01B, R01C, R01D, R02Z, R12A, R12B, R12C | 5t623.2 | 17 | R01A, R01B, R01C, R01D, R02Z, R12A, R12B, R12C | 5t624.4 | 17 | R01A, R01B, R01C, R01D, R02Z, R12A, R12B, R12C |
| | 21A | W04A, W04B | | 21A | W04A, W04B | | 21A | W04A, W04B |
| | 21B | X06A, X06B, X06C | | 21B | X06A, X06B, X06C | | 21B | X06A, X06B, X06C |
| | | BOP, KJZSV, KVT, UOP4, VIAL | | | BOP, KJZSV, KVT, UOP4, VIAL | | | BOP, KJZSV, KVT, UOP4, VIAL |
| | 01 | B02A, B02B, B02C, B02D, B20A, B20B, B20C, B20D, B39A, B39B | | 01 | B03Z, B18Z | | 01 | B03Z, B18Z |
| | 08 | I08A, I08B, I08C, I08D, I08E, I08F, I08J, I10A, I10B, I10C, I10D, I10E, I10J | | 08 | I08A, I08B, I08C, I08D, I08E, I08F, I08J, I10A, I10B, I10C, I10D, I10E, I10J | | 08 | I08A, I08B, I08C, I08D, I08E, I08F, I08J, I10A, I10B, I10C, I10D, I10E, I10J |
| 5t622.4 | 11 | L09A, L38Z | 5t623.3 | 11 | L09A, L38Z | 5t625.1 | 11 | L09A, L38Z |
| | 17 | R01A, R01B, R01C, R01D, R02Z, R12A, R12B, R12C | | 17 | R01A, R01B, R01C, R01D, R02Z, R12A, R12B, R12C | | 17 | R01A, R01B, R01C, R01D, R02Z, R12A, R12B, R12C |
| | 21A | W04A, W04B | | 21A | W04A, W04B | | 21A | W04A, W04B |
| | 21B | X06A, X06B, X06C | | 21B | X06A, X06B, X06C | | 21B | X06A, X06B, X06C |
| | | BOP, KJZSV, KVT, UOP4, VIAL | | | BOP, KJZSV, KVT, UOP4, VIAL | | | BOP, KJZSV, KVT, UOP4, VIAL |
| | 01 | B02A, B02B, B02C, B02D, B20A, B20B, B20C, B20D, B39A, B39B | | 01 | B03Z, B18Z | | 01 | B03Z, B18Z |
| 5t622.4 | 08 | I08A, I08B, I08C, I08D, I08E, I08F, I08J, I10A, I10B, I10C, I10D, I10E, I10J | 5t623.4 | 08 | I08A, I08B, I08C, I08D, I08E, I08F, I08J, I10A, I10B, I10C, I10D, I10E, I10J | 5t625.2 | 08 | I08A, I08B, I08C, I08D, I08E, I08F, I08J, I10A, I10B, I10C, I10D, I10E, I10J |
| | 11 | L09A, L38Z | | 11 | L09A, L38Z | | 11 | L09A, L38Z |
| | 17 | R01A, R01B, R01C, R01D, R02Z, R12A, R12B, R12C | | 17 | R01A, R01B, R01C, R01D, R02Z, R12A, R12B, R12C | | 17 | R01A, R01B, R01C, R01D, R02Z, R12A, R12B, R12C |
| | 21A | W04A, W04B | | 21A | W04A, W04B | | 21A | W04A, W04B |
| | 21B | X06A, X06B, X06C | | 21B | X06A, X06B, X06C | | 21B | X06A, X06B, X06C |
| | | BOP, KJZSV, KVT, UOP4, VIAL | | | BOP, KJZSV, KVT, UOP4, VIAL | | | BOP, KJZSV, KVT, UOP4, VIAL |

| ZZV | MDC | DRG | ZZV | MDC | DRG | ZZV | MDC | DRG |
|---------|-----------------------------|--|-----------------------------|-----|--|----------|--|--|
| 5t625.3 | | BOP, KJZSV, KVT, UOP4, VIAL | 5t627.1 | | BOP, KJZSV, KVT, UOP4, VIAL | 5t62x.3 | | BOP, KJZSV, KVT, UOP4, VIAL |
| | 01 | B03Z, B18Z | | 01 | B03Z, B18Z | | 01 | B03Z, B18Z |
| | 08 | I08A, I08B, I08C, I08D, I08E, I08F, I08J, I10A, I10B, I10C, I10D, I10E, I10J | | 08 | I08A, I08B, I08C, I08D, I08E, I08F, I08J, I10A, I10B, I10C, I10D, I10E, I10J | | 08 | I08A, I08B, I08C, I08D, I08E, I08F, I08J, I10A, I10B, I10C, I10D, I10E, I10J |
| | 11 | L09A, L38Z | | 11 | L09A, L38Z | | 11 | L09A, L38Z |
| | 17 | R01A, R01B, R01C, R01D, R02Z, R12A, R12B, R12C | | 17 | R01A, R01B, R01C, R01D, R02Z, R12A, R12B, R12C | | 17 | R01A, R01B, R01C, R01D, R02Z, R12A, R12B, R12C |
| | 21A | W04A, W04B | | 21A | W04A, W04B | | 21A | W04A, W04B |
| 5t625.4 | 21B | X06A, X06B, X06C | 5t627.2 | 21B | X06A, X06B, X06C | 5t62x.4 | 21B | X06A, X06B, X06C |
| | | BOP, KJZSV, KVT, UOP4, VIAL | | | BOP, KJZSV, KVT, UOP4, VIAL | | | BOP, KJZSV, KVT, UOP4, VIAL |
| | 01 | B03Z, B18Z | | 01 | B03Z, B18Z | | 01 | B03Z, B18Z |
| | 08 | I08A, I08B, I08C, I08D, I08E, I08F, I08J, I10A, I10B, I10C, I10D, I10E, I10J | | 08 | I08A, I08B, I08C, I08D, I08E, I08F, I08J, I10A, I10B, I10C, I10D, I10E, I10J | | 08 | I08A, I08B, I08C, I08D, I08E, I08F, I08J, I10A, I10B, I10C, I10D, I10E, I10J |
| | 11 | L09A, L38Z | | 11 | L09A, L38Z | | 11 | L09A, L38Z |
| | 17 | R01A, R01B, R01C, R01D, R02Z, R12A, R12B, R12C | | 17 | R01A, R01B, R01C, R01D, R02Z, R12A, R12B, R12C | | 17 | R01A, R01B, R01C, R01D, R02Z, R12A, R12B, R12C |
| 5t626.1 | 21A | W04A, W04B | 5t627.3 | 21A | W04A, W04B | 5t632.0† | 21A | W04A, W04B |
| | 21B | X06A, X06B, X06C | | 21B | X06A, X06B, X06C | | 21B | X06A, X06B, X06C |
| | | BOP, KJZSV, KVT, UOP4, VIAL | | | BOP, KJZSV, KVT, UOP4, VIAL | | | KJZSV |
| | 01 | B03Z, B18Z | | 01 | B03Z, B18Z | | 08 | I09C |
| | 08 | I08A, I08B, I08C, I08D, I08E, I08F, I08J, I10A, I10B, I10C, I10D, I10E, I10J | | 08 | I08A, I08B, I08C, I08D, I08E, I08F, I08J, I10A, I10B, I10C, I10D, I10E, I10J | | 5t632.1 | KJZSV |
| | 11 | L09A, L38Z | | 11 | L09A, L38Z | | 09 | J26Z |
| 5t626.2 | 17 | R01A, R01B, R01C, R01D, R02Z, R12A, R12B, R12C | 5t627.4 | 17 | R01A, R01B, R01C, R01D, R02Z, R12A, R12B, R12C | Pre | B61A | |
| | 21A | W04A, W04B | | 21A | W04A, W04B | 5t632.2† | KJZSV | |
| | 21B | X06A, X06B, X06C | | 21B | X06A, X06B, X06C | 08 | I09C | |
| | | BOP, KJZSV, KVT, UOP4, VIAL | | | BOP, KJZSV, KVT, UOP4, VIAL | 5t632.3† | KJZSV | |
| | 01 | B03Z, B18Z | | 01 | B03Z, B18Z | 08 | I09C | |
| | 08 | I08A, I08B, I08C, I08D, I08E, I08F, I08J, I10A, I10B, I10C, I10D, I10E, I10J | | 08 | I08A, I08B, I08C, I08D, I08E, I08F, I08J, I10A, I10B, I10C, I10D, I10E, I10J | 5t63x | BOP, KJZSV, KOP, KOPV, KVT, UOP4, VIAL | |
| 5t626.3 | 11 | L09A, L38Z | 5t62x.1 | 11 | L09A, L38Z | 01 | B03Z, B18Z | |
| | 17 | R01A, R01B, R01C, R01D, R02Z, R12A, R12B, R12C | | 17 | R01A, R01B, R01C, R01D, R02Z, R12A, R12B, R12C | 06 | G33Z | |
| | 21A | W04A, W04B | | 21A | W04A, W04B | 07 | H33Z, H38Z | |
| | 21B | X06A, X06B, X06C | | 21B | X06A, X06B, X06C | 08 | I06A, I06B, I06C, I06D, I06E, I08A, I08B, I08C, I08D, I08E, I08F, I08J, I09A, I09B, I09C, I09D, I09E, I10A, I10B, I10C, I10D, I10E, I10J | |
| | | BOP, KJZSV, KVT, UOP4, VIAL | | | BOP, KJZSV, KVT, UOP4, VIAL | 09 | J26Z | |
| | 01 | B03Z, B18Z | | 01 | B03Z, B18Z | 11 | L33Z | |
| 5t626.4 | 08 | I08A, I08B, I08C, I08D, I08E, I08F, I08J, I10A, I10B, I10C, I10D, I10E, I10J | 5t62x.2 | 08 | I08A, I08B, I08C, I08D, I08E, I08F, I08J, I10A, I10B, I10C, I10D, I10E, I10J | 21A | W01A, W01B, W01C, W02A, W02B | |
| | 11 | L09A, L38Z | | 11 | L09A, L38Z | 21B | X06A, X06B, X06C | |
| | 17 | R01A, R01B, R01C, R01D, R02Z, R12A, R12B, R12C | | 17 | R01A, R01B, R01C, R01D, R02Z, R12A, R12B, R12C | 23 | Z01A | |
| | 21A | W04A, W04B | | 21A | W04A, W04B | Pre | A07A | |
| | 21B | X06A, X06B, X06C | | 21B | X06A, X06B, X06C | 5t640.1 | BOP, KJZSV, KOP, KOPV, KVT, UOP4, VIAL | |
| | | BOP, KJZSV, KVT, UOP4, VIAL | | | BOP, KJZSV, KVT, UOP4, VIAL | 01 | B03Z, B18Z | |
| 5t626.4 | 01 | B03Z, B18Z | 5t62x.2 | 01 | B03Z, B18Z | 06 | G33Z | |
| | 08 | I08A, I08B, I08C, I08D, I08E, I08F, I08J, I10A, I10B, I10C, I10D, I10E, I10J | | 08 | I08A, I08B, I08C, I08D, I08E, I08F, I08J, I10A, I10B, I10C, I10D, I10E, I10J | 07 | H33Z, H38Z | |
| | 11 | L09A, L38Z | | 11 | L09A, L38Z | 08 | I06A, I06B, I06C, I06D, I06E, I08A, I08B, I08C, I08D, I08E, I08F, I08J, I09A, I09B, I09C, I09D, I09E | |
| | 17 | R01A, R01B, R01C, R01D, R02Z, R12A, R12B, R12C | | 17 | R01A, R01B, R01C, R01D, R02Z, R12A, R12B, R12C | 09 | J26Z | |
| | 21A | W04A, W04B | | 21A | W04A, W04B | 11 | L33Z | |
| | 21B | X06A, X06B, X06C | | 21B | X06A, X06B, X06C | 17 | R01A, R01B, R01C, R01D, R02Z, R12A, R12B, R12C | |
| | BOP, KJZSV, KVT, UOP4, VIAL | | BOP, KJZSV, KVT, UOP4, VIAL | 21A | W04A, W04B | | | |
| 5t626.4 | 01 | B03Z, B18Z | 5t62x.2 | 01 | B03Z, B18Z | 21B | X06A, X06B, X06C, X33Z | |
| | 08 | I08A, I08B, I08C, I08D, I08E, I08F, I08J, I10A, I10B, I10C, I10D, I10E, I10J | | 08 | I08A, I08B, I08C, I08D, I08E, I08F, I08J, I10A, I10B, I10C, I10D, I10E, I10J | 23 | Z01A | |
| | 11 | L09A, L38Z | | 11 | L09A, L38Z | Pre | A07A | |
| | 17 | R01A, R01B, R01C, R01D, R02Z, R12A, R12B, R12C | | 17 | R01A, R01B, R01C, R01D, R02Z, R12A, R12B, R12C | | | |
| | 21A | W04A, W04B | | 21A | W04A, W04B | | | |
| | 21B | X06A, X06B, X06C | | 21B | X06A, X06B, X06C | | | |

VYK

| ZZV | MDC | DRG | ZZV | MDC | DRG | ZZV | MDC | DRG | | | |
|---------|---------|--|--|--|--|---------|--|--|---------|----|--|
| 5t640.2 | | BOP, KJZSV, KOP, KOPV, KVT, UOP4, VIAL | 5t640.5 | | BOP, KJZSV, KOP, KOPV, KVT, UOP4, VIAL | 5t641.2 | | BOP, KJZSV, KOP, KOPV, KVT, UOP4, VIAL | | | |
| | 01 | B03Z, B18Z | | 01 | B02A, B02B, B02C, B02D, B20A, B20B, B20C, B20D, B39A, B39B | | 01 | B03Z, B18Z | | | |
| | 06 | G33Z | | 06 | G33Z | | 06 | G33Z | | | |
| | 07 | H33Z, H38Z | | 07 | H33Z, H38Z | | 07 | H33Z, H38Z | | | |
| | 08 | I06A, I06B, I06C, I06D, I06E, I08A, I08B, I08C, I08D, I08E, I08F, I08J, I09A, I09B, I09C, I09D, I09E | | 08 | I06A, I06B, I06C, I06D, I06E, I08A, I08B, I08C, I08D, I08E, I08F, I08J, I09A, I09B, I09C, I09D | | 08 | I06A, I06B, I06C, I06D, I06E, I08A, I08B, I08C, I08D, I08E, I08F, I08J, I09A, I09B, I09C, I09D, I09E | | | |
| | 09 | J26Z | | 09 | J26Z | | 09 | J26Z | | | |
| | 11 | L33Z | | 11 | L33Z | | 11 | L33Z | | | |
| | 17 | R01A, R01B, R01C, R01D, R02Z, R12A, R12B, R12C | | 17 | R01A, R01B, R01C, R01D, R02Z, R12A, R12B, R12C | | 17 | R01A, R01B, R01C, R01D, R02Z, R12A, R12B, R12C | | | |
| | 21A | W04A, W04B | | 21A | W04A, W04B | | 21A | W04A, W04B | | | |
| | 21B | X06A, X06B, X06C, X33Z | | 21B | X06A, X06B, X06C, X33Z | | 21B | X06A, X06B, X06C, X33Z | | | |
| | 23 | Z01A | | 23 | Z01A | | 23 | Z01A | | | |
| | Pre | A07A | | Pre | A07A | | Pre | A07A | | | |
| | 5t640.3 | | | BOP, KJZSV, KOP, KOPV, KVT, UOP4, VIAL | 5t640.6 | | | BOP, KJZSV, KOP, KOPV, KVT, UOP4, VIAL | 5t641.3 | | BOP, KJZSV, KOP, KOPV, KVT, UOP4, VIAL |
| | | 01 | | B02A, B02B, B02C, B02D, B20A, B20B, B20C, B20D, B39A, B39B | | | 01 | B02A, B02B, B02C, B02D, B20A, B20B, B20C, B20D, B39A, B39B | | 01 | B02A, B02B, B02C, B02D, B20A, B20B, B20C, B20D, B39A, B39B |
| 06 | | G33Z | 06 | G33Z | | 06 | G33Z | | | | |
| 07 | | H33Z, H38Z | 07 | H33Z, H38Z | | 07 | H33Z, H38Z | | | | |
| 08 | | I06A, I06B, I06C, I06D, I06E, I08A, I08B, I08C, I08D, I08E, I08F, I08J, I09A, I09B, I09C, I09D | 08 | I06A, I06B, I06C, I08A, I08B, I08C, I08D, I08E, I08F, I08J | | 08 | I06A, I06B, I06C, I06D, I06E, I08A, I08B, I08C, I08D, I08E, I08F, I08J, I09A, I09B, I09C, I09D | | | | |
| 09 | | J26Z | 09 | J26Z | | 09 | J26Z | | | | |
| 11 | | L33Z | 11 | L33Z | | 11 | L33Z | | | | |
| 17 | | R01A, R01B, R01C, R01D, R02Z, R12A, R12B, R12C | 17 | R01A, R01B, R01C, R01D, R02Z, R12A, R12B, R12C | | 17 | R01A, R01B, R01C, R01D, R02Z, R12A, R12B, R12C | | | | |
| 21A | | W04A, W04B | 21A | W04A, W04B | | 21A | W04A, W04B | | | | |
| 21B | | X06A, X06B, X06C, X33Z | 21B | X06A, X06B, X06C, X33Z | | 21B | X06A, X06B, X06C, X33Z | | | | |
| 23 | | Z01A | 23 | Z01A | | 23 | Z01A | | | | |
| Pre | | A07A | Pre | A07A | | Pre | A07A | | | | |
| 5t640.4 | | | BOP, KJZSV, KOP, KOPV, KVT, UOP4, VIAL | 5t640.7 | | | BOP, KJZSV, KOP, KOPV, KVT, UOP4, VIAL | 5t641.4 | | | BOP, KJZSV, KOP, KOPV, KVT, UOP4, VIAL |
| | | 01 | B02A, B02B, B02C, B02D, B20A, B20B, B20C, B20D, B39A, B39B | | | 01 | B03Z, B18Z | | | 01 | B02A, B02B, B02C, B02D, B20A, B20B, B20C, B20D, B39A, B39B |
| | 06 | G33Z | 06 | | G33Z | 06 | G33Z | | | | |
| | 07 | H33Z, H38Z | 07 | | H33Z, H38Z | 07 | H33Z, H38Z | | | | |
| | 08 | I06A, I06B, I06C, I06D, I06E, I08A, I08B, I08C, I08D, I08E, I08F, I08J, I09A, I09B, I09C, I09D | 08 | | I06A, I06B, I06C, I06D, I06E, I08A, I08B, I08C, I08D, I08E, I08F, I08J, I09A, I09B, I09C, I09D, I09E | 08 | I06A, I06B, I06C, I06D, I06E, I08A, I08B, I08C, I08D, I08E, I08F, I08J, I09A, I09B, I09C, I09D | | | | |
| | 09 | J26Z | 09 | | J26Z | 09 | J26Z | | | | |
| | 11 | L33Z | 11 | | L33Z | 11 | L33Z | | | | |
| | 17 | R01A, R01B, R01C, R01D, R02Z, R12A, R12B, R12C | 17 | | R01A, R01B, R01C, R01D, R02Z, R12A, R12B, R12C | 17 | R01A, R01B, R01C, R01D, R02Z, R12A, R12B, R12C | | | | |
| | 21A | W04A, W04B | 21A | | W04A, W04B | 21A | W04A, W04B | | | | |
| | 21B | X06A, X06B, X06C, X33Z | 21B | | X06A, X06B, X06C, X33Z | 21B | X06A, X06B, X06C, X33Z | | | | |
| | 23 | Z01A | 23 | | Z01A | 23 | Z01A | | | | |
| | Pre | A07A | Pre | | A07A | Pre | A07A | | | | |
| | 5t640.2 | | BOP, KJZSV, KOP, KOPV, KVT, UOP4, VIAL | | 5t641.1 | | BOP, KJZSV, KOP, KOPV, KVT, UOP4, VIAL | | 5t641.2 | | BOP, KJZSV, KOP, KOPV, KVT, UOP4, VIAL |
| | | 01 | B03Z, B18Z | | | 01 | B03Z, B18Z | | | 01 | B03Z, B18Z |
| 06 | | G33Z | 06 | G33Z | | 06 | G33Z | | | | |
| 07 | | H33Z, H38Z | 07 | H33Z, H38Z | | 07 | H33Z, H38Z | | | | |
| 08 | | I06A, I06B, I06C, I06D, I06E, I08A, I08B, I08C, I08D, I08E, I08F, I08J, I09A, I09B, I09C, I09D, I09E | 08 | I06A, I06B, I06C, I06D, I06E, I08A, I08B, I08C, I08D, I08E, I08F, I08J, I09A, I09B, I09C, I09D, I09E | | 08 | I06A, I06B, I06C, I06D, I06E, I08A, I08B, I08C, I08D, I08E, I08F, I08J, I09A, I09B, I09C, I09D, I09E | | | | |
| 09 | | J26Z | 09 | J26Z | | 09 | J26Z | | | | |
| 11 | | L33Z | 11 | L33Z | | 11 | L33Z | | | | |
| 17 | | R01A, R01B, R01C, R01D, R02Z, R12A, R12B, R12C | 17 | R01A, R01B, R01C, R01D, R02Z, R12A, R12B, R12C | | 17 | R01A, R01B, R01C, R01D, R02Z, R12A, R12B, R12C | | | | |
| 21A | | W04A, W04B | 21A | W04A, W04B | | 21A | W04A, W04B | | | | |
| 21B | | X06A, X06B, X06C, X33Z | 21B | X06A, X06B, X06C, X33Z | | 21B | X06A, X06B, X06C, X33Z | | | | |
| 23 | | Z01A | 23 | Z01A | | 23 | Z01A | | | | |
| Pre | | A07A | Pre | A07A | | Pre | A07A | | | | |

| ZZV | MDC | DRG | ZZV | MDC | DRG | ZZV | MDC | DRG | | | |
|---------|---------|--|--|--|--|---------|--|--|---------|----|--|
| 5t641.5 | | BOP, KJZSV, KOP, KOPV, KVT, UOP4, VIAL | 5t642.3 | | BOP, KJZSV, KOP, KOPV, KVT, UOP4, VIAL | 5t643.1 | | BOP, KJZSV, KOP, KOPV, KVT, UOP4, VIAL | | | |
| | 01 | B02A, B02B, B02C, B02D, B20A, B20B, B20C, B20D, B39A, B39B | | 01 | B03Z, B18Z | | 01 | B03Z, B18Z | | | |
| | 06 | G33Z | | 06 | G33Z | | 06 | G33Z | | | |
| | 07 | H33Z, H38Z | | 07 | H33Z, H38Z | | 07 | H33Z, H38Z | | | |
| | 08 | I06A, I06B, I06C, I06D, I06E, I08A, I08B, I08C, I08D, I08E, I08F, I08J, I09A, I09B, I09C, I09D | | 08 | I06A, I06B, I06C, I06D, I06E, I08A, I08B, I08C, I08D, I08E, I08F, I08J, I09A, I09B, I09C, I09D, I09E | | 08 | I06A, I06B, I06C, I06D, I06E, I08A, I08B, I08C, I08D, I08E, I08F, I08J, I09A, I09B, I09C, I09D, I09E | | | |
| | 09 | J26Z | | 09 | J26Z | | 09 | J26Z | | | |
| | 11 | L33Z | | 11 | L33Z | | 11 | L33Z | | | |
| | 17 | R01A, R01B, R01C, R01D, R02Z, R12A, R12B, R12C | | 17 | R01A, R01B, R01C, R01D, R02Z, R12A, R12B, R12C | | 17 | R01A, R01B, R01C, R01D, R02Z, R12A, R12B, R12C | | | |
| | 21A | W04A, W04B | | 21A | W04A, W04B | | 21A | W04A, W04B | | | |
| | 21B | X06A, X06B, X06C, X33Z | | 21B | X06A, X06B, X06C, X33Z | | 21B | X06A, X06B, X06C, X33Z | | | |
| | 23 | Z01A | | 23 | Z01A | | 23 | Z01A | | | |
| | Pre | A07A | | Pre | A07A | | Pre | A07A | | | |
| | 5t641.6 | | | BOP, KJZSV, KOP, KOPV, KVT, UOP4, VIAL | 5t642.4 | | | BOP, KJZSV, KOP, KOPV, KVT, UOP4, VIAL | 5t643.2 | | BOP, KJZSV, KOP, KOPV, KVT, UOP4, VIAL |
| | | 01 | | B02A, B02B, B02C, B02D, B20A, B20B, B20C, B20D, B39A, B39B | | | 01 | B03Z, B18Z | | 01 | B03Z, B18Z |
| | | 06 | | G33Z | | | 06 | G33Z | | 06 | G33Z |
| | | 07 | | H33Z, H38Z | | | 07 | H33Z, H38Z | | 07 | H33Z, H38Z |
| | | 08 | | I06A, I06B, I06C, I08A, I08B, I08C, I08D, I08E, I08F, I08J | | | 08 | I06A, I06B, I06C, I06D, I06E, I08A, I08B, I08C, I08D, I08E, I08F, I08J, I09A, I09B, I09C, I09D, I09E | | 08 | I06A, I06B, I06C, I06D, I06E, I08A, I08B, I08C, I08D, I08E, I08F, I08J, I09A, I09B, I09C, I09D, I09E |
| 09 | | J26Z | 09 | J26Z | | 09 | J26Z | | | | |
| 11 | | L33Z | 11 | L33Z | | 11 | L33Z | | | | |
| 17 | | R01A, R01B, R01C, R01D, R02Z, R12A, R12B, R12C | 17 | R01A, R01B, R01C, R01D, R02Z, R12A, R12B, R12C | | 17 | R01A, R01B, R01C, R01D, R02Z, R12A, R12B, R12C | | | | |
| 21A | | W04A, W04B | 21A | W04A, W04B | | 21A | W04A, W04B | | | | |
| 21B | | X06A, X06B, X06C, X33Z | 21B | X06A, X06B, X06C, X33Z | | 21B | X06A, X06B, X06C, X33Z | | | | |
| 23 | | Z01A | 23 | Z01A | | 23 | Z01A | | | | |
| Pre | | A07A | Pre | A07A | | Pre | A07A | | | | |
| 5t642.1 | | | BOP, KJZSV, KOP, KOPV, KVT, UOP4, VIAL | 5t642.5 | | | BOP, KJZSV, KOP, KOPV, KVT, UOP4, VIAL | 5t643.3 | | | BOP, KJZSV, KOP, KOPV, KVT, UOP4, VIAL |
| | | 01 | B03Z, B18Z | | | 01 | B03Z, B18Z | | | 01 | B02A, B02B, B02C, B02D, B20A, B20B, B20C, B20D, B39A, B39B |
| | | 06 | G33Z | | | 06 | G33Z | | | 06 | G33Z |
| | | 07 | H33Z, H38Z | | | 07 | H33Z, H38Z | | | 07 | H33Z, H38Z |
| | | 08 | I06A, I06B, I06C, I06D, I06E, I08A, I08B, I08C, I08D, I08E, I08F, I08J, I09A, I09B, I09C, I09D, I09E | | | 08 | I06A, I06B, I06C, I06D, I06E, I08A, I08B, I08C, I08D, I08E, I08F, I08J, I09A, I09B, I09C, I09D, I09E | | | 08 | I06A, I06B, I06C, I06D, I06E, I08A, I08B, I08C, I08D, I08E, I08F, I08J, I09A, I09B, I09C, I09D |
| | 09 | J26Z | 09 | | J26Z | 09 | J26Z | | | | |
| | 11 | L33Z | 11 | | L33Z | 11 | L33Z | | | | |
| | 17 | R01A, R01B, R01C, R01D, R02Z, R12A, R12B, R12C | 17 | | R01A, R01B, R01C, R01D, R02Z, R12A, R12B, R12C | 17 | R01A, R01B, R01C, R01D, R02Z, R12A, R12B, R12C | | | | |
| | 21A | W04A, W04B | 21A | | W04A, W04B | 21A | W04A, W04B | | | | |
| | 21B | X06A, X06B, X06C, X33Z | 21B | | X06A, X06B, X06C, X33Z | 21B | X06A, X06B, X06C, X33Z | | | | |
| | 23 | Z01A | 23 | | Z01A | 23 | Z01A | | | | |
| | Pre | A07A | Pre | | A07A | Pre | A07A | | | | |
| | 5t642.2 | | BOP, KJZSV, KOP, KOPV, KVT, UOP4, VIAL | | 5t642.6 | | BOP, KJZSV, KOP, KOPV, KVT, UOP4, VIAL | | | | |
| | | 01 | B03Z, B18Z | | | 01 | B03Z, B18Z | | | | |
| | | 06 | G33Z | | | 06 | G33Z | | | | |
| | | 07 | H33Z, H38Z | | | 07 | H33Z, H38Z | | | | |
| | | 08 | I06A, I06B, I06C, I06D, I06E, I08A, I08B, I08C, I08D, I08E, I08F, I08J, I09A, I09B, I09C, I09D, I09E | | | 08 | I06A, I06B, I06C, I06D, I06E, I08A, I08B, I08C, I08D, I08E, I08F, I08J, I09A, I09B, I09C, I09D, I09E | | | | |
| 09 | | J26Z | 09 | J26Z | | | | | | | |
| 11 | | L33Z | 11 | L33Z | | | | | | | |
| 17 | | R01A, R01B, R01C, R01D, R02Z, R12A, R12B, R12C | 17 | R01A, R01B, R01C, R01D, R02Z, R12A, R12B, R12C | | | | | | | |
| 21A | | W04A, W04B | 21A | W04A, W04B | | | | | | | |
| 21B | | X06A, X06B, X06C, X33Z | 21B | X06A, X06B, X06C, X33Z | | | | | | | |
| 23 | | Z01A | 23 | Z01A | | | | | | | |
| Pre | | A07A | Pre | A07A | | | | | | | |

VYK

| ZZV | MDC | DRG | ZZV | MDC | DRG | ZZV | MDC | DRG | | | |
|---------|---------|--|--|--|--|---------|--|--|---------|----|--|
| 5t643.4 | | BOP, KJZSV, KOP, KOPV, KVT, UOP4, VIAL | 5t64x | | BOP, KJZSV, KOP, KOPV, KVT, UOP4, VIAL | 5t650.4 | | BOP, KJZSV, KOP, KOPV, KVT, UOP4, VIAL | | | |
| | 01 | B02A, B02B, B02C, B02D, B20A, B20B, B20C, B20D, B39A, B39B | | 01 | B03Z, B18Z | | 01 | B03Z, B18Z | | | |
| | 06 | G33Z | | 06 | G33Z | | 06 | G33Z | | | |
| | 07 | H33Z, H38Z | | 07 | H33Z, H38Z | | 07 | H33Z, H38Z | | | |
| | 08 | I06A, I06B, I06C, I06D, I06E, I08A, I08B, I08C, I08D, I08E, I08F, I08J, I09A, I09B, I09C, I09D | | 08 | I06A, I06B, I06C, I06D, I06E, I08A, I08B, I08C, I08D, I08E, I08F, I08J, I09A, I09B, I09C, I09D, I09E | | 08 | I06A, I06B, I06C, I06D, I06E, I08A, I08B, I08C, I08D, I08E, I08F, I08J, I09A, I09B, I09C, I09D | | | |
| | 09 | J26Z | | 09 | J26Z | | 09 | J26Z | | | |
| | 11 | L33Z | | 11 | L33Z | | 11 | L33Z | | | |
| | 17 | R01A, R01B, R01C, R01D, R02Z, R12A, R12B, R12C | | 17 | R01A, R01B, R01C, R01D, R02Z, R12A, R12B, R12C | | 21A | W04A, W04B | | | |
| | 21A | W04A, W04B | | 21A | W04A, W04B | | 21B | X06A, X06B, X06C, X33Z | | | |
| | 21B | X06A, X06B, X06C, X33Z | | 21B | X06A, X06B, X06C | | 23 | Z01A | | | |
| | 23 | Z01A | | 23 | Z01A | | Pre | A07A | | | |
| | Pre | A07A | | Pre | A07A | | | | | | |
| | 5t643.5 | | | BOP, KJZSV, KOP, KOPV, KVT, UOP4, VIAL | 5t650.1 | | | BOP, KJZSV, KOP, KOPV, KVT, UOP4, VIAL | 5t650.5 | | BOP, KJZSV, KOP, KOPV, KVT, UOP4, VIAL |
| | | 01 | | B02A, B02B, B02C, B02D, B20A, B20B, B20C, B20D, B39A, B39B | | | 01 | B03Z, B18Z | | 01 | B03Z, B18Z |
| | | 06 | | G33Z | | | 06 | G33Z | | 06 | G33Z |
| | | 07 | | H33Z, H38Z | | | 07 | H33Z, H38Z | | 07 | H33Z, H38Z |
| | | 08 | | I06A, I06B, I06C, I06D, I06E, I08A, I08B, I08C, I08D, I08E, I08F, I08J, I09A, I09B, I09C, I09D | | | 08 | I06A, I06B, I06C, I06D, I06E, I08A, I08B, I08C, I08D, I08E, I08F, I08J, I09A, I09B, I09C, I09D | | 08 | I06A, I06B, I06C, I06D, I06E, I08A, I08B, I08C, I08D, I08E, I08F, I08J, I09A, I09B, I09C, I09D |
| 09 | | J26Z | 09 | J26Z | | 09 | J26Z | | | | |
| 11 | | L33Z | 11 | L33Z | | 11 | L33Z | | | | |
| 17 | | R01A, R01B, R01C, R01D, R02Z, R12A, R12B, R12C | 17 | R01A, R01B, R01C, R01D, R02Z, R12A, R12B, R12C | | 21A | W04A, W04B | | | | |
| 21A | | W04A, W04B | 21A | W04A, W04B | | 21B | X06A, X06B, X06C, X33Z | | | | |
| 21B | | X06A, X06B, X06C, X33Z | 21B | X06A, X06B, X06C, X33Z | | 23 | Z01A | | | | |
| 23 | | Z01A | 23 | Z01A | | Pre | A07A | | | | |
| Pre | | A07A | Pre | A07A | | | | | | | |
| 5t643.6 | | | BOP, KJZSV, KOP, KOPV, KVT, UOP4, VIAL | 5t650.2 | | | BOP, KJZSV, KOP, KOPV, KVT, UOP4, VIAL | 5t651.1 | | | BOP, KJZSV, KOP, KOPV, KVT, UOP4, VIAL |
| | | 01 | B02A, B02B, B02C, B02D, B20A, B20B, B20C, B20D, B39A, B39B | | | 01 | B03Z, B18Z | | | 01 | B03Z, B18Z |
| | | 06 | G33Z | | | 06 | G33Z | | | 06 | G33Z |
| | | 07 | H33Z, H38Z | | | 07 | H33Z, H38Z | | | 07 | H33Z, H38Z |
| | | 08 | I06A, I06B, I06C, I06D, I06E, I08A, I08B, I08C, I08D, I08E, I08F, I08J | | | 08 | I06A, I06B, I06C, I06D, I06E, I08A, I08B, I08C, I08D, I08E, I08F, I08J, I09A, I09B, I09C, I09D | | | 08 | I06A, I06B, I06C, I06D, I06E, I08A, I08B, I08C, I08D, I08E, I08F, I08J, I09A, I09B, I09C, I09D |
| | 09 | J26Z | 09 | | J26Z | 09 | J26Z | | | | |
| | 11 | L33Z | 11 | | L33Z | 11 | L33Z | | | | |
| | 17 | R01A, R01B, R01C, R01D, R02Z, R12A, R12B, R12C | 17 | | R01A, R01B, R01C, R01D, R02Z, R12A, R12B, R12C | 21A | W04A, W04B | | | | |
| | 21A | W04A, W04B | 21A | | W04A, W04B | 21B | X06A, X06B, X06C, X33Z | | | | |
| | 21B | X06A, X06B, X06C, X33Z | 21B | | X06A, X06B, X06C, X33Z | 23 | Z01A | | | | |
| | 23 | Z01A | 23 | | Z01A | Pre | A07A | | | | |
| | Pre | A07A | Pre | | A07A | | | | | | |
| | 5t643.6 | | BOP, KJZSV, KOP, KOPV, KVT, UOP4, VIAL | | 5t650.3 | | BOP, KJZSV, KOP, KOPV, KVT, UOP4, VIAL | | 5t651.2 | | BOP, KJZSV, KOP, KOPV, KVT, UOP4, VIAL |
| | | 01 | B02A, B02B, B02C, B02D, B20A, B20B, B20C, B20D, B39A, B39B | | | 01 | B03Z, B18Z | | | 01 | B03Z, B18Z |
| | | 06 | G33Z | | | 06 | G33Z | | | 06 | G33Z |
| | | 07 | H33Z, H38Z | | | 07 | H33Z, H38Z | | | 07 | H33Z, H38Z |
| | | 08 | I06A, I06B, I06C, I06D, I06E, I08A, I08B, I08C, I08D, I08E, I08F, I08J | | | 08 | I06A, I06B, I06C, I06D, I06E, I08A, I08B, I08C, I08D, I08E, I08F, I08J, I09A, I09B, I09C, I09D | | | 08 | I06A, I06B, I06C, I06D, I06E, I08A, I08B, I08C, I08D, I08E, I08F, I08J, I09A, I09B, I09C, I09D |
| 09 | | J26Z | 09 | J26Z | | 09 | J26Z | | | | |
| 11 | | L33Z | 11 | L33Z | | 11 | L33Z | | | | |
| 17 | | R01A, R01B, R01C, R01D, R02Z, R12A, R12B, R12C | 17 | R01A, R01B, R01C, R01D, R02Z, R12A, R12B, R12C | | 21A | W04A, W04B | | | | |
| 21A | | W04A, W04B | 21A | W04A, W04B | | 21B | X06A, X06B, X06C, X33Z | | | | |
| 21B | | X06A, X06B, X06C, X33Z | 21B | X06A, X06B, X06C, X33Z | | 23 | Z01A | | | | |
| 23 | | Z01A | 23 | Z01A | | Pre | A07A | | | | |
| Pre | | A07A | Pre | A07A | | | | | | | |



| ZZV | MDC | DRG | ZZV | MDC | DRG | ZZV | MDC | DRG |
|---------|---------|--|---------|--|--|---------|--|--|
| 5t651.3 | | BOP, KJZSV, KOP, KOPV, KVT, UOP4, VIAL | 5t65x.2 | | BOP, KJZSV, KOP, KOPV, KVT, UOP4, VIAL | 5t660.4 | | KJZSV |
| | 01 | B03Z, B18Z | | 01 | B03Z, B18Z | | 01 | B03Z, B18Z |
| | 06 | G33Z | | 06 | G33Z | | 08 | I08A, I08B, I08C, I08D, I08E, I08F, I08J, I10A, I10B, I10C, I10D, I10E, I10J |
| | 07 | H33Z, H38Z | | 07 | H33Z, H38Z | | 09 | J26Z |
| | 08 | I06A, I06B, I06C, I06D, I06E, I08A, I08B, I08C, I08D, I08E, I08F, I08J, I09A, I09B, I09C, I09D | | 08 | I06A, I06B, I06C, I06D, I06E, I08A, I08B, I08C, I08D, I08E, I08F, I08J, I09A, I09B, I09C, I09D | | 17 | R01A, R01B, R01C, R01D, R02Z, R12A, R12B, R12C |
| | 09 | J26Z | | 09 | J26Z | | 21A | W01A, W01B, W01C, W02A, W02B |
| | 11 | L33Z | | 11 | L33Z | | 21B | X06A, X06B, X06C |
| | 21A | W04A, W04B | | 21A | W04A, W04B | | 5t661.1 | KJZSV |
| | 21B | X06A, X06B, X06C, X33Z | | 21B | X06A, X06B, X06C, X33Z | | 01 | B03Z, B18Z |
| | 23 | Z01A | | 23 | Z01A | | 08 | I08A, I08B, I08C, I08D, I08E, I08F, I08J, I10A, I10B, I10C, I10D, I10E, I10J |
| | Pre | A07A | | Pre | A07A | | 09 | J26Z |
| | | | | | | | 17 | R01A, R01B, R01C, R01D, R02Z, R12A, R12B, R12C |
| | 5t651.4 | | | BOP, KJZSV, KOP, KOPV, KVT, UOP4, VIAL | 5t65x.x | | | BOP, KJZSV, KOP, KOPV, KVT, UOP4, VIAL |
| 01 | | B03Z, B18Z | 01 | B03Z, B18Z | | 01 | B03Z, B18Z | |
| 06 | | G33Z | 06 | G33Z | | 08 | I08A, I08B, I08C, I08D, I08E, I08F, I08J, I10A, I10B, I10C, I10D, I10E, I10J | |
| 07 | | H33Z, H38Z | 07 | H33Z, H38Z | | 09 | J26Z | |
| 08 | | I06A, I06B, I06C, I06D, I06E, I08A, I08B, I08C, I08D, I08E, I08F, I08J, I09A, I09B, I09C, I09D | 08 | I06A, I06B, I06C, I06D, I06E, I08A, I08B, I08C, I08D, I08E, I08F, I08J, I09A, I09B, I09C, I09D, I09E | | 17 | R01A, R01B, R01C, R01D, R02Z, R12A, R12B, R12C | |
| 09 | | J26Z | 09 | J26Z | | 21A | W01A, W01B, W01C, W02A, W02B | |
| 11 | | L33Z | 11 | L33Z | | 21B | X06A, X06B, X06C | |
| 21A | | W04A, W04B | 21A | W04A, W04B | | Pre | B61A | |
| 21B | | X06A, X06B, X06C, X33Z | 21B | X06A, X06B, X06C | | 5t661.2 | KJZSV | |
| 23 | | Z01A | 23 | Z01A | | 01 | B03Z, B18Z | |
| Pre | | A07A | Pre | A07A | | 08 | I08A, I08B, I08C, I08D, I08E, I08F, I08J, I10A, I10B, I10C, I10D, I10E, I10J | |
| | | | | | | 09 | J26Z | |
| | | | | | | 17 | R01A, R01B, R01C, R01D, R02Z, R12A, R12B, R12C | |
| 5t651.5 | | BOP, KJZSV, KOP, KOPV, KVT, UOP4, VIAL | 5t660.1 | | BOP, KJZSV, KOP, KOPV, KVT, UOP4, VIAL | 5t661.3 | | KJZSV |
| | 01 | B03Z, B18Z | | 01 | B03Z, B18Z | | 01 | B03Z, B18Z |
| | 06 | G33Z | | 08 | I08A, I08B, I08C, I08D, I08E, I08F, I08J, I10A, I10B, I10C, I10D, I10E, I10J | | 08 | I08A, I08B, I08C, I08D, I08E, I08F, I08J, I10A, I10B, I10C, I10D, I10E, I10J |
| | 07 | H33Z, H38Z | | 09 | J26Z | | 09 | J26Z |
| | 08 | I06A, I06B, I06C, I06D, I06E, I08A, I08B, I08C, I08D, I08E, I08F, I08J, I09A, I09B, I09C, I09D | | 17 | R01A, R01B, R01C, R01D, R02Z, R12A, R12B, R12C | | 17 | R01A, R01B, R01C, R01D, R02Z, R12A, R12B, R12C |
| | 09 | J26Z | | 21A | W01A, W01B, W01C, W02A, W02B | | 21A | W01A, W01B, W01C, W02A, W02B |
| | 11 | L33Z | | 21B | X06A, X06B, X06C | | 21B | X06A, X06B, X06C |
| | 21A | W04A, W04B | | Pre | A07A | | Pre | B61A |
| | 21B | X06A, X06B, X06C, X33Z | | 5t660.2 | KJZSV | | 5t661.3 | KJZSV |
| | 23 | Z01A | | 01 | B03Z, B18Z | | 01 | B03Z, B18Z |
| | Pre | A07A | | 08 | I08A, I08B, I08C, I08D, I08E, I08F, I08J, I10A, I10B, I10C, I10D, I10E, I10J | | 08 | I08A, I08B, I08C, I08D, I08E, I08F, I08J, I10A, I10B, I10C, I10D, I10E, I10J |
| | | | | | | | 09 | J26Z |
| | | | | | | | 17 | R01A, R01B, R01C, R01D, R02Z, R12A, R12B, R12C |
| 5t65x.1 | | BOP, KJZSV, KOP, KOPV, KVT, UOP4, VIAL | 5t660.3 | | BOP, KJZSV, KOP, KOPV, KVT, UOP4, VIAL | 5t661.4 | | KJZSV |
| | 01 | B03Z, B18Z | | 01 | B03Z, B18Z | | 01 | B03Z, B18Z |
| | 06 | G33Z | | 08 | I08A, I08B, I08C, I08D, I08E, I08F, I08J, I10A, I10B, I10C, I10D, I10E, I10J | | 08 | I08A, I08B, I08C, I08D, I08E, I08F, I08J, I10A, I10B, I10C, I10D, I10E, I10J |
| | 07 | H33Z, H38Z | | 09 | J26Z | | 09 | J26Z |
| | 08 | I06A, I06B, I06C, I06D, I06E, I08A, I08B, I08C, I08D, I08E, I08F, I08J, I09A, I09B, I09C, I09D | | 17 | R01A, R01B, R01C, R01D, R02Z, R12A, R12B, R12C | | 17 | R01A, R01B, R01C, R01D, R02Z, R12A, R12B, R12C |
| | 09 | J26Z | | 21A | W01A, W01B, W01C, W02A, W02B | | 21A | W01A, W01B, W01C, W02A, W02B |
| | 11 | L33Z | | 21B | X06A, X06B, X06C | | 21B | X06A, X06B, X06C |
| | 21A | W04A, W04B | | Pre | A07A | | Pre | B61A |
| | 21B | X06A, X06B, X06C, X33Z | | 5t660.3 | KJZSV | | 5t661.4 | KJZSV |
| | 23 | Z01A | | 01 | B03Z, B18Z | | 01 | B03Z, B18Z |
| | Pre | A07A | | 08 | I08A, I08B, I08C, I08D, I08E, I08F, I08J, I10A, I10B, I10C, I10D, I10E, I10J | | 08 | I08A, I08B, I08C, I08D, I08E, I08F, I08J, I10A, I10B, I10C, I10D, I10E, I10J |
| | | | | | | | 09 | J26Z |
| | | | | | | | 17 | R01A, R01B, R01C, R01D, R02Z, R12A, R12B, R12C |

VYK

| ZZV | MDC | DRG | ZZV | MDC | DRG | ZZV | MDC | DRG |
|----------|------------------------|--|----------|--|--|----------|--|--|
| 5t665.4 | | KJZSV | 5t668.a2 | | KJZSV | 5t668.b3 | | KJZSV |
| | 01 | B03Z, B18Z | | 01 | B03Z, B18Z | | 01 | B03Z, B18Z |
| | 08 | I06A, I08A, I08B, I08C, I08D, I08E, I08F, I08J, I09A, I10A, I10B, I10C, I10D, I10E, I10J | | 08 | I06A, I06B, I06C, I06D, I06E, I08A, I08B, I08C, I08D, I08E, I08F, I08J, I09A, I09B, I09C, I09D, I10A, I10B, I10C, I10D, I10E, I10J | | 08 | I06A, I06B, I06C, I06D, I06E, I08A, I08B, I08C, I08D, I08E, I08F, I08J, I09A, I09B, I09C, I09D, I10A, I10B, I10C, I10D, I10E, I10J |
| | 09 | J26Z | | 09 | J26Z | | 09 | J26Z |
| | 17 | R01A, R01B, R01C, R01D, R02Z, R12A, R12B, R12C | | 17 | R01A, R01B, R01C, R01D, R02Z, R12A, R12B, R12C | | 17 | R01A, R01B, R01C, R01D, R02Z, R12A, R12B, R12C |
| | 21A | W01A, W01B, W01C, W02A, W02B | | 21A | W01A, W01B, W01C, W02A, W02B | | 21A | W01A, W01B, W01C, W02A, W02B |
| | 21B | X06A, X06B, X06C | | 21B | X06A, X06B, X06C | | 21B | X06A, X06B, X06C |
| 5t667.1 | Pre | B61A | Pre | B61A | Pre | B61A | | |
| | | KJZSV | 5t668.a3 | | KJZSV | 5t668.b4 | | KJZSV |
| | 01 | B03Z, B18Z | | 01 | B03Z, B18Z | | 01 | B03Z, B18Z |
| | 08 | I06A, I06B, I06C, I06D, I06E, I08A, I08B, I08C, I08D, I08E, I08F, I08J, I09A, I09B, I09C, I09D, I09E, I10A, I10B, I10C, I10D, I10E, I10J | | 08 | I06A, I06B, I06C, I06D, I06E, I08A, I08B, I08C, I08D, I08E, I08F, I08J, I09A, I09B, I09C, I09D, I10A, I10B, I10C, I10D, I10E, I10J | | 08 | I06A, I06B, I06C, I06D, I06E, I08A, I08B, I08C, I08D, I08E, I08F, I08J, I09A, I09B, I09C, I09D, I10A, I10B, I10C, I10D, I10E, I10J |
| | 09 | J26Z | | 09 | J26Z | | 09 | J26Z |
| | 21A | W01A, W01B, W01C, W02A, W02B | | 21A | W01A, W01B, W01C, W02A, W02B | | 21A | W01A, W01B, W01C, W02A, W02B |
| | 21B | X06A, X06B, X06C, X33Z | | 21B | X06A, X06B, X06C | | 21B | X06A, X06B, X06C |
| 5t667.2 | | KJZSV | | 5t668.a4 | | | KJZSV | 5t668.c1 |
| | 01 | B03Z, B18Z | 01 | | B03Z, B18Z | 01 | B03Z, B18Z | |
| | 08 | I06A, I06B, I06C, I06D, I06E, I08A, I08B, I08C, I08D, I08E, I08F, I08J, I09A, I09B, I09C, I09D, I09E, I10A, I10B, I10C, I10D, I10E, I10J | 08 | | I06A, I06B, I06C, I06D, I06E, I08A, I08B, I08C, I08D, I08E, I08F, I08J, I09A, I09B, I09C, I09D, I10A, I10B, I10C, I10D, I10E, I10J | 08 | I06A, I06B, I06C, I06D, I06E, I08A, I08B, I08C, I08D, I08E, I08F, I08J, I09A, I09B, I09C, I09D, I10A, I10B, I10C, I10D, I10E, I10J | |
| | 09 | J26Z | 09 | | J26Z | 09 | J26Z | |
| | 21A | W01A, W01B, W01C, W02A, W02B | 21A | | W01A, W01B, W01C, W02A, W02B | 21A | W01A, W01B, W01C, W02A, W02B | |
| | 21B | X06A, X06B, X06C, X33Z | 21B | | X06A, X06B, X06C | 21B | X06A, X06B, X06C | |
| | 5t667.3 | | KJZSV | | 5t668.b1 | | KJZSV | |
| 01 | | B03Z, B18Z | 01 | B03Z, B18Z | | 01 | B03Z, B18Z | |
| 08 | | I06A, I06B, I06C, I06D, I06E, I08A, I08B, I08C, I08D, I08E, I08F, I08J, I09A, I09B, I09C, I09D, I09E, I10A, I10B, I10C, I10D, I10E, I10J | 08 | I06A, I06B, I06C, I06D, I06E, I08A, I08B, I08C, I08D, I08E, I08F, I08J, I09A, I09B, I09C, I09D, I10A, I10B, I10C, I10D, I10E, I10J | | 08 | I06A, I06B, I06C, I06D, I06E, I08A, I08B, I08C, I08D, I08E, I08F, I08J, I09A, I09B, I09C, I09D, I10A, I10B, I10C, I10D, I10E, I10J | |
| 09 | | J26Z | 09 | J26Z | | 09 | J26Z | |
| 21A | | W01A, W01B, W01C, W02A, W02B | 21A | W01A, W01B, W01C, W02A, W02B | | 21A | W01A, W01B, W01C, W02A, W02B | |
| 21B | | X06A, X06B, X06C, X33Z | 21B | X06A, X06B, X06C | | 21B | X06A, X06B, X06C | |
| 5t667.4 | | Pre | B61A | Pre | | B61A | Pre | B61A |
| | | KJZSV | 5t668.b2 | | KJZSV | 5t668.c3 | | KJZSV |
| | 01 | B03Z, B18Z | | 01 | B03Z, B18Z | | 01 | B03Z, B18Z |
| | 08 | I06A, I06B, I06C, I06D, I06E, I08A, I08B, I08C, I08D, I08E, I08F, I08J, I09A, I09B, I09C, I09D, I09E, I10A, I10B, I10C, I10D, I10E, I10J | | 08 | I06A, I06B, I06C, I06D, I06E, I08A, I08B, I08C, I08D, I08E, I08F, I08J, I09A, I09B, I09C, I09D, I10A, I10B, I10C, I10D, I10E, I10J | | 08 | I06A, I06B, I06C, I06D, I06E, I08A, I08B, I08C, I08D, I08E, I08F, I08J, I09A, I09B, I09C, I09D, I10A, I10B, I10C, I10D, I10E, I10J |
| | 09 | J26Z | | 09 | J26Z | | 09 | J26Z |
| | 17 | R01A, R01B, R01C, R01D, R02Z, R12A, R12B, R12C | | 17 | R01A, R01B, R01C, R01D, R02Z, R12A, R12B, R12C | | 17 | R01A, R01B, R01C, R01D, R02Z, R12A, R12B, R12C |
| | 21A | W01A, W01B, W01C, W02A, W02B | | 21A | W01A, W01B, W01C, W02A, W02B | | 21A | W01A, W01B, W01C, W02A, W02B |
| 21B | X06A, X06B, X06C, X33Z | 21B | | X06A, X06B, X06C | 21B | | X06A, X06B, X06C | |
| 5t668.a1 | Pre | B61A | Pre | B61A | Pre | B61A | | |

VYK

| ZZV | MDC | DRG | ZZV | MDC | DRG | ZZV | MDC | DRG |
|----------|------------------|--|---------|--|--|------------------|--|--|
| 5t668.c4 | | KJZSV | 5t672.1 | | BOP, KJZSV, KOP, KOPV, KVT, UOP4, VIAL | 5t672.6 | | BOP, KJZSV, KOP, KOPV, KVT, UOP4, VIAL |
| | 01 | B03Z, B18Z | | 01 | B03Z, B18Z | | 01 | B03Z, B18Z |
| | 08 | I06A, I06B, I06C, I06D, I06E, I08A, I08B, I08C, I08D, I08E, I08F, I08J, I09A, I09B, I09C, I09D, I10A, I10B, I10C, I10D, I10E, I10J | | 06 | G33Z | | 06 | G33Z |
| | 09 | J26Z | | 07 | H33Z, H38Z | | 07 | H33Z, H38Z |
| | 17 | R01A, R01B, R01C, R01D, R02Z, R12A, R12B, R12C | | 08 | I06A, I06B, I06C, I06D, I06E, I08A, I08B, I08C, I08D, I08E, I08F, I08J, I09A, I09B, I09C, I09D, I09E | | 08 | I06A, I06B, I06C, I06D, I06E, I08A, I08B, I08C, I08D, I08E, I08F, I08J, I09A, I09B, I09C, I09D, I09E |
| | 21A | W01A, W01B, W01C, W02A, W02B | | 09 | J26Z | | 09 | J26Z |
| | 21B | X06A, X06B, X06C | | 11 | L33Z | | 11 | L33Z |
| 5t66x.1 | Pre | B61A | 21A | W04A, W04B | 21A | W04A, W04B | | |
| | | KJZSV | 21B | X06A, X06B, X06C | 21B | X06A, X06B, X06C | | |
| | 01 | B03Z, B18Z | Pre | A07A | Pre | A07A | | |
| | 08 | I08A, I08B, I08C, I08D, I08E, I08F, I08J, I10A, I10B, I10C, I10D, I10E, I10J | 5t672.2 | | BOP, KJZSV, KOP, KOPV, KVT, UOP4, VIAL | 5t672.7 | | BOP, KJZSV, KOP, KOPV, KVT, UOP4, VIAL |
| | 09 | J26Z | | 01 | B03Z, B18Z | | 01 | B03Z, B18Z |
| | 17 | R01A, R01B, R01C, R01D, R02Z, R12A, R12B, R12C | | 06 | G33Z | | 06 | G33Z |
| | 21A | W01A, W01B, W01C, W02A, W02B | | 07 | H33Z, H38Z | | 07 | H33Z, H38Z |
| 21B | X06A, X06B, X06C | 08 | | I06A, I06B, I06C, I06D, I06E, I08A, I08B, I08C, I08D, I08E, I08F, I08J, I09A, I09B, I09C, I09D, I09E | 08 | | I06A, I06B, I06C, I06D, I06E, I08A, I08B, I08C, I08D, I08E, I08F, I08J, I09A, I09B, I09C, I09D, I09E | |
| 5t66x.2 | | KJZSV | | 09 | J26Z | | 09 | J26Z |
| | 01 | B03Z, B18Z | | 11 | L33Z | | 11 | L33Z |
| | 08 | I08A, I08B, I08C, I08D, I08E, I08F, I08J, I10A, I10B, I10C, I10D, I10E, I10J | 21A | W04A, W04B | 21A | W04A, W04B | | |
| | 09 | J26Z | 21B | X06A, X06B, X06C | 21B | X06A, X06B, X06C | | |
| | 17 | R01A, R01B, R01C, R01D, R02Z, R12A, R12B, R12C | Pre | A07A | Pre | A07A | | |
| | 21A | W01A, W01B, W01C, W02A, W02B | 5t672.3 | | BOP, KJZSV, KOP, KOPV, KVT, UOP4, VIAL | 5t672.8 | | BOP, KJZSV, KOP, KOPV, KVT, UOP4, VIAL |
| | 21B | X06A, X06B, X06C | | 01 | B03Z, B18Z | | 01 | B03Z, B18Z |
| 5t66x.3 | | KJZSV | | 06 | G33Z | | 06 | G33Z |
| | 01 | B03Z, B18Z | | 07 | H33Z, H38Z | | 07 | H33Z, H38Z |
| | 08 | I08A, I08B, I08C, I08D, I08E, I08F, I08J, I10A, I10B, I10C, I10D, I10E, I10J | | 08 | I06A, I06B, I06C, I06D, I06E, I08A, I08B, I08C, I08D, I08E, I08F, I08J, I09A, I09B, I09C, I09D, I09E | | 08 | I06A, I06B, I06C, I06D, I06E, I08A, I08B, I08C, I08D, I08E, I08F, I08J, I09A, I09B, I09C, I09D, I09E |
| | 09 | J26Z | | 09 | J26Z | | 09 | J26Z |
| | 17 | R01A, R01B, R01C, R01D, R02Z, R12A, R12B, R12C | | 11 | L33Z | | 11 | L33Z |
| | 21A | W01A, W01B, W01C, W02A, W02B | 21A | W04A, W04B | 21A | W04A, W04B | | |
| | 21B | X06A, X06B, X06C | 21B | X06A, X06B, X06C | 21B | X06A, X06B, X06C | | |
| 5t66x.4 | Pre | B61A | Pre | A07A | Pre | A07A | | |
| | | KJZSV | 5t672.4 | | BOP, KJZSV, KOP, KOPV, KVT, UOP4, VIAL | 5t672.9 | | BOP, KJZSV, KOP, KOPV, KVT, UOP4, VIAL |
| | 01 | B03Z, B18Z | | 01 | B03Z, B18Z | | 01 | B03Z, B18Z |
| | 08 | I08A, I08B, I08C, I08D, I08E, I08F, I08J, I10A, I10B, I10C, I10D, I10E, I10J | | 06 | G33Z | | 06 | G33Z |
| | 09 | J26Z | | 07 | H33Z, H38Z | | 07 | H33Z, H38Z |
| | 17 | R01A, R01B, R01C, R01D, R02Z, R12A, R12B, R12C | | 08 | I06A, I06B, I06C, I06D, I06E, I08A, I08B, I08C, I08D, I08E, I08F, I08J, I09A, I09B, I09C, I09D, I09E | | 08 | I06A, I06B, I06C, I06D, I06E, I08A, I08B, I08C, I08D, I08E, I08F, I08J, I09A, I09B, I09C, I09D, I09E |
| | 21A | W01A, W01B, W01C, W02A, W02B | | 09 | J26Z | | 09 | J26Z |
| 21B | X06A, X06B, X06C | 11 | | L33Z | 11 | | L33Z | |
| 5t66x.4 | | KJZSV | 21A | W04A, W04B | 21A | W04A, W04B | | |
| | 01 | B03Z, B18Z | 21B | X06A, X06B, X06C | 21B | X06A, X06B, X06C | | |
| | 08 | I08A, I08B, I08C, I08D, I08E, I08F, I08J, I10A, I10B, I10C, I10D, I10E, I10J | Pre | A07A | Pre | A07A | | |
| | 09 | J26Z | 5t672.5 | | BOP, KJZSV, KOP, KOPV, KVT, UOP4, VIAL | 5t672.a | | BOP, KJZSV, KOP, KOPV, KVT, UOP4, VIAL |
| | 17 | R01A, R01B, R01C, R01D, R02Z, R12A, R12B, R12C | | 01 | B03Z, B18Z | | 01 | B03Z, B18Z |
| | 21A | W01A, W01B, W01C, W02A, W02B | | 06 | G33Z | | 06 | G33Z |
| | 21B | X06A, X06B, X06C | | 07 | H33Z, H38Z | | 07 | H33Z, H38Z |
| 5t66x.4 | | KJZSV | | 08 | I06A, I06B, I06C, I06D, I06E, I08A, I08B, I08C, I08D, I08E, I08F, I08J, I09A, I09B, I09C, I09D, I09E | | 08 | I06A, I06B, I06C, I06D, I06E, I08A, I08B, I08C, I08D, I08E, I08F, I08J, I09A, I09B, I09C, I09D, I09E |
| | 01 | B03Z, B18Z | | 09 | J26Z | | 09 | J26Z |
| | 08 | I08A, I08B, I08C, I08D, I08E, I08F, I08J, I10A, I10B, I10C, I10D, I10E, I10J | | 11 | L33Z | | 11 | L33Z |
| | 09 | J26Z | 21A | W04A, W04B | 21A | W04A, W04B | | |
| | 17 | R01A, R01B, R01C, R01D, R02Z, R12A, R12B, R12C | 21B | X06A, X06B, X06C | 21B | X06A, X06B, X06C | | |
| | 21A | W01A, W01B, W01C, W02A, W02B | Pre | A07A | Pre | A07A | | |
| | 21B | X06A, X06B, X06C | | | | | | |

| ZZV | MDC | DRG | ZZV | MDC | DRG | ZZV | MDC | DRG | |
|---------|---------|--|---------|--|--|-----------------------------|--|--|--|
| 5t672.b | | BOP, KJZSV, KOP, KOPV, KVT, UOP4, VIAL | 5t673.3 | | BOP, KJZSV, KOP, KOPV, KVT, UOP4, VIAL | 5t674.1 | | BOP, KJZSV, KOP, KOPV, KVT, UOP4, VIAL | |
| | 01 | B03Z, B18Z | | 01 | B03Z, B18Z | | 01 | B03Z, B18Z | |
| | 06 | G33Z | | 06 | G33Z | | 06 | G33Z | |
| | 07 | H33Z, H38Z | | 07 | H33Z, H38Z | | 07 | H33Z, H38Z | |
| | 08 | I06A, I06B, I06C, I06D, I06E, I08A, I08B, I08C, I08D, I08E, I08F, I08J, I09A, I09B, I09C, I09D, I09E | | 08 | I06A, I06B, I06C, I06D, I06E, I08A, I08B, I08C, I08D, I08E, I08F, I08J, I09A, I09B, I09C, I09D, I09E | | 08 | I06A, I06B, I06C, I06D, I06E, I08A, I08B, I08C, I08D, I08E, I08F, I08J, I09A, I09B, I09C, I09D, I09E | |
| | 09 | J26Z | | 09 | J26Z | | 09 | J26Z | |
| | 11 | L33Z | | 11 | L33Z | | 11 | L33Z | |
| | 21A | W04A, W04B | | 21A | W04A, W04B | | 21A | W04A, W04B | |
| | 21B | X06A, X06B, X06C | | 21B | X06A, X06B, X06C | | 21B | X06A, X06B, X06C, X33Z | |
| | Pre | A07A | | Pre | A07A | | 23 | Z01A | |
| | | | | | | | Pre | A07A | |
| 5t672.c | | BOP, KJZSV, KOP, KOPV, KVT, UOP4, VIAL | 5t673.4 | | BOP, KJZSV, KOP, KOPV, KVT, UOP4, VIAL | 5t674.2 | | BOP, KJZSV, KOP, KOPV, KVT, UOP4, VIAL | |
| | 01 | B03Z, B18Z | | 01 | B03Z, B18Z | | 01 | B03Z, B18Z | |
| | 06 | G33Z | | 06 | G33Z | | 06 | G33Z | |
| | 07 | H33Z, H38Z | | 07 | H33Z, H38Z | | 07 | H33Z, H38Z | |
| | 08 | I06A, I06B, I06C, I06D, I06E, I08A, I08B, I08C, I08D, I08E, I08F, I08J, I09A, I09B, I09C, I09D, I09E | | 08 | I06A, I06B, I06C, I06D, I06E, I08A, I08B, I08C, I08D, I08E, I08F, I08J, I09A, I09B, I09C, I09D, I09E | | 08 | I06A, I06B, I06C, I06D, I06E, I08A, I08B, I08C, I08D, I08E, I08F, I08J, I09A, I09B, I09C, I09D, I09E | |
| | 09 | J26Z | | 09 | J26Z | | 09 | J26Z | |
| | 11 | L33Z | | 11 | L33Z | | 11 | L33Z | |
| | 21A | W04A, W04B | | 21A | W04A, W04B | | 21A | W04A, W04B | |
| | 21B | X06A, X06B, X06C | | 21B | X06A, X06B, X06C | | 21B | X06A, X06B, X06C, X33Z | |
| | Pre | A07A | | Pre | A07A | | 23 | Z01A | |
| | | | | | | | Pre | A07A | |
| 5t672.d | | BOP, KJZSV, KOP, KOPV, KVT, UOP4, VIAL | 5t673.5 | | BOP, KJZSV, KOP, KOPV, KVT, UOP4, VIAL | 5t674.3 | | BOP, KJZSV, KVT, UOP4, VIAL | |
| | 01 | B03Z, B18Z | | 01 | B03Z, B18Z | | 08 | I08A, I08B, I08C, I08D, I08E, I08F, I08J, I28A, I28B, I28J | |
| | 06 | G33Z | | 06 | G33Z | | 09 | J26Z | |
| | 07 | H33Z, H38Z | | 07 | H33Z, H38Z | | 21A | W04A, W04B | |
| | 08 | I06A, I06B, I06C, I06D, I06E, I08A, I08B, I08C, I08D, I08E, I08F, I08J, I09A, I09B, I09C, I09D, I09E | | 08 | I06A, I06B, I06C, I06D, I06E, I08A, I08B, I08C, I08D, I08E, I08F, I08J, I09A, I09B, I09C, I09D, I09E | | 21B | X06A, X06B, X06C | |
| | 09 | J26Z | | 09 | J26Z | | 5t674.4 | BOP, KJZSV, KVT, UOP4, VIAL | |
| | 11 | L33Z | | 11 | L33Z | | | 01 | B03Z, B18Z |
| | 21A | W04A, W04B | | 21A | W04A, W04B | | | 08 | I08A, I08B, I08C, I08D, I08E, I08F, I08J, I10A, I10B, I10C, I10D, I10E, I10J |
| | 21B | X06A, X06B, X06C | | 21B | X06A, X06B, X06C | | | 09 | J26Z |
| | Pre | A07A | | Pre | A07A | | | 11 | L09A, L38Z |
| | 5t673.1 | | | BOP, KJZSV, KOP, KOPV, KVT, UOP4, VIAL | 5t673.6 | | | | BOP, KJZSV, KOP, KOPV, KVT, UOP4, VIAL |
| 01 | | B03Z, B18Z | 01 | B03Z, B18Z | | 01 | | B03Z, B18Z | |
| 06 | | G33Z | 06 | G33Z | | 08 | | I08A, I08B, I08C, I08D, I08E, I08F, I08J, I10A, I10B, I10C, I10D, I10E, I10J | |
| 07 | | H33Z, H38Z | 07 | H33Z, H38Z | | 09 | | J26Z | |
| 08 | | I06A, I06B, I06C, I06D, I06E, I08A, I08B, I08C, I08D, I08E, I08F, I08J, I09A, I09B, I09C, I09D, I09E | 08 | I06A, I06B, I06C, I06D, I06E, I08A, I08B, I08C, I08D, I08E, I08F, I08J, I09A, I09B, I09C, I09D, I09E | | 11 | | L09A, L38Z | |
| 09 | | J26Z | 09 | J26Z | | 21A | | W04A, W04B | |
| 11 | | L33Z | 11 | L33Z | | 21B | X06A, X06B, X06C | | |
| 21A | | W04A, W04B | 21A | W04A, W04B | | Pre | B61A | | |
| 21B | | X06A, X06B, X06C | 21B | X06A, X06B, X06C | | BOP, KJZSV, KVT, UOP4, VIAL | | | |
| Pre | | A07A | Pre | A07A | | 01 | B03Z, B18Z | | |
| | | | | | | 08 | I08A, I08B, I08C, I08D, I08E, I08F, I08J, I10A, I10B, I10C, I10D, I10E, I10J | | |
| 5t673.2 | | BOP, KJZSV, KOP, KOPV, KVT, UOP4, VIAL | 5t673.7 | | BOP, KJZSV, KOP, KOPV, KVT, UOP4, VIAL | | | | |
| | 01 | B03Z, B18Z | | 01 | B03Z, B18Z | 09 | J26Z | | |
| | 06 | G33Z | | 06 | G33Z | 11 | L09A, L38Z | | |
| | 07 | H33Z, H38Z | | 07 | H33Z, H38Z | 21A | W04A, W04B | | |
| | 08 | I06A, I06B, I06C, I06D, I06E, I08A, I08B, I08C, I08D, I08E, I08F, I08J, I09A, I09B, I09C, I09D, I09E | | 08 | I06A, I06B, I06C, I06D, I06E, I08A, I08B, I08C, I08D, I08E, I08F, I08J, I09A, I09B, I09C, I09D, I09E | 21B | X06A, X06B, X06C | | |
| | 09 | J26Z | | 09 | J26Z | Pre | B61A | | |
| | 11 | L33Z | | 11 | L33Z | | | | |
| | 21A | W04A, W04B | | 21A | W04A, W04B | | | | |
| | 21B | X06A, X06B, X06C | | 21B | X06A, X06B, X06C | | | | |
| | Pre | A07A | | Pre | A07A | | | | |
| | | | | | | | | | |

VYK

| ZZV | MDC | DRG | ZZV | MDC | DRG | ZZV | MDC | DRG |
|---------|---------|--|--|--|--|---------|--|--|
| 5t674.6 | | BOP, KJZSV, KOP, KOPV, KVT, UOP4, VIAL | 5t682.1 | | BOP, KJZSV, KVT, UOP4, VIAL | 5t683.3 | | BOP, KJZSV, KVT, UOP4, VIAL |
| | 01 | B03Z, B18Z | | 01 | B03Z, B18Z | | 01 | B03Z, B18Z |
| | 06 | G33Z | | 08 | I08A, I08B, I08C, I08D, I08E, I08F, I08J, I10C, I10D, I45A, I45B | | 05 | F13A |
| | 07 | H33Z, H38Z | | | | | 08 | I08A, I08B, I08C, I08D, I08E, I08F, I08J, I10A, I10B, I10C, I10D, I10E, I10J |
| | 08 | I06A, I06B, I06C, I06D, I06E, I08A, I08B, I08C, I08D, I08E, I08F, I08J, I09A, I09B, I09C, I09D, I09E | | 09 | J26Z | | 09 | J26Z |
| | | | | 11 | L09A, L38Z | | 11 | L09A, L38Z |
| | 09 | J26Z | | 21A | W04A, W04B | | 21A | W04A, W04B |
| | 11 | L33Z | | 21B | X06A, X06B, X06C | | 21A | W04A, W04B |
| | 21A | W04A, W04B | | | | | 21B | X06A, X06B, X06C |
| | 21B | X06A, X06B, X06C, X33Z | | 5t682.2 | | | 5t684.1 | |
| | 23 | Z01A | | | | | | |
| | Pre | A07A | | 01 | B03Z, B18Z | | 01 | B03Z, B18Z |
| | | | | 08 | I08A, I08B, I08C, I08D, I08E, I08F, I08J, I10C, I10D, I45A | | 08 | I08A, I08B, I08C, I08D, I08E, I08F, I08J, I10A, I10B, I10C, I10D, I10E, I10J |
| | 5t674.x | | | BOP, KJZSV, KOP, KOPV, KVT, UOP4, VIAL | 5t682.2 | | | BOP, KJZSV, KVT, UOP4, VIAL |
| 01 | | B03Z, B18Z | 01 | B03Z, B18Z | | 01 | B03Z, B18Z | |
| 06 | | G33Z | 08 | I08A, I08B, I08C, I08D, I08E, I08F, I08J, I10C, I10D, I45A | | 08 | I08A, I08B, I08C, I08D, I08E, I08F, I08J, I10A, I10B, I10C, I10D, I10E, I10J | |
| 07 | | H33Z, H38Z | 09 | J26Z | | 09 | J26Z | |
| 08 | | I06A, I06B, I06C, I06D, I06E, I08A, I08B, I08C, I08D, I08E, I08F, I08J, I09A, I09B, I09C, I09D, I09E | 11 | L09A, L38Z | | 11 | L09A, L38Z | |
| | | | 21A | W04A, W04B | | 21A | W04A, W04B | |
| 09 | | J26Z | 21B | X06A, X06B, X06C | | 21A | W04A, W04B | |
| 11 | | L33Z | Pre | B61A | | 21B | X06A, X06B, X06C | |
| 21A | | W04A, W04B | 5t682.3 | | | 5t684.2 | | |
| 21B | | X06A, X06B, X06C | | | | | | |
| Pre | | A07A | 01 | BOP, KJZSV, KVT, UOP4, VIAL | | 01 | BOP, KJZSV, KVT, UOP4, VIAL | |
| | | | 01 | B03Z, B18Z | | 01 | B03Z, B18Z | |
| | | | 08 | I08A, I08B, I08C, I08D, I08E, I08F, I08J, I10C, I10D, I45A | | 08 | I08A, I08B, I08C, I08D, I08E, I08F, I08J, I10A, I10B, I10C, I10D, I10E, I10J | |
| | | | 09 | J26Z | | 09 | J26Z | |
| | | 11 | L09A, L38Z | 11 | L09A, L38Z | | | |
| | | 21A | W04A, W04B | 21A | W04A, W04B | | | |
| | | 21B | X06A, X06B, X06C | 21A | W04A, W04B | | | |
| | | Pre | B61A | 21B | X06A, X06B, X06C | | | |
| 5t681.1 | | BOP, KJZSV, KVT, UOP4, VIAL | 5t682.4 | | BOP, KJZSV, KVT, UOP4, VIAL | 5t684.3 | | BOP, KJZSV, KVT, UOP4, VIAL |
| | 01 | B03Z, B18Z | | | | | 01 | B03Z, B18Z |
| | 08 | I08A, I08B, I08C, I08D, I08E, I08F, I08J, I10C, I10D, I45A, I45B | | 01 | B03Z, B18Z | | 08 | I08A, I08B, I08C, I08D, I08E, I08F, I08J, I10A, I10B, I10C, I10D, I10E, I10J |
| | | | | 08 | I08A, I08B, I08C, I08D, I08E, I08F, I08J, I10C, I10D, I45A | | 09 | J26Z |
| | 09 | J26Z | | 09 | J26Z | | 11 | L09A, L38Z |
| | 11 | L09A, L38Z | | 11 | L09A, L38Z | | 21A | W04A, W04B |
| | 21A | W04A, W04B | | 21A | W04A, W04B | | 21B | X06A, X06B, X06C |
| | 21B | X06A, X06B, X06C | | 21B | X06A, X06B, X06C | | 21B | X06A, X06B, X06C |
| | | | | Pre | B61A | | 5t684.3 | |
| | | | | | | | | |
| | | | | 5t682.4 | | | 5t684.3 | |
| | | | | | | | | |
| | | | | 01 | BOP, KJZSV, KVT, UOP4, VIAL | | 01 | BOP, KJZSV, KVT, UOP4, VIAL |
| | | | | 01 | B03Z, B18Z | | 01 | B03Z, B18Z |
| | | 08 | I08A, I08B, I08C, I08D, I08E, I08F, I08J, I10C, I10D, I45A | 08 | I08A, I08B, I08C, I08D, I08E, I08F, I08J, I10A, I10B, I10C, I10D, I10E, I10J | | | |
| | | 09 | J26Z | 09 | J26Z | | | |
| | | 11 | L09A, L38Z | 11 | L09A, L38Z | | | |
| | | 21A | W04A, W04B | 21A | W04A, W04B | | | |
| | | 21B | X06A, X06B, X06C | 21B | X06A, X06B, X06C | | | |
| | | Pre | B61A | 5t684.4 | | | | |
| 5t681.2 | | BOP, KJZSV, KVT, UOP4, VIAL | 5t683.1 | | BOP, KJZSV, KVT, UOP4, VIAL | 5t685.1 | | BOP, KJZSV, KVT, UOP4, VIAL |
| | 01 | B03Z, B18Z | | | | | 01 | B03Z, B18Z |
| | 08 | I08A, I08B, I08C, I08D, I08E, I08F, I08J, I10C, I10D, I45A | | 01 | B03Z, B18Z | | 08 | I08A, I08B, I08C, I08D, I08E, I08F, I08J, I10A, I10B, I10C, I10D, I10E, I10J |
| | | | | 05 | F13A | | 11 | L09A, L38Z |
| | 09 | J26Z | | 08 | I08A, I08B, I08C, I08D, I08E, I08F, I08J, I10A, I10B, I10C, I10D, I10E, I10J | | 21A | W04A, W04B |
| | 11 | L09A, L38Z | | 09 | J26Z | | 21B | X06A, X06B, X06C |
| | 21A | W04A, W04B | | 11 | L09A, L38Z | | 5t685.1 | |
| | 21B | X06A, X06B, X06C | | 17 | R01A, R01B, R01C, R01D, R02Z, R12A, R12B, R12C | | 01 | B03Z, B18Z |
| | Pre | B61A | | 21A | W04A, W04B | | 08 | I08A, I08B, I08C, I08D, I08E, I08F, I08J, I10A, I10B, I10C, I10D, I10E, I10J |
| | | | | 21B | X06A, X06B, X06C | | 11 | L09A, L38Z |
| | | | | 5t683.1 | | | 21A | W04A, W04B |
| | | | | | | | 21B | X06A, X06B, X06C |
| | | | | 5t683.1 | | | 5t685.1 | |
| | | | | | | | | |
| | | 01 | BOP, KJZSV, KVT, UOP4, VIAL | 01 | BOP, KJZSV, KVT, UOP4, VIAL | | | |
| | | 01 | B03Z, B18Z | 01 | B03Z, B18Z | | | |
| | | 08 | I08A, I08B, I08C, I08D, I08E, I08F, I08J, I10C, I10D, I45A | 08 | I08A, I08B, I08C, I08D, I08E, I08F, I08J, I10A, I10B, I10C, I10D, I10E, I10J | | | |
| | | 09 | J26Z | 09 | J26Z | | | |
| | | 11 | L09A, L38Z | 11 | L09A, L38Z | | | |
| | | 21A | W04A, W04B | 21A | W04A, W04B | | | |
| | | 21B | X06A, X06B, X06C | 21B | X06A, X06B, X06C | | | |
| | | Pre | B61A | 5t685.2 | | | | |
| 5t681.3 | | BOP, KJZSV, KVT, UOP4, VIAL | 5t683.2 | | BOP, KJZSV, KVT, UOP4, VIAL | 5t685.2 | | BOP, KJZSV, KVT, UOP4, VIAL |
| | 01 | B03Z, B18Z | | | | | 01 | B03Z, B18Z |
| | 08 | I08A, I08B, I08C, I08D, I08E, I08F, I08J, I10C, I10D, I45A | | 01 | B03Z, B18Z | | 08 | I08A, I08B, I08C, I08D, I08E, I08F, I08J, I10A, I10B, I10C, I10D, I10E, I10J |
| | | | | 08 | I08A, I08B, I08C, I08D, I08E, I08F, I08J, I10C, I10D, I45A, I45B | | 09 | J26Z |
| | 09 | J26Z | | 09 | J26Z | | 11 | L09A, L38Z |
| | 11 | L09A, L38Z | | 11 | L09A, L38Z | | 21A | W04A, W04B |
| | 21A | W04A, W04B | | 21A | W04A, W04B | | 21B | X06A, X06B, X06C |
| | 21B | X06A, X06B, X06C | | 21B | X06A, X06B, X06C | | 5t685.2 | |
| | Pre | B61A | | 01 | BOP, KJZSV, KVT, UOP4, VIAL | | 01 | B03Z, B18Z |
| | | | | 08 | I08A, I08B, I08C, I08D, I08E, I08F, I08J, I10C, I10D, I45A, I45B | | 08 | I08A, I08B, I08C, I08D, I08E, I08F, I08J, I10A, I10B, I10C, I10D, I10E, I10J |
| | | | | 09 | J26Z | | 09 | J26Z |
| | | | | 11 | L09A, L38Z | | 11 | L09A, L38Z |
| | | | | 21A | W04A, W04B | | 21A | W04A, W04B |
| | | | | 21B | X06A, X06B, X06C | | 21B | X06A, X06B, X06C |
| | | Pre | B61A | 5t685.2 | | | | |
| 5t681.4 | | BOP, KJZSV, KVT, UOP4, VIAL | 5t683.2 | | BOP, KJZSV, KVT, UOP4, VIAL | 5t685.2 | | BOP, KJZSV, KVT, UOP4, VIAL |
| | 01 | B03Z, B18Z | | | | | 01 | B03Z, B18Z |
| | 08 | I08A, I08B, I08C, I08D, I08E, I08F, I08J, I10C, I10D, I45A | | 01 | B03Z, B18Z | | 08 | I08A, I08B, I08C, I08D, I08E, I08F, I08J, I10A, I10B, I10C, I10D, I10E, I10J |
| | | | | 08 | I08A, I08B, I08C, I08D, I08E, I08F, I08J, I10C, I10D, I45A, I45B | | 09 | J26Z |
| | 09 | J26Z | | 09 | J26Z | | 11 | L09A, L38Z |
| | 11 | L09A, L38Z | | 11 | L09A, L38Z | | 21A | W04A, W04B |
| | 21A | W04A, W04B | | 21A | W04A, W04B | | 21B | X06A, X06B, X06C |
| | 21B | X06A, X06B, X06C | | 21B | X06A, X06B, X06C | | 5t685.2 | |
| | Pre | B61A | | 01 | BOP, KJZSV, KVT, UOP4, VIAL | | 01 | B03Z, B18Z |
| | | | | 08 | I08A, I08B, I08C, I08D, I08E, I08F, I08J, I10C, I10D, I45A, I45B | | 08 | I08A, I08B, I08C, I08D, I08E, I08F, I08J, I10A, I10B, I10C, I10D, I10E, I10J |
| | | | | 09 | J26Z | | 09 | J26Z |
| | | | | 11 | L09A, L38Z | | 11 | L09A, L38Z |
| | | | | 21A | W04A, W04B | | 21A | W04A, W04B |
| | | | | 21B | X06A, X06B, X06C | | 21B | X06A, X06B, X06C |
| | | Pre | B61A | 5t685.2 | | | | |

| ZZV | MDC | DRG | ZZV | MDC | DRG | ZZV | MDC | DRG |
|---------|--|--|--|---------|--|--|-----|--|
| 5t685.3 | | BOP, KJZSV, KVT, UOP4, VIAL | 5t68x.2 | | BOP, KJZSV, KVT, UOP4, VIAL | 5t69a.1 | | BOP, KJZSV, KVT, UOP4, VIAL |
| | 01 | B03Z, B18Z | | 01 | B03Z, B18Z | | 01 | B03Z, B18Z |
| | 08 | I08A, I08B, I08C, I08D, I08E, I08F, I08J, I10A, I10B, I10C, I10D, I10E, I10J | | 08 | I08A, I08B, I08C, I08D, I08E, I08F, I08J, I10A, I10B, I10C, I10D, I10E, I10F, I10J | | 08 | I08A, I08B, I08C, I08D, I08E, I08F, I08J, I09A, I09B, I09C, I09D, I09E |
| | 11 | L09A, L38Z | | 11 | L09A, L38Z | | 09 | J26Z |
| | 21A | W04A, W04B | | 21A | W04A, W04B | | 11 | L09A, L38Z |
| 5t685.4 | 21B | X06A, X06B, X06C | 5t68x.3 | 21B | X06A, X06B, X06C | 5t69a.2 | 21A | W04A, W04B |
| | | BOP, KJZSV, KVT, UOP4, VIAL | | | BOP, KJZSV, KVT, UOP4, VIAL | | 21B | X06A, X06B, X06C |
| | 01 | B03Z, B18Z | | 01 | B03Z, B18Z | | | BOP, KJZSV, KVT, UOP4, VIAL |
| | 08 | I08A, I08B, I08C, I08D, I08E, I08F, I08J, I10A, I10B, I10C, I10D, I10E, I10J | | 08 | I08A, I08B, I08C, I08D, I08E, I08F, I08J, I10A, I10B, I10C, I10D, I10E, I10F, I10J | | 01 | B03Z, B18Z |
| | 11 | L09A, L38Z | | 11 | L09A, L38Z | | 08 | I08A, I08B, I08C, I08D, I08E, I08F, I08J, I09A, I09B, I09C, I09D |
| 5t686.1 | 21A | W04A, W04B | 5t68x.4 | 21A | W04A, W04B | 5t69a.3 | 09 | J26Z |
| | 21B | X06A, X06B, X06C | | 21B | X06A, X06B, X06C | | 11 | L09A, L38Z |
| | | BOP, KJZSV, KVT, UOP4, VIAL | | | BOP, KJZSV, KVT, UOP4, VIAL | | 21A | W04A, W04B |
| | 01 | B03Z, B18Z | | 01 | B03Z, B18Z | | 21B | X06A, X06B, X06C |
| | 08 | I08A, I08B, I08C, I08D, I08E, I08F, I08J, I10A, I10B, I10C, I10D, I10E, I10J | | 08 | I08A, I08B, I08C, I08D, I08E, I08F, I08J, I10A, I10B, I10C, I10D, I10E, I10F, I10J | | | BOP, KJZSV, KVT, UOP4, VIAL |
| 5t686.2 | 11 | L09A, L38Z | 5t699.1 | 11 | L09A, L38Z | 5t69a.4 | 01 | B03Z, B18Z |
| | 21A | W04A, W04B | | 21A | W04A, W04B | | 08 | I06A, I06B, I06C, I06D, I06E, I08A, I08B, I08C, I08D, I08E, I08F, I08J, I09A, I09B, I09C, I09D |
| | 21B | X06A, X06B, X06C | | 21B | X06A, X06B, X06C | | 09 | J26Z |
| | | BOP, KJZSV, KVT, UOP4, VIAL | | | BOP, KJZSV, KVT, UOP4, VIAL | | 11 | L09A, L38Z |
| | 01 | B03Z, B18Z | | 01 | B03Z, B18Z | | 21A | W04A, W04B |
| 5t686.3 | 08 | I08A, I08B, I08C, I08D, I08E, I08F, I08J, I10A, I10B, I10C, I10D, I10E, I10J | 5t699.2 | 08 | I08A, I08B, I08C, I08D, I08E, I08F, I08J, I10A, I10B, I10C, I10D, I10E, I10J | 5t69b.1 | 21B | X06A, X06B, X06C |
| | 11 | L09A, L38Z | | 11 | L09A, L38Z | | | BOP, KJZSV, KVT, UOP4, VIAL |
| | 21A | W04A, W04B | | 21A | W04A, W04B | | 01 | B03Z, B18Z |
| | 21B | X06A, X06B, X06C | | 21B | X06A, X06B, X06C | | 08 | I08A, I08B, I08C, I08D, I08E, I08F, I08J, I10A, I10B, I10C, I10D, I10E, I10J |
| | | BOP, KJZSV, KVT, UOP4, VIAL | | | BOP, KJZSV, KVT, UOP4, VIAL | | 11 | L09A, L38Z |
| 5t686.4 | 01 | B03Z, B18Z | 5t699.3 | 01 | B03Z, B18Z | 5t69b.2 | 21A | W04A, W04B |
| | 08 | I08A, I08B, I08C, I08D, I08E, I08F, I08J, I10A, I10B, I10C, I10D, I10E, I10J | | 08 | I08A, I08B, I08C, I08D, I08E, I08F, I08J, I10A, I10B, I10C, I10D, I10E, I10J | | 08 | I10A, I10B, I10C, I10D, I10E, I10F, I10J |
| | 11 | L09A, L38Z | | 11 | L09A, L38Z | | 11 | L09A, L38Z |
| | 21A | W04A, W04B | | 21A | W04A, W04B | | | BOP, KJZSV, KVT, UOP4 |
| | 21B | X06A, X06B, X06C | | 21B | X06A, X06B, X06C | | 08 | I10A, I10B, I10C, I10D, I10E, I10F, I10J |
| 5t68x.1 | | BOP, KJZSV, KVT, UOP4, VIAL | 5t699.4 | | BOP, KJZSV, KVT, UOP4, VIAL | 5t69b.3 | 11 | L09A, L38Z |
| | 01 | B03Z, B18Z | | 01 | B03Z, B18Z | | | BOP, KJZSV, KVT, UOP4 |
| | 08 | I08A, I08B, I08C, I08D, I08E, I08F, I08J, I10A, I10B, I10C, I10D, I10E, I10F, I10J | | 08 | I08A, I08B, I08C, I08D, I08E, I08F, I08J, I10A, I10B, I10C, I10D, I10E, I10J | | 08 | I10A, I10B, I10C, I10D, I10E, I10F, I10J |
| | 11 | L09A, L38Z | | 11 | L09A, L38Z | | 11 | L09A, L38Z |
| | 21A | W04A, W04B | | 21A | W04A, W04B | | | BOP, KJZSV, KVT, UOP4 |
| | BOP, KJZSV, KVT, UOP4, VIAL | | BOP, KJZSV, KVT, UOP4, VIAL | | BOP, KJZSV, KVT, UOP4 | | | |
| 01 | B03Z, B18Z | 01 | B03Z, B18Z | 5t69b.4 | 08 | I10A, I10B, I10C, I10D, I10E, I10F, I10J | | |
| 08 | I08A, I08B, I08C, I08D, I08E, I08F, I08J, I10A, I10B, I10C, I10D, I10E, I10F, I10J | 08 | I08A, I08B, I08C, I08D, I08E, I08F, I08J, I10A, I10B, I10C, I10D, I10E, I10J | 5t69c.1 | 11 | L09A, L38Z | | |
| 11 | L09A, L38Z | 11 | L09A, L38Z | | BOP, KJZSV, KVT, UOP4 | | | |
| 21A | W04A, W04B | 21A | W04A, W04B | 5t69c.2 | 08 | I10A, I10B, I10C, I10D, I10E, I10F, I10J | | |
| 21B | X06A, X06B, X06C | 21B | X06A, X06B, X06C | | 11 | L09A, L38Z | | |
| | BOP, KJZSV, KVT, UOP4, VIAL | Pre | B61A | | | BOP, KJZSV, KVT, UOP4 | | |

Príloha B: Index Výkon-MDC-DRG

| ZZV | MDC | DRG | ZZV | MDC | DRG | ZZV | MDC | DRG |
|---------|-----|--|----------|----------|--|----------|----------|--|
| 5t69c.3 | | BOP, KJZSV, KVT, UOP4 | 5t69x.3 | | BOP, KJZSV, KVT, UOP4, VIAL | 5t701.3↔ | | BOP, KVT, UOP4, VIAL |
| | 08 | I10A, I10B, I10C, I10D, I10E, I10F, I10J | | 01 | B03Z, B18Z | | 08 | I32A, I32B, I32C, I32D, I32E, I32F, I32J, I32Q, I32R, I32S, I32T, I32U |
| | 11 | L09A, L38Z | | 08 | I08A, I08B, I08C, I08D, I08E, I08F, I08J, I10A, I10B, I10C, I10D, I10E, I10J | | 09 | J03A, J03B, J04A, J04B, J08A, J08B, J08C, J11A, J11B, J11J, J11Q, J11R, J11S, J16Z |
| 5t69c.4 | | BOP, KJZSV, KVT, UOP4 | | 21A | W04A, W04B | | 21A | W04A, W04B |
| | 08 | I10A, I10B, I10C, I10D, I10E, I10F, I10J | | 21B | X06A, X06B, X06C | | 21B | X05A |
| | 11 | L09A, L38Z | 5t69x.4 | | BOP, KJZSV, KVT, UOP4, VIAL | 5t701.4↔ | | BOP, KVT, UOP4, VIAL |
| 5t69d.1 | | BOP, KJZSV, KVT, UOP4, VIAL | | 01 | B03Z, B18Z | | 08 | I32A, I32B, I32C, I32D, I32E, I32F, I32J, I32Q, I32R, I32S, I32T, I32U |
| | 01 | B03Z, B18Z | | 05 | F13A | | 09 | J03A, J03B, J04A, J04B, J08A, J08B, J08C, J11A, J11B, J11J, J11Q, J11R, J11S, J16Z |
| | 08 | I08A, I08B, I08C, I08D, I08E, I08F, I08J, I10A, I10B, I10C, I10D, I10E, I10J | | 08 | I08A, I08B, I08C, I08D, I08E, I08F, I08J, I09A, I09B, I09C, I09D, I09E, I10A, I10B, I10C, I10D, I10E, I10J | | 21A | W04A, W04B |
| | 11 | L09A, L38Z | | 09 | J26Z | | 21B | X05A |
| | 21A | W04A, W04B | | 11 | L09A, L38Z | | 5t701.5↔ | BOP, KVT, UOP4, VIAL |
| | 21B | X06A, X06B, X06C | | 17 | R01A, R01B, R01C, R01D, R02Z, R12A, R12B, R12C | | 08 | I32A, I32B, I32C, I32D, I32E, I32F, I32J, I32Q, I32R, I32S, I32T, I32U |
| 5t69d.2 | | BOP, KJZSV, KVT, UOP4, VIAL | | 21A | W04A, W04B | | 09 | J03A, J03B, J04A, J04B, J08A, J08B, J08C, J11A, J11B, J11J, J11Q, J11R, J11S, J16Z |
| | 01 | B03Z, B18Z | | 21B | X06A, X06B, X06C | | 21A | W04A, W04B |
| | 08 | I08A, I08B, I08C, I08D, I08E, I08F, I08J, I10A, I10B, I10C, I10D, I10E, I10J | | Pre | B61A | | 21B | X05A |
| | 11 | L09A, L38Z | 5t69x.x | | BOP, KJZSV, KVT, UOP4, VIAL | | 5t701.6↔ | BOP, KVT, UOP4, VIAL |
| | 21A | W04A, W04B | | 01 | B03Z, B18Z | | 08 | I32A, I32B, I32C, I32D, I32E, I32F, I32J, I32Q, I32R, I32S, I32T, I32U |
| | 21B | X06A, X06B, X06C | | 08 | I08A, I08B, I08C, I08D, I08E, I08F, I08J, I10A, I10B, I10C, I10D, I10E, I10J | | 21A | W04A, W04B |
| 5t69d.3 | | BOP, KJZSV, KVT, UOP4, VIAL | | 21A | W04A, W04B | | 21B | X05A |
| | 01 | B03Z, B18Z | 5t701.0↔ | | BOP, KVT, UOP4, VIAL | | 5t701.7↔ | BOP, KVT, UOP4, VIAL |
| | 08 | I08A, I08B, I08C, I08D, I08E, I08F, I08J, I10A, I10B, I10C, I10D, I10E, I10J | | 08 | I32A, I32B, I32C, I32D, I32E, I32F, I32J, I32Q, I32R, I32S, I32T, I32U | | 08 | I32A, I32B, I32C, I32D, I32E, I32F, I32J, I32Q, I32R, I32S, I32T, I32U |
| | 11 | L09A, L38Z | | 09 | J03A, J03B, J04A, J04B, J08A, J08B, J08C, J11A, J11B, J11J, J11Q, J11R, J11S, J16Z | | 21A | W04A, W04B |
| | 21A | W04A, W04B | | 21A | W04A, W04B | | 21B | X05A |
| | 21B | X06A, X06B, X06C | | 21B | X05A | | 5t701.8↔ | BOP, KVT, UOP4, VIAL |
| 5t69d.4 | | BOP, KJZSV, KVT, UOP4, VIAL | | 5t701.1↔ | BOP, KVT, UOP4, VIAL | | 08 | I32A, I32B, I32C, I32D, I32E, I32F, I32J, I32Q, I32R, I32S, I32T, I32U |
| | 01 | B03Z, B18Z | | 08 | I32A, I32B, I32C, I32D, I32E, I32F, I32J, I32Q, I32R, I32S, I32T, I32U | | 21A | W04A, W04B |
| | 08 | I08A, I08B, I08C, I08D, I08E, I08F, I08J, I10A, I10B, I10C, I10D, I10E, I10J | | 09 | J03A, J03B, J04A, J04B, J08A, J08B, J08C, J11A, J11B, J11J, J11Q, J11R, J11S, J16Z | | 21B | X05A |
| | 11 | L09A, L38Z | | 21A | W04A, W04B | | 5t701.9↔ | BOP, KVT, UOP4, VIAL |
| | 21A | W04A, W04B | | 21B | X05A | | 08 | I32A, I32B, I32C, I32D, I32E, I32F, I32J, I32Q, I32R, I32S, I32T, I32U |
| | 21B | X06A, X06B, X06C | | 5t701.2↔ | BOP, KVT, UOP4, VIAL | | 21A | W04A, W04B |
| 5t69x.1 | | BOP, KJZSV, KVT, UOP4, VIAL | | 08 | I32A, I32B, I32C, I32D, I32E, I32F, I32J, I32Q, I32R, I32S, I32T, I32U | | 21B | X05A |
| | 01 | B03Z, B18Z | | 09 | J03A, J03B, J04A, J04B, J08A, J08B, J08C, J11A, J11B, J11J, J11Q, J11R, J11S, J16Z | | 5t702.0↔ | BOP, KVT, UOP4, VIAL |
| | 08 | I08A, I08B, I08C, I08D, I08E, I08F, I08J, I10A, I10B, I10C, I10D, I10E, I10J | | 21A | W04A, W04B | | 08 | I32A, I32B, I32C, I32D, I32E, I32F, I32J, I32Q, I32R, I32S, I32T, I32U |
| | 21A | W04A, W04B | | 21B | X05A | | 21A | W04A, W04B |
| | 21B | X06A, X06B, X06C | | 5t701.2↔ | BOP, KVT, UOP4, VIAL | | 21B | X05A |
| 5t69x.2 | | BOP, KJZSV, KVT, UOP4, VIAL | | 08 | I32A, I32B, I32C, I32D, I32E, I32F, I32J, I32Q, I32R, I32S, I32T, I32U | | 5t702.1↔ | BOP, KVT, UOP4, VIAL |
| | 01 | B03Z, B18Z | | 09 | J03A, J03B, J04A, J04B, J08A, J08B, J08C, J11A, J11B, J11J, J11Q, J11R, J11S, J16Z | | 08 | I32A, I32B, I32C, I32D, I32E, I32F, I32G, I32J, I32Q, I32R, I32S, I32T, I32U |
| | 08 | I08A, I08B, I08C, I08D, I08E, I08F, I08J, I10C, I10D, I12A, I12B, I12C, I12J, I23A, I23J | | 21A | W04A, W04B | | 21A | W04A, W04B |
| | 09 | J26Z | | 21B | X05A | | 21B | X05A |
| | 11 | L09A, L38Z | | | | | | |
| | 21A | W04A, W04B | | | | | | |
| | 21B | X06A, X06B, X06C | | | | | | |

VYK

| ZZV | MDC | DRG | ZZV | MDC | DRG | ZZV | MDC | DRG | | | |
|----------|-----|--|----------|-----|--|----------|-----|--|--|--|--|
| 5t706.9↔ | 08 | BOP, KVT, UOP4, VIAL | 5t707.7↔ | 08 | I32A, I32B, I32C, I32D, I32E, I32F, I32J, I32Q, I32R, I32S, I32T, I32U | 5t708.4↔ | 01 | BOP, KVT, UOP4, VIAL | | | |
| | | I12A, I12B, I12C, I12J, I32A, I32B, I32C, I32D, I32E, I32F, I32J, I32Q, I32R, I32S, I32T, I32U | | | 08 | | | I12A, I12B, I12C, I12J, I32A, I32B, I32C, I32D, I32E, I32F, I32J, I32Q, I32R, I32S, I32T, I32U | | | |
| | | 21A W04A, W04B | | | 09 | | | J03A, J03B, J04A, J04B, J08A, J08B, J08C, J11A, J11B, J11J, J11Q, J11R, J11S, J16Z | | | |
| 5t707.0↔ | 21B | X05A | 5t707.9↔ | 08 | I32A, I32B, I32C, I32D, I32E, I32F, I32J, I32Q, I32R, I32S, I32T, I32U | 21A | 21B | W04A, W04B | | | |
| | | BOP, KVT, UOP4, VIAL | | | 5t708.0↔ | | | 01 | B03Z, B07Z, B17A, B17B, B17C, B17J | | |
| | | 08 | | | | | | | I32A, I32B, I32C, I32D, I32E, I32F, I32J, I32Q, I32R, I32S, I32T, I32U | 08 | I12A, I12B, I12C, I12J, I32A, I32B, I32C, I32D, I32E, I32F, I32J, I32Q, I32R, I32S, I32T, I32U |
| 5t707.1↔ | 08 | BOP, KVT, UOP4, VIAL | 5t708.1↔ | 01 | BOP, KVT, UOP4, VIAL | 5t708.5↔ | 01 | BOP, KVT, UOP4, VIAL | | | |
| | | I32A, I32B, I32C, I32D, I32E, I32F, I32J, I32Q, I32R, I32S, I32T, I32U | | | 08 | | | I12A, I12B, I12C, I12J, I32A, I32B, I32C, I32D, I32E, I32F, I32J, I32Q, I32R, I32S, I32T, I32U | 08 | I12A, I12B, I12C, I12J, I32A, I32B, I32C, I32D, I32E, I32F, I32J, I32Q, I32R, I32S, I32T, I32U | |
| | | 09 | | | | | | J03A, J03B, J04A, J04B, J08A, J08B, J08C, J11A, J11B, J11J, J11Q, J11R, J11S, J16Z | | 09 | J03A, J03B, J04A, J04B, J08A, J08B, J08C, J11A, J11B, J11J, J11Q, J11R, J11S, J16Z |
| 5t707.2↔ | 21A | W04A, W04B | 5t708.2↔ | 21A | W04A, W04B | 5t709.0↔ | 01 | BOP, KVT, UOP4, VIAL | | | |
| | | 21B | | | X05A | | | 08 | I12A, I12B, I12C, I12J, I32A, I32B, I32C, I32D, I32E, I32F, I32J, I32Q, I32R, I32S, I32T, I32U | 08 | I12A, I12B, I12C, I12J, I32A, I32B, I32C, I32D, I32E, I32F, I32J, I32Q, I32R, I32S, I32T, I32U |
| | | 08 | | | I32A, I32B, I32C, I32D, I32E, I32F, I32J, I32Q, I32R, I32S, I32T, I32U | | | | 09 | | J03A, J03B, J04A, J04B, J08A, J08B, J08C, J11A, J11B, J11J, J11Q, J11R, J11S, J16Z |
| 5t707.3↔ | 09 | J03A, J03B, J04A, J04B, J08A, J08B, J08C, J11A, J11B, J11J, J11Q, J11R, J11S, J16Z | 5t708.3↔ | 01 | BOP, KVT, UOP4, VIAL | 5t709.1↔ | 01 | BOP, KVT, UOP4, VIAL | | | |
| | | 21A | | | W04A, W04B | | | 08 | I12A, I12B, I12C, I12J, I32A, I32B, I32C, I32D, I32E, I32F, I32J, I32Q, I32R, I32S, I32T, I32U | 08 | I12A, I12B, I12C, I12J, I32A, I32B, I32C, I32D, I32E, I32F, I32J, I32Q, I32R, I32S, I32T, I32U |
| | | 21B | | | X05A | | | | 09 | | J03A, J03B, J04A, J04B, J08A, J08B, J08C, J11A, J11B, J11J, J11Q, J11R, J11S, J16Z |
| 5t707.4↔ | 21B | X05A | 5t708.4↔ | 21A | W04A, W04B | 5t709.2↔ | 01 | BOP, KVT, UOP4, VIAL | | | |
| | | BOP, KVT, UOP4, VIAL | | | 08 | | | I12A, I12B, I12C, I12J, I32A, I32B, I32C, I32D, I32E, I32F, I32J, I32Q, I32R, I32S, I32T, I32U | 08 | I12A, I12B, I12C, I12J, I32A, I32B, I32C, I32D, I32E, I32F, I32J, I32Q, I32R, I32S, I32T, I32U | |
| | | 08 | | | | | | I32A, I32B, I32C, I32D, I32E, I32F, I32J, I32Q, I32R, I32S, I32T, I32U | | 09 | J03A, J03B, J04A, J04B, J08A, J08B, J08C, J11A, J11B, J11J, J11Q, J11R, J11S, J16Z |
| 5t707.5↔ | 21B | X05A | 5t708.5↔ | 21B | X05A | 5t709.3↔ | 01 | BOP, KVT, UOP4, VIAL | | | |
| | | BOP, KVT, UOP4, VIAL | | | 08 | | | I12A, I12B, I12C, I12J, I32A, I32B, I32C, I32D, I32E, I32F, I32J, I32Q, I32R, I32S, I32T, I32U | 08 | I12A, I12B, I12C, I12J, I32A, I32B, I32C, I32D, I32E, I32F, I32J, I32Q, I32R, I32S, I32T, I32U | |
| | | 08 | | | | | | I32A, I32B, I32C, I32D, I32E, I32F, I32J, I32Q, I32R, I32S, I32T, I32U | | 09 | J03A, J03B, J04A, J04B, J08A, J08B, J08C, J11A, J11B, J11J, J11Q, J11R, J11S, J16Z |
| 5t707.6↔ | 09 | J03A, J03B, J04A, J04B, J08A, J08B, J08C, J11A, J11B, J11J, J11Q, J11R, J11S, J16Z | 5t708.6↔ | 21A | W04A, W04B | 5t709.4↔ | 01 | BOP, KVT, UOP4, VIAL | | | |
| | | 21A | | | W04A, W04B | | | 08 | I12A, I12B, I12C, I12J, I32A, I32B, I32C, I32D, I32E, I32F, I32J, I32Q, I32R, I32S, I32T, I32U | 08 | I12A, I12B, I12C, I12J, I32A, I32B, I32C, I32D, I32E, I32F, I32J, I32Q, I32R, I32S, I32T, I32U |
| | | 21B | | | X05A | | | | 09 | | J03A, J03B, J04A, J04B, J08A, J08B, J08C, J11A, J11B, J11J, J11Q, J11R, J11S, J16Z |
| 5t707.7↔ | 08 | I32A, I32B, I32C, I32D, I32E, I32F, I32J, I32Q, I32R, I32S, I32T, I32U | 5t708.7↔ | 21B | X05A | 5t709.5↔ | 01 | BOP, KVT, UOP4, VIAL | | | |
| | | 08 | | | I32A, I32B, I32C, I32D, I32E, I32F, I32J, I32Q, I32R, I32S, I32T, I32U | | | 08 | I12A, I12B, I12C, I12J, I32A, I32B, I32C, I32D, I32E, I32F, I32J, I32Q, I32R, I32S, I32T, I32U | 08 | I12A, I12B, I12C, I12J, I32A, I32B, I32C, I32D, I32E, I32F, I32J, I32Q, I32R, I32S, I32T, I32U |
| | | 09 | | | J03A, J03B, J04A, J04B, J08A, J08B, J08C, J11A, J11B, J11J, J11Q, J11R, J11S, J16Z | | | | 09 | | J03A, J03B, J04A, J04B, J08A, J08B, J08C, J11A, J11B, J11J, J11Q, J11R, J11S, J16Z |

VYK

| ZZV | MDC | DRG | ZZV | MDC | DRG | ZZV | MDC | DRG | |
|----------|-----|--|----------|-----|--|--|------------|--|--|
| 5t70c.5↔ | | BOP, KJZSV, KVT, UOP4, VIAL | 5t70d.4↔ | | BOP, KJZSV, KVT, UOP4, VIAL | 5t70e.4↔ | | BOP, KJZSV, KVT, UOP4, VIAL | |
| | 01 | B03Z, B07Z, B17A, B17B, B17C, B17J | | 01 | B03Z, B07Z, B17A, B17B, B17C, B17J | | 01 | B03Z, B07Z, B17A, B17B, B17C, B17J | |
| | 08 | I12A, I12B, I12C, I12J, I32A, I32B, I32C, I32D, I32E, I32F, I32J, I32Q, I32R, I32S, I32T, I32U | | 08 | I12A, I12B, I12C, I12J, I32A, I32B, I32C, I32D, I32E, I32F, I32J, I32Q, I32R, I32S, I32T, I32U | | 08 | I12A, I12B, I12C, I12J, I32A, I32B, I32C, I32D, I32E, I32F, I32J, I32Q, I32R, I32S, I32T, I32U | |
| 5t70d.0↔ | 21A | W04A, W04B | 5t70d.5↔ | 09 | J03A, J03B, J04A, J04B, J08A, J08B, J08C, J10A, J10B, J10J, J16Z | 5t70e.5↔ | 21A | W04A, W04B | |
| | 21B | X05A | | 21A | W04A, W04B | | 21B | X05A | |
| | 01 | B03Z, B07Z, B17A, B17B, B17C, B17J | | 01 | B03Z, B07Z, B17A, B17B, B17C, B17J | | 01 | B03Z, B07Z, B17A, B17B, B17C, B17J | |
| 5t70d.1↔ | 08 | I12A, I12B, I12C, I12J, I32A, I32B, I32C, I32D, I32E, I32F, I32J, I32Q, I32R, I32S, I32T, I32U | 5t70e.0↔ | 08 | I12A, I12B, I12C, I12J, I32A, I32B, I32C, I32D, I32E, I32F, I32J, I32Q, I32R, I32S, I32T, I32U | 5t70f.0↔ | 08 | I12A, I12B, I12C, I12J, I32A, I32B, I32C, I32D, I32E, I32F, I32J, I32Q, I32R, I32S, I32T, I32U | |
| | 09 | J03A, J03B, J04A, J04B, J08A, J08B, J08C, J10A, J10B, J10J, J16Z | | 09 | J03A, J03B, J04A, J04B, J08A, J08B, J08C, J10A, J10B, J10J, J16Z | | 09 | J03A, J03B, J04A, J04B, J08A, J08B, J08C, J10A, J10B, J10J, J16Z | |
| | 21A | W04A, W04B | | 21A | W04A, W04B | | 21A | W04A, W04B | |
| 5t70d.2↔ | 21B | X05A | 5t70e.1↔ | 21B | X05A | 5t70f.1↔ | 21B | X05A | |
| | 01 | BOP, KJZSV, KVT, UOP4, VIAL | | 01 | BOP, KJZSV, KVT, UOP4, VIAL | | 01 | BOP, KJZSV, KVT, UOP4, VIAL | |
| | 01 | B03Z, B07Z, B17A, B17B, B17C, B17J | | 01 | B03Z, B07Z, B17A, B17B, B17C, B17J | | 01 | B03Z, B07Z, B17A, B17B, B17C, B17J | |
| 5t70d.3↔ | 08 | I12A, I12B, I12C, I12J, I32A, I32B, I32C, I32D, I32E, I32F, I32J, I32Q, I32R, I32S, I32T, I32U | 5t70e.2↔ | 08 | I12A, I12B, I12C, I12J, I32A, I32B, I32C, I32D, I32E, I32F, I32J, I32Q, I32R, I32S, I32T, I32U | 5t70f.2↔ | 08 | I12A, I12B, I12C, I12J, I32A, I32B, I32C, I32D, I32E, I32F, I32J, I32Q, I32R, I32S, I32T, I32U | |
| | 09 | J03A, J03B, J04A, J04B, J08A, J08B, J08C, J10A, J10B, J10J, J16Z | | 09 | J03A, J03B, J04A, J04B, J08A, J08B, J08C, J10A, J10B, J10J, J16Z | | 09 | J03A, J03B, J04A, J04B, J08A, J08B, J08C, J10A, J10B, J10J, J16Z | |
| | 21A | W04A, W04B | | 21A | W04A, W04B | | 21A | W04A, W04B | |
| 5t70d.3↔ | 21B | X05A | 5t70e.3↔ | 21B | X05A | 5t70f.3↔ | 21B | X05A | |
| | 01 | BOP, KJZSV, KVT, UOP4, VIAL | | 01 | BOP, KJZSV, KVT, UOP4, VIAL | | 01 | BOP, KJZSV, KVT, UOP4, VIAL | |
| | 01 | B03Z, B07Z, B17A, B17B, B17C, B17J | | 01 | B03Z, B07Z, B17A, B17B, B17C, B17J | | 01 | B03Z, B07Z, B17A, B17B, B17C, B17J | |
| | | | 5t70e.3↔ | 08 | I12A, I12B, I12C, I12J, I32A, I32B, I32C, I32D, I32E, I32F, I32J, I32Q, I32R, I32S, I32T, I32U | 5t70f.3↔ | 08 | I12A, I12B, I12C, I12J, I32A, I32B, I32C, I32D, I32E, I32F, I32J, I32Q, I32R, I32S, I32T, I32U | |
| | | | | 21A | W04A, W04B | | 5t70f.3↔ | 08 | I12A, I12B, I12C, I12J, I32A, I32B, I32C, I32D, I32E, I32F, I32J, I32Q, I32R, I32S, I32T, I32U |
| | | | | 21B | X05A | | | 08 | I12A, I12B, I12C, I12J, I32A, I32B, I32C, I32D, I32E, I32F, I32J, I32Q, I32R, I32S, I32T, I32U |
| | | | | | 09 | J03A, J03B, J04A, J04B, J08A, J08B, J08C, J10A, J10B, J10J, J16Z | | | |
| | | | | | | 21A | W04A, W04B | | |
| | | | | | | 21B | X05A | | |

VYK

| ZZV | MDC | DRG | ZZV | MDC | DRG | ZZV | MDC | DRG |
|----------|-----|--|----------|-----|--|----------|------|--|
| 5t70f.4↔ | | BOP, KJZSV, KVT, UOP4, VIAL | 5t70g.3↔ | | BOP, KJZSV, KVT, UOP4, VIAL | 5t70h.2↔ | | BOP, KJZSV, KVT, UOP4, VIAL |
| | 01 | B03Z, B07Z, B17A, B17B, B17C, B17J | | 08 | I12A, I12B, I12C, I12J, I32A, I32B, I32C, I32D, I32E, I32F, I32J, I32Q, I32R, I32S, I32T, I32U | | 01 | B03Z, B07Z, B17A, B17B, B17C, B17J |
| | 08 | I12A, I12B, I12C, I12J, I32A, I32B, I32C, I32D, I32E, I32F, I32J, I32Q, I32R, I32S, I32T, I32U | | 09 | J03A, J03B, J04A, J04B, J08A, J08B, J08C, J11A, J11B, J11J, J11Q, J11R, J11S, J16Z | | 08 | I12A, I12B, I12C, I12J, I32A, I32B, I32C, I32D, I32E, I32F, I32J, I32Q, I32R, I32S, I32T, I32U |
| | 09 | J03A, J03B, J04A, J04B, J08A, J08B, J08C, J10A, J10B, J10J, J16Z | | 21A | W04A, W04B | | 09 | J03A, J03B, J04A, J04B, J08A, J08B, J08C, J11A, J11B, J11J, J11Q, J11R, J11S, J16Z |
| | 21A | W04A, W04B | | 21B | X05A | | 21A | W04A, W04B |
| 5t70f.5↔ | | BOP, KJZSV, KVT, UOP4, VIAL | 5t70g.4↔ | | BOP, KJZSV, KVT, UOP4, VIAL | 5t70h.3↔ | | BOP, KJZSV, KVT, UOP4, VIAL |
| | 01 | B03Z, B07Z, B17A, B17B, B17C, B17J | | 08 | I12A, I12B, I12C, I12J, I32A, I32B, I32C, I32D, I32E, I32F, I32J, I32Q, I32R, I32S, I32T, I32U | | 01 | B03Z, B07Z, B17A, B17B, B17C, B17J |
| | 08 | I12A, I12B, I12C, I12J, I32A, I32B, I32C, I32D, I32E, I32F, I32J, I32Q, I32R, I32S, I32T, I32U | | 09 | J03A, J03B, J04A, J04B, J08A, J08B, J08C, J11A, J11B, J11J, J11Q, J11R, J11S, J16Z | | 08 | I12A, I12B, I12C, I12J, I32A, I32B, I32C, I32D, I32E, I32F, I32J, I32Q, I32R, I32S, I32T, I32U |
| | 09 | J03A, J03B, J04A, J04B, J08A, J08B, J08C, J10A, J10B, J10J, J16Z | | 21A | W04A, W04B | | 09 | J03A, J03B, J04A, J04B, J08A, J08B, J08C, J11A, J11B, J11J, J11Q, J11R, J11S, J16Z |
| | 21A | W04A, W04B | | 21B | X05A | | 21A | W04A, W04B |
| 5t70g.0↔ | | BOP, KJZSV, KVT, UOP4, VIAL | 5t70g.5↔ | | BOP, KJZSV, KVT, UOP4, VIAL | 5t70h.4↔ | | BOP, KJZSV, KVT, UOP4, VIAL |
| | 08 | I12A, I12B, I12C, I12J, I32A, I32B, I32C, I32D, I32E, I32F, I32J, I32Q, I32R, I32S, I32T, I32U | | 08 | I12A, I12B, I12C, I12J, I32A, I32B, I32C, I32D, I32E, I32F, I32J, I32Q, I32R, I32S, I32T, I32U | | 01 | B03Z, B07Z, B17A, B17B, B17C, B17J |
| | 09 | J03A, J03B, J04A, J04B, J08A, J08B, J08C, J11A, J11B, J11J, J11Q, J11R, J11S, J16Z | | 09 | J03A, J03B, J04A, J04B, J08A, J08B, J08C, J11A, J11B, J11J, J11Q, J11R, J11S, J16Z | | 08 | I12A, I12B, I12C, I12J, I32A, I32B, I32C, I32D, I32E, I32F, I32J, I32Q, I32R, I32S, I32T, I32U |
| | 21A | W04A, W04B | | 21A | W04A, W04B | | 09 | J03A, J03B, J04A, J04B, J08A, J08B, J08C, J11A, J11B, J11J, J11Q, J11R, J11S, J16Z |
| | 21B | X05A | | 21B | X05A | | 21A | W04A, W04B |
| 5t70g.1↔ | | BOP, KJZSV, KVT, UOP4, VIAL | 5t70h.0↔ | | BOP, KJZSV, KVT, UOP4, VIAL | 5t70h.5↔ | | BOP, KJZSV, KVT, UOP4, VIAL |
| | 08 | I12A, I12B, I12C, I12J, I32A, I32B, I32C, I32D, I32E, I32F, I32J, I32Q, I32R, I32S, I32T, I32U | | 01 | B03Z, B07Z, B17A, B17B, B17C, B17J | | 01 | B03Z, B07Z, B17A, B17B, B17C, B17J |
| | 09 | J03A, J03B, J04A, J04B, J08A, J08B, J08C, J11A, J11B, J11J, J11Q, J11R, J11S, J16Z | | 08 | I12A, I12B, I12C, I12J, I32A, I32B, I32C, I32D, I32E, I32F, I32J, I32Q, I32R, I32S, I32T, I32U | | 08 | I12A, I12B, I12C, I12J, I32A, I32B, I32C, I32D, I32E, I32F, I32J, I32Q, I32R, I32S, I32T, I32U |
| | 21A | W04A, W04B | | 21A | W04A, W04B | | 09 | J03A, J03B, J04A, J04B, J08A, J08B, J08C, J11A, J11B, J11J, J11Q, J11R, J11S, J16Z |
| | 21B | X05A | | 21B | X05A | | 21A | W04A, W04B |
| 5t70g.2↔ | | BOP, KJZSV, KVT, UOP4, VIAL | 5t70h.1↔ | | BOP, KJZSV, KVT, UOP4, VIAL | 5t70j.0↔ | | BOP, KJZSV, KVT, UOP4, VIAL |
| | 08 | I12A, I12B, I12C, I12J, I32A, I32B, I32C, I32D, I32E, I32F, I32J, I32Q, I32R, I32S, I32T, I32U | | 01 | B03Z, B07Z, B17A, B17B, B17C, B17J | | 01 | B03Z, B07Z, B17A, B17B, B17C, B17J |
| | 09 | J03A, J03B, J04A, J04B, J08A, J08B, J08C, J11A, J11B, J11J, J11Q, J11R, J11S, J16Z | | 08 | I12A, I12B, I12C, I12J, I32A, I32B, I32C, I32D, I32E, I32F, I32J, I32Q, I32R, I32S, I32T, I32U | | 08 | I12A, I12B, I12C, I12J, I32A, I32B, I32C, I32D, I32E, I32F, I32J, I32Q, I32R, I32S, I32T, I32U |
| | 21A | W04A, W04B | | 09 | J03A, J03B, J04A, J04B, J08A, J08B, J08C, J11A, J11B, J11J, J11Q, J11R, J11S, J16Z | | 09 | J03A, J03B, J04A, J04B, J08A, J08B, J08C, J11A, J11B, J11J, J11Q, J11R, J11S, J16Z |
| | 21B | X05A | | 21A | W04A, W04B | | 21A | W04A, W04B |
| | | | | | | 21B | X05A | |

VYK

| ZZV | MDC | DRG | ZZV | MDC | DRG | ZZV | MDC | DRG |
|----------|------------|--|----------|------------|--|----------|------------|--|
| 5t714.5↔ | | BOP, KJZSV, KVT, UOP4, VIAL | 5t715.3↔ | | BOP, KJZSV, KVT, UOP4, VIAL | 5t716.1↔ | | BOP, KJZSV, KVT, UOP4, VIAL |
| | 01 | B03Z, B07Z, B17A, B17B, B17C, B17J | | 01 | B03Z, B07Z, B17A, B17B, B17C, B17J | | 01 | B05J, B05Z |
| | 08 | I32A, I32B, I32C, I32D, I32E, I32F, I32J, I32Q, I32R, I32S, I32T, I32U | | 08 | I32A, I32B, I32C, I32D, I32E, I32F, I32J, I32Q, I32R, I32S, I32T, I32U | | 08 | I32A, I32B, I32C, I32D, I32E, I32F, I32J, I32Q, I32R, I32S, I32T, I32U |
| | 21A 21B | W04A, W04B X05A | | 09 | J03A, J03B, J04A, J04B, J08A, J08B, J08C, J11A, J11B, J11J, J11Q, J11R, J11S, J16Z | | 09 | J03A, J03B, J04A, J04B, J08A, J08B, J08C, J10A, J10B, J10J, J16Z |
| 5t714.6↔ | | BOP, KJZSV, KVT, UOP4, VIAL | 5t715.4↔ | | BOP, KJZSV, KVT, UOP4, VIAL | 5t716.2↔ | | BOP, KJZSV, KVT, UOP4, VIAL |
| | 01 | B03Z, B07Z, B17A, B17B, B17C, B17J | | 21A 21B | W04A, W04B X05A | | 01 | B03Z, B07Z, B17A, B17B, B17C, B17J |
| | 08 | I32A, I32B, I32C, I32D, I32E, I32F, I32J, I32Q, I32R, I32S, I32T, I32U | | 01 | B03Z, B07Z, B17A, B17B, B17C, B17J | | 08 | I32A, I32B, I32C, I32D, I32E, I32F, I32J, I32Q, I32R, I32S, I32T, I32U |
| | 21A 21B | W04A, W04B X05A | | 08 | I32A, I32B, I32C, I32D, I32E, I32F, I32J, I32Q, I32R, I32S, I32T, I32U | | 09 | J03A, J03B, J04A, J04B, J08A, J08B, J08C, J10A, J10B, J10J, J16Z |
| 5t714.7↔ | | BOP, KJZSV, KVT, UOP4, VIAL | 5t715.5↔ | | BOP, KJZSV, KVT, UOP4, VIAL | 5t716.3↔ | | BOP, KJZSV, KVT, UOP4, VIAL |
| | 01 | B03Z, B07Z, B17A, B17B, B17C, B17J | | 01 | B03Z, B07Z, B17A, B17B, B17C, B17J | | 01 | B03Z, B07Z, B17A, B17B, B17C, B17J |
| | 08 | I32A, I32B, I32C, I32D, I32E, I32F, I32J, I32Q, I32R, I32S, I32T, I32U | | 08 | I32A, I32B, I32C, I32D, I32E, I32F, I32J, I32Q, I32R, I32S, I32T, I32U | | 08 | I32A, I32B, I32C, I32D, I32E, I32F, I32J, I32Q, I32R, I32S, I32T, I32U |
| | 21A 21B | W04A, W04B X05A | | 21A 21B | W04A, W04B X05A | | 09 | J03A, J03B, J04A, J04B, J08A, J08B, J08C, J10A, J10B, J10J, J16Z |
| 5t715.0↔ | | BOP, KJZSV, KVT, UOP4, VIAL | 5t715.6↔ | | BOP, KJZSV, KVT, UOP4, VIAL | 5t716.4↔ | | BOP, KJZSV, KVT, UOP4, VIAL |
| | 01 | B03Z, B07Z, B17A, B17B, B17C, B17D, B17J | | 01 | B03Z, B07Z, B17A, B17B, B17C, B17J | | 01 | B03Z, B07Z, B17A, B17B, B17C, B17J |
| | 08 | I32A, I32B, I32C, I32D, I32E, I32F, I32J, I32Q, I32R, I32S, I32T, I32U | | 08 | I32A, I32B, I32C, I32D, I32E, I32F, I32J, I32Q, I32R, I32S, I32T, I32U | | 08 | I32A, I32B, I32C, I32D, I32E, I32F, I32J, I32Q, I32R, I32S, I32T, I32U |
| | 09 | J03A, J03B, J04A, J04B, J08A, J08B, J08C, J11A, J11B, J11J, J11Q, J11R, J11S, J16Z | | 21A 21B | W04A, W04B X05A | | 21A 21B | W04A, W04B X05A |
| 5t715.1↔ | | BOP, KJZSV, KVT, UOP4, VIAL | 5t715.7↔ | | BOP, KJZSV, KVT, UOP4, VIAL | 5t716.5↔ | | BOP, KJZSV, KVT, UOP4, VIAL |
| | 01 | B03Z, B07Z, B17A, B17B, B17C, B17J | | 01 | B03Z, B07Z, B17A, B17B, B17C, B17J | | 01 | B03Z, B07Z, B17A, B17B, B17C, B17J |
| | 08 | I32A, I32B, I32C, I32D, I32E, I32F, I32J, I32Q, I32R, I32S, I32T, I32U | | 08 | I32A, I32B, I32C, I32D, I32E, I32F, I32J, I32Q, I32R, I32S, I32T, I32U | | 08 | I32A, I32B, I32C, I32D, I32E, I32F, I32J, I32Q, I32R, I32S, I32T, I32U |
| | 09 | J03A, J03B, J04A, J04B, J08A, J08B, J08C, J11A, J11B, J11J, J11Q, J11R, J11S, J16Z | | 21A 21B | W04A, W04B X05A | | 21A 21B | W04A, W04B X05A |
| 5t715.2↔ | | BOP, KJZSV, KVT, UOP4, VIAL | 5t716.0↔ | | BOP, KJZSV, KVT, UOP4, VIAL | 5t716.6↔ | | BOP, KJZSV, KVT, UOP4, VIAL |
| | 01 | B03Z, B07Z, B17A, B17B, B17C, B17J | | 01 | B03Z, B07Z, B17A, B17B, B17C, B17D, B17J | | 01 | B03Z, B07Z, B17A, B17B, B17C, B17J |
| | 08 | I32A, I32B, I32C, I32D, I32E, I32F, I32J, I32Q, I32R, I32S, I32T, I32U | | 08 | I32A, I32B, I32C, I32D, I32E, I32F, I32J, I32Q, I32R, I32S, I32T, I32U | | 08 | I32A, I32B, I32C, I32D, I32E, I32F, I32J, I32Q, I32R, I32S, I32T, I32U |
| | 09 | J03A, J03B, J04A, J04B, J08A, J08B, J08C, J11A, J11B, J11J, J11Q, J11R, J11S, J16Z | | 21A 21B | W04A, W04B X05A | | 21A 21B | W04A, W04B X05A |

VYK

| ZZV | MDC | DRG | ZZV | MDC | DRG | ZZV | MDC | DRG | | | |
|----------|----------|--|--|--|--|--|--|--|--|------------------------------------|------------------------------------|
| 5t728.1↔ | | BOP, KJZSV, KVT, UOP4, VIAL | 5t72a.4↔ | | BOP, KJZSV, KVT, UOP4, VIAL | 5t735↔ | | BOP, KJZSV, KVT, UOP4, VIAL | | | |
| | 01 | B03Z, B07Z, B17A, B17B, B17C, B17D, B17J | | 08 | I32A, I32B, I32C, I32D, I32E, I32F, I32G, I32J, I32Q, I32R, I32S, I32T, I32U | | 08 | I32A, I32B, I32C, I32D, I32E, I32F, I32J, I32Q, I32R, I32S, I32T, I32U | | | |
| | 05 | F01A, F01B, F01D, F05Z, F07A, F07B, F14A, F14B, F28A, F42Z, F54A, F54B, F54J, F59A, F59B | | 09 | J03A, J03B, J04A, J04B, J08A, J08B, J08C, J11A, J11B, J11J, J11Q, J11R, J11S, J16Z | | 09 | J03A, J03B, J04A, J04B, J08A, J08B, J08C, J11A, J11B, J11J, J11Q, J11R, J11S, J16Z | | | |
| | 08 | I32A, I32B, I32C, I32D, I32E, I32F, I32J, I32Q, I32R, I32S, I32T, I32U | | 21A | W04A, W04B | | 21A | W04A, W04B | | | |
| | 09 | J03A, J03B, J04A, J04B, J08A, J08B, J08C, J11A, J11B, J11J, J11Q, J11R, J11S, J16Z | | 21B | X05A | | 21B | X05A | | | |
| | 10 | K09A, K09B | | 5t72x.1↔ | | | BOP, KJZSV, KVT, UOP4, VIAL | 5t736↔ | | BOP, KJZSV, KVT, UOP4, VIAL | |
| | 21A | W04A, W04B | | | 08 | | I32A, I32B, I32C, I32D, I32E, I32F, I32J, I32Q, I32R, I32S, I32T, I32U | | 01 | B03Z, B07Z, B17A, B17B, B17C, B17J | |
| | 21B | X05A | | 09 | J03A, J03B, J04A, J04B, J08A, J08B, J08C, J11A, J11B, J11J, J11Q, J11R, J11S, J16Z | | 08 | I32A, I32B, I32C, I32D, I32E, I32F, I32J, I32Q, I32R, I32S, I32T, I32U | | | |
| | 5t728.2↔ | | | BOP, KJZSV, KVT, UOP4, VIAL | 5t730↔ | | | BOP, KJZSV, KVT, UOP4, VIAL | 5t737↔ | | BOP, KJZSV, KVT, UOP4, VIAL |
| | | 01 | | B03Z, B07Z, B17A, B17B, B17C, B17D, B17J | | | 08 | I32A, I32B, I32C, I32D, I32E, I32F, I32J, I32Q, I32R, I32S, I32T, I32U | | 01 | B03Z, B07Z, B17A, B17B, B17C, B17J |
| 05 | | F01A, F01B, F01D, F05Z, F07A, F07B, F14A, F14B, F28A, F42Z, F54A, F54B, F54J, F59A, F59B | 09 | J03A, J03B, J04A, J04B, J08A, J08B, J08C, J11A, J11B, J11J, J11Q, J11R, J11S, J16Z | | 08 | I32A, I32B, I32C, I32D, I32E, I32F, I32J, I32Q, I32R, I32S, I32T, I32U | | | | |
| 08 | | I32A, I32B, I32C, I32D, I32E, I32F, I32J, I32Q, I32R, I32S, I32T, I32U | 21A | W04A, W04B | | 09 | J03A, J03B, J04A, J04B, J08A, J08B, J08C, J10A, J10B, J10J, J16Z | | | | |
| 09 | | J03A, J03B, J04A, J04B, J08A, J08B, J08C, J11A, J11B, J11J, J11Q, J11R, J11S, J16Z | 21B | X05A, X05B | | 10 | K09A, K09B | | | | |
| 10 | | K09A, K09B | 5t731↔ | | | BOP, KJZSV, KVT, UOP4, VIAL | 5t738↔ | | | BOP, KJZSV, KVT, UOP4, VIAL | |
| 21A | | W04A, W04B | | 08 | | I32A, I32B, I32C, I32D, I32E, I32F, I32J, I32Q, I32R, I32S, I32T, I32U | | 01 | | B03Z, B07Z, B17A, B17B, B17C, B17J | |
| 21B | | X05A | 09 | J03A, J03B, J04A, J04B, J08A, J08B, J08C, J11A, J11B, J11J, J11Q, J11R, J11S, J16Z | | 08 | I32A, I32B, I32C, I32D, I32E, I32F, I32J, I32Q, I32R, I32S, I32T, I32U | | | | |
| 5t729.3↔ | | | BOP, KJZSV, KVT, UOP4, VIAL | 5t732↔ | | | BOP, KJZSV, KVT, UOP4, VIAL | 5t739↔ | | | BOP, KJZSV, KVT, UOP4, VIAL |
| | | 08 | I32A, I32B, I32C, I32D, I32E, I32F, I32G, I32J, I32Q, I32R, I32S, I32T, I32U | | | 08 | I32A, I32B, I32C, I32D, I32E, I32F, I32J, I32Q, I32R, I32S, I32T, I32U | | | 01 | B03Z, B07Z, B17A, B17B, B17C, B17J |
| | 09 | J03A, J03B, J04A, J04B, J08A, J08B, J08C, J11A, J11B, J11J, J11Q, J11R, J11S, J16Z | 09 | | J03A, J03B, J04A, J04B, J08A, J08B, J08C, J11A, J11B, J11J, J11Q, J11R, J11S, J16Z | 08 | I32A, I32B, I32C, I32D, I32E, I32F, I32J, I32Q, I32R, I32S, I32T, I32U | | | | |
| | 21A | W04A, W04B | 21A | | W04A, W04B | 09 | J03A, J03B, J04A, J04B, J08A, J08B, J08C, J10A, J10B, J10J, J16Z | | | | |
| | 21B | X05A | 5t733↔ | | | BOP, KJZSV, KVT, UOP4, VIAL | 5t739↔ | | | BOP, KJZSV, KVT, UOP4, VIAL | |
| | 5t729.4↔ | | | | BOP, KJZSV, KVT, UOP4, VIAL | 08 | | | I32A, I32B, I32C, I32D, I32E, I32F, I32J, I32Q, I32R, I32S, I32T, I32U | 10 | K09A, K09B |
| | | 08 | I32A, I32B, I32C, I32D, I32E, I32F, I32G, I32J, I32Q, I32R, I32S, I32T, I32U | | 09 | J03A, J03B, J04A, J04B, J08A, J08B, J08C, J11A, J11B, J11J, J11Q, J11R, J11S, J16Z | 21A | | W04A, W04B | | |
| | | 09 | J03A, J03B, J04A, J04B, J08A, J08B, J08C, J11A, J11B, J11J, J11Q, J11R, J11S, J16Z | | 21B | X05A | 21B | | X05A | | |
| | | 21A | W04A, W04B | | 5t734↔ | | BOP, KJZSV, KVT, UOP4, VIAL | | 5t739↔ | | BOP, KJZSV, KVT, UOP4, VIAL |
| | | 21B | X05A | | | 08 | I32A, I32B, I32C, I32D, I32E, I32F, I32J, I32Q, I32R, I32S, I32T, I32U | | | 01 | B03Z, B07Z, B17A, B17B, B17C, B17J |
| 5t72a.3↔ | | | BOP, KJZSV, KVT, UOP4, VIAL | 5t734↔ | | BOP, KJZSV, KVT, UOP4, VIAL | 5t739↔ | | BOP, KJZSV, KVT, UOP4, VIAL | | |
| | | 08 | I32A, I32B, I32C, I32D, I32E, I32F, I32G, I32J, I32Q, I32R, I32S, I32T, I32U | | 08 | I32A, I32B, I32C, I32D, I32E, I32F, I32J, I32Q, I32R, I32S, I32T, I32U | | 08 | I32A, I32B, I32C, I32D, I32E, I32F, I32J, I32Q, I32R, I32S, I32T, I32U | | |
| | | 09 | J03A, J03B, J04A, J04B, J08A, J08B, J08C, J11A, J11B, J11J, J11Q, J11R, J11S, J16Z | | 21A | W04A, W04B | | 09 | J03A, J03B, J04A, J04B, J08A, J08B, J08C, J10A, J10B, J10J, J16Z | | |
| | | 21A | W04A, W04B | | 21B | X05A | | 10 | K09A, K09B | | |
| | | 21B | X05A | | 5t734↔ | | | BOP, KJZSV, KVT, UOP4, VIAL | 5t739↔ | | BOP, KJZSV, KVT, UOP4, VIAL |
| | 5t72a.4↔ | | BOP, KJZSV, KVT, UOP4, VIAL | | | 08 | | I32A, I32B, I32C, I32D, I32E, I32F, I32J, I32Q, I32R, I32S, I32T, I32U | | 21A | W04A, W04B |
| | | 08 | I32A, I32B, I32C, I32D, I32E, I32F, I32G, I32J, I32Q, I32R, I32S, I32T, I32U | | 21B | X05A | | 21B | X05A | | |
| | | 09 | J03A, J03B, J04A, J04B, J08A, J08B, J08C, J11A, J11B, J11J, J11Q, J11R, J11S, J16Z | | 5t734↔ | | | BOP, KJZSV, KVT, UOP4, VIAL | 5t739↔ | | BOP, KJZSV, KVT, UOP4, VIAL |
| | | 21A | W04A, W04B | | | 08 | | I32A, I32B, I32C, I32D, I32E, I32F, I32J, I32Q, I32R, I32S, I32T, I32U | | 10 | K09A, K09B |
| | | 21B | X05A | | 21A | W04A, W04B | | 21A | W04A, W04B | | |
| | | | 21B | X05A | 21B | X05A | | | | | |

| ZZV | MDC | DRG | ZZV | MDC | DRG | ZZV | MDC | DRG |
|----------|------------|--|-----------|-----|--|-----------|-----|--|
| 5t77x.3↔ | | BOP, KVT, UOP4, VIAL | 5t781.0↔ | 08 | I21J, I21Z, I31J, I31Z, I32A | 5t784.0x↔ | 01 | BOP, KVT, UOP4, VIAL |
| | 01 | B03Z, B07Z, B17A, B17B, B17C, B17J | | 21A | W04A, W04B | | 01 | B03Z, B07Z, B17A, B17B, B17C, B17J |
| | 08 | I32A, I32B, I32C, I32D, I32E, I32F, I32J, I32Q, I32R, I32S, I32T, I32U | | 21B | X06A, X06B, X06C | | 08 | I32A, I32B, I32C, I32D, I32E, I32F, I32J, I32Q, I32R, I32S, I32T, I32U |
| | 21A | W04A, W04B | | 01 | B03Z, B07Z, B17A, B17B, B17C, B17J | | 09 | J03A, J03B, J04A, J04B, J08A, J08B, J08C, J10A, J10B, J10J, J16Z |
| | 21B | X05A, X05B | | 05 | F21A, F21B, F21J | | 21A | W04A, W04B |
| 5t77x.4↔ | | BOP, KVT, UOP4, VIAL | 5t782.0↔ | 08 | I32A, I32B, I32C, I32D, I32E, I32F, I32J, I32Q, I32R, I32S, I32T, I32U | 5t784.11↔ | 21B | X05A, X05B |
| | 01 | B03Z, B07Z, B17A, B17B, B17C, B17J | | 09 | J02A, J02B, J02C, J04A, J04B, J08A, J08B, J08C, J16Z, J21Z, J22A, J22B, J22J | | 01 | BOP, KVT, UOP4, VIAL |
| | 08 | I32A, I32B, I32C, I32D, I32E, I32F, I32J, I32Q, I32R, I32S, I32T, I32U | | 21A | W04A, W04B | | 08 | I32A, I32B, I32C, I32D, I32E, I32F, I32J, I32Q, I32R, I32S, I32T, I32U |
| | 21A | W04A, W04B | | 21B | X01A, X01B, X01C | | 09 | J03A, J03B, J04A, J04B, J08A, J08B, J08C, J10A, J10B, J10J, J16Z |
| | 21B | X05A, X05B | | 01 | BOP, KVT, UOP4, VIAL | | 21A | W04A, W04B |
| 5t77x.5↔ | | BOP, KVT, UOP4, VIAL | 5t782.1↔ | 01 | B03Z, B07Z, B17A, B17B, B17C, B17J | 5t784.1x↔ | 21B | X05A, X05B |
| | 01 | B03Z, B07Z, B17A, B17B, B17C, B17J | | 05 | F21A, F21B, F21J | | 01 | BOP, KVT, UOP4, VIAL |
| | 08 | I32A, I32B, I32C, I32D, I32E, I32F, I32J, I32Q, I32R, I32S, I32T, I32U | | 08 | I32A, I32B, I32C, I32D, I32E, I32F, I32J, I32Q, I32R, I32S, I32T, I32U | | 08 | I32A, I32B, I32C, I32D, I32E, I32F, I32J, I32Q, I32R, I32S, I32T, I32U |
| | 21A | W04A, W04B | | 09 | J02A, J02B, J02C, J04A, J04B, J08A, J08B, J08C, J16Z, J21Z, J22A, J22B, J22J | | 09 | J03A, J03B, J04A, J04B, J08A, J08B, J08C, J10A, J10B, J10J, J16Z |
| | 21B | X05A, X05B | | 21A | W04A, W04B | | 21A | W04A, W04B |
| 5t77x.6↔ | | BOP, KVT, UOP4, VIAL | 5t783.0↔ | 21B | X01A, X01B, X01C | 5t785.03↔ | 21B | X05A, X05B |
| | 01 | B03Z, B07Z, B17A, B17B, B17C, B17J | | 01 | BOP, KVT, UOP4, VIAL | | 01 | BOP, KVT, UOP4, VIAL |
| | 08 | I32A, I32B, I32C, I32D, I32E, I32F, I32J, I32Q, I32R, I32S, I32T, I32U | | 01 | B03Z, B07Z, B17A, B17B, B17C, B17J | | 01 | B03Z, B07Z, B17A, B17B, B17C, B17J |
| | 21A | W04A, W04B | | 08 | I32A, I32B, I32C, I32D, I32E, I32F, I32J, I32Q, I32R, I32S, I32T, I32U | | 08 | I32A, I32B, I32C, I32D, I32E, I32F, I32J, I32Q, I32R, I32S, I32T, I32U |
| | 21B | X05A, X05B | | 09 | J02A, J02B, J02C, J04A, J04B, J08A, J08B, J08C, J16Z, J21Z, J22A, J22B, J22J | | 09 | J03A, J03B, J04A, J04B, J08A, J08B, J08C, J10A, J10B, J10J, J16Z |
| 5t77x.7↔ | | BOP, KVT, UOP4, VIAL | 5t783.1↔ | 21A | W04A, W04B | 5t785.0x↔ | 09 | J03A, J03B, J04A, J04B, J08A, J08B, J08C, J10A, J10B, J10J, J16Z |
| | 01 | B03Z, B07Z, B17A, B17B, B17C, B17J | | 01 | BOP, KVT, UOP4, VIAL | | 01 | BOP, KVT, UOP4, VIAL |
| | 08 | I32A, I32B, I32C, I32D, I32E, I32F, I32J, I32Q, I32R, I32S, I32T, I32U | | 01 | B03Z, B07Z, B17A, B17B, B17C, B17J | | 08 | I32A, I32B, I32C, I32D, I32E, I32F, I32J, I32Q, I32R, I32S, I32T, I32U |
| | 21A | W04A, W04B | | 08 | I32A, I32B, I32C, I32D, I32E, I32F, I32J, I32Q, I32R, I32S, I32T, I32U | | 08 | I32A, I32B, I32C, I32D, I32E, I32F, I32J, I32Q, I32R, I32S, I32T, I32U |
| | 21B | X05A, X05B | | 09 | J03A, J03B, J04A, J04B, J08A, J08B, J08C, J10A, J10B, J10J, J16Z | | 09 | J03A, J03B, J04A, J04B, J08A, J08B, J08C, J10A, J10B, J10J, J16Z |
| 5t77x.x↔ | | BOP, KVT, UOP4, VIAL | 5t784.01↔ | 21A | W04A, W04B | 5t785.13↔ | 21A | W04A, W04B |
| | 01 | B03Z, B07Z, B17A, B17B, B17C, B17J | | 01 | BOP, KVT, UOP4, VIAL | | 01 | BOP, KVT, UOP4, VIAL |
| | 08 | I32A, I32B, I32C, I32D, I32E, I32F, I32J, I32Q, I32R, I32S, I32T, I32U | | 01 | B03Z, B07Z, B17A, B17B, B17C, B17J | | 01 | B03Z, B07Z, B17A, B17B, B17C, B17J |
| | 21A | W04A, W04B | | 08 | I32A, I32B, I32C, I32D, I32E, I32F, I32J, I32Q, I32R, I32S, I32T, I32U | | 08 | I32A, I32B, I32C, I32D, I32E, I32F, I32J, I32Q, I32R, I32S, I32T, I32U |
| | 21B | X05A, X05B | | 09 | J03A, J03B, J04A, J04B, J08A, J08B, J08C, J10A, J10B, J10J, J16Z | | 08 | I32A, I32B, I32C, I32D, I32E, I32F, I32J, I32Q, I32R, I32S, I32T, I32U |
| 5t780.0↔ | | BOP, KVT, UOP4, VIAL | 5t784.1↔ | 21B | X05A, X05B | 5t785.13↔ | 09 | J03A, J03B, J04A, J04B, J08A, J08B, J08C, J10A, J10B, J10J, J16Z |
| | 01 | B03Z, B07Z, B17A, B17B, B17C, B17J | | 01 | BOP, KVT, UOP4, VIAL | | 21A | W04A, W04B |
| | 08 | I31J, I31Z, I32A, I32B, I32C, I32D, I32E, I32F, I32J, I32Q, I32R, I32S, I32T, I32U | | 01 | B03Z, B07Z, B17A, B17B, B17C, B17J | | 21B | X05A, X05B |
| | 09 | J03A, J03B, J04A, J04B, J08A, J08B, J08C, J10A, J10B, J10J, J16Z | | 08 | I32A, I32B, I32C, I32D, I32E, I32F, I32J, I32Q, I32R, I32S, I32T, I32U | | 01 | BOP, KVT, UOP4, VIAL |
| | 21A | W04A, W04B | | 09 | J03A, J03B, J04A, J04B, J08A, J08B, J08C, J10A, J10B, J10J, J16Z | | 08 | I32A, I32B, I32C, I32D, I32E, I32F, I32J, I32Q, I32R, I32S, I32T, I32U |
| 5t780.1↔ | | BOP, KVT, UOP4, VIAL | 5t784.1↔ | 21B | X05A, X05B | 5t785.13↔ | 08 | I32A, I32B, I32C, I32D, I32E, I32F, I32J, I32Q, I32R, I32S, I32T, I32U |
| | 01 | B03Z, B07Z, B17A, B17B, B17C, B17J | | 21A | W04A, W04B | | 09 | J03A, J03B, J04A, J04B, J08A, J08B, J08C, J10A, J10B, J10J, J16Z |
| | 08 | I31J, I31Z, I32A, I32B, I32C, I32D, I32E, I32F, I32J, I32Q, I32R, I32S, I32T, I32U | | 21B | X05A, X05B | | 21A | W04A, W04B |
| | 09 | J03A, J03B, J04A, J04B, J08A, J08B, J08C, J10A, J10B, J10J, J16Z | | | | | 21B | X05A, X05B |
| | 21A | W04A, W04B | | | | | | |
| 21B | X05A, X05B | | | | | | | |

| ZZV | MDC | DRG | ZZV | MDC | DRG | ZZV | MDC | DRG |
|-----------|------------|--|--|--------|--|------------------------------------|-----------------------------|--|
| 5t78b.01↔ | | BOP, KVT, UOP4, VIAL | 5t78x.1↔ | | BOP, KVT, UOP4, VIAL | 5t795↔ | | BOP, KVT, UOP4, VIAL |
| | 01 | B03Z, B07Z, B17A, B17B, B17C, B17J | | 01 | B03Z, B07Z, B17A, B17B, B17C, B17J | | 08 | I32A, I32B, I32C, I32D, I32E, I32F, I32J, I32Q, I32R, I32S, I32T, I32U |
| | 08 | I32A, I32B, I32C, I32D, I32E, I32F, I32J, I32Q, I32R, I32S, I32T, I32U | | 08 | I32A, I32B, I32C, I32D, I32E, I32F, I32J, I32Q, I32R, I32S, I32T, I32U | | 21A | W04A, W04B |
| | 09 | J03A, J03B, J04A, J04B, J08A, J08B, J08C, J10A, J10B, J10J, J16Z | | 09 | J03A, J03B, J04A, J04B, J08A, J08B, J08C, J10A, J10B, J10J, J16Z | | 21B | X05A, X05B |
| | 21A | W04A, W04B | | 21A | W04A, W04B | | 5t796↔ | |
| 21B | X05A, X05B | 21B | X05A, X05B | 01 | B03Z, B07Z, B17A, B17B, B17C, B17J | | | |
| 5t78b.10↔ | | BOP, KVT, UOP4, VIAL | 5t790↔ | | BOP, KVT, UOP4, VIAL | 5t797.0↔ | | BOP, KJZSV, KVT, UOP4, VIAL |
| | 01 | B03Z, B07Z, B17A, B17B, B17C, B17J | | 08 | I32A, I32B, I32C, I32D, I32E, I32F, I32G, I32J, I32Q, I32R, I32S, I32T, I32U | | 01 | B03Z, B07Z, B17A, B17B, B17C, B17J |
| | 08 | I32A, I32B, I32C, I32D, I32E, I32F, I32J, I32Q, I32R, I32S, I32T, I32U | | 09 | J03A, J03B, J04A, J04B, J08A, J08B, J08C, J11A, J11B, J11J, J11Q, J11R, J11S, J16Z | | 08 | I32A, I32B, I32C, I32D, I32E, I32F, I32J, I32Q, I32R, I32S, I32T, I32U |
| | 09 | J03A, J03B, J04A, J04B, J08A, J08B, J08C, J10A, J10B, J10J, J16Z | | 10 | K09A, K09B | | 21A | W04A, W04B |
| | 21A | W04A, W04B | | 21A | W04A, W04B | | 21B | X07A, X07B |
| 5t78b.11↔ | | BOP, KVT, UOP4, VIAL | 5t791↔ | | BOP, KVT, UOP4, VIAL | 5t797.1↔ | | BOP, KJZSV, KVT, UOP4, VIAL |
| | 01 | B03Z, B07Z, B17A, B17B, B17C, B17J | | 08 | I32A, I32B, I32C, I32D, I32E, I32F, I32J, I32Q, I32R, I32S, I32T, I32U | | 01 | B03Z, B07Z, B17A, B17B, B17C, B17J |
| | 08 | I32A, I32B, I32C, I32D, I32E, I32F, I32J, I32Q, I32R, I32S, I32T, I32U | | 21A | W04A, W04B | | 08 | I32A, I32B, I32C, I32D, I32E, I32F, I32J, I32Q, I32R, I32S, I32T, I32U |
| | 09 | J03A, J03B, J04A, J04B, J08A, J08B, J08C, J10A, J10B, J10J, J16Z | | 21B | X05A, X05B | | 21A | W04A, W04B |
| | 21A | W04A, W04B | | 5t792↔ | | | BOP, KVT, UOP4, VIAL | 21B |
| 21B | X05A, X05B | 08 | I32A, I32B, I32C, I32D, I32E, I32F, I32J, I32Q, I32R, I32S, I32T, I32U | | 5t798↔ | | BOP, KJZSV, KVT, UOP4, VIAL | |
| 5t78c.0↔ | | BOP, KJZSV, KVT, UOP4, VIAL | 5t793↔ | | | BOP, KVT, UOP4, VIAL | 5t799↔ | |
| | 01 | B03Z, B07Z, B17A, B17B, B17C, B17J | | 01 | B03Z, B07Z, B17A, B17B, B17C, B17J | 01 | | B03Z, B07Z, B17A, B17B, B17C, B17J |
| | 08 | I32A, I32B, I32C, I32D, I32E, I32F, I32J, I32Q, I32R, I32S, I32T, I32U | | 05 | F01A, F01B, F01D, F05Z, F07A, F07B, F14A, F14B, F28A, F42Z, F54A, F54B, F54J, F59A, F59B | 08 | | I32A, I32B, I32C, I32D, I32E, I32F, I32J, I32Q, I32R, I32S, I32T, I32U |
| | 09 | J03A, J03B, J04A, J04B, J08A, J08B, J08C, J10A, J10B, J10J, J16Z | | 08 | I28A, I28B, I28C, I28J | 21A | | W04A, W04B |
| | 21A | W04A, W04B | | 09 | J03A, J03B, J04A, J04B, J08A, J08B, J08C, J11A, J11B, J11J, J11Q, J11R, J11S, J16Z | 21B | | X07A, X07B |
| 5t78c.1↔ | | BOP, KJZSV, KVT, UOP4, VIAL | 5t794↔ | | BOP, KVT, UOP4, VIAL | 5t79x↔ | | BOP, KJZSV, KVT, UOP4, VIAL |
| | 01 | B03Z, B07Z, B17A, B17B, B17C, B17J | | 01 | B03Z, B07Z, B17A, B17B, B17C, B17J | | 08 | I32A, I32B, I32C, I32D, I32E, I32F, I32J, I32Q, I32R, I32S, I32T, I32U |
| | 08 | I32A, I32B, I32C, I32D, I32E, I32F, I32J, I32Q, I32R, I32S, I32T, I32U | | 05 | F01A, F01B, F01D, F05Z, F07A, F07B, F14A, F14B, F28A, F42Z, F54A, F54B, F54J, F59A, F59B | | 21A | W04A, W04B |
| | 09 | J03A, J03B, J04A, J04B, J08A, J08B, J08C, J10A, J10B, J10J, J16Z | | 08 | I28A, I28B, I28C, I28J | | 21B | X05A, X05B |
| | 21A | W04A, W04B | | 5t799↔ | | | BOP, KJZSV, KVT, UOP4, VIAL | 5t800.0↔ |
| 21B | X05A, X05B | 01 | B03Z, B07Z, B17A, B17B, B17C, B17J | | 01 | B03Z, B07Z, B17A, B17B, B17C, B17J | | |
| 5t78x.0↔ | | BOP, KVT, UOP4, VIAL | 5t795↔ | | BOP, KVT, UOP4, VIAL | 5t800.0↔ | | BOP, KJZSV, KVT, UOP4, VIAL |
| | 01 | B03Z, B07Z, B17A, B17B, B17C, B17J | | 08 | I32A, I32B, I32C, I32D, I32E, I32F, I32J, I32Q, I32R, I32S, I32T, I32U | | 03 | D18Z, D28J, D28Z, D29J, D29Z |
| | 08 | I32A, I32B, I32C, I32D, I32E, I32F, I32J, I32Q, I32R, I32S, I32T, I32U | | 09 | J03A, J03B, J04A, J04B, J08A, J08B, J08C, J11A, J11B, J11J, J11Q, J11R, J11S, J16Z | | 08 | I27A, I27B, I27C, I27D, I27J, I27Q |
| | 09 | J03A, J03B, J04A, J04B, J08A, J08B, J08C, J10A, J10B, J10J, J16Z | | 10 | K09A, K09B | | 09 | J03A, J03B, J04A, J04B, J08A, J08B, J08C, J11A, J11B, J11J, J11Q, J11R, J11S, J16Z |
| | 21A | W04A, W04B | | 21A | W04A, W04B | | 21A | W04A, W04B |
| 21B | X05A, X05B | 21B | X05A, X05B | 21B | X06A, X06B, X06C | | | |

VYK

| ZZV | MDC | DRG | ZZV | MDC | DRG | ZZV | MDC | DRG |
|----------|-----|--|------------------|-----|--|----------|-----|--|
| 5t800.1↔ | | BOP, KJZSV, KVT, UOP4 | 5t800.7↔ | | BOP, KJZSV, KVT, UOP4 | 5t801.1↔ | | BOP, KJZSV, KVT, UOP4 |
| | 01 | B03Z, B17A, B17B, B17C, B17J | | 01 | B03Z, B17A, B17B, B17C, B17J | | 01 | B03Z, B17A, B17B, B17C, B17J |
| | 08 | I27A, I27B, I27C, I27D, I27J, I27Q | | 08 | I27A, I27B, I27C, I27D, I27J, I27Q | | 08 | I27A, I27B, I27C, I27D, I27J, I27Q |
| | 09 | J03A, J03B, J04A, J04B, J08A, J08B, J08C, J11A, J11B, J11J, J11Q, J11R, J11S, J16Z | | 09 | J03A, J03B, J04A, J04B, J08A, J08B, J08C, J11A, J11B, J11J, J11Q, J11R, J11S, J16Z | | 09 | J03A, J03B, J04A, J04B, J08A, J08B, J08C, J11A, J11B, J11J, J11Q, J11R, J11S, J16Z |
| | 21A | W04A, W04B | | 21A | W04A, W04B | | 21A | W04A, W04B |
| 5t800.2↔ | 21B | X06A, X06B, X06C | 5t800.8↔ | 21B | X04Z, X06A, X06B, X06C | 5t801.2↔ | 21B | X06A, X06B, X06C |
| | | BOP, KJZSV, KVT, UOP4 | | | BOP, KJZSV, KVT, UOP4 | | | BOP, KVT, UOP4 |
| | 01 | B03Z, B17A, B17B, B17C, B17J | | 01 | B03Z, B17A, B17B, B17C, B17J | | 01 | B03Z, B17A, B17B, B17C, B17J |
| | 08 | I27A, I27B, I27C, I27D, I27J, I27Q | | 08 | I27A, I27B, I27C, I27D, I27J, I27Q | | 08 | I27A, I27B, I27C, I27D, I27J, I27Q |
| | 09 | J03A, J03B, J04A, J04B, J08A, J08B, J08C, J11A, J11B, J11J, J11Q, J11R, J11S, J16Z | | 09 | J03A, J03B, J04A, J04B, J08A, J08B, J08C, J11A, J11B, J11J, J11Q, J11R, J11S, J16Z | | 09 | J03A, J03B, J04A, J04B, J08A, J08B, J08C, J11A, J11B, J11J, J11Q, J11R, J11S, J16Z |
| 5t800.3↔ | 21A | W04A, W04B | 5t800.a↔ | 21A | W04A, W04B | 5t801.3↔ | 21A | W04A, W04B |
| | 21B | X06A, X06B, X06C | | 21B | X04Z, X06A, X06B, X06C | | 21B | X06A, X06B, X06C |
| | | BOP, KJZSV, KVT, UOP4 | | | BOP, KJZSV, KVT, UOP4 | | | BOP, KJZSV, KVT, UOP4 |
| | 01 | B03Z, B17A, B17B, B17C, B17J | | 01 | B03Z, B17A, B17B, B17C, B17J | | 01 | B03Z, B17A, B17B, B17C, B17J |
| | 08 | I27A, I27B, I27C, I27D, I27J, I27Q | | 08 | I27A, I27B, I27C, I27D, I27J, I27Q | | 08 | I27A, I27B, I27C, I27D, I27J, I27Q |
| 5t800.4↔ | 09 | J03A, J03B, J04A, J04B, J08A, J08B, J08C, J11A, J11B, J11J, J11Q, J11R, J11S, J16Z | 5t800.b | 09 | J03A, J03B, J04A, J04B, J08A, J08B, J08C, J11A, J11B, J11J, J11Q, J11R, J11S, J16Z | 5t801.4↔ | 09 | J03A, J03B, J04A, J04B, J08A, J08B, J08C, J11A, J11B, J11J, J11Q, J11R, J11S, J16Z |
| | 21A | W04A, W04B | | 21A | W04A, W04B | | 21A | W04A, W04B |
| | 21B | X05A, X05B, X06A, X06B, X06C | | 21B | X04Z, X06A, X06B, X06C | | 21B | X05A, X05B, X06A, X06B, X06C |
| | | BOP, KJZSV, KVT, UOP4 | | | BOP, KJZSV, KVT, UOP4 | | | BOP, KJZSV, KVT, UOP4 |
| | 01 | B03Z, B17A, B17B, B17C, B17J | | 01 | B03Z, B17A, B17B, B17C, B17J | | 01 | B03Z, B17A, B17B, B17C, B17J |
| 5t800.5↔ | 08 | I27A, I27B, I27C, I27D, I27J, I27Q | 5t800.x↔ | 08 | I27A, I27B, I27C, I27D, I27J, I27Q | 5t801.5↔ | 08 | I27A, I27B, I27C, I27D, I27J, I27Q |
| | 09 | J03A, J03B, J04A, J04B, J08A, J08B, J08C, J11A, J11B, J11J, J11Q, J11R, J11S, J16Z | | 09 | J03A, J03B, J04A, J04B, J08A, J08B, J08C, J11A, J11B, J11J, J11Q, J11R, J11S, J16Z | | 09 | J03A, J03B, J04A, J04B, J08A, J08B, J08C, J11A, J11B, J11J, J11Q, J11R, J11S, J16Z |
| | 21A | W04A, W04B | | 21A | W04A, W04B | | 21A | W04A, W04B |
| | 21B | X06A, X06B, X06C | | 21B | X04Z, X06A, X06B, X06C | | 21B | X06A, X06B, X06C |
| | | BOP, KJZSV, KVT, UOP4 | | | BOP, KJZSV, KVT, UOP4 | | | BOP, KJZSV, KVT, UOP4 |
| 5t800.6↔ | 01 | B03Z, B17A, B17B, B17C, B17J | 5t801.0↔ | 01 | B03Z, B07Z, B17A, B17B, B17C, B17J | 5t801.6↔ | 01 | B03Z, B17A, B17B, B17C, B17J |
| | 08 | I27A, I27B, I27C, I27D, I27J, I27Q | | 03 | D18Z, D28J, D28Z, D29J, D29Z | | 08 | I27A, I27B, I27C, I27D, I27J, I27Q |
| | 09 | J03A, J03B, J04A, J04B, J08A, J08B, J08C, J11A, J11B, J11J, J11Q, J11R, J11S, J16Z | | 08 | I27A, I27B, I27C, I27D, I27J, I27Q | | 09 | J03A, J03B, J04A, J04B, J08A, J08B, J08C, J11A, J11B, J11J, J11Q, J11R, J11S, J16Z |
| | 21A | W04A, W04B | | 09 | J03A, J03B, J04A, J04B, J08A, J08B, J08C, J11A, J11B, J11J, J11Q, J11R, J11S, J16Z | | 21A | W04A, W04B |
| | 21B | X04Z, X06A, X06B, X06C | | 21A | W04A, W04B | | 21B | X04Z, X06A, X06B, X06C |
| | | 21B | X06A, X06B, X06C | | | | | |

| ZZV | MDC | DRG | ZZV | MDC | DRG | ZZV | MDC | DRG | | | |
|----------|----------|--|--|--|------------------------------------|----------|------------------------------------|------------------------------------|----------|----|------------------------------------|
| 5t801.7↔ | | BOP, KJZSV, KVT, UOP4 | 5t802.2↔ | | BOP, KJZSV, KVT, UOP4 | 5t802.b↔ | | BOP, KJZSV, KVT, UOP4 | | | |
| | 01 | B03Z, B17A, B17B, B17C, B17J | | 01 | B03Z, B07Z, B17A, B17B, B17C, B17J | | 01 | B03Z, B07Z, B17A, B17B, B17C, B17J | | | |
| | 08 | I27A, I27B, I27C, I27D, I27J, I27Q | | 08 | I27A, I27B, I27C, I27D, I27J, I27Q | | 08 | I27A, I27B, I27C, I27D, I27J, I27Q | | | |
| | 09 | J03A, J03B, J04A, J04B, J08A, J08B, J08C, J11A, J11B, J11J, J11Q, J11R, J11S, J16Z | | 10 | K09A, K09B | | 10 | K09A, K09B | | | |
| | 21A | W04A, W04B | | 21A | W04A, W04B | | 21A | W04A, W04B | | | |
| | 21B | X04Z, X06A, X06B, X06C | | 21B | X06A, X06B, X06C | | 21B | X04Z | | | |
| | 5t801.8↔ | | | BOP, KJZSV, KVT, UOP4 | 5t802.3↔ | | | BOP, KJZSV, KVT, UOP4 | 5t802.x | | BOP, KJZSV, KVT, UOP4 |
| | | 01 | | B03Z, B17A, B17B, B17C, B17J | | | 01 | B03Z, B07Z, B17A, B17B, B17C, B17J | | 01 | B03Z, B07Z, B17A, B17B, B17C, B17J |
| | | 08 | | I27A, I27B, I27C, I27D, I27J, I27Q | | | 08 | I27A, I27B, I27C, I27D, I27J, I27Q | | 08 | I27A, I27B, I27C, I27D, I27J, I27Q |
| | | 09 | | J03A, J03B, J04A, J04B, J08A, J08B, J08C, J11A, J11B, J11J, J11Q, J11R, J11S, J16Z | | | 10 | K09A, K09B | | 10 | K09A, K09B |
| 21A | | W04A, W04B | 21A | W04A, W04B | | 21A | W04A, W04B | | | | |
| 21B | | X04Z, X06A, X06B, X06C | 21B | X05A, X05B, X06A, X06B, X06C | | 21B | X06A, X06B, X06C | | | | |
| 5t801.a↔ | | | BOP, KJZSV, KVT, UOP4 | 5t802.4↔ | | | BOP, KJZSV, KVT, UOP4 | 5t803.0↔ | | | BOP, KJZSV, KVT, UOP4 |
| | | 01 | B03Z, B17A, B17B, B17C, B17J | | | 01 | B03Z, B07Z, B17A, B17B, B17C, B17J | | | 01 | B03Z, B07Z, B17A, B17B, B17C, B17J |
| | | 08 | I27A, I27B, I27C, I27D, I27J, I27Q | | | 08 | I27A, I27B, I27C, I27D, I27J, I27Q | | | 08 | I27A, I27B, I27C, I27D, I27J, I27Q |
| | | 09 | J03A, J03B, J04A, J04B, J08A, J08B, J08C, J11A, J11B, J11J, J11Q, J11R, J11S, J16Z | | | 10 | K09A, K09B | | | 10 | K09A, K09B |
| | 21A | W04A, W04B | 21A | | W04A, W04B | 21A | W04A, W04B | | | | |
| | 21B | X04Z, X06A, X06B, X06C | 21B | | X06A, X06B, X06C | 21B | X06A, X06B, X06C | | | | |
| | 5t801.b↔ | | BOP, KJZSV, KVT, UOP4 | | 5t802.5↔ | | BOP, KJZSV, KVT, UOP4 | | 5t803.1↔ | | BOP, KJZSV, KVT, UOP4 |
| | | 01 | B03Z, B17A, B17B, B17C, B17J | | | 01 | B03Z, B07Z, B17A, B17B, B17C, B17J | | | 01 | B03Z, B07Z, B17A, B17B, B17C, B17J |
| | | 08 | I27A, I27B, I27C, I27D, I27J, I27Q | | | 08 | I27A, I27B, I27C, I27D, I27J, I27Q | | | 08 | I27A, I27B, I27C, I27D, I27J, I27Q |
| | | 09 | J03A, J03B, J04A, J04B, J08A, J08B, J08C, J11A, J11B, J11J, J11Q, J11R, J11S, J16Z | | | 10 | K09A, K09B | | | 10 | K09A, K09B |
| 21A | | W04A, W04B | 21A | W04A, W04B | | 21A | W04A, W04B | | | | |
| 21B | | X04Z, X06A, X06B, X06C | 21B | X06A, X06B, X06C | | 21B | X06A, X06B, X06C | | | | |
| 5t801.x | | | BOP, KJZSV, KVT, UOP4 | 5t802.6↔ | | | BOP, KJZSV, KVT, UOP4 | 5t803.2↔ | | | BOP, KJZSV, KVT, UOP4 |
| | | 01 | B03Z, B17A, B17B, B17C, B17J | | | 01 | B03Z, B07Z, B17A, B17B, B17C, B17J | | | 01 | B03Z, B07Z, B17A, B17B, B17C, B17J |
| | | 08 | I27A, I27B, I27C, I27D, I27J, I27Q | | | 08 | I27A, I27B, I27C, I27D, I27J, I27Q | | | 08 | I27A, I27B, I27C, I27D, I27J, I27Q |
| | | 09 | J03A, J03B, J04A, J04B, J08A, J08B, J08C, J11A, J11B, J11J, J11Q, J11R, J11S, J16Z | | | 10 | K09A, K09B | | | 10 | K09A, K09B |
| | 21A | W04A, W04B | 21A | | W04A, W04B | 21A | W04A, W04B | | | | |
| | 21B | X04Z, X06A, X06B, X06C | 21B | | X04Z, X06A, X06B, X06C | 21B | X06A, X06B, X06C | | | | |
| | 5t802.0↔ | | BOP, KJZSV, KVT, UOP4 | | 5t802.7↔ | | BOP, KJZSV, KVT, UOP4 | | 5t803.3↔ | | BOP, KJZSV, KVT, UOP4 |
| | | 01 | B03Z, B07Z, B17A, B17B, B17C, B17J | | | 01 | B03Z, B07Z, B17A, B17B, B17C, B17J | | | 01 | B03Z, B07Z, B17A, B17B, B17C, B17J |
| | | 08 | I27A, I27B, I27C, I27D, I27J, I27Q | | | 08 | I27A, I27B, I27C, I27D, I27J, I27Q | | | 08 | I27A, I27B, I27C, I27D, I27J, I27Q |
| | | 10 | K09A, K09B | | | 10 | K09A, K09B | | | 10 | K09A, K09B |
| 21A | | W04A, W04B | 21A | W04A, W04B | | 21A | W04A, W04B | | | | |
| 21B | | X06A, X06B, X06C | 21B | X04Z, X06A, X06B, X06C | | 21B | X05A, X05B, X06A, X06B, X06C | | | | |
| 5t802.1↔ | | | BOP, KJZSV, KVT, UOP4 | 5t802.8↔ | | | BOP, KJZSV, KVT, UOP4 | 5t803.4↔ | | | BOP, KJZSV, KVT, UOP4 |
| | | 01 | B03Z, B07Z, B17A, B17B, B17C, B17J | | | 01 | B03Z, B07Z, B17A, B17B, B17C, B17J | | | 01 | B03Z, B07Z, B17A, B17B, B17C, B17J |
| | | 08 | I27A, I27B, I27C, I27D, I27J, I27Q | | | 08 | I27A, I27B, I27C, I27D, I27J, I27Q | | | 08 | I27A, I27B, I27C, I27D, I27J, I27Q |
| | | 10 | K09A, K09B | | | 10 | K09A, K09B | | | 10 | K09A, K09B |
| | 21A | W04A, W04B | 21A | | W04A, W04B | 21A | W04A, W04B | | | | |
| | 21B | X06A, X06B, X06C | 21B | | X04Z, X06A, X06B, X06C | 21B | X06A, X06B, X06C | | | | |

VYK

Príloha B: Index Výkon-MDC-DRG

| ZZV | MDC | DRG | ZZV | MDC | DRG | ZZV | MDC | DRG | | |
|----------|------------------------|------------------------------------|-----------------------|------------------------------------|------------------------------------|------------------------------------|--|--|------------------------------------|--|
| 5t803.6↔ | | BOP, KJZSV, KVT, UOP4 | 5t804.4↔ | 08 | I27A, I27B, I27C, I27D, I27J, I27Q | 5t805.7↔ | 08 | I27A, I27B, I27C, I27D, I27J, I27Q | | |
| | 01 | B03Z, B07Z, B17A, B17B, B17C, B17J | | 21A | W04A, W04B | | 21A | W04A, W04B | | |
| | 08 | I27A, I27B, I27C, I27D, I27J, I27Q | | 21B | X04Z, X06A, X06B, X06C | | 21B | X04Z, X06A, X06B, X06C | | |
| | 10 | K09A, K09B | | 5t804.6↔ | 08 | | I27A, I27B, I27C, I27D, I27J, I27Q | 5t805.8↔ | 08 | I27A, I27B, I27C, I27D, I27J, I27Q |
| | 21A | W04A, W04B | | | 21A | | W04A, W04B | | 21A | W04A, W04B |
| 5t803.7↔ | 21B | X04Z, X06A, X06B, X06C | 5t804.7↔ | 21B | X04Z, X06A, X06B, X06C | 5t805.a↔ | 21B | X04Z, X06A, X06B, X06C | | |
| | 01 | BOP, KJZSV, KVT, UOP4 | | 08 | I27A, I27B, I27C, I27D, I27J, I27Q | | 08 | I27A, I27B, I27C, I27D, I27J, I27Q | | |
| | 08 | I27A, I27B, I27C, I27D, I27J, I27Q | 5t804.8↔ | 21A | W04A, W04B | 5t805.b↔ | 21A | W04A, W04B | | |
| | 10 | K09A, K09B | | 21B | X04Z, X06A, X06B, X06C | | 21B | X04Z, X06A, X06B, X06C | | |
| | 21A | W04A, W04B | 5t804.a↔ | 08 | I27A, I27B, I27C, I27D, I27J, I27Q | 5t805.x | 08 | I27A, I27B, I27C, I27D, I27J, I27Q | | |
| 21B | X04Z, X06A, X06B, X06C | 21A | | W04A, W04B | 21A | | W04A, W04B | | | |
| 5t803.8↔ | 21B | X04Z, X06A, X06B, X06C | 5t804.b↔ | 21B | X04Z, X06A, X06B, X06C | 5t806.0↔ | 21B | X06A, X06B, X06C | | |
| | 01 | BOP, KJZSV, KVT, UOP4 | | 08 | I27A, I27B, I27C, I27D, I27J, I27Q | | 01 | B03Z, B07Z, B17A, B17B, B17C, B17J | | |
| | 08 | I27A, I27B, I27C, I27D, I27J, I27Q | 5t804.x | 21A | W04A, W04B | 5t806.1↔ | 08 | I27A, I27B, I27C, I27D, I27J, I27Q | | |
| | 10 | K09A, K09B | | 21B | X04Z, X06A, X06B, X06C | | 09 | J03A, J03B, J04A, J04B, J08A, J08B, J08C, J11A, J11B, J11J, J11Q, J11R, J11S, J16Z | | |
| | 21A | W04A, W04B | 5t805.0↔ | 08 | I27A, I27B, I27C, I27D, I27J, I27Q | 5t806.2↔ | 21A | W04A, W04B | | |
| 21B | X04Z | 21A | | W04A, W04B | 21B | | X06A, X06B, X06C | | | |
| 5t803.a↔ | 01 | BOP, KJZSV, KVT, UOP4 | 5t805.1↔ | 08 | I27A, I27B, I27C, I27D, I27J, I27Q | 5t806.3↔ | 01 | BOP, KJZSV, KVT, UOP4 | | |
| | 08 | I27A, I27B, I27C, I27D, I27J, I27Q | | 21A | W04A, W04B | | 08 | I27A, I27B, I27C, I27D, I27J, I27Q | | |
| | 10 | K09A, K09B | 5t805.2↔ | 21B | X06A, X06B, X06C | 5t806.3↔ | 09 | J03A, J03B, J04A, J04B, J08A, J08B, J08C, J11A, J11B, J11J, J11Q, J11R, J11S, J16Z | | |
| | 21A | W04A, W04B | | 08 | I27A, I27B, I27C, I27D, I27J, I27Q | | 21A | W04A, W04B | | |
| | 21B | X04Z | 5t805.3↔ | 08 | I27A, I27B, I27C, I27D, I27J, I27Q | 21B | X06A, X06B, X06C | | | |
| 01 | BOP, KJZSV, KVT, UOP4 | 21A | | W04A, W04B | 01 | B03Z, B07Z, B17A, B17B, B17C, B17J | | | | |
| 5t803.b↔ | 08 | I27A, I27B, I27C, I27D, I27J, I27Q | 5t805.4↔ | 21B | X06A, X06B, X06C | 5t806.3↔ | 08 | I27A, I27B, I27C, I27D, I27J, I27Q | | |
| | 10 | K09A, K09B | | 08 | I27A, I27B, I27C, I27D, I27J, I27Q | | 09 | J03A, J03B, J04A, J04B, J08A, J08B, J08C, J11A, J11B, J11J, J11Q, J11R, J11S, J16Z | | |
| | 21A | W04A, W04B | 5t805.6↔ | 21A | W04A, W04B | 5t806.3↔ | 21A | W04A, W04B | | |
| | 21B | X04Z | | 08 | I27A, I27B, I27C, I27D, I27J, I27Q | | 21B | X06A, X06B, X06C | | |
| | 5t803.x | 01 | BOP, KJZSV, KVT, UOP4 | 5t805.4↔ | 21B | X06A, X06B, X06C | 5t806.3↔ | 01 | B03Z, B07Z, B17A, B17B, B17C, B17J | |
| 08 | | I27A, I27B, I27C, I27D, I27J, I27Q | 08 | | I27A, I27B, I27C, I27D, I27J, I27Q | 08 | | I27A, I27B, I27C, I27D, I27J, I27Q | | |
| 10 | | K09A, K09B | 5t805.6↔ | 21A | W04A, W04B | 5t806.3↔ | 09 | J03A, J03B, J04A, J04B, J08A, J08B, J08C, J11A, J11B, J11J, J11Q, J11R, J11S, J16Z | | |
| 21A | | W04A, W04B | | 21A | W04A, W04B | | 21A | W04A, W04B | | |
| 21B | | X06A, X06B, X06C | 5t805.6↔ | 21B | X06A, X06B, X06C | 21B | X06A, X06B, X06C | | | |
| 01 | BOP, KJZSV, KVT, UOP4 | 08 | | I27A, I27B, I27C, I27D, I27J, I27Q | 01 | B03Z, B07Z, B17A, B17B, B17C, B17J | | | | |
| 5t804.0↔ | 08 | I27A, I27B, I27C, I27D, I27J, I27Q | 5t805.6↔ | 21A | W04A, W04B | 5t806.3↔ | 08 | I27A, I27B, I27C, I27D, I27J, I27Q | | |
| | 21A | W04A, W04B | | 08 | I27A, I27B, I27C, I27D, I27J, I27Q | | 09 | J03A, J03B, J04A, J04B, J08A, J08B, J08C, J11A, J11B, J11J, J11Q, J11R, J11S, J16Z | | |
| | 21B | X06A, X06B, X06C | 5t805.6↔ | 21B | X06A, X06B, X06C | 5t806.3↔ | 21A | W04A, W04B | | |
| | 08 | I27A, I27B, I27C, I27D, I27J, I27Q | | 21A | W04A, W04B | | 21B | X06A, X06B, X06C | | |
| | 21A | W04A, W04B | 5t805.6↔ | 21B | X06A, X06B, X06C | 5t806.3↔ | 01 | B03Z, B07Z, B17A, B17B, B17C, B17J | | |
| 21B | X06A, X06B, X06C | 08 | | I27A, I27B, I27C, I27D, I27J, I27Q | 08 | | I27A, I27B, I27C, I27D, I27J, I27Q | | | |
| 5t804.1↔ | 08 | I27A, I27B, I27C, I27D, I27J, I27Q | 5t805.6↔ | 21A | W04A, W04B | 5t806.3↔ | 09 | J03A, J03B, J04A, J04B, J08A, J08B, J08C, J11A, J11B, J11J, J11Q, J11R, J11S, J16Z | | |
| | 21A | W04A, W04B | | 21A | W04A, W04B | | 21A | W04A, W04B | | |
| | 21B | X06A, X06B, X06C | 5t805.6↔ | 21B | X06A, X06B, X06C | 5t806.3↔ | 21B | X06A, X06B, X06C | | |
| | 08 | I27A, I27B, I27C, I27D, I27J, I27Q | | 08 | I27A, I27B, I27C, I27D, I27J, I27Q | | 01 | B03Z, B07Z, B17A, B17B, B17C, B17J | | |
| | 21A | W04A, W04B | 5t805.6↔ | 21B | X06A, X06B, X06C | 5t806.3↔ | 08 | I27A, I27B, I27C, I27D, I27J, I27Q | | |
| 21B | X06A, X06B, X06C | 08 | | I27A, I27B, I27C, I27D, I27J, I27Q | 09 | | J03A, J03B, J04A, J04B, J08A, J08B, J08C, J11A, J11B, J11J, J11Q, J11R, J11S, J16Z | | | |
| 5t804.2↔ | 08 | I27A, I27B, I27C, I27D, I27J, I27Q | 5t805.6↔ | 21A | W04A, W04B | 5t806.3↔ | 21A | W04A, W04B | | |
| | 21A | W04A, W04B | | 21B | X06A, X06B, X06C | | 21B | X06A, X06B, X06C | | |
| | 21B | X06A, X06B, X06C | 5t805.6↔ | 21B | X06A, X06B, X06C | 5t806.3↔ | 01 | B03Z, B07Z, B17A, B17B, B17C, B17J | | |
| | 08 | I27A, I27B, I27C, I27D, I27J, I27Q | | 08 | I27A, I27B, I27C, I27D, I27J, I27Q | | 08 | I27A, I27B, I27C, I27D, I27J, I27Q | | |
| | 21A | W04A, W04B | 5t805.6↔ | 21A | W04A, W04B | 5t806.3↔ | 09 | J03A, J03B, J04A, J04B, J08A, J08B, J08C, J11A, J11B, J11J, J11Q, J11R, J11S, J16Z | | |
| 21B | X06A, X06B, X06C | 21B | | X06A, X06B, X06C | 21A | | W04A, W04B | | | |
| 5t804.3↔ | 08 | I27A, I27B, I27C, I27D, I27J, I27Q | 5t805.6↔ | 21B | X06A, X06B, X06C | 5t806.3↔ | 21B | X06A, X06B, X06C | | |
| | 21A | W04A, W04B | | 5t805.6↔ | 21A | | W04A, W04B | 5t806.3↔ | 01 | B03Z, B07Z, B17A, B17B, B17C, B17J |
| | 21B | X06A, X06B, X06C | 5t805.6↔ | | 21B | X06A, X06B, X06C | 5t806.3↔ | | 08 | I27A, I27B, I27C, I27D, I27J, I27Q |
| | 08 | I27A, I27B, I27C, I27D, I27J, I27Q | | 5t805.6↔ | 21A | W04A, W04B | | 5t806.3↔ | 09 | J03A, J03B, J04A, J04B, J08A, J08B, J08C, J11A, J11B, J11J, J11Q, J11R, J11S, J16Z |
| | 21A | W04A, W04B | 5t805.6↔ | | 21B | X06A, X06B, X06C | 5t806.3↔ | | 21A | W04A, W04B |
| 21B | X06A, X06B, X06C | 5t805.6↔ | | 21B | X06A, X06B, X06C | 5t806.3↔ | | 21B | X06A, X06B, X06C | |

VYK

| ZZV | MDC | DRG | ZZV | MDC | DRG | ZZV | MDC | DRG |
|----------|-----|--|----------|-----|--|----------|-----|--|
| 5t807.x | | BOP, KJZSV, KVT, UOP4 | 5t808.5↔ | | BOP, KJZSV, KVT, UOP4 | 5t809.0↔ | | BOP, KJZSV, KVT, UOP4 |
| | 01 | B03Z, B07Z, B17A, B17B, B17C, B17J | | 01 | B03Z, B07Z, B17A, B17B, B17C, B17J | | 01 | B03Z, B07Z, B17A, B17B, B17C, B17J |
| | 08 | I27A, I27B, I27C, I27D, I27J, I27Q | | 08 | I12A, I12B, I12C, I12J, I27A, I27B, I27C, I27D, I27J, I27Q | | 08 | I12A, I12B, I12C, I12J, I27A, I27B, I27C, I27D, I27J, I27Q |
| | 09 | J03A, J03B, J04A, J04B, J08A, J08B, J08C, J11A, J11B, J11J, J11Q, J11R, J11S, J16Z | | 09 | J03A, J03B, J04A, J04B, J08A, J08B, J08C, J11A, J11B, J11J, J11Q, J11R, J11S, J16Z | | 09 | J03A, J03B, J04A, J04B, J08A, J08B, J08C, J11A, J11B, J11J, J11Q, J11R, J11S, J16Z |
| | 21A | W04A, W04B | | 21A | W04A, W04B | | 21A | W04A, W04B |
| 5t808.0↔ | 21B | X06A, X06B, X06C | 5t808.6↔ | 21B | X06A, X06B, X06C | 5t809.1↔ | 21B | X06A, X06B, X06C |
| | | BOP, KJZSV, KVT, UOP4 | | | BOP, KJZSV, KVT, UOP4 | | | BOP, KJZSV, KVT, UOP4 |
| | 01 | B03Z, B07Z, B17A, B17B, B17C, B17J | | 01 | B03Z, B07Z, B17A, B17B, B17C, B17J | | 01 | B03Z, B07Z, B17A, B17B, B17C, B17J |
| | 08 | I12A, I12B, I12C, I12J, I27A, I27B, I27C, I27D, I27J, I27Q | | 08 | I12A, I12B, I12C, I12J, I27A, I27B, I27C, I27D, I27J, I27Q | | 08 | I12A, I12B, I12C, I12J, I27A, I27B, I27C, I27D, I27J, I27Q |
| | 09 | J03A, J03B, J04A, J04B, J08A, J08B, J08C, J11A, J11B, J11J, J11Q, J11R, J11S, J16Z | | 09 | J03A, J03B, J04A, J04B, J08A, J08B, J08C, J11A, J11B, J11J, J11Q, J11R, J11S, J16Z | | 09 | J03A, J03B, J04A, J04B, J08A, J08B, J08C, J11A, J11B, J11J, J11Q, J11R, J11S, J16Z |
| 5t808.1↔ | 21A | W04A, W04B | 5t808.7↔ | 21A | W04A, W04B | 5t809.2↔ | 21A | W04A, W04B |
| | 21B | X06A, X06B, X06C | | 21B | X04Z, X06A, X06B, X06C | | 21B | X06A, X06B, X06C |
| | | BOP, KJZSV, KVT, UOP4 | | | BOP, KJZSV, KVT, UOP4 | | | BOP, KJZSV, KVT, UOP4 |
| | 01 | B03Z, B07Z, B17A, B17B, B17C, B17J | | 01 | B03Z, B07Z, B17A, B17B, B17C, B17J | | 01 | B03Z, B07Z, B17A, B17B, B17C, B17J |
| | 08 | I12A, I12B, I12C, I12J, I27A, I27B, I27C, I27D, I27J, I27Q | | 08 | I12A, I12B, I12C, I12J, I27A, I27B, I27C, I27D, I27J, I27Q | | 08 | I12A, I12B, I12C, I12J, I27A, I27B, I27C, I27D, I27J, I27Q |
| 5t808.2↔ | 09 | J03A, J03B, J04A, J04B, J08A, J08B, J08C, J11A, J11B, J11J, J11Q, J11R, J11S, J16Z | 5t808.8↔ | 09 | J03A, J03B, J04A, J04B, J08A, J08B, J08C, J11A, J11B, J11J, J11Q, J11R, J11S, J16Z | 5t809.3↔ | 09 | J03A, J03B, J04A, J04B, J08A, J08B, J08C, J11A, J11B, J11J, J11Q, J11R, J11S, J16Z |
| | 21A | W04A, W04B | | 21A | W04A, W04B | | 21A | W04A, W04B |
| | 21B | X06A, X06B, X06C | | 21B | X04Z, X06A, X06B, X06C | | 21B | X06A, X06B, X06C |
| | | BOP, KJZSV, KVT, UOP4 | | | BOP, KJZSV, KVT, UOP4 | | | BOP, KJZSV, KVT, UOP4 |
| | 01 | B03Z, B07Z, B17A, B17B, B17C, B17J | | 01 | B03Z, B07Z, B17A, B17B, B17C, B17J | | 01 | B03Z, B07Z, B17A, B17B, B17C, B17J |
| 5t808.3↔ | 08 | I12A, I12B, I12C, I12J, I27A, I27B, I27C, I27D, I27J, I27Q | 5t808.9↔ | 08 | I12A, I12B, I12C, I12J, I27A, I27B, I27C, I27D, I27J, I27Q | 5t809.4↔ | 08 | I12A, I12B, I12C, I12J, I27A, I27B, I27C, I27D, I27J, I27Q |
| | 09 | J03A, J03B, J04A, J04B, J08A, J08B, J08C, J11A, J11B, J11J, J11Q, J11R, J11S, J16Z | | 09 | J03A, J03B, J04A, J04B, J08A, J08B, J08C, J11A, J11B, J11J, J11Q, J11R, J11S, J16Z | | 09 | J03A, J03B, J04A, J04B, J08A, J08B, J08C, J11A, J11B, J11J, J11Q, J11R, J11S, J16Z |
| | 21A | W04A, W04B | | 21A | W04A, W04B | | 21A | W04A, W04B |
| | 21B | X05A, X05B, X06A, X06B, X06C | | 21B | X04Z, X06A, X06B, X06C | | 21B | X05A, X05B, X06A, X06B, X06C |
| | | BOP, KJZSV, KVT, UOP4 | | | BOP, KJZSV, KVT, UOP4 | | | BOP, KJZSV, KVT, UOP4 |
| 5t808.4↔ | 01 | B03Z, B07Z, B17A, B17B, B17C, B17J | 5t808.x | 01 | B03Z, B07Z, B17A, B17B, B17C, B17J | 5t809.5↔ | 01 | B03Z, B07Z, B17A, B17B, B17C, B17J |
| | 08 | I12A, I12B, I12C, I12J, I27A, I27B, I27C, I27D, I27J, I27Q | | 08 | I12A, I12B, I12C, I12J, I27A, I27B, I27C, I27D, I27J, I27Q | | 08 | I12A, I12B, I12C, I12J, I27A, I27B, I27C, I27D, I27J, I27Q |
| | 09 | J03A, J03B, J04A, J04B, J08A, J08B, J08C, J11A, J11B, J11J, J11Q, J11R, J11S, J16Z | | 09 | J03A, J03B, J04A, J04B, J08A, J08B, J08C, J11A, J11B, J11J, J11Q, J11R, J11S, J16Z | | 09 | J03A, J03B, J04A, J04B, J08A, J08B, J08C, J11A, J11B, J11J, J11Q, J11R, J11S, J16Z |
| | 21A | W04A, W04B | | 21A | W04A, W04B | | 21A | W04A, W04B |
| | 21B | X06A, X06B, X06C | | 21B | X06A, X06B, X06C | | 21B | X06A, X06B, X06C |

VYK

| ZZV | MDC | DRG | ZZV | MDC | DRG | ZZV | MDC | DRG |
|----------|--|--|--|-----|--|----------|------------------------------------|--|
| 5t809.6↔ | | BOP, KJZSV, KVT, UOP4 | 5t80a.1↔ | | BOP, KJZSV, KVT, UOP4 | 5t80a.7↔ | | BOP, KJZSV, KVT, UOP4 |
| | 01 | B03Z, B07Z, B17A, B17B, B17C, B17J | | 01 | B03Z, B07Z, B17A, B17B, B17C, B17J | | 01 | B03Z, B07Z, B17A, B17B, B17C, B17J |
| | 08 | I12A, I12B, I12C, I12J, I27A, I27B, I27C, I27D, I27J, I27Q | | 08 | I12A, I12B, I12C, I12J, I27A, I27B, I27C, I27D, I27J, I27Q | | 08 | I12A, I12B, I12C, I12J, I27A, I27B, I27C, I27D, I27J, I27Q |
| | 09 | J03A, J03B, J04A, J04B, J08A, J08B, J08C, J11A, J11B, J11J, J11Q, J11R, J11S, J16Z | | 09 | J03A, J03B, J04A, J04B, J08A, J08B, J08C, J11A, J11B, J11J, J11Q, J11R, J11S, J16Z | | 09 | J03A, J03B, J04A, J04B, J08A, J08B, J08C, J11A, J11B, J11J, J11Q, J11R, J11S, J16Z |
| | 21A | W04A, W04B | | 21A | W04A, W04B | | 21A | W04A, W04B |
| 5t809.7↔ | 21B | X04Z, X06A, X06B, X06C | 5t80a.2↔ | 21B | X06A, X06B, X06C | 5t80a.8↔ | 21B | X04Z, X06A, X06B, X06C |
| | | BOP, KJZSV, KVT, UOP4 | | | BOP, KJZSV, KVT, UOP4 | | | BOP, KJZSV, KVT, UOP4 |
| | 01 | B03Z, B07Z, B17A, B17B, B17C, B17J | | 01 | B03Z, B07Z, B17A, B17B, B17C, B17J | | 01 | B03Z, B07Z, B17A, B17B, B17C, B17J |
| | 08 | I12A, I12B, I12C, I12J, I27A, I27B, I27C, I27D, I27J, I27Q | | 08 | I12A, I12B, I12C, I12J, I27A, I27B, I27C, I27D, I27J, I27Q | | 08 | I12A, I12B, I12C, I12J, I27A, I27B, I27C, I27D, I27J, I27Q |
| | 09 | J03A, J03B, J04A, J04B, J08A, J08B, J08C, J11A, J11B, J11J, J11Q, J11R, J11S, J16Z | | 09 | J03A, J03B, J04A, J04B, J08A, J08B, J08C, J11A, J11B, J11J, J11Q, J11R, J11S, J16Z | | 09 | J03A, J03B, J04A, J04B, J08A, J08B, J08C, J11A, J11B, J11J, J11Q, J11R, J11S, J16Z |
| 5t809.8↔ | 21A | W04A, W04B | 5t80a.3↔ | 21A | W04A, W04B | 5t80a.9↔ | 21A | W04A, W04B |
| | 21B | X04Z, X06A, X06B, X06C | | 21B | X06A, X06B, X06C | | 21B | X04Z, X06A, X06B, X06C |
| | | BOP, KJZSV, KVT, UOP4 | | | BOP, KJZSV, KVT, UOP4 | | | BOP, KJZSV, KVT, UOP4 |
| | 01 | B03Z, B07Z, B17A, B17B, B17C, B17J | | 01 | B03Z, B07Z, B17A, B17B, B17C, B17J | | 01 | B03Z, B07Z, B17A, B17B, B17C, B17J |
| | 08 | I12A, I12B, I12C, I12J, I27A, I27B, I27C, I27D, I27J, I27Q | | 08 | I12A, I12B, I12C, I12J, I27A, I27B, I27C, I27D, I27J, I27Q | | 08 | I12A, I12B, I12C, I12J, I27A, I27B, I27C, I27D, I27J, I27Q |
| 5t809.9↔ | 09 | J03A, J03B, J04A, J04B, J08A, J08B, J08C, J11A, J11B, J11J, J11Q, J11R, J11S, J16Z | 5t80a.4↔ | 09 | J03A, J03B, J04A, J04B, J08A, J08B, J08C, J11A, J11B, J11J, J11Q, J11R, J11S, J16Z | 5t80a.x | 09 | J03A, J03B, J04A, J04B, J08A, J08B, J08C, J11A, J11B, J11J, J11Q, J11R, J11S, J16Z |
| | 21A | W04A, W04B | | 21A | W04A, W04B | | 21A | W04A, W04B |
| | 21B | X04Z, X06A, X06B, X06C | | 21B | X05A, X05B, X06A, X06B, X06C | | 21B | X04Z, X06A, X06B, X06C |
| | | BOP, KJZSV, KVT, UOP4 | | | BOP, KJZSV, KVT, UOP4 | | | BOP, KJZSV, KVT, UOP4 |
| | 01 | B03Z, B07Z, B17A, B17B, B17C, B17J | | 01 | B03Z, B07Z, B17A, B17B, B17C, B17J | | 01 | B03Z, B07Z, B17A, B17B, B17C, B17J |
| 5t809.x | 08 | I12A, I12B, I12C, I12J, I20D, I27A, I27B, I27C, I27D, I27J, I27Q | 5t80a.5↔ | 08 | I12A, I12B, I12C, I12J, I27A, I27B, I27C, I27D, I27J, I27Q | 5t80b.0↔ | 08 | I12A, I12B, I12C, I12J, I27A, I27B, I27C, I27D, I27J, I27Q |
| | 09 | J03A, J03B, J04A, J04B, J08A, J08B, J08C, J11A, J11B, J11J, J11Q, J11R, J11S, J16Z | | 09 | J03A, J03B, J04A, J04B, J08A, J08B, J08C, J11A, J11B, J11J, J11Q, J11R, J11S, J16Z | | 09 | J03A, J03B, J04A, J04B, J08A, J08B, J08C, J11A, J11B, J11J, J11Q, J11R, J11S, J16Z |
| | 21A | W04A, W04B | | 21A | W04A, W04B | | 21A | W04A, W04B |
| | 21B | X06A, X06B, X06C | | 21B | X06A, X06B, X06C | | 21B | X06A, X06B, X06C |
| | | BOP, KJZSV, KVT, UOP4 | | | BOP, KJZSV, KVT, UOP4 | | | BOP, KJZSV, KVT, UOP4 |
| 5t80a.0↔ | 01 | B03Z, B07Z, B17A, B17B, B17C, B17J | 5t80a.6↔ | 01 | B03Z, B07Z, B17A, B17B, B17C, B17J | 01 | B03Z, B07Z, B17A, B17B, B17C, B17J | |
| | 08 | I12A, I12B, I12C, I12J, I27A, I27B, I27C, I27D, I27J, I27Q | | 08 | I12A, I12B, I12C, I12J, I27A, I27B, I27C, I27D, I27J, I27Q | 03 | D12A, D12B, D12J, D12Q | |
| | 09 | J03A, J03B, J04A, J04B, J08A, J08B, J08C, J11A, J11B, J11J, J11Q, J11R, J11S, J16Z | | 09 | J03A, J03B, J04A, J04B, J08A, J08B, J08C, J11A, J11B, J11J, J11Q, J11R, J11S, J16Z | 04 | E02A, E02B, E02C, E02D | |
| | 21A | W04A, W04B | | 21A | W04A, W04B | 05 | F21A, F21B, F21C, F21J | |
| | 21B | X06A, X06B, X06C | | 21B | X06A, X06B, X06C | 06 | G10Z, G12A, G12B, G12C, G12J | |
| | BOP, KJZSV, KVT, UOP4 | | BOP, KJZSV, KVT, UOP4 | 07 | H06A, H06B, H06C | | | |
| 01 | B03Z, B07Z, B17A, B17B, B17C, B17J | 01 | B03Z, B07Z, B17A, B17B, B17C, B17J | 08 | I12A, I12B, I12C, I12J, I28A, I28B, I28J | | | |
| 08 | I12A, I12B, I12C, I12J, I27A, I27B, I27C, I27D, I27J, I27Q | 08 | I12A, I12B, I12C, I12J, I27A, I27B, I27C, I27D, I27J, I27Q | 09 | J03A, J03B, J04A, J04B, J08A, J08B, J08C, J16Z, J21Z, J22A, J22B, J22J | | | |
| 09 | J03A, J03B, J04A, J04B, J08A, J08B, J08C, J11A, J11B, J11J, J11Q, J11R, J11S, J16Z | 09 | J03A, J03B, J04A, J04B, J08A, J08B, J08C, J11A, J11B, J11J, J11Q, J11R, J11S, J16Z | 10 | K09A, K09B | | | |
| 21A | W04A, W04B | 21A | W04A, W04B | 11 | L09A, L09B, L09C, L09J, L38Z | | | |
| 21B | X06A, X06B, X06C | 21B | X04Z, X06A, X06B, X06C | 13 | N11A, N11B, N11J | | | |
| | BOP, KJZSV, KVT, UOP4 | | BOP, KJZSV, KVT, UOP4 | 21A | W04A, W04B | | | |
| 01 | B03Z, B07Z, B17A, B17B, B17C, B17J | 01 | B03Z, B07Z, B17A, B17B, B17C, B17J | 21B | X06A, X06B, X06C | | | |

VYK

| ZZV | MDC | DRG | ZZV | MDC | DRG | ZZV | MDC | DRG |
|----------|------------------|--|------------------|-----|--|----------|-----|--|
| 5t80b.1↔ | | BOP, KJZSV, KVT, UOP4 | 5t80b.4↔ | | BOP, KJZSV, KVT, UOP4 | 5t80b.7↔ | | BOP, KJZSV, KVT, UOP4 |
| | 01 | B03Z, B07Z, B17A, B17B, B17C, B17J | | 01 | B03Z, B07Z, B17A, B17B, B17C, B17J | | 01 | B03Z, B07Z, B17A, B17B, B17C, B17J |
| | 03 | D12A, D12B, D12J, D12Q | | 03 | D12A, D12B, D12J, D12Q | | 03 | D12A, D12B, D12J, D12Q |
| | 04 | E02A, E02B, E02C, E02D | | 04 | E02A, E02B, E02C, E02D | | 04 | E02A, E02B, E02C, E02D |
| | 05 | F21A, F21B, F21C, F21J | | 05 | F21A, F21B, F21C, F21J | | 05 | F21A, F21B, F21C, F21J, F27A, F27B, F27C |
| | 06 | G10Z, G12A, G12B, G12C, G12J | | 06 | G10Z, G12A, G12B, G12C, G12J | | 06 | G10Z, G12A, G12B, G12C, G12J |
| | 07 | H06A, H06B, H06C | | 07 | H06A, H06B, H06C | | 07 | H06A, H06B, H06C |
| | 08 | I12A, I12B, I12C, I12J, I28A, I28B, I28J | | 08 | I12A, I12B, I12C, I12J, I28A, I28B, I28J | | 08 | I12A, I12B, I12C, I12J, I28A, I28B, I28J |
| | 09 | J03A, J03B, J04A, J04B, J08A, J08B, J08C, J16Z, J21Z, J22A, J22B, J22J | | 09 | J03A, J03B, J04A, J04B, J08A, J08B, J08C, J16Z, J21Z, J22A, J22B, J22J | | 09 | J03A, J03B, J04A, J04B, J08A, J08B, J08C, J16Z, J21Z, J22A, J22B, J22J |
| | 10 | K09A, K09B | | 10 | K09A, K09B | | 10 | K01Z |
| | 11 | L09A, L09B, L09C, L09J, L38Z | | 11 | L09A, L09B, L09C, L09J, L38Z | | 11 | L09A, L09B, L09C, L09J, L38Z |
| | 13 | N11A, N11B, N11J | | 13 | N11A, N11B, N11J | | 13 | N11A, N11B, N11J |
| | 21A | W04A, W04B | | 21A | W04A, W04B | | 21A | W04A, W04B |
| 21B | X06A, X06B, X06C | 21B | X06A, X06B, X06C | 21B | X06A, X06B, X06C | | | |
| 5t80b.2↔ | | BOP, KJZSV, KVT, UOP4 | 5t80b.5↔ | | BOP, KJZSV, KVT, UOP4 | 5t80b.8↔ | | BOP, KJZSV, KVT, UOP4 |
| | 01 | B03Z, B07Z, B17A, B17B, B17C, B17J | | 01 | B03Z, B07Z, B17A, B17B, B17C, B17J | | 01 | B03Z, B07Z, B17A, B17B, B17C, B17J |
| | 03 | D12A, D12B, D12J, D12Q | | 03 | D12A, D12B, D12J, D12Q | | 03 | D12A, D12B, D12J, D12Q |
| | 04 | E02A, E02B, E02C, E02D | | 04 | E02A, E02B, E02C, E02D | | 04 | E02A, E02B, E02C, E02D |
| | 05 | F21A, F21B, F21C, F21J | | 05 | F21A, F21B, F21C, F21J | | 05 | F21A, F21B, F21C, F21J, F27A, F27B, F27C |
| | 06 | G10Z, G12A, G12B, G12C, G12J | | 06 | G10Z, G12A, G12B, G12C, G12J | | 06 | G10Z, G12A, G12B, G12C, G12J |
| | 07 | H06A, H06B, H06C | | 07 | H06A, H06B, H06C | | 07 | H06A, H06B, H06C |
| | 08 | I12A, I12B, I12C, I12J, I28A, I28B, I28J | | 08 | I12A, I12B, I12C, I12J, I28A, I28B, I28J | | 08 | I12A, I12B, I12C, I12J, I28A, I28B, I28J |
| | 09 | J03A, J03B, J04A, J04B, J08A, J08B, J08C, J16Z, J21Z, J22A, J22B, J22J | | 09 | J03A, J03B, J04A, J04B, J08A, J08B, J08C, J16Z, J21Z, J22A, J22B, J22J | | 09 | J03A, J03B, J04A, J04B, J08A, J08B, J08C, J16Z, J21Z, J22A, J22B, J22J |
| | 10 | K09A, K09B | | 10 | K09A, K09B | | 10 | K01Z |
| | 11 | L09A, L09B, L09C, L09J, L38Z | | 11 | L09A, L09B, L09C, L09J, L38Z | | 11 | L09A, L09B, L09C, L09J, L38Z |
| | 13 | N11A, N11B, N11J | | 13 | N11A, N11B, N11J | | 13 | N11A, N11B, N11J |
| | 21A | W04A, W04B | | 21A | W04A, W04B | | 21A | W04A, W04B |
| 21B | X06A, X06B, X06C | 21B | X06A, X06B, X06C | 21B | X06A, X06B, X06C | | | |
| 5t80b.3↔ | | BOP, KJZSV, KVT, UOP4 | 5t80b.6↔ | | BOP, KJZSV, KVT, UOP4 | 5t80b.9↔ | | BOP, KJZSV, KVT, UOP4 |
| | 01 | B03Z, B07Z, B17A, B17B, B17C, B17J | | 01 | B03Z, B07Z, B17A, B17B, B17C, B17J | | 01 | B03Z, B07Z, B17A, B17B, B17C, B17J |
| | 03 | D12A, D12B, D12J, D12Q | | 03 | D12A, D12B, D12J, D12Q | | 03 | D12A, D12B, D12J, D12Q |
| | 04 | E02A, E02B, E02C, E02D | | 04 | E02A, E02B, E02C, E02D | | 04 | E02A, E02B, E02C, E02D |
| | 05 | F21A, F21B, F21C, F21J | | 05 | F21A, F21B, F21C, F21J, F27A, F27B, F27C | | 05 | F21A, F21B, F21C, F21J, F27A, F27B, F27C |
| | 06 | G10Z, G12A, G12B, G12C, G12J | | 06 | G10Z, G12A, G12B, G12C, G12J | | 06 | G10Z, G12A, G12B, G12C, G12J |
| | 07 | H06A, H06B, H06C | | 07 | H06A, H06B, H06C | | 07 | H06A, H06B, H06C |
| | 08 | I12A, I12B, I12C, I12J, I28A, I28B, I28J | | 08 | I12A, I12B, I12C, I12J, I28A, I28B, I28J | | 08 | I12A, I12B, I12C, I12J, I28A, I28B, I28J |
| | 09 | J03A, J03B, J04A, J04B, J08A, J08B, J08C, J16Z, J21Z, J22A, J22B, J22J | | 09 | J03A, J03B, J04A, J04B, J08A, J08B, J08C, J16Z, J21Z, J22A, J22B, J22J | | 09 | J03A, J03B, J04A, J04B, J08A, J08B, J08C, J16Z, J21Z, J22A, J22B, J22J |
| | 10 | K09A, K09B | | 10 | K01Z | | 10 | K01Z |
| | 11 | L09A, L09B, L09C, L09J, L38Z | | 11 | L09A, L09B, L09C, L09J, L38Z | | 11 | L09A, L09B, L09C, L09J, L38Z |
| | 13 | N11A, N11B, N11J | | 13 | N11A, N11B, N11J | | 13 | N11A, N11B, N11J |
| | 21A | W04A, W04B | | 21A | W04A, W04B | | 21A | W04A, W04B |
| 21B | X06A, X06B, X06C | 21B | X06A, X06B, X06C | 21B | X06A, X06B, X06C | | | |

VYK

| ZZV | MDC | DRG | ZZV | MDC | DRG | ZZV | MDC | DRG |
|----------|-----|--|----------|-----|--|----------|-----|--|
| 5t80b.x | | BOP, KJZSV, KVT, UOP4 | 5t80c.2↔ | | BOP, KVT, UOP4 | 5t80c.5↔ | | BOP, KJZSV, KVT, UOP4 |
| | 01 | B03Z, B07Z, B17A, B17B, B17C, B17J | | 01 | B03Z, B07Z, B17A, B17B, B17C, B17J | | 01 | B03Z, B07Z, B17A, B17B, B17C, B17J |
| | 03 | D12A, D12B, D12J, D12Q | | 03 | D12A, D12B, D12J, D12Q | | 03 | D12A, D12B, D12J, D12Q |
| | 04 | E02A, E02B, E02C, E02D | | 04 | E02A, E02B, E02C, E02D | | 04 | E02A, E02B, E02C, E02D |
| | 05 | F21A, F21B, F21C, F21J | | 05 | F21A, F21B, F21C, F21J | | 05 | F21A, F21B, F21C, F21J |
| | 06 | G10Z, G12A, G12B, G12C, G12J | | 06 | G10Z, G12A, G12B, G12C, G12J | | 06 | G10Z, G12A, G12B, G12C, G12J |
| | 07 | H06A, H06B, H06C | | 07 | H06A, H06B, H06C | | 07 | H06A, H06B, H06C |
| | 08 | I12A, I12B, I12C, I12J, I28A, I28B, I28J | | 08 | I12A, I12B, I12C, I12J, I28A, I28B, I28J | | 08 | I12A, I12B, I12C, I12J, I28A, I28B, I28J |
| | 09 | J03A, J03B, J04A, J04B, J08A, J08B, J08C, J16Z, J21Z, J22A, J22B, J22J | | 09 | J03A, J03B, J04A, J04B, J08A, J08B, J08C, J16Z, J21Z, J22A, J22B, J22J | | 09 | J03A, J03B, J04A, J04B, J08A, J08B, J08C, J16Z, J21Z, J22A, J22B, J22J |
| | 10 | K09A, K09B | | 10 | K09A, K09B | | 10 | K09A, K09B |
| | 11 | L09A, L09B, L09C, L09J, L38Z | | 11 | L09A, L09B, L09C, L09J, L38Z | | 11 | L09A, L09B, L09C, L09J, L38Z |
| | 13 | N11A, N11B, N11J | | 13 | N11A, N11B, N11J | | 13 | N11A, N11B, N11J |
| | 21A | W04A, W04B | | 21A | W04A, W04B | | 21A | W04A, W04B |
| | 21B | X06A, X06B, X06C | | 21B | X06A, X06B, X06C | | 21B | X06A, X06B, X06C |
| 5t80c.0↔ | | BOP, KJZSV, KVT, UOP4 | 5t80c.3↔ | | BOP, KJZSV, KVT, UOP4 | 5t80c.6↔ | | BOP, KJZSV, KVT, UOP4 |
| | 01 | B03Z, B07Z, B17A, B17B, B17C, B17J | | 01 | B03Z, B07Z, B17A, B17B, B17C, B17J | | 01 | B03Z, B07Z, B17A, B17B, B17C, B17J |
| | 03 | D12A, D12B, D12J, D12Q | | 03 | D12A, D12B, D12J, D12Q | | 03 | D12A, D12B, D12J, D12Q |
| | 04 | E02A, E02B, E02C, E02D | | 04 | E02A, E02B, E02C, E02D | | 04 | E02A, E02B, E02C, E02D |
| | 05 | F21A, F21B, F21C, F21J | | 05 | F21A, F21B, F21C, F21J | | 05 | F21A, F21B, F21C, F21J, F27A, F27B, F27C |
| | 06 | G10Z, G12A, G12B, G12C, G12J | | 06 | G10Z, G12A, G12B, G12C, G12J | | 06 | G10Z, G12A, G12B, G12C, G12J |
| | 07 | H06A, H06B, H06C | | 07 | H06A, H06B, H06C | | 07 | H06A, H06B, H06C |
| | 08 | I12A, I12B, I12C, I12J, I28A, I28B, I28J | | 08 | I12A, I12B, I12C, I12J, I28A, I28B, I28J | | 08 | I12A, I12B, I12C, I12J, I28A, I28B, I28J |
| | 09 | J03A, J03B, J04A, J04B, J08A, J08B, J08C, J16Z, J21Z, J22A, J22B, J22J | | 09 | J03A, J03B, J04A, J04B, J08A, J08B, J08C, J16Z, J21Z, J22A, J22B, J22J | | 09 | J03A, J03B, J04A, J04B, J08A, J08B, J08C, J16Z, J21Z, J22A, J22B, J22J |
| | 10 | K09A, K09B | | 10 | K09A, K09B | | 10 | K01Z |
| | 11 | L09A, L09B, L09C, L09J, L38Z | | 11 | L09A, L09B, L09C, L09J, L38Z | | 11 | L09A, L09B, L09C, L09J, L38Z |
| | 13 | N11A, N11B, N11J | | 13 | N11A, N11B, N11J | | 13 | N11A, N11B, N11J |
| | 21A | W04A, W04B | | 21A | W04A, W04B | | 21A | W04A, W04B |
| | 21B | X06A, X06B, X06C | | 21B | X06A, X06B, X06C | | 21B | X06A, X06B, X06C |
| 5t80c.1↔ | | BOP, KJZSV, KVT, UOP4 | 5t80c.4↔ | | BOP, KJZSV, KVT, UOP4 | 5t80c.7↔ | | BOP, KJZSV, KVT, UOP4 |
| | 01 | B03Z, B07Z, B17A, B17B, B17C, B17J | | 01 | B03Z, B07Z, B17A, B17B, B17C, B17J | | 01 | B03Z, B07Z, B17A, B17B, B17C, B17J |
| | 03 | D12A, D12B, D12J, D12Q | | 03 | D12A, D12B, D12J, D12Q | | 03 | D12A, D12B, D12J, D12Q |
| | 04 | E02A, E02B, E02C, E02D | | 04 | E02A, E02B, E02C, E02D | | 04 | E02A, E02B, E02C, E02D |
| | 05 | F21A, F21B, F21C, F21J | | 05 | F21A, F21B, F21C, F21J | | 05 | F21A, F21B, F21C, F21J, F27A, F27B, F27C |
| | 06 | G10Z, G12A, G12B, G12C, G12J | | 06 | G10Z, G12A, G12B, G12C, G12J | | 06 | G10Z, G12A, G12B, G12C, G12J |
| | 07 | H06A, H06B, H06C | | 07 | H06A, H06B, H06C | | 07 | H06A, H06B, H06C |
| | 08 | I12A, I12B, I12C, I12J, I28A, I28B, I28J | | 08 | I12A, I12B, I12C, I12J, I28A, I28B, I28J | | 08 | I12A, I12B, I12C, I12J, I28A, I28B, I28J |
| | 09 | J03A, J03B, J04A, J04B, J08A, J08B, J08C, J16Z, J21Z, J22A, J22B, J22J | | 09 | J03A, J03B, J04A, J04B, J08A, J08B, J08C, J16Z, J21Z, J22A, J22B, J22J | | 09 | J03A, J03B, J04A, J04B, J08A, J08B, J08C, J16Z, J21Z, J22A, J22B, J22J |
| | 10 | K09A, K09B | | 10 | K09A, K09B | | 10 | K01Z |
| | 11 | L09A, L09B, L09C, L09J, L38Z | | 11 | L09A, L09B, L09C, L09J, L38Z | | 11 | L09A, L09B, L09C, L09J, L38Z |
| | 13 | N11A, N11B, N11J | | 13 | N11A, N11B, N11J | | 13 | N11A, N11B, N11J |
| | 21A | W04A, W04B | | 21A | W04A, W04B | | 21A | W04A, W04B |
| | 21B | X06A, X06B, X06C | | 21B | X06A, X06B, X06C | | 21B | X06A, X06B, X06C |

VYK

| ZZV | MDC | DRG | ZZV | MDC | DRG | ZZV | MDC | DRG |
|----------|------------------|--|------------------|-----|--|----------|-----|--|
| 5t80c.8↔ | | BOP, KJZSV, KVT, UOP4 | 5t80d.0↔ | | BOP, KJZSV, KVT, UOP4 | 5t80d.3↔ | | BOP, KJZSV, KVT, UOP4 |
| | 01 | B03Z, B07Z, B17A, B17B, B17C, B17J | | 01 | B03Z, B07Z, B17A, B17B, B17C, B17J | | 01 | B03Z, B07Z, B17A, B17B, B17C, B17J |
| | 03 | D12A, D12B, D12J, D12Q | | 03 | D12A, D12B, D12J, D12Q | | 03 | D12A, D12B, D12J, D12Q |
| | 04 | E02A, E02B, E02C, E02D | | 04 | E02A, E02B, E02C, E02D | | 04 | E02A, E02B, E02C, E02D |
| | 05 | F21A, F21B, F21C, F21J, F27A, F27B, F27C | | 05 | F21A, F21B, F21C, F21J | | 05 | F21A, F21B, F21C, F21J |
| | 06 | G10Z, G12A, G12B, G12C, G12J | | 06 | G10Z, G12A, G12B, G12C, G12J | | 06 | G10Z, G12A, G12B, G12C, G12J |
| | 07 | H06A, H06B, H06C | | 07 | H06A, H06B, H06C | | 07 | H06A, H06B, H06C |
| | 08 | I12A, I12B, I12C, I12J, I28A, I28B, I28J | | 08 | I12A, I12B, I12C, I12J, I28A, I28B, I28J | | 08 | I12A, I12B, I12C, I12J, I28A, I28B, I28J |
| | 09 | J03A, J03B, J04A, J04B, J08A, J08B, J08C, J16Z, J21Z, J22A, J22B, J22J | | 09 | J03A, J03B, J04A, J04B, J08A, J08B, J08C, J16Z, J21Z, J22A, J22B, J22J | | 09 | J03A, J03B, J04A, J04B, J08A, J08B, J08C, J16Z, J21Z, J22A, J22B, J22J |
| | 10 | K01Z | | 10 | K09A, K09B | | 10 | K09A, K09B |
| | 11 | L09A, L09B, L09C, L09J, L38Z | | 11 | L09A, L09B, L09C, L09J, L38Z | | 11 | L09A, L09B, L09C, L09J, L38Z |
| | 13 | N11A, N11B, N11J | | 13 | N11A, N11B, N11J | | 13 | N11A, N11B, N11J |
| | 21A | W04A, W04B | | 21A | W04A, W04B | | 21A | W04A, W04B |
| 21B | X06A, X06B, X06C | 21B | X06A, X06B, X06C | 21B | X06A, X06B, X06C | | | |
| 5t80c.9↔ | | BOP, KJZSV, KVT, UOP4 | 5t80d.1↔ | | BOP, KJZSV, KVT, UOP4 | 5t80d.4↔ | | BOP, KJZSV, KVT, UOP4 |
| | 01 | B03Z, B07Z, B17A, B17B, B17C, B17J | | 01 | B03Z, B07Z, B17A, B17B, B17C, B17J | | 01 | B03Z, B07Z, B17A, B17B, B17C, B17J |
| | 03 | D12A, D12B, D12J, D12Q | | 03 | D12A, D12B, D12J, D12Q | | 03 | D12A, D12B, D12J, D12Q |
| | 04 | E02A, E02B, E02C, E02D | | 04 | E02A, E02B, E02C, E02D | | 04 | E02A, E02B, E02C, E02D |
| | 05 | F21A, F21B, F21C, F21J, F27A, F27B, F27C | | 05 | F21A, F21B, F21C, F21J | | 05 | F21A, F21B, F21C, F21J |
| | 06 | G10Z, G12A, G12B, G12C, G12J | | 06 | G10Z, G12A, G12B, G12C, G12J | | 06 | G10Z, G12A, G12B, G12C, G12J |
| | 07 | H06A, H06B, H06C | | 07 | H06A, H06B, H06C | | 07 | H06A, H06B, H06C |
| | 08 | I12A, I12B, I12C, I12J, I20D, I28A, I28B, I28J | | 08 | I12A, I12B, I12C, I12J, I28A, I28B, I28J | | 08 | I12A, I12B, I12C, I12J, I28A, I28B, I28J |
| | 09 | J03A, J03B, J04A, J04B, J08A, J08B, J08C, J16Z, J21Z, J22A, J22B, J22J | | 09 | J03A, J03B, J04A, J04B, J08A, J08B, J08C, J16Z, J21Z, J22A, J22B, J22J | | 09 | J03A, J03B, J04A, J04B, J08A, J08B, J08C, J16Z, J21Z, J22A, J22B, J22J |
| | 10 | K01Z | | 10 | K09A, K09B | | 10 | K09A, K09B |
| | 11 | L09A, L09B, L09C, L09J, L38Z | | 11 | L09A, L09B, L09C, L09J, L38Z | | 11 | L09A, L09B, L09C, L09J, L38Z |
| | 13 | N11A, N11B, N11J | | 13 | N11A, N11B, N11J | | 13 | N11A, N11B, N11J |
| | 21A | W04A, W04B | | 21A | W04A, W04B | | 21A | W04A, W04B |
| 21B | X06A, X06B, X06C | 21B | X06A, X06B, X06C | 21B | X06A, X06B, X06C | | | |
| 5t80c.x | | BOP, KJZSV, KVT, UOP4 | 5t80d.2↔ | | BOP, KJZSV, KVT, UOP4 | 5t80d.5↔ | | BOP, KJZSV, KVT, UOP4 |
| | 01 | B03Z, B07Z, B17A, B17B, B17C, B17J | | 01 | B03Z, B07Z, B17A, B17B, B17C, B17J | | 01 | B03Z, B07Z, B17A, B17B, B17C, B17J |
| | 03 | D12A, D12B, D12J, D12Q | | 03 | D12A, D12B, D12J, D12Q | | 03 | D12A, D12B, D12J, D12Q |
| | 04 | E02A, E02B, E02C, E02D | | 04 | E02A, E02B, E02C, E02D | | 04 | E02A, E02B, E02C, E02D |
| | 05 | F21A, F21B, F21C, F21J | | 05 | F21A, F21B, F21C, F21J | | 05 | F21A, F21B, F21C, F21J |
| | 06 | G10Z, G12A, G12B, G12C, G12J | | 06 | G10Z, G12A, G12B, G12C, G12J | | 06 | G10Z, G12A, G12B, G12C, G12J |
| | 07 | H06A, H06B, H06C | | 07 | H06A, H06B, H06C | | 07 | H06A, H06B, H06C |
| | 08 | I12A, I12B, I12C, I12J, I28A, I28B, I28J | | 08 | I12A, I12B, I12C, I12J, I28A, I28B, I28J | | 08 | I12A, I12B, I12C, I12J, I28A, I28B, I28J |
| | 09 | J03A, J03B, J04A, J04B, J08A, J08B, J08C, J16Z, J21Z, J22A, J22B, J22J | | 09 | J03A, J03B, J04A, J04B, J08A, J08B, J08C, J16Z, J21Z, J22A, J22B, J22J | | 09 | J03A, J03B, J04A, J04B, J08A, J08B, J08C, J16Z, J21Z, J22A, J22B, J22J |
| | 10 | K09A, K09B | | 10 | K09A, K09B | | 10 | K09A, K09B |
| | 11 | L09A, L09B, L09C, L09J, L38Z | | 11 | L09A, L09B, L09C, L09J, L38Z | | 11 | L09A, L09B, L09C, L09J, L38Z |
| | 13 | N11A, N11B, N11J | | 13 | N11A, N11B, N11J | | 13 | N11A, N11B, N11J |
| | 21A | W04A, W04B | | 21A | W04A, W04B | | 21A | W04A, W04B |
| 21B | X06A, X06B, X06C | 21B | X06A, X06B, X06C | 21B | X06A, X06B, X06C | | | |

VYK

Príloha B: Index Výkon-MDC-DRG

| ZZV | MDC | DRG | ZZV | MDC | DRG | ZZV | MDC | DRG |
|----------|--|--|--|-----|--|----------|-----|--|
| 5t80x.8↔ | | BOP, KJZSV, KVT, UOP4 | 5t810.3↔ | | BOP, KJZSV, KVT, UOP4 | 5t810.9↔ | | BOP, KJZSV, KVT, UOP4 |
| | 01 | B03Z, B07Z, B17A, B17B, B17C, B17J | | 01 | B03Z, B17A, B17B, B17C, B17J | | 01 | B03Z, B17A, B17B, B17C, B17J |
| | 08 | I27A, I27B, I27C, I27D, I27J, I27Q | | 08 | I27A, I27B, I27C, I27D, I27J, I27Q | | 08 | I27A, I27B, I27C, I27D, I27J, I27Q |
| | 09 | J03A, J03B, J04A, J04B, J08A, J08B, J08C, J11A, J11B, J11J, J11Q, J11R, J11S, J16Z | | 09 | J03A, J03B, J04A, J04B, J08A, J08B, J11A, J11B, J11J, J11Q, J11R, J11S, J16Z | | 09 | J03A, J03B, J04A, J04B, J08A, J08B, J11A, J11B, J11J, J11Q, J11R, J11S, J16Z |
| | 21A | W04A, W04B | | 21A | W04A, W04B | | 21A | W04A, W04B |
| 5t80x.9↔ | 21B | X04Z, X06A, X06B, X06C | 5t810.4↔ | 21B | X05A, X05B, X06A, X06B, X06C | 5t810.x | 21B | X04Z, X06A, X06B, X06C |
| | | BOP, KJZSV, KVT, UOP4 | | | BOP, KJZSV, KVT, UOP4 | | | BOP, KJZSV, KVT, UOP4 |
| | 01 | B03Z, B07Z, B17A, B17B, B17C, B17J | | 01 | B03Z, B17A, B17B, B17C, B17J | | 01 | B03Z, B17A, B17B, B17C, B17J |
| | 08 | I27A, I27B, I27C, I27D, I27J, I27Q | | 08 | I27A, I27B, I27C, I27D, I27J, I27Q | | 08 | I27A, I27B, I27C, I27D, I27J, I27Q |
| | 09 | J03A, J03B, J04A, J04B, J08A, J08B, J08C, J11A, J11B, J11J, J11Q, J11R, J11S, J16Z | | 09 | J03A, J03B, J04A, J04B, J08A, J08B, J11A, J11B, J11J, J11Q, J11R, J11S, J16Z | | 09 | J03A, J03B, J04A, J04B, J08A, J08B, J11A, J11B, J11J, J11Q, J11R, J11S, J16Z |
| 5t80x.x | 21A | W04A, W04B | 5t810.5↔ | 21A | W04A, W04B | 5t811.0↔ | 21A | W04A, W04B |
| | 21B | X06A, X06B, X06C | | 21B | X06A, X06B, X06C | | 21B | X06A, X06B, X06C |
| | | BOP, KJZSV, KVT, UOP4 | | | BOP, KJZSV, KVT, UOP4 | | | BOP, KJZSV, KVT, UOP4 |
| | 01 | B03Z, B07Z, B17A, B17B, B17C, B17J | | 01 | B03Z, B17A, B17B, B17C, B17J | | 01 | B03Z, B07Z, B17A, B17B, B17C, B17J |
| | 08 | I27A, I27B, I27C, I27D, I27J, I27Q | | 08 | I27A, I27B, I27C, I27D, I27J, I27Q | | 05 | F27A, F27B, F27C |
| 5t810.0↔ | 09 | J03A, J03B, J04A, J04B, J08A, J08B, J08C, J11A, J11B, J11J, J11Q, J11R, J11S, J16Z | 5t810.6↔ | 09 | J03A, J03B, J04A, J04B, J08A, J08B, J11A, J11B, J11J, J11Q, J11R, J11S, J16Z | 5t811.1↔ | 08 | I12A, I12B, I12C, I12J, I27A, I27B, I27C, I27D, I27J, I27Q |
| | 21A | W04A, W04B | | 21A | W04A, W04B | | 09 | J08A |
| | 21B | X06A, X06B, X06C | | 21B | X06A, X06B, X06C | | 10 | K09A, K09B |
| | | BOP, KJZSV, KVT, UOP4 | | | BOP, KJZSV, KVT, UOP4 | | 21A | W04A, W04B |
| | 01 | B03Z, B17A, B17B, B17C, B17J | | 01 | B03Z, B17A, B17B, B17C, B17J | | 21B | X06A, X06B, X06C |
| 5t810.1↔ | 03 | D18Z, D28J, D28Z, D29J, D29Z | 5t810.7↔ | 08 | I27A, I27B, I27C, I27D, I27J, I27Q | 5t811.2↔ | 01 | B03Z, B07Z, B17A, B17B, B17C, B17J |
| | 08 | I27A, I27B, I27C, I27D, I27J, I27Q | | 08 | I27A, I27B, I27C, I27D, I27J, I27Q | | 05 | F27A, F27B, F27C |
| | 09 | J03A, J03B, J04A, J04B, J08A, J08B, J11A, J11B, J11J, J11Q, J11R, J11S, J16Z | | 09 | J03A, J03B, J04A, J04B, J08A, J08B, J11A, J11B, J11J, J11Q, J11R, J11S, J16Z | | 08 | I12A, I12B, I12C, I12J, I27A, I27B, I27C, I27D, I27J, I27Q |
| | 21A | W04A, W04B | | 21A | W04A, W04B | | 09 | J08A |
| | 21B | X06A, X06B, X06C | | 21B | X04Z, X06A, X06B, X06C | | 10 | K09A, K09B |
| 5t810.2↔ | | BOP, KJZSV, KVT, UOP4 | 5t810.8↔ | | BOP, KJZSV, KVT, UOP4 | 5t811.3↔ | 21A | W04A, W04B |
| | 01 | B03Z, B17A, B17B, B17C, B17J | | 01 | B03Z, B17A, B17B, B17C, B17J | | 01 | B03Z, B07Z, B17A, B17B, B17C, B17J |
| | 08 | I27A, I27B, I27C, I27D, I27J, I27Q | | 08 | I27A, I27B, I27C, I27D, I27J, I27Q | | 05 | F27A, F27B, F27C |
| | 09 | J03A, J03B, J04A, J04B, J08A, J08B, J11A, J11B, J11J, J11Q, J11R, J11S, J16Z | | 09 | J03A, J03B, J04A, J04B, J08A, J08B, J11A, J11B, J11J, J11Q, J11R, J11S, J16Z | | 08 | I12A, I12B, I12C, I12J, I27A, I27B, I27C, I27D, I27J, I27Q |
| | 21A | W04A, W04B | | 21A | W04A, W04B | | 09 | J08A |
| | BOP, KJZSV, KVT, UOP4 | | BOP, KJZSV, KVT, UOP4 | | BOP, KJZSV, KVT, UOP4 | | | |
| 01 | B03Z, B17A, B17B, B17C, B17J | 01 | B03Z, B17A, B17B, B17C, B17J | 01 | B03Z, B07Z, B17A, B17B, B17C, B17J | | | |
| 08 | I27A, I27B, I27C, I27D, I27J, I27Q | 08 | I27A, I27B, I27C, I27D, I27J, I27Q | 05 | F27A, F27B, F27C | | | |
| 09 | J03A, J03B, J04A, J04B, J08A, J08B, J11A, J11B, J11J, J11Q, J11R, J11S, J16Z | 09 | J03A, J03B, J04A, J04B, J08A, J08B, J11A, J11B, J11J, J11Q, J11R, J11S, J16Z | 08 | I12A, I12B, I12C, I12J, I27A, I27B, I27C, I27D, I27J, I27Q | | | |
| 21A | W04A, W04B | 21A | W04A, W04B | 09 | J08A | | | |
| 21B | X06A, X06B, X06C | 21B | X04Z, X06A, X06B, X06C | 10 | K09A, K09B | | | |
| | BOP, KJZSV, KVT, UOP4 | | BOP, KJZSV, KVT, UOP4 | 21A | W04A, W04B | | | |
| 01 | B03Z, B17A, B17B, B17C, B17J | 01 | B03Z, B17A, B17B, B17C, B17J | 21B | X06A, X06B, X06C | | | |
| 08 | I27A, I27B, I27C, I27D, I27J, I27Q | 08 | I27A, I27B, I27C, I27D, I27J, I27Q | | BOP, KJZSV, KVT, UOP4 | | | |
| 09 | J03A, J03B, J04A, J04B, J08A, J08B, J11A, J11B, J11J, J11Q, J11R, J11S, J16Z | 09 | J03A, J03B, J04A, J04B, J08A, J08B, J11A, J11B, J11J, J11Q, J11R, J11S, J16Z | 01 | B03Z, B07Z, B17A, B17B, B17C, B17J | | | |
| 21A | W04A, W04B | 21A | W04A, W04B | 05 | F27A, F27B, F27C | | | |
| 21B | X06A, X06B, X06C | 21B | X04Z, X06A, X06B, X06C | 08 | I12A, I12B, I12C, I12J, I27A, I27B, I27C, I27D, I27J, I27Q | | | |

| ZZV | MDC | DRG | ZZV | MDC | DRG | ZZV | MDC | DRG |
|----------|-----|------------------------------------|----------|-----|--|----------|-----------------------|--|
| 5t813.3↔ | | BOP, KJZSV, KVT, UOP4 | 5t814.4↔ | 08 | I27A, I27B, I27C, I27D, I27J, I27Q | 5t815.3↔ | 01 | BOP, KJZSV, KVT, UOP4 |
| | 08 | I27A, I27B, I27C, I27D, I27J, I27Q | | 08 | I27A, I27B, I27C, I27D, I27J, I27Q | | 01 | B03Z, B07Z, B17A, B17B, B17C, B17J |
| | 09 | J08A | | 09 | J08A | | 08 | I12A, I12B, I12C, I12J, I27A, I27B, I27C, I27D, I27J, I27Q |
| | 21A | W04A, W04B | | 21A | W04A, W04B | | 09 | J03A, J03B, J04A, J04B, J08A, J08B, J11A, J11B, J11J, J11Q, J11R, J11S, J16Z |
| 5t813.4↔ | 21B | X05A, X05B, X06A, X06B, X06C | 5t814.6↔ | 21B | X06A, X06B, X06C | 5t815.4↔ | 21A | W04A, W04B |
| | | BOP, KJZSV, KVT, UOP4 | | 08 | I27A, I27B, I27C, I27D, I27J, I27Q | | 21B | X04Z, X06A, X06B, X06C |
| | 08 | I27A, I27B, I27C, I27D, I27J, I27Q | | 09 | J08A | | BOP, KJZSV, KVT, UOP4 | |
| | 09 | J08A | | 21A | W04A, W04B | | 01 | B03Z, B07Z, B17A, B17B, B17C, B17J |
| 5t813.6↔ | 21A | W04A, W04B | 5t814.7↔ | 21B | X04Z, X06A, X06B, X06C | 5t815.5↔ | 08 | I12A, I12B, I12C, I12J, I27A, I27B, I27C, I27D, I27J, I27Q |
| | 21B | X06A, X06B, X06C | | 08 | I27A, I27B, I27C, I27D, I27J, I27Q | | 09 | J03A, J03B, J04A, J04B, J08A, J08B, J11A, J11B, J11J, J11Q, J11R, J11S, J16Z |
| | | BOP, KJZSV, KVT, UOP4 | | 09 | J08A | | 21A | W04A, W04B |
| | 08 | I27A, I27B, I27C, I27D, I27J, I27Q | | 21A | W04A, W04B | | 21B | X06A, X06B, X06C |
| 5t813.7↔ | 21A | W04A, W04B | 5t814.8↔ | 21B | X04Z, X06A, X06B, X06C | 5t815.6↔ | 01 | B03Z, B07Z, B17A, B17B, B17C, B17J |
| | 21B | X04Z, X06A, X06B, X06C | | 08 | I27A, I27B, I27C, I27D, I27J, I27Q | | 08 | I12A, I12B, I12C, I12J, I27A, I27B, I27C, I27D, I27J, I27Q |
| | | BOP, KJZSV, KVT, UOP4 | | 09 | J08A | | 09 | J03A, J03B, J04A, J04B, J08A, J08B, J11A, J11B, J11J, J11Q, J11R, J11S, J16Z |
| | 08 | I27A, I27B, I27C, I27D, I27J, I27Q | | 21A | W04A, W04B | | 21A | W04A, W04B |
| 5t813.8↔ | 21A | W04A, W04B | 5t814.9↔ | 21B | X04Z, X06A, X06B, X06C | 5t815.7↔ | 21B | X06A, X06B, X06C |
| | 21B | X04Z, X06A, X06B, X06C | | 08 | I27A, I27B, I27C, I27D, I27J, I27Q | | BOP, KJZSV, KVT, UOP4 | |
| | | BOP, KJZSV, KVT, UOP4 | | 09 | J08A | | 01 | B03Z, B07Z, B17A, B17B, B17C, B17J |
| | 08 | I27A, I27B, I27C, I27D, I27J, I27Q | | 21A | W04A, W04B | | 08 | I12A, I12B, I12C, I12J, I27A, I27B, I27C, I27D, I27J, I27Q |
| 5t813.9↔ | 21A | W04A, W04B | 5t814.x | 21B | X04Z, X06A, X06B, X06C | 5t815.8↔ | 09 | J03A, J03B, J04A, J04B, J08A, J08B, J11A, J11B, J11J, J11Q, J11R, J11S, J16Z |
| | 21B | X04Z, X06A, X06B, X06C | | 08 | I27A, I27B, I27C, I27D, I27J, I27Q | | 21A | W04A, W04B |
| | | BOP, KJZSV, KVT, UOP4 | | 09 | J08A | | 21B | X06A, X06B, X06C |
| | 08 | I27A, I27B, I27C, I27D, I27J, I27Q | | 21A | W04A, W04B | | BOP, KJZSV, KVT, UOP4 | |
| 5t813.x | 21A | W04A, W04B | 5t815.0↔ | 21B | X06A, X06B, X06C | 5t815.1↔ | 01 | B03Z, B07Z, B17A, B17B, B17C, B17J |
| | 21B | X04Z, X06A, X06B, X06C | | 01 | B03Z, B07Z, B17A, B17B, B17C, B17J | | 08 | I12A, I12B, I12C, I12J, I27A, I27B, I27C, I27D, I27J, I27Q |
| | | BOP, KJZSV, KVT, UOP4 | | 08 | I12A, I12B, I12C, I12J, I27A, I27B, I27C, I27D, I27J, I27Q | | 09 | J03A, J03B, J04A, J04B, J08A, J08B, J11A, J11B, J11J, J11Q, J11R, J11S, J16Z |
| | 08 | I27A, I27B, I27C, I27D, I27J, I27Q | | 09 | J03A, J03B, J04A, J04B, J08A, J08B, J11A, J11B, J11J, J11Q, J11R, J11S, J16Z | | 21A | W04A, W04B |
| 5t814.0↔ | 21A | W04A, W04B | 5t815.1↔ | 21B | X06A, X06B, X06C | 5t815.2↔ | 21B | X04Z, X06A, X06B, X06C |
| | 21B | X06A, X06B, X06C | | 01 | B03Z, B07Z, B17A, B17B, B17C, B17J | | BOP, KJZSV, KVT, UOP4 | |
| | | BOP, KJZSV, KVT, UOP4 | | 08 | I12A, I12B, I12C, I12J, I27A, I27B, I27C, I27D, I27J, I27Q | | 01 | B03Z, B07Z, B17A, B17B, B17C, B17J |
| | 08 | I27A, I27B, I27C, I27D, I27J, I27Q | | 08 | I12A, I12B, I12C, I12J, I27A, I27B, I27C, I27D, I27J, I27Q | | 08 | I12A, I12B, I12C, I12J, I27A, I27B, I27C, I27D, I27J, I27Q |
| 5t814.1↔ | 09 | J08A | 5t815.2↔ | 09 | J03A, J03B, J04A, J04B, J08A, J08B, J11A, J11B, J11J, J11Q, J11R, J11S, J16Z | 5t815.8↔ | 09 | J03A, J03B, J04A, J04B, J08A, J08B, J11A, J11B, J11J, J11Q, J11R, J11S, J16Z |
| | 21A | W04A, W04B | | 21A | W04A, W04B | | 21A | W04A, W04B |
| | 21B | X06A, X06B, X06C | | 21B | X06A, X06B, X06C | | 21B | X04Z, X06A, X06B, X06C |
| | | BOP, KJZSV, KVT, UOP4 | | 01 | B03Z, B07Z, B17A, B17B, B17C, B17J | | BOP, KJZSV, KVT, UOP4 | |
| 5t814.2↔ | 08 | I27A, I27B, I27C, I27D, I27J, I27Q | 5t815.2↔ | 01 | B03Z, B07Z, B17A, B17B, B17C, B17J | 5t815.8↔ | 01 | B03Z, B07Z, B17A, B17B, B17C, B17J |
| | 09 | J08A | | 08 | I12A, I12B, I12C, I12J, I27A, I27B, I27C, I27D, I27J, I27Q | | 08 | I12A, I12B, I12C, I12J, I27A, I27B, I27C, I27D, I27J, I27Q |
| | 21A | W04A, W04B | | 09 | J03A, J03B, J04A, J04B, J08A, J08B, J11A, J11B, J11J, J11Q, J11R, J11S, J16Z | | 09 | J03A, J03B, J04A, J04B, J08A, J08B, J11A, J11B, J11J, J11Q, J11R, J11S, J16Z |
| | 21B | X06A, X06B, X06C | | 21A | W04A, W04B | | 21A | W04A, W04B |
| 5t814.3↔ | | BOP, KJZSV, KVT, UOP4 | 5t815.2↔ | 21B | X06A, X06B, X06C | 5t815.8↔ | 21B | X04Z, X06A, X06B, X06C |
| | 08 | I27A, I27B, I27C, I27D, I27J, I27Q | | 01 | B03Z, B07Z, B17A, B17B, B17C, B17J | | 01 | B03Z, B07Z, B17A, B17B, B17C, B17J |
| | 09 | J08A | | 08 | I12A, I12B, I12C, I12J, I27A, I27B, I27C, I27D, I27J, I27Q | | 08 | I12A, I12B, I12C, I12J, I27A, I27B, I27C, I27D, I27J, I27Q |
| | 21A | W04A, W04B | | 09 | J03A, J03B, J04A, J04B, J08A, J08B, J11A, J11B, J11J, J11Q, J11R, J11S, J16Z | | 09 | J03A, J03B, J04A, J04B, J08A, J08B, J11A, J11B, J11J, J11Q, J11R, J11S, J16Z |
| 5t814.4↔ | 21B | X05A, X05B, X06A, X06B, X06C | 5t815.2↔ | 21A | W04A, W04B | 5t815.8↔ | 21B | X04Z, X06A, X06B, X06C |
| | | BOP, KJZSV, KVT, UOP4 | | 21B | X06A, X06B, X06C | | 01 | B03Z, B07Z, B17A, B17B, B17C, B17J |
| | 08 | I27A, I27B, I27C, I27D, I27J, I27Q | | 01 | B03Z, B07Z, B17A, B17B, B17C, B17J | | 08 | I12A, I12B, I12C, I12J, I27A, I27B, I27C, I27D, I27J, I27Q |
| | 09 | J08A | | 08 | I12A, I12B, I12C, I12J, I27A, I27B, I27C, I27D, I27J, I27Q | | 09 | J03A, J03B, J04A, J04B, J08A, J08B, J11A, J11B, J11J, J11Q, J11R, J11S, J16Z |

VYK

| ZZV | MDC | DRG | ZZV | MDC | DRG | ZZV | MDC | DRG |
|----------|-----|--|----------|-----|--|----------|-----|--|
| 5t815.9↔ | | BOP, KJZSV, KVT, UOP4 | 5t816.4↔ | | BOP, KJZSV, KVT, UOP4 | 5t816.x | | BOP, KJZSV, KVT, UOP4 |
| | 01 | B03Z, B07Z, B17A, B17B, B17C, B17J | | 01 | B03Z, B07Z, B17A, B17B, B17C, B17J | | 01 | B03Z, B07Z, B17A, B17B, B17C, B17J |
| | 08 | I12A, I12B, I12C, I12J, I27A, I27B, I27C, I27D, I27J, I27Q | | 08 | I12A, I12B, I12C, I12J, I27A, I27B, I27C, I27D, I27J, I27Q | | 08 | I12A, I12B, I12C, I12J, I27A, I27B, I27C, I27D, I27J, I27Q |
| | 09 | J03A, J03B, J04A, J04B, J08A, J08B, J11A, J11B, J11J, J11Q, J11R, J11S, J16Z | | 09 | J03A, J03B, J04A, J04B, J08A, J08B, J11A, J11B, J11J, J11Q, J11R, J11S, J16Z | | 09 | J03A, J03B, J04A, J04B, J08A, J08B, J11A, J11B, J11J, J11Q, J11R, J11S, J16Z |
| | 21A | W04A, W04B | | 21A | W04A, W04B | | 21A | W04A, W04B |
| 5t815.x | 21B | X04Z | 5t816.5↔ | 21B | X06A, X06B, X06C | 5t817.0↔ | 21B | X06A, X06B, X06C |
| | | BOP, KJZSV, KVT, UOP4 | | | BOP, KJZSV, KVT, UOP4 | | | BOP, KJZSV, KVT, UOP4 |
| | 01 | B03Z, B07Z, B17A, B17B, B17C, B17J | | 01 | B03Z, B07Z, B17A, B17B, B17C, B17J | | 01 | B03Z, B07Z, B17A, B17B, B17C, B17J |
| | 08 | I12A, I12B, I12C, I12J, I27A, I27B, I27C, I27D, I27J, I27Q | | 08 | I12A, I12B, I12C, I12J, I27A, I27B, I27C, I27D, I27J, I27Q | | 08 | I12A, I12B, I12C, I12J, I27A, I27B, I27C, I27D, I27J, I27Q |
| | 09 | J03A, J03B, J04A, J04B, J08A, J08B, J11A, J11B, J11J, J11Q, J11R, J11S, J16Z | | 09 | J03A, J03B, J04A, J04B, J08A, J08B, J11A, J11B, J11J, J11Q, J11R, J11S, J16Z | | 09 | J03A, J03B, J04A, J04B, J08A, J08B, J11A, J11B, J11J, J11Q, J11R, J11S, J16Z |
| 5t816.0↔ | 21A | W04A, W04B | 5t816.6↔ | 21A | W04A, W04B | 5t817.1↔ | 21A | W04A, W04B |
| | 21B | X06A, X06B, X06C | | 21B | X06A, X06B, X06C | | 21B | X06A, X06B, X06C |
| | | BOP, KJZSV, KVT, UOP4 | | | BOP, KJZSV, KVT, UOP4 | | | BOP, KJZSV, KVT, UOP4 |
| | 01 | B03Z, B07Z, B17A, B17B, B17C, B17J | | 01 | B03Z, B07Z, B17A, B17B, B17C, B17J | | 01 | B03Z, B07Z, B17A, B17B, B17C, B17J |
| | 08 | I12A, I12B, I12C, I12J, I27A, I27B, I27C, I27D, I27J, I27Q | | 08 | I12A, I12B, I12C, I12J, I27A, I27B, I27C, I27D, I27J, I27Q | | 08 | I12A, I12B, I12C, I12J, I27A, I27B, I27C, I27D, I27J, I27Q |
| 5t816.1↔ | 09 | J03A, J03B, J04A, J04B, J08A, J08B, J11A, J11B, J11J, J11Q, J11R, J11S, J16Z | 5t816.7↔ | 09 | J03A, J03B, J04A, J04B, J08A, J08B, J11A, J11B, J11J, J11Q, J11R, J11S, J16Z | 5t817.2↔ | 09 | J03A, J03B, J04A, J04B, J08A, J08B, J11A, J11B, J11J, J11Q, J11R, J11S, J16Z |
| | 21A | W04A, W04B | | 21A | W04A, W04B | | 21A | W04A, W04B |
| | 21B | X06A, X06B, X06C | | 21B | X04Z, X06A, X06B, X06C | | 21B | X06A, X06B, X06C |
| | | BOP, KJZSV, KVT, UOP4 | | | BOP, KJZSV, KVT, UOP4 | | | BOP, KJZSV, KVT, UOP4 |
| | 01 | B03Z, B07Z, B17A, B17B, B17C, B17J | | 01 | B03Z, B07Z, B17A, B17B, B17C, B17J | | 01 | B03Z, B07Z, B17A, B17B, B17C, B17J |
| 5t816.2↔ | 08 | I12A, I12B, I12C, I12J, I27A, I27B, I27C, I27D, I27J, I27Q | 5t816.8↔ | 08 | I12A, I12B, I12C, I12J, I27A, I27B, I27C, I27D, I27J, I27Q | 5t817.3↔ | 08 | I12A, I12B, I12C, I12J, I27A, I27B, I27C, I27D, I27J, I27Q |
| | 09 | J03A, J03B, J04A, J04B, J08A, J08B, J11A, J11B, J11J, J11Q, J11R, J11S, J16Z | | 09 | J03A, J03B, J04A, J04B, J08A, J08B, J11A, J11B, J11J, J11Q, J11R, J11S, J16Z | | 09 | J03A, J03B, J04A, J04B, J08A, J08B, J11A, J11B, J11J, J11Q, J11R, J11S, J16Z |
| | 21A | W04A, W04B | | 21A | W04A, W04B | | 21A | W04A, W04B |
| | 21B | X06A, X06B, X06C | | 21B | X04Z, X06A, X06B, X06C | | 21B | X06A, X06B, X06C |
| | | BOP, KJZSV, KVT, UOP4 | | | BOP, KJZSV, KVT, UOP4 | | | BOP, KJZSV, KVT, UOP4 |
| 5t816.3↔ | 01 | B03Z, B07Z, B17A, B17B, B17C, B17J | 5t816.9↔ | 01 | B03Z, B07Z, B17A, B17B, B17C, B17J | 5t817.4↔ | 01 | B03Z, B07Z, B17A, B17B, B17C, B17J |
| | 08 | I12A, I12B, I12C, I12J, I27A, I27B, I27C, I27D, I27J, I27Q | | 08 | I12A, I12B, I12C, I12J, I27A, I27B, I27C, I27D, I27J, I27Q | | 08 | I12A, I12B, I12C, I12J, I27A, I27B, I27C, I27D, I27J, I27Q |
| | 09 | J03A, J03B, J04A, J04B, J08A, J08B, J11A, J11B, J11J, J11Q, J11R, J11S, J16Z | | 09 | J03A, J03B, J04A, J04B, J08A, J08B, J11A, J11B, J11J, J11Q, J11R, J11S, J16Z | | 09 | J03A, J03B, J04A, J04B, J08A, J08B, J11A, J11B, J11J, J11Q, J11R, J11S, J16Z |
| | 21A | W04A, W04B | | 21A | W04A, W04B | | 21A | W04A, W04B |
| | 21B | X04Z, X06A, X06B, X06C | | 21B | X04Z | | 21B | X06A, X06B, X06C |

VYK

| ZZV | MDC | DRG | ZZV | MDC | DRG | ZZV | MDC | DRG |
|----------|-----|--|----------|-----|--|----------|-----|--|
| 5t819.1↔ | | BOP, KJZSV, KVT, UOP4 | 5t819.7↔ | | BOP, KJZSV, KVT, UOP4 | 5t81a.2↔ | | BOP, KJZSV, KVT, UOP4 |
| | 01 | B03Z, B07Z, B17A, B17B, B17C, B17J | | 01 | B03Z, B07Z, B17A, B17B, B17C, B17J | | 01 | B03Z, B07Z, B17A, B17B, B17C, B17J |
| | 08 | I12A, I12B, I12C, I12J, I27A, I27B, I27C, I27D, I27J, I27Q | | 08 | I12A, I12B, I12C, I12J, I27A, I27B, I27C, I27D, I27J, I27Q | | 08 | I12A, I12B, I12C, I12J, I27A, I27B, I27C, I27D, I27J, I27Q |
| | 09 | J03A, J03B, J04A, J04B, J08A, J08B, J11A, J11B, J11J, J11Q, J11R, J11S, J16Z | | 09 | J03A, J03B, J04A, J04B, J08A, J08B, J11A, J11B, J11J, J11Q, J11R, J11S, J16Z | | 09 | J03A, J03B, J04A, J04B, J08A, J08B, J11A, J11B, J11J, J11Q, J11R, J11S, J16Z |
| | 21A | W04A, W04B | | 21A | W04A, W04B | | 21A | W04A, W04B |
| 5t819.2↔ | 21B | X06A, X06B, X06C | 5t819.8↔ | 21B | X04Z, X06A, X06B, X06C | 5t81a.3↔ | 21B | X06A, X06B, X06C |
| | | BOP, KJZSV, KVT, UOP4 | | | BOP, KJZSV, KVT, UOP4 | | | BOP, KJZSV, KVT, UOP4 |
| | 01 | B03Z, B07Z, B17A, B17B, B17C, B17J | | 01 | B03Z, B07Z, B17A, B17B, B17C, B17J | | 01 | B03Z, B07Z, B17A, B17B, B17C, B17J |
| | 08 | I12A, I12B, I12C, I12J, I27A, I27B, I27C, I27D, I27J, I27Q | | 08 | I12A, I12B, I12C, I12J, I27A, I27B, I27C, I27D, I27J, I27Q | | 08 | I12A, I12B, I12C, I12J, I27A, I27B, I27C, I27D, I27J, I27Q |
| | 09 | J03A, J03B, J04A, J04B, J08A, J08B, J11A, J11B, J11J, J11Q, J11R, J11S, J16Z | | 09 | J03A, J03B, J04A, J04B, J08A, J08B, J11A, J11B, J11J, J11Q, J11R, J11S, J16Z | | 09 | J03A, J03B, J04A, J04B, J08A, J08B, J11A, J11B, J11J, J11Q, J11R, J11S, J16Z |
| 5t819.3↔ | 21A | W04A, W04B | 5t819.9↔ | 21A | W04A, W04B | 5t81a.4↔ | 21A | W04A, W04B |
| | 21B | X06A, X06B, X06C | | 21B | X04Z, X06A, X06B, X06C | | 21B | X05A, X05B, X06A, X06B, X06C |
| | | BOP, KJZSV, KVT, UOP4 | | | BOP, KJZSV, KVT, UOP4 | | | BOP, KJZSV, KVT, UOP4 |
| | 01 | B03Z, B07Z, B17A, B17B, B17C, B17J | | 01 | B03Z, B07Z, B17A, B17B, B17C, B17J | | 01 | B03Z, B07Z, B17A, B17B, B17C, B17J |
| | 08 | I12A, I12B, I12C, I12J, I27A, I27B, I27C, I27D, I27J, I27Q | | 08 | I12A, I12B, I12C, I12J, I27A, I27B, I27C, I27D, I27J, I27Q | | 08 | I12A, I12B, I12C, I12J, I27A, I27B, I27C, I27D, I27J, I27Q |
| 5t819.4↔ | 09 | J03A, J03B, J04A, J04B, J08A, J08B, J11A, J11B, J11J, J11Q, J11R, J11S, J16Z | 5t819.x | 09 | J03A, J03B, J04A, J04B, J08A, J08B, J11A, J11B, J11J, J11Q, J11R, J11S, J16Z | 5t81a.5↔ | 09 | J03A, J03B, J04A, J04B, J08A, J08B, J11A, J11B, J11J, J11Q, J11R, J11S, J16Z |
| | 21A | W04A, W04B | | 21A | W04A, W04B | | 21A | W04A, W04B |
| | 21B | X05A, X05B, X06A, X06B, X06C | | 21B | X04Z | | 21B | X06A, X06B, X06C |
| | | BOP, KJZSV, KVT, UOP4 | | | BOP, KJZSV, KVT, UOP4 | | | BOP, KJZSV, KVT, UOP4 |
| | 01 | B03Z, B07Z, B17A, B17B, B17C, B17J | | 01 | B03Z, B07Z, B17A, B17B, B17C, B17J | | 01 | B03Z, B07Z, B17A, B17B, B17C, B17J |
| 5t819.5↔ | 08 | I12A, I12B, I12C, I12J, I27A, I27B, I27C, I27D, I27J, I27Q | 5t81a.0↔ | 08 | I12A, I12B, I12C, I12J, I27A, I27B, I27C, I27D, I27J, I27Q | 5t81a.6↔ | 08 | I12A, I12B, I12C, I12J, I27A, I27B, I27C, I27D, I27J, I27Q |
| | 09 | J03A, J03B, J04A, J04B, J08A, J08B, J11A, J11B, J11J, J11Q, J11R, J11S, J16Z | | 09 | J03A, J03B, J04A, J04B, J08A, J08B, J11A, J11B, J11J, J11Q, J11R, J11S, J16Z | | 09 | J03A, J03B, J04A, J04B, J08A, J08B, J11A, J11B, J11J, J11Q, J11R, J11S, J16Z |
| | 21A | W04A, W04B | | 21A | W04A, W04B | | 21A | W04A, W04B |
| | 21B | X06A, X06B, X06C | | 21B | X06A, X06B, X06C | | 21B | X06A, X06B, X06C |
| | | BOP, KJZSV, KVT, UOP4 | | | BOP, KJZSV, KVT, UOP4 | | | BOP, KJZSV, KVT, UOP4 |
| 5t819.6↔ | 01 | B03Z, B07Z, B17A, B17B, B17C, B17J | 5t81a.1↔ | 01 | B03Z, B07Z, B17A, B17B, B17C, B17J | 5t81a.7↔ | 01 | B03Z, B07Z, B17A, B17B, B17C, B17J |
| | 08 | I12A, I12B, I12C, I12J, I27A, I27B, I27C, I27D, I27J, I27Q | | 08 | I12A, I12B, I12C, I12J, I27A, I27B, I27C, I27D, I27J, I27Q | | 08 | I12A, I12B, I12C, I12J, I27A, I27B, I27C, I27D, I27J, I27Q |
| | 09 | J03A, J03B, J04A, J04B, J08A, J08B, J11A, J11B, J11J, J11Q, J11R, J11S, J16Z | | 09 | J03A, J03B, J04A, J04B, J08A, J08B, J11A, J11B, J11J, J11Q, J11R, J11S, J16Z | | 09 | J03A, J03B, J04A, J04B, J08A, J08B, J11A, J11B, J11J, J11Q, J11R, J11S, J16Z |
| | 21A | W04A, W04B | | 21A | W04A, W04B | | 21A | W04A, W04B |
| | 21B | X04Z, X06A, X06B, X06C | | 21B | X06A, X06B, X06C | | 21B | X04Z, X06A, X06B, X06C |

VYK

| ZZV | MDC | DRG | ZZV | MDC | DRG | ZZV | MDC | DRG |
|----------|-----|--|----------|-----|--|----------|-----|--|
| 5t81a.8↔ | | BOP, KJZSV, KVT, UOP4 | 5t81b.3↔ | | BOP, KJZSV, KVT, UOP4 | 5t81b.9↔ | | BOP, KJZSV, KVT, UOP4 |
| | 01 | B03Z, B07Z, B17A, B17B, B17C, B17J | | 01 | B03Z, B07Z, B17A, B17B, B17C, B17J | | 01 | B03Z, B07Z, B17A, B17B, B17C, B17J |
| | 08 | I12A, I12B, I12C, I12J, I27A, I27B, I27C, I27D, I27J, I27Q | | 08 | I12A, I12B, I12C, I12J, I27A, I27B, I27C, I27D, I27J, I27Q | | 08 | I12A, I12B, I12C, I12J, I27A, I27B, I27C, I27D, I27J, I27Q |
| | 09 | J03A, J03B, J04A, J04B, J08A, J08B, J11A, J11B, J11J, J11Q, J11R, J11S, J16Z | | 09 | J03A, J03B, J04A, J04B, J08A, J08B, J11A, J11B, J11J, J11Q, J11R, J11S, J16Z | | 09 | J03A, J03B, J04A, J04B, J08A, J08B, J11A, J11B, J11J, J11Q, J11R, J11S, J16Z |
| | 21A | W04A, W04B | | 21A | W04A, W04B | | 21A | W04A, W04B |
| 5t81a.9↔ | 21B | X04Z, X06A, X06B, X06C | 5t81b.4↔ | 21B | X05A, X05B, X06A, X06B, X06C | 5t81b.x | 21B | X04Z |
| | | BOP, KJZSV, KVT, UOP4 | | | BOP, KJZSV, KVT, UOP4 | | | BOP, KJZSV, KVT, UOP4 |
| | 01 | B03Z, B07Z, B17A, B17B, B17C, B17J | | 01 | B03Z, B07Z, B17A, B17B, B17C, B17J | | 01 | B03Z, B07Z, B17A, B17B, B17C, B17J |
| | 08 | I12A, I12B, I12C, I12J, I27A, I27B, I27C, I27D, I27J, I27Q | | 08 | I12A, I12B, I12C, I12J, I27A, I27B, I27C, I27D, I27J, I27Q | | 08 | I12A, I12B, I12C, I12J, I27A, I27B, I27C, I27D, I27J, I27Q |
| | 09 | J03A, J03B, J04A, J04B, J08A, J08B, J11A, J11B, J11J, J11Q, J11R, J11S, J16Z | | 09 | J03A, J03B, J04A, J04B, J08A, J08B, J11A, J11B, J11J, J11Q, J11R, J11S, J16Z | | 09 | J03A, J03B, J04A, J04B, J08A, J08B, J11A, J11B, J11J, J11Q, J11R, J11S, J16Z |
| 5t81a.x | 21A | W04A, W04B | 5t81b.5↔ | 21A | W04A, W04B | 5t81c.0↔ | 21A | W04A, W04B |
| | 21B | X04Z | | 21B | X06A, X06B, X06C | | 21B | X06A, X06B, X06C |
| | | BOP, KJZSV, KVT, UOP4 | | | BOP, KJZSV, KVT, UOP4 | | | BOP, KJZSV, KVT, UOP4 |
| | 01 | B03Z, B07Z, B17A, B17B, B17C, B17J | | 01 | B03Z, B07Z, B17A, B17B, B17C, B17J | | 01 | B03Z, B07Z, B17A, B17B, B17C, B17J |
| | 08 | I12A, I12B, I12C, I12J, I27A, I27B, I27C, I27D, I27J, I27Q | | 08 | I12A, I12B, I12C, I12J, I27A, I27B, I27C, I27D, I27J, I27Q | | 08 | I12A, I12B, I12C, I12J, I27A, I27B, I27C, I27D, I27J, I27Q |
| 5t81b.0↔ | 09 | J03A, J03B, J04A, J04B, J08A, J08B, J11A, J11B, J11J, J11Q, J11R, J11S, J16Z | 5t81b.6↔ | 09 | J03A, J03B, J04A, J04B, J08A, J08B, J11A, J11B, J11J, J11Q, J11R, J11S, J16Z | 5t81c.1↔ | 09 | J03A, J03B, J04A, J04B, J08A, J08B, J11A, J11B, J11J, J11Q, J11R, J11S, J16Z |
| | 21A | W04A, W04B | | 21A | W04A, W04B | | 21A | W04A, W04B |
| | 21B | X06A, X06B, X06C | | 21B | X06A, X06B, X06C | | 21B | X06A, X06B, X06C |
| | | BOP, KJZSV, KVT, UOP4 | | | BOP, KJZSV, KVT, UOP4 | | | BOP, KJZSV, KVT, UOP4 |
| | 01 | B03Z, B07Z, B17A, B17B, B17C, B17J | | 01 | B03Z, B07Z, B17A, B17B, B17C, B17J | | 01 | B03Z, B07Z, B17A, B17B, B17C, B17J |
| 5t81b.1↔ | 08 | I12A, I12B, I12C, I12J, I27A, I27B, I27C, I27D, I27J, I27Q | 5t81b.7↔ | 08 | I12A, I12B, I12C, I12J, I27A, I27B, I27C, I27D, I27J, I27Q | 5t81c.2↔ | 08 | I12A, I12B, I12C, I12J, I27A, I27B, I27C, I27D, I27J, I27Q |
| | 09 | J03A, J03B, J04A, J04B, J08A, J08B, J11A, J11B, J11J, J11Q, J11R, J11S, J16Z | | 09 | J03A, J03B, J04A, J04B, J08A, J08B, J11A, J11B, J11J, J11Q, J11R, J11S, J16Z | | 09 | J03A, J03B, J04A, J04B, J08A, J08B, J11A, J11B, J11J, J11Q, J11R, J11S, J16Z |
| | 21A | W04A, W04B | | 21A | W04A, W04B | | 21A | W04A, W04B |
| | 21B | X06A, X06B, X06C | | 21B | X04Z, X06A, X06B, X06C | | 21B | X06A, X06B, X06C |
| | | BOP, KJZSV, KVT, UOP4 | | | BOP, KJZSV, KVT, UOP4 | | | BOP, KJZSV, KVT, UOP4 |
| 5t81b.2↔ | 01 | B03Z, B07Z, B17A, B17B, B17C, B17J | 5t81b.8↔ | 01 | B03Z, B07Z, B17A, B17B, B17C, B17J | 5t81c.3↔ | 01 | B03Z, B07Z, B17A, B17B, B17C, B17J |
| | 08 | I12A, I12B, I12C, I12J, I27A, I27B, I27C, I27D, I27J, I27Q | | 08 | I12A, I12B, I12C, I12J, I27A, I27B, I27C, I27D, I27J, I27Q | | 08 | I12A, I12B, I12C, I12J, I27A, I27B, I27C, I27D, I27J, I27Q |
| | 09 | J03A, J03B, J04A, J04B, J08A, J08B, J11A, J11B, J11J, J11Q, J11R, J11S, J16Z | | 09 | J03A, J03B, J04A, J04B, J08A, J08B, J11A, J11B, J11J, J11Q, J11R, J11S, J16Z | | 09 | J03A, J03B, J04A, J04B, J08A, J08B, J11A, J11B, J11J, J11Q, J11R, J11S, J16Z |
| | 21A | W04A, W04B | | 21A | W04A, W04B | | 21A | W04A, W04B |
| | 21B | X06A, X06B, X06C | | 21B | X04Z, X06A, X06B, X06C | | 21B | X05A, X05B, X06A, X06B, X06C |

| ZZV | MDC | DRG | ZZV | MDC | DRG | ZZV | MDC | DRG |
|----------|-----|--|------------------|-----|--|----------|-----|--|
| 5t81c.4↔ | | BOP, KJZSV, KVT, UOP4 | 5t81c.x | | BOP, KJZSV, KVT, UOP4 | 5t81d.5↔ | | BOP, KJZSV, KVT, UOP4 |
| | 01 | B03Z, B07Z, B17A, B17B, B17C, B17J | | 01 | B03Z, B07Z, B17A, B17B, B17C, B17J | | 01 | B03Z, B07Z, B17A, B17B, B17C, B17J |
| | 08 | I12A, I12B, I12C, I12J, I27A, I27B, I27C, I27D, I27J, I27Q | | 08 | I12A, I12B, I12C, I12J, I27A, I27B, I27C, I27D, I27J, I27Q | | 08 | I27A, I27B, I27C, I27D, I27J, I27Q |
| | 09 | J03A, J03B, J04A, J04B, J08A, J08B, J11A, J11B, J11J, J11Q, J11R, J11S, J16Z | | 09 | J03A, J03B, J04A, J04B, J08A, J08B, J11A, J11B, J11J, J11Q, J11R, J11S, J16Z | | 09 | J03A, J03B, J04A, J04B, J08A, J08B, J11A, J11B, J11J, J11Q, J11R, J11S, J16Z |
| | 21A | W04A, W04B | | 21A | W04A, W04B | | 21A | W04A, W04B |
| 5t81c.5↔ | 21B | X06A, X06B, X06C | 5t81d.0↔ | 21B | X06A, X06B, X06C | 5t81d.6↔ | 21B | X06A, X06B, X06C |
| | | BOP, KJZSV, KVT, UOP4 | | | BOP, KJZSV, KVT, UOP4 | | | BOP, KJZSV, KVT, UOP4 |
| | 01 | B03Z, B07Z, B17A, B17B, B17C, B17J | | 01 | B03Z, B07Z, B17A, B17B, B17C, B17J | | 01 | B03Z, B07Z, B17A, B17B, B17C, B17J |
| | 08 | I12A, I12B, I12C, I12J, I27A, I27B, I27C, I27D, I27J, I27Q | | 08 | I27A, I27B, I27C, I27D, I27J, I27Q | | 08 | I27A, I27B, I27C, I27D, I27J, I27Q |
| | 09 | J03A, J03B, J04A, J04B, J08A, J08B, J11A, J11B, J11J, J11Q, J11R, J11S, J16Z | | 09 | J03A, J03B, J04A, J04B, J08A, J08B, J11A, J11B, J11J, J11Q, J11R, J11S, J16Z | | 09 | J03A, J03B, J04A, J04B, J08A, J08B, J11A, J11B, J11J, J11Q, J11R, J11S, J16Z |
| 5t81c.6↔ | 21A | W04A, W04B | 5t81d.1↔ | 21A | W04A, W04B | 5t81d.7↔ | 21A | W04A, W04B |
| | 21B | X06A, X06B, X06C | | 21B | X06A, X06B, X06C | | 21B | X04Z, X06A, X06B, X06C |
| | | BOP, KJZSV, KVT, UOP4 | | | BOP, KJZSV, KVT, UOP4 | | | BOP, KJZSV, KVT, UOP4 |
| | 01 | B03Z, B07Z, B17A, B17B, B17C, B17J | | 01 | B03Z, B07Z, B17A, B17B, B17C, B17J | | 01 | B03Z, B07Z, B17A, B17B, B17C, B17J |
| | 08 | I12A, I12B, I12C, I12J, I27A, I27B, I27C, I27D, I27J, I27Q | | 08 | I27A, I27B, I27C, I27D, I27J, I27Q | | 08 | I27A, I27B, I27C, I27D, I27J, I27Q |
| 5t81c.7↔ | 09 | J03A, J03B, J04A, J04B, J08A, J08B, J11A, J11B, J11J, J11Q, J11R, J11S, J16Z | 5t81d.2↔ | 09 | J03A, J03B, J04A, J04B, J08A, J08B, J11A, J11B, J11J, J11Q, J11R, J11S, J16Z | 5t81d.8↔ | 09 | J03A, J03B, J04A, J04B, J08A, J08B, J11A, J11B, J11J, J11Q, J11R, J11S, J16Z |
| | 21A | W04A, W04B | | 21A | W04A, W04B | | 21A | W04A, W04B |
| | 21B | X05A, X05B, X06A, X06B, X06C | | 21B | X05A, X05B, X06A, X06B, X06C | | 21B | X04Z, X06A, X06B, X06C |
| | | BOP, KJZSV, KVT, UOP4 | | | BOP, KJZSV, KVT, UOP4 | | | BOP, KJZSV, KVT, UOP4 |
| | 01 | B03Z, B07Z, B17A, B17B, B17C, B17J | | 01 | B03Z, B07Z, B17A, B17B, B17C, B17J | | 01 | B03Z, B07Z, B17A, B17B, B17C, B17J |
| 5t81c.8↔ | 08 | I12A, I12B, I12C, I12J, I27A, I27B, I27C, I27D, I27J, I27Q | 5t81d.3↔ | 08 | I27A, I27B, I27C, I27D, I27J, I27Q | 5t81d.9↔ | 08 | I27A, I27B, I27C, I27D, I27J, I27Q |
| | 09 | J03A, J03B, J04A, J04B, J08A, J08B, J11A, J11B, J11J, J11Q, J11R, J11S, J16Z | | 09 | J03A, J03B, J04A, J04B, J08A, J08B, J11A, J11B, J11J, J11Q, J11R, J11S, J16Z | | 09 | J03A, J03B, J04A, J04B, J08A, J08B, J11A, J11B, J11J, J11Q, J11R, J11S, J16Z |
| | 21A | W04A, W04B | | 21A | W04A, W04B | | 21A | W04A, W04B |
| | 21B | X04Z, X06A, X06B, X06C | | 21B | X05A, X05B, X06A, X06B, X06C | | 21B | X04Z, X06A, X06B, X06C |
| | | BOP, KJZSV, KVT, UOP4 | | | BOP, KJZSV, KVT, UOP4 | | | BOP, KJZSV, KVT, UOP4 |
| 5t81c.9↔ | 01 | B03Z, B07Z, B17A, B17B, B17C, B17J | 5t81d.4↔ | 01 | B03Z, B07Z, B17A, B17B, B17C, B17J | 5t81d.x | 01 | B03Z, B07Z, B17A, B17B, B17C, B17J |
| | 08 | I12A, I12B, I12C, I12J, I27A, I27B, I27C, I27D, I27J, I27Q | | 01 | B03Z, B07Z, B17A, B17B, B17C, B17J | | 08 | I27A, I27B, I27C, I27D, I27J, I27Q |
| | 09 | J03A, J03B, J04A, J04B, J08A, J08B, J11A, J11B, J11J, J11Q, J11R, J11S, J16Z | | 08 | I27A, I27B, I27C, I27D, I27J, I27Q | | 09 | J03A, J03B, J04A, J04B, J08A, J08B, J11A, J11B, J11J, J11Q, J11R, J11S, J16Z |
| | 21A | W04A, W04B | | 09 | J03A, J03B, J04A, J04B, J08A, J08B, J11A, J11B, J11J, J11Q, J11R, J11S, J16Z | | 21A | W04A, W04B |
| | 21B | X04Z | | 21A | W04A, W04B | | 21B | X06A, X06B, X06C |
| | | 21B | X06A, X06B, X06C | | | | | |

VYK

| ZZV | MDC | DRG | ZZV | MDC | DRG | ZZV | MDC | DRG |
|----------|-----|--|----------|-----|--|----------|-----|--|
| 5t821.7↔ | | BOP, KJZSV, KVT, UOP4 | 5t822.7↔ | 08 | I12A, I12B, I12C, I12J, I27A, I27B, I27C, I27D, I27J, I27Q | 5t823.8↔ | 08 | I12A, I12B, I12C, I12J, I27A, I27B, I27C, I27D, I27J, I27Q |
| | 01 | B03Z, B17A, B17B, B17C, B17J | | 10 | K09A, K09B | | 10 | K09A, K09B |
| | 08 | I12A, I12B, I12C, I12J, I27A, I27B, I27C, I27D, I27J, I27Q | | 21A | W04A, W04B | | 21A | W04A, W04B |
| | 21A | W04A, W04B | | 21B | X04Z, X06A, X06B, X06C | | 21B | X04Z, X06A, X06B, X06C |
| 5t821.8↔ | | BOP, KJZSV, KVT, UOP4 | 5t822.8↔ | 08 | I12A, I12B, I12C, I12J, I27A, I27B, I27C, I27D, I27J, I27Q | 5t823.9↔ | 08 | I12A, I12B, I12C, I12J, I27A, I27B, I27C, I27D, I27J, I27Q |
| | 01 | B03Z, B17A, B17B, B17C, B17J | | 10 | K09A, K09B | | 10 | K09A, K09B |
| | 08 | I12A, I12B, I12C, I12J, I27A, I27B, I27C, I27D, I27J, I27Q | | 21A | W04A, W04B | | 21A | W04A, W04B |
| | 21A | W04A, W04B | | 21B | X04Z, X06A, X06B, X06C | | 21B | X04Z, X06A, X06B, X06C |
| 5t821.9↔ | | BOP, KJZSV, KVT, UOP4 | 5t822.9↔ | 08 | I12A, I12B, I12C, I12J, I27A, I27B, I27C, I27D, I27J, I27Q | 5t823.x | 08 | I12A, I12B, I12C, I12J, I27A, I27B, I27C, I27D, I27J, I27Q |
| | 01 | B03Z, B17A, B17B, B17C, B17J | | 10 | K09A, K09B | | 10 | K09A, K09B |
| | 08 | I12A, I12B, I12C, I12J, I27A, I27B, I27C, I27D, I27J, I27Q | | 21A | W04A, W04B | | 21A | W04A, W04B |
| | 21A | W04A, W04B | | 21B | X04Z, X06A, X06B, X06C | | 21B | X06A, X06B, X06C |
| 5t821.x | | BOP, KJZSV, KVT, UOP4 | 5t822.x | 08 | I12A, I12B, I12C, I12J, I27A, I27B, I27C, I27D, I27J, I27Q | 5t824.0↔ | 01 | B03Z, B07Z, B17A, B17B, B17C, B17J |
| | 01 | B03Z, B17A, B17B, B17C, B17J | | 10 | K09A, K09B | | 08 | I12A, I12B, I12C, I12J, I27A, I27B, I27C, I27D, I27J, I27Q |
| | 08 | I12A, I12B, I12C, I12J, I27A, I27B, I27C, I27D, I27J, I27Q | | 21A | W04A, W04B | | 09 | J03A, J03B, J04A, J04B, J08A, J08B, J08C, J11A, J11B, J11J, J11Q, J11R, J11S, J16Z |
| | 21A | W04A, W04B | | 21B | X06A, X06B, X06C | | 21A | W04A, W04B |
| 5t822.0↔ | | BOP, KJZSV, KVT, UOP4 | 5t823.0↔ | 08 | I12A, I12B, I12C, I12J, I27A, I27B, I27C, I27D, I27J, I27Q | 5t824.1↔ | 21B | X06A, X06B, X06C |
| | 08 | I12A, I12B, I12C, I12J, I27A, I27B, I27C, I27D, I27J, I27Q | | 10 | K09A, K09B | | 01 | B03Z, B07Z, B17A, B17B, B17C, B17J |
| | 10 | K09A, K09B | | 21A | W04A, W04B | | 08 | I12A, I12B, I12C, I12J, I27A, I27B, I27C, I27D, I27J, I27Q |
| | 21A | W04A, W04B | | 21B | X06A, X06B, X06C | | 09 | J03A, J03B, J04A, J04B, J08A, J08B, J08C, J11A, J11B, J11J, J11Q, J11R, J11S, J16Z |
| 5t822.1↔ | | BOP, KJZSV, KVT, UOP4 | 5t823.1↔ | 08 | I12A, I12B, I12C, I12J, I27A, I27B, I27C, I27D, I27J, I27Q | 5t824.2↔ | 21A | W04A, W04B |
| | 08 | I12A, I12B, I12C, I12J, I27A, I27B, I27C, I27D, I27J, I27Q | | 10 | K09A, K09B | | 21B | X06A, X06B, X06C |
| | 10 | K09A, K09B | | 21A | W04A, W04B | | 01 | B03Z, B07Z, B17A, B17B, B17C, B17J |
| | 21A | W04A, W04B | | 21B | X06A, X06B, X06C | | 08 | I12A, I12B, I12C, I12J, I27A, I27B, I27C, I27D, I27J, I27Q |
| 5t822.2↔ | | BOP, KJZSV, KVT, UOP4 | 5t823.2↔ | 08 | I12A, I12B, I12C, I12J, I27A, I27B, I27C, I27D, I27J, I27Q | 5t824.3↔ | 09 | J03A, J03B, J04A, J04B, J08A, J08B, J08C, J11A, J11B, J11J, J11Q, J11R, J11S, J16Z |
| | 08 | I12A, I12B, I12C, I12J, I27A, I27B, I27C, I27D, I27J, I27Q | | 10 | K09A, K09B | | 21A | W04A, W04B |
| | 10 | K09A, K09B | | 21A | W04A, W04B | | 21B | X06A, X06B, X06C |
| | 21A | W04A, W04B | | 21B | X06A, X06B, X06C | | 01 | B03Z, B07Z, B17A, B17B, B17C, B17J |
| 5t822.3↔ | | BOP, KJZSV, KVT, UOP4 | 5t823.3↔ | 08 | I12A, I12B, I12C, I12J, I27A, I27B, I27C, I27D, I27J, I27Q | 5t824.4↔ | 08 | I12A, I12B, I12C, I12J, I27A, I27B, I27C, I27D, I27J, I27Q |
| | 08 | I12A, I12B, I12C, I12J, I27A, I27B, I27C, I27D, I27J, I27Q | | 10 | K09A, K09B | | 09 | J03A, J03B, J04A, J04B, J08A, J08B, J08C, J11A, J11B, J11J, J11Q, J11R, J11S, J16Z |
| | 10 | K09A, K09B | | 21A | W04A, W04B | | 21A | W04A, W04B |
| | 21A | W04A, W04B | | 21B | X05A, X05B, X06A, X06B, X06C | | 21B | X06A, X06B, X06C |
| 5t822.4↔ | | BOP, KJZSV, KVT, UOP4 | 5t823.4↔ | 08 | I12A, I12B, I12C, I12J, I27A, I27B, I27C, I27D, I27J, I27Q | 5t824.5↔ | 01 | B03Z, B07Z, B17A, B17B, B17C, B17J |
| | 08 | I12A, I12B, I12C, I12J, I27A, I27B, I27C, I27D, I27J, I27Q | | 10 | K09A, K09B | | 08 | I12A, I12B, I12C, I12J, I27A, I27B, I27C, I27D, I27J, I27Q |
| | 10 | K09A, K09B | | 21A | W04A, W04B | | 09 | J03A, J03B, J04A, J04B, J08A, J08B, J08C, J11A, J11B, J11J, J11Q, J11R, J11S, J16Z |
| | 21A | W04A, W04B | | 21B | X06A, X06B, X06C | | 21A | W04A, W04B |
| 5t822.6↔ | | BOP, KJZSV, KVT, UOP4 | 5t823.6↔ | 08 | I12A, I12B, I12C, I12J, I27A, I27B, I27C, I27D, I27J, I27Q | 5t824.6↔ | 21B | X06A, X06B, X06C |
| | 08 | I12A, I12B, I12C, I12J, I27A, I27B, I27C, I27D, I27J, I27Q | | 10 | K09A, K09B | | 01 | B03Z, B07Z, B17A, B17B, B17C, B17J |
| | 10 | K09A, K09B | | 21A | W04A, W04B | | 08 | I12A, I12B, I12C, I12J, I27A, I27B, I27C, I27D, I27J, I27Q |
| | 21A | W04A, W04B | | 21B | X04Z, X06A, X06B, X06C | | 09 | J03A, J03B, J04A, J04B, J08A, J08B, J08C, J11A, J11B, J11J, J11Q, J11R, J11S, J16Z |
| 5t822.7↔ | | BOP, KJZSV, KVT, UOP4 | 5t823.7↔ | 08 | I12A, I12B, I12C, I12J, I27A, I27B, I27C, I27D, I27J, I27Q | 5t824.7↔ | 21A | W04A, W04B |
| | 08 | I12A, I12B, I12C, I12J, I27A, I27B, I27C, I27D, I27J, I27Q | | 10 | K09A, K09B | | 21B | X05A, X05B, X06A, X06B, X06C |
| | 10 | K09A, K09B | | 21A | W04A, W04B | | 08 | I12A, I12B, I12C, I12J, I27A, I27B, I27C, I27D, I27J, I27Q |
| | 21A | W04A, W04B | | 21B | X04Z, X06A, X06B, X06C | | 10 | K09A, K09B |

VYK

| ZZV | MDC | DRG | ZZV | MDC | DRG | ZZV | MDC | DRG |
|----------|-----|--|----------|-----|--|----------|-----|--|
| 5t824.4↔ | | BOP, KJZSV, KVT, UOP4 | 5t824.x | | BOP, KJZSV, KVT, UOP4 | 5t825.5↔ | | BOP, KJZSV, KVT, UOP4 |
| | 01 | B03Z, B07Z, B17A, B17B, B17C, B17J | | 01 | B03Z, B07Z, B17A, B17B, B17C, B17J | | 01 | B03Z, B07Z, B17A, B17B, B17C, B17J |
| | 08 | I12A, I12B, I12C, I12J, I27A, I27B, I27C, I27D, I27J, I27Q | | 08 | I12A, I12B, I12C, I12J, I27A, I27B, I27C, I27D, I27J, I27Q | | 08 | I12A, I12B, I12C, I12J, I27A, I27B, I27C, I27D, I27J, I27Q |
| | 09 | J03A, J03B, J04A, J04B, J08A, J08B, J08C, J11A, J11B, J11J, J11Q, J11R, J11S, J16Z | | 09 | J03A, J03B, J04A, J04B, J08A, J08B, J08C, J11A, J11B, J11J, J11Q, J11R, J11S, J16Z | | 09 | J03A, J03B, J04A, J04B, J08A, J08B, J08C, J11A, J11B, J11J, J11Q, J11R, J11S, J16Z |
| | 21A | W04A, W04B | | 21A | W04A, W04B | | 21A | W04A, W04B |
| 5t824.5↔ | 21B | X06A, X06B, X06C | 5t825.0↔ | 21B | X06A, X06B, X06C | 5t825.6↔ | 21B | X06A, X06B, X06C |
| | | BOP, KJZSV, KVT, UOP4 | | | BOP, KJZSV, KVT, UOP4 | | | BOP, KJZSV, KVT, UOP4 |
| | 01 | B03Z, B07Z, B17A, B17B, B17C, B17J | | 01 | B03Z, B07Z, B17A, B17B, B17C, B17J | | 01 | B03Z, B07Z, B17A, B17B, B17C, B17J |
| | 08 | I12A, I12B, I12C, I12J, I27A, I27B, I27C, I27D, I27J, I27Q | | 08 | I12A, I12B, I12C, I12J, I27A, I27B, I27C, I27D, I27J, I27Q | | 08 | I12A, I12B, I12C, I12J, I27A, I27B, I27C, I27D, I27J, I27Q |
| | 09 | J03A, J03B, J04A, J04B, J08A, J08B, J08C, J11A, J11B, J11J, J11Q, J11R, J11S, J16Z | | 09 | J03A, J03B, J04A, J04B, J08A, J08B, J08C, J11A, J11B, J11J, J11Q, J11R, J11S, J16Z | | 09 | J03A, J03B, J04A, J04B, J08A, J08B, J08C, J11A, J11B, J11J, J11Q, J11R, J11S, J16Z |
| 5t824.6↔ | 21A | W04A, W04B | 5t825.1↔ | 21A | W04A, W04B | 5t825.7↔ | 21A | W04A, W04B |
| | 21B | X06A, X06B, X06C | | 21B | X06A, X06B, X06C | | 21B | X04Z, X06A, X06B, X06C |
| | | BOP, KJZSV, KVT, UOP4 | | | BOP, KJZSV, KVT, UOP4 | | | BOP, KJZSV, KVT, UOP4 |
| | 01 | B03Z, B07Z, B17A, B17B, B17C, B17J | | 01 | B03Z, B07Z, B17A, B17B, B17C, B17J | | 01 | B03Z, B07Z, B17A, B17B, B17C, B17J |
| | 08 | I12A, I12B, I12C, I12J, I27A, I27B, I27C, I27D, I27J, I27Q | | 08 | I12A, I12B, I12C, I12J, I27A, I27B, I27C, I27D, I27J, I27Q | | 08 | I12A, I12B, I12C, I12J, I27A, I27B, I27C, I27D, I27J, I27Q |
| 5t824.7↔ | 09 | J03A, J03B, J04A, J04B, J08A, J08B, J08C, J11A, J11B, J11J, J11Q, J11R, J11S, J16Z | 5t825.2↔ | 09 | J03A, J03B, J04A, J04B, J08A, J08B, J08C, J11A, J11B, J11J, J11Q, J11R, J11S, J16Z | 5t825.8↔ | 09 | J03A, J03B, J04A, J04B, J08A, J08B, J08C, J11A, J11B, J11J, J11Q, J11R, J11S, J16Z |
| | 21A | W04A, W04B | | 21A | W04A, W04B | | 21A | W04A, W04B |
| | 21B | X04Z, X06A, X06B, X06C | | 21B | X06A, X06B, X06C | | 21B | X04Z, X06A, X06B, X06C |
| | | BOP, KJZSV, KVT, UOP4 | | | BOP, KJZSV, KVT, UOP4 | | | BOP, KJZSV, KVT, UOP4 |
| | 01 | B03Z, B07Z, B17A, B17B, B17C, B17J | | 01 | B03Z, B07Z, B17A, B17B, B17C, B17J | | 01 | B03Z, B07Z, B17A, B17B, B17C, B17J |
| 5t824.8↔ | 08 | I12A, I12B, I12C, I12J, I27A, I27B, I27C, I27D, I27J, I27Q | 5t825.3↔ | 08 | I12A, I12B, I12C, I12J, I27A, I27B, I27C, I27D, I27J, I27Q | 5t825.9↔ | 08 | I12A, I12B, I12C, I12J, I27A, I27B, I27C, I27D, I27J, I27Q |
| | 09 | J03A, J03B, J04A, J04B, J08A, J08B, J08C, J11A, J11B, J11J, J11Q, J11R, J11S, J16Z | | 09 | J03A, J03B, J04A, J04B, J08A, J08B, J08C, J11A, J11B, J11J, J11Q, J11R, J11S, J16Z | | 09 | J03A, J03B, J04A, J04B, J08A, J08B, J08C, J11A, J11B, J11J, J11Q, J11R, J11S, J16Z |
| | 21A | W04A, W04B | | 21A | W04A, W04B | | 21A | W04A, W04B |
| | 21B | X04Z, X06A, X06B, X06C | | 21B | X06A, X06B, X06C | | 21B | X04Z, X06A, X06B, X06C |
| | | BOP, KJZSV, KVT, UOP4 | | | BOP, KJZSV, KVT, UOP4 | | | BOP, KJZSV, KVT, UOP4 |
| 5t824.9↔ | 01 | B03Z, B07Z, B17A, B17B, B17C, B17J | 5t825.4↔ | 01 | B03Z, B07Z, B17A, B17B, B17C, B17J | 5t825.x | 01 | B03Z, B07Z, B17A, B17B, B17C, B17J |
| | 08 | I12A, I12B, I12C, I12J, I27A, I27B, I27C, I27D, I27J, I27Q | | 08 | I12A, I12B, I12C, I12J, I27A, I27B, I27C, I27D, I27J, I27Q | | 08 | I12A, I12B, I12C, I12J, I27A, I27B, I27C, I27D, I27J, I27Q |
| | 09 | J03A, J03B, J04A, J04B, J08A, J08B, J08C, J11A, J11B, J11J, J11Q, J11R, J11S, J16Z | | 09 | J03A, J03B, J04A, J04B, J08A, J08B, J08C, J11A, J11B, J11J, J11Q, J11R, J11S, J16Z | | 09 | J03A, J03B, J04A, J04B, J08A, J08B, J08C, J11A, J11B, J11J, J11Q, J11R, J11S, J16Z |
| | 21A | W04A, W04B | | 21A | W04A, W04B | | 21A | W04A, W04B |
| | 21B | X04Z, X06A, X06B, X06C | | 21B | X05A, X05B, X06A, X06B, X06C | | 21B | X06A, X06B, X06C |

VYK

| ZZV | MDC | DRG | ZZV | MDC | DRG | ZZV | MDC | DRG |
|----------|-----|--|----------|----------|--|--|--|--|
| 5t829.3↔ | | BOP, KJZSV, KVT, UOP4 | 5t829.9↔ | | BOP, KJZSV, KVT, UOP4 | 5t82a.9↔ | | BOP, KVT, UOP4 |
| | 01 | B03Z, B07Z, B17A, B17B, B17C, B17J | | 01 | B03Z, B07Z, B17A, B17B, B17C, B17J | | 08 | I12A, I12B, I12C, I12J, I27A, I27B, I27C, I27D, I27J, I27Q |
| | 08 | I12A, I12B, I12C, I12J, I27A, I27B, I27C, I27D, I27J, I27Q | | 08 | I12A, I12B, I12C, I12J, I27A, I27B, I27C, I27D, I27J, I27Q | | 21A | W04A, W04B |
| | 09 | J03A, J03B, J04A, J04B, J08A, J08B, J08C, J11A, J11B, J11J, J11Q, J11R, J11S, J16Z | | 09 | J03A, J03B, J04A, J04B, J08A, J08B, J08C, J11A, J11B, J11J, J11Q, J11R, J11S, J16Z | | 21B | X04Z |
| | 21A | W04A, W04B | | 21A | W04A, W04B | | 5t82a.x | BOP, KJZSV, KVT, UOP4 |
| 5t829.4↔ | 21B | X05A, X05B, X06A, X06B, X06C | 5t829.x | 21B | X04Z, X06A, X06B, X06C | 08 | I12A, I12B, I12C, I12J, I27A, I27B, I27C, I27D, I27J, I27Q | |
| | | BOP, KJZSV, KVT, UOP4 | | 01 | B03Z, B07Z, B17A, B17B, B17C, B17J | 01 | B03Z, B07Z, B17A, B17B, B17C, B17J | |
| | 01 | B03Z, B07Z, B17A, B17B, B17C, B17J | | 08 | I12A, I12B, I12C, I12J, I27A, I27B, I27C, I27D, I27J, I27Q | 03 | D12A, D12J, D12Q | |
| | 08 | I12A, I12B, I12C, I12J, I27A, I27B, I27C, I27D, I27J, I27Q | | 09 | J03A, J03B, J04A, J04B, J08A, J08B, J08C, J11A, J11B, J11J, J11Q, J11R, J11S, J16Z | 08 | I12A, I12B, I12C, I12J, I27A, I27B, I27C, I27D, I27J, I27Q | |
| | 09 | J03A, J03B, J04A, J04B, J08A, J08B, J08C, J11A, J11B, J11J, J11Q, J11R, J11S, J16Z | | 21A | W04A, W04B | 09 | J03A, J03B, J04A, J04B, J08A, J08B, J08C, J11A, J11B, J11J, J11Q, J11R, J11S, J16Z | |
| 5t829.5↔ | 21A | W04A, W04B | 5t82a.0↔ | 21B | X06A, X06B, X06C | 10 | K09A, K09B | |
| | 21B | X06A, X06B, X06C | | 08 | I12A, I12B, I12C, I12J, I27A, I27B, I27C, I27D, I27J, I27Q | 21A | W04A, W04B | |
| | | BOP, KJZSV, KVT, UOP4 | | 21A | W04A, W04B | 21B | X06A, X06B, X06C | |
| | 01 | B03Z, B07Z, B17A, B17B, B17C, B17J | | 08 | I12A, I12B, I12C, I12J, I27A, I27B, I27C, I27D, I27J, I27Q | 5t82b.1↔ | BOP, KJZSV, KVT, UOP4 | |
| | 08 | I12A, I12B, I12C, I12J, I27A, I27B, I27C, I27D, I27J, I27Q | | 21A | W04A, W04B | 01 | B03Z, B07Z, B17A, B17B, B17C, B17J | |
| 5t829.6↔ | 09 | J03A, J03B, J04A, J04B, J08A, J08B, J08C, J11A, J11B, J11J, J11Q, J11R, J11S, J16Z | 5t82a.1↔ | 21B | X06A, X06B, X06C | 08 | I12A, I12B, I12C, I12J, I27A, I27B, I27C, I27D, I27J, I27Q | |
| | 21A | W04A, W04B | | 08 | I12A, I12B, I12C, I12J, I27A, I27B, I27C, I27D, I27J, I27Q | 09 | J03A, J03B, J04A, J04B, J08A, J08B, J08C, J11A, J11B, J11J, J11Q, J11R, J11S, J16Z | |
| | 21B | X06A, X06B, X06C | | 21A | W04A, W04B | 10 | K09A, K09B | |
| | | BOP, KJZSV, KVT, UOP4 | | 21B | X06A, X06B, X06C | 21A | W04A, W04B | |
| | 01 | B03Z, B07Z, B17A, B17B, B17C, B17J | | 5t82a.2↔ | 08 | I12A, I12B, I12C, I12J, I27A, I27B, I27C, I27D, I27J, I27Q | 21B | X06A, X06B, X06C |
| 5t829.7↔ | 08 | I12A, I12B, I12C, I12J, I27A, I27B, I27C, I27D, I27J, I27Q | 5t82a.3↔ | 21A | W04A, W04B | 5t82b.2↔ | BOP, KJZSV, KVT, UOP4 | |
| | 09 | J03A, J03B, J04A, J04B, J08A, J08B, J08C, J11A, J11B, J11J, J11Q, J11R, J11S, J16Z | | 21B | X06A, X06B, X06C | 01 | B03Z, B07Z, B17A, B17B, B17C, B17J | |
| | 21A | W04A, W04B | | 08 | I12A, I12B, I12C, I12J, I27A, I27B, I27C, I27D, I27J, I27Q | 08 | I12A, I12B, I12C, I12J, I27A, I27B, I27C, I27D, I27J, I27Q | |
| | 21B | X04Z, X06A, X06B, X06C | | 21A | W04A, W04B | 09 | J03A, J03B, J04A, J04B, J08A, J08B, J08C, J11A, J11B, J11J, J11Q, J11R, J11S, J16Z | |
| | | BOP, KJZSV, KVT, UOP4 | | 21B | X05A, X05B, X06A, X06B, X06C | 10 | K09A, K09B | |
| 5t829.8↔ | 01 | B03Z, B07Z, B17A, B17B, B17C, B17J | 5t82a.4↔ | 08 | I12A, I12B, I12C, I12J, I27A, I27B, I27C, I27D, I27J, I27Q | 21A | W04A, W04B | |
| | 08 | I12A, I12B, I12C, I12J, I27A, I27B, I27C, I27D, I27J, I27Q | | 21A | W04A, W04B | 21B | X06A, X06B, X06C | |
| | 09 | J03A, J03B, J04A, J04B, J08A, J08B, J08C, J11A, J11B, J11J, J11Q, J11R, J11S, J16Z | | 5t82a.5↔ | 21B | X06A, X06B, X06C | 5t82b.3↔ | BOP, KJZSV, KVT, UOP4 |
| | 21A | W04A, W04B | | 08 | I12A, I12B, I12C, I12J, I27A, I27B, I27C, I27D, I27J, I27Q | 01 | B03Z, B07Z, B17A, B17B, B17C, B17J | |
| | 21B | X04Z, X06A, X06B, X06C | | 21A | W04A, W04B | 08 | I12A, I12B, I12C, I12J, I27A, I27B, I27C, I27D, I27J, I27Q | |
| 5t829.9↔ | 01 | B03Z, B07Z, B17A, B17B, B17C, B17J | 5t82a.6↔ | 08 | I12A, I12B, I12C, I12J, I27A, I27B, I27C, I27D, I27J, I27Q | 09 | J03A, J03B, J04A, J04B, J08A, J08B, J08C, J11A, J11B, J11J, J11Q, J11R, J11S, J16Z | |
| | 08 | I12A, I12B, I12C, I12J, I27A, I27B, I27C, I27D, I27J, I27Q | | 21A | W04A, W04B | 10 | K09A, K09B | |
| | 09 | J03A, J03B, J04A, J04B, J08A, J08B, J08C, J11A, J11B, J11J, J11Q, J11R, J11S, J16Z | | 08 | I12A, I12B, I12C, I12J, I27A, I27B, I27C, I27D, I27J, I27Q | 21A | W04A, W04B | |
| | 21A | W04A, W04B | | 5t82a.7↔ | 21B | X04Z, X06A, X06B, X06C | 21B | X05A, X05B, X06A, X06B, X06C |
| | 21B | X04Z, X06A, X06B, X06C | | 08 | I12A, I12B, I12C, I12J, I27A, I27B, I27C, I27D, I27J, I27Q | | | |
| 5t829.3↔ | 01 | B03Z, B07Z, B17A, B17B, B17C, B17J | 5t82a.8↔ | 21A | W04A, W04B | | | |
| | 08 | I12A, I12B, I12C, I12J, I27A, I27B, I27C, I27D, I27J, I27Q | | 08 | I12A, I12B, I12C, I12J, I27A, I27B, I27C, I27D, I27J, I27Q | | | |
| | 09 | J03A, J03B, J04A, J04B, J08A, J08B, J08C, J11A, J11B, J11J, J11Q, J11R, J11S, J16Z | | 21A | W04A, W04B | | | |
| | 21A | W04A, W04B | | 21B | X04Z, X06A, X06B, X06C | | | |
| | 21B | X04Z, X06A, X06B, X06C | | 21B | X04Z, X06A, X06B, X06C | | | |

VYK

Príloha B: Index Výkon-MDC-DRG

| ZZV | MDC | DRG | ZZV | MDC | DRG | ZZV | MDC | DRG |
|----------|-----|--|----------|-----|--|----------|-----|--|
| 5t82b.4↔ | | BOP, KJZSV, KVT, UOP4 | 5t82b.9↔ | | BOP, KJZSV, KVT, UOP4 | 5t82c.3↔ | | BOP, KJZSV, KVT, UOP4 |
| | 01 | B03Z, B07Z, B17A, B17B, B17C, B17J | | 01 | B03Z, B07Z, B17A, B17B, B17C, B17J | | 01 | B03Z, B07Z, B17A, B17B, B17C, B17J |
| | 08 | I12A, I12B, I12C, I12J, I27A, I27B, I27C, I27D, I27J, I27Q | | 08 | I12A, I12B, I12C, I12J, I27A, I27B, I27C, I27D, I27J, I27Q | | 08 | I12A, I12B, I12C, I12J, I27A, I27B, I27C, I27D, I27J, I27Q |
| | 09 | J03A, J03B, J04A, J04B, J08A, J08B, J08C, J11A, J11B, J11J, J11Q, J11R, J11S, J16Z | | 09 | J03A, J03B, J04A, J04B, J08A, J08B, J08C, J11A, J11B, J11J, J11Q, J11R, J11S, J16Z | | 09 | J03A, J03B, J04A, J04B, J08A, J08B, J08C, J11A, J11B, J11J, J11Q, J11R, J11S, J16Z |
| | 10 | K09A, K09B | | 10 | K09A, K09B | | 10 | K09A, K09B |
| | 21A | W04A, W04B | | 21A | W04A, W04B | | 21A | W04A, W04B |
| 5t82b.5↔ | 21B | X06A, X06B, X06C | 5t82b.x | 21B | X04Z, X06A, X06B, X06C | 5t82c.4↔ | 21B | X05A, X05B, X06A, X06B, X06C |
| | | BOP, KJZSV, KVT, UOP4 | | | BOP, KJZSV, KVT, UOP4 | | | BOP, KJZSV, KVT, UOP4 |
| | 01 | B03Z, B07Z, B17A, B17B, B17C, B17J | | 01 | B03Z, B07Z, B17A, B17B, B17C, B17J | | 01 | B03Z, B07Z, B17A, B17B, B17C, B17J |
| | 08 | I12A, I12B, I12C, I12J, I27A, I27B, I27C, I27D, I27J, I27Q | | 08 | I12A, I12B, I12C, I12J, I27A, I27B, I27C, I27D, I27J, I27Q | | 08 | I12A, I12B, I12C, I12J, I27A, I27B, I27C, I27D, I27J, I27Q |
| | 09 | J03A, J03B, J04A, J04B, J08A, J08B, J08C, J11A, J11B, J11J, J11Q, J11R, J11S, J16Z | | 09 | J03A, J03B, J04A, J04B, J08A, J08B, J08C, J11A, J11B, J11J, J11Q, J11R, J11S, J16Z | | 09 | J03A, J03B, J04A, J04B, J08A, J08B, J08C, J11A, J11B, J11J, J11Q, J11R, J11S, J16Z |
| | 10 | K09A, K09B | | 10 | K09A, K09B | | 10 | K09A, K09B |
| 5t82b.6↔ | 21A | W04A, W04B | 5t82c.0↔ | 21A | W04A, W04B | 5t82c.5↔ | 21A | W04A, W04B |
| | 21B | X06A, X06B, X06C | | 21B | X06A, X06B, X06C | | 21B | X06A, X06B, X06C |
| | | BOP, KJZSV, KVT, UOP4 | | | BOP, KJZSV, KVT, UOP4 | | | BOP, KJZSV, KVT, UOP4 |
| | 01 | B03Z, B07Z, B17A, B17B, B17C, B17J | | 01 | B03Z, B07Z, B17A, B17B, B17C, B17J | | 01 | B03Z, B07Z, B17A, B17B, B17C, B17J |
| | 08 | I12A, I12B, I12C, I12J, I27A, I27B, I27C, I27D, I27J, I27Q | | 03 | D12A, D12J, D12Q | | 08 | I12A, I12B, I12C, I12J, I27A, I27B, I27C, I27D, I27J, I27Q |
| | 09 | J03A, J03B, J04A, J04B, J08A, J08B, J08C, J11A, J11B, J11J, J11Q, J11R, J11S, J16Z | | 08 | I12A, I12B, I12C, I12J, I27A, I27B, I27C, I27D, I27J, I27Q | | 09 | J03A, J03B, J04A, J04B, J08A, J08B, J08C, J11A, J11B, J11J, J11Q, J11R, J11S, J16Z |
| 5t82b.7↔ | 10 | K09A, K09B | 5t82c.1↔ | 10 | K09A, K09B | 5t82c.6↔ | 10 | K09A, K09B |
| | 21A | W04A, W04B | | 21A | W04A, W04B | | 21A | W04A, W04B |
| | 21B | X04Z, X06A, X06B, X06C | | 21B | X06A, X06B, X06C | | 21B | X06A, X06B, X06C |
| | | BOP, KJZSV, KVT, UOP4 | | | BOP, KJZSV, KVT, UOP4 | | | BOP, KJZSV, KVT, UOP4 |
| | 01 | B03Z, B07Z, B17A, B17B, B17C, B17J | | 01 | B03Z, B07Z, B17A, B17B, B17C, B17J | | 01 | B03Z, B07Z, B17A, B17B, B17C, B17J |
| | 08 | I12A, I12B, I12C, I12J, I27A, I27B, I27C, I27D, I27J, I27Q | | 08 | I12A, I12B, I12C, I12J, I27A, I27B, I27C, I27D, I27J, I27Q | | 08 | I12A, I12B, I12C, I12J, I27A, I27B, I27C, I27D, I27J, I27Q |
| 5t82b.8↔ | 09 | J03A, J03B, J04A, J04B, J08A, J08B, J08C, J11A, J11B, J11J, J11Q, J11R, J11S, J16Z | 5t82c.2↔ | 09 | J03A, J03B, J04A, J04B, J08A, J08B, J08C, J11A, J11B, J11J, J11Q, J11R, J11S, J16Z | 5t82c.7↔ | 09 | J03A, J03B, J04A, J04B, J08A, J08B, J08C, J11A, J11B, J11J, J11Q, J11R, J11S, J16Z |
| | 10 | K09A, K09B | | 10 | K09A, K09B | | 10 | K09A, K09B |
| | 21A | W04A, W04B | | 21A | W04A, W04B | | 21A | W04A, W04B |
| | 21B | X04Z, X06A, X06B, X06C | | 21B | X06A, X06B, X06C | | 21B | X04Z, X06A, X06B, X06C |

VYK

| ZZV | MDC | DRG | ZZV | MDC | DRG | ZZV | MDC | DRG |
|----------|-----|--|----------|-----|--|----------|-----|--|
| 5t82c.8↔ | | BOP, KJZSV, KVT, UOP4 | 5t82d.2↔ | | BOP, KJZSV, KVT, UOP4 | 5t82d.7↔ | | BOP, KJZSV, KVT, UOP4 |
| | 01 | B03Z, B07Z, B17A, B17B, B17C, B17J | | 01 | B03Z, B07Z, B17A, B17B, B17C, B17J | | 01 | B03Z, B07Z, B17A, B17B, B17C, B17J |
| | 08 | I12A, I12B, I12C, I12J, I27A, I27B, I27C, I27D, I27J, I27Q | | 08 | I12A, I12B, I12C, I12J, I27A, I27B, I27C, I27D, I27J, I27Q | | 08 | I12A, I12B, I12C, I12J, I27A, I27B, I27C, I27D, I27J, I27Q |
| | 09 | J03A, J03B, J04A, J04B, J08A, J08B, J08C, J11A, J11B, J11J, J11Q, J11R, J11S, J16Z | | 09 | J03A, J03B, J04A, J04B, J08A, J08B, J08C, J11A, J11B, J11J, J11Q, J11R, J11S, J16Z | | 09 | J03A, J03B, J04A, J04B, J08A, J08B, J08C, J11A, J11B, J11J, J11Q, J11R, J11S, J16Z |
| | 10 | K09A, K09B | | 10 | K09A, K09B | | 10 | K09A, K09B |
| | 21A | W04A, W04B | | 21A | W04A, W04B | | 21A | W04A, W04B |
| 5t82c.9↔ | 21B | X04Z, X06A, X06B, X06C | 5t82d.3↔ | 21B | X06A, X06B, X06C | 5t82d.8↔ | 21B | X04Z, X06A, X06B, X06C |
| | | BOP, KJZSV, KVT, UOP4 | | | BOP, KJZSV, KVT, UOP4 | | | BOP, KJZSV, KVT, UOP4 |
| | 01 | B03Z, B07Z, B17A, B17B, B17C, B17J | | 01 | B03Z, B07Z, B17A, B17B, B17C, B17J | | 01 | B03Z, B07Z, B17A, B17B, B17C, B17J |
| | 08 | I12A, I12B, I12C, I12J, I27A, I27B, I27C, I27D, I27J, I27Q | | 08 | I12A, I12B, I12C, I12J, I27A, I27B, I27C, I27D, I27J, I27Q | | 08 | I12A, I12B, I12C, I12J, I27A, I27B, I27C, I27D, I27J, I27Q |
| | 09 | J03A, J03B, J04A, J04B, J08A, J08B, J08C, J11A, J11B, J11J, J11Q, J11R, J11S, J16Z | | 09 | J03A, J03B, J04A, J04B, J08A, J08B, J08C, J11A, J11B, J11J, J11Q, J11R, J11S, J16Z | | 09 | J03A, J03B, J04A, J04B, J08A, J08B, J08C, J11A, J11B, J11J, J11Q, J11R, J11S, J16Z |
| | 10 | K09A, K09B | | 10 | K09A, K09B | | 10 | K09A, K09B |
| 5t82c.x | 21A | W04A, W04B | 5t82d.4↔ | 21A | W04A, W04B | 5t82d.9↔ | 21A | W04A, W04B |
| | 21B | X04Z, X06A, X06B, X06C | | 21B | X05A, X05B, X06A, X06B, X06C | | 21B | X04Z, X06A, X06B, X06C |
| | | BOP, KJZSV, KVT, UOP4 | | | BOP, KJZSV, KVT, UOP4 | | | BOP, KJZSV, KVT, UOP4 |
| | 01 | B03Z, B07Z, B17A, B17B, B17C, B17J | | 01 | B03Z, B07Z, B17A, B17B, B17C, B17J | | 01 | B03Z, B07Z, B17A, B17B, B17C, B17J |
| | 08 | I12A, I12B, I12C, I12J, I27A, I27B, I27C, I27D, I27J, I27Q | | 08 | I12A, I12B, I12C, I12J, I27A, I27B, I27C, I27D, I27J, I27Q | | 08 | I12A, I12B, I12C, I12J, I27A, I27B, I27C, I27D, I27J, I27Q |
| | 09 | J03A, J03B, J04A, J04B, J08A, J08B, J08C, J11A, J11B, J11J, J11Q, J11R, J11S, J16Z | | 09 | J03A, J03B, J04A, J04B, J08A, J08B, J08C, J11A, J11B, J11J, J11Q, J11R, J11S, J16Z | | 09 | J03A, J03B, J04A, J04B, J08A, J08B, J08C, J11A, J11B, J11J, J11Q, J11R, J11S, J16Z |
| 5t82d.0↔ | 10 | K09A, K09B | 5t82d.5↔ | 10 | K09A, K09B | 5t82d.x | 10 | K09A, K09B |
| | 21A | W04A, W04B | | 21A | W04A, W04B | | 21A | W04A, W04B |
| | 21B | X06A, X06B, X06C | | 21B | X06A, X06B, X06C | | 21B | X04Z, X06A, X06B, X06C |
| | | BOP, KJZSV, KVT, UOP4 | | | BOP, KJZSV, KVT, UOP4 | | | BOP, KJZSV, KVT, UOP4 |
| | 01 | B03Z, B07Z, B17A, B17B, B17C, B17J | | 01 | B03Z, B07Z, B17A, B17B, B17C, B17J | | 01 | B03Z, B07Z, B17A, B17B, B17C, B17J |
| | 03 | D12A, D12J, D12Q | | 01 | B03Z, B07Z, B17A, B17B, B17C, B17J | | 08 | I12A, I12B, I12C, I12J, I27A, I27B, I27C, I27D, I27J, I27Q |
| 5t82d.1↔ | 08 | I12A, I12B, I12C, I12J, I27A, I27B, I27C, I27D, I27J, I27Q | 5t82d.6↔ | 08 | I12A, I12B, I12C, I12J, I27A, I27B, I27C, I27D, I27J, I27Q | 5t82e.0↔ | 08 | I12A, I12B, I12C, I12J, I27A, I27B, I27C, I27D, I27J, I27Q |
| | 09 | J03A, J03B, J04A, J04B, J08A, J08B, J08C, J11A, J11B, J11J, J11Q, J11R, J11S, J16Z | | 09 | J03A, J03B, J04A, J04B, J08A, J08B, J08C, J11A, J11B, J11J, J11Q, J11R, J11S, J16Z | | 09 | J03A, J03B, J04A, J04B, J08A, J08B, J08C, J11A, J11B, J11J, J11Q, J11R, J11S, J16Z |
| | 10 | K09A, K09B | | 10 | K09A, K09B | | 10 | K09A, K09B |
| | 21A | W04A, W04B | | 21A | W04A, W04B | | 21A | W04A, W04B |
| | 21B | X06A, X06B, X06C | | 21B | X06A, X06B, X06C | | 21B | X06A, X06B, X06C |
| | | BOP, KJZSV, KVT, UOP4 | | | BOP, KJZSV, KVT, UOP4 | | | BOP, KJZSV, KVT, UOP4 |
| 5t82d.2↔ | 01 | B03Z, B07Z, B17A, B17B, B17C, B17J | 5t82e.1↔ | 01 | B03Z, B07Z, B17A, B17B, B17C, B17J | 5t82e.1↔ | 01 | B03Z, B07Z, B17A, B17B, B17C, B17J |
| | 08 | I12A, I12B, I12C, I12J, I27A, I27B, I27C, I27D, I27J, I27Q | | 08 | I12A, I12B, I12C, I12J, I27A, I27B, I27C, I27D, I27J, I27Q | | 08 | I12A, I12B, I12C, I12J, I27A, I27B, I27C, I27D, I27J, I27Q |
| | 09 | J03A, J03B, J04A, J04B, J08A, J08B, J08C, J11A, J11B, J11J, J11Q, J11R, J11S, J16Z | | 09 | J03A, J03B, J04A, J04B, J08A, J08B, J08C, J11A, J11B, J11J, J11Q, J11R, J11S, J16Z | | 01 | BOP, KJZSV, KVT, UOP4 |
| | 10 | K09A, K09B | | 10 | K09A, K09B | | 08 | I12A, I12B, I12C, I12J, I27A, I27B, I27C, I27D, I27J, I27Q |
| | 21A | W04A, W04B | | 21A | W04A, W04B | | 21A | W04A, W04B |
| | 21B | X06A, X06B, X06C | | 21B | X04Z, X06A, X06B, X06C | | 21B | X04Z, X05A, X05B, X06A, X06B, X06C |

VYK

| ZZV | MDC | DRG | ZZV | MDC | DRG | ZZV | MDC | DRG |
|----------|-----|--|----------|-----|--|----------|-----------------------|--|
| 5t82x.6 | | BOP, KJZSV, KVT, UOP4 | 5t830.6↔ | 01 | BOP, KJZSV, KVT, UOP4 | 5t831.3↔ | 08 | BOP, KJZSV, KVT, UOP4 |
| | 08 | I27A, I27B, I27C, I27D, I27J, I27Q | | 08 | B03Z, B07Z, B17A, B17B, B17C, B17J | | 08 | I12A, I12B, I12C, I12J, I27A, I27B, I27C, I27D, I27J, I27Q |
| | 21A | W04A, W04B | | 08 | I12A, I12B, I12C, I12J, I27A, I27B, I27C, I27D, I27J, I27Q | | 09 | J03A, J03B, J04A, J04B, J08A, J08B, J08C, J11A, J11B, J11J, J11Q, J11R, J11S, J16Z |
| 5t82x.7↔ | 21B | X04Z, X06A, X06B, X06C | 5t830.7↔ | 21A | W04A, W04B | 5t831.4↔ | 10 | K09A, K09B |
| | 08 | BOP, KJZSV, KVT, UOP4 | | 21B | X04Z, X06A, X06B, X06C | | 21A | W04A, W04B |
| | 08 | I27A, I27B, I27C, I27D, I27J, I27Q | | 01 | BOP, KJZSV, KVT, UOP4 | | 21B | X05A, X05B, X06A, X06B, X06C |
| 5t82x.8↔ | 21A | W04A, W04B | 5t830.8↔ | 08 | I12A, I12B, I12C, I12J, I27A, I27B, I27C, I27D, I27J, I27Q | 5t831.5↔ | BOP, KJZSV, KVT, UOP4 | |
| | 21B | X04Z, X06A, X06B, X06C | | 21A | W04A, W04B | | 08 | I12A, I12B, I12C, I12J, I27A, I27B, I27C, I27D, I27J, I27Q |
| | 08 | BOP, KJZSV, KVT, UOP4 | | 21B | X04Z, X06A, X06B, X06C | | 09 | J03A, J03B, J04A, J04B, J08A, J08B, J08C, J11A, J11B, J11J, J11Q, J11R, J11S, J16Z |
| 5t82x.9↔ | 08 | I27A, I27B, I27C, I27D, I27J, I27Q | 5t830.9↔ | 01 | BOP, KJZSV, KVT, UOP4 | 5t831.6↔ | 10 | K09A, K09B |
| | 21A | W04A, W04B | | 08 | I12A, I12B, I12C, I12J, I27A, I27B, I27C, I27D, I27J, I27Q | | 21A | W04A, W04B |
| | 21B | X04Z, X06A, X06B, X06C | | 21A | W04A, W04B | | 21B | X06A, X06B, X06C |
| 5t82x.x | 08 | BOP, KJZSV, KVT, UOP4 | 5t830.x | 21B | X04Z, X06A, X06B, X06C | 5t831.7↔ | BOP, KJZSV, KVT, UOP4 | |
| | 08 | I27A, I27B, I27C, I27D, I27J, I27Q | | 01 | BOP, KJZSV, KVT, UOP4 | | 08 | I12A, I12B, I12C, I12J, I27A, I27B, I27C, I27D, I27J, I27Q |
| | 21A | W04A, W04B | | 08 | I12A, I12B, I12C, I12J, I27A, I27B, I27C, I27D, I27J, I27Q | | 09 | J03A, J03B, J04A, J04B, J08A, J08B, J08C, J11A, J11B, J11J, J11Q, J11R, J11S, J16Z |
| 5t830.0↔ | 21B | X06A, X06B, X06C | 5t831.0↔ | 21A | W04A, W04B | 5t831.8↔ | 10 | K09A, K09B |
| | 01 | BOP, KJZSV, KVT, UOP4 | | 21B | X06A, X06B, X06C | | 21A | W04A, W04B |
| | 01 | B03Z, B07Z, B17A, B17B, B17C, B17J | | 08 | I12A, I12B, I12C, I12J, I27A, I27B, I27C, I27D, I27J, I27Q | | 21B | X04Z, X06A, X06B, X06C |
| 5t830.1↔ | 08 | I12A, I12B, I12C, I12J, I27A, I27B, I27C, I27D, I27J, I27Q | 5t831.1↔ | 08 | BOP, KJZSV, KVT, UOP4 | 5t831.9↔ | BOP, KJZSV, KVT, UOP4 | |
| | 21A | W04A, W04B | | 08 | I12A, I12B, I12C, I12J, I27A, I27B, I27C, I27D, I27J, I27Q | | 08 | I12A, I12B, I12C, I12J, I27A, I27B, I27C, I27D, I27J, I27Q |
| | 21B | X06A, X06B, X06C | | 09 | J03A, J03B, J04A, J04B, J08A, J08B, J08C, J11A, J11B, J11J, J11Q, J11R, J11S, J16Z | | 09 | J03A, J03B, J04A, J04B, J08A, J08B, J08C, J11A, J11B, J11J, J11Q, J11R, J11S, J16Z |
| 5t830.2↔ | 01 | BOP, KJZSV, KVT, UOP4 | 5t831.2↔ | 09 | J03A, J03B, J04A, J04B, J08A, J08B, J08C, J11A, J11B, J11J, J11Q, J11R, J11S, J16Z | 5t831.9↔ | 10 | K09A, K09B |
| | 01 | B03Z, B07Z, B17A, B17B, B17C, B17J | | 08 | I12A, I12B, I12C, I12J, I27A, I27B, I27C, I27D, I27J, I27Q | | 21A | W04A, W04B |
| | 08 | I12A, I12B, I12C, I12J, I27A, I27B, I27C, I27D, I27J, I27Q | | 09 | J03A, J03B, J04A, J04B, J08A, J08B, J08C, J11A, J11B, J11J, J11Q, J11R, J11S, J16Z | | 21B | X06A, X06B, X06C |
| 5t830.3↔ | 21A | W04A, W04B | 5t831.3↔ | 08 | I12A, I12B, I12C, I12J, I27A, I27B, I27C, I27D, I27J, I27Q | 5t831.9↔ | 08 | I12A, I12B, I12C, I12J, I27A, I27B, I27C, I27D, I27J, I27Q |
| | 21B | X06A, X06B, X06C | | 09 | J03A, J03B, J04A, J04B, J08A, J08B, J08C, J11A, J11B, J11J, J11Q, J11R, J11S, J16Z | | 09 | J03A, J03B, J04A, J04B, J08A, J08B, J08C, J11A, J11B, J11J, J11Q, J11R, J11S, J16Z |
| | 01 | BOP, KJZSV, KVT, UOP4 | | 10 | K09A, K09B | | 21A | W04A, W04B |
| 5t830.4↔ | 01 | B03Z, B07Z, B17A, B17B, B17C, B17J | 5t831.4↔ | 09 | J03A, J03B, J04A, J04B, J08A, J08B, J08C, J11A, J11B, J11J, J11Q, J11R, J11S, J16Z | 5t831.9↔ | 21B | X04Z, X06A, X06B, X06C |
| | 08 | I12A, I12B, I12C, I12J, I27A, I27B, I27C, I27D, I27J, I27Q | | 10 | K09A, K09B | | 08 | I12A, I12B, I12C, I12J, I27A, I27B, I27C, I27D, I27J, I27Q |
| | 21A | W04A, W04B | | 21A | W04A, W04B | | 09 | J03A, J03B, J04A, J04B, J08A, J08B, J08C, J11A, J11B, J11J, J11Q, J11R, J11S, J16Z |
| 5t830.5↔ | 21B | X05A, X05B, X06A, X06B, X06C | 5t831.5↔ | 08 | I12A, I12B, I12C, I12J, I27A, I27B, I27C, I27D, I27J, I27Q | 5t831.9↔ | 10 | K09A, K09B |
| | 01 | BOP, KJZSV, KVT, UOP4 | | 09 | J03A, J03B, J04A, J04B, J08A, J08B, J08C, J11A, J11B, J11J, J11Q, J11R, J11S, J16Z | | 21A | W04A, W04B |
| | 01 | B03Z, B07Z, B17A, B17B, B17C, B17J | | 10 | K09A, K09B | | 21B | X04Z, X06A, X06B, X06C |
| 5t830.6↔ | 08 | I12A, I12B, I12C, I12J, I27A, I27B, I27C, I27D, I27J, I27Q | 5t831.6↔ | 21A | W04A, W04B | 5t831.9↔ | 08 | I12A, I12B, I12C, I12J, I27A, I27B, I27C, I27D, I27J, I27Q |
| | 21A | W04A, W04B | | 21B | X06A, X06B, X06C | | 09 | J03A, J03B, J04A, J04B, J08A, J08B, J08C, J11A, J11B, J11J, J11Q, J11R, J11S, J16Z |
| | 21B | X06A, X06B, X06C | | 08 | I12A, I12B, I12C, I12J, I27A, I27B, I27C, I27D, I27J, I27Q | | 10 | K09A, K09B |

VYK

| ZZV | MDC | DRG | ZZV | MDC | DRG | ZZV | MDC | DRG |
|----------|-----|--|----------|-----|--|----------|-----|--|
| 5t831.x | | BOP, KJZSV, KVT, UOP4 | 5t832.6↔ | 01 | BOP, KJZSV, KVT, UOP4 | 5t833.2↔ | 01 | BOP, KJZSV, KVT, UOP4 |
| | 08 | I12A, I12B, I12C, I12J, I27A, I27B, I27C, I27D, I27J, I27Q | | 08 | B03Z, B07Z, B17A, B17B, B17C, B17J | | 08 | B03Z, B07Z, B17A, B17B, B17C, B17J |
| | 09 | J03A, J03B, J04A, J04B, J08A, J08B, J08C, J11A, J11B, J11J, J11Q, J11R, J11S, J16Z | | 21A | I08A, I08B, I08C, I08D, I12A, I12B, I12C, I12J, I13A, I13B, I27A, I27B, I27C, I27D, I27J, I27Q | | 09 | I08A, I08B, I08C, I08D, I12A, I12B, I12C, I12J, I13A, I13B, I27A, I27B, I27C, I27D, I27J, I27Q |
| | 10 | K09A, K09B | | 21B | W04A, W04B | | 21A | J03A, J03B, J04A, J04B, J08A, J08B, J08C, J11A, J11B, J11J, J11Q, J11R, J11S, J16Z |
| | 21A | W04A, W04B | | 21B | X06A, X06B, X06C | | 21B | W04A, W04B |
| 5t832.0↔ | 21B | X06A, X06B, X06C | 5t832.7↔ | 01 | BOP, KJZSV, KVT, UOP4 | 5t833.3↔ | 21B | X06A, X06B, X06C |
| | 01 | BOP, KJZSV, KVT, UOP4 | | 08 | B03Z, B07Z, B17A, B17B, B17C, B17J | | 01 | BOP, KJZSV, KVT, UOP4 |
| | 08 | B03Z, B07Z, B17A, B17B, B17C, B17J | | 21A | I08A, I08B, I08C, I08D, I12A, I12B, I12C, I12J, I13A, I13B, I27A, I27B, I27C, I27D, I27J, I27Q | | 08 | B03Z, B07Z, B17A, B17B, B17C, B17J |
| 5t832.1↔ | 21A | W04A, W04B | 5t832.8↔ | 21A | W04A, W04B | 5t833.4↔ | 08 | I08A, I08B, I08C, I08D, I12A, I12B, I12C, I12J, I13A, I13B, I27A, I27B, I27C, I27D, I27J, I27Q |
| | 21B | X06A, X06B, X06C | | 21B | X04Z, X06A, X06B, X06C | | 09 | J03A, J03B, J04A, J04B, J08A, J08B, J08C, J11A, J11B, J11J, J11Q, J11R, J11S, J16Z |
| | 01 | BOP, KJZSV, KVT, UOP4 | | 01 | BOP, KJZSV, KVT, UOP4 | | 21A | W04A, W04B |
| | 08 | I08A, I08B, I08C, I08D, I12A, I12B, I12C, I12J, I13A, I13B, I27A, I27B, I27C, I27D, I27J, I27Q | | 08 | B03Z, B07Z, B17A, B17B, B17C, B17J | | 21B | X05A, X05B, X06A, X06B, X06C |
| | 21A | W04A, W04B | | 21A | W04A, W04B | | 01 | BOP, KJZSV, KVT, UOP4 |
| 5t832.2↔ | 21B | X06A, X06B, X06C | 5t832.9↔ | 21B | X04Z, X06A, X06B, X06C | 5t833.5↔ | 01 | BOP, KJZSV, KVT, UOP4 |
| | 01 | BOP, KJZSV, KVT, UOP4 | | 01 | BOP, KJZSV, KVT, UOP4 | | 08 | B03Z, B07Z, B17A, B17B, B17C, B17J |
| | 08 | I08A, I08B, I08C, I08D, I12A, I12B, I12C, I12J, I13A, I13B, I27A, I27B, I27C, I27D, I27J, I27Q | | 08 | B03Z, B07Z, B17A, B17B, B17C, B17J | | 08 | I08A, I08B, I08C, I08D, I12A, I12B, I12C, I12J, I13A, I13B, I27A, I27B, I27C, I27D, I27J, I27Q |
| | 21A | W04A, W04B | | 21A | W04A, W04B | | 09 | J03A, J03B, J04A, J04B, J08A, J08B, J08C, J11A, J11B, J11J, J11Q, J11R, J11S, J16Z |
| | 21B | X06A, X06B, X06C | | 21B | X04Z, X06A, X06B, X06C | | 21A | W04A, W04B |
| 5t832.3↔ | 01 | BOP, KJZSV, KVT, UOP4 | 5t832.x | 01 | BOP, KJZSV, KVT, UOP4 | 5t833.6↔ | 21B | X06A, X06B, X06C |
| | 08 | I08A, I08B, I08C, I08D, I12A, I12B, I12C, I12J, I13A, I13B, I27A, I27B, I27C, I27D, I27J, I27Q | | 08 | BOP, KJZSV, KVT, UOP4 | | 01 | BOP, KJZSV, KVT, UOP4 |
| | 21A | W04A, W04B | | 08 | B03Z, B07Z, B17A, B17B, B17C, B17J | | 08 | I08A, I08B, I08C, I08D, I12A, I12B, I12C, I12J, I13A, I13B, I27A, I27B, I27C, I27D, I27J, I27Q |
| | 21B | X06A, X06B, X06C | | 21A | W04A, W04B | | 09 | J03A, J03B, J04A, J04B, J08A, J08B, J08C, J11A, J11B, J11J, J11Q, J11R, J11S, J16Z |
| | 01 | B03Z, B07Z, B17A, B17B, B17C, B17J | | 21B | X06A, X06B, X06C | | 21A | W04A, W04B |
| 5t832.4↔ | 08 | I08A, I08B, I08C, I08D, I12A, I12B, I12C, I12J, I13A, I13B, I27A, I27B, I27C, I27D, I27J, I27Q | 5t833.0↔ | 01 | BOP, KJZSV, KVT, UOP4 | 5t833.6↔ | 21B | X06A, X06B, X06C |
| | 21A | W04A, W04B | | 01 | BOP, KJZSV, KVT, UOP4 | | 01 | BOP, KJZSV, KVT, UOP4 |
| | 21B | X05A, X05B, X06A, X06B, X06C | | 08 | B03Z, B07Z, B17A, B17B, B17C, B17J | | 08 | I08A, I08B, I08C, I08D, I12A, I12B, I12C, I12J, I13A, I13B, I27A, I27B, I27C, I27D, I27J, I27Q |
| | 01 | BOP, KJZSV, KVT, UOP4 | | 08 | I08A, I08B, I08C, I08D, I12A, I12B, I12C, I12J, I13A, I13B, I27A, I27B, I27C, I27D, I27J, I27Q | | 09 | J03A, J03B, J04A, J04B, J08A, J08B, J08C, J11A, J11B, J11J, J11Q, J11R, J11S, J16Z |
| | 08 | I08A, I08B, I08C, I08D, I12A, I12B, I12C, I12J, I13A, I13B, I27A, I27B, I27C, I27D, I27J, I27Q | | 21A | W04A, W04B | | 21A | W04A, W04B |
| 5t832.5↔ | 21B | X06A, X06B, X06C | 5t833.1↔ | 21B | X06A, X06B, X06C | 5t833.6↔ | 21B | X06A, X06B, X06C |
| | 01 | BOP, KJZSV, KVT, UOP4 | | 01 | BOP, KJZSV, KVT, UOP4 | | 01 | BOP, KJZSV, KVT, UOP4 |
| | 08 | B03Z, B07Z, B17A, B17B, B17C, B17J | | 08 | B03Z, B07Z, B17A, B17B, B17C, B17J | | 08 | I08A, I08B, I08C, I08D, I12A, I12B, I12C, I12J, I13A, I13B, I27A, I27B, I27C, I27D, I27J, I27Q |
| | 21A | W04A, W04B | | 21A | W04A, W04B | | 09 | J03A, J03B, J04A, J04B, J08A, J08B, J08C, J11A, J11B, J11J, J11Q, J11R, J11S, J16Z |
| | 21B | X06A, X06B, X06C | | 21B | X06A, X06B, X06C | | 21A | W04A, W04B |
| | | | | 21B | X06A, X06B, X06C | | | |

VYK

| ZZV | MDC | DRG | ZZV | MDC | DRG | ZZV | MDC | DRG |
|----------|------------------------|--|------------------|-----|--|----------|-----|--|
| 5t835.0↔ | | BOP, KJZSV, KVT, UOP4 | 5t835.7↔ | | BOP, KJZSV, KVT, UOP4 | 5t836.3↔ | | BOP, KJZSV, KVT, UOP4 |
| | 01 | B03Z, B07Z, B17A, B17B, B17C, B17J | | 01 | B03Z, B07Z, B17A, B17B, B17C, B17J | | 01 | B03Z, B07Z, B17A, B17B, B17C, B17J |
| | 08 | I08A, I08B, I08C, I08D, I12A, I12B, I12C, I12J, I13A, I13B, I27A, I27B, I27C, I27D, I27J, I27Q | | 08 | I08A, I08B, I08C, I08D, I12A, I12B, I12C, I12J, I13A, I13B, I27A, I27B, I27C, I27D, I27J, I27Q | | 08 | I08A, I08B, I08C, I08D, I08E, I12A, I12B, I12C, I12J, I13A, I13B, I27A, I27B, I27C, I27D, I27J, I27Q |
| | 10 | K09A, K09B | | 10 | K09A, K09B | | 10 | K09A, K09B |
| | 21A | W04A, W04B | | 21A | W04A, W04B | | 21A | W04A, W04B |
| 5t835.1↔ | 21B | X06A, X06B, X06C | 5t835.8↔ | 21B | X04Z, X06A, X06B, X06C | 5t836.4↔ | 21B | X05A, X05B, X06A, X06B, X06C |
| | | BOP, KJZSV, KVT, UOP4 | | | BOP, KJZSV, KVT, UOP4 | | | BOP, KJZSV, KVT, UOP4 |
| | 01 | B03Z, B07Z, B17A, B17B, B17C, B17J | | 01 | B03Z, B07Z, B17A, B17B, B17C, B17J | | 01 | B03Z, B07Z, B17A, B17B, B17C, B17J |
| | 08 | I08A, I08B, I08C, I08D, I12A, I12B, I12C, I12J, I13A, I13B, I27A, I27B, I27C, I27D, I27J, I27Q | | 08 | I08A, I08B, I08C, I08D, I12A, I12B, I12C, I12J, I13A, I13B, I27A, I27B, I27C, I27D, I27J, I27Q | | 08 | I08A, I08B, I08C, I08D, I08E, I12A, I12B, I12C, I12J, I13A, I13B, I27A, I27B, I27C, I27D, I27J, I27Q |
| | 10 | K09A, K09B | | 10 | K09A, K09B | | 10 | K09A, K09B |
| 5t835.2↔ | 21A | W04A, W04B | 5t835.9↔ | 21A | W04A, W04B | 5t836.5↔ | 21A | W04A, W04B |
| | 21B | X06A, X06B, X06C | | 21B | X04Z, X06A, X06B, X06C | | 21B | X06A, X06B, X06C |
| | | BOP, KJZSV, KVT, UOP4 | | | BOP, KJZSV, KVT, UOP4 | | | BOP, KJZSV, KVT, UOP4 |
| | 01 | B03Z, B07Z, B17A, B17B, B17C, B17J | | 01 | B03Z, B07Z, B17A, B17B, B17C, B17J | | 01 | B03Z, B07Z, B17A, B17B, B17C, B17J |
| | 08 | I08A, I08B, I08C, I08D, I12A, I12B, I12C, I12J, I13A, I13B, I27A, I27B, I27C, I27D, I27J, I27Q | | 08 | I08A, I08B, I08C, I08D, I12A, I12B, I12C, I12J, I13A, I13B, I27A, I27B, I27C, I27D, I27J, I27Q | | 08 | I08A, I08B, I08C, I08D, I08E, I12A, I12B, I12C, I12J, I13A, I13B, I27A, I27B, I27C, I27D, I27J, I27Q |
| 5t835.3↔ | 10 | K09A, K09B | 5t835.x | 10 | K09A, K09B | 5t836.6↔ | 10 | K09A, K09B |
| | 21A | W04A, W04B | | 21A | W04A, W04B | | 21A | W04A, W04B |
| | 21B | X06A, X06B, X06C | | 21B | X04Z, X06A, X06B, X06C | | 21B | X06A, X06B, X06C |
| | | BOP, KJZSV, KVT, UOP4 | | | BOP, KJZSV, KVT, UOP4 | | | BOP, KJZSV, KVT, UOP4 |
| | 01 | B03Z, B07Z, B17A, B17B, B17C, B17J | | 01 | B03Z, B07Z, B17A, B17B, B17C, B17J | | 01 | B03Z, B07Z, B17A, B17B, B17C, B17J |
| 5t835.4↔ | 08 | I08A, I08B, I08C, I08D, I12A, I12B, I12C, I12J, I13A, I13B, I27A, I27B, I27C, I27D, I27J, I27Q | 5t836.0↔ | 08 | I08A, I08B, I08C, I08D, I12A, I12B, I12C, I12J, I13A, I13B, I27A, I27B, I27C, I27D, I27J, I27Q | 5t836.7↔ | 08 | I08A, I08B, I08C, I08D, I08E, I12A, I12B, I12C, I12J, I13A, I13B, I27A, I27B, I27C, I27D, I27J, I27Q |
| | 10 | K09A, K09B | | 10 | K09A, K09B | | 10 | K09A, K09B |
| | 21A | W04A, W04B | | 21A | W04A, W04B | | 21A | W04A, W04B |
| | 21B | X05A, X05B, X06A, X06B, X06C | | 21B | X06A, X06B, X06C | | 21B | X04Z, X06A, X06B, X06C |
| | | BOP, KJZSV, KVT, UOP4 | | | BOP, KJZSV, KVT, UOP4 | | | BOP, KJZSV, KVT, UOP4 |
| 5t835.5↔ | 01 | B03Z, B07Z, B17A, B17B, B17C, B17J | 5t836.1↔ | 01 | B03Z, B07Z, B17A, B17B, B17C, B17J | 5t836.8↔ | 01 | B03Z, B07Z, B17A, B17B, B17C, B17J |
| | 08 | I08A, I08B, I08C, I08D, I12A, I12B, I12C, I12J, I13A, I13B, I27A, I27B, I27C, I27D, I27J, I27Q | | 08 | I08A, I08B, I08C, I08D, I08E, I12A, I12B, I12C, I12J, I13A, I13B, I27A, I27B, I27C, I27D, I27J, I27Q | | 08 | I08A, I08B, I08C, I08D, I08E, I12A, I12B, I12C, I12J, I13A, I13B, I27A, I27B, I27C, I27D, I27J, I27Q |
| | 10 | K09A, K09B | | 10 | K09A, K09B | | 10 | K09A, K09B |
| | 21A | W04A, W04B | | 21A | W04A, W04B | | 21A | W04A, W04B |
| | 21B | X06A, X06B, X06C | | 21B | X06A, X06B, X06C | | 21B | X04Z, X06A, X06B, X06C |
| 5t835.6↔ | | BOP, KJZSV, KVT, UOP4 | 5t836.2↔ | | BOP, KJZSV, KVT, UOP4 | 5t836.9↔ | | BOP, KJZSV, KVT, UOP4 |
| | 01 | B03Z, B07Z, B17A, B17B, B17C, B17J | | 01 | B03Z, B07Z, B17A, B17B, B17C, B17J | | 01 | B03Z, B07Z, B17A, B17B, B17C, B17J |
| | 08 | I08A, I08B, I08C, I08D, I12A, I12B, I12C, I12J, I13A, I13B, I27A, I27B, I27C, I27D, I27J, I27Q | | 08 | I08A, I08B, I08C, I08D, I08E, I12A, I12B, I12C, I12J, I13A, I13B, I27A, I27B, I27C, I27D, I27J, I27Q | | 08 | I08A, I08B, I08C, I08D, I08E, I12A, I12B, I12C, I12J, I13A, I13B, I27A, I27B, I27C, I27D, I27J, I27Q |
| | 10 | K09A, K09B | | 10 | K09A, K09B | | 10 | K09A, K09B |
| | 21A | W04A, W04B | | 21A | W04A, W04B | | 21A | W04A, W04B |
| | X04Z, X06A, X06B, X06C | | X06A, X06B, X06C | | X04Z, X06A, X06B, X06C | | | |

VYK

| ZZV | MDC | DRG | ZZV | MDC | DRG | ZZV | MDC | DRG |
|----------|------------------|--|------------------|-----|--|----------|-----|--|
| 5t836.x | | BOP, KJZSV, KVT, UOP4 | 5t837.6↔ | | BOP, KJZSV, KVT, UOP4 | 5t838.2↔ | | BOP, KJZSV, KVT, UOP4 |
| | 01 | B03Z, B07Z, B17A, B17B, B17C, B17J | | 01 | B03Z, B07Z, B17A, B17B, B17C, B17J | | 01 | B03Z, B07Z, B17A, B17B, B17C, B17J |
| | 08 | I08A, I08B, I08C, I08D, I08E, I12A, I12B, I12C, I12J, I13A, I13B, I27A, I27B, I27C, I27D, I27J, I27Q | | 08 | I08A, I08B, I08C, I08D, I08E, I12A, I12B, I12C, I12J, I13A, I13B, I27A, I27B, I27C, I27D, I27J, I27Q | | 08 | I08A, I08B, I08C, I08D, I08E, I12A, I12B, I12C, I12J, I13A, I13B, I27A, I27B, I27C, I27D, I27J, I27Q |
| | 10 | K09A, K09B | | 10 | K09A, K09B | | 10 | K09A, K09B |
| | 21A | W04A, W04B | | 21A | W04A, W04B | | 21A | W04A, W04B |
| 5t837.0↔ | 21B | X06A, X06B, X06C | 5t837.7↔ | 21B | X04Z, X06A, X06B, X06C | 5t838.3↔ | 21B | X06A, X06B, X06C |
| | | BOP, KJZSV, KVT, UOP4 | | | BOP, KJZSV, KVT, UOP4 | | | BOP, KJZSV, KVT, UOP4 |
| | 01 | B03Z, B07Z, B17A, B17B, B17C, B17J | | 01 | B03Z, B07Z, B17A, B17B, B17C, B17J | | 01 | B03Z, B07Z, B17A, B17B, B17C, B17J |
| | 08 | I08A, I08B, I08C, I08D, I08E, I12A, I12B, I12C, I12J, I13A, I13B, I27A, I27B, I27C, I27D, I27J, I27Q | | 08 | I08A, I08B, I08C, I08D, I08E, I12A, I12B, I12C, I12J, I13A, I13B, I27A, I27B, I27C, I27D, I27J, I27Q | | 08 | I08A, I08B, I08C, I08D, I08E, I12A, I12B, I12C, I12J, I13A, I13B, I27A, I27B, I27C, I27D, I27J, I27Q |
| | 10 | K09A, K09B | | 10 | K09A, K09B | | 10 | K09A, K09B |
| 5t837.1↔ | 21A | W04A, W04B | 5t837.8↔ | 21A | W04A, W04B | 5t838.4↔ | 21A | W04A, W04B |
| | 21B | X06A, X06B, X06C | | 21B | X04Z, X06A, X06B, X06C | | 21B | X05A, X05B, X06A, X06B, X06C |
| | | BOP, KJZSV, KVT, UOP4 | | | BOP, KJZSV, KVT, UOP4 | | | BOP, KJZSV, KVT, UOP4 |
| | 01 | B03Z, B07Z, B17A, B17B, B17C, B17J | | 01 | B03Z, B07Z, B17A, B17B, B17C, B17J | | 01 | B03Z, B07Z, B17A, B17B, B17C, B17J |
| | 08 | I08A, I08B, I08C, I08D, I08E, I12A, I12B, I12C, I12J, I13A, I13B, I27A, I27B, I27C, I27D, I27J, I27Q | | 08 | I08A, I08B, I08C, I08D, I08E, I12A, I12B, I12C, I12J, I13A, I13B, I27A, I27B, I27C, I27D, I27J, I27Q | | 08 | I08A, I08B, I08C, I08D, I08E, I12A, I12B, I12C, I12J, I13A, I13B, I27A, I27B, I27C, I27D, I27J, I27Q |
| 5t837.2↔ | 10 | K09A, K09B | 5t837.9↔ | 10 | K09A, K09B | 5t838.5↔ | 10 | K09A, K09B |
| | 21A | W04A, W04B | | 21A | W04A, W04B | | 21A | W04A, W04B |
| | 21B | X06A, X06B, X06C | | 21B | X04Z, X06A, X06B, X06C | | 21B | X06A, X06B, X06C |
| | | BOP, KJZSV, KVT, UOP4 | | | BOP, KJZSV, KVT, UOP4 | | | BOP, KJZSV, KVT, UOP4 |
| | 01 | B03Z, B07Z, B17A, B17B, B17C, B17J | | 01 | B03Z, B07Z, B17A, B17B, B17C, B17J | | 01 | B03Z, B07Z, B17A, B17B, B17C, B17J |
| 5t837.3↔ | 08 | I08A, I08B, I08C, I08D, I08E, I12A, I12B, I12C, I12J, I13A, I13B, I27A, I27B, I27C, I27D, I27J, I27Q | 5t837.x | 08 | I08A, I08B, I08C, I08D, I08E, I12A, I12B, I12C, I12J, I13A, I13B, I27A, I27B, I27C, I27D, I27J, I27Q | 5t838.6↔ | 08 | I08A, I08B, I08C, I08D, I08E, I12A, I12B, I12C, I12J, I13A, I13B, I27A, I27B, I27C, I27D, I27J, I27Q |
| | 10 | K09A, K09B | | 10 | K09A, K09B | | 10 | K09A, K09B |
| | 21A | W04A, W04B | | 21A | W04A, W04B | | 21A | W04A, W04B |
| | 21B | X06A, X06B, X06C | | 21B | X04Z, X06A, X06B, X06C | | 21B | X06A, X06B, X06C |
| | | BOP, KJZSV, KVT, UOP4 | | | BOP, KJZSV, KVT, UOP4 | | | BOP, KJZSV, KVT, UOP4 |
| 5t837.4↔ | 01 | B03Z, B07Z, B17A, B17B, B17C, B17J | 5t838.0↔ | 01 | B03Z, B07Z, B17A, B17B, B17C, B17J | 5t838.7↔ | 01 | B03Z, B07Z, B17A, B17B, B17C, B17J |
| | 08 | I08A, I08B, I08C, I08D, I08E, I12A, I12B, I12C, I12J, I13A, I13B, I27A, I27B, I27C, I27D, I27J, I27Q | | 08 | I08A, I08B, I08C, I08D, I08E, I12A, I12B, I12C, I12J, I13A, I13B, I27A, I27B, I27C, I27D, I27J, I27Q | | 08 | I08A, I08B, I08C, I08D, I08E, I12A, I12B, I12C, I12J, I13A, I13B, I27A, I27B, I27C, I27D, I27J, I27Q |
| | 10 | K09A, K09B | | 10 | K09A, K09B | | 10 | K09A, K09B |
| | 21A | W04A, W04B | | 21A | W04A, W04B | | 21A | W04A, W04B |
| | 21B | X05A, X05B, X06A, X06B, X06C | | 21B | X06A, X06B, X06C | | 21B | X04Z, X06A, X06B, X06C |
| 5t837.5↔ | | BOP, KJZSV, KVT, UOP4 | 5t838.1↔ | | BOP, KJZSV, KVT, UOP4 | 5t838.8↔ | | BOP, KJZSV, KVT, UOP4 |
| | 01 | B03Z, B07Z, B17A, B17B, B17C, B17J | | 01 | B03Z, B07Z, B17A, B17B, B17C, B17J | | 01 | B03Z, B07Z, B17A, B17B, B17C, B17J |
| | 08 | I08A, I08B, I08C, I08D, I08E, I12A, I12B, I12C, I12J, I13A, I13B, I27A, I27B, I27C, I27D, I27J, I27Q | | 08 | I08A, I08B, I08C, I08D, I08E, I12A, I12B, I12C, I12J, I13A, I13B, I27A, I27B, I27C, I27D, I27J, I27Q | | 08 | I08A, I08B, I08C, I08D, I08E, I12A, I12B, I12C, I12J, I13A, I13B, I27A, I27B, I27C, I27D, I27J, I27Q |
| | 10 | K09A, K09B | | 10 | K09A, K09B | | 10 | K09A, K09B |
| | 21A | W04A, W04B | | 21A | W04A, W04B | | 21A | W04A, W04B |
| | X06A, X06B, X06C | | X06A, X06B, X06C | | X04Z, X06A, X06B, X06C | | | |

VYK

| ZZV | MDC | DRG | ZZV | MDC | DRG | ZZV | MDC | DRG |
|----------|-----|--|----------|-----|--|----------|-----|--|
| 5t838.9↔ | | BOP, KJZSV, KVT, UOP4 | 5t839.4↔ | | BOP, KJZSV, KVT, UOP4 | 5t839.x | | BOP, KJZSV, KVT, UOP4 |
| | 01 | B03Z, B07Z, B17A, B17B, B17C, B17J | | 01 | B03Z, B07Z, B17A, B17B, B17C, B17J | | 01 | B03Z, B07Z, B17A, B17B, B17C, B17J |
| | 08 | I08A, I08B, I08C, I08D, I08E, I12A, I12B, I12C, I12J, I13A, I13B, I27A, I27B, I27C, I27D, I27J, I27Q | | 08 | I12A, I12B, I12C, I12J, I27A, I27B, I27C, I27D, I27J, I27Q | | 08 | I12A, I12B, I12C, I12J, I27A, I27B, I27C, I27D, I27J, I27Q |
| | 10 | K09A, K09B | | 09 | J03A, J03B, J04A, J04B, J08A, J08B, J08C, J11A, J11B, J11J, J11Q, J11R, J11S, J16Z | | 09 | J03A, J03B, J04A, J04B, J08A, J08B, J08C, J11A, J11B, J11J, J11Q, J11R, J11S, J16Z |
| | 21A | W04A, W04B | | 21A | W04A, W04B | | 21A | W04A, W04B |
| 5t838.x | 21B | X04Z, X06A, X06B, X06C | 5t839.5↔ | 21A | W04A, W04B | 5t83x.0↔ | 21A | W04A, W04B |
| | | BOP, KJZSV, KVT, UOP4 | | 21B | X06A, X06B, X06C | | 21B | X06A, X06B, X06C |
| | 01 | B03Z, B07Z, B17A, B17B, B17C, B17J | | 01 | B03Z, B07Z, B17A, B17B, B17C, B17J | | 01 | B03Z, B07Z, B17A, B17B, B17C, B17J |
| | 08 | I08A, I08B, I08C, I08D, I08E, I12A, I12B, I12C, I12J, I13A, I13B, I27A, I27B, I27C, I27D, I27J, I27Q | | 08 | I12A, I12B, I12C, I12J, I27A, I27B, I27C, I27D, I27J, I27Q | | 08 | I12A, I12B, I12C, I12J, I27A, I27B, I27C, I27D, I27J, I27Q |
| | 10 | K09A, K09B | | 09 | J03A, J03B, J04A, J04B, J08A, J08B, J08C, J11A, J11B, J11J, J11Q, J11R, J11S, J16Z | | 21A | W04A, W04B |
| 5t839.0↔ | 21A | W04A, W04B | 5t839.6↔ | 21B | X06A, X06B, X06C | 5t83x.1↔ | 21B | X06A, X06B, X06C |
| | 21B | X06A, X06B, X06C | | 01 | BOP, KJZSV, KVT, UOP4 | | 01 | BOP, KJZSV, KVT, UOP4 |
| | | BOP, KJZSV, KVT, UOP4 | | 01 | B03Z, B07Z, B17A, B17B, B17C, B17J | | 08 | I12A, I12B, I12C, I12J, I27A, I27B, I27C, I27D, I27J, I27Q |
| | 01 | B03Z, B07Z, B17A, B17B, B17C, B17J | | 08 | I12A, I12B, I12C, I12J, I27A, I27B, I27C, I27D, I27J, I27Q | | 21A | W04A, W04B |
| | 08 | I12A, I12B, I12C, I12J, I27A, I27B, I27C, I27D, I27J, I27Q | | 08 | I12A, I12B, I12C, I12J, I27A, I27B, I27C, I27D, I27J, I27Q | | 21B | X06A, X06B, X06C |
| 5t839.1↔ | 09 | J03A, J03B, J04A, J04B, J08A, J08B, J08C, J11A, J11B, J11J, J11Q, J11R, J11S, J16Z | 5t839.7↔ | 09 | J03A, J03B, J04A, J04B, J08A, J08B, J08C, J11A, J11B, J11J, J11Q, J11R, J11S, J16Z | 5t83x.2↔ | 01 | BOP, KJZSV, KVT, UOP4 |
| | 21A | W04A, W04B | | 01 | B03Z, B07Z, B17A, B17B, B17C, B17J | | 08 | I12A, I12B, I12C, I12J, I27A, I27B, I27C, I27D, I27J, I27Q |
| | 21B | X06A, X06B, X06C | | 08 | I12A, I12B, I12C, I12J, I27A, I27B, I27C, I27D, I27J, I27Q | | 21A | W04A, W04B |
| | | BOP, KJZSV, KVT, UOP4 | | 09 | J03A, J03B, J04A, J04B, J08A, J08B, J08C, J11A, J11B, J11J, J11Q, J11R, J11S, J16Z | | 21B | X06A, X06B, X06C |
| | 01 | B03Z, B07Z, B17A, B17B, B17C, B17J | | 01 | B03Z, B07Z, B17A, B17B, B17C, B17J | | 01 | B03Z, B07Z, B17A, B17B, B17C, B17J |
| 5t839.2↔ | 08 | I12A, I12B, I12C, I12J, I27A, I27B, I27C, I27D, I27J, I27Q | 5t839.8↔ | 08 | I12A, I12B, I12C, I12J, I27A, I27B, I27C, I27D, I27J, I27Q | 5t83x.3↔ | 01 | BOP, KJZSV, KVT, UOP4 |
| | 09 | J03A, J03B, J04A, J04B, J08A, J08B, J08C, J11A, J11B, J11J, J11Q, J11R, J11S, J16Z | | 08 | I12A, I12B, I12C, I12J, I27A, I27B, I27C, I27D, I27J, I27Q | | 08 | I12A, I12B, I12C, I12J, I27A, I27B, I27C, I27D, I27J, I27Q |
| | 21A | W04A, W04B | | 09 | J03A, J03B, J04A, J04B, J08A, J08B, J08C, J11A, J11B, J11J, J11Q, J11R, J11S, J16Z | | 21A | W04A, W04B |
| | 21B | X06A, X06B, X06C | | 09 | J03A, J03B, J04A, J04B, J08A, J08B, J08C, J11A, J11B, J11J, J11Q, J11R, J11S, J16Z | | 21B | X05A, X05B, X06A, X06B, X06C |
| | | BOP, KJZSV, KVT, UOP4 | | 21A | W04A, W04B | | 01 | BOP, KJZSV, KVT, UOP4 |
| 5t839.3↔ | 01 | B03Z, B07Z, B17A, B17B, B17C, B17J | 5t839.9↔ | 21B | X04Z, X06A, X06B, X06C | 5t83x.4 | 01 | B03Z, B07Z, B17A, B17B, B17C, B17J |
| | 08 | I12A, I12B, I12C, I12J, I27A, I27B, I27C, I27D, I27J, I27Q | | 01 | BOP, KJZSV, KVT, UOP4 | | 08 | I12A, I12B, I12C, I12J, I27A, I27B, I27C, I27D, I27J, I27Q |
| | 09 | J03A, J03B, J04A, J04B, J08A, J08B, J08C, J11A, J11B, J11J, J11Q, J11R, J11S, J16Z | | 01 | B03Z, B07Z, B17A, B17B, B17C, B17J | | 21A | W04A, W04B |
| | 21A | W04A, W04B | | 08 | I12A, I12B, I12C, I12J, I27A, I27B, I27C, I27D, I27J, I27Q | | 21B | X06A, X06B, X06C |
| | 21B | X06A, X06B, X06C | | 09 | J03A, J03B, J04A, J04B, J08A, J08B, J08C, J11A, J11B, J11J, J11Q, J11R, J11S, J16Z | | 01 | BOP, KJZSV, KVT, UOP4 |
| 5t839.4↔ | | BOP, KJZSV, KVT, UOP4 | 5t839.9↔ | | BOP, KJZSV, KVT, UOP4 | 5t83x.5 | | BOP, KJZSV, KVT, UOP4 |
| | 01 | B03Z, B07Z, B17A, B17B, B17C, B17J | | 01 | B03Z, B07Z, B17A, B17B, B17C, B17J | | 01 | B03Z, B07Z, B17A, B17B, B17C, B17J |
| | 08 | I12A, I12B, I12C, I12J, I27A, I27B, I27C, I27D, I27J, I27Q | | 08 | I12A, I12B, I12C, I12J, I27A, I27B, I27C, I27D, I27J, I27Q | | 08 | I12A, I12B, I12C, I12J, I27A, I27B, I27C, I27D, I27J, I27Q |
| | 09 | J03A, J03B, J04A, J04B, J08A, J08B, J08C, J11A, J11B, J11J, J11Q, J11R, J11S, J16Z | | 09 | J03A, J03B, J04A, J04B, J08A, J08B, J08C, J11A, J11B, J11J, J11Q, J11R, J11S, J16Z | | 21A | W04A, W04B |
| | 21A | W04A, W04B | | 21A | W04A, W04B | | 21B | X06A, X06B, X06C |
| 5t839.5↔ | 21B | X06A, X06B, X06C | 5t839.9↔ | 21B | X04Z, X06A, X06B, X06C | 5t83x.6↔ | 21B | X06A, X06B, X06C |
| | | BOP, KJZSV, KVT, UOP4 | | 01 | BOP, KJZSV, KVT, UOP4 | | 01 | BOP, KJZSV, KVT, UOP4 |
| | 01 | B03Z, B07Z, B17A, B17B, B17C, B17J | | 01 | B03Z, B07Z, B17A, B17B, B17C, B17J | | 01 | B03Z, B07Z, B17A, B17B, B17C, B17J |
| | 08 | I12A, I12B, I12C, I12J, I27A, I27B, I27C, I27D, I27J, I27Q | | 08 | I12A, I12B, I12C, I12J, I27A, I27B, I27C, I27D, I27J, I27Q | | 08 | I12A, I12B, I12C, I12J, I27A, I27B, I27C, I27D, I27J, I27Q |
| | 09 | J03A, J03B, J04A, J04B, J08A, J08B, J08C, J11A, J11B, J11J, J11Q, J11R, J11S, J16Z | | 09 | J03A, J03B, J04A, J04B, J08A, J08B, J08C, J11A, J11B, J11J, J11Q, J11R, J11S, J16Z | | 21A | W04A, W04B |
| 5t839.6↔ | 21A | W04A, W04B | 5t839.9↔ | 09 | J03A, J03B, J04A, J04B, J08A, J08B, J08C, J11A, J11B, J11J, J11Q, J11R, J11S, J16Z | 5t83x.7↔ | 21B | X04Z, X06A, X06B, X06C |
| | 21B | X06A, X06B, X06C | | 21A | W04A, W04B | | 01 | B03Z, B07Z, B17A, B17B, B17C, B17J |
| | | BOP, KJZSV, KVT, UOP4 | | 21B | X04Z, X06A, X06B, X06C | | 08 | I12A, I12B, I12C, I12J, I27A, I27B, I27C, I27D, I27J, I27Q |
| | 01 | B03Z, B07Z, B17A, B17B, B17C, B17J | | 21B | X04Z, X06A, X06B, X06C | | 21A | W04A, W04B |
| | 08 | I12A, I12B, I12C, I12J, I27A, I27B, I27C, I27D, I27J, I27Q | | 21B | X04Z, X06A, X06B, X06C | | 21B | X04Z, X06A, X06B, X06C |

VYK

| ZZV | MDC | DRG | ZZV | MDC | DRG | ZZV | MDC | DRG |
|----------|------------------------------|--|------------------|-----|--|----------|-----|--|
| 5t846.5↔ | | BOP, KJZSV, KVT, UOP4 | 5t846.x | | BOP, KJZSV, KVT, UOP4 | 5t847.6↔ | | BOP, KJZSV, KVT, UOP4 |
| | 01 | B03Z, B07Z, B17A, B17B, B17C, B17J | | 01 | B03Z, B07Z, B17A, B17B, B17C, B17J | | 01 | B03Z, B07Z, B17A, B17B, B17C, B17J |
| | 08 | I08A, I08B, I08C, I08D, I08E, I12A, I12B, I12C, I12J, I13A, I13B, I27A, I27B, I27C, I27D, I27J, I27Q | | 08 | I08A, I08B, I08C, I08D, I08E, I12A, I12B, I12C, I12J, I13A, I13B, I27A, I27B, I27C, I27D, I27J, I27Q | | 08 | I08A, I08B, I08C, I08D, I08E, I12A, I12B, I12C, I12J, I13A, I13B, I27A, I27B, I27C, I27D, I27J, I27Q |
| | 10 | K09A, K09B | | 10 | K09A, K09B | | 10 | K09A, K09B |
| | 21A | W04A, W04B | | 21A | W04A, W04B | | 21A | W04A, W04B |
| 5t846.6↔ | 21B | X06A, X06B, X06C | 5t847.0↔ | 21B | X06A, X06B, X06C | 5t847.7↔ | 21B | X04Z, X06A, X06B, X06C |
| | | BOP, KJZSV, KVT, UOP4 | | | BOP, KJZSV, KVT, UOP4 | | | BOP, KJZSV, KVT, UOP4 |
| | 01 | B03Z, B07Z, B17A, B17B, B17C, B17J | | 01 | B03Z, B07Z, B17A, B17B, B17C, B17J | | 01 | B03Z, B07Z, B17A, B17B, B17C, B17J |
| | 08 | I08A, I08B, I08C, I08D, I08E, I12A, I12B, I12C, I12J, I13A, I13B, I27A, I27B, I27C, I27D, I27J, I27Q | | 08 | I08A, I08B, I08C, I08D, I08E, I12A, I12B, I12C, I12J, I13A, I13B, I27A, I27B, I27C, I27D, I27J, I27Q | | 08 | I08A, I08B, I08C, I08D, I08E, I12A, I12B, I12C, I12J, I13A, I13B, I27A, I27B, I27C, I27D, I27J, I27Q |
| | 10 | K09A, K09B | | 10 | K09A, K09B | | 10 | K09A, K09B |
| 5t846.7↔ | 21A | W04A, W04B | 5t847.1↔ | 21A | W04A, W04B | 5t847.8↔ | 21A | W04A, W04B |
| | 21B | X04Z, X06A, X06B, X06C | | 21B | X06A, X06B, X06C | | 21B | X04Z, X06A, X06B, X06C |
| | | BOP, KJZSV, KVT, UOP4 | | | BOP, KJZSV, KVT, UOP4 | | | BOP, KJZSV, KVT, UOP4 |
| | 01 | B03Z, B07Z, B17A, B17B, B17C, B17J | | 01 | B03Z, B07Z, B17A, B17B, B17C, B17J | | 01 | B03Z, B07Z, B17A, B17B, B17C, B17J |
| | 08 | I08A, I08B, I08C, I08D, I08E, I12A, I12B, I12C, I12J, I13A, I13B, I27A, I27B, I27C, I27D, I27J, I27Q | | 08 | I08A, I08B, I08C, I08D, I08E, I12A, I12B, I12C, I12J, I13A, I13B, I27A, I27B, I27C, I27D, I27J, I27Q | | 08 | I08A, I08B, I08C, I08D, I08E, I12A, I12B, I12C, I12J, I13A, I13B, I27A, I27B, I27C, I27D, I27J, I27Q |
| 5t846.8↔ | 10 | K09A, K09B | 5t847.2↔ | 10 | K09A, K09B | 5t847.a↔ | 10 | K09A, K09B |
| | 21A | W04A, W04B | | 21A | W04A, W04B | | 21A | W04A, W04B |
| | 21B | X04Z, X06A, X06B, X06C | | 21B | X06A, X06B, X06C | | 21B | X04Z, X06A, X06B, X06C |
| | | BOP, KJZSV, KVT, UOP4 | | | BOP, KJZSV, KVT, UOP4 | | | BOP, KJZSV, KVT, UOP4 |
| | 01 | B03Z, B07Z, B17A, B17B, B17C, B17J | | 01 | B03Z, B07Z, B17A, B17B, B17C, B17J | | 01 | B03Z, B07Z, B17A, B17B, B17C, B17J |
| 5t846.a↔ | 08 | I08A, I08B, I08C, I08D, I08E, I12A, I12B, I12C, I12J, I13A, I13B, I27A, I27B, I27C, I27D, I27J, I27Q | 5t847.3↔ | 08 | I08A, I08B, I08C, I08D, I08E, I12A, I12B, I12C, I12J, I13A, I13B, I27A, I27B, I27C, I27D, I27J, I27Q | 5t847.b↔ | 08 | I08A, I08B, I08C, I08D, I08E, I12A, I12B, I12C, I12J, I13A, I13B, I20D, I27A, I27B, I27C, I27D, I27J, I27Q |
| | 10 | K09A, K09B | | 10 | K09A, K09B | | 10 | K09A, K09B |
| | 21A | W04A, W04B | | 21A | W04A, W04B | | 21A | W04A, W04B |
| | 21B | X04Z, X06A, X06B, X06C | | 21B | X06A, X06B, X06C | | 21B | X04Z, X06A, X06B, X06C |
| | | BOP, KJZSV, KVT, UOP4 | | | BOP, KJZSV, KVT, UOP4 | | | BOP, KJZSV, KVT, UOP4 |
| 5t846.b↔ | 01 | B03Z, B07Z, B17A, B17B, B17C, B17J | 5t847.4↔ | 01 | B03Z, B07Z, B17A, B17B, B17C, B17J | 5t847.c | 01 | B03Z, B07Z, B17A, B17B, B17C, B17J |
| | 08 | I08A, I08B, I08C, I08D, I08E, I12A, I12B, I12C, I12J, I13A, I13B, I20D, I27A, I27B, I27C, I27D, I27J, I27Q | | 08 | I08A, I08B, I08C, I08D, I08E, I12A, I12B, I12C, I12J, I13A, I13B, I27A, I27B, I27C, I27D, I27J, I27Q | | 08 | I08A, I08B, I08C, I08D, I08E, I12A, I12B, I12C, I12J, I13A, I13B, I20D, I27A, I27B, I27C, I27D, I27J, I27Q |
| | 10 | K09A, K09B | | 10 | K09A, K09B | | 10 | K09A, K09B |
| | 21A | W04A, W04B | | 21A | W04A, W04B | | 21A | W04A, W04B |
| | 21B | X04Z, X06A, X06B, X06C | | 21B | X05A, X05B, X06A, X06B, X06C | | 21B | X04Z, X06A, X06B, X06C |
| 5t846.c | | BOP, KVT, UOP4 | 5t847.5↔ | | BOP, KJZSV, KVT, UOP4 | 5t847.x | | BOP, KJZSV, KVT, UOP4 |
| | 01 | B03Z, B07Z, B17A, B17B, B17C, B17J | | 01 | B03Z, B07Z, B17A, B17B, B17C, B17J | | 01 | B03Z, B07Z, B17A, B17B, B17C, B17J |
| | 08 | I08A, I08B, I08C, I08D, I08E, I12A, I12B, I12C, I12J, I13A, I13B, I27A, I27B, I27C, I27D, I27J, I27Q | | 08 | I08A, I08B, I08C, I08D, I08E, I12A, I12B, I12C, I12J, I13A, I13B, I27A, I27B, I27C, I27D, I27J, I27Q | | 08 | I08A, I08B, I08C, I08D, I08E, I12A, I12B, I12C, I12J, I13A, I13B, I27A, I27B, I27C, I27D, I27J, I27Q |
| | 10 | K09A, K09B | | 10 | K09A, K09B | | 10 | K09A, K09B |
| | 21A | W04A, W04B | | 21A | W04A, W04B | | 21A | W04A, W04B |
| | X05A, X05B, X06A, X06B, X06C | | X06A, X06B, X06C | | X06A, X06B, X06C | | | |

VYK

| ZZV | MDC | DRG | ZZV | MDC | DRG | ZZV | MDC | DRG |
|----------|-----|--|----------|-----|--|----------|-----|--|
| 5t849.b↔ | | BOP, KJZSV, KVT, UOP4 | 5t84x.6↔ | | BOP, KJZSV, KVT, UOP4 | 5t850.1↔ | | BOP, KJZSV, KVT, UOP4 |
| | 01 | B03Z, B17A, B17B, B17C, B17J | | 01 | B03Z, B07Z, B17A, B17B, B17C, B17J | | 01 | B03Z, B07Z, B17A, B17B, B17C, B17J |
| | 08 | I12A, I12B, I12C, I12J, I20D, I27A, I27B, I27C, I27D, I27J, I27Q | | 08 | I12A, I12B, I12C, I12J, I27A, I27B, I27C, I27D, I27J, I27Q | | 08 | I12A, I12B, I12C, I12J, I27A, I27B, I27C, I27D, I27J, I27Q |
| | 21A | W04A, W04B | | 21A | W04A, W04B | | 21A | W04A, W04B |
| 5t849.c | 21B | X04Z, X06A, X06B, X06C | 5t84x.7↔ | 21B | X04Z, X06A, X06B, X06C | 5t850.2↔ | 21B | X06A, X06B, X06C |
| | | BOP, KJZSV, KVT, UOP4 | | | BOP, KJZSV, KVT, UOP4 | | | BOP, KJZSV, KVT, UOP4 |
| | 01 | B03Z, B17A, B17B, B17C, B17J | | 01 | B03Z, B07Z, B17A, B17B, B17C, B17J | | 01 | B03Z, B07Z, B17A, B17B, B17C, B17J |
| | 08 | I12A, I12B, I12C, I12J, I27A, I27B, I27C, I27D, I27J, I27Q | | 08 | I12A, I12B, I12C, I12J, I27A, I27B, I27C, I27D, I27J, I27Q | | 08 | I12A, I12B, I12C, I12J, I27A, I27B, I27C, I27D, I27J, I27Q |
| 5t849.x | 21A | W04A, W04B | 5t84x.8↔ | 21A | W04A, W04B | 5t850.3↔ | 21A | W04A, W04B |
| | 21B | X05A, X05B, X06A, X06B, X06C | | 21B | X04Z, X06A, X06B, X06C | | 21B | X06A, X06B, X06C |
| | | BOP, KJZSV, KVT, UOP4 | | | BOP, KJZSV, KVT, UOP4 | | | BOP, KJZSV, KVT, UOP4 |
| | 01 | B03Z, B17A, B17B, B17C, B17J | | 01 | B03Z, B07Z, B17A, B17B, B17C, B17J | | 01 | B03Z, B07Z, B17A, B17B, B17C, B17J |
| 5t84x.0↔ | 08 | I12A, I12B, I12C, I12J, I27A, I27B, I27C, I27D, I27J, I27Q | 5t84x.a↔ | 08 | I12A, I12B, I12C, I12J, I27A, I27B, I27C, I27D, I27J, I27Q | 5t850.4↔ | 08 | I12A, I12B, I12C, I12J, I27A, I27B, I27C, I27D, I27J, I27Q |
| | 21A | W04A, W04B | | 21A | W04A, W04B | | 21A | W04A, W04B |
| | 21B | X06A, X06B, X06C | | 21B | X04Z, X06A, X06B, X06C | | 21B | X06A, X06B, X06C |
| | | BOP, KJZSV, KVT, UOP4 | | | BOP, KJZSV, KVT, UOP4 | | | BOP, KJZSV, KVT, UOP4 |
| 5t84x.1↔ | 01 | B03Z, B07Z, B17A, B17B, B17C, B17J | 5t84x.b↔ | 01 | B03Z, B07Z, B17A, B17B, B17C, B17J | 5t850.5↔ | 01 | B03Z, B07Z, B17A, B17B, B17C, B17J |
| | 08 | I12A, I12B, I12C, I12J, I27A, I27B, I27C, I27D, I27J, I27Q | | 08 | I12A, I12B, I12C, I12J, I20D, I27A, I27B, I27C, I27D, I27J, I27Q | | 08 | I12A, I12B, I12C, I12J, I27A, I27B, I27C, I27D, I27J, I27Q |
| | 21A | W04A, W04B | | 21A | W04A, W04B | | 21A | W04A, W04B |
| | 21B | X06A, X06B, X06C | | 21B | X04Z, X06A, X06B, X06C | | 21B | X06A, X06B, X06C |
| 5t84x.2↔ | | BOP, KJZSV, KVT, UOP4 | 5t84x.c | | BOP, KJZSV, KVT, UOP4 | 5t850.6↔ | | BOP, KJZSV, KVT, UOP4 |
| | 01 | B03Z, B07Z, B17A, B17B, B17C, B17J | | 01 | B03Z, B07Z, B17A, B17B, B17C, B17J | | 01 | B03Z, B07Z, B17A, B17B, B17C, B17J |
| | 08 | I12A, I12B, I12C, I12J, I27A, I27B, I27C, I27D, I27J, I27Q | | 08 | I12A, I12B, I12C, I12J, I27A, I27B, I27C, I27D, I27J, I27Q | | 08 | I12A, I12B, I12C, I12J, I27A, I27B, I27C, I27D, I27J, I27Q |
| | 21A | W04A, W04B | | 21A | W04A, W04B | | 21A | W04A, W04B |
| 5t84x.3↔ | 21B | X06A, X06B, X06C | 5t84x.d | 21B | X05A, X05B, X06A, X06B, X06C | 5t850.7↔ | 21B | X06A, X06B, X06C |
| | | BOP, KJZSV, KVT, UOP4 | | | BOP, KVT, UOP4 | | | BOP, KJZSV, KVT, UOP4 |
| | 01 | B03Z, B07Z, B17A, B17B, B17C, B17J | | 01 | B03Z, B07Z, B17A, B17B, B17C, B17J | | 01 | B03Z, B07Z, B17A, B17B, B17C, B17J |
| | 08 | I12A, I12B, I12C, I12J, I27A, I27B, I27C, I27D, I27J, I27Q | | 08 | I12A, I12B, I12C, I12J, I27A, I27B, I27C, I27D, I27J, I27Q | | 08 | I12A, I12B, I12C, I12J, I27A, I27B, I27C, I27D, I27J, I27Q |
| 5t84x.4↔ | 21A | W04A, W04B | 5t84x.x | 21A | W04A, W04B | 5t850.8↔ | 21A | W04A, W04B |
| | 21B | X05A, X05B, X06A, X06B, X06C | | 21B | X05A, X05B, X06A, X06B, X06C | | 21B | X04Z, X06A, X06B, X06C |
| | | BOP, KJZSV, KVT, UOP4 | | | BOP, KJZSV, KVT, UOP4 | | | BOP, KVT, UOP4 |
| | 01 | B03Z, B07Z, B17A, B17B, B17C, B17J | | 01 | B03Z, B07Z, B17A, B17B, B17C, B17J | | 01 | B03Z, B07Z, B17A, B17B, B17C, B17J |
| 5t84x.5↔ | 08 | I12A, I12B, I12C, I12J, I27A, I27B, I27C, I27D, I27J, I27Q | 5t850.0↔ | 08 | I12A, I12B, I12C, I12J, I27A, I27B, I27C, I27D, I27J, I27Q | 5t850.9↔ | 08 | I12A, I12B, I12C, I12J, I27A, I27B, I27C, I27D, I27J, I27Q |
| | 21A | W04A, W04B | | 21A | W04A, W04B | | 21A | W04A, W04B |
| | 21B | X06A, X06B, X06C | | 21B | X06A, X06B, X06C | | 21B | X04Z, X06A, X06B, X06C |
| | | BOP, KJZSV, KVT, UOP4 | | | BOP, KJZSV, KVT, UOP4 | | | BOP, KJZSV, KVT, UOP4 |
| 5t84x.6↔ | 01 | B03Z, B07Z, B17A, B17B, B17C, B17J | 5t850.1↔ | 01 | B03Z, B07Z, B17A, B17B, B17C, B17J | 5t850.2↔ | 01 | B03Z, B07Z, B17A, B17B, B17C, B17J |
| | 08 | I12A, I12B, I12C, I12J, I27A, I27B, I27C, I27D, I27J, I27Q | | 08 | I12A, I12B, I12C, I12J, I20D, I27A, I27B, I27C, I27D, I27J, I27Q | | 08 | I12A, I12B, I12C, I12J, I20D, I27A, I27B, I27C, I27D, I27J, I27Q |
| | 21A | W04A, W04B | | 21A | W04A, W04B | | 21A | W04A, W04B |
| | 21B | X06A, X06B, X06C | | 21B | X06A, X06B, X06C | | 21B | X04Z, X06A, X06B, X06C |

VYK

| ZZV | MDC | DRG | ZZV | MDC | DRG | ZZV | MDC | DRG |
|----------|-----|--|----------|-----|--|----------|-----|--|
| 5t854.5↔ | | BOP, KJZSV, KVT, UOP4 | 5t855.7↔ | | BOP, KVT, UOP4 | 5t856.9↔ | | BOP, KVT, UOP4 |
| | 08 | I12A, I12B, I12C, I12J, I27A, I27B, I27C, I27D, I27J, I27Q | | 08 | I27A, I27B, I27C, I27D, I27J, I27Q | | 08 | I20D, I27A, I27B, I27C, I27D, I27J, I27Q |
| | 21A | W04A, W04B | | 21A | W04A, W04B | | 21A | W04A, W04B |
| | 21B | X06A, X06B, X06C | | 21B | X04Z, X06A, X06B, X06C | | 21B | X04Z |
| 5t854.6↔ | | BOP, KJZSV, KVT, UOP4 | 5t855.8↔ | | BOP, KVT, UOP4 | 5t856.x | | BOP, KVT, UOP4 |
| | 08 | I12A, I12B, I12C, I12J, I27A, I27B, I27C, I27D, I27J, I27Q | | 08 | I27A, I27B, I27C, I27D, I27J, I27Q | | 08 | I27A, I27B, I27C, I27D, I27J, I27Q |
| | 21A | W04A, W04B | | 21A | W04A, W04B | | 21A | W04A, W04B |
| | 21B | X04Z, X06A, X06B, X06C | | 21B | X04Z | | 21B | X06A, X06B, X06C |
| 5t854.7↔ | | BOP, KJZSV, KVT, UOP4 | 5t855.9↔ | | BOP, KVT, UOP4 | 5t857.0↔ | | BOP, KJZSV, KVT, UOP4 |
| | 08 | I12A, I12B, I12C, I12J, I27A, I27B, I27C, I27D, I27J, I27Q | | 08 | I20D, I27A, I27B, I27C, I27D, I27J, I27Q | | 01 | B03Z, B07Z, B17A, B17B, B17C, B17J |
| | 21A | W04A, W04B | | 21A | W04A, W04B | | 08 | I12A, I12B, I12C, I12J, I27A, I27B, I27C, I27D, I27J, I27Q |
| | 21B | X04Z, X06A, X06B, X06C | | 21B | X04Z | | 09 | J03A, J03B, J04A, J04B, J08A, J08B, J08C, J11A, J11B, J11J, J11Q, J11R, J11S, J16Z |
| 5t854.8↔ | | BOP, KVT, UOP4 | 5t855.x | | BOP, KVT, UOP4 | | 21A | W04A, W04B |
| | 08 | I12A, I12B, I12C, I12J, I27A, I27B, I27C, I27D, I27J, I27Q | | 08 | I27A, I27B, I27C, I27D, I27J, I27Q | | 21B | X06A, X06B, X06C |
| | 21A | W04A, W04B | | 21A | W04A, W04B | | | BOP, KJZSV, KVT, UOP4 |
| | 21B | X04Z, X06A, X06B, X06C | | 21B | X06A, X06B, X06C | | 01 | B03Z, B07Z, B17A, B17B, B17C, B17J |
| 5t854.9↔ | | BOP, KVT, UOP4 | 5t856.0↔ | | BOP, KJZSV, KVT, UOP4 | 5t857.1↔ | | BOP, KJZSV, KVT, UOP4 |
| | 08 | I12A, I12B, I12C, I12J, I27A, I27B, I27C, I27D, I27J, I27Q | | 08 | I27A, I27B, I27C, I27D, I27J, I27Q | | 01 | B03Z, B07Z, B17A, B17B, B17C, B17J |
| | 21A | W04A, W04B | | 21A | W04A, W04B | | 08 | I12A, I12B, I12C, I12J, I27A, I27B, I27C, I27D, I27J, I27Q |
| | 21B | X04Z, X06A, X06B, X06C | | 21B | X06A, X06B, X06C | | 09 | J03A, J03B, J04A, J04B, J08A, J08B, J08C, J11A, J11B, J11J, J11Q, J11R, J11S, J16Z |
| 5t854.x | | BOP, KJZSV, KVT, UOP4 | 5t856.1↔ | | BOP, KVT, UOP4 | | 21A | W04A, W04B |
| | 08 | I12A, I12B, I12C, I12J, I27A, I27B, I27C, I27D, I27J, I27Q | | 08 | I27A, I27B, I27C, I27D, I27J, I27Q | | 21B | X06A, X06B, X06C |
| | 21A | W04A, W04B | | 21A | W04A, W04B | | | BOP, KJZSV, KVT, UOP4 |
| | 21B | X06A, X06B, X06C | | 21B | X06A, X06B, X06C | | 01 | B03Z, B07Z, B17A, B17B, B17C, B17J |
| 5t855.0↔ | | BOP, KJZSV, KVT, UOP4 | 5t856.2↔ | | BOP, KVT, UOP4 | 5t857.2↔ | | BOP, KJZSV, KVT, UOP4 |
| | 08 | I27A, I27B, I27C, I27D, I27J, I27Q | | 08 | I27A, I27B, I27C, I27D, I27J, I27Q | | 01 | B03Z, B07Z, B17A, B17B, B17C, B17J |
| | 21A | W04A, W04B | | 21A | W04A, W04B | | 08 | I12A, I12B, I12C, I12J, I27A, I27B, I27C, I27D, I27J, I27Q |
| | 21B | X06A, X06B, X06C | | 21B | X06A, X06B, X06C | | 09 | J03A, J03B, J04A, J04B, J08A, J08B, J08C, J11A, J11B, J11J, J11Q, J11R, J11S, J16Z |
| 5t855.1↔ | | BOP, KVT, UOP4 | 5t856.3↔ | | BOP, KVT, UOP4 | | 21A | W04A, W04B |
| | 08 | I27A, I27B, I27C, I27D, I27J, I27Q | | 08 | I32A, I32B, I32C, I32D, I32E, I32F, I32J, I32Q, I32R, I32S, I32T, I32U | | 21B | X06A, X06B, X06C |
| | 21A | W04A, W04B | | 09 | J03A, J03B, J04A, J04B, J08A, J08B, J08C, J11A, J11B, J11J, J11Q, J11R, J11S, J16Z | | | BOP, KJZSV, KVT, UOP4 |
| | 21B | X06A, X06B, X06C | | | | | 01 | B03Z, B07Z, B17A, B17B, B17C, B17J |
| 5t855.2↔ | | BOP, KVT, UOP4 | 5t856.4↔ | | BOP, KJZSV, KVT, UOP4 | 5t857.3↔ | | BOP, KJZSV, KVT, UOP4 |
| | 08 | I27A, I27B, I27C, I27D, I27J, I27Q | | 08 | I27A, I27B, I27C, I27D, I27J, I27Q | | 01 | B03Z, B07Z, B17A, B17B, B17C, B17J |
| | 21A | W04A, W04B | | 21A | W04A, W04B | | 08 | I12A, I12B, I12C, I12J, I27A, I27B, I27C, I27D, I27J, I27Q |
| | 21B | X06A, X06B, X06C | | 21B | X05A, X05B | | 09 | J03A, J03B, J04A, J04B, J08A, J08B, J08C, J11A, J11B, J11J, J11Q, J11R, J11S, J16Z |
| 5t855.3↔ | | BOP, KVT, UOP4 | 5t856.5↔ | | BOP, KJZSV, KVT, UOP4 | | 21A | W04A, W04B |
| | 08 | I32A, I32B, I32C, I32D, I32E, I32F, I32J, I32Q, I32R, I32S, I32T, I32U | | 08 | I27A, I27B, I27C, I27D, I27J, I27Q | | 21B | X05A, X05B, X06A, X06B, X06C |
| | 09 | J03A, J03B, J04A, J04B, J08A, J08B, J08C, J11A, J11B, J11J, J11Q, J11R, J11S, J16Z | | 21A | W04A, W04B | | | BOP, KJZSV, KVT, UOP4 |
| | 21A | W04A, W04B | | 21B | X06A, X06B, X06C | | 01 | B03Z, B07Z, B17A, B17B, B17C, B17J |
| | 21B | X05A, X05B | | | | | 08 | I12A, I12B, I12C, I12J, I27A, I27B, I27C, I27D, I27J, I27Q |
| 5t855.4↔ | | BOP, KJZSV, KVT, UOP4 | 5t856.6↔ | | BOP, KJZSV, KVT, UOP4 | 5t857.4↔ | | BOP, KJZSV, KVT, UOP4 |
| | 08 | I27A, I27B, I27C, I27D, I27J, I27Q | | 08 | I27A, I27B, I27C, I27D, I27J, I27Q | | 01 | B03Z, B07Z, B17A, B17B, B17C, B17J |
| | 21A | W04A, W04B | | 21A | W04A, W04B | | 08 | I12A, I12B, I12C, I12J, I27A, I27B, I27C, I27D, I27J, I27Q |
| | 21B | X06A, X06B, X06C | | 21B | X04Z, X06A, X06B, X06C | | 09 | J03A, J03B, J04A, J04B, J08A, J08B, J08C, J11A, J11B, J11J, J11Q, J11R, J11S, J16Z |
| 5t855.5↔ | | BOP, KJZSV, KVT, UOP4 | 5t856.7↔ | | BOP, KJZSV, KVT, UOP4 | | 21A | W04A, W04B |
| | 08 | I27A, I27B, I27C, I27D, I27J, I27Q | | 08 | I27A, I27B, I27C, I27D, I27J, I27Q | | 21B | X06A, X06B, X06C |
| | 21A | W04A, W04B | | 21A | W04A, W04B | | | BOP, KJZSV, KVT, UOP4 |
| | 21B | X06A, X06B, X06C | | 21B | X04Z, X06A, X06B, X06C | | 01 | B03Z, B07Z, B17A, B17B, B17C, B17J |
| 5t855.6↔ | | BOP, KJZSV, KVT, UOP4 | 5t856.8↔ | | BOP, KVT, UOP4 | | 08 | I12A, I12B, I12C, I12J, I27A, I27B, I27C, I27D, I27J, I27Q |
| | 08 | I27A, I27B, I27C, I27D, I27J, I27Q | | 08 | I27A, I27B, I27C, I27D, I27J, I27Q | | 09 | J03A, J03B, J04A, J04B, J08A, J08B, J08C, J11A, J11B, J11J, J11Q, J11R, J11S, J16Z |
| | 21A | W04A, W04B | | 21A | W04A, W04B | | 21A | W04A, W04B |
| | 21B | X04Z, X06A, X06B, X06C | | 21B | X04Z | | 21B | X06A, X06B, X06C |

| ZZV | MDC | DRG | ZZV | MDC | DRG | ZZV | MDC | DRG |
|----------|-----|--|----------|-----|--|----------|-----|--|
| 5t857.5↔ | | BOP, KJZSV, KVT, UOP4 | 5t858.0↔ | | BOP, KJZSV, KVT, UOP4 | 5t858.6↔ | | BOP, KJZSV, KVT, UOP4 |
| | 01 | B03Z, B07Z, B17A, B17B, B17C, B17J | | 01 | B03Z, B07Z, B17A, B17B, B17C, B17J | | 01 | B03Z, B07Z, B17A, B17B, B17C, B17J |
| | 08 | I12A, I12B, I12C, I12J, I20D, I27A, I27B, I27C, I27D, I27J, I27Q | | 08 | I12A, I12B, I12C, I12J, I27A, I27B, I27C, I27D, I27J, I27Q | | 08 | I12A, I12B, I12C, I12J, I27A, I27B, I27C, I27D, I27J, I27Q |
| | 09 | J03A, J03B, J04A, J04B, J08A, J08B, J08C, J11A, J11B, J11J, J11Q, J11R, J11S, J16Z | | 09 | J03A, J03B, J04A, J04B, J08A, J08B, J08C, J11A, J11B, J11J, J11Q, J11R, J11S, J16Z | | 09 | J03A, J03B, J04A, J04B, J08A, J08B, J08C, J11A, J11B, J11J, J11Q, J11R, J11S, J16Z |
| | 21A | W04A, W04B | | 21A | W04A, W04B | | 21A | W04A, W04B |
| 5t857.6↔ | 21B | X04Z, X06A, X06B, X06C | 5t858.1↔ | 21B | X06A, X06B, X06C | 5t858.7↔ | 21B | X04Z, X06A, X06B, X06C |
| | 01 | BOP, KJZSV, KVT, UOP4 | | 01 | BOP, KJZSV, KVT, UOP4 | | 01 | BOP, KJZSV, KVT, UOP4 |
| | 01 | B03Z, B07Z, B17A, B17B, B17C, B17J | | 01 | B03Z, B07Z, B17A, B17B, B17C, B17J | | 01 | B03Z, B07Z, B17A, B17B, B17C, B17J |
| | 08 | I12A, I12B, I12C, I12J, I27A, I27B, I27C, I27D, I27J, I27Q | | 08 | I12A, I12B, I12C, I12J, I27A, I27B, I27C, I27D, I27J, I27Q | | 08 | I12A, I12B, I12C, I12J, I27A, I27B, I27C, I27D, I27J, I27Q |
| | 09 | J03A, J03B, J04A, J04B, J08A, J08B, J08C, J11A, J11B, J11J, J11Q, J11R, J11S, J16Z | | 09 | J03A, J03B, J04A, J04B, J08A, J08B, J08C, J11A, J11B, J11J, J11Q, J11R, J11S, J16Z | | 09 | J03A, J03B, J04A, J04B, J08A, J08B, J08C, J11A, J11B, J11J, J11Q, J11R, J11S, J16Z |
| 5t857.7↔ | 21A | W04A, W04B | 5t858.2↔ | 21A | W04A, W04B | 5t858.8↔ | 21A | W04A, W04B |
| | 21B | X04Z, X06A, X06B, X06C | | 21B | X06A, X06B, X06C | | 21B | X04Z, X06A, X06B, X06C |
| | 01 | BOP, KJZSV, KVT, UOP4 | | 01 | BOP, KJZSV, KVT, UOP4 | | 01 | BOP, KJZSV, KVT, UOP4 |
| | 01 | B03Z, B07Z, B17A, B17B, B17C, B17J | | 01 | B03Z, B07Z, B17A, B17B, B17C, B17J | | 01 | B03Z, B07Z, B17A, B17B, B17C, B17J |
| | 08 | I12A, I12B, I12C, I12J, I27A, I27B, I27C, I27D, I27J, I27Q | | 08 | I12A, I12B, I12C, I12J, I27A, I27B, I27C, I27D, I27J, I27Q | | 08 | I12A, I12B, I12C, I12J, I27A, I27B, I27C, I27D, I27J, I27Q |
| 5t857.8↔ | 09 | J03A, J03B, J04A, J04B, J08A, J08B, J08C, J11A, J11B, J11J, J11Q, J11R, J11S, J16Z | 5t858.3↔ | 09 | J03A, J03B, J04A, J04B, J08A, J08B, J08C, J11A, J11B, J11J, J11Q, J11R, J11S, J16Z | 5t858.9↔ | 09 | J03A, J03B, J04A, J04B, J08A, J08B, J08C, J11A, J11B, J11J, J11Q, J11R, J11S, J16Z |
| | 21A | W04A, W04B | | 21A | W04A, W04B | | 21A | W04A, W04B |
| | 21B | X04Z, X06A, X06B, X06C | | 21B | X06A, X06B, X06C | | 21B | X04Z, X06A, X06B, X06C |
| | 01 | BOP, KJZSV, KVT, UOP4 | | 01 | BOP, KJZSV, KVT, UOP4 | | 01 | BOP, KJZSV, KVT, UOP4 |
| | 01 | B03Z, B07Z, B17A, B17B, B17C, B17J | | 01 | B03Z, B07Z, B17A, B17B, B17C, B17J | | 01 | B03Z, B07Z, B17A, B17B, B17C, B17J |
| 5t857.9↔ | 08 | I12A, I12B, I12C, I12J, I27A, I27B, I27C, I27D, I27J, I27Q | 5t858.4↔ | 08 | I12A, I12B, I12C, I12J, I27A, I27B, I27C, I27D, I27J, I27Q | 5t858.x | 08 | I12A, I12B, I12C, I12J, I27A, I27B, I27C, I27D, I27J, I27Q |
| | 09 | J03A, J03B, J04A, J04B, J08A, J08B, J08C, J11A, J11B, J11J, J11Q, J11R, J11S, J16Z | | 09 | J03A, J03B, J04A, J04B, J08A, J08B, J08C, J11A, J11B, J11J, J11Q, J11R, J11S, J16Z | | 09 | J03A, J03B, J04A, J04B, J08A, J08B, J08C, J11A, J11B, J11J, J11Q, J11R, J11S, J16Z |
| | 21A | W04A, W04B | | 21A | W04A, W04B | | 21A | W04A, W04B |
| | 21B | X04Z, X06A, X06B, X06C | | 21B | X05A, X05B, X06A, X06B, X06C | | 21B | X04Z, X06A, X06B, X06C |
| | 01 | BOP, KJZSV, KVT, UOP4 | | 01 | BOP, KJZSV, KVT, UOP4 | | 01 | BOP, KJZSV, KVT, UOP4 |
| 5t857.x | 01 | B03Z, B07Z, B17A, B17B, B17C, B17J | 5t858.5↔ | 01 | B03Z, B07Z, B17A, B17B, B17C, B17J | 5t859.0↔ | 01 | B03Z, B07Z, B17A, B17B, B17C, B17J |
| | 08 | I12A, I12B, I12C, I12J, I27A, I27B, I27C, I27D, I27J, I27Q | | 08 | I12A, I12B, I12C, I12J, I20D, I27A, I27B, I27C, I27D, I27J, I27Q | | 08 | I12A, I12B, I12C, I12J, I27A, I27B, I27C, I27D, I27J, I27Q |
| | 09 | J03A, J03B, J04A, J04B, J08A, J08B, J08C, J11A, J11B, J11J, J11Q, J11R, J11S, J16Z | | 09 | J03A, J03B, J04A, J04B, J08A, J08B, J08C, J11A, J11B, J11J, J11Q, J11R, J11S, J16Z | | 09 | J03A, J03B, J04A, J04B, J08A, J08B, J08C, J11A, J11B, J11J, J11Q, J11R, J11S, J16Z |
| | 21A | W04A, W04B | | 21A | W04A, W04B | | 21A | W04A, W04B |
| | 21B | X06A, X06B, X06C | | 21B | X04Z, X06A, X06B, X06C | | 21B | X06A, X06B, X06C |

VYK

| ZZV | MDC | DRG | ZZV | MDC | DRG | ZZV | MDC | DRG |
|----------|-----|--|----------|-----|--|----------|-----|--|
| 5t859.1↔ | | BOP, KJZSV, KVT, UOP4 | 5t859.7↔ | | BOP, KJZSV, KVT, UOP4 | 5t85a.2↔ | | BOP, KJZSV, KVT, UOP4 |
| | 01 | B03Z, B07Z, B17A, B17B, B17C, B17J | | 01 | B03Z, B07Z, B17A, B17B, B17C, B17J | | 01 | B03Z, B07Z, B17A, B17B, B17C, B17J |
| | 08 | I12A, I12B, I12C, I12J, I27A, I27B, I27C, I27D, I27J, I27Q | | 08 | I12A, I12B, I12C, I12J, I27A, I27B, I27C, I27D, I27J, I27Q | | 08 | I12A, I12B, I12C, I12J, I27A, I27B, I27C, I27D, I27J, I27Q |
| | 09 | J03A, J03B, J04A, J04B, J08A, J08B, J08C, J11A, J11B, J11J, J11Q, J11R, J11S, J16Z | | 09 | J03A, J03B, J04A, J04B, J08A, J08B, J08C, J11A, J11B, J11J, J11Q, J11R, J11S, J16Z | | 09 | J03A, J03B, J04A, J04B, J08A, J08B, J08C, J11A, J11B, J11J, J11Q, J11R, J11S, J16Z |
| | 21A | W04A, W04B | | 21A | W04A, W04B | | 21A | W04A, W04B |
| 5t859.2↔ | 21B | X06A, X06B, X06C | 5t859.8↔ | 21B | X04Z, X06A, X06B, X06C | 5t85a.3↔ | 21B | X06A, X06B, X06C |
| | 01 | BOP, KJZSV, KVT, UOP4 | | 01 | BOP, KJZSV, KVT, UOP4 | | 01 | BOP, KJZSV, KVT, UOP4 |
| | 08 | B03Z, B07Z, B17A, B17B, B17C, B17J | | 08 | B03Z, B07Z, B17A, B17B, B17C, B17J | | 08 | B03Z, B07Z, B17A, B17B, B17C, B17J |
| | 09 | I12A, I12B, I12C, I12J, I27A, I27B, I27C, I27D, I27J, I27Q | | 09 | I12A, I12B, I12C, I12J, I27A, I27B, I27C, I27D, I27J, I27Q | | 09 | I12A, I12B, I12C, I12J, I27A, I27B, I27C, I27D, I27J, I27Q |
| | 21A | J03A, J03B, J04A, J04B, J08A, J08B, J08C, J11A, J11B, J11J, J11Q, J11R, J11S, J16Z | | 21A | J03A, J03B, J04A, J04B, J08A, J08B, J08C, J11A, J11B, J11J, J11Q, J11R, J11S, J16Z | | 21A | J03A, J03B, J04A, J04B, J08A, J08B, J08C, J11A, J11B, J11J, J11Q, J11R, J11S, J16Z |
| 5t859.3↔ | 21B | W04A, W04B | 5t859.9↔ | 21B | W04A, W04B | 5t85a.4↔ | 21A | W04A, W04B |
| | 01 | X06A, X06B, X06C | | 01 | X04Z, X06A, X06B, X06C | | 01 | X05A, X05B, X06A, X06B, X06C |
| | 08 | BOP, KJZSV, KVT, UOP4 | | 08 | BOP, KJZSV, KVT, UOP4 | | 08 | BOP, KJZSV, KVT, UOP4 |
| | 09 | B03Z, B07Z, B17A, B17B, B17C, B17J | | 09 | B03Z, B07Z, B17A, B17B, B17C, B17J | | 09 | B03Z, B07Z, B17A, B17B, B17C, B17J |
| | 21A | I12A, I12B, I12C, I12J, I27A, I27B, I27C, I27D, I27J, I27Q | | 21A | I12A, I12B, I12C, I12J, I20D, I27A, I27B, I27C, I27D, I27J, I27Q | | 21A | I12A, I12B, I12C, I12J, I27A, I27B, I27C, I27D, I27J, I27Q |
| 5t859.4↔ | 21B | J03A, J03B, J04A, J04B, J08A, J08B, J08C, J11A, J11B, J11J, J11Q, J11R, J11S, J16Z | 5t859.x | 21B | J03A, J03B, J04A, J04B, J08A, J08B, J08C, J11A, J11B, J11J, J11Q, J11R, J11S, J16Z | 5t85a.6↔ | 21B | J03A, J03B, J04A, J04B, J08A, J08B, J08C, J11A, J11B, J11J, J11Q, J11R, J11S, J16Z |
| | 01 | W04A, W04B | | 01 | W04A, W04B | | 01 | W04A, W04B |
| | 08 | X05A, X05B, X06A, X06B, X06C | | 08 | X04Z, X06A, X06B, X06C | | 08 | X06A, X06B, X06C |
| | 09 | BOP, KJZSV, KVT, UOP4 | | 09 | BOP, KJZSV, KVT, UOP4 | | 09 | BOP, KJZSV, KVT, UOP4 |
| | 21A | B03Z, B07Z, B17A, B17B, B17C, B17J | | 21A | B03Z, B07Z, B17A, B17B, B17C, B17J | | 21A | B03Z, B07Z, B17A, B17B, B17C, B17J |
| 5t859.5↔ | 21B | I12A, I12B, I12C, I12J, I27A, I27B, I27C, I27D, I27J, I27Q | 5t85a.0↔ | 21B | I12A, I12B, I12C, I12J, I27A, I27B, I27C, I27D, I27J, I27Q | 5t85a.7↔ | 21B | I12A, I12B, I12C, I12J, I27A, I27B, I27C, I27D, I27J, I27Q |
| | 01 | J03A, J03B, J04A, J04B, J08A, J08B, J08C, J11A, J11B, J11J, J11Q, J11R, J11S, J16Z | | 01 | J03A, J03B, J04A, J04B, J08A, J08B, J08C, J11A, J11B, J11J, J11Q, J11R, J11S, J16Z | | 01 | J03A, J03B, J04A, J04B, J08A, J08B, J08C, J11A, J11B, J11J, J11Q, J11R, J11S, J16Z |
| | 08 | W04A, W04B | | 08 | W04A, W04B | | 08 | W04A, W04B |
| | 09 | X06A, X06B, X06C | | 09 | X06A, X06B, X06C | | 09 | X04Z, X06A, X06B, X06C |
| | 21A | BOP, KJZSV, KVT, UOP4 | | 21A | BOP, KJZSV, KVT, UOP4 | | 21A | BOP, KJZSV, KVT, UOP4 |
| 5t859.6↔ | 21B | B03Z, B07Z, B17A, B17B, B17C, B17J | 5t85a.1↔ | 21B | B03Z, B07Z, B17A, B17B, B17C, B17J | 5t85a.8↔ | 21B | B03Z, B07Z, B17A, B17B, B17C, B17J |
| | 01 | I12A, I12B, I12C, I12J, I27A, I27B, I27C, I27D, I27J, I27Q | | 01 | I12A, I12B, I12C, I12J, I27A, I27B, I27C, I27D, I27J, I27Q | | 01 | I12A, I12B, I12C, I12J, I27A, I27B, I27C, I27D, I27J, I27Q |
| | 08 | J03A, J03B, J04A, J04B, J08A, J08B, J08C, J11A, J11B, J11J, J11Q, J11R, J11S, J16Z | | 08 | J03A, J03B, J04A, J04B, J08A, J08B, J08C, J11A, J11B, J11J, J11Q, J11R, J11S, J16Z | | 08 | J03A, J03B, J04A, J04B, J08A, J08B, J08C, J11A, J11B, J11J, J11Q, J11R, J11S, J16Z |
| | 09 | W04A, W04B | | 09 | W04A, W04B | | 09 | W04A, W04B |
| | 21A | X04Z, X06A, X06B, X06C | | 21A | X06A, X06B, X06C | | 21A | X04Z, X06A, X06B, X06C |
| | 21B | BOP, KJZSV, KVT, UOP4 | | 21B | BOP, KJZSV, KVT, UOP4 | | 21B | BOP, KJZSV, KVT, UOP4 |

VYK

| ZZV | MDC | DRG | ZZV | MDC | DRG | ZZV | MDC | DRG | | | | | | | | | | | | | | | | | | |
|----------|-----|--|----------|-----|--|----------|-----|--|--|--|--|--|--|--|--|--|--|--|--|--|--|--|--|--|--|--|
| 5t860.7↔ | | BOP, KJZSV, KVT, UOP4 | 5t861.2↔ | | BOP, KJZSV, KVT, UOP4 | 5t861.7↔ | | BOP, KJZSV, KVT, UOP4 | | | | | | | | | | | | | | | | | | |
| | 08 | I12A, I12B, I12C, I12J, I27A, I27B, I27C, I27D, I27J, I27Q | | 01 | B03Z, B07Z, B17A, B17B, B17C, B17J | | 01 | B03Z, B07Z, B17A, B17B, B17C, B17J | | | | | | | | | | | | | | | | | | |
| | 09 | J03A, J03B, J04A, J04B, J08A, J08B, J08C, J11A, J11B, J11J, J11Q, J11R, J11S, J16Z | | 08 | I08A, I08B, I08C, I08D, I08E, I12A, I12B, I12C, I12J, I13A, I13B, I27A, I27B, I27C, I27D, I27J, I27Q | | 08 | I08A, I08B, I08C, I08D, I08E, I12A, I12B, I12C, I12J, I13A, I13B, I27A, I27B, I27C, I27D, I27J, I27Q | | | | | | | | | | | | | | | | | | |
| | 10 | K09A, K09B | | 09 | J03A, J03B, J04A, J04B, J08A, J08B, J08C, J11A, J11B, J11J, J11Q, J11R, J11S, J16Z | | 09 | J03A, J03B, J04A, J04B, J08A, J08B, J08C, J11A, J11B, J11J, J11Q, J11R, J11S, J16Z | | | | | | | | | | | | | | | | | | |
| | 21A | W04A, W04B | | 21A | W04A, W04B | | 21A | W04A, W04B | | | | | | | | | | | | | | | | | | |
| 5t860.8↔ | 21B | X04Z, X06A, X06B, X06C | 5t861.3↔ | 21B | X06A, X06B, X06C | 5t861.8↔ | 21B | X04Z, X06A, X06B, X06C | | | | | | | | | | | | | | | | | | |
| | | BOP, KJZSV, KVT, UOP4 | | | BOP, KJZSV, KVT, UOP4 | | | BOP, KJZSV, KVT, UOP4 | | | | | | | | | | | | | | | | | | |
| | 08 | I12A, I12B, I12C, I12J, I27A, I27B, I27C, I27D, I27J, I27Q | | 01 | B03Z, B07Z, B17A, B17B, B17C, B17J | | 01 | B03Z, B07Z, B17A, B17B, B17C, B17J | | | | | | | | | | | | | | | | | | |
| | 09 | J03A, J03B, J04A, J04B, J08A, J08B, J08C, J11A, J11B, J11J, J11Q, J11R, J11S, J16Z | | 08 | I08A, I08B, I08C, I08D, I08E, I12A, I12B, I12C, I12J, I13A, I13B, I27A, I27B, I27C, I27D, I27J, I27Q | | 08 | I08A, I08B, I08C, I08D, I08E, I12A, I12B, I12C, I12J, I13A, I13B, I27A, I27B, I27C, I27D, I27J, I27Q | | | | | | | | | | | | | | | | | | |
| | 10 | K09A, K09B | | 09 | J03A, J03B, J04A, J04B, J08A, J08B, J08C, J11A, J11B, J11J, J11Q, J11R, J11S, J16Z | | 09 | J03A, J03B, J04A, J04B, J08A, J08B, J08C, J11A, J11B, J11J, J11Q, J11R, J11S, J16Z | | | | | | | | | | | | | | | | | | |
| 5t860.9↔ | 21A | W04A, W04B | 5t861.4↔ | 21A | W04A, W04B | 5t861.9↔ | 21A | W04A, W04B | | | | | | | | | | | | | | | | | | |
| | 21B | X04Z, X06A, X06B, X06C | | 21B | X05A, X05B, X06A, X06B, X06C | | 21B | X04Z, X06A, X06B, X06C | | | | | | | | | | | | | | | | | | |
| | | BOP, KJZSV, KVT, UOP4 | | | BOP, KJZSV, KVT, UOP4 | | | BOP, KJZSV, KVT, UOP4 | | | | | | | | | | | | | | | | | | |
| | 08 | I12A, I12B, I12C, I12J, I27A, I27B, I27C, I27D, I27J, I27Q | | 01 | B03Z, B07Z, B17A, B17B, B17C, B17J | | 01 | B03Z, B07Z, B17A, B17B, B17C, B17J | | | | | | | | | | | | | | | | | | |
| | 09 | J03A, J03B, J04A, J04B, J08A, J08B, J08C, J11A, J11B, J11J, J11Q, J11R, J11S, J16Z | | 08 | I08A, I08B, I08C, I08D, I08E, I12A, I12B, I12C, I12J, I13A, I13B, I27A, I27B, I27C, I27D, I27J, I27Q | | 08 | I08A, I08B, I08C, I08D, I08E, I12A, I12B, I12C, I12J, I13A, I13B, I27A, I27B, I27C, I27D, I27J, I27Q | | | | | | | | | | | | | | | | | | |
| 5t860.x↔ | 10 | K09A, K09B | 5t861.5↔ | 21A | W04A, W04B | 5t861.x | 21A | W04A, W04B | | | | | | | | | | | | | | | | | | |
| | 21A | W04A, W04B | | 21B | X06A, X06B, X06C | | 21B | X04Z, X06A, X06B, X06C | | | | | | | | | | | | | | | | | | |
| | 21B | X04Z, X06A, X06B, X06C | | 01 | B03Z, B07Z, B17A, B17B, B17C, B17J | | 01 | B03Z, B07Z, B17A, B17B, B17C, B17J | | | | | | | | | | | | | | | | | | |
| | | BOP, KJZSV, KVT, UOP4 | | 08 | I08A, I08B, I08C, I08D, I08E, I12A, I12B, I12C, I12J, I13A, I13B, I27A, I27B, I27C, I27D, I27J, I27Q | | 08 | I08A, I08B, I08C, I08D, I08E, I12A, I12B, I12C, I12J, I13A, I13B, I27A, I27B, I27C, I27D, I27J, I27Q | | | | | | | | | | | | | | | | | | |
| | 01 | B03Z, B07Z, B17A, B17B, B17C, B17J | | 09 | J03A, J03B, J04A, J04B, J08A, J08B, J08C, J11A, J11B, J11J, J11Q, J11R, J11S, J16Z | | 09 | J03A, J03B, J04A, J04B, J08A, J08B, J08C, J11A, J11B, J11J, J11Q, J11R, J11S, J16Z | | | | | | | | | | | | | | | | | | |
| 5t861.0↔ | 08 | I08A, I08B, I08C, I08D, I08E, I12A, I12B, I12C, I12J, I13A, I13B, I27A, I27B, I27C, I27D, I27J, I27Q | 5t861.6↔ | 21A | W04A, W04B | 5t862.0↔ | 21A | W04A, W04B | | | | | | | | | | | | | | | | | | |
| | 09 | J03A, J03B, J04A, J04B, J08A, J08B, J08C, J11A, J11B, J11J, J11Q, J11R, J11S, J16Z | | 21B | X06A, X06B, X06C | | 21B | X06A, X06B, X06C | | | | | | | | | | | | | | | | | | |
| | 21A | W04A, W04B | | 01 | BOP, KJZSV, KVT, UOP4 | | 01 | BOP, KJZSV, KVT, UOP4 | | | | | | | | | | | | | | | | | | |
| | 21B | X06A, X06B, X06C | | 08 | I08A, I08B, I08C, I08D, I08E, I12A, I12B, I12C, I12J, I13A, I13B, I27A, I27B, I27C, I27D, I27J, I27Q | | 08 | I08A, I08B, I08C, I08D, I08E, I12A, I12B, I12C, I12J, I13A, I13B, I27A, I27B, I27C, I27D, I27J, I27Q | | | | | | | | | | | | | | | | | | |
| | | BOP, KJZSV, KVT, UOP4 | | 09 | J03A, J03B, J04A, J04B, J08A, J08B, J08C, J11A, J11B, J11J, J11Q, J11R, J11S, J16Z | | 09 | J03A, J03B, J04A, J04B, J08A, J08B, J08C, J11A, J11B, J11J, J11Q, J11R, J11S, J16Z | | | | | | | | | | | | | | | | | | |
| 5t861.1↔ | 01 | B03Z, B07Z, B17A, B17B, B17C, B17J | | | | | | | | | | | | | | | | | | | | | | | | |
| | 08 | I08A, I08B, I08C, I08D, I08E, I12A, I12B, I12C, I12J, I13A, I13B, I27A, I27B, I27C, I27D, I27J, I27Q | | | | | | | | | | | | | | | | | | | | | | | | |
| | 09 | J03A, J03B, J04A, J04B, J08A, J08B, J08C, J11A, J11B, J11J, J11Q, J11R, J11S, J16Z | | | | | | | | | | | | | | | | | | | | | | | | |
| | 21A | W04A, W04B | | | | | | | | | | | | | | | | | | | | | | | | |
| | 21B | X06A, X06B, X06C | | | | | | | | | | | | | | | | | | | | | | | | |

VYK

| ZZV | MDC | DRG | ZZV | MDC | DRG | ZZV | MDC | DRG |
|----------|-----|--|----------|-----|--|----------|-----|--|
| 5t863.5↔ | | BOP, KJZSV, KVT, UOP4 | 5t863.x | | BOP, KJZSV, KVT, UOP4 | 5t864.4↔ | | BOP, KJZSV, KVT, UOP4 |
| | 01 | B03Z, B07Z, B17A, B17B, B17C, B17J | | 01 | B03Z, B07Z, B17A, B17B, B17C, B17J | | 01 | B03Z, B07Z, B17A, B17B, B17C, B17J |
| | 08 | I08A, I08B, I08C, I08D, I08E, I12A, I12B, I12C, I12J, I13A, I13B, I27A, I27B, I27C, I27D, I27J, I27Q | | 08 | I08A, I08B, I08C, I08D, I08E, I12A, I12B, I12C, I12J, I13A, I13B, I27A, I27B, I27C, I27D, I27J, I27Q | | 08 | I08A, I08B, I08C, I08D, I08E, I12A, I12B, I12C, I12J, I13A, I13B, I27A, I27B, I27C, I27D, I27J, I27Q |
| | 09 | J03A, J03B, J04A, J04B, J08A, J08B, J08C, J11A, J11B, J11J, J11Q, J11R, J11S, J16Z | | 09 | J03A, J03B, J04A, J04B, J08A, J08B, J08C, J11A, J11B, J11J, J11Q, J11R, J11S, J16Z | | 09 | J02A, J02B, J02C, J04A, J04B, J08A, J08B, J08C, J16Z, J21Z, J22A, J22B, J22J |
| | 21A | W04A, W04B | | 21A | W04A, W04B | | 21A | W04A, W04B |
| 5t863.6↔ | 21B | X06A, X06B, X06C | 5t864.0↔ | 21B | X06A, X06B, X06C | 5t864.5↔ | 21B | X06A, X06B, X06C |
| | | BOP, KJZSV, KVT, UOP4 | | | BOP, KJZSV, KVT, UOP4 | | | BOP, KJZSV, KVT, UOP4 |
| | 01 | B03Z, B07Z, B17A, B17B, B17C, B17J | | 01 | B03Z, B07Z, B17A, B17B, B17C, B17J | | 01 | B03Z, B07Z, B17A, B17B, B17C, B17J |
| | 08 | I08A, I08B, I08C, I08D, I08E, I12A, I12B, I12C, I12J, I13A, I13B, I27A, I27B, I27C, I27D, I27J, I27Q | | 08 | I08A, I08B, I08C, I08D, I08E, I12A, I12B, I12C, I12J, I13A, I13B, I27A, I27B, I27C, I27D, I27J, I27Q | | 08 | I08A, I08B, I08C, I08D, I08E, I12A, I12B, I12C, I12J, I13A, I13B, I27A, I27B, I27C, I27D, I27J, I27Q |
| | 09 | J03A, J03B, J04A, J04B, J08A, J08B, J08C, J11A, J11B, J11J, J11Q, J11R, J11S, J16Z | | 09 | J02A, J02B, J02C, J04A, J04B, J08A, J08B, J08C, J16Z, J21Z, J22A, J22B, J22J | | 09 | J02A, J02B, J02C, J04A, J04B, J08A, J08B, J08C, J16Z, J21Z, J22A, J22B, J22J |
| 5t863.7↔ | 21A | W04A, W04B | 5t864.1↔ | 21A | W04A, W04B | 5t864.6↔ | 21A | W04A, W04B |
| | 21B | X04Z, X06A, X06B, X06C | | 21B | X06A, X06B, X06C | | 21B | X06A, X06B, X06C |
| | | BOP, KJZSV, KVT, UOP4 | | | BOP, KJZSV, KVT, UOP4 | | | BOP, KJZSV, KVT, UOP4 |
| | 01 | B03Z, B07Z, B17A, B17B, B17C, B17J | | 01 | B03Z, B07Z, B17A, B17B, B17C, B17J | | 01 | B03Z, B07Z, B17A, B17B, B17C, B17J |
| | 08 | I08A, I08B, I08C, I08D, I08E, I12A, I12B, I12C, I12J, I13A, I13B, I27A, I27B, I27C, I27D, I27J, I27Q | | 08 | I08A, I08B, I08C, I08D, I08E, I12A, I12B, I12C, I12J, I13A, I13B, I27A, I27B, I27C, I27D, I27J, I27Q | | 08 | I08A, I08B, I08C, I08D, I08E, I12A, I12B, I12C, I12J, I13A, I13B, I27A, I27B, I27C, I27D, I27J, I27Q |
| 5t863.8↔ | 09 | J03A, J03B, J04A, J04B, J08A, J08B, J08C, J11A, J11B, J11J, J11Q, J11R, J11S, J16Z | 5t864.2↔ | 09 | J02A, J02B, J02C, J04A, J04B, J08A, J08B, J08C, J16Z, J21Z, J22A, J22B, J22J | 5t864.7↔ | 09 | J02A, J02B, J02C, J04A, J04B, J08A, J08B, J08C, J16Z, J21Z, J22A, J22B, J22J |
| | 21A | W04A, W04B | | 21A | W04A, W04B | | 21A | W04A, W04B |
| | 21B | X04Z, X06A, X06B, X06C | | 21B | X06A, X06B, X06C | | 21B | X04Z, X06A, X06B, X06C |
| | | BOP, KJZSV, KVT, UOP4 | | | BOP, KJZSV, KVT, UOP4 | | | BOP, KJZSV, KVT, UOP4 |
| | 01 | B03Z, B07Z, B17A, B17B, B17C, B17J | | 01 | B03Z, B07Z, B17A, B17B, B17C, B17J | | 01 | B03Z, B07Z, B17A, B17B, B17C, B17J |
| 5t863.9↔ | 08 | I08A, I08B, I08C, I08D, I08E, I12A, I12B, I12C, I12J, I13A, I13B, I27A, I27B, I27C, I27D, I27J, I27Q | 5t864.3↔ | 08 | I08A, I08B, I08C, I08D, I08E, I12A, I12B, I12C, I12J, I13A, I13B, I27A, I27B, I27C, I27D, I27J, I27Q | 5t864.8↔ | 08 | I08A, I08B, I08C, I08D, I08E, I12A, I12B, I12C, I12J, I13A, I13B, I27A, I27B, I27C, I27D, I27J, I27Q |
| | 09 | J03A, J03B, J04A, J04B, J08A, J08B, J08C, J11A, J11B, J11J, J11Q, J11R, J11S, J16Z | | 09 | J02A, J02B, J02C, J04A, J04B, J08A, J08B, J08C, J16Z, J21Z, J22A, J22B, J22J | | 09 | J02A, J02B, J02C, J04A, J04B, J08A, J08B, J08C, J16Z, J21Z, J22A, J22B, J22J |
| | 21A | W04A, W04B | | 21A | W04A, W04B | | 21A | W04A, W04B |
| | 21B | X04Z, X06A, X06B, X06C | | 21B | X05A, X05B, X06A, X06B, X06C | | 21B | X04Z, X06A, X06B, X06C |

VYK

| ZZV | MDC | DRG | ZZV | MDC | DRG | ZZV | MDC | DRG |
|----------|-----|--|----------|-----|--|----------|-----|--|
| 5t866.2↔ | | BOP, KJZSV, KVT, UOP4 | 5t866.7↔ | | BOP, KJZSV, KVT, UOP4 | 5t867.1↔ | | BOP, KJZSV, KVT, UOP4 |
| | 01 | B03Z, B07Z, B17A, B17B, B17C, B17J | | 01 | B03Z, B07Z, B17A, B17B, B17C, B17J | | 01 | B03Z, B07Z, B17A, B17B, B17C, B17J |
| | 08 | I08A, I08B, I08C, I08D, I08E, I12A, I12B, I12C, I12J, I13A, I13B, I27A, I27B, I27C, I27D, I27J, I27Q | | 08 | I08A, I08B, I08C, I08D, I08E, I12A, I12B, I12C, I12J, I13A, I13B, I27A, I27B, I27C, I27D, I27J, I27Q | | 08 | I08A, I08B, I08C, I08D, I08E, I12A, I12B, I12C, I12J, I13A, I13B, I27A, I27B, I27C, I27D, I27J, I27Q |
| | 09 | J02A, J02B, J02C, J04A, J04B, J08A, J08B, J08C, J16Z, J21Z, J22A, J22B, J22J | | 09 | J02A, J02B, J02C, J04A, J04B, J08A, J08B, J08C, J16Z, J21Z, J22A, J22B, J22J | | 09 | J02A, J02B, J02C, J04A, J04B, J08A, J08B, J08C, J16Z, J21Z, J22A, J22B, J22J |
| | 21A | W04A, W04B | | 21A | W04A, W04B | | 21A | W04A, W04B |
| 5t866.3↔ | 21B | X06A, X06B, X06C | 5t866.8↔ | 21B | X04Z, X06A, X06B, X06C | 5t867.2↔ | 21B | X06A, X06B, X06C |
| | 01 | BOP, KJZSV, KVT, UOP4 | | 01 | BOP, KJZSV, KVT, UOP4 | | 01 | BOP, KJZSV, KVT, UOP4 |
| | 08 | B03Z, B07Z, B17A, B17B, B17C, B17J | | 08 | B03Z, B07Z, B17A, B17B, B17C, B17J | | 08 | B03Z, B07Z, B17A, B17B, B17C, B17J |
| | 09 | I08A, I08B, I08C, I08D, I08E, I12A, I12B, I12C, I12J, I13A, I13B, I27A, I27B, I27C, I27D, I27J, I27Q | | 09 | I08A, I08B, I08C, I08D, I08E, I12A, I12B, I12C, I12J, I13A, I13B, I27A, I27B, I27C, I27D, I27J, I27Q | | 09 | I08A, I08B, I08C, I08D, I08E, I12A, I12B, I12C, I12J, I13A, I13B, I27A, I27B, I27C, I27D, I27J, I27Q |
| | 21A | J02A, J02B, J02C, J04A, J04B, J08A, J08B, J08C, J16Z, J21Z, J22A, J22B, J22J | | 21A | J02A, J02B, J02C, J04A, J04B, J08A, J08B, J08C, J16Z, J21Z, J22A, J22B, J22J | | 21A | J02A, J02B, J02C, J04A, J04B, J08A, J08B, J08C, J16Z, J21Z, J22A, J22B, J22J |
| 5t866.4↔ | 21B | W04A, W04B | 5t866.9↔ | 21B | W04A, W04B | 5t867.3↔ | 21B | W04A, W04B |
| | 01 | X05A, X05B, X06A, X06B, X06C | | 01 | X04Z, X06A, X06B, X06C | | 01 | X06A, X06B, X06C |
| | 08 | BOP, KJZSV, KVT, UOP4 | | 08 | BOP, KJZSV, KVT, UOP4 | | 08 | BOP, KJZSV, KVT, UOP4 |
| | 09 | B03Z, B07Z, B17A, B17B, B17C, B17J | | 09 | B03Z, B07Z, B17A, B17B, B17C, B17J | | 09 | B03Z, B07Z, B17A, B17B, B17C, B17J |
| | 21A | I08A, I08B, I08C, I08D, I08E, I12A, I12B, I12C, I12J, I13A, I13B, I27A, I27B, I27C, I27D, I27J, I27Q | | 21A | I08A, I08B, I08C, I08D, I08E, I12A, I12B, I12C, I12J, I13A, I13B, I27A, I27B, I27C, I27D, I27J, I27Q | | 21A | I08A, I08B, I08C, I08D, I08E, I12A, I12B, I12C, I12J, I13A, I13B, I27A, I27B, I27C, I27D, I27J, I27Q |
| 5t866.5↔ | 21B | J02A, J02B, J02C, J04A, J04B, J08A, J08B, J08C, J16Z, J21Z, J22A, J22B, J22J | 5t866.x | 21B | J02A, J02B, J02C, J04A, J04B, J08A, J08B, J08C, J16Z, J21Z, J22A, J22B, J22J | 5t867.4↔ | 21B | J02A, J02B, J02C, J04A, J04B, J08A, J08B, J08C, J16Z, J21Z, J22A, J22B, J22J |
| | 01 | W04A, W04B | | 01 | W04A, W04B | | 01 | W04A, W04B |
| | 08 | X06A, X06B, X06C | | 08 | X04Z, X06A, X06B, X06C | | 08 | X06A, X06B, X06C |
| | 09 | BOP, KJZSV, KVT, UOP4 | | 09 | BOP, KJZSV, KVT, UOP4 | | 09 | BOP, KJZSV, KVT, UOP4 |
| | 21A | B03Z, B07Z, B17A, B17B, B17C, B17J | | 21A | B03Z, B07Z, B17A, B17B, B17C, B17J | | 21A | B03Z, B07Z, B17A, B17B, B17C, B17J |
| 5t866.6↔ | 21B | I08A, I08B, I08C, I08D, I08E, I12A, I12B, I12C, I12J, I13A, I13B, I27A, I27B, I27C, I27D, I27J, I27Q | 5t867.0↔ | 21B | I08A, I08B, I08C, I08D, I08E, I12A, I12B, I12C, I12J, I13A, I13B, I27A, I27B, I27C, I27D, I27J, I27Q | 5t867.5↔ | 21B | I08A, I08B, I08C, I08D, I08E, I12A, I12B, I12C, I12J, I13A, I13B, I27A, I27B, I27C, I27D, I27J, I27Q |
| | 01 | J02A, J02B, J02C, J04A, J04B, J08A, J08B, J08C, J16Z, J21Z, J22A, J22B, J22J | | 01 | J02A, J02B, J02C, J04A, J04B, J08A, J08B, J08C, J16Z, J21Z, J22A, J22B, J22J | | 01 | J02A, J02B, J02C, J04A, J04B, J08A, J08B, J08C, J16Z, J21Z, J22A, J22B, J22J |
| | 08 | W04A, W04B | | 08 | W04A, W04B | | 08 | W04A, W04B |
| | 09 | X06A, X06B, X06C | | 09 | X06A, X06B, X06C | | 09 | X06A, X06B, X06C |
| | 21A | BOP, KJZSV, KVT, UOP4 | | 21A | BOP, KJZSV, KVT, UOP4 | | 21A | BOP, KJZSV, KVT, UOP4 |

VYK

| ZZV | MDC | DRG | ZZV | MDC | DRG | ZZV | MDC | DRG |
|----------|-----|--|----------|-----|--|----------|-----|--|
| 5t869.5↔ | | BOP, KJZSV, KVT, UOP4 | 5t869.x | | BOP, KJZSV, KVT, UOP4 | 5t86a.4↔ | | BOP, KJZSV, KVT, UOP4 |
| | 01 | B03Z, B07Z, B17A, B17B, B17C, B17J | | 01 | B03Z, B07Z, B17A, B17B, B17C, B17J | | 01 | B03Z, B07Z, B17A, B17B, B17C, B17J |
| | 08 | I08A, I08B, I08C, I08D, I08E, I12A, I12B, I12C, I12J, I13A, I13B, I27A, I27B, I27C, I27D, I27J, I27Q | | 08 | I08A, I08B, I08C, I08D, I08E, I12A, I12B, I12C, I12J, I13A, I13B, I27A, I27B, I27C, I27D, I27J, I27Q | | 08 | I08A, I08B, I08C, I08D, I08E, I12A, I12B, I12C, I12J, I13A, I13B, I27A, I27B, I27C, I27D, I27J, I27Q |
| | 09 | J02A, J02B, J02C, J04A, J04B, J08A, J08B, J08C, J16Z, J21Z, J22A, J22B, J22J | | 09 | J02A, J02B, J02C, J04A, J04B, J08A, J08B, J08C, J16Z, J21Z, J22A, J22B, J22J | | 09 | J02A, J02B, J02C, J04A, J04B, J08A, J08B, J08C, J16Z, J21Z, J22A, J22B, J22J |
| | 21A | W04A, W04B | | 21A | W04A, W04B | | 21A | W04A, W04B |
| 5t869.6↔ | 21B | X06A, X06B, X06C | 5t86a.0↔ | 21B | X06A, X06B, X06C | 5t86a.5↔ | 21B | X06A, X06B, X06C |
| | | BOP, KJZSV, KVT, UOP4 | | | BOP, KJZSV, KVT, UOP4 | | | BOP, KJZSV, KVT, UOP4 |
| | 01 | B03Z, B07Z, B17A, B17B, B17C, B17J | | 01 | B03Z, B07Z, B17A, B17B, B17C, B17J | | 01 | B03Z, B07Z, B17A, B17B, B17C, B17J |
| | 08 | I08A, I08B, I08C, I08D, I08E, I12A, I12B, I12C, I12J, I13A, I13B, I27A, I27B, I27C, I27D, I27J, I27Q | | 08 | I08A, I08B, I08C, I08D, I08E, I12A, I12B, I12C, I12J, I13A, I13B, I27A, I27B, I27C, I27D, I27J, I27Q | | 08 | I08A, I08B, I08C, I08D, I08E, I12A, I12B, I12C, I12J, I13A, I13B, I27A, I27B, I27C, I27D, I27J, I27Q |
| | 09 | J02A, J02B, J02C, J04A, J04B, J08A, J08B, J08C, J16Z, J21Z, J22A, J22B, J22J | | 09 | J02A, J02B, J02C, J04A, J04B, J08A, J08B, J08C, J16Z, J21Z, J22A, J22B, J22J | | 09 | J02A, J02B, J02C, J04A, J04B, J08A, J08B, J08C, J16Z, J21Z, J22A, J22B, J22J |
| 5t869.7↔ | 21A | W04A, W04B | 5t86a.1↔ | 21A | W04A, W04B | 5t86a.6↔ | 21A | W04A, W04B |
| | 21B | X04Z, X06A, X06B, X06C | | 21B | X06A, X06B, X06C | | 21B | X06A, X06B, X06C |
| | | BOP, KJZSV, KVT, UOP4 | | | BOP, KJZSV, KVT, UOP4 | | | BOP, KJZSV, KVT, UOP4 |
| | 01 | B03Z, B07Z, B17A, B17B, B17C, B17J | | 01 | B03Z, B07Z, B17A, B17B, B17C, B17J | | 01 | B03Z, B07Z, B17A, B17B, B17C, B17J |
| | 08 | I08A, I08B, I08C, I08D, I08E, I12A, I12B, I12C, I12J, I13A, I13B, I27A, I27B, I27C, I27D, I27J, I27Q | | 08 | I08A, I08B, I08C, I08D, I08E, I12A, I12B, I12C, I12J, I13A, I13B, I27A, I27B, I27C, I27D, I27J, I27Q | | 08 | I08A, I08B, I08C, I08D, I08E, I12A, I12B, I12C, I12J, I13A, I13B, I27A, I27B, I27C, I27D, I27J, I27Q |
| 5t869.8↔ | 09 | J02A, J02B, J02C, J04A, J04B, J08A, J08B, J08C, J16Z, J21Z, J22A, J22B, J22J | 5t86a.2↔ | 09 | J02A, J02B, J02C, J04A, J04B, J08A, J08B, J08C, J16Z, J21Z, J22A, J22B, J22J | 5t86a.7↔ | 09 | J02A, J02B, J02C, J04A, J04B, J08A, J08B, J08C, J16Z, J21Z, J22A, J22B, J22J |
| | 21A | W04A, W04B | | 21A | W04A, W04B | | 21A | W04A, W04B |
| | 21B | X04Z, X06A, X06B, X06C | | 21B | X06A, X06B, X06C | | 21B | X04Z, X06A, X06B, X06C |
| | | BOP, KJZSV, KVT, UOP4 | | | BOP, KJZSV, KVT, UOP4 | | | BOP, KJZSV, KVT, UOP4 |
| | 01 | B03Z, B07Z, B17A, B17B, B17C, B17J | | 01 | B03Z, B07Z, B17A, B17B, B17C, B17J | | 01 | B03Z, B07Z, B17A, B17B, B17C, B17J |
| 5t869.9↔ | 08 | I08A, I08B, I08C, I08D, I08E, I12A, I12B, I12C, I12J, I13A, I13B, I27A, I27B, I27C, I27D, I27J, I27Q | 5t86a.3↔ | 08 | I08A, I08B, I08C, I08D, I08E, I12A, I12B, I12C, I12J, I13A, I13B, I27A, I27B, I27C, I27D, I27J, I27Q | 5t86a.8↔ | 08 | I08A, I08B, I08C, I08D, I08E, I12A, I12B, I12C, I12J, I13A, I13B, I27A, I27B, I27C, I27D, I27J, I27Q |
| | 09 | J02A, J02B, J02C, J04A, J04B, J08A, J08B, J08C, J16Z, J21Z, J22A, J22B, J22J | | 09 | J02A, J02B, J02C, J04A, J04B, J08A, J08B, J08C, J16Z, J21Z, J22A, J22B, J22J | | 09 | J02A, J02B, J02C, J04A, J04B, J08A, J08B, J08C, J16Z, J21Z, J22A, J22B, J22J |
| | 21A | W04A, W04B | | 21A | W04A, W04B | | 21A | W04A, W04B |
| | 21B | X04Z, X06A, X06B, X06C | | 21B | X05A, X05B, X06A, X06B, X06C | | 21B | X04Z, X06A, X06B, X06C |

VYK

| ZZV | MDC | DRG | ZZV | MDC | DRG | ZZV | MDC | DRG |
|----------|-----|--|----------|-----|--|----------|-----|--|
| 5t870.8↔ | | BOP, KJZSV, KVT, UOP4 | 5t871.2↔ | | BOP, KJZSV, KVT, UOP4 | 5t871.7↔ | | BOP, KJZSV, KVT, UOP4 |
| | 01 | B03Z, B07Z, B17A, B17B, B17C, B17J | | 01 | B03Z, B07Z, B17A, B17B, B17C, B17J | | 01 | B03Z, B07Z, B17A, B17B, B17C, B17J |
| | 08 | I08A, I08B, I08C, I08D, I08E, I12A, I12B, I12C, I12J, I13A, I13B, I27A, I27B, I27C, I27D, I27J, I27Q | | 08 | I08A, I08B, I08C, I08D, I08E, I12A, I12B, I12C, I12J, I13A, I13B, I27A, I27B, I27C, I27D, I27J, I27Q | | 08 | I08A, I08B, I08C, I08D, I08E, I12A, I12B, I12C, I12J, I13A, I13B, I27A, I27B, I27C, I27D, I27J, I27Q |
| | 09 | J02A, J02B, J04A, J04B, J08A, J08B, J08C, J16Z, J21Z, J22A, J22B, J22J | | 09 | J02A, J02B, J04A, J04B, J08A, J08B, J08C, J16Z, J21Z, J22A, J22B, J22J | | 09 | J02A, J02B, J04A, J04B, J08A, J08B, J08C, J16Z, J21Z, J22A, J22B, J22J |
| | 21A | W04A, W04B | | 21A | W04A, W04B | | 21A | W04A, W04B |
| 5t870.9↔ | 21B | X04Z, X06A, X06B, X06C | 5t871.3↔ | 21B | X06A, X06B, X06C | 5t871.8↔ | 21B | X04Z, X06A, X06B, X06C |
| | | BOP, KJZSV, KVT, UOP4 | | | BOP, KJZSV, KVT, UOP4 | | | BOP, KJZSV, KVT, UOP4 |
| | 01 | B03Z, B07Z, B17A, B17B, B17C, B17J | | 01 | B03Z, B07Z, B17A, B17B, B17C, B17J | | 01 | B03Z, B07Z, B17A, B17B, B17C, B17J |
| | 08 | I08A, I08B, I08C, I08D, I08E, I12A, I12B, I12C, I12J, I13A, I13B, I27A, I27B, I27C, I27D, I27J, I27Q | | 08 | I08A, I08B, I08C, I08D, I08E, I12A, I12B, I12C, I12J, I13A, I13B, I27A, I27B, I27C, I27D, I27J, I27Q | | 08 | I08A, I08B, I08C, I08D, I08E, I12A, I12B, I12C, I12J, I13A, I13B, I27A, I27B, I27C, I27D, I27J, I27Q |
| | 09 | J02A, J02B, J04A, J04B, J08A, J08B, J08C, J16Z, J21Z, J22A, J22B, J22J | | 09 | J02A, J02B, J04A, J04B, J08A, J08B, J08C, J16Z, J21Z, J22A, J22B, J22J | | 09 | J02A, J02B, J04A, J04B, J08A, J08B, J08C, J16Z, J21Z, J22A, J22B, J22J |
| 5t870.x | 21A | W04A, W04B | 5t871.4↔ | 21A | W04A, W04B | 5t871.9↔ | 21A | W04A, W04B |
| | 21B | X04Z, X06A, X06B, X06C | | 21B | X05A, X05B, X06A, X06B, X06C | | 21B | X04Z, X06A, X06B, X06C |
| | | BOP, KJZSV, KVT, UOP4 | | | BOP, KJZSV, KVT, UOP4 | | | BOP, KJZSV, KVT, UOP4 |
| | 01 | B03Z, B07Z, B17A, B17B, B17C, B17J | | 01 | B03Z, B07Z, B17A, B17B, B17C, B17J | | 01 | B03Z, B07Z, B17A, B17B, B17C, B17J |
| | 08 | I08A, I08B, I08C, I08D, I08E, I12A, I12B, I12C, I12J, I13A, I13B, I27A, I27B, I27C, I27D, I27J, I27Q | | 08 | I08A, I08B, I08C, I08D, I08E, I12A, I12B, I12C, I12J, I13A, I13B, I27A, I27B, I27C, I27D, I27J, I27Q | | 08 | I08A, I08B, I08C, I08D, I08E, I12A, I12B, I12C, I12J, I13A, I13B, I27A, I27B, I27C, I27D, I27J, I27Q |
| 5t871.0↔ | 09 | J02A, J02B, J04A, J04B, J08A, J08B, J08C, J16Z, J21Z, J22A, J22B, J22J | 5t871.5↔ | 09 | J02A, J02B, J04A, J04B, J08A, J08B, J08C, J16Z, J21Z, J22A, J22B, J22J | 5t871.x | 09 | J02A, J02B, J04A, J04B, J08A, J08B, J08C, J16Z, J21Z, J22A, J22B, J22J |
| | 21A | W04A, W04B | | 21A | W04A, W04B | | 21A | W04A, W04B |
| | 21B | X06A, X06B, X06C | | 21B | X06A, X06B, X06C | | 21B | X06A, X06B, X06C |
| | | BOP, KJZSV, KVT, UOP4 | | | BOP, KJZSV, KVT, UOP4 | | | BOP, KJZSV, KVT, UOP4 |
| | 01 | B03Z, B07Z, B17A, B17B, B17C, B17J | | 01 | B03Z, B07Z, B17A, B17B, B17C, B17J | | 01 | B03Z, B07Z, B17A, B17B, B17C, B17J |
| 5t871.1↔ | 08 | I08A, I08B, I08C, I08D, I08E, I12A, I12B, I12C, I12J, I13A, I13B, I27A, I27B, I27C, I27D, I27J, I27Q | 5t871.6↔ | 08 | I08A, I08B, I08C, I08D, I08E, I12A, I12B, I12C, I12J, I13A, I13B, I27A, I27B, I27C, I27D, I27J, I27Q | 5t872.0↔ | 08 | I08A, I08B, I08C, I08D, I08E, I12A, I12B, I12C, I12J, I13A, I13B, I27A, I27B, I27C, I27D, I27J, I27Q |
| | 09 | J02A, J02B, J04A, J04B, J08A, J08B, J08C, J16Z, J21Z, J22A, J22B, J22J | | 09 | J02A, J02B, J04A, J04B, J08A, J08B, J08C, J16Z, J21Z, J22A, J22B, J22J | | 09 | J02A, J02B, J04A, J04B, J08A, J08B, J08C, J16Z, J21Z, J22A, J22B, J22J |
| | 21A | W04A, W04B | | 21A | W04A, W04B | | 21A | W04A, W04B |
| | 21B | X06A, X06B, X06C | | 21B | X06A, X06B, X06C | | 21B | X06A, X06B, X06C |
| | | BOP, KJZSV, KVT, UOP4 | | | BOP, KJZSV, KVT, UOP4 | | | BOP, KJZSV, KVT, UOP4 |

VYK

| ZZV | MDC | DRG | ZZV | MDC | DRG | ZZV | MDC | DRG |
|----------|--|--|------------------------|--|--|--|--|--|
| 5t874.9↔ | | BOP, KJZSV, KVT, UOP4 | 5t875.3↔ | | BOP, KJZSV, KVT, UOP4 | 5t875.8↔ | | BOP, KJZSV, KVT, UOP4 |
| | 01 | B03Z, B07Z, B17A, B17B, B17C, B17J | | 01 | B03Z, B07Z, B17A, B17B, B17C, B17J | | 01 | B03Z, B07Z, B17A, B17B, B17C, B17J |
| | 08 | I08A, I08B, I08C, I08D, I08E, I12A, I12B, I12C, I12J, I13A, I13B, I27A, I27B, I27C, I27D, I27J, I27Q | | 08 | I08A, I08B, I08C, I08D, I08E, I12A, I12B, I12C, I12J, I13A, I13B, I27A, I27B, I27C, I27J, I27Q | | 08 | I08A, I08B, I08C, I08D, I08E, I12A, I12B, I12C, I12J, I13A, I13B, I27A, I27B, I27C, I27J, I27Q |
| | 09 | J02A, J02B, J04A, J04B, J08A, J08B, J08C, J16Z, J21Z, J22A, J22B, J22J | | 09 | J02A, J02B, J04A, J04B, J08A, J08B, J08C, J16Z, J21Z, J22A, J22B, J22J | | 09 | J02A, J02B, J04A, J04B, J08A, J08B, J08C, J16Z, J21Z, J22A, J22B, J22J |
| | 21A | W04A, W04B | | 21A | W04A, W04B | | 21A | W04A, W04B |
| 5t874.x | 21B | X04Z, X06A, X06B, X06C | 5t875.4↔ | 21B | X05A, X05B, X06A, X06B, X06C | 5t875.9↔ | 21B | X04Z, X06A, X06B, X06C |
| | | BOP, KJZSV, KVT, UOP4 | | | BOP, KJZSV, KVT, UOP4 | | | BOP, KJZSV, KVT, UOP4 |
| 01 | B03Z, B07Z, B17A, B17B, B17C, B17J | 01 | | B03Z, B07Z, B17A, B17B, B17C, B17J | 01 | | B03Z, B07Z, B17A, B17B, B17C, B17J | |
| 08 | I08A, I08B, I08C, I08D, I08E, I12A, I12B, I12C, I12J, I13A, I13B, I27A, I27B, I27C, I27D, I27J, I27Q | 08 | | I08A, I08B, I08C, I08D, I08E, I12A, I12B, I12C, I12J, I13A, I13B, I27A, I27B, I27C, I27J, I27Q | 08 | | I08A, I08B, I08C, I08D, I08E, I12A, I12B, I12C, I12J, I13A, I13B, I27A, I27B, I27C, I27J, I27Q | |
| 09 | J02A, J02B, J04A, J04B, J08A, J08B, J08C, J16Z, J21Z, J22A, J22B, J22J | 09 | | J02A, J02B, J04A, J04B, J08A, J08B, J08C, J16Z, J21Z, J22A, J22B, J22J | 09 | | J02A, J02B, J04A, J04B, J08A, J08B, J08C, J16Z, J21Z, J22A, J22B, J22J | |
| 5t875.0↔ | 21A | W04A, W04B | 5t875.5↔ | 21A | W04A, W04B | 5t875.x | 21A | W04A, W04B |
| | 21B | X06A, X06B, X06C | | 21B | X06A, X06B, X06C | | 21B | X04Z, X06A, X06B, X06C |
| | BOP, KJZSV, KVT, UOP4 | | | BOP, KJZSV, KVT, UOP4 | | | BOP, KJZSV, KVT, UOP4 | |
| 01 | B03Z, B07Z, B17A, B17B, B17C, B17J | 01 | | B03Z, B07Z, B17A, B17B, B17C, B17J | 01 | | B03Z, B07Z, B17A, B17B, B17C, B17J | |
| 08 | I08A, I08B, I08C, I08D, I08E, I12A, I12B, I12C, I12J, I13A, I13B, I27A, I27B, I27C, I27J, I27Q | 08 | | I08A, I08B, I08C, I08D, I08E, I12A, I12B, I12C, I12J, I13A, I13B, I27A, I27B, I27C, I27J, I27Q | 08 | | I08A, I08B, I08C, I08D, I08E, I12A, I12B, I12C, I12J, I13A, I13B, I27A, I27B, I27C, I27J, I27Q | |
| 5t875.1↔ | 09 | J02A, J02B, J04A, J04B, J08A, J08B, J08C, J16Z, J21Z, J22A, J22B, J22J | 09 | J02A, J02B, J04A, J04B, J08A, J08B, J08C, J16Z, J21Z, J22A, J22B, J22J | 09 | J02A, J02B, J04A, J04B, J08A, J08B, J08C, J16Z, J21Z, J22A, J22B, J22J | | |
| | 21A | W04A, W04B | 21A | W04A, W04B | 21A | W04A, W04B | | |
| | 21B | X06A, X06B, X06C | 21B | X06A, X06B, X06C | 21B | X06A, X06B, X06C | | |
| | | BOP, KJZSV, KVT, UOP4 | 5t875.6↔ | | BOP, KJZSV, KVT, UOP4 | 5t876.0↔ | | BOP, KJZSV, KVT, UOP4 |
| | 01 | B03Z, B07Z, B17A, B17B, B17C, B17J | | 01 | B03Z, B07Z, B17A, B17B, B17C, B17J | | 01 | B03Z, B07Z, B17A, B17B, B17C, B17J |
| 08 | I08A, I08B, I08C, I08D, I08E, I12A, I12B, I12C, I12J, I13A, I13B, I27A, I27B, I27C, I27J, I27Q | 08 | | I08A, I08B, I08C, I08D, I08E, I12A, I12B, I12C, I12J, I13A, I13B, I27A, I27B, I27C, I27J, I27Q | 08 | | I08A, I08B, I08C, I08D, I08E, I12A, I12B, I12C, I12J, I13A, I13B, I27A, I27B, I27C, I27J, I27Q | |
| 09 | J02A, J02B, J04A, J04B, J08A, J08B, J08C, J16Z, J21Z, J22A, J22B, J22J | 09 | | J02A, J02B, J04A, J04B, J08A, J08B, J08C, J16Z, J21Z, J22A, J22B, J22J | 09 | | J02A, J02B, J04A, J04B, J08A, J08B, J08C, J16Z, J21Z, J22A, J22B, J22J | |
| 21A | W04A, W04B | 21A | | W04A, W04B | 21A | | W04A, W04B | |
| 5t875.2↔ | 21B | X06A, X06B, X06C | 5t875.7↔ | 21B | X04Z, X06A, X06B, X06C | 5t876.1↔ | 21B | X06A, X06B, X06C |
| | | BOP, KJZSV, KVT, UOP4 | | | BOP, KJZSV, KVT, UOP4 | | | BOP, KJZSV, KVT, UOP4 |
| 01 | B03Z, B07Z, B17A, B17B, B17C, B17J | 01 | | B03Z, B07Z, B17A, B17B, B17C, B17J | 01 | | B03Z, B07Z, B17A, B17B, B17C, B17J | |
| 08 | I08A, I08B, I08C, I08D, I08E, I12A, I12B, I12C, I12J, I13A, I13B, I27A, I27B, I27C, I27J, I27Q | 08 | | I08A, I08B, I08C, I08D, I08E, I12A, I12B, I12C, I12J, I13A, I13B, I27A, I27B, I27C, I27J, I27Q | 08 | | I08A, I08B, I08C, I08D, I08E, I12A, I12B, I12C, I12J, I13A, I13B, I27A, I27B, I27C, I27J, I27Q | |
| 09 | J02A, J02B, J04A, J04B, J08A, J08B, J08C, J16Z, J21Z, J22A, J22B, J22J | 09 | | J02A, J02B, J04A, J04B, J08A, J08B, J08C, J16Z, J21Z, J22A, J22B, J22J | 09 | | J02A, J02B, J04A, J04B, J08A, J08B, J08C, J16Z, J21Z, J22A, J22B, J22J | |
| 21A | W04A, W04B | 21A | W04A, W04B | 21A | W04A, W04B | | | |
| 21B | X06A, X06B, X06C | 21B | X04Z, X06A, X06B, X06C | 21B | X06A, X06B, X06C | | | |

VYK

| ZZV | MDC | DRG | ZZV | MDC | DRG | ZZV | MDC | DRG |
|----------|------------------------|--|----------|------------------|--|------------------|-----|--|
| 5t876.2↔ | | BOP, KJZSV, KVT, UOP4 | 5t876.7↔ | | BOP, KJZSV, KVT, UOP4 | 5t877.1↔ | | BOP, KJZSV, KVT, UOP4 |
| | 01 | B03Z, B07Z, B17A, B17B, B17C, B17J | | 01 | B03Z, B07Z, B17A, B17B, B17C, B17J | | 01 | B03Z, B07Z, B17A, B17B, B17C, B17J |
| | 08 | I08A, I08B, I08C, I08D, I08E, I12A, I12B, I12C, I12J, I13A, I13B, I27A, I27B, I27C, I27J, I27Q | | 08 | I08A, I08B, I08C, I08D, I08E, I12A, I12B, I12C, I12J, I13A, I13B, I27A, I27B, I27C, I27J, I27Q | | 08 | I08A, I08B, I08C, I08D, I08E, I12A, I12B, I12C, I12J, I13A, I13B, I27A, I27B, I27C, I27J, I27Q |
| | 09 | J02A, J02B, J04A, J04B, J08A, J08B, J08C, J16Z, J21Z, J22A, J22B, J22J | | 09 | J02A, J02B, J04A, J04B, J08A, J08B, J08C, J16Z, J21Z, J22A, J22B, J22J | | 09 | J02A, J02B, J04A, J04B, J08A, J08B, J08C, J16Z, J21Z, J22A, J22B, J22J |
| | 21A | W04A, W04B | | 21A | W04A, W04B | | 21A | W04A, W04B |
| 5t876.3↔ | 21B | X06A, X06B, X06C | 5t876.8↔ | 21B | X04Z, X06A, X06B, X06C | 5t877.2↔ | 21B | X06A, X06B, X06C |
| | 01 | BOP, KJZSV, KVT, UOP4 | | 01 | BOP, KJZSV, KVT, UOP4 | | 01 | BOP, KJZSV, KVT, UOP4 |
| | 08 | I08A, I08B, I08C, I08D, I08E, I12A, I12B, I12C, I12J, I13A, I13B, I27A, I27B, I27C, I27J, I27Q | | 08 | I08A, I08B, I08C, I08D, I08E, I12A, I12B, I12C, I12J, I13A, I13B, I27A, I27B, I27C, I27J, I27Q | | 08 | I08A, I08B, I08C, I08D, I08E, I12A, I12B, I12C, I12J, I13A, I13B, I27A, I27B, I27C, I27J, I27Q |
| | 09 | J02A, J02B, J04A, J04B, J08A, J08B, J08C, J16Z, J21Z, J22A, J22B, J22J | | 09 | J02A, J02B, J04A, J04B, J08A, J08B, J08C, J16Z, J21Z, J22A, J22B, J22J | | 09 | J02A, J02B, J04A, J04B, J08A, J08B, J08C, J16Z, J21Z, J22A, J22B, J22J |
| | 21A | W04A, W04B | | 21A | W04A, W04B | | 21A | W04A, W04B |
| 5t876.4↔ | 21B | X05A, X05B, X06A, X06B, X06C | 5t876.9↔ | 21B | X04Z, X06A, X06B, X06C | 5t877.3↔ | 21B | X06A, X06B, X06C |
| | 01 | BOP, KJZSV, KVT, UOP4 | | 01 | BOP, KJZSV, KVT, UOP4 | | 01 | BOP, KJZSV, KVT, UOP4 |
| | 08 | I08A, I08B, I08C, I08D, I08E, I12A, I12B, I12C, I12J, I13A, I13B, I27A, I27B, I27C, I27J, I27Q | | 08 | I08A, I08B, I08C, I08D, I08E, I12A, I12B, I12C, I12J, I13A, I13B, I27A, I27B, I27C, I27J, I27Q | | 08 | I08A, I08B, I08C, I08D, I08E, I12A, I12B, I12C, I12J, I13A, I13B, I27A, I27B, I27C, I27J, I27Q |
| | 09 | J02A, J02B, J04A, J04B, J08A, J08B, J08C, J16Z, J21Z, J22A, J22B, J22J | | 09 | J02A, J02B, J04A, J04B, J08A, J08B, J08C, J16Z, J21Z, J22A, J22B, J22J | | 09 | J02A, J02B, J04A, J04B, J08A, J08B, J08C, J16Z, J21Z, J22A, J22B, J22J |
| | 21A | W04A, W04B | | 21A | W04A, W04B | | 21A | W04A, W04B |
| 5t876.5↔ | 21B | X06A, X06B, X06C | 5t876.x | 21B | X04Z, X06A, X06B, X06C | 5t877.4↔ | 21B | X05A, X05B, X06A, X06B, X06C |
| | 01 | BOP, KJZSV, KVT, UOP4 | | 01 | BOP, KJZSV, KVT, UOP4 | | 01 | BOP, KJZSV, KVT, UOP4 |
| | 08 | I08A, I08B, I08C, I08D, I08E, I12A, I12B, I12C, I12J, I13A, I13B, I27A, I27B, I27C, I27J, I27Q | | 08 | I08A, I08B, I08C, I08D, I08E, I12A, I12B, I12C, I12J, I13A, I13B, I27A, I27B, I27C, I27J, I27Q | | 08 | I08A, I08B, I08C, I08D, I08E, I12A, I12B, I12C, I12J, I13A, I13B, I27A, I27B, I27C, I27J, I27Q |
| | 09 | J02A, J02B, J04A, J04B, J08A, J08B, J08C, J16Z, J21Z, J22A, J22B, J22J | | 09 | J02A, J02B, J04A, J04B, J08A, J08B, J08C, J16Z, J21Z, J22A, J22B, J22J | | 09 | J02A, J02B, J04A, J04B, J08A, J08B, J08C, J16Z, J21Z, J22A, J22B, J22J |
| | 21A | W04A, W04B | | 21A | W04A, W04B | | 21A | W04A, W04B |
| 5t876.6↔ | 21B | X06A, X06B, X06C | 5t877.0↔ | 21B | X06A, X06B, X06C | 5t877.5↔ | 21B | X06A, X06B, X06C |
| | 01 | BOP, KJZSV, KVT, UOP4 | | 01 | BOP, KJZSV, KVT, UOP4 | | 01 | BOP, KJZSV, KVT, UOP4 |
| | 08 | I08A, I08B, I08C, I08D, I08E, I12A, I12B, I12C, I12J, I13A, I13B, I27A, I27B, I27C, I27J, I27Q | | 08 | I08A, I08B, I08C, I08D, I08E, I12A, I12B, I12C, I12J, I13A, I13B, I27A, I27B, I27C, I27J, I27Q | | 08 | I08A, I08B, I08C, I08D, I08E, I12A, I12B, I12C, I12J, I13A, I13B, I27A, I27B, I27C, I27J, I27Q |
| | 09 | J02A, J02B, J04A, J04B, J08A, J08B, J08C, J16Z, J21Z, J22A, J22B, J22J | | 09 | J02A, J02B, J04A, J04B, J08A, J08B, J08C, J16Z, J21Z, J22A, J22B, J22J | | 09 | J02A, J02B, J04A, J04B, J08A, J08B, J08C, J16Z, J21Z, J22A, J22B, J22J |
| | 21A | W04A, W04B | | 21A | W04A, W04B | | 21A | W04A, W04B |
| 21B | X04Z, X06A, X06B, X06C | | 21B | X06A, X06B, X06C | 21B | X06A, X06B, X06C | | |

VYK

| ZZV | MDC | DRG | ZZV | MDC | DRG | ZZV | MDC | DRG |
|----------|------------------|--|----------|-----|--|----------|-----|--|
| 5t87x.5 | | BOP, KJZSV, KVT, UOP4 | 5t87x.x | | BOP, KJZSV, KVT, UOP4 | 5t880.3↔ | | BOP, KJZSV, KVT, UOP4 |
| | 01 | B03Z, B07Z, B17A, B17B, B17C, B17J | | 01 | B03Z, B07Z, B17A, B17B, B17C, B17J | | 01 | B03Z, B07Z, B17A, B17B, B17C, B17J |
| | 08 | I08A, I08B, I08C, I08D, I08E, I12A, I12B, I12C, I12J, I13A, I13B, I27A, I27B, I27C, I27D, I27J, I27Q | | 08 | I08A, I08B, I08C, I08D, I08E, I12A, I12B, I12C, I12J, I13A, I13B, I27A, I27B, I27C, I27D, I27J, I27Q | | 03 | D12A, D12J, D12Q |
| | 09 | J02A, J02B, J02C, J04A, J04B, J08A, J08B, J08C, J16Z, J21Z, J22A, J22B, J22J | | 09 | J02A, J02B, J02C, J04A, J04B, J08A, J08B, J08C, J16Z, J21Z, J22A, J22B, J22J | | 05 | F21A, F21B, F21C, F21J, F27A, F27B, F27C |
| | 21A | W04A, W04B | | 21A | W04A, W04B | | 08 | I08A, I08B, I08C, I08D, I08E, I12A, I12B, I12C, I12J, I13A, I13B, I32A, I32B, I32C, I32D |
| 5t87x.6 | 21B | X06A, X06B, X06C | 5t880.0↔ | 21B | X06A, X06B, X06C | 5t880.4↔ | 09 | J02A, J02B, J02C, J04A, J04B, J08A, J08B, J08C, J16Z, J21Z, J22A, J22B, J22J |
| | 01 | BOP, KJZSV, KVT, UOP4 | | 01 | BOP, KJZSV, KVT, UOP4 | | 10 | K01Z |
| | 08 | I08A, I08B, I08C, I08D, I08E, I12A, I12B, I12C, I12J, I13A, I13B, I27A, I27B, I27C, I27D, I27J, I27Q | | 03 | D12A, D12J, D12Q | | 21A | W04A, W04B |
| | 09 | J02A, J02B, J02C, J04A, J04B, J08A, J08B, J08C, J16Z, J21Z, J22A, J22B, J22J | | 05 | F21A, F21B, F21C, F21J, F27A, F27B, F27C | | 21B | X04Z, X05A, X05B, X06A, X06B, X06C |
| | 21A | W04A, W04B | | 08 | I08A, I08B, I08C, I08D, I08E, I12A, I12B, I12C, I12J, I13A, I13B, I32A, I32B, I32C, I32D | | 22 | Y01Z, Y03A, Y03B |
| 5t87x.7↔ | 21B | X04Z, X06A, X06B, X06C | 5t880.1↔ | 09 | J02A, J02B, J02C, J04A, J04B, J08A, J08B, J08C, J16Z, J21Z, J22A, J22B, J22J | 5t880.5↔ | 01 | BOP, KJZSV, KVT, UOP4 |
| | 01 | BOP, KJZSV, KVT, UOP4 | | 01 | BOP, KJZSV, KVT, UOP4 | | 01 | B03Z, B07Z, B17A, B17B, B17C, B17J |
| | 08 | I08A, I08B, I08C, I08D, I08E, I12A, I12B, I12C, I12J, I13A, I13B, I27A, I27B, I27C, I27D, I27J, I27Q | | 03 | D12A, D12J, D12Q | | 03 | D12A, D12J, D12Q |
| | 09 | J02A, J02B, J02C, J04A, J04B, J08A, J08B, J08C, J16Z, J21Z, J22A, J22B, J22J | | 05 | F21A, F21B, F21C, F21J, F27A, F27B, F27C | | 05 | F21A, F21B, F21C, F21J, F27A, F27B, F27C |
| | 21A | W04A, W04B | | 08 | I08A, I08B, I08C, I08D, I08E, I12A, I12B, I12C, I12J, I13A, I13B, I32A, I32B, I32C, I32D | | 08 | I08A, I08B, I08C, I08D, I08E, I12A, I12B, I12C, I12J, I13A, I13B, I32A, I32B, I32C, I32D |
| 5t87x.8↔ | 21B | X04Z, X06A, X06B, X06C | 5t880.2↔ | 21A | W04A, W04B | 5t880.5↔ | 09 | J02A, J02B, J02C, J04A, J04B, J08A, J08B, J08C, J16Z, J21Z, J22A, J22B, J22J |
| | 01 | BOP, KJZSV, KVT, UOP4 | | 01 | BOP, KJZSV, KVT, UOP4 | | 01 | B03Z, B07Z, B17A, B17B, B17C, B17J |
| | 08 | I08A, I08B, I08C, I08D, I08E, I12A, I12B, I12C, I12J, I13A, I13B, I27A, I27B, I27C, I27D, I27J, I27Q | | 03 | D12A, D12J, D12Q | | 03 | D12A, D12J, D12Q |
| | 09 | J02A, J02B, J02C, J04A, J04B, J08A, J08B, J08C, J16Z, J21Z, J22A, J22B, J22J | | 05 | F21A, F21B, F21C, F21J, F27A, F27B, F27C | | 05 | F21A, F21B, F21C, F21J, F27A, F27B, F27C |
| | 21A | W04A, W04B | | 08 | I08A, I08B, I08C, I08D, I08E, I12A, I12B, I12C, I12J, I13A, I13B, I32A, I32B, I32C, I32D | | 08 | I08A, I08B, I08C, I08D, I08E, I12A, I12B, I12C, I12J, I13A, I13B, I32A, I32B, I32C, I32D |
| 5t87x.9↔ | 21B | X04Z, X06A, X06B, X06C | 5t880.2↔ | 21B | X04Z, X05A, X05B, X06A, X06B, X06C | 5t880.5↔ | 09 | J02A, J02B, J02C, J04A, J04B, J08A, J08B, J08C, J16Z, J21Z, J22A, J22B, J22J |
| | 01 | BOP, KJZSV, KVT, UOP4 | | 01 | BOP, KJZSV, KVT, UOP4 | | 10 | K01Z |
| | 08 | I08A, I08B, I08C, I08D, I08E, I12A, I12B, I12C, I12J, I13A, I13B, I27A, I27B, I27C, I27D, I27J, I27Q | | 03 | D12A, D12J, D12Q | | 21A | W04A, W04B |
| | 09 | J02A, J02B, J02C, J04A, J04B, J08A, J08B, J08C, J16Z, J21Z, J22A, J22B, J22J | | 05 | F21A, F21B, F21C, F21J, F27A, F27B, F27C | | 21B | X04Z, X05A, X05B, X06A, X06B, X06C |
| | 21A | W04A, W04B | | 08 | I08A, I08B, I08C, I08D, I08E, I12A, I12B, I12C, I12J, I13A, I13B, I32A, I32B, I32C, I32D | | 22 | Y01Z, Y03A, Y03B |
| 21B | X06A, X06B, X06C | | | | | | | |

VYK

| ZZV | MDC | DRG | ZZV | MDC | DRG | ZZV | MDC | DRG |
|----------|-----|--|----------|-----|--|----------|-----|--|
| 5t880.6↔ | | BOP, KJZSV, KVT, UOP4 | 5t880.9↔ | | BOP, KJZSV, KVT, UOP4 | 5t881.1↔ | | BOP, KJZSV, KVT, UOP4 |
| | 01 | B03Z, B07Z, B17A, B17B, B17C, B17J | | 01 | B03Z, B07Z, B17A, B17B, B17C, B17J | | 01 | B03Z, B07Z, B17A, B17B, B17C, B17J |
| | 03 | D12A, D12J, D12Q | | 03 | D12A, D12J, D12Q | | 03 | D12A, D12J, D12Q |
| | 05 | F21A, F21B, F21C, F21J, F27A, F27B, F27C | | 05 | F21A, F21B, F21C, F21J, F27A, F27B, F27C | | 05 | F21A, F21B, F21C, F21J, F27A, F27B, F27C |
| | 08 | I08A, I08B, I08C, I08D, I08E, I12A, I12B, I12C, I12J, I13A, I13B, I32A, I32B, I32C, I32D | | 08 | I08A, I08B, I08C, I08D, I08E, I12A, I12B, I12C, I12J, I13A, I13B, I32A, I32B, I32C, I32D | | 08 | I08A, I08B, I08C, I08D, I08E, I12A, I12B, I12C, I12J, I13A, I13B, I32A, I32B, I32C, I32D |
| | 09 | J02A, J02B, J02C, J04A, J04B, J08A, J08B, J08C, J16Z, J21Z, J22A, J22B, J22J | | 09 | J02A, J02B, J02C, J04A, J04B, J08A, J08B, J08C, J16Z, J21Z, J22A, J22B, J22J | | 09 | J02A, J02B, J02C, J04A, J04B, J08A, J08B, J08C, J16Z, J21Z, J22A, J22B, J22J |
| | 10 | K01Z | | 10 | K01Z | | 10 | K01Z |
| | 21A | W04A, W04B | | 21A | W04A, W04B | | 21A | W04A, W04B |
| | 21B | X04Z, X05A, X05B, X06A, X06B, X06C | | 21B | X04Z, X05A, X05B, X06A, X06B, X06C | | 21B | X04Z, X05A, X05B, X06A, X06B, X06C |
| | 22 | Y01Z, Y03A, Y03B | | 22 | Y01Z, Y03A, Y03B | | 22 | Y01Z, Y03A, Y03B |
| 5t880.7↔ | | BOP, KJZSV, KVT, UOP4 | 5t880.x | | BOP, KJZSV, KVT, UOP4 | 5t881.2↔ | | BOP, KJZSV, KVT, UOP4 |
| | 01 | B03Z, B07Z, B17A, B17B, B17C, B17J | | 01 | B03Z, B07Z, B17A, B17B, B17C, B17J | | 01 | B03Z, B07Z, B17A, B17B, B17C, B17J |
| | 03 | D12A, D12J, D12Q | | 03 | D12A, D12J, D12Q | | 03 | D12A, D12J, D12Q |
| | 05 | F21A, F21B, F21C, F21J, F27A, F27B, F27C | | 05 | F21A, F21B, F21C, F21J, F27A, F27B, F27C | | 05 | F21A, F21B, F21C, F21J, F27A, F27B, F27C |
| | 08 | I08A, I08B, I08C, I08D, I08E, I12A, I12B, I12C, I12J, I13A, I13B, I32A, I32B, I32C, I32D | | 08 | I08A, I08B, I08C, I08D, I08E, I12A, I12B, I12C, I12J, I13A, I13B, I32A, I32B, I32C, I32D | | 08 | I08A, I08B, I08C, I08D, I08E, I12A, I12B, I12C, I12J, I13A, I13B, I32A, I32B, I32C, I32D |
| | 09 | J02A, J02B, J02C, J04A, J04B, J08A, J08B, J08C, J16Z, J21Z, J22A, J22B, J22J | | 09 | J02A, J02B, J02C, J04A, J04B, J08A, J08B, J08C, J16Z, J21Z, J22A, J22B, J22J | | 09 | J02A, J02B, J02C, J04A, J04B, J08A, J08B, J08C, J16Z, J21Z, J22A, J22B, J22J |
| | 10 | K01Z | | 10 | K01Z | | 10 | K01Z |
| | 21A | W04A, W04B | | 21A | W04A, W04B | | 21A | W04A, W04B |
| | 21B | X04Z, X05A, X05B, X06A, X06B, X06C | | 21B | X04Z, X05A, X05B, X06A, X06B, X06C | | 21B | X04Z, X05A, X05B, X06A, X06B, X06C |
| | 22 | Y01Z, Y03A, Y03B | | 22 | Y01Z, Y03A, Y03B | | 22 | Y01Z, Y03A, Y03B |
| 5t880.8↔ | | BOP, KJZSV, KVT, UOP4 | 5t881.0↔ | | BOP, KJZSV, KVT, UOP4 | 5t881.3↔ | | BOP, KJZSV, KVT, UOP4 |
| | 01 | B03Z, B07Z, B17A, B17B, B17C, B17J | | 01 | B03Z, B07Z, B17A, B17B, B17C, B17J | | 01 | B03Z, B07Z, B17A, B17B, B17C, B17J |
| | 03 | D12A, D12J, D12Q | | 03 | D12A, D12J, D12Q | | 03 | D12A, D12J, D12Q |
| | 05 | F21A, F21B, F21C, F21J, F27A, F27B, F27C | | 05 | F21A, F21B, F21C, F21J, F27A, F27B, F27C | | 05 | F21A, F21B, F21C, F21J, F27A, F27B, F27C |
| | 08 | I08A, I08B, I08C, I08D, I08E, I12A, I12B, I12C, I12J, I13A, I13B, I32A, I32B, I32C, I32D | | 08 | I08A, I08B, I08C, I08D, I08E, I12A, I12B, I12C, I12J, I13A, I13B, I32A, I32B, I32C, I32D | | 08 | I08A, I08B, I08C, I08D, I08E, I12A, I12B, I12C, I12J, I13A, I13B, I32A, I32B, I32C, I32D |
| | 09 | J02A, J02B, J02C, J04A, J04B, J08A, J08B, J08C, J16Z, J21Z, J22A, J22B, J22J | | 09 | J02A, J02B, J02C, J04A, J04B, J08A, J08B, J08C, J16Z, J21Z, J22A, J22B, J22J | | 09 | J02A, J02B, J02C, J04A, J04B, J08A, J08B, J08C, J16Z, J21Z, J22A, J22B, J22J |
| | 10 | K01Z | | 10 | K01Z | | 10 | K01Z |
| | 21A | W04A, W04B | | 21A | W04A, W04B | | 21A | W04A, W04B |
| | 21B | X04Z, X05A, X05B, X06A, X06B, X06C | | 21B | X04Z, X05A, X05B, X06A, X06B, X06C | | 21B | X04Z, X05A, X05B, X06A, X06B, X06C |
| | 22 | Y01Z, Y03A, Y03B | | 22 | Y01Z, Y03A, Y03B | | 22 | Y01Z, Y03A, Y03B |

VYK

| ZZV | MDC | DRG | ZZV | MDC | DRG | ZZV | MDC | DRG |
|----------|----------|--|-----------------------|--|--|---------|--|--|
| 5t881.4↔ | | BOP, KJZSV, KVT, UOP4 | 5t881.7↔ | | BOP, KJZSV, KVT, UOP4 | 5t881.x | | BOP, KJZSV, KVT, UOP4 |
| | 01 | B03Z, B07Z, B17A, B17B, B17C, B17J | | 01 | B03Z, B07Z, B17A, B17B, B17C, B17J | | 01 | B03Z, B07Z, B17A, B17B, B17C, B17J |
| | 03 | D12A, D12J, D12Q | | 03 | D12A, D12J, D12Q | | 03 | D12A, D12J, D12Q |
| | 05 | F21A, F21B, F21C, F21J, F27A, F27B, F27C | | 05 | F21A, F21B, F21C, F21J, F27A, F27B, F27C | | 05 | F21A, F21B, F21C, F21J, F27A, F27B, F27C |
| | 08 | I08A, I08B, I08C, I08D, I08E, I12A, I12B, I12C, I12J, I13A, I13B, I32A, I32B, I32C, I32D | | 08 | I08A, I08B, I08C, I08D, I08E, I12A, I12B, I12C, I12J, I13A, I13B, I32A, I32B, I32C, I32D | | 08 | I08A, I08B, I08C, I08D, I08E, I12A, I12B, I12C, I12J, I13A, I13B, I32A, I32B, I32C, I32D |
| | 09 | J02A, J02B, J02C, J04A, J04B, J08A, J08B, J08C, J16Z, J21Z, J22A, J22B, J22J | | 09 | J02A, J02B, J02C, J04A, J04B, J08A, J08B, J08C, J16Z, J21Z, J22A, J22B, J22J | | 09 | J02A, J02B, J02C, J04A, J04B, J08A, J08B, J08C, J16Z, J21Z, J22A, J22B, J22J |
| | 10 | K01Z | | 10 | K01Z | | 10 | K01Z |
| | 21A | W04A, W04B | | 21A | W04A, W04B | | 21A | W04A, W04B |
| | 21B | X04Z, X05A, X05B, X06A, X06B, X06C | | 21B | X04Z, X05A, X05B, X06A, X06B, X06C | | 21B | X04Z, X05A, X05B, X06A, X06B, X06C |
| | 22 | Y01Z, Y03A, Y03B | | 22 | Y01Z, Y03A, Y03B | | 22 | Y01Z, Y03A, Y03B |
| | 5t881.5↔ | | | BOP, KJZSV, KVT, UOP4 | 5t881.8↔ | | | BOP, KJZSV, KVT, UOP4 |
| 01 | | B03Z, B07Z, B17A, B17B, B17C, B17J | 01 | B03Z, B07Z, B17A, B17B, B17C, B17J | | 01 | B03Z, B07Z, B17A, B17B, B17C, B17J | |
| 03 | | D12A, D12J, D12Q | 03 | D12A, D12J, D12Q | | 03 | D12A, D12J, D12Q | |
| 05 | | F21A, F21B, F21C, F21J, F27A, F27B, F27C | 05 | F21A, F21B, F21C, F21J, F27A, F27B, F27C | | 05 | F21A, F21B, F21J, F27A, F27B, F27C | |
| 08 | | I08A, I08B, I08C, I08D, I08E, I12A, I12B, I12C, I12J, I13A, I13B, I32A, I32B, I32C, I32D | 08 | I08A, I08B, I08C, I08D, I08E, I12A, I12B, I12C, I12J, I13A, I13B, I32A, I32B, I32C, I32D | | 08 | I08A, I08B, I08C, I08D, I08E, I12A, I12B, I12C, I12J, I13A, I13B, I32A, I32B, I32C, I32D | |
| 09 | | J02A, J02B, J02C, J04A, J04B, J08A, J08B, J08C, J16Z, J21Z, J22A, J22B, J22J | 09 | J02A, J02B, J02C, J04A, J04B, J08A, J08B, J08C, J16Z, J21Z, J22A, J22B, J22J | | 09 | J02A, J02B, J02C, J04A, J04B, J08A, J08B, J08C, J16Z, J21Z, J22A, J22B, J22J | |
| 10 | | K01Z | 10 | K01Z | | 10 | K01Z | |
| 21A | | W04A, W04B | 21A | W04A, W04B | | 21A | W04A, W04B | |
| 21B | | X04Z, X05A, X05B, X06A, X06B, X06C | 21B | X04Z, X05A, X05B, X06A, X06B, X06C | | 21B | X04Z, X05A, X05B, X06A, X06B, X06C | |
| 22 | | Y01Z, Y03A, Y03B | 22 | Y01Z, Y03A, Y03B | | 22 | Y01Z, Y03A, Y03B | |
| 5t881.6↔ | | | BOP, KJZSV, KVT, UOP4 | 5t881.9↔ | | | BOP, KJZSV, KVT, UOP4 | 5t882.1↔ |
| | 01 | B03Z, B07Z, B17A, B17B, B17C, B17J | 01 | | B03Z, B07Z, B17A, B17B, B17C, B17J | 01 | B03Z, B07Z, B17A, B17B, B17C, B17J | |
| | 03 | D12A, D12J, D12Q | 03 | | D12A, D12J, D12Q | 03 | D12A, D12J, D12Q | |
| | 05 | F21A, F21B, F21C, F21J, F27A, F27B, F27C | 05 | | F21A, F21B, F21C, F21J, F27A, F27B, F27C | 05 | F21A, F21B, F21J, F27A, F27B, F27C | |
| | 08 | I08A, I08B, I08C, I08D, I08E, I12A, I12B, I12C, I12J, I13A, I13B, I32A, I32B, I32C, I32D | 08 | | I08A, I08B, I08C, I08D, I08E, I12A, I12B, I12C, I12J, I13A, I13B, I32A, I32B, I32C, I32D | 08 | I08A, I08B, I08C, I08D, I08E, I12A, I12B, I12C, I12J, I13A, I13B, I32A, I32B, I32C, I32D | |
| | 09 | J02A, J02B, J02C, J04A, J04B, J08A, J08B, J08C, J16Z, J21Z, J22A, J22B, J22J | 09 | | J02A, J02B, J02C, J04A, J04B, J08A, J08B, J08C, J16Z, J21Z, J22A, J22B, J22J | 09 | J02A, J02B, J02C, J04A, J04B, J08A, J08B, J08C, J16Z, J21Z, J22A, J22B, J22J | |
| | 10 | K01Z | 10 | | K01Z | 10 | K01Z | |
| | 21A | W04A, W04B | 21A | | W04A, W04B | 21A | W04A, W04B | |
| | 21B | X04Z, X05A, X05B, X06A, X06B, X06C | 21B | | X04Z, X05A, X05B, X06A, X06B, X06C | 21B | X04Z, X05A, X05B, X06A, X06B, X06C | |
| | 22 | Y01Z, Y03A, Y03B | 22 | | Y01Z, Y03A, Y03B | 22 | Y01Z, Y03A, Y03B | |

VYK

| ZZV | MDC | DRG | ZZV | MDC | DRG | ZZV | MDC | DRG |
|----------|-----|--|----------|-----|--|----------|-----|--|
| 5t882.2↔ | | BOP, KJZSV, KVT, UOP4 | 5t882.5↔ | | BOP, KJZSV, KVT, UOP4 | 5t882.8↔ | | BOP, KJZSV, KVT, UOP4 |
| | 01 | B03Z, B07Z, B17A, B17B, B17C, B17J | | 01 | B03Z, B07Z, B17A, B17B, B17C, B17J | | 01 | B03Z, B07Z, B17A, B17B, B17C, B17J |
| | 03 | D12A, D12J, D12Q | | 03 | D12A, D12J, D12Q | | 03 | D12A, D12J, D12Q |
| | 05 | F21A, F21B, F21J, F27A, F27B, F27C | | 05 | F21A, F21B, F21J, F27A, F27B, F27C | | 05 | F21A, F21B, F21J, F27A, F27B, F27C |
| | 08 | I08A, I08B, I08C, I08D, I08E, I12A, I12B, I12C, I12J, I13A, I13B, I32A, I32B, I32C, I32D | | 08 | I08A, I08B, I08C, I08D, I08E, I12A, I12B, I12C, I12J, I13A, I13B, I32A, I32B, I32C, I32D | | 08 | I08A, I08B, I08C, I08D, I08E, I12A, I12B, I12C, I12J, I13A, I13B, I32A, I32B, I32C, I32D |
| | 09 | J02A, J02B, J02C, J04A, J04B, J08A, J08B, J08C, J16Z, J21Z, J22A, J22B, J22J | | 09 | J02A, J02B, J02C, J04A, J04B, J08A, J08B, J08C, J16Z, J21Z, J22A, J22B, J22J | | 09 | J02A, J02B, J02C, J04A, J04B, J08A, J08B, J08C, J16Z, J21Z, J22A, J22B, J22J |
| | 10 | K01Z | | 10 | K01Z | | 10 | K01Z |
| | 21A | W04A, W04B | | 21A | W04A, W04B | | 21A | W04A, W04B |
| | 21B | X04Z, X05A, X05B, X06A, X06B, X06C | | 21B | X04Z, X05A, X05B, X06A, X06B, X06C | | 21B | X04Z, X05A, X05B, X06A, X06B, X06C |
| | 22 | Y01Z, Y03A, Y03B | | 22 | Y01Z, Y03A, Y03B | | 22 | Y01Z, Y03A, Y03B |
| 5t882.3↔ | | BOP, KJZSV, KVT, UOP4 | 5t882.6↔ | | BOP, KJZSV, KVT, UOP4 | 5t882.9↔ | | BOP, KJZSV, KVT, UOP4 |
| | 01 | B03Z, B07Z, B17A, B17B, B17C, B17J | | 01 | B03Z, B07Z, B17A, B17B, B17C, B17J | | 01 | B03Z, B07Z, B17A, B17B, B17C, B17J |
| | 03 | D12A, D12J, D12Q | | 03 | D12A, D12J, D12Q | | 03 | D12A, D12J, D12Q |
| | 05 | F21A, F21B, F21J, F27A, F27B, F27C | | 05 | F21A, F21B, F21J, F27A, F27B, F27C | | 05 | F21A, F21B, F21J, F27A, F27B, F27C |
| | 08 | I08A, I08B, I08C, I08D, I08E, I12A, I12B, I12C, I12J, I13A, I13B, I32A, I32B, I32C, I32D | | 08 | I08A, I08B, I08C, I08D, I08E, I12A, I12B, I12C, I12J, I13A, I13B, I32A, I32B, I32C, I32D | | 08 | I08A, I08B, I08C, I08D, I08E, I12A, I12B, I12C, I12J, I13A, I13B, I32A, I32B, I32C, I32D |
| | 09 | J02A, J02B, J02C, J04A, J04B, J08A, J08B, J08C, J16Z, J21Z, J22A, J22B, J22J | | 09 | J02A, J02B, J02C, J04A, J04B, J08A, J08B, J08C, J16Z, J21Z, J22A, J22B, J22J | | 09 | J02A, J02B, J02C, J04A, J04B, J08A, J08B, J08C, J16Z, J21Z, J22A, J22B, J22J |
| | 10 | K01Z | | 10 | K01Z | | 10 | K01Z |
| | 21A | W04A, W04B | | 21A | W04A, W04B | | 21A | W04A, W04B |
| | 21B | X04Z, X05A, X05B, X06A, X06B, X06C | | 21B | X04Z, X05A, X05B, X06A, X06B, X06C | | 21B | X04Z, X05A, X05B, X06A, X06B, X06C |
| | 22 | Y01Z, Y03A, Y03B | | 22 | Y01Z, Y03A, Y03B | | 22 | Y01Z, Y03A, Y03B |
| 5t882.4↔ | | BOP, KJZSV, KVT, UOP4 | 5t882.7↔ | | BOP, KJZSV, KVT, UOP4 | 5t882.x | | BOP, KJZSV, KVT, UOP4 |
| | 01 | B03Z, B07Z, B17A, B17B, B17C, B17J | | 01 | B03Z, B07Z, B17A, B17B, B17C, B17J | | 01 | B03Z, B07Z, B17A, B17B, B17C, B17J |
| | 03 | D12A, D12J, D12Q | | 03 | D12A, D12J, D12Q | | 03 | D12A, D12J, D12Q |
| | 05 | F21A, F21B, F21J, F27A, F27B, F27C | | 05 | F21A, F21B, F21J, F27A, F27B, F27C | | 05 | F21A, F21B, F21J, F27A, F27B, F27C |
| | 08 | I08A, I08B, I08C, I08D, I08E, I12A, I12B, I12C, I12J, I13A, I13B, I32A, I32B, I32C, I32D | | 08 | I08A, I08B, I08C, I08D, I08E, I12A, I12B, I12C, I12J, I13A, I13B, I32A, I32B, I32C, I32D | | 08 | I08A, I08B, I08C, I08D, I08E, I12A, I12B, I12C, I12J, I13A, I13B, I32A, I32B, I32C, I32D |
| | 09 | J02A, J02B, J02C, J04A, J04B, J08A, J08B, J08C, J16Z, J21Z, J22A, J22B, J22J | | 09 | J02A, J02B, J02C, J04A, J04B, J08A, J08B, J08C, J16Z, J21Z, J22A, J22B, J22J | | 09 | J02A, J02B, J02C, J04A, J04B, J08A, J08B, J08C, J16Z, J21Z, J22A, J22B, J22J |
| | 10 | K01Z | | 10 | K01Z | | 10 | K01Z |
| | 21A | W04A, W04B | | 21A | W04A, W04B | | 21A | W04A, W04B |
| | 21B | X04Z, X05A, X05B, X06A, X06B, X06C | | 21B | X04Z, X05A, X05B, X06A, X06B, X06C | | 21B | X04Z, X05A, X05B, X06A, X06B, X06C |
| | 22 | Y01Z, Y03A, Y03B | | 22 | Y01Z, Y03A, Y03B | | 22 | Y01Z, Y03A, Y03B |

VYK

| ZZV | MDC | DRG | ZZV | MDC | DRG | ZZV | MDC | DRG |
|----------|-----|--|----------|-----|--|----------|-----|--|
| 5t883.0↔ | | BOP, KJZSV, KVT, UOP4 | 5t883.3↔ | | BOP, KJZSV, KVT, UOP4 | 5t883.6↔ | | BOP, KJZSV, KVT, UOP4 |
| | 01 | B03Z, B07Z, B17A, B17B, B17C, B17J | | 01 | B03Z, B07Z, B17A, B17B, B17C, B17J | | 01 | B03Z, B07Z, B17A, B17B, B17C, B17J |
| | 03 | D12A, D12J, D12Q | | 03 | D12A, D12J, D12Q | | 03 | D12A, D12J, D12Q |
| | 05 | F21A, F21B, F21J, F27A, F27B, F27C | | 05 | F21A, F21B, F21J, F27A, F27B, F27C | | 05 | F21A, F21B, F21J, F27A, F27B, F27C |
| | 08 | I08A, I08B, I08C, I08D, I08E, I12A, I12B, I12C, I12J, I13A, I13B, I23A, I23J, I32A, I32B, I32C, I32D | | 08 | I08A, I08B, I08C, I08D, I08E, I12A, I12B, I12C, I12J, I13A, I13B, I23A, I23J, I32A, I32B, I32C, I32D | | 08 | I08A, I08B, I08C, I08D, I08E, I12A, I12B, I12C, I12J, I13A, I13B, I23A, I23J, I32A, I32B, I32C, I32D |
| | 09 | J02A, J02B, J02C, J04A, J04B, J08A, J08B, J08C, J16Z, J21Z, J22A, J22B, J22J | | 09 | J02A, J02B, J02C, J04A, J04B, J08A, J08B, J08C, J16Z, J21Z, J22A, J22B, J22J | | 09 | J02A, J02B, J02C, J04A, J04B, J08A, J08B, J08C, J16Z, J21Z, J22A, J22B, J22J |
| | 10 | K01Z | | 10 | K01Z | | 10 | K01Z |
| | 21A | W04A, W04B | | 21A | W04A, W04B | | 21A | W04A, W04B |
| | 21B | X04Z, X05A, X05B, X06A, X06B, X06C | | 21B | X04Z, X05A, X05B, X06A, X06B, X06C | | 21B | X04Z, X05A, X05B, X06A, X06B, X06C |
| | 22 | Y01Z, Y03A, Y03B | | 22 | Y01Z, Y03A, Y03B | | 22 | Y01Z, Y03A, Y03B |
| 5t883.1↔ | | BOP, KJZSV, KVT, UOP4 | 5t883.4↔ | | BOP, KJZSV, KVT, UOP4 | 5t883.7↔ | | BOP, KJZSV, KVT, UOP4 |
| | 01 | B03Z, B07Z, B17A, B17B, B17C, B17J | | 01 | B03Z, B07Z, B17A, B17B, B17C, B17J | | 01 | B03Z, B07Z, B17A, B17B, B17C, B17J |
| | 03 | D12A, D12J, D12Q | | 03 | D12A, D12J, D12Q | | 03 | D12A, D12J, D12Q |
| | 05 | F21A, F21B, F21J, F27A, F27B, F27C | | 05 | F21A, F21B, F21J, F27A, F27B, F27C | | 05 | F21A, F21B, F21J, F27A, F27B, F27C |
| | 08 | I08A, I08B, I08C, I08D, I08E, I12A, I12B, I12C, I12J, I13A, I13B, I23A, I23J, I32A, I32B, I32C, I32D | | 08 | I08A, I08B, I08C, I08D, I08E, I12A, I12B, I12C, I12J, I13A, I13B, I23A, I23J, I32A, I32B, I32C, I32D | | 08 | I08A, I08B, I08C, I08D, I08E, I12A, I12B, I12C, I12J, I13A, I13B, I23A, I23J, I32A, I32B, I32C, I32D |
| | 09 | J02A, J02B, J02C, J04A, J04B, J08A, J08B, J08C, J16Z, J21Z, J22A, J22B, J22J | | 09 | J02A, J02B, J02C, J04A, J04B, J08A, J08B, J08C, J16Z, J21Z, J22A, J22B, J22J | | 09 | J02A, J02B, J02C, J04A, J04B, J08A, J08B, J08C, J16Z, J21Z, J22A, J22B, J22J |
| | 10 | K01Z | | 10 | K01Z | | 10 | K01Z |
| | 21A | W04A, W04B | | 21A | W04A, W04B | | 21A | W04A, W04B |
| | 21B | X04Z, X05A, X05B, X06A, X06B, X06C | | 21B | X04Z, X05A, X05B, X06A, X06B, X06C | | 21B | X04Z, X05A, X05B, X06A, X06B, X06C |
| | 22 | Y01Z, Y03A, Y03B | | 22 | Y01Z, Y03A, Y03B | | 22 | Y01Z, Y03A, Y03B |
| 5t883.2↔ | | BOP, KJZSV, KVT, UOP4 | 5t883.5↔ | | BOP, KJZSV, KVT, UOP4 | 5t883.8↔ | | BOP, KJZSV, KVT, UOP4 |
| | 01 | B03Z, B07Z, B17A, B17B, B17C, B17J | | 01 | B03Z, B07Z, B17A, B17B, B17C, B17J | | 01 | B03Z, B07Z, B17A, B17B, B17C, B17J |
| | 03 | D12A, D12J, D12Q | | 03 | D12A, D12J, D12Q | | 03 | D12A, D12J, D12Q |
| | 05 | F21A, F21B, F21J, F27A, F27B, F27C | | 05 | F21A, F21B, F21J, F27A, F27B, F27C | | 05 | F21A, F21B, F21J, F27A, F27B, F27C |
| | 08 | I08A, I08B, I08C, I08D, I08E, I12A, I12B, I12C, I12J, I13A, I13B, I23A, I23J, I32A, I32B, I32C, I32D | | 08 | I08A, I08B, I08C, I08D, I08E, I12A, I12B, I12C, I12J, I13A, I13B, I23A, I23J, I32A, I32B, I32C, I32D | | 08 | I08A, I08B, I08C, I08D, I08E, I12A, I12B, I12C, I12J, I13A, I13B, I23A, I23J, I32A, I32B, I32C, I32D |
| | 09 | J02A, J02B, J02C, J04A, J04B, J08A, J08B, J08C, J16Z, J21Z, J22A, J22B, J22J | | 09 | J02A, J02B, J02C, J04A, J04B, J08A, J08B, J08C, J16Z, J21Z, J22A, J22B, J22J | | 09 | J02A, J02B, J02C, J04A, J04B, J08A, J08B, J08C, J16Z, J21Z, J22A, J22B, J22J |
| | 10 | K01Z | | 10 | K01Z | | 10 | K01Z |
| | 21A | W04A, W04B | | 21A | W04A, W04B | | 21A | W04A, W04B |
| | 21B | X04Z, X05A, X05B, X06A, X06B, X06C | | 21B | X04Z, X05A, X05B, X06A, X06B, X06C | | 21B | X04Z, X05A, X05B, X06A, X06B, X06C |
| | 22 | Y01Z, Y03A, Y03B | | 22 | Y01Z, Y03A, Y03B | | 22 | Y01Z, Y03A, Y03B |

VYK

| ZZV | MDC | DRG | ZZV | MDC | DRG | ZZV | MDC | DRG |
|----------|---------|--|-----------------------|--|--|----------|--|--|
| 5t883.9↔ | | BOP, KJZSV, KVT, UOP4 | 5t884.1↔ | | BOP, KJZSV, KVT, UOP4 | 5t884.4↔ | | BOP, KJZSV, KVT, UOP4 |
| | 01 | B03Z, B07Z, B17A, B17B, B17C, B17J | | 01 | B03Z, B07Z, B17A, B17B, B17C, B17J | | 01 | B03Z, B07Z, B17A, B17B, B17C, B17J |
| | 03 | D12A, D12J, D12Q | | 03 | D12A, D12J, D12Q | | 03 | D12A, D12J, D12Q |
| | 05 | F21A, F21B, F21J, F27A, F27B, F27C | | 05 | F21A, F21B, F21C, F21J, F27A, F27B, F27C | | 05 | F21A, F21B, F21C, F21J, F27A, F27B, F27C |
| | 08 | I08A, I08B, I08C, I08D, I08E, I12A, I12B, I12C, I12J, I13A, I13B, I23A, I23J, I32A, I32B, I32C, I32D | | 08 | I08A, I08B, I08C, I08D, I08E, I12A, I12B, I12C, I12J, I13A, I13B, I32A, I32B, I32C, I32D | | 08 | I08A, I08B, I08C, I08D, I08E, I12A, I12B, I12C, I12J, I13A, I13B, I32A, I32B, I32C, I32D |
| | 09 | J02A, J02B, J02C, J04A, J04B, J08A, J08B, J08C, J16Z, J21Z, J22A, J22B, J22J | | 09 | J02A, J02B, J02C, J04A, J04B, J08A, J08B, J08C, J16Z, J21Z, J22A, J22B, J22J | | 09 | J02A, J02B, J02C, J04A, J04B, J08A, J08B, J08C, J16Z, J21Z, J22A, J22B, J22J |
| | 10 | K01Z | | 10 | K01Z | | 10 | K01Z |
| | 21A | W04A, W04B | | 21A | W04A, W04B | | 21A | W04A, W04B |
| | 21B | X04Z, X05A, X05B, X06A, X06B, X06C | | 21B | X04Z, X05A, X05B, X06A, X06B, X06C | | 21B | X04Z, X05A, X05B, X06A, X06B, X06C |
| | 22 | Y01Z, Y03A, Y03B | | 22 | Y01Z, Y03A, Y03B | | 22 | Y01Z, Y03A, Y03B |
| | 5t883.x | | | BOP, KJZSV, KVT, UOP4 | 5t884.2↔ | | | BOP, KJZSV, KVT, UOP4 |
| 01 | | B03Z, B07Z, B17A, B17B, B17C, B17J | 01 | B03Z, B07Z, B17A, B17B, B17C, B17J | | 01 | B03Z, B07Z, B17A, B17B, B17C, B17J | |
| 03 | | D12A, D12J, D12Q | 03 | D12A, D12J, D12Q | | 03 | D12A, D12J, D12Q | |
| 05 | | F21A, F21B, F21J, F27A, F27B, F27C | 05 | F21A, F21B, F21C, F21J, F27A, F27B, F27C | | 05 | F21A, F21B, F21C, F21J, F27A, F27B, F27C | |
| 08 | | I08A, I08B, I08C, I08D, I08E, I12A, I12B, I12C, I12J, I13A, I13B, I23A, I23J, I32A, I32B, I32C, I32D | 08 | I08A, I08B, I08C, I08D, I08E, I12A, I12B, I12C, I12J, I13A, I13B, I32A, I32B, I32C, I32D | | 08 | I08A, I08B, I08C, I08D, I08E, I12A, I12B, I12C, I12J, I13A, I13B, I32A, I32B, I32C, I32D | |
| 09 | | J02A, J02B, J02C, J04A, J04B, J08A, J08B, J08C, J16Z, J21Z, J22A, J22B, J22J | 09 | J02A, J02B, J02C, J04A, J04B, J08A, J08B, J08C, J16Z, J21Z, J22A, J22B, J22J | | 09 | J02A, J02B, J02C, J04A, J04B, J08A, J08B, J08C, J16Z, J21Z, J22A, J22B, J22J | |
| 10 | | K01Z | 10 | K01Z | | 10 | K01Z | |
| 21A | | W04A, W04B | 21A | W04A, W04B | | 21A | W04A, W04B | |
| 21B | | X04Z, X05A, X05B, X06A, X06B, X06C | 21B | X04Z, X05A, X05B, X06A, X06B, X06C | | 21B | X04Z, X05A, X05B, X06A, X06B, X06C | |
| 22 | | Y01Z, Y03A, Y03B | 22 | Y01Z, Y03A, Y03B | | 22 | Y01Z, Y03A, Y03B | |
| 5t884.0↔ | | | BOP, KJZSV, KVT, UOP4 | 5t884.3↔ | | | BOP, KJZSV, KVT, UOP4 | 5t884.6↔ |
| | 01 | B03Z, B07Z, B17A, B17B, B17C, B17J | 01 | | B03Z, B07Z, B17A, B17B, B17C, B17J | 01 | B03Z, B07Z, B17A, B17B, B17C, B17J | |
| | 03 | D12A, D12J, D12Q | 03 | | D12A, D12J, D12Q | 03 | D12A, D12J, D12Q | |
| | 05 | F21A, F21B, F21C, F21J, F27A, F27B, F27C | 05 | | F21A, F21B, F21C, F21J, F27A, F27B, F27C | 05 | F21A, F21B, F21C, F21J, F27A, F27B, F27C | |
| | 08 | I08A, I08B, I08C, I08D, I08E, I12A, I12B, I12C, I12J, I13A, I13B, I32A, I32B, I32C, I32D | 08 | | I08A, I08B, I08C, I08D, I08E, I12A, I12B, I12C, I12J, I13A, I13B, I32A, I32B, I32C, I32D | 08 | I08A, I08B, I08C, I08D, I08E, I12A, I12B, I12C, I12J, I13A, I13B, I32A, I32B, I32C, I32D | |
| | 09 | J02A, J02B, J02C, J04A, J04B, J08A, J08B, J08C, J16Z, J21Z, J22A, J22B, J22J | 09 | | J02A, J02B, J02C, J04A, J04B, J08A, J08B, J08C, J16Z, J21Z, J22A, J22B, J22J | 09 | J02A, J02B, J02C, J04A, J04B, J08A, J08B, J08C, J16Z, J21Z, J22A, J22B, J22J | |
| | 10 | K01Z | 10 | | K01Z | 10 | K01Z | |
| | 21A | W04A, W04B | 21A | | W04A, W04B | 21A | W04A, W04B | |
| | 21B | X04Z, X05A, X05B, X06A, X06B, X06C | 21B | | X04Z, X05A, X05B, X06A, X06B, X06C | 21B | X04Z, X05A, X05B, X06A, X06B, X06C | |
| | 22 | Y01Z, Y03A, Y03B | 22 | | Y01Z, Y03A, Y03B | 22 | Y01Z, Y03A, Y03B | |

VYK

| ZZV | MDC | DRG | ZZV | MDC | DRG | ZZV | MDC | DRG | | | |
|----------|----------|--|------------------------------------|--|--|----------|--|--|----------|----|------------------|
| 5t884.7↔ | | BOP, KJZSV, KVT, UOP4 | 5t884.x | | BOP, KJZSV, KVT, UOP4 | 5t885.5↔ | | KJZSV, KOP, KOPV | | | |
| | 01 | B03Z, B07Z, B17A, B17B, B17C, B17J | | 01 | B03Z, B07Z, B17A, B17B, B17C, B17J | | 06 | G33Z | | | |
| | 03 | D12A, D12J, D12Q | | 03 | D12A, D12J, D12Q | | 07 | H33Z, H38Z | | | |
| | 05 | F21A, F21B, F21C, F21J, F27A, F27B, F27C | | 05 | F21A, F21B, F21C, F21J, F27A, F27B, F27C | | 08 | I02A, I02B, I02C, I02D, I22A, I32A, I32B, I32C, I32D, I34Z, I50Z | | | |
| | 08 | I08A, I08B, I08C, I08D, I08E, I12A, I12B, I12C, I12J, I13A, I13B, I32A, I32B, I32C, I32D | | 08 | I08A, I08B, I08C, I08D, I08E, I12A, I12B, I12C, I12J, I13A, I13B, I32A, I32B, I32C, I32D | | 09 | J01Z, J02A, J02B | | | |
| | 09 | J02A, J02B, J02C, J04A, J04B, J08A, J08B, J08C, J16Z, J21Z, J22A, J22B, J22J | | 09 | J02A, J02B, J02C, J04A, J04B, J08A, J08B, J08C, J16Z, J21Z, J22A, J22B, J22J | | 11 | L33Z | | | |
| | 10 | K01Z | | 10 | K01Z | | 21B | X01A, X01B, X01C, X33Z | | | |
| | 21A | W04A, W04B | | 21A | W04A, W04B | | Pre | A07A | | | |
| | 21B | X04Z, X05A, X05B, X06A, X06B, X06C | | 21B | X04Z, X05A, X05B, X06A, X06B, X06C | | 5t885.6↔ | KJZSV, KOP, KOPV | | | |
| | 22 | Y01Z, Y03A, Y03B | | 22 | Y01Z, Y03A, Y03B | | | 06 | G33Z | | |
| | 5t884.8↔ | | | BOP, KJZSV, KVT, UOP4 | 5t885.0↔ | | | KJZSV, KOP, KOPV | 5t885.7↔ | | KJZSV, KOP, KOPV |
| | | 01 | | B03Z, B07Z, B17A, B17B, B17C, B17J | | | 03 | D02A, D02B | | 06 | G33Z |
| | | 03 | | D12A, D12J, D12Q | | | 06 | G33Z | | 07 | H33Z, H38Z |
| 05 | | F21A, F21B, F21C, F21J, F27A, F27B, F27C | 07 | H33Z, H38Z | | 08 | I02A, I02B, I02C, I02D, I22A, I32A, I32B, I32C, I32D, I34Z, I50Z | | | | |
| 08 | | I08A, I08B, I08C, I08D, I08E, I12A, I12B, I12C, I12J, I13A, I13B, I32A, I32B, I32C, I32D | 08 | I02A, I02B, I02C, I02D, I22A, I32A, I32B, I32C, I32D, I34Z, I50Z | | 09 | J01Z, J02A, J02B | | | | |
| 09 | | J02A, J02B, J02C, J04A, J04B, J08A, J08B, J08C, J16Z, J21Z, J22A, J22B, J22J | 09 | J01Z, J02A, J02B | | 11 | L33Z | | | | |
| 10 | | K01Z | 11 | L33Z | | 21B | X01A, X01B, X01C, X33Z | | | | |
| 21A | | W04A, W04B | 21B | X01A, X01B, X01C, X33Z | | Pre | A07A | | | | |
| 21B | | X04Z, X05A, X05B, X06A, X06B, X06C | Pre | A07A | | 5t885.8↔ | KJZSV, KOP, KOPV | | | | |
| 22 | | Y01Z, Y03A, Y03B | 06 | G33Z | | | 06 | G33Z | | | |
| 5t884.9↔ | | | BOP, KJZSV, KVT, UOP4 | 5t885.1↔ | | | KJZSV, KOP, KOPV | 5t885.9↔ | | | KJZSV, KOP, KOPV |
| | | 01 | B03Z, B07Z, B17A, B17B, B17C, B17J | | | 07 | H33Z, H38Z | | | 06 | G33Z |
| | | 03 | D12A, D12J, D12Q | | | 07 | H33Z, H38Z | | | 07 | H33Z, H38Z |
| | 05 | F21A, F21B, F21C, F21J, F27A, F27B, F27C | 08 | | I02A, I02B, I02C, I02D, I22A, I32A, I32B, I32C, I32D, I34Z, I50Z | 08 | I02A, I02B, I02C, I02D, I22A, I32A, I32B, I32C, I32D, I34Z, I50Z | | | | |
| | 08 | I08A, I08B, I08C, I08D, I08E, I12A, I12B, I12C, I12J, I13A, I13B, I32A, I32B, I32C, I32D | 09 | | J01Z, J02A, J02B | 09 | J01Z, J02A, J02B | | | | |
| | 09 | J02A, J02B, J02C, J04A, J04B, J08A, J08B, J08C, J16Z, J21Z, J22A, J22B, J22J | 11 | | L33Z | 11 | L33Z | | | | |
| | 10 | K01Z | 21B | | X01A, X01B, X01C, X33Z | 21B | X01A, X01B, X01C, X33Z | | | | |
| | 21A | W04A, W04B | Pre | | A07A | Pre | A07A | | | | |
| | 21B | X04Z, X05A, X05B, X06A, X06B, X06C | 06 | | G33Z | 5t885.x↔ | KJZSV, KOP, KOPV | | | | |
| | 22 | Y01Z, Y03A, Y03B | 07 | | H33Z, H38Z | | 06 | | G33Z | | |
| | 5t884.9↔ | | BOP, KJZSV, KVT, UOP4 | | 5t885.2↔ | | KJZSV, KOP, KOPV | | 5t885.x↔ | | KJZSV, KOP, KOPV |
| | | 01 | B03Z, B07Z, B17A, B17B, B17C, B17J | | | 06 | G33Z | | | 06 | G33Z |
| | | 03 | D12A, D12J, D12Q | | | 07 | H33Z, H38Z | | | 07 | H33Z, H38Z |
| 05 | | F21A, F21B, F21C, F21J, F27A, F27B, F27C | 08 | I02A, I02B, I02C, I02D, I22A, I32A, I32B, I32C, I32D, I34Z, I50Z | | 08 | I02A, I02B, I02C, I02D, I22A, I32A, I32B, I32C, I32D, I34Z, I50Z | | | | |
| 08 | | I08A, I08B, I08C, I08D, I08E, I12A, I12B, I12C, I12J, I13A, I13B, I32A, I32B, I32C, I32D | 09 | J01Z, J02A, J02B | | 09 | J01Z, J02A, J02B | | | | |
| 09 | | J02A, J02B, J02C, J04A, J04B, J08A, J08B, J08C, J16Z, J21Z, J22A, J22B, J22J | 11 | L33Z | | 11 | L33Z | | | | |
| 10 | | K01Z | 21B | X01A, X01B, X01C, X33Z | | 21B | X01A, X01B, X01C, X33Z | | | | |
| 21A | | W04A, W04B | Pre | A07A | | Pre | A07A | | | | |
| 21B | | X04Z, X05A, X05B, X06A, X06B, X06C | 06 | G33Z | | 5t885.x↔ | KJZSV, KOP, KOPV | | | | |
| 22 | | Y01Z, Y03A, Y03B | 07 | H33Z, H38Z | | | 06 | G33Z | | | |
| 5t884.9↔ | | | BOP, KJZSV, KVT, UOP4 | 5t885.3↔ | | | KJZSV, KOP, KOPV | 5t885.x↔ | | | KJZSV, KOP, KOPV |
| | | 01 | B03Z, B07Z, B17A, B17B, B17C, B17J | | | 06 | G33Z | | | 06 | G33Z |
| | | 03 | D12A, D12J, D12Q | | | 07 | H33Z, H38Z | | | 07 | H33Z, H38Z |
| | 05 | F21A, F21B, F21C, F21J, F27A, F27B, F27C | 08 | | I02A, I02B, I02C, I02D, I22A, I32A, I32B, I32C, I32D, I32E, I32F, I32J, I32Q, I32R, I32S, I32T, I32U, I34Z, I50Z | 08 | I02A, I02B, I02C, I02D, I22A, I32A, I32B, I32C, I32D, I32E, I32F, I32J, I32Q, I32R, I32S, I32T, I32U, I34Z, I50Z | | | | |
| | 08 | I08A, I08B, I08C, I08D, I08E, I12A, I12B, I12C, I12J, I13A, I13B, I32A, I32B, I32C, I32D | 09 | | J01Z, J02A, J02B | 09 | J01Z, J02A, J02B | | | | |
| | 09 | J02A, J02B, J02C, J04A, J04B, J08A, J08B, J08C, J16Z, J21Z, J22A, J22B, J22J | 11 | | L33Z | 11 | L33Z | | | | |
| | 10 | K01Z | 21B | | X01A, X01B, X01C, X33Z | 21B | X01A, X01B, X01C, X33Z | | | | |
| | 21A | W04A, W04B | Pre | | A07A | Pre | A07A | | | | |
| | 21B | X04Z, X05A, X05B, X06A, X06B, X06C | 06 | | G33Z | 5t885.x↔ | KJZSV, KOP, KOPV | | | | |
| | 22 | Y01Z, Y03A, Y03B | 07 | | H33Z, H38Z | | 06 | | G33Z | | |
| | 5t884.9↔ | | BOP, KJZSV, KVT, UOP4 | | 5t885.4↔ | | KJZSV, KOP, KOPV | | 5t885.x↔ | | KJZSV, KOP, KOPV |
| | | 01 | B03Z, B07Z, B17A, B17B, B17C, B17J | | | 06 | G33Z | | | 06 | G33Z |
| | | 03 | D12A, D12J, D12Q | | | 07 | H33Z, H38Z | | | 07 | H33Z, H38Z |
| 05 | | F21A, F21B, F21C, F21J, F27A, F27B, F27C | 08 | I02A, I02B, I02C, I02D, I22A, I32A, I32B, I32C, I32D, I34Z, I50Z | | 08 | I02A, I02B, I02C, I02D, I22A, I32A, I32B, I32C, I32D, I34Z, I50Z | | | | |
| 08 | | I08A, I08B, I08C, I08D, I08E, I12A, I12B, I12C, I12J, I13A, I13B, I32A, I32B, I32C, I32D | 09 | J01Z, J02A, J02B | | 09 | J01Z, J02A, J02B | | | | |
| 09 | | J02A, J02B, J02C, J04A, J04B, J08A, J08B, J08C, J16Z, J21Z, J22A, J22B, J22J | 11 | L33Z | | 11 | L33Z | | | | |
| 10 | | K01Z | 21B | X01A, X01B, X01C, X33Z | | 21B | X01A, X01B, X01C, X33Z | | | | |
| 21A | | W04A, W04B | Pre | A07A | | Pre | A07A | | | | |
| 21B | | X04Z, X05A, X05B, X06A, X06B, X06C | 06 | G33Z | | 5t885.x↔ | KJZSV, KOP, KOPV | | | | |
| 22 | | Y01Z, Y03A, Y03B | 07 | H33Z, H38Z | | | 06 | G33Z | | | |

VYK

| ZZV | MDC | DRG | ZZV | MDC | DRG | ZZV | MDC | DRG | | |
|----------|----------|--|------------------|--|--|--|------------------------|--|--|--|
| 5t886.0↔ | | KJZSV, KOP, KOPV | 5t886.6↔ | 06 | G33Z | 5t887.1↔ | 06 | G33Z | | |
| | 03 | D02A, D02B | | 07 | H33Z, H38Z | | 07 | H33Z, H38Z | | |
| | 06 | G33Z | | 08 | I02A, I02B, I02C, I02D, I22A, I32A, I32B, I32C, I32D, I34Z, I50Z | | 08 | I02A, I02B, I02C, I02D, I22A, I32A, I32B, I32C, I32D, I34Z, I50Z | | |
| | 07 | H33Z, H38Z | | 09 | J01Z, J02A, J02B | | 09 | J01Z, J02A, J02B | | |
| | 08 | I02A, I02B, I02C, I02D, I22A, I32A, I32B, I32C, I32D, I34Z, I50Z | | 11 | L33Z | | 11 | L33Z | | |
| | 09 | J01Z, J02A, J02B | | 21B | X01A, X01B, X01C, X33Z | | 21B | X01A, X01B, X01C, X33Z | | |
| | 11 | L33Z | | Pre | A07A | | Pre | A07A | | |
| | 21B | X01A, X01B, X01C, X33Z | | 5t886.7↔ | 06 | | G33Z | 5t887.2↔ | 06 | G33Z |
| | Pre | A07A | | | 07 | | H33Z, H38Z | | 07 | H33Z, H38Z |
| | 5t886.1↔ | | | | KJZSV, KOP, KOPV | | 08 | | I02A, I02B, I02C, I02D, I22A, I32A, I32B, I32C, I32D, I34Z, I50Z | 08 |
| 06 | | G33Z | 09 | | J01Z, J02A, J02B | 09 | J01Z, J02A, J02B | | | |
| 07 | | H33Z, H38Z | 11 | | L33Z | 11 | L33Z | | | |
| 08 | | I02A, I02B, I02C, I02D, I22A, I32A, I32B, I32C, I32D, I34Z, I50Z | 21B | | X01A, X01B, X01C, X33Z | 21B | X01A, X01B, X01C, X33Z | | | |
| 09 | | J01Z, J02A, J02B | Pre | | A07A | Pre | A07A | | | |
| 11 | | L33Z | 5t886.8↔ | | 06 | G33Z | 5t887.3↔ | | 06 | G33Z |
| 21B | | X01A, X01B, X01C, X33Z | | | 07 | H33Z, H38Z | | | 07 | H33Z, H38Z |
| Pre | | A07A | | | 08 | I02A, I02B, I02C, I02D, I22A, I32A, I32B, I32C, I32D, I34Z, I50Z | | | 08 | I02A, I02B, I02C, I02D, I22A, I32A, I32B, I32C, I32D, I32E, I32F, I32J, I32Q, I32R, I32S, I32T, I32U, I34Z, I50Z |
| 5t886.2↔ | | | | KJZSV, KOP, KOPV | 09 | J01Z, J02A, J02B | | 09 | J01Z, J02A, J02B | |
| | | 06 | | G33Z | 11 | L33Z | | 11 | L33Z | |
| | 07 | H33Z, H38Z | | 21B | X01A, X01B, X01C, X33Z | 21B | | X01A, X01B, X01C, X33Z | | |
| | 08 | I02A, I02B, I02C, I02D, I22A, I32A, I32B, I32C, I32D, I34Z, I50Z | | Pre | A07A | Pre | | A07A | | |
| | 09 | J01Z, J02A, J02B | | 5t886.9↔ | 06 | G33Z | | 5t887.4↔ | 06 | G33Z |
| | 11 | L33Z | | | 07 | H33Z, H38Z | | | 07 | H33Z, H38Z |
| | 21B | X01A, X01B, X01C, X33Z | | | 08 | I02A, I02B, I02C, I02D, I22A, I32A, I32B, I32C, I32D, I34Z, I50Z | | | 08 | I02A, I02B, I02C, I02D, I22A, I32A, I32B, I32C, I32D, I34Z, I50Z |
| | Pre | A07A | 09 | | J01Z, J02A, J02B | 09 | J01Z, J02A, J02B | | | |
| | 5t886.3↔ | | KJZSV, KOP, KOPV | | 11 | L33Z | 11 | | L33Z | |
| | | 06 | G33Z | | 21B | X01A, X01B, X01C, X33Z | 21B | | X01A, X01B, X01C, X33Z | |
| 07 | | H33Z, H38Z | Pre | | A07A | Pre | A07A | | | |
| 08 | | I02A, I02B, I02C, I02D, I22A, I32A, I32B, I32C, I32D, I32E, I32F, I32J, I32Q, I32R, I32S, I32T, I32U, I34Z, I50Z | 5t886.x↔ | | 06 | G33Z | 5t887.5↔ | | 06 | G33Z |
| 09 | | J01Z, J02A, J02B | | | 07 | H33Z, H38Z | | | 07 | H33Z, H38Z |
| 11 | | L33Z | | | 08 | I02A, I02B, I02C, I02D, I22A, I32A, I32B, I32C, I32D, I32E, I32F, I32J, I32Q, I32R, I32S, I32T, I32U, I34Z, I50Z | | | 08 | I02A, I02B, I02C, I02D, I22A, I32A, I32B, I32C, I32D, I34Z, I50Z |
| 21B | | X01A, X01B, X01C, X33Z | | 09 | J01Z, J02A, J02B | 09 | | J01Z, J02A, J02B | | |
| Pre | | A07A | | 11 | L33Z | 11 | | L33Z | | |
| 5t886.4↔ | | | | KJZSV, KOP, KOPV | 21B | X01A, X01B, X01C, X33Z | | 21B | X01A, X01B, X01C, X33Z | |
| | | 06 | | G33Z | Pre | A07A | | Pre | A07A | |
| | 07 | H33Z, H38Z | | 5t887.0↔ | 06 | G33Z | | 5t887.6↔ | 06 | G33Z |
| | 08 | I02A, I02B, I02C, I02D, I22A, I32A, I32B, I32C, I32D, I34Z, I50Z | | | 07 | H33Z, H38Z | | | 07 | H33Z, H38Z |
| | 09 | J01Z, J02A, J02B | | | 08 | I02A, I02B, I02C, I02D, I22A, I32A, I32B, I32C, I32D, I34Z, I50Z | | | 08 | I02A, I02B, I02C, I02D, I22A, I32A, I32B, I32C, I32D, I34Z, I50Z |
| | 11 | L33Z | 09 | | J01Z, J02A, J02B | 09 | J01Z, J02A, J02B | | | |
| | 21B | X01A, X01B, X01C, X33Z | 11 | | L33Z | 11 | L33Z | | | |
| | Pre | A07A | 21B | | X01A, X01B, X01C, X33Z | 21B | X01A, X01B, X01C, X33Z | | | |
| | 5t886.5↔ | | KJZSV, KOP, KOPV | | Pre | A07A | Pre | | A07A | |
| | | 06 | G33Z | | 5t887.1↔ | 03 | D02A, D02B | | 5t887.7↔ | 06 |
| 07 | | H33Z, H38Z | 06 | | | G33Z | 07 | | | H33Z, H38Z |
| 08 | | I02A, I02B, I02C, I02D, I22A, I32A, I32B, I32C, I32D, I34Z, I50Z | 07 | | | H33Z, H38Z | 08 | | | I02A, I02B, I02C, I02D, I22A, I32A, I32B, I32C, I32D, I34Z, I50Z |
| 09 | | J01Z, J02A, J02B | 08 | I02A, I02B, I02C, I02D, I22A, I32A, I32B, I32C, I32D, I34Z, I50Z | | 09 | J01Z, J02A, J02B | | | |
| 11 | | L33Z | 09 | J01Z, J02A, J02B | | 11 | L33Z | | | |
| 21B | | X01A, X01B, X01C, X33Z | 11 | L33Z | | 21B | X01A, X01B, X01C, X33Z | | | |
| Pre | | A07A | Pre | A07A | | Pre | A07A | | | |

VYK

| ZZV | MDC | DRG | ZZV | MDC | DRG | ZZV | MDC | DRG |
|----------|-----|--|----------|-----|--|----------|--|--|
| 5t887.7↔ | | KJZSV, KOP, KOPV | 5t888.2↔ | | BOP, KJZSV, KOP, KOPV, KVT, UOP4 | 5t888.6↔ | | BOP, KJZSV, KOP, KOPV, KVT, UOP4 |
| | 06 | G33Z | | 06 | G33Z | | 04 | E02A, E02B, E02C, E02D |
| | 07 | H33Z, H38Z | | 07 | H33Z, H38Z | | 06 | G33Z |
| | 08 | I02A, I02B, I02C, I02D, I22A, I32A, I32B, I32C, I32D, I34Z, I50Z | | 08 | I02A, I02B, I02C, I02D, I08A, I08B, I08C, I08D, I08E, I12A, I12B, I12C, I12J, I13A, I13B, I22A, I28A, I28B, I28J, I32A, I32B, I32C, I32D, I50Z | | 07 | H33Z, H38Z |
| | 09 | J01Z, J02A, J02B | | 09 | J01Z, J02A, J02B, J16Z | | 08 | I02A, I02B, I02C, I02D, I08A, I08B, I08C, I08D, I08E, I12A, I12B, I12C, I12J, I13A, I13B, I22A, I28A, I28B, I28J, I32A, I32B, I32C, I32D, I50Z |
| | 11 | L33Z | | 11 | L33Z | | 09 | J01Z, J02A, J02B, J16Z |
| | 21B | X01A, X01B, X01C, X33Z | | 21A | W04A, W04B | | 11 | L33Z |
| | Pre | A07A | | 21B | X01A, X01B, X01C, X33Z | | 21A | W04A, W04B |
| | | | | Pre | A07A | | 21B | X01A, X01B, X01C, X33Z |
| | | | | | | | Pre | A07A |
| 5t887.8↔ | | KJZSV, KOP, KOPV | 5t888.3↔ | | BOP, KJZSV, KOP, KOPV, KVT, UOP4 | 5t888.7↔ | | BOP, KJZSV, KOP, KOPV, KVT, UOP4 |
| | 06 | G33Z | | 06 | G33Z | | 06 | G33Z |
| | 07 | H33Z, H38Z | | 07 | H33Z, H38Z | | 07 | H33Z, H38Z |
| | 08 | I02A, I02B, I02C, I02D, I22A, I32A, I32B, I32C, I32D, I34Z, I50Z | | 08 | I02A, I02B, I02C, I02D, I08A, I08B, I08C, I08D, I08E, I12A, I12B, I12C, I12J, I13A, I13B, I22A, I28A, I28B, I28J, I32A, I32B, I32C, I32D, I32E, I32F, I32J, I32Q, I32R, I32S, I32T, I32U, I50Z | | 08 | I02A, I02B, I02C, I02D, I08A, I08B, I08C, I08D, I08E, I12A, I12B, I12C, I12J, I13A, I13B, I22A, I28A, I28B, I28J, I32A, I32B, I32C, I32D, I50Z |
| | 09 | J01Z, J02A, J02B | | 09 | J01Z, J02A, J02B, J16Z | | 09 | J01Z, J02A, J02B, J16Z |
| | 11 | L33Z | | 11 | L33Z | | 11 | L33Z |
| | 21B | X01A, X01B, X01C, X33Z | | 21A | W04A, W04B | | 21A | W04A, W04B |
| | Pre | A07A | | 21B | X01A, X01B, X01C, X33Z | | 21B | X01A, X01B, X01C, X33Z |
| | | | | Pre | A07A | | Pre | A07A |
| | | | | | | | | |
| 5t887.9↔ | | KJZSV, KOP, KOPV | 5t888.4↔ | | BOP, KJZSV, KOP, KOPV, KVT, UOP4 | 5t888.8↔ | | BOP, KJZSV, KOP, KOPV, KVT, UOP4 |
| | 06 | G33Z | | 04 | E02A, E02B, E02C, E02D | | 06 | G33Z |
| | 07 | H33Z, H38Z | | 06 | G33Z | | 07 | H33Z, H38Z |
| | 08 | I02A, I02B, I02C, I02D, I22A, I32A, I32B, I32C, I32D, I32E, I32F, I32J, I32Q, I32R, I32S, I32T, I32U, I34Z, I50Z | | 07 | H33Z, H38Z | | 08 | I02A, I02B, I02C, I02D, I08A, I08B, I08C, I08D, I08E, I12A, I12B, I12C, I12J, I13A, I13B, I22A, I28A, I28B, I28J, I32A, I32B, I32C, I32D, I50Z |
| | 09 | J01Z, J02A, J02B | | 08 | I02A, I02B, I02C, I02D, I08A, I08B, I08C, I08D, I08E, I12A, I12B, I12C, I12J, I13A, I13B, I22A, I28A, I28B, I28J, I32A, I32B, I32C, I32D, I50Z | | 09 | J01Z, J02A, J02B, J16Z |
| | 11 | L33Z | | 09 | J01Z, J02A, J02B, J16Z | | 11 | L33Z |
| | 21B | X01A, X01B, X01C, X33Z | | 09 | J01Z, J02A, J02B, J16Z | | 21A | W04A, W04B |
| | Pre | A07A | | 11 | L33Z | | 21B | X01A, X01B, X01C, X33Z |
| | | | | 21A | W04A, W04B | | Pre | A07A |
| | | | | 21B | X01A, X01B, X01C, X33Z | | | |
| 5t887.x↔ | | KJZSV, KOP, KOPV | 5t888.5↔ | | BOP, KJZSV, KOP, KOPV, KVT, UOP4 | 5t888.9↔ | | BOP, KJZSV, KOP, KOPV, KVT, UOP4 |
| | 06 | G33Z | | 04 | E02A, E02B, E02C, E02D | | 06 | G33Z |
| | 07 | H33Z, H38Z | | 06 | G33Z | | 07 | H33Z, H38Z |
| | 08 | I02A, I02B, I02C, I02D, I22A, I32A, I32B, I32C, I32D, I32E, I32F, I32J, I32Q, I32R, I32S, I32T, I32U, I34Z, I50Z | | 07 | H33Z, H38Z | | 08 | I02A, I02B, I02C, I02D, I08A, I08B, I08C, I08D, I08E, I12A, I12B, I12C, I12J, I13A, I13B, I22A, I28A, I28B, I28J, I32A, I32B, I32C, I32D, I50Z |
| | 09 | J01Z, J02A, J02B | | 08 | I02A, I02B, I02C, I02D, I08A, I08B, I08C, I08D, I08E, I12A, I12B, I12C, I12J, I13A, I13B, I22A, I28A, I28B, I28J, I32A, I32B, I32C, I32D, I50Z | | 09 | J01Z, J02A, J02B, J16Z |
| | 11 | L33Z | | 09 | J01Z, J02A, J02B, J16Z | | 11 | L33Z |
| | 21B | X01A, X01B, X01C, X33Z | | 09 | J01Z, J02A, J02B, J16Z | | 21A | W04A, W04B |
| | Pre | A07A | | 11 | L33Z | | 21B | X01A, X01B, X01C, X33Z |
| | | | | 21A | W04A, W04B | | Pre | A07A |
| | | | | 21B | X01A, X01B, X01C, X33Z | | | |
| 5t888.0↔ | | BOP, KJZSV, KOP, KOPV, KVT, UOP4 | 5t888.1↔ | | BOP, KJZSV, KOP, KOPV, KVT, UOP4 | | | |
| | 03 | D02A | | 06 | G33Z | 06 | G33Z | |
| | 06 | G33Z | | 07 | H33Z, H38Z | 07 | H33Z, H38Z | |
| | 07 | H33Z, H38Z | | 08 | I02A, I02B, I02C, I02D, I08A, I08B, I08C, I08D, I08E, I12A, I12B, I12C, I12J, I13A, I13B, I22A, I28A, I28B, I28J, I32A, I32B, I32C, I32D, I50Z | 08 | I02A, I02B, I02C, I02D, I08A, I08B, I08C, I08D, I08E, I12A, I12B, I12C, I12J, I13A, I13B, I22A, I28A, I28B, I28J, I32A, I32B, I32C, I32D, I50Z | |
| | 08 | I02A, I02B, I02C, I02D, I08A, I08B, I08C, I08D, I08E, I12A, I12B, I12C, I12J, I13A, I13B, I22A, I28A, I28B, I28J, I32A, I32B, I32C, I32D, I50Z | | 09 | J01Z, J02A, J02B, J16Z | 09 | J01Z, J02A, J02B, J16Z | |
| | 09 | J01Z, J02A, J02B, J16Z | | 11 | L33Z | 11 | L33Z | |
| | 11 | L33Z | | 21A | W04A, W04B | 21A | W04A, W04B | |
| | 21A | W04A, W04B | | 21B | X01A, X01B, X01C, X33Z | 21B | X01A, X01B, X01C, X33Z | |
| | 21B | X01A, X01B, X01C, X33Z | | Pre | A07A | Pre | A07A | |
| | Pre | A07A | | | | | | |

| ZZV | MDC | DRG | ZZV | MDC | DRG | ZZV | MDC | DRG |
|----------|-----|--|----------|-----|--|----------|-----|--|
| 5t888.x↔ | | BOP, KJZSV, KOP, KOPV, KVT, UOP4 | 5t889.5↔ | | KJZSV, KOP, KOPV | 5t88x.0↔ | | KJZSV, KOP, KOPV |
| | 06 | G33Z | | 06 | G33Z | | 06 | G33Z |
| | 07 | H33Z, H38Z | | 07 | H33Z, H38Z | | 07 | H33Z, H38Z |
| | 08 | I02A, I02B, I02C, I02D, I08A, I08B, I08C, I08D, I08E, I12A, I12B, I12C, I12J, I13A, I13B, I22A, I28A, I28B, I28J, I32A, I32B, I32C, I32D, I32E, I32F, I32J, I32Q, I32R, I32S, I32T, I32U, I50Z | | 08 | I02A, I02B, I02C, I02D, I22A, I32A, I32B, I32C, I32D, I34Z, I50Z | | 08 | I02A, I02B, I02C, I02D, I22A, I32A, I32B, I32C, I32D, I34Z, I50Z |
| | 09 | J01Z, J02A, J02B, J16Z | | 09 | J01Z, J02A, J02B | | 09 | J01Z, J02A, J02B |
| | 11 | L33Z | | 11 | L33Z | | 11 | L33Z |
| | 21A | W04A, W04B | | 11 | L33Z | | 11 | L33Z |
| | 21B | X01A, X01B, X01C, X33Z | | 21B | X01A, X01B, X01C, X33Z | | 21B | X01A, X01B, X01C, X33Z |
| | Pre | A07A | | Pre | A07A | | Pre | A07A |
| 5t889.0↔ | | KJZSV, KOP, KOPV | 5t889.6↔ | | KJZSV, KOP, KOPV | 5t88x.1↔ | | KJZSV, KOP, KOPV |
| | 03 | D02A, D02B | | 06 | G33Z | | 06 | G33Z |
| | 06 | G33Z | | 07 | H33Z, H38Z | | 07 | H33Z, H38Z |
| | 07 | H33Z, H38Z | | 08 | I02A, I02B, I02C, I02D, I22A, I32A, I32B, I32C, I32D, I34Z, I50Z | | 08 | I02A, I02B, I02C, I02D, I22A, I32A, I32B, I32C, I32D, I34Z, I50Z |
| | 08 | I02A, I02B, I02C, I02D, I22A, I32A, I32B, I32C, I32D, I34Z, I50Z | | 09 | J01Z, J02A, J02B | | 09 | J01Z, J02A, J02B |
| | 09 | J01Z, J02A, J02B | | 11 | L33Z | | 11 | L33Z |
| | 11 | L33Z | | 21B | X01A, X01B, X01C, X33Z | | 21B | X01A, X01B, X01C, X33Z |
| | 21B | X01A, X01B, X01C, X33Z | | Pre | A07A | | 21B | X01A, X01B, X01C, X33Z |
| | Pre | A07A | 5t889.7↔ | | KJZSV, KOP, KOPV | | Pre | A07A |
| 5t889.1↔ | | KJZSV, KOP, KOPV | | 06 | G33Z | 5t88x.2↔ | | KJZSV, KOP, KOPV |
| | 06 | G33Z | | 07 | H33Z, H38Z | | 06 | G33Z |
| | 07 | H33Z, H38Z | | 08 | I02A, I02B, I02C, I02D, I22A, I32A, I32B, I32C, I32D, I34Z, I50Z | | 07 | H33Z, H38Z |
| | 08 | I02A, I02B, I02C, I02D, I22A, I32A, I32B, I32C, I32D, I34Z, I50Z | | 09 | J01Z, J02A, J02B | | 08 | I02A, I02B, I02C, I02D, I22A, I32A, I32B, I32C, I32D, I34Z, I50Z |
| | 09 | J01Z, J02A, J02B | | 11 | L33Z | | 09 | J01Z, J02A, J02B |
| | 11 | L33Z | | 21B | X01A, X01B, X01C, X33Z | | 11 | L33Z |
| | 21B | X01A, X01B, X01C, X33Z | | Pre | A07A | | 21B | X01A, X01B, X01C, X33Z |
| | Pre | A07A | 5t889.8↔ | | KJZSV, KOP, KOPV | | Pre | A07A |
| 5t889.2↔ | | KJZSV, KOP, KOPV | | 06 | G33Z | 5t88x.3↔ | | KJZSV, KOP, KOPV |
| | 06 | G33Z | | 07 | H33Z, H38Z | | 06 | G33Z |
| | 07 | H33Z, H38Z | | 08 | I02A, I02B, I02C, I02D, I22A, I32A, I32B, I32C, I32D, I34Z, I50Z | | 07 | H33Z, H38Z |
| | 08 | I02A, I02B, I02C, I02D, I22A, I32A, I32B, I32C, I32D, I34Z, I50Z | | 09 | J01Z, J02A, J02B | | 08 | I02A, I02B, I02C, I02D, I22A, I32A, I32B, I32C, I32D, I32E, I32F, I32J, I32Q, I32R, I32S, I32T, I32U, I34Z, I50Z |
| | 09 | J01Z, J02A, J02B | | 11 | L33Z | | 09 | J01Z, J02A, J02B |
| | 11 | L33Z | | 21B | X01A, X01B, X01C, X33Z | | 11 | L33Z |
| | 21B | X01A, X01B, X01C, X33Z | | Pre | A07A | | 21B | X01A, X01B, X01C, X33Z |
| | Pre | A07A | 5t889.9↔ | | KJZSV, KOP, KOPV | | Pre | A07A |
| 5t889.3↔ | | KJZSV, KOP, KOPV | | 06 | G33Z | 5t88x.4 | | KJZSV, KOP, KOPV |
| | 06 | G33Z | | 07 | H33Z, H38Z | | 06 | G33Z |
| | 07 | H33Z, H38Z | | 08 | I02A, I02B, I02C, I02D, I22A, I32A, I32B, I32C, I32D, I34Z, I50Z | | 07 | H33Z, H38Z |
| | 08 | I02A, I02B, I02C, I02D, I22A, I32A, I32B, I32C, I32D, I34Z, I50Z | | 09 | J01Z, J02A, J02B | | 08 | I02A, I02B, I02C, I02D, I22A, I32A, I32B, I32C, I32D, I34Z, I50Z |
| | 09 | J01Z, J02A, J02B | | 11 | L33Z | | 09 | J01Z, J02A, J02B |
| | 11 | L33Z | | 21B | X01A, X01B, X01C, X33Z | | 11 | L33Z |
| | 21B | X01A, X01B, X01C, X33Z | | Pre | A07A | | 21B | X01A, X01B, X01C, X33Z |
| | Pre | A07A | 5t889.x↔ | | KJZSV, KOP, KOPV | 5t88x.5 | | KJZSV, KOP, KOPV |
| 5t889.4↔ | | KJZSV, KOP, KOPV | | 06 | G33Z | | 06 | G33Z |
| | 06 | G33Z | | 07 | H33Z, H38Z | | 07 | H33Z, H38Z |
| | 07 | H33Z, H38Z | | 08 | I02A, I02B, I02C, I02D, I22A, I32A, I32B, I32C, I32D, I32E, I32F, I32J, I32Q, I32R, I32S, I32T, I32U, I34Z, I50Z | | 08 | I02A, I02B, I02C, I02D, I22A, I32A, I32B, I32C, I32D, I34Z, I50Z |
| | 08 | I02A, I02B, I02C, I02D, I22A, I32A, I32B, I32C, I32D, I34Z, I50Z | | 09 | J01Z, J02A, J02B | | 09 | J01Z, J02A, J02B |
| | 09 | J01Z, J02A, J02B | | 11 | L33Z | | 11 | L33Z |
| | 11 | L33Z | | 21B | X01A, X01B, X01C, X33Z | | 21B | X01A, X01B, X01C, X33Z |
| | 21B | X01A, X01B, X01C, X33Z | | Pre | A07A | | 21B | X01A, X01B, X01C, X33Z |
| | Pre | A07A | | Pre | A07A | | Pre | A07A |

VYK

| ZZV | MDC | DRG | ZZV | MDC | DRG | ZZV | MDC | DRG | | | |
|----------|----------|--|--|--|--|--|--|--|--|--|--|
| 5t88x.6 | | KJZSV, KOP, KOPV | 5t891.2↔ | | BOP, KVT, UOP4 | 5t892.11 | | BOP, KJZSV, KVT, UOP4 | | | |
| | 06 | G33Z | | 01 | B03Z, B17A, B17B, B17C, B17J | | 08 | I12A, I12B, I12C, I12J, I27A, I27B, I27C, I27D, I27J, I27Q | | | |
| | 07 | H33Z, H38Z | | 08 | I12A, I12B, I12C, I12J, I27A, I27B, I27C, I27D, I27J, I27Q | | 21A | W04A, W04B | | | |
| | 08 | I02A, I02B, I02C, I02D, I22A, I32A, I32B, I32C, I32D, I34Z, I50Z | | 21A | W04A, W04B | | 21B | X06A, X06B, X06C | | | |
| | 09 | J01Z, J02A, J02B | | 21B | X06A, X06B, X06C | | 5t892.12 | 08 | I12A, I12B, I12C, I12J, I27A, I27B, I27C, I27D, I27J, I27Q | | |
| | 11 | L33Z | | 5t891.3↔ | | | | BOP, KVT, UOP4 | 21A | W04A, W04B | |
| | 21B | X01A, X01B, X01C, X33Z | | | 01 | | B03Z, B17A, B17B, B17C, B17J | 21B | X06A, X06B, X06C | | |
| | Pre | A07A | | 08 | I12A, I12B, I12C, I12J, I27A, I27B, I27C, I27D, I27J, I27Q | | 5t892.13 | 08 | I12A, I12B, I12C, I12J, I27A, I27B, I27C, I27D, I27J, I27Q | | |
| | 5t88x.7↔ | | | KJZSV, KOP, KOPV | 5t891.4↔ | | | | BOP, KJZSV, KVT, UOP4 | 5t892.14 | |
| | | 06 | | G33Z | | | 01 | B03Z, B17A, B17B, B17C, B17J | 08 | | I12A, I12B, I12C, I12J, I27A, I27B, I27C, I27D, I27J, I27Q |
| 07 | | H33Z, H38Z | 08 | I12A, I12B, I12C, I12J, I27A, I27B, I27C, I27D, I27J, I27Q | | 21A | W04A, W04B | | | | |
| 08 | | I02A, I02B, I02C, I02D, I22A, I32A, I32B, I32C, I32D, I34Z, I50Z | 21A | W04A, W04B | | 21B | X05A, X05B, X06A, X06B, X06C | | | | |
| 09 | | J01Z, J02A, J02B | 5t891.5↔ | | | BOP, KJZSV, KVT, UOP4 | 5t892.15 | | BOP, KJZSV, KVT, UOP4 | | |
| 11 | | L33Z | | 01 | | B03Z, B17A, B17B, B17C, B17J | | 08 | I12A, I12B, I12C, I12J, I27A, I27B, I27C, I27D, I27J, I27Q | | |
| 21B | | X01A, X01B, X01C, X33Z | 08 | I12A, I12B, I12C, I12J, I27A, I27B, I27C, I27D, I27J, I27Q | | 21A | W04A, W04B | 5t892.16 | 08 | | I12A, I12B, I12C, I12J, I27A, I27B, I27C, I27D, I27J, I27Q |
| Pre | | A07A | 21A | W04A, W04B | | 21B | X05A, X05B, X06A, X06B, X06C | | 5t892.17 | | 08 |
| 5t88x.8↔ | | | KJZSV, KOP, KOPV | 5t891.6↔ | | | BOP, KJZSV, KVT, UOP4 | 5t892.18 | | | |
| | | 06 | G33Z | | | 01 | B03Z, B17A, B17B, B17C, B17J | | 08 | | I12A, I12B, I12C, I12J, I27A, I27B, I27C, I27D, I27J, I27Q |
| | 07 | H33Z, H38Z | 08 | | I12A, I12B, I12C, I12J, I27A, I27B, I27C, I27D, I27J, I27Q | 21A | W04A, W04B | | | | |
| | 08 | I02A, I02B, I02C, I02D, I22A, I32A, I32B, I32C, I32D, I34Z, I50Z | 21A | | W04A, W04B | 21B | X04Z, X06A, X06B, X06C | | | | |
| | 09 | J01Z, J02A, J02B | 5t891.7↔ | | | BOP, KVT, UOP4 | 5t892.19 | | | BOP, KJZSV, KVT, UOP4 | |
| | 11 | L33Z | | | 01 | B03Z, B17A, B17B, B17C, B17J | | | 08 | I12A, I12B, I12C, I12J, I27A, I27B, I27C, I27D, I27J, I27Q | |
| | 21B | X01A, X01B, X01C, X33Z | 08 | | I12A, I12B, I12C, I12J, I27A, I27B, I27C, I27D, I27J, I27Q | 21A | W04A, W04B | | 5t892.20 | 08 | I12A, I12B, I12C, I12J, I27A, I27B, I27C, I27D, I27J, I27Q |
| | Pre | A07A | 21A | | W04A, W04B | 21B | X04Z, X06A, X06B, X06C | | | 5t892.21 | 08 |
| | 5t88x.9↔ | | KJZSV, KOP, KOPV | | 5t891.8↔ | | BOP, KJZSV, KVT, UOP4 | | 5t892.1a | | |
| | | 06 | G33Z | | | 01 | B03Z, B17A, B17B, B17C, B17J | | | 08 | I12A, I12B, I12C, I12J, I27A, I27B, I27C, I27D, I27J, I27Q |
| 07 | | H33Z, H38Z | 08 | I12A, I12B, I12C, I12J, I27A, I27B, I27C, I27D, I27J, I27Q | | 21A | W04A, W04B | | | | |
| 08 | | I02A, I02B, I02C, I02D, I22A, I32A, I32B, I32C, I32D, I32E, I32F, I32J, I32Q, I32R, I32S, I32T, I32U, I34Z, I50Z | 21A | W04A, W04B | | 21B | X04Z, X06A, X06B, X06C | | | | |
| 09 | | J01Z, J02A, J02B | 5t891.9↔ | | | BOP, KVT, UOP4 | 5t892.1x | | | BOP, KJZSV, KVT, UOP4 | |
| 11 | | L33Z | | 01 | | B03Z, B17A, B17B, B17C, B17J | | 08 | | I12A, I12B, I12C, I12J, I27A, I27B, I27C, I27D, I27J, I27Q | |
| 21B | | X01A, X01B, X01C, X33Z | 08 | I12A, I12B, I12C, I12J, I27A, I27B, I27C, I27D, I27J, I27Q | | 21A | W04A, W04B | 5t892.20 | | 08 | I12A, I12B, I12C, I12J, I27A, I27B, I27C, I27D, I27J, I27Q |
| Pre | | A07A | 21A | W04A, W04B | | 21B | X04Z, X06A, X06B, X06C | | | 5t892.21 | 08 |
| 5t88x.x↔ | | | KJZSV, KOP, KOPV | 5t891.x | | | BOP, KVT, UOP4 | 5t892.21 | | | |
| | | 06 | G33Z | | | 01 | B03Z, B17A, B17B, B17C, B17J | | | 08 | I12A, I12B, I12C, I12J, I27A, I27B, I27C, I27D, I27J, I27Q |
| | 07 | H33Z, H38Z | 08 | | I12A, I12B, I12C, I12J, I27A, I27B, I27C, I27D, I27J, I27Q | 21A | W04A, W04B | | | | |
| | 08 | I02A, I02B, I02C, I02D, I22A, I32A, I32B, I32C, I32D, I32E, I32F, I32J, I32Q, I32R, I32S, I32T, I32U, I34Z, I50Z | 21A | | W04A, W04B | 21B | X06A, X06B, X06C | | | | |
| | 09 | J01Z, J02A, J02B | 5t892.10 | | | BOP, KJZSV, KVT, UOP4 | | | | BOP, KJZSV, KVT, UOP4 | |
| | 11 | L33Z | | | 08 | I12A, I12B, I12C, I12J, I27A, I27B, I27C, I27D, I27J, I27Q | | | 21A | W04A, W04B | |
| | 21B | X01A, X01B, X01C, X33Z | 08 | | I12A, I12B, I12C, I12J, I27A, I27B, I27C, I27D, I27J, I27Q | 21B | X06A, X06B, X06C | | | | |
| | Pre | A07A | 21A | | W04A, W04B | 21B | X06A, X06B, X06C | | | | |
| | 5t891.0↔ | | BOP, KJZSV, KVT, UOP4 | | 5t892.10 | | BOP, KJZSV, KVT, UOP4 | | | | BOP, KJZSV, KVT, UOP4 |
| | | 01 | B03Z, B17A, B17B, B17C, B17J | | | 08 | I12A, I12B, I12C, I12J, I27A, I27B, I27C, I27D, I27J, I27Q | | | 21A | W04A, W04B |
| 08 | | I12A, I12B, I12C, I12J, I27A, I27B, I27C, I27D, I27J, I27Q | 21A | W04A, W04B | | 21B | X06A, X06B, X06C | | | | |
| 21A | | W04A, W04B | 21A | W04A, W04B | | 21B | X06A, X06B, X06C | | | | |
| 21B | | X06A, X06B, X06C | 21B | X06A, X06B, X06C | | | | | | | |
| 5t891.1↔ | | | BOP, KVT, UOP4 | | | | | | | | |
| | | 01 | B03Z, B17A, B17B, B17C, B17J | | | | | | | | |
| | | 08 | I12A, I12B, I12C, I12J, I27A, I27B, I27C, I27D, I27J, I27Q | | | | | | | | |
| | | 21A | W04A, W04B | | | | | | | | |
| | | 21B | X06A, X06B, X06C | | | | | | | | |
| | | | | | | | | | | | |
| | | | | | | | | | | | |
| | | | | | | | | | | | |
| | | | | | | | | | | | |
| | | | | | | | | | | | |

| ZZV | MDC | DRG | ZZV | MDC | DRG | ZZV | MDC | DRG |
|----------|-----|--|--------|-----|--|--------|-----|--|
| 5t89x.6 | | BOP, KJZSV, KVT, UOP4 | 5t904↔ | | BOP, KJZSV, KVT, UOP4, VIAL | 5t912↔ | | BOP, KJZSV, KVT, UOP4, VIAL |
| | 08 | I12A, I12B, I12C, I12J, I27A, I27B, I27C, I27D, I27J, I27Q | | 05 | F13A | | 05 | F13A |
| | 21A | W04A, W04B | | 08 | I02A, I02B, I02C, I02D, I22A, I32A, I32B, I32C, I32D, I32E, I32F, I32J, I32Q, I32R, I32S, I32T, I32U, I50Z | | 08 | I02A, I02B, I02C, I02D, I22A, I50Z |
| 5t89x.7↔ | | BOP, KJZSV, KVT, UOP4 | | 11 | L09A, L38Z | | 11 | L09A, L38Z |
| | 08 | I12A, I12B, I12C, I12J, I27A, I27B, I27C, I27D, I27J, I27Q | | 21A | W04A, W04B | | 21A | W01A, W01B, W01C, W02A, W02B |
| | 21A | W04A, W04B | | 21B | X01A, X01B, X01C, X05A, X05B, X07A | | 21B | X01A, X01B, X01C, X04Z, X07A |
| 5t89x.8↔ | | BOP, KJZSV, KVT, UOP4 | 5t905↔ | | BOP, KJZSV, KVT, UOP4, VIAL | 5t913↔ | | BOP, KJZSV, KVT, UOP4, VIAL |
| | 08 | I12A, I12B, I12C, I12J, I27A, I27B, I27C, I27D, I27J, I27Q | | 05 | F13A | | 05 | F13A |
| | 21A | W04A, W04B | | 08 | I02A, I02B, I02C, I02D, I22A, I22B, I32A, I32B, I32C, I32D, I32E, I32F, I32J, I32Q, I32R, I32S, I32T, I32U, I50Z | | 08 | I02A, I02B, I02C, I02D, I20A, I20B, I20C, I20D, I20J, I20Q, I20R, I22A, I50Z |
| 5t89x.9↔ | | BOP, KJZSV, KVT, UOP4 | | 11 | L09A, L38Z | | 11 | L09A, L38Z |
| | 08 | I12A, I12B, I12C, I12J, I27A, I27B, I27C, I27D, I27J, I27Q | | 21A | W04A, W04B | | 21A | W04A, W04B |
| | 21A | W04A, W04B | | 21B | X01A, X01B, X01C, X05A, X05B, X07A, X07B | | 21B | X01A, X01B, X01C, X04Z, X07A |
| 5t89x.x | | BOP, KJZSV, KVT, UOP4 | 5t906↔ | | BOP, KJZSV, KVT, UOP4, VIAL | 5t914↔ | | BOP, KJZSV, KVT, UOP4, VIAL |
| | 08 | I12A, I12B, I12C, I12J, I27A, I27B, I27C, I27D, I27J, I27Q | | 05 | F13A | | 05 | F13A |
| | 21A | W04A, W04B | | 08 | I02A, I02B, I02C, I02D, I22A, I22B, I32A, I32B, I32C, I32D, I32E, I32F, I32J, I32Q, I32R, I32S, I32T, I32U, I50Z | | 08 | I02A, I02B, I02C, I02D, I20A, I20B, I20C, I20D, I20J, I20Q, I20R, I22A, I50Z |
| | 21B | X06A, X06B, X06C | | 11 | L09A, L38Z | | 11 | L09A, L38Z |
| 5t900↔ | | BOP, KJZSV, KVT, UOP4, VIAL | | 21A | W04A, W04B | | 21A | W04A, W04B |
| | 05 | F13A | | 21B | X01A, X01B, X01C, X05A, X05B, X07A, X07B | | 21B | X01A, X01B, X01C, X04Z, X07A |
| | 08 | I02A, I02B, I02C, I02D, I08A, I08B, I08C, I08D, I08E, I08F, I08J, I22A, I50Z | 5t90x↔ | | BOP, KJZSV, KVT, UOP4 | 5t915↔ | | BOP, KJZSV, KVT, UOP4, VIAL |
| | 11 | L09A, L38Z | | 05 | F13A | | 05 | F13A |
| | 21A | W04A, W04B | | 08 | I28A, I28B, I28J, I32A, I32B, I32C, I32D, I32E, I32F, I32J, I32Q, I32R, I32S, I32T, I32U | | 08 | I02A, I02B, I02C, I02D, I20A, I20B, I20C, I20D, I20J, I20Q, I20R, I22A, I22B, I50Z |
| 5t901↔ | | BOP, KJZSV, KVT, UOP4, VIAL | | 11 | L09A, L38Z | | 11 | L09A, L38Z |
| | 05 | F13A | | 21A | W04A, W04B | | 21A | W04A, W04B |
| | 08 | I02A, I02B, I02C, I02D, I08A, I08B, I08C, I08D, I08E, I08F, I08J, I22A, I50Z | 5t910↔ | | BOP, KJZSV, KVT, UOP4, VIAL | 5t91x↔ | | BOP, KJZSV, KVT, UOP4 |
| | 11 | L09A, L38Z | | 05 | F13A | | 05 | F13A |
| | 21A | W04A, W04B | | 08 | I02A, I02B, I02C, I02D, I08A, I08B, I08C, I08D, I08E, I08F, I08J, I22A, I50Z | | 08 | I02A, I02B, I02C, I02D, I22A, I22B, I28A, I28B, I28J, I50Z |
| 5t902↔ | | BOP, KJZSV, KVT, UOP4, VIAL | | 11 | L09A, L38Z | | 11 | L09A, L38Z |
| | 05 | F13A | | 21A | W04A, W04B | | 21A | W04A, W04B |
| | 08 | I02A, I02B, I02C, I02D, I08A, I08B, I08C, I08D, I08E, I08F, I08J, I22A, I50Z | | 21B | X01A, X01B, X01C, X04Z, X07A | | 21B | X01A, X01B, X01C, X04Z, X07A, X07B |
| | 11 | L09A, L38Z | 5t911↔ | | BOP, KJZSV, KVT, UOP4, VIAL | 5t920↔ | | BOP, KJZSV, KVT, UOP4 |
| | 21A | W04A, W04B | | 05 | F13A | | 05 | F13A, F13C |
| 5t903↔ | | BOP, KJZSV, KVT, UOP4, VIAL | | 08 | I02A, I02B, I02C, I02D, I18A, I18B, I18J, I18Q, I18R, I22A, I30J, I30Z, I50Z | | 08 | I07Z |
| | 05 | F13A | | 11 | L09A, L38Z | | 09 | J03A, J03B, J04A, J04B, J08A, J08B, J08C, J11A, J11B, J11J, J11Q, J11R, J11S, J16Z |
| | 08 | I02A, I02B, I02C, I02D, I22A, I32A, I32B, I32C, I32D, I32E, I32F, I32J, I32Q, I32R, I32S, I32T, I32U, I50Z | | 21A | W04A, W04B | | 11 | L09A, L38Z |
| | 11 | L09A, L38Z | | 21B | X01A, X01B, X01C, X04Z, X07A | | 21A | W04A, W04B |
| | 21A | W04A, W04B | | 05 | F13A | | 21B | X06A, X06B, X06C |
| | 21B | X01A, X01B, X01C, X05A, X05B, X07A | | 08 | I02A, I02B, I02C, I02D, I18A, I18B, I18J, I18Q, I18R, I22A, I30J, I30Z, I50Z | | 22 | Y01Z, Y02A, Y02B, Y03A, Y03B |

VYK

| ZZV | MDC | DRG | ZZV | MDC | DRG | ZZV | MDC | DRG |
|--------|-----|--|--------|--------|--|--------|-----|--|
| 5t921↔ | | BOP, KJZSV, KVT, UOP4 | 5t931↔ | | BOP, KJZSV, KVT, UOP4 | 5t936↔ | | BOP, KJZSV, KVT, UOP4 |
| | 05 | F13A, F13C | | 05 | F13A, F13C | | 05 | F13A, F13C |
| | 08 | I07Z | | 08 | I07Z | | 08 | I32A, I32B, I32C, I32D, I32E, I32F, I32J, I32Q, I32R, I32S, I32T, I32U |
| | 09 | J03A, J03B, J04A, J04B, J08A, J08B, J08C, J11A, J11B, J11J, J11Q, J11R, J11S, J16Z | | 09 | J03A, J03B, J04A, J04B, J08A, J08B, J08C, J11A, J11B, J11J, J11Q, J11R, J11S, J16Z | | 09 | J03A, J03B, J04A, J04B, J08A, J08B, J08C, J11A, J11B, J11J, J11Q, J11R, J11S, J16Z |
| | 11 | L09A, L38Z | | 21A | W04A, W04B | | 21A | W04A, W04B |
| | 21A | W04A, W04B | | 21B | X05A, X05B | | 21B | X05A, X05B |
| | 21B | X06A, X06B, X06C | | 22 | Y01Z, Y02A, Y02B, Y03A, Y03B | | 21A | W04A, W04B |
| | 22 | Y01Z, Y02A, Y02B, Y03A, Y03B | | 5t932↔ | | | 21B | X05A, X05B |
| | | | | | | | 22 | Y01Z, Y02A, Y02B, Y03A, Y03B |
| 5t922↔ | | BOP, KJZSV, KVT, UOP4 | 5t932↔ | | BOP, KJZSV, KVT, UOP4 | 5t937↔ | | BOP, KJZSV, KVT, UOP4 |
| | 05 | F13A, F13C | | 05 | F13A, F13C | | 05 | F13A, F13C |
| | 08 | I07Z | | 08 | I07Z | | 08 | I32A, I32B, I32C, I32D, I32E, I32F, I32J, I32Q, I32R, I32S, I32T, I32U |
| | 09 | J03A, J03B, J04A, J04B, J08A, J08B, J08C, J11A, J11B, J11J, J11Q, J11R, J11S, J16Z | | 09 | J03A, J03B, J04A, J04B, J08A, J08B, J08C, J11A, J11B, J11J, J11Q, J11R, J11S, J16Z | | 09 | J03A, J03B, J04A, J04B, J08A, J08B, J08C, J11A, J11B, J11J, J11Q, J11R, J11S, J16Z |
| | 11 | L09A, L38Z | | 21A | W04A, W04B | | 21A | W04A, W04B |
| | 21A | W04A, W04B | | 21B | X05A, X05B | | 21B | X05A, X05B |
| | 21B | X06A, X06B, X06C | | 22 | Y01Z, Y02A, Y02B, Y03A, Y03B | | 21A | W04A, W04B |
| | 22 | Y01Z, Y02A, Y02B, Y03A, Y03B | | 5t933↔ | | | 21B | X05A, X05B |
| | | | | | | | 22 | Y01Z, Y02A, Y02B, Y03A, Y03B |
| 5t923↔ | | BOP, KJZSV, KVT, UOP4 | 5t933↔ | | BOP, KVT, UOP4 | 5t938↔ | | BOP, KJZSV, KVT, UOP4 |
| | 05 | F13A, F13C | | 05 | F13A, F13C | | 05 | F13A, F13C |
| | 08 | I07Z | | 08 | I32A, I32B, I32C, I32D, I32E, I32F, I32J, I32Q, I32R, I32S, I32T, I32U | | 08 | I32A, I32B, I32C, I32D, I32E, I32F, I32J, I32Q, I32R, I32S, I32T, I32U |
| | 09 | J03A, J03B, J04A, J04B, J08A, J08B, J08C, J11A, J11B, J11J, J11Q, J11R, J11S, J16Z | | 09 | J03A, J03B, J04A, J04B, J08A, J08B, J08C, J11A, J11B, J11J, J11Q, J11R, J11S, J16Z | | 09 | J03A, J03B, J04A, J04B, J08A, J08B, J08C, J11A, J11B, J11J, J11Q, J11R, J11S, J16Z |
| | 11 | L09A, L38Z | | 21A | W04A, W04B | | 21A | W04A, W04B |
| | 21A | W04A, W04B | | 21B | X05A, X05B | | 21B | X05A, X05B |
| | 21B | X06A, X06B, X06C | | 22 | Y01Z, Y02A, Y02B, Y03A, Y03B | | 21A | W04A, W04B |
| | 22 | Y01Z, Y02A, Y02B, Y03A, Y03B | | 5t934↔ | | | 21B | X05A, X05B |
| | | | | | | | 22 | Y01Z, Y02A, Y02B, Y03A, Y03B |
| 5t924↔ | | BOP, KJZSV, KVT, UOP4 | 5t934↔ | | BOP, KJZSV, KVT, UOP4 | 5t939↔ | | BOP, KJZSV, KVT, UOP4 |
| | 05 | F13A, F13C | | 05 | F13A, F13C | | 05 | F13A, F13C |
| | 08 | I07Z | | 08 | I32A, I32B, I32C, I32D, I32E, I32F, I32J, I32Q, I32R, I32S, I32T, I32U | | 08 | I32A, I32B, I32C, I32D, I32E, I32F, I32J, I32Q, I32R, I32S, I32T, I32U |
| | 09 | J03A, J03B, J04A, J04B, J08A, J08B, J08C, J11A, J11B, J11J, J11Q, J11R, J11S, J16Z | | 09 | J03A, J03B, J04A, J04B, J08A, J08B, J08C, J11A, J11B, J11J, J11Q, J11R, J11S, J16Z | | 09 | J03A, J03B, J04A, J04B, J08A, J08B, J08C, J11A, J11B, J11J, J11Q, J11R, J11S, J16Z |
| | 11 | L09A, L38Z | | 21A | W04A, W04B | | 21A | W04A, W04B |
| | 21A | W04A, W04B | | 21B | X05A, X05B | | 21B | X05A, X05B |
| | 21B | X06A, X06B, X06C | | 22 | Y01Z, Y02A, Y02B, Y03A, Y03B | | 21A | W04A, W04B |
| | 22 | Y01Z, Y02A, Y02B, Y03A, Y03B | | 5t935↔ | | | 21B | X05A, X05B |
| | | | | | | | 22 | Y01Z, Y02A, Y02B, Y03A, Y03B |
| 5t92x↔ | | BOP, KJZSV, KVT, UOP4 | 5t935↔ | | BOP, KVT, UOP4 | 5t93a↔ | | BOP, KJZSV, KVT, UOP4 |
| | 05 | F13A, F13C | | 05 | F13A, F13C | | 05 | F13A, F13C |
| | 08 | I07Z | | 08 | I32A, I32B, I32C, I32D, I32E, I32F, I32J, I32Q, I32R, I32S, I32T, I32U | | 08 | I07Z |
| | 09 | J03A, J03B, J04A, J04B, J08A, J08B, J08C, J11A, J11B, J11J, J11Q, J11R, J11S, J16Z | | 09 | J03A, J03B, J04A, J04B, J08A, J08B, J08C, J11A, J11B, J11J, J11Q, J11R, J11S, J16Z | | 09 | J03A, J03B, J04A, J04B, J08A, J08B, J08C, J11A, J11B, J11J, J11Q, J11R, J11S, J16Z |
| | 21A | W04A, W04B | | 21A | W04A, W04B | | 21A | W04A, W04B |
| | 21B | X06A, X06B, X06C | | 21B | X05A, X05B | | 21B | X05A, X05B |
| | 22 | Y01Z, Y02A, Y02B, Y03A, Y03B | | 22 | Y01Z, Y02A, Y02B, Y03A, Y03B | | 21A | W04A, W04B |
| | | | | | | | 21B | X05A, X05B |
| | | | | | | | 22 | Y01Z, Y02A, Y02B, Y03A, Y03B |
| 5t930↔ | | BOP, KJZSV, KVT, UOP4 | | | | | | |
| | 05 | F13A, F13C | | | | | | |
| | 08 | I07Z | | | | | | |
| | 09 | J03A, J03B, J04A, J04B, J08A, J08B, J08C, J11A, J11B, J11J, J11Q, J11R, J11S, J16Z | | | | | | |
| | 11 | L09A, L38Z | | | | | | |
| | 21A | W04A, W04B | | | | | | |
| | 21B | X05A, X05B | | | | | | |
| | 22 | Y01Z, Y02A, Y02B, Y03A, Y03B | | | | | | |
| | | | | | | | | |

VYK

| ZZV | MDC | DRG | ZZV | MDC | DRG | ZZV | MDC | DRG |
|--------|--------|--|-----------------------|--|--|--------|--|--|
| 5t93x↔ | | BOP, KJZSV, KVT, UOP4 | 5t944↔ | | BOP, KJZSV, KVT, UOP4 | 5t948↔ | | BOP, KJZSV, KVT, UOP4 |
| | 05 | F13A, F13C | | 05 | F13A, F27A, F27B, F27C, F28A, F28B, F28C | | 05 | F13A, F27A, F27B, F27C, F28A, F28B, F28C |
| | 08 | I32A, I32B, I32C, I32D, I32E, I32F, I32J, I32Q, I32R, I32S, I32T, I32U | | 08 | I07Z | | 08 | I07Z |
| | 09 | J03A, J03B, J04A, J04B, J08A, J08B, J08C, J11A, J11B, J11J, J11Q, J11R, J11S, J16Z | | 09 | J03A, J03B, J04A, J04B, J08A, J08B, J08C, J11A, J11B, J11J, J11Q, J11R, J11S, J16Z | | 09 | J03A, J03B, J04A, J04B, J08A, J08B, J08C, J11A, J11B, J11J, J11Q, J11R, J11S, J16Z |
| | 21A | W04A, W04B | | 10 | K01Z | | 10 | K01Z |
| | 21B | X05A, X05B | | 11 | L09A, L38Z | | 11 | L09A, L38Z |
| | 22 | Y01Z, Y02A, Y02B, Y03A, Y03B | | 21A | W01A, W01B, W01C, W02A, W02B | | 21A | W04A, W04B |
| | | | | 21B | X04Z | | 21B | X04Z |
| | | | | 22 | Y01Z, Y02A, Y02B, Y03A, Y03B | | 22 | Y01Z, Y02A, Y02B, Y03A, Y03B |
| | 5t940↔ | | | BOP, KJZSV, KVT, UOP4 | 5t945↔ | | | BOP, KJZSV, KVT, UOP4 |
| 05 | | F13A, F28A, F28B, F28C | 05 | F13A, F27A, F27B, F27C, F28A, F28B, F28C | | 05 | F13A, F27A, F27B, F27C, F28A, F28B, F28C | |
| 08 | | I07Z, I37Z | 08 | I07Z | | 08 | I07Z | |
| 09 | | J03A, J03B, J04A, J04B, J08A, J08B, J08C, J11A, J11B, J11J, J11Q, J11R, J11S, J16Z | 09 | J03A, J03B, J04A, J04B, J08A, J08B, J08C, J11A, J11B, J11J, J11Q, J11R, J11S, J16Z | | 09 | J03A, J03B, J04A, J04B, J08A, J08B, J08C, J11A, J11B, J11J, J11Q, J11R, J11S, J16Z | |
| 11 | | L09A, L38Z | 10 | K01Z | | 10 | K01Z | |
| 21A | | W01A, W01B, W01C, W02A, W02B | 11 | L09A, L38Z | | 11 | L09A, L38Z | |
| 21B | | X04Z | 21A | W01A, W01B, W01C, W02A, W02B | | 21A | W04A, W04B | |
| 22 | | Y01Z, Y02A, Y02B, Y03A, Y03B | 21B | X04Z | | 21B | X04Z | |
| | | | 22 | Y01Z, Y02A, Y02B, Y03A, Y03B | | 22 | Y01Z, Y02A, Y02B, Y03A, Y03B | |
| 5t941↔ | | | BOP, KJZSV, KVT, UOP4 | 5t946↔ | | | BOP, KJZSV, KVT, UOP4 | 5t94a↔ |
| | 05 | F13A, F28A, F28B, F28C | 05 | | F13A, F27A, F27B, F27C, F28A, F28B, F28C | 05 | F13A, F27A, F27B, F27C, F28A, F28B, F28C | |
| | 08 | I07Z, I37Z | 08 | | I07Z | 08 | I07Z | |
| | 09 | J03A, J03B, J04A, J04B, J08A, J08B, J08C, J11A, J11B, J11J, J11Q, J11R, J11S, J16Z | 09 | | J03A, J03B, J04A, J04B, J08A, J08B, J08C, J11A, J11B, J11J, J11Q, J11R, J11S, J16Z | 09 | J03A, J03B, J04A, J04B, J08A, J08B, J08C, J11A, J11B, J11J, J11Q, J11R, J11S, J16Z | |
| | 11 | L09A, L38Z | 10 | | K01Z | 10 | K01Z | |
| | 21A | W01A, W01B, W01C, W02A, W02B | 11 | | L09A, L38Z | 11 | L09A, L38Z | |
| | 21B | X04Z | 21A | | W01A, W01B, W01C, W02A, W02B | 21A | W04A, W04B | |
| | 22 | Y01Z, Y02A, Y02B, Y03A, Y03B | 21B | | X04Z | 21B | X04Z | |
| | | | 22 | | Y01Z, Y02A, Y02B, Y03A, Y03B | 22 | Y01Z, Y02A, Y02B, Y03A, Y03B | |
| | 5t942↔ | | BOP, KJZSV, KVT, UOP4 | | 5t947↔ | | BOP, KJZSV, KVT, UOP4 | |
| 05 | | F13A, F28A, F28B, F28C | 05 | F13A, F27A, F27B, F27C, F28A, F28B, F28C | | 05 | F13A, F27A, F27B, F27C, F28A, F28B, F28C | |
| 08 | | I07Z | 08 | I07Z | | 08 | I07Z | |
| 09 | | J03A, J03B, J04A, J04B, J08A, J08B, J08C, J11A, J11B, J11J, J11Q, J11R, J11S, J16Z | 09 | J03A, J03B, J04A, J04B, J08A, J08B, J08C, J11A, J11B, J11J, J11Q, J11R, J11S, J16Z | | 09 | J03A, J03B, J04A, J04B, J08A, J08B, J08C, J11A, J11B, J11J, J11Q, J11R, J11S, J16Z | |
| 11 | | L09A, L38Z | 10 | K01Z | | 10 | K01Z | |
| 21A | | W01A, W01B, W01C, W02A, W02B | 11 | L09A, L38Z | | 11 | L09A, L38Z | |
| 21B | | X04Z | 21A | W01A, W01B, W01C, W02A, W02B | | 21A | W04A, W04B | |
| 22 | | Y01Z, Y02A, Y02B, Y03A, Y03B | 21B | X04Z | | 21B | X04Z | |
| | | | 22 | Y01Z, Y02A, Y02B, Y03A, Y03B | | 22 | Y01Z, Y02A, Y02B, Y03A, Y03B | |
| 5t943↔ | | | BOP, KJZSV, KVT, UOP4 | | | | | 5t950↔ |
| | 05 | F13A, F27A, F27B, F27C, F28A, F28B, F28C | 10 | | K01Z | 05 | F13A, F27A, F27B, F27C, F28A, F28B, F28C | |
| | 08 | I07Z | 11 | | L09A, L38Z | 08 | I07Z | |
| | 09 | J03A, J03B, J04A, J04B, J08A, J08B, J08C, J11A, J11B, J11J, J11Q, J11R, J11S, J16Z | 21A | | W04A, W04B | 09 | J03A, J03B, J04A, J04B, J08A, J08B, J08C, J11A, J11B, J11J, J11Q, J11R, J11S, J16Z | |
| | 10 | K01Z | 21B | | X04Z | 10 | K01Z | |
| | 11 | L09A, L38Z | 22 | | Y01Z, Y02A, Y02B, Y03A, Y03B | 11 | L09A, L38Z | |
| | 21A | W01A, W01B, W01C, W02A, W02B | | | | 21A | W04A, W04B | |
| | 21B | X04Z | | | | 21B | X04Z | |
| | 22 | Y01Z, Y02A, Y02B, Y03A, Y03B | | | | 22 | Y01Z, Y02A, Y02B, Y03A, Y03B | |

VYK

| ZZV | MDC | DRG | ZZV | MDC | DRG | ZZV | MDC | DRG | | | |
|--------|--------|--|--|--|--|--------|--|--|--------|----|------------------------------|
| 5t951↔ | | BOP, KJZSV, KVT, UOP4 | 5t956↔ | | BOP, KJZSV, KVT, UOP4 | 5t961↔ | | BOP, KJZSV, KVT, UOP4 | | | |
| | 05 | F13A, F27A, F27B, F27C, F28A, F28B, F28C | | 05 | F13A, F27A, F27B, F27C, F28A, F28B, F28C | | 05 | F13A, F13C, F27A, F27B, F27C | | | |
| | 08 | I07Z | | 08 | I07Z | | 08 | I14Z | | | |
| | 09 | J03A, J03B, J04A, J04B, J08A, J08B, J08C, J11A, J11B, J11J, J11Q, J11R, J11S, J16Z | | 09 | J03A, J03B, J04A, J04B, J08A, J08B, J08C, J11A, J11B, J11J, J11Q, J11R, J11S, J16Z | | 09 | J03A, J03B, J04A, J04B, J08A, J08B, J08C, J11A, J11B, J11J, J11Q, J11R, J11S, J16Z | | | |
| | 10 | K01Z | | 10 | K01Z | | 10 | K01Z | | | |
| | 21A | W04A, W04B | | 21A | W04A, W04B | | 21A | W04A, W04B | | | |
| | 21B | X04Z | | 21B | X04Z | | 21B | X05A, X05B, X06A, X06B, X06C | | | |
| | 22 | Y01Z, Y02A, Y02B, Y03A, Y03B | | 22 | Y01Z, Y02A, Y02B, Y03A, Y03B | | 22 | Y01Z, Y03A, Y03B | | | |
| | 5t952↔ | | | BOP, KJZSV, KVT, UOP4 | 5t957↔ | | | BOP, KJZSV, KVT, UOP4 | 5t962↔ | | BOP, KJZSV, KVT, UOP4 |
| | | 05 | | F13A, F27A, F27B, F27C, F28A, F28B, F28C | | | 05 | F13A, F13C, F27A, F27B, F27C | | 05 | F13A, F13C, F27A, F27B, F27C |
| 08 | | I07Z | 08 | I20A, I20B, I20C, I20D, I20E, I20F, I20J, I20Q, I20R | | 08 | I14Z | | | | |
| 09 | | J03A, J03B, J04A, J04B, J08A, J08B, J08C, J11A, J11B, J11J, J11Q, J11R, J11S, J16Z | 09 | J03A, J03B, J04A, J04B, J08A, J08B, J08C, J11A, J11B, J11J, J11Q, J11R, J11S, J16Z | | 09 | J03A, J03B, J04A, J04B, J08A, J08B, J08C, J11A, J11B, J11J, J11Q, J11R, J11S, J16Z | | | | |
| 10 | | K01Z | 10 | K01Z | | 10 | K01Z | | | | |
| 21A | | W04A, W04B | 10 | K01Z | | 21A | W04A, W04B | | | | |
| 21B | | X04Z | 21A | W04A, W04B | | 21B | X05A, X05B | | | | |
| 22 | | Y01Z, Y02A, Y02B, Y03A, Y03B | 21B | X04Z | | 22 | Y01Z, Y03A, Y03B | | | | |
| 5t953↔ | | | BOP, KJZSV, KVT, UOP4 | 5t958↔ | | | BOP, KJZSV, KVT, UOP4 | 5t963↔ | | | BOP, KJZSV, KVT, UOP4 |
| | | 05 | F13A, F27A, F27B, F27C, F28A, F28B, F28C | | | 05 | F13A, F13C, F27A, F27B, F27C | | | 05 | F13A, F13C, F27A, F27B, F27C |
| | 08 | I07Z | 08 | | I20A, I20B, I20C, I20D, I20E, I20F, I20J, I20Q, I20R | 08 | I14Z | | | | |
| | 09 | J03A, J03B, J04A, J04B, J08A, J08B, J08C, J11A, J11B, J11J, J11Q, J11R, J11S, J16Z | 09 | | J03A, J03B, J04A, J04B, J08A, J08B, J08C, J11A, J11B, J11J, J11Q, J11R, J11S, J16Z | 09 | J03A, J03B, J04A, J04B, J08A, J08B, J08C, J11A, J11B, J11J, J11Q, J11R, J11S, J16Z | | | | |
| | 10 | K01Z | 10 | | K01Z | 10 | K01Z | | | | |
| | 21A | W04A, W04B | 10 | | K01Z | 21A | W04A, W04B | | | | |
| | 21B | X04Z | 21A | | W04A, W04B | 21B | X04Z, X06A, X06B, X06C | | | | |
| | 22 | Y01Z, Y02A, Y02B, Y03A, Y03B | 21B | | X04Z | 22 | Y01Z, Y03A, Y03B | | | | |
| | 5t954↔ | | BOP, KJZSV, KVT, UOP4 | | 5t95x↔ | | BOP, KJZSV, KVT, UOP4 | | 5t964↔ | | BOP, KJZSV, KVT, UOP4 |
| | | 05 | F13A, F27A, F27B, F27C, F28A, F28B, F28C | | | 05 | F13A, F13C, F27A, F27B, F27C | | | 05 | F13A, F13C, F27A, F27B, F27C |
| 08 | | I07Z | 08 | I20A, I20B, I20C, I20D, I20E, I20F, I20J, I20Q, I20R | | 08 | I14Z | | | | |
| 09 | | J03A, J03B, J04A, J04B, J08A, J08B, J08C, J11A, J11B, J11J, J11Q, J11R, J11S, J16Z | 09 | J03A, J03B, J04A, J04B, J08A, J08B, J08C, J11A, J11B, J11J, J11Q, J11R, J11S, J16Z | | 09 | J03A, J03B, J04A, J04B, J08A, J08B, J08C, J11A, J11B, J11J, J11Q, J11R, J11S, J16Z | | | | |
| 10 | | K01Z | 10 | K01Z | | 10 | K01Z | | | | |
| 21A | | W04A, W04B | 10 | K01Z | | 21A | W04A, W04B | | | | |
| 21B | | X04Z | 21A | W04A, W04B | | 21B | X04Z, X06A, X06B, X06C | | | | |
| 22 | | Y01Z, Y02A, Y02B, Y03A, Y03B | 21B | X04Z | | 22 | Y01Z, Y03A, Y03B | | | | |
| 5t955↔ | | | BOP, KJZSV, KVT, UOP4 | 5t960↔ | | | BOP, KJZSV, KVT, UOP4 | 5t965↔ | | | BOP, KJZSV, KVT, UOP4 |
| | | 05 | F13A, F27A, F27B, F27C, F28A, F28B, F28C | | | 05 | F13A, F13C, F27A, F27B, F27C | | | 05 | F13A, F13C, F27A, F27B, F27C |
| | 08 | I07Z | 08 | | I14Z | 08 | I14Z | | | | |
| | 09 | J03A, J03B, J04A, J04B, J08A, J08B, J08C, J11A, J11B, J11J, J11Q, J11R, J11S, J16Z | 09 | | J03A, J03B, J04A, J04B, J08A, J08B, J08C, J11A, J11B, J11J, J11Q, J11R, J11S, J16Z | 09 | J03A, J03B, J04A, J04B, J08A, J08B, J08C, J11A, J11B, J11J, J11Q, J11R, J11S, J16Z | | | | |
| | 10 | K01Z | 10 | | K01Z | 10 | K01Z | | | | |
| | 21A | W04A, W04B | 10 | | K01Z | 21A | W04A, W04B | | | | |
| | 21B | X04Z | 21A | | W04A, W04B | 21B | X04Z, X06A, X06B, X06C | | | | |
| | 22 | Y01Z, Y02A, Y02B, Y03A, Y03B | 21B | | X04Z | 22 | Y01Z, Y03A, Y03B | | | | |

VYK

| ZZV | MDC | DRG | ZZV | MDC | DRG | ZZV | MDC | DRG | | | |
|-------|--------|--|--|--|--|--|--|--|--|----|--|
| 5t96x | | BOP, KJZSV, KVT, UOP4 | 5t994.2↔ | | BOP, KJZSV, KVT, UOP4, VIAL | 5t995.4↔ | 08 | I20A, I20B, I20C | | | |
| | 05 | F13A, F13C, F27A, F27B, F27C | | 01 | B03Z, B07Z, B17A, B17B, B17C, B17J | | 21A | W04A, W04B | | | |
| | 08 | I14Z | | 08 | I32A, I32B, I32C, I32D, I32E, I32F, I32J, I32Q, I32R, I32S, I32T, I32U | | 21B | X04Z, X06A, X06B, X06C | | | |
| | 09 | J03A, J03B, J04A, J04B, J08A, J08B, J08C, J11A, J11B, J11J, J11Q, J11R, J11S, J16Z | | 09 | J03A, J03B, J04A, J04B, J08A, J08B, J08C, J10A, J10B, J10J, J16Z | | 5t995.5↔ | BOP, KJZSV, KVT, UOP4 | | | |
| | 10 | K01Z | | 21A | W04A, W04B | | 08 | I20A, I20B, I20C | | | |
| | 21A | W04A, W04B | | 21B | X05A, X05B | | 21A | W04A, W04B | | | |
| | 21B | X06A, X06B, X06C | | | BOP, KJZSV, KVT, UOP4, VIAL | | 21B | X04Z, X06A, X06B, X06C | | | |
| | 22 | Y01Z, Y03A, Y03B | | 01 | B03Z, B07Z, B17A, B17B, B17C, B17J | | 5t995.6↔ | BOP, KJZSV, KVT, UOP4 | | | |
| | 5t970↔ | | | BOP, KJZSV, KVT, UOP4 | 5t994.3↔ | | | BOP, KJZSV, KVT, UOP4, VIAL | 5u110.0↔ | 08 | I20A, I20B, I20C, I20D, I20J, I20Q, I20R |
| | | 08 | | I20A, I20B, I20C, I20D, I20J, I20Q, I20R | | | 01 | B03Z, B07Z, B17A, B17B, B17C, B17J | | 09 | J03A, J03B, J04A, J04B, J06Z, J07A, J07B, J08A, J08B, J08C, J16Z, J24A, J24B, J24C, J24D, J24J, J25Z |
| | 5t971 | 21A | | W04A, W04B | 08 | | I32A, I32B, I32C, I32D, I32E, I32F, I32J, I32Q, I32R, I32S, I32T, I32U | 10 | K09A, K09B | | |
| | | 21B | | X04Z, X06A, X06B, X06C | 09 | | J03A, J03B, J04A, J04B, J08A, J08B, J08C, J10A, J10B, J10J, J16Z | 16 | Q03A, Q03B | | |
| | 5t97x | 08 | | I28A, I28B, I28J | 21A | | W04A, W04B | 21A | W04A, W04B | | |
| | | Pre | | A22Z | 21B | | X05A, X05B | 21B | X06A, X06B, X06C | | |
| 5t97x | 08 | I28A, I28B, I28J | 5t994.4↔ | | BOP, KJZSV, KVT, UOP4, VIAL | 5u110.1↔ | BOP, KJZSV, KVT, UOP4 | | | | |
| | 08 | I08A, I08B, I08C, I08D, I08E, I08F, I08J | | 01 | B03Z, B07Z, B17A, B17B, B17C, B17J | | 09 | J03A, J03B, J04A, J04B, J06Z, J07A, J07B, J08A, J08B, J08C, J16Z, J24A, J24B, J24C, J24D, J24J, J25Z | | | |
| 5t990 | 11 | L09A, L38Z | 08 | I32A, I32B, I32C, I32D, I32E, I32F, I32J, I32Q, I32R, I32S, I32T, I32U | 10 | K09A, K09B | | | | | |
| | 21A | W01A, W01B, W01C, W02A, W02B | 09 | J03A, J03B, J04A, J04B, J08A, J08B, J08C, J10A, J10B, J10J, J16Z | 16 | Q03A, Q03B | | | | | |
| | 21B | X04Z | 21A | W04A, W04B | 21A | W04A, W04B | | | | | |
| | 5t991 | | BOP, KJZSV, KVT, UOP4 | 5t994.5↔ | | BOP, KJZSV, KVT, UOP4, VIAL | 5u111.1 | 21B | X06A, X06B, X06C | | |
| | | 01 | B03Z, B07Z, B17A, B17B, B17C, B17J | | 01 | B03Z, B07Z, B17A, B17B, B17C, B17J | | 09 | J03A, J03B, J04A, J04B, J06Z, J07A, J07B, J08A, J08B, J08C, J16Z, J24A, J24B, J24C, J24D, J24J, J25Z | | |
| | | 03 | D12A, D12J, D12Q | | 08 | I32A, I32B, I32C, I32D, I32E, I32F, I32J, I32Q, I32R, I32S, I32T, I32U | | 10 | K09A, K09B | | |
| | | 04 | E02A, E02B, E02C | | 09 | J03A, J03B, J04A, J04B, J08A, J08B, J08C, J10A, J10B, J10J, J16Z | | 16 | Q03A, Q03B | | |
| | | 05 | F21A, F21B, F21C, F21J, F27A, F27B, F27C | | 21A | W04A, W04B | | 21A | W04A, W04B | | |
| | | 06 | G10Z, G12A, G12B, G12J | | 21B | X05A, X05B | | 21B | X06A, X06B, X06C | | |
| | | 07 | H06A, H06B, H06C | | | BOP, KJZSV, KVT, UOP4, VIAL | | 5u112↔ | BOP, KJZSV, KVT, UOP4 | | |
| | | 08 | I28A, I28B, I28J | | 01 | B03Z, B07Z, B17A, B17B, B17C, B17J | | 09 | J03A, J03B, J04A, J04B, J06Z, J07A, J07B, J08A, J08B, J08C, J16Z, J24A, J24B, J24C, J24D, J24J, J25Z | | |
| | | 09 | J03A, J03B, J04A, J04B, J08A, J08B, J08C, J16Z, J21Z, J22A, J22B, J22J | | 08 | I32A, I32B, I32C, I32D, I32E, I32F, I32J, I32Q, I32R, I32S, I32T, I32U | | 10 | K09A, K09B | | |
| | | 10 | K01Z | | 09 | J03A, J03B, J04A, J04B, J08A, J08B, J08C, J10A, J10B, J10J, J16Z | | 16 | Q03A, Q03B | | |
| | | 11 | L09A, L09B, L09C, L09J, L38Z | | 21A | W04A, W04B | | 21A | W04A, W04B | | |
| 13 | | N11A, N11B, N11J | 21B | | X05A, X05B | 21B | | X06A, X06B, X06C | | | |
| 21A | | W04A, W04B | | | BOP, KJZSV, KVT, UOP4, VIAL | 5u113↔ | | BOP, KJZSV, KVT, UOP4 | | | |
| 21B | | X06A, X06B, X06C | 01 | | B03Z, B07Z, B17A, B17B, B17C, B17J | 09 | | J03A, J03B, J04A, J04B, J06Z, J07A, J07B, J08A, J08B, J08C, J16Z, J24A, J24B, J24C, J24D, J24J, J25Z | | | |
| 5t992 | 08 | I28A, I28B, I28J | 5t994.6↔ | | BOP, KJZSV, KVT, UOP4, VIAL | 5u114↔ | 10 | K09A, K09B | | | |
| | 21A | W04A, W04B | | 01 | B03Z, B07Z, B17A, B17B, B17C, B17J | | 21A | W04A, W04B | | | |
| | 21B | X04Z, X05A, X05B, X06A, X06B, X06C | | 08 | I32A, I32B, I32C, I32D, I32E, I32F, I32J, I32Q, I32R, I32S, I32T, I32U | | 21B | X06A, X06B, X06C | | | |
| | | BOP, KJZSV, KVT, UOP4 | | 09 | J03A, J03B, J04A, J04B, J08A, J08B, J08C, J10A, J10B, J10J, J16Z | | BOP, KJZSV, KVT, UOP4 | | | | |
| 5t993 | 08 | I28A, I28B, I28J | 5t995.2↔ | | BOP, KJZSV, KVT, UOP4, VIAL | 5u113↔ | 09 | J03A, J03B, J04A, J04B, J06Z, J07A, J07B, J08A, J08B, J08C, J16Z, J24A, J24B, J24C, J24D, J24J, J25Z | | | |
| | 11 | L09A, L38Z | | 01 | B03Z, B07Z, B17A, B17B, B17C, B17J | | 21A | W04A, W04B | | | |
| | 21A | W04A, W04B | | 08 | I20A, I20B, I20C | | 21B | X06A, X06B, X06C | | | |
| | 21B | X04Z, X05A, X05B, X06A, X06B, X06C | | 21A | W04A, W04B | | BOP, KVT, UOP4 | | | | |
| 5t993 | 08 | I28A, I28B, I28J | 5t995.3↔ | | BOP, KJZSV, KVT, UOP4, VIAL | 5u114↔ | 09 | J03A, J03B, J04A, J04B, J06Z, J07A, J07B, J08A, J08B, J08C, J16Z, J24A, J24B, J24C, J24D, J24J, J25Z | | | |
| | 11 | L09A, L38Z | | 08 | I20A, I20B, I20C | | 10 | K09A, K09B | | | |
| | 21A | W04A, W04B | | 21A | W04A, W04B | | 21A | W04A, W04B | | | |
| | 21B | X04Z, X05A, X05B, X06A, X06B, X06C | | 21B | X04Z, X06A, X06B, X06C | | 21B | X06A, X06B, X06C | | | |
| | | BOP, KJZSV, KVT, UOP4 | | 08 | I20A, I20B, I20C | | | BOP, KVT, UOP4 | | | |
| | | BOP, KJZSV, KVT, UOP4 | | 21A | W04A, W04B | | | BOP, KVT, UOP4 | | | |

VYK

| ZZV | MDC | DRG | ZZV | MDC | DRG | ZZV | MDC | DRG |
|----------|-----|--|----------|-----------------------|--|--|-----------------------|--|
| 5u115.0↔ | | BOP, KJZSV, KVT, UOP4 | 5u123.1 | 03 | D12A, D12J, D12Q | 5u210.2↔ | | BOP, KJZSV, KVT, UOP4 |
| | 09 | J03A, J03B, J04A, J04B, J08A, J08B, J08C, J16Z, J23Z, J24A, J24B, J24C, J24D, J24J, J26Z | | 04 | E02A, E02B, E02C, E02D | | 09 | J03A, J03B, J04A, J04B, J06Z, J08A, J08B, J08C, J16Z, J23Z, J24A, J24B, J24C, J24D, J24J, J26Z |
| | 10 | K07Z | | 06 | G10Z, G12A, G12B, G12J | | 11 | L09A, L38Z |
| | 21A | W04A, W04B | | 08 | I28A, I28B, I28J | | 19 | U01Z |
| | 21B | X06A, X06B, X06C | | 09 | J03A, J03B, J04A, J04B, J08A, J08B, J08C, J11A, J11B, J11J, J11Q, J11R, J11S, J16Z, J21Z, J23Z, J24A, J24B, J24C, J24D, J24J, J26Z | | 21A | W04A, W04B |
| 5u115.1↔ | | BOP, KJZSV, KVT, UOP4 | 5u123.2 | 10 | K09A, K09B | 5u210.3↔ | | BOP, KJZSV, KVT, UOP4 |
| | 09 | J03A, J03B, J04A, J04B, J08A, J08B, J08C, J16Z, J23Z, J24A, J24B, J24C, J24D, J24J, J26Z | | 11 | L09A, L09B, L09C, L09J, L38Z | | 09 | J03A, J03B, J04A, J04B, J06Z, J08A, J08B, J08C, J16Z, J23Z, J24A, J24B, J24C, J24J, J26Z |
| | 10 | K07Z | | 13 | N11A, N11J | | 10 | K07Z |
| | 21A | W04A, W04B | | 14 | 962Z, O02A, O02B | | 21A | W04A, W04B |
| | 21B | X06A, X06B, X06C | | 16 | Q03A, Q03B | | 21B | X06A, X06B |
| 5u121↔ | | BOP, KJZSV, KVT, UOP4 | 5u123.x | BOP, KJZSV, KVT, UOP4 | 5u210.4↔ | | BOP, KJZSV, KVT, UOP4 | |
| | 09 | J03A, J03B, J04A, J04B, J06Z, J08A, J08B, J08C, J16Z, J23Z, J24A, J24B, J24C, J24D, J24J, J26Z | | 09 | | J03A, J03B, J04A, J04B, J06Z, J08A, J08B, J08C, J16Z, J23Z, J24A, J24B, J24C, J24J, J26Z | 09 | J03A, J03B, J04A, J04B, J06Z, J08A, J08B, J08C, J16Z, J23Z, J24A, J24B, J24C, J24J, J26Z |
| | 11 | L09A, L38Z | | 11 | | L09A, L38Z | 10 | K07Z |
| | 19 | U01Z | | 21A | | W04A, W04B | 21A | W04A, W04B |
| | 21A | W04A, W04B | | 21B | | X06A, X06B, X06C | 21B | X06A, X06B |
| 5u122 | | BOP, KJZSV, KVT, UOP4 | 5u124.0 | BOP, KJZSV, KVT, UOP4 | 5u210.7↔ | | BOP, KJZSV, KVT, UOP4 | |
| | 03 | D12A, D12J, D12Q | | 09 | | J03A, J03B, J04A, J04B, J06Z, J08A, J08B, J08C, J16Z, J23Z, J24A, J24B, J24C, J24J, J26Z | 09 | J01Z, J02A, J02B, J14A |
| | 04 | E02A, E02B, E02C, E02D | | 11 | | L09A, L38Z | 11 | L09A, L38Z |
| | 06 | G10Z, G12A, G12B, G12J | | 21A | | W04A, W04B | 19 | U01Z |
| | 08 | I28A, I28B, I28J | | 21B | | X06A, X06B, X06C | 21A | W04A, W04B |
| | 09 | J03A, J03B, J04A, J04B, J08A, J08B, J08C, J11A, J11B, J11J, J11Q, J11R, J11S, J16Z, J21Z, J23Z, J24A, J24B, J24C, J24D, J24J, J26Z | | 21B | | X06A, X06B, X06C | 21B | X06A, X06B |
| | 10 | K09A, K09B | | 09 | | J03A, J03B, J04A, J04B, J06Z, J08A, J08B, J08C, J16Z, J23Z, J24A, J24B, J24C, J24D, J24J, J26Z | 09 | J03A, J03B, J04A, J04B, J07A, J07B, J08A, J08B, J08C, J16Z, J24A, J24B, J24C, J24J, J25Z |
| | 11 | L09A, L09B, L09C, L09J, L38Z | | 11 | | L09A, L38Z | 21A | W04A, W04B |
| | 13 | N11A, N11J | | 21A | | W04A, W04B | 21B | X06A, X06B |
| | 14 | 962Z, O02A, O02B | | 21B | | X06A, X06B, X06C | 5u211.1↔ | BOP, KJZSV, KVT, UOP4 |
| 5u123.01 | | BOP, KJZSV, KVT, UOP4 | 5u124.1 | BOP, KJZSV, KVT, UOP4 | 5u211.2↔ | | BOP, KJZSV, KVT, UOP4 | |
| | 09 | J03A, J03B, J04A, J04B, J06Z, J08A, J08B, J08C, J14A, J16Z, J23Z, J24A, J24B, J24C, J24D, J24J, J26Z | | 09 | | J03A, J03B, J04A, J04B, J06Z, J08A, J08B, J08C, J16Z, J23Z, J24A, J24B, J24C, J24D, J24J, J26Z | 09 | J03A, J03B, J04A, J04B, J08A, J08B, J08C, J16Z, J23Z, J24A, J24B, J24C, J24D, J24J, J26Z |
| | 11 | L09A, L38Z | | 11 | | L09A, L38Z | 21A | W04A, W04B |
| | 21A | W04A, W04B | | 21A | | W04A, W04B | 21B | X06A, X06B |
| | 21B | X06A, X06B, X06C | | 21B | | X06A, X06B, X06C | 5u211.3↔ | BOP, KJZSV, KVT, UOP4 |
| 5u123.02 | | BOP, KJZSV, KVT, UOP4 | 5u191↔ | BOP, KJZSV, KVT, UOP4 | 5u211.4↔ | | BOP, KJZSV, KVT, UOP4 | |
| | 09 | J03A, J03B, J04A, J04B, J06Z, J08A, J08B, J08C, J14A, J16Z, J23Z, J24A, J24B, J24C, J24D, J24J, J26Z | | 09 | | J03A, J03B, J04A, J04B, J07A, J07B, J08A, J08B, J08C, J16Z, J24A, J24B, J24C, J24D, J24J, J25Z | 09 | J03A, J03B, J04A, J04B, J08A, J08B, J08C, J14A, J14B, J16Z, J23Z, J24A, J24B, J24C, J24D, J24J, J26Z |
| | 11 | L09A, L38Z | | 21A | | W04A, W04B | 11 | L09A, L38Z |
| | 21A | W04A, W04B | | 21B | | X06A, X06B, X06C | 19 | U01Z |
| | 21B | X06A, X06B, X06C | | 5u210.1↔ | | BOP, KJZSV, KVT, UOP4 | 21A | W04A, W04B |
| 5u123.1 | | BOP, KJZSV, KVT, UOP4 | 5u210.1↔ | BOP, KJZSV, KVT, UOP4 | 5u211.4↔ | | BOP, KJZSV, KVT, UOP4 | |
| | 09 | J03A, J03B, J04A, J04B, J06Z, J08A, J08B, J08C, J14A, J16Z, J23Z, J24A, J24B, J24C, J24D, J24J, J26Z | | 09 | | J03A, J03B, J04A, J04B, J06Z, J08A, J08B, J08C, J16Z, J23Z, J24A, J24B, J24C, J24D, J24J, J26Z | 09 | J03A, J03B, J04A, J04B, J08A, J08B, J08C, J14A, J14B, J16Z, J23Z, J24A, J24B, J24C, J24J, J26Z |
| | 11 | L09A, L38Z | | 11 | | L09A, L38Z | 11 | L09A, L38Z |
| | 21A | W04A, W04B | | 19 | | U01Z | 19 | U01Z |
| | 21B | X06A, X06B, X06C | | 21A | | W04A, W04B | 21A | W04A, W04B |
| | | | | 21B | | X06A, X06B | 21B | X06A, X06B |

| ZZV | MDC | DRG | ZZV | MDC | DRG | ZZV | MDC | DRG | |
|----------|------------|--|------------|----------|--|----------|-----------------------|--|-----------------------|
| 5u211.5↔ | | BOP, KJZSV, KVT, UOP4 | 5u213.4↔ | | BOP, KJZSV, KVT, UOP4 | 5u220.1↔ | | BOP, KJZSV, KVT, UOP4 | |
| | 09 | J03A, J03B, J04A, J04B, J08A, J08B, J08C, J14A, J14B, J16Z, J23Z, J24A, J24B, J24C, J24J, J26Z | | 09 | J03A, J03B, J04A, J04B, J08A, J08B, J08C, J14A, J14B, J16Z, J23Z, J24A, J24B, J24C, J24J, J26Z | | 09 | J03A, J03B, J04A, J04B, J08A, J08B, J08C, J16Z, J23Z, J24A, J24B, J24C, J24J, J26Z | |
| | 11 | L09A, L38Z | | 11 | L09A, L38Z | | 21A | W04A, W04B | |
| | 19 | U01Z | | 19 | U01Z | | 21B | X06A, X06B | |
| | 21A | W04A, W04B | | 21A | W04A, W04B | | 5u220.2↔ | | BOP, KJZSV, KVT, UOP4 |
| 5u211.7↔ | | BOP, KJZSV, KVT, UOP4 | 5u213.5↔ | | BOP, KJZSV, KVT, UOP4 | 5u220.2↔ | 09 | J03A, J03B, J04A, J04B, J08A, J08B, J08C, J16Z, J23Z, J24A, J24B, J24C, J24J, J26Z | |
| | 09 | J01Z, J02A, J02B, J14A | | 09 | J03A, J03B, J04A, J04B, J08A, J08B, J08C, J14A, J14B, J16Z, J23Z, J24A, J24B, J24C, J24J, J26Z | | 21A | W04A, W04B | |
| | 11 | L09A, L38Z | | 11 | L09A, L38Z | | 21B | X06A, X06B | |
| | 19 | U01Z | | 19 | U01Z | | 5u220.3↔ | | BOP, KJZSV, KVT, UOP4 |
| | 21A | W04A, W04B | | 21A | W04A, W04B | | 09 | J03A, J03B, J04A, J04B, J08A, J08B, J08C, J16Z, J23Z, J24A, J24B, J24C, J24J, J26Z | |
| 5u211.x↔ | | BOP, KJZSV, KVT, UOP4 | 5u214.1↔ | | BOP, KJZSV, KVT, UOP4 | 5u220.3↔ | 09 | J03A, J03B, J04A, J04B, J08A, J08B, J08C, J16Z, J23Z, J24A, J24B, J24C, J24J, J26Z | |
| | 09 | J03A, J03B, J04A, J04B, J08A, J08B, J08C, J14A, J14B, J16Z, J23Z, J24A, J24B, J24C, J24J, J26Z | | 09 | J03A, J03B, J04A, J04B, J06Z, J08A, J08B, J08C, J16Z, J23Z, J24A, J24B, J24C, J24J, J26Z | | 21A | W04A, W04B | |
| | 11 | L09A, L38Z | | 10 | K07Z | | 21B | X06A, X06B | |
| | 19 | U01Z | | 21A | W04A, W04B | | 5u221.0↔ | | BOP, KJZSV, KVT, UOP4 |
| | 21B | X06A, X06B | | 21B | X06A, X06B | | 09 | J03A, J03B, J04A, J04B, J08A, J08B, J08C, J16Z, J23Z, J24A, J24B, J24C, J24J, J26Z | |
| 5u212.1↔ | | BOP, KJZSV, KVT, UOP4 | 5u214.2↔ | | BOP, KJZSV, KVT, UOP4 | 5u221.1↔ | 09 | J03A, J03B, J04A, J04B, J08A, J08B, J08C, J16Z, J23Z, J24A, J24B, J24C, J24J, J26Z | |
| | 09 | J01Z, J02A, J02B, J14A | | 09 | J03A, J03B, J04A, J04B, J06Z, J08A, J08B, J08C, J16Z, J23Z, J24A, J24B, J24C, J24J, J26Z | | 21A | W04A, W04B | |
| | 11 | L09A, L38Z | | 10 | K07Z | | 21B | X06A, X06B | |
| | 19 | U01Z | | 11 | L09A, L38Z | | 5u221.1↔ | | BOP, KJZSV, KVT, UOP4 |
| | 21A | W04A, W04B | | 21A | W04A, W04B | | 09 | J03A, J03B, J04A, J04B, J08A, J08B, J08C, J16Z, J23Z, J24A, J24B, J24C, J24J, J26Z | |
| 5u212.2↔ | | BOP, KJZSV, KVT, UOP4 | 5u215↔ | | BOP, KJZSV, KVT, UOP4 | 5u222.0↔ | 09 | J03A, J03B, J04A, J04B, J07A, J07B, J08A, J08B, J08C, J16Z, J24A, J24B, J24C, J24D, J24J, J25Z | |
| | 09 | J03A, J03B, J04A, J04B, J08A, J08B, J08C, J14A, J14B, J16Z, J23Z, J24A, J24B, J24C, J24J, J26Z | | 09 | J03A, J03B, J04A, J04B, J08A, J08B, J08C, J16Z, J23Z, J24A, J24B, J24C, J24J, J26Z | | 10 | K09A, K09B | |
| | 19 | U01Z | | 21A | W04A, W04B | | 21A | W04A, W04B | |
| | 21A | W04A, W04B | | 21B | X06A, X06B | | 21B | X06A, X06B | |
| | 21B | X06A, X06B | | 5u216.1↔ | | | BOP, KJZSV, KVT, UOP4 | 5u222.1↔ | |
| 5u213.1↔ | | BOP, KJZSV, KVT, UOP4 | 5u216.1↔ | | BOP, KJZSV, KVT, UOP4 | 5u222.1↔ | 09 | J03A, J03B, J04A, J04B, J07A, J07B, J08A, J08B, J08C, J16Z, J24A, J24B, J24C, J24D, J24J, J25Z | |
| | 09 | J03A, J03B, J04A, J04B, J08A, J08B, J08C, J14A, J14B, J16Z, J23Z, J24A, J24B, J24C, J24J, J26Z | | 09 | J03A, J03B, J04A, J04B, J06Z, J08A, J08B, J08C, J16Z, J23Z, J24A, J24B, J24C, J24J, J26Z | | 11 | L09A, L38Z | |
| | 11 | L09A, L38Z | | 11 | L09A, L38Z | | 19 | U01Z | |
| | 19 | U01Z | | 19 | U01Z | | 21A | W04A, W04B | |
| | 21A | W04A, W04B | | 21A | W04A, W04B | | 21B | X06A, X06B | |
| 5u213.2↔ | | BOP, KJZSV, KVT, UOP4 | 5u217.0↔ | | BOP, KJZSV, KVT, UOP4 | 5u222.2↔ | | BOP, KJZSV, KVT, UOP4 | |
| | 09 | J03A, J03B, J04A, J04B, J08A, J08B, J08C, J14A, J14B, J16Z, J23Z, J24A, J24B, J24C, J24J, J26Z | | 09 | J01Z, J02A, J02B, J14A | | 09 | J03A, J03B, J04A, J04B, J08A, J08B, J08C, J16Z, J23Z, J24A, J24B, J24C, J24J, J26Z | |
| | 11 | L09A, L38Z | | 11 | L09A, L38Z | | 21A | W04A, W04B | |
| | 19 | U01Z | | 19 | U01Z | | 21B | X06A, X06B | |
| | 21A | W04A, W04B | | 21A | W04A, W04B | | 5u222.3↔ | | BOP, KJZSV, KVT, UOP4 |
| 5u213.3↔ | | BOP, KJZSV, KVT, UOP4 | 5u217.1↔ | | BOP, KJZSV, KVT, UOP4 | 5u222.3↔ | 09 | J03A, J03B, J04A, J04B, J08A, J08B, J08C, J16Z, J23Z, J24A, J24B, J24C, J24J, J26Z | |
| | 09 | J14A, J26Z | | 09 | J03A, J03B, J04A, J04B, J06Z, J07A, J07B, J08A, J08B, J08C, J16Z, J24A, J24B, J24C, J24J, J25Z | | 21A | W04A, W04B | |
| | 11 | L09A, L38Z | | 21A | W04A, W04B | | 21B | X06A, X06B | |
| | 19 | U01Z | | 21B | X06A, X06B | | 5u222.3↔ | | BOP, KJZSV, KVT, UOP4 |
| | 21A | W04A, W04B | | 21A | W04A, W04B | | 09 | J03A, J03B, J04A, J04B, J08A, J08B, J08C, J16Z, J23Z, J24A, J24B, J24C, J24J, J26Z | |
| 21B | X06A, X06B | 21B | X06A, X06B | 21A | W04A, W04B | | | | |
| | | | | | | 21B | X06A, X06B | | |

| ZZV | MDC | DRG | ZZV | MDC | DRG | ZZV | MDC | DRG |
|-----------|-----|--|-----------|-----|--|-----------|-----|--|
| 5u222.4↔ | | BOP, KJZSV, KVT, UOP4 | 5u922†↔ | 09 | J24A, J24B, J24C, J24D, J24J | 5v113.5† | 09 | J11A, J11B, J11J, J11Q, J11R, J11S |
| | 09 | J03A, J03B, J04A, J04B, J08A, J08B, J08C, J16Z, J23Z, J24A, J24B, J24C, J24J, J26Z | 5u923↔ | | BOP, KVT, UOP4 | 5v113.6†↔ | 09 | J11A, J11B, J11C, J11J, J11Q, J11R, J11S |
| | 21A | W04A, W04B | | 09 | J03A, J03B, J04A, J04B, J07A, J07B, J08A, J08B, J08C, J16Z, J24A, J24B, J24C, J24D, J24J, J25Z | 5v113.7†↔ | 09 | J11A, J11B, J11J, J11Q, J11R, J11S |
| | 21B | X06A, X06B | | 19 | U01Z | 5v113.8†↔ | 09 | J11A, J11B, J11J, J11Q, J11R, J11S |
| 5u222.5↔ | | BOP, KJZSV, KVT, UOP4 | | 21A | W04A, W04B | 5v113.9†↔ | 09 | J11A, J11B, J11J, J11Q, J11R, J11S |
| | 09 | J03A, J03B, J04A, J04B, J08A, J08B, J08C, J16Z, J23Z, J24A, J24B, J24C, J24J, J26Z | 5u991†↔ | 09 | J24A, J24B, J24C, J24D, J24J | 5v113.a† | 09 | J11A, J11B, J11C, J11J, J11Q, J11R, J11S |
| | 21A | W04A, W04B | 5v101.0† | | KJZSV | 5v113.b† | 09 | J11A, J11B, J11J, J11Q, J11R, J11S |
| | 21B | X06A, X06B | 5v101.4† | | KJZSV | 5v113.c† | 09 | J11A, J11B, J11J, J11Q, J11R, J11S |
| 5u222.6↔ | | BOP, KJZSV, KVT, UOP4 | 5v101.5† | | KJZSV | 5v113.d† | 09 | J11A, J11B, J11C, J11J, J11Q, J11R, J11S |
| | 09 | J03A, J03B, J04A, J04B, J08A, J08B, J08C, J16Z, J23Z, J24A, J24B, J24C, J24J, J26Z | 5v101.6†↔ | | KJZSV | 5v113.e†↔ | 09 | J11A, J11B, J11J, J11Q, J11R, J11S |
| | 21A | W04A, W04B | 5v101.7†↔ | | KJZSV | 5v113.f†↔ | 09 | J11A, J11B, J11J, J11Q, J11R, J11S |
| | 21B | X06A, X06B | 5v101.8†↔ | | KJZSV | 5v113.g†↔ | 09 | J11A, J11B, J11J, J11Q, J11R, J11S |
| 5u223.1↔ | | BOP, KJZSV, KVT, UOP4 | 5v101.9†↔ | | KJZSV | 5v113.x† | 09 | J11A, J11B, J11J, J11Q, J11R, J11S |
| | 09 | J03A, J03B, J04A, J04B, J08A, J08B, J08C, J16Z, J23Z, J24A, J24B, J24C, J24J, J26Z | 5v101.a† | | KJZSV | 5v114.0† | 09 | J45J |
| | 21A | W04A, W04B | 5v101.b† | | KJZSV | 5v114.4† | 02 | C14J, C14Q, C14R, C14S, C14Z |
| | 21B | X06A, X06B | 5v101.c† | | KJZSV | | 09 | J45J |
| 5u223.2↔ | | BOP, KJZSV, KVT, UOP4 | 5v101.d† | | KJZSV | 5v114.5† | 09 | J45J |
| | 09 | J03A, J03B, J04A, J04B, J08A, J08B, J08C, J16Z, J23Z, J24A, J24B, J24C, J24J, J26Z | 5v101.e†↔ | | KJZSV | 5v114.6†↔ | 09 | J45J |
| | 21A | W04A, W04B | 5v101.f†↔ | | KJZSV | 5v114.7†↔ | 09 | J45J |
| | 21B | X06A, X06B | 5v101.g†↔ | | KJZSV | 5v114.8†↔ | 09 | J45J |
| 5u224↔ | | BOP, KJZSV, KVT, UOP4 | 5v101.x† | | KJZSV | 5v114.9†↔ | 09 | J45J |
| | 09 | J03A, J03B, J04A, J04B, J08A, J08B, J08C, J16Z, J23Z, J24A, J24B, J24C, J24J, J26Z | 5v110† | 03 | D40J, D40Z | 5v114.a† | 09 | J45J |
| | 21A | W04A, W04B | | 09 | J45J | 5v114.b† | 09 | J45J |
| | 21B | X06A, X06B | 5v111.0† | 09 | J45J | 5v114.c† | 09 | J45J |
| 5u224↔ | | BOP, KJZSV, KVT, UOP4 | 5v111.4† | 02 | C14J, C14Q, C14R, C14S, C14Z | 5v114.d† | 09 | J45J |
| | 09 | J03A, J03B, J04A, J04B, J08A, J08B, J08C, J16Z, J23Z, J24A, J24B, J24C, J24J, J26Z | | 09 | J45J | 5v114.e†↔ | 09 | J45J |
| | 21A | W04A, W04B | 5v111.5† | 09 | J45J | 5v114.f†↔ | 09 | J45J |
| | 21B | X06A, X06B | 5v111.6†↔ | 09 | J45J | 5v114.g†↔ | 09 | J45J |
| 5u230.1↔ | | BOP, KJZSV, KVT, UOP4 | 5v111.7†↔ | 09 | J45J | 5v114.x† | 09 | J45J |
| | 09 | J03A, J03B, J04A, J04B, J08A, J08B, J08C, J16Z, J23Z, J24A, J24B, J24C, J24J, J26Z | 5v111.8†↔ | 09 | J45J | 5v11x.x† | 09 | J45J |
| | 21A | W04A, W04B | 5v111.9†↔ | 09 | J45J | 5v130.0 | 03 | D08A, D08B, D18Z, D22A, D22B, D22J, D30A, D30B, D30J, D30Q |
| | 21B | X06A, X06B | 5v111.a† | 09 | J45J | | 05 | F13A |
| 5u230.1↔ | | BOP, KJZSV, KVT, UOP4 | 5v111.b† | 09 | J45J | | 09 | J03A, J03B, J04A, J04B, J08A, J08B, J08C, J11A, J11B, J11C, J11J, J11Q, J11R, J11S, J16Z |
| | 09 | J03A, J03B, J04A, J04B, J07A, J07B, J08A, J08B, J08C, J16Z, J24A, J24B, J24C, J24D, J24J, J25Z | 5v111.c† | 09 | J45J | 5v130.4† | 02 | C14J, C14Q, C14R, C14S, C14Z |
| | 19 | U01Z | 5v111.d† | 09 | J45J | | 09 | J11A, J11B, J11C, J11J, J11Q, J11R, J11S |
| | 21A | W04A, W04B | 5v111.e†↔ | 09 | J45J | 5v130.5† | 09 | J11A, J11B, J11C, J11J, J11Q, J11R, J11S |
| | 21B | X06A, X06B | 5v111.f†↔ | 09 | J45J | 5v130.6†↔ | 09 | J11A, J11B, J11C, J11J, J11Q, J11R, J11S |
| 5u230.2↔ | | BOP, KJZSV, KVT, UOP4 | 5v111.g†↔ | 09 | J45J | 5v130.7†↔ | 09 | J11A, J11B, J11C, J11J, J11Q, J11R, J11S |
| | 09 | J03A, J03B, J04A, J04B, J07A, J07B, J08A, J08B, J08C, J16Z, J24A, J24B, J24C, J24D, J24J, J25Z | 5v111.x† | 09 | J45J | 5v130.8†↔ | 09 | J11A, J11B, J11C, J11J, J11Q, J11R, J11S |
| | 19 | U01Z | 5v112.0† | 09 | J45J | 5v130.9†↔ | 09 | J11A, J11B, J11C, J11J, J11Q, J11R, J11S |
| | 21A | W04A, W04B | 5v112.4† | 02 | C14J, C14Q, C14R, C14S, C14Z | 5v130.a† | 09 | J11A, J11B, J11C, J11J, J11Q, J11R, J11S |
| | 21B | X06A, X06B | | 09 | J45J | 5v130.b† | 09 | J11A, J11B, J11C, J11J, J11Q, J11R, J11S |
| 5u910†↔ | | BOP, KJZSV, KVT, UOP4 | 5v112.5† | 09 | J45J | | 09 | J11A, J11B, J11C, J11J, J11Q, J11R, J11S |
| | 09 | J24A, J24B, J24C, J24D, J24J | 5v112.6†↔ | 09 | J45J | | 09 | J11A, J11B, J11C, J11J, J11Q, J11R, J11S |
| 5u911.1†↔ | | BOP, KVT, UOP4 | 5v112.7†↔ | 09 | J45J | | 09 | J11A, J11B, J11C, J11J, J11Q, J11R, J11S |
| | 09 | J03A, J03B, J04A, J04B, J07A, J07B, J08A, J08B, J08C, J16Z, J24A, J24B, J24C, J24D, J24J, J25Z | 5v112.8†↔ | 09 | J45J | | 09 | J11A, J11B, J11C, J11J, J11Q, J11R, J11S |
| 5u921↔ | | BOP, KVT, UOP4 | 5v112.9†↔ | 09 | J45J | | 09 | J11A, J11B, J11C, J11J, J11Q, J11R, J11S |
| | 09 | J03A, J03B, J04A, J04B, J07A, J07B, J08A, J08B, J08C, J16Z, J24A, J24B, J24C, J24D, J24J, J25Z | 5v112.a† | 09 | J45J | | 09 | J11A, J11B, J11C, J11J, J11Q, J11R, J11S |
| | 19 | U01Z | 5v112.b† | 09 | J45J | | 09 | J11A, J11B, J11C, J11J, J11Q, J11R, J11S |
| | 21A | W04A, W04B | 5v112.c† | 09 | J45J | | 09 | J11A, J11B, J11C, J11J, J11Q, J11R, J11S |
| | 21B | X06A, X06B | 5v112.d† | 09 | J45J | | 09 | J11A, J11B, J11C, J11J, J11Q, J11R, J11S |
| | | | 5v112.e†↔ | 09 | J45J | | 09 | J11A, J11B, J11C, J11J, J11Q, J11R, J11S |
| | | | 5v112.f†↔ | 09 | J45J | | 09 | J11A, J11B, J11C, J11J, J11Q, J11R, J11S |
| | | | 5v112.g†↔ | 09 | J45J | | 09 | J11A, J11B, J11C, J11J, J11Q, J11R, J11S |
| | | | 5v112.x† | 09 | J45J | | 09 | J11A, J11B, J11C, J11J, J11Q, J11R, J11S |
| | | | 5v113.0† | 09 | J11A, J11B, J11J, J11Q, J11R, J11S | | 09 | J11A, J11B, J11C, J11J, J11Q, J11R, J11S |
| | | | 5v113.4† | 02 | C14J, C14Q, C14R, C14S, C14Z | | 09 | J11A, J11B, J11C, J11J, J11Q, J11R, J11S |
| | | | | 09 | J11A, J11B, J11J, J11Q, J11R, J11S | | 09 | J11A, J11B, J11C, J11J, J11Q, J11R, J11S |

| ZZV | MDC | DRG | ZZV | MDC | DRG | ZZV | MDC | DRG | |
|-----------|-----|--|-----------|-----|--|----------|-----|--|-----------------------|
| 5v130.c† | 09 | J11A, J11B, J11C, J11J, J11Q, J11R, J11S | 5v140.0 | | BOP, KJZSV, KVT, UOP4 | 5v141.4 | | BOP, KJZSV, KVT, UOP4 | |
| 5v130.d† | 09 | J11A, J11B, J11C, J11J, J11Q, J11R, J11S | | 03 | D08A, D08B, D18Z, D22A, D22B, D22J, D30A, D30B, D30J, D30Q | | 01 | B03Z, B07Z, B17A, B17B, B17C, B17J | |
| 5v130.e†↔ | 09 | J11A, J11B, J11C, J11J, J11Q, J11R, J11S | | 05 | F13A | | 02 | C20A, C20B, C20J, C20Q, C20R | |
| 5v130.ft↔ | 09 | J11A, J11B, J11C, J11J, J11Q, J11R, J11S | | 09 | J03A, J03B, J04A, J04B, J08A, J08B, J08C, J11A, J11B, J11C, J11J, J11Q, J11R, J11S, J16Z | | 03 | D12A, D12J, D12Q | |
| 5v130.g†↔ | 09 | J11A, J11B, J11C, J11J, J11Q, J11R, J11S | 5v140.4† | | KJZSV | | 05 | F13A, F21A, F21B, F21C, F21J | |
| 5v130.x† | 09 | J11A, J11B, J11C, J11J, J11Q, J11R, J11S | | 02 | C20A, C20B, C20J, C20Q, C20R | | 08 | I27A, I27B, I27C, I27D, I27J, I27Q | |
| 5v131.0 | 03 | D08A, D08B, D18Z, D22A, D22B, D22J, D30A, D30B, D30J, D30Q | | 09 | J11A, J11B, J11C, J11J, J11Q, J11R, J11S | | 09 | J03A, J03B, J04A, J04B, J08A, J08B, J08C, J11A, J11B, J11C, J11J, J11Q, J11R, J11S, J16Z, J21Z | |
| | 05 | F13A | 5v140.5† | | KJZSV | | 10 | K09A, K09B | |
| | 09 | J03A, J03B, J04A, J04B, J08A, J08B, J08C, J11A, J11B, J11C, J11J, J11Q, J11R, J11S, J16Z | | 09 | J11A, J11B, J11C, J11J, J11Q, J11R, J11S | | 21A | W04A, W04B | |
| 5v131.4† | 02 | C14J, C14Q, C14R, C14S, C14Z | 5v140.6†↔ | | KJZSV | 5v141.5 | | 21B | X06A, X06B, X06C |
| | 09 | J11A, J11B, J11C, J11J, J11Q, J11R, J11S | | 09 | J11A, J11B, J11C, J11J, J11Q, J11R, J11S | | 22 | Y01Z, Y03A, Y03B | |
| 5v131.5† | 09 | J11A, J11B, J11C, J11J, J11Q, J11R, J11S | 5v140.7†↔ | | KJZSV | | 01 | BOP, KJZSV, KVT, UOP4 | |
| 5v131.6†↔ | 09 | J11A, J11B, J11C, J11J, J11Q, J11R, J11S | | 09 | J11A, J11B, J11C, J11J, J11Q, J11R, J11S | | 03 | D12A, D12J, D12Q | |
| 5v131.7†↔ | 09 | J11A, J11B, J11C, J11J, J11Q, J11R, J11S | 5v140.8†↔ | | KJZSV | | 05 | F13A, F21A, F21B, F21C, F21J | |
| 5v131.8†↔ | 09 | J11A, J11B, J11C, J11J, J11Q, J11R, J11S | | 09 | J11A, J11B, J11C, J11J, J11Q, J11R, J11S | | 08 | I27A, I27B, I27C, I27D, I27J, I27Q | |
| 5v131.9†↔ | 09 | J11A, J11B, J11C, J11J, J11Q, J11R, J11S | 5v140.9†↔ | | KJZSV | | 09 | J03A, J03B, J04A, J04B, J08A, J08B, J08C, J11A, J11B, J11C, J11J, J11Q, J11R, J11S, J16Z, J21Z | |
| 5v131.a† | 09 | J11A, J11B, J11C, J11J, J11Q, J11R, J11S | | 09 | J11A, J11B, J11C, J11J, J11Q, J11R, J11S | | 10 | K09A, K09B | |
| 5v131.b† | 09 | J11A, J11B, J11C, J11J, J11Q, J11R, J11S | 5v140.a† | | KJZSV | | 21A | W04A, W04B | |
| 5v131.c† | 09 | J11A, J11B, J11C, J11J, J11Q, J11R, J11S | | 09 | J11A, J11B, J11C, J11J, J11Q, J11R, J11S | | 21B | X06A, X06B, X06C | |
| 5v131.d† | 09 | J11A, J11B, J11C, J11J, J11Q, J11R, J11S | 5v140.b† | | KJZSV | | 22 | Y01Z, Y03A, Y03B | |
| 5v131.e†↔ | 09 | J11A, J11B, J11C, J11J, J11Q, J11R, J11S | | 09 | J11A, J11B, J11C, J11J, J11Q, J11R, J11S | 5v141.6↔ | | 01 | BOP, KJZSV, KVT, UOP4 |
| 5v131.ft↔ | 09 | J11A, J11B, J11C, J11J, J11Q, J11R, J11S | 5v140.c† | | KJZSV | | 01 | B03Z, B07Z, B17A, B17B, B17C, B17J | |
| 5v131.g†↔ | 09 | J11A, J11B, J11C, J11J, J11Q, J11R, J11S | | 09 | J11A, J11B, J11C, J11J, J11Q, J11R, J11S | | 05 | F13A, F21A, F21B, F21C, F21J | |
| 5v131.x† | 09 | J11A, J11B, J11C, J11J, J11Q, J11R, J11S | 5v140.d† | | KJZSV | | 08 | I27A, I27B, I27C, I27D, I27J, I27Q | |
| 5v132.4† | | KJZSV | | 09 | J11A, J11B, J11C, J11J, J11Q, J11R, J11S | | 09 | J03A, J03B, J04A, J04B, J08A, J08B, J08C, J11A, J11B, J11C, J11J, J11Q, J11R, J11S, J16Z, J21Z | |
| | 02 | C14J, C14Q, C14R, C14S, C14Z | 5v140.e†↔ | | KJZSV | | 10 | K09A, K09B | |
| 5v132.6†↔ | | KJZSV | | 09 | J11A, J11B, J11C, J11J, J11Q, J11R, J11S | | 21A | W04A, W04B | |
| | 09 | J11A, J11B, J11C, J11J, J11Q, J11R, J11S | 5v140.ft↔ | | KJZSV | | 21B | X06A, X06B, X06C | |
| 5v132.c† | | KJZSV | | 09 | J11A, J11B, J11C, J11J, J11Q, J11R, J11S | | 22 | Y01Z, Y03A, Y03B | |
| | 09 | J11A, J11B, J11C, J11J, J11Q, J11R, J11S | 5v140.g†↔ | | KJZSV | 5v141.7↔ | | 01 | BOP, KJZSV, KVT, UOP4 |
| 5v132.x† | | KJZSV | | 09 | J11A, J11B, J11C, J11J, J11Q, J11R, J11S | | 01 | B03Z, B07Z, B17A, B17B, B17C, B17J | |
| | 09 | J11A, J11B, J11J, J11Q, J11R, J11S | 5v140.x† | | KJZSV | | 05 | F13A, F21A, F21B, F21C, F21J | |
| 5v13x.x† | | KJZSV | | 09 | J11A, J11B, J11C, J11J, J11Q, J11R, J11S | | 08 | I27A, I27B, I27C, I27D, I27J, I27Q | |
| | 09 | J11A, J11B, J11J, J11Q, J11R, J11S | 5v141.0 | | BOP, KJZSV, KVT, UOP4 | | 09 | J03A, J03B, J04A, J04B, J08A, J08B, J08C, J11A, J11B, J11C, J11J, J11Q, J11R, J11S, J16Z, J21Z | |
| | | | | 01 | B03Z, B07Z, B17A, B17B, B17C, B17J | | 10 | K09A, K09B | |
| | | | | 03 | D12A, D12J, D12Q | | 21A | W04A, W04B | |
| | | | | 05 | F13A, F21A, F21B, F21C, F21J | | 21B | X06A, X06B, X06C | |
| | | | | 09 | J03A, J03B, J04A, J04B, J08A, J08B, J08C, J11A, J11B, J11C, J11J, J11Q, J11R, J11S, J16Z, J21Z | | 22 | Y01Z, Y03A, Y03B | |
| | | | | 10 | K09A, K09B | | | | |
| | | | | 21A | W04A, W04B | | | | |
| | | | | 21B | X06A, X06B, X06C | | | | |
| | | | | 22 | Y01Z, Y03A, Y03B | | | | |

VYK

| ZZV | MDC | DRG | ZZV | MDC | DRG | ZZV | MDC | DRG |
|----------|----------|--|-----------------------|--|--|-----------|--|--|
| 5v141.8↔ | | BOP, KJZSV, KVT, UOP4 | 5v141.c | | BOP, KJZSV, KVT, UOP4 | 5v141.g↔ | | BOP, KJZSV, KVT, UOP4 |
| | 01 | B03Z, B07Z, B17A, B17B, B17C, B17J | | 01 | B03Z, B07Z, B17A, B17B, B17C, B17J | | 01 | B03Z, B07Z, B17A, B17B, B17C, B17J |
| | 05 | F13A, F21A, F21B, F21C, F21J | | 05 | F13A, F21A, F21B, F21C, F21J | | 05 | F13A, F21A, F21B, F21C, F21J |
| | 08 | I27A, I27B, I27C, I27D, I27J, I27Q | | 08 | I27A, I27B, I27C, I27D, I27J, I27Q | | 08 | I27A, I27B, I27C, I27D, I27J, I27Q |
| | 09 | J03A, J03B, J04A, J04B, J08A, J08B, J08C, J11A, J11B, J11C, J11J, J11Q, J11R, J11S, J16Z, J21Z | | 09 | J03A, J03B, J04A, J04B, J08A, J08B, J08C, J11A, J11B, J11C, J11J, J11Q, J11R, J11S, J16Z, J21Z | | 09 | J03A, J03B, J04A, J04B, J08A, J08B, J08C, J11A, J11B, J11C, J11J, J11Q, J11R, J11S, J16Z, J21Z |
| | 10 | K09A, K09B | | 10 | K09A, K09B | | 10 | K09A, K09B |
| | 21A | W04A, W04B | | 21A | W04A, W04B | | 21A | W04A, W04B |
| | 21B | X05A, X05B, X06A, X06B, X06C | | 21B | X04Z, X06A, X06B, X06C | | 21B | X04Z, X06A, X06B, X06C |
| | 22 | Y01Z, Y03A, Y03B | | 22 | Y01Z, Y03A, Y03B | | 22 | Y01Z, Y03A, Y03B |
| | 5v141.9↔ | | | BOP, KJZSV, KVT, UOP4 | 5v141.d | | | BOP, KJZSV, KVT, UOP4 |
| 01 | | B03Z, B07Z, B17A, B17B, B17C, B17J | 01 | B03Z, B07Z, B17A, B17B, B17C, B17J | | 01 | B03Z, B07Z, B17A, B17B, B17C, B17J | |
| 05 | | F13A, F21A, F21B, F21C, F21J | 05 | F13A, F21A, F21B, F21C, F21J | | 05 | F13A, F21A, F21B, F21C, F21J | |
| 08 | | I27A, I27B, I27C, I27D, I27J, I27Q | 08 | I27A, I27B, I27C, I27D, I27J, I27Q | | 08 | I27A, I27B, I27C, I27D, I27J, I27Q | |
| 09 | | J03A, J03B, J04A, J04B, J08A, J08B, J08C, J11A, J11B, J11C, J11J, J11Q, J11R, J11S, J16Z, J21Z | 09 | J03A, J03B, J04A, J04B, J08A, J08B, J08C, J11A, J11B, J11C, J11J, J11Q, J11R, J11S, J16Z, J21Z | | 09 | J03A, J03B, J04A, J04B, J08A, J08B, J08C, J11A, J11B, J11C, J11J, J11Q, J11R, J11S, J16Z, J21Z | |
| 10 | | K09A, K09B | 10 | K09A, K09B | | 10 | K09A, K09B | |
| 21A | | W04A, W04B | 21A | W04A, W04B | | 21A | W04A, W04B | |
| 21B | | X05A, X05B, X06A, X06B, X06C | 21B | X04Z, X06A, X06B, X06C | | 21B | X06A, X06B, X06C | |
| 22 | | Y01Z, Y03A, Y03B | 22 | Y01Z, Y03A, Y03B | | 22 | Y01Z, Y03A, Y03B | |
| 5v141.a | | | BOP, KJZSV, KVT, UOP4 | 5v141.e↔ | | | BOP, KJZSV, KVT, UOP4 | 5v142.0 |
| | 01 | B03Z, B07Z, B17A, B17B, B17C, B17J | 01 | | B03Z, B07Z, B17A, B17B, B17C, B17J | 03 | D08A, D08B, D18Z, D22A, D22B, D22J, D30A, D30B, D30J, D30Q | |
| | 05 | F13A, F21A, F21B, F21C, F21J | 05 | | F13A, F21A, F21B, F21C, F21J | 05 | F13A | |
| | 08 | I27A, I27B, I27C, I27D, I27J, I27Q | 08 | | I27A, I27B, I27C, I27D, I27J, I27Q | 09 | J03A, J03B, J04A, J04B, J08A, J08B, J08C, J11A, J11B, J11C, J11J, J11Q, J11R, J11S, J16Z | |
| | 09 | J03A, J03B, J04A, J04B, J08A, J08B, J08C, J11A, J11B, J11C, J11J, J11Q, J11R, J11S, J16Z, J21Z | 09 | | J03A, J03B, J04A, J04B, J08A, J08B, J08C, J11A, J11B, J11C, J11J, J11Q, J11R, J11S, J16Z, J21Z | 5v142.4‡ | KJZSV | |
| | 10 | K09A, K09B | 10 | | K09A, K09B | 02 | C20A, C20B, C20J, C20Q, C20R | |
| | 21A | W04A, W04B | 21A | | W04A, W04B | 09 | J11A, J11B, J11C, J11J, J11Q, J11R, J11S | |
| | 21B | X06A, X06B, X06C | 21B | | X04Z, X06A, X06B, X06C | 09 | J11A, J11B, J11C, J11J, J11Q, J11R, J11S | |
| | 22 | Y01Z, Y03A, Y03B | 22 | | Y01Z, Y03A, Y03B | 5v142.5‡ | KJZSV | |
| | 5v141.b | | BOP, KJZSV, KVT, UOP4 | | 5v141.f↔ | | BOP, KJZSV, KVT, UOP4 | |
| 01 | | B03Z, B07Z, B17A, B17B, B17C, B17J | 01 | B03Z, B07Z, B17A, B17B, B17C, B17J | | 09 | J11A, J11B, J11C, J11J, J11Q, J11R, J11S | |
| 05 | | F13A, F21A, F21B, F21C, F21J | 05 | F13A, F21A, F21B, F21C, F21J | | 09 | J11A, J11B, J11C, J11J, J11Q, J11R, J11S | |
| 08 | | I27A, I27B, I27C, I27D, I27J, I27Q | 08 | I27A, I27B, I27C, I27D, I27J, I27Q | | 5v142.7‡↔ | KJZSV | |
| 09 | | J03A, J03B, J04A, J04B, J08A, J08B, J08C, J11A, J11B, J11C, J11J, J11Q, J11R, J11S, J16Z, J21Z | 09 | J03A, J03B, J04A, J04B, J08A, J08B, J08C, J11A, J11B, J11C, J11J, J11Q, J11R, J11S, J16Z, J21Z | | 09 | J11A, J11B, J11C, J11J, J11Q, J11R, J11S | |
| 10 | | K09A, K09B | 10 | K09A, K09B | | 5v142.8‡↔ | KJZSV | |
| 21A | | W04A, W04B | 21A | W04A, W04B | | 09 | J11A, J11B, J11C, J11J, J11Q, J11R, J11S | |
| 21B | | X06A, X06B, X06C | 21B | X04Z, X06A, X06B, X06C | | 5v142.9‡↔ | KJZSV | |
| 22 | | Y01Z, Y03A, Y03B | 22 | Y01Z, Y03A, Y03B | | 09 | J11A, J11B, J11C, J11J, J11Q, J11R, J11S | |
| | | | | | | 5v142.a‡ | KJZSV | |
| | | | | 08 | I10A, I10B, I10C, I10D, I10E, I10J | | | |
| | | | | 09 | J11A, J11B, J11C, J11J, J11Q, J11R, J11S | | | |
| | | | | 5v142.b‡ | KJZSV | | | |
| | | | | 09 | J11A, J11B, J11C, J11J, J11Q, J11R, J11S | | | |
| | | | | 5v142.c‡ | KJZSV | | | |
| | | | | 09 | J11A, J11B, J11C, J11J, J11Q, J11R, J11S | | | |

| ZZV | MDC | DRG | ZZV | MDC | DRG | ZZV | MDC | DRG |
|-----------|-----|---|----------|-----|---|---------|-----|---|
| 5v142.d†↔ | | KJZSV | 5v143.6↔ | 01 | BOP, KJZSV, KVT, UOP4 B03Z, B07Z, B17A, B17B, B17C, B17J | 5v143.a | 01 | BOP, KJZSV, KVT, UOP4 B03Z, B07Z, B17A, B17B, B17C, B17J |
| | 09 | J11A, J11B, J11C, J11J, J11Q, J11R, J11S | | 05 | F13A, F21A, F21B, F21C, F21J | | 05 | F13A, F21A, F21B, F21C, F21J |
| 5v142.e†↔ | | KJZSV | 5v143.7↔ | 08 | I27A, I27B, I27C, I27D, I27J, I27Q | 5v143.b | 08 | I27A, I27B, I27C, I27D, I27J, I27Q |
| | 09 | J11A, J11B, J11C, J11J, J11Q, J11R, J11S | | 09 | J03A, J03B, J04A, J04B, J08A, J08B, J08C, J11A, J11B, J11C, J11J, J11Q, J11R, J11S, J16Z, J21Z | | 09 | J03A, J03B, J04A, J04B, J08A, J08B, J08C, J11A, J11B, J11C, J11J, J11Q, J11R, J11S, J16Z, J21Z |
| 5v142.f†↔ | | KJZSV | 5v143.8↔ | 10 | K09A, K09B | 5v143.c | 10 | K09A, K09B |
| | 09 | J11A, J11B, J11C, J11J, J11Q, J11R, J11S | | 21A | W04A, W04B | | 21A | W04A, W04B |
| 5v142.g†↔ | | KJZSV | 5v143.9↔ | 21B | X06A, X06B, X06C | 5v143.d | 21B | X06A, X06B, X06C |
| | 09 | J11A, J11B, J11C, J11J, J11Q, J11R, J11S | | 22 | Y01Z, Y03A, Y03B | | 22 | Y01Z, Y03A, Y03B |
| 5v142.x† | | KJZSV | 5v143.0 | 01 | BOP, KJZSV, KVT, UOP4 B03Z, B07Z, B17A, B17B, B17C, B17J | 5v143.4 | 01 | BOP, KJZSV, KVT, UOP4 B03Z, B07Z, B17A, B17B, B17C, B17J |
| | 09 | J11A, J11B, J11C, J11J, J11Q, J11R, J11S | | 03 | D12A, D12J, D12Q | | 02 | C20A, C20B, C20J, C20Q, C20R |
| 5v143.0 | 01 | BOP, KJZSV, KVT, UOP4 B03Z, B07Z, B17A, B17B, B17C, B17J | 5v143.1 | 05 | F13A, F21A, F21B, F21C, F21J | 5v143.2 | 05 | F13A, F21A, F21B, F21C, F21J |
| | 03 | D12A, D12J, D12Q | | 08 | I27A, I27B, I27C, I27D, I27J, I27Q | | 08 | I27A, I27B, I27C, I27D, I27J, I27Q |
| 5v143.4 | 05 | F13A, F21A, F21B, F21C, F21J | 5v143.3 | 09 | J03A, J03B, J04A, J04B, J08A, J08B, J08C, J11A, J11B, J11C, J11J, J11Q, J11R, J11S, J16Z, J21Z | 5v143.5 | 09 | J03A, J03B, J04A, J04B, J08A, J08B, J08C, J11A, J11B, J11C, J11J, J11Q, J11R, J11S, J16Z, J21Z |
| | 09 | J03A, J03B, J04A, J04B, J08A, J08B, J08C, J11A, J11B, J11C, J11J, J11Q, J11R, J11S, J16Z, J21Z | | 10 | K09A, K09B | | 10 | K09A, K09B |
| 5v143.4 | 10 | K09A, K09B | 5v143.4 | 21A | W04A, W04B | 5v143.6 | 21A | W04A, W04B |
| | 21A | W04A, W04B | | 21B | X06A, X06B, X06C | | 21B | X06A, X06B, X06C |
| 5v143.4 | 21B | X06A, X06B, X06C | 5v143.5 | 22 | Y01Z, Y03A, Y03B | 5v143.7 | 22 | Y01Z, Y03A, Y03B |
| | 22 | Y01Z, Y03A, Y03B | | 01 | BOP, KJZSV, KVT, UOP4 B03Z, B07Z, B17A, B17B, B17C, B17J | | 01 | BOP, KJZSV, KVT, UOP4 B03Z, B07Z, B17A, B17B, B17C, B17J |
| 5v143.4 | 01 | BOP, KJZSV, KVT, UOP4 B03Z, B07Z, B17A, B17B, B17C, B17J | 5v143.6 | 05 | F13A, F21A, F21B, F21C, F21J | 5v143.8 | 05 | F13A, F21A, F21B, F21C, F21J |
| | 02 | C20A, C20B, C20J, C20Q, C20R | | 08 | I27A, I27B, I27C, I27D, I27J, I27Q | | 08 | I27A, I27B, I27C, I27D, I27J, I27Q |
| 5v143.4 | 03 | D12A, D12J, D12Q | 5v143.7 | 09 | J03A, J03B, J04A, J04B, J08A, J08B, J08C, J11A, J11B, J11C, J11J, J11Q, J11R, J11S, J16Z, J21Z | 5v143.9 | 09 | J03A, J03B, J04A, J04B, J08A, J08B, J08C, J11A, J11B, J11C, J11J, J11Q, J11R, J11S, J16Z, J21Z |
| | 05 | F13A, F21A, F21B, F21C, F21J | | 10 | K09A, K09B | | 10 | K09A, K09B |
| 5v143.4 | 08 | I27A, I27B, I27C, I27D, I27J, I27Q | 5v143.8 | 21A | W04A, W04B | 5v144.0 | 21A | W04A, W04B |
| | 09 | J03A, J03B, J04A, J04B, J08A, J08B, J08C, J11A, J11B, J11C, J11J, J11Q, J11R, J11S, J16Z, J21Z | | 21B | X05A, X05B, X06A, X06B, X06C | | 21B | X04Z, X06A, X06B, X06C |
| 5v143.4 | 10 | K09A, K09B | 5v143.9 | 22 | Y01Z, Y03A, Y03B | 5v144.1 | 22 | Y01Z, Y03A, Y03B |
| | 21A | W04A, W04B | | 01 | BOP, KJZSV, KVT, UOP4 B03Z, B07Z, B17A, B17B, B17C, B17J | | 01 | BOP, KJZSV, KVT, UOP4 B03Z, B07Z, B17A, B17B, B17C, B17J |
| 5v143.4 | 21B | X06A, X06B, X06C | 5v144.0 | 05 | F13A, F21A, F21B, F21C, F21J | 5v144.2 | 05 | F13A, F21A, F21B, F21C, F21J |
| | 22 | Y01Z, Y03A, Y03B | | 08 | I27A, I27B, I27C, I27D, I27J, I27Q | | 08 | I27A, I27B, I27C, I27D, I27J, I27Q |
| 5v143.5 | 01 | BOP, KJZSV, KVT, UOP4 B03Z, B07Z, B17A, B17B, B17C, B17J | 5v144.1 | 09 | J03A, J03B, J04A, J04B, J08A, J08B, J08C, J11A, J11B, J11C, J11J, J11Q, J11R, J11S, J16Z, J21Z | 5v144.3 | 09 | J03A, J03B, J04A, J04B, J08A, J08B, J08C, J11A, J11B, J11C, J11J, J11Q, J11R, J11S, J16Z, J21Z |
| | 03 | D12A, D12J, D12Q | | 10 | K09A, K09B | | 10 | K09A, K09B |
| 5v143.5 | 05 | F13A, F21A, F21B, F21C, F21J | 5v144.2 | 21A | W04A, W04B | 5v144.4 | 21A | W04A, W04B |
| | 08 | I27A, I27B, I27C, I27D, I27J, I27Q | | 21B | X05A, X05B, X06A, X06B, X06C | | 21B | X04Z, X06A, X06B, X06C |
| 5v143.5 | 09 | J03A, J03B, J04A, J04B, J08A, J08B, J08C, J11A, J11B, J11C, J11J, J11Q, J11R, J11S, J16Z, J21Z | 5v144.3 | 22 | Y01Z, Y03A, Y03B | 5v144.5 | 22 | Y01Z, Y03A, Y03B |
| | 10 | K09A, K09B | | 01 | BOP, KJZSV, KVT, UOP4 B03Z, B07Z, B17A, B17B, B17C, B17J | | 01 | BOP, KJZSV, KVT, UOP4 B03Z, B07Z, B17A, B17B, B17C, B17J |
| 5v143.5 | 21A | W04A, W04B | 5v144.4 | 05 | F13A, F21A, F21B, F21C, F21J | 5v144.6 | 05 | F13A, F21A, F21B, F21C, F21J |
| | 21B | X06A, X06B, X06C | | 08 | I27A, I27B, I27C, I27D, I27J, I27Q | | 08 | I27A, I27B, I27C, I27D, I27J, I27Q |
| 5v143.5 | 22 | Y01Z, Y03A, Y03B | 5v144.5 | 09 | J03A, J03B, J04A, J04B, J08A, J08B, J08C, J11A, J11B, J11C, J11J, J11Q, J11R, J11S, J16Z, J21Z | 5v144.7 | 09 | J03A, J03B, J04A, J04B, J08A, J08B, J08C, J11A, J11B, J11C, J11J, J11Q, J11R, J11S, J16Z, J21Z |
| | 01 | BOP, KJZSV, KVT, UOP4 B03Z, B07Z, B17A, B17B, B17C, B17J | | 10 | K09A, K09B | | 10 | K09A, K09B |
| 5v143.5 | 03 | D12A, D12J, D12Q | 5v144.6 | 21A | W04A, W04B | 5v144.8 | 21A | W04A, W04B |
| | 05 | F13A, F21A, F21B, F21C, F21J | | 21B | X05A, X05B, X06A, X06B, X06C | | 21B | X04Z, X06A, X06B, X06C |
| 5v143.5 | 08 | I27A, I27B, I27C, I27D, I27J, I27Q | 5v144.7 | 22 | Y01Z, Y03A, Y03B | 5v144.9 | 22 | Y01Z, Y03A, Y03B |
| | 09 | J03A, J03B, J04A, J04B, J08A, J08B, J08C, J11A, J11B, J11C, J11J, J11Q, J11R, J11S, J16Z, J21Z | | 01 | BOP, KJZSV, KVT, UOP4 B03Z, B07Z, B17A, B17B, B17C, B17J | | 01 | BOP, KJZSV, KVT, UOP4 B03Z, B07Z, B17A, B17B, B17C, B17J |
| 5v143.5 | 10 | K09A, K09B | 5v144.8 | 05 | F13A, F21A, F21B, F21C, F21J | 5v145.0 | 05 | F13A, F21A, F21B, F21C, F21J |
| | 21A | W04A, W04B | | 08 | I27A, I27B, I27C, I27D, I27J, I27Q | | 08 | I27A, I27B, I27C, I27D, I27J, I27Q |
| 5v143.5 | 21B | X06A, X06B, X06C | 5v144.9 | 09 | J03A, J03B, J04A, J04B, J08A, J08B, J08C, J11A, J11B, J11C, J11J, J11Q, J11R, J11S, J16Z, J21Z | 5v145.1 | 09 | J03A, J03B, J04A, J04B, J08A, J08B, J08C, J11A, J11B, J11C, J11J, J11Q, J11R, J11S, J16Z, J21Z |
| | 22 | Y01Z, Y03A, Y03B | | 10 | K09A, K09B | | 10 | K09A, K09B |

VYK

Príloha B: Index Výkon-MDC-DRG

| ZZV | MDC | DRG | ZZV | MDC | DRG | ZZV | MDC | DRG | | | | | | | | | |
|----------|----------|--|--|--|--|--|--|--|---------|--|--|---------|--|--|---------|----|------------------------|
| 5v143.e↔ | | BOP, KJZSV, KVT, UOP4 | 5v144.4 | | BOP, KJZSV, KVT, UOP4 | 5v144.9↔ | | BOP, KJZSV, KVT, UOP4 | | | | | | | | | |
| | 01 | B03Z, B07Z, B17A, B17B, B17C, B17J | | 01 | B03Z, B07Z, B17A, B17B, B17C, B17J | | 01 | B03Z, B07Z, B17A, B17B, B17C, B17J | | | | | | | | | |
| | 05 | F13A, F21A, F21B, F21C, F21J | | 02 | C20A, C20B, C20J, C20Q, C20R | | 05 | F13A, F21A, F21B, F21J | | | | | | | | | |
| | 08 | I27A, I27B, I27C, I27D, I27J, I27Q | | 03 | D12A, D12J, D12Q | | 08 | I02A, I02B, I02C, I02D, I22A, I22B, I50Z | | | | | | | | | |
| | 09 | J03A, J03B, J04A, J04B, J08A, J08B, J08C, J11A, J11B, J11C, J11J, J11Q, J11R, J11S, J16Z, J21Z | | 05 | F13A, F21A, F21B, F21J | | 08 | I02A, I02B, I02C, I02D, I22A, I22B, I50Z | | | | | | | | | |
| | 10 | K09A, K09B | | 08 | I02A, I02B, I02C, I02D, I22A, I22B, I50Z | | 09 | J03A, J03B, J04A, J04B, J08A, J08B, J08C, J16Z, J21Z, J22A, J22B, J22J | | | | | | | | | |
| | 21A | W04A, W04B | | 09 | J02A, J02B, J02C, J04A, J04B, J08A, J08B, J08C, J16Z, J21Z, J22A, J22B, J22J | | 21A | W04A, W04B | | | | | | | | | |
| | 21B | X04Z, X06A, X06B, X06C | | 21A | W04A, W04B | | 21B | X01A, X01B, X01C | | | | | | | | | |
| | 22 | Y01Z, Y03A, Y03B | | 21B | X01A, X01B, X01C | | 01 | B03Z, B07Z, B17A, B17B, B17C, B17J | | | | | | | | | |
| | 5v143.f↔ | | | BOP, KJZSV, KVT, UOP4 | 5v144.5 | | | BOP, KJZSV, KVT, UOP4 | 5v144.a | | BOP, KJZSV, KVT, UOP4 | | | | | | |
| | | 01 | | B03Z, B07Z, B17A, B17B, B17C, B17J | | | 01 | B03Z, B07Z, B17A, B17B, B17C, B17J | | 05 | F13A, F21A, F21B, F21J | | | | | | |
| | | 05 | | F13A, F21A, F21B, F21C, F21J | | | 03 | D12A, D12J, D12Q | | 06 | G10Z, G12A, G12B, G12J | | | | | | |
| | | 08 | | I27A, I27B, I27C, I27D, I27J, I27Q | | | 05 | F13A, F21A, F21B, F21J | | 08 | I02A, I02B, I02C, I02D, I22A, I22B, I50Z | | | | | | |
| | | 09 | | J03A, J03B, J04A, J04B, J08A, J08B, J08C, J11A, J11B, J11C, J11J, J11Q, J11R, J11S, J16Z, J21Z | | | 06 | G10Z, G12A, G12B, G12J | | 09 | J02A, J02B, J02C, J04A, J04B, J08A, J08B, J08C, J14A, J16Z, J21Z, J22A, J22B, J22J | | | | | | |
| | | 10 | | K09A, K09B | | | 08 | I28A, I28B, I28J | | 21A | W04A, W04B | | | | | | |
| | | 21A | | W04A, W04B | | | 09 | J02A, J02B, J02C, J04A, J04B, J08A, J08B, J08C, J16Z, J21Z, J22A, J22B, J22J | | 21B | X01A, X01B, X01C | | | | | | |
| | | 21B | | X04Z, X06A, X06B, X06C | | | 21A | W04A, W04B | | 01 | B03Z, B07Z, B17A, B17B, B17C, B17J | | | | | | |
| | | 22 | | Y01Z, Y03A, Y03B | | | 21B | X01A, X01B, X01C | | 05 | F13A, F21A, F21B, F21J | | | | | | |
| | | 5v143.g↔ | | | | | BOP, KJZSV, KVT, UOP4 | 5v144.6↔ | | | BOP, KJZSV, KVT, UOP4 | 5v144.b | | BOP, KJZSV, KVT, UOP4 | | | |
| | | | | 01 | | | B03Z, B07Z, B17A, B17B, B17C, B17J | | | 01 | B03Z, B07Z, B17A, B17B, B17C, B17J | | 05 | F13A, F21A, F21B, F21J | | | |
| | | | | 05 | | | F13A, F21A, F21B, F21C, F21J | | | 05 | F13A, F21A, F21B, F21J, F27A, F27B, F27C | | 06 | G10Z, G12A, G12B, G12J | | | |
| | | | | 08 | | | I27A, I27B, I27C, I27D, I27J, I27Q | | | 08 | I02A, I02B, I02C, I02D, I22A, I22B, I50Z | | 08 | I02A, I02B, I02C, I02D, I22A, I22B, I50Z | | | |
| 09 | | | J03A, J03B, J04A, J04B, J08A, J08B, J08C, J11A, J11B, J11C, J11J, J11Q, J11R, J11S, J16Z, J21Z | 09 | | J02A, J02B, J02C, J04A, J04B, J08A, J08B, J08C, J16Z, J21Z, J22A, J22B, J22J | 09 | | | J02A, J02B, J02C, J04A, J04B, J08A, J08B, J08C, J16Z, J21Z, J22A, J22B, J22J | | | | | | | |
| 10 | | | K09A, K09B | 10 | | K01Z | 21A | | | W04A, W04B | | | | | | | |
| 21A | | | W04A, W04B | 21A | | W04A, W04B | 21B | | | X01A, X01B, X01C | | | | | | | |
| 21B | | | X04Z, X06A, X06B, X06C | 21B | | X01A, X01B, X01C | 05 | | | F13A, F21A, F21B, F21J | | | | | | | |
| 22 | | | Y01Z, Y03A, Y03B | 21B | | X01A, X01B, X01C | 06 | | | G10Z, G12A, G12B, G12J | | | | | | | |
| 5v143.x† | | | | KJZSV | | 5v144.7↔ | | | | BOP, KJZSV, KVT, UOP4 | 5v144.c | | | BOP, KJZSV, KVT, UOP4 | | | |
| | | | 09 | J11A, J11B, J11C, J11J, J11Q, J11R, J11S | | | 01 | | | B03Z, B07Z, B17A, B17B, B17C, B17J | | | 05 | F13A, F21A, F21B, F21J | | | |
| | | | 5v144.0 | | | | BOP, KJZSV, KVT, UOP4 | | | 5v144.8↔ | | | | BOP, KJZSV, KVT, UOP4 | 5v144.d | | BOP, KJZSV, KVT, UOP4 |
| | | | | 03 | | | D08A, D08B, D18Z, D22A, D22B, D22J, D30A, D30B, D30J, D30Q | | | | | | 01 | B03Z, B07Z, B17A, B17B, B17C, B17J | | 05 | F13A, F21A, F21B, F21J |
| | 05 | | | F13A | 05 | | F13A, F21A, F21B, F21J | | 06 | | | | G10Z, G12A, G12B, G12J | | | | |
| | 09 | | | J03A, J03B, J04A, J04B, J08A, J08B, J08C, J10A, J10B, J10J, J16Z | 08 | | I02A, I02B, I02C, I02D, I22A, I22B, I32A, I32B, I32C, I32D, I32E, I32F, I32J, I32Q, I32R, I32S, I32T, I32U, I50Z | | 08 | | | | I02A, I02B, I02C, I02D, I22A, I22B, I50Z | | | | |
| | 21A | | | W04A, W04B | 09 | | J02A, J02B, J02C, J04A, J04B, J08A, J08B, J08C, J16Z, J21Z, J22A, J22B, J22J | | 09 | | | | J02A, J02B, J02C, J04A, J04B, J08A, J08B, J08C, J16Z, J21Z, J22A, J22B, J22J | | | | |
| | 21B | | | X06A, X06B, X06C | 21A | | W04A, W04B | | 21A | | | | W04A, W04B | | | | |
| | | | | | 21B | | X01A, X01B, X01C | | 21B | | | | X01A, X01B, X01C | | | | |
| | | | | | 01 | | B03Z, B07Z, B17A, B17B, B17C, B17J | | 01 | | | | B03Z, B07Z, B17A, B17B, B17C, B17J | | | | |
| | | | | | 05 | | F13A, F21A, F21B, F21J | | 05 | | | | F13A, F21A, F21B, F21J | | | | |
| | | | | | 08 | | I02A, I02B, I02C, I02D, I22A, I22B, I32A, I32B, I32C, I32D, I32E, I32F, I32J, I32Q, I32R, I32S, I32T, I32U, I50Z | | 06 | | | | G10Z, G12A, G12B, G12J | | | | |
| | | | | | 09 | | J02A, J02B, J02C, J04A, J04B, J08A, J08B, J08C, J16Z, J21Z, J22A, J22B, J22J | | 08 | | | | I02A, I02B, I02C, I02D, I22A, I22B, I50Z | | | | |
| | | | | 21A | W04A, W04B | | 09 | J02A, J02B, J02C, J04A, J04B, J08A, J08B, J08C, J16Z, J21Z, J22A, J22B, J22J | | | | | | | | | |
| | | | | 21B | X01A, X01B, X01C | | 21A | W04A, W04B | | | | | | | | | |
| | | | | | | | 21B | X01A, X01B, X01C | | | | | | | | | |

VYK

| ZZV | MDC | DRG | ZZV | MDC | DRG | ZZV | MDC | DRG | | | |
|----------|----------|--|--|--|--|----------|--|--|----------|----|------------------------------------|
| 5v144.e↔ | | BOP, KJZSV, KVT, UOP4 | 5v145.4 | | BOP, KJZSV, KVT, UOP4 | 5v145.9↔ | | BOP, KJZSV, KVT, UOP4 | | | |
| | 01 | B03Z, B07Z, B17A, B17B, B17C, B17J | | 01 | B03Z, B07Z, B17A, B17B, B17C, B17J | | 01 | B03Z, B07Z, B17A, B17B, B17C, B17J | | | |
| | 05 | F13A, F21A, F21B, F21J, F27A, F27B, F27C | | 02 | C20A, C20B, C20J, C20Q, C20R | | 05 | F13A, F21A, F21B, F21J | | | |
| | 08 | I02A, I02B, I02C, I02D, I22A, I22B, I50Z | | 03 | D12A, D12J, D12Q | | 08 | I32A, I32B, I32C, I32D, I32E, I32F, I32J, I32Q, I32R, I32S, I32T, I32U | | | |
| | 09 | J02A, J02B, J02C, J04A, J04B, J08A, J08B, J08C, J16Z, J21Z, J22A, J22B, J22J | | 05 | F13A, F21A, F21B, F21J | | 09 | J03A, J03B, J04A, J04B, J08A, J08B, J08C, J16Z, J21Z, J22A, J22B, J22J | | | |
| | 10 | K01Z | | 08 | I02A, I02B, I02C, I02D, I22A, I22B, I50Z | | 21A | W04A, W04B | | | |
| | 21A | W04A, W04B | | 09 | J02A, J02B, J02C, J04A, J04B, J08A, J08B, J08C, J16Z, J21Z, J22A, J22B, J22J | | 21B | X01A, X01B, X01C | | | |
| | 21B | X01A, X01B, X01C | | 21A | W04A, W04B | | 01 | BOP, KJZSV, KVT, UOP4 | | | |
| | 5v144.f↔ | | | BOP, KJZSV, KVT, UOP4 | 5v145.5 | | | BOP, KJZSV, KVT, UOP4 | 5v145.a | | BOP, KJZSV, KVT, UOP4 |
| | | 01 | | B03Z, B07Z, B17A, B17B, B17C, B17J | | | 21B | X01A, X01B, X01C | | 01 | B03Z, B07Z, B17A, B17B, B17C, B17J |
| | | 05 | | F13A, F21A, F21B, F21J, F27A, F27B, F27C | | | 01 | B03Z, B07Z, B17A, B17B, B17C, B17J | | 05 | F13A, F21A, F21B, F21J |
| 08 | | I02A, I02B, I02C, I02D, I22A, I22B, I50Z | 03 | D12A, D12J, D12Q | | 06 | G10Z, G12A, G12B, G12J | | | | |
| 09 | | J02A, J02B, J02C, J04A, J04B, J08A, J08B, J08C, J16Z, J21Z, J22A, J22B, J22J | 05 | F13A, F21A, F21B, F21J | | 08 | I02A, I02B, I02C, I02D, I22A, I22B, I50Z | | | | |
| 10 | | K01Z | 06 | G10Z, G12A, G12B, G12J | | 09 | J02A, J02B, J02C, J04A, J04B, J08A, J08B, J08C, J14A, J16Z, J21Z, J22A, J22B, J22J | | | | |
| 21A | | W04A, W04B | 08 | I28A, I28B, I28J | | 21A | W04A, W04B | | | | |
| 21B | | X01A, X01B, X01C | 09 | J02A, J02B, J02C, J04A, J04B, J08A, J08B, J08C, J16Z, J21Z, J22A, J22B, J22J | | 21B | X01A, X01B, X01C | | | | |
| 5v144.g↔ | | | BOP, KJZSV, KVT, UOP4 | 5v145.6↔ | | | BOP, KJZSV, KVT, UOP4 | 5v145.b | | | BOP, KJZSV, KVT, UOP4 |
| | | 01 | B03Z, B07Z, B17A, B17B, B17C, B17J | | | 21A | W04A, W04B | | | 01 | B03Z, B07Z, B17A, B17B, B17C, B17J |
| | | 05 | F13A, F21A, F21B, F21J, F27A, F27B, F27C | | | 21B | X01A, X01B, X01C | | | 05 | F13A, F21A, F21B, F21J |
| | 08 | I02A, I02B, I02C, I02D, I22A, I22B, I50Z | 01 | | B03Z, B07Z, B17A, B17B, B17C, B17J | 06 | G10Z, G12A, G12B, G12J | | | | |
| | 09 | J02A, J02B, J02C, J04A, J04B, J08A, J08B, J08C, J16Z, J21Z, J22A, J22B, J22J | 05 | | F13A, F21A, F21B, F21J, F27A, F27B, F27C | 08 | I02A, I02B, I02C, I02D, I22A, I22B, I50Z | | | | |
| | 10 | K01Z | 08 | | I02A, I02B, I02C, I02D, I22A, I22B, I50Z | 09 | J02A, J02B, J02C, J04A, J04B, J08A, J08B, J08C, J16Z, J21Z, J22A, J22B, J22J | | | | |
| | 21A | W04A, W04B | 09 | | J02A, J02B, J02C, J04A, J04B, J08A, J08B, J08C, J16Z, J21Z, J22A, J22B, J22J | 21A | W04A, W04B | | | | |
| | 21B | X01A, X01B, X01C | 10 | | K01Z | 21B | X01A, X01B, X01C | | | | |
| | 5v144.x↔ | | BOP, KJZSV, KVT, UOP4 | | 5v145.7↔ | | BOP, KJZSV, KVT, UOP4 | | 5v145.c | | BOP, KJZSV, KVT, UOP4 |
| | | 01 | B03Z, B07Z, B17A, B17B, B17C, B17J | | | 21A | W04A, W04B | | | 01 | B03Z, B07Z, B17A, B17B, B17C, B17J |
| | | 05 | F13A, F21A, F21B, F21J | | | 21B | X01A, X01B, X01C | | | 05 | F13A, F21A, F21B, F21J |
| 08 | | I02A, I02B, I02C, I02D, I22A, I22B, I32A, I32B, I32C, I32D, I32E, I32F, I32J, I32Q, I32R, I32S, I32T, I32U, I50Z | 01 | B03Z, B07Z, B17A, B17B, B17C, B17J | | 06 | G10Z, G12A, G12B, G12J | | | | |
| 09 | | J02A, J02B, J02C, J04A, J04B, J08A, J08B, J08C, J16Z, J21Z, J22A, J22B, J22J | 05 | F13A, F21A, F21B, F21J | | 08 | I02A, I02B, I02C, I02D, I22A, I22B, I50Z | | | | |
| 21A | | W04A, W04B | 08 | I02A, I02B, I02C, I02D, I22A, I22B, I50Z | | 09 | J02A, J02B, J02C, J04A, J04B, J08A, J08B, J08C, J16Z, J21Z, J22A, J22B, J22J | | | | |
| 21B | | X01A, X01B, X01C | 09 | J02A, J02B, J02C, J04A, J04B, J08A, J08B, J08C, J16Z, J21Z, J22A, J22B, J22J | | 10 | K09A, K09B | | | | |
| 5v145.0 | | | BOP, KJZSV, KVT, UOP4 | 5v145.8↔ | | | BOP, KJZSV, KVT, UOP4 | 5v145.d | | | BOP, KJZSV, KVT, UOP4 |
| | | 03 | D08A, D08B, D18Z, D22A, D22B, D22J, D30A, D30B, D30J, D30Q | | | 01 | B03Z, B07Z, B17A, B17B, B17C, B17J | | | 01 | B03Z, B07Z, B17A, B17B, B17C, B17J |
| | | 05 | F13A | | | 05 | F13A, F21A, F21B, F21J | | | 05 | F13A, F21A, F21B, F21J |
| | | 09 | J03A, J03B, J04A, J04B, J08A, J08B, J08C, J10A, J10B, J10J, J16Z | | | 08 | I02A, I02B, I02C, I02D, I22A, I22B, I32A, I32B, I32C, I32D, I32E, I32F, I32J, I32Q, I32R, I32S, I32T, I32U, I50Z | | | 06 | G10Z, G12A, G12B, G12J |
| | 21A | W04A, W04B | 09 | | J02A, J02B, J02C, J04A, J04B, J08A, J08B, J08C, J16Z, J21Z, J22A, J22B, J22J | 08 | I02A, I02B, I02C, I02D, I22A, I22B, I50Z | | | | |
| | 21B | X06A, X06B, X06C | 21A | | W04A, W04B | 09 | J02A, J02B, J02C, J04A, J04B, J08A, J08B, J08C, J16Z, J21Z, J22A, J22B, J22J | | | | |
| | 5v145.9↔ | | BOP, KJZSV, KVT, UOP4 | | 5v145.9↔ | | BOP, KJZSV, KVT, UOP4 | | 5v145.9↔ | | BOP, KJZSV, KVT, UOP4 |
| | | 01 | B03Z, B07Z, B17A, B17B, B17C, B17J | | | 21A | W04A, W04B | | | 01 | B03Z, B07Z, B17A, B17B, B17C, B17J |
| | | 05 | F13A, F21A, F21B, F21J | | | 21B | X01A, X01B, X01C | | | 05 | F13A, F21A, F21B, F21J |
| | | 08 | I32A, I32B, I32C, I32D, I32E, I32F, I32J, I32Q, I32R, I32S, I32T, I32U | | | 01 | B03Z, B07Z, B17A, B17B, B17C, B17J | | | 06 | G10Z, G12A, G12B, G12J |

VYK

Príloha B: Index Výkon-MDC-DRG

| ZZV | MDC | DRG | ZZV | MDC | DRG | ZZV | MDC | DRG | |
|----------|----------|--|--|--|--|--|--|--|--|
| 5v145.e↔ | | BOP, KJZSV, KVT, UOP4 | 5v146.5‡ | | KJZSV | 5v150.4 | 01 | B03Z, B07Z, B17A, B17B, B17C, B17J | |
| | 01 | B03Z, B07Z, B17A, B17B, B17C, B17J | | 09 | J11A, J11B, J11C, J11J, J11Q, J11R, J11S | | 02 | C14J, C14Q, C14R, C14S, C14Z | |
| | 05 | F13A, F21A, F21B, F21J, F27A, F27B, F27C | | 5v146.6‡↔ | KJZSV | | 03 | D13J, D13Q, D13Z | |
| | 08 | I02A, I02B, I02C, I02D, I22A, I22B, I50Z | | 09 | J11A, J11B, J11C, J11J, J11Q, J11R, J11S | | 04 | E02A, E02B, E02C, E02D | |
| | 09 | J02A, J02B, J02C, J04A, J04B, J08A, J08B, J08C, J16Z, J21Z, J22A, J22B, J22J | | 5v146.7‡↔ | KJZSV | | 05 | F21A, F21B, F21C, F21J | |
| | 10 | K01Z | | 09 | J11A, J11B, J11C, J11J, J11Q, J11R, J11S | | 06 | G10Z, G12A, G12B, G12J | |
| | 21A | W04A, W04B | | 5v146.8‡↔ | KJZSV | | 07 | H06A, H06B, H06C | |
| | 21B | X01A, X01B, X01C | | 09 | J11A, J11B, J11C, J11J, J11Q, J11R, J11S | | 08 | I28A, I28B, I28C, I28J | |
| | 5v145.f↔ | | | BOP, KJZSV, KVT, UOP4 | 5v146.9‡↔ | | KJZSV | 09 | J11A, J11B, J11C, J11J, J11Q, J11R, J11S |
| | | 01 | | B03Z, B07Z, B17A, B17B, B17C, B17J | 09 | | J11A, J11B, J11C, J11J, J11Q, J11R, J11S | 10 | K09A, K09B |
| | | 05 | | F13A, F21A, F21B, F21J, F27A, F27B, F27C | 5v146.a‡ | | KJZSV | 11 | L09A, L09B, L09C, L09J, L38Z |
| | | 08 | | I02A, I02B, I02C, I02D, I22A, I22B, I50Z | 09 | | J11A, J11B, J11C, J11J, J11Q, J11R, J11S | 13 | N11A, N11B, N11J |
| 09 | | J02A, J02B, J02C, J04A, J04B, J08A, J08B, J08C, J16Z, J21Z, J22A, J22B, J22J | 5v146.b‡ | KJZSV | 21A | W04A, W04B | | | |
| 10 | | K01Z | 09 | J11A, J11B, J11C, J11J, J11Q, J11R, J11S | 21B | X06A, X06B, X06C | | | |
| 21A | | W04A, W04B | 5v146.c‡ | KJZSV | 5v150.5 | 01 | B03Z, B07Z, B17A, B17B, B17C, B17D, B17J | | |
| 21B | | X01A, X01B, X01C | 09 | J11A, J11B, J11C, J11J, J11Q, J11R, J11S | | 03 | D13J, D13Q, D13Z | | |
| 5v145.g↔ | | | BOP, KJZSV, KVT, UOP4 | 5v146.d‡ | | KJZSV | 04 | E02A, E02B, E02C, E02D | |
| | | 01 | B03Z, B07Z, B17A, B17B, B17C, B17J | 09 | | J11A, J11B, J11C, J11J, J11Q, J11R, J11S | 05 | F21A, F21B, F21C, F21J | |
| | | 05 | F13A, F21A, F21B, F21J, F27A, F27B, F27C | 5v146.e‡↔ | | KJZSV | 06 | G10Z, G12A, G12B, G12J | |
| | | 08 | I02A, I02B, I02C, I02D, I22A, I22B, I50Z | 09 | | J11A, J11B, J11C, J11J, J11Q, J11R, J11S | 07 | H06A, H06B, H06C | |
| | 09 | J02A, J02B, J02C, J04A, J04B, J08A, J08B, J08C, J16Z, J21Z, J22A, J22B, J22J | 5v146.f‡↔ | KJZSV | | 08 | I28A, I28B, I28C, I28J | | |
| | 10 | K01Z | 09 | J11A, J11B, J11C, J11J, J11Q, J11R, J11S | | 09 | J11A, J11B, J11C, J11J, J11Q, J11R, J11S | | |
| | 21A | W04A, W04B | 5v146.g‡↔ | KJZSV | | 10 | K09A, K09B | | |
| | 21B | X01A, X01B, X01C | 5v146.x‡ | KJZSV | | 11 | L09A, L09B, L09C, L09J, L38Z | | |
| | 5v145.x↔ | | BOP, KJZSV, KVT, UOP4 | 5v14x.x‡ | | KJZSV | 13 | N11A, N11B, N11J | |
| | | 01 | B03Z, B07Z, B17A, B17B, B17C, B17J | 09 | | J11A, J11B, J11C, J11J, J11Q, J11R, J11S | 21A | W04A, W04B | |
| | | 05 | F13A, F21A, F21B, F21J | 01 | B03Z, B07Z, B17A, B17B, B17C, B17D, B17J | 21B | X06A, X06B, X06C | | |
| | | 08 | I02A, I02B, I02C, I02D, I22A, I22B, I32A, I32B, I32C, I32D, I32E, I32F, I32J, I32Q, I32R, I32S, I32T, I32U, I50Z | 03 | D13J, D13Q, D13Z | 5v150.6↔ | 01 | B03Z, B07Z, B17A, B17B, B17C, B17D, B17J | |
| 09 | | J02A, J02B, J02C, J04A, J04B, J08A, J08B, J08C, J16Z, J21Z, J22A, J22B, J22J | 04 | E02A, E02B, E02C, E02D | 03 | | D13J, D13Q, D13Z | | |
| 21A | | W04A, W04B | 05 | F21A, F21B, F21C, F21J | 04 | | E02A, E02B, E02C, E02D | | |
| 21B | | X01A, X01B, X01C | 06 | G10Z, G12A, G12B, G12J | 05 | | F21A, F21B, F21C, F21J | | |
| 5v146.0 | | | BOP, KJZSV, KVT, UOP4 | 5v150.0 | 07 | | H06A, H06B, H06C | 06 | G10Z, G12A, G12B, G12J |
| | | 03 | D08A, D08B, D18Z, D22A, D22B, D22J, D30A, D30B, D30J, D30Q | 08 | I28A, I28B, I28C, I28J | | 07 | H06A, H06B, H06C | |
| | | 05 | F13A | 09 | J11A, J11B, J11C, J11J, J11Q, J11R, J11S | | 08 | I28A, I28B, I28C, I28J | |
| | | 09 | J03A, J03B, J04A, J04B, J08A, J08B, J08C, J11A, J11B, J11C, J11J, J11Q, J11R, J11S, J16Z | 10 | K09A, K09B | | 09 | J11A, J11B, J11C, J11J, J11Q, J11R, J11S | |
| | | 5v146.4‡ | | KJZSV | 11 | | L09A, L09B, L09C, L09J, L38Z | 10 | K09A, K09B |
| | 02 | | C20A, C20B, C20J, C20Q, C20R | 13 | N11A, N11B, N11J | | 11 | L09A, L09B, L09C, L09J, L38Z | |
| | 09 | | J11A, J11B, J11C, J11J, J11Q, J11R, J11S | 21A | W04A, W04B | | 13 | N11A, N11B, N11J | |
| | 5v146.4‡ | | | KJZSV | 21B | | X06A, X06B, X06C | 21A | W04A, W04B |
| | | | 02 | C20A, C20B, C20J, C20Q, C20R | | | 21B | X06A, X06B, X06C | |
| | | | 09 | J11A, J11B, J11C, J11J, J11Q, J11R, J11S | | | | | |

VYK

| ZZV | MDC | DRG | ZZV | MDC | DRG | ZZV | MDC | DRG |
|----------|------------------|--|------------------------------|-----|--|----------|-----|--|
| 5v150.8↔ | 01 | B03Z, B07Z, B17A, B17B, B17C, B17D, B17J | 5v150.c | 01 | B03Z, B07Z, B17A, B17B, B17C, B17D, B17J | 5v150.g↔ | 01 | B03Z, B07Z, B17A, B17B, B17C, B17D, B17J |
| | 03 | D13J, D13Q, D13Z | | 03 | D13J, D13Q, D13Z | | 03 | D13J, D13Q, D13Z |
| | 04 | E02A, E02B, E02C, E02D | | 04 | E02A, E02B, E02C, E02D | | 04 | E02A, E02B, E02C, E02D |
| | 05 | F21A, F21B, F21C, F21J | | 05 | F21A, F21B, F21C, F21J | | 05 | F21A, F21B, F21C, F21J |
| | 06 | G10Z, G12A, G12B, G12J | | 06 | G10Z, G12A, G12B, G12J | | 06 | G10Z, G12A, G12B, G12J |
| | 07 | H06A, H06B, H06C | | 07 | H06A, H06B, H06C | | 07 | H06A, H06B, H06C |
| | 08 | I28A, I28B, I28C, I28J | | 08 | I28A, I28B, I28C, I28J | | 08 | I28A, I28B, I28C, I28J |
| | 09 | J11A, J11B, J11C, J11J, J11Q, J11R, J11S | | 09 | J11A, J11B, J11C, J11J, J11Q, J11R, J11S | | 09 | J11A, J11B, J11C, J11J, J11Q, J11R, J11S |
| | 10 | K09A, K09B | | 10 | K09A, K09B | | 10 | K09A, K09B, K09C |
| | 11 | L09A, L09B, L09C, L09J, L38Z | | 11 | L09A, L09B, L09C, L09J, L38Z | | 11 | L09A, L09B, L09C, L09J, L38Z |
| | 13 | N11A, N11B, N11J | | 12 | M06J, M06Z, M09A, M09B, M09J, M38Z | | 13 | N11A, N11B, N11J |
| 21A | W04A, W04B | 13 | N11A, N11B, N11J | 21A | W04A, W04B | | | |
| 21B | X06A, X06B, X06C | 21A | W04A, W04B | 21B | X06A, X06B, X06C | | | |
| 5v150.9↔ | 01 | B03Z, B07Z, B17A, B17B, B17C, B17D, B17J | 5v150.d | 01 | B03Z, B07Z, B17A, B17B, B17C, B17D, B17J | 5v150.x | 01 | B03Z, B07Z, B17A, B17B, B17C, B17D, B17J |
| | 03 | D13J, D13Q, D13Z | | 03 | D13J, D13Q, D13Z | | 03 | D13J, D13Q, D13Z |
| | 04 | E02A, E02B, E02C, E02D | | 04 | E02A, E02B, E02C, E02D | | 04 | E02A, E02B, E02C, E02D |
| | 05 | F21A, F21B, F21C, F21J | | 05 | F21A, F21B, F21C, F21J | | 05 | F21A, F21B, F21C, F21J |
| | 06 | G10Z, G12A, G12B, G12J | | 06 | G10Z, G12A, G12B, G12J | | 06 | G10Z, G12A, G12B, G12J |
| | 07 | H06A, H06B, H06C | | 07 | H06A, H06B, H06C | | 07 | H06A, H06B, H06C |
| | 08 | I28A, I28B, I28C, I28J | | 08 | I28A, I28B, I28C, I28J | | 08 | I28A, I28B, I28C, I28J |
| | 09 | J22A, J22B, J22J | | 09 | J11A, J11B, J11C, J11J, J11Q, J11R, J11S | | 09 | J11A, J11B, J11C, J11J, J11Q, J11R, J11S |
| | 10 | K09A, K09B | | 10 | K09A, K09B | | 10 | K09A, K09B |
| | 11 | L09A, L09B, L09C, L09J, L38Z | | 11 | L09A, L09B, L09C, L09J, L38Z | | 11 | L09A, L09B, L09C, L09J, L38Z |
| | 13 | N11A, N11B, N11J | | 10 | K09A, K09B | | 13 | N11A, N11B, N11J |
| 21A | W04A, W04B | 11 | L09A, L09B, L09C, L09J, L38Z | 21A | W04A, W04B | | | |
| 21B | X06A, X06B, X06C | 13 | N11A, N11B, N11J | 21B | X06A, X06B, X06C | | | |
| 5v150.a | 01 | B03Z, B07Z, B17A, B17B, B17C, B17D, B17J | 5v150.e↔ | 01 | B03Z, B07Z, B17A, B17B, B17C, B17D, B17J | 5v151.0 | 01 | B03Z, B07Z, B17A, B17B, B17C, B17D, B17J |
| | 03 | D13J, D13Q, D13Z | | 03 | D13J, D13Q, D13Z | | 03 | D13J, D13Q, D13Z |
| | 04 | E02A, E02B, E02C, E02D | | 04 | E02A, E02B, E02C, E02D | | 04 | E02A, E02B, E02C, E02D |
| | 05 | F21A, F21B, F21C, F21J | | 05 | F21A, F21B, F21C, F21J | | 05 | F13A, F21A, F21B, F21C, F21J |
| | 06 | G10Z, G12A, G12B, G12J | | 06 | G10Z, G12A, G12B, G12J | | 06 | G10Z, G12A, G12B, G12J |
| | 07 | H06A, H06B, H06C | | 07 | H06A, H06B, H06C | | 07 | H06A, H06B, H06C |
| | 08 | I28A, I28B, I28C, I28J | | 08 | I28A, I28B, I28C, I28J | | 08 | I12A, I12B, I12C, I12J, I28A, I28B, I28J |
| | 09 | J11A, J11B, J11C, J11J, J11Q, J11R, J11S | | 09 | J11A, J11B, J11C, J11J, J11Q, J11R, J11S | | 09 | J03A, J03B, J04A, J04B, J08A, J08B, J08C, J16Z, J21Z, J22A, J22B, J22J |
| | 10 | K09A, K09B | | 10 | K09A, K09B, K09C | | 10 | K09A, K09B |
| | 11 | L09A, L09B, L09C, L09J, L38Z | | 11 | L09A, L09B, L09C, L09J, L38Z | | 11 | L09A, L09B, L09C, L09J, L38Z |
| | 13 | N11A, N11B, N11J | | 13 | N11A, N11B, N11J | | 13 | N11A, N11B, N11J |
| 21A | W04A, W04B | 21A | W04A, W04B | 21A | W04A, W04B | | | |
| 21B | X06A, X06B, X06C | 21B | X06A, X06B, X06C | 21B | X06A, X06B, X06C | | | |
| 5v150.b | 01 | B03Z, B07Z, B17A, B17B, B17C, B17D, B17J | 5v150.f↔ | 01 | B03Z, B07Z, B17A, B17B, B17C, B17D, B17J | | 01 | B03Z, B07Z, B17A, B17B, B17C, B17D, B17J |
| | 03 | D13J, D13Q, D13Z | | 03 | D13J, D13Q, D13Z | | 03 | D13J, D13Q, D13Z |
| | 04 | E02A, E02B, E02C, E02D | | 04 | E02A, E02B, E02C, E02D | | 04 | E02A, E02B, E02C, E02D |
| | 05 | F21A, F21B, F21C, F21J | | 05 | F21A, F21B, F21C, F21J | | 05 | F21A, F21B, F21C, F21J |
| | 06 | G10Z, G12A, G12B, G12J | | 06 | G10Z, G12A, G12B, G12J | | 06 | G10Z, G12A, G12B, G12J |
| | 07 | H06A, H06B, H06C | | 07 | H06A, H06B, H06C | | 07 | H06A, H06B, H06C |
| | 08 | I28A, I28B, I28C, I28J | | 08 | I28A, I28B, I28C, I28J | | 08 | I28A, I28B, I28C, I28J |
| | 09 | J11A, J11B, J11C, J11J, J11Q, J11R, J11S | | 09 | J11A, J11B, J11C, J11J, J11Q, J11R, J11S | | 09 | J11A, J11B, J11C, J11J, J11Q, J11R, J11S |
| | 10 | K09A, K09B | | 10 | K09A, K09B, K09C | | 10 | K09A, K09B, K09C |
| | 11 | L09A, L09B, L09C, L09J, L38Z | | 11 | L09A, L09B, L09C, L09J, L38Z | | 11 | L09A, L09B, L09C, L09J, L38Z |
| | 13 | N11A, N11B, N11J | | 13 | N11A, N11B, N11J | | 13 | N11A, N11B, N11J |
| 21A | W04A, W04B | 21A | W04A, W04B | 21A | W04A, W04B | | | |
| 21B | X06A, X06B, X06C | 21B | X06A, X06B, X06C | 21B | X06A, X06B, X06C | | | |

VYK

| ZZV | MDC | DRG | ZZV | MDC | DRG | ZZV | MDC | DRG |
|----------|------------------|--|------------------|-----|--|---------|-----|--|
| 5v151.4 | | KJZSV | 5v151.7↔ | | KJZSV | 5v151.a | | KJZSV |
| | 01 | B03Z, B07Z, B17A, B17B, B17C, B17D, B17J | | 01 | B03Z, B07Z, B17A, B17B, B17C, B17D, B17J | | 01 | B03Z, B07Z, B17A, B17B, B17C, B17D, B17J |
| | 02 | C14J, C14Q, C14R, C14S, C14Z | | 03 | D13J, D13Q, D13Z | | 03 | D13J, D13Q, D13Z |
| | 03 | D13J, D13Q, D13Z | | 04 | E02A, E02B, E02C, E02D | | 04 | E02A, E02B, E02C, E02D |
| | 04 | E02A, E02B, E02C, E02D | | 05 | F13A, F21A, F21B, F21C, F21J | | 05 | F13A, F21A, F21B, F21C, F21J |
| | 05 | F13A, F21A, F21B, F21C, F21J | | 06 | G10Z, G12A, G12B, G12J | | 06 | G10Z, G12A, G12B, G12J |
| | 06 | G10Z, G12A, G12B, G12J | | 07 | H06A, H06B, H06C | | 07 | H06A, H06B, H06C |
| | 07 | H06A, H06B, H06C | | 08 | I12A, I12B, I12C, I12J, I28A, I28B, I28J | | 08 | I12A, I12B, I12C, I12J, I28A, I28B, I28J |
| | 08 | I12A, I12B, I12C, I12J, I28A, I28B, I28J | | 09 | J03A, J03B, J04A, J04B, J08A, J08B, J08C, J16Z, J21Z, J22A, J22B, J22J | | 09 | J03A, J03B, J04A, J04B, J08A, J08B, J08C, J16Z, J21Z, J22A, J22B, J22J |
| | 09 | J03A, J03B, J04A, J04B, J08A, J08B, J08C, J16Z, J21Z, J22A, J22B, J22J | | 10 | K09A, K09B | | 10 | K09A, K09B |
| | 10 | K09A, K09B | | 11 | L09A, L09B, L09C, L09J, L38Z | | 11 | L09A, L09B, L09C, L09J, L38Z |
| | 11 | L09A, L09B, L09C, L09J, L38Z | | 13 | N11A, N11B, N11J | | 13 | N11A, N11B, N11J |
| | 13 | N11A, N11B, N11J | | 21A | W04A, W04B | | 21A | W04A, W04B |
| 21A | W04A, W04B | 21B | X06A, X06B, X06C | 21B | X06A, X06B, X06C | | | |
| 21B | X06A, X06B, X06C | | | | | | | |
| 5v151.5 | | KJZSV | 5v151.8↔ | | KJZSV | 5v151.b | | KJZSV |
| | 01 | B03Z, B07Z, B17A, B17B, B17C, B17D, B17J | | 01 | B03Z, B07Z, B17A, B17B, B17C, B17D, B17J | | 01 | B03Z, B07Z, B17A, B17B, B17C, B17D, B17J |
| | 03 | D13J, D13Q, D13Z | | 03 | D13J, D13Q, D13Z | | 03 | D13J, D13Q, D13Z |
| | 04 | E02A, E02B, E02C, E02D | | 04 | E02A, E02B, E02C, E02D | | 04 | E02A, E02B, E02C, E02D |
| | 05 | F13A, F21A, F21B, F21C, F21J | | 05 | F13A, F21A, F21B, F21C, F21J | | 05 | F13A, F21A, F21B, F21C, F21J |
| | 06 | G10Z, G12A, G12B, G12J | | 06 | G10Z, G12A, G12B, G12J | | 06 | G10Z, G12A, G12B, G12J |
| | 07 | H06A, H06B, H06C | | 07 | H06A, H06B, H06C | | 07 | H06A, H06B, H06C |
| | 08 | I12A, I12B, I12C, I12J, I28A, I28B, I28J | | 08 | I12A, I12B, I12C, I12J, I28A, I28B, I28J | | 08 | I12A, I12B, I12C, I12J, I28A, I28B, I28J |
| | 09 | J03A, J03B, J04A, J04B, J08A, J08B, J08C, J16Z, J21Z, J22A, J22B, J22J | | 09 | J03A, J03B, J04A, J04B, J08A, J08B, J08C, J16Z, J21Z, J22A, J22B, J22J | | 09 | J03A, J03B, J04A, J04B, J08A, J08B, J08C, J16Z, J21Z, J22A, J22B, J22J |
| | 10 | K09A, K09B | | 10 | K09A, K09B | | 10 | K09A, K09B |
| | 11 | L09A, L09B, L09C, L09J, L38Z | | 11 | L09A, L09B, L09C, L09J, L38Z | | 11 | L09A, L09B, L09C, L09J, L38Z |
| | 13 | N11A, N11B, N11J | | 13 | N11A, N11B, N11J | | 13 | N11A, N11B, N11J |
| | 21A | W04A, W04B | | 21A | W04A, W04B | | 21A | W04A, W04B |
| 21B | X06A, X06B, X06C | 21B | X06A, X06B, X06C | 21B | X06A, X06B, X06C | | | |
| 5v151.6↔ | | KJZSV | 5v151.9↔ | | KJZSV | 5v151.c | | KJZSV |
| | 01 | B03Z, B07Z, B17A, B17B, B17C, B17D, B17J | | 01 | B03Z, B07Z, B17A, B17B, B17C, B17D, B17J | | 01 | B03Z, B07Z, B17A, B17B, B17C, B17D, B17J |
| | 03 | D13J, D13Q, D13Z | | 03 | D13J, D13Q, D13Z | | 03 | D13J, D13Q, D13Z |
| | 04 | E02A, E02B, E02C, E02D | | 04 | E02A, E02B, E02C, E02D | | 04 | E02A, E02B, E02C, E02D |
| | 05 | F13A, F21A, F21B, F21C, F21J | | 05 | F13A, F21A, F21B, F21C, F21J | | 05 | F13A, F21A, F21B, F21C, F21J |
| | 06 | G10Z, G12A, G12B, G12J | | 06 | G10Z, G12A, G12B, G12J | | 06 | G10Z, G12A, G12B, G12J |
| | 07 | H06A, H06B, H06C | | 07 | H06A, H06B, H06C | | 07 | H06A, H06B, H06C |
| | 08 | I12A, I12B, I12C, I12J, I28A, I28B, I28J | | 08 | I12A, I12B, I12C, I12J, I28A, I28B, I28J | | 08 | I12A, I12B, I12C, I12J, I28A, I28B, I28J |
| | 09 | J03A, J03B, J04A, J04B, J08A, J08B, J08C, J16Z, J21Z, J22A, J22B, J22J | | 09 | J03A, J03B, J04A, J04B, J08A, J08B, J08C, J16Z, J21Z, J22A, J22B, J22J | | 09 | J03A, J03B, J04A, J04B, J08A, J08B, J08C, J16Z, J21Z, J22A, J22B, J22J |
| | 10 | K09A, K09B | | 10 | K09A, K09B | | 10 | K09A, K09B |
| | 11 | L09A, L09B, L09C, L09J, L38Z | | 11 | L09A, L09B, L09C, L09J, L38Z | | 11 | L09A, L09B, L09C, L09J, L38Z |
| | 13 | N11A, N11B, N11J | | 13 | N11A, N11B, N11J | | 12 | M06J, M06Z, M09A, M09B, M09J, M38Z |
| | 21A | W04A, W04B | | 21A | W04A, W04B | | 13 | N11A, N11B, N11J |
| 21B | X06A, X06B, X06C | 21B | X06A, X06B, X06C | 21A | W04A, W04B | | | |
| | | | | 21B | X06A, X06B, X06C | | | |

| ZZV | MDC | DRG | ZZV | MDC | DRG | ZZV | MDC | DRG |
|----------|-----|--|----------|-----|--|----------|-----|--|
| 5v151.d | | KJZSV | 5v151.g↔ | | KJZSV | 5v152.4 | | KJZSV |
| | 01 | B03Z, B07Z, B17A, B17B, B17C, B17D, B17J | | 01 | B03Z, B07Z, B17A, B17B, B17C, B17D, B17J | | 01 | B03Z, B07Z, B17A, B17B, B17C, B17J |
| | 03 | D13J, D13Q, D13Z | | 03 | D13J, D13Q, D13Z | | 02 | C14J, C14Q, C14R, C14S, C14Z |
| | 04 | E02A, E02B, E02C, E02D | | 04 | E02A, E02B, E02C, E02D | | 03 | D13J, D13Q, D13Z |
| | 05 | F13A, F21A, F21B, F21C, F21J | | 05 | F13A, F21A, F21B, F21C, F21J, F27A, F27B, F27C | | 04 | E02A, E02B, E02C |
| | 06 | G10Z, G12A, G12B, G12J | | 06 | G10Z, G12A, G12B, G12J | | 05 | F13A, F21A, F21B, F21C, F21J |
| | 07 | H06A, H06B, H06C | | 07 | H06A, H06B, H06C | | 06 | G10Z, G12A, G12B, G12J |
| | 08 | I12A, I12B, I12C, I12J, I28A, I28B, I28J | | 08 | I12A, I12B, I12C, I12J, I28A, I28B, I28J | | 07 | H06A, H06B, H06C |
| | 09 | J03A, J03B, J04A, J04B, J08A, J08B, J08C, J16Z, J21Z, J22A, J22B, J22J | | 09 | J03A, J03B, J04A, J04B, J08A, J08B, J08C, J16Z, J21Z, J22A, J22B, J22J | | 08 | I12A, I12B, I12C, I12J, I28A, I28B, I28J |
| | 10 | K09A, K09B | | 10 | K01Z | | 09 | J03A, J03B, J04A, J04B, J08A, J08B, J08C, J16Z, J21Z, J22A, J22B, J22J |
| | 11 | L09A, L09B, L09C, L09J, L38Z | | 11 | L09A, L09B, L09C, L09J, L38Z | | 10 | K09A, K09B |
| | 13 | N11A, N11B, N11J | | 13 | N11A, N11B, N11J | | 11 | L09A, L09B, L09C, L09J, L38Z |
| | 21A | W04A, W04B | | 21A | W04A, W04B | | 13 | N11A, N11B, N11J |
| | 21B | X06A, X06B, X06C | | 21B | X06A, X06B, X06C | | 21A | W04A, W04B |
| 5v151.e↔ | | KJZSV | 5v151.x | | KJZSV | 5v152.5 | | KJZSV |
| | 01 | B03Z, B07Z, B17A, B17B, B17C, B17D, B17J | | 01 | B03Z, B07Z, B17A, B17B, B17C, B17D, B17J | | 01 | B03Z, B07Z, B17A, B17B, B17C, B17J |
| | 03 | D13J, D13Q, D13Z | | 03 | D13J, D13Q, D13Z | | 03 | D13J, D13Q, D13Z |
| | 04 | E02A, E02B, E02C, E02D | | 04 | E02A, E02B, E02C, E02D | | 04 | E02A, E02B, E02C |
| | 05 | F13A, F21A, F21B, F21C, F21J, F27A, F27B, F27C | | 05 | F13A, F21A, F21B, F21C, F21J | | 05 | F13A, F21A, F21B, F21C, F21J |
| | 06 | G10Z, G12A, G12B, G12J | | 06 | G10Z, G12A, G12B, G12J | | 06 | G10Z, G12A, G12B, G12J |
| | 07 | H06A, H06B, H06C | | 07 | H06A, H06B, H06C | | 07 | H06A, H06B, H06C |
| | 08 | I12A, I12B, I12C, I12J, I28A, I28B, I28J | | 08 | I12A, I12B, I12C, I12J, I28A, I28B, I28J | | 08 | I12A, I12B, I12C, I12J, I28A, I28B, I28J |
| | 09 | J03A, J03B, J04A, J04B, J08A, J08B, J08C, J16Z, J21Z, J22A, J22B, J22J | | 09 | J03A, J03B, J04A, J04B, J08A, J08B, J08C, J16Z, J21Z, J22A, J22B, J22J | | 09 | J03A, J03B, J04A, J04B, J08A, J08B, J08C, J16Z, J21Z, J22A, J22B, J22J |
| | 10 | K01Z | | 10 | K09A, K09B | | 10 | K09A, K09B |
| | 11 | L09A, L09B, L09C, L09J, L38Z | | 11 | L09A, L09B, L09C, L09J, L38Z | | 11 | L09A, L09B, L09C, L09J, L38Z |
| | 13 | N11A, N11B, N11J | | 13 | N11A, N11B, N11J | | 13 | N11A, N11B, N11J |
| | 21A | W04A, W04B | | 21A | W04A, W04B | | 21A | W04A, W04B |
| | 21B | X06A, X06B, X06C | | 21B | X06A, X06B, X06C | | 21B | X06A, X06B, X06C |
| 5v151.f↔ | | KJZSV | 5v152.0 | | KJZSV | 5v152.6↔ | | KJZSV |
| | 01 | B03Z, B07Z, B17A, B17B, B17C, B17D, B17J | | 01 | B03Z, B07Z, B17A, B17B, B17C, B17J | | 01 | B03Z, B07Z, B17A, B17B, B17C, B17J |
| | 03 | D13J, D13Q, D13Z | | 03 | D13J, D13Q, D13Z | | 03 | D13J, D13Q, D13Z |
| | 04 | E02A, E02B, E02C, E02D | | 04 | E02A, E02B, E02C | | 04 | E02A, E02B, E02C |
| | 05 | F13A, F21A, F21B, F21C, F21J, F27A, F27B, F27C | | 05 | F13A, F21A, F21B, F21C, F21J | | 05 | F13A, F21A, F21B, F21C, F21J |
| | 06 | G10Z, G12A, G12B, G12J | | 06 | G10Z, G12A, G12B, G12J | | 06 | G10Z, G12A, G12B, G12J |
| | 07 | H06A, H06B, H06C | | 07 | H06A, H06B, H06C | | 07 | H06A, H06B, H06C |
| | 08 | I12A, I12B, I12C, I12J, I28A, I28B, I28J | | 08 | I12A, I12B, I12C, I12J, I28A, I28B, I28J | | 08 | I12A, I12B, I12C, I12J, I28A, I28B, I28J |
| | 09 | J03A, J03B, J04A, J04B, J08A, J08B, J08C, J16Z, J21Z, J22A, J22B, J22J | | 09 | J03A, J03B, J04A, J04B, J08A, J08B, J08C, J16Z, J21Z, J22A, J22B, J22J | | 09 | J03A, J03B, J04A, J04B, J08A, J08B, J08C, J16Z, J21Z, J22A, J22B, J22J |
| | 10 | K01Z | | 10 | K09A, K09B | | 10 | K09A, K09B |
| | 11 | L09A, L09B, L09C, L09J, L38Z | | 11 | L09A, L09B, L09C, L09J, L38Z | | 11 | L09A, L09B, L09C, L09J, L38Z |
| | 13 | N11A, N11B, N11J | | 13 | N11A, N11B, N11J | | 13 | N11A, N11B, N11J |
| | 21A | W04A, W04B | | 21A | W04A, W04B | | 21A | W04A, W04B |
| | 21B | X06A, X06B, X06C | | 21B | X06A, X06B, X06C | | 21B | X06A, X06B, X06C |

VYK

| ZZV | MDC | DRG | ZZV | MDC | DRG | ZZV | MDC | DRG |
|----------|-----|--|------------------|-----|--|----------|-----|--|
| 5v152.7↔ | | KJZSV | 5v152.a | | KJZSV | 5v152.d | | KJZSV |
| | 01 | B03Z, B07Z, B17A, B17B, B17C, B17J | | 01 | B03Z, B07Z, B17A, B17B, B17C, B17J | | 01 | B03Z, B07Z, B17A, B17B, B17C, B17J |
| | 03 | D13J, D13Q, D13Z | | 03 | D13J, D13Q, D13Z | | 03 | D13J, D13Q, D13Z |
| | 04 | E02A, E02B, E02C | | 04 | E02A, E02B, E02C | | 04 | E02A, E02B, E02C |
| | 05 | F13A, F21A, F21B, F21C, F21J | | 05 | F13A, F21A, F21B, F21C, F21J | | 05 | F13A, F21A, F21B, F21C, F21J |
| | 06 | G10Z, G12A, G12B, G12J | | 06 | G10Z, G12A, G12B, G12J | | 06 | G10Z, G12A, G12B, G12J |
| | 07 | H06A, H06B, H06C | | 07 | H06A, H06B, H06C | | 07 | H06A, H06B, H06C |
| | 08 | I12A, I12B, I12C, I12J, I28A, I28B, I28J | | 08 | I12A, I12B, I12C, I12J, I28A, I28B, I28J | | 08 | I12A, I12B, I12C, I12J, I28A, I28B, I28J |
| | 09 | J03A, J03B, J04A, J04B, J08A, J08B, J08C, J16Z, J21Z, J22A, J22B, J22J | | 09 | J03A, J03B, J04A, J04B, J08A, J08B, J08C, J16Z, J21Z, J22A, J22B, J22J | | 09 | J03A, J03B, J04A, J04B, J08A, J08B, J08C, J16Z, J21Z, J22A, J22B, J22J |
| | 10 | K09A, K09B | | 10 | K09A, K09B | | 10 | K09A, K09B |
| | 11 | L09A, L09B, L09C, L09J, L38Z | | 11 | L09A, L09B, L09C, L09J, L38Z | | 11 | L09A, L09B, L09C, L09J, L38Z |
| | 13 | N11A, N11B, N11J | | 13 | N11A, N11B, N11J | | 13 | N11A, N11B, N11J |
| | 21A | W04A, W04B | | 21A | W04A, W04B | | 21A | W04A, W04B |
| | 21B | X06A, X06B, X06C | | 21B | X06A, X06B, X06C | | 21B | X06A, X06B, X06C |
| 5v152.8↔ | | KJZSV | 5v152.b | | KJZSV | 5v152.e↔ | | KJZSV |
| | 01 | B03Z, B07Z, B17A, B17B, B17C, B17J | | 01 | B03Z, B07Z, B17A, B17B, B17C, B17J | | 01 | B03Z, B07Z, B17A, B17B, B17C, B17J |
| | 03 | D13J, D13Q, D13Z | | 03 | D13J, D13Q, D13Z | | 03 | D13J, D13Q, D13Z |
| | 04 | E02A, E02B, E02C | | 04 | E02A, E02B, E02C | | 04 | E02A, E02B, E02C |
| | 05 | F13A, F21A, F21B, F21C, F21J | | 05 | F13A, F21A, F21B, F21C, F21J | | 05 | F13A, F21A, F21B, F21C, F21J, F27A, F27B, F27C |
| | 06 | G10Z, G12A, G12B, G12J | | 06 | G10Z, G12A, G12B, G12J | | 06 | G10Z, G12A, G12B, G12J |
| | 07 | H06A, H06B, H06C | | 07 | H06A, H06B, H06C | | 07 | H06A, H06B, H06C |
| | 08 | I12A, I12B, I12C, I12J, I28A, I28B, I28J | | 08 | I12A, I12B, I12C, I12J, I28A, I28B, I28J | | 08 | I12A, I12B, I12C, I12J, I28A, I28B, I28J |
| | 09 | J03A, J03B, J04A, J04B, J08A, J08B, J08C, J16Z, J21Z, J22A, J22B, J22J | | 09 | J03A, J03B, J04A, J04B, J08A, J08B, J08C, J16Z, J21Z, J22A, J22B, J22J | | 09 | J03A, J03B, J04A, J04B, J08A, J08B, J08C, J16Z, J21Z, J22A, J22B, J22J |
| | 10 | K09A, K09B | | 10 | K09A, K09B | | 10 | K01Z |
| | 11 | L09A, L09B, L09C, L09J, L38Z | | 11 | L09A, L09B, L09C, L09J, L38Z | | 11 | L09A, L09B, L09C, L09J, L38Z |
| | 13 | N11A, N11B, N11J | | 13 | N11A, N11B, N11J | | 13 | N11A, N11B, N11J |
| | 21A | W04A, W04B | | 21A | W04A, W04B | | 21A | W04A, W04B |
| | 21B | X06A, X06B, X06C | | 21B | X06A, X06B, X06C | | 21B | X06A, X06B, X06C |
| 5v152.9↔ | | KJZSV | 5v152.c | | KJZSV | 5v152.f↔ | | KJZSV |
| | 01 | B03Z, B07Z, B17A, B17B, B17C, B17J | | 01 | B03Z, B07Z, B17A, B17B, B17C, B17J | | 01 | B03Z, B07Z, B17A, B17B, B17C, B17J |
| | 03 | D13J, D13Q, D13Z | | 03 | D13J, D13Q, D13Z | | 03 | D13J, D13Q, D13Z |
| | 04 | E02A, E02B, E02C | | 04 | E02A, E02B, E02C | | 04 | E02A, E02B, E02C |
| | 05 | F13A, F21A, F21B, F21C, F21J | | 05 | F13A, F21A, F21B, F21C, F21J | | 05 | F13A, F21A, F21B, F21C, F21J, F27A, F27B, F27C |
| | 06 | G10Z, G12A, G12B, G12J | | 06 | G10Z, G12A, G12B, G12J | | 06 | G10Z, G12A, G12B, G12J |
| | 07 | H06A, H06B, H06C | | 07 | H06A, H06B, H06C | | 07 | H06A, H06B, H06C |
| | 08 | I12A, I12B, I12C, I12J, I28A, I28B, I28J | | 08 | I12A, I12B, I12C, I12J, I28A, I28B, I28J | | 08 | I12A, I12B, I12C, I12J, I28A, I28B, I28J |
| | 09 | J03A, J03B, J04A, J04B, J08A, J08B, J08C, J16Z, J21Z, J22A, J22B, J22J | | 09 | J03A, J03B, J04A, J04B, J08A, J08B, J08C, J16Z, J21Z, J22A, J22B, J22J | | 09 | J03A, J03B, J04A, J04B, J08A, J08B, J08C, J16Z, J21Z, J22A, J22B, J22J |
| | 10 | K09A, K09B | | 10 | K09A, K09B | | 10 | K01Z |
| | 11 | L09A, L09B, L09C, L09J, L38Z | | 11 | L09A, L09B, L09C, L09J, L38Z | | 11 | L09A, L09B, L09C, L09J, L38Z |
| | 13 | N11A, N11B, N11J | | 12 | M06J, M06Z, M09A, M09B, M09J, M38Z | | 13 | N11A, N11B, N11J |
| | 21A | W04A, W04B | | 13 | N11A, N11B, N11J | | 21A | W04A, W04B |
| | 21B | X06A, X06B, X06C | | 21A | W04A, W04B | | 21B | X06A, X06B, X06C |
| | | 21B | X06A, X06B, X06C | | | | | |

| ZZV | MDC | DRG | ZZV | MDC | DRG | ZZV | MDC | DRG | | | |
|----------|-----|--|---------|-----|------------------------------------|---------|----------|--|--|--|--|
| 5v152.g↔ | | KJZSV | 5v15x.x | 01 | B03Z, B07Z, B17A, B17B, B17C, B17J | 5v17a‡ | 09 | J45J | | | |
| | 01 | B03Z, B07Z, B17A, B17B, B17C, B17J | | 03 | D13J, D13Q, D13Z | 5v17x‡ | 09 | J45J | | | |
| | 03 | D13J, D13Q, D13Z | | 04 | E02A, E02B, E02C, E02D | 5v191 | | BOP, KVT, UOP4 | | | |
| | 04 | E02A, E02B, E02C | | 05 | F21A, F21B, F21C, F21J | 09 | | J03A, J03B, J04A, J04B, J08A, J08B, J08C, J09A, J09B, J09J, J16Z | | | |
| | 05 | F13A, F21A, F21B, F21C, F21J, F27A, F27B, F27C | | 06 | G10Z, G12A, G12B, G12J | 21A | | W04A, W04B | | | |
| | 06 | G10Z, G12A, G12B, G12J | | 07 | H06A, H06B, H06C | 21B | | X06A, X06B, X06C | | | |
| | 07 | H06A, H06B, H06C | | 08 | I28A, I28B, I28J | 5v192 | | BOP, KVT, UOP4 | | | |
| | 08 | I12A, I12B, I12C, I12J, I28A, I28B, I28J | | 09 | J11A, J11B, J11J, J11Q, J11R, J11S | 09 | | J03A, J03B, J04A, J04B, J08A, J08B, J08C, J09A, J09B, J09J, J16Z | | | |
| | 09 | J03A, J03B, J04A, J04B, J08A, J08B, J08C, J16Z, J21Z, J22A, J22B, J22J | | 10 | K09A, K09B | 21A | | W04A, W04B | | | |
| | 10 | K01Z | | 11 | L09A, L09B, L09C, L09J, L38Z | 21B | | X06A, X06B, X06C | | | |
| | 11 | L09A, L09B, L09C, L09J, L38Z | | | | 5v193 | | BOP, KVT, UOP4 | | | |
| 5v152.x | | KJZSV | 5v170‡ | | J45J | 5v210.0 | | J03A, J03B, J04A, J04B, J08A, J08B, J08C, J09A, J09B, J09J, J16Z | | | |
| | 01 | B03Z, B07Z, B17A, B17B, B17C, B17J | 5v171↔ | | BOP, KVT, UOP4 | | 09 | | J03A, J03B, J04A, J04B, J08A, J08B, J08C, J09A, J09B, J09J, J16Z | | |
| | 03 | D13J, D13Q, D13Z | | | 08 | | | I32A, I32B, I32C, I32D, I32E, I32F, I32G, I32J, I32Q, I32R, I32S, I32T, I32U | 21A | | W04A, W04B |
| | 04 | E02A, E02B, E02C | | | 09 | | | J03A, J03B, J04A, J04B, J08A, J08B, J08C, J11A, J11B, J11C, J11J, J11Q, J11R, J11S, J16Z | 21B | | X06A, X06B, X06C |
| | 05 | F13A, F21A, F21B, F21C, F21J | | | 21A | | | W04A, W04B | 09 | | J09A, J09B, J09J |
| | 06 | G10Z, G12A, G12B, G12J | 5v172‡ | | J45J | | 5v194‡ | | KJZSV | | |
| | 07 | H06A, H06B, H06C | 5v173↔ | | BOP, KVT, UOP4 | | 5v201.1‡ | | F13A | | |
| | 08 | I12A, I12B, I12C, I12J, I28A, I28B, I28J | | | 08 | | | I32A, I32B, I32C, I32D, I32E, I32F, I32G, I32J, I32Q, I32R, I32S, I32T, I32U | 5v210.0 | | BOP, KJZSV, KVT, UOP4 |
| | 09 | J03A, J03B, J04A, J04B, J08A, J08B, J08C, J16Z, J21Z, J22A, J22B, J22J | | | 09 | | | J03A, J03B, J04A, J04B, J08A, J08B, J08C, J11A, J11B, J11C, J11J, J11Q, J11R, J11S, J16Z | 01 | | B03Z, B07Z, B17A, B17B, B17C, B17J |
| | 10 | K09A, K09B | | | 21A | | | W04A, W04B | 03 | | D12A, D12B, D12J, D12Q |
| | 11 | L09A, L09B, L09C, L09J, L38Z | | | 21B | | | X05A, X05B | 05 | | F13A, F21A, F21B, F21C, F21J, F27A, F27B, F27C |
| 5v153 | | KJZSV | 5v174‡ | | J45J | 5v210.4 | | BOP, KJZSV, KVT, UOP4 | | | |
| | 01 | B03Z, B07Z, B17A, B17B, B17C, B17D, B17J | 5v175‡ | | J45J | | 01 | | B03Z, B07Z, B17A, B17B, B17C, B17J | | |
| | 03 | D13J, D13Q, D13Z | 5v176‡ | | J45J | | 03 | | D12A, D12B, D12J, D12Q | | |
| | 04 | E02A, E02B, E02C, E02D | 5v177↔ | | BOP, KVT, UOP4 | | 05 | | F13A, F21A, F21B, F21C, F21J, F27A, F27B, F27C | | |
| | 05 | F21A, F21B, F21C, F21J | | | 08 | | | I32A, I32B, I32C, I32D, I32E, I32F, I32J, I32Q, I32R, I32S, I32T, I32U | 08 | | I12A, I12B, I12C, I12J |
| | 06 | G10Z, G12A, G12B, G12J | | | 09 | | | J03A, J03B, J04A, J04B, J08A, J08B, J08C, J11A, J11B, J11C, J11J, J11Q, J11R, J11S, J16Z | 09 | | J02A, J02B, J02C, J04A, J04B, J08A, J08B, J08C, J16Z, J21Z, J22A, J22B, J22J |
| | 07 | H06A, H06B, H06C | | | 21A | | | W04A, W04B | 10 | | K01Z |
| | 08 | I28A, I28B, I28J | | | 21B | | | X05A, X05B | 21A | | W04A, W04B |
| | 09 | J11A, J11B, J11J, J11Q, J11R, J11S | 5v178↔ | | BOP, KVT, UOP4 | | 21B | | X04Z, X05A, X05B, X06A, X06B, X06C | | |
| | 10 | K09A, K09B | | | 08 | | | I32A, I32B, I32C, I32D, I32E, I32F, I32J, I32Q, I32R, I32S, I32T, I32U | 01 | | BOP, KJZSV, KVT, UOP4 |
| | 11 | L09A, L09B, L09C, L09J, L38Z | | | 09 | | | J03A, J03B, J04A, J04B, J08A, J08B, J08C, J11A, J11B, J11C, J11J, J11Q, J11R, J11S, J16Z | 03 | | D12A, D12B, D12J, D12Q |
| 5v152.g↔ | | KJZSV | 5v179↔ | | | 5v210.5 | | BOP, KJZSV, KVT, UOP4 | | | |
| | 01 | B03Z, B07Z, B17A, B17B, B17C, B17D, B17J | | | | | 01 | | B03Z, B07Z, B17A, B17B, B17C, B17J | | |
| | 03 | D13J, D13Q, D13Z | | | | | 03 | | D12A, D12B, D12J, D12Q | | |
| | 04 | E02A, E02B, E02C, E02D | | | | | 05 | | F13A, F21A, F21B, F21C, F21J, F27A, F27B, F27C | | |
| | 05 | F21A, F21B, F21C, F21J | | | | | 08 | | I12A, I12B, I12C, I12J | | |
| | 06 | G10Z, G12A, G12B, G12J | | | | | 09 | | J02A, J02B, J02C, J04A, J04B, J08A, J08B, J08C, J16Z, J21Z, J22A, J22B, J22J | | |
| | 07 | H06A, H06B, H06C | | | | | 10 | | K01Z | | |
| | 08 | I28A, I28B, I28J | | | | | 21A | | W04A, W04B | | |
| | 09 | J11A, J11B, J11J, J11Q, J11R, J11S | | | | | 21B | | X04Z, X05A, X05B, X06A, X06B, X06C | | |
| | 10 | K09A, K09B | | | | | 01 | | B03Z, B07Z, B17A, B17B, B17C, B17J | | |
| | 11 | L09A, L09B, L09C, L09J, L38Z | | | | | 03 | | D12A, D12B, D12J, D12Q | | |
| 5v152.x | | KJZSV | | | | | | F13A, F21A, F21B, F21C, F21J, F27A, F27B, F27C | | | |
| | 01 | B03Z, B07Z, B17A, B17B, B17C, B17D, B17J | | | | | | I12A, I12B, I12C, I12J | | | |
| | 03 | D13J, D13Q, D13Z | | | | | | J02A, J02B, J02C, J04A, J04B, J08A, J08B, J08C, J16Z, J21Z, J22A, J22B, J22J | | | |
| | 04 | E02A, E02B, E02C, E02D | | | | | | K01Z | | | |
| | 05 | F21A, F21B, F21C, F21J | | | | | | W04A, W04B | | | |
| | 06 | G10Z, G12A, G12B, G12J | | | | | | X04Z, X05A, X05B, X06A, X06B, X06C | | | |
| | 07 | H06A, H06B, H06C | | | | | | BOP, KJZSV, KVT, UOP4 | | | |
| | 08 | I28A, I28B, I28J | | | | | | 01 | | B03Z, B07Z, B17A, B17B, B17C, B17J | |
| | 09 | J11A, J11B, J11J, J11Q, J11R, J11S | | | | | | 03 | | D12A, D12B, D12J, D12Q | |
| | 10 | K09A, K09B | | | | | | 05 | | F13A, F21A, F21B, F21C, F21J, F27A, F27B, F27C | |
| | 11 | L09A, L09B, L09C, L09J, L38Z | | | | | | 08 | | I12A, I12B, I12C, I12J | |
| 5v153 | | KJZSV | | | | | | J02A, J02B, J02C, J04A, J04B, J08A, J08B, J08C, J16Z, J21Z, J22A, J22B, J22J | | | |
| | 01 | B03Z, B07Z, B17A, B17B, B17C, B17D, B17J | | | | | | 10 | | K01Z | |
| | 03 | D13J, D13Q, D13Z | | | | | | 21A | | W04A, W04B | |
| | 04 | E02A, E02B, E02C, E02D | | | | | | 21B | | X04Z, X05A, X05B, X06A, X06B, X06C | |
| | 05 | F21A, F21B, F21C, F21J | | | | | | 01 | | B03Z, B07Z, B17A, B17B, B17C, B17J | |
| | 06 | G10Z, G12A, G12B, G12J | | | | | | 03 | | D12A, D12B, D12J, D12Q | |
| | 07 | H06A, H06B, H06C | | | | | | 05 | | F13A, F21A, F21B, F21C, F21J, F27A, F27B, F27C | |
| | 08 | I28A, I28B, I28J | | | | | | 08 | | I12A, I12B, I12C, I12J | |
| | 09 | J11A, J11B, J11J, J11Q, J11R, J11S | | | | | | 09 | | J02A, J02B, J02C, J04A, J04B, J08A, J08B, J08C, J16Z, J21Z, J22A, J22B, J22J | |
| | 10 | K09A, K09B | | | | | | 10 | | K01Z | |
| | 11 | L09A, L09B, L09C, L09J, L38Z | | | | | | 21A | | W04A, W04B | |
| 5v152.g↔ | | KJZSV | | | | | | X04Z, X05A, X05B, X06A, X06B, X06C | | | |
| | 01 | B03Z, B07Z, B17A, B17B, B17C, B17D, B17J | | | | | | 01 | | B03Z, B07Z, B17A, B17B, B17C, B17J | |
| | 03 | D13J, D13Q, D13Z | | | | | | 03 | | D12A, D12B, D12J, D12Q | |
| | 04 | E02A, E02B, E02C, E02D | | | | | | 05 | | F13A, F21A, F21B, F21C, F21J, F27A, F27B, F27C | |
| | 05 | F21A, F21B, F21C, F21J | | | | | | 08 | | I12A, I12B, I12C, I12J | |
| | 06 | G10Z, G12A, G12B, G12J | | | | | | 09 | | J02A, J02B, J02C, J04A, J04B, J08A, J08B, J08C, J16Z, J21Z, J22A, J22B, J22J | |
| | 07 | H06A, H06B, H06C | | | | | | 10 | | K01Z | |
| | 08 | I28A, I28B, I28J | | | | | | 21A | | W04A, W04B | |
| | 09 | J11A, J11B, J11J, J11Q, J11R, J11S | | | | | | 21B | | X04Z, X05A, X05B, X06A, X06B, X06C | |
| | 10 | K09A, K09B | | | | | | | | | |
| | 11 | L09A, L09B, L09C, L09J, L38Z | | | | | | | | | |

| ZZV | MDC | DRG | ZZV | MDC | DRG | ZZV | MDC | DRG |
|----------|----------|--|-----------------------|--|--|---------|--|--|
| 5v212.c | | BOP, KJZSV, KVT, UOP4 | 5v212.g↔ | | BOP, KJZSV, KVT, UOP4 | 5v220.5 | | BOP, KJZSV, KVT, UOP4 |
| | 01 | B03Z, B07Z, B17A, B17B, B17C, B17J | | 01 | B03Z, B07Z, B17A, B17B, B17C, B17J | | 01 | B03Z, B07Z, B17A, B17B, B17C, B17J |
| | 03 | D12A, D12B, D12J, D12Q | | 03 | D12A, D12B, D12J, D12Q | | 03 | D18Z, D28J, D28Z, D29J, D29Z |
| | 05 | F13A, F21A, F21B, F21C, F21J, F27A, F27B, F27C | | 05 | F13A, F21A, F21B, F21C, F21J, F27A, F27B, F27C | | 05 | F13A, F21A, F21B, F21J, F28A |
| | 08 | I12A, I12B, I12C, I12J | | 08 | I12A, I12B, I12C, I12J | | 06 | G10Z, G12A, G12B, G12J |
| | 09 | J02A, J02B, J02C, J04A, J04B, J08A, J08B, J08C, J16Z, J21Z, J22A, J22B, J22J | | 09 | J02A, J02B, J02C, J04A, J04B, J08A, J08B, J08C, J16Z, J21Z, J22A, J22B, J22J | | 08 | I28A, I28B, I28J |
| | 10 | K01Z | | 10 | K01Z | | 09 | J02A, J02B, J02C, J04A, J04B, J08A, J08B, J08C, J16Z, J21Z, J22A, J22B, J22J |
| | 21A | W04A, W04B | | 21A | W04A, W04B | | 21A | W04A, W04B |
| | 21B | X04Z, X05A, X05B, X06A, X06B, X06C | | 21B | X04Z, X05A, X05B, X06A, X06B, X06C | | 21B | X01A, X01B, X01C |
| | 5v212.d | | | BOP, KJZSV, KVT, UOP4 | 5v212.x | | | BOP, KJZSV, KVT, UOP4 |
| 01 | | B03Z, B07Z, B17A, B17B, B17C, B17J | 01 | B03Z, B07Z, B17A, B17B, B17C, B17J | | 01 | B03Z, B07Z, B17A, B17B, B17C, B17J | |
| 03 | | D12A, D12B, D12J, D12Q | 03 | D12A, D12B, D12J, D12Q | | 05 | F13A, F21A, F21B, F21J, F28A | |
| 05 | | F13A, F21A, F21B, F21C, F21J, F27A, F27B, F27C | 05 | F13A, F21A, F21B, F21C, F21J, F27A, F27B, F27C | | 08 | I02A, I02B, I02C, I02D, I22A, I22B, I50Z | |
| 08 | | I12A, I12B, I12C, I12J | 08 | I12A, I12B, I12C, I12J | | 09 | J02A, J02B, J02C, J04A, J04B, J08A, J08B, J08C, J16Z, J21Z, J22A, J22B, J22J | |
| 09 | | J02A, J02B, J02C, J04A, J04B, J08A, J08B, J08C, J16Z, J21Z, J22A, J22B, J22J | 09 | J02A, J02B, J02C, J04A, J04B, J08A, J08B, J08C, J16Z, J21Z, J22A, J22B, J22J | | 21A | W04A, W04B | |
| 10 | | K01Z | 10 | K01Z | | 21B | X01A, X01B, X01C | |
| 21A | | W04A, W04B | 21A | W04A, W04B | | | BOP, KJZSV, KVT, UOP4 | |
| 21B | | X04Z, X05A, X05B, X06A, X06B, X06C | 21B | X04Z, X05A, X05B, X06A, X06B, X06C | | 01 | B03Z, B07Z, B17A, B17B, B17C, B17J | |
| 5v212.e↔ | | | BOP, KJZSV, KVT, UOP4 | 5v21x.x | | | BOP, KJZSV, KVT, UOP4 | 5v220.7↔ |
| | 01 | B03Z, B07Z, B17A, B17B, B17C, B17J | 01 | | B03Z, B07Z, B17A, B17B, B17C, B17J | 05 | F13A, F21A, F21B, F21J, F28A | |
| | 03 | D12A, D12B, D12J, D12Q | 03 | | D12A, D12B, D12J, D12Q | 08 | I02A, I02B, I02C, I02D, I22A, I22B, I50Z | |
| | 05 | F13A, F21A, F21B, F21C, F21J, F27A, F27B, F27C | 05 | | F13A, F21A, F21B, F21C, F21J, F27A, F27B, F27C | 09 | J02A, J02B, J02C, J04A, J04B, J08A, J08B, J08C, J16Z, J21Z, J22A, J22B, J22J | |
| | 08 | I12A, I12B, I12C, I12J | 09 | | J02A, J02B, J02C, J04A, J04B, J08A, J08B, J08C, J16Z, J21Z, J22A, J22B, J22J | 21A | W04A, W04B | |
| | 09 | J02A, J02B, J02C, J04A, J04B, J08A, J08B, J08C, J16Z, J21Z, J22A, J22B, J22J | 10 | | K01Z | 21B | X01A, X01B, X01C | |
| | 10 | K01Z | 21A | | W04A, W04B | | BOP, KJZSV, KVT, UOP4 | |
| | 21A | W04A, W04B | 21B | | X04Z, X05A, X05B, X06A, X06B, X06C | 01 | B03Z, B07Z, B17A, B17B, B17C, B17J | |
| | 21B | X04Z, X05A, X05B, X06A, X06B, X06C | | | BOP, KJZSV, KVT, UOP4 | 05 | F13A, F21A, F21B, F21J, F28A | |
| | 5v212.f↔ | | BOP, KJZSV, KVT, UOP4 | | 5v220.0 | | BOP, KJZSV, KVT, UOP4 | |
| 01 | | B03Z, B07Z, B17A, B17B, B17C, B17J | 03 | D08A, D08B, D18Z, D22A, D22B, D22J, D30A, D30B, D30J, D30Q | | 08 | I02A, I02B, I02C, I02D, I22A, I22B, I32A, I32B, I32C, I32D, I32E, I32F, I32J, I32Q, I32R, I32S, I32T, I32U, I50Z | |
| 03 | | D12A, D12B, D12J, D12Q | 05 | F13A, F28A | | 09 | J02A, J02B, J02C, J04A, J04B, J08A, J08B, J08C, J16Z, J21Z, J22A, J22B, J22J | |
| 05 | | F13A, F21A, F21B, F21C, F21J, F27A, F27B, F27C | 09 | J03A, J03B, J04A, J04B, J08A, J08B, J08C, J10A, J10B, J10J, J16Z | | 21A | W04A, W04B | |
| 08 | | I12A, I12B, I12C, I12J | 21A | W04A, W04B | | 21B | X06A, X06B, X06C | |
| 09 | | J02A, J02B, J02C, J04A, J04B, J08A, J08B, J08C, J16Z, J21Z, J22A, J22B, J22J | 01 | B03Z, B07Z, B17A, B17B, B17C, B17J | | | BOP, KJZSV, KVT, UOP4 | |
| 10 | | K01Z | 02 | C20A, C20B, C20J, C20Q, C20R | | 01 | B03Z, B07Z, B17A, B17B, B17C, B17J | |
| 21A | | W04A, W04B | 03 | D18Z, D28J, D28Z, D29J, D29Z | | 05 | F13A, F21A, F21B, F21J, F28A | |
| 21B | | X04Z, X05A, X05B, X06A, X06B, X06C | 05 | F13A, F21A, F21B, F21J, F28A | | 08 | I12A, I12B, I12C, I12J, I32A, I32B, I32C, I32D, I32E, I32F, I32J, I32Q, I32R, I32S, I32T, I32U | |
| 5v212.g↔ | | | BOP, KJZSV, KVT, UOP4 | 5v220.4 | | | BOP, KJZSV, KVT, UOP4 | 5v220.9↔ |
| | 01 | B03Z, B07Z, B17A, B17B, B17C, B17J | 01 | | B03Z, B07Z, B17A, B17B, B17C, B17J | 01 | B03Z, B07Z, B17A, B17B, B17C, B17J | |
| | 02 | C20A, C20B, C20J, C20Q, C20R | 02 | | C20A, C20B, C20J, C20Q, C20R | 05 | F13A, F21A, F21B, F21J, F28A | |
| | 03 | D18Z, D28J, D28Z, D29J, D29Z | 03 | | D18Z, D28J, D28Z, D29J, D29Z | 08 | I12A, I12B, I12C, I12J, I32A, I32B, I32C, I32D, I32E, I32F, I32J, I32Q, I32R, I32S, I32T, I32U | |
| | 05 | F13A, F21A, F21B, F21J, F28A | 05 | | F13A, F21A, F21B, F21J, F28A | 09 | J03A, J03B, J04A, J04B, J08A, J08B, J08C, J16Z, J21Z, J22A, J22B, J22J | |
| | 08 | I02A, I02B, I02C, I02D, I22A, I22B, I50Z | 08 | | I02A, I02B, I02C, I02D, I22A, I22B, I50Z | 21A | W04A, W04B | |
| | 09 | J02A, J02B, J02C, J04A, J04B, J08A, J08B, J08C, J16Z, J21Z, J22A, J22B, J22J | 09 | | J02A, J02B, J02C, J04A, J04B, J08A, J08B, J08C, J16Z, J21Z, J22A, J22B, J22J | 21B | X01A, X01B, X01C | |
| | 21A | W04A, W04B | 21A | | W04A, W04B | | BOP, KJZSV, KVT, UOP4 | |
| | 21B | X01A, X01B, X01C | 21B | | X01A, X01B, X01C | 01 | B03Z, B07Z, B17A, B17B, B17C, B17J | |

VYK

| ZZV | MDC | DRG | ZZV | MDC | DRG | ZZV | MDC | DRG | | | |
|---------|---------|--|--|--|--|------------------------------------|--|--|---------|------------------------------------|-----------------------|
| 5v220.a | | BOP, KJZSV, KVT, UOP4 | 5v220.e↔ | | BOP, KJZSV, KVT, UOP4 | 5v221.4 | | BOP, KJZSV, KVT, UOP4 | | | |
| | 01 | B03Z, B07Z, B17A, B17B, B17C, B17J | | 01 | B03Z, B07Z, B17A, B17B, B17C, B17J | | 01 | B03Z, B07Z, B17A, B17B, B17C, B17J | | | |
| | 05 | F13A, F21A, F21B, F21J, F28A | | 05 | F13A, F21A, F21B, F21J, F27A, F27B, F27C, F28A | | 02 | C20A, C20B, C20J, C20Q, C20R | | | |
| | 06 | G10Z, G12A, G12B, G12J | | 08 | I02A, I02B, I02C, I02D, I22A, I22B, I50Z | | 03 | D18Z, D28J, D28Z, D29J, D29Z | | | |
| | 08 | I02A, I02B, I02C, I02D, I22A, I22B, I50Z | | 09 | J02A, J02B, J02C, J04A, J04B, J08A, J08B, J08C, J16Z, J21Z, J22A, J22B, J22J | | 05 | F13A, F21A, F21B, F21J, F28A | | | |
| | 09 | J02A, J02B, J02C, J04A, J04B, J08A, J08B, J08C, J16Z, J21Z, J22A, J22B, J22J | | 10 | K01Z | | 08 | I02A, I02B, I02C, I02D, I22A, I22B, I50Z | | | |
| | 21A | W04A, W04B | | 21A | W04A, W04B | | 09 | J02A, J02B, J02C, J04A, J04B, J08A, J08B, J08C, J16Z, J21Z, J22A, J22B, J22J | | | |
| | 21B | X01A, X01B, X01C | | 21B | X01A, X01B, X01C | | 21A | W04A, W04B | | | |
| | 5v220.b | | | BOP, KJZSV, KVT, UOP4 | 5v220.f↔ | | | BOP, KJZSV, KVT, UOP4 | 5v221.5 | | BOP, KJZSV, KVT, UOP4 |
| | | 01 | | B03Z, B07Z, B17A, B17B, B17C, B17J | | | 01 | B03Z, B07Z, B17A, B17B, B17C, B17J | | 21B | X01A, X01B, X01C |
| 05 | | F13A, F21A, F21B, F21J, F28A | 05 | F13A, F21A, F21B, F21J, F27A, F27B, F27C, F28A | | 01 | B03Z, B07Z, B17A, B17B, B17C, B17J | | | | |
| 06 | | G10Z, G12A, G12B, G12J | 08 | I02A, I02B, I02C, I02D, I22A, I22B, I50Z | | 03 | D18Z, D28J, D28Z, D29J, D29Z | | | | |
| 08 | | I02A, I02B, I02C, I02D, I22A, I22B, I50Z | 09 | J02A, J02B, J02C, J04A, J04B, J08A, J08B, J08C, J16Z, J21Z, J22A, J22B, J22J | | 05 | F13A, F21A, F21B, F21J, F28A | | | | |
| 09 | | J02A, J02B, J02C, J04A, J04B, J08A, J08B, J08C, J16Z, J21Z, J22A, J22B, J22J | 10 | K01Z | | 08 | I02A, I02B, I02C, I02D, I22A, I22B, I50Z | | | | |
| 21A | | W04A, W04B | 21A | W04A, W04B | | 09 | J02A, J02B, J02C, J04A, J04B, J08A, J08B, J08C, J16Z, J21Z, J22A, J22B, J22J | | | | |
| 21B | | X01A, X01B, X01C | 21B | X01A, X01B, X01C | | 21A | W04A, W04B | | | | |
| 5v220.c | | | BOP, KJZSV, KVT, UOP4 | 5v220.g↔ | | | BOP, KJZSV, KVT, UOP4 | 5v221.6↔ | | | BOP, KJZSV, KVT, UOP4 |
| | | 01 | B03Z, B07Z, B17A, B17B, B17C, B17J | | | 01 | B03Z, B07Z, B17A, B17B, B17C, B17J | | | 21B | X01A, X01B, X01C |
| | 05 | F13A, F21A, F21B, F21J, F28A | 05 | | F13A, F21A, F21B, F21J, F27A, F27B, F27C, F28A | 01 | B03Z, B07Z, B17A, B17B, B17C, B17J | | | | |
| | 06 | G10Z, G12A, G12B, G12J | 08 | | I02A, I02B, I02C, I02D, I12A, I12B, I12C, I12J, I22A, I22B, I50Z | 05 | F13A, F21A, F21B, F21J, F28A | | | | |
| | 08 | I02A, I02B, I02C, I02D, I22A, I22B, I50Z | 09 | | J02A, J02B, J02C, J04A, J04B, J08A, J08B, J08C, J16Z, J21Z, J22A, J22B, J22J | 08 | I02A, I02B, I02C, I02D, I22A, I22B, I50Z | | | | |
| | 09 | J02A, J02B, J02C, J04A, J04B, J08A, J08B, J08C, J16Z, J21Z, J22A, J22B, J22J | 10 | | K01Z | 09 | J02A, J02B, J02C, J04A, J04B, J08A, J08B, J08C, J16Z, J21Z, J22A, J22B, J22J | | | | |
| | 10 | K09A, K09B | 21A | | W04A, W04B | 21A | W04A, W04B | | | | |
| | 12 | M04A, M04B, M04C, M04D, M04J, M04Q, M37Z, M38Z | 21B | | X01A, X01B, X01C | 21B | X01A, X01B, X01C | | | | |
| | 21A | W04A, W04B | 5v220.x↔ | | | BOP, KJZSV, KVT, UOP4 | 5v221.7↔ | | | BOP, KJZSV, KVT, UOP4 | |
| | 21B | X01A, X01B, X01C | | | 01 | B03Z, B07Z, B17A, B17B, B17C, B17J | | | 01 | B03Z, B07Z, B17A, B17B, B17C, B17J | |
| 5v220.d | | BOP, KJZSV, KVT, UOP4 | 5v221.0 | | BOP, KJZSV, KVT, UOP4 | | | BOP, KJZSV, KVT, UOP4 | | | |
| | 01 | B03Z, B07Z, B17A, B17B, B17C, B17J | | 05 | F13A, F21A, F21B, F21J, F28A | | 01 | B03Z, B07Z, B17A, B17B, B17C, B17J | | | |
| | 05 | F13A, F21A, F21B, F21J, F28A | | 08 | I02A, I02B, I02C, I02D, I22A, I22B, I32A, I32B, I32C, I32D, I32E, I32F, I32J, I32Q, I32R, I32S, I32T, I32U, I50Z | | 05 | F13A, F21A, F21B, F21J, F28A | | | |
| | 06 | G10Z, G12A, G12B, G12J | | 09 | J02A, J02B, J02C, J04A, J04B, J08A, J08B, J08C, J16Z, J21Z, J22A, J22B, J22J | | 08 | I02A, I02B, I02C, I02D, I22A, I22B, I50Z | | | |
| | 08 | I02A, I02B, I02C, I02D, I22A, I22B, I50Z | | | | | 09 | J02A, J02B, J02C, J04A, J04B, J08A, J08B, J08C, J16Z, J21Z, J22A, J22B, J22J | | | |
| | 09 | J02A, J02B, J02C, J04A, J04B, J08A, J08B, J08C, J16Z, J21Z, J22A, J22B, J22J | | 21A | W04A, W04B | | 21A | W04A, W04B | | | |
| | 21A | W04A, W04B | | 21B | X01A, X01B, X01C | | 21B | X01A, X01B, X01C | | | |
| | 21B | X01A, X01B, X01C | | 01 | B03Z, B07Z, B17A, B17B, B17C, B17J | | | | | | |
| | | | | 03 | D18Z, D28J, D28Z, D29J, D29Z | | | | | | |
| | | | | 05 | F13A, F21A, F21B, F21J, F28A | | | | | | |
| | | 09 | J02A, J02B, J02C, J04A, J04B, J08A, J08B, J08C, J16Z, J21Z, J22A, J22B, J22J | | | | | | | | |
| | | 21A | W04A, W04B | | | | | | | | |
| | | 21B | X01A, X01B, X01C | | | | | | | | |

VYK

| ZZV | MDC | DRG | ZZV | MDC | DRG | ZZV | MDC | DRG | | | |
|----------|----------|--|--|--|--|----------|--|--|---------|----|--|
| 5v221.8↔ | | BOP, KJZSV, KVT, UOP4 | 5v221.c | | BOP, KJZSV, KVT, UOP4 | 5v221.x↔ | | BOP, KJZSV, KVT, UOP4 | | | |
| | 01 | B03Z, B07Z, B17A, B17B, B17C, B17J | | 01 | B03Z, B07Z, B17A, B17B, B17C, B17J | | 01 | B03Z, B07Z, B17A, B17B, B17C, B17J | | | |
| | 05 | F13A, F21A, F21B, F21J, F28A | | 05 | F13A, F21A, F21B, F21J, F28A | | 05 | F13A, F21A, F21B, F21J, F28A | | | |
| | 08 | I02A, I02B, I02C, I02D, I22A, I22B, I32A, I32B, I32C, I32D, I32E, I32F, I32J, I32Q, I32R, I32S, I32T, I32U, I50Z | | 06 | G10Z, G12A, G12B, G12J | | 08 | I02A, I02B, I02C, I02D, I22A, I22B, I50Z | | | |
| | 09 | J02A, J02B, J02C, J04A, J04B, J08A, J08B, J08C, J16Z, J21Z, J22A, J22B, J22J | | 08 | I02A, I02B, I02C, I02D, I22A, I22B, I50Z | | 09 | J02A, J02B, J02C, J04A, J04B, J08A, J08B, J08C, J16Z, J21Z, J22A, J22B, J22J | | | |
| | 21A | W04A, W04B | | 21A | W04A, W04B | | 21A | W04A, W04B | | | |
| | 21B | X01A, X01B, X01C | | 21B | X01A, X01B, X01C | | 21B | X01A, X01B, X01C | | | |
| | 5v221.9↔ | | | BOP, KJZSV, KVT, UOP4 | 5v221.d | | | BOP, KJZSV, KVT, UOP4 | 5v222.0 | | BOP, KJZSV, KVT, UOP4 |
| | | 01 | | B03Z, B07Z, B17A, B17B, B17C, B17J | | | 01 | B03Z, B07Z, B17A, B17B, B17C, B17J | | 03 | D08A, D08B, D18Z, D22A, D22B, D22J, D30A, D30B, D30J, D30Q |
| | | 05 | | F13A, F21A, F21B, F21J, F28A | | | 05 | F13A, F21A, F21B, F21J, F28A | | 05 | F13A |
| 08 | | I12A, I12B, I12C, I12J, I32A, I32B, I32C, I32D, I32E, I32F, I32J, I32Q, I32R, I32S, I32T, I32U | 06 | G10Z, G12A, G12B, G12J | | 09 | J03A, J03B, J04A, J04B, J08A, J08B, J08C, J10A, J10B, J10J, J16Z | | | | |
| 09 | | J02A, J02B, J02C, J04A, J04B, J08A, J08B, J08C, J16Z, J21Z, J22A, J22B, J22J | 08 | I02A, I02B, I02C, I02D, I22A, I22B, I50Z | | 21A | W04A, W04B | | | | |
| 21A | | W04A, W04B | 09 | J02A, J02B, J02C, J04A, J04B, J08A, J08B, J08C, J16Z, J21Z, J22A, J22B, J22J | | 21B | X06A, X06B, X06C | | | | |
| 21B | | X01A, X01B, X01C | 21A | W04A, W04B | | 01 | B03Z, B07Z, B17A, B17B, B17C, B17J | | | | |
| 5v221.a | | | BOP, KJZSV, KVT, UOP4 | 5v221.e↔ | | | BOP, KJZSV, KVT, UOP4 | 5v222.4 | | | BOP, KJZSV, KVT, UOP4 |
| | | 01 | B03Z, B07Z, B17A, B17B, B17C, B17J | | | 01 | B03Z, B07Z, B17A, B17B, B17C, B17J | | | 02 | C20A, C20B, C20J, C20Q, C20R |
| | | 05 | F13A, F21A, F21B, F21J, F28A | | | 05 | F13A, F21A, F21B, F21J, F27A, F27B, F27C, F28A | | | 03 | D12A, D12B, D12J, D12Q |
| | 06 | G10Z, G12A, G12B, G12J | 08 | | I02A, I02B, I02C, I02D, I22A, I22B, I50Z | 05 | F13A, F21A, F21B, F21C, F21J | | | | |
| | 08 | I02A, I02B, I02C, I02D, I22A, I22B, I50Z | 09 | | J02A, J02B, J02C, J04A, J04B, J08A, J08B, J08C, J16Z, J21Z, J22A, J22B, J22J | 08 | I02A, I02B, I02C, I02D, I22A, I22B, I50Z | | | | |
| | 09 | J02A, J02B, J02C, J04A, J04B, J08A, J08B, J08C, J16Z, J21Z, J22A, J22B, J22J | 10 | | K01Z | 09 | J02A, J02B, J02C, J04A, J04B, J08A, J08B, J08C, J16Z, J21Z, J22A, J22B, J22J | | | | |
| | 21A | W04A, W04B | 21A | | W04A, W04B | 21A | W04A, W04B | | | | |
| | 21B | X01A, X01B, X01C | 21B | | X01A, X01B, X01C | 21B | X01A, X01B, X01C | | | | |
| | 5v221.b | | BOP, KJZSV, KVT, UOP4 | | 5v221.f↔ | | BOP, KJZSV, KVT, UOP4 | | 5v222.5 | | BOP, KJZSV, KVT, UOP4 |
| | | 01 | B03Z, B07Z, B17A, B17B, B17C, B17J | | | 01 | B03Z, B07Z, B17A, B17B, B17C, B17J | | | 01 | B03Z, B07Z, B17A, B17B, B17C, B17J |
| 05 | | F13A, F21A, F21B, F21J, F28A | 05 | F13A, F21A, F21B, F21J, F27A, F27B, F27C, F28A | | 03 | D12A, D12B, D12J, D12Q | | | | |
| 06 | | G10Z, G12A, G12B, G12J | 08 | I02A, I02B, I02C, I02D, I22A, I22B, I50Z | | 05 | F13A, F21A, F21B, F21C, F21J | | | | |
| 08 | | I02A, I02B, I02C, I02D, I22A, I22B, I50Z | 09 | J02A, J02B, J02C, J04A, J04B, J08A, J08B, J08C, J16Z, J21Z, J22A, J22B, J22J | | 06 | G10Z, G12A, G12B, G12J | | | | |
| 09 | | J02A, J02B, J02C, J04A, J04B, J08A, J08B, J08C, J16Z, J21Z, J22A, J22B, J22J | 10 | K01Z | | 08 | I28A, I28B, I28J | | | | |
| 21A | | W04A, W04B | 21A | W04A, W04B | | 09 | J02A, J02B, J02C, J04A, J04B, J08A, J08B, J08C, J16Z, J21Z, J22A, J22B, J22J | | | | |
| 21B | | X01A, X01B, X01C | 21A | W04A, W04B | | 21A | W04A, W04B | | | | |
| 5v221.g↔ | | | BOP, KJZSV, KVT, UOP4 | 5v221.g↔ | | | BOP, KJZSV, KVT, UOP4 | 5v222.6↔ | | | BOP, KJZSV, KVT, UOP4 |
| | | 01 | B03Z, B07Z, B17A, B17B, B17C, B17J | | | 01 | B03Z, B07Z, B17A, B17B, B17C, B17J | | | 01 | B03Z, B07Z, B17A, B17B, B17C, B17J |
| | 05 | F13A, F21A, F21B, F21J, F27A, F27B, F27C, F28A | 05 | | F13A, F21A, F21B, F21J, F27A, F27B, F27C, F28A | 05 | F13A, F21A, F21B, F21C, F21J | | | | |
| | 08 | I02A, I02B, I02C, I02D, I12A, I12B, I12C, I12J, I22A, I22B, I50Z | 08 | | I02A, I02B, I02C, I02D, I12A, I12B, I12C, I12J, I22A, I22B, I50Z | 08 | I02A, I02B, I02C, I02D, I22A, I22B, I50Z | | | | |
| | 09 | J02A, J02B, J02C, J04A, J04B, J08A, J08B, J08C, J16Z, J21Z, J22A, J22B, J22J | 09 | | J02A, J02B, J02C, J04A, J04B, J08A, J08B, J08C, J16Z, J21Z, J22A, J22B, J22J | 09 | J02A, J02B, J02C, J04A, J04B, J08A, J08B, J08C, J16Z, J21Z, J22A, J22B, J22J | | | | |
| | 10 | K01Z | 10 | | K01Z | 21A | W04A, W04B | | | | |
| | 21A | W04A, W04B | 21A | | W04A, W04B | 21B | X01A, X01B, X01C | | | | |
| | 21B | X01A, X01B, X01C | 21B | | X01A, X01B, X01C | 01 | B03Z, B07Z, B17A, B17B, B17C, B17J | | | | |
| | | | 01 | | B03Z, B07Z, B17A, B17B, B17C, B17J | 05 | F13A, F21A, F21B, F21C, F21J | | | | |
| | | | 05 | | F13A, F21A, F21B, F21J, F27A, F27B, F27C, F28A | 08 | I02A, I02B, I02C, I02D, I22A, I22B, I50Z | | | | |
| | | 08 | I02A, I02B, I02C, I02D, I12A, I12B, I12C, I12J, I22A, I22B, I50Z | 09 | J02A, J02B, J02C, J04A, J04B, J08A, J08B, J08C, J16Z, J21Z, J22A, J22B, J22J | | | | | | |
| | | 09 | J02A, J02B, J02C, J04A, J04B, J08A, J08B, J08C, J16Z, J21Z, J22A, J22B, J22J | 21A | W04A, W04B | | | | | | |
| | | 10 | K01Z | 21B | X01A, X01B, X01C | | | | | | |
| | | 21A | W04A, W04B | | | | | | | | |
| | | 21B | X01A, X01B, X01C | | | | | | | | |

VYK

| ZZV | MDC | DRG | ZZV | MDC | DRG | ZZV | MDC | DRG |
|-----------|-----|--|----------|-----|--|----------|-----|--|
| 5v223.g†↔ | | KJZSV | 5v224.7↔ | | BOP, KJZSV, KVT, UOP4 | 5v224.b | | BOP, KJZSV, KVT, UOP4 |
| | 09 | J11A, J11B, J11J, J11Q, J11R, J11S | | 01 | B03Z, B07Z, B17A, B17B, B17C, B17J | | 01 | B03Z, B07Z, B17A, B17B, B17C, B17J |
| 5v223.x† | | KJZSV | | 05 | F13A, F21A, F21B, F21J, F28A | | 05 | F13A, F21A, F21B, F21J, F28A |
| | 09 | J11A, J11B, J11J, J11Q, J11R, J11S | | 08 | I02A, I02B, I02C, I02D, I12A, I12B, I12C, I12J, I22A, I50Z | | 06 | G10Z, G12A, G12B, G12J |
| 5v224.0 | | BOP, KJZSV, KVT, UOP4 | | 09 | J02A, J02B, J02C, J04A, J04B, J08A, J08B, J08C, J16Z, J21Z, J22A, J22B, J22J | | 08 | I02A, I02B, I02C, I02D, I12A, I12B, I12C, I12J, I22A, I50Z |
| | 01 | B03Z, B07Z, B17A, B17B, B17C, B17J | | 21A | W04A, W04B | | 09 | J02A, J02B, J02C, J04A, J04B, J08A, J08B, J08C, J16Z, J21Z, J22A, J22B, J22J |
| | 03 | D18Z, D25A, D25B, D25C, D25D, D25J | | 21B | X01A, X01B | | 21A | W04A, W04B |
| | 05 | F13A, F21A, F21B, F21J, F28A | 5v224.8↔ | | BOP, KJZSV, KVT, UOP4 | 5v224.c | | BOP, KJZSV, KVT, UOP4 |
| | 08 | I12A, I12B, I12C, I12J | | 01 | B03Z, B07Z, B17A, B17B, B17C, B17J | | 01 | B03Z, B07Z, B17A, B17B, B17C, B17J |
| | 09 | J02A, J02B, J02C, J04A, J04B, J08A, J08B, J08C, J16Z, J21Z, J22A, J22B, J22J | | 05 | F13A, F21A, F21B, F21J, F28A | | 05 | F13A, F21A, F21B, F21J, F28A |
| | 21A | W04A, W04B | | 08 | I02A, I02B, I02C, I02D, I12A, I12B, I12C, I12J, I22A, I32A, I32B, I32C, I32D, I32E, I32F, I32J, I32Q, I32R, I32S, I32T, I32U, I50Z | | 06 | G10Z, G12A, G12B, G12J |
| 5v224.4 | 21B | X01A, X01B | | 09 | J02A, J02B, J02C, J04A, J04B, J08A, J08B, J08C, J16Z, J21Z, J22A, J22B, J22J | | 08 | I02A, I02B, I02C, I02D, I12A, I12B, I12C, I12J, I22A, I50Z |
| | | BOP, KJZSV, KVT, UOP4 | | 21A | W04A, W04B | | 09 | J02A, J02B, J02C, J04A, J04B, J08A, J08B, J08C, J16Z, J21Z, J22A, J22B, J22J |
| | 01 | B03Z, B07Z, B17A, B17B, B17C, B17J | | 21B | X01A, X01B | 5v224.d | | BOP, KJZSV, KVT, UOP4 |
| | 02 | C20A, C20B, C20J, C20Q, C20R | 5v224.9↔ | | BOP, KJZSV, KVT, UOP4 | | 01 | B03Z, B07Z, B17A, B17B, B17C, B17J |
| | 03 | D18Z, D25A, D25B, D25C, D25D, D25J | | 01 | B03Z, B07Z, B17A, B17B, B17C, B17J | | 05 | F13A, F21A, F21B, F21J, F28A |
| | 05 | F13A, F21A, F21B, F21J, F28A | | 05 | F13A, F21A, F21B, F21J, F28A | | 06 | G10Z, G12A, G12B, G12J |
| | 08 | I02A, I02B, I02C, I02D, I12A, I12B, I12C, I12J, I22A, I50Z | | 08 | I12A, I12B, I12C, I12J, I32A, I32B, I32C, I32D, I32E, I32F, I32J, I32Q, I32R, I32S, I32T, I32U | | 08 | I02A, I02B, I02C, I02D, I12A, I12B, I12C, I12J, I22A, I50Z |
| | 09 | J02A, J02B, J02C, J04A, J04B, J08A, J08B, J08C, J16Z, J21Z, J22A, J22B, J22J | | 09 | J02A, J02B, J02C, J04A, J04B, J08A, J08B, J08C, J16Z, J21Z, J22A, J22B, J22J | | 09 | J02A, J02B, J02C, J04A, J04B, J08A, J08B, J08C, J16Z, J21Z, J22A, J22B, J22J |
| | 21A | W04A, W04B | | 21A | W04A, W04B | | 21A | W04A, W04B |
| 5v224.5 | 21B | X01A, X01B | 5v224.a | | BOP, KJZSV, KVT, UOP4 | 5v224.e↔ | | BOP, KJZSV, KVT, UOP4 |
| | | BOP, KJZSV, KVT, UOP4 | | 01 | B03Z, B07Z, B17A, B17B, B17C, B17J | | 01 | B03Z, B07Z, B17A, B17B, B17C, B17J |
| | 01 | B03Z, B07Z, B17A, B17B, B17C, B17J | | 05 | F13A, F21A, F21B, F21J, F28A | | 05 | F13A, F21A, F21B, F21J, F28A |
| | 03 | D18Z, D25A, D25B, D25C, D25D, D25J | | 06 | G10Z, G12A, G12B, G12J | | 08 | I02A, I02B, I02C, I02D, I12A, I12B, I12C, I12J, I22A, I50Z |
| | 05 | F13A, F21A, F21B, F21J, F28A | | 08 | I02A, I02B, I02C, I02D, I12A, I12B, I12C, I12J, I22A, I50Z | | 09 | J02A, J02B, J02C, J04A, J04B, J08A, J08B, J08C, J16Z, J21Z, J22A, J22B, J22J |
| | 08 | I02A, I02B, I02C, I02D, I12A, I12B, I12C, I12J, I22A, I50Z | | 09 | J02A, J02B, J02C, J04A, J04B, J08A, J08B, J08C, J16Z, J21Z, J22A, J22B, J22J | | 21A | W04A, W04B |
| | 09 | J02A, J02B, J02C, J04A, J04B, J08A, J08B, J08C, J16Z, J21Z, J22A, J22B, J22J | | 21B | X01A, X01B | 5v224.f↔ | | BOP, KJZSV, KVT, UOP4 |
| | 21A | W04A, W04B | | 21A | W04A, W04B | | 01 | B03Z, B07Z, B17A, B17B, B17C, B17J |
| 5v224.6↔ | 21B | X01A, X01B | | 21B | X01A, X01B | | 05 | F13A, F21A, F21B, F21J, F28A |
| | | BOP, KJZSV, KVT, UOP4 | | | | | 08 | I02A, I02B, I02C, I02D, I12A, I12B, I12C, I12J, I22A, I50Z |
| | 01 | B03Z, B07Z, B17A, B17B, B17C, B17J | | | | | 09 | J02A, J02B, J02C, J04A, J04B, J08A, J08B, J08C, J16Z, J21Z, J22A, J22B, J22J |
| | 05 | F13A, F21A, F21B, F21J, F28A | | | | | 21A | W04A, W04B |
| | 08 | I02A, I02B, I02C, I02D, I12A, I12B, I12C, I12J, I22A, I50Z | | | | | 21B | X01A, X01B |
| | 09 | J02A, J02B, J02C, J04A, J04B, J08A, J08B, J08C, J16Z, J21Z, J22A, J22B, J22J | | | | | | |
| | 21A | W04A, W04B | | | | | | |
| | 21B | X01A, X01B | | | | | | |

VYK

| ZZV | MDC | DRG | ZZV | MDC | DRG | ZZV | MDC | DRG | | | |
|----------|----------|--|------------------------------------|--|--|----------|--|--|---------|----|------------------------------------|
| 5v224.g↔ | | BOP, KJZSV, KVT, UOP4 | 5v225.5 | | BOP, KJZSV, KVT, UOP4 | 5v225.9↔ | | BOP, KJZSV, KVT, UOP4 | | | |
| | 01 | B03Z, B07Z, B17A, B17B, B17C, B17J | | 01 | B03Z, B07Z, B17A, B17B, B17C, B17J | | 01 | B03Z, B07Z, B17A, B17B, B17C, B17J | | | |
| | 05 | F13A, F21A, F21B, F21J, F27A, F27B, F27C, F28A | | 03 | D18Z, D25A, D25B, D25C, D25D, D25J | | 05 | F13A, F21A, F21B, F21J, F28A | | | |
| | 08 | I02A, I02B, I02C, I02D, I12A, I12B, I12C, I12J, I22A, I50Z | | 05 | F13A, F21A, F21B, F21J, F28A | | 08 | I12A, I12B, I12C, I12J, I32A, I32B, I32C, I32D, I32E, I32F, I32J, I32Q, I32R, I32S, I32T, I32U | | | |
| | 09 | J02A, J02B, J02C, J04A, J04B, J08A, J08B, J08C, J16Z, J21Z, J22A, J22B, J22J | | 08 | I02A, I02B, I02C, I02D, I12A, I12B, I12C, I12J, I22A, I50Z | | 09 | J02A, J02B, J02C, J04A, J04B, J08A, J08B, J08C, J16Z, J21Z, J22A, J22B, J22J | | | |
| | 10 | K01Z | | 09 | J02A, J02B, J02C, J04A, J04B, J08A, J08B, J08C, J16Z, J21Z, J22A, J22B, J22J | | 21A | W04A, W04B | | | |
| | 21A | W04A, W04B | | 21A | W04A, W04B | | 21B | X01A, X01B | | | |
| | 21B | X01A, X01B | | 21B | X01A, X01B | | | | | | |
| | 5v224.x↔ | | | BOP, KJZSV, KVT, UOP4 | 5v225.6↔ | | | BOP, KJZSV, KVT, UOP4 | 5v225.a | | BOP, KJZSV, KVT, UOP4 |
| | | 01 | | B03Z, B07Z, B17A, B17B, B17C, B17J | | | 01 | B03Z, B07Z, B17A, B17B, B17C, B17J | | 01 | B03Z, B07Z, B17A, B17B, B17C, B17J |
| 05 | | F13A, F21A, F21B, F21J, F27A, F27B, F27C, F28A | 05 | F13A, F21A, F21B, F21J, F28A | | 05 | F13A, F21A, F21B, F21J, F28A | | | | |
| 08 | | I02A, I02B, I02C, I02D, I12A, I12B, I12C, I12J, I22A, I32A, I32B, I32C, I32D, I32E, I32F, I32J, I32Q, I32R, I32S, I32T, I32U, I50Z | 08 | I02A, I02B, I02C, I02D, I12A, I12B, I12C, I12J, I22A, I50Z | | 06 | G10Z, G12A, G12B, G12J | | | | |
| 09 | | J02A, J02B, J02C, J04A, J04B, J08A, J08B, J08C, J16Z, J21Z, J22A, J22B, J22J | 09 | J02A, J02B, J02C, J04A, J04B, J08A, J08B, J08C, J16Z, J21Z, J22A, J22B, J22J | | 08 | I02A, I02B, I02C, I02D, I12A, I12B, I12C, I12J, I22A, I50Z | | | | |
| 10 | | K01Z | 21A | W04A, W04B | | 09 | J02A, J02B, J02C, J04A, J04B, J08A, J08B, J08C, J16Z, J21Z, J22A, J22B, J22J | | | | |
| 21A | | W04A, W04B | 21B | X01A, X01B | | 21A | W04A, W04B | | | | |
| 21B | | X01A, X01B | | | | 21B | X01A, X01B | | | | |
| 5v225.0 | | | BOP, KJZSV, KVT, UOP4 | 5v225.7↔ | | | BOP, KJZSV, KVT, UOP4 | 5v225.b | | | BOP, KJZSV, KVT, UOP4 |
| | | 01 | B03Z, B07Z, B17A, B17B, B17C, B17J | | | 01 | B03Z, B07Z, B17A, B17B, B17C, B17J | | | 01 | B03Z, B07Z, B17A, B17B, B17C, B17J |
| | 03 | D18Z, D25A, D25B, D25C, D25D, D25J | 05 | | F13A, F21A, F21B, F21J, F28A | 05 | F13A, F21A, F21B, F21J, F28A | | | | |
| | 05 | F13A, F21A, F21B, F21J, F28A | 08 | | I02A, I02B, I02C, I02D, I12A, I12B, I12C, I12J, I22A, I50Z | 06 | G10Z, G12A, G12B, G12J | | | | |
| | 08 | I12A, I12B, I12C, I12J | 09 | | J02A, J02B, J02C, J04A, J04B, J08A, J08B, J08C, J16Z, J21Z, J22A, J22B, J22J | 08 | I02A, I02B, I02C, I02D, I12A, I12B, I12C, I12J, I22A, I50Z | | | | |
| | 09 | J02A, J02B, J02C, J04A, J04B, J08A, J08B, J08C, J16Z, J21Z, J22A, J22B, J22J | 21A | | W04A, W04B | 09 | J02A, J02B, J02C, J04A, J04B, J08A, J08B, J08C, J16Z, J21Z, J22A, J22B, J22J | | | | |
| | 21A | W04A, W04B | 21B | | X01A, X01B | 21A | W04A, W04B | | | | |
| | 21B | X01A, X01B | | | | 21B | X01A, X01B | | | | |
| | 5v225.4 | | BOP, KJZSV, KVT, UOP4 | | 5v225.8↔ | | BOP, KJZSV, KVT, UOP4 | | 5v225.c | | BOP, KJZSV, KVT, UOP4 |
| | | 01 | B03Z, B07Z, B17A, B17B, B17C, B17J | | | 01 | B03Z, B07Z, B17A, B17B, B17C, B17J | | | 01 | B03Z, B07Z, B17A, B17B, B17C, B17J |
| 02 | | C20A, C20B, C20J, C20Q, C20R | 05 | F13A, F21A, F21B, F21J, F28A | | 05 | F13A, F21A, F21B, F21J, F28A | | | | |
| 03 | | D18Z, D25A, D25B, D25C, D25D, D25J | 08 | I02A, I02B, I02C, I02D, I12A, I12B, I12C, I12J, I22A, I32A, I32B, I32C, I32D, I32E, I32F, I32J, I32Q, I32R, I32S, I32T, I32U, I50Z | | 06 | G10Z, G12A, G12B, G12J | | | | |
| 05 | | F13A, F21A, F21B, F21J, F28A | 09 | J02A, J02B, J02C, J04A, J04B, J08A, J08B, J08C, J16Z, J21Z, J22A, J22B, J22J | | 08 | I02A, I02B, I02C, I02D, I12A, I12B, I12C, I12J, I22A, I50Z | | | | |
| 08 | | I02A, I02B, I02C, I02D, I12A, I12B, I12C, I12J, I22A, I50Z | 21A | W04A, W04B | | 09 | J02A, J02B, J02C, J04A, J04B, J08A, J08B, J08C, J16Z, J21Z, J22A, J22B, J22J | | | | |
| 09 | | J02A, J02B, J02C, J04A, J04B, J08A, J08B, J08C, J16Z, J21Z, J22A, J22B, J22J | 21B | X01A, X01B | | 21A | W04A, W04B | | | | |
| 21A | | W04A, W04B | | | | 21B | X01A, X01B | | | | |
| 21B | | X01A, X01B | | | | | | | | | |
| | | | | | | 5v225.d | | BOP, KJZSV, KVT, UOP4 | | | |
| | | | | 01 | B03Z, B07Z, B17A, B17B, B17C, B17J | | | | | | |
| | | | | 05 | F13A, F21A, F21B, F21J, F28A | | | | | | |
| | | | | 06 | G10Z, G12A, G12B, G12J | | | | | | |
| | | | | 08 | I02A, I02B, I02C, I02D, I12A, I12B, I12C, I12J, I22A, I50Z | | | | | | |
| | | | | 09 | J02A, J02B, J02C, J04A, J04B, J08A, J08B, J08C, J16Z, J21Z, J22A, J22B, J22J | | | | | | |
| | | | | 21A | W04A, W04B | | | | | | |
| | | | | 21B | X01A, X01B | | | | | | |
| | | | | | | | | | | | |
| | | | | | | | | | | | |

VYK

| ZZV | MDC | DRG | ZZV | MDC | DRG | ZZV | MDC | DRG | | | |
|----------|----------|--|--|--|--|----------|--|--|----------|----|------------------------------------|
| 5v225.e↔ | | BOP, KJZSV, KVT, UOP4 | 5v226.4 | | BOP, KJZSV, KVT, UOP4 | 5v226.8↔ | | BOP, KJZSV, KVT, UOP4 | | | |
| | 01 | B03Z, B07Z, B17A, B17B, B17C, B17J | | 01 | B03Z, B07Z, B17A, B17B, B17C, B17J | | 01 | B03Z, B07Z, B17A, B17B, B17C, B17J | | | |
| | 05 | F13A, F21A, F21B, F21J, F27A, F27B, F27C, F28A | | 02 | C20A, C20B, C20J, C20Q, C20R | | 05 | F13A, F21A, F21B, F21J, F28A | | | |
| | 08 | I02A, I02B, I02C, I02D, I12A, I12B, I12C, I12J, I22A, I50Z | | 03 | D12A, D12B, D12J, D12Q | | 08 | I02A, I02B, I02C, I02D, I12A, I12B, I12C, I12J, I22A, I50Z | | | |
| | 09 | J02A, J02B, J02C, J04A, J04B, J08A, J08B, J08C, J16Z, J21Z, J22A, J22B, J22J | | 05 | F13A, F21A, F21B, F21J, F28A | | 08 | I02A, I02B, I02C, I02D, I12A, I12B, I12C, I12J, I22A, I50Z | | | |
| | 10 | K01Z | | 08 | I02A, I02B, I02C, I02D, I12A, I12B, I12C, I12J, I22A, I50Z | | 09 | J02A, J02B, J02C, J04A, J04B, J08A, J08B, J08C, J16Z, J21Z, J22A, J22B, J22J | | | |
| | 21A | W04A, W04B | | 09 | J02A, J02B, J02C, J04A, J04B, J08A, J08B, J08C, J16Z, J21Z, J22A, J22B, J22J | | 09 | J02A, J02B, J02C, J04A, J04B, J08A, J08B, J08C, J16Z, J21Z, J22A, J22B, J22J | | | |
| | 21B | X01A, X01B | | 21A | W04A, W04B | | 21A | W04A, W04B | | | |
| | 5v225.f↔ | | | BOP, KJZSV, KVT, UOP4 | 5v226.5 | | | BOP, KJZSV, KVT, UOP4 | 5v226.9↔ | | BOP, KJZSV, KVT, UOP4 |
| | | 01 | | B03Z, B07Z, B17A, B17B, B17C, B17J | | | 01 | B03Z, B07Z, B17A, B17B, B17C, B17J | | 01 | B03Z, B07Z, B17A, B17B, B17C, B17J |
| 05 | | F13A, F21A, F21B, F21J, F27A, F27B, F27C, F28A | 03 | D12A, D12B, D12J, D12Q | | 05 | F13A, F21A, F21B, F21J, F28A | | | | |
| 08 | | I02A, I02B, I02C, I02D, I12A, I12B, I12C, I12J, I22A, I50Z | 05 | F13A, F21A, F21B, F21J, F28A | | 08 | I12A, I12B, I12C, I12J, I28A, I28B, I28J | | | | |
| 09 | | J02A, J02B, J02C, J04A, J04B, J08A, J08B, J08C, J16Z, J21Z, J22A, J22B, J22J | 06 | G10Z, G12A, G12B, G12J | | 08 | I12A, I12B, I12C, I12J, I32A, I32B, I32C, I32D, I32E, I32F, I32J, I32Q, I32R, I32S, I32T, I32U | | | | |
| 10 | | K01Z | 08 | I12A, I12B, I12C, I12J, I28A, I28B, I28J | | 09 | J03A, J03B, J04A, J04B, J08A, J08B, J08C, J16Z, J21Z, J22A, J22B, J22J | | | | |
| 21A | | W04A, W04B | 09 | J02A, J02B, J02C, J04A, J04B, J08A, J08B, J08C, J16Z, J21Z, J22A, J22B, J22J | | 21A | W04A, W04B | | | | |
| 21B | | X01A, X01B | 21A | W04A, W04B | | 21B | X01A, X01B | | | | |
| 5v225.g↔ | | | BOP, KJZSV, KVT, UOP4 | 5v226.6↔ | | | BOP, KJZSV, KVT, UOP4 | 5v226.a | | | BOP, KJZSV, KVT, UOP4 |
| | | 01 | B03Z, B07Z, B17A, B17B, B17C, B17J | | | 01 | B03Z, B07Z, B17A, B17B, B17C, B17J | | | 01 | B03Z, B07Z, B17A, B17B, B17C, B17J |
| | 05 | F13A, F21A, F21B, F21J, F27A, F27B, F27C, F28A | 05 | | F13A, F21A, F21B, F21J, F28A | 05 | F13A, F21A, F21B, F21J, F28A | | | | |
| | 08 | I02A, I02B, I02C, I02D, I12A, I12B, I12C, I12J, I22A, I50Z | 08 | | I02A, I02B, I02C, I02D, I12A, I12B, I12C, I12J, I22A, I50Z | 06 | G10Z, G12A, G12B, G12J | | | | |
| | 09 | J02A, J02B, J02C, J04A, J04B, J08A, J08B, J08C, J16Z, J21Z, J22A, J22B, J22J | 09 | | J02A, J02B, J02C, J04A, J04B, J08A, J08B, J08C, J16Z, J21Z, J22A, J22B, J22J | 08 | I02A, I02B, I02C, I02D, I12A, I12B, I12C, I12J, I22A, I50Z | | | | |
| | 10 | K01Z | 09 | | J02A, J02B, J02C, J04A, J04B, J08A, J08B, J08C, J16Z, J21Z, J22A, J22B, J22J | 09 | J02A, J02B, J02C, J04A, J04B, J08A, J08B, J08C, J16Z, J21Z, J22A, J22B, J22J | | | | |
| | 21A | W04A, W04B | 21A | | W04A, W04B | 21A | W04A, W04B | | | | |
| | 21B | X01A, X01B | 21B | | X01A, X01B | 21B | X01A, X01B | | | | |
| | 5v225.x↔ | | BOP, KJZSV, KVT, UOP4 | | 5v226.7↔ | | BOP, KJZSV, KVT, UOP4 | | 5v226.b | | BOP, KJZSV, KVT, UOP4 |
| | | 01 | B03Z, B07Z, B17A, B17B, B17C, B17J | | | 01 | B03Z, B07Z, B17A, B17B, B17C, B17J | | | 01 | B03Z, B07Z, B17A, B17B, B17C, B17J |
| 05 | | F13A, F21A, F21B, F21J, F28A | 05 | F13A, F21A, F21B, F21J, F28A | | 05 | F13A, F21A, F21B, F21J, F28A | | | | |
| 08 | | I02A, I02B, I02C, I02D, I12A, I12B, I12C, I12J, I22A, I32A, I32B, I32C, I32D, I32E, I32F, I32J, I32Q, I32R, I32S, I32T, I32U, I50Z | 08 | I02A, I02B, I02C, I02D, I12A, I12B, I12C, I12J, I22A, I50Z | | 06 | G10Z, G12A, G12B, G12J | | | | |
| 09 | | J02A, J02B, J02C, J04A, J04B, J08A, J08B, J08C, J16Z, J21Z, J22A, J22B, J22J | 09 | J02A, J02B, J02C, J04A, J04B, J08A, J08B, J08C, J16Z, J21Z, J22A, J22B, J22J | | 08 | I02A, I02B, I02C, I02D, I12A, I12B, I12C, I12J, I22A, I50Z | | | | |
| 21A | | W04A, W04B | 21A | W04A, W04B | | 09 | J02A, J02B, J02C, J04A, J04B, J08A, J08B, J08C, J16Z, J21Z, J22A, J22B, J22J | | | | |
| 21B | | X01A, X01B | 21B | X01A, X01B | | 21A | W04A, W04B | | | | |
| 5v226.0 | | | BOP, KJZSV, KVT, UOP4 | | | | | | | | BOP, KJZSV, KVT, UOP4 |
| | | 03 | D08A, D08B, D18Z, D22A, D22B, D22J, D30A, D30B, D30J, D30Q | | | | | | | | B03Z, B07Z, B17A, B17B, B17C, B17J |
| | | 05 | F13A, F28A | | | | | | | | F13A, F21A, F21B, F21J, F28A |
| | 08 | I12A, I12B, I12C, I12J | | | | | | G10Z, G12A, G12B, G12J | | | |
| | 09 | J03A, J03B, J04A, J04B, J08A, J08B, J08C, J10A, J10B, J10J, J16Z | | | | | | I02A, I02B, I02C, I02D, I12A, I12B, I12C, I12J, I22A, I50Z | | | |
| | 21A | W04A, W04B | | | | | | J02A, J02B, J02C, J04A, J04B, J08A, J08B, J08C, J16Z, J21Z, J22A, J22B, J22J | | | |
| | 21B | X01A, X01B, X06A, X06B, X06C | | | | | | W04A, W04B | | | |
| | | | | | | | | X01A, X01B | | | |
| | | | | | | | | | | | |
| | | | | | | | | | | | |

VYK

| ZZV | MDC | DRG | ZZV | MDC | DRG | ZZV | MDC | DRG | |
|----------|----------|--|--|--|--|------------------------------------|--|------------------------------------|------------------------------------|
| 5v226.c | | BOP, KJZSV, KVT, UOP4 | 5v226.g↔ | | BOP, KJZSV, KVT, UOP4 | 5v227.ft↔ | | KJZSV | |
| | 01 | B03Z, B07Z, B17A, B17B, B17C, B17J | | 01 | B03Z, B07Z, B17A, B17B, B17C, B17J | | 09 | J11A, J11B, J11J, J11Q, J11R, J11S | |
| | 05 | F13A, F21A, F21B, F21J, F28A | | 05 | F13A, F21A, F21B, F21J, F27A, F27B, F27C, F28A | | 5v227.g†↔ | KJZSV | |
| | 06 | G10Z, G12A, G12B, G12J | | 08 | I02A, I02B, I02C, I02D, I12A, I12B, I12C, I12J, I22A, I50Z | | 09 | J11A, J11B, J11J, J11Q, J11R, J11S | |
| | 08 | I02A, I02B, I02C, I02D, I12A, I12B, I12C, I12J, I22A, I50Z | | 09 | J02A, J02B, J02C, J04A, J04B, J08A, J08B, J08C, J16Z, J21Z, J22A, J22B, J22J | | 5v227.x† | KJZSV | |
| | 09 | J02A, J02B, J02C, J04A, J04B, J08A, J08B, J08C, J16Z, J21Z, J22A, J22B, J22J | | 10 | K01Z | | 09 | J11A, J11B, J11J, J11Q, J11R, J11S | |
| | 10 | K09A, K09B | | 21A | W04A, W04B | | 5v228.0† | KJZSV | |
| | 12 | M04A, M04B, M04C, M04D, M04J, M04Q, M37Z, M38Z | | 21B | X01A, X01B | | 09 | J11A, J11B, J11J, J11Q, J11R, J11S | |
| | 21A | W04A, W04B | | 5v226.x↔ | BOP, KJZSV, KVT, UOP4 | | 5v228.4† | KJZSV | |
| | 21B | X01A, X01B | | 01 | B03Z, B07Z, B17A, B17B, B17C, B17J | | 02 | C20A, C20B, C20J, C20Q, C20R | |
| | 5v226.d | | | BOP, KJZSV, KVT, UOP4 | 05 | | F13A, F21A, F21B, F21J, F28A | 09 | J11A, J11B, J11J, J11Q, J11R, J11S |
| | | 01 | | B03Z, B07Z, B17A, B17B, B17C, B17J | 08 | | I02A, I02B, I02C, I02D, I12A, I12B, I12C, I12J, I22A, I32A, I32B, I32C, I32D, I32E, I32F, I32J, I32Q, I32R, I32S, I32T, I32U, I50Z | 5v228.5† | KJZSV |
| 05 | | F13A, F21A, F21B, F21J, F28A | 09 | J02A, J02B, J02C, J04A, J04B, J08A, J08B, J08C, J16Z, J21Z, J22A, J22B, J22J | 09 | J11A, J11B, J11J, J11Q, J11R, J11S | | | |
| 06 | | G10Z, G12A, G12B, G12J | 21A | W04A, W04B | 5v228.6†↔ | KJZSV | | | |
| 08 | | I02A, I02B, I02C, I02D, I12A, I12B, I12C, I12J, I22A, I50Z | 21B | X01A, X01B | 09 | J11A, J11B, J11J, J11Q, J11R, J11S | | | |
| 09 | | J02A, J02B, J02C, J04A, J04B, J08A, J08B, J08C, J16Z, J21Z, J22A, J22B, J22J | 5v227.0† | KJZSV | 09 | J11A, J11B, J11J, J11Q, J11R, J11S | | | |
| 21A | | W04A, W04B | 09 | J11A, J11B, J11J, J11Q, J11R, J11S | 5v228.a† | KJZSV | | | |
| 21B | | X01A, X01B | 5v227.4† | KJZSV | 09 | J11A, J11B, J11J, J11Q, J11R, J11S | | | |
| 5v226.e↔ | | | BOP, KJZSV, KVT, UOP4 | 02 | C20A, C20B, C20J, C20Q, C20R | 5v228.b† | KJZSV | | |
| | | 01 | B03Z, B07Z, B17A, B17B, B17C, B17J | 09 | J11A, J11B, J11J, J11Q, J11R, J11S | 09 | J11A, J11B, J11J, J11Q, J11R, J11S | | |
| | | 05 | F13A, F21A, F21B, F21J, F27A, F27B, F27C, F28A | 5v227.5† | KJZSV | 5v228.c† | KJZSV | | |
| | | 08 | I02A, I02B, I02C, I02D, I12A, I12B, I12C, I12J, I22A, I50Z | 09 | J11A, J11B, J11J, J11Q, J11R, J11S | 09 | J11A, J11B, J11J, J11Q, J11R, J11S | | |
| | 09 | J02A, J02B, J02C, J04A, J04B, J08A, J08B, J08C, J16Z, J21Z, J22A, J22B, J22J | 5v227.6†↔ | KJZSV | 5v228.d† | KJZSV | | | |
| | 10 | K01Z | 09 | J11A, J11B, J11J, J11Q, J11R, J11S | 09 | J11A, J11B, J11J, J11Q, J11R, J11S | | | |
| | 21A | W04A, W04B | 5v227.7†↔ | KJZSV | 5v228.e†↔ | KJZSV | | | |
| | 21B | X01A, X01B | 09 | J11A, J11B, J11J, J11Q, J11R, J11S | 09 | J11A, J11B, J11J, J11Q, J11R, J11S | | | |
| | 5v226.f↔ | | BOP, KJZSV, KVT, UOP4 | 5v227.8†↔ | KJZSV | 5v228.ft↔ | KJZSV | | |
| | | 01 | B03Z, B07Z, B17A, B17B, B17C, B17J | 09 | J11A, J11B, J11J, J11Q, J11R, J11S | 09 | J11A, J11B, J11J, J11Q, J11R, J11S | | |
| | | 05 | F13A, F21A, F21B, F21J, F27A, F27B, F27C, F28A | 5v227.9↔ | KJZSV | 5v228.g†↔ | KJZSV | | |
| | | 08 | I02A, I02B, I02C, I02D, I12A, I12B, I12C, I12J, I22A, I50Z | 08 | I32A, I32B, I32C, I32D | 09 | J11A, J11B, J11J, J11Q, J11R, J11S | | |
| 09 | | J02A, J02B, J02C, J04A, J04B, J08A, J08B, J08C, J16Z, J21Z, J22A, J22B, J22J | 09 | J11A, J11B, J11J, J11Q, J11R, J11S | 5v228.x† | KJZSV | | | |
| 10 | | K01Z | 21B | X01A, X01B | 09 | J11A, J11B, J11J, J11Q, J11R, J11S | | | |
| 21A | | W04A, W04B | 5v227.a† | KJZSV | 5v229.0† | KJZSV | | | |
| 21B | | X01A, X01B | 09 | J11A, J11B, J11J, J11Q, J11R, J11S | 09 | J11A, J11B, J11J, J11Q, J11R, J11S | | | |
| 5v226.g↔ | | | BOP, KJZSV, KVT, UOP4 | 5v227.b† | KJZSV | 5v229.4† | KJZSV | | |
| | | 01 | B03Z, B07Z, B17A, B17B, B17C, B17J | 09 | J11A, J11B, J11J, J11Q, J11R, J11S | 02 | C20A, C20B, C20J, C20Q, C20R | | |
| | | 05 | F13A, F21A, F21B, F21J, F27A, F27B, F27C, F28A | 5v227.c† | KJZSV | 09 | J11A, J11B, J11J, J11Q, J11R, J11S | | |
| | | 06 | G10Z, G12A, G12B, G12J | 09 | J11A, J11B, J11J, J11Q, J11R, J11S | 5v229.5† | KJZSV | | |
| | 08 | I02A, I02B, I02C, I02D, I12A, I12B, I12C, I12J, I22A, I50Z | 5v227.d† | KJZSV | 09 | J11A, J11B, J11J, J11Q, J11R, J11S | | | |
| | 09 | J02A, J02B, J02C, J04A, J04B, J08A, J08B, J08C, J16Z, J21Z, J22A, J22B, J22J | 5v227.e†↔ | KJZSV | 5v229.6†↔ | KJZSV | | | |
| | 10 | K01Z | 09 | J11A, J11B, J11J, J11Q, J11R, J11S | 09 | J11A, J11B, J11J, J11Q, J11R, J11S | | | |
| | 21A | W04A, W04B | 5v227.f† | KJZSV | | | | | |
| | 21B | X01A, X01B | 09 | J11A, J11B, J11J, J11Q, J11R, J11S | | | | | |
| | | | 5v227.g†↔ | KJZSV | | | | | |
| | | | 5v227.h†↔ | KJZSV | | | | | |

| ZZV | MDC | DRG | ZZV | MDC | DRG | ZZV | MDC | DRG |
|-----------|-----|--|----------|-----|--|----------|-----|--|
| 5v229.7†↔ | | KJZSV | 5v22a.5 | | BOP, KJZSV, KVT, UOP4 | 5v22a.a | | BOP, KJZSV, KVT, UOP4 |
| | 09 | J11A, J11B, J11J, J11Q, J11R, J11S | | 01 | B03Z, B07Z, B17A, B17B, B17C, B17J | | 01 | B03Z, B07Z, B17A, B17B, B17C, B17J |
| 5v229.8†↔ | | KJZSV | | 03 | D12A, D12J, D12Q | | 05 | F13A, F21A, F21B, F21C, F21J |
| | 09 | J11A, J11B, J11J, J11Q, J11R, J11S | | 05 | F13A, F21A, F21B, F21C, F21J | | 06 | G10Z, G12A, G12B, G12J |
| 5v229.9†↔ | | KJZSV | | 08 | I02A, I02B, I02C, I02D, I22A, I22B, I50Z | | 08 | I02A, I02B, I02C, I02D, I22A, I22B, I50Z |
| | 09 | J11A, J11B, J11J, J11Q, J11R, J11S | | 09 | J02A, J02B, J02C, J04A, J04B, J08A, J08B, J08C, J16Z, J21Z, J22A, J22B, J22J | | 09 | J02A, J02B, J02C, J04A, J04B, J08A, J08B, J08C, J16Z, J21Z, J22A, J22B, J22J |
| 5v229.a† | | KJZSV | | 21A | W04A, W04B | | 21A | W04A, W04B |
| | 09 | J11A, J11B, J11J, J11Q, J11R, J11S | | 21B | X01A, X01B, X01C | | 21B | X01A, X01B, X01C |
| 5v229.b† | | KJZSV | 5v22a.6↔ | | BOP, KJZSV, KVT, UOP4 | 5v22a.b | | BOP, KJZSV, KVT, UOP4 |
| | 09 | J11A, J11B, J11J, J11Q, J11R, J11S | | 01 | B03Z, B07Z, B17A, B17B, B17C, B17J | | 01 | B03Z, B07Z, B17A, B17B, B17C, B17J |
| 5v229.c† | | KJZSV | | 05 | F13A, F21A, F21B, F21C, F21J | | 05 | F13A, F21A, F21B, F21C, F21J |
| | 09 | J11A, J11B, J11J, J11Q, J11R, J11S | | 08 | I02A, I02B, I02C, I02D, I22A, I22B, I50Z | | 06 | G10Z, G12A, G12B, G12J |
| 5v229.d† | | KJZSV | | 09 | J02A, J02B, J02C, J04A, J04B, J08A, J08B, J08C, J16Z, J21Z, J22A, J22B, J22J | | 08 | I02A, I02B, I02C, I02D, I22A, I22B, I50Z |
| | 09 | J11A, J11B, J11J, J11Q, J11R, J11S | | 21A | W04A, W04B | | 09 | J02A, J02B, J02C, J04A, J04B, J08A, J08B, J08C, J16Z, J21Z, J22A, J22B, J22J |
| 5v229.e†↔ | | KJZSV | | 21B | X01A, X01B, X01C | | 21A | W04A, W04B |
| | 09 | J11A, J11B, J11J, J11Q, J11R, J11S | | 21B | X01A, X01B, X01C | | 21B | X01A, X01B, X01C |
| 5v229.f†↔ | | KJZSV | 5v22a.7↔ | | BOP, KJZSV, KVT, UOP4 | 5v22a.c | | BOP, KJZSV, KVT, UOP4 |
| | 09 | J11A, J11B, J11J, J11Q, J11R, J11S | | 01 | B03Z, B07Z, B17A, B17B, B17C, B17J | | 01 | B03Z, B07Z, B17A, B17B, B17C, B17J |
| 5v229.g†↔ | | KJZSV | | 05 | F13A, F21A, F21B, F21C, F21J | | 05 | F13A, F21A, F21B, F21C, F21J |
| | 09 | J11A, J11B, J11J, J11Q, J11R, J11S | | 08 | I02A, I02B, I02C, I02D, I22A, I22B, I50Z | | 06 | G10Z, G12A, G12B, G12J |
| 5v229.x† | | KJZSV | | 09 | J02A, J02B, J02C, J04A, J04B, J08A, J08B, J08C, J16Z, J21Z, J22A, J22B, J22J | | 08 | I02A, I02B, I02C, I02D, I22A, I22B, I50Z |
| | 09 | J11A, J11B, J11J, J11Q, J11R, J11S | | 21A | W04A, W04B | | 09 | J02A, J02B, J02C, J04A, J04B, J08A, J08B, J08C, J16Z, J21Z, J22A, J22B, J22J |
| 5v22a.0 | | BOP, KJZSV, KVT, UOP4 | | 21B | X01A, X01B, X01C | | 21A | W04A, W04B |
| | 01 | B03Z, B07Z, B17A, B17B, B17C, B17J | 5v22a.8↔ | | BOP, KJZSV, KVT, UOP4 | 5v22a.d | | BOP, KJZSV, KVT, UOP4 |
| | 03 | D12A, D12J, D12Q | | 01 | B03Z, B07Z, B17A, B17B, B17C, B17J | | 01 | B03Z, B07Z, B17A, B17B, B17C, B17J |
| | 05 | F13A, F21A, F21B, F21C, F21J | | 05 | F13A, F21A, F21B, F21C, F21J | | 05 | F13A, F21A, F21B, F21C, F21J |
| | 09 | J02A, J02B, J02C, J04A, J04B, J08A, J08B, J08C, J16Z, J21Z, J22A, J22B, J22J | | 08 | I02A, I02B, I02C, I02D, I22A, I22B, I32A, I32B, I32C, I32D, I32E, I32F, I32J, I32Q, I32R, I32S, I32T, I32U, I50Z | | 06 | G10Z, G12A, G12B, G12J |
| | 21A | W04A, W04B | | 09 | J02A, J02B, J02C, J04A, J04B, J08A, J08B, J08C, J16Z, J21Z, J22A, J22B, J22J | | 08 | I02A, I02B, I02C, I02D, I22A, I22B, I50Z |
| | 21B | X01A, X01B, X01C | | 21A | W04A, W04B | | 09 | J02A, J02B, J02C, J04A, J04B, J08A, J08B, J08C, J16Z, J21Z, J22A, J22B, J22J |
| 5v22a.4 | | BOP, KJZSV, KVT, UOP4 | | 21B | X01A, X01B, X01C | | 21A | W04A, W04B |
| | 01 | B03Z, B07Z, B17A, B17B, B17C, B17J | 5v22a.9↔ | | BOP, KJZSV, KVT, UOP4 | 5v22a.e↔ | | BOP, KJZSV, KVT, UOP4 |
| | 02 | C20A, C20B, C20J, C20Q, C20R | | 01 | B03Z, B07Z, B17A, B17B, B17C, B17J | | 01 | B03Z, B07Z, B17A, B17B, B17C, B17J |
| | 03 | D12A, D12J, D12Q | | 05 | F13A, F21A, F21B, F21C, F21J | | 05 | F13A, F21A, F21B, F21C, F21J |
| | 05 | F13A, F21A, F21B, F21C, F21J | | 08 | I12A, I12B, I12C, I12J, I32A, I32B, I32C, I32D, I32E, I32F, I32J, I32Q, I32R, I32S, I32T, I32U | | 08 | I02A, I02B, I02C, I02D, I22A, I22B, I50Z |
| | 08 | I02A, I02B, I02C, I02D, I22A, I22B, I50Z | | 09 | J02A, J02B, J02C, J04A, J04B, J08A, J08B, J08C, J16Z, J21Z, J22A, J22B, J22J | | 09 | J02A, J02B, J02C, J04A, J04B, J08A, J08B, J08C, J16Z, J21Z, J22A, J22B, J22J |
| | 09 | J02A, J02B, J02C, J04A, J04B, J08A, J08B, J08C, J16Z, J21Z, J22A, J22B, J22J | | 21A | W04A, W04B | | 21A | W04A, W04B |
| | 21A | W04A, W04B | | 21B | X01A, X01B, X01C | | 21B | X01A, X01B, X01C |
| | 21B | X01A, X01B, X01C | | 21B | X01A, X01B, X01C | | | |

VYK

| ZZV | MDC | DRG | ZZV | MDC | DRG | ZZV | MDC | DRG | | | |
|----------|----------|--|------------------------------------|--|--|---------|--|--|---------|----|------------------------------------|
| 5v22a.f↔ | | BOP, KJZSV, KVT, UOP4 | 5v22b.5 | | BOP, KJZSV, KVT, UOP4 | 5v22b.a | | BOP, KJZSV, KVT, UOP4 | | | |
| | 01 | B03Z, B07Z, B17A, B17B, B17C, B17J | | 01 | B03Z, B07Z, B17A, B17B, B17C, B17J | | 01 | B03Z, B07Z, B17A, B17B, B17C, B17J | | | |
| | 05 | F13A, F21A, F21B, F21C, F21J | | 03 | D12A, D12J, D12Q | | 05 | F13A, F21A, F21B, F21J | | | |
| | 08 | I02A, I02B, I02C, I02D, I22A, I22B, I50Z | | 05 | F13A, F21A, F21B, F21J | | 06 | G10Z, G12A, G12B, G12J | | | |
| | 09 | J02A, J02B, J02C, J04A, J04B, J08A, J08B, J08C, J16Z, J21Z, J22A, J22B, J22J | | 08 | I02A, I02B, I02C, I02D, I12A, I12B, I12C, I12J, I22A, I22B, I50Z | | 08 | I02A, I02B, I02C, I02D, I12A, I12B, I12C, I12J, I22A, I22B, I50Z | | | |
| | 21A | W04A, W04B | | 09 | J02A, J02B, J02C, J04A, J04B, J08A, J08B, J08C, J16Z, J21Z, J22A, J22B, J22J | | 09 | J02A, J02B, J02C, J04A, J04B, J08A, J08B, J08C, J16Z, J21Z, J22A, J22B, J22J | | | |
| | 21B | X01A, X01B, X01C | | 21A | W04A, W04B | | 21A | W04A, W04B | | | |
| | 5v22a.g↔ | | | BOP, KJZSV, KVT, UOP4 | 5v22b.6↔ | | | BOP, KJZSV, KVT, UOP4 | 5v22b.b | | BOP, KJZSV, KVT, UOP4 |
| | | 01 | | B03Z, B07Z, B17A, B17B, B17C, B17J | | | 01 | B03Z, B07Z, B17A, B17B, B17C, B17J | | 01 | B03Z, B07Z, B17A, B17B, B17C, B17J |
| | | 05 | | F13A, F21A, F21B, F21C, F21J | | | 05 | F13A, F21A, F21B, F21J | | 05 | F13A, F21A, F21B, F21J |
| 08 | | I02A, I02B, I02C, I02D, I12A, I12B, I12C, I12J, I22A, I22B, I50Z | 05 | F13A, F21A, F21B, F21J | | 06 | G10Z, G12A, G12B, G12J | | | | |
| 09 | | J02A, J02B, J02C, J04A, J04B, J08A, J08B, J08C, J16Z, J21Z, J22A, J22B, J22J | 08 | I02A, I02B, I02C, I02D, I12A, I12B, I12C, I12J, I22A, I22B, I50Z | | 08 | I02A, I02B, I02C, I02D, I12A, I12B, I12C, I12J, I22A, I22B, I50Z | | | | |
| 21A | | W04A, W04B | 09 | J02A, J02B, J02C, J04A, J04B, J08A, J08B, J08C, J16Z, J21Z, J22A, J22B, J22J | | 09 | J02A, J02B, J02C, J04A, J04B, J08A, J08B, J08C, J16Z, J21Z, J22A, J22B, J22J | | | | |
| 21B | | X01A, X01B, X01C | 21A | W04A, W04B | | 21A | W04A, W04B | | | | |
| 5v22a.x↔ | | | BOP, KJZSV, KVT, UOP4 | 5v22b.7↔ | | | BOP, KJZSV, KVT, UOP4 | 5v22b.c | | | BOP, KJZSV, KVT, UOP4 |
| | | 01 | B03Z, B07Z, B17A, B17B, B17C, B17J | | | 01 | B03Z, B07Z, B17A, B17B, B17C, B17J | | | 01 | B03Z, B07Z, B17A, B17B, B17C, B17J |
| | | 05 | F13A, F21A, F21B, F21C, F21J | | | 05 | F13A, F21A, F21B, F21J | | | 05 | F13A, F21A, F21B, F21J |
| | 08 | I02A, I02B, I02C, I02D, I22A, I22B, I32A, I32B, I32C, I32D, I32E, I32F, I32J, I32Q, I32R, I32S, I32T, I32U, I50Z | 08 | | I02A, I02B, I02C, I02D, I12A, I12B, I12C, I12J, I22A, I22B, I50Z | 06 | G10Z, G12A, G12B, G12J | | | | |
| | 09 | J02A, J02B, J02C, J04A, J04B, J08A, J08B, J08C, J16Z, J21Z, J22A, J22B, J22J | 09 | | J02A, J02B, J02C, J04A, J04B, J08A, J08B, J08C, J16Z, J21Z, J22A, J22B, J22J | 08 | I02A, I02B, I02C, I02D, I12A, I12B, I12C, I12J, I22A, I22B, I50Z | | | | |
| | 21A | W04A, W04B | 21A | | W04A, W04B | 09 | J02A, J02B, J02C, J04A, J04B, J08A, J08B, J08C, J16Z, J21Z, J22A, J22B, J22J | | | | |
| | 21B | X01A, X01B, X01C | 21B | | X01A, X01B, X01C | 21A | W04A, W04B | | | | |
| | 5v22b.0 | | BOP, KJZSV, KVT, UOP4 | | 5v22b.8↔ | | BOP, KJZSV, KVT, UOP4 | | 5v22b.d | | BOP, KJZSV, KVT, UOP4 |
| | | 01 | B03Z, B07Z, B17A, B17B, B17C, B17J | | | 01 | B03Z, B07Z, B17A, B17B, B17C, B17J | | | 01 | B03Z, B07Z, B17A, B17B, B17C, B17J |
| | | 03 | D12A, D12J, D12Q | | | 05 | F13A, F21A, F21B, F21J | | | 05 | F13A, F21A, F21B, F21J |
| 05 | | F13A, F21A, F21B, F21J | 08 | I02A, I02B, I02C, I02D, I12A, I12B, I12C, I12J, I22A, I22B, I50Z | | 06 | G10Z, G12A, G12B, G12J | | | | |
| 08 | | I12A, I12B, I12C, I12J | 08 | I02A, I02B, I02C, I02D, I12A, I12B, I12C, I12J, I22A, I22B, I50Z | | 08 | I02A, I02B, I02C, I02D, I12A, I12B, I12C, I12J, I22A, I22B, I50Z | | | | |
| 09 | | J02A, J02B, J02C, J04A, J04B, J08A, J08B, J08C, J16Z, J21Z, J22A, J22B, J22J | 09 | J02A, J02B, J02C, J04A, J04B, J08A, J08B, J08C, J16Z, J21Z, J22A, J22B, J22J | | 09 | J02A, J02B, J02C, J04A, J04B, J08A, J08B, J08C, J16Z, J21Z, J22A, J22B, J22J | | | | |
| 21A | | W04A, W04B | 21A | W04A, W04B | | 21A | W04A, W04B | | | | |
| 21B | | X01A, X01B, X01C | 21B | X01A, X01B, X01C | | 21B | X01A, X01B, X01C | | | | |
| 5v22b.4 | | | BOP, KJZSV, KVT, UOP4 | 5v22b.9↔ | | | BOP, KJZSV, KVT, UOP4 | 5v22b.e↔ | | | BOP, KJZSV, KVT, UOP4 |
| | | 01 | B03Z, B07Z, B17A, B17B, B17C, B17J | | | 01 | B03Z, B07Z, B17A, B17B, B17C, B17J | | | 01 | B03Z, B07Z, B17A, B17B, B17C, B17J |
| | 02 | C20A, C20B, C20J, C20Q, C20R | 05 | | F13A, F21A, F21B, F21J | 05 | F13A, F21A, F21B, F21J | | | | |
| | 03 | D12A, D12J, D12Q | 08 | | I12A, I12B, I12C, I12J, I32A, I32B, I32C, I32D, I32E, I32F, I32J, I32Q, I32R, I32S, I32T, I32U | 08 | I12A, I12B, I12C, I12J, I32A, I32B, I32C, I32D, I32E, I32F, I32J, I32Q, I32R, I32S, I32T, I32U | | | | |
| | 05 | F13A, F21A, F21B, F21J | 09 | | J02A, J02B, J02C, J04A, J04B, J08A, J08B, J08C, J16Z, J21Z, J22A, J22B, J22J | 08 | I02A, I02B, I02C, I02D, I12A, I12B, I12C, I12J, I22A, I22B, I50Z | | | | |
| | 08 | I02A, I02B, I02C, I02D, I12A, I12B, I12C, I12J, I22A, I22B, I50Z | 09 | | J02A, J02B, J02C, J04A, J04B, J08A, J08B, J08C, J16Z, J21Z, J22A, J22B, J22J | 09 | J02A, J02B, J02C, J04A, J04B, J08A, J08B, J08C, J16Z, J21Z, J22A, J22B, J22J | | | | |
| | 09 | J02A, J02B, J02C, J04A, J04B, J08A, J08B, J08C, J16Z, J21Z, J22A, J22B, J22J | 21A | | W04A, W04B | 09 | J02A, J02B, J02C, J04A, J04B, J08A, J08B, J08C, J16Z, J21Z, J22A, J22B, J22J | | | | |
| | 21A | W04A, W04B | 21A | | W04A, W04B | 21A | W04A, W04B | | | | |
| | 21B | X01A, X01B, X01C | 21B | | X01A, X01B, X01C | 21B | X01A, X01B, X01C | | | | |

VYK

| ZZV | MDC | DRG | ZZV | MDC | DRG | ZZV | MDC | DRG |
|-----------|-----|--|-----------|-----|------------------------------------|----------|-----|--|
| 5v22b.f↔ | | BOP, KJZSV, KVT, UOP4 | 5v22c.c‡ | | KJZSV | 5v22x.x‡ | | KJZSV |
| | 01 | B03Z, B07Z, B17A, B17B, B17C, B17J | | 09 | J11A, J11B, J11J, J11Q, J11R, J11S | | 09 | J11A, J11B, J11J, J11Q, J11R, J11S |
| | 05 | F13A, F21A, F21B, F21J | 5v22c.d‡ | | KJZSV | 5v230.0 | | BOP, KJZSV, KVT, UOP4 |
| | 08 | I02A, I02B, I02C, I02D, I12A, I12B, I12C, I12J, I22A, I22B, I50Z | | 09 | J11A, J11B, J11J, J11Q, J11R, J11S | | 03 | D18Z, D28J, D28Z, D29J, D29Z |
| | 09 | J02A, J02B, J02C, J04A, J04B, J08A, J08B, J08C, J16Z, J21Z, J22A, J22B, J22J | 5v22c.e‡↔ | | KJZSV | | 05 | F13A |
| | 21A | W04A, W04B | | 09 | J11A, J11B, J11J, J11Q, J11R, J11S | | 09 | J03A, J03B, J04A, J04B, J08A, J08B, J08C, J11A, J11B, J11C, J11J, J11Q, J11R, J11S, J16Z |
| | 21B | X01A, X01B, X01C | 5v22c.f‡↔ | | KJZSV | | 21A | W04A, W04B |
| 5v22b.g↔ | | BOP, KJZSV, KVT, UOP4 | | 09 | J11A, J11B, J11J, J11Q, J11R, J11S | 5v230.4 | 21B | X06A, X06B, X06C |
| | 01 | B03Z, B07Z, B17A, B17B, B17C, B17J | 5v22c.g‡↔ | | KJZSV | | 01 | BOP, KJZSV, KVT, UOP4 |
| | 05 | F13A, F21A, F21B, F21J | | 09 | J11A, J11B, J11J, J11Q, J11R, J11S | | 02 | C20A, C20B, C20J, C20Q, C20R |
| | 08 | I02A, I02B, I02C, I02D, I12A, I12B, I12C, I12J, I22A, I22B, I50Z | 5v22c.x‡ | | KJZSV | | 03 | D12A, D12B, D12J, D12Q |
| | 09 | J02A, J02B, J02C, J04A, J04B, J08A, J08B, J08C, J16Z, J21Z, J22A, J22B, J22J | | 09 | J11A, J11B, J11J, J11Q, J11R, J11S | | 05 | F13A, F21A, F21B, F21C, F21J |
| | 21A | W04A, W04B | 5v22d.0‡ | | KJZSV | | 08 | I02A, I02B, I02C, I02D, I22A, I22B, I50Z |
| | 21B | X01A, X01B, X01C | | 09 | J11A, J11B, J11J, J11Q, J11R, J11S | | 09 | J02A, J02B, J02C, J04A, J04B, J08A, J08B, J08C, J16Z, J21Z, J22A, J22B, J22J |
| 5v22b.x↔ | | BOP, KJZSV, KVT, UOP4 | 5v22d.4‡ | | KJZSV | | 21A | W04A, W04B |
| | 01 | B03Z, B07Z, B17A, B17B, B17C, B17J | | 02 | C20A, C20B, C20J, C20Q, C20R | | 21B | X01A, X01B, X01C |
| | 05 | F13A, F21A, F21B, F21J | 5v22d.5‡ | | KJZSV | | 01 | BOP, KJZSV, KVT, UOP4 |
| | 08 | I02A, I02B, I02C, I02D, I12A, I12B, I12C, I12J, I22A, I22B, I32A, I32B, I32C, I32D, I32E, I32F, I32J, I32Q, I32R, I32S, I32T, I32U, I50Z | | 09 | J11A, J11B, J11J, J11Q, J11R, J11S | 5v230.5 | 01 | B03Z, B07Z, B17A, B17B, B17C, B17J |
| | 09 | J02A, J02B, J02C, J04A, J04B, J08A, J08B, J08C, J16Z, J21Z, J22A, J22B, J22J | 5v22d.6‡↔ | | KJZSV | | 03 | D12A, D12B, D12J, D12Q |
| | 21A | W04A, W04B | | 09 | J11A, J11B, J11J, J11Q, J11R, J11S | | 05 | F13A, F21A, F21B, F21C, F21J, F27A, F27B, F27C |
| | 21B | X01A, X01B, X01C | 5v22d.7‡↔ | | KJZSV | | 06 | G10Z, G12A, G12B, G12J |
| 5v22c.0‡ | | KJZSV | | 09 | J11A, J11B, J11J, J11Q, J11R, J11S | | 08 | I28A, I28B, I28J |
| | 09 | J11A, J11B, J11J, J11Q, J11R, J11S | 5v22d.8‡↔ | | KJZSV | | 09 | J02A, J02B, J02C, J04A, J04B, J08A, J08B, J08C, J16Z, J21Z, J22A, J22B, J22J |
| 5v22c.4‡ | | KJZSV | | 09 | J11A, J11B, J11J, J11Q, J11R, J11S | | 10 | K01Z |
| | 02 | C20A, C20B, C20J, C20Q, C20R | 5v22d.9‡↔ | | KJZSV | | 21A | W04A, W04B |
| | 09 | J11A, J11B, J11J, J11Q, J11R, J11S | | 09 | J11A, J11B, J11J, J11Q, J11R, J11S | 5v230.6↔ | 21B | X01A, X01B, X01C |
| 5v22c.5‡ | | KJZSV | 5v22d.a‡ | | KJZSV | | 01 | BOP, KJZSV, KVT, UOP4 |
| | 09 | J11A, J11B, J11J, J11Q, J11R, J11S | | 09 | J11A, J11B, J11J, J11Q, J11R, J11S | | 05 | F13A, F21A, F21B, F21C, F21J |
| 5v22c.6‡↔ | | KJZSV | 5v22d.b‡ | | KJZSV | | 08 | I02A, I02B, I02C, I02D, I22A, I22B, I50Z |
| | 09 | J11A, J11B, J11J, J11Q, J11R, J11S | | 09 | J11A, J11B, J11J, J11Q, J11R, J11S | | 09 | J02A, J02B, J02C, J04A, J04B, J08A, J08B, J08C, J16Z, J21Z, J22A, J22B, J22J |
| 5v22c.7‡↔ | | KJZSV | 5v22d.c‡ | | KJZSV | | 21A | W04A, W04B |
| | 09 | J11A, J11B, J11J, J11Q, J11R, J11S | | 09 | J11A, J11B, J11J, J11Q, J11R, J11S | 5v230.7↔ | 21B | X01A, X01B, X01C |
| 5v22c.8‡↔ | | KJZSV | 5v22d.d‡ | | KJZSV | | 01 | BOP, KJZSV, KVT, UOP4 |
| | 09 | J11A, J11B, J11J, J11Q, J11R, J11S | | 09 | J11A, J11B, J11J, J11Q, J11R, J11S | | 05 | F13A, F21A, F21B, F21C, F21J |
| 5v22c.9‡↔ | | KJZSV | 5v22d.e‡↔ | | KJZSV | | 08 | I02A, I02B, I02C, I02D, I22A, I22B, I50Z |
| | 09 | J11A, J11B, J11J, J11Q, J11R, J11S | | 09 | J11A, J11B, J11J, J11Q, J11R, J11S | | 09 | J02A, J02B, J02C, J04A, J04B, J08A, J08B, J08C, J16Z, J21Z, J22A, J22B, J22J |
| 5v22c.a‡ | | KJZSV | 5v22d.f‡↔ | | KJZSV | | 21A | W04A, W04B |
| | 09 | J11A, J11B, J11J, J11Q, J11R, J11S | | 09 | J11A, J11B, J11J, J11Q, J11R, J11S | 5v230.7↔ | 21B | X01A, X01B, X01C |
| 5v22c.b‡ | | KJZSV | 5v22d.g‡↔ | | KJZSV | | 01 | B03Z, B07Z, B17A, B17B, B17C, B17J |
| | 09 | J11A, J11B, J11J, J11Q, J11R, J11S | | 09 | J11A, J11B, J11J, J11Q, J11R, J11S | | 05 | F13A, F21A, F21B, F21C, F21J |
| | 09 | J11A, J11B, J11J, J11Q, J11R, J11S | 5v22d.x‡ | | KJZSV | | 08 | I02A, I02B, I02C, I02D, I22A, I22B, I50Z |
| | 09 | J11A, J11B, J11J, J11Q, J11R, J11S | | 09 | J11A, J11B, J11J, J11Q, J11R, J11S | | 09 | J02A, J02B, J02C, J04A, J04B, J08A, J08B, J08C, J16Z, J21Z, J22A, J22B, J22J |
| | 09 | J11A, J11B, J11J, J11Q, J11R, J11S | 5v22e‡ | | KJZSV | | 21A | W04A, W04B |
| | 09 | J11A, J11B, J11J, J11Q, J11R, J11S | | 09 | J11A, J11B, J11J, J11Q, J11R, J11S | | 21B | X01A, X01B, X01C |

VYK

| ZZV | MDC | DRG | ZZV | MDC | DRG | ZZV | MDC | DRG | | | |
|----------|----------|--|------------------------------------|--|--|----------|--|--|----------|-----|------------------------------------|
| 5v230.8↔ | | BOP, KJZSV, KVT, UOP4 | 5v230.c | | BOP, KJZSV, KVT, UOP4 | 5v230.g↔ | | BOP, KJZSV, KVT, UOP4 | | | |
| | 01 | B03Z, B07Z, B17A, B17B, B17C, B17J | | 01 | B03Z, B07Z, B17A, B17B, B17C, B17J | | 01 | B03Z, B07Z, B17A, B17B, B17C, B17J | | | |
| | 05 | F13A, F21A, F21B, F21C, F21J | | 05 | F13A, F21A, F21B, F21C, F21J | | 05 | F13A, F21A, F21B, F21C, F21J, F27A, F27B, F27C | | | |
| | 08 | I02A, I02B, I02C, I02D, I22A, I22B, I32A, I32B, I32C, I32D, I32E, I32F, I32J, I32Q, I32R, I32S, I32T, I32U, I50Z | | 06 | G10Z, G12A, G12B, G12J | | 08 | I02A, I02B, I02C, I02D, I22A, I22B, I50Z | | | |
| | 09 | J02A, J02B, J02C, J04A, J04B, J08A, J08B, J08C, J16Z, J21Z, J22A, J22B, J22J | | 08 | I02A, I02B, I02C, I02D, I22A, I22B, I50Z | | 09 | J02A, J02B, J02C, J04A, J04B, J08A, J08B, J08C, J16Z, J21Z, J22A, J22B, J22J | | | |
| | 21A | W04A, W04B | | 10 | K09A, K09B | | 10 | K01Z | | | |
| | 21B | X01A, X01B, X01C | | 12 | M04A, M04B, M04C, M04D, M04J, M04Q, M37Z, M38Z | | 21A | W04A, W04B | | | |
| | 5v230.9↔ | | | BOP, KJZSV, KVT, UOP4 | 5v230.d | | | BOP, KJZSV, KVT, UOP4 | 5v230.x↔ | | BOP, KJZSV, KVT, UOP4 |
| | | 01 | | B03Z, B07Z, B17A, B17B, B17C, B17J | | | 21A | W04A, W04B | | 01 | B03Z, B07Z, B17A, B17B, B17C, B17J |
| | | 05 | | F13A, F21A, F21B, F21C, F21J | | | 21B | X01A, X01B, X01C | | 05 | F13A, F21A, F21B, F21C, F21J |
| 08 | | I12A, I12B, I12C, I12J, I32A, I32B, I32C, I32D, I32E, I32F, I32J, I32Q, I32R, I32S, I32T, I32U | 01 | B03Z, B07Z, B17A, B17B, B17C, B17J | | 08 | I02A, I02B, I02C, I02D, I22A, I22B, I32A, I32B, I32C, I32D, I32E, I32F, I32J, I32Q, I32R, I32S, I32T, I32U, I50Z | | | | |
| 09 | | J03A, J03B, J04A, J04B, J08A, J08B, J08C, J16Z, J21Z, J22A, J22B, J22J | 05 | F13A, F21A, F21B, F21C, F21J | | 09 | J02A, J02B, J02C, J04A, J04B, J08A, J08B, J08C, J16Z, J21Z, J22A, J22B, J22J | | | | |
| 21A | | W04A, W04B | 06 | G10Z, G12A, G12B, G12J | | 21A | W04A, W04B | | | | |
| 21B | | X01A, X01B, X01C | 08 | I02A, I02B, I02C, I02D, I22A, I22B, I50Z | | 21B | X01A, X01B, X01C | | | | |
| 5v230.a | | | BOP, KJZSV, KVT, UOP4 | 5v230.e↔ | | | BOP, KJZSV, KVT, UOP4 | 5v231.0 | | | BOP, KVT, UOP4 |
| | | 01 | B03Z, B07Z, B17A, B17B, B17C, B17J | | | 01 | B03Z, B07Z, B17A, B17B, B17C, B17J | | | 03 | D18Z, D28J, D28Z, D29J, D29Z |
| | | 05 | F13A, F21A, F21B, F21C, F21J | | | 05 | F13A, F21A, F21B, F21C, F21J | | | 05 | F13A |
| | 06 | G10Z, G12A, G12B, G12J | 05 | | F13A, F21A, F21B, F21C, F21J, F27A, F27B, F27C | 09 | J03A, J03B, J04A, J04B, J08A, J08B, J08C, J11A, J11B, J11J, J11Q, J11R, J11S, J16Z | | | | |
| | 08 | I02A, I02B, I02C, I02D, I22A, I22B, I50Z | 08 | | I02A, I02B, I02C, I02D, I22A, I22B, I50Z | 21A | W04A, W04B | | | | |
| | 09 | J02A, J02B, J02C, J04A, J04B, J08A, J08B, J08C, J16Z, J21Z, J22A, J22B, J22J | 09 | | J02A, J02B, J02C, J04A, J04B, J08A, J08B, J08C, J16Z, J21Z, J22A, J22B, J22J | 21B | X06A, X06B, X06C | | | | |
| | 21A | W04A, W04B | 10 | | K01Z | | BOP, KVT, UOP4 | | | | |
| | 21B | X01A, X01B, X01C | 21A | | W04A, W04B | 01 | B03Z, B07Z, B17A, B17B, B17C, B17J | | | | |
| | 5v230.b | | BOP, KJZSV, KVT, UOP4 | | 5v230.f↔ | | BOP, KJZSV, KVT, UOP4 | | 5v231.4 | | C20A, C20B, C20J, C20Q, C20R |
| | | 01 | B03Z, B07Z, B17A, B17B, B17C, B17J | | | 01 | B03Z, B07Z, B17A, B17B, B17C, B17J | | | 02 | D12A, D12B, D12J, D12Q |
| 05 | | F13A, F21A, F21B, F21C, F21J | 05 | F13A, F21A, F21B, F21C, F21J, F27A, F27B, F27C | | 03 | D12A, D12B, D12J, D12Q | | | | |
| 06 | | G10Z, G12A, G12B, G12J | 08 | I02A, I02B, I02C, I02D, I22A, I22B, I50Z | | 05 | F13A, F21A, F21B, F21J | | | | |
| 08 | | I02A, I02B, I02C, I02D, I22A, I22B, I32A, I32B, I32C, I32D, I32E, I32F, I32J, I32Q, I32R, I32S, I32T, I32U, I50Z | 08 | I02A, I02B, I02C, I02D, I22A, I22B, I50Z | | 08 | I02A, I02B, I02C, I02D, I22A, I22B, I50Z | | | | |
| 09 | | J02A, J02B, J02C, J04A, J04B, J08A, J08B, J08C, J16Z, J21Z, J22A, J22B, J22J | 09 | J02A, J02B, J02C, J04A, J04B, J08A, J08B, J08C, J16Z, J21Z, J22A, J22B, J22J | | 09 | J02A, J02B, J02C, J04A, J04B, J08A, J08B, J08C, J16Z, J21Z, J22A, J22B, J22J | | | | |
| 21A | | W04A, W04B | 10 | K01Z | | 21A | W04A, W04B | | | | |
| 21B | | X01A, X01B, X01C | 21A | W04A, W04B | | 21B | X01A, X01B, X01C | | | | |
| 5v230.g↔ | | | BOP, KJZSV, KVT, UOP4 | 5v230.g↔ | | | BOP, KJZSV, KVT, UOP4 | 5v231.5 | | | BOP, KVT, UOP4 |
| | | 01 | B03Z, B07Z, B17A, B17B, B17C, B17J | | | 01 | B03Z, B07Z, B17A, B17B, B17C, B17J | | | 01 | B03Z, B07Z, B17A, B17B, B17C, B17J |
| | 05 | F13A, F21A, F21B, F21C, F21J | 05 | | F13A, F21A, F21B, F21C, F21J | 03 | D12A, D12B, D12J, D12Q | | | | |
| | 08 | I02A, I02B, I02C, I02D, I22A, I22B, I50Z | 05 | | F13A, F21A, F21B, F21C, F21J | 05 | F13A, F21A, F21B, F21J, F27A, F27B, F27C | | | | |
| | 09 | J02A, J02B, J02C, J04A, J04B, J08A, J08B, J08C, J16Z, J21Z, J22A, J22B, J22J | 08 | | I02A, I02B, I02C, I02D, I22A, I22B, I50Z | 06 | G10Z, G12A, G12B, G12J | | | | |
| | 21A | W04A, W04B | 09 | | J02A, J02B, J02C, J04A, J04B, J08A, J08B, J08C, J16Z, J21Z, J22A, J22B, J22J | 08 | I28A, I28B, I28J | | | | |
| | 21B | X01A, X01B, X01C | 10 | | K01Z | 09 | J02A, J02B, J02C, J04A, J04B, J08A, J08B, J08C, J16Z, J21Z, J22A, J22B, J22J | | | | |
| | 5v230.h↔ | | BOP, KJZSV, KVT, UOP4 | | 5v230.h↔ | | BOP, KJZSV, KVT, UOP4 | | 5v231.5 | | K01Z |
| | | 01 | B03Z, B07Z, B17A, B17B, B17C, B17J | | | 01 | B03Z, B07Z, B17A, B17B, B17C, B17J | | | 21A | W04A, W04B |
| | | 05 | F13A, F21A, F21B, F21C, F21J | | | 05 | F13A, F21A, F21B, F21C, F21J | | | 21B | X01A, X01B, X01C |
| 08 | | I02A, I02B, I02C, I02D, I22A, I22B, I50Z | 08 | I02A, I02B, I02C, I02D, I22A, I22B, I50Z | | | BOP, KVT, UOP4 | | | | |
| 09 | | J02A, J02B, J02C, J04A, J04B, J08A, J08B, J08C, J16Z, J21Z, J22A, J22B, J22J | 09 | J02A, J02B, J02C, J04A, J04B, J08A, J08B, J08C, J16Z, J21Z, J22A, J22B, J22J | | 01 | B03Z, B07Z, B17A, B17B, B17C, B17J | | | | |
| 21A | | W04A, W04B | 10 | K01Z | | 03 | D12A, D12B, D12J, D12Q | | | | |
| 21B | | X01A, X01B, X01C | 21A | W04A, W04B | | 05 | F13A, F21A, F21B, F21J, F27A, F27B, F27C | | | | |
| 5v230.i↔ | | | BOP, KJZSV, KVT, UOP4 | 5v230.i↔ | | | BOP, KJZSV, KVT, UOP4 | 5v231.5 | | | G10Z, G12A, G12B, G12J |
| | | 01 | B03Z, B07Z, B17A, B17B, B17C, B17J | | | 01 | B03Z, B07Z, B17A, B17B, B17C, B17J | | | 06 | G10Z, G12A, G12B, G12J |
| | | 05 | F13A, F21A, F21B, F21C, F21J | | | 05 | F13A, F21A, F21B, F21C, F21J | | | 08 | I28A, I28B, I28J |
| | 08 | I02A, I02B, I02C, I02D, I22A, I22B, I50Z | 08 | | I02A, I02B, I02C, I02D, I22A, I22B, I50Z | 09 | J02A, J02B, J02C, J04A, J04B, J08A, J08B, J08C, J16Z, J21Z, J22A, J22B, J22J | | | | |
| | 09 | J02A, J02B, J02C, J04A, J04B, J08A, J08B, J08C, J16Z, J21Z, J22A, J22B, J22J | 09 | | J02A, J02B, J02C, J04A, J04B, J08A, J08B, J08C, J16Z, J21Z, J22A, J22B, J22J | 10 | K01Z | | | | |
| | 21A | W04A, W04B | 10 | | K01Z | 21A | W04A, W04B | | | | |
| | 21B | X01A, X01B, X01C | 21A | | W04A, W04B | 21B | X01A, X01B, X01C | | | | |

| ZZV | MDC | DRG | ZZV | MDC | DRG | ZZV | MDC | DRG | | | |
|----------|----------|--|------------------------------------|--|--|----------|--|--|----------|----|--|
| 5v231.6↔ | | BOP, KVT, UOP4 | 5v231.b | | BOP, KVT, UOP4 | 5v231.f↔ | | BOP, KVT, UOP4 | | | |
| | 01 | B03Z, B07Z, B17A, B17B, B17C, B17J | | 01 | B03Z, B07Z, B17A, B17B, B17C, B17J | | 01 | B03Z, B07Z, B17A, B17B, B17C, B17J | | | |
| | 05 | F13A, F21A, F21B, F21J | | 05 | F13A, F21A, F21B, F21J | | 05 | F13A, F21A, F21B, F21J, F27A, F27B, F27C | | | |
| | 08 | I02A, I02B, I02C, I02D, I22A, I22B, I50Z | | 06 | G10Z, G12A, G12B, G12J | | 08 | I02A, I02B, I02C, I02D, I22A, I22B, I50Z | | | |
| | 09 | J02A, J02B, J02C, J04A, J04B, J08A, J08B, J08C, J16Z, J21Z, J22A, J22B, J22J | | 08 | I02A, I02B, I02C, I02D, I22A, I22B, I32A, I32B, I32C, I32D, I32E, I32F, I32J, I32Q, I32R, I32S, I32T, I32U, I50Z | | 09 | J02A, J02B, J02C, J04A, J04B, J08A, J08B, J08C, J16Z, J21Z, J22A, J22B, J22J | | | |
| | 21A | W04A, W04B | | 09 | J02A, J02B, J02C, J04A, J04B, J08A, J08B, J08C, J16Z, J21Z, J22A, J22B, J22J | | 10 | K01Z | | | |
| | 21B | X01A, X01B, X01C | | 21A | W04A, W04B | | 21A | W04A, W04B | | | |
| | 5v231.7↔ | | | BOP, KVT, UOP4 | 5v231.c | | | BOP, KVT, UOP4 | 5v231.g↔ | | BOP, KVT, UOP4 |
| | | 01 | | B03Z, B07Z, B17A, B17B, B17C, B17J | | | 21B | X01A, X01B, X01C | | 01 | B03Z, B07Z, B17A, B17B, B17C, B17J |
| | | 05 | | F13A, F21A, F21B, F21J | | | 01 | B03Z, B07Z, B17A, B17B, B17C, B17J | | 05 | F13A, F21A, F21B, F21J, F27A, F27B, F27C |
| 08 | | I02A, I02B, I02C, I02D, I22A, I22B, I50Z | 05 | F13A, F21A, F21B, F21J | | 08 | I02A, I02B, I02C, I02D, I12A, I12B, I12C, I12J, I22A, I22B, I50Z | | | | |
| 09 | | J02A, J02B, J02C, J04A, J04B, J08A, J08B, J08C, J16Z, J21Z, J22A, J22B, J22J | 06 | G10Z, G12A, G12B, G12J | | 09 | J02A, J02B, J02C, J04A, J04B, J08A, J08B, J08C, J16Z, J21Z, J22A, J22B, J22J | | | | |
| 21A | | W04A, W04B | 08 | I02A, I02B, I02C, I02D, I22A, I22B, I50Z | | 10 | K01Z | | | | |
| 21B | | X01A, X01B, X01C | 09 | J02A, J02B, J02C, J04A, J04B, J08A, J08B, J08C, J16Z, J21Z, J22A, J22B, J22J | | 21A | W04A, W04B | | | | |
| 5v231.8↔ | | | BOP, KVT, UOP4 | 5v231.d | | | BOP, KVT, UOP4 | 5v231.x↔ | | | BOP, KVT, UOP4 |
| | | 01 | B03Z, B07Z, B17A, B17B, B17C, B17J | | | 21B | X01A, X01B, X01C | | | 01 | B03Z, B07Z, B17A, B17B, B17C, B17J |
| | | 05 | F13A, F21A, F21B, F21J | | | 01 | B03Z, B07Z, B17A, B17B, B17C, B17J | | | 05 | F13A, F21A, F21B, F21J |
| | 08 | I02A, I02B, I02C, I02D, I22A, I22B, I32A, I32B, I32C, I32D, I32E, I32F, I32J, I32Q, I32R, I32S, I32T, I32U, I50Z | 05 | | F13A, F21A, F21B, F21J | 08 | I02A, I02B, I02C, I02D, I22A, I22B, I32A, I32B, I32C, I32D, I32E, I32F, I32J, I32Q, I32R, I32S, I32T, I32U, I50Z | | | | |
| | 09 | J02A, J02B, J02C, J04A, J04B, J08A, J08B, J08C, J16Z, J21Z, J22A, J22B, J22J | 06 | | G10Z, G12A, G12B, G12J | 09 | J02A, J02B, J02C, J04A, J04B, J08A, J08B, J08C, J16Z, J21Z, J22A, J22B, J22J | | | | |
| | 21A | W04A, W04B | 08 | | I02A, I02B, I02C, I02D, I22A, I22B, I50Z | 21A | W04A, W04B | | | | |
| | 21B | X01A, X01B, X01C | 09 | | J02A, J02B, J02C, J04A, J04B, J08A, J08B, J08C, J16Z, J21Z, J22A, J22B, J22J | 21B | X01A, X01B, X01C | | | | |
| | 5v231.9↔ | | BOP, KVT, UOP4 | | 5v231.e↔ | | BOP, KVT, UOP4 | | 5v233.0 | | BOP, KJZSV, KVT, UOP4 |
| | | 01 | B03Z, B07Z, B17A, B17B, B17C, B17J | | | 01 | B03Z, B07Z, B17A, B17B, B17C, B17J | | | 03 | D18Z, D28J, D28Z, D29J, D29Z |
| | | 05 | F13A, F21A, F21B, F21J | | | 05 | F13A, F21A, F21B, F21J, F27A, F27B, F27C | | | 05 | F13A |
| 08 | | I12A, I12B, I12C, I12J, I32A, I32B, I32C, I32D, I32E, I32F, I32J, I32Q, I32R, I32S, I32T, I32U | 08 | I02A, I02B, I02C, I02D, I22A, I22B, I50Z | | 09 | J03A, J03B, J04A, J04B, J08A, J08B, J08C, J11A, J11B, J11J, J11Q, J11R, J11S, J16Z | | | | |
| 09 | | J03A, J03B, J04A, J04B, J08A, J08B, J08C, J16Z, J21Z, J22A, J22B, J22J | 09 | J02A, J02B, J02C, J04A, J04B, J08A, J08B, J08C, J16Z, J21Z, J22A, J22B, J22J | | 21A | W04A, W04B | | | | |
| 21A | | W04A, W04B | 21A | W04A, W04B | | 21B | X06A, X06B, X06C | | | | |
| 21B | | X01A, X01B, X01C | 21B | X01A, X01B, X01C | | | BOP, KJZSV, KVT, UOP4 | | | | |
| 5v231.a | | | BOP, KVT, UOP4 | | | | BOP, KVT, UOP4 | 5v233.4 | | | BOP, KJZSV, KVT, UOP4 |
| | | 01 | B03Z, B07Z, B17A, B17B, B17C, B17J | | | 01 | B03Z, B07Z, B17A, B17B, B17C, B17J | | | 01 | B03Z, B07Z, B17A, B17B, B17C, B17J |
| | | 05 | F13A, F21A, F21B, F21J | | | 05 | F13A, F21A, F21B, F21J, F27A, F27B, F27C | | | 02 | C20A, C20B, C20J, C20Q, C20R |
| | 06 | G10Z, G12A, G12B, G12J | 08 | | I02A, I02B, I02C, I02D, I22A, I22B, I50Z | 03 | D12A, D12B, D12J, D12Q | | | | |
| | 08 | I02A, I02B, I02C, I02D, I22A, I22B, I50Z | 09 | | J02A, J02B, J02C, J04A, J04B, J08A, J08B, J08C, J16Z, J21Z, J22A, J22B, J22J | 05 | F13A, F21A, F21B, F21C, F21J | | | | |
| | 09 | J02A, J02B, J02C, J04A, J04B, J08A, J08B, J08C, J16Z, J21Z, J22A, J22B, J22J | 10 | | K01Z | 08 | I02A, I02B, I02C, I02D, I22A, I22B, I50Z | | | | |
| | 21A | W04A, W04B | 21A | | W04A, W04B | 09 | J02A, J02B, J02C, J04A, J04B, J08A, J08B, J08C, J16Z, J21Z, J22A, J22B, J22J | | | | |
| | 21B | X01A, X01B, X01C | 21B | | X01A, X01B, X01C | 21A | W04A, W04B | | | | |
| | | | | | | 21B | X01A, X01B, X01C | | | | |

VYK

| ZZV | MDC | DRG | ZZV | MDC | DRG | ZZV | MDC | DRG | | | |
|----------|----------|--|------------------------------------|--|--|------------------|--|--|------------------|----|------------------------------------|
| 5v233.5 | | BOP, KJZSV, KVT, UOP4 | 5v233.a | | BOP, KJZSV, KVT, UOP4 | 5v233.f↔ | | BOP, KJZSV, KVT, UOP4 | | | |
| | 01 | B03Z, B07Z, B17A, B17B, B17C, B17J | | 01 | B03Z, B07Z, B17A, B17B, B17C, B17J | | 01 | B03Z, B07Z, B17A, B17B, B17C, B17J | | | |
| | 03 | D12A, D12B, D12J, D12Q | | 05 | F13A, F21A, F21B, F21C, F21J | | 05 | F13A, F21A, F21B, F21C, F21J, F27A, F27B, F27C | | | |
| | 05 | F13A, F21A, F21B, F21C, F21J | | 06 | G10Z, G12A, G12B, G12J | | 08 | I02A, I02B, I02C, I02D, I22A, I22B, I50Z | | | |
| | 08 | I02A, I02B, I02C, I02D, I22A, I22B, I50Z | | 08 | I02A, I02B, I02C, I02D, I22A, I22B, I50Z | | 09 | J02A, J02B, J02C, J04A, J04B, J08A, J08B, J08C, J16Z, J21Z, J22A, J22B, J22J | | | |
| | 09 | J02A, J02B, J02C, J04A, J04B, J08A, J08B, J08C, J16Z, J21Z, J22A, J22B, J22J | | 09 | J02A, J02B, J02C, J04A, J04B, J08A, J08B, J08C, J16Z, J21Z, J22A, J22B, J22J | | 10 | K01Z | | | |
| | 21A | W04A, W04B | | 21A | W04A, W04B | | 21A | W04A, W04B | | | |
| | 21B | X01A, X01B, X01C | | 21B | X01A, X01B, X01C | | 21B | X01A, X01B, X01C | | | |
| | 5v233.6↔ | | | BOP, KJZSV, KVT, UOP4 | 5v233.b | | | BOP, KJZSV, KVT, UOP4 | 5v233.g↔ | | BOP, KJZSV, KVT, UOP4 |
| | | 01 | | B03Z, B07Z, B17A, B17B, B17C, B17J | | | 01 | B03Z, B07Z, B17A, B17B, B17C, B17J | | 01 | B03Z, B07Z, B17A, B17B, B17C, B17J |
| 05 | | F13A, F21A, F21B, F21C, F21J | 05 | F13A, F21A, F21B, F21C, F21J | | 05 | F13A, F21A, F21B, F21C, F21J, F27A, F27B, F27C | | | | |
| 08 | | I02A, I02B, I02C, I02D, I22A, I22B, I50Z | 06 | G10Z, G12A, G12B, G12J | | 08 | I02A, I02B, I02C, I02D, I12A, I12B, I12C, I12J, I22A, I22B, I50Z | | | | |
| 09 | | J02A, J02B, J02C, J04A, J04B, J08A, J08B, J08C, J16Z, J21Z, J22A, J22B, J22J | 08 | I02A, I02B, I02C, I02D, I22A, I22B, I50Z | | 09 | J02A, J02B, J02C, J04A, J04B, J08A, J08B, J08C, J16Z, J21Z, J22A, J22B, J22J | | | | |
| 21A | | W04A, W04B | 09 | J02A, J02B, J02C, J04A, J04B, J08A, J08B, J08C, J16Z, J21Z, J22A, J22B, J22J | | 10 | K01Z | | | | |
| 21B | | X01A, X01B, X01C | 21A | W04A, W04B | | 21A | W04A, W04B | | | | |
| 5v233.7↔ | | | BOP, KJZSV, KVT, UOP4 | 5v233.c | | | BOP, KJZSV, KVT, UOP4 | 5v233.x↔ | | | BOP, KJZSV, KVT, UOP4 |
| | | 01 | B03Z, B07Z, B17A, B17B, B17C, B17J | | | 01 | B03Z, B07Z, B17A, B17B, B17C, B17J | | | 01 | B03Z, B07Z, B17A, B17B, B17C, B17J |
| | | 05 | F13A, F21A, F21B, F21C, F21J | | | 05 | F13A, F21A, F21B, F21C, F21J | | | 05 | F13A, F21A, F21B, F21C, F21J |
| | 08 | I02A, I02B, I02C, I02D, I22A, I22B, I50Z | 06 | | G10Z, G12A, G12B, G12J | 08 | I02A, I02B, I02C, I02D, I22A, I22B, I50Z | | | | |
| | 09 | J02A, J02B, J02C, J04A, J04B, J08A, J08B, J08C, J16Z, J21Z, J22A, J22B, J22J | 08 | | I02A, I02B, I02C, I02D, I22A, I22B, I50Z | 09 | J02A, J02B, J02C, J04A, J04B, J08A, J08B, J08C, J16Z, J21Z, J22A, J22B, J22J | | | | |
| | 21A | W04A, W04B | 09 | | J02A, J02B, J02C, J04A, J04B, J08A, J08B, J08C, J16Z, J21Z, J22A, J22B, J22J | 09 | J02A, J02B, J02C, J04A, J04B, J08A, J08B, J08C, J16Z, J21Z, J22A, J22B, J22J | | | | |
| | 21B | X01A, X01B, X01C | 21A | | W04A, W04B | 21A | W04A, W04B | | | | |
| | 5v233.8↔ | | BOP, KJZSV, KVT, UOP4 | | 5v233.d | | BOP, KJZSV, KVT, UOP4 | | 5v234.0 | | BOP, KVT, UOP4 |
| | | 01 | B03Z, B07Z, B17A, B17B, B17C, B17J | | | 01 | B03Z, B07Z, B17A, B17B, B17C, B17J | | | 03 | D18Z, D28J, D28Z, D29J, D29Z |
| | | 05 | F13A, F21A, F21B, F21C, F21J | | | 05 | F13A, F21A, F21B, F21C, F21J | | | 05 | F13A |
| 08 | | I02A, I02B, I02C, I02D, I22A, I22B, I32A, I32B, I32C, I32D, I32E, I32F, I32J, I32Q, I32R, I32S, I32T, I32U, I50Z | 06 | G10Z, G12A, G12B, G12J | | 09 | J03A, J03B, J04A, J04B, J08A, J08B, J08C, J11A, J11B, J11J, J11Q, J11R, J11S, J16Z | | | | |
| 09 | | J02A, J02B, J02C, J04A, J04B, J08A, J08B, J08C, J16Z, J21Z, J22A, J22B, J22J | 08 | I02A, I02B, I02C, I02D, I22A, I22B, I50Z | | 21A | W04A, W04B | | | | |
| 21A | | W04A, W04B | 09 | J02A, J02B, J02C, J04A, J04B, J08A, J08B, J08C, J16Z, J21Z, J22A, J22B, J22J | | 21B | X06A, X06B, X06C | | | | |
| 21B | | X01A, X01B, X01C | 21A | W04A, W04B | | | BOP, KVT, UOP4 | | | | |
| 5v233.9↔ | | | BOP, KJZSV, KVT, UOP4 | 5v233.e↔ | | | BOP, KJZSV, KVT, UOP4 | 5v234.4 | | | BOP, KVT, UOP4 |
| | | 01 | B03Z, B07Z, B17A, B17B, B17C, B17J | | | 01 | B03Z, B07Z, B17A, B17B, B17C, B17J | | | 01 | B03Z, B07Z, B17A, B17B, B17C, B17J |
| | | 05 | F13A, F21A, F21B, F21C, F21J | | | 01 | B03Z, B07Z, B17A, B17B, B17C, B17J | | | 02 | C20A, C20B, C20J, C20Q, C20R |
| | 08 | I12A, I12B, I12C, I12J, I32A, I32B, I32C, I32D, I32E, I32F, I32J, I32Q, I32R, I32S, I32T, I32U | 05 | | F13A, F21A, F21B, F21C, F21J, F27A, F27B, F27C | 03 | D12A, D12B, D12J, D12Q | | | | |
| | 09 | J02A, J02B, J02C, J03A, J03B, J04A, J04B, J08A, J08B, J08C, J16Z, J21Z, J22A, J22B, J22J | 08 | | I02A, I02B, I02C, I02D, I22A, I22B, I50Z | 05 | F13A, F21A, F21B, F21C, F21J | | | | |
| | 21A | W04A, W04B | 09 | | J02A, J02B, J02C, J04A, J04B, J08A, J08B, J08C, J16Z, J21Z, J22A, J22B, J22J | 08 | I02A, I02B, I02C, I02D, I22A, I22B, I50Z | | | | |
| | 21B | X01A, X01B, X01C | 10 | | K01Z | 09 | J02A, J02B, J02C, J04A, J04B, J08A, J08B, J08C, J16Z, J21Z, J22A, J22B, J22J | | | | |
| | 5v233.5 | 21A | W04A, W04B | | 21A | W04A, W04B | 21A | | W04A, W04B | | |
| | | 21B | X01A, X01B, X01C | | 21B | X01A, X01B, X01C | 21B | | X01A, X01B, X01C | | |

VYK

| ZZV | MDC | DRG | ZZV | MDC | DRG | ZZV | MDC | DRG | | | |
|----------|----------|--|--|--|--|------------------------------|--|--|------------------------------|------------------------------------|--|
| 5v234.5 | | BOP, KVT, UOP4 | 5v234.a | | BOP, KVT, UOP4 | 5v234.e↔ | | BOP, KVT, UOP4 | | | |
| | 01 | B03Z, B07Z, B17A, B17B, B17C, B17J | | 01 | B03Z, B07Z, B17A, B17B, B17C, B17J | | 01 | B03Z, B07Z, B17A, B17B, B17C, B17J | | | |
| | 03 | D12A, D12B, D12J, D12Q | | 05 | F13A, F21A, F21B, F21C, F21J | | 05 | F13A, F21A, F21B, F21C, F21J, F27A, F27B, F27C | | | |
| | 05 | F13A, F21A, F21B, F21C, F21J, F27A, F27B, F27C | | 06 | G10Z, G12A, G12B, G12J | | 08 | I02A, I02B, I02C, I02D, I22A, I22B, I50Z | | | |
| | 06 | G10Z, G12A, G12B, G12J | | 08 | I02A, I02B, I02C, I02D, I22A, I22B, I50Z | | 09 | J02A, J02B, J02C, J04A, J04B, J08A, J08B, J08C, J16Z, J21Z, J22A, J22B, J22J | | | |
| | 08 | I28A, I28B, I28J | | 09 | J02A, J02B, J02C, J04A, J04B, J08A, J08B, J08C, J16Z, J21Z, J22A, J22B, J22J | | 10 | K01Z | | | |
| | 09 | J02A, J02B, J02C, J04A, J04B, J08A, J08B, J08C, J16Z, J21Z, J22A, J22B, J22J | | 21A | W04A, W04B | | 21A | W04A, W04B | | | |
| | 10 | K01Z | | 21B | X01A, X01B, X01C | | 21B | X01A, X01B, X01C | | | |
| | 21A | W04A, W04B | | | BOP, KVT, UOP4 | | | BOP, KVT, UOP4 | | | |
| | 21B | X01A, X01B, X01C | | 5v234.b | 01 | | B03Z, B07Z, B17A, B17B, B17C, B17J | 5v234.f↔ | 01 | B03Z, B07Z, B17A, B17B, B17C, B17J | |
| | 5v234.6↔ | | | | BOP, KVT, UOP4 | | 05 | | F13A, F21A, F21B, F21C, F21J | 05 | F13A, F21A, F21B, F21C, F21J, F27A, F27B, F27C |
| 01 | | B03Z, B07Z, B17A, B17B, B17C, B17J | 06 | | G10Z, G12A, G12B, G12J | 08 | I02A, I02B, I02C, I02D, I22A, I22B, I50Z | | | | |
| 05 | | F13A, F21A, F21B, F21C, F21J | 08 | | I02A, I02B, I02C, I02D, I22A, I22B, I32A, I32B, I32C, I32D, I32E, I32F, I32J, I32Q, I32R, I32S, I32T, I32U, I50Z | 09 | J02A, J02B, J02C, J04A, J04B, J08A, J08B, J08C, J16Z, J21Z, J22A, J22B, J22J | | | | |
| 08 | | I02A, I02B, I02C, I02D, I22A, I22B, I50Z | 09 | | J02A, J02B, J02C, J04A, J04B, J08A, J08B, J08C, J16Z, J21Z, J22A, J22B, J22J | 10 | K01Z | | | | |
| 09 | | J02A, J02B, J02C, J04A, J04B, J08A, J08B, J08C, J16Z, J21Z, J22A, J22B, J22J | 21A | | W04A, W04B | 21A | W04A, W04B | | | | |
| 21A | | W04A, W04B | 21B | | X01A, X01B, X01C | 21B | X01A, X01B, X01C | | | | |
| 21B | | X01A, X01B, X01C | | | BOP, KVT, UOP4 | | BOP, KVT, UOP4 | | | | |
| 5v234.7↔ | | | BOP, KVT, UOP4 | | 5v234.c | | BOP, KVT, UOP4 | | 5v234.g↔ | | BOP, KVT, UOP4 |
| | | 01 | B03Z, B07Z, B17A, B17B, B17C, B17J | | | 01 | B03Z, B07Z, B17A, B17B, B17C, B17J | | | 01 | B03Z, B07Z, B17A, B17B, B17C, B17J |
| | | 05 | F13A, F21A, F21B, F21C, F21J | | | 05 | F13A, F21A, F21B, F21C, F21J | | | 05 | F13A, F21A, F21B, F21C, F21J, F27A, F27B, F27C |
| | | 08 | I02A, I02B, I02C, I02D, I22A, I22B, I50Z | 05 | | F13A, F21A, F21B, F21C, F21J | 08 | I02A, I02B, I02C, I02D, I12A, I12B, I12C, I12J, I22A, I22B, I50Z | | | |
| | 09 | J02A, J02B, J02C, J04A, J04B, J08A, J08B, J08C, J16Z, J21Z, J22A, J22B, J22J | 06 | G10Z, G12A, G12B, G12J | | 09 | J02A, J02B, J02C, J04A, J04B, J08A, J08B, J08C, J16Z, J21Z, J22A, J22B, J22J | | | | |
| | 21A | W04A, W04B | 08 | I02A, I02B, I02C, I02D, I22A, I22B, I50Z | | 10 | K01Z | | | | |
| | 21B | X01A, X01B, X01C | 09 | J02A, J02B, J02C, J04A, J04B, J08A, J08B, J08C, J16Z, J21Z, J22A, J22B, J22J | | 21A | W04A, W04B | | | | |
| | 5v234.8↔ | | BOP, KVT, UOP4 | 5v234.d | | | BOP, KVT, UOP4 | 5v234.x↔ | | | BOP, KVT, UOP4 |
| | | 01 | B03Z, B07Z, B17A, B17B, B17C, B17J | | | 10 | K09A, K09B | | | 01 | B03Z, B07Z, B17A, B17B, B17C, B17J |
| | | 05 | F13A, F21A, F21B, F21C, F21J | | | 12 | M04A, M04B, M04C, M04D, M04J, M04Q, M37Z, M38Z | | | 05 | F13A, F21A, F21B, F21C, F21J |
| | | 08 | I02A, I02B, I02C, I02D, I22A, I22B, I32A, I32B, I32C, I32D, I32E, I32F, I32J, I32Q, I32R, I32S, I32T, I32U, I50Z | | | 21A | W04A, W04B | | | 08 | I02A, I02B, I02C, I02D, I22A, I22B, I32A, I32B, I32C, I32D, I32E, I32F, I32J, I32Q, I32R, I32S, I32T, I32U, I50Z |
| 09 | | J02A, J02B, J02C, J04A, J04B, J08A, J08B, J08C, J16Z, J21Z, J22A, J22B, J22J | 21B | | X01A, X01B, X01C | 09 | J02A, J02B, J02C, J04A, J04B, J08A, J08B, J08C, J16Z, J21Z, J22A, J22B, J22J | | | | |
| 21A | | W04A, W04B | 01 | | B03Z, B07Z, B17A, B17B, B17C, B17J | 09 | J02A, J02B, J02C, J04A, J04B, J08A, J08B, J08C, J16Z, J21Z, J22A, J22B, J22J | | | | |
| 21B | | X01A, X01B, X01C | 05 | | F13A, F21A, F21B, F21C, F21J | 21A | W04A, W04B | | | | |
| 5v234.9↔ | | | BOP, KVT, UOP4 | | 5v234.e↔ | | BOP, KVT, UOP4 | | 5v235.0 | | BOP, KJZSV, KVT, UOP4 |
| | | 01 | B03Z, B07Z, B17A, B17B, B17C, B17J | | | 10 | K09A, K09B | | | 03 | D18Z, D25A, D25B, D25C, D25D, D25J |
| | | 05 | F13A, F21A, F21B, F21C, F21J | | | 12 | M04A, M04B, M04C, M04D, M04J, M04Q, M37Z, M38Z | | | 05 | F13A |
| | | 08 | I12A, I12B, I12C, I12J, I32A, I32B, I32C, I32D, I32E, I32F, I32J, I32Q, I32R, I32S, I32T, I32U | | | 21A | W04A, W04B | | | 08 | I12A, I12B, I12C, I12J |
| | 09 | J03A, J03B, J04A, J04B, J08A, J08B, J08C, J16Z, J21Z, J22A, J22B, J22J | 21B | X01A, X01B, X01C | | 09 | J03A, J03B, J04A, J04B, J08A, J08B, J08C, J11A, J11B, J11C, J11J, J11Q, J11R, J11S, J16Z | | | | |
| | 21A | W04A, W04B | 01 | B03Z, B07Z, B17A, B17B, B17C, B17J | | 21A | W04A, W04B | | | | |
| | 21B | X01A, X01B, X01C | 05 | F13A, F21A, F21B, F21C, F21J | | 21B | X01A, X01B, X06A, X06B, X06C | | | | |

VYK

| ZZV | MDC | DRG | ZZV | MDC | DRG | ZZV | MDC | DRG | | | |
|----------|---------|--|------------------------------------|--|--|------------------------------------|--|--|--|------------------------------------|--|
| 5v235.x↔ | | BOP, KJZSV, KVT, UOP4 | 5v236.7↔ | | BOP, KJZSV, KVT, UOP4 | 5v236.c | | BOP, KJZSV, KVT, UOP4 | | | |
| | 01 | B03Z, B07Z, B17A, B17B, B17C, B17J | | 01 | B03Z, B07Z, B17A, B17B, B17C, B17J | | 01 | B03Z, B07Z, B17A, B17B, B17C, B17J | | | |
| | 05 | F13A, F21A, F21B, F21J | | 05 | F13A, F21A, F21B, F21J | | 05 | F13A, F21A, F21B, F21J | | | |
| | 08 | I02A, I02B, I02C, I02D, I12A, I12B, I12C, I12J, I22A, I22B, I32A, I32B, I32C, I32D, I32E, I32F, I32J, I32Q, I32R, I32S, I32T, I32U, I50Z | | 08 | I02A, I02B, I02C, I02D, I12A, I12B, I12C, I12J, I22A, I22B, I32A, I32B, I32C, I32D, I32E, I32F, I32J, I32Q, I32R, I32S, I32T, I32U, I50Z | | 06 | G10Z, G12A, G12B, G12J | | | |
| | 09 | J02A, J02B, J04A, J04B, J08A, J08B, J08C, J16Z, J21Z, J22A, J22B, J22J | | 09 | J02A, J02B, J04A, J04B, J08A, J08B, J08C, J16Z, J21Z, J22A, J22B, J22J | | 08 | I02A, I02B, I02C, I02D, I12A, I12B, I12C, I12J, I22A, I22B, I50Z | | | |
| | 21A | W04A, W04B | | 21A | W04A, W04B | | 09 | J02A, J02B, J04A, J04B, J08A, J08B, J08C, J16Z, J21Z, J22A, J22B, J22J | | | |
| | 21B | X01A, X01B | | 21B | X01A, X01B | | 13 | N11A | | | |
| | 5v236.0 | | | BOP, KJZSV, KVT, UOP4 | 5v236.8↔ | | | BOP, KJZSV, KVT, UOP4 | 5v236.d | | BOP, KJZSV, KVT, UOP4 |
| | | 03 | | D18Z, D25A, D25B, D25C, D25D, D25J | | | 01 | B03Z, B07Z, B17A, B17B, B17C, B17J | | 01 | B03Z, B07Z, B17A, B17B, B17C, B17J |
| | | 05 | | F13A | | | 05 | F13A, F21A, F21B, F21J | | 05 | F13A, F21A, F21B, F21J |
| 08 | | I12A, I12B, I12C, I12J | 08 | I02A, I02B, I02C, I02D, I12A, I12B, I12C, I12J, I22A, I22B, I32A, I32B, I32C, I32D, I32E, I32F, I32J, I32Q, I32R, I32S, I32T, I32U, I50Z | | 06 | G10Z, G12A, G12B, G12J | | | | |
| 09 | | J03A, J03B, J04A, J04B, J08A, J08B, J08C, J11A, J11B, J11J, J11Q, J11R, J11S, J16Z | 09 | J02A, J02B, J04A, J04B, J08A, J08B, J08C, J16Z, J21Z, J22A, J22B, J22J | | 08 | I02A, I02B, I02C, I02D, I12A, I12B, I12C, I12J, I22A, I22B, I50Z | | | | |
| 21A | | W04A, W04B | 21A | W04A, W04B | | 09 | J02A, J02B, J04A, J04B, J08A, J08B, J08C, J16Z, J21Z, J22A, J22B, J22J | | | | |
| 21B | | X01A, X01B, X06A, X06B, X06C | 21B | X01A, X01B | | 13 | N11A | | | | |
| 5v236.4 | | | BOP, KJZSV, KVT, UOP4 | 5v236.9↔ | | | BOP, KJZSV, KVT, UOP4 | 5v236.e↔ | | | BOP, KJZSV, KVT, UOP4 |
| | | 01 | B03Z, B07Z, B17A, B17B, B17C, B17J | | | 01 | B03Z, B07Z, B17A, B17B, B17C, B17J | | | 01 | B03Z, B07Z, B17A, B17B, B17C, B17J |
| | | 02 | C20A, C20B, C20J, C20Q, C20R | | | 05 | F13A, F21A, F21B, F21J | | | 05 | F13A, F21A, F21B, F21J, F27A, F27B, F27C |
| | 03 | D12A, D12B, D12J, D12Q | 08 | | I12A, I12B, I12C, I12J, I32A, I32B, I32C, I32D, I32E, I32F, I32J, I32Q, I32R, I32S, I32T, I32U | 08 | I02A, I02B, I02C, I02D, I12A, I12B, I12C, I12J, I22A, I22B, I50Z | | | | |
| | 05 | F13A, F21A, F21B, F21J | 09 | | J02A, J02B, J04A, J04B, J08A, J08B, J08C, J16Z, J21Z, J22A, J22B, J22J | 09 | J02A, J02B, J04A, J04B, J08A, J08B, J08C, J16Z, J21Z, J22A, J22B, J22J | | | | |
| | 08 | I02A, I02B, I02C, I02D, I12A, I12B, I12C, I12J, I22A, I22B, I50Z | 21A | | W04A, W04B | 10 | K01Z | | | | |
| | 09 | J02A, J02B, J04A, J04B, J08A, J08B, J08C, J16Z, J21Z, J22A, J22B, J22J | 21B | | X01A, X01B | 21A | W04A, W04B | | | | |
| | 21A | W04A, W04B | 5v236.a | | | BOP, KJZSV, KVT, UOP4 | 21B | | X01A, X01B | | |
| | 21B | X01A, X01B | | | 01 | B03Z, B07Z, B17A, B17B, B17C, B17J | 5v236.f↔ | | | BOP, KJZSV, KVT, UOP4 | |
| | 5v236.5 | | | | BOP, KJZSV, KVT, UOP4 | 05 | | | F13A, F21A, F21B, F21J | 01 | B03Z, B07Z, B17A, B17B, B17C, B17J |
| 01 | | B03Z, B07Z, B17A, B17B, B17C, B17J | | 06 | G10Z, G12A, G12B, G12J | 05 | | F13A, F21A, F21B, F21J, F27A, F27B, F27C | | | |
| 03 | | D12A, D12J, D12Q | | 08 | I02A, I02B, I02C, I02D, I12A, I12B, I12C, I12J, I22A, I22B, I50Z | 08 | | I02A, I02B, I02C, I02D, I12A, I12B, I12C, I12J, I22A, I22B, I50Z | | | |
| 05 | | F13A, F21A, F21B, F21J | | 09 | J02A, J02B, J04A, J04B, J08A, J08B, J08C, J16Z, J21Z, J22A, J22B, J22J | 09 | | J02A, J02B, J04A, J04B, J08A, J08B, J08C, J16Z, J21Z, J22A, J22B, J22J | | | |
| 08 | | I02A, I02B, I02C, I02D, I12A, I12B, I12C, I12J, I22A, I22B, I50Z | | 21A | W04A, W04B | 10 | | K01Z | | | |
| 09 | | J02A, J02B, J04A, J04B, J08A, J08B, J08C, J16Z, J21Z, J22A, J22B, J22J | | 21B | X01A, X01B | 21A | | W04A, W04B | | | |
| 21A | | W04A, W04B | | 5v236.b | | BOP, KJZSV, KVT, UOP4 | | 21B | X01A, X01B | | |
| 21B | | X01A, X01B | | | 01 | B03Z, B07Z, B17A, B17B, B17C, B17J | | 5v236.g↔ | | BOP, KJZSV, KVT, UOP4 | |
| 5v236.6↔ | | | BOP, KJZSV, KVT, UOP4 | | 05 | F13A, F21A, F21B, F21J | | | 01 | B03Z, B07Z, B17A, B17B, B17C, B17J | |
| | | 01 | B03Z, B07Z, B17A, B17B, B17C, B17J | | 06 | G10Z, G12A, G12B, G12J | 05 | | F13A, F21A, F21B, F21J, F27A, F27B, F27C | | |
| | 05 | F13A, F21A, F21B, F21J | 08 | | I02A, I02B, I02C, I02D, I12A, I12B, I12C, I12J, I22A, I22B, I50Z | 08 | I02A, I02B, I02C, I02D, I12A, I12B, I12C, I12J, I22A, I22B, I50Z | | | | |
| | 08 | I02A, I02B, I02C, I02D, I12A, I12B, I12C, I12J, I22A, I22B, I50Z | 09 | | J02A, J02B, J04A, J04B, J08A, J08B, J08C, J16Z, J21Z, J22A, J22B, J22J | 09 | J02A, J02B, J04A, J04B, J08A, J08B, J08C, J16Z, J21Z, J22A, J22B, J22J | | | | |
| | 09 | J02A, J02B, J04A, J04B, J08A, J08B, J08C, J16Z, J21Z, J22A, J22B, J22J | 13 | | N11A | 10 | K01Z | | | | |
| | 21A | W04A, W04B | 21A | | W04A, W04B | 21A | W04A, W04B | | | | |
| | 21B | X01A, X01B | 21B | | X01A, X01B | 21B | X01A, X01B | | | | |

VYK

| ZZV | MDC | DRG | ZZV | MDC | DRG | ZZV | MDC | DRG |
|----------|-----|--|----------|-----|--|----------|-----|--|
| 5v236.x↔ | | BOP, KJZSV, KVT, UOP4 | 5v238.7↔ | | BOP, KJZSV, KVT, UOP4 | 5v238.c | | BOP, KJZSV, KVT, UOP4 |
| | 01 | B03Z, B07Z, B17A, B17B, B17C, B17J | | 01 | B03Z, B07Z, B17A, B17B, B17C, B17J | | 01 | B03Z, B07Z, B17A, B17B, B17C, B17J |
| | 05 | F13A, F21A, F21B, F21J | | 05 | F13A, F21A, F21B, F21J | | 05 | F13A, F21A, F21B, F21J |
| | 08 | I02A, I02B, I02C, I02D, I12A, I12B, I12C, I12J, I22A, I22B, I32A, I32B, I32C, I32D, I32E, I32F, I32J, I32Q, I32R, I32S, I32T, I32U, I50Z | | 08 | I02A, I02B, I02C, I02D, I12A, I12B, I12C, I12J, I22A, I50Z | | 06 | G10Z, G12A, G12B, G12J |
| | 09 | J02A, J02B, J04A, J04B, J08A, J08B, J08C, J16Z, J21Z, J22A, J22B, J22J | | 09 | J02A, J02B, J04A, J04B, J08A, J08B, J08C, J16Z, J21Z, J22A, J22B, J22J | | 08 | I02A, I02B, I02C, I02D, I12A, I12B, I12C, I12J, I22A, I50Z |
| | 21A | W04A, W04B | | 21A | W04A, W04B | | 09 | J02A, J02B, J04A, J04B, J08A, J08B, J08C, J16Z, J21Z, J22A, J22B, J22J |
| | 21B | X01A, X01B | | 21B | X01A, X01B | | 13 | N11A |
| | | | | 21B | X01A, X01B | | 21A | W04A, W04B |
| | | | | 01 | B03Z, B07Z, B17A, B17B, B17C, B17J | | 21B | X01A, X01B |
| | | | | 05 | F13A, F21A, F21B, F21J | | | |
| 5v238.0 | | BOP, KJZSV, KVT, UOP4 | 5v238.8↔ | | BOP, KJZSV, KVT, UOP4 | 5v238.d | | BOP, KJZSV, KVT, UOP4 |
| | 03 | D18Z, D25A, D25B, D25C, D25D, D25J | | 01 | B03Z, B07Z, B17A, B17B, B17C, B17J | | 01 | B03Z, B07Z, B17A, B17B, B17C, B17J |
| | 05 | F13A | | 05 | F13A, F21A, F21B, F21J | | 05 | F13A, F21A, F21B, F21J |
| | 08 | I12A, I12B, I12C, I12J | | 08 | I02A, I02B, I02C, I02D, I12A, I12B, I12C, I12J, I22A, I32A, I32B, I32C, I32D, I32E, I32F, I32J, I32Q, I32R, I32S, I32T, I32U, I50Z | | 06 | G10Z, G12A, G12B, G12J |
| | 09 | J03A, J03B, J04A, J04B, J08A, J08B, J08C, J11A, J11B, J11J, J11Q, J11R, J11S, J16Z | | 09 | J02A, J02B, J04A, J04B, J08A, J08B, J08C, J16Z, J21Z, J22A, J22B, J22J | | 08 | I02A, I02B, I02C, I02D, I12A, I12B, I12C, I12J, I22A, I50Z |
| | 21A | W04A, W04B | | 21A | W04A, W04B | | 09 | J02A, J02B, J04A, J04B, J08A, J08B, J08C, J16Z, J21Z, J22A, J22B, J22J |
| | 21B | X01A, X01B, X06A, X06B, X06C | | 21B | X01A, X01B | | 13 | N11A |
| | | | | | | | 21A | W04A, W04B |
| | | | | | | | 21B | X01A, X01B |
| | | | | | | | | |
| 5v238.4 | | BOP, KJZSV, KVT, UOP4 | 5v238.9↔ | | BOP, KJZSV, KVT, UOP4 | 5v238.e↔ | | BOP, KJZSV, KVT, UOP4 |
| | 01 | B03Z, B07Z, B17A, B17B, B17C, B17J | | 01 | B03Z, B07Z, B17A, B17B, B17C, B17J | | 01 | B03Z, B07Z, B17A, B17B, B17C, B17J |
| | 02 | C20A, C20B, C20J, C20Q, C20R | | 05 | F13A, F21A, F21B, F21J | | 05 | F13A, F21A, F21B, F21J, F27A, F27B, F27C |
| | 03 | D12A, D12B, D12J, D12Q | | 08 | I12A, I12B, I12C, I12J, I32A, I32B, I32C, I32D, I32E, I32F, I32J, I32Q, I32R, I32S, I32T, I32U | | 08 | I02A, I02B, I02C, I02D, I12A, I12B, I12C, I12J, I22A, I50Z |
| | 05 | F13A, F21A, F21B, F21J | | 09 | J02A, J02B, J03A, J03B, J04A, J04B, J08A, J08B, J08C, J16Z, J21Z, J22A, J22B, J22J | | 09 | J02A, J02B, J04A, J04B, J08A, J08B, J08C, J16Z, J21Z, J22A, J22B, J22J |
| | 08 | I02A, I02B, I02C, I02D, I12A, I12B, I12C, I12J, I22A, I50Z | | 21A | W04A, W04B | | 10 | K01Z |
| | 09 | J02A, J02B, J04A, J04B, J08A, J08B, J08C, J16Z, J21Z, J22A, J22B, J22J | | 21B | X01A, X01B | | 21A | W04A, W04B |
| | 21A | W04A, W04B | | | | | 21B | X01A, X01B |
| | 21B | X01A, X01B | | | | | | |
| | | | | | | | | |
| 5v238.5 | | BOP, KJZSV, KVT, UOP4 | 5v238.a | | BOP, KJZSV, KVT, UOP4 | 5v238.f↔ | | BOP, KJZSV, KVT, UOP4 |
| | 01 | B03Z, B07Z, B17A, B17B, B17C, B17J | | 01 | B03Z, B07Z, B17A, B17B, B17C, B17J | | 01 | B03Z, B07Z, B17A, B17B, B17C, B17J |
| | 03 | D12A, D12B, D12J, D12Q | | 05 | F13A, F21A, F21B, F21J | | 05 | F13A, F21A, F21B, F21J, F27A, F27B, F27C |
| | 05 | F13A, F21A, F21B, F21J | | 06 | G10Z, G12A, G12B, G12J | | 08 | I02A, I02B, I02C, I02D, I12A, I12B, I12C, I12J, I22A, I50Z |
| | 08 | I02A, I02B, I02C, I02D, I12A, I12B, I12C, I12J, I22A, I50Z | | 08 | I02A, I02B, I02C, I02D, I12A, I12B, I12C, I12J, I22A, I50Z | | 09 | J02A, J02B, J04A, J04B, J08A, J08B, J08C, J16Z, J21Z, J22A, J22B, J22J |
| | 09 | J02A, J02B, J04A, J04B, J08A, J08B, J08C, J16Z, J21Z, J22A, J22B, J22J | | 09 | J02A, J02B, J04A, J04B, J08A, J08B, J08C, J16Z, J21Z, J22A, J22B, J22J | | 10 | K01Z |
| | 21A | W04A, W04B | | 21A | W04A, W04B | | 21A | W04A, W04B |
| | 21B | X01A, X01B | | 21B | X01A, X01B | | 21B | X01A, X01B |
| | | | | | | | | |
| | | | | | | | | |
| 5v238.6↔ | | BOP, KJZSV, KVT, UOP4 | 5v238.b | | BOP, KJZSV, KVT, UOP4 | 5v238.g↔ | | BOP, KJZSV, KVT, UOP4 |
| | 01 | B03Z, B07Z, B17A, B17B, B17C, B17J | | 01 | B03Z, B07Z, B17A, B17B, B17C, B17J | | 01 | B03Z, B07Z, B17A, B17B, B17C, B17J |
| | 05 | F13A, F21A, F21B, F21J | | 05 | F13A, F21A, F21B, F21J | | 05 | F13A, F21A, F21B, F21J, F27A, F27B, F27C |
| | 08 | I02A, I02B, I02C, I02D, I12A, I12B, I12C, I12J, I22A, I50Z | | 06 | G10Z, G12A, G12B, G12J | | 08 | I02A, I02B, I02C, I02D, I12A, I12B, I12C, I12J, I22A, I50Z |
| | 09 | J02A, J02B, J04A, J04B, J08A, J08B, J08C, J16Z, J21Z, J22A, J22B, J22J | | 08 | I02A, I02B, I02C, I02D, I12A, I12B, I12C, I12J, I22A, I50Z | | 09 | J02A, J02B, J04A, J04B, J08A, J08B, J08C, J16Z, J21Z, J22A, J22B, J22J |
| | 21A | W04A, W04B | | 09 | J02A, J02B, J04A, J04B, J08A, J08B, J08C, J16Z, J21Z, J22A, J22B, J22J | | 10 | K01Z |
| | 21B | X01A, X01B | | 13 | N11A | | 21A | W04A, W04B |
| | | | | 21A | W04A, W04B | | 21B | X01A, X01B |
| | | | | 21B | X01A, X01B | | | |
| | | | | | | | | |

VYK

| ZZV | MDC | DRG | ZZV | MDC | DRG | ZZV | MDC | DRG |
|----------|-----|--|----------|-----|--|----------|-----|--|
| 5v238.x↔ | | BOP, KJZSV, KVT, UOP4 | 5v239.7↔ | | BOP, KJZSV, KVT, UOP4 | 5v239.c | | BOP, KJZSV, KVT, UOP4 |
| | 01 | B03Z, B07Z, B17A, B17B, B17C, B17J | | 01 | B03Z, B07Z, B17A, B17B, B17C, B17J | | 01 | B03Z, B07Z, B17A, B17B, B17C, B17J |
| | 05 | F13A, F21A, F21B, F21J | | 05 | F13A, F21A, F21B, F21J | | 05 | F13A, F21A, F21B, F21J |
| | 08 | I02A, I02B, I02C, I02D, I12A, I12B, I12C, I12J, I22A, I32A, I32B, I32C, I32D, I32E, I32F, I32J, I32Q, I32R, I32S, I32T, I32U, I50Z | | 08 | I02A, I02B, I02C, I02D, I12A, I12B, I12C, I12J, I22A, I22B, I32A, I32B, I32C, I32D, I32E, I32F, I32J, I32Q, I32R, I32S, I32T, I32U, I50Z | | 06 | G10Z, G12A, G12B, G12J |
| | 09 | J02A, J02B, J04A, J04B, J08A, J08B, J08C, J16Z, J21Z, J22A, J22B, J22J | | 09 | J02A, J02B, J04A, J04B, J08A, J08B, J08C, J16Z, J21Z, J22A, J22B, J22J | | 08 | I02A, I02B, I02C, I02D, I12A, I12B, I12C, I12J, I22A, I22B, I50Z |
| | 21A | W04A, W04B | | 21A | W04A, W04B | | 09 | J02A, J02B, J04A, J04B, J08A, J08B, J08C, J16Z, J21Z, J22A, J22B, J22J |
| | 21B | X01A, X01B | | 21B | X01A, X01B | | 13 | N11A |
| 5v239.0 | | BOP, KJZSV, KVT, UOP4 | 5v239.8↔ | | BOP, KJZSV, KVT, UOP4 | 5v239.d | | BOP, KJZSV, KVT, UOP4 |
| | 03 | D18Z, D25A, D25B, D25C, D25D, D25J | | 01 | B03Z, B07Z, B17A, B17B, B17C, B17J | | 01 | B03Z, B07Z, B17A, B17B, B17C, B17J |
| | 05 | F13A | | 05 | F13A, F21A, F21B, F21J | | 05 | F13A, F21A, F21B, F21J |
| | 08 | I12A, I12B, I12C, I12J | | 08 | I02A, I02B, I02C, I02D, I12A, I12B, I12C, I12J, I22A, I22B, I32A, I32B, I32C, I32D, I32E, I32F, I32J, I32Q, I32R, I32S, I32T, I32U, I50Z | | 06 | G10Z, G12A, G12B, G12J |
| | 09 | J03A, J03B, J04A, J04B, J08A, J08B, J08C, J11A, J11B, J11J, J11Q, J11R, J11S, J16Z | | 09 | J02A, J02B, J04A, J04B, J08A, J08B, J08C, J16Z, J21Z, J22A, J22B, J22J | | 08 | I02A, I02B, I02C, I02D, I12A, I12B, I12C, I12J, I22A, I22B, I50Z |
| | 21A | W04A, W04B | | 21A | W04A, W04B | | 09 | J02A, J02B, J04A, J04B, J08A, J08B, J08C, J16Z, J21Z, J22A, J22B, J22J |
| | 21B | X01A, X01B, X06A, X06B, X06C | | 21B | X01A, X01B | | 13 | N11A |
| 5v239.4 | | BOP, KJZSV, KVT, UOP4 | 5v239.9↔ | | BOP, KJZSV, KVT, UOP4 | 5v239.e↔ | | BOP, KJZSV, KVT, UOP4 |
| | 01 | B03Z, B07Z, B17A, B17B, B17C, B17J | | 01 | B03Z, B07Z, B17A, B17B, B17C, B17J | | 01 | B03Z, B07Z, B17A, B17B, B17C, B17J |
| | 02 | C20A, C20B, C20J, C20Q, C20R | | 05 | F13A, F21A, F21B, F21J | | 05 | F13A, F21A, F21B, F21J, F27A, F27B, F27C |
| | 03 | D12A, D12B, D12J, D12Q | | 08 | I12A, I12B, I12C, I12J, I32A, I32B, I32C, I32D, I32E, I32F, I32J, I32Q, I32R, I32S, I32T, I32U | | 08 | I02A, I02B, I02C, I02D, I12A, I12B, I12C, I12J, I22A, I22B, I50Z |
| | 05 | F13A, F21A, F21B, F21J | | 09 | J02A, J02B, J04A, J04B, J08A, J08B, J08C, J16Z, J21Z, J22A, J22B, J22J | | 09 | J02A, J02B, J04A, J04B, J08A, J08B, J08C, J16Z, J21Z, J22A, J22B, J22J |
| | 21A | W04A, W04B | | 21A | W04A, W04B | | 10 | K01Z |
| | 21B | X01A, X01B | | 21B | X01A, X01B | | 21A | W04A, W04B |
| 5v239.5 | | BOP, KJZSV, KVT, UOP4 | 5v239.a | | BOP, KJZSV, KVT, UOP4 | 5v239.f↔ | | BOP, KJZSV, KVT, UOP4 |
| | 01 | B03Z, B07Z, B17A, B17B, B17C, B17J | | 01 | B03Z, B07Z, B17A, B17B, B17C, B17J | | 01 | B03Z, B07Z, B17A, B17B, B17C, B17J |
| | 03 | D12A, D12B, D12J, D12Q | | 05 | F13A, F21A, F21B, F21J | | 05 | F13A, F21A, F21B, F21J, F27A, F27B, F27C |
| | 05 | F13A, F21A, F21B, F21J | | 06 | G10Z, G12A, G12B, G12J | | 08 | I02A, I02B, I02C, I02D, I12A, I12B, I12C, I12J, I22A, I22B, I50Z |
| | 08 | I02A, I02B, I02C, I02D, I12A, I12B, I12C, I12J, I22A, I22B, I50Z | | 08 | I02A, I02B, I02C, I02D, I12A, I12B, I12C, I12J, I22A, I22B, I50Z | | 09 | J02A, J02B, J04A, J04B, J08A, J08B, J08C, J16Z, J21Z, J22A, J22B, J22J |
| | 09 | J02A, J02B, J04A, J04B, J08A, J08B, J08C, J16Z, J21Z, J22A, J22B, J22J | | 09 | J02A, J02B, J04A, J04B, J08A, J08B, J08C, J16Z, J21Z, J22A, J22B, J22J | | 09 | J02A, J02B, J04A, J04B, J08A, J08B, J08C, J16Z, J21Z, J22A, J22B, J22J |
| | 21A | W04A, W04B | | 21A | W04A, W04B | | 10 | K01Z |
| | 21B | X01A, X01B | | 21B | X01A, X01B | | 21A | W04A, W04B |
| 5v239.6↔ | | BOP, KJZSV, KVT, UOP4 | 5v239.b | | BOP, KJZSV, KVT, UOP4 | 5v239.g↔ | | BOP, KJZSV, KVT, UOP4 |
| | 01 | B03Z, B07Z, B17A, B17B, B17C, B17J | | 01 | B03Z, B07Z, B17A, B17B, B17C, B17J | | 01 | B03Z, B07Z, B17A, B17B, B17C, B17J |
| | 05 | F13A, F21A, F21B, F21J | | 05 | F13A, F21A, F21B, F21J | | 05 | F13A, F21A, F21B, F21J, F27A, F27B, F27C |
| | 08 | I02A, I02B, I02C, I02D, I12A, I12B, I12C, I12J, I22A, I22B, I50Z | | 06 | G10Z, G12A, G12B, G12J | | 08 | I02A, I02B, I02C, I02D, I12A, I12B, I12C, I12J, I22A, I22B, I50Z |
| | 09 | J02A, J02B, J04A, J04B, J08A, J08B, J08C, J16Z, J21Z, J22A, J22B, J22J | | 08 | I02A, I02B, I02C, I02D, I12A, I12B, I12C, I12J, I22A, I22B, I50Z | | 09 | J02A, J02B, J04A, J04B, J08A, J08B, J08C, J16Z, J21Z, J22A, J22B, J22J |
| | 21A | W04A, W04B | | 13 | N11A | | 09 | J02A, J02B, J04A, J04B, J08A, J08B, J08C, J16Z, J21Z, J22A, J22B, J22J |
| | 21B | X01A, X01B | | 21A | W04A, W04B | | 10 | K01Z |
| | | | | 21B | X01A, X01B | | 21A | W04A, W04B |
| | | | | | | | 21B | X01A, X01B |

VYK

| ZZV | MDC | DRG | ZZV | MDC | DRG | ZZV | MDC | DRG | | |
|----------|---------|--|----------|--|--|--|--|--|------------------------------------|------------------------------------|
| 5v239.x↔ | | BOP, KJZSV, KVT, UOP4 | 5v23a.7↔ | | BOP, KVT, UOP4 | 5v23a.b | | BOP, KVT, UOP4 | | |
| | 01 | B03Z, B07Z, B17A, B17B, B17C, B17J | | 01 | B03Z, B07Z, B17A, B17B, B17C, B17J | | 01 | B03Z, B07Z, B17A, B17B, B17C, B17J | | |
| | 05 | F13A, F21A, F21B, F21J | | 05 | F13A, F21A, F21B, F21C, F21J | | 05 | F13A, F21A, F21B, F21C, F21J | | |
| | 08 | I02A, I02B, I02C, I02D, I12A, I12B, I12C, I12J, I22A, I22B, I32A, I32B, I32C, I32D, I32E, I32F, I32J, I32Q, I32R, I32S, I32T, I32U, I50Z | | 08 | I02A, I02B, I02C, I02D, I22A, I22B, I50Z | | 06 | G10Z, G12A, G12B, G12J | | |
| | 09 | J02A, J02B, J04A, J04B, J08A, J08B, J08C, J16Z, J21Z, J22A, J22B, J22J | | 09 | J02A, J02B, J02C, J04A, J04B, J08A, J08B, J08C, J16Z, J21Z, J22A, J22B, J22J | | 08 | I02A, I02B, I02C, I02D, I22A, I22B, I32A, I32B, I32C, I32D, I32E, I32F, I32J, I32Q, I32R, I32S, I32T, I32U, I50Z | | |
| | 21A | W04A, W04B | | 21A | W04A, W04B | | 09 | J02A, J02B, J02C, J04A, J04B, J08A, J08B, J08C, J16Z, J21Z, J22A, J22B, J22J | | |
| | 21B | X01A, X01B | | 21B | X01A, X01B, X01C | | 21A | W04A, W04B | | |
| | | BOP, KVT, UOP4 | | 5v23a.8↔ | | | BOP, KVT, UOP4 | 21B | X01A, X01B, X01C | |
| | 5v23a.0 | 03 | | D18Z, D28J, D28Z, D29J, D29Z | 01 | | B03Z, B07Z, B17A, B17B, B17C, B17J | 5v23a.c | 01 | B03Z, B07Z, B17A, B17B, B17C, B17J |
| | | 05 | | F13A | 05 | | F13A, F21A, F21B, F21C, F21J | 01 | B03Z, B07Z, B17A, B17B, B17C, B17J | |
| | 09 | J03A, J03B, J04A, J04B, J08A, J08B, J08C, J11A, J11B, J11J, J11Q, J11R, J11S, J16Z | 08 | I02A, I02B, I02C, I02D, I22A, I22B, I32A, I32B, I32C, I32D, I32E, I32F, I32J, I32Q, I32R, I32S, I32T, I32U, I50Z | 05 | F13A, F21A, F21B, F21C, F21J | | | | |
| | 21A | W04A, W04B | 09 | J02A, J02B, J02C, J04A, J04B, J08A, J08B, J08C, J16Z, J21Z, J22A, J22B, J22J | 06 | G10Z, G12A, G12B, G12J | | | | |
| | 21B | X06A, X06B, X06C | 21A | W04A, W04B | 08 | I02A, I02B, I02C, I02D, I22A, I22B, I50Z | | | | |
| 5v23a.4 | | BOP, KVT, UOP4 | 21B | X01A, X01B, X01C | 09 | J02A, J02B, J02C, J04A, J04B, J08A, J08B, J08C, J16Z, J21Z, J22A, J22B, J22J | | | | |
| | 01 | B03Z, B07Z, B17A, B17B, B17C, B17J | 01 | B03Z, B07Z, B17A, B17B, B17C, B17J | 10 | K09A, K09B | | | | |
| | 02 | C20A, C20B, C20J, C20Q, C20R | 05 | F13A, F21A, F21B, F21C, F21J | 12 | M04A, M04B, M04C, M04D, M04J, M04Q, M37Z, M38Z | | | | |
| | 03 | D12A, D12B, D12J, D12Q | 08 | I12A, I12B, I12C, I12J, I32A, I32B, I32C, I32D, I32E, I32F, I32J, I32Q, I32R, I32S, I32T, I32U | 21A | W04A, W04B | | | | |
| | 05 | F13A, F21A, F21B, F21C, F21J | 09 | J03A, J03B, J04A, J04B, J08A, J08B, J08C, J16Z, J21Z, J22A, J22B, J22J | 21B | X01A, X01B, X01C | | | | |
| | 08 | I02A, I02B, I02C, I02D, I22A, I22B, I50Z | 21A | W04A, W04B | 5v23a.d | 01 | B03Z, B07Z, B17A, B17B, B17C, B17J | | | |
| | 09 | J02A, J02B, J02C, J04A, J04B, J08A, J08B, J08C, J16Z, J21Z, J22A, J22B, J22J | 21B | X01A, X01B, X01C | 05 | F13A, F21A, F21B, F21C, F21J | | | | |
| | 21A | W04A, W04B | 5v23a.9↔ | | BOP, KVT, UOP4 | 06 | G10Z, G12A, G12B, G12J | | | |
| | 21B | X01A, X01B, X01C | 01 | B03Z, B07Z, B17A, B17B, B17C, B17J | 08 | I02A, I02B, I02C, I02D, I22A, I22B, I50Z | | | | |
| 5v23a.5 | | BOP, KVT, UOP4 | 05 | F13A, F21A, F21B, F21C, F21J | 09 | J02A, J02B, J02C, J04A, J04B, J08A, J08B, J08C, J16Z, J21Z, J22A, J22B, J22J | | | | |
| | 01 | B03Z, B07Z, B17A, B17B, B17C, B17J | 08 | I02A, I02B, I02C, I02D, I22A, I22B, I50Z | 01 | B03Z, B07Z, B17A, B17B, B17C, B17J | | | | |
| | 03 | D12A, D12B, D12J, D12Q | 21A | W04A, W04B | 05 | F13A, F21A, F21B, F21C, F21J | | | | |
| | 05 | F13A, F21A, F21B, F21C, F21J, F27A, F27B, F27C | 21B | X01A, X01B, X01C | 06 | G10Z, G12A, G12B, G12J | | | | |
| | 06 | G10Z, G12A, G12B, G12J | 5v23a.a | | BOP, KVT, UOP4 | 08 | I02A, I02B, I02C, I02D, I22A, I22B, I50Z | | | |
| | 08 | I28A, I28B, I28J | 01 | B03Z, B07Z, B17A, B17B, B17C, B17J | 09 | J02A, J02B, J02C, J04A, J04B, J08A, J08B, J08C, J16Z, J21Z, J22A, J22B, J22J | | | | |
| | 09 | J02A, J02B, J02C, J04A, J04B, J08A, J08B, J08C, J16Z, J21Z, J22A, J22B, J22J | 05 | F13A, F21A, F21B, F21C, F21J | 21A | W04A, W04B | | | | |
| | 10 | K01Z | 06 | G10Z, G12A, G12B, G12J | 21B | X01A, X01B, X01C | | | | |
| | 21A | W04A, W04B | 08 | I02A, I02B, I02C, I02D, I22A, I22B, I50Z | 5v23a.e↔ | 01 | B03Z, B07Z, B17A, B17B, B17C, B17J | | | |
| | 21B | X01A, X01B, X01C | 09 | J02A, J02B, J02C, J04A, J04B, J08A, J08B, J08C, J16Z, J21Z, J22A, J22B, J22J | 05 | F13A, F21A, F21B, F21C, F21J, F27A, F27B, F27C | | | | |
| 5v23a.6↔ | | BOP, KVT, UOP4 | 21A | W04A, W04B | 08 | I02A, I02B, I02C, I02D, I22A, I22B, I50Z | | | | |
| | 01 | B03Z, B07Z, B17A, B17B, B17C, B17J | 21B | X01A, X01B, X01C | 09 | J02A, J02B, J02C, J04A, J04B, J08A, J08B, J08C, J16Z, J21Z, J22A, J22B, J22J | | | | |
| | 05 | F13A, F21A, F21B, F21C, F21J | | | 10 | K01Z | | | | |
| | 08 | I02A, I02B, I02C, I02D, I22A, I22B, I50Z | | | 21A | W04A, W04B | | | | |
| | 09 | J02A, J02B, J02C, J04A, J04B, J08A, J08B, J08C, J16Z, J21Z, J22A, J22B, J22J | | | 21B | X01A, X01B, X01C | | | | |
| | 21A | W04A, W04B | | | | | | | | |
| | 21B | X01A, X01B, X01C | | | | | | | | |

VYK

| ZZV | MDC | DRG | ZZV | MDC | DRG | ZZV | MDC | DRG | | | |
|----------|----------|--|------------------------------------|--|--|---------|--|--|---------|----|--|
| 5v23a.f↔ | | BOP, KVT, UOP4 | 5v23b.5 | | BOP, KJZSV, KVT, UOP4 | 5v23b.a | | BOP, KJZSV, KVT, UOP4 | | | |
| | 01 | B03Z, B07Z, B17A, B17B, B17C, B17J | | 01 | B03Z, B07Z, B17A, B17B, B17C, B17J | | 01 | B03Z, B07Z, B17A, B17B, B17C, B17J | | | |
| | 05 | F13A, F21A, F21B, F21C, F21J, F27A, F27B, F27C | | 03 | D12A, D12B, D12J, D12Q | | 05 | F13A, F21A, F21B, F21J | | | |
| | 08 | I02A, I02B, I02C, I02D, I22A, I22B, I50Z | | 05 | F13A, F21A, F21B, F21J | | 06 | G10Z, G12A, G12B, G12J | | | |
| | 09 | J02A, J02B, J02C, J04A, J04B, J08A, J08B, J08C, J16Z, J21Z, J22A, J22B, J22J | | 08 | I02A, I02B, I02C, I02D, I12A, I12B, I12C, I12J, I22A, I22B, I50Z | | 08 | I02A, I02B, I02C, I02D, I12A, I12B, I12C, I12J, I22A, I22B, I50Z | | | |
| | 10 | K01Z | | 09 | J02A, J02B, J04A, J04B, J08A, J08B, J08C, J16Z, J21Z, J22A, J22B, J22J | | 09 | J02A, J02B, J04A, J04B, J08A, J08B, J08C, J16Z, J21Z, J22A, J22B, J22J | | | |
| | 21A | W04A, W04B | | 21A | W04A, W04B | | 21A | W04A, W04B | | | |
| | 21B | X01A, X01B, X01C | | 21B | X01A, X01B | | 21B | X01A, X01B | | | |
| | 5v23a.g↔ | | | BOP, KVT, UOP4 | 5v23b.6↔ | | | BOP, KJZSV, KVT, UOP4 | 5v23b.b | | BOP, KJZSV, KVT, UOP4 |
| | | 01 | | B03Z, B07Z, B17A, B17B, B17C, B17J | | | 01 | B03Z, B07Z, B17A, B17B, B17C, B17J | | 01 | B03Z, B07Z, B17A, B17B, B17C, B17J |
| | | 05 | | F13A, F21A, F21B, F21C, F21J, F27A, F27B, F27C | | | 05 | F13A, F21A, F21B, F21J | | 05 | F13A, F21A, F21B, F21J |
| 08 | | I02A, I02B, I02C, I02D, I12A, I12B, I12C, I12J, I22A, I22B, I50Z | 08 | I02A, I02B, I02C, I02D, I12A, I12B, I12C, I12J, I22A, I22B, I50Z | | 06 | G10Z, G12A, G12B, G12J | | | | |
| 09 | | J02A, J02B, J02C, J04A, J04B, J08A, J08B, J08C, J16Z, J21Z, J22A, J22B, J22J | 09 | J02A, J02B, J04A, J04B, J08A, J08B, J08C, J16Z, J21Z, J22A, J22B, J22J | | 08 | I02A, I02B, I02C, I02D, I12A, I12B, I12C, I12J, I22A, I22B, I50Z | | | | |
| 10 | | K01Z | 21A | W04A, W04B | | 09 | J02A, J02B, J04A, J04B, J08A, J08B, J08C, J16Z, J21Z, J22A, J22B, J22J | | | | |
| 21A | | W04A, W04B | 21B | X01A, X01B | | 13 | N11A | | | | |
| 21B | | X01A, X01B, X01C | 21B | X01A, X01B | | 21A | W04A, W04B | | | | |
| 5v23a.x↔ | | | BOP, KJZSV, KVT, UOP4 | 5v23b.7↔ | | | BOP, KJZSV, KVT, UOP4 | 5v23b.c | | | BOP, KJZSV, KVT, UOP4 |
| | | 01 | B03Z, B07Z, B17A, B17B, B17C, B17J | | | 01 | B03Z, B07Z, B17A, B17B, B17C, B17J | | | 01 | B03Z, B07Z, B17A, B17B, B17C, B17J |
| | | 05 | F13A, F21A, F21B, F21C, F21J | | | 05 | F13A, F21A, F21B, F21J | | | 05 | F13A, F21A, F21B, F21J |
| | 08 | I02A, I02B, I02C, I02D, I22A, I22B, I32A, I32B, I32C, I32D, I32E, I32F, I32J, I32Q, I32R, I32S, I32T, I32U, I50Z | 08 | | I02A, I02B, I02C, I02D, I12A, I12B, I12C, I12J, I22A, I22B, I32A, I32B, I32C, I32D, I32E, I32F, I32J, I32Q, I32R, I32S, I32T, I32U, I50Z | 06 | G10Z, G12A, G12B, G12J | | | | |
| | 09 | J02A, J02B, J02C, J04A, J04B, J08A, J08B, J08C, J16Z, J21Z, J22A, J22B, J22J | 09 | | J02A, J02B, J04A, J04B, J08A, J08B, J08C, J16Z, J21Z, J22A, J22B, J22J | 08 | I02A, I02B, I02C, I02D, I12A, I12B, I12C, I12J, I22A, I22B, I50Z | | | | |
| | 21A | W04A, W04B | 21A | | W04A, W04B | 09 | J02A, J02B, J04A, J04B, J08A, J08B, J08C, J16Z, J21Z, J22A, J22B, J22J | | | | |
| | 21B | X01A, X01B, X01C | 21B | | X01A, X01B | 13 | N11A | | | | |
| | 5v23b.0 | | BOP, KJZSV, KVT, UOP4 | | 5v23b.8↔ | | BOP, KJZSV, KVT, UOP4 | | 5v23b.d | | BOP, KJZSV, KVT, UOP4 |
| | | 03 | D18Z, D25A, D25B, D25C, D25D, D25J | | | 01 | B03Z, B07Z, B17A, B17B, B17C, B17J | | | 01 | B03Z, B07Z, B17A, B17B, B17C, B17J |
| | | 05 | F13A | | | 05 | F13A, F21A, F21B, F21J | | | 05 | F13A, F21A, F21B, F21J |
| | | 08 | I12A, I12B, I12C, I12J | | | 08 | I02A, I02B, I02C, I02D, I12A, I12B, I12C, I12J, I22A, I22B, I32A, I32B, I32C, I32D, I32E, I32F, I32J, I32Q, I32R, I32S, I32T, I32U, I50Z | | | 06 | G10Z, G12A, G12B, G12J |
| 09 | | J03A, J03B, J04A, J04B, J08A, J08B, J08C, J11A, J11B, J11J, J11Q, J11R, J11S, J16Z | 09 | J02A, J02B, J04A, J04B, J08A, J08B, J08C, J16Z, J21Z, J22A, J22B, J22J | | 08 | I02A, I02B, I02C, I02D, I12A, I12B, I12C, I12J, I22A, I22B, I50Z | | | | |
| 21A | | W04A, W04B | 21A | W04A, W04B | | 09 | J02A, J02B, J04A, J04B, J08A, J08B, J08C, J16Z, J21Z, J22A, J22B, J22J | | | | |
| 21B | | X01A, X01B, X06A, X06B, X06C | 21B | X01A, X01B | | 13 | N11A | | | | |
| 5v23b.4 | | | BOP, KJZSV, KVT, UOP4 | 5v23b.9↔ | | | BOP, KJZSV, KVT, UOP4 | 5v23b.e↔ | | | BOP, KJZSV, KVT, UOP4 |
| | | 01 | B03Z, B07Z, B17A, B17B, B17C, B17J | | | 01 | B03Z, B07Z, B17A, B17B, B17C, B17J | | | 01 | B03Z, B07Z, B17A, B17B, B17C, B17J |
| | | 02 | C20A, C20B, C20J, C20Q, C20R | | | 05 | F13A, F21A, F21B, F21J | | | 05 | F13A, F21A, F21B, F21J, F27A, F27B, F27C |
| | | 03 | D12A, D12B, D12J, D12Q | | | 08 | I12A, I12B, I12C, I12J, I32A, I32B, I32C, I32D, I32E, I32F, I32J, I32Q, I32R, I32S, I32T, I32U | | | 08 | I02A, I02B, I02C, I02D, I12A, I12B, I12C, I12J, I22A, I22B, I50Z |
| | 05 | F13A, F21A, F21B, F21J | 09 | | J02A, J02B, J04A, J04B, J08A, J08B, J08C, J16Z, J21Z, J22A, J22B, J22J | 08 | I02A, I02B, I02C, I02D, I12A, I12B, I12C, I12J, I22A, I22B, I50Z | | | | |
| | 08 | I02A, I02B, I02C, I02D, I12A, I12B, I12C, I12J, I22A, I22B, I50Z | 21A | | W04A, W04B | 09 | J02A, J02B, J04A, J04B, J08A, J08B, J08C, J16Z, J21Z, J22A, J22B, J22J | | | | |
| | 09 | J02A, J02B, J04A, J04B, J08A, J08B, J08C, J16Z, J21Z, J22A, J22B, J22J | 21B | | X01A, X01B | 10 | K01Z | | | | |
| | 21A | W04A, W04B | | | | 21A | W04A, W04B | | | | |
| | 21B | X01A, X01B | | | | 21B | X01A, X01B | | | | |

VYK

| ZZV | MDC | DRG | ZZV | MDC | DRG | ZZV | MDC | DRG |
|----------|----------|--|---------|--|--|---------|--|--|
| 5v23b.f↔ | | BOP, KJZSV, KVT, UOP4 | 5v23c.5 | | BOP, KJZSV, KVT, UOP4 | 5v23c.a | | BOP, KJZSV, KVT, UOP4 |
| | 01 | B03Z, B07Z, B17A, B17B, B17C, B17J | | 01 | B03Z, B07Z, B17A, B17B, B17C, B17J | | 01 | B03Z, B07Z, B17A, B17B, B17C, B17J |
| | 05 | F13A, F21A, F21B, F21J, F27A, F27B, F27C | | 03 | D12A, D12B, D12J, D12Q | | 05 | F13A, F21A, F21B, F21J |
| | 08 | I02A, I02B, I02C, I02D, I12A, I12B, I12C, I12J, I22A, I22B, I50Z | | 05 | F13A, F21A, F21B, F21J, F27A, F27B, F27C | | 06 | G10Z, G12A, G12B, G12J |
| | 09 | J02A, J02B, J04A, J04B, J08A, J08B, J08C, J16Z, J21Z, J22A, J22B, J22J | | 06 | G10Z, G12A, G12B, G12J | | 08 | I02A, I02B, I02C, I02D, I22A, I22B, I50Z |
| | 10 | K01Z | | 08 | I28A, I28B, I28J | | 09 | J02A, J02B, J02C, J04A, J04B, J08A, J08B, J08C, J16Z, J21Z, J22A, J22B, J22J |
| | 21A | W04A, W04B | | 09 | J02A, J02B, J02C, J04A, J04B, J08A, J08B, J08C, J16Z, J21Z, J22A, J22B, J22J | | 21A | W04A, W04B |
| | 21B | X01A, X01B | | 10 | K01Z | | 21B | X01A, X01B, X01C |
| | | | | 21A | W04A, W04B | | | |
| | | | | 21B | X01A, X01B, X01C | | | |
| | 5v23b.g↔ | | | BOP, KJZSV, KVT, UOP4 | 5v23c.6 | | | BOP, KJZSV, KVT, UOP4 |
| 01 | | B03Z, B07Z, B17A, B17B, B17C, B17J | 01 | B03Z, B07Z, B17A, B17B, B17C, B17J | | 01 | B03Z, B07Z, B17A, B17B, B17C, B17J | |
| 05 | | F13A, F21A, F21B, F21J, F27A, F27B, F27C | 01 | B03Z, B07Z, B17A, B17B, B17C, B17J | | 05 | F13A, F21A, F21B, F21J | |
| 08 | | I02A, I02B, I02C, I02D, I12A, I12B, I12C, I12J, I22A, I22B, I50Z | 05 | F13A, F21A, F21B, F21J | | 06 | G10Z, G12A, G12B, G12J | |
| 09 | | J02A, J02B, J04A, J04B, J08A, J08B, J08C, J16Z, J21Z, J22A, J22B, J22J | 08 | I02A, I02B, I02C, I02D, I22A, I22B, I50Z | | 08 | I02A, I02B, I02C, I02D, I22A, I22B, I32A, I32B, I32C, I32D, I32E, I32F, I32J, I32Q, I32R, I32S, I32T, I32U, I50Z | |
| 10 | | K01Z | 09 | J02A, J02B, J02C, J04A, J04B, J08A, J08B, J08C, J16Z, J21Z, J22A, J22B, J22J | | 09 | J02A, J02B, J02C, J04A, J04B, J08A, J08B, J08C, J16Z, J21Z, J22A, J22B, J22J | |
| 21A | | W04A, W04B | 21A | W04A, W04B | | 21A | W04A, W04B | |
| 21B | | X01A, X01B | 21B | X01A, X01B, X01C | | 21B | X01A, X01B, X01C | |
| | | | | | | | | |
| | | | | | | | | |
| | | | | | | | | |
| 5v23b.x↔ | | BOP, KJZSV, KVT, UOP4 | 5v23c.7 | | BOP, KJZSV, KVT, UOP4 | 5v23c.c | | BOP, KJZSV, KVT, UOP4 |
| | 01 | B03Z, B07Z, B17A, B17B, B17C, B17J | | 01 | B03Z, B07Z, B17A, B17B, B17C, B17J | | 01 | B03Z, B07Z, B17A, B17B, B17C, B17J |
| | 05 | F13A, F21A, F21B, F21J | | 05 | F13A, F21A, F21B, F21J | | 05 | F13A, F21A, F21B, F21J |
| | 08 | I02A, I02B, I02C, I02D, I12A, I12B, I12C, I12J, I22A, I22B, I32A, I32B, I32C, I32D, I32E, I32F, I32J, I32Q, I32R, I32S, I32T, I32U, I50Z | | 08 | I02A, I02B, I02C, I02D, I22A, I22B, I50Z | | 06 | G10Z, G12A, G12B, G12J |
| | 09 | J02A, J02B, J04A, J04B, J08A, J08B, J08C, J16Z, J21Z, J22A, J22B, J22J | | 09 | J02A, J02B, J02C, J04A, J04B, J08A, J08B, J08C, J16Z, J21Z, J22A, J22B, J22J | | 08 | I02A, I02B, I02C, I02D, I22A, I22B, I50Z |
| | 21A | W04A, W04B | | 21A | W04A, W04B | | 09 | J02A, J02B, J02C, J04A, J04B, J08A, J08B, J08C, J16Z, J21Z, J22A, J22B, J22J |
| | 21B | X01A, X01B | | 21B | X01A, X01B, X01C | | 10 | K09A, K09B |
| | | | | | | | 12 | M04A, M04B, M04C, M04D, M04J, M04Q, M37Z, M38Z |
| | | | | | | | 21A | W04A, W04B |
| | | | | | | | 21B | X01A, X01B, X01C |
| | | | | | | | | |
| 5v23c.0 | | BOP, KJZSV, KVT, UOP4 | 5v23c.8 | | BOP, KJZSV, KVT, UOP4 | 5v23c.d | | BOP, KJZSV, KVT, UOP4 |
| | 03 | D18Z, D28J, D28Z, D29J, D29Z | | 01 | B03Z, B07Z, B17A, B17B, B17C, B17J | | 01 | B03Z, B07Z, B17A, B17B, B17C, B17J |
| | 05 | F13A | | 05 | F13A, F21A, F21B, F21J | | 05 | F13A, F21A, F21B, F21J |
| | 09 | J03A, J03B, J04A, J04B, J08A, J08B, J08C, J11A, J11B, J11J, J11Q, J11R, J11S, J16Z | | 08 | I02A, I02B, I02C, I02D, I22A, I22B, I32A, I32B, I32C, I32D, I32E, I32F, I32J, I32Q, I32R, I32S, I32T, I32U, I50Z | | 06 | G10Z, G12A, G12B, G12J |
| | 21A | W04A, W04B | | 09 | J02A, J02B, J02C, J04A, J04B, J08A, J08B, J08C, J16Z, J21Z, J22A, J22B, J22J | | 08 | I02A, I02B, I02C, I02D, I22A, I22B, I50Z |
| | 21B | X06A, X06B, X06C | | 21A | W04A, W04B | | 09 | J02A, J02B, J02C, J04A, J04B, J08A, J08B, J08C, J16Z, J21Z, J22A, J22B, J22J |
| | | | | 21B | X01A, X01B, X01C | | 21A | W04A, W04B |
| | | | | | | | 21B | X01A, X01B, X01C |
| | | | | | | | | |
| | | | | | | | | |
| | | | | | | | | |
| 5v23c.4 | | BOP, KJZSV, KVT, UOP4 | 5v23c.9 | | BOP, KJZSV, KVT, UOP4 | 5v23c.e | | BOP, KJZSV, KVT, UOP4 |
| | 01 | B03Z, B07Z, B17A, B17B, B17C, B17J | | 01 | B03Z, B07Z, B17A, B17B, B17C, B17J | | 01 | B03Z, B07Z, B17A, B17B, B17C, B17J |
| | 02 | C20A, C20B, C20J, C20Q, C20R | | 05 | F13A, F21A, F21B, F21J | | 05 | F13A, F21A, F21B, F21J, F27A, F27B, F27C |
| | 03 | D12A, D12B, D12J, D12Q | | 08 | I12A, I12B, I12C, I12J, I32A, I32B, I32C, I32D, I32E, I32F, I32J, I32Q, I32R, I32S, I32T, I32U | | 08 | I02A, I02B, I02C, I02D, I22A, I22B, I50Z |
| | 05 | F13A, F21A, F21B, F21J | | 09 | J03A, J03B, J04A, J04B, J08A, J08B, J08C, J16Z, J21Z, J22A, J22B, J22J | | 09 | J02A, J02B, J02C, J04A, J04B, J08A, J08B, J08C, J16Z, J21Z, J22A, J22B, J22J |
| | 08 | I02A, I02B, I02C, I02D, I22A, I22B, I50Z | | 21A | W04A, W04B | | 08 | I02A, I02B, I02C, I02D, I22A, I22B, I50Z |
| | 09 | J02A, J02B, J02C, J04A, J04B, J08A, J08B, J08C, J16Z, J21Z, J22A, J22B, J22J | | 21B | X01A, X01B, X01C | | 09 | J02A, J02B, J02C, J04A, J04B, J08A, J08B, J08C, J16Z, J21Z, J22A, J22B, J22J |
| | 21A | W04A, W04B | | | | | 10 | K01Z |
| | 21B | X01A, X01B, X01C | | | | | 21A | W04A, W04B |
| | | | | | | | 21B | X01A, X01B, X01C |
| | | | | | | | | |

VYK

| ZZV | MDC | DRG | ZZV | MDC | DRG | ZZV | MDC | DRG | | | |
|---------|---------|--|------------------------------------|--|--|---------|--|--|---------|-----|--|
| 5v23c.f | | BOP, KJZSV, KVT, UOP4 | 5v23d.5 | | BOP, KJZSV, KVT, UOP4 | 5v23d.a | | BOP, KJZSV, KVT, UOP4 | | | |
| | 01 | B03Z, B07Z, B17A, B17B, B17C, B17J | | 01 | B03Z, B07Z, B17A, B17B, B17C, B17J | | 01 | B03Z, B07Z, B17A, B17B, B17C, B17J | | | |
| | 05 | F13A, F21A, F21B, F21J, F27A, F27B, F27C | | 03 | D12A, D12B, D12J, D12Q | | 05 | F13A, F21A, F21B, F21J | | | |
| | 08 | I02A, I02B, I02C, I02D, I22A, I22B, I50Z | | 05 | F13A, F21A, F21B, F21J, F27A, F27B, F27C | | 06 | G10Z, G12A, G12B, G12J | | | |
| | 09 | J02A, J02B, J02C, J04A, J04B, J08A, J08B, J08C, J16Z, J21Z, J22A, J22B, J22J | | 06 | G10Z, G12A, G12B, G12J | | 08 | I02A, I02B, I02C, I02D, I22A, I22B, I50Z | | | |
| | 10 | K01Z | | 08 | I28A, I28B, I28J | | 09 | J02A, J02B, J02C, J04A, J04B, J08A, J08B, J08C, J16Z, J21Z, J22A, J22B, J22J | | | |
| | 21A | W04A, W04B | | 09 | J02A, J02B, J02C, J04A, J04B, J08A, J08B, J08C, J16Z, J21Z, J22A, J22B, J22J | | 21A | W04A, W04B | | | |
| | 21B | X01A, X01B, X01C | | 10 | K01Z | | 21B | X01A, X01B, X01C | | | |
| | 5v23c.g | | | BOP, KJZSV, KVT, UOP4 | 5v23d.6 | | | BOP, KJZSV, KVT, UOP4 | 5v23d.b | | BOP, KJZSV, KVT, UOP4 |
| | | 01 | | B03Z, B07Z, B17A, B17B, B17C, B17J | | | 01 | B03Z, B07Z, B17A, B17B, B17C, B17J | | 01 | B03Z, B07Z, B17A, B17B, B17C, B17J |
| 05 | | F13A, F21A, F21B, F21J, F27A, F27B, F27C | 01 | B03Z, B07Z, B17A, B17B, B17C, B17J | | 05 | F13A, F21A, F21B, F21J | | | | |
| 08 | | I02A, I02B, I02C, I02D, I12A, I12B, I12C, I12J, I22A, I22B, I50Z | 05 | F13A, F21A, F21B, F21J | | 06 | G10Z, G12A, G12B, G12J | | | | |
| 09 | | J02A, J02B, J02C, J04A, J04B, J08A, J08B, J08C, J16Z, J21Z, J22A, J22B, J22J | 08 | I02A, I02B, I02C, I02D, I22A, I22B, I50Z | | 08 | I02A, I02B, I02C, I02D, I22A, I22B, I32A, I32B, I32C, I32D, I32E, I32F, I32J, I32Q, I32R, I32S, I32T, I32U, I50Z | | | | |
| 10 | | K01Z | 09 | J02A, J02B, J02C, J04A, J04B, J08A, J08B, J08C, J16Z, J21Z, J22A, J22B, J22J | | 09 | J02A, J02B, J02C, J04A, J04B, J08A, J08B, J08C, J16Z, J21Z, J22A, J22B, J22J | | | | |
| 21A | | W04A, W04B | 21A | W04A, W04B | | 21A | W04A, W04B | | | | |
| 21B | | X01A, X01B, X01C | 21B | X01A, X01B, X01C | | 21B | X01A, X01B, X01C | | | | |
| 5v23c.x | | | BOP, KJZSV, KVT, UOP4 | 5v23d.7 | | | BOP, KJZSV, KVT, UOP4 | 5v23d.c | | | BOP, KJZSV, KVT, UOP4 |
| | | 01 | B03Z, B07Z, B17A, B17B, B17C, B17J | | | 01 | B03Z, B07Z, B17A, B17B, B17C, B17J | | | 01 | B03Z, B07Z, B17A, B17B, B17C, B17J |
| | 05 | F13A, F21A, F21B, F21J | 05 | | F13A, F21A, F21B, F21J | 05 | F13A, F21A, F21B, F21J | | | | |
| | 08 | I02A, I02B, I02C, I02D, I22A, I22B, I32A, I32B, I32C, I32D, I32E, I32F, I32J, I32Q, I32R, I32S, I32T, I32U, I50Z | 08 | | I02A, I02B, I02C, I02D, I22A, I22B, I50Z | 06 | G10Z, G12A, G12B, G12J | | | | |
| | 09 | J02A, J02B, J02C, J04A, J04B, J08A, J08B, J08C, J16Z, J21Z, J22A, J22B, J22J | 09 | | J02A, J02B, J02C, J04A, J04B, J08A, J08B, J08C, J16Z, J21Z, J22A, J22B, J22J | 08 | I02A, I02B, I02C, I02D, I22A, I22B, I50Z | | | | |
| | 21A | W04A, W04B | 21A | | W04A, W04B | 09 | J02A, J02B, J02C, J04A, J04B, J08A, J08B, J08C, J16Z, J21Z, J22A, J22B, J22J | | | | |
| | 21B | X01A, X01B, X01C | 21B | | X01A, X01B, X01C | 10 | K09A, K09B | | | | |
| | 5v23d.0 | | BOP, KJZSV, KVT, UOP4 | | 5v23d.8 | | BOP, KJZSV, KVT, UOP4 | | 5v23d.d | | BOP, KJZSV, KVT, UOP4 |
| | | 03 | D18Z, D28J, D28Z, D29J, D29Z | | | 01 | B03Z, B07Z, B17A, B17B, B17C, B17J | | | 12 | M04A, M04B, M04C, M04D, M04J, M04Q, M37Z, M38Z |
| | | 05 | F13A | | | 05 | F13A, F21A, F21B, F21J | | | 21A | W04A, W04B |
| 09 | | J03A, J03B, J04A, J04B, J08A, J08B, J08C, J11A, J11B, J11J, J11Q, J11R, J11S, J16Z | 08 | I02A, I02B, I02C, I02D, I22A, I22B, I32A, I32B, I32C, I32D, I32E, I32F, I32J, I32Q, I32R, I32S, I32T, I32U, I50Z | | 21B | X01A, X01B, X01C | | | | |
| 21A | | W04A, W04B | 09 | J02A, J02B, J02C, J04A, J04B, J08A, J08B, J08C, J16Z, J21Z, J22A, J22B, J22J | | 01 | B03Z, B07Z, B17A, B17B, B17C, B17J | | | | |
| 21B | | X06A, X06B, X06C | 21A | W04A, W04B | | 05 | F13A, F21A, F21B, F21J | | | | |
| 5v23d.4 | | | BOP, KJZSV, KVT, UOP4 | 5v23d.9 | | | BOP, KJZSV, KVT, UOP4 | 5v23d.e | | | BOP, KJZSV, KVT, UOP4 |
| | | 01 | B03Z, B07Z, B17A, B17B, B17C, B17J | | | 01 | B03Z, B07Z, B17A, B17B, B17C, B17J | | | 01 | B03Z, B07Z, B17A, B17B, B17C, B17J |
| | | 02 | C20A, C20B, C20J, C20Q, C20R | | | 05 | F13A, F21A, F21B, F21J | | | 05 | F13A, F21A, F21B, F21J, F27A, F27B, F27C |
| | | 03 | D12A, D12B, D12J, D12Q | | | 08 | I12A, I12B, I12C, I12J, I32A, I32B, I32C, I32D, I32E, I32F, I32J, I32Q, I32R, I32S, I32T, I32U | | | 08 | I02A, I02B, I02C, I02D, I22A, I22B, I50Z |
| | 05 | F13A, F21A, F21B, F21J | 09 | | J03A, J03B, J04A, J04B, J08A, J08B, J08C, J16Z, J21Z, J22A, J22B, J22J | 09 | J02A, J02B, J02C, J04A, J04B, J08A, J08B, J08C, J16Z, J21Z, J22A, J22B, J22J | | | | |
| | 08 | I02A, I02B, I02C, I02D, I22A, I22B, I50Z | 21A | | W04A, W04B | 08 | I02A, I02B, I02C, I02D, I22A, I22B, I50Z | | | | |
| | 09 | J02A, J02B, J02C, J04A, J04B, J08A, J08B, J08C, J16Z, J21Z, J22A, J22B, J22J | 21B | | X01A, X01B, X01C | 09 | J02A, J02B, J02C, J04A, J04B, J08A, J08B, J08C, J16Z, J21Z, J22A, J22B, J22J | | | | |
| | 21A | W04A, W04B | | | | 10 | K01Z | | | | |
| | 21B | X01A, X01B, X01C | | | | 21A | W04A, W04B | | | | |
| | | | | | | 21B | X01A, X01B, X01C | | | | |

VYK

| ZZV | MDC | DRG | ZZV | MDC | DRG | ZZV | MDC | DRG |
|---------|--|--|--|-----|--|---------|-----|--|
| 5v23d.f | | BOP, KJZSV, KVT, UOP4 | 5v23e.5 | | BOP, KJZSV, KVT, UOP4 | 5v23e.a | | BOP, KJZSV, KVT, UOP4 |
| | 01 | B03Z, B07Z, B17A, B17B, B17C, B17J | | 01 | B03Z, B07Z, B17A, B17B, B17C, B17J | | 01 | B03Z, B07Z, B17A, B17B, B17C, B17J |
| | 05 | F13A, F21A, F21B, F21J, F27A, F27B, F27C | | 03 | D12A, D12B, D12J, D12Q | | 05 | F13A, F21A, F21B, F21J |
| | 08 | I02A, I02B, I02C, I02D, I22A, I22B, I50Z | | 05 | F13A, F21A, F21B, F21J, F27A, F27B, F27C | | 06 | G10Z, G12A, G12B, G12J |
| | 09 | J02A, J02B, J02C, J04A, J04B, J08A, J08B, J08C, J16Z, J21Z, J22A, J22B, J22J | | 06 | G10Z, G12A, G12B, G12J | | 08 | I02A, I02B, I02C, I02D, I22A, I22B, I50Z |
| | 10 | K01Z | | 08 | I28A, I28B, I28J | | 09 | J02A, J02B, J02C, J04A, J04B, J08A, J08B, J08C, J16Z, J21Z, J22A, J22B, J22J |
| | 21A | W04A, W04B | | 09 | J02A, J02B, J02C, J04A, J04B, J08A, J08B, J08C, J16Z, J21Z, J22A, J22B, J22J | | 21A | W04A, W04B |
| | 21B | X01A, X01B, X01C | | 10 | K01Z | | 21B | X01A, X01B, X01C |
| | | BOP, KJZSV, KVT, UOP4 | | 21A | W04A, W04B | | | BOP, KJZSV, KVT, UOP4 |
| | | B03Z, B07Z, B17A, B17B, B17C, B17J | | 21B | X01A, X01B, X01C | | | B03Z, B07Z, B17A, B17B, B17C, B17J |
| 5v23d.g | | BOP, KJZSV, KVT, UOP4 | 5v23e.6 | | BOP, KJZSV, KVT, UOP4 | 5v23e.b | | BOP, KJZSV, KVT, UOP4 |
| | 01 | B03Z, B07Z, B17A, B17B, B17C, B17J | | 01 | B03Z, B07Z, B17A, B17B, B17C, B17J | | 01 | B03Z, B07Z, B17A, B17B, B17C, B17J |
| | 05 | F13A, F21A, F21B, F21J, F27A, F27B, F27C | | 01 | B03Z, B07Z, B17A, B17B, B17C, B17J | | 05 | F13A, F21A, F21B, F21J |
| | 08 | I02A, I02B, I02C, I02D, I12A, I12B, I12C, I12J, I22A, I22B, I50Z | | 05 | F13A, F21A, F21B, F21J | | 06 | G10Z, G12A, G12B, G12J |
| | 09 | J02A, J02B, J02C, J04A, J04B, J08A, J08B, J08C, J16Z, J21Z, J22A, J22B, J22J | | 08 | I02A, I02B, I02C, I02D, I22A, I22B, I50Z | | 08 | I02A, I02B, I02C, I02D, I22A, I22B, I32A, I32B, I32C, I32D, I32E, I32F, I32J, I32Q, I32R, I32S, I32T, I32U, I50Z |
| | 10 | K01Z | | 09 | J02A, J02B, J02C, J04A, J04B, J08A, J08B, J08C, J16Z, J21Z, J22A, J22B, J22J | | 09 | J02A, J02B, J02C, J04A, J04B, J08A, J08B, J08C, J16Z, J21Z, J22A, J22B, J22J |
| | 21A | W04A, W04B | | 21A | W04A, W04B | | 21A | W04A, W04B |
| | 21B | X01A, X01B, X01C | | 21B | X01A, X01B, X01C | | 21B | X01A, X01B, X01C |
| | | BOP, KJZSV, KVT, UOP4 | | | BOP, KJZSV, KVT, UOP4 | | | BOP, KJZSV, KVT, UOP4 |
| | | B03Z, B07Z, B17A, B17B, B17C, B17J | | | B03Z, B07Z, B17A, B17B, B17C, B17J | | | B03Z, B07Z, B17A, B17B, B17C, B17J |
| 5v23d.x | | BOP, KJZSV, KVT, UOP4 | 5v23e.7 | | BOP, KJZSV, KVT, UOP4 | 5v23e.c | | BOP, KJZSV, KVT, UOP4 |
| | 01 | B03Z, B07Z, B17A, B17B, B17C, B17J | | 01 | B03Z, B07Z, B17A, B17B, B17C, B17J | | 01 | B03Z, B07Z, B17A, B17B, B17C, B17J |
| | 05 | F13A, F21A, F21B, F21J | | 05 | F13A, F21A, F21B, F21J | | 05 | F13A, F21A, F21B, F21J |
| | 08 | I02A, I02B, I02C, I02D, I22A, I22B, I32A, I32B, I32C, I32D, I32E, I32F, I32J, I32Q, I32R, I32S, I32T, I32U, I50Z | | 08 | I02A, I02B, I02C, I02D, I22A, I22B, I50Z | | 06 | G10Z, G12A, G12B, G12J |
| | 09 | J02A, J02B, J02C, J04A, J04B, J08A, J08B, J08C, J16Z, J21Z, J22A, J22B, J22J | | 09 | J02A, J02B, J02C, J04A, J04B, J08A, J08B, J08C, J16Z, J21Z, J22A, J22B, J22J | | 08 | I02A, I02B, I02C, I02D, I22A, I22B, I50Z |
| | 21A | W04A, W04B | | 21A | W04A, W04B | | 09 | J02A, J02B, J02C, J04A, J04B, J08A, J08B, J08C, J16Z, J21Z, J22A, J22B, J22J |
| | 21B | X01A, X01B, X01C | | 21B | X01A, X01B, X01C | | 10 | K09A, K09B |
| | | BOP, KJZSV, KVT, UOP4 | | | BOP, KJZSV, KVT, UOP4 | | 12 | M04A, M04B, M04C, M04D, M04J, M04Q, M37Z, M38Z |
| | | D18Z, D28J, D28Z, D29J, D29Z | | | B03Z, B07Z, B17A, B17B, B17C, B17J | | 21A | W04A, W04B |
| | | F13A | | | F13A, F21A, F21B, F21J | | 21B | X01A, X01B, X01C |
| 5v23e.0 | | BOP, KJZSV, KVT, UOP4 | 5v23e.8 | | BOP, KJZSV, KVT, UOP4 | 5v23e.d | | BOP, KJZSV, KVT, UOP4 |
| | 03 | D18Z, D28J, D28Z, D29J, D29Z | | 01 | B03Z, B07Z, B17A, B17B, B17C, B17J | | 01 | B03Z, B07Z, B17A, B17B, B17C, B17J |
| | 05 | F13A | | 05 | F13A, F21A, F21B, F21J | | 05 | F13A, F21A, F21B, F21J |
| | 09 | J03A, J03B, J04A, J04B, J08A, J08B, J08C, J11A, J11B, J11J, J11Q, J11R, J11S, J16Z | | 08 | I02A, I02B, I02C, I02D, I22A, I22B, I32A, I32B, I32C, I32D, I32E, I32F, I32J, I32Q, I32R, I32S, I32T, I32U, I50Z | | 06 | G10Z, G12A, G12B, G12J |
| | 21A | W04A, W04B | | 09 | J02A, J02B, J02C, J04A, J04B, J08A, J08B, J08C, J16Z, J21Z, J22A, J22B, J22J | | 08 | I02A, I02B, I02C, I02D, I22A, I22B, I50Z |
| | 21B | X06A, X06B, X06C | | 21A | W04A, W04B | | 09 | J02A, J02B, J02C, J04A, J04B, J08A, J08B, J08C, J16Z, J21Z, J22A, J22B, J22J |
| | | BOP, KJZSV, KVT, UOP4 | | 21B | X01A, X01B, X01C | | 21A | W04A, W04B |
| | | B03Z, B07Z, B17A, B17B, B17C, B17J | | | BOP, KJZSV, KVT, UOP4 | | 21B | X01A, X01B, X01C |
| | | C20A, C20B, C20J, C20Q, C20R | | | B03Z, B07Z, B17A, B17B, B17C, B17J | | | BOP, KJZSV, KVT, UOP4 |
| | | D12A, D12B, D12J, D12Q | | | F13A, F21A, F21B, F21J | | | B03Z, B07Z, B17A, B17B, B17C, B17J |
| | F13A, F21A, F21B, F21J | | I12A, I12B, I12C, I12J, I32A, I32B, I32C, I32D, I32E, I32F, I32J, I32Q, I32R, I32S, I32T, I32U | | F13A, F21A, F21B, F21J, F27A, F27B, F27C | | | |
| 5v23e.4 | | BOP, KJZSV, KVT, UOP4 | 5v23e.9 | | BOP, KJZSV, KVT, UOP4 | 5v23e.e | | BOP, KJZSV, KVT, UOP4 |
| | 01 | B03Z, B07Z, B17A, B17B, B17C, B17J | | 01 | B03Z, B07Z, B17A, B17B, B17C, B17J | | 01 | B03Z, B07Z, B17A, B17B, B17C, B17J |
| | 02 | C20A, C20B, C20J, C20Q, C20R | | 05 | F13A, F21A, F21B, F21J | | 05 | F13A, F21A, F21B, F21J, F27A, F27B, F27C |
| | 03 | D12A, D12B, D12J, D12Q | | 08 | I12A, I12B, I12C, I12J, I32A, I32B, I32C, I32D, I32E, I32F, I32J, I32Q, I32R, I32S, I32T, I32U | | 08 | I02A, I02B, I02C, I02D, I22A, I22B, I50Z |
| | 05 | F13A, F21A, F21B, F21J | | 09 | J03A, J03B, J04A, J04B, J08A, J08B, J08C, J16Z, J21Z, J22A, J22B, J22J | | 09 | J02A, J02B, J02C, J04A, J04B, J08A, J08B, J08C, J16Z, J21Z, J22A, J22B, J22J |
| | 08 | I02A, I02B, I02C, I02D, I22A, I22B, I50Z | | 21A | W04A, W04B | | 08 | I02A, I02B, I02C, I02D, I22A, I22B, I50Z |
| | 09 | J02A, J02B, J02C, J04A, J04B, J08A, J08B, J08C, J16Z, J21Z, J22A, J22B, J22J | | 21B | X01A, X01B, X01C | | 09 | J02A, J02B, J02C, J04A, J04B, J08A, J08B, J08C, J16Z, J21Z, J22A, J22B, J22J |
| | 21A | W04A, W04B | | | BOP, KJZSV, KVT, UOP4 | | 10 | K01Z |
| | 21B | X01A, X01B, X01C | | | B03Z, B07Z, B17A, B17B, B17C, B17J | | 21A | W04A, W04B |
| | | BOP, KJZSV, KVT, UOP4 | | | F13A, F21A, F21B, F21J | | 21B | X01A, X01B, X01C |
| | B03Z, B07Z, B17A, B17B, B17C, B17J | | I12A, I12B, I12C, I12J, I32A, I32B, I32C, I32D, I32E, I32F, I32J, I32Q, I32R, I32S, I32T, I32U | | BOP, KJZSV, KVT, UOP4 | | | |
| | C20A, C20B, C20J, C20Q, C20R | | J03A, J03B, J04A, J04B, J08A, J08B, J08C, J16Z, J21Z, J22A, J22B, J22J | | B03Z, B07Z, B17A, B17B, B17C, B17J | | | |
| | D12A, D12B, D12J, D12Q | | 21A W04A, W04B | | F13A, F21A, F21B, F21J, F27A, F27B, F27C | | | |
| | F13A, F21A, F21B, F21J | | 21B X01A, X01B, X01C | | G10Z, G12A, G12B, G12J | | | |
| | I02A, I02B, I02C, I02D, I22A, I22B, I50Z | | | | I02A, I02B, I02C, I02D, I22A, I22B, I50Z | | | |
| | J02A, J02B, J02C, J04A, J04B, J08A, J08B, J08C, J16Z, J21Z, J22A, J22B, J22J | | | | J02A, J02B, J02C, J04A, J04B, J08A, J08B, J08C, J16Z, J21Z, J22A, J22B, J22J | | | |
| | K01Z | | | | K09A, K09B | | | |
| | W04A, W04B | | | | M04A, M04B, M04C, M04D, M04J, M04Q, M37Z, M38Z | | | |
| | X01A, X01B, X01C | | | | W04A, W04B | | | |

| ZZV | MDC | DRG | ZZV | MDC | DRG | ZZV | MDC | DRG | | | |
|---------|---------|--|------------------------------------|--|--|---------|--|--|---------|-----|--|
| 5v23e.f | | BOP, KJZSV, KVT, UOP4 | 5v23f.5 | | BOP, KJZSV, KVT, UOP4 | 5v23f.a | | BOP, KJZSV, KVT, UOP4 | | | |
| | 01 | B03Z, B07Z, B17A, B17B, B17C, B17J | | 01 | B03Z, B07Z, B17A, B17B, B17C, B17J | | 01 | B03Z, B07Z, B17A, B17B, B17C, B17J | | | |
| | 05 | F13A, F21A, F21B, F21J, F27A, F27B, F27C | | 03 | D12A, D12B, D12J, D12Q | | 05 | F13A, F21A, F21B, F21J | | | |
| | 08 | I02A, I02B, I02C, I02D, I22A, I22B, I50Z | | 05 | F13A, F21A, F21B, F21J, F27A, F27B, F27C | | 06 | G10Z, G12A, G12B, G12J | | | |
| | 09 | J02A, J02B, J02C, J04A, J04B, J08A, J08B, J08C, J16Z, J21Z, J22A, J22B, J22J | | 06 | G10Z, G12A, G12B, G12J | | 08 | I02A, I02B, I02C, I02D, I22A, I22B, I50Z | | | |
| | 10 | K01Z | | 08 | I28A, I28B, I28J | | 09 | J02A, J02B, J02C, J04A, J04B, J08A, J08B, J08C, J16Z, J21Z, J22A, J22B, J22J | | | |
| | 21A | W04A, W04B | | 09 | J02A, J02B, J02C, J04A, J04B, J08A, J08B, J08C, J16Z, J21Z, J22A, J22B, J22J | | 21A | W04A, W04B | | | |
| | 21B | X01A, X01B, X01C | | 10 | K01Z | | 21B | X01A, X01B, X01C | | | |
| | 5v23e.g | | | BOP, KJZSV, KVT, UOP4 | 5v23f.6 | | | BOP, KJZSV, KVT, UOP4 | 5v23f.b | | BOP, KJZSV, KVT, UOP4 |
| | | 01 | | B03Z, B07Z, B17A, B17B, B17C, B17J | | | 01 | B03Z, B07Z, B17A, B17B, B17C, B17J | | 01 | B03Z, B07Z, B17A, B17B, B17C, B17J |
| 05 | | F13A, F21A, F21B, F21J, F27A, F27B, F27C | 01 | B03Z, B07Z, B17A, B17B, B17C, B17J | | 05 | F13A, F21A, F21B, F21J | | | | |
| 08 | | I02A, I02B, I02C, I02D, I12A, I12B, I12C, I12J, I22A, I22B, I50Z | 05 | F13A, F21A, F21B, F21J | | 06 | G10Z, G12A, G12B, G12J | | | | |
| 09 | | J02A, J02B, J02C, J04A, J04B, J08A, J08B, J08C, J16Z, J21Z, J22A, J22B, J22J | 08 | I02A, I02B, I02C, I02D, I22A, I22B, I50Z | | 08 | I02A, I02B, I02C, I02D, I22A, I22B, I32A, I32B, I32C, I32D, I32E, I32F, I32J, I32Q, I32R, I32S, I32T, I32U, I50Z | | | | |
| 10 | | K01Z | 09 | J02A, J02B, J02C, J04A, J04B, J08A, J08B, J08C, J16Z, J21Z, J22A, J22B, J22J | | 09 | J02A, J02B, J02C, J04A, J04B, J08A, J08B, J08C, J16Z, J21Z, J22A, J22B, J22J | | | | |
| 21A | | W04A, W04B | 21A | W04A, W04B | | 21A | W04A, W04B | | | | |
| 21B | | X01A, X01B, X01C | 21B | X01A, X01B, X01C | | 21B | X01A, X01B, X01C | | | | |
| 5v23e.x | | | BOP, KJZSV, KVT, UOP4 | 5v23f.7 | | | BOP, KJZSV, KVT, UOP4 | 5v23f.c | | | BOP, KJZSV, KVT, UOP4 |
| | | 01 | B03Z, B07Z, B17A, B17B, B17C, B17J | | | 01 | B03Z, B07Z, B17A, B17B, B17C, B17J | | | 01 | B03Z, B07Z, B17A, B17B, B17C, B17J |
| | 05 | F13A, F21A, F21B, F21J | 05 | | F13A, F21A, F21B, F21J | 05 | F13A, F21A, F21B, F21J | | | | |
| | 08 | I02A, I02B, I02C, I02D, I22A, I22B, I32A, I32B, I32C, I32D, I32E, I32F, I32J, I32Q, I32R, I32S, I32T, I32U, I50Z | 08 | | I02A, I02B, I02C, I02D, I22A, I22B, I50Z | 06 | G10Z, G12A, G12B, G12J | | | | |
| | 09 | J02A, J02B, J02C, J04A, J04B, J08A, J08B, J08C, J16Z, J21Z, J22A, J22B, J22J | 09 | | J02A, J02B, J02C, J04A, J04B, J08A, J08B, J08C, J16Z, J21Z, J22A, J22B, J22J | 08 | I02A, I02B, I02C, I02D, I22A, I22B, I50Z | | | | |
| | 21A | W04A, W04B | 21A | | W04A, W04B | 09 | J02A, J02B, J02C, J04A, J04B, J08A, J08B, J08C, J16Z, J21Z, J22A, J22B, J22J | | | | |
| | 21B | X01A, X01B, X01C | 21B | | X01A, X01B, X01C | 10 | K09A, K09B | | | | |
| | 5v23f.0 | | BOP, KJZSV, KVT, UOP4 | | 5v23f.8 | | BOP, KJZSV, KVT, UOP4 | | 5v23f.d | | BOP, KJZSV, KVT, UOP4 |
| | | 03 | D18Z, D28J, D28Z, D29J, D29Z | | | 01 | B03Z, B07Z, B17A, B17B, B17C, B17J | | | 12 | M04A, M04B, M04C, M04D, M04J, M04Q, M37Z, M38Z |
| | | 05 | F13A | | | 05 | F13A, F21A, F21B, F21J | | | 21A | W04A, W04B |
| 09 | | J03A, J03B, J04A, J04B, J08A, J08B, J08C, J11A, J11B, J11J, J11Q, J11R, J11S, J16Z | 08 | I02A, I02B, I02C, I02D, I22A, I22B, I32A, I32B, I32C, I32D, I32E, I32F, I32J, I32Q, I32R, I32S, I32T, I32U, I50Z | | 21B | X01A, X01B, X01C | | | | |
| 21A | | W04A, W04B | 09 | J02A, J02B, J02C, J04A, J04B, J08A, J08B, J08C, J16Z, J21Z, J22A, J22B, J22J | | 01 | B03Z, B07Z, B17A, B17B, B17C, B17J | | | | |
| 21B | | X06A, X06B, X06C | 21A | W04A, W04B | | 05 | F13A, F21A, F21B, F21J | | | | |
| 5v23f.4 | | | BOP, KJZSV, KVT, UOP4 | 5v23f.9 | | | BOP, KJZSV, KVT, UOP4 | 5v23f.e | | | BOP, KJZSV, KVT, UOP4 |
| | | 01 | B03Z, B07Z, B17A, B17B, B17C, B17J | | | 01 | B03Z, B07Z, B17A, B17B, B17C, B17J | | | 01 | B03Z, B07Z, B17A, B17B, B17C, B17J |
| | | 02 | C20A, C20B, C20J, C20Q, C20R | | | 05 | F13A, F21A, F21B, F21J | | | 05 | F13A, F21A, F21B, F21J, F27A, F27B, F27C |
| | | 03 | D12A, D12B, D12J, D12Q | | | 08 | I12A, I12B, I12C, I12J, I32A, I32B, I32C, I32D, I32E, I32F, I32J, I32Q, I32R, I32S, I32T, I32U | | | 08 | I02A, I02B, I02C, I02D, I22A, I22B, I50Z |
| | 05 | F13A, F21A, F21B, F21J | 09 | | J03A, J03B, J04A, J04B, J08A, J08B, J08C, J16Z, J21Z, J22A, J22B, J22J | 09 | J02A, J02B, J02C, J04A, J04B, J08A, J08B, J08C, J16Z, J21Z, J22A, J22B, J22J | | | | |
| | 08 | I02A, I02B, I02C, I02D, I22A, I22B, I50Z | 21A | | W04A, W04B | 08 | I02A, I02B, I02C, I02D, I22A, I22B, I50Z | | | | |
| | 09 | J02A, J02B, J02C, J04A, J04B, J08A, J08B, J08C, J16Z, J21Z, J22A, J22B, J22J | 21B | | X01A, X01B, X01C | 09 | J02A, J02B, J02C, J04A, J04B, J08A, J08B, J08C, J16Z, J21Z, J22A, J22B, J22J | | | | |
| | 21A | W04A, W04B | | | | 10 | K01Z | | | | |
| | 21B | X01A, X01B, X01C | | | | 21A | W04A, W04B | | | | |
| | | | | | | 21B | X01A, X01B, X01C | | | | |

VYK

| ZZV | MDC | DRG | ZZV | MDC | DRG | ZZV | MDC | DRG | | | |
|---------|---------|--|------------------------------------|--|--|---------|--|--|---------|----|--|
| 5v23f.f | | BOP, KJZSV, KVT, UOP4 | 5v23g.5 | | BOP, KJZSV, KVT, UOP4 | 5v23g.a | | BOP, KJZSV, KVT, UOP4 | | | |
| | 01 | B03Z, B07Z, B17A, B17B, B17C, B17J | | 01 | B03Z, B07Z, B17A, B17B, B17C, B17J | | 01 | B03Z, B07Z, B17A, B17B, B17C, B17J | | | |
| | 05 | F13A, F21A, F21B, F21J, F27A, F27B, F27C | | 03 | D12A, D12B, D12J, D12Q | | 05 | F13A, F21A, F21B, F21J | | | |
| | 08 | I02A, I02B, I02C, I02D, I22A, I22B, I50Z | | 05 | F13A, F21A, F21B, F21J | | 06 | G10Z, G12A, G12B, G12J | | | |
| | 09 | J02A, J02B, J02C, J04A, J04B, J08A, J08B, J08C, J16Z, J21Z, J22A, J22B, J22J | | 08 | I02A, I02B, I02C, I02D, I12A, I12B, I12C, I12J, I22A, I50Z | | 08 | I02A, I02B, I02C, I02D, I12A, I12B, I12C, I12J, I22A, I50Z | | | |
| | 10 | K01Z | | 09 | J02A, J02B, J04A, J04B, J08A, J08B, J08C, J16Z, J21Z, J22A, J22B, J22J | | 09 | J02A, J02B, J04A, J04B, J08A, J08B, J08C, J16Z, J21Z, J22A, J22B, J22J | | | |
| | 21A | W04A, W04B | | 21A | W04A, W04B | | 21A | W04A, W04B | | | |
| | 21B | X01A, X01B, X01C | | 21B | X01A, X01B | | 21B | X01A, X01B | | | |
| | 5v23f.g | | | BOP, KJZSV, KVT, UOP4 | 5v23g.6 | | | BOP, KJZSV, KVT, UOP4 | 5v23g.b | | BOP, KJZSV, KVT, UOP4 |
| | | 01 | | B03Z, B07Z, B17A, B17B, B17C, B17J | | | 01 | B03Z, B07Z, B17A, B17B, B17C, B17J | | 01 | B03Z, B07Z, B17A, B17B, B17C, B17J |
| 05 | | F13A, F21A, F21B, F21J, F27A, F27B, F27C | 05 | F13A, F21A, F21B, F21J | | 05 | F13A, F21A, F21B, F21J | | | | |
| 08 | | I02A, I02B, I02C, I02D, I12A, I12B, I12C, I12J, I22A, I22B, I50Z | 08 | I02A, I02B, I02C, I02D, I12A, I12B, I12C, I12J, I22A, I50Z | | 06 | G10Z, G12A, G12B, G12J | | | | |
| 09 | | J02A, J02B, J02C, J04A, J04B, J08A, J08B, J08C, J16Z, J21Z, J22A, J22B, J22J | 09 | J02A, J02B, J04A, J04B, J08A, J08B, J08C, J16Z, J21Z, J22A, J22B, J22J | | 08 | I02A, I02B, I02C, I02D, I12A, I12B, I12C, I12J, I22A, I50Z | | | | |
| 10 | | K01Z | 21A | W04A, W04B | | 09 | J02A, J02B, J04A, J04B, J08A, J08B, J08C, J16Z, J21Z, J22A, J22B, J22J | | | | |
| 21A | | W04A, W04B | 21B | X01A, X01B | | 13 | N11A | | | | |
| 21B | | X01A, X01B, X01C | | BOP, KJZSV, KVT, UOP4 | | 21A | W04A, W04B | | | | |
| 5v23f.x | | | BOP, KJZSV, KVT, UOP4 | 5v23g.7 | | | BOP, KJZSV, KVT, UOP4 | 5v23g.c | | | BOP, KJZSV, KVT, UOP4 |
| | | 01 | B03Z, B07Z, B17A, B17B, B17C, B17J | | | 01 | B03Z, B07Z, B17A, B17B, B17C, B17J | | | 01 | B03Z, B07Z, B17A, B17B, B17C, B17J |
| | 05 | F13A, F21A, F21B, F21J | 05 | | F13A, F21A, F21B, F21J | 05 | F13A, F21A, F21B, F21J | | | | |
| | 08 | I02A, I02B, I02C, I02D, I22A, I22B, I32A, I32B, I32C, I32D, I32E, I32F, I32G, I32H, I32I, I32J, I32K, I32L, I32M, I32N, I32O, I32P, I32Q, I32R, I32S, I32T, I32U, I50Z | 08 | | I02A, I02B, I02C, I02D, I12A, I12B, I12C, I12J, I22A, I32A, I32B, I32C, I32D, I32E, I32F, I32G, I32H, I32I, I32J, I32K, I32L, I32M, I32N, I32O, I32P, I32Q, I32R, I32S, I32T, I32U, I50Z | 06 | G10Z, G12A, G12B, G12J | | | | |
| | 09 | J02A, J02B, J02C, J04A, J04B, J08A, J08B, J08C, J16Z, J21Z, J22A, J22B, J22J | 09 | | J02A, J02B, J04A, J04B, J08A, J08B, J08C, J16Z, J21Z, J22A, J22B, J22J | 08 | I02A, I02B, I02C, I02D, I12A, I12B, I12C, I12J, I22A, I50Z | | | | |
| | 21A | W04A, W04B | 21A | | W04A, W04B | 09 | J02A, J02B, J04A, J04B, J08A, J08B, J08C, J16Z, J21Z, J22A, J22B, J22J | | | | |
| | 21B | X01A, X01B, X01C | 21B | | X01A, X01B | 13 | N11A | | | | |
| | 5v23g.0 | | BOP, KJZSV, KVT, UOP4 | | 5v23g.8 | | BOP, KJZSV, KVT, UOP4 | | 5v23g.d | | BOP, KJZSV, KVT, UOP4 |
| | | 03 | D18Z, D25A, D25B, D25C, D25D, D25J | | | 01 | B03Z, B07Z, B17A, B17B, B17C, B17J | | | 01 | B03Z, B07Z, B17A, B17B, B17C, B17J |
| | | 05 | F13A | | | 05 | F13A, F21A, F21B, F21J | | | 05 | F13A, F21A, F21B, F21J |
| 08 | | I12A, I12B, I12C, I12J | 08 | I02A, I02B, I02C, I02D, I12A, I12B, I12C, I12J, I22A, I32A, I32B, I32C, I32D, I32E, I32F, I32G, I32H, I32I, I32J, I32K, I32L, I32M, I32N, I32O, I32P, I32Q, I32R, I32S, I32T, I32U, I50Z | | 06 | G10Z, G12A, G12B, G12J | | | | |
| 09 | | J03A, J03B, J04A, J04B, J08A, J08B, J08C, J11A, J11B, J11J, J11Q, J11R, J11S, J16Z | 09 | J02A, J02B, J04A, J04B, J08A, J08B, J08C, J16Z, J21Z, J22A, J22B, J22J | | 08 | I02A, I02B, I02C, I02D, I12A, I12B, I12C, I12J, I22A, I50Z | | | | |
| 21A | | W04A, W04B | 21A | W04A, W04B | | 09 | J02A, J02B, J04A, J04B, J08A, J08B, J08C, J16Z, J21Z, J22A, J22B, J22J | | | | |
| 21B | | X01A, X01B, X06A, X06B, X06C | 21B | X01A, X01B | | 13 | N11A | | | | |
| 5v23g.4 | | | BOP, KJZSV, KVT, UOP4 | 5v23g.9 | | | BOP, KJZSV, KVT, UOP4 | 5v23g.e | | | BOP, KJZSV, KVT, UOP4 |
| | | 01 | B03Z, B07Z, B17A, B17B, B17C, B17J | | | 01 | B03Z, B07Z, B17A, B17B, B17C, B17J | | | 01 | B03Z, B07Z, B17A, B17B, B17C, B17J |
| | | 02 | C20A, C20B, C20J, C20Q, C20R | | | 05 | F13A, F21A, F21B, F21J | | | 05 | F13A, F21A, F21B, F21J, F27A, F27B, F27C |
| | 03 | D12A, D12B, D12J, D12Q | 08 | | I12A, I12B, I12C, I12J, I32A, I32B, I32C, I32D, I32E, I32F, I32G, I32H, I32I, I32J, I32K, I32L, I32M, I32N, I32O, I32P, I32Q, I32R, I32S, I32T, I32U | 08 | I02A, I02B, I02C, I02D, I12A, I12B, I12C, I12J, I22A, I50Z | | | | |
| | 05 | F13A, F21A, F21B, F21J | 09 | | J02A, J02B, J04A, J04B, J08A, J08B, J08C, J16Z, J21Z, J22A, J22B, J22J | 09 | J02A, J02B, J04A, J04B, J08A, J08B, J08C, J16Z, J21Z, J22A, J22B, J22J | | | | |
| | 08 | I02A, I02B, I02C, I02D, I12A, I12B, I12C, I12J, I22A, I50Z | 21A | | W04A, W04B | 10 | K01Z | | | | |
| | 09 | J02A, J02B, J04A, J04B, J08A, J08B, J08C, J16Z, J21Z, J22A, J22B, J22J | 21B | | X01A, X01B | 21A | W04A, W04B | | | | |
| | 21A | W04A, W04B | | | | 21B | X01A, X01B | | | | |
| | 21B | X01A, X01B | | | | | | | | | |

VYK

| ZZV | MDC | DRG | ZZV | MDC | DRG | ZZV | MDC | DRG | | | |
|---------|---------|--|-----------------------|--|--|--|--|--|--|--|------------------------------------|
| 5v23g.f | | BOP, KJZSV, KVT, UOP4 | 5v23h.5 | | BOP, KJZSV, KVT, UOP4 | 5v23h.a | | BOP, KJZSV, KVT, UOP4 | | | |
| | 01 | B03Z, B07Z, B17A, B17B, B17C, B17J | | 01 | B03Z, B07Z, B17A, B17B, B17C, B17J | | 01 | B03Z, B07Z, B17A, B17B, B17C, B17J | | | |
| | 05 | F13A, F21A, F21B, F21J, F27A, F27B, F27C | | 03 | D12A, D12B, D12J, D12Q | | 05 | F13A, F21A, F21B, F21J | | | |
| | 08 | I02A, I02B, I02C, I02D, I12A, I12B, I12C, I12J, I22A, I50Z | | 05 | F13A, F21A, F21B, F21J | | 06 | G10Z, G12A, G12B, G12J | | | |
| | 09 | J02A, J02B, J04A, J04B, J08A, J08B, J08C, J16Z, J21Z, J22A, J22B, J22J | | 08 | I02A, I02B, I02C, I02D, I12A, I12B, I12C, I12J, I22A, I50Z | | 08 | I02A, I02B, I02C, I02D, I12A, I12B, I12C, I12J, I22A, I50Z | | | |
| | 10 | K01Z | | 09 | J02A, J02B, J04A, J04B, J08A, J08B, J08C, J16Z, J21Z, J22A, J22B, J22J | | 09 | J02A, J02B, J04A, J04B, J08A, J08B, J08C, J16Z, J21Z, J22A, J22B, J22J | | | |
| | 21A | W04A, W04B | | 21A | W04A, W04B | | 21A | W04A, W04B | | | |
| | 21B | X01A, X01B | | 21B | X01A, X01B | | 21B | X01A, X01B | | | |
| | 5v23g.g | | | BOP, KJZSV, KVT, UOP4 | 5v23h.6 | | | BOP, KJZSV, KVT, UOP4 | 5v23h.b | | BOP, KJZSV, KVT, UOP4 |
| | | 01 | | B03Z, B07Z, B17A, B17B, B17C, B17J | | | 01 | B03Z, B07Z, B17A, B17B, B17C, B17J | | 01 | B03Z, B07Z, B17A, B17B, B17C, B17J |
| 05 | | F13A, F21A, F21B, F21J, F27A, F27B, F27C | 05 | F13A, F21A, F21B, F21J | | 05 | F13A, F21A, F21B, F21J | | | | |
| 08 | | I02A, I02B, I02C, I02D, I12A, I12B, I12C, I12J, I22A, I50Z | 08 | I02A, I02B, I02C, I02D, I12A, I12B, I12C, I12J, I22A, I50Z | | 06 | G10Z, G12A, G12B, G12J | | | | |
| 09 | | J02A, J02B, J04A, J04B, J08A, J08B, J08C, J16Z, J21Z, J22A, J22B, J22J | 09 | J02A, J02B, J04A, J04B, J08A, J08B, J08C, J16Z, J21Z, J22A, J22B, J22J | | 08 | I02A, I02B, I02C, I02D, I12A, I12B, I12C, I12J, I22A, I50Z | | | | |
| 10 | | K01Z | 21A | W04A, W04B | | 09 | J02A, J02B, J04A, J04B, J08A, J08B, J08C, J16Z, J21Z, J22A, J22B, J22J | | | | |
| 21A | | W04A, W04B | 21B | X01A, X01B | | 13 | N11A | | | | |
| 21B | | X01A, X01B | 5v23h.7 | | | BOP, KJZSV, KVT, UOP4 | 21A | W04A, W04B | | | |
| 5v23g.x | | | | BOP, KJZSV, KVT, UOP4 | | 01 | B03Z, B07Z, B17A, B17B, B17C, B17J | 21B | | X01A, X01B | |
| | | 01 | | B03Z, B07Z, B17A, B17B, B17C, B17J | | 05 | F13A, F21A, F21B, F21J | 5v23h.c | | | BOP, KJZSV, KVT, UOP4 |
| | 05 | F13A, F21A, F21B, F21J | | 08 | I02A, I02B, I02C, I02D, I12A, I12B, I12C, I12J, I22A, I32A, I32B, I32C, I32D, I32E, I32F, I32J, I32Q, I32R, I32S, I32T, I32U, I50Z | 01 | B03Z, B07Z, B17A, B17B, B17C, B17J | | | | |
| | 08 | I02A, I02B, I02C, I02D, I12A, I12B, I12C, I12J, I22A, I32A, I32B, I32C, I32D, I32E, I32F, I32J, I32Q, I32R, I32S, I32T, I32U, I50Z | | 09 | J02A, J02B, J04A, J04B, J08A, J08B, J08C, J16Z, J21Z, J22A, J22B, J22J | 05 | F13A, F21A, F21B, F21J | | | | |
| | 09 | J02A, J02B, J04A, J04B, J08A, J08B, J08C, J16Z, J21Z, J22A, J22B, J22J | | 21A | W04A, W04B | 06 | G10Z, G12A, G12B, G12J | | | | |
| | 21A | W04A, W04B | | 21B | X01A, X01B | 08 | I02A, I02B, I02C, I02D, I12A, I12B, I12C, I12J, I22A, I50Z | | | | |
| | 21B | X01A, X01B | | 5v23h.8 | | BOP, KJZSV, KVT, UOP4 | 09 | | J02A, J02B, J04A, J04B, J08A, J08B, J08C, J16Z, J21Z, J22A, J22B, J22J | | |
| | 5v23h.0 | | | | BOP, KJZSV, KVT, UOP4 | 01 | B03Z, B07Z, B17A, B17B, B17C, B17J | | 13 | N11A | |
| | | 03 | | | D18Z, D25A, D25B, D25C, D25D, D25J | 05 | F13A, F21A, F21B, F21J | | 21A | W04A, W04B | |
| | | 05 | F13A | | 08 | I02A, I02B, I02C, I02D, I12A, I12B, I12C, I12J, I22A, I32A, I32B, I32C, I32D, I32E, I32F, I32J, I32Q, I32R, I32S, I32T, I32U, I50Z | 21B | | X01A, X01B | | |
| 08 | | I12A, I12B, I12C, I12J | 09 | | J02A, J02B, J04A, J04B, J08A, J08B, J08C, J16Z, J21Z, J22A, J22B, J22J | 5v23h.d | | | BOP, KJZSV, KVT, UOP4 | | |
| 09 | | J03A, J03B, J04A, J04B, J08A, J08B, J08C, J11A, J11B, J11J, J11Q, J11R, J11S, J16Z | 21A | | W04A, W04B | | 01 | B03Z, B07Z, B17A, B17B, B17C, B17J | | | |
| 21A | | W04A, W04B | 21B | | X01A, X01B | | 05 | F13A, F21A, F21B, F21J | | | |
| 21B | | X01A, X01B, X06A, X06B, X06C | 5v23h.9 | | | | BOP, KJZSV, KVT, UOP4 | 06 | G10Z, G12A, G12B, G12J | | |
| 5v23h.4 | | | | | BOP, KJZSV, KVT, UOP4 | | 01 | B03Z, B07Z, B17A, B17B, B17C, B17J | 08 | I02A, I02B, I02C, I02D, I12A, I12B, I12C, I12J, I22A, I50Z | |
| | | 01 | | | B03Z, B07Z, B17A, B17B, B17C, B17J | | 05 | F13A, F21A, F21B, F21J | 09 | J02A, J02B, J04A, J04B, J08A, J08B, J08C, J16Z, J21Z, J22A, J22B, J22J | |
| | | 02 | | C20A, C20B, C20J, C20Q, C20R | 08 | | I12A, I12B, I12C, I12J, I32A, I32B, I32C, I32D, I32E, I32F, I32J, I32Q, I32R, I32S, I32T, I32U | 13 | N11A | | |
| | 03 | D12A, D12B, D12J, D12Q | | 09 | J02A, J02B, J04A, J04B, J08A, J08B, J08C, J16Z, J21Z, J22A, J22B, J22J | | 21A | W04A, W04B | | | |
| | 05 | F13A, F21A, F21B, F21J | | 21A | W04A, W04B | | 21B | X01A, X01B | | | |
| | 08 | I02A, I02B, I02C, I02D, I12A, I12B, I12C, I12J, I22A, I50Z | | 21B | X01A, X01B | | 5v23h.e | | BOP, KJZSV, KVT, UOP4 | | |
| | 09 | J02A, J02B, J04A, J04B, J08A, J08B, J08C, J16Z, J21Z, J22A, J22B, J22J | | 5v23h.4 | | BOP, KJZSV, KVT, UOP4 | | 01 | B03Z, B07Z, B17A, B17B, B17C, B17J | | |
| | 21A | W04A, W04B | | | 01 | B03Z, B07Z, B17A, B17B, B17C, B17J | | 05 | F13A, F21A, F21B, F21J, F27A, F27B, F27C | | |
| | 21B | X01A, X01B | | | 05 | F13A, F21A, F21B, F21J | | 08 | I02A, I02B, I02C, I02D, I12A, I12B, I12C, I12J, I22A, I50Z | | |
| | 5v23h.4 | | BOP, KJZSV, KVT, UOP4 | | 08 | I12A, I12B, I12C, I12J, I32A, I32B, I32C, I32D, I32E, I32F, I32J, I32Q, I32R, I32S, I32T, I32U | | 09 | J02A, J02B, J04A, J04B, J08A, J08B, J08C, J16Z, J21Z, J22A, J22B, J22J | | |
| 01 | | B03Z, B07Z, B17A, B17B, B17C, B17J | 09 | | J02A, J02B, J04A, J04B, J08A, J08B, J08C, J16Z, J21Z, J22A, J22B, J22J | 10 | | K01Z | | | |
| 02 | | C20A, C20B, C20J, C20Q, C20R | 21A | | W04A, W04B | 21A | | W04A, W04B | | | |
| 03 | | D12A, D12B, D12J, D12Q | 21B | | X01A, X01B | 21B | | X01A, X01B | | | |
| 05 | | F13A, F21A, F21B, F21J | | | | | | | | | |
| 08 | | I02A, I02B, I02C, I02D, I12A, I12B, I12C, I12J, I22A, I50Z | | | | | | | | | |
| 09 | | J02A, J02B, J04A, J04B, J08A, J08B, J08C, J16Z, J21Z, J22A, J22B, J22J | | | | | | | | | |
| 21A | | W04A, W04B | | | | | | | | | |
| 21B | | X01A, X01B | | | | | | | | | |

VYK

| ZZV | MDC | DRG | ZZV | MDC | DRG | ZZV | MDC | DRG | | | |
|---------|---------|--|------------------------------------|--|--|---------|--|--|---------|----|--|
| 5v23h.f | | BOP, KJZSV, KVT, UOP4 | 5v23i.5 | | BOP, KJZSV, KVT, UOP4 | 5v23i.a | | BOP, KJZSV, KVT, UOP4 | | | |
| | 01 | B03Z, B07Z, B17A, B17B, B17C, B17J | | 01 | B03Z, B07Z, B17A, B17B, B17C, B17J | | 01 | B03Z, B07Z, B17A, B17B, B17C, B17J | | | |
| | 05 | F13A, F21A, F21B, F21J, F27A, F27B, F27C | | 03 | D12A, D12B, D12J, D12Q | | 05 | F13A, F21A, F21B, F21J | | | |
| | 08 | I02A, I02B, I02C, I02D, I12A, I12B, I12C, I12J, I22A, I50Z | | 05 | F13A, F21A, F21B, F21J | | 06 | G10Z, G12A, G12B, G12J | | | |
| | 09 | J02A, J02B, J04A, J04B, J08A, J08B, J08C, J16Z, J21Z, J22A, J22B, J22J | | 08 | I02A, I02B, I02C, I02D, I12A, I12B, I12C, I12J, I22A, I50Z | | 08 | I02A, I02B, I02C, I02D, I12A, I12B, I12C, I12J, I22A, I50Z | | | |
| | 10 | K01Z | | 09 | J02A, J02B, J04A, J04B, J08A, J08B, J08C, J16Z, J21Z, J22A, J22B, J22J | | 09 | J02A, J02B, J04A, J04B, J08A, J08B, J08C, J16Z, J21Z, J22A, J22B, J22J | | | |
| | 21A | W04A, W04B | | 21A | W04A, W04B | | 21A | W04A, W04B | | | |
| | 21B | X01A, X01B | | 21B | X01A, X01B | | 21B | X01A, X01B | | | |
| | 5v23h.g | | | BOP, KJZSV, KVT, UOP4 | 5v23i.6 | | | BOP, KJZSV, KVT, UOP4 | 5v23i.b | | BOP, KJZSV, KVT, UOP4 |
| | | 01 | | B03Z, B07Z, B17A, B17B, B17C, B17J | | | 01 | B03Z, B07Z, B17A, B17B, B17C, B17J | | 01 | B03Z, B07Z, B17A, B17B, B17C, B17J |
| 05 | | F13A, F21A, F21B, F21J, F27A, F27B, F27C | 05 | F13A, F21A, F21B, F21J | | 05 | F13A, F21A, F21B, F21J | | | | |
| 08 | | I02A, I02B, I02C, I02D, I12A, I12B, I12C, I12J, I22A, I50Z | 08 | I02A, I02B, I02C, I02D, I12A, I12B, I12C, I12J, I22A, I50Z | | 06 | G10Z, G12A, G12B, G12J | | | | |
| 09 | | J02A, J02B, J04A, J04B, J08A, J08B, J08C, J16Z, J21Z, J22A, J22B, J22J | 09 | J02A, J02B, J04A, J04B, J08A, J08B, J08C, J16Z, J21Z, J22A, J22B, J22J | | 08 | I02A, I02B, I02C, I02D, I12A, I12B, I12C, I12J, I22A, I50Z | | | | |
| 10 | | K01Z | 21A | W04A, W04B | | 09 | J02A, J02B, J04A, J04B, J08A, J08B, J08C, J16Z, J21Z, J22A, J22B, J22J | | | | |
| 21A | | W04A, W04B | 21B | X01A, X01B | | 13 | N11A | | | | |
| 21B | | X01A, X01B | | | | 21A | W04A, W04B | | | | |
| 5v23h.x | | | BOP, KJZSV, KVT, UOP4 | 5v23i.7 | | | BOP, KJZSV, KVT, UOP4 | 5v23i.c | | | BOP, KJZSV, KVT, UOP4 |
| | | 01 | B03Z, B07Z, B17A, B17B, B17C, B17J | | | 01 | B03Z, B07Z, B17A, B17B, B17C, B17J | | | 01 | B03Z, B07Z, B17A, B17B, B17C, B17J |
| | 05 | F13A, F21A, F21B, F21J | 05 | | F13A, F21A, F21B, F21J | 05 | F13A, F21A, F21B, F21J | | | | |
| | 08 | I02A, I02B, I02C, I02D, I12A, I12B, I12C, I12J, I22A, I32A, I32B, I32C, I32D, I32E, I32F, I32J, I32Q, I32R, I32S, I32T, I32U, I50Z | 08 | | I02A, I02B, I02C, I02D, I12A, I12B, I12C, I12J, I22A, I32A, I32B, I32C, I32D, I32E, I32F, I32J, I32Q, I32R, I32S, I32T, I32U, I50Z | 06 | G10Z, G12A, G12B, G12J | | | | |
| | 09 | J02A, J02B, J04A, J04B, J08A, J08B, J08C, J16Z, J21Z, J22A, J22B, J22J | 09 | | J02A, J02B, J04A, J04B, J08A, J08B, J08C, J16Z, J21Z, J22A, J22B, J22J | 08 | I02A, I02B, I02C, I02D, I12A, I12B, I12C, I12J, I22A, I50Z | | | | |
| | 21A | W04A, W04B | 21A | | W04A, W04B | 09 | J02A, J02B, J04A, J04B, J08A, J08B, J08C, J16Z, J21Z, J22A, J22B, J22J | | | | |
| | 21B | X01A, X01B | 21B | | X01A, X01B | 13 | N11A | | | | |
| | 5v23i.0 | | BOP, KJZSV, KVT, UOP4 | | 5v23i.8 | | BOP, KJZSV, KVT, UOP4 | | 5v23i.d | | BOP, KJZSV, KVT, UOP4 |
| | | 03 | D18Z, D25A, D25B, D25C, D25D, D25J | | | 01 | B03Z, B07Z, B17A, B17B, B17C, B17J | | | 01 | B03Z, B07Z, B17A, B17B, B17C, B17J |
| | | 05 | F13A | | | 05 | F13A, F21A, F21B, F21J | | | 05 | F13A, F21A, F21B, F21J |
| 08 | | I12A, I12B, I12C, I12J | 08 | I02A, I02B, I02C, I02D, I12A, I12B, I12C, I12J, I22A, I32A, I32B, I32C, I32D, I32E, I32F, I32J, I32Q, I32R, I32S, I32T, I32U, I50Z | | 06 | G10Z, G12A, G12B, G12J | | | | |
| 09 | | J03A, J03B, J04A, J04B, J08A, J08B, J08C, J11A, J11B, J11J, J11Q, J11R, J11S, J16Z | 09 | J02A, J02B, J04A, J04B, J08A, J08B, J08C, J16Z, J21Z, J22A, J22B, J22J | | 08 | I02A, I02B, I02C, I02D, I12A, I12B, I12C, I12J, I22A, I50Z | | | | |
| 21A | | W04A, W04B | 21A | W04A, W04B | | 09 | J02A, J02B, J04A, J04B, J08A, J08B, J08C, J16Z, J21Z, J22A, J22B, J22J | | | | |
| 21B | | X01A, X01B, X06A, X06B, X06C | 21B | X01A, X01B | | 13 | N11A | | | | |
| 5v23i.4 | | | BOP, KJZSV, KVT, UOP4 | 5v23i.9 | | | BOP, KJZSV, KVT, UOP4 | 5v23i.e | | | BOP, KJZSV, KVT, UOP4 |
| | | 01 | B03Z, B07Z, B17A, B17B, B17C, B17J | | | 01 | B03Z, B07Z, B17A, B17B, B17C, B17J | | | 01 | B03Z, B07Z, B17A, B17B, B17C, B17J |
| | | 02 | C20A, C20B, C20J, C20Q, C20R | | | 05 | F13A, F21A, F21B, F21J | | | 05 | F13A, F21A, F21B, F21J, F27A, F27B, F27C |
| | 03 | D12A, D12B, D12J, D12Q | 08 | | I12A, I12B, I12C, I12J, I32A, I32B, I32C, I32D, I32E, I32F, I32J, I32Q, I32R, I32S, I32T, I32U | 08 | I02A, I02B, I02C, I02D, I12A, I12B, I12C, I12J, I22A, I50Z | | | | |
| | 05 | F13A, F21A, F21B, F21J | 09 | | J02A, J02B, J04A, J04B, J08A, J08B, J08C, J16Z, J21Z, J22A, J22B, J22J | 09 | J02A, J02B, J04A, J04B, J08A, J08B, J08C, J16Z, J21Z, J22A, J22B, J22J | | | | |
| | 08 | I02A, I02B, I02C, I02D, I12A, I12B, I12C, I12J, I22A, I50Z | 21A | | W04A, W04B | 10 | K01Z | | | | |
| | 09 | J02A, J02B, J04A, J04B, J08A, J08B, J08C, J16Z, J21Z, J22A, J22B, J22J | 21B | | X01A, X01B | 21A | W04A, W04B | | | | |
| | 21A | W04A, W04B | | | | 21B | X01A, X01B | | | | |
| | 21B | X01A, X01B | | | | | | | | | |

VYK

| ZZV | MDC | DRG | ZZV | MDC | DRG | ZZV | MDC | DRG | | | |
|---------|---------|--|------------------------------------|--|--|---------|--|--|---------|----|--|
| 5v23i.f | | BOP, KJZSV, KVT, UOP4 | 5v23j.5 | | BOP, KJZSV, KVT, UOP4 | 5v23j.a | | BOP, KJZSV, KVT, UOP4 | | | |
| | 01 | B03Z, B07Z, B17A, B17B, B17C, B17J | | 01 | B03Z, B07Z, B17A, B17B, B17C, B17J | | 01 | B03Z, B07Z, B17A, B17B, B17C, B17J | | | |
| | 05 | F13A, F21A, F21B, F21J, F27A, F27B, F27C | | 03 | D12A, D12B, D12J, D12Q | | 05 | F13A, F21A, F21B, F21J | | | |
| | 08 | I02A, I02B, I02C, I02D, I12A, I12B, I12C, I12J, I22A, I50Z | | 05 | F13A, F21A, F21B, F21J | | 06 | G10Z, G12A, G12B, G12J | | | |
| | 09 | J02A, J02B, J04A, J04B, J08A, J08B, J08C, J16Z, J21Z, J22A, J22B, J22J | | 08 | I02A, I02B, I02C, I02D, I12A, I12B, I12C, I12J, I22A, I50Z | | 08 | I02A, I02B, I02C, I02D, I12A, I12B, I12C, I12J, I22A, I50Z | | | |
| | 10 | K01Z | | 09 | J02A, J02B, J04A, J04B, J08A, J08B, J08C, J16Z, J21Z, J22A, J22B, J22J | | 09 | J02A, J02B, J04A, J04B, J08A, J08B, J08C, J16Z, J21Z, J22A, J22B, J22J | | | |
| | 21A | W04A, W04B | | 21A | W04A, W04B | | 21A | W04A, W04B | | | |
| | 21B | X01A, X01B | | 21B | X01A, X01B | | 21B | X01A, X01B | | | |
| | 5v23i.g | | | BOP, KJZSV, KVT, UOP4 | 5v23j.6 | | | BOP, KJZSV, KVT, UOP4 | 5v23j.b | | BOP, KJZSV, KVT, UOP4 |
| | | 01 | | B03Z, B07Z, B17A, B17B, B17C, B17J | | | 01 | B03Z, B07Z, B17A, B17B, B17C, B17J | | 01 | B03Z, B07Z, B17A, B17B, B17C, B17J |
| 05 | | F13A, F21A, F21B, F21J, F27A, F27B, F27C | 05 | F13A, F21A, F21B, F21J | | 05 | F13A, F21A, F21B, F21J | | | | |
| 08 | | I02A, I02B, I02C, I02D, I12A, I12B, I12C, I12J, I22A, I50Z | 08 | I02A, I02B, I02C, I02D, I12A, I12B, I12C, I12J, I22A, I50Z | | 06 | G10Z, G12A, G12B, G12J | | | | |
| 09 | | J02A, J02B, J04A, J04B, J08A, J08B, J08C, J16Z, J21Z, J22A, J22B, J22J | 09 | J02A, J02B, J04A, J04B, J08A, J08B, J08C, J16Z, J21Z, J22A, J22B, J22J | | 08 | I02A, I02B, I02C, I02D, I12A, I12B, I12C, I12J, I22A, I50Z | | | | |
| 10 | | K01Z | 21A | W04A, W04B | | 09 | J02A, J02B, J04A, J04B, J08A, J08B, J08C, J16Z, J21Z, J22A, J22B, J22J | | | | |
| 21A | | W04A, W04B | 21B | X01A, X01B | | 13 | N11A | | | | |
| 21B | | X01A, X01B | | | | 21A | W04A, W04B | | | | |
| 5v23i.x | | | BOP, KJZSV, KVT, UOP4 | 5v23j.7 | | | BOP, KJZSV, KVT, UOP4 | 5v23j.c | | | BOP, KJZSV, KVT, UOP4 |
| | | 01 | B03Z, B07Z, B17A, B17B, B17C, B17J | | | 01 | B03Z, B07Z, B17A, B17B, B17C, B17J | | | 01 | B03Z, B07Z, B17A, B17B, B17C, B17J |
| | 05 | F13A, F21A, F21B, F21J | 05 | | F13A, F21A, F21B, F21J | 05 | F13A, F21A, F21B, F21J | | | | |
| | 08 | I02A, I02B, I02C, I02D, I12A, I12B, I12C, I12J, I22A, I32A, I32B, I32C, I32D, I32E, I32F, I32J, I32Q, I32R, I32S, I32T, I32U, I50Z | 08 | | I02A, I02B, I02C, I02D, I12A, I12B, I12C, I12J, I22A, I32A, I32B, I32C, I32D, I32E, I32F, I32J, I32Q, I32R, I32S, I32T, I32U, I50Z | 06 | G10Z, G12A, G12B, G12J | | | | |
| | 09 | J02A, J02B, J04A, J04B, J08A, J08B, J08C, J16Z, J21Z, J22A, J22B, J22J | 09 | | J02A, J02B, J04A, J04B, J08A, J08B, J08C, J16Z, J21Z, J22A, J22B, J22J | 08 | I02A, I02B, I02C, I02D, I12A, I12B, I12C, I12J, I22A, I50Z | | | | |
| | 21A | W04A, W04B | 21A | | W04A, W04B | 09 | J02A, J02B, J04A, J04B, J08A, J08B, J08C, J16Z, J21Z, J22A, J22B, J22J | | | | |
| | 21B | X01A, X01B | 21B | | X01A, X01B | 13 | N11A | | | | |
| | 5v23j.0 | | BOP, KJZSV, KVT, UOP4 | | 5v23j.8 | | BOP, KJZSV, KVT, UOP4 | | 5v23j.d | | BOP, KJZSV, KVT, UOP4 |
| | | 03 | D18Z, D25A, D25B, D25C, D25D, D25J | | | 01 | B03Z, B07Z, B17A, B17B, B17C, B17J | | | 01 | B03Z, B07Z, B17A, B17B, B17C, B17J |
| | | 05 | F13A | | | 05 | F13A, F21A, F21B, F21J | | | 05 | F13A, F21A, F21B, F21J |
| 08 | | I12A, I12B, I12C, I12J | 08 | I02A, I02B, I02C, I02D, I12A, I12B, I12C, I12J, I22A, I32A, I32B, I32C, I32D, I32E, I32F, I32J, I32Q, I32R, I32S, I32T, I32U, I50Z | | 06 | G10Z, G12A, G12B, G12J | | | | |
| 09 | | J03A, J03B, J04A, J04B, J08A, J08B, J08C, J11A, J11B, J11J, J11Q, J11R, J11S, J16Z | 09 | J02A, J02B, J04A, J04B, J08A, J08B, J08C, J16Z, J21Z, J22A, J22B, J22J | | 08 | I02A, I02B, I02C, I02D, I12A, I12B, I12C, I12J, I22A, I50Z | | | | |
| 21A | | W04A, W04B | 21A | W04A, W04B | | 09 | J02A, J02B, J04A, J04B, J08A, J08B, J08C, J16Z, J21Z, J22A, J22B, J22J | | | | |
| 21B | | X01A, X01B, X06A, X06B, X06C | 21B | X01A, X01B | | 13 | N11A | | | | |
| 5v23j.4 | | | BOP, KJZSV, KVT, UOP4 | 5v23j.9 | | | BOP, KJZSV, KVT, UOP4 | 5v23j.e | | | BOP, KJZSV, KVT, UOP4 |
| | | 01 | B03Z, B07Z, B17A, B17B, B17C, B17J | | | 01 | B03Z, B07Z, B17A, B17B, B17C, B17J | | | 01 | B03Z, B07Z, B17A, B17B, B17C, B17J |
| | | 02 | C20A, C20B, C20J, C20Q, C20R | | | 05 | F13A, F21A, F21B, F21J | | | 05 | F13A, F21A, F21B, F21J, F27A, F27B, F27C |
| | 03 | D12A, D12B, D12J, D12Q | 08 | | I12A, I12B, I12C, I12J, I32A, I32B, I32C, I32D, I32E, I32F, I32J, I32Q, I32R, I32S, I32T, I32U | 08 | I02A, I02B, I02C, I02D, I12A, I12B, I12C, I12J, I22A, I50Z | | | | |
| | 05 | F13A, F21A, F21B, F21J | 09 | | J02A, J02B, J04A, J04B, J08A, J08B, J08C, J16Z, J21Z, J22A, J22B, J22J | 09 | J02A, J02B, J04A, J04B, J08A, J08B, J08C, J16Z, J21Z, J22A, J22B, J22J | | | | |
| | 08 | I02A, I02B, I02C, I02D, I12A, I12B, I12C, I12J, I22A, I50Z | 21A | | W04A, W04B | 10 | K01Z | | | | |
| | 09 | J02A, J02B, J04A, J04B, J08A, J08B, J08C, J16Z, J21Z, J22A, J22B, J22J | 21B | | X01A, X01B | 21A | W04A, W04B | | | | |
| | 21A | W04A, W04B | | | | 21B | X01A, X01B | | | | |
| | 21B | X01A, X01B | | | | | | | | | |

VYK

| ZZV | MDC | DRG | ZZV | MDC | DRG | ZZV | MDC | DRG | | | |
|---------|----------|--|------------------------------------|--|--|----------|--|--|----------|----|------------------------------------|
| 5v23j.f | | BOP, KJZSV, KVT, UOP4 | 5v240.4 | | BOP, KJZSV, KVT, UOP4 | 5v240.8↔ | | BOP, KJZSV, KVT, UOP4 | | | |
| | 01 | B03Z, B07Z, B17A, B17B, B17C, B17J | | 01 | B03Z, B07Z, B17A, B17B, B17C, B17J | | 01 | B03Z, B07Z, B17A, B17B, B17C, B17J | | | |
| | 05 | F13A, F21A, F21B, F21J, F27A, F27B, F27C | | 03 | D12A, D12J, D12Q | | 03 | D12A, D12J, D12Q | | | |
| | 08 | I02A, I02B, I02C, I02D, I12A, I12B, I12C, I12J, I22A, I50Z | | 05 | F13A, F21A, F21B, F21C, F21J, F27A, F27B, F27C | | 05 | F13A, F21A, F21B, F21C, F21J, F27A, F27B, F27C | | | |
| | 09 | J02A, J02B, J04A, J04B, J08A, J08B, J08C, J16Z, J21Z, J22A, J22B, J22J | | 08 | I12A, I12B, I12C, I12J | | 08 | I12A, I12B, I12C, I12J | | | |
| | 10 | K01Z | | 09 | J02A, J02B, J02C, J04A, J04B, J08A, J08B, J08C, J16Z, J21Z, J22A, J22B, J22J | | 09 | J02A, J02B, J02C, J04A, J04B, J08A, J08B, J08C, J16Z, J21Z, J22A, J22B, J22J | | | |
| | 21A | W04A, W04B | | 10 | K01Z | | 10 | K01Z | | | |
| | 21B | X01A, X01B | | 21A | W04A, W04B | | 21A | W04A, W04B | | | |
| | 5v23j.g | | | BOP, KJZSV, KVT, UOP4 | 5v240.5 | | | BOP, KJZSV, KVT, UOP4 | 5v240.9↔ | | BOP, KJZSV, KVT, UOP4 |
| | | 01 | | B03Z, B07Z, B17A, B17B, B17C, B17J | | | 01 | B03Z, B07Z, B17A, B17B, B17C, B17J | | 01 | B03Z, B07Z, B17A, B17B, B17C, B17J |
| 05 | | F13A, F21A, F21B, F21J, F27A, F27B, F27C | 03 | D12A, D12J, D12Q | | 03 | D12A, D12J, D12Q | | | | |
| 08 | | I02A, I02B, I02C, I02D, I12A, I12B, I12C, I12J, I22A, I50Z | 05 | F13A, F21A, F21B, F21C, F21J, F27A, F27B, F27C | | 05 | F13A, F21A, F21B, F21C, F21J, F27A, F27B, F27C | | | | |
| 09 | | J02A, J02B, J04A, J04B, J08A, J08B, J08C, J16Z, J21Z, J22A, J22B, J22J | 08 | I12A, I12B, I12C, I12J | | 08 | I12A, I12B, I12C, I12J | | | | |
| 10 | | K01Z | 09 | J02A, J02B, J02C, J04A, J04B, J08A, J08B, J08C, J16Z, J21Z, J22A, J22B, J22J | | 09 | J02A, J02B, J02C, J04A, J04B, J08A, J08B, J08C, J16Z, J21Z, J22A, J22B, J22J | | | | |
| 21A | | W04A, W04B | 10 | K01Z | | 10 | K01Z | | | | |
| 21B | | X01A, X01B | 21A | W04A, W04B | | 21A | W04A, W04B | | | | |
| 5v23j.x | | | BOP, KJZSV, KVT, UOP4 | 5v240.6↔ | | | BOP, KJZSV, KVT, UOP4 | 5v240.a | | | BOP, KJZSV, KVT, UOP4 |
| | | 01 | B03Z, B07Z, B17A, B17B, B17C, B17J | | | 01 | B03Z, B07Z, B17A, B17B, B17C, B17J | | | 01 | B03Z, B07Z, B17A, B17B, B17C, B17J |
| | 05 | F13A, F21A, F21B, F21J | 03 | | D12A, D12J, D12Q | 03 | D12A, D12J, D12Q | | | | |
| | 08 | I02A, I02B, I02C, I02D, I12A, I12B, I12C, I12J, I22A, I32A, I32B, I32C, I32D, I32E, I32F, I32J, I32Q, I32R, I32S, I32T, I32U, I50Z | 05 | | F13A, F21A, F21B, F21C, F21J, F27A, F27B, F27C | 05 | F13A, F21A, F21B, F21C, F21J, F27A, F27B, F27C | | | | |
| | 09 | J02A, J02B, J04A, J04B, J08A, J08B, J08C, J16Z, J21Z, J22A, J22B, J22J | 08 | | I12A, I12B, I12C, I12J | 08 | I12A, I12B, I12C, I12J | | | | |
| | 21A | W04A, W04B | 09 | | J02A, J02B, J02C, J04A, J04B, J08A, J08B, J08C, J16Z, J21Z, J22A, J22B, J22J | 09 | J02A, J02B, J02C, J04A, J04B, J08A, J08B, J08C, J16Z, J21Z, J22A, J22B, J22J | | | | |
| | 21B | X01A, X01B | 10 | | K01Z | 10 | K01Z | | | | |
| | 5v23x.x↔ | | BOP, KVT, UOP4 | | 5v240.7↔ | | BOP, KJZSV, KVT, UOP4 | | 5v240.b | | BOP, KJZSV, KVT, UOP4 |
| | | 01 | B03Z, B07Z, B17A, B17B, B17C, B17J | | | 01 | B03Z, B07Z, B17A, B17B, B17C, B17J | | | 01 | B03Z, B07Z, B17A, B17B, B17C, B17J |
| | | 05 | F13A, F21A, F21B, F21C, F21J | | | 03 | D12A, D12J, D12Q | | | 03 | D12A, D12J, D12Q |
| 08 | | I02A, I02B, I02C, I02D, I22A, I22B, I32A, I32B, I32C, I32D, I32E, I32F, I32J, I32Q, I32R, I32S, I32T, I32U, I50Z | 05 | F13A, F21A, F21B, F21C, F21J, F27A, F27B, F27C | | 05 | F13A, F21A, F21B, F21C, F21J, F27A, F27B, F27C | | | | |
| 09 | | J02A, J02B, J02C, J04A, J04B, J08A, J08B, J08C, J16Z, J21Z, J22A, J22B, J22J | 08 | I12A, I12B, I12C, I12J | | 08 | I12A, I12B, I12C, I12J | | | | |
| 21A | | W04A, W04B | 09 | J02A, J02B, J02C, J04A, J04B, J08A, J08B, J08C, J16Z, J21Z, J22A, J22B, J22J | | 09 | J02A, J02B, J02C, J04A, J04B, J08A, J08B, J08C, J16Z, J21Z, J22A, J22B, J22J | | | | |
| 21B | | X01A, X01B, X01C | 10 | K01Z | | 10 | K01Z | | | | |
| 5v240.0 | | | BOP, KJZSV, KVT, UOP4 | 5v240.8↔ | | | BOP, KJZSV, KVT, UOP4 | 5v240.8↔ | | | BOP, KJZSV, KVT, UOP4 |
| | | 01 | B03Z, B07Z, B17A, B17B, B17C, B17J | | | 01 | B03Z, B07Z, B17A, B17B, B17C, B17J | | | 01 | B03Z, B07Z, B17A, B17B, B17C, B17J |
| | | 03 | D12A, D12J, D12Q | | | 03 | D12A, D12J, D12Q | | | 03 | D12A, D12J, D12Q |
| | 05 | F13A, F21A, F21B, F21C, F21J, F27A, F27B, F27C | 05 | | F13A, F21A, F21B, F21C, F21J, F27A, F27B, F27C | 05 | F13A, F21A, F21B, F21C, F21J, F27A, F27B, F27C | | | | |
| | 08 | I12A, I12B, I12C, I12J | 08 | | I12A, I12B, I12C, I12J | 08 | I12A, I12B, I12C, I12J | | | | |
| | 09 | J02A, J02B, J02C, J04A, J04B, J08A, J08B, J08C, J16Z, J21Z, J22A, J22B, J22J | 09 | | J02A, J02B, J02C, J04A, J04B, J08A, J08B, J08C, J16Z, J21Z, J22A, J22B, J22J | 09 | J02A, J02B, J02C, J04A, J04B, J08A, J08B, J08C, J16Z, J21Z, J22A, J22B, J22J | | | | |
| | 10 | K01Z | 10 | | K01Z | 10 | K01Z | | | | |
| | 21A | W04A, W04B | 21A | | W04A, W04B | 21A | W04A, W04B | | | | |
| | 21B | X04Z, X05A, X05B, X06A, X06B, X06C | 21B | | X04Z, X05A, X05B, X06A, X06B, X06C | 21B | X04Z, X05A, X05B, X06A, X06B, X06C | | | | |

VYK

| ZZV | MDC | DRG | ZZV | MDC | DRG | ZZV | MDC | DRG |
|----------|----------|--|-----------------------|--|--|------------------------------|--|--|
| 5v242.6↔ | | BOP, KJZSV, KVT, UOP4 | 5v242.a | | BOP, KJZSV, KVT, UOP4 | 5v242.e↔ | | BOP, KJZSV, KVT, UOP4 |
| | 01 | B03Z, B07Z, B17A, B17B, B17C, B17J | | 01 | B03Z, B07Z, B17A, B17B, B17C, B17J | | 01 | B03Z, B07Z, B17A, B17B, B17C, B17J |
| | 03 | D12A, D12J, D12Q | | 03 | D12A, D12J, D12Q | | 03 | D12A, D12J, D12Q |
| | 05 | F13A, F21A, F21B, F21C, F21J, F27A, F27B, F27C | | 05 | F13A, F21A, F21B, F21C, F21J, F27A, F27B, F27C | | 05 | F13A, F21A, F21B, F21C, F21J, F27A, F27B, F27C |
| | 08 | I12A, I12B, I12C, I12J | | 08 | I12A, I12B, I12C, I12J | | 08 | I12A, I12B, I12C, I12J |
| | 09 | J02A, J02B, J02C, J04A, J04B, J08A, J08B, J08C, J16Z, J21Z, J22A, J22B, J22J | | 09 | J02A, J02B, J02C, J04A, J04B, J08A, J08B, J08C, J16Z, J21Z, J22A, J22B, J22J | | 09 | J02A, J02B, J02C, J04A, J04B, J08A, J08B, J08C, J16Z, J21Z, J22A, J22B, J22J |
| | 10 | K01Z | | 10 | K01Z | | 10 | K01Z |
| | 21A | W04A, W04B | | 21A | W04A, W04B | | 21A | W04A, W04B |
| | 21B | X04Z, X05A, X05B, X06A, X06B, X06C | | 21B | X04Z, X05A, X05B, X06A, X06B, X06C | | 21B | X04Z, X05A, X05B, X06A, X06B, X06C |
| | 5v242.7↔ | | | BOP, KJZSV, KVT, UOP4 | 5v242.b | | | BOP, KJZSV, KVT, UOP4 |
| 01 | | B03Z, B07Z, B17A, B17B, B17C, B17J | 01 | B03Z, B07Z, B17A, B17B, B17C, B17J | | 01 | B03Z, B07Z, B17A, B17B, B17C, B17J | |
| 03 | | D12A, D12J, D12Q | 03 | D12A, D12J, D12Q | | 03 | D12A, D12J, D12Q | |
| 05 | | F13A, F21A, F21B, F21C, F21J, F27A, F27B, F27C | 05 | F13A, F21A, F21B, F21C, F21J, F27A, F27B, F27C | | 05 | F13A, F21A, F21B, F21C, F21J, F27A, F27B, F27C | |
| 08 | | I12A, I12B, I12C, I12J | 08 | I12A, I12B, I12C, I12J | | 08 | I12A, I12B, I12C, I12J | |
| 09 | | J02A, J02B, J02C, J04A, J04B, J08A, J08B, J08C, J16Z, J21Z, J22A, J22B, J22J | 09 | J02A, J02B, J02C, J04A, J04B, J08A, J08B, J08C, J16Z, J21Z, J22A, J22B, J22J | | 09 | J02A, J02B, J02C, J04A, J04B, J08A, J08B, J08C, J16Z, J21Z, J22A, J22B, J22J | |
| 10 | | K01Z | 10 | K01Z | | 10 | K01Z | |
| 21A | | W04A, W04B | 21A | W04A, W04B | | 21A | W04A, W04B | |
| 21B | | X04Z, X05A, X05B, X06A, X06B, X06C | 21B | X04Z, X05A, X05B, X06A, X06B, X06C | | 21B | X04Z, X05A, X05B, X06A, X06B, X06C | |
| 5v242.8↔ | | | BOP, KJZSV, KVT, UOP4 | 5v242.c | | | BOP, KJZSV, KVT, UOP4 | 5v242.g↔ |
| | 01 | B03Z, B07Z, B17A, B17B, B17C, B17J | 01 | | B03Z, B07Z, B17A, B17B, B17C, B17J | 01 | B03Z, B07Z, B17A, B17B, B17C, B17J | |
| | 03 | D12A, D12J, D12Q | 03 | | D12A, D12J, D12Q | 03 | D12A, D12J, D12Q | |
| | 05 | F13A, F21A, F21B, F21C, F21J, F27A, F27B, F27C | 05 | | F13A, F21A, F21B, F21C, F21J, F27A, F27B, F27C | 05 | F13A, F21A, F21B, F21C, F21J, F27A, F27B, F27C | |
| | 08 | I12A, I12B, I12C, I12J | 08 | | I12A, I12B, I12C, I12J | 08 | I12A, I12B, I12C, I12J | |
| | 09 | J02A, J02B, J02C, J04A, J04B, J08A, J08B, J08C, J16Z, J21Z, J22A, J22B, J22J | 09 | | J02A, J02B, J02C, J04A, J04B, J08A, J08B, J08C, J16Z, J21Z, J22A, J22B, J22J | 09 | J02A, J02B, J02C, J04A, J04B, J08A, J08B, J08C, J16Z, J21Z, J22A, J22B, J22J | |
| | 10 | K01Z | 10 | | K01Z | 10 | K01Z | |
| | 21A | W04A, W04B | 21A | | W04A, W04B | 21A | W04A, W04B | |
| | 21B | X04Z, X05A, X05B, X06A, X06B, X06C | 21B | | X04Z, X05A, X05B, X06A, X06B, X06C | 21B | X04Z, X05A, X05B, X06A, X06B, X06C | |
| | 5v242.9↔ | | BOP, KJZSV, KVT, UOP4 | | 5v242.d | | BOP, KJZSV, KVT, UOP4 | |
| 01 | | B03Z, B07Z, B17A, B17B, B17C, B17J | 01 | B03Z, B07Z, B17A, B17B, B17C, B17J | | 01 | B03Z, B07Z, B17A, B17B, B17C, B17J | |
| 03 | | D12A, D12J, D12Q | 03 | D12A, D12J, D12Q | | 03 | D12A, D12J, D12Q | |
| 05 | | F13A, F21A, F21B, F21C, F21J, F27A, F27B, F27C | 05 | F13A, F21A, F21B, F21C, F21J, F27A, F27B, F27C | | 05 | F13A, F21A, F21B, F21C, F21J, F27A, F27B, F27C | |
| 08 | | I12A, I12B, I12C, I12J | 08 | I12A, I12B, I12C, I12J | | 08 | I12A, I12B, I12C, I12J | |
| 09 | | J02A, J02B, J02C, J04A, J04B, J08A, J08B, J08C, J16Z, J21Z, J22A, J22B, J22J | 09 | J02A, J02B, J02C, J04A, J04B, J08A, J08B, J08C, J16Z, J21Z, J22A, J22B, J22J | | 09 | J02A, J02B, J02C, J04A, J04B, J08A, J08B, J08C, J16Z, J21Z, J22A, J22B, J22J | |
| 10 | | K01Z | 10 | K01Z | | 10 | K01Z | |
| 21A | | W04A, W04B | 21A | W04A, W04B | | 21A | W04A, W04B | |
| 21B | | X04Z, X05A, X05B, X06A, X06B, X06C | 21B | X04Z, X05A, X05B, X06A, X06B, X06C | | 21B | X04Z, X05A, X05B, X06A, X06B, X06C | |
| | | | | | | 5v250.0 | | |
| | | | | | 03 | D02A, D02B, D18Z, D24A, D24B | | |
| | | | | | 06 | G33Z | | |
| | | | | | 07 | H33Z, H38Z | | |
| | | | | | 08 | I32A, I32B, I32C, I32D | | |
| | | | | | 09 | J01Z, J02A, J02B | | |
| | | | | | 11 | L33Z | | |
| | | | | | 21B | X01A, X01B, X33Z | | |
| | | | | | Pre | A07A | | |

VYK

Príloha B: Index Výkon-MDC-DRG

| ZZV | MDC | DRG | ZZV | MDC | DRG | ZZV | MDC | DRG |
|----------|-----|---|----------|-----|---|----------|-----|---|
| 5v250.4 | | KJZSV, KOP, KOPV 02 C20A, C20B, C20J, C20Q, C20R 03 D02A, D02B, D18Z, D24A, D24B 06 G33Z 07 H33Z, H38Z 08 I02A, I02B, I02C, I02D, I22A, I32A, I32B, I32C, I32D, I34Z, I50Z 09 J01Z, J02A, J02B 11 L33Z 21B X01A, X01B, X33Z Pre A07A | 5v250.a | | KJZSV, KOP, KOPV 06 G33Z 07 H33Z, H38Z 08 I02A, I02B, I02C, I02D, I22A, I32A, I32B, I32C, I32D, I34Z, I50Z 09 J01Z, J02A, J02B 11 L33Z 21B X01A, X01B, X33Z Pre A07A 5v250.b | 5v250.x↔ | | KJZSV, KOP, KOPV 06 G33Z 07 H33Z, H38Z 08 I02A, I02B, I02C, I02D, I22A, I32A, I32B, I32C, I32D, I34Z, I50Z 09 J01Z, J02A, J02B 11 L33Z 21B X01A, X01B, X33Z Pre A07A 5v251.0 |
| 5v250.5 | | KJZSV, KOP, KOPV 03 D02A, D02B, D18Z, D24A, D24B 06 G33Z 07 H33Z, H38Z 08 I02A, I02B, I02C, I02D, I22A, I32A, I32B, I32C, I32D, I34Z, I50Z 09 J01Z, J02A, J02B 11 L33Z 21B X01A, X01B, X33Z Pre A07A | 5v250.c | | KJZSV, KOP, KOPV 06 G33Z 07 H33Z, H38Z 08 I02A, I02B, I02C, I02D, I22A, I32A, I32B, I32C, I32D, I34Z, I50Z 09 J01Z, J02A, J02B 11 L33Z 21B X01A, X01B, X33Z Pre A07A 5v250.d | 5v251.4 | | BOP, KJZSV, KVT, UOP4 01 B03Z, B07Z, B17A, B17B, B17C, B17J 02 C20A, C20B, C20J, C20Q, C20R 03 D02A, D02B, D18Z, D24A, D24B 05 F13A, F21A, F21B, F21J 08 I02A, I02B, I02C, I02D, I12A, I12B, I12C, I12J, I22A, I50Z 09 J02A, J02B, J04A, J04B, J08A, J08B, J08C, J16Z, J21Z, J22A, J22B, J22J 21A W04A, W04B 21B X01A, X01B |
| 5v250.6↔ | | KJZSV, KOP, KOPV 06 G33Z 07 H33Z, H38Z 08 I02A, I02B, I02C, I02D, I22A, I32A, I32B, I32C, I32D, I34Z, I50Z 09 J01Z, J02A, J02B 11 L33Z 21B X01A, X01B, X33Z Pre A07A | 5v250.e↔ | | KJZSV, KOP, KOPV 06 G33Z 07 H33Z, H38Z 08 I02A, I02B, I02C, I02D, I22A, I32A, I32B, I32C, I32D, I34Z, I50Z 09 J01Z, J02A, J02B 11 L33Z 21B X01A, X01B, X33Z Pre A07A 5v250.f↔ | 5v251.5 | | BOP, KJZSV, KVT, UOP4 01 B03Z, B07Z, B17A, B17B, B17C, B17J 03 D02A, D02B, D18Z, D24A, D24B 05 F13A, F21A, F21B, F21J 08 I02A, I02B, I02C, I02D, I12A, I12B, I12C, I12J, I22A, I50Z 09 J02A, J02B, J04A, J04B, J08A, J08B, J08C, J16Z, J21Z, J22A, J22B, J22J 21A W04A, W04B 21B X01A, X01B |
| 5v250.7↔ | | KJZSV, KOP, KOPV 06 G33Z 07 H33Z, H38Z 08 I02A, I02B, I02C, I02D, I22A, I32A, I32B, I32C, I32D, I34Z, I50Z 09 J01Z, J02A, J02B 11 L33Z 21B X01A, X01B, X33Z Pre A07A | 5v250.g↔ | | KJZSV, KOP, KOPV 06 G33Z 07 H33Z, H38Z 08 I02A, I02B, I02C, I02D, I22A, I32A, I32B, I32C, I32D, I34Z, I50Z 09 J01Z, J02A, J02B 11 L33Z 21B X01A, X01B, X33Z Pre A07A 5v251.6↔ | 5v251.6↔ | | BOP, KJZSV, KVT, UOP4 01 B03Z, B07Z, B17A, B17B, B17C, B17J 05 F13A, F21A, F21B, F21J 08 I02A, I02B, I02C, I02D, I12A, I12B, I12C, I12J, I22A, I50Z 09 J02A, J02B, J04A, J04B, J08A, J08B, J08C, J16Z, J21Z, J22A, J22B, J22J 21A W04A, W04B 21B X01A, X01B |
| 5v250.8↔ | | KJZSV, KOP, KOPV 06 G33Z 07 H33Z, H38Z 08 I02A, I02B, I02C, I02D, I22A, I32A, I32B, I32C, I32D, I32E, I32F, I32J, I32Q, I32R, I32S, I32T, I32U, I34Z, I50Z 09 J01Z, J02A, J02B 11 L33Z 21B X01A, X01B, X33Z Pre A07A | | | | | | |
| 5v250.9↔ | | KJZSV, KOP, KOPV 06 G33Z 07 H33Z, H38Z 08 I02A, I02B, I02C, I02D, I22A, I32A, I32B, I32C, I32D, I32E, I32F, I32J, I32Q, I32R, I32S, I32T, I32U, I34Z 09 J01Z, J02A, J02B 11 L33Z 21B X01A, X01B, X33Z Pre A07A | | | | | | |

VYK

| ZZV | MDC | DRG | ZZV | MDC | DRG | ZZV | MDC | DRG | | | |
|----------|----------|--|------------------------------------|--|--|----------|--|--|---------|-----|------------------------------------|
| 5v251.7↔ | | BOP, KJZSV, KVT, UOP4 | 5v251.c | | BOP, KJZSV, KVT, UOP4 | 5v251.x↔ | | BOP, KJZSV, KVT, UOP4 | | | |
| | 01 | B03Z, B07Z, B17A, B17B, B17C, B17J | | 01 | B03Z, B07Z, B17A, B17B, B17C, B17J | | 01 | B03Z, B07Z, B17A, B17B, B17C, B17J | | | |
| | 05 | F13A, F21A, F21B, F21J | | 05 | F13A, F21A, F21B, F21J | | 05 | F13A, F21A, F21B, F21J | | | |
| | 08 | I02A, I02B, I02C, I02D, I12A, I12B, I12C, I12J, I22A, I50Z | | 06 | G10Z, G12A, G12B, G12J | | 08 | I02A, I02B, I02C, I02D, I12A, I12B, I12C, I12J, I22A, I50Z | | | |
| | 09 | J02A, J02B, J04A, J04B, J08A, J08B, J08C, J16Z, J21Z, J22A, J22B, J22J | | 08 | I02A, I02B, I02C, I02D, I12A, I12B, I12C, I12J, I22A, I50Z | | 09 | J02A, J02B, J04A, J04B, J08A, J08B, J08C, J16Z, J21Z, J22A, J22B, J22J | | | |
| | 21A | W04A, W04B | | 09 | J02A, J02B, J04A, J04B, J08A, J08B, J08C, J16Z, J21Z, J22A, J22B, J22J | | 09 | J02A, J02B, J04A, J04B, J08A, J08B, J08C, J16Z, J21Z, J22A, J22B, J22J | | | |
| | 21B | X01A, X01B | | 21A | W04A, W04B | | 21A | W04A, W04B | | | |
| | 5v251.8↔ | | | BOP, KJZSV, KVT, UOP4 | 5v251.d | | | BOP, KJZSV, KVT, UOP4 | 5v252.0 | | BOP, KJZSV, KVT, UOP4 |
| | | 01 | | B03Z, B07Z, B17A, B17B, B17C, B17J | | | 01 | B03Z, B07Z, B17A, B17B, B17C, B17J | | 21B | X01A, X01B |
| | | 05 | | F13A, F21A, F21B, F21J | | | 05 | F13A, F21A, F21B, F21J | | 03 | D02A, D02B, D18Z, D24A, D24B |
| 08 | | I02A, I02B, I02C, I02D, I12A, I12B, I12C, I12J, I22A, I32A, I32B, I32C, I32D, I32E, I32F, I32J, I32Q, I32R, I32S, I32T, I32U, I50Z | 06 | G10Z, G12A, G12B, G12J | | 05 | F13A | | | | |
| 09 | | J02A, J02B, J04A, J04B, J08A, J08B, J08C, J16Z, J21Z, J22A, J22B, J22J | 08 | I02A, I02B, I02C, I02D, I12A, I12B, I12C, I12J, I22A, I50Z | | 08 | I12A, I12B, I12C, I12J | | | | |
| 21A | | W04A, W04B | 09 | J02A, J02B, J04A, J04B, J08A, J08B, J08C, J16Z, J21Z, J22A, J22B, J22J | | 09 | J03A, J03B, J04A, J04B, J08A, J08B, J08C, J11A, J11B, J11J, J11Q, J11R, J11S, J16Z | | | | |
| 21B | | X01A, X01B | 21A | W04A, W04B | | 21A | W04A, W04B | | | | |
| 5v251.9↔ | | | BOP, KJZSV, KVT, UOP4 | 5v251.e↔ | | | BOP, KJZSV, KVT, UOP4 | 5v252.4 | | | BOP, KJZSV, KVT, UOP4 |
| | | 01 | B03Z, B07Z, B17A, B17B, B17C, B17J | | | 01 | B03Z, B07Z, B17A, B17B, B17C, B17J | | | 01 | B03Z, B07Z, B17A, B17B, B17C, B17J |
| | | 05 | F13A, F21A, F21B, F21J | | | 05 | F13A, F21A, F21B, F21J, F27A, F27B, F27C | | | 02 | C20A, C20B, C20J, C20Q, C20R |
| | 08 | I12A, I12B, I12C, I12J, I32A, I32B, I32C, I32D, I32E, I32F, I32J, I32Q, I32R, I32S, I32T, I32U | 08 | | I02A, I02B, I02C, I02D, I12A, I12B, I12C, I12J, I22A, I50Z | 03 | D02A, D02B, D18Z, D24A, D24B | | | | |
| | 09 | J02A, J02B, J04A, J04B, J08A, J08B, J08C, J16Z, J21Z, J22A, J22B, J22J | 09 | | J02A, J02B, J04A, J04B, J08A, J08B, J08C, J16Z, J21Z, J22A, J22B, J22J | 05 | F13A, F21A, F21B, F21J | | | | |
| | 21A | W04A, W04B | 10 | | K01Z | 08 | I02A, I02B, I02C, I02D, I12A, I12B, I12C, I12J, I22A, I50Z | | | | |
| | 21B | X01A, X01B | 21A | | W04A, W04B | 09 | J02A, J02B, J04A, J04B, J08A, J08B, J08C, J16Z, J21Z, J22A, J22B, J22J | | | | |
| | 5v251.a | | BOP, KJZSV, KVT, UOP4 | | 5v251.f↔ | | BOP, KJZSV, KVT, UOP4 | | 5v252.5 | | BOP, KJZSV, KVT, UOP4 |
| | | 01 | B03Z, B07Z, B17A, B17B, B17C, B17J | | | 01 | B03Z, B07Z, B17A, B17B, B17C, B17J | | | 01 | B03Z, B07Z, B17A, B17B, B17C, B17J |
| | | 05 | F13A, F21A, F21B, F21J | | | 05 | F13A, F21A, F21B, F21J, F27A, F27B, F27C | | | 03 | D02A, D02B, D18Z, D24A, D24B |
| 06 | | G10Z, G12A, G12B, G12J | 08 | I02A, I02B, I02C, I02D, I12A, I12B, I12C, I12J, I22A, I50Z | | 05 | F13A, F21A, F21B, F21J | | | | |
| 08 | | I02A, I02B, I02C, I02D, I12A, I12B, I12C, I12J, I22A, I50Z | 09 | J02A, J02B, J04A, J04B, J08A, J08B, J08C, J16Z, J21Z, J22A, J22B, J22J | | 08 | I02A, I02B, I02C, I02D, I12A, I12B, I12C, I12J, I22A, I50Z | | | | |
| 09 | | J02A, J02B, J04A, J04B, J08A, J08B, J08C, J16Z, J21Z, J22A, J22B, J22J | 10 | K01Z | | 09 | J02A, J02B, J04A, J04B, J08A, J08B, J08C, J16Z, J21Z, J22A, J22B, J22J | | | | |
| 21A | | W04A, W04B | 21A | W04A, W04B | | 21A | W04A, W04B | | | | |
| 21B | | X01A, X01B | 21B | X01A, X01B | | 21B | X01A, X01B | | | | |
| 5v251.b | | | BOP, KJZSV, KVT, UOP4 | 5v251.g↔ | | | BOP, KJZSV, KVT, UOP4 | 5v252.6↔ | | | BOP, KJZSV, KVT, UOP4 |
| | | 01 | B03Z, B07Z, B17A, B17B, B17C, B17J | | | 01 | B03Z, B07Z, B17A, B17B, B17C, B17J | | | 01 | B03Z, B07Z, B17A, B17B, B17C, B17J |
| | 05 | F13A, F21A, F21B, F21J | 05 | | F13A, F21A, F21B, F21J, F27A, F27B, F27C | 05 | F13A, F21A, F21B, F21J | | | | |
| | 06 | G10Z, G12A, G12B, G12J | 08 | | I02A, I02B, I02C, I02D, I12A, I12B, I12C, I12J, I22A, I50Z | 08 | I02A, I02B, I02C, I02D, I12A, I12B, I12C, I12J, I22A, I50Z | | | | |
| | 08 | I02A, I02B, I02C, I02D, I12A, I12B, I12C, I12J, I22A, I50Z | 09 | | J02A, J02B, J04A, J04B, J08A, J08B, J08C, J16Z, J21Z, J22A, J22B, J22J | 08 | I02A, I02B, I02C, I02D, I12A, I12B, I12C, I12J, I22A, I50Z | | | | |
| | 09 | J02A, J02B, J04A, J04B, J08A, J08B, J08C, J16Z, J21Z, J22A, J22B, J22J | 10 | | K01Z | 09 | J02A, J02B, J04A, J04B, J08A, J08B, J08C, J16Z, J21Z, J22A, J22B, J22J | | | | |
| | 21A | W04A, W04B | 21A | | W04A, W04B | 21A | W04A, W04B | | | | |
| | 21B | X01A, X01B | 21B | | X01A, X01B | 21B | X01A, X01B | | | | |

VYK

| ZZV | MDC | DRG | ZZV | MDC | DRG | ZZV | MDC | DRG | | | |
|----------|----------|--|------------------------------------|--|--|----------|--|--|---------|-----|------------------------------------|
| 5v252.7↔ | | BOP, KJZSV, KVT, UOP4 | 5v252.c | | BOP, KJZSV, KVT, UOP4 | 5v252.x↔ | | BOP, KJZSV, KVT, UOP4 | | | |
| | 01 | B03Z, B07Z, B17A, B17B, B17C, B17J | | 01 | B03Z, B07Z, B17A, B17B, B17C, B17J | | 01 | B03Z, B07Z, B17A, B17B, B17C, B17J | | | |
| | 05 | F13A, F21A, F21B, F21J | | 05 | F13A, F21A, F21B, F21J | | 05 | F13A, F21A, F21B, F21J | | | |
| | 08 | I02A, I02B, I02C, I02D, I12A, I12B, I12C, I12J, I22A, I50Z | | 06 | G10Z, G12A, G12B, G12J | | 08 | I02A, I02B, I02C, I02D, I12A, I12B, I12C, I12J, I22A, I50Z | | | |
| | 09 | J02A, J02B, J04A, J04B, J08A, J08B, J08C, J16Z, J21Z, J22A, J22B, J22J | | 08 | I02A, I02B, I02C, I02D, I12A, I12B, I12C, I12J, I22A, I50Z | | 09 | J02A, J02B, J04A, J04B, J08A, J08B, J08C, J16Z, J21Z, J22A, J22B, J22J | | | |
| | 21A | W04A, W04B | | 09 | J02A, J02B, J04A, J04B, J08A, J08B, J08C, J16Z, J21Z, J22A, J22B, J22J | | 09 | J02A, J02B, J04A, J04B, J08A, J08B, J08C, J16Z, J21Z, J22A, J22B, J22J | | | |
| | 21B | X01A, X01B | | 21A | W04A, W04B | | 21A | W04A, W04B | | | |
| | 5v252.8↔ | | | BOP, KJZSV, KVT, UOP4 | 5v252.d | | | BOP, KJZSV, KVT, UOP4 | 5v260.0 | | BOP, KJZSV, KVT, UOP4 |
| | | 01 | | B03Z, B07Z, B17A, B17B, B17C, B17J | | | 01 | B03Z, B07Z, B17A, B17B, B17C, B17J | | 21B | X01A, X01B |
| | | 05 | | F13A, F21A, F21B, F21J | | | 05 | F13A, F21A, F21B, F21J | | 03 | D18Z, D25A, D25B, D25C, D25D, D25J |
| 08 | | I02A, I02B, I02C, I02D, I12A, I12B, I12C, I12J, I22A, I32A, I32B, I32C, I32D, I32E, I32F, I32J, I32Q, I32R, I32S, I32T, I32U, I50Z | 06 | G10Z, G12A, G12B, G12J | | 05 | F13A | | | | |
| 09 | | J02A, J02B, J04A, J04B, J08A, J08B, J08C, J16Z, J21Z, J22A, J22B, J22J | 08 | I02A, I02B, I02C, I02D, I12A, I12B, I12C, I12J, I22A, I50Z | | 08 | I12A, I12B, I12C, I12J | | | | |
| 21A | | W04A, W04B | 09 | J02A, J02B, J04A, J04B, J08A, J08B, J08C, J16Z, J21Z, J22A, J22B, J22J | | 09 | J03A, J03B, J04A, J04B, J08A, J08B, J11A, J11B, J11J, J11Q, J11R, J11S, J16Z | | | | |
| 21B | | X01A, X01B | 21A | W04A, W04B | | 21A | W04A, W04B | | | | |
| 5v252.9↔ | | | BOP, KJZSV, KVT, UOP4 | 5v252.e↔ | | | BOP, KJZSV, KVT, UOP4 | 5v260.4 | | | BOP, KJZSV, KVT, UOP4 |
| | | 01 | B03Z, B07Z, B17A, B17B, B17C, B17J | | | 01 | B03Z, B07Z, B17A, B17B, B17C, B17J | | | 01 | B03Z, B07Z, B17A, B17B, B17C, B17J |
| | | 05 | F13A, F21A, F21B, F21J | | | 05 | F13A, F21A, F21B, F21J, F27A, F27B, F27C | | | 02 | C20A, C20B, C20J, C20Q, C20R |
| | 08 | I12A, I12B, I12C, I12J, I32A, I32B, I32C, I32D, I32E, I32F, I32J, I32Q, I32R, I32S, I32T, I32U | 08 | | I02A, I02B, I02C, I02D, I12A, I12B, I12C, I12J, I22A, I50Z | 03 | D12A, D12J, D12Q | | | | |
| | 09 | J02A, J02B, J04A, J04B, J08A, J08B, J08C, J16Z, J21Z, J22A, J22B, J22J | 09 | | J02A, J02B, J04A, J04B, J08A, J08B, J08C, J16Z, J21Z, J22A, J22B, J22J | 05 | F13A, F21A, F21B, F21J | | | | |
| | 21A | W04A, W04B | 10 | | K01Z | 08 | I02A, I02B, I02C, I02D, I12A, I12B, I12C, I12J, I22A, I50Z | | | | |
| | 21B | X01A, X01B | 21A | | W04A, W04B | 09 | J02A, J02B, J04A, J04B, J08A, J08B, J16Z, J21Z, J22A, J22B, J22J | | | | |
| | 5v252.a | | BOP, KJZSV, KVT, UOP4 | | 5v252.f↔ | | BOP, KJZSV, KVT, UOP4 | | 5v260.5 | | BOP, KJZSV, KVT, UOP4 |
| | | 01 | B03Z, B07Z, B17A, B17B, B17C, B17J | | | 01 | B03Z, B07Z, B17A, B17B, B17C, B17J | | | 01 | B03Z, B07Z, B17A, B17B, B17C, B17J |
| | | 05 | F13A, F21A, F21B, F21J | | | 05 | F13A, F21A, F21B, F21J, F27A, F27B, F27C | | | 03 | D12A, D12J, D12Q |
| 06 | | G10Z, G12A, G12B, G12J | 08 | I02A, I02B, I02C, I02D, I12A, I12B, I12C, I12J, I22A, I50Z | | 05 | F13A, F21A, F21B, F21J | | | | |
| 08 | | I02A, I02B, I02C, I02D, I12A, I12B, I12C, I12J, I22A, I50Z | 09 | J02A, J02B, J04A, J04B, J08A, J08B, J08C, J16Z, J21Z, J22A, J22B, J22J | | 08 | I02A, I02B, I02C, I02D, I12A, I12B, I12C, I12J, I22A, I50Z | | | | |
| 09 | | J02A, J02B, J04A, J04B, J08A, J08B, J08C, J16Z, J21Z, J22A, J22B, J22J | 10 | K01Z | | 09 | J02A, J02B, J04A, J04B, J08A, J08B, J16Z, J21Z, J22A, J22B, J22J | | | | |
| 21A | | W04A, W04B | 21A | W04A, W04B | | 21A | W04A, W04B | | | | |
| 21B | | X01A, X01B | 21B | X01A, X01B | | 21B | X01A, X01B | | | | |
| 5v252.b | | | BOP, KJZSV, KVT, UOP4 | 5v252.g↔ | | | BOP, KJZSV, KVT, UOP4 | 5v260.6↔ | | | BOP, KJZSV, KVT, UOP4 |
| | | 01 | B03Z, B07Z, B17A, B17B, B17C, B17J | | | 01 | B03Z, B07Z, B17A, B17B, B17C, B17J | | | 01 | B03Z, B07Z, B17A, B17B, B17C, B17J |
| | 05 | F13A, F21A, F21B, F21J | 05 | | F13A, F21A, F21B, F21J, F27A, F27B, F27C | 05 | F13A, F21A, F21B, F21J | | | | |
| | 06 | G10Z, G12A, G12B, G12J | 08 | | I02A, I02B, I02C, I02D, I12A, I12B, I12C, I12J, I22A, I50Z | 08 | I02A, I02B, I02C, I02D, I12A, I12B, I12C, I12J, I22A, I50Z | | | | |
| | 08 | I02A, I02B, I02C, I02D, I12A, I12B, I12C, I12J, I22A, I50Z | 09 | | J02A, J02B, J04A, J04B, J08A, J08B, J08C, J16Z, J21Z, J22A, J22B, J22J | 09 | J02A, J02B, J04A, J04B, J08A, J08B, J16Z, J21Z, J22A, J22B, J22J | | | | |
| | 09 | J02A, J02B, J04A, J04B, J08A, J08B, J08C, J16Z, J21Z, J22A, J22B, J22J | 10 | | K01Z | 09 | J02A, J02B, J04A, J04B, J08A, J08B, J16Z, J21Z, J22A, J22B, J22J | | | | |
| | 21A | W04A, W04B | 21A | | W04A, W04B | 21A | W04A, W04B | | | | |
| | 21B | X01A, X01B | 21B | | X01A, X01B | 21B | X01A, X01B | | | | |

VYK

| ZZV | MDC | DRG | ZZV | MDC | DRG | ZZV | MDC | DRG | | | |
|----------|----------|--|------------------------------------|--|--|----------|--|--|---------|----|------------------------------------|
| 5v260.7↔ | | BOP, KJZSV, KVT, UOP4 | 5v260.c | | BOP, KJZSV, KVT, UOP4 | 5v260.x↔ | | BOP, KJZSV, KVT, UOP4 | | | |
| | 01 | B03Z, B07Z, B17A, B17B, B17C, B17J | | 01 | B03Z, B07Z, B17A, B17B, B17C, B17J | | 01 | B03Z, B07Z, B17A, B17B, B17C, B17J | | | |
| | 05 | F13A, F21A, F21B, F21J | | 05 | F13A, F21A, F21B, F21J | | 05 | F13A, F21A, F21B, F21J | | | |
| | 08 | I02A, I02B, I02C, I02D, I12A, I12B, I12C, I12J, I22A, I50Z | | 06 | G10Z, G12A, G12B, G12J | | 08 | I02A, I02B, I02C, I02D, I12A, I12B, I12C, I12J, I22A, I50Z | | | |
| | 09 | J02A, J02B, J04A, J04B, J08A, J08B, J16Z, J21Z, J22A, J22B, J22J | | 08 | I02A, I02B, I02C, I02D, I12A, I12B, I12C, I12J, I22A, I50Z | | 09 | J02A, J02B, J04A, J04B, J08A, J08B, J16Z, J21Z, J22A, J22B, J22J | | | |
| | 21A | W04A, W04B | | 09 | J02A, J02B, J04A, J04B, J08A, J08B, J16Z, J21Z, J22A, J22B, J22J | | 09 | J02A, J02B, J04A, J04B, J08A, J08B, J16Z, J21Z, J22A, J22B, J22J | | | |
| | 21B | X01A, X01B | | 10 | K09A, K09B | | 21A | W04A, W04B | | | |
| | 5v260.8↔ | | | BOP, KJZSV, KVT, UOP4 | 5v260.d | | | BOP, KJZSV, KVT, UOP4 | 5v261.0 | | BOP, KJZSV, KVT, UOP4 |
| | | 01 | | B03Z, B07Z, B17A, B17B, B17C, B17J | | | 01 | B03Z, B07Z, B17A, B17B, B17C, B17J | | 03 | D18Z, D25A, D25B, D25C, D25D, D25J |
| | | 05 | | F13A, F21A, F21B, F21J | | | 05 | F13A, F21A, F21B, F21J | | 05 | F13A |
| 08 | | I02A, I02B, I02C, I02D, I12A, I12B, I12C, I12J, I22A, I32A, I32B, I32C, I32D, I32E, I32F, I32J, I32Q, I32R, I32S, I32T, I32U, I50Z | 06 | G10Z, G12A, G12B, G12J | | 08 | I12A, I12B, I12C, I12J | | | | |
| 09 | | J02A, J02B, J04A, J04B, J08A, J08B, J16Z, J21Z, J22A, J22B, J22J | 08 | I02A, I02B, I02C, I02D, I12A, I12B, I12C, I12J, I22A, I50Z | | 09 | J03A, J03B, J04A, J04B, J08A, J08B, J10A, J10B, J10J, J16Z | | | | |
| 21A | | W04A, W04B | 09 | J02A, J02B, J04A, J04B, J08A, J08B, J16Z, J21Z, J22A, J22B, J22J | | 21A | W04A, W04B | | | | |
| 21B | | X01A, X01B | 21A | W04A, W04B | | 21B | X01A, X01B, X06A, X06B, X06C, X33Z | | | | |
| 5v260.9↔ | | | BOP, KJZSV, KVT, UOP4 | 5v260.e↔ | | | BOP, KJZSV, KVT, UOP4 | 5v261.4 | | | BOP, KJZSV, KVT, UOP4 |
| | | 01 | B03Z, B07Z, B17A, B17B, B17C, B17J | | | 01 | B03Z, B07Z, B17A, B17B, B17C, B17J | | | 01 | B03Z, B07Z, B17A, B17B, B17C, B17J |
| | | 05 | F13A, F21A, F21B, F21J | | | 05 | F13A, F21A, F21B, F21J, F27A, F27B, F27C | | | 02 | C20A, C20B, C20J, C20Q, C20R |
| | 08 | I12A, I12B, I12C, I12J, I32A, I32B, I32C, I32D, I32E, I32F, I32J, I32Q, I32R, I32S, I32T, I32U | 08 | | I02A, I02B, I02C, I02D, I12A, I12B, I12C, I12J, I22A, I50Z | 03 | D12A, D12J, D12Q | | | | |
| | 09 | J02A, J02B, J04A, J04B, J08A, J08B, J16Z, J21Z, J22A, J22B, J22J | 09 | | J02A, J02B, J04A, J04B, J08A, J08B, J16Z, J21Z, J22A, J22B, J22J | 05 | F13A, F21A, F21B, F21J | | | | |
| | 21A | W04A, W04B | 10 | | K01Z | 08 | I02A, I02B, I02C, I02D, I12A, I12B, I12C, I12J, I22A, I50Z | | | | |
| | 21B | X01A, X01B | 21A | | W04A, W04B | 09 | J02A, J02B, J04A, J04B, J08A, J08B, J16Z, J21Z, J22A, J22B, J22J | | | | |
| | 5v260.a | | BOP, KJZSV, KVT, UOP4 | | 5v260.f↔ | | BOP, KJZSV, KVT, UOP4 | | 5v261.5 | | BOP, KJZSV, KVT, UOP4 |
| | | 01 | B03Z, B07Z, B17A, B17B, B17C, B17J | | | 01 | B03Z, B07Z, B17A, B17B, B17C, B17J | | | 01 | B03Z, B07Z, B17A, B17B, B17C, B17J |
| | | 05 | F13A, F21A, F21B, F21J | | | 05 | F13A, F21A, F21B, F21J, F27A, F27B, F27C | | | 03 | D12A, D12J, D12Q |
| 06 | | G10Z, G12A, G12B, G12J | 08 | I02A, I02B, I02C, I02D, I12A, I12B, I12C, I12J, I22A, I50Z | | 05 | F13A, F21A, F21B, F21J | | | | |
| 08 | | I02A, I02B, I02C, I02D, I12A, I12B, I12C, I12J, I22A, I50Z | 09 | J02A, J02B, J04A, J04B, J08A, J08B, J16Z, J21Z, J22A, J22B, J22J | | 08 | I02A, I02B, I02C, I02D, I12A, I12B, I12C, I12J, I22A, I50Z | | | | |
| 09 | | J02A, J02B, J04A, J04B, J08A, J08B, J16Z, J21Z, J22A, J22B, J22J | 09 | J02A, J02B, J04A, J04B, J08A, J08B, J16Z, J21Z, J22A, J22B, J22J | | 09 | J02A, J02B, J04A, J04B, J08A, J08B, J16Z, J21Z, J22A, J22B, J22J | | | | |
| 21A | | W04A, W04B | 10 | K01Z | | 21A | W04A, W04B | | | | |
| 21B | | X01A, X01B | 21A | W04A, W04B | | 21B | X01A, X01B, X33Z | | | | |
| 5v260.b | | | BOP, KJZSV, KVT, UOP4 | 5v260.g↔ | | | BOP, KJZSV, KVT, UOP4 | 5v261.6↔ | | | BOP, KJZSV, KVT, UOP4 |
| | | 01 | B03Z, B07Z, B17A, B17B, B17C, B17J | | | 01 | B03Z, B07Z, B17A, B17B, B17C, B17J | | | 01 | B03Z, B07Z, B17A, B17B, B17C, B17J |
| | 05 | F13A, F21A, F21B, F21J | 05 | | F13A, F21A, F21B, F21J, F27A, F27B, F27C | 05 | F13A, F21A, F21B, F21J | | | | |
| | 06 | G10Z, G12A, G12B, G12J | 08 | | I02A, I02B, I02C, I02D, I12A, I12B, I12C, I12J, I22A, I50Z | 08 | I02A, I02B, I02C, I02D, I12A, I12B, I12C, I12J, I22A, I50Z | | | | |
| | 08 | I02A, I02B, I02C, I02D, I12A, I12B, I12C, I12J, I22A, I50Z | 09 | | J02A, J02B, J04A, J04B, J08A, J08B, J16Z, J21Z, J22A, J22B, J22J | 09 | J02A, J02B, J04A, J04B, J08A, J08B, J16Z, J21Z, J22A, J22B, J22J | | | | |
| | 09 | J02A, J02B, J04A, J04B, J08A, J08B, J16Z, J21Z, J22A, J22B, J22J | 10 | | K01Z | 21A | W04A, W04B | | | | |
| | 21A | W04A, W04B | 21A | | W04A, W04B | 21B | X01A, X01B, X33Z | | | | |
| | 21B | X01A, X01B | 21B | | X01A, X01B | | | | | | |



Príloha B: Index Výkon-MDC-DRG

| ZZV | MDC | DRG | ZZV | MDC | DRG | ZZV | MDC | DRG | | | |
|----------|----------|--|------------------------------------|--|--|----------|--|--|---------|----|------------------------------------|
| 5v261.7↔ | | BOP, KJZSV, KVT, UOP4 | 5v261.c | | BOP, KJZSV, KVT, UOP4 | 5v261.x↔ | | BOP, KJZSV, KVT, UOP4 | | | |
| | 01 | B03Z, B07Z, B17A, B17B, B17C, B17J | | 01 | B03Z, B07Z, B17A, B17B, B17C, B17J | | 01 | B03Z, B07Z, B17A, B17B, B17C, B17J | | | |
| | 05 | F13A, F21A, F21B, F21J | | 05 | F13A, F21A, F21B, F21J | | 05 | F13A, F21A, F21B, F21J | | | |
| | 08 | I02A, I02B, I02C, I02D, I12A, I12B, I12C, I12J, I22A, I50Z | | 06 | G10Z, G12A, G12B, G12J | | 08 | I02A, I02B, I02C, I02D, I12A, I12B, I12C, I12J, I22A, I50Z | | | |
| | 09 | J02A, J02B, J04A, J04B, J08A, J08B, J16Z, J21Z, J22A, J22B, J22J | | 08 | I02A, I02B, I02C, I02D, I12A, I12B, I12C, I12J, I22A, I50Z | | 09 | J02A, J02B, J04A, J04B, J08A, J08B, J16Z, J21Z, J22A, J22B, J22J | | | |
| | 21A | W04A, W04B | | 09 | J02A, J02B, J04A, J04B, J08A, J08B, J16Z, J21Z, J22A, J22B, J22J | | 09 | J02A, J02B, J04A, J04B, J08A, J08B, J16Z, J21Z, J22A, J22B, J22J | | | |
| | 21B | X01A, X01B, X33Z | | 10 | K09A, K09B | | 21A | W04A, W04B | | | |
| | 5v261.8↔ | | | BOP, KJZSV, KVT, UOP4 | 5v261.d | | | BOP, KJZSV, KVT, UOP4 | 5v262.0 | | BOP, KJZSV, KVT, UOP4 |
| | | 01 | | B03Z, B07Z, B17A, B17B, B17C, B17J | | | 01 | B03Z, B07Z, B17A, B17B, B17C, B17J | | 03 | D02A, D02B, D18Z, D24A, D24B |
| | | 05 | | F13A, F21A, F21B, F21J | | | 05 | F13A, F21A, F21B, F21J | | 05 | F13A |
| 08 | | I02A, I02B, I02C, I02D, I12A, I12B, I12C, I12J, I22A, I32A, I32B, I32C, I32D, I32E, I32F, I32J, I32Q, I32R, I32S, I32T, I32U, I50Z | 06 | G10Z, G12A, G12B, G12J | | 08 | I12A, I12B, I12C, I12J | | | | |
| 09 | | J02A, J02B, J04A, J04B, J08A, J08B, J16Z, J21Z, J22A, J22B, J22J | 08 | I02A, I02B, I02C, I02D, I12A, I12B, I12C, I12J, I22A, I50Z | | 09 | J03A, J03B, J04A, J04B, J08A, J08B, J11A, J11B, J11J, J11Q, J11R, J11S, J16Z | | | | |
| 21A | | W04A, W04B | 09 | J02A, J02B, J04A, J04B, J08A, J08B, J16Z, J21Z, J22A, J22B, J22J | | 21A | W04A, W04B | | | | |
| 21B | | X01A, X01B, X33Z | 21A | W04A, W04B | | 21B | X01A, X01B, X06A, X06B, X06C, X33Z | | | | |
| 5v261.9↔ | | | BOP, KJZSV, KVT, UOP4 | 5v261.e↔ | | | BOP, KJZSV, KVT, UOP4 | 5v262.4 | | | BOP, KJZSV, KVT, UOP4 |
| | | 01 | B03Z, B07Z, B17A, B17B, B17C, B17J | | | 01 | B03Z, B07Z, B17A, B17B, B17C, B17J | | | 01 | B03Z, B07Z, B17A, B17B, B17C, B17J |
| | | 05 | F13A, F21A, F21B, F21J | | | 05 | F13A, F21A, F21B, F21J, F27A, F27B, F27C | | | 02 | C20A, C20B, C20J, C20Q, C20R |
| | 08 | I12A, I12B, I12C, I12J, I32A, I32B, I32C, I32D, I32E, I32F, I32J, I32Q, I32R, I32S, I32T, I32U | 08 | | I02A, I02B, I02C, I02D, I12A, I12B, I12C, I12J, I22A, I50Z | 03 | D12A, D12J, D12Q | | | | |
| | 09 | J02A, J02B, J04A, J04B, J08A, J08B, J16Z, J21Z, J22A, J22B, J22J | 09 | | J02A, J02B, J04A, J04B, J08A, J08B, J16Z, J21Z, J22A, J22B, J22J | 05 | F13A, F21A, F21B, F21J | | | | |
| | 21A | W04A, W04B | 10 | | K01Z | 08 | I02A, I02B, I02C, I02D, I12A, I12B, I12C, I12J, I22A, I50Z | | | | |
| | 21B | X01A, X01B, X33Z | 21A | | W04A, W04B | 09 | J02A, J02B, J04A, J04B, J08A, J08B, J16Z, J21Z, J22A, J22B, J22J | | | | |
| | 5v261.a | | BOP, KJZSV, KVT, UOP4 | | 5v261.f↔ | | BOP, KJZSV, KVT, UOP4 | | 5v262.5 | | BOP, KJZSV, KVT, UOP4 |
| | | 01 | B03Z, B07Z, B17A, B17B, B17C, B17J | | | 01 | B03Z, B07Z, B17A, B17B, B17C, B17J | | | 01 | B03Z, B07Z, B17A, B17B, B17C, B17J |
| | | 05 | F13A, F21A, F21B, F21J | | | 05 | F13A, F21A, F21B, F21J, F27A, F27B, F27C | | | 03 | D12A, D12J, D12Q |
| 06 | | G10Z, G12A, G12B, G12J | 08 | I02A, I02B, I02C, I02D, I12A, I12B, I12C, I12J, I22A, I50Z | | 05 | F13A, F21A, F21B, F21J | | | | |
| 08 | | I02A, I02B, I02C, I02D, I12A, I12B, I12C, I12J, I22A, I50Z | 09 | J02A, J02B, J04A, J04B, J08A, J08B, J16Z, J21Z, J22A, J22B, J22J | | 08 | I02A, I02B, I02C, I02D, I12A, I12B, I12C, I12J, I22A, I50Z | | | | |
| 09 | | J02A, J02B, J04A, J04B, J08A, J08B, J16Z, J21Z, J22A, J22B, J22J | 10 | K01Z | | 09 | J02A, J02B, J04A, J04B, J08A, J08B, J16Z, J21Z, J22A, J22B, J22J | | | | |
| 21A | | W04A, W04B | 21A | W04A, W04B | | 21A | W04A, W04B | | | | |
| 21B | | X01A, X01B, X33Z | 21B | X01A, X01B, X33Z | | 21B | X01A, X01B, X33Z | | | | |
| 5v261.b | | | BOP, KJZSV, KVT, UOP4 | 5v261.g↔ | | | BOP, KJZSV, KVT, UOP4 | 5v262.6↔ | | | BOP, KJZSV, KVT, UOP4 |
| | | 01 | B03Z, B07Z, B17A, B17B, B17C, B17J | | | 01 | B03Z, B07Z, B17A, B17B, B17C, B17J | | | 01 | B03Z, B07Z, B17A, B17B, B17C, B17J |
| | 05 | F13A, F21A, F21B, F21J | 05 | | F13A, F21A, F21B, F21J, F27A, F27B, F27C | 05 | F13A, F21A, F21B, F21J | | | | |
| | 06 | G10Z, G12A, G12B, G12J | 08 | | I02A, I02B, I02C, I02D, I12A, I12B, I12C, I12J, I22A, I50Z | 08 | I02A, I02B, I02C, I02D, I12A, I12B, I12C, I12J, I22A, I50Z | | | | |
| | 08 | I02A, I02B, I02C, I02D, I12A, I12B, I12C, I12J, I22A, I50Z | 09 | | J02A, J02B, J04A, J04B, J08A, J08B, J16Z, J21Z, J22A, J22B, J22J | 09 | J02A, J02B, J04A, J04B, J08A, J08B, J16Z, J21Z, J22A, J22B, J22J | | | | |
| | 09 | J02A, J02B, J04A, J04B, J08A, J08B, J16Z, J21Z, J22A, J22B, J22J | 10 | | K01Z | 21A | W04A, W04B | | | | |
| | 21A | W04A, W04B | 21A | | W04A, W04B | 21B | X01A, X01B, X33Z | | | | |
| | 21B | X01A, X01B, X33Z | 21B | | X01A, X01B, X33Z | | | | | | |

VYK

| ZZV | MDC | DRG | ZZV | MDC | DRG | ZZV | MDC | DRG | | | |
|----------|----------|--|------------------------------------|--|--|----------|--|--|---------|-----|------------------------------------|
| 5v262.7↔ | | BOP, KJZSV, KVT, UOP4 | 5v262.c | | BOP, KJZSV, KVT, UOP4 | 5v262.x↔ | | BOP, KJZSV, KVT, UOP4 | | | |
| | 01 | B03Z, B07Z, B17A, B17B, B17C, B17J | | 01 | B03Z, B07Z, B17A, B17B, B17C, B17J | | 01 | B03Z, B07Z, B17A, B17B, B17C, B17J | | | |
| | 05 | F13A, F21A, F21B, F21J | | 05 | F13A, F21A, F21B, F21J | | 05 | F13A, F21A, F21B, F21J | | | |
| | 08 | I02A, I02B, I02C, I02D, I12A, I12B, I12C, I12J, I22A, I50Z | | 06 | G10Z, G12A, G12B, G12J | | 08 | I02A, I02B, I02C, I02D, I12A, I12B, I12C, I12J, I22A, I50Z | | | |
| | 09 | J02A, J02B, J04A, J04B, J08A, J08B, J16Z, J21Z, J22A, J22B, J22J | | 08 | I02A, I02B, I02C, I02D, I12A, I12B, I12C, I12J, I22A, I50Z | | 09 | J02A, J02B, J04A, J04B, J08A, J08B, J16Z, J21Z, J22A, J22B, J22J | | | |
| | 21A | W04A, W04B | | 09 | J02A, J02B, J04A, J04B, J08A, J08B, J16Z, J21Z, J22A, J22B, J22J | | 09 | J02A, J02B, J04A, J04B, J08A, J08B, J16Z, J21Z, J22A, J22B, J22J | | | |
| | 21B | X01A, X01B, X33Z | | 10 | K09A, K09B | | 21A | W04A, W04B | | | |
| | 5v262.8↔ | | | BOP, KJZSV, KVT, UOP4 | 5v262.d | | | BOP, KJZSV, KVT, UOP4 | 5v263.0 | | BOP, KJZSV, KVT, UOP4 |
| | | 01 | | B03Z, B07Z, B17A, B17B, B17C, B17J | | | 12 | M04A, M04B, M04C, M04D, M04J, M04Q, M37Z, M38Z | | 21A | W04A, W04B |
| | | 05 | | F13A, F21A, F21B, F21J | | | 21A | W04A, W04B | | 21B | X01A, X01B, X33Z |
| 08 | | I02A, I02B, I02C, I02D, I12A, I12B, I12C, I12J, I22A, I32A, I32B, I32C, I32D, I32E, I32F, I32J, I32Q, I32R, I32S, I32T, I32U, I50Z | 21B | X01A, X01B, X33Z | | 03 | D02A, D02B, D18Z, D24A, D24B | | | | |
| 09 | | J02A, J02B, J04A, J04B, J08A, J08B, J16Z, J21Z, J22A, J22B, J22J | 01 | B03Z, B07Z, B17A, B17B, B17C, B17J | | 05 | F13A | | | | |
| 21A | | W04A, W04B | 05 | F13A, F21A, F21B, F21J | | 08 | I12A, I12B, I12C, I12J | | | | |
| 21B | | X01A, X01B, X33Z | 06 | G10Z, G12A, G12B, G12J | | 09 | J03A, J03B, J04A, J04B, J08A, J08B, J10A, J10B, J10J, J16Z | | | | |
| 5v262.9↔ | | | BOP, KJZSV, KVT, UOP4 | 5v262.e↔ | | | BOP, KJZSV, KVT, UOP4 | 5v263.4 | | | BOP, KJZSV, KVT, UOP4 |
| | | 01 | B03Z, B07Z, B17A, B17B, B17C, B17J | | | 01 | B03Z, B07Z, B17A, B17B, B17C, B17J | | | 01 | B03Z, B07Z, B17A, B17B, B17C, B17J |
| | | 05 | F13A, F21A, F21B, F21J | | | 05 | F13A, F21A, F21B, F21J, F27A, F27B, F27C | | | 02 | C20A, C20B, C20J, C20Q, C20R |
| | 08 | I12A, I12B, I12C, I12J, I32A, I32B, I32C, I32D, I32E, I32F, I32J, I32Q, I32R, I32S, I32T, I32U | 05 | | F13A, F21A, F21B, F21J, F27A, F27B, F27C | 03 | D12A, D12J, D12Q | | | | |
| | 09 | J02A, J02B, J04A, J04B, J08A, J08B, J16Z, J21Z, J22A, J22B, J22J | 08 | | I02A, I02B, I02C, I02D, I12A, I12B, I12C, I12J, I22A, I50Z | 05 | F13A, F21A, F21B, F21J | | | | |
| | 21A | W04A, W04B | 09 | | J02A, J02B, J04A, J04B, J08A, J08B, J16Z, J21Z, J22A, J22B, J22J | 08 | I02A, I02B, I02C, I02D, I12A, I12B, I12C, I12J, I22A, I50Z | | | | |
| | 21B | X01A, X01B, X33Z | 10 | | K01Z | 09 | J02A, J02B, J04A, J04B, J08A, J08B, J16Z, J21Z, J22A, J22B, J22J | | | | |
| | 5v262.a | | BOP, KJZSV, KVT, UOP4 | | 5v262.f↔ | | BOP, KJZSV, KVT, UOP4 | | 5v263.5 | | BOP, KJZSV, KVT, UOP4 |
| | | 01 | B03Z, B07Z, B17A, B17B, B17C, B17J | | | 21A | W04A, W04B | | | 01 | B03Z, B07Z, B17A, B17B, B17C, B17J |
| | | 05 | F13A, F21A, F21B, F21J | | | 21B | X01A, X01B, X33Z | | | 03 | D12A, D12J, D12Q |
| 06 | | G10Z, G12A, G12B, G12J | 01 | B03Z, B07Z, B17A, B17B, B17C, B17J | | 05 | F13A, F21A, F21B, F21J | | | | |
| 08 | | I02A, I02B, I02C, I02D, I12A, I12B, I12C, I12J, I22A, I50Z | 05 | F13A, F21A, F21B, F21J, F27A, F27B, F27C | | 08 | I02A, I02B, I02C, I02D, I12A, I12B, I12C, I12J, I22A, I50Z | | | | |
| 09 | | J02A, J02B, J04A, J04B, J08A, J08B, J16Z, J21Z, J22A, J22B, J22J | 08 | I02A, I02B, I02C, I02D, I12A, I12B, I12C, I12J, I22A, I50Z | | 09 | J02A, J02B, J04A, J04B, J08A, J08B, J16Z, J21Z, J22A, J22B, J22J | | | | |
| 21A | | W04A, W04B | 09 | J02A, J02B, J04A, J04B, J08A, J08B, J16Z, J21Z, J22A, J22B, J22J | | 21A | W04A, W04B | | | | |
| 21B | | X01A, X01B, X33Z | 10 | K01Z | | 21B | X01A, X01B, X33Z | | | | |
| 5v262.b | | | BOP, KJZSV, KVT, UOP4 | 5v262.g↔ | | | BOP, KJZSV, KVT, UOP4 | 5v263.6↔ | | | BOP, KJZSV, KVT, UOP4 |
| | | 01 | B03Z, B07Z, B17A, B17B, B17C, B17J | | | 01 | B03Z, B07Z, B17A, B17B, B17C, B17J | | | 01 | B03Z, B07Z, B17A, B17B, B17C, B17J |
| | 05 | F13A, F21A, F21B, F21J | 05 | | F13A, F21A, F21B, F21J, F27A, F27B, F27C | 05 | F13A, F21A, F21B, F21J | | | | |
| | 06 | G10Z, G12A, G12B, G12J | 08 | | I02A, I02B, I02C, I02D, I12A, I12B, I12C, I12J, I22A, I50Z | 08 | I02A, I02B, I02C, I02D, I12A, I12B, I12C, I12J, I22A, I50Z | | | | |
| | 08 | I02A, I02B, I02C, I02D, I12A, I12B, I12C, I12J, I22A, I50Z | 09 | | J02A, J02B, J04A, J04B, J08A, J08B, J16Z, J21Z, J22A, J22B, J22J | 09 | J02A, J02B, J04A, J04B, J08A, J08B, J16Z, J21Z, J22A, J22B, J22J | | | | |
| | 09 | J02A, J02B, J04A, J04B, J08A, J08B, J16Z, J21Z, J22A, J22B, J22J | 09 | | J02A, J02B, J04A, J04B, J08A, J08B, J16Z, J21Z, J22A, J22B, J22J | 21A | W04A, W04B | | | | |
| | 21A | W04A, W04B | 10 | | K01Z | 21B | X01A, X01B, X33Z | | | | |
| | 21B | X01A, X01B, X33Z | 21A | | W04A, W04B | | | | | | |
| | | | 21B | | X01A, X01B, X33Z | | | | | | |

VYK

| ZZV | MDC | DRG | ZZV | MDC | DRG | ZZV | MDC | DRG |
|----------|-----|---|----------|-----|--|----------|-----|---|
| 5v263.7↔ | | BOP, KJZSV, KVT, UOP4 01 B03Z, B07Z, B17A, B17B, B17C, B17J 05 F13A, F21A, F21B, F21J 08 I02A, I02B, I02C, I02D, I12A, I12B, I12C, I12J, I22A, I50Z 09 J02A, J02B, J04A, J04B, J08A, J08B, J16Z, J21Z, J22A, J22B, J22J 21A W04A, W04B 21B X01A, X01B, X33Z | 5v263.c | | BOP, KJZSV, KVT, UOP4 01 B03Z, B07Z, B17A, B17B, B17C, B17J 05 F13A, F21A, F21B, F21J 06 G10Z, G12A, G12B, G12J 08 I02A, I02B, I02C, I02D, I12A, I12B, I12C, I12J, I22A, I50Z 09 J02A, J02B, J04A, J04B, J08A, J08B, J16Z, J21Z, J22A, J22B, J22J 10 K09A, K09B 12 M04A, M04B, M04C, M04D, M04J, M04Q, M37Z, M38Z 21A W04A, W04B 21B X01A, X01B, X33Z | 5v263.x↔ | | BOP, KJZSV, KVT, UOP4 01 B03Z, B07Z, B17A, B17B, B17C, B17J 05 F13A, F21A, F21B, F21J 08 I02A, I02B, I02C, I02D, I12A, I12B, I12C, I12J, I22A, I32A, I32B, I32C, I32D, I32E, I32F, I32J, I32Q, I32R, I32S, I32T, I32U, I50Z 09 J02A, J02B, J04A, J04B, J08A, J08B, J16Z, J21Z, J22A, J22B, J22J 21A W04A, W04B 21B X01A, X01B, X33Z |
| 5v263.8↔ | | BOP, KJZSV, KVT, UOP4 01 B03Z, B07Z, B17A, B17B, B17C, B17J 05 F13A, F21A, F21B, F21J 08 I02A, I02B, I02C, I02D, I12A, I12B, I12C, I12J, I22A, I32A, I32B, I32C, I32D, I32E, I32F, I32J, I32Q, I32R, I32S, I32T, I32U, I50Z 09 J02A, J02B, J04A, J04B, J08A, J08B, J16Z, J21Z, J22A, J22B, J22J 21A W04A, W04B 21B X01A, X01B, X33Z | 5v263.d | | BOP, KJZSV, KVT, UOP4 01 B03Z, B07Z, B17A, B17B, B17C, B17J 05 F13A, F21A, F21B, F21J 06 G10Z, G12A, G12B, G12J 08 I02A, I02B, I02C, I02D, I12A, I12B, I12C, I12J, I22A, I50Z 09 J02A, J02B, J04A, J04B, J08A, J08B, J16Z, J21Z, J22A, J22B, J22J 21A W04A, W04B 21B X01A, X01B, X33Z | 5v26x.x↔ | | BOP, KJZSV, KVT, UOP4 01 B03Z, B07Z, B17A, B17B, B17C, B17J 05 F13A, F21A, F21B, F21J 08 I02A, I02B, I02C, I02D, I22A, I32A, I32B, I32C, I32D, I32E, I32F, I32J, I32Q, I32R, I32S, I32T, I32U, I50Z 09 J02A, J02B, J02C, J04A, J04B, J08A, J08B, J16Z, J21Z, J22A, J22B, J22J 21A W04A, W04B 21B X01A, X01B |
| 5v263.9↔ | | BOP, KJZSV, KVT, UOP4 01 B03Z, B07Z, B17A, B17B, B17C, B17J 05 F13A, F21A, F21B, F21J 08 I12A, I12B, I12C, I12J, I32A, I32B, I32C, I32D, I32E, I32F, I32J, I32Q, I32R, I32S, I32T, I32U 09 J02A, J02B, J04A, J04B, J08A, J08B, J16Z, J21Z, J22A, J22B, J22J 21A W04A, W04B 21B X01A, X01B, X33Z | 5v263.e↔ | | BOP, KJZSV, KVT, UOP4 01 B03Z, B07Z, B17A, B17B, B17C, B17J 05 F13A, F21A, F21B, F21J, F27A, F27B, F27C 08 I02A, I02B, I02C, I02D, I12A, I12B, I12C, I12J, I22A, I50Z 09 J02A, J02B, J04A, J04B, J08A, J08B, J16Z, J21Z, J22A, J22B, J22J 10 K01Z 21A W04A, W04B 21B X01A, X01B, X33Z | 5v270.0 | | BOP, KVT, UOP4 03 D12A, D12B, D12J, D12Q 05 F13A 09 J03A, J03B, J04A, J04B, J08A, J08B, J08C, J10A, J10B, J10J, J16Z 21A W04A, W04B 21B X06A, X06B, X06C |
| 5v263.a | | BOP, KJZSV, KVT, UOP4 01 B03Z, B07Z, B17A, B17B, B17C, B17J 05 F13A, F21A, F21B, F21J 06 G10Z, G12A, G12B, G12J 08 I02A, I02B, I02C, I02D, I12A, I12B, I12C, I12J, I22A, I50Z 09 J02A, J02B, J04A, J04B, J08A, J08B, J16Z, J21Z, J22A, J22B, J22J 21A W04A, W04B 21B X01A, X01B, X33Z | 5v263.f↔ | | BOP, KJZSV, KVT, UOP4 01 B03Z, B07Z, B17A, B17B, B17C, B17J 05 F13A, F21A, F21B, F21J, F27A, F27B, F27C 08 I02A, I02B, I02C, I02D, I12A, I12B, I12C, I12J, I22A, I50Z 09 J02A, J02B, J04A, J04B, J08A, J08B, J16Z, J21Z, J22A, J22B, J22J 10 K01Z 21A W04A, W04B 21B X01A, X01B, X33Z | 5v270.4 | | BOP, KVT, UOP4 03 D12A, D12B, D12J, D12Q 05 F13A 09 J03A, J03B, J04A, J04B, J08A, J08B, J08C, J10A, J10B, J10J, J16Z 21A W04A, W04B 21B X06A, X06B, X06C |
| 5v263.b | | BOP, KJZSV, KVT, UOP4 01 B03Z, B07Z, B17A, B17B, B17C, B17J 05 F13A, F21A, F21B, F21J 06 G10Z, G12A, G12B, G12J 08 I02A, I02B, I02C, I02D, I12A, I12B, I12C, I12J, I22A, I50Z 09 J02A, J02B, J04A, J04B, J08A, J08B, J16Z, J21Z, J22A, J22B, J22J 21A W04A, W04B 21B X01A, X01B, X33Z | 5v263.g↔ | | BOP, KJZSV, KVT, UOP4 01 B03Z, B07Z, B17A, B17B, B17C, B17J 05 F13A, F21A, F21B, F21J, F27A, F27B, F27C 08 I02A, I02B, I02C, I02D, I12A, I12B, I12C, I12J, I22A, I50Z 09 J02A, J02B, J04A, J04B, J08A, J08B, J16Z, J21Z, J22A, J22B, J22J 10 K01Z 21A W04A, W04B 21B X01A, X01B, X33Z | 5v270.5 | | BOP, KVT, UOP4 03 D12A, D12B, D12J, D12Q 05 F13A 09 J03A, J03B, J04A, J04B, J08A, J08B, J08C, J10A, J10B, J10J, J16Z 21A W04A, W04B 21B X06A, X06B, X06C |
| | | | | | | 5v270.6↔ | | BOP, KVT, UOP4 05 F13A 09 J03A, J03B, J04A, J04B, J08A, J08B, J08C, J10A, J10B, J10J, J16Z |
| | | | | | | 5v270.7↔ | | BOP, KVT, UOP4 05 F13A 09 J03A, J03B, J04A, J04B, J08A, J08B, J08C, J10A, J10B, J10J, J16Z 21A W04A, W04B 21B X06A, X06B, X06C |

| ZZV | MDC | DRG | ZZV | MDC | DRG | ZZV | MDC | DRG |
|----------|-----|--|----------|-----|--|----------|-----|--|
| 5v270.8↔ | | BOP, KVT, UOP4 | 5v270.x | | BOP, KVT, UOP4 | 5v272.7↔ | | BOP, KJZSV, KVT, UOP4 |
| | 05 | F13A | | 05 | F13A | | 01 | B03Z, B07Z, B17A, B17B, B17C, B17J |
| | 09 | J03A, J03B, J04A, J04B, J08A, J08B, J08C, J10A, J10B, J10J, J16Z | | 09 | J03A, J03B, J04A, J04B, J08A, J08B, J08C, J10A, J10B, J10J, J16Z | | 05 | F13A, F21A, F21B, F21C, F21J |
| | 21A | W04A, W04B | | 21A | W04A, W04B | | 08 | I02A, I02B, I02C, I02D, I12A, I12B, I12C, I12J, I22A, I50Z |
| 5v270.9↔ | 21B | X05A, X05B, X06A, X06B, X06C | 5v271 | 21B | X06A, X06B, X06C | 5v272.8↔ | 09 | J02A, J02B, J02C, J04A, J04B, J08A, J08B, J08C, J16Z, J21Z, J22A, J22B, J22J |
| | | BOP, KVT, UOP4 | | | BOP, KVT, UOP4 | | 21A | W04A, W04B |
| | 05 | F13A | | 05 | F13A | | 21B | X01A, X01B |
| | 09 | J03A, J03B, J04A, J04B, J08A, J08B, J08C, J10A, J10B, J10J, J16Z | | 09 | J03A, J03B, J04A, J04B, J08A, J08B, J08C, J10A, J10B, J10J, J16Z | | 01 | BOP, KJZSV, KVT, UOP4 |
| 5v270.a | 21A | W04A, W04B | 5v272.0 | 21A | W04A, W04B | 5v272.9↔ | 05 | F13A, F21A, F21B, F21C, F21J |
| | 21B | X05A, X05B, X06A, X06B, X06C | | 21B | X06A, X06B, X06C | | 08 | I02A, I02B, I02C, I02D, I12A, I12B, I12C, I12J, I22A, I32A, I32B, I32C, I32D, I32E, I32F, I32J, I32Q, I32R, I32S, I32T, I32U, I50Z |
| | | BOP, KVT, UOP4 | | 01 | B03Z, B07Z, B17A, B17B, B17C, B17J | | 09 | J02A, J02B, J02C, J04A, J04B, J08A, J08B, J08C, J16Z, J21Z, J22A, J22B, J22J |
| | 05 | F13A | | 03 | D12A, D12B, D12J, D12Q | | 21A | W04A, W04B |
| 5v270.b | 09 | J03A, J03B, J04A, J04B, J08A, J08B, J08C, J10A, J10B, J10J, J16Z | 5v272.4 | 05 | F13A, F21A, F21B, F21C, F21J | 5v272.a | 21B | X01A, X01B |
| | 21A | W04A, W04B | | 08 | I12A, I12B, I12C, I12J | | 01 | BOP, KJZSV, KVT, UOP4 |
| | 21B | X06A, X06B, X06C | | 09 | J02A, J02B, J02C, J04A, J04B, J08A, J08B, J08C, J16Z, J21Z, J22A, J22B, J22J | | 05 | F13A, F21A, F21B, F21C, F21J |
| | | BOP, KVT, UOP4 | | 21A | W04A, W04B | | 08 | I12A, I12B, I12C, I12J, I32A, I32B, I32C, I32D, I32E, I32F, I32J, I32Q, I32R, I32S, I32T, I32U |
| 5v270.c | 05 | F13A | 5v272.5 | 21B | X01A, X01B | 5v272.6↔ | 09 | J02A, J02B, J02C, J04A, J04B, J08A, J08B, J08C, J16Z, J21Z, J22A, J22B, J22J |
| | 09 | J03A, J03B, J04A, J04B, J08A, J08B, J08C, J10A, J10B, J10J, J16Z | | 01 | B03Z, B07Z, B17A, B17B, B17C, B17J | | 21A | W04A, W04B |
| | 21A | W04A, W04B | | 03 | D12A, D12B, D12J, D12Q | | 21B | X01A, X01B |
| | 21B | X06A, X06B, X06C | | 05 | F13A, F21A, F21B, F21C, F21J | | 01 | BOP, KJZSV, KVT, UOP4 |
| 5v270.d | | BOP, KVT, UOP4 | 5v272.6↔ | 08 | I02A, I02B, I02C, I02D, I12A, I12B, I12C, I12J, I22A, I50Z | 5v272.g↔ | 05 | F13A, F21A, F21B, F21C, F21J |
| | 05 | F13A | | 09 | J02A, J02B, J02C, J04A, J04B, J08A, J08B, J08C, J16Z, J21Z, J22A, J22B, J22J | | 08 | I02A, I02B, I02C, I02D, I12A, I12B, I12C, I12J, I22A, I50Z |
| | 09 | J03A, J03B, J04A, J04B, J08A, J08B, J08C, J10A, J10B, J10J, J16Z | | 21A | W04A, W04B | | 09 | J02A, J02B, J02C, J04A, J04B, J08A, J08B, J08C, J16Z, J21Z, J22A, J22B, J22J |
| | 21A | W04A, W04B | | 21B | X01A, X01B | | 21A | W04A, W04B |
| 5v270.e↔ | 21B | X04Z, X06A, X06B, X06C | 5v272.6↔ | 01 | BOP, KJZSV, KVT, UOP4 | 5v272.g↔ | 21B | X01A, X01B |
| | | BOP, KVT, UOP4 | | 05 | F13A, F21A, F21B, F21C, F21J | | | |
| | 05 | F13A | | 08 | I02A, I02B, I02C, I02D, I12A, I12B, I12C, I12J, I22A, I50Z | | | |
| | 09 | J03A, J03B, J04A, J04B, J08A, J08B, J08C, J10A, J10B, J10J, J16Z | | 09 | J02A, J02B, J02C, J04A, J04B, J08A, J08B, J08C, J16Z, J21Z, J22A, J22B, J22J | | | |
| 5v270.f↔ | 21A | W04A, W04B | 5v272.6↔ | 21A | W04A, W04B | | | |
| | 21B | X04Z, X06A, X06B, X06C | | 21B | X01A, X01B | | | |
| | | BOP, KVT, UOP4 | | 01 | BOP, KJZSV, KVT, UOP4 | | | |
| | 05 | F13A | | 05 | F13A, F21A, F21B, F21C, F21J | | | |
| 5v270.g↔ | 09 | J03A, J03B, J04A, J04B, J08A, J08B, J08C, J10A, J10B, J10J, J16Z | 5v272.6↔ | 08 | I02A, I02B, I02C, I02D, I12A, I12B, I12C, I12J, I22A, I50Z | | | |
| | 21A | W04A, W04B | | 09 | J02A, J02B, J02C, J04A, J04B, J08A, J08B, J08C, J16Z, J21Z, J22A, J22B, J22J | | | |
| | 21B | X04Z, X06A, X06B, X06C | | 21A | W04A, W04B | | | |
| | | BOP, KVT, UOP4 | | 21B | X01A, X01B | | | |

VYK

| ZZV | MDC | DRG | ZZV | MDC | DRG | ZZV | MDC | DRG | | | |
|----------|----------|--|------------------------------------|--|--|----------|--|--|----------|----|------------------------------------|
| 5v272.b | | BOP, KJZSV, KVT, UOP4 | 5v272.g↔ | | BOP, KJZSV, KVT, UOP4 | 5v273.6↔ | | BOP, KJZSV, KVT, UOP4 | | | |
| | 01 | B03Z, B07Z, B17A, B17B, B17C, B17J | | 01 | B03Z, B07Z, B17A, B17B, B17C, B17J | | 01 | B03Z, B07Z, B17A, B17B, B17C, B17J | | | |
| | 05 | F13A, F21A, F21B, F21C, F21J | | 05 | F13A, F21A, F21B, F21C, F21J, F27A, F27B, F27C | | 05 | F13A, F21A, F21B, F21C, F21J | | | |
| | 06 | G10Z, G12A, G12B, G12J | | 08 | I02A, I02B, I02C, I02D, I12A, I12B, I12C, I12J, I22A, I50Z | | 08 | I02A, I02B, I02C, I02D, I12A, I12B, I12C, I12J, I22A, I50Z | | | |
| | 08 | I02A, I02B, I02C, I02D, I12A, I12B, I12C, I12J, I22A, I50Z | | 09 | J02A, J02B, J02C, J04A, J04B, J08A, J08B, J08C, J16Z, J21Z, J22A, J22B, J22J | | 09 | J02A, J02B, J02C, J04A, J04B, J08A, J08B, J08C, J16Z, J21Z, J22A, J22B, J22J | | | |
| | 09 | J02A, J02B, J02C, J04A, J04B, J08A, J08B, J08C, J16Z, J21Z, J22A, J22B, J22J | | 10 | K01Z | | 21A | W04A, W04B | | | |
| | 21A | W04A, W04B | | 21A | W04A, W04B | | 21B | X01A, X01B | | | |
| | 21B | X01A, X01B | | 21B | X01A, X01B | | | | | | |
| | 5v272.c | | | BOP, KJZSV, KVT, UOP4 | 5v272.x↔ | | | BOP, KJZSV, KVT, UOP4 | 5v273.7↔ | | BOP, KJZSV, KVT, UOP4 |
| | | 01 | | B03Z, B07Z, B17A, B17B, B17C, B17J | | | 01 | B03Z, B07Z, B17A, B17B, B17C, B17J | | 01 | B03Z, B07Z, B17A, B17B, B17C, B17J |
| 05 | | F13A, F21A, F21B, F21C, F21J | 05 | F13A, F21A, F21B, F21C, F21J | | 05 | F13A, F21A, F21B, F21C, F21J | | | | |
| 06 | | G10Z, G12A, G12B, G12J | 08 | I02A, I02B, I02C, I02D, I12A, I12B, I12C, I12J, I22A, I32A, I32B, I32C, I32D, I32E, I32F, I32J, I32Q, I32R, I32S, I32T, I32U, I50Z | | 08 | I02A, I02B, I02C, I02D, I12A, I12B, I12C, I12J, I22A, I50Z | | | | |
| 08 | | I02A, I02B, I02C, I02D, I12A, I12B, I12C, I12J, I22A, I50Z | 09 | J02A, J02B, J02C, J04A, J04B, J08A, J08B, J08C, J16Z, J21Z, J22A, J22B, J22J | | 09 | J02A, J02B, J02C, J04A, J04B, J08A, J08B, J08C, J16Z, J21Z, J22A, J22B, J22J | | | | |
| 09 | | J02A, J02B, J02C, J04A, J04B, J08A, J08B, J08C, J16Z, J21Z, J22A, J22B, J22J | 21A | W04A, W04B | | 21A | W04A, W04B | | | | |
| 21A | | W04A, W04B | 21B | X01A, X01B | | 21B | X01A, X01B | | | | |
| 21B | | X01A, X01B | | | | | | | | | |
| 5v272.d | | | BOP, KJZSV, KVT, UOP4 | 5v273.0 | | | BOP, KJZSV, KVT, UOP4 | 5v273.8↔ | | | BOP, KJZSV, KVT, UOP4 |
| | | 01 | B03Z, B07Z, B17A, B17B, B17C, B17J | | | 01 | B03Z, B07Z, B17A, B17B, B17C, B17J | | | 01 | B03Z, B07Z, B17A, B17B, B17C, B17J |
| | 05 | F13A, F21A, F21B, F21C, F21J | 03 | | D12A, D12B, D12J, D12Q | 05 | F13A, F21A, F21B, F21C, F21J | | | | |
| | 06 | G10Z, G12A, G12B, G12J | 05 | | F13A, F21A, F21B, F21C, F21J | 08 | I02A, I02B, I02C, I02D, I12A, I12B, I12C, I12J, I22A, I32A, I32B, I32C, I32D, I32E, I32F, I32J, I32Q, I32R, I32S, I32T, I32U, I50Z | | | | |
| | 08 | I02A, I02B, I02C, I02D, I12A, I12B, I12C, I12J, I22A, I50Z | 08 | | I12A, I12B, I12C, I12J | 09 | J02A, J02B, J02C, J04A, J04B, J08A, J08B, J08C, J16Z, J21Z, J22A, J22B, J22J | | | | |
| | 09 | J02A, J02B, J02C, J04A, J04B, J08A, J08B, J08C, J16Z, J21Z, J22A, J22B, J22J | 09 | | J02A, J02B, J02C, J04A, J04B, J08A, J08B, J08C, J16Z, J21Z, J22A, J22B, J22J | 21A | W04A, W04B | | | | |
| | 21A | W04A, W04B | 21A | | W04A, W04B | 21B | X01A, X01B | | | | |
| | 21B | X01A, X01B | 21B | | X01A, X01B | | | | | | |
| | 5v272.e↔ | | BOP, KJZSV, KVT, UOP4 | | 5v273.4 | | BOP, KJZSV, KVT, UOP4 | | 5v273.9↔ | | BOP, KJZSV, KVT, UOP4 |
| | | 01 | B03Z, B07Z, B17A, B17B, B17C, B17J | | | 01 | B03Z, B07Z, B17A, B17B, B17C, B17J | | | 01 | B03Z, B07Z, B17A, B17B, B17C, B17J |
| 05 | | F13A, F21A, F21B, F21C, F21J, F27A, F27B, F27C | 03 | D12A, D12B, D12J, D12Q | | 05 | F13A, F21A, F21B, F21C, F21J | | | | |
| 08 | | I02A, I02B, I02C, I02D, I12A, I12B, I12C, I12J, I22A, I50Z | 05 | F13A, F21A, F21B, F21C, F21J | | 08 | I12A, I12B, I12C, I12J, I32A, I32B, I32C, I32D, I32E, I32F, I32J, I32Q, I32R, I32S, I32T, I32U | | | | |
| 09 | | J02A, J02B, J02C, J04A, J04B, J08A, J08B, J08C, J16Z, J21Z, J22A, J22B, J22J | 08 | I02A, I02B, I02C, I02D, I12A, I12B, I12C, I12J, I22A, I50Z | | 09 | J02A, J02B, J02C, J04A, J04B, J08A, J08B, J08C, J16Z, J21Z, J22A, J22B, J22J | | | | |
| 10 | | K01Z | 09 | J02A, J02B, J02C, J04A, J04B, J08A, J08B, J08C, J16Z, J21Z, J22A, J22B, J22J | | 21A | W04A, W04B | | | | |
| 21A | | W04A, W04B | 21A | W04A, W04B | | 21B | X01A, X01B | | | | |
| 21B | | X01A, X01B | 21B | X01A, X01B | | | | | | | |
| 5v272.f↔ | | | BOP, KJZSV, KVT, UOP4 | 5v273.5 | | | BOP, KJZSV, KVT, UOP4 | 5v273.a | | | BOP, KJZSV, KVT, UOP4 |
| | | 01 | B03Z, B07Z, B17A, B17B, B17C, B17J | | | 01 | B03Z, B07Z, B17A, B17B, B17C, B17J | | | 01 | B03Z, B07Z, B17A, B17B, B17C, B17J |
| | 05 | F13A, F21A, F21B, F21C, F21J, F27A, F27B, F27C | 03 | | D12A, D12B, D12J, D12Q | 05 | F13A, F21A, F21B, F21C, F21J | | | | |
| | 08 | I02A, I02B, I02C, I02D, I12A, I12B, I12C, I12J, I22A, I50Z | 05 | | F13A, F21A, F21B, F21C, F21J | 06 | G10Z, G12A, G12B, G12J | | | | |
| | 09 | J02A, J02B, J02C, J04A, J04B, J08A, J08B, J08C, J16Z, J21Z, J22A, J22B, J22J | 08 | | I02A, I02B, I02C, I02D, I12A, I12B, I12C, I12J, I22A, I50Z | 08 | I02A, I02B, I02C, I02D, I12A, I12B, I12C, I12J, I22A, I50Z | | | | |
| | 10 | K01Z | 09 | | J02A, J02B, J02C, J04A, J04B, J08A, J08B, J08C, J16Z, J21Z, J22A, J22B, J22J | 09 | J02A, J02B, J02C, J04A, J04B, J08A, J08B, J08C, J16Z, J21Z, J22A, J22B, J22J | | | | |
| | 21A | W04A, W04B | 21A | | W04A, W04B | 21A | W04A, W04B | | | | |
| | 21B | X01A, X01B | 21B | | X01A, X01B | 21B | X01A, X01B | | | | |

VYK

| ZZV | MDC | DRG | ZZV | MDC | DRG | ZZV | MDC | DRG | | | |
|----------|----------|--|------------------------------------|--|--|----------|--|--|----------|----|------------------------------------|
| 5v273.b | | BOP, KJZSV, KVT, UOP4 | 5v273.g↔ | | BOP, KJZSV, KVT, UOP4 | 5v274.6↔ | | BOP, KJZSV, KVT, UOP4 | | | |
| | 01 | B03Z, B07Z, B17A, B17B, B17C, B17J | | 01 | B03Z, B07Z, B17A, B17B, B17C, B17J | | 01 | B03Z, B07Z, B17A, B17B, B17C, B17J | | | |
| | 05 | F13A, F21A, F21B, F21C, F21J | | 05 | F13A, F21A, F21B, F21C, F21J, F27A, F27B, F27C | | 05 | F13A, F21A, F21B, F21C, F21J | | | |
| | 06 | G10Z, G12A, G12B, G12J | | 08 | I02A, I02B, I02C, I02D, I12A, I12B, I12C, I12J, I22A, I50Z | | 08 | I02A, I02B, I02C, I02D, I12A, I12B, I12C, I12J, I22A, I50Z | | | |
| | 08 | I02A, I02B, I02C, I02D, I12A, I12B, I12C, I12J, I22A, I50Z | | 09 | J02A, J02B, J02C, J04A, J04B, J08A, J08B, J08C, J16Z, J21Z, J22A, J22B, J22J | | 09 | J02A, J02B, J02C, J04A, J04B, J08A, J08B, J08C, J16Z, J21Z, J22A, J22B, J22J | | | |
| | 09 | J02A, J02B, J02C, J04A, J04B, J08A, J08B, J08C, J16Z, J21Z, J22A, J22B, J22J | | 10 | K01Z | | 21A | W04A, W04B | | | |
| | 21A | W04A, W04B | | 21A | W04A, W04B | | 21B | X01A, X01B | | | |
| | 21B | X01A, X01B | | 21B | X01A, X01B | | | | | | |
| | 5v273.c | | | BOP, KJZSV, KVT, UOP4 | 5v273.x↔ | | | BOP, KJZSV, KVT, UOP4 | 5v274.7↔ | | BOP, KJZSV, KVT, UOP4 |
| | | 01 | | B03Z, B07Z, B17A, B17B, B17C, B17J | | | 01 | B03Z, B07Z, B17A, B17B, B17C, B17J | | 01 | B03Z, B07Z, B17A, B17B, B17C, B17J |
| 05 | | F13A, F21A, F21B, F21C, F21J | 05 | F13A, F21A, F21B, F21C, F21J | | 05 | F13A, F21A, F21B, F21C, F21J | | | | |
| 06 | | G10Z, G12A, G12B, G12J | 08 | I02A, I02B, I02C, I02D, I12A, I12B, I12C, I12J, I22A, I32A, I32B, I32C, I32D, I32E, I32F, I32J, I32Q, I32R, I32S, I32T, I32U, I50Z | | 08 | I02A, I02B, I02C, I02D, I12A, I12B, I12C, I12J, I22A, I50Z | | | | |
| 08 | | I02A, I02B, I02C, I02D, I12A, I12B, I12C, I12J, I22A, I50Z | 09 | J02A, J02B, J02C, J04A, J04B, J08A, J08B, J08C, J16Z, J21Z, J22A, J22B, J22J | | 09 | J02A, J02B, J02C, J04A, J04B, J08A, J08B, J08C, J16Z, J21Z, J22A, J22B, J22J | | | | |
| 09 | | J02A, J02B, J02C, J04A, J04B, J08A, J08B, J08C, J16Z, J21Z, J22A, J22B, J22J | 21A | W04A, W04B | | 21A | W04A, W04B | | | | |
| 21A | | W04A, W04B | 21B | X01A, X01B | | 21B | X01A, X01B | | | | |
| 21B | | X01A, X01B | 21A | W04A, W04B | | | | | | | |
| 5v273.d | | | BOP, KJZSV, KVT, UOP4 | 5v274.0 | | | BOP, KJZSV, KVT, UOP4 | 5v274.8↔ | | | BOP, KJZSV, KVT, UOP4 |
| | | 01 | B03Z, B07Z, B17A, B17B, B17C, B17J | | | 01 | B03Z, B07Z, B17A, B17B, B17C, B17J | | | 01 | B03Z, B07Z, B17A, B17B, B17C, B17J |
| | 05 | F13A, F21A, F21B, F21C, F21J | 03 | | D12A, D12B, D12J, D12Q | 05 | F13A, F21A, F21B, F21C, F21J | | | | |
| | 06 | G10Z, G12A, G12B, G12J | 05 | | F13A, F21A, F21B, F21C, F21J | 08 | I02A, I02B, I02C, I02D, I12A, I12B, I12C, I12J, I22A, I32A, I32B, I32C, I32D, I32E, I32F, I32J, I32Q, I32R, I32S, I32T, I32U, I50Z | | | | |
| | 08 | I02A, I02B, I02C, I02D, I12A, I12B, I12C, I12J, I22A, I50Z | 08 | | I12A, I12B, I12C, I12J | 09 | J02A, J02B, J02C, J04A, J04B, J08A, J08B, J08C, J16Z, J21Z, J22A, J22B, J22J | | | | |
| | 09 | J02A, J02B, J02C, J04A, J04B, J08A, J08B, J08C, J16Z, J21Z, J22A, J22B, J22J | 09 | | J02A, J02B, J02C, J04A, J04B, J08A, J08B, J08C, J16Z, J21Z, J22A, J22B, J22J | 21A | W04A, W04B | | | | |
| | 21A | W04A, W04B | 21A | | W04A, W04B | 21B | X01A, X01B | | | | |
| | 21B | X01A, X01B | 21B | | X01A, X01B | | | | | | |
| | 5v273.e↔ | | BOP, KJZSV, KVT, UOP4 | | 5v274.4 | | BOP, KJZSV, KVT, UOP4 | | 5v274.9↔ | | BOP, KJZSV, KVT, UOP4 |
| | | 01 | B03Z, B07Z, B17A, B17B, B17C, B17J | | | 01 | B03Z, B07Z, B17A, B17B, B17C, B17J | | | 01 | B03Z, B07Z, B17A, B17B, B17C, B17J |
| 05 | | F13A, F21A, F21B, F21C, F21J, F27A, F27B, F27C | 03 | D12A, D12B, D12J, D12Q | | 05 | F13A, F21A, F21B, F21C, F21J | | | | |
| 08 | | I02A, I02B, I02C, I02D, I12A, I12B, I12C, I12J, I22A, I50Z | 05 | F13A, F21A, F21B, F21C, F21J | | 08 | I12A, I12B, I12C, I12J, I32A, I32B, I32C, I32D, I32E, I32F, I32J, I32Q, I32R, I32S, I32T, I32U | | | | |
| 09 | | J02A, J02B, J02C, J04A, J04B, J08A, J08B, J08C, J16Z, J21Z, J22A, J22B, J22J | 08 | I02A, I02B, I02C, I02D, I12A, I12B, I12C, I12J, I22A, I50Z | | 09 | J02A, J02B, J02C, J04A, J04B, J08A, J08B, J08C, J16Z, J21Z, J22A, J22B, J22J | | | | |
| 10 | | K01Z | 09 | J02A, J02B, J02C, J04A, J04B, J08A, J08B, J08C, J16Z, J21Z, J22A, J22B, J22J | | 21A | W04A, W04B | | | | |
| 21A | | W04A, W04B | 21A | W04A, W04B | | 21B | X01A, X01B | | | | |
| 21B | | X01A, X01B | 21B | X01A, X01B | | | | | | | |
| 5v273.f↔ | | | BOP, KJZSV, KVT, UOP4 | 5v274.5 | | | BOP, KJZSV, KVT, UOP4 | 5v274.a | | | BOP, KJZSV, KVT, UOP4 |
| | | 01 | B03Z, B07Z, B17A, B17B, B17C, B17J | | | 01 | B03Z, B07Z, B17A, B17B, B17C, B17J | | | 01 | B03Z, B07Z, B17A, B17B, B17C, B17J |
| | 05 | F13A, F21A, F21B, F21C, F21J, F27A, F27B, F27C | 03 | | D12A, D12B, D12J, D12Q | 05 | F13A, F21A, F21B, F21C, F21J | | | | |
| | 08 | I02A, I02B, I02C, I02D, I12A, I12B, I12C, I12J, I22A, I50Z | 05 | | F13A, F21A, F21B, F21C, F21J | 06 | G10Z, G12A, G12B, G12J | | | | |
| | 09 | J02A, J02B, J02C, J04A, J04B, J08A, J08B, J08C, J16Z, J21Z, J22A, J22B, J22J | 08 | | I02A, I02B, I02C, I02D, I12A, I12B, I12C, I12J, I22A, I50Z | 08 | I02A, I02B, I02C, I02D, I12A, I12B, I12C, I12J, I22A, I50Z | | | | |
| | 10 | K01Z | 09 | | J02A, J02B, J02C, J04A, J04B, J08A, J08B, J08C, J16Z, J21Z, J22A, J22B, J22J | 09 | J02A, J02B, J02C, J04A, J04B, J08A, J08B, J08C, J16Z, J21Z, J22A, J22B, J22J | | | | |
| | 21A | W04A, W04B | 21A | | W04A, W04B | 21A | W04A, W04B | | | | |
| | 21B | X01A, X01B | 21B | | X01A, X01B | 21B | X01A, X01B | | | | |

VYK

| ZZV | MDC | DRG | ZZV | MDC | DRG | ZZV | MDC | DRG | | | |
|----------|----------|--|------------------------------------|--|--|----------|--|--|----------|----|------------------------------------|
| 5v274.b | | BOP, KJZSV, KVT, UOP4 | 5v274.g↔ | | BOP, KJZSV, KVT, UOP4 | 5v275.6↔ | | BOP, KJZSV, KVT, UOP4 | | | |
| | 01 | B03Z, B07Z, B17A, B17B, B17C, B17J | | 01 | B03Z, B07Z, B17A, B17B, B17C, B17J | | 01 | B03Z, B07Z, B17A, B17B, B17C, B17J | | | |
| | 05 | F13A, F21A, F21B, F21C, F21J | | 05 | F13A, F21A, F21B, F21C, F21J, F27A, F27B, F27C | | 05 | F13A, F21A, F21B, F21C, F21J | | | |
| | 06 | G10Z, G12A, G12B, G12J | | 08 | I02A, I02B, I02C, I02D, I12A, I12B, I12C, I12J, I22A, I50Z | | 08 | I02A, I02B, I02C, I02D, I12A, I12B, I12C, I12J, I22A, I50Z | | | |
| | 08 | I02A, I02B, I02C, I02D, I12A, I12B, I12C, I12J, I22A, I50Z | | 09 | J02A, J02B, J02C, J04A, J04B, J08A, J08B, J08C, J16Z, J21Z, J22A, J22B, J22J | | 09 | J02A, J02B, J02C, J04A, J04B, J08A, J08B, J08C, J16Z, J21Z, J22A, J22B, J22J | | | |
| | 09 | J02A, J02B, J02C, J04A, J04B, J08A, J08B, J08C, J16Z, J21Z, J22A, J22B, J22J | | 10 | K01Z | | 21A | W04A, W04B | | | |
| | 21A | W04A, W04B | | 21A | W04A, W04B | | 21B | X01A, X01B | | | |
| | 21B | X01A, X01B | | 21B | X01A, X01B | | | | | | |
| | 5v274.c | | | BOP, KJZSV, KVT, UOP4 | 5v274.x↔ | | | BOP, KJZSV, KVT, UOP4 | 5v275.7↔ | | BOP, KJZSV, KVT, UOP4 |
| | | 01 | | B03Z, B07Z, B17A, B17B, B17C, B17J | | | 01 | B03Z, B07Z, B17A, B17B, B17C, B17J | | 01 | B03Z, B07Z, B17A, B17B, B17C, B17J |
| 05 | | F13A, F21A, F21B, F21C, F21J | 05 | F13A, F21A, F21B, F21C, F21J | | 05 | F13A, F21A, F21B, F21C, F21J | | | | |
| 06 | | G10Z, G12A, G12B, G12J | 08 | I02A, I02B, I02C, I02D, I12A, I12B, I12C, I12J, I22A, I32A, I32B, I32C, I32D, I32E, I32F, I32J, I32Q, I32R, I32S, I32T, I32U, I50Z | | 08 | I02A, I02B, I02C, I02D, I12A, I12B, I12C, I12J, I22A, I50Z | | | | |
| 08 | | I02A, I02B, I02C, I02D, I12A, I12B, I12C, I12J, I22A, I50Z | 09 | J02A, J02B, J02C, J04A, J04B, J08A, J08B, J08C, J16Z, J21Z, J22A, J22B, J22J | | 09 | J02A, J02B, J02C, J04A, J04B, J08A, J08B, J08C, J16Z, J21Z, J22A, J22B, J22J | | | | |
| 09 | | J02A, J02B, J02C, J04A, J04B, J08A, J08B, J08C, J16Z, J21Z, J22A, J22B, J22J | 21A | W04A, W04B | | 21A | W04A, W04B | | | | |
| 21A | | W04A, W04B | 21B | X01A, X01B | | 21B | X01A, X01B | | | | |
| 21B | | X01A, X01B | | | | | | | | | |
| 5v274.d | | | BOP, KJZSV, KVT, UOP4 | 5v275.0 | | | BOP, KJZSV, KVT, UOP4 | 5v275.8↔ | | | BOP, KJZSV, KVT, UOP4 |
| | | 01 | B03Z, B07Z, B17A, B17B, B17C, B17J | | | 01 | B03Z, B07Z, B17A, B17B, B17C, B17J | | | 01 | B03Z, B07Z, B17A, B17B, B17C, B17J |
| | 05 | F13A, F21A, F21B, F21C, F21J | 03 | | D12A, D12B, D12J, D12Q | 05 | F13A, F21A, F21B, F21C, F21J | | | | |
| | 06 | G10Z, G12A, G12B, G12J | 05 | | F13A, F21A, F21B, F21C, F21J | 08 | I02A, I02B, I02C, I02D, I12A, I12B, I12C, I12J, I22A, I32A, I32B, I32C, I32D, I32E, I32F, I32J, I32Q, I32R, I32S, I32T, I32U, I50Z | | | | |
| | 08 | I02A, I02B, I02C, I02D, I12A, I12B, I12C, I12J, I22A, I50Z | 08 | | I12A, I12B, I12C, I12J | 08 | I02A, I02B, I02C, I02D, I12A, I12B, I12C, I12J, I22A, I32A, I32B, I32C, I32D, I32E, I32F, I32J, I32Q, I32R, I32S, I32T, I32U, I50Z | | | | |
| | 09 | J02A, J02B, J02C, J04A, J04B, J08A, J08B, J08C, J16Z, J21Z, J22A, J22B, J22J | 09 | | J02A, J02B, J02C, J04A, J04B, J08A, J08B, J08C, J16Z, J21Z, J22A, J22B, J22J | 09 | J02A, J02B, J02C, J04A, J04B, J08A, J08B, J08C, J16Z, J21Z, J22A, J22B, J22J | | | | |
| | 21A | W04A, W04B | 21A | | W04A, W04B | 21A | W04A, W04B | | | | |
| | 21B | X01A, X01B | 21B | | X01A, X01B | 21B | X01A, X01B | | | | |
| | 5v274.e↔ | | BOP, KJZSV, KVT, UOP4 | | 5v275.4 | | BOP, KJZSV, KVT, UOP4 | | 5v275.9↔ | | BOP, KJZSV, KVT, UOP4 |
| | | 01 | B03Z, B07Z, B17A, B17B, B17C, B17J | | | 01 | B03Z, B07Z, B17A, B17B, B17C, B17J | | | 01 | B03Z, B07Z, B17A, B17B, B17C, B17J |
| 05 | | F13A, F21A, F21B, F21C, F21J, F27A, F27B, F27C | 03 | D12A, D12B, D12J, D12Q | | 05 | F13A, F21A, F21B, F21C, F21J | | | | |
| 08 | | I02A, I02B, I02C, I02D, I12A, I12B, I12C, I12J, I22A, I50Z | 05 | F13A, F21A, F21B, F21C, F21J | | 08 | I12A, I12B, I12C, I12J, I32A, I32B, I32C, I32D, I32E, I32F, I32J, I32Q, I32R, I32S, I32T, I32U | | | | |
| 09 | | J02A, J02B, J02C, J04A, J04B, J08A, J08B, J08C, J16Z, J21Z, J22A, J22B, J22J | 08 | I02A, I02B, I02C, I02D, I12A, I12B, I12C, I12J, I22A, I50Z | | 08 | I02A, I02B, I02C, I02D, I12A, I12B, I12C, I12J, I22A, I50Z | | | | |
| 10 | | K01Z | 09 | J02A, J02B, J02C, J04A, J04B, J08A, J08B, J08C, J16Z, J21Z, J22A, J22B, J22J | | 09 | J02A, J02B, J02C, J04A, J04B, J08A, J08B, J08C, J16Z, J21Z, J22A, J22B, J22J | | | | |
| 21A | | W04A, W04B | 21A | W04A, W04B | | 21A | W04A, W04B | | | | |
| 21B | | X01A, X01B | 21B | X01A, X01B | | 21B | X01A, X01B | | | | |
| 5v274.f↔ | | | BOP, KJZSV, KVT, UOP4 | 5v275.5 | | | BOP, KJZSV, KVT, UOP4 | 5v275.a | | | BOP, KJZSV, KVT, UOP4 |
| | | 01 | B03Z, B07Z, B17A, B17B, B17C, B17J | | | 01 | B03Z, B07Z, B17A, B17B, B17C, B17J | | | 01 | B03Z, B07Z, B17A, B17B, B17C, B17J |
| | 05 | F13A, F21A, F21B, F21C, F21J, F27A, F27B, F27C | 03 | | D12A, D12B, D12J, D12Q | 05 | F13A, F21A, F21B, F21C, F21J | | | | |
| | 08 | I02A, I02B, I02C, I02D, I12A, I12B, I12C, I12J, I22A, I50Z | 05 | | F13A, F21A, F21B, F21C, F21J | 06 | G10Z, G12A, G12B, G12J | | | | |
| | 09 | J02A, J02B, J02C, J04A, J04B, J08A, J08B, J08C, J16Z, J21Z, J22A, J22B, J22J | 08 | | I02A, I02B, I02C, I02D, I12A, I12B, I12C, I12J, I22A, I50Z | 08 | I02A, I02B, I02C, I02D, I12A, I12B, I12C, I12J, I22A, I50Z | | | | |
| | 10 | K01Z | 09 | | J02A, J02B, J02C, J04A, J04B, J08A, J08B, J08C, J16Z, J21Z, J22A, J22B, J22J | 09 | J02A, J02B, J02C, J04A, J04B, J08A, J08B, J08C, J16Z, J21Z, J22A, J22B, J22J | | | | |
| | 21A | W04A, W04B | 21A | | W04A, W04B | 21A | W04A, W04B | | | | |
| | 21B | X01A, X01B | 21B | | X01A, X01B | 21B | X01A, X01B | | | | |

VYK

| ZZV | MDC | DRG | ZZV | MDC | DRG | ZZV | MDC | DRG | | | |
|----------|----------|--|------------------------------------|--|--|----------|--|--|----------|----|------------------------------------|
| 5v275.b | | BOP, KJZSV, KVT, UOP4 | 5v275.g↔ | | BOP, KJZSV, KVT, UOP4 | 5v276.6↔ | | BOP, KJZSV, KVT, UOP4 | | | |
| | 01 | B03Z, B07Z, B17A, B17B, B17C, B17J | | 01 | B03Z, B07Z, B17A, B17B, B17C, B17J | | 01 | B03Z, B07Z, B17A, B17B, B17C, B17J | | | |
| | 05 | F13A, F21A, F21B, F21C, F21J | | 05 | F13A, F21A, F21B, F21C, F21J, F27A, F27B, F27C | | 05 | F13A, F21A, F21B, F21C, F21J | | | |
| | 06 | G10Z, G12A, G12B, G12J | | 08 | I02A, I02B, I02C, I02D, I12A, I12B, I12C, I12J, I22A, I50Z | | 08 | I02A, I02B, I02C, I02D, I12A, I12B, I12C, I12J, I22A, I50Z | | | |
| | 08 | I02A, I02B, I02C, I02D, I12A, I12B, I12C, I12J, I22A, I50Z | | 09 | J02A, J02B, J02C, J04A, J04B, J08A, J08B, J08C, J16Z, J21Z, J22A, J22B, J22J | | 09 | J02A, J02B, J02C, J04A, J04B, J08A, J08B, J08C, J16Z, J21Z, J22A, J22B, J22J | | | |
| | 09 | J02A, J02B, J02C, J04A, J04B, J08A, J08B, J08C, J16Z, J21Z, J22A, J22B, J22J | | 10 | K01Z | | 21A | W04A, W04B | | | |
| | 21A | W04A, W04B | | 21A | W04A, W04B | | 21B | X01A, X01B | | | |
| | 21B | X01A, X01B | | 21B | X01A, X01B | | | | | | |
| | 5v275.c | | | BOP, KJZSV, KVT, UOP4 | 5v275.x↔ | | | BOP, KJZSV, KVT, UOP4 | 5v276.7↔ | | BOP, KJZSV, KVT, UOP4 |
| | | 01 | | B03Z, B07Z, B17A, B17B, B17C, B17J | | | 01 | B03Z, B07Z, B17A, B17B, B17C, B17J | | 01 | B03Z, B07Z, B17A, B17B, B17C, B17J |
| 05 | | F13A, F21A, F21B, F21C, F21J | 05 | F13A, F21A, F21B, F21C, F21J | | 05 | F13A, F21A, F21B, F21C, F21J | | | | |
| 06 | | G10Z, G12A, G12B, G12J | 08 | I02A, I02B, I02C, I02D, I12A, I12B, I12C, I12J, I22A, I32A, I32B, I32C, I32D, I32E, I32F, I32J, I32Q, I32R, I32S, I32T, I32U, I50Z | | 08 | I02A, I02B, I02C, I02D, I12A, I12B, I12C, I12J, I22A, I50Z | | | | |
| 08 | | I02A, I02B, I02C, I02D, I12A, I12B, I12C, I12J, I22A, I50Z | 09 | J02A, J02B, J02C, J04A, J04B, J08A, J08B, J08C, J16Z, J21Z, J22A, J22B, J22J | | 09 | J02A, J02B, J02C, J04A, J04B, J08A, J08B, J08C, J16Z, J21Z, J22A, J22B, J22J | | | | |
| 09 | | J02A, J02B, J02C, J04A, J04B, J08A, J08B, J08C, J16Z, J21Z, J22A, J22B, J22J | 21A | W04A, W04B | | 21A | W04A, W04B | | | | |
| 21A | | W04A, W04B | 21B | X01A, X01B | | 21B | X01A, X01B | | | | |
| 21B | | X01A, X01B | | | | | | | | | |
| 5v275.d | | | BOP, KJZSV, KVT, UOP4 | 5v276.0 | | | BOP, KJZSV, KVT, UOP4 | 5v276.8↔ | | | BOP, KJZSV, KVT, UOP4 |
| | | 01 | B03Z, B07Z, B17A, B17B, B17C, B17J | | | 01 | B03Z, B07Z, B17A, B17B, B17C, B17J | | | 01 | B03Z, B07Z, B17A, B17B, B17C, B17J |
| | 05 | F13A, F21A, F21B, F21C, F21J | 03 | | D12A, D12B, D12J, D12Q | 05 | F13A, F21A, F21B, F21C, F21J | | | | |
| | 06 | G10Z, G12A, G12B, G12J | 05 | | F13A, F21A, F21B, F21C, F21J | 08 | I02A, I02B, I02C, I02D, I12A, I12B, I12C, I12J, I22A, I32A, I32B, I32C, I32D, I32E, I32F, I32J, I32Q, I32R, I32S, I32T, I32U, I50Z | | | | |
| | 08 | I02A, I02B, I02C, I02D, I12A, I12B, I12C, I12J, I22A, I50Z | 08 | | I12A, I12B, I12C, I12J | 09 | J02A, J02B, J02C, J04A, J04B, J08A, J08B, J08C, J16Z, J21Z, J22A, J22B, J22J | | | | |
| | 09 | J02A, J02B, J02C, J04A, J04B, J08A, J08B, J08C, J16Z, J21Z, J22A, J22B, J22J | 09 | | J02A, J02B, J02C, J04A, J04B, J08A, J08B, J08C, J16Z, J21Z, J22A, J22B, J22J | 21A | W04A, W04B | | | | |
| | 21A | W04A, W04B | 21A | | W04A, W04B | 21B | X01A, X01B | | | | |
| | 21B | X01A, X01B | 21B | | X01A, X01B | | | | | | |
| | 5v275.e↔ | | BOP, KJZSV, KVT, UOP4 | | 5v276.4 | | BOP, KJZSV, KVT, UOP4 | | 5v276.9↔ | | BOP, KJZSV, KVT, UOP4 |
| | | 01 | B03Z, B07Z, B17A, B17B, B17C, B17J | | | 01 | B03Z, B07Z, B17A, B17B, B17C, B17J | | | 01 | B03Z, B07Z, B17A, B17B, B17C, B17J |
| 05 | | F13A, F21A, F21B, F21C, F21J, F27A, F27B, F27C | 03 | D12A, D12B, D12J, D12Q | | 05 | F13A, F21A, F21B, F21C, F21J | | | | |
| 08 | | I02A, I02B, I02C, I02D, I12A, I12B, I12C, I12J, I22A, I50Z | 05 | F13A, F21A, F21B, F21C, F21J | | 08 | I12A, I12B, I12C, I12J, I32A, I32B, I32C, I32D, I32E, I32F, I32J, I32Q, I32R, I32S, I32T, I32U | | | | |
| 09 | | J02A, J02B, J02C, J04A, J04B, J08A, J08B, J08C, J16Z, J21Z, J22A, J22B, J22J | 08 | I02A, I02B, I02C, I02D, I12A, I12B, I12C, I12J, I22A, I50Z | | 09 | J02A, J02B, J02C, J04A, J04B, J08A, J08B, J08C, J16Z, J21Z, J22A, J22B, J22J | | | | |
| 10 | | K01Z | 09 | J02A, J02B, J02C, J04A, J04B, J08A, J08B, J08C, J16Z, J21Z, J22A, J22B, J22J | | 21A | W04A, W04B | | | | |
| 21A | | W04A, W04B | 21A | W04A, W04B | | 21B | X01A, X01B | | | | |
| 21B | | X01A, X01B | 21B | X01A, X01B | | | | | | | |
| 5v275.f↔ | | | BOP, KJZSV, KVT, UOP4 | 5v276.5 | | | BOP, KJZSV, KVT, UOP4 | 5v276.a | | | BOP, KJZSV, KVT, UOP4 |
| | | 01 | B03Z, B07Z, B17A, B17B, B17C, B17J | | | 01 | B03Z, B07Z, B17A, B17B, B17C, B17J | | | 01 | B03Z, B07Z, B17A, B17B, B17C, B17J |
| | 05 | F13A, F21A, F21B, F21C, F21J, F27A, F27B, F27C | 03 | | D12A, D12B, D12J, D12Q | 05 | F13A, F21A, F21B, F21C, F21J | | | | |
| | 08 | I02A, I02B, I02C, I02D, I12A, I12B, I12C, I12J, I22A, I50Z | 05 | | F13A, F21A, F21B, F21C, F21J | 06 | G10Z, G12A, G12B, G12J | | | | |
| | 09 | J02A, J02B, J02C, J04A, J04B, J08A, J08B, J08C, J16Z, J21Z, J22A, J22B, J22J | 08 | | I02A, I02B, I02C, I02D, I12A, I12B, I12C, I12J, I22A, I50Z | 08 | I02A, I02B, I02C, I02D, I12A, I12B, I12C, I12J, I22A, I50Z | | | | |
| | 10 | K01Z | 09 | | J02A, J02B, J02C, J04A, J04B, J08A, J08B, J08C, J16Z, J21Z, J22A, J22B, J22J | 09 | J02A, J02B, J02C, J04A, J04B, J08A, J08B, J08C, J16Z, J21Z, J22A, J22B, J22J | | | | |
| | 21A | W04A, W04B | 21A | | W04A, W04B | 21A | W04A, W04B | | | | |
| | 21B | X01A, X01B | 21B | | X01A, X01B | 21B | X01A, X01B | | | | |

VYK

| ZZV | MDC | DRG | ZZV | MDC | DRG | ZZV | MDC | DRG | | | |
|----------|----------|--|------------------------------------|--|--|---------|--|--|----------|----|------------------------------------|
| 5v276.b | | BOP, KJZSV, KVT, UOP4 | 5v276.g↔ | | BOP, KJZSV, KVT, UOP4 | 5v290.0 | | BOP, KJZSV, KVT, UOP4 | | | |
| | 01 | B03Z, B07Z, B17A, B17B, B17C, B17J | | 01 | B03Z, B07Z, B17A, B17B, B17C, B17J | | 01 | B03Z, B07Z, B17A, B17B, B17C, B17J | | | |
| | 05 | F13A, F21A, F21B, F21C, F21J | | 05 | F13A, F21A, F21B, F21C, F21J, F27A, F27B, F27C | | 03 | D12A, D12J, D12Q | | | |
| | 06 | G10Z, G12A, G12B, G12J | | 08 | I02A, I02B, I02C, I02D, I12A, I12B, I12C, I12J, I22A, I50Z | | 05 | F21A, F21B, F21C, F21J | | | |
| | 08 | I02A, I02B, I02C, I02D, I12A, I12B, I12C, I12J, I22A, I50Z | | 09 | J02A, J02B, J02C, J04A, J04B, J08A, J08B, J08C, J16Z, J21Z, J22A, J22B, J22J | | 09 | J02A, J02B, J02C, J04A, J04B, J08A, J08B, J08C, J16Z, J21Z, J22A, J22B, J22J | | | |
| | 09 | J02A, J02B, J02C, J04A, J04B, J08A, J08B, J08C, J16Z, J21Z, J22A, J22B, J22J | | 10 | K01Z | | 21A | W04A, W04B | | | |
| | 21A | W04A, W04B | | 21A | W04A, W04B | | 21B | X01A, X01B, X01C | | | |
| | 21B | X01A, X01B | | 21B | X01A, X01B | | 22 | Y01Z, Y02A, Y02B, Y02C | | | |
| | 5v276.c | | | BOP, KJZSV, KVT, UOP4 | 5v276.x↔ | | | BOP, KJZSV, KVT, UOP4 | 5v290.5 | | BOP, KJZSV, KVT, UOP4 |
| | | 01 | | B03Z, B07Z, B17A, B17B, B17C, B17J | | | 01 | B03Z, B07Z, B17A, B17B, B17C, B17J | | 01 | B03Z, B07Z, B17A, B17B, B17C, B17J |
| 05 | | F13A, F21A, F21B, F21C, F21J | 05 | F13A, F21A, F21B, F21C, F21J | | 03 | D12A, D12J, D12Q | | | | |
| 06 | | G10Z, G12A, G12B, G12J | 08 | I02A, I02B, I02C, I02D, I12A, I12B, I12C, I12J, I22A, I32A, I32B, I32C, I32D, I32E, I32F, I32J, I32Q, I32R, I32S, I32T, I32U, I50Z | | 05 | F21A, F21B, F21C, F21J | | | | |
| 08 | | I02A, I02B, I02C, I02D, I12A, I12B, I12C, I12J, I22A, I50Z | 09 | J02A, J02B, J02C, J04A, J04B, J08A, J08B, J08C, J16Z, J21Z, J22A, J22B, J22J | | 08 | I02A, I02B, I02C, I02D, I22A, I22B, I50Z | | | | |
| 09 | | J02A, J02B, J02C, J04A, J04B, J08A, J08B, J08C, J16Z, J21Z, J22A, J22B, J22J | 21A | W04A, W04B | | 09 | J02A, J02B, J02C, J04A, J04B, J08A, J08B, J08C, J16Z, J21Z, J22A, J22B, J22J | | | | |
| 21A | | W04A, W04B | 21B | X01A, X01B | | 21A | W04A, W04B | | | | |
| 21B | | X01A, X01B | 21B | X01A, X01B | | 21B | X01A, X01B, X01C | | | | |
| 5v276.d | | | BOP, KJZSV, KVT, UOP4 | 5v27x.x | | | BOP, KJZSV, KVT, UOP4 | 5v290.6↔ | | | BOP, KJZSV, KVT, UOP4 |
| | | 01 | B03Z, B07Z, B17A, B17B, B17C, B17J | | | 05 | F13A | | | 01 | B03Z, B07Z, B17A, B17B, B17C, B17J |
| | 03 | D12A, D12B, D12J, D12Q | 08 | | I12A, I12B, I12C, I12J | 05 | F21A, F21B, F21C, F21J | | | | |
| | 05 | F13A, F21A, F21B, F21C, F21J | 09 | | J03A, J03B, J04A, J04B, J08A, J08B, J08C, J10A, J10B, J10J, J16Z | 08 | I02A, I02B, I02C, I02D, I22A, I22B, I50Z | | | | |
| | 06 | G10Z, G12A, G12B, G12J | 21A | | W04A, W04B | 09 | J02A, J02B, J02C, J04A, J04B, J08A, J08B, J08C, J16Z, J21Z, J22A, J22B, J22J | | | | |
| | 08 | I02A, I02B, I02C, I02D, I12A, I12B, I12C, I12J, I22A, I50Z | 21B | | X06A, X06B, X06C | 21A | W04A, W04B | | | | |
| | 09 | J02A, J02B, J02C, J04A, J04B, J08A, J08B, J08C, J16Z, J21Z, J22A, J22B, J22J | 5v281 | | BOP, KJZSV, KVT, UOP4 | 21B | X01A, X01B, X01C | | | | |
| | 21A | W04A, W04B | 03 | | D08A, D08B, D18Z, D22A, D22B, D22J, D30A, D30B, D30J, D30Q | 22 | Y01Z, Y02A, Y02B, Y02C | | | | |
| | 21B | X01A, X01B | 05 | | F13A | 01 | B03Z, B07Z, B17A, B17B, B17C, B17J | | | | |
| | 5v276.e↔ | | BOP, KJZSV, KVT, UOP4 | | 5v282 | | BOP, KJZSV, KVT, UOP4 | | 5v290.7↔ | | BOP, KJZSV, KVT, UOP4 |
| 01 | | B03Z, B07Z, B17A, B17B, B17C, B17J | 03 | D08A, D08B, D18Z, D22A, D22B, D22J, D30A, D30B, D30J, D30Q | | 05 | F21A, F21B, F21C, F21J | | | | |
| 05 | | F13A, F21A, F21B, F21C, F21J, F27A, F27B, F27C | 05 | F13A | | 08 | I02A, I02B, I02C, I02D, I22A, I22B, I50Z | | | | |
| 08 | | I02A, I02B, I02C, I02D, I12A, I12B, I12C, I12J, I22A, I50Z | 09 | J03A, J03B, J04A, J04B, J08A, J08B, J08C, J10A, J10B, J10J, J16Z | | 09 | J02A, J02B, J02C, J04A, J04B, J08A, J08B, J08C, J16Z, J21Z, J22A, J22B, J22J | | | | |
| 09 | | J02A, J02B, J02C, J04A, J04B, J08A, J08B, J08C, J16Z, J21Z, J22A, J22B, J22J | 21A | W04A, W04B | | 21A | W04A, W04B | | | | |
| 10 | | K01Z | 21B | X06A, X06B, X06C | | 21B | X01A, X01B, X01C | | | | |
| 21A | | W04A, W04B | 22 | Y01Z, Y03A, Y03B | | 22 | Y01Z, Y02A, Y02B, Y02C | | | | |
| 21B | | X01A, X01B | 03 | D08A, D08B, D18Z, D22A, D22B, D22J, D30A, D30B, D30J, D30Q | | 01 | B03Z, B07Z, B17A, B17B, B17C, B17J | | | | |
| 5v276.f↔ | | | BOP, KJZSV, KVT, UOP4 | 5v283 | | | BOP, KJZSV, KVT, UOP4 | 5v290.8↔ | | | BOP, KJZSV, KVT, UOP4 |
| | | 01 | B03Z, B07Z, B17A, B17B, B17C, B17J | | | 03 | D08A, D08B, D18Z, D22A, D22B, D22J, D30A, D30B, D30J, D30Q | | | 01 | B03Z, B07Z, B17A, B17B, B17C, B17J |
| | 05 | F13A, F21A, F21B, F21C, F21J, F27A, F27B, F27C | 05 | | F13A | 05 | F21A, F21B, F21C, F21J | | | | |
| | 08 | I02A, I02B, I02C, I02D, I12A, I12B, I12C, I12J, I22A, I50Z | 09 | | J03A, J03B, J04A, J04B, J08A, J08B, J08C, J10A, J10B, J10J, J16Z | 08 | I02A, I02B, I02C, I02D, I22A, I22B, I32A, I32B, I32C, I32D, I32E, I32F, I32J, I32Q, I32R, I32S, I32T, I32U, I50Z | | | | |
| | 09 | J02A, J02B, J02C, J04A, J04B, J08A, J08B, J08C, J16Z, J21Z, J22A, J22B, J22J | 21A | | W04A, W04B | 09 | J02A, J02B, J02C, J04A, J04B, J08A, J08B, J08C, J16Z, J21Z, J22A, J22B, J22J | | | | |
| | 10 | K01Z | 21B | | X06A, X06B, X06C | 21A | W04A, W04B | | | | |
| | 21A | W04A, W04B | 22 | | Y01Z, Y03A, Y03B | 21B | X01A, X01B, X01C | | | | |
| | 21B | X01A, X01B | 03 | | D08A, D08B, D18Z, D22A, D22B, D22J, D30A, D30B, D30J, D30Q | 22 | Y01Z, Y02A, Y02B, Y02C | | | | |

VYK

| ZZV | MDC | DRG | ZZV | MDC | DRG | ZZV | MDC | DRG | | | |
|----------|---------|--|-----------------------|--|--|---------|--|--|----------|----|-----------------------|
| 5v290.9↔ | | BOP, KJZSV, KVT, UOP4 | 5v290.e↔ | | BOP, KJZSV, KVT, UOP4 | 5v292.0 | | BOP, KJZSV, KVT, UOP4 | | | |
| | 01 | B03Z, B07Z, B17A, B17B, B17C, B17J | | 01 | B03Z, B07Z, B17A, B17B, B17C, B17J | | 01 | B03Z, B07Z, B17A, B17B, B17C, B17J | | | |
| | 05 | F21A, F21B, F21C, F21J | | 05 | F21A, F21B, F21C, F21J, F27A, F27B, F27C | | 03 | D12A, D12J, D12Q | | | |
| | 08 | I32A, I32B, I32C, I32D, I32E, I32F, I32J, I32Q, I32R, I32S, I32T, I32U | | 08 | I02A, I02B, I02C, I02D, I22A, I22B, I50Z | | 05 | F13A, F21A, F21B, F21C, F21J | | | |
| | 09 | J02A, J02B, J02C, J04A, J04B, J08A, J08B, J08C, J16Z, J21Z, J22A, J22B, J22J | | 09 | J02A, J02B, J02C, J04A, J04B, J08A, J08B, J08C, J16Z, J21Z, J22A, J22B, J22J | | 09 | J02A, J02B, J02C, J04A, J04B, J08A, J08B, J08C, J16Z, J21Z, J22A, J22B, J22J | | | |
| | 21A | W04A, W04B | | 10 | K01Z | | 21A | W04A, W04B | | | |
| | 21B | X01A, X01B, X01C | | 21A | W04A, W04B | | 21B | X01A, X01B, X01C | | | |
| | 22 | Y01Z, Y02A, Y02B, Y02C | | 21B | X01A, X01B, X01C | | 01 | B03Z, B07Z, B17A, B17B, B17C, B17J | | | |
| | 5v290.a | | | BOP, KJZSV, KVT, UOP4 | 5v290.f↔ | | | BOP, KJZSV, KVT, UOP4 | 5v292.4 | | BOP, KJZSV, KVT, UOP4 |
| | | 01 | | B03Z, B07Z, B17A, B17B, B17C, B17J | | | 01 | B03Z, B07Z, B17A, B17B, B17C, B17J | | 03 | D12A, D12J, D12Q |
| 05 | | F21A, F21B, F21C, F21J | 05 | F21A, F21B, F21C, F21J, F27A, F27B, F27C | | 05 | F13A, F21A, F21B, F21C, F21J | | | | |
| 06 | | G10Z, G12A, G12B, G12J | 08 | I02A, I02B, I02C, I02D, I22A, I22B, I50Z | | 08 | I02A, I02B, I02C, I02D, I22A, I22B, I50Z | | | | |
| 08 | | I02A, I02B, I02C, I02D, I22A, I22B, I50Z | 09 | J02A, J02B, J02C, J04A, J04B, J08A, J08B, J08C, J16Z, J21Z, J22A, J22B, J22J | | 09 | J02A, J02B, J02C, J04A, J04B, J08A, J08B, J08C, J16Z, J21Z, J22A, J22B, J22J | | | | |
| 09 | | J02A, J02B, J02C, J04A, J04B, J08A, J08B, J08C, J16Z, J21Z, J22A, J22B, J22J | 09 | J02A, J02B, J02C, J04A, J04B, J08A, J08B, J08C, J16Z, J21Z, J22A, J22B, J22J | | 21A | W04A, W04B | | | | |
| 21A | | W04A, W04B | 10 | K01Z | | 21B | X01A, X01B, X01C | | | | |
| 21B | | X01A, X01B, X01C | 21A | W04A, W04B | | 01 | B03Z, B07Z, B17A, B17B, B17C, B17J | | | | |
| 22 | | Y01Z, Y02A, Y02B, Y02C | 21B | X01A, X01B, X01C | | 03 | D12A, D12J, D12Q | | | | |
| 5v290.b | | | BOP, KJZSV, KVT, UOP4 | 5v290.g↔ | | | BOP, KJZSV, KVT, UOP4 | 5v292.5 | | | BOP, KJZSV, KVT, UOP4 |
| | 01 | B03Z, B07Z, B17A, B17B, B17C, B17J | 01 | | B03Z, B07Z, B17A, B17B, B17C, B17J | 01 | B03Z, B07Z, B17A, B17B, B17C, B17J | | | | |
| | 05 | F21A, F21B, F21C, F21J | 05 | | F21A, F21B, F21C, F21J, F27A, F27B, F27C | 03 | D12A, D12J, D12Q | | | | |
| | 06 | G10Z, G12A, G12B, G12J | 08 | | I02A, I02B, I02C, I02D, I22A, I22B, I50Z | 05 | F13A, F21A, F21B, F21C, F21J | | | | |
| | 08 | I02A, I02B, I02C, I02D, I22A, I22B, I50Z | 09 | | J02A, J02B, J02C, J04A, J04B, J08A, J08B, J08C, J16Z, J21Z, J22A, J22B, J22J | 08 | I02A, I02B, I02C, I02D, I22A, I22B, I50Z | | | | |
| | 09 | J02A, J02B, J02C, J04A, J04B, J08A, J08B, J08C, J16Z, J21Z, J22A, J22B, J22J | 09 | | J02A, J02B, J02C, J04A, J04B, J08A, J08B, J08C, J16Z, J21Z, J22A, J22B, J22J | 09 | J02A, J02B, J02C, J04A, J04B, J08A, J08B, J08C, J16Z, J21Z, J22A, J22B, J22J | | | | |
| | 21A | W04A, W04B | 10 | | K01Z | 21A | W04A, W04B | | | | |
| | 21B | X01A, X01B, X01C | 21A | | W04A, W04B | 21B | X01A, X01B, X01C | | | | |
| | 22 | Y01Z, Y02A, Y02B, Y02C | 21B | | X01A, X01B, X01C | 01 | B03Z, B07Z, B17A, B17B, B17C, B17J | | | | |
| | 5v290.c | | BOP, KJZSV, KVT, UOP4 | | 5v290.x↔ | | BOP, KJZSV, KVT, UOP4 | | 5v292.6↔ | | BOP, KJZSV, KVT, UOP4 |
| 01 | | B03Z, B07Z, B17A, B17B, B17C, B17J | 01 | B03Z, B07Z, B17A, B17B, B17C, B17J | | 01 | B03Z, B07Z, B17A, B17B, B17C, B17J | | | | |
| 05 | | F21A, F21B, F21C, F21J | 05 | F21A, F21B, F21C, F21J | | 03 | D12A, D12J, D12Q | | | | |
| 06 | | G10Z, G12A, G12B, G12J | 08 | I02A, I02B, I02C, I02D, I22A, I22B, I32A, I32B, I32C, I32D, I32E, I32F, I32J, I32Q, I32R, I32S, I32T, I32U, I50Z | | 05 | F13A, F21A, F21B, F21C, F21J | | | | |
| 08 | | I02A, I02B, I02C, I02D, I22A, I22B, I50Z | 09 | J02A, J02B, J02C, J04A, J04B, J08A, J08B, J08C, J16Z, J21Z, J22A, J22B, J22J | | 06 | G10Z, G12A, G12B, G12J | | | | |
| 09 | | J02A, J02B, J02C, J04A, J04B, J08A, J08B, J08C, J16Z, J21Z, J22A, J22B, J22J | 09 | J02A, J02B, J02C, J04A, J04B, J08A, J08B, J08C, J16Z, J21Z, J22A, J22B, J22J | | 08 | I02A, I02B, I02C, I02D, I22A, I22B, I32A, I32B, I32C, I32D, I32E, I32F, I32J, I32Q, I32R, I32S, I32T, I32U, I50Z | | | | |
| 21A | | W04A, W04B | 09 | J02A, J02B, J02C, J04A, J04B, J08A, J08B, J08C, J16Z, J21Z, J22A, J22B, J22J | | 09 | J02A, J02B, J02C, J04A, J04B, J08A, J08B, J08C, J16Z, J21Z, J22A, J22B, J22J | | | | |
| 21B | | X01A, X01B, X01C | 21A | W04A, W04B | | 21A | W04A, W04B | | | | |
| 22 | | Y01Z, Y02A, Y02B, Y02C | 21B | X01A, X01B, X01C | | 21B | X01A, X01B, X01C | | | | |
| 5v290.d | | | BOP, KJZSV, KVT, UOP4 | | | | | | | | |
| | 01 | B03Z, B07Z, B17A, B17B, B17C, B17J | | | | | | | | | |
| | 05 | F21A, F21B, F21C, F21J | | | | | | | | | |
| | 06 | G10Z, G12A, G12B, G12J | | | | | | | | | |
| | 08 | I02A, I02B, I02C, I02D, I22A, I22B, I50Z | | | | | | | | | |
| | 09 | J02A, J02B, J02C, J04A, J04B, J08A, J08B, J08C, J16Z, J21Z, J22A, J22B, J22J | | | | | | | | | |
| | 21A | W04A, W04B | | | | | | | | | |
| | 21B | X01A, X01B, X01C | | | | | | | | | |
| | 22 | Y01Z, Y02A, Y02B, Y02C | | | | | | | | | |
| | | | | | | | | | | | |

VYK

| ZZV | MDC | DRG | ZZV | MDC | DRG | ZZV | MDC | DRG | | | |
|----------|----------|--|------------------------------------|--|--|----------|--|--|----------|----|--|
| 5v292.7↔ | | BOP, KJZSV, KVT, UOP4 | 5v292.b | | BOP, KJZSV, KVT, UOP4 | 5v292.f↔ | | BOP, KJZSV, KVT, UOP4 | | | |
| | 01 | B03Z, B07Z, B17A, B17B, B17C, B17J | | 01 | B03Z, B07Z, B17A, B17B, B17C, B17J | | 01 | B03Z, B07Z, B17A, B17B, B17C, B17J | | | |
| | 03 | D12A, D12J, D12Q | | 03 | D12A, D12J, D12Q | | 05 | F13A, F21A, F21B, F21C, F21J, F27A, F27B, F27C | | | |
| | 05 | F13A, F21A, F21B, F21C, F21J | | 05 | F13A, F21A, F21B, F21C, F21J, F27A, F27B, F27C | | 08 | I02A, I02B, I02C, I02D, I22A, I22B, I50Z | | | |
| | 08 | I02A, I02B, I02C, I02D, I22A, I22B, I32A, I32B, I32C, I32D, I32E, I32F, I32J, I32Q, I32R, I32S, I32T, I32U, I50Z | | 06 | G10Z, G12A, G12B, G12J | | 09 | J02A, J02B, J02C, J04A, J04B, J08A, J08B, J08C, J16Z, J21Z, J22A, J22B, J22J | | | |
| | 09 | J02A, J02B, J02C, J04A, J04B, J08A, J08B, J08C, J16Z, J21Z, J22A, J22B, J22J | | 08 | I02A, I02B, I02C, I02D, I22A, I22B, I32A, I32B, I32C, I32D, I32E, I32F, I32J, I32Q, I32R, I32S, I32T, I32U, I50Z | | 10 | K01Z | | | |
| | 21A | W04A, W04B | | 09 | J02A, J02B, J02C, J04A, J04B, J08A, J08B, J08C, J16Z, J21Z, J22A, J22B, J22J | | 21A | W04A, W04B | | | |
| | 21B | X01A, X01B, X01C | | 10 | K01Z | | 21B | X01A, X01B, X01C | | | |
| | 5v292.8↔ | | | BOP, KJZSV, KVT, UOP4 | 5v292.c | | | BOP, KJZSV, KVT, UOP4 | 5v292.g↔ | | BOP, KJZSV, KVT, UOP4 |
| | | 01 | | B03Z, B07Z, B17A, B17B, B17C, B17J | | | 01 | B03Z, B07Z, B17A, B17B, B17C, B17J | | 01 | B03Z, B07Z, B17A, B17B, B17C, B17J |
| 05 | | F13A, F21A, F21B, F21C, F21J | 05 | F13A, F21A, F21B, F21C, F21J | | 05 | F13A, F21A, F21B, F21C, F21J, F27A, F27B, F27C | | | | |
| 08 | | I02A, I02B, I02C, I02D, I22A, I22B, I32A, I32B, I32C, I32D, I32E, I32F, I32J, I32Q, I32R, I32S, I32T, I32U, I50Z | 06 | G10Z, G12A, G12B, G12J | | 08 | I02A, I02B, I02C, I02D, I22A, I22B, I50Z | | | | |
| 09 | | J02A, J02B, J02C, J04A, J04B, J08A, J08B, J08C, J16Z, J21Z, J22A, J22B, J22J | 08 | I02A, I02B, I02C, I02D, I22A, I22B, I50Z | | 09 | J02A, J02B, J02C, J04A, J04B, J08A, J08B, J08C, J16Z, J21Z, J22A, J22B, J22J | | | | |
| 21A | | W04A, W04B | 09 | J02A, J02B, J02C, J04A, J04B, J08A, J08B, J08C, J16Z, J21Z, J22A, J22B, J22J | | 10 | K01Z | | | | |
| 21B | | X01A, X01B, X01C | 10 | K01Z | | 21A | W04A, W04B | | | | |
| 5v292.9↔ | | | BOP, KJZSV, KVT, UOP4 | 5v292.d | | | BOP, KJZSV, KVT, UOP4 | 5v292.x↔ | | | BOP, KJZSV, KVT, UOP4 |
| | | 01 | B03Z, B07Z, B17A, B17B, B17C, B17J | | | 01 | B03Z, B07Z, B17A, B17B, B17C, B17J | | | 01 | B03Z, B07Z, B17A, B17B, B17C, B17J |
| | | 05 | F13A, F21A, F21B, F21C, F21J | | | 05 | F13A, F21A, F21B, F21C, F21J | | | 03 | D12A, D12J, D12Q |
| | 08 | I32A, I32B, I32C, I32D, I32E, I32F, I32J, I32Q, I32R, I32S, I32T, I32U | 06 | | G10Z, G12A, G12B, G12J | 05 | F13A, F21A, F21B, F21C, F21J, F27A, F27B, F27C | | | | |
| | 09 | J02A, J02B, J02C, J04A, J04B, J08A, J08B, J08C, J16Z, J21Z, J22A, J22B, J22J | 08 | | I02A, I02B, I02C, I02D, I22A, I22B, I32A, I32B, I32C, I32D, I32E, I32F, I32J, I32Q, I32R, I32S, I32T, I32U, I50Z | 06 | G10Z, G12A, G12B, G12J | | | | |
| | 21A | W04A, W04B | 09 | | J02A, J02B, J02C, J04A, J04B, J08A, J08B, J08C, J16Z, J21Z, J22A, J22B, J22J | 08 | I02A, I02B, I02C, I02D, I22A, I22B, I32A, I32B, I32C, I32D, I32E, I32F, I32J, I32Q, I32R, I32S, I32T, I32U, I50Z | | | | |
| | 21B | X01A, X01B, X01C | 10 | | K01Z | 09 | J02A, J02B, J02C, J04A, J04B, J08A, J08B, J08C, J16Z, J21Z, J22A, J22B, J22J | | | | |
| | 5v292.a | | BOP, KJZSV, KVT, UOP4 | | 5v292.e↔ | | BOP, KJZSV, KVT, UOP4 | | 5v294‡ | | KJZSV |
| | | 01 | B03Z, B07Z, B17A, B17B, B17C, B17J | | | 01 | B03Z, B07Z, B17A, B17B, B17C, B17J | | | 09 | J11A, J11B, J11J, J11Q, J11R, J11S |
| | | 03 | D12A, D12J, D12Q | | | 05 | F13A, F21A, F21B, F21C, F21J, F27A, F27B, F27C | | | 01 | B03Z, B07Z, B17A, B17B, B17C, B17D, B17J |
| 05 | | F13A, F21A, F21B, F21C, F21J, F27A, F27B, F27C | 06 | G10Z, G12A, G12B, G12J | | 03 | D13J, D13Q, D13Z | | | | |
| 06 | | G10Z, G12A, G12B, G12J | 08 | I02A, I02B, I02C, I02D, I22A, I22B, I32A, I32B, I32C, I32D, I32E, I32F, I32J, I32Q, I32R, I32S, I32T, I32U, I50Z | | 04 | E02A, E02B, E02C, E02D | | | | |
| 08 | | I02A, I02B, I02C, I02D, I22A, I22B, I32A, I32B, I32C, I32D, I32E, I32F, I32J, I32Q, I32R, I32S, I32T, I32U, I50Z | 09 | J02A, J02B, J02C, J04A, J04B, J08A, J08B, J08C, J16Z, J21Z, J22A, J22B, J22J | | 05 | F21A, F21B, F21C, F21J | | | | |
| 09 | | J02A, J02B, J02C, J04A, J04B, J08A, J08B, J08C, J16Z, J21Z, J22A, J22B, J22J | 10 | K01Z | | 06 | G10Z, G12A, G12B, G12J | | | | |
| 10 | | K01Z | 21A | W04A, W04B | | 07 | H06A, H06B, H06C | | | | |
| 21A | | W04A, W04B | 21B | X01A, X01B, X01C | | 08 | I28A, I28B, I28C, I28J | | | | |
| 21B | | X01A, X01B, X01C | | | | 09 | J11A, J11B, J11C, J11J, J11Q, J11R, J11S | | | | |
| | | | | 10 | K09A, K09B | | | | | | |
| | | | | 11 | L09A, L09B, L09C, L09J, L38Z | | | | | | |
| | | | | 13 | N11A, N11B, N11J | | | | | | |
| | | | | 21A | W04A, W04B | | | | | | |
| | | | | 21B | X06A, X06B, X06C | | | | | | |
| | | | | 05 | F13A | | | | | | |
| | | | | 09 | J45J | | | | | | |

VYK

| ZZV | MDC | DRG | ZZV | MDC | DRG | ZZV | MDC | DRG | | | |
|----------|---------|--|------------------------------------|--|--|----------|--|--|----------------|----|--|
| 5v297.0↔ | | BOP, KJZSV, KVT, UOP4 | 5v297.x | | BOP, KJZSV, KVT, UOP4 | 5v400.9↔ | | BOP, KVT, UOP4 | | | |
| | 01 | B03Z, B07Z, B17A, B17B, B17C, B17J | | 01 | B03Z, B07Z, B17A, B17B, B17C, B17J | | 09 | J03A, J03B, J04A, J04B, J08A, J08B, J08C, J10A, J10B, J10J, J16Z | | | |
| | 05 | F13A, F21A, F21B, F21C, F21J, F27A, F27B, F27C | | 05 | F13A, F21A, F21B, F21C, F21J | | 10 | K07Z | | | |
| | 08 | I02A, I02B, I02C, I02D, I12A, I12B, I12C, I12J, I22A, I22B, I32A, I32B, I32C, I32D, I50Z | | 08 | I02A, I02B, I02C, I02D, I12A, I12B, I12C, I12J, I22A, I22B, I32A, I32B, I32C, I32D, I32E, I32F, I32J, I32Q, I32R, I32S, I32T, I32U, I50Z | | 21A | W04A, W04B | | | |
| | 09 | J02A, J02B, J02C, J04A, J04B, J08A, J08B, J08C, J16Z, J21Z, J22A, J22B, J22J | | 09 | J02A, J02B, J02C, J04A, J04B, J08A, J08B, J08C, J16Z, J21Z, J22A, J22B, J22J | | 21B | X05A, X05B, X06A, X06B, X06C | | | |
| | 10 | K01Z | | | | | 5v400.a | | BOP, KVT, UOP4 | | |
| | 21A | W04A, W04B | | | | | 09 | J03A, J03B, J04A, J04B, J08A, J08B, J08C, J10A, J10B, J10J, J16Z | | | |
| | 21B | X01A, X01B | | | | | 10 | K07Z | | | |
| | 5v297.1 | | | BOP, KJZSV, KK11, KKI, KKII, KKP, KVT, UOP4 | 5v400.0 | | | BOP, KVT, UOP4 | 5v400.b | | BOP, KVT, UOP4 |
| | | 01 | | B03Z, B07Z, B17A, B17B, B17C, B17J | | | 01 | B03Z, B07Z, B17A, B17B, B17C, B17J | | 09 | J03A, J03B, J04A, J04B, J08A, J08B, J08C, J10A, J10B, J10J, J16Z |
| 05 | | F13A, F21A, F21B, F21C, F21J | 03 | D08A, D08B, D18Z, D22A, D22B, D22J, D30A, D30B, D30J, D30Q | | 10 | K07Z | | | | |
| 06 | | G10Z, G12A, G12B, G12J | 09 | J03A, J03B, J04A, J04B, J08A, J08B, J08C, J11A, J11B, J11J, J11Q, J11R, J11S, J16Z | | 21A | W04A, W04B | | | | |
| 08 | | I02A, I02B, I02C, I02D, I12A, I12B, I12C, I12J, I22A, I22B, I50Z | | | | 21B | X06A, X06B, X06C | | | | |
| 09 | | J02A, J02B, J02C, J04A, J04B, J08A, J08B, J08C, J16Z, J21Z, J22A, J22B, J22J | 5v400.4 | | | 5v400.c | | BOP, KVT, UOP4 | | | |
| 21A | | W04A, W04B | 01 | B03Z, B07Z, B17A, B17B, B17C, B17J | | 09 | J03A, J03B, J04A, J04B, J08A, J08B, J08C, J10A, J10B, J10J, J16Z | | | | |
| 21B | | X01A, X01B | 03 | D12A, D12J, D12Q | | 10 | K07Z | | | | |
| 5v297.2 | | | BOP, KJZSV, KVT, UOP4 | 5v400.5 | | | BOP, KVT, UOP4 | 5v400.d | | | BOP, KVT, UOP4 |
| | | 01 | B03Z, B07Z, B17A, B17B, B17C, B17J | | | 09 | J03A, J03B, J04A, J04B, J08A, J08B, J08C, J10A, J10B, J10J, J16Z | | | 09 | J03A, J03B, J04A, J04B, J08A, J08B, J08C, J10A, J10B, J10J, J16Z |
| | 05 | F13A, F21A, F21B, F21C, F21J | 10 | | K09A, K09B | 10 | K07Z | | | | |
| | 06 | G10Z, G12A, G12B, G12J | 21A | | W04A, W04B | 21A | W04A, W04B | | | | |
| | 08 | I02A, I02B, I02C, I02D, I12A, I12B, I12C, I12J, I22A, I22B, I50Z | 21B | | X06A, X06B, X06C | 21B | X04Z, X06A, X06B, X06C | | | | |
| | 09 | J02A, J02B, J02C, J04A, J04B, J08A, J08B, J08C, J16Z, J21Z, J22A, J22B, J22J | | | | 5v400.e↔ | | | BOP, KVT, UOP4 | | |
| | 21A | W04A, W04B | 03 | | D12A, D12J, D12Q | 09 | J03A, J03B, J04A, J04B, J08A, J08B, J08C, J10A, J10B, J10J, J16Z | | | | |
| | 21B | X01A, X01B | 09 | | J03A, J03B, J04A, J04B, J08A, J08B, J08C, J10A, J10B, J10J, J16Z | 10 | K07Z | | | | |
| | 5v297.3 | | BOP, KJZSV, KVT, UOP4 | | 5v400.6↔ | | BOP, KVT, UOP4 | | 5v400.f↔ | | BOP, KVT, UOP4 |
| | | 01 | B03Z, B07Z, B17A, B17B, B17C, B17J | | | 09 | J03A, J03B, J04A, J04B, J08A, J08B, J08C, J10A, J10B, J10J, J16Z | | | 09 | J03A, J03B, J04A, J04B, J08A, J08B, J08C, J10A, J10B, J10J, J16Z |
| 05 | | F13A, F21A, F21B, F21C, F21J | 10 | K07Z | | 10 | K07Z | | | | |
| 06 | | G10Z, G12A, G12B, G12J | 21A | W04A, W04B | | 21A | W04A, W04B | | | | |
| 08 | | I02A, I02B, I02C, I02D, I12A, I12B, I12C, I12J, I22A, I22B, I32A, I32B, I32C, I32D, I32E, I32F, I32J, I32Q, I32R, I32S, I32T, I32U, I50Z | 21B | X06A, X06B, X06C | | 21B | X04Z, X06A, X06B, X06C | | | | |
| 09 | | J02A, J02B, J02C, J04A, J04B, J08A, J08B, J08C, J16Z, J21Z, J22A, J22B, J22J | | | | 5v400.g↔ | | BOP, KVT, UOP4 | | | |
| 21A | | W04A, W04B | 09 | J03A, J03B, J04A, J04B, J08A, J08B, J08C, J10A, J10B, J10J, J16Z | | 09 | J03A, J03B, J04A, J04B, J08A, J08B, J08C, J10A, J10B, J10J, J16Z | | | | |
| 21B | | X01A, X01B | 10 | K07Z | | 10 | K07Z | | | | |
| 5v297.4 | | | BOP, KJZSV, KVT, UOP4 | 5v400.7↔ | | | BOP, KVT, UOP4 | 5v400.x | | | BOP, KVT, UOP4 |
| | | 01 | B03Z, B07Z, B17A, B17B, B17C, B17J | | | 09 | J03A, J03B, J04A, J04B, J08A, J08B, J08C, J10A, J10B, J10J, J16Z | | | 09 | J03A, J03B, J04A, J04B, J08A, J08B, J08C, J10A, J10B, J10J, J16Z |
| | 05 | F13A, F21A, F21B, F21C, F21J | 10 | | K07Z | 10 | K07Z | | | | |
| | 06 | G10Z, G12A, G12B, G12J | 21A | | W04A, W04B | 21A | W04A, W04B | | | | |
| | 08 | I02A, I02B, I02C, I02D, I12A, I12B, I12C, I12J, I22A, I22B, I32A, I32B, I32C, I32D, I32E, I32F, I32J, I32Q, I32R, I32S, I32T, I32U, I50Z | 21B | | X06A, X06B, X06C | 21B | X04Z, X06A, X06B, X06C | | | | |
| | 09 | J02A, J02B, J02C, J04A, J04B, J08A, J08B, J08C, J16Z, J21Z, J22A, J22B, J22J | | | | 5v400.x | | | BOP, KVT, UOP4 | | |
| | 21A | W04A, W04B | 09 | | J03A, J03B, J04A, J04B, J08A, J08B, J08C, J10A, J10B, J10J, J16Z | 09 | J03A, J03B, J04A, J04B, J08A, J08B, J08C, J10A, J10B, J10J, J16Z | | | | |
| | 21B | X01A, X01B | 10 | | K07Z | 10 | K07Z | | | | |
| | 5v297.5 | | BOP, KJZSV, KVT, UOP4 | | 5v400.8↔ | | BOP, KVT, UOP4 | | 5v400.y | | BOP, KVT, UOP4 |
| | | 01 | B03Z, B07Z, B17A, B17B, B17C, B17J | | | 09 | J03A, J03B, J04A, J04B, J08A, J08B, J08C, J10A, J10B, J10J, J16Z | | | 09 | J03A, J03B, J04A, J04B, J08A, J08B, J08C, J10A, J10B, J10J, J16Z |
| 05 | | F13A, F21A, F21B, F21C, F21J | 10 | K07Z | | 10 | K07Z | | | | |
| 06 | | G10Z, G12A, G12B, G12J | 21A | W04A, W04B | | 21A | W04A, W04B | | | | |
| 08 | | I02A, I02B, I02C, I02D, I12A, I12B, I12C, I12J, I22A, I22B, I32A, I32B, I32C, I32D, I32E, I32F, I32J, I32Q, I32R, I32S, I32T, I32U, I50Z | 21B | X06A, X06B, X06C | | 21B | X06A, X06B, X06C | | | | |
| 09 | | J02A, J02B, J02C, J04A, J04B, J08A, J08B, J08C, J16Z, J21Z, J22A, J22B, J22J | | | | | | | | | |
| 21A | | W04A, W04B | | | | | | | | | |
| 21B | | X01A, X01B | | | | | | | | | |

VYK

| ZZV | MDC | DRG | ZZV | MDC | DRG | ZZV | MDC | DRG |
|----------|-----|--|----------|-----|--|----------|-----|--|
| 5v401.0 | | BOP, KVT, UOP4 | 5v401.c | | BOP, KVT, UOP4 | 5v402.6↔ | | BOP, KVT, UOP4 |
| | 09 | J03A, J03B, J04A, J04B, J08A, J08B, J08C, J10A, J10B, J10J, J16Z | | 09 | J03A, J03B, J04A, J04B, J08A, J08B, J08C, J10A, J10B, J10J, J16Z | | 09 | J03A, J03B, J04A, J04B, J08A, J08B, J08C, J10A, J10B, J10J, J16Z |
| | 10 | K07Z | | 10 | K07Z | | 10 | K07Z |
| | 21A | W04A, W04B | | 21A | W04A, W04B | | 21A | W04A, W04B |
| 5v401.4 | 21B | X06A, X06B, X06C | 5v401.d | 21B | X04Z, X06A, X06B, X06C | 5v402.7↔ | 21B | X06A, X06B, X06C |
| | | BOP, KVT, UOP4 | | | BOP, KVT, UOP4 | | | BOP, KVT, UOP4 |
| | 09 | J03A, J03B, J04A, J04B, J08A, J08B, J08C, J10A, J10B, J10J, J16Z | | 09 | J03A, J03B, J04A, J04B, J08A, J08B, J08C, J10A, J10B, J10J, J16Z | | 09 | J03A, J03B, J04A, J04B, J08A, J08B, J08C, J10A, J10B, J10J, J16Z |
| | 10 | K07Z | | 10 | K07Z | | 10 | K07Z |
| 5v401.5 | 21A | W04A, W04B | 5v401.e↔ | 21A | W04A, W04B | 5v402.8↔ | 21A | W04A, W04B |
| | 21B | X06A, X06B, X06C | | 21B | X04Z, X06A, X06B, X06C | | 21B | X06A, X06B, X06C |
| | | BOP, KVT, UOP4 | | | BOP, KVT, UOP4 | | | BOP, KVT, UOP4 |
| | 09 | J03A, J03B, J04A, J04B, J08A, J08B, J08C, J10A, J10B, J10J, J16Z | | 09 | J03A, J03B, J04A, J04B, J08A, J08B, J08C, J10A, J10B, J10J, J16Z | | 09 | J03A, J03B, J04A, J04B, J08A, J08B, J08C, J10A, J10B, J10J, J16Z |
| 5v401.6↔ | 10 | K07Z | 5v401.f↔ | 10 | K07Z | 5v402.9↔ | 10 | K07Z |
| | 21A | W04A, W04B | | 21A | W04A, W04B | | 21A | W04A, W04B |
| | 21B | X06A, X06B, X06C | | 21B | X04Z, X06A, X06B, X06C | | 21B | X05A, X05B, X06A, X06B, X06C |
| | | BOP, KVT, UOP4 | | | BOP, KVT, UOP4 | | | BOP, KVT, UOP4 |
| 5v401.7↔ | 09 | J03A, J03B, J04A, J04B, J08A, J08B, J08C, J10A, J10B, J10J, J16Z | 5v401.g↔ | 09 | J03A, J03B, J04A, J04B, J08A, J08B, J08C, J10A, J10B, J10J, J16Z | 5v402.a | 09 | J03A, J03B, J04A, J04B, J08A, J08B, J08C, J10A, J10B, J10J, J16Z |
| | 10 | K07Z | | 10 | K07Z | | 10 | K07Z |
| | 21A | W04A, W04B | | 21A | W04A, W04B | | 21A | W04A, W04B |
| | 21B | X06A, X06B, X06C | | 21B | X04Z, X06A, X06B, X06C | | 21B | X05A, X05B, X06A, X06B, X06C |
| 5v401.8↔ | | BOP, KVT, UOP4 | 5v401.n | | BOP, KVT, UOP4 | 5v402.b | | BOP, KVT, UOP4 |
| | 09 | J03A, J03B, J04A, J04B, J08A, J08B, J08C, J10A, J10B, J10J, J16Z | | 09 | J03A, J03B, J04A, J04B, J08A, J08B, J08C, J10A, J10B, J10J, J16Z | | 09 | J03A, J03B, J04A, J04B, J08A, J08B, J08C, J10A, J10B, J10J, J16Z |
| | 10 | K07Z | | 10 | K07Z | | 10 | K07Z |
| | 21A | W04A, W04B | | 21A | W04A, W04B | | 21A | W04A, W04B |
| 5v401.9↔ | 21B | X05A, X05B, X06A, X06B, X06C | 5v401.x | 21B | X06A, X06B, X06C | 5v402.c | 21B | X06A, X06B, X06C |
| | | BOP, KVT, UOP4 | | | BOP, KVT, UOP4 | | | BOP, KVT, UOP4 |
| | 09 | J03A, J03B, J04A, J04B, J08A, J08B, J08C, J10A, J10B, J10J, J16Z | | 09 | J03A, J03B, J04A, J04B, J08A, J08B, J08C, J10A, J10B, J10J, J16Z | | 09 | J03A, J03B, J04A, J04B, J08A, J08B, J08C, J10A, J10B, J10J, J16Z |
| | 10 | K07Z | | 10 | K07Z | | 10 | K07Z |
| 5v401.a | 21A | W04A, W04B | 5v402.0 | 21A | W04A, W04B | 5v402.d | 21A | W04A, W04B |
| | 21B | X05A, X05B, X06A, X06B, X06C | | 21B | X06A, X06B, X06C | | 21B | X04Z, X06A, X06B, X06C |
| | | BOP, KVT, UOP4 | | | BOP, KVT, UOP4 | | | BOP, KVT, UOP4 |
| | 09 | J03A, J03B, J04A, J04B, J08A, J08B, J08C, J10A, J10B, J10J, J16Z | | 09 | J03A, J03B, J04A, J04B, J08A, J08B, J08C, J10A, J10B, J10J, J16Z | | 09 | J03A, J03B, J04A, J04B, J08A, J08B, J08C, J10A, J10B, J10J, J16Z |
| 5v401.b | 10 | K07Z | 5v402.4 | 10 | K07Z | 5v402.e↔ | 10 | K07Z |
| | 21A | W04A, W04B | | 21A | W04A, W04B | | 21A | W04A, W04B |
| | 21B | X06A, X06B, X06C | | 21B | X06A, X06B, X06C | | 21B | X04Z, X06A, X06B, X06C |
| | | BOP, KVT, UOP4 | | | BOP, KVT, UOP4 | | | BOP, KVT, UOP4 |
| 5v401.5 | 09 | J03A, J03B, J04A, J04B, J08A, J08B, J08C, J10A, J10B, J10J, J16Z | 5v402.5 | 09 | J03A, J03B, J04A, J04B, J08A, J08B, J08C, J10A, J10B, J10J, J16Z | 5v402.5 | 09 | J03A, J03B, J04A, J04B, J08A, J08B, J08C, J10A, J10B, J10J, J16Z |
| | 10 | K07Z | | 10 | K07Z | | 10 | K07Z |
| | 21A | W04A, W04B | | 21A | W04A, W04B | | 21A | W04A, W04B |
| | 21B | X06A, X06B, X06C | | 21B | X06A, X06B, X06C | | 21B | X04Z, X06A, X06B, X06C |

VYK

| ZZV | MDC | DRG | ZZV | MDC | DRG | ZZV | MDC | DRG |
|-----------|-----|--|-----------|-----|--|-----------|-----|--|
| 5v402.f↔ | | BOP, KVT, UOP4 | 5v421.0‡ | 09 | J11A, J11B, J11J, J11Q, J11R, J11S | 5v423.8‡↔ | 09 | J45J |
| | 09 | J03A, J03B, J04A, J04B, J08A, J08B, J08C, J10A, J10B, J10J, J16Z | 5v421.4‡ | 02 | C14J, C14Q, C14R, C14S, C14Z | 5v423.9‡↔ | 09 | J45J |
| | 10 | K07Z | | 09 | J11A, J11B, J11J, J11Q, J11R, J11S | 5v423.a‡ | 09 | J45J |
| | 21A | W04A, W04B | 5v421.5‡ | 09 | J11A, J11B, J11J, J11Q, J11R, J11S | 5v423.b‡ | 09 | J45J |
| | 21B | X04Z, X06A, X06B, X06C | 5v421.6‡↔ | 09 | J11A, J11B, J11J, J11Q, J11R, J11S | 5v423.c‡ | 09 | J45J |
| 5v402.g↔ | | BOP, KVT, UOP4 | 5v421.7‡↔ | 09 | J11A, J11B, J11J, J11Q, J11R, J11S | 5v423.d‡ | 09 | J45J |
| | 09 | J03A, J03B, J04A, J04B, J08A, J08B, J08C, J10A, J10B, J10J, J16Z | 5v421.8‡↔ | 09 | J11A, J11B, J11J, J11Q, J11R, J11S | 5v423.e‡↔ | 09 | J45J |
| | 10 | K07Z | 5v421.9‡↔ | 09 | J11A, J11B, J11J, J11Q, J11R, J11S | 5v423.f‡↔ | 09 | J45J |
| | 21A | W04A, W04B | 5v421.a‡ | 09 | J11A, J11B, J11J, J11Q, J11R, J11S | 5v423.g‡↔ | 09 | J45J |
| | 21B | X04Z, X06A, X06B, X06C | 5v421.b‡ | 09 | J11A, J11B, J11J, J11Q, J11R, J11S | 5v423.x‡ | 09 | J45J |
| 5v402.x | | BOP, KVT, UOP4 | 5v421.c‡ | 09 | J11A, J11B, J11J, J11Q, J11R, J11S | 5v424.0‡ | 09 | J11A, J11B, J11C, J11J, J11Q, J11R, J11S |
| | 09 | J03A, J03B, J04A, J04B, J08A, J08B, J08C, J10A, J10B, J10J, J16Z | 5v421.d‡ | 09 | J11A, J11B, J11J, J11Q, J11R, J11S | 5v424.4‡ | 02 | C14J, C14Q, C14R, C14S, C14Z |
| | 10 | K07Z | 5v421.e‡↔ | 09 | J11A, J11B, J11J, J11Q, J11R, J11S | | 09 | J11A, J11B, J11C, J11J, J11Q, J11R, J11S |
| | 21A | W04A, W04B | 5v421.f‡↔ | 09 | J11A, J11B, J11J, J11Q, J11R, J11S | 5v424.5‡ | 09 | J11A, J11B, J11J, J11Q, J11R, J11S |
| | 21B | X06A, X06B, X06C | 5v421.g‡↔ | 09 | J11A, J11B, J11J, J11Q, J11R, J11S | 5v424.6‡↔ | 09 | J11A, J11B, J11J, J11Q, J11R, J11S |
| 5v403 | | BOP, KVT, UOP4 | 5v421.x‡ | 09 | J11A, J11B, J11J, J11Q, J11R, J11S | 5v424.7‡↔ | 09 | J11A, J11B, J11J, J11Q, J11R, J11S |
| | 09 | J03A, J03B, J04A, J04B, J08A, J08B, J08C, J10A, J10B, J10J, J16Z | 5v422.0‡ | 09 | J11A, J11B, J11J, J11Q, J11R, J11S | 5v424.8‡↔ | 09 | J11A, J11B, J11J, J11Q, J11R, J11S |
| | 10 | K07Z | 5v422.4‡ | 02 | C14J, C14Q, C14R, C14S, C14Z | 5v424.9‡↔ | 09 | J11A, J11B, J11C, J11J, J11Q, J11R, J11S |
| | 21A | W04A, W04B | 5v422.5‡ | 09 | J11A, J11B, J11C, J11J, J11Q, J11R, J11S | 5v424.a‡ | 09 | J11A, J11B, J11C, J11J, J11Q, J11R, J11S |
| | 21B | X06A, X06B, X06C | 5v422.6‡↔ | 09 | J11A, J11B, J11C, J11J, J11Q, J11R, J11S | 5v424.b‡ | 09 | J11A, J11B, J11J, J11Q, J11R, J11S |
| 5v40x.x | | BOP, KVT, UOP4 | 5v422.7‡↔ | 09 | J11A, J11B, J11C, J11J, J11Q, J11R, J11S | 5v424.c‡ | 09 | J11A, J11B, J11J, J11Q, J11R, J11S |
| | 03 | D08A, D08B, D18Z, D22A, D22B, D22J, D30A, D30B, D30J, D30Q | 5v422.8‡↔ | 09 | J11A, J11B, J11C, J11J, J11Q, J11R, J11S | 5v424.d‡ | 09 | J11A, J11B, J11J, J11Q, J11R, J11S |
| | 09 | J03A, J03B, J04A, J04B, J08A, J08B, J08C, J11A, J11B, J11J, J11Q, J11R, J11S, J16Z | 5v422.9‡↔ | 09 | J11A, J11B, J11C, J11J, J11Q, J11R, J11S | 5v424.e‡↔ | 09 | J11A, J11B, J11J, J11Q, J11R, J11S |
| 5v410.0‡ | 09 | J45J | 5v422.a‡ | 09 | J11A, J11B, J11C, J11J, J11Q, J11R, J11S | 5v424.f‡↔ | 09 | J11A, J11B, J11J, J11Q, J11R, J11S |
| 5v410.1‡ | 09 | J45J | 5v422.b‡ | 09 | J11A, J11B, J11C, J11J, J11Q, J11R, J11S | 5v424.g‡↔ | 09 | J11A, J11B, J11C, J11J, J11Q, J11R, J11S |
| 5v41x‡ | 09 | J45J | 5v422.c‡ | 09 | J11A, J11B, J11C, J11J, J11Q, J11R, J11S | 5v424.x‡ | 09 | J11A, J11B, J11J, J11Q, J11R, J11S |
| 5v420.0‡ | 09 | J11A, J11B, J11J, J11Q, J11R, J11S | 5v422.d‡ | 09 | J11A, J11B, J11C, J11J, J11Q, J11R, J11S | 5v425.0‡ | | KJZSV |
| 5v420.4‡ | 02 | C14J, C14Q, C14R, C14S, C14Z | 5v422.e‡↔ | 09 | J11A, J11B, J11C, J11J, J11Q, J11R, J11S | | 09 | J11A, J11B, J11C, J11J, J11Q, J11R, J11S |
| | 09 | J11A, J11B, J11C, J11J, J11Q, J11R, J11S | 5v422.f‡↔ | 09 | J11A, J11B, J11C, J11J, J11Q, J11R, J11S | 5v425.4‡ | 02 | C14J, C14Q, C14R, C14S, C14Z |
| 5v420.5‡ | 09 | J11A, J11B, J11J, J11Q, J11R, J11S | 5v422.g‡↔ | 09 | J11A, J11B, J11C, J11J, J11Q, J11R, J11S | | 09 | J11A, J11B, J11C, J11J, J11Q, J11R, J11S |
| 5v420.6‡↔ | 09 | J11A, J11B, J11J, J11Q, J11R, J11S | 5v422.h‡ | 09 | J11A, J11B, J11C, J11J, J11Q, J11R, J11S | 5v425.5‡ | | KJZSV |
| 5v420.7‡↔ | 09 | J11A, J11B, J11J, J11Q, J11R, J11S | 5v422.i‡ | 09 | J11A, J11B, J11C, J11J, J11Q, J11R, J11S | | 09 | J11A, J11B, J11C, J11J, J11Q, J11R, J11S |
| 5v420.8‡↔ | 09 | J11A, J11B, J11J, J11Q, J11R, J11S | 5v422.j‡ | 09 | J11A, J11B, J11C, J11J, J11Q, J11R, J11S | 5v425.6‡↔ | | KJZSV |
| 5v420.9‡↔ | 09 | J11A, J11B, J11J, J11Q, J11R, J11S | 5v422.k‡↔ | 09 | J11A, J11B, J11C, J11J, J11Q, J11R, J11S | | 09 | J11A, J11B, J11C, J11J, J11Q, J11R, J11S |
| 5v420.a‡ | 09 | J11A, J11B, J11J, J11Q, J11R, J11S | 5v422.l‡↔ | 09 | J11A, J11B, J11C, J11J, J11Q, J11R, J11S | 5v425.7‡↔ | | KJZSV |
| 5v420.b‡ | 09 | J11A, J11B, J11J, J11Q, J11R, J11S | 5v422.m‡↔ | 09 | J11A, J11B, J11C, J11J, J11Q, J11R, J11S | | 09 | J11A, J11B, J11C, J11J, J11Q, J11R, J11S |
| 5v420.c‡ | 09 | J11A, J11B, J11J, J11Q, J11R, J11S | 5v422.n‡↔ | 09 | J11A, J11B, J11C, J11J, J11Q, J11R, J11S | 5v425.8‡↔ | | KJZSV |
| 5v420.d‡ | 09 | J11A, J11B, J11J, J11Q, J11R, J11S | 5v422.o‡ | 09 | J11A, J11B, J11J, J11Q, J11R, J11S | | 09 | J11A, J11B, J11C, J11J, J11Q, J11R, J11S |
| 5v420.e‡↔ | 09 | J11A, J11B, J11J, J11Q, J11R, J11S | 5v422.p‡ | 09 | J45J | 5v425.9‡↔ | 09 | J11A, J11B, J11C, J11J, J11Q, J11R, J11S |
| 5v420.f‡↔ | 09 | J11A, J11B, J11J, J11Q, J11R, J11S | 5v422.q‡↔ | 09 | J45J | 5v425.a‡ | | KJZSV |
| 5v420.g‡↔ | 09 | J11A, J11B, J11J, J11Q, J11R, J11S | 5v422.r‡↔ | 09 | J45J | | 09 | J11A, J11B, J11C, J11J, J11Q, J11R, J11S |
| 5v420.x‡ | 09 | J11A, J11B, J11J, J11Q, J11R, J11S | 5v422.s‡↔ | 09 | J45J | 5v425.b‡ | | KJZSV |
| | | | 5v422.t‡↔ | 09 | J45J | | 09 | J11A, J11B, J11C, J11J, J11Q, J11R, J11S |

VYK

| ZZV | MDC | DRG | ZZV | MDC | DRG | ZZV | MDC | DRG |
|-----------|-----|--|----------|-----|--|----------|-----|--|
| 5v425.c† | | KJZSV | 5v426.c | | BOP, KVT, UOP4 | 5v427.9↔ | | BOP, KVT, UOP4 |
| 06 | | G26J, G26Q, G26Z | 06 | | G26J, G26Q, G26Z | 09 | | J03A, J03B, J04A, J04B, J08A, J08B, J08C, J10A, J10B, J10J, J16Z |
| 09 | | J11A, J11B, J11C, J11J, J11Q, J11R, J11S | 09 | | J03A, J03B, J04A, J04B, J08A, J08B, J08C, J10A, J10B, J10J, J16Z | 22 | | Y01Z, Y03A, Y03B |
| 13 | | N09A, N09B, N09J, N09Q | 13 | | N09A, N09B, N09J, N09Q | 5v427.a | | BOP, KVT, UOP4 |
| 5v425.d† | | KJZSV | 22 | | Y01Z, Y03A, Y03B | 09 | | J03A, J03B, J04A, J04B, J08A, J08B, J08C, J10A, J10B, J10J, J16Z |
| 06 | | G26J, G26Q, G26Z | 5v426.d | | BOP, KVT, UOP4 | 22 | | Y01Z, Y03A, Y03B |
| 09 | | J11A, J11B, J11C, J11J, J11Q, J11R, J11S | 06 | | G26J, G26Q, G26Z | 5v427.b | | BOP, KVT, UOP4 |
| 13 | | N09A, N09B, N09J, N09Q | 09 | | J03A, J03B, J04A, J04B, J08A, J08B, J08C, J10A, J10B, J10J, J16Z | 09 | | J03A, J03B, J04A, J04B, J08A, J08B, J08C, J10A, J10B, J10J, J16Z |
| 5v425.e†↔ | | KJZSV | 13 | | N09A, N09B, N09J, N09Q | 22 | | Y01Z, Y03A, Y03B |
| 09 | | J11A, J11B, J11C, J11J, J11Q, J11R, J11S | 22 | | Y01Z, Y03A, Y03B | 5v427.c | | BOP, KVT, UOP4 |
| 5v425.f†↔ | | KJZSV | 5v426.e↔ | | BOP, KVT, UOP4 | 09 | | J03A, J03B, J04A, J04B, J08A, J08B, J08C, J10A, J10B, J10J, J16Z |
| 09 | | J11A, J11B, J11C, J11J, J11Q, J11R, J11S | 09 | | J03A, J03B, J04A, J04B, J08A, J08B, J08C, J10A, J10B, J10J, J16Z | 22 | | Y01Z, Y03A, Y03B |
| 5v425.g†↔ | | KJZSV | 22 | | Y01Z, Y03A, Y03B | 5v427.d | | BOP, KVT, UOP4 |
| 09 | | J11A, J11B, J11C, J11J, J11Q, J11R, J11S | 5v426.f↔ | | BOP, KVT, UOP4 | 06 | | G26J, G26Q, G26Z |
| 5v425.x† | | KJZSV | 09 | | J03A, J03B, J04A, J04B, J08A, J08B, J08C, J10A, J10B, J10J, J16Z | 09 | | J03A, J03B, J04A, J04B, J08A, J08B, J08C, J10A, J10B, J10J, J16Z |
| 06 | | G26J, G26Q, G26Z | 22 | | Y01Z, Y03A, Y03B | 13 | | N09A, N09B, N09J, N09Q |
| 09 | | J11A, J11B, J11C, J11J, J11Q, J11R, J11S | 5v426.g↔ | | BOP, KVT, UOP4 | 22 | | Y01Z, Y03A, Y03B |
| 13 | | N09A, N09B, N09J, N09Q | 09 | | J03A, J03B, J04A, J04B, J08A, J08B, J08C, J10A, J10B, J10J, J16Z | 5v427.d | | BOP, KVT, UOP4 |
| 5v426.0 | | BOP, KVT, UOP4 | 22 | | Y01Z, Y03A, Y03B | 06 | | G26J, G26Q, G26Z |
| 09 | | J03A, J03B, J04A, J04B, J08A, J08B, J08C, J10A, J10B, J10J, J16Z | 5v426.x | | BOP, KVT, UOP4 | 09 | | J03A, J03B, J04A, J04B, J08A, J08B, J08C, J10A, J10B, J10J, J16Z |
| 22 | | Y01Z, Y03A, Y03B | 06 | | G26J, G26Q, G26Z | 13 | | N09A, N09B, N09J, N09Q |
| 5v426.4 | | BOP, KVT, UOP4 | 09 | | J03A, J03B, J04A, J04B, J08A, J08B, J08C, J10A, J10B, J10J, J16Z | 22 | | Y01Z, Y03A, Y03B |
| 02 | | C20A, C20B, C20J, C20Q, C20R | 22 | | Y01Z, Y03A, Y03B | 5v427.e↔ | | BOP, KVT, UOP4 |
| 09 | | J03A, J03B, J04A, J04B, J08A, J08B, J08C, J10A, J10B, J10J, J16Z | 06 | | G26J, G26Q, G26Z | 09 | | J03A, J03B, J04A, J04B, J08A, J08B, J08C, J10A, J10B, J10J, J16Z |
| 22 | | Y01Z, Y03A, Y03B | 09 | | J03A, J03B, J04A, J04B, J08A, J08B, J08C, J10A, J10B, J10J, J16Z | 22 | | Y01Z, Y03A, Y03B |
| 5v426.5 | | BOP, KVT, UOP4 | 13 | | N09A, N09B, N09J, N09Q | 5v427.f↔ | | BOP, KVT, UOP4 |
| 09 | | J03A, J03B, J04A, J04B, J08A, J08B, J08C, J10A, J10B, J10J, J16Z | 22 | | Y01Z, Y03A, Y03B | 09 | | J03A, J03B, J04A, J04B, J08A, J08B, J08C, J10A, J10B, J10J, J16Z |
| 22 | | Y01Z, Y03A, Y03B | 5v427.0 | | BOP, KVT, UOP4 | 22 | | Y01Z, Y03A, Y03B |
| 5v426.6↔ | | BOP, KVT, UOP4 | 09 | | J03A, J03B, J04A, J04B, J08A, J08B, J08C, J10A, J10B, J10J, J16Z | 5v427.g↔ | | BOP, KVT, UOP4 |
| 09 | | J03A, J03B, J04A, J04B, J08A, J08B, J08C, J10A, J10B, J10J, J16Z | 22 | | Y01Z, Y03A, Y03B | 09 | | J03A, J03B, J04A, J04B, J08A, J08B, J08C, J10A, J10B, J10J, J16Z |
| 22 | | Y01Z, Y03A, Y03B | 5v427.4 | | BOP, KVT, UOP4 | 22 | | Y01Z, Y03A, Y03B |
| 5v426.7↔ | | BOP, KVT, UOP4 | 02 | | C20A, C20B, C20J, C20Q, C20R | 5v427.x | | BOP, KVT, UOP4 |
| 09 | | J03A, J03B, J04A, J04B, J08A, J08B, J08C, J10A, J10B, J10J, J16Z | 09 | | J03A, J03B, J04A, J04B, J08A, J08B, J08C, J10A, J10B, J10J, J16Z | 06 | | G26J, G26Q, G26Z |
| 22 | | Y01Z, Y03A, Y03B | 22 | | Y01Z, Y03A, Y03B | 09 | | J03A, J03B, J04A, J04B, J08A, J08B, J08C, J10A, J10B, J10J, J16Z |
| 5v426.8↔ | | BOP, KVT, UOP4 | 5v427.5 | | BOP, KVT, UOP4 | 13 | | N09A, N09B, N09J, N09Q |
| 09 | | J03A, J03B, J04A, J04B, J08A, J08B, J08C, J10A, J10B, J10J, J16Z | 09 | | J03A, J03B, J04A, J04B, J08A, J08B, J08C, J10A, J10B, J10J, J16Z | 22 | | Y01Z, Y03A, Y03B |
| 22 | | Y01Z, Y03A, Y03B | 22 | | Y01Z, Y03A, Y03B | 5v428.0 | | BOP, KVT, UOP4 |
| 5v426.9↔ | | BOP, KVT, UOP4 | 5v427.6↔ | | BOP, KVT, UOP4 | 09 | | J03A, J03B, J04A, J04B, J08A, J08B, J08C, J10A, J10B, J10J, J16Z |
| 09 | | J03A, J03B, J04A, J04B, J08A, J08B, J08C, J10A, J10B, J10J, J16Z | 09 | | J03A, J03B, J04A, J04B, J08A, J08B, J08C, J10A, J10B, J10J, J16Z | 22 | | Y01Z, Y03A, Y03B |
| 22 | | Y01Z, Y03A, Y03B | 22 | | Y01Z, Y03A, Y03B | 5v428.4 | | BOP, KVT, UOP4 |
| 5v426.a | | BOP, KVT, UOP4 | 5v427.7↔ | | BOP, KVT, UOP4 | 02 | | C20A, C20B, C20J, C20Q, C20R |
| 09 | | J03A, J03B, J04A, J04B, J08A, J08B, J08C, J10A, J10B, J10J, J16Z | 09 | | J03A, J03B, J04A, J04B, J08A, J08B, J08C, J10A, J10B, J10J, J16Z | 09 | | J03A, J03B, J04A, J04B, J08A, J08B, J08C, J10A, J10B, J10J, J16Z |
| 22 | | Y01Z, Y03A, Y03B | 22 | | Y01Z, Y03A, Y03B | 22 | | Y01Z, Y03A, Y03B |
| 5v426.b | | BOP, KVT, UOP4 | 5v427.8↔ | | BOP, KVT, UOP4 | 5v428.5 | | BOP, KVT, UOP4 |
| 09 | | J03A, J03B, J04A, J04B, J08A, J08B, J08C, J10A, J10B, J10J, J16Z | 09 | | J03A, J03B, J04A, J04B, J08A, J08B, J08C, J10A, J10B, J10J, J16Z | 09 | | J03A, J03B, J04A, J04B, J08A, J08B, J08C, J10A, J10B, J10J, J16Z |
| 22 | | Y01Z, Y03A, Y03B | 22 | | Y01Z, Y03A, Y03B | 22 | | Y01Z, Y03A, Y03B |

| ZZV | MDC | DRG | ZZV | MDC | DRG | ZZV | MDC | DRG |
|----------|-----|--|----------|-----|--|----------|-----|--|
| 5v428.6↔ | | BOP, KVT, UOP4 | 5v429.d† | | KJZSV | 5v42a.f↔ | | BOP, KVT, UOP4 |
| | 09 | J03A, J03B, J04A, J04B, J08A, J08B, J08C, J10A, J10B, J10J, J16Z | | 06 | G26J, G26Q, G26Z | | 09 | J03A, J03B, J04A, J04B, J08A, J08B, J08C, J10A, J10B, J10J, J16Z |
| | 22 | Y01Z, Y03A, Y03B | 5v429.x† | | KJZSV | | 22 | Y01Z, Y03A, Y03B |
| 5v428.7↔ | | BOP, KVT, UOP4 | 5v42a.0 | | G26J, G26Q, G26Z | 5v42a.g↔ | | BOP, KVT, UOP4 |
| | 09 | J03A, J03B, J04A, J04B, J08A, J08B, J08C, J10A, J10B, J10J, J16Z | | 09 | BOP, KVT, UOP4 | | 09 | J03A, J03B, J04A, J04B, J08A, J08B, J08C, J10A, J10B, J10J, J16Z |
| | 22 | Y01Z, Y03A, Y03B | | 22 | C20A, C20B, C20J, C20Q, C20R | | 22 | Y01Z, Y03A, Y03B |
| 5v428.8↔ | | BOP, KVT, UOP4 | 5v42a.4 | | J03A, J03B, J04A, J04B, J08A, J08B, J08C, J10A, J10B, J10J, J16Z | 5v42a.x | | BOP, KVT, UOP4 |
| | 09 | J03A, J03B, J04A, J04B, J08A, J08B, J08C, J10A, J10B, J10J, J16Z | | 02 | Y01Z, Y03A, Y03B | | 06 | G26J, G26Q, G26Z |
| | 22 | Y01Z, Y03A, Y03B | | 09 | BOP, KVT, UOP4 | | 09 | J03A, J03B, J04A, J04B, J08A, J08B, J08C, J10A, J10B, J10J, J16Z |
| 5v428.9↔ | | BOP, KVT, UOP4 | | 22 | C20A, C20B, C20J, C20Q, C20R | | 13 | N09A, N09B, N09J, N09Q |
| | 09 | J03A, J03B, J04A, J04B, J08A, J08B, J08C, J10A, J10B, J10J, J16Z | 5v42a.5 | | J03A, J03B, J04A, J04B, J08A, J08B, J08C, J10A, J10B, J10J, J16Z | | 22 | Y01Z, Y03A, Y03B |
| | 22 | Y01Z, Y03A, Y03B | | 09 | BOP, KVT, UOP4 | 5v42b.0 | | BOP, KJZSV, KVT, UOP4 |
| 5v428.a | | BOP, KVT, UOP4 | | 22 | J03A, J03B, J04A, J04B, J08A, J08B, J08C, J10A, J10B, J10J, J16Z | | 09 | J03A, J03B, J04A, J04B, J08A, J08B, J08C, J10A, J10B, J10J, J16Z |
| | 09 | J03A, J03B, J04A, J04B, J08A, J08B, J08C, J10A, J10B, J10J, J16Z | 5v42a.6↔ | | BOP, KVT, UOP4 | | 22 | Y01Z, Y03A, Y03B |
| | 22 | Y01Z, Y03A, Y03B | | 09 | J03A, J03B, J04A, J04B, J08A, J08B, J08C, J10A, J10B, J10J, J16Z | 5v42b.4 | | BOP, KJZSV, KVT, UOP4 |
| 5v428.b | | BOP, KVT, UOP4 | | 22 | Y01Z, Y03A, Y03B | | 02 | C20A, C20B, C20J, C20Q, C20R |
| | 09 | J03A, J03B, J04A, J04B, J08A, J08B, J08C, J10A, J10B, J10J, J16Z | 5v42a.7↔ | | BOP, KVT, UOP4 | | 09 | J03A, J03B, J04A, J04B, J08A, J08B, J08C, J10A, J10B, J10J, J16Z |
| | 22 | Y01Z, Y03A, Y03B | | 09 | J03A, J03B, J04A, J04B, J08A, J08B, J08C, J10A, J10B, J10J, J16Z | | 22 | Y01Z, Y03A, Y03B |
| 5v428.c | | BOP, KVT, UOP4 | | 22 | Y01Z, Y03A, Y03B | 5v42b.5 | | BOP, KJZSV, KVT, UOP4 |
| | 06 | G26J, G26Q, G26Z | 5v42a.8↔ | | BOP, KVT, UOP4 | | 09 | J03A, J03B, J04A, J04B, J08A, J08B, J08C, J10A, J10B, J10J, J16Z |
| | 09 | J03A, J03B, J04A, J04B, J08A, J08B, J08C, J10A, J10B, J10J, J16Z | | 09 | J03A, J03B, J04A, J04B, J08A, J08B, J08C, J10A, J10B, J10J, J16Z | | 22 | Y01Z, Y03A, Y03B |
| | 13 | N09A, N09B, N09J, N09Q | | 22 | Y01Z, Y03A, Y03B | 5v42b.6↔ | | BOP, KJZSV, KVT, UOP4 |
| | 22 | Y01Z, Y03A, Y03B | 5v42a.9↔ | | BOP, KVT, UOP4 | | 09 | J03A, J03B, J04A, J04B, J08A, J08B, J08C, J10A, J10B, J10J, J16Z |
| 5v428.d | | BOP, KVT, UOP4 | | 09 | J03A, J03B, J04A, J04B, J08A, J08B, J08C, J10A, J10B, J10J, J16Z | | 22 | Y01Z, Y03A, Y03B |
| | 06 | G26J, G26Q, G26Z | 5v42a.a | | BOP, KVT, UOP4 | 5v42b.7↔ | | BOP, KJZSV, KVT, UOP4 |
| | 09 | J03A, J03B, J04A, J04B, J08A, J08B, J08C, J10A, J10B, J10J, J16Z | | 09 | J03A, J03B, J04A, J04B, J08A, J08B, J08C, J10A, J10B, J10J, J16Z | | 09 | J03A, J03B, J04A, J04B, J08A, J08B, J08C, J10A, J10B, J10J, J16Z |
| | 13 | N09A, N09B, N09J, N09Q | | 22 | Y01Z, Y03A, Y03B | | 22 | Y01Z, Y03A, Y03B |
| | 22 | Y01Z, Y03A, Y03B | 5v42a.b | | BOP, KVT, UOP4 | 5v42b.8↔ | | BOP, KJZSV, KVT, UOP4 |
| 5v428.e↔ | | BOP, KVT, UOP4 | | 09 | J03A, J03B, J04A, J04B, J08A, J08B, J08C, J10A, J10B, J10J, J16Z | | 09 | J03A, J03B, J04A, J04B, J08A, J08B, J08C, J10A, J10B, J10J, J16Z |
| | 09 | J03A, J03B, J04A, J04B, J08A, J08B, J08C, J10A, J10B, J10J, J16Z | | 22 | Y01Z, Y03A, Y03B | | 22 | Y01Z, Y03A, Y03B |
| | 22 | Y01Z, Y03A, Y03B | 5v42a.c | | BOP, KVT, UOP4 | 5v42b.9↔ | | BOP, KJZSV, KVT, UOP4 |
| 5v428.f↔ | | BOP, KVT, UOP4 | | 06 | G26J, G26Q, G26Z | | 09 | J03A, J03B, J04A, J04B, J08A, J08B, J08C, J10A, J10B, J10J, J16Z |
| | 09 | J03A, J03B, J04A, J04B, J08A, J08B, J08C, J10A, J10B, J10J, J16Z | | 09 | J03A, J03B, J04A, J04B, J08A, J08B, J08C, J10A, J10B, J10J, J16Z | 5v42b.a | | BOP, KJZSV, KVT, UOP4 |
| | 22 | Y01Z, Y03A, Y03B | | 13 | N09A, N09B, N09J, N09Q | | 09 | J03A, J03B, J04A, J04B, J08A, J08B, J08C, J10A, J10B, J10J, J16Z |
| 5v428.g↔ | | BOP, KVT, UOP4 | | 22 | Y01Z, Y03A, Y03B | | 22 | Y01Z, Y03A, Y03B |
| | 09 | J03A, J03B, J04A, J04B, J08A, J08B, J08C, J10A, J10B, J10J, J16Z | 5v42a.d | | BOP, KVT, UOP4 | 5v42b.b | | BOP, KJZSV, KVT, UOP4 |
| | 22 | Y01Z, Y03A, Y03B | | 06 | G26J, G26Q, G26Z | | 09 | J03A, J03B, J04A, J04B, J08A, J08B, J08C, J10A, J10B, J10J, J16Z |
| 5v428.x | | BOP, KVT, UOP4 | | 09 | J03A, J03B, J04A, J04B, J08A, J08B, J08C, J10A, J10B, J10J, J16Z | | 22 | Y01Z, Y03A, Y03B |
| | 06 | G26J, G26Q, G26Z | | 13 | N09A, N09B, N09J, N09Q | 5v42b.c | | BOP, KJZSV, KVT, UOP4 |
| | 09 | J03A, J03B, J04A, J04B, J08A, J08B, J08C, J10A, J10B, J10J, J16Z | | 22 | Y01Z, Y03A, Y03B | | 06 | G26J, G26Q, G26Z |
| | 13 | N09A, N09B, N09J, N09Q | 5v42a.e↔ | | BOP, KVT, UOP4 | | 09 | J03A, J03B, J04A, J04B, J08A, J08B, J08C, J10A, J10B, J10J, J16Z |
| | 22 | Y01Z, Y03A, Y03B | | 09 | J03A, J03B, J04A, J04B, J08A, J08B, J08C, J10A, J10B, J10J, J16Z | | 13 | N09A, N09B, N09J, N09Q |
| 5v429.4† | | KJZSV | | 22 | Y01Z, Y03A, Y03B | | 22 | Y01Z, Y03A, Y03B |
| | 02 | C20A, C20B, C20J, C20Q, C20R | | | | | | |
| 5v429.c† | | KJZSV | | | | | | |
| | 06 | G26J, G26Q, G26Z | | | | | | |

VYK

| ZZV | MDC | DRG | ZZV | MDC | DRG | ZZV | MDC | DRG |
|-----------|-----|---|-----------|-----|---|-----------|-----|---|
| 5v42b.d | | BOP, KJZSV, KVT, UOP4 06 G26J, G26Q, G26Z 09 J03A, J03B, J04A, J04B, J08A, J08B, J08C, J10A, J10B, J10J, J16Z 13 N09A, N09B, N09J, N09Q 22 Y01Z, Y03A, Y03B | 5v441.9†↔ | 09 | J11A, J11B, J11C, J11J, J11Q, J11R, J11S | 5v443.c‡ | 09 | J11A, J11B, J11C, J11J, J11Q, J11R, J11S |
| | | | 5v441.a‡ | 09 | J11A, J11B, J11C, J11J, J11Q, J11R, J11S | 5v443.d‡ | 09 | J11A, J11B, J11C, J11J, J11Q, J11R, J11S |
| | | | 5v441.b‡ | 09 | J11A, J11B, J11C, J11J, J11Q, J11R, J11S | 5v443.e‡↔ | 09 | J11A, J11B, J11C, J11J, J11Q, J11R, J11S |
| 5v42b.e↔ | | BOP, KJZSV, KVT, UOP4 09 J03A, J03B, J04A, J04B, J08A, J08B, J08C, J10A, J10B, J10J, J16Z 22 Y01Z, Y03A, Y03B | 5v441.c‡ | 09 | J11A, J11B, J11C, J11J, J11Q, J11R, J11S | 5v443.f‡↔ | 09 | J11A, J11B, J11C, J11J, J11Q, J11R, J11S |
| | | | 5v441.d‡ | 09 | J11A, J11B, J11C, J11J, J11Q, J11R, J11S | 5v443.g‡↔ | 09 | J11A, J11B, J11C, J11J, J11Q, J11R, J11S |
| | | | 5v441.e‡↔ | 09 | J11A, J11B, J11C, J11J, J11Q, J11R, J11S | 5v443.x‡ | 09 | J11A, J11B, J11C, J11J, J11Q, J11R, J11S |
| 5v42b.f↔ | | BOP, KJZSV, KVT, UOP4 09 J03A, J03B, J04A, J04B, J08A, J08B, J08C, J10A, J10B, J10J, J16Z 22 Y01Z, Y03A, Y03B | 5v441.f‡↔ | 09 | J11A, J11B, J11C, J11J, J11Q, J11R, J11S | 5v444.0 | 09 | BOP, KJZSV, KVT, UOP4 J03A, J03B, J04A, J04B, J08A, J08B, J08C, J10A, J10B, J10J, J16Z |
| | | | 5v441.g‡↔ | 09 | J11A, J11B, J11C, J11J, J11Q, J11R, J11S | 5v444.4 | 02 | BOP, KJZSV, KVT, UOP4 C20A, C20B, C20J, C20Q, C20R |
| 5v42b.x | | BOP, KJZSV, KVT, UOP4 06 G26J, G26Q, G26Z 09 J03A, J03B, J04A, J04B, J08A, J08B, J08C, J10A, J10B, J10J, J16Z 13 N09A, N09B, N09J, N09Q 22 Y01Z, Y03A, Y03B | 5v441.x‡ | 09 | J11A, J11B, J11C, J11J, J11Q, J11R, J11S | 5v444.5 | 09 | BOP, KJZSV, KVT, UOP4 J03A, J03B, J04A, J04B, J08A, J08B, J08C, J10A, J10B, J10J, J16Z |
| | | | 5v442.0‡ | 09 | J11A, J11B, J11C, J11J, J11Q, J11R, J11S | 5v444.6↔ | 09 | BOP, KJZSV, KVT, UOP4 J03A, J03B, J04A, J04B, J08A, J08B, J08C, J10A, J10B, J10J, J16Z |
| | | | 5v442.4‡ | 02 | C14J, C14Q, C14R, C14S, C14Z | 5v444.6↔ | 09 | BOP, KJZSV, KVT, UOP4 J03A, J03B, J04A, J04B, J08A, J08B, J08C, J10A, J10B, J10J, J16Z |
| | | | | 09 | J11A, J11B, J11C, J11J, J11Q, J11R, J11S | 5v444.7↔ | 09 | BOP, KJZSV, KVT, UOP4 J03A, J03B, J04A, J04B, J08A, J08B, J08C, J10A, J10B, J10J, J16Z |
| | | | 5v442.5‡ | 09 | J11A, J11B, J11C, J11J, J11Q, J11R, J11S | 5v444.8↔ | 09 | BOP, KJZSV, KVT, UOP4 J03A, J03B, J04A, J04B, J08A, J08B, J08C, J10A, J10B, J10J, J16Z |
| 5v440.0‡ | | J11A, J11B, J11C, J11J, J11Q, J11R, J11S | 5v442.6‡↔ | 09 | J11A, J11B, J11C, J11J, J11Q, J11R, J11S | 5v444.8↔ | 09 | BOP, KJZSV, KVT, UOP4 J03A, J03B, J04A, J04B, J08A, J08B, J08C, J10A, J10B, J10J, J16Z |
| 5v440.4‡ | | C14J, C14Q, C14R, C14S, C14Z | 5v442.7‡↔ | 09 | J11A, J11B, J11C, J11J, J11Q, J11R, J11S | 5v444.9↔ | 09 | BOP, KJZSV, KVT, UOP4 J03A, J03B, J04A, J04B, J08A, J08B, J08C, J10A, J10B, J10J, J16Z |
| | | | 5v442.8‡↔ | 09 | J11A, J11B, J11C, J11J, J11Q, J11R, J11S | 5v444.a | 09 | BOP, KJZSV, KVT, UOP4 J03A, J03B, J04A, J04B, J08A, J08B, J08C, J10A, J10B, J10J, J16Z |
| 5v440.5‡ | | J11A, J11B, J11C, J11J, J11Q, J11R, J11S | 5v442.9‡↔ | 09 | J11A, J11B, J11C, J11J, J11Q, J11R, J11S | 5v444.b | 09 | BOP, KJZSV, KVT, UOP4 J03A, J03B, J04A, J04B, J08A, J08B, J08C, J10A, J10B, J10J, J16Z |
| 5v440.6‡↔ | | J11A, J11B, J11C, J11J, J11Q, J11R, J11S | 5v442.a‡ | 09 | J11A, J11B, J11C, J11J, J11Q, J11R, J11S | 5v444.c | 06 | BOP, KJZSV, KVT, UOP4 G26J, G26Q, G26Z |
| 5v440.7‡↔ | | J11A, J11B, J11C, J11J, J11Q, J11R, J11S | 5v442.b‡ | 09 | J11A, J11B, J11C, J11J, J11Q, J11R, J11S | 5v444.c | 09 | BOP, KJZSV, KVT, UOP4 J03A, J03B, J04A, J04B, J08A, J08B, J08C, J10A, J10B, J10J, J16Z |
| 5v440.8‡↔ | | J11A, J11B, J11C, J11J, J11Q, J11R, J11S | 5v442.c‡ | 09 | J11A, J11B, J11C, J11J, J11Q, J11R, J11S | 5v444.d | 13 | N09A, N09B, N09J, N09Q BOP, KJZSV, KVT, UOP4 G26J, G26Q, G26Z |
| 5v440.9‡↔ | | J11A, J11B, J11C, J11J, J11Q, J11R, J11S | 5v442.d‡ | 09 | J11A, J11B, J11C, J11J, J11Q, J11R, J11S | 5v444.d | 06 | BOP, KJZSV, KVT, UOP4 G26J, G26Q, G26Z |
| 5v440.a‡ | | J11A, J11B, J11C, J11J, J11Q, J11R, J11S | 5v442.e‡↔ | 09 | J11A, J11B, J11C, J11J, J11Q, J11R, J11S | 5v444.d | 09 | BOP, KJZSV, KVT, UOP4 J03A, J03B, J04A, J04B, J08A, J08B, J08C, J10A, J10B, J10J, J16Z |
| 5v440.b‡ | | J11A, J11B, J11C, J11J, J11Q, J11R, J11S | 5v442.f‡↔ | 09 | J11A, J11B, J11C, J11J, J11Q, J11R, J11S | 5v444.d | 13 | N09A, N09B, N09J, N09Q BOP, KJZSV, KVT, UOP4 G26J, G26Q, G26Z |
| 5v440.c‡ | | J11A, J11B, J11C, J11J, J11Q, J11R, J11S | 5v442.g‡↔ | 09 | J11A, J11B, J11C, J11J, J11Q, J11R, J11S | 5v444.e↔ | 09 | BOP, KJZSV, KVT, UOP4 J03A, J03B, J04A, J04B, J08A, J08B, J08C, J10A, J10B, J10J, J16Z |
| 5v440.d‡ | | J11A, J11B, J11C, J11J, J11Q, J11R, J11S | 5v442.x‡ | 09 | J11A, J11B, J11C, J11J, J11Q, J11R, J11S | 5v444.f↔ | 09 | BOP, KJZSV, KVT, UOP4 J03A, J03B, J04A, J04B, J08A, J08B, J08C, J10A, J10B, J10J, J16Z |
| 5v440.e‡↔ | | J11A, J11B, J11C, J11J, J11Q, J11R, J11S | 5v443.0‡ | 09 | J11A, J11B, J11C, J11J, J11Q, J11R, J11S | | | |
| 5v440.f‡↔ | | J11A, J11B, J11C, J11J, J11Q, J11R, J11S | 5v443.4‡ | 02 | C14J, C14Q, C14R, C14S, C14Z | | | |
| 5v440.g‡↔ | | J11A, J11B, J11C, J11J, J11Q, J11R, J11S | | 09 | J11A, J11B, J11C, J11J, J11Q, J11R, J11S | | | |
| 5v440.x‡ | | J11A, J11B, J11C, J11J, J11Q, J11R, J11S | 5v443.5‡ | 09 | J11A, J11B, J11C, J11J, J11Q, J11R, J11S | | | |
| 5v441.0‡ | | J11A, J11B, J11C, J11J, J11Q, J11R, J11S | 5v443.6‡↔ | 09 | J11A, J11B, J11C, J11J, J11Q, J11R, J11S | | | |
| 5v441.4‡ | | C14J, C14Q, C14R, C14S, C14Z | 5v443.7‡↔ | 09 | J11A, J11B, J11C, J11J, J11Q, J11R, J11S | | | |
| | | | 5v443.8‡↔ | 09 | J11A, J11B, J11C, J11J, J11Q, J11R, J11S | | | |
| 5v441.5‡ | | J11A, J11B, J11C, J11J, J11Q, J11R, J11S | 5v443.9‡↔ | 09 | J11A, J11B, J11C, J11J, J11Q, J11R, J11S | | | |
| 5v441.6‡↔ | | J11A, J11B, J11C, J11J, J11Q, J11R, J11S | 5v443.a‡ | 09 | J11A, J11B, J11C, J11J, J11Q, J11R, J11S | | | |
| 5v441.7‡↔ | | J11A, J11B, J11C, J11J, J11Q, J11R, J11S | 5v443.b‡ | 09 | J11A, J11B, J11C, J11J, J11Q, J11R, J11S | | | |
| 5v441.8‡↔ | | J11A, J11B, J11C, J11J, J11Q, J11R, J11S | | | | | | |

| ZZV | MDC | DRG | ZZV | MDC | DRG | ZZV | MDC | DRG |
|-----------|-----|--|-----------|-----|--|----------|-----|--|
| 5v447.b | | BOP, KJZSV, KVT, UOP4 | 5v449.4† | | KJZSV | 5v450.4 | | BOP, KJZSV, KVT, UOP4 |
| | 09 | J03A, J03B, J04A, J04B, J08A, J08B, J08C, J10A, J10B, J10J, J16Z | | 02 | C20A, C20B, C20J, C20Q, C20R | | 01 | B03Z, B07Z, B17A, B17B, B17C, B17J |
| 5v447.c | | BOP, KJZSV, KVT, UOP4 | | 09 | J11A, J11B, J11C, J11J, J11Q, J11R, J11S | | 02 | C20A, C20B, C20J, C20Q, C20R |
| | 06 | G26J, G26Q, G26Z | 5v449.5† | | KJZSV | | 03 | D12A, D12J, D12Q |
| | 09 | J03A, J03B, J04A, J04B, J08A, J08B, J08C, J10A, J10B, J10J, J16Z | | 09 | J11A, J11B, J11J, J11Q, J11R, J11S | | 05 | F13A, F21A, F21B, F21C, F21J |
| 5v447.d | | BOP, KJZSV, KVT, UOP4 | 5v449.6†↔ | | KJZSV | | 08 | I02A, I02B, I02C, I02D, I22A, I22B, I50Z |
| | 13 | N09A, N09B, N09J, N09Q | | 09 | J11A, J11B, J11J, J11Q, J11R, J11S | | 09 | J02A, J02B, J02C, J04A, J04B, J08A, J08B, J08C, J16Z, J21Z, J22A, J22B, J22J |
| | 06 | G26J, G26Q, G26Z | 5v449.7†↔ | | KJZSV | | 21A | W04A, W04B |
| | 09 | J03A, J03B, J04A, J04B, J08A, J08B, J08C, J10A, J10B, J10J, J16Z | | 09 | J11A, J11B, J11J, J11Q, J11R, J11S | 5v450.5 | 21B | X01A, X01B, X01C |
| 5v447.e↔ | | BOP, KJZSV, KVT, UOP4 | 5v449.8†↔ | | KJZSV | | 01 | BOP, KJZSV, KVT, UOP4 |
| | 09 | J03A, J03B, J04A, J04B, J08A, J08B, J08C, J10A, J10B, J10J, J16Z | | 09 | J11A, J11B, J11J, J11Q, J11R, J11S | | 01 | B03Z, B07Z, B17A, B17B, B17C, B17J |
| 5v447.f↔ | | BOP, KJZSV, KVT, UOP4 | 5v449.9†↔ | | KJZSV | | 03 | D12A, D12J, D12Q |
| | 09 | J03A, J03B, J04A, J04B, J08A, J08B, J08C, J10A, J10B, J10J, J16Z | | 09 | J11A, J11B, J11J, J11Q, J11R, J11S | | 05 | F13A, F21A, F21B, F21C, F21J |
| 5v447.g↔ | | BOP, KJZSV, KVT, UOP4 | 5v449.a† | | KJZSV | | 08 | I02A, I02B, I02C, I02D, I22A, I22B, I50Z |
| | 09 | J03A, J03B, J04A, J04B, J08A, J08B, J08C, J10A, J10B, J10J, J16Z | | 09 | J11A, J11B, J11J, J11Q, J11R, J11S | | 09 | J02A, J02B, J02C, J04A, J04B, J08A, J08B, J08C, J16Z, J21Z, J22A, J22B, J22J |
| 5v447.g↔ | | BOP, KJZSV, KVT, UOP4 | 5v449.b† | | KJZSV | | 21A | W04A, W04B |
| | 09 | J03A, J03B, J04A, J04B, J08A, J08B, J08C, J10A, J10B, J10J, J16Z | | 09 | J11A, J11B, J11J, J11Q, J11R, J11S | 5v450.6↔ | 21B | X01A, X01B, X01C |
| 5v447.x | | BOP, KJZSV, KVT, UOP4 | 5v449.c† | | KJZSV | | 01 | BOP, KJZSV, KVT, UOP4 |
| | 06 | G26J, G26Q, G26Z | | 09 | J11A, J11B, J11J, J11Q, J11R, J11S | | 01 | B03Z, B07Z, B17A, B17B, B17C, B17J |
| | 09 | J03A, J03B, J04A, J04B, J08A, J08B, J08C, J10A, J10B, J10J, J16Z | 5v449.d† | | KJZSV | | 05 | F13A, F21A, F21B, F21C, F21J |
| | 13 | N09A, N09B, N09J, N09Q | | 09 | J11A, J11B, J11J, J11Q, J11R, J11S | | 08 | I02A, I02B, I02C, I02D, I22A, I22B, I50Z |
| 5v448.0† | | BOP, KJZSV, KVT, UOP4 | 5v449.e†↔ | | KJZSV | | 09 | J02A, J02B, J02C, J04A, J04B, J08A, J08B, J08C, J16Z, J21Z, J22A, J22B, J22J |
| | 09 | J11A, J11B, J11J, J11Q, J11R, J11S | | 09 | J11A, J11B, J11J, J11Q, J11R, J11S | | 21A | W04A, W04B |
| 5v448.4† | | BOP, KJZSV, KVT, UOP4 | 5v449.f†↔ | | KJZSV | | 21B | X01A, X01B, X01C |
| | 02 | C20A, C20B, C20J, C20Q, C20R | | 09 | J11A, J11B, J11J, J11Q, J11R, J11S | 5v450.7↔ | 01 | BOP, KJZSV, KVT, UOP4 |
| | 09 | J11A, J11B, J11C, J11J, J11Q, J11R, J11S | 5v449.g†↔ | | KJZSV | | 01 | B03Z, B07Z, B17A, B17B, B17C, B17J |
| 5v448.5† | | BOP, KJZSV, KVT, UOP4 | | 09 | J11A, J11B, J11J, J11Q, J11R, J11S | | 05 | F13A, F21A, F21B, F21C, F21J |
| | 09 | J11A, J11B, J11J, J11Q, J11R, J11S | 5v449.x† | | KJZSV | | 08 | I02A, I02B, I02C, I02D, I22A, I22B, I50Z |
| 5v448.6†↔ | | BOP, KJZSV, KVT, UOP4 | | 09 | J11A, J11B, J11J, J11Q, J11R, J11S | | 09 | J02A, J02B, J02C, J04A, J04B, J08A, J08B, J08C, J16Z, J21Z, J22A, J22B, J22J |
| | 09 | J11A, J11B, J11J, J11Q, J11R, J11S | 5v450.0 | | BOP, KJZSV, KVT, UOP4 | | 21A | W04A, W04B |
| 5v448.7†↔ | | BOP, KJZSV, KVT, UOP4 | | 01 | B03Z, B07Z, B17A, B17B, B17C, B17J | | 21B | X01A, X01B, X01C |
| | 09 | J11A, J11B, J11J, J11Q, J11R, J11S | | 03 | D12A, D12J, D12Q | | 01 | B03Z, B07Z, B17A, B17B, B17C, B17J |
| 5v448.8†↔ | | BOP, KJZSV, KVT, UOP4 | | 05 | F13A, F21A, F21B, F21C, F21J | | 05 | F13A, F21A, F21B, F21C, F21J |
| | 09 | J11A, J11B, J11J, J11Q, J11R, J11S | | 09 | J02A, J02B, J02C, J04A, J04B, J08A, J08B, J08C, J16Z, J21Z, J22A, J22B, J22J | | 08 | I02A, I02B, I02C, I02D, I22A, I22B, I50Z |
| 5v448.9†↔ | | BOP, KJZSV, KVT, UOP4 | | 21A | W04A, W04B | | 09 | J02A, J02B, J02C, J04A, J04B, J08A, J08B, J08C, J16Z, J21Z, J22A, J22B, J22J |
| | 09 | J11A, J11B, J11J, J11Q, J11R, J11S | | 21B | X01A, X01B, X01C | 5v450.8↔ | 21A | W04A, W04B |
| 5v448.a† | | BOP, KJZSV, KVT, UOP4 | | | | | 21B | X01A, X01B, X01C |
| | 09 | J11A, J11B, J11J, J11Q, J11R, J11S | | | | | 01 | BOP, KJZSV, KVT, UOP4 |
| 5v448.b† | | BOP, KJZSV, KVT, UOP4 | | | | | 01 | B03Z, B07Z, B17A, B17B, B17C, B17J |
| | 09 | J11A, J11B, J11J, J11Q, J11R, J11S | | | | | 05 | F13A, F21A, F21B, F21C, F21J |
| 5v448.c† | | BOP, KJZSV, KVT, UOP4 | | | | | 08 | I02A, I02B, I02C, I02D, I22A, I22B, I32A, I32B, I32C, I32D, I32E, I32F, I32J, I32Q, I32R, I32S, I32T, I32U, I50Z |
| | 09 | J11A, J11B, J11J, J11Q, J11R, J11S | | | | | 09 | J02A, J02B, J02C, J04A, J04B, J08A, J08B, J08C, J16Z, J21Z, J22A, J22B, J22J |
| 5v448.d† | | BOP, KJZSV, KVT, UOP4 | | | | | 21A | W04A, W04B |
| | 09 | J11A, J11B, J11J, J11Q, J11R, J11S | | | | | 21B | X01A, X01B, X01C |
| 5v448.e†↔ | | BOP, KJZSV, KVT, UOP4 | | | | | | |
| | 09 | J11A, J11B, J11J, J11Q, J11R, J11S | | | | | | |
| 5v448.f†↔ | | BOP, KJZSV, KVT, UOP4 | | | | | | |
| | 09 | J11A, J11B, J11J, J11Q, J11R, J11S | | | | | | |
| 5v448.g†↔ | | BOP, KJZSV, KVT, UOP4 | | | | | | |
| | 09 | J11A, J11B, J11J, J11Q, J11R, J11S | | | | | | |
| 5v448.x† | | BOP, KJZSV, KVT, UOP4 | | | | | | |
| | 09 | J11A, J11B, J11J, J11Q, J11R, J11S | | | | | | |
| 5v449.0† | | BOP, KJZSV, KVT, UOP4 | | | | | | |
| | 09 | J11A, J11B, J11J, J11Q, J11R, J11S | | | | | | |

| ZZV | MDC | DRG | ZZV | MDC | DRG | ZZV | MDC | DRG | | | |
|----------|---------|--|------------------------------------|--|--|---------|--|--|----------|-----|------------------------------------|
| 5v450.9↔ | | BOP, KJZSV, KVT, UOP4 | 5v450.e↔ | | BOP, KJZSV, KVT, UOP4 | 5v451.5 | | BOP, KJZSV, KVT, UOP4 | | | |
| | 01 | B03Z, B07Z, B17A, B17B, B17C, B17J | | 01 | B03Z, B07Z, B17A, B17B, B17C, B17J | | 01 | B03Z, B07Z, B17A, B17B, B17C, B17J | | | |
| | 05 | F13A, F21A, F21B, F21C, F21J | | 05 | F13A, F21A, F21B, F21C, F21J | | 02 | C20A, C20B, C20J, C20Q, C20R | | | |
| | 08 | I12A, I12B, I12C, I12J, I32A, I32B, I32C, I32D, I32E, I32F, I32J, I32Q, I32R, I32S, I32T, I32U | | 08 | I02A, I02B, I02C, I02D, I22A, I22B, I50Z | | 05 | F13A, F21A, F21B, F21C, F21J | | | |
| | 09 | J02A, J02B, J02C, J04A, J04B, J08A, J08B, J08C, J16Z, J21Z, J22A, J22B, J22J | | 09 | J02A, J02B, J02C, J04A, J04B, J08A, J08B, J08C, J16Z, J21Z, J22A, J22B, J22J | | 08 | I02A, I02B, I02C, I02D, I22A, I22B, I50Z | | | |
| | 21A | W04A, W04B | | 21A | W04A, W04B | | 09 | J02A, J02B, J02C, J04A, J04B, J08A, J08B, J08C, J16Z, J21Z, J22A, J22B, J22J | | | |
| | 21B | X01A, X01B, X01C | | 21B | X01A, X01B, X01C | | 21A | W04A, W04B | | | |
| | 5v450.a | | | BOP, KJZSV, KVT, UOP4 | 5v450.f↔ | | | BOP, KJZSV, KVT, UOP4 | 5v451.6↔ | | BOP, KJZSV, KVT, UOP4 |
| | | 01 | | B03Z, B07Z, B17A, B17B, B17C, B17J | | | 01 | B03Z, B07Z, B17A, B17B, B17C, B17J | | 21B | X01A, X01B, X01C |
| | | 05 | | F13A, F21A, F21B, F21C, F21J | | | 05 | F13A, F21A, F21B, F21C, F21J | | 01 | B03Z, B07Z, B17A, B17B, B17C, B17J |
| 06 | | G10Z, G12A, G12B, G12J | 08 | I02A, I02B, I02C, I02D, I22A, I22B, I50Z | | 05 | F13A, F21A, F21B, F21C, F21J | | | | |
| 08 | | I02A, I02B, I02C, I02D, I22A, I22B, I50Z | 09 | J02A, J02B, J02C, J04A, J04B, J08A, J08B, J08C, J16Z, J21Z, J22A, J22B, J22J | | 08 | I02A, I02B, I02C, I02D, I22A, I22B, I50Z | | | | |
| 09 | | J02A, J02B, J02C, J04A, J04B, J08A, J08B, J08C, J16Z, J21Z, J22A, J22B, J22J | 21A | W04A, W04B | | 09 | J02A, J02B, J02C, J04A, J04B, J08A, J08B, J08C, J16Z, J21Z, J22A, J22B, J22J | | | | |
| 21A | | W04A, W04B | 21B | X01A, X01B, X01C | | 21A | W04A, W04B | | | | |
| 21B | | X01A, X01B, X01C | 01 | B03Z, B07Z, B17A, B17B, B17C, B17J | | 21B | X01A, X01B, X01C | | | | |
| 5v450.b | | | BOP, KJZSV, KVT, UOP4 | 5v450.g↔ | | | BOP, KJZSV, KVT, UOP4 | 5v451.7↔ | | | BOP, KJZSV, KVT, UOP4 |
| | | 01 | B03Z, B07Z, B17A, B17B, B17C, B17J | | | 01 | B03Z, B07Z, B17A, B17B, B17C, B17J | | | 01 | B03Z, B07Z, B17A, B17B, B17C, B17J |
| | 05 | F13A, F21A, F21B, F21C, F21J | 05 | | F13A, F21A, F21B, F21C, F21J | 05 | F13A, F21A, F21B, F21C, F21J | | | | |
| | 06 | G10Z, G12A, G12B, G12J | 08 | | I02A, I02B, I02C, I02D, I12A, I12B, I12C, I12J, I22A, I22B, I50Z | 08 | I02A, I02B, I02C, I02D, I22A, I22B, I50Z | | | | |
| | 08 | I02A, I02B, I02C, I02D, I22A, I22B, I50Z | 09 | | J02A, J02B, J02C, J04A, J04B, J08A, J08B, J08C, J16Z, J21Z, J22A, J22B, J22J | 09 | J02A, J02B, J02C, J04A, J04B, J08A, J08B, J08C, J16Z, J21Z, J22A, J22B, J22J | | | | |
| | 09 | J02A, J02B, J02C, J04A, J04B, J08A, J08B, J08C, J16Z, J21Z, J22A, J22B, J22J | 21A | | W04A, W04B | 21A | W04A, W04B | | | | |
| | 21A | W04A, W04B | 21B | | X01A, X01B, X01C | 21B | X01A, X01B, X01C | | | | |
| | 21B | X01A, X01B, X01C | 01 | | B03Z, B07Z, B17A, B17B, B17C, B17J | 01 | B03Z, B07Z, B17A, B17B, B17C, B17J | | | | |
| | 5v450.c | | BOP, KJZSV, KVT, UOP4 | | 5v450.x↔ | | BOP, KJZSV, KVT, UOP4 | | 5v451.8↔ | | BOP, KJZSV, KVT, UOP4 |
| | | 01 | B03Z, B07Z, B17A, B17B, B17C, B17J | | | 01 | B03Z, B07Z, B17A, B17B, B17C, B17J | | | 01 | B03Z, B07Z, B17A, B17B, B17C, B17J |
| 05 | | F13A, F21A, F21B, F21C, F21J | 05 | F13A, F21A, F21B, F21C, F21J | | 05 | F13A, F21A, F21B, F21C, F21J | | | | |
| 06 | | G10Z, G12A, G12B, G12J | 08 | I02A, I02B, I02C, I02D, I22A, I22B, I32A, I32B, I32C, I32D, I32E, I32F, I32J, I32Q, I32R, I32S, I32T, I32U, I50Z | | 08 | I02A, I02B, I02C, I02D, I22A, I22B, I32A, I32B, I32C, I32D, I32E, I32F, I32J, I32Q, I32R, I32S, I32T, I32U, I50Z | | | | |
| 08 | | I02A, I02B, I02C, I02D, I22A, I22B, I50Z | 09 | J02A, J02B, J02C, J04A, J04B, J08A, J08B, J08C, J16Z, J21Z, J22A, J22B, J22J | | 09 | J02A, J02B, J02C, J04A, J04B, J08A, J08B, J08C, J16Z, J21Z, J22A, J22B, J22J | | | | |
| 09 | | J02A, J02B, J02C, J04A, J04B, J08A, J08B, J08C, J16Z, J21Z, J22A, J22B, J22J | 21A | W04A, W04B | | 21A | W04A, W04B | | | | |
| 21A | | W04A, W04B | 21B | X01A, X01B, X01C | | 21B | X01A, X01B, X01C | | | | |
| 21B | | X01A, X01B, X01C | 01 | B03Z, B07Z, B17A, B17B, B17C, B17J | | 21B | X01A, X01B, X01C | | | | |
| 5v450.d | | | BOP, KJZSV, KVT, UOP4 | 5v451.0 | | | BOP, KJZSV, KVT, UOP4 | 5v451.9↔ | | | BOP, KJZSV, KVT, UOP4 |
| | | 01 | B03Z, B07Z, B17A, B17B, B17C, B17J | | | 01 | B03Z, B07Z, B17A, B17B, B17C, B17J | | | 01 | B03Z, B07Z, B17A, B17B, B17C, B17J |
| | 05 | F13A, F21A, F21B, F21C, F21J | 05 | | F13A, F21A, F21B, F21C, F21J | 05 | F13A, F21A, F21B, F21C, F21J | | | | |
| | 06 | G10Z, G12A, G12B, G12J | 09 | | J02A, J02B, J02C, J04A, J04B, J08A, J08B, J08C, J16Z, J21Z, J22A, J22B, J22J | 08 | I12A, I12B, I12C, I12J, I32A, I32B, I32C, I32D, I32E, I32F, I32J, I32Q, I32R, I32S, I32T, I32U | | | | |
| | 08 | I02A, I02B, I02C, I02D, I22A, I22B, I50Z | 21A | | W04A, W04B | 09 | J02A, J02B, J02C, J04A, J04B, J08A, J08B, J08C, J16Z, J21Z, J22A, J22B, J22J | | | | |
| | 09 | J02A, J02B, J02C, J04A, J04B, J08A, J08B, J08C, J16Z, J21Z, J22A, J22B, J22J | 21B | | X01A, X01B, X01C | 21A | W04A, W04B | | | | |
| | 21A | W04A, W04B | | | | 21B | X01A, X01B, X01C | | | | |
| | 21B | X01A, X01B, X01C | | | | | | | | | |

VYK

Príloha B: Index Výkon-MDC-DRG

| ZZV | MDC | DRG | ZZV | MDC | DRG | ZZV | MDC | DRG |
|----------|-----|--|----------|-----|--|----------|-----|--|
| 5v451.a | | BOP, KJZSV, KVT, UOP4 | 5v451.f↔ | | BOP, KJZSV, KVT, UOP4 | 5v452.4 | | BOP, KJZSV, UOP4 |
| | 01 | B03Z, B07Z, B17A, B17B, B17C, B17J | | 01 | B03Z, B07Z, B17A, B17B, B17C, B17J | | 01 | B03Z, B07Z, B17A, B17B, B17C, B17J |
| | 05 | F13A, F21A, F21B, F21C, F21J | | 05 | F13A, F21A, F21B, F21C, F21J | | 02 | C20A, C20B, C20J, C20Q, C20R |
| | 06 | G10Z, G12A, G12B, G12J | | 08 | I02A, I02B, I02C, I02D, I22A, I22B, I50Z | | 03 | D18Z, D28J, D28Z, D29J, D29Z |
| | 08 | I02A, I02B, I02C, I02D, I22A, I22B, I50Z | | 09 | J02A, J02B, J02C, J04A, J04B, J08A, J08B, J08C, J16Z, J21Z, J22A, J22B, J22J | | 05 | F13A, F21A, F21B, F21C, F21J |
| | 09 | J02A, J02B, J02C, J04A, J04B, J08A, J08B, J08C, J16Z, J21Z, J22A, J22B, J22J | | 21A | W04A, W04B | | 08 | I02A, I02B, I02C, I02D, I22A, I22B, I50Z |
| | 21A | W04A, W04B | | 21B | X01A, X01B, X01C | | 09 | J02A, J02B, J02C, J04A, J04B, J08A, J08B, J08C, J16Z, J21Z, J22A, J22B, J22J |
| | 21B | X01A, X01B, X01C | | | | | 21A | W04A, W04B |
| | | | | | | | 21B | X01A, X01B, X01C |
| | | | | | | | | |
| 5v451.b | | BOP, KJZSV, KVT, UOP4 | 5v451.g↔ | | BOP, KJZSV, KVT, UOP4 | 5v452.5 | | BOP, KJZSV, UOP4 |
| | 01 | B03Z, B07Z, B17A, B17B, B17C, B17J | | 01 | B03Z, B07Z, B17A, B17B, B17C, B17J | | 01 | B03Z, B07Z, B17A, B17B, B17C, B17J |
| | 05 | F13A, F21A, F21B, F21C, F21J | | 05 | F13A, F21A, F21B, F21C, F21J | | 03 | D18Z, D28J, D28Z, D29J, D29Z |
| | 06 | G10Z, G12A, G12B, G12J | | 08 | I02A, I02B, I02C, I02D, I12A, I12B, I12C, I12J, I22A, I22B, I50Z | | 05 | F13A, F21A, F21B, F21C, F21J |
| | 08 | I02A, I02B, I02C, I02D, I22A, I22B, I50Z | | 09 | J02A, J02B, J02C, J04A, J04B, J08A, J08B, J08C, J16Z, J21Z, J22A, J22B, J22J | | 08 | I02A, I02B, I02C, I02D, I22A, I22B, I50Z |
| | 09 | J02A, J02B, J02C, J04A, J04B, J08A, J08B, J08C, J16Z, J21Z, J22A, J22B, J22J | | 21A | W04A, W04B | | 09 | J02A, J02B, J02C, J04A, J04B, J08A, J08B, J08C, J16Z, J21Z, J22A, J22B, J22J |
| | 21A | W04A, W04B | | 21B | X01A, X01B, X01C | | 21A | W04A, W04B |
| | 21B | X01A, X01B, X01C | | | | | 21B | X01A, X01B, X01C |
| | | | | | | | | |
| | | | | | | | | |
| 5v451.c | | BOP, KJZSV, KVT, UOP4 | 5v451.x↔ | | BOP, KJZSV, KVT, UOP4 | 5v452.6↔ | | BOP, KJZSV, UOP4 |
| | 01 | B03Z, B07Z, B17A, B17B, B17C, B17J | | 01 | B03Z, B07Z, B17A, B17B, B17C, B17J | | 01 | B03Z, B07Z, B17A, B17B, B17C, B17J |
| | 05 | F13A, F21A, F21B, F21C, F21J | | 05 | F13A, F21A, F21B, F21C, F21J | | 05 | F13A, F21A, F21B, F21C, F21J |
| | 06 | G10Z, G12A, G12B, G12J | | 08 | I02A, I02B, I02C, I02D, I22A, I22B, I32A, I32B, I32C, I32D, I32E, I32F, I32J, I32Q, I32R, I32S, I32T, I32U, I50Z | | 08 | I02A, I02B, I02C, I02D, I22A, I22B, I50Z |
| | 08 | I02A, I02B, I02C, I02D, I22A, I22B, I50Z | | 09 | J02A, J02B, J02C, J04A, J04B, J08A, J08B, J08C, J16Z, J21Z, J22A, J22B, J22J | | 09 | J02A, J02B, J02C, J04A, J04B, J08A, J08B, J08C, J16Z, J21Z, J22A, J22B, J22J |
| | 09 | J02A, J02B, J02C, J04A, J04B, J08A, J08B, J08C, J16Z, J21Z, J22A, J22B, J22J | | 21A | W04A, W04B | | 09 | J02A, J02B, J02C, J04A, J04B, J08A, J08B, J08C, J16Z, J21Z, J22A, J22B, J22J |
| | 21A | W04A, W04B | | 21B | X01A, X01B, X01C | | 21A | W04A, W04B |
| | 21B | X01A, X01B, X01C | | | | | 21B | X01A, X01B, X01C |
| | | | | | | | | |
| | | | | | | | | |
| 5v451.d | | BOP, KJZSV, KVT, UOP4 | 5v452.0 | | BOP, KJZSV, UOP4 | 5v452.7↔ | | BOP, KJZSV, UOP4 |
| | 01 | B03Z, B07Z, B17A, B17B, B17C, B17J | | 01 | B03Z, B07Z, B17A, B17B, B17C, B17J | | 01 | B03Z, B07Z, B17A, B17B, B17C, B17J |
| | 05 | F13A, F21A, F21B, F21C, F21J | | 03 | D18Z, D28J, D28Z, D29J, D29Z | | 01 | B03Z, B07Z, B17A, B17B, B17C, B17J |
| | 06 | G10Z, G12A, G12B, G12J | | 05 | F13A, F21A, F21B, F21C, F21J | | 05 | F13A, F21A, F21B, F21C, F21J |
| | 08 | I02A, I02B, I02C, I02D, I22A, I22B, I50Z | | 09 | J02A, J02B, J02C, J04A, J04B, J08A, J08B, J08C, J16Z, J21Z, J22A, J22B, J22J | | 08 | I02A, I02B, I02C, I02D, I22A, I22B, I50Z |
| | 09 | J02A, J02B, J02C, J04A, J04B, J08A, J08B, J08C, J16Z, J21Z, J22A, J22B, J22J | | 21A | W04A, W04B | | 09 | J02A, J02B, J02C, J04A, J04B, J08A, J08B, J08C, J16Z, J21Z, J22A, J22B, J22J |
| | 21A | W04A, W04B | | 21B | X01A, X01B, X01C | | 21A | W04A, W04B |
| | 21B | X01A, X01B, X01C | | | | | 21B | X01A, X01B, X01C |
| | | | | | | | | |
| | | | | | | | | |
| 5v451.e↔ | | BOP, KJZSV, KVT, UOP4 | | | | | | |
| | 01 | B03Z, B07Z, B17A, B17B, B17C, B17J | | | | | | |
| | 05 | F13A, F21A, F21B, F21C, F21J | | | | | | |
| | 08 | I02A, I02B, I02C, I02D, I22A, I22B, I50Z | | | | | | |
| | 09 | J02A, J02B, J02C, J04A, J04B, J08A, J08B, J08C, J16Z, J21Z, J22A, J22B, J22J | | | | | | |
| | 21A | W04A, W04B | | | | | | |
| | 21B | X01A, X01B, X01C | | | | | | |
| | | | | | | | | |
| | | | | | | | | |
| | | | | | | | | |

VYK

| ZZV | MDC | DRG | ZZV | MDC | DRG | ZZV | MDC | DRG | | | |
|----------|----------|--|------------------------------------|--|--|----------|--|--|---------|----|------------------------------------|
| 5v452.8↔ | | BOP, KJZSV, UOP4 | 5v452.c | | BOP, KJZSV, UOP4 | 5v452.x↔ | | BOP, KJZSV, UOP4 | | | |
| | 01 | B03Z, B07Z, B17A, B17B, B17C, B17J | | 01 | B03Z, B07Z, B17A, B17B, B17C, B17J | | 01 | B03Z, B07Z, B17A, B17B, B17C, B17J | | | |
| | 05 | F13A, F21A, F21B, F21C, F21J | | 05 | F13A, F21A, F21B, F21C, F21J | | 05 | F13A, F21A, F21B, F21C, F21J | | | |
| | 08 | I02A, I02B, I02C, I02D, I22A, I22B, I32A, I32B, I32C, I32D, I32E, I32F, I32J, I32Q, I32R, I32S, I32T, I32U, I50Z | | 06 | G10Z, G12A, G12B, G12J | | 08 | I02A, I02B, I02C, I02D, I22A, I22B, I50Z | | | |
| | 09 | J02A, J02B, J02C, J04A, J04B, J08A, J08B, J08C, J16Z, J21Z, J22A, J22B, J22J | | 08 | I02A, I02B, I02C, I02D, I22A, I22B, I50Z | | 09 | J02A, J02B, J02C, J04A, J04B, J08A, J08B, J08C, J16Z, J21Z, J22A, J22B, J22J | | | |
| | 21A | W04A, W04B | | 21A | W04A, W04B | | 21A | W04A, W04B | | | |
| | 21B | X01A, X01B, X01C | | 21B | X01A, X01B, X01C | | 21B | X01A, X01B, X01C | | | |
| | 5v452.9↔ | | | BOP, KJZSV, UOP4 | 5v452.d | | | BOP, KJZSV, UOP4 | 5v453.0 | | BOP, KJZSV, KVT, UOP4 |
| | | 01 | | B03Z, B07Z, B17A, B17B, B17C, B17J | | | 01 | B03Z, B07Z, B17A, B17B, B17C, B17J | | 01 | B03Z, B07Z, B17A, B17B, B17C, B17J |
| | | 05 | | F13A, F21A, F21B, F21C, F21J | | | 05 | F13A, F21A, F21B, F21C, F21J | | 03 | D12A, D12J, D12Q |
| 08 | | I12A, I12B, I12C, I12J, I32A, I32B, I32C, I32D, I32E, I32F, I32J, I32Q, I32R, I32S, I32T, I32U | 06 | G10Z, G12A, G12B, G12J | | 05 | F13A, F21A, F21B, F21C, F21J | | | | |
| 09 | | J02A, J02B, J02C, J04A, J04B, J08A, J08B, J08C, J16Z, J21Z, J22A, J22B, J22J | 08 | I02A, I02B, I02C, I02D, I22A, I22B, I50Z | | 09 | J02A, J02B, J02C, J04A, J04B, J08A, J08B, J08C, J16Z, J21Z, J22A, J22B, J22J | | | | |
| 21A | | W04A, W04B | 21A | W04A, W04B | | 21A | W04A, W04B | | | | |
| 21B | | X01A, X01B, X01C | 21B | X01A, X01B, X01C | | 21B | X01A, X01B, X01C | | | | |
| 5v452.a | | | BOP, KJZSV, UOP4 | 5v452.e↔ | | | BOP, KJZSV, UOP4 | 5v453.4 | | | BOP, KJZSV, KVT, UOP4 |
| | | 01 | B03Z, B07Z, B17A, B17B, B17C, B17J | | | 01 | B03Z, B07Z, B17A, B17B, B17C, B17J | | | 01 | B03Z, B07Z, B17A, B17B, B17C, B17J |
| | | 05 | F13A, F21A, F21B, F21C, F21J | | | 05 | F13A, F21A, F21B, F21C, F21J, F27A, F27B, F27C | | | 02 | C20A, C20B, C20J, C20Q, C20R |
| | 06 | G10Z, G12A, G12B, G12J | 08 | | I02A, I02B, I02C, I02D, I22A, I22B, I50Z | 03 | D12A, D12J, D12Q | | | | |
| | 08 | I02A, I02B, I02C, I02D, I22A, I22B, I50Z | 09 | | J02A, J02B, J02C, J04A, J04B, J08A, J08B, J08C, J16Z, J21Z, J22A, J22B, J22J | 05 | F13A, F21A, F21B, F21C, F21J | | | | |
| | 09 | J02A, J02B, J02C, J04A, J04B, J08A, J08B, J08C, J16Z, J21Z, J22A, J22B, J22J | 10 | | K01Z | 08 | I02A, I02B, I02C, I02D, I22A, I22B, I50Z | | | | |
| | 21A | W04A, W04B | 21A | | W04A, W04B | 09 | J02A, J02B, J02C, J04A, J04B, J08A, J08B, J08C, J16Z, J21Z, J22A, J22B, J22J | | | | |
| | 21B | X01A, X01B, X01C | 21B | | X01A, X01B, X01C | 21A | W04A, W04B | | | | |
| | 5v452.b | | BOP, KJZSV, UOP4 | | 5v452.f↔ | | BOP, KJZSV, UOP4 | | 5v453.5 | | BOP, KJZSV, KVT, UOP4 |
| | | 01 | B03Z, B07Z, B17A, B17B, B17C, B17J | | | 01 | B03Z, B07Z, B17A, B17B, B17C, B17J | | | 01 | B03Z, B07Z, B17A, B17B, B17C, B17J |
| 05 | | F13A, F21A, F21B, F21C, F21J | 05 | F13A, F21A, F21B, F21C, F21J, F27A, F27B, F27C | | 03 | D12A, D12J, D12Q | | | | |
| 06 | | G10Z, G12A, G12B, G12J | 08 | I02A, I02B, I02C, I02D, I22A, I22B, I50Z | | 05 | F13A, F21A, F21B, F21C, F21J | | | | |
| 08 | | I02A, I02B, I02C, I02D, I22A, I22B, I50Z | 09 | J02A, J02B, J02C, J04A, J04B, J08A, J08B, J08C, J16Z, J21Z, J22A, J22B, J22J | | 08 | I02A, I02B, I02C, I02D, I22A, I22B, I50Z | | | | |
| 09 | | J02A, J02B, J02C, J04A, J04B, J08A, J08B, J08C, J16Z, J21Z, J22A, J22B, J22J | 10 | K01Z | | 09 | J02A, J02B, J02C, J04A, J04B, J08A, J08B, J08C, J16Z, J21Z, J22A, J22B, J22J | | | | |
| 21A | | W04A, W04B | 21A | W04A, W04B | | 21A | W04A, W04B | | | | |
| 21B | | X01A, X01B, X01C | 21B | X01A, X01B, X01C | | 21B | X01A, X01B, X01C | | | | |
| 5v452.g↔ | | | BOP, KJZSV, UOP4 | 5v452.g↔ | | | BOP, KJZSV, UOP4 | 5v453.6↔ | | | BOP, KJZSV, KVT, UOP4 |
| | | 01 | B03Z, B07Z, B17A, B17B, B17C, B17J | | | 01 | B03Z, B07Z, B17A, B17B, B17C, B17J | | | 01 | B03Z, B07Z, B17A, B17B, B17C, B17J |
| | 05 | F13A, F21A, F21B, F21C, F21J, F27A, F27B, F27C | 05 | | F13A, F21A, F21B, F21C, F21J, F27A, F27B, F27C | 05 | F13A, F21A, F21B, F21C, F21J | | | | |
| | 08 | I02A, I02B, I02C, I02D, I22A, I22B, I50Z | 08 | | I02A, I02B, I02C, I02D, I12A, I12B, I12C, I12J, I22A, I22B, I50Z | 05 | F13A, F21A, F21B, F21C, F21J | | | | |
| | 09 | J02A, J02B, J02C, J04A, J04B, J08A, J08B, J08C, J16Z, J21Z, J22A, J22B, J22J | 09 | | J02A, J02B, J02C, J04A, J04B, J08A, J08B, J08C, J16Z, J21Z, J22A, J22B, J22J | 08 | I02A, I02B, I02C, I02D, I22A, I22B, I50Z | | | | |
| | 10 | K01Z | 10 | | K01Z | 09 | J02A, J02B, J02C, J04A, J04B, J08A, J08B, J08C, J16Z, J21Z, J22A, J22B, J22J | | | | |
| | 21A | W04A, W04B | 21A | | W04A, W04B | 21A | W04A, W04B | | | | |
| | 21B | X01A, X01B, X01C | 21B | | X01A, X01B, X01C | 21B | X01A, X01B, X01C | | | | |

VYK

| ZZV | MDC | DRG | ZZV | MDC | DRG | ZZV | MDC | DRG | | | |
|----------|----------|--|------------------------------------|--|--|----------|--|--|---------|-----|------------------------------------|
| 5v453.7↔ | | BOP, KJZSV, KVT, UOP4 | 5v453.c | | BOP, KJZSV, KVT, UOP4 | 5v453.x↔ | | BOP, KJZSV, KVT, UOP4 | | | |
| | 01 | B03Z, B07Z, B17A, B17B, B17C, B17J | | 01 | B03Z, B07Z, B17A, B17B, B17C, B17J | | 01 | B03Z, B07Z, B17A, B17B, B17C, B17J | | | |
| | 05 | F13A, F21A, F21B, F21C, F21J | | 05 | F13A, F21A, F21B, F21C, F21J | | 05 | F13A, F21A, F21B, F21C, F21J | | | |
| | 08 | I02A, I02B, I02C, I02D, I22A, I22B, I50Z | | 06 | G10Z, G12A, G12B, G12J | | 08 | I02A, I02B, I02C, I02D, I22A, I22B, I50Z | | | |
| | 09 | J02A, J02B, J02C, J04A, J04B, J08A, J08B, J08C, J16Z, J21Z, J22A, J22B, J22J | | 08 | I02A, I02B, I02C, I02D, I22A, I22B, I50Z | | 09 | J02A, J02B, J02C, J04A, J04B, J08A, J08B, J08C, J16Z, J21Z, J22A, J22B, J22J | | | |
| | 21A | W04A, W04B | | 09 | J02A, J02B, J02C, J04A, J04B, J08A, J08B, J08C, J16Z, J21Z, J22A, J22B, J22J | | 09 | J02A, J02B, J02C, J04A, J04B, J08A, J08B, J08C, J16Z, J21Z, J22A, J22B, J22J | | | |
| | 21B | X01A, X01B, X01C | | 21A | W04A, W04B | | 21A | W04A, W04B | | | |
| | 5v453.8↔ | | | BOP, KJZSV, KVT, UOP4 | 5v453.d | | | BOP, KJZSV, KVT, UOP4 | 5v454.0 | | BOP, KJZSV, KVT, UOP4 |
| | | 01 | | B03Z, B07Z, B17A, B17B, B17C, B17J | | | 21B | X01A, X01B, X01C | | 21B | X01A, X01B, X01C |
| | | 05 | | F13A, F21A, F21B, F21C, F21J | | | 01 | BOP, KJZSV, KVT, UOP4 | | 01 | B03Z, B07Z, B17A, B17B, B17C, B17J |
| 08 | | I02A, I02B, I02C, I02D, I22A, I22B, I32A, I32B, I32C, I32D, I32E, I32F, I32J, I32Q, I32R, I32S, I32T, I32U, I50Z | 05 | F13A, F21A, F21B, F21C, F21J | | 05 | F13A, F21A, F21B, F21C, F21J | | | | |
| 09 | | J02A, J02B, J02C, J04A, J04B, J08A, J08B, J08C, J16Z, J21Z, J22A, J22B, J22J | 06 | G10Z, G12A, G12B, G12J | | 03 | D18Z, D28J, D28Z, D29J, D29Z | | | | |
| 21A | | W04A, W04B | 08 | I02A, I02B, I02C, I02D, I22A, I22B, I50Z | | 05 | F13A, F21A, F21B, F21C, F21J | | | | |
| 21B | | X01A, X01B, X01C | 09 | J02A, J02B, J02C, J04A, J04B, J08A, J08B, J08C, J16Z, J21Z, J22A, J22B, J22J | | 09 | J02A, J02B, J02C, J04A, J04B, J08A, J08B, J08C, J16Z, J21Z, J22A, J22B, J22J | | | | |
| 5v453.9↔ | | | BOP, KJZSV, KVT, UOP4 | 5v453.e↔ | | | BOP, KJZSV, KVT, UOP4 | 5v454.4 | | | BOP, KJZSV, KVT, UOP4 |
| | | 01 | B03Z, B07Z, B17A, B17B, B17C, B17J | | | 21A | W04A, W04B | | | 01 | B03Z, B07Z, B17A, B17B, B17C, B17J |
| | | 05 | F13A, F21A, F21B, F21C, F21J | | | 21B | X01A, X01B, X01C | | | 02 | C20A, C20B, C20J, C20Q, C20R |
| | 08 | I12A, I12B, I12C, I12J, I32A, I32B, I32C, I32D, I32E, I32F, I32J, I32Q, I32R, I32S, I32T, I32U | 01 | | B03Z, B07Z, B17A, B17B, B17C, B17J | 03 | D18Z, D28J, D28Z, D29J, D29Z | | | | |
| | 09 | J02A, J02B, J02C, J04A, J04B, J08A, J08B, J08C, J16Z, J21Z, J22A, J22B, J22J | 05 | | F13A, F21A, F21B, F21C, F21J | 05 | F13A, F21A, F21B, F21C, F21J | | | | |
| | 21A | W04A, W04B | 08 | | I02A, I02B, I02C, I02D, I22A, I22B, I50Z | 08 | I02A, I02B, I02C, I02D, I22A, I22B, I50Z | | | | |
| | 21B | X01A, X01B, X01C | 09 | | J02A, J02B, J02C, J04A, J04B, J08A, J08B, J08C, J16Z, J21Z, J22A, J22B, J22J | 09 | J02A, J02B, J02C, J04A, J04B, J08A, J08B, J08C, J16Z, J21Z, J22A, J22B, J22J | | | | |
| | 5v453.a | | BOP, KJZSV, KVT, UOP4 | | 5v453.f↔ | | BOP, KJZSV, KVT, UOP4 | | 5v454.5 | | BOP, KJZSV, KVT, UOP4 |
| | | 01 | B03Z, B07Z, B17A, B17B, B17C, B17J | | | 01 | B03Z, B07Z, B17A, B17B, B17C, B17J | | | 21A | W04A, W04B |
| | | 05 | F13A, F21A, F21B, F21C, F21J | | | 05 | F13A, F21A, F21B, F21C, F21J | | | 21B | X01A, X01B, X01C |
| 06 | | G10Z, G12A, G12B, G12J | 08 | I02A, I02B, I02C, I02D, I22A, I22B, I50Z | | 01 | B03Z, B07Z, B17A, B17B, B17C, B17J | | | | |
| 08 | | I02A, I02B, I02C, I02D, I22A, I22B, I50Z | 08 | I02A, I02B, I02C, I02D, I22A, I22B, I50Z | | 03 | D18Z, D28J, D28Z, D29J, D29Z | | | | |
| 09 | | J02A, J02B, J02C, J04A, J04B, J08A, J08B, J08C, J16Z, J21Z, J22A, J22B, J22J | 09 | J02A, J02B, J02C, J04A, J04B, J08A, J08B, J08C, J16Z, J21Z, J22A, J22B, J22J | | 05 | F13A, F21A, F21B, F21C, F21J | | | | |
| 21A | | W04A, W04B | 21A | W04A, W04B | | 08 | I02A, I02B, I02C, I02D, I22A, I22B, I50Z | | | | |
| 21B | | X01A, X01B, X01C | 21B | X01A, X01B, X01C | | 09 | J02A, J02B, J02C, J04A, J04B, J08A, J08B, J08C, J16Z, J21Z, J22A, J22B, J22J | | | | |
| 5v453.b | | | BOP, KJZSV, KVT, UOP4 | 5v453.g↔ | | | BOP, KJZSV, KVT, UOP4 | 21A | | | W04A, W04B |
| | | 01 | B03Z, B07Z, B17A, B17B, B17C, B17J | | | 01 | B03Z, B07Z, B17A, B17B, B17C, B17J | | | 21B | X01A, X01B, X01C |
| | 05 | F13A, F21A, F21B, F21C, F21J | 05 | | F13A, F21A, F21B, F21C, F21J | 01 | B03Z, B07Z, B17A, B17B, B17C, B17J | | | | |
| | 06 | G10Z, G12A, G12B, G12J | 08 | | I02A, I02B, I02C, I02D, I12A, I12B, I12C, I12J, I22A, I22B, I50Z | 05 | F13A, F21A, F21B, F21C, F21J | | | | |
| | 08 | I02A, I02B, I02C, I02D, I22A, I22B, I50Z | 08 | | I02A, I02B, I02C, I02D, I12A, I12B, I12C, I12J, I22A, I22B, I50Z | 08 | I02A, I02B, I02C, I02D, I22A, I22B, I50Z | | | | |
| | 09 | J02A, J02B, J02C, J04A, J04B, J08A, J08B, J08C, J16Z, J21Z, J22A, J22B, J22J | 09 | | J02A, J02B, J02C, J04A, J04B, J08A, J08B, J08C, J16Z, J21Z, J22A, J22B, J22J | 09 | J02A, J02B, J02C, J04A, J04B, J08A, J08B, J08C, J16Z, J21Z, J22A, J22B, J22J | | | | |
| | 21A | W04A, W04B | 21A | | W04A, W04B | 21A | W04A, W04B | | | | |
| | 21B | X01A, X01B, X01C | 21B | | X01A, X01B, X01C | 21B | X01A, X01B, X01C | | | | |

VYK

| ZZV | MDC | DRG | ZZV | MDC | DRG | ZZV | MDC | DRG | | | |
|----------|----------|--|------------------------------------|--|--|----------|--|--|----------|-----|--|
| 5v454.6↔ | | BOP, KJZSV, KVT, UOP4 | 5v454.b | | BOP, KJZSV, KVT, UOP4 | 5v454.g↔ | | BOP, KJZSV, KVT, UOP4 | | | |
| | 01 | B03Z, B07Z, B17A, B17B, B17C, B17J | | 01 | B03Z, B07Z, B17A, B17B, B17C, B17J | | 01 | B03Z, B07Z, B17A, B17B, B17C, B17J | | | |
| | 05 | F13A, F21A, F21B, F21C, F21J | | 05 | F13A, F21A, F21B, F21C, F21J | | 05 | F13A, F21A, F21B, F21C, F21J, F27A, F27B, F27C | | | |
| | 08 | I02A, I02B, I02C, I02D, I22A, I22B, I50Z | | 06 | G10Z, G12A, G12B, G12J | | 08 | I02A, I02B, I02C, I02D, I12A, I12B, I12C, I12J, I22A, I22B, I50Z | | | |
| | 09 | J02A, J02B, J02C, J04A, J04B, J08A, J08B, J08C, J16Z, J21Z, J22A, J22B, J22J | | 08 | I02A, I02B, I02C, I02D, I22A, I22B, I50Z | | 09 | J02A, J02B, J02C, J04A, J04B, J08A, J08B, J08C, J16Z, J21Z, J22A, J22B, J22J | | | |
| | 21A | W04A, W04B | | 09 | J02A, J02B, J02C, J04A, J04B, J08A, J08B, J08C, J16Z, J21Z, J22A, J22B, J22J | | 10 | K01Z | | | |
| | 21B | X01A, X01B, X01C | | 21A | W04A, W04B | | 21A | W04A, W04B | | | |
| | 5v454.7↔ | | | BOP, KJZSV, KVT, UOP4 | 5v454.c | | | BOP, KJZSV, KVT, UOP4 | 5v454.x↔ | | X01A, X01B, X01C |
| | | 01 | | B03Z, B07Z, B17A, B17B, B17C, B17J | | | 01 | B03Z, B07Z, B17A, B17B, B17C, B17J | | 01 | B03Z, B07Z, B17A, B17B, B17C, B17J |
| | | 05 | | F13A, F21A, F21B, F21C, F21J | | | 05 | F13A, F21A, F21B, F21C, F21J | | 05 | F13A, F21A, F21B, F21C, F21J |
| 08 | | I02A, I02B, I02C, I02D, I22A, I22B, I50Z | 06 | G10Z, G12A, G12B, G12J | | 08 | I02A, I02B, I02C, I02D, I22A, I22B, I50Z | | | | |
| 09 | | J02A, J02B, J02C, J04A, J04B, J08A, J08B, J08C, J16Z, J21Z, J22A, J22B, J22J | 08 | I02A, I02B, I02C, I02D, I22A, I22B, I50Z | | 08 | I02A, I02B, I02C, I02D, I22A, I22B, I32A, I32B, I32C, I32D, I32E, I32F, I32J, I32Q, I32R, I32S, I32T, I32U, I50Z | | | | |
| 21A | | W04A, W04B | 09 | J02A, J02B, J02C, J04A, J04B, J08A, J08B, J08C, J16Z, J21Z, J22A, J22B, J22J | | 09 | J02A, J02B, J02C, J04A, J04B, J08A, J08B, J08C, J16Z, J21Z, J22A, J22B, J22J | | | | |
| 21B | | X01A, X01B, X01C | 10 | K01Z | | 21A | W04A, W04B | | | | |
| 5v454.8↔ | | | BOP, KJZSV, KVT, UOP4 | 5v454.d | | | BOP, KJZSV, KVT, UOP4 | 5v455.0 | | | W04A, W04B |
| | | 01 | B03Z, B07Z, B17A, B17B, B17C, B17J | | | 01 | B03Z, B07Z, B17A, B17B, B17C, B17J | | | 21B | X01A, X01B, X01C |
| | | 05 | F13A, F21A, F21B, F21C, F21J | | | 05 | F13A, F21A, F21B, F21C, F21J | | | 01 | B03Z, B07Z, B17A, B17B, B17C, B17J |
| | 08 | I02A, I02B, I02C, I02D, I22A, I22B, I32A, I32B, I32C, I32D, I32E, I32F, I32J, I32Q, I32R, I32S, I32T, I32U, I50Z | 06 | | G10Z, G12A, G12B, G12J | 03 | D12A, D12J, D12Q | | | | |
| | 09 | J02A, J02B, J02C, J04A, J04B, J08A, J08B, J08C, J16Z, J21Z, J22A, J22B, J22J | 08 | | I02A, I02B, I02C, I02D, I22A, I22B, I50Z | 05 | F13A, F21A, F21B, F21C, F21J | | | | |
| | 21A | W04A, W04B | 09 | | J02A, J02B, J02C, J04A, J04B, J08A, J08B, J08C, J16Z, J21Z, J22A, J22B, J22J | 08 | I12A, I12B, I12C, I12J | | | | |
| | 21B | X01A, X01B, X01C | 21A | | W04A, W04B | 09 | J02A, J02B, J02C, J04A, J04B, J08A, J08B, J08C, J16Z, J21Z, J22A, J22B, J22J | | | | |
| | 5v454.9↔ | | BOP, KJZSV, KVT, UOP4 | | 5v454.e↔ | | BOP, KJZSV, KVT, UOP4 | | 5v455.4 | | W04A, W04B |
| | | 01 | B03Z, B07Z, B17A, B17B, B17C, B17J | | | 01 | B03Z, B07Z, B17A, B17B, B17C, B17J | | | 21B | X01A, X01B, X01C |
| | | 05 | F13A, F21A, F21B, F21C, F21J | | | 05 | F13A, F21A, F21B, F21C, F21J | | | 01 | B03Z, B07Z, B17A, B17B, B17C, B17J |
| 08 | | I12A, I12B, I12C, I12J, I32A, I32B, I32C, I32D, I32E, I32F, I32J, I32Q, I32R, I32S, I32T, I32U | 05 | F13A, F21A, F21B, F21C, F21J, F27A, F27B, F27C | | 02 | C20A, C20B, C20J, C20Q, C20R | | | | |
| 09 | | J02A, J02B, J02C, J04A, J04B, J08A, J08B, J08C, J16Z, J21Z, J22A, J22B, J22J | 08 | I02A, I02B, I02C, I02D, I22A, I22B, I50Z | | 03 | D12A, D12J, D12Q | | | | |
| 21A | | W04A, W04B | 09 | J02A, J02B, J02C, J04A, J04B, J08A, J08B, J08C, J16Z, J21Z, J22A, J22B, J22J | | 05 | F13A, F21A, F21B, F21C, F21J | | | | |
| 21B | | X01A, X01B, X01C | 10 | K01Z | | 08 | I02A, I02B, I02C, I02D, I12A, I12B, I12C, I12J, I22A, I22B, I50Z | | | | |
| 5v454.a | | | BOP, KJZSV, KVT, UOP4 | 5v454.f↔ | | | BOP, KJZSV, KVT, UOP4 | | | | J02A, J02B, J02C, J04A, J04B, J08A, J08B, J08C, J16Z, J21Z, J22A, J22B, J22J |
| | | 01 | B03Z, B07Z, B17A, B17B, B17C, B17J | | | 01 | B03Z, B07Z, B17A, B17B, B17C, B17J | | | 21A | W04A, W04B |
| | | 05 | F13A, F21A, F21B, F21C, F21J | | | 05 | F13A, F21A, F21B, F21C, F21J | | | 21B | X01A, X01B, X01C |
| | 06 | G10Z, G12A, G12B, G12J | 05 | | F13A, F21A, F21B, F21C, F21J, F27A, F27B, F27C | | | | | | |
| | 08 | I02A, I02B, I02C, I02D, I22A, I22B, I50Z | 08 | | I02A, I02B, I02C, I02D, I22A, I22B, I50Z | | | | | | |
| | 09 | J02A, J02B, J02C, J04A, J04B, J08A, J08B, J08C, J16Z, J21Z, J22A, J22B, J22J | 09 | | J02A, J02B, J02C, J04A, J04B, J08A, J08B, J08C, J16Z, J21Z, J22A, J22B, J22J | | | | | | |
| | 21A | W04A, W04B | 10 | | K01Z | | | | | | |
| | 21B | X01A, X01B, X01C | 21A | | W04A, W04B | | | | | | |
| | | | 21B | | X01A, X01B, X01C | | | | | | |
| | | | 21B | | X01A, X01B, X01C | | | | | | |

VYK

| ZZV | MDC | DRG | ZZV | MDC | DRG | ZZV | MDC | DRG | | | |
|----------|--|--|--|-----------------------|--|----------|-----|--|----------|--|-----------------------|
| 5v455.5 | | BOP, KJZSV, KVT, UOP4 | 5v455.9↔ | | BOP, KJZSV, KVT, UOP4 | 5v455.d | | BOP, KJZSV, KVT, UOP4 | | | |
| | 01 | B03Z, B07Z, B17A, B17B, B17C, B17J | | 01 | B03Z, B07Z, B17A, B17B, B17C, B17J | | 01 | B03Z, B07Z, B17A, B17B, B17C, B17J | | | |
| | 03 | D12A, D12J, D12Q | | 05 | F13A, F21A, F21B, F21C, F21J | | 05 | F13A, F21A, F21B, F21C, F21J | | | |
| | 05 | F13A, F21A, F21B, F21C, F21J | | 08 | I12A, I12B, I12C, I12J, I32A, I32B, I32C, I32D, I32E, I32F, I32J, I32Q, I32R, I32S, I32T, I32U | | 06 | G10Z, G12A, G12B, G12J | | | |
| | 08 | I02A, I02B, I02C, I02D, I12A, I12B, I12C, I12J, I22A, I22B, I50Z | | 09 | J02A, J02B, J02C, J04A, J04B, J08A, J08B, J08C, J16Z, J21Z, J22A, J22B, J22J | | 08 | I02A, I02B, I02C, I02D, I12A, I12B, I12C, I12J, I22A, I22B, I50Z | | | |
| | 09 | J02A, J02B, J02C, J04A, J04B, J08A, J08B, J08C, J16Z, J21Z, J22A, J22B, J22J | | 21A | W04A, W04B | | 09 | J02A, J02B, J02C, J04A, J04B, J08A, J08B, J08C, J16Z, J21Z, J22A, J22B, J22J | | | |
| | 21A | W04A, W04B | | 21B | X01A, X01B, X01C | | 21A | W04A, W04B | | | |
| | 21B | X01A, X01B, X01C | | | | | 21B | X01A, X01B, X01C | | | |
| | 5v455.6↔ | | | BOP, KJZSV, KVT, UOP4 | 5v455.a | | | BOP, KJZSV, KVT, UOP4 | 5v455.e↔ | | BOP, KJZSV, KVT, UOP4 |
| | 01 | B03Z, B07Z, B17A, B17B, B17C, B17J | | 01 | B03Z, B07Z, B17A, B17B, B17C, B17J | | 01 | B03Z, B07Z, B17A, B17B, B17C, B17J | | | |
| 05 | F13A, F21A, F21B, F21C, F21J | 05 | F13A, F21A, F21B, F21C, F21J | 05 | F13A, F21A, F21B, F21C, F21J | | | | | | |
| 08 | I02A, I02B, I02C, I02D, I12A, I12B, I12C, I12J, I22A, I22B, I50Z | 06 | G10Z, G12A, G12B, G12J | 08 | I02A, I02B, I02C, I02D, I12A, I12B, I12C, I12J, I22A, I22B, I50Z | | | | | | |
| 09 | J02A, J02B, J02C, J04A, J04B, J08A, J08B, J08C, J16Z, J21Z, J22A, J22B, J22J | 08 | I02A, I02B, I02C, I02D, I12A, I12B, I12C, I12J, I22A, I22B, I50Z | 09 | J02A, J02B, J02C, J04A, J04B, J08A, J08B, J08C, J16Z, J21Z, J22A, J22B, J22J | | | | | | |
| 21A | W04A, W04B | 09 | J02A, J02B, J02C, J04A, J04B, J08A, J08B, J08C, J16Z, J21Z, J22A, J22B, J22J | 21A | W04A, W04B | | | | | | |
| 21B | X01A, X01B, X01C | 21A | W04A, W04B | 21B | X01A, X01B, X01C | | | | | | |
| 5v455.7↔ | | BOP, KJZSV, KVT, UOP4 | 5v455.b | | BOP, KJZSV, KVT, UOP4 | 5v455.f↔ | | BOP, KJZSV, KVT, UOP4 | | | |
| 01 | B03Z, B07Z, B17A, B17B, B17C, B17J | 01 | B03Z, B07Z, B17A, B17B, B17C, B17J | 01 | B03Z, B07Z, B17A, B17B, B17C, B17J | | | | | | |
| 05 | F13A, F21A, F21B, F21C, F21J | 05 | F13A, F21A, F21B, F21C, F21J | 05 | F13A, F21A, F21B, F21C, F21J | | | | | | |
| 08 | I02A, I02B, I02C, I02D, I12A, I12B, I12C, I12J, I22A, I22B, I50Z | 06 | G10Z, G12A, G12B, G12J | 08 | I02A, I02B, I02C, I02D, I12A, I12B, I12C, I12J, I22A, I22B, I50Z | | | | | | |
| 09 | J02A, J02B, J02C, J04A, J04B, J08A, J08B, J08C, J16Z, J21Z, J22A, J22B, J22J | 08 | I02A, I02B, I02C, I02D, I12A, I12B, I12C, I12J, I22A, I22B, I50Z | 09 | J02A, J02B, J02C, J04A, J04B, J08A, J08B, J08C, J16Z, J21Z, J22A, J22B, J22J | | | | | | |
| 21A | W04A, W04B | 09 | J02A, J02B, J02C, J04A, J04B, J08A, J08B, J08C, J16Z, J21Z, J22A, J22B, J22J | 21A | W04A, W04B | | | | | | |
| 21B | X01A, X01B, X01C | 21A | W04A, W04B | 21B | X01A, X01B, X01C | | | | | | |
| 5v455.8↔ | | BOP, KJZSV, KVT, UOP4 | 5v455.c | | BOP, KJZSV, KVT, UOP4 | 5v455.g↔ | | BOP, KJZSV, KVT, UOP4 | | | |
| 01 | B03Z, B07Z, B17A, B17B, B17C, B17J | 01 | B03Z, B07Z, B17A, B17B, B17C, B17J | 01 | B03Z, B07Z, B17A, B17B, B17C, B17J | | | | | | |
| 05 | F13A, F21A, F21B, F21C, F21J | 05 | F13A, F21A, F21B, F21C, F21J | 05 | F13A, F21A, F21B, F21C, F21J | | | | | | |
| 08 | I02A, I02B, I02C, I02D, I12A, I12B, I12C, I12J, I22A, I22B, I32A, I32B, I32C, I32D, I32E, I32F, I32J, I32Q, I32R, I32S, I32T, I32U, I50Z | 06 | G10Z, G12A, G12B, G12J | 08 | I02A, I02B, I02C, I02D, I12A, I12B, I12C, I12J, I22A, I22B, I50Z | | | | | | |
| 09 | J02A, J02B, J02C, J04A, J04B, J08A, J08B, J08C, J16Z, J21Z, J22A, J22B, J22J | 08 | I02A, I02B, I02C, I02D, I12A, I12B, I12C, I12J, I22A, I22B, I50Z | 09 | J02A, J02B, J02C, J04A, J04B, J08A, J08B, J08C, J16Z, J21Z, J22A, J22B, J22J | | | | | | |
| 21A | W04A, W04B | 09 | J02A, J02B, J02C, J04A, J04B, J08A, J08B, J08C, J16Z, J21Z, J22A, J22B, J22J | 21A | W04A, W04B | | | | | | |
| 21B | X01A, X01B, X01C | 21A | W04A, W04B | 21B | X01A, X01B, X01C | | | | | | |
| | | 21B | X01A, X01B, X01C | | | | | | | | |

VYK

| ZZV | MDC | DRG | ZZV | MDC | DRG | ZZV | MDC | DRG | | | |
|----------|---------|--|------------------------------------|--|--|-----------------------|--|--|------------|------------------|------------------------------------|
| 5v455.x↔ | | BOP, KJZSV, KVT, UOP4 | 5v456.6↔ | | BOP, KJZSV, KVT, UOP4 | 5v456.a | | BOP, KJZSV, KVT, UOP4 | | | |
| | 01 | B03Z, B07Z, B17A, B17B, B17C, B17J | | 01 | B03Z, B07Z, B17A, B17B, B17C, B17J | | 01 | B03Z, B07Z, B17A, B17B, B17C, B17J | | | |
| | 05 | F13A, F21A, F21B, F21C, F21J | | 05 | F13A, F21A, F21B, F21C, F21J | | 05 | F13A, F21A, F21B, F21C, F21J | | | |
| | 08 | I02A, I02B, I02C, I02D, I12A, I12B, I12C, I12J, I22A, I22B, I32A, I32B, I32C, I32D, I32E, I32F, I32J, I32Q, I32R, I32S, I32T, I32U, I50Z | | 08 | I02A, I02B, I02C, I02D, I12A, I12B, I12C, I12J, I22A, I22B, I50Z | | 06 | G10Z, G12A, G12B, G12J | | | |
| | 09 | J02A, J02B, J02C, J04A, J04B, J08A, J08B, J08C, J16Z, J21Z, J22A, J22B, J22J | | 09 | J02A, J02B, J02C, J04A, J04B, J08A, J08B, J08C, J16Z, J21Z, J22A, J22B, J22J | | 08 | I02A, I02B, I02C, I02D, I12A, I12B, I12C, I12J, I22A, I22B, I50Z | | | |
| | 21A | W04A, W04B | | 21A | W04A, W04B | | 09 | J02A, J02B, J02C, J04A, J04B, J08A, J08B, J08C, J16Z, J21Z, J22A, J22B, J22J | | | |
| | 21B | X01A, X01B, X01C | | 21B | X01A, X01B, X01C | | 21A | W04A, W04B | | | |
| | 5v456.0 | | | BOP, KJZSV, KVT, UOP4 | 5v456.7↔ | | | BOP, KJZSV, KVT, UOP4 | 5v456.b | | BOP, KJZSV, KVT, UOP4 |
| | | 01 | | B03Z, B07Z, B17A, B17B, B17C, B17J | | | 01 | B03Z, B07Z, B17A, B17B, B17C, B17J | | 01 | B03Z, B07Z, B17A, B17B, B17C, B17J |
| | | 05 | | F13A, F21A, F21B, F21C, F21J | | | 05 | F13A, F21A, F21B, F21C, F21J | | 05 | F13A, F21A, F21B, F21C, F21J |
| 08 | | I12A, I12B, I12C, I12J | 08 | I02A, I02B, I02C, I02D, I12A, I12B, I12C, I12J, I22A, I22B, I50Z | | 06 | G10Z, G12A, G12B, G12J | | | | |
| 09 | | J02A, J02B, J02C, J04A, J04B, J08A, J08B, J08C, J16Z, J21Z, J22A, J22B, J22J | 09 | J02A, J02B, J02C, J04A, J04B, J08A, J08B, J08C, J16Z, J21Z, J22A, J22B, J22J | | 08 | I02A, I02B, I02C, I02D, I12A, I12B, I12C, I12J, I22A, I22B, I50Z | | | | |
| 21A | | W04A, W04B | 21A | W04A, W04B | | 09 | J02A, J02B, J02C, J04A, J04B, J08A, J08B, J08C, J16Z, J21Z, J22A, J22B, J22J | | | | |
| 21B | | X01A, X01B, X01C | 21B | X01A, X01B, X01C | | 21A | W04A, W04B | | | | |
| 5v456.4 | | | BOP, KJZSV, KVT, UOP4 | 5v456.8↔ | | | BOP, KJZSV, KVT, UOP4 | 5v456.c | | | BOP, KJZSV, KVT, UOP4 |
| | | 01 | B03Z, B07Z, B17A, B17B, B17C, B17J | | | 01 | B03Z, B07Z, B17A, B17B, B17C, B17J | | | 01 | B03Z, B07Z, B17A, B17B, B17C, B17J |
| | | 02 | C20A, C20B, C20J, C20Q, C20R | | | 05 | F13A, F21A, F21B, F21C, F21J | | | 01 | B03Z, B07Z, B17A, B17B, B17C, B17J |
| | 05 | F13A, F21A, F21B, F21C, F21J | 08 | | I02A, I02B, I02C, I02D, I12A, I12B, I12C, I12J, I22A, I22B, I32A, I32B, I32C, I32D, I50Z | 05 | F13A, F21A, F21B, F21C, F21J | | | | |
| | 08 | I02A, I02B, I02C, I02D, I12A, I12B, I12C, I12J, I22A, I22B, I50Z | 09 | | J02A, J02B, J02C, J04A, J04B, J08A, J08B, J08C, J16Z, J21Z, J22A, J22B, J22J | 06 | G10Z, G12A, G12B, G12J | | | | |
| | 09 | J02A, J02B, J02C, J04A, J04B, J08A, J08B, J08C, J16Z, J21Z, J22A, J22B, J22J | 21A | | W04A, W04B | 08 | I02A, I02B, I02C, I02D, I12A, I12B, I12C, I12J, I22A, I22B, I50Z | | | | |
| | 21A | W04A, W04B | 21B | | X01A, X01B, X01C | 09 | J02A, J02B, J02C, J04A, J04B, J08A, J08B, J08C, J16Z, J21Z, J22A, J22B, J22J | | | | |
| | 21B | X01A, X01B, X01C | 5v456.9↔ | | | BOP, KJZSV, KVT, UOP4 | 21A | | W04A, W04B | | |
| | 5v456.5 | | | | BOP, KJZSV, KVT, UOP4 | 01 | B03Z, B07Z, B17A, B17B, B17C, B17J | | 21B | X01A, X01B, X01C | |
| | | 01 | | | B03Z, B07Z, B17A, B17B, B17C, B17J | 05 | F13A, F21A, F21B, F21C, F21J | | 5v456.d | | BOP, KJZSV, KVT, UOP4 |
| 05 | | F13A, F21A, F21B, F21C, F21J | | 08 | I12A, I12B, I12C, I12J, I32A, I32B, I32C, I32D, I32E, I32F, I32J, I32Q, I32R, I32S, I32T, I32U | 01 | B03Z, B07Z, B17A, B17B, B17C, B17J | | | | |
| 08 | | I02A, I02B, I02C, I02D, I12A, I12B, I12C, I12J, I22A, I22B, I50Z | | 09 | J02A, J02B, J02C, J04A, J04B, J08A, J08B, J08C, J16Z, J21Z, J22A, J22B, J22J | 05 | F13A, F21A, F21B, F21C, F21J | | | | |
| 09 | | J02A, J02B, J02C, J04A, J04B, J08A, J08B, J08C, J16Z, J21Z, J22A, J22B, J22J | | 21A | W04A, W04B | 06 | G10Z, G12A, G12B, G12J | | | | |
| 21A | | W04A, W04B | | 21B | X01A, X01B, X01C | 08 | I02A, I02B, I02C, I02D, I12A, I12B, I12C, I12J, I22A, I22B, I50Z | | | | |
| 21B | | X01A, X01B, X01C | | | | 09 | J02A, J02B, J02C, J04A, J04B, J08A, J08B, J08C, J16Z, J21Z, J22A, J22B, J22J | | | | |
| | | | | | | 21A | W04A, W04B | | | | |
| | | | | | | 21B | X01A, X01B, X01C | | | | |
| | | | | | | | | | | | |
| | | | | | | | | | | | |

VYK

| ZZV | MDC | DRG | ZZV | MDC | DRG | ZZV | MDC | DRG |
|----------|-----|--|----------|-----|--|--|-----|--|
| 5v456.e↔ | | BOP, KJZSV, KVT, UOP4 | 5v457.4 | | BOP, KJZSV, UOP4 | 5v457.8↔ | | BOP, KJZSV, UOP4 |
| | 01 | B03Z, B07Z, B17A, B17B, B17C, B17J | | 01 | B03Z, B07Z, B17A, B17B, B17C, B17J | | 01 | B03Z, B07Z, B17A, B17B, B17C, B17J |
| | 05 | F13A, F21A, F21B, F21C, F21J | | 02 | C20A, C20B, C20J, C20Q, C20R | | 05 | F13A, F21A, F21B, F21J |
| | 08 | I02A, I02B, I02C, I02D, I12A, I12B, I12C, I12J, I22A, I22B, I50Z | | 03 | D18Z, D25A, D25B, D25C, D25D, D25J | | 08 | I02A, I02B, I02C, I02D, I12A, I12B, I12C, I12J, I22A, I22B, I50Z |
| | 09 | J02A, J02B, J02C, J04A, J04B, J08A, J08B, J08C, J16Z, J21Z, J22A, J22B, J22J | | 05 | F13A, F21A, F21B, F21J | | 09 | J02A, J02B, J02C, J04A, J04B, J08A, J08B, J08C, J16Z, J21Z, J22A, J22B, J22J |
| | 21A | W04A, W04B | | 08 | I02A, I02B, I02C, I02D, I12A, I12B, I12C, I12J, I22A, I22B, I50Z | | 21A | W04A, W04B |
| | 21B | X01A, X01B, X01C | | 21A | W04A, W04B | | 21A | W04A, W04B |
| 5v456.f↔ | | BOP, KJZSV, KVT, UOP4 | 5v457.5 | | BOP, KJZSV, UOP4 | 5v457.9↔ | | BOP, KJZSV, UOP4 |
| | 01 | B03Z, B07Z, B17A, B17B, B17C, B17J | | 21B | X01A, X01B, X01C | | 01 | B03Z, B07Z, B17A, B17B, B17C, B17J |
| | 05 | F13A, F21A, F21B, F21C, F21J | | 01 | B03Z, B07Z, B17A, B17B, B17C, B17J | | 05 | F13A, F21A, F21B, F21J |
| | 08 | I02A, I02B, I02C, I02D, I12A, I12B, I12C, I12J, I22A, I22B, I50Z | | 03 | D18Z, D25A, D25B, D25C, D25D, D25J | | 08 | I12A, I12B, I12C, I12J, I32A, I32B, I32C, I32D, I32E, I32F, I32J, I32Q, I32R, I32S, I32T, I32U |
| | 09 | J02A, J02B, J02C, J04A, J04B, J08A, J08B, J08C, J16Z, J21Z, J22A, J22B, J22J | | 05 | F13A, F21A, F21B, F21J | | 09 | J02A, J02B, J02C, J04A, J04B, J08A, J08B, J08C, J16Z, J21Z, J22A, J22B, J22J |
| | 21A | W04A, W04B | | 08 | I02A, I02B, I02C, I02D, I12A, I12B, I12C, I12J, I22A, I22B, I50Z | | 21A | W04A, W04B |
| | 21B | X01A, X01B, X01C | | 09 | J02A, J02B, J02C, J04A, J04B, J08A, J08B, J08C, J16Z, J21Z, J22A, J22B, J22J | | 21B | X01A, X01B, X01C |
| 5v456.g↔ | | BOP, KJZSV, KVT, UOP4 | 5v457.6↔ | | BOP, KJZSV, UOP4 | 5v457.a | | BOP, KJZSV, UOP4 |
| | 01 | B03Z, B07Z, B17A, B17B, B17C, B17J | | 21A | W04A, W04B | | 01 | B03Z, B07Z, B17A, B17B, B17C, B17J |
| | 05 | F13A, F21A, F21B, F21C, F21J | | 21B | X01A, X01B, X01C | | 05 | F13A, F21A, F21B, F21J |
| | 08 | I02A, I02B, I02C, I02D, I12A, I12B, I12C, I12J, I22A, I22B, I50Z | | 01 | B03Z, B07Z, B17A, B17B, B17C, B17J | | 06 | G10Z, G12A, G12B, G12J |
| | 09 | J02A, J02B, J02C, J04A, J04B, J08A, J08B, J08C, J16Z, J21Z, J22A, J22B, J22J | | 05 | F13A, F21A, F21B, F21J | | 08 | I02A, I02B, I02C, I02D, I12A, I12B, I12C, I12J, I22A, I22B, I50Z |
| | 21A | W04A, W04B | | 08 | I02A, I02B, I02C, I02D, I12A, I12B, I12C, I12J, I22A, I22B, I50Z | | 09 | J02A, J02B, J02C, J04A, J04B, J08A, J08B, J08C, J16Z, J21Z, J22A, J22B, J22J |
| | 21B | X01A, X01B, X01C | | 09 | J02A, J02B, J02C, J04A, J04B, J08A, J08B, J08C, J16Z, J21Z, J22A, J22B, J22J | | 21A | W04A, W04B |
| 5v456.x↔ | | BOP, KJZSV, KVT, UOP4 | 5v457.7↔ | | BOP, KJZSV, UOP4 | 5v457.b | | BOP, KJZSV, UOP4 |
| | 01 | B03Z, B07Z, B17A, B17B, B17C, B17J | | 21A | W04A, W04B | | 01 | B03Z, B07Z, B17A, B17B, B17C, B17J |
| | 05 | F13A, F21A, F21B, F21C, F21J | | 21B | X01A, X01B, X01C | | 05 | F13A, F21A, F21B, F21J |
| | 08 | I02A, I02B, I02C, I02D, I12A, I12B, I12C, I12J, I22A, I22B, I32A, I32B, I32C, I32D, I32E, I32F, I32J, I32Q, I32R, I32S, I32T, I32U, I50Z | | 01 | B03Z, B07Z, B17A, B17B, B17C, B17J | | 06 | G10Z, G12A, G12B, G12J |
| | 09 | J02A, J02B, J02C, J04A, J04B, J08A, J08B, J08C, J16Z, J21Z, J22A, J22B, J22J | | 05 | F13A, F21A, F21B, F21J | | 08 | I02A, I02B, I02C, I02D, I12A, I12B, I12C, I12J, I22A, I22B, I50Z |
| | 21A | W04A, W04B | | 08 | I02A, I02B, I02C, I02D, I12A, I12B, I12C, I12J, I22A, I22B, I50Z | | 09 | J02A, J02B, J02C, J04A, J04B, J08A, J08B, J08C, J16Z, J21Z, J22A, J22B, J22J |
| | 21B | X01A, X01B, X01C | | 09 | J02A, J02B, J02C, J04A, J04B, J08A, J08B, J08C, J16Z, J21Z, J22A, J22B, J22J | | 21A | W04A, W04B |
| 5v457.0 | | BOP, KJZSV, UOP4 | 5v457.c | | BOP, KJZSV, UOP4 | 5v457.c | | BOP, KJZSV, UOP4 |
| | 01 | B03Z, B07Z, B17A, B17B, B17C, B17J | | 21A | W04A, W04B | | 01 | B03Z, B07Z, B17A, B17B, B17C, B17J |
| | 03 | D18Z, D25A, D25B, D25C, D25D, D25J | | 21B | X01A, X01B, X01C | | 05 | F13A, F21A, F21B, F21J |
| | 05 | F13A, F21A, F21B, F21J | | | | | 06 | G10Z, G12A, G12B, G12J |
| | 08 | I12A, I12B, I12C, I12J | | | | | 08 | I02A, I02B, I02C, I02D, I12A, I12B, I12C, I12J, I22A, I22B, I50Z |
| | 09 | J02A, J02B, J02C, J04A, J04B, J08A, J08B, J08C, J16Z, J21Z, J22A, J22B, J22J | | | 09 | J02A, J02B, J02C, J04A, J04B, J08A, J08B, J08C, J16Z, J21Z, J22A, J22B, J22J | | |
| | 21A | W04A, W04B | | | | | 21A | W04A, W04B |
| | 21B | X01A, X01B, X01C | | | | | 21B | X01A, X01B, X01C |

VYK

| ZZV | MDC | DRG | ZZV | MDC | DRG | ZZV | MDC | DRG | | | |
|----------|----------|--|------------------------------------|--|--|----------|--|--|----------|----|------------------------------------|
| 5v457.d | | BOP, KJZSV, UOP4 | 5v457.x↔ | | BOP, KJZSV, UOP4 | 5v458.7↔ | | BOP, KJZSV, KVT, UOP4 | | | |
| | 01 | B03Z, B07Z, B17A, B17B, B17C, B17J | | 01 | B03Z, B07Z, B17A, B17B, B17C, B17J | | 01 | B03Z, B07Z, B17A, B17B, B17C, B17J | | | |
| | 05 | F13A, F21A, F21B, F21J | | 05 | F13A, F21A, F21B, F21J | | 05 | F13A, F21A, F21B, F21J | | | |
| | 06 | G10Z, G12A, G12B, G12J | | 08 | I02A, I02B, I02C, I02D, I12A, I12B, I12C, I12J, I22A, I22B, I32A, I32B, I32C, I32D, I32E, I32F, I32J, I32Q, I32R, I32S, I32T, I32U, I50Z | | 08 | I02A, I02B, I02C, I02D, I12A, I12B, I12C, I12J, I22A, I22B, I50Z | | | |
| | 08 | I02A, I02B, I02C, I02D, I12A, I12B, I12C, I12J, I22A, I22B, I50Z | | 09 | J02A, J02B, J02C, J04A, J04B, J08A, J08B, J08C, J16Z, J21Z, J22A, J22B, J22J | | 09 | J02A, J02B, J02C, J04A, J04B, J08A, J08B, J08C, J16Z, J21Z, J22A, J22B, J22J | | | |
| | 09 | J02A, J02B, J02C, J04A, J04B, J08A, J08B, J08C, J16Z, J21Z, J22A, J22B, J22J | | 21A | W04A, W04B | | 21A | W04A, W04B | | | |
| | 21A | W04A, W04B | | 21B | X01A, X01B, X01C | | 21B | X01A, X01B, X01C | | | |
| | 21B | X01A, X01B, X01C | | | | | | | | | |
| | 5v457.e↔ | | | BOP, KJZSV, UOP4 | 5v458.0 | | | BOP, KJZSV, KVT, UOP4 | 5v458.8↔ | | BOP, KJZSV, KVT, UOP4 |
| | | 01 | | B03Z, B07Z, B17A, B17B, B17C, B17J | | | 01 | B03Z, B07Z, B17A, B17B, B17C, B17J | | 01 | B03Z, B07Z, B17A, B17B, B17C, B17J |
| 05 | | F13A, F21A, F21B, F21J, F27A, F27B, F27C | 03 | D12A, D12J, D12Q | | 05 | F13A, F21A, F21B, F21J | | | | |
| 08 | | I02A, I02B, I02C, I02D, I12A, I12B, I12C, I12J, I22A, I22B, I50Z | 05 | F13A, F21A, F21B, F21J | | 08 | I02A, I02B, I02C, I02D, I12A, I12B, I12C, I12J, I22A, I22B, I50Z | | | | |
| 09 | | J02A, J02B, J02C, J04A, J04B, J08A, J08B, J08C, J16Z, J21Z, J22A, J22B, J22J | 08 | I12A, I12B, I12C, I12J | | 09 | J02A, J02B, J02C, J04A, J04B, J08A, J08B, J08C, J16Z, J21Z, J22A, J22B, J22J | | | | |
| 10 | | K01Z | 09 | J02A, J02B, J02C, J04A, J04B, J08A, J08B, J08C, J16Z, J21Z, J22A, J22B, J22J | | 21A | W04A, W04B | | | | |
| 21A | | W04A, W04B | 21A | W04A, W04B | | 21B | X01A, X01B, X01C | | | | |
| 21B | | X01A, X01B, X01C | 21B | X01A, X01B, X01C | | | | | | | |
| 5v457.f↔ | | | BOP, KJZSV, UOP4 | 5v458.4 | | | BOP, KJZSV, KVT, UOP4 | 5v458.9↔ | | | BOP, KJZSV, KVT, UOP4 |
| | | 01 | B03Z, B07Z, B17A, B17B, B17C, B17J | | | 01 | B03Z, B07Z, B17A, B17B, B17C, B17J | | | 01 | B03Z, B07Z, B17A, B17B, B17C, B17J |
| | 05 | F13A, F21A, F21B, F21J, F27A, F27B, F27C | 02 | | C20A, C20B, C20J, C20Q, C20R | 05 | F13A, F21A, F21B, F21J | | | | |
| | 08 | I02A, I02B, I02C, I02D, I12A, I12B, I12C, I12J, I22A, I22B, I50Z | 03 | | D12A, D12J, D12Q | 08 | I02A, I02B, I02C, I02D, I12A, I12B, I12C, I12J, I22A, I22B, I50Z | | | | |
| | 09 | J02A, J02B, J02C, J04A, J04B, J08A, J08B, J08C, J16Z, J21Z, J22A, J22B, J22J | 05 | | F13A, F21A, F21B, F21J | 09 | J02A, J02B, J02C, J04A, J04B, J08A, J08B, J08C, J16Z, J21Z, J22A, J22B, J22J | | | | |
| | 10 | K01Z | 08 | | I02A, I02B, I02C, I02D, I12A, I12B, I12C, I12J, I22A, I22B, I50Z | 21A | W04A, W04B | | | | |
| | 21A | W04A, W04B | 09 | | J02A, J02B, J02C, J04A, J04B, J08A, J08B, J08C, J16Z, J21Z, J22A, J22B, J22J | 21B | X01A, X01B, X01C | | | | |
| | 21B | X01A, X01B, X01C | 21A | | W04A, W04B | | | | | | |
| | 5v457.g↔ | | BOP, KJZSV, UOP4 | | 5v458.5 | | BOP, KJZSV, KVT, UOP4 | | 5v458.a | | BOP, KJZSV, KVT, UOP4 |
| | | 01 | B03Z, B07Z, B17A, B17B, B17C, B17J | | | 01 | B03Z, B07Z, B17A, B17B, B17C, B17J | | | 01 | B03Z, B07Z, B17A, B17B, B17C, B17J |
| 05 | | F13A, F21A, F21B, F21J, F27A, F27B, F27C | 03 | D12A, D12J, D12Q | | 05 | F13A, F21A, F21B, F21J | | | | |
| 08 | | I02A, I02B, I02C, I02D, I12A, I12B, I12C, I12J, I22A, I22B, I50Z | 05 | F13A, F21A, F21B, F21J | | 06 | G10Z, G12A, G12B, G12J | | | | |
| 09 | | J02A, J02B, J02C, J04A, J04B, J08A, J08B, J08C, J16Z, J21Z, J22A, J22B, J22J | 08 | I02A, I02B, I02C, I02D, I12A, I12B, I12C, I12J, I22A, I22B, I50Z | | 08 | I02A, I02B, I02C, I02D, I12A, I12B, I12C, I12J, I22A, I22B, I50Z | | | | |
| 10 | | K01Z | 09 | J02A, J02B, J02C, J04A, J04B, J08A, J08B, J08C, J16Z, J21Z, J22A, J22B, J22J | | 09 | J02A, J02B, J02C, J04A, J04B, J08A, J08B, J08C, J16Z, J21Z, J22A, J22B, J22J | | | | |
| 21A | | W04A, W04B | 21A | W04A, W04B | | 21A | W04A, W04B | | | | |
| 21B | | X01A, X01B, X01C | 21B | X01A, X01B, X01C | | 21B | X01A, X01B, X01C | | | | |
| 5v457.h↔ | | | BOP, KJZSV, UOP4 | 5v458.6↔ | | | BOP, KJZSV, KVT, UOP4 | 5v458.b | | | BOP, KJZSV, KVT, UOP4 |
| | | 01 | B03Z, B07Z, B17A, B17B, B17C, B17J | | | 01 | B03Z, B07Z, B17A, B17B, B17C, B17J | | | 01 | B03Z, B07Z, B17A, B17B, B17C, B17J |
| | 05 | F13A, F21A, F21B, F21J, F27A, F27B, F27C | 05 | | F13A, F21A, F21B, F21J | 05 | F13A, F21A, F21B, F21J | | | | |
| | 08 | I02A, I02B, I02C, I02D, I12A, I12B, I12C, I12J, I22A, I22B, I50Z | 08 | | I02A, I02B, I02C, I02D, I12A, I12B, I12C, I12J, I22A, I22B, I50Z | 06 | G10Z, G12A, G12B, G12J | | | | |
| | 09 | J02A, J02B, J02C, J04A, J04B, J08A, J08B, J08C, J16Z, J21Z, J22A, J22B, J22J | 08 | | I02A, I02B, I02C, I02D, I12A, I12B, I12C, I12J, I22A, I22B, I50Z | 08 | I02A, I02B, I02C, I02D, I12A, I12B, I12C, I12J, I22A, I22B, I50Z | | | | |
| | 10 | K01Z | 09 | | J02A, J02B, J02C, J04A, J04B, J08A, J08B, J08C, J16Z, J21Z, J22A, J22B, J22J | 09 | J02A, J02B, J02C, J04A, J04B, J08A, J08B, J08C, J16Z, J21Z, J22A, J22B, J22J | | | | |
| | 21A | W04A, W04B | 21A | | W04A, W04B | 21A | W04A, W04B | | | | |
| | 21B | X01A, X01B, X01C | 21B | | X01A, X01B, X01C | 21B | X01A, X01B, X01C | | | | |

VYK

Príloha B: Index Výkon-MDC-DRG

| ZZV | MDC | DRG | ZZV | MDC | DRG | ZZV | MDC | DRG | | | |
|----------|----------|--|------------------------------------|--|--|----------|--|--|----------|----|------------------------------------|
| 5v458.c | | BOP, KJZSV, KVT, UOP4 | 5v458.x↔ | | BOP, KJZSV, KVT, UOP4 | 5v459.6↔ | | BOP, KJZSV, KVT, UOP4 | | | |
| | 01 | B03Z, B07Z, B17A, B17B, B17C, B17J | | 01 | B03Z, B07Z, B17A, B17B, B17C, B17J | | 01 | B03Z, B07Z, B17A, B17B, B17C, B17J | | | |
| | 05 | F13A, F21A, F21B, F21J | | 05 | F13A, F21A, F21B, F21J | | 05 | F13A, F21A, F21B, F21J | | | |
| | 06 | G10Z, G12A, G12B, G12J | | 08 | I02A, I02B, I02C, I02D, I12A, I12B, I12C, I12J, I22A, I22B, I50Z | | 08 | I02A, I02B, I02C, I02D, I12A, I12B, I12C, I12J, I22A, I22B, I50Z | | | |
| | 08 | I02A, I02B, I02C, I02D, I12A, I12B, I12C, I12J, I22A, I22B, I50Z | | 09 | J02A, J02B, J02C, J04A, J04B, J08A, J08B, J08C, J16Z, J21Z, J22A, J22B, J22J | | 09 | J02A, J02B, J02C, J04A, J04B, J08A, J08B, J08C, J16Z, J21Z, J22A, J22B, J22J | | | |
| | 09 | J02A, J02B, J02C, J04A, J04B, J08A, J08B, J08C, J16Z, J21Z, J22A, J22B, J22J | | 21A | W04A, W04B | | 21A | W04A, W04B | | | |
| | 21A | W04A, W04B | | 21B | X01A, X01B, X01C | | 21B | X01A, X01B, X01C | | | |
| | 21B | X01A, X01B, X01C | | | | | | | | | |
| | 5v458.d | | | BOP, KJZSV, KVT, UOP4 | 5v459.0 | | | BOP, KJZSV, KVT, UOP4 | 5v459.7↔ | | BOP, KJZSV, KVT, UOP4 |
| | | 01 | | B03Z, B07Z, B17A, B17B, B17C, B17J | | | 01 | B03Z, B07Z, B17A, B17B, B17C, B17J | | 01 | B03Z, B07Z, B17A, B17B, B17C, B17J |
| 05 | | F13A, F21A, F21B, F21J | 05 | F13A, F21A, F21B, F21J | | 05 | F13A, F21A, F21B, F21J | | | | |
| 06 | | G10Z, G12A, G12B, G12J | 08 | I02A, I02B, I02C, I02D, I12A, I12B, I12C, I12J, I22A, I22B, I50Z | | 08 | I02A, I02B, I02C, I02D, I12A, I12B, I12C, I12J, I22A, I22B, I50Z | | | | |
| 08 | | I02A, I02B, I02C, I02D, I12A, I12B, I12C, I12J, I22A, I22B, I50Z | 09 | J02A, J02B, J02C, J04A, J04B, J08A, J08B, J08C, J16Z, J21Z, J22A, J22B, J22J | | 09 | J02A, J02B, J02C, J04A, J04B, J08A, J08B, J08C, J16Z, J21Z, J22A, J22B, J22J | | | | |
| 09 | | J02A, J02B, J02C, J04A, J04B, J08A, J08B, J08C, J16Z, J21Z, J22A, J22B, J22J | 21A | W04A, W04B | | 21A | W04A, W04B | | | | |
| 21A | | W04A, W04B | 21B | X01A, X01B, X01C | | 21B | X01A, X01B, X01C | | | | |
| 21B | | X01A, X01B, X01C | | | | | | | | | |
| 5v458.e↔ | | | BOP, KJZSV, KVT, UOP4 | 5v459.4 | | | BOP, KJZSV, KVT, UOP4 | 5v459.8↔ | | | BOP, KJZSV, KVT, UOP4 |
| | | 01 | B03Z, B07Z, B17A, B17B, B17C, B17J | | | 01 | B03Z, B07Z, B17A, B17B, B17C, B17J | | | 01 | B03Z, B07Z, B17A, B17B, B17C, B17J |
| | 05 | F13A, F21A, F21B, F21J | 02 | | C20A, C20B, C20J, C20Q, C20R | 05 | F13A, F21A, F21B, F21J | | | | |
| | 08 | I02A, I02B, I02C, I02D, I12A, I12B, I12C, I12J, I22A, I22B, I50Z | 03 | | D18Z, D25A, D25B, D25C, D25D, D25J | 08 | I02A, I02B, I02C, I02D, I12A, I12B, I12C, I12J, I22A, I22B, I50Z | | | | |
| | 09 | J02A, J02B, J02C, J04A, J04B, J08A, J08B, J08C, J16Z, J21Z, J22A, J22B, J22J | 05 | | F13A, F21A, F21B, F21J | 09 | J02A, J02B, J02C, J04A, J04B, J08A, J08B, J08C, J16Z, J21Z, J22A, J22B, J22J | | | | |
| | 21A | W04A, W04B | 08 | | I02A, I02B, I02C, I02D, I12A, I12B, I12C, I12J, I22A, I22B, I50Z | 21A | W04A, W04B | | | | |
| | 21B | X01A, X01B, X01C | 09 | | J02A, J02B, J02C, J04A, J04B, J08A, J08B, J08C, J16Z, J21Z, J22A, J22B, J22J | 21B | X01A, X01B, X01C | | | | |
| | 5v458.f↔ | | BOP, KJZSV, KVT, UOP4 | | 5v459.5 | | BOP, KJZSV, KVT, UOP4 | | 5v459.9↔ | | BOP, KJZSV, KVT, UOP4 |
| | | 01 | B03Z, B07Z, B17A, B17B, B17C, B17J | | | 01 | B03Z, B07Z, B17A, B17B, B17C, B17J | | | 01 | B03Z, B07Z, B17A, B17B, B17C, B17J |
| | | 05 | F13A, F21A, F21B, F21J | | | 03 | D18Z, D25A, D25B, D25C, D25D, D25J | | | 05 | F13A, F21A, F21B, F21J |
| 08 | | I02A, I02B, I02C, I02D, I12A, I12B, I12C, I12J, I22A, I22B, I50Z | 05 | F13A, F21A, F21B, F21J | | 08 | I02A, I02B, I02C, I02D, I12A, I12B, I12C, I12J, I22A, I22B, I50Z | | | | |
| 09 | | J02A, J02B, J02C, J04A, J04B, J08A, J08B, J08C, J16Z, J21Z, J22A, J22B, J22J | 08 | I02A, I02B, I02C, I02D, I12A, I12B, I12C, I12J, I22A, I22B, I50Z | | 09 | J02A, J02B, J02C, J04A, J04B, J08A, J08B, J08C, J16Z, J21Z, J22A, J22B, J22J | | | | |
| 21A | | W04A, W04B | 09 | J02A, J02B, J02C, J04A, J04B, J08A, J08B, J08C, J16Z, J21Z, J22A, J22B, J22J | | 21A | W04A, W04B | | | | |
| 21B | | X01A, X01B, X01C | 21A | W04A, W04B | | 21B | X01A, X01B, X01C | | | | |
| 5v458.g↔ | | | BOP, KJZSV, KVT, UOP4 | 5v459.a | | | BOP, KJZSV, KVT, UOP4 | 5v459.a | | | BOP, KJZSV, KVT, UOP4 |
| | | 01 | B03Z, B07Z, B17A, B17B, B17C, B17J | | | 01 | B03Z, B07Z, B17A, B17B, B17C, B17J | | | 01 | B03Z, B07Z, B17A, B17B, B17C, B17J |
| | | 05 | F13A, F21A, F21B, F21J | | | 21A | W04A, W04B | | | 05 | F13A, F21A, F21B, F21J |
| | 08 | I02A, I02B, I02C, I02D, I12A, I12B, I12C, I12J, I22A, I22B, I50Z | 21B | | X01A, X01B, X01C | 06 | G10Z, G12A, G12B, G12J | | | | |
| | 09 | J02A, J02B, J02C, J04A, J04B, J08A, J08B, J08C, J16Z, J21Z, J22A, J22B, J22J | | | | 08 | I02A, I02B, I02C, I02D, I12A, I12B, I12C, I12J, I22A, I22B, I50Z | | | | |
| | 21A | W04A, W04B | | | | 09 | J02A, J02B, J02C, J04A, J04B, J08A, J08B, J08C, J16Z, J21Z, J22A, J22B, J22J | | | | |
| | 21B | X01A, X01B, X01C | | | | 21A | W04A, W04B | | | | |
| | | | | | | 21B | X01A, X01B, X01C | | | | |

VYK

| ZZV | MDC | DRG | ZZV | MDC | DRG | ZZV | MDC | DRG | | | |
|----------|----------|--|------------------------------------|--|--|--|--|--|--|------------------------------------|--|
| 5v459.b | | BOP, KJZSV, KVT, UOP4 | 5v459.f↔ | | BOP, KJZSV, KVT, UOP4 | 5v45a.2 | | BOP, KK11, KKI, KKII, KKP, KVT, UOP4 | | | |
| | 01 | B03Z, B07Z, B17A, B17B, B17C, B17J | | 01 | B03Z, B07Z, B17A, B17B, B17C, B17J | | 01 | B03Z, B07Z, B17A, B17B, B17C, B17J | | | |
| | 05 | F13A, F21A, F21B, F21J | | 05 | F13A, F21A, F21B, F21J, F27A, F27B, F27C | | 05 | F13A, F21A, F21B, F21C, F21J | | | |
| | 06 | G10Z, G12A, G12B, G12J | | 08 | I02A, I02B, I02C, I02D, I12A, I12B, I12C, I12J, I22A, I22B, I50Z | | 06 | G10Z, G12A, G12B, G12J | | | |
| | 08 | I02A, I02B, I02C, I02D, I12A, I12B, I12C, I12J, I22A, I22B, I50Z | | 09 | J02A, J02B, J02C, J04A, J04B, J08A, J08B, J08C, J16Z, J21Z, J22A, J22B, J22J | | 08 | I02A, I02B, I02C, I02D, I12A, I12B, I12C, I12J, I22A, I22B, I50Z | | | |
| | 09 | J02A, J02B, J02C, J04A, J04B, J08A, J08B, J08C, J16Z, J21Z, J22A, J22B, J22J | | 10 | K01Z | | 09 | J02A, J02B, J02C, J04A, J04B, J08A, J08B, J08C, J16Z, J21Z, J22A, J22B, J22J | | | |
| | 21A | W04A, W04B | | 21A | W04A, W04B | | 21A | W04A, W04B | | | |
| | 21B | X01A, X01B, X01C | | 21B | X01A, X01B, X01C | | 21B | X01A, X01B | | | |
| | 5v459.c | | | BOP, KJZSV, KVT, UOP4 | 5v459.g↔ | | | BOP, KJZSV, KVT, UOP4 | 5v45a.3 | | BOP, KVT, UOP4 |
| | | 01 | | B03Z, B07Z, B17A, B17B, B17C, B17J | | | 01 | B03Z, B07Z, B17A, B17B, B17C, B17J | | 01 | B03Z, B07Z, B17A, B17B, B17C, B17J |
| 05 | | F13A, F21A, F21B, F21J, F27A, F27B, F27C | 05 | F13A, F21A, F21B, F21J, F27A, F27B, F27C | | 05 | F13A, F21A, F21B, F21C, F21J | | | | |
| 06 | | G10Z, G12A, G12B, G12J | 08 | I02A, I02B, I02C, I02D, I12A, I12B, I12C, I12J, I22A, I22B, I50Z | | 06 | G10Z, G12A, G12B, G12J | | | | |
| 08 | | I02A, I02B, I02C, I02D, I12A, I12B, I12C, I12J, I22A, I22B, I50Z | 09 | J02A, J02B, J02C, J04A, J04B, J08A, J08B, J08C, J16Z, J21Z, J22A, J22B, J22J | | 08 | I02A, I02B, I02C, I02D, I12A, I12B, I12C, I12J, I22A, I22B, I50Z | | | | |
| 09 | | J02A, J02B, J02C, J04A, J04B, J08A, J08B, J08C, J16Z, J21Z, J22A, J22B, J22J | 10 | K01Z | | 09 | J02A, J02B, J02C, J04A, J04B, J08A, J08B, J08C, J16Z, J21Z, J22A, J22B, J22J | | | | |
| 10 | | K01Z | 21A | W04A, W04B | | 21A | W04A, W04B | | | | |
| 21A | | W04A, W04B | 21B | X01A, X01B, X01C | | 21B | X01A, X01B | | | | |
| 21B | | X01A, X01B, X01C | 5v459.x↔ | | | BOP, KJZSV, KVT, UOP4 | 5v45a.4 | | | BOP, KVT, UOP4 | |
| 5v459.d | | | | BOP, KJZSV, KVT, UOP4 | | 01 | | B03Z, B07Z, B17A, B17B, B17C, B17J | | 01 | B03Z, B07Z, B17A, B17B, B17C, B17J |
| | 01 | B03Z, B07Z, B17A, B17B, B17C, B17J | | 05 | F13A, F21A, F21B, F21J | 05 | | F13A, F21A, F21B, F21C, F21J | | | |
| | 05 | F13A, F21A, F21B, F21J | | 08 | I02A, I02B, I02C, I02D, I12A, I12B, I12C, I12J, I22A, I22B, I50Z | 08 | | I02A, I02B, I02C, I02D, I12A, I12B, I12C, I12J, I22A, I22B, I50Z | | | |
| | 06 | G10Z, G12A, G12B, G12J | | 09 | J02A, J02B, J02C, J04A, J04B, J08A, J08B, J08C, J16Z, J21Z, J22A, J22B, J22J | 06 | | G10Z, G12A, G12B, G12J | | | |
| | 08 | I02A, I02B, I02C, I02D, I12A, I12B, I12C, I12J, I22A, I22B, I50Z | | 21A | W04A, W04B | 08 | | I02A, I02B, I02C, I02D, I12A, I12B, I12C, I12J, I22A, I22B, I32A, I32B, I32C, I32D, I32E, I32F, I32J, I32Q, I32R, I32S, I32T, I32U, I50Z | | | |
| | 09 | J02A, J02B, J02C, J04A, J04B, J08A, J08B, J08C, J16Z, J21Z, J22A, J22B, J22J | | 21B | X01A, X01B, X01C | 09 | | J02A, J02B, J02C, J04A, J04B, J08A, J08B, J08C, J16Z, J21Z, J22A, J22B, J22J | | | |
| | 21A | W04A, W04B | | 5v45a.1 | | BOP, KVT, UOP4 | | 5v45a.x | | BOP, KVT, UOP4 | |
| | 21B | X01A, X01B, X01C | | | 01 | B03Z, B07Z, B17A, B17B, B17C, B17J | | | 01 | B03Z, B07Z, B17A, B17B, B17C, B17J | |
| | 5v459.e↔ | | | | BOP, KJZSV, KVT, UOP4 | 05 | | | F13A, F21A, F21B, F21C, F21J, F27A, F27B, F27C | 05 | F13A, F21A, F21B, F21C, F21J, F27A, F27B, F27C |
| | | 01 | B03Z, B07Z, B17A, B17B, B17C, B17J | | 08 | I02A, I02B, I02C, I02D, I12A, I12B, I12C, I12J, I22A, I22B, I50Z | 08 | | I02A, I02B, I02C, I02D, I12A, I12B, I12C, I12J, I22A, I22B, I32A, I32B, I32C, I32D, I50Z | | |
| 05 | | F13A, F21A, F21B, F21J, F27A, F27B, F27C | 09 | | J02A, J02B, J02C, J04A, J04B, J08A, J08B, J08C, J16Z, J21Z, J22A, J22B, J22J | 09 | J02A, J02B, J02C, J04A, J04B, J08A, J08B, J08C, J16Z, J21Z, J22A, J22B, J22J | | | | |
| 08 | | I02A, I02B, I02C, I02D, I12A, I12B, I12C, I12J, I22A, I22B, I50Z | 10 | | K01Z | 08 | I02A, I02B, I02C, I02D, I12A, I12B, I12C, I12J, I22A, I22B, I32A, I32B, I32C, I32D, I32E, I32F, I32J, I32Q, I32R, I32S, I32T, I32U, I50Z | | | | |
| 09 | | J02A, J02B, J02C, J04A, J04B, J08A, J08B, J08C, J16Z, J21Z, J22A, J22B, J22J | 21A | | W04A, W04B | 09 | J02A, J02B, J02C, J04A, J04B, J08A, J08B, J08C, J16Z, J21Z, J22A, J22B, J22J | | | | |
| 10 | | K01Z | 21B | | X01A, X01B, X01C | 21A | W04A, W04B | | | | |
| 21A | | W04A, W04B | 5v459.e↔ | | | BOP, KJZSV, KVT, UOP4 | 5v45a.x | | | BOP, KVT, UOP4 | |
| 21B | | X01A, X01B, X01C | | | 01 | B03Z, B07Z, B17A, B17B, B17C, B17J | | | 21B | X01A, X01B | |
| 5v459.e↔ | | | | BOP, KJZSV, KVT, UOP4 | 05 | F13A, F21A, F21B, F21J, F27A, F27B, F27C | | 01 | B03Z, B07Z, B17A, B17B, B17C, B17J | | |
| | | 01 | | B03Z, B07Z, B17A, B17B, B17C, B17J | 08 | I02A, I02B, I02C, I02D, I12A, I12B, I12C, I12J, I22A, I22B, I50Z | | 05 | F13A, F21A, F21B, F21C, F21J | | |
| | 05 | F13A, F21A, F21B, F21J, F27A, F27B, F27C | | 09 | J02A, J02B, J02C, J04A, J04B, J08A, J08B, J08C, J16Z, J21Z, J22A, J22B, J22J | 08 | | I02A, I02B, I02C, I02D, I12A, I12B, I12C, I12J, I22A, I22B, I32A, I32B, I32C, I32D, I32E, I32F, I32J, I32Q, I32R, I32S, I32T, I32U, I50Z | | | |
| | 08 | I02A, I02B, I02C, I02D, I12A, I12B, I12C, I12J, I22A, I22B, I50Z | | 10 | K01Z | 09 | | J02A, J02B, J02C, J04A, J04B, J08A, J08B, J08C, J16Z, J21Z, J22A, J22B, J22J | | | |
| | 09 | J02A, J02B, J02C, J04A, J04B, J08A, J08B, J08C, J16Z, J21Z, J22A, J22B, J22J | | 21A | W04A, W04B | 21A | | W04A, W04B | | | |
| | 10 | K01Z | | 21B | X01A, X01B, X01C | 21B | | X01A, X01B | | | |
| | 21A | W04A, W04B | | | | | | | | | |
| | 21B | X01A, X01B, X01C | | | | | | | | | |

VYK

| ZZV | MDC | DRG | ZZV | MDC | DRG | ZZV | MDC | DRG |
|----------|-----|--|----------|-----|--|--------|-----|---|
| 5v45x.x↔ | | BOP, KVT, UOP4 | 5v462.1↔ | 08 | BOP, KJZSV, KVT, UOP4 I20A, I20B, I20C, I20D, I20J, I20Q, I20R, I32A, I32B, I32C, I32D, I32E, I32F, I32J, I32Q, I32R, I32S, I32T, I32U | 5v46x↔ | 08 | BOP, KJZSV, KVT, UOP4 I20A, I20B, I20C, I20D, I20E, I20F, I20J, I20Q, I20R, I32A, I32B, I32C, I32D, I32E, I32F, I32J, I32Q, I32R, I32S, I32T, I32U |
| | 01 | B03Z, B07Z, B17A, B17B, B17C, B17J | | 09 | J03A, J03B, J04A, J04B, J08A, J08B, J08C, J10A, J10B, J10J, J16Z | | 09 | J03A, J03B, J04A, J04B, J08A, J08B, J08C, J10A, J10B, J10J, J16Z |
| | 05 | F13A, F21A, F21B, F21C, F21J | | 21A | W04A, W04B | | 21A | W04A, W04B |
| | 08 | I02A, I02B, I02C, I02D, I22A, I22B, I32A, I32B, I32C, I32D, I32E, I32F, I32J, I32Q, I32R, I32S, I32T, I32U, I50Z | | 21B | X05A, X05B | | 21B | X05A, X05B |
| | 09 | J02A, J02B, J02C, J04A, J04B, J08A, J08B, J08C, J16Z, J21Z, J22A, J22B, J22J | | | | | | |
| 5v460.0↔ | | BOP, KJZSV, KVT, UOP4 | 5v462.x↔ | 08 | I20A, I20B, I20C, I20D, I20E, I20F, I20J, I20Q, I20R, I32A, I32B, I32C, I32D, I32E, I32F, I32J, I32Q, I32R, I32S, I32T, I32U | 5v470↔ | 08 | BOP, KJZSV, KVT, UOP4 I20A, I20B, I20C, I20D, I20J, I20Q, I20R, I32A, I32B, I32C, I32D, I32E, I32F, I32J, I32Q, I32R, I32S, I32T, I32U |
| | 08 | I20A, I20B, I20C, I20D, I20E, I20F, I20J, I20Q, I20R, I32A, I32B, I32C, I32D, I32E, I32F, I32J, I32Q, I32R, I32S, I32T, I32U | | 09 | J03A, J03B, J04A, J04B, J08A, J08B, J08C, J10A, J10B, J10J, J16Z | | 09 | J03A, J03B, J04A, J04B, J08A, J08B, J08C, J10A, J10B, J10J, J16Z |
| | 09 | J03A, J03B, J04A, J04B, J08A, J08B, J08C, J10A, J10B, J10J, J16Z | | 21A | W04A, W04B | | 21A | W04A, W04B |
| | 21A | W04A, W04B | | 21B | X05A, X05B | | 21B | X05A, X05B |
| | 21B | X05A, X05B | | | | | | |
| 5v460.x↔ | | BOP, KJZSV, KVT, UOP4 | 5v463↔ | 08 | I20A, I20B, I20C, I20D, I20E, I20F, I20J, I20Q, I20R, I32A, I32B, I32C, I32D, I32E, I32F, I32J, I32Q, I32R, I32S, I32T, I32U | 5v471↔ | 08 | BOP, KJZSV, KVT, UOP4 I20A, I20B, I20C, I20D, I20J, I20Q, I20R, I32A, I32B, I32C, I32D, I32E, I32F, I32J, I32Q, I32R, I32S, I32T, I32U |
| | 08 | I20A, I20B, I20C, I20D, I20E, I20F, I20J, I20Q, I20R, I32A, I32B, I32C, I32D, I32E, I32F, I32J, I32Q, I32R, I32S, I32T, I32U | | 09 | J03A, J03B, J04A, J04B, J08A, J08B, J08C, J10A, J10B, J10J, J16Z | | 09 | J03A, J03B, J04A, J04B, J08A, J08B, J08C, J10A, J10B, J10J, J16Z |
| | 09 | J03A, J03B, J04A, J04B, J08A, J08B, J08C, J10A, J10B, J10J, J16Z | | 21A | W04A, W04B | | 21A | W04A, W04B |
| | 21A | W04A, W04B | | 21B | X05A, X05B | | 21B | X05A, X05B |
| | 21B | X05A, X05B | | | | | | |
| 5v460.x↔ | | BOP, KJZSV, KVT, UOP4 | 5v464.0↔ | 08 | I20A, I20B, I20C, I20D, I20E, I20F, I20J, I20Q, I20R, I32A, I32B, I32C, I32D, I32E, I32F, I32J, I32Q, I32R, I32S, I32T, I32U | 5v472↔ | 08 | BOP, KJZSV, KVT, UOP4 I20A, I20B, I20C, I20D, I20E, I20F, I20J, I20Q, I20R, I32A, I32B, I32C, I32D, I32E, I32F, I32J, I32Q, I32R, I32S, I32T, I32U |
| | 08 | I20A, I20B, I20C, I20D, I20E, I20F, I20J, I20Q, I20R, I32A, I32B, I32C, I32D, I32E, I32F, I32J, I32Q, I32R, I32S, I32T, I32U | | 09 | J03A, J03B, J04A, J04B, J08A, J08B, J08C, J10A, J10B, J10J, J16Z | | 09 | J03A, J03B, J04A, J04B, J08A, J08B, J08C, J10A, J10B, J10J, J16Z |
| | 09 | J03A, J03B, J04A, J04B, J08A, J08B, J08C, J10A, J10B, J10J, J16Z | | 21A | W04A, W04B | | 21A | W04A, W04B |
| | 21A | W04A, W04B | | 21B | X05A, X05B | | 21B | X05A, X05B |
| | 21B | X05A, X05B | | | | | | |
| 5v461.0↔ | | BOP, KJZSV, KVT, UOP4 | 5v464.1↔ | 08 | I20A, I20B, I20C, I20D, I20J, I20Q, I20R, I32A, I32B, I32C, I32D, I32E, I32F, I32J, I32Q, I32R, I32S, I32T, I32U | 5v473↔ | 08 | BOP, KJZSV, KVT, UOP4 I20A, I20B, I20C, I20D, I20J, I20Q, I20R, I32A, I32B, I32C, I32D, I32E, I32F, I32J, I32Q, I32R, I32S, I32T, I32U |
| | 08 | I20A, I20B, I20C, I20D, I20J, I20Q, I20R, I32A, I32B, I32C, I32D, I32E, I32F, I32J, I32Q, I32R, I32S, I32T, I32U | | 09 | J03A, J03B, J04A, J04B, J08A, J08B, J08C, J10A, J10B, J10J, J16Z | | 09 | J03A, J03B, J04A, J04B, J08A, J08B, J08C, J10A, J10B, J10J, J16Z |
| | 09 | J03A, J03B, J04A, J04B, J08A, J08B, J08C, J10A, J10B, J10J, J16Z | | 21A | W04A, W04B | | 21A | W04A, W04B |
| | 21A | W04A, W04B | | 21B | X05A, X05B | | 21B | X05A, X05B |
| | 21B | X05A, X05B | | | | | | |
| 5v461.x↔ | | BOP, KJZSV, KVT, UOP4 | 5v465↔ | 08 | I20A, I20B, I20C, I20D, I20J, I20Q, I20R, I32A, I32B, I32C, I32D, I32E, I32F, I32J, I32Q, I32R, I32S, I32T, I32U | 5v47x↔ | 08 | BOP, KJZSV, KVT, UOP4 I20A, I20B, I20C, I20D, I20E, I20F, I20J, I20Q, I20R, I32A, I32B, I32C, I32D, I32E, I32F, I32J, I32Q, I32R, I32S, I32T, I32U |
| | 08 | I20A, I20B, I20C, I20D, I20E, I20F, I20J, I20Q, I20R, I32A, I32B, I32C, I32D, I32E, I32F, I32J, I32Q, I32R, I32S, I32T, I32U | | 09 | J03A, J03B, J04A, J04B, J08A, J08B, J08C, J10A, J10B, J10J, J16Z | | 09 | J03A, J03B, J04A, J04B, J08A, J08B, J08C, J10A, J10B, J10J, J16Z |
| | 09 | J03A, J03B, J04A, J04B, J08A, J08B, J08C, J10A, J10B, J10J, J16Z | | 21A | W04A, W04B | | 21A | W04A, W04B |
| | 21A | W04A, W04B | | 21B | X05A, X05B | | 21B | X05A, X05B |
| | 21B | X05A, X05B | | | | | | |
| 5v462.0↔ | | BOP, KJZSV, KVT, UOP4 | 5v466↔ | 08 | I20A, I20B, I20C, I20D, I20J, I20Q, I20R, I32A, I32B, I32C, I32D, I32E, I32F, I32J, I32Q, I32R, I32S, I32T, I32U | 5v482‡ | 09 | J11A, J11B, J11C, J11J, J11Q, J11R, J11S |
| | 08 | I20A, I20B, I20C, I20D, I20J, I20Q, I20R, I32A, I32B, I32C, I32D, I32E, I32F, I32J, I32Q, I32R, I32S, I32T, I32U | | 09 | J03A, J03B, J04A, J04B, J08A, J08B, J08C, J10A, J10B, J10J, J16Z | | 09 | J11A, J11B, J11C, J11J, J11Q, J11R, J11S |
| | 09 | J03A, J03B, J04A, J04B, J08A, J08B, J08C, J10A, J10B, J10J, J16Z | | 21A | W04A, W04B | | 09 | J11A, J11B, J11C, J11J, J11Q, J11R, J11S |
| | 21A | W04A, W04B | | 21B | X05A, X05B | | 09 | J11A, J11B, J11C, J11J, J11Q, J11R, J11S |
| | 21B | X05A, X05B | | | | | 09 | J11A, J11B, J11C, J11J, J11Q, J11R, J11S |

| ZZV | MDC | DRG | ZZV | MDC | DRG | ZZV | MDC | DRG |
|----------|-----|--|----------|-----|--|----------|-----|--|
| 5v511.6↔ | | BOP, KJZSV, KVT, UOP4 | 5v511.m | | BOP, KJZSV, KVT, UOP4 | 5v512.c | | BOP, KJZSV, KVT, UOP4 |
| | 05 | F13A | | 05 | F13A | | 05 | F13A |
| | 09 | J08A, J08B, J08C, J16Z, J21Z, J22A, J22B, J22J | | 09 | J08A, J08B, J08C, J16Z, J21Z, J22A, J22B, J22J | | 09 | J08A, J08B, J08C, J16Z, J21Z, J22A, J22B, J22J |
| 5v511.7↔ | 22 | Y01Z, Y03A, Y03B | 5v511.x | 22 | Y01Z, Y03A, Y03B | 5v512.d | 22 | Y01Z, Y03A, Y03B |
| | | BOP, KJZSV, KVT, UOP4 | | | BOP, KJZSV, KVT, UOP4 | | | BOP, KJZSV, KVT, UOP4 |
| | 05 | F13A | | 05 | F13A | | 05 | F13A |
| 5v511.8↔ | 09 | J08A, J08B, J08C, J16Z, J21Z, J22A, J22B, J22J | 5v512.0 | 09 | J08A, J08B, J08C, J16Z, J21Z, J22A, J22B, J22J | 5v512.e↔ | 09 | J08A, J08B, J08C, J16Z, J21Z, J22A, J22B, J22J |
| | 22 | Y01Z, Y03A, Y03B | | 22 | Y01Z, Y03A, Y03B | | 22 | Y01Z, Y03A, Y03B |
| | | BOP, KJZSV, KVT, UOP4 | | | BOP, KJZSV, KVT, UOP4 | | | BOP, KJZSV, KVT, UOP4 |
| 5v511.9↔ | 05 | F13A | 5v512.1 | 05 | F13A | 5v512.f↔ | 05 | F13A |
| | 09 | J08A, J08B, J08C, J16Z, J21Z, J22A, J22B, J22J | | 09 | J08A, J08B, J08C, J16Z, J21Z, J22A, J22B, J22J | | 09 | J08A, J08B, J08C, J16Z, J21Z, J22A, J22B, J22J |
| | 22 | Y01Z, Y03A, Y03B | | 22 | Y01Z, Y03A, Y03B | | 22 | Y01Z, Y03A, Y03B |
| 5v511.a | | BOP, KJZSV, KVT, UOP4 | 5v512.2↔ | | BOP, KJZSV, KVT, UOP4 | 5v512.g↔ | | BOP, KJZSV, KVT, UOP4 |
| | 05 | F13A | | 05 | F13A | | 05 | F13A |
| | 09 | J08A, J08B, J08C, J16Z, J21Z, J22A, J22B, J22J | | 09 | J08A, J08B, J08C, J16Z, J21Z, J22A, J22B, J22J | | 09 | J08A, J08B, J08C, J16Z, J21Z, J22A, J22B, J22J |
| 5v511.b | 22 | Y01Z, Y03A, Y03B | 5v512.3↔ | 22 | Y01Z, Y03A, Y03B | 5v512.h | 22 | Y01Z, Y03A, Y03B |
| | | BOP, KJZSV, KVT, UOP4 | | | BOP, KJZSV, KVT, UOP4 | | | BOP, KJZSV, KVT, UOP4 |
| | 05 | F13A | | 05 | F13A | | 05 | F13A |
| 5v511.c | 09 | J08A, J08B, J08C, J16Z, J21Z, J22A, J22B, J22J | 5v512.4 | 09 | J08A, J08B, J08C, J16Z, J21Z, J22A, J22B, J22J | 5v512.j | 09 | J08A, J08B, J08C, J16Z, J21Z, J22A, J22B, J22J |
| | 22 | Y01Z, Y03A, Y03B | | 22 | Y01Z, Y03A, Y03B | | 22 | Y01Z, Y03A, Y03B |
| | | BOP, KJZSV, KVT, UOP4 | | | BOP, KJZSV, KVT, UOP4 | | | BOP, KJZSV, KVT, UOP4 |
| 5v511.d | 05 | F13A | 5v512.5 | 05 | F13A | 5v512.k | 05 | F13A |
| | 09 | J08A, J08B, J08C, J16Z, J21Z, J22A, J22B, J22J | | 09 | J08A, J08B, J08C, J16Z, J21Z, J22A, J22B, J22J | | 09 | J08A, J08B, J08C, J16Z, J21Z, J22A, J22B, J22J |
| | 22 | Y01Z, Y03A, Y03B | | 22 | Y01Z, Y03A, Y03B | | 22 | Y01Z, Y03A, Y03B |
| 5v511.e↔ | | BOP, KJZSV, KVT, UOP4 | 5v512.6↔ | | BOP, KJZSV, KVT, UOP4 | 5v512.m | | BOP, KJZSV, KVT, UOP4 |
| | 05 | F13A | | 05 | F13A | | 05 | F13A |
| | 09 | J08A, J08B, J08C, J16Z, J21Z, J22A, J22B, J22J | | 09 | J08A, J08B, J08C, J16Z, J21Z, J22A, J22B, J22J | | 09 | J08A, J08B, J08C, J16Z, J21Z, J22A, J22B, J22J |
| 5v511.f↔ | 22 | Y01Z, Y03A, Y03B | 5v512.7↔ | 22 | Y01Z, Y03A, Y03B | 5v512.x | 22 | Y01Z, Y03A, Y03B |
| | | BOP, KJZSV, KVT, UOP4 | | | BOP, KJZSV, KVT, UOP4 | | | BOP, KJZSV, KVT, UOP4 |
| | 05 | F13A | | 05 | F13A | | 05 | F13A |
| 5v511.g↔ | 09 | J08A, J08B, J08C, J16Z, J21Z, J22A, J22B, J22J | 5v512.8↔ | 09 | J08A, J08B, J08C, J16Z, J21Z, J22A, J22B, J22J | 5v513.0 | 09 | J08A, J08B, J08C, J16Z, J21Z, J22A, J22B, J22J |
| | 22 | Y01Z, Y03A, Y03B | | 22 | Y01Z, Y03A, Y03B | | 22 | Y01Z, Y03A, Y03B |
| | | BOP, KJZSV, KVT, UOP4 | | | BOP, KJZSV, KVT, UOP4 | | | BOP, KJZSV, KVT, UOP4 |
| 5v511.h | 05 | F13A | 5v512.9↔ | 05 | F13A | 5v513.1 | 05 | F13A |
| | 09 | J08A, J08B, J08C, J16Z, J21Z, J22A, J22B, J22J | | 09 | J08A, J08B, J08C, J16Z, J21Z, J22A, J22B, J22J | | 09 | J08A, J08B, J08C, J16Z, J21Z, J22A, J22B, J22J |
| | 22 | Y01Z, Y03A, Y03B | | 22 | Y01Z, Y03A, Y03B | | 22 | Y01Z, Y03A, Y03B |
| 5v511.j | | BOP, KJZSV, KVT, UOP4 | 5v512.a | | BOP, KJZSV, KVT, UOP4 | 5v513.2↔ | | BOP, KJZSV, KVT, UOP4 |
| | 05 | F13A | | 05 | F13A | | 05 | F13A |
| | 09 | J08A, J08B, J08C, J16Z, J21Z, J22A, J22B, J22J | | 09 | J08A, J08B, J08C, J16Z, J21Z, J22A, J22B, J22J | | 09 | J08A, J08B, J08C, J16Z, J21Z, J22A, J22B, J22J |
| 5v511.k | 22 | Y01Z, Y03A, Y03B | 5v512.b | 22 | Y01Z, Y03A, Y03B | 5v513.3↔ | 22 | Y01Z, Y03A, Y03B |
| | | BOP, KJZSV, KVT, UOP4 | | | BOP, KJZSV, KVT, UOP4 | | | BOP, KJZSV, KVT, UOP4 |
| | 05 | F13A | | 05 | F13A | | 05 | F13A |
| | 09 | J08A, J08B, J08C, J16Z, J21Z, J22A, J22B, J22J | | 09 | J08A, J08B, J08C, J16Z, J21Z, J22A, J22B, J22J | | 09 | J08A, J08B, J08C, J16Z, J21Z, J22A, J22B, J22J |
| | 22 | Y01Z, Y03A, Y03B | | 22 | Y01Z, Y03A, Y03B | | 22 | Y01Z, Y03A, Y03B |

Príloha B: Index Výkon-MDC-DRG

| ZZV | MDC | DRG | ZZV | MDC | DRG | ZZV | MDC | DRG |
|----------|-----|--|----------|-----|--|----------|-----|--|
| 5v52x | | BOP, KJZSV, KVT, UOP4 | 5v530.8↔ | | BOP, KJZSV, KVT, UOP4 | 5v530.g↔ | | BOP, KJZSV, KVT, UOP4 |
| | 05 | F13A | | 05 | F13A | | 05 | F13A |
| | 09 | J08A, J08B, J08C, J16Z, J21Z, J22A, J22B, J22J | | 08 | I02A, I02B, I02C, I02D, I22A, I22B, I32A, I32B, I32C, I32D, I32E, I32F, I32J, I32Q, I32R, I32S, I32T, I32U, I50Z | | 08 | I02A, I02B, I02C, I02D, I22A, I22B, I50Z |
| 5v530.0 | 22 | Y01Z, Y03A, Y03B | | 09 | J08A, J08B, J08C, J16Z, J21Z, J22A, J22B, J22J | | 09 | J08A, J08B, J08C, J16Z, J21Z, J22A, J22B, J22J |
| | | BOP, KJZSV, KVT, UOP4 | | 21B | X01A, X01B, X01C | 5v530.x↔ | 21B | X01A, X01B, X01C |
| | 05 | F13A | | 22 | Y01Z, Y02A, Y02B, Y02C | | 22 | Y01Z, Y02A, Y02B, Y02C |
| | 09 | J08A, J08B, J08C, J16Z, J21Z, J22A, J22B, J22J | 5v530.9↔ | | BOP, KJZSV, KVT, UOP4 | | 05 | F13A |
| | 22 | Y01Z, Y02A, Y02B, Y02C | | 05 | F13A | | 08 | I02A, I02B, I02C, I02D, I22A, I22B, I32A, I32B, I32C, I32D, I32E, I32F, I32J, I32Q, I32R, I32S, I32T, I32U, I50Z |
| 5v530.1 | | BOP, KJZSV, KVT, UOP4 | | 08 | I32A, I32B, I32C, I32D, I32E, I32F, I32J, I32Q, I32R, I32S, I32T, I32U | | 09 | J08A, J08B, J08C, J16Z, J21Z, J22A, J22B, J22J |
| | 05 | F13A | | 09 | J08A, J08B, J08C, J16Z, J21Z, J22A, J22B, J22J | | 21B | X01A, X01B, X01C |
| | 08 | I02A, I02B, I02C, I02D, I22A, I22B, I50Z | | 22 | Y01Z, Y02A, Y02B, Y02C | | 22 | Y01Z, Y02A, Y02B, Y02C |
| | 09 | J08A, J08B, J08C, J16Z, J21Z, J22A, J22B, J22J | 5v530.a | | BOP, KJZSV, KVT, UOP4 | 5v531.0 | | BOP, KJZSV, KVT, UOP4 |
| | 21B | X01A, X01B, X01C | | 05 | F13A | | 05 | F13A |
| | 22 | Y01Z, Y02A, Y02B, Y02C | | 08 | I02A, I02B, I02C, I02D, I22A, I22B, I50Z | | 09 | J08A, J08B, J08C, J16Z, J21Z, J22A, J22B, J22J |
| 5v530.2↔ | | BOP, KJZSV, KVT, UOP4 | | 09 | J08A, J08B, J08C, J16Z, J21Z, J22A, J22B, J22J | | 22 | Y01Z, Y02A, Y02B, Y02C |
| | 05 | F13A | | 21B | X01A, X01B, X01C | 5v531.1 | | BOP, KJZSV, KVT, UOP4 |
| | 08 | I02A, I02B, I02C, I02D, I22A, I22B, I50Z | | 22 | Y01Z, Y02A, Y02B, Y02C | | 05 | F13A |
| | 09 | J08A, J08B, J08C, J16Z, J21Z, J22A, J22B, J22J | 5v530.b | | BOP, KJZSV, KVT, UOP4 | | 08 | I02A, I02B, I02C, I02D, I22A, I22B, I50Z |
| | 21B | X01A, X01B, X01C | | 05 | F13A | | 09 | J08A, J08B, J08C, J16Z, J21Z, J22A, J22B, J22J |
| | 22 | Y01Z, Y02A, Y02B, Y02C | | 08 | I02A, I02B, I02C, I02D, I22A, I22B, I50Z | | 21B | X01A, X01B, X01C |
| 5v530.3↔ | | BOP, KJZSV, KVT, UOP4 | | 09 | J08A, J08B, J08C, J16Z, J21Z, J22A, J22B, J22J | | 22 | Y01Z, Y02A, Y02B, Y02C |
| | 05 | F13A | | 21B | X01A, X01B, X01C | 5v531.2↔ | | BOP, KJZSV, KVT, UOP4 |
| | 08 | I02A, I02B, I02C, I02D, I22A, I22B, I50Z | | 22 | Y01Z, Y02A, Y02B, Y02C | | 05 | F13A |
| | 09 | J08A, J08B, J08C, J16Z, J21Z, J22A, J22B, J22J | 5v530.c | | BOP, KJZSV, KVT, UOP4 | | 08 | I02A, I02B, I02C, I02D, I22A, I22B, I50Z |
| | 21B | X01A, X01B, X01C | | 05 | F13A | | 09 | J08A, J08B, J08C, J16Z, J21Z, J22A, J22B, J22J |
| | 22 | Y01Z, Y02A, Y02B, Y02C | | 08 | I02A, I02B, I02C, I02D, I22A, I22B, I50Z | | 21B | X01A, X01B, X01C |
| 5v530.4 | | BOP, KJZSV, KVT, UOP4 | | 09 | J08A, J08B, J08C, J16Z, J21Z, J22A, J22B, J22J | | 22 | Y01Z, Y02A, Y02B, Y02C |
| | 05 | F13A | | 21B | X01A, X01B, X01C | 5v531.3↔ | | BOP, KJZSV, KVT, UOP4 |
| | 08 | I02A, I02B, I02C, I02D, I22A, I22B, I50Z | | 22 | Y01Z, Y02A, Y02B, Y02C | | 05 | F13A |
| | 09 | J08A, J08B, J08C, J16Z, J21Z, J22A, J22B, J22J | 5v530.d | | BOP, KJZSV, KVT, UOP4 | | 08 | I02A, I02B, I02C, I02D, I22A, I22B, I50Z |
| | 21B | X01A, X01B, X01C | | 05 | F13A | | 09 | J08A, J08B, J08C, J16Z, J21Z, J22A, J22B, J22J |
| | 22 | Y01Z, Y02A, Y02B, Y02C | | 08 | I02A, I02B, I02C, I02D, I22A, I22B, I50Z | | 21B | X01A, X01B, X01C |
| 5v530.5 | | BOP, KJZSV, KVT, UOP4 | | 09 | J08A, J08B, J08C, J16Z, J21Z, J22A, J22B, J22J | | 22 | Y01Z, Y02A, Y02B, Y02C |
| | 05 | F13A | | 21B | X01A, X01B, X01C | 5v531.4 | | BOP, KJZSV, KVT, UOP4 |
| | 08 | I02A, I02B, I02C, I02D, I22A, I22B, I50Z | | 22 | Y01Z, Y02A, Y02B, Y02C | | 05 | F13A |
| | 09 | J08A, J08B, J08C, J16Z, J21Z, J22A, J22B, J22J | 5v530.e↔ | | BOP, KJZSV, KVT, UOP4 | | 08 | I02A, I02B, I02C, I02D, I22A, I22B, I50Z |
| | 21B | X01A, X01B, X01C | | 05 | F13A | | 09 | J08A, J08B, J08C, J16Z, J21Z, J22A, J22B, J22J |
| | 22 | Y01Z, Y02A, Y02B, Y02C | | 08 | I02A, I02B, I02C, I02D, I22A, I22B, I50Z | | 21B | X01A, X01B, X01C |
| 5v530.6↔ | | BOP, KJZSV, KVT, UOP4 | | 09 | J08A, J08B, J08C, J16Z, J21Z, J22A, J22B, J22J | | 22 | Y01Z, Y02A, Y02B, Y02C |
| | 05 | F13A | | 21B | X01A, X01B, X01C | 5v531.5 | | BOP, KJZSV, KVT, UOP4 |
| | 08 | I02A, I02B, I02C, I02D, I22A, I22B, I50Z | | 22 | Y01Z, Y02A, Y02B, Y02C | | 05 | F13A |
| | 09 | J08A, J08B, J08C, J16Z, J21Z, J22A, J22B, J22J | 5v530.f↔ | | BOP, KJZSV, KVT, UOP4 | | 08 | I02A, I02B, I02C, I02D, I22A, I22B, I50Z |
| | 21B | X01A, X01B, X01C | | 05 | F13A | | 09 | J08A, J08B, J08C, J16Z, J21Z, J22A, J22B, J22J |
| | 22 | Y01Z, Y02A, Y02B, Y02C | | 08 | I02A, I02B, I02C, I02D, I22A, I22B, I50Z | | 21B | X01A, X01B, X01C |
| 5v530.7↔ | | BOP, KJZSV, KVT, UOP4 | | 09 | J08A, J08B, J08C, J16Z, J21Z, J22A, J22B, J22J | | 22 | Y01Z, Y02A, Y02B, Y02C |
| | 05 | F13A | | 21B | X01A, X01B, X01C | | | |
| | 08 | I02A, I02B, I02C, I02D, I22A, I22B, I50Z | | 22 | Y01Z, Y02A, Y02B, Y02C | | | |
| | 09 | J08A, J08B, J08C, J16Z, J21Z, J22A, J22B, J22J | | | | | | |
| | 21B | X01A, X01B, X01C | | | | | | |
| | 22 | Y01Z, Y02A, Y02B, Y02C | | | | | | |

VYK

| ZZV | MDC | DRG | ZZV | MDC | DRG | ZZV | MDC | DRG | |
|----------|--|--|------------------------|--|--|--|--|--|--|
| 5v533.x↔ | | BOP, KJZSV, KVT, UOP4 | 5v534.7↔ | | BOP, KJZSV, KVT, UOP4 | 5v534.f↔ | | BOP, KJZSV, KVT, UOP4 | |
| | 05 | F13A | | 05 | F13A | | 05 | F13A | |
| | 08 | I02A, I02B, I02C, I02D, I22A, I22B, I32A, I32B, I32C, I32D, I32E, I32F, I32J, I32Q, I32R, I32S, I32T, I32U, I50Z | | 08 | I02A, I02B, I02C, I02D, I22A, I22B, I50Z | | 08 | I02A, I02B, I02C, I02D, I22A, I22B, I50Z | |
| | 09 | J08A, J08B, J08C, J16Z, J21Z, J22A, J22B, J22J | | 09 | J08A, J08B, J08C, J16Z, J21Z, J22A, J22B, J22J | | 09 | J08A, J08B, J08C, J16Z, J21Z, J22A, J22B, J22J | |
| | 21B | X01A, X01B, X01C | | 21B | X01A, X01B, X01C | | 21B | X01A, X01B, X01C | |
| 5v534.0 | 22 | Y01Z, Y02A, Y02B, Y02C | 5v534.8↔ | | BOP, KJZSV, KVT, UOP4 | 5v534.g↔ | | BOP, KJZSV, KVT, UOP4 | |
| | | BOP, KJZSV, KVT, UOP4 | | 05 | F13A | | 05 | F13A | |
| | 05 | F13A | | 08 | I02A, I02B, I02C, I02D, I22A, I22B, I32A, I32B, I32C, I32D, I32E, I32F, I32J, I32Q, I32R, I32S, I32T, I32U, I50Z | | 08 | I02A, I02B, I02C, I02D, I22A, I22B, I50Z | |
| | 09 | J08A, J08B, J08C, J16Z, J21Z, J22A, J22B, J22J | | 09 | J08A, J08B, J08C, J16Z, J21Z, J22A, J22B, J22J | | 09 | J08A, J08B, J08C, J16Z, J21Z, J22A, J22B, J22J | |
| 5v534.1 | 22 | Y01Z, Y02A, Y02B, Y02C | 5v534.9↔ | | BOP, KJZSV, KVT, UOP4 | 5v534.x↔ | | BOP, KJZSV, KVT, UOP4 | |
| | | BOP, KJZSV, KVT, UOP4 | | 21B | X01A, X01B, X01C | | 5v535.0 | | BOP, KJZSV, KVT, UOP4 |
| | 05 | F13A | | 22 | Y01Z, Y02A, Y02B, Y02C | | | 05 | F13A |
| | 08 | I02A, I02B, I02C, I02D, I22A, I22B, I50Z | | 05 | F13A | | | 08 | I02A, I02B, I02C, I02D, I22A, I22B, I32A, I32B, I32C, I32D, I32E, I32F, I32J, I32Q, I32R, I32S, I32T, I32U, I50Z |
| 5v534.2↔ | 09 | J08A, J08B, J08C, J16Z, J21Z, J22A, J22B, J22J | 5v534.a | | BOP, KJZSV, KVT, UOP4 | 5v535.1 | | BOP, KJZSV, KVT, UOP4 | |
| | 21B | X01A, X01B, X01C | | 05 | F13A | | 5v535.2↔ | | BOP, KJZSV, KVT, UOP4 |
| | 22 | Y01Z, Y02A, Y02B, Y02C | | 08 | I02A, I02B, I02C, I02D, I22A, I22B, I50Z | | | 05 | F13A |
| | | BOP, KJZSV, KVT, UOP4 | | 09 | J08A, J08B, J08C, J16Z, J21Z, J22A, J22B, J22J | | | 09 | J08A, J08B, J08C, J16Z, J21Z, J22A, J22B, J22J |
| | 05 | F13A | | 5v534.b | | | BOP, KJZSV, KVT, UOP4 | 5v535.3↔ | |
| 08 | I02A, I02B, I02C, I02D, I22A, I22B, I50Z | 21B | X01A, X01B, X01C | | 05 | F13A | | | |
| 09 | J08A, J08B, J08C, J16Z, J21Z, J22A, J22B, J22J | 22 | Y01Z, Y02A, Y02B, Y02C | | 08 | I02A, I02B, I02C, I02D, I22A, I22B, I50Z | | | |
| 21B | X01A, X01B, X01C | 05 | F13A | | 09 | J08A, J08B, J08C, J16Z, J21Z, J22A, J22B, J22J | | | |
| 5v534.3↔ | 22 | Y01Z, Y02A, Y02B, Y02C | 5v534.c | | BOP, KJZSV, KVT, UOP4 | 5v535.4 | | BOP, KJZSV, KVT, UOP4 | |
| | | BOP, KJZSV, KVT, UOP4 | | 21B | X01A, X01B, X01C | | 5v535.3↔ | | BOP, KJZSV, KVT, UOP4 |
| | 05 | F13A | | 22 | Y01Z, Y02A, Y02B, Y02C | | | 05 | F13A |
| | 08 | I02A, I02B, I02C, I02D, I22A, I22B, I50Z | | 05 | F13A | | | 08 | I02A, I02B, I02C, I02D, I22A, I22B, I50Z |
| | 5v534.4 | 09 | | J08A, J08B, J08C, J16Z, J21Z, J22A, J22B, J22J | 5v534.d | | | BOP, KJZSV, KVT, UOP4 | 5v535.4 |
| 21B | | X01A, X01B, X01C | 05 | F13A | | 5v535.4 | | BOP, KJZSV, KVT, UOP4 | |
| 22 | | Y01Z, Y02A, Y02B, Y02C | 08 | I02A, I02B, I02C, I02D, I22A, I22B, I50Z | | | 05 | F13A | |
| | | BOP, KJZSV, KVT, UOP4 | 09 | J08A, J08B, J08C, J16Z, J21Z, J22A, J22B, J22J | | | 08 | I02A, I02B, I02C, I02D, I22A, I22B, I50Z | |
| 5v534.5 | | 05 | F13A | 5v534.e↔ | | | BOP, KJZSV, KVT, UOP4 | 5v535.4 | |
| | 08 | I02A, I02B, I02C, I02D, I22A, I22B, I50Z | 05 | | F13A | 5v535.4 | | | BOP, KJZSV, KVT, UOP4 |
| | 09 | J08A, J08B, J08C, J16Z, J21Z, J22A, J22B, J22J | 08 | | I02A, I02B, I02C, I02D, I22A, I22B, I50Z | | 05 | | F13A |
| | 21B | X01A, X01B, X01C | 09 | | J08A, J08B, J08C, J16Z, J21Z, J22A, J22B, J22J | | 08 | | I02A, I02B, I02C, I02D, I22A, I22B, I50Z |
| | 22 | Y01Z, Y02A, Y02B, Y02C | 21B | | X01A, X01B, X01C | 09 | J08A, J08B, J08C, J16Z, J21Z, J22A, J22B, J22J | | |
| 5v534.6↔ | | BOP, KJZSV, KVT, UOP4 | 5v534.e↔ | | BOP, KJZSV, KVT, UOP4 | 5v535.4 | | BOP, KJZSV, KVT, UOP4 | |
| | 05 | F13A | | 05 | F13A | | 5v535.4 | | BOP, KJZSV, KVT, UOP4 |
| | 08 | I02A, I02B, I02C, I02D, I22A, I22B, I50Z | | 08 | I02A, I02B, I02C, I02D, I22A, I22B, I50Z | | | 05 | F13A |
| | 09 | J08A, J08B, J08C, J16Z, J21Z, J22A, J22B, J22J | | 09 | J08A, J08B, J08C, J16Z, J21Z, J22A, J22B, J22J | | | 08 | I02A, I02B, I02C, I02D, I22A, I22B, I50Z |
| | 21B | X01A, X01B, X01C | | 21B | X01A, X01B, X01C | | 09 | J08A, J08B, J08C, J16Z, J21Z, J22A, J22B, J22J | |
| 22 | Y01Z, Y02A, Y02B, Y02C | 22 | Y01Z, Y02A, Y02B, Y02C | 21B | X01A, X01B, X01C | | | | |
| | BOP, KJZSV, KVT, UOP4 | 22 | Y01Z, Y02A, Y02B, Y02C | 22 | Y01Z, Y02A, Y02B, Y02C | | | | |

VYK

| ZZV | MDC | DRG | ZZV | MDC | DRG | ZZV | MDC | DRG |
|----------|------------------------|--|------------------------|-----|--|----------|-----|--|
| 5v535.5 | | BOP, KJZSV, KVT, UOP4 | 5v535.d | | BOP, KJZSV, KVT, UOP4 | 5v536.3↔ | | BOP, KJZSV, KVT, UOP4 |
| | 05 | F13A | | 05 | F13A | | 05 | F13A |
| | 08 | I02A, I02B, I02C, I02D, I22A, I22B, I50Z | | 08 | I02A, I02B, I02C, I02D, I22A, I22B, I50Z | | 08 | I02A, I02B, I02C, I02D, I22A, I22B, I50Z |
| | 09 | J08A, J08B, J08C, J16Z, J21Z, J22A, J22B, J22J | | 09 | J08A, J08B, J08C, J16Z, J21Z, J22A, J22B, J22J | | 09 | J08A, J08B, J08C, J16Z, J21Z, J22A, J22B, J22J |
| | 21B | X01A, X01B, X01C | | 21B | X01A, X01B, X01C | | 21B | X01A, X01B, X01C |
| 5v535.6↔ | 22 | Y01Z, Y02A, Y02B, Y02C | 5v535.e↔ | 22 | Y01Z, Y02A, Y02B, Y02C | 5v536.4 | 22 | Y01Z, Y02A, Y02B, Y02C |
| | | BOP, KJZSV, KVT, UOP4 | | | BOP, KJZSV, KVT, UOP4 | | | BOP, KJZSV, KVT, UOP4 |
| | 05 | F13A | | 05 | F13A | | 05 | F13A |
| | 08 | I02A, I02B, I02C, I02D, I22A, I22B, I50Z | | 08 | I02A, I02B, I02C, I02D, I22A, I22B, I50Z | | 08 | I02A, I02B, I02C, I02D, I22A, I22B, I50Z |
| | 09 | J08A, J08B, J08C, J16Z, J21Z, J22A, J22B, J22J | | 09 | J08A, J08B, J08C, J16Z, J21Z, J22A, J22B, J22J | | 09 | J08A, J08B, J08C, J16Z, J21Z, J22A, J22B, J22J |
| 5v535.7↔ | 21B | X01A, X01B, X01C | 5v535.f↔ | 21B | X01A, X01B, X01C | 5v536.5 | 21B | X01A, X01B, X01C |
| | 22 | Y01Z, Y02A, Y02B, Y02C | | 22 | Y01Z, Y02A, Y02B, Y02C | | 22 | Y01Z, Y02A, Y02B, Y02C |
| | | BOP, KJZSV, KVT, UOP4 | | | BOP, KJZSV, KVT, UOP4 | | | BOP, KJZSV, KVT, UOP4 |
| | 05 | F13A | | 05 | F13A | | 05 | F13A |
| | 08 | I02A, I02B, I02C, I02D, I22A, I22B, I50Z | | 08 | I02A, I02B, I02C, I02D, I22A, I22B, I50Z | | 08 | I02A, I02B, I02C, I02D, I22A, I22B, I50Z |
| 5v535.8↔ | 09 | J08A, J08B, J08C, J16Z, J21Z, J22A, J22B, J22J | 5v535.g↔ | 09 | J08A, J08B, J08C, J16Z, J21Z, J22A, J22B, J22J | 5v536.6↔ | 09 | J08A, J08B, J08C, J16Z, J21Z, J22A, J22B, J22J |
| | 21B | X01A, X01B, X01C | | 21B | X01A, X01B, X01C | | 21B | X01A, X01B, X01C |
| | 22 | Y01Z, Y02A, Y02B, Y02C | | 22 | Y01Z, Y02A, Y02B, Y02C | | 22 | Y01Z, Y02A, Y02B, Y02C |
| | | BOP, KJZSV, KVT, UOP4 | | | BOP, KJZSV, KVT, UOP4 | | | BOP, KJZSV, KVT, UOP4 |
| | 05 | F13A | | 05 | F13A | | 05 | F13A |
| 5v535.9↔ | 08 | I02A, I02B, I02C, I02D, I22A, I22B, I50Z | 5v535.x↔ | 08 | I02A, I02B, I02C, I02D, I22A, I22B, I50Z | 5v536.7↔ | 08 | I02A, I02B, I02C, I02D, I22A, I22B, I50Z |
| | 09 | J08A, J08B, J08C, J16Z, J21Z, J22A, J22B, J22J | | 09 | J08A, J08B, J08C, J16Z, J21Z, J22A, J22B, J22J | | 09 | J08A, J08B, J08C, J16Z, J21Z, J22A, J22B, J22J |
| | 21B | X01A, X01B, X01C | | 21B | X01A, X01B, X01C | | 21B | X01A, X01B, X01C |
| | 22 | Y01Z, Y02A, Y02B, Y02C | | 22 | Y01Z, Y02A, Y02B, Y02C | | 22 | Y01Z, Y02A, Y02B, Y02C |
| | | BOP, KJZSV, KVT, UOP4 | | | BOP, KJZSV, KVT, UOP4 | | | BOP, KJZSV, KVT, UOP4 |
| 5v535.a | 05 | F13A | 5v536.0 | 05 | F13A | 5v536.8↔ | 05 | F13A |
| | 08 | I32A, I32B, I32C, I32D, I32E, I32F, I32J, I32Q, I32R, I32S, I32T, I32U | | 08 | I02A, I02B, I02C, I02D, I22A, I22B, I32A, I32B, I32C, I32D, I32E, I32F, I32J, I32Q, I32R, I32S, I32T, I32U, I50Z | | 08 | I02A, I02B, I02C, I02D, I22A, I22B, I32A, I32B, I32C, I32D, I32E, I32F, I32J, I32Q, I32R, I32S, I32T, I32U, I50Z |
| | 09 | J08A, J08B, J08C, J16Z, J21Z, J22A, J22B, J22J | | 09 | J08A, J08B, J08C, J16Z, J21Z, J22A, J22B, J22J | | 09 | J08A, J08B, J08C, J16Z, J21Z, J22A, J22B, J22J |
| | 21B | X01A, X01B, X01C | | 21B | X01A, X01B, X01C | | 21B | X01A, X01B, X01C |
| | 22 | Y01Z, Y02A, Y02B, Y02C | | 22 | Y01Z, Y02A, Y02B, Y02C | | 22 | Y01Z, Y02A, Y02B, Y02C |
| 5v535.b | | BOP, KJZSV, KVT, UOP4 | 5v536.1 | | BOP, KJZSV, KVT, UOP4 | 5v536.9↔ | | BOP, KJZSV, KVT, UOP4 |
| | 05 | F13A | | 05 | F13A | | 05 | F13A |
| | 08 | I02A, I02B, I02C, I02D, I22A, I22B, I50Z | | 08 | I02A, I02B, I02C, I02D, I22A, I22B, I50Z | | 08 | I32A, I32B, I32C, I32D, I32E, I32F, I32J, I32Q, I32R, I32S, I32T, I32U |
| | 09 | J08A, J08B, J08C, J16Z, J21Z, J22A, J22B, J22J | | 09 | J08A, J08B, J08C, J16Z, J21Z, J22A, J22B, J22J | | 09 | J08A, J08B, J08C, J16Z, J21Z, J22A, J22B, J22J |
| | 21B | X01A, X01B, X01C | | 21B | X01A, X01B, X01C | | 21B | X01A, X01B, X01C |
| 5v535.c | 22 | Y01Z, Y02A, Y02B, Y02C | 5v536.2↔ | 22 | Y01Z, Y02A, Y02B, Y02C | 5v536.a | 22 | Y01Z, Y02A, Y02B, Y02C |
| | | BOP, KJZSV, KVT, UOP4 | | | BOP, KJZSV, KVT, UOP4 | | | BOP, KJZSV, KVT, UOP4 |
| | 05 | F13A | | 05 | F13A | | 05 | F13A |
| | 08 | I02A, I02B, I02C, I02D, I22A, I22B, I50Z | | 08 | I02A, I02B, I02C, I02D, I22A, I22B, I50Z | | 08 | I02A, I02B, I02C, I02D, I22A, I22B, I50Z |
| | 09 | J08A, J08B, J08C, J16Z, J21Z, J22A, J22B, J22J | | 09 | J08A, J08B, J08C, J16Z, J21Z, J22A, J22B, J22J | | 09 | J08A, J08B, J08C, J16Z, J21Z, J22A, J22B, J22J |
| 21B | X01A, X01B, X01C | 21B | X01A, X01B, X01C | 21B | X01A, X01B, X01C | | | |
| 22 | Y01Z, Y02A, Y02B, Y02C | 22 | Y01Z, Y02A, Y02B, Y02C | 22 | Y01Z, Y02A, Y02B, Y02C | | | |

| ZZV | MDC | DRG | ZZV | MDC | DRG | ZZV | MDC | DRG |
|----------|------------------------|--|------------------------|-----|--|----------|-----|--|
| 5v536.b | | BOP, KJZSV, KVT, UOP4 | 5v537.1 | | BOP, KJZSV, KVT, UOP4 | 5v537.9↔ | | BOP, KJZSV, KVT, UOP4 |
| | 05 | F13A | | 05 | F13A | | 05 | F13A |
| | 08 | I02A, I02B, I02C, I02D, I22A, I22B, I50Z | | 08 | I02A, I02B, I02C, I02D, I22A, I22B, I50Z | | 08 | I32A, I32B, I32C, I32D, I32E, I32F, I32J, I32Q, I32R, I32S, I32T, I32U |
| | 09 | J08A, J08B, J08C, J16Z, J21Z, J22A, J22B, J22J | | 09 | J08A, J08B, J08C, J16Z, J21Z, J22A, J22B, J22J | | 09 | J08A, J08B, J08C, J16Z, J21Z, J22A, J22B, J22J |
| | 21B | X01A, X01B, X01C | | 21B | X01A, X01B, X01C | | 21B | X01A, X01B, X01C |
| 5v536.c | 22 | Y01Z, Y02A, Y02B, Y02C | 5v537.2↔ | 22 | Y01Z, Y02A, Y02B, Y02C | 5v537.a | 22 | Y01Z, Y02A, Y02B, Y02C |
| | | BOP, KJZSV, KVT, UOP4 | | | BOP, KJZSV, KVT, UOP4 | | | BOP, KJZSV, KVT, UOP4 |
| | 05 | F13A | | 05 | F13A | | 05 | F13A |
| | 08 | I02A, I02B, I02C, I02D, I22A, I22B, I50Z | | 08 | I02A, I02B, I02C, I02D, I22A, I22B, I50Z | | 08 | I02A, I02B, I02C, I02D, I22A, I22B, I50Z |
| | 09 | J08A, J08B, J08C, J16Z, J21Z, J22A, J22B, J22J | | 09 | J08A, J08B, J08C, J16Z, J21Z, J22A, J22B, J22J | | 09 | J08A, J08B, J08C, J16Z, J21Z, J22A, J22B, J22J |
| 5v536.d | 21B | X01A, X01B, X01C | 5v537.3↔ | 21B | X01A, X01B, X01C | 5v537.b | 21B | X01A, X01B, X01C |
| | 22 | Y01Z, Y02A, Y02B, Y02C | | 22 | Y01Z, Y02A, Y02B, Y02C | | 22 | Y01Z, Y02A, Y02B, Y02C |
| | | BOP, KJZSV, KVT, UOP4 | | | BOP, KJZSV, KVT, UOP4 | | | BOP, KJZSV, KVT, UOP4 |
| | 05 | F13A | | 05 | F13A | | 05 | F13A |
| | 08 | I02A, I02B, I02C, I02D, I22A, I22B, I50Z | | 08 | I02A, I02B, I02C, I02D, I22A, I22B, I50Z | | 08 | I02A, I02B, I02C, I02D, I22A, I22B, I50Z |
| 5v536.e↔ | 09 | J08A, J08B, J08C, J16Z, J21Z, J22A, J22B, J22J | 5v537.4 | 09 | J08A, J08B, J08C, J16Z, J21Z, J22A, J22B, J22J | 5v537.c | 09 | J08A, J08B, J08C, J16Z, J21Z, J22A, J22B, J22J |
| | 21B | X01A, X01B, X01C | | 21B | X01A, X01B, X01C | | 21B | X01A, X01B, X01C |
| | 22 | Y01Z, Y02A, Y02B, Y02C | | 22 | Y01Z, Y02A, Y02B, Y02C | | 22 | Y01Z, Y02A, Y02B, Y02C |
| | | BOP, KJZSV, KVT, UOP4 | | | BOP, KJZSV, KVT, UOP4 | | | BOP, KJZSV, KVT, UOP4 |
| | 05 | F13A | | 05 | F13A | | 05 | F13A |
| 5v536.f↔ | 08 | I02A, I02B, I02C, I02D, I22A, I22B, I50Z | 5v537.5 | 08 | I02A, I02B, I02C, I02D, I22A, I22B, I50Z | 5v537.d | 08 | I02A, I02B, I02C, I02D, I22A, I22B, I50Z |
| | 09 | J08A, J08B, J08C, J16Z, J21Z, J22A, J22B, J22J | | 09 | J08A, J08B, J08C, J16Z, J21Z, J22A, J22B, J22J | | 09 | J08A, J08B, J08C, J16Z, J21Z, J22A, J22B, J22J |
| | 21B | X01A, X01B, X01C | | 21B | X01A, X01B, X01C | | 21B | X01A, X01B, X01C |
| | 22 | Y01Z, Y02A, Y02B, Y02C | | 22 | Y01Z, Y02A, Y02B, Y02C | | 22 | Y01Z, Y02A, Y02B, Y02C |
| | | BOP, KJZSV, KVT, UOP4 | | | BOP, KJZSV, KVT, UOP4 | | | BOP, KJZSV, KVT, UOP4 |
| 5v536.g↔ | 05 | F13A | 5v537.6↔ | 05 | F13A | 5v537.e↔ | 05 | F13A |
| | 08 | I02A, I02B, I02C, I02D, I22A, I22B, I50Z | | 08 | I02A, I02B, I02C, I02D, I22A, I22B, I50Z | | 08 | I02A, I02B, I02C, I02D, I22A, I22B, I50Z |
| | 09 | J08A, J08B, J08C, J16Z, J21Z, J22A, J22B, J22J | | 09 | J08A, J08B, J08C, J16Z, J21Z, J22A, J22B, J22J | | 09 | J08A, J08B, J08C, J16Z, J21Z, J22A, J22B, J22J |
| | 21B | X01A, X01B, X01C | | 21B | X01A, X01B, X01C | | 21B | X01A, X01B, X01C |
| | 22 | Y01Z, Y02A, Y02B, Y02C | | 22 | Y01Z, Y02A, Y02B, Y02C | | 22 | Y01Z, Y02A, Y02B, Y02C |
| 5v536.x↔ | | BOP, KJZSV, KVT, UOP4 | 5v537.7↔ | | BOP, KJZSV, KVT, UOP4 | 5v537.f↔ | | BOP, KJZSV, KVT, UOP4 |
| | 05 | F13A | | 05 | F13A | | 05 | F13A |
| | 08 | I02A, I02B, I02C, I02D, I22A, I22B, I32A, I32B, I32C, I32D, I32E, I32F, I32J, I32Q, I32R, I32S, I32T, I32U, I50Z | | 08 | I02A, I02B, I02C, I02D, I22A, I22B, I50Z | | 08 | I02A, I02B, I02C, I02D, I22A, I22B, I50Z |
| | 09 | J08A, J08B, J08C, J16Z, J21Z, J22A, J22B, J22J | | 09 | J08A, J08B, J08C, J16Z, J21Z, J22A, J22B, J22J | | 09 | J08A, J08B, J08C, J16Z, J21Z, J22A, J22B, J22J |
| | 21B | X01A, X01B, X01C | | 21B | X01A, X01B, X01C | | 21B | X01A, X01B, X01C |
| 5v537.0 | 22 | Y01Z, Y02A, Y02B, Y02C | 5v537.8↔ | 22 | Y01Z, Y02A, Y02B, Y02C | 5v537.g↔ | 22 | Y01Z, Y02A, Y02B, Y02C |
| | | BOP, KJZSV, KVT, UOP4 | | | BOP, KJZSV, KVT, UOP4 | | | BOP, KJZSV, KVT, UOP4 |
| | 05 | F13A | | 05 | F13A | | 05 | F13A |
| | 08 | I02A, I02B, I02C, I02D, I22A, I22B, I32A, I32B, I32C, I32D, I32E, I32F, I32J, I32Q, I32R, I32S, I32T, I32U, I50Z | | 08 | I02A, I02B, I02C, I02D, I22A, I22B, I50Z | | 08 | I02A, I02B, I02C, I02D, I22A, I22B, I50Z |
| | 09 | J08A, J08B, J08C, J16Z, J21Z, J22A, J22B, J22J | | 09 | J08A, J08B, J08C, J16Z, J21Z, J22A, J22B, J22J | | 09 | J08A, J08B, J08C, J16Z, J21Z, J22A, J22B, J22J |
| 21B | X01A, X01B, X01C | 21B | X01A, X01B, X01C | 21B | X01A, X01B, X01C | | | |
| 22 | Y01Z, Y02A, Y02B, Y02C | 22 | Y01Z, Y02A, Y02B, Y02C | 22 | Y01Z, Y02A, Y02B, Y02C | | | |

VYK

| ZZV | MDC | DRG | ZZV | MDC | DRG | ZZV | MDC | DRG |
|----------|-----|--|----------|-----|--|----------|-----|--|
| 5v537.x↔ | | BOP, KJZSV, KVT, UOP4 | 5v538.7↔ | | BOP, KJZSV, KVT, UOP4 | 5v538.f↔ | | BOP, KJZSV, KVT, UOP4 |
| 05 | | F13A | 05 | | F13A | 05 | | F13A |
| 08 | | I02A, I02B, I02C, I02D, I22A, I22B, I32A, I32B, I32C, I32D, I32E, I32F, I32J, I32Q, I32R, I32S, I32T, I32U, I50Z | 08 | | I02A, I02B, I02C, I02D, I22A, I22B, I50Z | 08 | | I02A, I02B, I02C, I02D, I22A, I22B, I50Z |
| 09 | | J08A, J08B, J08C, J16Z, J21Z, J22A, J22B, J22J | 09 | | J08A, J08B, J08C, J16Z, J21Z, J22A, J22B, J22J | 09 | | J08A, J08B, J08C, J16Z, J21Z, J22A, J22B, J22J |
| 21B | | X01A, X01B, X01C | 21B | | X01A, X01B, X01C | 21B | | X01A, X01B, X01C |
| 22 | | Y01Z, Y02A, Y02B, Y02C | 22 | | Y01Z, Y02A, Y02B, Y02C | 22 | | Y01Z, Y02A, Y02B, Y02C |
| 5v538.0 | | BOP, KJZSV, KVT, UOP4 | 5v538.8↔ | | BOP, KJZSV, KVT, UOP4 | 5v538.g↔ | | BOP, KJZSV, KVT, UOP4 |
| 05 | | F13A | 05 | | F13A | 05 | | F13A |
| 09 | | J08A, J08B, J08C, J16Z, J21Z, J22A, J22B, J22J | 08 | | I02A, I02B, I02C, I02D, I22A, I22B, I32A, I32B, I32C, I32D, I32E, I32F, I32J, I32Q, I32R, I32S, I32T, I32U, I50Z | 08 | | I02A, I02B, I02C, I02D, I22A, I22B, I50Z |
| 22 | | Y01Z, Y02A, Y02B, Y02C | 09 | | J08A, J08B, J08C, J16Z, J21Z, J22A, J22B, J22J | 09 | | J08A, J08B, J08C, J16Z, J21Z, J22A, J22B, J22J |
| 5v538.1 | | BOP, KJZSV, KVT, UOP4 | 21B | | X01A, X01B, X01C | 21B | | X01A, X01B, X01C |
| 05 | | F13A | 22 | | Y01Z, Y02A, Y02B, Y02C | 22 | | Y01Z, Y02A, Y02B, Y02C |
| 08 | | I02A, I02B, I02C, I02D, I22A, I22B, I50Z | 5v538.9↔ | | BOP, KJZSV, KVT, UOP4 | 5v538.x↔ | | BOP, KJZSV, KVT, UOP4 |
| 09 | | J08A, J08B, J08C, J16Z, J21Z, J22A, J22B, J22J | 05 | | F13A | 05 | | F13A |
| 21B | | X01A, X01B, X01C | 08 | | I32A, I32B, I32C, I32D, I32E, I32F, I32J, I32Q, I32R, I32S, I32T, I32U | 08 | | I02A, I02B, I02C, I02D, I22A, I22B, I32A, I32B, I32C, I32D, I32E, I32F, I32J, I32Q, I32R, I32S, I32T, I32U, I50Z |
| 22 | | Y01Z, Y02A, Y02B, Y02C | 09 | | J08A, J08B, J08C, J16Z, J21Z, J22A, J22B, J22J | 09 | | J08A, J08B, J08C, J16Z, J21Z, J22A, J22B, J22J |
| 5v538.2↔ | | BOP, KJZSV, KVT, UOP4 | 22 | | Y01Z, Y02A, Y02B, Y02C | 21B | | X01A, X01B, X01C |
| 05 | | F13A | 5v538.a | | BOP, KJZSV, KVT, UOP4 | 22 | | Y01Z, Y02A, Y02B, Y02C |
| 08 | | I02A, I02B, I02C, I02D, I22A, I22B, I50Z | 05 | | F13A | 5v539.0 | | BOP, KJZSV, KVT, UOP4 |
| 09 | | J08A, J08B, J08C, J16Z, J21Z, J22A, J22B, J22J | 08 | | I02A, I02B, I02C, I02D, I22A, I22B, I50Z | 05 | | F13A |
| 21B | | X01A, X01B, X01C | 09 | | J08A, J08B, J08C, J16Z, J21Z, J22A, J22B, J22J | 09 | | J08A, J08B, J08C, J16Z, J21Z, J22A, J22B, J22J |
| 22 | | Y01Z, Y02A, Y02B, Y02C | 21B | | X01A, X01B, X01C | 22 | | Y01Z, Y02A, Y02B, Y02C |
| 5v538.3↔ | | BOP, KJZSV, KVT, UOP4 | 22 | | Y01Z, Y02A, Y02B, Y02C | 5v539.1 | | BOP, KJZSV, KVT, UOP4 |
| 05 | | F13A | 5v538.b | | BOP, KJZSV, KVT, UOP4 | 05 | | F13A |
| 08 | | I02A, I02B, I02C, I02D, I22A, I22B, I50Z | 05 | | F13A | 08 | | I02A, I02B, I02C, I02D, I22A, I22B, I50Z |
| 09 | | J08A, J08B, J08C, J16Z, J21Z, J22A, J22B, J22J | 08 | | I02A, I02B, I02C, I02D, I22A, I22B, I50Z | 09 | | J08A, J08B, J08C, J16Z, J21Z, J22A, J22B, J22J |
| 21B | | X01A, X01B, X01C | 09 | | J08A, J08B, J08C, J16Z, J21Z, J22A, J22B, J22J | 21B | | X01A, X01B, X01C |
| 22 | | Y01Z, Y02A, Y02B, Y02C | 21B | | X01A, X01B, X01C | 22 | | Y01Z, Y02A, Y02B, Y02C |
| 5v538.4 | | BOP, KJZSV, KVT, UOP4 | 22 | | Y01Z, Y02A, Y02B, Y02C | 5v539.2↔ | | BOP, KJZSV, KVT, UOP4 |
| 05 | | F13A | 5v538.c | | BOP, KJZSV, KVT, UOP4 | 05 | | F13A |
| 08 | | I02A, I02B, I02C, I02D, I22A, I22B, I50Z | 05 | | F13A | 08 | | I02A, I02B, I02C, I02D, I22A, I22B, I50Z |
| 09 | | J08A, J08B, J08C, J16Z, J21Z, J22A, J22B, J22J | 08 | | I02A, I02B, I02C, I02D, I22A, I22B, I50Z | 09 | | J08A, J08B, J08C, J16Z, J21Z, J22A, J22B, J22J |
| 21B | | X01A, X01B, X01C | 09 | | J08A, J08B, J08C, J16Z, J21Z, J22A, J22B, J22J | 21B | | X01A, X01B, X01C |
| 22 | | Y01Z, Y02A, Y02B, Y02C | 21B | | X01A, X01B, X01C | 22 | | Y01Z, Y02A, Y02B, Y02C |
| 5v538.5 | | BOP, KJZSV, KVT, UOP4 | 22 | | Y01Z, Y02A, Y02B, Y02C | 5v539.3↔ | | BOP, KJZSV, KVT, UOP4 |
| 05 | | F13A | 5v538.d | | BOP, KJZSV, KVT, UOP4 | 05 | | F13A |
| 08 | | I02A, I02B, I02C, I02D, I22A, I22B, I50Z | 05 | | F13A | 08 | | I02A, I02B, I02C, I02D, I22A, I22B, I50Z |
| 09 | | J08A, J08B, J08C, J16Z, J21Z, J22A, J22B, J22J | 08 | | I02A, I02B, I02C, I02D, I22A, I22B, I50Z | 09 | | J08A, J08B, J08C, J16Z, J21Z, J22A, J22B, J22J |
| 21B | | X01A, X01B, X01C | 09 | | J08A, J08B, J08C, J16Z, J21Z, J22A, J22B, J22J | 21B | | X01A, X01B, X01C |
| 22 | | Y01Z, Y02A, Y02B, Y02C | 21B | | X01A, X01B, X01C | 22 | | Y01Z, Y02A, Y02B, Y02C |
| 5v538.6↔ | | BOP, KJZSV, KVT, UOP4 | 22 | | Y01Z, Y02A, Y02B, Y02C | 5v539.4 | | BOP, KJZSV, KVT, UOP4 |
| 05 | | F13A | 5v538.e↔ | | BOP, KJZSV, KVT, UOP4 | 05 | | F13A |
| 08 | | I02A, I02B, I02C, I02D, I22A, I22B, I50Z | 05 | | F13A | 08 | | I02A, I02B, I02C, I02D, I22A, I22B, I50Z |
| 09 | | J08A, J08B, J08C, J16Z, J21Z, J22A, J22B, J22J | 08 | | I02A, I02B, I02C, I02D, I22A, I22B, I50Z | 09 | | J08A, J08B, J08C, J16Z, J21Z, J22A, J22B, J22J |
| 21B | | X01A, X01B, X01C | 08 | | I02A, I02B, I02C, I02D, I22A, I22B, I50Z | 21B | | X01A, X01B, X01C |
| 22 | | Y01Z, Y02A, Y02B, Y02C | 09 | | J08A, J08B, J08C, J16Z, J21Z, J22A, J22B, J22J | 22 | | Y01Z, Y02A, Y02B, Y02C |
| | | | 21B | | X01A, X01B, X01C | | | |
| | | | 22 | | Y01Z, Y02A, Y02B, Y02C | | | |

| ZZV | MDC | DRG | ZZV | MDC | DRG | ZZV | MDC | DRG |
|----------|-----|--|----------|-----|--|----------|-----|--|
| 5v539.5 | | BOP, KJZSV, KVT, UOP4 | 5v539.d | | BOP, KJZSV, KVT, UOP4 | 5v540.8↔ | | BOP, KJZSV, KVT, UOP4 |
| | 05 | F13A | | 05 | F13A | | 05 | F13A |
| | 08 | I02A, I02B, I02C, I02D, I22A, I22B, I50Z | | 08 | I02A, I02B, I02C, I02D, I22A, I22B, I50Z | | 09 | J02A, J02B, J02C, J04A, J04B, J08A, J08B, J08C, J16Z, J21Z, J22A, J22B, J22J |
| | 09 | J08A, J08B, J08C, J16Z, J21Z, J22A, J22B, J22J | | 09 | J08A, J08B, J08C, J16Z, J21Z, J22A, J22B, J22J | | 22 | Y01Z, Y03A, Y03B |
| | 21B | X01A, X01B, X01C | | 21B | X01A, X01B, X01C | 5v540.a | | BOP, KJZSV, KVT, UOP4 |
| | 22 | Y01Z, Y02A, Y02B, Y02C | | 22 | Y01Z, Y02A, Y02B, Y02C | | 05 | F13A |
| 5v539.6↔ | | BOP, KJZSV, KVT, UOP4 | 5v539.e↔ | | BOP, KJZSV, KVT, UOP4 | | 09 | J02A, J02B, J02C, J04A, J04B, J08A, J08B, J08C, J16Z, J21Z, J22A, J22B, J22J |
| | 05 | F13A | | 05 | F13A | | 22 | Y01Z, Y03A, Y03B |
| | 08 | I02A, I02B, I02C, I02D, I22A, I22B, I50Z | | 08 | I02A, I02B, I02C, I02D, I22A, I22B, I50Z | 5v540.b | | BOP, KJZSV, KVT, UOP4 |
| | 09 | J08A, J08B, J08C, J16Z, J21Z, J22A, J22B, J22J | | 09 | J08A, J08B, J08C, J16Z, J21Z, J22A, J22B, J22J | | 05 | F13A |
| | 21B | X01A, X01B, X01C | | 21B | X01A, X01B, X01C | | 09 | J02A, J02B, J02C, J04A, J04B, J08A, J08B, J08C, J16Z, J21Z, J22A, J22B, J22J |
| | 22 | Y01Z, Y02A, Y02B, Y02C | | 22 | Y01Z, Y02A, Y02B, Y02C | | 22 | Y01Z, Y03A, Y03B |
| 5v539.7↔ | | BOP, KJZSV, KVT, UOP4 | 5v539.f↔ | | BOP, KJZSV, KVT, UOP4 | | 05 | F13A |
| | 05 | F13A | | 05 | F13A | | 09 | J02A, J02B, J02C, J04A, J04B, J08A, J08B, J08C, J16Z, J21Z, J22A, J22B, J22J |
| | 08 | I02A, I02B, I02C, I02D, I22A, I22B, I50Z | | 08 | I02A, I02B, I02C, I02D, I22A, I22B, I50Z | | 22 | Y01Z, Y03A, Y03B |
| | 09 | J08A, J08B, J08C, J16Z, J21Z, J22A, J22B, J22J | | 09 | J08A, J08B, J08C, J16Z, J21Z, J22A, J22B, J22J | 5v540.c | | BOP, KJZSV, KVT, UOP4 |
| | 21B | X01A, X01B, X01C | | 21B | X01A, X01B, X01C | | 05 | F13A |
| | 22 | Y01Z, Y02A, Y02B, Y02C | | 22 | Y01Z, Y02A, Y02B, Y02C | | 09 | J02A, J02B, J02C, J04A, J04B, J08A, J08B, J08C, J16Z, J21Z, J22A, J22B, J22J |
| 5v539.8↔ | | BOP, KJZSV, KVT, UOP4 | 5v539.g↔ | | BOP, KJZSV, KVT, UOP4 | | 22 | Y01Z, Y03A, Y03B |
| | 05 | F13A | | 05 | F13A | | 05 | F13A |
| | 08 | I02A, I02B, I02C, I02D, I22A, I22B, I50Z | | 08 | I02A, I02B, I02C, I02D, I22A, I22B, I50Z | 5v540.d | | BOP, KJZSV, KVT, UOP4 |
| | 09 | J08A, J08B, J08C, J16Z, J21Z, J22A, J22B, J22J | | 09 | J08A, J08B, J08C, J16Z, J21Z, J22A, J22B, J22J | | 05 | F13A |
| | 21B | X01A, X01B, X01C | | 21B | X01A, X01B, X01C | | 09 | J02A, J02B, J02C, J04A, J04B, J08A, J08B, J08C, J16Z, J21Z, J22A, J22B, J22J |
| | 22 | Y01Z, Y02A, Y02B, Y02C | | 22 | Y01Z, Y02A, Y02B, Y02C | | 22 | Y01Z, Y03A, Y03B |
| 5v539.9↔ | | BOP, KJZSV, KVT, UOP4 | 5v539.x↔ | | BOP, KJZSV, KVT, UOP4 | 5v540.e↔ | | BOP, KJZSV, KVT, UOP4 |
| | 05 | F13A | | 05 | F13A | | 05 | F13A |
| | 08 | I02A, I02B, I02C, I02D, I22A, I22B, I32A, I32B, I32C, I32D, I32E, I32F, I32J, I32Q, I32R, I32S, I32T, I32U, I50Z | | 08 | I02A, I02B, I02C, I02D, I22A, I22B, I32A, I32B, I32C, I32D, I32E, I32F, I32J, I32Q, I32R, I32S, I32T, I32U, I50Z | | 09 | J02A, J02B, J02C, J04A, J04B, J08A, J08B, J08C, J16Z, J21Z, J22A, J22B, J22J |
| | 09 | J08A, J08B, J08C, J16Z, J21Z, J22A, J22B, J22J | | 09 | J08A, J08B, J08C, J16Z, J21Z, J22A, J22B, J22J | | 22 | Y01Z, Y03A, Y03B |
| | 21B | X01A, X01B, X01C | | 21B | X01A, X01B, X01C | 5v540.f↔ | | BOP, KJZSV, KVT, UOP4 |
| | 22 | Y01Z, Y02A, Y02B, Y02C | | 22 | Y01Z, Y02A, Y02B, Y02C | | 05 | F13A |
| 5v539.a | | BOP, KJZSV, KVT, UOP4 | 5v53x.x↔ | | BOP, KJZSV, KVT, UOP4 | | 09 | J02A, J02B, J02C, J04A, J04B, J08A, J08B, J08C, J16Z, J21Z, J22A, J22B, J22J |
| | 05 | F13A | | 05 | F13A | | 22 | Y01Z, Y03A, Y03B |
| | 08 | I02A, I02B, I02C, I02D, I22A, I22B, I50Z | | 08 | I02A, I02B, I02C, I02D, I22A, I22B, I32A, I32B, I32C, I32D, I32E, I32F, I32J, I32Q, I32R, I32S, I32T, I32U, I50Z | 5v540.g↔ | | BOP, KJZSV, KVT, UOP4 |
| | 09 | J08A, J08B, J08C, J16Z, J21Z, J22A, J22B, J22J | | 09 | J08A, J08B, J08C, J16Z, J21Z, J22A, J22B, J22J | | 05 | F13A |
| | 21B | X01A, X01B, X01C | | 21B | X01A, X01B, X01C | | 09 | J02A, J02B, J02C, J04A, J04B, J08A, J08B, J08C, J16Z, J21Z, J22A, J22B, J22J |
| | 22 | Y01Z, Y02A, Y02B, Y02C | | 22 | Y01Z, Y02A, Y02B, Y02C | | 22 | Y01Z, Y03A, Y03B |
| 5v539.b | | BOP, KJZSV, KVT, UOP4 | 5v540.6↔ | | BOP, KJZSV, KVT, UOP4 | 5v540.h | | BOP, KJZSV, KVT, UOP4 |
| | 05 | F13A | | 05 | F13A | | 05 | F13A |
| | 08 | I02A, I02B, I02C, I02D, I22A, I22B, I50Z | | 08 | J02A, J02B, J02C, J04A, J04B, J08A, J08B, J08C, J16Z, J21Z, J22A, J22B, J22J | | 09 | J02A, J02B, J02C, J04A, J04B, J08A, J08B, J08C, J16Z, J21Z, J22A, J22B, J22J |
| | 09 | J08A, J08B, J08C, J16Z, J21Z, J22A, J22B, J22J | | 09 | J02A, J02B, J02C, J04A, J04B, J08A, J08B, J08C, J16Z, J21Z, J22A, J22B, J22J | | 22 | Y01Z, Y03A, Y03B |
| | 21B | X01A, X01B, X01C | | 21B | X01A, X01B, X01C | | 05 | F13A |
| | 22 | Y01Z, Y02A, Y02B, Y02C | | 22 | Y01Z, Y02A, Y02B, Y02C | | 09 | J02A, J02B, J02C, J04A, J04B, J08A, J08B, J08C, J16Z, J21Z, J22A, J22B, J22J |
| 5v539.c | | BOP, KJZSV, KVT, UOP4 | 5v540.7↔ | | BOP, KJZSV, KVT, UOP4 | 5v540.i↔ | | BOP, KJZSV, KVT, UOP4 |
| | 05 | F13A | | 05 | F13A | | 05 | F13A |
| | 08 | I02A, I02B, I02C, I02D, I22A, I22B, I50Z | | 08 | J02A, J02B, J02C, J04A, J04B, J08A, J08B, J08C, J16Z, J21Z, J22A, J22B, J22J | | 09 | J02A, J02B, J02C, J04A, J04B, J08A, J08B, J08C, J16Z, J21Z, J22A, J22B, J22J |
| | 09 | J08A, J08B, J08C, J16Z, J21Z, J22A, J22B, J22J | | 09 | J02A, J02B, J02C, J04A, J04B, J08A, J08B, J08C, J16Z, J21Z, J22A, J22B, J22J | | 22 | Y01Z, Y03A, Y03B |
| | 21B | X01A, X01B, X01C | | 21B | X01A, X01B, X01C | | 05 | F13A |
| | 22 | Y01Z, Y02A, Y02B, Y02C | | 22 | Y01Z, Y03A, Y03B | 5v540.m | | BOP, KJZSV, KVT, UOP4 |
| | 22 | Y01Z, Y02A, Y02B, Y02C | | 22 | Y01Z, Y03A, Y03B | | 09 | J02A, J02B, J02C, J04A, J04B, J08A, J08B, J08C, J16Z, J21Z, J22A, J22B, J22J |
| | 22 | Y01Z, Y02A, Y02B, Y02C | | 22 | Y01Z, Y03A, Y03B | | 22 | Y01Z, Y03A, Y03B |

VYK

| ZZV | MDC | DRG | ZZV | MDC | DRG | ZZV | MDC | DRG |
|----------|-----|--|----------|-----|--|----------|-----|--|
| 5v540.x | | BOP, KJZSV, KVT, UOP4 | 5v541.f↔ | | BOP, KJZSV, KVT, UOP4 | 5v543.5 | | BOP, KJZSV, KVT, UOP4 |
| | 05 | F13A | | 05 | F13A | | 05 | F13A |
| | 09 | J02A, J02B, J02C, J04A, J04B, J08A, J08B, J08C, J16Z, J21Z, J22A, J22B, J22J | | 09 | J02A, J02B, J02C, J04A, J04B, J08A, J08B, J08C, J16Z, J21Z, J22A, J22B, J22J | | 09 | J02A, J02B, J02C, J04A, J04B, J08A, J08B, J08C, J16Z, J21Z, J22A, J22B, J22J |
| 5v541.5 | 22 | Y01Z, Y03A, Y03B | 5v541.h | 22 | Y01Z, Y03A, Y03B | 5v543.6↔ | 22 | Y01Z, Y03A, Y03B |
| | | BOP, KJZSV, KVT, UOP4 | | | BOP, KJZSV, KVT, UOP4 | | | BOP, KJZSV, KVT, UOP4 |
| | 05 | F13A | | 05 | F13A | | 05 | F13A |
| 5v541.6↔ | 09 | J02A, J02B, J02C, J04A, J04B, J08A, J08B, J08C, J16Z, J21Z, J22A, J22B, J22J | 5v541.k | 09 | J02A, J02B, J02C, J04A, J04B, J08A, J08B, J08C, J16Z, J21Z, J22A, J22B, J22J | 5v543.7↔ | 09 | J02A, J02B, J02C, J04A, J04B, J08A, J08B, J08C, J16Z, J21Z, J22A, J22B, J22J |
| | 22 | Y01Z, Y03A, Y03B | | 22 | Y01Z, Y03A, Y03B | | 22 | Y01Z, Y03A, Y03B |
| | | BOP, KJZSV, KVT, UOP4 | | | BOP, KJZSV, KVT, UOP4 | | | BOP, KJZSV, KVT, UOP4 |
| 5v541.7↔ | 05 | F13A | 5v541.m | 05 | F13A | 5v543.8↔ | 05 | F13A |
| | 09 | J02A, J02B, J02C, J04A, J04B, J08A, J08B, J08C, J16Z, J21Z, J22A, J22B, J22J | | 09 | J02A, J02B, J02C, J04A, J04B, J08A, J08B, J08C, J16Z, J21Z, J22A, J22B, J22J | | 09 | J02A, J02B, J02C, J04A, J04B, J08A, J08B, J08C, J16Z, J21Z, J22A, J22B, J22J |
| | 22 | Y01Z, Y03A, Y03B | | 22 | Y01Z, Y03A, Y03B | | 22 | Y01Z, Y03A, Y03B |
| 5v541.8↔ | | BOP, KJZSV, KVT, UOP4 | 5v541.x | | BOP, KJZSV, KVT, UOP4 | 5v543.9↔ | | BOP, KJZSV, KVT, UOP4 |
| | 05 | F13A | | 05 | F13A | | 05 | F13A |
| | 09 | J02A, J02B, J02C, J04A, J04B, J08A, J08B, J08C, J16Z, J21Z, J22A, J22B, J22J | | 09 | J02A, J02B, J02C, J04A, J04B, J08A, J08B, J08C, J16Z, J21Z, J22A, J22B, J22J | | 09 | J02A, J02B, J02C, J04A, J04B, J08A, J08B, J08C, J16Z, J21Z, J22A, J22B, J22J |
| 5v541.a | 22 | Y01Z, Y03A, Y03B | 5v542.1 | 22 | Y01Z, Y03A, Y03B | 5v543.a | 22 | Y01Z, Y03A, Y03B |
| | | BOP, KJZSV, KVT, UOP4 | | | BOP, KJZSV, KVT, UOP4 | | | BOP, KJZSV, KVT, UOP4 |
| | 05 | F13A | | 05 | F13A | | 05 | F13A |
| 5v541.b | 09 | J02A, J02B, J02C, J04A, J04B, J08A, J08B, J08C, J16Z, J21Z, J22A, J22B, J22J | 5v542.2↔ | 09 | J02A, J02B, J02C, J04A, J04B, J08A, J08B, J08C, J16Z, J21Z, J22A, J22B, J22J | 5v543.b | 09 | J02A, J02B, J02C, J04A, J04B, J08A, J08B, J08C, J16Z, J21Z, J22A, J22B, J22J |
| | 22 | Y01Z, Y03A, Y03B | | 22 | Y01Z, Y03A, Y03B | | 22 | Y01Z, Y03A, Y03B |
| | | BOP, KJZSV, KVT, UOP4 | | | BOP, KJZSV, KVT, UOP4 | | | BOP, KJZSV, KVT, UOP4 |
| 5v541.c | 05 | F13A | 5v542.h | 05 | F13A | 5v543.c | 05 | F13A |
| | 09 | J02A, J02B, J02C, J04A, J04B, J08A, J08B, J08C, J16Z, J21Z, J22A, J22B, J22J | | 09 | J02A, J02B, J02C, J04A, J04B, J08A, J08B, J08C, J16Z, J21Z, J22A, J22B, J22J | | 09 | J02A, J02B, J02C, J04A, J04B, J08A, J08B, J08C, J16Z, J21Z, J22A, J22B, J22J |
| | 22 | Y01Z, Y03A, Y03B | | 22 | Y01Z, Y03A, Y03B | | 22 | Y01Z, Y03A, Y03B |
| 5v541.d | | BOP, KJZSV, KVT, UOP4 | 5v542.x | | BOP, KJZSV, KVT, UOP4 | 5v543.d | | BOP, KJZSV, KVT, UOP4 |
| | 05 | F13A | | 05 | F13A | | 05 | F13A |
| | 09 | J02A, J02B, J02C, J04A, J04B, J08A, J08B, J08C, J16Z, J21Z, J22A, J22B, J22J | | 09 | J02A, J02B, J02C, J04A, J04B, J08A, J08B, J08C, J16Z, J21Z, J22A, J22B, J22J | | 09 | J02A, J02B, J02C, J04A, J04B, J08A, J08B, J08C, J16Z, J21Z, J22A, J22B, J22J |
| 5v541.e↔ | 22 | Y01Z, Y03A, Y03B | 5v543.4 | 22 | Y01Z, Y03A, Y03B | 5v543.e↔ | 22 | Y01Z, Y03A, Y03B |
| | | BOP, KJZSV, KVT, UOP4 | | | BOP, KJZSV, KVT, UOP4 | | | BOP, KJZSV, KVT, UOP4 |
| | 05 | F13A | | 05 | F13A | | 05 | F13A |
| | 09 | J02A, J02B, J02C, J04A, J04B, J08A, J08B, J08C, J16Z, J21Z, J22A, J22B, J22J | | 09 | J02A, J02B, J02C, J04A, J04B, J08A, J08B, J08C, J16Z, J21Z, J22A, J22B, J22J | | 09 | J02A, J02B, J02C, J04A, J04B, J08A, J08B, J08C, J16Z, J21Z, J22A, J22B, J22J |
| | 22 | Y01Z, Y03A, Y03B | | 22 | Y01Z, Y03A, Y03B | | 22 | Y01Z, Y03A, Y03B |

VYK

| ZZV | MDC | DRG | ZZV | MDC | DRG | ZZV | MDC | DRG |
|----------|-----|--|----------|-----|--|----------|-----|--|
| 5v545.b | | BOP, KJZSV, KVT, UOP4 | 5v545.x | | BOP, KJZSV, KVT, UOP4 | 5v551.7↔ | | BOP, KJZSV, KVT, UOP4 |
| | 05 | F13A | | 05 | F13A | | 05 | F13A |
| | 09 | J02A, J02B, J02C, J04A, J04B, J08A, J08B, J08C, J16Z, J21Z, J22A, J22B, J22J | | 09 | J02A, J02B, J02C, J04A, J04B, J08A, J08B, J08C, J16Z, J21Z, J22A, J22B, J22J | | 08 | I02A, I02B, I02C, I02D, I22A, I22B, I50Z |
| 5v545.c | 22 | Y01Z, Y03A, Y03B | 5v54x | 22 | Y01Z, Y03A, Y03B | 5v551.8↔ | 09 | J08A, J08B, J08C, J16Z, J21Z, J22A, J22B, J22J |
| | | BOP, KJZSV, KVT, UOP4 | | | BOP, KJZSV, KVT, UOP4 | | 21B | X01A, X01B, X01C |
| | 05 | F13A | | 05 | F13A | | 22 | Y01Z, Y02A, Y02B, Y02C |
| 5v545.d | 09 | J02A, J02B, J02C, J04A, J04B, J08A, J08B, J08C, J16Z, J21Z, J22A, J22B, J22J | 5v551.0 | 09 | J02A, J02B, J02C, J04A, J04B, J08A, J08B, J08C, J16Z, J21Z, J22A, J22B, J22J | 5v551.9↔ | 05 | F13A |
| | 22 | Y01Z, Y03A, Y03B | | 22 | Y01Z, Y03A, Y03B | | 08 | I02A, I02B, I02C, I02D, I22A, I22B, I32A, I32B, I32C, I32D, I32E, I32F, I32J, I32Q, I32R, I32S, I32T, I32U, I50Z |
| | | BOP, KJZSV, KVT, UOP4 | | 03 | D08A, D08B, D18Z, D22A, D22B, D22J, D30A, D30B, D30J, D30Q | | 09 | J08A, J08B, J08C, J16Z, J21Z, J22A, J22B, J22J |
| 5v545.e↔ | 05 | F13A | 5v551.1 | 05 | F13A | 5v551.a | 21B | X01A, X01B, X01C |
| | 09 | J02A, J02B, J02C, J04A, J04B, J08A, J08B, J08C, J16Z, J21Z, J22A, J22B, J22J | | 09 | J03A, J03B, J04A, J04B, J08A, J08B, J08C, J10A, J10B, J10J, J16Z, J21Z, J22A, J22B, J22J | | 22 | Y01Z, Y02A, Y02B, Y02C |
| | 22 | Y01Z, Y03A, Y03B | | 21A | W04A, W04B | | 05 | F13A |
| 5v545.f↔ | | BOP, KJZSV, KVT, UOP4 | 5v551.2↔ | 21B | X06A, X06B, X06C | 5v551.b | 08 | I02A, I02B, I02C, I02D, I22A, I22B, I50Z |
| | 05 | F13A | | 22 | Y01Z, Y03A, Y03B | | 09 | J08A, J08B, J08C, J16Z, J21Z, J22A, J22B, J22J |
| | 09 | J02A, J02B, J02C, J04A, J04B, J08A, J08B, J08C, J16Z, J21Z, J22A, J22B, J22J | | 05 | F13A | | 21B | X01A, X01B, X01C |
| 5v545.g↔ | 22 | Y01Z, Y03A, Y03B | 5v551.3↔ | 09 | J08A, J08B, J08C, J16Z, J21Z, J22A, J22B, J22J | 5v551.c | 22 | Y01Z, Y02A, Y02B, Y02C |
| | | BOP, KJZSV, KVT, UOP4 | | 22 | Y01Z, Y03A, Y03B | | 05 | F13A |
| | 05 | F13A | | 05 | F13A | | 08 | I02A, I02B, I02C, I02D, I22A, I22B, I50Z |
| 5v545.h | 09 | J02A, J02B, J02C, J04A, J04B, J08A, J08B, J08C, J16Z, J21Z, J22A, J22B, J22J | 5v551.4 | 09 | J08A, J08B, J08C, J16Z, J21Z, J22A, J22B, J22J | 5v551.d | 09 | J08A, J08B, J08C, J16Z, J21Z, J22A, J22B, J22J |
| | 22 | Y01Z, Y03A, Y03B | | 21B | X01A, X01B, X01C | | 10 | K09A, K09B |
| | | BOP, KJZSV, KVT, UOP4 | | 22 | Y01Z, Y02A, Y02B, Y02C | | 12 | M04A, M04B, M04C, M04D, M04J, M04Q, M37Z, M38Z |
| 5v545.j | 05 | F13A | 5v551.5 | 05 | F13A | 5v551.e↔ | 21A | W04A, W04B |
| | 09 | J02A, J02B, J02C, J04A, J04B, J08A, J08B, J08C, J16Z, J21Z, J22A, J22B, J22J | | 08 | I02A, I02B, I02C, I02D, I22A, I22B, I50Z | | 21B | X06A, X06B, X06C |
| | 22 | Y01Z, Y03A, Y03B | | 09 | J08A, J08B, J08C, J16Z, J21Z, J22A, J22B, J22J | | 22 | Y01Z, Y03A, Y03B |
| 5v545.k | | BOP, KJZSV, KVT, UOP4 | 5v551.6↔ | 21B | X01A, X01B, X01C | 5v551.f↔ | 05 | F13A |
| | 05 | F13A | | 22 | Y01Z, Y02A, Y02B, Y02C | | 08 | I02A, I02B, I02C, I02D, I22A, I22B, I50Z |
| | 09 | J02A, J02B, J02C, J04A, J04B, J08A, J08B, J08C, J16Z, J21Z, J22A, J22B, J22J | | 05 | F13A | | 09 | J08A, J08B, J08C, J16Z, J21Z, J22A, J22B, J22J |
| 5v545.m | 22 | Y01Z, Y03A, Y03B | 5v551.7↔ | 08 | I02A, I02B, I02C, I02D, I22A, I22B, I50Z | 5v551.g↔ | 21B | X01A, X01B, X01C |
| | | BOP, KJZSV, KVT, UOP4 | | 09 | J08A, J08B, J08C, J16Z, J21Z, J22A, J22B, J22J | | 22 | Y01Z, Y02A, Y02B, Y02C |
| | 05 | F13A | | 21B | X01A, X01B, X01C | | 05 | F13A |
| 5v545.n | 09 | J02A, J02B, J02C, J04A, J04B, J08A, J08B, J08C, J16Z, J21Z, J22A, J22B, J22J | 5v551.8↔ | 22 | Y01Z, Y02A, Y02B, Y02C | 5v551.h↔ | 08 | I02A, I02B, I02C, I02D, I22A, I22B, I50Z |
| | 22 | Y01Z, Y03A, Y03B | | 05 | F13A | | 09 | J08A, J08B, J08C, J16Z, J21Z, J22A, J22B, J22J |
| | | BOP, KJZSV, KVT, UOP4 | | 08 | I02A, I02B, I02C, I02D, I22A, I22B, I50Z | | 21B | X01A, X01B, X01C |
| 5v545.o | 05 | F13A | 5v551.9↔ | 09 | J08A, J08B, J08C, J16Z, J21Z, J22A, J22B, J22J | 5v551.i↔ | 22 | Y01Z, Y02A, Y02B, Y02C |
| | 09 | J02A, J02B, J02C, J04A, J04B, J08A, J08B, J08C, J16Z, J21Z, J22A, J22B, J22J | | 21B | X01A, X01B, X01C | | 05 | F13A |
| | 22 | Y01Z, Y03A, Y03B | | 22 | Y01Z, Y02A, Y02B, Y02C | | 08 | I02A, I02B, I02C, I02D, I22A, I22B, I50Z |

VYK

| ZZV | MDC | DRG | ZZV | MDC | DRG | ZZV | MDC | DRG |
|----------|-----|--|----------|-----|--|----------|-----|--|
| 5v551.f↔ | | BOP, KJZSV, KVT, UOP4 | 5v552.0 | | BOP, KJZSV, KVT, UOP4 | 5v552.9↔ | | BOP, KJZSV, KVT, UOP4 |
| | 05 | F13A | | 03 | D08A, D08B, D18Z, D22A, D22B, D22J, D30A, D30B, D30J, D30Q | | 05 | F13A |
| | 08 | I02A, I02B, I02C, I02D, I22A, I22B, I50Z | | 05 | F13A | | 08 | I32A, I32B, I32C, I32D, I32E, I32F, I32J, I32Q, I32R, I32S, I32T, I32U |
| | 09 | J08A, J08B, J08C, J16Z, J21Z, J22A, J22B, J22J | | 09 | J03A, J03B, J04A, J04B, J08A, J08B, J08C, J10A, J10B, J10J, J16Z, J21Z, J22A, J22B, J22J | | 09 | J08A, J08B, J08C, J16Z, J21Z, J22A, J22B, J22J |
| | 21B | X01A, X01B, X01C | | 21A | W04A, W04B | | 22 | Y01Z, Y02A, Y02B, Y02C |
| 5v551.g↔ | | BOP, KJZSV, KVT, UOP4 | 5v552.1 | | BOP, KJZSV, KVT, UOP4 | 5v552.a | | BOP, KJZSV, KVT, UOP4 |
| | 05 | F13A | | 21B | X06A, X06B, X06C | | 05 | F13A |
| | 08 | I02A, I02B, I02C, I02D, I22A, I22B, I50Z | | 22 | Y01Z, Y03A, Y03B | | 08 | I02A, I02B, I02C, I02D, I22A, I22B, I50Z |
| | 09 | J08A, J08B, J08C, J16Z, J21Z, J22A, J22B, J22J | | 05 | F13A | | 09 | J08A, J08B, J08C, J16Z, J21Z, J22A, J22B, J22J |
| | 21B | X01A, X01B, X01C | | 09 | J08A, J08B, J08C, J16Z, J21Z, J22A, J22B, J22J | | 21B | X01A, X01B, X01C |
| 5v551.h | | BOP, KJZSV, KVT, UOP4 | 5v552.2↔ | | BOP, KJZSV, KVT, UOP4 | 5v552.b | | BOP, KJZSV, KVT, UOP4 |
| | 05 | F13A | | 05 | F13A | | 05 | F13A |
| | 08 | I02A, I02B, I02C, I02D, I22A, I22B, I50Z | | 09 | J08A, J08B, J08C, J16Z, J21Z, J22A, J22B, J22J | | 08 | I02A, I02B, I02C, I02D, I22A, I22B, I50Z |
| | 09 | J08A, J08B, J08C, J16Z, J21Z, J22A, J22B, J22J | | 22 | Y01Z, Y03A, Y03B | | 09 | J08A, J08B, J08C, J16Z, J21Z, J22A, J22B, J22J |
| | 21B | X01A, X01B, X01C | | 05 | F13A | | 21B | X01A, X01B, X01C |
| 5v551.j | | BOP, KJZSV, KVT, UOP4 | 5v552.3↔ | | BOP, KJZSV, KVT, UOP4 | 5v552.c | | BOP, KJZSV, KVT, UOP4 |
| | 05 | F13A | | 05 | F13A | | 05 | F13A |
| | 08 | I02A, I02B, I02C, I02D, I22A, I22B, I50Z | | 09 | J08A, J08B, J08C, J16Z, J21Z, J22A, J22B, J22J | | 09 | J08A, J08B, J08C, J16Z, J21Z, J22A, J22B, J22J |
| | 09 | J08A, J08B, J08C, J16Z, J21Z, J22A, J22B, J22J | | 22 | Y01Z, Y03A, Y03B | | 10 | K09A, K09B |
| | 21B | X01A, X01B, X01C | | 05 | F13A | | 12 | M04A, M04B, M04C, M04D, M04J, M04Q, M37Z, M38Z |
| 5v551.k | | BOP, KJZSV, KVT, UOP4 | 5v552.4 | | BOP, KJZSV, KVT, UOP4 | 5v552.d | | BOP, KJZSV, KVT, UOP4 |
| | 05 | F13A | | 08 | I02A, I02B, I02C, I02D, I22A, I22B, I50Z | | 21A | W04A, W04B |
| | 09 | J08A, J08B, J08C, J16Z, J21Z, J22A, J22B, J22J | | 09 | J08A, J08B, J08C, J16Z, J21Z, J22A, J22B, J22J | | 21B | X06A, X06B, X06C |
| | 10 | K09A, K09B | | 21B | X01A, X01B, X01C | | 22 | Y01Z, Y03A, Y03B |
| | 12 | M04A, M04B, M04C, M04D, M04J, M04Q, M37Z, M38Z | | 22 | Y01Z, Y02A, Y02B, Y02C | | 05 | F13A |
| 5v551.m | | BOP, KJZSV, KVT, UOP4 | 5v552.5 | | BOP, KJZSV, KVT, UOP4 | 5v552.e↔ | | BOP, KJZSV, KVT, UOP4 |
| | 05 | F13A | | 05 | F13A | | 08 | I02A, I02B, I02C, I02D, I22A, I22B, I50Z |
| | 08 | I02A, I02B, I02C, I02D, I22A, I22B, I32A, I32B, I32C, I32D, I32E, I32F, I32J, I32Q, I32R, I32S, I32T, I32U, I50Z | | 08 | I02A, I02B, I02C, I02D, I22A, I22B, I50Z | | 09 | J08A, J08B, J08C, J16Z, J21Z, J22A, J22B, J22J |
| | 09 | J08A, J08B, J08C, J16Z, J21Z, J22A, J22B, J22J | | 09 | J08A, J08B, J08C, J16Z, J21Z, J22A, J22B, J22J | | 21B | X01A, X01B, X01C |
| | 21B | X01A, X01B, X01C | | 21B | X01A, X01B, X01C | | 22 | Y01Z, Y02A, Y02B, Y02C |
| 5v551.x↔ | | BOP, KJZSV, KVT, UOP4 | 5v552.6↔ | | BOP, KJZSV, KVT, UOP4 | 5v552.f↔ | | BOP, KJZSV, KVT, UOP4 |
| | 05 | F13A | | 05 | F13A | | 05 | F13A |
| | 08 | I02A, I02B, I02C, I02D, I22A, I22B, I32A, I32B, I32C, I32D, I32E, I32F, I32J, I32Q, I32R, I32S, I32T, I32U, I50Z | | 08 | I02A, I02B, I02C, I02D, I22A, I22B, I50Z | | 08 | I02A, I02B, I02C, I02D, I22A, I22B, I50Z |
| | 09 | J08A, J08B, J08C, J16Z, J21Z, J22A, J22B, J22J | | 09 | J08A, J08B, J08C, J16Z, J21Z, J22A, J22B, J22J | | 09 | J08A, J08B, J08C, J16Z, J21Z, J22A, J22B, J22J |
| | 21B | X01A, X01B, X01C | | 21B | X01A, X01B, X01C | | 21B | X01A, X01B, X01C |
| 5v551.y↔ | | BOP, KJZSV, KVT, UOP4 | 5v552.7↔ | | BOP, KJZSV, KVT, UOP4 | 5v552.g↔ | | BOP, KJZSV, KVT, UOP4 |
| | 05 | F13A | | 05 | F13A | | 05 | F13A |
| | 08 | I02A, I02B, I02C, I02D, I22A, I22B, I32A, I32B, I32C, I32D, I32E, I32F, I32J, I32Q, I32R, I32S, I32T, I32U, I50Z | | 08 | I02A, I02B, I02C, I02D, I22A, I22B, I50Z | | 08 | I02A, I02B, I02C, I02D, I22A, I22B, I50Z |
| | 09 | J08A, J08B, J08C, J16Z, J21Z, J22A, J22B, J22J | | 09 | J08A, J08B, J08C, J16Z, J21Z, J22A, J22B, J22J | | 09 | J08A, J08B, J08C, J16Z, J21Z, J22A, J22B, J22J |
| | 21B | X01A, X01B, X01C | | 21B | X01A, X01B, X01C | | 21B | X01A, X01B, X01C |
| 5v551.z↔ | | BOP, KJZSV, KVT, UOP4 | 5v552.8↔ | | BOP, KJZSV, KVT, UOP4 | 5v552.h↔ | | BOP, KJZSV, KVT, UOP4 |
| | 05 | F13A | | 05 | F13A | | 05 | F13A |
| | 08 | I02A, I02B, I02C, I02D, I22A, I22B, I32A, I32B, I32C, I32D, I32E, I32F, I32J, I32Q, I32R, I32S, I32T, I32U, I50Z | | 08 | I02A, I02B, I02C, I02D, I22A, I22B, I32A, I32B, I32C, I32D, I32E, I32F, I32J, I32Q, I32R, I32S, I32T, I32U, I50Z | | 08 | I02A, I02B, I02C, I02D, I22A, I22B, I50Z |
| | 09 | J08A, J08B, J08C, J16Z, J21Z, J22A, J22B, J22J | | 09 | J08A, J08B, J08C, J16Z, J21Z, J22A, J22B, J22J | | 09 | J08A, J08B, J08C, J16Z, J21Z, J22A, J22B, J22J |
| | 21B | X01A, X01B, X01C | | 21B | X01A, X01B, X01C | | 21B | X01A, X01B, X01C |
| 5v552.0 | | BOP, KJZSV, KVT, UOP4 | 5v552.9↔ | | BOP, KJZSV, KVT, UOP4 | 5v552.i↔ | | BOP, KJZSV, KVT, UOP4 |
| | 05 | F13A | | 05 | F13A | | 05 | F13A |
| | 08 | I02A, I02B, I02C, I02D, I22A, I22B, I50Z | | 08 | I02A, I02B, I02C, I02D, I22A, I22B, I50Z | | 08 | I02A, I02B, I02C, I02D, I22A, I22B, I50Z |
| | 09 | J08A, J08B, J08C, J16Z, J21Z, J22A, J22B, J22J | | 09 | J08A, J08B, J08C, J16Z, J21Z, J22A, J22B, J22J | | 09 | J08A, J08B, J08C, J16Z, J21Z, J22A, J22B, J22J |
| | 21B | X01A, X01B, X01C | | 21B | X01A, X01B, X01C | | 21B | X01A, X01B, X01C |

VYK

| ZZV | MDC | DRG | ZZV | MDC | DRG | ZZV | MDC | DRG |
|----------|-----|--|-----------|-----|--|-----------|-----|--|
| 5v552.h | | BOP, KJZSV, KVT, UOP4 | 5v553.2↔ | | BOP, KJZSV, KVT, UOP4 | 5v553.ft↔ | | KJZSV |
| | 05 | F13A | | 03 | D09Z, D30A, D30J, D30Q | | 09 | J11A, J11B, J11J, J11Q, J11R, J11S |
| | 08 | I02A, I02B, I02C, I02D, I22A, I22B, I50Z | | 05 | F13A | | 22 | Y01Z, Y02A, Y02B, Y02C |
| | 09 | J08A, J08B, J08C, J16Z, J21Z, J22A, J22B, J22J | | 09 | J03A, J03B, J04A, J04B, J08A, J08B, J08C, J10A, J10B, J10J, J16Z, J21Z, J22A, J22B, J22J | 5v553.g†↔ | | KJZSV |
| | 21B | X01A, X01B, X01C | | 21A | W04A, W04B | | 09 | J11A, J11B, J11J, J11Q, J11R, J11S |
| 5v552.j | 22 | Y01Z, Y02A, Y02B, Y02C | | 21B | X06A, X06B, X06C | | 22 | Y01Z, Y02A, Y02B, Y02C |
| | | BOP, KJZSV, KVT, UOP4 | 5v553.3↔ | | BOP, KJZSV, KVT, UOP4 | 5v553.h† | | KJZSV |
| | 05 | F13A | | 02 | C01A, C01B, C16Z, C20A, C20B, C20J, C20Q, C20R | | 09 | J11A, J11B, J11J, J11Q, J11R, J11S |
| | 08 | I02A, I02B, I02C, I02D, I22A, I22B, I50Z | | 05 | F13A | | 22 | Y01Z, Y02A, Y02B, Y02C |
| | 09 | J08A, J08B, J08C, J16Z, J21Z, J22A, J22B, J22J | | 08 | I17Z | 5v553.j† | | KJZSV |
| | 21B | X01A, X01B, X01C | | 09 | J03A, J03B, J04A, J04B, J08A, J08B, J08C, J10A, J10B, J10J, J16Z, J21Z, J22A, J22B, J22J | | 09 | J11A, J11B, J11J, J11Q, J11R, J11S |
| | 22 | Y01Z, Y02A, Y02B, Y02C | | 10 | K09A, K09B | | 22 | Y01Z, Y02A, Y02B, Y02C |
| 5v552.k | | BOP, KJZSV, KVT, UOP4 | 5v553.4† | | KJZSV | 5v553.k† | | KJZSV |
| | 05 | F13A | | 09 | J11A, J11B, J11J, J11Q, J11R, J11S | | 09 | J11A, J11B, J11J, J11Q, J11R, J11S |
| | 09 | J08A, J08B, J08C, J16Z, J21Z, J22A, J22B, J22J | | 22 | Y01Z, Y03A, Y03B | | 22 | Y01Z, Y02A, Y02B, Y02C |
| | 10 | K09A, K09B | | 21A | W04A, W04B | | 09 | J11A, J11B, J11J, J11Q, J11R, J11S |
| | 12 | M04A, M04B, M04C, M04D, M04J, M04Q, M37Z, M38Z | | 21B | X06A, X06B, X06C | 5v553.m† | | KJZSV |
| | 21A | W04A, W04B | | 22 | Y01Z, Y03A, Y03B | | 09 | J11A, J11B, J11J, J11Q, J11R, J11S |
| | 21B | X06A, X06B, X06C | | 09 | J11A, J11B, J11J, J11Q, J11R, J11S | 5v553.x† | | KJZSV |
| | 22 | Y01Z, Y03A, Y03B | | 22 | Y01Z, Y02A, Y02B, Y02C | | 09 | J11A, J11B, J11J, J11Q, J11R, J11S |
| 5v552.m | | BOP, KJZSV, KVT, UOP4 | 5v553.5† | | KJZSV | | 22 | Y01Z, Y02A, Y02B, Y02C |
| | 05 | F13A | | 09 | J11A, J11B, J11J, J11Q, J11R, J11S | 5v554.0 | | KJZSV, KOP, KOPV |
| | 08 | I02A, I02B, I02C, I02D, I22A, I22B, I32A, I32B, I32C, I32D, I32E, I32F, I32J, I32Q, I32R, I32S, I32T, I32U, I50Z | | 22 | Y01Z, Y02A, Y02B, Y02C | | 06 | G33Z |
| | 09 | J08A, J08B, J08C, J16Z, J21Z, J22A, J22B, J22J | 5v553.6†↔ | | KJZSV | | 07 | H33Z, H38Z |
| | 21B | X01A, X01B, X01C | | 09 | J11A, J11B, J11J, J11Q, J11R, J11S | | 08 | I32A, I32B, I32C, I32D |
| | 22 | Y01Z, Y02A, Y02B, Y02C | | 22 | Y01Z, Y02A, Y02B, Y02C | | 09 | J01Z, J02A, J02B |
| 5v552.x↔ | | BOP, KJZSV, KVT, UOP4 | 5v553.7†↔ | | KJZSV | | 11 | L33Z |
| | 05 | F13A | | 09 | J11A, J11B, J11J, J11Q, J11R, J11S | 5v554.1 | | KJZSV, KOP, KOPV |
| | 08 | I02A, I02B, I02C, I02D, I22A, I22B, I32A, I32B, I32C, I32D, I32E, I32F, I32J, I32Q, I32R, I32S, I32T, I32U, I50Z | | 22 | Y01Z, Y02A, Y02B, Y02C | | 06 | G33Z |
| | 09 | J08A, J08B, J08C, J16Z, J21Z, J22A, J22B, J22J | 5v553.8†↔ | | KJZSV | | 07 | H33Z, H38Z |
| | 21B | X01A, X01B, X01C | | 09 | J11A, J11B, J11J, J11Q, J11R, J11S | | 08 | I02A, I02B, I02C, I02D, I22A, I22B, I32A, I32B, I32C, I32D, I34Z, I50Z |
| | 22 | Y01Z, Y02A, Y02B, Y02C | | 22 | Y01Z, Y02A, Y02B, Y02C | | 09 | J01Z, J02A, J02B |
| 5v553.0† | | KJZSV | 5v553.9†↔ | | KJZSV | | 11 | L33Z |
| | 09 | J11A, J11B, J11J, J11Q, J11R, J11S | | 09 | J11A, J11B, J11J, J11Q, J11R, J11S | | 21B | X01A, X01B, X01C, X33Z |
| | 22 | Y01Z, Y03A, Y03B | | 22 | Y01Z, Y02A, Y02B, Y02C | | 22 | Y01Z, Y03A, Y03B |
| 5v553.1 | | BOP, KJZSV, KVT, UOP4 | 5v553.a† | | KJZSV | | Pre | A07A |
| | 03 | D09Z, D30A, D30J, D30Q | | 09 | J11A, J11B, J11J, J11Q, J11R, J11S | 5v554.2↔ | | KJZSV, KOP, KOPV |
| | 05 | F13A | | 22 | Y01Z, Y02A, Y02B, Y02C | | 06 | G33Z |
| | 08 | I28A, I28B, I28J | 5v553.b† | | KJZSV | | 07 | H33Z, H38Z |
| | 09 | J03A, J03B, J04A, J04B, J08A, J08B, J08C, J10A, J10B, J10J, J16Z, J21Z, J22A, J22B, J22J | | 09 | J11A, J11B, J11J, J11Q, J11R, J11S | | 08 | I02A, I02B, I02C, I02D, I22A, I22B, I32A, I32B, I32C, I32D, I34Z, I50Z |
| | 21A | W04A, W04B | | 22 | Y01Z, Y02A, Y02B, Y02C | | 09 | J01Z, J02A, J02B |
| | 21B | X06A, X06B, X06C | 5v553.c† | | KJZSV | | 11 | L33Z |
| | 22 | Y01Z, Y02A, Y02B, Y03A, Y03B | | 09 | J11A, J11B, J11J, J11Q, J11R, J11S | | 21B | X01A, X01B, X01C, X33Z |
| | | | 5v553.d† | | KJZSV | | 22 | Y01Z, Y03A, Y03B |
| | | | | 09 | J11A, J11B, J11J, J11Q, J11R, J11S | 5v554.3↔ | | KJZSV, KOP, KOPV |
| | | | 5v553.e†↔ | | KJZSV | | 06 | G33Z |
| | | | | 22 | Y01Z, Y02A, Y02B, Y02C | | 07 | H33Z, H38Z |
| | | | | 09 | J11A, J11B, J11J, J11Q, J11R, J11S | | 08 | I02A, I02B, I02C, I02D, I22A, I22B, I32A, I32B, I32C, I32D, I34Z, I50Z |
| | | | | 22 | Y01Z, Y02A, Y02B, Y02C | | 09 | J01Z, J02A, J02B |
| | | | | 09 | J11A, J11B, J11J, J11Q, J11R, J11S | | 11 | L33Z |
| | | | | 22 | Y01Z, Y02A, Y02B, Y02C | | 21B | X01A, X01B, X01C, X33Z |
| | | | | 09 | J11A, J11B, J11J, J11Q, J11R, J11S | | 22 | Y01Z, Y03A, Y03B |
| | | | | 22 | Y01Z, Y02A, Y02B, Y02C | | Pre | A07A |
| | | | | 09 | J11A, J11B, J11J, J11Q, J11R, J11S | | | KJZSV, KOP, KOPV |
| | | | | 22 | Y01Z, Y02A, Y02B, Y02C | | 06 | G33Z |
| | | | | 09 | J11A, J11B, J11J, J11Q, J11R, J11S | | 07 | H33Z, H38Z |
| | | | | 22 | Y01Z, Y02A, Y02B, Y02C | | 08 | I02A, I02B, I02C, I02D, I22A, I22B, I32A, I32B, I32C, I32D, I34Z, I50Z |
| | | | | 09 | J11A, J11B, J11J, J11Q, J11R, J11S | | 09 | J01Z, J02A, J02B |
| | | | | 22 | Y01Z, Y02A, Y02B, Y02C | | 11 | L33Z |
| | | | | 09 | J11A, J11B, J11J, J11Q, J11R, J11S | | 21B | X01A, X01B, X01C, X33Z |
| | | | | 22 | Y01Z, Y02A, Y02B, Y02C | | 22 | Y01Z, Y03A, Y03B |
| | | | | 09 | J11A, J11B, J11J, J11Q, J11R, J11S | | Pre | A07A |
| | | | | 22 | Y01Z, Y02A, Y02B, Y02C | | | KJZSV, KOP, KOPV |
| | | | | 09 | J11A, J11B, J11J, J11Q, J11R, J11S | | 06 | G33Z |
| | | | | 22 | Y01Z, Y02A, Y02B, Y02C | | 07 | H33Z, H38Z |
| | | | | 09 | J11A, J11B, J11J, J11Q, J11R, J11S | | 08 | I02A, I02B, I02C, I02D, I22A, I22B, I32A, I32B, I32C, I32D, I34Z, I50Z |
| | | | | 22 | Y01Z, Y02A, Y02B, Y02C | | 09 | J01Z, J02A, J02B |
| | | | | 09 | J11A, J11B, J11J, J11Q, J11R, J11S | | 11 | L33Z |
| | | | | 22 | Y01Z, Y02A, Y02B, Y02C | | 21B | X01A, X01B, X01C, X33Z |
| | | | | 09 | J11A, J11B, J11J, J11Q, J11R, J11S | | 22 | Y01Z, Y03A, Y03B |
| | | | | 22 | Y01Z, Y02A, Y02B, Y02C | | Pre | A07A |
| | | | | 09 | J11A, J11B, J11J, J11Q, J11R, J11S | | | KJZSV, KOP, KOPV |
| | | | | 22 | Y01Z, Y02A, Y02B, Y02C | | 06 | G33Z |
| | | | | 09 | J11A, J11B, J11J, J11Q, J11R, J11S | | 07 | H33Z, H38Z |
| | | | | 22 | Y01Z, Y02A, Y02B, Y02C | | 08 | I02A, I02B, I02C, I02D, I22A, I22B, I32A, I32B, I32C, I32D, I34Z, I50Z |
| | | | | 09 | J11A, J11B, J11J, J11Q, J11R, J11S | | 09 | J01Z, J02A, J02B |
| | | | | 22 | Y01Z, Y02A, Y02B, Y02C | | 11 | L33Z |
| | | | | 09 | J11A, J11B, J11J, J11Q, J11R, J11S | | 21B | X01A, X01B, X01C, X33Z |
| | | | | 22 | Y01Z, Y02A, Y02B, Y02C | | 22 | Y01Z, Y03A, Y03B |
| | | | | 09 | J11A, J11B, J11J, J11Q, J11R, J11S | | Pre | A07A |
| | | | | 22 | Y01Z, Y02A, Y02B, Y02C | | | KJZSV, KOP, KOPV |
| | | | | 09 | J11A, J11B, J11J, J11Q, J11R, J11S | | 06 | G33Z |
| | | | | 22 | Y01Z, Y02A, Y02B, Y02C | | 07 | H33Z, H38Z |
| | | | | 09 | J11A, J11B, J11J, J11Q, J11R, J11S | | 08 | I02A, I02B, I02C, I02D, I22A, I22B, I32A, I32B, I32C, I32D, I34Z, I50Z |
| | | | | 22 | Y01Z, Y02A, Y02B, Y02C | | 09 | J01Z, J02A, J02B |
| | | | | 09 | J11A, J11B, J11J, J11Q, J11R, J11S | | 11 | L33Z |
| | | | | 22 | Y01Z, Y02A, Y02B, Y02C | | 21B | X01A, X01B, X01C, X33Z |
| | | | | 09 | J11A, J11B, J11J, J11Q, J11R, J11S | | 22 | Y01Z, Y03A, Y03B |
| | | | | 22 | Y01Z, Y02A, Y02B, Y02C | | Pre | A07A |

| ZZV | MDC | DRG | ZZV | MDC | DRG | ZZV | MDC | DRG |
|----------|----------|--|------------------|--|--|----------|--|--|
| 5v554.4 | | KJZSV, KOP, KOPV | 5v554.a | | KJZSV, KOP, KOPV | 5v554.g↔ | | KJZSV, KOP, KOPV |
| | 06 | G33Z | | 06 | G33Z | | 06 | G33Z |
| | 07 | H33Z, H38Z | | 07 | H33Z, H38Z | | 07 | H33Z, H38Z |
| | 08 | I02A, I02B, I02C, I02D, I22A, I22B, I32A, I32B, I32C, I32D, I34Z, I50Z | | 08 | I02A, I02B, I02C, I02D, I22A, I22B, I32A, I32B, I32C, I32D, I34Z, I50Z | | 08 | I02A, I02B, I02C, I02D, I22A, I22B, I32A, I32B, I32C, I32D, I34Z, I50Z |
| | 09 | J01Z, J02A, J02B | | 09 | J01Z, J02A, J02B | | 09 | J01Z, J02A, J02B |
| | 11 | L33Z | | 11 | L33Z | | 11 | L33Z |
| | 21B | X01A, X01B, X01C, X33Z | | 21B | X01A, X01B, X01C, X33Z | | 21B | X01A, X01B, X01C, X33Z |
| | 22 | Y01Z, Y02A, Y02B, Y02C | | 22 | Y01Z, Y02A, Y02B, Y02C | | 22 | Y01Z, Y02A, Y02B, Y02C |
| | Pre | A07A | | Pre | A07A | | Pre | A07A |
| | 5v554.5 | | | KJZSV, KOP, KOPV | 5v554.b | | | KJZSV, KOP, KOPV |
| 06 | | G33Z | 06 | G33Z | | 06 | G33Z | |
| 07 | | H33Z, H38Z | 07 | H33Z, H38Z | | 07 | H33Z, H38Z | |
| 08 | | I02A, I02B, I02C, I02D, I22A, I22B, I32A, I32B, I32C, I32D, I34Z, I50Z | 08 | I02A, I02B, I02C, I02D, I22A, I22B, I32A, I32B, I32C, I32D, I34Z, I50Z | | 08 | I02A, I02B, I02C, I02D, I22A, I22B, I32A, I32B, I32C, I32D, I34Z, I50Z | |
| 09 | | J01Z, J02A, J02B | 09 | J01Z, J02A, J02B | | 09 | J01Z, J02A, J02B | |
| 11 | | L33Z | 11 | L33Z | | 11 | L33Z | |
| 21B | | X01A, X01B, X01C, X33Z | 21B | X01A, X01B, X01C, X33Z | | 21B | X01A, X01B, X01C, X33Z | |
| 22 | | Y01Z, Y02A, Y02B, Y02C | 22 | Y01Z, Y02A, Y02B, Y02C | | 22 | Y01Z, Y02A, Y02B, Y02C | |
| Pre | | A07A | Pre | A07A | | Pre | A07A | |
| 5v554.6↔ | | | KJZSV, KOP, KOPV | 5v554.c | | | KJZSV, KOP, KOPV | 5v555.0 |
| | 06 | G33Z | 06 | | G33Z | 03 | D18Z, D25A, D25B, D25C, D25D, D25J | |
| | 07 | H33Z, H38Z | 07 | | H33Z, H38Z | 05 | F13A | |
| | 08 | I02A, I02B, I02C, I02D, I22A, I22B, I32A, I32B, I32C, I32D, I34Z, I50Z | 08 | | I02A, I02B, I02C, I02D, I22A, I22B, I32A, I32B, I32C, I32D, I34Z, I50Z | 09 | J03A, J03B, J04A, J04B, J08A, J08B, J08C, J11A, J11B, J11J, J11Q, J11R, J11S, J16Z, J21Z, J22A, J22B, J22J | |
| | 09 | J01Z, J02A, J02B | 09 | | J01Z, J02A, J02B | 21A | W04A, W04B | |
| | 11 | L33Z | 11 | | L33Z | 21B | X06A, X06B, X06C | |
| | 21B | X01A, X01B, X01C, X33Z | 21B | | X01A, X01B, X01C, X33Z | 22 | Y01Z, Y03A, Y03B | |
| | 22 | Y01Z, Y02A, Y02B, Y02C | 22 | | Y01Z, Y03A, Y03B | Pre | A07A | |
| | Pre | A07A | Pre | | A07A | Pre | A07A | |
| | 5v554.7↔ | | KJZSV, KOP, KOPV | | 5v554.d | | KJZSV, KOP, KOPV | |
| 06 | | G33Z | 06 | G33Z | | 03 | D12A, D12J, D12Q | |
| 07 | | H33Z, H38Z | 07 | H33Z, H38Z | | 05 | F13A | |
| 08 | | I02A, I02B, I02C, I02D, I22A, I22B, I32A, I32B, I32C, I32D, I34Z, I50Z | 08 | I02A, I02B, I02C, I02D, I22A, I22B, I32A, I32B, I32C, I32D, I34Z, I50Z | | 09 | J02A, J02B, J02C, J04A, J04B, J08A, J08B, J08C, J16Z, J21Z, J22A, J22B, J22J | |
| 09 | | J01Z, J02A, J02B | 09 | J01Z, J02A, J02B | | 21A | W04A, W04B | |
| 11 | | L33Z | 11 | L33Z | | 21B | X01A, X01B, X01C | |
| 21B | | X01A, X01B, X01C, X33Z | 21B | X01A, X01B, X01C, X33Z | | 22 | Y01Z, Y02A, Y02B, Y03A, Y03B | |
| 22 | | Y01Z, Y02A, Y02B, Y02C | 22 | Y01Z, Y03A, Y03B | | Pre | A07A | |
| Pre | | A07A | Pre | A07A | | Pre | A07A | |
| 5v554.8↔ | | | KJZSV, KOP, KOPV | 5v554.e↔ | | | KJZSV, KOP, KOPV | 5v555.2↔ |
| | 06 | G33Z | 06 | | G33Z | 03 | D12A, D12J, D12Q | |
| | 07 | H33Z, H38Z | 07 | | H33Z, H38Z | 05 | F13A | |
| | 08 | I02A, I02B, I02C, I02D, I22A, I22B, I32A, I32B, I32C, I32D, I34Z, I50Z | 08 | | I02A, I02B, I02C, I02D, I22A, I22B, I32A, I32B, I32C, I32D, I34Z, I50Z | 09 | J02A, J02B, J02C, J04A, J04B, J08A, J08B, J08C, J16Z, J21Z, J22A, J22B, J22J | |
| | 09 | J01Z, J02A, J02B | 09 | | J01Z, J02A, J02B | 21A | W04A, W04B | |
| | 11 | L33Z | 11 | | L33Z | 21B | X01A, X01B, X01C | |
| | 21B | X01A, X01B, X01C, X33Z | 21B | | X01A, X01B, X01C, X33Z | 22 | Y01Z, Y02A, Y02B, Y03A, Y03B | |
| | 22 | Y01Z, Y02A, Y02B, Y02C | 22 | | Y01Z, Y02A, Y02B, Y02C | Pre | A07A | |
| | Pre | A07A | Pre | | A07A | Pre | A07A | |
| | 5v554.9↔ | | KJZSV, KOP, KOPV | | 5v554.f↔ | | KJZSV, KOP, KOPV | |
| 06 | | G33Z | 06 | G33Z | | 02 | C01A, C01B, C16Z, C20A, C20B, C20J, C20Q, C20R | |
| 07 | | H33Z, H38Z | 07 | H33Z, H38Z | | 05 | F13A | |
| 08 | | I32A, I32B, I32C, I32D, I32E, I32F, I32J, I32Q, I32R, I32S, I32T, I32U, I34Z | 08 | I02A, I02B, I02C, I02D, I22A, I22B, I32A, I32B, I32C, I32D, I34Z, I50Z | | 08 | I17Z | |
| 09 | | J01Z, J02A, J02B | 09 | J01Z, J02A, J02B | | 09 | J03A, J03B, J04A, J04B, J08A, J08B, J08C, J10A, J10B, J10J, J16Z, J21Z, J22A, J22B, J22J | |
| 11 | | L33Z | 11 | L33Z | | 21A | W04A, W04B | |
| 21B | | X01A, X01B, X01C, X33Z | 21B | X01A, X01B, X01C, X33Z | | 21B | X06A, X06B, X06C | |
| 22 | | Y01Z, Y02A, Y02B, Y02C | 22 | Y01Z, Y02A, Y02B, Y02C | | 22 | Y01Z, Y03A, Y03B | |
| Pre | | A07A | Pre | A07A | | Pre | A07A | |

| ZZV | MDC | DRG | ZZV | MDC | DRG | ZZV | MDC | DRG | | |
|----------|--|--|--|--|--|--|--|--|--|--|
| 5v555.4 | | BOP, KJZSV, KVT, UOP4 | 5v555.a | | BOP, KJZSV, KVT, UOP4 | 5v555.g↔ | | BOP, KJZSV, KVT, UOP4 | | |
| | 03 | D12A, D12J, D12Q | | 05 | F13A | | 05 | F13A | | |
| | 05 | F13A | | 08 | I02A, I02B, I02C, I02D, I22A, I22B, I50Z | | 08 | I02A, I02B, I02C, I02D, I22A, I22B, I50Z | | |
| | 08 | I02A, I02B, I02C, I02D, I22A, I22B, I50Z | | 09 | J02A, J02B, J02C, J04A, J04B, J08A, J08B, J08C, J16Z, J21Z, J22A, J22B, J22J | | 09 | J02A, J02B, J02C, J04A, J04B, J08A, J08B, J08C, J16Z, J21Z, J22A, J22B, J22J | | |
| | 09 | J02A, J02B, J02C, J04A, J04B, J08A, J08B, J08C, J16Z, J21Z, J22A, J22B, J22J | | 21A | W04A, W04B | | 21A | W04A, W04B | | |
| | 21A | W04A, W04B | | 21B | X01A, X01B, X01C | | 21B | X01A, X01B, X01C | | |
| | 21B | X01A, X01B, X01C | | 22 | Y01Z, Y02A, Y02B, Y02C | | 22 | Y01Z, Y02A, Y02B, Y02C | | |
| | 22 | Y01Z, Y02A, Y02B, Y02C | | 5v555.b | | | BOP, KJZSV, KVT, UOP4 | 5v555.x↔ | | BOP, KJZSV, KVT, UOP4 |
| | 5v555.5 | | | | 05 | | F13A | | 05 | F13A |
| | 03 | D12A, D12J, D12Q | | | 08 | | I02A, I02B, I02C, I02D, I22A, I22B, I50Z | | 08 | I02A, I02B, I02C, I02D, I22A, I22B, I32A, I32B, I32C, I32D, I32E, I32F, I32J, I32Q, I32R, I32S, I32T, I32U, I50Z |
| 05 | F13A | 09 | J02A, J02B, J02C, J04A, J04B, J08A, J08B, J08C, J16Z, J21Z, J22A, J22B, J22J | | 09 | J02A, J02B, J02C, J04A, J04B, J08A, J08B, J08C, J16Z, J21Z, J22A, J22B, J22J | | | | |
| 08 | I02A, I02B, I02C, I02D, I22A, I22B, I50Z | 21A | W04A, W04B | | 21A | W04A, W04B | | | | |
| 09 | J02A, J02B, J02C, J04A, J04B, J08A, J08B, J08C, J16Z, J21Z, J22A, J22B, J22J | 21B | X01A, X01B, X01C | | 21B | X01A, X01B, X01C | | | | |
| 21A | W04A, W04B | 22 | Y01Z, Y02A, Y02B, Y02C | | 21A | W04A, W04B | | | | |
| 21B | X01A, X01B, X01C | 5v555.c | | | BOP, KJZSV, KVT, UOP4 | 5v556.0 | | | BOP, KJZSV, KVT, UOP4 | |
| 22 | Y01Z, Y02A, Y02B, Y02C | | 05 | | F13A | | 03 | | D02A, D02B, D18Z, D24A, D24B | |
| 5v555.6↔ | | | 08 | | I02A, I02B, I02C, I02D, I22A, I22B, I50Z | | 05 | | F13A | |
| 05 | F13A | | 09 | J02A, J02B, J02C, J04A, J04B, J08A, J08B, J08C, J16Z, J21Z, J22A, J22B, J22J | 09 | | J03A, J03B, J04A, J04B, J08A, J08B, J08C, J11A, J11B, J11J, J11Q, J11R, J11S, J16Z, J21Z, J22A, J22B, J22J | | | |
| 08 | I02A, I02B, I02C, I02D, I22A, I22B, I50Z | | 21A | W04A, W04B | 21A | | W04A, W04B | | | |
| 09 | J02A, J02B, J02C, J04A, J04B, J08A, J08B, J08C, J16Z, J21Z, J22A, J22B, J22J | | 21B | X01A, X01B, X01C | 21B | | X06A, X06B, X06C | | | |
| 21A | W04A, W04B | | 22 | Y01Z, Y03A, Y03B | 22 | | Y01Z, Y03A, Y03B | | | |
| 21B | X01A, X01B, X01C | | 5v555.d | | BOP, KJZSV, KVT, UOP4 | | 5v556.1 | | BOP, KJZSV, KVT, UOP4 | |
| 22 | Y01Z, Y02A, Y02B, Y02C | | | 05 | F13A | | | 03 | D12A, D12J, D12Q | |
| 5v555.7↔ | | | | 08 | I02A, I02B, I02C, I02D, I22A, I22B, I50Z | | | 05 | F13A | |
| 05 | F13A | 09 | | J02A, J02B, J02C, J04A, J04B, J08A, J08B, J08C, J16Z, J21Z, J22A, J22B, J22J | 09 | J02A, J02B, J02C, J04A, J04B, J08A, J08B, J08C, J16Z, J21Z, J22A, J22B, J22J | | | | |
| 08 | I02A, I02B, I02C, I02D, I22A, I22B, I50Z | 21A | | W04A, W04B | 21A | W04A, W04B | | | | |
| 09 | J02A, J02B, J02C, J04A, J04B, J08A, J08B, J08C, J16Z, J21Z, J22A, J22B, J22J | 21B | | X01A, X01B, X01C | 21B | X01A, X01B, X01C | | | | |
| 21A | W04A, W04B | 22 | | Y01Z, Y03A, Y03B | 22 | Y01Z, Y02A, Y02B, Y03A, Y03B | | | | |
| 21B | X01A, X01B, X01C | 5v555.e↔ | | | BOP, KJZSV, KVT, UOP4 | 5v556.2↔ | | | BOP, KJZSV, KVT, UOP4 | |
| 22 | Y01Z, Y02A, Y02B, Y02C | | | 05 | F13A | | | 03 | D12A, D12J, D12Q | |
| 5v555.8↔ | | | | 08 | I02A, I02B, I02C, I02D, I22A, I22B, I50Z | | | 05 | F13A | |
| 05 | F13A | | 09 | J02A, J02B, J02C, J04A, J04B, J08A, J08B, J08C, J16Z, J21Z, J22A, J22B, J22J | 09 | | J02A, J02B, J02C, J04A, J04B, J08A, J08B, J08C, J16Z, J21Z, J22A, J22B, J22J | | | |
| 08 | I02A, I02B, I02C, I02D, I22A, I22B, I32A, I32B, I32C, I32D, I32E, I32F, I32J, I32Q, I32R, I32S, I32T, I32U, I50Z | | 21A | W04A, W04B | 21A | | W04A, W04B | | | |
| 09 | J02A, J02B, J02C, J04A, J04B, J08A, J08B, J08C, J16Z, J21Z, J22A, J22B, J22J | | 21B | X01A, X01B, X01C | 21B | | X01A, X01B, X01C | | | |
| 21A | W04A, W04B | | 22 | Y01Z, Y02A, Y02B, Y02C | 22 | | Y01Z, Y03A, Y03B | | | |
| 21B | X01A, X01B, X01C | | 5v555.f↔ | | BOP, KJZSV, KVT, UOP4 | | 5v556.3↔ | | BOP, KJZSV, KVT, UOP4 | |
| 22 | Y01Z, Y02A, Y02B, Y02C | | | 05 | F13A | | | 02 | C01A, C01B, C16Z, C20A, C20B, C20J, C20Q, C20R | |
| 5v555.9↔ | | | | 08 | I02A, I02B, I02C, I02D, I22A, I22B, I50Z | | | 05 | F13A | |
| 05 | F13A | 09 | | J02A, J02B, J02C, J04A, J04B, J08A, J08B, J08C, J16Z, J21Z, J22A, J22B, J22J | 08 | I17Z | | | | |
| 08 | I32A, I32B, I32C, I32D, I32E, I32F, I32J, I32Q, I32R, I32S, I32T, I32U | 21A | | W04A, W04B | 09 | J03A, J03B, J04A, J04B, J08A, J08B, J08C, J10A, J10B, J10J, J16Z, J21Z, J22A, J22B, J22J | | | | |
| 09 | J02A, J02B, J02C, J04A, J04B, J08A, J08B, J08C, J16Z, J21Z, J22A, J22B, J22J | 21B | | X01A, X01B, X01C | 10 | K09A, K09B | | | | |
| 21A | W04A, W04B | 22 | | Y01Z, Y02A, Y02B, Y02C | 21A | W04A, W04B | | | | |
| 21B | X01A, X01B, X01C | | | | 21B | X06A, X06B, X06C | | | | |
| 22 | Y01Z, Y02A, Y02B, Y02C | | | | 22 | Y01Z, Y03A, Y03B | | | | |

| ZZV | MDC | DRG | ZZV | MDC | DRG | ZZV | MDC | DRG | | | |
|----------|----------|--|--|--|--|----------|--|--|----------|----|--|
| 5v556.4 | | BOP, KJZSV, KVT, UOP4 | 5v556.a | | BOP, KJZSV, KVT, UOP4 | 5v556.g↔ | | BOP, KJZSV, KVT, UOP4 | | | |
| | 03 | D12A, D12J, D12Q | | 05 | F13A | | 05 | F13A | | | |
| | 05 | F13A | | 08 | I02A, I02B, I02C, I02D, I22A, I22B, I50Z | | 08 | I02A, I02B, I02C, I02D, I22A, I22B, I50Z | | | |
| | 08 | I02A, I02B, I02C, I02D, I22A, I22B, I50Z | | 09 | J02A, J02B, J02C, J04A, J04B, J08A, J08B, J08C, J16Z, J21Z, J22A, J22B, J22J | | 09 | J02A, J02B, J02C, J04A, J04B, J08A, J08B, J08C, J16Z, J21Z, J22A, J22B, J22J | | | |
| | 09 | J02A, J02B, J02C, J04A, J04B, J08A, J08B, J08C, J16Z, J21Z, J22A, J22B, J22J | | 21A | W04A, W04B | | 21A | W04A, W04B | | | |
| | 21A | W04A, W04B | | 21B | X01A, X01B, X01C | | 21B | X01A, X01B, X01C | | | |
| | 21B | X01A, X01B, X01C | | 22 | Y01Z, Y02A, Y02B, Y02C | | 22 | Y01Z, Y02A, Y02B, Y02C | | | |
| | 22 | Y01Z, Y02A, Y02B, Y02C | | | BOP, KJZSV, KVT, UOP4 | | | BOP, KJZSV, KVT, UOP4 | | | |
| | 5v556.5 | | | BOP, KJZSV, KVT, UOP4 | 5v556.b | | | BOP, KJZSV, KVT, UOP4 | 5v556.x↔ | | BOP, KJZSV, KVT, UOP4 |
| | | 03 | | D12A, D12J, D12Q | | | 05 | F13A | | 05 | F13A |
| 05 | | F13A | 08 | I02A, I02B, I02C, I02D, I22A, I22B, I50Z | | 08 | I02A, I02B, I02C, I02D, I22A, I22B, I32A, I32B, I32C, I32D, I32E, I32F, I32J, I32Q, I32R, I32S, I32T, I32U, I50Z | | | | |
| 08 | | I02A, I02B, I02C, I02D, I22A, I22B, I50Z | 09 | J02A, J02B, J02C, J04A, J04B, J08A, J08B, J08C, J16Z, J21Z, J22A, J22B, J22J | | 09 | J02A, J02B, J02C, J04A, J04B, J08A, J08B, J08C, J16Z, J21Z, J22A, J22B, J22J | | | | |
| 09 | | J02A, J02B, J02C, J04A, J04B, J08A, J08B, J08C, J16Z, J21Z, J22A, J22B, J22J | 21A | W04A, W04B | | 21A | W04A, W04B | | | | |
| 21A | | W04A, W04B | 21B | X01A, X01B, X01C | | 21B | X01A, X01B, X01C | | | | |
| 21B | | X01A, X01B, X01C | 22 | Y01Z, Y02A, Y02B, Y02C | | 22 | Y01Z, Y02A, Y02B, Y02C | | | | |
| 22 | | Y01Z, Y02A, Y02B, Y02C | | BOP, KJZSV, KVT, UOP4 | | | BOP, KJZSV, KVT, UOP4 | | | | |
| 5v556.6↔ | | | BOP, KJZSV, KVT, UOP4 | 5v556.c | | | BOP, KJZSV, KVT, UOP4 | 5v557.0‡ | | | KJZSV |
| | | 05 | F13A | | | 05 | F13A | | | 09 | J11A, J11B, J11J, J11Q, J11R, J11S |
| | 08 | I02A, I02B, I02C, I02D, I22A, I22B, I50Z | 08 | | I02A, I02B, I02C, I02D, I22A, I22B, I50Z | 22 | Y01Z, Y03A, Y03B | | | | |
| | 09 | J02A, J02B, J02C, J04A, J04B, J08A, J08B, J08C, J16Z, J21Z, J22A, J22B, J22J | 21A | | W04A, W04B | 03 | BOP, KJZSV, KVT, UOP4 | | | | |
| | 21A | W04A, W04B | 21B | | X01A, X01B, X01C | 05 | F13A | | | | |
| | 21B | X01A, X01B, X01C | 22 | | Y01Z, Y03A, Y03B | 08 | I28A, I28B, I28J | | | | |
| | 22 | Y01Z, Y02A, Y02B, Y02C | | | BOP, KJZSV, KVT, UOP4 | 09 | J03A, J03B, J04A, J04B, J08A, J08B, J08C, J10A, J10B, J10J, J16Z, J21Z, J22A, J22B, J22J | | | | |
| | 5v556.7↔ | | BOP, KJZSV, KVT, UOP4 | | 5v556.d | | BOP, KJZSV, KVT, UOP4 | | 5v557.1 | | D09Z, D30A, D30J, D30Q |
| | | 05 | F13A | | | 05 | F13A | | | 05 | F13A |
| | | 08 | I02A, I02B, I02C, I02D, I22A, I22B, I50Z | | | 08 | I02A, I02B, I02C, I02D, I22A, I22B, I50Z | | | 08 | I28A, I28B, I28J |
| 09 | | J02A, J02B, J02C, J04A, J04B, J08A, J08B, J08C, J16Z, J21Z, J22A, J22B, J22J | 09 | J02A, J02B, J02C, J04A, J04B, J08A, J08B, J08C, J16Z, J21Z, J22A, J22B, J22J | | 09 | J03A, J03B, J04A, J04B, J08A, J08B, J08C, J10A, J10B, J10J, J16Z, J21Z, J22A, J22B, J22J | | | | |
| 21A | | W04A, W04B | 21A | W04A, W04B | | 21A | W04A, W04B | | | | |
| 21B | | X01A, X01B, X01C | 21B | X01A, X01B, X01C | | 21B | X06A, X06B, X06C | | | | |
| 22 | | Y01Z, Y02A, Y02B, Y02C | 22 | Y01Z, Y03A, Y03B | | 22 | Y01Z, Y02A, Y02B, Y03A, Y03B | | | | |
| 5v556.8↔ | | | BOP, KJZSV, KVT, UOP4 | 5v556.e↔ | | | BOP, KJZSV, KVT, UOP4 | 5v557.2↔ | | | BOP, KJZSV, KVT, UOP4 |
| | | 05 | F13A | | | 05 | F13A | | | 03 | D09Z, D30A, D30J, D30Q |
| | | 08 | I02A, I02B, I02C, I02D, I22A, I22B, I50Z | | | 08 | I02A, I02B, I02C, I02D, I22A, I22B, I50Z | | | 05 | F13A |
| | 09 | J02A, J02B, J02C, J04A, J04B, J08A, J08B, J08C, J16Z, J21Z, J22A, J22B, J22J | 09 | | J02A, J02B, J02C, J04A, J04B, J08A, J08B, J08C, J16Z, J21Z, J22A, J22B, J22J | 09 | J03A, J03B, J04A, J04B, J08A, J08B, J08C, J10A, J10B, J10J, J16Z, J21Z, J22A, J22B, J22J | | | | |
| | 21A | W04A, W04B | 21A | | W04A, W04B | 21A | W04A, W04B | | | | |
| | 21B | X01A, X01B, X01C | 21B | | X01A, X01B, X01C | 21B | X06A, X06B, X06C | | | | |
| | 22 | Y01Z, Y02A, Y02B, Y02C | 22 | | Y01Z, Y03A, Y03B | 22 | Y01Z, Y03A, Y03B | | | | |
| | 5v556.9↔ | | BOP, KJZSV, KVT, UOP4 | | 5v556.f↔ | | BOP, KJZSV, KVT, UOP4 | | 5v557.3↔ | | BOP, KJZSV, KVT, UOP4 |
| | | 05 | F13A | | | 05 | F13A | | | 02 | C01A, C01B, C16Z, C20A, C20B, C20J, C20Q, C20R |
| | | 08 | I32A, I32B, I32C, I32D, I32E, I32F, I32J, I32Q, I32R, I32S, I32T, I32U | | | 08 | I02A, I02B, I02C, I02D, I22A, I22B, I50Z | | | 05 | F13A |
| 09 | | J02A, J02B, J02C, J04A, J04B, J08A, J08B, J08C, J16Z, J21Z, J22A, J22B, J22J | 09 | J02A, J02B, J02C, J04A, J04B, J08A, J08B, J08C, J16Z, J21Z, J22A, J22B, J22J | | 08 | I17Z | | | | |
| 21A | | W04A, W04B | 21A | W04A, W04B | | 09 | J03A, J03B, J04A, J04B, J08A, J08B, J08C, J10A, J10B, J10J, J16Z, J21Z, J22A, J22B, J22J | | | | |
| 21B | | X01A, X01B, X01C | 21B | X01A, X01B, X01C | | 10 | K09A, K09B | | | | |
| 22 | | Y01Z, Y02A, Y02B, Y02C | 22 | Y01Z, Y02A, Y02B, Y02C | | 21A | W04A, W04B | | | | |
| 5v556.9↔ | | | BOP, KJZSV, KVT, UOP4 | 5v556.g↔ | | | BOP, KJZSV, KVT, UOP4 | 5v557.4‡ | | | KJZSV |
| | | 05 | F13A | | | 05 | F13A | | | 09 | J11A, J11B, J11J, J11Q, J11R, J11S |
| | | 08 | I32A, I32B, I32C, I32D, I32E, I32F, I32J, I32Q, I32R, I32S, I32T, I32U | | | 08 | I02A, I02B, I02C, I02D, I22A, I22B, I50Z | | | 22 | Y01Z, Y02A, Y02B, Y02C |
| | 09 | J02A, J02B, J02C, J04A, J04B, J08A, J08B, J08C, J16Z, J21Z, J22A, J22B, J22J | 09 | | J02A, J02B, J02C, J04A, J04B, J08A, J08B, J08C, J16Z, J21Z, J22A, J22B, J22J | 22 | Y01Z, Y02A, Y02B, Y02C | | | | |
| | 21A | W04A, W04B | 21A | | W04A, W04B | 22 | Y01Z, Y03A, Y03B | | | | |
| | 21B | X01A, X01B, X01C | 21B | | X01A, X01B, X01C | | KJZSV | | | | |
| | 22 | Y01Z, Y02A, Y02B, Y02C | 22 | | Y01Z, Y02A, Y02B, Y02C | 09 | J11A, J11B, J11J, J11Q, J11R, J11S | | | | |
| | 5v556.9↔ | | BOP, KJZSV, KVT, UOP4 | | 5v556.h↔ | | BOP, KJZSV, KVT, UOP4 | | 5v557.5‡ | | KJZSV |
| | | 05 | F13A | | | 05 | F13A | | | 09 | J11A, J11B, J11J, J11Q, J11R, J11S |
| | | 08 | I32A, I32B, I32C, I32D, I32E, I32F, I32J, I32Q, I32R, I32S, I32T, I32U | | | 08 | I02A, I02B, I02C, I02D, I22A, I22B, I50Z | | | 22 | Y01Z, Y02A, Y02B, Y02C |
| 09 | | J02A, J02B, J02C, J04A, J04B, J08A, J08B, J08C, J16Z, J21Z, J22A, J22B, J22J | 09 | J02A, J02B, J02C, J04A, J04B, J08A, J08B, J08C, J16Z, J21Z, J22A, J22B, J22J | | 22 | Y01Z, Y02A, Y02B, Y02C | | | | |
| 21A | | W04A, W04B | 21A | W04A, W04B | | | KJZSV | | | | |
| 21B | | X01A, X01B, X01C | 21B | X01A, X01B, X01C | | 09 | J11A, J11B, J11J, J11Q, J11R, J11S | | | | |
| 22 | | Y01Z, Y02A, Y02B, Y02C | 22 | Y01Z, Y02A, Y02B, Y02C | | 22 | Y01Z, Y02A, Y02B, Y02C | | | | |

| ZZV | MDC | DRG | ZZV | MDC | DRG | ZZV | MDC | DRG |
|-----------|-----|--|-----------|-----|--|-----------|-----|--|
| 5v557.6†↔ | | KJZSV | 5v558.2↔ | | BOP, KJZSV, KVT, UOP4 | 5v558.ft↔ | | KJZSV |
| 09 | | J11A, J11B, J11J, J11Q, J11R, J11S | 03 | | D09Z, D30A, D30J, D30Q | 09 | | J11A, J11B, J11J, J11Q, J11R, J11S |
| 22 | | Y01Z, Y02A, Y02B, Y02C | 05 | | F13A | 22 | | Y01Z, Y02A, Y02B, Y02C |
| 5v557.7†↔ | | KJZSV | 09 | | J03A, J03B, J04A, J04B, J08A, J08B, J08C, J10A, J10B, J10J, J16Z, J21Z, J22A, J22B, J22J | 5v558.g†↔ | | KJZSV |
| 09 | | J11A, J11B, J11J, J11Q, J11R, J11S | 21A | | W04A, W04B | 09 | | J11A, J11B, J11J, J11Q, J11R, J11S |
| 22 | | Y01Z, Y02A, Y02B, Y02C | 21B | | X06A, X06B, X06C | 22 | | Y01Z, Y02A, Y02B, Y02C |
| 5v557.8†↔ | | KJZSV | 22 | | Y01Z, Y02A, Y03A, Y03B | 5v558.x† | | KJZSV |
| 09 | | J11A, J11B, J11J, J11Q, J11R, J11S | 5v558.3↔ | | BOP, KJZSV, KVT, UOP4 | 09 | | J11A, J11B, J11J, J11Q, J11R, J11S |
| 22 | | Y01Z, Y02A, Y02B, Y02C | 02 | | C01A, C01B, C16Z, C20A, C20B, C20J, C20Q, C20R | 22 | | Y01Z, Y02A, Y02B, Y02C |
| 5v557.9†↔ | | KJZSV | 05 | | F13A | 5v559.0† | | KJZSV |
| 09 | | J11A, J11B, J11J, J11Q, J11R, J11S | 08 | | I17Z | 09 | | J11A, J11B, J11J, J11Q, J11R, J11S |
| 22 | | Y01Z, Y02A, Y02B, Y02C | 09 | | J03A, J03B, J04A, J04B, J08A, J08B, J08C, J10A, J10B, J10J, J16Z, J21Z, J22A, J22B, J22J | 22 | | Y01Z, Y02A, Y03A, Y03B |
| 5v557.a† | | KJZSV | 10 | | K09A, K09B | 5v559.1 | | BOP, KJZSV, KVT, UOP4 |
| 09 | | J11A, J11B, J11J, J11Q, J11R, J11S | 21A | | W04A, W04B | 03 | | D09Z, D30A, D30J, D30Q |
| 22 | | Y01Z, Y02A, Y02B, Y02C | 21B | | X06A, X06B, X06C | 05 | | F13A |
| 5v557.b† | | KJZSV | 22 | | Y01Z, Y02A, Y03A, Y03B | 08 | | I28A, I28B, I28J |
| 09 | | J11A, J11B, J11J, J11Q, J11R, J11S | 5v558.4† | | KJZSV | 09 | | J03A, J03B, J04A, J04B, J08A, J08B, J08C, J10A, J10B, J10J, J16Z, J21Z, J22A, J22B, J22J |
| 22 | | Y01Z, Y02A, Y02B, Y02C | 09 | | J11A, J11B, J11J, J11Q, J11R, J11S | 21A | | W04A, W04B |
| 5v557.c† | | KJZSV | 22 | | Y01Z, Y02A, Y02B, Y02C | 21B | | X06A, X06B, X06C |
| 09 | | J11A, J11B, J11J, J11Q, J11R, J11S | 5v558.5† | | KJZSV | 22 | | Y01Z, Y02A, Y03A, Y03B |
| 22 | | Y01Z, Y03A, Y03B | 09 | | J11A, J11B, J11J, J11Q, J11R, J11S | 5v559.2↔ | | BOP, KJZSV, KVT, UOP4 |
| 5v557.d† | | KJZSV | 22 | | Y01Z, Y02A, Y02B, Y02C | 03 | | D09Z, D30A, D30J, D30Q |
| 09 | | J11A, J11B, J11J, J11Q, J11R, J11S | 5v558.6†↔ | | KJZSV | 05 | | F13A |
| 22 | | Y01Z, Y02A, Y02B, Y02C | 09 | | J11A, J11B, J11J, J11Q, J11R, J11S | 09 | | J03A, J03B, J04A, J04B, J08A, J08B, J08C, J10A, J10B, J10J, J16Z, J21Z, J22A, J22B, J22J |
| 5v557.e†↔ | | KJZSV | 22 | | Y01Z, Y02A, Y02B, Y02C | 21A | | W04A, W04B |
| 09 | | J11A, J11B, J11J, J11Q, J11R, J11S | 5v558.7†↔ | | KJZSV | 21B | | X06A, X06B, X06C |
| 22 | | Y01Z, Y02A, Y02B, Y02C | 09 | | J11A, J11B, J11J, J11Q, J11R, J11S | 22 | | Y01Z, Y02A, Y03A, Y03B |
| 5v557.ft↔ | | KJZSV | 22 | | Y01Z, Y02A, Y02B, Y02C | 5v559.3↔ | | BOP, KJZSV, KVT, UOP4 |
| 09 | | J11A, J11B, J11J, J11Q, J11R, J11S | 5v558.8†↔ | | KJZSV | 02 | | C01A, C01B, C16Z, C20A, C20B, C20J, C20Q, C20R |
| 22 | | Y01Z, Y02A, Y02B, Y02C | 09 | | J11A, J11B, J11J, J11Q, J11R, J11S | 05 | | F13A |
| 5v557.g†↔ | | KJZSV | 22 | | Y01Z, Y02A, Y02B, Y02C | 08 | | I17Z |
| 09 | | J11A, J11B, J11J, J11Q, J11R, J11S | 5v558.9†↔ | | KJZSV | 09 | | J03A, J03B, J04A, J04B, J08A, J08B, J08C, J10A, J10B, J10J, J16Z, J21Z, J22A, J22B, J22J |
| 22 | | Y01Z, Y02A, Y02B, Y02C | 09 | | J11A, J11B, J11J, J11Q, J11R, J11S | 10 | | K09A, K09B |
| 5v557.x† | | KJZSV | 22 | | Y01Z, Y02A, Y02B, Y02C | 21A | | W04A, W04B |
| 09 | | J11A, J11B, J11J, J11Q, J11R, J11S | 5v558.a† | | KJZSV | 21B | | X06A, X06B, X06C |
| 22 | | Y01Z, Y02A, Y02B, Y02C | 09 | | J11A, J11B, J11J, J11Q, J11R, J11S | 22 | | Y01Z, Y02A, Y03A, Y03B |
| 5v558.0† | | KJZSV | 22 | | Y01Z, Y02A, Y02B, Y02C | 5v559.4† | | KJZSV |
| 09 | | J11A, J11B, J11J, J11Q, J11R, J11S | 5v558.b† | | KJZSV | 09 | | J11A, J11B, J11J, J11Q, J11R, J11S |
| 22 | | Y01Z, Y02A, Y03A, Y03B | 09 | | J11A, J11B, J11J, J11Q, J11R, J11S | 22 | | Y01Z, Y02A, Y02B, Y02C |
| 5v558.1 | | BOP, KJZSV, KVT, UOP4 | 22 | | Y01Z, Y02A, Y02B, Y02C | 5v559.5† | | KJZSV |
| 03 | | D09Z, D30A, D30J, D30Q | 5v558.c† | | KJZSV | 09 | | J11A, J11B, J11J, J11Q, J11R, J11S |
| 05 | | F13A | 09 | | J11A, J11B, J11J, J11Q, J11R, J11S | 22 | | Y01Z, Y02A, Y02B, Y02C |
| 08 | | I28A, I28B, I28J | 22 | | Y01Z, Y02A, Y03A, Y03B | 5v559.6†↔ | | KJZSV |
| 09 | | J03A, J03B, J04A, J04B, J08A, J08B, J08C, J10A, J10B, J10J, J16Z, J21Z, J22A, J22B, J22J | 5v558.d† | | KJZSV | 09 | | J11A, J11B, J11J, J11Q, J11R, J11S |
| 21A | | W04A, W04B | 09 | | J11A, J11B, J11J, J11Q, J11R, J11S | 22 | | Y01Z, Y02A, Y02B, Y02C |
| 21B | | X06A, X06B, X06C | 22 | | Y01Z, Y02A, Y02B, Y02C | 5v559.7†↔ | | KJZSV |
| 22 | | Y01Z, Y02A, Y03A, Y03B | 5v558.e†↔ | | KJZSV | 09 | | J11A, J11B, J11J, J11Q, J11R, J11S |
| | | | 09 | | J11A, J11B, J11J, J11Q, J11R, J11S | 22 | | Y01Z, Y02A, Y02B, Y02C |
| | | | 22 | | Y01Z, Y02A, Y02B, Y02C | 5v559.8†↔ | | KJZSV |
| | | | | | | 09 | | J11A, J11B, J11J, J11Q, J11R, J11S |
| | | | | | | 22 | | Y01Z, Y02A, Y02B, Y02C |

VYK

| ZZV | MDC | DRG | ZZV | MDC | DRG | ZZV | MDC | DRG |
|-----------|-----|--|-----------|----------|--|-----------|-----------|--|
| 5v559.9†↔ | | KJZSV | 5v55a.3↔ | | BOP, KJZSV, KVT, UOP4 | 5v55b.0† | | KJZSV |
| | 09 | J11A, J11B, J11J, J11Q, J11R, J11S | | 02 | C01A, C01B, C16Z, C20A, C20B, C20J, C20Q, C20R | | 09 | J11A, J11B, J11J, J11Q, J11R, J11S |
| | 22 | Y01Z, Y02A, Y02B, Y02C | | 05 | F13A | | 22 | Y01Z, Y03A, Y03B |
| 5v559.a† | | KJZSV | | 08 | I17Z | 5v55b.1 | | BOP, KJZSV, KVT, UOP4 |
| | 09 | J11A, J11B, J11J, J11Q, J11R, J11S | | 09 | J03A, J03B, J04A, J04B, J08A, J08B, J08C, J10A, J10B, J10J, J16Z, J21Z, J22A, J22B, J22J | | 03 | D09Z, D30A, D30J, D30Q |
| | 22 | Y01Z, Y02A, Y02B, Y02C | | 10 | K09A, K09B | | 05 | F13A |
| 5v559.b† | | KJZSV | | 21A | W04A, W04B | | 08 | I28A, I28B, I28J |
| | 09 | J11A, J11B, J11J, J11Q, J11R, J11S | | 21B | X06A, X06B, X06C | | 09 | J03A, J03B, J04A, J04B, J08A, J08B, J08C, J10A, J10B, J10J, J16Z, J21Z, J22A, J22B, J22J |
| | 22 | Y01Z, Y02A, Y02B, Y02C | | 22 | Y01Z, Y03A, Y03B | | 21A | W04A, W04B |
| 5v559.c† | | KJZSV | 5v55a.4† | | KJZSV | | 21B | X06A, X06B, X06C |
| | 09 | J11A, J11B, J11J, J11Q, J11R, J11S | | 09 | J11A, J11B, J11J, J11Q, J11R, J11S | | 22 | Y01Z, Y02A, Y02B, Y03A, Y03B |
| | 22 | Y01Z, Y02A, Y03A, Y03B | | 22 | Y01Z, Y02A, Y02B, Y02C | 5v55b.2↔ | | BOP, KJZSV, KVT, UOP4 |
| 5v559.d† | | KJZSV | | 5v55a.5† | KJZSV | | 03 | D09Z, D30A, D30J, D30Q |
| | 09 | J11A, J11B, J11J, J11Q, J11R, J11S | | 09 | J11A, J11B, J11J, J11Q, J11R, J11S | | 05 | F13A |
| | 22 | Y01Z, Y02A, Y02B, Y02C | | 22 | Y01Z, Y02A, Y02B, Y02C | | 09 | J03A, J03B, J04A, J04B, J08A, J08B, J08C, J10A, J10B, J10J, J16Z, J21Z, J22A, J22B, J22J |
| 5v559.e†↔ | | KJZSV | 5v55a.6†↔ | | KJZSV | | 21A | W04A, W04B |
| | 09 | J11A, J11B, J11J, J11Q, J11R, J11S | | 09 | J11A, J11B, J11J, J11Q, J11R, J11S | | 21B | X06A, X06B, X06C |
| | 22 | Y01Z, Y02A, Y02B, Y02C | | 22 | Y01Z, Y02A, Y02B, Y02C | | 22 | Y01Z, Y03A, Y03B |
| 5v559.f†↔ | | KJZSV | 5v55a.7†↔ | | KJZSV | 5v55b.3↔ | | BOP, KJZSV, KVT, UOP4 |
| | 09 | J11A, J11B, J11J, J11Q, J11R, J11S | | 09 | J11A, J11B, J11J, J11Q, J11R, J11S | | 02 | C01A, C01B, C16Z, C20A, C20B, C20J, C20Q, C20R |
| | 22 | Y01Z, Y02A, Y02B, Y02C | | 22 | Y01Z, Y02A, Y02B, Y02C | | 05 | F13A |
| 5v559.g†↔ | | KJZSV | 5v55a.8†↔ | | KJZSV | | 08 | I17Z |
| | 09 | J11A, J11B, J11J, J11Q, J11R, J11S | | 09 | J11A, J11B, J11J, J11Q, J11R, J11S | | 09 | J03A, J03B, J04A, J04B, J08A, J08B, J08C, J10A, J10B, J10J, J16Z, J21Z, J22A, J22B, J22J |
| | 22 | Y01Z, Y02A, Y02B, Y02C | | 22 | Y01Z, Y02A, Y02B, Y02C | | 10 | K09A, K09B |
| 5v559.x† | | KJZSV | 5v55a.9†↔ | | KJZSV | | 21A | W04A, W04B |
| | 09 | J11A, J11B, J11J, J11Q, J11R, J11S | | 09 | J11A, J11B, J11J, J11Q, J11R, J11S | | 21B | X06A, X06B, X06C |
| | 22 | Y01Z, Y02A, Y02B, Y02C | | 22 | Y01Z, Y02A, Y02B, Y02C | | 22 | Y01Z, Y03A, Y03B |
| 5v55a.0† | | KJZSV | 5v55a.a† | | KJZSV | 5v55b.4† | | KJZSV |
| | 09 | J11A, J11B, J11J, J11Q, J11R, J11S | | 09 | J11A, J11B, J11J, J11Q, J11R, J11S | | 09 | J11A, J11B, J11J, J11Q, J11R, J11S |
| | 22 | Y01Z, Y03A, Y03B | | 22 | Y01Z, Y02A, Y02B, Y02C | | 22 | Y01Z, Y02A, Y02B, Y02C |
| 5v55a.1 | | BOP, KJZSV, KVT, UOP4 | 5v55a.b† | | KJZSV | | 5v55b.5† | KJZSV |
| | 03 | D09Z, D30A, D30J, D30Q | | 09 | J11A, J11B, J11J, J11Q, J11R, J11S | | 09 | J11A, J11B, J11J, J11Q, J11R, J11S |
| | 05 | F13A | | 22 | Y01Z, Y02A, Y02B, Y02C | | 22 | Y01Z, Y02A, Y02B, Y02C |
| | 08 | I28A, I28B, I28J | 5v55a.c† | | KJZSV | | 5v55b.6†↔ | KJZSV |
| | 09 | J03A, J03B, J04A, J04B, J08A, J08B, J08C, J10A, J10B, J10J, J16Z, J21Z, J22A, J22B, J22J | | 09 | J11A, J11B, J11J, J11Q, J11R, J11S | | 09 | J11A, J11B, J11J, J11Q, J11R, J11S |
| | 21A | W04A, W04B | | 22 | Y01Z, Y03A, Y03B | | 22 | Y01Z, Y02A, Y02B, Y02C |
| | 21B | X06A, X06B, X06C | 5v55a.d† | | KJZSV | 5v55b.7†↔ | | KJZSV |
| | 22 | Y01Z, Y02A, Y02B, Y03A, Y03B | | 09 | J11A, J11B, J11J, J11Q, J11R, J11S | | 09 | J11A, J11B, J11J, J11Q, J11R, J11S |
| 5v55a.2↔ | | BOP, KJZSV, KVT, UOP4 | 5v55a.e†↔ | | KJZSV | | 22 | Y01Z, Y02A, Y02B, Y02C |
| | 03 | D09Z, D30A, D30J, D30Q | | 09 | J11A, J11B, J11J, J11Q, J11R, J11S | | 5v55b.8†↔ | KJZSV |
| | 05 | F13A | | 22 | Y01Z, Y02A, Y02B, Y02C | | 09 | J11A, J11B, J11J, J11Q, J11R, J11S |
| | 09 | J03A, J03B, J04A, J04B, J08A, J08B, J08C, J10A, J10B, J10J, J16Z, J21Z, J22A, J22B, J22J | 5v55a.f†↔ | | KJZSV | | 22 | Y01Z, Y02A, Y02B, Y02C |
| | 21A | W04A, W04B | | 09 | J11A, J11B, J11J, J11Q, J11R, J11S | | 5v55b.9†↔ | KJZSV |
| | 21B | X06A, X06B, X06C | 5v55a.g†↔ | | KJZSV | | 09 | J11A, J11B, J11J, J11Q, J11R, J11S |
| | 22 | Y01Z, Y03A, Y03B | | 09 | J11A, J11B, J11J, J11Q, J11R, J11S | | 22 | Y01Z, Y02A, Y02B, Y02C |
| | | | 5v55a.x† | | KJZSV | 5v55b.a† | | KJZSV |
| | | | | 09 | J11A, J11B, J11J, J11Q, J11R, J11S | | 09 | J11A, J11B, J11J, J11Q, J11R, J11S |
| | | | | 22 | Y01Z, Y02A, Y02B, Y02C | | 22 | Y01Z, Y02A, Y02B, Y02C |

| ZZV | MDC | DRG | ZZV | MDC | DRG | ZZV | MDC | DRG | |
|-----------|-----|--|-----------|-----------|------------------------------------|---------|----------|--|------------------------------------|
| 5v55b.b† | | KJZSV | 5v55c.4† | | KJZSV | 5v55d.1 | | BOP, KJZSV, KVT, UOP4 | |
| | 09 | J11A, J11B, J11J, J11Q, J11R, J11S | | 09 | J11A, J11B, J11J, J11Q, J11R, J11S | | 03 | D09Z, D30A, D30J, D30Q | |
| | 22 | Y01Z, Y02A, Y02B, Y02C | | 22 | Y01Z, Y02A, Y02B, Y02C | | 05 | F13A | |
| 5v55b.c† | | KJZSV | 5v55c.5† | | KJZSV | | 08 | I28A, I28B, I28J | |
| | 09 | J11A, J11B, J11J, J11Q, J11R, J11S | | 09 | J11A, J11B, J11J, J11Q, J11R, J11S | | 09 | J03A, J03B, J04A, J04B, J08A, J08B, J08C, J10A, J10B, J10J, J16Z, J21Z, J22A, J22B, J22J | |
| | 22 | Y01Z, Y03A, Y03B | | 22 | Y01Z, Y02A, Y02B, Y02C | | 21A | W04A, W04B | |
| 5v55b.d† | | KJZSV | 5v55c.6†↔ | | KJZSV | | 21B | X06A, X06B, X06C | |
| | 09 | J11A, J11B, J11J, J11Q, J11R, J11S | | 09 | J11A, J11B, J11J, J11Q, J11R, J11S | | 22 | Y01Z, Y02A, Y02B, Y03A, Y03B | |
| | 22 | Y01Z, Y02A, Y02B, Y02C | | 22 | Y01Z, Y02A, Y02B, Y02C | | 5v55d.2↔ | BOP, KJZSV, KVT, UOP4 | |
| 5v55b.e†↔ | | KJZSV | 5v55c.7†↔ | | KJZSV | | 03 | D09Z, D30A, D30J, D30Q | |
| | 09 | J11A, J11B, J11J, J11Q, J11R, J11S | | 09 | J11A, J11B, J11J, J11Q, J11R, J11S | | 05 | F13A | |
| | 22 | Y01Z, Y02A, Y02B, Y02C | | 22 | Y01Z, Y02A, Y02B, Y02C | | 09 | J03A, J03B, J04A, J04B, J08A, J08B, J08C, J10A, J10B, J10J, J16Z, J21Z, J22A, J22B, J22J | |
| 5v55b.f† | | KJZSV | 5v55c.8†↔ | | KJZSV | | 21A | W04A, W04B | |
| | 09 | J11A, J11B, J11J, J11Q, J11R, J11S | | 09 | J11A, J11B, J11J, J11Q, J11R, J11S | | 21B | X06A, X06B, X06C | |
| | 22 | Y01Z, Y02A, Y02B, Y02C | | 22 | Y01Z, Y02A, Y02B, Y02C | | 22 | Y01Z, Y03A, Y03B | |
| 5v55b.g†↔ | | KJZSV | 5v55c.9†↔ | | KJZSV | | 5v55d.3↔ | BOP, KJZSV, KVT, UOP4 | |
| | 09 | J11A, J11B, J11J, J11Q, J11R, J11S | | 09 | J11A, J11B, J11J, J11Q, J11R, J11S | | 02 | C01A, C01B, C16Z, C20A, C20B, C20J, C20Q, C20R | |
| | 22 | Y01Z, Y02A, Y02B, Y02C | | 22 | Y01Z, Y02A, Y02B, Y02C | | 05 | F13A | |
| 5v55b.x† | | KJZSV | 5v55c.a† | | KJZSV | | 08 | I17Z | |
| | 09 | J11A, J11B, J11J, J11Q, J11R, J11S | | 09 | J11A, J11B, J11J, J11Q, J11R, J11S | | 09 | J03A, J03B, J04A, J04B, J08A, J08B, J08C, J10A, J10B, J10J, J16Z, J21Z, J22A, J22B, J22J | |
| | 22 | Y01Z, Y02A, Y02B, Y02C | | 22 | Y01Z, Y02A, Y02B, Y02C | | 10 | K09A, K09B | |
| 5v55c.0† | | KJZSV | 5v55c.b† | | KJZSV | | 21A | W04A, W04B | |
| | 09 | J11A, J11B, J11J, J11Q, J11R, J11S | | 09 | J11A, J11B, J11J, J11Q, J11R, J11S | | 21B | X06A, X06B, X06C | |
| | 22 | Y01Z, Y03A, Y03B | | 22 | Y01Z, Y02A, Y02B, Y02C | | 22 | Y01Z, Y03A, Y03B | |
| 5v55c.1 | | BOP, KJZSV, KVT, UOP4 | 5v55c.c† | | KJZSV | | 5v55d.4† | KJZSV | |
| | 03 | D09Z, D30A, D30J, D30Q | | 09 | J11A, J11B, J11J, J11Q, J11R, J11S | | | 09 | J11A, J11B, J11J, J11Q, J11R, J11S |
| | 05 | F13A | | 22 | Y01Z, Y03A, Y03B | | | 22 | Y01Z, Y02A, Y02B, Y02C |
| | 08 | I28A, I28B, I28J | | 5v55c.d† | KJZSV | | | 5v55d.5† | KJZSV |
| | 09 | J03A, J03B, J04A, J04B, J08A, J08B, J08C, J10A, J10B, J10J, J16Z, J21Z, J22A, J22B, J22J | | | J11A, J11B, J11J, J11Q, J11R, J11S | | | 09 | J11A, J11B, J11J, J11Q, J11R, J11S |
| | 21A | W04A, W04B | | | Y01Z, Y02A, Y02B, Y02C | | | 22 | Y01Z, Y02A, Y02B, Y02C |
| | 21B | X06A, X06B, X06C | | 5v55c.e†↔ | KJZSV | | | 5v55d.6†↔ | KJZSV |
| | 22 | Y01Z, Y02A, Y02B, Y03A, Y03B | | | J11A, J11B, J11J, J11Q, J11R, J11S | | | 09 | J11A, J11B, J11J, J11Q, J11R, J11S |
| 5v55c.2↔ | | BOP, KJZSV, KVT, UOP4 | 5v55c.f†↔ | | KJZSV | | | 22 | Y01Z, Y02A, Y02B, Y02C |
| | 03 | D09Z, D30A, D30J, D30Q | | | J11A, J11B, J11J, J11Q, J11R, J11S | | | 5v55d.7†↔ | KJZSV |
| | 05 | F13A | | | Y01Z, Y02A, Y02B, Y02C | | | 09 | J11A, J11B, J11J, J11Q, J11R, J11S |
| | 09 | J03A, J03B, J04A, J04B, J08A, J08B, J08C, J10A, J10B, J10J, J16Z, J21Z, J22A, J22B, J22J | | 5v55c.g†↔ | KJZSV | | | 22 | Y01Z, Y02A, Y02B, Y02C |
| | 21A | W04A, W04B | | | J11A, J11B, J11J, J11Q, J11R, J11S | | | 5v55d.8†↔ | KJZSV |
| | 21B | X06A, X06B, X06C | | | Y01Z, Y02A, Y02B, Y02C | | | 09 | J11A, J11B, J11J, J11Q, J11R, J11S |
| | 22 | Y01Z, Y03A, Y03B | | 5v55c.x† | KJZSV | | | 22 | Y01Z, Y02A, Y02B, Y02C |
| 5v55c.3↔ | | BOP, KJZSV, KVT, UOP4 | | | J11A, J11B, J11J, J11Q, J11R, J11S | | | 5v55d.9†↔ | KJZSV |
| | 02 | C01A, C01B, C16Z, C20A, C20B, C20J, C20Q, C20R | | | Y01Z, Y02A, Y02B, Y02C | | | 09 | J11A, J11B, J11J, J11Q, J11R, J11S |
| | 05 | F13A | | 5v55d.0† | KJZSV | | | 22 | Y01Z, Y02A, Y02B, Y02C |
| | 08 | I17Z | | | J11A, J11B, J11J, J11Q, J11R, J11S | | | 5v55d.a† | KJZSV |
| | 09 | J03A, J03B, J04A, J04B, J08A, J08B, J08C, J10A, J10B, J10J, J16Z, J21Z, J22A, J22B, J22J | | | Y01Z, Y03A, Y03B | | | 09 | J11A, J11B, J11J, J11Q, J11R, J11S |
| | 10 | K09A, K09B | | | | | | 22 | Y01Z, Y02A, Y02B, Y02C |
| | 21A | W04A, W04B | | | | | | 5v55d.b† | KJZSV |
| | 21B | X06A, X06B, X06C | | | | | | 09 | J11A, J11B, J11J, J11Q, J11R, J11S |
| | 22 | Y01Z, Y03A, Y03B | | | | | | 22 | Y01Z, Y02A, Y02B, Y02C |

| ZZV | MDC | DRG | ZZV | MDC | DRG | ZZV | MDC | DRG |
|----------|-----|--|---------|-----|--|---------|-----|--|
| 5v55d.ct | | KJZSV | 5v560.4 | | BOP, KJZSV, KVT, UOP4 | 5v560.a | | BOP, KJZSV, KVT, UOP4 |
| | 09 | J11A, J11B, J11J, J11Q, J11R, J11S | | 03 | D12A, D12J, D12Q | | 05 | F13A |
| | 22 | Y01Z, Y03A, Y03B | | 05 | F13A | | 08 | I02A, I02B, I02C, I02D, I22A, I22B, I50Z |
| 5v55d.d | | KJZSV | | 08 | I02A, I02B, I02C, I02D, I22A, I22B, I50Z | | 09 | J02A, J02B, J02C, J04A, J04B, J08A, J08B, J08C, J16Z, J21Z, J22A, J22B, J22J |
| | 09 | J11A, J11B, J11J, J11Q, J11R, J11S | | 09 | J02A, J02B, J02C, J04A, J04B, J08A, J08B, J08C, J16Z, J21Z, J22A, J22B, J22J | | 21A | W04A, W04B |
| | 22 | Y01Z, Y02A, Y02B, Y02C | | 21A | W04A, W04B | | 21B | X01A, X01B, X01C |
| 5v55d.e | | KJZSV | | 21B | X01A, X01B, X01C | | 22 | Y01Z, Y02A, Y02B, Y02C |
| | 09 | J11A, J11B, J11J, J11Q, J11R, J11S | | 22 | Y01Z, Y02A, Y02B, Y02C | 5v560.b | | BOP, KJZSV, KVT, UOP4 |
| | 22 | Y01Z, Y02A, Y02B, Y02C | | 22 | Y01Z, Y02A, Y02B, Y02C | | 05 | F13A |
| 5v55d.f | | KJZSV | 5v560.5 | | BOP, KJZSV, KVT, UOP4 | | 08 | I02A, I02B, I02C, I02D, I22A, I22B, I50Z |
| | 09 | J11A, J11B, J11J, J11Q, J11R, J11S | | 03 | D12A, D12J, D12Q | | 09 | J02A, J02B, J02C, J04A, J04B, J08A, J08B, J08C, J16Z, J21Z, J22A, J22B, J22J |
| | 22 | Y01Z, Y02A, Y02B, Y02C | | 05 | F13A | | 21A | W04A, W04B |
| 5v55d.g | | KJZSV | | 08 | I02A, I02B, I02C, I02D, I22A, I22B, I50Z | | 21B | X01A, X01B, X01C |
| | 09 | J11A, J11B, J11J, J11Q, J11R, J11S | | 09 | J02A, J02B, J02C, J04A, J04B, J08A, J08B, J08C, J16Z, J21Z, J22A, J22B, J22J | | 22 | Y01Z, Y02A, Y02B, Y02C |
| | 22 | Y01Z, Y02A, Y02B, Y02C | | 21A | W04A, W04B | 5v560.c | | BOP, KJZSV, KVT, UOP4 |
| 5v55d.x | | KJZSV | | 21B | X01A, X01B, X01C | | 05 | F13A |
| | 09 | J11A, J11B, J11J, J11Q, J11R, J11S | | 22 | Y01Z, Y02A, Y02B, Y02C | | 08 | I02A, I02B, I02C, I02D, I22A, I22B, I50Z |
| | 22 | Y01Z, Y02A, Y02B, Y02C | | 22 | Y01Z, Y02A, Y02B, Y02C | | 09 | J02A, J02B, J02C, J04A, J04B, J08A, J08B, J08C, J16Z, J21Z, J22A, J22B, J22J |
| 5v560.0 | | BOP, KJZSV, KVT, UOP4 | 5v560.6 | | BOP, KJZSV, KVT, UOP4 | | 21A | W04A, W04B |
| | 03 | D18Z, D25A, D25B, D25C, D25D, D25J | | 05 | F13A | | 21B | X01A, X01B, X01C |
| | 05 | F13A | | 08 | I02A, I02B, I02C, I02D, I22A, I22B, I50Z | | 22 | Y01Z, Y02A, Y02B, Y02C |
| | 09 | J03A, J03B, J04A, J04B, J08A, J08B, J08C, J11A, J11B, J11J, J11Q, J11R, J11S, J16Z, J21Z, J22A, J22B, J22J | | 09 | J02A, J02B, J02C, J04A, J04B, J08A, J08B, J08C, J16Z, J21Z, J22A, J22B, J22J | | 05 | F13A |
| | 21A | W04A, W04B | | 21A | W04A, W04B | | 08 | I02A, I02B, I02C, I02D, I22A, I22B, I50Z |
| | 21B | X06A, X06B, X06C | | 21B | X01A, X01B, X01C | 5v560.d | | BOP, KJZSV, KVT, UOP4 |
| | 22 | Y01Z, Y03A, Y03B | | 22 | Y01Z, Y02A, Y02B, Y02C | | 05 | F13A |
| 5v560.1 | | BOP, KJZSV, KVT, UOP4 | 5v560.7 | | BOP, KJZSV, KVT, UOP4 | | 08 | I02A, I02B, I02C, I02D, I22A, I22B, I50Z |
| | 03 | D12A, D12J, D12Q | | 05 | F13A | | 09 | J02A, J02B, J02C, J04A, J04B, J08A, J08B, J08C, J16Z, J21Z, J22A, J22B, J22J |
| | 05 | F13A | | 08 | I02A, I02B, I02C, I02D, I22A, I22B, I50Z | | 21A | W04A, W04B |
| | 09 | J02A, J02B, J02C, J04A, J04B, J08A, J08B, J08C, J16Z, J21Z, J22A, J22B, J22J | | 09 | J02A, J02B, J02C, J04A, J04B, J08A, J08B, J08C, J16Z, J21Z, J22A, J22B, J22J | | 21B | X01A, X01B, X01C |
| | 21A | W04A, W04B | | 21A | W04A, W04B | | 22 | Y01Z, Y02A, Y02B, Y02C |
| | 21B | X01A, X01B, X01C | | 21B | X01A, X01B, X01C | 5v560.e | | BOP, KJZSV, KVT, UOP4 |
| | 22 | Y01Z, Y02A, Y02B, Y03A, Y03B | | 22 | Y01Z, Y02A, Y02B, Y02C | | 05 | F13A |
| 5v560.2 | | BOP, KJZSV, KVT, UOP4 | 5v560.8 | | BOP, KJZSV, KVT, UOP4 | | 09 | J02A, J02B, J02C, J04A, J04B, J08A, J08B, J08C, J16Z, J21Z, J22A, J22B, J22J |
| | 03 | D12A, D12J, D12Q | | 05 | F13A | | 21A | W04A, W04B |
| | 05 | F13A | | 08 | I02A, I02B, I02C, I02D, I22A, I22B, I32A, I32B, I32C, I32D, I32E, I32F, I32J, I32Q, I32R, I32S, I32T, I32U, I50Z | | 21B | X01A, X01B, X01C |
| | 09 | J02A, J02B, J02C, J04A, J04B, J08A, J08B, J08C, J16Z, J21Z, J22A, J22B, J22J | | 09 | J02A, J02B, J02C, J04A, J04B, J08A, J08B, J08C, J16Z, J21Z, J22A, J22B, J22J | | 22 | Y01Z, Y02A, Y02B, Y02C |
| | 21A | W04A, W04B | | 21A | W04A, W04B | 5v560.f | | BOP, KJZSV, KVT, UOP4 |
| | 21B | X01A, X01B, X01C | | 21B | X01A, X01B, X01C | | 05 | F13A |
| | 22 | Y01Z, Y03A, Y03B | | 22 | Y01Z, Y02A, Y02B, Y02C | | 08 | I02A, I02B, I02C, I02D, I22A, I22B, I50Z |
| 5v560.3 | | BOP, KJZSV, KVT, UOP4 | 5v560.9 | | BOP, KJZSV, KVT, UOP4 | | 09 | J02A, J02B, J02C, J04A, J04B, J08A, J08B, J08C, J16Z, J21Z, J22A, J22B, J22J |
| | 02 | C01A, C01B, C16Z, C20A, C20B, C20J, C20Q, C20R | | 05 | F13A | | 21A | W04A, W04B |
| | 05 | F13A | | 08 | I32A, I32B, I32C, I32D, I32E, I32F, I32J, I32Q, I32R, I32S, I32T, I32U | | 21B | X01A, X01B, X01C |
| | 08 | I17Z | | 08 | I32A, I32B, I32C, I32D, I32E, I32F, I32J, I32Q, I32R, I32S, I32T, I32U | | 22 | Y01Z, Y02A, Y02B, Y02C |
| | 09 | J03A, J03B, J04A, J04B, J08A, J08B, J08C, J10A, J10B, J10J, J16Z, J21Z, J22A, J22B, J22J | | 09 | J02A, J02B, J02C, J04A, J04B, J08A, J08B, J08C, J16Z, J21Z, J22A, J22B, J22J | | | |
| | 10 | K09A, K09B | | 21A | W04A, W04B | | | |
| | 21A | W04A, W04B | | 21B | X01A, X01B, X01C | | | |
| | 21B | X06A, X06B, X06C | | 22 | Y01Z, Y02A, Y02B, Y02C | | | |
| | 22 | Y01Z, Y03A, Y03B | | 22 | Y01Z, Y02A, Y02B, Y02C | | | |

| ZZV | MDC | DRG | ZZV | MDC | DRG | ZZV | MDC | DRG | | | |
|----------|----------|--|--|--|--|---------|--|--|----------|----|--|
| 5v560.g↔ | | BOP, KJZSV, KVT, UOP4 | 5v561.4 | | BOP, KJZSV, KVT, UOP4 | 5v561.a | | BOP, KJZSV, KVT, UOP4 | | | |
| | 05 | F13A | | 03 | D12A, D12J, D12Q | | 05 | F13A | | | |
| | 08 | I02A, I02B, I02C, I02D, I22A, I22B, I50Z | | 05 | F13A | | 08 | I02A, I02B, I02C, I02D, I22A, I22B, I50Z | | | |
| | 09 | J02A, J02B, J02C, J04A, J04B, J08A, J08B, J08C, J16Z, J21Z, J22A, J22B, J22J | | 08 | I02A, I02B, I02C, I02D, I22A, I22B, I50Z | | 09 | J02A, J02B, J02C, J04A, J04B, J08A, J08B, J08C, J16Z, J21Z, J22A, J22B, J22J | | | |
| | 21A | W04A, W04B | | 09 | J02A, J02B, J02C, J04A, J04B, J08A, J08B, J08C, J16Z, J21Z, J22A, J22B, J22J | | 21A | W04A, W04B | | | |
| | 21B | X01A, X01B, X01C | | 21A | W04A, W04B | | 21B | X01A, X01B, X01C | | | |
| | 22 | Y01Z, Y02A, Y02B, Y02C | | 21B | X01A, X01B, X01C | | 22 | Y01Z, Y02A, Y02B, Y02C | | | |
| | 5v560.x↔ | | | BOP, KJZSV, KVT, UOP4 | 5v561.5 | | | BOP, KJZSV, KVT, UOP4 | 5v561.b | | BOP, KJZSV, KVT, UOP4 |
| | | 05 | | F13A | | | 03 | D12A, D12J, D12Q | | 05 | F13A |
| | | 08 | | I02A, I02B, I02C, I02D, I22A, I22B, I32A, I32B, I32C, I32D, I32E, I32F, I32J, I32Q, I32R, I32S, I32T, I32U, I50Z | | | 05 | F13A | | 08 | I02A, I02B, I02C, I02D, I22A, I22B, I50Z |
| 09 | | J02A, J02B, J02C, J04A, J04B, J08A, J08B, J08C, J16Z, J21Z, J22A, J22B, J22J | 08 | I02A, I02B, I02C, I02D, I22A, I22B, I50Z | | 09 | J02A, J02B, J02C, J04A, J04B, J08A, J08B, J08C, J16Z, J21Z, J22A, J22B, J22J | | | | |
| 21A | | W04A, W04B | 09 | J02A, J02B, J02C, J04A, J04B, J08A, J08B, J08C, J16Z, J21Z, J22A, J22B, J22J | | 21A | W04A, W04B | | | | |
| 21B | | X01A, X01B, X01C | 21A | W04A, W04B | | 21B | X01A, X01B, X01C | | | | |
| 22 | | Y01Z, Y02A, Y02B, Y02C | 21B | X01A, X01B, X01C | | 22 | Y01Z, Y02A, Y02B, Y02C | | | | |
| 5v561.0 | | | BOP, KJZSV, KVT, UOP4 | 5v561.6↔ | | | BOP, KJZSV, KVT, UOP4 | 5v561.c | | | BOP, KJZSV, KVT, UOP4 |
| | | 03 | D18Z, D25A, D25B, D25C, D25D, D25J | | | 05 | F13A | | | 05 | F13A |
| | | 05 | F13A | | | 08 | I02A, I02B, I02C, I02D, I22A, I22B, I50Z | | | 08 | I02A, I02B, I02C, I02D, I22A, I22B, I50Z |
| | 09 | J03A, J03B, J04A, J04B, J08A, J08B, J08C, J11A, J11B, J11J, J11Q, J11R, J11S, J16Z, J21Z, J22A, J22B, J22J | 09 | | J02A, I02B, I02C, I02D, I22A, I22B, I50Z | 09 | J02A, J02B, J02C, J04A, J04B, J08A, J08B, J08C, J16Z, J21Z, J22A, J22B, J22J | | | | |
| | 21A | W04A, W04B | 09 | | J02A, J02B, J02C, J04A, J04B, J08A, J08B, J08C, J16Z, J21Z, J22A, J22B, J22J | 21A | W04A, W04B | | | | |
| | 21B | X06A, X06B, X06C | 21A | | W04A, W04B | 21B | X01A, X01B, X01C | | | | |
| | 22 | Y01Z, Y03A, Y03B | 21B | | X01A, X01B, X01C | 22 | Y01Z, Y02A, Y02B, Y02C | | | | |
| | 5v561.1 | | BOP, KJZSV, KVT, UOP4 | | 5v561.7↔ | | BOP, KJZSV, KVT, UOP4 | | 5v561.d | | BOP, KJZSV, KVT, UOP4 |
| | | 03 | D12A, D12J, D12Q | | | 05 | F13A | | | 05 | F13A |
| | | 05 | F13A | | | 08 | I02A, I02B, I02C, I02D, I22A, I22B, I50Z | | | 08 | I02A, I02B, I02C, I02D, I22A, I22B, I50Z |
| 09 | | J02A, J02B, J02C, J04A, J04B, J08A, J08B, J08C, J16Z, J21Z, J22A, J22B, J22J | 08 | I02A, I02B, I02C, I02D, I22A, I22B, I50Z | | 09 | J02A, J02B, J02C, J04A, J04B, J08A, J08B, J08C, J16Z, J21Z, J22A, J22B, J22J | | | | |
| 21A | | W04A, W04B | 09 | J02A, J02B, J02C, J04A, J04B, J08A, J08B, J08C, J16Z, J21Z, J22A, J22B, J22J | | 21A | W04A, W04B | | | | |
| 21B | | X01A, X01B, X01C | 09 | J02A, J02B, J02C, J04A, J04B, J08A, J08B, J08C, J16Z, J21Z, J22A, J22B, J22J | | 21B | X01A, X01B, X01C | | | | |
| 22 | | Y01Z, Y02A, Y02B, Y03A, Y03B | 21A | W04A, W04B | | 22 | Y01Z, Y02A, Y02B, Y02C | | | | |
| 5v561.2↔ | | | BOP, KJZSV, KVT, UOP4 | 5v561.8↔ | | | BOP, KJZSV, KVT, UOP4 | 5v561.e↔ | | | BOP, KJZSV, KVT, UOP4 |
| | | 03 | D12A, D12J, D12Q | | | 05 | F13A | | | 05 | F13A |
| | | 05 | F13A | | | 08 | I02A, I02B, I02C, I02D, I22A, I22B, I32A, I32B, I32C, I32D, I32E, I32F, I32J, I32Q, I32R, I32S, I32T, I32U, I50Z | | | 08 | I02A, I02B, I02C, I02D, I22A, I22B, I50Z |
| | 09 | J02A, J02B, J02C, J04A, J04B, J08A, J08B, J08C, J16Z, J21Z, J22A, J22B, J22J | 08 | | I02A, I02B, I02C, I02D, I22A, I22B, I32A, I32B, I32C, I32D, I32E, I32F, I32J, I32Q, I32R, I32S, I32T, I32U, I50Z | 09 | J02A, J02B, J02C, J04A, J04B, J08A, J08B, J08C, J16Z, J21Z, J22A, J22B, J22J | | | | |
| | 21A | W04A, W04B | 09 | | J02A, J02B, J02C, J04A, J04B, J08A, J08B, J08C, J16Z, J21Z, J22A, J22B, J22J | 21A | W04A, W04B | | | | |
| | 21B | X01A, X01B, X01C | 09 | | J02A, J02B, J02C, J04A, J04B, J08A, J08B, J08C, J16Z, J21Z, J22A, J22B, J22J | 21B | X01A, X01B, X01C | | | | |
| | 22 | Y01Z, Y03A, Y03B | 21A | | W04A, W04B | 22 | Y01Z, Y02A, Y02B, Y02C | | | | |
| | 5v561.3↔ | | BOP, KJZSV, KVT, UOP4 | | 5v561.9↔ | | BOP, KJZSV, KVT, UOP4 | | 5v561.f↔ | | BOP, KJZSV, KVT, UOP4 |
| | | 02 | C01A, C01B, C16Z, C20A, C20B, C20J, C20Q, C20R | | | 05 | F13A | | | 05 | F13A |
| | | 05 | F13A | | | 08 | I32A, I32B, I32C, I32D, I32E, I32F, I32J, I32Q, I32R, I32S, I32T, I32U | | | 08 | I02A, I02B, I02C, I02D, I22A, I22B, I50Z |
| 08 | | I17Z | 08 | I32A, I32B, I32C, I32D, I32E, I32F, I32J, I32Q, I32R, I32S, I32T, I32U | | 09 | J02A, J02B, J02C, J04A, J04B, J08A, J08B, J08C, J16Z, J21Z, J22A, J22B, J22J | | | | |
| 09 | | J03A, J03B, J04A, J04B, J08A, J08B, J08C, J10A, J10B, J10J, J16Z, J21Z, J22A, J22B, J22J | 09 | J02A, J02B, J02C, J04A, J04B, J08A, J08B, J08C, J16Z, J21Z, J22A, J22B, J22J | | 21A | W04A, W04B | | | | |
| 10 | | K09A, K09B | 09 | J02A, J02B, J02C, J04A, J04B, J08A, J08B, J08C, J16Z, J21Z, J22A, J22B, J22J | | 21B | X01A, X01B, X01C | | | | |
| 21A | | W04A, W04B | 21A | W04A, W04B | | 22 | Y01Z, Y02A, Y02B, Y02C | | | | |
| 21B | | X06A, X06B, X06C | 21B | X01A, X01B, X01C | | | | | | | |
| 22 | | Y01Z, Y03A, Y03B | 22 | Y01Z, Y02A, Y02B, Y02C | | | | | | | |

| ZZV | MDC | DRG | ZZV | MDC | DRG | ZZV | MDC | DRG | | | |
|----------|----------|--|--|--|--|---------|--|--|----------|----|--|
| 5v561.g↔ | | BOP, KJZSV, KVT, UOP4 | 5v562.4 | | BOP, KJZSV, KVT, UOP4 | 5v562.a | | BOP, KJZSV, KVT, UOP4 | | | |
| | 05 | F13A | | 03 | D12A, D12J, D12Q | | 05 | F13A | | | |
| | 08 | I02A, I02B, I02C, I02D, I22A, I22B, I50Z | | 05 | F13A | | 08 | I02A, I02B, I02C, I02D, I22A, I22B, I50Z | | | |
| | 09 | J02A, J02B, J02C, J04A, J04B, J08A, J08B, J08C, J16Z, J21Z, J22A, J22B, J22J | | 08 | I02A, I02B, I02C, I02D, I22A, I22B, I50Z | | 09 | J02A, J02B, J02C, J04A, J04B, J08A, J08B, J08C, J16Z, J21Z, J22A, J22B, J22J | | | |
| | 21A | W04A, W04B | | 09 | J02A, J02B, J02C, J04A, J04B, J08A, J08B, J08C, J16Z, J21Z, J22A, J22B, J22J | | 21A | W04A, W04B | | | |
| | 21B | X01A, X01B, X01C | | 21A | W04A, W04B | | 21B | X01A, X01B, X01C | | | |
| | 22 | Y01Z, Y02A, Y02B, Y02C | | 21B | X01A, X01B, X01C | | 22 | Y01Z, Y02A, Y02B, Y02C | | | |
| | 5v561.x↔ | | | BOP, KJZSV, KVT, UOP4 | 5v562.5 | | | BOP, KJZSV, KVT, UOP4 | 5v562.b | | BOP, KJZSV, KVT, UOP4 |
| | | 05 | | F13A | | | 03 | D12A, D12J, D12Q | | 05 | F13A |
| | | 08 | | I02A, I02B, I02C, I02D, I22A, I22B, I32A, I32B, I32C, I32D, I32E, I32F, I32J, I32Q, I32R, I32S, I32T, I32U, I50Z | | | 05 | F13A | | 08 | I02A, I02B, I02C, I02D, I22A, I22B, I50Z |
| 09 | | J02A, J02B, J02C, J04A, J04B, J08A, J08B, J08C, J16Z, J21Z, J22A, J22B, J22J | 08 | I02A, I02B, I02C, I02D, I22A, I22B, I50Z | | 09 | J02A, J02B, J02C, J04A, J04B, J08A, J08B, J08C, J16Z, J21Z, J22A, J22B, J22J | | | | |
| 21A | | W04A, W04B | 09 | J02A, J02B, J02C, J04A, J04B, J08A, J08B, J08C, J16Z, J21Z, J22A, J22B, J22J | | 21A | W04A, W04B | | | | |
| 21B | | X01A, X01B, X01C | 21A | W04A, W04B | | 21B | X01A, X01B, X01C | | | | |
| 22 | | Y01Z, Y02A, Y02B, Y02C | 21B | X01A, X01B, X01C | | 22 | Y01Z, Y02A, Y02B, Y02C | | | | |
| 5v562.0 | | | BOP, KJZSV, KVT, UOP4 | 5v562.6↔ | | | BOP, KJZSV, KVT, UOP4 | 5v562.c | | | BOP, KJZSV, KVT, UOP4 |
| | | 03 | D18Z, D25A, D25B, D25C, D25D, D25J | | | 05 | F13A | | | 05 | F13A |
| | | 05 | F13A | | | 08 | I02A, I02B, I02C, I02D, I22A, I22B, I50Z | | | 08 | I02A, I02B, I02C, I02D, I22A, I22B, I50Z |
| | 09 | J03A, J03B, J04A, J04B, J08A, J08B, J08C, J11A, J11B, J11J, J11Q, J11R, J11S, J16Z, J21Z, J22A, J22B, J22J | 09 | | J02A, J02B, I02C, I02D, I22A, I22B, I50Z | 09 | J02A, J02B, J02C, J04A, J04B, J08A, J08B, J08C, J16Z, J21Z, J22A, J22B, J22J | | | | |
| | 21A | W04A, W04B | 09 | | J02A, J02B, J02C, J04A, J04B, J08A, J08B, J08C, J16Z, J21Z, J22A, J22B, J22J | 21A | W04A, W04B | | | | |
| | 21B | X06A, X06B, X06C | 21A | | W04A, W04B | 21B | X01A, X01B, X01C | | | | |
| | 22 | Y01Z, Y03A, Y03B | 21B | | X01A, X01B, X01C | 22 | Y01Z, Y02A, Y02B, Y02C | | | | |
| | 5v562.1 | | BOP, KJZSV, KVT, UOP4 | | 5v562.7↔ | | BOP, KJZSV, KVT, UOP4 | | 5v562.d | | BOP, KJZSV, KVT, UOP4 |
| | | 03 | D12A, D12J, D12Q | | | 05 | F13A | | | 05 | F13A |
| | | 05 | F13A | | | 08 | I02A, I02B, I02C, I02D, I22A, I22B, I50Z | | | 08 | I02A, I02B, I02C, I02D, I22A, I22B, I50Z |
| 09 | | J02A, J02B, J02C, J04A, J04B, J08A, J08B, J08C, J16Z, J21Z, J22A, J22B, J22J | 08 | I02A, I02B, I02C, I02D, I22A, I22B, I50Z | | 09 | J02A, J02B, J02C, J04A, J04B, J08A, J08B, J08C, J16Z, J21Z, J22A, J22B, J22J | | | | |
| 21A | | W04A, W04B | 09 | J02A, J02B, J02C, J04A, J04B, J08A, J08B, J08C, J16Z, J21Z, J22A, J22B, J22J | | 21A | W04A, W04B | | | | |
| 21B | | X01A, X01B, X01C | 09 | J02A, J02B, J02C, J04A, J04B, J08A, J08B, J08C, J16Z, J21Z, J22A, J22B, J22J | | 21B | X01A, X01B, X01C | | | | |
| 22 | | Y01Z, Y02A, Y02B, Y03A, Y03B | 21A | W04A, W04B | | 22 | Y01Z, Y02A, Y02B, Y02C | | | | |
| 5v562.2↔ | | | BOP, KJZSV, KVT, UOP4 | 5v562.8↔ | | | BOP, KJZSV, KVT, UOP4 | 5v562.e↔ | | | BOP, KJZSV, KVT, UOP4 |
| | | 03 | D12A, D12J, D12Q | | | 05 | F13A | | | 05 | F13A |
| | | 05 | F13A | | | 08 | I02A, I02B, I02C, I02D, I22A, I22B, I32A, I32B, I32C, I32D, I32E, I32F, I32J, I32Q, I32R, I32S, I32T, I32U, I50Z | | | 08 | I02A, I02B, I02C, I02D, I22A, I22B, I50Z |
| | 09 | J02A, J02B, J02C, J04A, J04B, J08A, J08B, J08C, J16Z, J21Z, J22A, J22B, J22J | 08 | | I02A, I02B, I02C, I02D, I22A, I22B, I32A, I32B, I32C, I32D, I32E, I32F, I32J, I32Q, I32R, I32S, I32T, I32U, I50Z | 09 | J02A, J02B, J02C, J04A, J04B, J08A, J08B, J08C, J16Z, J21Z, J22A, J22B, J22J | | | | |
| | 21A | W04A, W04B | 09 | | J02A, J02B, J02C, J04A, J04B, J08A, J08B, J08C, J16Z, J21Z, J22A, J22B, J22J | 21A | W04A, W04B | | | | |
| | 21B | X01A, X01B, X01C | 09 | | J02A, J02B, J02C, J04A, J04B, J08A, J08B, J08C, J16Z, J21Z, J22A, J22B, J22J | 21B | X01A, X01B, X01C | | | | |
| | 22 | Y01Z, Y03A, Y03B | 21A | | W04A, W04B | 22 | Y01Z, Y02A, Y02B, Y02C | | | | |
| | 5v562.3↔ | | BOP, KJZSV, KVT, UOP4 | | 5v562.9↔ | | BOP, KJZSV, KVT, UOP4 | | 5v562.f↔ | | BOP, KJZSV, KVT, UOP4 |
| | | 02 | C01A, C01B, C16Z, C20A, C20B, C20J, C20Q, C20R | | | 05 | F13A | | | 05 | F13A |
| | | 05 | F13A | | | 08 | I32A, I32B, I32C, I32D, I32E, I32F, I32J, I32Q, I32R, I32S, I32T, I32U | | | 08 | I32A, I32B, I32C, I32D, I32E, I32F, I32J, I32Q, I32R, I32S, I32T, I32U |
| 08 | | I17Z | 08 | I32A, I32B, I32C, I32D, I32E, I32F, I32J, I32Q, I32R, I32S, I32T, I32U | | 09 | J02A, J02B, J02C, J04A, J04B, J08A, J08B, J08C, J16Z, J21Z, J22A, J22B, J22J | | | | |
| 09 | | J03A, J03B, J04A, J04B, J08A, J08B, J08C, J10A, J10B, J10J, J16Z, J21Z, J22A, J22B, J22J | 09 | J02A, J02B, J02C, J04A, J04B, J08A, J08B, J08C, J16Z, J21Z, J22A, J22B, J22J | | 21A | W04A, W04B | | | | |
| 10 | | K09A, K09B | 09 | J02A, J02B, J02C, J04A, J04B, J08A, J08B, J08C, J16Z, J21Z, J22A, J22B, J22J | | 21B | X01A, X01B, X01C | | | | |
| 21A | | W04A, W04B | 21A | W04A, W04B | | 22 | Y01Z, Y02A, Y02B, Y02C | | | | |
| 21B | | X06A, X06B, X06C | 21B | X01A, X01B, X01C | | | | | | | |
| 22 | | Y01Z, Y03A, Y03B | 22 | Y01Z, Y02A, Y02B, Y02C | | | | | | | |

VYK

| ZZV | MDC | DRG | ZZV | MDC | DRG | ZZV | MDC | DRG | | | |
|----------|----------|--|--|--|--|---------|--|--|----------|----|--|
| 5v562.g↔ | | BOP, KJZSV, KVT, UOP4 | 5v563.4 | | BOP, KJZSV, KVT, UOP4 | 5v563.a | | BOP, KJZSV, KVT, UOP4 | | | |
| | 05 | F13A | | 03 | D12A, D12J, D12Q | | 05 | F13A | | | |
| | 08 | I02A, I02B, I02C, I02D, I22A, I22B, I50Z | | 05 | F13A | | 08 | I02A, I02B, I02C, I02D, I22A, I22B, I50Z | | | |
| | 09 | J02A, J02B, J02C, J04A, J04B, J08A, J08B, J08C, J16Z, J21Z, J22A, J22B, J22J | | 08 | I02A, I02B, I02C, I02D, I22A, I22B, I50Z | | 09 | J02A, J02B, J02C, J04A, J04B, J08A, J08B, J08C, J16Z, J21Z, J22A, J22B, J22J | | | |
| | 21A | W04A, W04B | | 09 | J02A, J02B, J02C, J04A, J04B, J08A, J08B, J08C, J16Z, J21Z, J22A, J22B, J22J | | 21A | W04A, W04B | | | |
| | 21B | X01A, X01B, X01C | | 21A | W04A, W04B | | 21B | X01A, X01B, X01C | | | |
| | 22 | Y01Z, Y02A, Y02B, Y02C | | 21B | X01A, X01B, X01C | | 22 | Y01Z, Y02A, Y02B, Y02C | | | |
| | 5v562.x↔ | | | BOP, KJZSV, KVT, UOP4 | 5v563.5 | | | BOP, KJZSV, KVT, UOP4 | 5v563.b | | BOP, KJZSV, KVT, UOP4 |
| | | 05 | | F13A | | | 03 | D12A, D12J, D12Q | | 05 | F13A |
| | | 08 | | I02A, I02B, I02C, I02D, I22A, I22B, I32A, I32B, I32C, I32D, I32E, I32F, I32J, I32Q, I32R, I32S, I32T, I32U, I50Z | | | 05 | F13A | | 08 | I02A, I02B, I02C, I02D, I22A, I22B, I50Z |
| 09 | | J02A, J02B, J02C, J04A, J04B, J08A, J08B, J08C, J16Z, J21Z, J22A, J22B, J22J | 08 | I02A, I02B, I02C, I02D, I22A, I22B, I50Z | | 09 | J02A, J02B, J02C, J04A, J04B, J08A, J08B, J08C, J16Z, J21Z, J22A, J22B, J22J | | | | |
| 21A | | W04A, W04B | 09 | J02A, J02B, J02C, J04A, J04B, J08A, J08B, J08C, J16Z, J21Z, J22A, J22B, J22J | | 21A | W04A, W04B | | | | |
| 21B | | X01A, X01B, X01C | 21A | W04A, W04B | | 21B | X01A, X01B, X01C | | | | |
| 22 | | Y01Z, Y02A, Y02B, Y02C | 21B | X01A, X01B, X01C | | 22 | Y01Z, Y02A, Y02B, Y02C | | | | |
| 5v563.0 | | | BOP, KJZSV, KVT, UOP4 | 5v563.6↔ | | | BOP, KJZSV, KVT, UOP4 | 5v563.c | | | BOP, KJZSV, KVT, UOP4 |
| | | 03 | D18Z, D25A, D25B, D25C, D25D, D25J | | | 05 | F13A, F21A, F21B, F21J | | | 05 | F13A |
| | | 05 | F13A | | | 09 | J02A, J02B, J02C, J04A, J04B, J08A, J08B, J08C, J16Z, J21Z, J22A, J22B, J22J | | | 08 | I02A, I02B, I02C, I02D, I22A, I22B, I50Z |
| | 09 | J03A, J03B, J04A, J04B, J08A, J08B, J08C, J11A, J11B, J11J, J11Q, J11R, J11S, J16Z, J21Z, J22A, J22B, J22J | 09 | | J02A, J02B, J02C, J04A, J04B, J08A, J08B, J08C, J16Z, J21Z, J22A, J22B, J22J | 09 | J02A, J02B, J02C, J04A, J04B, J08A, J08B, J08C, J16Z, J21Z, J22A, J22B, J22J | | | | |
| | 21A | W04A, W04B | 21A | | W04A, W04B | 21A | W04A, W04B | | | | |
| | 21B | X06A, X06B, X06C | 21B | | X01A, X01B, X01C | 21B | X01A, X01B, X01C | | | | |
| | 22 | Y01Z, Y03A, Y03B | 22 | | Y01Z, Y02A, Y02B, Y02C | 22 | Y01Z, Y02A, Y02B, Y02C | | | | |
| | 5v563.1 | | BOP, KJZSV, KVT, UOP4 | | 5v563.7↔ | | BOP, KJZSV, KVT, UOP4 | | 5v563.d | | BOP, KJZSV, KVT, UOP4 |
| | | 03 | D12A, D12J, D12Q | | | 05 | F13A | | | 05 | F13A |
| | | 05 | F13A | | | 08 | I02A, I02B, I02C, I02D, I22A, I22B, I50Z | | | 08 | I02A, I02B, I02C, I02D, I22A, I22B, I50Z |
| 09 | | J02A, J02B, J02C, J04A, J04B, J08A, J08B, J08C, J16Z, J21Z, J22A, J22B, J22J | 09 | J02A, J02B, J02C, J04A, J04B, J08A, J08B, J08C, J16Z, J21Z, J22A, J22B, J22J | | 09 | J02A, J02B, J02C, J04A, J04B, J08A, J08B, J08C, J16Z, J21Z, J22A, J22B, J22J | | | | |
| 21A | | W04A, W04B | 21A | W04A, W04B | | 21A | W04A, W04B | | | | |
| 21B | | X01A, X01B, X01C | 21B | X01A, X01B, X01C | | 21B | X01A, X01B, X01C | | | | |
| 22 | | Y01Z, Y02A, Y02B, Y03A, Y03B | 22 | Y01Z, Y02A, Y02B, Y02C | | 22 | Y01Z, Y02A, Y02B, Y02C | | | | |
| 5v563.2↔ | | | BOP, KJZSV, KVT, UOP4 | 5v563.8↔ | | | BOP, KJZSV, KVT, UOP4 | 5v563.e↔ | | | BOP, KJZSV, KVT, UOP4 |
| | | 03 | D12A, D12J, D12Q | | | 05 | F13A | | | 05 | F13A |
| | | 05 | F13A | | | 08 | I02A, I02B, I02C, I02D, I22A, I22B, I32A, I32B, I32C, I32D, I32E, I32F, I32J, I32Q, I32R, I32S, I32T, I32U, I50Z | | | 08 | I02A, I02B, I02C, I02D, I22A, I22B, I50Z |
| | 09 | J02A, J02B, J02C, J04A, J04B, J08A, J08B, J08C, J16Z, J21Z, J22A, J22B, J22J | 09 | | J02A, J02B, J02C, J04A, J04B, J08A, J08B, J08C, J16Z, J21Z, J22A, J22B, J22J | 09 | J02A, J02B, J02C, J04A, J04B, J08A, J08B, J08C, J16Z, J21Z, J22A, J22B, J22J | | | | |
| | 21A | W04A, W04B | 21A | | W04A, W04B | 21A | W04A, W04B | | | | |
| | 21B | X01A, X01B, X01C | 21B | | X01A, X01B, X01C | 21B | X01A, X01B, X01C | | | | |
| | 22 | Y01Z, Y03A, Y03B | 22 | | Y01Z, Y02A, Y02B, Y02C | 22 | Y01Z, Y02A, Y02B, Y02C | | | | |
| | 5v563.3↔ | | BOP, KJZSV, KVT, UOP4 | | 5v563.9↔ | | BOP, KJZSV, KVT, UOP4 | | 5v563.f↔ | | BOP, KJZSV, KVT, UOP4 |
| | | 02 | C01A, C01B, C16Z, C20A, C20B, C20J, C20Q, C20R | | | 05 | F13A | | | 05 | F13A |
| | | 05 | F13A | | | 08 | I32A, I32B, I32C, I32D, I32E, I32F, I32J, I32Q, I32R, I32S, I32T, I32U | | | 08 | I02A, I02B, I02C, I02D, I22A, I22B, I50Z |
| 08 | | I17Z | 09 | J02A, J02B, J02C, J04A, J04B, J08A, J08B, J08C, J16Z, J21Z, J22A, J22B, J22J | | 09 | J02A, J02B, J02C, J04A, J04B, J08A, J08B, J08C, J16Z, J21Z, J22A, J22B, J22J | | | | |
| 09 | | J03A, J03B, J04A, J04B, J08A, J08B, J08C, J10A, J10B, J10J, J16Z, J21Z, J22A, J22B, J22J | 09 | J02A, J02B, J02C, J04A, J04B, J08A, J08B, J08C, J16Z, J21Z, J22A, J22B, J22J | | 21A | W04A, W04B | | | | |
| 10 | | K09A, K09B | 21A | W04A, W04B | | 21B | X01A, X01B, X01C | | | | |
| 21A | | W04A, W04B | 21B | X01A, X01B, X01C | | 22 | Y01Z, Y02A, Y02B, Y02C | | | | |
| 21B | | X06A, X06B, X06C | 22 | Y01Z, Y02A, Y02B, Y02C | | | | | | | |
| 22 | | Y01Z, Y03A, Y03B | | | | | | | | | |

| ZZV | MDC | DRG | ZZV | MDC | DRG | ZZV | MDC | DRG | | | |
|----------|----------|--|--|--|--|---------|--|--|----------|----|--|
| 5v563.g↔ | | BOP, KJZSV, KVT, UOP4 | 5v564.4 | | BOP, KJZSV, KVT, UOP4 | 5v564.a | | BOP, KJZSV, KVT, UOP4 | | | |
| | 05 | F13A | | 03 | D12A, D12J, D12Q | | 05 | F13A | | | |
| | 08 | I02A, I02B, I02C, I02D, I22A, I22B, I50Z | | 05 | F13A | | 08 | I02A, I02B, I02C, I02D, I22A, I22B, I50Z | | | |
| | 09 | J02A, J02B, J02C, J04A, J04B, J08A, J08B, J08C, J16Z, J21Z, J22A, J22B, J22J | | 08 | I02A, I02B, I02C, I02D, I22A, I22B, I50Z | | 09 | J02A, J02B, J02C, J04A, J04B, J08A, J08B, J08C, J16Z, J21Z, J22A, J22B, J22J | | | |
| | 21A | W04A, W04B | | 09 | J02A, J02B, J02C, J04A, J04B, J08A, J08B, J08C, J16Z, J21Z, J22A, J22B, J22J | | 21A | W04A, W04B | | | |
| | 21B | X01A, X01B, X01C | | 21A | W04A, W04B | | 21B | X01A, X01B, X01C | | | |
| | 22 | Y01Z, Y02A, Y02B, Y02C | | 21B | X01A, X01B, X01C | | 22 | Y01Z, Y02A, Y02B, Y02C | | | |
| | 5v563.x↔ | | | BOP, KJZSV, KVT, UOP4 | 5v564.5 | | | BOP, KJZSV, KVT, UOP4 | 5v564.b | | BOP, KJZSV, KVT, UOP4 |
| | | 05 | | F13A | | | 03 | D12A, D12J, D12Q | | 05 | F13A |
| | | 08 | | I02A, I02B, I02C, I02D, I22A, I22B, I32A, I32B, I32C, I32D, I32E, I32F, I32J, I32Q, I32R, I32S, I32T, I32U, I50Z | | | 05 | F13A | | 08 | I02A, I02B, I02C, I02D, I22A, I22B, I50Z |
| 09 | | J02A, J02B, J02C, J04A, J04B, J08A, J08B, J08C, J16Z, J21Z, J22A, J22B, J22J | 08 | I02A, I02B, I02C, I02D, I22A, I22B, I50Z | | 09 | J02A, J02B, J02C, J04A, J04B, J08A, J08B, J08C, J16Z, J21Z, J22A, J22B, J22J | | | | |
| 21A | | W04A, W04B | 09 | J02A, J02B, J02C, J04A, J04B, J08A, J08B, J08C, J16Z, J21Z, J22A, J22B, J22J | | 21A | W04A, W04B | | | | |
| 21B | | X01A, X01B, X01C | 21A | W04A, W04B | | 21B | X01A, X01B, X01C | | | | |
| 22 | | Y01Z, Y02A, Y02B, Y02C | 21B | X01A, X01B, X01C | | 22 | Y01Z, Y02A, Y02B, Y02C | | | | |
| 5v564.0 | | | BOP, KJZSV, KVT, UOP4 | 5v564.6↔ | | | BOP, KJZSV, KVT, UOP4 | 5v564.c | | | BOP, KJZSV, KVT, UOP4 |
| | | 03 | D18Z, D25A, D25B, D25C, D25D, D25J | | | 05 | F13A | | | 05 | F13A |
| | | 05 | F13A | | | 08 | I02A, I02B, I02C, I02D, I22A, I22B, I50Z | | | 08 | I02A, I02B, I02C, I02D, I22A, I22B, I50Z |
| | 09 | J03A, J03B, J04A, J04B, J08A, J08B, J08C, J11A, J11B, J11J, J11Q, J11R, J11S, J16Z, J21Z, J22A, J22B, J22J | 09 | | J02A, J02B, I02C, I02D, I22A, I22B, I50Z | 09 | J02A, J02B, J02C, J04A, J04B, J08A, J08B, J08C, J16Z, J21Z, J22A, J22B, J22J | | | | |
| | 21A | W04A, W04B | 09 | | J02A, J02B, J02C, J04A, J04B, J08A, J08B, J08C, J16Z, J21Z, J22A, J22B, J22J | 21A | W04A, W04B | | | | |
| | 21B | X06A, X06B, X06C | 21A | | W04A, W04B | 21B | X01A, X01B, X01C | | | | |
| | 22 | Y01Z, Y03A, Y03B | 21B | | X01A, X01B, X01C | 22 | Y01Z, Y02A, Y02B, Y02C | | | | |
| | 5v564.1 | | BOP, KJZSV, KVT, UOP4 | | 5v564.7↔ | | BOP, KJZSV, KVT, UOP4 | | 5v564.d | | BOP, KJZSV, KVT, UOP4 |
| | | 03 | D12A, D12J, D12Q | | | 05 | F13A | | | 05 | F13A |
| | | 05 | F13A | | | 08 | I02A, I02B, I02C, I02D, I22A, I22B, I50Z | | | 08 | I02A, I02B, I02C, I02D, I22A, I22B, I50Z |
| 09 | | J02A, J02B, J02C, J04A, J04B, J08A, J08B, J08C, J16Z, J21Z, J22A, J22B, J22J | 08 | I02A, I02B, I02C, I02D, I22A, I22B, I50Z | | 09 | J02A, J02B, J02C, J04A, J04B, J08A, J08B, J08C, J16Z, J21Z, J22A, J22B, J22J | | | | |
| 21A | | W04A, W04B | 09 | J02A, J02B, J02C, J04A, J04B, J08A, J08B, J08C, J16Z, J21Z, J22A, J22B, J22J | | 21A | W04A, W04B | | | | |
| 21B | | X01A, X01B, X01C | 09 | J02A, J02B, J02C, J04A, J04B, J08A, J08B, J08C, J16Z, J21Z, J22A, J22B, J22J | | 21B | X01A, X01B, X01C | | | | |
| 22 | | Y01Z, Y02A, Y02B, Y03A, Y03B | 21A | W04A, W04B | | 22 | Y01Z, Y02A, Y02B, Y02C | | | | |
| 5v564.2↔ | | | BOP, KJZSV, KVT, UOP4 | 5v564.8↔ | | | BOP, KJZSV, KVT, UOP4 | 5v564.e↔ | | | BOP, KJZSV, KVT, UOP4 |
| | | 03 | D12A, D12J, D12Q | | | 05 | F13A | | | 05 | F13A |
| | | 05 | F13A | | | 08 | I02A, I02B, I02C, I02D, I22A, I22B, I32A, I32B, I32C, I32D, I32E, I32F, I32J, I32Q, I32R, I32S, I32T, I32U, I50Z | | | 08 | I02A, I02B, I02C, I02D, I22A, I22B, I50Z |
| | 09 | J02A, J02B, J02C, J04A, J04B, J08A, J08B, J08C, J16Z, J21Z, J22A, J22B, J22J | 08 | | I02A, I02B, I02C, I02D, I22A, I22B, I32A, I32B, I32C, I32D, I32E, I32F, I32J, I32Q, I32R, I32S, I32T, I32U, I50Z | 09 | J02A, J02B, J02C, J04A, J04B, J08A, J08B, J08C, J16Z, J21Z, J22A, J22B, J22J | | | | |
| | 21A | W04A, W04B | 09 | | J02A, J02B, J02C, J04A, J04B, J08A, J08B, J08C, J16Z, J21Z, J22A, J22B, J22J | 21A | W04A, W04B | | | | |
| | 21B | X01A, X01B, X01C | 09 | | J02A, J02B, J02C, J04A, J04B, J08A, J08B, J08C, J16Z, J21Z, J22A, J22B, J22J | 21B | X01A, X01B, X01C | | | | |
| | 22 | Y01Z, Y03A, Y03B | 21A | | W04A, W04B | 22 | Y01Z, Y02A, Y02B, Y02C | | | | |
| | 5v564.3↔ | | BOP, KJZSV, KVT, UOP4 | | 5v564.9↔ | | BOP, KJZSV, KVT, UOP4 | | 5v564.f↔ | | BOP, KJZSV, KVT, UOP4 |
| | | 02 | C01A, C01B, C16Z, C20A, C20B, C20J, C20Q, C20R | | | 05 | F13A | | | 05 | F13A |
| | | 05 | F13A | | | 08 | I32A, I32B, I32C, I32D, I32E, I32F, I32J, I32Q, I32R, I32S, I32T, I32U | | | 08 | I02A, I02B, I02C, I02D, I22A, I22B, I50Z |
| 08 | | I17Z | 08 | I32A, I32B, I32C, I32D, I32E, I32F, I32J, I32Q, I32R, I32S, I32T, I32U | | 09 | J02A, J02B, J02C, J04A, J04B, J08A, J08B, J08C, J16Z, J21Z, J22A, J22B, J22J | | | | |
| 09 | | J03A, J03B, J04A, J04B, J08A, J08B, J08C, J10A, J10B, J10J, J16Z, J21Z, J22A, J22B, J22J | 09 | J02A, J02B, J02C, J04A, J04B, J08A, J08B, J08C, J16Z, J21Z, J22A, J22B, J22J | | 21A | W04A, W04B | | | | |
| 10 | | K09A, K09B | 09 | J02A, J02B, J02C, J04A, J04B, J08A, J08B, J08C, J16Z, J21Z, J22A, J22B, J22J | | 21B | X01A, X01B, X01C | | | | |
| 21A | | W04A, W04B | 21A | W04A, W04B | | 22 | Y01Z, Y02A, Y02B, Y02C | | | | |
| 21B | | X06A, X06B, X06C | 21B | X01A, X01B, X01C | | | | | | | |
| 22 | | Y01Z, Y03A, Y03B | 22 | Y01Z, Y02A, Y02B, Y02C | | | | | | | |

VYK

| ZZV | MDC | DRG | ZZV | MDC | DRG | ZZV | MDC | DRG | | | |
|----------|----------|--|--|--|--|---------|--|--|----------|----|--|
| 5v564.g↔ | | BOP, KJZSV, KVT, UOP4 | 5v565.4 | | BOP, KJZSV, KVT, UOP4 | 5v565.a | | BOP, KJZSV, KVT, UOP4 | | | |
| | 05 | F13A | | 03 | D12A, D12J, D12Q | | 05 | F13A | | | |
| | 08 | I02A, I02B, I02C, I02D, I22A, I22B, I50Z | | 05 | F13A | | 08 | I02A, I02B, I02C, I02D, I22A, I22B, I50Z | | | |
| | 09 | J02A, J02B, J02C, J04A, J04B, J08A, J08B, J08C, J16Z, J21Z, J22A, J22B, J22J | | 08 | I02A, I02B, I02C, I02D, I22A, I22B, I50Z | | 09 | J02A, J02B, J02C, J04A, J04B, J08A, J08B, J08C, J16Z, J21Z, J22A, J22B, J22J | | | |
| | 21A | W04A, W04B | | 09 | J02A, J02B, J02C, J04A, J04B, J08A, J08B, J08C, J16Z, J21Z, J22A, J22B, J22J | | 21A | W04A, W04B | | | |
| | 21B | X01A, X01B, X01C | | 21A | W04A, W04B | | 21B | X01A, X01B, X01C | | | |
| | 22 | Y01Z, Y02A, Y02B, Y02C | | 21B | X01A, X01B, X01C | | 22 | Y01Z, Y02A, Y02B, Y02C | | | |
| | 5v564.x↔ | | | BOP, KJZSV, KVT, UOP4 | 5v565.5 | | | BOP, KJZSV, KVT, UOP4 | 5v565.b | | BOP, KJZSV, KVT, UOP4 |
| | | 05 | | F13A | | | 03 | D12A, D12J, D12Q | | 05 | F13A |
| | | 08 | | I02A, I02B, I02C, I02D, I22A, I22B, I32A, I32B, I32C, I32D, I32E, I32F, I32J, I32Q, I32R, I32S, I32T, I32U, I50Z | | | 05 | F13A | | 08 | I02A, I02B, I02C, I02D, I22A, I22B, I50Z |
| 09 | | J02A, J02B, J02C, J04A, J04B, J08A, J08B, J08C, J16Z, J21Z, J22A, J22B, J22J | 08 | I02A, I02B, I02C, I02D, I22A, I22B, I50Z | | 09 | J02A, J02B, J02C, J04A, J04B, J08A, J08B, J08C, J16Z, J21Z, J22A, J22B, J22J | | | | |
| 21A | | W04A, W04B | 09 | J02A, J02B, J02C, J04A, J04B, J08A, J08B, J08C, J16Z, J21Z, J22A, J22B, J22J | | 21A | W04A, W04B | | | | |
| 21B | | X01A, X01B, X01C | 21A | W04A, W04B | | 21B | X01A, X01B, X01C | | | | |
| 22 | | Y01Z, Y02A, Y02B, Y02C | 21B | X01A, X01B, X01C | | 22 | Y01Z, Y02A, Y02B, Y02C | | | | |
| 5v565.0 | | | BOP, KJZSV, KVT, UOP4 | 5v565.6↔ | | | BOP, KJZSV, KVT, UOP4 | 5v565.c | | | BOP, KJZSV, KVT, UOP4 |
| | | 03 | D18Z, D25A, D25B, D25C, D25D, D25J | | | 05 | F13A | | | 05 | F13A |
| | | 05 | F13A | | | 08 | I02A, I02B, I02C, I02D, I22A, I22B, I50Z | | | 08 | I02A, I02B, I02C, I02D, I22A, I22B, I50Z |
| | 09 | J03A, J03B, J04A, J04B, J08A, J08B, J08C, J11A, J11B, J11J, J11Q, J11R, J11S, J16Z, J21Z, J22A, J22B, J22J | 09 | | J02A, J02B, I02C, I02D, I22A, I22B, I50Z | 09 | J02A, J02B, J02C, J04A, J04B, J08A, J08B, J08C, J16Z, J21Z, J22A, J22B, J22J | | | | |
| | 21A | W04A, W04B | 09 | | J02A, J02B, J02C, J04A, J04B, J08A, J08B, J08C, J16Z, J21Z, J22A, J22B, J22J | 21A | W04A, W04B | | | | |
| | 21B | X06A, X06B, X06C | 21A | | W04A, W04B | 21B | X01A, X01B, X01C | | | | |
| | 22 | Y01Z, Y03A, Y03B | 21B | | X01A, X01B, X01C | 22 | Y01Z, Y03A, Y03B | | | | |
| | 5v565.1 | | BOP, KJZSV, KVT, UOP4 | | 5v565.7↔ | | BOP, KJZSV, KVT, UOP4 | | 5v565.d | | BOP, KJZSV, KVT, UOP4 |
| | | 03 | D12A, D12J, D12Q | | | 05 | F13A | | | 05 | F13A |
| | | 05 | F13A | | | 08 | I02A, I02B, I02C, I02D, I22A, I22B, I50Z | | | 08 | I02A, I02B, I02C, I02D, I22A, I22B, I50Z |
| 09 | | J02A, J02B, J02C, J04A, J04B, J08A, J08B, J08C, J16Z, J21Z, J22A, J22B, J22J | 08 | I02A, I02B, I02C, I02D, I22A, I22B, I50Z | | 09 | J02A, J02B, J02C, J04A, J04B, J08A, J08B, J08C, J16Z, J21Z, J22A, J22B, J22J | | | | |
| 21A | | W04A, W04B | 09 | J02A, J02B, J02C, J04A, J04B, J08A, J08B, J08C, J16Z, J21Z, J22A, J22B, J22J | | 21A | W04A, W04B | | | | |
| 21B | | X01A, X01B, X01C | 09 | J02A, J02B, J02C, J04A, J04B, J08A, J08B, J08C, J16Z, J21Z, J22A, J22B, J22J | | 21B | X01A, X01B, X01C | | | | |
| 22 | | Y01Z, Y02A, Y02B, Y03A, Y03B | 21A | W04A, W04B | | 22 | Y01Z, Y02A, Y02B, Y02C | | | | |
| 5v565.2↔ | | | BOP, KJZSV, KVT, UOP4 | 5v565.8↔ | | | BOP, KJZSV, KVT, UOP4 | 5v565.e↔ | | | BOP, KJZSV, KVT, UOP4 |
| | | 03 | D12A, D12J, D12Q | | | 05 | F13A | | | 05 | F13A |
| | | 05 | F13A | | | 08 | I02A, I02B, I02C, I02D, I22A, I22B, I32A, I32B, I32C, I32D, I32E, I32F, I32J, I32Q, I32R, I32S, I32T, I32U, I50Z | | | 08 | I02A, I02B, I02C, I02D, I22A, I22B, I50Z |
| | 09 | J02A, J02B, J02C, J04A, J04B, J08A, J08B, J08C, J16Z, J21Z, J22A, J22B, J22J | 08 | | I02A, I02B, I02C, I02D, I22A, I22B, I32A, I32B, I32C, I32D, I32E, I32F, I32J, I32Q, I32R, I32S, I32T, I32U, I50Z | 09 | J02A, J02B, J02C, J04A, J04B, J08A, J08B, J08C, J16Z, J21Z, J22A, J22B, J22J | | | | |
| | 21A | W04A, W04B | 09 | | J02A, J02B, J02C, J04A, J04B, J08A, J08B, J08C, J16Z, J21Z, J22A, J22B, J22J | 21A | W04A, W04B | | | | |
| | 21B | X01A, X01B, X01C | 09 | | J02A, J02B, J02C, J04A, J04B, J08A, J08B, J08C, J16Z, J21Z, J22A, J22B, J22J | 21B | X01A, X01B, X01C | | | | |
| | 22 | Y01Z, Y03A, Y03B | 21A | | W04A, W04B | 22 | Y01Z, Y02A, Y02B, Y02C | | | | |
| | 5v565.3↔ | | BOP, KJZSV, KVT, UOP4 | | 5v565.9↔ | | BOP, KJZSV, KVT, UOP4 | | 5v565.f↔ | | BOP, KJZSV, KVT, UOP4 |
| | | 02 | C01A, C01B, C16Z, C20A, C20B, C20J, C20Q, C20R | | | 05 | F13A | | | 05 | F13A |
| | | 05 | F13A | | | 08 | I32A, I32B, I32C, I32D, I32E, I32F, I32J, I32Q, I32R, I32S, I32T, I32U | | | 08 | I02A, I02B, I02C, I02D, I22A, I22B, I50Z |
| 08 | | I17Z | 08 | I32A, I32B, I32C, I32D, I32E, I32F, I32J, I32Q, I32R, I32S, I32T, I32U | | 09 | J02A, J02B, J02C, J04A, J04B, J08A, J08B, J08C, J16Z, J21Z, J22A, J22B, J22J | | | | |
| 09 | | J03A, J03B, J04A, J04B, J08A, J08B, J08C, J10A, J10B, J10J, J16Z, J21Z, J22A, J22B, J22J | 09 | J02A, J02B, J02C, J04A, J04B, J08A, J08B, J08C, J16Z, J21Z, J22A, J22B, J22J | | 21A | W04A, W04B | | | | |
| 10 | | K09A, K09B | 09 | J02A, J02B, J02C, J04A, J04B, J08A, J08B, J08C, J16Z, J21Z, J22A, J22B, J22J | | 21B | X01A, X01B, X01C | | | | |
| 21A | | W04A, W04B | 21A | W04A, W04B | | 22 | Y01Z, Y02A, Y02B, Y02C | | | | |
| 21B | | X06A, X06B, X06C | 21B | X01A, X01B, X01C | | | | | | | |
| 22 | | Y01Z, Y03A, Y03B | 22 | Y01Z, Y02A, Y02B, Y02C | | | | | | | |

| ZZV | MDC | DRG | ZZV | MDC | DRG | ZZV | MDC | DRG | | | |
|----------|----------|--|--|--|--|---------|--|--|----------|----|--|
| 5v565.g↔ | | BOP, KJZSV, KVT, UOP4 | 5v570.4 | | BOP, KJZSV, KVT, UOP4 | 5v570.a | | BOP, KJZSV, KVT, UOP4 | | | |
| | 05 | F13A | | 03 | D12A, D12J, D12Q | | 05 | F13A | | | |
| | 08 | I02A, I02B, I02C, I02D, I22A, I22B, I50Z | | 05 | F13A | | 08 | I02A, I02B, I02C, I02D, I22A, I22B, I50Z | | | |
| | 09 | J02A, J02B, J02C, J04A, J04B, J08A, J08B, J08C, J16Z, J21Z, J22A, J22B, J22J | | 08 | I02A, I02B, I02C, I02D, I22A, I22B, I50Z | | 09 | J02A, J02B, J02C, J04A, J04B, J08A, J08B, J08C, J16Z, J21Z, J22A, J22B, J22J | | | |
| | 21A | W04A, W04B | | 09 | J02A, J02B, J02C, J04A, J04B, J08A, J08B, J08C, J16Z, J21Z, J22A, J22B, J22J | | 21A | W04A, W04B | | | |
| | 21B | X01A, X01B, X01C | | 21A | W04A, W04B | | 21B | X01A, X01B, X01C | | | |
| | 22 | Y01Z, Y02A, Y02B, Y02C | | 21B | X01A, X01B, X01C | | 22 | Y01Z, Y02A, Y02B, Y02C | | | |
| | 5v565.x↔ | | | BOP, KJZSV, KVT, UOP4 | 5v570.5 | | | BOP, KJZSV, KVT, UOP4 | 5v570.b | | BOP, KJZSV, KVT, UOP4 |
| | | 05 | | F13A | | | 03 | D12A, D12J, D12Q | | 05 | F13A |
| | | 08 | | I02A, I02B, I02C, I02D, I22A, I22B, I32A, I32B, I32C, I32D, I32E, I32F, I32J, I32Q, I32R, I32S, I32T, I32U, I50Z | | | 05 | F13A | | 08 | I02A, I02B, I02C, I02D, I22A, I22B, I50Z |
| 09 | | J02A, J02B, J02C, J04A, J04B, J08A, J08B, J08C, J16Z, J21Z, J22A, J22B, J22J | 08 | I02A, I02B, I02C, I02D, I22A, I22B, I50Z | | 09 | J02A, J02B, J02C, J04A, J04B, J08A, J08B, J08C, J16Z, J21Z, J22A, J22B, J22J | | | | |
| 21A | | W04A, W04B | 09 | J02A, J02B, J02C, J04A, J04B, J08A, J08B, J08C, J16Z, J21Z, J22A, J22B, J22J | | 21A | W04A, W04B | | | | |
| 21B | | X01A, X01B, X01C | 21A | W04A, W04B | | 21B | X01A, X01B, X01C | | | | |
| 22 | | Y01Z, Y02A, Y02B, Y02C | 21B | X01A, X01B, X01C | | 22 | Y01Z, Y02A, Y02B, Y02C | | | | |
| 5v570.0 | | | BOP, KJZSV, KVT, UOP4 | 5v570.6↔ | | | BOP, KJZSV, KVT, UOP4 | 5v570.c | | | BOP, KJZSV, KVT, UOP4 |
| | | 03 | D18Z, D25A, D25B, D25C, D25D, D25J | | | 05 | F13A | | | 05 | F13A |
| | | 05 | F13A | | | 08 | I02A, I02B, I02C, I02D, I22A, I22B, I50Z | | | 08 | I02A, I02B, I02C, I02D, I22A, I22B, I50Z |
| | 09 | J03A, J03B, J04A, J04B, J08A, J08B, J08C, J11A, J11B, J11J, J11Q, J11R, J11S, J16Z, J21Z, J22A, J22B, J22J | 09 | | J02A, J02B, I02C, I02D, I22A, I22B, I50Z | 09 | J02A, J02B, J02C, J04A, J04B, J08A, J08B, J08C, J16Z, J21Z, J22A, J22B, J22J | | | | |
| | 21A | W04A, W04B | 09 | | J02A, J02B, J02C, J04A, J04B, J08A, J08B, J08C, J16Z, J21Z, J22A, J22B, J22J | 21A | W04A, W04B | | | | |
| | 21B | X06A, X06B, X06C | 21A | | W04A, W04B | 21B | X01A, X01B, X01C | | | | |
| | 22 | Y01Z, Y03A, Y03B | 21B | | X01A, X01B, X01C | 22 | Y01Z, Y03A, Y03B | | | | |
| | 5v570.1 | | BOP, KJZSV, KVT, UOP4 | | 5v570.7↔ | | BOP, KJZSV, KVT, UOP4 | | 5v570.d | | BOP, KJZSV, KVT, UOP4 |
| | | 03 | D12A, D12J, D12Q | | | 05 | F13A | | | 05 | F13A |
| | | 05 | F13A | | | 08 | I02A, I02B, I02C, I02D, I22A, I22B, I50Z | | | 08 | I02A, I02B, I02C, I02D, I22A, I22B, I50Z |
| 09 | | J02A, J02B, J02C, J04A, J04B, J08A, J08B, J08C, J16Z, J21Z, J22A, J22B, J22J | 08 | I02A, I02B, I02C, I02D, I22A, I22B, I50Z | | 09 | J02A, J02B, J02C, J04A, J04B, J08A, J08B, J08C, J16Z, J21Z, J22A, J22B, J22J | | | | |
| 21A | | W04A, W04B | 09 | J02A, J02B, J02C, J04A, J04B, J08A, J08B, J08C, J16Z, J21Z, J22A, J22B, J22J | | 21A | W04A, W04B | | | | |
| 21B | | X01A, X01B, X01C | 09 | J02A, J02B, J02C, J04A, J04B, J08A, J08B, J08C, J16Z, J21Z, J22A, J22B, J22J | | 21B | X01A, X01B, X01C | | | | |
| 22 | | Y01Z, Y02A, Y02B, Y03A, Y03B | 21A | W04A, W04B | | 22 | Y01Z, Y02A, Y02B, Y02C | | | | |
| 5v570.2↔ | | | BOP, KJZSV, KVT, UOP4 | 5v570.8↔ | | | BOP, KJZSV, KVT, UOP4 | 5v570.e↔ | | | BOP, KJZSV, KVT, UOP4 |
| | | 03 | D12A, D12J, D12Q | | | 05 | F13A | | | 05 | F13A |
| | | 05 | F13A | | | 08 | I02A, I02B, I02C, I02D, I22A, I22B, I32A, I32B, I32C, I32D, I32E, I32F, I32J, I32Q, I32R, I32S, I32T, I32U, I50Z | | | 08 | I02A, I02B, I02C, I02D, I22A, I22B, I50Z |
| | 09 | J02A, J02B, J02C, J04A, J04B, J08A, J08B, J08C, J16Z, J21Z, J22A, J22B, J22J | 08 | | I02A, I02B, I02C, I02D, I22A, I22B, I32A, I32B, I32C, I32D, I32E, I32F, I32J, I32Q, I32R, I32S, I32T, I32U, I50Z | 09 | J02A, J02B, J02C, J04A, J04B, J08A, J08B, J08C, J16Z, J21Z, J22A, J22B, J22J | | | | |
| | 21A | W04A, W04B | 09 | | J02A, J02B, J02C, J04A, J04B, J08A, J08B, J08C, J16Z, J21Z, J22A, J22B, J22J | 21A | W04A, W04B | | | | |
| | 21B | X01A, X01B, X01C | 09 | | J02A, J02B, J02C, J04A, J04B, J08A, J08B, J08C, J16Z, J21Z, J22A, J22B, J22J | 21B | X01A, X01B, X01C | | | | |
| | 22 | Y01Z, Y03A, Y03B | 21A | | W04A, W04B | 22 | Y01Z, Y02A, Y02B, Y02C | | | | |
| | 5v570.3↔ | | BOP, KJZSV, KVT, UOP4 | | 5v570.9↔ | | BOP, KJZSV, KVT, UOP4 | | 5v570.f↔ | | BOP, KJZSV, KVT, UOP4 |
| | | 02 | C01A, C01B, C16Z, C20A, C20B, C20J, C20Q, C20R | | | 05 | F13A | | | 05 | F13A |
| | | 05 | F13A | | | 08 | I32A, I32B, I32C, I32D, I32E, I32F, I32J, I32Q, I32R, I32S, I32T, I32U | | | 08 | I02A, I02B, I02C, I02D, I22A, I22B, I50Z |
| 08 | | I17Z | 08 | I32A, I32B, I32C, I32D, I32E, I32F, I32J, I32Q, I32R, I32S, I32T, I32U | | 09 | J02A, J02B, J02C, J04A, J04B, J08A, J08B, J08C, J16Z, J21Z, J22A, J22B, J22J | | | | |
| 09 | | J03A, J03B, J04A, J04B, J08A, J08B, J08C, J10A, J10B, J10J, J16Z, J21Z, J22A, J22B, J22J | 09 | J02A, J02B, J02C, J04A, J04B, J08A, J08B, J08C, J16Z, J21Z, J22A, J22B, J22J | | 21A | W04A, W04B | | | | |
| 10 | | K09A, K09B | 09 | J02A, J02B, J02C, J04A, J04B, J08A, J08B, J08C, J16Z, J21Z, J22A, J22B, J22J | | 21B | X01A, X01B, X01C | | | | |
| 21A | | W04A, W04B | 21A | W04A, W04B | | 22 | Y01Z, Y02A, Y02B, Y02C | | | | |
| 21B | | X06A, X06B, X06C | 21B | X01A, X01B, X01C | | | | | | | |
| 22 | | Y01Z, Y03A, Y03B | 22 | Y01Z, Y02A, Y02B, Y02C | | | | | | | |

VYK

| ZZV | MDC | DRG | ZZV | MDC | DRG | ZZV | MDC | DRG | | | |
|----------|----------|--|--|--|--|---------|--|--|----------|----|--|
| 5v570.g↔ | | BOP, KJZSV, KVT, UOP4 | 5v571.4 | | BOP, KJZSV, KVT, UOP4 | 5v571.a | | BOP, KJZSV, KVT, UOP4 | | | |
| | 05 | F13A | | 03 | D12A, D12J, D12Q | | 05 | F13A | | | |
| | 08 | I02A, I02B, I02C, I02D, I22A, I22B, I50Z | | 05 | F13A | | 08 | I02A, I02B, I02C, I02D, I22A, I22B, I50Z | | | |
| | 09 | J02A, J02B, J02C, J04A, J04B, J08A, J08B, J08C, J16Z, J21Z, J22A, J22B, J22J | | 08 | I02A, I02B, I02C, I02D, I22A, I22B, I50Z | | 09 | J02A, J02B, J02C, J04A, J04B, J08A, J08B, J08C, J16Z, J21Z, J22A, J22B, J22J | | | |
| | 21A | W04A, W04B | | 09 | J02A, J02B, J02C, J04A, J04B, J08A, J08B, J08C, J16Z, J21Z, J22A, J22B, J22J | | 21A | W04A, W04B | | | |
| | 21B | X01A, X01B, X01C | | 21A | W04A, W04B | | 21B | X01A, X01B, X01C | | | |
| | 22 | Y01Z, Y02A, Y02B, Y02C | | 21B | X01A, X01B, X01C | | 22 | Y01Z, Y02A, Y02B, Y02C | | | |
| | 5v570.x↔ | | | BOP, KJZSV, KVT, UOP4 | 5v571.5 | | | BOP, KJZSV, KVT, UOP4 | 5v571.b | | BOP, KJZSV, KVT, UOP4 |
| | | 05 | | F13A | | | 03 | D12A, D12J, D12Q | | 05 | F13A |
| | | 08 | | I02A, I02B, I02C, I02D, I22A, I22B, I32A, I32B, I32C, I32D, I32E, I32F, I32J, I32Q, I32R, I32S, I32T, I32U, I50Z | | | 05 | F13A | | 08 | I02A, I02B, I02C, I02D, I22A, I22B, I50Z |
| 09 | | J02A, J02B, J02C, J04A, J04B, J08A, J08B, J08C, J16Z, J21Z, J22A, J22B, J22J | 08 | I02A, I02B, I02C, I02D, I22A, I22B, I50Z | | 09 | J02A, J02B, J02C, J04A, J04B, J08A, J08B, J08C, J16Z, J21Z, J22A, J22B, J22J | | | | |
| 21A | | W04A, W04B | 09 | J02A, J02B, J02C, J04A, J04B, J08A, J08B, J08C, J16Z, J21Z, J22A, J22B, J22J | | 21A | W04A, W04B | | | | |
| 21B | | X01A, X01B, X01C | 21A | W04A, W04B | | 21B | X01A, X01B, X01C | | | | |
| 22 | | Y01Z, Y02A, Y02B, Y02C | 21B | X01A, X01B, X01C | | 22 | Y01Z, Y02A, Y02B, Y02C | | | | |
| 5v571.0 | | | BOP, KJZSV, KVT, UOP4 | 5v571.6↔ | | | BOP, KJZSV, KVT, UOP4 | 5v571.c | | | BOP, KJZSV, KVT, UOP4 |
| | | 03 | D18Z, D25A, D25B, D25C, D25D, D25J | | | 05 | F13A | | | 05 | F13A |
| | | 05 | F13A | | | 08 | I02A, I02B, I02C, I02D, I22A, I22B, I50Z | | | 08 | I02A, I02B, I02C, I02D, I22A, I22B, I50Z |
| | 09 | J03A, J03B, J04A, J04B, J08A, J08B, J08C, J11A, J11B, J11J, J11Q, J11R, J11S, J16Z, J21Z, J22A, J22B, J22J | 09 | | J02A, I02B, I02C, I02D, I22A, I22B, I50Z | 09 | J02A, J02B, J02C, J04A, J04B, J08A, J08B, J08C, J16Z, J21Z, J22A, J22B, J22J | | | | |
| | 21A | W04A, W04B | 09 | | J02A, J02B, J02C, J04A, J04B, J08A, J08B, J08C, J16Z, J21Z, J22A, J22B, J22J | 21A | W04A, W04B | | | | |
| | 21B | X06A, X06B, X06C | 21A | | W04A, W04B | 21B | X01A, X01B, X01C | | | | |
| | 22 | Y01Z, Y03A, Y03B | 21B | | X01A, X01B, X01C | 22 | Y01Z, Y03A, Y03B | | | | |
| | 5v571.1 | | BOP, KJZSV, KVT, UOP4 | | 5v571.7↔ | | BOP, KJZSV, KVT, UOP4 | | 5v571.d | | BOP, KJZSV, KVT, UOP4 |
| | | 03 | D12A, D12J, D12Q | | | 05 | F13A | | | 05 | F13A |
| | | 05 | F13A | | | 08 | I02A, I02B, I02C, I02D, I22A, I22B, I50Z | | | 08 | I02A, I02B, I02C, I02D, I22A, I22B, I50Z |
| 09 | | J02A, J02B, J02C, J04A, J04B, J08A, J08B, J08C, J16Z, J21Z, J22A, J22B, J22J | 08 | I02A, I02B, I02C, I02D, I22A, I22B, I50Z | | 09 | J02A, J02B, J02C, J04A, J04B, J08A, J08B, J08C, J16Z, J21Z, J22A, J22B, J22J | | | | |
| 21A | | W04A, W04B | 09 | J02A, J02B, J02C, J04A, J04B, J08A, J08B, J08C, J16Z, J21Z, J22A, J22B, J22J | | 21A | W04A, W04B | | | | |
| 21B | | X01A, X01B, X01C | 09 | J02A, J02B, J02C, J04A, J04B, J08A, J08B, J08C, J16Z, J21Z, J22A, J22B, J22J | | 21B | X01A, X01B, X01C | | | | |
| 22 | | Y01Z, Y02A, Y02B, Y03A, Y03B | 21A | W04A, W04B | | 22 | Y01Z, Y02A, Y02B, Y02C | | | | |
| 5v571.2↔ | | | BOP, KJZSV, KVT, UOP4 | 5v571.8↔ | | | BOP, KJZSV, KVT, UOP4 | 5v571.e↔ | | | BOP, KJZSV, KVT, UOP4 |
| | | 03 | D12A, D12J, D12Q | | | 05 | F13A | | | 05 | F13A |
| | | 05 | F13A | | | 08 | I02A, I02B, I02C, I02D, I22A, I22B, I32A, I32B, I32C, I32D, I32E, I32F, I32J, I32Q, I32R, I32S, I32T, I32U, I50Z | | | 08 | I02A, I02B, I02C, I02D, I22A, I22B, I50Z |
| | 09 | J02A, J02B, J02C, J04A, J04B, J08A, J08B, J08C, J16Z, J21Z, J22A, J22B, J22J | 08 | | I02A, I02B, I02C, I02D, I22A, I22B, I32A, I32B, I32C, I32D, I32E, I32F, I32J, I32Q, I32R, I32S, I32T, I32U, I50Z | 09 | J02A, J02B, J02C, J04A, J04B, J08A, J08B, J08C, J16Z, J21Z, J22A, J22B, J22J | | | | |
| | 21A | W04A, W04B | 09 | | J02A, J02B, J02C, J04A, J04B, J08A, J08B, J08C, J16Z, J21Z, J22A, J22B, J22J | 21A | W04A, W04B | | | | |
| | 21B | X01A, X01B, X01C | 09 | | J02A, J02B, J02C, J04A, J04B, J08A, J08B, J08C, J16Z, J21Z, J22A, J22B, J22J | 21B | X01A, X01B, X01C | | | | |
| | 22 | Y01Z, Y03A, Y03B | 21A | | W04A, W04B | 22 | Y01Z, Y02A, Y02B, Y02C | | | | |
| | 5v571.3↔ | | BOP, KJZSV, KVT, UOP4 | | 5v571.9↔ | | BOP, KJZSV, KVT, UOP4 | | 5v571.f↔ | | BOP, KJZSV, KVT, UOP4 |
| | | 02 | C01A, C01B, C16Z, C20A, C20B, C20J, C20Q, C20R | | | 05 | F13A | | | 05 | F13A |
| | | 05 | F13A | | | 08 | I32A, I32B, I32C, I32D, I32E, I32F, I32J, I32Q, I32R, I32S, I32T, I32U | | | 08 | I02A, I02B, I02C, I02D, I22A, I22B, I50Z |
| 08 | | I17Z | 08 | I32A, I32B, I32C, I32D, I32E, I32F, I32J, I32Q, I32R, I32S, I32T, I32U | | 09 | J02A, J02B, J02C, J04A, J04B, J08A, J08B, J08C, J16Z, J21Z, J22A, J22B, J22J | | | | |
| 09 | | J03A, J03B, J04A, J04B, J08A, J08B, J08C, J10A, J10B, J10J, J16Z, J21Z, J22A, J22B, J22J | 09 | J02A, J02B, J02C, J04A, J04B, J08A, J08B, J08C, J16Z, J21Z, J22A, J22B, J22J | | 21A | W04A, W04B | | | | |
| 10 | | K09A, K09B | 09 | J02A, J02B, J02C, J04A, J04B, J08A, J08B, J08C, J16Z, J21Z, J22A, J22B, J22J | | 21B | X01A, X01B, X01C | | | | |
| 21A | | W04A, W04B | 21A | W04A, W04B | | 22 | Y01Z, Y02A, Y02B, Y02C | | | | |
| 21B | | X06A, X06B, X06C | 21B | X01A, X01B, X01C | | | | | | | |
| 22 | | Y01Z, Y03A, Y03B | 22 | Y01Z, Y02A, Y02B, Y02C | | | | | | | |

| ZZV | MDC | DRG | ZZV | MDC | DRG | ZZV | MDC | DRG | | | |
|----------|----------|--|--|--|--|---------|--|--|----------|----|--|
| 5v571.g↔ | | BOP, KJZSV, KVT, UOP4 | 5v572.4 | | BOP, KJZSV, KVT, UOP4 | 5v572.a | | BOP, KJZSV, KVT, UOP4 | | | |
| | 05 | F13A | | 03 | D12A, D12J, D12Q | | 05 | F13A | | | |
| | 08 | I02A, I02B, I02C, I02D, I22A, I22B, I50Z | | 05 | F13A | | 08 | I02A, I02B, I02C, I02D, I22A, I22B, I50Z | | | |
| | 09 | J02A, J02B, J02C, J04A, J04B, J08A, J08B, J08C, J16Z, J21Z, J22A, J22B, J22J | | 08 | I02A, I02B, I02C, I02D, I22A, I22B, I50Z | | 09 | J02A, J02B, J02C, J04A, J04B, J08A, J08B, J08C, J16Z, J21Z, J22A, J22B, J22J | | | |
| | 21A | W04A, W04B | | 09 | J02A, J02B, J02C, J04A, J04B, J08A, J08B, J08C, J16Z, J21Z, J22A, J22B, J22J | | 21A | W04A, W04B | | | |
| | 21B | X01A, X01B, X01C | | 21A | W04A, W04B | | 21B | X01A, X01B, X01C | | | |
| | 22 | Y01Z, Y02A, Y02B, Y02C | | 21B | X01A, X01B, X01C | | 22 | Y01Z, Y02A, Y02B, Y02C | | | |
| | 5v571.x↔ | | | BOP, KJZSV, KVT, UOP4 | 5v572.5 | | | BOP, KJZSV, KVT, UOP4 | 5v572.b | | BOP, KJZSV, KVT, UOP4 |
| | | 05 | | F13A | | | 03 | D12A, D12J, D12Q | | 05 | F13A |
| | | 08 | | I02A, I02B, I02C, I02D, I22A, I22B, I32A, I32B, I32C, I32D, I32E, I32F, I32J, I32Q, I32R, I32S, I32T, I32U, I50Z | | | 05 | F13A | | 08 | I02A, I02B, I02C, I02D, I22A, I22B, I50Z |
| 09 | | J02A, J02B, J02C, J04A, J04B, J08A, J08B, J08C, J16Z, J21Z, J22A, J22B, J22J | 08 | I02A, I02B, I02C, I02D, I22A, I22B, I50Z | | 09 | J02A, J02B, J02C, J04A, J04B, J08A, J08B, J08C, J16Z, J21Z, J22A, J22B, J22J | | | | |
| 21A | | W04A, W04B | 09 | J02A, J02B, J02C, J04A, J04B, J08A, J08B, J08C, J16Z, J21Z, J22A, J22B, J22J | | 21A | W04A, W04B | | | | |
| 21B | | X01A, X01B, X01C | 21A | W04A, W04B | | 21B | X01A, X01B, X01C | | | | |
| 22 | | Y01Z, Y02A, Y02B, Y02C | 21B | X01A, X01B, X01C | | 22 | Y01Z, Y02A, Y02B, Y02C | | | | |
| 5v572.0 | | | BOP, KJZSV, KVT, UOP4 | 5v572.6↔ | | | BOP, KJZSV, KVT, UOP4 | 5v572.c | | | BOP, KJZSV, KVT, UOP4 |
| | | 03 | D02A, D02B, D18Z, D24A, D24B | | | 05 | F13A | | | 05 | F13A |
| | | 05 | F13A | | | 08 | I02A, I02B, I02C, I02D, I22A, I22B, I50Z | | | 08 | I02A, I02B, I02C, I02D, I22A, I22B, I50Z |
| | 09 | J03A, J03B, J04A, J04B, J08A, J08B, J08C, J11A, J11B, J11J, J11Q, J11R, J11S, J16Z, J21Z, J22A, J22B, J22J | 09 | | J02A, I02B, I02C, I02D, I22A, I22B, I50Z | 09 | J02A, J02B, J02C, J04A, J04B, J08A, J08B, J08C, J16Z, J21Z, J22A, J22B, J22J | | | | |
| | 21A | W04A, W04B | 09 | | J02A, J02B, J02C, J04A, J04B, J08A, J08B, J08C, J16Z, J21Z, J22A, J22B, J22J | 21A | W04A, W04B | | | | |
| | 21B | X06A, X06B, X06C | 21A | | W04A, W04B | 21B | X01A, X01B, X01C | | | | |
| | 22 | Y01Z, Y03A, Y03B | 21B | | X01A, X01B, X01C | 22 | Y01Z, Y03A, Y03B | | | | |
| | 5v572.1 | | BOP, KJZSV, KVT, UOP4 | | 5v572.7↔ | | BOP, KJZSV, KVT, UOP4 | | 5v572.d | | BOP, KJZSV, KVT, UOP4 |
| | | 03 | D12A, D12J, D12Q | | | 05 | F13A | | | 05 | F13A |
| | | 05 | F13A | | | 08 | I02A, I02B, I02C, I02D, I22A, I22B, I50Z | | | 08 | I02A, I02B, I02C, I02D, I22A, I22B, I50Z |
| 09 | | J02A, J02B, J02C, J04A, J04B, J08A, J08B, J08C, J16Z, J21Z, J22A, J22B, J22J | 08 | I02A, I02B, I02C, I02D, I22A, I22B, I50Z | | 09 | J02A, J02B, J02C, J04A, J04B, J08A, J08B, J08C, J16Z, J21Z, J22A, J22B, J22J | | | | |
| 21A | | W04A, W04B | 09 | J02A, J02B, J02C, J04A, J04B, J08A, J08B, J08C, J16Z, J21Z, J22A, J22B, J22J | | 21A | W04A, W04B | | | | |
| 21B | | X01A, X01B, X01C | 09 | J02A, J02B, J02C, J04A, J04B, J08A, J08B, J08C, J16Z, J21Z, J22A, J22B, J22J | | 21B | X01A, X01B, X01C | | | | |
| 22 | | Y01Z, Y02A, Y02B, Y03A, Y03B | 21A | W04A, W04B | | 22 | Y01Z, Y02A, Y02B, Y02C | | | | |
| 5v572.2↔ | | | BOP, KJZSV, KVT, UOP4 | 5v572.8↔ | | | BOP, KJZSV, KVT, UOP4 | 5v572.e↔ | | | BOP, KJZSV, KVT, UOP4 |
| | | 03 | D12A, D12J, D12Q | | | 05 | F13A | | | 05 | F13A |
| | | 05 | F13A | | | 08 | I02A, I02B, I02C, I02D, I22A, I22B, I32A, I32B, I32C, I32D, I32E, I32F, I32J, I32Q, I32R, I32S, I32T, I32U, I50Z | | | 08 | I02A, I02B, I02C, I02D, I22A, I22B, I50Z |
| | 09 | J02A, J02B, J02C, J04A, J04B, J08A, J08B, J08C, J16Z, J21Z, J22A, J22B, J22J | 08 | | I02A, I02B, I02C, I02D, I22A, I22B, I32A, I32B, I32C, I32D, I32E, I32F, I32J, I32Q, I32R, I32S, I32T, I32U, I50Z | 09 | J02A, J02B, J02C, J04A, J04B, J08A, J08B, J08C, J16Z, J21Z, J22A, J22B, J22J | | | | |
| | 21A | W04A, W04B | 09 | | J02A, J02B, J02C, J04A, J04B, J08A, J08B, J08C, J16Z, J21Z, J22A, J22B, J22J | 21A | W04A, W04B | | | | |
| | 21B | X01A, X01B, X01C | 09 | | J02A, J02B, J02C, J04A, J04B, J08A, J08B, J08C, J16Z, J21Z, J22A, J22B, J22J | 21B | X01A, X01B, X01C | | | | |
| | 22 | Y01Z, Y03A, Y03B | 21A | | W04A, W04B | 22 | Y01Z, Y02A, Y02B, Y02C | | | | |
| | 5v572.3↔ | | BOP, KJZSV, KVT, UOP4 | | 5v572.9↔ | | BOP, KJZSV, KVT, UOP4 | | 5v572.f↔ | | BOP, KJZSV, KVT, UOP4 |
| | | 02 | C01A, C01B, C16Z, C20A, C20B, C20J, C20Q, C20R | | | 05 | F13A | | | 05 | F13A |
| | | 05 | F13A | | | 08 | I32A, I32B, I32C, I32D, I32E, I32F, I32J, I32Q, I32R, I32S, I32T, I32U | | | 08 | I02A, I02B, I02C, I02D, I22A, I22B, I50Z |
| 08 | | I17Z | 08 | I32A, I32B, I32C, I32D, I32E, I32F, I32J, I32Q, I32R, I32S, I32T, I32U | | 09 | J02A, J02B, J02C, J04A, J04B, J08A, J08B, J08C, J16Z, J21Z, J22A, J22B, J22J | | | | |
| 09 | | J03A, J03B, J04A, J04B, J08A, J08B, J08C, J10A, J10B, J10J, J16Z, J21Z, J22A, J22B, J22J | 09 | J02A, J02B, J02C, J04A, J04B, J08A, J08B, J08C, J16Z, J21Z, J22A, J22B, J22J | | 21A | W04A, W04B | | | | |
| 10 | | K09A, K09B | 09 | J02A, J02B, J02C, J04A, J04B, J08A, J08B, J08C, J16Z, J21Z, J22A, J22B, J22J | | 21B | X01A, X01B, X01C | | | | |
| 21A | | W04A, W04B | 21A | W04A, W04B | | 22 | Y01Z, Y02A, Y02B, Y02C | | | | |
| 21B | | X06A, X06B, X06C | 21B | X01A, X01B, X01C | | | | | | | |
| 22 | | Y01Z, Y03A, Y03B | 22 | Y01Z, Y02A, Y02B, Y02C | | | | | | | |

VYK

| ZZV | MDC | DRG | ZZV | MDC | DRG | ZZV | MDC | DRG | | | |
|----------|----------|--|--|--|--|---------|--|--|----------|----|--|
| 5v572.g↔ | | BOP, KJZSV, KVT, UOP4 | 5v573.4 | | BOP, KJZSV, KVT, UOP4 | 5v573.a | | BOP, KJZSV, KVT, UOP4 | | | |
| | 05 | F13A | | 03 | D12A, D12J, D12Q | | 05 | F13A | | | |
| | 08 | I02A, I02B, I02C, I02D, I22A, I22B, I50Z | | 05 | F13A | | 08 | I02A, I02B, I02C, I02D, I22A, I22B, I50Z | | | |
| | 09 | J02A, J02B, J02C, J04A, J04B, J08A, J08B, J08C, J16Z, J21Z, J22A, J22B, J22J | | 08 | I02A, I02B, I02C, I02D, I22A, I22B, I50Z | | 09 | J02A, J02B, J02C, J04A, J04B, J08A, J08B, J08C, J16Z, J21Z, J22A, J22B, J22J | | | |
| | 21A | W04A, W04B | | 09 | J02A, J02B, J02C, J04A, J04B, J08A, J08B, J08C, J16Z, J21Z, J22A, J22B, J22J | | 21A | W04A, W04B | | | |
| | 21B | X01A, X01B, X01C | | 21A | W04A, W04B | | 21B | X01A, X01B, X01C | | | |
| | 22 | Y01Z, Y02A, Y02B, Y02C | | 21B | X01A, X01B, X01C | | 22 | Y01Z, Y02A, Y02B, Y02C | | | |
| | 5v572.x↔ | | | BOP, KJZSV, KVT, UOP4 | 5v573.5 | | | BOP, KJZSV, KVT, UOP4 | 5v573.b | | BOP, KJZSV, KVT, UOP4 |
| | | 05 | | F13A | | | 03 | D12A, D12J, D12Q | | 05 | F13A |
| | | 08 | | I02A, I02B, I02C, I02D, I22A, I22B, I32A, I32B, I32C, I32D, I32E, I32F, I32J, I32Q, I32R, I32S, I32T, I32U, I50Z | | | 05 | F13A | | 08 | I02A, I02B, I02C, I02D, I22A, I22B, I50Z |
| 09 | | J02A, J02B, J02C, J04A, J04B, J08A, J08B, J08C, J16Z, J21Z, J22A, J22B, J22J | 08 | I02A, I02B, I02C, I02D, I22A, I22B, I50Z | | 09 | J02A, J02B, J02C, J04A, J04B, J08A, J08B, J08C, J16Z, J21Z, J22A, J22B, J22J | | | | |
| 21A | | W04A, W04B | 09 | J02A, J02B, J02C, J04A, J04B, J08A, J08B, J08C, J16Z, J21Z, J22A, J22B, J22J | | 21A | W04A, W04B | | | | |
| 21B | | X01A, X01B, X01C | 21A | W04A, W04B | | 21B | X01A, X01B, X01C | | | | |
| 22 | | Y01Z, Y02A, Y02B, Y02C | 21B | X01A, X01B, X01C | | 22 | Y01Z, Y02A, Y02B, Y02C | | | | |
| 5v573.0 | | | BOP, KJZSV, KVT, UOP4 | 5v573.6↔ | | | BOP, KJZSV, KVT, UOP4 | 5v573.c | | | BOP, KJZSV, KVT, UOP4 |
| | | 03 | D02A, D02B, D18Z, D24A, D24B | | | 05 | F13A | | | 05 | F13A |
| | | 05 | F13A | | | 08 | I02A, I02B, I02C, I02D, I22A, I22B, I50Z | | | 08 | I02A, I02B, I02C, I02D, I22A, I22B, I50Z |
| | 09 | J03A, J03B, J04A, J04B, J08A, J08B, J08C, J11A, J11B, J11J, J11Q, J11R, J11S, J16Z, J21Z, J22A, J22B, J22J | 09 | | J02A, J02B, I02C, I02D, I22A, I22B, I50Z | 09 | J02A, J02B, J02C, J04A, J04B, J08A, J08B, J08C, J16Z, J21Z, J22A, J22B, J22J | | | | |
| | 21A | W04A, W04B | 09 | | J02A, J02B, J02C, J04A, J04B, J08A, J08B, J08C, J16Z, J21Z, J22A, J22B, J22J | 21A | W04A, W04B | | | | |
| | 21B | X06A, X06B, X06C | 21A | | W04A, W04B | 21B | X01A, X01B, X01C | | | | |
| | 22 | Y01Z, Y03A, Y03B | 21B | | X01A, X01B, X01C | 22 | Y01Z, Y03A, Y03B | | | | |
| | 5v573.1 | | BOP, KJZSV, KVT, UOP4 | | 5v573.7↔ | | BOP, KJZSV, KVT, UOP4 | | 5v573.d | | BOP, KJZSV, KVT, UOP4 |
| | | 03 | D12A, D12J, D12Q | | | 05 | F13A | | | 05 | F13A |
| | | 05 | F13A | | | 08 | I02A, I02B, I02C, I02D, I22A, I22B, I50Z | | | 08 | I02A, I02B, I02C, I02D, I22A, I22B, I50Z |
| 09 | | J02A, J02B, J02C, J04A, J04B, J08A, J08B, J08C, J16Z, J21Z, J22A, J22B, J22J | 08 | I02A, I02B, I02C, I02D, I22A, I22B, I50Z | | 09 | J02A, J02B, J02C, J04A, J04B, J08A, J08B, J08C, J16Z, J21Z, J22A, J22B, J22J | | | | |
| 21A | | W04A, W04B | 09 | J02A, J02B, J02C, J04A, J04B, J08A, J08B, J08C, J16Z, J21Z, J22A, J22B, J22J | | 21A | W04A, W04B | | | | |
| 21B | | X01A, X01B, X01C | 09 | J02A, J02B, J02C, J04A, J04B, J08A, J08B, J08C, J16Z, J21Z, J22A, J22B, J22J | | 21B | X01A, X01B, X01C | | | | |
| 22 | | Y01Z, Y02A, Y02B, Y03A, Y03B | 21A | W04A, W04B | | 22 | Y01Z, Y02A, Y02B, Y02C | | | | |
| 5v573.2↔ | | | BOP, KJZSV, KVT, UOP4 | 5v573.8↔ | | | BOP, KJZSV, KVT, UOP4 | 5v573.e↔ | | | BOP, KJZSV, KVT, UOP4 |
| | | 03 | D12A, D12J, D12Q | | | 05 | F13A | | | 05 | F13A |
| | | 05 | F13A | | | 08 | I02A, I02B, I02C, I02D, I22A, I22B, I32A, I32B, I32C, I32D, I32E, I32F, I32J, I32Q, I32R, I32S, I32T, I32U, I50Z | | | 08 | I02A, I02B, I02C, I02D, I22A, I22B, I50Z |
| | 09 | J02A, J02B, J02C, J04A, J04B, J08A, J08B, J08C, J16Z, J21Z, J22A, J22B, J22J | 08 | | I02A, I02B, I02C, I02D, I22A, I22B, I32A, I32B, I32C, I32D, I32E, I32F, I32J, I32Q, I32R, I32S, I32T, I32U, I50Z | 09 | J02A, J02B, J02C, J04A, J04B, J08A, J08B, J08C, J16Z, J21Z, J22A, J22B, J22J | | | | |
| | 21A | W04A, W04B | 09 | | J02A, J02B, J02C, J04A, J04B, J08A, J08B, J08C, J16Z, J21Z, J22A, J22B, J22J | 21A | W04A, W04B | | | | |
| | 21B | X01A, X01B, X01C | 09 | | J02A, J02B, J02C, J04A, J04B, J08A, J08B, J08C, J16Z, J21Z, J22A, J22B, J22J | 21B | X01A, X01B, X01C | | | | |
| | 22 | Y01Z, Y03A, Y03B | 21A | | W04A, W04B | 22 | Y01Z, Y02A, Y02B, Y02C | | | | |
| | 5v573.3↔ | | BOP, KJZSV, KVT, UOP4 | | 5v573.9↔ | | BOP, KJZSV, KVT, UOP4 | | 5v573.f↔ | | BOP, KJZSV, KVT, UOP4 |
| | | 02 | C01A, C01B, C16Z, C20A, C20B, C20J, C20Q, C20R | | | 05 | F13A | | | 05 | F13A |
| | | 05 | F13A | | | 08 | I32A, I32B, I32C, I32D, I32E, I32F, I32J, I32Q, I32R, I32S, I32T, I32U | | | 08 | I02A, I02B, I02C, I02D, I22A, I22B, I50Z |
| 08 | | I17Z | 08 | I32A, I32B, I32C, I32D, I32E, I32F, I32J, I32Q, I32R, I32S, I32T, I32U | | 09 | J02A, J02B, J02C, J04A, J04B, J08A, J08B, J08C, J16Z, J21Z, J22A, J22B, J22J | | | | |
| 09 | | J03A, J03B, J04A, J04B, J08A, J08B, J08C, J10A, J10B, J10J, J16Z, J21Z, J22A, J22B, J22J | 09 | J02A, J02B, J02C, J04A, J04B, J08A, J08B, J08C, J16Z, J21Z, J22A, J22B, J22J | | 21A | W04A, W04B | | | | |
| 10 | | K09A, K09B | 09 | J02A, J02B, J02C, J04A, J04B, J08A, J08B, J08C, J16Z, J21Z, J22A, J22B, J22J | | 21B | X01A, X01B, X01C | | | | |
| 21A | | W04A, W04B | 21A | W04A, W04B | | 22 | Y01Z, Y02A, Y02B, Y02C | | | | |
| 21B | | X06A, X06B, X06C | 21B | X01A, X01B, X01C | | | | | | | |
| 22 | | Y01Z, Y03A, Y03B | 22 | Y01Z, Y02A, Y02B, Y02C | | | | | | | |

| ZZV | MDC | DRG | ZZV | MDC | DRG | ZZV | MDC | DRG | | | |
|----------|----------|--|--|--|--|----------|--|--|----------|----|--|
| 5v573.g↔ | | BOP, KJZSV, KVT, UOP4 | 5v584.1 | | BOP, KJZSV, KVT, UOP4 | 5v584.7↔ | | BOP, KJZSV, KVT, UOP4 | | | |
| | 05 | F13A | | 03 | D12A, D12B, D12J, D12Q | | 05 | F13A | | | |
| | 08 | I02A, I02B, I02C, I02D, I22A, I22B, I50Z | | 05 | F13A | | 08 | I02A, I02B, I02C, I02D, I22A, I22B, I50Z | | | |
| | 09 | J02A, J02B, J02C, J04A, J04B, J08A, J08B, J08C, J16Z, J21Z, J22A, J22B, J22J | | 09 | J02A, J02B, J02C, J04A, J04B, J08A, J08B, J08C, J16Z, J21Z, J22A, J22B, J22J | | 09 | J02A, J02B, J02C, J04A, J04B, J08A, J08B, J08C, J16Z, J21Z, J22A, J22B, J22J | | | |
| | 21A | W04A, W04B | | 21A | W04A, W04B | | 21A | W04A, W04B | | | |
| | 21B | X01A, X01B, X01C | | 21B | X01A, X01B, X01C | | 21B | X01A, X01B, X01C | | | |
| | 22 | Y01Z, Y02A, Y02B, Y02C | | 22 | Y01Z, Y02A, Y02B, Y02C | | 22 | Y01Z, Y02A, Y02B, Y02C | | | |
| | 5v573.x↔ | | | BOP, KJZSV, KVT, UOP4 | 5v584.2↔ | | | BOP, KJZSV, KVT, UOP4 | 5v584.8↔ | | BOP, KJZSV, KVT, UOP4 |
| | | 05 | | F13A | | | 03 | D12A, D12B, D12J, D12Q | | 05 | F13A |
| | | 08 | | I02A, I02B, I02C, I02D, I22A, I22B, I32A, I32B, I32C, I32D, I32E, I32F, I32J, I32Q, I32R, I32S, I32T, I32U, I50Z | | | 05 | F13A | | 08 | I02A, I02B, I02C, I02D, I22A, I22B, I32A, I32B, I32C, I32D, I32E, I32F, I32J, I32Q, I32R, I32S, I32T, I32U, I50Z |
| 09 | | J02A, J02B, J02C, J04A, J04B, J08A, J08B, J08C, J16Z, J21Z, J22A, J22B, J22J | 09 | J02A, J02B, J02C, J04A, J04B, J08A, J08B, J08C, J16Z, J21Z, J22A, J22B, J22J | | 09 | J02A, J02B, J02C, J04A, J04B, J08A, J08B, J08C, J16Z, J21Z, J22A, J22B, J22J | | | | |
| 21A | | W04A, W04B | 21A | W04A, W04B | | 21A | W04A, W04B | | | | |
| 21B | | X01A, X01B, X01C | 21B | X01A, X01B, X01C | | 21B | X01A, X01B, X01C | | | | |
| 22 | | Y01Z, Y02A, Y02B, Y02C | 22 | Y01Z, Y02A, Y02B, Y02C | | 22 | Y01Z, Y02A, Y02B, Y02C | | | | |
| 5v580.3↔ | | | BOP, KJZSV, KVT, UOP4 | 5v584.3↔ | | | BOP, KJZSV, KVT, UOP4 | 5v584.9↔ | | | BOP, KJZSV, KVT, UOP4 |
| | | 02 | C01A, C01B, C16Z, C20A, C20B, C20J, C20Q, C20R | | | 03 | D12A, D12B, D12J, D12Q | | | 05 | F13A |
| | | 05 | F13A | | | 05 | F13A | | | 08 | I32A, I32B, I32C, I32D, I32E, I32F, I32J, I32Q, I32R, I32S, I32T, I32U |
| | 08 | I17Z | 08 | | I02A, I02B, I02C, I02D, I22A, I22B, I50Z | 09 | J02A, J02B, J02C, J04A, J04B, J08A, J08B, J08C, J16Z, J21Z, J22A, J22B, J22J | | | | |
| | 09 | J03A, J03B, J04A, J04B, J08A, J08B, J08C, J10A, J10B, J10J, J16Z, J21Z, J22A, J22B, J22J | 09 | | J02A, J02B, J02C, J04A, J04B, J08A, J08B, J08C, J16Z, J21Z, J22A, J22B, J22J | 21A | W04A, W04B | | | | |
| | 21A | W04A, W04B | 21A | | W04A, W04B | 21B | X01A, X01B, X01C | | | | |
| | 21B | X06A, X06B, X06C | 21B | | X01A, X01B, X01C | 22 | Y01Z, Y02A, Y02B, Y02C | | | | |
| | 22 | Y01Z, Y03A, Y03B | 22 | | Y01Z, Y02A, Y02B, Y02C | 22 | Y01Z, Y02A, Y02B, Y02C | | | | |
| | 5v581.3↔ | | BOP, KJZSV, KVT, UOP4 | | 5v584.4 | | BOP, KJZSV, KVT, UOP4 | | 5v584.a | | BOP, KJZSV, KVT, UOP4 |
| | | 02 | C01A, C01B, C16Z, C20A, C20B, C20J, C20Q, C20R | | | 03 | D12A, D12B, D12J, D12Q | | | 05 | F13A |
| 05 | | F13A | 05 | F13A | | 08 | I02A, I02B, I02C, I02D, I22A, I22B, I50Z | | | | |
| 08 | | I17Z | 08 | I02A, I02B, I02C, I02D, I22A, I22B, I50Z | | 09 | J02A, J02B, J02C, J04A, J04B, J08A, J08B, J08C, J16Z, J21Z, J22A, J22B, J22J | | | | |
| 09 | | J03A, J03B, J04A, J04B, J08A, J08B, J08C, J10A, J10B, J10J, J16Z, J21Z, J22A, J22B, J22J | 09 | J02A, J02B, J02C, J04A, J04B, J08A, J08B, J08C, J16Z, J21Z, J22A, J22B, J22J | | 21A | W04A, W04B | | | | |
| 21A | | W04A, W04B | 21A | W04A, W04B | | 21B | X01A, X01B, X01C | | | | |
| 21B | | X06A, X06B, X06C | 21B | X01A, X01B, X01C | | 22 | Y01Z, Y02A, Y02B, Y02C | | | | |
| 22 | | Y01Z, Y03A, Y03B | 22 | Y01Z, Y02A, Y02B, Y02C | | 22 | Y01Z, Y02A, Y02B, Y02C | | | | |
| 5v582.3↔ | | | BOP, KJZSV, KVT, UOP4 | 5v584.5 | | | BOP, KJZSV, KVT, UOP4 | 5v584.b | | | BOP, KJZSV, KVT, UOP4 |
| | | 02 | C01A, C01B, C16Z, C20A, C20B, C20J, C20Q, C20R | | | 03 | D12A, D12B, D12J, D12Q | | | 05 | F13A |
| | 05 | F13A | 05 | | F13A | 08 | I02A, I02B, I02C, I02D, I22A, I22B, I50Z | | | | |
| | 08 | I17Z | 08 | | I02A, I02B, I02C, I02D, I22A, I22B, I50Z | 09 | J02A, J02B, J02C, J04A, J04B, J08A, J08B, J08C, J16Z, J21Z, J22A, J22B, J22J | | | | |
| | 09 | J03A, J03B, J04A, J04B, J08A, J08B, J08C, J10A, J10B, J10J, J16Z, J21Z, J22A, J22B, J22J | 09 | | J02A, J02B, J02C, J04A, J04B, J08A, J08B, J08C, J16Z, J21Z, J22A, J22B, J22J | 21A | W04A, W04B | | | | |
| | 21A | W04A, W04B | 21A | | W04A, W04B | 21B | X01A, X01B, X01C | | | | |
| | 21B | X06A, X06B, X06C | 21B | | X01A, X01B, X01C | 22 | Y01Z, Y02A, Y02B, Y02C | | | | |
| | 22 | Y01Z, Y03A, Y03B | 22 | | Y01Z, Y02A, Y02B, Y02C | 22 | Y01Z, Y02A, Y02B, Y02C | | | | |
| | 5v584.0 | | BOP, KJZSV, KVT, UOP4 | | 5v584.6↔ | | BOP, KJZSV, KVT, UOP4 | | 5v584.c | | BOP, KJZSV, KVT, UOP4 |
| | | 03 | D12A, D12B, D12J, D12Q | | | 03 | D12A, D12B, D12J, D12Q | | | 05 | F13A |
| 05 | | F13A | 05 | F13A | | 08 | I02A, I02B, I02C, I02D, I22A, I22B, I50Z | | | | |
| 09 | | J02A, J02B, J02C, J04A, J04B, J08A, J08B, J08C, J16Z, J21Z, J22A, J22B, J22J | 08 | I02A, I02B, I02C, I02D, I22A, I22B, I50Z | | 09 | J02A, J02B, J02C, J04A, J04B, J08A, J08B, J08C, J16Z, J21Z, J22A, J22B, J22J | | | | |
| 21A | | W04A, W04B | 21B | X01A, X01B, X01C | | 21A | W04A, W04B | | | | |
| 21B | | X01A, X01B, X01C | 22 | Y01Z, Y02A, Y02B, Y02C | | 21B | X01A, X01B, X01C | | | | |
| 22 | | Y01Z, Y02A, Y02B, Y02C | 22 | Y01Z, Y02A, Y02B, Y02C | | 22 | Y01Z, Y02A, Y02B, Y02C | | | | |

VYK

| ZZV | MDC | DRG | ZZV | MDC | DRG | ZZV | MDC | DRG | | | |
|----------|----------|--|--|--|--|----------|--|--|----------|----|--|
| 5v584.d | | BOP, KJZSV, KVT, UOP4 | 5v585.1 | | BOP, KJZSV, KVT, UOP4 | 5v585.7↔ | | BOP, KJZSV, KVT, UOP4 | | | |
| | 05 | F13A | | 03 | D12A, D12B, D12J, D12Q | | 05 | F13A | | | |
| | 08 | I02A, I02B, I02C, I02D, I22A, I22B, I50Z | | 05 | F13A | | 08 | I02A, I02B, I02C, I02D, I22A, I22B, I50Z | | | |
| | 09 | J02A, J02B, J02C, J04A, J04B, J08A, J08B, J08C, J16Z, J21Z, J22A, J22B, J22J | | 09 | J02A, J02B, J02C, J04A, J04B, J08A, J08B, J08C, J16Z, J21Z, J22A, J22B, J22J | | 09 | J02A, J02B, J02C, J04A, J04B, J08A, J08B, J08C, J16Z, J21Z, J22A, J22B, J22J | | | |
| | 21A | W04A, W04B | | 21A | W04A, W04B | | 21A | W04A, W04B | | | |
| | 21B | X01A, X01B, X01C | | 21B | X01A, X01B, X01C | | 21B | X01A, X01B, X01C | | | |
| | 22 | Y01Z, Y02A, Y02B, Y02C | | 22 | Y01Z, Y02A, Y02B, Y02C | | 22 | Y01Z, Y02A, Y02B, Y02C | | | |
| | 5v584.e↔ | | | BOP, KJZSV, KVT, UOP4 | 5v585.2↔ | | | BOP, KJZSV, KVT, UOP4 | 5v585.8↔ | | BOP, KJZSV, KVT, UOP4 |
| | | 05 | | F13A | | | 03 | D12A, D12B, D12J, D12Q | | 05 | F13A |
| | | 08 | | I02A, I02B, I02C, I02D, I22A, I22B, I50Z | | | 05 | F13A | | 08 | I02A, I02B, I02C, I02D, I22A, I22B, I50Z |
| 09 | | J02A, J02B, J02C, J04A, J04B, J08A, J08B, J08C, J16Z, J21Z, J22A, J22B, J22J | 09 | J02A, J02B, J02C, J04A, J04B, J08A, J08B, J08C, J16Z, J21Z, J22A, J22B, J22J | | 09 | J02A, J02B, J02C, J04A, J04B, J08A, J08B, J08C, J16Z, J21Z, J22A, J22B, J22J | | | | |
| 21A | | W04A, W04B | 21A | W04A, W04B | | 21A | W04A, W04B | | | | |
| 21B | | X01A, X01B, X01C | 21B | X01A, X01B, X01C | | 21B | X01A, X01B, X01C | | | | |
| 22 | | Y01Z, Y02A, Y02B, Y02C | 22 | Y01Z, Y02A, Y02B, Y02C | | 22 | Y01Z, Y02A, Y02B, Y02C | | | | |
| 5v584.f↔ | | | BOP, KJZSV, KVT, UOP4 | 5v585.3↔ | | | BOP, KJZSV, KVT, UOP4 | 5v585.9↔ | | | BOP, KJZSV, KVT, UOP4 |
| | | 05 | F13A | | | 03 | D12A, D12B, D12J, D12Q | | | 05 | F13A |
| | | 08 | I02A, I02B, I02C, I02D, I22A, I22B, I50Z | | | 05 | F13A | | | 08 | I02A, I02B, I02C, I02D, I22A, I22B, I50Z |
| | 09 | J02A, J02B, J02C, J04A, J04B, J08A, J08B, J08C, J16Z, J21Z, J22A, J22B, J22J | 08 | | I02A, I02B, I02C, I02D, I22A, I22B, I50Z | 09 | J02A, J02B, J02C, J04A, J04B, J08A, J08B, J08C, J16Z, J21Z, J22A, J22B, J22J | | | | |
| | 21A | W04A, W04B | 21A | | W04A, W04B | 21A | W04A, W04B | | | | |
| | 21B | X01A, X01B, X01C | 21B | | X01A, X01B, X01C | 21B | X01A, X01B, X01C | | | | |
| | 22 | Y01Z, Y02A, Y02B, Y02C | 22 | | Y01Z, Y02A, Y02B, Y02C | 22 | Y01Z, Y02A, Y02B, Y02C | | | | |
| | 5v584.g↔ | | BOP, KJZSV, KVT, UOP4 | | 5v585.4 | | BOP, KJZSV, KVT, UOP4 | | 5v585.a | | BOP, KJZSV, KVT, UOP4 |
| | | 05 | F13A | | | 03 | D12A, D12B, D12J, D12Q | | | 05 | F13A |
| | | 08 | I02A, I02B, I02C, I02D, I22A, I22B, I50Z | | | 05 | F13A | | | 08 | I02A, I02B, I02C, I02D, I22A, I22B, I50Z |
| 09 | | J02A, J02B, J02C, J04A, J04B, J08A, J08B, J08C, J16Z, J21Z, J22A, J22B, J22J | 08 | I02A, I02B, I02C, I02D, I22A, I22B, I50Z | | 09 | J02A, J02B, J02C, J04A, J04B, J08A, J08B, J08C, J16Z, J21Z, J22A, J22B, J22J | | | | |
| 21A | | W04A, W04B | 21A | W04A, W04B | | 21A | W04A, W04B | | | | |
| 21B | | X01A, X01B, X01C | 21B | X01A, X01B, X01C | | 21B | X01A, X01B, X01C | | | | |
| 22 | | Y01Z, Y02A, Y02B, Y02C | 22 | Y01Z, Y02A, Y02B, Y02C | | 22 | Y01Z, Y02A, Y02B, Y02C | | | | |
| 5v584.x | | | BOP, KJZSV, KVT, UOP4 | 5v585.5 | | | BOP, KJZSV, KVT, UOP4 | 5v585.b | | | BOP, KJZSV, KVT, UOP4 |
| | | 05 | F13A | | | 03 | D12A, D12B, D12J, D12Q | | | 05 | F13A |
| | | 08 | I02A, I02B, I02C, I02D, I22A, I22B, I50Z | | | 05 | F13A | | | 08 | I02A, I02B, I02C, I02D, I22A, I22B, I50Z |
| | 09 | J02A, J02B, J02C, J04A, J04B, J08A, J08B, J08C, J16Z, J21Z, J22A, J22B, J22J | 08 | | I02A, I02B, I02C, I02D, I22A, I22B, I50Z | 09 | J02A, J02B, J02C, J04A, J04B, J08A, J08B, J08C, J16Z, J21Z, J22A, J22B, J22J | | | | |
| | 21A | W04A, W04B | 21A | | W04A, W04B | 21A | W04A, W04B | | | | |
| | 21B | X01A, X01B, X01C | 21B | | X01A, X01B, X01C | 21B | X01A, X01B, X01C | | | | |
| | 22 | Y01Z, Y02A, Y02B, Y02C | 22 | | Y01Z, Y02A, Y02B, Y02C | 22 | Y01Z, Y02A, Y02B, Y02C | | | | |
| | 5v585.0 | | BOP, KJZSV, KVT, UOP4 | | 5v585.6↔ | | BOP, KJZSV, KVT, UOP4 | | 5v585.c | | BOP, KJZSV, KVT, UOP4 |
| | | 03 | D12A, D12B, D12J, D12Q | | | 03 | D12A, D12B, D12J, D12Q | | | 03 | D12A, D12B, D12J, D12Q |
| | | 05 | F13A | | | 05 | F13A | | | 05 | F13A |
| 09 | | J02A, J02B, J02C, J04A, J04B, J08A, J08B, J08C, J16Z, J21Z, J22A, J22B, J22J | 05 | F13A | | 08 | I02A, I02B, I02C, I02D, I22A, I22B, I50Z | | | | |
| 21A | | W04A, W04B | 08 | I02A, I02B, I02C, I02D, I22A, I22B, I50Z | | 09 | J02A, J02B, J02C, J04A, J04B, J08A, J08B, J08C, J16Z, J21Z, J22A, J22B, J22J | | | | |
| 21B | | X01A, X01B, X01C | 09 | J02A, J02B, J02C, J04A, J04B, J08A, J08B, J08C, J16Z, J21Z, J22A, J22B, J22J | | 21A | W04A, W04B | | | | |
| 22 | | Y01Z, Y02A, Y02B, Y02C | 21A | W04A, W04B | | 21B | X01A, X01B, X01C | | | | |
| | | | 21B | X01A, X01B, X01C | | 22 | Y01Z, Y02A, Y02B, Y02C | | | | |
| | | | 22 | Y01Z, Y02A, Y02B, Y02C | | | | | | | |
| | | | 22 | Y01Z, Y02A, Y02B, Y02C | | | | | | | |

| ZZV | MDC | DRG | ZZV | MDC | DRG | ZZV | MDC | DRG | | | |
|----------|----------|--|--|--|--|----------|--|--|----------|----|--|
| 5v585.d | | BOP, KJZSV, KVT, UOP4 | 5v586.1 | | BOP, KJZSV, KVT, UOP4 | 5v586.7↔ | | BOP, KJZSV, KVT, UOP4 | | | |
| | 05 | F13A | | 03 | D12A, D12B, D12J, D12Q | | 05 | F13A | | | |
| | 08 | I02A, I02B, I02C, I02D, I22A, I22B, I50Z | | 05 | F13A | | 08 | I02A, I02B, I02C, I02D, I22A, I22B, I50Z | | | |
| | 09 | J02A, J02B, J02C, J04A, J04B, J08A, J08B, J08C, J16Z, J21Z, J22A, J22B, J22J | | 09 | J02A, J02B, J02C, J04A, J04B, J08A, J08B, J08C, J16Z, J21Z, J22A, J22B, J22J | | 09 | J02A, J02B, J02C, J04A, J04B, J08A, J08B, J08C, J16Z, J21Z, J22A, J22B, J22J | | | |
| | 21A | W04A, W04B | | 21A | W04A, W04B | | 21A | W04A, W04B | | | |
| | 21B | X01A, X01B, X01C | | 21B | X01A, X01B, X01C | | 21B | X01A, X01B, X01C | | | |
| | 22 | Y01Z, Y02A, Y02B, Y02C | | 22 | Y01Z, Y02A, Y02B, Y02C | | 22 | Y01Z, Y02A, Y02B, Y02C | | | |
| | 5v585.e↔ | | | BOP, KJZSV, KVT, UOP4 | 5v586.2↔ | | | BOP, KJZSV, KVT, UOP4 | 5v586.8↔ | | BOP, KJZSV, KVT, UOP4 |
| | | 05 | | F13A | | | 03 | D12A, D12B, D12J, D12Q | | 05 | F13A |
| | | 08 | | I02A, I02B, I02C, I02D, I22A, I22B, I50Z | | | 05 | F13A | | 08 | I02A, I02B, I02C, I02D, I22A, I22B, I50Z |
| 09 | | J02A, J02B, J02C, J04A, J04B, J08A, J08B, J08C, J16Z, J21Z, J22A, J22B, J22J | 09 | J02A, J02B, J02C, J04A, J04B, J08A, J08B, J08C, J16Z, J21Z, J22A, J22B, J22J | | 09 | J02A, J02B, J02C, J04A, J04B, J08A, J08B, J08C, J16Z, J21Z, J22A, J22B, J22J | | | | |
| 21A | | W04A, W04B | 21A | W04A, W04B | | 21A | W04A, W04B | | | | |
| 21B | | X01A, X01B, X01C | 21B | X01A, X01B, X01C | | 21B | X01A, X01B, X01C | | | | |
| 22 | | Y01Z, Y02A, Y02B, Y02C | 22 | Y01Z, Y02A, Y02B, Y02C | | 22 | Y01Z, Y02A, Y02B, Y02C | | | | |
| 5v585.f↔ | | | BOP, KJZSV, KVT, UOP4 | 5v586.3↔ | | | BOP, KJZSV, KVT, UOP4 | 5v586.9↔ | | | BOP, KJZSV, KVT, UOP4 |
| | | 05 | F13A | | | 03 | D12A, D12B, D12J, D12Q | | | 05 | F13A |
| | | 08 | I02A, I02B, I02C, I02D, I22A, I22B, I50Z | | | 05 | F13A | | | 08 | I02A, I02B, I02C, I02D, I22A, I22B, I50Z |
| | 09 | J02A, J02B, J02C, J04A, J04B, J08A, J08B, J08C, J16Z, J21Z, J22A, J22B, J22J | 08 | | I02A, I02B, I02C, I02D, I22A, I22B, I50Z | 08 | I32A, I32B, I32C, I32D, I32E, I32F, I32J, I32Q, I32R, I32S, I32T, I32U | | | | |
| | 21A | W04A, W04B | 09 | | J02A, J02B, J02C, J04A, J04B, J08A, J08B, J08C, J16Z, J21Z, J22A, J22B, J22J | 09 | J02A, J02B, J02C, J04A, J04B, J08A, J08B, J08C, J16Z, J21Z, J22A, J22B, J22J | | | | |
| | 21B | X01A, X01B, X01C | 21A | | W04A, W04B | 21A | W04A, W04B | | | | |
| | 22 | Y01Z, Y02A, Y02B, Y02C | 21B | | X01A, X01B, X01C | 21B | X01A, X01B, X01C | | | | |
| | 5v585.g↔ | | BOP, KJZSV, KVT, UOP4 | | 5v586.4 | | BOP, KJZSV, KVT, UOP4 | | 5v586.a | | BOP, KJZSV, KVT, UOP4 |
| | | 05 | F13A | | | 03 | D12A, D12B, D12J, D12Q | | | 05 | F13A |
| | | 08 | I02A, I02B, I02C, I02D, I22A, I22B, I50Z | | | 05 | F13A | | | 08 | I02A, I02B, I02C, I02D, I22A, I22B, I50Z |
| 09 | | J02A, J02B, J02C, J04A, J04B, J08A, J08B, J08C, J16Z, J21Z, J22A, J22B, J22J | 08 | I02A, I02B, I02C, I02D, I22A, I22B, I50Z | | 08 | I02A, I02B, I02C, I02D, I22A, I22B, I50Z | | | | |
| 21A | | W04A, W04B | 09 | J02A, J02B, J02C, J04A, J04B, J08A, J08B, J08C, J16Z, J21Z, J22A, J22B, J22J | | 09 | J02A, J02B, J02C, J04A, J04B, J08A, J08B, J08C, J16Z, J21Z, J22A, J22B, J22J | | | | |
| 21B | | X01A, X01B, X01C | 21A | W04A, W04B | | 21A | W04A, W04B | | | | |
| 22 | | Y01Z, Y02A, Y02B, Y02C | 21B | X01A, X01B, X01C | | 21B | X01A, X01B, X01C | | | | |
| 5v585.x↔ | | | BOP, KJZSV, KVT, UOP4 | 5v586.5 | | | BOP, KJZSV, KVT, UOP4 | 5v586.b | | | BOP, KJZSV, KVT, UOP4 |
| | | 05 | F13A | | | 03 | D12A, D12B, D12J, D12Q | | | 05 | F13A |
| | | 08 | I02A, I02B, I02C, I02D, I22A, I22B, I32A, I32B, I32C, I32D, I32E, I32F, I32J, I32Q, I32R, I32S, I32T, I32U, I50Z | | | 05 | F13A | | | 08 | I02A, I02B, I02C, I02D, I22A, I22B, I50Z |
| | 09 | J02A, J02B, J02C, J04A, J04B, J08A, J08B, J08C, J16Z, J21Z, J22A, J22B, J22J | 08 | | I02A, I02B, I02C, I02D, I22A, I22B, I50Z | 08 | I02A, I02B, I02C, I02D, I22A, I22B, I50Z | | | | |
| | 21A | W04A, W04B | 09 | | J02A, J02B, J02C, J04A, J04B, J08A, J08B, J08C, J16Z, J21Z, J22A, J22B, J22J | 09 | J02A, J02B, J02C, J04A, J04B, J08A, J08B, J08C, J16Z, J21Z, J22A, J22B, J22J | | | | |
| | 21B | X01A, X01B, X01C | 21A | | W04A, W04B | 21A | W04A, W04B | | | | |
| | 22 | Y01Z, Y02A, Y02B, Y02C | 21B | | X01A, X01B, X01C | 21B | X01A, X01B, X01C | | | | |
| | 5v586.0 | | BOP, KJZSV, KVT, UOP4 | | 5v586.6↔ | | BOP, KJZSV, KVT, UOP4 | | 5v586.c | | BOP, KJZSV, KVT, UOP4 |
| | | 03 | D12A, D12B, D12J, D12Q | | | 05 | F13A | | | 05 | F13A |
| | | 05 | F13A | | | 08 | I02A, I02B, I02C, I02D, I22A, I22B, I50Z | | | 08 | I02A, I02B, I02C, I02D, I22A, I22B, I50Z |
| 09 | | J02A, J02B, J02C, J04A, J04B, J08A, J08B, J08C, J16Z, J21Z, J22A, J22B, J22J | 08 | I02A, I02B, I02C, I02D, I22A, I22B, I50Z | | 08 | I02A, I02B, I02C, I02D, I22A, I22B, I50Z | | | | |
| 21A | | W04A, W04B | 09 | J02A, J02B, J02C, J04A, J04B, J08A, J08B, J08C, J16Z, J21Z, J22A, J22B, J22J | | 09 | J02A, J02B, J02C, J04A, J04B, J08A, J08B, J08C, J16Z, J21Z, J22A, J22B, J22J | | | | |
| 21B | | X01A, X01B, X01C | 21A | W04A, W04B | | 21A | W04A, W04B | | | | |
| 22 | | Y01Z, Y02A, Y02B, Y02C | 21B | X01A, X01B, X01C | | 21B | X01A, X01B, X01C | | | | |

VYK

| ZZV | MDC | DRG | ZZV | MDC | DRG | ZZV | MDC | DRG | | | |
|----------|----------|--|--|--|--|----------|--|--|----------|----|--|
| 5v587.d | | BOP, KJZSV, KVT, UOP4 | 5v588.1 | | BOP, KJZSV, KVT, UOP4 | 5v588.7↔ | | BOP, KJZSV, KVT, UOP4 | | | |
| | 05 | F13A | | 03 | D12A, D12B, D12J, D12Q | | 05 | F13A | | | |
| | 08 | I02A, I02B, I02C, I02D, I22A, I22B, I50Z | | 05 | F13A | | 08 | I02A, I02B, I02C, I02D, I22A, I22B, I50Z | | | |
| | 09 | J02A, J02B, J02C, J04A, J04B, J08A, J08B, J08C, J16Z, J21Z, J22A, J22B, J22J | | 09 | J02A, J02B, J02C, J04A, J04B, J08A, J08B, J08C, J16Z, J21Z, J22A, J22B, J22J | | 09 | J02A, J02B, J02C, J04A, J04B, J08A, J08B, J08C, J16Z, J21Z, J22A, J22B, J22J | | | |
| | 21A | W04A, W04B | | 21A | W04A, W04B | | 21A | W04A, W04B | | | |
| | 21B | X01A, X01B, X01C | | 21B | X01A, X01B, X01C | | 21B | X01A, X01B, X01C | | | |
| | 22 | Y01Z, Y02A, Y02B, Y02C | | 22 | Y01Z, Y02A, Y02B, Y02C | | 22 | Y01Z, Y02A, Y02B, Y02C | | | |
| | 5v587.e↔ | | | BOP, KJZSV, KVT, UOP4 | 5v588.2↔ | | | BOP, KJZSV, KVT, UOP4 | 5v588.8↔ | | BOP, KJZSV, KVT, UOP4 |
| | | 05 | | F13A | | | 03 | D12A, D12B, D12J, D12Q | | 05 | F13A |
| | | 08 | | I02A, I02B, I02C, I02D, I22A, I22B, I50Z | | | 05 | F13A | | 08 | I02A, I02B, I02C, I02D, I22A, I22B, I50Z |
| 09 | | J02A, J02B, J02C, J04A, J04B, J08A, J08B, J08C, J16Z, J21Z, J22A, J22B, J22J | 09 | J02A, J02B, J02C, J04A, J04B, J08A, J08B, J08C, J16Z, J21Z, J22A, J22B, J22J | | 09 | J02A, J02B, J02C, J04A, J04B, J08A, J08B, J08C, J16Z, J21Z, J22A, J22B, J22J | | | | |
| 21A | | W04A, W04B | 21A | W04A, W04B | | 21A | W04A, W04B | | | | |
| 21B | | X01A, X01B, X01C | 21B | X01A, X01B, X01C | | 21B | X01A, X01B, X01C | | | | |
| 22 | | Y01Z, Y02A, Y02B, Y02C | 22 | Y01Z, Y02A, Y02B, Y02C | | 22 | Y01Z, Y02A, Y02B, Y02C | | | | |
| 5v587.f↔ | | | BOP, KJZSV, KVT, UOP4 | 5v588.3↔ | | | BOP, KJZSV, KVT, UOP4 | 5v588.9↔ | | | BOP, KJZSV, KVT, UOP4 |
| | | 05 | F13A | | | 03 | D12A, D12B, D12J, D12Q | | | 05 | F13A |
| | | 08 | I02A, I02B, I02C, I02D, I22A, I22B, I50Z | | | 05 | F13A | | | 08 | I02A, I02B, I02C, I02D, I22A, I22B, I50Z |
| | 09 | J02A, J02B, J02C, J04A, J04B, J08A, J08B, J08C, J16Z, J21Z, J22A, J22B, J22J | 08 | | I02A, I02B, I02C, I02D, I22A, I22B, I50Z | 09 | J02A, J02B, J02C, J04A, J04B, J08A, J08B, J08C, J16Z, J21Z, J22A, J22B, J22J | | | | |
| | 21A | W04A, W04B | 21A | | W04A, W04B | 21A | W04A, W04B | | | | |
| | 21B | X01A, X01B, X01C | 21B | | X01A, X01B, X01C | 21B | X01A, X01B, X01C | | | | |
| | 22 | Y01Z, Y02A, Y02B, Y02C | 22 | | Y01Z, Y02A, Y02B, Y02C | 22 | Y01Z, Y02A, Y02B, Y02C | | | | |
| | 5v587.g↔ | | BOP, KJZSV, KVT, UOP4 | | 5v588.4 | | BOP, KJZSV, KVT, UOP4 | | 5v588.a | | BOP, KJZSV, KVT, UOP4 |
| | | 05 | F13A, F27A, F27B, F27C | | | 03 | D12A, D12B, D12J, D12Q | | | 05 | F13A |
| | | 08 | I02A, I02B, I02C, I02D, I22A, I22B, I50Z | | | 05 | F13A | | | 08 | I02A, I02B, I02C, I02D, I22A, I22B, I50Z |
| 09 | | J02A, J02B, J02C, J04A, J04B, J08A, J08B, J08C, J16Z, J21Z, J22A, J22B, J22J | 08 | I02A, I02B, I02C, I02D, I22A, I22B, I50Z | | 09 | J02A, J02B, J02C, J04A, J04B, J08A, J08B, J08C, J16Z, J21Z, J22A, J22B, J22J | | | | |
| 10 | | K01Z | 09 | J02A, J02B, J02C, J04A, J04B, J08A, J08B, J08C, J16Z, J21Z, J22A, J22B, J22J | | 10 | K01Z | | | | |
| 21A | | W04A, W04B | 21A | W04A, W04B | | 21A | W04A, W04B | | | | |
| 21B | | X01A, X01B, X01C | 21B | X01A, X01B, X01C | | 21B | X01A, X01B, X01C | | | | |
| 22 | | Y01Z, Y02A, Y02B, Y02C | 22 | Y01Z, Y02A, Y02B, Y02C | | 22 | Y01Z, Y02A, Y02B, Y02C | | | | |
| 5v587.x | | | BOP, KJZSV, KVT, UOP4 | 5v588.5 | | | BOP, KJZSV, KVT, UOP4 | 5v588.b | | | BOP, KJZSV, KVT, UOP4 |
| | | 05 | F13A | | | 03 | D12A, D12B, D12J, D12Q | | | 05 | F13A |
| | 08 | I02A, I02B, I02C, I02D, I22A, I22B, I50Z | 05 | | F13A | 08 | I02A, I02B, I02C, I02D, I22A, I22B, I50Z | | | | |
| | 09 | J02A, J02B, J02C, J04A, J04B, J08A, J08B, J08C, J16Z, J21Z, J22A, J22B, J22J | 08 | | I02A, I02B, I02C, I02D, I22A, I22B, I50Z | 09 | J02A, J02B, J02C, J04A, J04B, J08A, J08B, J08C, J16Z, J21Z, J22A, J22B, J22J | | | | |
| | 21A | W04A, W04B | 21A | | W04A, W04B | 21A | W04A, W04B | | | | |
| | 21B | X01A, X01B, X01C | 21B | | X01A, X01B, X01C | 21B | X01A, X01B, X01C | | | | |
| | 22 | Y01Z, Y02A, Y02B, Y02C | 22 | | Y01Z, Y02A, Y02B, Y02C | 22 | Y01Z, Y02A, Y02B, Y02C | | | | |
| | 5v588.0 | | BOP, KJZSV, KVT, UOP4 | | 5v588.6↔ | | BOP, KJZSV, KVT, UOP4 | | 5v588.c | | BOP, KJZSV, KVT, UOP4 |
| | | 03 | D12A, D12B, D12J, D12Q | | | 03 | D12A, D12B, D12J, D12Q | | | 05 | F13A |
| | | 05 | F13A | | | 05 | F13A | | | 08 | I02A, I02B, I02C, I02D, I22A, I22B, I50Z |
| 09 | | J02A, J02B, J02C, J04A, J04B, J08A, J08B, J08C, J16Z, J21Z, J22A, J22B, J22J | 08 | I02A, I02B, I02C, I02D, I22A, I22B, I50Z | | 09 | J02A, J02B, J02C, J04A, J04B, J08A, J08B, J08C, J16Z, J21Z, J22A, J22B, J22J | | | | |
| 21A | | W04A, W04B | 21A | W04A, W04B | | 21A | W04A, W04B | | | | |
| 21B | | X01A, X01B, X01C | 21B | X01A, X01B, X01C | | 21B | X01A, X01B, X01C | | | | |
| 22 | | Y01Z, Y02A, Y02B, Y02C | 22 | Y01Z, Y02A, Y02B, Y02C | | 22 | Y01Z, Y02A, Y02B, Y02C | | | | |

| ZZV | MDC | DRG | ZZV | MDC | DRG | ZZV | MDC | DRG |
|----------|-----|--|----------|-----|--|----------|-----|--|
| 5v590.e↔ | | BOP, KJZSV, KVT, UOP4 | 5v591.5 | | BOP, KJZSV, KVT, UOP4 | 5v591.b | | BOP, KJZSV, KVT, UOP4 |
| | 05 | F13A | | 03 | D12A, D12B, D12J, D12Q | | 05 | F13A |
| | 08 | I02A, I02B, I02C, I02D, I22A, I22B, I32A, I32B, I32C, I32D, I32E, I32F, I32J, I32Q, I32R, I32S, I32T, I32U, I50Z | | 05 | F13A | | 08 | I02A, I02B, I02C, I02D, I22A, I22B, I50Z |
| | 09 | J02A, J02B, J02C, J04A, J04B, J08A, J08B, J08C, J16Z, J21Z, J22A, J22B, J22J | | 08 | I02A, I02B, I02C, I02D, I22A, I22B, I50Z | | 09 | J02A, J02B, J02C, J04A, J04B, J08A, J08B, J08C, J16Z, J21Z, J22A, J22B, J22J |
| | 21A | W04A, W04B | | 09 | J02A, J02B, J02C, J04A, J04B, J08A, J08B, J08C, J16Z, J21Z, J22A, J22B, J22J | | 21A | W04A, W04B |
| | 21B | X01A, X01B, X01C | | 21A | W04A, W04B | | 21B | X01A, X01B, X01C |
| | 22 | Y01Z, Y03A, Y03B | | 21B | X01A, X01B, X01C | | 22 | Y01Z, Y03A, Y03B |
| | | | | 22 | Y01Z, Y03A, Y03B | | | |
| | | | | | | | | |
| | | | | | | | | |
| 5v590.f↔ | | BOP, KJZSV, KVT, UOP4 | 5v591.6↔ | | BOP, KJZSV, KVT, UOP4 | 5v591.c | | BOP, KJZSV, KVT, UOP4 |
| | 05 | F13A | | 05 | F13A | | 05 | F13A |
| | 08 | I02A, I02B, I02C, I02D, I22A, I22B, I50Z | | 08 | I02A, I02B, I02C, I02D, I22A, I22B, I50Z | | 08 | I02A, I02B, I02C, I02D, I22A, I22B, I50Z |
| | 09 | J02A, J02B, J02C, J04A, J04B, J08A, J08B, J08C, J16Z, J21Z, J22A, J22B, J22J | | 09 | J02A, J02B, J02C, J04A, J04B, J08A, J08B, J08C, J16Z, J21Z, J22A, J22B, J22J | | 09 | J02A, J02B, J02C, J04A, J04B, J08A, J08B, J08C, J16Z, J21Z, J22A, J22B, J22J |
| | 21A | W04A, W04B | | 21A | W04A, W04B | | 21A | W04A, W04B |
| | 21B | X01A, X01B, X01C | | 21B | X01A, X01B, X01C | | 21B | X01A, X01B, X01C |
| | 22 | Y01Z, Y03A, Y03B | | 22 | Y01Z, Y03A, Y03B | | 22 | Y01Z, Y03A, Y03B |
| | | | | | | | | |
| | | | | | | | | |
| | | | | | | | | |
| 5v590.g↔ | | BOP, KJZSV, KVT, UOP4 | 5v591.7↔ | | BOP, KJZSV, KVT, UOP4 | 5v591.d | | BOP, KJZSV, KVT, UOP4 |
| | 05 | F13A | | 05 | F13A | | 05 | F13A |
| | 08 | I02A, I02B, I02C, I02D, I22A, I22B, I50Z | | 08 | I02A, I02B, I02C, I02D, I22A, I22B, I50Z | | 08 | I02A, I02B, I02C, I02D, I22A, I22B, I50Z |
| | 09 | J02A, J02B, J02C, J04A, J04B, J08A, J08B, J08C, J16Z, J21Z, J22A, J22B, J22J | | 09 | J02A, J02B, J02C, J04A, J04B, J08A, J08B, J08C, J16Z, J21Z, J22A, J22B, J22J | | 09 | J02A, J02B, J02C, J04A, J04B, J08A, J08B, J08C, J16Z, J21Z, J22A, J22B, J22J |
| | 21A | W04A, W04B | | 21A | W04A, W04B | | 21A | W04A, W04B |
| | 21B | X01A, X01B, X01C | | 21B | X01A, X01B, X01C | | 21B | X01A, X01B, X01C |
| | 22 | Y01Z, Y03A, Y03B | | 22 | Y01Z, Y03A, Y03B | | 22 | Y01Z, Y03A, Y03B |
| | | | | | | | | |
| | | | | | | | | |
| | | | | | | | | |
| 5v590.x↔ | | BOP, KJZSV, KVT, UOP4 | 5v591.8↔ | | BOP, KJZSV, KVT, UOP4 | 5v591.e↔ | | BOP, KJZSV, KVT, UOP4 |
| | 03 | D12A, D12B, D12J, D12Q | | 05 | F13A | | 05 | F13A |
| | 05 | F13A | | 08 | I02A, I02B, I02C, I02D, I22A, I22B, I50Z | | 08 | I02A, I02B, I02C, I02D, I22A, I22B, I50Z |
| | 08 | I02A, I02B, I02C, I02D, I22A, I22B, I32A, I32B, I32C, I32D, I32E, I32F, I32J, I32Q, I32R, I32S, I32T, I32U, I50Z | | 08 | I02A, I02B, I02C, I02D, I22A, I22B, I50Z | | 09 | J02A, J02B, J02C, J04A, J04B, J08A, J08B, J08C, J16Z, J21Z, J22A, J22B, J22J |
| | 09 | J02A, J02B, J02C, J04A, J04B, J08A, J08B, J08C, J16Z, J21Z, J22A, J22B, J22J | | 09 | J02A, J02B, J02C, J04A, J04B, J08A, J08B, J08C, J16Z, J21Z, J22A, J22B, J22J | | 09 | J02A, J02B, J02C, J04A, J04B, J08A, J08B, J08C, J16Z, J21Z, J22A, J22B, J22J |
| | 21A | W04A, W04B | | 21A | W04A, W04B | | 21A | W04A, W04B |
| | 21B | X01A, X01B, X01C | | 21B | X01A, X01B, X01C | | 21B | X01A, X01B, X01C |
| | 22 | Y01Z, Y03A, Y03B | | 22 | Y01Z, Y03A, Y03B | | 22 | Y01Z, Y03A, Y03B |
| | | | | | | | | |
| | | | | | | | | |
| 5v591.0 | | BOP, KJZSV, KVT, UOP4 | 5v591.9↔ | | BOP, KJZSV, KVT, UOP4 | 5v591.f↔ | | BOP, KJZSV, KVT, UOP4 |
| | 03 | D12A, D12B, D12J, D12Q | | 05 | F13A | | 05 | F13A |
| | 05 | F13A | | 08 | I32A, I32B, I32C, I32D, I32E, I32F, I32J, I32Q, I32R, I32S, I32T, I32U | | 08 | I02A, I02B, I02C, I02D, I22A, I22B, I50Z |
| | 09 | J02A, J02B, J02C, J04A, J04B, J08A, J08B, J08C, J16Z, J21Z, J22A, J22B, J22J | | 09 | J02A, J02B, J02C, J04A, J04B, J08A, J08B, J08C, J16Z, J21Z, J22A, J22B, J22J | | 09 | J02A, J02B, J02C, J04A, J04B, J08A, J08B, J08C, J16Z, J21Z, J22A, J22B, J22J |
| | 21A | W04A, W04B | | 21A | W04A, W04B | | 21A | W04A, W04B |
| | 21B | X01A, X01B, X01C | | 21B | X01A, X01B, X01C | | 21B | X01A, X01B, X01C |
| | 22 | Y01Z, Y03A, Y03B | | 22 | Y01Z, Y03A, Y03B | | 22 | Y01Z, Y03A, Y03B |
| | | | | | | | | |
| | | | | | | | | |
| | | | | | | | | |
| 5v591.4 | | BOP, KJZSV, KVT, UOP4 | 5v591.a | | BOP, KJZSV, KVT, UOP4 | 5v591.g↔ | | BOP, KJZSV, KVT, UOP4 |
| | 03 | D12A, D12B, D12J, D12Q | | 05 | F13A | | 05 | F13A |
| | 05 | F13A | | 08 | I02A, I02B, I02C, I02D, I22A, I22B, I50Z | | 08 | I02A, I02B, I02C, I02D, I22A, I22B, I50Z |
| | 08 | I02A, I02B, I02C, I02D, I22A, I22B, I50Z | | 09 | J02A, J02B, J02C, J04A, J04B, J08A, J08B, J08C, J16Z, J21Z, J22A, J22B, J22J | | 09 | J02A, J02B, J02C, J04A, J04B, J08A, J08B, J08C, J16Z, J21Z, J22A, J22B, J22J |
| | 09 | J02A, J02B, J02C, J04A, J04B, J08A, J08B, J08C, J16Z, J21Z, J22A, J22B, J22J | | 21A | W04A, W04B | | 21A | W04A, W04B |
| | 21A | W04A, W04B | | 21B | X01A, X01B, X01C | | 21B | X01A, X01B, X01C |
| | 21B | X01A, X01B, X01C | | 22 | Y01Z, Y03A, Y03B | | 22 | Y01Z, Y03A, Y03B |
| | 22 | Y01Z, Y03A, Y03B | | | | | | |
| | | | | | | | | |
| | | | | | | | | |

VYK

| ZZV | MDC | DRG | ZZV | MDC | DRG | ZZV | MDC | DRG |
|----------|-----|--|----------|-----|--|----------|-----|--|
| 5v591.x↔ | | BOP, KJZSV, KVT, UOP4 | 5v620.4 | | BOP, KJZSV, KVT, UOP4 | 5v620.8↔ | | BOP, KJZSV, KVT, UOP4 |
| | 05 | F13A | | 01 | B03Z, B07Z, B17A, B17B, B17C, B17J | | 01 | B03Z, B07Z, B17A, B17B, B17C, B17J |
| | 08 | I02A, I02B, I02C, I02D, I22A, I22B, I32A, I32B, I32C, I32D, I32E, I32F, I32J, I32Q, I32R, I32S, I32T, I32U, I50Z | | 02 | C20A, C20B, C20J, C20Q, C20R | | 05 | F13A, F21A, F21B, F21J, F28A |
| | 09 | J02A, J02B, J02C, J04A, J04B, J08A, J08B, J08C, J16Z, J21Z, J22A, J22B, J22J | | 03 | D18Z, D28J, D28Z, D29J, D29Z | | 08 | I02A, I02B, I02C, I02D, I22A, I22B, I32A, I32B, I32C, I32D, I32E, I32F, I32J, I32Q, I32R, I32S, I32T, I32U, I50Z |
| | 21A | W04A, W04B | | 05 | F13A, F21A, F21B, F21J, F28A | | 09 | J02A, J02B, J02C, J04A, J04B, J08A, J08B, J08C, J16Z, J21Z, J22A, J22B, J22J |
| 5v611.10 | 21B | X01A, X01B, X01C | | 08 | I02A, I02B, I02C, I02D, I22A, I22B, I50Z | | 21A | W04A, W04B |
| | 22 | Y01Z, Y03A, Y03B | | 09 | J02A, J02B, J02C, J04A, J04B, J08A, J08B, J08C, J16Z, J21Z, J22A, J22B, J22J | | 21B | X01A, X01B, X01C |
| | | BOP, KVT, UOP4 | 5v620.5 | | BOP, KJZSV, KVT, UOP4 | 5v620.9↔ | | BOP, KJZSV, KVT, UOP4 |
| | 09 | J03A, J03B, J04A, J04B, J08A, J08B, J08C, J10A, J10B, J10J, J16Z | | 01 | B03Z, B07Z, B17A, B17B, B17C, B17J | | 01 | B03Z, B07Z, B17A, B17B, B17C, B17J |
| | 10 | K07Z | | 03 | D18Z, D28J, D28Z, D29J, D29Z | | 05 | F13A, F21A, F21B, F21J, F28A |
| | 21A | W04A, W04B | | 05 | F13A, F21A, F21B, F21J, F28A | | 08 | I12A, I12B, I12C, I12J, I32A, I32B, I32C, I32D, I32E, I32F, I32J, I32Q, I32R, I32S, I32T, I32U |
| 5v611.11 | 21B | X06A, X06B, X06C | | 06 | G10Z, G12A, G12B, G12J | | 09 | J03A, J03B, J04A, J04B, J08A, J08B, J08C, J16Z, J21Z, J22A, J22B, J22J |
| | | BOP, KVT, UOP4 | | 08 | I28A, I28B, I28J | | 21A | W04A, W04B |
| | 09 | J03A, J03B, J04A, J04B, J08A, J08B, J08C, J10A, J10B, J10J, J16Z | | 09 | J02A, J02B, J02C, J04A, J04B, J08A, J08B, J08C, J16Z, J21Z, J22A, J22B, J22J | | 21B | X01A, X01B, X01C |
| | 10 | K07Z | 5v620.6↔ | | BOP, KJZSV, KVT, UOP4 | 5v620.a | | BOP, KJZSV, KVT, UOP4 |
| | 21A | W04A, W04B | | 01 | B03Z, B07Z, B17A, B17B, B17C, B17J | | 01 | B03Z, B07Z, B17A, B17B, B17C, B17J |
| 5v611.20 | 21B | X06A, X06B, X06C | | 05 | F13A, F21A, F21B, F21J, F28A | | 05 | F13A, F21A, F21B, F21J, F28A |
| | | BOP, KVT, UOP4 | | 08 | I02A, I02B, I02C, I02D, I22A, I22B, I50Z | | 06 | G10Z, G12A, G12B, G12J |
| | 09 | J03A, J03B, J04A, J04B, J08A, J08B, J08C, J10A, J10B, J10J, J16Z | | 09 | J02A, J02B, J02C, J04A, J04B, J08A, J08B, J08C, J16Z, J21Z, J22A, J22B, J22J | | 08 | I02A, I02B, I02C, I02D, I22A, I22B, I50Z |
| | 10 | K07Z | | 21A | W04A, W04B | | 09 | J02A, J02B, J02C, J04A, J04B, J08A, J08B, J08C, J16Z, J21Z, J22A, J22B, J22J |
| | 21A | W04A, W04B | | 21B | X01A, X01B, X01C | | 21A | W04A, W04B |
| | 21B | X06A, X06B, X06C | | | BOP, KJZSV, KVT, UOP4 | | 21B | X01A, X01B, X01C |
| 5v611.21 | | BOP, KVT, UOP4 | 5v620.7↔ | | BOP, KJZSV, KVT, UOP4 | 5v620.b | | BOP, KJZSV, KVT, UOP4 |
| | 09 | J03A, J03B, J04A, J04B, J08A, J08B, J08C, J10A, J10B, J10J, J16Z | | 01 | B03Z, B07Z, B17A, B17B, B17C, B17J | | 01 | B03Z, B07Z, B17A, B17B, B17C, B17J |
| | 10 | K07Z | | 05 | F13A, F21A, F21B, F21J, F28A | | 05 | F13A, F21A, F21B, F21J, F28A |
| | 21A | W04A, W04B | | 08 | I02A, I02B, I02C, I02D, I22A, I22B, I50Z | | 06 | G10Z, G12A, G12B, G12J |
| 5v611.30 | 21B | X06A, X06B, X06C | | 09 | J02A, J02B, J02C, J04A, J04B, J08A, J08B, J08C, J16Z, J21Z, J22A, J22B, J22J | | 08 | I02A, I02B, I02C, I02D, I22A, I22B, I50Z |
| | | BOP, KVT, UOP4 | | 21A | W04A, W04B | | 09 | J02A, J02B, J02C, J04A, J04B, J08A, J08B, J08C, J16Z, J21Z, J22A, J22B, J22J |
| | 09 | J03A, J03B, J04A, J04B, J08A, J08B, J08C, J10A, J10B, J10J, J16Z | | 21B | X01A, X01B, X01C | | 21A | W04A, W04B |
| | 10 | K07Z | | | BOP, KJZSV, KVT, UOP4 | | 21B | X01A, X01B, X01C |
| | 21A | W04A, W04B | | 01 | B03Z, B07Z, B17A, B17B, B17C, B17J | | 01 | B03Z, B07Z, B17A, B17B, B17C, B17J |
| 5v611.31 | 21B | X06A, X06B, X06C | | 05 | F13A, F21A, F21B, F21J, F28A | | 05 | F13A, F21A, F21B, F21J, F28A |
| | | BOP, KVT, UOP4 | | 08 | I02A, I02B, I02C, I02D, I22A, I22B, I50Z | | 06 | G10Z, G12A, G12B, G12J |
| | 09 | J03A, J03B, J04A, J04B, J08A, J08B, J08C, J10A, J10B, J10J, J16Z | | 09 | J02A, J02B, J02C, J04A, J04B, J08A, J08B, J08C, J16Z, J21Z, J22A, J22B, J22J | | 08 | I02A, I02B, I02C, I02D, I22A, I22B, I50Z |
| | 10 | K07Z | | 21A | W04A, W04B | | 09 | J02A, J02B, J02C, J04A, J04B, J08A, J08B, J08C, J16Z, J21Z, J22A, J22B, J22J |
| | 21A | W04A, W04B | | 21B | X01A, X01B, X01C | | 21A | W04A, W04B |
| 5v611.30 | 21B | X06A, X06B, X06C | | | BOP, KJZSV, KVT, UOP4 | | 21B | X01A, X01B, X01C |
| | | BOP, KVT, UOP4 | | 01 | B03Z, B07Z, B17A, B17B, B17C, B17J | | | |
| | 09 | J03A, J03B, J04A, J04B, J08A, J08B, J08C, J10A, J10B, J10J, J16Z | | 05 | F13A, F21A, F21B, F21J, F28A | | | |
| | 10 | K07Z | | 08 | I02A, I02B, I02C, I02D, I22A, I22B, I50Z | | | |
| | 21A | W04A, W04B | | 09 | J02A, J02B, J02C, J04A, J04B, J08A, J08B, J08C, J16Z, J21Z, J22A, J22B, J22J | | | |
| 5v611.x0 | 21B | X06A, X06B, X06C | | 21A | W04A, W04B | | | |
| | | BOP, KVT, UOP4 | | 21B | X01A, X01B, X01C | | | |
| | 09 | J03A, J03B, J04A, J04B, J08A, J08B, J08C, J10A, J10B, J10J, J16Z | | | | | | |
| | 10 | K07Z | | | | | | |
| | 21A | W04A, W04B | | | | | | |
| 5v611.x1 | 21B | X06A, X06B, X06C | | | | | | |
| | | BOP, KVT, UOP4 | | | | | | |
| | 09 | J03A, J03B, J04A, J04B, J08A, J08B, J08C, J10A, J10B, J10J, J16Z | | | | | | |
| | 10 | K07Z | | | | | | |
| | 21A | W04A, W04B | | | | | | |
| | 21B | X06A, X06B, X06C | | | | | | |

| ZZV | MDC | DRG | ZZV | MDC | DRG | ZZV | MDC | DRG | | | |
|----------|----------|--|--|--|--|----------|--|--|------------------------------------|----|--|
| 5v620.c | | BOP, KJZSV, KVT, UOP4 | 5v620.g↔ | | BOP, KJZSV, KVT, UOP4 | 5v621.8↔ | | BOP, KJZSV, KVT, UOP4 | | | |
| | 01 | B03Z, B07Z, B17A, B17B, B17C, B17J | | 01 | B03Z, B07Z, B17A, B17B, B17C, B17J | | 01 | B03Z, B07Z, B17A, B17B, B17C, B17J | | | |
| | 05 | F13A, F21A, F21B, F21J, F28A | | 05 | F13A, F21A, F21B, F21J, F27A, F27B, F27C, F28A | | 05 | F13A, F21A, F21B, F21J, F28A | | | |
| | 06 | G10Z, G12A, G12B, G12J | | 08 | I02A, I02B, I02C, I02D, I12A, I12B, I12C, I12J, I22A, I22B, I50Z | | 08 | I02A, I02B, I02C, I02D, I22A, I22B, I32A, I32B, I32C, I32D, I32E, I32F, I32J, I32Q, I32R, I32S, I32T, I32U, I50Z | | | |
| | 08 | I02A, I02B, I02C, I02D, I22A, I22B, I50Z | | 09 | J02A, J02B, J02C, J04A, J04B, J08A, J08B, J08C, J16Z, J21Z, J22A, J22B, J22J | | 09 | J02A, J02B, J02C, J04A, J04B, J08A, J08B, J08C, J16Z, J21Z, J22A, J22B, J22J | | | |
| | 09 | J02A, J02B, J02C, J04A, J04B, J08A, J08B, J08C, J16Z, J21Z, J22A, J22B, J22J | | 10 | K01Z | | 21A | W04A, W04B | | | |
| | 10 | K09A, K09B | | 21A | W04A, W04B | | 21B | X01A, X01B, X01C | | | |
| | 12 | M04A, M04B, M04C, M04D, M04J, M04Q, M37Z, M38Z | | 21B | X01A, X01B, X01C | | 5v621.9↔ | BOP, KJZSV, KVT, UOP4 | | | |
| | 21A | W04A, W04B | | 5v620.s↔ | BOP, KJZSV, KVT, UOP4 | | | 01 | B03Z, B07Z, B17A, B17B, B17C, B17J | | |
| | 21B | X01A, X01B, X01C | | | 01 | | B03Z, B07Z, B17A, B17B, B17C, B17J | 05 | F13A, F21A, F21B, F21J, F28A | | |
| | 5v620.d | | | BOP, KJZSV, KVT, UOP4 | 5v620.x↔ | | | BOP, KJZSV, KVT, UOP4 | 5v621.e↔ | | BOP, KJZSV, KVT, UOP4 |
| | | 01 | | B03Z, B07Z, B17A, B17B, B17C, B17J | | | 01 | B03Z, B07Z, B17A, B17B, B17C, B17J | | 01 | B03Z, B07Z, B17A, B17B, B17C, B17J |
| 05 | | F13A, F21A, F21B, F21J, F28A | 05 | F13A, F21A, F21B, F21J, F28A | | 05 | F13A, F21A, F21B, F21J, F27A, F27B, F27C, F28A | | | | |
| 06 | | G10Z, G12A, G12B, G12J | 08 | I02A, I02B, I02C, I02D, I22A, I22B, I32A, I32B, I32C, I32D, I32E, I32F, I32J, I32Q, I32R, I32S, I32T, I32U, I50Z | | 08 | I02A, I02B, I02C, I02D, I22A, I22B, I50Z | | | | |
| 08 | | I02A, I02B, I02C, I02D, I22A, I22B, I50Z | 09 | J02A, J02B, J02C, J04A, J04B, J08A, J08B, J08C, J16Z, J21Z, J22A, J22B, J22J | | 09 | J02A, J02B, J02C, J04A, J04B, J08A, J08B, J08C, J16Z, J21Z, J22A, J22B, J22J | | | | |
| 09 | | J02A, J02B, J02C, J04A, J04B, J08A, J08B, J08C, J16Z, J21Z, J22A, J22B, J22J | 10 | K01Z | | 10 | K01Z | | | | |
| 21A | | W04A, W04B | 21A | W04A, W04B | | 21A | W04A, W04B | | | | |
| 21B | | X01A, X01B, X01C | 21B | X01A, X01B, X01C | | 21B | X01A, X01B, X01C | | | | |
| 5v620.e↔ | | | BOP, KJZSV, KVT, UOP4 | 5v621.6↔ | | | BOP, KJZSV, KVT, UOP4 | 5v621.f↔ | | | BOP, KJZSV, KVT, UOP4 |
| | | 01 | B03Z, B07Z, B17A, B17B, B17C, B17J | | | 01 | B03Z, B07Z, B17A, B17B, B17C, B17J | | | 01 | B03Z, B07Z, B17A, B17B, B17C, B17J |
| | | 05 | F13A, F21A, F21B, F21J, F27A, F27B, F27C, F28A | | | 05 | F13A, F21A, F21B, F21J, F28A | | | 05 | F13A, F21A, F21B, F21J, F27A, F27B, F27C, F28A |
| | | 08 | I02A, I02B, I02C, I02D, I22A, I22B, I50Z | | | 08 | I02A, I02B, I02C, I02D, I22A, I22B, I50Z | | | 08 | I02A, I02B, I02C, I02D, I22A, I22B, I50Z |
| | 09 | J02A, J02B, J02C, J04A, J04B, J08A, J08B, J08C, J16Z, J21Z, J22A, J22B, J22J | 09 | | J02A, J02B, J02C, J04A, J04B, J08A, J08B, J08C, J16Z, J21Z, J22A, J22B, J22J | 09 | J02A, J02B, J02C, J04A, J04B, J08A, J08B, J08C, J16Z, J21Z, J22A, J22B, J22J | | | | |
| | 10 | K01Z | 10 | | K01Z | 10 | K01Z | | | | |
| | 21A | W04A, W04B | 21A | | W04A, W04B | 21A | W04A, W04B | | | | |
| | 21B | X01A, X01B, X01C | 21B | | X01A, X01B, X01C | 21B | X01A, X01B, X01C | | | | |
| | 5v620.f↔ | | BOP, KJZSV, KVT, UOP4 | | 5v621.7↔ | | BOP, KJZSV, KVT, UOP4 | | | | BOP, KJZSV, KVT, UOP4 |
| | | 01 | B03Z, B07Z, B17A, B17B, B17C, B17J | | | 01 | B03Z, B07Z, B17A, B17B, B17C, B17J | | | 01 | B03Z, B07Z, B17A, B17B, B17C, B17J |
| | | 05 | F13A, F21A, F21B, F21J, F27A, F27B, F27C, F28A | | | 05 | F13A, F21A, F21B, F21J, F28A | | | 05 | F13A, F21A, F21B, F21J, F28A |
| | | 08 | I02A, I02B, I02C, I02D, I22A, I22B, I50Z | | | 08 | I02A, I02B, I02C, I02D, I22A, I22B, I50Z | | | 08 | I02A, I02B, I02C, I02D, I22A, I22B, I50Z |
| 09 | | J02A, J02B, J02C, J04A, J04B, J08A, J08B, J08C, J16Z, J21Z, J22A, J22B, J22J | 09 | J02A, J02B, J02C, J04A, J04B, J08A, J08B, J08C, J16Z, J21Z, J22A, J22B, J22J | | 09 | J02A, J02B, J02C, J04A, J04B, J08A, J08B, J08C, J16Z, J21Z, J22A, J22B, J22J | | | | |
| 10 | | K01Z | 10 | K01Z | | 10 | K01Z | | | | |
| 21A | | W04A, W04B | 21A | W04A, W04B | | 21A | W04A, W04B | | | | |
| 21B | | X01A, X01B, X01C | 21B | X01A, X01B, X01C | | 21B | X01A, X01B, X01C | | | | |

VYK

| ZZV | MDC | DRG | ZZV | MDC | DRG | ZZV | MDC | DRG | | | |
|----------|----------|--|------------------------------------|--|--|---------|--|--|----------|-----|--|
| 5v621.g↔ | | BOP, KJZSV, KVT, UOP4 | 5v622.6↔ | | BOP, KJZSV, KVT, UOP4 | 5v622.b | | BOP, KJZSV, KVT, UOP4 | | | |
| | 01 | B03Z, B07Z, B17A, B17B, B17C, B17J | | 01 | B03Z, B07Z, B17A, B17B, B17C, B17J | | 01 | B03Z, B07Z, B17A, B17B, B17C, B17J | | | |
| | 05 | F13A, F21A, F21B, F21J, F27A, F27B, F27C, F28A | | 05 | F13A, F21A, F21B, F21J, F28A | | 05 | F13A, F21A, F21B, F21J, F28A | | | |
| | 08 | I02A, I02B, I02C, I02D, I12A, I12B, I12C, I12J, I22A, I22B, I50Z | | 08 | I02A, I02B, I02C, I02D, I22A, I22B, I50Z | | 06 | G10Z, G12A, G12B, G12J | | | |
| | 09 | J02A, J02B, J02C, J04A, J04B, J08A, J08B, J08C, J16Z, J21Z, J22A, J22B, J22J | | 09 | J02A, J02B, J02C, J04A, J04B, J08A, J08B, J08C, J16Z, J21Z, J22A, J22B, J22J | | 08 | I02A, I02B, I02C, I02D, I22A, I22B, I50Z | | | |
| | 10 | K01Z | | 21A | W04A, W04B | | 09 | J02A, J02B, J02C, J04A, J04B, J08A, J08B, J08C, J16Z, J21Z, J22A, J22B, J22J | | | |
| | 21A | W04A, W04B | | 21B | X01A, X01B, X01C | | 21A | W04A, W04B | | | |
| | 21B | X01A, X01B, X01C | | | BOP, KJZSV, KVT, UOP4 | | 21B | X01A, X01B, X01C | | | |
| | 5v621.x↔ | | | BOP, KJZSV, KVT, UOP4 | 5v622.7↔ | | | BOP, KJZSV, KVT, UOP4 | 5v622.c | | BOP, KJZSV, KVT, UOP4 |
| | | 01 | | B03Z, B07Z, B17A, B17B, B17C, B17J | | | 01 | B03Z, B07Z, B17A, B17B, B17C, B17J | | 01 | B03Z, B07Z, B17A, B17B, B17C, B17J |
| 05 | | F13A, F21A, F21B, F21J, F28A | 05 | F13A, F21A, F21B, F21J, F28A | | 05 | F13A, F21A, F21B, F21J, F28A | | | | |
| 08 | | I02A, I02B, I02C, I02D, I22A, I22B, I50Z | 08 | I02A, I02B, I02C, I02D, I22A, I22B, I50Z | | 06 | G10Z, G12A, G12B, G12J | | | | |
| 09 | | J02A, J02B, J02C, J04A, J04B, J08A, J08B, J08C, J16Z, J21Z, J22A, J22B, J22J | 09 | J02A, J02B, J02C, J04A, J04B, J08A, J08B, J08C, J16Z, J21Z, J22A, J22B, J22J | | 08 | I02A, I02B, I02C, I02D, I22A, I22B, I50Z | | | | |
| 21A | | W04A, W04B | 21A | W04A, W04B | | 09 | J02A, J02B, J02C, J04A, J04B, J08A, J08B, J08C, J16Z, J21Z, J22A, J22B, J22J | | | | |
| 21B | | X01A, X01B, X01C | 21B | X01A, X01B, X01C | | 10 | K09A, K09B | | | | |
| 5v622.4 | | | BOP, KJZSV, KVT, UOP4 | 5v622.8↔ | | | BOP, KJZSV, KVT, UOP4 | 5v622.d | | | BOP, KJZSV, KVT, UOP4 |
| | | 01 | B03Z, B07Z, B17A, B17B, B17C, B17J | | | 01 | B03Z, B07Z, B17A, B17B, B17C, B17J | | | 12 | M04A, M04B, M04C, M04D, M04J, M04Q, M37Z, M38Z |
| | | 02 | C20A, C20B, C20J, C20Q, C20R | | | 05 | F13A, F21A, F21B, F21J, F28A | | | 21A | W04A, W04B |
| | 03 | D18Z, D28J, D28Z, D29J, D29Z | 08 | | I02A, I02B, I02C, I02D, I22A, I22B, I32A, I32B, I32C, I32D, I32E, I32F, I32J, I32Q, I32R, I32S, I32T, I32U, I50Z | 21B | X01A, X01B, X01C | | | | |
| | 05 | F13A, F21A, F21B, F21J, F28A | 09 | | J02A, J02B, J02C, J04A, J04B, J08A, J08B, J08C, J16Z, J21Z, J22A, J22B, J22J | 01 | B03Z, B07Z, B17A, B17B, B17C, B17J | | | | |
| | 08 | I02A, I02B, I02C, I02D, I22A, I22B, I50Z | 21A | | W04A, W04B | 05 | F13A, F21A, F21B, F21J, F28A | | | | |
| | 09 | J02A, J02B, J02C, J04A, J04B, J08A, J08B, J08C, J16Z, J21Z, J22A, J22B, J22J | 21B | | X01A, X01B, X01C | 06 | G10Z, G12A, G12B, G12J | | | | |
| | 21A | W04A, W04B | | | BOP, KJZSV, KVT, UOP4 | 08 | I02A, I02B, I02C, I02D, I22A, I22B, I50Z | | | | |
| | 21B | X01A, X01B, X01C | | | BOP, KJZSV, KVT, UOP4 | 09 | J02A, J02B, J02C, J04A, J04B, J08A, J08B, J08C, J16Z, J21Z, J22A, J22B, J22J | | | | |
| | 5v622.5 | | BOP, KJZSV, KVT, UOP4 | | 5v622.9↔ | | BOP, KJZSV, KVT, UOP4 | | 5v622.e↔ | | BOP, KJZSV, KVT, UOP4 |
| 01 | | B03Z, B07Z, B17A, B17B, B17C, B17J | 01 | B03Z, B07Z, B17A, B17B, B17C, B17J | | 01 | B03Z, B07Z, B17A, B17B, B17C, B17J | | | | |
| 03 | | D18Z, D28J, D28Z, D29J, D29Z | 05 | F13A, F21A, F21B, F21J, F28A | | 05 | F13A, F21A, F21B, F21J, F27A, F27B, F27C, F28A | | | | |
| 05 | | F13A, F21A, F21B, F21J, F28A | 08 | I12A, I12B, I12C, I12J, I32A, I32B, I32C, I32D, I32E, I32F, I32J, I32Q, I32R, I32S, I32T, I32U | | 08 | I02A, I02B, I02C, I02D, I22A, I22B, I50Z | | | | |
| 06 | | G10Z, G12A, G12B, G12J | 09 | J03A, J03B, J04A, J04B, J08A, J08B, J08C, J16Z, J21Z, J22A, J22B, J22J | | 09 | J02A, J02B, J02C, J04A, J04B, J08A, J08B, J08C, J16Z, J21Z, J22A, J22B, J22J | | | | |
| 08 | | I28A, I28B, I28J | 21A | W04A, W04B | | 09 | J02A, J02B, J02C, J04A, J04B, J08A, J08B, J08C, J16Z, J21Z, J22A, J22B, J22J | | | | |
| 09 | | J02A, J02B, J02C, J04A, J04B, J08A, J08B, J08C, J16Z, J21Z, J22A, J22B, J22J | 21B | X01A, X01B, X01C | | 10 | K01Z | | | | |
| 21A | | W04A, W04B | | BOP, KJZSV, KVT, UOP4 | | 21A | W04A, W04B | | | | |
| 21B | | X01A, X01B, X01C | | BOP, KJZSV, KVT, UOP4 | | 21B | X01A, X01B, X01C | | | | |
| 5v622.a↔ | | | BOP, KJZSV, KVT, UOP4 | 5v622.a↔ | | | BOP, KJZSV, KVT, UOP4 | 5v622.a↔ | | | BOP, KJZSV, KVT, UOP4 |
| | 01 | B03Z, B07Z, B17A, B17B, B17C, B17J | 01 | | B03Z, B07Z, B17A, B17B, B17C, B17J | 01 | B03Z, B07Z, B17A, B17B, B17C, B17J | | | | |
| | 05 | F13A, F21A, F21B, F21J, F28A | 05 | | F13A, F21A, F21B, F21J, F28A | 05 | F13A, F21A, F21B, F21J, F28A | | | | |
| | 06 | G10Z, G12A, G12B, G12J | 06 | | G10Z, G12A, G12B, G12J | 06 | G10Z, G12A, G12B, G12J | | | | |
| | 08 | I02A, I02B, I02C, I02D, I22A, I22B, I50Z | 08 | | I02A, I02B, I02C, I02D, I22A, I22B, I50Z | 08 | I02A, I02B, I02C, I02D, I22A, I22B, I50Z | | | | |
| | 09 | J02A, J02B, J02C, J04A, J04B, J08A, J08B, J08C, J16Z, J21Z, J22A, J22B, J22J | 09 | | J02A, J02B, J02C, J04A, J04B, J08A, J08B, J08C, J16Z, J21Z, J22A, J22B, J22J | 09 | J02A, J02B, J02C, J04A, J04B, J08A, J08B, J08C, J16Z, J21Z, J22A, J22B, J22J | | | | |
| | 21A | W04A, W04B | 21A | | W04A, W04B | 21A | W04A, W04B | | | | |
| | 21B | X01A, X01B, X01C | 21B | | X01A, X01B, X01C | 21B | X01A, X01B, X01C | | | | |

| ZZV | MDC | DRG | ZZV | MDC | DRG | ZZV | MDC | DRG | | | |
|----------|----------|--|--|--|--|----------|--|--|----------|----|--|
| 5v622.f↔ | | BOP, KJZSV, KVT, UOP4 | 5v623.6↔ | | BOP, KJZSV, KVT, UOP4 | 5v623.f↔ | | BOP, KJZSV, KVT, UOP4 | | | |
| | 01 | B03Z, B07Z, B17A, B17B, B17C, B17J | | 01 | B03Z, B07Z, B17A, B17B, B17C, B17J | | 01 | B03Z, B07Z, B17A, B17B, B17C, B17J | | | |
| | 05 | F13A, F21A, F21B, F21J, F27A, F27B, F27C, F28A | | 05 | F13A, F21A, F21B, F21J, F28A | | 05 | F13A, F21A, F21B, F21J, F27A, F27B, F27C, F28A | | | |
| | 08 | I02A, I02B, I02C, I02D, I22A, I22B, I50Z | | 08 | I02A, I02B, I02C, I02D, I22A, I22B, I50Z | | 08 | I02A, I02B, I02C, I02D, I22A, I22B, I50Z | | | |
| | 09 | J02A, J02B, J02C, J04A, J04B, J08A, J08B, J08C, J16Z, J21Z, J22A, J22B, J22J | | 09 | J02A, J02B, J02C, J04A, J04B, J08A, J08B, J08C, J16Z, J21Z, J22A, J22B, J22J | | 09 | J02A, J02B, J02C, J04A, J04B, J08A, J08B, J08C, J16Z, J21Z, J22A, J22B, J22J | | | |
| | 10 | K01Z | | 21A | W04A, W04B | | 10 | K01Z | | | |
| | 21A | W04A, W04B | | 21B | X01A, X01B, X01C | | 21A | W04A, W04B | | | |
| | 21B | X01A, X01B, X01C | | | BOP, KJZSV, KVT, UOP4 | | 21B | X01A, X01B, X01C | | | |
| | 5v622.g↔ | | | BOP, KJZSV, KVT, UOP4 | 5v623.7↔ | | | BOP, KJZSV, KVT, UOP4 | 5v623.g↔ | | BOP, KJZSV, KVT, UOP4 |
| | | 01 | | B03Z, B07Z, B17A, B17B, B17C, B17J | | | 01 | B03Z, B07Z, B17A, B17B, B17C, B17J | | 01 | B03Z, B07Z, B17A, B17B, B17C, B17J |
| 05 | | F13A, F21A, F21B, F21J, F27A, F27B, F27C, F28A | 05 | F13A, F21A, F21B, F21J, F28A | | 05 | F13A, F21A, F21B, F21J, F27A, F27B, F27C, F28A | | | | |
| 08 | | I02A, I02B, I02C, I02D, I12A, I12B, I12C, I12J, I22A, I22B, I50Z | 08 | I02A, I02B, I02C, I02D, I22A, I22B, I50Z | | 08 | I02A, I02B, I02C, I02D, I12A, I12B, I12C, I12J, I22A, I22B, I50Z | | | | |
| 09 | | J02A, J02B, J02C, J04A, J04B, J08A, J08B, J08C, J16Z, J21Z, J22A, J22B, J22J | 09 | J02A, J02B, J02C, J04A, J04B, J08A, J08B, J08C, J16Z, J21Z, J22A, J22B, J22J | | 09 | J02A, J02B, J02C, J04A, J04B, J08A, J08B, J08C, J16Z, J21Z, J22A, J22B, J22J | | | | |
| 10 | | K01Z | 21A | W04A, W04B | | 10 | K01Z | | | | |
| 21A | | W04A, W04B | 21B | X01A, X01B, X01C | | 21A | W04A, W04B | | | | |
| 21B | | X01A, X01B, X01C | | BOP, KJZSV, KVT, UOP4 | | 21B | X01A, X01B, X01C | | | | |
| 5v622.s↔ | | | BOP, KJZSV, KVT, UOP4 | 5v623.8↔ | | | BOP, KJZSV, KVT, UOP4 | 5v623.x↔ | | | BOP, KJZSV, KVT, UOP4 |
| | | 01 | B03Z, B07Z, B17A, B17B, B17C, B17J | | | 01 | B03Z, B07Z, B17A, B17B, B17C, B17J | | | 01 | B03Z, B07Z, B17A, B17B, B17C, B17J |
| | 05 | F13A, F21A, F21B, F21J, F28A | 05 | | F13A, F21A, F21B, F21J, F28A | 05 | F13A, F21A, F21B, F21J, F28A | | | | |
| | 08 | I02A, I02B, I02C, I02D, I22A, I22B, I32A, I32B, I32C, I32D, I32E, I32F, I32J, I32Q, I32R, I32S, I32T, I32U, I50Z | 08 | | I02A, I02B, I02C, I02D, I22A, I22B, I32A, I32B, I32C, I32D, I32E, I32F, I32J, I32Q, I32R, I32S, I32T, I32U, I50Z | 08 | I02A, I02B, I02C, I02D, I22A, I22B, I32A, I32B, I32C, I32D, I32E, I32F, I32J, I32Q, I32R, I32S, I32T, I32U, I50Z | | | | |
| | 09 | J02A, J02B, J02C, J04A, J04B, J08A, J08B, J08C, J16Z, J21Z, J22A, J22B, J22J | 09 | | J02A, J02B, J02C, J04A, J04B, J08A, J08B, J08C, J16Z, J21Z, J22A, J22B, J22J | 09 | J02A, J02B, J02C, J04A, J04B, J08A, J08B, J08C, J16Z, J21Z, J22A, J22B, J22J | | | | |
| | 21A | W04A, W04B | 21A | | W04A, W04B | 21A | W04A, W04B | | | | |
| | 21B | X01A, X01B, X01C | 21B | | X01A, X01B, X01C | 21B | X01A, X01B, X01C | | | | |
| | 5v622.x↔ | | BOP, KJZSV, KVT, UOP4 | | 5v623.9↔ | | BOP, KJZSV, KVT, UOP4 | | 5v624.0 | | BOP, KJZSV, KVT, UOP4 |
| | | 01 | B03Z, B07Z, B17A, B17B, B17C, B17J | | | 01 | B03Z, B07Z, B17A, B17B, B17C, B17J | | | 03 | D08A, D08B, D18Z, D22A, D22B, D22J, D30A, D30B, D30J, D30Q |
| | | 05 | F13A, F21A, F21B, F21J, F28A | | | 05 | F13A, F21A, F21B, F21J, F28A | | | 05 | F13A, F28A |
| 08 | | I02A, I02B, I02C, I02D, I22A, I22B, I32A, I32B, I32C, I32E, I32F, I32J, I32Q, I32R, I32S, I32T, I32U, I50Z | 08 | I12A, I12B, I12C, I12J, I32A, I32B, I32C, I32D, I32E, I32F, I32J, I32Q, I32R, I32S, I32T, I32U | | 09 | J03A, J03B, J04A, J04B, J08A, J08B, J08C, J16Z, J21Z, J22A, J22B, J22J | | | | |
| 09 | | J02A, J02B, J02C, J04A, J04B, J08A, J08B, J08C, J16Z, J21Z, J22A, J22B, J22J | 09 | J03A, J03B, J04A, J04B, J08A, J08B, J08C, J16Z, J21Z, J22A, J22B, J22J | | 21A | W04A, W04B | | | | |
| 21A | | W04A, W04B | 21A | W04A, W04B | | 21B | X06A, X06B, X06C | | | | |
| 21B | | X01A, X01B, X01C | 21B | X01A, X01B, X01C | | | BOP, KJZSV, KVT, UOP4 | | | | |
| 5v623.e↔ | | | BOP, KJZSV, KVT, UOP4 | 5v623.e↔ | | | BOP, KJZSV, KVT, UOP4 | 5v624.1 | | | BOP, KJZSV, KVT, UOP4 |
| | | 01 | B03Z, B07Z, B17A, B17B, B17C, B17J | | | 01 | B03Z, B07Z, B17A, B17B, B17C, B17J | | | 01 | B03Z, B07Z, B17A, B17B, B17C, B17J |
| | | 05 | F13A, F21A, F21B, F21J, F27A, F27B, F27C, F28A | | | 05 | F13A, F21A, F21B, F21J, F27A, F27B, F27C, F28A | | | 02 | C20A, C20B, C20J, C20Q, C20R |
| | 08 | I02A, I02B, I02C, I02D, I22A, I22B, I50Z | 08 | | I02A, I02B, I02C, I02D, I22A, I22B, I50Z | 03 | D18Z, D28J, D28Z, D29J, D29Z | | | | |
| | 09 | J02A, J02B, J02C, J04A, J04B, J08A, J08B, J08C, J16Z, J21Z, J22A, J22B, J22J | 09 | | J02A, J02B, J02C, J04A, J04B, J08A, J08B, J08C, J16Z, J21Z, J22A, J22B, J22J | 05 | F13A, F21A, F21B, F21J, F28A | | | | |
| | 10 | K01Z | 10 | | K01Z | 08 | I02A, I02B, I02C, I02D, I22A, I22B, I50Z | | | | |
| | 21A | W04A, W04B | 21A | | W04A, W04B | 09 | J02A, J02B, J02C, J04A, J04B, J08A, J08B, J08C, J16Z, J21Z, J22A, J22B, J22J | | | | |
| | 21B | X01A, X01B, X01C | 21B | | X01A, X01B, X01C | 21A | W04A, W04B | | | | |
| | | | | | | 21B | X01A, X01B, X01C | | | | |
| | | | | | | | | | | | |

VYK

| ZZV | MDC | DRG | ZZV | MDC | DRG | ZZV | MDC | DRG | | | | |
|----------|----------|--|------------------------------------|--|--|------------------------------------|--|--|--|-----------------------|-----------------------|--|
| 5v624.4 | | BOP, KJZSV, KVT, UOP4 | 5v624.8↔ | | BOP, KJZSV, KVT, UOP4 | 5v624.c | | BOP, KJZSV, KVT, UOP4 | | | | |
| | 01 | B03Z, B07Z, B17A, B17B, B17C, B17J | | 01 | B03Z, B07Z, B17A, B17B, B17C, B17J | | 01 | B03Z, B07Z, B17A, B17B, B17C, B17J | | | | |
| | 02 | C20A, C20B, C20J, C20Q, C20R | | 05 | F13A, F21A, F21B, F21J, F28A | | 05 | F13A, F21A, F21B, F21J, F28A | | | | |
| | 03 | D18Z, D28J, D28Z, D29J, D29Z | | 08 | I02A, I02B, I02C, I02D, I22A, I22B, I32A, I32B, I32C, I32D, I32E, I32F, I32J, I32Q, I32R, I32S, I32T, I32U, I50Z | | 06 | G10Z, G12A, G12B, G12J | | | | |
| | 05 | F13A, F21A, F21B, F21J, F28A | | 09 | J02A, J02B, J02C, J04A, J04B, J08A, J08B, J08C, J16Z, J21Z, J22A, J22B, J22J | | 08 | I02A, I02B, I02C, I02D, I22A, I22B, I50Z | | | | |
| | 08 | I02A, I02B, I02C, I02D, I22A, I22B, I50Z | | 21A | W04A, W04B | | 09 | J02A, J02B, J02C, J04A, J04B, J08A, J08B, J08C, J16Z, J21Z, J22A, J22B, J22J | | | | |
| | 09 | J02A, J02B, J02C, J04A, J04B, J08A, J08B, J08C, J16Z, J21Z, J22A, J22B, J22J | | 21B | X01A, X01B, X01C | | 10 | K09A, K09B | | | | |
| | 21A | W04A, W04B | | 5v624.9↔ | | | BOP, KJZSV, KVT, UOP4 | 12 | M04A, M04B, M04C, M04D, M04J, M04Q, M37Z, M38Z | | | |
| | 21B | X01A, X01B, X01C | | | 01 | | B03Z, B07Z, B17A, B17B, B17C, B17J | 21A | W04A, W04B | | | |
| | 5v624.5 | | | BOP, KJZSV, KVT, UOP4 | 5v624.a | | | BOP, KJZSV, KVT, UOP4 | 5v624.d | | BOP, KJZSV, KVT, UOP4 | |
| 01 | | B03Z, B07Z, B17A, B17B, B17C, B17J | 01 | B03Z, B07Z, B17A, B17B, B17C, B17J | | 01 | B03Z, B07Z, B17A, B17B, B17C, B17J | | | | | |
| 03 | | D18Z, D28J, D28Z, D29J, D29Z | 05 | F13A, F21A, F21B, F21J, F28A | | 05 | F13A, F21A, F21B, F21J, F28A | | | | | |
| 05 | | F13A, F21A, F21B, F21J, F28A | 08 | I12A, I12B, I12C, I12J, I32A, I32B, I32C, I32D, I32E, I32F, I32J, I32Q, I32R, I32S, I32T, I32U | | 06 | G10Z, G12A, G12B, G12J | | | | | |
| 06 | | G10Z, G12A, G12B, G12J | 09 | J03A, J03B, J04A, J04B, J08A, J08B, J08C, J16Z, J21Z, J22A, J22B, J22J | | 08 | I02A, I02B, I02C, I02D, I22A, I22B, I50Z | | | | | |
| 08 | | I28A, I28B, I28J | 21A | W04A, W04B | | 09 | J02A, J02B, J02C, J04A, J04B, J08A, J08B, J08C, J16Z, J21Z, J22A, J22B, J22J | | | | | |
| 09 | | J02A, J02B, J02C, J04A, J04B, J08A, J08B, J08C, J16Z, J21Z, J22A, J22B, J22J | 21B | X01A, X01B, X01C | | 21A | W04A, W04B | | | | | |
| 21A | | W04A, W04B | 5v624.b | | | BOP, KJZSV, KVT, UOP4 | 21B | X01A, X01B, X01C | | | | |
| 21B | | X01A, X01B, X01C | | 01 | | B03Z, B07Z, B17A, B17B, B17C, B17J | 5v624.e↔ | | | BOP, KJZSV, KVT, UOP4 | | |
| 5v624.6↔ | | | BOP, KJZSV, KVT, UOP4 | 5v624.b | | | | BOP, KJZSV, KVT, UOP4 | | 5v624.f↔ | | BOP, KJZSV, KVT, UOP4 |
| | 01 | B03Z, B07Z, B17A, B17B, B17C, B17J | 01 | | B03Z, B07Z, B17A, B17B, B17C, B17J | 01 | | B03Z, B07Z, B17A, B17B, B17C, B17J | | | | |
| | 05 | F13A, F21A, F21B, F21J, F28A | 05 | | F13A, F21A, F21B, F21J, F28A | 05 | | F13A, F21A, F21B, F21J, F28A | | | | |
| | 08 | I02A, I02B, I02C, I02D, I22A, I22B, I50Z | 06 | | G10Z, G12A, G12B, G12J | 05 | | F13A, F21A, F21B, F21J, F27A, F27B, F27C, F28A | | | | |
| | 09 | J02A, J02B, J02C, J04A, J04B, J08A, J08B, J08C, J16Z, J21Z, J22A, J22B, J22J | 08 | | I02A, I02B, I02C, I02D, I22A, I22B, I50Z | 08 | | I02A, I02B, I02C, I02D, I22A, I22B, I50Z | | | | |
| | 21A | W04A, W04B | 09 | | J02A, J02B, J02C, J04A, J04B, J08A, J08B, J08C, J16Z, J21Z, J22A, J22B, J22J | 09 | | J02A, J02B, J02C, J04A, J04B, J08A, J08B, J08C, J16Z, J21Z, J22A, J22B, J22J | | | | |
| | 21B | X01A, X01B, X01C | 21A | | W04A, W04B | 10 | | K01Z | | | | |
| | 5v624.7↔ | | BOP, KJZSV, KVT, UOP4 | | 5v624.b | | | BOP, KJZSV, KVT, UOP4 | 5v624.f↔ | | | BOP, KJZSV, KVT, UOP4 |
| | | 01 | B03Z, B07Z, B17A, B17B, B17C, B17J | | | 01 | | B03Z, B07Z, B17A, B17B, B17C, B17J | | | 21A | W04A, W04B |
| | | 05 | F13A, F21A, F21B, F21J, F28A | | | 05 | F13A, F21A, F21B, F21J, F28A | 21B | | | X01A, X01B, X01C | |
| 08 | | I02A, I02B, I02C, I02D, I22A, I22B, I50Z | 06 | G10Z, G12A, G12B, G12J | | 5v624.f↔ | | BOP, KJZSV, KVT, UOP4 | | | | |
| 09 | | J02A, J02B, J02C, J04A, J04B, J08A, J08B, J08C, J16Z, J21Z, J22A, J22B, J22J | 08 | I02A, I02B, I02C, I02D, I22A, I22B, I50Z | | | 01 | B03Z, B07Z, B17A, B17B, B17C, B17J | | | | |
| 21A | | W04A, W04B | 09 | J02A, J02B, J02C, J04A, J04B, J08A, J08B, J08C, J16Z, J21Z, J22A, J22B, J22J | | | 05 | F13A, F21A, F21B, F21J, F27A, F27B, F27C, F28A | | | | |
| 21B | | X01A, X01B, X01C | 21A | W04A, W04B | | | 08 | I02A, I02B, I02C, I02D, I22A, I22B, I50Z | | | | |
| 5v624.8↔ | | | BOP, KJZSV, KVT, UOP4 | 5v624.b | | | | BOP, KJZSV, KVT, UOP4 | | 5v624.f↔ | | BOP, KJZSV, KVT, UOP4 |
| | | 01 | B03Z, B07Z, B17A, B17B, B17C, B17J | | | | 01 | B03Z, B07Z, B17A, B17B, B17C, B17J | | | 09 | J02A, J02B, J02C, J04A, J04B, J08A, J08B, J08C, J16Z, J21Z, J22A, J22B, J22J |
| | | 05 | F13A, F21A, F21B, F21J, F28A | | | | 05 | F13A, F21A, F21B, F21J, F28A | | | 10 | K01Z |
| | 08 | I02A, I02B, I02C, I02D, I22A, I22B, I50Z | 06 | | G10Z, G12A, G12B, G12J | | 21A | W04A, W04B | | | | |
| | 09 | J02A, J02B, J02C, J04A, J04B, J08A, J08B, J08C, J16Z, J21Z, J22A, J22B, J22J | 08 | | I02A, I02B, I02C, I02D, I22A, I22B, I50Z | | 21B | X01A, X01B, X01C | | | | |
| | 21A | W04A, W04B | 09 | | J02A, J02B, J02C, J04A, J04B, J08A, J08B, J08C, J16Z, J21Z, J22A, J22B, J22J | | 5v624.f↔ | | BOP, KJZSV, KVT, UOP4 | | | |
| | 21B | X01A, X01B, X01C | 21A | | W04A, W04B | 01 | | B03Z, B07Z, B17A, B17B, B17C, B17J | | | | |
| | 5v624.9↔ | | BOP, KJZSV, KVT, UOP4 | | 5v624.b | | | BOP, KJZSV, KVT, UOP4 | 5v624.f↔ | | | BOP, KJZSV, KVT, UOP4 |
| | | 01 | B03Z, B07Z, B17A, B17B, B17C, B17J | | | 01 | | B03Z, B07Z, B17A, B17B, B17C, B17J | | | 05 | F13A, F21A, F21B, F21J, F28A |
| | | 05 | F13A, F21A, F21B, F21J, F28A | | | 05 | | F13A, F21A, F21B, F21J, F28A | | | 06 | G10Z, G12A, G12B, G12J |
| 08 | | I02A, I02B, I02C, I02D, I22A, I22B, I50Z | 06 | G10Z, G12A, G12B, G12J | | 08 | | I02A, I02B, I02C, I02D, I22A, I22B, I50Z | | | | |
| 09 | | J02A, J02B, J02C, J04A, J04B, J08A, J08B, J08C, J16Z, J21Z, J22A, J22B, J22J | 08 | I02A, I02B, I02C, I02D, I22A, I22B, I50Z | | 09 | | J02A, J02B, J02C, J04A, J04B, J08A, J08B, J08C, J16Z, J21Z, J22A, J22B, J22J | | | | |
| 21A | | W04A, W04B | 09 | J02A, J02B, J02C, J04A, J04B, J08A, J08B, J08C, J16Z, J21Z, J22A, J22B, J22J | | 21A | | W04A, W04B | | | | |
| 21B | | X01A, X01B, X01C | 21B | X01A, X01B, X01C | | 21B | | X01A, X01B, X01C | | | | |

VYK

| ZZV | MDC | DRG | ZZV | MDC | DRG | ZZV | MDC | DRG | | | |
|----------|----------|--|------------------------------------|--|--|----------|--|--|----------|----|------------------------------------|
| 5v624.g↔ | | BOP, KJZSV, KVT, UOP4 | 5v624.r | | BOP, KJZSV, KVT, UOP4 | 5v624.v↔ | | BOP, KJZSV, KVT, UOP4 | | | |
| | 01 | B03Z, B07Z, B17A, B17B, B17C, B17J | | 01 | B03Z, B07Z, B17A, B17B, B17C, B17J | | 01 | B03Z, B07Z, B17A, B17B, B17C, B17J | | | |
| | 05 | F13A, F21A, F21B, F21J, F27A, F27B, F27C, F28A | | 02 | C20A, C20B, C20J, C20Q, C20R | | 05 | F13A, F21A, F21B, F21J, F28A | | | |
| | 08 | I02A, I02B, I02C, I02D, I12A, I12B, I12C, I12J, I22A, I22B, I50Z | | 03 | D18Z, D28J, D28Z, D29J, D29Z | | 08 | I02A, I02B, I02C, I02D, I22A, I22B, I32A, I32B, I32C, I32D, I32E, I32F, I32J, I32Q, I32R, I32S, I32T, I32U, I50Z | | | |
| | 09 | J02A, J02B, J02C, J04A, J04B, J08A, J08B, J08C, J16Z, J21Z, J22A, J22B, J22J | | 05 | F13A, F21A, F21B, F21J, F28A | | 09 | J02A, J02B, J02C, J04A, J04B, J08A, J08B, J08C, J16Z, J21Z, J22A, J22B, J22J | | | |
| | 10 | K01Z | | 08 | I02A, I02B, I02C, I02D, I22A, I22B, I50Z | | 21A | W04A, W04B | | | |
| | 21A | W04A, W04B | | 09 | J02A, J02B, J02C, J04A, J04B, J08A, J08B, J08C, J16Z, J21Z, J22A, J22B, J22J | | 21B | W04A, W04B | | | |
| | 21B | X01A, X01B, X01C | | 21A | W04A, W04B | | 21B | X01A, X01B, X01C | | | |
| | 5v624.h | | | BOP, KJZSV, KVT, UOP4 | 5v624.s↔ | | | BOP, KJZSV, KVT, UOP4 | 5v624.w↔ | | BOP, KJZSV, KVT, UOP4 |
| | | 01 | | B03Z, B07Z, B17A, B17B, B17C, B17J | | | 01 | B03Z, B07Z, B17A, B17B, B17C, B17J | | 01 | B03Z, B07Z, B17A, B17B, B17C, B17J |
| 02 | | C20A, C20B, C20J, C20Q, C20R | 05 | F13A, F21A, F21B, F21J, F28A | | 05 | F13A, F21A, F21B, F21J, F28A | | | | |
| 03 | | D18Z, D28J, D28Z, D29J, D29Z | 08 | I02A, I02B, I02C, I02D, I22A, I22B, I32A, I32B, I32C, I32D, I32E, I32F, I32J, I32Q, I32R, I32S, I32T, I32U, I50Z | | 08 | I02A, I02B, I02C, I02D, I22A, I22B, I32A, I32B, I32C, I32D, I32E, I32F, I32J, I32Q, I32R, I32S, I32T, I32U, I50Z | | | | |
| 05 | | F13A, F21A, F21B, F21J, F28A | 09 | J02A, J02B, J02C, J04A, J04B, J08A, J08B, J08C, J16Z, J21Z, J22A, J22B, J22J | | 09 | J02A, J02B, J02C, J04A, J04B, J08A, J08B, J08C, J16Z, J21Z, J22A, J22B, J22J | | | | |
| 08 | | I02A, I02B, I02C, I02D, I22A, I22B, I50Z | 21A | W04A, W04B | | 21A | W04A, W04B | | | | |
| 09 | | J02A, J02B, J02C, J04A, J04B, J08A, J08B, J08C, J16Z, J21Z, J22A, J22B, J22J | 21B | X01A, X01B, X01C | | 21B | X01A, X01B, X01C | | | | |
| 21A | | W04A, W04B | 21A | W04A, W04B | | 21B | X01A, X01B, X01C | | | | |
| 21B | | X01A, X01B, X01C | 21B | X01A, X01B, X01C | | 21B | X01A, X01B, X01C | | | | |
| 5v624.n↔ | | | BOP, KJZSV, KVT, UOP4 | 5v624.t↔ | | | BOP, KJZSV, KVT, UOP4 | 5v624.x↔ | | | BOP, KJZSV, KVT, UOP4 |
| | 01 | B03Z, B07Z, B17A, B17B, B17C, B17J | 01 | | B03Z, B07Z, B17A, B17B, B17C, B17J | 01 | B03Z, B07Z, B17A, B17B, B17C, B17J | | | | |
| | 05 | F13A, F21A, F21B, F21J, F28A | 05 | | F13A, F21A, F21B, F21J, F28A | 05 | F13A, F21A, F21B, F21J, F28A | | | | |
| | 06 | G10Z, G12A, G12B, G12J | 08 | | I02A, I02B, I02C, I02D, I22A, I22B, I32A, I32B, I32C, I32D, I32E, I32F, I32J, I32Q, I32R, I32S, I32T, I32U, I50Z | 08 | I02A, I02B, I02C, I02D, I22A, I22B, I32A, I32B, I32C, I32D, I32E, I32F, I32J, I32Q, I32R, I32S, I32T, I32U, I50Z | | | | |
| | 08 | I02A, I02B, I02C, I02D, I22A, I22B, I50Z | 09 | | J02A, J02B, J02C, J04A, J04B, J08A, J08B, J08C, J16Z, J21Z, J22A, J22B, J22J | 09 | J02A, J02B, J02C, J04A, J04B, J08A, J08B, J08C, J16Z, J21Z, J22A, J22B, J22J | | | | |
| | 09 | J02A, J02B, J02C, J04A, J04B, J08A, J08B, J08C, J16Z, J21Z, J22A, J22B, J22J | 21A | | W04A, W04B | 21A | W04A, W04B | | | | |
| | 21A | W04A, W04B | 21B | | X01A, X01B, X01C | 21B | X01A, X01B, X01C | | | | |
| | 21B | X01A, X01B, X01C | 21A | | W04A, W04B | 21B | X01A, X01B, X01C | | | | |
| | 5v624.p↔ | | BOP, KJZSV, KVT, UOP4 | | 5v624.u↔ | | BOP, KJZSV, KVT, UOP4 | | 5v624.y | | BOP, KJZSV, KVT, UOP4 |
| | | 01 | B03Z, B07Z, B17A, B17B, B17C, B17J | | | 01 | B03Z, B07Z, B17A, B17B, B17C, B17J | | | 01 | B03Z, B07Z, B17A, B17B, B17C, B17J |
| 05 | | F13A, F21A, F21B, F21J, F28A | 05 | F13A, F21A, F21B, F21J, F28A | | 02 | C20A, C20B, C20J, C20Q, C20R | | | | |
| 08 | | I02A, I02B, I02C, I02D, I22A, I22B, I32A, I32B, I32C, I32D, I32E, I32F, I32J, I32Q, I32R, I32S, I32T, I32U, I50Z | 08 | I02A, I02B, I02C, I02D, I22A, I22B, I32A, I32B, I32C, I32D, I32E, I32F, I32J, I32Q, I32R, I32S, I32T, I32U, I50Z | | 03 | D18Z, D28J, D28Z, D29J, D29Z | | | | |
| 09 | | J02A, J02B, J02C, J04A, J04B, J08A, J08B, J08C, J16Z, J21Z, J22A, J22B, J22J | 09 | J02A, J02B, J02C, J04A, J04B, J08A, J08B, J08C, J16Z, J21Z, J22A, J22B, J22J | | 05 | F13A, F21A, F21B, F21J, F28A | | | | |
| 21A | | W04A, W04B | 21A | W04A, W04B | | 08 | I02A, I02B, I02C, I02D, I22A, I22B, I50Z | | | | |
| 21B | | X01A, X01B, X01C | 21B | X01A, X01B, X01C | | 09 | J02A, J02B, J02C, J04A, J04B, J08A, J08B, J08C, J16Z, J21Z, J22A, J22B, J22J | | | | |
| 01 | | B03Z, B07Z, B17A, B17B, B17C, B17J | 21A | W04A, W04B | | 21A | W04A, W04B | | | | |
| 05 | | F13A, F21A, F21B, F21J, F28A | 21B | X01A, X01B, X01C | | 21B | X01A, X01B, X01C | | | | |
| 08 | | I02A, I02B, I02C, I02D, I22A, I22B, I32A, I32B, I32C, I32D, I32E, I32F, I32J, I32Q, I32R, I32S, I32T, I32U, I50Z | | | | | | | | | |

VYK

| ZZV | MDC | DRG | ZZV | MDC | DRG | ZZV | MDC | DRG |
|---------|--|--|------------------------------------|--|--|--|--|--|
| 5v625.0 | | BOP, KJZSV, KVT, UOP4 | 5v625.6↔ | | BOP, KJZSV, KVT, UOP4 | 5v625.b | | BOP, KJZSV, KVT, UOP4 |
| | 03 | D08A, D08B, D18Z, D22A, D22B, D22J, D30A, D30B, D30J, D30Q | | 01 | B03Z, B07Z, B17A, B17B, B17C, B17J | | 01 | B03Z, B07Z, B17A, B17B, B17C, B17J |
| | 05 | F13A, F28A | | 05 | F13A, F21A, F21B, F21J, F28A | | 05 | F13A, F21A, F21B, F21J, F28A |
| | 09 | J03A, J03B, J04A, J04B, J08A, J08B, J08C, J10A, J10B, J10J, J16Z | | 08 | I02A, I02B, I02C, I02D, I22A, I22B, I50Z | | 06 | G10Z, G12A, G12B, G12J |
| | 21A | W04A, W04B | | 09 | J02A, J02B, J02C, J04A, J04B, J08A, J08B, J08C, J16Z, J21Z, J22A, J22B, J22J | | 08 | I02A, I02B, I02C, I02D, I22A, I22B, I50Z |
| 5v625.1 | 21B | X06A, X06B, X06C | 5v625.7↔ | 21A | W04A, W04B | 5v625.c | 09 | J02A, J02B, J02C, J04A, J04B, J08A, J08B, J08C, J16Z, J21Z, J22A, J22B, J22J |
| | 01 | B03Z, B07Z, B17A, B17B, B17C, B17J | | 21B | X01A, X01B, X01C | | 21A | W04A, W04B |
| | 02 | C20A, C20B, C20J, C20Q, C20R | | 01 | BOP, KJZSV, KVT, UOP4 | | 21B | X01A, X01B, X01C |
| | 03 | D18Z, D28J, D28Z, D29J, D29Z | | 05 | B03Z, B07Z, B17A, B17B, B17C, B17J | | 01 | BOP, KJZSV, KVT, UOP4 |
| | 05 | F13A, F21A, F21B, F21J, F28A | | 05 | F13A, F21A, F21B, F21J, F28A | | 01 | B03Z, B07Z, B17A, B17B, B17C, B17J |
| 5v625.4 | 08 | I02A, I02B, I02C, I02D, I22A, I22B, I50Z | 08 | I02A, I02B, I02C, I02D, I22A, I22B, I50Z | 05 | F13A, F21A, F21B, F21J, F28A | | |
| | 09 | J02A, J02B, J02C, J04A, J04B, J08A, J08B, J08C, J16Z, J21Z, J22A, J22B, J22J | 09 | J02A, J02B, J02C, J04A, J04B, J08A, J08B, J08C, J16Z, J21Z, J22A, J22B, J22J | 08 | G10Z, G12A, G12B, G12J | | |
| | 21A | W04A, W04B | 21A | W04A, W04B | 08 | I02A, I02B, I02C, I02D, I22A, I22B, I50Z | | |
| | 21B | X01A, X01B, X01C | 21B | X01A, X01B, X01C | 09 | J02A, J02B, J02C, J04A, J04B, J08A, J08B, J08C, J16Z, J21Z, J22A, J22B, J22J | | |
| | 01 | BOP, KJZSV, KVT, UOP4 | 5v625.8↔ | 01 | BOP, KJZSV, KVT, UOP4 | 10 | K09A, K09B | |
| 01 | B03Z, B07Z, B17A, B17B, B17C, B17J | 01 | | B03Z, B07Z, B17A, B17B, B17C, B17J | 12 | M04A, M04B, M04C, M04D, M04J, M04Q, M37Z, M38Z | | |
| 02 | C20A, C20B, C20J, C20Q, C20R | 05 | | F13A, F21A, F21B, F21J, F28A | 21A | W04A, W04B | | |
| 03 | D18Z, D28J, D28Z, D29J, D29Z | 08 | | I02A, I02B, I02C, I02D, I22A, I22B, I32A, I32B, I32C, I32D, I32E, I32F, I32J, I32Q, I32R, I32S, I32T, I32U, I50Z | 21B | X01A, X01B, X01C | | |
| 05 | F13A, F21A, F21B, F21J, F28A | 09 | | J02A, J02B, J02C, J04A, J04B, J08A, J08B, J08C, J16Z, J21Z, J22A, J22B, J22J | 5v625.d | BOP, KJZSV, KVT, UOP4 | | |
| 08 | I02A, I02B, I02C, I02D, I22A, I22B, I50Z | 21A | W04A, W04B | 01 | | B03Z, B07Z, B17A, B17B, B17C, B17J | | |
| 09 | J02A, J02B, J02C, J04A, J04B, J08A, J08B, J08C, J16Z, J21Z, J22A, J22B, J22J | 21B | X01A, X01B, X01C | 05 | | F13A, F21A, F21B, F21J, F28A | | |
| 21A | W04A, W04B | 5v625.9↔ | 01 | BOP, KJZSV, KVT, UOP4 | | 06 | G10Z, G12A, G12B, G12J | |
| 21B | X01A, X01B, X01C | | 01 | B03Z, B07Z, B17A, B17B, B17C, B17J | | 08 | I02A, I02B, I02C, I02D, I22A, I22B, I50Z | |
| 5v625.5 | 01 | | BOP, KJZSV, KVT, UOP4 | 05 | F13A, F21A, F21B, F21J, F28A | 09 | J02A, J02B, J02C, J04A, J04B, J08A, J08B, J08C, J16Z, J21Z, J22A, J22B, J22J | |
| | 01 | | B03Z, B07Z, B17A, B17B, B17C, B17J | 08 | I12A, I12B, I12C, I12J, I32A, I32B, I32C, I32D, I32E, I32F, I32J, I32Q, I32R, I32S, I32T, I32U | 21A | W04A, W04B | |
| | 03 | | D18Z, D28J, D28Z, D29J, D29Z | 09 | J03A, J03B, J04A, J04B, J08A, J08B, J08C, J16Z, J21Z, J22A, J22B, J22J | 21B | X01A, X01B, X01C | |
| | 05 | F13A, F21A, F21B, F21J, F28A | 5v625.a | 01 | BOP, KJZSV, KVT, UOP4 | 01 | B03Z, B07Z, B17A, B17B, B17C, B17J | |
| | 06 | G10Z, G12A, G12B, G12J | | 01 | B03Z, B07Z, B17A, B17B, B17C, B17J | 05 | F13A, F21A, F21B, F21J, F28A | |
| 08 | I28A, I28B, I28J | 05 | | F13A, F21A, F21B, F21J, F28A | 06 | G10Z, G12A, G12B, G12J | | |
| 09 | J02A, J02B, J02C, J04A, J04B, J08A, J08B, J08C, J16Z, J21Z, J22A, J22B, J22J | 06 | | G10Z, G12A, G12B, G12J | 08 | I02A, I02B, I02C, I02D, I22A, I22B, I50Z | | |
| 21A | W04A, W04B | 08 | | I02A, I02B, I02C, I02D, I22A, I22B, I50Z | 09 | J02A, J02B, J02C, J04A, J04B, J08A, J08B, J08C, J16Z, J21Z, J22A, J22B, J22J | | |
| 21B | X01A, X01B, X01C | 21A | W04A, W04B | 10 | K01Z | | | |
| | | 21B | X01A, X01B, X01C | 21A | W04A, W04B | | | |
| | | | | 21B | X01A, X01B, X01C | | | |

| ZZV | MDC | DRG | ZZV | MDC | DRG | ZZV | MDC | DRG | | | |
|----------|----------|--|------------------------------------|--|--|----------|--|--|------------------------------------|----|------------------------------------|
| 5v625.f↔ | | BOP, KJZSV, KVT, UOP4 | 5v625.p↔ | | BOP, KJZSV, KVT, UOP4 | 5v625.t↔ | | BOP, KJZSV, KVT, UOP4 | | | |
| | 01 | B03Z, B07Z, B17A, B17B, B17C, B17J | | 01 | B03Z, B07Z, B17A, B17B, B17C, B17J | | 01 | B03Z, B07Z, B17A, B17B, B17C, B17J | | | |
| | 05 | F13A, F21A, F21B, F21J, F27A, F27B, F27C, F28A | | 05 | F13A, F21A, F21B, F21J, F28A | | 05 | F13A, F21A, F21B, F21J, F28A | | | |
| | 08 | I02A, I02B, I02C, I02D, I22A, I22B, I50Z | | 08 | I02A, I02B, I02C, I02D, I22A, I22B, I32A, I32B, I32C, I32D, I32E, I32F, I32J, I32Q, I32R, I32S, I32T, I32U, I50Z | | 08 | I02A, I02B, I02C, I02D, I22A, I22B, I32A, I32B, I32C, I32D, I32E, I32F, I32J, I32Q, I32R, I32S, I32T, I32U, I50Z | | | |
| | 09 | J02A, J02B, J02C, J04A, J04B, J08A, J08B, J08C, J16Z, J21Z, J22A, J22B, J22J | | 09 | J02A, J02B, J02C, J04A, J04B, J08A, J08B, J08C, J16Z, J21Z, J22A, J22B, J22J | | 09 | J02A, J02B, J02C, J04A, J04B, J08A, J08B, J08C, J16Z, J21Z, J22A, J22B, J22J | | | |
| | 10 | K01Z | | | | | | | | | |
| | 21A | W04A, W04B | | 21A | W04A, W04B | | 21A | W04A, W04B | | | |
| | 21B | X01A, X01B, X01C | | 21B | X01A, X01B, X01C | | 21B | X01A, X01B, X01C | | | |
| | 5v625.g↔ | | | BOP, KJZSV, KVT, UOP4 | 5v625.q↔ | | | BOP, KJZSV, KVT, UOP4 | 5v625.u↔ | | BOP, KJZSV, KVT, UOP4 |
| | | 01 | | B03Z, B07Z, B17A, B17B, B17C, B17J | | | 01 | B03Z, B07Z, B17A, B17B, B17C, B17J | | 01 | B03Z, B07Z, B17A, B17B, B17C, B17J |
| 05 | | F13A, F21A, F21B, F21J, F27A, F27B, F27C, F28A | 05 | F13A, F21A, F21B, F21J, F28A | | 05 | F13A, F21A, F21B, F21J, F28A | | | | |
| 08 | | I02A, I02B, I02C, I02D, I12A, I12B, I12C, I12J, I22A, I22B, I50Z | 08 | I02A, I02B, I02C, I02D, I22A, I22B, I32A, I32B, I32C, I32D, I32E, I32F, I32J, I32Q, I32R, I32S, I32T, I32U, I50Z | | 08 | I02A, I02B, I02C, I02D, I22A, I22B, I32A, I32B, I32C, I32D, I32E, I32F, I32J, I32Q, I32R, I32S, I32T, I32U, I50Z | | | | |
| 09 | | J02A, J02B, J02C, J04A, J04B, J08A, J08B, J08C, J16Z, J21Z, J22A, J22B, J22J | 09 | J02A, J02B, J02C, J04A, J04B, J08A, J08B, J08C, J16Z, J21Z, J22A, J22B, J22J | | 09 | J02A, J02B, J02C, J04A, J04B, J08A, J08B, J08C, J16Z, J21Z, J22A, J22B, J22J | | | | |
| 10 | | K01Z | | | | | | | | | |
| 21A | | W04A, W04B | 21A | W04A, W04B | | 21A | W04A, W04B | | | | |
| 21B | | X01A, X01B, X01C | 21B | X01A, X01B, X01C | | 21B | X01A, X01B, X01C | | | | |
| 5v625.h | | | BOP, KJZSV, KVT, UOP4 | 5v625.r | | | BOP, KJZSV, KVT, UOP4 | 5v625.w↔ | | | BOP, KJZSV, KVT, UOP4 |
| | | 01 | B03Z, B07Z, B17A, B17B, B17C, B17J | | | 01 | B03Z, B07Z, B17A, B17B, B17C, B17J | | | 01 | B03Z, B07Z, B17A, B17B, B17C, B17J |
| | 02 | C20A, C20B, C20J, C20Q, C20R | 02 | | C20A, C20B, C20J, C20Q, C20R | 05 | F13A, F21A, F21B, F21J, F28A | | | | |
| | 03 | D18Z, D28J, D28Z, D29J, D29Z | 03 | | D18Z, D28J, D28Z, D29J, D29Z | 08 | I02A, I02B, I02C, I02D, I22A, I22B, I32A, I32B, I32C, I32D, I32E, I32F, I32J, I32Q, I32R, I32S, I32T, I32U, I50Z | | | | |
| | 05 | F13A, F21A, F21B, F21J, F28A | 05 | | F13A, F21A, F21B, F21J, F28A | 09 | J02A, J02B, J02C, J04A, J04B, J08A, J08B, J08C, J16Z, J21Z, J22A, J22B, J22J | | | | |
| | 08 | I02A, I02B, I02C, I02D, I22A, I22B, I50Z | 08 | | I02A, I02B, I02C, I02D, I22A, I22B, I50Z | 21A | W04A, W04B | | | | |
| | 09 | J02A, J02B, J02C, J04A, J04B, J08A, J08B, J08C, J16Z, J21Z, J22A, J22B, J22J | 09 | | J02A, J02B, J02C, J04A, J04B, J08A, J08B, J08C, J16Z, J21Z, J22A, J22B, J22J | 21B | X01A, X01B, X01C | | | | |
| | 21A | W04A, W04B | 21A | | W04A, W04B | 5v625.x↔ | | | BOP, KJZSV, KVT, UOP4 | | |
| | 21B | X01A, X01B, X01C | 21B | | X01A, X01B, X01C | | 01 | | B03Z, B07Z, B17A, B17B, B17C, B17J | | |
| | 5v625.n↔ | | BOP, KJZSV, KVT, UOP4 | | 5v625.s↔ | | BOP, KJZSV, KVT, UOP4 | | 5v625.y↔ | | BOP, KJZSV, KVT, UOP4 |
| 01 | | B03Z, B07Z, B17A, B17B, B17C, B17J | 01 | B03Z, B07Z, B17A, B17B, B17C, B17J | | 05 | F13A, F21A, F21B, F21J, F28A | | | | |
| 05 | | F13A, F21A, F21B, F21J, F28A | 05 | F13A, F21A, F21B, F21J, F28A | | 08 | I02A, I02B, I02C, I02D, I22A, I22B, I32A, I32B, I32C, I32D, I32E, I32F, I32J, I32Q, I32R, I32S, I32T, I32U, I50Z | | | | |
| 06 | | G10Z, G12A, G12B, G12J | 08 | I02A, I02B, I02C, I02D, I22A, I22B, I32A, I32B, I32C, I32D, I32E, I32F, I32J, I32Q, I32R, I32S, I32T, I32U, I50Z | | 09 | J02A, J02B, J02C, J04A, J04B, J08A, J08B, J08C, J16Z, J21Z, J22A, J22B, J22J | | | | |
| 08 | | I02A, I02B, I02C, I02D, I22A, I22B, I50Z | 09 | J02A, J02B, J02C, J04A, J04B, J08A, J08B, J08C, J16Z, J21Z, J22A, J22B, J22J | | 21A | W04A, W04B | | | | |
| 09 | | J02A, J02B, J02C, J04A, J04B, J08A, J08B, J08C, J16Z, J21Z, J22A, J22B, J22J | 21A | W04A, W04B | | 21B | X01A, X01B, X01C | | | | |
| 21A | | W04A, W04B | 21A | W04A, W04B | | | | | | | |
| 21B | | X01A, X01B, X01C | 21B | X01A, X01B, X01C | | | | | | | |

VYK

| ZZV | MDC | DRG | ZZV | MDC | DRG | ZZV | MDC | DRG | | |
|---------|---------|--|----------|-----------------------|--|--|--|--|--|------------------------------------|
| 5v625.y | | BOP, KJZSV, KVT, UOP4 | 5v626.6↔ | | BOP, KJZSV, KVT, UOP4 | 5v626.b | | BOP, KJZSV, KVT, UOP4 | | |
| | 01 | B03Z, B07Z, B17A, B17B, B17C, B17J | | 01 | B03Z, B07Z, B17A, B17B, B17C, B17J | | 01 | B03Z, B07Z, B17A, B17B, B17C, B17J | | |
| | 02 | C20A, C20B, C20J, C20Q, C20R | | 05 | F13A, F21A, F21B, F21J, F28A | | 05 | F13A, F21A, F21B, F21J, F28A | | |
| | 03 | D18Z, D28J, D28Z, D29J, D29Z | | 08 | I02A, I02B, I02C, I02D, I22A, I22B, I50Z | | 06 | G10Z, G12A, G12B, G12J | | |
| | 05 | F13A, F21A, F21B, F21J, F28A | | 09 | J02A, J02B, J02C, J04A, J04B, J08A, J08B, J08C, J16Z, J21Z, J22A, J22B, J22J | | 08 | I02A, I02B, I02C, I02D, I22A, I22B, I50Z | | |
| | 08 | I02A, I02B, I02C, I02D, I22A, I22B, I50Z | | 21A | W04A, W04B | | 09 | J02A, J02B, J02C, J04A, J04B, J08A, J08B, J08C, J16Z, J21Z, J22A, J22B, J22J | | |
| | 09 | J02A, J02B, J02C, J04A, J04B, J08A, J08B, J08C, J16Z, J21Z, J22A, J22B, J22J | | 21B | X01A, X01B, X01C | | 21A | W04A, W04B | | |
| | 21A | W04A, W04B | | 5v626.7↔ | | | BOP, KJZSV, KVT, UOP4 | 5v626.c | | BOP, KJZSV, KVT, UOP4 |
| | 21B | X01A, X01B, X01C | | | 01 | | B03Z, B07Z, B17A, B17B, B17C, B17J | | 01 | B03Z, B07Z, B17A, B17B, B17C, B17J |
| | 5v626.1 | | | | BOP, KJZSV, KVT, UOP4 | | 05 | | F13A, F21A, F21B, F21J, F28A | 05 |
| 01 | | B03Z, B07Z, B17A, B17B, B17C, B17J | 08 | | I02A, I02B, I02C, I02D, I22A, I22B, I50Z | 05 | F13A, F21A, F21B, F21J, F28A | | | |
| 02 | | C20A, C20B, C20J, C20Q, C20R | 09 | | J02A, J02B, J02C, J04A, J04B, J08A, J08B, J08C, J16Z, J21Z, J22A, J22B, J22J | 06 | G10Z, G12A, G12B, G12J | | | |
| 03 | | D18Z, D28J, D28Z, D29J, D29Z | 21A | | W04A, W04B | 08 | I02A, I02B, I02C, I02D, I22A, I22B, I50Z | | | |
| 05 | | F13A, F21A, F21B, F21J, F28A | 21B | | X01A, X01B, X01C | 09 | J02A, J02B, J02C, J04A, J04B, J08A, J08B, J08C, J16Z, J21Z, J22A, J22B, J22J | | | |
| 08 | | I02A, I02B, I02C, I02D, I22A, I22B, I50Z | 5v626.8↔ | | | BOP, KJZSV, KVT, UOP4 | 10 | | K09A, K09B | |
| 09 | | J02A, J02B, J02C, J04A, J04B, J08A, J08B, J08C, J16Z, J21Z, J22A, J22B, J22J | | | 01 | B03Z, B07Z, B17A, B17B, B17C, B17J | 12 | | M04A, M04B, M04C, M04D, M04J, M04Q, M37Z, M38Z | |
| 21A | | W04A, W04B | | | 05 | F13A, F21A, F21B, F21J, F28A | 21A | | W04A, W04B | |
| 21B | | X01A, X01B, X01C | | 08 | I02A, I02B, I02C, I02D, I22A, I22B, I32A, I32B, I32C, I32D, I32E, I32F, I32J, I32Q, I32R, I32S, I32T, I32U, I50Z | 21B | X01A, X01B, X01C | | | |
| 5v626.4 | | | | BOP, KJZSV, KVT, UOP4 | 5v626.9↔ | | BOP, KJZSV, KVT, UOP4 | 5v626.d | | BOP, KJZSV, KVT, UOP4 |
| | 01 | B03Z, B07Z, B17A, B17B, B17C, B17J | | 01 | | B03Z, B07Z, B17A, B17B, B17C, B17J | 01 | | B03Z, B07Z, B17A, B17B, B17C, B17J | |
| | 02 | C20A, C20B, C20J, C20Q, C20R | | 05 | | F13A, F21A, F21B, F21J, F28A | 05 | | F13A, F21A, F21B, F21J, F28A | |
| | 03 | D18Z, D28J, D28Z, D29J, D29Z | | 08 | | I12A, I12B, I12C, I12J, I32A, I32B, I32C, I32D, I32E, I32F, I32J, I32Q, I32R, I32S, I32T, I32U | 06 | | G10Z, G12A, G12B, G12J | |
| | 05 | F13A, F21A, F21B, F21J, F28A | | 09 | | J03A, J03B, J04A, J04B, J08A, J08B, J08C, J16Z, J21Z, J22A, J22B, J22J | 08 | | I02A, I02B, I02C, I02D, I22A, I22B, I50Z | |
| | 08 | I02A, I02B, I02C, I02D, I22A, I22B, I50Z | | 21A | | W04A, W04B | 09 | | J02A, J02B, J02C, J04A, J04B, J08A, J08B, J08C, J16Z, J21Z, J22A, J22B, J22J | |
| | 09 | J02A, J02B, J02C, J04A, J04B, J08A, J08B, J08C, J16Z, J21Z, J22A, J22B, J22J | 21B | X01A, X01B, X01C | | 21A | W04A, W04B | | | |
| | 21A | W04A, W04B | 5v626.a | | | BOP, KJZSV, KVT, UOP4 | 21B | | X01A, X01B, X01C | |
| | 21B | X01A, X01B, X01C | | 01 | | B03Z, B07Z, B17A, B17B, B17C, B17J | 01 | | B03Z, B07Z, B17A, B17B, B17C, B17J | |
| | 5v626.5 | | | BOP, KJZSV, KVT, UOP4 | | 05 | F13A, F21A, F21B, F21J, F28A | | 05 | F13A, F21A, F21B, F21J, F28A |
| 01 | | B03Z, B07Z, B17A, B17B, B17C, B17J | | 08 | G10Z, G12A, G12B, G12J | 06 | G10Z, G12A, G12B, G12J | | | |
| 03 | | D18Z, D28J, D28Z, D29J, D29Z | | 08 | I02A, I02B, I02C, I02D, I22A, I22B, I50Z | 08 | I02A, I02B, I02C, I02D, I22A, I22B, I50Z | | | |
| 05 | | F13A, F21A, F21B, F21J, F28A | | 09 | J02A, J02B, J02C, J04A, J04B, J08A, J08B, J08C, J16Z, J21Z, J22A, J22B, J22J | 09 | J02A, J02B, J02C, J04A, J04B, J08A, J08B, J08C, J16Z, J21Z, J22A, J22B, J22J | | | |
| 06 | | G10Z, G12A, G12B, G12J | | 21A | W04A, W04B | 10 | K01Z | | | |
| 08 | | I28A, I28B, I28J | | 21B | X01A, X01B, X01C | 21A | W04A, W04B | | | |
| 09 | | J02A, J02B, J02C, J04A, J04B, J08A, J08B, J08C, J16Z, J21Z, J22A, J22B, J22J | | 5v626.e↔ | | BOP, KJZSV, KVT, UOP4 | 21B | X01A, X01B, X01C | | |
| 21A | | W04A, W04B | | | 01 | B03Z, B07Z, B17A, B17B, B17C, B17J | 01 | B03Z, B07Z, B17A, B17B, B17C, B17J | | |
| 21B | | X01A, X01B, X01C | 05 | | F13A, F21A, F21B, F21J, F28A | 05 | F13A, F21A, F21B, F21J, F27A, F27B, F27C, F28A | | | |

| ZZV | MDC | DRG | ZZV | MDC | DRG | ZZV | MDC | DRG | | | |
|----------|----------|--|------------------------------------|--|--|----------|--|--|------------------------------------|----|------------------------------------|
| 5v626.f↔ | | BOP, KJZSV, KVT, UOP4 | 5v626.p↔ | | BOP, KJZSV, KVT, UOP4 | 5v626.t↔ | | BOP, KJZSV, KVT, UOP4 | | | |
| | 01 | B03Z, B07Z, B17A, B17B, B17C, B17J | | 01 | B03Z, B07Z, B17A, B17B, B17C, B17J | | 01 | B03Z, B07Z, B17A, B17B, B17C, B17J | | | |
| | 05 | F13A, F21A, F21B, F21J, F27A, F27B, F27C, F28A | | 05 | F13A, F21A, F21B, F21J, F28A | | 05 | F13A, F21A, F21B, F21J, F28A | | | |
| | 08 | I02A, I02B, I02C, I02D, I22A, I22B, I50Z | | 08 | I02A, I02B, I02C, I02D, I22A, I22B, I32A, I32B, I32C, I32D, I32E, I32F, I32J, I32Q, I32R, I32S, I32T, I32U, I50Z | | 08 | I02A, I02B, I02C, I02D, I22A, I22B, I32A, I32B, I32C, I32D, I32E, I32F, I32J, I32Q, I32R, I32S, I32T, I32U, I50Z | | | |
| | 09 | J02A, J02B, J02C, J04A, J04B, J08A, J08B, J08C, J16Z, J21Z, J22A, J22B, J22J | | 09 | J02A, J02B, J02C, J04A, J04B, J08A, J08B, J08C, J16Z, J21Z, J22A, J22B, J22J | | 09 | J02A, J02B, J02C, J04A, J04B, J08A, J08B, J08C, J16Z, J21Z, J22A, J22B, J22J | | | |
| | 10 | K01Z | | | | | | | | | |
| | 21A | W04A, W04B | | 21A | W04A, W04B | | 21A | W04A, W04B | | | |
| | 21B | X01A, X01B, X01C | | 21A | W04A, W04B | | 21B | X01A, X01B, X01C | | | |
| | 5v626.g↔ | | | BOP, KJZSV, KVT, UOP4 | 5v626.q↔ | | | BOP, KJZSV, KVT, UOP4 | 5v626.u↔ | | BOP, KJZSV, KVT, UOP4 |
| | | 01 | | B03Z, B07Z, B17A, B17B, B17C, B17J | | | 01 | B03Z, B07Z, B17A, B17B, B17C, B17J | | 01 | B03Z, B07Z, B17A, B17B, B17C, B17J |
| 05 | | F13A, F21A, F21B, F21J, F27A, F27B, F27C, F28A | 05 | F13A, F21A, F21B, F21J, F28A | | 05 | F13A, F21A, F21B, F21J, F28A | | | | |
| 08 | | I02A, I02B, I02C, I02D, I12A, I12B, I12C, I12J, I22A, I22B, I50Z | 08 | I02A, I02B, I02C, I02D, I22A, I22B, I32A, I32B, I32C, I32D, I32E, I32F, I32J, I32Q, I32R, I32S, I32T, I32U, I50Z | | 08 | I02A, I02B, I02C, I02D, I22A, I22B, I32A, I32B, I32C, I32D, I32E, I32F, I32J, I32Q, I32R, I32S, I32T, I32U, I50Z | | | | |
| 09 | | J02A, J02B, J02C, J04A, J04B, J08A, J08B, J08C, J16Z, J21Z, J22A, J22B, J22J | 09 | J02A, J02B, J02C, J04A, J04B, J08A, J08B, J08C, J16Z, J21Z, J22A, J22B, J22J | | 09 | J02A, J02B, J02C, J04A, J04B, J08A, J08B, J08C, J16Z, J21Z, J22A, J22B, J22J | | | | |
| 10 | | K01Z | | | | | | | | | |
| 21A | | W04A, W04B | 21A | W04A, W04B | | 21A | W04A, W04B | | | | |
| 21B | | X01A, X01B, X01C | 21B | X01A, X01B, X01C | | 21B | X01A, X01B, X01C | | | | |
| 5v626.h | | | BOP, KJZSV, KVT, UOP4 | 5v626.r | | | BOP, KJZSV, KVT, UOP4 | 5v626.w↔ | | | BOP, KJZSV, KVT, UOP4 |
| | | 01 | B03Z, B07Z, B17A, B17B, B17C, B17J | | | 01 | B03Z, B07Z, B17A, B17B, B17C, B17J | | | 01 | B03Z, B07Z, B17A, B17B, B17C, B17J |
| | 02 | C20A, C20B, C20J, C20Q, C20R | 02 | | C20A, C20B, C20J, C20Q, C20R | 05 | F13A, F21A, F21B, F21J, F28A | | | | |
| | 03 | D18Z, D28J, D28Z, D29J, D29Z | 03 | | D18Z, D28J, D28Z, D29J, D29Z | 08 | I02A, I02B, I02C, I02D, I22A, I22B, I32A, I32B, I32C, I32D, I32E, I32F, I32J, I32Q, I32R, I32S, I32T, I32U, I50Z | | | | |
| | 05 | F13A, F21A, F21B, F21J, F28A | 05 | | F13A, F21A, F21B, F21J, F28A | 09 | J02A, J02B, J02C, J04A, J04B, J08A, J08B, J08C, J16Z, J21Z, J22A, J22B, J22J | | | | |
| | 08 | I02A, I02B, I02C, I02D, I22A, I22B, I50Z | 08 | | I02A, I02B, I02C, I02D, I22A, I22B, I50Z | 21A | W04A, W04B | | | | |
| | 09 | J02A, J02B, J02C, J04A, J04B, J08A, J08B, J08C, J16Z, J21Z, J22A, J22B, J22J | 09 | | J02A, J02B, J02C, J04A, J04B, J08A, J08B, J08C, J16Z, J21Z, J22A, J22B, J22J | 21B | X01A, X01B, X01C | | | | |
| | 21A | W04A, W04B | 21A | | W04A, W04B | 5v626.x↔ | | | BOP, KJZSV, KVT, UOP4 | | |
| | 21B | X01A, X01B, X01C | 21B | | X01A, X01B, X01C | | 01 | | B03Z, B07Z, B17A, B17B, B17C, B17J | | |
| | 5v626.n↔ | | BOP, KJZSV, KVT, UOP4 | | 5v626.s↔ | | BOP, KJZSV, KVT, UOP4 | | 5v626.y↔ | | BOP, KJZSV, KVT, UOP4 |
| 01 | | B03Z, B07Z, B17A, B17B, B17C, B17J | 01 | B03Z, B07Z, B17A, B17B, B17C, B17J | | 05 | F13A, F21A, F21B, F21J, F28A | | | | |
| 05 | | F13A, F21A, F21B, F21J, F28A | 05 | F13A, F21A, F21B, F21J, F28A | | 08 | I02A, I02B, I02C, I02D, I22A, I22B, I32A, I32B, I32C, I32D, I32E, I32F, I32J, I32Q, I32R, I32S, I32T, I32U, I50Z | | | | |
| 06 | | G10Z, G12A, G12B, G12J | 08 | I02A, I02B, I02C, I02D, I22A, I22B, I32A, I32B, I32C, I32D, I32E, I32F, I32J, I32Q, I32R, I32S, I32T, I32U, I50Z | | 09 | J02A, J02B, J02C, J04A, J04B, J08A, J08B, J08C, J16Z, J21Z, J22A, J22B, J22J | | | | |
| 08 | | I02A, I02B, I02C, I02D, I22A, I22B, I50Z | 09 | J02A, J02B, J02C, J04A, J04B, J08A, J08B, J08C, J16Z, J21Z, J22A, J22B, J22J | | 21A | W04A, W04B | | | | |
| 09 | | J02A, J02B, J02C, J04A, J04B, J08A, J08B, J08C, J16Z, J21Z, J22A, J22B, J22J | 21A | W04A, W04B | | 21B | X01A, X01B, X01C | | | | |
| 21A | | W04A, W04B | 21A | W04A, W04B | | | | | | | |
| 21B | | X01A, X01B, X01C | 21B | X01A, X01B, X01C | | | | | | | |

VYK

| ZZV | MDC | DRG | ZZV | MDC | DRG | ZZV | MDC | DRG | | | |
|----------|---------|--|------------------------------------|--|--|---------|--|--|---------|----|------------------------------------|
| 5v626.y | | BOP, KJZSV, KVT, UOP4 | 5v627.5 | | BOP, KJZSV, KVT, UOP4 | 5v627.a | | BOP, KJZSV, KVT, UOP4 | | | |
| | 01 | B03Z, B07Z, B17A, B17B, B17C, B17J | | 01 | B03Z, B07Z, B17A, B17B, B17C, B17J | | 01 | B03Z, B07Z, B17A, B17B, B17C, B17J | | | |
| | 02 | C20A, C20B, C20J, C20Q, C20R | | 03 | D18Z, D28J, D28Z, D29J, D29Z | | 05 | F13A, F21A, F21B, F21J, F28A | | | |
| | 03 | D18Z, D28J, D28Z, D29J, D29Z | | 05 | F13A, F21A, F21B, F21J, F28A | | 06 | G10Z, G12A, G12B, G12J | | | |
| | 05 | F13A, F21A, F21B, F21J, F28A | | 06 | G10Z, G12A, G12B, G12J | | 08 | I02A, I02B, I02C, I02D, I22A, I22B, I50Z | | | |
| | 08 | I02A, I02B, I02C, I02D, I22A, I22B, I50Z | | 08 | I28A, I28B, I28J | | 09 | J02A, J02B, J02C, J04A, J04B, J08A, J08B, J08C, J16Z, J21Z, J22A, J22B, J22J | | | |
| | 09 | J02A, J02B, J02C, J04A, J04B, J08A, J08B, J08C, J16Z, J21Z, J22A, J22B, J22J | | 09 | J02A, J02B, J02C, J04A, J04B, J08A, J08B, J08C, J16Z, J21Z, J22A, J22B, J22J | | 21A | W04A, W04B | | | |
| | 21A | W04A, W04B | | 21A | W04A, W04B | | 21B | X01A, X01B, X01C | | | |
| | 21B | X01A, X01B, X01C | | 21B | X01A, X01B, X01C | | | | | | |
| | 5v627.0 | | | BOP, KJZSV, KVT, UOP4 | 5v627.6↔ | | | BOP, KJZSV, KVT, UOP4 | 5v627.b | | BOP, KJZSV, KVT, UOP4 |
| 03 | | D08A, D08B, D18Z, D22A, D22B, D22J, D30A, D30B, D30J, D30Q | 01 | B03Z, B07Z, B17A, B17B, B17C, B17J | | 01 | B03Z, B07Z, B17A, B17B, B17C, B17J | | | | |
| 05 | | F13A, F28A | 05 | F13A, F21A, F21B, F21J, F28A | | 05 | F13A, F21A, F21B, F21J, F28A | | | | |
| 09 | | J03A, J03B, J04A, J04B, J08A, J08B, J08C, J10A, J10B, J10J, J16Z | 08 | I02A, I02B, I02C, I02D, I22A, I22B, I50Z | | 06 | G10Z, G12A, G12B, G12J | | | | |
| 21A | | W04A, W04B | 09 | J02A, J02B, J02C, J04A, J04B, J08A, J08B, J08C, J16Z, J21Z, J22A, J22B, J22J | | 08 | I02A, I02B, I02C, I02D, I22A, I22B, I50Z | | | | |
| 21B | | X06A, X06B, X06C | 21A | W04A, W04B | | 09 | J02A, J02B, J02C, J04A, J04B, J08A, J08B, J08C, J16Z, J21Z, J22A, J22B, J22J | | | | |
| 5v627.1 | | | BOP, KJZSV, KVT, UOP4 | 5v627.7↔ | | | BOP, KJZSV, KVT, UOP4 | 5v627.c | | | BOP, KJZSV, KVT, UOP4 |
| | | 01 | B03Z, B07Z, B17A, B17B, B17C, B17J | | | 01 | B03Z, B07Z, B17A, B17B, B17C, B17J | | | 01 | B03Z, B07Z, B17A, B17B, B17C, B17J |
| | | 02 | C20A, C20B, C20J, C20Q, C20R | | | 05 | F13A, F21A, F21B, F21J, F28A | | | 05 | F13A, F21A, F21B, F21J, F28A |
| | | 03 | D18Z, D28J, D28Z, D29J, D29Z | | | 08 | I02A, I02B, I02C, I02D, I22A, I22B, I50Z | | | 06 | G10Z, G12A, G12B, G12J |
| | 05 | F13A, F21A, F21B, F21J, F28A | 09 | | J02A, J02B, J02C, J04A, J04B, J08A, J08B, J08C, J16Z, J21Z, J22A, J22B, J22J | 08 | I02A, I02B, I02C, I02D, I22A, I22B, I50Z | | | | |
| | 08 | I02A, I02B, I02C, I02D, I22A, I22B, I50Z | 21A | | W04A, W04B | 09 | J02A, J02B, J02C, J04A, J04B, J08A, J08B, J08C, J16Z, J21Z, J22A, J22B, J22J | | | | |
| | 09 | J02A, J02B, J02C, J04A, J04B, J08A, J08B, J08C, J16Z, J21Z, J22A, J22B, J22J | 21B | | X01A, X01B, X01C | 10 | K09A, K09B | | | | |
| | 21A | W04A, W04B | 21A | | W04A, W04B | 12 | M04A, M04B, M04C, M04D, M04J, M04Q, M37Z, M38Z | | | | |
| | 21B | X01A, X01B, X01C | 21B | | X01A, X01B, X01C | 21A | W04A, W04B | | | | |
| | 5v627.4 | | BOP, KJZSV, KVT, UOP4 | | 5v627.8↔ | | BOP, KJZSV, KVT, UOP4 | | 5v627.d | | BOP, KJZSV, KVT, UOP4 |
| 01 | | B03Z, B07Z, B17A, B17B, B17C, B17J | 01 | B03Z, B07Z, B17A, B17B, B17C, B17J | | 01 | B03Z, B07Z, B17A, B17B, B17C, B17J | | | | |
| 02 | | C20A, C20B, C20J, C20Q, C20R | 05 | F13A, F21A, F21B, F21J, F28A | | 05 | F13A, F21A, F21B, F21J, F28A | | | | |
| 03 | | D18Z, D28J, D28Z, D29J, D29Z | 08 | I02A, I02B, I02C, I02D, I22A, I22B, I32A, I32B, I32C, I32D, I32E, I32F, I32J, I32Q, I32R, I32S, I32T, I32U, I50Z | | 06 | G10Z, G12A, G12B, G12J | | | | |
| 05 | | F13A, F21A, F21B, F21J, F28A | 09 | J02A, J02B, J02C, J04A, J04B, J08A, J08B, J08C, J16Z, J21Z, J22A, J22B, J22J | | 08 | I02A, I02B, I02C, I02D, I22A, I22B, I50Z | | | | |
| 08 | | I02A, I02B, I02C, I02D, I22A, I22B, I50Z | 21A | W04A, W04B | | 09 | J02A, J02B, J02C, J04A, J04B, J08A, J08B, J08C, J16Z, J21Z, J22A, J22B, J22J | | | | |
| 09 | | J02A, J02B, J02C, J04A, J04B, J08A, J08B, J08C, J16Z, J21Z, J22A, J22B, J22J | 21B | X01A, X01B, X01C | | 21A | W04A, W04B | | | | |
| 21A | | W04A, W04B | 21A | W04A, W04B | | 21B | X01A, X01B, X01C | | | | |
| 21B | | X01A, X01B, X01C | 21B | X01A, X01B, X01C | | | | | | | |
| 5v627.9↔ | | | BOP, KJZSV, KVT, UOP4 | 5v627.9↔ | | | BOP, KJZSV, KVT, UOP4 | 5v627.9↔ | | | BOP, KJZSV, KVT, UOP4 |
| | 01 | B03Z, B07Z, B17A, B17B, B17C, B17J | 01 | | B03Z, B07Z, B17A, B17B, B17C, B17J | 01 | B03Z, B07Z, B17A, B17B, B17C, B17J | | | | |
| | 05 | F13A, F21A, F21B, F21J, F28A | 05 | | F13A, F21A, F21B, F21J, F28A | 05 | F13A, F21A, F21B, F21J, F28A | | | | |
| | 08 | I12A, I12B, I12C, I12J, I32A, I32B, I32C, I32D, I32E, I32F, I32J, I32Q, I32R, I32S, I32T, I32U | 08 | | I12A, I12B, I12C, I12J, I32A, I32B, I32C, I32D, I32E, I32F, I32J, I32Q, I32R, I32S, I32T, I32U | 08 | I12A, I12B, I12C, I12J, I32A, I32B, I32C, I32D, I32E, I32F, I32J, I32Q, I32R, I32S, I32T, I32U | | | | |
| | 09 | J03A, J03B, J04A, J04B, J08A, J08B, J08C, J16Z, J21Z, J22A, J22B, J22J | 09 | | J03A, J03B, J04A, J04B, J08A, J08B, J08C, J16Z, J21Z, J22A, J22B, J22J | 09 | J03A, J03B, J04A, J04B, J08A, J08B, J08C, J16Z, J21Z, J22A, J22B, J22J | | | | |
| | 21A | W04A, W04B | 21A | | W04A, W04B | 21A | W04A, W04B | | | | |
| | 21B | X01A, X01B, X01C | 21B | | X01A, X01B, X01C | 21B | X01A, X01B, X01C | | | | |

VYK

| ZZV | MDC | DRG | ZZV | MDC | DRG | ZZV | MDC | DRG | | | |
|----------|----------|--|------------------------------------|--|--|------------------------------------|--|--|------------------------------|------------------------------------|------------------------------------|
| 5v627.e↔ | | BOP, KJZSV, KVT, UOP4 | 5v627.n↔ | | BOP, KJZSV, KVT, UOP4 | 5v627.s↔ | | BOP, KJZSV, KVT, UOP4 | | | |
| | 01 | B03Z, B07Z, B17A, B17B, B17C, B17J | | 01 | B03Z, B07Z, B17A, B17B, B17C, B17J | | 01 | B03Z, B07Z, B17A, B17B, B17C, B17J | | | |
| | 05 | F13A, F21A, F21B, F21J, F27A, F27B, F27C, F28A | | 05 | F13A, F21A, F21B, F21J, F28A | | 05 | F13A, F21A, F21B, F21J, F28A | | | |
| | 08 | I02A, I02B, I02C, I02D, I22A, I22B, I50Z | | 06 | G10Z, G12A, G12B, G12J | | 08 | I02A, I02B, I02C, I02D, I22A, I22B, I50Z | | | |
| | 09 | J02A, J02B, J02C, J04A, J04B, J08A, J08B, J08C, J16Z, J21Z, J22A, J22B, J22J | | 08 | I02A, I02B, I02C, I02D, I22A, I22B, I50Z | | 09 | J02A, J02B, J02C, J04A, J04B, J08A, J08B, J08C, J16Z, J21Z, J22A, J22B, J22J | | | |
| | 10 | K01Z | | 09 | J02A, J02B, J02C, J04A, J04B, J08A, J08B, J08C, J16Z, J21Z, J22A, J22B, J22J | | 09 | J02A, J02B, J02C, J04A, J04B, J08A, J08B, J08C, J16Z, J21Z, J22A, J22B, J22J | | | |
| | 21A | W04A, W04B | | 21A | W04A, W04B | | 21A | W04A, W04B | | | |
| | 21B | X01A, X01B, X01C | | 21B | X01A, X01B, X01C | | 21B | X01A, X01B, X01C | | | |
| | 5v627.f↔ | | | BOP, KJZSV, KVT, UOP4 | 5v627.p↔ | | | BOP, KJZSV, KVT, UOP4 | 5v627.t↔ | | BOP, KJZSV, KVT, UOP4 |
| | | 01 | | B03Z, B07Z, B17A, B17B, B17C, B17J | | | 01 | B03Z, B07Z, B17A, B17B, B17C, B17J | | 01 | B03Z, B07Z, B17A, B17B, B17C, B17J |
| 05 | | F13A, F21A, F21B, F21J, F27A, F27B, F27C, F28A | 05 | F13A, F21A, F21B, F21J, F28A | | 05 | F13A, F21A, F21B, F21J, F28A | | | | |
| 08 | | I02A, I02B, I02C, I02D, I22A, I22B, I50Z | 08 | I02A, I02B, I02C, I02D, I22A, I22B, I32A, I32B, I32C, I32D, I32E, I32F, I32J, I32Q, I32R, I32S, I32T, I32U, I50Z | | 08 | I02A, I02B, I02C, I02D, I22A, I22B, I32A, I32B, I32C, I32D, I32E, I32F, I32J, I32Q, I32R, I32S, I32T, I32U, I50Z | | | | |
| 09 | | J02A, J02B, J02C, J04A, J04B, J08A, J08B, J08C, J16Z, J21Z, J22A, J22B, J22J | 09 | J02A, J02B, J02C, J04A, J04B, J08A, J08B, J08C, J16Z, J21Z, J22A, J22B, J22J | | 09 | J02A, J02B, J02C, J04A, J04B, J08A, J08B, J08C, J16Z, J21Z, J22A, J22B, J22J | | | | |
| 10 | | K01Z | 21A | W04A, W04B | | 21A | W04A, W04B | | | | |
| 21A | | W04A, W04B | 21B | X01A, X01B, X01C | | 21B | X01A, X01B, X01C | | | | |
| 21B | | X01A, X01B, X01C | 5v627.q↔ | | | BOP, KJZSV, KVT, UOP4 | 5v627.u↔ | | | BOP, KJZSV, KVT, UOP4 | |
| 5v627.g↔ | | | | BOP, KJZSV, KVT, UOP4 | | 01 | | B03Z, B07Z, B17A, B17B, B17C, B17J | | 01 | B03Z, B07Z, B17A, B17B, B17C, B17J |
| | | 01 | | B03Z, B07Z, B17A, B17B, B17C, B17J | | 05 | | F13A, F21A, F21B, F21J, F27A, F27B, F27C, F28A | | 05 | F13A, F21A, F21B, F21J, F28A |
| | 05 | F13A, F21A, F21B, F21J, F27A, F27B, F27C, F28A | | 08 | I02A, I02B, I02C, I02D, I12A, I12B, I12C, I12J, I22A, I22B, I50Z | 08 | | I02A, I02B, I02C, I02D, I22A, I22B, I32A, I32B, I32C, I32D, I32E, I32F, I32J, I32Q, I32R, I32S, I32T, I32U, I50Z | | | |
| | 08 | I02A, I02B, I02C, I02D, I12A, I12B, I12C, I12J, I22A, I22B, I50Z | | 09 | J02A, J02B, J02C, J04A, J04B, J08A, J08B, J08C, J16Z, J21Z, J22A, J22B, J22J | 09 | | J02A, J02B, J02C, J04A, J04B, J08A, J08B, J08C, J16Z, J21Z, J22A, J22B, J22J | | | |
| | 09 | J02A, J02B, J02C, J04A, J04B, J08A, J08B, J08C, J16Z, J21Z, J22A, J22B, J22J | | 21A | W04A, W04B | 21A | | W04A, W04B | | | |
| | 10 | K01Z | | 21B | X01A, X01B, X01C | 21B | | X01A, X01B, X01C | | | |
| | 21A | W04A, W04B | | 5v627.r | | BOP, KJZSV, KVT, UOP4 | | 5v627.w↔ | | BOP, KJZSV, KVT, UOP4 | |
| | 21B | X01A, X01B, X01C | | | 01 | B03Z, B07Z, B17A, B17B, B17C, B17J | | | 01 | B03Z, B07Z, B17A, B17B, B17C, B17J | |
| | 5v627.h | | | | BOP, KJZSV, KVT, UOP4 | 02 | | | C20A, C20B, C20J, C20Q, C20R | 02 | C20A, C20B, C20J, C20Q, C20R |
| | | 01 | B03Z, B07Z, B17A, B17B, B17C, B17J | | 03 | D18Z, D28J, D28Z, D29J, D29Z | 03 | | D18Z, D28J, D28Z, D29J, D29Z | | |
| 02 | | C20A, C20B, C20J, C20Q, C20R | 05 | | F13A, F21A, F21B, F21J, F28A | 05 | F13A, F21A, F21B, F21J, F28A | | | | |
| 03 | | D18Z, D28J, D28Z, D29J, D29Z | 08 | | I02A, I02B, I02C, I02D, I22A, I22B, I50Z | 08 | I02A, I02B, I02C, I02D, I22A, I22B, I32A, I32B, I32C, I32D, I32E, I32F, I32J, I32Q, I32R, I32S, I32T, I32U, I50Z | | | | |
| 05 | | F13A, F21A, F21B, F21J, F28A | 09 | | J02A, J02B, J02C, J04A, J04B, J08A, J08B, J08C, J16Z, J21Z, J22A, J22B, J22J | 09 | J02A, J02B, J02C, J04A, J04B, J08A, J08B, J08C, J16Z, J21Z, J22A, J22B, J22J | | | | |
| 08 | | I02A, I02B, I02C, I02D, I22A, I22B, I50Z | 21A | | W04A, W04B | 21A | W04A, W04B | | | | |
| 09 | | J02A, J02B, J02C, J04A, J04B, J08A, J08B, J08C, J16Z, J21Z, J22A, J22B, J22J | 21B | | X01A, X01B, X01C | 21B | X01A, X01B, X01C | | | | |
| 21A | | W04A, W04B | | | | | | | | | |
| 21B | | X01A, X01B, X01C | | | | | | | | | |

VYK

| ZZV | MDC | DRG | ZZV | MDC | DRG | ZZV | MDC | DRG | | | |
|----------|---------|--|------------------------------------|--|--|----------|--|--|----------|----|------------------------------------|
| 5v627.x↔ | | BOP, KJZSV, KVT, UOP4 | 5v62x.4 | | BOP, KJZSV, KVT, UOP4 | 5v62x.8↔ | | BOP, KJZSV, KVT, UOP4 | | | |
| | 01 | B03Z, B07Z, B17A, B17B, B17C, B17J | | 01 | B03Z, B07Z, B17A, B17B, B17C, B17J | | 01 | B03Z, B07Z, B17A, B17B, B17C, B17J | | | |
| | 05 | F13A, F21A, F21B, F21J, F28A | | 02 | C20A, C20B, C20J, C20Q, C20R | | 05 | F13A, F21A, F21B, F21J, F28A | | | |
| | 08 | I02A, I02B, I02C, I02D, I22A, I22B, I32A, I32B, I32C, I32D, I32E, I32F, I32J, I32Q, I32R, I32S, I32T, I32U, I50Z | | 03 | D18Z, D28J, D28Z, D29J, D29Z | | 08 | I02A, I02B, I02C, I02D, I22A, I22B, I32A, I32B, I32C, I32D, I32E, I32F, I32J, I32Q, I32R, I32S, I32T, I32U, I50Z | | | |
| | 09 | J02A, J02B, J02C, J04A, J04B, J08A, J08B, J08C, J16Z, J21Z, J22A, J22B, J22J | | 05 | F13A, F21A, F21B, F21J, F28A | | 09 | J02A, J02B, J02C, J04A, J04B, J08A, J08B, J08C, J16Z, J21Z, J22A, J22B, J22J | | | |
| | 21A | W04A, W04B | | 08 | I02A, I02B, I02C, I02D, I22A, I22B, I50Z | | 21A | W04A, W04B | | | |
| | 21B | X01A, X01B, X01C | | 09 | J02A, J02B, J02C, J04A, J04B, J08A, J08B, J08C, J16Z, J21Z, J22A, J22B, J22J | | 21B | X01A, X01B, X01C | | | |
| | 5v627.y | | | BOP, KJZSV, KVT, UOP4 | 5v62x.5 | | | BOP, KJZSV, KVT, UOP4 | 5v62x.9↔ | | BOP, KJZSV, KVT, UOP4 |
| | | 01 | | B03Z, B07Z, B17A, B17B, B17C, B17J | | | 21A | W04A, W04B | | 01 | B03Z, B07Z, B17A, B17B, B17C, B17J |
| | | 02 | | C20A, C20B, C20J, C20Q, C20R | | | 21B | X01A, X01B, X01C | | 05 | F13A, F21A, F21B, F21J, F28A |
| 03 | | D18Z, D28J, D28Z, D29J, D29Z | 01 | B03Z, B07Z, B17A, B17B, B17C, B17J | | 08 | I12A, I12B, I12C, I12J, I32A, I32B, I32C, I32D, I32E, I32F, I32J, I32Q, I32R, I32S, I32T, I32U | | | | |
| 05 | | F13A, F21A, F21B, F21J, F28A | 03 | D18Z, D28J, D28Z, D29J, D29Z | | 09 | J03A, J03B, J04A, J04B, J08A, J08B, J08C, J16Z, J21Z, J22A, J22B, J22J | | | | |
| 08 | | I02A, I02B, I02C, I02D, I22A, I22B, I50Z | 05 | F13A, F21A, F21B, F21J, F28A | | 21A | W04A, W04B | | | | |
| 09 | | J02A, J02B, J02C, J04A, J04B, J08A, J08B, J08C, J16Z, J21Z, J22A, J22B, J22J | 06 | G10Z, G12A, G12B, G12J | | 21B | X01A, X01B, X01C | | | | |
| 21A | | W04A, W04B | 08 | I28A, I28B, I28J | | | BOP, KJZSV, KVT, UOP4 | | | | |
| 21B | | X01A, X01B, X01C | 09 | J02A, J02B, J02C, J04A, J04B, J08A, J08B, J08C, J16Z, J21Z, J22A, J22B, J22J | | 01 | B03Z, B07Z, B17A, B17B, B17C, B17J | | | | |
| 5v62x.0 | | | BOP, KJZSV, KVT, UOP4 | 5v62x.6↔ | | | BOP, KJZSV, KVT, UOP4 | 5v62x.a | | | BOP, KJZSV, KVT, UOP4 |
| | 03 | D08A, D08B, D18Z, D22A, D22B, D22J, D30A, D30B, D30J, D30Q | 21B | | X01A, X01B, X01C | 05 | F13A, F21A, F21B, F21J, F28A | | | | |
| | 05 | F13A, F28A | 01 | | B03Z, B07Z, B17A, B17B, B17C, B17J | 06 | G10Z, G12A, G12B, G12J | | | | |
| | 09 | J03A, J03B, J04A, J04B, J08A, J08B, J08C, J10A, J10B, J10J, J16Z | 05 | | F13A, F21A, F21B, F21J, F28A | 08 | I02A, I02B, I02C, I02D, I22A, I22B, I50Z | | | | |
| | 21A | W04A, W04B | 08 | | I02A, I02B, I02C, I02D, I22A, I22B, I50Z | 09 | J02A, J02B, J02C, J04A, J04B, J08A, J08B, J08C, J16Z, J21Z, J22A, J22B, J22J | | | | |
| | 21B | X06A, X06B, X06C | 09 | | J02A, J02B, J02C, J04A, J04B, J08A, J08B, J08C, J16Z, J21Z, J22A, J22B, J22J | 21A | W04A, W04B | | | | |
| | 5v62x.1 | | BOP, KJZSV, KVT, UOP4 | | 5v62x.7↔ | | BOP, KJZSV, KVT, UOP4 | | 5v62x.b | | BOP, KJZSV, KVT, UOP4 |
| | | 01 | B03Z, B07Z, B17A, B17B, B17C, B17J | | | 21A | W04A, W04B | | | 01 | B03Z, B07Z, B17A, B17B, B17C, B17J |
| | | 02 | C20A, C20B, C20J, C20Q, C20R | | | 21B | X01A, X01B, X01C | | | 05 | F13A, F21A, F21B, F21J, F28A |
| | | 03 | D18Z, D28J, D28Z, D29J, D29Z | | | 01 | B03Z, B07Z, B17A, B17B, B17C, B17J | | | 06 | G10Z, G12A, G12B, G12J |
| 05 | | F13A, F21A, F21B, F21J, F28A | 05 | F13A, F21A, F21B, F21J, F28A | | 08 | I02A, I02B, I02C, I02D, I22A, I22B, I50Z | | | | |
| 08 | | I02A, I02B, I02C, I02D, I22A, I22B, I50Z | 08 | I02A, I02B, I02C, I02D, I22A, I22B, I50Z | | 09 | J02A, J02B, J02C, J04A, J04B, J08A, J08B, J08C, J16Z, J21Z, J22A, J22B, J22J | | | | |
| 09 | | J02A, J02B, J02C, J04A, J04B, J08A, J08B, J08C, J16Z, J21Z, J22A, J22B, J22J | 09 | J02A, J02B, J02C, J04A, J04B, J08A, J08B, J08C, J16Z, J21Z, J22A, J22B, J22J | | 21A | W04A, W04B | | | | |
| 21A | | W04A, W04B | 21A | W04A, W04B | | 21B | X01A, X01B, X01C | | | | |
| 21B | | X01A, X01B, X01C | 21B | X01A, X01B, X01C | | | | | | | |

VYK

| ZZV | MDC | DRG | ZZV | MDC | DRG | ZZV | MDC | DRG | | | |
|----------|----------|--|--|--|--|---------|--|--|----------|----|--|
| 5v62x.c | | BOP, KJZSV, KVT, UOP4 | 5v62x.g↔ | | BOP, KJZSV, KVT, UOP4 | 5v62x.r | | BOP, KJZSV, KVT, UOP4 | | | |
| | 01 | B03Z, B07Z, B17A, B17B, B17C, B17J | | 01 | B03Z, B07Z, B17A, B17B, B17C, B17J | | 01 | B03Z, B07Z, B17A, B17B, B17C, B17J | | | |
| | 05 | F13A, F21A, F21B, F21J, F28A | | 05 | F13A, F21A, F21B, F21J, F27A, F27B, F27C, F28A | | 02 | C20A, C20B, C20J, C20Q, C20R | | | |
| | 06 | G10Z, G12A, G12B, G12J | | 08 | I02A, I02B, I02C, I02D, I12A, I12B, I12C, I12J, I22A, I22B, I50Z | | 03 | D18Z, D28J, D28Z, D29J, D29Z | | | |
| | 08 | I02A, I02B, I02C, I02D, I22A, I22B, I50Z | | 09 | J02A, J02B, J02C, J04A, J04B, J08A, J08B, J08C, J16Z, J21Z, J22A, J22B, J22J | | 05 | F13A, F21A, F21B, F21J, F28A | | | |
| | 09 | J02A, J02B, J02C, J04A, J04B, J08A, J08B, J08C, J16Z, J21Z, J22A, J22B, J22J | | 10 | K01Z | | 08 | I02A, I02B, I02C, I02D, I22A, I22B, I50Z | | | |
| | 10 | K09A, K09B | | 21A | W04A, W04B | | 09 | J02A, J02B, J02C, J04A, J04B, J08A, J08B, J08C, J16Z, J21Z, J22A, J22B, J22J | | | |
| | 12 | M04A, M04B, M04C, M04D, M04J, M04Q, M37Z, M38Z | | 21B | X01A, X01B, X01C | | 21A | W04A, W04B | | | |
| | 21A | W04A, W04B | | 01 | B03Z, B07Z, B17A, B17B, B17C, B17J | | 21B | X01A, X01B, X01C | | | |
| | 21B | X01A, X01B, X01C | | 02 | C20A, C20B, C20J, C20Q, C20R | | 01 | B03Z, B07Z, B17A, B17B, B17C, B17J | | | |
| | 5v62x.d | | | BOP, KJZSV, KVT, UOP4 | 5v62x.h | | | BOP, KJZSV, KVT, UOP4 | 5v62x.s↔ | | BOP, KJZSV, KVT, UOP4 |
| | | 01 | | B03Z, B07Z, B17A, B17B, B17C, B17J | | | 01 | B03Z, B07Z, B17A, B17B, B17C, B17J | | 01 | B03Z, B07Z, B17A, B17B, B17C, B17J |
| 05 | | F13A, F21A, F21B, F21J, F28A | 02 | C20A, C20B, C20J, C20Q, C20R | | 05 | F13A, F21A, F21B, F21J, F28A | | | | |
| 06 | | G10Z, G12A, G12B, G12J | 03 | D18Z, D28J, D28Z, D29J, D29Z | | 08 | I02A, I02B, I02C, I02D, I22A, I22B, I32A, I32B, I32C, I32D, I32E, I32F, I32J, I32Q, I32R, I32S, I32T, I32U, I50Z | | | | |
| 08 | | I02A, I02B, I02C, I02D, I22A, I22B, I50Z | 05 | F13A, F21A, F21B, F21J, F28A | | 09 | J02A, J02B, J02C, J04A, J04B, J08A, J08B, J08C, J16Z, J21Z, J22A, J22B, J22J | | | | |
| 09 | | J02A, J02B, J02C, J04A, J04B, J08A, J08B, J08C, J16Z, J21Z, J22A, J22B, J22J | 08 | I02A, I02B, I02C, I02D, I22A, I22B, I50Z | | 21A | W04A, W04B | | | | |
| 21A | | W04A, W04B | 09 | J02A, J02B, J02C, J04A, J04B, J08A, J08B, J08C, J16Z, J21Z, J22A, J22B, J22J | | 21B | X01A, X01B, X01C | | | | |
| 21B | | X01A, X01B, X01C | 21A | W04A, W04B | | 01 | B03Z, B07Z, B17A, B17B, B17C, B17J | | | | |
| 5v62x.e↔ | | | BOP, KJZSV, KVT, UOP4 | 5v62x.n↔ | | | BOP, KJZSV, KVT, UOP4 | 5v62x.t↔ | | | BOP, KJZSV, KVT, UOP4 |
| | | 01 | B03Z, B07Z, B17A, B17B, B17C, B17J | | | 01 | B03Z, B07Z, B17A, B17B, B17C, B17J | | | 01 | B03Z, B07Z, B17A, B17B, B17C, B17J |
| | | 05 | F13A, F21A, F21B, F21J, F27A, F27B, F27C, F28A | | | 05 | F13A, F21A, F21B, F21J, F28A | | | 05 | F13A, F21A, F21B, F21J, F28A |
| | | 08 | I02A, I02B, I02C, I02D, I22A, I22B, I50Z | | | 06 | G10Z, G12A, G12B, G12J | | | 08 | I02A, I02B, I02C, I02D, I22A, I22B, I50Z |
| | 09 | J02A, J02B, J02C, J04A, J04B, J08A, J08B, J08C, J16Z, J21Z, J22A, J22B, J22J | 08 | | I02A, I02B, I02C, I02D, I22A, I22B, I50Z | 09 | J02A, J02B, J02C, J04A, J04B, J08A, J08B, J08C, J16Z, J21Z, J22A, J22B, J22J | | | | |
| | 10 | K01Z | 09 | | J02A, J02B, J02C, J04A, J04B, J08A, J08B, J08C, J16Z, J21Z, J22A, J22B, J22J | 21A | W04A, W04B | | | | |
| | 21A | W04A, W04B | 21A | | W04A, W04B | 21B | X01A, X01B, X01C | | | | |
| | 21B | X01A, X01B, X01C | 21B | | X01A, X01B, X01C | 01 | B03Z, B07Z, B17A, B17B, B17C, B17J | | | | |
| | 5v62x.f↔ | | BOP, KJZSV, KVT, UOP4 | | 5v62x.p↔ | | BOP, KJZSV, KVT, UOP4 | | 5v62x.u↔ | | BOP, KJZSV, KVT, UOP4 |
| | | 01 | B03Z, B07Z, B17A, B17B, B17C, B17J | | | 01 | B03Z, B07Z, B17A, B17B, B17C, B17J | | | 01 | B03Z, B07Z, B17A, B17B, B17C, B17J |
| | | 05 | F13A, F21A, F21B, F21J, F27A, F27B, F27C, F28A | | | 05 | F13A, F21A, F21B, F21J, F28A | | | 05 | F13A, F21A, F21B, F21J, F28A |
| | | 08 | I02A, I02B, I02C, I02D, I22A, I22B, I50Z | | | 08 | I02A, I02B, I02C, I02D, I22A, I22B, I32A, I32B, I32C, I32D, I32E, I32F, I32J, I32Q, I32R, I32S, I32T, I32U, I50Z | | | 08 | I02A, I02B, I02C, I02D, I22A, I22B, I32A, I32B, I32C, I32D, I32E, I32F, I32J, I32Q, I32R, I32S, I32T, I32U, I50Z |
| 09 | | J02A, J02B, J02C, J04A, J04B, J08A, J08B, J08C, J16Z, J21Z, J22A, J22B, J22J | 09 | J02A, J02B, J02C, J04A, J04B, J08A, J08B, J08C, J16Z, J21Z, J22A, J22B, J22J | | 09 | J02A, J02B, J02C, J04A, J04B, J08A, J08B, J08C, J16Z, J21Z, J22A, J22B, J22J | | | | |
| 10 | | K01Z | 21A | W04A, W04B | | 21A | W04A, W04B | | | | |
| 21A | | W04A, W04B | 21B | X01A, X01B, X01C | | 21B | X01A, X01B, X01C | | | | |
| 21B | | X01A, X01B, X01C | 21B | X01A, X01B, X01C | | 01 | B03Z, B07Z, B17A, B17B, B17C, B17J | | | | |

VYK

| ZZV | MDC | DRG | ZZV | MDC | DRG | ZZV | MDC | DRG | | | |
|----------|----------|--|------------------------------------|--|--|------------------------------------|--|--|----------|----|------------------------------------|
| 5v62x.v↔ | | BOP, KJZSV, KVT, UOP4 | 5v630.0 | | BOP, KJZSV, KVT, UOP4 | 5v630.6↔ | | BOP, KJZSV, KVT, UOP4 | | | |
| | 01 | B03Z, B07Z, B17A, B17B, B17C, B17J | | 01 | B03Z, B07Z, B17A, B17B, B17C, B17J | | 01 | B03Z, B07Z, B17A, B17B, B17C, B17J | | | |
| | 05 | F13A, F21A, F21B, F21J, F28A | | 03 | D18Z, D25A, D25B, D25C, D25D, D25J | | 05 | F13A, F21A, F21B, F21J, F28A | | | |
| | 08 | I02A, I02B, I02C, I02D, I22A, I22B, I32A, I32B, I32C, I32D, I32E, I32F, I32J, I32Q, I32R, I32S, I32T, I32U, I50Z | | 05 | F13A, F21A, F21B, F21J, F28A | | 08 | I02A, I02B, I02C, I02D, I12A, I12B, I12C, I12J, I22A, I50Z | | | |
| | 09 | J02A, J02B, J02C, J04A, J04B, J08A, J08B, J08C, J16Z, J21Z, J22A, J22B, J22J | | 08 | I12A, I12B, I12C, I12J | | 09 | J02A, J02B, J02C, J04A, J04B, J08A, J08B, J08C, J16Z, J21Z, J22A, J22B, J22J | | | |
| | 21A | W04A, W04B | | 21A | W04A, W04B | | 21A | W04A, W04B | | | |
| | 21B | X01A, X01B, X01C | | 21B | X01A, X01B | | 21B | X01A, X01B | | | |
| | 5v62x.w↔ | | | BOP, KJZSV, KVT, UOP4 | 5v630.1 | | | BOP, KJZSV, KVT, UOP4 | 5v630.7↔ | | BOP, KJZSV, KVT, UOP4 |
| | | 01 | | B03Z, B07Z, B17A, B17B, B17C, B17J | | | 01 | B03Z, B07Z, B17A, B17B, B17C, B17J | | 01 | B03Z, B07Z, B17A, B17B, B17C, B17J |
| | | 05 | | F13A, F21A, F21B, F21J, F28A | | | 02 | C20A, C20B, C20J, C20Q, C20R | | 05 | F13A, F21A, F21B, F21J, F28A |
| 08 | | I02A, I02B, I02C, I02D, I22A, I22B, I32A, I32B, I32C, I32D, I32E, I32F, I32J, I32Q, I32R, I32S, I32T, I32U, I50Z | 03 | D18Z, D25A, D25B, D25C, D25D, D25J | | 08 | I02A, I02B, I02C, I02D, I12A, I12B, I12C, I12J, I22A, I50Z | | | | |
| 09 | | J02A, J02B, J02C, J04A, J04B, J08A, J08B, J08C, J16Z, J21Z, J22A, J22B, J22J | 05 | F13A, F21A, F21B, F21J, F28A | | 09 | J02A, J02B, J02C, J04A, J04B, J08A, J08B, J08C, J16Z, J21Z, J22A, J22B, J22J | | | | |
| 21A | | W04A, W04B | 08 | I02A, I02B, I02C, I02D, I12A, I12B, I12C, I12J, I22A, I50Z | | 21A | W04A, W04B | | | | |
| 21B | | X01A, X01B, X01C | 09 | J02A, J02B, J02C, J04A, J04B, J08A, J08B, J08C, J16Z, J21Z, J22A, J22B, J22J | | 21B | X01A, X01B | | | | |
| 5v62x.x↔ | | | BOP, KJZSV, KVT, UOP4 | 5v630.4 | | | BOP, KJZSV, KVT, UOP4 | 5v630.8↔ | | | BOP, KJZSV, KVT, UOP4 |
| | | 01 | B03Z, B07Z, B17A, B17B, B17C, B17J | | | 01 | B03Z, B07Z, B17A, B17B, B17C, B17J | | | 01 | B03Z, B07Z, B17A, B17B, B17C, B17J |
| | | 05 | F13A, F21A, F21B, F21J, F28A | | | 02 | C20A, C20B, C20J, C20Q, C20R | | | 05 | F13A, F21A, F21B, F21J, F28A |
| | 08 | I02A, I02B, I02C, I02D, I22A, I22B, I32A, I32B, I32C, I32D, I32E, I32F, I32J, I32Q, I32R, I32S, I32T, I32U, I50Z | 03 | | D18Z, D25A, D25B, D25C, D25D, D25J | 08 | I02A, I02B, I02C, I02D, I12A, I12B, I12C, I12J, I22A, I32A, I32B, I32C, I32D, I32E, I32F, I32J, I32Q, I32R, I32S, I32T, I32U, I50Z | | | | |
| | 09 | J02A, J02B, J02C, J04A, J04B, J08A, J08B, J08C, J16Z, J21Z, J22A, J22B, J22J | 05 | | F13A, F21A, F21B, F21J, F28A | 09 | J02A, J02B, J02C, J04A, J04B, J08A, J08B, J08C, J16Z, J21Z, J22A, J22B, J22J | | | | |
| | 21A | W04A, W04B | 08 | | I02A, I02B, I02C, I02D, I12A, I12B, I12C, I12J, I22A, I50Z | 21A | W04A, W04B | | | | |
| | 21B | X01A, X01B, X01C | 09 | | J02A, J02B, J02C, J04A, J04B, J08A, J08B, J08C, J16Z, J21Z, J22A, J22B, J22J | 21B | X01A, X01B | | | | |
| | 5v62x.y | | BOP, KJZSV, KVT, UOP4 | | 5v630.5 | | BOP, KJZSV, KVT, UOP4 | | 5v630.9↔ | | BOP, KJZSV, KVT, UOP4 |
| | | 01 | B03Z, B07Z, B17A, B17B, B17C, B17J | | | 01 | B03Z, B07Z, B17A, B17B, B17C, B17J | | | 01 | B03Z, B07Z, B17A, B17B, B17C, B17J |
| | | 02 | C20A, C20B, C20J, C20Q, C20R | | | 02 | C20A, C20B, C20J, C20Q, C20R | | | 05 | F13A, F21A, F21B, F21J, F28A |
| 03 | | D18Z, D28J, D28Z, D29J, D29Z | 03 | D18Z, D25A, D25B, D25C, D25D, D25J | | 08 | I12A, I12B, I12C, I12J, I32A, I32B, I32C, I32D, I32E, I32F, I32J, I32Q, I32R, I32S, I32T, I32U | | | | |
| 05 | | F13A, F21A, F21B, F21J, F28A | 05 | F13A, F21A, F21B, F21J, F28A | | 09 | J02A, J02B, J02C, J04A, J04B, J08A, J08B, J08C, J16Z, J21Z, J22A, J22B, J22J | | | | |
| 08 | | I02A, I02B, I02C, I02D, I22A, I22B, I50Z | 08 | I02A, I02B, I02C, I02D, I12A, I12B, I12C, I12J, I22A, I50Z | | 21A | W04A, W04B | | | | |
| 09 | | J02A, J02B, J02C, J04A, J04B, J08A, J08B, J08C, J16Z, J21Z, J22A, J22B, J22J | 09 | J02A, J02B, J02C, J04A, J04B, J08A, J08B, J08C, J16Z, J21Z, J22A, J22B, J22J | | 21B | X01A, X01B | | | | |
| 21A | | W04A, W04B | 21A | W04A, W04B | | 01 | B03Z, B07Z, B17A, B17B, B17C, B17J | | | | |
| 21B | | X01A, X01B, X01C | 21B | X01A, X01B | | 05 | F13A, F21A, F21B, F21J, F28A | | | | |
| | | | | | | 06 | G10Z, G12A, G12B, G12J | | | | |
| | | | | 08 | I02A, I02B, I02C, I02D, I12A, I12B, I12C, I12J, I22A, I50Z | | | | | | |
| | | | | 09 | J02A, J02B, J02C, J04A, J04B, J08A, J08B, J08C, J16Z, J21Z, J22A, J22B, J22J | | | | | | |
| | | | | 21A | W04A, W04B | | | | | | |
| | | | | 21B | X01A, X01B | | | | | | |
| | | | | 5v630.a | | | | BOP, KJZSV, KVT, UOP4 | | | |
| | | | | | 01 | B03Z, B07Z, B17A, B17B, B17C, B17J | | | | | |
| | | | | 05 | F13A, F21A, F21B, F21J, F28A | | | | | | |
| | | | | 06 | G10Z, G12A, G12B, G12J | | | | | | |
| | | | | 08 | I02A, I02B, I02C, I02D, I12A, I12B, I12C, I12J, I22A, I50Z | | | | | | |
| | | | | 09 | J02A, J02B, J02C, J04A, J04B, J08A, J08B, J08C, J16Z, J21Z, J22A, J22B, J22J | | | | | | |
| | | | | 21A | W04A, W04B | | | | | | |
| | | | | 21B | X01A, X01B | | | | | | |

VYK

| ZZV | MDC | DRG | ZZV | MDC | DRG | ZZV | MDC | DRG | | | |
|----------|----------|--|------------------------------------|--|--|----------|--|--|----------|----|------------------------------------|
| 5v630.u↔ | | BOP, KJZSV, KVT, UOP4 | 5v631.0 | | BOP, KJZSV, KVT, UOP4 | 5v631.6↔ | | BOP, KJZSV, KVT, UOP4 | | | |
| | 01 | B03Z, B07Z, B17A, B17B, B17C, B17J | | 01 | B03Z, B07Z, B17A, B17B, B17C, B17J | | 01 | B03Z, B07Z, B17A, B17B, B17C, B17J | | | |
| | 05 | F13A, F21A, F21B, F21J, F27A, F27B, F27C, F28A | | 03 | D18Z, D25A, D25B, D25C, D25D, D25J | | 05 | F13A, F21A, F21B, F21J, F28A | | | |
| | 08 | I02A, I02B, I02C, I02D, I12A, I12B, I12C, I12J, I22A, I32A, I32B, I32C, I32D, I32E, I32F, I32J, I32Q, I32R, I32S, I32T, I32U, I50Z | | 05 | F13A, F21A, F21B, F21J, F28A | | 08 | I02A, I02B, I02C, I02D, I12A, I12B, I12C, I12J, I22A, I50Z | | | |
| | 09 | J02A, J02B, J02C, J04A, J04B, J08A, J08B, J08C, J16Z, J21Z, J22A, J22B, J22J | | 08 | I12A, I12B, I12C, I12J | | 09 | J02A, J02B, J02C, J04A, J04B, J08A, J08B, J08C, J16Z, J21Z, J22A, J22B, J22J | | | |
| | 10 | K01Z | | 09 | J02A, J02B, J02C, J04A, J04B, J08A, J08B, J08C, J16Z, J21Z, J22A, J22B, J22J | | 21A | W04A, W04B | | | |
| | 21A | W04A, W04B | | 21A | W04A, W04B | | 21B | X01A, X01B | | | |
| | 21B | X01A, X01B | | 21B | X01A, X01B | | | | | | |
| | 5v630.w↔ | | | BOP, KJZSV, KVT, UOP4 | 5v631.1 | | | BOP, KJZSV, KVT, UOP4 | 5v631.7↔ | | BOP, KJZSV, KVT, UOP4 |
| | | 01 | | B03Z, B07Z, B17A, B17B, B17C, B17J | | | 01 | B03Z, B07Z, B17A, B17B, B17C, B17J | | 01 | B03Z, B07Z, B17A, B17B, B17C, B17J |
| 05 | | F13A, F21A, F21B, F21J, F27A, F27B, F27C, F28A | 02 | C20A, C20B, C20J, C20Q, C20R | | 05 | F13A, F21A, F21B, F21J, F28A | | | | |
| 08 | | I02A, I02B, I02C, I02D, I12A, I12B, I12C, I12J, I22A, I32A, I32B, I32C, I32D, I32E, I32F, I32J, I32Q, I32R, I32S, I32T, I32U, I50Z | 03 | D18Z, D25A, D25B, D25C, D25D, D25J | | 08 | I02A, I02B, I02C, I02D, I12A, I12B, I12C, I12J, I22A, I50Z | | | | |
| 09 | | J02A, J02B, J02C, J04A, J04B, J08A, J08B, J08C, J16Z, J21Z, J22A, J22B, J22J | 05 | F13A, F21A, F21B, F21J, F28A | | 09 | J02A, J02B, J02C, J04A, J04B, J08A, J08B, J08C, J16Z, J21Z, J22A, J22B, J22J | | | | |
| 10 | | K01Z | 08 | I02A, I02B, I02C, I02D, I12A, I12B, I12C, I12J, I22A, I50Z | | 21A | W04A, W04B | | | | |
| 21A | | W04A, W04B | 09 | J02A, J02B, J02C, J04A, J04B, J08A, J08B, J08C, J16Z, J21Z, J22A, J22B, J22J | | 21B | X01A, X01B | | | | |
| 21B | | X01A, X01B | 21A | W04A, W04B | | | | | | | |
| 5v630.x↔ | | | BOP, KJZSV, KVT, UOP4 | 5v631.4 | | | BOP, KJZSV, KVT, UOP4 | 5v631.8↔ | | | BOP, KJZSV, KVT, UOP4 |
| | | 01 | B03Z, B07Z, B17A, B17B, B17C, B17J | | | 01 | B03Z, B07Z, B17A, B17B, B17C, B17J | | | 01 | B03Z, B07Z, B17A, B17B, B17C, B17J |
| | 05 | F13A, F21A, F21B, F21J, F27A, F27B, F27C, F28A | 02 | | C20A, C20B, C20J, C20Q, C20R | 05 | F13A, F21A, F21B, F21J, F28A | | | | |
| | 08 | I02A, I02B, I02C, I02D, I12A, I12B, I12C, I12J, I22A, I32A, I32B, I32C, I32D, I32E, I32F, I32J, I32Q, I32R, I32S, I32T, I32U, I50Z | 03 | | D18Z, D25A, D25B, D25C, D25D, D25J | 08 | I02A, I02B, I02C, I02D, I12A, I12B, I12C, I12J, I22A, I32A, I32B, I32C, I32D, I32E, I32F, I32J, I32Q, I32R, I32S, I32T, I32U, I50Z | | | | |
| | 09 | J02A, J02B, J02C, J04A, J04B, J08A, J08B, J08C, J16Z, J21Z, J22A, J22B, J22J | 05 | | F13A, F21A, F21B, F21J, F28A | 09 | J02A, J02B, J02C, J04A, J04B, J08A, J08B, J08C, J16Z, J21Z, J22A, J22B, J22J | | | | |
| | 10 | K01Z | 08 | | I02A, I02B, I02C, I02D, I12A, I12B, I12C, I12J, I22A, I50Z | 21A | W04A, W04B | | | | |
| | 21A | W04A, W04B | 09 | | J02A, J02B, J02C, J04A, J04B, J08A, J08B, J08C, J16Z, J21Z, J22A, J22B, J22J | 21B | X01A, X01B | | | | |
| | 21B | X01A, X01B | 21A | | W04A, W04B | | | | | | |
| | 5v630.y | | BOP, KJZSV, KVT, UOP4 | | 5v631.5 | | BOP, KJZSV, KVT, UOP4 | | 5v631.9↔ | | BOP, KJZSV, KVT, UOP4 |
| | | 01 | B03Z, B07Z, B17A, B17B, B17C, B17J | | | 01 | B03Z, B07Z, B17A, B17B, B17C, B17J | | | 01 | B03Z, B07Z, B17A, B17B, B17C, B17J |
| 02 | | C20A, C20B, C20J, C20Q, C20R | 03 | D18Z, D25A, D25B, D25C, D25D, D25J | | 05 | F13A, F21A, F21B, F21J, F28A | | | | |
| 03 | | D18Z, D25A, D25B, D25C, D25D, D25J | 05 | F13A, F21A, F21B, F21J, F28A | | 08 | I12A, I12B, I12C, I12J, I32A, I32B, I32C, I32D, I32E, I32F, I32J, I32Q, I32R, I32S, I32T, I32U | | | | |
| 05 | | F13A, F21A, F21B, F21J, F28A | 08 | I02A, I02B, I02C, I02D, I12A, I12B, I12C, I12J, I22A, I50Z | | 09 | J02A, J02B, J02C, J04A, J04B, J08A, J08B, J08C, J16Z, J21Z, J22A, J22B, J22J | | | | |
| 08 | | I02A, I02B, I02C, I02D, I12A, I12B, I12C, I12J, I22A, I50Z | 09 | J02A, J02B, J02C, J04A, J04B, J08A, J08B, J08C, J16Z, J21Z, J22A, J22B, J22J | | 21A | W04A, W04B | | | | |
| 09 | | J02A, J02B, J02C, J04A, J04B, J08A, J08B, J08C, J16Z, J21Z, J22A, J22B, J22J | 21A | W04A, W04B | | 21B | X01A, X01B | | | | |
| 21A | | W04A, W04B | 21B | X01A, X01B | | | | | | | |
| 21B | | X01A, X01B | | | | 5v631.a | | BOP, KJZSV, KVT, UOP4 | | | |
| | | | | | | | 01 | B03Z, B07Z, B17A, B17B, B17C, B17J | | | |
| | | | | 05 | F13A, F21A, F21B, F21J, F28A | | | | | | |
| | | | | 06 | G10Z, G12A, G12B, G12J | | | | | | |
| | | | | 08 | I02A, I02B, I02C, I02D, I12A, I12B, I12C, I12J, I22A, I50Z | | | | | | |
| | | | | 09 | J02A, J02B, J02C, J04A, J04B, J08A, J08B, J08C, J16Z, J21Z, J22A, J22B, J22J | | | | | | |
| | | | | 21A | W04A, W04B | | | | | | |
| | | | | 21B | X01A, X01B | | | | | | |

VYK

| ZZV | MDC | DRG | ZZV | MDC | DRG | ZZV | MDC | DRG | | | |
|----------|----------|--|------------------------------------|--|--|----------|--|--|----------|----|------------------------------------|
| 5v631.u↔ | | BOP, KJZSV, KVT, UOP4 | 5v632.0 | | BOP, KJZSV, KVT, UOP4 | 5v632.6↔ | | BOP, KJZSV, KVT, UOP4 | | | |
| | 01 | B03Z, B07Z, B17A, B17B, B17C, B17J | | 01 | B03Z, B07Z, B17A, B17B, B17C, B17J | | 01 | B03Z, B07Z, B17A, B17B, B17C, B17J | | | |
| | 05 | F13A, F21A, F21B, F21J, F27A, F27B, F27C, F28A | | 03 | D18Z, D25A, D25B, D25C, D25D, D25J | | 05 | F13A, F21A, F21B, F21J, F28A | | | |
| | 08 | I02A, I02B, I02C, I02D, I12A, I12B, I12C, I12J, I22A, I32A, I32B, I32C, I32D, I32E, I32F, I32J, I32Q, I32R, I32S, I32T, I32U, I50Z | | 05 | F13A, F21A, F21B, F21J, F28A | | 08 | I02A, I02B, I02C, I02D, I12A, I12B, I12C, I12J, I22A, I50Z | | | |
| | 09 | J02A, J02B, J02C, J04A, J04B, J08A, J08B, J08C, J16Z, J21Z, J22A, J22B, J22J | | 08 | I12A, I12B, I12C, I12J | | 09 | J02A, J02B, J02C, J04A, J04B, J08A, J08B, J08C, J16Z, J21Z, J22A, J22B, J22J | | | |
| | 10 | K01Z | | 09 | J02A, J02B, J02C, J04A, J04B, J08A, J08B, J08C, J16Z, J21Z, J22A, J22B, J22J | | 21A | W04A, W04B | | | |
| | 21A | W04A, W04B | | 21A | W04A, W04B | | 21B | X01A, X01B | | | |
| | 21B | X01A, X01B | | 21B | X01A, X01B | | | | | | |
| | 5v631.w↔ | | | BOP, KJZSV, KVT, UOP4 | 5v632.1 | | | BOP, KJZSV, KVT, UOP4 | 5v632.7↔ | | BOP, KJZSV, KVT, UOP4 |
| | | 01 | | B03Z, B07Z, B17A, B17B, B17C, B17J | | | 01 | B03Z, B07Z, B17A, B17B, B17C, B17J | | 01 | B03Z, B07Z, B17A, B17B, B17C, B17J |
| 05 | | F13A, F21A, F21B, F21J, F27A, F27B, F27C, F28A | 02 | C20A, C20B, C20J, C20Q, C20R | | 05 | F13A, F21A, F21B, F21J, F28A | | | | |
| 08 | | I02A, I02B, I02C, I02D, I12A, I12B, I12C, I12J, I22A, I32A, I32B, I32C, I32D, I32E, I32F, I32J, I32Q, I32R, I32S, I32T, I32U, I50Z | 03 | D18Z, D25A, D25B, D25C, D25D, D25J | | 08 | I02A, I02B, I02C, I02D, I12A, I12B, I12C, I12J, I22A, I50Z | | | | |
| 09 | | J02A, J02B, J02C, J04A, J04B, J08A, J08B, J08C, J16Z, J21Z, J22A, J22B, J22J | 05 | F13A, F21A, F21B, F21J, F28A | | 09 | J02A, J02B, J02C, J04A, J04B, J08A, J08B, J08C, J16Z, J21Z, J22A, J22B, J22J | | | | |
| 10 | | K01Z | 08 | I02A, I02B, I02C, I02D, I12A, I12B, I12C, I12J, I22A, I50Z | | 21A | W04A, W04B | | | | |
| 21A | | W04A, W04B | 09 | J02A, J02B, J02C, J04A, J04B, J08A, J08B, J08C, J16Z, J21Z, J22A, J22B, J22J | | 21B | X01A, X01B | | | | |
| 21B | | X01A, X01B | 21A | W04A, W04B | | | | | | | |
| 5v631.x↔ | | | BOP, KJZSV, KVT, UOP4 | 5v632.4 | | | BOP, KJZSV, KVT, UOP4 | 5v632.8↔ | | | BOP, KJZSV, KVT, UOP4 |
| | | 01 | B03Z, B07Z, B17A, B17B, B17C, B17J | | | 01 | B03Z, B07Z, B17A, B17B, B17C, B17J | | | 01 | B03Z, B07Z, B17A, B17B, B17C, B17J |
| | 05 | F13A, F21A, F21B, F21J, F27A, F27B, F27C, F28A | 02 | | C20A, C20B, C20J, C20Q, C20R | 05 | F13A, F21A, F21B, F21J, F28A | | | | |
| | 08 | I02A, I02B, I02C, I02D, I12A, I12B, I12C, I12J, I22A, I32A, I32B, I32C, I32D, I32E, I32F, I32J, I32Q, I32R, I32S, I32T, I32U, I50Z | 03 | | D18Z, D25A, D25B, D25C, D25D, D25J | 08 | I02A, I02B, I02C, I02D, I12A, I12B, I12C, I12J, I22A, I32A, I32B, I32C, I32D, I32E, I32F, I32J, I32Q, I32R, I32S, I32T, I32U, I50Z | | | | |
| | 09 | J02A, J02B, J02C, J04A, J04B, J08A, J08B, J08C, J16Z, J21Z, J22A, J22B, J22J | 05 | | F13A, F21A, F21B, F21J, F28A | 09 | J02A, J02B, J02C, J04A, J04B, J08A, J08B, J08C, J16Z, J21Z, J22A, J22B, J22J | | | | |
| | 10 | K01Z | 08 | | I02A, I02B, I02C, I02D, I12A, I12B, I12C, I12J, I22A, I50Z | 21A | W04A, W04B | | | | |
| | 21A | W04A, W04B | 09 | | J02A, J02B, J02C, J04A, J04B, J08A, J08B, J08C, J16Z, J21Z, J22A, J22B, J22J | 21B | X01A, X01B | | | | |
| | 21B | X01A, X01B | 21A | | W04A, W04B | | | | | | |
| | 5v631.y | | BOP, KJZSV, KVT, UOP4 | | 5v632.5 | | BOP, KJZSV, KVT, UOP4 | | 5v632.9↔ | | BOP, KJZSV, KVT, UOP4 |
| | | 01 | B03Z, B07Z, B17A, B17B, B17C, B17J | | | 01 | B03Z, B07Z, B17A, B17B, B17C, B17J | | | 01 | B03Z, B07Z, B17A, B17B, B17C, B17J |
| 02 | | C20A, C20B, C20J, C20Q, C20R | 03 | D18Z, D25A, D25B, D25C, D25D, D25J | | 05 | F13A, F21A, F21B, F21J, F28A | | | | |
| 03 | | D18Z, D25A, D25B, D25C, D25D, D25J | 05 | F13A, F21A, F21B, F21J, F28A | | 08 | I12A, I12B, I12C, I12J, I32A, I32B, I32C, I32D, I32E, I32F, I32J, I32Q, I32R, I32S, I32T, I32U | | | | |
| 05 | | F13A, F21A, F21B, F21J, F28A | 08 | I02A, I02B, I02C, I02D, I12A, I12B, I12C, I12J, I22A, I50Z | | 09 | J02A, J02B, J02C, J04A, J04B, J08A, J08B, J08C, J16Z, J21Z, J22A, J22B, J22J | | | | |
| 08 | | I02A, I02B, I02C, I02D, I12A, I12B, I12C, I12J, I22A, I50Z | 09 | J02A, J02B, J02C, J04A, J04B, J08A, J08B, J08C, J16Z, J21Z, J22A, J22B, J22J | | 21A | W04A, W04B | | | | |
| 09 | | J02A, J02B, J02C, J04A, J04B, J08A, J08B, J08C, J16Z, J21Z, J22A, J22B, J22J | 21A | W04A, W04B | | 21B | X01A, X01B | | | | |
| 21A | | W04A, W04B | 21B | X01A, X01B | | | | | | | |
| 21B | | X01A, X01B | | | | 5v632.a | | BOP, KJZSV, KVT, UOP4 | | | |
| | | | | | | | 01 | B03Z, B07Z, B17A, B17B, B17C, B17J | | | |
| | | | | 05 | F13A, F21A, F21B, F21J, F28A | | | | | | |
| | | | | 06 | G10Z, G12A, G12B, G12J | | | | | | |
| | | | | 08 | I02A, I02B, I02C, I02D, I12A, I12B, I12C, I12J, I22A, I50Z | | | | | | |
| | | | | 09 | J02A, J02B, J02C, J04A, J04B, J08A, J08B, J08C, J16Z, J21Z, J22A, J22B, J22J | | | | | | |
| | | | | 21A | W04A, W04B | | | | | | |
| | | | | 21B | X01A, X01B | | | | | | |
| | | | | | | | | | | | |
| | | | | | | | | | | | |

VYK

| ZZV | MDC | DRG | ZZV | MDC | DRG | ZZV | MDC | DRG | | | |
|----------|----------|--|------------------------------------|--|--|----------|--|--|----------|----|------------------------------------|
| 5v632.u↔ | | BOP, KJZSV, KVT, UOP4 | 5v633.0 | | BOP, KJZSV, KVT, UOP4 | 5v633.6↔ | | BOP, KJZSV, KVT, UOP4 | | | |
| | 01 | B03Z, B07Z, B17A, B17B, B17C, B17J | | 01 | B03Z, B07Z, B17A, B17B, B17C, B17J | | 01 | B03Z, B07Z, B17A, B17B, B17C, B17J | | | |
| | 05 | F13A, F21A, F21B, F21J, F27A, F27B, F27C, F28A | | 03 | D18Z, D25A, D25B, D25C, D25D, D25J | | 05 | F13A, F21A, F21B, F21J, F28A | | | |
| | 08 | I02A, I02B, I02C, I02D, I12A, I12B, I12C, I12J, I22A, I32A, I32B, I32C, I32D, I32E, I32F, I32J, I32Q, I32R, I32S, I32T, I32U, I50Z | | 05 | F13A, F21A, F21B, F21J, F28A | | 08 | I02A, I02B, I02C, I02D, I12A, I12B, I12C, I12J, I22A, I50Z | | | |
| | 09 | J02A, J02B, J02C, J04A, J04B, J08A, J08B, J08C, J16Z, J21Z, J22A, J22B, J22J | | 08 | I12A, I12B, I12C, I12J | | 09 | J02A, J02B, J02C, J04A, J04B, J08A, J08B, J08C, J16Z, J21Z, J22A, J22B, J22J | | | |
| | 10 | K01Z | | 09 | J02A, J02B, J02C, J04A, J04B, J08A, J08B, J08C, J16Z, J21Z, J22A, J22B, J22J | | 21A | W04A, W04B | | | |
| | 21A | W04A, W04B | | 21A | W04A, W04B | | 21B | X01A, X01B | | | |
| | 21B | X01A, X01B | | 21B | X01A, X01B | | | | | | |
| | 5v632.w↔ | | | BOP, KJZSV, KVT, UOP4 | 5v633.1 | | | BOP, KJZSV, KVT, UOP4 | 5v633.7↔ | | BOP, KJZSV, KVT, UOP4 |
| | | 01 | | B03Z, B07Z, B17A, B17B, B17C, B17J | | | 01 | B03Z, B07Z, B17A, B17B, B17C, B17J | | 01 | B03Z, B07Z, B17A, B17B, B17C, B17J |
| 05 | | F13A, F21A, F21B, F21J, F27A, F27B, F27C, F28A | 02 | C20A, C20B, C20J, C20Q, C20R | | 05 | F13A, F21A, F21B, F21J, F28A | | | | |
| 08 | | I02A, I02B, I02C, I02D, I12A, I12B, I12C, I12J, I22A, I32A, I32B, I32C, I32D, I32E, I32F, I32J, I32Q, I32R, I32S, I32T, I32U, I50Z | 03 | D18Z, D25A, D25B, D25C, D25D, D25J | | 08 | I02A, I02B, I02C, I02D, I12A, I12B, I12C, I12J, I22A, I50Z | | | | |
| 09 | | J02A, J02B, J02C, J04A, J04B, J08A, J08B, J08C, J16Z, J21Z, J22A, J22B, J22J | 05 | F13A, F21A, F21B, F21J, F28A | | 09 | J02A, J02B, J02C, J04A, J04B, J08A, J08B, J08C, J16Z, J21Z, J22A, J22B, J22J | | | | |
| 10 | | K01Z | 08 | I02A, I02B, I02C, I02D, I12A, I12B, I12C, I12J, I22A, I50Z | | 21A | W04A, W04B | | | | |
| 21A | | W04A, W04B | 09 | J02A, J02B, J02C, J04A, J04B, J08A, J08B, J08C, J16Z, J21Z, J22A, J22B, J22J | | 21B | X01A, X01B | | | | |
| 21B | | X01A, X01B | 21A | W04A, W04B | | | | | | | |
| 5v632.x↔ | | | BOP, KJZSV, KVT, UOP4 | 5v633.4 | | | BOP, KJZSV, KVT, UOP4 | 5v633.8↔ | | | BOP, KJZSV, KVT, UOP4 |
| | | 01 | B03Z, B07Z, B17A, B17B, B17C, B17J | | | 01 | B03Z, B07Z, B17A, B17B, B17C, B17J | | | 01 | B03Z, B07Z, B17A, B17B, B17C, B17J |
| | 05 | F13A, F21A, F21B, F21J, F27A, F27B, F27C, F28A | 02 | | C20A, C20B, C20J, C20Q, C20R | 05 | F13A, F21A, F21B, F21J, F28A | | | | |
| | 08 | I02A, I02B, I02C, I02D, I12A, I12B, I12C, I12J, I22A, I32A, I32B, I32C, I32D, I32E, I32F, I32J, I32Q, I32R, I32S, I32T, I32U, I50Z | 03 | | D18Z, D25A, D25B, D25C, D25D, D25J | 08 | I02A, I02B, I02C, I02D, I12A, I12B, I12C, I12J, I22A, I32A, I32B, I32C, I32D, I32E, I32F, I32J, I32Q, I32R, I32S, I32T, I32U, I50Z | | | | |
| | 09 | J02A, J02B, J02C, J04A, J04B, J08A, J08B, J08C, J16Z, J21Z, J22A, J22B, J22J | 05 | | F13A, F21A, F21B, F21J, F28A | 09 | J02A, J02B, J02C, J04A, J04B, J08A, J08B, J08C, J16Z, J21Z, J22A, J22B, J22J | | | | |
| | 10 | K01Z | 08 | | I02A, I02B, I02C, I02D, I12A, I12B, I12C, I12J, I22A, I50Z | 21A | W04A, W04B | | | | |
| | 21A | W04A, W04B | 09 | | J02A, J02B, J02C, J04A, J04B, J08A, J08B, J08C, J16Z, J21Z, J22A, J22B, J22J | 21B | X01A, X01B | | | | |
| | 21B | X01A, X01B | 21A | | W04A, W04B | | | | | | |
| | 5v632.y | | BOP, KJZSV, KVT, UOP4 | | 5v633.5 | | BOP, KJZSV, KVT, UOP4 | | 5v633.9↔ | | BOP, KJZSV, KVT, UOP4 |
| | | 01 | B03Z, B07Z, B17A, B17B, B17C, B17J | | | 01 | B03Z, B07Z, B17A, B17B, B17C, B17J | | | 01 | B03Z, B07Z, B17A, B17B, B17C, B17J |
| 02 | | C20A, C20B, C20J, C20Q, C20R | 03 | D18Z, D25A, D25B, D25C, D25D, D25J | | 05 | F13A, F21A, F21B, F21J, F28A | | | | |
| 03 | | D18Z, D25A, D25B, D25C, D25D, D25J | 05 | F13A, F21A, F21B, F21J, F28A | | 08 | I12A, I12B, I12C, I12J, I32A, I32B, I32C, I32D, I32E, I32F, I32J, I32Q, I32R, I32S, I32T, I32U | | | | |
| 05 | | F13A, F21A, F21B, F21J, F28A | 08 | I02A, I02B, I02C, I02D, I12A, I12B, I12C, I12J, I22A, I50Z | | 09 | J02A, J02B, J02C, J04A, J04B, J08A, J08B, J08C, J16Z, J21Z, J22A, J22B, J22J | | | | |
| 08 | | I02A, I02B, I02C, I02D, I12A, I12B, I12C, I12J, I22A, I50Z | 09 | J02A, J02B, J02C, J04A, J04B, J08A, J08B, J08C, J16Z, J21Z, J22A, J22B, J22J | | 21A | W04A, W04B | | | | |
| 09 | | J02A, J02B, J02C, J04A, J04B, J08A, J08B, J08C, J16Z, J21Z, J22A, J22B, J22J | 21A | W04A, W04B | | 21B | X01A, X01B | | | | |
| 21A | | W04A, W04B | 21B | X01A, X01B | | | | | | | |
| 21B | | X01A, X01B | | | | 5v633.a | | BOP, KJZSV, KVT, UOP4 | | | |
| | | | | | | | 01 | B03Z, B07Z, B17A, B17B, B17C, B17J | | | |
| | | | | 05 | F13A, F21A, F21B, F21J, F28A | | | | | | |
| | | | | 06 | G10Z, G12A, G12B, G12J | | | | | | |
| | | | | 08 | I02A, I02B, I02C, I02D, I12A, I12B, I12C, I12J, I22A, I50Z | | | | | | |
| | | | | 09 | J02A, J02B, J02C, J04A, J04B, J08A, J08B, J08C, J16Z, J21Z, J22A, J22B, J22J | | | | | | |
| | | | | 21A | W04A, W04B | | | | | | |
| | | | | 21B | X01A, X01B | | | | | | |
| | | | | | | | | | | | |
| | | | | | | | | | | | |

VYK

| ZZV | MDC | DRG | ZZV | MDC | DRG | ZZV | MDC | DRG | | | |
|----------|----------|--|------------------------------------|--|--|----------|--|--|----------|----|------------------------------------|
| 5v633.u↔ | | BOP, KJZSV, KVT, UOP4 | 5v63x.0 | | BOP, KJZSV, KVT, UOP4 | 5v63x.6↔ | | BOP, KJZSV, KVT, UOP4 | | | |
| | 01 | B03Z, B07Z, B17A, B17B, B17C, B17J | | 01 | B03Z, B07Z, B17A, B17B, B17C, B17J | | 01 | B03Z, B07Z, B17A, B17B, B17C, B17J | | | |
| | 05 | F13A, F21A, F21B, F21J, F27A, F27B, F27C, F28A | | 03 | D18Z, D25A, D25B, D25C, D25D, D25J | | 05 | F13A, F21A, F21B, F21J, F28A | | | |
| | 08 | I02A, I02B, I02C, I02D, I12A, I12B, I12C, I12J, I22A, I32A, I32B, I32C, I32D, I32E, I32F, I32J, I32Q, I32R, I32S, I32T, I32U, I50Z | | 05 | F13A, F21A, F21B, F21J, F28A | | 08 | I02A, I02B, I02C, I02D, I12A, I12B, I12C, I12J, I22A, I50Z | | | |
| | 09 | J02A, J02B, J02C, J04A, J04B, J08A, J08B, J08C, J16Z, J21Z, J22A, J22B, J22J | | 08 | I12A, I12B, I12C, I12J | | 09 | J02A, J02B, J02C, J04A, J04B, J08A, J08B, J08C, J16Z, J21Z, J22A, J22B, J22J | | | |
| | 10 | K01Z | | 09 | J02A, J02B, J02C, J04A, J04B, J08A, J08B, J08C, J16Z, J21Z, J22A, J22B, J22J | | 21A | W04A, W04B | | | |
| | 21A | W04A, W04B | | 21A | W04A, W04B | | 21B | X01A, X01B | | | |
| | 21B | X01A, X01B | | 21B | X01A, X01B | | | | | | |
| | 5v633.w↔ | | | BOP, KJZSV, KVT, UOP4 | 5v63x.1 | | | BOP, KJZSV, KVT, UOP4 | 5v63x.7↔ | | BOP, KJZSV, KVT, UOP4 |
| | | 01 | | B03Z, B07Z, B17A, B17B, B17C, B17J | | | 01 | B03Z, B07Z, B17A, B17B, B17C, B17J | | 01 | B03Z, B07Z, B17A, B17B, B17C, B17J |
| 05 | | F13A, F21A, F21B, F21J, F27A, F27B, F27C, F28A | 02 | C20A, C20B, C20J, C20Q, C20R | | 05 | F13A, F21A, F21B, F21J, F28A | | | | |
| 08 | | I02A, I02B, I02C, I02D, I12A, I12B, I12C, I12J, I22A, I32A, I32B, I32C, I32D, I32E, I32F, I32J, I32Q, I32R, I32S, I32T, I32U, I50Z | 03 | D18Z, D25A, D25B, D25C, D25D, D25J | | 08 | I02A, I02B, I02C, I02D, I12A, I12B, I12C, I12J, I22A, I50Z | | | | |
| 09 | | J02A, J02B, J02C, J04A, J04B, J08A, J08B, J08C, J16Z, J21Z, J22A, J22B, J22J | 05 | F13A, F21A, F21B, F21J, F28A | | 09 | J02A, J02B, J02C, J04A, J04B, J08A, J08B, J08C, J16Z, J21Z, J22A, J22B, J22J | | | | |
| 10 | | K01Z | 08 | I02A, I02B, I02C, I02D, I12A, I12B, I12C, I12J, I22A, I50Z | | 21A | W04A, W04B | | | | |
| 21A | | W04A, W04B | 09 | J02A, J02B, J02C, J04A, J04B, J08A, J08B, J08C, J16Z, J21Z, J22A, J22B, J22J | | 21B | X01A, X01B | | | | |
| 21B | | X01A, X01B | 21A | W04A, W04B | | | | | | | |
| 5v633.x↔ | | | BOP, KJZSV, KVT, UOP4 | 5v63x.4 | | | BOP, KJZSV, KVT, UOP4 | 5v63x.8↔ | | | BOP, KJZSV, KVT, UOP4 |
| | | 01 | B03Z, B07Z, B17A, B17B, B17C, B17J | | | 01 | B03Z, B07Z, B17A, B17B, B17C, B17J | | | 01 | B03Z, B07Z, B17A, B17B, B17C, B17J |
| | 05 | F13A, F21A, F21B, F21J, F27A, F27B, F27C, F28A | 02 | | C20A, C20B, C20J, C20Q, C20R | 05 | F13A, F21A, F21B, F21J, F28A | | | | |
| | 08 | I02A, I02B, I02C, I02D, I12A, I12B, I12C, I12J, I22A, I32A, I32B, I32C, I32D, I32E, I32F, I32J, I32Q, I32R, I32S, I32T, I32U, I50Z | 03 | | D18Z, D25A, D25B, D25C, D25D, D25J | 08 | I02A, I02B, I02C, I02D, I12A, I12B, I12C, I12J, I22A, I32A, I32B, I32C, I32D, I32E, I32F, I32J, I32Q, I32R, I32S, I32T, I32U, I50Z | | | | |
| | 09 | J02A, J02B, J02C, J04A, J04B, J08A, J08B, J08C, J16Z, J21Z, J22A, J22B, J22J | 05 | | F13A, F21A, F21B, F21J, F28A | 09 | J02A, J02B, J02C, J04A, J04B, J08A, J08B, J08C, J16Z, J21Z, J22A, J22B, J22J | | | | |
| | 10 | K01Z | 08 | | I02A, I02B, I02C, I02D, I12A, I12B, I12C, I12J, I22A, I50Z | 21A | W04A, W04B | | | | |
| | 21A | W04A, W04B | 09 | | J02A, J02B, J02C, J04A, J04B, J08A, J08B, J08C, J16Z, J21Z, J22A, J22B, J22J | 21B | X01A, X01B | | | | |
| | 21B | X01A, X01B | 21A | | W04A, W04B | | | | | | |
| | 5v633.y | | BOP, KJZSV, KVT, UOP4 | | 5v63x.5 | | BOP, KJZSV, KVT, UOP4 | | 5v63x.9↔ | | BOP, KJZSV, KVT, UOP4 |
| | | 01 | B03Z, B07Z, B17A, B17B, B17C, B17J | | | 01 | B03Z, B07Z, B17A, B17B, B17C, B17J | | | 01 | B03Z, B07Z, B17A, B17B, B17C, B17J |
| 02 | | C20A, C20B, C20J, C20Q, C20R | 03 | D18Z, D25A, D25B, D25C, D25D, D25J | | 05 | F13A, F21A, F21B, F21J, F28A | | | | |
| 03 | | D18Z, D25A, D25B, D25C, D25D, D25J | 05 | F13A, F21A, F21B, F21J, F28A | | 08 | I12A, I12B, I12C, I12J, I32A, I32B, I32C, I32D, I32E, I32F, I32J, I32Q, I32R, I32S, I32T, I32U | | | | |
| 05 | | F13A, F21A, F21B, F21J, F28A | 08 | I02A, I02B, I02C, I02D, I12A, I12B, I12C, I12J, I22A, I50Z | | 09 | J02A, J02B, J02C, J04A, J04B, J08A, J08B, J08C, J16Z, J21Z, J22A, J22B, J22J | | | | |
| 08 | | I02A, I02B, I02C, I02D, I12A, I12B, I12C, I12J, I22A, I50Z | 09 | J02A, J02B, J02C, J04A, J04B, J08A, J08B, J08C, J16Z, J21Z, J22A, J22B, J22J | | 21A | W04A, W04B | | | | |
| 09 | | J02A, J02B, J02C, J04A, J04B, J08A, J08B, J08C, J16Z, J21Z, J22A, J22B, J22J | 21A | W04A, W04B | | 21B | X01A, X01B | | | | |
| 21A | | W04A, W04B | 01 | B03Z, B07Z, B17A, B17B, B17C, B17J | | | | | | | |
| 21B | | X01A, X01B | 03 | D18Z, D25A, D25B, D25C, D25D, D25J | | | | | | | |
| 5v633.z | | | BOP, KJZSV, KVT, UOP4 | 5v63x.a | | | BOP, KJZSV, KVT, UOP4 | 5v63x.a | | | BOP, KJZSV, KVT, UOP4 |
| | 01 | B03Z, B07Z, B17A, B17B, B17C, B17J | 01 | | B03Z, B07Z, B17A, B17B, B17C, B17J | 01 | B03Z, B07Z, B17A, B17B, B17C, B17J | | | | |
| | 02 | C20A, C20B, C20J, C20Q, C20R | 05 | | F13A, F21A, F21B, F21J, F28A | 05 | F13A, F21A, F21B, F21J, F28A | | | | |
| | 03 | D18Z, D25A, D25B, D25C, D25D, D25J | 08 | | I02A, I02B, I02C, I02D, I12A, I12B, I12C, I12J, I22A, I50Z | 06 | G10Z, G12A, G12B, G12J | | | | |
| | 05 | F13A, F21A, F21B, F21J, F28A | 09 | | J02A, J02B, J02C, J04A, J04B, J08A, J08B, J08C, J16Z, J21Z, J22A, J22B, J22J | 08 | I02A, I02B, I02C, I02D, I12A, I12B, I12C, I12J, I22A, I50Z | | | | |
| | 08 | I02A, I02B, I02C, I02D, I12A, I12B, I12C, I12J, I22A, I50Z | 21A | | W04A, W04B | 09 | J02A, J02B, J02C, J04A, J04B, J08A, J08B, J08C, J16Z, J21Z, J22A, J22B, J22J | | | | |
| | 09 | J02A, J02B, J02C, J04A, J04B, J08A, J08B, J08C, J16Z, J21Z, J22A, J22B, J22J | 21B | | X01A, X01B | 21A | W04A, W04B | | | | |
| | 21A | W04A, W04B | | | | 21B | X01A, X01B | | | | |
| | 21B | X01A, X01B | | | | | | | | | |

VYK

| ZZV | MDC | DRG | ZZV | MDC | DRG | ZZV | MDC | DRG | |
|----------|-----|--|-----------|------------------------------------|--|--|------------------------------------|--|--|
| 5v63x.u↔ | | BOP, KJZSV, KVT, UOP4 | 5z110.1‡ | | KJZSV | 8c106‡ | | KJZSV | |
| | 01 | B03Z, B07Z, B17A, B17B, B17C, B17J | | 11 | L20B | | 06 | G40Z, G46A, G46B, G46C, G47Z, G50Z | |
| | 05 | F13A, F21A, F21B, F21J, F27A, F27B, F27C, F28A | 5z110.2‡ | | KJZSV | 8c107‡ | | KJZSV | |
| | 08 | I02A, I02B, I02C, I02D, I12A, I12B, I12C, I12J, I22A, I32A, I32B, I32C, I32D, I32E, I32F, I32J, I32Q, I32R, I32S, I32T, I32U, I50Z | 5z110.3‡ | | 11 | L20B | 06 | G40Z, G46A, G46B, G46C, G47Z, G50Z | |
| | 09 | J02A, J02B, J02C, J04A, J04B, J08A, J08B, J08C, J16Z, J21Z, J22A, J22B, J22J | 5z110.4‡ | 02 | C20A, C20B, C20J, C20Q, C20R | 8c108‡ | | KJZSV | |
| | | | | 11 | L20B | | 06 | G40Z, G46A, G46B, G46C, G47Z, G50Z | |
| | | | | 5z110.5‡ | | KJZSV | 8c109‡ | | KJZSV |
| | | | | 5z110.6‡ | 02 | C20A, C20B, C20J, C20Q, C20R | 8c220.1 | 06 | G40Z, G48A, G48B, G48C |
| | | | | | 11 | L20B | | 01 | B12Z |
| | | | | 5z110.x‡ | 11 | L20B | | 05 | F01A, F01B, F01D, F05Z, F06C, F06D, F06E, F12A, F12B, F15Z, F24A, F24B, F36A, F36B, F52A, F52B, F56A, F56B, F58A, F58B |
| 5v63x.w↔ | | BOP, KJZSV, KVT, UOP4 | 5z111.6‡ | | KJZSV | | Pre | A13D | |
| | 01 | B03Z, B07Z, B17A, B17B, B17C, B17J | 5z112.1‡ | 06 | G10Z, G12A, G12B, G12C, G12J | 8c220.x | | KJZSV | |
| | 05 | F13A, F21A, F21B, F21J, F27A, F27B, F27C, F28A | 5z112.4‡ | | KJZSV | | 05 | F01A, F01B, F01D, F15Z, F24A, F24B, F28A, F36A, F36B, F54A, F54B, F54J, F59A, F59B | |
| | 08 | I02A, I02B, I02C, I02D, I12A, I12B, I12C, I12J, I22A, I32A, I32B, I32C, I32D, I32E, I32F, I32J, I32Q, I32R, I32S, I32T, I32U, I50Z | 5z113‡ | | KJZSV, KVT | | 10 | K09A, K09B | |
| | | | 5z121.21‡ | Pre | A17A | 8c221 | | KJZSV | |
| | | | | 5z136.0‡ | Pre | B61A | | 01 | B12Z |
| | | | | 5z136.1‡ | Pre | B61A | | 05 | F01A, F01B, F01D, F05Z, F06C, F06D, F06E, F12A, F12B, F15Z, F24A, F24B, F36A, F36B, F52A, F52B, F56A, F56B, F58A, F58B |
| | | | | 5z136.2‡ | Pre | B61A | | Pre | A13D |
| | | | | 5z142‡ | | KJZSV | 8c223 | | KJZSV |
| | | | | | 02 | C10A | | 01 | B12Z |
| 5v63x.x↔ | | BOP, KJZSV, KVT, UOP4 | 5z150 | | KJZSV | | 05 | F01A, F01B, F01D, F05Z, F06C, F06D, F06E, F12A, F12B, F15Z, F24A, F24B, F36A, F36B, F52A, F52B, F56A, F56B, F58A, F58B | |
| | 01 | B03Z, B07Z, B17A, B17B, B17C, B17J | 8a210.1‡ | 23 | Z04Z | | Pre | A13D | |
| | 05 | F13A, F21A, F21B, F21J, F27A, F27B, F27C, F28A | 8a210.2‡ | 15 | P66C, P67B, P67C | 8c225 | | KJZSV | |
| | 08 | I02A, I02B, I02C, I02D, I12A, I12B, I12C, I12J, I22A, I32A, I32B, I32C, I32D, I32E, I32F, I32J, I32Q, I32R, I32S, I32T, I32U, I50Z | 8a210.3‡ | 15 | P66C, P67B, P67C | | 01 | B12Z | |
| | | | 8a220.1‡ | 15 | P66C, P67B, P67C | | 05 | F01A, F01B, F01D, F05Z, F06C, F06D, F06E, F12A, F12B, F15Z, F24A, F24B, F36A, F36B, F52A, F52B, F56A, F56B, F58A, F58B | |
| | 09 | J02A, J02B, J02C, J04A, J04B, J08A, J08B, J08C, J16Z, J21Z, J22A, J22B, J22J | 8a220.2‡ | 15 | P66C, P67B, P67C | | Pre | A13D | |
| | | | 8a220.3‡ | 15 | P66C, P67B, P67C | | 01 | B12Z | |
| | | | | 8a973.1‡↔ | 02 | C14J, C14Q, C14R, C14S, C14Z | 8c22x | | KJZSV |
| | | | | 8a973.2↔ | | BOP, KVT, UOP4 | | 05 | F01A, F01B, F01D, F15Z, F24A, F24B, F28A, F36A, F36B, F54A, F54B, F54J, F59A, F59B |
| | | | | 8a973.3↔ | 02 | C01A, C01B, C10A, C10B, C10C, C10J, C10Q, C16Z | 8c320.1‡↔ | 10 | K09A, K09B |
| 5v63x.y | 02 | C20A, C20B, C20J, C20Q, C20R | | 02 | BOP, KJZSV, KVT, UOP4 | | 11 | L11Z, L19Z, L42A, L42B | |
| | 03 | D18Z, D25A, D25B, D25C, D25D, D25J | 8a973.4↔ | | BOP, KVT, UOP4 | 8c320.2‡↔ | | KJZSV | |
| | 05 | F13A, F21A, F21B, F21J, F28A | | 02 | C01A, C01B, C10A, C10B, C10C, C10J, C10Q, C16Z | | 11 | L11Z, L19Z, L42A, L42B | |
| | 08 | I02A, I02B, I02C, I02D, I12A, I12B, I12C, I12J, I22A, I50Z | 8a973.5‡↔ | 02 | C10A, C10B, C10C, C10J, C10Q | 8c322‡ | | KJZSV | |
| | 09 | J02A, J02B, J02C, J04A, J04B, J08A, J08B, J08C, J16Z, J21Z, J22A, J22B, J22J | 8a973.6‡↔ | 02 | C10A, C10B, C10C, C10J, C10Q | 8c323‡ | 07 | H41A, H41B, H41C, H41J | |
| | | | 8a973.7‡↔ | 02 | C10A, C10B, C10C, C10J, C10Q | | 11 | L11Z, L19Z, L42A, L42B | |
| | | | | 8c104‡ | | KJZSV | 8c324‡↔ | | KJZSV |
| | 21A | W04A, W04B | | | G40Z, G48A, G48B, G48C | 8d130‡ | 11 | L11Z, L19Z, L42A, L42B | |
| | 21B | X01A, X01B | 8c105‡ | 06 | G40Z, G48A, G48B, G48C | 8d131‡ | | L42A, L46J | |
| | | | | | KJZSV | | 11 | L42A, L46J | |
| 5z110.0‡ | | | 06 | G40Z, G46A, G46B, G46C, G47Z, G50Z | 8d132‡ | 11 | L42A, L64A, L64J, L64Q, L64R, L74Z | | |

| ZZV | MDC | DRG | ZZV | MDC | DRG | ZZV | MDC | DRG |
|----------|-----|--|------------|-----|--|-----------|-----|--|
| 8d133‡ | | KJZSV | 8d301‡ | | KJZSV | 8f102.0↔ | | KJZSV |
| | 11 | L42A, L64A, L64J, L64Q, L64R, L74Z | | 06 | G40Z, G46A, G46B, G46C, G47Z, G50Z | | 05 | F21A, F21B, F21C, F21J |
| 8d134‡ | | KJZSV | 8f100.11‡↔ | | KJZSV, KKI, KKP | | 06 | G10Z, G12A, G12B, G12J |
| | 11 | L42A, L64A, L64J, L64Q, L64R, L74Z | | 04 | E02A, E40A, E64A, E76B, E77B | | 07 | H12A, H12B |
| 8d135‡ | | KJZSV | 8f100.12‡↔ | | KJZSV | | 11 | L09A, L09B, L09C, L09J, L38Z |
| | 11 | L42A, L64A, L64J, L64Q, L64R, L74Z | | 04 | E02A, E40A, E64A, E76B, E77B | | 13 | N11A, N11B, N11J |
| 8d136‡ | | KJZSV | 8f100.1x‡↔ | | KJZSV | | 17 | R01A, R01B, R01C, R01D, R02Z, R12A, R12B, R12C |
| | 11 | L42A, L64A, L64J, L64Q, L64R, L74Z | | 04 | E02A, E40A, E64A, E76B, E77B | | 21A | W04A, W04B |
| 8d137‡ | | KJZSV | 8f101.0 | | KJZSV, KKI, KKP | 8f103.0 | | KJZSV, KKI, KKP |
| | 11 | L42A, L64A, L64J, L64Q, L64R, L74Z | | 05 | F21A, F21B, F21C, F21J | | 05 | F21A, F21B, F21C, F21J |
| 8d138‡ | | KJZSV | | 06 | G10Z, G12A, G12B, G12J | | 06 | G10Z, G12A, G12B, G12J |
| | 11 | L42A, L64A, L64J, L64Q, L64R, L74Z | | 07 | H12A, H12B | | 07 | H12A, H12B |
| 8d142‡ | | KJZSV | | 11 | L09A, L09B, L09C, L09J, L38Z | | 11 | L09A, L09B, L09C, L09J, L38Z |
| | 11 | L42A, L64A, L64J, L64Q, L64R, L74Z | | 13 | N11A, N11B, N11J | | 13 | N11A, N11B, N11J |
| 8d143‡ | | KJZSV | | 17 | R01A, R01B, R01C, R01D, R02Z, R12A, R12B, R12C | | 17 | R01A, R01B, R01C, R01D, R02Z, R12A, R12B, R12C |
| 8d147‡ | | KJZSV | | 21A | W04A, W04B | | 21A | W04A, W04B |
| | 11 | L42A | | 21B | X06A, X06B, X06C | | 21B | X06A, X06B, X06C |
| 8d210‡ | | KJZSV | | 22 | Y01Z, Y03A, Y03B | | 22 | Y01Z, Y03A, Y03B |
| | 15 | P66C, P67B, P67C | 8f101.1 | | KJZSV, KKI, KKP | 8f103.1 | | KJZSV, KK11, KKI, KKII, KKP |
| 8d220‡ | | KJZSV | | 05 | F21A, F21B, F21C, F21J | | 05 | F21A, F21B, F21C, F21J |
| | 07 | H41A, H41B, H41C, H41J | | 06 | G10Z, G12A, G12B, G12J | | 06 | G10Z, G12A, G12B, G12J |
| 8d221‡ | | KJZSV | | 07 | H12A, H12B | | 07 | H12A, H12B |
| | 07 | H41A, H41B, H41C, H41J | | 11 | L09A, L09B, L09C, L09J, L38Z | | 10 | K09A, K09B |
| 8d240.1‡ | | KJZSV | | 13 | N11A, N11B, N11J | | 11 | L09A, L09B, L09C, L09J, L38Z |
| | 06 | G40Z, G46A, G46B, G46C, G47Z, G50Z | | 17 | R01A, R01B, R01C, R01D, R02Z, R12A, R12B, R12C | | 13 | N11A, N11B, N11J |
| 8d240.2‡ | | KJZSV | | 21A | W04A, W04B | | 17 | R01A, R01B, R01C, R01D, R02Z, R12A, R12B, R12C |
| | 06 | G40Z, G46A, G46B, G46C, G47Z, G50Z | | 21B | X06A, X06B, X06C | | 21A | W04A, W04B |
| 8d241.1‡ | | KJZSV | | 22 | Y01Z, Y03A, Y03B | | 21B | X06A, X06B, X06C |
| | 06 | G40Z, G46A, G46B, G46C, G47Z, G50Z | 8f101.2 | | KJZSV, KKI, KKP | 8f103.2 | | Y01Z, Y03A, Y03B |
| | 07 | H41A, H41B, H41J | | 05 | F21A, F21B, F21C, F21J | | 05 | F21A, F21B, F21C, F21J |
| 8d241.2‡ | | KJZSV | | 06 | G10Z, G12A, G12B, G12J | | 06 | G10Z, G12A, G12B, G12J |
| | 06 | G40Z, G46A, G46B, G46C, G47Z, G50Z | | 07 | H12A, H12B | | 07 | H12A, H12B |
| | 07 | H41A, H41B, H41C, H41J | | 11 | L09A, L09B, L09C, L09J, L38Z | | 10 | K09A, K09B |
| 8d242 | | BOP, KJZSV, KVT, UOP4 | | 13 | N11A, N11B, N11J | | 11 | L09A, L09B, L09C, L09J, L38Z |
| | 06 | G10Z, G12A, G12B, G12J | | 17 | R01A, R01B, R01C, R01D, R02Z, R12A, R12B, R12C | | 13 | N11A, N11B, N11J |
| | 07 | H05J, H05Z | | 21A | W04A, W04B | | 17 | R01A, R01B, R01C, R01D, R02Z, R12A, R12B, R12C |
| 8d243 | | BOP, KJZSV, KOP, KOPV, KVT, MVV, UOP4 | | 21B | X06A, X06B, X06C | | 21A | W04A, W04B |
| | 06 | G03A, G10Z, G33Z, G38Z | 8f101.x | | KJZSV | 8f103.x | | X06A, X06B, X06C |
| | 07 | H02A, H02B, H33Z, H38Z | | 05 | F21A, F21B, F21C, F21J | | 22 | Y01Z, Y03A, Y03B |
| | 11 | L33Z | | 06 | G10Z, G12A, G12B, G12J | | 05 | F21A, F21B, F21C, F21J |
| | 17 | R01A, R01B, R01C, R01D, R02Z, R12A, R12B, R12C | | 07 | H12A, H12B | | 06 | G10Z, G12A, G12B, G12J |
| | 21A | W04A, W04B | | 11 | L09A, L09B, L09C, L09J, L38Z | | 07 | H12A, H12B |
| | 21B | X06A, X06B, X06C, X33Z | | 13 | N11A, N11B, N11J | | 11 | L09A, L09B, L09C, L09J, L38Z |
| | 23 | Z01A | | 17 | R01A, R01B, R01C, R01D, R02Z, R12A, R12B, R12C | | 13 | N11A, N11B, N11J |
| | Pre | A07A | | 21A | W04A, W04B | | 17 | R01A, R01B, R01C, R01D, R02Z, R12A, R12B, R12C |
| 8d245.1 | | BOP, KJZSV, KOP, KOPV, KVT, UOP4 | | 21B | X06A, X06B, X06C | | 21A | W04A, W04B |
| | 06 | G15Z, G19A, G19B, G38Z | | 22 | Y01Z, Y03A, Y03B | | 21B | X06A, X06B, X06C |
| | 07 | H06A, H06B, H06C, H33Z, H38Z | | | | 8f108.0↔ | | Y01Z, Y03A, Y03B |
| | 11 | L33Z | | | | | 02 | C01A, C01B, C13J, C13Z, C16Z |
| | 23 | Z01A | | | | | 03 | D12A, D12B, D12J, D12Q |
| | Pre | A07A | | | | 8f108.1↔ | | KJZSV |
| 8d245.2‡ | | KJZSV | | | | | 03 | D06A, D06B, D06C, D06J |
| | 06 | G40Z, G46A, G46B, G46C, G47Z, G50Z | | | | 8f108.2‡↔ | | KJZSV |
| | | | | | | | 13 | N10J, N10Z |

| ZZV | MDC | DRG | ZZV | MDC | DRG | ZZV | MDC | DRG |
|----------|-----|--|----------|-----|--|---------|-----|--|
| 8f108.3↔ | | KJZSV | 8f608.62 | | BOP, KJZSV, KVT, UOP4 | 8g115 | | KJZSV |
| | 02 | C01A, C01B, C13J, C13Z, C16Z | | 11 | L18A, L18B, L19Z, L20A, L20B, L20C, L20J, L20Q, L20R, L38Z | | 01 | B03Z, B07Z, B17A, B17B, B17C, B17D, B17J |
| | 03 | D12A, D12B, D12J, D12Q | 8f608.70 | | BOP, KJZSV, KVT, UOP4 | | 03 | D13J, D13Q, D13Z |
| 8f300.5↔ | | KJZSV | | 11 | L18A, L18B, L19Z, L20A, L20B, L20C, L20J, L20Q, L20R, L38Z | | 04 | E02A, E02B, E02C, E02D |
| | 02 | C14J, C14Q, C14R, C14S, C14Z | | | | | 05 | F13A, F21A, F21B, F21C, F21J |
| | 21A | W04A, W04B | 8f608.71 | | BOP, KJZSV, KVT, UOP4 | | 06 | G10Z, G12A, G12B, G12J |
| | 21B | X06A, X06B, X06C | | 11 | L18A, L18B, L19Z, L20A, L20B, L20C, L20J, L20Q, L20R, L38Z | | 07 | H06A, H06B, H06C |
| 8f300.6↔ | | KJZSV | | | | | 08 | I12A, I12B, I12C, I12J, I28A, I28B, I28J |
| | 02 | C01A, C01B, C15J, C15Q, C15Z, C16Z | 8f608.72 | | BOP, KJZSV, KVT, UOP4 | | 09 | J03A, J03B, J04A, J04B, J08A, J08B, J08C, J16Z, J21Z, J22A, J22B, J22J |
| | 10 | K09A, K09B | | 11 | L18A, L18B, L19Z, L20A, L20B, L20C, L20J, L20Q, L20R, L38Z | | 10 | K09A, K09B |
| | 21A | W04A, W04B | | | | | 11 | L09A, L09B, L09C, L09J, L38Z |
| | 21B | X06A, X06B, X06C | 8f608.90 | | BOP, KJZSV, KVT, UOP4 | | 13 | N11A, N11B, N11J |
| 8f304.0↔ | | KJZSV | | 11 | L18A, L18B, L19Z, L20A, L20B, L20C, L20J, L20Q, L20R, L38Z | | 21A | W04A, W04B |
| | 11 | L42A | | | | | 21B | X06A, X06B, X06C |
| 8f304.1↔ | | KJZSV | 8f608.91 | | BOP, KJZSV, KVT, UOP4 | 8g121.0 | | KJZSV |
| | 11 | L42A | | 11 | L18A, L18B, L19Z, L20A, L20B, L20C, L20J, L20Q, L20R, L38Z | | 01 | B03Z, B07Z, B17A, B17B, B17C, B17D, B17J |
| 8f306.0↔ | 13 | N25J, N25Q, N25Z | | | | | 03 | D13J, D13Q, D13Z |
| 8f400.0↔ | 02 | C01A, C01B, C13J, C13Z, C16Z | | 11 | L18A, L18B, L19Z, L20A, L20B, L20C, L20J, L20Q, L20R, L38Z | | 04 | E02A, E02B, E02C, E02D |
| | 03 | D12A, D12B, D12J, D12Q | 8f608.92 | | BOP, KJZSV, KVT, UOP4 | | 05 | F13A, F21A, F21B, F21C, F21J |
| 8f403.0 | | KJZSV | | 11 | L18A, L18B, L19Z, L20A, L20B, L20C, L20J, L20Q, L20R, L38Z | | 06 | G10Z, G12A, G12B, G12J |
| 8f606.04 | 04 | E02A, E02B, E02C, E02D | | | | | 07 | H06A, H06B, H06C |
| | | BOP, KJZSV, KVT, UOP4, VIAL | 8g113 | | KJZSV | | 08 | I12A, I12B, I12C, I12J, I28A, I28B, I28J |
| | 01 | B02A, B02B, B02C, B02D, B20A, B20B, B20C, B20D, B39A, B39B | | 01 | B03Z, B07Z, B17A, B17B, B17C, B17D, B17J | | 09 | J03A, J03B, J04A, J04B, J08A, J08B, J08C, J16Z, J21Z, J22A, J22B, J22J |
| | 08 | I08A, I08B, I08C, I08D, I08E, I08F, I08J, I10A, I10B, I10C, I10D, I10E, I10J | | 03 | D13J, D13Q, D13Z | | 10 | K09A, K09B |
| | 11 | L09A, L38Z | | 04 | E02A, E02B, E02C, E02D | | 11 | L09A, L09B, L09C, L09J, L38Z |
| | 17 | R01A, R01B, R01C, R01D, R02Z, R12A, R12B, R12C | | 05 | F13A, F21A, F21B, F21C, F21J | | 13 | N11A, N11B, N11J |
| | 21A | W04A, W04B | | 06 | G10Z, G12A, G12B, G12J | | 21A | W04A, W04B |
| | 21B | X06A, X06B, X06C | | 07 | H06A, H06B, H06C | | 21B | X06A, X06B, X06C |
| 8f608.40 | | BOP, KJZSV, KVT, UOP4 | | 08 | I12A, I12B, I12C, I12J, I28A, I28B, I28J | 8g121.1 | | KJZSV |
| | 11 | L18A, L18B, L19Z, L20A, L20B, L20C, L20J, L20Q, L20R, L38Z | | 09 | J03A, J03B, J04A, J04B, J08A, J08B, J08C, J16Z, J21Z, J22A, J22B, J22J | | 01 | B03Z, B07Z, B17A, B17B, B17C, B17D, B17J |
| 8f608.41 | | BOP, KJZSV, KVT, UOP4 | | 10 | K09A, K09B | | 03 | D13J, D13Q, D13Z |
| | 11 | L18A, L18B, L19Z, L20A, L20B, L20C, L20J, L20Q, L20R, L38Z | | 11 | L09A, L09B, L09C, L09J, L38Z | | 04 | E02A, E02B, E02C, E02D |
| 8f608.42 | | BOP, KJZSV, KVT, UOP4 | | 13 | N11A, N11B, N11J | | 05 | F13A, F21A, F21B, F21C, F21J |
| | 11 | L18A, L18B, L19Z, L20A, L20B, L20C, L20J, L20Q, L20R, L38Z | 8g114 | | KJZSV | | 06 | G10Z, G12A, G12B, G12J |
| 8f608.50 | | BOP, KJZSV, KVT, UOP4 | | 01 | B03Z, B07Z, B17A, B17B, B17C, B17D, B17J | | 07 | H06A, H06B, H06C |
| | 11 | L18A, L18B, L19Z, L20A, L20B, L20C, L20J, L20Q, L20R, L38Z | | 03 | D13J, D13Q, D13Z | | 08 | I12A, I12B, I12C, I12J, I28A, I28B, I28J |
| 8f608.51 | | BOP, KJZSV, KVT, UOP4 | | 04 | E02A, E02B, E02C, E02D | | 09 | J03A, J03B, J04A, J04B, J08A, J08B, J08C, J16Z, J21Z, J22A, J22B, J22J |
| | 11 | L18A, L18B, L19Z, L20A, L20B, L20C, L20J, L20Q, L20R, L38Z | | 05 | F13A, F21A, F21B, F21C, F21J | | 10 | K09A, K09B |
| 8f608.52 | | BOP, KJZSV, KVT, UOP4 | | 06 | G10Z, G12A, G12B, G12J | | 11 | L09A, L09B, L09C, L09J, L38Z |
| | 11 | L18A, L18B, L19Z, L20A, L20B, L20C, L20J, L20Q, L20R, L38Z | | 07 | H06A, H06B, H06C | | 13 | N11A, N11B, N11J |
| 8f608.60 | | BOP, KJZSV, KVT, UOP4 | | 08 | I12A, I12B, I12C, I12J, I28A, I28B, I28J | | 21A | W04A, W04B |
| | 11 | L18A, L18B, L19Z, L20A, L20B, L20C, L20J, L20Q, L20R, L38Z | | 09 | J03A, J03B, J04A, J04B, J08A, J08B, J08C, J16Z, J21Z, J22A, J22B, J22J | | 21B | X06A, X06B, X06C |
| 8f608.61 | | BOP, KJZSV, KVT, UOP4 | | 10 | K09A, K09B | | | |
| | 11 | L18A, L18B, L19Z, L20A, L20B, L20C, L20J, L20Q, L20R, L38Z | | 11 | L09A, L09B, L09C, L09J, L38Z | | | |
| | | | | 13 | N11A, N11B, N11J | | | |
| | | | | 21A | W04A, W04B | | | |
| | | | | 21B | X06A, X06B, X06C | | | |

VYK

| ZZV | MDC | DRG | ZZV | MDC | DRG | ZZV | MDC | DRG |
|---------|------------------|--|------------------|-----|--|---------|-----|---|
| 8g121.2 | | KJZSV | 8g121.5 | | KJZSV | 8m131.0 | | BOP, KJZSV, KK11, KKI, KKII, KKP, KVT, UOP4 |
| | 01 | B03Z, B07Z, B17A, B17B, B17C, B17D, B17J | | 01 | B03Z, B07Z, B17A, B17B, B17C, B17D, B17J | | 01 | B02A, B02B, B02C, B15Z, B16Z, B39A, B39B |
| | 03 | D13J, D13Q, D13Z | | 03 | D13J, D13Q, D13Z | | 02 | C02A, C02B, C16Z |
| | 04 | E02A, E02B, E02C, E02D | | 04 | E02A, E02B, E02C, E02D | | 03 | D18Z, D19Z, D20A, D20B |
| | 05 | F13A, F21A, F21B, F21C, F21J | | 05 | F13A, F21A, F21B, F21C, F21J | | 04 | E08A, E08B, E08C |
| | 06 | G10Z, G12A, G12B, G12J | | 06 | G10Z, G12A, G12B, G12J | | 06 | G15Z, G27A, G27B, G29A, G29B |
| | 07 | H06A, H06B, H06C | | 07 | H06A, H06B, H06C | | 07 | H01A, H01B, H15Z, H16Z |
| | 08 | I12A, I12B, I12C, I12J, I28A, I28B, I28J | | 08 | I12A, I12B, I12C, I12J, I28A, I28B, I28J | | 08 | I39Z, I54Z |
| | 09 | J03A, J03B, J04A, J04B, J08A, J08B, J08C, J16Z, J21Z, J22A, J22B, J22J | | 09 | J03A, J03B, J04A, J04B, J08A, J08B, J08C, J16Z, J21Z, J22A, J22B, J22J | | 09 | J16Z, J17Z, J18Z |
| | 10 | K09A, K09B | | 10 | K09A, K09B | | 10 | K15A, K15B, K15C |
| | 11 | L09A, L09B, L09C, L09J, L38Z | | 11 | L09A, L09B, L09C, L09J, L38Z | | 11 | L12Z |
| | 13 | N11A, N11B, N11J | | 13 | N11A, N11B, N11J | | 12 | M10A, M10B, M60A |
| | 21A | W04A, W04B | | 21A | W04A, W04B | | 13 | N15Z, N16Z, N60A |
| 21B | X06A, X06B, X06C | 21B | X06A, X06B, X06C | 17 | R05Z, R06Z, R07A, R07B | | | |
| 8g121.3 | | KJZSV | 8g210 | | KJZSV | 8m131.1 | | BOP, KJZSV, KK11, KKI, KKII, KKP, KVT, UOP4 |
| | 01 | B03Z, B07Z, B17A, B17B, B17C, B17D, B17J | | 01 | B03Z, B07Z, B17A, B17B, B17C, B17J | | 01 | B02A, B02B, B02C, B15Z, B16Z, B39A, B39B |
| | 03 | D13J, D13Q, D13Z | | 03 | D13J, D13Q, D13Z | | 02 | C02A, C02B, C16Z |
| | 04 | E02A, E02B, E02C, E02D | | 04 | E02A, E02B, E02C, E02D | | 03 | D18Z, D19Z, D20A, D20B |
| | 05 | F13A, F21A, F21B, F21C, F21J | | 05 | F21A, F21B, F21C, F21J | | 04 | E08A, E08B, E08C |
| | 06 | G10Z, G12A, G12B, G12J | | 06 | G10Z, G12A, G12B, G12J | | 06 | G15Z, G27A, G27B, G29A, G29B |
| | 07 | H06A, H06B, H06C | | 07 | H06A, H06B, H06C | | 07 | H01A, H01B, H15Z, H16Z |
| | 08 | I12A, I12B, I12C, I12J, I28A, I28B, I28J | | 08 | I28A, I28B, I28J | | 08 | I39Z, I54Z |
| | 09 | J03A, J03B, J04A, J04B, J08A, J08B, J08C, J16Z, J21Z, J22A, J22B, J22J | | 09 | J11A, J11B, J11J, J11Q, J11R, J11S | | 09 | J16Z, J17Z, J18Z |
| | 10 | K09A, K09B | | 10 | K09A, K09B | | 10 | K15A, K15B, K15C |
| | 11 | L09A, L09B, L09C, L09J, L38Z | | 11 | L09A, L09B, L09C, L09J, L38Z | | 11 | L12Z |
| | 13 | N11A, N11B, N11J | | 13 | N11A, N11B, N11J | | 12 | M10A, M10B, M60A |
| | 21A | W04A, W04B | | 21A | W04A, W04B | | 13 | N15Z, N16Z, N60A |
| 21B | X06A, X06B, X06C | 21B | X06A, X06B, X06C | 17 | R05Z, R06Z, R07A, R07B | | | |
| 8g121.4 | | KJZSV | 8i105† | | KJZSV | 8m131.2 | | BOP, KJZSV, KK11, KKI, KKII, KKP, KVT, UOP4 |
| | 01 | B03Z, B07Z, B17A, B17B, B17C, B17D, B17J | | 06 | G40Z, G46A, G46B, G46C, G47Z | | 01 | B02A, B02B, B02C, B15Z, B16Z, B39A, B39B |
| | 03 | D13J, D13Q, D13Z | | | BOP, KJZSV, KK11, KKI, KKII, KKP, KVT, UOP4 | | 02 | C02A, C02B, C16Z |
| | 04 | E02A, E02B, E02C, E02D | | | B02A, B02B, B02C, B16Z, B39A, B39B | | 03 | D18Z, D19Z, D20A, D20B |
| | 05 | F13A, F21A, F21B, F21C, F21J | | | B02A, B02B, B02C, B16Z, B39A, B39B | | 04 | E08A, E08B, E08C |
| | 06 | G10Z, G12A, G12B, G12J | | | C02A, C02B, C16Z | | 06 | G15Z, G27A, G27B, G29A, G29B |
| | 07 | H06A, H06B, H06C | | | D18Z, D20A, D20B | | 07 | H01A, H01B, H15Z, H16Z |
| | 08 | I12A, I12B, I12C, I12J, I28A, I28B, I28J | | | E08A, E08B, E08C | | 08 | I39Z, I54Z |
| | 09 | J03A, J03B, J04A, J04B, J08A, J08B, J08C, J16Z, J21Z, J22A, J22B, J22J | | | G15Z, G29A, G29B | | 09 | J16Z, J17Z, J18Z |
| | 10 | K09A, K09B | | | H01A, H01B, H16Z | | 10 | K15A, K15B, K15C |
| | 11 | L09A, L09B, L09C, L09J, L38Z | | | I54Z | | 11 | L12Z |
| | 13 | N11A, N11B, N11J | | | J16Z, J18Z | | 12 | M10A, M10B, M60A |
| | 21A | W04A, W04B | | | K15A, K15B, K15C | | 13 | N15Z, N16Z, N60A |
| 21B | X06A, X06B, X06C | | L12Z | 17 | R05Z, R06Z, R07A, R07B | | | |
| | | | | | | | | BOP, KJZSV, KK11, KKI, KKII, KKP, KVT, UOP4 |
| | | | | | | | | B02A, B02B, B02C, B15Z, B16Z, B39A, B39B |
| | | | | | | | | C02A, C02B, C16Z |
| | | | | | | | | D18Z, D19Z, D20A, D20B |
| | | | | | | | | E08A, E08B, E08C |
| | | | | | | | | G15Z, G27A, G27B, G29A, G29B |
| | | | | | | | | H01A, H01B, H15Z, H16Z |
| | | | | | | | | I39Z, I54Z |
| | | | | | | | | J16Z, J17Z, J18Z |
| | | | | | | | | K15A, K15B, K15C |
| | | | | | | | | L12Z |
| | | | | | | | | M10A, M10B, M60A |
| | | | | | | | | N15Z, N16Z, N60A |
| | | | | | | | | R05Z, R06Z, R07A, R07B |

VYK

| ZZV | MDC | DRG | ZZV | MDC | DRG | ZZV | MDC | DRG | | | |
|----------|----------|---|---|---|---|---------|---|---|---------|----|---|
| 8m132.00 | | BOP, KJZSV, KK11, KKI, KKII, KKP, KVT, UOP4 | 8m133.00 | | BOP, KJZSV, KK11, KKI, KKII, KKP, KVT, UOP4 | 8m134.0 | | BOP, KJZSV, KK11, KKI, KKII, KKP, KVT, UOP4 | | | |
| | 01 | B02A, B02B, B02C, B15Z, B16Z, B39A, B39B | | 01 | B02A, B02B, B02C, B15Z, B16Z, B39A, B39B | | 01 | B02A, B02B, B02C, B15Z, B16Z, B39A, B39B | | | |
| | 02 | C02A, C02B, C16Z | | 02 | C02A, C02B, C16Z | | 02 | C02A, C02B, C16Z | | | |
| | 03 | D18Z, D19Z, D20A, D20B | | 03 | D18Z, D19Z, D20A, D20B | | 03 | D18Z, D19Z, D20A, D20B | | | |
| | 04 | E08A, E08B, E08C | | 04 | E08A, E08B, E08C | | 04 | E08A, E08B, E08C | | | |
| | 06 | G15Z, G27A, G27B, G29A, G29B | | 06 | G15Z, G27A, G27B, G29A, G29B | | 06 | G15Z, G27A, G27B, G29A, G29B | | | |
| | 07 | H01A, H01B, H15Z, H16Z | | 07 | H01A, H01B, H15Z, H16Z | | 07 | H01A, H01B, H15Z, H16Z | | | |
| | 08 | I39Z, I54Z | | 08 | I39Z, I54Z | | 08 | I39Z, I54Z | | | |
| | 09 | J16Z, J17Z, J18Z | | 09 | J16Z, J17Z, J18Z | | 09 | J16Z, J17Z, J18Z | | | |
| | 10 | K15A, K15B, K15C | | 10 | K15A, K15B, K15C | | 10 | K15A, K15B, K15C | | | |
| | 11 | L12Z | | 11 | L12Z | | 11 | L12Z | | | |
| | 12 | M10A, M10B, M60A | | 12 | M10A, M10B, M60A | | 12 | M10A, M10B, M60A | | | |
| | 13 | N15Z, N16Z, N60A | | 13 | N15Z, N16Z, N60A | | 13 | N15Z, N16Z, N60A | | | |
| | 17 | R05Z, R06Z, R07A, R07B | | 17 | R05Z, R06Z, R07A, R07B | | 17 | R05Z, R06Z, R07A, R07B | | | |
| | 8m132.01 | | | BOP, KJZSV, KK11, KKI, KKII, KKP, KVT, UOP4 | 8m133.01 | | | BOP, KJZSV, KK11, KKI, KKII, KKP, KVT, UOP4 | 8m134.1 | | BOP, KJZSV, KK11, KKI, KKII, KKP, KVT, UOP4 |
| | | 01 | | B02A, B02B, B02C, B15Z, B16Z, B39A, B39B | | | 01 | B02A, B02B, B02C, B15Z, B16Z, B39A, B39B | | 01 | B02A, B02B, B02C, B15Z, B16Z, B39A, B39B |
| | | 02 | | C02A, C02B, C16Z | | | 02 | C02A, C02B, C16Z | | 02 | C02A, C02B, C16Z |
| 03 | | D18Z, D19Z, D20A, D20B | 03 | D18Z, D19Z, D20A, D20B | | 03 | D18Z, D19Z, D20A, D20B | | | | |
| 04 | | E08A, E08B, E08C | 04 | E08A, E08B, E08C | | 04 | E08A, E08B, E08C | | | | |
| 06 | | G15Z, G27A, G27B, G29A, G29B | 06 | G15Z, G27A, G27B, G29A, G29B | | 06 | G15Z, G27A, G27B, G29A, G29B | | | | |
| 07 | | H01A, H01B, H15Z, H16Z | 07 | H01A, H01B, H15Z, H16Z | | 07 | H01A, H01B, H15Z, H16Z | | | | |
| 08 | | I39Z, I54Z | 08 | I39Z, I54Z | | 08 | I39Z, I54Z | | | | |
| 09 | | J16Z, J17Z, J18Z | 09 | J16Z, J17Z, J18Z | | 09 | J16Z, J17Z, J18Z | | | | |
| 10 | | K15A, K15B, K15C | 10 | K15A, K15B, K15C | | 10 | K15A, K15B, K15C | | | | |
| 11 | | L12Z | 11 | L12Z | | 11 | L12Z | | | | |
| 12 | | M10A, M10B, M60A | 12 | M10A, M10B, M60A | | 12 | M10A, M10B, M60A | | | | |
| 13 | | N15Z, N16Z, N60A | 13 | N15Z, N16Z, N60A | | 13 | N15Z, N16Z, N60A | | | | |
| 17 | | R05Z, R06Z, R07A, R07B | 17 | R05Z, R06Z, R07A, R07B | | 17 | R05Z, R06Z, R07A, R07B | | | | |
| 8m132.10 | | | BOP, KJZSV, KK11, KKI, KKII, KKP, KVT, UOP4 | 8m133.10 | | | BOP, KJZSV, KK11, KKI, KKII, KKP, KVT, UOP4 | 8m13x | | | BOP, KJZSV, KK11, KKI, KKII, KKP, KVT, UOP4 |
| | | 01 | B02A, B02B, B02C, B15Z, B16Z, B39A, B39B | | | 01 | B02A, B02B, B02C, B15Z, B16Z, B39A, B39B | | | 01 | B02A, B02B, B02C, B15Z, B16Z, B39A, B39B |
| | | 02 | C02A, C02B, C16Z | | | 02 | C02A, C02B, C16Z | | | 02 | C02A, C02B, C16Z |
| | 03 | D18Z, D19Z, D20A, D20B | 03 | | D18Z, D19Z, D20A, D20B | 03 | D18Z, D19Z, D20A, D20B | | | | |
| | 04 | E08A, E08B, E08C | 04 | | E08A, E08B, E08C | 04 | E08A, E08B, E08C | | | | |
| | 06 | G15Z, G27A, G27B, G29A, G29B | 06 | | G15Z, G27A, G27B, G29A, G29B | 06 | G15Z, G27A, G27B, G29A, G29B | | | | |
| | 07 | H01A, H01B, H15Z, H16Z | 07 | | H01A, H01B, H15Z, H16Z | 07 | H01A, H01B, H15Z, H16Z | | | | |
| | 08 | I39Z, I54Z | 08 | | I39Z, I54Z | 08 | I39Z, I54Z | | | | |
| | 09 | J16Z, J17Z, J18Z | 09 | | J16Z, J17Z, J18Z | 09 | J16Z, J17Z, J18Z | | | | |
| | 10 | K15A, K15B, K15C | 10 | | K15A, K15B, K15C | 10 | K15A, K15B, K15C | | | | |
| | 11 | L12Z | 11 | | L12Z | 11 | L12Z | | | | |
| | 12 | M10A, M10B, M60A | 12 | | M10A, M10B, M60A | 12 | M10A, M10B, M60A | | | | |
| | 13 | N15Z, N16Z, N60A | 13 | | N15Z, N16Z, N60A | 13 | N15Z, N16Z, N60A | | | | |
| | 17 | R05Z, R06Z, R07A, R07B | 17 | | R05Z, R06Z, R07A, R07B | 17 | R05Z, R06Z, R07A, R07B | | | | |
| | 8m132.11 | | BOP, KJZSV, KK11, KKI, KKII, KKP, KVT, UOP4 | | 8m133.11 | | BOP, KJZSV, KK11, KKI, KKII, KKP, KVT, UOP4 | | | | |
| | | 01 | B02A, B02B, B02C, B15Z, B16Z, B39A, B39B | | | 01 | B02A, B02B, B02C, B15Z, B16Z, B39A, B39B | | | | |
| | | 02 | C02A, C02B, C16Z | | | 02 | C02A, C02B, C16Z | | | | |
| 03 | | D18Z, D19Z, D20A, D20B | 03 | D18Z, D19Z, D20A, D20B | | | | | | | |
| 04 | | E08A, E08B, E08C | 04 | E08A, E08B, E08C | | | | | | | |
| 06 | | G15Z, G27A, G27B, G29A, G29B | 06 | G15Z, G27A, G27B, G29A, G29B | | | | | | | |
| 07 | | H01A, H01B, H15Z, H16Z | 07 | H01A, H01B, H15Z, H16Z | | | | | | | |
| 08 | | I39Z, I54Z | 08 | I39Z, I54Z | | | | | | | |
| 09 | | J16Z, J17Z, J18Z | 09 | J16Z, J17Z, J18Z | | | | | | | |
| 10 | | K15A, K15B, K15C | 10 | K15A, K15B, K15C | | | | | | | |
| 11 | | L12Z | 11 | L12Z | | | | | | | |
| 12 | | M10A, M10B, M60A | 12 | M10A, M10B, M60A | | | | | | | |
| 13 | | N15Z, N16Z, N60A | 13 | N15Z, N16Z, N60A | | | | | | | |
| 17 | | R05Z, R06Z, R07A, R07B | 17 | R05Z, R06Z, R07A, R07B | | | | | | | |

VYK

| ZZV | MDC | DRG | ZZV | MDC | DRG | ZZV | MDC | DRG |
|---------|---------|---|---|---|---|---------|---|---|
| 8m140.1 | | BOP, KJZSV, KK11, KKI, KKII, KKP, KVT, UOP4 | 8m141.2 | | BOP, KJZSV, KK11, KKI, KKII, KKP, KVT, UOP4 | 8m145.0 | | BOP, KJZSV, KK11, KKI, KKII, KKP, KVT, UOP4 |
| | 01 | B02A, B02B, B02C, B15Z, B16Z, B39A, B39B | | 01 | B02A, B02B, B02C, B15Z, B16Z, B39A, B39B | | 01 | B02A, B02B, B02C, B15Z, B16Z, B39A, B39B |
| | 02 | C02A, C02B, C16Z | | 02 | C02A, C02B, C16Z | | 02 | C02A, C02B, C16Z |
| | 03 | D18Z, D19Z, D20A, D20B | | 03 | D18Z, D19Z, D20A, D20B | | 03 | D18Z, D19Z, D20A, D20B |
| | 04 | E08A, E08B, E08C | | 04 | E08A, E08B, E08C | | 04 | E08A, E08B, E08C |
| | 06 | G15Z, G27A, G27B, G29A, G29B | | 06 | G15Z, G27A, G27B, G29A, G29B | | 06 | G15Z, G27A, G27B, G29A, G29B |
| | 07 | H01A, H01B, H15Z, H16Z | | 07 | H01A, H01B, H15Z, H16Z | | 07 | H01A, H01B, H15Z, H16Z |
| | 08 | I39Z, I54Z | | 08 | I39Z, I54Z | | 08 | I39Z, I54Z |
| | 09 | J16Z, J17Z, J18Z | | 09 | J16Z, J17Z, J18Z | | 09 | J16Z, J17Z, J18Z |
| | 10 | K15A, K15B, K15C | | 10 | K15A, K15B, K15C | | 10 | K15A, K15B, K15C |
| | 11 | L12Z | | 11 | L12Z | | 11 | L12Z |
| | 12 | M10A, M10B, M60A | | 12 | M10A, M10B, M60A | | 12 | M10A, M10B, M60A |
| | 13 | N15Z, N16Z, N60A | | 13 | N15Z, N16Z, N60A | | 13 | N15Z, N16Z, N60A |
| | 17 | R05Z, R06Z, R07A, R07B | | 17 | R05Z, R06Z, R07A, R07B | | 17 | R05Z, R06Z, R07A, R07B |
| | 21A | W01A, W01B, W01C, W36Z | | 21A | W01A, W01B, W01C, W36Z | | 21A | W01A, W01B, W01C, W36Z |
| | 21B | X06A, X06B, X06C | | 21B | X06A, X06B, X06C | | 21B | X06A, X06B, X06C |
| | 8m140.2 | | | BOP, KJZSV, KK11, KKI, KKII, KKP, KVT, UOP4 | 8m143 | | | BOP, KJZSV, KK11, KKI, KKII, KKP, KVT, UOP4 |
| 01 | | B02A, B02B, B02C, B15Z, B16Z, B39A, B39B | 01 | B02A, B02B, B02C, B15Z, B16Z, B39A, B39B | | 01 | B02A, B02B, B02C, B15Z, B16Z, B39A, B39B | |
| 02 | | C02A, C02B, C16Z | 02 | C02A, C02B, C16Z | | 02 | C02A, C02B, C16Z | |
| 03 | | D18Z, D19Z, D20A, D20B | 03 | D18Z, D19Z, D20A, D20B | | 03 | D18Z, D19Z, D20A, D20B | |
| 04 | | E08A, E08B, E08C | 04 | E08A, E08B, E08C | | 04 | E08A, E08B, E08C | |
| 06 | | G15Z, G27A, G27B, G29A, G29B | 06 | G15Z, G27A, G27B, G29A, G29B | | 06 | G15Z, G27A, G27B, G29A, G29B | |
| 07 | | H01A, H01B, H15Z, H16Z | 07 | H01A, H01B, H15Z, H16Z | | 07 | H01A, H01B, H15Z, H16Z | |
| 08 | | I39Z, I54Z | 08 | I39Z, I54Z | | 08 | I39Z, I54Z | |
| 09 | | J16Z, J17Z, J18Z | 09 | J16Z, J17Z, J18Z | | 09 | J16Z, J17Z, J18Z | |
| 10 | | K15A, K15B, K15C | 10 | K15A, K15B, K15C | | 10 | K15A, K15B, K15C | |
| 11 | | L12Z | 11 | L12Z | | 11 | L12Z | |
| 12 | | M10A, M10B, M60A | 12 | M10A, M10B, M60A | | 12 | M10A, M10B, M60A | |
| 13 | | N15Z, N16Z, N60A | 13 | N15Z, N16Z, N60A | | 13 | N15Z, N16Z, N60A | |
| 17 | | R05Z, R06Z, R07A, R07B | 17 | R05Z, R06Z, R07A, R07B | | 17 | R05Z, R06Z, R07A, R07B | |
| 21A | | W01A, W01B, W01C, W36Z | 21A | W01A, W01B, W01C, W36Z | | 21A | W01A, W01B, W01C, W36Z | |
| 21B | | X06A, X06B, X06C | 21B | X06A, X06B, X06C | | 21B | X06A, X06B, X06C | |
| 8m141.1 | | | BOP, KJZSV, KK11, KKI, KKII, KKP, KVT, UOP4 | 8m144 | | | BOP, KJZSV, KK11, KKI, KKII, KKP, KVT, UOP4 | 8m145.2 |
| | 01 | B02A, B02B, B02C, B15Z, B16Z, B39A, B39B | 01 | | B02A, B02B, B02C, B15Z, B16Z, B39A, B39B | 01 | B02A, B02B, B02C, B15Z, B16Z, B39A, B39B | |
| | 02 | C02A, C02B, C16Z | 02 | | C02A, C02B, C16Z | 02 | C02A, C02B, C16Z | |
| | 03 | D18Z, D19Z, D20A, D20B | 03 | | D18Z, D19Z, D20A, D20B | 03 | D18Z, D19Z, D20A, D20B | |
| | 04 | E08A, E08B, E08C | 04 | | E08A, E08B, E08C | 04 | E08A, E08B, E08C | |
| | 06 | G15Z, G27A, G27B, G29A, G29B | 06 | | G15Z, G27A, G27B, G29A, G29B | 06 | G15Z, G27A, G27B, G29A, G29B | |
| | 07 | H01A, H01B, H15Z, H16Z | 07 | | H01A, H01B, H15Z, H16Z | 07 | H01A, H01B, H15Z, H16Z | |
| | 08 | I39Z, I54Z | 08 | | I39Z, I54Z | 08 | I39Z, I54Z | |
| | 09 | J16Z, J17Z, J18Z | 09 | | J16Z, J17Z, J18Z | 09 | J16Z, J17Z, J18Z | |
| | 10 | K15A, K15B, K15C | 10 | | K15A, K15B, K15C | 10 | K15A, K15B, K15C | |
| | 11 | L12Z | 11 | | L12Z | 11 | L12Z | |
| | 12 | M10A, M10B, M60A | 12 | | M10A, M10B, M60A | 12 | M10A, M10B, M60A | |
| | 13 | N15Z, N16Z, N60A | 13 | | N15Z, N16Z, N60A | 13 | N15Z, N16Z, N60A | |
| | 17 | R05Z, R06Z, R07A, R07B | 17 | | R05Z, R06Z, R07A, R07B | 17 | R05Z, R06Z, R07A, R07B | |
| | 21A | W01A, W01B, W01C, W36Z | 21A | | W01A, W01B, W01C, W36Z | 21A | W01A, W01B, W01C, W36Z | |
| | 21B | X06A, X06B, X06C | 21B | | X06A, X06B, X06C | 21B | X06A, X06B, X06C | |

| ZZV | MDC | DRG | ZZV | MDC | DRG | ZZV | MDC | DRG | | | |
|-------|-------|---|------------------------------|---|---|----------|---|---|-------|---|--|
| 8m146 | | BOP, KJZSV, KK11, KKI, KKII, KKP, KVT, UOP4 | 8m14x | | BOP, KJZSV, KK11, KKI, KKII, KKP, KVT, UOP4 | 8m150.11 | | BOP, KJZSV, KK11, KKI, KKII, KKP, KVT, UOP4 | | | |
| | 01 | B02A, B02B, B02C, B15Z, B16Z, B39A, B39B | | 01 | B02A, B02B, B02C, B15Z, B16Z, B39A, B39B | | 01 | B02A, B02B, B02C, B15Z, B16Z, B39A, B39B | | | |
| | 02 | C02A, C02B, C16Z | | 02 | C02A, C02B, C16Z | | 02 | C02A, C02B, C16Z | | | |
| | 03 | D18Z, D19Z, D20A, D20B | | 03 | D18Z, D19Z, D20A, D20B | | 03 | D18Z, D19Z, D20A, D20B | | | |
| | 04 | E08A, E08B, E08C | | 04 | E08A, E08B, E08C | | 04 | E08A, E08B, E08C | | | |
| | 06 | G15Z, G27A, G27B, G29A, G29B | | 06 | G15Z, G27A, G27B, G29A, G29B | | 06 | G15Z, G27A, G27B, G29A, G29B | | | |
| | 07 | H01A, H01B, H15Z, H16Z | | 07 | H01A, H01B, H15Z, H16Z | | 07 | H01A, H01B, H15Z, H16Z | | | |
| | 08 | I39Z, I54Z | | 08 | I39Z, I54Z | | 08 | I39Z, I54Z | | | |
| | 09 | J16Z, J17Z, J18Z | | 09 | J16Z, J17Z, J18Z | | 09 | J16Z, J17Z, J18Z | | | |
| | 10 | K15A, K15B, K15C | | 10 | K15A, K15B, K15C | | 10 | K15A, K15B, K15C | | | |
| | 11 | L12Z | | 11 | L12Z | | 11 | L12Z | | | |
| | 12 | M10A, M10B, M60A | | 12 | M10A, M10B, M60A | | 12 | M10A, M10B, M60A | | | |
| | 13 | N15Z, N16Z, N60A | | 13 | N15Z, N16Z, N60A | | 13 | N15Z, N16Z, N60A | | | |
| | 17 | R05Z, R06Z, R07A, R07B | | 17 | R05Z, R06Z, R07A, R07B | | 17 | R05Z, R06Z, R07A, R07B | | | |
| | 21A | W01A, W01B, W01C, W36Z | | 8m150.00 | | | BOP, KJZSV, KK11, KKI, KKII, KKP, KVT, UOP4 | 8m151 | | BOP, KJZSV, KK11, KKI, KKII, KKP, KVT, UOP4 | |
| | 21B | X06A, X06B, X06C | | | 01 | | B02A, B02B, B02C, B15Z, B16Z, B39A, B39B | | 01 | B02A, B02B, B02C, B15Z, B16Z, B39A, B39B | |
| | 8m147 | | | BOP, KJZSV, KK11, KKI, KKII, KKP, KVT, UOP4 | 8m150.01 | | 01 | B02A, B02B, B02C, B15Z, B16Z, B39A, B39B | 8m152 | 01 | B02A, B02B, B02C, B15Z, B16Z, B39A, B39B |
| | | 01 | | B02A, B02B, B02C, B15Z, B16Z, B39A, B39B | | | 02 | C02A, C02B, C16Z | | 02 | C02A, C02B, C16Z |
| | | 02 | | C02A, C02B, C16Z | | | 03 | D18Z, D19Z, D20A, D20B | | 03 | D18Z, D19Z, D20A, D20B |
| | | 03 | | D18Z, D19Z, D20A, D20B | | | 04 | E08A, E08B, E08C | | 04 | E08A, E08B, E08C |
| | | 04 | | E08A, E08B, E08C | | | 06 | G15Z, G27A, G27B, G29A, G29B | | 06 | G15Z, G27A, G27B, G29A, G29B |
| 06 | | G15Z, G27A, G27B, G29A, G29B | 07 | H01A, H01B, H15Z, H16Z | | 07 | H01A, H01B, H15Z, H16Z | | | | |
| 07 | | H01A, H01B, H15Z, H16Z | 08 | I39Z, I54Z | | 08 | I39Z, I54Z | | | | |
| 08 | | I39Z, I54Z | 09 | J16Z, J17Z, J18Z | | 09 | J16Z, J17Z, J18Z | | | | |
| 09 | | J16Z, J17Z, J18Z | 10 | K15A, K15B, K15C | | 10 | K15A, K15B, K15C | | | | |
| 10 | | K15A, K15B, K15C | 11 | L12Z | | 11 | L12Z | | | | |
| 11 | | L12Z | 12 | M10A, M10B, M60A | | 12 | M10A, M10B, M60A | | | | |
| 12 | | M10A, M10B, M60A | 13 | N15Z, N16Z, N60A | | 13 | N15Z, N16Z, N60A | | | | |
| 13 | | N15Z, N16Z, N60A | 17 | R05Z, R06Z, R07A, R07B | | 17 | R05Z, R06Z, R07A, R07B | | | | |
| 17 | | R05Z, R06Z, R07A, R07B | | BOP, KJZSV, KK11, KKI, KKII, KKP, KVT, UOP4 | | | BOP, KJZSV, KK11, KKI, KKII, KKP, KVT, UOP4 | | | | |
| 8m148 | | BOP, KJZSV, KK11, KKI, KKII, KKP, KVT, UOP4 | 8m150.10 | 01 | B02A, B02B, B02C, B15Z, B16Z, B39A, B39B | 8m161.0 | 01 | B02A, B02B, B02C, B15Z, B16Z, B39A, B39B | | | |
| | 01 | B02A, B02B, B02C, B15Z, B16Z, B39A, B39B | | 02 | C02A, C02B, C16Z | | 02 | C02A, C02B, C16Z | | | |
| | 02 | C02A, C02B, C16Z | | 03 | D18Z, D19Z, D20A, D20B | | 03 | D18Z, D19Z, D20A, D20B | | | |
| | 03 | D18Z, D19Z, D20A, D20B | | 04 | E08A, E08B, E08C | | 04 | E08A, E08B, E08C | | | |
| | 04 | E08A, E08B, E08C | | 06 | G15Z, G27A, G27B, G29A, G29B | | 06 | G15Z, G27A, G27B, G29A, G29B | | | |
| | 06 | G15Z, G27A, G27B, G29A, G29B | | 07 | H01A, H01B, H15Z, H16Z | | 07 | H01A, H01B, H15Z, H16Z | | | |
| | 07 | H01A, H01B, H15Z, H16Z | | 08 | I39Z, I54Z | | 08 | I39Z, I54Z | | | |
| | 08 | I39Z, I54Z | | 09 | J16Z, J17Z, J18Z | | 09 | J16Z, J17Z, J18Z | | | |
| | 09 | J16Z, J17Z, J18Z | | 10 | K15A, K15B, K15C | | 10 | K15A, K15B, K15C | | | |
| | 10 | K15A, K15B, K15C | | 11 | L12Z | | 11 | L12Z | | | |
| | 11 | L12Z | | 12 | M10A, M10B, M60A | | 12 | M10A, M10B, M60A | | | |
| | 12 | M10A, M10B, M60A | | 13 | N15Z, N16Z, N60A | | 13 | N15Z, N16Z, N60A | | | |
| | 13 | N15Z, N16Z, N60A | | 17 | R05Z, R06Z, R07A, R07B | | 17 | R05Z, R06Z, R07A, R07B | | | |
| | 17 | R05Z, R06Z, R07A, R07B | | 01 | B02A, B02B, B02C, B15Z, B16Z, B39A, B39B | | 01 | B02A, B02B, B02C, B16Z, B39A, B39B | | | |
| | | | | 02 | C02A, C02B, C16Z | | 02 | C02A, C02B, C16Z | | | |
| | | | | 03 | D18Z, D19Z, D20A, D20B | | 03 | D18Z, D20A, D20B | | | |
| | | | | 04 | E08A, E08B, E08C | | 04 | E08A, E08B, E08C | | | |
| | | 06 | G15Z, G27A, G27B, G29A, G29B | 06 | G15Z, G29A, G29B | | | | | | |
| | | 07 | H01A, H01B, H15Z, H16Z | 07 | H01A, H01B, H16Z | | | | | | |
| | | 08 | I39Z, I54Z | 08 | I54Z | | | | | | |
| | | 09 | J16Z, J17Z, J18Z | 09 | J16Z, J18Z | | | | | | |
| | | 10 | K15A, K15B, K15C | 10 | K15A, K15B, K15C | | | | | | |
| | | 11 | L12Z | 11 | L12Z | | | | | | |
| | | 12 | M10A, M10B, M60A | 12 | M10A, M10B, M60A | | | | | | |
| | | 13 | N15Z, N16Z, N60A | 13 | N09A, N09J, N09Q, N14Z, N16Z | | | | | | |
| | | 17 | R05Z, R06Z, R07A, R07B | 17 | R05Z, R06Z, R07A, R07B | | | | | | |

VYK

| ZZV | MDC | DRG | ZZV | MDC | DRG | ZZV | MDC | DRG | | | |
|---------|---------|--|--|---|--|---------|--|--|---------|-----|--|
| 8m161.1 | | BOP, KJZSV, KK11, KKI, KKII, KKP, KVT, UOP4 | 8m162 | | BOP, KJZSV, KK11, KKI, KKII, KKP, KVT, UOP4 | 8m164.1 | | BOP, KJZSV, KK11, KKI, KKII, KKP, KVT, UOP4 | | | |
| | 01 | B02A, B02B, B02C, B16Z, B39A, B39B | | 01 | B02A, B02B, B02C, B03Z, B07Z, B16Z, B17A, B17B, B17C, B17J, B39A, B39B | | 01 | B02A, B02B, B02C, B03Z, B07Z, B16Z, B17A, B17B, B17C, B17J, B39A, B39B | | | |
| | 02 | C02A, C02B, C16Z | | 02 | C02A, C02B, C16Z | | 02 | C02A, C02B, C16Z | | | |
| | 03 | D18Z, D20A, D20B | | 03 | D12A, D12J, D12Q, D18Z, D20A, D20B | | 03 | D12A, D12J, D12Q, D18Z, D20A, D20B | | | |
| | 04 | E08A, E08B, E08C | | 04 | E03Z, E08A, E08B, E08C | | 04 | E03Z, E08A, E08B, E08C | | | |
| | 06 | G15Z, G29A, G29B | | 05 | F15Z, F24A, F24B, F36A, F36B, F52A, F52B, F56A, F56B | | 05 | F15Z, F24A, F24B, F36A, F36B, F52A, F52B, F56A, F56B | | | |
| | 07 | H01A, H01B, H16Z | | 06 | G10Z, G12A, G12B, G12J, G15Z, G29A, G29B | | 06 | G10Z, G12A, G12B, G12J, G15Z, G29A, G29B | | | |
| | 08 | I54Z | | 07 | H01A, H01B, H16Z | | 07 | H01A, H01B, H16Z | | | |
| | 09 | J16Z, J18Z | | 08 | I54Z | | 08 | I54Z | | | |
| | 10 | K15A, K15B, K15C | | 09 | J03A, J03B, J04A, J04B, J08A, J08B, J08C, J11A, J11B, J11J, J11Q, J11R, J11S, J16Z, J18Z | | 09 | J03A, J03B, J04A, J04B, J08A, J08B, J08C, J11A, J11B, J11J, J11Q, J11R, J11S, J16Z, J18Z | | | |
| | 11 | L12Z | | 10 | K15A, K15B, K15C | | 10 | K15A, K15B, K15C | | | |
| | 12 | M10A, M10B, M60A | | 11 | L12Z | | 11 | L12Z | | | |
| | 13 | N09A, N09J, N09Q, N14Z, N16Z | | 12 | M10A, M10B, M60A | | 12 | M10A, M10B, M60A | | | |
| | 17 | R05Z, R06Z, R07A, R07B | | 13 | N09A, N09J, N09Q, N14Z, N16Z | | 13 | N09A, N09J, N09Q, N14Z, N16Z | | | |
| | 8m161.2 | | | BOP, KJZSV, KK11, KKI, KKII, KKP, KVT, UOP4 | 8m163.0 | | | BOP, KJZSV, KK11, KKI, KKII, KKP, KVT, UOP4 | 8m164.2 | | BOP, KJZSV, KK11, KKI, KKII, KKP, KVT, UOP4 |
| | | 01 | | B02A, B02B, B02C, B16Z, B39A, B39B | | | 01 | B02A, B02B, B02C, B16Z, B39A, B39B | | 01 | B02A, B02B, B02C, B03Z, B07Z, B16Z, B17A, B17B, B17C, B17J, B39A, B39B |
| | | 02 | | C02A, C02B, C16Z | | | 02 | C02A, C02B, C16Z | | 02 | C02A, C02B, C16Z |
| 03 | | D18Z, D20A, D20B | 03 | D18Z, D20A, D20B | | 03 | D12A, D12J, D12Q, D18Z, D20A, D20B | | | | |
| 04 | | E08A, E08B, E08C | 04 | E08A, E08B, E08C | | 04 | E03Z, E08A, E08B, E08C | | | | |
| 06 | | G15Z, G29A, G29B | 06 | G15Z, G29A, G29B | | 05 | F15Z, F24A, F24B, F36A, F36B, F52A, F52B, F56A, F56B | | | | |
| 07 | | H01A, H01B, H16Z | 07 | H01A, H01B, H16Z | | 06 | G10Z, G12A, G12B, G12J, G15Z, G29A, G29B | | | | |
| 08 | | I54Z | 08 | I54Z | | 07 | H01A, H01B, H16Z | | | | |
| 09 | | J16Z, J18Z | 09 | J16Z, J18Z | | 08 | I54Z | | | | |
| 10 | | K15A, K15B, K15C | 10 | K15A, K15B, K15C | | 09 | J03A, J03B, J04A, J04B, J08A, J08B, J08C, J11A, J11B, J11J, J11Q, J11R, J11S, J16Z, J18Z | | | | |
| 11 | | L12Z | 11 | L12Z | | 10 | K15A, K15B, K15C | | | | |
| 12 | | M10A, M10B, M60A | 12 | M10A, M10B, M60A | | 11 | L12Z | | | | |
| 13 | | N09A, N09J, N09Q, N14Z, N16Z | 13 | N09A, N09J, N09Q, N14Z, N16Z | | 12 | M10A, M10B, M60A | | | | |
| 17 | | R05Z, R06Z, R07A, R07B | 17 | R05Z, R06Z, R07A, R07B | | 13 | N09A, N09J, N09Q, N14Z, N16Z | | | | |
| 8m161.x | | | BOP, KJZSV, KK11, KKI, KKII, KKP, KVT, UOP4 | 8m163.1 | | | BOP, KJZSV, KK11, KKI, KKII, KKP, KVT, UOP4 | 8m164.2 | | | BOP, KJZSV, KK11, KKI, KKII, KKP, KVT, UOP4 |
| | | 01 | B02A, B02B, B02C, B03Z, B07Z, B16Z, B17A, B17B, B17C, B17J, B39A, B39B | | | 01 | B02A, B02B, B02C, B16Z, B39A, B39B | | | 10 | X04Z, X05A, X05B, X06A, X06B, X06C |
| | | 02 | C02A, C02B, C16Z | | | 02 | C02A, C02B, C16Z | | | 21A | W04A, W04B |
| | 03 | D12A, D12J, D12Q, D18Z, D20A, D20B | 03 | | D18Z, D20A, D20B | 21B | X04Z, X05A, X05B, X06A, X06B, X06C | | | | |
| | 04 | E03Z, E08A, E08B, E08C | 04 | | E08A, E08B, E08C | | | | | | |
| | 06 | G10Z, G12A, G12B, G12J, G15Z, G29A, G29B | 06 | | G15Z, G29A, G29B | | | | | | |
| | 07 | H01A, H01B, H16Z | 07 | | H01A, H01B, H16Z | | | | | | |
| | 08 | I54Z | 08 | | I54Z | | | | | | |
| | 09 | J03A, J03B, J04A, J04B, J08A, J08B, J08C, J11A, J11B, J11J, J11Q, J11R, J11S, J16Z, J18Z | 09 | | J16Z, J18Z | | | | | | |
| | 10 | K15A, K15B, K15C | 10 | | K15A, K15B, K15C | | | | | | |
| | 11 | L12Z | 11 | | L12Z | | | | | | |
| | 12 | M10A, M10B, M60A | 12 | | M10A, M10B, M60A | | | | | | |
| | 13 | N09A, N09J, N09Q, N14Z, N16Z | 13 | | N09A, N09J, N09Q, N14Z, N16Z | | | | | | |
| | 17 | R05Z, R06Z, R07A, R07B | 17 | | R05Z, R06Z, R07A, R07B | | | | | | |
| | 21A | W04A, W04B | | | | | | | | | |
| | 21B | X04Z, X05A, X05B, X06A, X06B, X06C | | | | | | | | | |

VYK

| ZZV | MDC | DRG | ZZV | MDC | DRG | ZZV | MDC | DRG |
|----------|----------|--|----------|--|--|----------|--|--|
| 8m165.01 | | BOP, KJZSV, KK11, KKI, KKII, KKP, KVT, UOP4 | 8m165.03 | | BOP, KJZSV, KK11, KKI, KKII, KKP, KVT, UOP4 | 8m165.11 | | BOP, KJZSV, KK11, KKI, KKII, KKP, KVT, UOP4 |
| | 01 | B02A, B02B, B02C, B03Z, B07Z, B16Z, B17A, B17B, B17C, B17J, B39A, B39B | | 01 | B02A, B02B, B02C, B03Z, B07Z, B16Z, B17A, B17B, B17C, B17J, B39A, B39B | | 01 | B02A, B02B, B02C, B03Z, B07Z, B16Z, B17A, B17B, B17C, B17J, B39A, B39B |
| | 02 | C02A, C02B, C16Z | | 02 | C02A, C02B, C16Z | | 02 | C02A, C02B, C16Z |
| | 03 | D12A, D12J, D12Q, D18Z, D20A, D20B | | 03 | D12A, D12J, D12Q, D18Z, D20A, D20B | | 03 | D12A, D12J, D12Q, D18Z, D20A, D20B |
| | 04 | E03Z, E08A, E08B, E08C | | 04 | E03Z, E08A, E08B, E08C | | 04 | E03Z, E08A, E08B, E08C |
| | 06 | G10Z, G12A, G12B, G12J, G15Z, G29A, G29B | | 06 | G10Z, G12A, G12B, G12J, G15Z, G29A, G29B | | 06 | G10Z, G12A, G12B, G12J, G15Z, G29A, G29B |
| | 07 | H01A, H01B, H16Z | | 07 | H01A, H01B, H16Z | | 07 | H01A, H01B, H16Z |
| | 08 | I54Z | | 08 | I54Z | | 08 | I54Z |
| | 09 | J03A, J03B, J04A, J04B, J08A, J08B, J08C, J11A, J11B, J11J, J11Q, J11R, J11S, J16Z, J18Z | | 09 | J03A, J03B, J04A, J04B, J08A, J08B, J08C, J11A, J11B, J11J, J11Q, J11R, J11S, J16Z, J18Z | | 09 | J03A, J03B, J04A, J04B, J08A, J08B, J08C, J11A, J11B, J11J, J11Q, J11R, J11S, J16Z, J18Z |
| | 10 | K15A, K15B, K15C | | 10 | K15A, K15B, K15C | | 10 | K15A, K15B, K15C |
| | 11 | L12Z | | 11 | L12Z | | 11 | L12Z |
| | 12 | M10A, M10B, M60A | | 12 | M10A, M10B, M60A | | 12 | M10A, M10B, M60A |
| | 13 | N09A, N09J, N09Q, N14Z, N16Z | | 13 | N09A, N09J, N09Q, N14Z, N16Z | | 13 | N09A, N09J, N09Q, N14Z, N16Z |
| | 17 | R05Z, R06Z, R07A, R07B | | 17 | R05Z, R06Z, R07A, R07B | | 17 | R05Z, R06Z, R07A, R07B |
| | 21A | W04A, W04B | | 21A | W04A, W04B | | 21A | W04A, W04B |
| | 21B | X04Z, X05A, X05B, X06A, X06B, X06C | | 21B | X04Z, X05A, X05B, X06A, X06B, X06C | | 21B | X04Z, X05A, X05B, X06A, X06B, X06C |
| | 8m165.02 | | | BOP, KJZSV, KK11, KKI, KKII, KKP, KVT, UOP4 | 8m165.0x | | | BOP, KJZSV, KK11, KKI, KKII, KKP, KVT, UOP4 |
| 01 | | B02A, B02B, B02C, B03Z, B07Z, B16Z, B17A, B17B, B17C, B17J, B39A, B39B | 01 | B02A, B02B, B02C, B03Z, B07Z, B16Z, B17A, B17B, B17C, B17J, B39A, B39B | | 01 | B02A, B02B, B02C, B03Z, B07Z, B16Z, B17A, B17B, B17C, B17J, B39A, B39B | |
| 02 | | C02A, C02B, C16Z | 02 | C02A, C02B, C16Z | | 02 | C02A, C02B, C16Z | |
| 03 | | D12A, D12J, D12Q, D18Z, D20A, D20B | 03 | D12A, D12J, D12Q, D18Z, D20A, D20B | | 03 | D12A, D12J, D12Q, D18Z, D20A, D20B | |
| 04 | | E03Z, E08A, E08B, E08C | 04 | E03Z, E08A, E08B, E08C | | 04 | E03Z, E08A, E08B, E08C | |
| 06 | | G10Z, G12A, G12B, G12J, G15Z, G29A, G29B | 06 | G10Z, G12A, G12B, G12J, G15Z, G29A, G29B | | 06 | G10Z, G12A, G12B, G12J, G15Z, G29A, G29B | |
| 07 | | H01A, H01B, H16Z | 07 | H01A, H01B, H16Z | | 07 | H01A, H01B, H16Z | |
| 08 | | I54Z | 08 | I54Z | | 08 | I54Z | |
| 09 | | J03A, J03B, J04A, J04B, J08A, J08B, J08C, J11A, J11B, J11J, J11Q, J11R, J11S, J16Z, J18Z | 09 | J03A, J03B, J04A, J04B, J08A, J08B, J08C, J11A, J11B, J11J, J11Q, J11R, J11S, J16Z, J18Z | | 09 | J03A, J03B, J04A, J04B, J08A, J08B, J08C, J11A, J11B, J11J, J11Q, J11R, J11S, J16Z, J18Z | |
| 10 | | K15A, K15B, K15C | 10 | K15A, K15B, K15C | | 10 | K15A, K15B, K15C | |
| 11 | | L12Z | 11 | L12Z | | 11 | L12Z | |
| 12 | | M10A, M10B, M60A | 12 | M10A, M10B, M60A | | 12 | M10A, M10B, M60A | |
| 13 | | N09A, N09J, N09Q, N14Z, N16Z | 13 | N09A, N09J, N09Q, N14Z, N16Z | | 13 | N09A, N09J, N09Q, N14Z, N16Z | |
| 17 | | R05Z, R06Z, R07A, R07B | 17 | R05Z, R06Z, R07A, R07B | | 17 | R05Z, R06Z, R07A, R07B | |
| 21A | | W04A, W04B | 21A | W04A, W04B | | 21A | W04A, W04B | |
| 21B | | X04Z, X05A, X05B, X06A, X06B, X06C | 21B | X04Z, X05A, X05B, X06A, X06B, X06C | | 21B | X04Z, X05A, X05B, X06A, X06B, X06C | |

VYK

| ZZV | MDC | DRG | ZZV | MDC | DRG | ZZV | MDC | DRG |
|----------|------------------------------------|--|------------------------------------|-----|--|---------|-----|--|
| 8m165.13 | | BOP, KJZSV, KK11, KKI, KKII, KKP, KVT, UOP4 | 8m165.21 | | BOP, KJZSV, KK11, KKI, KKII, KKP, KVT, UOP4 | 8m167 | | BOP, KJZSV, KK11, KKI, KKII, KKP, KVT, UOP4 |
| | 01 | B02A, B02B, B02C, B03Z, B07Z, B16Z, B17A, B17B, B17C, B17J, B39A, B39B | | 01 | B02A, B02B, B02C, B03Z, B07Z, B16Z, B17A, B17B, B17C, B17J, B39A, B39B | | 01 | B02A, B02B, B02C, B16Z, B39A, B39B |
| | 02 | C02A, C02B, C16Z | | 02 | C02A, C02B, C16Z | | 02 | C02A, C02B, C16Z |
| | 03 | D12A, D12J, D12Q, D18Z, D20A, D20B | | 03 | D12A, D12J, D12Q, D18Z, D20A, D20B | | 03 | D18Z, D20A, D20B |
| | 04 | E03Z, E08A, E08B, E08C | | 04 | E03Z, E08A, E08B, E08C | | 04 | E08A, E08B, E08C |
| | 06 | G10Z, G12A, G12B, G12J, G15Z, G29A, G29B | | 06 | G10Z, G12A, G12B, G12J, G15Z, G29A, G29B | | 06 | G15Z, G29A, G29B |
| | 07 | H01A, H01B, H16Z | | 07 | H01A, H01B, H16Z | | 07 | H01A, H01B, H16Z |
| | 08 | I54Z | | 08 | I54Z | | 08 | I54Z |
| | 09 | J03A, J03B, J04A, J04B, J08A, J08B, J08C, J11A, J11B, J11J, J11Q, J11R, J11S, J16Z, J18Z | | 09 | J03A, J03B, J04A, J04B, J08A, J08B, J08C, J11A, J11B, J11J, J11Q, J11R, J11S, J16Z, J18Z | | 09 | J16Z, J18Z |
| | 10 | K15A, K15B, K15C | | 10 | K15A, K15B, K15C | | 10 | K15A, K15B, K15C |
| | 11 | L12Z | | 11 | L12Z | | 11 | L12Z |
| | 12 | M10A, M10B, M60A | | 12 | M10A, M10B, M60A | | 12 | M10A, M10B, M60A |
| | 13 | N09A, N09J, N09Q, N14Z, N16Z | | 13 | N09A, N09J, N09Q, N14Z, N16Z | | 13 | N09A, N09J, N09Q, N14Z, N16Z |
| 17 | R05Z, R06Z, R07A, R07B | 17 | R05Z, R06Z, R07A, R07B | 17 | R05Z, R06Z, R07A, R07B | | | |
| 21A | W04A, W04B | 21A | W04A, W04B | 21A | W04A, W04B | | | |
| 21B | X04Z, X05A, X05B, X06A, X06B, X06C | 21B | X04Z, X05A, X05B, X06A, X06B, X06C | 21B | X04Z, X05A, X05B, X06A, X06B, X06C | | | |
| 8m165.1x | | BOP, KJZSV, KK11, KKI, KKII, KKP, KVT, UOP4 | 8m165.22 | | BOP, KJZSV, KK11, KKI, KKII, KKP, KVT, UOP4 | 8m16x | | BOP, KJZSV, KK11, KKI, KKII, KKP, KVT, UOP4 |
| | 01 | B02A, B02B, B02C, B03Z, B07Z, B16Z, B17A, B17B, B17C, B17J, B39A, B39B | | 01 | B02A, B02B, B02C, B03Z, B07Z, B16Z, B17A, B17B, B17C, B17J, B39A, B39B | | 01 | B02A, B02B, B02C, B03Z, B07Z, B16Z, B17A, B17B, B17C, B17J, B39A, B39B |
| | 02 | C02A, C02B, C16Z | | 02 | C02A, C02B, C16Z | | 02 | C02A, C02B, C16Z |
| | 03 | D12A, D12J, D12Q, D18Z, D20A, D20B | | 03 | D12A, D12J, D12Q, D18Z, D20A, D20B | | 03 | D12A, D12J, D12Q, D18Z, D20A, D20B |
| | 04 | E03Z, E08A, E08B, E08C | | 04 | E03Z, E08A, E08B, E08C | | 04 | E03Z, E08A, E08B, E08C |
| | 06 | G10Z, G12A, G12B, G12J, G15Z, G29A, G29B | | 06 | G10Z, G12A, G12B, G12J, G15Z, G29A, G29B | | 06 | G10Z, G12A, G12B, G12J, G15Z, G29A, G29B |
| | 07 | H01A, H01B, H16Z | | 07 | H01A, H01B, H16Z | | 07 | H01A, H01B, H16Z |
| | 08 | I54Z | | 08 | I54Z | | 08 | I54Z |
| | 09 | J03A, J03B, J04A, J04B, J08A, J08B, J08C, J11A, J11B, J11J, J11Q, J11R, J11S, J16Z, J18Z | | 09 | J03A, J03B, J04A, J04B, J08A, J08B, J08C, J11A, J11B, J11J, J11Q, J11R, J11S, J16Z, J18Z | | 09 | J03A, J03B, J04A, J04B, J08A, J08B, J08C, J11A, J11B, J11J, J11Q, J11R, J11S, J16Z, J18Z |
| | 10 | K15A, K15B, K15C | | 10 | K15A, K15B, K15C | | 10 | K15A, K15B, K15C |
| | 11 | L12Z | | 11 | L12Z | | 11 | L12Z |
| | 12 | M10A, M10B, M60A | | 12 | M07Z, M10A, M10B, M60A | | 12 | M10A, M10B, M60A |
| | 13 | N09A, N09J, N09Q, N14Z, N16Z | | 13 | N09A, N09J, N09Q, N14Z, N16Z | | 13 | N09A, N09J, N09Q, N14Z, N16Z |
| 17 | R05Z, R06Z, R07A, R07B | 17 | R05Z, R06Z, R07A, R07B | 17 | R05Z, R06Z, R07A, R07B | | | |
| 21A | W04A, W04B | 21A | W04A, W04B | 21A | W04A, W04B | | | |
| 21B | X04Z, X05A, X05B, X06A, X06B, X06C | 21B | X04Z, X05A, X05B, X06A, X06B, X06C | 21B | X04Z, X05A, X05B, X06A, X06B, X06C | | | |
| 8m166 | | BOP, KJZSV, KK11, KKI, KKII, KKP, KVT, UOP4 | 8m166 | | BOP, KJZSV, KK11, KKI, KKII, KKP, KVT, UOP4 | 8m170.0 | | BOP, KJZSV, KK11, KKI, KKII, KKP, KVT, UOP4 |
| | 01 | B02A, B02B, B02C, B16Z, B39A, B39B | | 01 | B02A, B02B, B02C, B16Z, B39A, B39B | | 01 | B02A, B02B, B02C, B16Z, B39A, B39B |
| | 02 | C02A, C02B, C16Z | | 02 | C02A, C02B, C16Z | | 02 | C02A, C02B, C16Z |
| | 03 | D18Z, D20A, D20B | | 03 | D18Z, D20A, D20B | | 03 | D18Z, D20A, D20B |
| | 04 | E08A, E08B, E08C | | 04 | E08A, E08B, E08C | | 04 | E08A, E08B, E08C |
| | 06 | G15Z, G29A, G29B | | 06 | G15Z, G29A, G29B | | 06 | G15Z, G29A, G29B |
| | 07 | H01A, H01B, H16Z | | 07 | H01A, H01B, H16Z | | 07 | H01A, H01B, H16Z |
| | 08 | I54Z | | 08 | I54Z | | 08 | I54Z |
| | 09 | J16Z, J18Z | | 09 | J16Z, J18Z | | 09 | J16Z, J18Z |
| | 10 | K15A, K15B, K15C | | 10 | K15A, K15B, K15C | | 10 | K15A, K15B, K15C |
| | 11 | L12Z | | 11 | L12Z | | 11 | L12Z |
| | 12 | M10A, M10B, M60A | | 12 | M10A, M10B, M60A | | 12 | M10A, M10B, M60A |
| | 13 | N09A, N09J, N09Q, N14Z, N16Z | | 13 | N09A, N09J, N09Q, N14Z, N16Z | | 13 | N16Z, N60A |
| | 17 | R05Z, R06Z, R07A, R07B | | 17 | R05Z, R06Z, R07A, R07B | | 17 | R05Z, R06Z, R07A, R07B |

| ZZV | MDC | DRG | ZZV | MDC | DRG | ZZV | MDC | DRG | | | |
|---------|---------|---|---|---|---|---------|---|---|----------|----|---|
| 8m170.1 | | BOP, KJZSV, KK11, KKI, KKII, KKP, KVT, UOP4 | 8m171.2 | | BOP, KJZSV, KK11, KKI, KKII, KKP, KVT, UOP4 | 8m172.0 | | BOP, KJZSV, KK11, KKI, KKII, KKP, KVT, UOP4 | | | |
| | 01 | B02A, B02B, B02C, B16Z, B39A, B39B | | 01 | B02A, B02B, B02C, B16Z, B39A, B39B | | 01 | B02A, B02B, B02C, B16Z, B39A, B39B | | | |
| | 02 | C02A, C02B, C16Z | | 02 | C02A, C02B, C16Z | | 02 | C02A, C02B, C16Z | | | |
| | 03 | D18Z, D20A, D20B | | 03 | D18Z, D20A, D20B | | 03 | D18Z, D20A, D20B | | | |
| | 04 | E08A, E08B, E08C | | 04 | E08A, E08B, E08C | | 04 | E08A, E08B, E08C | | | |
| | 06 | G15Z, G29A, G29B | | 06 | G15Z, G29A, G29B | | 06 | G15Z, G29A, G29B | | | |
| | 07 | H01A, H01B, H16Z | | 07 | H01A, H01B, H16Z | | 07 | H01A, H01B, H16Z | | | |
| | 08 | I54Z | | 08 | I54Z | | 08 | I54Z | | | |
| | 09 | J16Z, J18Z | | 09 | J16Z, J18Z | | 09 | J16Z, J18Z | | | |
| | 10 | K15A, K15B, K15C | | 10 | K15A, K15B, K15C | | 10 | K15A, K15B, K15C | | | |
| | 11 | L12Z | | 11 | L12Z | | 11 | L12Z | | | |
| | 12 | M10A, M10B, M60A | | 12 | M10A, M10B, M60A | | 12 | M10A, M10B, M60A | | | |
| | 13 | N16Z, N60A | | 13 | N16Z, N60A | | 13 | N16Z, N60A | | | |
| | 17 | R05Z, R06Z, R07A, R07B | | 17 | R05Z, R06Z, R07A, R07B | | 17 | R05Z, R06Z, R07A, R07B | | | |
| | 8m170.2 | | | BOP, KJZSV, KK11, KKI, KKII, KKP, KVT, UOP4 | 8m171.3 | | | BOP, KJZSV, KK11, KKI, KKII, KKP, KVT, UOP4 | 8m172.10 | | BOP, KJZSV, KK11, KKI, KKII, KKP, KVT, UOP4 |
| | | 01 | | B02A, B02B, B02C, B16Z, B39A, B39B | | | 01 | B02A, B02B, B02C, B16Z, B39A, B39B | | 01 | B02A, B02B, B02C, B16Z, B39A, B39B |
| | | 02 | | C02A, C02B, C16Z | | | 02 | C02A, C02B, C16Z | | 02 | C02A, C02B, C16Z |
| 03 | | D18Z, D20A, D20B | 03 | D18Z, D20A, D20B | | 03 | D18Z, D20A, D20B | | | | |
| 04 | | E08A, E08B, E08C | 04 | E08A, E08B, E08C | | 04 | E08A, E08B, E08C | | | | |
| 06 | | G15Z, G29A, G29B | 06 | G15Z, G29A, G29B | | 06 | G15Z, G29A, G29B | | | | |
| 07 | | H01A, H01B, H16Z | 07 | H01A, H01B, H16Z | | 07 | H01A, H01B, H16Z | | | | |
| 08 | | I54Z | 08 | I54Z | | 08 | I54Z | | | | |
| 09 | | J16Z, J18Z | 09 | J16Z, J18Z | | 09 | J16Z, J18Z | | | | |
| 10 | | K15A, K15B, K15C | 10 | K15A, K15B, K15C | | 10 | K15A, K15B, K15C | | | | |
| 11 | | L12Z | 11 | L12Z | | 11 | L12Z | | | | |
| 12 | | M10A, M10B, M60A | 12 | M10A, M10B, M60A | | 12 | M10A, M10B, M60A | | | | |
| 13 | | N16Z, N60A | 13 | N16Z, N60A | | 13 | N16Z, N60A | | | | |
| 17 | | R05Z, R06Z, R07A, R07B | 17 | R05Z, R06Z, R07A, R07B | | 17 | R05Z, R06Z, R07A, R07B | | | | |
| 8m170.x | | | BOP, KJZSV, KK11, KKI, KKII, KKP, KVT, UOP4 | 8m171.4 | | | BOP, KJZSV, KK11, KKI, KKII, KKP, KVT, UOP4 | 8m172.11 | | | BOP, KJZSV, KK11, KKI, KKII, KKP, KVT, UOP4 |
| | | 01 | B02A, B02B, B02C, B16Z, B39A, B39B | | | 01 | B02A, B02B, B02C, B16Z, B39A, B39B | | | 01 | B02A, B02B, B02C, B16Z, B39A, B39B |
| | | 02 | C02A, C02B, C16Z | | | 02 | C02A, C02B, C16Z | | | 02 | C02A, C02B, C16Z |
| | 03 | D18Z, D20A, D20B | 03 | | D18Z, D20A, D20B | 03 | D18Z, D20A, D20B | | | | |
| | 04 | E08A, E08B, E08C | 04 | | E08A, E08B, E08C | 04 | E08A, E08B, E08C | | | | |
| | 06 | G15Z, G29A, G29B | 06 | | G15Z, G29A, G29B | 06 | G15Z, G29A, G29B | | | | |
| | 07 | H01A, H01B, H16Z | 07 | | H01A, H01B, H16Z | 07 | H01A, H01B, H16Z | | | | |
| | 08 | I54Z | 08 | | I54Z | 08 | I54Z | | | | |
| | 09 | J16Z, J18Z | 09 | | J16Z, J18Z | 09 | J16Z, J18Z | | | | |
| | 10 | K15A, K15B, K15C | 10 | | K15A, K15B, K15C | 10 | K15A, K15B, K15C | | | | |
| | 11 | L12Z | 11 | | L12Z | 11 | L12Z | | | | |
| | 12 | M10A, M10B, M60A | 12 | | M10A, M10B, M60A | 12 | M10A, M10B, M60A | | | | |
| | 13 | N16Z, N60A | 13 | | N16Z, N60A | 13 | N16Z, N60A | | | | |
| | 17 | R05Z, R06Z, R07A, R07B | 17 | | R05Z, R06Z, R07A, R07B | 17 | R05Z, R06Z, R07A, R07B | | | | |
| | 8m171.1 | | BOP, KJZSV, KK11, KKI, KKII, KKP, KVT, UOP4 | | 8m171.x | | BOP, KJZSV, KK11, KKI, KKII, KKP, KVT, UOP4 | | 8m172.20 | | BOP, KJZSV, KK11, KKI, KKII, KKP, KVT, UOP4 |
| | | 01 | B02A, B02B, B02C, B16Z, B39A, B39B | | | 01 | B02A, B02B, B02C, B16Z, B39A, B39B | | | 01 | B02A, B02B, B02C, B16Z, B39A, B39B |
| | | 02 | C02A, C02B, C16Z | | | 02 | C02A, C02B, C16Z | | | 02 | C02A, C02B, C16Z |
| 03 | | D18Z, D20A, D20B | 03 | D18Z, D20A, D20B | | 03 | D18Z, D20A, D20B | | | | |
| 04 | | E08A, E08B, E08C | 04 | E08A, E08B, E08C | | 04 | E08A, E08B, E08C | | | | |
| 06 | | G15Z, G29A, G29B | 06 | G15Z, G29A, G29B | | 06 | G15Z, G29A, G29B | | | | |
| 07 | | H01A, H01B, H16Z | 07 | H01A, H01B, H16Z | | 07 | H01A, H01B, H16Z | | | | |
| 08 | | I54Z | 08 | I54Z | | 08 | I54Z | | | | |
| 09 | | J16Z, J18Z | 09 | J16Z, J18Z | | 09 | J16Z, J18Z | | | | |
| 10 | | K15A, K15B, K15C | 10 | K15A, K15B, K15C | | 10 | K15A, K15B, K15C | | | | |
| 11 | | L12Z | 11 | L12Z | | 11 | L12Z | | | | |
| 12 | | M10A, M10B, M60A | 12 | M10A, M10B, M60A | | 12 | M10A, M10B, M60A | | | | |
| 13 | | N16Z, N60A | 13 | N16Z, N60A | | 13 | N16Z, N60A | | | | |
| 17 | | R05Z, R06Z, R07A, R07B | 17 | R05Z, R06Z, R07A, R07B | | 17 | R05Z, R06Z, R07A, R07B | | | | |

| ZZV | MDC | DRG | ZZV | MDC | DRG | ZZV | MDC | DRG | | | |
|----------|---------|---|--|---|--|---------|--|--|---------|----|--|
| 8m172.21 | | BOP, KJZSV, KK11, KKI, KKII, KKP, KVT, UOP4 | 8m180.x | | BOP, KJZSV, KK11, KKI, KKII, KVT, UOP4 | 8m183.1 | | BOP, KJZSV, KK11, KKI, KKII, KVT, UOP4 | | | |
| | 01 | B02A, B02B, B02C, B16Z, B39A, B39B | | 01 | B02A, B02B, B02C, B16Z, B39A, B39B | | 01 | B02A, B02B, B02C, B16Z, B39A, B39B | | | |
| | 02 | C02A, C02B, C16Z | | 02 | C02A, C02B, C16Z | | 02 | C02A, C02B, C16Z | | | |
| | 03 | D18Z, D20A, D20B | | 03 | D18Z, D20A, D20B | | 03 | D18Z, D20A, D20B | | | |
| | 04 | E08A, E08B, E08C | | 04 | E08A, E08B, E08C | | 04 | E08A, E08B, E08C | | | |
| | 06 | G15Z, G29A, G29B | | 06 | G15Z, G29A, G29B | | 06 | G15Z, G29A, G29B | | | |
| | 07 | H01A, H01B, H16Z | | 07 | H01A, H01B, H16Z | | 07 | H01A, H01B, H16Z | | | |
| | 08 | I54Z | | 08 | I54Z | | 08 | I54Z | | | |
| | 09 | J16Z, J18Z | | 09 | J16Z, J18Z | | 09 | J16Z, J18Z | | | |
| | 10 | K15A, K15B, K15C | | 10 | K15A, K15B, K15C | | 10 | K15A, K15B, K15C | | | |
| | 11 | L12Z | | 11 | L12Z | | 11 | L12Z | | | |
| | 12 | M10A, M10B, M60A | | 12 | M10A, M10B, M60A | | 12 | M10A, M10B, M60A | | | |
| | 13 | N16Z, N60A | | 13 | N16Z, N60A | | 13 | N16Z, N60A | | | |
| | 17 | R05Z, R06Z, R07A, R07B | | 17 | R05Z, R06Z, R07A, R07B | | 17 | R05Z, R06Z, R07A, R07B | | | |
| | 8m172.3 | | | BOP, KJZSV, KK11, KKI, KKII, KKP, KVT, UOP4 | 8m181.0 | | | BOP, KJZSV, KK11, KKI, KKII, KVT, UOP4 | 8m183.2 | | BOP, KJZSV, KK11, KKI, KKII, KVT, UOP4 |
| | | 01 | | B02A, B02B, B02C, B16Z, B39A, B39B | | | 01 | B02A, B02B, B02C, B16Z, B39A, B39B | | 01 | B02A, B02B, B02C, B16Z, B39A, B39B |
| | | 02 | | C02A, C02B, C16Z | | | 02 | C02A, C02B, C16Z | | 02 | C02A, C02B, C16Z |
| 03 | | D18Z, D20A, D20B | 03 | D18Z, D20A, D20B | | 03 | D18Z, D20A, D20B | | | | |
| 04 | | E08A, E08B, E08C | 04 | E08A, E08B, E08C | | 04 | E08A, E08B, E08C | | | | |
| 06 | | G15Z, G29A, G29B | 06 | G15Z, G29A, G29B | | 06 | G15Z, G29A, G29B | | | | |
| 07 | | H01A, H01B, H16Z | 07 | H01A, H01B, H16Z | | 07 | H01A, H01B, H16Z | | | | |
| 08 | | I54Z | 08 | I54Z | | 08 | I54Z | | | | |
| 09 | | J16Z, J18Z | 09 | J16Z, J18Z | | 09 | J16Z, J18Z | | | | |
| 10 | | K15A, K15B, K15C | 10 | K15A, K15B, K15C | | 10 | K15A, K15B, K15C | | | | |
| 11 | | L12Z | 11 | L12Z | | 11 | L12Z | | | | |
| 12 | | M10A, M10B, M60A | 12 | M10A, M10B, M60A | | 12 | M10A, M10B, M60A | | | | |
| 13 | | N16Z, N60A | 13 | N16Z, N60A | | 13 | N16Z, N60A | | | | |
| 17 | | R05Z, R06Z, R07A, R07B | 17 | R05Z, R06Z, R07A, R07B | | 17 | R05Z, R06Z, R07A, R07B | | | | |
| 8m180.0 | | | BOP, KJZSV, KK11, KKI, KKII, KVT, UOP4 | 8m181.1 | | | BOP, KJZSV, KK11, KKI, KKII, KVT, UOP4 | 8m183.3 | | | BOP, KJZSV, KK11, KKI, KKII, KVT, UOP4 |
| | | 01 | B02A, B02B, B02C, B16Z, B39A, B39B | | | 01 | B02A, B02B, B02C, B16Z, B39A, B39B | | | 01 | B02A, B02B, B02C, B16Z, B39A, B39B |
| | | 02 | C02A, C02B, C16Z | | | 02 | C02A, C02B, C16Z | | | 02 | C02A, C02B, C16Z |
| | 03 | D18Z, D20A, D20B | 03 | | D18Z, D20A, D20B | 03 | D18Z, D20A, D20B | | | | |
| | 04 | E08A, E08B, E08C | 04 | | E08A, E08B, E08C | 04 | E08A, E08B, E08C | | | | |
| | 06 | G15Z, G29A, G29B | 06 | | G15Z, G29A, G29B | 06 | G15Z, G29A, G29B | | | | |
| | 07 | H01A, H01B, H16Z | 07 | | H01A, H01B, H16Z | 07 | H01A, H01B, H16Z | | | | |
| | 08 | I54Z | 08 | | I54Z | 08 | I54Z | | | | |
| | 09 | J16Z, J18Z | 09 | | J16Z, J18Z | 09 | J16Z, J18Z | | | | |
| | 10 | K15A, K15B, K15C | 10 | | K15A, K15B, K15C | 10 | K15A, K15B, K15C | | | | |
| | 11 | L12Z | 11 | | L12Z | 11 | L12Z | | | | |
| | 12 | M10A, M10B, M60A | 12 | | M10A, M10B, M60A | 12 | M10A, M10B, M60A | | | | |
| | 13 | N16Z, N60A | 13 | | N16Z, N60A | 13 | N16Z, N60A | | | | |
| | 17 | R05Z, R06Z, R07A, R07B | 17 | | R05Z, R06Z, R07A, R07B | 17 | R05Z, R06Z, R07A, R07B | | | | |
| | 8m180.1 | | BOP, KJZSV, KK11, KKI, KKII, KVT, UOP4 | | 8m181.x | | BOP, KJZSV, KK11, KKI, KKII, KVT, UOP4 | | 8m183.4 | | BOP, KJZSV, KK11, KKI, KKII, KVT, UOP4 |
| | | 01 | B02A, B02B, B02C, B16Z, B39A, B39B | | | 01 | B02A, B02B, B02C, B16Z, B39A, B39B | | | 01 | B02A, B02B, B02C, B16Z, B39A, B39B |
| | | 02 | C02A, C02B, C16Z | | | 02 | C02A, C02B, C16Z | | | 02 | C02A, C02B, C16Z |
| 03 | | D18Z, D20A, D20B | 03 | D18Z, D20A, D20B | | 03 | D18Z, D20A, D20B | | | | |
| 04 | | E08A, E08B, E08C | 04 | E08A, E08B, E08C | | 04 | E08A, E08B, E08C | | | | |
| 06 | | G15Z, G29A, G29B | 06 | G15Z, G29A, G29B | | 06 | G15Z, G29A, G29B | | | | |
| 07 | | H01A, H01B, H16Z | 07 | H01A, H01B, H16Z | | 07 | H01A, H01B, H16Z | | | | |
| 08 | | I54Z | 08 | I54Z | | 08 | I54Z | | | | |
| 09 | | J16Z, J18Z | 09 | J16Z, J18Z | | 09 | J16Z, J18Z | | | | |
| 10 | | K15A, K15B, K15C | 10 | K15A, K15B, K15C | | 10 | K15A, K15B, K15C | | | | |
| 11 | | L12Z | 11 | L12Z | | 11 | L12Z | | | | |
| 12 | | M10A, M10B, M60A | 12 | M10A, M10B, M60A | | 12 | M10A, M10B, M60A | | | | |
| 13 | | N16Z, N60A | 13 | N16Z, N60A | | 13 | N16Z, N60A | | | | |
| 17 | | R05Z, R06Z, R07A, R07B | 17 | R05Z, R06Z, R07A, R07B | | 17 | R05Z, R06Z, R07A, R07B | | | | |

VYK

| ZZV | MDC | DRG | ZZV | MDC | DRG | ZZV | MDC | DRG |
|-----------|-----|--|-----------|-----|--|-----------|-----|--|
| 8m183.5 | | BOP, KJZSV, KK11, KKI, KKII, KVT, UOP4 | 8m302.4† | | KJZSV | 8m303.27† | | KJZSV, KKP |
| | 01 | B02A, B02B, B02C, B16Z, B39A, B39B | | 17 | R60C, R60D, R60E, R60F, R63D, R63E, R63H | | 17 | R60C, R60D, R60E, R60F, R63D, R63E, R63H |
| | 02 | C02A, C02B, C16Z | | Pre | A42A | | Pre | A42A |
| | 03 | D18Z, D20A, D20B | 8m302.5† | | KJZSV | 8m303.32† | | KJZSV, KKP |
| | 04 | E08A, E08B, E08C | | 17 | R60C, R60D, R60E, R60F, R63D, R63E, R63H | | 17 | R60C, R60D, R60E, R60F, R63D, R63E, R63H |
| | 06 | G15Z, G29A, G29B | | Pre | A42A | | Pre | A42A |
| | 07 | H01A, H01B, H16Z | 8m302.6† | | KJZSV | 8m303.33† | | KJZSV, KKP |
| | 08 | I54Z | | 17 | R60C, R60D, R60E, R60F, R63D, R63E, R63H | | 17 | R60C, R60D, R60E, R60F, R63D, R63E, R63H |
| | 09 | J16Z, J18Z | | Pre | A42A | | Pre | A42A |
| | 10 | K15A, K15B, K15C | 8m302.7† | | KJZSV | 8m303.34† | | KJZSV, KKP |
| | 11 | L12Z | | 17 | R60C, R60D, R60E, R60F, R63D, R63E, R63H | | 17 | R60C, R60D, R60E, R60F, R63D, R63E, R63H |
| | 12 | M10A, M10B, M60A | | Pre | A42A | | Pre | A42A |
| | 13 | N16Z, N60A | 8m302.8† | | KJZSV | 8m303.35† | | KJZSV, KKP |
| 8m183.x | | BOP, KJZSV, KK11, KKI, KKII, KVT, UOP4 | | 17 | R60C, R60D, R60E, R60F, R63D, R63E, R63H | | 17 | R60C, R60D, R60E, R60F, R63D, R63E, R63H |
| | 01 | B02A, B02B, B02C, B16Z, B39A, B39B | | Pre | A42A | | Pre | A42A |
| | 02 | C02A, C02B, C16Z | 8m302.9† | | KJZSV | 8m303.36† | | KJZSV, KKP |
| | 03 | D18Z, D20A, D20B | | 17 | R60C, R60D, R60E, R60F, R63D, R63E, R63H | | 17 | R60C, R60D, R60E, R60F, R63D, R63E, R63H |
| | 04 | E08A, E08B, E08C | | Pre | A42A | | Pre | A42A |
| | 06 | G15Z, G29A, G29B | 8m303.12† | | KJZSV, KKP | 8m303.37† | | KJZSV, KKP |
| | 07 | H01A, H01B, H16Z | | 17 | R60C, R60D, R60E, R60F, R63D, R63E, R63H | | 17 | R60C, R60D, R60E, R60F, R63D, R63E, R63H |
| | 08 | I54Z | | Pre | A42A | | Pre | A42A |
| | 09 | J16Z, J18Z | 8m303.13† | | KJZSV, KKP | 8m303.42† | | KJZSV, KKP |
| | 10 | K15A, K15B, K15C | | 17 | R60C, R60D, R60E, R60F, R63D, R63E, R63H | | 17 | R60C, R60D, R60E, R60F, R63D, R63E, R63H |
| | 11 | L12Z | | Pre | A42A | | Pre | A42A |
| | 12 | M10A, M10B, M60A | 8m303.14† | | KJZSV, KKP | 8m303.43† | | KJZSV, KKP |
| | 13 | N16Z, N60A | | 17 | R60C, R60D, R60E, R60F, R63D, R63E, R63H | | 17 | R60C, R60D, R60E, R60F, R63D, R63E, R63H |
| | 17 | R05Z, R06Z, R07A, R07B | | Pre | A42A | | Pre | A42A |
| 8m301.0† | | KJZSV, KK11, KKI, KKII, KKP | 8m303.15† | | KJZSV, KKP | 8m303.44† | | KJZSV, KKP |
| | 17 | R60F, R63D, R63I | | 17 | R60C, R60D, R60E, R60F, R63D, R63E, R63H | | 17 | R60C, R60D, R60E, R60F, R63D, R63E, R63H |
| | Pre | A42A | | Pre | A42A | | Pre | A42A |
| 8m301.1† | | KJZSV, KK11, KKI, KKII, KKP | 8m303.16† | | KJZSV, KKP | 8m303.45† | | KJZSV, KKP |
| | 17 | R60F, R63D, R63I | | 17 | R60C, R60D, R60E, R60F, R63D, R63E, R63H | | 17 | R60C, R60D, R60E, R60F, R63D, R63E, R63H |
| | Pre | A42A | | Pre | A42A | | Pre | A42A |
| 8m301.2†↔ | | KJZSV, KK11, KKI, KKII, KKP | 8m303.17† | | KJZSV, KKP | 8m303.46† | | KJZSV, KKP |
| | 17 | R60F, R63D, R63I | | 17 | R60C, R60D, R60E, R60F, R63D, R63E, R63H | | 17 | R60C, R60D, R60E, R60F, R63D, R63E, R63H |
| | Pre | A42A | | Pre | A42A | | Pre | A42A |
| 8m301.3† | | KJZSV, KK11, KKI, KKII, KKP | 8m303.22† | | KJZSV, KKP | 8m303.47† | | KJZSV, KKP |
| | 17 | R60F, R63D, R63I | | 17 | R60C, R60D, R60E, R60F, R63D, R63E, R63H | | 17 | R60C, R60D, R60E, R60F, R63D, R63E, R63H |
| | Pre | A42A | | Pre | A42A | | Pre | A42A |
| 8m301.4† | | KJZSV, KK11, KKI, KKII, KKP | 8m303.23† | | KJZSV, KKP | 8m303.52† | | KJZSV, KKP |
| | 17 | R60F, R63D, R63I | | 17 | R60C, R60D, R60E, R60F, R63D, R63E, R63H | | 17 | R60C, R60D, R60E, R60F, R63D, R63E, R63H |
| | Pre | A42A | | Pre | A42A | | Pre | A42A |
| 8m301.5†↔ | | KJZSV, KK11, KKI, KKII, KKP | 8m303.24† | | KJZSV, KKP | 8m303.53† | | KJZSV, KKP |
| | 17 | R60F, R63D, R63I | | 17 | R60C, R60D, R60E, R60F, R63D, R63E, R63H | | 17 | R60C, R60D, R60E, R60F, R63D, R63E, R63H |
| | Pre | A42A | | Pre | A42A | | Pre | A42A |
| 8m301.6† | | KJZSV, KK11, KKI, KKII, KKP | 8m303.25† | | KJZSV, KKP | 8m303.54† | | KJZSV, KKP |
| | 17 | R60F, R63D, R63I | | 17 | R60C, R60D, R60E, R60F, R63D, R63E, R63H | | 17 | R60C, R60D, R60E, R60F, R63D, R63E, R63H |
| | Pre | A42A | | Pre | A42A | | Pre | A42A |
| 8m301.x† | | KJZSV, KK11, KKI, KKII, KKP | 8m303.26† | | KJZSV, KKP | 8m303.55† | | KJZSV, KKP |
| | 17 | R60F, R63D, R63I | | 17 | R60C, R60D, R60E, R60F, R63D, R63E, R63H | | 17 | R60C, R60D, R60E, R60F, R63D, R63E, R63H |
| | Pre | A42A | | Pre | A42A | | Pre | A42A |
| 8m302.1† | | KJZSV | | 17 | R60C, R60D, R60E, R60F, R63D, R63E, R63H | | 17 | R60C, R60D, R60E, R60F, R63D, R63E, R63H |
| | 17 | R60C, R60D, R60E, R60F, R63D, R63E, R63H | | Pre | A42A | | Pre | A42A |
| | Pre | A42A | | Pre | A42A | | Pre | A42A |
| 8m302.2† | | KJZSV | | 17 | R60C, R60D, R60E, R60F, R63D, R63E, R63H | | 17 | R60C, R60D, R60E, R60F, R63D, R63E, R63H |
| | 17 | R60C, R60D, R60E, R60F, R63D, R63E, R63H | | Pre | A42A | | Pre | A42A |
| | Pre | A42A | | Pre | A42A | | Pre | A42A |
| 8m302.3† | | KJZSV | | 17 | R60C, R60D, R60E, R60F, R63D, R63E, R63H | | 17 | R60C, R60D, R60E, R60F, R63D, R63E, R63H |
| | 17 | R60C, R60D, R60E, R60F, R63D, R63E, R63H | | Pre | A42A | | Pre | A42A |
| | Pre | A42A | | Pre | A42A | | Pre | A42A |

| ZZV | MDC | DRG | ZZV | MDC | DRG | ZZV | MDC | DRG | | | |
|---------|---------|---|---|---|---|---------|---|---|----------|----|---|
| 8m402.0 | | BOP, KJZSV, KK11, KKI, KKII, KKP, KVT, UOP4 | 8m404.1 | | BOP, KJZSV, KK11, KKI, KKII, KKP, KVT, UOP4 | 8m414.2 | | BOP, KJZSV, KK11, KKI, KKII, KKP, KVT, UOP4 | | | |
| | 01 | B02A, B02B, B02C, B16Z, B39A, B39B | | 01 | B02A, B02B, B02C, B16Z, B39A, B39B | | 01 | B02A, B02B, B02C, B16Z, B39A, B39B | | | |
| | 02 | C02A, C02B, C16Z | | 02 | C02A, C02B, C16Z | | 02 | C02A, C02B, C16Z | | | |
| | 03 | D18Z, D20A, D20B | | 03 | D18Z, D20A, D20B | | 03 | D18Z, D20A, D20B | | | |
| | 04 | E03Z, E08A, E08B, E08C | | 04 | E03Z, E08A, E08B, E08C | | 04 | E03Z, E08A, E08B, E08C | | | |
| | 06 | G15Z, G29A, G29B | | 06 | G15Z, G29A, G29B | | 06 | G15Z, G29A, G29B | | | |
| | 07 | H01A, H01B, H16Z | | 07 | H01A, H01B, H16Z | | 07 | H01A, H01B, H16Z | | | |
| | 08 | I54Z | | 08 | I54Z | | 08 | I54Z | | | |
| | 09 | J16Z, J18Z | | 09 | J16Z, J18Z | | 09 | J16Z, J18Z | | | |
| | 10 | K15A, K15B, K15C | | 10 | K15A, K15B, K15C | | 10 | K15A, K15B, K15C | | | |
| | 11 | L12Z | | 11 | L12Z | | 11 | L12Z | | | |
| | 12 | M10A, M10B, M60A | | 12 | M10A, M10B, M60A | | 12 | M10A, M10B, M60A | | | |
| | 13 | N16Z, N60A | | 13 | N16Z, N60A | | 13 | N16Z, N60A | | | |
| | 17 | R14Z | | 17 | R14Z | | 17 | R14Z | | | |
| | 8m402.1 | | | BOP, KJZSV, KK11, KKI, KKII, KKP, KVT, UOP4 | 8m411 | | | BOP, KJZSV, KK11, KKI, KKII, KVT, UOP4 | 8m415 | | BOP, KJZSV, KK11, KKI, KKII, KKP, KVT, UOP4 |
| | | 01 | | B02A, B02B, B02C, B16Z, B39A, B39B | | | 01 | B02A, B02B, B02C, B16Z, B39A, B39B | | 01 | B02A, B02B, B02C, B16Z, B39A, B39B |
| | | 02 | | C02A, C02B, C16Z | | | 02 | C02A, C02B, C16Z | | 02 | C02A, C02B, C16Z |
| 03 | | D18Z, D20A, D20B | 03 | D18Z, D20A, D20B | | 03 | D18Z, D20A, D20B | | | | |
| 04 | | E03Z, E08A, E08B, E08C | 04 | E03Z | | 04 | E03Z, E08A, E08B, E08C | | | | |
| 06 | | G15Z, G29A, G29B | 06 | G15Z, G29A, G29B | | 06 | G15Z, G29A, G29B | | | | |
| 07 | | H01A, H01B, H16Z | 07 | H01A, H01B, H16Z | | 07 | H01A, H01B, H16Z | | | | |
| 08 | | I54Z | 08 | I54Z | | 08 | I54Z | | | | |
| 09 | | J16Z, J18Z | 09 | J16Z, J18Z | | 09 | J16Z, J18Z | | | | |
| 10 | | K15A, K15B, K15C | 10 | K15A, K15B, K15C | | 10 | K15A, K15B, K15C | | | | |
| 11 | | L12Z | 11 | L12Z | | 11 | L12Z | | | | |
| 12 | | M10A, M10B, M60A | 12 | M10A, M10B, M60A | | 12 | M10A, M10B, M60A | | | | |
| 13 | | N16Z, N60A | 13 | N16Z, N60A | | 13 | N16Z, N60A | | | | |
| 17 | | R14Z | 17 | R14Z | | 17 | R14Z | | | | |
| 8m403 | | | BOP, KJZSV, KK11, KKI, KKII, KKP, KVT, UOP4 | 8m412 | | | BOP, KJZSV, KK11, KKI, KKII, KKP, KVT, UOP4 | 8m416.01 | | | BOP, KJZSV, KK11, KKI, KKII, KKP, KVT, UOP4 |
| | | 01 | B02A, B02B, B02C, B16Z, B39A, B39B | | | 01 | B02A, B02B, B02C, B16Z, B39A, B39B | | | 01 | B02A, B02B, B02C, B16Z, B39A, B39B |
| | | 02 | C02A, C02B, C16Z | | | 02 | C02A, C02B, C16Z | | | 02 | C02A, C02B, C16Z |
| | 03 | D18Z, D20A, D20B | 03 | | D18Z, D20A, D20B | 03 | D18Z, D20A, D20B | | | | |
| | 04 | E03Z, E08A, E08B, E08C | 04 | | E03Z, E08A, E08B, E08C | 04 | E03Z, E08A, E08B, E08C | | | | |
| | 06 | G15Z, G29A, G29B | 06 | | G15Z, G29A, G29B | 06 | G15Z, G29A, G29B | | | | |
| | 07 | H01A, H01B, H16Z | 07 | | H01A, H01B, H16Z | 07 | H01A, H01B, H16Z | | | | |
| | 08 | I54Z | 08 | | I54Z | 08 | I54Z | | | | |
| | 09 | J16Z, J18Z | 09 | | J16Z, J18Z | 09 | J16Z, J18Z | | | | |
| | 10 | K15A, K15B, K15C, K15D | 10 | | K15A, K15B, K15C | 10 | K15A, K15B, K15C | | | | |
| | 11 | L12Z | 11 | | L12Z | 11 | L12Z | | | | |
| | 12 | M10A, M10B, M60A | 12 | | M10A, M10B, M60A | 12 | M10A, M10B, M60A | | | | |
| | 13 | N16Z, N60A | 13 | | N16Z, N60A | 13 | N16Z, N60A | | | | |
| | 17 | R14Z | 17 | | R14Z | 17 | R14Z | | | | |
| | 8m404.0 | | BOP, KJZSV, KK11, KKI, KKII, KKP, KVT, UOP4 | | 8m414.1 | | BOP, KJZSV, KK11, KKI, KKII, KKP, KVT, UOP4 | | 8m416.02 | | BOP, KJZSV, KK11, KKI, KKII, KKP, KVT, UOP4 |
| | | 01 | B02A, B02B, B02C, B16Z, B39A, B39B | | | 01 | B02A, B02B, B02C, B16Z, B39A, B39B | | | 01 | B02A, B02B, B02C, B16Z, B39A, B39B |
| | | 02 | C02A, C02B, C16Z | | | 02 | C02A, C02B, C16Z | | | 02 | C02A, C02B, C16Z |
| 03 | | D18Z, D20A, D20B | 03 | D18Z, D20A, D20B | | 03 | D18Z, D20A, D20B | | | | |
| 04 | | E03Z, E08A, E08B, E08C | 04 | E03Z, E08A, E08B, E08C | | 04 | E03Z, E08A, E08B, E08C | | | | |
| 06 | | G15Z, G29A, G29B | 06 | G15Z, G29A, G29B | | 06 | G15Z, G29A, G29B | | | | |
| 07 | | H01A, H01B, H16Z | 07 | H01A, H01B, H16Z | | 07 | H01A, H01B, H16Z | | | | |
| 08 | | I54Z | 08 | I54Z | | 08 | I54Z | | | | |
| 09 | | J16Z, J18Z | 09 | J16Z, J18Z | | 09 | J16Z, J18Z | | | | |
| 10 | | K15A, K15B, K15C, K15D | 10 | K15A, K15B, K15C | | 10 | K15A, K15B, K15C | | | | |
| 11 | | L12Z | 11 | L12Z | | 11 | L12Z | | | | |
| 12 | | M10A, M10B, M60A | 12 | M10A, M10B, M60A | | 12 | M10A, M10B, M60A | | | | |
| 13 | | N16Z, N60A | 13 | N16Z, N60A | | 13 | N16Z, N60A | | | | |
| 17 | | R14Z | 17 | R14Z | | 17 | R14Z | | | | |

| ZZV | MDC | DRG | ZZV | MDC | DRG | ZZV | MDC | DRG | | | |
|---------|---------|---|---|---|---|----------|---|---|----------|----|---|
| 8m416.1 | | BOP, KJZSV, KK11, KKI, KKII, KKP, KVT, UOP4 | 8m417 | | BOP, KJZSV, KK11, KKI, KKII, KKP, KVT, UOP4 | 8m418.30 | | BOP, KJZSV, KK11, KKI, KKII, KKP, KVT, UOP4 | | | |
| | 01 | B02A, B02B, B02C, B16Z, B39A, B39B | | 01 | B02A, B02B, B02C, B16Z, B39A, B39B | | 01 | B02A, B02B, B02C, B16Z, B39A, B39B | | | |
| | 02 | C02A, C02B, C16Z | | 02 | C02A, C02B, C16Z | | 02 | C02A, C02B, C16Z | | | |
| | 03 | D18Z, D20A, D20B | | 03 | D18Z, D20A, D20B | | 03 | D18Z, D20A, D20B | | | |
| | 04 | E03Z, E08A, E08B, E08C | | 04 | E03Z, E08A, E08B, E08C | | 04 | E03Z, E08A, E08B, E08C | | | |
| | 06 | G15Z, G29A, G29B | | 06 | G15Z, G29A, G29B | | 06 | G15Z, G29A, G29B | | | |
| | 07 | H01A, H01B, H16Z | | 07 | H01A, H01B, H16Z | | 07 | H01A, H01B, H16Z | | | |
| | 08 | I54Z | | 08 | I54Z | | 08 | I54Z | | | |
| | 09 | J16Z, J18Z | | 09 | J16Z, J18Z | | 09 | J16Z, J18Z | | | |
| | 10 | K15A, K15B, K15C | | 10 | K15A, K15B, K15C | | 10 | K15A, K15B, K15C | | | |
| | 11 | L12Z | | 11 | L12Z | | 11 | L12Z | | | |
| | 12 | M10A, M10B, M60A | | 12 | M10A, M10B, M60A | | 12 | M10A, M10B, M60A | | | |
| | 13 | N16Z, N60A | | 13 | N16Z, N60A | | 13 | N16Z, N60A | | | |
| | 17 | R14Z | | 17 | R14Z | | 17 | R14Z | | | |
| | 8m416.2 | | | BOP, KJZSV, KK11, KKI, KKII, KKP, KVT, UOP4 | 8m418.0 | | | BOP, KJZSV, KK11, KKI, KKII, KKP, KVT, UOP4 | 8m418.31 | | BOP, KJZSV, KK11, KKI, KKII, KKP, KVT, UOP4 |
| | | 01 | | B02A, B02B, B02C, B16Z, B39A, B39B | | | 01 | B02A, B02B, B02C, B16Z, B39A, B39B | | 01 | B02A, B02B, B02C, B16Z, B39A, B39B |
| | | 02 | | C02A, C02B, C16Z | | | 02 | C02A, C02B, C16Z | | 02 | C02A, C02B, C16Z |
| 03 | | D18Z, D20A, D20B | 03 | D18Z, D20A, D20B | | 03 | D18Z, D20A, D20B | | | | |
| 04 | | E03Z, E08A, E08B, E08C | 04 | E03Z, E08A, E08B, E08C | | 04 | E03Z, E08A, E08B, E08C | | | | |
| 06 | | G15Z, G29A, G29B | 06 | G15Z, G29A, G29B | | 06 | G15Z, G29A, G29B | | | | |
| 07 | | H01A, H01B, H16Z | 07 | H01A, H01B, H16Z | | 07 | H01A, H01B, H16Z | | | | |
| 08 | | I54Z | 08 | I54Z | | 08 | I54Z | | | | |
| 09 | | J16Z, J18Z | 09 | J16Z, J18Z | | 09 | J16Z, J18Z | | | | |
| 10 | | K15A, K15B, K15C | 10 | K15A, K15B, K15C | | 10 | K15A, K15B, K15C | | | | |
| 11 | | L12Z | 11 | L12Z | | 11 | L12Z | | | | |
| 12 | | M10A, M10B, M60A | 12 | M10A, M10B, M60A | | 12 | M10A, M10B, M60A | | | | |
| 13 | | N16Z, N60A | 13 | N16Z, N60A | | 13 | N16Z, N60A | | | | |
| 17 | | R14Z | 17 | R14Z | | 17 | R14Z | | | | |
| 8m416.3 | | | BOP, KJZSV, KK11, KKI, KKII, KKP, KVT, UOP4 | 8m418.1 | | | BOP, KJZSV, KK11, KKI, KKII, KKP, KVT, UOP4 | 8m419 | | | BOP, KJZSV, KK11, KKI, KKII, KKP, KVT, UOP4 |
| | | 01 | B02A, B02B, B02C, B16Z, B39A, B39B | | | 01 | B02A, B02B, B02C, B16Z, B39A, B39B | | | 01 | B02A, B02B, B02C, B16Z, B39A, B39B |
| | | 02 | C02A, C02B, C16Z | | | 02 | C02A, C02B, C16Z | | | 02 | C02A, C02B, C16Z |
| | 03 | D18Z, D20A, D20B | 03 | | D18Z, D20A, D20B | 03 | D18Z, D20A, D20B | | | | |
| | 04 | E03Z, E08A, E08B, E08C | 04 | | E03Z, E08A, E08B, E08C | 04 | E03Z, E08A, E08B, E08C | | | | |
| | 06 | G15Z, G29A, G29B | 06 | | G15Z, G29A, G29B | 06 | G15Z, G29A, G29B | | | | |
| | 07 | H01A, H01B, H16Z | 07 | | H01A, H01B, H16Z | 07 | H01A, H01B, H16Z | | | | |
| | 08 | I54Z | 08 | | I54Z | 08 | I54Z | | | | |
| | 09 | J16Z, J18Z | 09 | | J16Z, J18Z | 09 | J16Z, J18Z | | | | |
| | 10 | K15A, K15B, K15C | 10 | | K15A, K15B, K15C | 10 | K15A, K15B, K15C | | | | |
| | 11 | L12Z | 11 | | L12Z | 11 | L12Z | | | | |
| | 12 | M10A, M10B, M60A | 12 | | M10A, M10B, M60A | 12 | M10A, M10B, M60A | | | | |
| | 13 | N16Z, N60A | 13 | | N16Z, N60A | 13 | N16Z, N60A | | | | |
| | 17 | R14Z | 17 | | R14Z | 17 | R14Z | | | | |
| | 8m416.x | | BOP, KJZSV, KK11, KKI, KKII, KKP, KVT, UOP4 | | 8m418.2 | | BOP, KJZSV, KK11, KKI, KKII, KKP, KVT, UOP4 | | 8m41a | | BOP, KJZSV, KK11, KKI, KKII, KKP, KVT, UOP4 |
| | | 01 | B02A, B02B, B02C, B16Z, B39A, B39B | | | 01 | B02A, B02B, B02C, B16Z, B39A, B39B | | | 01 | B02A, B02B, B02C, B16Z, B39A, B39B |
| | | 02 | C02A, C02B, C16Z | | | 02 | C02A, C02B, C16Z | | | 02 | C02A, C02B, C16Z |
| 03 | | D18Z, D20A, D20B | 03 | D18Z, D20A, D20B | | 03 | D18Z, D20A, D20B | | | | |
| 04 | | E03Z, E08A, E08B, E08C | 04 | E03Z, E08A, E08B, E08C | | 04 | E03Z, E08A, E08B, E08C | | | | |
| 06 | | G15Z, G29A, G29B | 06 | G15Z, G29A, G29B | | 06 | G15Z, G29A, G29B | | | | |
| 07 | | H01A, H01B, H16Z | 07 | H01A, H01B, H16Z | | 07 | H01A, H01B, H16Z | | | | |
| 08 | | I54Z | 08 | I54Z | | 08 | I54Z | | | | |
| 09 | | J16Z, J18Z | 09 | J16Z, J18Z | | 09 | J16Z, J18Z | | | | |
| 10 | | K15A, K15B, K15C | 10 | K15A, K15B, K15C | | 10 | K15A, K15B, K15C | | | | |
| 11 | | L12Z | 11 | L12Z | | 11 | L12Z | | | | |
| 12 | | M10A, M10B, M60A | 12 | M10A, M10B, M60A | | 12 | M10A, M10B, M60A | | | | |
| 13 | | N16Z, N60A | 13 | N16Z, N60A | | 13 | N16Z, N60A | | | | |
| 17 | | R14Z | 17 | R14Z | | 17 | R14Z | | | | |
| | | | | | | 8n100.2‡ | GVRH, KJZSV | | | | |
| | | | | | | 8n100.3‡ | GVRH, KJZSV | | | | |
| | | | | | | 8n110.2‡ | KJZSV, VRH | | | | |
| | | | | 01 | B11Z, B42A, B42B | | | | | | |

VYK

| ZZV | MDC | DRG | ZZV | MDC | DRG | ZZV | MDC | DRG |
|----------|-----|------------------|----------|-----|------------------------------------|----------|-----|--|
| 8n110.3‡ | | KJZSV, VRH | 8n126.1‡ | | KJZSV, VRH | 8p102.c‡ | | KJZSV |
| | 01 | B11Z, B42A, B42B | | 01 | B42A, B42B, B48Z | | 15 | P65A, P65B, P66A, P66B, P67A, P67B |
| | 08 | I96Z | | 08 | I96Z | | | KJZSV |
| 8n110.4‡ | | KJZSV, VRH | 8n126.2‡ | | KJZSV, VRH | 8p102.e‡ | | KJZSV |
| | 01 | B11Z, B43Z | | 01 | B42A, B42B, B48Z | | 15 | P65A, P65B, P66A, P66B, P67A, P67B |
| | 08 | I96Z | | 08 | I96Z | | | KJZSV |
| 8n110.5‡ | | KJZSV, VRH | 8n126.3‡ | | KJZSV, VRH | 8p107‡ | | KJZSV |
| | 01 | B11Z, B43Z | | 01 | B42A, B42B, B48Z | | 15 | P65A, P65B, P66A, P66B, P67A, P67B |
| | 08 | I96Z | | 08 | I96Z | | | KJZSV |
| 8n110.6‡ | | KJZSV, VRH | 8n126.4‡ | | KJZSV, VRH | 8p133‡ | | KJZSV |
| | 01 | B11Z, B43Z | | 01 | B42A, B42B, B48Z | | 15 | P65A, P65B, P66A, P66B, P67A, P67B |
| | 08 | I96Z | | 08 | I96Z | | | KJZSV |
| 8n121.1‡ | | KJZSV, VRH | 8n202.1‡ | | KJZSV | 8p141‡ | | KJZSV |
| | 01 | B42A, B42B, B48Z | | 15 | P65C, P66C, P67B, P67C | | 03 | D15A, D15B, D15J, D18Z |
| 8n121.2‡ | | KJZSV, VRH | 8n202.2‡ | | KJZSV | | 04 | E02A, E02B, E02C, E02D |
| | 01 | B42A, B42B, B48Z | | 15 | P65C, P66C, P67B, P67C | | 21A | W01A, W01B, W01C, W36Z |
| 8n121.3‡ | | KJZSV, VRH | 8n202.3‡ | | KJZSV | 8q111‡ | | KJZSV, KK11, KKI, KKII, KKP |
| | 01 | B42A, B42B, B48Z | | 15 | P65C, P66C, P67B, P67C | | 05 | F62A |
| 8n121.4‡ | | KJZSV, VRH | 8n202.4‡ | | KJZSV | 8q121‡ | | KJZSV, KK11, KKI, KKII, KKP |
| | 01 | B42A, B42B, B48Z | | 15 | P65C, P66C, P67B, P67C | | 05 | F62A |
| 8n122.1‡ | | KJZSV, VRH | 8n202.5‡ | | KJZSV | 8q123‡ | | KJZSV, KK11, KKI, KKII, KKP |
| | 01 | B42A, B42B, B48Z | | 15 | P65C, P66C, P67B, P67C | | 05 | F62A |
| | 08 | I96Z | 8n202.6‡ | | KJZSV | 8q124‡ | | KJZSV, KK11, KKI, KKII, KKP |
| 8n122.2‡ | | KJZSV, VRH | 8n202.7‡ | | KJZSV | 8q902‡ | | KJZSV |
| | 01 | B42A, B42B, B48Z | | 15 | P65C, P66C, P67B, P67C | | 05 | F62A |
| | 08 | I96Z | | 15 | P65C, P66C, P67B, P67C | | 15 | P05A, P05B, P05C, P66A, P66B, P66C, P66D, P67A |
| 8n122.3‡ | | KJZSV, VRH | 8n219.1‡ | | KJZSV | 8r110‡ | | DIAL, KJZSV, KKI, KKP |
| | 01 | B42A, B42B, B48Z | | 15 | P65C, P66C, P67B, P67C | 8r113.0‡ | | DIAL, KJZSV, KK11, KKI, KKII, KKP |
| | 08 | I96Z | 8n219.2‡ | | KJZSV | 8r113.1‡ | | KJZSV |
| 8n122.4‡ | | KJZSV, VRH | 8n21d‡ | | KJZSV, KVT | 8r113.2‡ | | KJZSV |
| | 01 | B42A, B42B, B48Z | 8p100.1‡ | | KJZSV | | 11 | L02B, L09A, L38Z |
| | 08 | I96Z | | 15 | P65A, P65B, P66A, P66B, P67A, P67B | 8r113.3‡ | | KJZSV |
| 8n123.1‡ | | KJZSV, VRH | 8p100.2‡ | | KJZSV | | 11 | L02B, L09A, L38Z |
| | 01 | B42A, B42B, B48Z | | 04 | E02A, E64A, E77B | 8r113.4‡ | | KJZSV |
| | 08 | I96Z | | 15 | P65A, P65B, P66A, P66B, P67A, P67B | | 11 | L02B, L09A, L38Z |
| 8n123.2‡ | | KJZSV, VRH | 8p100.3‡ | | KJZSV | 8r113.5‡ | | KJZSV |
| | 01 | B42A, B42B, B48Z | | 04 | E02A, E64A, E77B | | 11 | L02B, L09A, L38Z |
| | 08 | I96Z | | 15 | P65A, P65B, P66A, P66B, P67A, P67B | 8r113.7‡ | | KJZSV |
| 8n123.3‡ | | KJZSV, VRH | 8p100.4‡ | | KJZSV | | 11 | L02B, L09A, L38Z |
| | 01 | B42A, B42B, B48Z | | 15 | P65A, P65B, P66A, P66B, P67A, P67B | 8r113.8‡ | | KJZSV |
| | 08 | I96Z | | 15 | P65A, P65B, P66A, P66B, P67A, P67B | | 11 | L02B, L09A, L38Z |
| 8n123.4‡ | | KJZSV, VRH | 8p100.5‡ | | KJZSV | 8r113.9‡ | | KJZSV |
| | 01 | B42A, B42B, B48Z | | 15 | P65A, P65B, P66A, P66B, P67A, P67B | | 11 | L02B, L09A, L38Z |
| | 08 | I96Z | | 15 | P65A, P65B, P66A, P66B, P67A, P67B | 8r113.a‡ | | KJZSV |
| 8n124.1‡ | | KJZSV, VRH | 8p100.6‡ | | KJZSV | | 11 | L02B, L09A, L38Z |
| | 01 | B42A, B42B, B48Z | | 04 | E02A, E64A, E77B | 8r113.b‡ | | KJZSV |
| | 08 | I96Z | | 15 | P65A, P65B, P66A, P66B, P67A, P67B | | 11 | L02B, L09A, L38Z |
| 8n124.2‡ | | KJZSV, VRH | 8p100.7‡ | | KJZSV | 8r113.c‡ | | KJZSV |
| | 01 | B42A, B42B, B48Z | | 15 | P65A, P65B, P66A, P66B, P67A, P67B | | 11 | L02B, L09A, L38Z |
| | 08 | I96Z | | 15 | P65A, P65B, P66A, P66B, P67A, P67B | 8r114.0‡ | | DIAL, KJZSV, KK11, KKI, KKII, KKP |
| 8n124.3‡ | | KJZSV, VRH | 8p100.8‡ | | KJZSV | | | KJZSV |
| | 01 | B42A, B42B, B48Z | | 15 | P65A, P65B, P66A, P66B, P67A, P67B | 8r114.1‡ | | KJZSV |
| | 08 | I96Z | | 15 | P65A, P65B, P66A, P66B, P67A, P67B | 8r114.2‡ | | KJZSV |
| 8n124.4‡ | | KJZSV, VRH | 8p102.1‡ | | KJZSV | | 11 | L02B, L09A, L38Z |
| | 01 | B42A, B42B, B48Z | | 15 | P65A, P65B, P66A, P66B, P67A, P67B | 8r114.3‡ | | KJZSV |
| | 08 | I96Z | | 15 | P65A, P65B, P66A, P66B, P67A, P67B | | 11 | L02B, L09A, L38Z |
| 8n125.1‡ | | KJZSV, VRH | 8p102.2‡ | | KJZSV | | 11 | L02B, L09A, L38Z |
| | 01 | B42A, B42B, B48Z | | 15 | P65A, P65B, P66A, P66B, P67A, P67B | 8r114.4‡ | | KJZSV |
| | 08 | I96Z | | 15 | P65A, P65B, P66A, P66B, P67A, P67B | | 11 | L02B, L09A, L38Z |
| 8n125.2‡ | | KJZSV, VRH | 8p102.a‡ | | KJZSV | | 11 | L02B, L09A, L38Z |
| | 01 | B42A, B42B, B48Z | | 15 | P65A, P65B, P66A, P66B, P67A, P67B | 8r114.5‡ | | KJZSV |
| | 08 | I96Z | | 15 | P65A, P65B, P66A, P66B, P67A, P67B | | 11 | L02B, L09A, L38Z |
| 8n125.3‡ | | KJZSV, VRH | 8p102.b‡ | | KJZSV | | 11 | L02B, L09A, L38Z |
| | 01 | B42A, B42B, B48Z | | 15 | P65A, P65B, P66A, P66B, P67A, P67B | 8r114.7‡ | | KJZSV |
| | 08 | I96Z | | 15 | P65A, P65B, P66A, P66B, P67A, P67B | | 11 | L02B, L09A, L38Z |
| 8n125.4‡ | | KJZSV, VRH | | | | 8r114.8‡ | | KJZSV |
| | 01 | B42A, B42B, B48Z | | | | | 11 | L02B, L09A, L38Z |
| | 08 | I96Z | | | | 8r114.9‡ | | KJZSV |
| | | | | | | | 11 | L02B, L09A, L38Z |

| ZZV | MDC | DRG | ZZV | MDC | DRG | ZZV | MDC | DRG |
|-----------|-----|-----------------------------------|-----------|-----|-----------------------------------|-----------|-----|-----------------------------------|
| 8r114.a† | | KJZSV | 8r124.1f† | | DIAL, KJZSV, KK11, KKI, KKII, KKP | 8r144.1b† | | DIAL, KJZSV, KK11, KKI, KKII, KKP |
| 8r114.b† | 11 | L02B, L09A, L38Z | 8r124.1g† | 11 | L02B, L09A, L38Z | 8r144.1c† | | DIAL, KJZSV, KK11, KKI, KKII, KKP |
| 8r114.c† | | KJZSV | 8r124.1h† | 11 | L02B, L09A, L38Z | 8r144.1d† | 11 | L02B, L09A, L38Z |
| 8r11x† | | KJZSV | 8r124.1i† | 11 | L02B, L09A, L38Z | 8r144.1e† | | DIAL, KJZSV, KK11, KKI, KKII, KKP |
| 8r121.1† | | DIAL, KJZSV, KKI, KKP | 8r124.1j† | 11 | L02B, L09A, L38Z | 8r144.1f† | 11 | L02B, L09A, L38Z |
| 8r121.2† | | KJZSV | 8r124.1k† | 11 | L02B, L09A, L38Z | 8r144.1g† | | DIAL, KJZSV, KK11, KKI, KKII, KKP |
| 8r122.1† | 11 | L02B, L09A, L38Z | 8r124.1l† | 11 | L02B, L09A, L38Z | 8r144.1h† | 11 | L02B, L09A, L38Z |
| 8r122.2† | | KJZSV | 8r124.1m† | 11 | L02B, L09A, L38Z | 8r144.1i† | | DIAL, KJZSV, KK11, KKI, KKII, KKP |
| 8r123.1† | 11 | L02B, L09A, L38Z | 8r124.1n† | 11 | L02B, L09A, L38Z | 8r144.1j† | 11 | L02B, L09A, L38Z |
| 8r123.2† | | DIAL, KJZSV, KKI, KKP | 8r12x† | | KJZSV | 8r144.1k† | | DIAL, KJZSV, KK11, KKI, KKII, KKP |
| 8r123.2† | | DIAL, KJZSV, KKI, KKP | 8r141.1† | 11 | L02B, L09A, L38Z | 8r144.1m† | 11 | L02B, L09A, L38Z |
| 8r123.3† | 11 | L02B, L09A, L38Z | 8r141.2† | 11 | L02B, L09A, L38Z | 8r144.1n† | 11 | L02B, L09A, L38Z |
| 8r123.3† | | DIAL, KJZSV, KKI, KKP | 8r142.1† | 11 | L02B, L09A, L38Z | 8r144.1o† | | DIAL, KJZSV, KK11, KKI, KKII, KKP |
| 8r123.4† | 11 | L02B, L09A, L38Z | 8r142.2† | 11 | L02B, L09A, L38Z | 8r144.1p† | 11 | L02B, L09A, L38Z |
| 8r124.0a† | | DIAL, KJZSV, KK11, KKI, KKII, KKP | 8r143.1† | 11 | L02B, L09A, L38Z | 8r144.1q† | | DIAL, KJZSV, KK11, KKI, KKII, KKP |
| 8r124.0b† | | DIAL, KJZSV, KK11, KKI, KKII, KKP | 8r143.2† | 11 | L02B, L09A, L38Z | 8r144.1r† | 11 | L02B, L09A, L38Z |
| 8r124.0c† | | DIAL, KJZSV, KK11, KKI, KKII, KKP | 8r143.3† | 11 | L02B, L09A, L38Z | 8r144.1s† | | DIAL, KJZSV, KK11, KKI, KKII, KKP |
| 8r124.0d† | 11 | L02B, L09A, L38Z | 8r144.0a† | | DIAL, KJZSV, KK11, KKI, KKII, KKP | 8r144.1t† | 11 | L02B, L09A, L38Z |
| 8r124.0e† | | DIAL, KJZSV, KK11, KKI, KKII, KKP | 8r144.0b† | | DIAL, KJZSV, KK11, KKI, KKII, KKP | 8r144.1u† | | DIAL, KJZSV, KK11, KKI, KKII, KKP |
| 8r124.0f† | 11 | L02B, L09A, L38Z | 8r144.0c† | 11 | L02B, L09A, L38Z | 8r144.1v† | 11 | L02B, L09A, L38Z |
| 8r124.0g† | | DIAL, KJZSV, KK11, KKI, KKII, KKP | 8r144.0d† | 11 | L02B, L09A, L38Z | 8r144.1w† | | DIAL, KJZSV, KK11, KKI, KKII, KKP |
| 8r124.0h† | 11 | L02B, L09A, L38Z | 8r144.0e† | 11 | L02B, L09A, L38Z | 8r144.1x† | 11 | L02B, L09A, L38Z |
| 8r124.0i† | | DIAL, KJZSV, KK11, KKI, KKII, KKP | 8r144.0f† | 11 | L02B, L09A, L38Z | 8r144.1y† | | DIAL, KJZSV, KK11, KKI, KKII, KKP |
| 8r124.0j† | 11 | L02B, L09A, L38Z | 8r144.0g† | 11 | L02B, L09A, L38Z | 8r144.1z† | 11 | L02B, L09A, L38Z |
| 8r124.0k† | | DIAL, KJZSV, KK11, KKI, KKII, KKP | 8r144.0h† | 11 | L02B, L09A, L38Z | 8r145.0a† | | DIAL, KJZSV, KK11, KKI, KKII, KKP |
| 8r124.0l† | 11 | L02B, L09A, L38Z | 8r144.0i† | 11 | L02B, L09A, L38Z | 8r145.0b† | 11 | L02B, L09A, L38Z |
| 8r124.0m† | | DIAL, KJZSV, KK11, KKI, KKII, KKP | 8r144.0j† | 11 | L02B, L09A, L38Z | | | |
| 8r124.0n† | 11 | L02B, L09A, L38Z | 8r144.0k† | 11 | L02B, L09A, L38Z | | | |
| 8r124.0o† | | DIAL, KJZSV, KK11, KKI, KKII, KKP | 8r144.0l† | 11 | L02B, L09A, L38Z | | | |
| 8r124.0p† | 11 | L02B, L09A, L38Z | 8r144.0m† | 11 | L02B, L09A, L38Z | | | |
| 8r124.0q† | | DIAL, KJZSV, KK11, KKI, KKII, KKP | 8r144.0n† | 11 | L02B, L09A, L38Z | | | |
| 8r124.0r† | 11 | L02B, L09A, L38Z | 8r144.0o† | 11 | L02B, L09A, L38Z | | | |
| 8r124.0s† | | DIAL, KJZSV, KK11, KKI, KKII, KKP | 8r144.0p† | 11 | L02B, L09A, L38Z | | | |
| 8r124.0t† | 11 | L02B, L09A, L38Z | 8r144.0q† | 11 | L02B, L09A, L38Z | | | |
| 8r124.0u† | | DIAL, KJZSV, KK11, KKI, KKII, KKP | 8r144.0r† | 11 | L02B, L09A, L38Z | | | |
| 8r124.0v† | 11 | L02B, L09A, L38Z | 8r144.0s† | 11 | L02B, L09A, L38Z | | | |
| 8r124.0w† | | DIAL, KJZSV, KK11, KKI, KKII, KKP | 8r144.0t† | 11 | L02B, L09A, L38Z | | | |
| 8r124.0x† | 11 | L02B, L09A, L38Z | 8r144.0u† | 11 | L02B, L09A, L38Z | | | |
| 8r124.0y† | | DIAL, KJZSV, KK11, KKI, KKII, KKP | 8r144.0v† | 11 | L02B, L09A, L38Z | | | |
| 8r124.0z† | 11 | L02B, L09A, L38Z | 8r144.0w† | 11 | L02B, L09A, L38Z | | | |

VYK

| ZZV | MDC | DRG | ZZV | MDC | DRG | ZZV | MDC | DRG |
|-----------|-----|-----------------------------------|-----------|-----|-----------------------------------|-----------|-----|-----------------------------------|
| 8r145.0c‡ | | DIAL, KJZSV, KK11, KKI, KKII, KKP | 8r146.1c‡ | | DIAL, KJZSV, KK11, KKI, KKII, KKP | 8r154.0n‡ | | DIAL, KJZSV, KK11, KKI, KKII, KKP |
| 8r145.0d‡ | 11 | L02B, L09A, L38Z | 8r146.1d‡ | 11 | L02B, L09A, L38Z | 8r154.1a‡ | 11 | L02B, L09A, L38Z |
| 8r145.0e‡ | | DIAL, KJZSV, KK11, KKI, KKII, KKP | 8r146.1e‡ | | DIAL, KJZSV, KK11, KKI, KKII, KKP | 8r154.1b‡ | | DIAL, KJZSV, KK11, KKI, KKII, KKP |
| 8r145.0f‡ | 11 | L02B, L09A, L38Z | 8r146.1f‡ | 11 | L02B, L09A, L38Z | 8r154.1c‡ | | DIAL, KJZSV, KK11, KKI, KKII, KKP |
| 8r145.0g‡ | | DIAL, KJZSV, KK11, KKI, KKII, KKP | 8r146.1g‡ | | DIAL, KJZSV, KK11, KKI, KKII, KKP | 8r154.1d‡ | 11 | L02B, L09A, L38Z |
| 8r145.0h‡ | 11 | L02B, L09A, L38Z | 8r146.1h‡ | 11 | L02B, L09A, L38Z | 8r154.1e‡ | 11 | L02B, L09A, L38Z |
| 8r145.0j‡ | | DIAL, KJZSV, KK11, KKI, KKII, KKP | 8r146.1j‡ | | DIAL, KJZSV, KK11, KKI, KKII, KKP | 8r154.1f‡ | 11 | L02B, L09A, L38Z |
| 8r145.0k‡ | 11 | L02B, L09A, L38Z | 8r146.1k‡ | 11 | L02B, L09A, L38Z | 8r154.1g‡ | 11 | L02B, L09A, L38Z |
| 8r145.0m‡ | | DIAL, KJZSV, KK11, KKI, KKII, KKP | 8r146.1m‡ | | DIAL, KJZSV, KK11, KKI, KKII, KKP | 8r154.1h‡ | 11 | L02B, L09A, L38Z |
| 8r145.0n‡ | 11 | L02B, L09A, L38Z | 8r146.1n‡ | 11 | L02B, L09A, L38Z | 8r154.1j‡ | 11 | L02B, L09A, L38Z |
| 8r146.0a‡ | | DIAL, KJZSV, KK11, KKI, KKII, KKP | 8r14x‡ | | KJZSV | 8r154.1k‡ | 11 | L02B, L09A, L38Z |
| 8r146.0b‡ | | DIAL, KJZSV, KK11, KKI, KKII, KKP | 8r151.1‡ | | KJZSV | 8r154.1m‡ | 11 | L02B, L09A, L38Z |
| 8r146.0c‡ | | DIAL, KJZSV, KK11, KKI, KKII, KKP | 8r151.2‡ | 11 | L02B, L09A, L38Z | 8r154.1n‡ | 11 | L02B, L09A, L38Z |
| 8r146.0d‡ | 11 | L02B, L09A, L38Z | 8r152.1‡ | 11 | L02B, L09A, L38Z | 8r155.0a‡ | 11 | L02B, L09A, L38Z |
| 8r146.0e‡ | | DIAL, KJZSV, KK11, KKI, KKII, KKP | 8r152.2‡ | 11 | L02B, L09A, L38Z | 8r155.0b‡ | | DIAL, KJZSV, KK11, KKI, KKII, KKP |
| 8r146.0f‡ | 11 | L02B, L09A, L38Z | 8r154.0a‡ | | DIAL, KJZSV, KK11, KKI, KKII, KKP | 8r155.0c‡ | | DIAL, KJZSV, KK11, KKI, KKII, KKP |
| 8r146.0g‡ | 11 | L02B, L09A, L38Z | 8r154.0b‡ | 11 | L02B, L09A, L38Z | 8r155.0d‡ | 11 | L02B, L09A, L38Z |
| 8r146.0h‡ | | DIAL, KJZSV, KK11, KKI, KKII, KKP | 8r154.0c‡ | | DIAL, KJZSV, KK11, KKI, KKII, KKP | 8r155.0e‡ | 11 | L02B, L09A, L38Z |
| 8r146.0j‡ | 11 | L02B, L09A, L38Z | 8r154.0d‡ | 11 | L02B, L09A, L38Z | 8r155.0f‡ | 11 | L02B, L09A, L38Z |
| 8r146.0k‡ | | DIAL, KJZSV, KK11, KKI, KKII, KKP | 8r154.0e‡ | | DIAL, KJZSV, KK11, KKI, KKII, KKP | 8r155.0g‡ | 11 | L02B, L09A, L38Z |
| 8r146.0m‡ | 11 | L02B, L09A, L38Z | 8r154.0g‡ | 11 | L02B, L09A, L38Z | 8r155.0h‡ | 11 | L02B, L09A, L38Z |
| 8r146.0n‡ | | DIAL, KJZSV, KK11, KKI, KKII, KKP | 8r154.0h‡ | | DIAL, KJZSV, KK11, KKI, KKII, KKP | 8r155.0j‡ | 11 | L02B, L09A, L38Z |
| 8r146.1a‡ | 11 | L02B, L09A, L38Z | 8r154.0i‡ | 11 | L02B, L09A, L38Z | 8r155.0k‡ | 11 | L02B, L09A, L38Z |
| 8r146.1b‡ | | DIAL, KJZSV, KK11, KKI, KKII, KKP | 8r154.0k‡ | | DIAL, KJZSV, KK11, KKI, KKII, KKP | 8r155.0m‡ | 11 | L02B, L09A, L38Z |
| | 11 | L02B, L09A, L38Z | 8r154.0m‡ | 11 | L02B, L09A, L38Z | | 11 | L02B, L09A, L38Z |
| | | | | | | | | |

VYK

| ZZV | MDC | DRG | ZZV | MDC | DRG | ZZV | MDC | DRG |
|-----------|-----|-----------------------------------|-----------|-----|-----------------------------|----------|--|--|
| 8r155.0n‡ | | DIAL, KJZSV, KK11, KKI, KKII, KKP | 8r176.39‡ | | KJZSV, KK11, KKI, KKII, KKP | 8r20b.5‡ | | KJZSV |
| | 11 | L02B, L09A, L38Z | 8r176.3a‡ | | KJZSV, KK11, KKI, KKII, KKP | 15 | P65C, P66C, P67B, P67C | P65C, P66C, P67B, P67C |
| 8r15x‡ | | KJZSV | 8r176.3b‡ | | KJZSV, KK11, KKI, KKII, KKP | 8r20b.6‡ | | KJZSV |
| 8r170‡ | | KJZSV, KK11, KKI, KKII, KKP | 8r176.3c‡ | | KJZSV, KK11, KKI, KKII, KKP | 15 | P65C, P66C, P67B, P67C | P65C, P66C, P67B, P67C |
| | 10 | K60A | 8r176.3d‡ | | KJZSV, KK11, KKI, KKII, KKP | 8r20b.7‡ | | KJZSV |
| 8r171.1‡ | | KJZSV, KK11, KKI, KKII, KKP | 8r176.3e‡ | | KJZSV, KK11, KKI, KKII, KKP | 15 | P65C, P66C, P67B, P67C | P65C, P66C, P67B, P67C |
| 8r171.20‡ | | KJZSV, KK11, KKI, KKII, KKP | 8r209.3‡ | | KJZSV | 8r20b.8‡ | | KJZSV |
| 8r171.21‡ | | KJZSV, KK11, KKI, KKII, KKP | | 15 | P65C, P66C, P67B, P67C | 15 | P65C, P66C, P67B, P67C | P65C, P66C, P67B, P67C |
| 8r171.22‡ | | KJZSV, KK11, KKI, KKII, KKP | 8r209.4‡ | | KJZSV | 8r20b.9‡ | | KJZSV |
| 8r171.23‡ | | KJZSV, KK11, KKI, KKII, KKP | | 15 | P65C, P66C, P67B, P67C | 15 | P65C, P66C, P67B, P67C | P65C, P66C, P67B, P67C |
| 8r171.2x‡ | | KJZSV, KK11, KKI, KKII, KKP | 8r209.5‡ | | KJZSV | 8r20b.a‡ | | KJZSV |
| 8r173‡ | | KJZSV, KK11, KKI, KKII, KKP | | 15 | P65C, P66C, P67B, P67C | 15 | P65C, P66C, P67B, P67C | P65C, P66C, P67B, P67C |
| 8r175.0‡ | | KJZSV, KK11, KKI, KKII, KKP | 8r209.6‡ | | KJZSV | 8r20b.b‡ | | KJZSV |
| | Pre | A17A | | 15 | P65C, P66C, P67B, P67C | 15 | P65C, P66C, P67B, P67C | P65C, P66C, P67B, P67C |
| 8r175.11‡ | | KJZSV, KK11, KKI, KKII, KKP | 8r209.7‡ | | KJZSV | 8r20b.c‡ | | KJZSV |
| | Pre | A17A | | 15 | P65C, P66C, P67B, P67C | 15 | P65C, P66C, P67B, P67C | P65C, P66C, P67B, P67C |
| 8r175.12‡ | | KJZSV, KK11, KKI, KKII, KKP | 8r209.8‡ | | KJZSV | 8r20b.d‡ | | KJZSV |
| | Pre | A17A | | 15 | P65C, P66C, P67B, P67C | 15 | P65C, P66C, P67B, P67C | P65C, P66C, P67B, P67C |
| 8r176.01‡ | | KJZSV, KK11, KKI, KKII, KKP | 8r209.9‡ | | KJZSV | 8r20b.e‡ | | KJZSV |
| 8r176.02‡ | | KJZSV, KK11, KKI, KKII, KKP | | 15 | P65C, P66C, P67B, P67C | 15 | P65C, P66C, P67B, P67C | P65C, P66C, P67B, P67C |
| 8r176.03‡ | | KJZSV, KK11, KKI, KKII, KKP | 8r209.a‡ | | KJZSV | 8r20b.f‡ | | KJZSV |
| 8r176.04‡ | | KJZSV, KK11, KKI, KKII, KKP | | 15 | P65C, P66C, P67B, P67C | 15 | P65C, P66C, P67B, P67C | P65C, P66C, P67B, P67C |
| 8r176.05‡ | | KJZSV, KK11, KKI, KKII, KKP | 8r209.b‡ | | KJZSV | 8r20b.g‡ | | KJZSV |
| 8r176.06‡ | | KJZSV, KK11, KKI, KKII, KKP | | 15 | P65C, P66C, P67B, P67C | 15 | P65C, P66C, P67B, P67C | P65C, P66C, P67B, P67C |
| 8r176.07‡ | | KJZSV, KK11, KKI, KKII, KKP | 8r209.c‡ | | KJZSV | 8r20b.h‡ | | KJZSV |
| 8r176.08‡ | | KJZSV, KK11, KKI, KKII, KKP | | 15 | P65C, P66C, P67B, P67C | 15 | P65C, P66C, P67B, P67C | P65C, P66C, P67B, P67C |
| 8r176.09‡ | | KJZSV, KK11, KKI, KKII, KKP | 8r209.d‡ | | KJZSV | 8r20c.1‡ | | KJZSV |
| 8r176.0a‡ | | KJZSV, KK11, KKI, KKII, KKP | | 15 | P65C, P66C, P67B, P67C | 15 | P65C, P66C, P67B, P67C | P65C, P66C, P67B, P67C |
| 8r176.0b‡ | | KJZSV, KK11, KKI, KKII, KKP | 8r209.e‡ | | KJZSV | 8r20c.2‡ | | KJZSV |
| 8r176.0c‡ | | KJZSV, KK11, KKI, KKII, KKP | | 15 | P65C, P66C, P67B, P67C | 15 | P65C, P66C, P67B, P67C | P65C, P66C, P67B, P67C |
| 8r176.0d‡ | | KJZSV, KK11, KKI, KKII, KKP | 8r209.f‡ | | KJZSV | 8r20c.3‡ | | KJZSV |
| 8r176.0e‡ | | KJZSV, KK11, KKI, KKII, KKP | | 15 | P65C, P66C, P67B, P67C | 15 | P65C, P66C, P67B, P67C | P65C, P66C, P67B, P67C |
| 8r176.11‡ | | KJZSV, KK11, KKI, KKII, KKP | 8r209.g‡ | | KJZSV | 8r20c.4‡ | | KJZSV |
| 8r176.12‡ | | KJZSV, KK11, KKI, KKII, KKP | | 15 | P65C, P66C, P67B, P67C | 15 | P65C, P66C, P67B, P67C | P65C, P66C, P67B, P67C |
| 8r176.13‡ | | KJZSV, KK11, KKI, KKII, KKP | 8r209.h‡ | | KJZSV | 8r20c.5‡ | | KJZSV |
| 8r176.14‡ | | KJZSV, KK11, KKI, KKII, KKP | | 15 | P65C, P66C, P67B, P67C | 15 | P65C, P66C, P67B, P67C | P65C, P66C, P67B, P67C |
| 8r176.15‡ | | KJZSV, KK11, KKI, KKII, KKP | 8r20a.1‡ | | KJZSV | 8r20c.6‡ | | KJZSV |
| 8r176.16‡ | | KJZSV, KK11, KKI, KKII, KKP | | 15 | P65C, P66C, P67B, P67C | 15 | P65C, P66C, P67B, P67C | P65C, P66C, P67B, P67C |
| 8r176.17‡ | | KJZSV, KK11, KKI, KKII, KKP | 8r20a.2‡ | | KJZSV | 8r20c.7‡ | | KJZSV |
| 8r176.18‡ | | KJZSV, KK11, KKI, KKII, KKP | | 15 | P65C, P66C, P67B, P67C | 15 | P65C, P66C, P67B, P67C | P65C, P66C, P67B, P67C |
| 8r176.19‡ | | KJZSV, KK11, KKI, KKII, KKP | 8r20a.3‡ | | KJZSV | 8r20c.8‡ | | KJZSV |
| 8r176.1a‡ | | KJZSV, KK11, KKI, KKII, KKP | | 15 | P65C, P66C, P67B, P67C | 15 | P65C, P66C, P67B, P67C | P65C, P66C, P67B, P67C |
| 8r176.1b‡ | | KJZSV, KK11, KKI, KKII, KKP | 8r20a.4‡ | | KJZSV | 8r20c.9‡ | | KJZSV |
| 8r176.1c‡ | | KJZSV, KK11, KKI, KKII, KKP | | 15 | P65C, P66C, P67B, P67C | 15 | P65C, P66C, P67B, P67C | P65C, P66C, P67B, P67C |
| 8r176.1d‡ | | KJZSV, KK11, KKI, KKII, KKP | 8r20a.5‡ | | KJZSV | 8r20c.a‡ | | KJZSV |
| 8r176.1e‡ | | KJZSV, KK11, KKI, KKII, KKP | | 15 | P65C, P66C, P67B, P67C | 15 | P65C, P66C, P67B, P67C | P65C, P66C, P67B, P67C |
| 8r176.21‡ | | KJZSV, KK11, KKI, KKII, KKP | 8r20a.6‡ | | KJZSV | 8r20c.b‡ | | KJZSV |
| 8r176.22‡ | | KJZSV, KK11, KKI, KKII, KKP | | 15 | P65C, P66C, P67B, P67C | 15 | P65C, P66C, P67B, P67C | P65C, P66C, P67B, P67C |
| 8r176.23‡ | | KJZSV, KK11, KKI, KKII, KKP | 8r20a.7‡ | | KJZSV | 8r20c.c‡ | | KJZSV |
| 8r176.24‡ | | KJZSV, KK11, KKI, KKII, KKP | | 15 | P65C, P66C, P67B, P67C | 15 | P65C, P66C, P67B, P67C | P65C, P66C, P67B, P67C |
| 8r176.25‡ | | KJZSV, KK11, KKI, KKII, KKP | 8r20a.8‡ | | KJZSV | 8r20c.d‡ | | KJZSV |
| 8r176.26‡ | | KJZSV, KK11, KKI, KKII, KKP | | 15 | P65C, P66C, P67B, P67C | 15 | P65C, P66C, P67B, P67C | P65C, P66C, P67B, P67C |
| 8r176.27‡ | | KJZSV, KK11, KKI, KKII, KKP | 8r20a.9‡ | | KJZSV | 8r20c.e‡ | | KJZSV |
| 8r176.28‡ | | KJZSV, KK11, KKI, KKII, KKP | | 15 | P65C, P66C, P67B, P67C | 15 | P65C, P66C, P67B, P67C | P65C, P66C, P67B, P67C |
| 8r176.29‡ | | KJZSV, KK11, KKI, KKII, KKP | 8r20a.a‡ | | KJZSV | 8r222.0 | | F96Z |
| 8r176.2a‡ | | KJZSV, KK11, KKI, KKII, KKP | | 15 | P65C, P66C, P67B, P67C | 05 | F96Z | F96Z |
| 8r176.2b‡ | | KJZSV, KK11, KKI, KKII, KKP | 8r20a.b‡ | | KJZSV | 8r222.1 | | F96Z |
| 8r176.2c‡ | | KJZSV, KK11, KKI, KKII, KKP | | 15 | P65C, P66C, P67B, P67C | 05 | F96Z | F96Z |
| 8r176.2d‡ | | KJZSV, KK11, KKI, KKII, KKP | 8r20a.c‡ | | KJZSV | 8r222.2 | | BOP, KJZSV, KVT, UOP4 |
| 8r176.2e‡ | | KJZSV, KK11, KKI, KKII, KKP | | 15 | P65C, P66C, P67B, P67C | 11 | L06A, L06B, L06J | L06A, L06B, L06J |
| 8r176.31‡ | | KJZSV, KK11, KKI, KKII, KKP | 8r20b.1 ‡ | | KJZSV | 12 | M06J, M06Z, M09A, M09B, M09J, M38Z | M06J, M06Z, M09A, M09B, M09J, M38Z |
| 8r176.32‡ | | KJZSV, KK11, KKI, KKII, KKP | | 15 | P65C, P66C, P67B, P67C | 13 | N13A, N13B, N13J | N13A, N13B, N13J |
| 8r176.33‡ | | KJZSV, KK11, KKI, KKII, KKP | 8r20b.2 ‡ | | KJZSV | 8r222.6‡ | | KJZSV |
| 8r176.34‡ | | KJZSV, KK11, KKI, KKII, KKP | | 15 | P65C, P66C, P67B, P67C | 08 | I64B | I64B |
| 8r176.35‡ | | KJZSV, KK11, KKI, KKII, KKP | 8r20b.3‡ | | KJZSV | 8r22a.0 | | KJZSV |
| 8r176.36‡ | | KJZSV, KK11, KKI, KKII, KKP | | 15 | P65C, P66C, P67B, P67C | Pre | A09A, A11A, A11B, A13A, A15A, A15B, A15C, A15D, A18Z | A09A, A11A, A11B, A13A, A15A, A15B, A15C, A15D, A18Z |
| 8r176.37‡ | | KJZSV, KK11, KKI, KKII, KKP | 8r20b.4‡ | | KJZSV | | | |
| 8r176.38‡ | | KJZSV, KK11, KKI, KKII, KKP | | 15 | P65C, P66C, P67B, P67C | | | |

| ZZV | MDC | DRG | ZZV | MDC | DRG | ZZV | MDC | DRG |
|-----------|-----|--|------------|-----|--------------|------------|-----|--------------|
| 8r22a.1 | | KJZSV | 8r230.13‡ | | KJZST, KJZSV | 8r231.24‡ | | KJZST, KJZSV |
| | Pre | A09A, A11A, A11B, A13A, A15A, A15C, A15D, A18Z | 8r230.14‡ | | KJZST, KJZSV | 8r231.25 ‡ | | KJZST, KJZSV |
| 8r22a.2 | | KJZSV | 8r230.15 ‡ | | KJZST, KJZSV | 8r231.26 ‡ | | KJZST, KJZSV |
| | Pre | A09A, A11A, A11B, A13A, A15A, A15B, A15C, A15D, A18Z | 8r230.16 ‡ | | KJZST, KJZSV | 8r231.27 ‡ | | KJZST, KJZSV |
| 8r22a.3 | | KJZSV | 8r230.17 ‡ | | KJZST, KJZSV | 8r231.28 ‡ | | KJZST, KJZSV |
| | Pre | A09A, A11A, A11B, A13A, A15A, A15C, A15D, A18Z | 8r230.18 ‡ | | KJZST, KJZSV | 8r231.29 ‡ | | KJZST, KJZSV |
| 8r22b.00 | | KJZSV | 8r230.19 ‡ | | KJZST, KJZSV | 8r231.2a ‡ | | KJZST, KJZSV |
| | Pre | A09A, A11A, A11B, A13A, A15A, A15C, A15D, A18Z | 8r230.1a ‡ | | KJZST, KJZSV | 8r231.2b ‡ | | KJZST, KJZSV |
| 8r22b.02 | | KJZSV | 8r230.1b ‡ | | KJZST, KJZSV | 8r231.2c ‡ | | KJZST, KJZSV |
| | Pre | A04A, A04B, A04C, A04D, A09A, A18Z | 8r230.1c ‡ | | KJZST, KJZSV | 8r231.2d ‡ | | KJZST, KJZSV |
| 8r22b.03 | | KJZSV | 8r230.1d ‡ | | KJZST, KJZSV | 8r231.2e ‡ | | KJZST, KJZSV |
| | Pre | A04A, A04B, A04C, A04D, A09A, A18Z | 8r230.1e ‡ | | KJZST, KJZSV | 8r231.2j ‡ | | KJZST, KJZSV |
| 8r22b.10 | | KJZSV | 8r230.1j ‡ | | KJZST, KJZSV | 8r231.2k ‡ | | KJZST, KJZSV |
| | Pre | A04A, A04B, A04C, A04D, A09A, A18Z | 8r230.1k ‡ | | KJZST, KJZSV | 8r231.2l ‡ | | KJZST, KJZSV |
| 8r22b.11 | | KJZSV | 8r230.1l ‡ | | KJZST, KJZSV | 8r231.31‡ | | KJZST, KJZSV |
| | Pre | A04A, A04B, A04C, A04D, A09A, A18Z | 8r230.21‡ | | KJZST, KJZSV | 8r231.32‡ | | KJZST, KJZSV |
| 8r22c.00 | | KJZSV | 8r230.22‡ | | KJZST, KJZSV | 8r231.33‡ | | KJZST, KJZSV |
| | Pre | A04A, A04B, A04C, A04D, A09A, A18Z | 8r230.23‡ | | KJZST, KJZSV | 8r231.34‡ | | KJZST, KJZSV |
| 8r22c.01 | | KJZSV | 8r230.24‡ | | KJZST, KJZSV | 8r231.35 ‡ | | KJZST, KJZSV |
| | Pre | A04A, A04B, A04C, A04D, A09A, A18Z | 8r230.25 ‡ | | KJZST, KJZSV | 8r231.36 ‡ | | KJZST, KJZSV |
| 8r22c.10 | | KJZSV | 8r230.26 ‡ | | KJZST, KJZSV | 8r231.37 ‡ | | KJZST, KJZSV |
| | Pre | A04A, A04B, A04C, A04D, A09A, A18Z | 8r230.27 ‡ | | KJZST, KJZSV | 8r231.38 ‡ | | KJZST, KJZSV |
| 8r22c.11 | | KJZSV | 8r230.28 ‡ | | KJZST, KJZSV | 8r231.39 ‡ | | KJZST, KJZSV |
| | Pre | A04A, A04B, A04C, A04D, A09A, A18Z | 8r230.29 ‡ | | KJZST, KJZSV | 8r231.3a ‡ | | KJZST, KJZSV |
| 8r22e.00 | | KJZSV | 8r230.2a ‡ | | KJZST, KJZSV | 8r231.3b ‡ | | KJZST, KJZSV |
| | Pre | A04A, A04B, A04C, A04D, A09A, A18Z | 8r230.2b ‡ | | KJZST, KJZSV | 8r231.3c ‡ | | KJZST, KJZSV |
| 8r22e.02 | | KJZSV | 8r230.2c ‡ | | KJZST, KJZSV | 8r231.3d ‡ | | KJZST, KJZSV |
| | Pre | A04A, A04B, A04C, A04D, A09A, A18Z | 8r230.2d ‡ | | KJZST, KJZSV | 8r231.3e ‡ | | KJZST, KJZSV |
| 8r22e.03 | | KJZSV | 8r230.2e ‡ | | KJZST, KJZSV | 8r231.3j ‡ | | KJZST, KJZSV |
| | Pre | A04A, A04B, A04C, A04D, A09A, A18Z | 8r230.2j ‡ | | KJZST, KJZSV | 8r231.3k ‡ | | KJZST, KJZSV |
| 8r22e.10 | | KJZSV | 8r230.2k ‡ | | KJZST, KJZSV | 8r231.3l ‡ | | KJZST, KJZSV |
| | Pre | A04A, A04B, A04C, A04D, A09A, A18Z | 8r230.2l ‡ | | KJZST, KJZSV | 8r232.11‡ | | KJZST, KJZSV |
| 8r22e.11 | | KJZSV | 8r230.2l ‡ | | KJZST, KJZSV | 8r232.12‡ | | KJZST, KJZSV |
| | Pre | A04A, A04B, A04C, A04D, A09A, A18Z | 8r230.31‡ | | KJZST, KJZSV | 8r232.13‡ | | KJZST, KJZSV |
| 8r22f.00 | | KJZSV | 8r230.32‡ | | KJZST, KJZSV | 8r232.14‡ | | KJZST, KJZSV |
| | Pre | A04A, A04B, A04C, A04D, A09A, A18Z | 8r230.33‡ | | KJZST, KJZSV | 8r232.15 ‡ | | KJZST, KJZSV |
| 8r22f.01 | | KJZSV | 8r230.34‡ | | KJZST, KJZSV | 8r232.16 ‡ | | KJZST, KJZSV |
| | Pre | A04A, A04B, A04C, A04D, A09A, A18Z | 8r230.35 ‡ | | KJZST, KJZSV | 8r232.17 ‡ | | KJZST, KJZSV |
| 8r22f.10 | | KJZSV | 8r230.36 ‡ | | KJZST, KJZSV | 8r232.18 ‡ | | KJZST, KJZSV |
| | Pre | A04A, A04B, A04C, A04D, A09A, A18Z | 8r230.37 ‡ | | KJZST, KJZSV | 8r232.19 ‡ | | KJZST, KJZSV |
| 8r22f.11 | | KJZSV | 8r230.38 ‡ | | KJZST, KJZSV | 8r232.1a ‡ | | KJZST, KJZSV |
| | Pre | A04A, A04B, A04C, A04D, A09A, A18Z | 8r230.39 ‡ | | KJZST, KJZSV | 8r232.1b ‡ | | KJZST, KJZSV |
| 8r22h.0 | | KJZSV | 8r230.3a ‡ | | KJZST, KJZSV | 8r232.1c ‡ | | KJZST, KJZSV |
| | Pre | A04A | 8r230.3b ‡ | | KJZST, KJZSV | 8r232.1d ‡ | | KJZST, KJZSV |
| 8r22h.1 | | KJZSV | 8r230.3c ‡ | | KJZST, KJZSV | 8r232.1e ‡ | | KJZST, KJZSV |
| | Pre | A04A | 8r230.3d ‡ | | KJZST, KJZSV | 8r232.1j ‡ | | KJZST, KJZSV |
| 8r230.11‡ | | KJZST, KJZSV | 8r230.3e ‡ | | KJZST, KJZSV | 8r232.1k ‡ | | KJZST, KJZSV |
| 8r230.12‡ | | KJZST, KJZSV | 8r230.3j ‡ | | KJZST, KJZSV | 8r232.1l ‡ | | KJZST, KJZSV |
| | | | 8r230.3k ‡ | | KJZST, KJZSV | 8r232.21‡ | | KJZST, KJZSV |
| | | | 8r230.3l ‡ | | KJZST, KJZSV | 8r232.22‡ | | KJZST, KJZSV |
| | | | 8r231.11‡ | | KJZST, KJZSV | 8r232.23‡ | | KJZST, KJZSV |
| | | | 8r231.12‡ | | KJZST, KJZSV | 8r232.24‡ | | KJZST, KJZSV |
| | | | 8r231.13‡ | | KJZST, KJZSV | 8r232.25 ‡ | | KJZST, KJZSV |
| | | | 8r231.14‡ | | KJZST, KJZSV | 8r232.26 ‡ | | KJZST, KJZSV |
| | | | 8r231.15 ‡ | | KJZST, KJZSV | 8r232.27 ‡ | | KJZST, KJZSV |
| | | | 8r231.16 ‡ | | KJZST, KJZSV | 8r232.28 ‡ | | KJZST, KJZSV |
| | | | 8r231.17 ‡ | | KJZST, KJZSV | 8r232.29 ‡ | | KJZST, KJZSV |
| | | | 8r231.18 ‡ | | KJZST, KJZSV | 8r232.2a ‡ | | KJZST, KJZSV |
| | | | 8r231.19 ‡ | | KJZST, KJZSV | 8r232.2b ‡ | | KJZST, KJZSV |
| | | | 8r231.1a ‡ | | KJZST, KJZSV | 8r232.2c ‡ | | KJZST, KJZSV |
| | | | 8r231.1b ‡ | | KJZST, KJZSV | 8r232.2d ‡ | | KJZST, KJZSV |
| | | | 8r231.1c ‡ | | KJZST, KJZSV | 8r232.2e ‡ | | KJZST, KJZSV |
| | | | 8r231.1d ‡ | | KJZST, KJZSV | 8r232.2j ‡ | | KJZST, KJZSV |
| | | | 8r231.1e ‡ | | KJZST, KJZSV | 8r232.2k ‡ | | KJZST, KJZSV |
| | | | 8r231.1j ‡ | | KJZST, KJZSV | 8r232.2l ‡ | | KJZST, KJZSV |
| | | | 8r231.1k ‡ | | KJZST, KJZSV | 8r232.31‡ | | KJZST, KJZSV |
| | | | 8r231.1l ‡ | | KJZST, KJZSV | 8r232.32‡ | | KJZST, KJZSV |
| | | | 8r231.21‡ | | KJZST, KJZSV | 8r232.33‡ | | KJZST, KJZSV |
| | | | 8r231.22‡ | | KJZST, KJZSV | 8r232.34‡ | | KJZST, KJZSV |
| | | | 8r231.23‡ | | KJZST, KJZSV | | | |

| ZZV | MDC | DRG | ZZV | MDC | DRG | ZZV | MDC | DRG |
|------------|-----|--------------|------------|-----|--------------|------------|-----|--------------|
| 8r232.35 ‡ | | KJZST, KJZSV | 8r233.6‡ | | KJZST, KJZSV | 8r234.31‡ | | KJZST, KJZSV |
| 8r232.36 ‡ | | KJZST, KJZSV | 8r233.7‡ | | KJZST, KJZSV | 8r234.32‡ | | KJZST, KJZSV |
| 8r232.37 ‡ | | KJZST, KJZSV | 8r233.8‡ | | KJZST, KJZSV | 8r234.33‡ | | KJZST, KJZSV |
| 8r232.38 ‡ | | KJZST, KJZSV | 8r233.9‡ | | KJZST, KJZSV | 8r234.34‡ | 04 | E64A, E69A |
| 8r232.39 ‡ | | KJZST, KJZSV | 8r233.a‡ | | KJZST, KJZSV | 8r234.34‡ | 04 | KJZST, KJZSV |
| 8r232.3a ‡ | | KJZST, KJZSV | 8r234.11‡ | | KJZST, KJZSV | 8r234.35 ‡ | | E64A, E69A |
| 8r232.3b ‡ | | KJZST, KJZSV | 8r234.12‡ | | KJZST, KJZSV | 8r234.35 ‡ | 04 | KJZST, KJZSV |
| 8r232.3c ‡ | | KJZST, KJZSV | 8r234.13‡ | | KJZST, KJZSV | 8r234.36 ‡ | | E64A, E69A |
| 8r232.3d ‡ | | KJZST, KJZSV | 8r234.14‡ | 04 | E64A, E69A | 8r234.36 ‡ | 04 | KJZST, KJZSV |
| 8r232.3e ‡ | | KJZST, KJZSV | 8r234.14‡ | 04 | KJZST, KJZSV | 8r234.37 ‡ | | E64A, E69A |
| 8r232.3j ‡ | | KJZST, KJZSV | 8r234.15 ‡ | 04 | E64A, E69A | 8r234.37 ‡ | 04 | KJZST, KJZSV |
| 8r232.3k ‡ | | KJZST, KJZSV | 8r234.15 ‡ | 04 | KJZST, KJZSV | 8r234.38 ‡ | | E64A, E69A |
| 8r232.3l ‡ | | KJZST, KJZSV | 8r234.16 ‡ | 04 | E64A, E69A | 8r234.38 ‡ | 04 | KJZST, KJZSV |
| 8r232.a1‡ | | KJZST, KJZSV | 8r234.16 ‡ | 04 | KJZST, KJZSV | 8r234.39 ‡ | | E64A, E69A |
| 8r232.a2‡ | | KJZST, KJZSV | 8r234.17 ‡ | 04 | E64A, E69A | 8r234.39 ‡ | 04 | KJZST, KJZSV |
| 8r232.a3‡ | | KJZST, KJZSV | 8r234.17 ‡ | 04 | KJZST, KJZSV | 8r234.3a ‡ | | E64A, E69A |
| 8r232.a4‡ | | KJZST, KJZSV | 8r234.18 ‡ | 04 | E64A, E69A | 8r234.3a ‡ | 04 | KJZST, KJZSV |
| 8r232.a5 ‡ | | KJZST, KJZSV | 8r234.18 ‡ | 04 | KJZST, KJZSV | 8r234.3b ‡ | | E64A, E69A |
| 8r232.a6 ‡ | | KJZST, KJZSV | 8r234.19 ‡ | 04 | E64A, E69A | 8r234.3b ‡ | 04 | KJZST, KJZSV |
| 8r232.a7 ‡ | | KJZST, KJZSV | 8r234.19 ‡ | 04 | KJZST, KJZSV | 8r234.3c ‡ | | E64A, E69A |
| 8r232.a8 ‡ | | KJZST, KJZSV | 8r234.1a ‡ | 04 | E64A, E69A | 8r234.3c ‡ | 04 | KJZST, KJZSV |
| 8r232.a9 ‡ | | KJZST, KJZSV | 8r234.1a ‡ | 04 | KJZST, KJZSV | 8r234.3d ‡ | | E64A, E69A |
| 8r232.aa ‡ | | KJZST, KJZSV | 8r234.1b ‡ | 04 | E64A, E69A | 8r234.3d ‡ | 04 | KJZST, KJZSV |
| 8r232.ab ‡ | | KJZST, KJZSV | 8r234.1b ‡ | 04 | KJZST, KJZSV | 8r234.3e ‡ | | E64A, E69A |
| 8r232.ac ‡ | | KJZST, KJZSV | 8r234.1c ‡ | 04 | E64A, E69A | 8r234.3e ‡ | 04 | KJZST, KJZSV |
| 8r232.ad ‡ | | KJZST, KJZSV | 8r234.1c ‡ | 04 | KJZST, KJZSV | 8r234.3j ‡ | | E64A, E69A |
| 8r232.ae ‡ | | KJZST, KJZSV | 8r234.1d ‡ | 04 | E64A, E69A | 8r234.3j ‡ | 04 | KJZST, KJZSV |
| 8r232.aj ‡ | | KJZST, KJZSV | 8r234.1d ‡ | 04 | KJZST, KJZSV | 8r234.3k ‡ | | E64A, E69A |
| 8r232.ak ‡ | | KJZST, KJZSV | 8r234.1e ‡ | 04 | E64A, E69A | 8r234.3k ‡ | 04 | KJZST, KJZSV |
| 8r232.al ‡ | | KJZST, KJZSV | 8r234.1e ‡ | 04 | KJZST, KJZSV | 8r234.3l ‡ | | E64A, E69A |
| 8r232.b1‡ | | KJZST, KJZSV | 8r234.1j ‡ | 04 | E64A, E69A | 8r234.3l ‡ | 04 | KJZST, KJZSV |
| 8r232.b2‡ | | KJZST, KJZSV | 8r234.1j ‡ | 04 | KJZST, KJZSV | 8r235.11‡ | | KJZST, KJZSV |
| 8r232.b3‡ | | KJZST, KJZSV | 8r234.1k ‡ | 04 | E64A, E69A | 8r235.12‡ | | KJZST, KJZSV |
| 8r232.b4‡ | | KJZST, KJZSV | 8r234.1k ‡ | 04 | KJZST, KJZSV | 8r235.13‡ | | KJZST, KJZSV |
| 8r232.b5 ‡ | | KJZST, KJZSV | 8r234.1l ‡ | 04 | E64A, E69A | 8r235.13‡ | | KJZST, KJZSV |
| 8r232.b6 ‡ | | KJZST, KJZSV | 8r234.1l ‡ | 04 | KJZST, KJZSV | 8r235.14‡ | | KJZST, KJZSV |
| 8r232.b7 ‡ | | KJZST, KJZSV | 8r234.21‡ | 04 | E64A, E69A | 8r235.15 ‡ | | KJZST, KJZSV |
| 8r232.b8 ‡ | | KJZST, KJZSV | 8r234.21‡ | 04 | KJZST, KJZSV | 8r235.16 ‡ | | KJZST, KJZSV |
| 8r232.b9 ‡ | | KJZST, KJZSV | 8r234.22‡ | 04 | E64A, E69A | 8r235.16 ‡ | | KJZST, KJZSV |
| 8r232.ba ‡ | | KJZST, KJZSV | 8r234.22‡ | 04 | KJZST, KJZSV | 8r235.17 ‡ | | KJZST, KJZSV |
| 8r232.bb ‡ | | KJZST, KJZSV | 8r234.23‡ | 04 | E64A, E69A | 8r235.18 ‡ | | KJZST, KJZSV |
| 8r232.bc ‡ | | KJZST, KJZSV | 8r234.23‡ | 04 | KJZST, KJZSV | 8r235.19 ‡ | | KJZST, KJZSV |
| 8r232.bd ‡ | | KJZST, KJZSV | 8r234.24‡ | 04 | E64A, E69A | 8r235.19 ‡ | | KJZST, KJZSV |
| 8r232.be ‡ | | KJZST, KJZSV | 8r234.24‡ | 04 | KJZST, KJZSV | 8r235.1a ‡ | | KJZST, KJZSV |
| 8r232.bj ‡ | | KJZST, KJZSV | 8r234.25 ‡ | 04 | E64A, E69A | 8r235.1b ‡ | | KJZST, KJZSV |
| 8r232.bk ‡ | | KJZST, KJZSV | 8r234.25 ‡ | 04 | KJZST, KJZSV | 8r235.1c ‡ | | KJZST, KJZSV |
| 8r232.bl ‡ | | KJZST, KJZSV | 8r234.26 ‡ | 04 | E64A, E69A | 8r235.1c ‡ | | KJZST, KJZSV |
| 8r232.c1‡ | | KJZST, KJZSV | 8r234.26 ‡ | 04 | KJZST, KJZSV | 8r235.1d ‡ | | KJZST, KJZSV |
| 8r232.c2‡ | | KJZST, KJZSV | 8r234.27 ‡ | 04 | E64A, E69A | 8r235.1d ‡ | | KJZST, KJZSV |
| 8r232.c3‡ | | KJZST, KJZSV | 8r234.27 ‡ | 04 | KJZST, KJZSV | 8r235.1e ‡ | | KJZST, KJZSV |
| 8r232.c4‡ | | KJZST, KJZSV | 8r234.28 ‡ | 04 | E64A, E69A | 8r235.1j ‡ | | KJZST, KJZSV |
| 8r232.c5 ‡ | | KJZST, KJZSV | 8r234.28 ‡ | 04 | KJZST, KJZSV | 8r235.1k ‡ | | KJZST, KJZSV |
| 8r232.c6 ‡ | | KJZST, KJZSV | 8r234.29 ‡ | 04 | E64A, E69A | 8r235.1l ‡ | | KJZST, KJZSV |
| 8r232.c7 ‡ | | KJZST, KJZSV | 8r234.29 ‡ | 04 | KJZST, KJZSV | 8r235.21‡ | | KJZST, KJZSV |
| 8r232.c8 ‡ | | KJZST, KJZSV | 8r234.2a ‡ | 04 | E64A, E69A | 8r235.22‡ | | KJZST, KJZSV |
| 8r232.c9 ‡ | | KJZST, KJZSV | 8r234.2a ‡ | 04 | KJZST, KJZSV | 8r235.22‡ | | KJZST, KJZSV |
| 8r232.ca ‡ | | KJZST, KJZSV | 8r234.2b ‡ | 04 | E64A, E69A | 8r235.23‡ | | KJZST, KJZSV |
| 8r232.cb ‡ | | KJZST, KJZSV | 8r234.2b ‡ | 04 | KJZST, KJZSV | 8r235.24‡ | | KJZST, KJZSV |
| 8r232.cc ‡ | | KJZST, KJZSV | 8r234.2c ‡ | 04 | E64A, E69A | 8r235.24‡ | | KJZST, KJZSV |
| 8r232.cd ‡ | | KJZST, KJZSV | 8r234.2c ‡ | 04 | KJZST, KJZSV | 8r235.25 ‡ | | KJZST, KJZSV |
| 8r232.ce ‡ | | KJZST, KJZSV | 8r234.2d ‡ | 04 | E64A, E69A | 8r235.26 ‡ | | KJZST, KJZSV |
| 8r232.cj ‡ | | KJZST, KJZSV | 8r234.2d ‡ | 04 | KJZST, KJZSV | 8r235.27 ‡ | | KJZST, KJZSV |
| 8r232.ck ‡ | | KJZST, KJZSV | 8r234.2e ‡ | 04 | E64A, E69A | 8r235.27 ‡ | | KJZST, KJZSV |
| 8r232.cl ‡ | | KJZST, KJZSV | 8r234.2e ‡ | 04 | KJZST, KJZSV | 8r235.28 ‡ | | KJZST, KJZSV |
| 8r233.1‡ | | KJZST, KJZSV | 8r234.2j ‡ | 04 | E64A, E69A | 8r235.28 ‡ | | KJZST, KJZSV |
| 8r233.2‡ | | KJZST, KJZSV | 8r234.2j ‡ | 04 | KJZST, KJZSV | 8r235.29 ‡ | | KJZST, KJZSV |
| 8r233.3‡ | | KJZST, KJZSV | 8r234.2k ‡ | 04 | E64A, E69A | 8r235.29 ‡ | | KJZST, KJZSV |
| 8r233.4‡ | | KJZST, KJZSV | 8r234.2k ‡ | 04 | KJZST, KJZSV | 8r235.2a ‡ | | KJZST, KJZSV |
| 8r233.5‡ | | KJZST, KJZSV | 8r234.2l ‡ | 04 | E64A, E69A | 8r235.2a ‡ | | KJZST, KJZSV |
| | | | 8r234.2l ‡ | 04 | KJZST, KJZSV | 8r235.2b ‡ | | KJZST, KJZSV |
| | | | | | | 8r235.2c ‡ | | KJZST, KJZSV |
| | | | | | | 8r235.2d ‡ | | KJZST, KJZSV |
| | | | | | | 8r235.2e ‡ | | KJZST, KJZSV |
| | | | | | | 8r235.2j ‡ | | KJZST, KJZSV |
| | | | | | | 8r235.2k ‡ | | KJZST, KJZSV |
| | | | | | | 8r235.2l ‡ | | KJZST, KJZSV |
| | | | | | | 8r235.31‡ | | KJZST, KJZSV |
| | | | | | | 8r235.32‡ | | KJZST, KJZSV |
| | | | | | | 8r235.33‡ | | KJZST, KJZSV |

| ZZV | MDC | DRG | ZZV | MDC | DRG | ZZV | MDC | DRG | |
|-----------|-----|--|----------|-----|--|------------------------|-----------|--|--|
| 8r612.00 | | BOP, KJZSV, KVT, UOP4 | 8r717.0 | | KJZSV, KOP, KOPV | 8r731.2‡ | | BOP, KJZSV, UOP4 | |
| | 05 | F01A, F01B, F01D, F12A, F12B, F50A, F50B, F50C, F50D | | 05 | F05Z, F07A, F07B, F42Z | | 01 | B04A, B04B, B04C, B04D | |
| 8r612.03 | | BOP, KJZSV, KVT, UOP4 | | 06 | G33Z | | 05 | F01A, F01B, F01D, F14A, F14B, F15Z, F24A, F24B, F28A, F36A, F36B, F54A, F54B, F54J, F59A, F59B | |
| | 05 | F01A, F01B, F01D, F12A, F12B, F50A, F50B, F50C, F50D | 8r717.1 | | 07 | H33Z, H38Z | | 10 | K09A, K09B |
| 8r612.04 | | BOP, KJZSV, KVT, UOP4 | | Pre | A07A | 8r732‡ | | KJZSV | |
| | 05 | F01A, F01B, F01D, F12A, F12B, F50A, F50B, F50C, F50D | | 05 | F05Z, F07A, F07B, F42Z | | 05 | F01A, F01B, F01D, F14A, F14B, F15Z, F24A, F24B, F28A, F36A, F36B, F54A, F54B, F54J, F59A | |
| 8r612.05 | | BOP, KJZSV, KVT, UOP4 | 8r717.2 | | 06 | G33Z | | 10 | K09A, K09B |
| | 05 | F01A, F01B, F01D, F12A, F12B, F50A, F50B, F50C, F50D | | Pre | A07A | 8r741.0 | | KJZSV | |
| 8r612.06 | | BOP, KJZSV, KVT, UOP4 | | 05 | F05Z, F07A, F07B, F42Z | | 01 | B02A, B02B, B02C, B02D, B20A, B20B, B20C, B20D, B20E, B39A, B39B | |
| | 05 | F01A, F01B, F01D, F12A, F12B, F50A, F50B, F50C, F50D | 8r717.3 | | 07 | H33Z, H38Z | | 05 | F01A, F01B, F01D, F14A, F14B, F15Z, F24A, F24B, F28A, F36A, F36B, F54A, F54B, F54J, F59A, F59B |
| 8r612.07 | | BOP, KJZSV, KVT, UOP4 | | Pre | A07A | | 09 | J11A, J11B, J11C, J11J, J11Q, J11R, J11S | |
| | 05 | F01A, F01B, F01D, F12A, F12B, F50A, F50B, F50C, F50D | | 05 | F03B, F05Z, F07A, F07B, F42Z | | 21A | W01A, W01B, W01C, W36Z | |
| 8r613.00 | | KJZSV | | 06 | G33Z | 8r741.1 | | KJZSV | |
| | 05 | F50C | 8r717.4 | | 07 | H33Z, H38Z | | 01 | B03Z, B07Z, B17A, B17B, B17C, B17J |
| 8r613.03 | | KJZSV | | Pre | A07A | | 05 | F01A, F01B, F01D, F14A, F14B, F15Z, F24A, F24B, F28A, F36A, F36B, F54A, F54B, F54J, F59A, F59B | |
| | 05 | F50C | | 05 | F03B, F05Z, F07A, F07B, F42Z | | 09 | J11A, J11B, J11C, J11J, J11Q, J11R, J11S | |
| 8r613.04 | | KJZSV | | 06 | G33Z | 8r741.2 | | KJZSV | |
| | 05 | F50C | 8r717.x | | 07 | H33Z, H38Z | | 01 | B03Z, B07Z, B17A, B17B, B17C, B17J |
| 8r613.05 | | KJZSV | | Pre | A07A | | 05 | F01A, F01B, F01D, F14A, F14B, F15Z, F24A, F24B, F28A, F36A, F36B, F54A, F54B, F54J, F59A, F59B | |
| | 05 | F50A | | 05 | F05Z, F07A, F07B, F42Z | | 09 | J11A, J11B, J11C, J11J, J11Q, J11R, J11S | |
| 8r613.06 | | KJZSV | | 06 | G33Z | 8r741.5 | | KJZSV | |
| | 05 | F50A | 8r722.3 | | 07 | H33Z, H38Z | | 05 | F01A, F01B, F01D, F14A, F14B, F15Z, F24A, F24B, F28A, F36A, F36B, F54A, F54B, F54J, F59A, F59B |
| 8r613.07 | | KJZSV | | Pre | A07A | | 06 | G10Z, G12A, G12B, G12J | |
| | 05 | F50A | | 05 | F01A, F01B, F01D, F05Z, F07A, F07B, F09A, F09B, F09C, F42Z | | 07 | H06A, H06B | |
| 8r61b | | KJZSV | | 23 | Z01A | | 09 | J11A, J11B, J11C, J11J, J11Q, J11R, J11S | |
| | 05 | F01A, F01B, F01D, F14A, F14B, F15Z, F24A, F24B, F28A, F36A, F36B, F54A, F54B, F54J, F59A, F59B | 8r730‡ | | BOP, KJZSV, UOP4 | | 11 | L09A, L09B, L09C, L09J, L38Z | |
| 8r61c | | BOP, KJZSV, KVT, UOP4 | | 01 | B04A, B04B, B04C, B04D | | 21A | W04A, W04B | |
| | 05 | F01A, F01B, F01D, F12A, F12B, F50A, F50B, F50C, F50D | | 05 | F01A, F01B, F01D, F14A, F14B, F15Z, F24A, F24B, F28A, F36A, F36B, F54A, F54B, F54J, F59A, F59B | 8r750‡ | 21B | X06A, X06B, X06C | |
| 8r61x | | BOP, KJZSV, KVT, UOP4 | | Pre | A07A | | Pre | KJZSV | |
| | 05 | F01A, F01B, F01D, F12A, F12B, F50A, F50B, F50C, F50D | 8r731.0‡ | | 10 | K09A, K09B | 8r751.00‡ | Pre | A09D, A11D, A13D |
| 8r690.00‡ | | KJZSV | | 01 | B04A, B04B, B04C, B04D, B70C, B70E | | Pre | KJZSV | |
| | 05 | F50A, F50C | | 05 | F01A, F01B, F01D, F14A, F14B, F15Z, F24A, F24B, F28A, F36A, F36B, F54A, F54B, F54J, F59A, F59B | 8r751.01‡ | Pre | A07A, A07B, A09A, A09B, A11A, A11B, A13A, A13B, A13C, A13D | |
| 8r690.01‡ | | KJZSV | | 10 | K09A, K09B | | Pre | KJZSV | |
| | 05 | F50A, F50C | 8r731.1‡ | | 01 | B04A, B04B, B04C, B04D | 8r751.02‡ | Pre | A07A, A07B, A09A, A09B, A11A, A11B, A13A, A13B, A13C, A13D |
| 8r690.02‡ | | KJZSV | | 04 | E64A | | Pre | KJZSV | |
| | 05 | F50A, F50C | | 05 | F01A, F01B, F01D, F14A, F14B, F15Z, F24A, F24B, F28A, F36A, F36B, F54A, F54B, F54J, F59A, F59B | 8r751.20‡ | Pre | A07A, A07B, A09A, A09B, A11A, A11B, A13A, A13B, A13C, A13D | |
| 8r690.6‡ | | KJZSV | | 10 | K09A, K09B | | Pre | KJZSV | |
| | 05 | F50A, F50C | | 05 | F01A, F01B, F01D, F12A, F12B, F50A, F50B, F50C, F50D | | Pre | A09D, A11D, A13D | |
| 8r690.7‡ | | KJZSV | | 05 | F05Z, F07A, F07B, F42Z | | Pre | A07A, A07B, A09A, A09B, A11A, A11B, A13A, A13B, A13C, A13D | |
| | 05 | F50A, F50C | | 23 | Z01A | | Pre | KJZSV | |
| 8r716 | | KJZSV, KKP | | | | | Pre | A09D, A11D, A13D | |
| | 05 | F01A, F01B, F01D, F05Z, F07A, F07B, F09A, F09B, F09C, F42Z | | | | | | | |
| | 23 | Z01A | | | | | | | |

VYK

| ZZV | MDC | DRG | ZZV | MDC | DRG | ZZV | MDC | DRG |
|-----------|-----|--|---------|-----|--|---------|-----|--|
| 8r751.21‡ | | KJZSV | 8r800.7 | | KJZSV | 8r800.l | | KJZSV |
| | Pre | A09D, A11D, A13D | | 01 | B04A, B04B, B04C, B04D | | 05 | F01A, F01B, F01D, F15Z, F24A, F24B, F28A, F36A, F36B, F54A, F54B, F54J, F59A, F59B |
| 8r751.22‡ | | KJZSV | | 05 | F01A, F01B, F01D, F14A, F14B, F15Z, F24A, F24B, F28A, F36A, F36B, F54A, F54B, F54J, F59A, F59B | | 10 | K09A, K09B |
| | Pre | A09D, A11D, A13D | | | | | 11 | L09A, L09B, L09C, L09J, L38Z |
| 8r751.23‡ | | KJZSV | 8r800.8 | | KJZSV | 8r800.m | | KJZSV |
| | Pre | A09D, A11D, A13D | | 05 | F01A, F01B, F01D, F14A, F14B, F15Z, F24A, F24B, F28A, F36A, F36B, F54A, F54B, F54J, F59A, F59B | | 05 | F01A, F01B, F01D, F15Z, F24A, F24B, F28A, F36A, F36B, F54A, F54B, F54J, F59A, F59B |
| 8r751.24‡ | | KJZSV | | | | | | |
| | Pre | A09D, A11D, A13D | | | | | | |
| 8r751.25‡ | | KJZSV | 8r800.a | | KJZSV | 8r800.n | | KJZSV |
| | Pre | A09D, A11D, A13D | | 04 | E02A, E02B, E02C | | 10 | K09A, K09B |
| 8r751.30‡ | | KJZSV | | 05 | F01A, F01B, F01D, F19A, F19B, F19C | | 05 | F01A, F01B, F01D, F15Z, F24A, F24B, F28A, F36A, F36B, F54A, F54B, F54J, F59A, F59B |
| | Pre | A09D, A11D, A13D | | 10 | K09A, K09B | | | |
| 8r751.31‡ | | KJZSV | | Pre | A13D | | | |
| | Pre | A09D, A11D, A13D | 8r800.b | | KJZSV | 8r800.o | | KJZSV |
| 8r751.32‡ | | KJZSV | | 05 | F01A, F01B, F01D, F15Z, F19A, F19B, F19C, F24A, F24B, F36A, F36B | | 05 | F01A, F01B, F01D, F15Z, F24A, F24B, F28A, F36A, F36B, F54A, F54B, F54J, F59A, F59B |
| | Pre | A09D, A11D, A13D | | | | | 10 | K09A, K09B |
| 8r752 | | KJZSV | 8r800.c | | KJZSV | | | |
| | 05 | F01A, F01B, F01D, F14A, F14B, F15Z, F24A, F24B, F28A, F36A, F36B, F54A, F54B, F54J, F56A, F56B, F59A, F59B | | 05 | F01A, F01B, F01D, F15Z, F19A, F19B, F19C, F24A, F24B, F36A, F36B | 8r800.p | | KJZSV |
| 8r800.0 | | BOP, KJZSV, KOP, UOP4 | | | | | 05 | F01A, F01B, F01D, F14A, F14B, F15Z, F24A, F24B, F28A, F36A, F36B, F54A, F54B, F54J, F59A, F59B |
| | 01 | B02A, B02B, B02C, B02D, B20A, B20B, B20C, B20D, B20E, B39A, B39B | 8r800.d | | KJZSV | | 10 | K09A, K09B |
| | 05 | F01A, F01B, F01D, F14A, F14B, F15Z, F24A, F24B, F28A, F36A, F36B, F54A, F54B, F54J, F59A, F59B | | 05 | F01A, F01B, F01D, F15Z, F19A, F19B, F19C, F24A, F24B, F36A, F36B | 8r800.q | | KJZSV |
| | 21B | X33Z | 8r800.e | | KJZSV | | 05 | F01A, F01B, F01D, F14A, F14B, F15Z, F24A, F24B, F28A, F36A, F36B, F54A, F54B, F54J, F59A, F59B |
| | 23 | Z01A | | 05 | F01A, F01B, F01D, F14A, F14B, F15Z, F24A, F24B, F28A, F36A, F36B, F54A, F54B, F54J, F59A, F59B | | 10 | K09A, K09B |
| 8r800.2 | | BOP, KJZSV, UOP4 | 8r800.f | | KJZSV | | 05 | F01A, F01B, F01D, F14A, F14B, F15Z, F24A, F24B, F28A, F36A, F36B, F54A, F54B, F54J, F59A, F59B |
| | 01 | B04A, B04B, B04C, B04D | | 05 | F01A, F01B, F01D, F15Z, F24A, F24B, F28A, F36A, F36B, F54A, F54B, F54J, F59A, F59B | 8r800.x | | KJZSV |
| | 05 | F01A, F01B, F01D, F14A, F14B, F15Z, F24A, F24B, F28A, F36A, F36B, F54A, F54B, F54J, F59A, F59B | | | | | 05 | F01A, F01B, F01D, F15Z, F24A, F24B, F28A, F36A, F36B, F54A, F54B, F54J, F59A, F59B |
| | 23 | Z01A | 8r800.g | | KJZSV | 8r801.0 | | BOP, KJZSV, KOP, UOP4 |
| 8r800.3 | | BOP, KJZSV, UOP4 | | 05 | F01A, F01B, F01D, F14A, F14B, F15Z, F24A, F24B, F28A, F36A, F36B, F54A, F54B, F54J, F59A, F59B | | 01 | B02A, B02B, B02C, B02D, B20A, B20B, B20C, B20D, B20E, B39A, B39B |
| | 01 | B04A, B04B, B04C, B04D | | | | | 05 | F01A, F01B, F01D, F14A, F14B, F15Z, F24A, F24B, F28A, F36A, F36B, F54A, F54B, F54J, F59A, F59B |
| | 05 | F01A, F01B, F01D, F14A, F14B, F15Z, F24A, F24B, F28A, F36A, F36B, F54A, F54B, F54J, F59A, F59B | | 06 | G10Z, G12A, G12B, G12J | | 21B | X33Z |
| | 23 | Z01A | 8r800.h | | L09A, L09B, L09C, L09J, L38Z | 8r801.2 | | Z01A |
| 8r800.4 | | BOP, KJZSV, UOP4 | | | | | 01 | BOP, KJZSV, UOP4 |
| | 01 | B04A, B04B, B04C, B04D | | 05 | F01A, F01B, F01D, F14A, F14B, F15Z, F24A, F24B, F28A, F36A, F36B, F54A, F54B, F54J, F59A, F59B | | 05 | B04A, B04B, B04C, B04D |
| | 05 | F01A, F01B, F01D, F14A, F14B, F15Z, F24A, F24B, F28A, F36A, F36B, F54A, F54B, F54J, F59A, F59B | 8r800.i | | KJZSV | | | F01A, F01B, F01D, F14A, F14B, F15Z, F24A, F24B, F28A, F36A, F36B, F54A, F54B, F54J, F59A, F59B |
| | 23 | Z01A | | 05 | F01A, F01B, F01D, F15Z, F24A, F24B, F28A, F36A, F36B, F54A, F54B, F54J, F59A, F59B | 8r801.3 | | Z01A |
| 8r800.5 | | BOP, KJZSV, UOP4 | 8r800.j | | KJZSV | | 01 | BOP, KJZSV, UOP4 |
| | 01 | B04A, B04B, B04C, B04D | | 05 | F01A, F01B, F01D, F15Z, F24A, F24B, F28A, F36A, F36B, F54A, F54B, F54J, F59A, F59B | | 05 | B04A, B04B, B04C, B04D |
| | 05 | F01A, F01B, F01D, F14A, F14B, F15Z, F24A, F24B, F28A, F36A, F36B, F54A, F54B, F54J, F59A, F59B | | | | | | F01A, F01B, F01D, F14A, F14B, F15Z, F24A, F24B, F28A, F36A, F36B, F54A, F54B, F54J, F59A, F59B |
| | 23 | Z01A | 8r800.k | | KJZSV | | 23 | Z01A |
| 8r800.6 | | BOP, KJZSV, UOP4 | | 05 | F01A, F01B, F01D, F15Z, F24A, F24B, F28A, F36A, F36B, F54A, F54B, F54J, F59A, F59B | | | |
| | 01 | B04A, B04B, B04C, B04D | | | | | | |
| | 05 | F01A, F01B, F01D, F14A, F14B, F15Z, F24A, F24B, F28A, F36A, F36B, F54A, F54B, F54J, F59A, F59B | | 05 | F01A, F01B, F01D, F15Z, F24A, F24B, F28A, F36A, F36B, F54A, F54B, F54J, F59A, F59B | | | |
| | 23 | Z01A | | 10 | K09A, K09B | | | |

| ZZV | MDC | DRG | ZZV | MDC | DRG | ZZV | MDC | DRG |
|---------|-----|--|---------|-----|--|---------|-----|--|
| 8r801.4 | | BOP, KJZSV, UOP4 | 8r801.h | | KJZSV | 8r802.1 | | BOP, KJZSV, UOP4 |
| | 01 | B04A, B04B, B04C, B04D | | 05 | F01A, F01B, F01D, F14A, F14B, F15Z, F24A, F24B, F28A, F36A, F36B, F54A, F54B, F54J, F59A, F59B | | 01 | B04A, B04B, B04C, B04D |
| | 05 | F01A, F01B, F01D, F14A, F14B, F15Z, F24A, F24B, F28A, F36A, F36B, F54A, F54B, F54J, F59A, F59B | | 06 | G10Z, G12A, G12B, G12J | | 05 | F01A, F01B, F01D, F15Z, F24A, F24B, F28A, F36A, F36B, F54A, F54B, F54J, F59A, F59B |
| | 23 | Z01A | | 11 | L09A, L09B, L09C, L09J, L38Z | 8r802.8 | | Z01A |
| 8r801.5 | | BOP, KJZSV, UOP4 | 8r801.i | | KJZSV | | 05 | F01A, F01B, F01D, F15Z, F24A, F24B, F28A, F36A, F36B, F54A, F54B, F54J, F59A, F59B |
| | 01 | B04A, B04B, B04C, B04D | | 05 | F01A, F01B, F01D, F15Z, F24A, F24B, F28A, F36A, F36B, F54A, F54B, F54J, F59A, F59B | | 10 | K09A, K09B |
| | 05 | F01A, F01B, F01D, F14A, F14B, F15Z, F24A, F24B, F28A, F36A, F36B, F54A, F54B, F54J, F59A, F59B | 8r801.j | | KJZSV | 8r802.a | | KJZSV |
| | 23 | Z01A | | 05 | F01A, F01B, F01D, F15Z, F24A, F24B, F28A, F36A, F36B, F54A, F54B, F54J, F59A, F59B | | 04 | E02A, E02B, E02C |
| 8r801.6 | | BOP, KJZSV, UOP4 | 8r801.k | | KJZSV | | 05 | F01A, F01B, F01D, F19A, F19B, F19C |
| | 01 | B04A, B04B, B04C, B04D | | 05 | F01A, F01B, F01D, F15Z, F24A, F24B, F28A, F36A, F36B, F54A, F54B, F54J, F59A, F59B | | 10 | K09A, K09B |
| | 05 | F01A, F01B, F01D, F14A, F14B, F15Z, F24A, F24B, F28A, F36A, F36B, F54A, F54B, F54J, F59A, F59B | 8r801.l | | KJZSV | 8r802.b | | KJZSV |
| | 23 | Z01A | | 05 | F01A, F01B, F01D, F15Z, F24A, F24B, F28A, F36A, F36B, F54A, F54B, F54J, F59A, F59B | | 05 | F01A, F01B, F01D, F15Z, F19A, F19B, F19C, F24A, F24B, F36A, F36B |
| 8r801.7 | | KJZSV | 8r801.m | | KJZSV | | 10 | K09A, K09B |
| | 01 | B04A, B04B, B04C, B04D | | 05 | F01A, F01B, F01D, F15Z, F24A, F24B, F28A, F36A, F36B, F54A, F54B, F54J, F59A, F59B | 8r802.c | | KJZSV |
| | 05 | F01A, F01B, F01D, F14A, F14B, F15Z, F24A, F24B, F28A, F36A, F36B, F54A, F54B, F54J, F59A, F59B | 8r801.n | | KJZSV | | 05 | F01A, F01B, F01D, F15Z, F19A, F19B, F19C, F24A, F24B, F36A, F36B |
| 8r801.8 | | KJZSV | 8r801.o | | KJZSV | | 10 | K09A, K09B |
| | 05 | F01A, F01B, F01D, F14A, F14B, F15Z, F24A, F24B, F28A, F36A, F36B, F54A, F54B, F54J, F59A, F59B | 8r801.p | | KJZSV | 8r802.d | | KJZSV |
| 8r801.a | | KJZSV | | 05 | F01A, F01B, F01D, F15Z, F24A, F24B, F28A, F36A, F36B, F54A, F54B, F54J, F59A, F59B | | 05 | F01A, F01B, F01D, F15Z, F19A, F19B, F19C, F24A, F24B, F36A, F36B |
| | 04 | E02A, E02B, E02C | 8r801.q | | KJZSV | | 10 | K09A, K09B |
| | 05 | F01A, F01B, F01D, F19A, F19B, F19C | | 05 | F01A, F01B, F01D, F15Z, F24A, F24B, F28A, F36A, F36B, F54A, F54B, F54J, F59A, F59B | 8r802.e | | KJZSV |
| | 10 | K09A, K09B | 8r801.r | | KJZSV | | 05 | F01A, F01B, F01D, F14A, F14B, F15Z, F24A, F24B, F28A, F36A, F36B, F54A, F54B, F54J, F59A, F59B |
| | Pre | A13D | 8r801.s | | KJZSV | 8r802.f | | KJZSV |
| 8r801.b | | KJZSV | | 05 | F01A, F01B, F01D, F15Z, F24A, F24B, F28A, F36A, F36B, F54A, F54B, F54J, F59A, F59B | | 05 | F01A, F01B, F01D, F15Z, F24A, F24B, F28A, F36A, F36B, F54A, F54B, F54J, F59A, F59B |
| | 05 | F01A, F01B, F01D, F15Z, F19A, F19B, F19C, F24A, F24B, F36A, F36B | 8r801.t | | KJZSV | | 10 | K09A, K09B |
| 8r801.c | | KJZSV | 8r801.u | | KJZSV | 8r802.g | | KJZSV |
| | 05 | F01A, F01B, F01D, F15Z, F19A, F19B, F19C, F24A, F24B, F36A, F36B | | 05 | F01A, F01B, F01D, F15Z, F24A, F24B, F28A, F36A, F36B, F54A, F54B, F54J, F59A, F59B | | 05 | F01A, F01B, F01D, F15Z, F24A, F24B, F28A, F36A, F36B, F54A, F54B, F54J, F59A, F59B |
| 8r801.d | | KJZSV | 8r801.v | | KJZSV | | 06 | G10Z, G12A, G12B, G12J |
| | 05 | F01A, F01B, F01D, F15Z, F19A, F19B, F19C, F24A, F24B, F36A, F36B | | 10 | K09A, K09B | | 10 | K09A, K09B |
| 8r801.e | | KJZSV | 8r801.w | | KJZSV | | 11 | L09A, L09B, L09C, L09J, L38Z |
| | 05 | F01A, F01B, F01D, F14A, F14B, F15Z, F24A, F24B, F28A, F36A, F36B, F54A, F54B, F54J, F59A, F59B | 8r801.x | | KJZSV | 8r802.h | | KJZSV |
| 8r801.f | | KJZSV | | 05 | F01A, F01B, F01D, F14A, F14B, F15Z, F24A, F24B, F28A, F36A, F36B, F54A, F54B, F54J, F59A, F59B | | 05 | F01A, F01B, F01D, F15Z, F24A, F24B, F28A, F36A, F36B, F54A, F54B, F54J, F59A, F59B |
| | 05 | F01A, F01B, F01D, F15Z, F24A, F24B, F28A, F36A, F36B, F54A, F54B, F54J, F59A, F59B | 8r801.y | | KJZSV | | 06 | G10Z, G12A, G12B, G12J |
| 8r801.g | | KJZSV | | 05 | F01A, F01B, F01D, F14A, F14B, F15Z, F24A, F24B, F28A, F36A, F36B, F54A, F54B, F54J, F59A, F59B | | 10 | K09A, K09B |
| | 05 | F01A, F01B, F01D, F14A, F14B, F15Z, F24A, F24B, F28A, F36A, F36B, F54A, F54B, F54J, F59A, F59B | 8r801.z | | KJZSV | 8r802.i | | KJZSV |
| | 06 | G10Z, G12A, G12B, G12J | | 05 | F01A, F01B, F01D, F15Z, F24A, F24B, F28A, F36A, F36B, F54A, F54B, F54J, F59A, F59B | | 05 | F01A, F01B, F01D, F15Z, F24A, F24B, F28A, F36A, F36B, F54A, F54B, F54J, F59A, F59B |
| | 11 | L09A, L09B, L09C, L09J, L38Z | | | | | 10 | K09A, K09B |

VYK

| ZZV | MDC | DRG | ZZV | MDC | DRG | ZZV | MDC | DRG |
|---------|-----|--|---------|-----|--|---------|-----|--|
| 8r802.j | | KJZSV | 8r803.m | | KJZSV | 8r804.g | | KJZSV |
| | 05 | F01A, F01B, F01D, F15Z, F24A, F24B, F28A, F36A, F36B, F54A, F54B, F54J, F59A, F59B | | 05 | F01A, F01B, F01D, F14A, F14B, F15Z, F24A, F24B, F28A, F36A, F36B, F54A, F54B, F54J, F59A, F59B | | 05 | F01A, F01B, F01D, F14A, F14B, F15Z, F24A, F24B, F28A, F36A, F36B, F54A, F54B, F54J, F59A, F59B |
| | 10 | K09A, K09B | | 10 | K09A, K09B | | 06 | G10Z, G12A, G12B, G12J |
| 8r802.k | | KJZSV | 8r803.n | | KJZSV | | 10 | K09A, K09B, K09C |
| | 05 | F01A, F01B, F01D, F15Z, F24A, F24B, F28A, F36A, F36B, F54A, F54B, F54J, F59A, F59B | | 05 | F01A, F01B, F01D, F14A, F14B, F15Z, F24A, F24B, F28A, F36A, F36B, F54A, F54B, F54J, F59A, F59B | | 11 | L09A, L09B, L09C, L09J, L38Z |
| | 10 | K09A, K09B | | 10 | K09A, K09B | 8r804.h | | KJZSV |
| 8r802.l | | KJZSV | 8r803.o | | KJZSV | | 05 | F01A, F01B, F01D, F14A, F14B, F15Z, F24A, F24B, F28A, F36A, F36B, F54A, F54B, F54J, F59A, F59B |
| | 05 | F01A, F01B, F01D, F15Z, F24A, F24B, F28A, F36A, F36B, F54A, F54B, F54J, F59A, F59B | | 05 | F01A, F01B, F01D, F14A, F14B, F15Z, F24A, F24B, F28A, F36A, F36B, F54A, F54B, F54J, F59A, F59B | | 06 | G10Z, G12A, G12B, G12J |
| | 10 | K09A, K09B | | 10 | K09A, K09B | | 10 | K09A, K09B, K09C |
| 8r802.m | | KJZSV | 8r803.x | | KJZSV | | 11 | L09A, L09B, L09C, L09J, L38Z |
| | 05 | F01A, F01B, F01D, F15Z, F24A, F24B, F28A, F36A, F36B, F54A, F54B, F54J, F59A, F59B | | 05 | F01A, F01B, F01D, F14A, F14B, F15Z, F24A, F24B, F28A, F36A, F36B, F54A, F54B, F54J, F59A, F59B | 8r804.i | | KJZSV |
| | 10 | K09A, K09B | | 10 | K09A, K09B | | 05 | F01A, F01B, F01D, F14A, F14B, F15Z, F24A, F24B, F28A, F36A, F36B, F54A, F54B, F54J, F59A, F59B |
| 8r802.n | | KJZSV | 8r804.1 | | BOP, KJZSV, UOP4 | | 10 | K09A, K09B |
| | 05 | F01A, F01B, F01D, F15Z, F24A, F24B, F28A, F36A, F36B, F54A, F54B, F54J, F59A, F59B | | 01 | B04A, B04B, B04C, B04D | 8r804.j | | KJZSV |
| | 10 | K09A, K09B | | 05 | F01A, F01B, F01D, F14A, F14B, F15Z, F24A, F24B, F28A, F36A, F36B, F54A, F54B, F54J, F59A, F59B | | 05 | F01A, F01B, F01D, F14A, F14B, F15Z, F24A, F24B, F28A, F36A, F36B, F54A, F54B, F54J, F59A, F59B |
| 8r802.o | | KJZSV | | 23 | Z01A | | 10 | K09A, K09B |
| | 05 | F01A, F01B, F01D, F15Z, F24A, F24B, F28A, F36A, F36B, F54A, F54B, F54J, F59A, F59B | 8r804.a | | KJZSV | 8r804.k | | KJZSV |
| | 10 | K09A, K09B | | 04 | E02A, E02B, E02C | | 05 | F01A, F01B, F01D, F14A, F14B, F15Z, F24A, F24B, F28A, F36A, F36B, F54A, F54B, F54J, F59A, F59B |
| 8r802.p | | KJZSV | | 05 | F01A, F01B, F01D, F19A, F19B, F19C | | 10 | K09A, K09B |
| | 05 | F01A, F01B, F01D, F15Z, F24A, F24B, F28A, F36A, F36B, F54A, F54B, F54J, F59A, F59B | | 10 | K09A, K09B | 8r804.l | | KJZSV |
| | 10 | K09A, K09B | 8r804.b | | KJZSV | | 05 | F01A, F01B, F01D, F14A, F14B, F15Z, F24A, F24B, F28A, F36A, F36B, F54A, F54B, F54J, F59A, F59B |
| 8r802.q | | KJZSV | | 05 | F01A, F01B, F01D, F15Z, F19A, F19B, F19C, F24A, F24B, F36A, F36B | | 10 | K09A, K09B |
| | 05 | F01A, F01B, F01D, F15Z, F24A, F24B, F28A, F36A, F36B, F54A, F54B, F54J, F59A, F59B | 8r804.c | | KJZSV | 8r804.m | | KJZSV |
| | 10 | K09A, K09B | | 05 | F01A, F01B, F01D, F15Z, F19A, F19B, F19C, F24A, F24B, F36A, F36B | | 05 | F01A, F01B, F01D, F14A, F14B, F15Z, F24A, F24B, F28A, F36A, F36B, F54A, F54B, F54J, F59A, F59B |
| 8r802.x | | KJZSV | 8r804.d | | KJZSV | | 10 | K09A, K09B |
| | 05 | F01A, F01B, F01D, F15Z, F24A, F24B, F28A, F36A, F36B, F54A, F54B, F54J, F59A, F59B | | 05 | F01A, F01B, F01D, F15Z, F19A, F19B, F19C, F24A, F24B, F36A, F36B | 8r804.n | | KJZSV |
| | 10 | K09A, K09B | | 10 | K09A, K09B, K09C | | 05 | F01A, F01B, F01D, F14A, F14B, F15Z, F24A, F24B, F28A, F36A, F36B, F54A, F54B, F54J, F59A, F59B |
| 8r803.c | | KJZSV | 8r804.e | | KJZSV | | 10 | K09A, K09B |
| | 05 | F01A, F01B, F01D, F15Z, F19A, F19B, F19C, F24A, F24B, F36A, F36B | | 05 | F01A, F01B, F01D, F14A, F14B, F15Z, F24A, F24B, F28A, F36A, F36B, F54A, F54B, F54J, F59A, F59B | 8r804.o | | KJZSV |
| | 10 | K09A, K09B | | 04 | E02A, E02B, E02C | | 05 | F01A, F01B, F01D, F14A, F14B, F15Z, F24A, F24B, F28A, F36A, F36B, F54A, F54B, F54J, F59A, F59B |
| 8r803.k | | KJZSV | 8r804.f | | KJZSV | | 10 | K09A, K09B |
| | 05 | F01A, F01B, F01D, F14A, F14B, F15Z, F24A, F24B, F28A, F36A, F36B, F54A, F54B, F54J, F59A, F59B | | 04 | E02A, E02B, E02C | 8r804.q | | KJZSV |
| | 10 | K09A, K09B | | 05 | F01A, F01B, F01D, F14A, F14B, F15Z, F19A, F19B, F19C, F24A, F24B, F28A, F36A, F36B, F54A, F54B, F54J, F59A, F59B | | 05 | F01A, F01B, F01D, F14A, F14B, F15Z, F24A, F24B, F28A, F36A, F36B, F54A, F54B, F54J, F59A, F59B |
| 8r803.l | | KJZSV | | 10 | K09A, K09B | | 10 | K09A, K09B |
| | 05 | F01A, F01B, F01D, F14A, F14B, F15Z, F24A, F24B, F28A, F36A, F36B, F54A, F54B, F54J, F59A, F59B | | Pre | A13D | | 10 | K09A, K09B |
| | 10 | K09A, K09B | | | | | | |

| ZZV | MDC | DRG | ZZV | MDC | DRG | ZZV | MDC | DRG |
|---------|-----|--|---------|-----|--|---------|-----|--|
| 8r804.x | | KJZSV | 8r805.g | | KJZSV | 8r805.p | | KJZSV |
| | 05 | F01A, F01B, F01D, F14A, F14B, F15Z, F24A, F24B, F28A, F36A, F36B, F54A, F54B, F54J, F59A, F59B | | 05 | F01A, F01B, F01D, F14A, F14B, F15Z, F24A, F24B, F28A, F36A, F36B, F54A, F54B, F54J, F56A, F56B, F59A, F59B | | 01 | B03Z, B07Z, B17A, B17B, B17C, B17J |
| | 10 | K09A, K09B | | 06 | G10Z, G12A, G12B, G12J | | 03 | D12A, D12J, D12Q |
| 8r805.0 | | BOP, KJZSV, KOP, UOP4 | | 11 | L09A, L09B, L09C, L09J, L38Z | | 05 | F01A, F01B, F01D, F14A, F14B, F15Z, F24A, F24B, F28A, F36A, F36B, F54A, F54B, F54J, F56A, F56B, F59A, F59B |
| | 01 | B02A, B02B, B02C, B02D, B20A, B20B, B20C, B20D, B20E, B39A, B39B | 8r805.h | | KJZSV | | 06 | G10Z, G12A, G12B, G12J |
| | 05 | F01A, F01B, F01D, F14A, F14B, F15Z, F24A, F24B, F28A, F36A, F36B, F54A, F54B, F54J, F56A, F56B, F59A, F59B | | 05 | F01A, F01B, F01D, F14A, F14B, F15Z, F24A, F24B, F28A, F36A, F36B, F54A, F54B, F54J, F56A, F56B, F59A, F59B | | 09 | J11A, J11B, J11C, J11J, J11Q, J11R, J11S |
| | 21B | X33Z | | 06 | G10Z, G12A, G12B, G12J | | 10 | K09A, K09B |
| | 23 | Z01A | | 11 | L09A, L09B, L09C, L09J, L38Z | | 11 | L09A, L09B, L09C, L09J, L38Z |
| 8r805.1 | | BOP, KJZSV, UOP4 | 8r805.i | | KJZSV | | 21A | W04A, W04B |
| | 01 | B04A, B04B, B04C, B04D | | 05 | F01A, F01B, F01D, F15Z, F24A, F24B, F28A, F36A, F36B, F54A, F54B, F54J, F56A, F56B, F59A, F59B | | 21B | X04Z, X05A, X05B, X06A, X06B, X06C |
| | 05 | F01A, F01B, F01D, F14A, F14B, F15Z, F24A, F24B, F28A, F36A, F36B, F54A, F54B, F54J, F56A, F56B, F59A, F59B | 8r805.j | | KJZSV | 8r805.q | | KJZSV |
| | 23 | Z01A | | 05 | F01A, F01B, F01D, F15Z, F24A, F24B, F28A, F36A, F36B, F54A, F54B, F54J, F56A, F56B, F59A, F59B | | 05 | F01A, F01B, F01D, F14A, F14B, F15Z, F24A, F24B, F28A, F36A, F36B, F54A, F54B, F54J, F56A, F56B, F59A, F59B |
| 8r805.8 | | KJZSV | 8r805.k | | KJZSV | | 10 | K09A, K09B |
| | 01 | B03Z, B07Z, B17A, B17B, B17C, B17J | | 05 | F01A, F01B, F01D, F15Z, F24A, F24B, F28A, F36A, F36B, F54A, F54B, F54J, F56A, F56B, F59A, F59B | 8r805.x | | KJZSV |
| | 05 | F01A, F01B, F01D, F14A, F14B, F15Z, F24A, F24B, F28A, F36A, F36B, F54A, F54B, F54J, F56A, F56B, F59A, F59B | 8r805.l | | KJZSV | | 05 | F01A, F01B, F01D, F15Z, F24A, F24B, F28A, F36A, F36B, F54A, F54B, F54J, F56A, F56B, F59A, F59B |
| | 09 | J11A, J11B, J11C, J11J, J11Q, J11R, J11S | | 05 | F01A, F01B, F01D, F15Z, F24A, F24B, F28A, F36A, F36B, F54A, F54B, F54J, F56A, F56B, F59A, F59B | 8r810.c | | KJZSV |
| | 10 | K09A, K09B | | 10 | K09A, K09B | | 05 | F01A, F01B, F01D, F15Z, F19A, F19B, F19C, F24A, F24B, F36A, F36B |
| | 21A | W04A, W04B | 8r805.m | | KJZSV | 8r810.k | | KJZSV |
| | 21B | X06A, X06B, X06C | | 05 | F01A, F01B, F01D, F15Z, F24A, F24B, F28A, F36A, F36B, F54A, F54B, F54J, F56A, F56B, F59A, F59B | | 05 | F01A, F01B, F01D, F14A, F14B, F15Z, F24A, F24B, F28A, F36A, F36B, F54A, F54B, F54J, F59A, F59B |
| 8r805.a | | KJZSV | | 10 | K09A, K09B | | 10 | K09A, K09B |
| | 04 | E02A, E02B, E02C | 8r805.n | | KJZSV | 8r810.l | | KJZSV |
| | 05 | F01A, F01B, F01D, F19A, F19B, F19C, F56A, F56B | | 05 | F01A, F01B, F01D, F15Z, F24A, F24B, F28A, F36A, F36B, F54A, F54B, F54J, F56A, F56B, F59A, F59B | | 05 | F01A, F01B, F01D, F14A, F14B, F15Z, F24A, F24B, F28A, F36A, F36B, F54A, F54B, F54J, F59A, F59B |
| | 10 | K09A, K09B | | 10 | K09A, K09B | | 10 | K09A, K09B |
| | Pre | A13D | 8r805.o | | KJZSV | 8r810.m | | KJZSV |
| 8r805.b | | KJZSV | | 05 | F01A, F01B, F01D, F15Z, F24A, F24B, F28A, F36A, F36B, F54A, F54B, F54J, F56A, F56B, F59A, F59B | | 05 | F01A, F01B, F01D, F14A, F14B, F15Z, F24A, F24B, F28A, F36A, F36B, F54A, F54B, F54J, F59A, F59B |
| | 05 | F01A, F01B, F01D, F15Z, F19A, F19B, F19C, F24A, F24B, F36A, F36B, F56A, F56B | | 10 | K09A, K09B | 8r810.n | | KJZSV |
| 8r805.c | | KJZSV | | 10 | K09A, K09B | | 05 | F01A, F01B, F01D, F14A, F14B, F15Z, F24A, F24B, F28A, F36A, F36B, F54A, F54B, F54J, F59A, F59B |
| | 05 | F01A, F01B, F01D, F15Z, F19A, F19B, F19C, F24A, F24B, F36A, F36B, F56A, F56B | 8r805.p | | KJZSV | | 10 | K09A, K09B |
| 8r805.d | | KJZSV | | 05 | F01A, F01B, F01D, F15Z, F24A, F24B, F28A, F36A, F36B, F54A, F54B, F54J, F56A, F56B, F59A, F59B | 8r810.o | | KJZSV |
| | 05 | F01A, F01B, F01D, F15Z, F19A, F19B, F19C, F24A, F24B, F36A, F36B, F56A, F56B | | 10 | K09A, K09B | | 05 | F01A, F01B, F01D, F14A, F14B, F15Z, F24A, F24B, F28A, F36A, F36B, F54A, F54B, F54J, F59A, F59B |
| 8r805.e | | KJZSV | | 10 | K09A, K09B | 8r810.q | | KJZSV |
| | 05 | F01A, F01B, F01D, F14A, F14B, F15Z, F24A, F24B, F28A, F36A, F36B, F54A, F54B, F54J, F56A, F56B, F59A, F59B | | 10 | K09A, K09B | | 05 | F01A, F01B, F01D, F14A, F14B, F15Z, F24A, F24B, F28A, F36A, F36B, F54A, F54B, F54J, F59A, F59B |
| 8r805.f | | KJZSV | | 10 | K09A, K09B | | 10 | K09A, K09B |
| | 05 | F01A, F01B, F01D, F15Z, F24A, F24B, F28A, F36A, F36B, F54A, F54B, F54J, F56A, F56B, F59A, F59B | | | | | 05 | F01A, F01B, F01D, F14A, F14B, F15Z, F24A, F24B, F28A, F36A, F36B, F54A, F54B, F54J, F59A, F59B |

VYK

| ZZV | MDC | DRG | ZZV | MDC | DRG | ZZV | MDC | DRG |
|---------|-----|--|---------|-----|--|---------|-----|--|
| 8r810.x | | KJZSV | 8r820.8 | | KJZSV | 8r820.j | | KJZSV |
| | 05 | F01A, F01B, F01D, F14A, F14B, F15Z, F24A, F24B, F28A, F36A, F36B, F54A, F54B, F54J, F59A, F59B | | 05 | F01A, F01B, F01D, F14A, F14B, F15Z, F24A, F24B, F28A, F36A, F36B, F54A, F54B, F54J, F59A | | 05 | F01A, F01B, F01D, F14A, F14B, F15Z, F24A, F24B, F28A, F36A, F36B, F54A, F54B, F54J, F59A |
| | 10 | K09A, K09B | | 10 | K09A, K09B | | 10 | K09A, K09B |
| 8r811.c | | KJZSV | 8r820.a | | KJZSV | 8r820.k | | KJZSV |
| | 05 | F01A, F01B, F01D, F15Z, F19A, F19B, F19C, F24A, F24B, F36A, F36B | | 04 | E02A, E02B, E02C | | 05 | F01A, F01B, F01D, F15Z, F24A, F24B, F28A, F36A, F36B, F54A, F54B, F54J, F59A |
| | 10 | K09A, K09B | | 05 | F01A, F01B, F01D, F19A, F19B, F19C | | 10 | K09A, K09B |
| 8r811.k | | KJZSV | | 10 | K09A, K09B | | 10 | K09A, K09B |
| | 05 | F01A, F01B, F01D, F14A, F14B, F15Z, F24A, F24B, F28A, F36A, F36B, F54A, F54B, F54J, F59A, F59B | 8r820.b | Pre | A13D | 8r820.l | | KJZSV |
| | 10 | K09A, K09B | | | KJZSV | | 05 | F01A, F01B, F01D, F15Z, F24A, F24B, F28A, F36A, F36B, F54A, F54B, F54J, F59A |
| 8r811.l | | KJZSV | | 05 | F01A, F01B, F01D, F14A, F14B, F15Z, F24A, F24B, F28A, F36A, F36B, F54A, F54B, F54J, F59A, F59B | | 10 | K09A, K09B |
| | 05 | F01A, F01B, F01D, F14A, F14B, F15Z, F24A, F24B, F28A, F36A, F36B, F54A, F54B, F54J, F59A, F59B | 8r820.c | | KJZSV | 8r820.m | | KJZSV |
| | 10 | K09A, K09B | | 05 | F01A, F01B, F01D, F14A, F14B, F15Z, F24A, F24B, F28A, F36A, F36B, F54A, F54B, F54J, F59A | | 05 | F01A, F01B, F01D, F15Z, F24A, F24B, F28A, F36A, F36B, F54A, F54B, F54J, F59A |
| 8r811.m | | KJZSV | | 10 | K09A, K09B | | 10 | K09A, K09B |
| | 05 | F01A, F01B, F01D, F14A, F14B, F15Z, F24A, F24B, F28A, F36A, F36B, F54A, F54B, F54J, F59A, F59B | 8r820.d | | KJZSV | 8r820.n | | KJZSV |
| | 10 | K09A, K09B | | 05 | F01A, F01B, F01D, F14A, F14B, F15Z, F24A, F24B, F28A, F36A, F36B, F54A, F54B, F54J, F59A | | 05 | F01A, F01B, F01D, F15Z, F24A, F24B, F28A, F36A, F36B, F54A, F54B, F54J, F59A |
| 8r811.n | | KJZSV | | 10 | K09A, K09B | | 10 | K09A, K09B |
| | 05 | F01A, F01B, F01D, F14A, F14B, F15Z, F24A, F24B, F28A, F36A, F36B, F54A, F54B, F54J, F59A, F59B | 8r820.e | | KJZSV | 8r820.o | | KJZSV |
| | 10 | K09A, K09B | | 05 | F01A, F01B, F01D, F14A, F14B, F15Z, F24A, F24B, F28A, F36A, F36B, F54A, F54B, F54J, F59A | | 05 | F01A, F01B, F01D, F15Z, F24A, F24B, F28A, F36A, F36B, F54A, F54B, F54J, F59A |
| 8r811.o | | KJZSV | | 10 | K09A, K09B | | 10 | K09A, K09B |
| | 05 | F01A, F01B, F01D, F14A, F14B, F15Z, F24A, F24B, F28A, F36A, F36B, F54A, F54B, F54J, F59A, F59B | 8r820.f | | KJZSV | 8r820.p | | KJZSV |
| | 10 | K09A, K09B | | 05 | F01A, F01B, F01D, F15Z, F24A, F24B, F28A, F36A, F36B, F54A, F54B, F54J, F59A, F59B | | 05 | F01A, F01B, F01D, F14A, F14B, F15Z, F24A, F24B, F28A, F36A, F36B, F54A, F54B, F54J, F59A |
| 8r811.q | | KJZSV | | 10 | K09A, K09B | | 10 | K09A, K09B |
| | 05 | F01A, F01B, F01D, F14A, F14B, F15Z, F24A, F24B, F28A, F36A, F36B, F54A, F54B, F54J, F59A, F59B | 8r820.g | | KJZSV | 8r820.q | | KJZSV |
| | 10 | K09A, K09B | | 05 | F01A, F01B, F01D, F14A, F14B, F15Z, F24A, F24B, F28A, F36A, F36B, F54A, F54B, F54J, F59A | | 05 | F01A, F01B, F01D, F14A, F14B, F15Z, F24A, F24B, F28A, F36A, F36B, F54A, F54B, F54J, F59A |
| 8r811.x | | KJZSV | | 06 | G10Z, G12A, G12B, G12J | | 10 | K09A, K09B |
| | 05 | F01A, F01B, F01D, F14A, F14B, F15Z, F24A, F24B, F28A, F36A, F36B, F54A, F54B, F54J, F59A, F59B | | 10 | K09A, K09B | 8r820.x | | KJZSV |
| | 10 | K09A, K09B | 8r820.h | 11 | L09A, L09B, L09C, L09J, L38Z | | 05 | F01A, F01B, F01D, F15Z, F24A, F24B, F28A, F36A, F36B, F54A, F54B, F54J, F59A |
| 8r820.0 | | BOP, KJZSV, KOP, UOP4 | | | KJZSV | | 10 | K09A, K09B |
| | 01 | B02A, B02B, B02C, B02D, B20A, B20B, B20C, B20D, B20E, B39A, B39B | | 05 | F01A, F01B, F01D, F14A, F14B, F15Z, F24A, F24B, F28A, F36A, F36B, F54A, F54B, F54J, F59A | 8r821.0 | | BOP, KJZSV, KOP, UOP4 |
| | 05 | F01A, F01B, F01D, F14A, F14B, F15Z, F24A, F24B, F28A, F36A, F36B, F54A, F54B, F54J, F59A | | 06 | G10Z, G12A, G12B, G12J | | 01 | B02A, B02B, B02C, B02D, B20A, B20B, B20C, B20D, B20E, B39A, B39B |
| | 10 | K09A, K09B | | 10 | K09A, K09B | | 05 | F01A, F01B, F01D, F14A, F14B, F15Z, F24A, F24B, F28A, F36A, F36B, F54A, F54B, F54J, F59A |
| 8r820.1 | | X33Z | 8r820.i | | KJZSV | | 10 | K09A, K09B |
| | 01 | B04A, B04C, B04D | | 05 | F01A, F01B, F01D, F14A, F14B, F15Z, F24A, F24B, F28A, F36A, F36B, F54A, F54B, F54J, F59A | 8r821.1 | | BOP, KJZSV, UOP4 |
| | 05 | F01A, F01B, F01D, F14A, F14B, F15Z, F24A, F24B, F28A, F36A, F36B, F54A, F54B, F54J, F59A | | 10 | K09A, K09B | | 01 | B04A, B04C, B04D |
| | 10 | K09A, K09B | | | | | 05 | F01A, F01B, F01D, F14A, F14B, F15Z, F24A, F24B, F28A, F36A, F36B, F54A, F54B, F54J, F59A |
| | | | | | | | 10 | K09A, K09B |

| ZZV | MDC | DRG | ZZV | MDC | DRG | ZZV | MDC | DRG |
|---------|-----|--|---------|-----|--|---------|-----|--|
| 8r821.8 | | KJZSV | 8r821.j | | KJZSV | 8r822.8 | | KJZSV |
| | 05 | F01A, F01B, F01D, F14A, F14B, F15Z, F24A, F24B, F28A, F36A, F36B, F54A, F54B, F54J, F59A | | 05 | F01A, F01B, F01D, F14A, F14B, F15Z, F24A, F24B, F28A, F36A, F36B, F54A, F54B, F54J, F59A | | 05 | F01A, F01B, F01D, F14A, F14B, F15Z, F24A, F24B, F28A, F36A, F36B, F54A, F54B, F54J, F59A |
| | 10 | K09A, K09B | | 10 | K09A, K09B | | 10 | K09A, K09B |
| 8r821.a | | KJZSV | 8r821.k | | KJZSV | 8r822.a | | KJZSV |
| | 04 | E02A, E02B, E02C | | 05 | F01A, F01B, F01D, F15Z, F24A, F24B, F28A, F36A, F36B, F54A, F54B, F54J, F59A | | 04 | E02A, E02B, E02C |
| | 05 | F01A, F01B, F01D, F19A, F19B, F19C | | 10 | K09A, K09B | | 05 | F01A, F01B, F01D, F19A, F19B, F19C |
| | 10 | K09A, K09B | | 10 | K09A, K09B | | 10 | K09A, K09B |
| | Pre | A13D | | Pre | A13D | | Pre | A13D |
| 8r821.b | | KJZSV | 8r821.l | | KJZSV | 8r822.b | | KJZSV |
| | 05 | F01A, F01B, F01D, F14A, F14B, F15Z, F24A, F24B, F28A, F36A, F36B, F54A, F54B, F54J, F59A, F59B | | 05 | F01A, F01B, F01D, F15Z, F24A, F24B, F28A, F36A, F36B, F54A, F54B, F54J, F59A | | 05 | F01A, F01B, F01D, F14A, F14B, F15Z, F24A, F24B, F28A, F36A, F36B, F54A, F54B, F54J, F59A, F59B |
| | 10 | K09A, K09B | | 10 | K09A, K09B | | 10 | K09A, K09B |
| 8r821.c | | KJZSV | 8r821.m | | KJZSV | 8r822.c | | KJZSV |
| | 05 | F01A, F01B, F01D, F14A, F14B, F15Z, F24A, F24B, F28A, F36A, F36B, F54A, F54B, F54J, F59A | | 05 | F01A, F01B, F01D, F15Z, F24A, F24B, F28A, F36A, F36B, F54A, F54B, F54J, F59A | | 05 | F01A, F01B, F01D, F14A, F14B, F15Z, F24A, F24B, F28A, F36A, F36B, F54A, F54B, F54J, F59A |
| | 10 | K09A, K09B | | 10 | K09A, K09B | | 10 | K09A, K09B |
| 8r821.d | | KJZSV | 8r821.n | | KJZSV | 8r822.d | | KJZSV |
| | 05 | F01A, F01B, F01D, F14A, F14B, F15Z, F24A, F24B, F28A, F36A, F36B, F54A, F54B, F54J, F59A | | 05 | F01A, F01B, F01D, F15Z, F24A, F24B, F28A, F36A, F36B, F54A, F54B, F54J, F59A | | 05 | F01A, F01B, F01D, F14A, F14B, F15Z, F24A, F24B, F28A, F36A, F36B, F54A, F54B, F54J, F59A |
| | 10 | K09A, K09B | | 10 | K09A, K09B | | 10 | K09A, K09B |
| 8r821.e | | KJZSV | 8r821.o | | KJZSV | 8r822.e | | KJZSV |
| | 05 | F01A, F01B, F01D, F14A, F14B, F15Z, F24A, F24B, F28A, F36A, F36B, F54A, F54B, F54J, F59A | | 05 | F01A, F01B, F01D, F15Z, F24A, F24B, F28A, F36A, F36B, F54A, F54B, F54J, F59A | | 05 | F01A, F01B, F01D, F14A, F14B, F15Z, F24A, F24B, F28A, F36A, F36B, F54A, F54B, F54J, F59A |
| | 10 | K09A, K09B | | 10 | K09A, K09B | | 10 | K09A, K09B |
| 8r821.f | | KJZSV | 8r821.p | | KJZSV | 8r822.f | | KJZSV |
| | 05 | F01A, F01B, F01D, F15Z, F24A, F24B, F28A, F36A, F36B, F54A, F54B, F54J, F59A, F59B | | 05 | F01A, F01B, F01D, F14A, F14B, F15Z, F24A, F24B, F28A, F36A, F36B, F54A, F54B, F54J, F59A | | 05 | F01A, F01B, F01D, F14A, F14B, F15Z, F24A, F24B, F28A, F36A, F36B, F54A, F54B, F54J, F59A |
| | 10 | K09A, K09B | | 10 | K09A, K09B | | 10 | K09A, K09B |
| 8r821.g | | KJZSV | 8r821.q | | KJZSV | 8r822.g | | KJZSV |
| | 05 | F01A, F01B, F01D, F14A, F14B, F15Z, F24A, F24B, F28A, F36A, F36B, F54A, F54B, F54J, F59A | | 05 | F01A, F01B, F01D, F14A, F14B, F15Z, F24A, F24B, F28A, F36A, F36B, F54A, F54B, F54J, F59A | | 05 | F01A, F01B, F01D, F14A, F14B, F15Z, F24A, F24B, F28A, F36A, F36B, F54A, F54B, F54J, F59A |
| | 06 | G10Z, G12A, G12B, G12J | | 10 | K09A, K09B | | 06 | G10Z, G12A, G12B, G12J |
| | 10 | K09A, K09B | | 10 | K09A, K09B | | 10 | K09A, K09B |
| | 11 | L09A, L09B, L09C, L09J, L38Z | 8r821.x | | KJZSV | | 11 | L09A, L09B, L09C, L09J, L38Z |
| 8r821.h | | KJZSV | | 05 | F01A, F01B, F01D, F15Z, F24A, F24B, F28A, F36A, F36B, F54A, F54B, F54J, F59A | 8r822.h | | KJZSV |
| | 05 | F01A, F01B, F01D, F14A, F14B, F15Z, F24A, F24B, F28A, F36A, F36B, F54A, F54B, F54J, F59A | | 10 | K09A, K09B | | 05 | F01A, F01B, F01D, F14A, F14B, F15Z, F24A, F24B, F28A, F36A, F36B, F54A, F54B, F54J, F59A |
| | 06 | G10Z, G12A, G12B, G12J | 8r822.0 | | BOP, KJZSV, KOP, UOP4 | | 06 | G10Z, G12A, G12B, G12J |
| | 10 | K09A, K09B | | 01 | B02A, B02B, B02C, B02D, B20A, B20B, B20C, B20D, B20E, B39A, B39B | | 10 | K09A, K09B |
| | 11 | L09A, L09B, L09C, L09J, L38Z | | 05 | F01A, F01B, F01D, F14A, F14B, F15Z, F24A, F24B, F28A, F36A, F36B, F54A, F54B, F54J, F59A | | 11 | L09A, L09B, L09C, L09J, L38Z |
| 8r821.i | | KJZSV | | 10 | K09A, K09B | 8r822.i | | KJZSV |
| | 05 | F01A, F01B, F01D, F14A, F14B, F15Z, F24A, F24B, F28A, F36A, F36B, F54A, F54B, F54J, F59A | | 21B | X33Z | | 05 | F01A, F01B, F01D, F14A, F14B, F15Z, F24A, F24B, F28A, F36A, F36B, F54A, F54B, F54J, F59A |
| | 10 | K09A, K09B | 8r822.1 | | BOP, KJZSV, UOP4 | | 10 | K09A, K09B |
| | | | | 01 | B04A, B04C, B04D | | | |
| | | | | 05 | F01A, F01B, F01D, F14A, F14B, F15Z, F24A, F24B, F28A, F36A, F36B, F54A, F54B, F54J, F59A | | | |
| | | | | 10 | K09A, K09B | | | |

VYK

| ZZV | MDC | DRG | ZZV | MDC | DRG | ZZV | MDC | DRG |
|---------|-----|--|---------|-----|--|---------|-----|--|
| 8r822.j | | KJZSV | 8r823.8 | | KJZSV | 8r823.j | | KJZSV |
| | 05 | F01A, F01B, F01D, F14A, F14B, F15Z, F24A, F24B, F28A, F36A, F36B, F54A, F54B, F54J, F59A | | 05 | F01A, F01B, F01D, F14A, F14B, F15Z, F24A, F24B, F28A, F36A, F36B, F54A, F54B, F54J, F59A | | 05 | F01A, F01B, F01D, F14A, F14B, F15Z, F24A, F24B, F28A, F36A, F36B, F54A, F54B, F54J, F59A |
| | 10 | K09A, K09B | | 10 | K09A, K09B | | 10 | K09A, K09B |
| 8r822.k | | KJZSV | 8r823.a | | KJZSV | 8r823.k | | KJZSV |
| | 05 | F01A, F01B, F01D, F15Z, F24A, F24B, F28A, F36A, F36B, F54A, F54B, F54J, F59A | | 04 | E02A, E02B, E02C | | 05 | F01A, F01B, F01D, F15Z, F24A, F24B, F28A, F36A, F36B, F54A, F54B, F54J, F59A |
| | 10 | K09A, K09B | | 05 | F01A, F01B, F01D, F19A, F19B, F19C | | 10 | K09A, K09B |
| 8r822.l | | KJZSV | | 10 | K09A, K09B | | 10 | K09A, K09B |
| | 05 | F01A, F01B, F01D, F15Z, F24A, F24B, F28A, F36A, F36B, F54A, F54B, F54J, F59A | 8r823.b | Pre | A13D | 8r823.l | | KJZSV |
| | 10 | K09A, K09B | | 05 | F01A, F01B, F01D, F14A, F14B, F15Z, F24A, F24B, F28A, F36A, F36B, F54A, F54B, F54J, F59A, F59B | | 05 | F01A, F01B, F01D, F15Z, F24A, F24B, F28A, F36A, F36B, F54A, F54B, F54J, F59A |
| 8r822.m | | KJZSV | | 10 | K09A, K09B | | 10 | K09A, K09B |
| | 05 | F01A, F01B, F01D, F15Z, F24A, F24B, F28A, F36A, F36B, F54A, F54B, F54J, F59A | 8r823.c | | KJZSV | 8r823.m | | KJZSV |
| | 10 | K09A, K09B | | 05 | F01A, F01B, F01D, F14A, F14B, F15Z, F24A, F24B, F28A, F36A, F36B, F54A, F54B, F54J, F59A | | 05 | F01A, F01B, F01D, F15Z, F24A, F24B, F28A, F36A, F36B, F54A, F54B, F54J, F59A |
| 8r822.n | | KJZSV | | 10 | K09A, K09B | | 10 | K09A, K09B |
| | 05 | F01A, F01B, F01D, F15Z, F24A, F24B, F28A, F36A, F36B, F54A, F54B, F54J, F59A | 8r823.d | | KJZSV | 8r823.n | | KJZSV |
| | 10 | K09A, K09B | | 05 | F01A, F01B, F01D, F14A, F14B, F15Z, F24A, F24B, F28A, F36A, F36B, F54A, F54B, F54J, F59A | | 05 | F01A, F01B, F01D, F15Z, F24A, F24B, F28A, F36A, F36B, F54A, F54B, F54J, F59A |
| 8r822.o | | KJZSV | | 10 | K09A, K09B | | 10 | K09A, K09B |
| | 05 | F01A, F01B, F01D, F15Z, F24A, F24B, F28A, F36A, F36B, F54A, F54B, F54J, F59A | 8r823.e | | KJZSV | 8r823.o | | KJZSV |
| | 10 | K09A, K09B | | 05 | F01A, F01B, F01D, F14A, F14B, F15Z, F24A, F24B, F28A, F36A, F36B, F54A, F54B, F54J, F59A | | 05 | F01A, F01B, F01D, F15Z, F24A, F24B, F28A, F36A, F36B, F54A, F54B, F54J, F59A |
| 8r822.p | | KJZSV | | 10 | K09A, K09B | | 10 | K09A, K09B |
| | 05 | F01A, F01B, F01D, F14A, F14B, F15Z, F24A, F24B, F28A, F36A, F36B, F54A, F54B, F54J, F59A | 8r823.f | | KJZSV | 8r823.p | | KJZSV |
| | 10 | K09A, K09B | | 05 | F01A, F01B, F01D, F14A, F14B, F15Z, F24A, F24B, F28A, F36A, F36B, F54A, F54B, F54J, F59A | | 05 | F01A, F01B, F01D, F14A, F14B, F15Z, F24A, F24B, F28A, F36A, F36B, F54A, F54B, F54J, F59A |
| 8r822.q | | KJZSV | | 10 | K09A, K09B | | 10 | K09A, K09B |
| | 05 | F01A, F01B, F01D, F14A, F14B, F15Z, F24A, F24B, F28A, F36A, F36B, F54A, F54B, F54J, F59A | 8r823.g | | KJZSV | 8r823.q | | KJZSV |
| | 10 | K09A, K09B | | 05 | F01A, F01B, F01D, F14A, F14B, F15Z, F24A, F24B, F28A, F36A, F36B, F54A, F54B, F54J, F59A | | 05 | F01A, F01B, F01D, F14A, F14B, F15Z, F24A, F24B, F28A, F36A, F36B, F54A, F54B, F54J, F59A |
| 8r822.x | | KJZSV | | 06 | G10Z, G12A, G12B, G12J | | 10 | K09A, K09B |
| | 05 | F01A, F01B, F01D, F15Z, F24A, F24B, F28A, F36A, F36B, F54A, F54B, F54J, F59A | | 10 | K09A, K09B | 8r823.x | | KJZSV |
| | 10 | K09A, K09B | | 11 | L09A, L09B, L09C, L09J, L38Z | | 05 | F01A, F01B, F01D, F15Z, F24A, F24B, F28A, F36A, F36B, F54A, F54B, F54J, F59A |
| 8r823.0 | | BOP, KJZSV, KOP, UOP4 | 8r823.h | | KJZSV | | 10 | K09A, K09B |
| | 01 | B02A, B02B, B02C, B02D, B20A, B20B, B20C, B20D, B20E, B39A, B39B | | 05 | F01A, F01B, F01D, F14A, F14B, F15Z, F24A, F24B, F28A, F36A, F36B, F54A, F54B, F54J, F59A | 8r830 | | BOP, KJZSV, KOP, UOP4 |
| | 05 | F01A, F01B, F01D, F14A, F14B, F15Z, F24A, F24B, F28A, F36A, F36B, F54A, F54B, F54J, F59A | | 06 | G10Z, G12A, G12B, G12J | | 01 | B02A, B02B, B02C, B02D, B20A, B20B, B20C, B20D, B20E, B39A, B39B |
| | 10 | K09A, K09B | | 10 | K09A, K09B | | 05 | F01A, F01B, F01D, F14A, F14B, F15Z, F24A, F24B, F28A, F36A, F36B, F54A, F54B, F54J, F59A, F59B |
| 8r823.1 | | X33Z | 8r823.i | | KJZSV | | 10 | K09A, K09B |
| | 01 | B04A, B04C, B04D | | 05 | F01A, F01B, F01D, F14A, F14B, F15Z, F24A, F24B, F28A, F36A, F36B, F54A, F54B, F54J, F59A | 8r831 | | BOP, KJZSV, UOP4 |
| | 05 | F01A, F01B, F01D, F14A, F14B, F15Z, F24A, F24B, F28A, F36A, F36B, F54A, F54B, F54J, F59A | | 10 | K09A, K09B | | 01 | B04A, B04B, B04C, B04D |
| | 10 | K09A, K09B | | | | | 05 | F01A, F01B, F01D, F14A, F14B, F15Z, F24A, F24B, F28A, F36A, F36B, F54A, F54B, F54J, F59A, F59B |

| ZZV | MDC | DRG | ZZV | MDC | DRG | ZZV | MDC | DRG |
|-------|-----|--|-------|-----|--|-------|-----|--|
| 8r838 | | KJZSV | 8r83k | | KJZSV | 8r84a | | KJZSV |
| | 05 | F01A, F01B, F01D, F14A, F14B, F15Z, F24A, F24B, F28A, F36A, F36B, F54A, F54B, F54J, F59A, F59B | | 05 | F01A, F01B, F01D, F14A, F14B, F15Z, F24A, F24B, F28A, F36A, F36B, F54A, F54B, F54J, F59A, F59B | | 04 | E02A, E02B, E02C |
| | 10 | K09A, K09B | | 10 | K09A, K09B | | 05 | F01A, F01B, F01D, F19A, F19B, F19C |
| 8r83a | | KJZSV | 8r83l | | KJZSV | 8r84b | Pre | K09A, K09B A13D |
| | 04 | E02A, E02B, E02C | | 05 | F01A, F01B, F01D, F14A, F14B, F15Z, F24A, F24B, F28A, F36A, F36B, F54A, F54B, F54J, F59A, F59B | | 05 | F01A, F01B, F01D, F15Z, F19A, F19B, F19C, F24A, F24B, F36A, F36B |
| | 05 | F01A, F01B, F01D, F19A, F19B, F19C | | 10 | K09A, K09B | 8r84c | | KJZSV |
| | 10 | K09A, K09B | 8r83m | | KJZSV | | 05 | F01A, F01B, F01D, F15Z, F19A, F19B, F19C, F24A, F24B, F36A, F36B |
| 8r83b | Pre | A13D | | 05 | F01A, F01B, F01D, F14A, F14B, F15Z, F24A, F24B, F28A, F36A, F36B, F54A, F54B, F54J, F59A, F59B | 8r84d | | KJZSV |
| | | KJZSV | | 10 | K09A, K09B | | 05 | F01A, F01B, F01D, F15Z, F19A, F19B, F19C, F24A, F24B, F36A, F36B |
| 8r83c | | KJZSV | 8r83n | | KJZSV | | 10 | K09A, K09B |
| | 05 | F01A, F01B, F01D, F15Z, F19A, F19B, F19C, F24A, F24B, F36A, F36B | | 05 | F01A, F01B, F01D, F14A, F14B, F15Z, F24A, F24B, F28A, F36A, F36B, F54A, F54B, F54J, F59A, F59B | 8r84e | | KJZSV |
| | 10 | K09A, K09B | 8r83o | | KJZSV | | 05 | F01A, F01B, F01D, F14A, F14B, F15Z, F24A, F24B, F28A, F36A, F36B, F54A, F54B, F54J, F59A, F59B |
| 8r83d | | KJZSV | | 05 | F01A, F01B, F01D, F14A, F14B, F15Z, F24A, F24B, F28A, F36A, F36B, F54A, F54B, F54J, F59A, F59B | 8r84f | | KJZSV |
| | 05 | F01A, F01B, F01D, F15Z, F19A, F19B, F19C, F24A, F24B, F36A, F36B | 8r83p | | KJZSV | | 05 | F01A, F01B, F01D, F15Z, F24A, F24B, F28A, F36A, F36B, F54A, F54B, F54J, F59A, F59B |
| | 10 | K09A, K09B | | 05 | F01A, F01B, F01D, F14A, F14B, F15Z, F24A, F24B, F28A, F36A, F36B, F54A, F54B, F54J, F59A, F59B | 8r84g | | KJZSV |
| 8r83e | | KJZSV | 8r83q | | KJZSV | | 05 | F01A, F01B, F01D, F14A, F14B, F15Z, F24A, F24B, F28A, F36A, F36B, F54A, F54B, F54J, F59A, F59B |
| | 05 | F01A, F01B, F01D, F14A, F14B, F15Z, F24A, F24B, F28A, F36A, F36B, F54A, F54B, F54J, F59A, F59B | | 05 | F01A, F01B, F01D, F14A, F14B, F15Z, F24A, F24B, F28A, F36A, F36B, F54A, F54B, F54J, F59A, F59B | 8r84h | | KJZSV |
| | 10 | K09A, K09B | 8r83r | | KJZSV | | 05 | F01A, F01B, F01D, F14A, F14B, F15Z, F24A, F24B, F28A, F36A, F36B, F54A, F54B, F54J, F59A, F59B |
| 8r83f | | KJZSV | | 05 | F01A, F01B, F01D, F14A, F14B, F15Z, F24A, F24B, F28A, F36A, F36B, F54A, F54B, F54J, F59A, F59B | 8r84i | | KJZSV |
| | 05 | F01A, F01B, F01D, F14A, F14B, F15Z, F24A, F24B, F28A, F36A, F36B, F54A, F54B, F54J, F59A, F59B | 8r83s | | KJZSV | | 05 | F01A, F01B, F01D, F15Z, F24A, F24B, F28A, F36A, F36B, F54A, F54B, F54J, F59A, F59B |
| | 10 | K09A, K09B | | 05 | F01A, F01B, F01D, F14A, F14B, F15Z, F24A, F24B, F28A, F36A, F36B, F54A, F54B, F54J, F59A, F59B | 8r84j | | KJZSV |
| 8r83g | | KJZSV | 8r83t | | KJZSV | | 05 | F01A, F01B, F01D, F15Z, F24A, F24B, F28A, F36A, F36B, F54A, F54B, F54J, F59A, F59B |
| | 05 | F01A, F01B, F01D, F14A, F14B, F15Z, F24A, F24B, F28A, F36A, F36B, F54A, F54B, F54J, F59A, F59B | | 05 | F01A, F01B, F01D, F14A, F14B, F15Z, F24A, F24B, F28A, F36A, F36B, F54A, F54B, F54J, F59A, F59B | 8r84k | | KJZSV |
| | 06 | G10Z, G12A, G12B, G12J | 8r83u | | KJZSV | | 05 | F01A, F01B, F01D, F15Z, F24A, F24B, F28A, F36A, F36B, F54A, F54B, F54J, F59A, F59B |
| | 10 | K09A, K09B | | 05 | F01A, F01B, F01D, F14A, F14B, F15Z, F24A, F24B, F28A, F36A, F36B, F54A, F54B, F54J, F59A, F59B | | 10 | K09A, K09B |
| | 11 | L09A, L09B, L09C, L09J, L38Z | 8r83v | | KJZSV | | 05 | F01A, F01B, F01D, F15Z, F24A, F24B, F28A, F36A, F36B, F54A, F54B, F54J, F59A, F59B |
| 8r83h | | KJZSV | | 05 | F01A, F01B, F01D, F14A, F14B, F15Z, F24A, F24B, F28A, F36A, F36B, F54A, F54B, F54J, F59A, F59B | | 10 | K09A, K09B |
| | 05 | F01A, F01B, F01D, F14A, F14B, F15Z, F24A, F24B, F28A, F36A, F36B, F54A, F54B, F54J, F59A, F59B | 8r840 | | BOP, KJZSV, KOP, UOP4 B02A, B02B, B02C, B20A, B20B, B20C, B20D, B39A, B39B | | 05 | F01A, F01B, F01D, F15Z, F24A, F24B, F28A, F36A, F36B, F54A, F54B, F54J, F59A, F59B |
| | 06 | G10Z, G12A, G12B, G12J | | 05 | F01A, F01B, F01D, F14A, F14B, F15Z, F24A, F24B, F28A, F36A, F36B, F54A, F54B, F54J, F59A, F59B | | 10 | K09A, K09B |
| | 10 | K09A, K09B | 8r841 | | BOP, KJZSV, UOP4 B04A, B04B, B04C, B04D | | 05 | F01A, F01B, F01D, F15Z, F24A, F24B, F28A, F36A, F36B, F54A, F54B, F54J, F59A, F59B |
| | 11 | L09A, L09B, L09C, L09J, L38Z | | 05 | F01A, F01B, F01D, F14A, F14B, F15Z, F24A, F24B, F28A, F36A, F36B, F54A, F54B, F54J, F59A, F59B | 8r84l | | KJZSV |
| 8r83i | | KJZSV | 8r842 | | KJZSV | | 05 | F01A, F01B, F01D, F15Z, F24A, F24B, F28A, F36A, F36B, F54A, F54B, F54J, F59A, F59B |
| | 05 | F01A, F01B, F01D, F14A, F14B, F15Z, F24A, F24B, F28A, F36A, F36B, F54A, F54B, F54J, F59A, F59B | | 05 | F01A, F01B, F01D, F14A, F14B, F15Z, F24A, F24B, F28A, F36A, F36B, F54A, F54B, F54J, F59A, F59B | | 10 | K09A, K09B |
| | 10 | K09A, K09B | 8r843 | | KJZSV | | 05 | F01A, F01B, F01D, F15Z, F24A, F24B, F28A, F36A, F36B, F54A, F54B, F54J, F59A, F59B |
| 8r83j | | KJZSV | | 05 | F01A, F01B, F01D, F14A, F14B, F15Z, F24A, F24B, F28A, F36A, F36B, F54A, F54B, F54J, F59A, F59B | | 10 | K09A, K09B |
| | 05 | F01A, F01B, F01D, F14A, F14B, F15Z, F24A, F24B, F28A, F36A, F36B, F54A, F54B, F54J, F59A, F59B | 8r844 | | KJZSV | | 05 | F01A, F01B, F01D, F15Z, F24A, F24B, F28A, F36A, F36B, F54A, F54B, F54J, F59A, F59B |
| | 10 | K09A, K09B | | 05 | F01A, F01B, F01D, F14A, F14B, F15Z, F24A, F24B, F28A, F36A, F36B, F54A, F54B, F54J, F59A, F59B | | 10 | K09A, K09B |

VYK

| ZZV | MDC | DRG | ZZV | MDC | DRG | ZZV | MDC | DRG |
|---------|-----|--|---------|-----|--|---------|-----|--|
| 8r84l | | KJZSV | 8r850.8 | | KJZSV | 8r850.h | | KJZSV |
| | 05 | F01A, F01B, F01D, F15Z, F24A, F24B, F28A, F36A, F36B, F54A, F54B, F54J, F59A, F59B | | 01 | B03Z, B07Z, B17A, B17B, B17C, B17J | | 05 | F01A, F01B, F01D, F14A, F14B, F15Z, F24A, F24B, F28A, F36A, F36B, F54A, F54B, F54J, F59A, F59B |
| | 10 | K09A, K09B | | 05 | F01A, F01B, F01D, F14A, F14B, F15Z, F24A, F24B, F28A, F36A, F36B, F54A, F54B, F54J, F59A, F59B | | 06 | G10Z, G12A, G12B, G12J |
| 8r84m | | KJZSV | | 09 | J11A, J11B, J11C, J11J, J11Q, J11R, J11S | | 07 | H06A, H06B |
| | 05 | F01A, F01B, F01D, F15Z, F24A, F24B, F28A, F36A, F36B, F54A, F54B, F54J, F59A, F59B | | 10 | K09A, K09B | | 09 | J11A, J11B, J11C, J11J, J11Q, J11R, J11S |
| | 10 | K09A, K09B | | 21A | W04A, W04B | | 11 | L09A, L09B, L09J, L38Z |
| 8r84n | | KJZSV | | 21B | X06A, X06B, X06C | | 21A | W04A, W04B |
| | 05 | F01A, F01B, F01D, F15Z, F24A, F24B, F28A, F36A, F36B, F54A, F54B, F54J, F59A, F59B | 8r850.a | | KJZSV | 8r850.i | | KJZSV |
| | 10 | K09A, K09B | | 04 | E02A, E02B, E02C | | 05 | F01A, F01B, F01D, F14A, F14B, F15Z, F24A, F24B, F28A, F36A, F36B, F54A, F54J, F59A, F59B |
| 8r84o | | KJZSV | | 05 | F01A, F01B, F01D, F19A, F19B, F19C | | 06 | G10Z, G12A, G12B, G12J |
| | 05 | F01A, F01B, F01D, F15Z, F24A, F24B, F28A, F36A, F36B, F54A, F54B, F54J, F59A, F59B | | 10 | K09A, K09B | | 07 | H06A, H06B |
| | 10 | K09A, K09B | | Pre | A13D | | 09 | J11A, J11B, J11C, J11J, J11Q, J11R, J11S |
| 8r84p | | KJZSV | 8r850.b | | KJZSV | | 11 | L09A, L09B, L09J, L38Z |
| | 05 | F01A, F01B, F01D, F14A, F14B, F15Z, F24A, F24B, F28A, F36A, F36B, F54A, F54B, F54J, F59A, F59B | | 05 | F01A, F01B, F01D, F15Z, F19A, F19B, F19C, F24A, F24B, F36A, F36B | | 12 | M06J, M06Z, M09A, M09B, M09J, M38Z |
| | 10 | K09A, K09B | | 09 | J11A, J11B, J11C, J11J, J11Q, J11R, J11S | | 13 | N04Z |
| 8r84q | | KJZSV | 8r850.c | | KJZSV | | 21A | W04A, W04B |
| | 05 | F01A, F01B, F01D, F14A, F14B, F15Z, F24A, F24B, F28A, F36A, F36B, F54A, F54B, F54J, F59A, F59B | | 05 | F01A, F01B, F01D, F15Z, F19A, F19B, F19C, F24A, F24B, F36A, F36B | 8r850.j | | KJZSV |
| | 10 | K09A, K09B | | 09 | J11A, J11B, J11C, J11J, J11Q, J11R, J11S | | 05 | F01A, F01B, F01D, F14A, F14B, F15Z, F24A, F24B, F28A, F36A, F36B, F54A, F54J, F59A, F59B |
| 8r84r | | KJZSV | 8r850.d | | KJZSV | | 06 | G10Z, G12A, G12B, G12J |
| | 05 | F01A, F01B, F01D, F14A, F14B, F15Z, F24A, F24B, F28A, F36A, F36B, F54A, F54B, F54J, F59A, F59B | | 05 | F01A, F01B, F01D, F15Z, F19A, F19B, F19C, F24A, F24B, F36A, F36B | | 07 | H06A, H06B |
| | 10 | K09A, K09B | | 09 | J11A, J11B, J11C, J11J, J11Q, J11R, J11S | | 09 | J11A, J11B, J11C, J11J, J11Q, J11R, J11S |
| 8r84s | | KJZSV | 8r850.e | | KJZSV | | 11 | L09A, L09B, L09J, L38Z |
| | 05 | F01A, F01B, F01D, F15Z, F24A, F24B, F28A, F36A, F36B, F54A, F54B, F54J, F59A, F59B | | 05 | F01A, F01B, F01D, F14A, F14B, F15Z, F24A, F24B, F28A, F36A, F36B, F54A, F54J, F59A, F59B | | 12 | M06J, M06Z, M09A, M09B, M09J, M38Z |
| | 10 | K09A, K09B | | 09 | J11A, J11B, J11C, J11J, J11Q, J11R, J11S | | 13 | N04Z |
| 8r850.0 | | BOP, KJZSV, KOP, UOP4 | 8r850.f | | KJZSV | | 21A | W04A, W04B |
| | 01 | B02A, B02B, B02C, B02D, B20A, B20B, B20C, B20D, B39A, B39B | | 05 | F01A, F01B, F01D, F14A, F14B, F15Z, F24A, F24B, F28A, F36A, F36B, F54A, F54J, F59A, F59B | 8r850.k | | KJZSV |
| | 05 | F01A, F01B, F01D, F14A, F14B, F15Z, F24A, F24B, F28A, F36A, F36B, F54A, F54J, F59A, F59B | | 09 | J11A, J11B, J11C, J11J, J11Q, J11R, J11S | | 05 | F01A, F01B, F01D, F14A, F14B, F15Z, F24A, F24B, F28A, F36A, F36B, F54A, F54J, F59A, F59B |
| | 09 | J11A, J11B, J11C, J11J, J11Q, J11R, J11S | | 10 | K09A, K09B | | 09 | J11A, J11B, J11C, J11J, J11Q, J11R, J11S |
| | 21A | W01A, W01B, W01C, W36Z | | 21A | W04A, W04B | | 10 | K09A, K09B |
| | 21B | X06A, X06B, X06C, X33Z | | 21B | X06A, X06B, X06C | | 21A | W04A, W04B |
| 8r850.1 | | BOP, KJZSV, UOP4 | 8r850.g | | KJZSV | 8r850.l | | KJZSV |
| | 01 | B04A, B04B, B04C, B04D | | 05 | F01A, F01B, F01D, F14A, F14B, F15Z, F24A, F24B, F28A, F36A, F36B, F54A, F54J, F59A, F59B | | 05 | F01A, F01B, F01D, F14A, F14B, F15Z, F24A, F24B, F28A, F36A, F36B, F54A, F54J, F59A, F59B |
| | 03 | D12A, D12J, D12Q | | 06 | G10Z, G12A, G12B, G12J | | 09 | J11A, J11B, J11C, J11J, J11Q, J11R, J11S |
| | 05 | F01A, F01B, F01D, F14A, F14B, F15Z, F24A, F24B, F28A, F36A, F36B, F54A, F54J, F59A, F59B | | 07 | H06A, H06B | | 10 | K09A, K09B |
| | 09 | J11A, J11B, J11C, J11J, J11Q, J11R, J11S | | 09 | J11A, J11B, J11C, J11J, J11Q, J11R, J11S | | 21A | W04A, W04B |
| | 21A | W04A, W04B | | 11 | L09A, L09B, L09J, L38Z | | 21B | X06A, X06B, X06C |
| | 21B | X06A, X06B, X06C | | 21A | W04A, W04B | | | |
| | | | | 21B | X06A, X06B, X06C | | | |

| ZZV | MDC | DRG | ZZV | MDC | DRG | ZZV | MDC | DRG | |
|---------|--|--|--|--|--|--|--|--|------------------------|
| 8r850.m | | KJZSV | 8r851.0 | | BOP, KJZSV, KOP, UOP4 | 8r851.f | | KJZSV | |
| | 05 | F01A, F01B, F01D, F14A, F14B, F15Z, F24A, F24B, F28A, F36A, F36B, F54A, F54J, F59A, F59B | | 01 | B02A, B02B, B02C, B02D, B20A, B20B, B20C, B20D, B39A, B39B | | 05 | F01A, F01B, F01D, F14A, F14B, F15Z, F24A, F24B, F28A, F36A, F36B, F54A, F54B, F54J, F59A, F59B | |
| | 09 | J11A, J11B, J11C, J11J, J11Q, J11R, J11S | | 05 | F01A, F01B, F01D, F14A, F14B, F15Z, F24A, F24B, F28A, F36A, F36B, F54A, F54B, F54J, F59A, F59B | | 09 | J11A, J11B, J11C, J11J, J11Q, J11R, J11S | |
| | 10 | K09A, K09B | | 09 | J11A, J11B, J11C, J11J, J11Q, J11R, J11S | | 10 | K09A, K09B | |
| | 21A | W04A, W04B | | 21A | W01A, W01B, W01C, W36Z | | 21A | W04A, W04B | |
| 8r850.n | 21B | X04Z | 21B | X06A, X06B, X06C, X33Z | 21B | X06A, X06B, X06C | | | |
| | | KJZSV | 8r851.1 | | BOP, KJZSV, UOP4 | 8r851.g | | KJZSV | |
| | 05 | F01A, F01B, F01D, F14A, F14B, F15Z, F24A, F24B, F28A, F36A, F36B, F54A, F54J, F59A, F59B | | 01 | B04A, B04B, B04C, B04D | | 05 | F01A, F01B, F01D, F14A, F14B, F15Z, F24A, F24B, F28A, F36A, F36B, F54A, F54B, F54J, F59A, F59B | |
| | 09 | J11A, J11B, J11C, J11J, J11Q, J11R, J11S | | 03 | D12A, D12J, D12Q | | 06 | G10Z, G12A, G12B, G12J | |
| | 10 | K09A, K09B | | 05 | F01A, F01B, F01D, F14A, F14B, F15Z, F24A, F24B, F28A, F36A, F36B, F54A, F54B, F54J, F59A, F59B | | 07 | H06A, H06B | |
| 21A | W04A, W04B | 09 | | J11A, J11B, J11C, J11J, J11Q, J11R, J11S | 09 | | J11A, J11B, J11C, J11J, J11Q, J11R, J11S | | |
| 8r850.o | 21B | X04Z | 21A | W04A, W04B | 11 | L09A, L09B, L09C, L09J, L38Z | | | |
| | | KJZSV | 21B | X06A, X06B, X06C | 21A | W04A, W04B | | | |
| | 05 | F01A, F01B, F01D, F14A, F14B, F15Z, F24A, F24B, F28A, F36A, F36B, F54A, F54J, F59A, F59B | 8r851.8 | | KJZSV | 21B | X06A, X06B, X06C | | |
| | 09 | J11A, J11B, J11C, J11J, J11Q, J11R, J11S | | 01 | B03Z, B07Z, B17A, B17B, B17C, B17J | 8r851.h | | KJZSV | |
| | 10 | K09A, K09B | | 05 | F01A, F01B, F01D, F14A, F14B, F15Z, F24A, F24B, F28A, F36A, F36B, F54A, F54B, F54J, F59A, F59B | | 05 | F01A, F01B, F01D, F14A, F14B, F15Z, F24A, F24B, F28A, F36A, F36B, F54A, F54B, F54J, F59A, F59B | |
| 21A | W04A, W04B | 09 | | J11A, J11B, J11C, J11J, J11Q, J11R, J11S | 06 | | G10Z, G12A, G12B, G12J | | |
| 21B | X04Z | 10 | | K09A, K09B | 07 | | H06A, H06B | | |
| 8r850.p | | KJZSV | 21A | W04A, W04B | 09 | | J11A, J11B, J11C, J11J, J11Q, J11R, J11S | | |
| | 01 | B03Z, B07Z, B17A, B17B, B17C, B17J | 21B | X06A, X06B, X06C | 11 | L09A, L09B, L09C, L09J, L38Z | | | |
| | 03 | D12A, D12J, D12Q | 8r851.a | | KJZSV | 21A | W04A, W04B | | |
| | 05 | F01A, F01B, F01D, F14A, F14B, F15Z, F24A, F24B, F28A, F36A, F36B, F54A, F54J, F59A, F59B | | 04 | E02A, E02B, E02C | 21B | X06A, X06B, X06C | | |
| | 06 | G10Z, G12A, G12B, G12J | | 05 | F01A, F01B, F01D, F19A, F19B, F19C | 8r851.i | | KJZSV | |
| 09 | J11A, J11B, J11C, J11J, J11Q, J11R, J11S | 10 | | K09A, K09B | 05 | | F01A, F01B, F01D, F14A, F14B, F15Z, F24A, F24B, F28A, F36A, F36B, F54A, F54B, F54J, F59A, F59B | | |
| 10 | K09A, K09B | Pre | | A13D | 06 | | G10Z, G12A, G12B, G12J | | |
| 11 | L09A, L09B, L09J, L38Z | 8r851.b | | KJZSV | 07 | | H06A, H06B | | |
| 21A | W04A, W04B | | 05 | F01A, F01B, F01D, F15Z, F19A, F19B, F19C, F24A, F24B, F36A, F36B | 09 | | J11A, J11B, J11C, J11J, J11Q, J11R, J11S | | |
| 21B | X04Z, X05A, X05B, X06A, X06B, X06C | | 09 | J11A, J11B, J11C, J11J, J11Q, J11R, J11S | 11 | L09A, L09B, L09C, L09J, L38Z | | | |
| 8r850.q | | | KJZSV | 8r851.c | | KJZSV | 12 | M06J, M06Z, M09A, M09B, M09J, M38Z | |
| | 05 | | F01A, F01B, F01D, F14A, F14B, F15Z, F24A, F24B, F28A, F36A, F36B, F54A, F54J, F59A, F59B | | 05 | F01A, F01B, F01D, F15Z, F19A, F19B, F19C, F24A, F24B, F36A, F36B | 13 | N04Z | |
| | 09 | J11A, J11B, J11C, J11J, J11Q, J11R, J11S | 09 | | J11A, J11B, J11C, J11J, J11Q, J11R, J11S | 21A | W04A, W04B | | |
| | 8r850.x | | KJZSV | | 8r851.d | | KJZSV | 21B | X06A, X06B, X06C |
| | | 01 | B03Z, B17A, B17B, B17C, B17J, B20A, B20B, B20C, B20D | | | 05 | F01A, F01B, F01D, F15Z, F19A, F19B, F19C, F24A, F24B, F36A, F36B | 8r851.j | |
| 05 | | F01A, F01B, F01D, F14A, F14B, F15Z, F24A, F24B, F28A, F36A, F36B, F54A, F54J, F59A, F59B | 09 | J11A, J11B, J11C, J11J, J11Q, J11R, J11S | | 05 | F01A, F01B, F01D, F14A, F14B, F15Z, F24A, F24B, F28A, F36A, F36B, F54A, F54B, F54J, F59A, F59B | | |
| 06 | | G10Z, G12A, G12B, G12J | 8r851.e | | | KJZSV | 06 | | G10Z, G12A, G12B, G12J |
| 07 | | H06A, H06B | | 05 | | F01A, F01B, F01D, F14A, F14B, F15Z, F24A, F24B, F28A, F36A, F36B, F54A, F54B, F54J, F59A, F59B | 07 | | H06A, H06B |
| 09 | J11A, J11B, J11C, J11J, J11Q, J11R, J11S | 09 | | J11A, J11B, J11C, J11J, J11Q, J11R, J11S | 09 | J11A, J11B, J11C, J11J, J11Q, J11R, J11S | | | |
| 10 | K09A, K09B | 09 | | J11A, J11B, J11C, J11J, J11Q, J11R, J11S | 11 | L09A, L09B, L09C, L09J, L38Z | | | |
| 11 | L09A, L09B, L09J, L38Z | | | | 12 | M06J, M06Z, M09A, M09B, M09J, M38Z | | | |
| 21A | W04A, W04B | | | 13 | N04Z | | | | |
| 21B | X04Z | | | 21A | W04A, W04B | | | | |
| | | | | 21B | X06A, X06B, X06C | | | | |

VYK

| ZZV | MDC | DRG | ZZV | MDC | DRG | ZZV | MDC | DRG | | |
|---------|------------------------------------|--|---------|--|--|------------------------------------|--|--|------------------------------|--|
| 8r851.k | | KJZSV | 8r851.q | | KJZSV | 8r852.d | | KJZSV | | |
| | 05 | F01A, F01B, F01D, F14A, F14B, F15Z, F24A, F24B, F28A, F36A, F36B, F54A, F54B, F54J, F59A, F59B | | 05 | F01A, F01B, F01D, F14A, F14B, F15Z, F24A, F24B, F28A, F36A, F36B, F54A, F54B, F54J, F59A, F59B | | 05 | F01A, F01B, F01D, F15Z, F19A, F19B, F19C, F24A, F24B, F36A, F36B | | |
| | 09 | J11A, J11B, J11C, J11J, J11Q, J11R, J11S | | 09 | J11A, J11B, J11C, J11J, J11Q, J11R, J11S | | 09 | J11A, J11B, J11C, J11J, J11Q, J11R, J11S | | |
| | 10 | K09A, K09B | | 8r851.x | | | KJZSV | 8r852.e | | KJZSV |
| | 21A | W04A, W04B | | | 05 | | F01A, F01B, F01D, F14A, F14B, F15Z, F24A, F24B, F28A, F36A, F36B, F54A, F54B, F54J, F59A, F59B | | 05 | F01A, F01B, F01D, F14A, F14B, F15Z, F24A, F24B, F28A, F36A, F36B, F54A, F54B, F54J, F59A, F59B |
| 8r851.l | 21B | X06A, X06B, X06C | 8r852.0 | | KJZSV | 8r852.f | | KJZSV | | |
| | | KJZSV | | 05 | F01A, F01B, F01D, F14A, F14B, F15Z, F24A, F24B, F28A, F36A, F36B, F54A, F54B, F54J, F59A, F59B | | 09 | J11A, J11B, J11C, J11J, J11Q, J11R, J11S | | |
| | 05 | F01A, F01B, F01D, F14A, F14B, F15Z, F24A, F24B, F28A, F36A, F36B, F54A, F54B, F54J, F59A, F59B | | 09 | J11A, J11B, J11C, J11J, J11Q, J11R, J11S | | 05 | F01A, F01B, F01D, F14A, F14B, F15Z, F24A, F24B, F28A, F36A, F36B, F54A, F54B, F54J, F59A, F59B | | |
| | 09 | J11A, J11B, J11C, J11J, J11Q, J11R, J11S | | 10 | K09A, K09B | | 09 | J11A, J11B, J11C, J11J, J11Q, J11R, J11S | | |
| | 10 | K09A, K09B | | 21A | W04A, W04B | | 10 | K09A, K09B | | |
| 8r851.m | 21B | X06A, X06B, X06C | 8r852.1 | | KJZSV | 8r852.g | | KJZSV | | |
| | | KJZSV | | 01 | B02A, B02B, B02C, B02D, B20A, B20B, B20C, B20D, B39A, B39B | | 05 | F01A, F01B, F01D, F14A, F14B, F15Z, F24A, F24B, F28A, F36A, F36B, F54A, F54B, F54J, F59A, F59B | | |
| | 05 | F01A, F01B, F01D, F14A, F14B, F15Z, F24A, F24B, F28A, F36A, F36B, F54A, F54B, F54J, F59A, F59B | | 05 | F01A, F01B, F01D, F14A, F14B, F15Z, F24A, F24B, F28A, F36A, F36B, F54A, F54B, F54J, F59A, F59B | | 09 | J11A, J11B, J11C, J11J, J11Q, J11R, J11S | | |
| | 09 | J11A, J11B, J11C, J11J, J11Q, J11R, J11S | | 21A | W01A, W01B, W01C, W36Z | | 06 | G10Z, G12A, G12B, G12J | | |
| | 10 | K09A, K09B | | 21B | X06A, X06B, X06C, X33Z | | 07 | H06A, H06B | | |
| 8r851.n | 21A | W04A, W04B | 8r852.8 | | KJZSV | 8r852.h | | KJZSV | | |
| | 21B | X04Z | | 01 | B04A, B04B, B04C, B04D | | 09 | J11A, J11B, J11C, J11J, J11Q, J11R, J11S | | |
| | | KJZSV | | 03 | D12A, D12J, D12Q | | 11 | L09A, L09B, L09C, L09J, L38Z | | |
| | 05 | F01A, F01B, F01D, F14A, F14B, F15Z, F24A, F24B, F28A, F36A, F36B, F54A, F54B, F54J, F59A, F59B | | 05 | F01A, F01B, F01D, F14A, F14B, F15Z, F24A, F24B, F28A, F36A, F36B, F54A, F54B, F54J, F59A, F59B | | 21A | W04A, W04B | | |
| | 09 | J11A, J11B, J11C, J11J, J11Q, J11R, J11S | | 09 | J11A, J11B, J11C, J11J, J11Q, J11R, J11S | | 21B | X06A, X06B, X06C | | |
| 8r851.o | 10 | K09A, K09B | 8r852.a | | KJZSV | 8r852.i | | KJZSV | | |
| | 21A | W04A, W04B | | 04 | E02A, E02B, E02C | | 05 | F01A, F01B, F01D, F14A, F14B, F15Z, F24A, F24B, F28A, F36A, F36B, F54A, F54B, F54J, F59A, F59B | | |
| | 21B | X04Z | | 05 | F01A, F01B, F01D, F19A, F19B, F19C | | 06 | G10Z, G12A, G12B, G12J | | |
| | | KJZSV | | 10 | K09A, K09B | | 07 | H06A, H06B | | |
| | 05 | F01A, F01B, F01D, F14A, F14B, F15Z, F24A, F24B, F28A, F36A, F36B, F54A, F54B, F54J, F59A, F59B | | Pre | A13D | | 09 | J11A, J11B, J11C, J11J, J11Q, J11R, J11S | | |
| 8r851.p | 09 | J11A, J11B, J11C, J11J, J11Q, J11R, J11S | 8r852.b | | KJZSV | 8r852.c | | KJZSV | | |
| | 10 | K09A, K09B | | 05 | F01A, F01B, F01D, F15Z, F19A, F19B, F19C, F24A, F24B, F36A, F36B | | 05 | F01A, F01B, F01D, F15Z, F19A, F19B, F19C, F24A, F24B, F36A, F36B | | |
| | 21A | W04A, W04B | | 09 | J11A, J11B, J11C, J11J, J11Q, J11R, J11S | | 09 | J11A, J11B, J11C, J11J, J11Q, J11R, J11S | | |
| | 21B | X04Z | | 8r852.c | | | KJZSV | 10 | K09A, K09B | |
| | 01 | B03Z, B07Z, B17A, B17B, B17C, B17J | | | 05 | | F01A, F01B, F01D, F15Z, F19A, F19B, F19C, F24A, F24B, F36A, F36B | 11 | L09A, L09B, L09C, L09J, L38Z | |
| | 03 | D12A, D12J, D12Q | 8r852.e | | KJZSV | 21A | W04A, W04B | | | |
| | 05 | F01A, F01B, F01D, F14A, F14B, F15Z, F24A, F24B, F28A, F36A, F36B, F54A, F54B, F54J, F59A, F59B | | 05 | F01A, F01B, F01D, F14A, F14B, F15Z, F24A, F24B, F28A, F36A, F36B, F54A, F54B, F54J, F59A, F59B | 21B | X06A, X06B, X06C | | | |
| | 06 | G10Z, G12A, G12B, G12J | | 09 | J11A, J11B, J11C, J11J, J11Q, J11R, J11S | 05 | F01A, F01B, F01D, F14A, F14B, F15Z, F24A, F24B, F28A, F36A, F36B, F54A, F54B, F54J, F59A, F59B | | | |
| | 09 | J11A, J11B, J11C, J11J, J11Q, J11R, J11S | | 10 | K09A, K09B | 06 | G10Z, G12A, G12B, G12J | | | |
| | 10 | K09A, K09B | | Pre | A13D | 07 | H06A, H06B | | | |
| | 11 | L09A, L09B, L09C, L09J, L38Z | | 05 | F01A, F01B, F01D, F15Z, F19A, F19B, F19C, F24A, F24B, F36A, F36B | 09 | J11A, J11B, J11C, J11J, J11Q, J11R, J11S | | | |
| 21A | W04A, W04B | 8r852.f | | KJZSV | 11 | L09A, L09B, L09C, L09J, L38Z | | | | |
| 21B | X04Z, X05A, X05B, X06A, X06B, X06C | | 05 | F01A, F01B, F01D, F14A, F14B, F15Z, F24A, F24B, F28A, F36A, F36B, F54A, F54B, F54J, F59A, F59B | 12 | M06J, M06Z, M09A, M09B, M09J, M38Z | | | | |
| | | 8r852.g | | KJZSV | 13 | N04Z | | | | |
| | | | 05 | F01A, F01B, F01D, F14A, F14B, F15Z, F24A, F24B, F28A, F36A, F36B, F54A, F54B, F54J, F59A, F59B | 21A | W04A, W04B | | | | |
| | | 8r852.h | | KJZSV | 21B | X06A, X06B, X06C | | | | |
| | | | 05 | F01A, F01B, F01D, F14A, F14B, F15Z, F24A, F24B, F28A, F36A, F36B, F54A, F54B, F54J, F59A, F59B | | | | | | |

| ZZV | MDC | DRG | ZZV | MDC | DRG | ZZV | MDC | DRG | | | |
|---------|---------|--|---------|--|--|--|---------|--|---------|--|--|
| 8r852.j | | KJZSV | 8r852.p | | KJZSV | 8r853.a | | KJZSV | | | |
| | 05 | F01A, F01B, F01D, F14A, F14B, F15Z, F24A, F24B, F28A, F36A, F36B, F54A, F54B, F54J, F59A, F59B | | 01 | B03Z, B07Z, B17A, B17B, B17C, B17J | | 04 | E02A, E02B, E02C | | | |
| | 06 | G10Z, G12A, G12B, G12J | | 03 | D12A, D12J, D12Q | | 05 | F01A, F01B, F01D, F19A, F19B, F19C | | | |
| | 07 | H06A, H06B | | 05 | F01A, F01B, F01D, F14A, F14B, F15Z, F24A, F24B, F28A, F36A, F36B, F54A, F54B, F54J, F59A, F59B | | 10 | K09A, K09B | | | |
| | 09 | J11A, J11B, J11C, J11J, J11Q, J11R, J11S | | 06 | G10Z, G12A, G12B, G12J | | Pre | A13D | | | |
| | 11 | L09A, L09B, L09C, L09J, L38Z | | 09 | J11A, J11B, J11C, J11J, J11Q, J11R, J11S | | 8r853.b | KJZSV | | | |
| | 12 | M06J, M06Z, M09A, M09B, M09J, M38Z | | 10 | K09A, K09B | | 05 | F01A, F01B, F01D, F15Z, F19A, F19B, F19C, F24A, F24B, F36A, F36B | | | |
| | 13 | N04Z | | 11 | L09A, L09B, L09C, L09J, L38Z | | 09 | J11A, J11B, J11C, J11J, J11Q, J11R, J11S | | | |
| | 21A | W04A, W04B | | 21A | W04A, W04B | | 8r853.c | KJZSV | | | |
| | 21B | X06A, X06B, X06C | | 21B | X04Z, X05A, X05B, X06A, X06B, X06C | | 05 | F01A, F01B, F01D, F15Z, F19A, F19B, F19C, F24A, F24B, F36A, F36B | | | |
| | 8r852.k | | | KJZSV | 8r852.q | | | KJZSV | 8r853.d | | KJZSV |
| | | 05 | | F01A, F01B, F01D, F14A, F14B, F15Z, F24A, F24B, F28A, F36A, F36B, F54A, F54B, F54J, F59A, F59B | | | 05 | F01A, F01B, F01D, F14A, F14B, F15Z, F24A, F24B, F28A, F36A, F36B, F54A, F54B, F54J, F59A, F59B | | 05 | F01A, F01B, F01D, F15Z, F19A, F19B, F19C, F24A, F24B, F36A, F36B |
| | | 09 | | J11A, J11B, J11C, J11J, J11Q, J11R, J11S | | | 09 | J11A, J11B, J11C, J11J, J11Q, J11R, J11S | | 09 | J11A, J11B, J11C, J11J, J11Q, J11R, J11S |
| 10 | | K09A, K09B | 8r852.x | | | KJZSV | 8r853.e | | | KJZSV | |
| 21A | | W04A, W04B | | 05 | | F01A, F01B, F01D, F14A, F14B, F15Z, F24A, F24B, F28A, F36A, F36B, F54A, F54B, F54J, F59A, F59B | | 05 | | F01A, F01B, F01D, F14A, F14B, F15Z, F24A, F24B, F28A, F36A, F36B, F54A, F54B, F54J, F59A, F59B | |
| 21B | | X06A, X06B, X06C | | 09 | | J11A, J11B, J11C, J11J, J11Q, J11R, J11S | | 09 | | J11A, J11B, J11C, J11J, J11Q, J11R, J11S | |
| 8r852.l | | KJZSV | 8r853.0 | | BOP, KJZSV, KOP, UOP4 | 8r853.f | | KJZSV | | | |
| | 05 | F01A, F01B, F01D, F14A, F14B, F15Z, F24A, F24B, F28A, F36A, F36B, F54A, F54B, F54J, F59A, F59B | | 01 | B02A, B02B, B02C, B02D, B20A, B20B, B20C, B20D, B39A, B39B | | 05 | F01A, F01B, F01D, F14A, F14B, F15Z, F24A, F24B, F28A, F36A, F36B, F54A, F54B, F54J, F59A, F59B | | | |
| | 09 | J11A, J11B, J11C, J11J, J11Q, J11R, J11S | | 05 | F01A, F01B, F01D, F14A, F14B, F15Z, F24A, F24B, F28A, F36A, F36B, F54A, F54B, F54J, F59A, F59B | | 09 | J11A, J11B, J11C, J11J, J11Q, J11R, J11S | | | |
| | 10 | K09A, K09B | | 09 | J11A, J11B, J11C, J11J, J11Q, J11R, J11S | | 10 | K09A, K09B | | | |
| | 21A | W04A, W04B | | 21A | W01A, W01B, W01C, W36Z | | 21A | W04A, W04B | | | |
| | 21B | X06A, X06B, X06C | | 21B | X06A, X06B, X06C, X33Z | | 21B | X06A, X06B, X06C | | | |
| 8r852.m | | KJZSV | 8r853.1 | | BOP, KJZSV, UOP4 | 8r853.g | | KJZSV | | | |
| | 05 | F01A, F01B, F01D, F14A, F14B, F15Z, F24A, F24B, F28A, F36A, F36B, F54A, F54B, F54J, F59A, F59B | | 01 | B04A, B04B, B04C, B04D | | 05 | F01A, F01B, F01D, F14A, F14B, F15Z, F24A, F24B, F28A, F36A, F36B, F54A, F54B, F54J, F59A, F59B | | | |
| | 09 | J11A, J11B, J11C, J11J, J11Q, J11R, J11S | | 03 | D12A, D12J, D12Q | | 09 | J11A, J11B, J11C, J11J, J11Q, J11R, J11S | | | |
| | 10 | K09A, K09B | | 05 | F01A, F01B, F01D, F14A, F14B, F15Z, F24A, F24B, F28A, F36A, F36B, F54A, F54B, F54J, F59A, F59B | | 10 | K09A, K09B | | | |
| | 21A | W04A, W04B | | 09 | J11A, J11B, J11C, J11J, J11Q, J11R, J11S | | 21A | W04A, W04B | | | |
| | 21B | X04Z | | 21B | X06A, X06B, X06C | | 21B | X06A, X06B, X06C | | | |
| 8r852.n | | KJZSV | 8r853.8 | | KJZSV | 8r853.h | | KJZSV | | | |
| | 05 | F01A, F01B, F01D, F14A, F14B, F15Z, F24A, F24B, F28A, F36A, F36B, F54A, F54B, F54J, F59A, F59B | | 01 | B03Z, B07Z, B17A, B17B, B17C, B17J | | 05 | F01A, F01B, F01D, F14A, F14B, F15Z, F24A, F24B, F28A, F36A, F36B, F54A, F54B, F54J, F59A, F59B | | | |
| | 09 | J11A, J11B, J11C, J11J, J11Q, J11R, J11S | | 05 | F01A, F01B, F01D, F14A, F14B, F15Z, F24A, F24B, F28A, F36A, F36B, F54A, F54B, F54J, F59A, F59B | | 06 | G10Z, G12A, G12B, G12J | | | |
| | 10 | K09A, K09B | | 09 | J11A, J11B, J11C, J11J, J11Q, J11R, J11S | | 07 | H06A, H06B | | | |
| | 21A | W04A, W04B | | 21A | W04A, W04B | | 09 | J11A, J11B, J11C, J11J, J11Q, J11R, J11S | | | |
| | 21B | X04Z | | 21B | X06A, X06B, X06C | | 11 | L09A, L09B, L09C, L09J, L38Z | | | |
| 8r852.o | | KJZSV | 8r853.8 | | KJZSV | 8r853.h | | KJZSV | | | |
| | 05 | F01A, F01B, F01D, F14A, F14B, F15Z, F24A, F24B, F28A, F36A, F36B, F54A, F54B, F54J, F59A, F59B | | 01 | B03Z, B07Z, B17A, B17B, B17C, B17J | | 21A | W04A, W04B | | | |
| | 09 | J11A, J11B, J11C, J11J, J11Q, J11R, J11S | | 05 | F01A, F01B, F01D, F14A, F14B, F15Z, F24A, F24B, F28A, F36A, F36B, F54A, F54B, F54J, F59A, F59B | | 21B | X06A, X06B, X06C | | | |
| | 10 | K09A, K09B | | 09 | J11A, J11B, J11C, J11J, J11Q, J11R, J11S | | 05 | F01A, F01B, F01D, F14A, F14B, F15Z, F24A, F24B, F28A, F36A, F36B, F54A, F54B, F54J, F59A, F59B | | | |
| | 21A | W04A, W04B | | 10 | K09A, K09B | | 06 | G10Z, G12A, G12B, G12J | | | |
| | 21B | X04Z | | 21A | W04A, W04B | | 07 | H06A, H06B | | | |

VYK

| ZZV | MDC | DRG | ZZV | MDC | DRG | ZZV | MDC | DRG | | | | | |
|---------|---------|--|--|------------------|--|--|--|--|--|--|--|--|--|
| 8r853.i | | KJZSV | 8r853.n | | KJZSV | 8r854.1 | | BOP, KJZSV, UOP4 | | | | | |
| | 05 | F01A, F01B, F01D, F14A, F14B, F15Z, F24A, F24B, F28A, F36A, F36B, F54A, F54B, F54J, F59A, F59B | | 05 | F01A, F01B, F01D, F14A, F14B, F15Z, F24A, F24B, F28A, F36A, F36B, F54A, F54B, F54J, F59A, F59B | | 01 | B04A, B04B, B04C, B04D | | | | | |
| | 06 | G10Z, G12A, G12B, G12J | | 09 | J11A, J11B, J11C, J11J, J11Q, J11R, J11S | | 03 | D12A, D12J, D12Q | | | | | |
| | 07 | H06A, H06B | | 10 | K09A, K09B | | 05 | F01A, F01B, F01D, F14A, F14B, F15Z, F24A, F24B, F28A, F36A, F36B, F54A, F54J, F59A, F59B | | | | | |
| | 09 | J11A, J11B, J11C, J11J, J11Q, J11R, J11S | | 21A | W04A, W04B | | 09 | J11A, J11B, J11C, J11J, J11Q, J11R, J11S | | | | | |
| | 11 | L09A, L09B, L09C, L09J, L38Z | | 21B | X04Z | | 21A | W04A, W04B | | | | | |
| | 12 | M06J, M06Z, M09A, M09B, M09J, M38Z | | 8r853.o | | | KJZSV | 21B | X06A, X06B, X06C | | | | |
| | 13 | N04Z | | | 05 | | F01A, F01B, F01D, F14A, F14B, F15Z, F24A, F24B, F28A, F36A, F36B, F54A, F54B, F54J, F59A, F59B | 8r854.8 | KJZSV | | | | |
| | 21A | W04A, W04B | | | 09 | | J11A, J11B, J11C, J11J, J11Q, J11R, J11S | 01 | B03Z, B07Z, B17A, B17B, B17C, B17J | | | | |
| | 21B | X06A, X06B, X06C | | | 10 | | K09A, K09B | 05 | F01A, F01B, F01D, F14A, F14B, F15Z, F24A, F24B, F28A, F36A, F36B, F54A, F54J, F59A, F59B | | | | |
| | 8r853.j | | | | KJZSV | | 8r853.p | | KJZSV | 09 | J11A, J11B, J11C, J11J, J11Q, J11R, J11S | | |
| | | 05 | | | F01A, F01B, F01D, F14A, F14B, F15Z, F24A, F24B, F28A, F36A, F36B, F54A, F54B, F54J, F59A, F59B | | | 01 | B03Z, B07Z, B17A, B17B, B17C, B17J | 09 | J11A, J11B, J11C, J11J, J11Q, J11R, J11S | | |
| | | 06 | | | G10Z, G12A, G12B, G12J | | | 03 | D12A, D12J, D12Q | 10 | K09A, K09B | | |
| 07 | | H06A, H06B | 05 | | F01A, F01B, F01D, F14A, F14B, F15Z, F24A, F24B, F28A, F36A, F36B, F54A, F54B, F54J, F59A, F59B | 21A | | W04A, W04B | | | | | |
| 09 | | J11A, J11B, J11C, J11J, J11Q, J11R, J11S | 06 | | G10Z, G12A, G12B, G12J | 21B | | X04Z | | | | | |
| 11 | | L09A, L09B, L09C, L09J, L38Z | 09 | | J11A, J11B, J11C, J11J, J11Q, J11R, J11S | 8r854.a | | KJZSV | | | | | |
| 12 | | M06J, M06Z, M09A, M09B, M09J, M38Z | 10 | | K09A, K09B | | | 04 | E02A, E02B, E02C | | | | |
| 13 | | N04Z | 11 | | L09A, L09B, L09C, L09J, L38Z | | | 05 | F01A, F01B, F01D, F19A, F19B, F19C | | | | |
| 21A | | W04A, W04B | 21A | | W04A, W04B | | | 10 | K09A, K09B | | | | |
| 21B | | X06A, X06B, X06C | 21B | X06A, X06B, X06C | Pre | | | A13D | | | | | |
| 8r853.k | | | KJZSV | 8r853.q | | | | KJZSV | 8r854.b | | KJZSV | | |
| | | 05 | F01A, F01B, F01D, F14A, F14B, F15Z, F24A, F24B, F28A, F36A, F36B, F54A, F54B, F54J, F59A, F59B | | 05 | | | F01A, F01B, F01D, F14A, F14B, F15Z, F24A, F24B, F28A, F36A, F36B, F54A, F54B, F54J, F59A, F59B | | 05 | F01A, F01B, F01D, F15Z, F19A, F19B, F19C, F24A, F24B, F36A, F36B | | |
| | | 09 | J11A, J11B, J11C, J11J, J11Q, J11R, J11S | | 09 | | | J11A, J11B, J11C, J11J, J11Q, J11R, J11S | | 09 | J11A, J11B, J11C, J11J, J11Q, J11R, J11S | | |
| | 10 | K09A, K09B | 10 | | K09A, K09B | | 8r854.c | KJZSV | | | | | |
| | 21A | W04A, W04B | 21A | | W04A, W04B | | | 05 | | F01A, F01B, F01D, F15Z, F19A, F19B, F19C, F24A, F24B, F36A, F36B | | | |
| | 21B | X06A, X06B, X06C | 21B | | X04Z, X05A, X05B, X06A, X06B, X06C | | | 09 | | J11A, J11B, J11C, J11J, J11Q, J11R, J11S | | | |
| | 8r853.l | | KJZSV | | 8r853.x | | | | | KJZSV | 8r854.d | | KJZSV |
| | | 05 | F01A, F01B, F01D, F14A, F14B, F15Z, F24A, F24B, F28A, F36A, F36B, F54A, F54B, F54J, F59A, F59B | | | | | 05 | | F01A, F01B, F01D, F14A, F14B, F15Z, F24A, F24B, F28A, F36A, F36B, F54A, F54B, F54J, F59A, F59B | | 05 | F01A, F01B, F01D, F15Z, F19A, F19B, F19C, F24A, F24B, F36A, F36B |
| | | 09 | J11A, J11B, J11C, J11J, J11Q, J11R, J11S | | | 09 | | J11A, J11B, J11C, J11J, J11Q, J11R, J11S | | 09 | | J11A, J11B, J11C, J11J, J11Q, J11R, J11S | |
| | | 10 | K09A, K09B | | | 10 | | K09A, K09B | | 8r854.e | | KJZSV | |
| | | 21A | W04A, W04B | | | 21A | | W04A, W04B | | | | 05 | F01A, F01B, F01D, F14A, F14B, F15Z, F24A, F24B, F28A, F36A, F36B, F54A, F54J, F59A, F59B |
| | | 21B | X06A, X06B, X06C | | | 21B | | X04Z | | | | 09 | J11A, J11B, J11C, J11J, J11Q, J11R, J11S |
| | | 8r853.m | | | | KJZSV | | 8r854.0 | | | | | BOP, KJZSV, KOP, UOP4 |
| 05 | | | F01A, F01B, F01D, F14A, F14B, F15Z, F24A, F24B, F28A, F36A, F36B, F54A, F54B, F54J, F59A, F59B | 01 | | B02A, B02B, B02C, B02D, B20A, B20B, B20C, B20D, B39A, B39B | | | 05 | | | F01A, F01B, F01D, F14A, F14B, F15Z, F24A, F24B, F28A, F36A, F36B, F54A, F54J, F59A, F59B | |
| 09 | | | J11A, J11B, J11C, J11J, J11Q, J11R, J11S | 05 | | F01A, F01B, F01D, F14A, F14B, F15Z, F24A, F24B, F28A, F36A, F36B, F54A, F54J, F59A, F59B | | | 09 | | | J11A, J11B, J11C, J11J, J11Q, J11R, J11S | |
| 10 | | | K09A, K09B | 09 | | J11A, J11B, J11C, J11J, J11Q, J11R, J11S | | | 10 | | | K09A, K09B | |
| 21A | | | W04A, W04B | 21A | | W04A, W04B | 21A | | W04A, W04B | | | | |
| 21B | | | X04Z | 21B | | X06A, X06B, X06C, X33Z | 21B | | X06A, X06B, X06C | | | | |

| ZZV | MDC | DRG | ZZV | MDC | DRG | ZZV | MDC | DRG | | |
|---------|---------|--|---------|--|--|--|--|--|--|--|
| 8r854.g | | KJZSV | 8r854.l | | KJZSV | 8r854.x | | KJZSV | | |
| | 05 | F01A, F01B, F01D, F14A, F14B, F15Z, F24A, F24B, F28A, F36A, F36B, F54A, F54J, F59A, F59B | | 05 | F01A, F01B, F01D, F14A, F14B, F15Z, F24A, F24B, F28A, F36A, F36B, F54A, F54J, F59A, F59B | | 01 | B03Z, B17A, B17B, B17C, B17J, B20A, B20B, B20C, B20D | | |
| | 06 | G10Z, G12A, G12B, G12J | | 09 | J11A, J11B, J11C, J11J, J11Q, J11R, J11S | | 05 | F01A, F01B, F01D, F14A, F14B, F15Z, F24A, F24B, F28A, F36A, F36B, F54A, F54J, F59A, F59B | | |
| | 07 | H06A, H06B | | 10 | K09A, K09B | | 06 | G10Z, G12A, G12B, G12J | | |
| | 09 | J11A, J11B, J11C, J11J, J11Q, J11R, J11S | | 21A | W04A, W04B | | 07 | H06A, H06B | | |
| | 11 | L09A, L09B, L09J, L38Z | | 21B | X06A, X06B, X06C | | 09 | J11A, J11B, J11C, J11J, J11Q, J11R, J11S | | |
| | 21A | W04A, W04B | | 8r854.m | | | KJZSV | 10 | K09A, K09B | |
| | 21B | X06A, X06B, X06C | | | 05 | | F01A, F01B, F01D, F14A, F14B, F15Z, F24A, F24B, F28A, F36A, F36B, F54A, F54J, F59A, F59B | 11 | L09A, L09B, L09J, L38Z | |
| | 8r854.h | | | | KJZSV | | 09 | J11A, J11B, J11C, J11J, J11Q, J11R, J11S | 21A | W04A, W04B |
| | | 05 | | | F01A, F01B, F01D, F14A, F14B, F15Z, F24A, F24B, F28A, F36A, F36B, F54A, F54J, F59A, F59B | | 10 | K09A, K09B | 21B | X04Z |
| 06 | | G10Z, G12A, G12B, G12J | 21A | | W04A, W04B | 8r855.0 | BOP, KJZSV, KOP, UOP4 | | | |
| 07 | | H06A, H06B | 21B | | X04Z | | 01 | B02A, B02B, B02C, B02D, B20A, B20B, B20C, B20D, B39A, B39B | | |
| 09 | | J11A, J11B, J11C, J11J, J11Q, J11R, J11S | 8r854.n | | | | KJZSV | 05 | F01A, F01B, F01D, F14A, F14B, F15Z, F24A, F24B, F28A, F36A, F36B, F54A, F54J, F59A, F59B | |
| 11 | | L09A, L09B, L09J, L38Z | | | 05 | | F01A, F01B, F01D, F14A, F14B, F15Z, F24A, F24B, F28A, F36A, F36B, F54A, F54J, F59A, F59B | 09 | J11A, J11B, J11C, J11J, J11Q, J11R, J11S | |
| 21A | | W04A, W04B | | | 09 | | J11A, J11B, J11C, J11J, J11Q, J11R, J11S | 21A | W01A, W01B, W01C, W36Z | |
| 21B | | X06A, X06B, X06C | | | 10 | | K09A, K09B | 21B | X06A, X06B, X06C, X33Z | |
| 8r854.i | | | | KJZSV | 21A | | W04A, W04B | 8r855.1 | BOP, KJZSV, UOP4 | |
| | | 05 | | F01A, F01B, F01D, F14A, F14B, F15Z, F24A, F24B, F28A, F36A, F36B, F54A, F54J, F59A, F59B | 21B | | X04Z | | 01 | B04A, B04B, B04C, B04D |
| | 06 | G10Z, G12A, G12B, G12J | | 8r854.o | | | KJZSV | | 03 | D12A, D12J, D12Q |
| | 07 | H06A, H06B | | | 05 | | F01A, F01B, F01D, F14A, F14B, F15Z, F24A, F24B, F28A, F36A, F36B, F54A, F54J, F59A, F59B | | 05 | F01A, F01B, F01D, F14A, F14B, F15Z, F24A, F24B, F28A, F36A, F36B, F54A, F54J, F59A, F59B |
| | 09 | J11A, J11B, J11C, J11J, J11Q, J11R, J11S | | | 09 | J11A, J11B, J11C, J11J, J11Q, J11R, J11S | 09 | | J11A, J11B, J11C, J11J, J11Q, J11R, J11S | |
| | 11 | L09A, L09B, L09J, L38Z | | | 10 | K09A, K09B | 21A | | W04A, W04B | |
| | 12 | M06J, M06Z, M09A, M09B, M09J, M38Z | 21A | | W04A, W04B | 21B | X06A, X06B, X06C | | | |
| | 13 | N04Z | 21B | | X04Z | 8r855.8 | KJZSV | | | |
| | 21A | W04A, W04B | 8r854.p | | | | KJZSV | | 01 | B03Z, B07Z, B17A, B17B, B17C, B17J |
| | 21B | X06A, X06B, X06C | | | 01 | | B03Z, B07Z, B17A, B17B, B17C, B17J | | 05 | F01A, F01B, F01D, F14A, F14B, F15Z, F24A, F24B, F28A, F36A, F36B, F54A, F54J, F59A, F59B |
| 8r854.j | | KJZSV | | | 03 | | D12A, D12J, D12Q | 09 | J11A, J11B, J11C, J11J, J11Q, J11R, J11S | |
| | 05 | F01A, F01B, F01D, F14A, F14B, F15Z, F24A, F24B, F28A, F36A, F36B, F54A, F54J, F59A, F59B | | | 05 | | F01A, F01B, F01D, F14A, F14B, F15Z, F24A, F24B, F28A, F36A, F36B, F54A, F54J, F59A, F59B | 10 | K09A, K09B | |
| | 06 | G10Z, G12A, G12B, G12J | | 06 | G10Z, G12A, G12B, G12J | | 21A | W04A, W04B | | |
| | 07 | H06A, H06B | | 09 | J11A, J11B, J11C, J11J, J11Q, J11R, J11S | | 21B | X06A, X06B, X06C | | |
| | 09 | J11A, J11B, J11C, J11J, J11Q, J11R, J11S | | 10 | K09A, K09B | | 8r855.a | KJZSV | | |
| | 11 | L09A, L09B, L09J, L38Z | | 11 | L09A, L09B, L09J, L38Z | | | 04 | E02A, E02B, E02C | |
| | 12 | M06J, M06Z, M09A, M09B, M09J, M38Z | | 21A | W04A, W04B | | | 05 | F01A, F01B, F01D, F19A, F19B, F19C | |
| | 13 | N04Z | | 21B | X04Z, X05A, X05B, X06A, X06B, X06C | 10 | | K09A, K09B | | |
| | 21A | W04A, W04B | 8r854.q | | KJZSV | Pre | | A13D | | |
| | 21B | X06A, X06B, X06C | | 05 | F01A, F01B, F01D, F14A, F14B, F15Z, F24A, F24B, F28A, F36A, F36B, F54A, F54J, F59A, F59B | 8r855.b | | KJZSV | | |
| 8r854.k | | KJZSV | | 09 | J11A, J11B, J11C, J11J, J11Q, J11R, J11S | | | 05 | F01A, F01B, F01D, F15Z, F19A, F19B, F19C, F24A, F24B, F36A, F36B | |
| | 05 | F01A, F01B, F01D, F14A, F14B, F15Z, F24A, F24B, F28A, F36A, F36B, F54A, F54J, F59A, F59B | | 09 | J11A, J11B, J11C, J11J, J11Q, J11R, J11S | | | 09 | J11A, J11B, J11C, J11J, J11Q, J11R, J11S | |
| | 09 | J11A, J11B, J11C, J11J, J11Q, J11R, J11S | | 8r855.c | | | | KJZSV | 05 | F01A, F01B, F01D, F15Z, F19A, F19B, F19C, F24A, F24B, F36A, F36B |
| | 10 | K09A, K09B | | | 05 | | | F01A, F01B, F01D, F14A, F14B, F15Z, F24A, F24B, F28A, F36A, F36B, F54A, F54J, F59A, F59B | 09 | J11A, J11B, J11C, J11J, J11Q, J11R, J11S |
| | 21A | W04A, W04B | | | 09 | | J11A, J11B, J11C, J11J, J11Q, J11R, J11S | | | |
| | 21B | X06A, X06B, X06C | | | | | | | | |

VYK

| ZZV | MDC | DRG | ZZV | MDC | DRG | ZZV | MDC | DRG |
|---------|--|--|------------|--|--|--|--|--|
| 8r855.d | | KJZSV | 8r855.j | | KJZSV | 8r855.p | | KJZSV |
| | 05 | F01A, F01B, F01D, F15Z, F19A, F19B, F19C, F24A, F24B, F36A, F36B | | 05 | F01A, F01B, F01D, F14A, F14B, F15Z, F24A, F24B, F28A, F36A, F36B, F54A, F54J, F59A, F59B | | 01 | B03Z, B07Z, B17A, B17B, B17C, B17J |
| 8r855.e | 09 | J11A, J11B, J11C, J11J, J11Q, J11R, J11S | 06 | G10Z, G12A, G12B, G12J | 03 | D12A, D12J, D12Q | | |
| | | KJZSV | 07 | H06A, H06B | 05 | F01A, F01B, F01D, F14A, F14B, F15Z, F24A, F24B, F28A, F36A, F36B, F54A, F54J, F59A, F59B | | |
| | 05 | F01A, F01B, F01D, F14A, F14B, F15Z, F24A, F24B, F28A, F36A, F36B, F54A, F54J, F59A, F59B | 09 | J11A, J11B, J11C, J11J, J11Q, J11R, J11S | 06 | G10Z, G12A, G12B, G12J | | |
| 8r855.f | 09 | J11A, J11B, J11C, J11J, J11Q, J11R, J11S | 11 | L09A, L09B, L09J, L38Z | 09 | J11A, J11B, J11C, J11J, J11Q, J11R, J11S | | |
| | | KJZSV | 12 | M06J, M06Z, M09A, M09B, M09J, M38Z | 10 | K09A, K09B | | |
| | 05 | F01A, F01B, F01D, F14A, F14B, F15Z, F24A, F24B, F28A, F36A, F36B, F54A, F54J, F59A, F59B | 13 | N04Z | 11 | L09A, L09B, L09J, L38Z | | |
| | 09 | J11A, J11B, J11C, J11J, J11Q, J11R, J11S | 21A | W04A, W04B | 21A | W04A, W04B | | |
| 8r855.g | 21B | X06A, X06B, X06C | 21B | X06A, X06B, X06C | 21B | X04Z, X05A, X05B, X06A, X06B, X06C | | |
| | | KJZSV | 8r855.k | | KJZSV | 8r855.q | | KJZSV |
| | 05 | F01A, F01B, F01D, F14A, F14B, F15Z, F24A, F24B, F28A, F36A, F36B, F54A, F54J, F59A, F59B | | 05 | F01A, F01B, F01D, F14A, F14B, F15Z, F24A, F24B, F28A, F36A, F36B, F54A, F54J, F59A, F59B | | 05 | F01A, F01B, F01D, F14A, F14B, F15Z, F24A, F24B, F28A, F36A, F36B, F54A, F54J, F59A, F59B |
| | 06 | G10Z, G12A, G12B, G12J | 09 | J11A, J11B, J11C, J11J, J11Q, J11R, J11S | 09 | J11A, J11B, J11C, J11J, J11Q, J11R, J11S | | |
| | 07 | H06A, H06B | 10 | K09A, K09B | 21A | W04A, W04B | | |
| 09 | J11A, J11B, J11C, J11J, J11Q, J11R, J11S | 21A | W04A, W04B | 21B | X06A, X06B, X06C | | | |
| 8r855.h | 11 | L09A, L09B, L09J, L38Z | 8r855.l | | KJZSV | 8r855.x | | KJZSV |
| | 21A | W04A, W04B | | 05 | F01A, F01B, F01D, F14A, F14B, F15Z, F24A, F24B, F28A, F36A, F36B, F54A, F54J, F59A, F59B | | 01 | B03Z, B17A, B17B, B17C, B17J, B20A, B20B, B20C, B20D |
| | 21B | X06A, X06B, X06C | 09 | J11A, J11B, J11C, J11J, J11Q, J11R, J11S | 05 | | F01A, F01B, F01D, F14A, F14B, F15Z, F24A, F24B, F28A, F36A, F36B, F54A, F54J, F59A, F59B | |
| | | KJZSV | 10 | K09A, K09B | 06 | | G10Z, G12A, G12B, G12J | |
| | 05 | F01A, F01B, F01D, F14A, F14B, F15Z, F24A, F24B, F28A, F36A, F36B, F54A, F54J, F59A, F59B | 21A | W04A, W04B | 07 | | H06A, H06B | |
| | 06 | G10Z, G12A, G12B, G12J | 21B | X06A, X06B, X06C | 09 | | J11A, J11B, J11C, J11J, J11Q, J11R, J11S | |
| 07 | H06A, H06B | 8r855.m | | KJZSV | 10 | K09A, K09B | | |
| 09 | J11A, J11B, J11C, J11J, J11Q, J11R, J11S | | 05 | F01A, F01B, F01D, F14A, F14B, F15Z, F24A, F24B, F28A, F36A, F36B, F54A, F54J, F59A, F59B | 11 | L09A, L09B, L09J, L38Z | | |
| 11 | L09A, L09B, L09J, L38Z | | 09 | J11A, J11B, J11C, J11J, J11Q, J11R, J11S | 21A | W04A, W04B | | |
| 21A | W04A, W04B | 8r855.n | | KJZSV | 21B | X04Z | | |
| 21B | X06A, X06B, X06C | | 05 | F01A, F01B, F01D, F14A, F14B, F15Z, F24A, F24B, F28A, F36A, F36B, F54A, F54J, F59A, F59B | 8r870.0† | KJZSV | | |
| 8r855.i | | KJZSV | 8r855.o | | KJZSV | 8r870.1† | KJZSV | |
| | 05 | F01A, F01B, F01D, F14A, F14B, F15Z, F24A, F24B, F28A, F36A, F36B, F54A, F54J, F59A, F59B | | 05 | F01A, F01B, F01D, F14A, F14B, F15Z, F24A, F24B, F28A, F36A, F36B, F54A, F54J, F59A, F59B | 01 | B04C | |
| | 06 | G10Z, G12A, G12B, G12J | 09 | J11A, J11B, J11C, J11J, J11Q, J11R, J11S | 8r870.2† | KJZSV | | |
| | 07 | H06A, H06B | 10 | K09A, K09B | 01 | B04C | | |
| | 09 | J11A, J11B, J11C, J11J, J11Q, J11R, J11S | 21A | W04A, W04B | 8r874.0 | KJZSV | | |
| | 11 | L09A, L09B, L09J, L38Z | 21B | X04Z | 05 | F01A, F01B, F01D, F15Z, F24A, F24B, F28A, F36A, F36B, F54A, F54B, F54C, F54D, F54E, F54F, F54G, F54H, F54I, F54J, F54K, F54L, F54M, F54N, F54O, F54P, F54Q, F54R, F54S, F54T, F54U, F54V, F54W, F54X, F54Y, F54Z | | |
| | 12 | M06J, M06Z, M09A, M09B, M09J, M38Z | 05 | F01A, F01B, F01D, F14A, F14B, F15Z, F24A, F24B, F28A, F36A, F36B, F54A, F54J, F59A, F59B | 8r880.00 | BOP, KJZSV, KOP, UOP4 | | |
| | 13 | N04Z | 09 | J11A, J11B, J11C, J11J, J11Q, J11R, J11S | 01 | B02A, B02B, B02C, B20A, B20B, B20C, B20D, B39A, B39B | | |
| 21A | W04A, W04B | 10 | K09A, K09B | 05 | F01A, F01B, F01D, F14A, F14B, F15Z, F24A, F24B, F28A, F36A, F36B, F54A, F54B, F54J, F59A, F59B | | | |
| 21B | X06A, X06B, X06C | 21A | W04A, W04B | 09 | J03A, J03B, J04A, J04B, J08A, J08B, J08C, J11A, J11B, J11J, J11Q, J11R, J11S, J16Z | | | |
| | | 21B | X04Z | 10 | K09A, K09B | | | |
| | | | | 21A | W04A, W04B | | | |
| | | | | 21B | X06A, X06B, X06C, X33Z | | | |

| ZZV | MDC | DRG | ZZV | MDC | DRG | ZZV | MDC | DRG |
|----------|-----|--|----------|----------|--|----------|----------|--|
| 8r880.02 | | BOP, KJZSV, UOP4 | 8r880.08 | | KJZSV | 8r880.0e | | KJZSV |
| | 01 | B04A, B04B, B04C, B04D | | 05 | F01A, F01B, F01D, F14A, F14B, F15Z, F24A, F24B, F28A, F36A, F36B, F54A, F54B, F54J, F59A, F59B | | 05 | F01A, F01B, F01D, F14A, F14B, F15Z, F24A, F24B, F28A, F36A, F36B, F54A, F54B, F54J, F59A, F59B |
| | 05 | F01A, F01B, F01D, F14A, F14B, F15Z, F24A, F24B, F28A, F36A, F36B, F54A, F54B, F54J, F59A, F59B | | 09 | J03A, J03B, J04A, J04B, J08A, J08B, J08C, J11A, J11B, J11J, J11Q, J11R, J11S, J16Z | | 09 | J03A, J03B, J04A, J04B, J08A, J08B, J08C, J11A, J11B, J11J, J11Q, J11R, J11S, J16Z |
| | 09 | J03A, J03B, J04A, J04B, J08A, J08B, J08C, J11A, J11B, J11J, J11Q, J11R, J11S, J16Z | | 10 | K09A, K09B | | 10 | K09A, K09B |
| | 10 | K09A, K09B | | 21A | W04A, W04B | | 21A | W04A, W04B |
| | 21A | W04A, W04B | | 21B | X04Z, X05A, X05B, X06A, X06B, X06C | | 21B | X06A, X06B, X06C |
| | 21B | X06A, X06B, X06C | | | | | 8r880.0f | |
| 8r880.03 | | BOP, KJZSV, UOP4 | 8r880.09 | | KJZSV | 8r880.0g | | KJZSV |
| | 01 | B04A, B04B, B04C, B04D | | 04 | E02A, E02B, E02C | | 05 | F01A, F01B, F01D, F14A, F14B, F15Z, F24A, F24B, F28A, F36A, F36B, F54A, F54B, F54J, F59A, F59B |
| | 05 | F01A, F01B, F01D, F14A, F14B, F15Z, F24A, F24B, F28A, F36A, F36B, F54A, F54B, F54J, F59A, F59B | | 05 | F01A, F01B, F01D, F19A, F19B, F19C | | 09 | J03A, J03B, J04A, J04B, J08A, J08B, J08C, J11A, J11B, J11J, J11Q, J11R, J11S, J16Z |
| | 09 | J03A, J03B, J04A, J04B, J08A, J08B, J08C, J11A, J11B, J11J, J11Q, J11R, J11S, J16Z | | 10 | K09A, K09B | | 10 | K09A, K09B |
| | 10 | K09A, K09B | | Pre | A13D | | 21A | W04A, W04B |
| | 21A | W04A, W04B | | 8r880.0a | | | 21B | X06A, X06B, X06C |
| | 21B | X06A, X06B, X06C | | | | | 8r880.0h | |
| 8r880.04 | | BOP, KJZSV, UOP4 | 8r880.0b | | KJZSV | 8r880.0i | | KJZSV |
| | 01 | B04A, B04B, B04C, B04D | | 05 | F01A, F01B, F01D, F14A, F14B, F15Z, F19A, F19B, F19C, F24A, F24B, F36A, F36B, F54A, F54B, F54J | | 05 | F01A, F01B, F01D, F14A, F14B, F15Z, F24A, F24B, F28A, F36A, F36B, F54A, F54B, F54J, F59A, F59B |
| | 05 | F01A, F01B, F01D, F14A, F14B, F15Z, F24A, F24B, F28A, F36A, F36B, F54A, F54B, F54J, F59A, F59B | | 09 | J03A, J03B, J04A, J04B, J08A, J08B, J08C, J11A, J11B, J11J, J11Q, J11R, J11S, J16Z | | 06 | G10Z, G12A, G12B, G12J |
| | 09 | J03A, J03B, J04A, J04B, J08A, J08B, J08C, J11A, J11B, J11J, J11Q, J11R, J11S, J16Z | | 10 | K09A, K09B | | 09 | J03A, J03B, J04A, J04B, J08A, J08B, J08C, J11A, J11B, J11J, J11Q, J11R, J11S, J16Z |
| | 10 | K09A, K09B | | 21A | W04A, W04B | | 10 | K09A, K09B |
| | 21A | W04A, W04B | | 21B | X06A, X06B, X06C | | 11 | L09A, L09B, L09C, L09J, L38Z |
| | 21B | X06A, X06B, X06C | | 8r880.0c | | | 21A | W04A, W04B |
| 8r880.05 | | BOP, KJZSV, UOP4 | 8r880.0d | | KJZSV | 8r880.0j | | KJZSV |
| | 01 | B04A, B04B, B04C, B04D | | 05 | F01A, F01B, F01D, F14A, F14B, F15Z, F19A, F19B, F19C, F24A, F24B, F36A, F36B, F54A, F54B, F54J | | 21B | X06A, X06B, X06C |
| | 05 | F01A, F01B, F01D, F14A, F14B, F15Z, F24A, F24B, F28A, F36A, F36B, F54A, F54B, F54J, F59A, F59B | | 09 | J03A, J03B, J04A, J04B, J08A, J08B, J08C, J11A, J11B, J11J, J11Q, J11R, J11S, J16Z | | 05 | F01A, F01B, F01D, F14A, F14B, F15Z, F24A, F24B, F28A, F36A, F36B, F54A, F54B, F54J, F59A, F59B |
| | 09 | J03A, J03B, J04A, J04B, J08A, J08B, J08C, J11A, J11B, J11J, J11Q, J11R, J11S, J16Z | | 10 | K09A, K09B | | 06 | G10Z, G12A, G12B, G12J |
| | 10 | K09A, K09B | | 21A | W04A, W04B | | 09 | J03A, J03B, J04A, J04B, J08A, J08B, J08C, J11A, J11B, J11J, J11Q, J11R, J11S, J16Z |
| | 21A | W04A, W04B | | 21B | X06A, X06B, X06C | | 10 | K09A, K09B |
| | 21B | X06A, X06B, X06C | | | | | 11 | L09A, L09B, L09C, L09J, L38Z |
| 8r880.06 | | BOP, KJZSV, UOP4 | 8r880.0e | | KJZSV | 8r880.0k | | KJZSV |
| | 01 | B04A, B04B, B04C, B04D | | 05 | F01A, F01B, F01D, F14A, F14B, F15Z, F19A, F19B, F19C, F24A, F24B, F36A, F36B, F54A, F54B, F54J | | 21A | W04A, W04B |
| | 05 | F01A, F01B, F01D, F14A, F14B, F15Z, F24A, F24B, F28A, F36A, F36B, F54A, F54B, F54J, F59A, F59B | | 09 | J03A, J03B, J04A, J04B, J08A, J08B, J08C, J11A, J11B, J11J, J11Q, J11R, J11S, J16Z | | 21B | X06A, X06B, X06C |
| | 09 | J03A, J03B, J04A, J04B, J08A, J08B, J08C, J11A, J11B, J11J, J11Q, J11R, J11S, J16Z | | 10 | K09A, K09B | | 05 | F01A, F01B, F01D, F14A, F14B, F15Z, F24A, F24B, F28A, F36A, F36B, F54A, F54B, F54J, F59A, F59B |
| | 10 | K09A, K09B | | 21A | W04A, W04B | | 09 | J03A, J03B, J04A, J04B, J08A, J08B, J08C, J11A, J11B, J11J, J11Q, J11R, J11S, J16Z |
| | 21A | W04A, W04B | | 21B | X06A, X06B, X06C | | 10 | K09A, K09B |
| | 21B | X06A, X06B, X06C | | | | | 21A | W04A, W04B |

VYK

| ZZV | MDC | DRG | ZZV | MDC | DRG | ZZV | MDC | DRG |
|----------|-----|--|----------|--|--|----------|------------------|--|
| 8r880.0j | | KJZSV | 8r880.0o | | KJZSV | 8r880.12 | | BOP, KJZSV, UOP4 |
| | 05 | F01A, F01B, F01D, F14A, F14B, F15Z, F24A, F24B, F28A, F36A, F36B, F54A, F54B, F54J, F59A, F59B | | 05 | F01A, F01B, F01D, F14A, F14B, F15Z, F24A, F24B, F28A, F36A, F36B, F54A, F54B, F54J, F59A, F59B | | 01 | B04A, B04B, B04C, B04D |
| | 09 | J03A, J03B, J04A, J04B, J08A, J08B, J08C, J11A, J11B, J11J, J11Q, J11R, J11S, J16Z | | 09 | J03A, J03B, J04A, J04B, J08A, J08B, J08C, J11A, J11B, J11J, J11Q, J11R, J11S, J16Z | | 05 | F01A, F01B, F01D, F14A, F14B, F15Z, F24A, F24B, F28A, F36A, F36B, F54A, F54B, F54J, F59A, F59B |
| | 10 | K09A, K09B | | 10 | K09A, K09B | | 09 | J03A, J03B, J04A, J04B, J08A, J08B, J08C, J11A, J11B, J11J, J11Q, J11R, J11S, J16Z |
| | 21A | W04A, W04B | | 21A | W04A, W04B | | 10 | K09A, K09B |
| 8r880.0k | 21B | X06A, X06B, X06C | 8r880.0p | 21B | X04Z, X06A, X06B, X06C | 8r880.13 | 21A | W04A, W04B |
| | | KJZSV | | | KJZSV | | 21B | X06A, X06B, X06C |
| | 05 | F01A, F01B, F01D, F14A, F14B, F15Z, F24A, F24B, F28A, F36A, F36B, F54A, F54B, F54J, F59A, F59B | | 05 | F01A, F01B, F01D, F14A, F14B, F15Z, F24A, F24B, F28A, F36A, F36B, F54A, F54B, F54J, F59A, F59B | | 01 | B04A, B04B, B04C, B04D |
| | 09 | J03A, J03B, J04A, J04B, J08A, J08B, J08C, J11A, J11B, J11J, J11Q, J11R, J11S, J16Z | | 09 | J03A, J03B, J04A, J04B, J08A, J08B, J08C, J11A, J11B, J11J, J11Q, J11R, J11S, J16Z | | 05 | F01A, F01B, F01D, F14A, F14B, F15Z, F24A, F24B, F28A, F36A, F36B, F54A, F54B, F54J, F59A, F59B |
| | 10 | K09A, K09B | | 10 | K09A, K09B | | 09 | J03A, J03B, J04A, J04B, J08A, J08B, J08C, J11A, J11B, J11J, J11Q, J11R, J11S, J16Z |
| 8r880.0l | 21A | W04A, W04B | 8r880.0q | 21A | W04A, W04B | 8r880.14 | 21A | K09A, K09B |
| | 21B | X06A, X06B, X06C | | 21B | X04Z, X05A, X05B, X06A, X06B, X06C | | 21A | W04A, W04B |
| | | KJZSV | | | KJZSV | | 21B | X06A, X06B, X06C |
| | 05 | F01A, F01B, F01D, F14A, F14B, F15Z, F24A, F24B, F28A, F36A, F36B, F54A, F54B, F54J, F59A, F59B | | 05 | F01A, F01B, F01D, F14A, F14B, F15Z, F24A, F24B, F28A, F36A, F36B, F54A, F54B, F54J, F59A, F59B | | 01 | B04A, B04B, B04C, B04D |
| | 09 | J03A, J03B, J04A, J04B, J08A, J08B, J08C, J11A, J11B, J11J, J11Q, J11R, J11S, J16Z | | 09 | J03A, J03B, J04A, J04B, J08A, J08B, J08C, J11A, J11B, J11J, J11Q, J11R, J11S, J16Z | | 05 | F01A, F01B, F01D, F14A, F14B, F15Z, F24A, F24B, F28A, F36A, F36B, F54A, F54B, F54J, F59A, F59B |
| 8r880.0m | 10 | K09A, K09B | 8r880.0x | 10 | K09A, K09B | 8r880.15 | 09 | J03A, J03B, J04A, J04B, J08A, J08B, J08C, J11A, J11B, J11J, J11Q, J11R, J11S, J16Z |
| | 21A | W04A, W04B | | 21A | W04A, W04B | | 10 | K09A, K09B |
| | 21B | X05A, X05B, X06A, X06B, X06C | | 21B | X04Z, X05A, X05B, X06A, X06B, X06C | | 21A | W04A, W04B |
| | | KJZSV | | | KJZSV | | 21B | X06A, X06B, X06C |
| | 05 | F01A, F01B, F01D, F14A, F14B, F15Z, F24A, F24B, F28A, F36A, F36B, F54A, F54B, F54J, F59A, F59B | | 05 | F01A, F01B, F01D, F14A, F14B, F15Z, F24A, F24B, F28A, F36A, F36B, F54A, F54B, F54J, F59A, F59B | | 01 | B04A, B04B, B04C, B04D |
| 8r880.0n | 09 | J03A, J03B, J04A, J04B, J08A, J08B, J08C, J11A, J11B, J11J, J11Q, J11R, J11S, J16Z | 8r880.10 | 09 | J03A, J03B, J04A, J04B, J08A, J08B, J08C, J11A, J11B, J11J, J11Q, J11R, J11S, J16Z | 8r880.16 | 05 | F01A, F01B, F01D, F14A, F14B, F15Z, F24A, F24B, F28A, F36A, F36B, F54A, F54B, F54J, F59A, F59B |
| | 10 | K09A, K09B | | 10 | K09A, K09B | | 09 | J03A, J03B, J04A, J04B, J08A, J08B, J08C, J11A, J11B, J11J, J11Q, J11R, J11S, J16Z |
| | 21A | W04A, W04B | | 21A | W04A, W04B | | 10 | K09A, K09B |
| | 21B | X04Z, X06A, X06B, X06C | | 21B | X06A, X06B, X06C, X33Z | | 21A | W04A, W04B |
| | | KJZSV | | | KJZSV, KOP | | 21B | X06A, X06B, X06C |
| | | | 01 | B02A, B02B, B02C, B20A, B20B, B20C, B20D, B39A, B39B | | | BOP, KJZSV, UOP4 | |

| ZZV | MDC | DRG | ZZV | MDC | DRG | ZZV | MDC | DRG |
|----------|-----|--|----------|--|--|--|------------------------------|--|
| 8r880.18 | | KJZSV | 8r880.1f | | KJZSV | 8r880.1k | | KJZSV |
| | 05 | F01A, F01B, F01D, F14A, F14B, F15Z, F24A, F24B, F28A, F36A, F36B, F54A, F54B, F54J, F59A, F59B | | 05 | F01A, F01B, F01D, F14A, F14B, F15Z, F24A, F24B, F28A, F36A, F36B, F54A, F54B, F54J, F59A, F59B | | 05 | F01A, F01B, F01D, F14A, F14B, F15Z, F24A, F24B, F28A, F36A, F36B, F54A, F54B, F54J, F59A, F59B |
| | 09 | J03A, J03B, J04A, J04B, J08A, J08B, J08C, J11A, J11B, J11J, J11Q, J11R, J11S, J16Z | | 09 | J03A, J03B, J04A, J04B, J08A, J08B, J08C, J11A, J11B, J11J, J11Q, J11R, J11S, J16Z | | 09 | J03A, J03B, J04A, J04B, J08A, J08B, J08C, J11A, J11B, J11J, J11Q, J11R, J11S, J16Z |
| | 10 | K09A, K09B | | 10 | K09A, K09B | | 10 | K09A, K09B |
| | 21A | W04A, W04B | | 21A | W04A, W04B | | 21A | W04A, W04B |
| | 21B | X04Z, X05A, X05B, X06A, X06B, X06C | 21B | X06A, X06B, X06C | 21B | X06A, X06B, X06C | | |
| 8r880.19 | | KJZSV | 8r880.1g | | BOP, KJZSV, UOP4 | 8r880.1l | | KJZSV |
| | 04 | E02A, E02B, E02C | | 01 | B04A, B04B, B04C, B04D | | 05 | F01A, F01B, F01D, F14A, F14B, F15Z, F24A, F24B, F28A, F36A, F36B, F54A, F54B, F54J, F59A, F59B |
| | 05 | F01A, F01B, F01D, F19A, F19B, F19C | | 05 | F01A, F01B, F01D, F14A, F14B, F15Z, F24A, F24B, F28A, F36A, F36B, F54A, F54B, F54J, F59A, F59B | | 09 | J03A, J03B, J04A, J04B, J08A, J08B, J08C, J11A, J11B, J11J, J11Q, J11R, J11S, J16Z |
| | 10 | K09A, K09B | | 06 | G10Z, G12A, G12B, G12J | | 10 | K09A, K09B |
| | Pre | A13D | 09 | J03A, J03B, J04A, J04B, J08A, J08B, J08C, J11A, J11B, J11J, J11Q, J11R, J11S, J16Z | 21A | W04A, W04B | | |
| 8r880.1a | | KJZSV | | 10 | K09A, K09B | 21B | X05A, X05B, X06A, X06B, X06C | |
| | 04 | E02A, E02B, E02C | 11 | L09A, L09B, L09C, L09J, L38Z | | KJZSV | | |
| | 05 | F01A, F01B, F01D, F19A, F19B, F19C | 21A | W04A, W04B | 05 | F01A, F01B, F01D, F14A, F14B, F15Z, F24A, F24B, F28A, F36A, F36B, F54A, F54B, F54J, F59A, F59B | | |
| | 10 | K09A, K09B | 21B | X06A, X06B, X06C | 09 | J03A, J03B, J04A, J04B, J08A, J08B, J08C, J11A, J11B, J11J, J11Q, J11R, J11S, J16Z | | |
| | Pre | A13D | | 10 | K09A, K09B | 10 | K09A, K09B | |
| 8r880.1b | | KJZSV | 8r880.1h | | KJZSV | 8r880.1m | | KJZSV |
| | 05 | F01A, F01B, F01D, F15Z, F19A, F19B, F19C, F24A, F24B, F36A, F36B | | 05 | F01A, F01B, F01D, F14A, F14B, F15Z, F24A, F24B, F28A, F36A, F36B, F54A, F54B, F54J, F59A, F59B | | 05 | F01A, F01B, F01D, F14A, F14B, F15Z, F24A, F24B, F28A, F36A, F36B, F54A, F54B, F54J, F59A, F59B |
| | 09 | J03A, J03B, J04A, J04B, J08A, J08B, J08C, J11A, J11B, J11J, J11Q, J11R, J11S, J16Z | | 05 | F01A, F01B, F01D, F14A, F14B, F15Z, F24A, F24B, F28A, F36A, F36B, F54A, F54B, F54J, F59A, F59B | | 09 | J03A, J03B, J04A, J04B, J08A, J08B, J08C, J11A, J11B, J11J, J11Q, J11R, J11S, J16Z |
| | 10 | K09A, K09B | | 06 | G10Z, G12A, G12B, G12J | | 10 | K09A, K09B |
| | 21A | W04A, W04B | 09 | J03A, J03B, J04A, J04B, J08A, J08B, J08C, J11A, J11B, J11J, J11Q, J11R, J11S, J16Z | 21A | W04A, W04B | | |
| | 21B | X06A, X06B, X06C | 10 | K09A, K09B | 21B | X04Z, X06A, X06B, X06C | | |
| 8r880.1c | | KJZSV | 8r880.1i | | KJZSV | 8r880.1n | | KJZSV |
| | 05 | F01A, F01B, F01D, F15Z, F19A, F19B, F19C, F24A, F24B, F36A, F36B | | 10 | K09A, K09B | | 05 | F01A, F01B, F01D, F14A, F14B, F15Z, F24A, F24B, F28A, F36A, F36B, F54A, F54B, F54J, F59A, F59B |
| | 09 | J03A, J03B, J04A, J04B, J08A, J08B, J08C, J11A, J11B, J11J, J11Q, J11R, J11S, J16Z | | 11 | L09A, L09B, L09C, L09J, L38Z | | 09 | J03A, J03B, J04A, J04B, J08A, J08B, J08C, J11A, J11B, J11J, J11Q, J11R, J11S, J16Z |
| | 10 | K09A, K09B | | 21A | W04A, W04B | | 10 | K09A, K09B |
| | 21A | W04A, W04B | 21B | X06A, X06B, X06C | 21A | W04A, W04B | | |
| | 21B | X06A, X06B, X06C | | 10 | K09A, K09B | 21B | X04Z, X06A, X06B, X06C | |
| 8r880.1d | | KJZSV | 8r880.1j | | KJZSV | 8r880.1o | | KJZSV |
| | 05 | F01A, F01B, F01D, F15Z, F19A, F19B, F19C, F24A, F24B, F36A, F36B | | 05 | F01A, F01B, F01D, F14A, F14B, F15Z, F24A, F24B, F28A, F36A, F36B, F54A, F54B, F54J, F59A, F59B | | 05 | F01A, F01B, F01D, F14A, F14B, F15Z, F24A, F24B, F28A, F36A, F36B, F54A, F54B, F54J, F59A, F59B |
| | 09 | J03A, J03B, J04A, J04B, J08A, J08B, J08C, J11A, J11B, J11J, J11Q, J11R, J11S, J16Z | | 09 | J03A, J03B, J04A, J04B, J08A, J08B, J08C, J11A, J11B, J11J, J11Q, J11R, J11S, J16Z | | 09 | J03A, J03B, J04A, J04B, J08A, J08B, J08C, J11A, J11B, J11J, J11Q, J11R, J11S, J16Z |
| | 10 | K09A, K09B | | 10 | K09A, K09B | | 10 | K09A, K09B |
| | 21A | W04A, W04B | 21A | W04A, W04B | 21A | W04A, W04B | | |
| | 21B | X06A, X06B, X06C | 21B | X06A, X06B, X06C | 21B | X04Z, X06A, X06B, X06C | | |
| 8r880.1e | | KJZSV | | 05 | F01A, F01B, F01D, F14A, F14B, F15Z, F24A, F24B, F28A, F36A, F36B, F54A, F54B, F54J, F59A, F59B | | KJZSV | |
| | 05 | F01A, F01B, F01D, F14A, F14B, F15Z, F24A, F24B, F28A, F36A, F36B, F54A, F54B, F54J, F59A, F59B | | 09 | J03A, J03B, J04A, J04B, J08A, J08B, J08C, J11A, J11B, J11J, J11Q, J11R, J11S, J16Z | | KJZSV | |
| | 09 | J03A, J03B, J04A, J04B, J08A, J08B, J08C, J11A, J11B, J11J, J11Q, J11R, J11S, J16Z | | 10 | K09A, K09B | | KJZSV | |
| | 10 | K09A, K09B | | 21A | W04A, W04B | | KJZSV | |
| | 21A | W04A, W04B | | 21B | X06A, X06B, X06C | | KJZSV | |
| | 21B | X06A, X06B, X06C | | 05 | F01A, F01B, F01D, F14A, F14B, F15Z, F24A, F24B, F28A, F36A, F36B, F54A, F54B, F54J, F59A, F59B | | KJZSV | |
| | 05 | F01A, F01B, F01D, F14A, F14B, F15Z, F24A, F24B, F28A, F36A, F36B, F54A, F54B, F54J, F59A, F59B | | 09 | J03A, J03B, J04A, J04B, J08A, J08B, J08C, J11A, J11B, J11J, J11Q, J11R, J11S, J16Z | | KJZSV | |
| | 09 | J03A, J03B, J04A, J04B, J08A, J08B, J08C, J11A, J11B, J11J, J11Q, J11R, J11S, J16Z | | 10 | K09A, K09B | | KJZSV | |
| | 10 | K09A, K09B | | 21A | W04A, W04B | | KJZSV | |
| | 21A | W04A, W04B | | 21B | X06A, X06B, X06C | | KJZSV | |
| | 21B | X06A, X06B, X06C | | 05 | F01A, F01B, F01D, F14A, F14B, F15Z, F24A, F24B, F28A, F36A, F36B, F54A, F54B, F54J, F59A, F59B | | KJZSV | |

VYK

| ZZV | MDC | DRG | ZZV | MDC | DRG | ZZV | MDC | DRG |
|----------|-----|--|----------|-----|--|----------|-----|--|
| 8r880.1p | | KJZSV | 8r880.23 | | BOP, KJZSV, UOP4 | 8r880.2b | | KJZSV |
| | 05 | F01A, F01B, F01D, F14A, F14B, F15Z, F24A, F24B, F28A, F36A, F36B, F54A, F54B, F54J, F59A, F59B | | 01 | B04A, B04B, B04C, B04D | | 05 | F01A, F01B, F01D, F15Z, F19A, F19B, F19C, F24A, F24B, F36A, F36B |
| | 09 | J03A, J03B, J04A, J04B, J08A, J08B, J08C, J11A, J11B, J11J, J11Q, J11R, J11S, J16Z | | 05 | F01A, F01B, F01D, F14A, F14B, F15Z, F24A, F24B, F28A, F36A, F36B, F54A, F54B, F54J, F59A, F59B | | 09 | J03A, J03B, J04A, J04B, J08A, J08B, J08C, J11A, J11B, J11J, J11Q, J11R, J11S, J16Z |
| | 10 | K09A, K09B | | 09 | J03A, J03B, J04A, J04B, J08A, J08B, J08C, J11A, J11B, J11J, J11Q, J11R, J11S, J16Z | | 10 | K09A, K09B |
| | 21A | W04A, W04B | | 10 | K09A, K09B | | 21A | W04A, W04B |
| | 21B | X04Z, X05A, X05B, X06A, X06B, X06C | | 21A | W04A, W04B | | 21B | X06A, X06B, X06C |
| 8r880.1q | | KJZSV | 8r880.24 | | BOP, KJZSV, UOP4 | 8r880.2c | | KJZSV |
| | 05 | F01A, F01B, F01D, F14A, F14B, F15Z, F24A, F24B, F28A, F36A, F36B, F54A, F54B, F54J, F59A, F59B | | 01 | B04A, B04B, B04C, B04D | | 05 | F01A, F01B, F01D, F15Z, F19A, F19B, F19C, F24A, F24B, F36A, F36B |
| | 09 | J03A, J03B, J04A, J04B, J08A, J08B, J08C, J11A, J11B, J11J, J11Q, J11R, J11S, J16Z | | 05 | F01A, F01B, F01D, F14A, F14B, F15Z, F24A, F24B, F28A, F36A, F36B, F54A, F54B, F54J, F59A, F59B | | 09 | J03A, J03B, J04A, J04B, J08A, J08B, J08C, J11A, J11B, J11J, J11Q, J11R, J11S, J16Z |
| | 10 | K09A, K09B | | 09 | J03A, J03B, J04A, J04B, J08A, J08B, J08C, J11A, J11B, J11J, J11Q, J11R, J11S, J16Z | | 10 | K09A, K09B |
| | 21A | W04A, W04B | | 10 | K09A, K09B | | 21A | W04A, W04B |
| | 21B | X04Z, X05A, X05B, X06A, X06B, X06C | | 21A | W04A, W04B | | 21B | X06A, X06B, X06C |
| 8r880.1x | | KJZSV | 8r880.25 | | BOP, KJZSV, UOP4 | 8r880.2d | | KJZSV |
| | 05 | F01A, F01B, F01D, F14A, F14B, F15Z, F24A, F24B, F28A, F36A, F36B, F54A, F54B, F54J, F59A, F59B | | 01 | B04A, B04B, B04C, B04D | | 05 | F01A, F01B, F01D, F15Z, F19A, F19B, F19C, F24A, F24B, F36A, F36B |
| | 09 | J03A, J03B, J04A, J04B, J08A, J08B, J08C, J11A, J11B, J11J, J11Q, J11R, J11S, J16Z | | 05 | F01A, F01B, F01D, F14A, F14B, F15Z, F24A, F24B, F28A, F36A, F36B, F54A, F54B, F54J, F59A, F59B | | 09 | J03A, J03B, J04A, J04B, J08A, J08B, J08C, J11A, J11B, J11J, J11Q, J11R, J11S, J16Z |
| | 10 | K09A, K09B | | 09 | J03A, J03B, J04A, J04B, J08A, J08B, J08C, J11A, J11B, J11J, J11Q, J11R, J11S, J16Z | | 10 | K09A, K09B |
| | 21A | W04A, W04B | | 10 | K09A, K09B | | 21A | W04A, W04B |
| | 21B | X06A, X06B, X06C | | 21A | W04A, W04B | | 21B | X06A, X06B, X06C |
| 8r880.20 | | KJZSV, KOP | 8r880.26 | | BOP, KJZSV, UOP4 | 8r880.2e | | KJZSV |
| | 01 | B02A, B02B, B02C, B20A, B20B, B20C, B20D, B39A, B39B | | 01 | B04A, B04B, B04C, B04D | | 05 | F01A, F01B, F01D, F14A, F14B, F15Z, F24A, F24B, F28A, F36A, F36B, F54A, F54B, F54J, F59A, F59B |
| | 05 | F01A, F01B, F01D, F14A, F14B, F15Z, F24A, F24B, F28A, F36A, F36B, F54A, F54B, F54J, F59A, F59B | | 05 | F01A, F01B, F01D, F14A, F14B, F15Z, F24A, F24B, F28A, F36A, F36B, F54A, F54B, F54J, F59A, F59B | | 09 | J03A, J03B, J04A, J04B, J08A, J08B, J08C, J11A, J11B, J11J, J11Q, J11R, J11S, J16Z |
| | 09 | J03A, J03B, J04A, J04B, J08A, J08B, J08C, J11A, J11B, J11J, J11Q, J11R, J11S, J16Z | | 09 | J03A, J03B, J04A, J04B, J08A, J08B, J08C, J11A, J11B, J11J, J11Q, J11R, J11S, J16Z | | 10 | K09A, K09B |
| | 10 | K09A, K09B | | 10 | K09A, K09B | | 21A | W04A, W04B |
| | 21A | W04A, W04B | | 21A | W04A, W04B | | 21B | X06A, X06B, X06C |
| 8r880.22 | | KJZSV, X33Z | 8r880.28 | | KJZSV | 8r880.2f | | KJZSV |
| | 01 | B04A, B04B, B04C, B04D | | 01 | B04A, B04B, B04C, B04D | | 05 | F01A, F01B, F01D, F14A, F14B, F15Z, F24A, F24B, F28A, F36A, F36B, F54A, F54B, F54J, F59A, F59B |
| | 05 | F01A, F01B, F01D, F14A, F14B, F15Z, F24A, F24B, F28A, F36A, F36B, F54A, F54B, F54J, F59A, F59B | | 05 | F01A, F01B, F01D, F14A, F14B, F15Z, F24A, F24B, F28A, F36A, F36B, F54A, F54B, F54J, F59A, F59B | | 09 | J03A, J03B, J04A, J04B, J08A, J08B, J08C, J11A, J11B, J11J, J11Q, J11R, J11S, J16Z |
| | 09 | J03A, J03B, J04A, J04B, J08A, J08B, J08C, J11A, J11B, J11J, J11Q, J11R, J11S, J16Z | | 09 | J03A, J03B, J04A, J04B, J08A, J08B, J08C, J11A, J11B, J11J, J11Q, J11R, J11S, J16Z | | 10 | K09A, K09B |
| | 10 | K09A, K09B | | 10 | K09A, K09B | | 21A | W04A, W04B |
| | 21A | W04A, W04B | | 21A | W04A, W04B | | 21B | X06A, X06B, X06C |
| 8r880.28 | | BOP, KJZSV, UOP4 | 8r880.2a | | KJZSV | | | |
| | 01 | B04A, B04B, B04C, B04D | | 04 | E02A, E02B, E02C | | | |
| | 05 | F01A, F01B, F01D, F14A, F14B, F15Z, F24A, F24B, F28A, F36A, F36B, F54A, F54B, F54J, F59A, F59B | | 05 | F01A, F01B, F01D, F19A, F19B, F19C | | | |
| | 09 | J03A, J03B, J04A, J04B, J08A, J08B, J08C, J11A, J11B, J11J, J11Q, J11R, J11S, J16Z | | 10 | K09A, K09B | | | |
| | 10 | K09A, K09B | | Pre | A13D | | | |
| | 21A | W04A, W04B | | | | | | |

| ZZV | MDC | DRG | ZZV | MDC | DRG | ZZV | MDC | DRG | | | |
|----------|----------|--|--|--|--|--|--|--|----------|--|--|
| 8r880.2g | | BOP, KJZSV, UOP4 | 8r880.2i | | KJZSV | 8r880.2x | | KJZSV | | | |
| | 01 | B04A, B04B, B04C, B04D | | 05 | F01A, F01B, F01D, F14A, F14B, F15Z, F24A, F24B, F28A, F36A, F36B, F54A, F54B, F54J, F59A, F59B | | 05 | F01A, F01B, F01D, F14A, F14B, F15Z, F24A, F24B, F28A, F36A, F36B, F54A, F54B, F54J, F59A, F59B | | | |
| | 05 | F01A, F01B, F01D, F14A, F14B, F15Z, F24A, F24B, F28A, F36A, F36B, F54A, F54B, F54J, F59A, F59B | | 09 | J03A, J03B, J04A, J04B, J08A, J08B, J08C, J11A, J11B, J11J, J11Q, J11R, J11S, J16Z | | 09 | J03A, J03B, J04A, J04B, J08A, J08B, J08C, J11A, J11B, J11J, J11Q, J11R, J11S, J16Z | | | |
| | 06 | G10Z, G12A, G12B, G12J | | 10 | K09A, K09B | | 10 | K09A, K09B | | | |
| | 09 | J03A, J03B, J04A, J04B, J08A, J08B, J08C, J11A, J11B, J11J, J11Q, J11R, J11S, J16Z | | 21A | W04A, W04B | | 21A | W04A, W04B | | | |
| | 10 | K09A, K09B | | 21B | X05A, X05B, X06A, X06B, X06C | | 21B | X06A, X06B, X06C | | | |
| | 11 | L09A, L09B, L09C, L09J, L38Z | | | | | | | | | |
| | 21A | W04A, W04B | | 8r880.2m | | | KJZSV | 8r880.30 | | KJZSV, KOP | |
| | 21B | X06A, X06B, X06C | | | 05 | | F01A, F01B, F01D, F14A, F14B, F15Z, F24A, F24B, F28A, F36A, F36B, F54A, F54B, F54J, F59A, F59B | | 01 | B02A, B02B, B02C, B20A, B20B, B20C, B20D, B39A, B39B | |
| | 8r880.2h | | | KJZSV | 8r880.2n | | | KJZSV | 8r880.32 | | KJZSV, UOP4 |
| | | 05 | | F01A, F01B, F01D, F14A, F14B, F15Z, F24A, F24B, F28A, F36A, F36B, F54A, F54B, F54J, F59A, F59B | | | 05 | F01A, F01B, F01D, F14A, F14B, F15Z, F24A, F24B, F28A, F36A, F36B, F54A, F54B, F54J, F59A, F59B | | 05 | F01A, F01B, F01D, F14A, F14B, F15Z, F24A, F24B, F28A, F36A, F36B, F54A, F54B, F54J, F59A, F59B |
| 06 | | G10Z, G12A, G12B, G12J | 09 | J03A, J03B, J04A, J04B, J08A, J08B, J08C, J11A, J11B, J11J, J11Q, J11R, J11S, J16Z | | 09 | J03A, J03B, J04A, J04B, J08A, J08B, J08C, J11A, J11B, J11J, J11Q, J11R, J11S, J16Z | | | | |
| 09 | | J03A, J03B, J04A, J04B, J08A, J08B, J08C, J11A, J11B, J11J, J11Q, J11R, J11S, J16Z | 10 | K09A, K09B | | 10 | K09A, K09B | | | | |
| 10 | | K09A, K09B | 21A | W04A, W04B | | 21A | W04A, W04B | | | | |
| 11 | | L09A, L09B, L09C, L09J, L38Z | 21B | X04Z, X06A, X06B, X06C | | 21B | X06A, X06B, X06C, X33Z | | | | |
| 21A | | W04A, W04B | | | | | | | | | |
| 21B | | X06A, X06B, X06C | 8r880.2p | | | KJZSV | 8r880.33 | | | BOP, KJZSV, UOP4 | |
| | | | | 05 | | F01A, F01B, F01D, F14A, F14B, F15Z, F24A, F24B, F28A, F36A, F36B, F54A, F54B, F54J, F59A, F59B | | 01 | | B04A, B04B, B04C, B04D | |
| 8r880.2i | | | KJZSV | 8r880.2q | | | KJZSV | 8r880.34 | | | BOP, KJZSV, UOP4 |
| | | 05 | F01A, F01B, F01D, F14A, F14B, F15Z, F24A, F24B, F28A, F36A, F36B, F54A, F54B, F54J, F59A, F59B | | | 05 | F01A, F01B, F01D, F14A, F14B, F15Z, F24A, F24B, F28A, F36A, F36B, F54A, F54B, F54J, F59A, F59B | | | 05 | F01A, F01B, F01D, F14A, F14B, F15Z, F24A, F24B, F28A, F36A, F36B, F54A, F54B, F54J, F59A, F59B |
| | 09 | J03A, J03B, J04A, J04B, J08A, J08B, J08C, J11A, J11B, J11J, J11Q, J11R, J11S, J16Z | 09 | | J03A, J03B, J04A, J04B, J08A, J08B, J08C, J11A, J11B, J11J, J11Q, J11R, J11S, J16Z | 09 | J03A, J03B, J04A, J04B, J08A, J08B, J08C, J11A, J11B, J11J, J11Q, J11R, J11S, J16Z | | | | |
| | 10 | K09A, K09B | 10 | | K09A, K09B | 10 | K09A, K09B | | | | |
| | 21A | W04A, W04B | 21A | | W04A, W04B | 21A | W04A, W04B | | | | |
| | 21B | X06A, X06B, X06C | 21B | | X04Z, X05A, X05B, X06A, X06B, X06C | 21B | X06A, X06B, X06C | | | | |
| | | | | | | | | | | | |
| | 8r880.2j | | KJZSV | | 8r880.2k | | KJZSV | | 8r880.34 | | BOP, KJZSV, UOP4 |
| | | 05 | F01A, F01B, F01D, F14A, F14B, F15Z, F24A, F24B, F28A, F36A, F36B, F54A, F54B, F54J, F59A, F59B | | | 05 | F01A, F01B, F01D, F14A, F14B, F15Z, F24A, F24B, F28A, F36A, F36B, F54A, F54B, F54J, F59A, F59B | | | 05 | F01A, F01B, F01D, F14A, F14B, F15Z, F24A, F24B, F28A, F36A, F36B, F54A, F54B, F54J, F59A, F59B |
| | | 09 | J03A, J03B, J04A, J04B, J08A, J08B, J08C, J11A, J11B, J11J, J11Q, J11R, J11S, J16Z | | | 09 | J03A, J03B, J04A, J04B, J08A, J08B, J08C, J11A, J11B, J11J, J11Q, J11R, J11S, J16Z | | | 09 | J03A, J03B, J04A, J04B, J08A, J08B, J08C, J11A, J11B, J11J, J11Q, J11R, J11S, J16Z |
| | | 10 | K09A, K09B | | | 10 | K09A, K09B | | | 10 | K09A, K09B |
| 21A | | W04A, W04B | 21A | W04A, W04B | | 21A | W04A, W04B | | | | |
| 21B | | X06A, X06B, X06C | 21B | X04Z, X05A, X05B, X06A, X06B, X06C | | 21B | X06A, X06B, X06C | | | | |
| | | | | | | | | | | | |
| 8r880.2k | | | KJZSV | | | | | | | | |
| | | 05 | F01A, F01B, F01D, F14A, F14B, F15Z, F24A, F24B, F28A, F36A, F36B, F54A, F54B, F54J, F59A, F59B | 05 | | F01A, F01B, F01D, F14A, F14B, F15Z, F24A, F24B, F28A, F36A, F36B, F54A, F54B, F54J, F59A, F59B | 05 | F01A, F01B, F01D, F14A, F14B, F15Z, F24A, F24B, F28A, F36A, F36B, F54A, F54B, F54J, F59A, F59B | | | |
| | | 09 | J03A, J03B, J04A, J04B, J08A, J08B, J08C, J11A, J11B, J11J, J11Q, J11R, J11S, J16Z | 09 | | J03A, J03B, J04A, J04B, J08A, J08B, J08C, J11A, J11B, J11J, J11Q, J11R, J11S, J16Z | 09 | J03A, J03B, J04A, J04B, J08A, J08B, J08C, J11A, J11B, J11J, J11Q, J11R, J11S, J16Z | | | |
| | | 10 | K09A, K09B | 10 | | K09A, K09B | 10 | K09A, K09B | | | |
| | 21A | W04A, W04B | 21A | W04A, W04B | 21A | W04A, W04B | | | | | |
| | 21B | X06A, X06B, X06C | 21B | X04Z, X05A, X05B, X06A, X06B, X06C | 21B | X06A, X06B, X06C | | | | | |
| | | | | | | | | | | | |

VYK

| ZZV | MDC | DRG | ZZV | MDC | DRG | ZZV | MDC | DRG | | | |
|----------|----------|--|--|------------|--|--|--|--|--|--|--|
| 8r880.35 | | BOP, KJZSV, UOP4 | 8r880.3c | | KJZSV | 8r880.3h | | KJZSV | | | |
| | 01 | B04A, B04B, B04C, B04D | | 05 | F01A, F01B, F01D, F15Z, F19A, F19B, F19C, F24A, F24B, F36A, F36B | | 05 | F01A, F01B, F01D, F14A, F14B, F15Z, F24A, F24B, F28A, F36A, F36B, F54A, F54B, F54J, F59A, F59B | | | |
| | 05 | F01A, F01B, F01D, F14A, F14B, F15Z, F24A, F24B, F28A, F36A, F36B, F54A, F54B, F54J, F59A, F59B | | 09 | J03A, J03B, J04A, J04B, J08A, J08B, J08C, J11A, J11B, J11J, J11Q, J11R, J11S, J16Z | | 06 | G10Z, G12A, G12B, G12J | | | |
| | 09 | J03A, J03B, J04A, J04B, J08A, J08B, J08C, J11A, J11B, J11J, J11Q, J11R, J11S, J16Z | | 10 | K09A, K09B | | 09 | J03A, J03B, J04A, J04B, J08A, J08B, J08C, J11A, J11B, J11J, J11Q, J11R, J11S, J16Z | | | |
| | 10 | K09A, K09B | | 21A | W04A, W04B | | 10 | K09A, K09B | | | |
| | 21A | W04A, W04B | | 21B | X06A, X06B, X06C | | 11 | L09A, L09B, L09C, L09J, L38Z | | | |
| | 21B | X06A, X06B, X06C | | 8r880.3d | | | KJZSV | 21A | W04A, W04B | | |
| | 8r880.36 | | | | BOP, KJZSV, UOP4 | | 05 | F01A, F01B, F01D, F15Z, F19A, F19B, F19C, F24A, F24B, F36A, F36B | 21B | X06A, X06B, X06C | |
| | | 01 | | | B04A, B04B, B04C, B04D | | 09 | J03A, J03B, J04A, J04B, J08A, J08B, J08C, J11A, J11B, J11J, J11Q, J11R, J11S, J16Z | 8r880.3i | | KJZSV |
| | | 05 | | | F01A, F01B, F01D, F14A, F14B, F15Z, F24A, F24B, F28A, F36A, F36B, F54A, F54B, F54J, F59A, F59B | | 10 | K09A, K09B | | 05 | F01A, F01B, F01D, F14A, F14B, F15Z, F24A, F24B, F28A, F36A, F36B, F54A, F54B, F54J, F59A, F59B |
| | | 09 | | | J03A, J03B, J04A, J04B, J08A, J08B, J08C, J11A, J11B, J11J, J11Q, J11R, J11S, J16Z | | 21A | W04A, W04B | | 09 | J03A, J03B, J04A, J04B, J08A, J08B, J08C, J11A, J11B, J11J, J11Q, J11R, J11S, J16Z |
| 10 | | K09A, K09B | 21B | | X06A, X06B, X06C | 10 | K09A, K09B | | | | |
| 21A | | W04A, W04B | 8r880.3e | | | KJZSV | 21A | W04A, W04B | | | |
| 21B | | X06A, X06B, X06C | | | 05 | F01A, F01B, F01D, F14A, F14B, F15Z, F24A, F24B, F28A, F36A, F36B, F54A, F54B, F54J, F59A, F59B | 21B | X06A, X06B, X06C | | | |
| 8r880.38 | | | | | KJZSV | 09 | J03A, J03B, J04A, J04B, J08A, J08B, J08C, J11A, J11B, J11J, J11Q, J11R, J11S, J16Z | 8r880.3j | | | KJZSV |
| | | 05 | | | F01A, F01B, F01D, F14A, F14B, F15Z, F24A, F24B, F28A, F36A, F36B, F54A, F54B, F54J, F59A, F59B | 10 | K09A, K09B | | | 05 | F01A, F01B, F01D, F14A, F14B, F15Z, F24A, F24B, F28A, F36A, F36B, F54A, F54B, F54J, F59A, F59B |
| | | 09 | | | J03A, J03B, J04A, J04B, J08A, J08B, J08C, J11A, J11B, J11J, J11Q, J11R, J11S, J16Z | 21A | W04A, W04B | | | 09 | J03A, J03B, J04A, J04B, J08A, J08B, J08C, J11A, J11B, J11J, J11Q, J11R, J11S, J16Z |
| | | 10 | | K09A, K09B | 21B | X06A, X06B, X06C | 10 | | | K09A, K09B | |
| | 21A | W04A, W04B | | 8r880.3f | | KJZSV | 21A | | | W04A, W04B | |
| | 21B | X04Z, X05A, X05B, X06A, X06B, X06C | | | 05 | F01A, F01B, F01D, F14A, F14B, F15Z, F24A, F24B, F28A, F36A, F36B, F54A, F54B, F54J, F59A, F59B | 21B | | X06A, X06B, X06C | | |
| | 8r880.39 | | | | KJZSV | 09 | J03A, J03B, J04A, J04B, J08A, J08B, J08C, J11A, J11B, J11J, J11Q, J11R, J11S, J16Z | | 8r880.3k | | KJZSV |
| | | 04 | | | E02A, E02B, E02C | 10 | K09A, K09B | | | 05 | F01A, F01B, F01D, F14A, F14B, F15Z, F24A, F24B, F28A, F36A, F36B, F54A, F54B, F54J, F59A, F59B |
| | | 05 | | | F01A, F01B, F01D, F19A, F19B, F19C | 21A | W04A, W04B | | | 09 | J03A, J03B, J04A, J04B, J08A, J08B, J08C, J11A, J11B, J11J, J11Q, J11R, J11S, J16Z |
| | | 10 | K09A, K09B | | 21B | X06A, X06B, X06C | 10 | | | K09A, K09B | |
| | | Pre | A13D | | 8r880.3g | | BOP, KJZSV, UOP4 | | | 21A | W04A, W04B |
| 8r880.3a | | | KJZSV | | | 01 | B04A, B04B, B04C, B04D | 21B | | X06A, X06B, X06C | |
| | | 04 | E02A, E02B, E02C | | | 05 | F01A, F01B, F01D, F14A, F14B, F15Z, F24A, F24B, F28A, F36A, F36B, F54A, F54B, F54J, F59A, F59B | 8r880.3l | | | KJZSV |
| | | 05 | F01A, F01B, F01D, F19A, F19B, F19C | | | 06 | G10Z, G12A, G12B, G12J | | | 05 | F01A, F01B, F01D, F14A, F14B, F15Z, F24A, F24B, F28A, F36A, F36B, F54A, F54B, F54J, F59A, F59B |
| | | 10 | K09A, K09B | | | 09 | J03A, J03B, J04A, J04B, J08A, J08B, J08C, J11A, J11B, J11J, J11Q, J11R, J11S, J16Z | | | 09 | J03A, J03B, J04A, J04B, J08A, J08B, J08C, J11A, J11B, J11J, J11Q, J11R, J11S, J16Z |
| | | Pre | A13D | 10 | | K09A, K09B | 10 | | | K09A, K09B | |
| | | 8r880.3b | | KJZSV | | 11 | L09A, L09B, L09C, L09J, L38Z | | | 21A | W04A, W04B |
| | 05 | | F01A, F01B, F01D, F15Z, F19A, F19B, F19C, F24A, F24B, F36A, F36B | 21B | | X06A, X06B, X06C | 21B | | X06A, X06B, X06C | | |
| | 09 | | J03A, J03B, J04A, J04B, J08A, J08B, J08C, J11A, J11B, J11J, J11Q, J11R, J11S, J16Z | 8r880.3m | | | KJZSV | | 05 | F01A, F01B, F01D, F14A, F14B, F15Z, F24A, F24B, F28A, F36A, F36B, F54A, F54B, F54J, F59A, F59B | |
| | 10 | | K09A, K09B | | | 06 | G10Z, G12A, G12B, G12J | | 09 | J03A, J03B, J04A, J04B, J08A, J08B, J08C, J11A, J11B, J11J, J11Q, J11R, J11S, J16Z | |
| | 21A | | W04A, W04B | | | 09 | J03A, J03B, J04A, J04B, J08A, J08B, J08C, J11A, J11B, J11J, J11Q, J11R, J11S, J16Z | | 10 | K09A, K09B | |
| | 21B | | X06A, X06B, X06C | | 10 | K09A, K09B | 21A | | W04A, W04B | | |
| 8r880.3c | | | BOP, KJZSV, UOP4 | | 11 | L09A, L09B, L09C, L09J, L38Z | 21B | | X06A, X06B, X06C | | |
| | 01 | | B04A, B04B, B04C, B04D | | 8r880.3n | | KJZSV | 05 | F01A, F01B, F01D, F14A, F14B, F15Z, F24A, F24B, F28A, F36A, F36B, F54A, F54B, F54J, F59A, F59B | | |
| | 05 | | F01A, F01B, F01D, F14A, F14B, F15Z, F24A, F24B, F28A, F36A, F36B, F54A, F54B, F54J, F59A, F59B | | | 05 | F01A, F01B, F01D, F15Z, F19A, F19B, F19C, F24A, F24B, F36A, F36B | 06 | G10Z, G12A, G12B, G12J | | |
| | 09 | | J03A, J03B, J04A, J04B, J08A, J08B, J08C, J11A, J11B, J11J, J11Q, J11R, J11S, J16Z | | | 09 | J03A, J03B, J04A, J04B, J08A, J08B, J08C, J11A, J11B, J11J, J11Q, J11R, J11S, J16Z | 09 | J03A, J03B, J04A, J04B, J08A, J08B, J08C, J11A, J11B, J11J, J11Q, J11R, J11S, J16Z | | |
| | 10 | | K09A, K09B | | | 10 | K09A, K09B | 10 | K09A, K09B | | |
| | 21A | W04A, W04B | 21A | | | W04A, W04B | 21A | W04A, W04B | | | |
| | 21B | X06A, X06B, X06C | 21B | | | X06A, X06B, X06C | 21B | X06A, X06B, X06C | | | |

VYK

| ZZV | MDC | DRG | ZZV | MDC | DRG | ZZV | MDC | DRG | |
|----------|------------------------------------|--|------------------|-----|--|----------|----------|--|--|
| 8r880.3m | | KJZSV | 8r880.3x | | KJZSV | 8r880.45 | | BOP, KJZSV, UOP4 | |
| | 05 | F01A, F01B, F01D, F14A, F14B, F15Z, F24A, F24B, F28A, F36A, F36B, F54A, F54B, F54J, F59A, F59B | | 05 | F01A, F01B, F01D, F14A, F14B, F15Z, F24A, F24B, F28A, F36A, F36B, F54A, F54B, F54J, F59A, F59B | | 01 | B04A, B04B, B04C, B04D | |
| | 09 | J03A, J03B, J04A, J04B, J08A, J08B, J08C, J11A, J11B, J11J, J11Q, J11R, J11S, J16Z | | 09 | J03A, J03B, J04A, J04B, J08A, J08B, J08C, J11A, J11B, J11J, J11Q, J11R, J11S, J16Z | | 05 | F01A, F01B, F01D, F14A, F14B, F15Z, F24A, F24B, F28A, F36A, F36B, F54A, F54B, F54J, F59A, F59B | |
| | 10 | K09A, K09B | | 10 | K09A, K09B | | 09 | J03A, J03B, J04A, J04B, J08A, J08B, J08C, J11A, J11B, J11J, J11Q, J11R, J11S, J16Z | |
| | 21A | W04A, W04B | | 21A | W04A, W04B | | 10 | K09A, K09B | |
| 8r880.3n | 21B | X04Z, X06A, X06B, X06C | 8r880.40 | 21B | X06A, X06B, X06C | 8r880.46 | 21A | W04A, W04B | |
| | | KJZSV | | | KJZSV, KOP | | 21B | X06A, X06B, X06C | |
| | 05 | F01A, F01B, F01D, F14A, F14B, F15Z, F24A, F24B, F28A, F36A, F36B, F54A, F54B, F54J, F59A, F59B | | 01 | B02A, B02B, B02C, B20A, B20B, B20C, B20D, B39A, B39B | | 8r880.48 | BOP, KJZSV, UOP4 | |
| | 09 | J03A, J03B, J04A, J04B, J08A, J08B, J08C, J11A, J11B, J11J, J11Q, J11R, J11S, J16Z | | 05 | F01A, F01B, F01D, F14A, F14B, F15Z, F24A, F24B, F28A, F36A, F36B, F54A, F54B, F54J, F59A, F59B | | | 01 | B04A, B04B, B04C, B04D |
| | 10 | K09A, K09B | | 09 | J03A, J03B, J04A, J04B, J08A, J08B, J08C, J11A, J11B, J11J, J11Q, J11R, J11S, J16Z | | | 05 | F01A, F01B, F01D, F14A, F14B, F15Z, F24A, F24B, F28A, F36A, F36B, F54A, F54B, F54J, F59A, F59B |
| 21A | W04A, W04B | 10 | K09A, K09B | 09 | J03A, J03B, J04A, J04B, J08A, J08B, J08C, J11A, J11B, J11J, J11Q, J11R, J11S, J16Z | | | | |
| 21B | X04Z, X06A, X06B, X06C | 21A | W04A, W04B | 21B | X06A, X06B, X06C, X33Z | | | | |
| 8r880.3o | | KJZSV | 8r880.42 | | BOP, KJZSV, UOP4 | 8r880.49 | | KJZSV | |
| | 05 | F01A, F01B, F01D, F14A, F14B, F15Z, F24A, F24B, F28A, F36A, F36B, F54A, F54B, F54J, F59A, F59B | | 01 | B04A, B04B, B04C, B04D | | 8r880.4a | 04 | E02A, E02B, E02C |
| | 09 | J03A, J03B, J04A, J04B, J08A, J08B, J08C, J11A, J11B, J11J, J11Q, J11R, J11S, J16Z | | 05 | F01A, F01B, F01D, F14A, F14B, F15Z, F24A, F24B, F28A, F36A, F36B, F54A, F54B, F54J, F59A, F59B | | | 05 | F01A, F01B, F01D, F19A, F19B, F19C |
| | 10 | K09A, K09B | | 09 | J03A, J03B, J04A, J04B, J08A, J08B, J08C, J11A, J11B, J11J, J11Q, J11R, J11S, J16Z | | | 10 | K09A, K09B |
| | 21A | W04A, W04B | | 10 | K09A, K09B | | | Pre | A13D |
| 21B | X04Z, X06A, X06B, X06C | 21A | W04A, W04B | 21B | X04Z, X05A, X05B, X06A, X06B, X06C | | | | |
| 8r880.3p | | KJZSV | 8r880.43 | | BOP, KJZSV, UOP4 | 8r880.4b | | KJZSV | |
| | 05 | F01A, F01B, F01D, F14A, F14B, F15Z, F24A, F24B, F28A, F36A, F36B, F54A, F54B, F54J, F59A, F59B | | 01 | B04A, B04B, B04C, B04D | | 8r880.48 | 04 | E02A, E02B, E02C |
| | 09 | J03A, J03B, J04A, J04B, J08A, J08B, J08C, J11A, J11B, J11J, J11Q, J11R, J11S, J16Z | | 05 | F01A, F01B, F01D, F14A, F14B, F15Z, F24A, F24B, F28A, F36A, F36B, F54A, F54B, F54J, F59A, F59B | | | 05 | F01A, F01B, F01D, F19A, F19B, F19C |
| | 10 | K09A, K09B | | 09 | J03A, J03B, J04A, J04B, J08A, J08B, J08C, J11A, J11B, J11J, J11Q, J11R, J11S, J16Z | | | 10 | K09A, K09B |
| | 21A | W04A, W04B | | 10 | K09A, K09B | | | Pre | A13D |
| 21B | X04Z, X05A, X05B, X06A, X06B, X06C | 21A | W04A, W04B | 21B | X06A, X06B, X06C | | | | |
| 8r880.3q | | KJZSV | 8r880.44 | | BOP, KJZSV, UOP4 | 8r880.48 | | KJZSV | |
| | 05 | F01A, F01B, F01D, F14A, F14B, F15Z, F24A, F24B, F28A, F36A, F36B, F54A, F54B, F54J, F59A, F59B | | 01 | B04A, B04B, B04C, B04D | | 8r880.48 | 05 | F01A, F01B, F01D, F15Z, F19A, F19B, F19C, F24A, F24B, F36A, F36B |
| | 09 | J03A, J03B, J04A, J04B, J08A, J08B, J08C, J11A, J11B, J11J, J11Q, J11R, J11S, J16Z | | 05 | F01A, F01B, F01D, F14A, F14B, F15Z, F24A, F24B, F28A, F36A, F36B, F54A, F54B, F54J, F59A, F59B | | | 09 | J03A, J03B, J04A, J04B, J08A, J08B, J08C, J11A, J11B, J11J, J11Q, J11R, J11S, J16Z |
| | 10 | K09A, K09B | | 09 | J03A, J03B, J04A, J04B, J08A, J08B, J08C, J11A, J11B, J11J, J11Q, J11R, J11S, J16Z | | | 10 | K09A, K09B |
| | 21A | W04A, W04B | | 10 | K09A, K09B | | | 21A | W04A, W04B |
| 21B | X04Z, X05A, X05B, X06A, X06B, X06C | 21B | X06A, X06B, X06C | 21B | X06A, X06B, X06C | | | | |

VYK

| ZZV | MDC | DRG | ZZV | MDC | DRG | ZZV | MDC | DRG |
|----------|-----|--|----------|-----|--|----------|-----|--|
| 8r880.4c | | KJZSV | 8r880.4h | | KJZSV | 8r880.4m | | KJZSV |
| | 05 | F01A, F01B, F01D, F15Z, F19A, F19B, F19C, F24A, F24B, F36A, F36B | | 05 | F01A, F01B, F01D, F14A, F14B, F15Z, F24A, F24B, F28A, F36A, F36B, F54A, F54B, F54J, F59A, F59B | | 05 | F01A, F01B, F01D, F14A, F14B, F15Z, F24A, F24B, F28A, F36A, F36B, F54A, F54B, F54J, F59A, F59B |
| | 09 | J03A, J03B, J04A, J04B, J08A, J08B, J08C, J11A, J11B, J11J, J11Q, J11R, J11S, J16Z | | 06 | G10Z, G12A, G12B, G12J | | 09 | J03A, J03B, J04A, J04B, J08A, J08B, J08C, J11A, J11B, J11J, J11Q, J11R, J11S, J16Z |
| | 10 | K09A, K09B | | 09 | J03A, J03B, J04A, J04B, J08A, J08B, J08C, J11A, J11B, J11J, J11Q, J11R, J11S, J16Z | | 10 | K09A, K09B |
| | 21A | W04A, W04B | | 10 | K09A, K09B | | 21A | W04A, W04B |
| 8r880.4d | 21B | X06A, X06B, X06C | 8r880.4i | 11 | L09A, L09B, L09C, L09J, L38Z | 8r880.4n | 21B | X04Z, X06A, X06B, X06C |
| | | KJZSV | | 21A | W04A, W04B | | | KJZSV |
| | 05 | F01A, F01B, F01D, F15Z, F19A, F19B, F19C, F24A, F24B, F36A, F36B | | 21B | X06A, X06B, X06C | | 05 | F01A, F01B, F01D, F14A, F14B, F15Z, F24A, F24B, F28A, F36A, F36B, F54A, F54B, F54J, F59A, F59B |
| | 09 | J03A, J03B, J04A, J04B, J08A, J08B, J08C, J11A, J11B, J11J, J11Q, J11R, J11S, J16Z | | 05 | F01A, F01B, F01D, F14A, F14B, F15Z, F24A, F24B, F28A, F36A, F36B, F54A, F54B, F54J, F59A, F59B | | 09 | J03A, J03B, J04A, J04B, J08A, J08B, J08C, J11A, J11B, J11J, J11Q, J11R, J11S, J16Z |
| | 10 | K09A, K09B | | 09 | J03A, J03B, J04A, J04B, J08A, J08B, J08C, J11A, J11B, J11J, J11Q, J11R, J11S, J16Z | | 10 | K09A, K09B |
| 8r880.4e | 21A | W04A, W04B | 8r880.4j | 10 | K09A, K09B | 8r880.4o | 21A | W04A, W04B |
| | 21B | X06A, X06B, X06C | | 21A | W04A, W04B | | 21B | X04Z, X06A, X06B, X06C |
| | | KJZSV | | 21B | X06A, X06B, X06C | | | KJZSV |
| | 05 | F01A, F01B, F01D, F14A, F14B, F15Z, F24A, F24B, F28A, F36A, F36B, F54A, F54B, F54J, F59A, F59B | | 05 | F01A, F01B, F01D, F14A, F14B, F15Z, F24A, F24B, F28A, F36A, F36B, F54A, F54B, F54J, F59A, F59B | | 05 | F01A, F01B, F01D, F14A, F14B, F15Z, F24A, F24B, F28A, F36A, F36B, F54A, F54B, F54J, F59A, F59B |
| | 09 | J03A, J03B, J04A, J04B, J08A, J08B, J08C, J11A, J11B, J11J, J11Q, J11R, J11S, J16Z | | 09 | J03A, J03B, J04A, J04B, J08A, J08B, J08C, J11A, J11B, J11J, J11Q, J11R, J11S, J16Z | | 09 | J03A, J03B, J04A, J04B, J08A, J08B, J08C, J11A, J11B, J11J, J11Q, J11R, J11S, J16Z |
| 8r880.4f | 10 | K09A, K09B | 8r880.4k | 10 | K09A, K09B | 8r880.4p | 10 | K09A, K09B |
| | 21A | W04A, W04B | | 21A | W04A, W04B | | 21A | W04A, W04B |
| | 21B | X06A, X06B, X06C | | 21B | X06A, X06B, X06C | | 21B | X04Z, X06A, X06B, X06C |
| | | KJZSV | | 05 | F01A, F01B, F01D, F14A, F14B, F15Z, F24A, F24B, F28A, F36A, F36B, F54A, F54B, F54J, F59A, F59B | | 05 | F01A, F01B, F01D, F14A, F14B, F15Z, F24A, F24B, F28A, F36A, F36B, F54A, F54B, F54J, F59A, F59B |
| | 05 | F01A, F01B, F01D, F14A, F14B, F15Z, F24A, F24B, F28A, F36A, F36B, F54A, F54B, F54J, F59A, F59B | | 09 | J03A, J03B, J04A, J04B, J08A, J08B, J08C, J11A, J11B, J11J, J11Q, J11R, J11S, J16Z | | 09 | J03A, J03B, J04A, J04B, J08A, J08B, J08C, J11A, J11B, J11J, J11Q, J11R, J11S, J16Z |
| 8r880.4g | 09 | J03A, J03B, J04A, J04B, J08A, J08B, J08C, J11A, J11B, J11J, J11Q, J11R, J11S, J16Z | 8r880.4l | 09 | J03A, J03B, J04A, J04B, J08A, J08B, J08C, J11A, J11B, J11J, J11Q, J11R, J11S, J16Z | 8r880.4q | 10 | K09A, K09B |
| | 10 | K09A, K09B | | 10 | K09A, K09B | | 10 | K09A, K09B |
| | 21A | W04A, W04B | | 21A | W04A, W04B | | 21A | W04A, W04B |
| | 21B | X06A, X06B, X06C | | 21B | X06A, X06B, X06C | | 21B | X04Z, X05A, X05B, X06A, X06B, X06C |
| | | BOP, KJZSV, UOP4 | | 05 | F01A, F01B, F01D, F14A, F14B, F15Z, F24A, F24B, F28A, F36A, F36B, F54A, F54B, F54J, F59A, F59B | | 05 | F01A, F01B, F01D, F14A, F14B, F15Z, F24A, F24B, F28A, F36A, F36B, F54A, F54B, F54J, F59A, F59B |
| 8r880.4g | 01 | B04A, B04B, B04C, B04D | 8r880.4l | 10 | K09A, K09B | 8r880.4q | 05 | F01A, F01B, F01D, F14A, F14B, F15Z, F24A, F24B, F28A, F36A, F36B, F54A, F54B, F54J, F59A, F59B |
| | 05 | F01A, F01B, F01D, F14A, F14B, F15Z, F24A, F24B, F28A, F36A, F36B, F54A, F54B, F54J, F59A, F59B | | 21A | W04A, W04B | | 09 | J03A, J03B, J04A, J04B, J08A, J08B, J08C, J11A, J11B, J11J, J11Q, J11R, J11S, J16Z |
| | 06 | G10Z, G12A, G12B, G12J | | 21B | X06A, X06B, X06C | | 10 | K09A, K09B |
| | 09 | J03A, J03B, J04A, J04B, J08A, J08B, J08C, J11A, J11B, J11J, J11Q, J11R, J11S, J16Z | | 05 | F01A, F01B, F01D, F14A, F14B, F15Z, F24A, F24B, F28A, F36A, F36B, F54A, F54B, F54J, F59A, F59B | | 21A | W04A, W04B |
| | 10 | K09A, K09B | | 09 | J03A, J03B, J04A, J04B, J08A, J08B, J08C, J11A, J11B, J11J, J11Q, J11R, J11S, J16Z | | 21B | X04Z, X05A, X05B, X06A, X06B, X06C |
| | 11 | L09A, L09B, L09C, L09J, L38Z | | 10 | K09A, K09B | | | KJZSV |
| | 21A | W04A, W04B | | 21A | W04A, W04B | | 05 | F01A, F01B, F01D, F14A, F14B, F15Z, F24A, F24B, F28A, F36A, F36B, F54A, F54B, F54J, F59A, F59B |
| | 21B | X06A, X06B, X06C | | 21B | X06A, X06B, X06C | | 09 | J03A, J03B, J04A, J04B, J08A, J08B, J08C, J11A, J11B, J11J, J11Q, J11R, J11S, J16Z |
| | | | | 10 | K09A, K09B | | 10 | K09A, K09B |
| | | | | 21A | W04A, W04B | | 21A | W04A, W04B |
| | | | | 21B | X05A, X05B, X06A, X06B, X06C | | 21B | X04Z, X05A, X05B, X06A, X06B, X06C |

VYK

| ZZV | MDC | DRG | ZZV | MDC | DRG | ZZV | MDC | DRG |
|----------|-----|--|----------|-----|--|----------|-----|--|
| 8r880.4x | | KJZSV | 8r880.55 | | BOP, KJZSV, UOP4 | 8r880.5c | | KJZSV |
| | 05 | F01A, F01B, F01D, F14A, F14B, F15Z, F24A, F24B, F28A, F36A, F36B, F54A, F54B, F54J, F59A, F59B | | 01 | B04A, B04B, B04C, B04D | | 05 | F01A, F01B, F01D, F14A, F14B, F15Z, F24A, F24B, F28A, F36A, F36B, F54A, F54B, F54J, F59A, F59B |
| | 09 | J03A, J03B, J04A, J04B, J08A, J08B, J08C, J11A, J11B, J11J, J11Q, J11R, J11S, J16Z | | 05 | F01A, F01B, F01D, F14A, F14B, F15Z, F24A, F24B, F28A, F36A, F36B, F54A, F54B, F54J, F59A, F59B | | 09 | J03A, J03B, J04A, J04B, J08A, J08B, J08C, J11A, J11B, J11J, J11Q, J11R, J11S, J16Z |
| | 10 | K09A, K09B | | 09 | J03A, J03B, J04A, J04B, J08A, J08B, J08C, J11A, J11B, J11J, J11Q, J11R, J11S, J16Z | | 10 | K09A, K09B |
| | 21A | W04A, W04B | | 10 | K09A, K09B | | 21A | W04A, W04B |
| 8r880.50 | 21B | X06A, X06B, X06C | 8r880.56 | | BOP, KJZSV, UOP4 | 8r880.5d | | KJZSV |
| | | KJZSV, KOP | | 01 | B04A, B04B, B04C, B04D | | 05 | F01A, F01B, F01D, F14A, F14B, F15Z, F24A, F24B, F28A, F36A, F36B, F54A, F54B, F54J, F59A, F59B |
| | 01 | B02A, B02B, B02C, B20A, B20B, B20C, B20D, B39A, B39B | | 05 | F01A, F01B, F01D, F14A, F14B, F15Z, F24A, F24B, F28A, F36A, F36B, F54A, F54B, F54J, F59A, F59B | | 09 | J03A, J03B, J04A, J04B, J08A, J08B, J08C, J11A, J11B, J11J, J11Q, J11R, J11S, J16Z |
| | 05 | F01A, F01B, F01D, F14A, F14B, F15Z, F24A, F24B, F28A, F36A, F36B, F54A, F54B, F54J, F59A, F59B | | 09 | J03A, J03B, J04A, J04B, J08A, J08B, J08C, J11A, J11B, J11J, J11Q, J11R, J11S, J16Z | | 10 | K09A, K09B |
| | 09 | J03A, J03B, J04A, J04B, J08A, J08B, J08C, J11A, J11B, J11J, J11Q, J11R, J11S, J16Z | | 10 | K09A, K09B | | 21A | W04A, W04B |
| 8r880.52 | 10 | K09A, K09B | 8r880.58 | | KJZSV | 8r880.5e | | KJZSV |
| | 21A | W04A, W04B | | 05 | F01A, F01B, F01D, F14A, F14B, F15Z, F24A, F24B, F28A, F36A, F36B, F54A, F54B, F54J, F59A, F59B | | 05 | F01A, F01B, F01D, F14A, F14B, F15Z, F24A, F24B, F28A, F36A, F36B, F54A, F54B, F54J, F59A, F59B |
| | 21B | X06A, X06B, X06C, X33Z | | 05 | F01A, F01B, F01D, F14A, F14B, F15Z, F24A, F24B, F28A, F36A, F36B, F54A, F54B, F54J, F59A, F59B | | 09 | J03A, J03B, J04A, J04B, J08A, J08B, J08C, J11A, J11B, J11J, J11Q, J11R, J11S, J16Z |
| | | BOP, KJZSV, UOP4 | | 09 | J03A, J03B, J04A, J04B, J08A, J08B, J08C, J11A, J11B, J11J, J11Q, J11R, J11S, J16Z | | 10 | K09A, K09B |
| | 01 | B04A, B04B, B04C, B04D | | 10 | K09A, K09B | | 21A | W04A, W04B |
| 8r880.53 | 05 | F01A, F01B, F01D, F14A, F14B, F15Z, F24A, F24B, F28A, F36A, F36B, F54A, F54B, F54J, F59A, F59B | 8r880.59 | | KJZSV | 8r880.5f | | KJZSV |
| | 09 | J03A, J03B, J04A, J04B, J08A, J08B, J08C, J11A, J11B, J11J, J11Q, J11R, J11S, J16Z | | 04 | E02A, E02B, E02C | | 05 | F01A, F01B, F01D, F14A, F14B, F15Z, F24A, F24B, F28A, F36A, F36B, F54A, F54B, F54J, F59A, F59B |
| | 10 | K09A, K09B | | 05 | F01A, F01B, F01D, F19A, F19B, F19C | | 09 | J03A, J03B, J04A, J04B, J08A, J08B, J08C, J11A, J11B, J11J, J11Q, J11R, J11S, J16Z |
| | 21A | W04A, W04B | | 10 | K09A, K09B | | 10 | K09A, K09B |
| | 21B | X06A, X06B, X06C | | Pre | A13D | | 21A | W04A, W04B |
| 8r880.54 | 21B | X06A, X06B, X06C | 8r880.5a | | KJZSV | 8r880.5g | | KJZSV |
| | | BOP, KJZSV, UOP4 | | 04 | E02A, E02B, E02C | | 05 | F01A, F01B, F01D, F14A, F14B, F15Z, F24A, F24B, F28A, F36A, F36B, F54A, F54B, F54J, F59A, F59B |
| | 01 | B04A, B04B, B04C, B04D | | 05 | F01A, F01B, F01D, F19A, F19B, F19C | | 06 | G10Z, G12A, G12B, G12J |
| | 05 | F01A, F01B, F01D, F14A, F14B, F15Z, F24A, F24B, F28A, F36A, F36B, F54A, F54B, F54J, F59A, F59B | | 10 | K09A, K09B | | 09 | J03A, J03B, J04A, J04B, J08A, J08B, J08C, J11A, J11B, J11J, J11Q, J11R, J11S, J16Z |
| | 09 | J03A, J03B, J04A, J04B, J08A, J08B, J08C, J11A, J11B, J11J, J11Q, J11R, J11S, J16Z | | Pre | A13D | | 10 | K09A, K09B |
| 8r880.55 | 10 | K09A, K09B | 8r880.5b | | KJZSV | 8r880.5h | | KJZSV |
| | 21A | W04A, W04B | | 05 | F01A, F01B, F01D, F15Z, F19A, F19B, F19C, F24A, F24B, F36A, F36B | | 05 | F01A, F01B, F01D, F14A, F14B, F15Z, F24A, F24B, F28A, F36A, F36B, F54A, F54B, F54J, F59A, F59B |
| | 21B | X06A, X06B, X06C | | 05 | F01A, F01B, F01D, F19A, F19B, F19C | | 06 | G10Z, G12A, G12B, G12J |
| | | BOP, KJZSV, UOP4 | | 09 | J03A, J03B, J04A, J04B, J08A, J08B, J08C, J11A, J11B, J11J, J11Q, J11R, J11S, J16Z | | 09 | J03A, J03B, J04A, J04B, J08A, J08B, J08C, J11A, J11B, J11J, J11Q, J11R, J11S, J16Z |
| | 01 | B04A, B04B, B04C, B04D | | 10 | K09A, K09B | | 10 | K09A, K09B |
| 8r880.56 | 05 | F01A, F01B, F01D, F14A, F14B, F15Z, F24A, F24B, F28A, F36A, F36B, F54A, F54B, F54J, F59A, F59B | 8r880.5c | | KJZSV | 8r880.5i | | KJZSV |
| | 09 | J03A, J03B, J04A, J04B, J08A, J08B, J08C, J11A, J11B, J11J, J11Q, J11R, J11S, J16Z | | 05 | F01A, F01B, F01D, F14A, F14B, F15Z, F24A, F24B, F28A, F36A, F36B, F54A, F54B, F54J, F59A, F59B | | 09 | J03A, J03B, J04A, J04B, J08A, J08B, J08C, J11A, J11B, J11J, J11Q, J11R, J11S, J16Z |
| | 10 | K09A, K09B | | 09 | J03A, J03B, J04A, J04B, J08A, J08B, J08C, J11A, J11B, J11J, J11Q, J11R, J11S, J16Z | | 10 | K09A, K09B |
| | 21A | W04A, W04B | | 10 | K09A, K09B | | 21A | W04A, W04B |
| | 21B | X06A, X06B, X06C | | 21A | W04A, W04B | | 21B | X06A, X06B, X06C |

| ZZV | MDC | DRG | ZZV | MDC | DRG | ZZV | MDC | DRG | | | |
|----------|----------|--|--|--|--|----------|--|--|----------|--|--|
| 8r880.5h | | KJZSV | 8r880.5m | | KJZSV | 8r880.5x | | KJZSV | | | |
| | 05 | F01A, F01B, F01D, F14A, F14B, F15Z, F24A, F24B, F28A, F36A, F36B, F54A, F54B, F54J, F59A, F59B | | 05 | F01A, F01B, F01D, F14A, F14B, F15Z, F24A, F24B, F28A, F36A, F36B, F54A, F54B, F54J, F59A, F59B | | 05 | F01A, F01B, F01D, F14A, F14B, F15Z, F24A, F24B, F28A, F36A, F36B, F54A, F54B, F54J, F59A, F59B | | | |
| | 06 | G10Z, G12A, G12B, G12J | | 09 | J03A, J03B, J04A, J04B, J08A, J08B, J08C, J11A, J11B, J11J, J11Q, J11R, J11S, J16Z | | 09 | J03A, J03B, J04A, J04B, J08A, J08B, J08C, J11A, J11B, J11J, J11Q, J11R, J11S, J16Z | | | |
| | 09 | J03A, J03B, J04A, J04B, J08A, J08B, J08C, J11A, J11B, J11J, J11Q, J11R, J11S, J16Z | | 10 | K09A, K09B | | 10 | K09A, K09B | | | |
| | 10 | K09A, K09B | | 21A | W04A, W04B | | 21A | W04A, W04B | | | |
| | 11 | L09A, L09B, L09C, L09J, L38Z | | 21B | X04Z, X06A, X06B, X06C | | 21B | X06A, X06B, X06C | | | |
| | 21A | W04A, W04B | | 8r880.5n | | | KJZSV | 8r881.00 | | BOP, KJZSV, KOP, UOP4 | |
| | 21B | X06A, X06B, X06C | | | 05 | | F01A, F01B, F01D, F14A, F14B, F15Z, F24A, F24B, F28A, F36A, F36B, F54A, F54B, F54J, F59A, F59B | | 01 | B02A, B02B, B02C, B20A, B20B, B20C, B20D, B39A, B39B | |
| | 8r880.5i | | | KJZSV | 8r880.5o | | | KJZSV | 8r881.02 | | BOP, KJZSV, UOP4 |
| | | 05 | | F01A, F01B, F01D, F14A, F14B, F15Z, F24A, F24B, F28A, F36A, F36B, F54A, F54B, F54J, F59A, F59B | | | 05 | F01A, F01B, F01D, F14A, F14B, F15Z, F24A, F24B, F28A, F36A, F36B, F54A, F54B, F54J, F59A, F59B | | 05 | F01A, F01B, F01D, F14A, F14B, F15Z, F24A, F24B, F28A, F36A, F36B, F54A, F54B, F54J, F59A, F59B |
| 09 | | J03A, J03B, J04A, J04B, J08A, J08B, J08C, J11A, J11B, J11J, J11Q, J11R, J11S, J16Z | 09 | J03A, J03B, J04A, J04B, J08A, J08B, J08C, J11A, J11B, J11J, J11Q, J11R, J11S, J16Z | | 09 | J03A, J03B, J04A, J04B, J08A, J08B, J08C, J11A, J11B, J11J, J11Q, J11R, J11S, J16Z | | | | |
| 10 | | K09A, K09B | 10 | K09A, K09B | | 10 | K09A, K09B | | | | |
| 21A | | W04A, W04B | 21A | W04A, W04B | | 21A | W04A, W04B | | | | |
| 21B | | X06A, X06B, X06C | 21B | X04Z, X06A, X06B, X06C | | 21B | X06A, X06B, X06C, X33Z | | | | |
| 8r880.5j | | | KJZSV | 8r880.5p | | | KJZSV | 8r881.03 | | | BOP, KJZSV, UOP4 |
| | | 05 | F01A, F01B, F01D, F14A, F14B, F15Z, F24A, F24B, F28A, F36A, F36B, F54A, F54B, F54J, F59A, F59B | | | 05 | F01A, F01B, F01D, F14A, F14B, F15Z, F24A, F24B, F28A, F36A, F36B, F54A, F54B, F54J, F59A, F59B | | | 01 | B04A, B04B, B04C, B04D |
| | | 09 | J03A, J03B, J04A, J04B, J08A, J08B, J08C, J11A, J11B, J11J, J11Q, J11R, J11S, J16Z | | | 09 | J03A, J03B, J04A, J04B, J08A, J08B, J08C, J11A, J11B, J11J, J11Q, J11R, J11S, J16Z | | | 05 | F01A, F01B, F01D, F14A, F14B, F15Z, F24A, F24B, F28A, F36A, F36B, F54A, F54B, F54J, F59A, F59B |
| | | 10 | K09A, K09B | | | 10 | K09A, K09B | | | 09 | J03A, J03B, J04A, J04B, J08A, J08B, J08C, J11A, J11B, J11J, J11Q, J11R, J11S, J16Z |
| | 21A | W04A, W04B | 21A | | W04A, W04B | 10 | K09A, K09B | | | | |
| | 21B | X06A, X06B, X06C | 21B | | X04Z, X06A, X06B, X06C | 21A | W04A, W04B | | | | |
| | 8r880.5k | | KJZSV | | 8r880.5q | | KJZSV | | 8r881.04 | | BOP, KJZSV, UOP4 |
| | | 05 | F01A, F01B, F01D, F14A, F14B, F15Z, F24A, F24B, F28A, F36A, F36B, F54A, F54B, F54J, F59A, F59B | | | 05 | F01A, F01B, F01D, F14A, F14B, F15Z, F24A, F24B, F28A, F36A, F36B, F54A, F54B, F54J, F59A, F59B | | | 01 | B04A, B04B, B04C, B04D |
| | | 09 | J03A, J03B, J04A, J04B, J08A, J08B, J08C, J11A, J11B, J11J, J11Q, J11R, J11S, J16Z | | | 09 | J03A, J03B, J04A, J04B, J08A, J08B, J08C, J11A, J11B, J11J, J11Q, J11R, J11S, J16Z | | | 05 | F01A, F01B, F01D, F14A, F14B, F15Z, F24A, F24B, F28A, F36A, F36B, F54A, F54B, F54J, F59A, F59B |
| | | 10 | K09A, K09B | | | 10 | K09A, K09B | | | 09 | J03A, J03B, J04A, J04B, J08A, J08B, J08C, J11A, J11B, J11J, J11Q, J11R, J11S, J16Z |
| 21A | | W04A, W04B | 21A | W04A, W04B | | 10 | K09A, K09B | | | | |
| 21B | | X06A, X06B, X06C | 21B | X04Z, X05A, X05B, X06A, X06B, X06C | | 21A | W04A, W04B | | | | |
| 8r880.5l | | | KJZSV | 8r880.5r | | | KJZSV | 8r881.05 | | | BOP, KJZSV, UOP4 |
| | | 05 | F01A, F01B, F01D, F14A, F14B, F15Z, F24A, F24B, F28A, F36A, F36B, F54A, F54B, F54J, F59A, F59B | | | 05 | F01A, F01B, F01D, F14A, F14B, F15Z, F24A, F24B, F28A, F36A, F36B, F54A, F54B, F54J, F59A, F59B | | | 01 | B04A, B04B, B04C, B04D |
| | | 09 | J03A, J03B, J04A, J04B, J08A, J08B, J08C, J11A, J11B, J11J, J11Q, J11R, J11S, J16Z | | | 09 | J03A, J03B, J04A, J04B, J08A, J08B, J08C, J11A, J11B, J11J, J11Q, J11R, J11S, J16Z | | | 05 | F01A, F01B, F01D, F14A, F14B, F15Z, F24A, F24B, F28A, F36A, F36B, F54A, F54B, F54J, F59A, F59B |
| | | 10 | K09A, K09B | | | 10 | K09A, K09B | | | 09 | J03A, J03B, J04A, J04B, J08A, J08B, J08C, J11A, J11B, J11J, J11Q, J11R, J11S, J16Z |
| | 21A | W04A, W04B | 21A | | W04A, W04B | 10 | K09A, K09B | | | | |
| | 21B | X05A, X05B, X06A, X06B, X06C | 21B | | X04Z, X05A, X05B, X06A, X06B, X06C | 21A | W04A, W04B | | | | |

| ZZV | MDC | DRG | ZZV | MDC | DRG | ZZV | MDC | DRG | | | |
|----------|----------|--|--|--|--|--|--|--|--|--|--|
| 8r881.05 | | BOP, KJZSV, UOP4 | 8r881.0c | | KJZSV | 8r881.0h | | KJZSV | | | |
| | 01 | B04A, B04B, B04C, B04D | | 05 | F01A, F01B, F01D, F15Z, F19A, F19B, F19C, F24A, F24B, F36A, F36B | | 05 | F01A, F01B, F01D, F14A, F14B, F15Z, F24A, F24B, F28A, F36A, F36B, F54A, F54B, F54J, F59A, F59B | | | |
| | 05 | F01A, F01B, F01D, F14A, F14B, F15Z, F24A, F24B, F28A, F36A, F36B, F54A, F54B, F54J, F59A, F59B | | 09 | J03A, J03B, J04A, J04B, J08A, J08B, J08C, J11A, J11B, J11J, J11Q, J11R, J11S, J16Z | | 06 | G10Z, G12A, G12B, G12J | | | |
| | 09 | J03A, J03B, J04A, J04B, J08A, J08B, J08C, J11A, J11B, J11J, J11Q, J11R, J11S, J16Z | | 10 | K09A, K09B | | 09 | J03A, J03B, J04A, J04B, J08A, J08B, J08C, J11A, J11B, J11J, J11Q, J11R, J11S, J16Z | | | |
| | 10 | K09A, K09B | | 21A | W04A, W04B | | 10 | K09A, K09B | | | |
| | 21A | W04A, W04B | | 21B | X06A, X06B, X06C | | 11 | L09A, L09B, L09C, L09J, L38Z | | | |
| | 21B | X06A, X06B, X06C | | 8r881.0d | | | KJZSV | 8r881.0i | | KJZSV | |
| | 8r881.06 | | | | BOP, KJZSV, UOP4 | | 05 | | F01A, F01B, F01D, F15Z, F19A, F19B, F19C, F24A, F24B, F36A, F36B | 21A | W04A, W04B |
| | | 01 | | | B04A, B04B, B04C, B04D | | 09 | | J03A, J03B, J04A, J04B, J08A, J08B, J08C, J11A, J11B, J11J, J11Q, J11R, J11S, J16Z | 21B | X06A, X06B, X06C |
| | | 05 | | | F01A, F01B, F01D, F14A, F14B, F15Z, F24A, F24B, F28A, F36A, F36B, F54A, F54B, F54J, F59A, F59B | | 10 | | K09A, K09B | 8r881.0j | |
| 09 | | J03A, J03B, J04A, J04B, J08A, J08B, J08C, J11A, J11B, J11J, J11Q, J11R, J11S, J16Z | 21A | | W04A, W04B | 05 | F01A, F01B, F01D, F14A, F14B, F15Z, F24A, F24B, F28A, F36A, F36B, F54A, F54B, F54J, F59A, F59B | | | | |
| 10 | | K09A, K09B | 21B | | X06A, X06B, X06C | 09 | J03A, J03B, J04A, J04B, J08A, J08B, J08C, J11A, J11B, J11J, J11Q, J11R, J11S, J16Z | | | | |
| 21A | | W04A, W04B | 8r881.0e | | | KJZSV | 10 | | K09A, K09B | | |
| 21B | | X06A, X06B, X06C | | | 05 | F01A, F01B, F01D, F14A, F14B, F15Z, F24A, F24B, F28A, F36A, F36B, F54A, F54B, F54J, F59A, F59B | 21A | | W04A, W04B | | |
| 8r881.08 | | | | | KJZSV | 09 | J03A, J03B, J04A, J04B, J08A, J08B, J08C, J11A, J11B, J11J, J11Q, J11R, J11S, J16Z | | 21B | | X06A, X06B, X06C |
| | | 05 | | | F01A, F01B, F01D, F14A, F14B, F15Z, F24A, F24B, F28A, F36A, F36B, F54A, F54B, F54J, F59A, F59B | 8r881.0f | | | KJZSV | | 8r881.0k |
| | | 09 | | J03A, J03B, J04A, J04B, J08A, J08B, J08C, J11A, J11B, J11J, J11Q, J11R, J11S, J16Z | 05 | | F01A, F01B, F01D, F14A, F14B, F15Z, F24A, F24B, F28A, F36A, F36B, F54A, F54B, F54J, F59A, F59B | 05 | F01A, F01B, F01D, F14A, F14B, F15Z, F24A, F24B, F28A, F36A, F36B, F54A, F54B, F54J, F59A, F59B | | |
| | 10 | K09A, K09B | | 09 | J03A, J03B, J04A, J04B, J08A, J08B, J08C, J11A, J11B, J11J, J11Q, J11R, J11S, J16Z | | 09 | J03A, J03B, J04A, J04B, J08A, J08B, J08C, J11A, J11B, J11J, J11Q, J11R, J11S, J16Z | | | |
| | 21A | W04A, W04B | | 10 | K09A, K09B | | 10 | K09A, K09B | | | |
| | 21B | X04Z, X05A, X05B, X06A, X06B, X06C | | 21A | W04A, W04B | | 21A | W04A, W04B | | | |
| | 8r881.09 | | | KJZSV | 21B | | X06A, X06B, X06C | 21B | X06A, X06B, X06C | | |
| | | 04 | | E02A, E02B, E02C | 8r881.0g | | | BOP, KJZSV, UOP4 | 8r881.0l | | |
| | | 05 | F01A, F01B, F01D, F19A, F19B, F19C | 01 | | | B04A, B04B, B04C, B04D | 05 | | F01A, F01B, F01D, F14A, F14B, F15Z, F24A, F24B, F28A, F36A, F36B, F54A, F54B, F54J, F59A, F59B | |
| | | 10 | K09A, K09B | 05 | | | F01A, F01B, F01D, F14A, F14B, F15Z, F24A, F24B, F28A, F36A, F36B, F54A, F54B, F54J, F59A, F59B | 05 | | F01A, F01B, F01D, F14A, F14B, F15Z, F24A, F24B, F28A, F36A, F36B, F54A, F54B, F54J, F59A, F59B | |
| Pre | | A13D | 06 | G10Z, G12A, G12B, G12J | | | 09 | J03A, J03B, J04A, J04B, J08A, J08B, J08C, J11A, J11B, J11J, J11Q, J11R, J11S, J16Z | | | |
| 8r881.0a | | | KJZSV | 09 | | J03A, J03B, J04A, J04B, J08A, J08B, J08C, J11A, J11B, J11J, J11Q, J11R, J11S, J16Z | 09 | J03A, J03B, J04A, J04B, J08A, J08B, J08C, J11A, J11B, J11J, J11Q, J11R, J11S, J16Z | | | |
| | | 04 | E02A, E02B, E02C | 10 | | K09A, K09B | 10 | K09A, K09B | | | |
| | | 05 | F01A, F01B, F01D, F19A, F19B, F19C | 21A | | W04A, W04B | 21A | W04A, W04B | | | |
| | | 10 | K09A, K09B | 21B | | X06A, X06B, X06C | 21B | X06A, X06B, X06C | | | |
| | | Pre | A13D | 8r881.0b | | | KJZSV | 8r881.0m | | | KJZSV |
| | 8r881.0b | | KJZSV | | | 05 | F01A, F01B, F01D, F15Z, F19A, F19B, F19C, F24A, F24B, F36A, F36B | | | 05 | F01A, F01B, F01D, F14A, F14B, F15Z, F24A, F24B, F28A, F36A, F36B, F54A, F54B, F54J, F59A, F59B |
| | | 05 | F01A, F01B, F01D, F15Z, F19A, F19B, F19C, F24A, F24B, F36A, F36B | | 09 | J03A, J03B, J04A, J04B, J08A, J08B, J08C, J11A, J11B, J11J, J11Q, J11R, J11S, J16Z | 09 | | J03A, J03B, J04A, J04B, J08A, J08B, J08C, J11A, J11B, J11J, J11Q, J11R, J11S, J16Z | | |
| | | 09 | J03A, J03B, J04A, J04B, J08A, J08B, J08C, J11A, J11B, J11J, J11Q, J11R, J11S, J16Z | | 10 | K09A, K09B | 10 | | K09A, K09B | | |
| | | 10 | K09A, K09B | | 11 | L09A, L09B, L09C, L09J, L38Z | 10 | | K09A, K09B | | |
| | | 21A | W04A, W04B | | 21A | W04A, W04B | 21A | | W04A, W04B | | |
| 21B | | X06A, X06B, X06C | 21B | | X06A, X06B, X06C | 21B | X05A, X05B, X06A, X06B, X06C | | | | |

VYK

| ZZV | MDC | DRG | ZZV | MDC | DRG | ZZV | MDC | DRG |
|----------|-----|--|----------|-----|--|----------|-----|--|
| 8r881.0m | | KJZSV | 8r881.0x | | KJZSV | 8r881.15 | | BOP, KJZSV, UOP4 |
| | 05 | F01A, F01B, F01D, F14A, F14B, F15Z, F24A, F24B, F28A, F36A, F36B, F54A, F54B, F54J, F59A, F59B | | 05 | F01A, F01B, F01D, F14A, F14B, F15Z, F24A, F24B, F28A, F36A, F36B, F54A, F54B, F54J, F59A, F59B | | 01 | B04A, B04B, B04C, B04D |
| | 09 | J03A, J03B, J04A, J04B, J08A, J08B, J08C, J11A, J11B, J11J, J11Q, J11R, J11S, J16Z | | 09 | J03A, J03B, J04A, J04B, J08A, J08B, J08C, J11A, J11B, J11J, J11Q, J11R, J11S, J16Z | | 05 | F01A, F01B, F01D, F14A, F14B, F15Z, F24A, F24B, F28A, F36A, F36B, F54A, F54B, F54J, F59A, F59B |
| | 10 | K09A, K09B | | 10 | K09A, K09B | | 09 | J03A, J03B, J04A, J04B, J08A, J08B, J08C, J11A, J11B, J11J, J11Q, J11R, J11S, J16Z |
| | 21A | W04A, W04B | | 21A | W04A, W04B | | 10 | K09A, K09B |
| 8r881.0n | 21B | X04Z, X06A, X06B, X06C | 8r881.10 | 21B | X06A, X06B, X06C | 8r881.16 | 21A | W04A, W04B |
| | | KJZSV | | | KJZSV, KOP | | 21B | X06A, X06B, X06C |
| | 05 | F01A, F01B, F01D, F14A, F14B, F15Z, F24A, F24B, F28A, F36A, F36B, F54A, F54B, F54J, F59A, F59B | | 01 | B02A, B02B, B02C, B20A, B20B, B20C, B20D, B39A, B39B | | 01 | B04A, B04B, B04C, B04D |
| | 09 | J03A, J03B, J04A, J04B, J08A, J08B, J08C, J11A, J11B, J11J, J11Q, J11R, J11S, J16Z | | 05 | F01A, F01B, F01D, F14A, F14B, F15Z, F24A, F24B, F28A, F36A, F36B, F54A, F54B, F54J, F59A, F59B | | 05 | F01A, F01B, F01D, F14A, F14B, F15Z, F24A, F24B, F28A, F36A, F36B, F54A, F54B, F54J, F59A, F59B |
| | 10 | K09A, K09B | | 09 | J03A, J03B, J04A, J04B, J08A, J08B, J08C, J11A, J11B, J11J, J11Q, J11R, J11S, J16Z | | 09 | J03A, J03B, J04A, J04B, J08A, J08B, J08C, J11A, J11B, J11J, J11Q, J11R, J11S, J16Z |
| 8r881.0o | 21A | W04A, W04B | 8r881.12 | 10 | K09A, K09B | 8r881.18 | 21A | W04A, W04B |
| | 21B | X04Z, X06A, X06B, X06C | | 21A | W04A, W04B | | 21B | X06A, X06B, X06C |
| | | KJZSV | | 21B | X06A, X06B, X06C, X33Z | | | KJZSV |
| | 05 | F01A, F01B, F01D, F14A, F14B, F15Z, F24A, F24B, F28A, F36A, F36B, F54A, F54B, F54J, F59A, F59B | | 01 | BOP, KJZSV, UOP4 | | 05 | F01A, F01B, F01D, F14A, F14B, F15Z, F24A, F24B, F28A, F36A, F36B, F54A, F54B, F54J, F59A, F59B |
| | 09 | J03A, J03B, J04A, J04B, J08A, J08B, J08C, J11A, J11B, J11J, J11Q, J11R, J11S, J16Z | | 05 | F01A, F01B, F01D, F14A, F14B, F15Z, F24A, F24B, F28A, F36A, F36B, F54A, F54B, F54J, F59A, F59B | | 09 | J03A, J03B, J04A, J04B, J08A, J08B, J08C, J11A, J11B, J11J, J11Q, J11R, J11S, J16Z |
| 8r881.0p | 10 | K09A, K09B | 8r881.13 | 09 | J03A, J03B, J04A, J04B, J08A, J08B, J08C, J11A, J11B, J11J, J11Q, J11R, J11S, J16Z | 8r881.19 | 10 | K09A, K09B |
| | 21A | W04A, W04B | | 10 | K09A, K09B | | 21A | W04A, W04B |
| | 21B | X04Z, X06A, X06B, X06C | | 21A | W04A, W04B | | 21B | X04Z, X05A, X05B, X06A, X06B, X06C |
| | | KJZSV | | 21B | X06A, X06B, X06C | | | KJZSV |
| | 05 | F01A, F01B, F01D, F14A, F14B, F15Z, F24A, F24B, F28A, F36A, F36B, F54A, F54B, F54J, F59A, F59B | | 01 | B04A, B04B, B04C, B04D | | 04 | E02A, E02B, E02C |
| 8r881.0q | 09 | J03A, J03B, J04A, J04B, J08A, J08B, J08C, J11A, J11B, J11J, J11Q, J11R, J11S, J16Z | 8r881.14 | 05 | F01A, F01B, F01D, F14A, F14B, F15Z, F24A, F24B, F28A, F36A, F36B, F54A, F54B, F54J, F59A, F59B | 8r881.1a | 05 | F01A, F01B, F01D, F19A, F19B, F19C |
| | 10 | K09A, K09B | | 09 | J03A, J03B, J04A, J04B, J08A, J08B, J08C, J11A, J11B, J11J, J11Q, J11R, J11S, J16Z | | 10 | K09A, K09B |
| | 21A | W04A, W04B | | 10 | K09A, K09B | | Pre | A13D |
| | 21B | X04Z, X05A, X05B, X06A, X06B, X06C | | 21A | W04A, W04B | | | KJZSV |
| | | KJZSV | | 21B | X06A, X06B, X06C | | 04 | E02A, E02B, E02C |
| 8r881.0r | 05 | F01A, F01B, F01D, F14A, F14B, F15Z, F24A, F24B, F28A, F36A, F36B, F54A, F54B, F54J, F59A, F59B | 8r881.15 | 05 | F01A, F01B, F01D, F14A, F14B, F15Z, F24A, F24B, F28A, F36A, F36B, F54A, F54B, F54J, F59A, F59B | 8r881.1b | 05 | F01A, F01B, F01D, F19A, F19B, F19C |
| | 09 | J03A, J03B, J04A, J04B, J08A, J08B, J08C, J11A, J11B, J11J, J11Q, J11R, J11S, J16Z | | 09 | J03A, J03B, J04A, J04B, J08A, J08B, J08C, J11A, J11B, J11J, J11Q, J11R, J11S, J16Z | | 09 | J03A, J03B, J04A, J04B, J08A, J08B, J08C, J11A, J11B, J11J, J11Q, J11R, J11S, J16Z |
| | 10 | K09A, K09B | | 10 | K09A, K09B | | 10 | K09A, K09B |
| | 21A | W04A, W04B | | 21A | W04A, W04B | | 21A | W04A, W04B |
| | 21B | X04Z, X05A, X05B, X06A, X06B, X06C | | 21B | X06A, X06B, X06C | | 21B | X06A, X06B, X06C |

VYK

| ZZV | MDC | DRG | ZZV | MDC | DRG | ZZV | MDC | DRG |
|----------|-----|--|----------|-----|--|----------|-----|--|
| 8r881.1c | | KJZSV | 8r881.1h | | KJZSV | 8r881.1m | | KJZSV |
| | 05 | F01A, F01B, F01D, F15Z, F19A, F19B, F19C, F24A, F24B, F36A, F36B | | 05 | F01A, F01B, F01D, F14A, F14B, F15Z, F24A, F24B, F28A, F36A, F36B, F54A, F54B, F54J, F59A, F59B | | 05 | F01A, F01B, F01D, F14A, F14B, F15Z, F24A, F24B, F28A, F36A, F36B, F54A, F54B, F54J, F59A, F59B |
| | 09 | J03A, J03B, J04A, J04B, J08A, J08B, J08C, J11A, J11B, J11J, J11Q, J11R, J11S, J16Z | | 06 | G10Z, G12A, G12B, G12J | | 09 | J03A, J03B, J04A, J04B, J08A, J08B, J08C, J11A, J11B, J11J, J11Q, J11R, J11S, J16Z |
| | 10 | K09A, K09B | | 09 | J03A, J03B, J04A, J04B, J08A, J08B, J08C, J11A, J11B, J11J, J11Q, J11R, J11S, J16Z | | 10 | K09A, K09B |
| | 21A | W04A, W04B | | 10 | K09A, K09B | | 21A | W04A, W04B |
| 8r881.1d | 21B | X06A, X06B, X06C | 8r881.1i | 11 | L09A, L09B, L09C, L09J, L38Z | 8r881.1n | 21B | X04Z, X06A, X06B, X06C |
| | | KJZSV | | 21A | W04A, W04B | | | KJZSV |
| | 05 | F01A, F01B, F01D, F15Z, F19A, F19B, F19C, F24A, F24B, F36A, F36B | | 21B | X06A, X06B, X06C | | 05 | F01A, F01B, F01D, F14A, F14B, F15Z, F24A, F24B, F28A, F36A, F36B, F54A, F54B, F54J, F59A, F59B |
| | 09 | J03A, J03B, J04A, J04B, J08A, J08B, J08C, J11A, J11B, J11J, J11Q, J11R, J11S, J16Z | | 05 | F01A, F01B, F01D, F14A, F14B, F15Z, F24A, F24B, F28A, F36A, F36B, F54A, F54B, F54J, F59A, F59B | | 09 | J03A, J03B, J04A, J04B, J08A, J08B, J08C, J11A, J11B, J11J, J11Q, J11R, J11S, J16Z |
| | 10 | K09A, K09B | | 09 | J03A, J03B, J04A, J04B, J08A, J08B, J08C, J11A, J11B, J11J, J11Q, J11R, J11S, J16Z | | 10 | K09A, K09B |
| 8r881.1e | 21A | W04A, W04B | 8r881.1j | 10 | K09A, K09B | 8r881.1o | 21A | W04A, W04B |
| | 21B | X06A, X06B, X06C | | 21A | W04A, W04B | | 21B | X04Z, X06A, X06B, X06C |
| | | KJZSV | | 21B | X06A, X06B, X06C | | | KJZSV |
| | 05 | F01A, F01B, F01D, F14A, F14B, F15Z, F24A, F24B, F28A, F36A, F36B, F54A, F54B, F54J, F59A, F59B | | 05 | F01A, F01B, F01D, F14A, F14B, F15Z, F24A, F24B, F28A, F36A, F36B, F54A, F54B, F54J, F59A, F59B | | 05 | F01A, F01B, F01D, F14A, F14B, F15Z, F24A, F24B, F28A, F36A, F36B, F54A, F54B, F54J, F59A, F59B |
| | 09 | J03A, J03B, J04A, J04B, J08A, J08B, J08C, J11A, J11B, J11J, J11Q, J11R, J11S, J16Z | | 09 | J03A, J03B, J04A, J04B, J08A, J08B, J08C, J11A, J11B, J11J, J11Q, J11R, J11S, J16Z | | 09 | J03A, J03B, J04A, J04B, J08A, J08B, J08C, J11A, J11B, J11J, J11Q, J11R, J11S, J16Z |
| 8r881.1f | 10 | K09A, K09B | 8r881.1k | 10 | K09A, K09B | 8r881.1p | 10 | K09A, K09B |
| | 21A | W04A, W04B | | 21A | W04A, W04B | | 21A | W04A, W04B |
| | 21B | X06A, X06B, X06C | | 21B | X06A, X06B, X06C | | 21B | X04Z, X06A, X06B, X06C |
| | | KJZSV | | 05 | F01A, F01B, F01D, F14A, F14B, F15Z, F24A, F24B, F28A, F36A, F36B, F54A, F54B, F54J, F59A, F59B | | 05 | F01A, F01B, F01D, F14A, F14B, F15Z, F24A, F24B, F28A, F36A, F36B, F54A, F54B, F54J, F59A, F59B |
| | 05 | F01A, F01B, F01D, F14A, F14B, F15Z, F24A, F24B, F28A, F36A, F36B, F54A, F54B, F54J, F59A, F59B | | 09 | J03A, J03B, J04A, J04B, J08A, J08B, J08C, J11A, J11B, J11J, J11Q, J11R, J11S, J16Z | | 09 | J03A, J03B, J04A, J04B, J08A, J08B, J08C, J11A, J11B, J11J, J11Q, J11R, J11S, J16Z |
| 8r881.1g | 09 | J03A, J03B, J04A, J04B, J08A, J08B, J08C, J11A, J11B, J11J, J11Q, J11R, J11S, J16Z | 8r881.1l | 09 | J03A, J03B, J04A, J04B, J08A, J08B, J08C, J11A, J11B, J11J, J11Q, J11R, J11S, J16Z | 8r881.1q | 09 | J03A, J03B, J04A, J04B, J08A, J08B, J08C, J11A, J11B, J11J, J11Q, J11R, J11S, J16Z |
| | 10 | K09A, K09B | | 10 | K09A, K09B | | 10 | K09A, K09B |
| | 21A | W04A, W04B | | 21A | W04A, W04B | | 21A | W04A, W04B |
| | 21B | X06A, X06B, X06C | | 21B | X06A, X06B, X06C | | 21B | X04Z, X05A, X05B, X06A, X06B, X06C |
| | 01 | B04A, B04B, B04C, B04D | | 05 | F01A, F01B, F01D, F14A, F14B, F15Z, F24A, F24B, F28A, F36A, F36B, F54A, F54B, F54J, F59A, F59B | | 05 | F01A, F01B, F01D, F14A, F14B, F15Z, F24A, F24B, F28A, F36A, F36B, F54A, F54B, F54J, F59A, F59B |
| 8r881.1g | 05 | F01A, F01B, F01D, F14A, F14B, F15Z, F24A, F24B, F28A, F36A, F36B, F54A, F54B, F54J, F59A, F59B | 8r881.1l | 05 | F01A, F01B, F01D, F14A, F14B, F15Z, F24A, F24B, F28A, F36A, F36B, F54A, F54B, F54J, F59A, F59B | 8r881.1q | 05 | F01A, F01B, F01D, F14A, F14B, F15Z, F24A, F24B, F28A, F36A, F36B, F54A, F54B, F54J, F59A, F59B |
| | 06 | G10Z, G12A, G12B, G12J | | 09 | J03A, J03B, J04A, J04B, J08A, J08B, J08C, J11A, J11B, J11J, J11Q, J11R, J11S, J16Z | | 09 | J03A, J03B, J04A, J04B, J08A, J08B, J08C, J11A, J11B, J11J, J11Q, J11R, J11S, J16Z |
| | 09 | J03A, J03B, J04A, J04B, J08A, J08B, J08C, J11A, J11B, J11J, J11Q, J11R, J11S, J16Z | | 09 | J03A, J03B, J04A, J04B, J08A, J08B, J08C, J11A, J11B, J11J, J11Q, J11R, J11S, J16Z | | 09 | J03A, J03B, J04A, J04B, J08A, J08B, J08C, J11A, J11B, J11J, J11Q, J11R, J11S, J16Z |
| | 10 | K09A, K09B | | 10 | K09A, K09B | | 10 | K09A, K09B |
| | 11 | L09A, L09B, L09C, L09J, L38Z | | 11 | L09A, L09B, L09C, L09J, L38Z | | 11 | L09A, L09B, L09C, L09J, L38Z |
| | 21A | W04A, W04B | | 10 | K09A, K09B | | 21A | W04A, W04B |
| | 21B | X06A, X06B, X06C | | 21A | W04A, W04B | | 21B | X04Z, X05A, X05B, X06A, X06B, X06C |
| | | | | 21B | X05A, X05B, X06A, X06B, X06C | | | |
| | | | | | | | | |
| | | | | | | | | |
| | | | | | | | | |

VYK

Príloha B: Index Výkon-MDC-DRG

| ZZV | MDC | DRG | ZZV | MDC | DRG | ZZV | MDC | DRG |
|----------|------------------|--|------------------|-----|--|----------|-----|--|
| 8r881.1x | | KJZSV | 8r881.25 | | BOP, KJZSV, UOP4 | 8r881.2c | | KJZSV |
| | 05 | F01A, F01B, F01D, F14A, F14B, F15Z, F24A, F24B, F28A, F36A, F36B, F54A, F54B, F54J, F59A, F59B | | 01 | B04A, B04B, B04C, B04D | | 05 | F01A, F01B, F01D, F15Z, F19A, F19B, F19C, F24A, F24B, F36A, F36B |
| | 09 | J03A, J03B, J04A, J04B, J08A, J08B, J08C, J11A, J11B, J11J, J11Q, J11R, J11S, J16Z | | 05 | F01A, F01B, F01D, F14A, F14B, F15Z, F24A, F24B, F28A, F36A, F36B, F54A, F54B, F54J, F59A, F59B | | 09 | J03A, J03B, J04A, J04B, J08A, J08B, J08C, J11A, J11B, J11J, J11Q, J11R, J11S, J16Z |
| | 10 | K09A, K09B | | 09 | J03A, J03B, J04A, J04B, J08A, J08B, J08C, J11A, J11B, J11J, J11Q, J11R, J11S, J16Z | | 10 | K09A, K09B |
| | 21A | W04A, W04B | | 10 | K09A, K09B | | 21A | W04A, W04B |
| 8r881.20 | 21B | X06A, X06B, X06C | 8r881.26 | 21A | W04A, W04B | 8r881.2d | 21B | X06A, X06B, X06C |
| | | KJZSV, KOP | | 21B | X06A, X06B, X06C | | 05 | F01A, F01B, F01D, F15Z, F19A, F19B, F19C, F24A, F24B, F36A, F36B |
| | 01 | B02A, B02B, B02C, B20A, B20B, B20C, B20D, B39A, B39B | | 01 | B04A, B04B, B04C, B04D | | 09 | J03A, J03B, J04A, J04B, J08A, J08B, J08C, J11A, J11B, J11J, J11Q, J11R, J11S, J16Z |
| | 05 | F01A, F01B, F01D, F14A, F14B, F15Z, F24A, F24B, F28A, F36A, F36B, F54A, F54B, F54J, F59A, F59B | | 05 | F01A, F01B, F01D, F14A, F14B, F15Z, F24A, F24B, F28A, F36A, F36B, F54A, F54B, F54J, F59A, F59B | | 10 | K09A, K09B |
| | 09 | J03A, J03B, J04A, J04B, J08A, J08B, J08C, J11A, J11B, J11J, J11Q, J11R, J11S, J16Z | | 09 | J03A, J03B, J04A, J04B, J08A, J08B, J08C, J11A, J11B, J11J, J11Q, J11R, J11S, J16Z | | 21A | W04A, W04B |
| 8r881.22 | 10 | K09A, K09B | 8r881.28 | 21A | W04A, W04B | 8r881.2e | 21B | X06A, X06B, X06C |
| | 21A | W04A, W04B | | 21B | X06A, X06B, X06C | | | KJZSV |
| | 21B | X06A, X06B, X06C, X33Z | | 05 | F01A, F01B, F01D, F14A, F14B, F15Z, F24A, F24B, F28A, F36A, F36B, F54A, F54B, F54J, F59A, F59B | | 05 | F01A, F01B, F01D, F14A, F14B, F15Z, F24A, F24B, F28A, F36A, F36B, F54A, F54B, F54J, F59A, F59B |
| | | BOP, KJZSV, UOP4 | | 09 | J03A, J03B, J04A, J04B, J08A, J08B, J08C, J11A, J11B, J11J, J11Q, J11R, J11S, J16Z | | 09 | J03A, J03B, J04A, J04B, J08A, J08B, J08C, J11A, J11B, J11J, J11Q, J11R, J11S, J16Z |
| | 01 | B04A, B04B, B04C, B04D | | 10 | K09A, K09B | | 21A | W04A, W04B |
| 8r881.23 | 05 | F01A, F01B, F01D, F14A, F14B, F15Z, F24A, F24B, F28A, F36A, F36B, F54A, F54B, F54J, F59A, F59B | 8r881.29 | 21B | X04Z, X05A, X05B, X06A, X06B, X06C | 8r881.2f | 21B | X06A, X06B, X06C |
| | 09 | J03A, J03B, J04A, J04B, J08A, J08B, J08C, J11A, J11B, J11J, J11Q, J11R, J11S, J16Z | | | KJZSV | | 05 | F01A, F01B, F01D, F14A, F14B, F15Z, F24A, F24B, F28A, F36A, F36B, F54A, F54B, F54J, F59A, F59B |
| | 10 | K09A, K09B | | 04 | E02A, E02B, E02C | | 09 | J03A, J03B, J04A, J04B, J08A, J08B, J08C, J11A, J11B, J11J, J11Q, J11R, J11S, J16Z |
| | 21A | W04A, W04B | | 05 | F01A, F01B, F01D, F19A, F19B, F19C | | 10 | K09A, K09B |
| | 21B | X06A, X06B, X06C | | 10 | K09A, K09B | | 21A | W04A, W04B |
| 8r881.24 | | BOP, KJZSV, UOP4 | 8r881.2a | Pre | A13D | 8r881.2g | 21B | X06A, X06B, X06C |
| | 01 | B04A, B04B, B04C, B04D | | 04 | E02A, E02B, E02C | | 01 | B04A, B04B, B04C, B04D |
| | 05 | F01A, F01B, F01D, F14A, F14B, F15Z, F24A, F24B, F28A, F36A, F36B, F54A, F54B, F54J, F59A, F59B | | 05 | F01A, F01B, F01D, F19A, F19B, F19C | | 05 | F01A, F01B, F01D, F14A, F14B, F15Z, F24A, F24B, F28A, F36A, F36B, F54A, F54B, F54J, F59A, F59B |
| | 09 | J03A, J03B, J04A, J04B, J08A, J08B, J08C, J11A, J11B, J11J, J11Q, J11R, J11S, J16Z | | 10 | K09A, K09B | | 06 | G10Z, G12A, G12B, G12J |
| | 10 | K09A, K09B | | Pre | A13D | | 09 | J03A, J03B, J04A, J04B, J08A, J08B, J08C, J11A, J11B, J11J, J11Q, J11R, J11S, J16Z |
| 8r881.24 | 21A | W04A, W04B | 8r881.2b | | KJZSV | | 10 | K09A, K09B |
| | 21B | X06A, X06B, X06C | | 05 | F01A, F01B, F01D, F15Z, F19A, F19B, F19C, F24A, F24B, F36A, F36B | | 11 | L09A, L09B, L09C, L09J, L38Z |
| | | BOP, KJZSV, UOP4 | | 09 | J03A, J03B, J04A, J04B, J08A, J08B, J08C, J11A, J11B, J11J, J11Q, J11R, J11S, J16Z | | 21A | W04A, W04B |
| | 01 | B04A, B04B, B04C, B04D | | 10 | K09A, K09B | | 21B | X06A, X06B, X06C |
| | 05 | F01A, F01B, F01D, F14A, F14B, F15Z, F24A, F24B, F28A, F36A, F36B, F54A, F54B, F54J, F59A, F59B | | 21A | W04A, W04B | | | |
| | BOP, KJZSV, UOP4 | 21B | X06A, X06B, X06C | | | | | |

VYK

| ZZV | MDC | DRG | ZZV | MDC | DRG | ZZV | MDC | DRG | | | |
|----------|----------|--|--|--|--|----------|--|--|----------|--|--|
| 8r881.2h | | KJZSV | 8r881.2m | | KJZSV | 8r881.2x | | KJZSV | | | |
| | 05 | F01A, F01B, F01D, F14A, F14B, F15Z, F24A, F24B, F28A, F36A, F36B, F54A, F54B, F54J, F59A, F59B | | 05 | F01A, F01B, F01D, F14A, F14B, F15Z, F24A, F24B, F28A, F36A, F36B, F54A, F54B, F54J, F59A, F59B | | 05 | F01A, F01B, F01D, F14A, F14B, F15Z, F24A, F24B, F28A, F36A, F36B, F54A, F54B, F54J, F59A, F59B | | | |
| | 06 | G10Z, G12A, G12B, G12J | | 09 | J03A, J03B, J04A, J04B, J08A, J08B, J08C, J11A, J11B, J11J, J11Q, J11R, J11S, J16Z | | 09 | J03A, J03B, J04A, J04B, J08A, J08B, J08C, J11A, J11B, J11J, J11Q, J11R, J11S, J16Z | | | |
| | 09 | J03A, J03B, J04A, J04B, J08A, J08B, J08C, J11A, J11B, J11J, J11Q, J11R, J11S, J16Z | | 10 | K09A, K09B | | 10 | K09A, K09B | | | |
| | 10 | K09A, K09B | | 21A | W04A, W04B | | 21A | W04A, W04B | | | |
| | 11 | L09A, L09B, L09C, L09J, L38Z | | 21B | X04Z, X06A, X06B, X06C | | 21B | X06A, X06B, X06C | | | |
| | 21A | W04A, W04B | | 8r881.2n | | | KJZSV | 8r881.30 | | KJZSV, KOP | |
| | 21B | X06A, X06B, X06C | | | 05 | | F01A, F01B, F01D, F14A, F14B, F15Z, F24A, F24B, F28A, F36A, F36B, F54A, F54B, F54J, F59A, F59B | | 01 | B02A, B02B, B02C, B20A, B20B, B20C, B20D, B39A, B39B | |
| | 8r881.2i | | | KJZSV | 8r881.2o | | | KJZSV | 8r881.32 | | KJZSV, UOP4 |
| | | 05 | | F01A, F01B, F01D, F14A, F14B, F15Z, F24A, F24B, F28A, F36A, F36B, F54A, F54B, F54J, F59A, F59B | | | 05 | F01A, F01B, F01D, F14A, F14B, F15Z, F24A, F24B, F28A, F36A, F36B, F54A, F54B, F54J, F59A, F59B | | 05 | F01A, F01B, F01D, F14A, F14B, F15Z, F24A, F24B, F28A, F36A, F36B, F54A, F54B, F54J, F59A, F59B |
| 09 | | J03A, J03B, J04A, J04B, J08A, J08B, J08C, J11A, J11B, J11J, J11Q, J11R, J11S, J16Z | 09 | J03A, J03B, J04A, J04B, J08A, J08B, J08C, J11A, J11B, J11J, J11Q, J11R, J11S, J16Z | | 09 | J03A, J03B, J04A, J04B, J08A, J08B, J08C, J11A, J11B, J11J, J11Q, J11R, J11S, J16Z | | | | |
| 10 | | K09A, K09B | 10 | K09A, K09B | | 10 | K09A, K09B | | | | |
| 21A | | W04A, W04B | 21A | W04A, W04B | | 21A | W04A, W04B | | | | |
| 21B | | X06A, X06B, X06C | 21B | X04Z, X06A, X06B, X06C | | 21B | X06A, X06B, X06C, X33Z | | | | |
| 8r881.2j | | | KJZSV | 8r881.2p | | | KJZSV | 8r881.33 | | | BOP, KJZSV, UOP4 |
| | | 05 | F01A, F01B, F01D, F14A, F14B, F15Z, F24A, F24B, F28A, F36A, F36B, F54A, F54B, F54J, F59A, F59B | | | 05 | F01A, F01B, F01D, F14A, F14B, F15Z, F24A, F24B, F28A, F36A, F36B, F54A, F54B, F54J, F59A, F59B | | | 05 | F01A, F01B, F01D, F14A, F14B, F15Z, F24A, F24B, F28A, F36A, F36B, F54A, F54B, F54J, F59A, F59B |
| | | 09 | J03A, J03B, J04A, J04B, J08A, J08B, J08C, J11A, J11B, J11J, J11Q, J11R, J11S, J16Z | | | 09 | J03A, J03B, J04A, J04B, J08A, J08B, J08C, J11A, J11B, J11J, J11Q, J11R, J11S, J16Z | | | 09 | J03A, J03B, J04A, J04B, J08A, J08B, J08C, J11A, J11B, J11J, J11Q, J11R, J11S, J16Z |
| | | 10 | K09A, K09B | | | 10 | K09A, K09B | | | 10 | K09A, K09B |
| | 21A | W04A, W04B | 21A | | W04A, W04B | 21A | W04A, W04B | | | | |
| | 21B | X06A, X06B, X06C | 21B | | X04Z, X06A, X06B, X06C | 21B | X06A, X06B, X06C | | | | |
| | 8r881.2k | | KJZSV | | 8r881.2q | | KJZSV | | 8r881.34 | | BOP, KJZSV, UOP4 |
| | | 05 | F01A, F01B, F01D, F14A, F14B, F15Z, F24A, F24B, F28A, F36A, F36B, F54A, F54B, F54J, F59A, F59B | | | 05 | F01A, F01B, F01D, F14A, F14B, F15Z, F24A, F24B, F28A, F36A, F36B, F54A, F54B, F54J, F59A, F59B | | | 05 | F01A, F01B, F01D, F14A, F14B, F15Z, F24A, F24B, F28A, F36A, F36B, F54A, F54B, F54J, F59A, F59B |
| | | 09 | J03A, J03B, J04A, J04B, J08A, J08B, J08C, J11A, J11B, J11J, J11Q, J11R, J11S, J16Z | | | 09 | J03A, J03B, J04A, J04B, J08A, J08B, J08C, J11A, J11B, J11J, J11Q, J11R, J11S, J16Z | | | 09 | J03A, J03B, J04A, J04B, J08A, J08B, J08C, J11A, J11B, J11J, J11Q, J11R, J11S, J16Z |
| | | 10 | K09A, K09B | | | 10 | K09A, K09B | | | 10 | K09A, K09B |
| 21A | | W04A, W04B | 21A | W04A, W04B | | 21A | W04A, W04B | | | | |
| 21B | | X06A, X06B, X06C | 21B | X04Z, X05A, X05B, X06A, X06B, X06C | | 21B | X06A, X06B, X06C | | | | |
| 8r881.2l | | | KJZSV | 8r881.2r | | | KJZSV | 8r881.35 | | | BOP, KJZSV, UOP4 |
| | | 05 | F01A, F01B, F01D, F14A, F14B, F15Z, F24A, F24B, F28A, F36A, F36B, F54A, F54B, F54J, F59A, F59B | | | 05 | F01A, F01B, F01D, F14A, F14B, F15Z, F24A, F24B, F28A, F36A, F36B, F54A, F54B, F54J, F59A, F59B | | | 05 | F01A, F01B, F01D, F14A, F14B, F15Z, F24A, F24B, F28A, F36A, F36B, F54A, F54B, F54J, F59A, F59B |
| | | 09 | J03A, J03B, J04A, J04B, J08A, J08B, J08C, J11A, J11B, J11J, J11Q, J11R, J11S, J16Z | | | 09 | J03A, J03B, J04A, J04B, J08A, J08B, J08C, J11A, J11B, J11J, J11Q, J11R, J11S, J16Z | | | 09 | J03A, J03B, J04A, J04B, J08A, J08B, J08C, J11A, J11B, J11J, J11Q, J11R, J11S, J16Z |
| | | 10 | K09A, K09B | | | 10 | K09A, K09B | | | 10 | K09A, K09B |
| | 21A | W04A, W04B | 21A | | W04A, W04B | 21A | W04A, W04B | | | | |
| | 21B | X05A, X05B, X06A, X06B, X06C | 21B | | X04Z, X05A, X05B, X06A, X06B, X06C | 21B | X06A, X06B, X06C | | | | |

VYK

| ZZV | MDC | DRG | ZZV | MDC | DRG | ZZV | MDC | DRG | | | |
|----------|----------|--|------------------------------------|--|--|--|--|--|--|--|--|
| 8r881.35 | | BOP, KJZSV, UOP4 | 8r881.3c | | KJZSV | 8r881.3h | | KJZSV | | | |
| | 01 | B04A, B04B, B04C, B04D | | 05 | F01A, F01B, F01D, F15Z, F19A, F19B, F19C, F24A, F24B, F36A, F36B | | 05 | F01A, F01B, F01D, F14A, F14B, F15Z, F24A, F24B, F28A, F36A, F36B, F54A, F54B, F54J, F59A, F59B | | | |
| | 05 | F01A, F01B, F01D, F14A, F14B, F15Z, F24A, F24B, F28A, F36A, F36B, F54A, F54B, F54J, F59A, F59B | | 09 | J03A, J03B, J04A, J04B, J08A, J08B, J08C, J11A, J11B, J11J, J11Q, J11R, J11S, J16Z | | 09 | G10Z, G12A, G12B, G12J | | | |
| | 09 | J03A, J03B, J04A, J04B, J08A, J08B, J08C, J11A, J11B, J11J, J11Q, J11R, J11S, J16Z | | 10 | K09A, K09B | | 09 | J03A, J03B, J04A, J04B, J08A, J08B, J08C, J11A, J11B, J11J, J11Q, J11R, J11S, J16Z | | | |
| | 10 | K09A, K09B | | 21A | W04A, W04B | | 10 | K09A, K09B | | | |
| | 21A | W04A, W04B | | 21B | X06A, X06B, X06C | | 11 | L09A, L09B, L09C, L09J, L38Z | | | |
| | 21B | X06A, X06B, X06C | | 8r881.3d | | | KJZSV | 8r881.3i | | KJZSV | |
| | 8r881.36 | | | | BOP, KJZSV, UOP4 | | 05 | | F01A, F01B, F01D, F15Z, F19A, F19B, F19C, F24A, F24B, F36A, F36B | 05 | F01A, F01B, F01D, F14A, F14B, F15Z, F24A, F24B, F28A, F36A, F36B, F54A, F54B, F54J, F59A, F59B |
| | | 01 | | | B04A, B04B, B04C, B04D | | 09 | | J03A, J03B, J04A, J04B, J08A, J08B, J08C, J11A, J11B, J11J, J11Q, J11R, J11S, J16Z | 09 | J03A, J03B, J04A, J04B, J08A, J08B, J08C, J11A, J11B, J11J, J11Q, J11R, J11S, J16Z |
| | | 05 | | | F01A, F01B, F01D, F14A, F14B, F15Z, F24A, F24B, F28A, F36A, F36B, F54A, F54B, F54J, F59A, F59B | | 10 | | K09A, K09B | 10 | K09A, K09B |
| 09 | | J03A, J03B, J04A, J04B, J08A, J08B, J08C, J11A, J11B, J11J, J11Q, J11R, J11S, J16Z | 21A | | W04A, W04B | 21A | W04A, W04B | | | | |
| 10 | | K09A, K09B | 21B | | X06A, X06B, X06C | 21B | X06A, X06B, X06C | | | | |
| 21A | | W04A, W04B | 8r881.3e | | | KJZSV | 8r881.3j | | | KJZSV | |
| 21B | | X06A, X06B, X06C | | | 05 | F01A, F01B, F01D, F14A, F14B, F15Z, F24A, F24B, F28A, F36A, F36B, F54A, F54B, F54J, F59A, F59B | | | 05 | F01A, F01B, F01D, F14A, F14B, F15Z, F24A, F24B, F28A, F36A, F36B, F54A, F54B, F54J, F59A, F59B | |
| 8r881.38 | | | | | KJZSV | 09 | | | J03A, J03B, J04A, J04B, J08A, J08B, J08C, J11A, J11B, J11J, J11Q, J11R, J11S, J16Z | 09 | J03A, J03B, J04A, J04B, J08A, J08B, J08C, J11A, J11B, J11J, J11Q, J11R, J11S, J16Z |
| | | 05 | | | F01A, F01B, F01D, F14A, F14B, F15Z, F24A, F24B, F28A, F36A, F36B, F54A, F54B, F54J, F59A, F59B | 10 | | | K09A, K09B | 10 | K09A, K09B |
| | | 09 | | J03A, J03B, J04A, J04B, J08A, J08B, J08C, J11A, J11B, J11J, J11Q, J11R, J11S, J16Z | 21A | W04A, W04B | | 21A | W04A, W04B | | |
| | 10 | K09A, K09B | | 21B | X06A, X06B, X06C | 21B | | X06A, X06B, X06C | | | |
| | 21A | W04A, W04B | | 8r881.3f | | KJZSV | | 8r881.3k | | KJZSV | |
| | 21B | X04Z, X05A, X05B, X06A, X06B, X06C | | | 05 | F01A, F01B, F01D, F14A, F14B, F15Z, F24A, F24B, F28A, F36A, F36B, F54A, F54B, F54J, F59A, F59B | | | 05 | F01A, F01B, F01D, F14A, F14B, F15Z, F24A, F24B, F28A, F36A, F36B, F54A, F54B, F54J, F59A, F59B | |
| | 8r881.39 | | | | KJZSV | 09 | | | J03A, J03B, J04A, J04B, J08A, J08B, J08C, J11A, J11B, J11J, J11Q, J11R, J11S, J16Z | 09 | J03A, J03B, J04A, J04B, J08A, J08B, J08C, J11A, J11B, J11J, J11Q, J11R, J11S, J16Z |
| | | 04 | | | E02A, E02B, E02C | 10 | | | K09A, K09B | 10 | K09A, K09B |
| | | 05 | F01A, F01B, F01D, F19A, F19B, F19C | | 21A | W04A, W04B | 21A | | W04A, W04B | | |
| | | 10 | K09A, K09B | | 21B | X06A, X06B, X06C | 21B | | X06A, X06B, X06C | | |
| Pre | | A13D | 8r881.3g | | | BOP, KJZSV, UOP4 | 8r881.3l | | | KJZSV | |
| 8r881.3a | | | | | KJZSV | 01 | | | B04A, B04B, B04C, B04D | 05 | F01A, F01B, F01D, F14A, F14B, F15Z, F24A, F24B, F28A, F36A, F36B, F54A, F54B, F54J, F59A, F59B |
| | | 04 | | | E02A, E02B, E02C | 05 | | | F01A, F01B, F01D, F14A, F14B, F15Z, F24A, F24B, F28A, F36A, F36B, F54A, F54B, F54J, F59A, F59B | 05 | F01A, F01B, F01D, F14A, F14B, F15Z, F24A, F24B, F28A, F36A, F36B, F54A, F54B, F54J, F59A, F59B |
| | | 05 | | | F01A, F01B, F01D, F19A, F19B, F19C | 06 | | | G10Z, G12A, G12B, G12J | 05 | F01A, F01B, F01D, F14A, F14B, F15Z, F24A, F24B, F28A, F36A, F36B, F54A, F54B, F54J, F59A, F59B |
| | | 10 | | K09A, K09B | 09 | J03A, J03B, J04A, J04B, J08A, J08B, J08C, J11A, J11B, J11J, J11Q, J11R, J11S, J16Z | | 09 | J03A, J03B, J04A, J04B, J08A, J08B, J08C, J11A, J11B, J11J, J11Q, J11R, J11S, J16Z | | |
| | | Pre | | A13D | 10 | K09A, K09B | | 10 | K09A, K09B | | |
| | 8r881.3b | | | KJZSV | 11 | L09A, L09B, L09C, L09J, L38Z | | 10 | K09A, K09B | | |
| | | 05 | | F01A, F01B, F01D, F15Z, F19A, F19B, F19C, F24A, F24B, F36A, F36B | 21A | W04A, W04B | | 21A | W04A, W04B | | |
| | | 09 | | J03A, J03B, J04A, J04B, J08A, J08B, J08C, J11A, J11B, J11J, J11Q, J11R, J11S, J16Z | 21B | X06A, X06B, X06C | | 21B | X05A, X05B, X06A, X06B, X06C | | |
| | | 10 | | K09A, K09B | 8r881.3i | | | KJZSV | 8r881.3m | | KJZSV |
| | | 21A | W04A, W04B | 05 | | F01A, F01B, F01D, F14A, F14B, F15Z, F24A, F24B, F28A, F36A, F36B, F54A, F54B, F54J, F59A, F59B | 05 | F01A, F01B, F01D, F14A, F14B, F15Z, F24A, F24B, F28A, F36A, F36B, F54A, F54B, F54J, F59A, F59B | | | |
| 21B | | X06A, X06B, X06C | 09 | J03A, J03B, J04A, J04B, J08A, J08B, J08C, J11A, J11B, J11J, J11Q, J11R, J11S, J16Z | | 09 | J03A, J03B, J04A, J04B, J08A, J08B, J08C, J11A, J11B, J11J, J11Q, J11R, J11S, J16Z | | | | |

VYK

| ZZV | MDC | DRG | ZZV | MDC | DRG | ZZV | MDC | DRG |
|----------|-----|--|----------|-----|--|----------|-----|--|
| 8r881.3m | | KJZSV | 8r881.3x | | KJZSV | 8r881.45 | | BOP, KJZSV, UOP4 |
| | 05 | F01A, F01B, F01D, F14A, F14B, F15Z, F24A, F24B, F28A, F36A, F36B, F54A, F54B, F54J, F59A, F59B | | 05 | F01A, F01B, F01D, F14A, F14B, F15Z, F24A, F24B, F28A, F36A, F36B, F54A, F54B, F54J, F59A, F59B | | 01 | B04A, B04B, B04C, B04D |
| | 09 | J03A, J03B, J04A, J04B, J08A, J08B, J08C, J11A, J11B, J11J, J11Q, J11R, J11S, J16Z | | 09 | J03A, J03B, J04A, J04B, J08A, J08B, J08C, J11A, J11B, J11J, J11Q, J11R, J11S, J16Z | | 05 | F01A, F01B, F01D, F14A, F14B, F15Z, F24A, F24B, F28A, F36A, F36B, F54A, F54B, F54J, F59A, F59B |
| | 10 | K09A, K09B | | 10 | K09A, K09B | | 09 | J03A, J03B, J04A, J04B, J08A, J08B, J08C, J11A, J11B, J11J, J11Q, J11R, J11S, J16Z |
| | 21A | W04A, W04B | | 21A | W04A, W04B | | 10 | K09A, K09B |
| 8r881.3n | 21B | X04Z, X06A, X06B, X06C | 8r881.40 | 21B | X06A, X06B, X06C | 8r881.46 | 21A | W04A, W04B |
| | | KJZSV | | | KJZSV, KOP | | 21B | X06A, X06B, X06C |
| | 05 | F01A, F01B, F01D, F14A, F14B, F15Z, F24A, F24B, F28A, F36A, F36B, F54A, F54B, F54J, F59A, F59B | | 01 | B02A, B02B, B02C, B20A, B20B, B20C, B20D, B39A, B39B | | 01 | B04A, B04B, B04C, B04D |
| | 09 | J03A, J03B, J04A, J04B, J08A, J08B, J08C, J11A, J11B, J11J, J11Q, J11R, J11S, J16Z | | 05 | F01A, F01B, F01D, F14A, F14B, F15Z, F24A, F24B, F28A, F36A, F36B, F54A, F54B, F54J, F59A, F59B | | 05 | F01A, F01B, F01D, F14A, F14B, F15Z, F24A, F24B, F28A, F36A, F36B, F54A, F54B, F54J, F59A, F59B |
| | 10 | K09A, K09B | | 09 | J03A, J03B, J04A, J04B, J08A, J08B, J08C, J11A, J11B, J11J, J11Q, J11R, J11S, J16Z | | 09 | J03A, J03B, J04A, J04B, J08A, J08B, J08C, J11A, J11B, J11J, J11Q, J11R, J11S, J16Z |
| 8r881.3o | 21A | W04A, W04B | 8r881.42 | 10 | K09A, K09B | 8r881.48 | 21A | W04A, W04B |
| | 21B | X04Z, X06A, X06B, X06C | | 21A | W04A, W04B | | 21B | X06A, X06B, X06C |
| | | KJZSV | | 21B | X06A, X06B, X06C, X33Z | | | KJZSV |
| | 05 | F01A, F01B, F01D, F14A, F14B, F15Z, F24A, F24B, F28A, F36A, F36B, F54A, F54B, F54J, F59A, F59B | | 01 | BOP, KJZSV, UOP4 | | 05 | F01A, F01B, F01D, F14A, F14B, F15Z, F24A, F24B, F28A, F36A, F36B, F54A, F54B, F54J, F59A, F59B |
| | 09 | J03A, J03B, J04A, J04B, J08A, J08B, J08C, J11A, J11B, J11J, J11Q, J11R, J11S, J16Z | | 05 | F01A, F01B, F01D, F14A, F14B, F15Z, F24A, F24B, F28A, F36A, F36B, F54A, F54B, F54J, F59A, F59B | | 09 | J03A, J03B, J04A, J04B, J08A, J08B, J08C, J11A, J11B, J11J, J11Q, J11R, J11S, J16Z |
| 8r881.3p | 10 | K09A, K09B | 8r881.43 | 09 | J03A, J03B, J04A, J04B, J08A, J08B, J08C, J11A, J11B, J11J, J11Q, J11R, J11S, J16Z | 8r881.49 | 10 | K09A, K09B |
| | 21A | W04A, W04B | | 10 | K09A, K09B | | 21A | W04A, W04B |
| | 21B | X04Z, X06A, X06B, X06C | | 21A | W04A, W04B | | 21B | X04Z, X05A, X05B, X06A, X06B, X06C |
| | | KJZSV | | 21B | X06A, X06B, X06C | | | KJZSV |
| | 05 | F01A, F01B, F01D, F14A, F14B, F15Z, F24A, F24B, F28A, F36A, F36B, F54A, F54B, F54J, F59A, F59B | | 01 | B04A, B04B, B04C, B04D | | 04 | E02A, E02B, E02C |
| 8r881.3q | 09 | J03A, J03B, J04A, J04B, J08A, J08B, J08C, J11A, J11B, J11J, J11Q, J11R, J11S, J16Z | 8r881.44 | 05 | F01A, F01B, F01D, F14A, F14B, F15Z, F24A, F24B, F28A, F36A, F36B, F54A, F54B, F54J, F59A, F59B | 8r881.4a | 05 | F01A, F01B, F01D, F19A, F19B, F19C |
| | 10 | K09A, K09B | | 09 | J03A, J03B, J04A, J04B, J08A, J08B, J08C, J11A, J11B, J11J, J11Q, J11R, J11S, J16Z | | 10 | K09A, K09B |
| | 21A | W04A, W04B | | 10 | K09A, K09B | | Pre | A13D |
| | 21B | X04Z, X05A, X05B, X06A, X06B, X06C | | 21A | W04A, W04B | | | KJZSV |
| | | KJZSV | | 21B | X06A, X06B, X06C | | 04 | E02A, E02B, E02C |
| 8r881.3r | 05 | F01A, F01B, F01D, F14A, F14B, F15Z, F24A, F24B, F28A, F36A, F36B, F54A, F54B, F54J, F59A, F59B | 8r881.4b | 05 | F01A, F01B, F01D, F14A, F14B, F15Z, F24A, F24B, F28A, F36A, F36B, F54A, F54B, F54J, F59A, F59B | 8r881.4b | 05 | F01A, F01B, F01D, F19A, F19B, F19C |
| | 09 | J03A, J03B, J04A, J04B, J08A, J08B, J08C, J11A, J11B, J11J, J11Q, J11R, J11S, J16Z | | 09 | J03A, J03B, J04A, J04B, J08A, J08B, J08C, J11A, J11B, J11J, J11Q, J11R, J11S, J16Z | | 10 | K09A, K09B |
| | 10 | K09A, K09B | | 10 | K09A, K09B | | Pre | A13D |
| | 21A | W04A, W04B | | 21A | W04A, W04B | | | KJZSV |
| | 21B | X04Z, X05A, X05B, X06A, X06B, X06C | | 21B | X06A, X06B, X06C | | 05 | F01A, F01B, F01D, F15Z, F19A, F19B, F19C, F24A, F24B, F36A, F36B |
| 8r881.3s | 05 | F01A, F01B, F01D, F14A, F14B, F15Z, F24A, F24B, F28A, F36A, F36B, F54A, F54B, F54J, F59A, F59B | 8r881.4c | 01 | B04A, B04B, B04C, B04D | 8r881.4c | 09 | J03A, J03B, J04A, J04B, J08A, J08B, J08C, J11A, J11B, J11J, J11Q, J11R, J11S, J16Z |
| | 09 | J03A, J03B, J04A, J04B, J08A, J08B, J08C, J11A, J11B, J11J, J11Q, J11R, J11S, J16Z | | 05 | F01A, F01B, F01D, F14A, F14B, F15Z, F24A, F24B, F28A, F36A, F36B, F54A, F54B, F54J, F59A, F59B | | 10 | K09A, K09B |
| | 10 | K09A, K09B | | 09 | J03A, J03B, J04A, J04B, J08A, J08B, J08C, J11A, J11B, J11J, J11Q, J11R, J11S, J16Z | | 21A | W04A, W04B |
| | 21A | W04A, W04B | | 10 | K09A, K09B | | 21B | X06A, X06B, X06C |
| | 21B | X04Z, X05A, X05B, X06A, X06B, X06C | | 21B | X06A, X06B, X06C | | | KJZSV |

VYK

Príloha B: Index Výkon-MDC-DRG

| ZZV | MDC | DRG | ZZV | MDC | DRG | ZZV | MDC | DRG |
|----------|------------------------------|--|------------------------------|-----|--|----------|-----|--|
| 8r881.4c | | KJZSV | 8r881.4h | | KJZSV | 8r881.4m | | KJZSV |
| | 05 | F01A, F01B, F01D, F15Z, F19A, F19B, F19C, F24A, F24B, F36A, F36B | | 05 | F01A, F01B, F01D, F14A, F14B, F15Z, F24A, F24B, F28A, F36A, F36B, F54A, F54B, F54J, F59A, F59B | | 05 | F01A, F01B, F01D, F14A, F14B, F15Z, F24A, F24B, F28A, F36A, F36B, F54A, F54B, F54J, F59A, F59B |
| | 09 | J03A, J03B, J04A, J04B, J08A, J08B, J08C, J11A, J11B, J11J, J11Q, J11R, J11S, J16Z | | 06 | G10Z, G12A, G12B, G12J | | 09 | J03A, J03B, J04A, J04B, J08A, J08B, J08C, J11A, J11B, J11J, J11Q, J11R, J11S, J16Z |
| | 10 | K09A, K09B | | 09 | J03A, J03B, J04A, J04B, J08A, J08B, J08C, J11A, J11B, J11J, J11Q, J11R, J11S, J16Z | | 10 | K09A, K09B |
| | 21A | W04A, W04B | | 10 | K09A, K09B | | 21A | W04A, W04B |
| 21B | X06A, X06B, X06C | 11 | L09A, L09B, L09C, L09J, L38Z | 21B | X04Z, X06A, X06B, X06C | | | |
| 8r881.4d | | KJZSV | 8r881.4i | | KJZSV | 8r881.4n | | KJZSV |
| | 05 | F01A, F01B, F01D, F15Z, F19A, F19B, F19C, F24A, F24B, F36A, F36B | | 21A | W04A, W04B | | 05 | F01A, F01B, F01D, F14A, F14B, F15Z, F24A, F24B, F28A, F36A, F36B, F54A, F54B, F54J, F59A, F59B |
| | 09 | J03A, J03B, J04A, J04B, J08A, J08B, J08C, J11A, J11B, J11J, J11Q, J11R, J11S, J16Z | | 21B | X06A, X06B, X06C | | 09 | J03A, J03B, J04A, J04B, J08A, J08B, J08C, J11A, J11B, J11J, J11Q, J11R, J11S, J16Z |
| | 10 | K09A, K09B | | 05 | F01A, F01B, F01D, F14A, F14B, F15Z, F24A, F24B, F28A, F36A, F36B, F54A, F54B, F54J, F59A, F59B | | 10 | K09A, K09B |
| | 21A | W04A, W04B | | 09 | J03A, J03B, J04A, J04B, J08A, J08B, J08C, J11A, J11B, J11J, J11Q, J11R, J11S, J16Z | | 21A | W04A, W04B |
| 21B | X06A, X06B, X06C | 10 | K09A, K09B | 21B | X04Z, X06A, X06B, X06C | | | |
| 8r881.4e | | KJZSV | 8r881.4j | | KJZSV | 8r881.4o | | KJZSV |
| | 05 | F01A, F01B, F01D, F14A, F14B, F15Z, F24A, F24B, F28A, F36A, F36B, F54A, F54B, F54J, F59A, F59B | | 21A | W04A, W04B | | 05 | F01A, F01B, F01D, F14A, F14B, F15Z, F24A, F24B, F28A, F36A, F36B, F54A, F54B, F54J, F59A, F59B |
| | 09 | J03A, J03B, J04A, J04B, J08A, J08B, J08C, J11A, J11B, J11J, J11Q, J11R, J11S, J16Z | | 21B | X06A, X06B, X06C | | 09 | J03A, J03B, J04A, J04B, J08A, J08B, J08C, J11A, J11B, J11J, J11Q, J11R, J11S, J16Z |
| | 10 | K09A, K09B | | 05 | F01A, F01B, F01D, F14A, F14B, F15Z, F24A, F24B, F28A, F36A, F36B, F54A, F54B, F54J, F59A, F59B | | 10 | K09A, K09B |
| | 21A | W04A, W04B | | 09 | J03A, J03B, J04A, J04B, J08A, J08B, J08C, J11A, J11B, J11J, J11Q, J11R, J11S, J16Z | | 21A | W04A, W04B |
| 21B | X06A, X06B, X06C | 10 | K09A, K09B | 21B | X04Z, X06A, X06B, X06C | | | |
| 8r881.4f | | KJZSV | 8r881.4k | | KJZSV | 8r881.4p | | KJZSV |
| | 05 | F01A, F01B, F01D, F14A, F14B, F15Z, F24A, F24B, F28A, F36A, F36B, F54A, F54B, F54J, F59A, F59B | | 21A | W04A, W04B | | 05 | F01A, F01B, F01D, F14A, F14B, F15Z, F24A, F24B, F28A, F36A, F36B, F54A, F54B, F54J, F59A, F59B |
| | 09 | J03A, J03B, J04A, J04B, J08A, J08B, J08C, J11A, J11B, J11J, J11Q, J11R, J11S, J16Z | | 21B | X06A, X06B, X06C | | 09 | J03A, J03B, J04A, J04B, J08A, J08B, J08C, J11A, J11B, J11J, J11Q, J11R, J11S, J16Z |
| | 10 | K09A, K09B | | 05 | F01A, F01B, F01D, F14A, F14B, F15Z, F24A, F24B, F28A, F36A, F36B, F54A, F54B, F54J, F59A, F59B | | 10 | K09A, K09B |
| | 21A | W04A, W04B | | 09 | J03A, J03B, J04A, J04B, J08A, J08B, J08C, J11A, J11B, J11J, J11Q, J11R, J11S, J16Z | | 21A | W04A, W04B |
| 21B | X06A, X06B, X06C | 10 | K09A, K09B | 21B | X04Z, X05A, X05B, X06A, X06B, X06C | | | |
| 8r881.4g | | BOP, KJZSV, UOP4 | 8r881.4l | | KJZSV | 8r881.4q | | KJZSV |
| | 01 | B04A, B04B, B04C, B04D | | 21A | W04A, W04B | | 05 | F01A, F01B, F01D, F14A, F14B, F15Z, F24A, F24B, F28A, F36A, F36B, F54A, F54B, F54J, F59A, F59B |
| | 05 | F01A, F01B, F01D, F14A, F14B, F15Z, F24A, F24B, F28A, F36A, F36B, F54A, F54B, F54J, F59A, F59B | | 21B | X06A, X06B, X06C | | 09 | J03A, J03B, J04A, J04B, J08A, J08B, J08C, J11A, J11B, J11J, J11Q, J11R, J11S, J16Z |
| | 06 | G10Z, G12A, G12B, G12J | | 05 | F01A, F01B, F01D, F14A, F14B, F15Z, F24A, F24B, F28A, F36A, F36B, F54A, F54B, F54J, F59A, F59B | | 10 | K09A, K09B |
| | 09 | J03A, J03B, J04A, J04B, J08A, J08B, J08C, J11A, J11B, J11J, J11Q, J11R, J11S, J16Z | | 09 | J03A, J03B, J04A, J04B, J08A, J08B, J08C, J11A, J11B, J11J, J11Q, J11R, J11S, J16Z | | 21A | W04A, W04B |
| 10 | K09A, K09B | 10 | K09A, K09B | 21B | X04Z, X05A, X05B, X06A, X06B, X06C | | | |
| 11 | L09A, L09B, L09C, L09J, L38Z | 10 | K09A, K09B | | | | | |
| 21A | W04A, W04B | 21A | W04A, W04B | | | | | |
| 21B | X06A, X06B, X06C | 21B | X05A, X05B, X06A, X06B, X06C | | | | | |

VYK

| ZZV | MDC | DRG | ZZV | MDC | DRG | ZZV | MDC | DRG |
|----------|-----|--|----------|-----|--|----------|-----|--|
| 8r881.4x | | KJZSV | 8r881.55 | | BOP, KJZSV, UOP4 | 8r881.5c | | KJZSV |
| | 05 | F01A, F01B, F01D, F14A, F14B, F15Z, F24A, F24B, F28A, F36A, F36B, F54A, F54B, F54J, F59A, F59B | | 01 | B04A, B04B, B04C, B04D | | 05 | F01A, F01B, F01D, F15Z, F19A, F19B, F19C, F24A, F24B, F36A, F36B |
| | 09 | J03A, J03B, J04A, J04B, J08A, J08B, J08C, J11A, J11B, J11J, J11Q, J11R, J11S, J16Z | | 05 | F01A, F01B, F01D, F14A, F14B, F15Z, F24A, F24B, F28A, F36A, F36B, F54A, F54B, F54J, F59A, F59B | | 09 | J03A, J03B, J04A, J04B, J08A, J08B, J08C, J11A, J11B, J11J, J11Q, J11R, J11S, J16Z |
| | 10 | K09A, K09B | | 09 | J03A, J03B, J04A, J04B, J08A, J08B, J08C, J11A, J11B, J11J, J11Q, J11R, J11S, J16Z | | 10 | K09A, K09B |
| | 21A | W04A, W04B | | 10 | K09A, K09B | | 21A | W04A, W04B |
| 8r881.50 | 21B | X06A, X06B, X06C | 8r881.56 | 21A | W04A, W04B | 8r881.5d | 21B | X06A, X06B, X06C |
| | | KJZSV, KOP | | 21B | X06A, X06B, X06C | | 05 | F01A, F01B, F01D, F15Z, F19A, F19B, F19C, F24A, F24B, F36A, F36B |
| | 01 | B02A, B02B, B02C, B20A, B20B, B20C, B20D, B39A, B39B | | 01 | B04A, B04B, B04C, B04D | | 09 | J03A, J03B, J04A, J04B, J08A, J08B, J08C, J11A, J11B, J11J, J11Q, J11R, J11S, J16Z |
| | 05 | F01A, F01B, F01D, F14A, F14B, F15Z, F24A, F24B, F28A, F36A, F36B, F54A, F54B, F54J, F59A, F59B | | 05 | F01A, F01B, F01D, F14A, F14B, F15Z, F24A, F24B, F28A, F36A, F36B, F54A, F54B, F54J, F59A, F59B | | 10 | K09A, K09B |
| | 09 | J03A, J03B, J04A, J04B, J08A, J08B, J08C, J11A, J11B, J11J, J11Q, J11R, J11S, J16Z | | 09 | J03A, J03B, J04A, J04B, J08A, J08B, J08C, J11A, J11B, J11J, J11Q, J11R, J11S, J16Z | | 21A | W04A, W04B |
| 8r881.52 | 10 | K09A, K09B | 8r881.58 | 21A | W04A, W04B | 8r881.5e | 21B | X06A, X06B, X06C |
| | 21A | W04A, W04B | | 21B | X06A, X06B, X06C | | | KJZSV |
| | 21B | X06A, X06B, X06C, X33Z | | 05 | F01A, F01B, F01D, F14A, F14B, F15Z, F24A, F24B, F28A, F36A, F36B, F54A, F54B, F54J, F59A, F59B | | 05 | F01A, F01B, F01D, F14A, F14B, F15Z, F24A, F24B, F28A, F36A, F36B, F54A, F54B, F54J, F59A, F59B |
| | | BOP, KJZSV, UOP4 | | 09 | J03A, J03B, J04A, J04B, J08A, J08B, J08C, J11A, J11B, J11J, J11Q, J11R, J11S, J16Z | | 09 | J03A, J03B, J04A, J04B, J08A, J08B, J08C, J11A, J11B, J11J, J11Q, J11R, J11S, J16Z |
| | 01 | B04A, B04B, B04C, B04D | | 10 | K09A, K09B | | 21A | W04A, W04B |
| 8r881.53 | 05 | F01A, F01B, F01D, F14A, F14B, F15Z, F24A, F24B, F28A, F36A, F36B, F54A, F54B, F54J, F59A, F59B | 8r881.59 | 21B | X04Z, X05A, X05B, X06A, X06B, X06C | 8r881.5f | 21B | X06A, X06B, X06C |
| | 09 | J03A, J03B, J04A, J04B, J08A, J08B, J08C, J11A, J11B, J11J, J11Q, J11R, J11S, J16Z | | | KJZSV | | 05 | F01A, F01B, F01D, F14A, F14B, F15Z, F24A, F24B, F28A, F36A, F36B, F54A, F54B, F54J, F59A, F59B |
| | 10 | K09A, K09B | | 04 | E02A, E02B, E02C | | 09 | J03A, J03B, J04A, J04B, J08A, J08B, J08C, J11A, J11B, J11J, J11Q, J11R, J11S, J16Z |
| | 21A | W04A, W04B | | 05 | F01A, F01B, F01D, F19A, F19B, F19C | | 10 | K09A, K09B |
| | 21B | X06A, X06B, X06C | | 10 | K09A, K09B | | 21A | W04A, W04B |
| 8r881.54 | 21B | X06A, X06B, X06C | 8r881.5a | Pre | A13D | 8r881.5g | 21B | X06A, X06B, X06C |
| | | BOP, KJZSV, UOP4 | | | KJZSV | | 06 | G10Z, G12A, G12B, G12J |
| | 01 | B04A, B04B, B04C, B04D | | 04 | E02A, E02B, E02C | | 09 | J03A, J03B, J04A, J04B, J08A, J08B, J08C, J11A, J11B, J11J, J11Q, J11R, J11S, J16Z |
| | 05 | F01A, F01B, F01D, F14A, F14B, F15Z, F24A, F24B, F28A, F36A, F36B, F54A, F54B, F54J, F59A, F59B | | 05 | F01A, F01B, F01D, F19A, F19B, F19C | | 05 | F01A, F01B, F01D, F14A, F14B, F15Z, F24A, F24B, F28A, F36A, F36B, F54A, F54B, F54J, F59A, F59B |
| | 09 | J03A, J03B, J04A, J04B, J08A, J08B, J08C, J11A, J11B, J11J, J11Q, J11R, J11S, J16Z | | 10 | K09A, K09B | | 10 | K09A, K09B |
| 8r881.55 | 10 | K09A, K09B | 8r881.5b | Pre | A13D | 8r881.5h | 11 | L09A, L09B, L09C, L09J, L38Z |
| | 21A | W04A, W04B | | | KJZSV | | 21A | W04A, W04B |
| | 21B | X06A, X06B, X06C | | 05 | F01A, F01B, F01D, F15Z, F19A, F19B, F19C, F24A, F24B, F36A, F36B | | 21B | X06A, X06B, X06C |
| | 01 | B04A, B04B, B04C, B04D | | 09 | J03A, J03B, J04A, J04B, J08A, J08B, J08C, J11A, J11B, J11J, J11Q, J11R, J11S, J16Z | | | |
| | 05 | F01A, F01B, F01D, F14A, F14B, F15Z, F24A, F24B, F28A, F36A, F36B, F54A, F54B, F54J, F59A, F59B | | 10 | K09A, K09B | | | |
| 8r881.56 | 09 | J03A, J03B, J04A, J04B, J08A, J08B, J08C, J11A, J11B, J11J, J11Q, J11R, J11S, J16Z | 8r881.5c | 21A | W04A, W04B | 8r881.5i | | |
| | 10 | K09A, K09B | | 21B | X06A, X06B, X06C | | | |
| | 21A | W04A, W04B | | | | | | |
| | 21B | X06A, X06B, X06C | | | | | | |
| | | KJZSV, KOP | | | | | | |

VYK

| ZZV | MDC | DRG | ZZV | MDC | DRG | ZZV | MDC | DRG | | | |
|----------|----------|--|----------|--|--|----------|--|--|----------|--|--|
| 8r881.5h | | KJZSV | 8r881.5m | | KJZSV | 8r881.5x | | KJZSV | | | |
| | 05 | F01A, F01B, F01D, F14A, F14B, F15Z, F24A, F24B, F28A, F36A, F36B, F54A, F54B, F54J, F59A, F59B | | 05 | F01A, F01B, F01D, F14A, F14B, F15Z, F24A, F24B, F28A, F36A, F36B, F54A, F54B, F54J, F59A, F59B | | 05 | F01A, F01B, F01D, F14A, F14B, F15Z, F24A, F24B, F28A, F36A, F36B, F54A, F54B, F54J, F59A, F59B | | | |
| | 06 | G10Z, G12A, G12B, G12J | | 09 | J03A, J03B, J04A, J04B, J08A, J08B, J08C, J11A, J11B, J11J, J11Q, J11R, J11S, J16Z | | 09 | J03A, J03B, J04A, J04B, J08A, J08B, J08C, J11A, J11B, J11J, J11Q, J11R, J11S, J16Z | | | |
| | 09 | J03A, J03B, J04A, J04B, J08A, J08B, J08C, J11A, J11B, J11J, J11Q, J11R, J11S, J16Z | | 10 | K09A, K09B | | 10 | K09A, K09B | | | |
| | 10 | K09A, K09B | | 21A | W04A, W04B | | 21A | W04A, W04B | | | |
| | 11 | L09A, L09B, L09C, L09J, L38Z | | 21B | X04Z, X06A, X06B, X06C | | 21B | X06A, X06B, X06C | | | |
| | 21A | W04A, W04B | | 8r881.5n | | | KJZSV | 8r882.00 | | BOP, KJZSV, KOP, UOP4 | |
| | 21B | X06A, X06B, X06C | | | 05 | | F01A, F01B, F01D, F14A, F14B, F15Z, F24A, F24B, F28A, F36A, F36B, F54A, F54B, F54J, F59A, F59B | | 01 | B02A, B02B, B02C, B20A, B20B, B20C, B20D, B39A, B39B | |
| | 8r881.5i | | | KJZSV | 8r881.5o | | | KJZSV | 8r882.02 | | BOP, KJZSV, UOP4 |
| | | 05 | | F01A, F01B, F01D, F14A, F14B, F15Z, F24A, F24B, F28A, F36A, F36B, F54A, F54B, F54J, F59A, F59B | | | 05 | F01A, F01B, F01D, F14A, F14B, F15Z, F24A, F24B, F28A, F36A, F36B, F54A, F54B, F54J, F59A, F59B | | 05 | F01A, F01B, F01D, F14A, F14B, F15Z, F24A, F24B, F28A, F36A, F36B, F54A, F54B, F54J, F59A, F59B |
| | | 09 | | J03A, J03B, J04A, J04B, J08A, J08B, J08C, J11A, J11B, J11J, J11Q, J11R, J11S, J16Z | | | 09 | J03A, J03B, J04A, J04B, J08A, J08B, J08C, J11A, J11B, J11J, J11Q, J11R, J11S, J16Z | | 09 | J03A, J03B, J04A, J04B, J08A, J08B, J08C, J11A, J11B, J11J, J11Q, J11R, J11S, J16Z |
| 10 | | K09A, K09B | 10 | K09A, K09B | | 10 | K09A, K09B | | | | |
| 21A | | W04A, W04B | 21A | W04A, W04B | | 21A | W04A, W04B | | | | |
| 21B | | X06A, X06B, X06C | 21B | X04Z, X06A, X06B, X06C | | 21B | X06A, X06B, X06C, X33Z | | | | |
| 8r881.5j | | KJZSV | 8r881.5p | | KJZSV | 8r882.03 | | BOP, KJZSV, UOP4 | | | |
| | 05 | F01A, F01B, F01D, F14A, F14B, F15Z, F24A, F24B, F28A, F36A, F36B, F54A, F54B, F54J, F59A, F59B | | 05 | F01A, F01B, F01D, F14A, F14B, F15Z, F24A, F24B, F28A, F36A, F36B, F54A, F54B, F54J, F59A, F59B | | 01 | B04A, B04B, B04C, B04D | | | |
| | 09 | J03A, J03B, J04A, J04B, J08A, J08B, J08C, J11A, J11B, J11J, J11Q, J11R, J11S, J16Z | | 09 | J03A, J03B, J04A, J04B, J08A, J08B, J08C, J11A, J11B, J11J, J11Q, J11R, J11S, J16Z | | 05 | F01A, F01B, F01D, F14A, F14B, F15Z, F24A, F24B, F28A, F36A, F36B, F54A, F54B, F54J, F59A, F59B | | | |
| | 10 | K09A, K09B | | 10 | K09A, K09B | | 09 | J03A, J03B, J04A, J04B, J08A, J08B, J08C, J11A, J11B, J11J, J11Q, J11R, J11S, J16Z | | | |
| | 21A | W04A, W04B | | 21A | W04A, W04B | | 10 | K09A, K09B | | | |
| | 21B | X06A, X06B, X06C | | 21B | X04Z, X06A, X06B, X06C | | 21A | W04A, W04B | | | |
| 8r881.5k | | KJZSV | 8r881.5q | | KJZSV | 8r882.04 | | BOP, KJZSV, UOP4 | | | |
| | 05 | F01A, F01B, F01D, F14A, F14B, F15Z, F24A, F24B, F28A, F36A, F36B, F54A, F54B, F54J, F59A, F59B | | 05 | F01A, F01B, F01D, F14A, F14B, F15Z, F24A, F24B, F28A, F36A, F36B, F54A, F54B, F54J, F59A, F59B | | 01 | B04A, B04B, B04C, B04D | | | |
| | 09 | J03A, J03B, J04A, J04B, J08A, J08B, J08C, J11A, J11B, J11J, J11Q, J11R, J11S, J16Z | | 09 | J03A, J03B, J04A, J04B, J08A, J08B, J08C, J11A, J11B, J11J, J11Q, J11R, J11S, J16Z | | 05 | F01A, F01B, F01D, F14A, F14B, F15Z, F24A, F24B, F28A, F36A, F36B, F54A, F54B, F54J, F59A, F59B | | | |
| | 10 | K09A, K09B | | 10 | K09A, K09B | | 09 | J03A, J03B, J04A, J04B, J08A, J08B, J08C, J11A, J11B, J11J, J11Q, J11R, J11S, J16Z | | | |
| | 21A | W04A, W04B | | 21A | W04A, W04B | | 10 | K09A, K09B | | | |
| | 21B | X06A, X06B, X06C | | 21B | X04Z, X05A, X05B, X06A, X06B, X06C | | 21A | W04A, W04B | | | |
| 8r881.5l | | KJZSV | | | KJZSV | | | X06A, X06B, X06C | | | |
| | 05 | F01A, F01B, F01D, F14A, F14B, F15Z, F24A, F24B, F28A, F36A, F36B, F54A, F54B, F54J, F59A, F59B | | 05 | F01A, F01B, F01D, F14A, F14B, F15Z, F24A, F24B, F28A, F36A, F36B, F54A, F54B, F54J, F59A, F59B | | 01 | B04A, B04B, B04C, B04D | | | |
| | 09 | J03A, J03B, J04A, J04B, J08A, J08B, J08C, J11A, J11B, J11J, J11Q, J11R, J11S, J16Z | | 09 | J03A, J03B, J04A, J04B, J08A, J08B, J08C, J11A, J11B, J11J, J11Q, J11R, J11S, J16Z | | 05 | F01A, F01B, F01D, F14A, F14B, F15Z, F24A, F24B, F28A, F36A, F36B, F54A, F54B, F54J, F59A, F59B | | | |
| | 10 | K09A, K09B | | 10 | K09A, K09B | | 09 | J03A, J03B, J04A, J04B, J08A, J08B, J08C, J11A, J11B, J11J, J11Q, J11R, J11S, J16Z | | | |
| | 21A | W04A, W04B | | 21A | W04A, W04B | | 10 | K09A, K09B | | | |
| | 21B | X05A, X05B, X06A, X06B, X06C | | 21B | X04Z, X05A, X05B, X06A, X06B, X06C | | 21A | W04A, W04B | | | |
| | | | | | | 21B | X06A, X06B, X06C | | | | |

VYK

| ZZV | MDC | DRG | ZZV | MDC | DRG | ZZV | MDC | DRG | | | |
|----------|----------|--|--|--|--|--|--|--|--|--|--|
| 8r882.05 | | BOP, KJZSV, UOP4 | 8r882.0c | | KJZSV | 8r882.0h | | KJZSV | | | |
| | 01 | B04A, B04B, B04C, B04D | | 05 | F01A, F01B, F01D, F14A, F14B, F15Z, F19A, F19B, F19C, F24A, F24B, F36A, F36B, F54A, F54B, F54J, F59A, F59B | | 05 | F01A, F01B, F01D, F14A, F14B, F15Z, F24A, F24B, F28A, F36A, F36B, F54A, F54B, F54J, F59A, F59B | | | |
| | 05 | F01A, F01B, F01D, F14A, F14B, F15Z, F24A, F24B, F28A, F36A, F36B, F54A, F54B, F54J, F59A, F59B | | 09 | J03A, J03B, J04A, J04B, J08A, J08B, J08C, J11A, J11B, J11J, J11Q, J11R, J11S, J16Z | | 06 | G10Z, G12A, G12B, G12J | | | |
| | 09 | J03A, J03B, J04A, J04B, J08A, J08B, J08C, J11A, J11B, J11J, J11Q, J11R, J11S, J16Z | | 10 | K09A, K09B | | 09 | J03A, J03B, J04A, J04B, J08A, J08B, J08C, J11A, J11B, J11J, J11Q, J11R, J11S, J16Z | | | |
| | 10 | K09A, K09B | | 21A | W04A, W04B | | 10 | K09A, K09B | | | |
| | 21A | W04A, W04B | | 21B | X06A, X06B, X06C | | 11 | L09A, L09B, L09C, L09J, L38Z | | | |
| | 21B | X06A, X06B, X06C | | 8r882.0d | | | KJZSV | 8r882.0i | | KJZSV | |
| | 8r882.06 | | | | BOP, KJZSV, UOP4 | | 05 | | F01A, F01B, F01D, F14A, F14B, F15Z, F19A, F19B, F19C, F24A, F24B, F36A, F36B, F54A, F54B, F54J | 05 | F01A, F01B, F01D, F14A, F14B, F15Z, F24A, F24B, F28A, F36A, F36B, F54A, F54B, F54J, F59A, F59B |
| | | 01 | | | B04A, B04B, B04C, B04D | | 09 | | J03A, J03B, J04A, J04B, J08A, J08B, J08C, J11A, J11B, J11J, J11Q, J11R, J11S, J16Z | 09 | J03A, J03B, J04A, J04B, J08A, J08B, J08C, J11A, J11B, J11J, J11Q, J11R, J11S, J16Z |
| | | 05 | | | F01A, F01B, F01D, F14A, F14B, F15Z, F24A, F24B, F28A, F36A, F36B, F54A, F54B, F54J, F59A, F59B | | 10 | | K09A, K09B | 10 | K09A, K09B |
| 09 | | J03A, J03B, J04A, J04B, J08A, J08B, J08C, J11A, J11B, J11J, J11Q, J11R, J11S, J16Z | 21A | | W04A, W04B | 21A | W04A, W04B | | | | |
| 10 | | K09A, K09B | 21B | | X06A, X06B, X06C | 21B | X06A, X06B, X06C | | | | |
| 21A | | W04A, W04B | 8r882.0e | | | KJZSV | 8r882.0j | | | KJZSV | |
| 21B | | X06A, X06B, X06C | | | 05 | F01A, F01B, F01D, F14A, F14B, F15Z, F24A, F24B, F28A, F36A, F36B, F54A, F54B, F54J, F59A, F59B | | | 05 | F01A, F01B, F01D, F14A, F14B, F15Z, F24A, F24B, F28A, F36A, F36B, F54A, F54B, F54J, F59A, F59B | |
| 8r882.08 | | | | | KJZSV | 09 | | | J03A, J03B, J04A, J04B, J08A, J08B, J08C, J11A, J11B, J11J, J11Q, J11R, J11S, J16Z | 09 | J03A, J03B, J04A, J04B, J08A, J08B, J08C, J11A, J11B, J11J, J11Q, J11R, J11S, J16Z |
| | | 05 | | | F01A, F01B, F01D, F14A, F14B, F15Z, F24A, F24B, F28A, F36A, F36B, F54A, F54B, F54J, F59A, F59B | 10 | | | K09A, K09B | 10 | K09A, K09B |
| | | 09 | | J03A, J03B, J04A, J04B, J08A, J08B, J08C, J11A, J11B, J11J, J11Q, J11R, J11S, J16Z | 21A | W04A, W04B | | 21A | W04A, W04B | | |
| | 10 | K09A, K09B | | 21B | X06A, X06B, X06C | 21B | | X06A, X06B, X06C | | | |
| | 21A | W04A, W04B | | 8r882.0f | | KJZSV | | 8r882.0k | | KJZSV | |
| | 21B | X04Z, X05A, X05B, X06A, X06B, X06C | | | 05 | F01A, F01B, F01D, F14A, F14B, F15Z, F24A, F24B, F28A, F36A, F36B, F54A, F54B, F54J, F59A, F59B | | | 05 | F01A, F01B, F01D, F14A, F14B, F15Z, F24A, F24B, F28A, F36A, F36B, F54A, F54B, F54J, F59A, F59B | |
| | 8r882.09 | | | | KJZSV | 09 | | | J03A, J03B, J04A, J04B, J08A, J08B, J08C, J11A, J11B, J11J, J11Q, J11R, J11S, J16Z | 09 | J03A, J03B, J04A, J04B, J08A, J08B, J08C, J11A, J11B, J11J, J11Q, J11R, J11S, J16Z |
| | | 04 | | | E02A, E02B, E02C | 10 | | | K09A, K09B | 10 | K09A, K09B |
| | | 05 | F01A, F01B, F01D, F19A, F19B, F19C | | 21A | W04A, W04B | 21A | | W04A, W04B | | |
| | | 10 | K09A, K09B | | 21B | X06A, X06B, X06C | 21B | | X06A, X06B, X06C | | |
| Pre | | A13D | 8r882.0g | | | BOP, KJZSV, UOP4 | 8r882.0l | | | KJZSV | |
| 8r882.0a | | | | | KJZSV | 01 | | | B04A, B04B, B04C, B04D | 05 | F01A, F01B, F01D, F14A, F14B, F15Z, F24A, F24B, F28A, F36A, F36B, F54A, F54B, F54J, F59A, F59B |
| | | 04 | | | E02A, E02B, E02C | 05 | | | F01A, F01B, F01D, F14A, F14B, F15Z, F24A, F24B, F28A, F36A, F36B, F54A, F54B, F54J, F59A, F59B | 06 | G10Z, G12A, G12B, G12J |
| | | 05 | | | F01A, F01B, F01D, F19A, F19B, F19C | 09 | | | J03A, J03B, J04A, J04B, J08A, J08B, J08C, J11A, J11B, J11J, J11Q, J11R, J11S, J16Z | 09 | J03A, J03B, J04A, J04B, J08A, J08B, J08C, J11A, J11B, J11J, J11Q, J11R, J11S, J16Z |
| | | 10 | | K09A, K09B | 10 | K09A, K09B | | 10 | K09A, K09B | | |
| | | Pre | | A13D | 11 | L09A, L09B, L09C, L09J, L38Z | | 10 | K09A, K09B | | |
| | 8r882.0b | | | KJZSV | 21A | W04A, W04B | | 21A | W04A, W04B | | |
| | | 05 | | F01A, F01B, F01D, F14A, F14B, F15Z, F19A, F19B, F19C, F24A, F24B, F36A, F36B, F54A, F54B, F54J | 21B | X06A, X06B, X06C | | 21B | X05A, X05B, X06A, X06B, X06C | | |
| | | 09 | | J03A, J03B, J04A, J04B, J08A, J08B, J08C, J11A, J11B, J11J, J11Q, J11R, J11S, J16Z | 8r882.0g | | | BOP, KJZSV, UOP4 | 8r882.0l | | KJZSV |
| | | 10 | | K09A, K09B | | 01 | | B04A, B04B, B04C, B04D | | 05 | F01A, F01B, F01D, F14A, F14B, F15Z, F24A, F24B, F28A, F36A, F36B, F54A, F54B, F54J, F59A, F59B |
| | | 21A | W04A, W04B | 05 | | F01A, F01B, F01D, F14A, F14B, F15Z, F24A, F24B, F28A, F36A, F36B, F54A, F54B, F54J, F59A, F59B | 06 | G10Z, G12A, G12B, G12J | | | |
| 21B | | X06A, X06B, X06C | 09 | J03A, J03B, J04A, J04B, J08A, J08B, J08C, J11A, J11B, J11J, J11Q, J11R, J11S, J16Z | | 09 | J03A, J03B, J04A, J04B, J08A, J08B, J08C, J11A, J11B, J11J, J11Q, J11R, J11S, J16Z | | | | |
| 8r882.0c | | | BOP, KJZSV, UOP4 | 10 | | K09A, K09B | 10 | K09A, K09B | | | |
| | | 01 | B04A, B04B, B04C, B04D | 11 | | L09A, L09B, L09C, L09J, L38Z | 21A | W04A, W04B | | | |
| | | 05 | F01A, F01B, F01D, F14A, F14B, F15Z, F24A, F24B, F28A, F36A, F36B, F54A, F54B, F54J, F59A, F59B | 21A | | W04A, W04B | 21B | X06A, X06B, X06C | | | |
| | | 09 | J03A, J03B, J04A, J04B, J08A, J08B, J08C, J11A, J11B, J11J, J11Q, J11R, J11S, J16Z | 21B | | X06A, X06B, X06C | | | | | |
| | 10 | K09A, K09B | | | | | | | | | |
| | 21A | W04A, W04B | | | | | | | | | |
| | 21B | X06A, X06B, X06C | | | | | | | | | |
| | | | | | | | | | | | |
| | | | | | | | | | | | |
| | | | | | | | | | | | |

VYK

Príloha B: Index Výkon-MDC-DRG

| ZZV | MDC | DRG | ZZV | MDC | DRG | ZZV | MDC | DRG |
|----------|-------|--|--|-----|--|----------|-----|--|
| 8r882.0m | | KJZSV | 8r882.0x | | KJZSV | 8r882.15 | | BOP, KJZSV, UOP4 |
| | 05 | F01A, F01B, F01D, F14A, F14B, F15Z, F24A, F24B, F28A, F36A, F36B, F54A, F54B, F54J, F59A, F59B | | 05 | F01A, F01B, F01D, F14A, F14B, F15Z, F24A, F24B, F28A, F36A, F36B, F54A, F54B, F54J, F59A, F59B | | 01 | B04A, B04B, B04C, B04D |
| | 09 | J03A, J03B, J04A, J04B, J08A, J08B, J08C, J11A, J11B, J11J, J11Q, J11R, J11S, J16Z | | 09 | J03A, J03B, J04A, J04B, J08A, J08B, J08C, J11A, J11B, J11J, J11Q, J11R, J11S, J16Z | | 05 | F01A, F01B, F01D, F14A, F14B, F15Z, F24A, F24B, F28A, F36A, F36B, F54A, F54B, F54J, F59A, F59B |
| | 10 | K09A, K09B | | 10 | K09A, K09B | | 09 | J03A, J03B, J04A, J04B, J08A, J08B, J08C, J11A, J11B, J11J, J11Q, J11R, J11S, J16Z |
| | 21A | W04A, W04B | | 21A | W04A, W04B | | 10 | K09A, K09B |
| 8r882.0n | 21B | X04Z, X06A, X06B, X06C | 8r882.10 | 21B | X06A, X06B, X06C | 8r882.16 | 21A | W04A, W04B |
| | | KJZSV | | | KJZSV, KOP | | 21B | X06A, X06B, X06C |
| | 05 | F01A, F01B, F01D, F14A, F14B, F15Z, F24A, F24B, F28A, F36A, F36B, F54A, F54B, F54J, F59A, F59B | | 01 | B02A, B02B, B02C, B20A, B20B, B20C, B20D, B39A, B39B | | 01 | B04A, B04B, B04C, B04D |
| | 09 | J03A, J03B, J04A, J04B, J08A, J08B, J08C, J11A, J11B, J11J, J11Q, J11R, J11S, J16Z | | 05 | F01A, F01B, F01D, F14A, F14B, F15Z, F24A, F24B, F28A, F36A, F36B, F54A, F54B, F54J, F59A, F59B | | 05 | F01A, F01B, F01D, F14A, F14B, F15Z, F24A, F24B, F28A, F36A, F36B, F54A, F54B, F54J, F59A, F59B |
| | 10 | K09A, K09B | | 09 | J03A, J03B, J04A, J04B, J08A, J08B, J08C, J11A, J11B, J11J, J11Q, J11R, J11S, J16Z | | 09 | J03A, J03B, J04A, J04B, J08A, J08B, J08C, J11A, J11B, J11J, J11Q, J11R, J11S, J16Z |
| 8r882.0o | 21A | W04A, W04B | 8r882.12 | 10 | K09A, K09B | 8r882.18 | 21A | W04A, W04B |
| | 21B | X04Z, X06A, X06B, X06C | | 21A | W04A, W04B | | 21B | X06A, X06B, X06C |
| | | KJZSV | | 21B | X06A, X06B, X06C, X33Z | | | KJZSV |
| | 05 | F01A, F01B, F01D, F14A, F14B, F15Z, F24A, F24B, F28A, F36A, F36B, F54A, F54B, F54J, F59A, F59B | | 01 | BOP, KJZSV, UOP4 | | 05 | F01A, F01B, F01D, F14A, F14B, F15Z, F24A, F24B, F28A, F36A, F36B, F54A, F54B, F54J, F59A, F59B |
| | 09 | J03A, J03B, J04A, J04B, J08A, J08B, J08C, J11A, J11B, J11J, J11Q, J11R, J11S, J16Z | | 05 | F01A, F01B, F01D, F14A, F14B, F15Z, F24A, F24B, F28A, F36A, F36B, F54A, F54B, F54J, F59A, F59B | | 09 | J03A, J03B, J04A, J04B, J08A, J08B, J08C, J11A, J11B, J11J, J11Q, J11R, J11S, J16Z |
| 8r882.0p | 10 | K09A, K09B | 8r882.13 | 09 | J03A, J03B, J04A, J04B, J08A, J08B, J08C, J11A, J11B, J11J, J11Q, J11R, J11S, J16Z | 8r882.19 | 10 | K09A, K09B |
| | 21A | W04A, W04B | | 10 | K09A, K09B | | 21A | W04A, W04B |
| | 21B | X04Z, X06A, X06B, X06C | | 21A | W04A, W04B | | 21B | X04Z, X05A, X05B, X06A, X06B, X06C |
| | | KJZSV | | 21B | X06A, X06B, X06C | | | KJZSV |
| | 05 | F01A, F01B, F01D, F14A, F14B, F15Z, F24A, F24B, F28A, F36A, F36B, F54A, F54B, F54J, F59A, F59B | | 01 | B04A, B04B, B04C, B04D | | 04 | E02A, E02B, E02C |
| 8r882.0q | 09 | J03A, J03B, J04A, J04B, J08A, J08B, J08C, J11A, J11B, J11J, J11Q, J11R, J11S, J16Z | 8r882.14 | 05 | F01A, F01B, F01D, F14A, F14B, F15Z, F24A, F24B, F28A, F36A, F36B, F54A, F54B, F54J, F59A, F59B | 8r882.1a | 05 | F01A, F01B, F01D, F19A, F19B, F19C |
| | 10 | K09A, K09B | | 09 | J03A, J03B, J04A, J04B, J08A, J08B, J08C, J11A, J11B, J11J, J11Q, J11R, J11S, J16Z | | 10 | K09A, K09B |
| | 21A | W04A, W04B | | 10 | K09A, K09B | | Pre | A13D |
| | 21B | X04Z, X05A, X05B, X06A, X06B, X06C | | 21A | W04A, W04B | | | KJZSV |
| | | KJZSV | | 21B | X06A, X06B, X06C | | 04 | E02A, E02B, E02C |
| 8r882.0q | 05 | F01A, F01B, F01D, F14A, F14B, F15Z, F24A, F24B, F28A, F36A, F36B, F54A, F54B, F54J, F59A, F59B | 8r882.14 | 01 | B04A, B04B, B04C, B04D | 8r882.1b | 05 | F01A, F01B, F01D, F19A, F19B, F19C |
| | 09 | J03A, J03B, J04A, J04B, J08A, J08B, J08C, J11A, J11B, J11J, J11Q, J11R, J11S, J16Z | | 05 | F01A, F01B, F01D, F14A, F14B, F15Z, F24A, F24B, F28A, F36A, F36B, F54A, F54B, F54J, F59A, F59B | | 10 | K09A, K09B |
| | 10 | K09A, K09B | | 09 | J03A, J03B, J04A, J04B, J08A, J08B, J08C, J11A, J11B, J11J, J11Q, J11R, J11S, J16Z | | Pre | A13D |
| | 21A | W04A, W04B | | 10 | K09A, K09B | | | KJZSV |
| | 21B | X04Z, X05A, X05B, X06A, X06B, X06C | | 21A | W04A, W04B | | 05 | F01A, F01B, F01D, F15Z, F19A, F19B, F19C, F24A, F24B, F36A, F36B |
| | KJZSV | 21B | X06A, X06B, X06C | 09 | J03A, J03B, J04A, J04B, J08A, J08B, J08C, J11A, J11B, J11J, J11Q, J11R, J11S, J16Z | | | |
| | KJZSV | | BOP, KJZSV, UOP4 | 10 | K09A, K09B | | | |
| | KJZSV | | B04A, B04B, B04C, B04D | 21A | W04A, W04B | | | |
| | KJZSV | | F01A, F01B, F01D, F14A, F14B, F15Z, F24A, F24B, F28A, F36A, F36B, F54A, F54B, F54J, F59A, F59B | 21B | X06A, X06B, X06C | | | |
| | KJZSV | | F01A, F01B, F01D, F14A, F14B, F15Z, F24A, F24B, F28A, F36A, F36B, F54A, F54B, F54J, F59A, F59B | | KJZSV | | | |
| | KJZSV | | J03A, J03B, J04A, J04B, J08A, J08B, J08C, J11A, J11B, J11J, J11Q, J11R, J11S, J16Z | | KJZSV | | | |
| | KJZSV | | J03A, J03B, J04A, J04B, J08A, J08B, J08C, J11A, J11B, J11J, J11Q, J11R, J11S, J16Z | | KJZSV | | | |
| | KJZSV | | K09A, K09B | | KJZSV | | | |
| | KJZSV | | W04A, W04B | | KJZSV | | | |
| | KJZSV | | X06A, X06B, X06C | | KJZSV | | | |

| ZZV | MDC | DRG | ZZV | MDC | DRG | ZZV | MDC | DRG |
|----------|-----|--|----------|-----|--|----------|-----|--|
| 8r882.1c | | KJZSV | 8r882.1h | | KJZSV | 8r882.1m | | KJZSV |
| | 05 | F01A, F01B, F01D, F15Z, F19A, F19B, F19C, F24A, F24B, F36A, F36B | | 05 | F01A, F01B, F01D, F14A, F14B, F15Z, F24A, F24B, F28A, F36A, F36B, F54A, F54B, F54J, F59A, F59B | | 05 | F01A, F01B, F01D, F14A, F14B, F15Z, F24A, F24B, F28A, F36A, F36B, F54A, F54B, F54J, F59A, F59B |
| | 09 | J03A, J03B, J04A, J04B, J08A, J08B, J08C, J11A, J11B, J11J, J11Q, J11R, J11S, J16Z | | 06 | G10Z, G12A, G12B, G12J | | 09 | J03A, J03B, J04A, J04B, J08A, J08B, J08C, J11A, J11B, J11J, J11Q, J11R, J11S, J16Z |
| | 10 | K09A, K09B | | 09 | J03A, J03B, J04A, J04B, J08A, J08B, J08C, J11A, J11B, J11J, J11Q, J11R, J11S, J16Z | | 10 | K09A, K09B |
| | 21A | W04A, W04B | | 10 | K09A, K09B | | 21A | W04A, W04B |
| 8r882.1d | 21B | X06A, X06B, X06C | 8r882.1i | 11 | L09A, L09B, L09C, L09J, L38Z | 8r882.1n | 21B | X04Z, X06A, X06B, X06C |
| | | KJZSV | | 21A | W04A, W04B | | | KJZSV |
| | 05 | F01A, F01B, F01D, F15Z, F19A, F19B, F19C, F24A, F24B, F36A, F36B | | 21B | X06A, X06B, X06C | | 05 | F01A, F01B, F01D, F14A, F14B, F15Z, F24A, F24B, F28A, F36A, F36B, F54A, F54B, F54J, F59A, F59B |
| | 09 | J03A, J03B, J04A, J04B, J08A, J08B, J08C, J11A, J11B, J11J, J11Q, J11R, J11S, J16Z | | 05 | F01A, F01B, F01D, F14A, F14B, F15Z, F24A, F24B, F28A, F36A, F36B, F54A, F54B, F54J, F59A, F59B | | 09 | J03A, J03B, J04A, J04B, J08A, J08B, J08C, J11A, J11B, J11J, J11Q, J11R, J11S, J16Z |
| | 10 | K09A, K09B | | 09 | J03A, J03B, J04A, J04B, J08A, J08B, J08C, J11A, J11B, J11J, J11Q, J11R, J11S, J16Z | | 10 | K09A, K09B |
| 8r882.1e | 21A | W04A, W04B | 8r882.1j | 10 | K09A, K09B | 8r882.1o | 21A | W04A, W04B |
| | 21B | X06A, X06B, X06C | | 21A | W04A, W04B | | 21B | X04Z, X06A, X06B, X06C |
| | | KJZSV | | 21B | X06A, X06B, X06C | | | KJZSV |
| | 05 | F01A, F01B, F01D, F14A, F14B, F15Z, F24A, F24B, F28A, F36A, F36B, F54A, F54B, F54J, F59A, F59B | | 05 | F01A, F01B, F01D, F14A, F14B, F15Z, F24A, F24B, F28A, F36A, F36B, F54A, F54B, F54J, F59A, F59B | | 05 | F01A, F01B, F01D, F14A, F14B, F15Z, F24A, F24B, F28A, F36A, F36B, F54A, F54B, F54J, F59A, F59B |
| | 09 | J03A, J03B, J04A, J04B, J08A, J08B, J08C, J11A, J11B, J11J, J11Q, J11R, J11S, J16Z | | 09 | J03A, J03B, J04A, J04B, J08A, J08B, J08C, J11A, J11B, J11J, J11Q, J11R, J11S, J16Z | | 09 | J03A, J03B, J04A, J04B, J08A, J08B, J08C, J11A, J11B, J11J, J11Q, J11R, J11S, J16Z |
| 8r882.1f | 10 | K09A, K09B | 8r882.1k | 10 | K09A, K09B | 8r882.1p | 10 | K09A, K09B |
| | 21A | W04A, W04B | | 21A | W04A, W04B | | 21A | W04A, W04B |
| | 21B | X06A, X06B, X06C | | 21B | X06A, X06B, X06C | | 21B | X04Z, X06A, X06B, X06C |
| | | KJZSV | | 05 | F01A, F01B, F01D, F14A, F14B, F15Z, F24A, F24B, F28A, F36A, F36B, F54A, F54B, F54J, F59A, F59B | | 05 | F01A, F01B, F01D, F14A, F14B, F15Z, F24A, F24B, F28A, F36A, F36B, F54A, F54B, F54J, F59A, F59B |
| | 05 | F01A, F01B, F01D, F14A, F14B, F15Z, F24A, F24B, F28A, F36A, F36B, F54A, F54B, F54J, F59A, F59B | | 05 | F01A, F01B, F01D, F14A, F14B, F15Z, F24A, F24B, F28A, F36A, F36B, F54A, F54B, F54J, F59A, F59B | | 09 | J03A, J03B, J04A, J04B, J08A, J08B, J08C, J11A, J11B, J11J, J11Q, J11R, J11S, J16Z |
| 8r882.1g | 09 | J03A, J03B, J04A, J04B, J08A, J08B, J08C, J11A, J11B, J11J, J11Q, J11R, J11S, J16Z | 8r882.1l | 09 | J03A, J03B, J04A, J04B, J08A, J08B, J08C, J11A, J11B, J11J, J11Q, J11R, J11S, J16Z | 8r882.1q | 09 | J03A, J03B, J04A, J04B, J08A, J08B, J08C, J11A, J11B, J11J, J11Q, J11R, J11S, J16Z |
| | 10 | K09A, K09B | | 10 | K09A, K09B | | 10 | K09A, K09B |
| | 21A | W04A, W04B | | 21A | W04A, W04B | | 21A | W04A, W04B |
| | 21B | X06A, X06B, X06C | | 21B | X06A, X06B, X06C | | 21B | X04Z, X05A, X05B, X06A, X06B, X06C |
| | 01 | B04A, B04B, B04C, B04D | | 05 | F01A, F01B, F01D, F14A, F14B, F15Z, F24A, F24B, F28A, F36A, F36B, F54A, F54B, F54J, F59A, F59B | | 05 | F01A, F01B, F01D, F14A, F14B, F15Z, F24A, F24B, F28A, F36A, F36B, F54A, F54B, F54J, F59A, F59B |
| 8r882.1g | 05 | F01A, F01B, F01D, F14A, F14B, F15Z, F24A, F24B, F28A, F36A, F36B, F54A, F54B, F54J, F59A, F59B | 8r882.1l | 05 | F01A, F01B, F01D, F14A, F14B, F15Z, F24A, F24B, F28A, F36A, F36B, F54A, F54B, F54J, F59A, F59B | 8r882.1q | 05 | F01A, F01B, F01D, F14A, F14B, F15Z, F24A, F24B, F28A, F36A, F36B, F54A, F54B, F54J, F59A, F59B |
| | 06 | G10Z, G12A, G12B, G12J | | 05 | F01A, F01B, F01D, F14A, F14B, F15Z, F24A, F24B, F28A, F36A, F36B, F54A, F54B, F54J, F59A, F59B | | 09 | J03A, J03B, J04A, J04B, J08A, J08B, J08C, J11A, J11B, J11J, J11Q, J11R, J11S, J16Z |
| | 09 | J03A, J03B, J04A, J04B, J08A, J08B, J08C, J11A, J11B, J11J, J11Q, J11R, J11S, J16Z | | 09 | J03A, J03B, J04A, J04B, J08A, J08B, J08C, J11A, J11B, J11J, J11Q, J11R, J11S, J16Z | | 10 | K09A, K09B |
| | 10 | K09A, K09B | | 10 | K09A, K09B | | 21A | W04A, W04B |
| | 11 | L09A, L09B, L09C, L09J, L38Z | | 10 | K09A, K09B | | 21B | X04Z, X05A, X05B, X06A, X06B, X06C |
| | 21A | W04A, W04B | | 21A | W04A, W04B | | | KJZSV |
| | 21B | X06A, X06B, X06C | | 21B | X05A, X05B, X06A, X06B, X06C | | | KJZSV |

VYK

Príloha B: Index Výkon-MDC-DRG

| ZZV | MDC | DRG | ZZV | MDC | DRG | ZZV | MDC | DRG | | |
|----------|-----|--|----------|-------|--|----------|--|--|--|------------------------------|
| 8r882.1x | | KJZSV | 8r882.25 | | BOP, KJZSV, UOP4 | 8r882.2c | | KJZSV | | |
| | 05 | F01A, F01B, F01D, F14A, F14B, F15Z, F24A, F24B, F28A, F36A, F36B, F54A, F54B, F54J, F59A, F59B | | 01 | B04A, B04B, B04C, B04D | | 05 | F01A, F01B, F01D, F15Z, F19A, F19B, F19C, F24A, F24B, F36A, F36B | | |
| | 09 | J03A, J03B, J04A, J04B, J08A, J08B, J08C, J11A, J11B, J11J, J11Q, J11R, J11S, J16Z | | 05 | F01A, F01B, F01D, F14A, F14B, F15Z, F24A, F24B, F28A, F36A, F36B, F54A, F54B, F54J, F59A, F59B | | 09 | J03A, J03B, J04A, J04B, J08A, J08B, J08C, J11A, J11B, J11J, J11Q, J11R, J11S, J16Z | | |
| | 10 | K09A, K09B | | 09 | J03A, J03B, J04A, J04B, J08A, J08B, J08C, J11A, J11B, J11J, J11Q, J11R, J11S, J16Z | | 10 | K09A, K09B | | |
| | 21A | W04A, W04B | | 10 | K09A, K09B | | 21A | W04A, W04B | | |
| 8r882.20 | 21B | X06A, X06B, X06C | 8r882.26 | 21A | W04A, W04B | 8r882.2d | 21B | X06A, X06B, X06C | | |
| | | KJZSV, KOP | | 21B | X06A, X06B, X06C | | 05 | F01A, F01B, F01D, F15Z, F19A, F19B, F19C, F24A, F24B, F36A, F36B | | |
| | 01 | B02A, B02B, B02C, B20A, B20B, B20C, B20D, B39A, B39B | | 01 | B04A, B04B, B04C, B04D | | 09 | J03A, J03B, J04A, J04B, J08A, J08B, J08C, J11A, J11B, J11J, J11Q, J11R, J11S, J16Z | | |
| | 05 | F01A, F01B, F01D, F14A, F14B, F15Z, F24A, F24B, F28A, F36A, F36B, F54A, F54B, F54J, F59A, F59B | | 05 | F01A, F01B, F01D, F14A, F14B, F15Z, F24A, F24B, F28A, F36A, F36B, F54A, F54B, F54J, F59A, F59B | | 10 | K09A, K09B | | |
| | 09 | J03A, J03B, J04A, J04B, J08A, J08B, J08C, J11A, J11B, J11J, J11Q, J11R, J11S, J16Z | | 09 | J03A, J03B, J04A, J04B, J08A, J08B, J08C, J11A, J11B, J11J, J11Q, J11R, J11S, J16Z | | 21A | W04A, W04B | | |
| 8r882.22 | 10 | K09A, K09B | 8r882.28 | 21A | W04A, W04B | 8r882.2e | 21B | X06A, X06B, X06C | | |
| | 21A | W04A, W04B | | 21B | X06A, X06B, X06C | | KJZSV | | | |
| | 21B | X06A, X06B, X06C, X33Z | | 05 | F01A, F01B, F01D, F14A, F14B, F15Z, F24A, F24B, F28A, F36A, F36B, F54A, F54B, F54J, F59A, F59B | | 05 | F01A, F01B, F01D, F14A, F14B, F15Z, F24A, F24B, F28A, F36A, F36B, F54A, F54B, F54J, F59A, F59B | | |
| | | BOP, KJZSV, UOP4 | | 09 | J03A, J03B, J04A, J04B, J08A, J08B, J08C, J11A, J11B, J11J, J11Q, J11R, J11S, J16Z | | 09 | J03A, J03B, J04A, J04B, J08A, J08B, J08C, J11A, J11B, J11J, J11Q, J11R, J11S, J16Z | | |
| | 01 | B04A, B04B, B04C, B04D | | 10 | K09A, K09B | | 21A | W04A, W04B | | |
| 8r882.23 | 05 | F01A, F01B, F01D, F14A, F14B, F15Z, F24A, F24B, F28A, F36A, F36B, F54A, F54B, F54J, F59A, F59B | 8r882.29 | 21B | X04Z, X05A, X05B, X06A, X06B, X06C | 8r882.2f | 21B | X06A, X06B, X06C | | |
| | 09 | J03A, J03B, J04A, J04B, J08A, J08B, J08C, J11A, J11B, J11J, J11Q, J11R, J11S, J16Z | | KJZSV | 05 | | F01A, F01B, F01D, F14A, F14B, F15Z, F24A, F24B, F28A, F36A, F36B, F54A, F54B, F54J, F59A, F59B | 05 | F01A, F01B, F01D, F14A, F14B, F15Z, F24A, F24B, F28A, F36A, F36B, F54A, F54B, F54J, F59A, F59B | |
| | 10 | K09A, K09B | | 04 | E02A, E02B, E02C | | 09 | J03A, J03B, J04A, J04B, J08A, J08B, J08C, J11A, J11B, J11J, J11Q, J11R, J11S, J16Z | | |
| | 21A | W04A, W04B | | 05 | F01A, F01B, F01D, F19A, F19B, F19C | | 10 | K09A, K09B | | |
| | 21B | X06A, X06B, X06C | | 10 | K09A, K09B | | 21A | W04A, W04B | | |
| 8r882.24 | 21B | X06A, X06B, X06C | 8r882.2a | Pre | A13D | 8r882.2g | 21B | X06A, X06B, X06C | | |
| | | BOP, KJZSV, UOP4 | | KJZSV | 04 | | E02A, E02B, E02C | BOP, KJZSV, UOP4 | | |
| | 01 | B04A, B04B, B04C, B04D | | 04 | E02A, E02B, E02C | | 01 | B04A, B04B, B04C, B04D | | |
| | 05 | F01A, F01B, F01D, F14A, F14B, F15Z, F24A, F24B, F28A, F36A, F36B, F54A, F54B, F54J, F59A, F59B | | 05 | F01A, F01B, F01D, F19A, F19B, F19C | | 05 | F01A, F01B, F01D, F14A, F14B, F15Z, F24A, F24B, F28A, F36A, F36B, F54A, F54B, F54J, F59A, F59B | | |
| | 09 | J03A, J03B, J04A, J04B, J08A, J08B, J08C, J11A, J11B, J11J, J11Q, J11R, J11S, J16Z | | 10 | K09A, K09B | | 06 | G10Z, G12A, G12B, G12J | | |
| 8r882.24 | 10 | K09A, K09B | 8r882.2b | Pre | A13D | 8r882.2g | 09 | J03A, J03B, J04A, J04B, J08A, J08B, J08C, J11A, J11B, J11J, J11Q, J11R, J11S, J16Z | | |
| | 21A | W04A, W04B | | KJZSV | 10 | | K09A, K09B | 10 | K09A, K09B | |
| | 21B | X06A, X06B, X06C | | 05 | F01A, F01B, F01D, F15Z, F19A, F19B, F19C, F24A, F24B, F36A, F36B | | Pre | A13D | 11 | L09A, L09B, L09C, L09J, L38Z |
| | | BOP, KJZSV, UOP4 | | 09 | J03A, J03B, J04A, J04B, J08A, J08B, J08C, J11A, J11B, J11J, J11Q, J11R, J11S, J16Z | | 10 | K09A, K09B | 21A | W04A, W04B |
| | 01 | B04A, B04B, B04C, B04D | | 10 | K09A, K09B | | 21B | X06A, X06B, X06C | | |
| 8r882.24 | 05 | F01A, F01B, F01D, F14A, F14B, F15Z, F24A, F24B, F28A, F36A, F36B, F54A, F54B, F54J, F59A, F59B | 8r882.2b | 21A | W04A, W04B | 8r882.2g | 21B | X06A, X06B, X06C | | |
| | 09 | J03A, J03B, J04A, J04B, J08A, J08B, J08C, J11A, J11B, J11J, J11Q, J11R, J11S, J16Z | | 21B | X06A, X06B, X06C | | 06 | G10Z, G12A, G12B, G12J | | |
| | 10 | K09A, K09B | | 05 | F01A, F01B, F01D, F19A, F19B, F19C | | 09 | J03A, J03B, J04A, J04B, J08A, J08B, J08C, J11A, J11B, J11J, J11Q, J11R, J11S, J16Z | | |
| | 21A | W04A, W04B | | 10 | K09A, K09B | | 10 | K09A, K09B | | |
| | 21B | X06A, X06B, X06C | | Pre | A13D | | 11 | L09A, L09B, L09C, L09J, L38Z | | |

VYK

| ZZV | MDC | DRG | ZZV | MDC | DRG | ZZV | MDC | DRG | | | |
|----------|----------|--|--|--|--|----------|--|--|----------|--|--|
| 8r882.2h | | KJZSV | 8r882.2m | | KJZSV | 8r882.2x | | KJZSV | | | |
| | 05 | F01A, F01B, F01D, F14A, F14B, F15Z, F24A, F24B, F28A, F36A, F36B, F54A, F54B, F54J, F59A, F59B | | 05 | F01A, F01B, F01D, F14A, F14B, F15Z, F24A, F24B, F28A, F36A, F36B, F54A, F54B, F54J, F59A, F59B | | 05 | F01A, F01B, F01D, F14A, F14B, F15Z, F24A, F24B, F28A, F36A, F36B, F54A, F54B, F54J, F59A, F59B | | | |
| | 06 | G10Z, G12A, G12B, G12J | | 09 | J03A, J03B, J04A, J04B, J08A, J08B, J08C, J11A, J11B, J11J, J11Q, J11R, J11S, J16Z | | 09 | J03A, J03B, J04A, J04B, J08A, J08B, J08C, J11A, J11B, J11J, J11Q, J11R, J11S, J16Z | | | |
| | 09 | J03A, J03B, J04A, J04B, J08A, J08B, J08C, J11A, J11B, J11J, J11Q, J11R, J11S, J16Z | | 10 | K09A, K09B | | 10 | K09A, K09B | | | |
| | 10 | K09A, K09B | | 21A | W04A, W04B | | 21A | W04A, W04B | | | |
| | 11 | L09A, L09B, L09C, L09J, L38Z | | 21B | X04Z, X06A, X06B, X06C | | 21B | X06A, X06B, X06C | | | |
| | 21A | W04A, W04B | | 8r882.2n | | | KJZSV | 8r882.30 | | KJZSV, KOP | |
| | 21B | X06A, X06B, X06C | | | 05 | | F01A, F01B, F01D, F14A, F14B, F15Z, F24A, F24B, F28A, F36A, F36B, F54A, F54B, F54J, F59A, F59B | | 01 | B02A, B02B, B02C, B20A, B20B, B20C, B20D, B39A, B39B | |
| | 8r882.2i | | | KJZSV | 8r882.2o | | | KJZSV | 8r882.32 | | KJZSV, UOP4 |
| | | 05 | | F01A, F01B, F01D, F14A, F14B, F15Z, F24A, F24B, F28A, F36A, F36B, F54A, F54B, F54J, F59A, F59B | | | 05 | F01A, F01B, F01D, F14A, F14B, F15Z, F24A, F24B, F28A, F36A, F36B, F54A, F54B, F54J, F59A, F59B | | 05 | F01A, F01B, F01D, F14A, F14B, F15Z, F24A, F24B, F28A, F36A, F36B, F54A, F54B, F54J, F59A, F59B |
| 09 | | J03A, J03B, J04A, J04B, J08A, J08B, J08C, J11A, J11B, J11J, J11Q, J11R, J11S, J16Z | 09 | J03A, J03B, J04A, J04B, J08A, J08B, J08C, J11A, J11B, J11J, J11Q, J11R, J11S, J16Z | | 09 | J03A, J03B, J04A, J04B, J08A, J08B, J08C, J11A, J11B, J11J, J11Q, J11R, J11S, J16Z | | | | |
| 10 | | K09A, K09B | 10 | K09A, K09B | | 10 | K09A, K09B | | | | |
| 21A | | W04A, W04B | 21A | W04A, W04B | | 21A | W04A, W04B | | | | |
| 21B | | X06A, X06B, X06C | 21B | X04Z, X06A, X06B, X06C | | 21B | X06A, X06B, X06C, X33Z | | | | |
| 8r882.2j | | | KJZSV | 8r882.2p | | | KJZSV | 8r882.33 | | | BOP, KJZSV, UOP4 |
| | | 05 | F01A, F01B, F01D, F14A, F14B, F15Z, F24A, F24B, F28A, F36A, F36B, F54A, F54B, F54J, F59A, F59B | | | 05 | F01A, F01B, F01D, F14A, F14B, F15Z, F24A, F24B, F28A, F36A, F36B, F54A, F54B, F54J, F59A, F59B | | | 01 | B04A, B04B, B04C, B04D |
| | | 09 | J03A, J03B, J04A, J04B, J08A, J08B, J08C, J11A, J11B, J11J, J11Q, J11R, J11S, J16Z | | | 09 | J03A, J03B, J04A, J04B, J08A, J08B, J08C, J11A, J11B, J11J, J11Q, J11R, J11S, J16Z | | | 05 | F01A, F01B, F01D, F14A, F14B, F15Z, F24A, F24B, F28A, F36A, F36B, F54A, F54B, F54J, F59A, F59B |
| | | 10 | K09A, K09B | | | 10 | K09A, K09B | | | 09 | J03A, J03B, J04A, J04B, J08A, J08B, J08C, J11A, J11B, J11J, J11Q, J11R, J11S, J16Z |
| | 21A | W04A, W04B | 21A | | W04A, W04B | 10 | K09A, K09B | | | | |
| | 21B | X06A, X06B, X06C | 21B | | X04Z, X06A, X06B, X06C | 21A | W04A, W04B | | | | |
| | 8r882.2k | | KJZSV | | 8r882.2q | | KJZSV | | 8r882.34 | | X06A, X06B, X06C |
| | | 05 | F01A, F01B, F01D, F14A, F14B, F15Z, F24A, F24B, F28A, F36A, F36B, F54A, F54B, F54J, F59A, F59B | | | 05 | F01A, F01B, F01D, F14A, F14B, F15Z, F24A, F24B, F28A, F36A, F36B, F54A, F54B, F54J, F59A, F59B | | | 01 | B04A, B04B, B04C, B04D |
| | | 09 | J03A, J03B, J04A, J04B, J08A, J08B, J08C, J11A, J11B, J11J, J11Q, J11R, J11S, J16Z | | | 09 | J03A, J03B, J04A, J04B, J08A, J08B, J08C, J11A, J11B, J11J, J11Q, J11R, J11S, J16Z | | | 05 | F01A, F01B, F01D, F14A, F14B, F15Z, F24A, F24B, F28A, F36A, F36B, F54A, F54B, F54J, F59A, F59B |
| | | 10 | K09A, K09B | | | 10 | K09A, K09B | | | 09 | J03A, J03B, J04A, J04B, J08A, J08B, J08C, J11A, J11B, J11J, J11Q, J11R, J11S, J16Z |
| 21A | | W04A, W04B | 21A | W04A, W04B | | 10 | K09A, K09B | | | | |
| 21B | | X06A, X06B, X06C | 21B | X04Z, X05A, X05B, X06A, X06B, X06C | | 21A | W04A, W04B | | | | |
| 8r882.2l | | | KJZSV | 8r882.2r | | | KJZSV | 8r882.35 | | | BOP, KJZSV, UOP4 |
| | | 05 | F01A, F01B, F01D, F14A, F14B, F15Z, F24A, F24B, F28A, F36A, F36B, F54A, F54B, F54J, F59A, F59B | | | 05 | F01A, F01B, F01D, F14A, F14B, F15Z, F24A, F24B, F28A, F36A, F36B, F54A, F54B, F54J, F59A, F59B | | | 01 | B04A, B04B, B04C, B04D |
| | | 09 | J03A, J03B, J04A, J04B, J08A, J08B, J08C, J11A, J11B, J11J, J11Q, J11R, J11S, J16Z | | | 09 | J03A, J03B, J04A, J04B, J08A, J08B, J08C, J11A, J11B, J11J, J11Q, J11R, J11S, J16Z | | | 05 | F01A, F01B, F01D, F14A, F14B, F15Z, F24A, F24B, F28A, F36A, F36B, F54A, F54B, F54J, F59A, F59B |
| | | 10 | K09A, K09B | | | 10 | K09A, K09B | | | 09 | J03A, J03B, J04A, J04B, J08A, J08B, J08C, J11A, J11B, J11J, J11Q, J11R, J11S, J16Z |
| | 21A | W04A, W04B | 21A | | W04A, W04B | 10 | K09A, K09B | | | | |
| | 21B | X05A, X05B, X06A, X06B, X06C | 21B | | X04Z, X05A, X05B, X06A, X06B, X06C | 21A | W04A, W04B | | | | |

VYK

| ZZV | MDC | DRG | ZZV | MDC | DRG | ZZV | MDC | DRG | | |
|----------|----------|--|------------------------------------|--|--|--|--|--|--|--|
| 8r882.35 | | BOP, KJZSV, UOP4 | 8r882.3c | | KJZSV | 8r882.3h | | KJZSV | | |
| | 01 | B04A, B04B, B04C, B04D | | 05 | F01A, F01B, F01D, F15Z, F19A, F19B, F19C, F24A, F24B, F36A, F36B | | 05 | F01A, F01B, F01D, F14A, F14B, F15Z, F24A, F24B, F28A, F36A, F36B, F54A, F54B, F54J, F59A, F59B | | |
| | 05 | F01A, F01B, F01D, F14A, F14B, F15Z, F24A, F24B, F28A, F36A, F36B, F54A, F54B, F54J, F59A, F59B | | 09 | J03A, J03B, J04A, J04B, J08A, J08B, J08C, J11A, J11B, J11J, J11Q, J11R, J11S, J16Z | | 09 | J03A, J03B, J04A, J04B, J08A, J08B, J08C, J11A, J11B, J11J, J11Q, J11R, J11S, J16Z | | |
| | 09 | J03A, J03B, J04A, J04B, J08A, J08B, J08C, J11A, J11B, J11J, J11Q, J11R, J11S, J16Z | | 10 | K09A, K09B | | 06 | G10Z, G12A, G12B, G12J | | |
| | 10 | K09A, K09B | | 21A | W04A, W04B | | 09 | J03A, J03B, J04A, J04B, J08A, J08B, J08C, J11A, J11B, J11J, J11Q, J11R, J11S, J16Z | | |
| | 21A | W04A, W04B | | 21B | X06A, X06B, X06C | | 10 | K09A, K09B | | |
| | 21B | X06A, X06B, X06C | | 8r882.3d | | | KJZSV | 11 | L09A, L09B, L09C, L09J, L38Z | |
| | 8r882.36 | | | | BOP, KJZSV, UOP4 | | 05 | F01A, F01B, F01D, F15Z, F19A, F19B, F19C, F24A, F24B, F36A, F36B | 21A | W04A, W04B |
| | | 01 | | | B04A, B04B, B04C, B04D | | 09 | J03A, J03B, J04A, J04B, J08A, J08B, J08C, J11A, J11B, J11J, J11Q, J11R, J11S, J16Z | 21B | X06A, X06B, X06C |
| | | 05 | | | F01A, F01B, F01D, F14A, F14B, F15Z, F24A, F24B, F28A, F36A, F36B, F54A, F54B, F54J, F59A, F59B | | 10 | K09A, K09B | 8r882.3i | |
| 09 | | J03A, J03B, J04A, J04B, J08A, J08B, J08C, J11A, J11B, J11J, J11Q, J11R, J11S, J16Z | 21A | | W04A, W04B | 05 | F01A, F01B, F01D, F14A, F14B, F15Z, F24A, F24B, F28A, F36A, F36B, F54A, F54B, F54J, F59A, F59B | | | |
| 10 | | K09A, K09B | 21B | | X06A, X06B, X06C | 09 | J03A, J03B, J04A, J04B, J08A, J08B, J08C, J11A, J11B, J11J, J11Q, J11R, J11S, J16Z | | | |
| 21A | | W04A, W04B | 8r882.3e | | | KJZSV | 10 | K09A, K09B | | |
| 21B | | X06A, X06B, X06C | | | 05 | F01A, F01B, F01D, F14A, F14B, F15Z, F24A, F24B, F28A, F36A, F36B, F54A, F54B, F54J, F59A, F59B | 21A | W04A, W04B | | |
| 8r882.38 | | | | | KJZSV | 09 | J03A, J03B, J04A, J04B, J08A, J08B, J08C, J11A, J11B, J11J, J11Q, J11R, J11S, J16Z | 21B | | X06A, X06B, X06C |
| | | 05 | | | F01A, F01B, F01D, F14A, F14B, F15Z, F24A, F24B, F28A, F36A, F36B, F54A, F54B, F54J, F59A, F59B | 10 | K09A, K09B | 8r882.3j | | |
| | | 09 | | J03A, J03B, J04A, J04B, J08A, J08B, J08C, J11A, J11B, J11J, J11Q, J11R, J11S, J16Z | 21A | W04A, W04B | 05 | | | F01A, F01B, F01D, F14A, F14B, F15Z, F24A, F24B, F28A, F36A, F36B, F54A, F54B, F54J, F59A, F59B |
| | 10 | K09A, K09B | | 21B | X06A, X06B, X06C | 09 | J03A, J03B, J04A, J04B, J08A, J08B, J08C, J11A, J11B, J11J, J11Q, J11R, J11S, J16Z | | | |
| | 21A | W04A, W04B | | 8r882.3f | | KJZSV | 10 | | | K09A, K09B |
| | 21B | X04Z, X05A, X05B, X06A, X06B, X06C | | | 05 | F01A, F01B, F01D, F14A, F14B, F15Z, F24A, F24B, F28A, F36A, F36B, F54A, F54B, F54J, F59A, F59B | 21A | | W04A, W04B | |
| | 8r882.39 | | | | KJZSV | 09 | J03A, J03B, J04A, J04B, J08A, J08B, J08C, J11A, J11B, J11J, J11Q, J11R, J11S, J16Z | | 21B | X06A, X06B, X06C |
| | | 04 | | | E02A, E02B, E02C | 10 | K09A, K09B | | 8r882.3k | |
| | | 05 | F01A, F01B, F01D, F19A, F19B, F19C | | 21A | W04A, W04B | 05 | | | F01A, F01B, F01D, F14A, F14B, F15Z, F24A, F24B, F28A, F36A, F36B, F54A, F54B, F54J, F59A, F59B |
| | | 10 | K09A, K09B | | 21B | X06A, X06B, X06C | 09 | | | J03A, J03B, J04A, J04B, J08A, J08B, J08C, J11A, J11B, J11J, J11Q, J11R, J11S, J16Z |
| Pre | | A13D | 8r882.3g | | | BOP, KJZSV, UOP4 | 10 | | | K09A, K09B |
| 8r882.3a | | | | | KJZSV | 01 | B04A, B04B, B04C, B04D | 21A | | W04A, W04B |
| | | 04 | | | E02A, E02B, E02C | 05 | F01A, F01B, F01D, F14A, F14B, F15Z, F24A, F24B, F28A, F36A, F36B, F54A, F54B, F54J, F59A, F59B | 21B | | X06A, X06B, X06C |
| | | 05 | | | F01A, F01B, F01D, F19A, F19B, F19C | 06 | G10Z, G12A, G12B, G12J | 8r882.3l | | |
| | | 10 | | K09A, K09B | 09 | J03A, J03B, J04A, J04B, J08A, J08B, J08C, J11A, J11B, J11J, J11Q, J11R, J11S, J16Z | 05 | | | F01A, F01B, F01D, F14A, F14B, F15Z, F24A, F24B, F28A, F36A, F36B, F54A, F54B, F54J, F59A, F59B |
| | | Pre | | A13D | 10 | K09A, K09B | 09 | | | J03A, J03B, J04A, J04B, J08A, J08B, J08C, J11A, J11B, J11J, J11Q, J11R, J11S, J16Z |
| | 8r882.3b | | | KJZSV | 11 | L09A, L09B, L09C, L09J, L38Z | 10 | | | K09A, K09B |
| | | 05 | | F01A, F01B, F01D, F15Z, F19A, F19B, F19C, F24A, F24B, F36A, F36B | 21A | W04A, W04B | 21A | | W04A, W04B | |
| | | 09 | | J03A, J03B, J04A, J04B, J08A, J08B, J08C, J11A, J11B, J11J, J11Q, J11R, J11S, J16Z | 21B | X06A, X06B, X06C | 21B | | X06A, X06B, X06C | |
| | | 10 | | K09A, K09B | 8r882.3i | | KJZSV | | 05 | F01A, F01B, F01D, F14A, F14B, F15Z, F24A, F24B, F28A, F36A, F36B, F54A, F54B, F54J, F59A, F59B |
| | | 21A | W04A, W04B | 06 | | G10Z, G12A, G12B, G12J | 09 | | J03A, J03B, J04A, J04B, J08A, J08B, J08C, J11A, J11B, J11J, J11Q, J11R, J11S, J16Z | |
| 21B | | X06A, X06B, X06C | 09 | J03A, J03B, J04A, J04B, J08A, J08B, J08C, J11A, J11B, J11J, J11Q, J11R, J11S, J16Z | | 10 | K09A, K09B | | | |

VYK

| ZZV | MDC | DRG | ZZV | MDC | DRG | ZZV | MDC | DRG | |
|----------|------------------------------------|--|--|------------------|--|------------------|----------|--|--|
| 8r882.3m | | KJZSV | 8r882.3x | | KJZSV | 8r882.45 | | BOP, KJZSV, UOP4 | |
| | 05 | F01A, F01B, F01D, F14A, F14B, F15Z, F24A, F24B, F28A, F36A, F36B, F54A, F54B, F54J, F59A, F59B | | 05 | F01A, F01B, F01D, F14A, F14B, F15Z, F24A, F24B, F28A, F36A, F36B, F54A, F54B, F54J, F59A, F59B | | 01 | B04A, B04B, B04C, B04D | |
| | 09 | J03A, J03B, J04A, J04B, J08A, J08B, J08C, J11A, J11B, J11J, J11Q, J11R, J11S, J16Z | | 09 | J03A, J03B, J04A, J04B, J08A, J08B, J08C, J11A, J11B, J11J, J11Q, J11R, J11S, J16Z | | 05 | F01A, F01B, F01D, F14A, F14B, F15Z, F24A, F24B, F28A, F36A, F36B, F54A, F54B, F54J, F59A, F59B | |
| | 10 | K09A, K09B | | 10 | K09A, K09B | | 09 | J03A, J03B, J04A, J04B, J08A, J08B, J08C, J11A, J11B, J11J, J11Q, J11R, J11S, J16Z | |
| | 21A | W04A, W04B | | 21A | W04A, W04B | | 10 | K09A, K09B | |
| 8r882.3n | 21B | X04Z, X06A, X06B, X06C | 8r882.40 | 21B | X06A, X06B, X06C | 8r882.46 | 21A | W04A, W04B | |
| | | KJZSV | | | KJZSV, KOP | | 21B | X06A, X06B, X06C | |
| | 05 | F01A, F01B, F01D, F14A, F14B, F15Z, F24A, F24B, F28A, F36A, F36B, F54A, F54B, F54J, F59A, F59B | | 01 | B02A, B02B, B02C, B20A, B20B, B20C, B20D, B39A, B39B | | 8r882.48 | 01 | B04A, B04B, B04C, B04D |
| | 09 | J03A, J03B, J04A, J04B, J08A, J08B, J08C, J11A, J11B, J11J, J11Q, J11R, J11S, J16Z | | 05 | F01A, F01B, F01D, F14A, F14B, F15Z, F24A, F24B, F28A, F36A, F36B, F54A, F54B, F54J, F59A, F59B | | | 05 | F01A, F01B, F01D, F14A, F14B, F15Z, F24A, F24B, F28A, F36A, F36B, F54A, F54B, F54J, F59A, F59B |
| | 10 | K09A, K09B | | 09 | J03A, J03B, J04A, J04B, J08A, J08B, J08C, J11A, J11B, J11J, J11Q, J11R, J11S, J16Z | | | 09 | J03A, J03B, J04A, J04B, J08A, J08B, J08C, J11A, J11B, J11J, J11Q, J11R, J11S, J16Z |
| 21A | W04A, W04B | 10 | K09A, K09B | 10 | K09A, K09B | | | | |
| 8r882.3o | 21B | X04Z, X06A, X06B, X06C | 8r882.42 | 21A | W04A, W04B | 8r882.49 | | 21A | W04A, W04B |
| | | KJZSV | | 21B | X06A, X06B, X06C, X33Z | | 21B | X06A, X06B, X06C | |
| | 05 | F01A, F01B, F01D, F14A, F14B, F15Z, F24A, F24B, F28A, F36A, F36B, F54A, F54B, F54J, F59A, F59B | | 01 | BOP, KJZSV, UOP4 | | 8r882.4a | 04 | E02A, E02B, E02C |
| | 09 | J03A, J03B, J04A, J04B, J08A, J08B, J08C, J11A, J11B, J11J, J11Q, J11R, J11S, J16Z | | 05 | F01A, F01B, F01D, F14A, F14B, F15Z, F24A, F24B, F28A, F36A, F36B, F54A, F54B, F54J, F59A, F59B | | | 05 | F01A, F01B, F01D, F19A, F19B, F19C |
| | 10 | K09A, K09B | | 09 | J03A, J03B, J04A, J04B, J08A, J08B, J08C, J11A, J11B, J11J, J11Q, J11R, J11S, J16Z | | | 10 | K09A, K09B |
| 21A | W04A, W04B | 10 | K09A, K09B | Pre | A13D | | | | |
| 8r882.3p | 21B | X04Z, X06A, X06B, X06C | 8r882.43 | 21A | W04A, W04B | 8r882.4b | | KJZSV | |
| | | KJZSV | | 21B | X06A, X06B, X06C | | 04 | E02A, E02B, E02C | |
| | 05 | F01A, F01B, F01D, F14A, F14B, F15Z, F24A, F24B, F28A, F36A, F36B, F54A, F54B, F54J, F59A, F59B | | 01 | B04A, B04B, B04C, B04D | | 05 | F01A, F01B, F01D, F19A, F19B, F19C | |
| | 09 | J03A, J03B, J04A, J04B, J08A, J08B, J08C, J11A, J11B, J11J, J11Q, J11R, J11S, J16Z | | 05 | F01A, F01B, F01D, F14A, F14B, F15Z, F24A, F24B, F28A, F36A, F36B, F54A, F54B, F54J, F59A, F59B | | 10 | K09A, K09B | |
| | 10 | K09A, K09B | | 09 | J03A, J03B, J04A, J04B, J08A, J08B, J08C, J11A, J11B, J11J, J11Q, J11R, J11S, J16Z | | Pre | A13D | |
| 8r882.3q | 21A | W04A, W04B | 8r882.44 | 21A | W04A, W04B | 8r882.4b | 04 | E02A, E02B, E02C | |
| | 21B | X04Z, X05A, X05B, X06A, X06B, X06C | | 21B | X06A, X06B, X06C | | 05 | F01A, F01B, F01D, F19A, F19B, F19C | |
| | | KJZSV | | | BOP, KJZSV, UOP4 | | 10 | K09A, K09B | |
| | 05 | F01A, F01B, F01D, F14A, F14B, F15Z, F24A, F24B, F28A, F36A, F36B, F54A, F54B, F54J, F59A, F59B | | 01 | B04A, B04B, B04C, B04D | | Pre | A13D | |
| | 09 | J03A, J03B, J04A, J04B, J08A, J08B, J08C, J11A, J11B, J11J, J11Q, J11R, J11S, J16Z | | 05 | F01A, F01B, F01D, F14A, F14B, F15Z, F24A, F24B, F28A, F36A, F36B, F54A, F54B, F54J, F59A, F59B | | KJZSV | | |
| | K09A, K09B | 09 | J03A, J03B, J04A, J04B, J08A, J08B, J08C, J11A, J11B, J11J, J11Q, J11R, J11S, J16Z | 05 | F01A, F01B, F01D, F15Z, F19A, F19B, F19C, F24A, F24B, F36A, F36B | | | | |
| | W04A, W04B | | K09A, K09B | 09 | J03A, J03B, J04A, J04B, J08A, J08B, J08C, J11A, J11B, J11J, J11Q, J11R, J11S, J16Z | | | | |
| | X04Z, X05A, X05B, X06A, X06B, X06C | | W04A, W04B | 10 | K09A, K09B | | | | |
| | | | 21A | W04A, W04B | 21A | W04A, W04B | | | |
| | | | 21B | X06A, X06B, X06C | 21B | X06A, X06B, X06C | | | |

VYK

| ZZV | MDC | DRG | ZZV | MDC | DRG | ZZV | MDC | DRG |
|----------|------------------------------|--|------------------------------|-----|--|----------|-----|--|
| 8r882.4c | | KJZSV | 8r882.4h | | KJZSV | 8r882.4m | | KJZSV |
| | 05 | F01A, F01B, F01D, F15Z, F19A, F19B, F19C, F24A, F24B, F36A, F36B | | 05 | F01A, F01B, F01D, F14A, F14B, F15Z, F24A, F24B, F28A, F36A, F36B, F54A, F54B, F54J, F59A, F59B | | 05 | F01A, F01B, F01D, F14A, F14B, F15Z, F24A, F24B, F28A, F36A, F36B, F54A, F54B, F54J, F59A, F59B |
| | 09 | J03A, J03B, J04A, J04B, J08A, J08B, J08C, J11A, J11B, J11J, J11Q, J11R, J11S, J16Z | | 06 | G10Z, G12A, G12B, G12J | | 09 | J03A, J03B, J04A, J04B, J08A, J08B, J08C, J11A, J11B, J11J, J11Q, J11R, J11S, J16Z |
| | 10 | K09A, K09B | | 09 | J03A, J03B, J04A, J04B, J08A, J08B, J08C, J11A, J11B, J11J, J11Q, J11R, J11S, J16Z | | 10 | K09A, K09B |
| | 21A | W04A, W04B | | 10 | K09A, K09B | | 21A | W04A, W04B |
| 21B | X06A, X06B, X06C | 11 | L09A, L09B, L09C, L09J, L38Z | 21B | X04Z, X06A, X06B, X06C | | | |
| 8r882.4d | | KJZSV | 8r882.4i | | KJZSV | 8r882.4n | | KJZSV |
| | 05 | F01A, F01B, F01D, F15Z, F19A, F19B, F19C, F24A, F24B, F36A, F36B | | 21A | W04A, W04B | | 05 | F01A, F01B, F01D, F14A, F14B, F15Z, F24A, F24B, F28A, F36A, F36B, F54A, F54B, F54J, F59A, F59B |
| | 09 | J03A, J03B, J04A, J04B, J08A, J08B, J08C, J11A, J11B, J11J, J11Q, J11R, J11S, J16Z | | 21B | X06A, X06B, X06C | | 09 | J03A, J03B, J04A, J04B, J08A, J08B, J08C, J11A, J11B, J11J, J11Q, J11R, J11S, J16Z |
| | 10 | K09A, K09B | | 05 | F01A, F01B, F01D, F14A, F14B, F15Z, F24A, F24B, F28A, F36A, F36B, F54A, F54B, F54J, F59A, F59B | | 10 | K09A, K09B |
| | 21A | W04A, W04B | | 09 | J03A, J03B, J04A, J04B, J08A, J08B, J08C, J11A, J11B, J11J, J11Q, J11R, J11S, J16Z | | 21A | W04A, W04B |
| 21B | X06A, X06B, X06C | 10 | K09A, K09B | 21B | X04Z, X06A, X06B, X06C | | | |
| 8r882.4e | | KJZSV | 8r882.4j | | KJZSV | 8r882.4o | | KJZSV |
| | 05 | F01A, F01B, F01D, F14A, F14B, F15Z, F24A, F24B, F28A, F36A, F36B, F54A, F54B, F54J, F59A, F59B | | 21A | W04A, W04B | | 05 | F01A, F01B, F01D, F14A, F14B, F15Z, F24A, F24B, F28A, F36A, F36B, F54A, F54B, F54J, F59A, F59B |
| | 09 | J03A, J03B, J04A, J04B, J08A, J08B, J08C, J11A, J11B, J11J, J11Q, J11R, J11S, J16Z | | 21B | X06A, X06B, X06C | | 09 | J03A, J03B, J04A, J04B, J08A, J08B, J08C, J11A, J11B, J11J, J11Q, J11R, J11S, J16Z |
| | 10 | K09A, K09B | | 05 | F01A, F01B, F01D, F14A, F14B, F15Z, F24A, F24B, F28A, F36A, F36B, F54A, F54B, F54J, F59A, F59B | | 10 | K09A, K09B |
| | 21A | W04A, W04B | | 09 | J03A, J03B, J04A, J04B, J08A, J08B, J08C, J11A, J11B, J11J, J11Q, J11R, J11S, J16Z | | 21A | W04A, W04B |
| 21B | X06A, X06B, X06C | 10 | K09A, K09B | 21B | X04Z, X06A, X06B, X06C | | | |
| 8r882.4f | | KJZSV | 8r882.4k | | KJZSV | 8r882.4p | | KJZSV |
| | 05 | F01A, F01B, F01D, F14A, F14B, F15Z, F24A, F24B, F28A, F36A, F36B, F54A, F54B, F54J, F59A, F59B | | 21A | W04A, W04B | | 05 | F01A, F01B, F01D, F14A, F14B, F15Z, F24A, F24B, F28A, F36A, F36B, F54A, F54B, F54J, F59A, F59B |
| | 09 | J03A, J03B, J04A, J04B, J08A, J08B, J08C, J11A, J11B, J11J, J11Q, J11R, J11S, J16Z | | 21B | X06A, X06B, X06C | | 09 | J03A, J03B, J04A, J04B, J08A, J08B, J08C, J11A, J11B, J11J, J11Q, J11R, J11S, J16Z |
| | 10 | K09A, K09B | | 05 | F01A, F01B, F01D, F14A, F14B, F15Z, F24A, F24B, F28A, F36A, F36B, F54A, F54B, F54J, F59A, F59B | | 10 | K09A, K09B |
| | 21A | W04A, W04B | | 09 | J03A, J03B, J04A, J04B, J08A, J08B, J08C, J11A, J11B, J11J, J11Q, J11R, J11S, J16Z | | 21A | W04A, W04B |
| 21B | X06A, X06B, X06C | 10 | K09A, K09B | 21B | X04Z, X05A, X05B, X06A, X06B, X06C | | | |
| 8r882.4g | | BOP, KJZSV, UOP4 | 8r882.4l | | KJZSV | 8r882.4q | | KJZSV |
| | 01 | B04A, B04B, B04C, B04D | | 21A | W04A, W04B | | 05 | F01A, F01B, F01D, F14A, F14B, F15Z, F24A, F24B, F28A, F36A, F36B, F54A, F54B, F54J, F59A, F59B |
| | 05 | F01A, F01B, F01D, F14A, F14B, F15Z, F24A, F24B, F28A, F36A, F36B, F54A, F54B, F54J, F59A, F59B | | 21B | X06A, X06B, X06C | | 09 | J03A, J03B, J04A, J04B, J08A, J08B, J08C, J11A, J11B, J11J, J11Q, J11R, J11S, J16Z |
| | 06 | G10Z, G12A, G12B, G12J | | 05 | F01A, F01B, F01D, F14A, F14B, F15Z, F24A, F24B, F28A, F36A, F36B, F54A, F54B, F54J, F59A, F59B | | 10 | K09A, K09B |
| | 09 | J03A, J03B, J04A, J04B, J08A, J08B, J08C, J11A, J11B, J11J, J11Q, J11R, J11S, J16Z | | 09 | J03A, J03B, J04A, J04B, J08A, J08B, J08C, J11A, J11B, J11J, J11Q, J11R, J11S, J16Z | | 21A | W04A, W04B |
| 10 | K09A, K09B | 10 | K09A, K09B | 21B | X04Z, X05A, X05B, X06A, X06B, X06C | | | |
| 11 | L09A, L09B, L09C, L09J, L38Z | 10 | K09A, K09B | | | | | |
| 21A | W04A, W04B | 21A | W04A, W04B | | | | | |
| 21B | X06A, X06B, X06C | 21B | X05A, X05B, X06A, X06B, X06C | | | | | |

| ZZV | MDC | DRG | ZZV | MDC | DRG | ZZV | MDC | DRG |
|----------|------------------|--|------------------|-----|--|----------|-----|--|
| 8r882.4x | | KJZSV | 8r882.55 | | BOP, KJZSV, UOP4 | 8r882.5c | | KJZSV |
| | 05 | F01A, F01B, F01D, F14A, F14B, F15Z, F24A, F24B, F28A, F36A, F36B, F54A, F54B, F54J, F59A, F59B | | 01 | B04A, B04B, B04C, B04D | | 05 | F01A, F01B, F01D, F14A, F14B, F15Z, F24A, F24B, F28A, F36A, F36B, F54A, F54B, F54J, F59A, F59B |
| | 09 | J03A, J03B, J04A, J04B, J08A, J08B, J08C, J11A, J11B, J11J, J11Q, J11R, J11S, J16Z | | 05 | F01A, F01B, F01D, F14A, F14B, F15Z, F24A, F24B, F28A, F36A, F36B, F54A, F54B, F54J, F59A, F59B | | 09 | J03A, J03B, J04A, J04B, J08A, J08B, J08C, J11A, J11B, J11J, J11Q, J11R, J11S, J16Z |
| | 10 | K09A, K09B | | 09 | J03A, J03B, J04A, J04B, J08A, J08B, J08C, J11A, J11B, J11J, J11Q, J11R, J11S, J16Z | | 10 | K09A, K09B |
| | 21A | W04A, W04B | | 10 | K09A, K09B | | 21A | W04A, W04B |
| 8r882.50 | 21B | X06A, X06B, X06C | 8r882.56 | 21A | W04A, W04B | 8r882.5d | 21B | X06A, X06B, X06C |
| | | KJZSV, KOP | | 21B | X06A, X06B, X06C | | 05 | F01A, F01B, F01D, F15Z, F19A, F19B, F19C, F24A, F24B, F36A, F36B |
| | 01 | B02A, B02B, B02C, B20A, B20B, B20C, B20D, B39A, B39B | | 01 | B04A, B04B, B04C, B04D | | 09 | J03A, J03B, J04A, J04B, J08A, J08B, J08C, J11A, J11B, J11J, J11Q, J11R, J11S, J16Z |
| | 05 | F01A, F01B, F01D, F14A, F14B, F15Z, F24A, F24B, F28A, F36A, F36B, F54A, F54B, F54J, F59A, F59B | | 05 | F01A, F01B, F01D, F14A, F14B, F15Z, F24A, F24B, F28A, F36A, F36B, F54A, F54B, F54J, F59A, F59B | | 10 | K09A, K09B |
| | 09 | J03A, J03B, J04A, J04B, J08A, J08B, J08C, J11A, J11B, J11J, J11Q, J11R, J11S, J16Z | | 09 | J03A, J03B, J04A, J04B, J08A, J08B, J08C, J11A, J11B, J11J, J11Q, J11R, J11S, J16Z | | 21A | W04A, W04B |
| 8r882.52 | 10 | K09A, K09B | 8r882.58 | 21A | W04A, W04B | 8r882.5e | 21B | X06A, X06B, X06C |
| | 21A | W04A, W04B | | 21B | X06A, X06B, X06C | | 05 | F01A, F01B, F01D, F14A, F14B, F15Z, F24A, F24B, F28A, F36A, F36B, F54A, F54B, F54J, F59A, F59B |
| | 21B | X06A, X06B, X06C, X33Z | | 05 | F01A, F01B, F01D, F14A, F14B, F15Z, F24A, F24B, F28A, F36A, F36B, F54A, F54B, F54J, F59A, F59B | | 09 | J03A, J03B, J04A, J04B, J08A, J08B, J08C, J11A, J11B, J11J, J11Q, J11R, J11S, J16Z |
| | | BOP, KJZSV, UOP4 | | 09 | J03A, J03B, J04A, J04B, J08A, J08B, J08C, J11A, J11B, J11J, J11Q, J11R, J11S, J16Z | | 10 | K09A, K09B |
| | 01 | B04A, B04B, B04C, B04D | | 10 | K09A, K09B | | 21A | W04A, W04B |
| 8r882.53 | 05 | F01A, F01B, F01D, F14A, F14B, F15Z, F24A, F24B, F28A, F36A, F36B, F54A, F54B, F54J, F59A, F59B | 8r882.59 | 21B | X04Z, X05A, X05B, X06A, X06B, X06C | 8r882.5f | 21B | X06A, X06B, X06C |
| | 09 | J03A, J03B, J04A, J04B, J08A, J08B, J08C, J11A, J11B, J11J, J11Q, J11R, J11S, J16Z | | 04 | E02A, E02B, E02C | | 05 | F01A, F01B, F01D, F14A, F14B, F15Z, F24A, F24B, F28A, F36A, F36B, F54A, F54B, F54J, F59A, F59B |
| | 10 | K09A, K09B | | 05 | F01A, F01B, F01D, F19A, F19B, F19C | | 10 | K09A, K09B |
| | 21A | W04A, W04B | | 10 | K09A, K09B | | 21A | W04A, W04B |
| | 21B | X06A, X06B, X06C | | Pre | A13D | | 21B | X06A, X06B, X06C |
| 8r882.54 | | BOP, KJZSV, UOP4 | 8r882.5a | | KJZSV | 8r882.5g | | BOP, KJZSV, UOP4 |
| | 01 | B04A, B04B, B04C, B04D | | 04 | E02A, E02B, E02C | | 01 | B04A, B04B, B04C, B04D |
| | 05 | F01A, F01B, F01D, F14A, F14B, F15Z, F24A, F24B, F28A, F36A, F36B, F54A, F54B, F54J, F59A, F59B | | 05 | F01A, F01B, F01D, F19A, F19B, F19C | | 05 | F01A, F01B, F01D, F14A, F14B, F15Z, F24A, F24B, F28A, F36A, F36B, F54A, F54B, F54J, F59A, F59B |
| | 09 | J03A, J03B, J04A, J04B, J08A, J08B, J08C, J11A, J11B, J11J, J11Q, J11R, J11S, J16Z | | 10 | K09A, K09B | | 06 | G10Z, G12A, G12B, G12J |
| | 10 | K09A, K09B | | Pre | A13D | | 09 | J03A, J03B, J04A, J04B, J08A, J08B, J08C, J11A, J11B, J11J, J11Q, J11R, J11S, J16Z |
| 8r882.54 | 21A | W04A, W04B | 8r882.5b | | KJZSV | 8r882.5g | 10 | K09A, K09B |
| | 21B | X06A, X06B, X06C | | 05 | F01A, F01B, F01D, F15Z, F19A, F19B, F19C, F24A, F24B, F36A, F36B | | 11 | L09A, L09B, L09C, L09J, L38Z |
| | 01 | B04A, B04B, B04C, B04D | | 05 | F01A, F01B, F01D, F14A, F14B, F15Z, F24A, F24B, F28A, F36A, F36B, F54A, F54B, F54J, F59A, F59B | | 21A | W04A, W04B |
| | 05 | F01A, F01B, F01D, F14A, F14B, F15Z, F24A, F24B, F28A, F36A, F36B, F54A, F54B, F54J, F59A, F59B | | 09 | J03A, J03B, J04A, J04B, J08A, J08B, J08C, J11A, J11B, J11J, J11Q, J11R, J11S, J16Z | | 21B | X06A, X06B, X06C |
| | 09 | J03A, J03B, J04A, J04B, J08A, J08B, J08C, J11A, J11B, J11J, J11Q, J11R, J11S, J16Z | | 10 | K09A, K09B | | | |
| 10 | K09A, K09B | 21A | W04A, W04B | | | | | |
| 21A | W04A, W04B | 21B | X06A, X06B, X06C | | | | | |
| 21B | X06A, X06B, X06C | | | | | | | |



| ZZV | MDC | DRG | ZZV | MDC | DRG | ZZV | MDC | DRG | | | |
|----------|----------|--|----------|--|--|----------|--|--|----------|--|--|
| 8r882.5h | | KJZSV | 8r882.5m | | KJZSV | 8r882.5x | | KJZSV | | | |
| | 05 | F01A, F01B, F01D, F14A, F14B, F15Z, F24A, F24B, F28A, F36A, F36B, F54A, F54B, F54J, F59A, F59B | | 05 | F01A, F01B, F01D, F14A, F14B, F15Z, F24A, F24B, F28A, F36A, F36B, F54A, F54B, F54J, F59A, F59B | | 05 | F01A, F01B, F01D, F14A, F14B, F15Z, F24A, F24B, F28A, F36A, F36B, F54A, F54B, F54J, F59A, F59B | | | |
| | 06 | G10Z, G12A, G12B, G12J | | 09 | J03A, J03B, J04A, J04B, J08A, J08B, J08C, J11A, J11B, J11J, J11Q, J11R, J11S, J16Z | | 09 | J03A, J03B, J04A, J04B, J08A, J08B, J08C, J11A, J11B, J11J, J11Q, J11R, J11S, J16Z | | | |
| | 09 | J03A, J03B, J04A, J04B, J08A, J08B, J08C, J11A, J11B, J11J, J11Q, J11R, J11S, J16Z | | 10 | K09A, K09B | | 10 | K09A, K09B | | | |
| | 10 | K09A, K09B | | 21A | W04A, W04B | | 21A | W04A, W04B | | | |
| | 11 | L09A, L09B, L09C, L09J, L38Z | | 21B | X04Z, X06A, X06B, X06C | | 21B | X06A, X06B, X06C | | | |
| | 21A | W04A, W04B | | 8r882.5n | | | KJZSV | 8r883.00 | | KJZSV, KOP | |
| | 21B | X06A, X06B, X06C | | | 05 | | F01A, F01B, F01D, F14A, F14B, F15Z, F24A, F24B, F28A, F36A, F36B, F54A, F54B, F54J, F59A, F59B | | 01 | B02A, B02B, B02C, B20A, B20B, B20C, B20D, B39A, B39B | |
| | 8r882.5i | | | KJZSV | 8r882.5o | | | KJZSV | 8r883.02 | | KJZSV, UOP4 |
| | | 05 | | F01A, F01B, F01D, F14A, F14B, F15Z, F24A, F24B, F28A, F36A, F36B, F54A, F54B, F54J, F59A, F59B | | | 05 | F01A, F01B, F01D, F14A, F14B, F15Z, F24A, F24B, F28A, F36A, F36B, F54A, F54B, F54J, F59A, F59B | | 05 | F01A, F01B, F01D, F14A, F14B, F15Z, F24A, F24B, F28A, F36A, F36B, F54A, F54B, F54J, F59A, F59B |
| | | 09 | | J03A, J03B, J04A, J04B, J08A, J08B, J08C, J11A, J11B, J11J, J11Q, J11R, J11S, J16Z | | | 09 | J03A, J03B, J04A, J04B, J08A, J08B, J08C, J11A, J11B, J11J, J11Q, J11R, J11S, J16Z | | 09 | J03A, J03B, J04A, J04B, J08A, J08B, J08C, J11A, J11B, J11J, J11Q, J11R, J11S, J16Z |
| 10 | | K09A, K09B | 10 | K09A, K09B | | 10 | K09A, K09B | | | | |
| 21A | | W04A, W04B | 21A | W04A, W04B | | 21A | W04A, W04B | | | | |
| 21B | | X06A, X06B, X06C | 21B | X04Z, X06A, X06B, X06C | | 21B | X06A, X06B, X06C, X33Z | | | | |
| 8r882.5j | | KJZSV | 8r882.5p | | KJZSV | 8r883.03 | | BOP, KJZSV, UOP4 | | | |
| | 05 | F01A, F01B, F01D, F14A, F14B, F15Z, F24A, F24B, F28A, F36A, F36B, F54A, F54B, F54J, F59A, F59B | | 05 | F01A, F01B, F01D, F14A, F14B, F15Z, F24A, F24B, F28A, F36A, F36B, F54A, F54B, F54J, F59A, F59B | | 01 | B04A, B04B, B04C, B04D | | | |
| | 09 | J03A, J03B, J04A, J04B, J08A, J08B, J08C, J11A, J11B, J11J, J11Q, J11R, J11S, J16Z | | 09 | J03A, J03B, J04A, J04B, J08A, J08B, J08C, J11A, J11B, J11J, J11Q, J11R, J11S, J16Z | | 05 | F01A, F01B, F01D, F14A, F14B, F15Z, F24A, F24B, F28A, F36A, F36B, F54A, F54B, F54J, F59A, F59B | | | |
| | 10 | K09A, K09B | | 10 | K09A, K09B | | 09 | J03A, J03B, J04A, J04B, J08A, J08B, J08C, J11A, J11B, J11J, J11Q, J11R, J11S, J16Z | | | |
| | 21A | W04A, W04B | | 21A | W04A, W04B | | 10 | K09A, K09B | | | |
| | 21B | X06A, X06B, X06C | | 21B | X04Z, X06A, X06B, X06C | | 21A | W04A, W04B | | | |
| 8r882.5k | | KJZSV | 8r882.5q | | KJZSV | 8r883.04 | | BOP, KJZSV, UOP4 | | | |
| | 05 | F01A, F01B, F01D, F14A, F14B, F15Z, F24A, F24B, F28A, F36A, F36B, F54A, F54B, F54J, F59A, F59B | | 05 | F01A, F01B, F01D, F14A, F14B, F15Z, F24A, F24B, F28A, F36A, F36B, F54A, F54B, F54J, F59A, F59B | | 01 | B04A, B04B, B04C, B04D | | | |
| | 09 | J03A, J03B, J04A, J04B, J08A, J08B, J08C, J11A, J11B, J11J, J11Q, J11R, J11S, J16Z | | 09 | J03A, J03B, J04A, J04B, J08A, J08B, J08C, J11A, J11B, J11J, J11Q, J11R, J11S, J16Z | | 05 | F01A, F01B, F01D, F14A, F14B, F15Z, F24A, F24B, F28A, F36A, F36B, F54A, F54B, F54J, F59A, F59B | | | |
| | 10 | K09A, K09B | | 10 | K09A, K09B | | 09 | J03A, J03B, J04A, J04B, J08A, J08B, J08C, J11A, J11B, J11J, J11Q, J11R, J11S, J16Z | | | |
| | 21A | W04A, W04B | | 21A | W04A, W04B | | 10 | K09A, K09B | | | |
| | 21B | X06A, X06B, X06C | | 21B | X04Z, X05A, X05B, X06A, X06B, X06C | | 21A | W04A, W04B | | | |
| 8r882.5l | | KJZSV | 8r882.5r | | KJZSV | 8r883.05 | | BOP, KJZSV, UOP4 | | | |
| | 05 | F01A, F01B, F01D, F14A, F14B, F15Z, F24A, F24B, F28A, F36A, F36B, F54A, F54B, F54J, F59A, F59B | | 05 | F01A, F01B, F01D, F14A, F14B, F15Z, F24A, F24B, F28A, F36A, F36B, F54A, F54B, F54J, F59A, F59B | | 01 | B04A, B04B, B04C, B04D | | | |
| | 09 | J03A, J03B, J04A, J04B, J08A, J08B, J08C, J11A, J11B, J11J, J11Q, J11R, J11S, J16Z | | 09 | J03A, J03B, J04A, J04B, J08A, J08B, J08C, J11A, J11B, J11J, J11Q, J11R, J11S, J16Z | | 05 | F01A, F01B, F01D, F14A, F14B, F15Z, F24A, F24B, F28A, F36A, F36B, F54A, F54B, F54J, F59A, F59B | | | |
| | 10 | K09A, K09B | | 10 | K09A, K09B | | 09 | J03A, J03B, J04A, J04B, J08A, J08B, J08C, J11A, J11B, J11J, J11Q, J11R, J11S, J16Z | | | |
| | 21A | W04A, W04B | | 21A | W04A, W04B | | 10 | K09A, K09B | | | |
| | 21B | X05A, X05B, X06A, X06B, X06C | | 21B | X04Z, X05A, X05B, X06A, X06B, X06C | | 21A | W04A, W04B | | | |

| ZZV | MDC | DRG | ZZV | MDC | DRG | ZZV | MDC | DRG | | | |
|----------|----------|--|------------------------------------|--|--|--|--|--|------------------------------|--|--|
| 8r883.05 | | BOP, KJZSV, UOP4 | 8r883.0c | | KJZSV | 8r883.0h | | KJZSV | | | |
| | 01 | B04A, B04B, B04C, B04D | | 05 | F01A, F01B, F01D, F15Z, F19A, F19B, F19C, F24A, F24B, F36A, F36B | | 05 | F01A, F01B, F01D, F14A, F14B, F15Z, F24A, F24B, F28A, F36A, F36B, F54A, F54B, F54J, F59A, F59B | | | |
| | 05 | F01A, F01B, F01D, F14A, F14B, F15Z, F24A, F24B, F28A, F36A, F36B, F54A, F54B, F54J, F59A, F59B | | 09 | J03A, J03B, J04A, J04B, J08A, J08B, J08C, J11A, J11B, J11J, J11Q, J11R, J11S, J16Z | | 06 | G10Z, G12A, G12B, G12J | | | |
| | 09 | J03A, J03B, J04A, J04B, J08A, J08B, J08C, J11A, J11B, J11J, J11Q, J11R, J11S, J16Z | | 10 | K09A, K09B | | 09 | J03A, J03B, J04A, J04B, J08A, J08B, J08C, J11A, J11B, J11J, J11Q, J11R, J11S, J16Z | | | |
| | 10 | K09A, K09B | | 21A | W04A, W04B | | 10 | K09A, K09B | | | |
| | 21A | W04A, W04B | | 21B | X06A, X06B, X06C | | 11 | L09A, L09B, L09C, L09J, L38Z | | | |
| | 21B | X06A, X06B, X06C | | 8r883.0d | | | KJZSV | 21A | W04A, W04B | | |
| | 8r883.06 | | | | BOP, KJZSV, UOP4 | | 05 | F01A, F01B, F01D, F15Z, F19A, F19B, F19C, F24A, F24B, F36A, F36B | 21B | X06A, X06B, X06C | |
| | | 01 | | | B04A, B04B, B04C, B04D | | 09 | J03A, J03B, J04A, J04B, J08A, J08B, J08C, J11A, J11B, J11J, J11Q, J11R, J11S, J16Z | 8r883.0i | | KJZSV |
| | | 05 | | | F01A, F01B, F01D, F14A, F14B, F15Z, F24A, F24B, F28A, F36A, F36B, F54A, F54B, F54J, F59A, F59B | | 10 | K09A, K09B | | 05 | F01A, F01B, F01D, F14A, F14B, F15Z, F24A, F24B, F28A, F36A, F36B, F54A, F54B, F54J, F59A, F59B |
| 09 | | J03A, J03B, J04A, J04B, J08A, J08B, J08C, J11A, J11B, J11J, J11Q, J11R, J11S, J16Z | 21A | | W04A, W04B | 09 | J03A, J03B, J04A, J04B, J08A, J08B, J08C, J11A, J11B, J11J, J11Q, J11R, J11S, J16Z | | | | |
| 10 | | K09A, K09B | 21B | | X06A, X06B, X06C | 10 | K09A, K09B | | | | |
| 21A | | W04A, W04B | 8r883.0e | | | KJZSV | 21A | W04A, W04B | | | |
| 21B | | X06A, X06B, X06C | | | 05 | F01A, F01B, F01D, F14A, F14B, F15Z, F24A, F24B, F28A, F36A, F36B, F54A, F54B, F54J, F59A, F59B | 21B | X06A, X06B, X06C | | | |
| 8r883.08 | | | | | KJZSV | 09 | J03A, J03B, J04A, J04B, J08A, J08B, J08C, J11A, J11B, J11J, J11Q, J11R, J11S, J16Z | 8r883.0j | | | KJZSV |
| | | 05 | | | F01A, F01B, F01D, F14A, F14B, F15Z, F24A, F24B, F28A, F36A, F36B, F54A, F54B, F54J, F59A, F59B | 10 | K09A, K09B | | | 05 | F01A, F01B, F01D, F14A, F14B, F15Z, F24A, F24B, F28A, F36A, F36B, F54A, F54B, F54J, F59A, F59B |
| | | 09 | | J03A, J03B, J04A, J04B, J08A, J08B, J08C, J11A, J11B, J11J, J11Q, J11R, J11S, J16Z | 21A | W04A, W04B | 09 | | | J03A, J03B, J04A, J04B, J08A, J08B, J08C, J11A, J11B, J11J, J11Q, J11R, J11S, J16Z | |
| | 10 | K09A, K09B | | 21B | X06A, X06B, X06C | 10 | K09A, K09B | | | | |
| | 21A | W04A, W04B | | 8r883.0f | | KJZSV | 21A | | W04A, W04B | | |
| | 21B | X04Z, X05A, X05B, X06A, X06B, X06C | | | 05 | F01A, F01B, F01D, F14A, F14B, F15Z, F24A, F24B, F28A, F36A, F36B, F54A, F54B, F54J, F59A, F59B | 21B | | X06A, X06B, X06C | | |
| | 8r883.09 | | | | KJZSV | 09 | J03A, J03B, J04A, J04B, J08A, J08B, J08C, J11A, J11B, J11J, J11Q, J11R, J11S, J16Z | | 8r883.0k | | KJZSV |
| | | 04 | | | E02A, E02B, E02C | 10 | K09A, K09B | | | 05 | F01A, F01B, F01D, F14A, F14B, F15Z, F24A, F24B, F28A, F36A, F36B, F54A, F54B, F54J, F59A, F59B |
| | | 05 | F01A, F01B, F01D, F19A, F19B, F19C | | 21A | W04A, W04B | 09 | | | J03A, J03B, J04A, J04B, J08A, J08B, J08C, J11A, J11B, J11J, J11Q, J11R, J11S, J16Z | |
| | | 10 | K09A, K09B | | 21B | X06A, X06B, X06C | 10 | | | K09A, K09B | |
| Pre | | A13D | 8r883.0g | | | BOP, KJZSV, UOP4 | 21A | W04A, W04B | | | |
| 8r883.0a | | | | | KJZSV | 01 | B04A, B04B, B04C, B04D | 21B | | X06A, X06B, X06C | |
| | | 04 | | | E02A, E02B, E02C | 05 | F01A, F01B, F01D, F14A, F14B, F15Z, F24A, F24B, F28A, F36A, F36B, F54A, F54B, F54J, F59A, F59B | 8r883.0l | | | KJZSV |
| | | 05 | | | F01A, F01B, F01D, F19A, F19B, F19C | 06 | G10Z, G12A, G12B, G12J | | | 05 | F01A, F01B, F01D, F14A, F14B, F15Z, F24A, F24B, F28A, F36A, F36B, F54A, F54B, F54J, F59A, F59B |
| | | 10 | | K09A, K09B | 09 | J03A, J03B, J04A, J04B, J08A, J08B, J08C, J11A, J11B, J11J, J11Q, J11R, J11S, J16Z | 09 | | | J03A, J03B, J04A, J04B, J08A, J08B, J08C, J11A, J11B, J11J, J11Q, J11R, J11S, J16Z | |
| | | Pre | | A13D | 10 | K09A, K09B | 10 | | | K09A, K09B | |
| | 8r883.0b | | | KJZSV | 11 | L09A, L09B, L09C, L09J, L38Z | 21A | | W04A, W04B | | |
| | | 05 | | F01A, F01B, F01D, F15Z, F19A, F19B, F19C, F24A, F24B, F36A, F36B | 21B | X06A, X06B, X06C | 21B | | X05A, X05B, X06A, X06B, X06C | | |
| | | 09 | | J03A, J03B, J04A, J04B, J08A, J08B, J08C, J11A, J11B, J11J, J11Q, J11R, J11S, J16Z | | | | | | | |
| | | 10 | | K09A, K09B | | | | | | | |
| | | 21A | W04A, W04B | | | | | | | | |
| 21B | | X06A, X06B, X06C | | | | | | | | | |

VYK

| ZZV | MDC | DRG | ZZV | MDC | DRG | ZZV | MDC | DRG |
|----------|-----|--|----------|-----|--|----------|--|--|
| 8r883.0m | | KJZSV | 8r883.0x | | KJZSV | 8r883.15 | | BOP, KJZSV, UOP4 |
| | 05 | F01A, F01B, F01D, F14A, F14B, F15Z, F24A, F24B, F28A, F36A, F36B, F54A, F54B, F54J, F59A, F59B | | 05 | F01A, F01B, F01D, F14A, F14B, F15Z, F24A, F24B, F28A, F36A, F36B, F54A, F54B, F54J, F59A, F59B | | 01 | B04A, B04B, B04C, B04D |
| | 09 | J03A, J03B, J04A, J04B, J08A, J08B, J08C, J11A, J11B, J11J, J11Q, J11R, J11S, J16Z | | 09 | J03A, J03B, J04A, J04B, J08A, J08B, J08C, J11A, J11B, J11J, J11Q, J11R, J11S, J16Z | | 05 | F01A, F01B, F01D, F14A, F14B, F15Z, F24A, F24B, F28A, F36A, F36B, F54A, F54B, F54J, F59A, F59B |
| | 10 | K09A, K09B | | 10 | K09A, K09B | | 09 | J03A, J03B, J04A, J04B, J08A, J08B, J08C, J11A, J11B, J11J, J11Q, J11R, J11S, J16Z |
| | 21A | W04A, W04B | | 21A | W04A, W04B | | 10 | K09A, K09B |
| | 21B | X04Z, X06A, X06B, X06C | | 21B | X06A, X06B, X06C | 21A | W04A, W04B | |
| 8r883.0n | | KJZSV | 8r883.10 | | KJZSV, KOP | 8r883.16 | | BOP, KJZSV, UOP4 |
| | 05 | F01A, F01B, F01D, F14A, F14B, F15Z, F24A, F24B, F28A, F36A, F36B, F54A, F54B, F54J, F59A, F59B | | 01 | B02A, B02B, B02C, B20A, B20B, B20C, B20D, B39A, B39B | | 01 | B04A, B04B, B04C, B04D |
| | 09 | J03A, J03B, J04A, J04B, J08A, J08B, J08C, J11A, J11B, J11J, J11Q, J11R, J11S, J16Z | | 05 | F01A, F01B, F01D, F14A, F14B, F15Z, F24A, F24B, F28A, F36A, F36B, F54A, F54B, F54J, F59A, F59B | | 05 | F01A, F01B, F01D, F14A, F14B, F15Z, F24A, F24B, F28A, F36A, F36B, F54A, F54B, F54J, F59A, F59B |
| | 10 | K09A, K09B | | 09 | J03A, J03B, J04A, J04B, J08A, J08B, J08C, J11A, J11B, J11J, J11Q, J11R, J11S, J16Z | | 09 | J03A, J03B, J04A, J04B, J08A, J08B, J08C, J11A, J11B, J11J, J11Q, J11R, J11S, J16Z |
| | 21A | W04A, W04B | | 10 | K09A, K09B | | 10 | K09A, K09B |
| | 21B | X04Z, X06A, X06B, X06C | | 21A | W04A, W04B | 21A | W04A, W04B | |
| 8r883.0o | | KJZSV | 8r883.12 | | K09A, K09B | 8r883.18 | | X06A, X06B, X06C |
| | 05 | F01A, F01B, F01D, F14A, F14B, F15Z, F24A, F24B, F28A, F36A, F36B, F54A, F54B, F54J, F59A, F59B | | 21A | W04A, W04B | | 05 | F01A, F01B, F01D, F14A, F14B, F15Z, F24A, F24B, F28A, F36A, F36B, F54A, F54B, F54J, F59A, F59B |
| | 09 | J03A, J03B, J04A, J04B, J08A, J08B, J08C, J11A, J11B, J11J, J11Q, J11R, J11S, J16Z | | 21B | X06A, X06B, X06C, X33Z | | 09 | J03A, J03B, J04A, J04B, J08A, J08B, J08C, J11A, J11B, J11J, J11Q, J11R, J11S, J16Z |
| | 10 | K09A, K09B | | | BOP, KJZSV, UOP4 | | 10 | K09A, K09B |
| | 21A | W04A, W04B | | 01 | B04A, B04B, B04C, B04D | | 21A | W04A, W04B |
| | 21B | X04Z, X06A, X06B, X06C | | 05 | F01A, F01B, F01D, F14A, F14B, F15Z, F24A, F24B, F28A, F36A, F36B, F54A, F54B, F54J, F59A, F59B | 21B | X06A, X06B, X06C | |
| 8r883.0p | | KJZSV | 8r883.13 | | X06A, X06B, X06C | 8r883.19 | | KJZSV |
| | 05 | F01A, F01B, F01D, F14A, F14B, F15Z, F24A, F24B, F28A, F36A, F36B, F54A, F54B, F54J, F59A, F59B | | 01 | B04A, B04B, B04C, B04D | | 04 | E02A, E02B, E02C |
| | 09 | J03A, J03B, J04A, J04B, J08A, J08B, J08C, J11A, J11B, J11J, J11Q, J11R, J11S, J16Z | | 05 | F01A, F01B, F01D, F14A, F14B, F15Z, F24A, F24B, F28A, F36A, F36B, F54A, F54B, F54J, F59A, F59B | | 05 | F01A, F01B, F01D, F19A, F19B, F19C |
| | 10 | K09A, K09B | | 09 | J03A, J03B, J04A, J04B, J08A, J08B, J08C, J11A, J11B, J11J, J11Q, J11R, J11S, J16Z | | 10 | K09A, K09B |
| | 21A | W04A, W04B | | | BOP, KJZSV, UOP4 | | Pre | A13D |
| | 21B | X04Z, X05A, X05B, X06A, X06B, X06C | | 09 | J03A, J03B, J04A, J04B, J08A, J08B, J08C, J11A, J11B, J11J, J11Q, J11R, J11S, J16Z | 8r883.1a | KJZSV | |
| 8r883.0q | | KJZSV | 8r883.14 | | K09A, K09B | 8r883.1b | | E02A, E02B, E02C |
| | 05 | F01A, F01B, F01D, F14A, F14B, F15Z, F24A, F24B, F28A, F36A, F36B, F54A, F54B, F54J, F59A, F59B | | 21A | W04A, W04B | | 04 | E02A, E02B, E02C |
| | 09 | J03A, J03B, J04A, J04B, J08A, J08B, J08C, J11A, J11B, J11J, J11Q, J11R, J11S, J16Z | | 21B | X06A, X06B, X06C | | 05 | F01A, F01B, F01D, F19A, F19B, F19C |
| | 10 | K09A, K09B | | | BOP, KJZSV, UOP4 | | 10 | K09A, K09B |
| | 21A | W04A, W04B | | 01 | B04A, B04B, B04C, B04D | | Pre | A13D |
| | 21B | X04Z, X05A, X05B, X06A, X06B, X06C | | 05 | F01A, F01B, F01D, F14A, F14B, F15Z, F24A, F24B, F28A, F36A, F36B, F54A, F54B, F54J, F59A, F59B | 8r883.1b | KJZSV | |
| | | | | 09 | J03A, J03B, J04A, J04B, J08A, J08B, J08C, J11A, J11B, J11J, J11Q, J11R, J11S, J16Z | 05 | F01A, F01B, F01D, F15Z, F19A, F19B, F19C, F24A, F24B, F36A, F36B | |
| | | | | 10 | K09A, K09B | 09 | J03A, J03B, J04A, J04B, J08A, J08B, J08C, J11A, J11B, J11J, J11Q, J11R, J11S, J16Z | |
| | | | | 21A | W04A, W04B | 10 | K09A, K09B | |
| | | | | 21B | X06A, X06B, X06C | 21A | W04A, W04B | |
| | | | | | | 21B | X06A, X06B, X06C | |

| ZZV | MDC | DRG | ZZV | MDC | DRG | ZZV | MDC | DRG |
|----------|-----|--|----------|-----|--|----------|-----|--|
| 8r883.1c | | KJZSV | 8r883.1h | | KJZSV | 8r883.1m | | KJZSV |
| | 05 | F01A, F01B, F01D, F15Z, F19A, F19B, F19C, F24A, F24B, F36A, F36B | | 05 | F01A, F01B, F01D, F14A, F14B, F15Z, F24A, F24B, F28A, F36A, F36B, F54A, F54B, F54J, F59A, F59B | | 05 | F01A, F01B, F01D, F14A, F14B, F15Z, F24A, F24B, F28A, F36A, F36B, F54A, F54B, F54J, F59A, F59B |
| | 09 | J03A, J03B, J04A, J04B, J08A, J08B, J08C, J11A, J11B, J11J, J11Q, J11R, J11S, J16Z | | 06 | G10Z, G12A, G12B, G12J | | 09 | J03A, J03B, J04A, J04B, J08A, J08B, J08C, J11A, J11B, J11J, J11Q, J11R, J11S, J16Z |
| | 10 | K09A, K09B | | 09 | J03A, J03B, J04A, J04B, J08A, J08B, J08C, J11A, J11B, J11J, J11Q, J11R, J11S, J16Z | | 10 | K09A, K09B |
| | 21A | W04A, W04B | | 10 | K09A, K09B | | 21A | W04A, W04B |
| 8r883.1d | 21B | X06A, X06B, X06C | 8r883.1i | 11 | L09A, L09B, L09C, L09J, L38Z | 8r883.1n | 21B | X04Z, X06A, X06B, X06C |
| | | KJZSV | | 21A | W04A, W04B | | | KJZSV |
| | 05 | F01A, F01B, F01D, F15Z, F19A, F19B, F19C, F24A, F24B, F36A, F36B | | 21B | X06A, X06B, X06C | | 05 | F01A, F01B, F01D, F14A, F14B, F15Z, F24A, F24B, F28A, F36A, F36B, F54A, F54B, F54J, F59A, F59B |
| | 09 | J03A, J03B, J04A, J04B, J08A, J08B, J08C, J11A, J11B, J11J, J11Q, J11R, J11S, J16Z | | 05 | F01A, F01B, F01D, F14A, F14B, F15Z, F24A, F24B, F28A, F36A, F36B, F54A, F54B, F54J, F59A, F59B | | 09 | J03A, J03B, J04A, J04B, J08A, J08B, J08C, J11A, J11B, J11J, J11Q, J11R, J11S, J16Z |
| | 10 | K09A, K09B | | 09 | J03A, J03B, J04A, J04B, J08A, J08B, J08C, J11A, J11B, J11J, J11Q, J11R, J11S, J16Z | | 10 | K09A, K09B |
| 8r883.1e | 21A | W04A, W04B | 8r883.1j | 10 | K09A, K09B | 8r883.1o | 21A | W04A, W04B |
| | 21B | X06A, X06B, X06C | | 21A | W04A, W04B | | 21B | X04Z, X06A, X06B, X06C |
| | | KJZSV | | 21B | X06A, X06B, X06C | | | KJZSV |
| | 05 | F01A, F01B, F01D, F14A, F14B, F15Z, F24A, F24B, F28A, F36A, F36B, F54A, F54B, F54J, F59A, F59B | | 05 | F01A, F01B, F01D, F14A, F14B, F15Z, F24A, F24B, F28A, F36A, F36B, F54A, F54B, F54J, F59A, F59B | | 05 | F01A, F01B, F01D, F14A, F14B, F15Z, F24A, F24B, F28A, F36A, F36B, F54A, F54B, F54J, F59A, F59B |
| | 09 | J03A, J03B, J04A, J04B, J08A, J08B, J08C, J11A, J11B, J11J, J11Q, J11R, J11S, J16Z | | 09 | J03A, J03B, J04A, J04B, J08A, J08B, J08C, J11A, J11B, J11J, J11Q, J11R, J11S, J16Z | | 09 | J03A, J03B, J04A, J04B, J08A, J08B, J08C, J11A, J11B, J11J, J11Q, J11R, J11S, J16Z |
| 8r883.1f | 10 | K09A, K09B | 8r883.1k | 10 | K09A, K09B | 8r883.1p | 10 | K09A, K09B |
| | 21A | W04A, W04B | | 21A | W04A, W04B | | 21A | W04A, W04B |
| | 21B | X06A, X06B, X06C | | 21B | X06A, X06B, X06C | | 21B | X04Z, X06A, X06B, X06C |
| | | KJZSV | | 05 | F01A, F01B, F01D, F14A, F14B, F15Z, F24A, F24B, F28A, F36A, F36B, F54A, F54B, F54J, F59A, F59B | | 05 | F01A, F01B, F01D, F14A, F14B, F15Z, F24A, F24B, F28A, F36A, F36B, F54A, F54B, F54J, F59A, F59B |
| | 05 | F01A, F01B, F01D, F14A, F14B, F15Z, F24A, F24B, F28A, F36A, F36B, F54A, F54B, F54J, F59A, F59B | | 09 | J03A, J03B, J04A, J04B, J08A, J08B, J08C, J11A, J11B, J11J, J11Q, J11R, J11S, J16Z | | 09 | J03A, J03B, J04A, J04B, J08A, J08B, J08C, J11A, J11B, J11J, J11Q, J11R, J11S, J16Z |
| 8r883.1g | 09 | J03A, J03B, J04A, J04B, J08A, J08B, J08C, J11A, J11B, J11J, J11Q, J11R, J11S, J16Z | 8r883.1l | 09 | J03A, J03B, J04A, J04B, J08A, J08B, J08C, J11A, J11B, J11J, J11Q, J11R, J11S, J16Z | 8r883.1q | 10 | K09A, K09B |
| | 10 | K09A, K09B | | 10 | K09A, K09B | | 10 | K09A, K09B |
| | 21A | W04A, W04B | | 21A | W04A, W04B | | 21A | W04A, W04B |
| | 21B | X06A, X06B, X06C | | 21B | X06A, X06B, X06C | | 21B | X04Z, X05A, X05B, X06A, X06B, X06C |
| | 01 | B04A, B04B, B04C, B04D | | 05 | F01A, F01B, F01D, F14A, F14B, F15Z, F24A, F24B, F28A, F36A, F36B, F54A, F54B, F54J, F59A, F59B | | 05 | F01A, F01B, F01D, F14A, F14B, F15Z, F24A, F24B, F28A, F36A, F36B, F54A, F54B, F54J, F59A, F59B |
| 8r883.1g | 05 | F01A, F01B, F01D, F14A, F14B, F15Z, F24A, F24B, F28A, F36A, F36B, F54A, F54B, F54J, F59A, F59B | 8r883.1l | 05 | F01A, F01B, F01D, F14A, F14B, F15Z, F24A, F24B, F28A, F36A, F36B, F54A, F54B, F54J, F59A, F59B | 8r883.1q | 09 | J03A, J03B, J04A, J04B, J08A, J08B, J08C, J11A, J11B, J11J, J11Q, J11R, J11S, J16Z |
| | 06 | G10Z, G12A, G12B, G12J | | 09 | J03A, J03B, J04A, J04B, J08A, J08B, J08C, J11A, J11B, J11J, J11Q, J11R, J11S, J16Z | | 09 | J03A, J03B, J04A, J04B, J08A, J08B, J08C, J11A, J11B, J11J, J11Q, J11R, J11S, J16Z |
| | 09 | J03A, J03B, J04A, J04B, J08A, J08B, J08C, J11A, J11B, J11J, J11Q, J11R, J11S, J16Z | | 09 | J03A, J03B, J04A, J04B, J08A, J08B, J08C, J11A, J11B, J11J, J11Q, J11R, J11S, J16Z | | 10 | K09A, K09B |
| | 10 | K09A, K09B | | 10 | K09A, K09B | | 21A | W04A, W04B |
| | 11 | L09A, L09B, L09C, L09J, L38Z | | 10 | K09A, K09B | | 21B | X04Z, X05A, X05B, X06A, X06B, X06C |
| | 21A | W04A, W04B | | 21A | W04A, W04B | | | KJZSV |
| | 21B | X06A, X06B, X06C | | 21B | X06A, X06B, X06C | | 05 | F01A, F01B, F01D, F14A, F14B, F15Z, F24A, F24B, F28A, F36A, F36B, F54A, F54B, F54J, F59A, F59B |
| | | | | 05 | F01A, F01B, F01D, F14A, F14B, F15Z, F24A, F24B, F28A, F36A, F36B, F54A, F54B, F54J, F59A, F59B | | 09 | J03A, J03B, J04A, J04B, J08A, J08B, J08C, J11A, J11B, J11J, J11Q, J11R, J11S, J16Z |
| | | | | 09 | J03A, J03B, J04A, J04B, J08A, J08B, J08C, J11A, J11B, J11J, J11Q, J11R, J11S, J16Z | | 10 | K09A, K09B |
| | | | | 10 | K09A, K09B | | 21A | W04A, W04B |
| | | | | 21A | W04A, W04B | | 21B | X04Z, X05A, X05B, X06A, X06B, X06C |

VYK

| ZZV | MDC | DRG | ZZV | MDC | DRG | ZZV | MDC | DRG | |
|----------|------------------|--|--|-------|--|------------------|--|--|--|
| 8r883.1x | | KJZSV | 8r884.05 | | BOP, KJZSV, UOP4 | 8r884.0c | | KJZSV | |
| | 05 | F01A, F01B, F01D, F14A, F14B, F15Z, F24A, F24B, F28A, F36A, F36B, F54A, F54B, F54J, F59A, F59B | | 01 | B04A, B04B, B04C, B04D | | 05 | F01A, F01B, F01D, F15Z, F19A, F19B, F19C, F24A, F24B, F36A, F36B | |
| | 09 | J03A, J03B, J04A, J04B, J08A, J08B, J08C, J11A, J11B, J11J, J11Q, J11R, J11S, J16Z | | 05 | F01A, F01B, F01D, F14A, F14B, F15Z, F24A, F24B, F28A, F36A, F36B, F54A, F54B, F54J, F59A, F59B | | 09 | J03A, J03B, J04A, J04B, J08A, J08B, J08C, J11A, J11B, J11J, J11Q, J11R, J11S, J16Z | |
| | 10 | K09A, K09B | | 09 | J03A, J03B, J04A, J04B, J08A, J08B, J08C, J11A, J11B, J11J, J11Q, J11R, J11S, J16Z | | 10 | K09A, K09B | |
| | 21A | W04A, W04B | | 10 | K09A, K09B | | 21A | W04A, W04B | |
| 8r884.00 | 21B | X06A, X06B, X06C | 8r884.06 | 21A | W04A, W04B | 8r884.0d | 21B | X06A, X06B, X06C | |
| | | KJZSV, KOP | | 21B | X06A, X06B, X06C | | 05 | F01A, F01B, F01D, F15Z, F19A, F19B, F19C, F24A, F24B, F36A, F36B | |
| | 01 | B02A, B02B, B02C, B20A, B20B, B20C, B20D, B39A, B39B | | 01 | B04A, B04B, B04C, B04D | | 09 | J03A, J03B, J04A, J04B, J08A, J08B, J08C, J11A, J11B, J11J, J11Q, J11R, J11S, J16Z | |
| | 05 | F01A, F01B, F01D, F14A, F14B, F15Z, F24A, F24B, F28A, F36A, F36B, F54A, F54B, F54J, F59A, F59B | | 05 | F01A, F01B, F01D, F14A, F14B, F15Z, F24A, F24B, F28A, F36A, F36B, F54A, F54B, F54J, F59A, F59B | | 10 | K09A, K09B | |
| | 09 | J03A, J03B, J04A, J04B, J08A, J08B, J08C, J11A, J11B, J11J, J11Q, J11R, J11S, J16Z | | 09 | J03A, J03B, J04A, J04B, J08A, J08B, J08C, J11A, J11B, J11J, J11Q, J11R, J11S, J16Z | | 21A | W04A, W04B | |
| 8r884.02 | 10 | K09A, K09B | 8r884.08 | 21A | W04A, W04B | 8r884.0e | 21B | X06A, X06B, X06C | |
| | 21A | W04A, W04B | | 21B | X06A, X06B, X06C | | KJZSV | | |
| | 21B | X06A, X06B, X06C, X33Z | | 05 | F01A, F01B, F01D, F14A, F14B, F15Z, F24A, F24B, F28A, F36A, F36B, F54A, F54B, F54J, F59A, F59B | | 05 | F01A, F01B, F01D, F14A, F14B, F15Z, F24A, F24B, F28A, F36A, F36B, F54A, F54B, F54J, F59A, F59B | |
| | | BOP, KJZSV, UOP4 | | 09 | J03A, J03B, J04A, J04B, J08A, J08B, J08C, J11A, J11B, J11J, J11Q, J11R, J11S, J16Z | | 09 | J03A, J03B, J04A, J04B, J08A, J08B, J08C, J11A, J11B, J11J, J11Q, J11R, J11S, J16Z | |
| | 01 | B04A, B04B, B04C, B04D | | 10 | K09A, K09B | | 21A | W04A, W04B | |
| 8r884.03 | 05 | F01A, F01B, F01D, F14A, F14B, F15Z, F24A, F24B, F28A, F36A, F36B, F54A, F54B, F54J, F59A, F59B | 8r884.09 | 21B | X04Z, X05A, X05B, X06A, X06B, X06C | 8r884.0f | 21B | X06A, X06B, X06C | |
| | 09 | J03A, J03B, J04A, J04B, J08A, J08B, J08C, J11A, J11B, J11J, J11Q, J11R, J11S, J16Z | | KJZSV | 05 | | F01A, F01B, F01D, F14A, F14B, F15Z, F24A, F24B, F28A, F36A, F36B, F54A, F54B, F54J, F59A, F59B | 05 | F01A, F01B, F01D, F14A, F14B, F15Z, F24A, F24B, F28A, F36A, F36B, F54A, F54B, F54J, F59A, F59B |
| | 10 | K09A, K09B | | 04 | E02A, E02B, E02C | | 09 | J03A, J03B, J04A, J04B, J08A, J08B, J08C, J11A, J11B, J11J, J11Q, J11R, J11S, J16Z | |
| | 21A | W04A, W04B | | 05 | F01A, F01B, F01D, F19A, F19B, F19C | | 10 | K09A, K09B | |
| | 21B | X06A, X06B, X06C | | 10 | K09A, K09B | | 21A | W04A, W04B | |
| 8r884.04 | | BOP, KJZSV, UOP4 | 8r884.0a | 21B | X06B, X06C | 8r884.0g | 21B | X06A, X06B, X06C | |
| | 01 | B04A, B04B, B04C, B04D | | KJZSV | 04 | | E02A, E02B, E02C | BOP, KJZSV, UOP4 | |
| | 05 | F01A, F01B, F01D, F14A, F14B, F15Z, F24A, F24B, F28A, F36A, F36B, F54A, F54B, F54J, F59A, F59B | | 04 | E02A, E02B, E02C | | 01 | B04A, B04B, B04C, B04D | |
| | 09 | J03A, J03B, J04A, J04B, J08A, J08B, J08C, J11A, J11B, J11J, J11Q, J11R, J11S, J16Z | | 05 | F01A, F01B, F01D, F19A, F19B, F19C | | 05 | F01A, F01B, F01D, F14A, F14B, F15Z, F24A, F24B, F28A, F36A, F36B, F54A, F54B, F54J, F59A, F59B | |
| | 10 | K09A, K09B | | 10 | K09A, K09B | | 06 | G10Z, G12A, G12B, G12J | |
| 8r884.04 | 21A | W04A, W04B | 8r884.0b | Pre | A13D | 09 | J03A, J03B, J04A, J04B, J08A, J08B, J08C, J11A, J11B, J11J, J11Q, J11R, J11S, J16Z | | |
| | 21B | X06A, X06B, X06C | | KJZSV | 04 | E02A, E02B, E02C | 10 | K09A, K09B | |
| | 01 | B04A, B04B, B04C, B04D | | 05 | F01A, F01B, F01D, F15Z, F19A, F19B, F19C, F24A, F24B, F36A, F36B | 05 | F01A, F01B, F01D, F19A, F19B, F19C | 11 | L09A, L09B, L09C, L09J, L38Z |
| | 05 | F01A, F01B, F01D, F14A, F14B, F15Z, F24A, F24B, F28A, F36A, F36B, F54A, F54B, F54J, F59A, F59B | | 10 | K09A, K09B | 10 | K09A, K09B | 21A | W04A, W04B |
| | 09 | J03A, J03B, J04A, J04B, J08A, J08B, J08C, J11A, J11B, J11J, J11Q, J11R, J11S, J16Z | | Pre | A13D | 21A | W04A, W04B | 21B | X06A, X06B, X06C |
| 10 | K09A, K09B | 05 | F01A, F01B, F01D, F15Z, F19A, F19B, F19C, F24A, F24B, F36A, F36B | 05 | F01A, F01B, F01D, F19A, F19B, F19C | | | | |
| 21A | W04A, W04B | 09 | J03A, J03B, J04A, J04B, J08A, J08B, J08C, J11A, J11B, J11J, J11Q, J11R, J11S, J16Z | 10 | K09A, K09B | | | | |
| 21B | X06A, X06B, X06C | 10 | K09A, K09B | 21A | W04A, W04B | | | | |
| | | 21B | X06A, X06B, X06C | 21B | X06A, X06B, X06C | | | | |

| ZZV | MDC | DRG | ZZV | MDC | DRG | ZZV | MDC | DRG | | | |
|----------|----------|--|--|--|--|----------|--|--|----------|--|--|
| 8r884.0h | | KJZSV | 8r884.0m | | KJZSV | 8r884.0x | | KJZSV | | | |
| | 05 | F01A, F01B, F01D, F14A, F14B, F15Z, F24A, F24B, F28A, F36A, F36B, F54A, F54B, F54J, F59A, F59B | | 05 | F01A, F01B, F01D, F14A, F14B, F15Z, F24A, F24B, F28A, F36A, F36B, F54A, F54B, F54J, F59A, F59B | | 05 | F01A, F01B, F01D, F14A, F14B, F15Z, F24A, F24B, F28A, F36A, F36B, F54A, F54B, F54J, F59A, F59B | | | |
| | 06 | G10Z, G12A, G12B, G12J | | 09 | J03A, J03B, J04A, J04B, J08A, J08B, J08C, J11A, J11B, J11J, J11Q, J11R, J11S, J16Z | | 09 | J03A, J03B, J04A, J04B, J08A, J08B, J08C, J11A, J11B, J11J, J11Q, J11R, J11S, J16Z | | | |
| | 09 | J03A, J03B, J04A, J04B, J08A, J08B, J08C, J11A, J11B, J11J, J11Q, J11R, J11S, J16Z | | 10 | K09A, K09B | | 10 | K09A, K09B | | | |
| | 10 | K09A, K09B | | 21A | W04A, W04B | | 21A | W04A, W04B | | | |
| | 11 | L09A, L09B, L09C, L09J, L38Z | | 21B | X04Z, X06A, X06B, X06C | | 21B | X06A, X06B, X06C | | | |
| | 21A | W04A, W04B | | 8r884.0n | | | KJZSV | 8r884.10 | | KJZSV, KOP | |
| | 21B | X06A, X06B, X06C | | | 05 | | F01A, F01B, F01D, F14A, F14B, F15Z, F24A, F24B, F28A, F36A, F36B, F54A, F54B, F54J, F59A, F59B | | 01 | B02A, B02B, B02C, B20A, B20B, B20C, B20D, B39A, B39B | |
| | 8r884.0i | | | KJZSV | 8r884.0o | | | KJZSV | 8r884.12 | | KJZSV, UOP4 |
| | | 05 | | F01A, F01B, F01D, F14A, F14B, F15Z, F24A, F24B, F28A, F36A, F36B, F54A, F54B, F54J, F59A, F59B | | | 05 | F01A, F01B, F01D, F14A, F14B, F15Z, F24A, F24B, F28A, F36A, F36B, F54A, F54B, F54J, F59A, F59B | | 05 | F01A, F01B, F01D, F14A, F14B, F15Z, F24A, F24B, F28A, F36A, F36B, F54A, F54B, F54J, F59A, F59B |
| 09 | | J03A, J03B, J04A, J04B, J08A, J08B, J08C, J11A, J11B, J11J, J11Q, J11R, J11S, J16Z | 09 | J03A, J03B, J04A, J04B, J08A, J08B, J08C, J11A, J11B, J11J, J11Q, J11R, J11S, J16Z | | 09 | J03A, J03B, J04A, J04B, J08A, J08B, J08C, J11A, J11B, J11J, J11Q, J11R, J11S, J16Z | | | | |
| 10 | | K09A, K09B | 10 | K09A, K09B | | 10 | K09A, K09B | | | | |
| 21A | | W04A, W04B | 21A | W04A, W04B | | 21A | W04A, W04B | | | | |
| 21B | | X06A, X06B, X06C | 21B | X04Z, X06A, X06B, X06C | | 21B | X06A, X06B, X06C, X33Z | | | | |
| 8r884.0j | | | KJZSV | 8r884.0p | | | KJZSV | 8r884.13 | | | BOP, KJZSV, UOP4 |
| | | 05 | F01A, F01B, F01D, F14A, F14B, F15Z, F24A, F24B, F28A, F36A, F36B, F54A, F54B, F54J, F59A, F59B | | | 05 | F01A, F01B, F01D, F14A, F14B, F15Z, F24A, F24B, F28A, F36A, F36B, F54A, F54B, F54J, F59A, F59B | | | 01 | B04A, B04B, B04C, B04D |
| | | 09 | J03A, J03B, J04A, J04B, J08A, J08B, J08C, J11A, J11B, J11J, J11Q, J11R, J11S, J16Z | | | 09 | J03A, J03B, J04A, J04B, J08A, J08B, J08C, J11A, J11B, J11J, J11Q, J11R, J11S, J16Z | | | 05 | F01A, F01B, F01D, F14A, F14B, F15Z, F24A, F24B, F28A, F36A, F36B, F54A, F54B, F54J, F59A, F59B |
| | | 10 | K09A, K09B | | | 10 | K09A, K09B | | | 09 | J03A, J03B, J04A, J04B, J08A, J08B, J08C, J11A, J11B, J11J, J11Q, J11R, J11S, J16Z |
| | 21A | W04A, W04B | 21A | | W04A, W04B | 10 | K09A, K09B | | | | |
| | 21B | X06A, X06B, X06C | 21B | | X04Z, X05A, X05B, X06A, X06B, X06C | 21A | W04A, W04B | | | | |
| | 8r884.0k | | KJZSV | | 8r884.0q | | KJZSV | | 8r884.14 | | BOP, KJZSV, UOP4 |
| | | 05 | F01A, F01B, F01D, F14A, F14B, F15Z, F24A, F24B, F28A, F36A, F36B, F54A, F54B, F54J, F59A, F59B | | | 05 | F01A, F01B, F01D, F14A, F14B, F15Z, F24A, F24B, F28A, F36A, F36B, F54A, F54B, F54J, F59A, F59B | | | 01 | B04A, B04B, B04C, B04D |
| | | 09 | J03A, J03B, J04A, J04B, J08A, J08B, J08C, J11A, J11B, J11J, J11Q, J11R, J11S, J16Z | | | 09 | J03A, J03B, J04A, J04B, J08A, J08B, J08C, J11A, J11B, J11J, J11Q, J11R, J11S, J16Z | | | 05 | F01A, F01B, F01D, F14A, F14B, F15Z, F24A, F24B, F28A, F36A, F36B, F54A, F54B, F54J, F59A, F59B |
| | | 10 | K09A, K09B | | | 10 | K09A, K09B | | | 09 | J03A, J03B, J04A, J04B, J08A, J08B, J08C, J11A, J11B, J11J, J11Q, J11R, J11S, J16Z |
| 21A | | W04A, W04B | 21A | W04A, W04B | | 10 | K09A, K09B | | | | |
| 21B | | X06A, X06B, X06C | 21B | X04Z, X05A, X05B, X06A, X06B, X06C | | 21A | W04A, W04B | | | | |
| 8r884.0l | | | KJZSV | 8r884.0r | | | KJZSV | 8r884.0y | | | BOP, KJZSV, UOP4 |
| | | 05 | F01A, F01B, F01D, F14A, F14B, F15Z, F24A, F24B, F28A, F36A, F36B, F54A, F54B, F54J, F59A, F59B | | | 05 | F01A, F01B, F01D, F14A, F14B, F15Z, F24A, F24B, F28A, F36A, F36B, F54A, F54B, F54J, F59A, F59B | | | 01 | B04A, B04B, B04C, B04D |
| | | 09 | J03A, J03B, J04A, J04B, J08A, J08B, J08C, J11A, J11B, J11J, J11Q, J11R, J11S, J16Z | | | 09 | J03A, J03B, J04A, J04B, J08A, J08B, J08C, J11A, J11B, J11J, J11Q, J11R, J11S, J16Z | | | 05 | F01A, F01B, F01D, F14A, F14B, F15Z, F24A, F24B, F28A, F36A, F36B, F54A, F54B, F54J, F59A, F59B |
| | | 10 | K09A, K09B | | | 10 | K09A, K09B | | | 09 | J03A, J03B, J04A, J04B, J08A, J08B, J08C, J11A, J11B, J11J, J11Q, J11R, J11S, J16Z |
| | 21A | W04A, W04B | 21A | | W04A, W04B | 10 | K09A, K09B | | | | |
| | 21B | X05A, X05B, X06A, X06B, X06C | 21B | | X04Z, X05A, X05B, X06A, X06B, X06C | 21A | W04A, W04B | | | | |

VYK

| ZZV | MDC | DRG | ZZV | MDC | DRG | ZZV | MDC | DRG | | | |
|----------|----------|--|------------------------------------|--|--|--|--|--|------------------|--|--|
| 8r884.15 | | BOP, KJZSV, UOP4 | 8r884.1c | | KJZSV | 8r884.1h | | KJZSV | | | |
| | 01 | B04A, B04B, B04C, B04D | | 05 | F01A, F01B, F01D, F15Z, F19A, F19B, F19C, F24A, F24B, F36A, F36B | | 05 | F01A, F01B, F01D, F14A, F14B, F15Z, F24A, F24B, F28A, F36A, F36B, F54A, F54B, F54J, F59A, F59B | | | |
| | 05 | F01A, F01B, F01D, F14A, F14B, F15Z, F24A, F24B, F28A, F36A, F36B, F54A, F54B, F54J, F59A, F59B | | 09 | J03A, J03B, J04A, J04B, J08A, J08B, J08C, J11A, J11B, J11J, J11Q, J11R, J11S, J16Z | | 06 | G10Z, G12A, G12B, G12J | | | |
| | 09 | J03A, J03B, J04A, J04B, J08A, J08B, J08C, J11A, J11B, J11J, J11Q, J11R, J11S, J16Z | | 10 | K09A, K09B | | 09 | J03A, J03B, J04A, J04B, J08A, J08B, J08C, J11A, J11B, J11J, J11Q, J11R, J11S, J16Z | | | |
| | 10 | K09A, K09B | | 21A | W04A, W04B | | 10 | K09A, K09B | | | |
| | 21A | W04A, W04B | | 21B | X06A, X06B, X06C | | 11 | L09A, L09B, L09C, L09J, L38Z | | | |
| | 21B | X06A, X06B, X06C | | 8r884.1d | | | KJZSV | 21A | W04A, W04B | | |
| | 8r884.16 | | | | BOP, KJZSV, UOP4 | | 05 | F01A, F01B, F01D, F15Z, F19A, F19B, F19C, F24A, F24B, F36A, F36B | 21B | X06A, X06B, X06C | |
| | | 01 | | | B04A, B04B, B04C, B04D | | 09 | J03A, J03B, J04A, J04B, J08A, J08B, J08C, J11A, J11B, J11J, J11Q, J11R, J11S, J16Z | 8r884.1i | | KJZSV |
| | | 05 | | | F01A, F01B, F01D, F14A, F14B, F15Z, F24A, F24B, F28A, F36A, F36B, F54A, F54B, F54J, F59A, F59B | | 10 | K09A, K09B | | 05 | F01A, F01B, F01D, F14A, F14B, F15Z, F24A, F24B, F28A, F36A, F36B, F54A, F54B, F54J, F59A, F59B |
| 09 | | J03A, J03B, J04A, J04B, J08A, J08B, J08C, J11A, J11B, J11J, J11Q, J11R, J11S, J16Z | 21A | | W04A, W04B | 09 | J03A, J03B, J04A, J04B, J08A, J08B, J08C, J11A, J11B, J11J, J11Q, J11R, J11S, J16Z | | | | |
| 10 | | K09A, K09B | 21B | | X06A, X06B, X06C | 10 | K09A, K09B | | | | |
| 21A | | W04A, W04B | 8r884.1e | | | KJZSV | 21A | W04A, W04B | | | |
| 21B | | X06A, X06B, X06C | | | 05 | F01A, F01B, F01D, F14A, F14B, F15Z, F24A, F24B, F28A, F36A, F36B, F54A, F54B, F54J, F59A, F59B | 21B | X06A, X06B, X06C | | | |
| 8r884.18 | | | | | KJZSV | 09 | J03A, J03B, J04A, J04B, J08A, J08B, J08C, J11A, J11B, J11J, J11Q, J11R, J11S, J16Z | 8r884.1j | | | KJZSV |
| | | 05 | | | F01A, F01B, F01D, F14A, F14B, F15Z, F24A, F24B, F28A, F36A, F36B, F54A, F54B, F54J, F59A, F59B | 10 | K09A, K09B | | | 05 | F01A, F01B, F01D, F14A, F14B, F15Z, F24A, F24B, F28A, F36A, F36B, F54A, F54B, F54J, F59A, F59B |
| | | 09 | | J03A, J03B, J04A, J04B, J08A, J08B, J08C, J11A, J11B, J11J, J11Q, J11R, J11S, J16Z | 21A | W04A, W04B | 09 | | | J03A, J03B, J04A, J04B, J08A, J08B, J08C, J11A, J11B, J11J, J11Q, J11R, J11S, J16Z | |
| | 10 | K09A, K09B | | 21B | X06A, X06B, X06C | 10 | K09A, K09B | | | | |
| | 21A | W04A, W04B | | 8r884.1f | | KJZSV | 21A | | W04A, W04B | | |
| | 21B | X04Z, X05A, X05B, X06A, X06B, X06C | | | 05 | F01A, F01B, F01D, F14A, F14B, F15Z, F24A, F24B, F28A, F36A, F36B, F54A, F54B, F54J, F59A, F59B | 21B | | X06A, X06B, X06C | | |
| | 8r884.19 | | | | KJZSV | 09 | J03A, J03B, J04A, J04B, J08A, J08B, J08C, J11A, J11B, J11J, J11Q, J11R, J11S, J16Z | | 8r884.1k | | KJZSV |
| | | 04 | | | E02A, E02B, E02C | 10 | K09A, K09B | | | 05 | F01A, F01B, F01D, F14A, F14B, F15Z, F24A, F24B, F28A, F36A, F36B, F54A, F54B, F54J, F59A, F59B |
| | | 05 | F01A, F01B, F01D, F19A, F19B, F19C | | 21A | W04A, W04B | 09 | | | J03A, J03B, J04A, J04B, J08A, J08B, J08C, J11A, J11B, J11J, J11Q, J11R, J11S, J16Z | |
| | | 10 | K09A, K09B | | 21B | X06A, X06B, X06C | 10 | | | K09A, K09B | |
| Pre | | A13D | 8r884.1g | | | BOP, KJZSV, UOP4 | 21A | W04A, W04B | | | |
| 8r884.1a | | | | | KJZSV | 01 | B04A, B04B, B04C, B04D | 21B | | X06A, X06B, X06C | |
| | | 04 | | | E02A, E02B, E02C | 05 | F01A, F01B, F01D, F14A, F14B, F15Z, F24A, F24B, F28A, F36A, F36B, F54A, F54B, F54J, F59A, F59B | 8r884.1l | | | KJZSV |
| | | 05 | | | F01A, F01B, F01D, F19A, F19B, F19C | 06 | G10Z, G12A, G12B, G12J | | | 05 | F01A, F01B, F01D, F14A, F14B, F15Z, F24A, F24B, F28A, F36A, F36B, F54A, F54B, F54J, F59A, F59B |
| | | 10 | | K09A, K09B | 09 | J03A, J03B, J04A, J04B, J08A, J08B, J08C, J11A, J11B, J11J, J11Q, J11R, J11S, J16Z | 09 | | | J03A, J03B, J04A, J04B, J08A, J08B, J08C, J11A, J11B, J11J, J11Q, J11R, J11S, J16Z | |
| | | Pre | | A13D | 10 | K09A, K09B | 10 | | | K09A, K09B | |
| | 8r884.1b | | | KJZSV | 11 | L09A, L09B, L09C, L09J, L38Z | 21A | | W04A, W04B | | |
| | | 05 | | F01A, F01B, F01D, F15Z, F19A, F19B, F19C, F24A, F24B, F36A, F36B | 21B | X06A, X06B, X06C | 21B | | X06A, X06B, X06C | | |
| | | 09 | | J03A, J03B, J04A, J04B, J08A, J08B, J08C, J11A, J11B, J11J, J11Q, J11R, J11S, J16Z | 8r884.1i | | KJZSV | | 05 | F01A, F01B, F01D, F14A, F14B, F15Z, F24A, F24B, F28A, F36A, F36B, F54A, F54B, F54J, F59A, F59B | |
| | | 10 | | K09A, K09B | | 06 | G10Z, G12A, G12B, G12J | | 09 | J03A, J03B, J04A, J04B, J08A, J08B, J08C, J11A, J11B, J11J, J11Q, J11R, J11S, J16Z | |
| | | 21A | W04A, W04B | 09 | | J03A, J03B, J04A, J04B, J08A, J08B, J08C, J11A, J11B, J11J, J11Q, J11R, J11S, J16Z | 10 | | K09A, K09B | | |
| 21B | | X06A, X06B, X06C | 10 | K09A, K09B | | 21A | W04A, W04B | | | | |
| | | | 11 | L09A, L09B, L09C, L09J, L38Z | | 21B | X06A, X06B, X06C | | | | |
| | | | | | | | | | | | |
| | | | | | | | | | | | |
| | | | | | | | | | | | |
| | | | | | | | | | | | |
| | | | | | | | | | | | |

VYK

| ZZV | MDC | DRG | ZZV | MDC | DRG | ZZV | MDC | DRG |
|----------|-----|--|----------|-----|--|----------|-----|--|
| 8r884.1m | | KJZSV | 8r884.1x | | KJZSV | 8r885.06 | | BOP, KJZSV, UOP4 |
| | 05 | F01A, F01B, F01D, F14A, F14B, F15Z, F24A, F24B, F28A, F36A, F36B, F54A, F54B, F54J, F59A, F59B | | 05 | F01A, F01B, F01D, F14A, F14B, F15Z, F24A, F24B, F28A, F36A, F36B, F54A, F54B, F54J, F59A, F59B | | 01 | B04A, B04B, B04C, B04D |
| | 09 | J03A, J03B, J04A, J04B, J08A, J08B, J08C, J11A, J11B, J11J, J11Q, J11R, J11S, J16Z | | 09 | J03A, J03B, J04A, J04B, J08A, J08B, J08C, J11A, J11B, J11J, J11Q, J11R, J11S, J16Z | | 05 | F01A, F01B, F01D, F14A, F14B, F15Z, F24A, F24B, F28A, F36A, F36B, F54A, F54B, F54J, F59A, F59B |
| | 10 | K09A, K09B | | 10 | K09A, K09B | | 09 | J03A, J03B, J04A, J04B, J08A, J08B, J08C, J11A, J11B, J11J, J11Q, J11R, J11S, J16Z |
| | 21A | W04A, W04B | | 21A | W04A, W04B | | 10 | K09A, K09B |
| 8r884.1n | 21B | X04Z, X06A, X06B, X06C | 8r885.02 | 21B | X06A, X06B, X06C | 8r885.0x | 21A | W04A, W04B |
| | | KJZSV | | | BOP, KJZSV, KOP, UOP4 | | 21B | X06A, X06B, X06C |
| | 05 | F01A, F01B, F01D, F14A, F14B, F15Z, F24A, F24B, F28A, F36A, F36B, F54A, F54B, F54J, F59A, F59B | | 01 | B02A, B02B, B02C, B20A, B20B, B20C, B20D, B39A, B39B | | 05 | F01A, F01B, F01D, F14A, F14B, F15Z, F24A, F24B, F28A, F36A, F36B, F54A, F54B, F54J, F59A, F59B |
| | 09 | J03A, J03B, J04A, J04B, J08A, J08B, J08C, J11A, J11B, J11J, J11Q, J11R, J11S, J16Z | | 05 | F01A, F01B, F01D, F14A, F14B, F15Z, F24A, F24B, F28A, F36A, F36B, F54A, F54B, F54J, F59A, F59B | | 09 | J03A, J03B, J04A, J04B, J08A, J08B, J08C, J11A, J11B, J11J, J11Q, J11R, J11S, J16Z |
| | 10 | K09A, K09B | | 09 | J03A, J03B, J04A, J04B, J08A, J08B, J08C, J11A, J11B, J11J, J11Q, J11R, J11S, J16Z | | 10 | K09A, K09B |
| 8r884.1o | 21A | W04A, W04B | 8r885.03 | 21A | W04A, W04B | 8r885.12 | 21A | W04A, W04B |
| | 21B | X04Z, X06A, X06B, X06C | | 21B | X06A, X06B, X06C, X33Z | | 21B | X06A, X06B, X06C |
| | | KJZSV | | | BOP, KJZSV, UOP4 | | 01 | B04A, B04B, B04C, B04D |
| | 05 | F01A, F01B, F01D, F14A, F14B, F15Z, F24A, F24B, F28A, F36A, F36B, F54A, F54B, F54J, F59A, F59B | | 01 | B04A, B04B, B04C, B04D | | 05 | F01A, F01B, F01D, F14A, F14B, F15Z, F24A, F24B, F28A, F36A, F36B, F54A, F54B, F54J, F59A, F59B |
| | 09 | J03A, J03B, J04A, J04B, J08A, J08B, J08C, J11A, J11B, J11J, J11Q, J11R, J11S, J16Z | | 05 | F01A, F01B, F01D, F14A, F14B, F15Z, F24A, F24B, F28A, F36A, F36B, F54A, F54B, F54J, F59A, F59B | | 09 | J03A, J03B, J04A, J04B, J08A, J08B, J08C, J11A, J11B, J11J, J11Q, J11R, J11S, J16Z |
| 8r884.1p | 10 | K09A, K09B | 8r885.04 | 09 | J03A, J03B, J04A, J04B, J08A, J08B, J08C, J11A, J11B, J11J, J11Q, J11R, J11S, J16Z | 8r885.13 | 10 | K09A, K09B |
| | 21A | W04A, W04B | | 10 | K09A, K09B | | 21A | W04A, W04B |
| | 21B | X04Z, X05A, X05B, X06A, X06B, X06C | | 21A | W04A, W04B | | 21B | X06A, X06B, X06C |
| | | KJZSV | | 21B | X06A, X06B, X06C | | 01 | B04A, B04B, B04C, B04D |
| | 05 | F01A, F01B, F01D, F14A, F14B, F15Z, F24A, F24B, F28A, F36A, F36B, F54A, F54B, F54J, F59A, F59B | | 01 | B04A, B04B, B04C, B04D | | 05 | F01A, F01B, F01D, F14A, F14B, F15Z, F24A, F24B, F28A, F36A, F36B, F54A, F54B, F54J, F59A, F59B |
| 8r884.1q | 09 | J03A, J03B, J04A, J04B, J08A, J08B, J08C, J11A, J11B, J11J, J11Q, J11R, J11S, J16Z | 8r885.05 | 05 | F01A, F01B, F01D, F14A, F14B, F15Z, F24A, F24B, F28A, F36A, F36B, F54A, F54B, F54J, F59A, F59B | 8r885.14 | 09 | J03A, J03B, J04A, J04B, J08A, J08B, J08C, J11A, J11B, J11J, J11Q, J11R, J11S, J16Z |
| | 10 | K09A, K09B | | 09 | J03A, J03B, J04A, J04B, J08A, J08B, J08C, J11A, J11B, J11J, J11Q, J11R, J11S, J16Z | | 10 | K09A, K09B |
| | 21A | W04A, W04B | | 10 | K09A, K09B | | 21A | W04A, W04B |
| | 21B | X04Z, X05A, X05B, X06A, X06B, X06C | | 21A | W04A, W04B | | 21B | X06A, X06B, X06C |
| | | KJZSV | | 21B | X06A, X06B, X06C | | 01 | B04A, B04B, B04C, B04D |



| ZZV | MDC | DRG | ZZV | MDC | DRG | ZZV | MDC | DRG | | | | |
|----------|----------|--|--|--|--|----------|--|--|----------|----------|--|--|
| 8r885.42 | | BOP, KJZSV, UOP4 | 8r885.4x | | KJZSV | 8r885.56 | | BOP, KJZSV, UOP4 | | | | |
| | 01 | B04A, B04B, B04C, B04D | | 05 | F01A, F01B, F01D, F14A, F14B, F15Z, F24A, F24B, F28A, F36A, F36B, F54A, F54B, F54J, F59A, F59B | | 01 | B04A, B04B, B04C, B04D | | | | |
| | 05 | F01A, F01B, F01D, F14A, F14B, F15Z, F24A, F24B, F28A, F36A, F36B, F54A, F54B, F54J, F59A, F59B | | 09 | J03A, J03B, J04A, J04B, J08A, J08B, J08C, J11A, J11B, J11J, J11Q, J11R, J11S, J16Z | | 05 | F01A, F01B, F01D, F14A, F14B, F15Z, F24A, F24B, F28A, F36A, F36B, F54A, F54B, F54J, F59A, F59B | | | | |
| | 09 | J03A, J03B, J04A, J04B, J08A, J08B, J08C, J11A, J11B, J11J, J11Q, J11R, J11S, J16Z | | 10 | K09A, K09B | | 09 | J03A, J03B, J04A, J04B, J08A, J08B, J08C, J11A, J11B, J11J, J11Q, J11R, J11S, J16Z | | | | |
| | 10 | K09A, K09B | | 21A | W04A, W04B | | 10 | K09A, K09B | | | | |
| | 21A | W04A, W04B | | 21B | X06A, X06B, X06C | | 21A | W04A, W04B | | | | |
| | 21B | X06A, X06B, X06C | | | BOP, KJZSV, UOP4 | | 21B | X06A, X06B, X06C | | | | |
| | 8r885.43 | | | BOP, KJZSV, UOP4 | 8r885.52 | | | BOP, KJZSV, UOP4 | 8r885.5x | | KJZSV | |
| | | 01 | | B04A, B04B, B04C, B04D | | | 01 | B04A, B04B, B04C, B04D | | 05 | F01A, F01B, F01D, F14A, F14B, F15Z, F24A, F24B, F28A, F36A, F36B, F54A, F54B, F54J, F59A, F59B | |
| | | 05 | | F01A, F01B, F01D, F14A, F14B, F15Z, F24A, F24B, F28A, F36A, F36B, F54A, F54B, F54J, F59A, F59B | | | 09 | J03A, J03B, J04A, J04B, J08A, J08B, J08C, J11A, J11B, J11J, J11Q, J11R, J11S, J16Z | | 09 | J03A, J03B, J04A, J04B, J08A, J08B, J08C, J11A, J11B, J11J, J11Q, J11R, J11S, J16Z | |
| 09 | | J03A, J03B, J04A, J04B, J08A, J08B, J08C, J11A, J11B, J11J, J11Q, J11R, J11S, J16Z | 10 | K09A, K09B | | 10 | K09A, K09B | | | | | |
| 10 | | K09A, K09B | 21A | W04A, W04B | | 21A | W04A, W04B | | | | | |
| 21A | | W04A, W04B | 21B | X06A, X06B, X06C | | 21B | X06A, X06B, X06C | | | | | |
| 21B | | X06A, X06B, X06C | | BOP, KJZSV, UOP4 | | 8r886.00 | | BOP, KJZSV, KOP, UOP4 | | | | |
| 8r885.44 | | | BOP, KJZSV, UOP4 | 8r885.53 | | | | BOP, KJZSV, UOP4 | | 8r886.00 | | BOP, KJZSV, KOP, UOP4 |
| | | 01 | B04A, B04B, B04C, B04D | | | | 01 | B04A, B04B, B04C, B04D | | | 01 | B02A, B02B, B02C, B20A, B20B, B20C, B20D, B39A, B39B |
| | | 05 | F01A, F01B, F01D, F14A, F14B, F15Z, F24A, F24B, F28A, F36A, F36B, F54A, F54B, F54J, F59A, F59B | | | | 05 | F01A, F01B, F01D, F14A, F14B, F15Z, F24A, F24B, F28A, F36A, F36B, F54A, F54B, F54J, F59A, F59B | | | 05 | F01A, F01B, F01D, F14A, F14B, F15Z, F24A, F24B, F28A, F36A, F36B, F54A, F54B, F54J, F59A, F59B |
| | 09 | J03A, J03B, J04A, J04B, J08A, J08B, J08C, J11A, J11B, J11J, J11Q, J11R, J11S, J16Z | 09 | | J03A, J03B, J04A, J04B, J08A, J08B, J08C, J11A, J11B, J11J, J11Q, J11R, J11S, J16Z | | 09 | J03A, J03B, J04A, J04B, J08A, J08B, J08C, J11A, J11B, J11J, J11Q, J11R, J11S, J16Z | | | | |
| | 10 | K09A, K09B | 10 | | K09A, K09B | | 10 | K09A, K09B | | | | |
| | 21A | W04A, W04B | 21A | | W04A, W04B | | 21A | W04A, W04B | | | | |
| | 21B | X06A, X06B, X06C | 21B | | X06A, X06B, X06C | | 21B | X06A, X06B, X06C | | | | |
| | 8r885.45 | | BOP, KJZSV, UOP4 | | 8r885.54 | | | BOP, KJZSV, UOP4 | 8r886.02 | | | BOP, KJZSV, UOP4 |
| | | 01 | B04A, B04B, B04C, B04D | | | | 01 | B04A, B04B, B04C, B04D | | | 01 | B04A, B04B, B04C, B04D |
| | | 05 | F01A, F01B, F01D, F14A, F14B, F15Z, F24A, F24B, F28A, F36A, F36B, F54A, F54B, F54J, F59A, F59B | | | 05 | F01A, F01B, F01D, F14A, F14B, F15Z, F24A, F24B, F28A, F36A, F36B, F54A, F54B, F54J, F59A, F59B | 05 | | | F01A, F01B, F01D, F14A, F14B, F15Z, F24A, F24B, F28A, F36A, F36B, F54A, F54B, F54J, F59A, F59B | |
| 09 | | J03A, J03B, J04A, J04B, J08A, J08B, J08C, J11A, J11B, J11J, J11Q, J11R, J11S, J16Z | 09 | J03A, J03B, J04A, J04B, J08A, J08B, J08C, J11A, J11B, J11J, J11Q, J11R, J11S, J16Z | | 09 | J03A, J03B, J04A, J04B, J08A, J08B, J08C, J11A, J11B, J11J, J11Q, J11R, J11S, J16Z | | | | | |
| 10 | | K09A, K09B | 10 | K09A, K09B | | 10 | K09A, K09B | | | | | |
| 21A | | W04A, W04B | 21A | W04A, W04B | | 21A | W04A, W04B | | | | | |
| 21B | | X06A, X06B, X06C | 21B | X06A, X06B, X06C | | 21B | X06A, X06B, X06C | | | | | |
| 8r885.46 | | | BOP, KJZSV, UOP4 | 8r885.55 | | | BOP, KJZSV, UOP4 | 8r886.03 | | | BOP, KJZSV, UOP4 | |
| | | 01 | B04A, B04B, B04C, B04D | | | 01 | B04A, B04B, B04C, B04D | | | 01 | B04A, B04B, B04C, B04D | |
| | | 05 | F01A, F01B, F01D, F14A, F14B, F15Z, F24A, F24B, F28A, F36A, F36B, F54A, F54B, F54J, F59A, F59B | | | 05 | F01A, F01B, F01D, F14A, F14B, F15Z, F24A, F24B, F28A, F36A, F36B, F54A, F54B, F54J, F59A, F59B | | | 05 | F01A, F01B, F01D, F14A, F14B, F15Z, F24A, F24B, F28A, F36A, F36B, F54A, F54B, F54J, F59A, F59B | |
| | 09 | J03A, J03B, J04A, J04B, J08A, J08B, J08C, J11A, J11B, J11J, J11Q, J11R, J11S, J16Z | 09 | | J03A, J03B, J04A, J04B, J08A, J08B, J08C, J11A, J11B, J11J, J11Q, J11R, J11S, J16Z | 09 | J03A, J03B, J04A, J04B, J08A, J08B, J08C, J11A, J11B, J11J, J11Q, J11R, J11S, J16Z | | | | | |
| | 10 | K09A, K09B | 10 | | K09A, K09B | 10 | K09A, K09B | | | | | |
| | 21A | W04A, W04B | 21A | | W04A, W04B | 21A | W04A, W04B | | | | | |
| | 21B | X06A, X06B, X06C | 21B | | X06A, X06B, X06C | 21B | X06A, X06B, X06C | | | | | |

VYK

| ZZV | MDC | DRG | ZZV | MDC | DRG | ZZV | MDC | DRG |
|----------|------------------|--|------------------|-----|--|----------|-----|--|
| 8r886.04 | | BOP, KJZSV, UOP4 | 8r886.0f | | KJZSV | 8r886.0k | | KJZSV |
| | 01 | B04A, B04B, B04C, B04D | | 05 | F01A, F01B, F01D, F14A, F14B, F15Z, F24A, F24B, F28A, F36A, F36B, F54A, F54B, F54J, F59A, F59B | | 05 | F01A, F01B, F01D, F14A, F14B, F15Z, F24A, F24B, F28A, F36A, F36B, F54A, F54B, F54J, F59A, F59B |
| | 05 | F01A, F01B, F01D, F14A, F14B, F15Z, F24A, F24B, F28A, F36A, F36B, F54A, F54B, F54J, F59A, F59B | | 09 | J03A, J03B, J04A, J04B, J08A, J08B, J08C, J11A, J11B, J11J, J11Q, J11R, J11S, J16Z | | 09 | J03A, J03B, J04A, J04B, J08A, J08B, J08C, J11A, J11B, J11J, J11Q, J11R, J11S, J16Z |
| | 09 | J03A, J03B, J04A, J04B, J08A, J08B, J08C, J11A, J11B, J11J, J11Q, J11R, J11S, J16Z | | 10 | K09A, K09B | | 10 | K09A, K09B |
| | 10 | K09A, K09B | | 21A | W04A, W04B | | 21A | W04A, W04B |
| | 21A | W04A, W04B | | 21B | X06A, X06B, X06C | | 21B | X06A, X06B, X06C |
| | 21B | X06A, X06B, X06C | | | | | | |
| 8r886.05 | | BOP, KJZSV, UOP4 | 8r886.0g | | KJZSV | 8r886.0l | | KJZSV |
| | 01 | B04A, B04B, B04C, B04D | | 05 | F01A, F01B, F01D, F14A, F14B, F15Z, F24A, F24B, F28A, F36A, F36B, F54A, F54B, F54J, F59A, F59B | | 05 | F01A, F01B, F01D, F14A, F14B, F15Z, F24A, F24B, F28A, F36A, F36B, F54A, F54B, F54J, F59A, F59B |
| | 05 | F01A, F01B, F01D, F14A, F14B, F15Z, F24A, F24B, F28A, F36A, F36B, F54A, F54B, F54J, F59A, F59B | | 06 | G10Z, G12A, G12B, G12J | | 09 | J03A, J03B, J04A, J04B, J08A, J08B, J08C, J11A, J11B, J11J, J11Q, J11R, J11S, J16Z |
| | 09 | J03A, J03B, J04A, J04B, J08A, J08B, J08C, J11A, J11B, J11J, J11Q, J11R, J11S, J16Z | | 09 | J03A, J03B, J04A, J04B, J08A, J08B, J08C, J11A, J11B, J11J, J11Q, J11R, J11S, J16Z | | 10 | K09A, K09B |
| | 10 | K09A, K09B | | 10 | K09A, K09B | | 21A | W04A, W04B |
| | 21A | W04A, W04B | | 11 | L09A, L09B, L09C, L09J, L38Z | | 21B | X05A, X05B, X06A, X06B, X06C |
| | 21B | X06A, X06B, X06C | | 21A | W04A, W04B | | | |
| 8r886.06 | | BOP, KJZSV, UOP4 | 8r886.0h | | KJZSV | 8r886.0m | | KJZSV |
| | 01 | B04A, B04B, B04C, B04D | | 05 | F01A, F01B, F01D, F14A, F14B, F15Z, F24A, F24B, F28A, F36A, F36B, F54A, F54B, F54J, F59A, F59B | | 05 | F01A, F01B, F01D, F14A, F14B, F15Z, F24A, F24B, F28A, F36A, F36B, F54A, F54B, F54J, F59A, F59B |
| | 05 | F01A, F01B, F01D, F14A, F14B, F15Z, F24A, F24B, F28A, F36A, F36B, F54A, F54B, F54J, F59A, F59B | | 06 | G10Z, G12A, G12B, G12J | | 09 | J03A, J03B, J04A, J04B, J08A, J08B, J08C, J11A, J11B, J11J, J11Q, J11R, J11S, J16Z |
| | 09 | J03A, J03B, J04A, J04B, J08A, J08B, J08C, J11A, J11B, J11J, J11Q, J11R, J11S, J16Z | | 09 | J03A, J03B, J04A, J04B, J08A, J08B, J08C, J11A, J11B, J11J, J11Q, J11R, J11S, J16Z | | 10 | K09A, K09B |
| | 10 | K09A, K09B | | 10 | K09A, K09B | | 21A | W04A, W04B |
| | 21A | W04A, W04B | | 11 | L09A, L09B, L09C, L09J, L38Z | | 21B | X04Z, X06A, X06B, X06C |
| | 21B | X06A, X06B, X06C | | 21A | W04A, W04B | | | |
| 8r886.0a | | KJZSV | 8r886.0i | | KJZSV | 8r886.0n | | KJZSV |
| | 04 | E02A, E02B, E02C | | 05 | F01A, F01B, F01D, F14A, F14B, F15Z, F24A, F24B, F28A, F36A, F36B, F54A, F54B, F54J, F59A, F59B | | 05 | F01A, F01B, F01D, F14A, F14B, F15Z, F24A, F24B, F28A, F36A, F36B, F54A, F54B, F54J, F59A, F59B |
| | 05 | F01A, F01B, F01D, F19A, F19B, F19C | | 09 | J03A, J03B, J04A, J04B, J08A, J08B, J08C, J11A, J11B, J11J, J11Q, J11R, J11S, J16Z | | 09 | J03A, J03B, J04A, J04B, J08A, J08B, J08C, J11A, J11B, J11J, J11Q, J11R, J11S, J16Z |
| | 10 | K09A, K09B | | 10 | K09A, K09B | | 10 | K09A, K09B |
| | Pre | A13D | | 21A | W04A, W04B | | 21A | W04A, W04B |
| 8r886.0b | | KJZSV | 8r886.0j | | KJZSV | 8r886.0o | | KJZSV |
| | 05 | F01A, F01B, F01D, F14A, F14B, F15Z, F19A, F19B, F19C, F24A, F24B, F36A, F36B, F54A, F54B, F54J | | 05 | F01A, F01B, F01D, F14A, F14B, F15Z, F24A, F24B, F28A, F36A, F36B, F54A, F54B, F54J, F59A, F59B | | 05 | F01A, F01B, F01D, F14A, F14B, F15Z, F24A, F24B, F28A, F36A, F36B, F54A, F54B, F54J, F59A, F59B |
| | 09 | J03A, J03B, J04A, J04B, J08A, J08B, J08C, J11A, J11B, J11J, J11Q, J11R, J11S, J16Z | | 09 | J03A, J03B, J04A, J04B, J08A, J08B, J08C, J11A, J11B, J11J, J11Q, J11R, J11S, J16Z | | 09 | J03A, J03B, J04A, J04B, J08A, J08B, J08C, J11A, J11B, J11J, J11Q, J11R, J11S, J16Z |
| | 10 | K09A, K09B | | 10 | K09A, K09B | | 10 | K09A, K09B |
| | 21A | W04A, W04B | | 21A | W04A, W04B | | 21A | W04A, W04B |
| 8r886.0e | | KJZSV | 8r886.0e | | KJZSV | 8r886.0e | | KJZSV |
| | 05 | F01A, F01B, F01D, F14A, F14B, F15Z, F24A, F24B, F28A, F36A, F36B, F54A, F54B, F54J, F59A, F59B | | 05 | F01A, F01B, F01D, F14A, F14B, F15Z, F24A, F24B, F28A, F36A, F36B, F54A, F54B, F54J, F59A, F59B | | 05 | F01A, F01B, F01D, F14A, F14B, F15Z, F24A, F24B, F28A, F36A, F36B, F54A, F54B, F54J, F59A, F59B |
| | 09 | J03A, J03B, J04A, J04B, J08A, J08B, J08C, J11A, J11B, J11J, J11Q, J11R, J11S, J16Z | | 09 | J03A, J03B, J04A, J04B, J08A, J08B, J08C, J11A, J11B, J11J, J11Q, J11R, J11S, J16Z | | 09 | J03A, J03B, J04A, J04B, J08A, J08B, J08C, J11A, J11B, J11J, J11Q, J11R, J11S, J16Z |
| | 10 | K09A, K09B | | 10 | K09A, K09B | | 10 | K09A, K09B |
| | 21A | W04A, W04B | | 21A | W04A, W04B | | 21A | W04A, W04B |
| 21B | X06A, X06B, X06C | 21B | X06A, X06B, X06C | 21B | X04Z, X06A, X06B, X06C | | | |

VYK

| ZZV | MDC | DRG | ZZV | MDC | DRG | ZZV | MDC | DRG |
|----------|-----|--|----------|-----|--|----------|-----|--|
| 8r886.0p | | KJZSV | 8r886.13 | | BOP, KJZSV, UOP4 | 8r886.1e | | KJZSV |
| | 05 | F01A, F01B, F01D, F14A, F14B, F15Z, F24A, F24B, F28A, F36A, F36B, F54A, F54B, F54J, F59A, F59B | | 01 | B04A, B04B, B04C, B04D | | 05 | F01A, F01B, F01D, F14A, F14B, F15Z, F24A, F24B, F28A, F36A, F36B, F54A, F54B, F54J, F59A, F59B |
| | 09 | J03A, J03B, J04A, J04B, J08A, J08B, J08C, J11A, J11B, J11J, J11Q, J11R, J11S, J16Z | | 05 | F01A, F01B, F01D, F14A, F14B, F15Z, F24A, F24B, F28A, F36A, F36B, F54A, F54B, F54J, F59A, F59B | | 09 | J03A, J03B, J04A, J04B, J08A, J08B, J08C, J11A, J11B, J11J, J11Q, J11R, J11S, J16Z |
| | 10 | K09A, K09B | | 09 | J03A, J03B, J04A, J04B, J08A, J08B, J08C, J11A, J11B, J11J, J11Q, J11R, J11S, J16Z | | 10 | K09A, K09B |
| | 21A | W04A, W04B | | 10 | K09A, K09B | | 10 | K09A, K09B |
| | 21B | X04Z, X05A, X05B, X06A, X06B, X06C | | 21A | W04A, W04B | | 21A | W04A, W04B |
| 8r886.0q | | KJZSV | 8r886.14 | | BOP, KJZSV, UOP4 | 8r886.1f | | KJZSV |
| | 05 | F01A, F01B, F01D, F14A, F14B, F15Z, F24A, F24B, F28A, F36A, F36B, F54A, F54B, F54J, F59A, F59B | | 01 | B04A, B04B, B04C, B04D | | 05 | F01A, F01B, F01D, F14A, F14B, F15Z, F24A, F24B, F28A, F36A, F36B, F54A, F54B, F54J, F59A, F59B |
| | 09 | J03A, J03B, J04A, J04B, J08A, J08B, J08C, J11A, J11B, J11J, J11Q, J11R, J11S, J16Z | | 05 | F01A, F01B, F01D, F14A, F14B, F15Z, F24A, F24B, F28A, F36A, F36B, F54A, F54B, F54J, F59A, F59B | | 09 | J03A, J03B, J04A, J04B, J08A, J08B, J08C, J11A, J11B, J11J, J11Q, J11R, J11S, J16Z |
| | 10 | K09A, K09B | | 09 | J03A, J03B, J04A, J04B, J08A, J08B, J08C, J11A, J11B, J11J, J11Q, J11R, J11S, J16Z | | 10 | K09A, K09B |
| | 21A | W04A, W04B | | 10 | K09A, K09B | | 10 | K09A, K09B |
| | 21B | X04Z, X05A, X05B, X06A, X06B, X06C | | 21A | W04A, W04B | | 21A | W04A, W04B |
| 8r886.0x | | KJZSV | 8r886.15 | | BOP, KJZSV, UOP4 | 8r886.1g | | KJZSV |
| | 05 | F01A, F01B, F01D, F14A, F14B, F15Z, F24A, F24B, F28A, F36A, F36B, F54A, F54B, F54J, F59A, F59B | | 01 | B04A, B04B, B04C, B04D | | 05 | F01A, F01B, F01D, F14A, F14B, F15Z, F24A, F24B, F28A, F36A, F36B, F54A, F54B, F54J, F59A, F59B |
| | 09 | J03A, J03B, J04A, J04B, J08A, J08B, J08C, J11A, J11B, J11J, J11Q, J11R, J11S, J16Z | | 05 | F01A, F01B, F01D, F14A, F14B, F15Z, F24A, F24B, F28A, F36A, F36B, F54A, F54B, F54J, F59A, F59B | | 06 | G10Z, G12A, G12B, G12J |
| | 10 | K09A, K09B | | 09 | J03A, J03B, J04A, J04B, J08A, J08B, J08C, J11A, J11B, J11J, J11Q, J11R, J11S, J16Z | | 09 | J03A, J03B, J04A, J04B, J08A, J08B, J08C, J11A, J11B, J11J, J11Q, J11R, J11S, J16Z |
| | 21A | W04A, W04B | | 10 | K09A, K09B | | 10 | K09A, K09B |
| | 21B | X06A, X06B, X06C | | 21A | W04A, W04B | | 11 | L09A, L09B, L09C, L09J, L38Z |
| 8r886.10 | | BOP, KJZSV, KOP, UOP4 | 8r886.16 | | BOP, KJZSV, UOP4 | 8r886.1h | | KJZSV |
| | 01 | B02A, B02B, B02C, B20A, B20B, B20C, B20D, B39A, B39B | | 01 | B04A, B04B, B04C, B04D | | 05 | F01A, F01B, F01D, F14A, F14B, F15Z, F24A, F24B, F28A, F36A, F36B, F54A, F54B, F54J, F59A, F59B |
| | 05 | F01A, F01B, F01D, F14A, F14B, F15Z, F24A, F24B, F28A, F36A, F36B, F54A, F54B, F54J, F59A, F59B | | 05 | F01A, F01B, F01D, F14A, F14B, F15Z, F24A, F24B, F28A, F36A, F36B, F54A, F54B, F54J, F59A, F59B | | 06 | G10Z, G12A, G12B, G12J |
| | 09 | J03A, J03B, J04A, J04B, J08A, J08B, J08C, J11A, J11B, J11J, J11Q, J11R, J11S, J16Z | | 09 | J03A, J03B, J04A, J04B, J08A, J08B, J08C, J11A, J11B, J11J, J11Q, J11R, J11S, J16Z | | 09 | J03A, J03B, J04A, J04B, J08A, J08B, J08C, J11A, J11B, J11J, J11Q, J11R, J11S, J16Z |
| | 10 | K09A, K09B | | 10 | K09A, K09B | | 10 | K09A, K09B |
| | 21A | W04A, W04B | | 21A | W04A, W04B | | 11 | L09A, L09B, L09C, L09J, L38Z |
| 8r886.12 | | BOP, KJZSV, UOP4 | 8r886.1a | | KJZSV | 8r886.1i | | KJZSV |
| | 01 | B04A, B04B, B04C, B04D | | 04 | E02A, E02B, E02C | | 05 | F01A, F01B, F01D, F14A, F14B, F15Z, F24A, F24B, F28A, F36A, F36B, F54A, F54B, F54J, F59A, F59B |
| | 05 | F01A, F01B, F01D, F14A, F14B, F15Z, F24A, F24B, F28A, F36A, F36B, F54A, F54B, F54J, F59A, F59B | | 05 | F01A, F01B, F01D, F19A, F19B, F19C | | 09 | J03A, J03B, J04A, J04B, J08A, J08B, J08C, J11A, J11B, J11J, J11Q, J11R, J11S, J16Z |
| | 09 | J03A, J03B, J04A, J04B, J08A, J08B, J08C, J11A, J11B, J11J, J11Q, J11R, J11S, J16Z | | 10 | K09A, K09B | | 10 | K09A, K09B |
| | 10 | K09A, K09B | | Pre | A13D | | 10 | K09A, K09B |
| | 21A | W04A, W04B | | | KJZSV | | 21A | W04A, W04B |
| 8r886.1b | | BOP, KJZSV, UOP4 | 8r886.1b | | BOP, KJZSV, UOP4 | 8r886.1i | | KJZSV |
| | 01 | B04A, B04B, B04C, B04D | | 04 | E02A, E02B, E02C | | 05 | F01A, F01B, F01D, F14A, F14B, F15Z, F24A, F24B, F28A, F36A, F36B, F54A, F54B, F54J, F59A, F59B |
| | 05 | F01A, F01B, F01D, F14A, F14B, F15Z, F24A, F24B, F28A, F36A, F36B, F54A, F54B, F54J, F59A, F59B | | 05 | F01A, F01B, F01D, F19A, F19B, F19C | | 09 | J03A, J03B, J04A, J04B, J08A, J08B, J08C, J11A, J11B, J11J, J11Q, J11R, J11S, J16Z |
| | 09 | J03A, J03B, J04A, J04B, J08A, J08B, J08C, J11A, J11B, J11J, J11Q, J11R, J11S, J16Z | | 10 | K09A, K09B | | 10 | K09A, K09B |
| | 10 | K09A, K09B | | Pre | A13D | | 21A | W04A, W04B |
| | 21A | W04A, W04B | | | KJZSV | | 21B | X06A, X06B, X06C |

VYK

| ZZV | MDC | DRG | ZZV | MDC | DRG | ZZV | MDC | DRG |
|----------|-----|--|----------|--|--|------------------|--|--|
| 8r886.1j | | KJZSV | 8r886.1o | | KJZSV | 8r886.22 | | BOP, KJZSV, UOP4 |
| | 05 | F01A, F01B, F01D, F14A, F14B, F15Z, F24A, F24B, F28A, F36A, F36B, F54A, F54B, F54J, F59A, F59B | | 05 | F01A, F01B, F01D, F14A, F14B, F15Z, F24A, F24B, F28A, F36A, F36B, F54A, F54B, F54J, F59A, F59B | | 01 | B04A, B04B, B04C, B04D |
| | 09 | J03A, J03B, J04A, J04B, J08A, J08B, J08C, J11A, J11B, J11J, J11Q, J11R, J11S, J16Z | | 09 | J03A, J03B, J04A, J04B, J08A, J08B, J08C, J11A, J11B, J11J, J11Q, J11R, J11S, J16Z | | 05 | F01A, F01B, F01D, F14A, F14B, F15Z, F24A, F24B, F28A, F36A, F36B, F54A, F54B, F54J, F59A, F59B |
| | 10 | K09A, K09B | | 10 | K09A, K09B | | 09 | J03A, J03B, J04A, J04B, J08A, J08B, J08C, J11A, J11B, J11J, J11Q, J11R, J11S, J16Z |
| | 21A | W04A, W04B | | 21A | W04A, W04B | | 10 | K09A, K09B |
| 8r886.1k | 21B | X06A, X06B, X06C | 8r886.1p | 21B | X04Z, X06A, X06B, X06C | 8r886.23 | 21A | W04A, W04B |
| | | KJZSV | | | KJZSV | | 21B | X06A, X06B, X06C |
| | 05 | F01A, F01B, F01D, F14A, F14B, F15Z, F24A, F24B, F28A, F36A, F36B, F54A, F54B, F54J, F59A, F59B | | 05 | F01A, F01B, F01D, F14A, F14B, F15Z, F24A, F24B, F28A, F36A, F36B, F54A, F54B, F54J, F59A, F59B | | 01 | B04A, B04B, B04C, B04D |
| | 09 | J03A, J03B, J04A, J04B, J08A, J08B, J08C, J11A, J11B, J11J, J11Q, J11R, J11S, J16Z | | 09 | J03A, J03B, J04A, J04B, J08A, J08B, J08C, J11A, J11B, J11J, J11Q, J11R, J11S, J16Z | | 05 | F01A, F01B, F01D, F14A, F14B, F15Z, F24A, F24B, F28A, F36A, F36B, F54A, F54B, F54J, F59A, F59B |
| | 10 | K09A, K09B | | 10 | K09A, K09B | | 09 | J03A, J03B, J04A, J04B, J08A, J08B, J08C, J11A, J11B, J11J, J11Q, J11R, J11S, J16Z |
| 8r886.1l | 21A | W04A, W04B | 8r886.1q | 21A | W04A, W04B | 8r886.24 | 21A | W04A, W04B |
| | 21B | X06A, X06B, X06C | | 21B | X04Z, X05A, X05B, X06A, X06B, X06C | | 21B | X06A, X06B, X06C |
| | | KJZSV | | | KJZSV | | 01 | B04A, B04B, B04C, B04D |
| | 05 | F01A, F01B, F01D, F14A, F14B, F15Z, F24A, F24B, F28A, F36A, F36B, F54A, F54B, F54J, F59A, F59B | | 05 | F01A, F01B, F01D, F14A, F14B, F15Z, F24A, F24B, F28A, F36A, F36B, F54A, F54B, F54J, F59A, F59B | | 05 | F01A, F01B, F01D, F14A, F14B, F15Z, F24A, F24B, F28A, F36A, F36B, F54A, F54B, F54J, F59A, F59B |
| | 09 | J03A, J03B, J04A, J04B, J08A, J08B, J08C, J11A, J11B, J11J, J11Q, J11R, J11S, J16Z | | 09 | J03A, J03B, J04A, J04B, J08A, J08B, J08C, J11A, J11B, J11J, J11Q, J11R, J11S, J16Z | | 09 | J03A, J03B, J04A, J04B, J08A, J08B, J08C, J11A, J11B, J11J, J11Q, J11R, J11S, J16Z |
| 8r886.1m | 10 | K09A, K09B | 8r886.1x | 10 | K09A, K09B | 8r886.25 | 10 | K09A, K09B |
| | 21A | W04A, W04B | | 21A | W04A, W04B | | 21A | W04A, W04B |
| | 21B | X05A, X05B, X06A, X06B, X06C | | 21B | X04Z, X05A, X05B, X06A, X06B, X06C | | 21B | X06A, X06B, X06C |
| | | KJZSV | | | KJZSV | | 01 | B04A, B04B, B04C, B04D |
| | 05 | F01A, F01B, F01D, F14A, F14B, F15Z, F24A, F24B, F28A, F36A, F36B, F54A, F54B, F54J, F59A, F59B | | 05 | F01A, F01B, F01D, F14A, F14B, F15Z, F24A, F24B, F28A, F36A, F36B, F54A, F54B, F54J, F59A, F59B | | 05 | F01A, F01B, F01D, F14A, F14B, F15Z, F24A, F24B, F28A, F36A, F36B, F54A, F54B, F54J, F59A, F59B |
| 8r886.1n | 09 | J03A, J03B, J04A, J04B, J08A, J08B, J08C, J11A, J11B, J11J, J11Q, J11R, J11S, J16Z | 8r886.20 | 09 | J03A, J03B, J04A, J04B, J08A, J08B, J08C, J11A, J11B, J11J, J11Q, J11R, J11S, J16Z | 8r886.26 | 09 | J03A, J03B, J04A, J04B, J08A, J08B, J08C, J11A, J11B, J11J, J11Q, J11R, J11S, J16Z |
| | 10 | K09A, K09B | | 10 | K09A, K09B | | 09 | J03A, J03B, J04A, J04B, J08A, J08B, J08C, J11A, J11B, J11J, J11Q, J11R, J11S, J16Z |
| | 21A | W04A, W04B | | 21A | W04A, W04B | | 10 | K09A, K09B |
| | 21B | X04Z, X06A, X06B, X06C | | 21B | X06A, X06B, X06C | | 21A | W04A, W04B |
| | | KJZSV | | | BOP, KJZSV, KOP, UOP4 | | 21B | X06A, X06B, X06C |
| | | | 01 | B02A, B02B, B02C, B20A, B20B, B20C, B20D, B39A, B39B | 8r886.2a | 01 | B04A, B04B, B04C, B04D | |
| | | | 05 | F01A, F01B, F01D, F14A, F14B, F15Z, F24A, F24B, F28A, F36A, F36B, F54A, F54B, F54J, F59A, F59B | | 05 | F01A, F01B, F01D, F14A, F14B, F15Z, F24A, F24B, F28A, F36A, F36B, F54A, F54B, F54J, F59A, F59B | |
| | | | 09 | J03A, J03B, J04A, J04B, J08A, J08B, J08C, J11A, J11B, J11J, J11Q, J11R, J11S, J16Z | | 09 | J03A, J03B, J04A, J04B, J08A, J08B, J08C, J11A, J11B, J11J, J11Q, J11R, J11S, J16Z | |
| | | | 10 | K09A, K09B | | 10 | K09A, K09B | |
| | | | 21A | W04A, W04B | | 21A | W04A, W04B | |
| | | | 21B | X06A, X06B, X06C, X33Z | 21B | X06A, X06B, X06C | | |
| | | | | | | | | KJZSV |
| | | | | | | | | E02A, E02B, E02C |
| | | | | | | | | F01A, F01B, F01D, F19A, F19B, F19C |
| | | | | | | | | K09A, K09B |
| | | | | | | | | A13D |

| ZZV | MDC | DRG | ZZV | MDC | DRG | ZZV | MDC | DRG |
|----------|------------------|--|------------------|-----|--|----------|-----|--|
| 8r886.2b | | KJZSV | 8r886.2i | | KJZSV | 8r886.2n | | KJZSV |
| | 05 | F01A, F01B, F01D, F15Z, F19A, F19B, F19C, F24A, F24B, F36A, F36B | | 05 | F01A, F01B, F01D, F14A, F14B, F15Z, F24A, F24B, F28A, F36A, F36B, F54A, F54B, F54J, F59A, F59B | | 05 | F01A, F01B, F01D, F14A, F14B, F15Z, F24A, F24B, F28A, F36A, F36B, F54A, F54B, F54J, F59A, F59B |
| | 09 | J03A, J03B, J04A, J04B, J08A, J08B, J08C, J11A, J11B, J11J, J11Q, J11R, J11S, J16Z | | 09 | J03A, J03B, J04A, J04B, J08A, J08B, J08C, J11A, J11B, J11J, J11Q, J11R, J11S, J16Z | | 09 | J03A, J03B, J04A, J04B, J08A, J08B, J08C, J11A, J11B, J11J, J11Q, J11R, J11S, J16Z |
| | 10 | K09A, K09B | | 10 | K09A, K09B | | 10 | K09A, K09B |
| | 21A | W04A, W04B | | 21A | W04A, W04B | | 21A | W04A, W04B |
| 8r886.2e | 21B | X06A, X06B, X06C | 8r886.2j | 21B | X06A, X06B, X06C | 8r886.2o | 21B | X04Z, X06A, X06B, X06C |
| | | KJZSV | | | KJZSV | | | KJZSV |
| | 05 | F01A, F01B, F01D, F14A, F14B, F15Z, F24A, F24B, F28A, F36A, F36B, F54A, F54B, F54J, F59A, F59B | | 05 | F01A, F01B, F01D, F14A, F14B, F15Z, F24A, F24B, F28A, F36A, F36B, F54A, F54B, F54J, F59A, F59B | | 05 | F01A, F01B, F01D, F14A, F14B, F15Z, F24A, F24B, F28A, F36A, F36B, F54A, F54B, F54J, F59A, F59B |
| | 09 | J03A, J03B, J04A, J04B, J08A, J08B, J08C, J11A, J11B, J11J, J11Q, J11R, J11S, J16Z | | 09 | J03A, J03B, J04A, J04B, J08A, J08B, J08C, J11A, J11B, J11J, J11Q, J11R, J11S, J16Z | | 09 | J03A, J03B, J04A, J04B, J08A, J08B, J08C, J11A, J11B, J11J, J11Q, J11R, J11S, J16Z |
| | 10 | K09A, K09B | | 10 | K09A, K09B | | 10 | K09A, K09B |
| 8r886.2f | 21A | W04A, W04B | 8r886.2k | 21A | W04A, W04B | 8r886.2p | 21A | W04A, W04B |
| | 21B | X06A, X06B, X06C | | 21B | X06A, X06B, X06C | | 21B | X04Z, X06A, X06B, X06C |
| | | KJZSV | | | KJZSV | | | KJZSV |
| | 05 | F01A, F01B, F01D, F14A, F14B, F15Z, F24A, F24B, F28A, F36A, F36B, F54A, F54B, F54J, F59A, F59B | | 05 | F01A, F01B, F01D, F14A, F14B, F15Z, F24A, F24B, F28A, F36A, F36B, F54A, F54B, F54J, F59A, F59B | | 05 | F01A, F01B, F01D, F14A, F14B, F15Z, F24A, F24B, F28A, F36A, F36B, F54A, F54B, F54J, F59A, F59B |
| | 09 | J03A, J03B, J04A, J04B, J08A, J08B, J08C, J11A, J11B, J11J, J11Q, J11R, J11S, J16Z | | 09 | J03A, J03B, J04A, J04B, J08A, J08B, J08C, J11A, J11B, J11J, J11Q, J11R, J11S, J16Z | | 09 | J03A, J03B, J04A, J04B, J08A, J08B, J08C, J11A, J11B, J11J, J11Q, J11R, J11S, J16Z |
| 8r886.2g | 10 | K09A, K09B | 8r886.2l | 10 | K09A, K09B | 8r886.2q | 10 | K09A, K09B |
| | 21A | W04A, W04B | | 21A | W04A, W04B | | 21A | W04A, W04B |
| | 21B | X06A, X06B, X06C | | 21B | X06A, X06B, X06C | | 21B | X04Z, X05A, X05B, X06A, X06B, X06C |
| | | KJZSV | | | KJZSV | | | KJZSV |
| | 05 | F01A, F01B, F01D, F14A, F14B, F15Z, F24A, F24B, F28A, F36A, F36B, F54A, F54B, F54J, F59A, F59B | | 05 | F01A, F01B, F01D, F14A, F14B, F15Z, F24A, F24B, F28A, F36A, F36B, F54A, F54B, F54J, F59A, F59B | | 05 | F01A, F01B, F01D, F14A, F14B, F15Z, F24A, F24B, F28A, F36A, F36B, F54A, F54B, F54J, F59A, F59B |
| 8r886.2h | 06 | G10Z, G12A, G12B, G12J | 8r886.2m | 06 | G10Z, G12A, G12B, G12J | 8r886.2x | 06 | G10Z, G12A, G12B, G12J |
| | 09 | J03A, J03B, J04A, J04B, J08A, J08B, J08C, J11A, J11B, J11J, J11Q, J11R, J11S, J16Z | | 09 | J03A, J03B, J04A, J04B, J08A, J08B, J08C, J11A, J11B, J11J, J11Q, J11R, J11S, J16Z | | 09 | J03A, J03B, J04A, J04B, J08A, J08B, J08C, J11A, J11B, J11J, J11Q, J11R, J11S, J16Z |
| | 10 | K09A, K09B | | 10 | K09A, K09B | | 10 | K09A, K09B |
| | 11 | L09A, L09B, L09C, L09J, L38Z | | 11 | L09A, L09B, L09C, L09J, L38Z | | 11 | L09A, L09B, L09C, L09J, L38Z |
| | 21A | W04A, W04B | | 21A | W04A, W04B | | 21A | W04A, W04B |
| 21B | X06A, X06B, X06C | 21B | X06A, X06B, X06C | 21B | X06A, X06B, X06C | | | |

VYK

| ZZV | MDC | DRG | ZZV | MDC | DRG | ZZV | MDC | DRG | | |
|----------|------------------------------------|--|------------|----------|--|--|----------|--|--|--|
| 8r886.3m | | KJZSV | 8r886.3x | | KJZSV | 8r886.45 | | BOP, KJZSV, UOP4 | | |
| | 05 | F01A, F01B, F01D, F14A, F14B, F15Z, F24A, F24B, F28A, F36A, F36B, F54A, F54B, F54J, F59A, F59B | | 05 | F01A, F01B, F01D, F14A, F14B, F15Z, F24A, F24B, F28A, F36A, F36B, F54A, F54B, F54J, F59A, F59B | | 01 | B04A, B04B, B04C, B04D | | |
| | 09 | J03A, J03B, J04A, J04B, J08A, J08B, J08C, J11A, J11B, J11J, J11Q, J11R, J11S, J16Z | | 09 | J03A, J03B, J04A, J04B, J08A, J08B, J08C, J11A, J11B, J11J, J11Q, J11R, J11S, J16Z | | 05 | F01A, F01B, F01D, F14A, F14B, F15Z, F24A, F24B, F28A, F36A, F36B, F54A, F54B, F54J, F59A, F59B | | |
| | 10 | K09A, K09B | | 10 | K09A, K09B | | 09 | J03A, J03B, J04A, J04B, J08A, J08B, J08C, J11A, J11B, J11J, J11Q, J11R, J11S, J16Z | | |
| | 21A | W04A, W04B | | 21A | W04A, W04B | | 10 | K09A, K09B | | |
| 8r886.3n | 21B | X04Z, X06A, X06B, X06C | 8r886.40 | 21B | X06A, X06B, X06C | 8r886.46 | 21A | W04A, W04B | | |
| | | KJZSV | | | BOP, KJZSV, KOP, UOP4 | | 21B | X06A, X06B, X06C | | |
| | 05 | F01A, F01B, F01D, F14A, F14B, F15Z, F24A, F24B, F28A, F36A, F36B, F54A, F54B, F54J, F59A, F59B | | 01 | B02A, B02B, B02C, B20A, B20B, B20C, B20D, B39A, B39B | | 8r886.4a | 01 | B04A, B04B, B04C, B04D | |
| | 09 | J03A, J03B, J04A, J04B, J08A, J08B, J08C, J11A, J11B, J11J, J11Q, J11R, J11S, J16Z | | 05 | F01A, F01B, F01D, F14A, F14B, F15Z, F24A, F24B, F28A, F36A, F36B, F54A, F54B, F54J, F59A, F59B | | | 05 | F01A, F01B, F01D, F19A, F19B, F19C | |
| | 10 | K09A, K09B | | 09 | J03A, J03B, J04A, J04B, J08A, J08B, J08C, J11A, J11B, J11J, J11Q, J11R, J11S, J16Z | | | 10 | K09A, K09B | |
| 21A | W04A, W04B | 10 | K09A, K09B | Pre | A13D | | | | | |
| 21B | X04Z, X06A, X06B, X06C | 21A | W04A, W04B | 8r886.4b | KJZSV | | | | | |
| 8r886.3o | | KJZSV | 8r886.42 | | 21B | X06A, X06B, X06C, X33Z | 8r886.4b | 05 | F01A, F01B, F01D, F15Z, F19A, F19B, F19C, F24A, F24B, F36A, F36B | |
| | 05 | F01A, F01B, F01D, F14A, F14B, F15Z, F24A, F24B, F28A, F36A, F36B, F54A, F54B, F54J, F59A, F59B | | | 01 | B04A, B04B, B04C, B04D | | 8r886.4e | 09 | J03A, J03B, J04A, J04B, J08A, J08B, J08C, J11A, J11B, J11J, J11Q, J11R, J11S, J16Z |
| | 09 | J03A, J03B, J04A, J04B, J08A, J08B, J08C, J11A, J11B, J11J, J11Q, J11R, J11S, J16Z | | | 05 | F01A, F01B, F01D, F14A, F14B, F15Z, F24A, F24B, F28A, F36A, F36B, F54A, F54B, F54J, F59A, F59B | | | 10 | K09A, K09B |
| | 10 | K09A, K09B | | | 09 | J03A, J03B, J04A, J04B, J08A, J08B, J08C, J11A, J11B, J11J, J11Q, J11R, J11S, J16Z | | | 21A | W04A, W04B |
| | 21A | W04A, W04B | | 10 | K09A, K09B | 21B | | | X06A, X06B, X06C | |
| 21B | X04Z, X06A, X06B, X06C | 21A | W04A, W04B | 8r886.44 | 21B | X06A, X06B, X06C | | | | |
| 8r886.3p | | KJZSV | 8r886.43 | | 21B | X06A, X06B, X06C | 8r886.4e | 10 | K09A, K09B | |
| | 05 | F01A, F01B, F01D, F14A, F14B, F15Z, F24A, F24B, F28A, F36A, F36B, F54A, F54B, F54J, F59A, F59B | | | 01 | B04A, B04B, B04C, B04D | | 21A | W04A, W04B | |
| | 09 | J03A, J03B, J04A, J04B, J08A, J08B, J08C, J11A, J11B, J11J, J11Q, J11R, J11S, J16Z | | | 05 | F01A, F01B, F01D, F14A, F14B, F15Z, F24A, F24B, F28A, F36A, F36B, F54A, F54B, F54J, F59A, F59B | | 21B | X06A, X06B, X06C | |
| | 10 | K09A, K09B | | | 09 | J03A, J03B, J04A, J04B, J08A, J08B, J08C, J11A, J11B, J11J, J11Q, J11R, J11S, J16Z | | 05 | F01A, F01B, F01D, F14A, F14B, F15Z, F24A, F24B, F28A, F36A, F36B, F54A, F54B, F54J, F59A, F59B | |
| | 21A | W04A, W04B | | 10 | K09A, K09B | 09 | | J03A, J03B, J04A, J04B, J08A, J08B, J08C, J11A, J11B, J11J, J11Q, J11R, J11S, J16Z | | |
| 8r886.3q | 21B | X04Z, X05A, X05B, X06A, X06B, X06C | 8r886.44 | 21A | W04A, W04B | 8r886.4f | 21B | X06A, X06B, X06C | | |
| | | KJZSV | | | BOP, KJZSV, UOP4 | | 8r886.4f | KJZSV | | |
| | 05 | F01A, F01B, F01D, F14A, F14B, F15Z, F24A, F24B, F28A, F36A, F36B, F54A, F54B, F54J, F59A, F59B | | 01 | B04A, B04B, B04C, B04D | | | 05 | F01A, F01B, F01D, F14A, F14B, F15Z, F24A, F24B, F28A, F36A, F36B, F54A, F54B, F54J, F59A, F59B | |
| | 09 | J03A, J03B, J04A, J04B, J08A, J08B, J08C, J11A, J11B, J11J, J11Q, J11R, J11S, J16Z | | 05 | F01A, F01B, F01D, F14A, F14B, F15Z, F24A, F24B, F28A, F36A, F36B, F54A, F54B, F54J, F59A, F59B | | | 09 | J03A, J03B, J04A, J04B, J08A, J08B, J08C, J11A, J11B, J11J, J11Q, J11R, J11S, J16Z | |
| | 10 | K09A, K09B | | 09 | J03A, J03B, J04A, J04B, J08A, J08B, J08C, J11A, J11B, J11J, J11Q, J11R, J11S, J16Z | | | 10 | K09A, K09B | |
| 21A | W04A, W04B | 10 | K09A, K09B | 21A | W04A, W04B | | | | | |
| 21B | X04Z, X05A, X05B, X06A, X06B, X06C | 21A | W04A, W04B | 21B | X06A, X06B, X06C | | | | | |

VYK

| ZZV | MDC | DRG | ZZV | MDC | DRG | ZZV | MDC | DRG | | | |
|----------|----------|--|--|--|--|--|--|--|----------|--|--|
| 8r886.4g | | KJZSV | 8r886.4i | | KJZSV | 8r886.4q | | KJZSV | | | |
| | 05 | F01A, F01B, F01D, F14A, F14B, F15Z, F24A, F24B, F28A, F36A, F36B, F54A, F54B, F54J, F59A, F59B | | 05 | F01A, F01B, F01D, F14A, F14B, F15Z, F24A, F24B, F28A, F36A, F36B, F54A, F54B, F54J, F59A, F59B | | 05 | F01A, F01B, F01D, F14A, F14B, F15Z, F24A, F24B, F28A, F36A, F36B, F54A, F54B, F54J, F59A, F59B | | | |
| | 06 | G10Z, G12A, G12B, G12J | | 09 | J03A, J03B, J04A, J04B, J08A, J08B, J08C, J11A, J11B, J11J, J11Q, J11R, J11S, J16Z | | 09 | J03A, J03B, J04A, J04B, J08A, J08B, J08C, J11A, J11B, J11J, J11Q, J11R, J11S, J16Z | | | |
| | 09 | J03A, J03B, J04A, J04B, J08A, J08B, J08C, J11A, J11B, J11J, J11Q, J11R, J11S, J16Z | | 10 | K09A, K09B | | 10 | K09A, K09B | | | |
| | 10 | K09A, K09B | | 21A | W04A, W04B | | 21A | W04A, W04B | | | |
| | 11 | L09A, L09B, L09C, L09J, L38Z | | 21B | X05A, X05B, X06A, X06B, X06C | | 21B | X04Z, X05A, X05B, X06A, X06B, X06C | | | |
| | 21A | W04A, W04B | | 8r886.4m | | | KJZSV | 8r886.4x | | KJZSV | |
| | 21B | X06A, X06B, X06C | | | 05 | | F01A, F01B, F01D, F14A, F14B, F15Z, F24A, F24B, F28A, F36A, F36B, F54A, F54B, F54J, F59A, F59B | | 05 | F01A, F01B, F01D, F14A, F14B, F15Z, F24A, F24B, F28A, F36A, F36B, F54A, F54B, F54J, F59A, F59B | |
| | 8r886.4h | | | KJZSV | 8r886.4n | | | KJZSV | 8r886.50 | | KJZSV |
| | | 05 | | F01A, F01B, F01D, F14A, F14B, F15Z, F24A, F24B, F28A, F36A, F36B, F54A, F54B, F54J, F59A, F59B | | | 05 | F01A, F01B, F01D, F14A, F14B, F15Z, F24A, F24B, F28A, F36A, F36B, F54A, F54B, F54J, F59A, F59B | | 01 | B02A, B02B, B02C, B20A, B20B, B20C, B20D, B39A, B39B |
| 06 | | G10Z, G12A, G12B, G12J | 09 | J03A, J03B, J04A, J04B, J08A, J08B, J08C, J11A, J11B, J11J, J11Q, J11R, J11S, J16Z | | 05 | F01A, F01B, F01D, F14A, F14B, F15Z, F24A, F24B, F28A, F36A, F36B, F54A, F54B, F54J, F59A, F59B | | | | |
| 09 | | J03A, J03B, J04A, J04B, J08A, J08B, J08C, J11A, J11B, J11J, J11Q, J11R, J11S, J16Z | 10 | K09A, K09B | | 09 | J03A, J03B, J04A, J04B, J08A, J08B, J08C, J11A, J11B, J11J, J11Q, J11R, J11S, J16Z | | | | |
| 10 | | K09A, K09B | 21A | W04A, W04B | | 10 | K09A, K09B | | | | |
| 11 | | L09A, L09B, L09C, L09J, L38Z | 21B | X04Z, X06A, X06B, X06C | | 21A | W04A, W04B | | | | |
| 21A | | W04A, W04B | 8r886.4o | | | KJZSV | 8r886.52 | | | KJZSV | |
| 21B | | X06A, X06B, X06C | | 05 | | F01A, F01B, F01D, F14A, F14B, F15Z, F24A, F24B, F28A, F36A, F36B, F54A, F54B, F54J, F59A, F59B | | 01 | | B04A, B04B, B04C, B04D | |
| 8r886.4i | | | KJZSV | 8r886.4p | | | KJZSV | 8r886.53 | | | KJZSV |
| | | 05 | F01A, F01B, F01D, F14A, F14B, F15Z, F24A, F24B, F28A, F36A, F36B, F54A, F54B, F54J, F59A, F59B | | | 05 | F01A, F01B, F01D, F14A, F14B, F15Z, F24A, F24B, F28A, F36A, F36B, F54A, F54B, F54J, F59A, F59B | | | 01 | B04A, B04B, B04C, B04D |
| | 09 | J03A, J03B, J04A, J04B, J08A, J08B, J08C, J11A, J11B, J11J, J11Q, J11R, J11S, J16Z | 09 | | J03A, J03B, J04A, J04B, J08A, J08B, J08C, J11A, J11B, J11J, J11Q, J11R, J11S, J16Z | 05 | F01A, F01B, F01D, F14A, F14B, F15Z, F24A, F24B, F28A, F36A, F36B, F54A, F54B, F54J, F59A, F59B | | | | |
| | 10 | K09A, K09B | 10 | | K09A, K09B | 09 | J03A, J03B, J04A, J04B, J08A, J08B, J08C, J11A, J11B, J11J, J11Q, J11R, J11S, J16Z | | | | |
| | 21A | W04A, W04B | 21A | | W04A, W04B | 10 | K09A, K09B | | | | |
| | 21B | X06A, X06B, X06C | 21B | | X04Z, X06A, X06B, X06C | 21A | W04A, W04B | | | | |
| | 8r886.4j | | KJZSV | | 8r886.4k | | KJZSV | | 8r886.53 | | KJZSV |
| | | 05 | F01A, F01B, F01D, F14A, F14B, F15Z, F24A, F24B, F28A, F36A, F36B, F54A, F54B, F54J, F59A, F59B | | | 05 | F01A, F01B, F01D, F14A, F14B, F15Z, F24A, F24B, F28A, F36A, F36B, F54A, F54B, F54J, F59A, F59B | | | 01 | B04A, B04B, B04C, B04D |
| | | 09 | J03A, J03B, J04A, J04B, J08A, J08B, J08C, J11A, J11B, J11J, J11Q, J11R, J11S, J16Z | | | 09 | J03A, J03B, J04A, J04B, J08A, J08B, J08C, J11A, J11B, J11J, J11Q, J11R, J11S, J16Z | | | 05 | F01A, F01B, F01D, F14A, F14B, F15Z, F24A, F24B, F28A, F36A, F36B, F54A, F54B, F54J, F59A, F59B |
| | | 10 | K09A, K09B | | | 10 | K09A, K09B | | | 09 | J03A, J03B, J04A, J04B, J08A, J08B, J08C, J11A, J11B, J11J, J11Q, J11R, J11S, J16Z |
| 21A | | W04A, W04B | 21A | W04A, W04B | | 10 | K09A, K09B | | | | |
| 21B | | X06A, X06B, X06C | 21B | X04Z, X05A, X05B, X06A, X06B, X06C | | 21A | W04A, W04B | | | | |
| 8r886.4k | | | KJZSV | | | | | | | | |
| | | 05 | F01A, F01B, F01D, F14A, F14B, F15Z, F24A, F24B, F28A, F36A, F36B, F54A, F54B, F54J, F59A, F59B | 05 | | F01A, F01B, F01D, F14A, F14B, F15Z, F24A, F24B, F28A, F36A, F36B, F54A, F54B, F54J, F59A, F59B | 01 | B04A, B04B, B04C, B04D | | | |
| | | 09 | J03A, J03B, J04A, J04B, J08A, J08B, J08C, J11A, J11B, J11J, J11Q, J11R, J11S, J16Z | 09 | | J03A, J03B, J04A, J04B, J08A, J08B, J08C, J11A, J11B, J11J, J11Q, J11R, J11S, J16Z | 05 | F01A, F01B, F01D, F14A, F14B, F15Z, F24A, F24B, F28A, F36A, F36B, F54A, F54B, F54J, F59A, F59B | | | |
| | | 10 | K09A, K09B | 10 | | K09A, K09B | 09 | J03A, J03B, J04A, J04B, J08A, J08B, J08C, J11A, J11B, J11J, J11Q, J11R, J11S, J16Z | | | |
| | 21A | W04A, W04B | 21A | W04A, W04B | 10 | K09A, K09B | | | | | |
| | 21B | X06A, X06B, X06C | 21B | X06A, X06B, X06C | 21A | W04A, W04B | | | | | |
| | | | | | | | | | | | |
| | | | | | | | | | | | |
| | | | | | | | | | | | |
| | | | | | | | | | | | |

| ZZV | MDC | DRG | ZZV | MDC | DRG | ZZV | MDC | DRG |
|----------|------------------|--|------------------|-----|--|----------|-----|--|
| 8r886.5p | | KJZSV | 8r887.03 | | BOP, KJZSV, UOP4 | 8r887.0h | | KJZSV |
| | 05 | F01A, F01B, F01D, F14A, F14B, F15Z, F24A, F24B, F28A, F36A, F36B, F54A, F54B, F54J, F59A, F59B | | 01 | B04A, B04B, B04C, B04D | | 05 | F01A, F01B, F01D, F14A, F14B, F15Z, F24A, F24B, F28A, F36A, F36B, F54A, F54B, F54J, F59A, F59B |
| | 09 | J03A, J03B, J04A, J04B, J08A, J08B, J08C, J11A, J11B, J11J, J11Q, J11R, J11S, J16Z | | 05 | F01A, F01B, F01D, F14A, F14B, F15Z, F24A, F24B, F28A, F36A, F36B, F54A, F54B, F54J, F59A, F59B | | 06 | G10Z, G12A, G12B, G12J |
| | 10 | K09A, K09B | | 09 | J03A, J03B, J04A, J04B, J08A, J08B, J08C, J11A, J11B, J11J, J11Q, J11R, J11S, J16Z | | 09 | J03A, J03B, J04A, J04B, J08A, J08B, J08C, J11A, J11B, J11J, J11Q, J11R, J11S, J16Z |
| | 21A | W04A, W04B | | 10 | K09A, K09B | | 10 | K09A, K09B |
| | 21B | X04Z, X05A, X05B, X06A, X06B, X06C | | 21A | W04A, W04B | | 21A | L09A, L09B, L09C, L09J, L38Z |
| 8r886.5q | | KJZSV | 8r887.04 | | BOP, KJZSV, UOP4 | 8r887.0i | | KJZSV |
| | 05 | F01A, F01B, F01D, F14A, F14B, F15Z, F24A, F24B, F28A, F36A, F36B, F54A, F54B, F54J, F59A, F59B | | 01 | B04A, B04B, B04C, B04D | | 05 | F01A, F01B, F01D, F14A, F14B, F15Z, F24A, F24B, F28A, F36A, F36B, F54A, F54B, F54J, F59A, F59B |
| | 09 | J03A, J03B, J04A, J04B, J08A, J08B, J08C, J11A, J11B, J11J, J11Q, J11R, J11S, J16Z | | 05 | F01A, F01B, F01D, F14A, F14B, F15Z, F24A, F24B, F28A, F36A, F36B, F54A, F54B, F54J, F59A, F59B | | 09 | J03A, J03B, J04A, J04B, J08A, J08B, J08C, J11A, J11B, J11J, J11Q, J11R, J11S, J16Z |
| | 10 | K09A, K09B | | 09 | J03A, J03B, J04A, J04B, J08A, J08B, J08C, J11A, J11B, J11J, J11Q, J11R, J11S, J16Z | | 09 | J03A, J03B, J04A, J04B, J08A, J08B, J08C, J11A, J11B, J11J, J11Q, J11R, J11S, J16Z |
| | 21A | W04A, W04B | | 10 | K09A, K09B | | 10 | K09A, K09B |
| | 21B | X04Z, X05A, X05B, X06A, X06B, X06C | | 21A | W04A, W04B | | 21A | W04A, W04B |
| 8r886.5x | | KJZSV | 8r887.05 | | BOP, KJZSV, UOP4 | 8r887.0j | | KJZSV |
| | 05 | F01A, F01B, F01D, F14A, F14B, F15Z, F24A, F24B, F28A, F36A, F36B, F54A, F54B, F54J, F59A, F59B | | 01 | B04A, B04B, B04C, B04D | | 05 | F01A, F01B, F01D, F14A, F14B, F15Z, F24A, F24B, F28A, F36A, F36B, F54A, F54B, F54J, F59A, F59B |
| | 09 | J03A, J03B, J04A, J04B, J08A, J08B, J08C, J11A, J11B, J11J, J11Q, J11R, J11S, J16Z | | 05 | F01A, F01B, F01D, F14A, F14B, F15Z, F24A, F24B, F28A, F36A, F36B, F54A, F54B, F54J, F59A, F59B | | 09 | J03A, J03B, J04A, J04B, J08A, J08B, J08C, J11A, J11B, J11J, J11Q, J11R, J11S, J16Z |
| | 10 | K09A, K09B | | 09 | J03A, J03B, J04A, J04B, J08A, J08B, J08C, J11A, J11B, J11J, J11Q, J11R, J11S, J16Z | | 09 | J03A, J03B, J04A, J04B, J08A, J08B, J08C, J11A, J11B, J11J, J11Q, J11R, J11S, J16Z |
| | 21A | W04A, W04B | | 10 | K09A, K09B | | 10 | K09A, K09B |
| | 21B | X06A, X06B, X06C | | 21A | W04A, W04B | | 21A | W04A, W04B |
| 8r887.00 | | BOP, KJZSV, KOP, UOP4 | 8r887.0c | | KJZSV | 8r887.0p | | KJZSV |
| | 01 | B02A, B02B, B02C, B20A, B20B, B20C, B20D, B39A, B39B | | 05 | F01A, F01B, F01D, F14A, F14B, F15Z, F19A, F19B, F19C, F24A, F24B, F36A, F36B, F54A, F54B, F54J | | 05 | F01A, F01B, F01D, F14A, F14B, F15Z, F24A, F24B, F28A, F36A, F36B, F54A, F54B, F54J, F59A, F59B |
| | 05 | F01A, F01B, F01D, F14A, F14B, F15Z, F24A, F24B, F28A, F36A, F36B, F54A, F54B, F54J, F59A, F59B | | 09 | J03A, J03B, J04A, J04B, J08A, J08B, J08C, J11A, J11B, J11J, J11Q, J11R, J11S, J16Z | | 09 | J03A, J03B, J04A, J04B, J08A, J08B, J08C, J11A, J11B, J11J, J11Q, J11R, J11S, J16Z |
| | 09 | J03A, J03B, J04A, J04B, J08A, J08B, J08C, J11A, J11B, J11J, J11Q, J11R, J11S, J16Z | | 10 | K09A, K09B | | 10 | K09A, K09B |
| | 10 | K09A, K09B | | 21A | W04A, W04B | | 21A | W04A, W04B |
| | 21A | W04A, W04B | | 21B | X06A, X06B, X06C | | 21B | X04Z, X05A, X05B, X06A, X06B, X06C |
| 8r887.02 | | BOP, KJZSV, X33Z | 8r887.0f | | KJZSV | 8r887.0x | | KJZSV |
| | 01 | B04A, B04B, B04C, B04D | | 05 | F01A, F01B, F01D, F14A, F14B, F15Z, F24A, F24B, F28A, F36A, F36B, F54A, F54B, F54J, F59A, F59B | | 05 | F01A, F01B, F01D, F14A, F14B, F15Z, F24A, F24B, F28A, F36A, F36B, F54A, F54B, F54J, F59A, F59B |
| | 05 | F01A, F01B, F01D, F14A, F14B, F15Z, F24A, F24B, F28A, F36A, F36B, F54A, F54B, F54J, F59A, F59B | | 09 | J03A, J03B, J04A, J04B, J08A, J08B, J08C, J11A, J11B, J11J, J11Q, J11R, J11S, J16Z | | 09 | J03A, J03B, J04A, J04B, J08A, J08B, J08C, J11A, J11B, J11J, J11Q, J11R, J11S, J16Z |
| | 09 | J03A, J03B, J04A, J04B, J08A, J08B, J08C, J11A, J11B, J11J, J11Q, J11R, J11S, J16Z | | 10 | K09A, K09B | | 10 | K09A, K09B |
| | 10 | K09A, K09B | | 11 | L09A, L09B, L09C, L09J, L38Z | | 21A | W04A, W04B |
| | 21A | W04A, W04B | | 21A | W04A, W04B | | 21B | X06A, X06B, X06C |
| 21B | X06A, X06B, X06C | 21B | X06A, X06B, X06C | | | | | |

VYK

| ZZV | MDC | DRG | ZZV | MDC | DRG | ZZV | MDC | DRG | | | |
|----------|----------|--|--|--|--|------------------------|--|--|--|------------------|--|
| 8r887.10 | | BOP, KJZSV, KOP, UOP4 | 8r887.1c | | KJZSV | 8r887.1p | | KJZSV | | | |
| | 01 | B02A, B02B, B02C, B20A, B20B, B20C, B20D, B39A, B39B | | 05 | F01A, F01B, F01D, F15Z, F19A, F19B, F19C, F24A, F24B, F36A, F36B | | 05 | F01A, F01B, F01D, F14A, F14B, F15Z, F24A, F24B, F28A, F36A, F36B, F54A, F54B, F54J, F59A, F59B | | | |
| | 05 | F01A, F01B, F01D, F14A, F14B, F15Z, F24A, F24B, F28A, F36A, F36B, F54A, F54B, F54J, F59A, F59B | | 09 | J03A, J03B, J04A, J04B, J08A, J08B, J08C, J11A, J11B, J11J, J11Q, J11R, J11S, J16Z | | 09 | J03A, J03B, J04A, J04B, J08A, J08B, J08C, J11A, J11B, J11J, J11Q, J11R, J11S, J16Z | | | |
| | 09 | J03A, J03B, J04A, J04B, J08A, J08B, J08C, J11A, J11B, J11J, J11Q, J11R, J11S, J16Z | | 10 | K09A, K09B | | 10 | K09A, K09B | | | |
| | 10 | K09A, K09B | | 21A | W04A, W04B | | 21A | W04A, W04B | | | |
| | 21A | W04A, W04B | | 21B | X06A, X06B, X06C | | 21B | X04Z, X05A, X05B, X06A, X06B, X06C | | | |
| | 21B | X06A, X06B, X06C, X33Z | | 8r887.1f | | | KJZSV | 8r887.1x | | KJZSV | |
| | 8r887.12 | | | | BOP, KJZSV, UOP4 | | 05 | | F01A, F01B, F01D, F14A, F14B, F15Z, F24A, F24B, F28A, F36A, F36B, F54A, F54B, F54J, F59A, F59B | 05 | F01A, F01B, F01D, F14A, F14B, F15Z, F24A, F24B, F28A, F36A, F36B, F54A, F54B, F54J, F59A, F59B |
| | | 01 | | | B04A, B04B, B04C, B04D | | 06 | | G10Z, G12A, G12B, G12J | 09 | J03A, J03B, J04A, J04B, J08A, J08B, J08C, J11A, J11B, J11J, J11Q, J11R, J11S, J16Z |
| | | 05 | | | F01A, F01B, F01D, F14A, F14B, F15Z, F24A, F24B, F28A, F36A, F36B, F54A, F54B, F54J, F59A, F59B | | 09 | | J03A, J03B, J04A, J04B, J08A, J08B, J08C, J11A, J11B, J11J, J11Q, J11R, J11S, J16Z | 09 | J03A, J03B, J04A, J04B, J08A, J08B, J08C, J11A, J11B, J11J, J11Q, J11R, J11S, J16Z |
| 09 | | J03A, J03B, J04A, J04B, J08A, J08B, J08C, J11A, J11B, J11J, J11Q, J11R, J11S, J16Z | 10 | | K09A, K09B | 10 | K09A, K09B | | | | |
| 10 | | K09A, K09B | 11 | | L09A, L09B, L09C, L09J, L38Z | 10 | K09A, K09B | | | | |
| 21A | | W04A, W04B | 21A | | W04A, W04B | 21A | W04A, W04B | | | | |
| 21B | | X06A, X06B, X06C | 21B | | X06A, X06B, X06C | 21B | X06A, X06B, X06C | | | | |
| 8r887.13 | | | BOP, KJZSV, UOP4 | | 8r887.1h | | KJZSV | | 8r887.20 | | BOP, KJZSV, KOP, UOP4 |
| | | 01 | B04A, B04B, B04C, B04D | | | 05 | F01A, F01B, F01D, F14A, F14B, F15Z, F24A, F24B, F28A, F36A, F36B, F54A, F54B, F54J, F59A, F59B | | | 01 | B02A, B02B, B02C, B20A, B20B, B20C, B20D, B39A, B39B |
| | | 05 | F01A, F01B, F01D, F14A, F14B, F15Z, F24A, F24B, F28A, F36A, F36B, F54A, F54B, F54J, F59A, F59B | 06 | | G10Z, G12A, G12B, G12J | 05 | F01A, F01B, F01D, F14A, F14B, F15Z, F24A, F24B, F28A, F36A, F36B, F54A, F54B, F54J, F59A, F59B | | | |
| | 09 | J03A, J03B, J04A, J04B, J08A, J08B, J08C, J11A, J11B, J11J, J11Q, J11R, J11S, J16Z | 09 | J03A, J03B, J04A, J04B, J08A, J08B, J08C, J11A, J11B, J11J, J11Q, J11R, J11S, J16Z | | 09 | J03A, J03B, J04A, J04B, J08A, J08B, J08C, J11A, J11B, J11J, J11Q, J11R, J11S, J16Z | | | | |
| | 10 | K09A, K09B | 10 | K09A, K09B | | 10 | K09A, K09B | | | | |
| | 21A | W04A, W04B | 11 | L09A, L09B, L09C, L09J, L38Z | | 21A | W04A, W04B | | | | |
| | 21B | X06A, X06B, X06C | 21A | W04A, W04B | | 21B | X06A, X06B, X06C, X33Z | | | | |
| | 8r887.14 | | BOP, KJZSV, UOP4 | 8r887.1i | | | KJZSV | 8r887.22 | | | BOP, KJZSV, UOP4 |
| | | 01 | B04A, B04B, B04C, B04D | | | 05 | F01A, F01B, F01D, F14A, F14B, F15Z, F24A, F24B, F28A, F36A, F36B, F54A, F54B, F54J, F59A, F59B | | | 01 | B04A, B04B, B04C, B04D |
| | | 05 | F01A, F01B, F01D, F14A, F14B, F15Z, F24A, F24B, F28A, F36A, F36B, F54A, F54B, F54J, F59A, F59B | | | 09 | J03A, J03B, J04A, J04B, J08A, J08B, J08C, J11A, J11B, J11J, J11Q, J11R, J11S, J16Z | | | 05 | F01A, F01B, F01D, F14A, F14B, F15Z, F24A, F24B, F28A, F36A, F36B, F54A, F54B, F54J, F59A, F59B |
| 09 | | J03A, J03B, J04A, J04B, J08A, J08B, J08C, J11A, J11B, J11J, J11Q, J11R, J11S, J16Z | 10 | | K09A, K09B | 09 | J03A, J03B, J04A, J04B, J08A, J08B, J08C, J11A, J11B, J11J, J11Q, J11R, J11S, J16Z | | | | |
| 10 | | K09A, K09B | 21A | | W04A, W04B | 10 | K09A, K09B | | | | |
| 21A | | W04A, W04B | 21B | | X04Z, X06A, X06B, X06C | 21A | W04A, W04B | | | | |
| 21B | | X06A, X06B, X06C | 8r887.1j | | | KJZSV | 8r887.23 | | | BOP, KJZSV, UOP4 | |
| 8r887.15 | | | | | BOP, KJZSV, UOP4 | 05 | | | F01A, F01B, F01D, F14A, F14B, F15Z, F24A, F24B, F28A, F36A, F36B, F54A, F54B, F54J, F59A, F59B | 01 | B04A, B04B, B04C, B04D |
| | | 01 | | | B04A, B04B, B04C, B04D | 09 | | | J03A, J03B, J04A, J04B, J08A, J08B, J08C, J11A, J11B, J11J, J11Q, J11R, J11S, J16Z | 05 | F01A, F01B, F01D, F14A, F14B, F15Z, F24A, F24B, F28A, F36A, F36B, F54A, F54B, F54J, F59A, F59B |
| | | 05 | | | F01A, F01B, F01D, F14A, F14B, F15Z, F24A, F24B, F28A, F36A, F36B, F54A, F54B, F54J, F59A, F59B | 10 | | | K09A, K09B | 09 | J03A, J03B, J04A, J04B, J08A, J08B, J08C, J11A, J11B, J11J, J11Q, J11R, J11S, J16Z |
| | 09 | J03A, J03B, J04A, J04B, J08A, J08B, J08C, J11A, J11B, J11J, J11Q, J11R, J11S, J16Z | | 21A | W04A, W04B | 10 | | K09A, K09B | | | |
| | 10 | K09A, K09B | | 21B | X04Z, X06A, X06B, X06C | 21A | | W04A, W04B | | | |
| | 21A | W04A, W04B | | | | 21B | | X06A, X06B, X06C | | | |
| | 21B | X06A, X06B, X06C | | | | | | | | | |

VYK

| ZZV | MDC | DRG | ZZV | MDC | DRG | ZZV | MDC | DRG | | | |
|----------|----------|--|--|--|--|----------|--|--|----------|----|--|
| 8r887.24 | | BOP, KJZSV, UOP4 | 8r887.2i | | KJZSV | 8r887.32 | | BOP, KJZSV, UOP4 | | | |
| | 01 | B04A, B04B, B04C, B04D | | 05 | F01A, F01B, F01D, F14A, F14B, F15Z, F24A, F24B, F28A, F36A, F36B, F54A, F54B, F54J, F59A, F59B | | 01 | B04A, B04B, B04C, B04D | | | |
| | 05 | F01A, F01B, F01D, F14A, F14B, F15Z, F24A, F24B, F28A, F36A, F36B, F54A, F54B, F54J, F59A, F59B | | 09 | J03A, J03B, J04A, J04B, J08A, J08B, J08C, J11A, J11B, J11J, J11Q, J11R, J11S, J16Z | | 05 | F01A, F01B, F01D, F14A, F14B, F15Z, F24A, F24B, F28A, F36A, F36B, F54A, F54B, F54J, F59A, F59B | | | |
| | 09 | J03A, J03B, J04A, J04B, J08A, J08B, J08C, J11A, J11B, J11J, J11Q, J11R, J11S, J16Z | | 10 | K09A, K09B | | 09 | J03A, J03B, J04A, J04B, J08A, J08B, J08C, J11A, J11B, J11J, J11Q, J11R, J11S, J16Z | | | |
| | 10 | K09A, K09B | | 21A | W04A, W04B | | 10 | K09A, K09B | | | |
| | 21A | W04A, W04B | | 21B | X04Z, X06A, X06B, X06C | | 21A | W04A, W04B | | | |
| | 21B | X06A, X06B, X06C | | | KJZSV | | 21B | X06A, X06B, X06C | | | |
| | 8r887.25 | | | BOP, KJZSV, UOP4 | 8r887.2j | | | KJZSV | 8r887.33 | | BOP, KJZSV, UOP4 |
| | | 01 | | B04A, B04B, B04C, B04D | | | 05 | F01A, F01B, F01D, F14A, F14B, F15Z, F24A, F24B, F28A, F36A, F36B, F54A, F54B, F54J, F59A, F59B | | 01 | B04A, B04B, B04C, B04D |
| | | 05 | | F01A, F01B, F01D, F14A, F14B, F15Z, F24A, F24B, F28A, F36A, F36B, F54A, F54B, F54J, F59A, F59B | | | 09 | J03A, J03B, J04A, J04B, J08A, J08B, J08C, J11A, J11B, J11J, J11Q, J11R, J11S, J16Z | | 05 | F01A, F01B, F01D, F14A, F14B, F15Z, F24A, F24B, F28A, F36A, F36B, F54A, F54B, F54J, F59A, F59B |
| 09 | | J03A, J03B, J04A, J04B, J08A, J08B, J08C, J11A, J11B, J11J, J11Q, J11R, J11S, J16Z | 10 | K09A, K09B | | 09 | J03A, J03B, J04A, J04B, J08A, J08B, J08C, J11A, J11B, J11J, J11Q, J11R, J11S, J16Z | | | | |
| 10 | | K09A, K09B | 21A | W04A, W04B | | 10 | K09A, K09B | | | | |
| 21A | | W04A, W04B | 21B | X04Z, X06A, X06B, X06C | | 21A | W04A, W04B | | | | |
| 21B | | X06A, X06B, X06C | | KJZSV | | 21B | X06A, X06B, X06C | | | | |
| 8r887.2c | | | KJZSV | 8r887.2p | | | KJZSV | 8r887.34 | | | BOP, KJZSV, UOP4 |
| | | 05 | F01A, F01B, F01D, F15Z, F19A, F19B, F19C, F24A, F24B, F36A, F36B | | | 05 | F01A, F01B, F01D, F14A, F14B, F15Z, F24A, F24B, F28A, F36A, F36B, F54A, F54B, F54J, F59A, F59B | | | 01 | B04A, B04B, B04C, B04D |
| | | 09 | J03A, J03B, J04A, J04B, J08A, J08B, J08C, J11A, J11B, J11J, J11Q, J11R, J11S, J16Z | | | 09 | J03A, J03B, J04A, J04B, J08A, J08B, J08C, J11A, J11B, J11J, J11Q, J11R, J11S, J16Z | | | 05 | F01A, F01B, F01D, F14A, F14B, F15Z, F24A, F24B, F28A, F36A, F36B, F54A, F54B, F54J, F59A, F59B |
| | 10 | K09A, K09B | 10 | | K09A, K09B | 09 | J03A, J03B, J04A, J04B, J08A, J08B, J08C, J11A, J11B, J11J, J11Q, J11R, J11S, J16Z | | | | |
| | 21A | W04A, W04B | 21A | | W04A, W04B | 10 | K09A, K09B | | | | |
| | 21B | X06A, X06B, X06C | 21B | | X04Z, X05A, X05B, X06A, X06B, X06C | 21A | W04A, W04B | | | | |
| | 8r887.2f | | KJZSV | | 8r887.2x | | KJZSV | | 8r887.35 | | BOP, KJZSV, UOP4 |
| | | 05 | F01A, F01B, F01D, F14A, F14B, F15Z, F24A, F24B, F28A, F36A, F36B, F54A, F54B, F54J, F59A, F59B | | | 05 | F01A, F01B, F01D, F14A, F14B, F15Z, F24A, F24B, F28A, F36A, F36B, F54A, F54B, F54J, F59A, F59B | | | 01 | B04A, B04B, B04C, B04D |
| | | 06 | G10Z, G12A, G12B, G12J | | | 09 | J03A, J03B, J04A, J04B, J08A, J08B, J08C, J11A, J11B, J11J, J11Q, J11R, J11S, J16Z | | | 05 | F01A, F01B, F01D, F14A, F14B, F15Z, F24A, F24B, F28A, F36A, F36B, F54A, F54B, F54J, F59A, F59B |
| | | 09 | J03A, J03B, J04A, J04B, J08A, J08B, J08C, J11A, J11B, J11J, J11Q, J11R, J11S, J16Z | | | 10 | K09A, K09B | | | 09 | J03A, J03B, J04A, J04B, J08A, J08B, J08C, J11A, J11B, J11J, J11Q, J11R, J11S, J16Z |
| 10 | | K09A, K09B | 21A | W04A, W04B | | 10 | K09A, K09B | | | | |
| 11 | | L09A, L09B, L09C, L09J, L38Z | 21B | X06A, X06B, X06C | | 21A | W04A, W04B | | | | |
| 21A | | W04A, W04B | | BOP, KJZSV, KOP, UOP4 | | 21B | X06A, X06B, X06C | | | | |
| 21B | | X06A, X06B, X06C | 01 | B02A, B02B, B02C, B20A, B20B, B20C, B20D, B39A, B39B | | | KJZSV | | | | |
| 8r887.2h | | | KJZSV | 8r887.30 | | | KJZSV | 8r887.3c | | | KJZSV |
| | | 05 | F01A, F01B, F01D, F14A, F14B, F15Z, F24A, F24B, F28A, F36A, F36B, F54A, F54B, F54J, F59A, F59B | | | 05 | F01A, F01B, F01D, F14A, F14B, F15Z, F24A, F24B, F28A, F36A, F36B, F54A, F54B, F54J, F59A, F59B | | | 05 | F01A, F01B, F01D, F15Z, F19A, F19B, F19C, F24A, F24B, F36A, F36B |
| | 06 | G10Z, G12A, G12B, G12J | 09 | | J03A, J03B, J04A, J04B, J08A, J08B, J08C, J11A, J11B, J11J, J11Q, J11R, J11S, J16Z | 09 | J03A, J03B, J04A, J04B, J08A, J08B, J08C, J11A, J11B, J11J, J11Q, J11R, J11S, J16Z | | | | |
| | 09 | J03A, J03B, J04A, J04B, J08A, J08B, J08C, J11A, J11B, J11J, J11Q, J11R, J11S, J16Z | 10 | | K09A, K09B | 10 | K09A, K09B | | | | |
| | 10 | K09A, K09B | 21A | | W04A, W04B | 21A | W04A, W04B | | | | |
| | 11 | L09A, L09B, L09C, L09J, L38Z | 21B | | X06A, X06B, X06C, X33Z | 21B | X06A, X06B, X06C | | | | |
| | 21A | W04A, W04B | | | | | | | | | |
| | 21B | X04Z, X06A, X06B, X06C | | | | | | | | | |

VYK

| ZZV | MDC | DRG | ZZV | MDC | DRG | ZZV | MDC | DRG | | | |
|----------|----------|--|--|--|--|----------|--|--|----------|----------|--|
| 8r887.3f | | KJZSV | 8r887.3x | | KJZSV | 8r887.45 | | BOP, KJZSV, UOP4 | | | |
| | 05 | F01A, F01B, F01D, F14A, F14B, F15Z, F24A, F24B, F28A, F36A, F36B, F54A, F54B, F54J, F59A, F59B | | 05 | F01A, F01B, F01D, F14A, F14B, F15Z, F24A, F24B, F28A, F36A, F36B, F54A, F54B, F54J, F59A, F59B | | 01 | B04A, B04B, B04C, B04D | | | |
| | 06 | G10Z, G12A, G12B, G12J | | 09 | J03A, J03B, J04A, J04B, J08A, J08B, J08C, J11A, J11B, J11J, J11Q, J11R, J11S, J16Z | | 05 | F01A, F01B, F01D, F14A, F14B, F15Z, F24A, F24B, F28A, F36A, F36B, F54A, F54B, F54J, F59A, F59B | | | |
| | 09 | J03A, J03B, J04A, J04B, J08A, J08B, J08C, J11A, J11B, J11J, J11Q, J11R, J11S, J16Z | | 10 | K09A, K09B | | 09 | J03A, J03B, J04A, J04B, J08A, J08B, J08C, J11A, J11B, J11J, J11Q, J11R, J11S, J16Z | | | |
| | 10 | K09A, K09B | | 21A | W04A, W04B | | 10 | K09A, K09B | | | |
| | 11 | L09A, L09B, L09C, L09J, L38Z | | 21B | X06A, X06B, X06C | | 21A | W04A, W04B | | | |
| | 21A | W04A, W04B | | | BOP, KJZSV, KOP, UOP4 | | 21B | X06A, X06B, X06C | | | |
| | 21B | X06A, X06B, X06C | | 01 | B02A, B02B, B02C, B20A, B20B, B20C, B20D, B39A, B39B | | 8r887.4c | KJZSV | | | |
| | 8r887.3h | | | KJZSV | 8r887.40 | | | KJZSV | 8r887.4c | 05 | F01A, F01B, F01D, F15Z, F19A, F19B, F19C, F24A, F24B, F36A, F36B |
| | | 05 | | F01A, F01B, F01D, F14A, F14B, F15Z, F24A, F24B, F28A, F36A, F36B, F54A, F54B, F54J, F59A, F59B | | | 05 | F01A, F01B, F01D, F14A, F14B, F15Z, F24A, F24B, F28A, F36A, F36B, F54A, F54B, F54J, F59A, F59B | | 09 | J03A, J03B, J04A, J04B, J08A, J08B, J08C, J11A, J11B, J11J, J11Q, J11R, J11S, J16Z |
| 06 | | G10Z, G12A, G12B, G12J | 09 | J03A, J03B, J04A, J04B, J08A, J08B, J08C, J11A, J11B, J11J, J11Q, J11R, J11S, J16Z | | 10 | K09A, K09B | | | | |
| 09 | | J03A, J03B, J04A, J04B, J08A, J08B, J08C, J11A, J11B, J11J, J11Q, J11R, J11S, J16Z | 10 | K09A, K09B | | 21A | W04A, W04B | | | | |
| 10 | | K09A, K09B | 21A | W04A, W04B | | 21B | X06A, X06B, X06C | | | | |
| 11 | | L09A, L09B, L09C, L09J, L38Z | 21B | X06A, X06B, X06C, X33Z | | 8r887.4f | KJZSV | | | | |
| 21A | | W04A, W04B | | BOP, KJZSV, UOP4 | | 05 | F01A, F01B, F01D, F14A, F14B, F15Z, F24A, F24B, F28A, F36A, F36B, F54A, F54B, F54J, F59A, F59B | | | | |
| 21B | | X04Z, X06A, X06B, X06C | 01 | B04A, B04B, B04C, B04D | | 06 | G10Z, G12A, G12B, G12J | | | | |
| 8r887.3i | | | KJZSV | 8r887.42 | | | KJZSV | 8r887.4f | | 09 | J03A, J03B, J04A, J04B, J08A, J08B, J08C, J11A, J11B, J11J, J11Q, J11R, J11S, J16Z |
| | | 05 | F01A, F01B, F01D, F14A, F14B, F15Z, F24A, F24B, F28A, F36A, F36B, F54A, F54B, F54J, F59A, F59B | | | 05 | F01A, F01B, F01D, F14A, F14B, F15Z, F24A, F24B, F28A, F36A, F36B, F54A, F54B, F54J, F59A, F59B | | | 10 | K09A, K09B |
| | 09 | J03A, J03B, J04A, J04B, J08A, J08B, J08C, J11A, J11B, J11J, J11Q, J11R, J11S, J16Z | 09 | | J03A, J03B, J04A, J04B, J08A, J08B, J08C, J11A, J11B, J11J, J11Q, J11R, J11S, J16Z | 11 | L09A, L09B, L09C, L09J, L38Z | | | | |
| | 10 | K09A, K09B | 10 | | K09A, K09B | 21A | W04A, W04B | | | | |
| | 21A | W04A, W04B | 21A | | W04A, W04B | 21B | X06A, X06B, X06C | | | | |
| | 21B | X04Z, X06A, X06B, X06C | 21B | | X06A, X06B, X06C | 8r887.4h | KJZSV | | | | |
| | 8r887.3j | | KJZSV | | 8r887.43 | | KJZSV | | 8r887.4h | 05 | F01A, F01B, F01D, F14A, F14B, F15Z, F24A, F24B, F28A, F36A, F36B, F54A, F54B, F54J, F59A, F59B |
| | | 05 | F01A, F01B, F01D, F14A, F14B, F15Z, F24A, F24B, F28A, F36A, F36B, F54A, F54B, F54J, F59A, F59B | | | 01 | B04A, B04B, B04C, B04D | | | 06 | G10Z, G12A, G12B, G12J |
| | | 09 | J03A, J03B, J04A, J04B, J08A, J08B, J08C, J11A, J11B, J11J, J11Q, J11R, J11S, J16Z | | | 05 | F01A, F01B, F01D, F14A, F14B, F15Z, F24A, F24B, F28A, F36A, F36B, F54A, F54B, F54J, F59A, F59B | | | 09 | J03A, J03B, J04A, J04B, J08A, J08B, J08C, J11A, J11B, J11J, J11Q, J11R, J11S, J16Z |
| | | 10 | K09A, K09B | | | 09 | J03A, J03B, J04A, J04B, J08A, J08B, J08C, J11A, J11B, J11J, J11Q, J11R, J11S, J16Z | | | 10 | K09A, K09B |
| 21A | | W04A, W04B | 10 | K09A, K09B | | 11 | L09A, L09B, L09C, L09J, L38Z | | | | |
| 21B | | X04Z, X06A, X06B, X06C | 21A | W04A, W04B | | 21A | W04A, W04B | | | | |
| 8r887.3p | | | KJZSV | 8r887.44 | | | KJZSV | 8r887.4i | | 21B | X06A, X06B, X06C |
| | | 05 | F01A, F01B, F01D, F14A, F14B, F15Z, F24A, F24B, F28A, F36A, F36B, F54A, F54B, F54J, F59A, F59B | | | 01 | B04A, B04B, B04C, B04D | | | 8r887.4i | KJZSV |
| | | 09 | J03A, J03B, J04A, J04B, J08A, J08B, J08C, J11A, J11B, J11J, J11Q, J11R, J11S, J16Z | | | 05 | F01A, F01B, F01D, F14A, F14B, F15Z, F24A, F24B, F28A, F36A, F36B, F54A, F54B, F54J, F59A, F59B | | | 05 | F01A, F01B, F01D, F14A, F14B, F15Z, F24A, F24B, F28A, F36A, F36B, F54A, F54B, F54J, F59A, F59B |
| | | 10 | K09A, K09B | | | 09 | J03A, J03B, J04A, J04B, J08A, J08B, J08C, J11A, J11B, J11J, J11Q, J11R, J11S, J16Z | | | 09 | J03A, J03B, J04A, J04B, J08A, J08B, J08C, J11A, J11B, J11J, J11Q, J11R, J11S, J16Z |
| | 21A | W04A, W04B | 10 | | K09A, K09B | 10 | K09A, K09B | | | | |
| | 21B | X04Z, X05A, X05B, X06A, X06B, X06C | 21A | | W04A, W04B | 21A | W04A, W04B | | | | |
| | | | 21B | | X06A, X06B, X06C | 21B | X04Z, X06A, X06B, X06C | | | | |

VYK

| ZZV | MDC | DRG | ZZV | MDC | DRG | ZZV | MDC | DRG |
|----------|-----|--|----------|-----|--|----------|-----|--|
| 8r887.4j | | KJZSV | 8r887.53 | | BOP, KJZSV, UOP4 | 8r887.5h | | KJZSV |
| | 05 | F01A, F01B, F01D, F14A, F14B, F15Z, F24A, F24B, F28A, F36A, F36B, F54A, F54B, F54J, F59A, F59B | | 01 | B04A, B04B, B04C, B04D | | 05 | F01A, F01B, F01D, F14A, F14B, F15Z, F24A, F24B, F28A, F36A, F36B, F54A, F54B, F54J, F59A, F59B |
| | 09 | J03A, J03B, J04A, J04B, J08A, J08B, J08C, J11A, J11B, J11J, J11Q, J11R, J11S, J16Z | | 05 | F01A, F01B, F01D, F14A, F14B, F15Z, F24A, F24B, F28A, F36A, F36B, F54A, F54B, F54J, F59A, F59B | | 06 | G10Z, G12A, G12B, G12J |
| | 10 | K09A, K09B | | 09 | J03A, J03B, J04A, J04B, J08A, J08B, J08C, J11A, J11B, J11J, J11Q, J11R, J11S, J16Z | | 09 | J03A, J03B, J04A, J04B, J08A, J08B, J08C, J11A, J11B, J11J, J11Q, J11R, J11S, J16Z |
| | 21A | W04A, W04B | | 10 | K09A, K09B | | 10 | K09A, K09B |
| 8r887.4p | 21B | X04Z, X06A, X06B, X06C | 8r887.54 | 21A | W04A, W04B | 8r887.5i | 11 | L09A, L09B, L09C, L09J, L38Z |
| | | KJZSV | | 21B | X06A, X06B, X06C | | 21A | W04A, W04B |
| | 05 | F01A, F01B, F01D, F14A, F14B, F15Z, F24A, F24B, F28A, F36A, F36B, F54A, F54B, F54J, F59A, F59B | | 01 | B04A, B04B, B04C, B04D | | 21B | X04Z, X06A, X06B, X06C |
| | 09 | J03A, J03B, J04A, J04B, J08A, J08B, J08C, J11A, J11B, J11J, J11Q, J11R, J11S, J16Z | | 05 | F01A, F01B, F01D, F14A, F14B, F15Z, F24A, F24B, F28A, F36A, F36B, F54A, F54B, F54J, F59A, F59B | | 05 | F01A, F01B, F01D, F14A, F14B, F15Z, F24A, F24B, F28A, F36A, F36B, F54A, F54B, F54J, F59A, F59B |
| | 10 | K09A, K09B | | 09 | J03A, J03B, J04A, J04B, J08A, J08B, J08C, J11A, J11B, J11J, J11Q, J11R, J11S, J16Z | | 09 | J03A, J03B, J04A, J04B, J08A, J08B, J08C, J11A, J11B, J11J, J11Q, J11R, J11S, J16Z |
| 8r887.4x | 21A | W04A, W04B | 8r887.55 | 10 | K09A, K09B | 8r887.5j | 10 | K09A, K09B |
| | 21B | X04Z, X05A, X05B, X06A, X06B, X06C | | 21A | W04A, W04B | | 21A | W04A, W04B |
| | | KJZSV | | 21B | X06A, X06B, X06C | | 21B | X04Z, X06A, X06B, X06C |
| | 05 | F01A, F01B, F01D, F14A, F14B, F15Z, F24A, F24B, F28A, F36A, F36B, F54A, F54B, F54J, F59A, F59B | | 01 | B04A, B04B, B04C, B04D | | 05 | F01A, F01B, F01D, F14A, F14B, F15Z, F24A, F24B, F28A, F36A, F36B, F54A, F54B, F54J, F59A, F59B |
| | 09 | J03A, J03B, J04A, J04B, J08A, J08B, J08C, J11A, J11B, J11J, J11Q, J11R, J11S, J16Z | | 05 | F01A, F01B, F01D, F14A, F14B, F15Z, F24A, F24B, F28A, F36A, F36B, F54A, F54B, F54J, F59A, F59B | | 09 | J03A, J03B, J04A, J04B, J08A, J08B, J08C, J11A, J11B, J11J, J11Q, J11R, J11S, J16Z |
| 8r887.50 | 10 | K09A, K09B | 8r887.5c | 09 | J03A, J03B, J04A, J04B, J08A, J08B, J08C, J11A, J11B, J11J, J11Q, J11R, J11S, J16Z | 8r887.5p | 10 | K09A, K09B |
| | 21A | W04A, W04B | | 10 | K09A, K09B | | 21A | W04A, W04B |
| | 21B | X06A, X06B, X06C | | 21A | W04A, W04B | | 21B | X04Z, X06A, X06B, X06C |
| | | BOP, KJZSV, KOP, UOP4 | | 21B | X06A, X06B, X06C | | 05 | F01A, F01B, F01D, F14A, F14B, F15Z, F24A, F24B, F28A, F36A, F36B, F54A, F54B, F54J, F59A, F59B |
| | 01 | B02A, B02B, B02C, B20A, B20B, B20C, B20D, B39A, B39B | | 05 | F01A, F01B, F01D, F15Z, F19A, F19B, F19C, F24A, F24B, F36A, F36B | | 09 | J03A, J03B, J04A, J04B, J08A, J08B, J08C, J11A, J11B, J11J, J11Q, J11R, J11S, J16Z |
| 8r887.52 | 05 | F01A, F01B, F01D, F14A, F14B, F15Z, F24A, F24B, F28A, F36A, F36B, F54A, F54B, F54J, F59A, F59B | 8r887.5f | 09 | J03A, J03B, J04A, J04B, J08A, J08B, J08C, J11A, J11B, J11J, J11Q, J11R, J11S, J16Z | 8r887.5x | 10 | K09A, K09B |
| | 09 | J03A, J03B, J04A, J04B, J08A, J08B, J08C, J11A, J11B, J11J, J11Q, J11R, J11S, J16Z | | 10 | K09A, K09B | | 21A | W04A, W04B |
| | 10 | K09A, K09B | | 21A | W04A, W04B | | 21B | X04Z, X05A, X05B, X06A, X06B, X06C |
| | 21A | W04A, W04B | | 05 | F01A, F01B, F01D, F14A, F14B, F15Z, F24A, F24B, F28A, F36A, F36B, F54A, F54B, F54J, F59A, F59B | | 05 | F01A, F01B, F01D, F14A, F14B, F15Z, F24A, F24B, F28A, F36A, F36B, F54A, F54B, F54J, F59A, F59B |
| | 21B | X06A, X06B, X06C, X33Z | | 06 | G10Z, G12A, G12B, G12J | | 09 | J03A, J03B, J04A, J04B, J08A, J08B, J08C, J11A, J11B, J11J, J11Q, J11R, J11S, J16Z |
| 8r887.52 | | BOP, KJZSV, UOP4 | 8r887.5f | 09 | J03A, J03B, J04A, J04B, J08A, J08B, J08C, J11A, J11B, J11J, J11Q, J11R, J11S, J16Z | 8r887.5x | 10 | K09A, K09B |
| | 01 | B04A, B04B, B04C, B04D | | 10 | K09A, K09B | | 21A | W04A, W04B |
| | 05 | F01A, F01B, F01D, F14A, F14B, F15Z, F24A, F24B, F28A, F36A, F36B, F54A, F54B, F54J, F59A, F59B | | 11 | L09A, L09B, L09C, L09J, L38Z | | 21B | X06A, X06B, X06C |
| | 09 | J03A, J03B, J04A, J04B, J08A, J08B, J08C, J11A, J11B, J11J, J11Q, J11R, J11S, J16Z | | 21A | W04A, W04B | | | |
| | 10 | K09A, K09B | | 21B | X06A, X06B, X06C | | | |

VYK

| ZZV | MDC | DRG | ZZV | MDC | DRG | ZZV | MDC | DRG | | | |
|----------|----------|--|--|--|--|--|------------------|--|--|--|--|
| 8r887.60 | | BOP, KJZSV, KOP, UOP4 | 8r887.6c | | KJZSV | 8r887.6p | | KJZSV | | | |
| | 01 | B02A, B02B, B02C, B20A, B20B, B20C, B20D, B39A, B39B | | 05 | F01A, F01B, F01D, F14A, F14B, F15Z, F19A, F19B, F19C, F24A, F24B, F36A, F36B, F54A, F54B, F54J | | 05 | F01A, F01B, F01D, F14A, F14B, F15Z, F24A, F24B, F28A, F36A, F36B, F54A, F54B, F54J, F59A, F59B | | | |
| | 05 | F01A, F01B, F01D, F14A, F14B, F15Z, F24A, F24B, F28A, F36A, F36B, F54A, F54B, F54J, F59A, F59B | | 09 | J03A, J03B, J04A, J04B, J08A, J08B, J08C, J11A, J11B, J11J, J11Q, J11R, J11S, J16Z | | 09 | J03A, J03B, J04A, J04B, J08A, J08B, J08C, J11A, J11B, J11J, J11Q, J11R, J11S, J16Z | | | |
| | 09 | J03A, J03B, J04A, J04B, J08A, J08B, J08C, J11A, J11B, J11J, J11Q, J11R, J11S, J16Z | | 10 | K09A, K09B | | 10 | K09A, K09B | | | |
| | 10 | K09A, K09B | | 21A | W04A, W04B | | 21A | W04A, W04B | | | |
| | 21A | W04A, W04B | | 21B | X06A, X06B, X06C | | 21B | X04Z, X05A, X05B, X06A, X06B, X06C | | | |
| | 21B | X06A, X06B, X06C, X33Z | | 8r887.6f | | | KJZSV | 8r887.6x | | KJZSV | |
| | 8r887.62 | | | | BOP, KJZSV, UOP4 | | 05 | | F01A, F01B, F01D, F14A, F14B, F15Z, F24A, F24B, F28A, F36A, F36B, F54A, F54B, F54J, F59A, F59B | 05 | F01A, F01B, F01D, F14A, F14B, F15Z, F24A, F24B, F28A, F36A, F36B, F54A, F54B, F54J, F59A, F59B |
| | | 01 | | | B04A, B04B, B04C, B04D | | 06 | | G10Z, G12A, G12B, G12J | 09 | J03A, J03B, J04A, J04B, J08A, J08B, J08C, J11A, J11B, J11J, J11Q, J11R, J11S, J16Z |
| | | 05 | | | F01A, F01B, F01D, F14A, F14B, F15Z, F24A, F24B, F28A, F36A, F36B, F54A, F54B, F54J, F59A, F59B | | 09 | | J03A, J03B, J04A, J04B, J08A, J08B, J08C, J11A, J11B, J11J, J11Q, J11R, J11S, J16Z | 10 | K09A, K09B |
| | | 09 | | | J03A, J03B, J04A, J04B, J08A, J08B, J08C, J11A, J11B, J11J, J11Q, J11R, J11S, J16Z | | 10 | | K09A, K09B | 21A | W04A, W04B |
| 10 | | K09A, K09B | 11 | | L09A, L09B, L09C, L09J, L38Z | 21B | X06A, X06B, X06C | | | | |
| 21A | | W04A, W04B | 8r887.6h | | | KJZSV | 8r887.70 | | | BOP, KJZSV, KOP, UOP4 | |
| 21B | | X06A, X06B, X06C | | | 05 | F01A, F01B, F01D, F14A, F14B, F15Z, F24A, F24B, F28A, F36A, F36B, F54A, F54B, F54J, F59A, F59B | | | 01 | B02A, B02B, B02C, B20A, B20B, B20C, B20D, B39A, B39B | |
| 8r887.63 | | | | | BOP, KJZSV, UOP4 | 06 | | | G10Z, G12A, G12B, G12J | 05 | F01A, F01B, F01D, F14A, F14B, F15Z, F24A, F24B, F28A, F36A, F36B, F54A, F54B, F54J, F59A, F59B |
| | | 01 | | | B04A, B04B, B04C, B04D | 09 | | | J03A, J03B, J04A, J04B, J08A, J08B, J08C, J11A, J11B, J11J, J11Q, J11R, J11S, J16Z | 09 | J03A, J03B, J04A, J04B, J08A, J08B, J08C, J11A, J11B, J11J, J11Q, J11R, J11S, J16Z |
| | | 05 | | | F01A, F01B, F01D, F14A, F14B, F15Z, F24A, F24B, F28A, F36A, F36B, F54A, F54B, F54J, F59A, F59B | 10 | | | K09A, K09B | 10 | K09A, K09B |
| | | 09 | | J03A, J03B, J04A, J04B, J08A, J08B, J08C, J11A, J11B, J11J, J11Q, J11R, J11S, J16Z | 11 | L09A, L09B, L09C, L09J, L38Z | | 21A | W04A, W04B | | |
| | 10 | K09A, K09B | | 8r887.6i | | KJZSV | | 8r887.72 | | BOP, KJZSV, UOP4 | |
| | 21A | W04A, W04B | | | 05 | F01A, F01B, F01D, F14A, F14B, F15Z, F24A, F24B, F28A, F36A, F36B, F54A, F54B, F54J, F59A, F59B | | | 01 | B04A, B04B, B04C, B04D | |
| | 21B | X06A, X06B, X06C | | | 09 | J03A, J03B, J04A, J04B, J08A, J08B, J08C, J11A, J11B, J11J, J11Q, J11R, J11S, J16Z | | | 05 | F01A, F01B, F01D, F14A, F14B, F15Z, F24A, F24B, F28A, F36A, F36B, F54A, F54B, F54J, F59A, F59B | |
| | 8r887.64 | | | | BOP, KJZSV, UOP4 | 10 | | | K09A, K09B | 09 | J03A, J03B, J04A, J04B, J08A, J08B, J08C, J11A, J11B, J11J, J11Q, J11R, J11S, J16Z |
| | | 01 | | | B04A, B04B, B04C, B04D | 10 | | | K09A, K09B | 10 | K09A, K09B |
| | | 05 | F01A, F01B, F01D, F14A, F14B, F15Z, F24A, F24B, F28A, F36A, F36B, F54A, F54B, F54J, F59A, F59B | | 21A | W04A, W04B | 21A | | W04A, W04B | | |
| | | 09 | J03A, J03B, J04A, J04B, J08A, J08B, J08C, J11A, J11B, J11J, J11Q, J11R, J11S, J16Z | | 21B | X04Z, X06A, X06B, X06C | 21B | | X06A, X06B, X06C | | |
| 10 | | K09A, K09B | 8r887.6j | | | KJZSV | 8r887.73 | | | BOP, KJZSV, UOP4 | |
| 21A | | W04A, W04B | | | 05 | F01A, F01B, F01D, F14A, F14B, F15Z, F24A, F24B, F28A, F36A, F36B, F54A, F54B, F54J, F59A, F59B | | | 01 | B04A, B04B, B04C, B04D | |
| 21B | | X06A, X06B, X06C | | | 09 | J03A, J03B, J04A, J04B, J08A, J08B, J08C, J11A, J11B, J11J, J11Q, J11R, J11S, J16Z | | | 05 | F01A, F01B, F01D, F14A, F14B, F15Z, F24A, F24B, F28A, F36A, F36B, F54A, F54B, F54J, F59A, F59B | |
| 8r887.65 | | | | | BOP, KJZSV, UOP4 | 10 | | | K09A, K09B | 09 | J03A, J03B, J04A, J04B, J08A, J08B, J08C, J11A, J11B, J11J, J11Q, J11R, J11S, J16Z |
| | | 01 | | B04A, B04B, B04C, B04D | 10 | K09A, K09B | | 10 | K09A, K09B | | |
| | | 05 | | F01A, F01B, F01D, F14A, F14B, F15Z, F24A, F24B, F28A, F36A, F36B, F54A, F54B, F54J, F59A, F59B | 21A | W04A, W04B | | 21A | W04A, W04B | | |
| | | 09 | | J03A, J03B, J04A, J04B, J08A, J08B, J08C, J11A, J11B, J11J, J11Q, J11R, J11S, J16Z | 21B | X04Z, X06A, X06B, X06C | | 21B | X06A, X06B, X06C | | |
| | 10 | K09A, K09B | | | | | | | | | |
| | 21A | W04A, W04B | | | | | | | | | |
| | 21B | X06A, X06B, X06C | | | | | | | | | |

VYK

| ZZV | MDC | DRG | ZZV | MDC | DRG | ZZV | MDC | DRG | | | |
|----------|----------|--|--|--|--|----------|--|--|----------|----|--|
| 8r887.74 | | BOP, KJZSV, UOP4 | 8r887.7i | | KJZSV | 8r887.82 | | BOP, KJZSV, UOP4 | | | |
| | 01 | B04A, B04B, B04C, B04D | | 05 | F01A, F01B, F01D, F14A, F14B, F15Z, F24A, F24B, F28A, F36A, F36B, F54A, F54B, F54J, F59A, F59B | | 01 | B04A, B04B, B04C, B04D | | | |
| | 05 | F01A, F01B, F01D, F14A, F14B, F15Z, F24A, F24B, F28A, F36A, F36B, F54A, F54B, F54J, F59A, F59B | | 09 | J03A, J03B, J04A, J04B, J08A, J08B, J08C, J11A, J11B, J11J, J11Q, J11R, J11S, J16Z | | 05 | F01A, F01B, F01D, F14A, F14B, F15Z, F24A, F24B, F28A, F36A, F36B, F54A, F54B, F54J, F59A, F59B | | | |
| | 09 | J03A, J03B, J04A, J04B, J08A, J08B, J08C, J11A, J11B, J11J, J11Q, J11R, J11S, J16Z | | 10 | K09A, K09B | | 09 | J03A, J03B, J04A, J04B, J08A, J08B, J08C, J11A, J11B, J11J, J11Q, J11R, J11S, J16Z | | | |
| | 10 | K09A, K09B | | 21A | W04A, W04B | | 10 | K09A, K09B | | | |
| | 21A | W04A, W04B | | 21B | X04Z, X06A, X06B, X06C | | 21A | W04A, W04B | | | |
| | 21B | X06A, X06B, X06C | | | KJZSV | | 21B | X06A, X06B, X06C | | | |
| | 8r887.75 | | | BOP, KJZSV, UOP4 | 8r887.7j | | 05 | F01A, F01B, F01D, F14A, F14B, F15Z, F24A, F24B, F28A, F36A, F36B, F54A, F54B, F54J, F59A, F59B | 8r887.83 | | BOP, KJZSV, UOP4 |
| | | 01 | | B04A, B04B, B04C, B04D | | | 09 | J03A, J03B, J04A, J04B, J08A, J08B, J08C, J11A, J11B, J11J, J11Q, J11R, J11S, J16Z | | 01 | B04A, B04B, B04C, B04D |
| | | 05 | | F01A, F01B, F01D, F14A, F14B, F15Z, F24A, F24B, F28A, F36A, F36B, F54A, F54B, F54J, F59A, F59B | | | 10 | K09A, K09B | | 05 | F01A, F01B, F01D, F14A, F14B, F15Z, F24A, F24B, F28A, F36A, F36B, F54A, F54B, F54J, F59A, F59B |
| 09 | | J03A, J03B, J04A, J04B, J08A, J08B, J08C, J11A, J11B, J11J, J11Q, J11R, J11S, J16Z | 21A | W04A, W04B | | 09 | J03A, J03B, J04A, J04B, J08A, J08B, J08C, J11A, J11B, J11J, J11Q, J11R, J11S, J16Z | | | | |
| 10 | | K09A, K09B | 21B | X04Z, X06A, X06B, X06C | | 10 | K09A, K09B | | | | |
| 21A | | W04A, W04B | | KJZSV | | 21A | W04A, W04B | | | | |
| 21B | | X06A, X06B, X06C | 05 | F01A, F01B, F01D, F14A, F14B, F15Z, F24A, F24B, F28A, F36A, F36B, F54A, F54B, F54J, F59A, F59B | | 21B | X06A, X06B, X06C | | | | |
| 8r887.7c | | | KJZSV | 8r887.7p | | 09 | J03A, J03B, J04A, J04B, J08A, J08B, J08C, J11A, J11B, J11J, J11Q, J11R, J11S, J16Z | 8r887.84 | | | BOP, KJZSV, UOP4 |
| | | 05 | F01A, F01B, F01D, F15Z, F19A, F19B, F19C, F24A, F24B, F36A, F36B | | | 10 | K09A, K09B | | | 01 | B04A, B04B, B04C, B04D |
| | | 09 | J03A, J03B, J04A, J04B, J08A, J08B, J08C, J11A, J11B, J11J, J11Q, J11R, J11S, J16Z | | | 21A | W04A, W04B | | | 05 | F01A, F01B, F01D, F14A, F14B, F15Z, F24A, F24B, F28A, F36A, F36B, F54A, F54B, F54J, F59A, F59B |
| | 10 | K09A, K09B | 21B | | X04Z, X05A, X05B, X06A, X06B, X06C | 09 | J03A, J03B, J04A, J04B, J08A, J08B, J08C, J11A, J11B, J11J, J11Q, J11R, J11S, J16Z | | | | |
| | 21A | W04A, W04B | | | KJZSV | 10 | K09A, K09B | | | | |
| | 21B | X06A, X06B, X06C | 05 | | F01A, F01B, F01D, F14A, F14B, F15Z, F24A, F24B, F28A, F36A, F36B, F54A, F54B, F54J, F59A, F59B | 21A | W04A, W04B | | | | |
| | 8r887.7f | | KJZSV | | 8r887.7x | 09 | J03A, J03B, J04A, J04B, J08A, J08B, J08C, J11A, J11B, J11J, J11Q, J11R, J11S, J16Z | | 8r887.85 | | BOP, KJZSV, UOP4 |
| | | 05 | F01A, F01B, F01D, F14A, F14B, F15Z, F24A, F24B, F28A, F36A, F36B, F54A, F54B, F54J, F59A, F59B | | | 10 | K09A, K09B | | | 01 | B04A, B04B, B04C, B04D |
| | | 06 | G10Z, G12A, G12B, G12J | | | 21A | W04A, W04B | | | 05 | F01A, F01B, F01D, F14A, F14B, F15Z, F24A, F24B, F28A, F36A, F36B, F54A, F54B, F54J, F59A, F59B |
| | | 09 | J03A, J03B, J04A, J04B, J08A, J08B, J08C, J11A, J11B, J11J, J11Q, J11R, J11S, J16Z | | | 21B | X06A, X06B, X06C | | | 09 | J03A, J03B, J04A, J04B, J08A, J08B, J08C, J11A, J11B, J11J, J11Q, J11R, J11S, J16Z |
| 10 | | K09A, K09B | | BOP, KJZSV, KOP, UOP4 | | 10 | K09A, K09B | | | | |
| 11 | | L09A, L09B, L09C, L09J, L38Z | 01 | B02A, B02B, B02C, B20A, B20B, B20C, B20D, B39A, B39B | | 21A | W04A, W04B | | | | |
| 21A | | W04A, W04B | 05 | F01A, F01B, F01D, F14A, F14B, F15Z, F24A, F24B, F28A, F36A, F36B, F54A, F54B, F54J, F59A, F59B | | 21B | X06A, X06B, X06C | | | | |
| 21B | | X06A, X06B, X06C | 09 | J03A, J03B, J04A, J04B, J08A, J08B, J08C, J11A, J11B, J11J, J11Q, J11R, J11S, J16Z | | 8r887.8c | | KJZSV | | | |
| 8r887.7h | | | KJZSV | 8r887.80 | | | 10 | K09A, K09B | | 05 | F01A, F01B, F01D, F15Z, F19A, F19B, F19C, F24A, F24B, F36A, F36B |
| | | 05 | F01A, F01B, F01D, F14A, F14B, F15Z, F24A, F24B, F28A, F36A, F36B, F54A, F54B, F54J, F59A, F59B | | | | 21A | W04A, W04B | | 09 | J03A, J03B, J04A, J04B, J08A, J08B, J08C, J11A, J11B, J11J, J11Q, J11R, J11S, J16Z |
| | 06 | G10Z, G12A, G12B, G12J | 21B | | X06A, X06B, X06C, X33Z | | 10 | K09A, K09B | | | |
| | 09 | J03A, J03B, J04A, J04B, J08A, J08B, J08C, J11A, J11B, J11J, J11Q, J11R, J11S, J16Z | | | | | 21A | W04A, W04B | | | |
| | 10 | K09A, K09B | | | | | 21B | X06A, X06B, X06C | | | |
| | 11 | L09A, L09B, L09C, L09J, L38Z | | | | | | | | | |
| | 21A | W04A, W04B | | | | | | | | | |
| | 21B | X04Z, X06A, X06B, X06C | | | | | | | | | |

VYK

| ZZV | MDC | DRG | ZZV | MDC | DRG | ZZV | MDC | DRG | | | |
|----------|----------|--|--|--|--|----------|--|--|----------|-----|--|
| 8r887.8f | | KJZSV | 8r887.8x | | KJZSV | 8r887.95 | | BOP, KJZSV, UOP4 | | | |
| | 05 | F01A, F01B, F01D, F14A, F14B, F15Z, F24A, F24B, F28A, F36A, F36B, F54A, F54B, F54J, F59A, F59B | | 05 | F01A, F01B, F01D, F14A, F14B, F15Z, F24A, F24B, F28A, F36A, F36B, F54A, F54B, F54J, F59A, F59B | | 01 | B04A, B04B, B04C, B04D | | | |
| | 06 | G10Z, G12A, G12B, G12J | | 09 | J03A, J03B, J04A, J04B, J08A, J08B, J08C, J11A, J11B, J11J, J11Q, J11R, J11S, J16Z | | 05 | F01A, F01B, F01D, F14A, F14B, F15Z, F24A, F24B, F28A, F36A, F36B, F54A, F54B, F54J, F59A, F59B | | | |
| | 09 | J03A, J03B, J04A, J04B, J08A, J08B, J08C, J11A, J11B, J11J, J11Q, J11R, J11S, J16Z | | 10 | K09A, K09B | | 09 | J03A, J03B, J04A, J04B, J08A, J08B, J08C, J11A, J11B, J11J, J11Q, J11R, J11S, J16Z | | | |
| | 10 | K09A, K09B | | 21A | W04A, W04B | | 10 | K09A, K09B | | | |
| | 11 | L09A, L09B, L09C, L09J, L38Z | | 21B | X06A, X06B, X06C | | 21A | W04A, W04B | | | |
| | 21A | W04A, W04B | | | BOP, KJZSV, KOP, UOP4 | | 21B | X06A, X06B, X06C | | | |
| | 21B | X06A, X06B, X06C | | 01 | B02A, B02B, B02C, B20A, B20B, B20C, B20D, B39A, B39B | | | KJZSV | | | |
| | 8r887.8h | | | KJZSV | 8r887.90 | | | KJZSV | 8r887.9c | | F01A, F01B, F01D, F15Z, F19A, F19B, F19C, F24A, F24B, F36A, F36B |
| | | 05 | | F01A, F01B, F01D, F14A, F14B, F15Z, F24A, F24B, F28A, F36A, F36B, F54A, F54B, F54J, F59A, F59B | | | 05 | F01A, F01B, F01D, F14A, F14B, F15Z, F24A, F24B, F28A, F36A, F36B, F54A, F54B, F54J, F59A, F59B | | 05 | F01A, F01B, F01D, F15Z, F19A, F19B, F19C, F24A, F24B, F36A, F36B |
| | | 06 | | G10Z, G12A, G12B, G12J | | | 09 | J03A, J03B, J04A, J04B, J08A, J08B, J08C, J11A, J11B, J11J, J11Q, J11R, J11S, J16Z | | 09 | J03A, J03B, J04A, J04B, J08A, J08B, J08C, J11A, J11B, J11J, J11Q, J11R, J11S, J16Z |
| | | 09 | | J03A, J03B, J04A, J04B, J08A, J08B, J08C, J11A, J11B, J11J, J11Q, J11R, J11S, J16Z | | | 10 | K09A, K09B | | 10 | K09A, K09B |
| 10 | | K09A, K09B | 21A | W04A, W04B | | 21A | W04A, W04B | | | | |
| 11 | | L09A, L09B, L09C, L09J, L38Z | 21B | X06A, X06B, X06C, X33Z | | 21B | X06A, X06B, X06C | | | | |
| 21A | | W04A, W04B | | BOP, KJZSV, UOP4 | | | KJZSV | | | | |
| 21B | | X04Z, X06A, X06B, X06C | 01 | B04A, B04B, B04C, B04D | | 05 | F01A, F01B, F01D, F14A, F14B, F15Z, F24A, F24B, F28A, F36A, F36B, F54A, F54B, F54J, F59A, F59B | | | | |
| 8r887.8i | | | KJZSV | 8r887.92 | | | KJZSV | 8r887.9f | | | F01A, F01B, F01D, F14A, F14B, F15Z, F24A, F24B, F28A, F36A, F36B, F54A, F54B, F54J, F59A, F59B |
| | | 05 | F01A, F01B, F01D, F14A, F14B, F15Z, F24A, F24B, F28A, F36A, F36B, F54A, F54B, F54J, F59A, F59B | | | 05 | F01A, F01B, F01D, F14A, F14B, F15Z, F24A, F24B, F28A, F36A, F36B, F54A, F54B, F54J, F59A, F59B | | | 06 | G10Z, G12A, G12B, G12J |
| | | 09 | J03A, J03B, J04A, J04B, J08A, J08B, J08C, J11A, J11B, J11J, J11Q, J11R, J11S, J16Z | | | 09 | J03A, J03B, J04A, J04B, J08A, J08B, J08C, J11A, J11B, J11J, J11Q, J11R, J11S, J16Z | | | 09 | J03A, J03B, J04A, J04B, J08A, J08B, J08C, J11A, J11B, J11J, J11Q, J11R, J11S, J16Z |
| | | 10 | K09A, K09B | | | 10 | K09A, K09B | | | 10 | K09A, K09B |
| | 21A | W04A, W04B | 21A | | W04A, W04B | 11 | L09A, L09B, L09C, L09J, L38Z | | | | |
| | 21B | X04Z, X06A, X06B, X06C | 21B | | X06A, X06B, X06C, X33Z | 21A | W04A, W04B | | | | |
| | 8r887.8j | | KJZSV | | 8r887.93 | | KJZSV | | 8r887.9h | | X06A, X06B, X06C |
| | | 05 | F01A, F01B, F01D, F14A, F14B, F15Z, F24A, F24B, F28A, F36A, F36B, F54A, F54B, F54J, F59A, F59B | | | 05 | F01A, F01B, F01D, F14A, F14B, F15Z, F24A, F24B, F28A, F36A, F36B, F54A, F54B, F54J, F59A, F59B | | | 05 | F01A, F01B, F01D, F14A, F14B, F15Z, F24A, F24B, F28A, F36A, F36B, F54A, F54B, F54J, F59A, F59B |
| | | 09 | J03A, J03B, J04A, J04B, J08A, J08B, J08C, J11A, J11B, J11J, J11Q, J11R, J11S, J16Z | | | 09 | J03A, J03B, J04A, J04B, J08A, J08B, J08C, J11A, J11B, J11J, J11Q, J11R, J11S, J16Z | | | 06 | G10Z, G12A, G12B, G12J |
| | | 10 | K09A, K09B | | | 10 | K09A, K09B | | | 09 | J03A, J03B, J04A, J04B, J08A, J08B, J08C, J11A, J11B, J11J, J11Q, J11R, J11S, J16Z |
| | | 21A | W04A, W04B | | | 21A | W04A, W04B | | | 10 | K09A, K09B |
| | | 21B | X04Z, X06A, X06B, X06C | | | 21B | X06A, X06B, X06C | | | 11 | L09A, L09B, L09C, L09J, L38Z |
| 8r887.8p | | | KJZSV | 8r887.94 | | | KJZSV | 8r887.9i | | | W04A, W04B |
| | | 05 | F01A, F01B, F01D, F14A, F14B, F15Z, F24A, F24B, F28A, F36A, F36B, F54A, F54B, F54J, F59A, F59B | | | 05 | F01A, F01B, F01D, F14A, F14B, F15Z, F24A, F24B, F28A, F36A, F36B, F54A, F54B, F54J, F59A, F59B | | | 21A | W04A, W04B |
| | | 09 | J03A, J03B, J04A, J04B, J08A, J08B, J08C, J11A, J11B, J11J, J11Q, J11R, J11S, J16Z | | | 09 | J03A, J03B, J04A, J04B, J08A, J08B, J08C, J11A, J11B, J11J, J11Q, J11R, J11S, J16Z | | | 21B | X04Z, X06A, X06B, X06C |
| | | 10 | K09A, K09B | | | 10 | K09A, K09B | | | 05 | F01A, F01B, F01D, F14A, F14B, F15Z, F24A, F24B, F28A, F36A, F36B, F54A, F54B, F54J, F59A, F59B |
| | | 21A | W04A, W04B | | | 21A | W04A, W04B | | | 09 | J03A, J03B, J04A, J04B, J08A, J08B, J08C, J11A, J11B, J11J, J11Q, J11R, J11S, J16Z |
| | | 21B | X04Z, X05A, X05B, X06A, X06B, X06C | | | 21B | X06A, X06B, X06C | | | 10 | K09A, K09B |

| ZZV | MDC | DRG | ZZV | MDC | DRG | ZZV | MDC | DRG |
|----------|-----|--|----------|-----|--|----------|-----|--|
| 8r887.9j | | KJZSV | 8r887.a3 | | BOP, KJZSV, UOP4 | 8r887.ah | | KJZSV |
| | 05 | F01A, F01B, F01D, F14A, F14B, F15Z, F24A, F24B, F28A, F36A, F36B, F54A, F54B, F54J, F59A, F59B | | 01 | B04A, B04B, B04C, B04D | | 05 | F01A, F01B, F01D, F14A, F14B, F15Z, F24A, F24B, F28A, F36A, F36B, F54A, F54B, F54J, F59A, F59B |
| | 09 | J03A, J03B, J04A, J04B, J08A, J08B, J08C, J11A, J11B, J11J, J11Q, J11R, J11S, J16Z | | 05 | F01A, F01B, F01D, F14A, F14B, F15Z, F24A, F24B, F28A, F36A, F36B, F54A, F54B, F54J, F59A, F59B | | 06 | G10Z, G12A, G12B, G12J |
| | 10 | K09A, K09B | | 09 | J03A, J03B, J04A, J04B, J08A, J08B, J08C, J11A, J11B, J11J, J11Q, J11R, J11S, J16Z | | 09 | J03A, J03B, J04A, J04B, J08A, J08B, J08C, J11A, J11B, J11J, J11Q, J11R, J11S, J16Z |
| | 21A | W04A, W04B | | 10 | K09A, K09B | | 10 | K09A, K09B |
| 8r887.9p | 21B | X04Z, X06A, X06B, X06C | 8r887.a4 | 21A | W04A, W04B | 8r887.ai | 11 | L09A, L09B, L09C, L09J, L38Z |
| | | KJZSV | | 21B | X06A, X06B, X06C | | 21A | W04A, W04B |
| | 05 | F01A, F01B, F01D, F14A, F14B, F15Z, F24A, F24B, F28A, F36A, F36B, F54A, F54B, F54J, F59A, F59B | | 01 | B04A, B04B, B04C, B04D | | 21B | X04Z, X06A, X06B, X06C |
| | 09 | J03A, J03B, J04A, J04B, J08A, J08B, J08C, J11A, J11B, J11J, J11Q, J11R, J11S, J16Z | | 05 | F01A, F01B, F01D, F14A, F14B, F15Z, F24A, F24B, F28A, F36A, F36B, F54A, F54B, F54J, F59A, F59B | | 05 | F01A, F01B, F01D, F14A, F14B, F15Z, F24A, F24B, F28A, F36A, F36B, F54A, F54B, F54J, F59A, F59B |
| | 10 | K09A, K09B | | 09 | J03A, J03B, J04A, J04B, J08A, J08B, J08C, J11A, J11B, J11J, J11Q, J11R, J11S, J16Z | | 09 | J03A, J03B, J04A, J04B, J08A, J08B, J08C, J11A, J11B, J11J, J11Q, J11R, J11S, J16Z |
| 8r887.9x | 21A | W04A, W04B | 8r887.a5 | 10 | K09A, K09B | 8r887.aj | 10 | K09A, K09B |
| | 21B | X04Z, X05A, X05B, X06A, X06B, X06C | | 21A | W04A, W04B | | 21A | W04A, W04B |
| | | KJZSV | | 21B | X06A, X06B, X06C | | 21B | X04Z, X06A, X06B, X06C |
| | 05 | F01A, F01B, F01D, F14A, F14B, F15Z, F24A, F24B, F28A, F36A, F36B, F54A, F54B, F54J, F59A, F59B | | 01 | B04A, B04B, B04C, B04D | | 05 | F01A, F01B, F01D, F14A, F14B, F15Z, F24A, F24B, F28A, F36A, F36B, F54A, F54B, F54J, F59A, F59B |
| | 09 | J03A, J03B, J04A, J04B, J08A, J08B, J08C, J11A, J11B, J11J, J11Q, J11R, J11S, J16Z | | 05 | F01A, F01B, F01D, F14A, F14B, F15Z, F24A, F24B, F28A, F36A, F36B, F54A, F54B, F54J, F59A, F59B | | 09 | J03A, J03B, J04A, J04B, J08A, J08B, J08C, J11A, J11B, J11J, J11Q, J11R, J11S, J16Z |
| 8r887.a0 | 10 | K09A, K09B | 8r887.ac | 09 | J03A, J03B, J04A, J04B, J08A, J08B, J08C, J11A, J11B, J11J, J11Q, J11R, J11S, J16Z | 8r887.ap | 10 | K09A, K09B |
| | 21A | W04A, W04B | | 10 | K09A, K09B | | 21A | W04A, W04B |
| | 21B | X06A, X06B, X06C | | 21A | W04A, W04B | | 21B | X04Z, X06A, X06B, X06C |
| | | BOP, KJZSV, KOP, UOP4 | | 21B | X06A, X06B, X06C | | 05 | F01A, F01B, F01D, F14A, F14B, F15Z, F24A, F24B, F28A, F36A, F36B, F54A, F54B, F54J, F59A, F59B |
| | 01 | B02A, B02B, B02C, B20A, B20B, B20C, B20D, B39A, B39B | | 05 | F01A, F01B, F01D, F15Z, F19A, F19B, F19C, F24A, F24B, F36A, F36B | | 09 | J03A, J03B, J04A, J04B, J08A, J08B, J08C, J11A, J11B, J11J, J11Q, J11R, J11S, J16Z |
| 8r887.a2 | 05 | F01A, F01B, F01D, F14A, F14B, F15Z, F24A, F24B, F28A, F36A, F36B, F54A, F54B, F54J, F59A, F59B | 8r887.af | 09 | J03A, J03B, J04A, J04B, J08A, J08B, J08C, J11A, J11B, J11J, J11Q, J11R, J11S, J16Z | 8r887.ax | 10 | K09A, K09B |
| | 09 | J03A, J03B, J04A, J04B, J08A, J08B, J08C, J11A, J11B, J11J, J11Q, J11R, J11S, J16Z | | 10 | K09A, K09B | | 21A | W04A, W04B |
| | 10 | K09A, K09B | | 21A | W04A, W04B | | 21B | X04Z, X05A, X05B, X06A, X06B, X06C |
| | 21A | W04A, W04B | | 05 | F01A, F01B, F01D, F14A, F14B, F15Z, F24A, F24B, F28A, F36A, F36B, F54A, F54B, F54J, F59A, F59B | | 05 | F01A, F01B, F01D, F14A, F14B, F15Z, F24A, F24B, F28A, F36A, F36B, F54A, F54B, F54J, F59A, F59B |
| | 21B | X06A, X06B, X06C, X33Z | | 06 | G10Z, G12A, G12B, G12J | | 09 | J03A, J03B, J04A, J04B, J08A, J08B, J08C, J11A, J11B, J11J, J11Q, J11R, J11S, J16Z |
| 8r887.a2 | | BOP, KJZSV, UOP4 | 8r887.af | 09 | J03A, J03B, J04A, J04B, J08A, J08B, J08C, J11A, J11B, J11J, J11Q, J11R, J11S, J16Z | 8r887.ax | 10 | K09A, K09B |
| | 01 | B04A, B04B, B04C, B04D | | 10 | K09A, K09B | | 21A | W04A, W04B |
| | 05 | F01A, F01B, F01D, F14A, F14B, F15Z, F24A, F24B, F28A, F36A, F36B, F54A, F54B, F54J, F59A, F59B | | 11 | L09A, L09B, L09C, L09J, L38Z | | 21B | X06A, X06B, X06C |
| | 09 | J03A, J03B, J04A, J04B, J08A, J08B, J08C, J11A, J11B, J11J, J11Q, J11R, J11S, J16Z | | 21A | W04A, W04B | | | |
| | 10 | K09A, K09B | | 21B | X06A, X06B, X06C | | | |

VYK

| ZZV | MDC | DRG | ZZV | MDC | DRG | ZZV | MDC | DRG |
|---------|-----|--|---------|-----|--|---------|-----|--|
| 8r8pc.0 | | KJZSV | 8r8pg.4 | | KJZSV | 8r8ph.2 | | KJZSV |
| | 01 | B12Z | | 01 | B12Z | | 01 | B12Z |
| | 05 | F12A, F12B, F95A, F95B | | 05 | F01A, F01B, F01D, F12A, F12B, F15Z, F24A, F24B, F36A, F36B, F52A, F52B, F56A, F56B, F58A, F58B | | 05 | F01A, F01B, F01D, F12A, F12B, F15Z, F24A, F24B, F36A, F36B, F52A, F52B, F56A, F56B, F58A, F58B |
| 8r8pc.1 | Pre | A13D | 8r8pg.5 | Pre | A13D | 8r8ph.3 | Pre | A13D |
| | 01 | B12Z | | 01 | B12Z | | 01 | B12Z |
| | 05 | F12A, F12B, F95A, F95B | | 05 | F01A, F01B, F01D, F12A, F12B, F15Z, F24A, F24B, F36A, F36B, F52A, F52B, F56A, F56B, F58A, F58B | | 05 | F01A, F01B, F01D, F12A, F12B, F15Z, F24A, F24B, F36A, F36B, F52A, F52B, F56A, F56B, F58A, F58B |
| 8r8pd.0 | Pre | A13D | 8r8pg.6 | Pre | A13D | 8r8ph.4 | Pre | A13D |
| | 01 | B12Z | | 01 | B12Z | | 01 | B12Z |
| | 05 | F01A, F01B, F01D, F12A, F12B, F15Z, F24A, F24B, F36A, F36B, F52A, F52B, F56A, F56B, F58A, F58B | | 05 | F01A, F01B, F01D, F12A, F12B, F15Z, F24A, F24B, F36A, F36B, F52A, F52B, F56A, F56B, F58A, F58B | | 05 | F01A, F01B, F01D, F12A, F12B, F15Z, F24A, F24B, F36A, F36B, F52A, F52B, F56A, F56B, F58A, F58B |
| 8r8pe.0 | Pre | A13D | 8r8pg.7 | Pre | A13D | 8r8ph.5 | Pre | A13D |
| | 01 | B12Z | | 01 | B12Z | | 01 | B12Z |
| | 05 | F01A, F01B, F01D, F05Z, F06C, F06D, F06E, F12A, F12B, F19A, F19B, F19C | | 05 | F01A, F01B, F01D, F12A, F12B, F15Z, F24A, F24B, F36A, F36B, F52A, F52B, F56A, F56B, F58A, F58B | | 05 | F01A, F01B, F01D, F12A, F12B, F15Z, F24A, F24B, F36A, F36B, F52A, F52B, F56A, F56B, F58A, F58B |
| 8r8pf.0 | Pre | A13D | 8r8pg.8 | Pre | A13D | 8r8ph.6 | Pre | A13D |
| | 01 | B12Z | | 01 | B12Z | | 01 | B12Z |
| | 05 | F01A, F01B, F01D, F05Z, F06C, F06D, F06E, F12A, F12B, F19A, F19B, F19C | | 05 | F01A, F01B, F01D, F12A, F12B, F15Z, F24A, F24B, F36A, F36B, F52A, F52B, F56A, F56B, F58A, F58B | | 05 | F01A, F01B, F01D, F12A, F12B, F15Z, F24A, F24B, F36A, F36B, F52A, F52B, F56A, F56B, F58A, F58B |
| 8r8pf.1 | Pre | A13D | 8r8pg.9 | Pre | A13D | 8r8ph.7 | Pre | A13D |
| | 01 | B12Z | | 01 | B12Z | | 01 | B12Z |
| | 05 | F01A, F01B, F01D, F05Z, F06C, F06D, F06E, F12A, F12B, F19A, F19B, F19C | | 05 | F01A, F01B, F01D, F12A, F12B, F15Z, F24A, F24B, F36A, F36B, F52A, F52B, F56A, F56B, F58A, F58B | | 05 | F01A, F01B, F01D, F12A, F12B, F15Z, F24A, F24B, F36A, F36B, F52A, F52B, F56A, F56B, F58A, F58B |
| 8r8pf.2 | Pre | A13D | 8r8pg.a | Pre | A13D | 8r8ph.8 | Pre | A13D |
| | 01 | B12Z | | 01 | B12Z | | 01 | B12Z |
| | 05 | F01A, F01B, F01D, F05Z, F06C, F06D, F06E, F12A, F12B, F19A, F19B, F19C | | 05 | F01A, F01B, F01D, F12A, F12B, F15Z, F24A, F24B, F36A, F36B, F52A, F52B, F56A, F56B, F58A, F58B | | 05 | F01A, F01B, F01D, F12A, F12B, F15Z, F24A, F24B, F36A, F36B, F52A, F52B, F56A, F56B, F58A, F58B |
| 8r8pg.0 | Pre | A13D | 8r8pg.b | Pre | A13D | 8r8ph.9 | Pre | A13D |
| | 01 | B12Z | | 01 | B12Z | | 01 | B12Z |
| | 05 | F01A, F01B, F01D, F12A, F12B, F15Z, F24A, F24B, F36A, F36B, F52A, F52B, F56A, F56B, F58A, F58B | | 05 | F01A, F01B, F01D, F12A, F12B, F15Z, F24A, F24B, F36A, F36B, F52A, F52B, F56A, F56B, F58A, F58B | | 05 | F01A, F01B, F01D, F12A, F12B, F15Z, F24A, F24B, F36A, F36B, F52A, F52B, F56A, F56B, F58A, F58B |
| 8r8pg.1 | Pre | A13D | 8r8ph.0 | Pre | A13D | 8r8ph.a | Pre | A13D |
| | 01 | B12Z | | 01 | B12Z | | 01 | B12Z |
| | 05 | F01A, F01B, F01D, F12A, F12B, F15Z, F24A, F24B, F36A, F36B, F52A, F52B, F56A, F56B, F58A, F58B | | 05 | F01A, F01B, F01D, F12A, F12B, F15Z, F24A, F24B, F36A, F36B, F52A, F52B, F56A, F56B, F58A, F58B | | 05 | F01A, F01B, F01D, F12A, F12B, F15Z, F24A, F24B, F36A, F36B, F52A, F52B, F56A, F56B, F58A, F58B |
| 8r8pg.2 | Pre | A13D | 8r8ph.1 | Pre | A13D | 8r8ph.b | Pre | A13D |
| | 01 | B12Z | | 01 | B12Z | | 01 | B12Z |
| | 05 | F01A, F01B, F01D, F12A, F12B, F15Z, F24A, F24B, F36A, F36B, F52A, F52B, F56A, F56B, F58A, F58B | | 05 | F01A, F01B, F01D, F12A, F12B, F15Z, F24A, F24B, F36A, F36B, F52A, F52B, F56A, F56B, F58A, F58B | | 05 | F01A, F01B, F01D, F12A, F12B, F15Z, F24A, F24B, F36A, F36B, F52A, F52B, F56A, F56B, F58A, F58B |
| 8r8pg.3 | Pre | A13D | | | | | | |
| | 01 | B12Z | | | | | | |
| | 05 | F01A, F01B, F01D, F12A, F12B, F15Z, F24A, F24B, F36A, F36B, F52A, F52B, F56A, F56B, F58A, F58B | | | | | | |
| | Pre | A13D | | | | | | |

VYK

| ZZV | MDC | DRG | ZZV | MDC | DRG | ZZV | MDC | DRG |
|---------|------------|---|---|------------------------|--|--|------------------------|--|
| 8r8pk.7 | | KJZSV | 8r8q0.0 | | BOP, KJZSV, KOP, KVT, UOP4 | 8r8q0.4 | | BOP, KJZSV, KOP, KVT, UOP4 |
| | 01 | B12Z | | 04 | E36Z | | 04 | E36Z |
| | 05 | F01A, F01B, F01D, F12A, F12B, F15Z, F24A, F24B, F36A, F36B, F52A, F52B, F56A, F56B, F58A, F58B | | 05 | F01A, F01B, F01D, F05Z, F07A, F07B, F08A, F08B, F08C, F08D, F08E, F08J, F27A, F28A, F36A, F42Z, F51A | | 05 | F01A, F01B, F01D, F05Z, F07A, F07B, F08A, F08B, F08C, F08D, F08E, F08J, F27A, F28A, F36A, F42Z, F51A |
| 8r8pk.8 | Pre | A13D | 8r8q0.1 | 06 | G36Z | 8r8q0.5 | 06 | G36Z |
| | 01 | B12Z | | 08 | I08A, I08B, I08C, I08D, I08E, I13A, I13B, I26Z | | 08 | I08A, I08B, I08C, I08D, I08E, I13A, I13B, I26Z |
| | 05 | F01A, F01B, F01D, F12A, F12B, F15Z, F24A, F24B, F36A, F36B, F52A, F52B, F56A, F56B, F58A, F58B | | 11 | L33Z | | 11 | L33Z |
| 8r8pk.9 | Pre | A13D | 8r8q0.2 | 21A | W36Z | 8r8q0.6 | 21A | W36Z |
| | 01 | B12Z | | 21B | X33Z | | 21B | X33Z |
| | 05 | F01A, F01B, F01D, F12A, F12B, F15Z, F24A, F24B, F36A, F36B, F52A, F52B, F56A, F56B, F58A, F58B | | 23 | Z01A | | 23 | Z01A |
| 8r8pk.a | Pre | A13D | 8r8q0.3 | Pre | A06A, A07A, A09A, A13A | 8r8q0.7 | Pre | A06A, A07A, A09A, A13A |
| | 01 | B12Z | | 04 | E36Z | | 04 | E36Z |
| | 05 | F01A, F01B, F01D, F12A, F12B, F15Z, F24A, F24B, F36A, F36B, F52A, F52B, F56A, F56B, F58A, F58B | | 05 | F01A, F01B, F01D, F05Z, F07A, F07B, F08A, F08B, F08C, F08D, F08E, F08J, F27A, F28A, F36A, F42Z, F51A | | 05 | F01A, F01B, F01D, F05Z, F07A, F07B, F08A, F08B, F08C, F08D, F08E, F08J, F27A, F28A, F36A, F42Z, F51A |
| 8r8pl.0 | Pre | A13D | 8r8q0.4 | 06 | G36Z | 8r8q0.8 | 06 | G36Z |
| | 01 | B12Z | | 08 | I08A, I08B, I08C, I08D, I08E, I13A, I13B, I26Z | | 08 | I08A, I08B, I08C, I08D, I08E, I13A, I13B, I26Z |
| | 05 | F01A, F01B, F01D, F12A, F12B, F15Z, F24A, F24B, F36A, F36B, F52A, F52B, F56A, F56B, F58A, F58B | | 11 | L33Z | | 11 | L33Z |
| 8r8pl.1 | KJZSV | 8r8pn.3 | 21A | W36Z | 8r8q0.9 | 21A | W36Z | |
| | 01 | | B12Z | 21B | | X33Z | 21B | X33Z |
| | 05 | | F01A, F01B, F01D, F12A, F12B, F15Z, F24A, F24B, F36A, F36B, F52A, F52B, F56A, F56B, F58A, F58B | 23 | | Z01A | 23 | Z01A |
| 8r8pn.3 | Pre | A13D | 8r8q0.5 | Pre | A06A, A07A, A09A, A13A | 8r8q1.0 | Pre | A06A, A07A, A09A, A13A |
| | 01 | B12Z | | 04 | E36Z | | 04 | E36Z |
| | 05 | F01A, F01B, F01D, F12A, F12B, F15Z, F24A, F24B, F36A, F36B, F52A, F52B, F56A, F56B, F58A, F58B | | 05 | F01A, F01B, F01D, F05Z, F07A, F07B, F08A, F08B, F08C, F08D, F08E, F08J, F27A, F28A, F36A, F42Z, F51A | | 05 | F01A, F01B, F01D, F05Z, F07A, F07B, F08A, F08B, F08C, F08D, F08E, F08J, F27A, F28A, F36A, F42Z, F51A |
| 8r8pn.4 | Pre | A13D | 8r8q0.6 | 06 | G36Z | 8r8q1.1 | 06 | G36Z |
| | 01 | B12Z | | 08 | I08A, I08B, I08C, I08D, I08E, I13A, I13B, I26Z | | 08 | I08A, I08B, I08C, I08D, I08E, I13A, I13B, I26Z |
| | 05 | F01A, F01B, F01D, F12A, F12B, F19A | | 11 | L33Z | | 11 | L33Z |
| 8r8po.0 | KJZSV | 8r8po.1 | 21A | W36Z | 8r8q1.2 | 21A | W36Z | |
| | 05 | | F01A, F01B, F01D, F05Z, F07A, F07B, F09A, F09B, F09C, F42Z | 21B | | X33Z | 21B | X33Z |
| | 23 | | Z01A | 23 | | Z01A | 23 | Z01A |
| 8r8po.1 | Pre | A13D | 8r8q0.7 | Pre | A06A, A07A, A09A, A13A | 8r8q1.3 | Pre | A06A, A07A, A09A, A13A |
| | 01 | B12Z | | 04 | E36Z | | 04 | E36Z |
| | 05 | F01A, F01B, F01D, F12A, F12B, F19A | | 05 | F01A, F01B, F01D, F05Z, F07A, F07B, F08A, F08B, F08C, F08D, F08E, F08J, F27A, F28A, F36A, F42Z, F51A | | 05 | F01A, F01B, F01D, F05Z, F07A, F07B, F08A, F08B, F08C, F08D, F08E, F08J, F27A, F28A, F36A, F42Z, F51A |
| 8r8po.2 | KJZSV, KKP | 8r8po.2 | 06 | G36Z | 8r8q1.4 | 06 | G36Z | |
| | 05 | | F01A, F01B, F01D, F05Z, F07A, F07B, F09A, F09B, F09C, F42Z | 08 | | I08A, I08B, I08C, I08D, I08E, I13A, I13B, I26Z | 08 | I08A, I08B, I08C, I08D, I08E, I13A, I13B, I26Z |
| | 23 | | Z01A | 11 | | L33Z | 11 | L33Z |
| 8r8po.2 | KJZSV, KKP | 8r8po.3 | 21A | W36Z | 8r8q1.5 | 21A | W36Z | |
| | 05 | | F01A, F01B, F01D, F05Z, F07A, F07B, F09A, F09B, F09C, F42Z | 21B | | X33Z | 21B | X33Z |
| | 23 | | Z01A | 23 | | Z01A | 23 | Z01A |
| 8r8po.2 | KJZSV, KKP | 8r8po.4 | Pre | A06A, A07A, A09A, A13A | 8r8q1.6 | Pre | A06A, A07A, A09A, A13A | |
| | 05 | | F01A, F01B, F01D, F05Z, F07A, F07B, F09A, F09B, F09C, F42Z | 04 | | E36Z | 04 | E36Z |
| | 23 | | Z01A | 05 | | F01A, F01B, F01D, F05Z, F07A, F07B, F08A, F08B, F08C, F08D, F08E, F08J, F27A, F28A, F36A, F42Z, F51A, F51B | 05 | F01A, F01B, F01D, F05Z, F07A, F07B, F08A, F08B, F08C, F08D, F08E, F08J, F27A, F28A, F36A, F42Z, F51A, F51B |

VYK

| ZZV | MDC | DRG | ZZV | MDC | DRG | ZZV | MDC | DRG | | | | |
|---------|---------|--|--|--|--|---------|--|--|---------|---------|--|--|
| 8r8q1.0 | | BOP, KJZSV, KOP, KVT, UOP4 | 8r8q1.4 | | BOP, KJZSV, KOP, KVT, UOP4 | 8r8q1.8 | | BOP, KJZSV, KOP, KVT, UOP4 | | | | |
| | 04 | E36Z | | 04 | E36Z | | 04 | E36Z | | | | |
| | 05 | F01A, F01B, F01D, F05Z, F07A, F07B, F08A, F08B, F08C, F08D, F08E, F08J, F27A, F28A, F36A, F42Z, F51A | | 05 | F01A, F01B, F01D, F05Z, F07A, F07B, F08A, F08B, F08C, F08D, F08E, F08J, F27A, F28A, F36A, F42Z, F51A | | 05 | F01A, F01B, F01D, F05Z, F07A, F07B, F08A, F08B, F08C, F08D, F08E, F08J, F27A, F28A, F36A, F42Z, F51A, F51B | | | | |
| | 06 | G36Z | | 06 | G36Z | | 06 | G36Z | | | | |
| | 08 | I08A, I08B, I08C, I08D, I08E, I13A, I13B, I26Z | | 08 | I08A, I08B, I08C, I08D, I08E, I13A, I13B, I26Z | | 08 | I08A, I08B, I08C, I08D, I08E, I13A, I13B, I26Z | | | | |
| | 11 | L33Z | | 11 | L33Z | | 11 | L33Z | | | | |
| | 21A | W36Z | | 21A | W36Z | | 21A | W36Z | | | | |
| | 21B | X33Z | | 21B | X33Z | | 21B | X33Z | | | | |
| | 23 | Z01A | | 23 | Z01A | | 23 | Z01A | | | | |
| | Pre | A06A, A07A, A09A, A13A | | Pre | A06A, A07A, A09A, A13A | | Pre | A06A, A07A, A09A, A13A | | | | |
| | 8r8q1.1 | | | BOP, KJZSV, KOP, KVT, UOP4 | 8r8q1.5 | | | BOP, KJZSV, KOP, KVT, UOP4 | 8r8q2.0 | | BOP, KJZSV, KVT, UOP4 | |
| | | 04 | | E36Z | | | 04 | E36Z | | 05 | F01A, F01B, F01D, F05Z, F07A, F07B, F08A, F08B, F08C, F08D, F08E, F08J, F27A, F28A, F36A, F42Z, F51A | |
| | | 05 | | F01A, F01B, F01D, F05Z, F07A, F07B, F08A, F08B, F08C, F08D, F08E, F08J, F27A, F28A, F36A, F42Z, F51A | | | 05 | F01A, F01B, F01D, F05Z, F07A, F07B, F08A, F08B, F08C, F08D, F08E, F08J, F27A, F28A, F36A, F42Z, F51A | | 08 | I08A, I08B, I08C, I08D, I08E, I13A, I13B | |
| 06 | | G36Z | 06 | G36Z | | 21B | X33Z | | | | | |
| 08 | | I08A, I08B, I08C, I08D, I08E, I13A, I13B, I26Z | 08 | I08A, I08B, I08C, I08D, I08E, I13A, I13B, I26Z | | 8r8q3.0 | BOP, KJZSV, KOP, KVT, UOP4 | | | | | |
| 11 | | L33Z | 11 | L33Z | | | 04 | E36Z | | | | |
| 21A | | W36Z | 21A | W36Z | | | 05 | F01A, F01B, F01D, F05Z, F07A, F07B, F08A, F08B, F08C, F08D, F08E, F08J, F27A, F28A, F36A, F42Z, F51A, F51B | | | | |
| 21B | | X33Z | 21B | X33Z | | | 06 | G36Z | | | | |
| 23 | | Z01A | 23 | Z01A | | | 08 | I08A, I08B, I08C, I08D, I08E, I13A, I13B, I26Z | | | | |
| Pre | | A06A, A07A, A09A, A13A | Pre | A06A, A07A, A09A, A13A | | | 11 | L33Z | | | | |
| 8r8q1.2 | | | BOP, KJZSV, KOP, KVT, UOP4 | 8r8q1.6 | | | | BOP, KJZSV, KOP, KVT, UOP4 | | 8r8q3.1 | | BOP, KJZSV, KOP, KVT, UOP4 |
| | | 04 | E36Z | | | | 04 | E36Z | | | 04 | E36Z |
| | | 05 | F01A, F01B, F01D, F05Z, F07A, F07B, F08A, F08B, F08C, F08D, F08E, F08J, F27A, F28A, F36A, F42Z, F51A | | | | 05 | F01A, F01B, F01D, F05Z, F07A, F07B, F08A, F08B, F08C, F08D, F08E, F08J, F27A, F28A, F36A, F42Z, F51A | | | 05 | F01A, F01B, F01D, F05Z, F07A, F07B, F08A, F08B, F08C, F08D, F08E, F08J, F27A, F28A, F36A, F42Z, F51A, F51B |
| | 06 | G36Z | 06 | | G36Z | | 06 | G36Z | | | | |
| | 08 | I08A, I08B, I08C, I08D, I08E, I13A, I13B, I26Z | 08 | | I08A, I08B, I08C, I08D, I08E, I13A, I13B, I26Z | | 08 | I08A, I08B, I08C, I08D, I08E, I13A, I13B, I26Z | | | | |
| | 11 | L33Z | 11 | | L33Z | | 11 | L33Z | | | | |
| | 21A | W36Z | 21A | | W36Z | | 21A | W36Z | | | | |
| | 21B | X33Z | 21B | | X33Z | 21B | X33Z | | | | | |
| | 23 | Z01A | 23 | | Z01A | 23 | Z01A | | | | | |
| | Pre | A06A, A07A, A09A, A13A | Pre | | A06A, A07A, A09A, A13A | Pre | A06A, A07A, A09A, A13A | | | | | |
| | 8r8q1.3 | | BOP, KJZSV, KOP, KVT, UOP4 | | 8r8q1.7 | | BOP, KJZSV, KOP, KVT, UOP4 | | | | | |
| | | 04 | E36Z | | | 04 | E36Z | | 06 | | G36Z | |
| | | 05 | F01A, F01B, F01D, F05Z, F07A, F07B, F08A, F08B, F08C, F08D, F08E, F08J, F27A, F28A, F36A, F42Z, F51A | | | 05 | F01A, F01B, F01D, F05Z, F07A, F07B, F08A, F08B, F08C, F08D, F08E, F08J, F27A, F28A, F36A, F42Z, F51A | | 08 | | I08A, I08B, I08C, I08D, I08E, I13A, I13B, I26Z | |
| 06 | | G36Z | 06 | G36Z | | 11 | L33Z | | | | | |
| 08 | | I08A, I08B, I08C, I08D, I08E, I13A, I13B, I26Z | 08 | I08A, I08B, I08C, I08D, I08E, I13A, I13B, I26Z | | 21A | W36Z | | | | | |
| 11 | | L33Z | 11 | L33Z | | 21B | X33Z | | | | | |
| 21A | | W36Z | 21A | W36Z | | 23 | Z01A | | | | | |
| 21B | | X33Z | 21B | X33Z | | Pre | A06A, A07A, A09A, A13A | | | | | |
| 23 | | Z01A | 23 | Z01A | | | | | | | | |
| Pre | | A06A, A07A, A09A, A13A | Pre | A06A, A07A, A09A, A13A | | | | | | | | |

VYK

| ZZV | MDC | DRG | ZZV | MDC | DRG | ZZV | MDC | DRG |
|---------|-----|--|---------|-----|--|-----------|--|-------|
| 8r8q5.4 | | BOP, KJZSV, KVT, UOP4 | 8u103 | | KJZSV, KK11, KKI, KKII, KKP | 8v121.1‡ | | KJZSV |
| | 05 | F01A, F01B, F01D, F05Z, F07A, F07B, F08A, F08B, F08C, F08D, F08E, F08J, F27A, F28A, F42Z | | 01 | B09A, B09B | Pre | B61A, B61B | |
| | 08 | I08A, I08B, I08C, I08D, I08E, I13A, I13B | | 17 | R01A, R01B, R01C, R01D, R02Z, R12A, R12B, R12C | 8v121.2‡ | KJZSV | |
| | 21B | X33Z | | 21A | W04A, W04B | Pre | B61A, B61B | |
| 8r8q5.5 | | BOP, KJZSV, KVT, UOP4 | 8u104 | | X06A, X06B, X06C | 8v121.3‡ | | KJZSV |
| | 05 | F01A, F01B, F01D, F05Z, F07A, F07B, F08A, F08B, F08C, F08D, F08E, F08J, F27A, F28A, F42Z | | 01 | B09A, B09B | Pre | B61A, B61B | |
| | 08 | I08A, I08B, I08C, I08D, I08E, I13A, I13B | | 17 | R01A, R01B, R01C, R01D, R02Z, R12A, R12B, R12C | 8v122.2‡ | KJZSV | |
| | 21B | X33Z | | 21B | X06A, X06B, X06C | Pre | B61A, B61B | |
| 8r8q5.6 | | BOP, KJZSV, KVT, UOP4 | 8u105 | | KJZSV, KK11, KKI, KKII, KKP | 8v122.3‡ | | KJZSV |
| | 05 | F01A, F01B, F01D, F05Z, F07A, F07B, F08A, F08B, F08C, F08D, F08E, F08J, F27A, F28A, F42Z | | 01 | B09A, B09B | Pre | B61A, B61B | |
| | 08 | I08A, I08B, I08C, I08D, I08E, I13A, I13B | | 17 | R01A, R01B, R01C, R01D, R02Z, R12A, R12B, R12C | 8v122.4‡ | KJZSV | |
| | 21B | X33Z | | 21B | X06A, X06B, X06C | Pre | B61A, B61B | |
| 8r8q5.7 | | BOP, KJZSV, KVT, UOP4 | 8u106 | | KJZSV, KK11, KKI, KKII, KKP | 8v131‡ | | KJZSV |
| | 05 | F01A, F01B, F01D, F05Z, F07A, F07B, F08A, F08B, F08C, F08D, F08E, F08J, F27A, F28A, F42Z | | 01 | B09A, B09B | 01 | B02A, B02B, B02C, B02D, B20A, B20B, B20D, B70B | |
| | 08 | I08A, I08B, I08C, I08D, I08E, I13A, I13B | | 17 | R01A, R01B, R01C, R01D, R02Z, R12A, R12B, R12C | 8v132‡ | KJZSV | |
| | 21B | X33Z | | 21A | W04A, W04B | 01 | B02A, B02B, B02C, B02D, B20A, B20B, B20D, B70B | |
| 8r8q6.0 | | BOP, KJZSV, KOP, KOPV, KVT, UOP4 | 8u110‡ | | X06A, X06B, X06C | 8v133‡ | | KJZSV |
| | 04 | E05A, E05B, E05C, E08A, E08B, E08C | | 01 | B76C | 01 | B02A, B02B, B02C, B02D, B20A, B20B, B20D, B70B | |
| | 05 | F01A, F01B, F01D, F05Z, F07A, F07B, F09A, F09B, F09C, F30Z, F42Z | | 01 | KJZSV, KK11, KKI, KKII, KKP | 8v151.2‡ | KJZSV | |
| | 06 | G15Z, G19A, G19B, G33Z, G38Z | | 17 | R01A, R01B, R01C, R01D, R02Z, R12A, R12B, R12C | 8v151.3‡ | KJZSV | |
| 8t250‡ | | H33Z, H38Z | 8u130‡ | | KJZSV, KK11, KKI, KKII, KKP | 8v161.1‡ | | KJZSV |
| | 08 | I08A, I08B, I08C, I08D, I08E, I13A, I13B | | 01 | B02A, B02B, B02C, B20B | 01 | B39A, B39B, B42A, B44A, B44C, B69A, B70A, B70B, B70G | |
| | 11 | L09A, L33Z, L38Z | | 01 | KJZSV | 01 | B39A, B39B, B42A, B44A, B44C, B69A, B70A, B70B, B70G | |
| | 15 | P02A, P02B, P02C | | 01 | KJZSV | Pre | A09D, A11D, A13D | |
| | 21A | W04A, W04B | | 01 | B02A, B02B, B02C, B20B | 01 | B69C, B70C, B70D, B70G | |
| | 21B | X06A, X06B, X06C, X33Z | | 01 | BOP, KJZSV, KOP, KVT, UOP4 | 01 | B69C, B70C, B70D, B70G | |
| | 23 | Z01A | | 01 | B09A, B09B | 01 | B69C, B70C, B70D, B70G | |
| | Pre | A07A | | 08 | I15A, I15B | 01 | B69C, B70C, B70D, B70G | |
| | 01 | B47Z | | 17 | R01A, R01B, R01C, R01D, R02Z, R12A, R12B, R12C | 01 | B69C, B70C, B70G | |
| | 08 | I42Z | | 21A | W01A, W01B, W01C, W36Z | 01 | B69C, B70C, B70G | |
| | 19 | U42Z | | 01 | BOP, KJZSV, KOP, KVT, UOP4 | 01 | B69C, B70C, B70G | |
| | 23 | Z44Z | | 01 | B09A, B09B | 08 | I97Z | |
| 8t910‡ | | KJZSV | 8u901.2 | | I15A, I15B | 8v172.1‡ | | KJZSV |
| | 05 | F49A, F49D | | 01 | B09A, B09B | 8v172.2‡ | | KJZSV |
| | 06 | G40Z, G46A, G46B, G48A, G48B, G48C | | 08 | I15A, I15B | 8v173.1‡ | | KJZSV |
| | 06 | G40Z, G46A, G46B, G48A, G48B, G48C | | 17 | R01A, R01B, R01C, R01D, R02Z, R12A, R12B, R12C | 8v173.2‡ | | KJZSV |
| 8t911‡ | | KJZSV | 8u901.3 | | W01A, W01B, W01C, W36Z | 8v181.01‡ | | KJZSV |
| | 05 | F49A, F49D | | 01 | BOP, KJZSV, KOP, KVT, UOP4 | 8v181.02‡ | | KJZSV |
| | 06 | G40Z, G46A, G46B, G48A, G48B, G48C | | 01 | B09A, B09B | 8v181.03‡ | | KJZSV |
| | 06 | G40Z, G46A, G46B, G48A, G48B, G48C | | 08 | I15A, I15B | 8v181.04‡ | | KJZSV |
| 8t914‡ | | KJZSV | 8u904‡ | | KJZSV | 8v181.05‡ | | KJZSV |
| | 05 | F49A, F49D | | 06 | G40Z, G46A, G46B, G46C, G47Z, G50Z | 8v181.1‡ | | KJZSV |
| | 06 | G40Z, G46A, G46B, G48A, G48B, G48C | | 05 | F62A | 8v181.11‡ | | KJZSV |
| | 06 | G40Z, G46A, G46B, G48A, G48B, G48C | | 01 | B76A | 8v181.2‡ | | KJZSV |
| 8t914‡ | | KJZSV | 8v111‡ | | KJZSV | 8v181.11‡ | | KJZSV |
| | 05 | F49A, F49D | | 01 | B76A | 8v181.2‡ | | KJZSV |
| | 06 | G40Z, G46A, G46B, G48A, G48B, G48C | | 01 | B76A | 8v192‡ | | KJZSV |
| | 06 | G40Z, G46A, G46B, G48A, G48B, G48C | | Pre | B61A, B61B | 01 | B71A, B71B | |

| ZZV | MDC | DRG | ZZV | MDC | DRG | ZZV | MDC | DRG |
|----------|-----|------------|----------|-----|------------------------------------|--------|------------------------------|--|
| 8v193† | | KJZSV | 8v225.x† | | KJZSV, PTX | 8v31c† | | KJZSV, S1105, S553 |
| | 01 | B71A, B71B | 8v226.0† | | KJZSV, PTX | | 01 | B20A, B20C, B36A, B66A, B72A, B78A |
| | 08 | I32A | 8v226.1† | | KJZSV, PTX | | 04 | E02A, E40A, E64A, E77A |
| 8v194† | | KJZSV | 8v226.2† | | KJZSV, PTX | | 05 | F43A |
| | 01 | B71A, B71B | 8v226.3† | | KJZSV, PTX | Pre | A01A, A07B, A09B, A11A, A36A | |
| | 08 | I32A | 8v226.4† | | KJZSV, PTX | | | KJZSV, S1105, S553 |
| 8v1a2.1† | | KJZSV | 8v226.5† | | KJZSV, PTX | 8v31d† | | KJZSV, S1105, S553 |
| | 04 | E77B | 8v226.6† | | KJZSV, PTX | | 01 | B20A, B20C, B36A, B66A, B72A, B78A |
| | 05 | F77Z | 8v226.x† | | KJZSV, PTX | | 04 | E02A, E40A, E64A, E77A |
| | 06 | G77Z | 8v312† | | KJZSV | | 05 | F43A |
| | 09 | J77Z | | 01 | B20A, B20C, B66A, B72A, B78A | | Pre | A01A, A07B, A09A, A09B, A11A, A36A |
| | 10 | K25Z, K77Z | | 04 | E02A, E40B, E64A, E77A | | | KJZSV, S1105, S553 |
| | 11 | L63A | 8v313† | | KJZSV | 8v31e† | | KJZSV, S1105, S553 |
| | 18B | T77Z | | 01 | B20A, B20C, B66A, B72A, B78A | | 01 | B20A, B20C, B36A, B66A, B72A, B78A |
| 8v1a2.2† | | KJZSV | | 04 | E02A, E40A, E64A, E77A | | 04 | E02A, E40A, E64A, E77A |
| | 04 | E77B | | 05 | F43A | | 05 | F43A |
| | 05 | F77Z | 8v314† | | KJZSV, S553 | | Pre | A01A, A06A, A07A, A07B, A09A, A09B, A11A, A36A |
| | 06 | G77Z | | 01 | B20A, B20C, B66A, B72A, B78A | 8v31f† | | KJZSV, S1105, S553 |
| | 09 | J77Z | | 04 | E02A, E40A, E64A, E77A | | 01 | B20A, B20C, B36A, B66A, B72A, B78A |
| | 10 | K25Z, K77Z | | 05 | F43A | | 04 | E02A, E40A, E64A, E77A |
| | 11 | L63A | 8v315† | | KJZSV, S553 | | 05 | F43A |
| | 18B | T77Z | | 01 | B20A, B20C, B66A, B72A, B78A | | Pre | A01A, A06A, A07A, A07B, A09A, A09B, A11A, A36A |
| 8v1a3.1† | | KJZSV | | 04 | E02A, E40A, E64A, E77A | | | KJZSV, S1105, S553 |
| | 04 | E77B | | 05 | F43A | 8v31g† | | KJZSV, S1105, S553 |
| | 05 | F77Z | | 17 | R36Z | | 01 | B20A, B20C, B36A, B66A, B72A, B78A |
| | 06 | G77Z | | 21A | W36Z | | 04 | E02A, E40A, E64A, E77A |
| | 09 | J77Z | | Pre | A01A | | 05 | F43A |
| | 10 | K25Z, K77Z | 8v316† | | KJZSV, S1105, S553 | | Pre | A01A, A06A, A07A, A07B, A09A, A09B, A11A, A36A |
| | 11 | L63A | | 01 | B20A, B20C, B66A, B72A, B78A | | | KJZSV, S1105, S553 |
| | 18B | T77Z | | 04 | E02A, E40A, E64A, E77A | 8v31h† | | KJZSV, S1105, S553 |
| 8v1a3.2† | | KJZSV | | 05 | F43A | | 01 | B20A, B20C, B36A, B66A, B72A, B78A |
| | 04 | E77B | | Pre | A01A | | 04 | E02A, E40A, E64A, E77A |
| | 05 | F77Z | | | KJZSV, S1105, S553 | | 05 | F43A |
| | 06 | G77Z | | 01 | B20A, B20C, B66A, B72A, B78A | | Pre | A01A, A06A, A07A, A07B, A09A, A09B, A11A, A36A |
| | 09 | J77Z | | 04 | E02A, E40A, E64A, E77A | | | KJZSV, S1105, S553 |
| | 10 | K25Z, K77Z | | 05 | F43A | | 01 | B20A, B20C, B36A, B66A, B72A, B78A |
| | 11 | L63A | 8v317† | | KJZSV, S1105, S553 | | 04 | E02A, E40A, E64A, E77A |
| | 18B | T77Z | | 01 | B20A, B20C, B66A, B72A, B78A | | 05 | F43A |
| 8v1a4.1† | | KJZSV | | 04 | E02A, E40A, E64A, E77A | | Pre | A01A, A06A, A07A, A07B, A09A, A09B, A11A, A36A |
| | 04 | E77B | | 05 | F43A | | | KJZSV, S1105, S553 |
| | 05 | F77Z | | Pre | A01A, A09C, A11A | 8v31i† | | KJZSV, S1105, S553 |
| | 06 | G77Z | | | KJZSV, S1105, S553 | | 01 | B20A, B20C, B36A, B66A, B72A, B78A |
| | 09 | J77Z | | 01 | B20A, B20C, B36A, B66A, B72A, B78A | | 04 | E02A, E40A, E64A, E77A |
| | 10 | K25Z, K77Z | | 04 | E02A, E40A, E64A, E77A | | 05 | F43A |
| | 11 | L63A | | 05 | F43A | | Pre | A01A, A06A, A07A, A07B, A09A, A09B, A11A, A36A |
| | 18B | T77Z | 8v318† | | KJZSV, S1105, S553 | | | KJZSV, S1105, S553 |
| 8v1a4.2† | | KJZSV | | 01 | B20A, B20C, B36A, B66A, B72A, B78A | 8v31k† | | KJZSV, S1105, S553 |
| | 04 | E77B | | 04 | E02A, E40A, E64A, E77A | | 01 | B20A, B20C, B36A, B66A, B72A, B78A |
| | 05 | F77Z | | 05 | F43A | | 04 | E02A, E40A, E64A, E77A |
| | 06 | G77Z | | Pre | A01A, A09C, A11A, A36A | | 05 | F43A |
| | 09 | J77Z | | | KJZSV, S1105, S553 | | Pre | A01A, A06A, A07A, A07B, A09A, A09B, A11A, A36A |
| | 10 | K25Z, K77Z | | 01 | B20A, B20C, B36A, B66A, B72A, B78A | | | KJZSV, S1105, S553 |
| | 11 | L63A | | 04 | E02A, E40A, E64A, E77A | | 01 | B20A, B20C, B36A, B66A, B72A, B78A |
| | 18B | T77Z | | 05 | F43A | | 04 | E02A, E40A, E64A, E77A |
| 8v224.0† | | KJZSV, PTX | | Pre | A01A, A09C, A11A, A36A | | 05 | F43A |
| 8v224.1† | | KJZSV, PTX | 8v319† | | KJZSV, S1105, S553 | | Pre | A01A, A06A, A07A, A07B, A09A, A09B, A11A, A36A |
| 8v224.2† | | KJZSV, PTX | | 01 | B20A, B20C, B36A, B66A, B72A, B78A | 8v31l† | | KJZSV, S1105, S553 |
| 8v224.3† | | KJZSV, PTX | | 04 | E02A, E40A, E64A, E77A | | 01 | B20A, B20C, B36A, B66A, B72A, B78A |
| 8v224.4† | | KJZSV, PTX | | 05 | F43A | | 04 | E02A, E40A, E64A, E77A |
| 8v224.5† | | KJZSV, PTX | | Pre | A01A, A07B, A09B, A11A, A36A | | 05 | F43A |
| 8v224.6† | | KJZSV, PTX | | | KJZSV, S1105, S553 | | Pre | A01A, A06A, A07A, A07B, A09A, A09B, A11A, A36A |
| 8v224.x† | | KJZSV, PTX | | 01 | B20A, B20C, B36A, B66A, B72A, B78A | | | KJZSV, S1105, S553 |
| 8v225.0† | | KJZSV, PTX | 8v31b† | | KJZSV, S1105, S553 | 8v31m† | | KJZSV, S1105, S553 |
| 8v225.1† | | KJZSV, PTX | | 01 | B20A, B20C, B36A, B66A, B72A, B78A | | 01 | B20A, B20C, B36A, B66A, B72A, B78A |
| 8v225.2† | | KJZSV, PTX | | 04 | E02A, E40A, E64A, E77A | | 04 | E02A, E40A, E64A, E77A |
| 8v225.3† | | KJZSV, PTX | | 05 | F43A | | 05 | F43A |
| 8v225.4† | | KJZSV, PTX | | Pre | A01A, A07B, A09B, A11A, A36A | | Pre | A01A, A06A, A07A, A07B, A09A, A09B, A11A, A36A |
| 8v225.5† | | KJZSV, PTX | | | KJZSV, S1105, S553 | | | KJZSV, S1105, S553 |
| 8v225.6† | | KJZSV, PTX | | 01 | B20A, B20C, B36A, B66A, B72A, B78A | | 01 | B20A, B20C, B36A, B66A, B72A, B78A |

| ZZV | MDC | DRG | ZZV | MDC | DRG | ZZV | MDC | DRG | |
|--------|-----|--|--------|-----|--|--|--------|------------------------------|------------------------------|
| 8v31n† | | KJZSV, S1105, S553 | 8v32o† | | KJZSV | Kc14x | 02 | C01A, C01B, C13J, C13Z, C16Z | |
| | 01 | B20A, B20C, B36A, B66A, B72A, B78A | | 04 | E40A, E64A, E77A | | 03 | D09Z, D30A, D30B, D30J, D30Q | |
| | 04 | E02A, E40A, E64A, E77A | 8v32p† | | KJZSV | Kc1600 | | BOP, UOP4 | |
| | 05 | F43A | | 04 | E40A, E64A, E77A | | 02 | C01A, C01B, C05J, C05Z, C16Z | |
| | Pre | A01A, A06A, A07A, A07B, A09A, A09B, A11A, A36A | | 06 | G01Z | | 03 | D09Z, D30A, D30B, D30J, D30Q | |
| 8v322† | | KJZSV | 8v32q† | | KJZSV | | | BOP, UOP4 | |
| | 04 | E40A, E64A, E77A | | 04 | E40A, E64A, E77A | Kc1601 | | C01A, C01B, C05J, C05Z, C16Z | |
| 8v323† | | KJZSV | | 06 | G01Z | | 02 | D09Z, D30A, D30B, D30J, D30Q | |
| | 04 | E40A, E64A, E77A | 8v412† | | KJZSV | | 03 | BOP, UOP4 | |
| | 06 | G01Z | | 20 | V40Z | | 02 | C01A, C01B, C05J, C05Z, C16Z | |
| 8v324† | | KJZSV | 8v413† | | KJZSV | | 03 | D09Z, D30A, D30B, D30J, D30Q | |
| | 04 | E40A, E64A, E77A | | 20 | V40Z | Kc160x | | BOP, UOP4 | |
| | 06 | G01Z | 8v414† | | KJZSV | | 02 | C01A, C01B, C05J, C05Z, C16Z | |
| 8v325† | | KJZSV | | 20 | V40Z | | 03 | D09Z, D30A, D30B, D30J, D30Q | |
| | 04 | E40A, E64A, E77A | 8z211† | | J11A, J11B, J11J, J11Q, J11R, J11S | | 02 | C01A, C01B, C05J, C05Z, C16Z | |
| | 06 | G01Z | | 09 | KJZSV | | 03 | D09Z, D30A, D30B, D30J, D30Q | |
| 8v326† | | KJZSV | 91515 | | KJZSV | Kc161 | | BOP, UOP4 | |
| | 04 | E40A, E64A, E77A | | 13 | N11A, N11B, N11J | | 02 | C01A, C01B, C05J, C05Z, C16Z | |
| | 06 | G01Z | 91516 | | KJZSV | | 03 | D09Z, D30A, D30B, D30J, D30Q | |
| 8v327† | | KJZSV | | 13 | N11A, N11B, N11J | | 02 | C01A, C01B, C05J, C05Z, C16Z | |
| | 04 | E40A, E64A, E77A | 91518 | | KJZSV | | 03 | D09Z, D30A, D30B, D30J, D30Q | |
| | 06 | G01Z | | 13 | N11A, N11B, N11J | Kc162 | | BOP, KJZSV, UOP4 | |
| 8v328† | | KJZSV | 91519 | | KJZSV | | 02 | C01A, C01B, C05J, C05Z, C16Z | |
| | 04 | E40A, E64A, E77A | | 13 | N11A, N11B, N11J | | 03 | D09Z, D30A, D30B, D30J, D30Q | |
| | 06 | G01Z | 91520 | | KJZSV | | 02 | C01A, C01B, C05J, C05Z, C16Z | |
| 8v329† | | KJZSV | | 13 | N01A, N01B, N01C, N01D, N01E, N02A, N02B, N02C, N03A, N03B, N07J, N07Z, N25J, N25Q, N25Z, N38Z | Kc163 | | BOP, UOP4 | |
| | 04 | E40A, E64A, E77A | | | KJZSV | | 02 | C01A, C01B, C05J, C05Z, C16Z | |
| | 06 | G01Z | 91521 | | KJZSV | | 03 | D09Z, D30A, D30B, D30J, D30Q | |
| 8v32a† | | KJZSV | | 13 | N11A, N11B, N11J | | 02 | BOP, UOP4 | |
| | 04 | E40A, E64A, E77A | 91522† | | KJZSV | Kc16x | | C01A, C01B, C05J, C05Z, C16Z | |
| | 06 | G01Z | | 13 | N11A, N11B, N11J | | 03 | D09Z, D30A, D30B, D30J, D30Q | |
| 8v32b† | | KJZSV | 99700† | | KJZSV | | 02 | BOP, UOP4 | |
| | 04 | E40A, E64A, E77A | | 01 | B46Z | | 03 | C01A, C01B, C05J, C05Z, C16Z | |
| | 06 | G01Z | 99701† | | U41Z | | 02 | D09Z, D30A, D30B, D30J, D30Q | |
| 8v32c† | | KJZSV | | 19 | KJZSV | | 03 | BOP, UOP4 | |
| | 04 | E40A, E64A, E77A | | 19 | U43Z | Kc1700 | | C01A, C01B, C05J, C05Z, C16Z | |
| | 06 | G01Z | J0011† | | JZS1A, JZS1B, JZS2A, JZS2B, JZSB, JZSGyA, JZSGyB, JZSUrA, JZSUrB | | 02 | BOP, UOP4 | |
| 8v32d† | | KJZSV | | | KJZSV | Kc1701 | | C01A, C01B, C05J, C05Z, C16Z | |
| | 04 | E40A, E64A, E77A | K4q04† | | 13 | N10J, N10Z | | BOP, UOP4 | |
| | 06 | G01Z | K4q05 | | 13 | N01A, N01B, N01C, N01D, N01E, N02A, N02B, N02C, N03A, N03B, N07J, N07Z, N25J, N25Q, N25Z, N38Z | | C01A, C01B, C05J, C05Z, C16Z | |
| 8v32e† | | KJZSV | | | 06 | G10Z, G12A, G12B, G12C, G12J | Kc170x | | BOP, UOP4 |
| | 04 | E40A, E64A, E77A | | | 11 | L09A, L09B, L09C, L09J, L38Z | | 02 | C01A, C01B, C05J, C05Z, C16Z |
| | 06 | G01Z | K4v11 | | 11 | N25J, N25Q, N25Z | Kc1710 | | BOP, UOP4 |
| 8v32f† | | KJZSV | | | 13 | BOP, UOP4 | | 02 | C01A, C01B, C05J, C05Z, C16Z |
| | 04 | E40A, E64A, E77A | | | 02 | C01A, C01B, C10A, C10B, C10C, C10J, C10Q, C16Z | Kc171x | | BOP, UOP4 |
| | 06 | G01Z | Ka9732 | | 02 | C01A, C01B, C13J, C13Z, C16Z | | 02 | C01A, C01B, C05J, C05Z, C16Z |
| 8v32g† | | KJZSV | | | 02 | C01A, C01B, C13J, C13Z, C16Z | | 02 | BOP, UOP4 |
| | 04 | E40A, E64A, E77A | Kc1300 | | 02 | C01A, C01B, C13J, C13Z, C16Z | Kc172 | | C01A, C01B, C13J, C13Z, C16Z |
| | 06 | G01Z | Kc1301 | | 02 | C01A, C01B, C13J, C13Z, C16Z | | 03 | D09Z, D30A, D30B, D30J, D30Q |
| 8v32h† | | KJZSV | Kc130x | | 02 | C01A, C01B, C13J, C13Z, C16Z | | 02 | BOP, KJZSV, UOP4 |
| | 04 | E40A, E64A, E77A | | | 02 | C01A, C01B, C13J, C13Z, C16Z | Kc173 | | C01A, C01B, C05J, C05Z, C16Z |
| | 06 | G01Z | Kc142 | | 02 | C01A, C01B, C13J, C13Z, C16Z | | 02 | BOP, UOP4 |
| 8v32j† | | KJZSV | | | 03 | D09Z, D30A, D30B, D30J, D30Q | | 02 | C01A, C01B, C05J, C05Z, C16Z |
| | 04 | E40A, E64A, E77A | Kc143 | | 02 | C01A, C01B, C13J, C13Z, C16Z | Kc1740 | | BOP, UOP4 |
| | 06 | G01Z | | | 03 | D09Z, D30A, D30B, D30J, D30Q | | 02 | C01A, C01B, C05J, C05Z, C16Z |
| 8v32k† | | KJZSV | | | | | | | |
| | 04 | E40A, E64A, E77A | | | | | | | |
| | 06 | G01Z | | | | | | | |
| 8v32l† | | KJZSV | | | | | | | |
| | 04 | E40A, E64A, E77A | | | | | | | |
| | 06 | G01Z | | | | | | | |
| 8v32m† | | KJZSV | | | | | | | |
| | 04 | E40A, E64A, E77A | | | | | | | |
| | 06 | G01Z | | | | | | | |
| 8v32n† | | KJZSV | | | | | | | |
| | 04 | E40A, E64A, E77A | | | | | | | |
| | 06 | G01Z | | | | | | | |

VYK

| ZZV | MDC | DRG | ZZV | MDC | DRG | ZZV | MDC | DRG |
|--------|-----|--|--------|-----|--|--------|-----|--|
| Kc1741 | | BOP, UOP4 | Kc230 | | BOP, UOP4 | Kc2800 | | BOP, UOP4 |
| | 02 | C01A, C01B, C05J, C05Z, C16Z | | 02 | C01A, C01B, C14J, C14Q, C14R, C14S, C14Z, C16Z | | 01 | B03Z, B17A, B17B, B17C, B17D, B17J |
| | 03 | D09Z, D30A, D30B, D30J, D30Q | Kc231 | | BOP, UOP4 | | 02 | C01A, C01B, C16Z, C20A, C20B, C20J, C20Q, C20R |
| Kc175 | | BOP, UOP4 | | 02 | C01A, C01B, C14J, C14Q, C14R, C14S, C14Z, C16Z | | 09 | J10A, J10B, J10J |
| | 02 | C01A, C01B, C05J, C05Z, C16Z | Kc232 | | BOP, UOP4 | Kc2801 | | BOP, UOP4 |
| | 03 | D09Z, D30A, D30B, D30J, D30Q | | 02 | C01A, C01B, C16Z, C20A, C20B, C20J, C20Q, C20R | | 01 | B03Z, B17A, B17B, B17C, B17D, B17J |
| Kc17x | | BOP, UOP4 | Kc233 | | BOP, UOP4 | | 02 | C01A, C01B, C16Z, C20A, C20B, C20J, C20Q, C20R |
| | 02 | C01A, C01B, C05J, C05Z, C13J, C13Z, C16Z | | 02 | C01A, C01B, C16Z, C20A, C20J, C20Q, C20R | | 09 | J10A, J10B, J10J |
| | 03 | D09Z, D30A, D30B, D30J, D30Q | Kc234 | | BOP, UOP4 | Kc2802 | | BOP, UOP4 |
| Kc2200 | | BOP, UOP4 | | 02 | C01A, C01B, C16Z, C20A, C20B, C20J, C20Q, C20R | | 01 | B03Z, B17A, B17B, B17C, B17D, B17J |
| | 01 | B03Z, B17A, B17B, B17C, B17D, B17J | Kc235 | | J10A, J10B, J10J | | 02 | C01A, C01B, C16Z, C20A, C20B, C20J, C20Q, C20R |
| | 02 | C01A, C01B, C16Z, C20A, C20B, C20J, C20Q, C20R | | 02 | BOP, UOP4 | | 09 | J10A, J10B, J10J |
| | 09 | J10A, J10B, J10J | Kc236 | | BOP, UOP4 | Kc2803 | | BOP, UOP4 |
| Kc2201 | | BOP, UOP4 | | 02 | C01A, C01B, C16Z, C20A, C20B, C20J, C20Q, C20R | | 01 | B03Z, B17A, B17B, B17C, B17D, B17J |
| | 01 | B03Z, B17A, B17B, B17C, B17D, B17J | Kc23x | | BOP, UOP4 | | 02 | C01A, C01B, C16Z, C20A, C20B, C20J, C20Q, C20R |
| | 02 | C01A, C01B, C16Z, C20A, C20B, C20J, C20Q, C20R | | 02 | C01A, C01B, C14J, C14Q, C14R, C14S, C14Z, C16Z | | 09 | J10A, J10B, J10J |
| | 09 | J10A, J10B, J10J | Kc240 | | BOP, UOP4 | Kc280x | | BOP, UOP4 |
| Kc221 | | BOP, UOP4 | | 02 | C01A, C01B, C16Z, C20A, C20B, C20J, C20Q, C20R | | 01 | B03Z, B17A, B17B, B17C, B17D, B17J |
| | 01 | B03Z, B17A, B17B, B17C, B17D, B17J | Kc241 | | BOP, UOP4 | | 02 | C01A, C01B, C16Z, C20A, C20B, C20J, C20Q, C20R |
| | 02 | C01A, C01B, C16Z, C20A, C20B, C20J, C20Q, C20R | Kc242 | | BOP, UOP4 | | 09 | J10A, J10B, J10J |
| | 09 | J10A, J10B, J10J | | 02 | C01A, C01B, C16Z, C20A, C20B, C20J, C20Q, C20R | Kc281 | | BOP, UOP4 |
| Kc222 | | BOP, UOP4 | Kc243 | | BOP, UOP4 | | 02 | C01A, C01B, C16Z, C20A, C20B, C20J, C20Q, C20R |
| | 01 | B03Z, B17A, B17B, B17C, B17D, B17J | | 02 | C01A, C01B, C16Z, C20A, C20B, C20J, C20Q, C20R | | 09 | J10A, J10B, J10J |
| | 02 | C01A, C01B, C16Z, C20A, C20B, C20J, C20Q, C20R | Kc244 | | BOP, UOP4 | Kc28x | | BOP, UOP4 |
| | 09 | J10A, J10B, J10J | | 02 | C01A, C01B, C16Z, C20A, C20B, C20J, C20Q, C20R | | 02 | C01A, C01B, C16Z, C20A, C20B, C20J, C20Q, C20R |
| Kc2240 | | BOP, UOP4 | Kc245 | | BOP, UOP4 | | 09 | J10A, J10B, J10J |
| | 01 | B03Z, B17A, B17B, B17C, B17D, B17J | | 02 | C01A, C01B, C16Z, C20A, C20B, C20J, C20Q, C20R | Kc300 | | BOP, UOP4 |
| | 02 | C01A, C01B, C16Z, C20A, C20B, C20J, C20Q, C20R | Kc246 | | BOP, UOP4 | | 02 | C01A, C01B, C10A, C10B, C10C, C10J, C10Q, C16Z |
| | 09 | J10A, J10B, J10J | | 02 | C01A, C01B, C16Z, C20A, C20B, C20J, C20Q, C20R | Kc301 | | BOP, UOP4 |
| Kc2241 | | BOP, UOP4 | Kc24x | | BOP, UOP4 | | 02 | C01A, C01B, C10A, C10B, C10C, C10J, C10Q, C16Z |
| | 01 | B03Z, B17A, B17B, B17C, B17D, B17J | | 02 | C01A, C01B, C16Z, C20A, C20B, C20J, C20Q, C20R | | 09 | J10A, J10B, J10J |
| | 02 | C01A, C01B, C16Z, C20A, C20B, C20J, C20Q, C20R | Kc270 | | BOP, UOP4 | Kc302 | | BOP, UOP4 |
| | 09 | J10A, J10B, J10J | | 02 | C01A, C01B, C16Z, C20A, C20B, C20J, C20Q, C20R | | 02 | C01A, C01B, C10A, C10B, C10C, C10J, C10Q, C16Z |
| Kc224x | | BOP, UOP4 | Kc271 | | BOP, UOP4 | Kc30x | | BOP, UOP4 |
| | 01 | B03Z, B17A, B17B, B17C, B17D, B17J | | 02 | C01A, C01B, C16Z, C20A, C20B, C20J, C20Q, C20R | | 02 | C01A, C01B, C10A, C10B, C10C, C10J, C10Q, C16Z |
| | 02 | C01A, C01B, C16Z, C20A, C20B, C20J, C20Q, C20R | | 09 | J10A, J10B, J10J | | 09 | J10A, J10B, J10J |
| | 09 | J10A, J10B, J10J | Kc272 | | BOP, UOP4 | Kc310 | | BOP, UOP4 |
| Kc225 | | BOP, UOP4 | | 02 | C01A, C01B, C16Z, C20A, C20B, C20J, C20Q, C20R | | 02 | C01A, C01B, C10A, C10B, C10C, C10J, C10Q, C16Z |
| | 01 | B03Z, B17A, B17B, B17C, B17D, B17J | | 09 | J10A, J10B, J10J | | 09 | J10A, J10B, J10J |
| | 02 | C01A, C01B, C16Z, C20A, C20B, C20J, C20Q, C20R | Kc273 | | BOP, UOP4 | Kc311 | | BOP, UOP4 |
| | 09 | J10A, J10B, J10J | | 02 | C01A, C01B, C16Z, C20A, C20B, C20J, C20Q, C20R | | 02 | C01A, C01B, C10A, C10B, C10C, C10J, C10Q, C16Z |
| Kc22x | | BOP, UOP4 | | 09 | J10A, J10B, J10J | | 09 | J10A, J10B, J10J |
| | 01 | B03Z, B17A, B17B, B17C, B17D, B17J | Kc274† | | J11A, J11B, J11J, J11Q, J11R, J11S | Kc312 | | BOP, UOP4 |
| | 02 | C01A, C01B, C14J, C14Q, C14R, C14S, C14Z, C16Z | | 09 | J11A, J11B, J11J, J11Q, J11R, J11S | | 02 | C01A, C01B, C10A, C10B, C10C, C10J, C10Q, C16Z |
| | 09 | J10A, J10B, J10J | Kc27x† | | J11A, J11B, J11J, J11Q, J11R, J11S | Kc313 | | BOP, UOP4 |
| | | | | 09 | J11A, J11B, J11J, J11Q, J11R, J11S | | 02 | C01A, C01B, C10A, C10B, C10C, C10J, C10Q, C16Z |
| | | | | | | Kc314 | | BOP, UOP4 |
| | | | | | | | 02 | C01A, C01B, C10A, C10B, C10C, C10J, C10Q, C16Z |
| | | | | | | Kc320 | | BOP, UOP4 |
| | | | | | | | 02 | C01A, C01B, C10A, C10B, C10C, C10J, C10Q, C16Z |

VYK

| ZZV | MDC | DRG | ZZV | MDC | DRG | ZZV | MDC | DRG |
|--------|-----|--|--------|-----|--|---------|-----|--|
| Kc321 | | BOP, KJZSV, UOP4 | Kc39xx | | BOP, KJZSV, UOP4 | Kc720f | | BOP, UOP4 |
| | 02 | C01A, C01B, C10A, C10B, C10C, C10J, C10Q, C16Z | | 02 | C01A, C01B, C10A, C10B, C10C, C10J, C10Q, C16Z | | 02 | C01A, C01B, C16Z, C20A, C20B, C20J, C20Q, C20R |
| Kc331 | | BOP, KJZSV, UOP4 | Kc521 | | BOP, UOP4 | Kc720g | | BOP, UOP4 |
| | 02 | C01A, C01B, C10A, C10B, C10C, C10J, C10Q, C16Z | | 02 | C01A, C01B, C16Z, C20A, C20B, C20J, C20Q, C20R | | 02 | C01A, C01B, C16Z, C20A, C20B, C20J, C20Q, C20R |
| Kc340 | | BOP, KJZSV, UOP4 | Kc522 | | BOP, UOP4 | Kc720h | | BOP, UOP4 |
| | 02 | C01A, C01B, C10A, C10B, C10C, C10J, C10Q, C16Z | | 02 | C20A, C20B, C20J, C20Q, C20R | | 02 | C01A, C01B, C16Z, C20A, C20B, C20J, C20Q, C20R |
| Kc341 | | BOP, KJZSV, UOP4 | Kc523 | | BOP, UOP4 | Kc7215 | | BOP, UOP4 |
| | 02 | C01A, C01B, C10A, C10B, C10C, C10J, C10Q, C16Z | | 02 | C01A, C01B, C16Z, C20A, C20B, C20J, C20Q, C20R | | 02 | C01A, C01B, C16Z, C20A, C20B, C20J, C20Q, C20R |
| Kc343 | | BOP, KJZSV, UOP4 | Kc524 | | BOP, UOP4 | Kc721a | | BOP, UOP4 |
| | 02 | C01A, C01B, C10A, C10B, C10C, C10J, C10Q, C16Z | | 02 | C01A, C01B, C16Z, C20A, C20B, C20J, C20Q, C20R | | 02 | C01A, C01B, C16Z, C20A, C20B, C20J, C20Q, C20R |
| Kc34x | | BOP, KJZSV, UOP4 | Kc5410 | | BOP, UOP4 | Kc721b | | BOP, UOP4 |
| | 02 | C01A, C01B, C10A, C10B, C10C, C10J, C10Q, C16Z | | 02 | C04A, C04B, C04J | | 02 | C01A, C01B, C16Z, C20A, C20B, C20J, C20Q, C20R |
| Kc351 | | BOP, KJZSV, UOP4 | Kc5411 | | BOP, KJZSV, UOP4 | Kc721c | | BOP, UOP4 |
| | 02 | C01A, C01B, C10A, C10B, C10C, C10J, C10Q, C16Z | | 02 | C04A, C04B, C04J | | 02 | C01A, C01B, C16Z, C20A, C20B, C20J, C20Q, C20R |
| Kc354 | | BOP, KJZSV, UOP4 | Kc543 | | BOP, UOP4 | Kc721d | | BOP, UOP4 |
| | 02 | C01A, C01B, C10A, C10B, C10C, C10J, C10Q, C16Z | | 02 | C04A, C04B, C04J | | 02 | C01A, C01B, C16Z, C20A, C20B, C20J, C20Q, C20R |
| Kc361 | | BOP, KJZSV, UOP4 | Kc544 | | BOP, UOP4 | Kc721e | | BOP, UOP4 |
| | 02 | C01A, C01B, C10A, C10B, C10C, C10J, C10Q, C16Z | | 02 | C20A, C20B, C20J, C20Q, C20R | | 02 | C01A, C01B, C16Z, C20A, C20B, C20J, C20Q, C20R |
| Kc3711 | | BOP, KJZSV, UOP4 | Kc54x | | BOP, UOP4 | Kc721f | | BOP, UOP4 |
| | 02 | C01A, C01B, C10A, C10B, C10C, C10J, C10Q, C16Z | | 02 | C20A, C20B, C20J, C20Q, C20R | | 02 | C01A, C01B, C16Z, C20A, C20B, C20J, C20Q, C20R |
| Kc3712 | | BOP, KJZSV, UOP4 | Kc551 | | BOP, UOP4 | Kc721g | | BOP, UOP4 |
| | 02 | C01A, C01B, C10A, C10B, C10C, C10J, C10Q, C16Z | | 02 | C01A, C01B, C16Z, C20A, C20B, C20J, C20Q, C20R | | 02 | C01A, C01B, C16Z, C20A, C20B, C20J, C20Q, C20R |
| Kc3721 | | BOP, KJZSV, UOP4 | Kc552 | | BOP, UOP4 | Kc721h | | BOP, UOP4 |
| | 02 | C01A, C01B, C10A, C10B, C10C, C10J, C10Q, C16Z | | 02 | C01A, C01B, C16Z, C20A, C20B, C20J, C20Q, C20R | | 02 | C01A, C01B, C16Z, C20A, C20B, C20J, C20Q, C20R |
| Kc3724 | | BOP, KJZSV, UOP4 | Kc553 | | BOP, UOP4 | Kc721x5 | | BOP, UOP4 |
| | 02 | C01A, C01B, C10A, C10B, C10C, C10J, C10Q, C16Z | | 02 | C01A, C01B, C16Z, C20A, C20B, C20J, C20Q, C20R | | 02 | C01A, C01B, C16Z, C20A, C20B, C20J, C20Q, C20R |
| Kc3725 | | BOP, KJZSV, UOP4 | Kc554 | | BOP, UOP4 | Kc72x6 | | BOP, UOP4 |
| | 02 | C01A, C01B, C10A, C10B, C10C, C10J, C10Q, C16Z | | 02 | C20A, C20B, C20J, C20Q, C20R | | 02 | C01A, C01B, C16Z, C20A, C20B, C20J, C20Q, C20R |
| Kc378 | | BOP, KJZSV, UOP4 | Kc555 | | BOP, UOP4 | Kc72x7 | | BOP, UOP4 |
| | 02 | C01A, C01B, C10A, C10B, C10C, C10J, C10Q, C16Z | | 02 | C20A, C20B, C20J, C20Q, C20R | | 02 | C01A, C01B, C16Z, C20A, C20B, C20J, C20Q, C20R |
| Kc379 | | BOP, KJZSV, UOP4 | Kc55x | | BOP, UOP4 | Kc72x8 | | BOP, UOP4 |
| | 02 | C01A, C01B, C10A, C10B, C10C, C10J, C10Q, C16Z | | 02 | C20A, C20B, C20J, C20Q, C20R | | 02 | C01A, C01B, C16Z, C20A, C20B, C20J, C20Q, C20R |
| Kc390 | | BOP, UOP4 | Kc7205 | | BOP, UOP4 | Kc72x9 | | BOP, UOP4 |
| | 02 | C10A, C10B, C10C, C10J, C10Q | | 02 | C01A, C01B, C16Z, C20A, C20B, C20J, C20Q, C20R | | 02 | C01A, C01B, C16Z, C20A, C20B, C20J, C20Q, C20R |
| Kc391 | | BOP, UOP4 | Kc7206 | | BOP, UOP4 | Kc72xa | | BOP, UOP4 |
| | 02 | C01A, C01B, C10A, C10B, C10C, C10J, C10Q, C16Z | | 02 | C01A, C01B, C16Z, C20A, C20B, C20J, C20Q, C20R | | 02 | C01A, C01B, C16Z, C20A, C20B, C20J, C20Q, C20R |
| Kc392 | | BOP, UOP4 | Kc7207 | | BOP, UOP4 | Kc72xb | | BOP, UOP4 |
| | 02 | C01A, C01B, C10A, C10B, C10C, C10J, C10Q, C16Z | | 02 | C01A, C01B, C16Z, C20A, C20B, C20J, C20Q, C20R | | 02 | C01A, C01B, C16Z, C20A, C20B, C20J, C20Q, C20R |
| Kc393 | | BOP, KJZSV, UOP4 | Kc720a | | BOP, UOP4 | Kc72xc | | BOP, UOP4 |
| Kc394 | | BOP, UOP4 | Kc720b | | BOP, UOP4 | | 02 | C01A, C01B, C16Z, C20A, C20B, C20J, C20Q, C20R |
| | 02 | C01A, C01B, C10A, C10B, C10C, C10J, C10Q, C16Z | | 02 | C01A, C01B, C16Z, C20A, C20B, C20J, C20Q, C20R | | 02 | C01A, C01B, C16Z, C20A, C20B, C20J, C20Q, C20R |
| Kc39a | | BOP, KJZSV, UOP4 | Kc720c | | BOP, UOP4 | Kc72xd | | BOP, UOP4 |
| Kc39b | | BOP, KJZSV, UOP4 | Kc720d | | BOP, UOP4 | | 02 | C01A, C01B, C16Z, C20A, C20B, C20J, C20Q, C20R |
| | 02 | C01A, C01B, C10A, C10B, C10C, C10J, C10Q, C16Z | | 02 | C01A, C01B, C16Z, C20A, C20B, C20J, C20Q, C20R | | 02 | C01A, C01B, C16Z, C20A, C20B, C20J, C20Q, C20R |
| Kc39c | | BOP, KJZSV, UOP4 | Kc720e | | BOP, UOP4 | Kc72xe | | BOP, UOP4 |
| | 02 | C01A, C01B, C10A, C10B, C10C, C10J, C10Q, C16Z | | 02 | C01A, C01B, C16Z, C20A, C20B, C20J, C20Q, C20R | | 02 | C01A, C01B, C16Z, C20A, C20B, C20J, C20Q, C20R |
| Kc39d | | BOP, KJZSV, UOP4 | | | | Kc72xf | | BOP, UOP4 |
| | | | | | | | 02 | C01A, C01B, C16Z, C20A, C20B, C20J, C20Q, C20R |

| ZZV | MDC | DRG | ZZV | MDC | DRG | ZZV | MDC | DRG |
|--------|-----|--|----------|-----|--|---------|-----|--|
| Kc7426 | | BOP, UOP4 | Kc74xh | | BOP, UOP4 | Kf207.2 | 03 | D38J, D38Q, D38Z |
| | 02 | C01A, C01B, C16Z, C20A, C20B, C20J, C20Q, C20R | | 02 | C01A, C01B, C16Z, C20A, C20B, C20J, C20Q, C20R | | 08 | I28A, I28B, I28C, I28J |
| Kc7427 | | BOP, UOP4 | Kc830 | | BOP, UOP4 | Kf207.x | 03 | D38J, D38Q, D38Z |
| | 02 | C01A, C01B, C16Z, C20A, C20B, C20J, C20Q, C20R | | 02 | C01A, C01B, C14J, C14Q, C14R, C14S, C14Z, C16Z | | 08 | I28A, I28B, I28C, I28J |
| Kc7428 | | BOP, UOP4 | Kc832 | | BOP, UOP4 | Kf210 | 03 | D12A, D12B, D12J, D12Q |
| | 02 | C01A, C01B, C16Z, C20A, C20B, C20J, C20Q, C20R | | 02 | C01A, C01B, C14J, C14Q, C14R, C14S, C14Z, C16Z | Kf211 | 03 | D18Z, D28J, D28Z, D29J, D29Z |
| Kc742a | | BOP, UOP4 | Kc843 | | BOP, UOP4 | Kf301 | | BOP, UOP4 |
| | 02 | C01A, C01B, C16Z, C20A, C20B, C20J, C20Q, C20R | | 02 | C01A, C01B, C14J, C14Q, C14R, C14S, C14Z, C16Z | | 03 | D06A, D06B, D06C, D06J |
| Kc742b | | BOP, UOP4 | Kc844 | | BOP, UOP4 | Kf302 | | BOP, UOP4 |
| | 02 | C01A, C01B, C16Z, C20A, C20B, C20J, C20Q, C20R | | 02 | C01A, C01B, C14J, C14Q, C14R, C14S, C14Z, C16Z | | 03 | D06A, D06B, D06C, D06J |
| Kc742c | | BOP, UOP4 | Kc84c | | BOP, UOP4 | Kf303 | | BOP, UOP4 |
| | 02 | C01A, C01B, C16Z, C20A, C20B, C20J, C20Q, C20R | | 02 | C01A, C01B, C14J, C14Q, C14R, C14S, C14Z, C16Z | | 03 | D06A, D06B, D06C, D06J |
| Kc742d | | BOP, UOP4 | Kd2012 | | BOP, UOP4 | Kf304 | | BOP, UOP4 |
| | 02 | C01A, C01B, C16Z, C20A, C20B, C20J, C20Q, C20R | | 03 | D09Z, D30A, D30B, D30J, D30Q | | 03 | D06A, D06B, D06C, D06J |
| Kc742e | | BOP, UOP4 | | 09 | J10A, J10B, J10J | Kf305 | 03 | D06A, D06B, D06C, D06J, D09Z, D30A, D30B, D30J, D30Q, D38J, D38Q, D38Z |
| | 02 | C01A, C01B, C16Z, C20A, C20B, C20J, C20Q, C20R | Kd300.30 | 03 | D30A, D30B, D30J, D30Q | Kf306 | 03 | D09Z, D30A, D30B, D30J, D30Q, D38J, D38Q, D38Z |
| Kc742f | | BOP, UOP4 | Kd300.4 | | BOP, UOP4 | Kf308x | | BOP, UOP4 |
| | 02 | C01A, C01B, C16Z, C20A, C20B, C20J, C20Q, C20R | | 03 | D09Z, D30A, D30B, D30J, D30Q | | 03 | D06A, D06B, D06C, D06J |
| Kc742g | | BOP, UOP4 | Kd302.1 | | BOP, UOP4 | Kf309 | | BOP, UOP4 |
| | 02 | C01A, C01B, C16Z, C20A, C20B, C20J, C20Q, C20R | | 03 | D09Z, D30A, D30B, D30J, D30Q | | 03 | D06A, D06B, D06C, D06J |
| Kc742h | | BOP, UOP4 | Kd302.20 | | BOP, UOP4 | Kf30c.1 | | BOP, UOP4 |
| | 02 | C01A, C01B, C16Z, C20A, C20B, C20J, C20Q, C20R | | 03 | D09Z, D30A, D30J, D30Q | | 03 | D06A, D06B, D06C, D06J |
| Kc74x5 | | BOP, UOP4 | Kd305.10 | | BOP, UOP4 | Kf30c.2 | | BOP, UOP4 |
| | 02 | C01A, C01B, C16Z, C20A, C20B, C20J, C20Q, C20R | | 03 | D06A, D06B, D06C, D06J | | 03 | D06A, D06B, D06C, D06J |
| Kc74x6 | | BOP, UOP4 | Kf115 | | BOP, UOP4 | Kg210 | | KJZSV |
| | 02 | C01A, C01B, C16Z, C20A, C20B, C20J, C20Q, C20R | | 03 | D38J, D38Q, D38Z | | 03 | D08A, D08B, D18Z, D22A, D22B, D22J, D30A, D30B, D30J, D30Q |
| Kc74x7 | | BOP, UOP4 | Kf118 | | BOP, UOP4 | Kg603 | | BOP, UOP4 |
| | 02 | C01A, C01B, C16Z, C20A, C20B, C20J, C20Q, C20R | | 08 | I28A, I28B, I28C, I28J | | 03 | D09Z, D30A, D30B, D30J, D30Q |
| Kc74x8 | | BOP, UOP4 | | 09 | J10A, J10B, J10J | Kg605 | | BOP, UOP4 |
| | 02 | C01A, C01B, C16Z, C20A, C20B, C20J, C20Q, C20R | | 03 | D38J, D38Q, D38Z | | 03 | D09Z, D30A, D30B, D30J, D30Q |
| Kc74x9 | | BOP, UOP4 | Kf197.1 | | D38J, D38Q, D38Z | Kg607.0 | | BOP, UOP4 |
| | 02 | C01A, C01B, C16Z, C20A, C20B, C20J, C20Q, C20R | Kf197.x | | D38J, D38Q, D38Z | | 03 | D13J, D13Q, D13Z |
| Kc74xa | | BOP, UOP4 | Kf200 | | BOP, UOP4 | Kg607.1 | | BOP, UOP4 |
| | 02 | C01A, C01B, C16Z, C20A, C20B, C20J, C20Q, C20R | | 03 | D37A, D37B, D37J | | 03 | D13J, D13Q, D13Z |
| Kc74xb | | BOP, UOP4 | | 08 | I28A, I28B, I28C, I28J | Kg90m | | BOP, UOP4 |
| | 02 | C01A, C01B, C16Z, C20A, C20B, C20J, C20Q, C20R | | 09 | J10A, J10B, J10J | | 03 | D12A, D12B, D12J, D12Q |
| Kc74xc | | BOP, UOP4 | Kf201 | | BOP, UOP4 | Kg90n | | BOP, UOP4 |
| | 02 | C01A, C01B, C16Z, C20A, C20B, C20J, C20Q, C20R | | 03 | D37A, D37B, D37J | | 03 | D12A, D12B, D12J, D12Q |
| Kc74xd | | BOP, UOP4 | | 08 | I28A, I28B, I28C, I28J | Kl1901 | 05 | F39A, F39B, F39J, F39Q |
| | 02 | C01A, C01B, C16Z, C20A, C20B, C20J, C20Q, C20R | | 09 | J10A, J10B, J10J | Kl1902 | 05 | F39A, F39B, F39J, F39Q |
| Kc74xe | | BOP, UOP4 | Kf202 | | BOP, UOP4 | Kl1903 | 05 | F39A, F39B, F39J, F39Q |
| | 02 | C01A, C01B, C16Z, C20A, C20B, C20J, C20Q, C20R | | 03 | D37A, D37B, D37J | Kl19110 | 05 | F39A, F39B, F39J, F39Q |
| Kc74xf | | BOP, UOP4 | | 08 | I28A, I28B, I28C, I28J | Kl19111 | 05 | F39A, F39B, F39J, F39Q |
| | 02 | C01A, C01B, C16Z, C20A, C20B, C20J, C20Q, C20R | | 09 | J10A, J10B, J10J | Kl1912 | 05 | F39A, F39B, F39J, F39Q |
| Kc74xg | | BOP, UOP4 | Kf203 | | D09Z, D30A, D30B, D30J, D30Q, D38J, D38Q, D38Z | Kl1920 | 05 | F20J, F20Z, F39A, F39B, F39J, F39Q |
| | 02 | C01A, C01B, C16Z, C20A, C20B, C20J, C20Q, C20R | | 03 | D38J, D38Q, D38Z | Kl1921 | 05 | F20J, F20Z, F39A, F39B, F39J, F39Q |
| | 02 | C01A, C01B, C16Z, C20A, C20B, C20J, C20Q, C20R | Kf204 | | I28A, I28B, I28C, I28J | Kl1922 | 05 | F20J, F20Z, F39A, F39B, F39J, F39Q |
| | 02 | C01A, C01B, C16Z, C20A, C20B, C20J, C20Q, C20R | | 08 | I28A, I28B, I28C, I28J | Kl1930 | 05 | F20J, F20Z, F39A, F39B, F39J, F39Q |
| | 02 | C01A, C01B, C16Z, C20A, C20B, C20J, C20Q, C20R | Kf205 | | J10A, J10B, J10J | Kl1931 | 05 | F20J, F20Z, F39A, F39B, F39J, F39Q |
| | 02 | C01A, C01B, C16Z, C20A, C20B, C20J, C20Q, C20R | | 03 | D37A, D37B, D37J | Kl1932 | 05 | F20J, F20Z, F39A, F39B, F39J, F39Q |
| | 02 | C01A, C01B, C16Z, C20A, C20B, C20J, C20Q, C20R | Kf206 | | I28A, I28B, I28C, I28J | Kl1940 | 05 | F39A, F39B, F39J, F39Q |
| | 02 | C01A, C01B, C16Z, C20A, C20B, C20J, C20Q, C20R | | 08 | I28A, I28B, I28C, I28J | Kl1941 | 05 | F39A, F39B, F39J, F39Q |
| | 02 | C01A, C01B, C16Z, C20A, C20B, C20J, C20Q, C20R | Kf207.1 | | J10A, J10B, J10J | Kl1942 | 05 | F39A, F39B, F39J, F39Q |
| | 02 | C01A, C01B, C16Z, C20A, C20B, C20J, C20Q, C20R | | 03 | D38J, D38Q, D38Z | Kl1943 | 05 | F39A, F39B, F39J, F39Q |
| | 02 | C01A, C01B, C16Z, C20A, C20B, C20J, C20Q, C20R | | 08 | I28A, I28B, I28C, I28J | | | |
| | 02 | C01A, C01B, C16Z, C20A, C20B, C20J, C20Q, C20R | | 09 | J10A, J10B, J10J | | | |

| ZZV | MDC | DRG | ZZV | MDC | DRG | ZZV | MDC | DRG |
|--------|-----|--|----------|-----|--|---------|-----|--|
| KI194x | 05 | F39A, F39B, F39J, F39Q | Kn8150 | | BOP, UOP4 | Ko99270 | | BOP, UOP4 |
| KI1950 | 05 | F39A, F39B, F39J, F39Q | | 05 | F21A, F21B, F21J | 11 | | L06A, L06B, L06J |
| KI1951 | 05 | F39A, F39B, F39J, F39Q | | 06 | G09J, G09Z, G24J, G24Z, G25J, G25Z | 12 | | M06J, M06Z, M09A, M09B, M09J, M38Z |
| KI1952 | 05 | F39A, F39B, F39J, F39Q | | 12 | M04A, M04B, M04C, M04D, M04J, M04Q, M37Z, M38Z | 13 | | N23J, N23Q, N23Z |
| KI1953 | 05 | F39A, F39B, F39J, F39Q | Kn8151 | | BOP, UOP4 | Kp311 | | BOP, UOP4 |
| KI1954 | 05 | F39A, F39B, F39J, F39Q | | 05 | F21A, F21B, F21J | 12 | | M04A, M04B, M04C, M04D, M04J, M04Q, M37Z, M38Z |
| KI1955 | 05 | F39A, F39B, F39J, F39Q | | 06 | G09J, G09Z, G24J, G24Z, G25J, G25Z | Kp312 | | BOP, UOP4 |
| KI1956 | 05 | F39A, F39B, F39J, F39Q | | 12 | M04A, M04B, M04C, M04D, M04J, M04Q, M37Z, M38Z | 12 | | M04A, M04B, M04C, M04D, M04J, M04Q, M37Z, M38Z |
| KI1957 | 05 | F39A, F39B, F39J, F39Q | Kn816 | | BOP, UOP4 | Kp4020 | | BOP, UOP4 |
| KI19x | 05 | F39A, F39B, F39J, F39Q | | 05 | F21A, F21B, F21J | 12 | | M04A, M04B, M04C, M04D, M04J, M04Q, M37Z, M38Z |
| Kn8100 | | BOP, UOP4 | | 06 | G09J, G09Z, G24J, G24Z, G25J, G25Z | Kp4021 | | BOP, UOP4 |
| | 05 | F21A, F21B, F21J | | 12 | M04A, M04B, M04C, M04D, M04J, M04Q, M37Z, M38Z | 12 | | M04A, M04B, M04C, M04D, M04J, M04Q, M37Z, M38Z |
| | 06 | G09J, G09Z, G24J, G24Z, G25J, G25Z | Kn8101 | | BOP, UOP4 | Kp4023 | | BOP, UOP4 |
| | 12 | M04A, M04B, M04C, M04D, M04J, M04Q, M37Z, M38Z | | 05 | F21A, F21B, F21J | 12 | | M04A, M04B, M04C, M04D, M04J, M04Q, M37Z, M38Z |
| | 05 | F21A, F21B, F21J | | 06 | G09J, G09Z, G24J, G24Z, G25J, G25Z | Kp4024 | | BOP, UOP4 |
| | 06 | G09J, G09Z, G24J, G24Z, G25J, G25Z | Kn8102 | | BOP, UOP4 | 12 | | M04A, M04B, M04C, M04D, M04J, M04Q, M37Z, M38Z |
| | 12 | M04A, M04B, M04C, M04D, M04J, M04Q, M37Z, M38Z | | 05 | F21A, F21B, F21J | Kp403 | | BOP, UOP4 |
| | 05 | F21A, F21B, F21J | | 06 | G09J, G09Z, G24J, G24Z, G25J, G25Z | 12 | | M04A, M04B, M04C, M04D, M04J, M04Q, M37Z, M38Z |
| | 06 | G09J, G09Z, G24J, G24Z, G25J, G25Z | Kn8103 | | BOP, UOP4 | Kp404 | | M04J, M04Q |
| | 12 | M04A, M04B, M04C, M04D, M04J, M04Q, M37Z, M38Z | | 05 | F21A, F21B, F21J | Kq210 | | BOP, UOP4 |
| | 05 | F21A, F21B, F21J | | 06 | G09J, G09Z, G24J, G24Z, G25J, G25Z | 13 | | N09A, N09B, N09J, N09Q |
| | 06 | G09J, G09Z, G24J, G24Z, G25J, G25Z | Kn8103 | | BOP, UOP4 | 14 | | O05J |
| | 12 | M04A, M04B, M04C, M04D, M04J, M04Q, M37Z, M38Z | | 05 | F21A, F21B, F21J | Kq211 | | BOP, UOP4 |
| | 05 | F21A, F21B, F21J | | 06 | G09J, G09Z, G24J, G24Z, G25J, G25Z | 13 | | N09A, N09B, N09J, N09Q |
| | 06 | G09J, G09Z, G24J, G24Z, G25J, G25Z | Kn810x | | BOP, UOP4 | 14 | | O05J |
| | 12 | M04A, M04B, M04C, M04D, M04J, M04Q, M37Z, M38Z | | 05 | F21A, F21B, F21J | Kq212 | | BOP, UOP4 |
| | 05 | F21A, F21B, F21J | | 06 | G09J, G09Z, G24J, G24Z, G25J, G25Z | 13 | | N09A, N09B, N09J, N09Q |
| | 06 | G09J, G09Z, G24J, G24Z, G25J, G25Z | Kn811 | | BOP, UOP4 | 14 | | O05J |
| | 12 | M04A, M04B, M04C, M04D, M04J, M04Q, M37Z, M38Z | | 05 | F21A, F21B, F21J | Kq213 | | BOP, UOP4 |
| | 05 | F21A, F21B, F21J | | 06 | G09J, G09Z, G24J, G24Z, G25J, G25Z | 13 | | N09A, N09B, N09J, N09Q |
| | 06 | G09J, G09Z, G24J, G24Z, G25J, G25Z | Kn811 | | BOP, UOP4 | 14 | | O05J |
| | 12 | M04A, M04B, M04C, M04D, M04J, M04Q, M37Z, M38Z | | 05 | F21A, F21B, F21J | Kq290† | | N09A, N09B, N09J, N09Q |
| | 05 | F21A, F21B, F21J | | 06 | G09J, G09Z, G24J, G24Z, G25J, G25Z | Kq291 | | BOP, UOP4 |
| | 06 | G09J, G09Z, G24J, G24Z, G25J, G25Z | Ko243r1† | 11 | L20A, L20B, L20C, L20J, L20Q, L20R | 13 | | N13A, N13B, N13J |
| | 12 | M04A, M04B, M04C, M04D, M04J, M04Q, M37Z, M38Z | | 11 | L20A, L20B, L20C, L20J, L20Q, L20R | 14 | | O05J |
| | 05 | F21A, F21B, F21J | Ko243r2† | 11 | L20A, L20B, L20C, L20J, L20Q, L20R | Kq4022 | | BOP, UOP4 |
| | 06 | G09J, G09Z, G24J, G24Z, G25J, G25Z | | 11 | L20A, L20B, L20C, L20J, L20Q, L20R | 13 | | N01A, N01B, N01C, N01D, N01E, N02A, N02B, N02C, N03A, N03B, N07J, N07Z, N25J, N25Q, N25Z, N38Z |
| | 12 | M04A, M04B, M04C, M04D, M04J, M04Q, M37Z, M38Z | Ko246r1† | 11 | L20A, L20B, L20C, L20J, L20Q, L20R | 14 | | O05J |
| | 05 | F21A, F21B, F21J | | 11 | L20A, L20B, L20C, L20J, L20Q, L20R | Kq4027 | | BOP, UOP4 |
| | 06 | G09J, G09Z, G24J, G24Z, G25J, G25Z | Ko246r2† | 11 | L20A, L20B, L20C, L20J, L20Q, L20R | 13 | | N01A, N01B, N01C, N01D, N01E, N02A, N02B, N02C, N03A, N03B, N07J, N07Z, N25J, N25Q, N25Z, N38Z |
| | 12 | M04A, M04B, M04C, M04D, M04J, M04Q, M37Z, M38Z | | 11 | L64A, L64J, L64Q, L64R, L74Z | 14 | | O05J |
| | 05 | F21A, F21B, F21J | Ko247r† | 11 | L64A, L64J, L64Q, L64R, L74Z | Kq501 | | N10J, N10Z |
| | 06 | G09J, G09Z, G24J, G24Z, G25J, G25Z | Ko29a | | BOP, UOP4 | 14 | | 962Z, O40J, O40Z |
| | 12 | M04A, M04B, M04C, M04D, M04J, M04Q, M37Z, M38Z | | 11 | L18A, L18B, L19Z, L20A, L20B, L20C, L20J, L20Q, L20R, L38Z | Kq502 | | N10J, N10Z |
| | 05 | F21A, F21B, F21J | | 12 | M06J, M06Z, M09A, M09B, M09J, M38Z | 14 | | 962Z, O40J, O40Z |
| | 06 | G09J, G09Z, G24J, G24Z, G25J, G25Z | Kn8130 | | BOP, UOP4 | Kq593 | | N10J, N10Z |
| | 12 | M04A, M04B, M04C, M04D, M04J, M04Q, M37Z, M38Z | | 11 | L18A, L18B, L19Z, L20A, L20B, L20C, L20J, L20Q, L20R, L38Z | 14 | | 962Z, O40J, O40Z |
| | 05 | F21A, F21B, F21J | | 12 | M06J, M06Z, M09A, M09B, M09J, M38Z | Kq594 | | N10J, N10Z |
| | 06 | G09J, G09Z, G24J, G24Z, G25J, G25Z | Kn8132 | | BOP, UOP4 | 14 | | 962Z, O40J, O40Z |
| | 12 | M04A, M04B, M04C, M04D, M04J, M04Q, M37Z, M38Z | | 11 | L18A, L18B, L19Z, L20A, L20B, L20C, L20J, L20Q, L20R, L38Z | Kq598† | | N10J, N10Z |
| | 05 | F21A, F21B, F21J | | 12 | M06J, M06Z, M09A, M09B, M09J, M38Z | Kq640 | | BOP, UOP4 |
| | 06 | G09J, G09Z, G24J, G24Z, G25J, G25Z | Kn813x | | BOP, UOP4 | 11 | | L06A, L06B, L06J |
| | 12 | M04A, M04B, M04C, M04D, M04J, M04Q, M37Z, M38Z | | 14 | O05J | 13 | | N06J, N06Q, N06Z |
| | 05 | F21A, F21B, F21J | | 11 | L18A, L18B, L19Z, L20A, L20B, L20C, L20J, L20Q, L20R, L38Z | Ks940 | | D13J, D13Q, D13Z |
| | 06 | G09J, G09Z, G24J, G24Z, G25J, G25Z | | 12 | M06J, M06Z, M09A, M09B, M09J, M38Z | Ks941 | | D13J, D13Q, D13Z |
| | 12 | M04A, M04B, M04C, M04D, M04J, M04Q, M37Z, M38Z | | 13 | N23J, N23Q, N23Z | | | |

| ZZV | MDC | DRG | ZZV | MDC | DRG | ZZV | MDC | DRG |
|---------|-----|--|--------|-----|--|--------|-----|--|
| Kt0800 | | BOP, UOP4 | Kv1506 | 01 | B03Z, B17A, B17B, B17C, B17D, B17J | Kv150c | 01 | B03Z, B17A, B17B, B17C, B17D, B17J |
| | 08 | I20A, I20B, I20C, I20D, I20E, I20F, I20J, I20Q, I20R | | 03 | D13J, D13Q, D13Z | | 03 | D13J, D13Q, D13Z |
| Kt080a | | BOP, UOP4 | Kv1507 | 05 | F21A, F21B, F21C, F21J | Kv150d | 05 | F21A, F21B, F21C, F21J |
| | 08 | I20A, I20B, I20C, I20D, I20E, I20F, I20J, I20Q, I20R | | 06 | G10Z, G12A, G12B, G12J | | 06 | G10Z, G12A, G12B, G12J |
| Kt0810 | | BOP, UOP4 | Kv1508 | 08 | I28A, I28B, I28C, I28J | Kv150e | 08 | I28A, I28B, I28C, I28J |
| | 08 | I20A, I20B, I20C, I20D, I20E, I20F, I20J, I20Q, I20R | | 09 | J11A, J11B, J11C, J11J, J11Q, J11R, J11S | | 09 | J11A, J11B, J11C, J11J, J11Q, J11R, J11S |
| Kt08201 | | BOP, UOP4 | Kv1509 | 11 | L09A, L09B, L09C, L09J, L38Z | Kv150f | 11 | L09A, L09B, L09C, L09J, L38Z |
| | 08 | I20A, I20B, I20C, I20D, I20E, I20F, I20J, I20Q, I20R | | 13 | N11A, N11B, N11J | | 11 | L09A, L09B, L09C, L09J, L38Z |
| Kt08202 | | BOP, UOP4 | Kv150a | 01 | B03Z, B17A, B17B, B17C, B17D, B17J | Kv150g | 13 | N11A, N11B, N11J |
| | 08 | I20A, I20B, I20C, I20D, I20E, I20F, I20J, I20Q, I20R | | 03 | D13J, D13Q, D13Z | | 01 | B03Z, B17A, B17B, B17C, B17D, B17J |
| Kt0822a | | BOP, UOP4 | Kv150b | 05 | F21A, F21B, F21C, F21J | Kv150x | 05 | F21A, F21B, F21C, F21J |
| | 08 | I20A, I20B, I20C, I20D, I20E, I20F, I20J, I20Q, I20R | | 06 | G10Z, G12A, G12B, G12J | | 03 | D13J, D13Q, D13Z |
| Kt0830 | | BOP, UOP4 | Kv1509 | 08 | I28A, I28B, I28C, I28J | Kv150e | 05 | F21A, F21B, F21C, F21J |
| | 08 | I20A, I20B, I20C, I20D, I20E, I20F, I20J, I20Q, I20R | | 09 | J11A, J11B, J11C, J11J, J11Q, J11R, J11S | | 06 | G10Z, G12A, G12B, G12J |
| Kt38aa | | BOP, UOP4 | Kv1509 | 11 | L09A, L09B, L09C, L09J, L38Z | Kv150f | 08 | I28A, I28B, I28C, I28J |
| | 08 | I20A, I20B, I20C, I20D, I20E, I20F, I20J, I20Q, I20R | | 13 | N11A, N11B, N11J | | 09 | J11A, J11B, J11C, J11J, J11Q, J11R, J11S |
| Kt790 | | BOP, UOP4 | Kv150a | 01 | B03Z, B17A, B17B, B17C, B17D, B17J | Kv150g | 11 | L09A, L09B, L09C, L09J, L38Z |
| | 08 | I32A, I32B, I32C, I32D, I32E, I32F, I32J, I32Q, I32R, I32S, I32T, I32U | | 03 | D13J, D13Q, D13Z | | 13 | N11A, N11B, N11J |
| Kv1500 | 01 | B03Z, B17A, B17B, B17C, B17D, B17J | Kv150a | 05 | F21A, F21B, F21C, F21J | Kv150e | 01 | B03Z, B17A, B17B, B17C, B17D, B17J |
| | 03 | D13J, D13Q, D13Z | | 06 | G10Z, G12A, G12B, G12J | | 03 | D13J, D13Q, D13Z |
| Kv1504 | 05 | F21A, F21B, F21C, F21J | Kv150a | 08 | I28A, I28B, I28C, I28J | Kv150f | 05 | F21A, F21B, F21C, F21J |
| | 06 | G10Z, G12A, G12B, G12J | | 09 | J22A, J22B, J22J | | 06 | G10Z, G12A, G12B, G12J |
| Kv1505 | 08 | I28A, I28B, I28C, I28J | Kv150a | 11 | L09A, L09B, L09C, L09J, L38Z | Kv150g | 08 | I28A, I28B, I28C, I28J |
| | 09 | J11A, J11B, J11C, J11J, J11Q, J11R, J11S | | 13 | N11A, N11B, N11J | | 09 | J11A, J11B, J11C, J11J, J11Q, J11R, J11S |
| Kv1505 | 11 | L09A, L09B, L09C, L09J, L38Z | Kv150b | 01 | B03Z, B17A, B17B, B17C, B17D, B17J | Kv150x | 11 | L09A, L09B, L09C, L09J, L38Z |
| | 13 | N11A, N11B, N11J | | 03 | D13J, D13Q, D13Z | | 13 | N11A, N11B, N11J |
| Kv1505 | 01 | B03Z, B17A, B17B, B17C, B17D, B17J | Kv150b | 05 | F21A, F21B, F21C, F21J | Kv150x | 01 | B03Z, B17A, B17B, B17C, B17D, B17J |
| | 03 | D13J, D13Q, D13Z | | 06 | G10Z, G12A, G12B, G12J | | 03 | D13J, D13Q, D13Z |
| Kv1505 | 05 | F21A, F21B, F21C, F21J | Kv150b | 08 | I28A, I28B, I28C, I28J | Kv150x | 05 | F21A, F21B, F21C, F21J |
| | 06 | G10Z, G12A, G12B, G12J | | 09 | J11A, J11B, J11C, J11J, J11Q, J11R, J11S | | 06 | G10Z, G12A, G12B, G12J |
| Kv1505 | 08 | I28A, I28B, I28C, I28J | Kv150b | 11 | L09A, L09B, L09C, L09J, L38Z | Kv150x | 08 | I28A, I28B, I28C, I28J |
| | 09 | J11A, J11B, J11C, J11J, J11Q, J11R, J11S | | 13 | N11A, N11B, N11J | | 09 | J11A, J11B, J11C, J11J, J11Q, J11R, J11S |
| Kv1505 | 11 | L09A, L09B, L09C, L09J, L38Z | Kv150b | 11 | L09A, L09B, L09C, L09J, L38Z | Kv150x | 11 | L09A, L09B, L09C, L09J, L38Z |
| | 13 | N11A, N11B, N11J | | 13 | N11A, N11B, N11J | | 13 | N11A, N11B, N11J |

| ZZV | MDC | DRG | ZZV | MDC | DRG | ZZV | MDC | DRG |
|--------|-----|---|---------|-----|---------------------------------|-----|-----|-----|
| Kv15xx | 01 | B03Z, B17A, B17B, B17C, B17D, B17J | Kz1102‡ | | KJZSV | | | |
| | 03 | D13J, D13Q, D13Z | | 11 | L20B | | | |
| | 05 | F21A, F21B, F21C, F21J | Kz1104‡ | 02 | C20A, C20B, C20J, C20Q, C20R | | | |
| | 06 | G10Z, G12A, G12B, G12J | | | | | | |
| | 08 | I28A, I28B, I28C, I28J | | | | | | |
| | 09 | J11A, J11B, J11C, J11J, J11Q, J11R, J11S | | | | | | |
| | 11 | L09A, L09B, L09C, L09J, L38Z | | | | | | |
| | 13 | N11A, N11B, N11J | | | | | | |

VYK

Globálne tabu ky výkonov

Tabu ky výkonov používané vo viacerých MDC

Výetky OP výkony

Všetky OP výkony

| MDC | DRG |
|-----|--|
| 01 | B03Z |
| 05 | F13A |
| 10 | K25Z |
| 12 | M60B, M60C |
| 13 | N60B |
| 14 | O01A, O01B, O01C, O01D, O01E, O01F, O01G, O01H, O04A, O04B |
| 15 | P01Z, P03A, P03B, P03C, P04A, P04B, P04C, P05A, P05B, P05C, P06A, P06B, P06C, P61A, P61C, P62A |

| MDC | DRG |
|-----|--|
| 16 | Q02A, Q02B, Q02C |
| 17 | R03Z, R04A, R04B, R11A, R11B, R11C, R13Z, R14Z, R16Z |
| 18A | S01Z |
| 18B | T01A, T01B, T01C |
| 21A | W05Z |
| 23 | Z01A, Z01B |

Preh ad funkcií

Tento preh ad obsahuje zoznam funkcií s uvedením DRG, v ktorých sú tieto funkcie pou0ívané. Presná definícia funkcií vrátane prislúchajúcich zoznamov kódov sa nachádza na konci zväzku 4 Defini nej príru ky

Ur ité OP-výkony [BOP]

| MDC | DRG |
|-----|------------------------------------|
| 01 | B11Z, B36A, B36B, B39A, B39B, B39C |
| 05 | F29Z, F36A, F36B, F43B |
| 06 | G14Z, G38Z |

| MDC | DRG |
|-----|------------------------------------|
| 08 | I34Z, I96Z |
| 14 | O05A, O05B, O05J |
| Pre | A11A, A11B, A11C, A13A, A13C, A13E |

Komplexné OP-výkony [KOP]

| MDC | DRG |
|-----|------------------------|
| 06 | G10Z, G12A |
| 07 | H06A |
| 08 | I02A, I02B, I02C |
| 11 | L09A, L38Z |
| 17 | R01A, R01C, R02Z, R12B |

| MDC | DRG |
|-----|--|
| 18B | T01A |
| 21B | X01A, X01B, X06B |
| 22 | Y02A, Y02B |
| Pre | A06A, A06B, A07A, A07B, A09A, A09B, A11A, A11B, A13A, A13B, A13C, B61A |

Komplikujúce konýtélácie I [KKI]

| MDC | DRG |
|-----|--|
| 01 | B02A, B02B, B02C, B02D, B39A, B66A |
| 04 | E01A, E62A, E62B |
| 05 | F03A, F05Z, F06A, F06C, F07A, F08A, F09A, F14A, F14B, F15Z, F36A, F36B, F42Z, F43B, F61A |
| 07 | H06A, H07A, H08A |
| 08 | I02A, I02B, I02C, I02D, I22A, I22B |
| 14 | O01A, O01B, O01C, O01D, O01F, O02A |
| 17 | R61A |

| MDC | DRG |
|-----|------------------------------|
| 18B | T01A, T60A, T60B, T60C, T61A |
| 21A | W01A, W01B, W01C, W02A, W04A |
| 21B | X01A |
| 22 | Y02A, Y02B |
| 23 | Z01A |
| Pre | A36A, A36B |

Dialýza [DIAL]

| MDC | DRG |
|-----|------------------|
| 05 | F49A, F49D, F62A |
| 06 | G67A, G67B |
| 07 | H06A |

| MDC | DRG |
|-----|--|
| 11 | L60A, L60B, L60C, L71Z |
| 17 | R60B, R60C, R60D, R60E, R62A, R63B, R63C, R63D, R63F |
| 22 | Y02A, Y02B |

Polytrauma [PTR]

| MDC | DRG |
|-----|------------------------------------|
| Pre | A06A, A06B, A07A, A07B, A09A, A09B |

| MDC | DRG |
|-----|-----|
|-----|-----|

Výkon na viacerých lokalizáciach [VIAL]

| MDC | DRG |
|-----|--|
| 08 | I02A, I02B, I02C, I02D, I08A, I08B, I08C, I08D, I08E, I13A, I13B, I22A, I22B |
| 21A | W01A, W01B, W01C, W02A, W04A |

| MDC | DRG |
|-----|------|
| 21B | X01A |

Intenzívna komplexná ZS > 1104 bodov [S1105]**MDC DRG**

| | |
|----|------------|
| 01 | B36A, B36B |
| 05 | F36A |
| 06 | G36Z |

MDC DRG

| | |
|-----|------------------|
| 17 | R36Z |
| 21A | W36Z |
| Pre | A11C, A13A, A13E |

Intenzívna komplexná ZS > 552 bodov [S553]**MDC DRG**

| | |
|----|------------|
| 01 | B36A, B36B |
| 04 | E36Z |
| 05 | F36A, F36B |
| 07 | H36Z |
| 08 | I26Z |

MDC DRG

| | |
|-----|------------------------|
| 11 | L36Z |
| 18B | T36Z |
| 22 | Y02A, Y02B |
| Pre | A13C, A13E, A36A, A36B |

Geriatrická v asná rehabilitačná ZS [GFK]**MDC DRG**

| | |
|----|------------------------|
| 01 | B44A, B44B, B44C, B44D |
| 04 | E42Z |
| 05 | F48Z |
| 06 | G14Z, G38Z, G52Z |
| 07 | H44Z |

MDC DRG

| | |
|----|------------|
| 08 | I34Z, I41Z |
| 09 | J44Z |
| 10 | K01Z, K44Z |
| 11 | L44Z |
| 19 | U40Z |

V asná rehabilitácia [VRH]**MDC DRG**

| | |
|----|------------|
| 04 | E41Z |
| 05 | F29Z, F45Z |
| 06 | G51Z |
| 08 | I40Z |

MDC DRG

| | |
|-----|------------------|
| 10 | K01Z, K43Z |
| 21A | W01A, W05Z, W40Z |
| Pre | A43Z |

Komplexné OP-výkony vo viacerých dňoch [KOPV]**MDC DRG**

| | |
|----|------------|
| 01 | B01Z |
| 03 | D33Z |
| 05 | F06A, F06B |
| 07 | H33Z, H38Z |

MDC DRG

| | |
|----|--|
| 10 | K33Z |
| 13 | N33Z |
| 15 | P03A, P03B, P04A, P04B, P05A, P05B, P06A |

Urité OP-výkony v štyroch dňoch [UOP4]**MDC DRG**

| | |
|----|------|
| 22 | Y02A |
|----|------|

MDC DRG**Predtransplantačná hospitalizácia [PTX]****MDC DRG**

| | |
|----|------|
| 04 | E37Z |
| 05 | F37Z |

MDC DRG

| | |
|----|------|
| 07 | H37Z |
|----|------|

Ďalšie problémy u novorodencov [TPN]**MDC DRG**

| | |
|----|------------------------------------|
| 15 | P65A, P65B, P66A, P66B, P67A, P67B |
|----|------------------------------------|

MDC DRG

Viaceré aŕké problémy u novorodencov [VTPN]

| MDC | DRG |
|-----|--|
| 15 | P03A, P03B, P04A, P04B, P05A, P05B, P05C, P06A, P06B, P65A, P66A, P66B, P66C, P66D, P67A |

| MDC | DRG |
|-----|-----|
|-----|-----|

Komplikujúce konýtélie pred-MDC [KKP]

| MDC | DRG |
|-----|--|
| Pre | A09A, A09B, A11A, A11B, A11C, A13A, A13B, A13C, A13E |

| MDC | DRG |
|-----|-----|
|-----|-----|

Komplikujúce konýtélie II [KKII]

| MDC | DRG |
|-----|--|
| 06 | G03A, G16A, G19A, G38Z, G40Z, G46A, G46B, G46C, G48A, G48B, G48C |
| 07 | H38Z, H78Z |

| MDC | DRG |
|-----|------------|
| 12 | M38Z |
| 13 | N01A, N38Z |

Komplikujúce konýtélie MDC 11 [KK11]

| MDC | DRG |
|-----|------|
| 11 | L38Z |

| MDC | DRG |
|-----|-----|
|-----|-----|

Komplexná vákuová terapia [KVT]

| MDC | DRG |
|-----|------------|
| 06 | G35Z |
| 08 | I02B, I98Z |

| MDC | DRG |
|-----|------------------|
| 09 | J35Z |
| 21A | W01A, W01B, W01C |

Multiviscerálny výkon [MVV]

| MDC | DRG |
|-----|------------------------------|
| 06 | G37Z, G38Z |
| 11 | L02A, L02B, L02C, L37Z, L38Z |

| MDC | DRG |
|-----|------------|
| 13 | N01B, N38Z |

Bez úmrtia alebo preloŕenia[Not EP]

| MDC | DRG |
|-----|------------------|
| Pre | A13A, A13B, A13C |

| MDC | DRG |
|-----|-----|
|-----|-----|

Exitus alebo preloŕenie [EP]

| MDC | DRG |
|-----|------------------|
| 15 | P60A, P60B, P60C |

| MDC | DRG |
|-----|-----|
|-----|-----|

Indikácie JZS [JZS]

| MDC | DRG |
|-----|------|
| 14 | O03J |

| MDC | DRG |
|-----|-----|
|-----|-----|

Kontraindikácia JZS Transfúzia [KJZST]

| MDC | DRG |
|-----|-----|
|-----|-----|

| MDC | DRG |
|-----|-----|
|-----|-----|

Kontraindikácia JZS Malignita I [KJZSM1]

MDC DRG

MDC DRG

Kontraindikácia JZS Porucha imunitného mechanizmu [KJZSI]

MDC DRG

MDC DRG

Kontraindikácia JZS Porucha zrâyanlivosti [KJZSZ]

MDC DRG

MDC DRG

Kontraindikácia JZS Duýevná alebo mentálna porucha I [KJZSD1]

MDC DRG

MDC DRG

Kontraindikácia JZS Komplikácia I [KJZSK1]

MDC DRG

MDC DRG

Kontraindikácia JZS ASA I [KJZSA1]

MDC DRG

MDC DRG

Vekové ohrani enie JZS [VekJZS]

MDC DRG

| MDC | DRG |
|-----|--|
| 01 | B05J, B17J |
| 02 | C03J, C04J, C05J, C06J, C07J, C08J, C08Q, C10A, C10B, C10C, C10J, C10Q, C12J, C13J, C14J, C14Q, C14R, C14S, C14Z, C15J, C15Q, C20A, C20B, C20J, C20Q, C20R |
| 03 | D06J, D13J, D13Q, D22A, D22B, D22J, D25J, D28J, D28Z, D29J, D29Z, D38J, D38Q, D40J, D40Z, D68J, D68Q |
| 05 | F08J, F20J, F21J, F39J, F39Q, F54J |
| 06 | G08J, G09J, G10Z, G12A, G12B, G12C, G12J, G21J, G23J, G24J, G25J, G26J, G26Q, G53J, G53Q, G54J, G54Q |
| 07 | H05J, H08J, H09J, H41J |
| 08 | I08J, I10A, I10B, I10C, I10D, I10E, I10F, I10J, I12J, I13J, I16J, I16Q, I18J, I18Q, I18R, I20J, I20Q, I20R, I21J, I23A, I23B, I23J, I24J, I24Q, I27J, I27Q, I28J, I29J, I29Q, I30J, I30Z, I31J, I32J, I32Q, I32R, I32S, I32T, I32U, I59J |

MDC DRG

| MDC | DRG |
|-----|--|
| 09 | J09J, J10J, J11A, J11B, J11C, J11J, J11Q, J11R, J11S, J22J, J24A, J24B, J24C, J24D, J24J, J45J, J45Q |
| 11 | L04J, L06J, L08J, L09J, L17J, L17Q, L20J, L20Q, L20R, L40J, L46J, L64A, L64B, L64J, L64Q, L64R |
| 12 | M02J, M03J, M04J, M04Q, M05J, M05Z, M06J, M09J, M11J, M68J |
| 13 | N06J, N06Q, N07J, N07Z, N10J, N10Z, N11J, N13J, N23J, N23Q, N25J, N25Q, N25Z, N68J |
| 14 | O05J |

Kontraindikácia JZS Príjem pacienta [KJZS2]

MDC DRG

MDC DRG

Kontraindikácia JZS Výkon mimo JZS [KJZSV]

MDC DRG

MDC DRG

Exitus [EX]**MDC** **DRG**

15 P61E

MDC **DRG**

18B T60F

Bez úmrtia [BU]**MDC** **DRG**

15 P61A

MDC **DRG**

18B T60A

Kontraindikácia JZS Malignita II [KJZSM2]**MDC** **DRG****MDC** **DRG****Kontraindikácia JZS Duševná alebo mentálna porucha II [KJZSD2]****MDC** **DRG****MDC** **DRG****Kontraindikácia JZS Komplikácia II [KJZSK2]****MDC** **DRG****MDC** **DRG****Kontraindikácia JZS ASA II [KJZSA2]****MDC** **DRG****MDC** **DRG****Indikácie JZS IA [JZS1A]****MDC** **DRG**01 B17J
05 F20J, F39J, F39Q**MDC** **DRG**09 J10J, J11J, J11Q, J11R, J11S, J22J, J24A, J24B, J24C, J24D,
J24J, J45J, J45Q**Indikácie JZS IB [JZS1B]****MDC** **DRG**05 F08J, F21J, F54J
06 G10Z, G12A, G12B, G12C, G12J, G21J, G53J, G53Q, G54J, G54Q**MDC** **DRG**

07 H41J

Indikácie JZS IIA [JZS2A]**MDC** **DRG**01 B05J, B17J
03 D05J, D06J, D12J, D12Q, D13J, D13Q, D13Z, D22A, D22B, D22J,
D25J, D28J, D28Z, D29J, D29Z, D30J, D30Q, D37J, D38J, D38Q,
D39J, D68J, D68Q
08 I08J, I10A, I10B, I10C, I10D, I10E, I10F, I10J, I12A, I12B, I12C,
I12J, I13J, I16J, I16Q, I16Z, I18J, I18Q, I18R, I20J, I20Q, I20R,
I21J, I23A, I23B, I23J, I24J, I24Q, I27J, I27Q, I28J, I29J, I29Q, I30J,
I30Z, I31J, I32J, I32Q, I32R, I32S, I32T, I32U, I59J**MDC** **DRG**

09 J11A, J11B, J11C, J11J, J11Q, J11R, J11S

Indikácie JZS IIB [JZS2B]

| MDC | DRG |
|-----|--|
| 01 | B17J |
| 02 | C03J, C04J, C05J, C06J, C07J, C08J, C08Q, C10A, C10B, C10C, C10J, C10Q, C12J, C13J, C14J, C14Q, C14R, C14S, C14Z, C15J, C15Q, C17J, C20A, C20B, C20J, C20Q, C20R |
| 03 | D06J, D12J, D12Q, D13J, D13Q, D13Z, D15J, D22A, D22B, D22J, D25J, D30A, D30B, D30J, D30Q, D38J, D38Q, D39J, D40J, D40Z, D68J, D68Q |

| MDC | DRG |
|-----|--|
| 08 | I12J, I27J, I27Q, I28J, I32J, I32Q, I32R, I32S, I32T, I32U |
| 09 | J11A, J11B, J11C, J11J, J11Q, J11R, J11S |

Indikácie JZS Bruýná chirurgia [JZSB]

| MDC | DRG |
|-----|--|
| 06 | G08J, G09J, G12J, G23J, G24J, G25J, G26J, G26Q |
| 07 | H05J, H08J, H09J |

| MDC | DRG |
|-----|------|
| 09 | J09J |

Indikácie JZS Gynekológia A [JZSGyA]

| MDC | DRG |
|-----|--|
| 13 | N05J, N06J, N06Q, N07J, N07Z, N09J, N09Q, N10J, N13J, N21J, N23J, N23Q, N25J, N25Q, N25Z |

| MDC | DRG |
|-----|------|
| 14 | O05J |

Indikácie JZS Gynekológia B [JZSGyB]

| MDC | DRG |
|-----|--|
| 13 | N07J, N07Z, N09A, N09B, N09J, N09Q, N10J, N10Z, N11J, N13J, N25J, N25Q, N25Z, N68J |

| MDC | DRG |
|-----|------------|
| 14 | O05J, O40J |

Indikácie JZS Urológia A [JZSUrA]

| MDC | DRG |
|-----|--|
| 11 | L04J, L06J, L08J, L09J, L17J, L17Q, L20J, L20Q, L20R, L46J, L64J, L64Q, L64R |
| 12 | M02J, M04J, M04Q, M06J, M09J, M11J |

| MDC | DRG |
|-----|------|
| 14 | O05J |

Indikácie JZS Urológia B [JZSUrB]

| MDC | DRG |
|-----|--|
| 11 | L20J, L20Q, L20R, L40J, L64J, L64Q, L64R |

| MDC | DRG |
|-----|--|
| 12 | M03J, M04J, M04Q, M05J, M05Z, M06J, M68J |

Príloha C

Prítomnosť CC, vyradenie CC, stanovenie CCL a PCCL

C.1 Úvod

Prítomnosť komplikácií a/alebo komorbidít (CC) môže zdravotnú starostlivosť komplikovať, čo môže byť spojené s vyššími nákladmi. Preto je pre klasifikáciu DRG dôležitá ich prítomnosť identifikovať a zbrať do úvahy.

Komplikácie a/alebo komorbidity (CC) CC- kódy komplikácií a/alebo komorbidít reprezentujú vedľajšie diagnózy, ktoré spravidla vedú k významnejšiemu výskytu zdrojov

Táto príloha sa zaoberá komplikáciami a komorbiditami (CC) a postupmi, ktorými Grouper priraduje k jednotlivým záznamom hodnotu PCCL.

C.2 Komplikácie a komorbidity

Vo verzii SK-DRG Systém 2025 sú v tejto prílohe vymenované kódy diagnóz posudzované ako CC pre všetky prípady okrem neonatologickej starostlivosti.

Kód diagnózy môže stratiť svoj status CC, (i) keď je v úzkej súvislosti s hlavnou diagnózou hospitalizačného prípadu, alebo (ii) keď sa ten istý kód už nachádza na inom mieste v tom istom zázname.

Zoznam CC, ktorý tvorí prevažnú časť tejto prílohy, obsahuje všetky CC a tomu zodpovedajúce CCL.

C.3 Stupeň komplikácií a komorbidít (CCL) a stupeň klinickej závažnosti prípadu (PCCL)

Stupeň závažnosti komplikácií a/alebo komorbidít (CCL) sú stupne, ktoré sú priradené ku všetkým vedľajším diagnózam. Ich hodnota môže byť medzi 0 a 4 pri operačných a neonatologických hospitalizačných prípadoch a 0 a 3 pri hospitalizačných prípadoch v medicínskom segmente. V rôznych základných-DRG môžu nadobúdať tie isté diagnózy rôzne hodnoty CCL. Napríklad diagnóza J96.00 Akútna respiračná insuficiencia, inde neklasifikovaná: typ1[hypoxická] v základnej-DRG B70 Apoplexia má hodnotu CCL 2, zatiaľ čo v základnej-DRG B71 Ochorenia mozgových nervov a periférnych nervov má hodnotu CCL 3.

Aká hodnota CCL bude skutočne priradená k diagnóze závisí od toho, či ide pri danom kóde o platnú CC a či je vo vzťahu k základnej-DRG záznamu považovaná za ľahkú, stredne ťažkú, ťažkú alebo veľmi ťažkú CC.

Možné hodnoty pre CCL sú definované nasledovne:

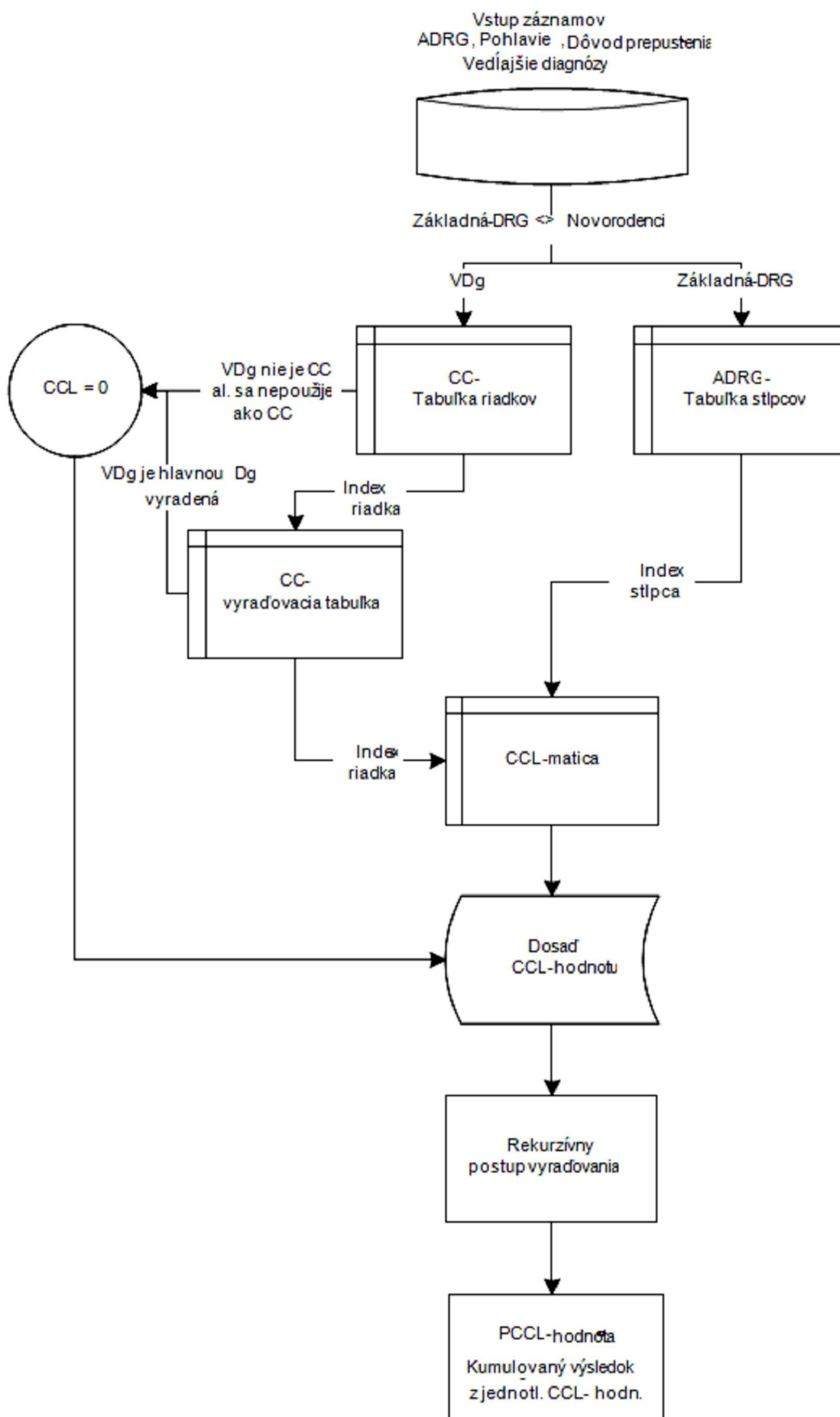
| | |
|---------|--|
| CCL = 0 | Kód nie je ťiadnou komplikáciou alebo komorbiditou, alebo kód označuje komplikáciu alebo komorbiditu úzko zviazanú s hlavnou diagnózou alebo ten istý kód je uo obsahnutý v zázname na inom mieste |
| CCL = 1 | Hodnota vyjadruje ťahkú CC |
| CCL = 2 | Hodnota vyjadruje stredne ťahkú CC |
| CCL = 3 | Hodnota vyjadruje ťahkú CC |
| CCL = 4 | Hodnota vyjadruje ve mi ťahkú CC |

Grouper priračuje každej diagnóze v zázname hodnotu CCL automaticky a postupuje pri tom nasledovne:

1. Grouper identifikuje základnú DRG(ADRG) hospitalizačného prípadu.
2. Grouper na základe ADRG a CCL-Maticy priradí diagnózam CCL hodnoty. Diagnózy pre Polytraumu pri ADRG z MDC 21 majú priradenú CCL hodnotu 0, pretože diagnózy sú zohľadnené uť pri zaradení do MDC 21. Podobne sa postupuje pri diagnózach HIV pri zaradení do ADRG z MDC 18A.
3. Diagnózy sú zoradené pod ťa dvoch k ťov: CCL hodnoty, a po tu diagnóz, ktoré v danom hospitalizačnom prípade vyra ťujú zostupne.
 1. Pokia hospitalizačný prípad nie je novorodenec, hlavná diagnóza ostáva na prvom mieste.
 2. Pokia hospitalizačný prípad je novorodenec, hlavná diagnóza sa zoradí pod ťa dvoch k ťov spolu s ved ťajími diagnózami.
4. Pokia je CCL hlavnej diagnózy viac ako 0, Grouper overuje, ťi ved ťajíe diagnózy nie sú podobné hlavnej diagnóze. Pokia je tomu tak, diagnózy podobné hlavnej diagnóze sú z výpočtu vyradené.
5. Následne dochádza ku kontrole podobnosti ved ťajích diagnóz. Zostávajúce ved ťajíe diagnózy vyra ťujú podobné ved ťajíe diagnózy z výpočtu.
6. Z CCL hodnôt diagnóz, ktoré ostanú po vyradení podobných diagnóz, je vypočítaná hodnota PCCL.

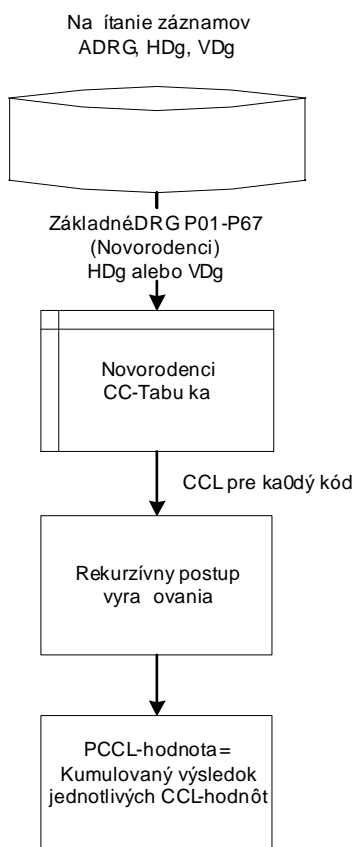
Obrázok . 1 zobrazuje postupnosť krokov pri priraovaní hodnôt CCL okrem prípadov novorodencov.

OBRÁZOK C.1 Postup pre určenie PCCL pre prípady okrem novorodencov



Pre hospitalizačné prípady novorodencov - t.zn. prípady priradené k základnej-DRG P01-P67 - sú používané iné postupy. Väčšie kódy diagnóz sú tu použité ako vedľajšie diagnózy. Obrázok 2 poskytuje prehľad o postupnosti jednotlivých krokov v priradení hodnôt CC u novorodencov [Pozn.: Hodnoty CCL a PCCL stanovené pre novorodencov neslúžia k zaradeniu do DRG-skupín. Hospitalizačné prípady novorodencov sú zaradené do DRG na základe zoznamu vážnych problémov prostredníctvom MDC 15 (pozri zväzok 2)].

OBRÁZOK C.2 Postup pre určenie PCCL u novorodencov



Stupeň klinickej závažnosti prípadu (PCCL): PCCL je stupeň klinickej komplexnosti prípadu. Je vyjadrením miery kumulatívneho efektu CC každého hospitalizačného prípadu. Stanovuje sa komplexným postupom tak, aby sa zabránilo viacnásobnému zhodnoteniu podobných sŕdiel. PCCL môže nadobúdať nasledovné hodnoty:

- 0 = Ošídne CC
- 1 = ľahké CC
- 2 = stredne ťažké CC
- 3 = ťažké CC
- 4 = veľmi ťažké CC

Potom, ako bola ku každej diagnóze záznamu stanovená hodnota CCL (nezávisle na tom, či ide o novorodencov alebo iný hospitalizačný prípad), zotriedi Grouper zostupne vedľajšie diagnózy podľa hodnôt CCL a potom tu diagnózy, ktoré v danom hospitalizačnom prípade vyúsťujú a spustí proces vyraďovania. V tomto procese, ktorý zabezpečuje vyradenie nesignifikantných diagnóz a zohľadnenie podobných diagnóz iba jedenkrát, je každá diagnóza v poradí posudzovaná tak, akoby bola hlavnou diagnózou. To znamená, že každá diagnóza je jedna po druhej posudzovaná ako škotviaca diagnóza a status CC iných diagnóz je posudzovaný vo vzťahu k tejto škotviacej diagnóze. Výsledkom procesu je, že niektoré vedľajšie diagnózy sú ako CC vyradené (hodnota CCL= nula).

Je potrebné si uvedomiť, že Grouperom vymedzené hodnoty CCL sú tie, ktoré boli priradené pred procesom vyraďovania.

Na konci rekurzívneho postupu vyraďovania výpočíta Grouper pomocou vzorca na základe zostávajúcich hodnôt CCL hodnotu PCCL.

Vzorec pre výpočet PCCL

Pokiaľ je {CCL(i)} zotriedený zoznam CCL hodnôt po ukončení vyraďovacieho postupu, je vzorec na výpočet PCCL nasledovný:

$$PCCL = \begin{cases} 0 & \text{v prípade, že neexistujú žiadne VD} \\ 4 & \text{ak } x > 4 \\ x & \text{vo všetkých iných prípadoch} \end{cases}$$

$$\text{Pričom } x = \text{round} \left\{ \frac{\ln \left\{ \sum_{i=k}^{\infty} CCL(i) * \exp(-\alpha * (i-k)) \right\}}{\ln(3/\alpha) / 4} \right\}$$

Parameter $\alpha = 0,4$

$k = 1$ pre základné-DRG P01 - P67, $k = 2$ pre všetky ostatné základné-DRG

Tento algoritmus vyvinul Dr. Xichuan (Mark) Zhang v rámci CCL Refinement projektu.

Nasledujúca tabuľka obsahuje hodnoty pre PCCL, ktoré vzniknú pri rozličných kombináciách CCL-hodnôt.

TABUĽKA C.1 Kombinácie CCL-hodnôt k dosiahnutiu PCCL od 1 do 4

| PCCL | CCL1 | CCL2 | CCL3 | CCL4 | CCL5 | CCL6 |
|------|------|------|------|------|------|------|
| 4 | 4 | 3 | | | | |
| 3 | 4 | 2 | | | | |
| 3 | 4 | 1 | 1 | | | |
| 3 | 3 | 3 | | | | |
| 3 | 3 | 2 | 2 | | | |
| 3 | 3 | 2 | 1 | 1 | | |
| 3 | 2 | 2 | 2 | 2 | | |
| 3 | 2 | 2 | 2 | 1 | 1 | 1 |
| 3 | 4 | | | | | |
| 3 | 4 | 1 | | | | |
| 3 | 3 | 2 | | | | |
| 3 | 3 | 2 | 1 | | | |
| 3 | 2 | 2 | | | | |
| 3 | 2 | 2 | 2 | | | |
| 2 | 2 | 2 | | | | |
| 2 | 2 | 1 | | | | |
| 2 | 3 | | | | | |
| 2 | 1 | 1 | 1 | 1 | 1 | |
| 1 | 2 | | | | | |
| 1 | 1 | 1 | | | | |
| 0 | 1 | | | | | |

| ICD | Text | OP. CCL | Med. CCL | ICD | Text | OP. CCL | Med. CCL |
|--------|---|------------|-------------|--------|--|------------|-------------|
| A01.0 | Brušný týfus | 4 | 4 | A16.2 | TBC pľúc, bez úd.o | 3,4 | 3,4 |
| A01.1 | Paratýfus A | 4 | 4 | | bakter.molek.biolog./hist.potvrdená | | |
| A01.2 | Paratýfus B | 4 | 4 | A16.3 | TBC vnútrohr.lymf.uzl.bez úd.o | 3,4 | 3 |
| A01.3 | Paratýfus C | 4 | 4 | | bakter.molek.biolog./hist.pot. | | |
| A01.4 | Paratýfus, bližšie neurčený | 4 | 4 | A16.4 | TBC hrt., priedušn.a prieduš.bez úd.o | 3,4 | 3 |
| A02.0 | Salmonelová enteritída | 2,4 | 2,4 | | bakt.mol-bio./hist.pot. | | |
| A02.1 | Salmonelová sepsa | 2,4 | 2,4 | A16.5 | TBC pleuritída, bez úd.o | 3,4 | 3 |
| A02.2 | Lokalizovaná salmonelová infekcia | 4 | 4 | | bakter.molek.biolog./hist.pot. | | |
| A02.8 | Iná salmonelová infekcia, bližšie neurčená | 4 | 4 | A16.6 | Latentná tuberkulózna infekcia | 3,4 | 3 |
| A02.9 | Salmonelová infekcia, bližšie neurčená | 4 | 4 | A16.7 | Prim.TBC dých.súst, bez úd.o | 3,4 | 3,4 |
| A03.0 | Šigelóza zapríčinená Shigella dysenteriae | 4 | 4 | | bakter.molek.biolog./hist.pot. | | |
| A03.1 | Šigelóza zapríčinená Shigella flexneri | 4 | 4 | A16.8 | Iná TBC dých.súst., bez úd.o | 3,4 | 3 |
| A03.2 | Šigelóza zapríčinená Shigella boydii | 4 | 4 | | bakter.molek.biolog./hist.pot. | | |
| A03.3 | Šigelóza zapríčinená Shigella sonnei | 4 | 4 | A16.9 | TBC dých.súst., bez úd.o | 3,4 | 3,4 |
| A03.8 | Iná šigelóza | 4 | 4 | | bakter.molek.biolog./hist.pot., b.n | | |
| A03.9 | Šigelóza, bližšie neurčená | 4 | 4 | A17.0 | Tuberkulózna meningitída (G01*) | 3,4 | 3,4 |
| A04.0 | Infekcia zapríčinená enteropatogénnou Escherichia coli | 4 | 4 | A17.1 | Meningový tuberkulóm (G07*) | 3,4 | 3,4 |
| | | | | A17.8 | Iná tuberkulóza nervovej sústavy | 3,4 | 3,4 |
| A04.1 | Infekcia zapríčinená enterotoxikogénnou Escherichia coli | 4 | 4 | A17.9 | Tuberkulóza nervovej sústavy, bližšie neurčená | 3,4 | 3,4 |
| | | | | A18.0 | Tuberkulóza kostí a kĺbov | 2 | 2 |
| A04.2 | Infekcia zapríčinená enteroinvazívnou Escherichia coli | 4 | 4 | A18.1 | Tuberkulóza močovopohlavnej sústavy | 2,3,4 | 2,3 |
| | | | | A18.2 | Tuberkulózna periférna lymfadenopatia | 2,3,4 | 1,2,3 |
| A04.3 | Infekcia zapríčinená enterohemoragickou Escherichia coli | 3,4 | 3,4 | A18.3 | TBC čriev, peritonea a mezenteriových lymfatických uzlín | 3,4 | 3 |
| | | | | A18.5 | Tuberkulóza oka | 2,3,4 | 2,4 |
| A04.4 | Iné črevné infekcie zapríčinené Escherichia coli | 4 | 4 | A18.6 | Tuberkulóza ucha | 2 | 2 |
| | | | | A18.7 | Tuberkulóza nadobličiek (E35.1*) | 2 | 1,2 |
| A04.5 | Enteritída zapríčinená kamylobakterom | 4 | 4 | A18.8 | Tuberkulóza iných bližšie určených orgánov | 2 | 2 |
| A04.6 | Enteritída zapríčinená Yersinia enterocolitica | 4 | 4 | A19.0 | Akútna miliárna TBC na jedinom | 3,4 | 3 |
| A04.7 | Enterokolitída zapríčinená Clostridium difficile | 2,3,4 | 1,2,3,4 | | blíž.urč.mieste | | |
| A04.81 | Enteritída zapríčinená Arcobacter spp. | 4 | 4 | A19.1 | Akútna miliárna tuberkulóza na viacerých miestach | 3,4 | 3 |
| A04.89 | Iná baktériová črevná infekcia, bližšie určená | 4 | 4 | | | | |
| A04.9 | Baktériová črevná infekcia, bližšie neurčená | 2 | 2 | A19.2 | Akútna miliárna tuberkulóza, bližšie neurčená | 3,4 | 3 |
| A05.0 | Potravinová otrava zapríčinená stafylokokmi | 4 | 4 | A19.8 | Iná miliárna tuberkulóza | 3,4 | 3 |
| A05.1 | Botulizmus | 4 | 4 | A19.9 | Miliárna tuberkulóza, bližšie neurčená | 3,4 | 3 |
| A05.2 | Potravinová otrava zapríčinená Clostridium perfringens | 4 | 4 | A26.0 | Kožný eryzipeloid | 4 | 4 |
| | | | | A26.7 | Eryzipelotrixová sepsa | 4 | 4 |
| A05.3 | Potravinová otrava zapríčinená Vibrio parahaemolyticus | 4 | 4 | A26.8 | Iná forma eryzipeloidu | 4 | 4 |
| A07.1 | Giardióza [lambliaza] | 2 | 2 | A26.9 | Bližšie neurčený eryzipeloid | 4 | 4 |
| A07.3 | Izosporiáza | 2 | 2 | A27.0 | Leptospiróza zapríčinená Leptospira icterohaemorrhagiae | 4 | 4 |
| A08.0 | Rotavírusová enteritída | 1,2 | 2 | | | | |
| A08.1 | Akútna gastroenteritída zapríčinená norovírusom [Norwalk] | 1,2,3,4 | 1,2,3 | A27.8 | Iná forma leptospirózy | 4 | 4 |
| | | | | A27.9 | Leptospiróza, bližšie neurčená | 4 | 4 |
| A08.5 | Iné, bližšie určené črevné infekcie | 4 | 4 | A28.0 | Pasteurelóza | 4 | 4 |
| A09.0 | Iná a blíž.neurč.gastroenteritída a kolitída infekčného pôvodu | 1,2,4 | 2,4 | A28.1 | Choroba z mačacieho škrabnutia | 4 | 4 |
| | | | | A28.2 | Extraintestinálna yersinióza | 4 | 4 |
| A15.0 | TBC pľúc, potvrd.mikros.vyš.spúta s a bez dôk.kultiv./mol-biol. | 3,4 | 3,4 | A28.8 | Iná baktériová | 4 | 4 |
| | | | | | zoonóza, blíž.určená, nezatriedená inde | | |
| A15.1 | Tuberkulóza pľúc, potvrdená len kultivačne | 3,4 | 3,4 | A28.9 | Baktériová zoonóza, bližšie neurčená | 4 | 4 |
| A15.2 | Tuberkulóza pľúc, potvrdená histologicky | 3,4 | 3,4 | A31.0 | Pľúcna mykobakteriáza | 3,4 | 3 |
| A15.3 | TBC pľúc, potvrdená inými a blíž.nurč.metódami | 3,4 | 3,4 | A31.80 | Diseminovaná atypická mykobakteriáza | 3,4 | 3 |
| | | | | A32.0 | Kožná listerióza | 4 | 4 |
| A15.4 | TBC vnútrohrud.lymf.uzlín, potvrd.bakter.molek.biolog/hist. | 3,4 | 3 | A32.1 | Listerióva meningitída a meningoencefalitída | 3,4 | 3,4 |
| | | | | A32.7 | Listerióva sepsa | 3,4 | 3,4 |
| A15.5 | TBC hrtana priedušnice a prieduš.potv.bakt.molek.biolog./hist. | 3,4 | 3 | A32.8 | Iná forma listeriózy | 4 | 4 |
| | | | | A32.9 | Listerióza, bližšie neurčená | 4 | 4 |
| A15.6 | TBC pleuritída, potvedná bakteriol.molek.biolog./hist. | 3,4 | 3 | A33 | Tetanus novorodencov | 4 | 4 |
| | | | | A34 | Tetanus počas gravidity, pôrodu a v šestonedelí | 2 | 2 |
| A15.7 | Primárna TBC dých.org.potv.bakt.molek.biolog./hist. | 3,4 | 3,4 | | | | |
| | | | | A35 | Iný tetanus | 3,4 | 3,4 |
| A15.8 | Iná TBC dých.org.potvredná bakter.molek.biolog./hist. | 3,4 | 3 | A37.0 | Pertussis zapríčinený Bordetella pertussis | 4 | 4 |
| | | | | A37.1 | Pertussis zapríčinený Bordetella parapertussis | 4 | 4 |
| A15.9 | TBC dých.súst, potvrdená bakter.molek.biolog./hist., b.n | 3,4 | 3,4 | | | | |
| | | | | A37.8 | Pertussis zapríčinený iným druhom bordetely | 4 | 4 |
| A16.0 | TBC pľúc, bakter.molek.biolog.a hist.negat. | 3,4 | 3,4 | A37.9 | Pertussis, bližšie neurčený | 4 | 4 |
| A16.1 | TBC pľúc, bez vyk.bakter.molek.biolog.a hist.vyš. | 3,4 | 3,4 | A39.0 | Meningokoková meningitída (G01*) | 3,4 | 3,4 |
| | | | | A39.1 | Waterhouseov-Friderichsenov syndróm (E35.1*) | 3,4 | 3,4 |

| ICD | Text | OP. CCL | Med. CCL | ICD | Text | OP. CCL | Med. CCL |
|--------|--|---------|----------|--------|---|---------|----------|
| A39.2 | Akútna meningokoková sepsa | 3,4 | 3,4 | A74.82 | Chlamýdiová myokarditída | 4 | 4 |
| A39.3 | Chronická meningokoková sepsa | 3,4 | 3,4 | A74.83 | Chlamýdiová endokarditída | 4 | 4 |
| A39.4 | Meningokoková sepsa, bližšie neurčená | 3,4 | 3,4 | A74.84 | Chlamýdiová artritída | 4 | 4 |
| A39.5 | Meningokokové ochorenie srdca | 1,2,3,4 | 1,2,4 | A74.89 | Iná chlamýdiová choroba | 4 | 4 |
| A39.8 | Iná meningokoková infekcia | 3,4 | 3 | A81.1 | Subakútna sklerotizujúca panencefalitída | 2,3,4 | 1,2,3,4 |
| A39.9 | Meningokoková infekcia, bližšie neurčená | 3,4 | 3 | A81.2 | Progressívna multifokálna leukoencefalopatia | 2,3 | 1,2,3 |
| A40.0 | Sepsa zapríčinená streptokokom zo skupiny A | 3,4 | 1,3,4 | A84.1 | Streptokoková kliešťová encefalitída | 2,3 | 1,2,3 |
| A40.1 | Sepsa zapríčinená streptokokom zo skupiny B | 3,4 | 1,3 | A85.0 | Enterovírusová encefalitída (G05.1*) | 2,3 | 1,2,3 |
| A40.2 | Sepsa zapríčinená streptokokom zo skupiny D | 3,4 | 1,3,4 | A85.8 | Iná vírusová encefalitída, bližšie určená | 2,3 | 1,2,3 |
| A40.3 | Sepsa zapríčinená Streptococcus pneumoniae | 3,4 | 1,3,4 | A86 | Vírusová encefalitída, bližšie neurčená | 2,3,4 | 1,2,3,4 |
| A40.81 | Sepsa zapríčinená streptokokom zo skupiny C | 3,4 | 1,3 | A87.0 | Enterovírusová meningitída (G02.0*) | 2,3 | 1,2,3 |
| A40.89 | Iná streptokoková sepsa | 3,4 | 1,3 | A89 | Vírusová infekcia CNS, bližšie neurčená | 4 | 4 |
| A40.9 | Sepsa zapríčinená streptokokmi, bližšie neurčená | 3,4 | 1,3 | A96.0 | Hemoragická horúčka zapríčinená vírusom Junin | 4 | 4 |
| A41.0 | Sepsa zapríčinená Staphylococcus aureus | 3,4 | 1,3 | A96.1 | Hemoragická horúčka zapríčinená vírusom Machupo | 4 | 4 |
| A41.1 | Sepsa zapríčinená iným bližšie určeným stafylokokom | 3,4 | 1,3 | A96.2 | Horúčka Lassa | 4 | 4 |
| A41.2 | Sepsa zapríčinená bližšie neurčeným stafylokokom | 3,4 | 1,3 | A96.8 | Iná arenavírusová hemoragická horúčka | 4 | 4 |
| A41.3 | Sepsa zapríčinená Haemophilus influenzae | 3,4 | 1,3,4 | A96.9 | Arenavírusová hemoragická horúčka, bližšie neurčená | 4 | 4 |
| A41.4 | Sepsa zapríčinená anaeróbnou baktériou | 3,4 | 1,3 | A98.3 | Choroba zapríčinená vírusom Marburg | 4 | 4 |
| A41.51 | Sepsa zapríčinená Escherichia coli [E. coli] | 3,4 | 1,3 | A98.5 | Hemoragická horúčka s renálnym syndrómom | 3,4 | 2,3,4 |
| A41.52 | Sepsa zapríčinená pseudomonas | 3,4 | 1,3,4 | B00.0 | Herpetický ekzém | 4 | 4 |
| A41.53 | Sepsa zapríčinená multirezistentnou gramnegat. baktériou | 3,4 | 1,3,4 | B00.1 | Herpetická vezikulárna dermatitída | 2,4 | 2,4 |
| A41.58 | Sepsa zapríčinená inou gramnegatívnou baktériou | 3,4 | 1,3,4 | B00.2 | Herpetická gingivostomatitída a tonzilofaryngitída | 4 | 4 |
| A41.81 | Sepsa zapríčinená multirezistentnou grampozit. baktériou | 3,4 | 1,3 | B00.3 | Herpetická meningitída (G02.0*) | 3,4 | 3,4 |
| A41.89 | Iná sepsa, bližšie určená | 3,4 | 1,3 | B00.4 | Herpetická encefalitída (G05.1*) | 3,4 | 3,4 |
| A41.9 | Sepsa, bližšie neurčená | 3,4 | 1,3 | B00.5 | Očná infekcia herpetickým vírusom | 4 | 4 |
| A42.0 | Pľúcna aktinomykóza | 3,4 | 3 | B00.7 | Diseminovaná herpetická choroba | 2,3,4 | 3,4 |
| A42.1 | Brušná aktinomykóza | 3,4 | 3 | B00.8 | Iná forma herpetickej infekcie | 2,4 | 2,4 |
| A42.7 | Aktinomykotická sepsa | 3,4 | 3 | B00.9 | Herpetická infekcia, bližšie neurčená | 4 | 4 |
| A43.0 | Pľúcna nokardióza | 3,4 | 3 | B01.0 | Varicelová meningitída (G02.0*) | 2,4 | 2,4 |
| A48.0 | Plynová gangréna | 3,4 | 3,4 | B01.1 | Varicelová encefalitída (G05.1*) | 3,4 | 3,4 |
| A48.1 | Legionelóza s pneumóniou [Legionárska choroba] | 3,4 | 3,4 | B01.2 | Varicelový zápal pľúc (J17.1*) | 3,4 | 3,4 |
| A48.2 | Legionelóza bez pneumónie [Pontiacka horúčka] | 3,4 | 3,4 | B01.8 | Varicela s inými komplikáciami | 2,4 | 2,4 |
| A48.3 | Syndróm toxického šoku | 3,4 | 3 | B01.9 | Varicela bez komplikácií | 2,4 | 2,4 |
| A49.0 | Stafylokoková infekcia bez bližšieho určenia miesta | 3,4 | 3 | B02.0 | Zosterová encefalitída (G05.1*) | 3,4 | 3,4 |
| A49.1 | Streptokoková infekcia bez bližšieho určenia miesta | 3,4 | 3 | B02.1 | Zosterová meningitída (G02.0*) | 3,4 | 3,4 |
| A49.2 | Infekcia haemophilus influenzae na b.n.m. | 3,4 | 3 | B02.2 | Zoster s postihnutím iných častí nervovej sústavy | 3,4 | 3,4 |
| A50.0 | Včasný vrodený syfilis, symptomatický | 4 | 4 | B02.3 | Zosterová choroba oka | 4 | 4 |
| A50.1 | Včasný vrodený syfilis, latentný | 4 | 4 | B02.7 | Diseminovaný zoster | 2,4 | 2,4 |
| A50.2 | Včasný vrodený syfilis, bližšie neurčený | 4 | 4 | B02.8 | Zoster s inými komplikáciami | 2,4 | 2,4 |
| A50.3 | Neskorá vrodená syfilitická okulopatia | 4 | 4 | B02.9 | Zoster bez komplikácií | 4 | 4 |
| A50.4 | Neskorý vrodený neurosyfilis [Juvenilný neurosyfilis] | 3,4 | 3,4 | B05.0 | Osýpky komplikované encefalitídou (G05.1*) | 3,4 | 3,4 |
| A52.0 | Kardiovaskulárny syfilis | 1,2,3 | 1,2 | B05.1 | Osýpky komplikované meningitídou (G05.1*) | 2,4 | 2,4 |
| A52.1 | Neurosyfilis, symptomatický | 2,3 | 1,2,3 | B05.2 | Osýpky komplikované pneumóniou (J17.1*) | 3,4 | 3,4 |
| A52.2 | Neurosyfilis, asymptomatický | 3,4 | 3 | B05.3 | Osýpky komplikované zápalom stredného ucha | 2,4 | 2,4 |
| A52.3 | Neurosyfilis, bližšie neurčený | 2,3 | 1,2,3 | B05.4 | Osýpky s črevnými komplikáciami | 2,4 | 2,4 |
| A54.0 | Gonok. inf. dol. časti moč.-pohl. súst. bez abs. uretr./preds. žliaz | 2 | 2 | B05.8 | Osýpky s inými komplikáciami | 2,4 | 2,4 |
| A54.1 | Gonok. inf. dol. časti moč.-pohl. súst. s abs. uretr. a preds. žliaz | 2 | 2 | B06.0 | Ružienka s nervovými komplikáciami | 2,4 | 2,4 |
| A54.2 | Gonok. pelveoperitonitída a iná gonokok. moč.-pohl. infekcia | 2 | 2 | B06.8 | Ružienka s inými komplikáciami | 2,4 | 2,4 |
| A71.1 | Trachóm, aktívne štádium | 4 | 4 | B08.5 | Enterovírusová vezikulárna faryngitída | 4 | 4 |
| A74.81 | Chlamýdiová dilatčná kardiomyopatia | 4 | 4 | B15.0 | Akútna hepatitída A s pečeňovou kómou | 4 | 4 |
| | | | | B15.9 | Akútna hepatitída A bez pečeňovej kómy | 4 | 4 |
| | | | | B16.0 | Akútna hepatit. B s Delta vírusom (koinfekcia), s pečeň. kómou | 1,2,3,4 | 1,2,3,4 |
| | | | | B16.1 | Akútna hepatit. B s Delta vírusom (koinfekcia), bez pečeň. kómy | 1,2,3,4 | 1,2,3,4 |
| | | | | B16.2 | Akútna hepatit. B bez Delta vírusu, s pečeňovou kómou | 1,2,3,4 | 1,2,3,4 |
| | | | | B16.9 | Akútna hepatit. B bez Delta vírusu, bez pečeňovej kómy | 1,2,3,4 | 1,2,3,4 |
| | | | | B17.0 | Akútna Delta-vírus. (super)infekcia nosiča vírusu hepatit. B | 1,2,3,4 | 1,2,3,4 |
| | | | | B17.1 | Akútna hepatitída C | 1,2,3,4 | 1,2,3,4 |

| ICD | Text | OP. CCL | Med. CCL | ICD | Text | OP. CCL | Med. CCL |
|--------|--|---------|----------|--------|---|---------|----------|
| B17.2 | Akútna hepatitída E | 1,2,3,4 | 1,2,3,4 | B27.0 | Mononukleóza zapríčinená gamma - Herpes vírusom | 4 | 4 |
| B17.8 | Iná akútna vírusová hepatitída, bližšie určená | 1,2,3,4 | 1,2,3,4 | B27.1 | Cytomegalovírusová mononukleóza | 4 | 4 |
| B17.9 | Akútna vírusová hepatitída, bližšie neurčená | 1,2,3,4 | 1,2,3,4 | B27.8 | Iná infekčná mononukleóza | 4 | 4 |
| B18.0 | Chronická hepatitída B s Delta vírusom | 1,2,3,4 | 1,2,4 | B27.9 | Infekčná mononukleóza, bližšie neurčená | 4 | 4 |
| B18.1 | Chronická hepatitída B bez Delta vírusu | 1,2,3,4 | 1,2,4 | B30.1 | Konjunktivitída zapríčinená adenovírusom (H13.1*) | 4 | 4 |
| B18.2 | Chronická hepatitída C | 1,2,3,4 | 1,2,4 | B30.3 | Akútna epidemická hemorag. konjunktivitída (enterovír.) | 4 | 4 |
| B18.8 | Iná chronická vírusová hepatitída | 1,2,3,4 | 1,2,4 | B33.2 | Vírusová karditída | 4 | 4 |
| B18.9 | Chronická vírusová hepatitída, bližšie neurčená | 1,2,3,4 | 1,2,4 | B34.0 | Adenovírusová infekcia bez bližšieho určenia miesta | 4 | 4 |
| B19.0 | Vírusová hepatit. s pečeňovou kómou, bliž. neurč. | 1,2,3,4 | 1,2,3,4 | B37.0 | Kandidová stomatitída | 2,3 | 2,3 |
| B19.9 | Vírusová hepatit. bez pečeňovej kómy, bliž. neurč. | 1,2,3,4 | 1,2,3,4 | B37.1 | Pľúcna kandidóza | 3,4 | 3,4 |
| B20.0 | Choroba HIV následnými mykobakteriovými infekciami | 1,2,3,4 | 1,2,3,4 | B37.4 | Kandidóza iných častí močovopohlavnej sústavy | 2,4 | 2,4 |
| B20.1 | Choroba HIV následnými inými bakteriovými infekciami | 1,2,3,4 | 1,2,3,4 | B37.5 | Kandidová meningitída(G02.1*) | 3,4 | 3,4 |
| B20.2 | Choroba HIV následnými cytomegalovírusovou chorobou | 1,2,3,4 | 1,2,3,4 | B37.6 | Kandidová endokarditída(I39.8*) | 3,4 | 3,4 |
| B20.3 | Choroba HIV následnými do inými vírusovými infekciami | 1,2,3,4 | 1,2,3,4 | B37.7 | Kandidová sepsa | 3,4 | 3 |
| B20.4 | Choroba HIV s následnými kandidózami | 1,2,3,4 | 1,2,3,4 | B37.81 | Kandidová ezofagitída | 2,4 | 2,3,4 |
| B20.5 | Choroba HIV s následnými inými mykózami | 1,2,3,4 | 1,2,3,4 | B37.88 | Kandidóza na iných miestach | 3,4 | 2,3 |
| B20.6 | Choroba HIV s následnou pneumocystovou pneumóniou | 1,2,3,4 | 1,2,3,4 | B38.0 | Akútna kokcidioidomykóza pľúc | 3,4 | 3,4 |
| B20.7 | Choroba HIV s následnými viacpočetnými infekciami | 1,2,3,4 | 1,2,3,4 | B38.1 | Chronická kokcidioidomykóza pľúc | 3,4 | 3,4 |
| B20.8 | Choroba HIV následnými iných. infekčnými a parazit. chorobami | 1,2,3,4 | 1,2,3,4 | B38.2 | Kokcidioidomykóza pľúc, bližšie neurčená | 3,4 | 3,4 |
| B20.9 | Choroba HIV následnými infekčnými/paraz. chor. bliž. neurč. | 1,2,3,4 | 1,2,3,4 | B38.3 | Kokcidioidomykóza kože | 4 | 4 |
| B21.0 | Choroba HIV s následným Kaposiho sarkómom | 1,2,3,4 | 1,2,3,4 | B38.4 | Kokcidioidomykotická meningitída (G02.1*) | 3,4 | 3,4 |
| B21.1 | Choroba HIV s následným Burkittovým lymfómom | 1,2,3,4 | 1,2,3,4 | B38.7 | Diseminovaná kokcidioidomykóza | 3,4 | 3,4 |
| B21.2 | Choroba HIV násled. inými typmi ne Hodgkinovho lymfómu | 1,2,3,4 | 1,2,3,4 | B38.8 | Iná forma kokcidioidomykózy | 3,4 | 3,4 |
| B21.3 | Choroba HIV násled. inými zhub. nád. lymf. krvotv. a príb. tkan. | 1,2,3,4 | 1,2,3,4 | B38.9 | Kokcidioidomykóza, bližšie neurčená | 2 | 2 |
| B21.7 | Choroba HIV násled. viacpočetnými zhub. nádormi | 1,2,3,4 | 1,2,3,4 | B39.0 | Akútna histoplazmóza pľúc zapríč. Histoplasma capsulatum | 2,4 | 2,4 |
| B21.8 | Choroba HIV s následnými inými zhubnými nádormi | 1,2,3,4 | 1,2,3,4 | B39.1 | Chronická histoplazmóza pľúc zapríč. Histoplasma capsulatum | 2,4 | 2,4 |
| B21.9 | Choroba HIV následnými zhubnými nádormi, bliž. neur. | 1,2,3,4 | 1,2,3,4 | B39.2 | Histoplazmóza pľúc zapríč. Histoplasma capsulatum, bliž. neurč. | 2,4 | 2,4 |
| B22.0 | Choroba HIV s následnou encefalopatiou | 1,2,3,4 | 1,2,3,4 | B39.3 | Diseminovaná histoplazmóza zapríč. Histoplasma capsulatum | 2 | 2 |
| B22.1 | Choroba HIV s násled. lymfoidnou intersticiál. pneumoniídou | 1,2,3,4 | 1,2,3,4 | B39.4 | Histoplazmóza zapríč. Histoplasma capsulatum, bliž. neurč. | 2 | 2 |
| B22.2 | Choroba HIV s následným syndrómom celkového upadania | 1,2,3,4 | 1,2,3,4 | B39.5 | Histoplazmóza zapríčinená Histoplasma duboisii | 2 | 2 |
| B22.7 | Choroba HIV s následnými rozličnými chorobami zatried. inde | 1,2,3,4 | 1,2,3,4 | B39.9 | Histoplazmóza, bližšie neurčená | 2 | 2 |
| B23.0 | Syndróm akútnej infekcie HIV | 1,2,3,4 | 1,2,3,4 | B40.0 | Akútna blastomykóza pľúc | 2,4 | 2,4 |
| B23.8 | Choroba HIV s inými následnými, bliž. urč. stavmi | 1,2,3,4 | 1,2,3,4 | B40.1 | Chronická blastomykóza pľúc | 2,4 | 2,4 |
| B24 | Choroba HIV, bližšie neurčená | 1,2,3,4 | 1,2,3,4 | B40.2 | Blastomykóza pľúc, bližšie neurčená | 2,4 | 2,4 |
| B25.0 | Cytomegalovírusová pneumónia(J17.1*) | 3,4 | 3,4 | B40.3 | Blastomykóza kože | 2,4 | 2,4 |
| B25.1 | Cytomegalovírusová hepatitída(K77.0*) | 3,4 | 3,4 | B40.7 | Diseminovaná blastomykóza | 2,4 | 2,4 |
| B25.2 | Cytomegalovírusová pankreatitída(K87.1*) | 3,4 | 3,4 | B40.8 | Iná forma blastomykózy | 2,4 | 2,4 |
| B25.80 | Cytomegalovírusová infekcia tráviacej trubice | 3,4 | 3,4 | B40.9 | Blastomykóza, bližšie neurčená | 2,4 | 2,4 |
| B25.88 | Iná cytomegalovírusová choroba | 3,4 | 3,4 | B41.0 | Parakokcidioidomykóza pľúc | 2,4 | 2,4 |
| B25.9 | Cytomegalovírusová choroba, bližšie neurčená | 3,4 | 3,4 | B41.7 | Diseminovaná parakokcidioidomykóza | 2,4 | 2,4 |
| B26.0 | Parotitická orchitída(N51.1*) | 2,4 | 2,4 | B41.8 | Iná forma parakokcidioidomykózy | 2,4 | 2,4 |
| B26.1 | Parotitická meningitída(G02.0*) | 3,4 | 3,4 | B41.9 | Parakokcidioidomykóza, bližšie neurčená | 2,4 | 2,4 |
| B26.2 | Parotitická encefalitída(G05.1*) | 3,4 | 3,4 | B44.0 | Invazívna aspergilóza pľúc | 3,4 | 3,4 |
| B26.3 | Parotitická pankreatitída(K87.1*) | 2,3,4 | 2,4 | B44.1 | Iná aspergilóza pľúc | 3,4 | 3,4 |
| B26.8 | Parotitída s inými komplikáciami | 2,4 | 2,4 | B44.2 | Aspergilóza tonzíl | 3,4 | 3,4 |
| | | | | B44.7 | Diseminovaná aspergilóza | 3,4 | 3,4 |
| | | | | B44.8 | Iná forma aspergilózy | 3,4 | 3,4 |
| | | | | B44.9 | Aspergilóza, bližšie neurčená | 3,4 | 3,4 |
| | | | | B45.0 | Kryptokokóza pľúc | 3,4 | 3,4 |
| | | | | B45.1 | Kryptokokóza mozgu | 3,4 | 3,4 |
| | | | | B45.2 | Kryptokokóza kože | 3,4 | 3,4 |
| | | | | B45.3 | Kryptokokóza kostí | 3,4 | 3,4 |
| | | | | B45.7 | Diseminovaná kryptokokóza | 3,4 | 3,4 |
| | | | | B45.8 | Iná forma kryptokokózy | 3,4 | 3,4 |
| | | | | B45.9 | Kryptokokóza, bližšie neurčená | 3,4 | 3,4 |
| | | | | B46.0 | Mukormykóza pľúc | 2,4 | 2,4 |
| | | | | B46.1 | Rinocerebrálna mukormykóza | 2,4 | 2,4 |

| ICD | Text | OP. CCL | Med. CCL | ICD | Text | OP. CCL | Med. CCL |
|--------|--|---------|----------|-------|---|---------|----------|
| B46.2 | Mukormykóza tráviacej trubice | 2,4 | 2,4 | B95.5 | Streptokok,blíž.neurč.,ako príčina chorôb zatried.inde | 1,2 | 1,2 |
| B46.3 | Mukormykóza kože | 2,4 | 2,4 | B95.6 | Staphylococcus aureus ako príčina chorôb zatried.inde | 1,2 | 1,2 |
| B46.4 | Diseminovaná mukormykóza | 2,4 | 2,4 | B95.7 | Iný stafylokok ako príčina chorôb zatriedených inde | 1,2 | 1,2 |
| B46.5 | Mukormykóza,blížšie neurčená | 2,4 | 2,4 | B95.8 | Stafylokok,blíž.neurč.,ako príčina chorôb zatried.inde | 1,2 | 1,2 |
| B46.8 | Iná zygomykóza | 2,4 | 2,4 | B96.3 | Haemophilus a Moraxella ako príčina chorôb zatried.inde | 3,4 | 3 |
| B46.9 | Zygomykóza,blížšie neurčená | 2,4 | 2,4 | B96.5 | Pseudomonas a iná neferment.baktéria ako príč.chorôb.z.i. | 2,3,4 | 2,3 |
| B47.0 | Eumycetóm | 3,4 | 3,4 | B97.0 | Adenovírus ako príčina chorôb zatriedených inde | 4 | 4 |
| B47.1 | Aktinomycetóm | 3,4 | 3,4 | B97.1 | Enterovírus ako príčina chorôb zatriedených inde | 4 | 4 |
| B48.2 | Allescheriáza | 2,4 | 2,4 | C00.0 | Zhubný nádor vonkajšej hornej pery | 4 | 4 |
| B48.7 | Mykóza zapríčinená oportunistickým patogénom | 3,4 | 3,4 | C00.1 | Zhubný nádor vonkajšej dolnej pery | 4 | 4 |
| B50.0 | Malária zapríč. Plasmodium falciparum s mozgov.kompl. | 4 | 4 | C00.2 | Zhubný nádor vonkajšej pery,blížšie neurčený | 4 | 4 |
| B50.8 | Iná ťažká a kompl.malária zapríč.Plasmodium falciparum | 4 | 4 | C00.3 | Zhubný nádor vnútornej strany hornej pery | 4 | 4 |
| B50.9 | Malária zapríčinená Plasmodium falciparum,b.n. | 4 | 4 | C00.4 | Zhubný nádor vnútornej strany dolnej pery | 4 | 4 |
| B51.0 | Malária zapríčinená Plasmodium vivax s ruptúrou sleziny | 4 | 4 | C00.5 | Zhubný nádor vnútornej strany pery,blíž.neurč. | 4 | 4 |
| B51.8 | Malária zapríčinená Plasmodium vivax s i.kompl. | 4 | 4 | C00.6 | Zhubný nádor spojky perí | 4 | 4 |
| B51.9 | Malária zapríčinená Plasmodium vivax bez kompl. | 4 | 4 | C00.8 | Zhubný nádor pery presahujúci viaceré oblasti | 4 | 4 |
| B52.0 | Malária zapríčinená Plasmodium malariae s nefropatiou | 4 | 4 | C00.9 | Zhubný nádor pery,blížšie neurčený | 4 | 4 |
| B52.8 | Malária zapríčinená Plasmodium malariae s i.kompl. | 4 | 4 | C01 | Zhubný nádor koreňa jazyka | 4 | 4 |
| B52.9 | Malária zapríčinená Plasmodium malariae bez kompl. | 4 | 4 | C02.0 | Zhubný nádor chrbtovej strany jazyka | 4 | 4 |
| B53.0 | Malária zapríčinená Plasmodium ovale | 4 | 4 | C02.1 | Zhubný nádor okraja jazyka | 4 | 4 |
| B53.1 | Malária zapríčinená opičími plazmódiami | 4 | 4 | C02.2 | Zhubný nádor spodnej strany jazyka | 4 | 4 |
| B53.8 | Iná parazitologicky potvrdená malária,nezatriedená.inde | 4 | 4 | C02.3 | Zhubný nádor predných dvoch tretín jazyka, blíž.neurč.časť | 4 | 4 |
| B54 | Malária,blížšie neurčená | 4 | 4 | C02.8 | Zhubný nádor jazyka presahujúci viaceré oblasti | 4 | 4 |
| B57.0 | Akútna Chagasova choroba s postihnutím srdca | 1,2,3 | 1,2 | C02.9 | Zhubný nádor jazyka,blížšie neurčený | 4 | 4 |
| B57.2 | Chagasova choroba(chronická)s postihnutím srdca | 1,2,3 | 1,2 | C03.0 | Zhubný nádor horného ňasna | 4 | 4 |
| B58.0 | Toxoplazmová okulopatia | 1,2,3,4 | 1,2,4 | C03.1 | Zhubný nádor dolného ňasna | 4 | 4 |
| B58.1 | Toxoplazmová hepatitída (K77.0*) | 1,2,3,4 | 1,2,3,4 | C03.9 | Zhubný nádor ňasna,blížšie neurčený | 4 | 4 |
| B58.2 | Toxoplazmová meningoencefalitída(G05.2*) | 3,4 | 3,4 | C04.0 | Zhubný nádor prednej časti ústnej spodiny | 4 | 4 |
| B58.3 | Toxoplazmóza plúc(J17.3*) | 3,4 | 3,4 | C04.1 | Zhubný nádor bočnej časti ústnej spodiny | 4 | 4 |
| B58.8 | Toxoplazmóza s postihnutím iných orgánov | 2,4 | 2,4 | C04.8 | Zhub.nádor ústnej spodiny presah.viaceré obl. | 4 | 4 |
| B58.9 | Toxoplazmóza,blížšie neurčená | 4 | 4 | C04.9 | Zhubný nádor ústnej spodiny,blížšie neurčený | 4 | 4 |
| B59 | Pneumocystóza (J17.3*) | 3,4 | 3,4 | C05.0 | Zhubný nádor tvrdého podnebia | 4 | 4 |
| B60.0 | Babezióza | 2 | 2 | C05.1 | Zhubný nádor mäkkého podnebia | 4 | 4 |
| B60.1 | Akantamebóza | 2 | 2 | C05.2 | Zhubný nádor uvuly | 4 | 4 |
| B60.2 | Naeglerióza | 2 | 2 | C05.8 | Zhubný nádor podnebia presahujúci viaceré oblasti | 4 | 4 |
| B60.8 | Iná protozoárna choroba,blížšie určená | 2 | 2 | C05.9 | Zhubný nádor podnebia,blížšie neurčený | 4 | 4 |
| B78.0 | Črevná strongyloidóza | 2 | 2 | C06.0 | Zhubný nádor sliznice líca | 4 | 4 |
| B78.1 | Kožná strongyloidóza | 2 | 2 | C06.1 | Zhubný nádor vestibulum oris | 4 | 4 |
| B78.7 | Diseminovaná strongyloidóza | 2 | 2 | C06.2 | Zhubný nádor retromolárnej časti úst | 4 | 4 |
| B78.9 | Strongyloidóza,blížšie neurčená | 2 | 2 | C06.8 | Zhubný nádor iných a blíž.neurč.častí.úst,presah.viaceré obl. | 4 | 4 |
| B79 | Trichuridóza | 2 | 2 | C06.9 | Zhubný nádor úst,blížšie neurčený | 4 | 4 |
| B90.0 | Následky tuberkulózy centrálnej nervovej sústavy | 1,2 | 2 | C07 | Zhubný nádor príušnej žľazy | 4 | 4 |
| B90.1 | Následky tuberkulózy močovopohlavnej sústavy | 2,3,4 | 2,3 | C08.0 | Zhubný nádor submandibulárnej slinnej žľazy | 4 | 4 |
| B90.9 | Následky respiračnej a blíž.nerč.TBC | 2 | 2 | C08.1 | Zhubný nádor sublingválnej slinnej žľazy | 4 | 4 |
| B91 | Následky poliomyelitídy | 1,2 | 2 | C08.8 | Zhubný nádor veľkých slinných žliaz,presah.viac.obl. | 4 | 4 |
| B95.2 | Streptokok skupiny D ako príčina chorôb zatried.inde | 1,2 | 1,2 | C08.9 | Zhubný nádor veľkej slinnej žľazy,blížšie neurčený | 4 | 4 |
| B95.3 | Streptococcus pneumoniae ako príčina chorôb zatried.inde | 1,2 | 1,2 | C09.0 | Zhubný nádor fossa tonsillaris | 4 | 4 |
| B95.42 | Streptokok skupiny G ako príčina chorôb zatried.inde | 1,2 | 1,2 | C09.1 | Zhubný nádor podnebného oblúka(predná časť)(zadná časť) | 4 | 4 |
| B95.48 | Iný streptokok,blíž.urč.ako príčina chorôb zatried.inde | 1,2 | 1,2 | C09.8 | Zhubný nádor mandle presahujúci viaceré oblasti | 4 | 4 |
| | | | | C10.0 | Zhubný nádor vallecule epiglottica | 4 | 4 |

| ICD | Text | OP. CCL | Med. CCL | ICD | Text | OP. CCL | Med. CCL |
|-------|--|------------|-------------|-------|---|------------|-------------|
| C10.1 | Zhubný nádor prednej plochy epiglottis | 4 | 4 | C21.1 | Zhubný nádor análneho kanála | 1,2,3,4 | 1,2,4 |
| C10.2 | Zhubný nádor bočnej steny orofaryngu | 4 | 4 | C21.2 | Zhubný nádor kloakovej oblasti | 1,2,3,4 | 1,2,4 |
| C10.3 | Zhubný nádor zadnej steny orofaryngu | 4 | 4 | C21.8 | Zhubný nádor rekta, anusu a análneho kanála presah. viac.obl. | 1,2,3,4 | 1,2,4 |
| C10.4 | Zhubný nádor branchiálneho rázštetu | 4 | 4 | C22.0 | Hepatocelulárny karcinóm | 1,2,3,4 | 1,2,4 |
| C10.8 | Zhubný nádor orofaryngu presahujúci viaceré oblasti | 4 | 4 | C22.1 | Karcinóm vnútropečeňových žľazových ciest | 1,2,3,4 | 1,2,4 |
| C10.9 | Zhubný nádor orofaryngu, bližšie neurčený | 4 | 4 | C22.2 | Hepatoblastóm | 1,2,3,4 | 1,2,4 |
| C11.0 | Zhubný nádor hornej steny nazofaryngu | 4 | 4 | C22.3 | Angiosarkóm pečene | 1,2,3,4 | 1,2,4 |
| C11.1 | Zhubný nádor zadnej steny nazofaryngu | 4 | 4 | C22.4 | Iný sarkóm pečene | 1,2,3,4 | 1,2,4 |
| C11.2 | Zhubný nádor bočnej steny nazofaryngu | 4 | 4 | C22.7 | Iný karcinóm pečene, bližšie určený | 1,2,3,4 | 1,2,4 |
| C11.3 | Zhubný nádor prednej steny nazofaryngu | 4 | 4 | C22.9 | Zhubný nádor pečene, bližšie neurčený | 1,2,3,4 | 1,2,4 |
| C11.8 | Zhubný nádor nosohltana presah. viac.obl. | 4 | 4 | C23 | Zhubný nádor žľazníka | 1,2,3,4 | 1,2,4 |
| C11.9 | Zhubný nádor nazofaryngu, bližšie neurčený | 4 | 4 | C24.0 | Zhubný nádor mimopečeňových žľazových ciest | 1,2,3,4 | 1,2,4 |
| C12 | Zhubný nádor recessus piriformis | 4 | 4 | C24.1 | Zhubný nádor ampulla Vateri | 1,2,3,4 | 1,2,4 |
| C13.0 | Zhubný nádor regio postcricoidea | 4 | 4 | C24.8 | Zhubný nádor žľazových ciest presah. viac.obl. | 1,2,3,4 | 1,2,4 |
| C13.1 | Zhubný nádor hypofaryngovej strany aryepiglotickej krkvy | 4 | 4 | C24.9 | Zhubný nádor žľazových ciest, bližšie neurčený | 1,2,3,4 | 1,2,4 |
| C13.2 | Zhubný nádor zadnej steny hypofaryngu | 4 | 4 | C25.0 | Zhubný nádor hlavy podžalúdkovej žľazy | 1,2,3,4 | 1,2,4 |
| C13.8 | Zhubný nádor hypofaryngu presah. viac. obl. | 4 | 4 | C25.1 | Zhubný nádor tela podžalúdkovej žľazy | 1,2,3,4 | 1,2,4 |
| C13.9 | Zhubný nádor hypofaryngu, bližšie neurčený | 4 | 4 | C25.2 | Zhubný nádor chvosta podžalúdkovej žľazy | 1,2,3,4 | 1,2,4 |
| C14.0 | Zhubný nádor faryngu, bližšie neurčený | 4 | 4 | C25.3 | Zhubný nádor vývodu podžalúdkovej žľazy | 1,2,3,4 | 1,2,4 |
| C14.2 | Zhubný nádor Waldeyerovho lymfatického okruhu | 4 | 4 | C25.4 | Zhubný nádor endokrinnnej časti podžalúdkovej žľazy | 1,2,3,4 | 1,2,4 |
| C14.8 | Zhub. nádor pery, ústnej dutiny a hltana presah. viac.obl. | 4 | 4 | C25.7 | Zhubný nádor iných častí podžalúdkovej žľazy | 1,2,3,4 | 1,2,4 |
| C15.0 | Zhubný nádor krčnej časti pažeráka | 1,2,3,4 | 1,2,4 | C25.8 | Zhubný nádor podžalúdkovej žľazy presah. viac.obl. | 1,2,3,4 | 1,2,4 |
| C15.1 | Zhubný nádor hrudníkovej časti pažeráka | 1,2,3,4 | 1,2,4 | C25.9 | Zhubný nádor podžalúdkovej žľazy, bližšie neurčený | 1,2,3,4 | 1,2,4 |
| C15.2 | Zhubný nádor brušnej časti pažeráka | 1,2,3,4 | 1,2,4 | C26.0 | Zhubný nádor bliž. neurč. časti črevného traktu | 4 | 4 |
| C15.3 | Zhubný nádor hornej tretiny pažeráka | 1,2,3,4 | 1,2,4 | C26.1 | Zhubný nádor sleziny | 4 | 4 |
| C15.4 | Zhubný nádor strednej tretiny pažeráka | 1,2,3,4 | 1,2,4 | C26.8 | Zhubný nádor tráviacej sústavy presah. viac.obl. | 1,2,3,4 | 1,2,4 |
| C15.5 | Zhubný nádor dolnej tretiny pažeráka | 1,2,3,4 | 1,2,4 | C26.9 | Zhubný nádor na nepresne určenom mieste tráviacej súst. | 4 | 4 |
| C15.8 | Zhubný nádor pažeráka presahujúci viaceré oblasti | 1,2,3,4 | 1,2,4 | C30.0 | Zhubný nádor nosovej dutiny | 4 | 4 |
| C15.9 | Zhubný nádor pažeráka, bližšie neurčený | 1,2,3,4 | 1,2,4 | C30.1 | Zhubný nádor stredného ucha | 4 | 4 |
| C16.0 | Zhubný nádor kardie | 1,2,3,4 | 1,2,4 | C31.0 | Zhubný nádor čelustnej dutiny | 4 | 4 |
| C16.1 | Zhubný nádor fundu žalúdka | 1,2,3,4 | 1,2,4 | C31.1 | Zhubný nádor čuchovej dutiny | 4 | 4 |
| C16.2 | Zhubný nádor tela žalúdka | 1,2,3,4 | 1,2,4 | C31.2 | Zhubný nádor čelovej dutiny | 4 | 4 |
| C16.3 | Zhubný nádor antra pyloru | 1,2,3,4 | 1,2,4 | C31.3 | Zhubný nádor dutiny klinovej kosti | 4 | 4 |
| C16.4 | Zhubný nádor pyloru | 1,2,3,4 | 1,2,4 | C31.8 | Zhubný nádor prinosovej dutiny presah. viac.obl. | 4 | 4 |
| C16.5 | Zhub. nádor malej kurvatúry žalúdka, bliž. neurč. | 1,2,3,4 | 1,2,4 | C31.9 | Zhubný nádor bližšie neurčenej prinosovej dutiny | 4 | 4 |
| C16.6 | Zhub. nádor veľkej kurvatúry žalúdka, bliž. neurč. | 1,2,3,4 | 1,2,4 | C32.0 | Zhubný nádor glottis | 4 | 4 |
| C16.8 | Zhubný nádor žalúdka presahujúci viaceré oblasti | 1,2,3,4 | 1,2,4 | C32.1 | Zhubný nádor supraglottis | 4 | 4 |
| C16.9 | Zhubný nádor žalúdka, bližšie neurčený | 1,2,3,4 | 1,2,4 | C32.2 | Zhubný nádor subglottis | 4 | 4 |
| C17.0 | Zhubný nádor dvanástnika | 1,2,3,4 | 1,2,4 | C32.3 | Zhubný nádor hrtanovej chrupky | 4 | 4 |
| C17.1 | Zhubný nádor jejúna | 1,2,3,4 | 1,2,4 | C32.8 | Zhubný nádor hrtana presahujúci viaceré oblasti | 4 | 4 |
| C17.2 | Zhubný nádor ilea | 1,2,3,4 | 1,2,4 | C32.9 | Zhubný nádor hrtana, bližšie neurčený | 4 | 4 |
| C17.3 | Zhubný nádor Meckelovho divertikula | 1,2,3,4 | 1,2,4 | C33 | Zhubný nádor priedušnice | 1,2,3,4 | 1,2,4 |
| C17.8 | Zhubný nádor tenkého čreva presah. viac.obl. | 1,2,3,4 | 1,2,4 | C34.0 | Zhubný nádor hlavnej priedušky | 1,2,3,4 | 1,2,4 |
| C17.9 | Zhubný nádor tenkého čreva, bližšie neurčený | 1,2,3,4 | 1,2,4 | C34.1 | Zhubný nádor priedušky alebo pľúc v hornom laloku | 1,2,3,4 | 1,2,4 |
| C18.0 | Zhubný nádor slepého čreva | 1,2,3,4 | 1,2,4 | C34.2 | Zhubný nádor priedušky alebo pľúc v strednom laloku | 1,2,3,4 | 1,2,4 |
| C18.1 | Zhubný nádor červovitého prívesku slepého čreva | 1,2,3,4 | 1,2,4 | C34.3 | Zhubný nádor priedušky alebo pľúc v dolnom laloku | 1,2,3,4 | 1,2,4 |
| C18.2 | Zhubný nádor vzostupnej časti hrubého čreva | 1,2,3,4 | 1,2,4 | C34.8 | Zhubný nádor priedušky alebo pľúc, presah. viac.obl. | 1,2,3,4 | 1,2,4 |
| C18.3 | Zhubný nádor pečeňového ohybu hrubého čreva | 1,2,3,4 | 1,2,4 | C34.9 | Zhubný nádor priedušky alebo pľúc, bližšie neurčený | 1,2,3,4 | 1,2,4 |
| C18.4 | Zhubný nádor priečnej časti hrubého čreva | 1,2,3,4 | 1,2,4 | C37 | Zhubný nádor týmusu | 1,2,3,4 | 1,2,4 |
| C18.5 | Zhubný nádor slezinového ohybu hrubého čreva | 1,2,3,4 | 1,2,4 | C38.0 | Zhubný nádor srdca | 1,2,3,4 | 1,2,4 |
| C18.6 | Zhubný nádor zostupnej časti hrubého čreva | 1,2,3,4 | 1,2,4 | C38.1 | Zhubný nádor predného mediastína | 1,2,3,4 | 1,2,4 |
| C18.7 | Zhubný nádor esovitej časti hrubého čreva | 1,2,3,4 | 1,2,4 | C38.2 | Zhubný nádor zadného mediastína | 1,2,3,4 | 1,2,4 |
| C18.8 | Zhubný nádor hrubého čreva presah. viac.obl. | 1,2,3,4 | 1,2,4 | | | | |
| C18.9 | Zhubný nádor hrubého čreva, bližšie neurčený | 1,2,3,4 | 1,2,4 | | | | |
| C19 | Zhubný nádor rektosigmoidového spojenia hrubého čreva | 1,2,3,4 | 1,2,4 | | | | |
| C20 | Zhubný nádor konečníka | 1,2,3,4 | 1,2,4 | | | | |
| C21.0 | Zhubný nádor anusu, bližšie neurčený | 1,2,3,4 | 1,2,4 | | | | |

| ICD | Text | OP. CCL | Med. CCL | ICD | Text | OP. CCL | Med. CCL |
|--------|---|---------|----------|-------|---|---------|----------|
| C38.3 | Zhubný nádor bližšie neurčenej časti mediastína | 1,2,3,4 | 1,2,4 | C44.8 | Zhubný nádor kože presahujúci viaceré oblasti | 4 | 4 |
| C38.4 | Zhubný nádor pohrudnice | 1,2,3,4 | 1,2,4 | C44.9 | Zhubný nádor kože, bližšie neurčený | 4 | 4 |
| C38.8 | Zhubný nádor srdca, mediastína a pohrudnice presah. viac.obl. | 1,2,3,4 | 1,2,4 | C45.0 | Mezotelióm pohrudnice | 1,2,3,4 | 1,2,4 |
| C39.0 | Zhubný nádor bliž. neurč. časti horných dýchacích ciest | 4 | 4 | C45.1 | Mezotelióm pobrušnice | 1,2,3,4 | 1,2,4 |
| C39.8 | Zhubný nádor dých. a vnútrohrod.orgánov presah. viac.obl. | 4 | 4 | C45.2 | Mezotelióm osrdcovníka | 1,2,3,4 | 1,2,4 |
| C39.9 | Zhubný nádor na nepres.urč.miestach dýchacej sústavy | 4 | 4 | C45.7 | Mezotelióm na inom mieste | 2,3,4 | 1,2,3,4 |
| C40.0 | Zhubný nádor kosti a kĺb.chrupky lopatky a dlhých kostí HK | 1,2,3,4 | 1,2,3,4 | C45.9 | Mezotelióm, bližšie neurčený | 2,3,4 | 1,2,3,4 |
| C40.1 | Zhubný nádor kosti a kĺbovej chrupky krátkych kostí HK | 1,2,3,4 | 1,2,3,4 | C46.3 | Kaposiho sarkóm lymfatických uzlín | 1,2,3 | 1,2 |
| C40.2 | Zhubný nádor kosti a kĺbovej chrupky dlhých kostí DK | 1,2,3,4 | 1,2,3,4 | C46.8 | Kaposiho sarkóm viacerých orgánov | 2 | 2 |
| C40.3 | Zhubný nádor kosti a kĺbovej chrupky krátkych kostí DK | 1,2,3,4 | 1,2,3,4 | C47.0 | Zhubný nádor periférnych nervov hlavy, tváre a krku | 4 | 4 |
| C40.8 | Zhubný nádor kosti a kĺb.chrupky končatín, presah. viac.obl. | 1,2,3,4 | 1,2,3,4 | C47.1 | Zhubný nádor periférnych nervov HK vrátane pleca | 4 | 4 |
| C40.9 | Zhubný nádor kosti a kĺbovej chrupky končatiny, bliž. neurč. | 4 | 4 | C47.2 | Zhubný nádor periférnych nervov DK vrátane bedra | 4 | 4 |
| C41.01 | Zhubný nádor kosti a kĺbovej chrupky v kraniofaciálnej obl. | 1,2,3,4 | 1,2,3 | C47.3 | Zhubný nádor periférnych nervov hrudníka | 4 | 4 |
| C41.02 | Zhubný nádor kosti a kĺbovej chrupky v maxilofaciálnej obl. | 1,2,3,4 | 1,2,3 | C47.4 | Zhubný nádor periférnych nervov brucha | 4 | 4 |
| C41.1 | Zhubný nádor kosti a kĺbovej chrupky dolnej čeluste(sánky) | 1,2,3,4 | 1,2,3,4 | C47.5 | Zhubný nádor periférnych nervov panvy | 4 | 4 |
| C41.2 | Zhubný nádor kosti a kĺbovej chrupky chrbtice | 1,2,3,4 | 1,2,3,4 | C47.6 | Zhubný nádor periférnych nervov trupu, bliž. neurč. | 4 | 4 |
| C41.30 | Zhubný nádor kosti a kĺbovej chrupky rebra | 1,2,3,4 | 1,2,3,4 | C47.8 | Zhub. nádor perifér. nerv. a autonóm. nerv. súst. presah. viac.obl. | 4 | 4 |
| C41.31 | Zhubný nádor kosti a kĺbovej chrupky hrudnej kosti | 1,2,3,4 | 1,2,3,4 | C47.9 | Zhubný nádor perifér. nervov a autonóm. nerv. súst., bliž. neurč. | 4 | 4 |
| C41.32 | Zhubný nádor kosti a kĺbovej chrupky kľúčnej kosti | 1,2,3,4 | 1,2,3,4 | C48.0 | Zhubný nádor retroperitonea | 4 | 4 |
| C41.4 | Zhubný nádor kosti a kĺbovej chrupky panvovej kosti | 1,2,3,4 | 1,2,3,4 | C48.1 | Zhubný nádor pobrušnice, bližšie určenej časti | 4 | 4 |
| C41.8 | Zhubný nádor kosti a kĺbovej chrupky presah. viac.obl. | 1,2,3,4 | 1,2,3,4 | C48.2 | Zhubný nádor pobrušnice, bližšie neurčenej časti | 4 | 4 |
| C41.9 | Zhubný nádor kosti a kĺbovej chrupky, bliž. neurč. | 4 | 4 | C48.8 | Zhubný nádor retroperitonea a pobrušnice presah. viac.obl. | 4 | 4 |
| C43.0 | Maligný melanóm pery | 4 | 4 | C49.0 | Zhubný nádor spojivového a mäkk.tkaniva hlavy, tváre a krku | 4 | 4 |
| C43.1 | Maligný melanóm mihalnice vrátane očného kútika | 4 | 4 | C49.1 | Zhubný nádor spojivového a mäkk.tkaniva HK vrátane pleca | 4 | 4 |
| C43.2 | Maligný melanóm ucha a vonkajšieho zvukovodu | 4 | 4 | C49.2 | Zhubný nádor spojivového a mäkk.tkaniva DK vrátane bedra | 4 | 4 |
| C43.3 | Maligný melanóm inej a bliž. neurč. časti tváre | 4 | 4 | C49.3 | Zhubný nádor spojivového a mäkkého tkaniva hrudníka | 4 | 4 |
| C43.4 | Maligný melanóm vlasatej časti hlavy a krku | 4 | 4 | C49.4 | Zhubný nádor spojivového a mäkkého tkaniva brucha | 4 | 4 |
| C43.5 | Maligný melanóm trupu | 4 | 4 | C49.5 | Zhubný nádor spojivového a mäkkého tkaniva malej panvy | 4 | 4 |
| C43.6 | Maligný melanóm hornej končatiny vrátane pleca | 4 | 4 | C49.6 | Zhubný nádor spojivového a mäkkého tkaniva trupu, bliž. neurč. | 4 | 4 |
| C43.7 | Maligný melanóm dolnej končatiny vrátane bedra | 4 | 4 | C49.8 | Zhub. nádor spojiv. a mäkk. tkan., presah. viac.obl. | 4 | 4 |
| C43.8 | Maligný melanóm presahujúci viaceré oblasti | 4 | 4 | C49.9 | Zhub. nádor spojiv. a mäkk. tkan., b.n. | 4 | 4 |
| C43.9 | Maligný melanóm kože, bližšie neurčený | 4 | 4 | C50.0 | Zhubný nádor prsníkovej bradavky a dvorčeka | 2,3,4 | 2,4 |
| C44.0 | Iný zhubný nádor kože pery | 4 | 4 | C50.1 | Zhubný nádor strednej časti prsníka | 4 | 4 |
| C44.1 | Iný zhubný nádor kože mihalnice vrátane očného kútika | 4 | 4 | C50.2 | Zhubný nádor horného vnútorného kvadrantu prsníka | 4 | 4 |
| C44.2 | Iný zhubný nádor kože ucha a vonkajšieho zvukovodu | 4 | 4 | C50.3 | Zhubný nádor dolného vnútorného kvadrantu prsníka | 4 | 4 |
| C44.3 | Iný zhubný nádor kože iných a bliž. neurč. časti tváre | 4 | 4 | C50.4 | Zhubný nádor horného vonkajšieho kvadrantu prsníka | 4 | 4 |
| C44.4 | Iný zhubný nádor kože vlasatej časti hlavy a krku | 4 | 4 | C50.5 | Zhubný nádor dolného vonkajšieho kvadrantu prsníka | 4 | 4 |
| C44.5 | Iný zhubný nádor kože trupu | 4 | 4 | C50.6 | Zhubný nádor axilárnej časti prsníka | 4 | 4 |
| C44.6 | Zhubný nádor kože hornej končatiny vrátane pleca | 4 | 4 | C50.8 | Zhubný nádor prsníka presahujúci viaceré oblasti | 4 | 4 |
| C44.7 | Zhubný nádor kože dolnej končatiny vrátane bedra | 4 | 4 | C50.9 | Zhubný nádor prsníka, bližšie neurčený | 4 | 4 |
| | | | | C51.0 | Zhubný nádor veľkého pysku | 4 | 4 |
| | | | | C51.1 | Zhubný nádor malého pysku | 4 | 4 |
| | | | | C51.2 | Zhubný nádor klitoris | 4 | 4 |
| | | | | C51.8 | Zhubný nádor vulvy presahujúci viaceré oblasti | 4 | 4 |
| | | | | C51.9 | Zhubný nádor vulvy, bližšie neurčený | 4 | 4 |

| ICD | Text | OP. CCL | Med. CCL | ICD | Text | OP. CCL | Med. CCL |
|-------|---|------------|-------------|-------|--|------------|-------------|
| C52 | Zhubný nádor pošvy | 4 | 4 | C68.9 | Zhubný nádor bližšie neurčených močových orgánov | 4 | 4 |
| C53.0 | Zhubný nádor endocervixu maternice | 4 | 4 | C69.0 | Zhubný nádor spojovky | 4 | 4 |
| C53.1 | Zhubný nádor exocervixu maternice | 4 | 4 | C69.1 | Zhubný nádor rohovky | 4 | 4 |
| C53.8 | Zhubný nádor krčka maternice presah.viac.obl. | 4 | 4 | C69.2 | Zhubný nádor sietnice | 4 | 4 |
| C53.9 | Zhubný nádor krčka maternice,bližšie neurčený | 4 | 4 | C69.3 | Zhubný nádor cievovky | 4 | 4 |
| C54.0 | Zhubný nádor istmu maternice | 4 | 4 | C69.4 | Zhubný nádor vráskovca | 4 | 4 |
| C54.1 | Zhubný nádor endometria | 4 | 4 | C69.5 | Zhubný nádor sliznej žľazy a nosovoslzného kanála | 4 | 4 |
| C54.2 | Zhubný nádor myometria | 4 | 4 | C69.6 | Zhubný nádor očnice | 4 | 4 |
| C54.3 | Zhubný nádor dna maternice | 4 | 4 | C69.8 | Zhub.nádor oka a očných adnexov presah.viac.obl. | 4 | 4 |
| C54.8 | Zhub.nádor tela maternice presah.viac.obl. | 4 | 4 | C69.9 | Zhubný nádor oka,bližšie neurčený | 4 | 4 |
| C54.9 | Zhubný nádor tela maternice,bližšie neurčený | 4 | 4 | C70.0 | Zhubný nádor mozgovomiechových obalov: mozog | 1,2,3,4 | 1,2,3,4 |
| C55 | Zhubný nádor bližšie neurčenej časti maternice | 4 | 4 | C70.1 | Zhubný nádor mozgovomiechových obalov: miecha | 1,2,3,4 | 1,2,3,4 |
| C56 | Zhubný nádor vaječníka | 4 | 4 | C70.9 | Zhubný nádor mozgovomiechových obalov,bližšie neurčený | 1,2,3,4 | 1,2,3,4 |
| C57.0 | Zhubný nádor vajíčkovodu | 4 | 4 | C71.0 | Zhubný nádor mozgu okrem lalokov a komôr | 1,2,3,4 | 1,2,3,4 |
| C57.1 | Zhubný nádor širokého väzu maternice | 4 | 4 | C71.1 | Zhubný nádor čelového laloka mozgu | 1,2,3,4 | 1,2,3,4 |
| C57.2 | Zhubný nádor oblého väzu maternice | 4 | 4 | C71.2 | Zhubný nádor spánkového laloka mozgu | 1,2,3,4 | 1,2,3,4 |
| C57.3 | Zhubný nádor parametria | 4 | 4 | C71.3 | Zhubný nádor temenného laloka mozgu | 1,2,3,4 | 1,2,3,4 |
| C57.4 | Zhubný nádor adnexov maternice,bližšie neurčený | 4 | 4 | C71.4 | Zhubný nádor záhlavového laloka mozgu | 1,2,3,4 | 1,2,3,4 |
| C57.7 | Zhubný nádor iných ženských pohlavných orgánov,bliž.urč. | 4 | 4 | C71.5 | Zhubný nádor mozgovej komory mozgu | 1,2,3,4 | 1,2,3,4 |
| C57.8 | Zhubný nádor ženských.pohlavných orgánov,presah.viac.obl. | 4 | 4 | C71.6 | Zhubný nádor mozočka | 1,2,3,4 | 1,2,3,4 |
| C57.9 | Zhubný nádor ženského pohlavného orgánu,bliž.neurč. | 4 | 4 | C71.7 | Zhubný nádor mozgového kmeňa | 1,2,3,4 | 1,2,3,4 |
| C60.0 | Zhubný nádor predkožky penisu | 4 | 4 | C71.8 | Zhubný nádor mozgu presahujúci viaceré oblasti | 1,2,3,4 | 1,2,3,4 |
| C60.1 | Zhubný nádor žalúda penisu | 4 | 4 | C71.9 | Zhubný nádor mozgu, bližšie neurčený | 1,2,3,4 | 1,2,3,4 |
| C60.2 | Zhubný nádor tela penisu | 4 | 4 | C72.0 | Zhubný nádor miechy | 1,2,3,4 | 1,2,3,4 |
| C60.8 | Zhubný nádor penisu presahujúci viaceré oblasti | 4 | 4 | C72.1 | Zhubný nádor cauda equina | 1,2,3,4 | 1,2,3,4 |
| C60.9 | Zhubný nádor penisu,bližšie neurčený | 4 | 4 | C72.2 | Zhubný nádor čuchového nervu[nn.olfactorii] | 1,2,3,4 | 1,2,3,4 |
| C62.0 | Zhubný nádor nezostúpeného semenníka | 4 | 4 | C72.3 | Zhubný nádor zrakového nervu[n.opticus] | 1,2,3,4 | 1,2,3,4 |
| C62.1 | Zhubný nádor zostúpeného semenníka | 4 | 4 | C72.4 | Zhubný nádor sluchového nervu | 1,2,3,4 | 1,2,3,4 |
| C62.9 | Zhubný nádor semenníka,bližšie neurčený | 4 | 4 | C72.5 | Zhubný nádor iných a bliž.neurč.hlavových nervov | 1,2,3,4 | 1,2,3,4 |
| C63.0 | Zhubný nádor nadsemenníka | 4 | 4 | C72.8 | Zhubný nádor,lézia presahujúca mozog a iné časti CNS | 1,2,3,4 | 1,2,3,4 |
| C63.1 | Zhubný nádor semenného povrazca | 4 | 4 | C72.9 | Zhubný nádor centrálnej nervovej sústavy,bližšie neurčený | 4 | 4 |
| C63.2 | Zhubný nádor mieška | 4 | 4 | C73 | Zhubný nádor štítnej žľazy | 4 | 4 |
| C63.7 | Zhubný nádor iných mužských pohlavných orgánov,bliž.urč. | 4 | 4 | C74.0 | Zhubný nádor kôry nadobličky | 4 | 4 |
| C63.8 | Zhubný nádor mužských pohlavných orgánov presah.viac.obl. | 4 | 4 | C74.1 | Zhubný nádor drene nadobličky | 4 | 4 |
| C63.9 | Zhubný nádor mužského pohlavného orgánu,bliž.neurč. | 4 | 4 | C74.9 | Zhubný nádor nadobličky,bližšie neurčený | 4 | 4 |
| C64 | Zhubný nádor obličky okrem obličkovej panvičky | 2,4 | 2,4 | C75.0 | Zhubný nádor prištítnej žľazy | 4 | 4 |
| C65 | Zhubný nádor obličkovej panvičky | 2,4 | 2,4 | C75.1 | Zhubný nádor podmozgovej žľazy | 4 | 4 |
| C66 | Zhubný nádor močovodu | 2,4 | 2,4 | C75.2 | Zhubný nádor kraniofaryngového vývodu | 4 | 4 |
| C67.0 | Zhubný nádor trigonum močového mechúra | 4 | 4 | C75.3 | Zhubný nádor epifýzy | 4 | 4 |
| C67.1 | Zhubný nádor klenby močového mechúra | 4 | 4 | C75.4 | Zhubný nádor glomus caroticum | 4 | 4 |
| C67.2 | Zhubný nádor bočnej steny močového mechúra | 4 | 4 | C75.5 | Zhubný nádor glomus aorticum a iných paraganglií | 4 | 4 |
| C67.3 | Zhubný nádor prednej steny močového mechúra | 4 | 4 | C75.8 | Zhubný nádor s postih.viacerých žliaz,bliž.neurč. | 4 | 4 |
| C67.4 | Zhubný nádor zadnej steny močového mechúra | 4 | 4 | C75.9 | Zhubný nádor žliaz s vnútorným vylučovaním,bliž.neurč. | 4 | 4 |
| C67.5 | Zhubný nádor krčka močového mechúra | 4 | 4 | C76.0 | Zhubný nádor na i.a nepres.urč.miestach hlavy,tváre a krku | 4 | 4 |
| C67.6 | Zhubný nádor ústia močovodu | 4 | 4 | C76.1 | Zhubný nádor na iných a nepres.urč.miestach hrudníka | 4 | 4 |
| C67.7 | Zhubný nádor urachu | 4 | 4 | C76.2 | Zhubný nádor na iných a nepres.urč.miestach brucha | 4 | 4 |
| C67.8 | Zhubný nádor močového mechúra,presah.viac.obl. | 4 | 4 | C76.3 | Zhubný nádor na iných a nepres.urč.miestach panvy | 4 | 4 |
| C67.9 | Zhubný nádor močového mechúra,bližšie neurčený | 4 | 4 | C76.4 | Zhubný nádor na iných a nepres.urč.miestach HK | 4 | 4 |
| C68.0 | Zhubný nádor močovej rúry | 4 | 4 | C76.5 | Zhubný nádor na iných a nepres.urč.miestach DK | 4 | 4 |
| C68.1 | Zhubný nádor parauretrálnej žľazy | 4 | 4 | | | | |
| C68.8 | Zhubný nádor močových orgánov presah.viac.obl. | 4 | 4 | | | | |

| ICD | Text | OP. CCL | Med. CCL | ICD | Text | OP. CCL | Med. CCL |
|--------|---|---------|----------|--------|--|---------|----------|
| C76.7 | Zhubný nádor na iných a nepresne určených miestach | 4 | 4 | C81.9 | Hodgkinov lymfóm, bližšie neurčený | 1,2,3,4 | 1,2,4 |
| C76.8 | Zhubný nádor na iných a nepres. urč. miestach, presah. viac. obl. | 4 | 4 | C82.0 | Folikulový lymfóm, štádium I | 1,2,3,4 | 1,2,4 |
| C77.0 | Sekundár. a bliž. neu. zhub. nádor lymf. uzliny hlavy, tváre a krku | 1,2,3,4 | 1,2,3,4 | C82.1 | Folikulový lymfóm, štádium II | 1,2,3,4 | 1,2,4 |
| C77.1 | Sekundárny a bliž. neu. zhub. nádor vnútrohrud. lymf. uzliny | 1,2,4 | 1,2,4 | C82.2 | Folikulový lymfóm, štádium III, bližšie neurčený | 1,2,3,4 | 1,2,4 |
| C77.2 | Sekundárny a bliž. neu. zhub. nádor vnútrobruš. lymf. uzliny | 1,2,4 | 1,2,4 | C82.3 | Folikulový lymfóm, štádium IIIa | 1,2,3,4 | 1,2,4 |
| C77.3 | Sekundárny a bliž. neu. zhub. nádor lymf. uzliny pazuchy a HK | 1,2,4 | 1,2,4 | C82.4 | Folikulový lymfóm, štádium IIIb | 1,2,3,4 | 1,2,4 |
| C77.4 | Sekundárny a bliž. neu. zhub. nádor lymf. uzliny slabiny a DK | 1,2,4 | 1,2,4 | C82.5 | Difúzny lymfóm folikulového centra | 1,2,3,4 | 1,2,4 |
| C77.5 | Sekundárny a bliž. neu. zhub. nádor vnútropanv. lymf. uzliny | 1,2,4 | 1,2,4 | C82.6 | Kožný lymfóm folikulového centra | 1,2,3,4 | 1,2,4 |
| C77.8 | Sekundárny a bliž. neu. zhub. nádor lymf. uzliny viac. obl. | 1,2,4 | 1,2,4 | C82.7 | Iný typ folikulového lymfómu | 1,2,3,4 | 1,2,4 |
| C77.9 | Sekundárny a bliž. neu. zhub. nádor bliž. neurč. lymf. uzlín | 1,2,4 | 1,2,4 | C82.9 | Folikulový lymfóm, bližšie neurčený | 1,2,3,4 | 1,2,4 |
| C78.0 | Sekundárny zhubný nádor pľúc | 2,3,4 | 1,2,3,4 | C83.0 | Malobunkový lymfóm z B-buniek | 1,2,3,4 | 1,2,4 |
| C78.1 | Sekundárny zhubný nádor mediastína | 2,3,4 | 1,2,3,4 | C83.1 | Lymfóm z plášťových buniek | 1,2,3,4 | 1,2,4 |
| C78.2 | Sekundárny zhubný nádor pohrudnice | 1,2,3,4 | 1,2,3,4 | C83.3 | Difúzny veľkobunkový lymfóm z B-buniek | 1,2,3,4 | 1,2,4 |
| C78.3 | Sekundárny zhubný nádor iných a bliž. neurč. dýchacích orgánov | 1,2,3,4 | 1,2,4 | C83.5 | Lymfoblastový lymfóm | 1,2,3,4 | 1,2,4 |
| C78.4 | Sekundárny zhubný nádor tenkého čreva | 1,2,3,4 | 1,2,4 | C83.7 | Burkittov lymfóm | 1,2,3,4 | 1,2,4 |
| C78.5 | Sekundárny zhubný nádor hrubého čreva a konečníka | 1,2,3,4 | 1,2,4 | C83.8 | Iný nefolikulový lymfóm | 1,2,3,4 | 1,2,4 |
| C78.6 | Sekundárny zhubný nádor retroperitonea a pobrušnice | 1,2,3,4 | 1,2,4 | C83.9 | Nefolikulový lymfóm, bližšie neurčený | 1,2,3,4 | 1,2,4 |
| C78.7 | Sekundárny zhubný nádor pečene a vnútropečeň. žlč. vodovodov | 1,2,3,4 | 1,2,4 | C84.0 | Mycosis fungoides | 1,2,3,4 | 1,2,4 |
| C78.8 | Sekundárny zhubný nádor i. a bliž. neurč. tráviacich orgánov | 1,2,3,4 | 1,2,4 | C84.1 | Sézaryho choroba | 1,2,3,4 | 1,2,4 |
| C79.0 | Sekundárny zhubný nádor obličky a obličkovej panvičky | 1,2,3,4 | 1,2,3,4 | C84.4 | Periférny lymfóm z T-buniek, nezatriedený | 1,2,3,4 | 1,2,4 |
| C79.1 | Sekundárny zhubný nádor moč. mechúra a i. a b. neurč. moč. org. | 1,2,3,4 | 1,2,4 | C84.5 | Iný lymfóm zo zreých T/NK-buniek | 1,2,3,4 | 1,2,4 |
| C79.2 | Sekundárny zhubný nádor kože | 2,3,4 | 2,4 | C84.6 | Anaplastický veľkobunkový lymfóm, ALK- pozitívny | 1,2,3,4 | 1,2,4 |
| C79.3 | Sekundárny zhubný nádor mozgu a mozgových plien | 1,2,3,4 | 1,2,4 | C84.7 | Anaplastický veľkobunkový lymfóm, ALK- negatívny | 1,2,3,4 | 1,2,4 |
| C79.4 | Sekundárny zhubný nádor i. a bliž. neu. častí nervov. súst. | 1,2,3,4 | 1,2,4 | C84.8 | Kožný lymfóm z T-buniek, bližšie neurčený | 1,2,3,4 | 1,2,4 |
| C79.5 | Sekundárny zhubný nádor kosti a kostnej drene | 1,2,3,4 | 1,2,3,4 | C84.9 | Lymfóm zo zreých T/NK-buniek, bližšie neurčený | 1,2,3,4 | 1,2,4 |
| C79.6 | Sekundárny zhubný nádor vaječníka | 3,4 | 3,4 | C85.1 | Lymfóm z B-buniek, bližšie neurčený | 1,2,3,4 | 1,2,4 |
| C79.7 | Sekundárny zhubný nádor nadobličky | 1,2,3,4 | 1,2,3,4 | C85.2 | Mediastinálny (týmsový) veľkobunkový lymfóm z B-buniek | 1,2,3,4 | 1,2,4 |
| C79.81 | Sekundárny zhubný nádor prsníka | 2,3,4 | 2,4 | C85.7 | Iný bližšie určený typ non-Hodgkinovho lymfómu | 1,2,3,4 | 1,2,4 |
| C79.82 | Sekundárny zhubný nádor pohlavných orgánov | 3,4 | 3,4 | C85.9 | Non-Hodgkinov lymfóm, bližšie neurčený | 1,2,3,4 | 1,2,4 |
| C79.83 | Sekundárny zhubný nádor perikardu | 1,2,3,4 | 1,2,4 | C86.0 | Extranodálny lymfóm z NK/T- buniek, nosový typ | 1,2,3,4 | 1,2,4 |
| C79.84 | Iné sekundárne zhubné nádory srdca | 1,2,3,4 | 1,2,4 | C86.1 | Hepatosplenický lymfóm z T-buniek | 1,2,3,4 | 1,2,4 |
| C79.88 | Sekundárny zhubný nádor na iných bliž. urč. miestach | 1,2,3,4 | 1,2,4 | C86.2 | Enteropatický (intestinálny) lymfóm z T-buniek | 1,2,3,4 | 1,2,4 |
| C79.9 | Sekundárny zhubný nádor bez bliž. urč. miesta | 1,2,3,4 | 1,2 | C86.3 | Podkožný panikulitída podobný lymfóm z T-buniek | 1,2,3,4 | 1,2,4 |
| C80.0 | Zhubný nádor, bliž. neznámej primárnej lokalizácie, tak označený | 1,2,3,4 | 1,2 | C86.4 | Blastový lymfóm z NK-buniek | 1,2,3,4 | 1,2,4 |
| C80.9 | Zhubný nádor, bližšie neurčenej primárnej lokalizácie | 1,2,3,4 | 1,2 | C86.5 | Angioimunoblastový lymfóm z T-buniek | 1,2,3,4 | 1,2,4 |
| C81.0 | Nodulárny Hodgkinov lymfóm s prevahou lymfocytov | 1,2,3,4 | 1,2,4 | C86.6 | Primárna kožná CD30-pozitívna lymfoprolif. chor. z T-buniek | 1,2,3,4 | 1,2,4 |
| C81.1 | Klasický Hodgkinov lymfóm s nodulárnou sklerózou | 1,2,3,4 | 1,2,4 | C88.00 | Waldenströmova makroglobulinémia, bez komplet. remisie | 1,2,3,4 | 1,2,4 |
| C81.2 | Klasický Hodgkinov lymfóm so zmiešanou celularitou | 1,2,3,4 | 1,2,4 | C88.01 | Waldenströmova makroglobulinémia, v komplet. remisie | 1,2,3,4 | 1,2,4 |
| C81.3 | Klasický Hodgkinov lymfóm chudobný na lymfocyty | 1,2,3,4 | 1,2,4 | C88.20 | Iná choroba ťažkých reťazcov, bez komplet. rem. | 4 | 4 |
| C81.4 | Klasický Hodgkinov lymfóm bohatý na lymfocyty | 1,2,3,4 | 1,2,4 | C88.21 | Iná choroba ťažkých reťazcov, v kompletnej remisii | 4 | 4 |
| C81.7 | Iný klasický Hodgkinov lymfóm | 1,2,3,4 | 1,2,4 | C88.30 | Imunoproliferatívna choroba tenkého čreva, bez komplet. rem. | 1,2,3,4 | 1,2,4 |
| | | | | C88.31 | Imunoproliferatívna choroba tenkého čreva, v komplet. remisii | 1,2,3,4 | 1,2,4 |
| | | | | C88.40 | Extranod. lymf. z B-bun. marginál. zóny lymf. tka. sliz. bez kompl. r. | 1,2,3,4 | 1,2,4 |
| | | | | C88.41 | Extranod. lymf. z B-bun. marginál. zóny lymf. tka. sliz., v kompl. r. | 1,2,3,4 | 1,2,4 |
| | | | | C88.70 | Iná zhubná imunoproliferatívna choroba, bez komplet. rem. | 1,2,3,4 | 1,2,4 |
| | | | | C88.71 | Iná zhubná imunoproliferatívna choroba, v komplet. rem. | 1,2,3,4 | 1,2,4 |
| | | | | C88.90 | Zhubná imunoproliferatívna choroba, bliž. neurč., bez kompl. rem. | 1,2,3,4 | 1,2,4 |
| | | | | C88.91 | Zhubná imunoproliferatívna choroba, bliž. neurč., v kompl. rem. | 1,2,3,4 | 1,2,4 |

CCL

| ICD | Text | OP. CCL | Med. CCL | ICD | Text | OP. CCL | Med. CCL |
|--------|--|---------|----------|--------|---|---------|----------|
| C90.00 | Mnohopočetný myelóm,bez kompletnej remisie | 1,2,3,4 | 1,2,4 | C92.60 | Akútna myeloická leukémia s 11q23 abnormal.,bez komplet.rem. | 1,2,3,4 | 1,2,3,4 |
| C90.01 | Mnohopočetný myelóm,v kompletnej remisii | 1,2,3,4 | 1,2,4 | C92.61 | Akútna myeloická leukémia s 11q23 abnormal.,v komplet.rem. | 1,2,3,4 | 1,2,3,4 |
| C90.10 | Plazmocytová leukémia,bez kompletnej remisie | 1,2,3,4 | 1,2,4 | C92.70 | Iná myeloická leukémia,bez kompletnej remisie | 1,2,3,4 | 1,2,4 |
| C90.11 | Plazmocytová leukémia,v kompletnej remisii | 1,2,3,4 | 1,2,4 | C92.71 | Iná myeloická leukémia,v kompletnej remisii | 1,2,3,4 | 1,2,4 |
| C90.20 | Extramedulárny plazmocytóm,bez kompletnej remisie | 1,2,3,4 | 1,2,4 | C92.80 | Akútna myeloická leukém.s multilinéár.dyspl.,bez komplet.rem. | 1,2,3,4 | 1,2,3,4 |
| C90.21 | Extramedulárny plazmocytóm,v kompletnej remisii | 1,2,3,4 | 1,2,4 | C92.81 | Akútna myeloická leukém.s multilinéár.dyspl.,v komplet.rem. | 1,2,3,4 | 1,2,3,4 |
| C90.30 | Solitárny plazmocytóm,bez kompletnej remisie | 1,2,3,4 | 1,2,4 | C92.90 | Myeloická leukémia bliž.neurč.,bez kompl.remisie | 1,2,3,4 | 1,2,4 |
| C90.31 | Solitárny plazmocytóm,v kompletnej remisii | 1,2,3,4 | 1,2,4 | C92.91 | Myeloická leukémia bliž.neurč.,v kompl.remisii | 1,2,3,4 | 1,2,4 |
| C91.00 | Akútna lymfoblastová leukémia,bez komplet.remisie | 1,2,3,4 | 1,2,3,4 | C93.00 | Akút.monoblastová/monocytová leukémia,bez komplet.remisie | 1,2,3,4 | 1,2,3,4 |
| C91.01 | Akútna lymfoblastová leukémia,v komplet.remisii | 1,2,3,4 | 1,2,3,4 | C93.01 | Akút.monoblastová/monocytová leukémia,v komplet.rem. | 1,2,3,4 | 1,2,3,4 |
| C91.10 | Chronická lymfatická leukémia,bez komplet remisie | 1,2,3,4 | 1,2,4 | C93.10 | Chronická myelomonocytová leukémia bez.komplet.remisie | 1,2,3,4 | 1,2,4 |
| C91.11 | Chronická lymfatická leukémia,v kompletnej remisii | 1,2,3,4 | 1,2,4 | C93.11 | Chronická myelomonocytová leukémia,v komplet.rem. | 1,2,3,4 | 1,2,4 |
| C91.30 | Prolymfocytová leukémia z B-buniek,bez komplet.remisie | 1,2,3,4 | 1,2,4 | C93.30 | Juvenilná myelomonocytová leukémia,bez komplet.rem. | 1,2,3,4 | 1,2,4 |
| C91.31 | Prolymfocytová leukémia z B-buniek,v komplet.remisii | 1,2,3,4 | 1,2,4 | C93.31 | Juvenilná myelomonocytová leukémia,v komplet.rem. | 1,2,3,4 | 1,2,4 |
| C91.40 | Vlasatobunková leukémia,bez kompletnej remisie | 1,2,3,4 | 1,2,4 | C93.70 | Iná monocytová leukémia,bez kompletnej remisie | 1,2,3,4 | 1,2,4 |
| C91.41 | Vlasatobunková leukémia,v kompletnej remisii | 1,2,3,4 | 1,2,4 | C93.71 | Iná monocytová leukémia,v kompletnej remisii | 1,2,3,4 | 1,2,4 |
| C91.50 | Leukém./lymf.z dos.T-buniek spoj.s infek.HTLV-1,b.kompl.rem. | 1,2,3,4 | 1,2,4 | C93.90 | Monocytová leukémia,bliž.neurč.,bez kompl.rem. | 1,2,3,4 | 1,2,4 |
| C91.51 | Leukém./lymf.z dos.T-buniek spoj.s infek.HTLV-1,v kompl.rem. | 1,2,3,4 | 1,2,4 | C93.91 | Monocytová leukémia,bliž.neurč.,v kompl.rem. | 1,2,3,4 | 1,2,4 |
| C91.60 | Prolymfocytová leukémia z T-buniek,bez kompl.rem. | 1,2,3,4 | 1,2,4 | C94.00 | Akútna erytroleukémia,bez kompletnej remisie | 1,2,3,4 | 1,2,3,4 |
| C91.61 | Prolymfocytová leukémia z T-buniek,v komplet.rem. | 1,2,3,4 | 1,2,4 | C94.01 | Akútna erytroleukémia,v kompletnej remisii | 1,2,3,4 | 1,2,3,4 |
| C91.70 | Iná lymfatická leukémia,bez kompletnej remisie | 1,2,3,4 | 1,2,4 | C94.20 | Akútna megakaryoblastová leukémia,bez komplet.rem. | 1,2,3,4 | 1,2,4 |
| C91.71 | Iná lymfatická leukémia,v kompletnej remisii | 1,2,3,4 | 1,2,4 | C94.21 | Akútna megakaryoblastová leukémia,v komplet.rem. | 1,2,3,4 | 1,2,4 |
| C91.80 | Leukémia zo zreých B-buniek Burkittovho typu,bez kompl.rem. | 1,2,3,4 | 1,2,3,4 | C94.30 | Mastocytová leukémia,bez kompletnej remisie | 1,2,3,4 | 1,2,4 |
| C91.81 | Leukémia zo zreých B-buniek Burkittovho typu,v kompl.rem. | 1,2,3,4 | 1,2,3,4 | C94.31 | Mastocytová leukémia,v kompletnej remisii | 1,2,3,4 | 1,2,4 |
| C91.90 | Lymfatická leukémia,bliž.neurč.,bez kompl.rem. | 1,2,3,4 | 1,2,4 | C94.40 | Akút.panmyelóza s myelofibrózou,bez komplet.rem. | 1,2,3,4 | 1,2,4 |
| C91.91 | Lymfatická leukémia,bliž.neurč.,v kompl.rem. | 1,2,3,4 | 1,2,4 | C94.41 | Akút.panmyelóza s myelofibrózou,v komplet.rem. | 1,2,3,4 | 1,2,4 |
| C92.00 | Akútna myeloblastová leukémia (AML),bez kompl.rem. | 1,2,3,4 | 1,2,3,4 | C94.60 | Myelodyspl.a myeloprolif.choroba.,bez komplet.rem.,i.n. | 4 | 4 |
| C92.01 | Akútna myeloblastová leukémia (AML),v kompl.rem. | 1,2,3,4 | 1,2,3,4 | C94.61 | Myelodyspl.a myeloprolif.choroba.,v komplet.rem.,inde.nezat. | 4 | 4 |
| C92.10 | Chronická myeloická leukémia BCR/ABL-pozit.,b.komplet.rem. | 1,2,3,4 | 1,2,4 | C94.70 | Iná bližšie určená leukémia,bez kompletnej remisie | 1,2,3,4 | 1,2,4 |
| C92.11 | Chronická myeloická leukémia BCR/ABL-pozit.,v komplet.rem. | 1,2,3,4 | 1,2,4 | C94.71 | Iná bližšie určená leukémia,v kompletnej remisii | 1,2,3,4 | 1,2,4 |
| C92.20 | Atypická chron.myeloická leuk.,BCR/ABL-neg.,b.komplet.rem. | 1,2,3,4 | 1,2,4 | C95.00 | Akútna leukémia bliž.neurč.bunkového typu,bez komplet.rem. | 1,2,3,4 | 1,2,3,4 |
| C92.21 | Atypická chron.myeloická leuk. BCR/ABL-neg.,v komplet.rem. | 1,2,3,4 | 1,2,4 | C95.01 | Akútna leukémia bliž.neurč.bunkového typu,v komplet.rem. | 1,2,3,4 | 1,2,3,4 |
| C92.30 | Myelosarkóm,bez kompletnej remisie | 1,2,3,4 | 1,2,4 | C95.10 | Chronická leukémia bliž.neurč.bunkového typu,bez komplet.rem. | 1,2,3 | 1,2 |
| C92.31 | Myelosarkóm,v kompletnej remisii | 1,2,3,4 | 1,2,4 | C95.11 | Chronická leukémia bliž.neurč.bunkového typu,v komplet.rem. | 1,2,3 | 1,2 |
| C92.40 | Akútna promyelocytová leukémia,bez komplet.rem. | 1,2,3,4 | 1,2,3,4 | C95.70 | Iná leukémia bliž.neurč.bunkového typu,bez komplet.rem. | 1,2,3,4 | 1,2,4 |
| C92.41 | Akútna promyelocytová leukémia,v komplet.rem. | 1,2,3,4 | 1,2,3,4 | C95.71 | Iná leukémia bliž.neurč.bunkového typu,v komplet.rem. | 1,2,3,4 | 1,2,4 |
| C92.50 | Akútna myelomonocytová leukémia,b.komplet.rem. | 1,2,3,4 | 1,2,3,4 | C95.90 | Leukémia,bližšie neurčená,bez kompletnej remisie | 1,2,3,4 | 1,2,4 |
| C92.51 | Akútna myelomonocytová leukémia,v komplet.rem. | 1,2,3,4 | 1,2,3,4 | | | | |

| ICD | Text | OP. CCL | Med. CCL | ICD | Text | OP. CCL | Med. CCL |
|--------|--|------------|-------------|--------|--|------------|-------------|
| C95.91 | Leukémia, bližšie neurčená, v kompletnej remisii | 1,2,3,4 | 1,2,4 | D16.2 | Nezhubný nádor dlhých kostí DK | 4 | 4 |
| C96.0 | Multifokálna a multisyst. histiocytóza z Langerhansových bun. | 1,2,3,4 | 1,2,4 | D16.3 | Nezhubný nádor krátkych kostí DK | 4 | 4 |
| C96.2 | Zhubný mastocytový nádor | 1,2,3,4 | 1,2,4 | D16.41 | Nezhubný nádor kosti a klb. chrupky, kraniofaciálna obl. | 4 | 4 |
| C96.4 | Sarkóm z dendritických buniek (akcesórnych buniek) | 1,2,3,4 | 1,2,4 | D16.42 | Nezhubný nádor kosti a klb. chrupky, maxilofaciálna obl. | 4 | 4 |
| C96.7 | Iný bliž. ur. zhub. nád. lymf., hematopoetic. a príbuz. tkan. | 1,2,3,4 | 1,2,4 | D16.5 | Nezhubný nádor kostí dolnej čeľuste | 4 | 4 |
| C96.8 | Histiocytový sarkóm | 1,2,3,4 | 1,2,4 | D16.6 | Nezhubný nádor chrbtice | 4 | 4 |
| C96.9 | Zhubný nádor lymf., hematopoetického a príbuz. tkan., bliž. n. | 1,2,3,4 | 1,2,4 | D16.70 | Nezhubný nádor kosti a kĺbovej chrupky rebier | 4 | 4 |
| C97 | Zhubné nádory s primárnym výskytom na roz. m. | 1,2,3,4 | 1,2,4 | D16.71 | Nezhubný nádor kosti a kĺbovej chrupky hrudnej kosti | 4 | 4 |
| D10.0 | Nezhubný nádor pery | 4 | 4 | D16.72 | Nezhubný nádor kosti a kĺbovej chrupky kľúčnej kosti | 4 | 4 |
| D10.1 | Nezhubný nádor jazyka | 4 | 4 | D16.8 | Nezhubný nádor panv. kostí, križ. kosti a kostrče | 4 | 4 |
| D10.2 | Nezhubný nádor spodiny úst | 4 | 4 | D16.9 | Nezhubný nádor kosti a kĺbovej chrupky, bliž. neurč. | 4 | 4 |
| D10.3 | Nezhubný nádor inej a bližšie neurčenej časti úst | 4 | 4 | D18.00 | Hemangióm bez bližšieho určenia miesta | 4 | 4 |
| D10.5 | Nezhubný nádor inej časti orofaryngu | 4 | 4 | D18.10 | Lymfangióm - hygroma colli cysticum | 4 | 4 |
| D10.6 | Nezhubný nádor nazofaryngu | 4 | 4 | D18.11 | Lymfangióm axily | 4 | 4 |
| D10.7 | Nezhubný nádor hypofaryngu | 4 | 4 | D18.12 | Lymfangióm ingvíny | 4 | 4 |
| D10.9 | Nezhubný nádor faryngu, bližšie neurčený | 4 | 4 | D18.13 | Lymfangióm retroperitonea | 4 | 4 |
| D11.0 | Nezhubný nádor príušnej žľazy | 4 | 4 | D18.18 | Lymfangióm na inom mieste | 4 | 4 |
| D11.7 | Nezhubný nádor inej veľkej slinnej žľazy | 4 | 4 | D18.19 | Lymfangióm bez bližšieho určenia miesta | 4 | 4 |
| D11.9 | Nezhubný nádor bliž. neurč. veľkej slinnej žľazy | 4 | 4 | D19.0 | Nezhubný nádor mezotelového tkaniva pohrudnice | 4 | 4 |
| D12.0 | Nezhubný nádor slepého čreva | 4 | 4 | D19.1 | Nezhubný nádor mezotelového tkaniva pobrušnice | 4 | 4 |
| D12.1 | Nezhubný nádor červovitého privesku slepého čreva | 4 | 4 | D19.7 | Nezhubný nádor mezotelového tkaniva na inom mieste | 4 | 4 |
| D12.2 | Nezhubný nádor vzostupnej časti hrubého čreva | 4 | 4 | D19.9 | Nezhubný nádor mezotelového tkaniva, bliž. neurč. | 4 | 4 |
| D12.3 | Nezhubný nádor priečnej časti hrubého čreva | 4 | 4 | D20.0 | Nezhubný nádor retroperitonea | 4 | 4 |
| D12.4 | Nezhubný nádor zostupnej časti hrubého čreva | 4 | 4 | D20.1 | Nezhubný nádor pobrušnice | 4 | 4 |
| D12.5 | Nezhubný nádor esovitej časti hrubého čreva | 4 | 4 | D21.0 | Nezhubný nádor spojiv. a iného mäkk. tkan. hlavy, tváre a krku | 4 | 4 |
| D12.6 | Nezhubný nádor hrubého čreva, bližšie neurčený | 4 | 4 | D21.1 | Nezhubný nádor spojiv. a iného mäkk. tkan. HK vrátane pleca | 4 | 4 |
| D12.7 | Nezhubný nádor rektosigmoidového spojenia | 4 | 4 | D21.2 | Nezhubný nádor spojiv. a iného mäkk. tkan. DK vrátane bedra | 4 | 4 |
| D12.8 | Nezhubný nádor konečníka | 4 | 4 | D21.3 | Nezhubný nádor spojiv. a iného mäkk. tkaniva hrudníka | 4 | 4 |
| D12.9 | Nezhubný nádor anusu a análneho kanála | 4 | 4 | D21.4 | Nezhubný nádor spojiv. a iného mäkk. tkaniva brucha | 4 | 4 |
| D13.0 | Nezhubný nádor pažeráka | 4 | 4 | D21.5 | Nezhubný nádor spojiv. a iného mäkk. tkaniva panvy | 4 | 4 |
| D13.1 | Nezhubný nádor žalúdka | 4 | 4 | D21.6 | Nezhubný nádor spojiv. a iného mäkk. tkaniva trupu, bliž. neurč. | 4 | 4 |
| D13.2 | Nezhubný nádor dvanástnika | 4 | 4 | D21.9 | Nezhubný nádor spojiv. a iného mäkk. tkaniva, bliž. neurč. | 4 | 4 |
| D13.3 | Nezhubný nádor iných a bliž. neurč. častí tenkého čreva | 4 | 4 | D24 | Nezhubný nádor prsníka | 4 | 4 |
| D13.4 | Nezhubný nádor pečene | 4 | 4 | D25.0 | Submukózný leiomyóm maternice | 4 | 4 |
| D13.5 | Nezhubný nádor extrahepatálnych žľazových ciest | 4 | 4 | D25.1 | Intramurálny leiomyóm maternice | 4 | 4 |
| D13.6 | Nezhubný nádor podžalúdkovej žľazy | 4 | 4 | D25.2 | Subserózný leiomyóm maternice | 4 | 4 |
| D13.7 | Nezhubný nádor endokrinného pankreasu | 4 | 4 | D25.9 | Leiomyóm maternice, bližšie neurčený | 4 | 4 |
| D13.9 | Nezhubný nádor na neurčenom mieste tráviacej súst. | 4 | 4 | D26.0 | Iný nezhubný nádor krčka maternice | 4 | 4 |
| D14.0 | Nezhubný nádor stred. ucha, nos. dutiny a prinos. dutín | 4 | 4 | D26.1 | Iný nezhubný nádor tela maternice | 4 | 4 |
| D14.1 | Nezhubný nádor hrtana | 4 | 4 | D26.9 | Iný nezhubný nádor maternice, bližšie neurčený | 4 | 4 |
| D14.2 | Nezhubný nádor priedušnice | 4 | 4 | D27 | Nezhubný nádor vaječníka | 4 | 4 |
| D14.3 | Nezhubný nádor priedušky a pľúc | 4 | 4 | D28.0 | Nezhubný nádor vulvy | 4 | 4 |
| D14.4 | Nezhubný nádor dýchacej sústavy, bližšie neurčený | 4 | 4 | D28.1 | Nezhubný nádor pošvy | 4 | 4 |
| D15.0 | Nezhubný nádor týmusu | 4 | 4 | D28.2 | Nezhubný nádor vajíčkovodov a väzov maternice | 4 | 4 |
| D15.1 | Nezhubný nádor srdca | 4 | 4 | D28.7 | Nezhubný nádor iných bliž. urč. ženských pohlav. org. | 4 | 4 |
| D15.2 | Nezhubný nádor mediastína | 4 | 4 | D28.9 | Nezhubný nádor bliž. neurč. ženských pohlav. org. | 4 | 4 |
| D15.7 | Nezhubný nádor iných určených vnútrohrod. org. | 4 | 4 | | | | |
| D15.9 | Nezhubný nádor vnútrohrod. orgánov, bliž. neurč. | 4 | 4 | | | | |
| D16.0 | Nezhub. nádor lopatky a dlhých kostí HK | 4 | 4 | | | | |
| D16.1 | Nezhubný nádor krátkych kostí HK | 4 | 4 | | | | |

CCL

| ICD | Text | OP. CCL | Med. CCL | ICD | Text | OP. CCL | Med. CCL |
|-------|--|---------|----------|--------|--|---------|----------|
| D29.0 | Nezhubný nádor penisu | 4 | 4 | D37.4 | Nádor s neurčitým/neznám.správaním:hrubé črevo | 4 | 4 |
| D29.1 | Nezhubný nádor prostaty | 4 | 4 | D37.5 | Nádor s neurčitým/neznám.správaním:konečník | 4 | 4 |
| D29.2 | Nezhubný nádor semenníka | 4 | 4 | D37.6 | Nádor s neurčitým/neznám.správaním:pečeň,žlčník,žlčové cesty | 4 | 4 |
| D29.3 | Nezhubný nádor nadsemenníka | 4 | 4 | D37.70 | Nádor s neurčitým/neznám.správaním:pankreas | 4 | 4 |
| D29.4 | Nezhubný nádor mieška (skróta) | 4 | 4 | D37.78 | Nádor s neurčitým/neznám.správaním:iný tráv.org. | 4 | 4 |
| D29.7 | Nezhubný nádor iných mužských pohlavných orgánov | 4 | 4 | D37.9 | Nádor s neurčitým/neznám.správaním:,bliž.neurč.tráv.org. | 4 | 4 |
| D29.9 | Nezhubný nádor bliž.neurč.mužských pohlav.org. | 4 | 4 | D38.0 | Nádor s neurčitým/neznám.správaním:hrtan | 4 | 4 |
| D30.0 | Nezhubný nádor obličky | 4 | 4 | D38.1 | Nádor s neurčitým/neznám.správaním:priedušn.,prieduška,plúca | 4 | 4 |
| D30.1 | Nezhubný nádor obličkovej panvičky | 4 | 4 | D38.2 | Nádor s neurčitým/neznám.správaním:pohrudnica | 4 | 4 |
| D30.2 | Nezhubný nádor močovodu | 4 | 4 | D38.3 | Nádor s neurčitým/neznám.správaním:mediastínium | 4 | 4 |
| D30.3 | Nezhubný nádor močového mechúra | 4 | 4 | D38.4 | Nádor s neurčitým/neznám.správaním:týmus | 4 | 4 |
| D30.4 | Nezhubný nádor močovej rúry | 4 | 4 | D38.5 | Nádor s neurčitým/neznám.správaním:iný dých.org. | 4 | 4 |
| D30.7 | Nezhubný nádor iných močových orgánov | 4 | 4 | D38.6 | Nádor s neurčitým/neznám.správaním:bliž.neurč.dých.org. | 4 | 4 |
| D30.9 | Nezhubný nádor močového orgánu,bližšie neurčeného | 4 | 4 | D39.0 | Nádor s neurčitým/neznám.správaním:maternica | 4 | 4 |
| D31.0 | Nezhubný nádor spojovky | 4 | 4 | D39.1 | Nádor s neurčitým/neznám.správaním:vaječník | 4 | 4 |
| D31.1 | Nezhubný nádor rohovky | 4 | 4 | D39.2 | Nádor s neurčitým/neznám.správaním:placenta | 4 | 4 |
| D31.2 | Nezhubný nádor sietnice | 4 | 4 | D39.7 | Nádor s neurčitým/neznám.správaním:i.žen.pohl.org. | 4 | 4 |
| D31.3 | Nezhubný nádor cievovky | 4 | 4 | D39.9 | Nádor s neurčitým/neznám.správaním:bliž.neurč.žen.pohl.org. | 4 | 4 |
| D31.4 | Nezhubný nádor vráskovca | 4 | 4 | D40.0 | Nádor s neurčitým/neznám.správaním:predstojnica (prostata) | 4 | 4 |
| D31.5 | Nezhubný nádor slznej žľazy a nosovoslného kanála | 4 | 4 | D40.1 | Nádor s neurčitým/neznám.správaním:semenník | 4 | 4 |
| D31.6 | Nezhubný nádor očnice,bližšie neurčený | 4 | 4 | D40.7 | Nádor s neurčitým/neznám.správaním:i.muž.pohl.org. | 4 | 4 |
| D31.9 | Nezhubný nádor oka,bližšie neurčený | 4 | 4 | D40.9 | Nádor s neurčitým/neznám.správaním:bliž.neurč.muž.pohl.org. | 4 | 4 |
| D32.0 | Nezhubný nádor mozgovomiechových obalov: mozog | 4 | 4 | D41.0 | Nádor s neurčitým/neznám.správaním:oblička | 4 | 4 |
| D32.1 | Nezhubný nádor mozgovomiechových obalov: miecha | 4 | 4 | D41.1 | Nádor s neurčitým/neznám.správaním:obličková panvička | 4 | 4 |
| D32.9 | Nezhubný nádor mozgovomiechových plien,bliž.neurč. | 4 | 4 | D41.2 | Nádor s neurčitým/neznám.správaním:močovod | 4 | 4 |
| D33.0 | Nezhubný nádor mozgu: supratentoriálne | 4 | 4 | D41.3 | Nádor s neurčitým/neznám.správaním:močová rúra | 4 | 4 |
| D33.1 | Nezhubný nádor mozgu: infratentoriálne | 4 | 4 | D41.4 | Nádor s neurčitým/neznám.správaním:močový mechúr | 4 | 4 |
| D33.2 | Nezhubný nádor mozgu,bližšie neurčený | 4 | 4 | D41.7 | Nádor s neurčitým/neznám.správaním:i.moč.org. | 4 | 4 |
| D33.3 | Nezhubný nádor hlavových nervov | 4 | 4 | D41.9 | Nádor s neurčitým/neznám.správaním:bliž.neurč.moč.org. | 4 | 4 |
| D33.4 | Nezhubný nádor miechy | 4 | 4 | D42.0 | Nádor s neurč./neznám.správaním:mozgovomiech.obaly:mozog | 4 | 4 |
| D33.7 | Nezhubný nádor iných,bliž.urč.častí CNS | 4 | 4 | | | | |
| D33.9 | Nezhubný nádor CNS,bližšie neurčený | 4 | 4 | | | | |
| D34 | Nezhubný nádor štítnej žľazy | 4 | 4 | | | | |
| D35.0 | Nezhubný nádor nadobličky | 4 | 4 | | | | |
| D35.1 | Nezhubný nádor prítitnej žľazy | 4 | 4 | | | | |
| D35.2 | Nezhubný nádor podmozgovej žľazy | 4 | 4 | | | | |
| D35.3 | Nezhubný nádor kraniofaryngového vývodu | 4 | 4 | | | | |
| D35.4 | Nezhubný nádor epifýzy | 4 | 4 | | | | |
| D35.5 | Nezhubný nádor glomus caroticum | 4 | 4 | | | | |
| D35.6 | Nezhubný nádor glomus aorticum a iných paraganglií | 4 | 4 | | | | |
| D35.7 | Nezhubný nádor iných,bliž.urč.žliaz s vnút.vylučovaním | 4 | 4 | | | | |
| D35.8 | Nezhubný nádor viacerých žliaz s vnútorným vylučovaním | 4 | 4 | | | | |
| D35.9 | Nezhubný nádor žľazy s vnút.vylučovaním,bliž.neurč. | 4 | 4 | | | | |
| D36.0 | Nezhubný nádor lymfatických uzlín | 4 | 4 | | | | |
| D36.1 | Nezhubný nádor periférnych nervov a autonóm.nerv.sústavy | 4 | 4 | | | | |
| D36.7 | Nezhubný nádor na iných,bližšie určených miestach | 4 | 4 | | | | |
| D36.9 | Nezhubný nádor bez bližšieho určenia miesta | 4 | 4 | | | | |
| D37.0 | Nádor pery,ústnej dutiny a hltana s neurč./nezn.správ. | 4 | 4 | | | | |
| D37.1 | Nádor s neurčitým alebo neznámym správaním: žalúdok | 4 | 4 | | | | |
| D37.2 | Nádor s neurčitým/neznám.správaním:tenké črevo | 4 | 4 | | | | |
| D37.3 | Nádor s neurčitým/neznám.správaním:červovitý privesok | 4 | 4 | | | | |

| ICD | Text | OP. CCL | Med. CCL | ICD | Text | OP. CCL | Med. CCL |
|-------|---|---------|----------|-------|---|---------|----------|
| D42.1 | Nádor s neurč./neznám.správaním:mozgovomiech.obaly:miecha | 4 | 4 | D47.7 | Iný bliž.urč.nádor lymf.,krvotv.a príb.tk.s neu./nez.správ. | 4 | 4 |
| D42.9 | Nádor s neurčitým/neznám.správaním:mozgovomiech.obaly b.n. | 4 | 4 | D47.9 | Nádor lymf.,krvotv.a príbuz.tk.s neu./nezn.správ.,b.n. | 4 | 4 |
| D43.0 | Nád.Nádor s neurč./neznám.správaním:mozg-supratentriálne | 4 | 4 | D48.0 | Nádor s neurčitým/neznám.správ.kosť a kĺbová chrupka | 4 | 4 |
| D43.1 | Nádor s neurčitým/neznám.správaním:mozog - infratentoriálne | 4 | 4 | D48.1 | Nádor s neurčitým/neznám.správ.spojivové a i.mäkké tkanivo | 4 | 4 |
| D43.2 | Nádor s neurčitým/neznám.správaním:mozog,bliž.neurč. | 4 | 4 | D48.2 | Nádor s neurčitým/neznám.správ.perif.nervy a auton.nerv.súst. | 4 | 4 |
| D43.3 | Nádor s neurčitým/neznám.správaním:hlavové nervy | 4 | 4 | D48.3 | Nádor s neurčitým/neznám.správ.retropitoneum | 4 | 4 |
| D43.4 | Nádor s neurčitým/neznám.správaním:miecha | 4 | 4 | D48.4 | Nádor s neurčitým/neznám.správ.pobrušnica | 4 | 4 |
| D43.7 | Nádor s neurčitým/neznám.správaním:i.časť CNS | 4 | 4 | D48.5 | Nádor s neurčitým/neznám.správ.koža | 4 | 4 |
| D43.9 | Nádor s neurčitým/neznám.správaním:CNS,časť bliž.neurč. | 4 | 4 | D48.6 | Nádor s neurčitým/neznám.správ.prsník | 4 | 4 |
| D44.0 | Nádor s neurčitým/neznám.správaním:štítna žľaza | 4 | 4 | D48.7 | Nádor s neurčitým/neznám.správ.iné bliž.urč.miesto | 4 | 4 |
| D44.1 | Nádor s neurčitým/neznám.správaním:nadoblička | 4 | 4 | D48.9 | Nádor s neurčitým/neznám.správ.,bliž.neurč. | 4 | 4 |
| D44.2 | Nádor s neurčitým/neznám.správaním:príštítna žľaza | 4 | 4 | D50.0 | Anémia z nedostatku železa pri chronických stratách krvi(D50.0) | 1,2,3 | 1,2 |
| D44.3 | Nádor s neurčitým/neznám.správaním:podmozg.žľaza | 4 | 4 | D50.1 | Sideropenická dysfágia | 2,3 | 1,2,3 |
| D44.4 | Nádor s neurčitým/neznám.správaním:raniofaryngový vývod | 4 | 4 | D50.8 | Iná anémia z nedostatku železa | 1,2,3 | 1,2 |
| D44.5 | Nádor s neurčitým/neznámym správáním:epifýza | 4 | 4 | D50.9 | Bližšie neurčená anémia z nedostatku železa | 1,2,3 | 1,2 |
| D44.6 | Nádor s neurčitým/neznám.správaním:glomus caroticum | 4 | 4 | D52.0 | Anémia z nedostatku kyseliny listovej v potrave | 2,3 | 1,2,3 |
| D44.7 | Nádor s neurč./neznám.správ.:glomus aorticum a i.paragangliá | 4 | 4 | D52.1 | Anémia z nedostatku kyseliny listovej zapríč.liekmí | 2,3 | 1,2,3 |
| D44.8 | Nádor s neurčitým/neznám.správaním:viac.endokrinné žľazy | 2 | 1,2 | D52.8 | Iná anémia z nedostatku kyseliny listovej | 2,3 | 1,2,3 |
| D44.9 | Nádor s neurčitým/neznám.správaním:bliž.n.žľaza s vnút.vyluč. | 4 | 4 | D52.9 | Anémia z nedostatku kyseliny listovej,bliž.neurč. | 2,3 | 1,2,3 |
| D45 | Polycythaemia vera | 4 | 4 | D53.0 | Anémia z nedostatku bielkovín | 2,3 | 1,2,3 |
| D46.0 | Refraktérna anémia bez prstencových sideroblastov,potvrđ. | 4 | 4 | D53.1 | Iná megaloblastová anémia,nezatriedená inde | 2,3 | 1,2,3 |
| D46.1 | Refraktérna anémia s prstencovými sideroblastmi | 4 | 4 | D53.2 | Skorbutová anémia | 2,3 | 1,2,3 |
| D46.2 | Refraktérna anémia s veľkým množstvom blastov | 1,2,3,4 | 1,2,4 | D53.8 | Iná bližšie určená nutričná anémia | 2,3 | 1,2,3 |
| D46.4 | Refraktérna anémia,bližšie neurčená | 4 | 4 | D53.9 | Bližšie neurčená nutričná anémia | 2,3 | 1,2,3 |
| D46.5 | Refraktérna anémia s dyspláziou viacerých línií | 4 | 4 | D55.0 | Anémia zapríč.nedost.aktiv.glukóza-6-fosfát-dehydrogenázy | 4 | 4 |
| D46.6 | Myelodysplastický synd.s izolovanou chromozóm.anom.del (5q) | 4 | 4 | D55.1 | Anémia zapríč.inou poruchou metabolizmu glutatiónu | 4 | 4 |
| D46.7 | Iný myelodysplastický syndróm | 4 | 4 | D56.0 | Alfa-talasémia | 2,3 | 1,2,3 |
| D46.9 | Myelodysplastický syndróm,bližšie neurčený | 4 | 4 | D56.1 | Beta-talasémia | 2,3 | 1,2,3 |
| D47.0 | Histiocytový a mastocytový nádor s neurč./neznám.správ. | 4 | 4 | D56.2 | Delta-beta-talasémia | 2,3 | 1,2,3 |
| D47.1 | Chronická myeloproliferatívna choroba | 4 | 4 | D56.3 | Talasemická črta | 2,3 | 1,2,3 |
| D47.2 | Monoklonová gamapatia nejasného významu (MGUS) | 4 | 4 | D56.4 | Dedičné pretrvávanie fetálneho hemoglobínu | 2,3 | 1,2,3 |
| D47.3 | Esenciálna(hemoragická)trombocytémia | 4 | 4 | D56.8 | Iná talasémia | 2,3 | 1,2,3 |
| D47.4 | Osteomyelofibróza | 4 | 4 | D56.9 | Talasémia,bližšie neurčená | 2,3 | 1,2,3 |
| D47.5 | Chron.eozinofilová leukémia (hypereozinofilový synd.) | 4 | 4 | D57.0 | Kosáčikovitá anémia s krízou | 2,3,4 | 1,2,3,4 |
| | | | | D57.1 | Kosáčikovitá anémia bez krízy | 2,3 | 1,2,3 |
| | | | | D57.2 | Zdvojená heterozygotná kosáčikovitá choroba | 2,3 | 1,2,3 |
| | | | | D57.8 | Iná kosáčikovitá porucha | 2,3 | 1,2,3 |
| | | | | D58.9 | Dedičná hemolytická anémia,bližšie neurčená | 2,3 | 1,2,3 |
| | | | | D59.0 | Autoimunitná hemolytická anémia zapríčinená liekmí | 2,3 | 1,2,3 |
| | | | | D59.1 | Iná autoimunitná hemolytická anémia | 2,3 | 1,2,3 |
| | | | | D59.2 | Neautoimunitná hemolytická anémia zapr.liek. | 2,3 | 1,2,3 |
| | | | | D59.3 | Hemolyticko-uremický syndróm | 2,3,4 | 1,2,3,4 |
| | | | | D59.4 | Iná neautoimunitná hemolytická anémia | 2,3 | 1,2,3 |
| | | | | D59.5 | Paroxyzmálna nočná hemoglobinúria | 2,3 | 1,2,3 |
| | | | | D59.6 | Hemoglobinúria zapríč.hemolýzou z iných vonk.pričin | 2,3 | 1,2,3 |
| | | | | D59.8 | Iná získaná hemolytická anémia | 2,3 | 1,2,3 |
| | | | | D59.9 | Získaná hemolytická anémia,bližšie neurčená | 2,3 | 1,2,3 |
| | | | | D60.0 | Chronická získaná čistá aplázia červených krviniek | 2,3,4 | 1,2,3,4 |
| | | | | D60.1 | Prechodná získaná čistá aplázia červených krviniek | 2,3,4 | 1,2,3,4 |
| | | | | D60.8 | Iná získaná čistá aplázia červených krviniek | 2,3,4 | 1,2,3,4 |

CCL

| ICD | Text | OP. CCL | Med. CCL | ICD | Text | OP. CCL | Med. CCL |
|--------|--|---------|----------|--------|---|---------|----------|
| D60.9 | Získaná čistá aplázia červených krviniek, bližšie neurčená | 2,3,4 | 1,2,3,4 | D70.11 | Agranulocytóz a neutrop.zapr.liek.s krit.f.10 do 20 dní | 2,3,4 | 1,2,3,4 |
| D61.0 | Vrodená aplastická anémia | 2,3,4 | 1,2,3,4 | D70.12 | Agranulocytóz a neutrop.zapr.liek.s krit.f.20 a viac dní | 2,3,4 | 1,2,3,4 |
| D61.10 | Aplastická anémia zapríčinená cytostatickou liečbou | 2,3,4 | 1,2,3,4 | D70.13 | Agranulocytóz a neutrop.zapr.liek.s krit.f.4 do7 dní | 2,3,4 | 1,2,3,4 |
| D61.18 | Iná aplastická anémia zapríčinená liekmi | 2,3,4 | 1,2,3,4 | D70.14 | Agranulocytóz a neutrop.zapr.liek.s krit.f.7 do10 dní | 2,3,4 | 1,2,3,4 |
| D61.19 | Aplastická anémia zapríčinená liekmi, bližšie neurčená | 2,3,4 | 1,2,3,4 | D70.18 | Agranulocytóz a neutrop.zapr.liek.s i.priebehom | 2,3,4 | 1,2,3,4 |
| D61.2 | Aplastická anémia z iných vonkajších príčin | 2,3,4 | 1,2,3,4 | D70.19 | Agranulocytóz a neutrop.zapr.liek., b.n. | 2,3,4 | 1,2,3,4 |
| D61.3 | Idiopatická aplastická anémia | 2,3,4 | 1,2,3,4 | D70.3 | Iná agranulocytóza | 2,3,4 | 1,2,3,4 |
| D61.8 | Iná aplastická anémia, bližšie určená | 2,3,4 | 1,2,3,4 | D70.5 | Cyklická neutropénia | 2,3,4 | 1,2,3,4 |
| D61.9 | Aplastická anémia, bližšie neurčená | 2,3,4 | 1,2,3,4 | D70.6 | Iná neutropénia | 2,3,4 | 1,2,3,4 |
| D62 | Akútna posthemoragická anémia | 1,2,3,4 | 1,2 | D70.7 | Neutropénia, bližšie neurčená | 2,3,4 | 1,2,3,4 |
| D63.0 | Anémia pri nádorových chorobách | 1,2,3,4 | 1,2 | D71 | Funkčná porucha polymorfonukleárných neutrofilov | 2,3,4 | 1,2,3 |
| D64.0 | Dedičná sideroplastová [sideroachrestická] anémia | 2,3,4 | 1,2,3,4 | D73.1 | Hypersplenizmus | 2 | 2 |
| D64.1 | Sekundárna sideroplastová anémia zapríč. ochorením | 2,3,4 | 1,2,3,4 | D73.3 | Absces sleziny | 2 | 2 |
| D64.2 | Sekundárna sideroplastová anémia zapríč. liekmi toxic. lát. | 2,3,4 | 1,2,3,4 | D73.5 | Infarkt sleziny | 2 | 2 |
| D64.3 | Iná sideroplastová [sideroachrestická] anémia | 2,3,4 | 1,2,3,4 | D80.0 | Dedičná hypogamaglobulinémia | 2,3,4 | 1,2,3,4 |
| D65.0 | Získaná afibrinogenémia | 2,3 | 1,2,3 | D80.2 | Selektívny nedostatok imunoglobulínu A [IgA] | 4 | 4 |
| D65.1 | Diseminovaná intravaskulárna koagulácia [DIK, DIC] | 2,3 | 1,2,3 | D80.3 | Selektívny nedostatok podtried imunoglobulínu G (IgG) | 2,3,4 | 1,2,3,4 |
| D65.2 | Získané fibrinolytické krvácanie | 2,3 | 1,2,3 | D80.4 | Selektívny nedostatok imunoglobulínu M [IgM] | 2,3,4 | 1,2,3,4 |
| D65.9 | Defibrinačný syndróm, bližšie neurčený | 2,3 | 1,2,3 | D80.5 | Imunodeficit so zvýšeným imunoglobulínu M [IgM] | 2,3,4 | 1,2,3,4 |
| D66 | Dedičný nedostatok faktora VIII | 2,3,4 | 1,2,3,4 | D80.6 | Deficit protil.s takmer norm.imunoglob./s hyperimunog. | 2,3,4 | 1,2,3 |
| D67 | Dedičný nedostatok faktora IX | 2,3,4 | 1,2,3,4 | D80.7 | Prechodná hypogamaglobulinémia v detstve | 2,3,4 | 1,2,3 |
| D68.0 | Von Willebrandova choroba | 2,3,4 | 1,2,3,4 | D80.8 | Iný imunodeficit s prevahou nedostatku protilátok | 2,3,4 | 1,2,3 |
| D68.1 | Dedičný nedostatok faktora XI | 2,3,4 | 1,2,3,4 | D80.9 | Imunodef. bliž. neurč s prevahou nedostatku protilátok | 2,3,4 | 1,2,3 |
| D68.2 | Dedičný nedostatok iných koagulačných faktorov | 2,3,4 | 1,2,3,4 | D81.0 | Ťažký komb.imunodef.(SCID)s retikulovou dysgenézou | 2,3,4 | 1,2,3,4 |
| D68.30 | Stav krvácanosti zapríčinený antikoagulantami | 1,2,3,4 | 1,2,3,4 | D81.1 | Ťažký komb.imunodef.(SCID)s malým počtom T-bun.a B-buniek | 2,3,4 | 1,2,3,4 |
| D68.31 | Stav krvácanosti zapríč. zvýš. protilátok proti faktoru VIII | 2,3,4 | 1,2,3,4 | D81.2 | Ťažký komb.imunodef.(SCID)s malým/norm.počtom B-buniek | 2,3,4 | 1,2,3,4 |
| D68.32 | Stav krvác. zapr. zvýš. plazma.konc.protil.proti i.fak.zráž.krvi | 2,3,4 | 1,2,3,4 | D81.3 | Deficit adenoindezaminázy [ADA] | 4 | 4 |
| D68.38 | Iný stav krvác.zapr.i.a b.n.protilátkami | 2,3,4 | 1,2,3,4 | D81.4 | Nezelofov syndróm | 2,3,4 | 1,2,3,4 |
| D68.4 | Získaný nedostatok koagulačného faktora | 1,2,3 | 1,2,3 | D81.5 | Nedostatok purín nukleozid-fosforylázy [PNP] | 4 | 4 |
| D68.5 | Primárny trombofilný stav (trombofília) | 2,3 | 1,2,3 | D81.6 | Deficit hlavného komplexu histokompatibility I.triedy | 2,3,4 | 1,2,3,4 |
| D68.6 | Iný trombofilný stav (trombofília) | 2,3 | 1,2,3 | D81.7 | Deficit hlavného komplexu histokompatibility II.triedy | 2,3,4 | 1,2,3,4 |
| D68.8 | Iná porucha zrážanlivosti krvi, bližšie určená | 1,2,3 | 1,2,3 | D81.8 | Iný kombinovaný imunodeficit | 2,3,4 | 1,2,3,4 |
| D68.9 | Porucha zrážanlivosti krvi, bližšie neurčená | 1,2,3 | 1,2,3 | D81.9 | Kombinovaný imunodeficit, bližšie neurčený | 2,3,4 | 1,2,3,4 |
| D69.0 | Alergická purpura | 2,3 | 1,2,3 | D82.0 | Wiskottov-Aldrichov syndróm | 2,3,4 | 1,2,3,4 |
| D69.1 | Kvalitatívna porucha doštičiek | 2,3 | 1,2,3 | D82.1 | Di Georgeov syndróm | 2,3,4 | 1,2,3,4 |
| D69.2 | Iná netrombocytopenická purpura | 2,3 | 1,2,3 | D82.2 | Imunodeficit spojený s disproportčným malým vzrastom | 2,3,4 | 1,2,3 |
| D69.3 | Idiopatická trombocytopenická purpura | 2,3 | 1,2,3 | D82.3 | Imunodef.spoj.s vrod.defektnou odpov.na EBV | 2,3,4 | 1,2,3 |
| D69.40 | Iná primárna trombocytopenia, nereag.na transf.lieč. | 2,3 | 1,2,3 | D82.4 | Syndróm nadbytku imunoglobulínu E [IgE] | 2,3,4 | 1,2,3 |
| D69.41 | Iná primárna trombocytopenia, reag.na transf.lieč. | 2,3 | 1,2,3 | D82.8 | Imunodef.spojený s i.ťažkými poruchami, b.u. | 2,3,4 | 1,2,3 |
| D69.52 | Trombocytopenia indukovaná heparínom, typ I | 2,3 | 1,2,3 | D82.9 | Imunodef.spojený s ťažkou poruchou, b.n. | 2,3,4 | 1,2,3 |
| D69.53 | Trombocytopenia zapríčinená heparínom, typ II | 2,3 | 1,2,3 | D83.0 | Bežný premen.imunodef.s prev.abnor.v počte a funkcii B-buniek | 2,3,4 | 1,2,3,4 |
| D69.57 | Iná sekundár.trombocytopenia, označ. ako refrakt.na transf.lieč. | 2,3 | 1,2,3 | D83.1 | Bežný premen.imunodeficit s prevaž.poruch.imunoreg.T-buniek | 2,3,4 | 1,2,3,4 |
| D69.58 | Iná sekundár.trombocytopenia, neozn. ako refrak.na transf.lieč. | 2,3 | 1,2,3 | D83.2 | Bežný premen.imunodeficit s autoprotil.proti B-/T-bunkám | 2,3,4 | 1,2,3,4 |
| D69.59 | Sekundárna trombocytopenia, bližšie neurčená | 2,3 | 1,2,3 | D83.8 | Iný bežný premenlivý imunodeficit | 2,3,4 | 1,2,3,4 |
| D69.60 | Trombocytopenia, bliž. neu. označ. ako nereag.na transf.lieč. | 2,3 | 1,2,3 | D83.9 | Bežný premenlivý imunodeficit, bližšie neurčený | 2,3,4 | 1,2,3,4 |
| D69.61 | Trombocytopenia, bliž. neu. neozn. ako nereag.na transf.lieč. | 2,3 | 1,2,3 | D84.0 | Porucha lymfocytového funkčného antigénu 1 [LFA-1] | 2,3,4 | 1,2,3 |
| D69.8 | Iný stav krvácanosti, bližšie určený | 2,3 | 1,2,3 | | | | |
| D69.9 | Stav krvácanosti, bližšie neurčený | 2,3,4 | 1,2,3,4 | | | | |
| D70.0 | Vrodená agranulocytóza a neutropénia | 2,3,4 | 1,2,3,4 | | | | |
| D70.10 | Agranulocytóza a neutrop.zapr.liek.s krit.f.do 4 dni | 2,3,4 | 1,2,3,4 | | | | |

| ICD | Text | OP. CCL | Med. CCL | ICD | Text | OP. CCL | Med. CCL |
|--------|--|---------|----------|--------|--|---------|----------|
| D84.1 | Porucha komplementového systému | 2,3,4 | 1,2,3 | E11.50 | DM 2.typu:s perif.cievnyimi kompl.,kompenz. | 2,3,4 | 2,3 |
| D84.8 | Iný imunodeficit,bližšie určený | 2,3,4 | 1,2,3 | E11.51 | DM 2.typu:s perif.cievnyimi kompl.,dekom. | 2,3,4 | 2,3 |
| D84.9 | Imunodeficit,bližšie neurčený | 2,3,4 | 1,2,3 | E11.60 | DM 2.typu:s i.bliž.urč.kompl.,kompenz. | 1,2 | 1,2,3 |
| D86.0 | Sarkoidóza pľúc | 2 | 2 | E11.61 | DM 2.typu:s i.bliž.urč.kompl.,dekom. | 1,2 | 1,2,3 |
| D86.1 | Sarkoidóza lymfatických uzlín | 2 | 2 | E11.72 | DM 2.typu:s i.mnohopočet.kompl.,kompenz. | 1,2 | 2,3 |
| D86.2 | Sarkoidóza pľúc so sarkoidózou lymfatických uzlín | 2 | 2 | E11.73 | DM 2.typu:s i.mnohopočet.kompl.,dekom. | 1,2 | 2,3 |
| D86.3 | Sarkoidóza kože | 2 | 2 | E11.74 | DM 2.typu:s mnohopočet.kompl.,so synd.diab.nohy,kompenz. | 1,2 | 2,3 |
| D86.8 | Sarkoidóza na iných a viacerých miestach | 2 | 2 | E11.75 | DM 2.typu:s mnohopočet.kompl.,so synd.diab.nohy,dekom. | 1,2 | 2,3 |
| D86.9 | Sarkoidóza,bližšie neurčená | 2 | 2 | E11.80 | DM 2.typu:s bliž.neurč.kompl.,kompenz. | 1,2 | 1,2,3 |
| D89.0 | Polyklonálna hypermaglobulinémia | 4 | 4 | E11.81 | DM 2.typu:s bliž.neurč.kompl.,dekom. | 1,2 | 1,2,3 |
| D89.1 | Kryoglobulinémia | 4 | 4 | E11.91 | DM 2.typu:bez kompl.,dekom. | 1,2 | 1,2,3 |
| E00.0 | Vrodený syndróm z nedostatku jódu,neurologický typ | 4 | 4 | E12.01 | DM spojený s podvýž.:s kómou ,dekom. | 2 | 2,3 |
| E00.1 | Vrodený syndróm z nedostatku jódu,mixedémový typ | 4 | 4 | E12.11 | DM spojený s podvýž.:s ketoacidózou,dekom. | 2 | 2,3 |
| E00.2 | Vrodený syndróm z nedostatku jódu,zmiešaný typ | 4 | 4 | E12.20 | DM spojený s podvýž.:s obličk.kompl.,kompenz. | 2,3,4 | 1,2 |
| E00.9 | Vrodený syndróm z nedostatku jódu,bližšie neurčený | 4 | 4 | E12.21 | DM spojený s podvýž.:s obličk.kompl.,dekom. | 2,3,4 | 1,2 |
| E01.8 | Iná chor.ŠŽ spojená s nedost.jódu a pridruž.stavy | 4 | 4 | E12.30 | DM spojený s podvýž.:s očnými kompl.,kompenz. | 1,2,3,4 | 1,2 |
| E02 | Subklinická hypotyreóza z nedostatku jódu | 4 | 4 | E12.31 | DM spojený s podvýž.:s očnými kompl.,dekom. | 1,2,3,4 | 1,2 |
| E03.0 | Vrodená hypotyreóza s difúznou strumou | 4 | 4 | E12.40 | DM spojený s podvýž.:s nervovými kompl.,kompenz. | 2 | 2 |
| E03.1 | Vrodená hypotyreóza bez strumy | 4 | 4 | E12.41 | DM spojený s podvýž.:s nervovými kompl.,dekom. | 2 | 2 |
| E03.5 | Myxedémová kóma | 3,4 | 3,4 | E12.50 | DM spojený s podvýž.:s perif.ciev. kompl.,kompenz. | 2,3,4 | 2,3 |
| E05.0 | Hypertyreóza s difúznou strumou | 2 | 1,2 | E12.51 | DM spojený s podvýž.:s perif.ciev. kompl.,dekom. | 2,3,4 | 2,3 |
| E05.1 | Hypertyreóza s jedným toxickým tyreoidálnym uzlom | 2 | 1,2 | E12.60 | DM spojený s podvýž.:s i.b.u.kompl.,kompenz. | 2 | 2,3 |
| E05.2 | Hypertyreóza s toxickou viacuzlovou strumou | 2 | 1,2 | E12.61 | DM spojený s podvýž.:s i.b.u.kompl.,dekom. | 2 | 2,3 |
| E05.3 | Hypertyreóza zapríč.ektopickým tkan.ŠŽ | 2 | 1,2 | E12.72 | DM spojený s podvýž.:s viac.kompl.,kompenz. | 2 | 2,3 |
| E05.4 | Hypertyreóza zapríč.umelo(hyperthyreosis factitia) | 2 | 1,2 | E12.73 | DM spojený s podvýž.:s viac.kompl.,dekom. | 2 | 2,3 |
| E05.5 | Tyreotoxická kríza | 2 | 1,2 | E12.74 | DM spo.s pod.:s viac.kompl.,so synd.diab.nohy,kompenz. | 2 | 2,3 |
| E06.0 | Akútna tyreoiditída | 4 | 4 | E12.75 | DM spo.s pod.:s viac.kompl.,so synd.diab.nohy,dekom. | 2 | 2,3 |
| E06.4 | Tyreoiditída zapríčinená liekom | 4 | 4 | E12.80 | DM spojený s podvýž.:s bliž.neu.kompl.,kompenz. | 2 | 2,3 |
| E07.1 | Dyshormonogénna struma (hrvol) | 4 | 4 | E12.81 | DM spojený s podvýž.:s bliž.neu.kompl.,dekom. | 2 | 2,3 |
| E10.01 | Diabetes mellitus 1.typu: s kómou, dekompenzovaný | 2 | 2,3 | E12.90 | DM spojený s podvýž.:bez kompl.,kompenz. | 2 | 2,3 |
| E10.11 | DM 1.typu:s ketoacidózou,dekom. | 2 | 2,3 | E12.91 | DM spojený s podvýž.:bez kompl.,dekom. | 2 | 2,3 |
| E10.20 | DM 1.typu:s obličk.kompl.,kompenz. | 2,3,4 | 1,2 | E13.01 | Iný DM,bliž.ur.:s kómou,dekom. | 2 | 2,3 |
| E10.21 | DM 1.typu:s obličk.kompl.,dekom. | 2,3,4 | 1,2 | E13.11 | Iný DM,bliž.ur.:s ketoacidózou,dekom. | 2 | 2,3 |
| E10.30 | DM 1.typu:s očnými kompl.,kompenz. | 1,2,3,4 | 1,2 | E13.20 | Iný DM,bliž.ur.:s obličk.kompl.,kompez. | 2,3,4 | 1,2 |
| E10.31 | DM 1.typu:s očnými kompl.,dekom. | 1,2,3,4 | 1,2 | E13.21 | Iný DM,bliž.ur.:s obličk.kompl.,dekom. | 2,3,4 | 1,2 |
| E10.40 | DM 1.typu:s nervovými kompl.,kompenz. | 2 | 2 | E13.30 | Iný DM,bliž.ur.:s očnými kompl.,kompenz. | 1,2,3,4 | 1,2 |
| E10.41 | DM 1.typu:s nervovými kompl.,dekom. | 2 | 2 | E13.31 | Iný DM,bliž.ur.:s očnými kompl.,dekom. | 1,2,3,4 | 1,2 |
| E10.50 | DM 1.typu:s perif.cievnyimi kompl.,kompenz. | 2,3,4 | 2,3 | E13.40 | Iný DM,bliž.ur.:s nervovými kompl.,kompenz. | 2 | 2 |
| E10.51 | DM 1.typu:s perif.cievnyimi kompl.,dekom. | 2,3,4 | 2,3 | E13.41 | Iný DM,bliž.ur.:s nervovými kompl.,dekom. | 2 | 2 |
| E10.60 | DM 1.typu:s i.bliž.ur.kompl.,kompenz. | 2 | 2,3 | E13.50 | Iný DM,bliž.ur.:s perif.cievnyimi kompl.,kompenz. | 2,3,4 | 2,3 |
| E10.61 | DM 1.typu:s i.bliž.ur.kompl.,dekom. | 2 | 2,3 | E13.51 | Iný DM,bliž.ur.:s perif.cievnyimi kompl.,dekom. | 2,3,4 | 2,3 |
| E10.72 | DM 1.typu:s i.mnohopočet.kompl.,kompenz. | 2 | 2,3 | E13.60 | Iný DM,bliž.ur.:s i.bliž.ur.kompl.,kompenz. | 2 | 2,3 |
| E10.73 | DM 1.typu:s i.mnohopočet.kompl.,dekom. | 2 | 2,3 | E13.61 | Iný DM,bliž.ur.:s i.bliž.ur.kompl.,dekom. | 2 | 2,3 |
| E10.74 | DM 1.typu:s mnohopočet.kompl.,so synd.diab.nohy,kompenz. | 2 | 2,3 | E13.72 | Iný DM,bliž.ur.:s i.mnohopočet.kompl.,kompenz. | 2 | 2,3 |
| E10.75 | DM 1.typu:s mnohopočet.kompl.,so synd.diab.nohy,dekom. | 2 | 2,3 | E13.73 | Iný DM,bliž.ur.:s i.mnohopočet.kompl.,dekom. | 2 | 2,3 |
| E10.80 | DM 1.typu:s bliž.neu.kompl.,kompenz. | 2 | 2,3 | E13.74 | Iný DM,bliž.ur.:s mnohop.kompl.,so synd.diab.nohy,kompenz. | 2 | 2,3 |
| E10.81 | DM 1.typu:s bliž.neu.kompl.,dekom. | 2 | 2,3 | | | | |
| E10.90 | DM 1.typu:bez kompl.,kompenz. | 2 | 2,3 | | | | |
| E10.91 | DM 1.typu:bez kompl.,dekom. | 2 | 2,3 | | | | |
| E11.01 | DM 2.typu: s kómou, dekompenzovaný | 1,2 | 2,3 | | | | |
| E11.11 | DM 2.typu:s ketoacidózou,dekom. | 1,2 | 2,3 | | | | |
| E11.20 | DM 2.typu:s obličk.kompl.,kompenz. | 1,2,3,4 | 1,2 | | | | |
| E11.21 | DM 2.typu:s obličk.kompl.,dekom. | 1,2,3,4 | 1,2 | | | | |
| E11.30 | DM 2.typu:s očnými kompl.,kompenz. | 1,2,3,4 | 1,2 | | | | |
| E11.31 | DM 2.typu:s očnými kompl.,dekom. | 1,2,3,4 | 1,2 | | | | |
| E11.40 | DM 2.typu:s nervovými kompl.,kompenz. | 1,2 | 2 | | | | |
| E11.41 | DM 2.typu:s nervovými kompl.,dekom. | 1,2 | 2 | | | | |

| ICD | Text | OP. CCL | Med. CCL | ICD | Text | OP. CCL | Med. CCL |
|--------|--|---------|----------|-------|---|---------|----------|
| E13.75 | Iný DM, bliž. ur.: s mnohop. kompl., so synd. diabet. nohy, dekom. | 2 | 2,3 | E42 | Marantický kvašiorkor | 2,3,4 | 2,3 |
| E13.80 | Iný DM, bliž. ur.: s bliž. neurč. kompl., kompenz. | 2 | 2,3 | E43 | Ťažká proteínovo-energetická podvýživa, b.n. | 2,3,4 | 2,3 |
| E13.81 | Iný DM, bliž. ur.: s bliž. neurč. kompl., dekom. | 2 | 2,3 | E44.0 | Proteínovo-energetická podvýživa stredného stupňa | 2,3,4 | 2,3 |
| E13.90 | Iný DM, bližšie určený: bez kompl., kompenz. | 2 | 2,3 | E44.1 | Proteínovo-energetická podvýživa mierneho stupňa | 2,3,4 | 2,3 |
| E13.91 | Iný DM, bližšie určený: bez kompl., dekom. | 2 | 2,3 | E45 | Zaostávanie vo výv. v dôsl. proteínovo-energet. podvýživy | 2,3,4 | 2,3 |
| E14.30 | DM, bliž. neu.: s očnými kompl., kompenz. | 1,2,3,4 | 1,2 | E46 | Proteínovo-energetická podvýživa, bližšie neurčená | 1,2,3,4 | 1,2,3 |
| E14.31 | DM, bliž. neu.: s očnými kompl., dekom. | 1,2,3,4 | 1,2 | E53.8 | Nedost. iného bliž. urč. vit. skupiny B | 1,2,3,4 | 1,2,3 |
| E14.60 | DM, bliž. neu.: s i. bliž. ur. kompl., kompenz. | 1,2 | 1,2,3 | E56.1 | Nedostatok vitamínu K | 2,3,4 | 2,3 |
| E14.61 | DM, bliž. neu.: s i. bliž. ur. kompl., dekom. | 1,2 | 1,2,3 | E61.1 | Nedostatok železa | 2,3,4 | 2,3 |
| E14.72 | DM, bliž. neu.: s i. mnohopočet. kompl., kompenz. | 1,2 | 2,3 | E61.7 | Nedostatok viacerých stopových prvkov | 2,3,4 | 2,3 |
| E14.73 | DM, bliž. neu.: s mnohopočet. kompl., dekom. | 1,2 | 2,3 | E63.0 | Nedostatok esenciálnych mastných kyselín | 2,3,4 | 2,3 |
| E14.74 | DM, bliž. neu.: s mnohop. kompl., so synd. diab. nohy, kompenz. | 1,2 | 2,3 | E64.0 | Následky proteínovo-energetickej podvýživy | 2,3,4 | 2,3 |
| E14.75 | DM, bliž. neu.: s mnohop. kompl., so synd. diab. nohy, dekom. | 1,2 | 2,3 | E64.1 | Následky nedostatku vitamínu A | 2,3,4 | 2,3 |
| E15 | Nediabetická hypoglykemická kóma | 2,3,4 | 2,3,4 | E64.2 | Následky nedostatku vitamínu C | 2,3,4 | 2,3 |
| E20.0 | Idiopatická hypoparatyreóza | 2,4 | 1,2,4 | E64.8 | Následky iných nedostatkov vo výžive | 2,3,4 | 2,3 |
| E20.1 | Pseudohypoparatyreóza | 2,3,4 | 2,3 | E64.9 | Následky bližšie neurčených nedostatkov vo výžive | 2,3,4 | 2,3 |
| E20.8 | Iná hypoparatyreóza | 2,4 | 1,2,4 | E70.0 | Klasická fenylketonúria | 4 | 4 |
| E20.9 | Hypoparatyreóza, bližšie neurčená | 2,4 | 1,2,4 | E70.1 | Iná hyperfenylalaninémia | 4 | 4 |
| E21.0 | Primárna hyperparatyreóza | 2 | 1,2 | E70.2 | Porucha metabolizmu tyrozínu | 4 | 4 |
| E21.1 | Sekundárna hyperparatyreóza, nezatriedená inde | 2 | 1,2 | E70.3 | Albinizmus | 4 | 4 |
| E21.2 | Iná hyperparatyreóza | 2 | 1,2 | E70.8 | Iná porucha metabolizmu aromatických aminokyselín | 4 | 4 |
| E21.3 | Hyperparatyreóza, bližšie neurčená | 2 | 1,2 | E70.9 | Porucha metabol. aromatických aminokyselín, b.n. | 4 | 4 |
| E23.0 | Hypopituitarizmus | 2 | 1,2 | E71.0 | Choroba javorového sirupu [Leucinóza] | 4 | 4 |
| E23.2 | Diabetes insipidus | 2,4 | 1,2,4 | E71.1 | Iná porucha metabolizmu aminokysel. rozve. refazcom | 4 | 4 |
| E24.0 | Centrálny Cushingov syndróm | 2 | 1,2 | E71.2 | Porucha metab. aminokyselín s rozve. refazcom, b.n. | 4 | 4 |
| E24.1 | Nelsonov syndróm | 2 | 1,2 | E72.0 | Porucha transportu aminokyselín | 4 | 4 |
| E24.2 | Cushingov syndróm zapríčinený liekom | 2 | 1,2 | E72.1 | Porucha metabolizmu aminokyselín obsahujúcich síru | 4 | 4 |
| E24.3 | Ektopický ACTH-syndróm | 2 | 1,2 | E72.2 | Porucha metabolického cyklu močoviny | 4 | 4 |
| E24.4 | Pseudo-Cushingov syndróm zapríčinený alkoholom | 2 | 1,2 | E72.3 | Porucha metabolizmu lyzínu a hydroxylyzínu | 4 | 4 |
| E24.8 | Iný Cushingov syndróm | 2 | 1,2 | E72.4 | Porucha metabolizmu ornitínu | 4 | 4 |
| E24.9 | Cushingov syndróm, bližšie neurčený | 2 | 1,2 | E72.5 | Porucha metabolizmu glycínu | 4 | 4 |
| E25.00 | Adrenogenit. por., typ 3 (nedost. 21-hydrox.) , klas. for. | 4 | 4 | E72.8 | Iná porucha metabol. aminokyselín, bliž. určená | 4 | 4 |
| E25.01 | Adrenogenit. por., typ 3 (nedost. 21-hydrox.) , for. s nesk. nás. | 4 | 4 | E72.9 | Porucha metabolizmu aminokyselín, bližšie neurčená | 4 | 4 |
| E25.08 | Iná vrod. adrenogenitálna por. spoj. s nedost. enz. | 4 | 4 | E74.0 | Choroba z nahromadenia glykogénu (glykogenóza) | 4 | 4 |
| E25.09 | Vrod. adrenogenitálna por. spoj. s nedost. enz., b.n. | 4 | 4 | E74.1 | Porucha metabolizmu fruktózy | 4 | 4 |
| E25.8 | Iná adrenogenitálna porucha | 4 | 4 | E74.2 | Porucha metabolizmu galaktózy | 4 | 4 |
| E25.9 | Adrenogenitálna porucha, bližšie neurčená | 4 | 4 | E76.0 | Mukopolysacharidóza, typ I | 4 | 4 |
| E27.0 | Iná hyperfunkcia kôry nadobličiek | 2,4 | 1,2,4 | E76.1 | Mukopolysacharidóza, typ II | 4 | 4 |
| E27.1 | Prim. nedostatočnosť kôry nadoblič. (Addisonova chor.) | 2,4 | 1,2,4 | E76.2 | Iná mukopolysacharidóza | 4 | 4 |
| E27.2 | Addisonova kríza | 2,4 | 1,2,4 | E76.3 | Mukopolysacharidóza, bližšie neurčená | 4 | 4 |
| E27.3 | Nedostatočnosť kôry nadobličiek zapríčinená liekmi | 2,4 | 1,2,4 | E76.8 | Iná porucha metabolizmu glykozaminoglykánu | 4 | 4 |
| E27.4 | Iná a bliž. neu. nedostatočnosť kôry nadobličiek | 2,4 | 1,2,4 | E76.9 | Porucha metabol. glykozaminoglykánu, b.n. | 4 | 4 |
| E27.5 | Hyperfunkcia drene nadobličiek | 2,4 | 1,2,4 | E78.6 | Nedostatok lipoproteínov | 4 | 4 |
| E27.8 | Iná choroba nadobličiek, bližšie určená | 4 | 4 | E78.9 | Porucha metabolizmu lipoproteínov, bližšie neurčená | 4 | 4 |
| E29.0 | Hyperfunkcia semenníkov | 4 | 4 | E79.0 | Hyperurikémia bez znakov zápal. artritídy/tofovej dny | 4 | 4 |
| E31.0 | Autoimunitná polyglandulárna insuficiencia | 2 | 1,2 | E79.1 | Leschov-Nyhanov syndróm | 4 | 4 |
| E31.1 | Polyglandulárna hyperfunkcia | 2 | 1,2 | E79.8 | Iná porucha metabolizmu purínu a pyrimidínu | 4 | 4 |
| E31.8 | Iná polyglandulárna dysfunkcia | 2 | 1,2 | E79.9 | Porucha metabol. purínu a pyrimidínu, b.n. | 4 | 4 |
| E31.9 | Polyglandulárna dysfunkcia, bližšie neurčená | 2 | 1,2 | E80.0 | Dedičná erythropoetická porfýria | 4 | 4 |
| E32.1 | Absces týmusu | 2,3,4 | 1,2,3,4 | E80.1 | Porphyria cutanea tarda | 4 | 4 |
| E34.0 | Karcinoidový syndróm | 2 | 1,2 | E80.2 | Iná porfýria | 4 | 4 |
| E34.3 | Nízky vzrast, nezatriedený inde | 4 | 4 | E83.0 | Porucha metabolizmu medi | 4 | 4 |
| E35.1 | Choroba štítnej žľazy pri chorobách zatriedených inde | 4 | 4 | E84.0 | Cystická fibróza s pľúcnymi prejavmi | 2,3,4 | 2,4 |
| E40 | Kvašiorkor | 2,3,4 | 2,3 | E84.1 | Cystická fibróza s črevnými prejavmi | 2,4 | 2,3,4 |
| E41 | Nutričný marasmus | 2,3,4 | 2,3 | | | | |

| ICD | Text | OP. CCL | Med. CCL | ICD | Text | OP. CCL | Med. CCL |
|--------|--|------------|-------------|-------|--|------------|-------------|
| E84.2 | Prim. cil. dyskinézia s respir. prejavmi | 2,3,4 | 2,4 | F10.7 | Porucha psych.a správ. zaprič.uživ.alkoh.:rez.a nesk.psych.p. | 1,2 | 1,2 |
| E84.3 | Prim. cil. dyskinézia s inými prejavmi | 2,3,4 | 2,4 | F10.8 | Iná porucha psychiky a správania zaprič.uživ.alkoholu | 1,2 | 1,2 |
| E84.4 | Primárna ciliárna dyskinézia | 2,3,4 | 2,4 | F11.0 | Porucha psych.a správ.zaprič.uživ.opiát.:akút.intox. | 2 | 1,2 |
| E84.80 | Cystická fibróza s pľúcnyimi a črevnými prejavmi | 2,3,4 | 2,4 | F11.1 | Porucha psych.a správ.zaprič.uživ.opiát.:škod.uživ. | 2 | 1,2 |
| E84.87 | Cystická fibróza s inými mnohopočetnými prejavmi | 2,3,4 | 2,4 | F11.2 | Porucha psych.a správ.zaprič.uživ.opiát.:synd.závisl. | 2 | 1,2 |
| E84.88 | Cystická fibróza s inými prejavmi | 2,3,4 | 2,4 | F11.3 | Porucha psych.a správ.zaprič.uživ.opiát.:abstin.synd. | 2 | 2 |
| E84.9 | Cystická fibróza,blížšie neurčená | 2,3,4 | 2,4 | F11.4 | Porucha psych.a správ.zaprič.uživ.opiát.:ab.synd.s delír. | 2 | 2 |
| E87.0 | Hyperosmolalita a hypernatriémia | 1,2,3 | 2,3 | F11.5 | Porucha psych.a správ.zaprič.uživ.opiát.:psych.porucha | 2 | 2 |
| E87.1 | Hypoosmolalita a hyponatriémia | 1,2 | | F11.6 | Porucha psych.a správ.zaprič.uživ.opiát.:amne.synd. | 2 | 2 |
| E87.4 | Zmiešaná porucha acidobázickej rovnováhy | 1,2 | | F11.7 | Porucha psych.a správ.zaprič.uživ.opiát.:rez.a nesk.psych.p. | 2 | 2 |
| E87.5 | Hyperkaliémia | 1 | 1 | F11.8 | Iná porucha psych.a správ.zaprič.uživ.opiátov | 2 | 2 |
| E87.6 | Hypokaliémia | 1,2 | 1 | F11.9 | Porucha psych.a správ.zapr.uživ.opiát.,b.n. | 2 | 2 |
| E88.1 | Lipodystrofia,nezatriedená inde | 4 | 4 | F12.3 | Porucha psych.a správ.zaprič.uživ.kanab.:abstin.synd. | 2 | 2 |
| E88.3 | Syndróm z rozpadu nádoru (tumor lysis syndrome) | 3,4 | 3 | F12.4 | Porucha psych.a správ.zaprič.uživ.kanab.:ab.synd.s delír. | 2 | 2 |
| E89.1 | Hypoinzulinémia po lekárskom výkone | 2,3,4 | 2,3 | F12.5 | Porucha psych.a správ.zaprič.uživ.kanab.:psych.porucha | 2 | 2 |
| E89.2 | Hypoparatyreóza po lekárskom výkone | 2,4 | 1,2,4 | F12.6 | Porucha psych.a správ.zaprič.uživ.kanab.:amne.synd. | 2 | 2 |
| E89.6 | Hypofunkcia kôry nadoblič./drene nadoblič.po lek.výkone | 2,4 | 1,2,4 | F12.7 | Porucha psych.a správ.zaprič.uživ.kanab.:rez.a nesk.psych.p. | 2 | 2 |
| F00.0 | Demencia pri Alzheimerovej chor.so skorým začiat. (typ 2) | 2,3,4 | 1,2,3 | F12.8 | Iná porucha psych.a správ.,zaprič.uživ.kanabinooidov | 2 | 2 |
| F00.1 | Demencia pri Alzheimerovej chor.s neskorým začiat. (typ 1) | 2,3,4 | 1,2,3 | F12.9 | Porucha psych.a správ.,zaprič.uživ.kanab.,b.n. | 2 | 2 |
| F00.2 | Demencia pri Alzheimerovej chor.,atypická/zmiešaná forma | 2,3,4 | 1,2,3 | F13.0 | Porucha psych.a správ.zaprič.uživ.sedat./hypno.:akút.intox. | 2 | 1,2 |
| F00.9 | Demencia pri Alzheimerovej chorobe,b.n. | 2,3,4 | 1,2,3 | F13.1 | Porucha psych.a správ.zaprič.uživ.sedat./hypno.:škod.uživ. | 2 | 1,2 |
| F01.0 | Vaskulárna demencia s akútnym začiatkom | 2,3,4 | 1,2,3 | F13.2 | Porucha psych.a správ.zaprič.uživ.sedat./hypno.:synd.závisl. | 2 | 1,2 |
| F01.1 | Mnohoinfarktová demencia | 2,3,4 | 1,2,3 | F13.3 | Porucha psych.a správ.zaprič.uživ.sedat./hypno.:abstin.synd. | 2 | 2 |
| F01.2 | Subkortikálna vaskulárna demencia | 2,3,4 | 1,2,3 | F13.4 | Porucha psych.a správ.zapr.uživ.sedat./hypno.:ab.synd.s delír. | 2 | 2 |
| F01.3 | Zmiešaná kortikálna a subkortikálna vaskul.demencia | 2,3,4 | 1,2,3 | F13.5 | Porucha psych.a správ.zaprič.uživ.sedat./hypno.:psych.poruch a | 2 | 2 |
| F01.8 | Iná vaskulárna demencia | 2,3,4 | 1,2,3 | F13.6 | Porucha psych.a správ.zaprič.uživ.sedat./hypno.:amne.synd. | 2 | 2 |
| F01.9 | Vaskulárna demencia,blížšie neurčená | 2,3,4 | 1,2,3 | F13.7 | Porucha psych.a správ.zaprič.uživ.sed./hyp.:rez.a nesk.psych.p. | 2 | 2 |
| F02.0 | Demencia pri Pickovej chorobe (G31.0†) | 2,3,4 | 1,2,3 | F13.8 | Iná Porucha psych.a správ ,zapr.uživ.sedat./hypno | 2 | 2 |
| F02.1 | Demencia pri Creutzfeldtovej-Jakobovej chorobe | 2,3,4 | 1,2,3 | F13.9 | Porucha psych.a správ.zapr.uživ.sedat./hypno.,b.n. | 2 | 2 |
| F02.2 | Demencia pri Huntingtonovej chorobe (G10†) | 2,3,4 | 1,2,3 | F14.0 | Porucha psych.a správ.zapr.uživ.kokai.:akút.intox. | 2 | 1,2 |
| F02.3 | Demencia pri Parkinsonovej chorobe (G20.-†) | 2,3,4 | 1,2,3 | F14.1 | Porucha psych.a správ.zaprič.uživ.kokai.:škod.uživ. | 2 | 1,2 |
| F02.4 | Demencia pri chorobe HIV (B22†) | 2,3,4 | 1,2,3,4 | F14.2 | Porucha psych.a správ.zaprič.uživ.kokai.:synd.závisl. | 2 | 1,2 |
| F04 | Org.amnestický synd.,nezaprič.alkoh./i.psychoakt.lát. | 2,3,4 | 1,2,3 | F14.3 | Porucha psych.a správ.zaprič.uživ.kokai.:bstin.synd. | 2 | 2 |
| F05.0 | Delírium bez demencie | 2,3,4 | 1,2,3 | F14.4 | Porucha psych.a správ.zaprič.uživ.kokai.:ab.synd.s delír. | 2 | 2 |
| F05.1 | Delírium pri demencii | 2,3,4 | 1,2,3 | F14.5 | Porucha psych.a správ.zaprič.uživ.kokai.:psych.porucha | 2 | 2 |
| F05.8 | Iné delírium | 2,3,4 | 1,2,3 | | | | |
| F05.9 | Delírium,blížšie neurčené | 2,3,4 | 1,2,3 | | | | |
| F06.0 | Organická halucinóza | 2,3,4 | 1,2,3 | | | | |
| F06.1 | Organická katatonická porucha | 2,3,4 | 1,2,3 | | | | |
| F06.2 | Organická porucha s bludmi [podobná schizofréni] | 2,3,4 | 1,2,3 | | | | |
| F06.3 | Organická afektívna porucha | 2,3,4 | 1,2,3 | | | | |
| F06.4 | Organická úzkostná porucha | 2,3,4 | 1,2,3 | | | | |
| F06.5 | Organická disociatívna porucha | 2,3,4 | 1,2,3 | | | | |
| F06.6 | Emočná labilita [asténia] na organickom podklade | 2,3,4 | 1,2,3 | | | | |
| F07.0 | Porucha osobnosti na organickom podklade | 2,3,4 | 1,2,3 | | | | |
| F10.1 | Porucha psych.a správ.zaprič.uživ.alkoholu:škod.uživ. | 1,2 | 1,2 | | | | |
| F10.2 | Porucha psych.a správ.zaprič.uživ.alkoholu:ynd.závisl. | 1,2 | 1,2 | | | | |
| F10.3 | Porucha psych.a správ.zaprič.uživ.alkoholu:abstin.synd. | 1,2 | 1,2 | | | | |
| F10.4 | Porucha psych.a správ.zaprič.uživ.alkoholu:ab.synd.s delír. | 2,3,4 | 1,2,3 | | | | |
| F10.5 | Porucha psych.a správ.zaprič.uživ.alkoholu:psych.por. | 1,2 | 1,2 | | | | |
| F10.6 | Porucha psych.a správ. zaprič.uživ.alkoholu:amne.synd. | 2,3,4 | 1,2,3 | | | | |

CCL

| ICD | Text | OP. CCL | Med. CCL | ICD | Text | OP. CCL | Med. CCL |
|-------|--|---------|----------|-------|--|---------|----------|
| F14.6 | Porucha psych.a správ.zaprič.uživ.kokaí.:amne.synd. | 2 | 2 | F19.2 | Porucha psych.a správ.zaprič.uží.drog,i.psych.l.:synd.závisl. | 2 | 1,2 |
| F14.7 | Porucha psych.a správ.zaprič.uživ.kokaí.:rez.a nesk.psych.p. | 2 | 2 | F19.3 | Porucha psych.a správ.zaprič.uží.drog,i.psych.l.:abstin.synd. | 2 | 2 |
| F14.8 | Iná porucha psychiky a správ.zaprič.uživ.kokaínu | 2 | 2 | F19.4 | Porucha psych.a správ.zapri.uží.drog,i.psych.l.:abs.synd.s del | 2 | 2 |
| F14.9 | Porucha psych.a správ.zaprič.uživ.kokaí.,bliž.neurč. | 2 | 2 | F19.5 | Porucha psych.a správ.zapri.uží.drog,i.psych.l.:psych.porucha | 2 | 2 |
| F15.0 | Porucha psych.a správ.zaprič.uživ.i.stim.vr.kof.:akút.intox. | 2 | 1,2 | F19.6 | Porucha psych.a správ.zaprič.uží.drog,i.psych.l.:amne. synd. | 2 | 2 |
| F15.1 | Porucha psych.a správ.zaprič.uživ.i.stim.vr.kof.:škod.uživ. | 2 | 1,2 | F19.7 | Porucha psych.a správ.zapr.už.dro,i.psych.l.:rez./nes.psych.p. | 2 | 2 |
| F15.2 | Porucha psych.a správ.zaprič.uživ.i.stim.vr.kof.:synd.závisl. | 2 | 1,2 | F19.8 | Iná porucha psych.a správ.zaprič.uživ.v.drog,i.psych.l. | 2 | 2 |
| F15.3 | Porucha psych.a správ.zaprič.uživ.i.stim.vr.kof.:abstin.synd. | 2 | 2 | F19.9 | Porucha psych.a správ.zaprič.uživ.v.drog,i.psych.l.,b.n. | 2 | 2 |
| F15.4 | Porucha psych.a správ.zapri.uživ.i.stim.vr.kof.:ab.synd.s del. | 2 | 2 | F20.0 | Paranoidná schizofrénia | 2 | 2 |
| F15.5 | Porucha psych.a správ.zapri.uživ.i.stim.vr.kof.:psych.porucha | 2 | 2 | F20.1 | Hebefrénna schizofrénia | 2 | 2 |
| F15.6 | Porucha psych.a správ.zaprič.uživ.i.stim.vr.kof.:amne.synd. | 2 | 2 | F20.2 | Katatonická schizofrénia | 2 | 2 |
| F15.7 | Porucha psych.a správ.zapr.uží.i.stim.vr.kof.:rez./nesk.psy.p. | 2 | 2 | F20.3 | Nediferencovaná schizofrénia | 2 | 2 |
| F15.8 | Iná porucha psych.a správ.zaprič.uživ.i.stim.vr.kof. | 2 | 2 | F20.5 | Reziduálna schizofrénia | 2 | 2 |
| F15.9 | Porucha psych.a správ.zaprič.uživ.i.stimul.vrát.kof.,b.n. | 2 | 2 | F20.6 | Jednoduchá schizofrénia | 2 | 2 |
| F16.0 | Porucha psych.a správ.zaprič.uživ.haluc.:akút.intox. | 2 | 1,2 | F20.8 | Iná schizofrénia | 2 | 2 |
| F16.1 | Porucha psych.a správ.zaprič.uživ.haluc.:škod.uživ. | 2 | 1,2 | F20.9 | Schizofrénia, bližšie neurčená | 2 | 2 |
| F16.2 | Porucha psych.a správ.zaprič.uživ.haluc.:synd.závisl. | 2 | 1,2 | F23.0 | Akút.polymorfna psychotická por.bez prízn.schizofrénie | 2 | 2 |
| F16.3 | Porucha psych.a správ.zaprič.uživ.haluc.:abstin.synd. | 2 | 2 | F23.1 | Akút.polymorfna psychotická por.s prízn.schizofrénie | 2 | 2 |
| F16.4 | Porucha psych.a správ.zaprič.uživ.haluc.:ab.synd.s del. | 2 | 2 | F23.2 | Akútna psychotická porucha podobná schizofrénii | 2 | 2 |
| F16.5 | Porucha psych.a správ.zap.uživ.haluc.:psych.porucha | 2 | 2 | F23.3 | Iné akútne psychotické poruchy s prevahou bludov | 2 | 2 |
| F16.6 | Porucha psych.a správ.zaprič.uživ.haluc.:amne.synd. | 2 | 2 | F23.8 | Iné akútne a prechodné psychotické poruchy | 2 | 2 |
| F16.7 | Porucha psych.a správ.zaprič.uživ.haluc.:rez.a nesk.psy.p. | 2 | 2 | F23.9 | Akút.psychotická por.a prech.psychotická por.,b.n. | 2 | 2 |
| F16.8 | Iná porucha psych.a správ.zaprič.uživ.haluc. | 2 | 2 | F25.0 | Schizoafektívna porucha,manický typ | 2 | 2 |
| F16.9 | Porucha psych.a správ.zaprič.uživ.haluc.,b.n. | 2 | 2 | F25.1 | Schizoafektívna porucha,depresívny typ | 2 | 2 |
| F18.0 | Porucha psych.a správ.zaprič.uživ.prch.rozp.:akút.intox. | 2 | 1,2 | F25.2 | Schizoafektívna porucha,zmiešaný typ | 2 | 2 |
| F18.1 | Porucha psych.a správ.zaprič.uživ.prch.rozp.:škod.uživ. | 2 | 1,2 | F25.8 | Iná schizoafektívna porucha | 2 | 2 |
| F18.2 | Porucha psych.a správ.zaprič.uživ.prch.rozp.:synd.závisl. | 2 | 1,2 | F25.9 | Schizoafektívna porucha, bližšie neurčená | 2 | 2 |
| F18.3 | Porucha psych.a správ.zaprič.uživ.prch.rozp.:abstin.synd. | 2 | 2 | F29 | Neorganická psychóza,bližšie neurčená | 2 | 2 |
| F18.4 | Porucha psych.a správ.zaprič.uživ.prch.rozp.:abs.synd.s del. | 2 | 2 | F30.0 | Hypománia | 2 | 2 |
| F18.5 | Porucha psych.a správ.zaprič.uživ.prch.rozp.:psych.porucha | 2 | 2 | F30.1 | Mánia bez psychotických príznakov | 2 | 2 |
| F18.6 | Porucha psych.a správ.zaprič.uživ.prch.rozp.:amne.synd. | 2 | 2 | F30.2 | Mánia s psychotickými príznakmi | 2 | 2 |
| F18.7 | Porucha psych.a správ.zapr.uží.prch.rozp.:rezid./nesk.psych.p. | 2 | 2 | F30.8 | Iná manická epizóda | 2 | 2 |
| F18.8 | Iná porucha psych.a správ.zaprič.uživ.prchav.rozpúš. | 2 | 2 | F30.9 | Manická epizóda, bližšie neurčená | 2 | 2 |
| F18.9 | Porucha psych.a správ.zaprič.uživ.prchav.rozpúš.,b.n. | 2 | 2 | F31.0 | Bipolárna afekt.porucha,terajš.hypomanická epizóda | 2 | 2 |
| F19.0 | Porucha psych.a správ.zaprič.uží.drog,i.psych.l.:akút.intox. | 2 | 1,2 | F31.1 | Bipolárna afekt.porucha,terajš.manic.epiz.bez psychot.príz. | 2 | 2 |
| F19.1 | Porucha psych.a správ.zaprič.uží.drog,i.psych.l.:škod.uživ. | 2 | 1,2 | F31.2 | Bipolárna afekt.porucha,terajš.manic.epiz.s psychot.príz. | 2 | 2 |
| | | | | F31.4 | Bipolárna afekt.porucha,terajš.epiz.ťaž.depre. b.psych.príz. | 2 | 2 |
| | | | | F31.5 | Bipolárna afekt.porucha,terajš.epiz.ťaž.depre.s psych.príz. | 2 | 2 |
| | | | | F31.6 | Bipolárna afekt.porucha,terajš.zmiešaná epizóda | 2 | 2 |
| | | | | F31.8 | Iná bipolárna afektívna porucha | 2 | 2 |
| | | | | F31.9 | Bipolárna afektívna porucha,bližšie neurčená | 2 | 2 |
| | | | | F32.2 | Epizóda ťažkej depresie bez psychotických príznakov | 2 | 2 |
| | | | | F32.3 | Epizóda ťažkej depresie s psychotickými príznakmi | 2 | 2 |
| | | | | F33.2 | Recidivujúca depres.porucha,terajš.ťaž.epiz.bez psychot.príz. | 2 | 2 |
| | | | | F33.3 | Recidivujúca depres.porucha,terajš.ťaž.epiz.s psychot.príz. | 2 | 2 |

| ICD | Text | OP. CCL | Med. CCL | ICD | Text | OP. CCL | Med. CCL |
|-------|---|---------|----------|--------|--|---------|----------|
| F33.8 | Iná recidivujúca depresívna porucha | 2 | 2 | G12.9 | Spinálna svalová atrofia, bližšie neurčená | 2,3,4 | 1,2,3,4 |
| F33.9 | Recidivujúca depresívna porucha, bližšie neurčená | 2 | 2 | G14 | Postpoliomyelitický syndróm | 1,2 | 2 |
| F50.0 | Mentálna anorexia | 1,2 | 1,2 | G20.00 | Parkinson.chor.bez obm./s min.obm., bez mot.fluktuácie | 2,3 | 1,2,3 |
| F50.1 | Atypická mentálna anorexia | 1,2 | 1,2 | G20.01 | Parkinson.chor.bez obm./s min.obm.,s mot.fluktuáciou | 2,3 | 1,2,3 |
| F50.2 | Mentálna bulímia | 1,2 | 1,2 | G20.10 | Parkinson.chor.s mier.až str.ťaž.obm.,b.mot.fluktuácie | 2,3 | 1,2,3 |
| F50.3 | Atypická mentálna bulímia | 1,2 | 1,2 | G20.11 | Parkinson.chor.s mier.až str.ťaž.pbm.,s mot.fluktuáciou | 2,3 | 1,2,3 |
| F50.4 | Prejedanie spojené s inými psychickými poruchami | 1,2 | 1,2 | G20.20 | Parkinson.chor.s veľmi ťaž.obm.,bez mot.fluktuácie | 2,3 | 1,2,3 |
| F50.8 | Iná porucha príjmu potravy | 1,2 | 1,2 | G20.21 | Parkinson.chor.s veľmi ťaž.obm.,s motoric.fluktuáciou | 2,3 | 1,2,3 |
| F50.9 | Porucha príjmu potravy, bližšie neurčená | 1,2 | 1,2 | G20.90 | Parkinson.chor.bliž.neu.,bez motoric.fluktuácie | 2,3 | 1,2,3 |
| F84.0 | Detský autizmus | 1,2 | 1,2 | G20.91 | Parkinson.chor.bliž.neu.,s motoric.fluktuáciou | 2,3 | 1,2,3 |
| F84.1 | Atypický autizmus | 1,2 | 1,2 | G35.0 | Roztrúsená skleróza, prvá manifestácia | 2 | 2 |
| F84.2 | Rettov syndróm | 2,3 | 1,2,3 | G35.10 | SM s relaps-remitujúcim priebehom, bez prejav.relapsu/progr. | 2 | 2 |
| F84.3 | Iná detská dezintegračná porucha | 1,2 | 1,2 | G35.11 | SM s relaps-remitujúcim priebehom, s prejav.relapsu/progr. | 2 | 2 |
| F84.4 | Hyperakt.por.spojená s duševnou zaost.a stereot.pohybmi | 1,2 | 1,2 | G35.20 | SM s primár.progresívnym priebehom, bez prejav.relapsu/progr. | 2 | 2 |
| F84.5 | Aspergerov syndróm | 1,2 | 1,2 | G35.21 | SM s primár.progresívnym priebehom, s prejav.relapsu/progr. | 2 | 2 |
| F84.8 | Iná pervazívna vývinová porucha | 1,2 | 1,2 | G35.30 | SM so sekund.progresívnym priebehom, bez prejav.relapsu/progr. | 2 | 2 |
| F84.9 | Pervazívna vývinová porucha, bližšie neurčená | 1,2 | 1,2 | G35.31 | SM so sekund.progresívnym priebehom, s prejav.elapsu/progr. | 2 | 2 |
| F98.2 | Porucha príjmu potravy v ranom detstve | 1,2 | 1,2 | G35.9 | Roztrúsená skleróza, bližšie neurčená | 2 | 2 |
| G00.0 | Meningitída zapríčinená Haemophilus influenzae | 3,4 | 3,4 | G40.3 | Generalizovaná idiopatická epilepsia a epileptický syndróm | 1,2,3,4 | 1,2 |
| G00.1 | Pneumokoková meningitída | 3,4 | 3,4 | G40.6 | Záchvaty grand mal, bliž.neurč.so záchv./bez záchv. petit mal | 1,2,3,4 | 1,2 |
| G00.2 | Streptokoková meningitída | 3,4 | 3,4 | G41.0 | Status epilepticus grand mal | 1,2,3,4 | 1,2 |
| G00.3 | Stafylokoková meningitída | 3,4 | 3,4 | G41.1 | Status epilepticus petit mal | 1,2,3,4 | 1,2 |
| G00.8 | Iná baktériová meningitída | 3,4 | 3,4 | G41.2 | Komplexný čiastkový epileptický stav | 1,2,3,4 | 1,2 |
| G00.9 | Baktériová meningitída, bližšie neurčená | 3,4 | 3,4 | G41.8 | Iný status epilepticus | 1,2,3,4 | 1,2 |
| G01 | Meningitída pri baktériových chorobách zatried.inde | 3,4 | 3,4 | G41.9 | Status epilepticus, bližšie neurčený | 1,2,3,4 | 1,2 |
| G02.0 | Meningitída pri vírusových chorobách zatried.inde | 3,4 | 3,4 | G46.3 | Syndróm cievného postihnutia mozgového kmeňa | 3,4 | 2,3 |
| G02.1 | Meningitída pri mykózach zatriedených inde | 3,4 | 3,4 | G46.4 | Syndróm cievného postihnutia mozočka | 3,4 | 2,3 |
| G02.8 | Meningitída pri iných bliž.urč.infekč.a parazit.chor.z.i. | 3,4 | 3,4 | G52.7 | Porucha viacerých hlavových nervov | 4 | 4 |
| G03.0 | Nehnisová meningitída | 3,4 | 3,4 | G53.1 | Obma viac.hlavových nervov pri inf.a paraz.chor.z.i | 4 | 4 |
| G03.1 | Chronická meningitída | 3,4 | 3,4 | G53.2 | Obma viacerých hlav.nervov pri sarkoidóze | 4 | 4 |
| G03.2 | Benígna recidivujúca meningitída [Mollaretova] | 3,4 | 3,4 | G53.3 | Obma viacerých hlav.nervov pri nád.chor. | 4 | 4 |
| G03.8 | Meningitída zapríčinená inými bliž.urč.príčinami | 3,4 | 3,4 | G54.1 | Poškodenie plexus lumbosacralis | 4 | 4 |
| G03.9 | Meningitída, bližšie neurčená | 3,4 | 3,4 | G55.1 | Kompresia nerv.koreňov a spletí pri pošk.medzistav.plat. | 4 | 4 |
| G04.0 | Akútna diseminovaná encefalitída | 3,4 | 3 | G55.2 | Kompresia nerv.koreňov a spletí pri spondylóze | 4 | 4 |
| G04.1 | Tropická spastická paraplégia | 3,4 | 3 | G61.0 | Guillainov-Barrého syndróm | 2 | 2 |
| G04.2 | Baktériová meningoencefalitída a meningoencefalitída, n.i. | 3,4 | 3 | G70.0 | Myasthenia gravis | 2,3,4 | 1,2,3,4 |
| G04.8 | Iná encefalitída, myelitída a encefalomyelitída | 3,4 | 3 | G70.2 | Vrodená a vývinová myasténia | 2,3,4 | 1,2,3,4 |
| G04.9 | Encefalitída, myelit.a encefalomyelit., b.n. | 3,4 | 3 | G70.8 | Iná myoneurálna porucha, bližšie určená | 4 | 4 |
| G05.0 | Encefalitída, myelitída a encefalomyelit.pri bakt.chor.z.i. | 3,4 | 3,4 | G71.0 | Svalová dystrofia | 2,3,4 | 1,2,3,4 |
| G05.1 | Encefalitída, myelitída a encefalomyelit.pri vír.chor.z.i. | 3,4 | 3,4 | G71.1 | Myotonická porucha | 4 | 4 |
| G05.2 | Encefalitída, myelit.a encefalomyelit.pri i.inf.a paraz.chor.z.i. | 3,4 | 3,4 | G71.2 | Vrodená myopatia | 2,3,4 | 1,2,3,4 |
| G05.8 | Encefalitída, myelitída a encefalomyelit.pri i.chor.z.i. | 3,4 | 3,4 | G71.3 | Mitochondriová myopatia, nezatriedená inde | 2,3 | 1,2,3 |
| G06.0 | Intrakraniálny absces a granulóm | 3,4 | 3,4 | G71.8 | Iná primárna choroba svalov | 2,3 | 1,2,3 |
| G06.1 | Intraspinálny absces a granulóm | 3,4 | 3,4 | G71.9 | Primárna choroba svalov, bližšie neurčená | 2,3,4 | 1,2,3,4 |
| G06.2 | Extradurálny a subdurálny absces, bližšie neurčený | 3,4 | 3,4 | G72.0 | Myopatia zapríčinená liekmi | 3,4 | 3 |
| G07 | Intrakran.a intrasp.in.absces a granulóm pri chor.z.i. | 3,4 | 3,4 | G72.1 | Alkoholová myopatia | 3,4 | 3 |
| G08 | Intrakran.a intrasp.in.flebitída a tromboflebitída | 1,2,4 | 2,4 | G72.2 | Myopatia zapríčinená inými toxickými látkami | 3,4 | 3 |
| G12.0 | Detská spinálna svalová atrofia, typ I | 2,3,4 | 1,2,3,4 | G72.4 | Zápalová myopatia, nezatriedená inde | 2,3 | 1,2,3 |
| G12.1 | Iná zdedená spinálna svalová atrofia | 2,3,4 | 1,2,3,4 | G73.0 | Myastenický syndróm pri endokrinných chorobách | 2,3 | 1,2,3 |
| G12.2 | Choroba motorického neurónu | 2,3 | 1,2,3 | | | | |
| G12.8 | Iná spinálna svalová atrofia a príbuzný syndróm | 2,3,4 | 1,2,3,4 | | | | |

| ICD | Text | OP. CCL | Med. CCL | ICD | Text | OP. CCL | Med. CCL |
|--------|--|---------|----------|--------|--|---------|----------|
| G73.1 | Eatonov-Lambertov myastenický syndróm (C00-D48†) | 2,3 | 1,2,3 | G82.41 | Spast.tetrap.a tetrapl.akút.nekomp.prieč.poš.miechy neur.pôv. | 2,4 | 2,3 |
| G73.2 | Iný myastenický synd. pri nádorovej chor. | 2,3 | 1,2,3 | G82.42 | Spast.tetrap.a tetrapl.chron.komplet.prieč.poš.miechy | 2,4 | 2,3,4 |
| G73.3 | Myastenický syndróm pri iných chor.z.i. | 2,3 | 1,2,3 | G82.43 | Spast.tetrap.a tetrapl.chron.nekomplet.prieč.poš.miechy | 2,4 | 2,3 |
| G73.6 | Myopatia pri metabolických chorobách | 3,4 | 3 | G82.49 | Spastická tetraparéza a tetraplégia, bližšie neurč. | 2,4 | 2,3,4 |
| G80.0 | Spastická tetraplegická detská mozgová obrna | 2,4 | 2,3 | G82.50 | Tetrapa.a tetrapl.b.n.akút.komplet.prieč.poš.miechy neur.pôv. | 2,4 | 2,3,4 |
| G80.1 | Spastická diplegická detská mozgová obrna | 2,4 | 2,3 | G82.51 | Tetrapa.a tetrapl.b.n.akút.nekompl..prieč.poš.miechy netr.pôv. | 2,4 | 2,3 |
| G80.2 | Spastická hemiplegická detská mozgová obrna | 2,4 | 2,3 | G82.52 | Tetrapar.a tetrapl.b.n.chron.komplet.prieč.poš.miechy | 2,4 | 2,3,4 |
| G80.3 | Dyskinetická detská mozgová obrna | 2,4 | 2,3 | G82.53 | Tetrapar.a tetrapl.b.n.chron.nekomplet.prieč.poš.miechy | 2,4 | 2,3 |
| G80.4 | Ataktická detská mozgová obrna | 2,4 | 2,3 | G82.59 | Tetraparéza a tetraplégia, bližšie neurčená | 2,4 | 2,3,4 |
| G80.8 | Iná detská mozgová obrna | 2,4 | 2,3 | G83.0 | Diparéza a diplégia horných končatín | 2,3,4 | 1,2,3,4 |
| G80.9 | Detská mozgová obrna, bližšie neurčená | 2,4 | 2,3 | G83.1 | Monoparéza a monoplégia dolnej končatiny | 4 | 4 |
| G81.0 | Chabá hemiparéza a hemiplégia | 2,3 | 1,2,3 | G83.2 | Monoparéza a monoplégia hornej končatiny | 4 | 4 |
| G81.1 | Spastická hemiparéza a hemiplégia | 2,3 | 1,2,3 | G83.3 | Monoparéza a monoplégia, bližšie neurčená | 4 | 4 |
| G81.9 | Hemiparéza a hemiplégia, bližšie neurčená | 2,3 | 1,2,3 | G83.40 | Syndróm cauda equina, kompletný | 2,3,4 | 1,2,3,4 |
| G82.00 | Chabá parapar.a parapl., ak.komplet.prieč.poš.miechy n.pôv. | 2,4 | 2,3 | G83.41 | Syndróm cauda equina, nekompletný | 2,3,4 | 1,2,3,4 |
| G82.01 | Chabá parapar.parapl.akút.nekompet.prieč.poš.miechy n.pôv. | 2,4 | 2,3 | G83.49 | Syndróm cauda equina, bližšie neurčený | 2,3,4 | 1,2,3,4 |
| G82.02 | Chabá parapar.a parapl., chron.komplet.prieč.pošk.miechy | 2,4 | 2,3 | G83.80 | Locked-in syndróm | 2,3 | 1,2,3 |
| G82.03 | Chabá parapar.a parapl., chron.nekomplet.prieč.pošk.miechy | 2,4 | 2,3 | G83.88 | Iný paralytický syndróm, bližšie určený | 2,3 | 1,2,3 |
| G82.09 | Chabá paraparéza a paraplégia, bližšie neurčená | 2,4 | 2,3 | G91.1 | Obštrukčný hydrocefalus | 2,3,4 | 1,2,3,4 |
| G82.10 | Spast.parapar.a parapl., ak.komplet.prieč.poš.miechy neur.pôv. | 2,4 | 2,3 | G91.20 | Idiopatický normotenzný hydrocefalus | 2,3,4 | 1,2,3,4 |
| G82.11 | Spast.parapar.a parapl.ak.nekomplet.prieč.poš.miechy neur.pôv. | 2,4 | 2,3 | G91.21 | Sekundárny normotenzný hydrocefalus | 2,3,4 | 1,2,3,4 |
| G82.12 | Spast.parapar.a parapl., chron.komplet.prieč.pošk.miechy | 2,4 | 2,3 | G91.29 | Normotenzný hydrocefalus, bližšie neurčený | 2,3,4 | 1,2,3,4 |
| G82.13 | Spast.parapar.a parapl., chron.nekomplet.prieč.pošk.miechy | 2,4 | 2,3 | G91.3 | Pourazový hydrocefalus, bližšie neurčený | 2,3,4 | 1,2,3,4 |
| G82.19 | Spastická paraparéza a paraplégia, bližšie neurčená | 2,4 | 2,3 | G91.8 | Iný hydrocefalus | 2,3,4 | 1,2,3,4 |
| G82.20 | Parapar.a parapl.b.n.akút.komplet.prieč.poš.miechy neur.pôv. | 2,4 | 2,3 | G91.9 | Hydrocefalus, bližšie neurčený | 2,3,4 | 1,2,3,4 |
| G82.21 | Parapar.a parapl.b.n.akút.nekomplet.prieč.poš.miechy neur.pôv. | 2,4 | 2,3 | G92 | Toxická encefalopatia | 3,4 | 3 |
| G82.22 | Parapar.a parapl.bliž.neu.chron.komplet.prieč.poš.miechy | 2,4 | 2,3 | G93.1 | Anoxické poškodenie mozgu, nezatriedené inde | 2,3 | 1,2,3 |
| G82.23 | Parapar.a parapl.bliž.neu.chron.nekomplet.prieč.poš.miechy | 2,4 | 2,3 | G94.0 | Hydrocefalus pri infekčných a parazitových chor.z.i | 2,3,4 | 1,2,3,4 |
| G82.29 | Paraparéza a paraplégia, bližšie neurčená | 2,4 | 2,3 | G94.1 | Hydrocefalus pri nádorovej chorobe (C00-D48†) | 2,3,4 | 1,2,3,4 |
| G82.30 | Chabá tetrap.a tetrapl.akút.komplet.prieč.poš.miechy neur.pôv. | 2,4 | 2,3,4 | G94.2 | Hydrocefalus pri iných chorobách zatriedených inde | 2,3,4 | 1,2,3,4 |
| G82.31 | Chabá tetrap.a tetrapl.akút.nekompl.prieč.poš.miechy neur.pôv. | 2,4 | 2,3 | G95.1 | Cievna myelopatia | 4 | 4 |
| G82.32 | Chabá tetrap.a tetrapl.chron.komplet.prieč.poš.miechy | 2,4 | 2,3,4 | G95.2 | Kompresia miechy, bližšie neurčená | 4 | 4 |
| G82.33 | Chabá tetrap.a tetrapl.chron.nekomplet.prieč.poš.miechy | 2,4 | 2,3 | G95.9 | Choroba miechy, bližšie neurčená | 4 | 4 |
| G82.39 | Chabá tetraparéza a tetraplégia, bližšie neurčená | 2,4 | 2,3,4 | G96.0 | Presakovanie mozgovomiechového moku | 1,3,4 | 3,4 |
| G82.40 | Spast.tetrap.a tetrapl.akút.komplet.prieč.poš.miechy neur.pôv. | 2,4 | 2,3,4 | G97.0 | Presakovanie mozgovomiechového moku po spinálnej punkcii | 1,3,4 | 1,3,4 |
| | | | | G97.1 | Iná reakcia na spinálnu a lumbálnu punkciu | 1,3,4 | 1,3 |
| | | | | G97.2 | Vnútroľbovová hypotenzia po komorovom skrate | 1,2,3 | 1,2 |
| | | | | G97.80 | Pooperačná likvorea | 3,4 | 3 |
| | | | | H13.3 | Očný pemfigoid (L12.-†) | 4 | 4 |
| | | | | H16.8 | Iná keratitída | 4 | 4 |
| | | | | H19.1 | Herpetická keratitída a keratokonjunktivitída (B00.5†) | 4 | 4 |
| | | | | H19.2 | Keratitída a keratokonjunkt.pri i.infekč.a parazit.chor.z.i. | 4 | 4 |
| | | | | H32.0 | Chorioretinitída pri infekčných a parazit.chorobách z.i. | 4 | 4 |
| | | | | H47.1 | Opuch papily zrakového nervu, bližšie neurčený | 1,2 | 2 |
| | | | | H58.0 | Anomálie funkcie zrenice pri chor.z.i. | 4 | 4 |
| | | | | H59.0 | Afakická bulózna keratopatia po operácii katarakty | 2,3,4 | 2,3 |
| | | | | H60.1 | Flegmóna vonkajšieho ucha | 2 | 2 |

| ICD | Text | OP. CCL | Med. CCL | ICD | Text | OP. CCL | Med. CCL |
|--------|--|---------|----------|--------|--|---------|----------|
| H62.1 | Zápal vonkajšieho ucha pri vírusových chor.z.i. | 4 | 4 | I21.2 | Akútny transmuralny IM na i.miestach | 3,4 | 2,3 |
| H66.0 | Akútny hnisový zápal stredného ucha | 4 | 4 | I21.3 | Akútny transmuralny IM bez bliž.urč.miesta | 3,4 | 2,3 |
| H95.0 | Recidivujúci cholesteatóm v dutine po mastoidektómii | 2 | 2 | I21.4 | Akútny subendokardiálny infarkt myokardu | 3,4 | 2,3 |
| H95.1 | Iná choroba po mastoidektómii | 2 | 2 | I21.9 | Akútny infarkt myokardu,bližšie neurčený | 3,4 | 2,3 |
| H95.8 | Iná choroba ucha a hlávkového výbežku | 2 | 2 | I23.0 | Hemoperikard ako akútna komplikácia po akútnom IM | 2,3,4 | 3 |
| H95.9 | Choroba ucha a hlávkového výbežku po lek.výk.,b.n. | 2 | 2 | I23.1 | Defekt predsieň.septa ako akútna komplikácia po akútnom IM | 1,2,3 | 1,2 |
| I05.0 | Mitrálna stenóza | 2,3 | 2,3 | I23.2 | Defekt komorovej priehradky ako akútna komplikácia po akút. IM | 1,2,3 | 1,2 |
| I05.1 | Reumatická mitrálna insuficiencia | 2,3 | 2,3 | I23.3 | Ruptúra srdc.steny bez hemoperik.ako akútna kompl.po akút.IM | 1,2,3 | 1,2 |
| I05.2 | Mitrálna stenóza s insuficienciou | 2,3 | 2,3 | I23.4 | Ruptúra chordae tendineae ako akútna kompl.po akút.IM | 2,3 | 2,3 |
| I05.8 | Iná choroba mitrálnej chlopne | 2,3 | 2,3 | I23.5 | Ruptúra papilárneho svalu ako akútna kompl.po akút.IM | 2,3 | 2,3 |
| I06.0 | Reumatická aortálna stenóza | 2,3 | 2,3 | I23.6 | Trombóza predsieň,preds.uška a komory ako ak.kompl.po ak.IM | 1,2,3 | 1,2 |
| I06.1 | Reumatická aortálna insuficiencia | 2,3 | 2,3 | I23.8 | Iná akútna komplikácia po akútnom infarkte myokardu | 1,2,3 | 1,2 |
| I06.2 | Reumatická aortálna stenóza s insuficienciou | 2,3 | 2,3 | I24.0 | Koronárna trombóza,ktorá nevedla k IM | 2 | 2,3 |
| I06.8 | Iná reumatická choroba aortálnej chlopne | 2,3 | 2,3 | I24.1 | Poinfarktový syndróm | 1,2,3 | 1,2 |
| I07.0 | Trikuspidálna stenóza | 2,3 | 2,3 | I24.8 | Iná forma akútnej ischemickej choroby srdca | 2 | 2,3 |
| I07.1 | Trikuspidálna insuficiencia | 1,2,3 | 1,2,3 | I26.0 | Pľúcna embólia s prejavmi akútneho cor pulmonale | 3,4 | 2,3,4 |
| I07.2 | Trikuspidálna stenóza s insuficienciou | 2,3 | 2,3 | I26.9 | Pľúcna embólia bez prejavov akútneho cor pulmonale | 3,4 | 2,3,4 |
| I07.8 | Iná choroba trikuspidálnej chlopne | 2,3 | 2,3 | I27.0 | Primárna pľúcna hypertenzia | 1,2,3,4 | 1,2,4 |
| I08.0 | Kombinovaná choroba mitrálnej a aortálnej chlopne | 2,3 | 2,3 | I27.1 | Srdcová choroba pri kyfoskolióze | 4 | 4 |
| I08.1 | Súčasná choroba mitrálnej a trikuspid.chlopne | 1,2,3 | 1,2,3 | I27.20 | Pľúcna hypertenzia pri chron.tromboembol.chor. | 4 | 4 |
| I08.2 | Súčasná choroba aortálnej a trikuspid.hlopne | 2,3 | 2,3 | I27.28 | Iná bližšie určená sekundárna pľúcna hypertenzia | 4 | 4 |
| I08.3 | Súčasná choroba mitrálnej,aortál.a trikuspidál.chlopne | 2,3 | 2,3 | I27.8 | Iné srdcovopľúcne choroby,bližšie určené | 4 | 4 |
| I08.8 | Iná choroba viacerých chlopní | 2,3 | 2,3 | I27.9 | Srdcovopľúcna choroba,bližšie neurčená | 4 | 4 |
| I08.9 | Choroba viacerých chlopní,bližšie neurčená | 1,2,3 | 1,2,3 | I30.0 | Akútna nešpecifická idiopatická perikarditída | 1,2,3,4 | 1,2,4 |
| I09.0 | Reumatická myokarditída | 1,2,3 | 1,2 | I30.1 | Infekčná perikarditída | 2,3,4 | 3,4 |
| I09.1 | Reumatická choroba endokardu bliž.neurč.chlopne | 2,3 | 2,3 | I30.8 | Iná forma akútnej perikarditídy | 2,3,4 | 3,4 |
| I09.8 | Iná reumatická choroba srdca,bližšie určená | 1,2,3 | 1,2 | I30.9 | Akútna perikarditída,bližšie neurčená | 1,2,3,4 | 1,2,4 |
| I11.00 | Hyperten.chor.srdca s kong.srdc.zlyh.bez prej.hypert.kríz. | 1,2 | 1,2,3 | I31.0 | Chronická adhezívna perikarditída | 2,3,4 | 3 |
| I11.01 | Hyperten.chor.srdca s kong.srdc.zlyh.s hypert.kríz. | 1,2 | 1,2,3 | I31.1 | Chronická konstriktívna perikarditída | 2,3,4 | 3 |
| I12.00 | Hypertenzná chor.oblič.s obličk.zlyh.bez prej.hypert.krízy | 4 | 4 | I31.2 | Hemoperikard,nezatriedený inde | 2,3,4 | 3,4 |
| I12.01 | Hypertenzná chor.oblič.s obličk.zlyh.s prej.hypert.krízy | 4 | 4 | I31.3 | Perikardový výpotok (nezápalový) | 1,2,3,4 | 1,2,4 |
| I12.90 | Hypertenzná chor.oblič.bez obličk.zlyh.bez prej.hypert.krízy | 4 | 4 | I31.8 | Iná choroba perikardu,bližšie určená | 4 | 4 |
| I12.91 | Hypertenzná chor.oblič.bez obličk.zlyh.s prej.hypert.krízy | 4 | 4 | I31.9 | Choroba perikardu,bližšie neurčená | 4 | 4 |
| I13.00 | Hypert.chor.srd.a oblič.s kong.srdc.zlyh.,b.hyper.kríz. | 1,2 | 2,3 | I32.0 | Perikarditída pri bakt.chor.z.i. | 1,2,3,4 | 1,2,4 |
| I13.01 | Hypert.chor.srd.a oblič.s kong.srdc.zlyh.,s hyper.kríz. | 1,2 | 2,3 | I32.1 | Perikarditída pri i.infekč.a parazit.chor.z.i. | 1,2,3,4 | 1,2,4 |
| I13.20 | Hypert.chor.srdca a oblič.s kong.srdc.a obl.zlyh.bez hyp.kríz. | 1,2 | 2,3 | I32.8 | Perikarditída pri iných chorobách zatriedených inde | 1,2,3,4 | 1,2,4 |
| I13.21 | Hypert.chor.srdca a oblič.s kong.srdc.a obl.zlyh.s hyp.kríz. | 1,2 | 2,3 | I33.0 | Akútna a subakútna infekčná endokarditída | 3,4 | 3,4 |
| I15.00 | Renovaskulárna artér.hypertenzia bez hypert.krízy | 4 | 4 | I33.9 | Akútna endokarditída,bližšie neurčená | 3,4 | 3,4 |
| I15.01 | Renovaskulárna artér.hypertenzia s hypert.krízou | 4 | 4 | I34.1 | Prolaps mitrálnej chlopne | 2,3 | 2,3 |
| I15.10 | Sekundár.artér.hypert.zapr.i.chor.oblič.bez hypert.krízy | 4 | 4 | I34.2 | Nereumatická mitrálna stenóza | 1 | 1 |
| I15.11 | Sekundár.artér.hypert.zapr.i.chor.oblič.s hypert.krízou | 4 | 4 | I34.80 | Nereumatická mitrálna stenóza a insuficiencia | 1,2 | 1,2 |
| I20.0 | Nestabilná angina pectoris | 2 | 2,3 | I35.0 | Aortálna stenóza | 2,3 | 2,3 |
| I20.1 | Angina pectoris s dokázaným krčom vencovitých tepien | 2 | 2,3 | I35.2 | Aortálna stenóza s aortálnou insuficienciou | 2,3 | 2,3 |
| I21.0 | Akútny transmuralny infarkt myokardu prednej steny | 3,4 | 2,3 | I36.0 | Nereumatická trikuspidálna stenóza | 2,3 | 2,3 |
| I21.1 | Akútny transmuralny infarkt myokardu spodnej steny | 3,4 | 2,3 | I36.1 | Nereumatická trikuspidálna insuficiencia | 2,3 | 2,3 |
| | | | | I36.2 | Nereumatická trikuspidálna stenóza a insuficiencia | 2,3 | 2,3 |
| | | | | I36.8 | Iná nereumatická choroba trikuspidálnej chlopne | 2,3 | 2,3 |
| | | | | I37.0 | Pulmonálna stenóza | 2,3 | 2,3 |
| | | | | I37.1 | Pulmonálna insuficiencia | 2,3 | 2,3 |
| | | | | I37.2 | Pulmonálna stenóza a insuficiencia | 2,3 | 2,3 |
| | | | | I37.8 | Iná choroba pulmonálnej chlopne | 2,3 | 2,3 |
| | | | | I39.0 | Choroba mitrál.chlopne pri chorobách zatried.i. | 2,3,4 | 2,3,4 |

| ICD | Text | OP. CCL | Med. CCL | ICD | Text | OP. CCL | Med. CCL |
|--------|--|---------|----------|--------|--|---------|----------|
| 139.1 | Choroba aortál.chlopne pri chorobách zatried.i. | 2,3,4 | 2,3,4 | 148.9 | Fibrilácia a flater predsieni,blížšie neurčené | 4 | 4 |
| 139.2 | Choroba trikuspid.chlopne pri chorobách zatried.i. | 2,3,4 | 2,3,4 | 149.0 | Flater komôr a fibrilácia komôr | 2,3,4 | 1,2,3,4 |
| 139.3 | Choroba pulmonál.chlopne pri chorobách zatried.i. | 2,3,4 | 2,3,4 | 150.00 | Primárne zlyhávanie pravej komory | 2,3,4 | 1,2,3,4 |
| 139.4 | Choroba viacerých chlopni pri chorobách.zatried.i. | 2,3,4 | 2,3,4 | 150.01 | Sekundárne zlyhávanie pravej komory | 2,3,4 | 1,2,3,4 |
| 139.8 | Endokarditída n.chlopne pri chor.z.i. | 4 | 4 | 150.11 | Zlyhávanie ľavej komory: bez ťažkostí | 4 | 4 |
| 140.0 | Infekčná myokarditída | 1,2,3,4 | 1,2,4 | 150.12 | Zlyhávanie ľavej komory,s ťažkosťami pri veľkom zaťažení | 4 | 4 |
| 140.1 | Izolovaná myokarditída | 1,2,3 | 1,2 | 150.13 | Zlyhávanie ľavej komory,s ťažkosťami pri malom zaťažení | 2,3,4 | 1,2,3,4 |
| 140.8 | Iná akútna myokarditída | 1,2,3 | 1,2 | 150.14 | Zlyhávanie ľavej komory,s ťažkosťami v pokoji | 2,3,4 | 2,3,4 |
| 140.9 | Akútna myokarditída, bližšie neurčená | 1,2,3,4 | 1,2,4 | 150.19 | Zlyhávanie ľavej komory,blížšie neurčené | 4 | 4 |
| 141.0 | Myokarditída pri baktériových chor.z.i. | 1,2,3,4 | 1,2,4 | 150.9 | Zlyhávanie srdca,blížšie neurčené | 4 | 4 |
| 141.1 | Myokarditída pri vírusových chor.z.i. | 1,2,3,4 | 1,2,4 | 151.0 | Získaný defekt srdcovej priehradky | 1,2,3 | 1,2 |
| 141.2 | Myokarditída pri i.infekč.a parazit.chorobách zatried.i. | 1,2,3,4 | 1,2,4 | 151.1 | Ruptúra chordae tendineae,nezatriedená inde | 1,2,3,4 | 2,3,4 |
| 141.8 | Myokarditída pri iných chorobách zatriedených inde | 1,2,3,4 | 1,2,4 | 151.2 | Ruptúra papilárneho svalu,nezatriedená inde | 1,2,3,4 | 2,3,4 |
| 142.0 | Dilatačná kardiomyopatia | 1,2,3 | 1,2 | 151.3 | Vnútrošrdcová trombóza,nezatriedená inde | 1,2,3 | 1,2 |
| 142.1 | Obštrukčná hypertrofická kardiomyopatia | 1,2,3 | 1,2 | 151.4 | Myokarditída,blížšie neurčená | 4 | 4 |
| 142.2 | Iná hypertrofická kardiomyopatia | 1,2,3 | 1,2 | 151.5 | Degenerácia myokardu | 4 | 4 |
| 142.3 | Endomyokardová(eozinofilná)choroba | 1,2,3 | 1,2 | 151.6 | Srdcovocievna choroba,blížšie neurčená | 4 | 4 |
| 142.4 | Endokardová fibroelastóza | 1,2,3 | 1,2 | 160.0 | Subarachnoidálne krvácanie z karotického sifónu a bifurkácie | 3,4 | 2,3,4 |
| 142.5 | Iná reštrikčná kardiomyopatia | 1,2,3 | 1,2 | 160.1 | Subarachnoidálne krvácanie z a.cerebri media | 3,4 | 2,3,4 |
| 142.6 | Alkoholová kardiomyopatia | 1,2,3 | 1,2 | 160.2 | Subarachnoidálne krvácanie z a.communicans anterior | 3,4 | 2,3,4 |
| 142.7 | Kardiomyopatia zapríč.liekmi a inými vpnk.faktormi | 1,2,3 | 1,2 | 160.3 | Subarachnoidálne krvácanie z a.communicans posterior | 3,4 | 2,3,4 |
| 142.80 | Arytmogénna pravokomorová kardiomyopatia [ARVCM] | 1,2,3 | 1,2 | 160.4 | Subarachnoidálne krvácanie z a.basilaris | 3,4 | 2,3,4 |
| 142.88 | Iná kardiomyopatia | 1,2,3 | 1,2 | 160.5 | Subarachnoidálne krvácanie z a.vertebralis | 3,4 | 2,3,4 |
| 142.9 | Kardiomyopatia,blížšie neurčená | 1,2,3 | 1,2 | 160.6 | Subarachnoidálne krvácanie z i.intrakraniálnych tep. | 3,4 | 2,3,4 |
| 143.0 | Kardiomyopatia pri infekč.a parazit.chorobách zatried.i. | 1,2,3 | 1,2 | 160.7 | Subarachnoidálne krvácanie z intrakraniálnej tepny,b.n. | 3,4 | 2,3,4 |
| 143.1 | Kardiomyopatia pri metabolických chorobách | 2,3,4 | 3,4 | 160.8 | Iné subarachnoidálne krvácanie | 3,4 | 2,3,4 |
| 143.2 | Kardiomyopatia pri poruchách výživy | 2,3,4 | 3,4 | 160.9 | Subarachnoidálne krvácanie,blížšie neurčené | 3,4 | 2,3,4 |
| 143.8 | Kardiomyopatia pri iných chorobách zatried.i. | 1,2,3 | 1,2 | 161.0 | Vnútromozgové krvácanie do mozg.hemisféry,subkortikálne | 3,4 | 2,3,4 |
| 144.0 | Atrioventrikulárna blokáda 1. stupňa | 4 | 4 | 161.1 | Vnútromozgové krvácanie do hemisféry,kortikálne | 3,4 | 2,3,4 |
| 144.1 | Atrioventrikulárna blokáda 2. stupňa | 2,3,4 | 1,2,3,4 | 161.2 | Vnútromozgové krvácanie do hemisféry,blížšie neurčené | 3,4 | 2,3,4 |
| 144.2 | Atrioventrikulárna blokáda 3. stupňa | 2,3,4 | 1,2,3,4 | 161.3 | Vnútromozgové krvácanie do mozgového kmeňa | 3,4 | 2,3,4 |
| 144.3 | Iná a bližšie neurčená atrioventrikulárna blokáda | 4 | 4 | 161.4 | Vnútromozgové krvácanie do mozočka (cerebela) | 3,4 | 2,3,4 |
| 144.4 | Ľavá predná fascikulárna blokáda | 4 | 4 | 161.5 | Vnútromozgové vnútrokomorové (intraventrik.)krvácanie | 3,4 | 2,3,4 |
| 144.5 | Ľavá zadná fascikulárna blokáda | 4 | 4 | 161.6 | Vnútromozgové krvácanie na viacerých miestach | 3,4 | 2,3,4 |
| 144.6 | Iná a bližšie neurčená fascikulárna blokáda | 4 | 4 | 161.8 | Iné vnútromozgové krvácanie | 3,4 | 2,3,4 |
| 144.7 | Blokáda ľavého ramienka,blížšie neurčená | 4 | 4 | 161.9 | Vnútromozgové krvácanie,blížšie neurčené | 3,4 | 2,3,4 |
| 145.0 | Pravá fascikulárna blokáda | 4 | 4 | 162.00 | Subdurálne krvácanie (neúrazové),akútne | 3,4 | 2,3,4 |
| 145.1 | Iná a bližšie neurčená blokáda pravého ramienka | 4 | 4 | 162.01 | Subdurálne krvácanie (neúrazové),subakútne | 3,4 | 2,3,4 |
| 145.2 | Bifascikulárna blokáda | 4 | 4 | 162.02 | Subdurálne krvácanie (neúrazové),chronické | 3,4 | 2,3,4 |
| 145.3 | Trifascikulárna blokáda | 2,3,4 | 1,2,3,4 | 162.09 | Subdurálne krvácanie (neúrazové),blížšie neurčené | 3,4 | 2,3,4 |
| 145.4 | Nešpecifická intraventrikulárna blokáda | 4 | 4 | 162.1 | Neúrazové extradurálne krvácanie | 3,4 | 2,3,4 |
| 145.5 | Iná bližšie určená srdcová blokáda | 2,3,4 | 1,2,3,4 | 162.9 | Intrakraniálne krvácanie(neúrazové),b.n. | 3,4 | 2,3,4 |
| 145.6 | Syndróm preexcitácie | 2,3,4 | 1,2,3,4 | 163.0 | Mozgový infarkt,zaprič.trombózou priv.mozg.tep. | 3,4 | 2,3,4 |
| 145.8 | Iné poruchy vedenia srdcových vzruchov,b.u. | 2,3,4 | 2,3,4 | 163.1 | Mozgový infarkt,zaprič.embolizáciou priv.mozg.tep. | 3,4 | 2,3,4 |
| 145.9 | Porucha vedenia srdcových vzruchov,b.n. | 2,3,4 | 1,2,3,4 | 163.2 | Mozgový infarkt,zaprič.blíž.n.záverom/zúž.prívod.mozg.tep. | 3,4 | 2,3,4 |
| 146.0 | Zastavenie srdca s úspešnou resuscitáciou | 2,3,4 | 1,2,3,4 | 163.3 | Mozgový infarkt,zaprič.trombózou mozg.tep. | 3,4 | 2,3,4 |
| 146.1 | Náhla srdcová smrť, takto opísaná | 4 | 4 | 163.4 | Mozgový infarkt,zaprič.embóliou mozg.tep. | 3,4 | 2,3,4 |
| 146.8 | Zlyhanie srdca | 4 | 4 | | | | |
| 146.9 | Zastavenie srdca,blížšie neurčené | 4 | 4 | | | | |
| 147.1 | Supraventrikulárna tachykardia | 2,3,4 | 2,3,4 | | | | |
| 147.2 | Komorová tachykardia | 2,3,4 | 1,2,3,4 | | | | |
| 147.9 | Paroxyzmálna tachykardia,blížšie neurčená | 2,3,4 | 1,2,3,4 | | | | |
| 148.0 | Fibrilácia predsieni,paroxyzmálna | 4 | 4 | | | | |
| 148.1 | Fibrilácia predsieni,perzistentná | 4 | 4 | | | | |
| 148.2 | Fibrilácia predsieni,permanetná | 4 | 4 | | | | |
| 148.3 | Flater predsieni,typický | 4 | 4 | | | | |
| 148.4 | Flater predsieni,atypický | 4 | 4 | | | | |

| ICD | Text | OP. CCL | Med. CCL | ICD | Text | OP. CCL | Med. CCL |
|--------|--|---------|----------|--------|---|---------|----------|
| 163.5 | Mozgový infarkt,zaprič.b.n.uzáverom/zúž.mozg.tep. | 3,4 | 2,3,4 | 171.8 | Aneurizma aorty bez bliž.urč.miesta,s ruptúrou | 3,4 | 3,4 |
| 163.6 | Mozgový infarkt,zaprič.nehnis.mozg.žilovou trombózou | 1,2,4 | 2,4 | 171.9 | Aneurizma aorty bez bliž.urč.miesta,bez prejavov ruptúry | 4 | 4 |
| 163.8 | Iný mozgový infarkt | 3,4 | 2,3,4 | 172.0 | Aneurizma a disekcia krčnej tepny | 3,4 | 3 |
| 163.9 | Mozgový infarkt,blížšie neurčený | 1,2,4 | 2,4 | 173.0 | Raynaudov syndróm | 1,2 | 1,2 |
| 164 | Cievna mozgová príhoda bliž.neurč.ako krvácanie/infarkt | 3,4 | 1,2,3 | 173.8 | Iné choroby periférnych ciev,blížšie určené | 4 | 4 |
| 165.0 | Uzáver a zúženie a.vertebralis | 2,3,4 | 1,2,3,4 | 173.9 | Choroba periférnych ciev,blížšie neurčená | 4 | 4 |
| 165.1 | Uzáver a zúženie a.basilaris | 2,3,4 | 1,2,3,4 | 174.0 | Embólia a trombóza brušnej aorty | 2,3,4 | 2,3,4 |
| 165.2 | Uzáver a zúženie a.carotis | 1,2,3,4 | 2,3,4 | 174.1 | Embólia a trombóza i.a bliž.ne.častí aorty | 2,3,4 | 2,3,4 |
| 165.3 | Uzáver a zúženie viac.prívod.mozgových tepien,obojsstranne | 2,3,4 | 1,2,3,4 | 174.2 | Embólia a trombóza tepien horných končatín | 2,3,4 | 2,3,4 |
| 165.8 | Uzáver a zúženie iných prívodných mozgových tepien | 4 | 4 | 174.3 | Embólia a trombóza tepien dolných končatín | 2,3,4 | 2,3,4 |
| 165.9 | Uzáver a zúženie bliž.neur.prívodnej mozgovej tepny | 4 | 4 | 174.4 | Embólia a trombóza tepien končatín,b.n. | 2,3,4 | 2,3,4 |
| 166.0 | Uzáver a zúženie a.cerebri media | 2,3,4 | 2,3,4 | 174.5 | Embólia a trombóza a.iliaca | 2,3,4 | 2,3,4 |
| 166.1 | Uzáver a zúženie a.cerebri anterior | 2,3,4 | 2,3,4 | 174.8 | Embólia a trombóza iných tepien | 2,3,4 | 2,3,4 |
| 166.2 | Uzáver a zúženie a.cerebri posterior | 2,3,4 | 2,3,4 | 174.9 | Embólia a trombóza bližšie neurčenej tepny | 2,3,4 | 2,3,4 |
| 166.3 | Uzáver a zúženie mozočkových tepien | 2,3,4 | 2,3,4 | 177.2 | Ruptúra tepny | 4 | 4 |
| 166.4 | Uzáver a zúženie viac.mozgových tepien,obojsstranne | 2,3,4 | 2,3,4 | 177.5 | Nekróza tepny | 4 | 4 |
| 166.8 | Uzáver a zúženie inej mozgovej tepny | 2,3,4 | 2,3,4 | 179.0 | Aneurizma aorty pri chorobách zatriedených inde | 4 | 4 |
| 166.9 | Uzáver a zúženie bližšie neurčenej mozgovej tepny | 4 | 4 | 179.2 | Periférna angiopatia pri chor.z.i. | 4 | 4 |
| 167.0 | Disekcia mozgovej tepny | 1,2 | 1,2 | 180.00 | Hlb.žil.tromb.žilDK-vyprovokovaná | 2,3,4 | 1,2,3,4 |
| 167.10 | Získaná mozgová aneurizma | 4 | 4 | 180.01 | Hlb.žil.tromb.žilDK-vyprov.,prox.(odv.poplitea nahor) | 2,3,4 | 1,2,3,4 |
| 167.11 | Získaná mozgová artériovenózna fistula | 3,4 | 2,3,4 | 180.02 | Hlb.žil.tromb.žilDK-vyprov,dist.(infrapopl.ž.+vnútrosvaľ.ž.) | 2,3,4 | 1,2,3,4 |
| 167.4 | Hypertenzná encefalopatia | 2 | 1,2 | 180.10 | Hlb.žil.tromb.žilDK-idiopatická (nevyprovok.) | 2,3,4 | 1,2,3,4 |
| 167.5 | Syndróm moyamoya | 1,2 | 2 | 180.11 | Hlb.žil.tromb.žilDK-idiopat.,prox.(odv.poplitea nahor) | 2,3,4 | 1,2,3,4 |
| 167.6 | Nehnisová trombóza intrakraniálneho žilového systému | 1,2,4 | 2,4 | 180.12 | Hlb.žil.tromb.žilDK-idiopat,dist.(infrapopl.ž.+vnútrosvaľ.ž.) | 2,3,4 | 1,2,3,4 |
| 167.7 | Mozgová arteritída,nezatriedená inde | 1,2,3,4 | 1,2 | 180.2 | Recidív.hlboká žilová tromb.žilDK | 2,3,4 | 1,2,3,4 |
| 167.80 | Vazospazmy pri subarachnoidálnom krvácaní | 3,4 | 2,3 | 180.3 | Hlboká žilová tromb.žilHK | 2,3,4 | 1,2,3 |
| 168.1 | Mozgová arteritída pri infekč.a parazit.chorobách z.i. | 1,2,3,4 | 1,2 | 180.40 | Povrch.flebitída a trombofleb.DK | 1,2,3,4 | 1,2,3 |
| 168.2 | Mozgová arteritída pri iných chorobách .zatried.i. | 1,2,3,4 | 1,2 | 180.41 | Povrch.varikózna trombofleb. | 1,2,3,4 | 1,2,3 |
| 169.0 | Následky subarachnoidálneho krvácania | 1,2,3,4 | 1,2,3 | 180.42 | Povrch.nevarikózna trombofleb. | 1,2,3,4 | 1,2,3 |
| 169.1 | Následky vnútromozgového krvácania | 1,2,3,4 | 1,2,3 | 181 | Trombóza v.portae | 1,2,3,4 | 1,2,3,4 |
| 169.2 | Následky iného neúrazového intrakraniálneho krvácania | 1,2,3,4 | 1,2,3 | 182.0 | Buddov-Chiariho syndróm | 1,2,3,4 | 1,2,3,4 |
| 169.3 | Následky mozgového infarktu | 1,2,3,4 | 1,2,3 | 182.1 | Migrujúca tromboflebitída | 2,3,4 | 2,3 |
| 170.23 | Ateroskleróza končat.tep.s postih.panvy a DK,s ulceráciami | 1,2,3,4 | 1,2,3 | 182.2 | Embólia a trombóza v.cava | 2,3,4 | 2,3,4 |
| 170.24 | Ateroskleróza končat.tep.s postih.panvy a DK,s gangrén. | 1,2,3,4 | 1,2,3 | 182.3 | Embólia a trombóza obličkovej žily | 2,3,4 | 1,2,4 |
| 171.00 | Disekcia aorty bez bliž.urč.miesta bez prej.ruptúry | 3,4 | 3,4 | 182.8 | Embólia a trombóza iných bližšie určených žil | 2,3,4 | 2,3 |
| 171.01 | Disekcia hrudníkovej aorty,bez prejavov ruptúry | 3,4 | 3,4 | 182.9 | Embólia a trombóza bližšie neurčenej žily | 1,2,4 | 1,2 |
| 171.02 | Disekcia brušnej aorty,bez prejavov ruptúry | 3,4 | 3,4 | 183.0 | Varixy dolných končatín s vredom | 1,2,3 | 1,2 |
| 171.03 | Disekcia hrudník.-bruš.aorty,bez prejav.ruptúry | 3,4 | 3,4 | 183.2 | Varixy dolných končatín s vredom a zápalom | 1,2,3 | 1,2 |
| 171.04 | Disekcia aorty bez bliž.urč.miesta,s ruptúrou | 3,4 | 3,4 | 185.0 | Varixy pažeráka s krvácaním | 1,2,3,4 | 2,3,4 |
| 171.05 | Disekcia hrudníkovej aorty,s ruptúrou | 3,4 | 3,4 | 189.1 | Lymfangitída | 4 | 4 |
| 171.06 | Disekcia brušnej aorty,s ruptúrou | 3,4 | 3,4 | 189.8 | Iné neinfekčné chor.lymfatických ciev a lymfat.uzlín,b.u. | 4 | 4 |
| 171.07 | Disekcia hrudníkovo-brušnej aorty,s ruptúrou | 3,4 | 3,4 | 197.0 | Postkardiotomický syndróm | 1,2,3,4 | 1,2,4 |
| 171.1 | Aneurizma hrudníkovej aorty,s ruptúrou | 3,4 | 3,4 | 197.1 | Iná funkčná porucha po operácii srdca | 1,2,3,4 | 1,2,4 |
| 171.2 | Aneurizma hrudníkovej aorty,bez prejavov ruptúry | 4 | 4 | 197.8 | Iná komplikácia obeh.súst.po lekár.výkone,n.i. | 1,2,3,4 | 1,2,3 |
| 171.3 | Aneurizma brušnej aorty,s ruptúrou | 3,4 | 3,4 | 197.9 | Komplikácia obeh.súst.po lekár. výkone,b.n. | 1,2,3 | 1,2 |
| 171.4 | Aneurizma brušnej aorty,bez prejavov ruptúry | 4 | 4 | 198.0 | Kardiovaskulárny syfilis | 4 | 4 |
| 171.5 | Aneurizma hrudníkovo-brušnej aorty,s ruptúrou | 3,4 | 3,4 | 198.1 | Porucha obeh.súst.pri iných infekč.a parazit.chor.z.i. | 4 | 4 |
| 171.6 | Aneurizma hrudník.-bruš.aorty,bez údajov o ruptúre | 4 | 4 | 198.2 | Varixy pažeráka a žalúdka pri chorobách zatried.i.bez krvác. | 3,4 | 1,2,3 |
| | | | | 198.3 | Varixy pažeráka a žalúdka pri chorobách zatried.i.s krvác. | 3,4 | 1,3 |
| | | | | J01.0 | Akútny zápal čelustnej dutiny | 2 | 2 |
| | | | | J01.1 | Akútny zápal čelovej dutiny | 2 | 2 |
| | | | | J01.2 | Akútny zápal čuchovej dutiny | 2 | 2 |
| | | | | J01.3 | Akútny zápal klinovitej dutiny | 2 | 2 |
| | | | | J01.4 | Akútna pansinusitída | 2 | 2 |
| | | | | J01.8 | Iný akútny zápal prínosových dutín | 2 | 2 |
| | | | | J01.9 | Zápal prínosových dutín,blížšie neurčený | 2 | 2 |
| | | | | J05.0 | Akútny obštrukčný zápal hrtana[krup] | 2 | 2 |

CCL

| ICD | Text | OP. CCL | Med. CCL | ICD | Text | OP. CCL | Med. CCL |
|-------|--|---------|----------|--------|--|---------|----------|
| J05.1 | Akútny zápal hrtanovej priklopky[epiglotitída] | 2 | 2 | J21.0 | Akútna bronchiolitída | 4 | 4 |
| J09 | Chríпка zapríč. určitým identifikov. vírusom chrípky | 2,3,4 | 1,2,3,4 | J21.1 | Chríпка zapríč. respirač. syncytiálnym vírusom | 4 | 4 |
| J10.0 | Chríпка zapríč. i. identifikov. vírus chrípky so zápalom pľúc | 2,3,4 | 1,2,3,4 | J21.8 | Akútna bronchiolitída zapríč. i. bližšie neurčená | 4 | 4 |
| J10.1 | Chríпка zapríč. i. identifikov. vírus chrípky s i. respir. prejav. | 2,4 | 2,4 | J21.9 | Akútna bronchiolitída, bližšie neurčená | 4 | 4 |
| J10.8 | Chríпка zapríč. i. identifikov. vírus chrípky s i. prej. | 4 | 4 | J36 | Peritonzilárny absces | 2 | 2 |
| J11.0 | Chríпка zapríč. neidentifikov. vírusom so zápalom pľúc | 2,3,4 | 1,2,3,4 | J38.00 | Obma hlasiviek a hrtana, bližšie neurčená | 2,4 | 2,4 |
| J11.1 | Chríпка zapríč. neidentifikov. vírusom s i. respir. prejav. | 2,4 | 2,4 | J38.01 | Jednostranná čiastočná obma hlasiviek a hrtana | 2 | 2 |
| J11.8 | Chríпка zapríč. neidentifikov. vírusom s i. prejavmi | 4 | 4 | J38.02 | Jednostranná kompletná obma hlasiviek a hrtana | 2,4 | 2,4 |
| J12.0 | Zápal pľúc zapríčinený adenovírusom | 4 | 4 | J38.03 | Obojstranná čiastočná obma hlasiviek a hrtana | 2,4 | 2,4 |
| J12.1 | Zápal pľúc zapríč. respiračným syncytiálnym vírusom | 4 | 4 | J38.4 | Opuch hrtana | 2 | 2 |
| J12.2 | Zápal pľúc zapríčinený vírusom parainfluenzy | 4 | 4 | J38.6 | Stenóza hrtana | 4 | 4 |
| J12.3 | Zápal pľúc zapríčinený ľudským metapneumovírusom | 4 | 4 | J38.7 | Iná choroba hrtana | 4 | 4 |
| J12.8 | Iný vírusový zápal pľúc | 4 | 4 | J39.0 | Retrofaryngový a parafaryngový absces | 2,4 | 2,4 |
| J12.9 | Vírusový zápal pľúc, bližšie neurčený | 4 | 4 | J41.1 | Hlienovohnisová chronická bronchitída | 1,2,3 | 1,2,3 |
| J13 | Zápal pľúc zapríčinený Streptococcus pneumoniae | 2,3,4 | 1,2,3,4 | J41.8 | Zmiešaná jednod. a hlienovohnis. chron. bronchitída | 1,2,3 | 1,2,3 |
| J14 | Zápal pľúc zapríčinený Haemophilus influenzae | 2,3,4 | 1,2,3,4 | J42 | Chronická bronchitída, bližšie neurčená | 1 | 1 |
| J15.0 | Zápal pľúc zapríčinený Klebsiella pneumoniae | 3,4 | 3,4 | J43.0 | MacLeodov syndróm | 2,3 | 1,2,3 |
| J15.1 | Zápal pľúc zapríčinený pseudomonas | 3,4 | 3,4 | J43.1 | Panlobulárny emfyzém | 2,3 | 1,2,3 |
| J15.2 | Zápal pľúc zapríčinený stafylokokom | 3,4 | 3,4 | J43.2 | Centrilobulárny emfyzém | 2,3 | 1,2,3 |
| J15.3 | Zápal pľúc zapríčinený streptokokom skupiny B | 2,3,4 | 1,2,3,4 | J43.8 | Iný emfyzém | 2,3 | 1,2,3 |
| J15.4 | Zápal pľúc zapríčinený iným streptokokom | 2,3,4 | 1,2,3,4 | J43.9 | Emfyzém, bližšie neurčený | 1,2,3 | 1,2,3 |
| J15.5 | Zápal pľúc zapríčinený Escherichia coli | 3,4 | 3,4 | J44.00 | CHOCHP s akútnou infekc. dolných DC, FEV1 < 35 % prís. hodn. | 1,2,3 | 1,2,3 |
| J15.6 | Zápal pľúc, zapríč. i. aeróbnou gramnegat. baktériou | 3,4 | 3,4 | J44.01 | CHOCHP s ak. infekc. dolných DC, FEV1 >= 35 < 50 % prís. h. | 1,2,3 | 1,2,3 |
| J15.7 | Zápal pľúc zapríčinený Mycoplasma pneumoniae | 2,3,4 | 1,2,3,4 | J44.02 | CHOCHP s ak. infek. dol. DC, FEV1 >= 50 % a < 70 % prís. hodn. | 1,2,3 | 1,2,3 |
| J15.8 | Iný baktériový zápal pľúc | 3,4 | 3,4 | J44.03 | CHOCHP s ak. infek. dolných DC, FEV1 >= 70 % prís. hodn. | 1,2 | 1,2 |
| J15.9 | Baktériový zápal pľúc, bližšie neurčený | 2,3,4 | 1,2,3,4 | J44.09 | CHOCHP s akútnou infekc. dolných DC, hodn. FEV1 bliž. neurč. | 1,2 | 1,2 |
| J16.0 | Zápal pľúc zapríčinený chlamýdiami | 2,3,4 | 1,2,3,4 | J44.10 | CHOCHP s akút. exacer. chor. bliž. neurč. FEV1 < 35 % prís. hodn. | 1,2,3 | 1,2,3 |
| J16.8 | Zápal pľúc zapríč. iným bliž. urč. infekčným organ. | 2,3,4 | 1,2,3,4 | J44.11 | CHOCHP s ak. exacer. chor. bl. neu. FEV1 >= 35% a < 50 % prís. h. | 1,2,3 | 1,2,3 |
| J17.0 | Zápal pľúc pri baktériových chorobách z. i. | 3,4 | 3,4 | J44.12 | CHOCHP s ak. exacer. chor. bl. neu. FEV1 >= 50 % a < 70 % prís. h. | 1,2,3 | 1,2,3 |
| J17.1 | Zápal pľúc pri vírusových chorobách z. i. | 3,4 | 3,4 | J44.13 | CHOCHP s ak. exacer. chor. bliž. neurč. FEV1 >= 70 % prísluš. h. | 1,2 | 1,2 |
| J17.2 | Zápal pľúc pri mykózach zatriedených inde | 3,4 | 3,4 | J44.19 | CHOCHP s ak. exacer. chor. bliž. neurč., hodnota FEV1 b. n. | 1,2 | 1,2 |
| J17.3 | Zápal pľúc pri parazitových chorobách | 3,4 | 3,4 | J44.80 | Iná CHOCHP, bliž. urč. FEV1 < 35 % prís. hodnoty | 1,2,3 | 1,2,3 |
| J17.8 | Zápal pľúc pri iných chorobách zatriedených inde | 4 | 4 | J44.81 | Iná CHOCHP, bliž. urč. FEV1 >= 35 % a < 50 % prís. hodnoty | 1,2,3 | 1,2,3 |
| J18.0 | Bronchopneumónia, bližšie neurčená | 2,3,4 | 1,2,3,4 | J46 | Status asthmaticus | 2 | 1,2 |
| J18.1 | Lobárny zápal pľúc, bližšie neurčený | 2,3,4 | 1,2,3,4 | J47 | Bronchiektázie | 2,3 | 1,2,3 |
| J18.2 | Hypostatický zápal pľúc, bližšie neurčený | 2,3,4 | 2,3 | J67.0 | Farmárske pľúca | 2 | 2 |
| J18.8 | Iný zápal pľúc, zapríč. bliž. neurč. organizmom | 2,3,4 | 1,2,3,4 | J67.1 | Bagasóza | 2 | 2 |
| J18.9 | Zápal pľúc, bližšie neurčený | 2,3,4 | 1,2,3,4 | J67.2 | Pľúcna choroba chovateľov vtákov | 2 | 2 |
| J20.0 | Akútna bronchitída zapríč. Mycoplasma pneumoniae | 2 | 1,2 | J67.3 | Suberóza | 2 | 2 |
| J20.1 | Akútna bronchitída zapríč. Haemophilus influenzae | 2 | 1,2 | J67.4 | Sladovnícke pľúca | 2 | 2 |
| J20.2 | Akútna bronchitída zapríčinená streptokokom | 2 | 1,2 | J67.5 | Pľúcna choroba pestovateľov húb | 2 | 2 |
| J20.3 | Akútna bronchitída zapríčinená vírusom Coxsackie | 2 | 1,2 | J67.6 | Pľúcna choroba lúpačov javorovej kôry | 2 | 2 |
| J20.4 | Akút. bronchitída zapríč. vírusom parainfluenzy | 2 | 1,2 | J67.7 | Pľúcna choroba zapríč. ventilačnými a zvlhčovacími zariadeniami | 2 | 2 |
| J20.5 | Akút. bronchitída zapríč. respirač. syncytiálnym vírusom | 2 | 1,2 | J67.8 | Alergická alveolitída zapríč. i. organickým prachom | 2 | 2 |
| J20.6 | Akútna bronchitída zapríčinená rinovírusom | 2 | 1,2 | J67.9 | Alergická alveolitída zapríč. bliž. neurč. organickým prachom | 2 | 2 |
| J20.7 | Akútna bronchitída zapríčinená vírusom ECHO | 2 | 1,2 | J68.0 | Bronchit. a pneumonit., zapríč. chem., plyn., dym. a výpar. | 2,3 | 1,2 |
| J20.8 | Akút. bronchitída zapríč. iným bliž. urč. organ. | 2 | 1,2 | | | | |
| J20.9 | Akútna bronchitída, bližšie neurčená | 2 | 1,2 | | | | |

| ICD | Text | OP. CCL | Med. CCL | ICD | Text | OP. CCL | Med. CCL |
|--------|---|---------|----------|--------|---|---------|----------|
| J68.1 | Akútny pľúcny edém, zapríč. chemikál. plyn. dym. a výparmi | 2,3,4 | 2,3 | K07.1 | Anomálie polohy čeľustí oproti lebkovej spodine | 4 | 4 |
| J69.0 | Zápal pľúc, zapríč. vdýchnutím potravy a zvratkov | 3,4 | 3,4 | K07.8 | Iné dentofaciálne anomálie | 4 | 4 |
| J69.1 | Zápal pľúc, zapríčinený olejmi a esenciami | 3,4 | 3,4 | K11.3 | Absces slinnej žľazy | 2 | 2 |
| J69.8 | Zápal pľúc, zapríč. i. tuhými látkami a tekutinami | 3,4 | 3,4 | K11.4 | Fistula slinnej žľazy | 2 | 2 |
| J70.0 | Akútne pľúcne prejavy zapríčinené žiarením | 2,3 | 1,2 | K12.20 | Flegmóna ústnej spodiny | 2,3 | 2,3 |
| J70.1 | Chronické a iné pľúcne prejavy zapríčinené žiarením | 2 | 2 | K12.21 | Submandib. absces bez rozšír. do mediast., parafaryng./cerv. priest. | 2,3 | 2,3 |
| J70.2 | Akútna pľúcna intersticiálna choroba zapríč. liekmi | 2,3 | 1,2 | K12.22 | Submandib. absces s rozšír. do mediast., parafaryng./cerv. priest. | 2,3 | 2,3 |
| J70.3 | Chronická pľúcna intersticiálna choroba zapríč. liekmi | 2,3 | 1,2 | K12.23 | Absces líca | 2,3 | 2,3 |
| J70.4 | Pľúcna intersticiálna choroba zapríč. liekmi, b.n. | 2,3 | 1,2 | K12.28 | Iná flegmóna a absces úst | 2,3 | 2,3 |
| J80 | Syndróm respiračnej tiesne [ARDS] | 1,2 | 1,2 | K12.29 | Flegmóna a absces úst, bližšie neurčený | 2,3 | 2,3 |
| J81 | Pľúcny opuch | 2,3,4 | 2,3 | K22.2 | Nepriechodnosť pažeráka | 4 | 4 |
| J84.0 | Alveolové a parietoalveolové stavy | 2 | 2 | K22.3 | Prederavenie pažeráka | 2,4 | 2,3,4 |
| J84.1 | Iná choroba interstícia pľúc s fibrózou | 2 | 2 | K22.4 | Dyskinéza pažeráka | 4 | 4 |
| J84.8 | Iná choroba interstícia pľúc, bližšie určená | 2 | 2 | K22.6 | Malloryho-Weissovo syndróm | 1,2,3,4 | 2,3 |
| J84.9 | Choroba interstícia pľúc, bližšie neurčená | 2 | 2 | K23.0 | Tuberkulóza pažeráka (A18.8†) | 2,4 | 2,3 |
| J85.0 | Gangréna a nekróza pľúc | 3,4 | 3,4 | K25.0 | Vred žalúdka, akútny s krvácaním | 1,2,3,4 | 2,3 |
| J85.1 | Absces pľúc so zápalom pľúc | 3,4 | 3,4 | K25.1 | Vred žalúdka, akútny s perforáciou | 2,3,4 | 2 |
| J85.2 | Absces pľúc bez zápalu pľúc | 3,4 | 3,4 | K25.2 | Vred žalúdka, akútny s krvácaním a perforáciou | 1,2,3,4 | 2,3 |
| J85.3 | Absces mediastína | 3,4 | 3,4 | K25.4 | Vred žalúdka, chron./bliž. neurč. s krvácaním | 1,2,3,4 | 2,3 |
| J86.0 | Pyotorax s fistulou | 3,4 | 3,4 | K25.5 | Vred žalúdka, chron./bliž. neurč. s perforáciou | 2,3,4 | 2 |
| J86.9 | Pyotorax bez fistuly | 3,4 | 3,4 | K25.6 | Vred žalúdka, chron./bliž. neurč. s krvác. a perfor. | 1,2,3,4 | 2,3 |
| J90 | Pohrudnicový výpotok, nezatriedený inde | 1,2,3,4 | 1,2,3,4 | K26.0 | Vred dvanástnika, akútny s krvácaním | 1,2,3,4 | 2,3 |
| J91 | Pohrudnicový výpotok pri chor. z. i. | 2,3,4 | 1,2,3,4 | K26.1 | Vred dvanástnika, akútny s perforáciou | 2,3,4 | 2 |
| J93.0 | Spontánny tenzný pneumotorax | 2,3,4 | 2,3 | K26.2 | Vred dvanástnika, akútny s krvácaním a perforáciou | 1,2,3,4 | 2,3 |
| J93.1 | Iný spontánny pneumotorax | 2,3,4 | 2,3 | K26.4 | Vred dvanástnika, chron./bliž. neurč. s krvácaním | 1,2,3,4 | 2,3 |
| J93.8 | Iný pneumotorax | 2,3,4 | 2,3 | K26.5 | Vred dvanástnika, chron./bliž. neurč. s perforáciou | 2,3,4 | 2 |
| J93.9 | Pneumotorax, bližšie neurčený | 2,3,4 | 2,3 | K26.6 | Vred dvanástnika, chron./bliž. neurč. s krvác. a perfor. | 1,2,3,4 | 2,3 |
| J94.0 | Chylózný pohrudnicový výpotok | 2,3,4 | 2,3,4 | K27.0 | Peptický vred bez bliž. urč. miesta, akút. s krvácaním | 1,2,3,4 | 2,3 |
| J94.1 | Fibrotorax | 2,3,4 | 1,2,3 | K27.1 | Peptický vred bez bliž. urč. miesta, akút. s perforáciou | 2,3,4 | 2 |
| J94.2 | Hemotorax | 2,3,4 | 2,3,4 | K27.2 | Peptický vred bez bliž. urč. miesta, akút. s krvác. a perfor. | 1,2,3,4 | 2,3 |
| J94.8 | Iná choroba pohrudnice, bližšie určená | 4 | 4 | K27.4 | Peptický vred bez bliž. urč. m., chron./bliž. neu. s krvác. a perfor. | 1,2,3,4 | 2,3 |
| J94.9 | Choroba pohrudnice, bližšie neurčená | 4 | 4 | K27.5 | Peptický vred bez bliž. urč. miesta, chron./bliž. neurč. s perfor. | 2,3,4 | 2 |
| J95.0 | Porucha funkcie tracheostómie | 3,4 | 1,3,4 | K27.6 | Peptický vred bez bliž. urč. m., chron./bliž. neu. s krvác. a perfor. | 1,2,3,4 | 2,3 |
| J95.1 | Akútna pulmonálna insuficiencia po hrudníkovej operácii | 2,3,4 | 2,3 | K28.0 | Peptický vred jejuná, akútny s krvácaním | 1,2,3,4 | 2,3 |
| J95.2 | Akútna pulmonálna insuficiencia po mimohrudník. chir. výkone | 2,3,4 | 2,3 | K28.1 | Peptický vred jejuná, akútny s perforáciou | 2,3,4 | 2 |
| J95.3 | Chronická pulmonálna insuficiencia po chir. výkone | 2,3,4 | 2,3 | K28.2 | Peptický vred jejuná, akútny s krvácaním a perforáciou | 1,2,3,4 | 2,3 |
| J95.4 | Mendelsonov syndróm | 3,4 | 1,3 | K28.4 | Peptický vred jejuná, chron./bliž. neurč. s krvácaním | 1,2,3,4 | 2,3 |
| J95.5 | Subglotická stenóza po chirurgickom výkone | 3,4 | 1,3 | K28.5 | Peptický vred jejuná, chron./bliž. neurč. s perforáciou | 2,3,4 | 2 |
| J95.80 | Iatrogénny pneumotorax | 3,4 | 1,3,4 | K28.6 | Peptický vred jejuná, chron./bliž. neurč. s krvác. a perfor. | 1,2,3,4 | 2,3 |
| J95.81 | Stenóza priedušnice po lekárskom výkone | 3,4 | 1,3 | K29.0 | Akútna hemoragická gastritída | 1,2,3,4 | 2,3 |
| J95.88 | Iná porucha dýchacích orgánov po lekárskom výkone | 3,4 | 1,3 | K31.0 | Akútna dilatácia žalúdka | 2,4 | 2,3 |
| J96.00 | Akútna respiračná insuficiencia, n. i., typ I (hypoxém.) | 2,3,4 | 1,2,3 | K31.1 | Hypertrofná pylorostenóza dospelých | 2,3,4 | 2 |
| J96.01 | Akútna respiračná insuficiencia, n. i., typ II (hypoxém.-hyperkap. typ) | 2,3,4 | 1,2,3 | K31.5 | Nepriechodnosť dvanástnika | 2,3,4 | 2 |
| J96.09 | Akútna respiračná insuficiencia, n. i., typ bliž. neurč. | 2,3,4 | 1,2,3 | K31.6 | Fistula žalúdka a dvanástnika | 2,4 | 2,3,4 |
| J96.10 | Chronická respiračná insuficiencia, nezat. i., typ I (hypoxém.) | 2,3,4 | 1,2,3 | K31.82 | Angiodysplázia žalúdka a dvanástnika s prejavmi krvác. | 1,2,3,4 | 2,3 |
| J96.11 | Chronická respiračná insuficiencia, n. i., typ II (hypoxém.-hyperkap.) | 2,3,4 | 1,2,3 | K35.2 | Akútna apendicitída s generalizovanou peritonitídou | 3,4 | 3,4 |
| J96.19 | Chronická respiračná insuficiencia, nezat. i., typ bliž. neurč. | 2,3,4 | 1,2,3 | K35.30 | Akútna apendicitída s lokaliz. peritonitídou, bez perfor./rupt. | 2,4 | 2,3,4 |
| J98.1 | Kolaps pľúc | 3,4 | 1,3 | | | | |
| J98.2 | Intersticiálny emfyzém | 2,3,4 | 2,3 | | | | |
| J98.50 | Mediastinitída | 2,3,4 | 1,2,3 | | | | |
| J99.0 | Reumatoidná choroba pľúc (M05.1-†) | 2 | 2 | | | | |
| J99.1 | Choroba dýchac. súst. pri i. difúzných chor. spojiv. tkan. | 2 | 2 | | | | |
| J99.8 | Choroba dýchac. súst. pri iných chorobách z. i. | 2 | 2 | | | | |

| ICD | Text | OP. CCL | Med. CCL | ICD | Text | OP. CCL | Med. CCL |
|--------|---|---------|----------|--------|--|---------|----------|
| K35.31 | Akút.apendicitída s lokaliz.peritonitídou,s perfor./ruptúrou | 3,4 | 3,4 | K57.21 | Divertikulóza hrubého čreva s perfor.absc.a krvácaním | 1,2,3,4 | 2,3 |
| K35.32 | Akútna apendicitída s abscesom pobrušnice | 2,4 | 2,3,4 | K57.23 | Divertikulitída hrubého čreva s perfor.absc.a krvác. | 1,2,3,4 | 2,3 |
| K35.8 | Akútna apendicitída,bližšie neurčená | 2,4 | 2,3,4 | K57.31 | Divertikulóza hrubého čreva bez perfor./absc.s krv. | 1,2,3,4 | 2,3 |
| K37 | Apendicitída,bližšie neurčená | 4 | 4 | K57.33 | Divertikulitída hrubého čreva bez perfor./absc.s krvác. | 1,2,3,4 | 2,3 |
| K40.00 | Obojstran.slabin.prietrž s obšt.bez gang.neozn.ako recid. | 2,4 | 2,3,4 | K57.40 | Divertik.tenk.-hrub.čreva s perfor.a absc.bez prej.krv. | 2,4 | 2,3 |
| K40.01 | Obojstranná slabin.prietrž s obšt.bez gang.recidiv. | 2,4 | 2,3,4 | K57.41 | Divertikulóza tenk.-hrub.čreva s perfor.absc.a krvác. | 1,2,3,4 | 2,3 |
| K40.10 | Obojstranná slabinová prietrž s gang.neozn.ako recidiv. | 2,4 | 2,3,4 | K57.42 | Divertikulitída tenk.-hrub.čreva s perfor.a absc.bez prej.krv. | 2,4 | 2,3 |
| K40.11 | Obojstranná slabinová prietrž s gang.recidivujúca | 2,4 | 2,3,4 | K57.43 | Divertikulitída tenk.-hrub.čreva s perfor.absc.a krvác. | 1,2,3,4 | 2,3 |
| K40.30 | Jednostr./neurč.slab.prietrž s obšt.bez gang.neozn.ako recid. | 2,4 | 2,3,4 | K57.51 | Divertikulóza tenk.-hrub.čreva bez perfor./absc.s krvác. | 1,2,3,4 | 2,3 |
| K40.31 | Jednostr./neurč.slab.prietrž s obšt.bez gang.recid. | 2,4 | 2,3,4 | K57.53 | Divertikulitída tenk.-hrub.čreva bez perfor./absc.s krvác | 1,2,3,4 | 2,3 |
| K40.40 | Jednostran./neurč.slab.prietrž s gang.neozn.ako recid. | 2,4 | 2,3,4 | K57.80 | Divertikulóza čreva,časť bliž.ne.s perfor.a absc.bez prej.krv. | 2,4 | 2,3 |
| K40.41 | Jednostran./neurč.slab.prietrž s gang.recid. | 2,4 | 2,3,4 | K57.81 | Divertikulóza čreva,časť bliž.neurč.s perfor.absc.a krvác. | 1,2,3,4 | 2,3 |
| K41.0 | Obojstranná stehnová prietrž s obšt.bez gang. | 2,4 | 2,3,4 | K57.82 | Divertikulitída čreva,časť bliž.ne.s perf.a absc.bez prej.krv. | 2,4 | 2,3 |
| K41.1 | Obojstranná stehnová prietrž s gangrénou | 2,4 | 2,3,4 | K57.83 | Divertikulitída čreva,časť bliž.neurč.s perfor.absc.a krvác. | 1,2,3,4 | 2,3 |
| K41.3 | Jednostran./bliž.neu.stehno.prietrž s obšt.bez gang. | 2,4 | 2,3,4 | K57.91 | Divertikulóza čreva,časť bliž.neurč.bez perfor./absc.s krvác. | 1,2,3,4 | 2,3 |
| K41.4 | Jednostran./bliž.neu.stehno.prietrž s gang. | 2,4 | 2,3,4 | K57.93 | Divertikulitída čreva,časť bliž.neur.bez perfor./absc.s krv. | 1,2,3,4 | 2,3 |
| K42.0 | Pupková prietrž s obštrukciou bez gangrény | 2,4 | 2,3,4 | K59.3 | Megakolon,nezatriedený inde | 4 | 4 |
| K42.1 | Pupková prietrž s gangrénou | 2,4 | 2,3,4 | K61.0 | Análny absces | 2,4 | 2,3,4 |
| K43.0 | Prietrž v jazve s obštrukciou bez gangrény | 2,4 | 2,3,4 | K61.1 | Rektálny absces | 2,4 | 2,3,4 |
| K43.1 | Prietrž v jazve s gangrénou | 2,4 | 2,3,4 | K61.2 | Anorektálny absces | 2,4 | 2,3,4 |
| K43.3 | Parastomická prietrž s obštrukciou bez gangrény | 2,4 | 2,3,4 | K61.3 | Ischiorektálny absces | 2,4 | 2,3,4 |
| K43.4 | Parastomická prietrž s gangrénou | 2,4 | 2,3,4 | K61.4 | Vnútrošfinkterový absces | 2,4 | 2,3,4 |
| K44.0 | Bránicová prietrž s obštrukciou bez gangrény | 2,4 | 2,3,4 | K62.2 | Prolaps anusu | 4 | 4 |
| K44.1 | Bránicová prietrž s gangrénou | 2,4 | 2,3,4 | K62.3 | Prolaps konečníka | 4 | 4 |
| K45.0 | Iná brušná prietrž,bliž.urč.s obštruk.bez gangrény | 2,4 | 2,3 | K62.4 | Stenóza anusu a konečníka | 4 | 4 |
| K45.1 | Iná brušná prietrž,bližšie určená s gangrénou | 2,4 | 2,3,4 | K62.5 | Krvácanie z anusu a konečníka | 1,2,3,4 | 2,3 |
| K46.0 | Brušná prietrž,bliž.neurč.s obštruk.bez gangrény | 2,4 | 2,3 | K63.0 | Absces čreva | 2,4 | 2,3,4 |
| K46.1 | Brušná prietrž,bližšie neurčená s gangrénou | 2,4 | 2,3,4 | K63.1 | Perforácia čreva (neúrazová) | 3,4 | 3,4 |
| K52.0 | Gastroenteritída a kolitída zapríč.radiáciu (postradiác.) | 2,4 | 2,3 | K63.2 | Fistula čreva | 4 | 4 |
| K52.1 | Toxická gastroenteritída a kolitída | 2,4 | 2,3,4 | K63.3 | Vred čreva | 4 | 4 |
| K55.0 | Akútna cievná choroba čreva | 3,4 | 3,4 | K65.0 | Akútny zápal pobrušnice | 3,4 | 3,4 |
| K55.21 | Angiodysplázia hrubého čreva,bez prejavov krvác. | 4 | 4 | K65.8 | Iný zápal pobrušnice | 3,4 | 3,4 |
| K55.22 | Angiodysplázia hrubého čreva,s krvácaním | 1,2,3,4 | 2,3 | K65.9 | Zápal pobrušnice,bližšie neurčený | 3,4 | 3,4 |
| K55.82 | Angiodysplázia tenkého čreva,s krvácaním | 1,2,3,4 | 2,3 | K66.0 | Pobrušnicové zrasty | 4 | 4 |
| K56.0 | Paralytický ileus | 2,3,4 | 2,3,4 | K66.1 | Hemoperitoneum | 2,4 | 2,3,4 |
| K56.1 | Invaginácia | 2,3,4 | 2,3,4 | K66.8 | Iné choroby pobrušnice,bližšie určené | 4 | 4 |
| K56.2 | Volvulus | 2,3,4 | 2,3,4 | K67.0 | Zápal pobrušnice,zapríčinený chlamýdiami (A74.8†) | 3,4 | 3,4 |
| K56.3 | Ileus zapríčinený žľočovým kameňom | 2,3,4 | 2,3 | K67.1 | Gonokokový zápal pobrušnice (A54.8†) | 3,4 | 3,4 |
| K56.4 | Iná obturácia čreva | 2,3,4 | 2,3,4 | K67.2 | Syfilitický zápal pobrušnice (A52.7†) | 3,4 | 3 |
| K56.5 | Črevné adhézie[zrasty] s nepriechodnosťou | 2,3,4 | 2,3 | K67.3 | Tuberkulózný zápal pobrušnice (A18.3†) | 3,4 | 3,4 |
| K56.6 | Iný a bližšie neurčený mechanický ileus | 2,3,4 | 2,3,4 | K67.8 | Iná choroba pobrušnice pri infekč.chor.z.i. | 3,4 | 3,4 |
| K56.7 | Ileus,bližšie neurčený | 2,3,4 | 2,3,4 | K70.2 | Alkoholová fibróza a skleróza pečene | 2,3 | 2 |
| K57.00 | Divertikulóza tenkého čreva s perfor.a absc.,bez prej.krv. | 2,4 | 2,3 | K70.3 | Alkoholová cirhóza pečene | 2,3 | 1,2 |
| K57.01 | Divertikulóza tenkého čreva s perfor.abscesom a krvác. | 1,2,3,4 | 2,3 | K70.4 | Alkoholové zlyhávanie pečene | 2,3 | 2 |
| K57.02 | Divertikulitída tenkého čreva s perfor.a absc.bez.prej.krvác. | 2,4 | 2,3 | K71.0 | Toxická choroba pečene s cholestázou | 1,2,3,4 | 1,2,3,4 |
| K57.03 | Divertikulitída tenkého čreva s perfor.absc.a krvácaním | 1,2,3,4 | 2,3 | K71.1 | Toxická choroba pečene s pečeneovou nekrózou | 1,2,3,4 | 1,2,3,4 |
| K57.11 | Divertikulóza tenkého čreva bez perfor.a absc.s krvác. | 1,2,3,4 | 2,3 | K71.2 | Toxická choroba pečene s akútnou hepatitídou | 1,2,3,4 | 1,2,3,4 |
| K57.13 | Divertikulitída tenkého čreva bez perfor.a absc.s krvác. | 1,2,3,4 | 2,3 | K71.3 | Toxická chor.pečene s chronick.perzistujúcou hepatitídou | 1,2,3,4 | 1,2,3,4 |

| ICD | Text | OP. CCL | Med. CCL | ICD | Text | OP. CCL | Med. CCL |
|--------|--|---------|----------|--------|--|---------|----------|
| K71.4 | Toxická chor. pečene s chronick. lobulárnou hepatitídou | 1,2,3,4 | 1,2,3,4 | K80.40 | Kameň žlč. výv. s cholecystitídou, bez prej. obštr. žlč. ciest | 2,3,4 | 2,3 |
| K71.5 | Toxická choroba pečene s chron. aktívnou hepatitídou | 1,2,3,4 | 1,2,3,4 | K80.41 | Kameň žlč. výv. s cholecystitídou, s obštr. žlč. ciest | 2,3,4 | 2,3 |
| K71.6 | Toxická choroba pečene s hepatitídou, n.i. | 1,2,3,4 | 1,2,3,4 | K80.50 | Kameň žlč. výv. bez cholan./cholecyst. bez prej. obštr. žlč. ciest | 2,3,4 | 2,3 |
| K71.7 | Toxická choroba pečene s fibrózou a cirhózou pečene | 2,3,4 | 2,4 | K80.51 | Kameň žlč. výv. bez cholangit./cholecyst. s obš. žlč. ciest | 2,3,4 | 2,3 |
| K71.8 | Toxická choroba pečene s inými poruchami pečene | 1,2,3,4 | 1,2,3,4 | K80.80 | Iná cholelitiáza, bez prejavov obštr. žlč. ciest | 2,3,4 | 2,3 |
| K71.9 | Toxická choroba pečene, bližšie neurčená | 1,2,3,4 | 1,2,4 | K80.81 | Iná cholelitiáza, s obštrukciou žlčových ciest | 2,3,4 | 2,3 |
| K72.0 | Akútne a subakútne pečeneové zlyhávanie | 1,2,3,4 | 1,2,3,4 | K81.0 | Akútna cholecystitída | 2,3,4 | 2,3 |
| K72.1 | Chronické pečeneové zlyhávanie | 1,2,3,4 | 1,2,3 | K82.0 | Obštrukcia žlčníka | 2,3,4 | 2,3 |
| K72.71 | Pečeňová encefalopatia, 1. stupeň | 1,2,3,4 | 1,2 | K82.1 | Hydrops žlčníka | 2,3,4 | 2,3 |
| K72.72 | Pečeňová encefalopatia, 2. stupeň | 1,2,3,4 | 1,2,3 | K82.2 | Perforácia žlčníka | 2,3,4 | 2,3 |
| K72.73 | Pečeňová encefalopatia, 3. stupeň | 1,2,3,4 | 1,2,3 | K82.3 | Fistula žlčníka | 2,3,4 | 2,3 |
| K72.74 | Pečeňová encefalopatia, 4. stupeň | 1,2,3,4 | 1,2,3 | K83.0 | Zápal žlčových ciest | 2,3,4 | 2,3 |
| K72.79 | Pečeňová encefalopatia neurčeného stupňa | 1,2,3,4 | 1,2 | K83.2 | Perforácia žlčových ciest | 2,3,4 | 2,3 |
| K72.9 | Pečeňové zlyhávanie, bližšie neurčené | 1,2,3,4 | 1,2,3 | K83.3 | Fistula žlčových ciest | 2,3,4 | 2,3 |
| K73.1 | Chronická lobulárna hepatitída, nezatriedená inde | 1,2,3,4 | 1,2,3 | K85.00 | Idiopatická akútna pankreatitída, bez org. kompl. | 2,3 | 2 |
| K73.2 | Chronická aktívna hepatitída, nezatriedená inde | 1,2,3,4 | 1,2,3 | K85.01 | Idiopatická akútna pankreatitída, s org. kompl. | 2,3 | 2 |
| K73.8 | Iná chronická hepatitída, nezatriedená inde | 1,2,3,4 | 1,2,3 | K85.10 | Akútna biliárna pankreatitída, bez org. kompl. | 2,3 | 2 |
| K74.0 | Fibróza pečene | 2,3,4 | 2,4 | K85.11 | Akútna biliárna pankreatitída, s org. kompl. | 2,3 | 2 |
| K74.2 | Fibróza pečene so sklerózou pečene | 2,3,4 | 2,4 | K85.20 | Akút. pankreatitída zapr. alkoholom, bez org. kompl. | 2,3 | 2 |
| K74.3 | Primárna biliárna cirhóza | 2,3,4 | 2,4 | K85.21 | Akút. pankreatitída zapr. alkoholom, s org. kompl. | 2,3 | 2 |
| K74.4 | Sekundárna biliárna cirhóza | 2,3,4 | 2,4 | K85.30 | Akútna pankreatitída zapríč. liekom, bez org. kompl. | 2,3 | 2 |
| K74.5 | Biliárna cirhóza, bližšie neurčená | 2,3,4 | 2,4 | K85.31 | Akútna pankreatitída zapríč. liekom, s org. kompl. | 2,3 | 2 |
| K74.6 | Iná a bližšie neurčená cirhóza pečene | 1,2,3,4 | 1,2,4 | K85.80 | Iná akútna pankreatitída, bez orgánovej komplikácie | 2,3 | 2 |
| K75.0 | Absces pečene | 1,2,3,4 | 1,2,3,4 | K85.81 | Iná akútna pankreatitída, s orgánovou komplikáciou | 2,3 | 2 |
| K75.1 | Flebitída vrátnice (v. portae) | 1,2,3,4 | 1,2,3,4 | K85.90 | Akútna pankreatitída, bliž. neurč. bez org. kompl. | 2,3 | 2 |
| K75.2 | Nešpecifická reaktívna hepatitída | 1,2,3,4 | 1,2,3,4 | K85.91 | Akútna pankreatitída, bliž. neurč. s org. kompl. | 2,3 | 2 |
| K75.3 | Granulomatózna hepatitída, nezatriedená inde | 1,2,3,4 | 1,2,3,4 | K86.0 | Chronická pankreatitída zapríčinená alkoholom | 2,3 | 1,2 |
| K75.4 | Autoimunitná hepatitída | 1,2,3,4 | 1,2,3,4 | K86.1 | Iná chronická pankreatitída | 2,3 | 1,2 |
| K75.8 | Iná zápalová choroba pečene, bližšie určená | 1,2,3,4 | 1,2,3,4 | K86.2 | Cysta pankreasu | 2,3 | 2 |
| K75.9 | Zápalová choroba pečene, bližšie neurčená | 1,2,3,4 | 1,2,3,4 | K86.3 | Pseudocysta pankreasu | 2,3 | 2 |
| K76.0 | Stukovatenie pečene, nezatriedené inde | 4 | 4 | K90.2 | Syndróm slepej slučky, nezatriedený inde | 4 | 4 |
| K76.2 | Centrálna hemoragická nekróza pečene | 1,2,3,4 | 1,2,3,4 | K90.3 | Pankreatická steatorea | 4 | 4 |
| K76.3 | Infarkt pečene | 1,2,3,4 | 1,2,3,4 | K91.1 | Syndrómy po operácii žalúdka | 4 | 4 |
| K76.4 | Pelióza pečene | 1,2,3,4 | 1,2,3,4 | K91.2 | Malabsorpcia po chirurgickom výkone, n.i. | 2,4 | 2,3 |
| K76.5 | Venookluzívna choroba pečene (Stuartov-Brasov syndróm) | 1,2,3,4 | 1,2,3 | K91.3 | Mechanická črevná nepriechodnosť po chir. výk. | 2,3,4 | 3 |
| K76.6 | Portálna hypertenzia | 4 | 4 | K91.4 | Porucha funkcie kolostómie a enterostómie | 1,2 | 1 |
| K76.7 | Hepatorenálny syndróm | 1,2,3,4 | 1,2,3,4 | K91.80 | Generalizovaná mukozitída pri imunokompromitácii | 3,4 | 3 |
| K77.0 | Pečeňová porucha pri infekč./parazit. chor. z.i. | 1,2,3,4 | 1,2,3,4 | K91.88 | Iná porucha tráviacej súst. po lekár. výkone, n.i. | 1,2 | 1 |
| K77.11 | Postihnutie pečene pri akút. chor. štepu proti host. GvH, 1. štád. | 1,2,3,4 | 1,2,3,4 | K92.0 | Hemateméza | 1,2,3,4 | 2,3 |
| K77.12 | Postihnutie pečene pri akút. chor. štepu proti host. GvH, 2. štád. | 1,2,3,4 | 1,2,3,4 | K92.1 | Meléna | 1,2,3,4 | 2,3 |
| K77.13 | Postihnutie pečene pri akút. chor. štepu proti host. GvH, 3. štád. | 1,2,3,4 | 1,2,3,4 | K92.2 | Gastrointestinálne krvácanie, bližšie neurčené | 1,2,3,4 | 2,3 |
| K77.14 | Postihnutie pečene pri akút. chor. štepu proti host. GvH, 4. štád. | 1,2,3,4 | 1,2,3,4 | K93.0 | TBC čriev, pobrušnice a lymfatických uzlín mezenteria | 2,4 | 2,3 |
| K77.8 | Pečeňová porucha pri iných chorobách z.i. | 1,2,3,4 | 1,2,3,4 | K93.1 | Megakolon pri Chagasovej chorobe (B57.3†) | 4 | 4 |
| K80.00 | Kameň žlčníka s akút. cholecystitídou, bez prej. obštr. žlč. ciest | 2,3,4 | 2,3 | L00.0 | Synd. obar. kože zapríč. stafylok. s postih. men. ako 30% povrch. t. | 4 | 4 |
| K80.01 | Kameň žlčníka s akút. cholecystitídou, s obštr. žlč. ciest | 2,3,4 | 2,3 | L00.1 | Synd. obarenej kože zapríč. stafylok. s postih. 30% p. t. a viac | 4 | 4 |
| K80.10 | Kameň žlčníka s i. cholecystitídou, bez prej. obštr. žlč. ciest | 2,3,4 | 2,3 | L01.0 | Kontaktné impetigo | 2,3,4 | 2,3 |
| K80.11 | Kameň žlčníka s i. cholecystitídou, s obštr. žlč. ciest | 2,3,4 | 2,3 | L01.1 | akejkoľ. lok. zapríč. ktorýmkoľ. organiz. | 2,3,4 | 2,3 |
| K80.21 | Kameň žlčníka bez cholecystitídou, s obštr. žlč. ciest | 2,3,4 | 2,3 | L03.10 | Sekundárna impetiginizácia inej choroby kože | 2,3,4 | 2,3 |
| K80.30 | Kameň žlč. výv. s cholecystitídou, bez prej. obštr. žlč. ciest | 2,3,4 | 2,3 | L03.11 | Flegmóna hornej končatiny | 2,3,4 | 2,3 |
| K80.31 | Kameň žlč. výv. s cholecystitídou, s obštr. žlč. ciest | 2,3,4 | 2,3 | L03.2 | Flegmóna dolnej končatiny | 2,3,4 | 2,3 |
| | | | | | Flegmóna tváre | 2,3,4 | 2,3 |

| ICD | Text | OP. CCL | Med. CCL | ICD | Text | OP. CCL | Med. CCL |
|--------|--|---------|----------|--------|--|---------|----------|
| L03.3 | Flegmóna trupu | 2,3,4 | 2,3 | L89.31 | Dekubitus 4.stupňa: Horná končatina | 3,4 | 2,3 |
| L03.8 | Flegmóna na inom mieste | 2,3,4 | 2,3 | L89.32 | Dekubitus 4.stupňa: Tŕňový výbežok | 3,4 | 2,3 |
| L03.9 | Flegmóna, bližšie neurčená | 2,3,4 | 2,3 | L89.33 | Dekubitus 4.stupňa: Lopata bedrovej kosti | 3,4 | 2,3 |
| L05.0 | Pilonidálna cysta s abscesom | 2,3,4 | 2,3 | L89.34 | Dekubitus 4.stupňa: Krížová oblasť | 3,4 | 2,3 |
| L10.0 | Pemphigus vulgaris | 2 | 2 | L89.35 | Dekubitus 4.stupňa: Sedacia oblasť | 3,4 | 2,3 |
| L10.1 | Pemphigus vegetans | 2 | 2 | L89.36 | Dekubitus 4.stupňa: Trochanter | 3,4 | 2,3 |
| L10.2 | Pemphigus foliaceus | 2,4 | 2,4 | L89.37 | Dekubitus 4.stupňa: Päta | 3,4 | 2,3 |
| L10.3 | Brazílsky pemfigus [fogo selvagem] | 2 | 2 | L89.38 | Dekubitus 4.stupňa: Iná oblasť dolnej končatiny | 3,4 | 2,3 |
| L10.4 | Pemphigus erythematous | 2 | 2 | L89.39 | Dekubitus 4.stupňa: Bližšie neurčené miesto | 3,4 | 2,3 |
| L10.5 | Pemfigus, zapríčinený liekom | 2 | 2 | L94.4 | Gottronov syndróm | 1,2 | 1,2 |
| L10.8 | Iný pemfigus | 2 | 2 | L98.3 | Eozinofilná celulitída (Wellsov syndróm) | 2,3,4 | 2,3 |
| L10.9 | Pemfigus, bližšie neurčený | 2 | 2 | M00.00 | Artritída a polyartrit. zapríč. stafylo. na viac.m. | 2,4 | 2,4 |
| L11.8 | Iná akantolytická dermatóza, bližšie určená | 4 | 4 | M00.01 | Artritída a polyartrit. zapríč. stafylok. v obl. pleca | 2,4 | 2,4 |
| L11.9 | Akantolytická dermatóza, bližšie neurčená | 4 | 4 | M00.02 | Artritída a polyartrit. zapríč. stafylok. v obl. nadlaktia | 2,4 | 2,4 |
| L12.0 | Pľuzgierový (bulózný) pemfigoid | 2,4 | 2,4 | M00.03 | Artritída a polyartrit. zapríč. stafylok. v obl. predlak. | 2,4 | 2,4 |
| L12.1 | Jazvový pemfigoid | 2 | 2 | M00.04 | Artritída a polyartrit. zapríč. stafylok. v obl. ruky | 2,4 | 2,4 |
| L12.2 | Chronická pľuzgierová (bulózna) choroba detského veku | 2 | 2 | M00.05 | Artritída a polyartrit. zapríč. stafylok. panv. obl. a stehna | 2,4 | 2,4 |
| L12.3 | Získaná pľuzgierová (bulózna) epidermolýza | 2,4 | 2,4 | M00.06 | Artritída a polyartrit. zapríč. stafylok. v obl. predkol. | 2,4 | 2,4 |
| L12.8 | Iný pemfigoid | 2,4 | 2,4 | M00.07 | Artritída a polyartrit. zapríč. stafylok. v obl. čl. a nohy | 2,4 | 2,4 |
| L12.9 | Pemfigoid, bližšie neurčený | 2,4 | 2,4 | M00.08 | Artritída a polyartrit. zapríč. stafylok. na i. mieste | 2,4 | 2,4 |
| L13.0 | Herpetiformná dermatitída (dermatitis herpetiformis) | 4 | 4 | M00.09 | Artritída a polyartrit. zapríč. stafylok. na n. mieste | 2,4 | 2,4 |
| L13.1 | Dermatitís pustulosa subcornealis | 4 | 4 | M00.10 | Artritída a polyartrit. zapríč. pneumok., na viac.m. | 2,4 | 2,4 |
| L13.8 | Iné pľuzgierové (bulózne) dermatózy, bližšie určené | 4 | 4 | M00.11 | Artritída a polyartrit. zapríč. pneumok. v obl. pleca | 2,4 | 2,4 |
| L14 | Pľuzgierová dermatóza pri choroba zatried. i. | 4 | 4 | M00.12 | Artritída a polyartrit. zapríč. pneumok. v obl. nadlaktia | 2,4 | 2,4 |
| L40.1 | Generalizovaná pustulová psoriáza | 4 | 4 | M00.13 | Artritída a polyartrit. zapríč. pneumok. v obl. predlak. | 2,4 | 2,4 |
| L40.5 | Artropatická psoriáza (M07.0-M07.3*, M09.0-*) | 1,2 | 1,2 | M00.14 | Artritída a polyartrit. zapríč. pneumok. v obl. ruky | 2,4 | 2,4 |
| L44.4 | Detská papulárna akrodermatitída (Giannotti-Crosti synd.) | 2 | 2 | M00.15 | Artritída a polyartrit. zapríč. pneumok. panv. obl. a stehna | 2,4 | 2,4 |
| L51.0 | Nepľuzgierový multiformný erytém | 4 | 4 | M00.16 | Artritída a polyartrit. zapríč. pneumok. v obl. predkol. | 2,4 | 2,4 |
| L51.1 | Pľuzgierový multiformný erytém | 4 | 4 | M00.17 | Artritída a polyartrit. zapríč. pneumok. v obl. čl. a nohy | 2,4 | 2,4 |
| L51.20 | Toxická nekrolýza epidermy s postih. men. ako 30% povrchu t. | 4 | 4 | M00.18 | Artritída a polyartrit. zapríč. pneumok. na i. mieste | 2,4 | 2,4 |
| L51.21 | Toxická nekrolýza epidermy s postih. 30% povrch. tela a viac | 4 | 4 | M00.19 | Artritída a polyartrit. zapríč. pneumok. na n. mieste | 2,4 | 2,4 |
| L51.8 | Iný multiformný erytém | 4 | 4 | M00.20 | Artritída a polyartrit. zapríč. i. streptok. na viac.m. | 2,4 | 2,4 |
| L51.9 | Multiformný erytém, bližšie neurčený | 4 | 4 | M00.21 | Artritída a polyartrit. zapríč. i. streptok. v obl. pleca | 2,4 | 2,4 |
| L53.0 | Toxický erytém | 2 | 2 | M00.22 | Artritída a polyartrit. zapríč. i. streptok. v obl. nadlaktia | 2,4 | 2,4 |
| L53.1 | Erythema annulare centrifugum | 2 | 2 | M00.23 | Artritída a polyartrit. zapríč. i. streptok. v obl. predlak. | 2,4 | 2,4 |
| L53.2 | Erythema marginatum | 2 | 2 | M00.24 | Artritída a polyartrit. zapríč. i. streptok. v obl. ruky | 2,4 | 2,4 |
| L53.3 | Iný chronický obrazcový erytém | 2 | 2 | M00.25 | Artritída a polyartrit. zapríč. i. streptok. panv. obl. a stehna | 2,4 | 2,4 |
| L74.4 | Anhidróza | 4 | 4 | M00.26 | Artritída a polyartrit. zapríč. i. streptok. v obl. predkol. | 2,4 | 2,4 |
| L89.10 | Dekubitus 2.stupňa: Hlava | 3,4 | 2,3 | M00.27 | Artritída a polyartrit. zapríč. i. streptok. v obl. čl. a nohy | 2,4 | 2,4 |
| L89.11 | Dekubitus 2.stupňa: Horná končatina | 3,4 | 2,3 | M00.28 | Artritída a polyartrit. zapríč. i. streptok. na i. mieste | 2,4 | 2,4 |
| L89.12 | Dekubitus 2.stupňa: Tŕňový výbežok | 3,4 | 2,3 | M00.29 | Artritída a polyartrit. zapríč. i. streptok. na n. mieste | 2,4 | 2,4 |
| L89.13 | Dekubitus 2.stupňa: Lopata bedrovej kosti | 3,4 | 2,3 | M00.80 | Artritída a polyartrit. zapríč. i. bliž. urč. baktér. viac. mies. | 4 | 4 |
| L89.14 | Dekubitus 2.stupňa: Krížová oblasť | 3,4 | 2,3 | M00.81 | Artritída a polyartrit. zapríč. i. bliž. urč. baktér. v obl. pleca | 4 | 4 |
| L89.15 | Dekubitus 2.stupňa: Sedacia oblasť | 3,4 | 2,3 | | | | |
| L89.16 | Dekubitus 2.stupňa: Trochanter | 3,4 | 2,3 | | | | |
| L89.17 | Dekubitus 2.stupňa: Päta | 3,4 | 2,3 | | | | |
| L89.18 | Dekubitus 2.stupňa: Iná oblasť dolnej končatiny | 3,4 | 2,3 | | | | |
| L89.19 | Dekubitus 2.stupňa: Bližšie neurčené miesto | 3,4 | 2,3 | | | | |
| L89.20 | Dekubitus 3.stupňa: Hlava | 3,4 | 2,3 | | | | |
| L89.21 | Dekubitus 3.stupňa: Horná končatina | 3,4 | 2,3 | | | | |
| L89.22 | Dekubitus 3.stupňa: Tŕňový výbežok | 3,4 | 2,3 | | | | |
| L89.23 | Dekubitus 3.stupňa: Lopata bedrovej kosti | 3,4 | 2,3 | | | | |
| L89.24 | Dekubitus 3.stupňa: Krížová oblasť | 3,4 | 2,3 | | | | |
| L89.25 | Dekubitus 3.stupňa: Sedacia oblasť | 3,4 | 2,3 | | | | |
| L89.26 | Dekubitus 3.stupňa: Trochanter | 3,4 | 2,3 | | | | |
| L89.27 | Dekubitus 3.stupňa: Päta | 3,4 | 2,3 | | | | |
| L89.28 | Dekubitus 3.stupňa: Iná oblasť dolnej končatiny | 3,4 | 2,3 | | | | |
| L89.29 | Dekubitus 3.stupňa: Bližšie neurčené miesto | 3,4 | 2,3 | | | | |
| L89.30 | Dekubitus 4.stupňa: Hlava | 3,4 | 2,3 | | | | |

| ICD | Text | OP. CCL | Med. CCL | ICD | Text | OP. CCL | Med. CCL |
|--------|--|---------|----------|--------|--|---------|----------|
| M00.82 | Artritída a polyartrit. zapr.i.bliž.urč.baktér.v obl.nadlaktia | 4 | 4 | M01.44 | Artritída pri ružienke v obl.ruky | 4 | 4 |
| M00.83 | Artritída a polyartrit. zapr.i.bliž.urč.baktér.v obl.predlak. | 4 | 4 | M01.45 | Artritída pri ružienke panv.obl.a stehna | 4 | 4 |
| M00.84 | Artritída a polyartrit.zapr.i.bliž.urč.baktér.v obl.ruky | 4 | 4 | M01.46 | Artritída pri ružienke v obl.predkol. | 4 | 4 |
| M00.85 | Artritída a polyartrit.zapr.i.bliž.urč.baktér.panv.obl.a steh. | 4 | 4 | M01.47 | Artritída pri ružienke v obl.čl.a nohy | 4 | 4 |
| M00.86 | Artritída a polyartrit.zapr.i.bliž.urč.baktér.v obl.predkol. | 4 | 4 | M01.48 | Artritída pri ružienke na i.mieste | 4 | 4 |
| M00.87 | Artritída a polyartrit.zapr.i.bliž.urč.baktér.v obl.čl.a nohy | 4 | 4 | M01.49 | Artritída pri ružienka n. mieste | 4 | 4 |
| M00.88 | Artritída a polyartrit. zapr.i.bliž.urč.baktér.na i.mieste | 4 | 4 | M01.60 | Artritída pri mykózach na viac.m. | 2,4 | 2,4 |
| M00.89 | Artritída a polyartrit.zapr.i.bliž.urč.baktér.mies.bliž.urč. | 4 | 4 | M01.61 | Artritída pri mykózach v obl.pleca | 2,4 | 2,4 |
| M00.90 | Pyogénna artritída,bliž.neurč.na viac.miestach | 2,4 | 2 | M01.62 | Artritída pri mykózach v obl.nadlaktia | 2,4 | 2,4 |
| M00.91 | Pyogénna artritída,bliž.neurč.v obl.pleca | 2,4 | 2 | M01.63 | Artritída pri mykózach v obl. predlak. | 2,4 | 2,4 |
| M00.92 | Pyogénna artritída,bliž.neurč.v obl.nadlaktia | 2,4 | 2 | M01.64 | Artritída pri mykózach v obl.ruky | 2,4 | 2,4 |
| M00.93 | Pyogénna artritída,bliž.neurč.v obl.predlak. | 2,4 | 2 | M01.65 | Artritída pri mykózach panv.obl.a stehna | 2,4 | 2,4 |
| M00.94 | Pyogénna artritída,bliž.neurč.v obl.ruky | 2,4 | 2 | M01.66 | Artritída pri mykózach v obl.predkol. | 2,4 | 2,4 |
| M00.95 | Pyogénna artritída,bliž.neurč.v panv.obl.a stehna | 2,4 | 2 | M01.67 | Artritída pri mykózach v obl.čl. a nohy | 2,4 | 2,4 |
| M00.96 | Pyogénna artritída,bliž.neurč.v obl.predkol. | 2,4 | 2 | M01.68 | Artritída pri mykózach na i.mieste | 2,4 | 2,4 |
| M00.97 | Pyogénna artritída,bliž.neurč.v obl.čl.a nohy | 2,4 | 2 | M01.69 | Artritída pri mykózach na mieste | 2,4 | 2,4 |
| M00.98 | Pyogénna artritída,bliž.neurč.na i.mieste | 2,4 | 2 | M05.00 | Feltyho syndróm na viacerých miestach | 1,2 | 1,2 |
| M00.99 | Pyogénna artritída,bliž.neurč.,miesto bliž.neurč. | 2,4 | 2 | M05.01 | Feltyho syndróm v obl.pleca | 1,2 | 1,2 |
| M01.00 | Artritída zapríč.meningok.na viac.m. | 2,4 | 2,4 | M05.02 | Feltyho syndróm nadlaktia | 1,2 | 1,2 |
| M01.01 | Artritída zapríč.meningok.v obl.pleca | 2,4 | 2,4 | M05.03 | Feltyho syndróm predlak. | 1,2 | 1,2 |
| M01.02 | Artritída zapríč.meningok.v obl. nadlaktia | 2,4 | 2,4 | M05.04 | Feltyho syndróm ruky | 1,2 | 1,2 |
| M01.03 | Artritída zapríč.meningok.v obl.predlak. | 2,4 | 2,4 | M05.05 | Feltyho syndróm panv.obl.a stehna | 1,2 | 1,2 |
| M01.04 | Artritída zapríč.meningok.v obl.ruky | 2,4 | 2,4 | M05.06 | Feltyho syndróm predkol. | 1,2 | 1,2 |
| M01.05 | Artritída zapríč.meningok.panv.obl.a stehna | 2,4 | 2,4 | M05.07 | Feltyho syndróm čl.a nohy | 1,2 | 1,2 |
| M01.06 | Artritída zapríč.meningok.v obl.predkol. | 2,4 | 2,4 | M05.08 | Feltyho syndróm na i.mieste | 1,2 | 1,2 |
| M01.07 | Artritída zapríč.meningok.v obl.čl.a nohy | 2,4 | 2,4 | M05.09 | Feltyho syndróm,miesto bližšie neurčené | 1,2 | 1,2 |
| M01.08 | Artritída zapríč.meningok.na i.mieste | 2,4 | 2,4 | M05.20 | Reumat.artritída s vaskulitídou,na viac.m. | 1,2 | 1,2 |
| M01.09 | Artritída zapríč.meningok.na n. mieste | 2,4 | 2,4 | M05.21 | Reumat.artritída s vaskulitídou,v obl.pleca | 1,2 | 1,2 |
| M01.10 | Tuberkulózna artritída na viac.m. | 4 | 4 | M05.22 | Reumat.artritída s vaskulitídou,v obl.nadlaktia | 1,2 | 1,2 |
| M01.11 | TBC artritída v obl.pleca | 4 | 4 | M05.23 | Reumat.artritída s vaskulitídou,v obl.predlak. | 1,2 | 1,2 |
| M01.12 | TBC artritída nadlaktia | 4 | 4 | M05.24 | Reumat.artritída s vaskulitídou,v obl.ruky | 1,2 | 1,2 |
| M01.13 | TBC artritída predlak. | 4 | 4 | M05.25 | Reumat.artritída s vaskulitídou,v obl.panv.a stehna | 1,2 | 1,2 |
| M01.14 | TBC artritída ruky | 4 | 4 | M05.26 | Reumat.artritída s vaskulitídou,v obl.predkol. | 1,2 | 1,2 |
| M01.15 | TBC artritída panv.obl.a stehna | 4 | 4 | M05.27 | Reumat.artritída s vaskulitídou,v obl.čl.a nohy | 1,2 | 1,2 |
| M01.16 | TBC artritída predkol. | 4 | 4 | M05.28 | Reumat.artritída s vaskulitídou,na i.mieste | 1,2 | 1,2 |
| M01.17 | TBC artritída čl.a nohy | 4 | 4 | M05.29 | Reumat.artritída s vaskulitídou,miesto bliž.neurč. | 1,2 | 1,2 |
| M01.18 | TBC artritída na i.mieste | 4 | 4 | M05.30 | Reumatoidná artritída s postih.i.org.a súst.,na viac.miest. | 1,2 | 1,2 |
| M01.19 | Tuberkulózna artritída na n.mieste | 4 | 4 | M05.31 | Reumatoidná artritída s postih.i.org.a súst.,v obl.pleca | 1,2 | 1,2 |
| M01.30 | Artritída pri i.baktér.chor.zatried.i.na viac.m. | 4 | 4 | M05.32 | Reumatoidná artritída s postih.i.org.a súst.,v obl.nadlaktia | 1,2 | 1,2 |
| M01.31 | Artritída pri i.baktér.chor.zatried.i.obl.pleca | 4 | 4 | M05.33 | Reumatoidná artritída s postih.i.org.a súst.,v obl.predlak. | 1,2 | 1,2 |
| M01.32 | Artritída pri i.baktér.chor.zatried.i.v obl.nadlaktia | 4 | 4 | M05.34 | Reumatoidná artritída s postih.i.org.a súst.,v obl.ruky | 1,2 | 1,2 |
| M01.33 | Artritída pri i.baktér.chor.zatried.i.v obl.predlak. | 4 | 4 | M05.35 | Reumat.artritída s postih.i.org.a súst.,v obl.panv.a steh. | 1,2 | 1,2 |
| M01.34 | Artritída pri i.baktér.chor.zatried.i.v obl.ruky | 4 | 4 | M05.36 | Reumatoidná artritída s postih.i.org.a súst.,v obl.predkol. | 1,2 | 1,2 |
| M01.35 | Artritída pri i.baktér.chor.zatried.i.panv.obl.a stehna | 4 | 4 | M05.37 | Reumatoidná artritída s postih.i.org.a súst.,v obl.čl.a nohy | 1,2 | 1,2 |
| M01.36 | Artritída pri i.baktér.chor.zatried.i.v obl.predkol. | 4 | 4 | M05.38 | Reumatoidná artritída s postih.i.org.a súst.,na i.mieste | 1,2 | 1,2 |
| M01.37 | Artritída pri i.baktér.chor.zatried.i.v obl.čl.a nohy | 4 | 4 | M05.39 | Reumatoidná artritída s postih.i.org.a súst.,miesto b.n. | 1,2 | 1,2 |
| M01.38 | Artritída pri i.baktér.chor.zatried.i.na i.mieste | 4 | 4 | M06.10 | Stillova chor.dospelých s postih.kíbov na viac.miestach | 1,2 | 1,2 |
| M01.39 | Artritída pri i.baktér.chor.zatried.i.miasto bližš.neurč. | 4 | 4 | M06.11 | Stillova chor.dospelých s postih.kíbov v pleca | 1,2 | 1,2 |
| M01.40 | Artritída pri ružienke na viac.m. | 4 | 4 | M06.12 | Stillova chor.dospelých s postih.kíbov nadlaktia | 1,2 | 1,2 |
| M01.41 | Artritída pri ružienke v obl.pleca. | 4 | 4 | M06.13 | Stillova chor.dospelých s postih.kíbov predlak. | 1,2 | 1,2 |
| M01.42 | Artritída pri ružienke v obl.nadlaktia | 4 | 4 | M06.14 | Stillova chor.dospelých s postih.kíbov ruky | 1,2 | 1,2 |
| M01.43 | Artritída pri ružienke v obl.predlak. | 4 | 4 | M06.15 | Stillova chor.dospelých s postih.Kíbov panvy a stehna | 1,2 | 1,2 |
| | | | | M06.16 | Stillova chor.dospelých s postih.kíbov predkol. | 1,2 | 1,2 |

| ICD | Text | OP. CCL | Med. CCL | ICD | Text | OP. CCL | Med. CCL |
|--------|--|---------|----------|--------|--|---------|----------|
| M06.17 | Stilova chor.dospelých s postih.kĺbov čl.a nohy | 1,2 | 1,2 | M08.01 | Juvenilná reumatoid.artritída dospelých v obl.pleca | 1,2 | 1,2 |
| M06.18 | Stilova chor.dospelých s postih.kĺbov na i.mieste | 1,2 | 1,2 | M08.02 | Juvenilná reumatoid.artritída dospelých v obl.nadlaktia | 1,2 | 1,2 |
| M06.19 | Stilova chor.dospelých s postih.kĺbov na n.mieste | 1,2 | 1,2 | M08.03 | Juvenilná reumatoid.artritída dospelých v obl.predlak. | 1,2 | 1,2 |
| M07.04 | Distálna psoriatická artritída ruky | 1,2 | 1,2 | M08.04 | Juvenilná reumatoid.artritída dospelých v obl.ruky | 1,2 | 1,2 |
| M07.07 | Distálna psoriatická artritída čl.a nohy | 1,2 | 1,2 | M08.05 | Juvenilná reumatoid.artritída dospelých v obl.panvy a stehna | 1,2 | 1,2 |
| M07.09 | Distálna psoriatická artritída na n.mieste | 1,2 | 1,2 | M08.06 | Juvenilná reumatoid.artritída dospelých v obl.predkol. | 1,2 | 1,2 |
| M07.10 | Arthritis mutilans, na viacerých miestach (L40.5†) | 1,2 | 1,2 | M08.07 | Juvenilná reumatoid.artritída dospelých v obl.čl.a nohy | 1,2 | 1,2 |
| M07.11 | Arthritis mutilans v obl.pleca | 1,2 | 1,2 | M08.08 | Juvenilná reumatoid.artritída dospelých na i.mieste | 1,2 | 1,2 |
| M07.12 | Arthritis mutilans v obl.nadlaktia | 1,2 | 1,2 | M08.09 | Juvenilná reumatoid.artritída dospelých,miesto bliž.neurč. | 1,2 | 1,2 |
| M07.13 | Arthritis mutilans v obl. predlak. | 1,2 | 1,2 | M08.10 | Juven.ankylozujúca spondylitída na viac.miestach | 1,2 | 1,2 |
| M07.14 | Arthritis mutilans v obl.ruky | 1,2 | 1,2 | M08.11 | Juven.ankylozujúca spondylitída v obl.pleca | 1,2 | 1,2 |
| M07.15 | Arthritis mutilans panv.obl.a stehna | 1,2 | 1,2 | M08.12 | Juven.ankylozujúca spondylitída nadlaktia | 1,2 | 1,2 |
| M07.16 | Arthritis mutilans v obl.predkol. | 1,2 | 1,2 | M08.13 | Juven.ankylozujúca spondylitída predlak. | 1,2 | 1,2 |
| M07.17 | Arthritis mutilans v obl.čl.a nohy | 1,2 | 1,2 | M08.14 | Juven.ankylozujúca spondylitída ruky | 1,2 | 1,2 |
| M07.18 | Arthritis mutilans na i.mieste | 1,2 | 1,2 | M08.15 | Juven.ankylozujúca spondylitída panv.obl.a stehna | 1,2 | 1,2 |
| M07.19 | Arthritis mutilans na n.mieste | 1,2 | 1,2 | M08.16 | Juven.ankylozujúca spondylitída predkol. | 1,2 | 1,2 |
| M07.2 | Psoriatická spondylitída (L40.5†) | 1,2 | 1,2 | M08.17 | Juven.ankylozujúca spondylitída čl.a nohy | 1,2 | 1,2 |
| M07.30 | Iná psoriatická artritídana viac.m. | 1,2 | 1,2 | M08.18 | Juven.ankylozujúca spondylitída na i.mieste | 1,2 | 1,2 |
| M07.31 | Iná psoriatická artritídav obl.pleca | 1,2 | 1,2 | M08.19 | Juven.ankylozujúca spondylitída na n.mieste | 1,2 | 1,2 |
| M07.32 | Iná psoriatická artritídav obl.nadlaktia | 1,2 | 1,2 | M08.20 | Juven.chron.artritída so systém.začiat.,na v.miest. | 1,2 | 1,2 |
| M07.33 | Iná psoriatická artritídav obl.predlak. | 1,2 | 1,2 | M08.21 | Juven.chron.artritída so systém.začiat.,v obl.pleca | 1,2 | 1,2 |
| M07.34 | Iná psoriatická artritídav obl.ruky | 1,2 | 1,2 | M08.22 | Juven.chron.artritída so systém.začiat.,v o.nadlaktia | 1,2 | 1,2 |
| M07.35 | Iná psoriatická artritídav obl.panv.a stehna | 1,2 | 1,2 | M08.23 | Juven.chron.artritída so systém.začiat.,v o.predlak. | 1,2 | 1,2 |
| M07.36 | Iná psoriatická artritídav obl.predkol. | 1,2 | 1,2 | M08.24 | Juven.chron.artritída so systém.začiat.,v o.ruky | 1,2 | 1,2 |
| M07.37 | Iná psoriatická artritídav obl.čl.a nohy | 1,2 | 1,2 | M08.25 | Juven.chron.artritída so systém.začiat.,v o.panvy a stehna | 1,2 | 1,2 |
| M07.38 | Iná psoriatická artritídana i.mieste | 1,2 | 1,2 | M08.26 | Juven.chron.artritída so systém.začiat.,v o.predkol. | 1,2 | 1,2 |
| M07.39 | Iná psoriatická artritídana n.mieste | 1,2 | 1,2 | M08.27 | Juven.chron.artritída so systém.začiat.,v o.čl.a nohy | 1,2 | 1,2 |
| M07.40 | Artritída pri Crohn.chor. s postih.kĺbov na viac.m. | 1,2 | 1,2 | M08.28 | Juven.chron.artritída so systém.začiat.,na i.mieste | 1,2 | 1,2 |
| M07.41 | Artritída pri Crohn.chor.s postih.kĺbov v obl.pleca | 1,2 | 1,2 | M08.29 | Juven.chron.artritída so systém.začiat.,na n.mieste | 1,2 | 1,2 |
| M07.42 | Artritída pri Crohn.chor.s postih.kĺbov nadlaktia | 1,2 | 1,2 | M08.3 | Juven.chron.artritída (séronegatívna),polyartikulárna forma | 1,2 | 1,2 |
| M07.43 | Artritída pri Crohn.chor.s postih.kĺbov predlak. | 1,2 | 1,2 | M08.40 | Juven.chron.artritída,oligoart.forma,s postih.na viac.m. | 1,2 | 1,2 |
| M07.44 | Artritída pri Crohn.chor.s postih.kĺbov ruky | 1,2 | 1,2 | M08.41 | Juven.chron.artritída,oligoart.forma,s postih.v obl.pleca | 1,2 | 1,2 |
| M07.45 | Artritída pri Crohn.chor.s postih.kĺbov panvy a stehna | 1,2 | 1,2 | M08.42 | Juven.chron.artritída,oligoart.forma,s postih.nadlaktia | 1,2 | 1,2 |
| M07.46 | Artritída pri Crohn.chor.s postih.kĺbov predkol. | 1,2 | 1,2 | M08.43 | Juven.chron.artritída,oligoart.forma,s postih.predlak. | 1,2 | 1,2 |
| M07.47 | Artritída pri Crohn.chor.s postih.kĺbov čl.a nohy | 1,2 | 1,2 | M08.44 | Juven.chron.artritída,oligoart.forma,s postih.ruky | 1,2 | 1,2 |
| M07.48 | Artritída pri Crohn.chor.s postih.kĺbov na i.mieste | 1,2 | 1,2 | M08.45 | Juven.chron.artritída,oligoart.forma,s postih.pan.a stehna | 1,2 | 1,2 |
| M07.49 | Artritída pri Crohn.chor.s postih.kĺbov na n.mieste | 1,2 | 1,2 | M08.46 | Juven.chron.artritída,oligoart.forma,s postih.predkol. | 1,2 | 1,2 |
| M07.50 | Artritída pri ulcer.kolitíde s postih.kĺbov na viac.m. | 1,2 | 1,2 | M08.47 | Juven.chron.artritída,oligoart.forma,s postih.čl.a nohy | 1,2 | 1,2 |
| M07.51 | Artritída pri ulcer.kolitíde s postih.kĺbov v obl.pleca | 1,2 | 1,2 | M08.48 | Juven.chron.artritída,oligoart.forma,s postih.na i.mieste | 1,2 | 1,2 |
| M07.52 | Artritída pri ulcer.kolitíde s postih.kĺbov nadlaktia | 1,2 | 1,2 | | | | |
| M07.53 | Artritída pri ulcer.kolitíde s postih.kĺbov predlak. | 1,2 | 1,2 | | | | |
| M07.54 | Artritída pri ulcer.kolitíde s postih.kĺbov ruky | 1,2 | 1,2 | | | | |
| M07.55 | Artritída pri ulcer.kolitíde s postih.kĺbov pan.a stehna | 1,2 | 1,2 | | | | |
| M07.56 | Artritída pri ulcer.kolitíde s postih.kĺbov predkol. | 1,2 | 1,2 | | | | |
| M07.57 | Artritída pri ulcer.kolitíde s postih.kĺbov čl.a nohy | 1,2 | 1,2 | | | | |
| M07.58 | Artritída pri ulcer.kolitíde s postih.kĺbov na i.mieste | 1,2 | 1,2 | | | | |
| M07.59 | Artritída pri ulcer.kolitíde s postih.kĺbov na n.mieste | 1,2 | 1,2 | | | | |
| M08.00 | Juvenilná reumatoid.artritída dospelých na viac.m. | 1,2 | 1,2 | | | | |

| ICD | Text | OP. CCL | Med. CCL | ICD | Text | OP. CCL | Med. CCL |
|--------|--|---------|----------|--------|---|---------|----------|
| M08.49 | Juven.chron.artritída,oligoart.forma,s postih.na n.mieste | 1,2 | 1,2 | M09.14 | Juven.artritída pri Crohn.chor.,s postih.kĺb.ruky | 1,2 | 1,2 |
| M08.70 | Juven.artritída s vaskulit.s postih.kĺb.na viac.m. | 1,2 | 1,2 | M09.15 | Juven.artritída pri Crohn.chor.,s postih.kĺb.panvy a stehna | 1,2 | 1,2 |
| M08.71 | Juven.artritída s vaskulit.s postih.kĺb.v obl.pleca | 1,2 | 1,2 | M09.16 | Juven.artritída pri Crohn.chor.,s postih.kĺb.predkol. | 1,2 | 1,2 |
| M08.72 | Juven.artritída s vaskulit.s postih.kĺb.v obl.nadlaktia | 1,2 | 1,2 | M09.17 | Juven.artritída pri Crohn.chor.,s postih.kĺb.čl.a nohy | 1,2 | 1,2 |
| M08.73 | Juven.artritída s vaskulit.s postih.kĺb.v obl.predlak. | 1,2 | 1,2 | M09.18 | Juven.artritída pri Crohn.chor.,s postih.kĺb.na i.mieste | 1,2 | 1,2 |
| M08.74 | Juven.artritída s vaskulit.s postih.kĺb.v obl.ruky | 1,2 | 1,2 | M09.19 | Juven.artritída pri Crohn.chor.,s postih.kĺb.na n.mieste | 1,2 | 1,2 |
| M08.75 | Juven.artritída s vaskulit.s postih.kĺb.v obl.panvy a stehna | 1,2 | 1,2 | M09.20 | Juven.artritída pri ulcer.kolitíde,s postih.kĺb.na viac.m. | 1,2 | 1,2 |
| M08.76 | Juven.artritída s vaskulit.s postih.kĺb.v obl.predkol. | 1,2 | 1,2 | M09.21 | Juven.artritída pri ulcer.kolitíde,s postih.kĺb.v obl.pleca | 1,2 | 1,2 |
| M08.77 | Juven.artritída s vaskulit.s postih.kĺb.v obl.čl.a nohy | 1,2 | 1,2 | M09.22 | Juven.artritída pri ulcer.kolitíde,s postih.kĺb.nadlaktia | 1,2 | 1,2 |
| M08.78 | Juven.artritída s vaskulit.s postih.kĺb.na i.mieste | 1,2 | 1,2 | M09.23 | Juven.artritída pri ulcer.kolitíde,s postih.kĺb.predlak. | 1,2 | 1,2 |
| M08.79 | Juven.artritída s vaskulit.s postih.kĺb.,miesto bliž.neurč. | 1,2 | 1,2 | M09.24 | Juven.artritída pri ulcer.kolitíde,s postih.kĺb.ruky | 1,2 | 1,2 |
| M08.80 | Iná juvenilná artritída na viacerých miestach | 1,2 | 1,2 | M09.25 | Juven.artritída pri ulcer.kolit.,s post.kĺb.panvy a stehna | 1,2 | 1,2 |
| M08.81 | Iná juvenilná artritída v obl.pleca | 1,2 | 1,2 | M09.26 | Juven.artritída pri ulcer.kolitíde,s postih.kĺb.predkol. | 1,2 | 1,2 |
| M08.82 | Iná juvenilná artritída nadlaktia | 1,2 | 1,2 | M09.27 | Juven.artritída pri ulcer.kolitíde,s postih.kĺb.čl.a nohy | 1,2 | 1,2 |
| M08.83 | Iná juvenilná artritída predlak. | 1,2 | 1,2 | M09.28 | Juven.artritída pri ulcer.kolitíde,s postih.kĺb.na i.mieste | 1,2 | 1,2 |
| M08.84 | Iná juvenilná artritída ruky | 1,2 | 1,2 | M09.29 | Juven.artritída pri ulcer.kolitíde,s postih.kĺb.na n.mieste | 1,2 | 1,2 |
| M08.85 | Iná juvenilná artritída panv.obl.a stehna | 1,2 | 1,2 | M09.80 | Juven.artritída pri i.chor.zatr.i.s postih.kĺb.na viac.m. | 1,2 | 1,2 |
| M08.86 | Iná juvenilná artritída predkol. | 1,2 | 1,2 | M09.81 | Juven.artritída pri i.chor.zatr.i.s postih.kĺb.v obl.pleca | 1,2 | 1,2 |
| M08.87 | Iná juvenilná artritída čl.a nohy | 1,2 | 1,2 | M09.82 | Juven.artritída pri i.chor.zatr.i.s postih.kĺb.nadlaktia | 1,2 | 1,2 |
| M08.88 | Iná juvenilná artritída na i.mieste | 1,2 | 1,2 | M09.83 | Juven.artritída pri i.chor.zatr.i.s postih.kĺb.predlak. | 1,2 | 1,2 |
| M08.89 | Iná juvenilná artritída,miesto bližšie neurčené | 1,2 | 1,2 | M09.84 | Juven.artritída pri i.chor.zatr.i.s postih.kĺb.ruky | 1,2 | 1,2 |
| M08.90 | Juven.artritída,bliž.neurč.na viac.m. | 1,2 | 1,2 | M09.85 | Juven.artritída pri i.chor.zatr.i.s postih.kĺb.panvy a stehna | 1,2 | 1,2 |
| M08.91 | Juven.artritída,bliž.neurč.v obl.pleca | 1,2 | 1,2 | M09.86 | Juven.artritída pri i.chor.zatr.i.s postih.kĺb.predkol. | 1,2 | 1,2 |
| M08.92 | Juven.artritída,bliž.neurč.v obl.nadlaktia | 1,2 | 1,2 | M09.87 | Juven.artritída pri i.chor.zatr.i.s postih.kĺb.čl.a nohy | 1,2 | 1,2 |
| M08.93 | Juven.artritída,bliž.neurč.v obl.predlak. | 1,2 | 1,2 | M09.88 | Juven.artritída pri i.chor.zatr.i.s postih.kĺb.na i.mieste | 1,2 | 1,2 |
| M08.94 | Juven.artritída,bliž.neurč.v obl.ruky | 1,2 | 1,2 | M09.89 | Juven.artritída pri i.chor.zatr.i.s postih.kĺb.,m.bliž.neurč. | 1,2 | 1,2 |
| M08.95 | Juven.artritída,bliž.neurč.panv.obl.a stehna | 1,2 | 1,2 | M10.10 | Dna zapríčinená olovom, na viacerých miestach | 4 | 4 |
| M08.96 | Juven.artritída,bliž.neurč.v obl.predkol. | 1,2 | 1,2 | M10.11 | Dna zapríč. olovom, v obl.pleca | 4 | 4 |
| M08.97 | Juven.artritída,bliž.neurč.v obl.čl.a nohy | 1,2 | 1,2 | M10.12 | Dna zapríč. olovom, v obl.nadlaktia | 4 | 4 |
| M08.98 | Juven.artritída,bliž.neurč.na i.mieste | 1,2 | 1,2 | M10.13 | Dna zapríč. olovom, v obl.predlak. | 4 | 4 |
| M08.99 | Juven.artritída,bliž.neurč.,miesto bliž.neurč. | 1,2 | 1,2 | M10.14 | Dna zapríč. olovom, v obl.ruky | 4 | 4 |
| M09.00 | Juven.artritída pri psoriáze,s postih.kĺb.na viac.m. | 1,2 | 1,2 | M10.15 | Dna zapríč. olovom, v obl.panvy a stehna | 4 | 4 |
| M09.01 | Juven.artritída pri psoriáze,s postih.kĺb.v obl.pleca | 1,2 | 1,2 | M10.16 | Dna zapríč. olovom, v obl.predkol. | 4 | 4 |
| M09.02 | Juven.artritída pri psoriáze,s postih.kĺb.nadlaktia | 1,2 | 1,2 | M10.17 | Dna zapríč. olovom, v obl.čl.a nohy | 4 | 4 |
| M09.03 | Juven.artritída pri psoriáze,s postih.kĺb.predlak. | 1,2 | 1,2 | M10.18 | Dna zapríč. olovom na i.mieste | 4 | 4 |
| M09.04 | Juven.artritída pri psoriáze,s postih.kĺb.ruky | 1,2 | 1,2 | M10.19 | Dna zapríčinená olovom,miesto bliž.neurč. | 4 | 4 |
| M09.05 | Juven.artritída pri psoriáze,s postih.kĺb.panvy a stehna | 1,2 | 1,2 | M10.20 | Dna zapríčinená liekmi, na viacerých miestach | 4 | 4 |
| M09.06 | Juven.artritída pri psoriáze,s postih.kĺb.predkol. | 1,2 | 1,2 | M10.21 | Dna zapríč.liekmi, v obl.pleca | 4 | 4 |
| M09.07 | Juven.artritída pri psoriáze,s postih.kĺb.čl.a nohy | 1,2 | 1,2 | M10.22 | Dna zapríč.liekmi, v obl.nadlaktia | 4 | 4 |
| M09.08 | Juven.artritída pri psoriáze,s postih.kĺb.na i.mieste | 1,2 | 1,2 | M10.23 | Dna zapríč.liekmi, v obl.predlak. | 4 | 4 |
| M09.09 | Juven.artritída pri psoriáze,s postih.kĺb.na n.mieste | 1,2 | 1,2 | M10.24 | Dna zapríč.liekmi, v obl.ruky | 4 | 4 |
| M09.10 | Juven.artritída pri Crohn.chor.,s postih.kĺb.na viac.m. | 1,2 | 1,2 | M10.25 | Dna zapríč.liekmi, v obl.panvy a stehna | 4 | 4 |
| M09.11 | Juven.artritída pri Crohn.chor.,s postih.kĺb.v obl.pleca | 1,2 | 1,2 | M10.26 | Dna zapríč.liekmi, v obl.predkol. | 4 | 4 |
| M09.12 | Juven.artritída pri Crohn.chor.,s postih.kĺb.nadlaktia | 1,2 | 1,2 | | | | |
| M09.13 | Juven.artritída pri Crohn.chor.,s postih.kĺb.predlak. | 1,2 | 1,2 | | | | |

CCL

| ICD | Text | OP. CCL | Med. CCL | ICD | Text | OP. CCL | Med. CCL |
|--------|--|---------|----------|--------|--|---------|----------|
| M10.27 | Dna zaprič. liekmi, v obl. čl. a nohy | 4 | 4 | M48.43 | Únavová zlomenina stavca v krčohrudníkovej oblasti | 2,3,4 | 1,2,3,4 |
| M10.28 | Dna zaprič. liekmi, na i. mieste | 4 | 4 | M48.44 | Únavová zlomenina stavca v hrudníkovej oblasti | 2,3,4 | 1,2,3,4 |
| M10.29 | Dna zapričinená liekmi, miesto bližšie neurčené | 4 | 4 | M48.45 | Únavová zlomenina stavca v hrudníkovodriek. obl. | 2,3,4 | 1,2,3,4 |
| M14.8 | Artopatia pri i. bliž. urč. chorobách zatried. i. | 4 | 4 | M48.46 | Únavová zlomenina stavca v driekovej oblasti | 2,3,4 | 1,2,3,4 |
| M30.0 | Polyarteriitída nodosa | 1,2 | 1,2 | M48.47 | Únavová zlomenina stavca v driekovokřížovej oblasti | 2,3,4 | 1,2,3,4 |
| M30.1 | Polyarteritída s postihnutím pľúc | 1,2 | 1,2 | M48.48 | Únavová zlomenina stavca v križ. a križovokostrč. obl. | 2,3,4 | 1,2,3,4 |
| M30.2 | Juvenilná polyarteritída | 1,2 | 1,2 | M48.49 | Únavová zlomenina stavca: oblasť bližšie neurčená | 2,3,4 | 1,2,3,4 |
| M30.8 | Iné choroby príbuzné polyarteriitída nodosa | 1,2 | 1,2 | M48.50 | Kompresia tela stavca na v. miest. chrbt., nezatr. inde | 2,3,4 | 1,2,3,4 |
| M31.0 | Hypersenzitívna vaskulitída | 1,2 | 1,2 | M48.51 | Kompresia tela stavca v okcip.-atl.-axiál. obl., nezatr. inde | 2,3,4 | 1,2,3,4 |
| M31.1 | Trombotická mikroangiopatia | 1,2 | 1,2 | M48.52 | Kompresia tela stavca v krčnej obl., nezatr. inde | 2,3,4 | 1,2,3,4 |
| M31.2 | Letálny granulóm strednej čiary | 2,3,4 | 1,2,3 | M48.53 | Kompresia tela stavca v krč. hrud. obl., nezatr. inde | 2,3,4 | 1,2,3,4 |
| M31.3 | Wegenerova granulomatóza | 1,2 | 1,2 | M48.54 | Kompresia tela stavca v hrud. obl., nezatr. inde | 2,3,4 | 1,2,3,4 |
| M31.4 | Syndróm aortálneho oblúka [Takayasu syndrom] | 1,2 | 1,2 | M48.55 | Kompresia tela stavca v hrud. driek. obl., nezatr. inde | 2,3,4 | 1,2,3,4 |
| M31.5 | Obrovskobunková arteritída s polymyalgia rheumatica | 1,2 | 1,2 | M48.56 | Kompresia tela stavca v driek. obl., nezatr. inde | 2,3,4 | 1,2,3,4 |
| M31.6 | Iná obrovskobunková arteritída | 1,2 | 1,2 | M48.57 | Kompresia tela stavca v driek. križ. obl., nezatr. inde | 2,3,4 | 1,2,3,4 |
| M31.7 | Mikroskopická polyangiitída | 1,2 | 1,2 | M48.58 | Kompresia tela stavca v križ. a križ. kostrč. obl., nezatr. inde | 2,3,4 | 1,2,3,4 |
| M31.8 | Iná nekrotizujúca vaskulopatia, bližšie určená | 1,2 | 1,2 | M48.59 | Kompresia tela stavca : oblasť bliž. neurč., nezatr. inde | 2,3,4 | 1,2,3,4 |
| M31.9 | Nekrotizujúca vaskulopatia, bližšie neurčená | 1,2 | 1,2 | M49.50 | Kompresia tela stavca pri chorobe zatried. i., na viac. m. chrbt. | 2,3,4 | 1,2,3,4 |
| M32.0 | Lupus erythematosus, zapričinený liekmi | 1,2,4 | 1,2,4 | M49.51 | Kompresia tela stavca pri chorobe zatr. i., okcip.-atl. axiál. o. | 2,3,4 | 1,2,3,4 |
| M32.1 | Systémový lupus erythematosus s postih. org./systémov | 1,2,4 | 1,2,4 | M49.52 | Kompresia tela stavca pri chorobe zatr. i., v krčnej obl. | 2,3,4 | 1,2,3,4 |
| M32.8 | Iná forma systémového lupus erythematosus | 1,2,4 | 1,2,4 | M49.53 | Kompresia tela stavca pri chorobe zatr. i., v krčohrud. obl. | 2,3,4 | 1,2,3,4 |
| M32.9 | Systémový lupus erythematosus, bližšie neurčený | 1,2,4 | 1,2,4 | M49.54 | Kompresia tela stavca pri chorobe zatr. i., v hrudník. obl. | 2,3,4 | 1,2,3,4 |
| M33.0 | Juvenilná dermatomyozitída | 1,2 | 1,2 | M49.55 | Kompresia tela stavca pri chor. zatr. i., v hrudník. driek. obl. | 2,3,4 | 1,2,3,4 |
| M33.1 | Iná dermatomyozitída | 1,2 | 1,2 | M49.56 | Kompresia tela stavca pri chorobe zatr. i., v driekovej obl. | 2,3,4 | 1,2,3,4 |
| M33.2 | Polymyozitída | 1,2 | 1,2 | M49.57 | Kompresia tela stavca pri chorobe zatr. i., v driek. križ. obl. | 2,3,4 | 1,2,3,4 |
| M33.9 | Dermatopolymyozitída, bližšie neurčená | 1,2 | 1,2 | M49.58 | Kompresia tela stavca pri chor. zatr. i., križ. a križ. kostrč. obl. | 2,3,4 | 1,2,3,4 |
| M34.0 | Progresívna systémová skleróza | 1,2 | 1,2 | M49.59 | Kompresia tela stavca pri chor. zatr. i.: oblasť bliž. neurč. | 2,3,4 | 1,2,3,4 |
| M34.1 | Syndróm CR(E)ST | 1,2 | 1,2 | M60.00 | Infekčná myozitída na viacerých miestach | 2 | 2 |
| M34.2 | Systémová skleróza, zapričinená liekmi/chemickými lát. | 1,2 | 1,2 | M60.01 | Inf. myozitída v obl. pleca | 2 | 2 |
| M34.8 | Iná forma systémovej sklerózy | 1,2 | 1,2 | M60.02 | Infekčná myozitída nadlaktia | 2 | 2 |
| M34.9 | Systémová skleróza, bližšie neurčená | 1,2 | 1,2 | M60.03 | Infekčná myozitída predlak. | 2 | 2 |
| M35.1 | Iné prekrývajúce sa syndrómy | 1,2 | 1,2 | M60.04 | Infekčná myozitída ruky | 2 | 2 |
| M35.4 | Difúzna (eozinofilná) fasciitída | 2 | 2 | M60.05 | Infekčná myozitída panv. obl. a stehna | 2 | 2 |
| M35.5 | Multifokálna fibroskleróza | 1,2 | 1,2 | M60.06 | Infekčná myozitída predkol. | 2 | 2 |
| M35.8 | Iné systémove postihnutie spojiva, bližšie určené | 1,2 | 1,2 | M60.07 | Infekčná myozitída čl. a nohy | 2 | 2 |
| M36.0 | Dermatomyozitída – polymyozitída pri nádorovej chorobe | 1,2 | 1,2 | M60.08 | Infekčná myozitída na i. mieste | 2 | 2 |
| M36.1 | Artopatia pri nádorovej chorobe | 4 | 4 | M60.09 | Infekčná myozitída, miesto bližšie neurčené | 2 | 2 |
| M36.2 | Hemofilická artropatia | 4 | 4 | M62.00 | Diastáza svalu na viacerých miestach | 2 | 2 |
| M36.3 | Artopatia pri i. chorobách krvi zatried. i. | 4 | 4 | M62.01 | Diastáza svalu v obl. pleca | 2 | 2 |
| M36.8 | Systémové choroba spojiva pri i. chorobách zatried. i. | 4 | 4 | M62.02 | Diastáza svalu nadlaktia | 2 | 2 |
| M46.20 | Osteomyelitída stavca na viac. m. chrbt. | 4 | 4 | M62.03 | Diastáza svalu predlak. | 2 | 2 |
| M46.21 | Osteomyelitída stavca v okcip.-atl.-axiál. obl. | 4 | 4 | M62.04 | Diastáza svalu ruky | 2 | 2 |
| M46.22 | Osteomyelitída stavca v krčnej oblasti | 4 | 4 | M62.05 | Diastáza svalu panv. obl. a stehna | 2 | 2 |
| M46.23 | Osteomyelitída stavca v krčohrudníkovej oblasti | 4 | 4 | M62.06 | Diastáza svalu predkolenia | 2 | 2 |
| M46.24 | Osteomyelitída stavca v hrudníkovej oblasti | 4 | 4 | M62.07 | Diastáza svalu čl. a nohy | 2 | 2 |
| M46.25 | Osteomyelitída stavca v hrudníkovodriekovej oblasti | 4 | 4 | | | | |
| M46.26 | Osteomyelitída stavca v driekovej oblasti | 4 | 4 | | | | |
| M46.27 | Osteomyelitída stavca v driekovokřížovej oblasti | 4 | 4 | | | | |
| M46.28 | Osteomyelitída stavca v križ. a križovokostrč. obl. | 4 | 4 | | | | |
| M46.29 | Osteomyelitída stavca v: oblasť bližšie neurčená | 4 | 4 | | | | |
| M48.40 | Únavová zlomenina stavca na viac. m. chrbt. | 2,3,4 | 1,2,3,4 | | | | |
| M48.41 | Únavová zlomenina stavca v okcip. atl. axiál. obl. | 2,3,4 | 1,2,3,4 | | | | |
| M48.42 | Únavová zlomenina stavca v krčnej oblasti | 2,3,4 | 1,2,3,4 | | | | |

| ICD | Text | OP. CCL | Med. CCL | ICD | Text | OP. CCL | Med. CCL |
|--------|---|---------|----------|--------|--|---------|----------|
| M62.08 | Diastáza svalu na i.mieste | 2 | 2 | M62.80 | Iné choroby svalov,blíž.urč.na viac.m. | 2 | 2 |
| M62.09 | Diastáza svalu,miesto bližšie neurčené | 2 | 2 | M62.81 | Iné choroby svalov,blíž.urč.v obl.pleca | 2 | 2 |
| M62.10 | Iné roztrhnutie svalu (neúrazové) na viac.m. | 2 | 2 | M62.82 | Iné choroby svalov,blíž.urč.v obl.nadlaktia | 2 | 2 |
| M62.11 | Iné roztrhnutie svalu (neúraz.)v obl.pleca | 2 | 2 | M62.83 | Iné choroby svalov,blíž.urč.v obl.predlak. | 2 | 2 |
| M62.12 | Iné roztrhnutie svalu (neúraz.)v obl.nadlaktia | 2 | 2 | M62.84 | Iné choroby svalov,blíž.urč.na i.mieste | 2 | 2 |
| M62.13 | Iné roztrhnutie svalu (neúraz.)v obl.predlak. | 2 | 2 | M62.85 | Iné choroby svalov,blíž.urč.v obl.panvy a stehna | 2 | 2 |
| M62.14 | Iné roztrhnutie svalu (neúraz.)v obl.ruky | 2 | 2 | M62.86 | Iné choroby svalov,blíž.urč.v obl.predkol. | 2 | 2 |
| M62.15 | Iné roztrhnutie svalu (neúraz.)v obl.panvy a stehna | 2 | 2 | M62.87 | Iné choroby svalov,blíž.urč.v obl.čl.a nohy | 2 | 2 |
| M62.16 | Iné roztrhnutie svalu (neúraz.)v obl.predkol. | 2 | 2 | M62.88 | Iné choroby svalov,blíž.urč.na i.mieste | 2 | 2 |
| M62.17 | Iné roztrhnutie svalu (neúraz.)v obl.čl. a nohy | 2 | 2 | M63.00 | Myozitída pri bakteriovej chorobe zatried.i.na viac.m. | 2 | 2 |
| M62.18 | Iné roztrhnutie svalu (neúraz.)na i.mieste | 2 | 2 | M63.01 | Myozitída pri bakteriovej chorobe zatried.i.v obl.pleca | 2 | 2 |
| M62.19 | Iné roztrhnutie svalu (neúrazové),miesto bliž.neurč. | 2 | 2 | M63.02 | Myozitída pri bakteriovej chorobe zatried.i.v obl.nadlaktia | 2 | 2 |
| M62.20 | Ischemický infarkt svalu na viac.m. | 2 | 2 | M63.03 | Myozitída pri bakteriovej chorobe zatried.i.v obl.predlak. | 2 | 2 |
| M62.21 | Ischemický infarkt svalu v obl.pleca | 2 | 2 | M63.04 | Myozitída pri bakteriovej chorobe zatried.i.v obl.ruky | 2 | 2 |
| M62.22 | Ischemický infarkt svalu nadlaktia | 2 | 2 | M63.05 | Myozitída pri bakteriovej chor.zatried.i.v obl.panvy a stehna | 2 | 2 |
| M62.23 | Ischemický infarkt svalu predlak. | 2 | 2 | M63.06 | Myozitída pri bakteriovej chorobe zatried.i.v obl.predkol. | 2 | 2 |
| M62.24 | Ischemický infarkt svalu ruky | 2 | 2 | M63.07 | Myozitída pri bakteriovej chorobe zatried.i.v obl.čl.a nohy | 2 | 2 |
| M62.25 | Ischemický infarkt svalu panv.obl.a stehna | 2 | 2 | M63.08 | Myozitída pri bakteriovej chorobe zatried.i.na i.mieste | 2 | 2 |
| M62.26 | Ischemický infarkt svalu predkol. | 2 | 2 | M63.09 | Myozitída pri bakteriovej chorobe zatried.i.,miesto bliž.neurč | 2 | 2 |
| M62.27 | Ischemický infarkt svalu čl.a nohy | 2 | 2 | M63.10 | Myozitída pri prvoko.a parazit.infek.zatried.i.na viac.m. | 2 | 2 |
| M62.28 | Ischemický infarkt svalu na i.mieste | 2 | 2 | M63.11 | Myozitída pri prvoko.a parazit.infek.zatried.i.v obl.pleca | 2 | 2 |
| M62.29 | Ischemický infarkt svalu na n.mieste | 2 | 2 | M63.12 | Myozitída pri prvoko.a parazit.infek.zatried.i.v obl.nadlaktia | 2 | 2 |
| M62.30 | Syndróm nehybnosti (paraplegický) na viac.m. | 2 | 2 | M63.13 | Myozitída pri prvoko.a parazit.infek.zatried.i.v obl.predlak. | 2 | 2 |
| M62.31 | Syndróm nehybnosti (paraplegický)v obl.pleca | 2 | 2 | M63.14 | Myozitída pri prvoko.a parazit.infek.zatried.i.v obl.ruky | 2 | 2 |
| M62.32 | Syndróm nehybnosti (paraplegický)v obl.nadlaktia | 2 | 2 | M63.15 | Myozitída pri prvoko.a parazit.infek.zatr.i.v obl.pan.a steh. | 2 | 2 |
| M62.33 | Syndróm nehybnosti (paraplegický)v obl.predlak. | 2 | 2 | M63.16 | Myozitída pri prvoko.a parazit.infek.zatried.i.v obl.predkol. | 2 | 2 |
| M62.34 | Syndróm nehybnosti (paraplegický)v obl.ruky | 2 | 2 | M63.17 | Myozitída pri prvoko.a parazit.infek.zatried.i.v obl.čl.a nohy | 2 | 2 |
| M62.35 | Syndróm nehybnosti (paraplegický)v obl.panvy a stehna | 2 | 2 | M63.18 | Myozitída pri prvoko.a parazit.infek.zatried.i.na i.mieste | 2 | 2 |
| M62.36 | Syndróm nehybnosti (paraplegický)v obl.predkol. | 2 | 2 | M63.19 | Myozitída pri prvoko.a parazit.infek.zatr.i,miesto bliž.neurč. | 2 | 2 |
| M62.37 | Syndróm nehybnosti (paraplegický)v obl.čl.a nohy | 2 | 2 | M63.20 | Myozitída pri inej infek.chorobe zatried.i.na viac.m. | 2 | 2 |
| M62.38 | Syndróm nehybnosti (paraplegický)na i.mieste | 2 | 2 | M63.21 | Myozitída pri inej infek.chorobe zatried.i.v obl.pleca | 2 | 2 |
| M62.39 | Syndróm nehybnosti (paraplegický),miesto bliž.neurč. | 2 | 2 | M63.22 | Myozitída pri inej infek.chorobe zatried.i.v obl.nadlaktia | 2 | 2 |
| M62.40 | Kontraktúra svalu na viacerých miestach | 2 | 2 | M63.23 | Myozitída pri inej infek.chorobe zatried.i.v obl.predlak. | 2 | 2 |
| M62.41 | Kontraktúra svalu v obl.pleca | 2 | 2 | M63.24 | Myozitída pri inej infek.chorobe zatried.i.v obl.ruky | 2 | 2 |
| M62.42 | Kontraktúra svalu nadlaktia | 2 | 2 | M63.25 | Myozitída pri inej infek.chorobe zatried.i.v obl.pan.a stehna | 2 | 2 |
| M62.43 | Kontraktúra svalu predlak. | 2 | 2 | M63.26 | Myozitída pri inej infek.chorobe zatried.i.v obl.predkol. | 2 | 2 |
| M62.44 | Kontraktúra svalu ruky | 2 | 2 | M63.27 | Myozitída pri inej infek.chorobe zatried.i.v obl.čl.a nohy | 2 | 2 |
| M62.45 | Kontraktúra svalu panv.obl.a stehna | 2 | 2 | M63.28 | Myozitída pri inej infek.chorobe zatried.i.na i.mieste | 2 | 2 |
| M62.46 | Kontraktúra svalu predkol. | 2 | 2 | M63.29 | Myozitída pri inej infek.chorobe zatried.i.,miesto bliž.neurč. | 2 | 2 |
| M62.47 | Kontraktúra svalu čl.a nohy | 2 | 2 | | | | |
| M62.48 | Kontraktúra svalu na i.mieste | 2 | 2 | | | | |
| M62.49 | Kontraktúra svalu,miesto bližšie neurčené | 2 | 2 | | | | |
| M62.50 | Zmenšenie a atrofia svalu,nezatr.i.na viac.m. | 2 | 2 | | | | |
| M62.51 | Zmenšenie a atrofia svalu,nezatr.i.v obl.pleca | 2 | 2 | | | | |
| M62.52 | Zmenšenie a atrofia svalu,nezatr.i.v obl.nadlaktia | 2 | 2 | | | | |
| M62.53 | Zmenšenie a atrofia svalu,nezatr.i.v obl.predlak. | 2 | 2 | | | | |
| M62.54 | Zmenšenie a atrofia svalu,nezatr.i.v obl.ruky | 2 | 2 | | | | |
| M62.55 | Zmenšenie a atrofia svalu,nezatr.i.v obl.panvy a stehna | 2 | 2 | | | | |
| M62.56 | Zmenšenie a atrofia svalu,nezatr.i.v obl.predkol. | 2 | 2 | | | | |
| M62.57 | Zmenšenie a atrofia svalu,nezatr.i.v obl.čl.a nohy | 2 | 2 | | | | |
| M62.58 | Zmenšenie a atrofia svalu,nezatr.i.na i.mieste | 2 | 2 | | | | |
| M62.59 | Zmenšenie a atrofia svalu,nezatr.i.,miesto bliž.neurč. | 2 | 2 | | | | |

| ICD | Text | OP. CCL | Med. CCL | ICD | Text | OP. CCL | Med. CCL |
|--------|---|---------|----------|--------|--|---------|----------|
| M63.30 | Myozitída pri sarkoidóze na viac.m. | 2 | 2 | M84.24 | Predĺžené zahojenie zlomeniny ruky | 2,3 | 2 |
| M63.31 | Myozitída pri sarkoidóze,v obl.pleca | 2 | 2 | M84.25 | Predĺžené zahojenie zlomeniny panv.obl.a stehna | 2,3 | 2 |
| M63.32 | Myozitída pri sarkoidóze,v obl.nadlaktia | 2 | 2 | M84.26 | Predĺžené zahojenie zlomeniny predkol. | 2,3 | 2 |
| M63.33 | Myozitída pri sarkoidóze,v obl.predlak. | 2 | 2 | M84.27 | Predĺžené zahojenie zlomeniny čl.a nohy | 2,3 | 2 |
| M63.34 | Myozitída pri sarkoidóze,v obl.ruky | 2 | 2 | M84.28 | Predĺžené zahojenie zlomeniny na i.mieste | 2,3 | 2 |
| M63.35 | Myozitída pri sarkoidóze,v obl.panv.a stehna | 2 | 2 | M84.29 | Predĺžené zahojenie zlomeniny na n.mieste | 2,3 | 2 |
| M63.36 | Myozitída pri sarkoidóze,v obl.predkol. | 2 | 2 | M84.30 | Únavová zlomenina,nezatr.i.na viac.m. | 2,3,4 | 1,2,3,4 |
| M63.37 | Myozitída pri sarkoidóze,v obl.čl. a nohy | 2 | 2 | M84.31 | Únavová zlomenina,nezatr.i.v obl.pleca | 2,3,4 | 1,2,3,4 |
| M63.38 | Myozitída pri sarkoidóze,na i.mieste | 2 | 2 | M84.32 | Únavová zlomenina,nezatr.i.v obl.nadlaktia | 2,3,4 | 1,2,3,4 |
| M63.39 | Myozitída pri sarkoidóze,miesto bliž.neurč. | 2 | 2 | M84.33 | Únavová zlomenina,nezatr.i.v obl.predlak. | 2,3,4 | 1,2,3,4 |
| M63.80 | Iné choroby svalov pri chor.zatried.i.na viac.m. | 2 | 2 | M84.34 | Únavová zlomenina,nezatr.i.v obl.ruky | 2,3,4 | 1,2,3,4 |
| M63.81 | Iné choroby svalov pri chor.zatried.i.v obl.pleca | 2 | 2 | M84.35 | Únavová zlomenina,nezatr.i.v obl.panvy a stehna | 2,3,4 | 1,2,3,4 |
| M63.82 | Iné choroby svalov pri chor.zatried.i.v obl.nadlaktia | 2 | 2 | M84.36 | Únavová zlomenina,nezatr.i.v obl.predkol. | 2,3,4 | 1,2,3,4 |
| M63.83 | Iné choroby svalov pri chor.zatried.i.v obl.predlak. | 2 | 2 | M84.37 | Únavová zlomenina,nezatr.i.v obl.čl.a nohy | 2,3,4 | 1,2,3,4 |
| M63.84 | Iné choroby svalov pri chor.zatried.i.v obl.ruky | 2 | 2 | M84.38 | Únavová zlomenina,nezatr.i.na i.mieste | 2,3,4 | 1,2,3,4 |
| M63.85 | Iné choroby svalov pri chor.zatried.i.v obl.pan.a stehna | 2 | 2 | M84.39 | Únavová zlomenina,nezatr.i.,miesto bliž.neurč. | 2,3,4 | 1,2,3,4 |
| M63.86 | Iné choroby svalov pri chor.zatried.i.v obl.predkol. | 2 | 2 | M84.40 | Patologická zlomenina,nezatr.i.na viac.m. | 2,3,4 | 1,2,3,4 |
| M63.87 | Iné choroby svalov pri chor.zatried.i.v obl.čl.a nohy | 2 | 2 | M84.41 | Patologická zlomenina,nezatr.i.v obl.pleca | 2,3,4 | 1,2,3,4 |
| M63.88 | Iné choroby svalov pri chor.zatried.i.na i.mieste | 2 | 2 | M84.42 | Patologická zlomenina,nezatr.i.v obl.nadlaktia | 2,3,4 | 1,2,3,4 |
| M63.89 | Iné choroby svalov pri chor.zatried.i.,miesto bliž.neurč. | 2 | 2 | M84.43 | Patologická zlomenina,nezatr.i.v obl.predlak. | 2,3,4 | 1,2,3,4 |
| M73.00 | Gonokoková burzitída na viacerých miestach (A54.4†) | 4 | 4 | M84.44 | Patologická zlomenina,nezatr.i.v obl.ruky | 2,3,4 | 1,2,3,4 |
| M73.01 | Gonokokov burzitída v obl.pleca | 4 | 4 | M84.45 | Patologická zlomenina,nezatr.i.v obl.panv.obl.a stehna | 2,3,4 | 1,2,3,4 |
| M73.02 | Gonokokov burzitída nadlaktia | 4 | 4 | M84.46 | Patologická zlomenina,nezatr.i.v obl.predkol. | 2,3,4 | 1,2,3,4 |
| M73.03 | Gonokokov burzitída predlak. | 4 | 4 | M84.47 | Patologická zlomenina,nezatr.i.v obl.čl.a nohy | 2,3,4 | 1,2,3,4 |
| M73.04 | Gonokokov burzitída ruky | 4 | 4 | M84.48 | Patologická zlomenina,nezatr.i.na i.mieste | 2,3,4 | 1,2,3,4 |
| M73.05 | Gonokokov burzitída panv.obl.a stehna | 4 | 4 | M84.49 | Patologická zlomenina,nezatr.i.,miesto bliž.neurč. | 2,3,4 | 1,2,3,4 |
| M73.06 | Gonokokov burzitída predkol. | 4 | 4 | M86.00 | Akútna hematogénna osteomyelitída na viac.m. | 2,3,4 | 2,4 |
| M73.07 | Gonokokov burzitída čl.a nohy | 4 | 4 | M86.01 | Akútna hematogénna osteomyelitída v obl.pleca | 2,3,4 | 2,4 |
| M73.08 | Gonokokov burzitída na i.mieste | 4 | 4 | M86.02 | Akútna hematogénna osteomyelitída nadlaktia | 2,3,4 | 2,4 |
| M73.09 | Gonokokov burzitída,miesto bliž.neurč. | 4 | 4 | M86.03 | Akútna hematogénna osteomyelitída predlak. | 2,3,4 | 2,4 |
| M84.00 | Zle zahojená zlomenina na viacerých miestach | 2,3 | 2 | M86.04 | Akútna hematogénna osteomyelitída ruky | 2,3,4 | 2,4 |
| M84.01 | Zle zahojená zlomenina v obl.pleca | 2,3 | 2 | M86.05 | Akútna hematogénna osteomyelitída panv.obl.a stehna | 2,3,4 | 2,4 |
| M84.02 | Zle zahojená zlomenina nadlaktia | 2,3 | 2 | M86.06 | Akútna hematogénna osteomyelitída predkol. | 2,3,4 | 2,4 |
| M84.03 | Zle zahojená zlomenina predlak. | 2,3 | 2 | M86.07 | Akútna hematogénna osteomyelitída čl.a nohy | 2,3,4 | 2,4 |
| M84.04 | Zle zahojená zlomenina ruky | 2,3 | 2 | M86.08 | Akútna hematogénna osteomyelitída na i.mieste | 2,3,4 | 2,4 |
| M84.05 | Zle zahojená zlomenina panv.obl.a stehna | 2,3 | 2 | M86.09 | Akútna hematogénna osteomyelitída,miesto bliž.neurč. | 2,3,4 | 2,4 |
| M84.06 | Zle zahojená zlomenina predkol. | 2,3 | 2 | M86.10 | Iná akútna osteomyelitída na viacerých miestach | 2,3,4 | 2,4 |
| M84.07 | Zle zahojená zlomenina čl.a nohy | 2,3 | 2 | M86.11 | Iná akútna osteomyelitída v obl.pleca | 2,3,4 | 2,4 |
| M84.08 | Zle zahojená zlomenina na i.mieste | 2,3 | 2 | M86.12 | Iná akútna osteomyelitída nadlaktia | 2,3,4 | 2,4 |
| M84.09 | Zle zahojená zlomenina,miesto bliž.neurč. | 2,3 | 2 | M86.13 | Iná akútna osteomyelitída predlakútna | 2,3,4 | 2,4 |
| M84.10 | Pseudoartróza po zlomenine na viacerých miestach | 2,3 | 2 | M86.14 | Iná akútna osteomyelitída ruky | 2,3,4 | 2,4 |
| M84.11 | Pseudoartróza po zlomenine v obl.pleca | 2,3 | 2 | M86.15 | Iná akútna osteomyelitída panv.obl.a stehna | 2,3,4 | 2,4 |
| M84.12 | Pseudoartróza po zlomenine nadlaktia | 2,3 | 2 | M86.16 | Iná akútna osteomyelitída predkol. | 2,3,4 | 2,4 |
| M84.13 | Pseudoartróza po zlomenine predlak. | 2,3 | 2 | M86.17 | Iná akútna osteomyelitída l.a nohy | 2,3,4 | 2,4 |
| M84.14 | Pseudoartróza po zlomenine ruky | 2,3 | 2 | M86.18 | Iná akútna osteomyelitída na i.mieste | 2,3,4 | 2,4 |
| M84.15 | Pseudoartróza po zlomenine panv.obl.a stehna | 2,3 | 2 | M86.19 | Iná akútna osteomyelitída,miesto bliž.neurč. | 2,3,4 | 2,4 |
| M84.16 | Pseudoartróza po zlomenine predkol. | 2,3 | 2 | M86.20 | Subakútna osteomyelitída na viacerých miestach | 2,3,4 | 2,4 |
| M84.17 | Pseudoartróza po zlomenine čl. a nohy | 2,3 | 2 | M86.21 | Subakútna osteomyelitída v obl.pleca | 2,3,4 | 2,4 |
| M84.18 | Pseudoartróza po zlomenine na i.mieste | 2,3 | 2 | M86.22 | Subakútna osteomyelitída nadlaktia | 2,3,4 | 2,4 |
| M84.19 | Pseudoartróza po zlomenine,miesto bliž.neurč. | 2,3 | 2 | M86.23 | Subakútna osteomyelitída predlak. | 2,3,4 | 2,4 |
| M84.20 | Predĺžené hojenie zlomeniny na viacerých miestach | 2,3 | 2 | M86.24 | Subakútna osteomyelitída ruky | 2,3,4 | 2,4 |
| M84.21 | Predĺžené zahojenie zlomeniny v obl.pleca | 2,3 | 2 | M86.25 | Subakútna osteomyelitída panv.obl.a stehna | 2,3,4 | 2,4 |
| M84.22 | Predĺžené zahojenie zlomeniny nadlaktia | 2,3 | 2 | M86.26 | Subakútna osteomyelitída predkol. | 2,3,4 | 2,4 |
| M84.23 | Predĺžené zahojenie zlomeniny predlak. | 2,3 | 2 | M86.27 | Subakútna osteomyelitída čl.a nohy | 2,3,4 | 2,4 |
| | | | | M86.28 | Subakútna osteomyelitída na i.mieste | 2,3,4 | 2,4 |

| ICD | Text | OP. CCL | Med. CCL | ICD | Text | OP. CCL | Med. CCL |
|--------|---|------------|-------------|--------|---|------------|-------------|
| M86.29 | Subakútna osteomyelitída,miesto bliž.neurč. | 2,3,4 | 2,4 | M86.90 | Osteomyelitída,bliž.neurč.na viac.m. | 4 | 4 |
| M86.30 | Chron.multifokálna osteomyelitída na viac.m. | 2,3,4 | 2,4 | M86.91 | Osteomyelitída,bliž.neurč.v obl.pleca | 4 | 4 |
| M86.31 | Chron.multifokálna osteomyelitída v obl.pleca | 2,3,4 | 2,4 | M86.92 | Osteomyelitída,bliž.neurč.v obl.nadlaktia | 4 | 4 |
| M86.32 | Chron.multifokálna osteomyelitída nadlaktia | 2,3,4 | 2,4 | M86.93 | Osteomyelitída,bliž.neurč.v obl.predlak. | 4 | 4 |
| M86.33 | Chron.multifokálna osteomyelitída predlak. | 2,3,4 | 2,4 | M86.94 | Osteomyelitída,bliž.neurč.v obl.ruky | 4 | 4 |
| M86.34 | Chron.multifokálna osteomyelitída ruky | 2,3,4 | 2,4 | M86.95 | Osteomyelitída,bliž.neurč.panv.obl.a stehna | 4 | 4 |
| M86.35 | Chron.multifokálna osteomyelitída panv.obl.a stehna | 2,3,4 | 2,4 | M86.96 | Osteomyelitída,bliž.neurč.v obl.predkol. | 4 | 4 |
| M86.36 | Chron.multifokálna osteomyelitída predkol. | 2,3,4 | 2,4 | M86.97 | Osteomyelitída,bliž.neurč.v obl.čl.a nohy | 4 | 4 |
| M86.37 | Chron.multifokálna osteomyelitída čl.a nohy | 2,3,4 | 2,4 | M86.98 | Osteomyelitída,bliž.neurč.na i.mieste | 4 | 4 |
| M86.38 | Chron.multifokálna osteomyelitída na i.mieste | 2,3,4 | 2,4 | M86.99 | Osteomyelitída,bliž.neurč.n.miesto bliž.neurč. | 4 | 4 |
| M86.39 | Chron.multifokálna osteomyelitída,miesto bliž.neurč. | 2,3,4 | 2,4 | M87.02 | Idiopat.aseptická nekróza kosti nadlaktia | 4 | 4 |
| M86.40 | Chronická osteomyelitída s fistulou na viac.m. | 2,3,4 | 2,4 | M87.05 | Idiopat.aseptická nekróza kosti panv.obl.a stehna | 4 | 4 |
| M86.41 | Chronická osteomyelitída s fistulou v obl.pleca | 2,3,4 | 2,4 | M87.06 | Idiopat.aseptická nekróza kosti predkol. | 4 | 4 |
| M86.42 | Chronická osteomyelitída s fistulou nadlaktia | 2,3,4 | 2,4 | M87.07 | Idiopat.aseptická nekróza kosti čl.a nohy | 4 | 4 |
| M86.43 | Chronická osteomyelitída s fistulou predlak. | 2,3,4 | 2,4 | M87.09 | Idiopat.aseptická nekróza kosti ,miesto bliž.neurč. | 4 | 4 |
| M86.44 | Chronická osteomyelitída s fistulou ruky | 2,3,4 | 2,4 | M87.10 | Osteonekróza zaprič.liekmi,na viac.m. | 4 | 4 |
| M86.45 | Chronická osteomyelitída s fistulou panv.obl.a stehna | 2,3,4 | 2,4 | M87.11 | Osteonekróza zaprič.liekmi,v obl.pleca | 4 | 4 |
| M86.46 | Chronická osteomyelitída s fistulou predkol. | 2,3,4 | 2,4 | M87.12 | Osteonekróza zaprič.liekmi,v obl.nadlaktia | 4 | 4 |
| M86.47 | Chronická osteomyelitída s fistulou čl.a nohy | 2,3,4 | 2,4 | M87.13 | Osteonekróza zaprič.liekmi,v obl.predlak. | 4 | 4 |
| M86.48 | Chronická osteomyelitída s fistulou na i.mieste | 2,3,4 | 2,4 | M87.14 | Osteonekróza zaprič.liekmi,v obl.ruky | 4 | 4 |
| M86.49 | Chronická osteomyelitída s fistulou,miesto bliž.neurč. | 2,3,4 | 2,4 | M87.15 | Osteonekróza zaprič.liekmi,panv.obl.a stehna | 4 | 4 |
| M86.50 | Iná chronická hematogénna osteomyelit.na viac.m. | 2,3,4 | 2,4 | M87.16 | Osteonekróza zaprič.liekmi,v obl.predkol. | 4 | 4 |
| M86.51 | Iná chronická hematogénna osteomyelit.v obl.pleca | 2,3,4 | 2,4 | M87.17 | Osteonekróza zaprič.liekmi,v obl.čl.a nohy | 4 | 4 |
| M86.52 | Iná chronická hematogénna osteomyelit.nadlaktia | 2,3,4 | 2,4 | M87.18 | Osteonekróza zaprič.liekmi,na i.mieste | 4 | 4 |
| M86.53 | Iná chronická hematogénna osteomyelit.predlak. | 2,3,4 | 2,4 | M87.19 | Osteonekróza zaprič.liekmi,miesto bliž.neurč. | 4 | 4 |
| M86.54 | Iná chronická hematogénna osteomyelit.ruky | 2,3,4 | 2,4 | M87.20 | Osteonekróza zaprič.predchádz.úrazom,na viac.m. | 4 | 4 |
| M86.55 | Iná chronická hematogénna osteomyelit.panv.obl.a stehna | 2,3,4 | 2,4 | M87.21 | Osteonekróza zaprič.predchádz.úrazom,v obl.pleca | 4 | 4 |
| M86.56 | Iná chronická hematogénna osteomyelit.predkol. | 2,3,4 | 2,4 | M87.22 | Osteonekróza zaprič.predchádz.úrazom,nadlaktia | 4 | 4 |
| M86.57 | Iná chronická hematogénna osteomyelit.čl.a nohy | 2,3,4 | 2,4 | M87.23 | Osteonekróza zaprič.predchádz.úrazom,predlak. | 4 | 4 |
| M86.58 | Iná chronická hematogénna osteomyelit.na i.mieste | 2,3,4 | 2,4 | M87.24 | Osteonekróza zaprič.predchádz.úrazom,ruky | 4 | 4 |
| M86.59 | Iná chronická hematogénna osteomyelit.,miesto bliž.neurč. | 2,3,4 | 2,4 | M87.25 | Osteonekróza zaprič.predchádz.úrazom,panv.obl.a stehna | 4 | 4 |
| M86.60 | Iná chronická osteomyelitída na viacerých miestach | 4 | 4 | M87.26 | Osteonekróza zaprič.predchádz.úrazom,predkol. | 4 | 4 |
| M86.61 | Iná chronická osteomyelitída v obl.pleca | 4 | 4 | M87.27 | Osteonekróza zaprič.predchádz.úrazom,čl.a nohy | 4 | 4 |
| M86.62 | Iná chronická osteomyelitída nadlaktia | 4 | 4 | M87.28 | Osteonekróza zaprič.predchádz.úrazom,na i.mieste | 4 | 4 |
| M86.63 | Iná chronická osteomyelitída predlak. | 4 | 4 | M87.29 | Osteonekróza zaprič.predchádz.úrazom,miesto bliž.neurč. | 4 | 4 |
| M86.64 | Iná chronická osteomyelitída ruky | 4 | 4 | M87.30 | Iná sekundárna osteonekróza na viacerých miestach | 4 | 4 |
| M86.65 | Iná chronická osteomyelitída panv.obl.a stehna | 4 | 4 | M87.31 | Iná sekundárna osteonekróza v obl.pleca | 4 | 4 |
| M86.66 | Iná chronická osteomyelitída predkol. | 4 | 4 | M87.32 | Iná sekundárna osteonekróza nadlaktia | 4 | 4 |
| M86.67 | Iná chronická osteomyelitída čl.a nohy | 4 | 4 | M87.33 | Iná sekundárna osteonekróza predlak. | 4 | 4 |
| M86.68 | Iná chronická osteomyelitída na i.mieste | 4 | 4 | M87.34 | Iná sekundárna osteonekróza ruky | 4 | 4 |
| M86.69 | Iná chronická osteomyelitída,miesto bliž.neurč. | 4 | 4 | M87.35 | Iná sekundárna osteonekróza panv.obl.a stehna | 4 | 4 |
| M86.80 | Iná osteomyelitída na viacerých miestach | 4 | 4 | M87.36 | Iná sekundárna osteonekróza predkol. | 4 | 4 |
| M86.81 | Iná osteomyelitída v obl.pleca | 4 | 4 | M87.37 | Iná sekundárna osteonekróza čl.a nohy | 4 | 4 |
| M86.82 | Iná osteomyelitída nadlaktia | 4 | 4 | M87.38 | Iná sekundárna osteonekróza na i.mieste | 4 | 4 |
| M86.83 | Iná osteomyelitída predlak. | 4 | 4 | M87.39 | Iná sekundárna osteonekróza,miesto bliž.neurč. | 4 | 4 |
| M86.84 | Iná osteomyelitída ruky | 4 | 4 | M87.80 | Iná osteonekróza na viacerých miestach | 4 | 4 |
| M86.85 | Iná osteomyelitída panv.obl.a stehna | 4 | 4 | M87.81 | Iná osteonekróza v obl.pleca | 4 | 4 |
| M86.86 | Iná osteomyelitída predkol. | 4 | 4 | M87.82 | Iná osteonekróza nadlaktia | 4 | 4 |
| M86.87 | Iná osteomyelitída čl.a nohy | 4 | 4 | M87.83 | Iná osteonekróza predlak. | 4 | 4 |
| M86.88 | Iná osteomyelitída na i.mieste | 4 | 4 | M87.84 | Iná osteonekróza ruky | 4 | 4 |
| M86.89 | Iná osteomyelitída,miesto bliž.neurč. | 4 | 4 | M87.85 | Iná osteonekróza panv.obl.a stehna | 4 | 4 |
| | | | | M87.86 | Iná osteonekróza predkol. | 4 | 4 |
| | | | | M87.87 | Iná osteonekróza čl.a nohy | 4 | 4 |
| | | | | M87.88 | Iná osteonekróza na i.mieste | 4 | 4 |
| | | | | M87.89 | Iná osteonekróza,miesto bližšie neurčené | 4 | 4 |

| ICD | Text | OP. CCL | Med. CCL | ICD | Text | OP. CCL | Med. CCL |
|--------|---|------------|-------------|--------|---|------------|-------------|
| M87.90 | Osteonekróza, bliž. neurč. na viac. m. | 4 | 4 | M90.36 | Osteonekróza pri kesónovej chor. v obl. predkol. | 2,4 | 2 |
| M87.91 | Osteonekróza, bliž. neurč. v obl. pleca | 4 | 4 | M90.37 | Osteonekróza pri kesónovej chor. v obl. čl. a nohy | 2,4 | 2 |
| M87.92 | Osteonekróza, bliž. neurč. v obl. nadlaktia | 4 | 4 | M90.38 | Osteonekróza pri kesónovej chor. na i. mieste | 2,4 | 2 |
| M87.93 | Osteonekróza, bliž. neurč. v obl. predlak. | 4 | 4 | M90.39 | Osteonekróza pri kesónovej chor. miesto bliž. neurč. | 2,4 | 2 |
| M87.94 | Osteonekróza, bliž. neurč. v obl. ruky | 4 | 4 | M90.40 | Osteonekróza zapríč. hemoglobínopatiou, na viac. m. (D50-D64†) | 2,4 | 2 |
| M87.95 | Osteonekróza, bliž. neurč. panv. obl. a stehna | 4 | 4 | M90.41 | Osteonekróza zapríč. hemoglobínopat. v obl. pleca | 2,4 | 2 |
| M87.96 | Osteonekróza, bliž. neurč. v obl. predkol. | 4 | 4 | M90.42 | Osteonekróza zapríč. hemoglobínopat. v obl. nadlaktia | 2,4 | 2 |
| M87.97 | Osteonekróza, bliž. neurč. v obl. čl. a nohy | 4 | 4 | M90.43 | Osteonekróza zapríč. hemoglobínopat. v obl. predlak. | 2,4 | 2 |
| M87.98 | Osteonekróza, bliž. neurč. na i. mieste | 4 | 4 | M90.44 | Osteonekróza zapríč. hemoglobínopat. v obl. ruky | 2,4 | 2 |
| M87.99 | Osteonekróza, bliž. neurč., miesto bliž. neur. | 4 | 4 | M90.45 | Osteonekróza zapríč. hemoglobínopat. v obl. panvy a stehna | 2,4 | 2 |
| M90.00 | Tuberkulóza kostí na viacerých miestach (A18.0†) | 2,4 | 2,4 | M90.46 | Osteonekróza zapríč. hemoglobínopat. v obl. predkol. | 2,4 | 2 |
| M90.01 | TBC kostí v obl. pleca | 2,4 | 2,4 | M90.47 | Osteonekróza zapríč. hemoglobínopat. v obl. čl. a nohy | 2,4 | 2 |
| M90.02 | TBC kostí nadlaktia | 2,4 | 2,4 | M90.48 | Osteonekróza zapríč. hemoglobínopat., na i. mieste | 2,4 | 2 |
| M90.03 | TBC kostí predlak. | 2,4 | 2,4 | M90.49 | Osteonekróza zapríč. hemoglobínopat., miesto bliž. neurč. | 2,4 | 2 |
| M90.04 | TBC kostí ruky | 2,4 | 2,4 | M90.60 | Deform. osteodystrofia pri nádoroch, na viac. m. | 2,4 | 2 |
| M90.05 | TBC kostí panv. obl. a stehna | 2,4 | 2,4 | M90.61 | Deform. osteodystrofia pri nádoroch, v obl. pleca | 2,4 | 2 |
| M90.06 | TBC kostí predkol. | 2,4 | 2,4 | M90.62 | Deform. osteodystrofia pri nádoroch, v obl. nadlaktia | 2,4 | 2 |
| M90.07 | TBC kostí čl. a nohy | 2,4 | 2,4 | M90.63 | Deform. osteodystrofia pri nádoroch, v obl. predlak. | 2,4 | 2 |
| M90.08 | TBC kostí na i. mieste | 2,4 | 2,4 | M90.64 | Deform. osteodystrofia pri nádoroch, v obl. ruky | 2,4 | 2 |
| M90.09 | Tuberkulóza kostí, miesto bližšie neurčené (A18.0†) | 2,4 | 2,4 | M90.65 | Deform. osteodystrofia pri nádoroch, v obl. panvy a stehna | 2,4 | 2 |
| M90.10 | Periostitída pri i. infekč. chor. zatried. i. na viac. m. | 2,4 | 2,4 | M90.66 | Deform. osteodystrofia pri nádoroch, v obl. predkol. | 2,4 | 2 |
| M90.11 | Periostitída pri i. infekč. chor. zatried. i. v obl. pleca | 2,4 | 2,4 | M90.67 | Deform. osteodystrofia pri nádoroch, v obl. čl. a nohy | 2,4 | 2 |
| M90.12 | Periostitída pri i. infekč. chor. zatried. i. v obl. nadlaktia | 2,4 | 2,4 | M90.68 | Deform. osteodystrofia pri nádoroch, na i. mieste | 2,4 | 2 |
| M90.13 | Periostitída pri i. infekč. chor. zatried. i. v obl. predlak. | 2,4 | 2,4 | M90.69 | Deform. osteodystrofia pri nádoroch, miesto bliž. neurč. | 2,4 | 2 |
| M90.14 | Periostitída pri i. infekč. chor. zatried. i. v obl. ruky | 2,4 | 2,4 | M90.70 | Zlomenina kostí pri nádore, na viac. m. t. | 2,3,4 | 1,2,3,4 |
| M90.15 | Periostitída pri i. infekč. chor. zatried. i. v obl. panvy a stehna | 2,4 | 2,4 | M90.71 | Zlomenina kostí pri nádore, v obl. pleca | 2,3,4 | 1,2,3,4 |
| M90.16 | Periostitída pri i. infekč. chor. zatried. i. v obl. predkol. | 2,4 | 2,4 | M90.72 | Zlomenina kostí pri nádore, v obl. nadlaktia | 2,3,4 | 1,2,3,4 |
| M90.17 | Periostitída pri i. infekč. chor. zatried. i. v obl. čl. a nohy | 2,4 | 2,4 | M90.73 | Zlomenina kostí pri nádore, v obl. predlak. | 2,3,4 | 1,2,3,4 |
| M90.18 | Periostitída pri i. infekč. chor. zatried. i. na i. mieste | 2,4 | 2,4 | M90.74 | Zlomenina kostí pri nádore, v obl. ruky | 2,3,4 | 1,2,3,4 |
| M90.19 | Periostitída pri i. infekč. chor. zatried. i., miesto bliž. neurč. | 2,4 | 2,4 | M90.75 | Zlomenina kostí pri nádore, v obl. panvy a stehna | 2,3,4 | 1,2,3,4 |
| M90.20 | Osteopatia pri i. infekč. chor. zatried. i. na viac. m. | 2,4 | 2,4 | M90.76 | Zlomenina kostí pri nádore, v obl. predkol. | 2,3,4 | 1,2,3,4 |
| M90.21 | Osteopatia pri i. infekč. chor. zatried. i. v obl. pleca | 2,4 | 2,4 | M90.77 | Zlomenina kostí pri nádore, v obl. čl. a nohy | 2,3,4 | 1,2,3,4 |
| M90.22 | Osteopatia pri i. infekč. chor. zatried. i. v obl. nadlaktia | 2,4 | 2,4 | M90.78 | Zlomenina kostí pri nádore, na i. mieste | 2,3,4 | 1,2,3,4 |
| M90.23 | Osteopatia pri i. infekč. chor. zatried. i. v obl. predlak. | 2,4 | 2,4 | M90.79 | Zlomenina kostí pri nádore, miesto bliž. neurč. | 2,3,4 | 1,2,3,4 |
| M90.24 | Osteopatia pri i. infekč. chor. zatried. i. v obl. ruky | 2,4 | 2,4 | M96.0 | Pseudoartróza po fúzii alebo artrodéze | 2,3 | 2 |
| M90.25 | Osteopatia pri i. infekč. chor. zatried. i. v obl. panvy a stehna | 2,4 | 2,4 | M96.6 | Zlomen. kostí po vlož. ortop. impl., kĺb. protézy/kostnej platničky | 2,3,4 | 2,3,4 |
| M90.26 | Osteopatia pri i. infekč. chor. zatried. i. v obl. predkol. | 2,4 | 2,4 | M96.80 | Elektrívne ponechané otvor. sternum po chirurg. výk. na hrudníku | 2,3,4 | 2,3,4 |
| M90.27 | Osteopatia pri i. infekč. chor. zatried. i. obl. čl. a nohy | 2,4 | 2,4 | M96.81 | Nestabilný hrudný kôš po chir. výk. na hrudníku | 2,3,4 | 2,3,4 |
| M90.28 | Osteopatia pri i. infekč. chor. zatried. i. na i. mieste | 2,4 | 2,4 | M96.88 | Iná choroba sústavy sval. a kostí po lek. výk. | 2,3,4 | 2,3,4 |
| M90.29 | Osteopatia pri i. infekč. chor. zatried. i. miesto bliž. neurč. | 2,4 | 2,4 | M96.9 | Choroba svalovej a kostrovej sústavy po lekárs. výk. bliž. neurč. | 2,3,4 | 2,4 |
| M90.30 | Osteonekróza pri kesónovej chor. na viac. m. | 2,4 | 2 | N00.0 | Akútny nefritický syndróm: malé abnormality glomerulov | 2,3,4 | 2,3 |
| M90.31 | Osteonekróza pri kesónovej chor. v obl. pleca | 2,4 | 2 | | | | |
| M90.32 | Osteonekróza pri kesónovej chor. v obl. nadlaktia | 2,4 | 2 | | | | |
| M90.33 | Osteonekróza pri kesónovej chor. v obl. predlak. | 2,4 | 2 | | | | |
| M90.34 | Osteonekróza pri kesónovej chor. v obl. ruky | 2,4 | 2 | | | | |
| M90.35 | Osteonekróza pri kesónovej chor. v obl. panvy a stehna | 2,4 | 2 | | | | |

| ICD | Text | OP. CCL | Med. CCL | ICD | Text | OP. CCL | Med. CCL |
|-------|---|---------|----------|--------|---|---------|----------|
| N00.1 | Akútny nefritický synd.:fok.a segm.lézie glomerulov | 2,3,4 | 2,3 | N04.5 | Nefrotický synd.:dif.mezangiokap.glomerulonefrit. | 2,3,4 | 2,3,4 |
| N00.2 | Akútny nefritický synd.:dif.membránová glomerulonefrit. | 2,3,4 | 2,3 | N04.6 | Nefrotický syndróm: choroba denzných depozitov | 2,3,4 | 2,3,4 |
| N00.3 | Akútny nefritický synd.:dif.mezangioprolif.glomerulonefrit. | 2,3,4 | 2,3 | N04.7 | Nefrotický synd.:dif.glomerulonefrit.s výrastkami | 2,3,4 | 1,2,4 |
| N00.4 | Akútny nefritický synd.:dif.endokap.prolif.glomerulonefrit. | 2,3,4 | 2,3 | N04.8 | Nefrotický syndróm: iné morfológické zmeny | 2,3,4 | 1,2,4 |
| N00.5 | Akútny nefritický synd.:dif.mezangiokap.glomerulonefrit. | 2,3,4 | 2,3 | N04.9 | Nefrotický synd.:morfol.zmena,blíž.neurč. | 2,3,4 | 1,2,4 |
| N00.6 | Akútny nefritický synd.:chor.denzných depozitov | 2,3,4 | 2,3 | N08.3 | Glomerul.choroba pri DM | 4 | 4 |
| N00.7 | Akútny nefritický synd.:dif.glomerulonefrit.s výrastkami | 2,3,4 | 2,3 | N10 | Akútna tubulointersticiálna nefritída | 2,3,4 | 2,3,4 |
| N00.8 | Akútny nefritický synd.: iné morfológické zmeny | 2,3,4 | 2,3 | N12 | Tubulointersticiálna nefritída,n.ako akút./chron. | 2,3,4 | 2,3 |
| N00.9 | Akútny nefritický synd.:morfol.zmena,blíž.neurč. | 2,3,4 | 2,3 | N13.0 | Hydronefróza s obštrukciou pyeloureterového prechodu | 2,3,4 | 1,2,3 |
| N01.0 | Rýchlo progred.nefritický synd.:malé abn.glomerulov | 2,3,4 | 2,3 | N13.1 | Hydronefróza so striktúrou močovodu,n.i. | 2,3,4 | 1,2,3 |
| N01.1 | Rýchlo progred.nefrit.synd.:fok.a segm.lézie glomer. | 2,3,4 | 2,3 | N13.2 | Hydronefróza pri obštrukcii kameňom obličky a močovodu | 2,3,4 | 1,2,3 |
| N01.2 | Rýchlo progred.nefrit.ynd.:dif.membránová glom.nefrit. | 2,3,4 | 2,3 | N13.3 | Iná a bližšie neurčená hydronefróza | 2,3,4 | 1,2,3 |
| N01.3 | Rýchlo progred.nefrit.synd.:dif.mezangioprolif glom.nefrit. | 2,3,4 | 2,3 | N13.4 | Hydroureter | 2,3,4 | 1,2,3 |
| N01.4 | Rýchlo progred.nefrit.synd.:dif.endokap.prolif.glom.ne frit. | 2,3,4 | 2,3 | N13.5 | Zalomenie a striktúra močovodu bez hydronefrózy | 4 | 4 |
| N01.5 | Rýchlo progred.nefrit.synd.:dif.mezangiokap.glomerul onefrit. | 2,3,4 | 2,3 | N13.6 | Pyonefros | 2,3,4 | 1,2,3 |
| N01.6 | Rýchlo progred.nefritický synd.:chor.denzných depozitov | 2,3,4 | 2,3 | N13.8 | Iná obštrukčná a refluxová uropatia | 4 | 4 |
| N01.7 | Rýchlo progred.nefritický synd.:dif.glomerulonefrit.s výras. | 2,3,4 | 2,3 | N13.9 | Obštrukčná a refluxová uropatia, bližšie neurčená | 2,4 | 1,2,4 |
| N01.8 | Rýchlo progred.nefritický synd.:i.morfol.zemny | 2,3,4 | 2,3 | N15.10 | Absces obličky | 2,3,4 | 2,3,4 |
| N01.9 | Rýchlo progred.nefritický synd.:morfol.zmena,b.n. | 2,3,4 | 2,3 | N15.11 | Perinefritický absces | 2,3,4 | 2,3,4 |
| N02.0 | Recid.a pretrv.hematúria:malé abn.glomerulov | 2,3 | 2,3 | N17.0 | Akútne zlyhanie obličiek s tubulovou nekrózou | 2,3,4 | 2,3,4 |
| N02.1 | Recid.a pretrv.hematúria:fok.a segm.lézie glomerulov | 2,3 | 2,3 | N17.1 | Akútne zlyhanie obličiek s akútnou kortikálnou nekrózou | 2,3,4 | 2,3,4 |
| N02.2 | Recid.a pretrv.hematúria:dif.membránová glomerulonefrit. | 2,3 | 2,3 | N17.2 | Akútne zlyhanie obličiek s dreňovou nekrózou | 2,3,4 | 2,3,4 |
| N02.3 | Recid.a pretrv.hematúria:dif.mezangioprolif glomerulonefrit. | 2,3 | 2,3 | N17.8 | Iné akútne zlyhanie obličiek | 2,3,4 | 2,3,4 |
| N02.4 | Recid.a pretrv.hematúria:dif.endokap.prolif glomerulonefrit. | 2,3 | 2,3 | N17.9 | Akútne zlyhanie obličiek,blížšie neurčené | 2,3,4 | 2,3,4 |
| N02.5 | Recid.a pretrv.hematúria:dif.mezangiokap glomerulonefrit. | 2,3 | 2,3 | N18.1 | Chronická choroba obličiek,1.štádium | 1,2,4 | 1,2,3,4 |
| N02.6 | Recid.a pretrv.hematúria:chor.denzných depozitov | 2,3 | 2,3 | N18.2 | Chronická choroba obličiek,2.štádium | 1,2,4 | 1,2,3,4 |
| N02.7 | Recid.a pretrv.hematúria:dif.glomerulonefrit.s výrastkami | 2,3 | 2,3 | N18.3 | Chronická choroba obličiek,3.štádium | 1,2,3,4 | 1,2,3,4 |
| N02.8 | Recid.a pretrv.hematúria:iné morfol.zmeny | 2,3 | 2,3 | N18.4 | Chronická choroba obličiek,4.štádium | 2,3,4 | 2,3,4 |
| N02.9 | Recid.a pretrv.hematúria:morfol.zmena,blíž.neurč. | 2,3 | 2,3 | N18.5 | Chronická choroba obličiek,5.štádium | 2,3,4 | 2,3 |
| N03.6 | Chron.nefritický synd.:chor.denzných depozitov | 2,3,4 | 1,2,4 | N18.80 | Jednostranná chronická porucha funkcie obličky | 1,2,4 | 1,2,3,4 |
| N04.0 | Nefrotický syndróm:malé abnormality glomerulov | 2,3,4 | 2,3,4 | N18.89 | Iná chronická choroba obličiek,štádium,b.n. | 4 | 4 |
| N04.1 | Nefrotický synd.:fok.a segm.lézie glomerulov | 2,3,4 | 1,2,4 | N18.9 | Chronická choroba obličiek,blížšie neurčená | 4 | 4 |
| N04.2 | Nefrotický synd.:dif.membránová glomerulonefrit. | 2,3,4 | 1,2,4 | N19 | Zlyhanie obličiek,blížšie neurčené | 4 | 4 |
| N04.3 | Nefrotický synd.:dif.mezangioprolif.glomerulonefrit. | 2,3,4 | 2,3,4 | N20.0 | Konkrement obličky | 4 | 4 |
| N04.4 | Nefrotický synd.:dif.endokap.prolif.glomerulonefrit. | 2,3,4 | 2,3,4 | N20.1 | Konkrement močovodu | 2,3,4 | 1,2,3 |
| | | | | N20.2 | Konkrement obličky s konkrementom močovodu | 4 | 4 |
| | | | | N25.1 | Nefrogénny diabetes insipidus | 4 | 4 |
| | | | | N28.0 | Ischémia a infarkt obličky | 4 | 4 |
| | | | | N30.0 | Akútna cystitída | 1 | 1 |
| | | | | N30.1 | Intersticiálna cystitída (chronická) | 2,3,4 | 2,3 |
| | | | | N30.4 | Postradiačná cystitída | 2,3,4 | 1,2 |
| | | | | N31.2 | Atonický neurogénny močový mechúr,nezatr.i. | 2,3,4 | 1,2 |
| | | | | N32.0 | Obštrukcia krčka močového mechúra | 2,3,4 | 1,2 |
| | | | | N32.1 | Vezikointestinálna fistula | 2,3,4 | 2,3,4 |
| | | | | N32.2 | Fistula močového mechúra,nezatriedená inde | 2,3,4 | 2,3,4 |
| | | | | N32.3 | Divertikul močového mechúra | 4 | 4 |
| | | | | N32.4 | Ruptúra močového mechúra,neúrazová | 2,3,4 | 2,3,4 |
| | | | | N33.0 | Tuberkulózná cystitída (A18.1†) | 2,3,4 | 2,3 |
| | | | | N33.8 | Choroba močového mechúra pri iných chor.z.i | 2,3,4 | 2,3 |
| | | | | N34.0 | Absces močovej rúry | 2,3,4 | 2,3,4 |
| | | | | N35.0 | Pourazová striktúra uretry | 2 | 2 |
| | | | | N35.8 | Iná striktúra uretry | 4 | 4 |
| | | | | N36.0 | Fistula uretry | 4 | 4 |
| | | | | N36.1 | Divertikul uretry | 4 | 4 |
| | | | | N39.3 | Stresová inkontinencia moču | 1 | 1 |
| | | | | N39.40 | Reflexná inkontinencia moču | 1 | 1 |

CCL

| ICD | Text | OP. CCL | Med. CCL | ICD | Text | OP. CCL | Med. CCL |
|--------|---|------------|-------------|-------|--|------------|-------------|
| N39.41 | Inkontinencia moču z pretekania | 1 | 1 | O03.8 | Spont.potrat:komplet./bliž.neurč.potrat s i.a | 2 | 2 |
| N39.42 | Nutkavá inkontinencia moču | 1 | 1 | | bliž.neur.kompl. | | |
| N39.43 | Extrauretrálna inkontinencia moču | 1 | 1 | O03.9 | Spont.potrat:komplet./bliž.n.eurč.potrat bez | 2 | 2 |
| N39.47 | Recidivujúca inkontinencia moču | 1 | 1 | | kompl. | | |
| N39.48 | Iná inkontinencia moču,bližšie určená | 1 | 1 | O08.0 | Infekcia pohlav.a panv.org.po | 2 | 2 |
| N41.0 | Akútna prostatitída | 2 | 2 | | potrate,mimomat.gr.a gr.s MH | | |
| N41.2 | Absces prostaty | 2 | 2 | O08.1 | Onesk./nadm.krvác.po potr,mimomat.gr.a | 2 | 2 |
| N41.3 | Prostacystitída | 2 | 2 | | grav.s malou hydati. | | |
| N42.1 | Kongescia a krvácanie z prostaty | 1,2 | 1,2 | O08.2 | Embólia po potrate,mimomat.grav.a grav.s | 2 | 2 |
| N43.1 | Infikovaná hydrokéla | 2,4 | 2,4 | | molou hydratidosa | | |
| N44.0 | Torzia semenníka | 4 | 4 | O08.3 | Šok po potrate,mimomat.grav.a grav.s molou | 2 | 2 |
| N44.1 | Torzia hidatídy [Morgagni] | 4 | 4 | | hydratidosa | | |
| N45.0 | Orchitída,epididymitída a epididymoorchitída | 2,4 | 2,4 | O08.4 | Zlyháv.obličiek po potrate,mimomat.grav.a | 2 | 2 |
| | s abscesom | | | | grav.s mal hydati. | | |
| N63 | Hrčka v prsníku,bližšie neurčená | 1,2 | 2 | O08.5 | Metabické poruchy po potrate,mimomat.gr.a | 2 | 2 |
| N70.0 | Akútna salpingitída a ooforitída | 2 | 2 | | gr.s mal hydati. | | |
| N71.0 | Akútna zápalová choroba maternice | 2 | 2 | O08.6 | Pošk.panv.org.a tk.po potr,mimomat.gr.a | 2 | 2 |
| N73.0 | Akútna parametritída a panvová celulitída | 2 | 2 | | grav.s malou hydati. | | |
| N73.3 | Akútna pelveoperitonitída u žien | 2 | 2 | O08.7 | Iné žil.kompl.po potrate,mimomat.grav.a | 2 | 2 |
| N73.5 | Pelveoperitonitída u žien,bližšie neurčená | 2 | 2 | | grav.s malou hydati. | | |
| N74.0 | Tuberkulóza infekcia krčka maternice | 2 | 2 | O08.8 | Iné kompl.po potrate,mimomat.grav.a grav.s | 2 | 2 |
| | (A18.1†) | | | | molou hydratid. | | |
| N74.1 | Tuberkulózný zápal ženských panvov.org. | 2 | 2 | O08.9 | Kompl.po potrate,mimomat.grav.a grav.s | 2 | 2 |
| N75.1 | Absces Bartholinovej žľazy | 2 | 2 | | molou hydratid.b.n. | | |
| N76.4 | Absces vulvy | 2,4 | 2,4 | O11 | Pred.exi.art.hypert.,kompl.grav.,pôr.a šest.,s | 2 | 2 |
| N82.0 | Vezikovaginálna fistula | 4 | 4 | | nas.preek. | | |
| N82.1 | Iná fistula medzi ženskými moč.a | 4 | 4 | O13 | Gestačná artér.hypert.bez významnej | 2 | 2 |
| | pohlav.oránmi | | | | proteinúrie | | |
| N82.2 | Fistula medzi pošvou a tenkým črevom | 2,4 | 2,3,4 | O14.0 | Mierna a stredne ťažká preeklampsia | 2 | 2 |
| N82.3 | Fistula medzi pošvou a hrubým črevom | 2,4 | 2,3,4 | O14.1 | Ťažká preeklampsia | 2 | 2 |
| N82.4 | Iná fistula medzi ženskými pohlav.org.a | 2,4 | 2,3,4 | O14.2 | Syndróm HELLP | 2 | 2 |
| | črevom | | | O14.9 | Preeklampsia,bližšie neurčená | 2 | 2 |
| N82.5 | Fistula medzi ženskými pohlavnými orgánmi a | 4 | 4 | O15.0 | Eklampsia v gravidite | 2 | 2 |
| | kožou | | | O15.1 | Eklampsia pri pôrode | 2 | 2 |
| N82.8 | Iná fistula ženských pohlavných orgánov | 4 | 4 | O15.2 | Eklampsia v šestonedelí | 2 | 2 |
| N82.9 | Fistula ženských pohlavných | 4 | 4 | O15.9 | Eklampsia,časovo bližšie neurčená | 2 | 2 |
| | orgánov,bliž.neurč. | | | O20.0 | Hrozíaci potrat (abortus imminens) | 2 | 2 |
| N83.5 | Torzia vaječníka, topky vaječníka a | 4 | 4 | O20.8 | Iné krvácanie vo včasnej gravidite | 2 | 2 |
| | vajíčkovodu | | | O20.9 | Krvácanie vo včasnej gravidite,bližšie | 2 | 2 |
| N83.7 | Hematóm širokého väzu maternice | 1,2 | 1 | | neurčené | | |
| N98.0 | Infekcia spojená s umelým oplodnením | 2,3,4 | 2,3 | O22.2 | Povrchová tromboflebitída v gravidite | 2 | 2 |
| N98.2 | Komplikácie pri pokuse zaviesť oplod.vajíčko | 2,3,4 | 2,3 | O22.3 | Hĺbková flebotrombóza v gravidite | 2 | 2 |
| | po oplod.in vitro | | | O22.5 | Trombóza mozgových žíl v gravidite | 2 | 2 |
| N98.3 | Komplikácie pri pokuse zaviesť embryo pri | 2,3,4 | 2,3 | O23.0 | Infekcia obličiek v gravidite | 2 | 2 |
| | prenose embrya | | | O23.1 | Infekcia močového mechúra v gravidite | 2 | 2 |
| N98.8 | Iné komplikácie spojené s umelým | 2,3,4 | 2,3 | O23.2 | Infekcia močovej rúry v gravidite | 2 | 2 |
| | oplodnením | | | O23.3 | Infekcia iných častí močovej sústavy v | 2 | 2 |
| N98.9 | Komplikácie spojené s umelým | 2,3,4 | 2,3 | | gravidite | | |
| | oplodnením,b.n. | | | O23.4 | Infekcia moč.sústavy v gravidite,b.n. | 2 | 2 |
| N99.1 | Striktúra uretry po lekárskom výkone | 4 | 4 | O23.5 | Infekcia pohlavných orgánov v gravidite | 2 | 2 |
| N99.3 | Prolaps pošvovej klenby po hysterektómii | 1,2 | 1 | O23.9 | Iná a bliž.neu.infekcia močovopohl.org.v grav. | 2 | 2 |
| O03.0 | Spont.potrat:nekomplet.potrat,kompl.infekc.po | 2 | 2 | O24.0 | DM v gravidite predtým existuj.DM,typ 1 | 1,2 | 1,2 |
| | hl.a | | | O24.1 | DM v gravidite predtým existuj.DM,typ 2 | 1,2 | 1,2 |
| | panv.org. | | | O24.2 | DM v gravidite predtým existuj.DM súvis.s | 1,2 | 1,2 |
| O03.1 | Spont.potrat:nekomplet.potrat,kompl.oneskor. | 2 | 2 | | podvýživou | | |
| | /nadmer.krvác. | | | O24.3 | DM v gravidite predtým existuj.DM,b.n. | 1,2 | 1,2 |
| O03.2 | Spont.potrat:nekomplet.potrat,komplikovaný | 2 | 2 | O24.4 | Diabetes mellitus so vznikom v gravidite | 1,2 | 1,2 |
| | embóliou | | | O24.9 | Diabetes mellitus v gravidite,bližšie neurčený | 1,2 | 1,2 |
| O03.3 | Spont.potrat:nekomplet.potrat s i.a | 2 | 2 | O26.6 | Choroba pečene v gravidite,pri pôrode a v | 2 | 2 |
| | bliž.neurč.kompl. | | | | šestonedelí | | |
| O03.4 | Spont.potrat:nekomplet.potrat bez kompl. | 2 | 2 | O29.0 | Pľúcne komplikácie anestézie v gravidite | 2 | 2 |
| O03.5 | Spont.potrat:komplet./bliž.n.potrat,kompl.inf.p | 2 | 2 | O29.1 | Srdcové komplikácie anestézie v gravidite | 2 | 2 |
| | ohl.a | | | O29.2 | Komplikácie v CNS v spoj.s anestéziou v | 2 | 2 |
| | panv.org. | | | | gavidite | | |
| O03.6 | Spont.potrat:komplet./bliž.n.potrat,kompl.ones | 2 | 2 | O29.3 | Toxická reakcia na lokálnu anestéziu v | 2 | 2 |
| | kor./nadm.krvác. | | | | gravidite | | |
| O03.7 | Spont.potrat:komplet./bliž.neurč.potrat,kompl. | 2 | 2 | O29.4 | Bolesť hlavy,po spinál.a epidurál.anest.v | 2 | 2 |
| | embóliou | | | | grav. | | |

| ICD | Text | OP. CCL | Med. CCL | ICD | Text | OP. CCL | Med. CCL |
|--------|--|---------|----------|--------|---|---------|----------|
| O29.5 | Iná komplikácia spinál.a epidurál.anestézie v grav. | 2 | 2 | O89.2 | Komplikácie CNS v spojení s anestéziou v šestonedelí | 2 | 2 |
| O29.6 | Neúspešná alebo sťažená intubácia v gravidite | 2 | 2 | O89.3 | Toxická reakcia na lokálnu anestéziu v šestonedelí | 2 | 2 |
| O29.8 | Iné komplikácie anestézie v gravidite | 2 | 2 | O89.4 | Bolesť hlavy,zapríč.spinál.a epidurál.anest.v šeston. | 2 | 2 |
| O29.9 | Komplikácia anestézie v gravidite,bližšie neurčená | 2 | 2 | O89.5 | Iné kompl.spin.a epid.anestézie v šeston. | 2 | 2 |
| O44.00 | Nízko uložená placenta bez krvácania | 1,2 | 2 | O89.6 | Neúspešná alebo sťažená intubácia v šestonedelí | 2 | 2 |
| O44.01 | Placenta praevia bez krvácania | 1,2 | 2 | O89.8 | Iné komplikácie anestézie v šestonedelí | 2 | 2 |
| O44.10 | Nízko uložená placenta s prebiehajúcim krvácaním | 1,2 | 2 | O89.9 | Kompl.anestézie v šestonedelí,b.n. | 2 | 2 |
| O44.11 | Placenta praevia s prebiehajúcim krvácaním | 1,2 | 2 | O90.1 | Dehiscencia pôrodnickej rany hrádze | 2 | 2 |
| O45.0 | Predčasné odľupovanie placenty s poruchou koagulácie | 2 | 2 | O90.3 | Kardiomyopatia v šestonedelí | 2 | 2 |
| O46.0 | Krvácanie pred pôrodom s poruchou zrážanlivosti | 2 | 2 | O90.4 | Akútne poškodenie obličiek po pôrode | 2 | 2 |
| O46.8 | Iné krvácanie pred pôrodom | 2 | 2 | O98.0 | TBC,kompl.graviditu,pôrod a šestonedelie | 2 | 2 |
| O46.9 | Krvácanie pred pôrodom, bližšie neurčené | 2 | 2 | O99.0 | Anémia,komplikujúca graviditu,pôrod a šestonedelie | 2 | 2 |
| O47.0 | Falošná pôr.činnosť pred ukonč.37.týž.gravidity | 2 | 2 | O99.4 | Choroba obeh.súst.kompl.grav.pôrod a šeston. | 2 | 2 |
| O67.0 | Krvácanie pri pôrode s poruchou koagulácie | 2 | 2 | P01.6 | Poškodenie plodu a novorodenca smrťou matky | 3 | 3 |
| O67.8 | Iné krvácanie pri pôrode | 1,2 | 2 | P07.00 | Novorodenec s pôrod.hmotnosť.menej ako 500 gr. | 2,3,4 | 1,2,3 |
| O67.9 | Krvácanie pri pôrode,bližšie neurčené | 1,2 | 2 | P07.01 | Novorodenec s pôrod.hmotnosť.od 500 do 750 gr. | 2,3,4 | 1,2,3 |
| O71.0 | Ruptúra maternice pred začiatkom pôrodnej činnosti | 2 | 2 | P07.02 | Novorodenec s pôrod.hmotnosť.od 750 do 1000 gr. | 2,3,4 | 1,2,3 |
| O71.1 | Ruptúra maternice počas pôrodnej činnosti | 2 | 2 | P07.2 | Novorodenec s extrémnou nezrelosťou | 2,3,4 | 1,2,3 |
| O72.3 | Poruchy zrážanlivosti krvi po pôrode | 2 | 2 | P10.0 | Subdurálne kvácanie zapríč.poran.pri pôrode | 4 | 4 |
| O74.0 | Aspiračná pneumónia zapríč.anestéziou počas pôr.č. a pôrodu | 2 | 2 | P10.1 | Mozgové krvácanie zapríčinené poranením pri pôrode | 4 | 4 |
| O74.1 | Iné pľúcne kompl.anestézie počas pôrod čin.a pôrodu | 2 | 2 | P10.2 | Vnútrokomorové kvácanie zapríč.poran.pri pôrode | 4 | 4 |
| O74.2 | Srdcové kompl.anestézie počas pôrod.chin.a pôrodu | 2 | 2 | P10.3 | Subarachnoidálne kvácanie zapríč.poran.pri pôrode | 4 | 4 |
| O74.3 | Komplik.CNS s spojení s anestéziou počas pôrod čin. | 2 | 2 | P10.4 | Roztrhnutie tentória zapríč.poran.pri pôrode | 4 | 4 |
| O74.4 | Toxická reakcia na lokálnu anestéziu počas pôr.chin.a pôrodu | 2 | 2 | P10.8 | Iné vnútroleb.poran.a kvácania zapríč.poran.pri pôrode | 4 | 4 |
| O74.5 | Bolesť hlavy,zapr.spinál.a epidurál.anest.pčas pôr.chin.a pôr. | 2 | 2 | P10.9 | Bliž.neur.vnútroleb.poran.a kvácanie zapríč.poran. pri pôrode | 4 | 4 |
| O74.6 | Iné kompl.spinál.a epidurál.anestézie počas pôr.chin.a pôrodu | 2 | 2 | P11.1 | Iné poškodenie mozgu,zapríč.poran.pri pôrode,b.u. | 4 | 4 |
| O74.7 | Neúspešná/sťažená intubácia počas pôr.chin.a pôrodu | 2 | 2 | P11.2 | Bliž.neur.poškodenie mozgu,zapríč.poran.pri pôrode | 4 | 4 |
| O74.8 | Iné komplik.anestézie počas pôr.chin.a pôrodu | 2 | 2 | P11.50 | Pôrodné poran.chrbtice a miechy s akút. ochmutím | 2,4 | 2,3 |
| O74.9 | Komplik.anestézie počas pôr.chin.a pôrodu,b.n. | 2 | 2 | P11.51 | Pôrodné poran.chrbtice a miechy s chron.ochmutím | 2,4 | 2,3 |
| O75.1 | Šok počas pôrodnej činnosti,po nej a po pôrode | 2 | 2 | P11.59 | Pôrodné poran.chrbtice a miechy,b.n. | 2,4 | 2,3 |
| O75.3 | Iná infekcia počas pôrodnej činnosti | 2 | 2 | P15.6 | Nekróza podkožného tuku,zapríč.poran. ri pôrode | 4 | 4 |
| O85 | Puerperálna sepsa | 2 | 2 | P21.0 | Ťažká pôrodná asfyxia | 1,2 | 2 |
| O86.0 | Infekcia pôrodnickej operačnej rany | 2 | 2 | P22.0 | Synd.respiračnej tiesne novorod. | 4 | 4 |
| O86.1 | Iná infekcia pohlavných orgánov po pôrode | 2 | 2 | P23.0 | Vrodený zápal pľúc,zapríčinený vírusom | 4 | 4 |
| O86.3 | Iná infekcia močovopohlavnej sústavy po pôrode | 2 | 2 | P23.1 | Vrodený zápal pľúc,zapríčinený chlamýdiou | 4 | 4 |
| O86.8 | Iná puerperálna infekcia,bližšie určená | 2 | 2 | P23.2 | Vrodený zápal pľúc,zapríčinený stafylokokom | 4 | 4 |
| O87.0 | Povrchová tromboflebitída v šestonedelí | 2 | 2 | P23.3 | Vrodený zápal pľúc,zapr. streptok.skupiny B | 4 | 4 |
| O87.1 | Hĺbková žilová trombóza (flebotrombóza) v šestonedelí | 2 | 2 | P23.4 | Vrodený zápal pľúc,zapríčinený Escherichia coli | 4 | 4 |
| O87.3 | Trombóza mozgových žíl v šestonedelí | 2 | 2 | P23.5 | Vrodený zápal pľúc,zapríčinený pseudomonas | 4 | 4 |
| O88.0 | Vzduchová embólia v gestačnom období | 2 | 2 | P23.6 | Vrodený zápal pľúc,zapríčinený inou baktériou | 4 | 4 |
| O88.1 | Embólia plodovou vodou | 2 | 2 | P23.8 | Vrodený zápal pľúc,zapríčinený iným organizmom | 4 | 4 |
| O88.20 | Tromboembólia pľúc v gestačnom období | 2 | 2 | P23.9 | Vrodený zápal pľúc,bližšie neurčený | 4 | 4 |
| O88.28 | Iná tromboembólia v gestačnom období | 2 | 2 | P24.0 | Novorodenecká aspirácia smolky | 4 | 4 |
| O88.3 | Pyemická a septická embólia v gestačnom období | 2 | 2 | P24.1 | Novorodenecká aspirácia plodovej vody a hlienu | 4 | 4 |
| O88.8 | Iná embólia v gestačnom období | 2 | 2 | P24.2 | Novorodenecká aspirácia krvi | 4 | 4 |
| O89.0 | Pľúcne komplikácie anestézie v šestonedelí | 2 | 2 | | | | |
| O89.1 | Srdcové komplikácie anestézie v šestonedelí | 2 | 2 | | | | |

| ICD | Text | OP. CCL | Med. CCL | ICD | Text | OP. CCL | Med. CCL |
|-------|---|---------|----------|-------|--|---------|----------|
| P24.3 | Novorod.aspirácia mlieka a regurgitovanej potravy | 4 | 4 | P55.8 | Iná hemolytická choroba plodu a novorodenca | 2,3 | 1,2,3 |
| P24.8 | Iný novorodenecký syndróm z aspirácie | 4 | 4 | P55.9 | Hemolytická chor.plodu a novorod.,b.n. | 2,3 | 1,2,3 |
| P24.9 | Novorodenecký syndróm z aspirácie,blížšie neurčený | 4 | 4 | P56.0 | Hydrops plodu v dôsledku izoimunizácie | 4 | 4 |
| P25.0 | Interstic.emfyzém so vznikom v perinatálnom obd. | 4 | 4 | P56.9 | Hydrops plodu v dôsl.i.a b.n.hemolytickej chor. | 4 | 4 |
| P25.1 | Pneumotorax so vznikom v perinatálnom období | 4 | 4 | P57.0 | Jadrový ikterus v dôsledku izoimunizácie | 4 | 4 |
| P25.2 | Pneumomediastínium so vznikom v perinatálnom období | 4 | 4 | P57.8 | Iný jadrový ikterus,blížšie určený | 4 | 4 |
| P25.3 | Pneumoperikard so vznikom v perinatálnom období | 4 | 4 | P57.9 | Jadrový ikterus,blížšie neurčený | 4 | 4 |
| P25.8 | Iné stavy súvis.s interstic.emfyz.so vznik.v perinat.obd. | 4 | 4 | P59.1 | Syndróm hustej žlče | 1,2,3,4 | 1,2,3,4 |
| P26.0 | Tracheobronchiálne krvácanie so vznik.v perinat.obd. | 4 | 4 | P59.2 | Novorod.žltáčka z iného a bliž.neurč.pošk.pečeňových buniek | 1,2,3,4 | 1,2,3,4 |
| P26.1 | Masívne pľúcne krvác.so vznikom v perinat.obd. | 4 | 4 | P60 | Diseminovaná intravaskulárna koagul.plodu a novorod. | 2,3,4 | 1,2,3,4 |
| P26.8 | Iné pľúcne krvác.so vznikom v perinat.období | 4 | 4 | P61.0 | Prechodná novorodenecká trombocytopenia | 2,3,4 | 1,2,3,4 |
| P26.9 | Pľúcne krvác.so vznik.v perinat.období.b.n. | 4 | 4 | P61.6 | Iná prechodná novorodenecká porucha zrážania | 2,3 | 1,2,3 |
| P27.0 | Wilsonov-Mikityho syndróm | 2,3,4 | 2,4 | P70.2 | Diabetes mellitus u novorodenca | 2,4 | 2,3,4 |
| P27.1 | Bronchopulmonálna dysplázia so vznik.v perin.obd. | 2,3,4 | 2,4 | P70.3 | Iatrogénna hypoglykémia u novorodenca | 2,3 | 2 |
| P27.8 | Iná chronická respirač.chor.so vznik.v perinatál.obd. | 2,3,4 | 2,4 | P70.4 | Iná hypoglykémia u novorodenca | 2,3 | 2 |
| P27.9 | Bliž.neurč.chron.respirač.choroba so vznikom v perinat.období | 2,3,4 | 2,4 | P71.0 | Hypokalcémia z krvského mlieka u novorodenca | 2,3,4 | 2,3 |
| P35.0 | Rubeolová embryopatia | 2,4 | 2,4 | P71.1 | Iná hypokalcémia u novorodenca | 2,3,4 | 2,3 |
| P35.1 | Vrodená cytomegalovírusová infekcia | 2,4 | 2,4 | P71.2 | Hypomagneziémia u novorodenca | 2,3,4 | 2,3 |
| P35.2 | Vrodená infekcia vírusom herpes simplex | 2,4 | 2,4 | P71.3 | Novorod.tetania bez nedost.kalcia/magnézia | 2,3,4 | 2,3 |
| P35.3 | Vrodená vírusová hepatitída | 1,2,3,4 | 1,2,3,4 | P71.4 | Prechodná hypoparatyreóza u novorodenca | 2,3,4 | 2,3 |
| P35.8 | Iná vrodená vírusová choroba | 2,4 | 2,4 | P71.8 | Iná prech.porucha metabol.vápnika a horčička u novorod. | 2,3,4 | 2,3 |
| P35.9 | Vrodená vírusová choroba,blížšie neurčená | 2,4 | 2,4 | P71.9 | Prechodná porucha metabol.vápnika a horčička u novorod.,b.n. | 2,3,4 | 2,3 |
| P36.0 | Sepsa u novorod.zaprič.sterpt.zo skupiny B | 4 | 4 | P72.0 | Struma u novorodenca,nezatriedená inde | 2,3,4 | 2,3 |
| P36.1 | Sepsa u novorod.zaprič.i.a b.n.sterpt. | 4 | 4 | P72.1 | Prechodná hypertyreóza u novorodenca | 4 | 4 |
| P36.2 | Sepsa u novorod.zaprič.staphylococcus aureus | 4 | 4 | P74.0 | Neskorá metabolická acidóza u novorodenca | 2,3,4 | 2,3 |
| P36.3 | Sepsa u novorod.zaprič.i.a bliž.neirč.stafylokokom | 4 | 4 | P74.1 | Dehydratácia u novorodenca | 2,3,4 | 2,3 |
| P36.4 | Sepsa u novorodenca,zapričinená escherichia coli | 4 | 4 | P74.2 | Porucha rovnováhy sodíka u novorodenca | 2,3,4 | 2,3 |
| P36.5 | Sepsa u novorod.zaprič.anaeróbnym mikroorganizmom | 4 | 4 | P74.3 | Porucha rovnováhy draslíka u novorodenca | 2,3,4 | 2,3 |
| P36.8 | Iná baktériová sepsa u novorodenca | 4 | 4 | P74.4 | Iná prechodná elektrolytová porucha u novorodenca | 2,3,4 | 2,3 |
| P36.9 | Baktériová sepsa u novorodenca,blížšie neurčená | 4 | 4 | P76.2 | Črevná nepriechod.zaprič.zahusteným mliekom | 2,3,4 | 2,3 |
| P37.0 | Vrodená tuberkulóza | 4 | 4 | P77 | Nekrotizujúca enterokolitída plodu a novorodenca | 2,4 | 2,3,4 |
| P37.1 | Vrodená toxoplazmóza | 4 | 4 | P78.0 | Perinatálna perforácia čreva | 4 | 4 |
| P37.2 | Novorodenecká (diseminovaná) listerióza | 4 | 4 | P78.1 | Iná novorodenecká peritonitída | 4 | 4 |
| P37.3 | Vrodená malária plasmodium falciparum | 4 | 4 | P83.0 | Sclerema neonatorum | 4 | 4 |
| P37.4 | Iná vrodená malária | 4 | 4 | P83.2 | Hydrops plodu, nezapričinený hemolytickou chorobou | 4 | 4 |
| P37.8 | Iná vrodená infekčná a parazit.choroba,b.u. | 4 | 4 | P90 | Krče [konvulzie] u novorodenca | 1,2,3,4 | 1,2,4 |
| P37.9 | Vrod.infekčná/parazitová choroba,b.n. | 4 | 4 | P91.3 | Mozgová dráždivosť novorodencov | 1,2 | 2 |
| P52.0 | Vnútrokomorové(neúraz.)krvác.plodu a novorod.1.st. | 4 | 4 | P91.5 | Kóma u novorodenca | 3,4 | 3 |
| P52.1 | Vnútrokomorové(neúraz.)krvác.plodu a novorod.2.st. | 4 | 4 | P92.0 | Vracanie u novorodenca | 1,2 | 1,2,3 |
| P52.2 | Vnútrokomorové(neúraz.)krvác.plodu a novorod.3.st. | 2,3,4 | 1,2,3,4 | P92.1 | Regurgitácia a ruminácia u novorodenca | 2,3,4 | 2,3 |
| P52.3 | Vnútrokomorové(neúraz.)krvác.plodu a novorod.,b.n. | 4 | 4 | P92.2 | Pomalý príjem potravy u novorodenca | 1,2 | 1,2,3 |
| P52.5 | Subarachnoidálne (neúraz.)krvác.plodu a novorod. | 4 | 4 | P92.3 | Podvýživa (znižený príjem potravy) u novorodenca | 2,3,4 | 2,3 |
| P53 | Hemoragická choroba plodu a novorodenca | 2,3,4 | 1,2,3,4 | P92.4 | Nadmerná výživa u novorodenca | 2,3,4 | 2,3 |
| P54.4 | Krvácanie do nadobličky u novorodenca | 4 | 4 | P92.5 | Problém s dojčením u novorodenca | 2,3,4 | 2,3 |
| P55.0 | Rh izoimunizácia plodu a novorodenca | 2,3 | 1,2,3 | P94.0 | Prechodná myasthenia gravis u novorodenca | 2,3,4 | 1,2,3,4 |
| P55.1 | ABO izoimunizácia plodu a novorodenca | 2,3 | 1,2,3 | P96.1 | Abstin.synd.u novorod.matky užív.návyk.látky a drogy | 4 | 4 |
| | | | | P96.2 | Abstin.synd.novorod.pri lieč.podávaní liečiv | 4 | 4 |
| | | | | Q00.0 | Anencefália | 3,4 | 3,4 |
| | | | | Q00.1 | Kraniorachischiza | 3,4 | 3,4 |
| | | | | Q00.2 | Iniencefália | 3,4 | 3,4 |
| | | | | Q01.0 | Čelová encefalokéla | 3,4 | 3,4 |
| | | | | Q01.1 | Nosovočelová encefalokéla | 3,4 | 3,4 |
| | | | | Q01.2 | Okcipitálna encefalokéla | 3,4 | 3,4 |
| | | | | Q01.8 | Encefalokéla na inom mieste | 3,4 | 3,4 |
| | | | | Q01.9 | Encefalokéla,blížšie neurčená | 4 | 4 |

| ICD | Text | OP. CCL | Med. CCL | ICD | Text | OP. CCL | Med. CCL |
|-------|---|---------|----------|--------|--|---------|----------|
| Q02 | Mikrocefália | 3,4 | 3 | Q16.1 | Vrod.chýbanie,atrézia a striktúra (vonkajšieho)zvukovodu | 3 | 3 |
| Q03.0 | Chyby mozgového mokovodu | 3,4 | 3,4 | Q16.2 | Chýbanie sluchovej [Eustachovej] trubice (vrodené) | 3 | 3 |
| Q03.1 | Atrézia priestredného a boč.otvoru štvrtej komory | 3,4 | 3,4 | Q16.3 | Vrodená chyba sluchových kostičiek | 3 | 3 |
| Q03.8 | Iný vrodený hydrocefalus | 2,3,4 | 1,2,3,4 | Q16.4 | Iná vrodená chyba stredného ucha | 3 | 3 |
| Q03.9 | Vrodený hydrocefalus, bližšie neurčený | 2,3,4 | 1,2,3,4 | Q16.5 | Vrodená chyba vnútorného ucha | 3 | 3 |
| Q04.0 | Vrodená chyba corpus callosum | 3,4 | 3,4 | Q16.9 | Vrod.chyba ucha,zapríč.zhoršenie sluchu,b.n. | 3 | 3 |
| Q04.1 | Arinencefália | 3,4 | 3,4 | Q20.0 | Spoločný tepnový kmeň [truncus arteriosus communis] | 3,4 | 3,4 |
| Q04.2 | Holoprocencefália | 3,4 | 3,4 | Q20.1 | Dvojvýtoková pravá komora | 3,4 | 3,4 |
| Q04.3 | Iná redukčná deformita mozgu | 3,4 | 3,4 | Q20.2 | Dvojvýtoková ľavá komora | 3,4 | 3,4 |
| Q04.4 | Septooptická dysplázia | 3,4 | 3,4 | Q20.3 | Nezhodné [diskordantné] komorovotepnové spojenie | 3,4 | 3,4 |
| Q04.5 | Megalencefália | 3,4 | 3,4 | Q20.4 | Dvojvýtoková komora | 3,4 | 3,4 |
| Q04.6 | Vrodená cysta mozgu | 3,4 | 3,4 | Q20.5 | Nezhodné (diskordantné) predsieňovokomorové spojenie | 3,4 | 3,4 |
| Q04.8 | Iná vrodená chyba mozgu,bližšie určená | 4 | 4 | Q20.6 | Súmernosť [izomerizmus] predsieňových ušíek | 3,4 | 3 |
| Q05.0 | Krčná spina bifida s hydrocefalom | 3,4 | 3,4 | Q20.8 | Iná vrodená chyba srdcových dutín a ich spojení | 3,4 | 3 |
| Q05.1 | Hrudníková spina bifida s hydrocefalom | 3,4 | 3,4 | Q20.9 | Vrod.chyba srdcových dutín a ich spojení,b.n. | 3,4 | 3 |
| Q05.2 | Drieková spina bifida s hydrocefalom | 3,4 | 3,4 | Q21.0 | Defekt medzikomorovej priehradky | 3,4 | 3 |
| Q05.3 | Krížová spina bifida s hydrocefalom | 3,4 | 3,4 | Q21.1 | Defekt predsieňovej priehradky | 4 | 4 |
| Q05.4 | Spina bifida s hydrocefalom,b.n. | 3,4 | 3,4 | Q21.2 | Defekt predsieňovo-komorovej priehradky | 3,4 | 3,4 |
| Q05.5 | Krčná spina bifida bez hydrocefalu | 3,4 | 3,4 | Q21.3 | Fallotova tetralógia | 3,4 | 3,4 |
| Q05.6 | Hrudníková spina bifida bez hydrocefalu | 3,4 | 3,4 | Q21.4 | Defekt aortapulmonálneho septa | 3,4 | 3,4 |
| Q05.7 | Drieková spina bifida bez hydrocefalu | 3,4 | 3,4 | Q21.80 | Fallotova pentalógia | 3,4 | 3 |
| Q05.8 | Krížová spina bifida bez hydrocefalu | 3,4 | 3,4 | Q21.88 | Iná vrodená chyba srdcových priehradiek | 3,4 | 3 |
| Q05.9 | Spina bifida (rázštep chrbtice),bližšie neurčená | 1,2,4 | 2,4 | Q22.0 | Atrézia pulmonálnej chlopne | 3,4 | 3,4 |
| Q06.0 | Amyélia | 3,4 | 3,4 | Q22.1 | Vrodené zúženie pulmonálnej chlopne | 3,4 | 3,4 |
| Q06.1 | Hypoplázia a dysplázia miechy | 3,4 | 3,4 | Q22.2 | Vrodená pulmonálna insuficiencia | 1,2,3 | 1,2 |
| Q06.2 | Diastematomyélia | 3,4 | 3,4 | Q22.3 | Iná vrodená chyba pulmonálnej chlopne | 1,2,3 | 1,2 |
| Q06.3 | Iná vrodená chyba konského chvosta (cauda equina) | 3,4 | 3,4 | Q22.4 | Vrodená trikuspidálna stenóza | 1,2,3,4 | 1,2,4 |
| Q06.4 | Hydromyélia | 3,4 | 3,4 | Q22.5 | Ebsteinova anomália | 2,3,4 | 2,3,4 |
| Q06.8 | Iná vrodená chyba miechy,bližšie určená | 3,4 | 3,4 | Q22.6 | Hypoplastický pravokomorový syndróm | 3,4 | 3,4 |
| Q07.0 | Arnoldov-Chiarho syndróm | 3,4 | 3,4 | Q22.8 | Iná vrodená chyba trikuspidálnej chlopne | 1,2,3,4 | 1,2,4 |
| Q07.8 | Iná vrodená chyba nervovej sústavy,bližšie určená | 3,4 | 3 | Q22.9 | Vrod.chyba trikuspidálnej chlopne,b.n. | 1,2,3,4 | 1,2,4 |
| Q10.0 | Vrodená ptóza | 3 | 3 | Q23.0 | Vrodená aortálna stenóza | 3,4 | 3,4 |
| Q10.1 | Vrodené ektropium | 3 | 3 | Q23.1 | Vrodená aortálna insuficiencia | 1,2,3,4 | 1,2,4 |
| Q10.2 | Vrodené entropium | 3 | 3 | Q23.2 | Vrodená mitrálna stenóza | 1,2,3,4 | 1,2,4 |
| Q10.3 | Iná vrodená chyba mihalnice | 3 | 3 | Q23.3 | Vrodená mitrálna insuficiencia | 1,2,3,4 | 1,2,4 |
| Q10.6 | Iná vrodená chyba slzných orgánov | 3 | 3 | Q23.4 | Hypoplastický ľavokomorový syndróm | 3,4 | 3,4 |
| Q10.7 | Vrodená chyba očnice | 3 | 3 | Q23.8 | Iná vrodená chyba aortálnej a mitrálnej chlopne | 1,2,3,4 | 1,2,4 |
| Q11.0 | Cystická očná guľa | 3,4 | 3 | Q23.9 | Vrod.hyba aortálnej a mitrálnej chlopne,b.n. | 1,2,3,4 | 1,2,4 |
| Q11.1 | Iný anoftalmus | 3,4 | 3 | Q24.0 | Dextrokardia | 3,4 | 3 |
| Q11.2 | Mikroftalmus | 3,4 | 3 | Q24.1 | Levokardia | 3,4 | 3 |
| Q11.3 | Makroftalmus | 3,4 | 3 | Q24.2 | Cor triatriatum (trojpredsieňové srdce) | 3,4 | 3,4 |
| Q12.0 | Vrodený sivý zákal (katarakta) | 3 | 3 | Q24.3 | Infundibulárna stenóza pľúcnic | 3,4 | 3,4 |
| Q12.1 | Vrodená dislokácia šošovky | 3 | 3 | Q24.4 | Vrodená subaortálna stenóza | 1,2,3,4 | 1,2,4 |
| Q12.2 | Kolobóm šošovky | 3 | 3 | Q24.5 | Chyba koronárnych ciev | 4 | 4 |
| Q12.3 | Vrodená afakia | 3 | 3 | Q24.6 | Vrodená srdcová blokáda | 3,4 | 3,4 |
| Q12.4 | Sféroakia | 3 | 3 | Q24.8 | Iná vrodená chyba srdca,bližšie určená | 4 | 4 |
| Q12.8 | Iná vrodená chyba šošovky | 3 | 3 | Q25.0 | Otvorený tepnový spoj [Ductus arteriosus patens] | 3,4 | 3 |
| Q12.9 | Vrodená chyba šošovky,bližšie neurčená | 3 | 3 | Q25.1 | Koarktácia aorty | 3,4 | 3,4 |
| Q13.0 | Kolobóm dúhovky | 3 | 3 | Q25.2 | Atrézia aorty | 3,4 | 3,4 |
| Q13.1 | Chýbanie dúhovky | 3 | 3 | Q25.3 | Stenóza aorty | 1,2,3,4 | 1,2,4 |
| Q13.2 | Iná vrodená chyba dúhovky | 3 | 3 | Q25.5 | Atrézia pľúcnej tepny | 3,4 | 3 |
| Q13.3 | Vrodený zákal rohovky | 3 | 3 | Q25.6 | Stenóza pľúcnej tepny | 3,4 | 3 |
| Q13.4 | Iná vrodená chyba rohovky | 3 | 3 | Q25.7 | Iná vrodená chyba pľúcnej tepny | 3,4 | 3 |
| Q13.5 | Belasá skléra | 3 | 3 | Q26.0 | Vrodená stenóza dutej žily | 3,4 | 3 |
| Q13.8 | Iná vrodená chyba predného segmentu oka | 3 | 3 | Q26.1 | Pretrvávajúca ľavá horná dutá žila | 3,4 | 3 |
| Q14.0 | Vrodená chyba sklovca | 3 | 3 | Q26.2 | Kompletný anomálny návrat pľúcnych žíl | 3,4 | 3,4 |
| Q14.1 | Vrodená chyba sietnice | 3 | 3 | Q26.3 | Čiastočný anomálny návrat pľúcnych žíl | 3,4 | 3,4 |
| Q14.2 | Vrodená chyba terča zrakového nervu | 3 | 3 | Q26.4 | Anomálny návrat pľúcnych žíl,bližšie neurčený | 3,4 | 3 |
| Q14.3 | Vrodená chyba cievovky | 3 | 3 | | | | |
| Q14.8 | Iná vrodená chyba zadného segmentu oka | 3 | 3 | | | | |
| Q15.0 | Vrodený glaukóm | 4 | 4 | | | | |
| Q15.8 | Iná vrodená chyba oka,bližšie určená | 3 | 3 | | | | |
| Q16.0 | Vrodené chýbanie ušnice | 3 | 3 | | | | |

| ICD | Text | OP. CCL | Med. CCL | ICD | Text | OP. CCL | Med. CCL |
|--------|--|---------|----------|--------|--|---------|----------|
| Q26.5 | Anomálny návrat v. portae | 3,4 | 3 | Q37.4 | Rázštep tvrd.a mäkk.podnebia s obojstr.rázštep.pery | 3,4 | 3,4 |
| Q26.6 | Fistula medzi v. portae a a.hepatica | 3,4 | 3 | Q37.5 | Rázštep tvrd.a mäkk.podnebia s jednostr.rázštep.pery | 3,4 | 3,4 |
| Q27.0 | Vrodené chýbanie a hypoplázia pupkovej tepny | 3,4 | 3 | Q37.8 | Rázštep podnebia s obojstr.rázštep.pery,b.n. | 4 | 4 |
| Q28.00 | Vrod.artériovenózna aneurizma precerebrálnych ciev | 3,4 | 3,4 | Q37.9 | Rázštep podnebia s jednostr.rázštep.pery,b.n. | 4 | 4 |
| Q28.01 | Vrodená artériovenózna fistula precerebrálnych ciev | 3,4 | 3,4 | Q38.7 | Vačok hltana (faryngový pouch) | 4 | 4 |
| Q28.08 | Iná vrod.artériovenózna chyba precerebrálnych ciev | 3,4 | 3,4 | Q39.0 | Atrézia pažeráka bez fistuly | 3,4 | 3,4 |
| Q28.09 | Vrod.artériovenózna chyba precerebrálnych ciev,b.n. | 4 | 4 | Q39.1 | Atrézia pažeráka s fistulou medzi priedušn.a pažerákom | 3,4 | 3,4 |
| Q28.10 | Vrodená aneurizma precerebrálnych ciev | 3,4 | 3,4 | Q39.2 | Vrod.fistula m.priedušn.a pažerákom bez atrézie | 3,4 | 3,4 |
| Q28.11 | Vrodená fistula precerebrálnych ciev | 3,4 | 3,4 | Q39.3 | Vrodené zúženie (stenóza alebo striktúra) pažeráka | 4 | 4 |
| Q28.18 | Iná vrodená chyba precerebrálnych ciev | 3,4 | 3,4 | Q39.4 | Pažeráková membrána | 2,4 | 2,3,4 |
| Q28.19 | Vrod.chyba precerebrálnych ciev,b.n. | 4 | 4 | Q39.5 | Vrodené rozšírenie pažeráka | 3 | 3 |
| Q28.20 | Vrodená artériovenózna aneurizma cerebrálnych ciev | 3,4 | 3,4 | Q39.6 | Divertikul pažeráka (vrodený) | 3 | 3 |
| Q28.21 | Vrodená artériovenózna fistula cerebrálnych ciev | 3,4 | 3,4 | Q39.8 | Iná vrodená chyba pažeráka | 3 | 3 |
| Q28.28 | Iná vrodená artériovenózna chyba cerebrálnych ciev | 3,4 | 3,4 | Q40.0 | Vrodená hypertrofická pylorostenóza | 3,4 | 3 |
| Q28.29 | Vrod.artériovenózna malformácia cerebrálnych ciev,b.n. | 4 | 4 | Q40.1 | Vrodená hiátová hernia | 3 | 3 |
| Q28.30 | Vrodená aneurizma cerebrálnych ciev | 3,4 | 3,4 | Q41.0 | Vrodené chýbanie,atrézia a stenóza dvanástnika | 3,4 | 3,4 |
| Q28.31 | Vrodená fistula cerebrálnych ciev | 3,4 | 3,4 | Q41.1 | Vrodené chýbanie,atrézia a stenóza jejúna | 3,4 | 3,4 |
| Q28.38 | Iná vrodená chyba cerebrálnych ciev | 4 | 4 | Q41.2 | Vrodené chýbanie,atrézia a stenóza ilea | 3,4 | 3,4 |
| Q28.39 | Vrodená chyba cerebrálnych ciev, bližšie neurčená | 4 | 4 | Q41.8 | Vrod.chýbanie,atrézia a stenóza bliž.urč.častí ten.čreva | 3,4 | 3,4 |
| Q28.80 | Iná vrodená aneurizma | 3 | 3 | Q41.9 | Vrod.chýbanie,atrézia a stenóza ten.čreva b.n.č. | 4 | 4 |
| Q28.81 | Iná vrodená fistula obehovej sústavy | 3 | 3 | Q42.0 | Vrod.chýbanie,atrézia a stenóza konečníka s fistulou | 3,4 | 3,4 |
| Q28.88 | Iná vrodená chyba obehovej sústavy,bližšie určená | 3 | 3 | Q42.1 | Vrod.chýbanie,atrézia a stenóza konečníka bez fistuly | 3,4 | 3,4 |
| Q30.0 | Atrézia choán | 4 | 4 | Q42.2 | Vrod.chýbanie,atrézia a stenóza anusu s fistulou | 3,4 | 3,4 |
| Q31.0 | Diafragma hrtana | 3,4 | 3,4 | Q42.3 | Vrod.chýbanie,atrézia a stenóza anusu bez fistuly | 3,4 | 3,4 |
| Q31.1 | Vrodená subglotická stenóza | 3,4 | 3,4 | Q42.8 | Vrod.chýbanie,atrézia a stenóza č.hrub.čreva | 3,4 | 3,4 |
| Q31.2 | Hypoplázia hrtana | 3,4 | 3,4 | Q42.9 | Vrod.chýbanie,atrézia a stenóza bliž.neurč.č.hrub.čreva | 3,4 | 3,4 |
| Q31.3 | Laryngokéla | 3,4 | 3,4 | Q43.0 | Meckelov divertikul | 4 | 4 |
| Q31.5 | Vrodená laryngomalácia | 3,4 | 3,4 | Q43.1 | Hirschprungova choroba | 3,4 | 3,4 |
| Q31.8 | Iná vrodená chyba hrtana | 3,4 | 3,4 | Q43.2 | Iná vrodená porucha funkcie hrubého čreva | 4 | 4 |
| Q31.9 | Vrodená chyba hrtana,bližšie neurčená | 4 | 4 | Q43.3 | Vrodená chyba fixácie čriev | 4 | 4 |
| Q32.0 | Vrodená tracheomalácia | 3,4 | 3,4 | Q43.40 | Zdvojenie tenkého čreva | 3,4 | 3 |
| Q32.1 | Iná vrodená chyba priedušnice | 3,4 | 3,4 | Q43.41 | Zdvojenie hrubého čreva | 3,4 | 3 |
| Q32.2 | Vrodená malácia priedušky | 3,4 | 3,4 | Q43.42 | Zdvojenie rekta | 3,4 | 3 |
| Q32.3 | Vrodené zúženie priedušky | 3,4 | 3,4 | Q43.49 | Zdvojenie čreva,bližšie neurčené | 3 | 3 |
| Q32.4 | Iná vrodená chyba priedušiek | 3,4 | 3,4 | Q43.5 | Ektopický anus | 3,4 | 3 |
| Q33.0 | Vrodené cystické pľúca | 3,4 | 3,4 | Q43.6 | Vrodená fistula rekta a anusu | 3,4 | 3 |
| Q33.1 | Prídavný lalok pľúc | 3,4 | 3 | Q43.7 | Pretrvávajúca kloaka | 3,4 | 3 |
| Q33.2 | Sekvestrácia pľúc | 3,4 | 3,4 | Q43.8 | Iná vrodená chyba čreva,bližšie určená | 3 | 3 |
| Q33.3 | Nevyvinutie pľúc | 3,4 | 3,4 | Q43.9 | Vrodená chyba čreva,bližšie neurčená | 3 | 3 |
| Q33.4 | Vrodené bronchiektázie | 3,4 | 3,4 | Q44.0 | Agenéza,aplázia a hypoplázia žľazníka | 3,4 | 3 |
| Q33.5 | Ektopické tkanivo v pľúcach | 3,4 | 3 | Q44.2 | Atrézia žľazových ciest | 3,4 | 3,4 |
| Q33.6 | Hypoplázia a dysplázia pľúc | 3,4 | 3,4 | Q44.3 | Vrodené stenóza alebo striktúra žľazových ciest | 3,4 | 3,4 |
| Q33.8 | Iná vrodená chyba pľúc | 3,4 | 3 | Q44.4 | Cysta žľazovodu | 3,4 | 3 |
| Q35.1 | Rázštep tvrdého podnebia | 3,4 | 3 | Q44.5 | Iná vrodená chyba žľazových ciest | 2,3,4 | 2,3 |
| Q35.3 | Rázštep mäkkého podnebia | 3 | 3 | Q44.6 | Cystická choroba pečene | 3,4 | 3,4 |
| Q35.5 | Rázštep tvrdého podnebia s rázštep.mäkk.podn. | 3,4 | 3 | Q45.0 | Agenéza,aplázia a hypoplázia podžalúdkovej žľazy | 3,4 | 3,4 |
| Q35.7 | Rázštep čapika [uvuly] | 3 | 3 | Q45.1 | Prstencová podžalúdková žľaza[pancreas anulare] | 4 | 4 |
| Q35.9 | Rázštep podnebia,bližšie neurčený | 3 | 3 | Q45.2 | Vrodená cysta podžalúdkovej žľazy | 4 | 4 |
| Q36.0 | Obojstranný rázštep pery | 3 | 3 | Q45.3 | Iná vrodená chyba podžalúdkovej žľazy a jej vývodu | 4 | 4 |
| Q36.1 | Stredový rázštep pery | 3 | 3 | Q50.0 | Vrodené chýbanie vaječníka | 3,4 | 3 |
| Q36.9 | Jednostranný rázštep pery | 3 | 3 | Q50.2 | Vrodená torzia vaječníka | 3,4 | 3 |
| Q37.0 | Rázštep tvrd.podnebia s obojstr.rázštep.pery | 3,4 | 3,4 | Q51.0 | Agenéza a aplázia matrice | 3,4 | 3 |
| Q37.1 | Rázštep tvrd.podnebia s jednostr.rázštep.pery | 3,4 | 3,4 | | | | |
| Q37.2 | Rázštep mäkk.podnebia s obojstr.rázštep.pery | 3,4 | 3,4 | | | | |
| Q37.3 | Rázštep mäkk.podnebia s jednostr.rázštep.pery | 3,4 | 3,4 | | | | |

| ICD | Text | OP. CCL | Med. CCL | ICD | Text | OP. CCL | Med. CCL |
|-------|--|------------|-------------|-------|--|------------|-------------|
| Q51.1 | Dvojitá maternica s dvoj.krčkom a dvoj.pošvou | 3,4 | 3 | Q67.5 | Vrodená deformita chrbtice | 3 | 3 |
| Q51.2 | Iné zdvojenie maternice | 3,4 | 3 | Q68.2 | Vrodená deformita kolena | 3 | 3 |
| Q51.5 | Agenéza a aplázia krčka maternice | 3,4 | 3 | Q71.0 | Vrod.kompletné chýbanie HK (končatín) | 3,4 | 3 |
| Q51.7 | Vrod. fistula medzi maternicou,tráviacim a moč.traktom | 3,4 | 3 | Q71.1 | Vrod.chýbanie ramena a predlaktia s prítomnosťou ruky | 3,4 | 3 |
| Q52.0 | Vrodené chýbanie pošvy | 3,4 | 3 | Q71.2 | Vrodené chýbanie predlaktia a ruky | 3,4 | 3 |
| Q52.1 | Zdvojenie pošvy | 3,4 | 3 | Q71.3 | Vrodené chýbanie ruky a prsta (prstov) | 3,4 | 3 |
| Q52.2 | Vrodená fistula medzi konečníkom a pošvou | 3,4 | 3 | Q71.4 | Pozdĺžny redukčný defekt vretenovitej kosti (radius) | 3,4 | 3 |
| Q54.0 | Hypospádia žalúda [balanická] | 3,4 | 3 | Q71.5 | Skrátenie laktovej kosti | 3,4 | 3 |
| Q54.1 | Hypospádia penisu [penilná] | 3,4 | 3 | Q71.6 | Klepetovitá ruka | 3,4 | 3 |
| Q54.2 | Hypospádia penisu a skróta [penoskrotálna] | 3,4 | 3 | Q71.8 | Iný redukčný defekt hornej končatiny (končatín) | 3,4 | 3 |
| Q54.3 | Hypospádia perineálna | 3,4 | 3 | Q71.9 | Redukčný defekt hornej končatiny,blížšie neurčený | 3 | 3 |
| Q55.0 | Chýbanie a aplázia semenníka | 3,4 | 3 | Q72.0 | Vrod.kompletné chýbanie DK (končatín) | 3,4 | 3 |
| Q55.1 | Hypoplázia semenníka a mieška | 3,4 | 3 | Q72.1 | Vrod.chýbanie stehna a predkolenia s prítomnou nohou | 3,4 | 3 |
| Q55.3 | Atrézia semenovodu | 3,4 | 3 | Q72.2 | Vrodené chýbanie predkolenia a nohy | 3,4 | 3 |
| Q55.4 | Iná vrod.chyba semenov.,nadsemen.,semen.vač.a prostaty | 3,4 | 3 | Q72.3 | Vrodené chýbanie nohy a prstov | 3,4 | 3 |
| Q55.5 | Vrodené chýbanie a aplázia penisu | 3,4 | 3 | Q72.4 | Skrátenie stehnovej kosti | 3,4 | 3 |
| Q55.6 | Iná vrodená chyba penisu | 3,4 | 3 | Q72.5 | Skrátenie pištľaly | 3,4 | 3 |
| Q56.0 | Hermafroditizmus,nezatriedený inde | 3,4 | 3,4 | Q72.6 | Skrátenie ihlice | 3,4 | 3 |
| Q56.1 | Mužský pseudohermafroditizmus,nezatriedený inde | 3,4 | 3,4 | Q72.7 | Rázštep nohy | 3,4 | 3 |
| Q56.2 | Ženský pseudohermafroditizmus,nezatriedený inde | 3,4 | 3,4 | Q72.8 | Iný redukčný defekt dolnej končatiny (končatín) | 3,4 | 3 |
| Q56.3 | Pseudohermafroditizmus,blížšie neurčený | 3,4 | 3,4 | Q74.3 | Arthrogyposis multiplex congenita | 3,4 | 3 |
| Q56.4 | Neurčité pohlavie,blížšie neurčené | 3,4 | 3,4 | Q75.0 | Kraniosynostóza | 3,4 | 3,4 |
| Q60.0 | Jednostranná agenéza obličky | 4 | 4 | Q75.1 | Kraniofaciálna dyzostóza | 3,4 | 3,4 |
| Q60.1 | Obojstranná agenéza obličky | 3,4 | 3,4 | Q75.2 | Hypertelorizmus | 3,4 | 3,4 |
| Q60.2 | Agenéza obličky,blížšie neurčená | 4 | 4 | Q75.3 | Makrocefália | 3,4 | 3,4 |
| Q60.3 | Jednostranná hypoplázia obličky | 4 | 4 | Q75.4 | Mandibulofaciálna dyzostóza | 3,4 | 3,4 |
| Q60.4 | Obojstranná hypoplázia obličky | 4 | 4 | Q75.5 | Okulomandibulárna dyzostóza | 3,4 | 3,4 |
| Q60.5 | Hypoplázia obličky,blížšie neurčená | 4 | 4 | Q75.8 | Iná vrod.chyba kostí lebky a tvárových kostí,b.u. | 3,4 | 3,4 |
| Q60.6 | Potterovej syndróm | 3,4 | 3,4 | Q75.9 | Vrod.chyba kostí lebky a tvárových kostí,b.n. | 4 | 4 |
| Q61.0 | Vrodená samostatná (solitárna) cysta obličky | 3 | 3 | Q76.1 | Klippel-Feilov syndróm | 3,4 | 3,4 |
| Q61.1 | Polycystické obličky,autozomálne recesívne | 3,4 | 3,4 | Q76.3 | Vrodená skolióza zapríčinená vrodenou chybou kostí | 3,4 | 3 |
| Q61.2 | Polycystické obličky,autozomálne dominantné | 3,4 | 3 | Q76.4 | Iná vrodená chyba chrbtice bez skoliózy | 3 | 3 |
| Q61.3 | Polycystické obličky,blížšie neurčené | 3 | 3 | Q77.0 | Achondrogenéza | 3,4 | 3,4 |
| Q61.4 | Dysplázia obličiek | 3 | 3 | Q77.1 | Letálny nanizmus | 3,4 | 3,4 |
| Q61.5 | Medulárna cystická oblička | 3 | 3 | Q77.2 | Syndróm krátkeho rebra | 3,4 | 3,4 |
| Q61.8 | Iná cystická choroba obličiek | 3 | 3 | Q77.3 | Chondrodysplasia punctata | 3,4 | 3,4 |
| Q61.9 | Cystická choroba obličiek,blížšie neurčená | 3 | 3 | Q77.4 | Achondroplázia | 3,4 | 3,4 |
| Q62.0 | Vrodená hydronefróza | 3,4 | 3 | Q77.5 | Diastrofická dysplázia | 3,4 | 3,4 |
| Q62.1 | Atrézia a vrodená stenóza močovodu | 3,4 | 3 | Q77.6 | Chondroektodermálna dysplázia | 3,4 | 3,4 |
| Q62.2 | Vrodený megaureter | 3,4 | 3 | Q77.7 | Spondyloepifýzová dysplázia | 3,4 | 3,4 |
| Q62.3 | Iná obštrukčná chyba obličkovej panvičky a močovodu | 3,4 | 3 | Q77.8 | Iná osteochondrodyspl.s por.rastu dlhých kostí a chrbt. | 3,4 | 3,4 |
| Q62.4 | Agenéza močovodu | 3,4 | 3 | Q77.9 | Osteochondrodyspl.s por.rastu dlhých kostí a chrbt.,b.n. | 4 | 4 |
| Q62.7 | Vrodený veziko-uretero-renálny reflux | 3,4 | 3 | Q78.0 | Osteogenesis imperfecta | 3,4 | 3,4 |
| Q64.0 | Epispádia | 3,4 | 3 | Q78.1 | Polyostotická fibrózna dysplázia | 3,4 | 3,4 |
| Q64.1 | Exstrofia močového mechúra | 3,4 | 3,4 | Q78.2 | Osteopetróza | 3,4 | 3,4 |
| Q64.2 | Vrodená zadná chlopňa močovej rúry | 4 | 4 | Q78.3 | Progresívna diafýzová dysplázia | 3,4 | 3,4 |
| Q64.3 | Iná atrézia a stenóza močovej rúry a krčka moč.mech. | 4 | 4 | Q78.4 | Enchondromatóza | 3,4 | 3,4 |
| Q64.4 | Chyba urachu[prvomočovodu] | 3,4 | 3 | Q78.5 | Metafýzová dysplázia | 3,4 | 3 |
| Q64.5 | Vrodené chýbanie mechúra a močovej rúry | 3,4 | 3 | Q78.6 | Mnhopočetné vrodené exostózy | 3,4 | 3,4 |
| Q64.6 | Vrodený divertikul mechúra | 3 | 3 | Q78.8 | Iná osteochondrodysplázia,blížšie určená | 3,4 | 3 |
| Q64.7 | Iná vrodená chyba močového mechúra a močovej rúry | 3 | 3 | Q78.9 | Osteochondrodysplázia,blížšie neurčená | 4 | 4 |
| Q65.0 | Jednostranné vrodené vyklbenie bedra | 3,4 | 3 | Q79.0 | Vrodená diafragmatická hernia (bránicová prietrž) | 3,4 | 3,4 |
| Q65.1 | Obojstranné vrodené vyklbenie bedra | 3,4 | 3 | Q79.1 | Iná vrodená chyba bránice | 3,4 | 3,4 |
| Q65.2 | Vrodené vyklbenie bedra,blížšie neurčené | 3 | 3 | Q79.2 | Exomfalus | 3,4 | 3,4 |
| Q65.3 | Jednostranná vrodená subluxácia bedra | 3,4 | 3 | Q79.3 | Gastroschiza | 3,4 | 3,4 |
| Q65.4 | Obojstranná vrodená subluxácia bedra | 3,4 | 3 | Q79.4 | Agenéza brušných svalov [Prune belly syndróm] | 3,4 | 3,4 |
| Q65.5 | Vrodená subluxácia bedra,blížšie neurčená | 3 | 3 | Q79.5 | Iná vrodená chyba brušnej steny | 4 | 4 |
| Q65.6 | Nestabilné bedro | 3,4 | 3 | | | | |
| Q67.2 | Dolichocefália | 3,4 | 3 | | | | |
| Q67.3 | Plagiocefália | 3,4 | 3 | | | | |

| ICD | Text | OP. CCL | Med. CCL | ICD | Text | OP. CCL | Med. CCL |
|-------|--|------------|-------------|-------|--|------------|-------------|
| Q79.6 | Ehlersov-Danlosov syndróm | 3,4 | 3,4 | Q93.0 | Kompletná chromoz. monozómia, meiotická nondisjunkcia | 3,4 | 3,4 |
| Q79.8 | Iná vrodená chyba svalov a kostí | 3,4 | 3 | Q93.1 | Kompletná chromoz. monozómia, mozaicizmus | 3,4 | 3,4 |
| Q80.0 | Ichthyosis vulgaris | 4 | 4 | Q93.2 | Prsteňovitý alebo dicentrický chromozóm | 3,4 | 3,4 |
| Q80.1 | Ichtyóza viazaná na chromozóm X | 4 | 4 | Q93.3 | Delécia krátkeho ramena chromozómu 4 | 3,4 | 3,4 |
| Q80.2 | Lamelárna ichtyóza | 4 | 4 | Q93.4 | Delécia krátkeho ramena chromozómu 5 | 3,4 | 3,4 |
| Q80.3 | Vrodená bulózne ichtyoziformná erythrodermia | 4 | 4 | Q93.5 | Iná delécia časti chromozómu | 3,4 | 3,4 |
| Q80.4 | Ichtyosis congenita gravis [Harlekinfetus] | 4 | 4 | Q93.6 | Delécia viditeľná iba v prometafáze | 3,4 | 3,4 |
| Q80.8 | Iná vrodená ichtyóza | 4 | 4 | Q93.7 | Delécia s inou komplexnou prestavbou | 3,4 | 3,4 |
| Q80.9 | Vrodená ichtyóza, bližšie neurčená | 4 | 4 | Q93.8 | Iná delécia autozómov | 3,4 | 3,4 |
| Q81.0 | Jednoduchá bulózna epidermolýza | 3,4 | 3 | Q93.9 | Delécia autozómov, bližšie neurčená | 4 | 4 |
| Q81.1 | Letálna bulózna epidermolýza | 3,4 | 3 | Q95.0 | Vyvážená translokácia a inercia u normálneho jednotlivca | 3,4 | 3 |
| Q81.2 | Dystrofická bulózna epidermolýza | 3,4 | 3 | Q95.1 | Chromozómová inverzia u normálneho jednotlivca | 3,4 | 3 |
| Q81.8 | Iná bulózna epidermolýza | 3,4 | 3 | Q95.2 | Vyváž. autozóm. prestavba u abnormál. jednotlivca | 3,4 | 3,4 |
| Q82.0 | Dedičný lymfedém | 3 | 3 | Q95.3 | Vyváž. prest. medzi pohlav. a autozóm. chromoz. u abn. jednotlivca | 3,4 | 3,4 |
| Q82.4 | Ektodermálna dysplázia (anhidrotická) | 4 | 4 | Q95.4 | Jednotlivec s nadpočetným (marker) heterochromatínom | 3,4 | 3,4 |
| Q85.0 | Neurofibromatóza (benígna) | 3,4 | 3,4 | Q95.5 | Jednotlivec s fragilnými miestami na autozómoch | 3,4 | 3,4 |
| Q85.1 | Tuberózna skleróza | 3,4 | 3,4 | Q95.8 | Iné vyváž. prestavba a štrukt. markery (abn. chromozómy) | 3,4 | 3,4 |
| Q85.8 | Iná fakomatóza, nezatriedená inde | 3,4 | 3,4 | Q95.9 | Vyváž. prestavba a štrukt. marker (abn. gén) ,b.n. | 4 | 4 |
| Q85.9 | Fakomatóza, bližšie neurčená | 4 | 4 | Q96.0 | Karyotyp 45,X | 3,4 | 3 |
| Q86.0 | Alkoholový syndróm plodu (dysmorfický) | 3,4 | 3 | Q96.1 | Karyotyp 46,X izo (Xq) | 3,4 | 3 |
| Q86.1 | Hydantoínový syndróm plodu | 3,4 | 3,4 | Q96.2 | Karyotyp 46,X s pat. pohl. chrom., s výnimkou izo (Xq) | 3,4 | 3 |
| Q86.2 | Dysmorfizmus, zapríčinený warfarínom | 3,4 | 3,4 | Q96.3 | Mozaicizmus, 45,X/46, XX alebo XY | 3,4 | 3 |
| Q86.8 | Iný syndróm vrod. chýb zapríč. známymi vonk. príčinami | 3,4 | 3,4 | Q96.4 | Mozaicizmus, 45,X/i. bunková línia (e) s pat. pohl. chromoz. | 3,4 | 3 |
| Q87.0 | Syndróm vrod. chýb postih. najmä výzor tváre | 3,4 | 3,4 | Q96.8 | Iný variant Turnerovho syndrómu | 3,4 | 3 |
| Q87.1 | Syndróm vrod. chýb spojený najmä s nízkym vzrastom | 3,4 | 3,4 | Q96.9 | Turnerov syndróm, bližšie neurčený | 3 | 3 |
| Q87.2 | Syndrómy vrodených chýb zahŕňajúce najmä končatiny | 3,4 | 3,4 | Q97.0 | Karyotyp 47,XXX | 3,4 | 3 |
| Q87.3 | Syndróm vrod. chýb zahŕňajúci skorý nadmerný rast | 3,4 | 3,4 | Q97.1 | Ženský fenotyp s viac ako troma chromozómami X | 3,4 | 3 |
| Q87.4 | Marfanov syndróm | 3,4 | 3,4 | Q97.2 | Mozaicizmus, línie s rozličným počtom X chromozómov | 3,4 | 3 |
| Q87.5 | Iné syndrómy vrodených chýb s inými zmenami kostí | 3,4 | 3,4 | Q97.3 | Ženský fenotyp s karyotypom 46, XY | 3,4 | 3 |
| Q87.8 | Iné syndróm vrodených chýb, nezatr. inde., b.u. | 3,4 | 3,4 | Q97.8 | Iná abnormál. pohlav. chromoz. so žensk. fenotypom, b.u. | 3,4 | 3 |
| Q89.0 | Vrodená chyba sleziny | 3 | 3 | Q97.9 | Abnormalita pohlav. chromoz. so žensk. fenotypom, b.n. | 3 | 3 |
| Q89.1 | Vrodená chyba nadobličiek | 4 | 4 | Q98.0 | Klinefelterov syndróm karyotyp 47,XXY | 3,4 | 3 |
| Q89.3 | Obrátená poloha (situs inversus) | 3 | 3 | Q98.1 | Klinefelterov syndróm. muž. fenotyp s viac ako dvoma chromoz. X | 3,4 | 3 |
| Q89.4 | Spojené (zrastené) dvojčatá | 3,4 | 3,4 | Q98.2 | Klinefelterov syndróm muž. fenotyp s karyotypom 46,XX | 3,4 | 3 |
| Q89.7 | Mnohopočetné vrodené chyby, nezatriedené inde | 4 | 4 | Q98.3 | Iný mužský fenotyp s karyotypom 46,XX | 3,4 | 3 |
| Q89.8 | Iná vrodená chyba, bližšie určená | 4 | 4 | Q98.4 | Klinefelterov syndróm, bližšie neurčený | 3 | 3 |
| Q90.0 | Trizómia 21, meiotická nondisjunkcia | 3,4 | 3,4 | Q98.5 | Karyotyp 47,YYY | 3,4 | 3 |
| Q90.1 | Trizómia 21, mozaicizmus (mitotická nondisjunkcia) | 3,4 | 3,4 | Q98.6 | Mužský fenotyp so štruktúrnou abnormal. pohl. chromoz. | 3,4 | 3 |
| Q90.2 | Trizómia 21, translokácia | 3,4 | 3,4 | Q98.7 | Mužský fenotyp s mozaicizmom pohlavných chromozómov | 3,4 | 3 |
| Q90.9 | Downov syndróm, bližšie neurčený | 3,4 | 3,4 | Q98.8 | Iná abnorml. pohlav. chromoz. s mužsk. fenotypom, b.u. | 3,4 | 3 |
| Q91.0 | Trizómia 18, meiotická nondisjunkcia | 3,4 | 3,4 | Q98.9 | Abnormalita pohlav. chromoz. s mužsk. fenotypom, b.n. | 3 | 3 |
| Q91.1 | Trizómia 18, mozaicizmus (mitotická nondisjunkcia) | 3,4 | 3,4 | Q99.0 | Chiméra 46,XX/46,XY | 3,4 | 3,4 |
| Q91.2 | Trizómia 18, translokácia | 3,4 | 3,4 | Q99.1 | Pravý hermafrodit 46,XX | 3,4 | 3,4 |
| Q91.3 | Edwardsov syndróm, bližšie neurčený | 3,4 | 3,4 | Q99.2 | Fragilný chromozóm X | 3,4 | 3,4 |
| Q91.4 | Trizómia 13, meiotická nondisjunkcia | 3,4 | 3,4 | Q99.8 | Iná chromozómová abnormalita, bližšie určená | 3,4 | 3 |
| Q91.5 | Trizómia 13, mozaicizmus (mitotická nondisjunkcia) | 3,4 | 3,4 | R02 | Gangréna, nezatriedená inde | 4 | 4 |
| Q91.6 | Trizómia 13, translokácia | 3,4 | 3,4 | R04.2 | Hemoptýza | 1,2 | 1,2 |
| Q91.7 | Patauov syndróm, bližšie neurčený | 3,4 | 3,4 | R04.8 | Krvácanie z iných miest v dýchacích cestách | 1,2 | 1,2 |
| Q92.0 | Kompletná chromoz. trizómia, meiotická nondisjunkcia | 3,4 | 3,4 | | | | |
| Q92.1 | Kompletná chromoz. trizómia, mozaicizmus | 3,4 | 3,4 | | | | |
| Q92.2 | Veľká čiastočná trizómia | 3,4 | 3,4 | | | | |
| Q92.3 | Malá čiastočná trizómia | 3,4 | 3,4 | | | | |
| Q92.4 | Duplikácie viditeľné iba v prometafáze | 3,4 | 3,4 | | | | |
| Q92.5 | Duplikácie s inou komplexnou prestavbou | 3,4 | 3,4 | | | | |
| Q92.6 | Nadpočetné (marker) chromozómy | 3,4 | 3,4 | | | | |
| Q92.7 | Triploidia a polyploidia | 3,4 | 3,4 | | | | |
| Q92.8 | Iná trizómia a čiast. trizómia autozómov, n.i. | 3,4 | 3,4 | | | | |
| Q92.9 | Trizómia a čiastočná trizómia autozómov, b.n. | 4 | 4 | | | | |

| ICD | Text | OP. CCL | Med. CCL | ICD | Text | OP. CCL | Med. CCL |
|--------|--|------------|-------------|--------|--|------------|-------------|
| R04.9 | Krvácanie z dýchacích ciest, bližšie neurčené | 1,2 | 1,2 | S02.9 | Zlomenina kosti lebky a tváre, bližšie neurčená časť | 1,2,3 | 1,2 |
| R09.2 | Zastavenie dýchania | 3,4 | 1,3 | S05.2 | Tržná rana, roztrhnutie oka s prolapsom/stratou vnútrooč.tk. | 1,2,3,4 | 1,2,4 |
| R15 | Inkontinencia stolice | 1 | 1 | S05.3 | Tržná rana oka bez prolapsu al.straty vnútroočného tkaniva | 1,2,3,4 | 1,2,4 |
| R16.2 | Hepatomegália so splenomegáliou, nezatriedená inde | 4 | 4 | S05.4 | Penetrujúca rana očnice s cudzím telesom/bez cudzieho telesa | 1,2,3,4 | 1,2,4 |
| R18 | Ascites | 1,2,3 | 1,2,3 | S05.5 | Penetrujúca rana očnej gule s cudzím telesom | 4 | 4 |
| R29.0 | Tetania | 2,3,4 | 2,3 | S05.6 | Penetrujúca rana očnej gule bez cudzieho telesa | 4 | 4 |
| R31 | Hematúria, bližšie neurčená | 1,2 | 1,2 | S05.7 | Avulzia (vytrhnutie) oka | 1,2,3,4 | 1,2,4 |
| R40.2 | Kóma, bližšie neurčená | 3,4 | 3,4 | S05.8 | Iné poranenie oka a očnice | 1,2,3,4 | 1,2,4 |
| R47.0 | Dysfázia a afázia | 1 | 1 | S06.0 | Otras mozgu | 4 | 4 |
| R47.1 | Dysartria a anartria | 1,2 | 1,2 | S06.1 | Pourazový opuch mozgu | 2,3,4 | 2,4 |
| R47.8 | Iná a bližšie neurčená porucha reči | 1 | 1 | S06.20 | Difúzne poranenie mozgu a mozočka, bližšie neurčené | 2,3,4 | 2,4 |
| R56.0 | Febrilné krčce | 1,2 | 1,2 | S06.21 | Difúzne pomliaždenie mozgu | 2,3,4 | 2,4 |
| R56.8 | Iné krčce, bližšie neurčené | 1 | 1 | S06.22 | Difúzne pomliaždenie mozočka | 2,3,4 | 2,4 |
| R57.0 | Kardiogénny šok | 2,3,4 | 2,3 | S06.23 | Viacere vnútromozgové a mozočkové hematómy | 2,3,4 | 2,4 |
| R57.1 | Hypovolemický šok | 3,4 | 3 | S06.28 | Iné difúzne poranenie mozgu a mozočka | 2,3,4 | 2,4 |
| R57.2 | Septický šok | 3,4 | 3 | S06.30 | Ložiskové poranenie mozgu a mozočkabližšie neurčené | 2,3,4 | 2,4 |
| R57.8 | Iný šok | 3,4 | 2,3 | S06.31 | Ložiskové pomliaždenie mozgu | 2,3,4 | 2,4 |
| R57.9 | Šok, bližšie neurčený | 2,3,4 | 2,3 | S06.32 | Ložiskové pomliaždenie mozočka | 2,3,4 | 2,4 |
| R58 | Krvácanie, nezatriedené inde | 1,2,3 | 1,2 | S06.33 | Ložiskový hematóm mozgu | 2,3,4 | 2,4 |
| R63.3 | Ťažkosti s výživou a nesprávne usmerňovanie výživy | 1,2 | 1,2 | S06.34 | Ložiskový hematóm mozočka | 2,3,4 | 2,4 |
| R64 | Kachexia (vycivenosť) | 1,2,3 | 1,2,3 | S06.38 | Iné ložiskové poranenie mozgu a mozočka | 2,3,4 | 2,4 |
| R65.0 | SIRS infekčného pôvodu bez orgánového zlyh. | 3,4 | 1,3 | S06.4 | Epidurálne krvácanie | 2,3,4 | 2,4 |
| R65.1 | SIRS infekčnej genézy s orgánovým zlyh. | 3,4 | 1,3 | S06.5 | Subdurálne krvácanie po úraze | 2,3,4 | 2,4 |
| R65.2 | SIRS neinfekčnej genézy bez orgánového zlyh. | 3,4 | 1,3 | S06.6 | Subarachnoidálne krvácanie po úraze | 2,3,4 | 2,4 |
| R65.3 | SIRS neinfekčnej genézy s orgánovým zlyh. | 3,4 | 1,3 | S06.70 | Bezvedomie pri poranení lebky a mozgu, menej ako 30 min. | 1,2,4 | 1,2,4 |
| R65.9 | Syndróm systémovej zápalovej odpovede (SIRS), bliž. neurč. | 3,4 | 1,3 | S06.71 | Bezvedomie pri poranení lebky a mozgu, 30 min. až 24hod. | 2,3,4 | 2,4 |
| R82.0 | Chylúria | 2,3 | 2,3 | S06.72 | Bezvedom. s poran. lebky a mozgu, viac ako 24 h, návrat pôv. st. v. | 2,3,4 | 2,4 |
| R82.1 | Myoglobinúria | 2,3,4 | 2,3 | S06.73 | Bezvedom. poranení leb. a mozgu, viac ako 24hod., bez návr. p. s. v. | 2,3,4 | 2 |
| S01.35 | Otvorená rana ucha: sluchová trubica | 4 | 4 | S06.79 | Bezvedomie pri poranení lebky a mozgu bliž. neurčeného trvania | 1,2,4 | 1,2,4 |
| S01.36 | Otvorená rana ucha: sluchové kostičky | 4 | 4 | S06.8 | Iné vnútrolebkové poranenie | 2,3,4 | 2,4 |
| S01.37 | Otvorená rana ucha: bubienok | 4 | 4 | S06.9 | Vnútrolebkové poranenie, bližšie neurčené | 4 | 4 |
| S01.38 | Otvorená rana: vnútorné ucho | 4 | 4 | S07.0 | Drvivé poranenie tváre | 2,3,4 | 2,4 |
| S01.39 | Otvorená rana ucha: iné a viaceré časti ucha a sluch. štruktúr | 4 | 4 | S07.1 | Drvivé poranenie lebky | 2,3,4 | 2,4 |
| S01.50 | Otvorená rana pery a ústnej dutiny: ústa, bl. neurč. časti | 4 | 4 | S07.8 | Drvivé poranenie iných častí hlavy | 2,3,4 | 2,4 |
| S01.52 | Otvorená rana pery a ústnej dutiny: sliznica líca | 4 | 4 | S07.9 | Drvivé poranenie hlavy, časť bližšie neurčená | 2,3,4 | 2,4 |
| S01.53 | Otvorená rana pery a ústnej dutiny: ďasná | 4 | 4 | S08.8 | Úrazová amputácia inej časti hlavy | 2,3 | 2 |
| S01.54 | Otvorená rana pery a ústnej dutiny: jazyk a ústna spodina | 4 | 4 | S09.0 | Poranenie cievy hlavy, nezatriedené inde | 2,3 | 2 |
| S01.55 | Otvorená rana pery a ústnej dutiny: podnebie | 4 | 4 | S09.2 | Úrazové roztrhnutie ušného bubienka | 4 | 4 |
| S01.59 | Otvorená rana pery a úst. dut.: iné, viaceré časti pier, úst. dut. | 4 | 4 | S09.9 | Poranenie hlavy, bližšie neurčené | 4 | 4 |
| S02.0 | Zlomenina lebkovej klenby | 2,3,4 | 2,4 | S11.01 | Otvorená rana hrtana | 2,4 | 2,4 |
| S02.1 | Zlomenina spodiny lebky | 2,3,4 | 2,4 | S11.02 | Otvorená rana krčnej časti priedušnice | 2,3,4 | 2,4 |
| S02.2 | Zlomenina nosových kostí | 4 | 4 | S11.1 | Otvorená rana postihujúca štitnu žľazu | 4 | 4 |
| S02.3 | Zlomenina spodiny očnice | 1,2,3,4 | 1,2,4 | S11.21 | Otvorená rana hltana | 4 | 4 |
| S02.4 | Zlomenina jarmovej kosti a homej čeluste | 2,3,4 | 2,3,4 | S11.22 | Otvorená rana krčnej časti pažeráka | 4 | 4 |
| S02.60 | Zlomenina sánky: bližšie neurčená časť | 2,3,4 | 2,3,4 | S12.0 | Zlomenina 1. krčného stavca | 2,3,4 | 2,4 |
| S02.61 | Zlomenina sánky: processus condylaris | 2,3,4 | 2,3,4 | S12.1 | Zlomenina 2. krčného stavca | 2,3,4 | 2,4 |
| S02.62 | Zlomenina sánky: subkondylová | 2,3,4 | 2,3,4 | S12.21 | Zlomenina 3. krčného stavca | 2,3,4 | 2,4 |
| S02.63 | Zlomenina sánky: processus coronoideus | 2,3,4 | 2,3,4 | S12.22 | Zlomenina 4. krčného stavca | 2,3,4 | 2,4 |
| S02.64 | Zlomenina sánky: ramus mandibulae, bližšie neurčený | 2,3,4 | 2,3,4 | S12.23 | Zlomenina 5. krčného stavca | 2,3,4 | 2,4 |
| S02.65 | Zlomenina sánky: angulus mandibulae | 2,3,4 | 2,3,4 | S12.24 | Zlomenina 6. krčného stavca | 2,3,4 | 2,4 |
| S02.66 | Zlomenina sánky: symphysis mandibulae | 2,3,4 | 2,3,4 | S12.25 | Zlomenina 7. krčného stavca | 2,3,4 | 2,4 |
| S02.67 | Zlomenina sánky: pars alveolaris | 2,3,4 | 2,3,4 | S12.7 | Viacere zlomeniny krčnej chrčtice | 2,3,4 | 2,4 |
| S02.68 | Zlom. sánky: corpus mandibulae, iné a bližšie neurčené časti | 2,3,4 | 2,3,4 | S12.8 | Zlomenina iných častí krku | 2,4 | 2,4 |
| S02.69 | Zlomenina sánky: viaceré časti | 2,3,4 | 2,3,4 | S12.9 | Zlomenina krku, bližšie neurčenej časti | 2,4 | 2,4 |
| S02.7 | Viacere zlomeniny lebky a tvárových kostí | 2,3 | 2 | | | | |
| S02.8 | Zlomenina inej kosti lebky a tváre | 2,3 | 2 | | | | |

| ICD | Text | OP. CCL | Med. CCL | ICD | Text | OP. CCL | Med. CCL |
|--------|---|---------|----------|--------|--|---------|----------|
| S13.0 | Úrazové natrhnutie krčnej medzistavcovej platničky | 2,3,4 | 2,4 | S21.9 | Otvorená rana hrudníka, bližšie neurčenej časti | 4 | 4 |
| S13.10 | Vykĺbenie krčného stavca v bližšie neurčenej úrovni | 2,3,4 | 2,4 | S22.00 | Zlomenina hrudníkového stavca, úroveň bližšie neurčená | 2,3,4 | 2,4 |
| S13.11 | Vykĺbenie krčného stavca v úrovni C1/C2 | 2,3,4 | 2,4 | S22.01 | Zlomenina hrudníkového stavca Th1 a Th2 | 2,3,4 | 2,4 |
| S13.12 | Vykĺbenie krčného stavca v úrovni C2/C3 | 2,3,4 | 2,4 | S22.02 | Zlomenina hrudníkového stavca Th3 a Th4 | 2,3,4 | 2,4 |
| S13.13 | Vykĺbenie krčného stavca v úrovni C3/C4 | 2,3,4 | 2,4 | S22.03 | Zlomenina hrudníkového stavca Th5 a Th6 | 2,3,4 | 2,4 |
| S13.14 | Vykĺbenie krčného stavca v úrovni C4/C5 | 2,3,4 | 2,4 | S22.04 | Zlomenina hrudníkového stavca Th7 a Th8 | 2,3,4 | 2,4 |
| S13.15 | Vykĺbenie krčného stavca v úrovni C5/C6 | 2,3,4 | 2,4 | S22.05 | Zlomenina hrudníkového stavca Th9 a Th10 | 2,3,4 | 2,4 |
| S13.16 | Vykĺbenie krčného stavca v úrovni C6/C7 | 2,3,4 | 2,4 | S22.06 | Zlomenina hrudníkového stavca Th11 a Th12 | 2,3,4 | 2,4 |
| S13.17 | Vykĺbenie krčného stavca v úrovni C7/Th1 | 2,3,4 | 2,4 | S22.1 | Viacere zlomeniny hrudníkovej chrbtice | 2,3,4 | 2,4 |
| S13.18 | Vykĺbenie krčného stavca v inej úrovni | 2,3,4 | 2,4 | S22.2 | Zlomenina mostíka (sterna) | 2,3,4 | 2,4 |
| S13.2 | Vykĺbenie inej a bližšie neurčenej časti krku | 2,3,4 | 2,4 | S22.40 | Sériová zlomenina rebier, bližšie neurčená | 2,3,4 | 2,4 |
| S13.3 | Viacere vykĺbenia v oblasti krku | 2,3,4 | 2,4 | S22.41 | Sériová zlomenina rebier s postihnutím prvého rebra | 2,3,4 | 2,4 |
| S14.0 | Otras a opuch krčnej miechy | 2,4 | 2,3,4 | S22.42 | Sériová zlomenina rebier s postihnutím dvoch rebier | 2,3,4 | 2 |
| S14.10 | Poranenie krčnej miechy, bližšie neurčené | 2,4 | 2,3,4 | S22.43 | Sériová zlomenina rebier s postihnutím troch rebier | 2,3,4 | 2 |
| S14.11 | Kompletné priečne poranenie krčnej miechy | 2,4 | 2,3,4 | S22.44 | Sériová zlomenina rebier s postihnutím štyroch a viac rebier | 2,3,4 | 2,4 |
| S14.12 | Poranenie centr. časti krč. miechy (nekompletné prieč. poranenie) | 2,4 | 2,3,4 | S22.5 | Instabilný (vlajúci) hrudník | 2,3,4 | 2,4 |
| S14.13 | Iné nekompletné priečne poranenie krčnej miechy | 2,4 | 2,3,4 | S23.0 | Úrazové natrhnutie hrudníkovej medzistavcovej platničky | 4 | 4 |
| S14.2 | Poranenie krčného nervového koreňa | 2,4 | 2,4 | S23.10 | Vykĺbenie hrudníkového stavca v bližšie neurčenej úrovni | 4 | 4 |
| S14.3 | Poranenie plexus brachialis | 2,4 | 2,4 | S23.11 | Vykĺbenie hrudníkového stavca v úrovni Th1/Th2 a Th2/Th3 | 4 | 4 |
| S14.5 | Poranenie nervov krčného sympatika | 4 | 4 | S23.12 | Vykĺbenie hrudníkového stavca v úrovni Th3/Th4 a Th4/Th5 | 4 | 4 |
| S14.70 | Funkčná úroveň pri poranení krčnej miechy: bližšie neurčená | 2,4 | 2,3,4 | S23.13 | Vykĺbenie hrudníkového stavca v úrovni Th5/Th6 a Th6/Th7 | 4 | 4 |
| S14.71 | Funkčná úroveň pri poranení krčnej miechy: C1 | 2,4 | 2,3,4 | S23.14 | Vykĺbenie hrudníkového stavca v úrovni Th7/Th8 a Th8/Th9 | 4 | 4 |
| S14.72 | Funkčná úroveň pri poranení krčnej miechy: C2 | 2,4 | 2,3,4 | S23.15 | Vykĺbenie hrudníkového stavca v úrovni Th9/Th10 a Th10/Th11 | 4 | 4 |
| S14.73 | Funkčná úroveň pri poranení krčnej miechy: C3 | 2,4 | 2,3,4 | S23.16 | Vykĺbenie hrudníkového stavca v úrovni Th11/Th12 | 4 | 4 |
| S14.74 | Funkčná úroveň pri poranení krčnej miechy: C4 | 2,4 | 2,3,4 | S23.17 | Vykĺbenie hrudníkového stavca v úrovni Th12/L1 | 4 | 4 |
| S14.75 | Funkčná úroveň pri poranení krčnej miechy: C5 | 2,4 | 2,3,4 | S24.0 | Otras a opuch hrudníkovej miechy | 2,4 | 2,3,4 |
| S14.76 | Funkčná úroveň pri poranení krčnej miechy: C6 | 2,4 | 2,3,4 | S24.10 | Poranenie hrudníkovej miechy, bližšie neurčené | 2,4 | 2,3,4 |
| S14.77 | Funkčná úroveň pri poranení krčnej miechy: C7 | 2,4 | 2,3,4 | S24.11 | Kompletné priečne poranenie hrudníkovej miechy | 2,4 | 2,3,4 |
| S14.78 | Funkčná úroveň pri poranení krčnej miechy: C8 | 2,4 | 2,3,4 | S24.12 | Nekompletné priečne poranenie hrudníkovej miechy | 2,4 | 2,3,4 |
| S15.00 | Poranenie a. carotis, časť bližšie neurčená | 2,3,4 | 2,4 | S24.2 | Poranenie hrudníkového nervového koreňa | 2,4 | 2,4 |
| S15.01 | Poranenie a. carotis communis | 2,3,4 | 2,4 | S24.4 | Poranenie nervov hrudníkového sympatika | 4 | 4 |
| S15.02 | Poranenie a. carotis externa | 2,3,4 | 2,4 | S24.70 | Funkčná výška pri poranení hrudníkovej miechy: úroveň b.n. | 2,4 | 2,3,4 |
| S15.03 | Poranenie a. carotis interna | 2,3,4 | 2,4 | S24.71 | Funkčná výška pri poranení hrudníkovej miechy: Th1 | 2,4 | 2,3,4 |
| S15.1 | Poranenie a. vertebralis | 2,3 | 2 | S24.72 | Funkčná výška pri poranení hrudníkovej miechy: Th2/Th3 | 2,4 | 2,3,4 |
| S15.2 | Poranenie v. jugularis externa | 2,3 | 2 | S24.73 | Funkčná výška pri poranení hrudníkovej miechy: Th4/Th5 | 2,4 | 2,3,4 |
| S15.3 | Poranenie v. jugularis interna | 2,3,4 | 2,4 | S24.74 | Funkčná výška pri poranení hrudníkovej miechy: Th6/Th7 | 2,4 | 2,3,4 |
| S15.7 | Poranenie viacerých krvných ciev v úrovni krku | 2,3 | 2 | S24.75 | Funkčná výška pri poranení hrudníkovej miechy: Th8/Th9 | 2,4 | 2,3,4 |
| S15.8 | Poranenie iných krvných ciev v úrovni krku | 2,3 | 2 | S24.76 | Funkčná výška pri poranení hrudníkovej miechy: Th10/Th11 | 2,4 | 2,3,4 |
| S15.9 | Poranenie krvných ciev v úrovni krku, bližšie neurčených | 2,3 | 2 | S24.77 | Funkčná výška pri poranení hrudníkovej miechy: Th12 | 2,4 | 2,3,4 |
| S17.0 | Drvivé poranenie hrtna a priehradnice | 2,3,4 | 2,4 | S25.0 | Poranenie hrudníkovej aorty | 2,3,4 | 2,4 |
| S17.8 | Drvivé poranenie inej časti krku | 2,3,4 | 2,4 | S25.1 | Poranenie truncus brachiocephalicus alebo a. subclavia | 2,3,4 | 2,4 |
| S17.9 | Drvivé poranenie bližšie neurčenej časti krku | 2,3,4 | 2,4 | S25.2 | Poranenie hornej dutej žily | 2,3,4 | 2,4 |
| S21.1 | Otvorená rana prednej steny hrudníka | 4 | 4 | | | | |
| S21.2 | Otvorená rana zadnej steny hrudníka | 4 | 4 | | | | |
| S21.7 | Viacere otvorené rany steny hrudníka | 4 | 4 | | | | |
| S21.80 | Otvor. rana i. časti hrudníka, b.n. | 4 | 4 | | | | |
| S21.83 | Otvor. rana každej č. hrud. v spojení s vnútrohrud. por. | 4 | 4 | | | | |
| S21.87 | Poškodenie mäk. č. I. st. pri otvor. zlomeninách, vykĺben. na hrud. | 4 | 4 | | | | |
| S21.88 | Poškodenie mäk. č. II. st. pri otvor. zlomeninách, vykĺben. na hrud. | 4 | 4 | | | | |
| S21.89 | Poškodenie mäk. č. III. st. pri otvor. zlomeninách, vykĺben. na hrud. | 4 | 4 | | | | |

| ICD | Text | OP. CCL | Med. CCL | ICD | Text | OP. CCL | Med. CCL |
|--------|--|---------|----------|--------|--|---------|----------|
| S25.3 | Poran.v.innominata(v.brachiocephalica)alebo v.subclavia | 2,3,4 | 2,4 | S34.10 | Kompletné priečne poranenie driekovej časti miechy | 2,4 | 2,3,4 |
| S25.4 | Poranenie pľúcnych krvných ciev | 2,3 | 2 | S34.11 | Nekompletné priečne poranenie driekovej časti miechy | 2,4 | 2,3,4 |
| S25.7 | Poranenie viacerých krvných ciev hrudníka | 2,3 | 2 | S34.18 | Iné poranenie driekovej časti miechy | 2,4 | 2,3,4 |
| S26.0 | Poran.srdca so zakrvác.do osrdcovník.vaku | 1,2,3,4 | 1,2,4 | S34.2 | Poranenie driekového a krížového nervového koreňa | 2,4 | 2,4 |
| S26.81 | Pomliaždenie srdca | 1,2,3,4 | 1,2,4 | S34.30 | Kompletný úrazový syndróm cauda equina | 2,4 | 2,3,4 |
| S26.82 | Tržné poranenie srdca bez otvorenia srdcovej dutiny | 1,2,3,4 | 1,2,4 | S34.31 | Nekompletný úrazový syndróm cauda equina | 2,4 | 2,3,4 |
| S26.83 | Tržné poranenie srdca s otvorením srdcovej dutiny | 1,2,3,4 | 1,2,4 | S34.38 | Iné a bližšie neurčené poranenie cauda equina | 2,4 | 2,3,4 |
| S26.88 | Iné poranenia srdca | 4 | 4 | S34.4 | Poranenie plexus lumbosacralis | 2,4 | 2,4 |
| S26.9 | Poranenie srdca,bližšie neurčené | 1,2,3,4 | 1,2,4 | S34.5 | Poranenie nervov driek.a kríž.sympatika.a panvov.sympat.n. | 4 | 4 |
| S27.0 | Úrazový pneumotorax | 2,3,4 | 2,3,4 | S34.70 | Funkčná úroveň pri poranení driekovokrížovej miechy: b.ne. | 2,4 | 2,3,4 |
| S27.1 | Úrazový hemotorax | 2,3,4 | 2,3,4 | S34.71 | Funkčná úroveň pri poranení driekovokrížovej miechy: L1 | 2,4 | 2,3,4 |
| S27.2 | Úrazový hemopneumotorax | 2,3,4 | 2,3,4 | S34.72 | Funkčná úroveň pri poranení driekovokrížovej miechy: L2 | 2,4 | 2,3,4 |
| S27.32 | Tržné poranenie pľúc | 2,3,4 | 2,4 | S34.73 | Funkčná úroveň pri poranení driekovokrížovej miechy: L3 | 2,4 | 2,3,4 |
| S27.38 | Iné a bližšie neurčené poranenie pľúc | 4 | 4 | S34.74 | Funkčná úroveň pri poranení driekovokrížovej miechy: L4 | 2,4 | 2,3,4 |
| S27.4 | Poranenie priedušky | 2,3,4 | 2,4 | S34.75 | Funkčná úroveň pri poranení driekovokrížovej miechy: L5 | 2,4 | 2,3,4 |
| S27.5 | Poranenie priedušnice v oblasti hrudníka | 2,3,4 | 1,2,4 | S34.76 | Funkčná úroveň pri poranení driekovokrížovej miechy: S1 | 2,4 | 2,3,4 |
| S27.6 | Poranenie pohrudnice | 2,3,4 | 1,2,4 | S34.77 | Funkčná úroveň pri poranení driekovokrížovej miechy: S2 – S5 | 2,4 | 2,3,4 |
| S27.7 | Viaceré poranenia vnútrohruďníkových orgánov | 4 | 4 | S35.0 | Poranenie brušnej aorty | 2,3,4 | 2,4 |
| S27.81 | Poranenie bránice | 4 | 4 | S35.1 | Poranenie dolnej dutej žily | 2,3,4 | 2,4 |
| S27.82 | Poranenie ductus thoracicus | 2,3,4 | 1,2,4 | S35.2 | Poranenie truncus coeliacus alebo a.mesenterica | 2,3,4 | 2,4 |
| S27.83 | Poranenie hrudnej časti pažeráka | 2,4 | 2,3,4 | S35.3 | Poranenie v. portae alebo v. lienalis | 2,3,4 | 2,4 |
| S27.84 | Poranenie dojčenskej žľazy [týmusu] | 2,3,4 | 1,2,4 | S35.4 | Poranenie krvných ciev obličky | 2,3,4 | 2,4 |
| S27.88 | Poran.iných b.u.vnútrohruď.org.a štruktúr | 4 | 4 | S35.5 | Poranenie iliakálnych krvných ciev | 2,3,4 | 2,4 |
| S27.9 | Poran.vnútrohruďníkového orgánu,b.n. | 4 | 4 | S35.7 | Poranenie viacerých krvných ciev brucha,drieku a panvy | 2,3,4 | 2,4 |
| S28.0 | Rozdrvený hrudník | 2,3,4 | 2,4 | S35.8 | Poranenie iných krvných ciev brucha,drieku a panvy | 4 | 4 |
| S28.1 | Úrazová amputácia časti hrudníka | 2,3,4 | 2,4 | S35.9 | Poranenie bl.neurč.krvnej cievy v úrovni brucha,drieku a panvy | 4 | 4 |
| S31.0 | Otvorená rana drieku a panvy | 4 | 4 | S36.00 | Poranenie slezinybližšie neurčené | 2,3,4 | 1,2,3 |
| S31.1 | Otvorená rana brušnej steny | 4 | 4 | S36.01 | Hematóm sleziny | 2,3,4 | 1,2,3,4 |
| S31.3 | Otvorená rana skróta a semenníkov | 4 | 4 | S36.02 | Roztrhnutie puzdra sleziny,bez väčších trhlín parenchýmu | 2,3,4 | 1,2,3,4 |
| S31.7 | Viaceré otvorené rany brucha, drieku a panvy | 4 | 4 | S36.03 | Tržné poranenie sleziny vrátane parenchýmu | 2,3,4 | 1,2,3,4 |
| S31.80 | Otvorená rana inej a bližšie neurčenej časti brucha | 4 | 4 | S36.04 | Masívna ruptúra parenchýmu sleziny | 2,3,4 | 1,2,3 |
| S31.83 | Otvor.rana(kaž.č.brucha,drieku,panvy)spoj.s vnútrobruš.poran. | 4 | 4 | S36.08 | Iné poranenie sleziny | 2,3,4 | 1,2,3 |
| S31.87 | Poškodenie mäč.č.I.st.pri otv.zlom.,vyklb.driek.chrbtice,panvy | 4 | 4 | S36.10 | Poranenie pečene,bližšie neurčené | 1,2,3,4 | 1,2,3,4 |
| S31.88 | Poškoden.mäč.č.II.st.pri otv.zlom.,vyklb.driek.chrbtice,panvy | 4 | 4 | S36.11 | Pomliaždenie a hematóm pečene | 1,2,3,4 | 1,2,3,4 |
| S31.89 | Poškoden.mäč.č.III.st.pri otv.zlom.,vyklb.driek.chrbtice,panvy | 4 | 4 | S36.12 | Tržné poranenie pečene,bližšie neurčené | 1,2,3,4 | 1,2,3,4 |
| S32.00 | Zlomenina driekového stavca,úroveň bližšie neurčená | 2,3,4 | 2,4 | S36.13 | Lahké tržné poranenie pečene | 1,2,3,4 | 1,2,3,4 |
| S32.01 | Zlomenina driekového stavca L1 | 2,3,4 | 2,4 | S36.14 | Stredne ťažké poranenie pečene | 1,2,3,4 | 1,2,3,4 |
| S32.02 | Zlomenina driekového stavca L2 | 2,3,4 | 2,4 | S36.15 | Ťažké tržné poranenie pečene | 1,2,3,4 | 1,2,3,4 |
| S32.03 | Zlomenina driekového stavca L3 | 2,3,4 | 2,4 | S36.16 | Iné poranenie pečene | 1,2,3,4 | 1,2,3,4 |
| S32.04 | Zlomenina driekového stavca L4 | 2,3,4 | 2,4 | S36.17 | Poranenie žľzníka | 2,3,4 | 2,3,4 |
| S32.05 | Zlomenina driekového stavca L5 | 2,3,4 | 2,4 | S36.18 | Poranenie žľčových ciest | 2,3,4 | 2,3,4 |
| S32.1 | Zlomenina krížovej kosti | 2,3,4 | 2,4 | S36.40 | Poranenie tenkého čreva,časť bližšie neurčená | 4 | 4 |
| S32.2 | Zlomenina kostrče | 2,3,4 | 2,4 | S36.50 | Poranenie hrubého čreva,časť bližšie neurčená | 4 | 4 |
| S32.4 | Zlomenina acetabula | 3,4 | 2,3 | S36.52 | Poranenie colon transversum | 4 | 4 |
| S32.5 | Zlomenina os pubis | 3,4 | 2,3 | S36.53 | Poranenie colon descendens | 4 | 4 |
| S32.82 | Zlomenina driekovej chrbtice a krížovej kosti,bl.neurč.časť | 2,3,4 | 2,4 | S36.59 | Poranenie iných a viacerých častí hrubého čreva | 4 | 4 |
| S32.83 | Zlomenina panvy,bližšie neurčená časť | 2,3 | 2 | S36.6 | Poranenie konečníka | 4 | 4 |
| S32.89 | Zlomenina iných a viacerých častí panvy | 3,4 | 2,3,4 | S36.7 | Poranenie viacerých vnútrobrušných orgánov | 4 | 4 |
| S33.0 | Úrazové natrhnutie driekovej medzistavcovej platničky | 4 | 4 | | | | |
| S33.10 | Vyklb.driek.stavca,úroveň b.n. | 4 | 4 | | | | |
| S33.11 | Vyklbenie driekového stavca L1/L2 | 4 | 4 | | | | |
| S33.12 | Vyklbenie driekového stavca L2/L3 | 4 | 4 | | | | |
| S33.13 | Vyklbenie driekového stavca L3/L4 | 4 | 4 | | | | |
| S33.14 | Vyklbenie driekového stavca L4/L5 | 4 | 4 | | | | |
| S33.15 | Vyklbenie driekového stavca L5/S1 | 4 | 4 | | | | |
| S34.0 | Otras a opuch driekovej časti miechy | 2,4 | 2,3,4 | | | | |

| ICD | Text | OP. CCL | Med. CCL | ICD | Text | OP. CCL | Med. CCL |
|--------|--|---------|----------|--------|--|---------|----------|
| S36.81 | Poranenie pobrušnice | 2,4 | 2,3,4 | S55.8 | Poranenie iných krvných ciev v úrovni predlaktia | 4 | 4 |
| S36.83 | Poranenie retroperitonea | 2,3,4 | 2,3,4 | S55.9 | Poranenie bliž.neurč.krvnej cievy v úrovni predlak. | 4 | 4 |
| S36.88 | Poranenie iných vnútrobrušných orgánov | 2,4 | 2,3 | S57.0 | Drvivé poranenie lakťa | 4 | 4 |
| S36.9 | Poranenie bližšie neurčeného vnútrobrušného orgánu | 2,4 | 2,3 | S57.8 | Drvivé poranenie iných častí predlaktia | 4 | 4 |
| S37.00 | Poranenie obličky,blížšie neurčené | 2,3,4 | 1,2 | S57.9 | Drvivé poranenie predlaktia,blíž.neurč.časti | 4 | 4 |
| S37.01 | Pomliaždenie a hematóm obličky | 2,3,4 | 1,2 | S58.0 | Úrazová amputácia v lakti | 2,3 | 2 |
| S37.02 | Tržné poranenie obličky | 2,3,4 | 1,2,4 | S58.1 | Úrazová amputácia medzi laktom a zápästím | 2,3 | 2 |
| S37.03 | Kompletná ruptúra parenchýmu obličky | 2,3,4 | 1,2 | S58.9 | Úraz.amput.predlak.,úroveň b.n. | 2,3 | 2 |
| S37.1 | Poranenie močovodu | 2,3,4 | 2,3,4 | S62.8 | Zlomenina iných.a bliž.neurč.častí zápäs.a ruky | 4 | 4 |
| S37.20 | Poranenie močového mechúra,blížšie neurčené | 2,3,4 | 2,3 | S65.0 | Poranenie a.ulnaris v úrovni zápastia a ruky | 4 | 4 |
| S37.21 | Pomliaždenie močového mechúra | 2,3,4 | 2,3 | S65.1 | Poranenie a.radialis v úrovni zápastia a ruky | 4 | 4 |
| S37.22 | Roztrhnutie močového mechúra | 2,3,4 | 2,3 | S65.2 | Poranenie ciev povrchového dlaňového oblúka | 4 | 4 |
| S37.28 | Iné poranenie močového mechúra | 2,3,4 | 2,3 | S65.3 | Poranenie ciev hĺbkového dlaňového oblúka | 4 | 4 |
| S37.30 | Poranenie močovej rúry,blížšie neurčené | 2,3,4 | 2,3 | S65.4 | Poranenie krvnej cievy (ciev) palca | 4 | 4 |
| S37.31 | Poranenie močovej rúry,pars membranacea | 2,3,4 | 2,3 | S65.5 | Poranenie krvnej cievy (ciev) iného prsta ruky | 4 | 4 |
| S37.32 | Poranenie močovej rúry,pars spongiosa | 2,3,4 | 2,3 | S65.7 | Poranenie viacerých krvných ciev v úrov.zápäs.a ruky | 4 | 4 |
| S37.33 | Poranenie močovej rúry,pars prostatica | 2,3,4 | 2,3 | S65.8 | Poranenie i.krvnej cievy v úrov.zápäs.a ruky | 4 | 4 |
| S37.38 | Poranenie močovej rúry,iná časť | 2,3,4 | 2,3 | S65.9 | Poranenie bliž.neurč.krvnej cievy v úrov.zápása ruky | 4 | 4 |
| S37.4 | Poranenie vaječníka | 1,2 | 1 | S67.0 | Drvivé poran.palca a iného prsta/prstov ruky | 4 | 4 |
| S37.5 | Poranenie vajčkovodu | 1,2 | 1 | S67.8 | Drvivé poran.i.a bliž.neurč.časti zápäs.a ruky | 4 | 4 |
| S37.6 | Poranenie maternice | 1,2 | 1 | S68.3 | Kombinovaná úraz.amput.(č.)prsta (prstov)s i.č.zápäs.a ruky | 2,3 | 2 |
| S37.7 | Poranenie viacerých panvových orgánov | 1,2 | 1,2 | S68.4 | Úrazová amputácia ruky v úrovni zápastia | 2,3 | 2 |
| S37.81 | Poranenie nadobličky | 1,2 | 1 | S68.8 | Úrazová amputácia inej časti zápastia a ruky | 2,3 | 2 |
| S37.82 | Poranenie prostaty | 1,2 | 1,2 | S68.9 | Úraz.amput.zápäs.a ruky v b.n.úr. | 2,3 | 2 |
| S37.83 | Poranenie semenného vajíčka | 1,2 | 1,2 | S70.1 | Pomliaždenie stehna | 4 | 4 |
| S37.84 | Poranenie semenovodu | 1,2 | 1,2 | S72.00 | Zlomenina krčka stehn.kosti,časť b.n. | 2,3,4 | 2,3 |
| S37.9 | Poranenie bližšie neurčeného panvového orgánu | 1,2 | 1 | S72.01 | Zlomenina krčka stehnovej kosti, intrakapsulárna | 2,3,4 | 2,3 |
| S38.0 | Drvivé poranenie vonkajších pohlavných orgánov | 4 | 4 | S72.02 | Zlomenina krčka stehn.kosti,prox.epifýza (rozp.epifýzy) | 2,3,4 | 2,3 |
| S38.1 | Drvivé poranenie iných a bl.neurč.častí brucha,drieku a panvy | 4 | 4 | S72.03 | Zlomenina krčka stehnovej kosti,subkapitálna | 2,3,4 | 2,3 |
| S38.3 | Úrazová amputácia iných a bl.neurč.častí brucha,drieku a panvy | 4 | 4 | S72.04 | Zlomenina krčka stehnovej kosti,mediocervikálna | 2,3,4 | 2,3 |
| S39.6 | Poranenie vnútrobruš.orgánov s poranením panvových orgánov | 1,2 | 1,2 | S72.05 | Zlomenina krčka stehnovej kosti,báza | 2,3,4 | 2,3 |
| S39.7 | Viaceré poranenia brucha, drieku a panvy | 2,3 | 2 | S72.08 | Zlomenina krčka stehnovej kosti,iná časť | 2,3,4 | 2,3 |
| S42.21 | Zlomenina horného konca ramennej kosti,hlava | 4 | 4 | S72.10 | Zlomenina stehnovej kosti,trochanterová,b.n. | 2,3,4 | 2,3 |
| S42.22 | Zlomenina hor.konca ramennej kosti,collum chirurgicum | 2,3 | 2 | S72.11 | Zlomenina stehnovej kosti, intertrochanterová | 2,3,4 | 2,3 |
| S42.23 | Zlomenina hor.konca ramennej kosti,collum anatomicum | 2,3 | 2 | S72.2 | Subtrochanterová zlomenina | 2,3,4 | 2,3 |
| S42.29 | Zlomenina hor.konca ramennej kosti,iné a mnohopoč.časti | 4 | 4 | S72.3 | Zlomenina diafýzy stehnovej kosti | 2,3,4 | 2,3 |
| S45.0 | Poranenie a.axillaris | 4 | 4 | S72.40 | Zlomen.dolného konca stehn.kosti,č.b.n. | 2,3,4 | 2,3 |
| S45.1 | Poranenie a.brachialis | 4 | 4 | S72.41 | Zlomen.dolné.konca stehn.kosti,condylus (lateralis)(medialis) | 2,3,4 | 2,3 |
| S45.2 | Poranenie v.axillaris a v.brachialis | 4 | 4 | S72.42 | Zlomen.dolného konca stehn.kosti,epifýza (rozpustenie epifýzy) | 2,3,4 | 2,3 |
| S45.3 | Poranenie povrchovej žily v úrovni pleca a ramena | 4 | 4 | S72.43 | Zlomen.dolného konca stehn.kosti,suprakondylová | 2,3,4 | 2,3 |
| S45.7 | Poranenie viacerých krvných ciev v úrovni pleca a ramena | 4 | 4 | S72.44 | Zlomen.dolného konca stehn.kosti,interkondylová | 2,3,4 | 2,3 |
| S45.8 | Poranenie iných krvných ciev v úrovni pleca a ramena | 4 | 4 | S72.8 | Zlomenina inej časti stehnovej kosti | 2,3,4 | 2,3 |
| S45.9 | Poranenie bliž.neurč.krvnej cievy v úrovni pleca a ramena | 4 | 4 | S72.9 | Zlomenina stehnovej kosti,časť bližšie neurčená | 2,3,4 | 2,3 |
| S47 | Drvivé poranenie pleca a ramena | 4 | 4 | S75.0 | Poranenie a.femoralis | 2,3 | 2 |
| S48.0 | Úrazová amputácia v plecovom kĺbe | 2,3 | 2 | S75.7 | Poranenie viacerých krvných ciev v úrovni bedra a stehna | 4 | 4 |
| S48.1 | Úrazová amputácia v úrovni medzi plecóm a laktom | 2,3 | 2 | S75.8 | Poranenie iných krvných ciev v úrovni bedra a stehna | 4 | 4 |
| S48.9 | Úrazová amputácia v obl.pleca a ram.,úroveň b.n. | 2,3 | 2 | S75.9 | Poran.enie bliž.neurč.krvných ciev v úrovni bedra a stehna | 4 | 4 |
| S55.0 | Poranenie a.ulnaris v úrovni predlaktia | 4 | 4 | S77.0 | Drvivé poranenie bedra | 4 | 4 |
| S55.1 | Poranenie a.radialis v úrovni predlaktia | 4 | 4 | S77.1 | Drvivé poranenie stehna | 4 | 4 |
| S55.2 | Poranenie žily v úrovni predlaktia | 4 | 4 | S77.2 | Drvivé poranenie bedra a stehna | 4 | 4 |
| S55.7 | Poranenie viac.krvných ciev v úrovni predlak. | 4 | 4 | S78.0 | Úrazová amputácia v bedrovom kĺbe | 2,3 | 2 |

| ICD | Text | OP. CCL | Med. CCL | ICD | Text | OP. CCL | Med. CCL |
|--------|---|------------|-------------|--------|---|------------|-------------|
| S78.1 | Úrazová amputácia v úrovni medzi bedrom a kolenom | 2,3 | 2 | T05.8 | Úrazová amput.post.i.komb.telesných obl. | 4 | 4 |
| S78.9 | Úrazová amput.bedra a stehna v b.n.úrovni | 2,3 | 2 | T06.0 | Poran.mozg.a hlav.nerv.komb.s por.nerv.a miechy v úr.krku | 2,4 | 2,3,4 |
| S82.11 | Zlomenina hor.konca píšťaly,so zlom.ihlice (každá č.) | 4 | 4 | T06.1 | Poran.nervov a miechy postih.i.viac.telesné obl. | 2,4 | 2,3,4 |
| S82.41 | Zlomenina ihlice, izolovaná,horný koniec | 4 | 4 | T06.3 | Poranenie krvných ciev postihujúce viaceré oblasti | 4 | 4 |
| S85.1 | Poranenie (pred.)zad.)píšťal.tepny | 4 | 4 | T06.5 | Poran.vnútrohrud.aj vnútrobruš.org.,/vn-hrud.aj panv.org. | 2,3 | 2 |
| S85.2 | Poranenie ihlicovej tepny [a.peronea] | 4 | 4 | T08.0 | Zlomenina chrbtice v | 2,3,4 | 2,4 |
| S85.7 | Poranenie viac.krv. ciev v úrov.predkol. | 4 | 4 | T08.1 | Zlomenina chrbtice v | 2,3,4 | 2,4 |
| S85.9 | Poranenie bliž.neurč.krv.ciev v úrov.predkol. | 4 | 4 | T09.1 | Otvorená rana trupu v bližšie neurčenej úrovni | 4 | 4 |
| S87.0 | Drvivé poranenie kolena | 4 | 4 | T09.3 | Poranenie miechy v bližšie neurčenej úrovni | 2,4 | 2,3,4 |
| S87.8 | Drvivé poranenie i.a bliž.neurč.časti predkol. | 4 | 4 | T09.4 | Poran.bliž.neurč.nervu,miech.koreňa a nerv.spleti trupu | 2,4 | 2,4 |
| S88.0 | Úrazová amputácia v úrovni kolena | 2,3 | 2 | T09.6 | Úrazová amputácia trupu v bližšie neurčenej úrovni | 4 | 4 |
| S88.1 | Úrazová amputácia v úrovni medzi kolenom a členkom | 2,3 | 2 | T11.4 | Poranenie bliž.neurč.ciev HK,v bliž.neurč.úrovni | 4 | 4 |
| S88.9 | Úrazová amputácia predkol.v bliž.neurč.úrovni | 2,3 | 2 | T11.6 | Úrazová amputácia HK,v bliž.neurč.úrovni | 2,3 | 2 |
| S95.0 | Poranenie a.dorsalis pedis | 4 | 4 | T13.4 | Poranenie bliž.neurč.krv.ciev DK,v bliž.neurč.úrovni | 4 | 4 |
| S95.1 | Poranenie a.plantaris pedis | 4 | 4 | T13.6 | Úrazová amputácia DK,v bliž.neurč.úrovni | 2,3 | 2 |
| S95.2 | Poranenie v. dorsalis pedis | 4 | 4 | T14.5 | Poranenie krvnej cievy (ciev):oblasť bliž.neurč tela | 4 | 4 |
| S95.7 | Poranenie viac.krvných .ciev v úrov.členka a nohy | 4 | 4 | T14.7 | Drvivé poran.a úraz.amput..oblasť bliž.neurč.tela | 4 | 4 |
| S95.8 | Poranenie inej krvnej cievy v úrovni členka a nohy | 4 | 4 | T20.3 | Popálenina hlavy a krku 3. stupňa | 4 | 4 |
| S95.9 | Poranenie bliž.neurč.krvnej cievy v úrov.členka a nohy | 4 | 4 | T20.7 | Poleptanie hlavy a krku 3. stupňa | 4 | 4 |
| S97.0 | Drvivé poranenie členka | 4 | 4 | T21.30 | Popálenina trupu 3. stupňa,časť bližšie neurčená | 4 | 4 |
| S97.1 | Drvivé poranenie prsta (prstov) nohy | 4 | 4 | T21.31 | Popálenina trupu 3. stupňa,prsňík | 4 | 4 |
| S97.8 | Drvivé poranenie inej časti členka a nohy | 4 | 4 | T21.32 | Popál.trupu 3.st.,stena hrud.s výn.prsníka a bradavky | 4 | 4 |
| S98.0 | Úrazová amputácia nohy v úrovni členka | 2,3 | 2 | T21.33 | Popálenina trupu 3. stupňa,brušná stena | 4 | 4 |
| S98.3 | Úrazová amputácia inej časti nohy | 2,3 | 2 | T21.34 | Popál.trupu 3.st.,chrbát | 4 | 4 |
| S98.4 | Úrazová amputácia nohy v bližšie neurčenej úrovni | 2,3 | 2 | T21.35 | Popálenina trupu 3. stupňa,vonkajšie genitálie | 4 | 4 |
| T02.00 | Zlomeniny postih.hlavu aj krk,zatv./bez b.u. | 2,3,4 | 2,4 | T21.39 | Popálenina trupu 3. stupňa,iná časť | 4 | 4 |
| T02.01 | Zlomeniny postihujúce hlavu aj krk, otvorené | 2,3,4 | 2,4 | T21.70 | Poleptanie trupu 3.stupňa,časť bližšie neurčená | 4 | 4 |
| T02.11 | Zlom.postih.hrud.-driek.križ.obl./hrud.aj panv.,otvor. | 4 | 4 | T21.71 | Poleptanie trupu 3.stupňa,prsňík | 4 | 4 |
| T02.40 | Zlomeniny postih.viac.obl.oboch HK,zatv./bez b.u. | 4 | 4 | T21.72 | Polept.trupu 3.st.,stena hrud.s výn.prsníka a bradavky | 4 | 4 |
| T02.41 | Zlomeniny postih.viac.obl.oboch HK,otvor. | 4 | 4 | T21.73 | Poleptanie trupu 3.stupňa,brušná stena | 4 | 4 |
| T02.50 | Zlomeniny viac.obl.oboch DK,zatv./bez b.u. | 4 | 4 | T21.74 | Poleptanie trupu 3.stupňa,chrbát | 4 | 4 |
| T02.51 | Zlomeniny viac.obl.oboch DK,otvor. | 4 | 4 | T21.75 | Poleptanie trupu 3.stupňa,vonkajšie genitálie | 4 | 4 |
| T02.60 | Zlomeniny postih viac.obl.HK a DK,zatv./bez b.u. | 4 | 4 | T21.79 | Poleptanie trupu 3.stupňa,iná časť | 4 | 4 |
| T02.61 | Zlomeniny viac.obl.HK,DK,otvor. | 4 | 4 | T22.30 | Popál.pleca a HK okr.zápäs.a ruky,3.st.,časť bliž.neurč. | 4 | 4 |
| T02.70 | Zlomen.postih.hrud.driek.končat./hrud.panv.k onč.zatv./bez b.u. | 4 | 4 | T22.31 | Popál.pleca a HK okr.zápäs.a ruky,3.st.,lak.a predlak. | 4 | 4 |
| T02.71 | Zlomen.postih.hrud.s driek.a konč./hrud.s panv.a konč.,otvor. | 4 | 4 | T22.32 | Popál.pleca a HK okr.zápäs.a ruky,3.st.,ram.a plece | 4 | 4 |
| T04.0 | Drvivé poranenie postihujúce hlavu aj krk | 2,3,4 | 2,4 | T22.33 | Popál.pleca a HK okr.zápäs.a ruky,3.st.,podpazušie | 4 | 4 |
| T04.1 | Drvivé poran.postih.hrud.aj brucho,hrud.aj driek,hrud.aj panvu | 4 | 4 | T22.70 | Polept.pleca a HK okr.zápäs.a ruky,3.st.,časť bliž.neurč. | 4 | 4 |
| T04.2 | Drvivé poran.postih.viac.obl.HK | 4 | 4 | T22.71 | Polept.pleca a HK okr.zápäs.a ruky,3.st.,lak.a predlak. | 4 | 4 |
| T04.3 | Drvivé poran.postih.viac.obl.DK | 4 | 4 | T22.72 | Polept.pleca a HK okr.zápäs.a ruky,3.st.,ram.a ple. | 4 | 4 |
| T04.4 | Drvivé poran.postih.viac.obl.HK.aj DK | 2,3,4 | 2,4 | T22.73 | Polept.pleca a HK okr.zápäs.a ruky,3.st.,podpazušie | 4 | 4 |
| T04.7 | Drv.por.pos.hr.,bru.a konč./hr.,drie.a konč./hr.,pan.a kon. | 2,3,4 | 2,4 | T23.3 | Popálenina zápästia a ruky 3.stupňa | 4 | 4 |
| T04.8 | Drvivé poran.postih.i.komb.telesných obl. | 2,3,4 | 2,4 | T23.7 | Poleptanie zápästia a ruky 3.stupňa | 4 | 4 |
| T04.9 | Viaceré drvivé poranenia,bližšie neurčené | 2,3,4 | 2,4 | T24.3 | Popál.bedra a DK okr.čl.a nohy 3.st. | 4 | 4 |
| T05.0 | Úrazová amputácia oboch rúk | 2,3 | 2 | T24.7 | Polept.bedra a DK okr.čl.a nohy 3.st. | 4 | 4 |
| T05.1 | Úrazová amput.jednej ruky a druhej HK (okr.ruky) | 2,3 | 2 | | | | |
| T05.2 | Úrazová amput.oboch HK (ktorákoľvek úr.) | 2,3 | 2 | | | | |
| T05.3 | Úrazová amputácia oboch nôh | 2,3 | 2 | | | | |
| T05.4 | Úrazová amput.jednej nohy a druhej DK (okr.nohy) | 2,3 | 2 | | | | |
| T05.5 | Úrazová amput.oboch DK | 2,3 | 2 | | | | |
| T05.6 | Úrazová amput.HK.aj DKv akejkoľvek komb. | 2,3 | 2 | | | | |

| ICD | Text | OP. CCL | Med. CCL | ICD | Text | OP. CCL | Med. CCL |
|--------|--|---------|----------|--------|---|---------|----------|
| T25.3 | Popálenie členka a nohy 3.stupňa | 4 | 4 | T31.76 | Popál.70-79%povr.tela,60-69%popál.3.st. | 4 | 4 |
| T25.7 | Poleptanie členka a nohy 3.stupňa | 4 | 4 | T31.77 | Popál.70-79%povr.tela,70-79%popál.3.st. | 4 | 4 |
| T26.0 | Popálenie mihalnice a okolia oka | 4 | 4 | T31.80 | Popál.80-89%povr.tela,<ako10 %/b.n.č.-popál.3.st. | 4 | 4 |
| T26.1 | Popálenie rohovky a spojovkového vaku | 4 | 4 | T31.81 | Popál.80-89%povr.tela,10-19%popál.3.st. | 4 | 4 |
| T26.2 | Popál.s následnou rupt.a deštruk.očnej gule | 4 | 4 | T31.82 | Popál.80-89%povr.tela,20-29%popál.3.st. | 4 | 4 |
| T26.3 | Popálenie iných častí oka a očných adnexov | 4 | 4 | T31.83 | Popál.80-89%povr.tela,30-39%popál.3.st. | 4 | 4 |
| T26.4 | Popál.b.n.časti oka a oč.adnexov | 4 | 4 | T31.84 | Popál.80-89%povr.tela,40-49%popál.3.st. | 4 | 4 |
| T26.5 | Poleptanie mihalnice a okolia oka | 4 | 4 | T31.85 | Popál.80-89%povr.tela,50-59%popál.3.st. | 4 | 4 |
| T26.6 | Poleptanie rohovky a spojovkového vaku | 4 | 4 | T31.86 | Popál.80-89%povr.tela,60-69%popál.3.st. | 4 | 4 |
| T26.7 | Polept.s následnou rupt. a deštruk.očnej gule | 4 | 4 | T31.87 | Popál.80-89%povr.tela,70-79%popál.3.st. | 4 | 4 |
| T26.8 | Poleptanie iných častí oka a očných adnexov | 4 | 4 | T31.88 | Popál.80-89%povr.tela,80-89%popál.3.st. | 4 | 4 |
| T26.9 | Poleptanie bliž.neurč.časti oka a očnýchadnexov | 4 | 4 | T31.90 | Popál.90 a viac%povr.tela,<ako10 %/b.n.č.-popál.3.st. | 4 | 4 |
| T27.0 | Popálenie hrtana a priedušnice | 4 | 4 | T31.91 | Popál.90 a viac%povr.tela,10-19%popál.3.st. | 4 | 4 |
| T27.1 | Popálenie hrtana a priedušnice s pľúcami | 3,4 | 3,4 | T31.92 | Popál.90 a viac%povr.tela,20-29%popál.3.st. | 4 | 4 |
| T27.2 | Popálenie iných častí dýchacích ciest | 4 | 4 | T31.93 | Popál.90 a viac%povr. tela,30-39%popál.3.st. | 4 | 4 |
| T27.3 | Popálenie bližšie neurčenej časti dýchacích ciest | 4 | 4 | T31.94 | Popál.90 a viac%povr.tela,40-49%popál.3.st. | 4 | 4 |
| T27.4 | Poleptanie hrtana a priedušnice | 4 | 4 | T31.95 | Popál.90 a viac%povr.tela,50-59%popál.3.st. | 4 | 4 |
| T27.5 | Poleptanie hrtana a priedušnice s pľúcami | 3,4 | 3,4 | T31.96 | Popál.90 a viac%povr.tela,60-69%popál.3.st. | 4 | 4 |
| T27.6 | Poleptanie iných častí dýchacích ciest | 4 | 4 | T31.97 | Popál.90 a viac%povr.tela,70-79%popál.3.st. | 4 | 4 |
| T27.7 | Poleptanie bližšie neurčenej časti dýchacích ciest | 4 | 4 | T31.98 | Popál.90 a viac%povr.tela,80-89%popál.3.st. | 4 | 4 |
| T28.0 | Popálenie úst a hltana | 4 | 4 | T31.99 | Popál.90 a viac%povr.tela,90 %/viac popál.3.st. | 4 | 4 |
| T28.1 | Popálenie pažeráka | 4 | 4 | T32.22 | Polept.20-29%povr.tela,20-29%polept.3.st. | 4 | 4 |
| T28.2 | Popálenie iných častí tráviacej sústavy | 4 | 4 | T32.32 | Polept.30-39%povr.tela,20-29%polept.3.st. | 4 | 4 |
| T28.3 | Popálenie vnútorných močovopohlavných orgánov | 4 | 4 | T32.33 | Polept.30-39%povr.tela,30-39%polept.3.st. | 4 | 4 |
| T28.4 | Popálenie iných a bliž.neurč.vnútor.org. | 4 | 4 | T32.42 | Polept.40-49%povr.tela,20-29%polept.3.st. | 4 | 4 |
| T28.5 | Poleptanie úst a hltana | 4 | 4 | T32.43 | Polept.40-49%povr.tela,30-39%polept.3.st. | 4 | 4 |
| T28.6 | Poleptanie pažeráka | 4 | 4 | T32.44 | Polept.40-49%povr.tela,40-49%polept.3.st. | 4 | 4 |
| T28.7 | Poleptanie iných častí tráviacej sústavy | 4 | 4 | T32.50 | Polept.50-59%povr.tela,<ako10 %/b.n.č.-polept.3.st. | 4 | 4 |
| T28.8 | Poleptanie vnútorných močovopohlavných orgánov | 4 | 4 | T32.51 | Polept.50-59%povr.tela,10-19%polept.3.st. | 4 | 4 |
| T28.9 | Poleptanie iných a bliž.neurč.vnútor.ústrojov | 4 | 4 | T32.52 | Polept.50-59%povr.tela,20-29%polept.3.st. | 4 | 4 |
| T29.0 | Popálenie viac.obl.tela bliž.neurč.stupňa | 4 | 4 | T32.53 | Polept.50-59%povr.tela,30-39%polept.3.st. | 4 | 4 |
| T29.3 | Popál.viac.obl.tela,uvadený najmen.raz 3.st. | 4 | 4 | T32.54 | Polept.50-59%povr.tela,40-49%polept.3.st. | 4 | 4 |
| T29.4 | Polept.viac.časti tela bliž.neurč.stupňa | 4 | 4 | T32.55 | Polept.50-59%povr.tela,50-59%polept.3.st. | 4 | 4 |
| T29.7 | Polept.viac.časti tela,uvadený najmen.raz 3.st. | 4 | 4 | T32.60 | Polept.60-69%povr.tela,<ako10 %/b.n.č.-polept.3.st. | 4 | 4 |
| T31.22 | Popál.20-29%povr.tela,20-29%popál.3.st. | 4 | 4 | T32.61 | Polept.60-69%povr.tela,10-19%polept.3.st. | 4 | 4 |
| T31.32 | Popál.30-39%povr.tela,20-29%popál.3.st. | 4 | 4 | T32.62 | Polept.60-69%povr.tela,20-29%polept.3.st. | 4 | 4 |
| T31.33 | Popál.30-39%povr.tela,30-39%popál.3.st. | 4 | 4 | T32.63 | Polept.60-69%povr.tela,30-39%polept.3.st. | 4 | 4 |
| T31.42 | Popál.40-49%povr.tela,20-29%popál.3.st. | 4 | 4 | T32.64 | Polept.60-69%povr.tela,40-49%polept.3.st. | 4 | 4 |
| T31.43 | Popál.40-49%povr.tela,30-39%popál.3.st. | 4 | 4 | T32.65 | Polept.60-69%povr.tela,50-59%polept.3.st. | 4 | 4 |
| T31.44 | Popál.40-49%povr.tela,40-49%popál.3.st. | 4 | 4 | T32.66 | Polept.60-69%povr.tela,60-69%polept.3.st. | 4 | 4 |
| T31.50 | Popál.50-59%povr.tela,<ako10 %/b.n.č.-popál.3.st. | 4 | 4 | T32.70 | Polept.70-79%povr.tela,<ako10 %/b.n.č.-polept.3.st. | 4 | 4 |
| T31.51 | Popál.50-59%povr.tela,10-19%popál.3.st. | 4 | 4 | T32.71 | Polept.70-79%povr.tela,10-19%polept.3.st. | 4 | 4 |
| T31.52 | Popál.50-59%povr.tela,20-29%popál.3.st. | 4 | 4 | T32.72 | Polept.70-79%povr.tela,20-29%polept.3.st. | 4 | 4 |
| T31.53 | Popál.50-59%povr.tela,30-39%popál.3.st. | 4 | 4 | T32.73 | Polept.70-79%povr.tela,30-39%polept.3.st. | 4 | 4 |
| T31.54 | Popál.50-59%povr.tela,40-49%popál.3.st. | 4 | 4 | T32.74 | Polept.70-79%povr.tela,40-49%polept.3.st. | 4 | 4 |
| T31.55 | Popál.50-59%povr.tela,50-59%popál.3.st. | 4 | 4 | T32.75 | Polept.70-79%povr.tela,50-59%polept.3.st. | 4 | 4 |
| T31.60 | Popál.60-69%povr.tela,<ako10 %/b.n.č.-popál.3.st. | 4 | 4 | T32.76 | Polept.70-79%povr.tela,60-69%polept.3.st. | 4 | 4 |
| T31.61 | Popál.60-69%povr.tela,10-19%popál.3.st. | 4 | 4 | T32.77 | Polept.70-79%povr.tela,70-79%polept.3.st. | 4 | 4 |
| T31.62 | Popál.60-69%povr.tela,20-29%popál.3.st. | 4 | 4 | T32.80 | Polept.80-89%povr.tela,<ako10 %/b.n.č.-polept.3.st. | 4 | 4 |
| T31.63 | Popál.60-69%povr.tela,30-39%popál.3.st. | 4 | 4 | T32.81 | Polept.80-89%povr.tela,10-19%polept.3.st. | 4 | 4 |
| T31.64 | Popál.60-69%povr.tela,40-49%popál.3.st. | 4 | 4 | T32.82 | Polept.80-89%povr.tela,20-29%polept.3.st. | 4 | 4 |
| T31.65 | Popál.60-69%povr.tela,50-59%popál.3.st. | 4 | 4 | T32.83 | Polept.80-89%povr.tela,30-39%polept.3.st. | 4 | 4 |
| T31.66 | Popál.60-69%povr.tela,60-69%popál.3.st. | 4 | 4 | T32.84 | Polept.80-89%povr.tela,40-49%polept.3.st. | 4 | 4 |
| T31.70 | Popál.70-79%povr.tela,<ako10 %/b.n.č.-popál.3.st. | 4 | 4 | T32.85 | Polept.80-89%povr.tela,50-59%polept.3.st. | 4 | 4 |
| T31.71 | Popál.70-79%povr.tela,10-19%popál.3.st. | 4 | 4 | T32.86 | Polept.80-89%povr.tela,60-69%polept.3.st. | 4 | 4 |
| T31.72 | Popál.70-79%povr.tela,20-29%popál.3.st. | 4 | 4 | T32.87 | Polept.80-89%povr.tela,70-79%polept.3.st. | 4 | 4 |
| T31.73 | Popál.70-79%povr.tela,30-39%popál.3.st. | 4 | 4 | T32.88 | Polept.80-89%povr.tela,80-89%polept.3.st. | 4 | 4 |
| T31.74 | Popál.70-79%povr.tela,40-49%popál.3.st. | 4 | 4 | T32.90 | Polept.90 a viac%povr.tela,<ako10 %/b.n.č.-polept.3.st. | 4 | 4 |
| T31.75 | Popál.70-79%povr.tela,50-59%popál.3.st. | 4 | 4 | T32.91 | Polept.90 a viac%povr.tela,10-19%polept.3.st. | 4 | 4 |

| ICD | Text | OP. CCL | Med. CCL | ICD | Text | OP. CCL | Med. CCL |
|--------|---|---------|----------|-------|---|---------|----------|
| T32.92 | Polept.90 a viac%povr.tela,20-29%polept.3.st. | 4 | 4 | T37.8 | Otrava i.bliž.urč.celk.účink.protiinf.a antiparaz.liekmi | 4 | 4 |
| T32.93 | Polept.90 a viac%povr.tela,30-39%polept.3.st. | 4 | 4 | T37.9 | Otrava celk.účink.protiinf.a antiparaz.liekmi,b.n. | 4 | 4 |
| T32.94 | Polept.90 a viac%povr.tela,40-49%polept.3.st. | 4 | 4 | T38.0 | Otrava glukokortikoidmi a ich syntetickými analógmi | 4 | 4 |
| T32.95 | Polept.90 a viac%povr.tela,50-59%polept.3.st. | 4 | 4 | T38.1 | Otrava hormónmi štítnej žľazy a ich náhradami | 4 | 4 |
| T32.96 | Polept.90 a viac%povr.tela,60-69%polept.3.st. | 4 | 4 | T38.2 | Otrava tyreostatikami | 4 | 4 |
| T32.97 | Polept.90 a viac%povr.tela,70-79%polept.3.st. | 4 | 4 | T38.3 | Otrava inzulínom a orálnymi antidiabetikami | 4 | 4 |
| T32.98 | Polept.90 a viac%povr.tela,80-89%polept.3.st. | 4 | 4 | T38.4 | Otrava orálnymi kontraceptívami | 4 | 4 |
| T32.99 | Polept.90 a viac%povr.tela,90% a viac polept.3.st. | 4 | 4 | T38.5 | Otrava inými estrogénmi a progesterónmi | 4 | 4 |
| T33.0 | Povrchová omrzlina hlavy | 4 | 4 | T38.6 | Otr.antigonadotrop.,antiestrogén.,antiandrogén,n.,n.i. | 4 | 4 |
| T33.1 | Povrchová omrzlina krku | 4 | 4 | T38.7 | Otrava androgénmi a príbuznými anabolikami | 4 | 4 |
| T33.2 | Povrchová omrzlina hrudníka | 4 | 4 | T38.8 | Otrava i.a bliž.neurč.hormónmi a ich syntetickými náhradami | 4 | 4 |
| T33.3 | Povrchová omrzlina brušnej steny, drieku a panvy | 4 | 4 | T38.9 | Otrava i.a bliž.neurč.antagonistami hormónov | 4 | 4 |
| T33.4 | Povrchová omrzlina hornej končatiny | 4 | 4 | T39.0 | Otrava salicylátmi | 4 | 4 |
| T33.5 | Povrchová omrzlina zápästia a ruky | 4 | 4 | T39.1 | Otrava derivátmi 4-aminofenolu | 4 | 4 |
| T33.6 | Povrchová omrzlina bedra a stehna | 4 | 4 | T39.2 | Otrava pyrazolónovými derivátmi | 4 | 4 |
| T33.7 | Povrchová omrzlina kolena a predkolenia | 4 | 4 | T39.3 | Otrava inými nesteroidovými antiflogistikami | 4 | 4 |
| T33.8 | Povrchová omrzlina členka a nohy | 4 | 4 | T39.4 | Otrava antireumatikami, nezatriedenými inde | 4 | 4 |
| T33.9 | Povrch.omrzlina na i.a b.n.miestach | 4 | 4 | T39.8 | Otrava i.neopiooid.analget.a antipyr.,n.i. | 4 | 4 |
| T34.0 | Omrzlina s nekrózou tkaniva hlavy | 4 | 4 | T39.9 | Otrava neopiooid.analget.antipyr.a antireumatik.,b.n. | 4 | 4 |
| T34.1 | Omrzlina s nekrózou tkaniva krku | 4 | 4 | T40.0 | Otrava ópium | 4 | 4 |
| T34.2 | Omrzlina s nekrózou tkaniva hrudníka | 4 | 4 | T40.1 | Otrava heroínom | 4 | 4 |
| T34.3 | Omrzl.s nekroz.tkaniva brušnej steny,drieku a panvy | 4 | 4 | T40.2 | Otrava inými opioidmi | 4 | 4 |
| T34.4 | Omrzlina s nekrózou tkaniva hornej končatiny | 4 | 4 | T40.3 | Otrava metadónom | 4 | 4 |
| T34.5 | Omrzlina s nekrózou tkaniva zápästia a ruky | 4 | 4 | T40.4 | Otrava inými syntetickými opiátmi | 4 | 4 |
| T34.6 | Omrzlina s nekrózou tkaniva bedra a stehna | 4 | 4 | T40.5 | Otrava kokainom | 4 | 4 |
| T34.7 | Omrzlina s nekrózou tkaniva kolena a predkolenia | 4 | 4 | T40.6 | Otrava inými a bližšie neurčenými opiátmi | 4 | 4 |
| T34.8 | Omrzlina s nekrózou tkaniva členka a nohy | 4 | 4 | T40.7 | Otrava derivátmi cannabis | 4 | 4 |
| T34.9 | Omrzlina s nekroz.tkan.na i.a bliž.neurč.miestach | 4 | 4 | T40.8 | Otrava lysergidom [LSD] | 4 | 4 |
| T35.0 | Povrchová omrzlina postihujúca viaceré časti tela | 4 | 4 | T40.9 | Otrava i.a b.n.psychodysleptikami (halucinogénmi) | 4 | 4 |
| T35.1 | Omrzl.s tkanivovou nekroz.post.viac.č.tela | 4 | 4 | T41.0 | Otrava inhalačnými anestetikami | 4 | 4 |
| T35.2 | Omrzlina hlavy a krku, bližšie neurčená | 4 | 4 | T41.1 | Otrava intravenóznymi anestetikami | 4 | 4 |
| T35.3 | Omrzl.hrud.,brucha,drieku a panvy b.n. | 4 | 4 | T41.2 | Otrava i.a bliž.neurč.celkovými anestetikami | 4 | 4 |
| T35.4 | Omrzlina hornej končatiny,bližšie neurčená | 4 | 4 | T41.3 | Otrava lokálnymi anestetikami | 4 | 4 |
| T35.5 | Omrzlina dolnej končatiny,bližšie neurčená | 4 | 4 | T41.4 | Otrava anestetikami,bližšie neurčenými | 4 | 4 |
| T35.6 | Omrzlina postihujúcv viac.časti tela,b.n. | 4 | 4 | T41.5 | Otrava liečebnými plynmi | 4 | 4 |
| T35.7 | Omrzlina bliž.neurč.časti tela,b.n. | 4 | 4 | T42.0 | Otrava derivátmi hydantoínu | 4 | 4 |
| T36.0 | Otrava penicilínmi | 4 | 4 | T42.1 | Otrava iminostilbénmi | 4 | 4 |
| T36.1 | Otrava cefalosp.a i.betalaktámovými ATB | 4 | 4 | T42.2 | Otrava sukcinimidmi a oxazolidínmi | 4 | 4 |
| T36.2 | Otrava liekmi zo skupiny chloramfenikolu | 4 | 4 | T42.3 | Otrava barbiturátmi | 4 | 4 |
| T36.3 | Otrava makrolidmi | 4 | 4 | T42.4 | Otrava benzodiazepínmi | 4 | 4 |
| T36.4 | Otrava tetracyklínmi | 4 | 4 | T42.5 | Otrava zmiešanými antiepilept.,n.i. | 4 | 4 |
| T36.5 | Otrava aminoglykozidmi | 4 | 4 | T42.6 | Otrava i.antiepilept.,sedatívami a hypnotikami | 4 | 4 |
| T36.6 | Otrava rifamycínmi | 4 | 4 | T42.7 | Otrava antiepileptik.sedatív.a hypnotik.,b.n. | 4 | 4 |
| T36.7 | Otrava pro.-plesň.ATB používanými systémovo | 4 | 4 | T42.8 | Otrava antiparkins.a i.centrálnymi myorelax. | 4 | 4 |
| T36.8 | Otrava inými celkovo účinkujúcimi antibiotikami | 4 | 4 | T43.0 | Otrava tricyckými a tetracyckými antidepresívami | 4 | 4 |
| T36.9 | Otrava.celk.účink.ATB,b.n. | 4 | 4 | T43.1 | Otrava.antidep.mi skup.inhib.monoaminoxidázy | 4 | 4 |
| T37.0 | Otrava sulfonamidmi | 4 | 4 | T43.2 | Otrava inými a bližšie neurčenými antidepresívami | 4 | 4 |
| T37.1 | Otrava antimykobaktériovými liekmi | 4 | 4 | T43.3 | Otrava fenotiazínovými antipsychotikami a neuroleptikami | 4 | 4 |
| T37.2 | Otrava antimalarikami a liek.účink.na i.krv.prvky | 4 | 4 | T43.4 | Otrava butyrofenónovými a tioxanténovými neuroleptikami | 4 | 4 |
| T37.3 | Otrava inými antiprotozoárnymi liekmi | 4 | 4 | T43.5 | Otrava i.a bliž.neurč.antipsychotikami a neuroleptikami | 4 | 4 |
| T37.4 | Otrava antihelminťikami | 4 | 4 | T43.6 | Otrava psychostimulanciami s nebezpečenstvom návyku | 4 | 4 |
| T37.5 | Otrava protivirusovými liekmi | 4 | 4 | T43.8 | Otrava i.psychotropnými látkami,n.i. | 4 | 4 |
| | | | | T43.9 | Otrava psychotropnou látkou,bližšie neurčenou | 4 | 4 |

CCL

| ICD | Text | OP. CCL | Med. CCL | ICD | Text | OP. CCL | Med. CCL |
|-------|---|---------|----------|-------|---|---------|----------|
| T44.0 | Otrava inhibítormi cholinesterázy | 4 | 4 | T49.0 | Otrava pr.plesň.,protiinf.a protizáp.liek.s | 4 | 4 |
| T44.1 | Otrava i.parasympatikomimetikami (cholínergikami) | 4 | 4 | T49.1 | Otrava antipruriginózami | 4 | 4 |
| T44.2 | Otrava liekmi blok.gangliá,n.i. | 4 | 4 | T49.2 | Otrava lokálnymi adstringenciami a detergenciami | 4 | 4 |
| T44.3 | Otrava i.parasympatikolytikami a spazmolytikami,n.i. | 4 | 4 | T49.3 | Otrava emolienciami,demulcenciami a ochrannými prostr. | 4 | 4 |
| T44.4 | Otrava agonistami prevaž.alfa-adrenorec.,n.i. | 4 | 4 | T49.4 | Otrava keratolyt.,keratoplast.a i.liek.a prípr.na oš.vla. | 4 | 4 |
| T44.5 | Otrava.agonistami prevaž.beta-adrenorec.,n.i. | 4 | 4 | T49.5 | Otrava liekmi a prípravkami používanými v oftalmológii | 4 | 4 |
| T44.6 | Otrava.antagon.alfa-adrenorec.,n.i. | 4 | 4 | T49.6 | Otrava liek.a prípravkami používanými v ORL | 4 | 4 |
| T44.7 | Otrava antagon.beta-adrenorec.,n.i. | 4 | 4 | T49.7 | Otrava zubnými liekmi na miestne použitie | 4 | 4 |
| T44.8 | Otrava prostr.,úč.centra blok.adrenergny neurón,n.i. | 4 | 4 | T49.8 | Otrava inými prostriedkami na miestne použitie | 4 | 4 |
| T44.9 | Otrava i.a bliž.neurč.liekmi,účink.prim.na auton.nervov.súst. | 4 | 4 | T49.9 | Otrava prostried.na miestne použ.,b.n. | 4 | 4 |
| T45.0 | Otrava antialergikami a antiemetikami | 4 | 4 | T50.0 | Otrava mineralokortikoidmi a ich antagonistami | 4 | 4 |
| T45.1 | Otrava antineoplastickými a imunosupresívnymi liekmi | 4 | 4 | T50.1 | Otrava slučkovými diuretikami | 4 | 4 |
| T45.2 | Otrava vitamínmi, nezatriedenými inde | 4 | 4 | T50.2 | Otrava inhib.karboanhydrázy,benzotiadiazid.a i.diuret | 4 | 4 |
| T45.3 | Otrava enzýmami, nezatriedenými inde | 4 | 4 | T50.3 | Otrava prostr.ovplyvň.elektrolyt.energat.a vodnú rovnov. | 4 | 4 |
| T45.4 | Otrava železom a jeho zlúčeninami | 4 | 4 | T50.4 | Otrava liekmi,ovplyvň.metaboliz.kys.močovej | 4 | 4 |
| T45.5 | Otrava antikoagulanciami | 4 | 4 | T50.5 | Otrava liekmi,znižuj.chuť do jedenia (anorektiká) | 4 | 4 |
| T45.6 | Otrava liekmi, ovplyvňujúcimi fibrinolýzu | 4 | 4 | T50.6 | Otrava antidótami a chelátujúcimi prostr.,n.i. | 4 | 4 |
| T45.7 | Otrava antagon.antikoagulancij,vit.K a i.koagulanciami | 4 | 4 | T50.7 | Otrava analeptikami a antagon.opioidových rec. | 4 | 4 |
| T45.8 | Otrava i.prostr.,účink.najmä celk.a na zložky krvi | 4 | 4 | T50.8 | Otrava diagnostickými prostriedkami | 4 | 4 |
| T45.9 | Otrava bliž.neurč.prostr.účink.najmä celk.a na zložky krvi | 4 | 4 | T50.9 | Otrava i.a bliž.neurč.liekmi,liečivami a biolog.látkami | 4 | 4 |
| T46.0 | Otrava srdcovými glykozidmi a liečiv.s pod.účink. | 4 | 4 | T51.0 | Toxický účinok etanolu | 4 | 4 |
| T46.1 | Otrava kalciovými antagonistami | 4 | 4 | T51.1 | Toxický účinok metanolu | 4 | 4 |
| T46.2 | Otrava inými antiarytmikami, nezatriedenými inde | 4 | 4 | T51.2 | Toxický účinok 2-propanolu | 4 | 4 |
| T46.3 | Otrava koronárnymi vazodilatanciami,n.i. | 4 | 4 | T51.3 | Otrava zmesou vyšších alkoh.,vznik.pri alkoh.kvasení | 4 | 4 |
| T46.4 | Otrava inhibítormi enzýmu,konvertujúceho angiotenzín | 4 | 4 | T51.8 | Toxický účinok iných alkoholov | 4 | 4 |
| T46.5 | Otrava i.antihypertenzívmi,n.i. | 4 | 4 | T51.9 | Toxický účinok alkoholu,bližšie neurčeného | 4 | 4 |
| T46.6 | Otrava hypolipidemikami a pr.artériosklerotickými liek. | 4 | 4 | T52.0 | Toxický účinok výrobkov z ropy | 4 | 4 |
| T46.7 | Otrava periférnymi vazodilatanciami | 4 | 4 | T52.1 | Toxický účinok benzénu | 4 | 4 |
| T46.8 | Otrava antiarítkoznými liek. vr.sklerotizujúcich látok | 4 | 4 | T52.2 | Toxický účinok homológov benzénu | 4 | 4 |
| T46.9 | Otrava i.a bliž.neurč.prostr.účink.najmä na obehovú súst. | 4 | 4 | T52.3 | Toxický účinok glykolov | 4 | 4 |
| T47.0 | Otrava antagonistami histamínových H2-receptorov | 4 | 4 | T52.4 | Toxický účinok ketónov | 4 | 4 |
| T47.1 | Otrava i.antacidami a liek,tlmiacimi žal.sekr. | 4 | 4 | T52.8 | Toxický účinok iných organických rozpúšťadiel | 4 | 4 |
| T47.2 | Otrava dráždivými (stimulujúcimi) preháňadlami | 4 | 4 | T52.9 | Toxický účinok org.rozpúšť.,b.n. | 4 | 4 |
| T47.3 | Otrava salinickými a osmotickými preháňadlami | 4 | 4 | T53.0 | Toxický účinok karbóntetrachloridu | 4 | 4 |
| T47.4 | Otrava inými preháňadlami | 4 | 4 | T53.1 | Toxický účinok chloroformu | 4 | 4 |
| T47.5 | Otrava digestívami | 4 | 4 | T53.2 | Toxický účinok trichlóretylénu | 4 | 4 |
| T47.6 | Otrava liekmi proti hnačke | 4 | 4 | T53.3 | Toxický účinok tetrachlóretylénu | 4 | 4 |
| T47.7 | Otrava emetikami | 4 | 4 | T53.4 | Toxický účinok dichlómetánu | 4 | 4 |
| T47.8 | Otrava i.prostr.,účink.najmä na tráv.súst. | 4 | 4 | T53.5 | Toxický účinok chlórfluórokarbónov | 4 | 4 |
| T47.9 | Otrava bliž.neurč.liekom,účinkuj.najmä na tráv.súst. | 4 | 4 | T53.6 | Toxický účin.i.halog.derivátov alif.uhľov. | 4 | 4 |
| T48.0 | Otrava oxytocikami | 4 | 4 | T53.7 | Toxický účin.i.halog.derivátov arom.uhľov. | 4 | 4 |
| T48.1 | Otrava relaxanciami kostr.svalov | 4 | 4 | T53.9 | Toxický účin.halog.derivátov alif.a arom.uhľov.,n.u. | 4 | 4 |
| T48.2 | Otrava i.a bliž.neurč.prostr.účink.najmä na svaly | 4 | 4 | T54.0 | Toxický účinok fenolu a homológov fenolu | 4 | 4 |
| T48.3 | Otrava antitusikami | 4 | 4 | T54.1 | Toxický účinok inej leptavej organickej zlúčeniny | 4 | 4 |
| T48.4 | Otrava expektoranciami | 4 | 4 | T54.2 | Toxický účinok leptavej kys.a lát.podobnej kysel. | 4 | 4 |
| T48.5 | Otrava liekmi proti prechladnutiu | 4 | 4 | T54.3 | Toxický účinok leptavého lúhu a látky podobnej lúhom | 4 | 4 |
| T48.6 | Otrava antiastmatikami,nezatriedenými inde | 4 | 4 | T54.9 | Toxický účinok leptavej látky,bližšie neurčenej | 4 | 4 |
| T48.7 | Otrava i.a bliž.neurč.prostr.účink.najmä na dýchaciu súst. | 4 | 4 | T55 | Toxický účinok mydla a detergencia | 4 | 4 |
| | | | | T56.0 | Toxický účinok olova a jeho zlúčenín | 4 | 4 |
| | | | | T56.1 | Toxický účinok ortuti a jej zlúčenín | 4 | 4 |

| ICD | Text | OP. CCL | Med. CCL | ICD | Text | OP. CCL | Med. CCL |
|-------|--|---------|----------|-------|--|---------|----------|
| T56.2 | Toxický účinok chrómu a jeho zlúčenín | 4 | 4 | T79.4 | Úrazový šok | 1,2,4 | 1,2 |
| T56.3 | Toxický účinok kadmia a jeho zlúčenín | 4 | 4 | T79.5 | Úrazová anúria | 1,3,4 | 2,3 |
| T56.4 | Toxický účinok medi a jej zlúčenín | 4 | 4 | T79.6 | Pourazová ischemia svalu | 4 | 4 |
| T56.5 | Toxický účinok zinku a jeho zlúčenín | 4 | 4 | T79.7 | Pourazový podkožný emfyzém | 1,2,3,4 | 2,3,4 |
| T56.6 | Toxický účinok cínu a jeho zlúčenín | 4 | 4 | T80.0 | Vzduchová embólia po infúzii,transf.a liečebnej injekcii | 3,4 | 2,3,4 |
| T56.7 | Toxický účinok berýlia a jeho zlúčenín | 4 | 4 | T80.3 | Reakcia zapríčinená inkompatibilitou v systéme ABO | 2,3 | 1,2,3 |
| T56.8 | Toxický účinok iného kovu | 4 | 4 | T80.4 | Reakcia zapríčinená inkompatibilitou v systéme Rh | 2,3 | 1,2,3 |
| T56.9 | Toxický účinok bližšie neurčeného kovu | 4 | 4 | T80.5 | Anafylaktický šok, zapríčinený sérom | 2 | 2 |
| T57.0 | Toxický účinok arzénu a jeho zlúčenín | 4 | 4 | T80.6 | Iná reakcia na sérum | 2 | 2 |
| T57.1 | Toxický účinok fosforu a jeho zlúčenín | 4 | 4 | T81.0 | Krvácanie a hematóm,komplikujujúci výk.,n.i. | 1 | 1 |
| T57.2 | Toxický účinok mangánu a jeho zlúčenín | 4 | 4 | T81.1 | Šok počas výkonu alebo po výkone,nezatriedený inde | 2,3,4 | 1,2,3 |
| T57.3 | Toxický účinok kyanovodíku | 4 | 4 | T81.2 | Náhodné naštiepenie a natrhnutie poč.výkonu,n.i. | 2,3,4 | 1,2,3 |
| T57.8 | Toxický účinok i.anorganickej látky,b.u. | 4 | 4 | T81.3 | Rozpad operačnej rany,nezatriedený inde | 1,2,3,4 | 1,2,3,4 |
| T57.9 | Toxický účinok bližšie neurčenej anorganickej látky | 4 | 4 | T81.5 | Cudz.teleso náhodne ponech.v tel.dutine/oper.rane po výk. | 2,3,4 | 1,2,3,4 |
| T58 | Toxický účinok oxidu uhoľnatého (CO) | 4 | 4 | T81.6 | Akút.reakcia na cudziu látku,ponech.náhodne poč.výk. | 2,3,4 | 1,2,3,4 |
| T59.0 | Toxický účinok oxidu dusíka | 4 | 4 | T81.7 | Cievna komplikácia po výkone, nezatriedená inde | 1 | 1 |
| T59.1 | Toxický účinok oxidu siričitého | 4 | 4 | T81.8 | Iná komplikácia výkonu, nezatriedená inde | 1 | 1 |
| T59.2 | Toxický účinok formaldehydu | 4 | 4 | T82.0 | Mechanická komplik.zaprič.srdc.chlop.protézou | 2,3,4 | 2,3,4 |
| T59.3 | Toxický účinok szotvorného plynu | 4 | 4 | T82.1 | Mechanická komplik.zaprič.srdc.elektronickou pomôc. | 2,3,4 | 2,3,4 |
| T59.4 | Toxický účinok plynného chlóru | 4 | 4 | T82.2 | Mechanická komplik.zaprič.obch.venc.tepny a chlop.náhr. | 1,2,3,4 | 1,2,4 |
| T59.5 | Toxický účinok plynného fluóru a fluorovodíka | 4 | 4 | T82.3 | Mechanická komplik.zaprič.i.cievnym transpl. | 1,2,3,4 | 1,2,4 |
| T59.6 | Toxický účinok sirovodíka | 4 | 4 | T82.4 | Mechanická komplik.zaprič.cievnym dialyzačným katétrom | 2,3,4 | 3,4 |
| T59.7 | Toxický účinok oxidu uhličitého | 4 | 4 | T82.5 | Mechanická komplik.zaprič.i.srdc.a ciev.pom.a impl. | 1,2,3,4 | 1,2,4 |
| T59.8 | Toxický účinok iného plynu,dymu a výparov,b.u. | 4 | 4 | T82.6 | Infekcia a zápal.reakcia zaprič.srdc.chlop.protézou | 2,3,4 | 3,4 |
| T59.9 | Toxický účinok plynu,dymu a výparov,b.n. | 4 | 4 | T82.7 | Infekcia a zápal.reak.zapr.i.srdc.a ciev.prot.,impl.a transpl. | 2,3,4 | 3,4 |
| T60.0 | Toxický úč.organofosfátového a karbamátového insekticídu | 4 | 4 | T82.8 | Iná kompl.zapr.srdc.a ciev.prot.,impl.a transpl.,b.u. | 1,2,3,4 | 1,2,4 |
| T60.1 | Toxický účinok halogénovaného insekticídu | 4 | 4 | T82.9 | Kompl.zaprič.srdc.a ciev.protézou,impl.a transpl.,b.n. | 4 | 4 |
| T60.2 | Toxický účinok iného insekticídu | 4 | 4 | T83.0 | Mechanická komplik.zaprič.moč.katétrom | 4 | 4 |
| T60.3 | Toxický účinok herbicídu a fungicídu | 4 | 4 | T83.1 | Mechanická komplik.zaprič.i.moč.pomôc.a impl. | 4 | 4 |
| T60.4 | Toxický účinok rodenticídu | 4 | 4 | T83.2 | Mechanická komplik.zaprič.transpl.moč.org. | 2,3,4 | 1,2,4 |
| T60.8 | Toxický účinok iného pesticídu | 4 | 4 | T83.4 | Mechanická komplik.zaprič.i.prot.,impl.a transpl.v pohl.súst. | 4 | 4 |
| T60.9 | Toxický účinok bližšie neurčeného pesticídu | 4 | 4 | T83.5 | Infekcia a zápal.reak.zaprič.proté.impl.a transpl.v moč.súst. | 1,4 | 1,4 |
| T63.0 | Toxický účinok hadieho jedu | 4 | 4 | T83.6 | Infekcia a zápal.reak.zaprič.proté.impl.a transpl.v pohl.súst | 1,4 | 1,4 |
| T63.1 | Toxický účinok jedu iných plazov | 4 | 4 | T83.8 | Iná kompl.zaprič.proté.impl.a transpl.v moč-pohl.súst. | 4 | 4 |
| T63.2 | Toxický účinok jedu škorpióna | 4 | 4 | T83.9 | Bliž.neu.kompl.zaprič.proté.,impl.a transp.v moč-pohl.súst. | 4 | 4 |
| T63.3 | Toxický účinok jedu pavúka | 4 | 4 | T84.0 | Mechanická komplik.zaprič.kĺbovou endoprotézou | 2,3,4 | 2,3,4 |
| T63.4 | Toxický účinok jedu iných člankonožcov | 4 | 4 | T84.1 | Mechanická komplik.zaprič.pomôc.na vnút.fixáciu kostí konč. | 1,2,3,4 | 2,3,4 |
| T63.5 | Toxický účinok kontaktu s rybou | 4 | 4 | T84.2 | Mechanická komplik.zaprič.pomôc.na vnút.fixáciu i.kostí | 1,2,3,4 | 2,3,4 |
| T63.6 | Toxický účinok kontaktu s inými morským živočíchom | 4 | 4 | T84.3 | Mechanická komplik.zaprič.i.kostnou pomôc.,impl.a transpl. | 2,3,4 | 2,3,4 |
| T63.8 | Toxický účinok kontaktu s iným jedovatým živočíchom | 4 | 4 | T84.4 | Mechanická komplik.zaprič.i.vnút.ortop.pomôc.,impl.a transpl. | 2,3,4 | 2,3,4 |
| T63.9 | Toxický účinok kont.s jedovatým živoč.,b.n. | 4 | 4 | T84.5 | Infekcia a zápal.reak.zaprič.kĺbovou endoprot. | 2,3,4 | 2,3,4 |
| T64 | Toxický účinok aflatoxínu a i.mykotoxínov,znečis.potravy | 4 | 4 | | | | |
| T65.0 | Toxický účinok kyanidu | 4 | 4 | | | | |
| T65.1 | Toxický účinok strychnínu a jeho solí | 4 | 4 | | | | |
| T65.2 | Toxický účinok tabaku a nikotínu | 4 | 4 | | | | |
| T65.3 | Tox.úč.nitroderiv.a aminoderiv.benzénu a jeho homológov | 4 | 4 | | | | |
| T65.4 | Toxický účinok karbóndisulfidu | 4 | 4 | | | | |
| T65.5 | Toxický účinok nitroglycerínu a i.nitrokyselín a esterov | 4 | 4 | | | | |
| T65.6 | Toxický účinok náterov a farieb,n.i. | 4 | 4 | | | | |
| T65.8 | Toxický účinok inej bližšie určenej látky | 4 | 4 | | | | |
| T65.9 | Toxický účinok bližšie neurčenej látky | 4 | 4 | | | | |
| T67.0 | Tepelný a slnečný úpal | 4 | 4 | | | | |
| T67.1 | Synkopa z horúčavy | 4 | 4 | | | | |
| T71 | Zadusenie | 4 | 4 | | | | |
| T73.1 | Účinky smädu | 4 | 4 | | | | |
| T75.4 | Účinok elektrického prúdu | 4 | 4 | | | | |
| T79.0 | Vzduchová embólia (pourazová) | 1,3,4 | 2,3,4 | | | | |
| T79.1 | Tuková embólia (pourazová) | 1,3,4 | 2,3,4 | | | | |
| T79.2 | Pourazové druhotné a opakované krvácanie | 1,2,4 | 1,2 | | | | |
| T79.3 | Pourazová infekcia rany,nezatriedená inde | 1,2,3,4 | 2,3 | | | | |

CCL

| ICD | Text | OP. CCL | Med. CCL | ICD | Text | OP. CCL | Med. CCL |
|--------|---|---------|----------|--------|---|---------|----------|
| T84.6 | Infekcia a zápal.reak.zapríč.vnúť.kostnou fixačnou pomôc. | 2,3,4 | 2,3,4 | T87.0 | Kompl.súvisiaca so znovupripojením (č.)HK | 2,3 | 2,3 |
| T84.7 | Infekcia a zápal.reak.zapríč.i.ortop.endoprot.,impl.a štepom | 2,3,4 | 2,3,4 | T87.1 | Kompl.súvisiaca so znovupripojením (č.)DK | 2,3 | 2,3 |
| T84.8 | Iná kompl.zapríč.ortop.endoprot.impl.a štepom | 1,2,3,4 | 2,3,4 | T87.2 | Komplikácia inej znovupripojenej časti tela | 2,3 | 2,3 |
| T84.9 | Bliž.neu.kompl.vnúť.ortoped.protet.pomôc.,impl.a štepu | 1,2,3,4 | 2,3,4 | T87.4 | Infekcia kýčťa po amputácii | 2,3,4 | 3 |
| T85.0 | Mechanická komplik.zapríč.vnúť.ortopedickou komor.skratkou | 3,4 | 3,4 | T87.5 | Nekróza kýčťa po amputácii | 3,4 | 3 |
| T85.1 | Mechanická komplik.zapríč.implant.elektro.stim.nerv.súst. | 3,4 | 3,4 | T88.0 | Infekcia po imunizácii | 3,4 | 3 |
| T85.2 | Mechanická komplik.zapríč.vnúť.ortopedickou šošovkou | 1,2,3,4 | 1,2,4 | T88.1 | Iná komplikácia po imunizácii, nezatriedená inde | 4 | 4 |
| T85.3 | Mechanická komplik.zapríč.i.očnou protet.pom.,impl.a transpl. | 1,2,3,4 | 1,2,4 | T88.2 | Šok,zapríčený anestéziou | 2,4 | 1,2 |
| T85.4 | Mechanická komplik.zapríč.prot./impl.prsníka | 1,2,4 | 2,4 | T88.3 | Maligna hypertermia zapríčinená anestéziou | 2,3,4 | 2,3,4 |
| T85.5 | Mechanická komplik.zapríč.gastroint.prot.,impl.a transpl. | 2,3,4 | 2,3,4 | T88.4 | Nevydarená alebo ťažká intubácia | 4 | 4 |
| T85.6 | Mechanická komplik.zapríč.gastroint.prot.impl.a transpl.,b.u. | 2,3,4 | 2,3,4 | T88.6 | Anafyl.šok ako nežiad.úč.spr.ind.a spr.pod.lieku/lieč. | 2 | 2 |
| T85.71 | Inf.a zápal.reak.zapr.katétrom na peritoneálnu dialýzu | 2,3,4 | 1,2,4 | T91.3 | Neskoré následky poranenia miechy | 2,4 | 2,3 |
| T85.78 | Inf.a zápal.reak.zapr.i.vnúť.prot.,impl./transpl. | 2,3,4 | 2,3,4 | U60.1 | Klinické kategórie choroby HIV: kategória A | 3,4 | 3 |
| T85.81 | Iná kompl.zapr.vnúť.prot.,impl./transpl.,v nerv.súst. | 1,2,4 | 2,4 | U60.2 | Klinické kategórie choroby HIV: kategória B | 3,4 | 3 |
| T85.82 | Kapsulová fibróza prsníka,zapr.prot./impl.prsníka | 2,3,4 | 2,3,4 | U60.3 | Klinické kategórie choroby HIV: kategória C | 3,4 | 3 |
| T85.88 | Iná kompl.zapr.vnúť.prot.,impl./transpl.,n.i. | 1,2,4 | 2,4 | U61.1 | Počet pomocných T-buniek pri chorobe HIV | 3,4 | 3 |
| T85.9 | Kompl.zapr.vnúť.prot.,impl./transpl.,b.n. | 4 | 4 | U61.2 | Počet pomocných T-buniek pri chorobe HIV | 3,4 | 3 |
| T86.00 | Zlyha.transpl.krv.kmeň.buniek | 3,4 | 3 | U61.3 | Počet pomocných T-buniek pri chorobe HIV | 3,4 | 3 |
| T86.01 | Akút.choroba graft versus host[GVDH]:1.a 2.st. | 3,4 | 3 | U80.0 | Staph.aer.rez.na OXA,glp.ATB,chin.,streptogr./oxazolid. | 1,3,4 | 1,2,3 |
| T86.02 | Akút.choroba graft versus host[GVDH]:3.a 4.st. | 3,4 | 3 | U80.1 | Str.pn.rez.na PNC,OXA,makrolid.ATB,oxazolid./streptogr. | 3,4 | 3 |
| T86.03 | Chron.choroba graft versus host,ohraničená forma | 3,4 | 3 | U80.2 | Ent.faecalis rez.na glp.ATB,oxazolid.streptogr./v.úr.amg.rez. | 1,2,3,4 | 1,2,3 |
| T86.04 | Chron.choroba graft versus host,rozšírená forma | 3,4 | 3 | U80.3 | Ent.faecium rez.na glp.ATB,oxazolid.,streptogr./v.úr.amg.rez. | 2,3 | 1,2,3 |
| T86.09 | Choroba graft versus host [GVHD]: bližšie neurčená | 3,4 | 3 | U80.4 | Esch.klebs.prot.rez.chin.karbap.amik./dok.rez.vš.btl.ATB | 3,4 | 1,2,3 |
| T86.10 | Akútne zhoršenie funkcie transplantovanej obličky | 3,4 | 3,4 | U80.5 | Enterobacter,citrobacter a serratia rez.-karbap.,chin./amik. | 2,3 | 1,2,3 |
| T86.11 | Chron.zhoršenie funkcie transpl.obličky | 3,4 | 3,4 | U80.6 | Ps.aer.a i.non-ferm.p.rez.karbap.chin.amik.ceft./pip.s tazob. | 3,4 | 2,3 |
| T86.12 | Predĺžené prijatie funkcie transplantátu | 3,4 | 3,4 | U80.7 | Burkh.a stenotroph.rez.-chin.,amik.,ceft.,pip.s tazob./CTM | 3,4 | 3 |
| T86.19 | Iná a bliž.neurč.funkč.porucha zlyháv.odvrh.transpl.obličky | 3,4 | 3,4 | U82.0 | Myc.tbc s rez.pr.jed./viac.antituberk.prv.radu | 2,3 | 1,2,3 |
| T86.2 | Zlyhávajúce a odvrhnutie transplantovaného srdca | 3,4 | 3,4 | U82.1 | Multirezistentná tuberkulóza [MDR-TB] | 2,3 | 1,2,3 |
| T86.3 | Zlyhávajúce a odvrhnutie súčasne transpl.srdca a pľúc | 3,4 | 3,4 | U82.2 | Atyp.mykobakt./nocardia s rez.na jed./viac.liek.prv.radu | 2,3 | 1,2,3 |
| T86.40 | Akútne zhoršenie funkcie transplantovanej pečene | 3,4 | 3,4 | U83 | Kandida s rezistenciou na flukonazol/vorikonazol | 1,2,3,4 | 1,2,3 |
| T86.41 | Chronické zhoršenie funkcie transplantovanej pečene | 3,4 | 3,4 | U84 | Herpesvírusy s rezistenciou na virostatiká | 2,3 | 1,2,3 |
| T86.49 | Iná a bliž.neurč.por.funkcie,zlyh. a odvrh.transpl.pečene | 3,4 | 3,4 | U85 | Vírus HIV s rezistenciou na virostatiká/inhib.proteináz | 3,4 | 3 |
| T86.50 | Porucha prekrvenia transplantovanej kože | 2,3,4 | 2,3,4 | U99.01 | Inkontinencia moču, 2. stupeň | 1 | 1 |
| T86.51 | Nekróza transplantovanej kože | 2,3,4 | 2,3,4 | U99.02 | Inkontinencia moču a stolice, 3. stupeň, trvalá | 1 | 1 |
| T86.52 | Strata kožného transplantátu | 2,3,4 | 2,3,4 | U99.03 | Inkont.moču a stolice, 3. stupeň, trvalá a nezvratná | 1 | 1 |
| T86.59 | Iná a bliž.neurč.por.funkcie,zlyh.a odvrh.transpl.kože | 2,3,4 | 2,3,4 | Z43.0 | Ošetrovanie tracheostómie | 2,3 | 1,2 |
| T86.81 | Zlyhanie a odvrhnutie transplantovaných pľúc | 3,4 | 3,4 | Z76.8 | Osoba,ktorá vyhľad.zdrav.služby za i,b.u.okolností | 3 | 3 |
| T86.82 | Zlyhanie a odvrhnutie transplantovaného pankreasu | 3,4 | 3,4 | Z90.3 | Získané chýbanie časti žalúdka | 4 | 4 |
| T86.88 | Zlyh.a odvrhnutie i.transpl.orgánu a tkan. | 3,4 | 3,4 | Z93.0 | Stav s predtým vytvorenou tracheostómiou | 2,3 | 1,2 |
| T86.9 | Zlyhávajúce a odvrhnutie b.n.orgánu a tkan. | 2,3,4 | 2,3,4 | Z94.0 | Stav po transplantácii obličky | 3,4 | 2,3 |
| | | | | Z94.1 | Stav po transplantácii srdca | 3,4 | 2,3 |
| | | | | Z94.2 | Stav po transplantácii pľúc | 3,4 | 2,3 |
| | | | | Z94.3 | Stav po transplantácii srdca a pľúc | 3,4 | 2,3 |
| | | | | Z94.4 | Stav po transplantácii pečene | 3,4 | 2,3 |
| | | | | Z94.80 | Stav po traspl.krvotv.(kmeň.)bun.,bez súč.imunosupr. | 3,4 | 2,3 |
| | | | | Z94.81 | Stav po traspl.krvotv.(kmeň.)bun.,so súč.imunosupr. | 3,4 | 2,3 |
| | | | | Z94.82 | Stav po transplantácii pankreasu | 3,4 | 2,3 |
| | | | | Z94.83 | Stav po transplantácii obličky a pankreasu | 3,4 | 2,3 |
| | | | | Z94.88 | Stav po transplantácii iného orgánu alebo tkaniva | 3,4 | 2,3 |

Príloha D

Overovanie demografických a klinických údajov

D.1 Úvod

Pred priradením prípadu k MDC kategórii overuje Grouper platnosť jednotlivých premenných na základe demografických a klinických údajov. V priebehu tohto overovania môže byť generovaný **varovný príznak** (ozn. flag), pokiaľ program narazí na neplatné informácie alebo nezrovnalosti. Okrem toho je zobrazená **neodvratná chyba** (ozn. fatal flag), pokiaľ nie je možné priradiť MDC/DRG z dôvodu problému (napr. z dôvodu neplatnej vekovej informácie). Záznamy s neodvratnou chybou sú priradené do jednej z troch DRG skupín: 960Z, 961Z alebo 963Z

V nasledujúcej časti tejto prílohy sú uvedené bližšie informácie k jednotlivým premenným.

D.2 Prípustné hodnoty pre demografické premenné

| Premenná | Prípustné hodnoty | Poznámka |
|---------------------------------------|--|---|
| Dĺžka o-etrovacej doby v dňoch | Prípustné hodnoty: 1-9999 | V prípade platnosti vypočítanej hodnoty a aj zadanej hodnoty sa berie do úvahy nižšia hodnota |
| Pohlavie | N, 0 nezistené M, 1 mužské F, 2 ženské | |
| Vek v dňoch | Prípustné hodnoty: 1 ó 364/5 dní | Ak je možné vypočítať vek z údajov o narodení a z dátumu prijatia óberie grouper do úvahy vypočítanú hodnotu veku. Ak táto nemôže byť vypočítaná a neexistuje ani zadaná hodnota veku, je hospitalizačný prípad zaradený do DRG 960Z. |
| Vek v rokoch | Prípustné hodnoty: 0 ó 124 rokov | |
| Hmotnosť pri prijatí | hodnoty: 250 až 19999 | Tento údaj sa overuje, ak je pacient mladší ako 1 rok. Ak je pole prázdne alebo má hodnotu NULL, použije sa predvolené spracovanie hodnota 2500 gramov. |
| Dĺžka UPV | Prípustné hodnoty: 1-9999 | |
| Druh prijatia | 1 Odporúčenie lekárom 2 Akútny príjem 3 Neodkladné preloženie 4 Narodenie novorodenca 5 Prijatie s o-etrovacou dobou hospitalizačného prípadu v prekladajúcej nemocnici × 24 hod. 6 Prijatie s o-etrovacou dobou hospitalizačného prípadu v prekladajúcej nemocnici < 24 hod. 7 Prijatie z oddelenia/zo zariadenia s iným úhradovým mechanizmom (DRG nerelevantný PZS) 8 Preloženie v rámci nemocnice z oddelenia s iným úhradovým mechanizmom (DRG nerelevantná odbornosť) 9 Doprovod | |
| Dôvod prijatia | 1 Ústavná zdravotná starostlivosť 4 Novorodenec 5 Opätovné prijatie kvôli komplikáciám 6 Príjem do nemocnice na odber orgánov 7 Prijatie do nemocnice späť bez kauzálnej súvislosti s predchádzajúcim hospitalizačným prípadom 8 Komplikácia zdravotného stavu v súvislosti s predchádzajúcim hospitalizačným prípadom 9 Prijatie na poskytnutie ZS vhodnej do JZS | |
| Druh prepustenia | 1 Hospitalizácia riadne ukončená, pacient prepustený do ambulantnej starostlivosti, domácej o-etrovateľskej starostlivosti 2 Prepustenie do ústavu sociálnej starostlivosti | |

| Premenná | Prípustné hodnoty | Poznámka |
|--------------------------------|---|---|
| Dĺžka o-etrovacej doby v dňoch | Prípustné hodnoty: 1-9999 | V prípade platnosti vypočítanej hodnoty a aj zadanej hodnoty sa berie do úvahy nižšia hodnota |
| | 4 Preložené do nemocnice s rovnakým úhradovým mechanizmom (DRG relevantný PZS/DRG relevantné oddelenie) | |
| | 5 Hospitalizácia ukončená bez súhlasu o-etrujúceho lekára | |
| | 6 Zomrel, s návrhom na pitvu | |
| | 7 Zomrel, bez návrhu na pitvu | |
| | 10 Preložené do rehabilitačného zariadenia | |
| | 12 Preložené do inej nemocnice (DRG nerelevantný PZS/DRG nerelevantné oddelenie) | |
| | 13 Preložené v rámci nemocnice na oddelenie s iným úhradovým mechanizmom (DRG nerelevantná odbornosť) | |

D.3a Prípustné hodnoty pre klinické premenné

Groupier overuje platnosť všetkých diagnóz a výkonov nielen vo vzťahu k íselníkom MKCH-10-SK a ZZV-DRG ale aj vo vzťahu k veku a pohlaviu pacienta. Kódy, ktoré sa vyskytujú viac ako raz, sú ignorované pokiaľ sa týkajú diagnóz, no nie ak sa týkajú zdravotných výkonov. Okrem toho sa overuje hlavná diagnóza, za účelom zabezpečenia prijatej hlavnej diagnózy, keď nie je kódom manifestácie, t.j. kód s hviezdikou, ani kódom opisujúcim externú príčinu poranenia alebo otravy (viac skupiny V, W, X a Y MKCH-10-SK) alebo kódom s výkričníkom.

Kontroluje sa aj platnosť kombinácií pôrodnicej diagnózy a kódov zdravotných výkonov. Ak bol v diagnóze zahrnutý cisársky rez, ale nebol zaznamenaný žiadny kód výkonu, prípad bude zaradený do DRG 962Z *Neprípustná pôrodnica kombinácia diagnóz*.

| Premenná | Prípustné hodnoty | Poznámka |
|----------------------------|---|---|
| Diagnózy (MKCH-10-SK) | Platný terminálny kód z MKCH-10-SK-2025 | Viacnásobne zadaná rovnaká diagnóza sa ignoruje. Za platný terminálny kód sa považuje kód pod a MKCH, ktorý uľi nemá definované alie lenenie. |
| Zdravotné výkony (ZZV-DRG) | Platný terminálny kód zo ZZV-DRG-2025 | |

D.3b Varovné príznaky a neodvratné chyby

Ako uľi bolo spomenuté, v priebehu overovania demografických a klinických charakteristík môže by generovaný varovný príznak (ozn. **flag**) aj príznaky neodvratnej chyby (ozn. **fatal flags**). V zásade platí nasledovné:

- Všetky neprípustné hlavné diagnózy (tabuľka D.7) sú neodvratné chyby (**fatal flags**) a spôsobujú priradenie hospitalizačného prípadu k chybovej DRG 961Z *Neprípustná hlavná diagnóza*.
- Všetchna kódov v tabuľke konflikt s vekom dojča (tabuľka D.4a) sú **fatal flags**, pokiaľ sú vykázané ako hlavná diagnóza a
 - pacient je vo veku od 28 do 364/5 dní a má hmotnosť pri prijatí vyššiu ako 2 500 gramov alebo
 - pacient má 1 rok alebo viac.

Hospitalizačné prípady lieby dojčiat s takouto chybou sú zaradené do DRG 963Z *Novorodenecká diagnóza nezlučiteľná s vekom alebo hmotnosťou*.

- Kódy diagnóz v dvoch tabuľkách konfliktov s pohlavím (tabuľky D.5a a D.5c) predstavujú varovný príznak (**flag**), pokiaľ je hospitalizačný prípad zaradený do MDC, pri ktorej výbere záleží na pohlaví hospitalizačného prípadu (MDC 12 *Choroby mužských pohlavných orgánov*, MDC 13 *Choroby ženských pohlavných orgánov*, MDC 14 *Gravidita, pôrod a estonedelie*).

4. Všetky ostatné klinické príznaky o kóde pre externú príčinu, konflikt s vekom a konflikt s pohlavím (s výnimkou diagnóz, ktoré sa týkajú iba MDC 12, MDC 13 alebo MDC 14) o sú označené varovným príznakom (**flag**), nie sú však neodvratnou chybou (**fatal flag**).

D.4 Konflikty klinických premenných s vekom

Platnosť klinických premenných sa overuje alej v súvislosti s vekom pacienta. K tomuto účelu sa rozlišujú vekové kategórie, definované kritériami uvedenými v nasledovnej tabuľke. Tieto kategórie slúžia výlučne pre účely DRG. V stpci špoznámkaõ sú vymenované oznaenia tabuliek, ktoré sú poufité v zarovacom algoritme pre overenie prípadného konfliktu klinickej premennej s vekom.

| Kategória | Vek | Poznámky |
|------------------|------------------|------------------------------|
| Doj a | 1 de o 364/5 dní | Diagnózy - D.4a |
| Malé die a | < 2 roky | Diagnózy - D.4b |
| Die a | < 10 rokov | Diagnózy - D.4c |
| Deti a dorast | < 19 rokov | Diagnózy - D.4d |
| šPost-neonatalõ | > 27 dní | Diagnózy - D.4e |
| Star-í ako doj a | × 1 rok | Diagnózy - D.4f |
| Puberta | 8-19 rokov | Diagnózy - D.4g |
| Plodný vek | 12-55 rokov | Diagnózy - D.4h, Výkony D.4i |
| Dospelý | × 15 rokov | Diagnózy - D.4j |
| šZrelõ dospelý | × 30 rokov | Diagnózy - D.4k |

D.5 Konflikty klinických premenných s pohlavím

Platnosť vykázaných klinických údajov je overovaná v zarovacom algoritme aj v kontexte pohlavia pacienta. Tabuľky D.5a-d obsahujú diagnózy a zdravotné výkony, ktoré môžu by vykonávané iba u pacientov s príslušným pohlavím.

D.4a Konflikt s vekom: Doj a

| Kód | Popis | Kód | Popis |
|--------|--|--------|---|
| A33 | Tetanus novorodencov | P10.3 | Subarachnoidálne kvácanie zaprič.poran.pri pôrode |
| P00.0 | Pošk.plodu a novorodneca artériovou hypertenziou matky | P10.4 | Roztrhnutie tentória zaprič.poran.pri pôrode |
| P00.1 | Pošk.plodu a novorod.chor.obličiek a moč.ciest matky | P10.8 | Iné vnútroleb.poran.a kvácania zaprič.poran.pri pôrode |
| P00.2 | Pošk.plodu a novorod.infekč.a parazit.chorobami matky | P10.9 | Bliž.neur.vnútroleb.poran.a kvácanie zaprič.poran. pri pôrode |
| P00.3 | Pošk.plodu a novorod.i.obehov.a dých.chorobami matky | P11.0 | Mozgový opuch,zapričinený poranením pri pôrode |
| P00.4 | Pošk.plodu a novorod.poruchami výživy matky | P11.1 | Iné poškodenie mozgu,zaprič.poran.pri pôrode,b.u. |
| P00.5 | Poškodenie plodu a novorodenca poranením matky | P11.2 | Bliž.neur.poškodenie mozgu,zaprič.poran.pri pôrode |
| P00.6 | Pošk.plodu a novorodenca chir.výkonom u matky | P11.3 | Pôrodné poranenie tvárového nervu |
| P00.7 | Pošk.plodu a novorodenca .iným.lekár.výkon.u matky,n.i. | P11.4 | Pôrodné poranenie iných hlavových nervov |
| P00.8 | Poškodenie plodu a novorodenca inými stavmi matky | P11.50 | Pôrodné poran.chrbtice a miechy s akút. ochrnutím |
| P00.9 | Poškodenie plodu a novorodenca bliž.neurč.stavmi matky | P11.51 | Pôrodné poran.chrbtice a miechy s chron.ochrnutím |
| P01.0 | Poškodenie plodu a novorod.insuficienciou krčka maternice | P11.59 | Pôrodné poran.chrbtice a miechy,b.n. |
| P01.1 | Poškodenie plodu a novorod.predčasným puknutím blán | P11.9 | Pôrodné poranenie centrálnej nervovej sústavy,b.n. |
| P01.2 | Poškodenie plodu a novorodenca oligohydranniómom | P12.0 | Zakrvácanie pod okosticu lebky,zaprič.poran.pri pôrode |
| P01.3 | Poškodenie plodu a novorodenca polyhydranniómom | P12.1 | Pôrodný nádor záhlavia,zaprič.poranením pri pôrode |
| P01.4 | Poškodenie plodu a novorodenca ectopickou graviditou | P12.2 | Epikraniál.subaponeurotické krvác.,zaprič.poran.pri pôrode |
| P01.5 | Poškodenie plodu a novorodenca viacpočetnou graviditou | P12.3 | Podliatina vlas.časti hlavy zaprič.poranením pri pôrode |
| P01.6 | Poškodenie plodu a novorodenca smrťou matky | P12.4 | Poranenie vlasovej časti hlavy novorod.,zaprič.monitor. |
| P01.7 | Pošk.plodu a novor.nepřavid.naliehaním pred začiat.pôrodu | P12.8 | Iné pôrodné poranenia vlasatej časti hlavy |
| P01.8 | Pošk.plodu a novorod..i.materskými komplik.gravidity | P12.9 | Pôrodné poranenia vlasatej časti hlavy,b.n. |
| P01.9 | Pošk.plodu a novorod.materskými kompl.gravidity b.n. | P13.0 | Zlomenina lebky zapričinená poranením pri pôrode |
| P02.0 | Poškodenie plodu a novorodenca vcestnou placentou | P13.1 | Iné pôrodné poranenia lebky |
| P02.1 | Pošk.plodu a novorod.i.form.odlúpenia placenty a krvác. | P13.2 | Pôrodné poranenie stehnovej kosti |
| P02.2 | Pošk.plodu a novorod.i.a b.n.morf.a funkč.abn.placenty | P13.3 | Pôrodné poranenie iných dlhých kostí |
| P02.3 | Pošk.plodu a novorod.placentovými transfúznymi synd. | P13.4 | Zlomenina kľúčnej kosti,zaprič.poranením pri pôrode |
| P02.4 | Pošk.plodu a novorod.vykĺznutým pupočníkom | P13.8 | Pôrodné poranenie iných častí kostry |
| P02.5 | Pošk.plodu a novorod.i.stlačením pupočníka | P13.9 | Pôrodné poranenie kostry,bližšie neurčené |
| P02.6 | Pošk.plodu a novorod.i.a bliž.neurč.stavmi pupoč. | P14.0 | Erbovo ochrnutie zapričinené poranením pri pôrode |
| P02.7 | Poškodenie plodu a novorodenca chorioamnionitídou | P14.1 | Klumpkeovej ochrnutie zaprič.poranením pri pôrode |
| P02.8 | Poškodenie plodu a novorod.i.abnrmalit.blán | P14.2 | Ochrnutie bránicového nervu zaprič.poran.pri pôr. |
| P02.9 | Poškodenie plodu a novorod.bliž.neurč.abnrmalit.blán | P14.3 | Iné poranenie plexus brachialis pri pôrode |
| P03.0 | Pošk.plodu a novorod.pôr.panvov.koncom a extrakciou | P14.8 | Pôrodné poranenie i.častí perif.nervovj sústavy |
| P03.1 | Pošk.plod a nov.i.nepr.nalie.,drž.tela,pol.,disp.,poč.pôr.čin. | P14.9 | Pôrodné poranenie perif.nervovj.sústavy ,b.n. |
| P03.2 | Poškodenie plodu a novorodenca kliešťovým pôrodom | P15.0 | Pôrodné poranenie pečene |
| P03.3 | Pošk.plodu a novorod.plodu pôr.vákuovým extraktorom | P15.1 | Pôrodné poranenie sleziny |
| P03.4 | Pošk.plodu a novorod.pôr.cisárskym rezom | P15.2 | Poranenie kývača hlavy,zaprič.poran.pri pôrode |
| P03.5 | Poškodenie plodu a novorodenca náhlým pôrodom | P15.3 | Pôrodné poranenie oka |
| P03.6 | Pošk.plodu a novorod.abn.maternicovými kontrakciami | P15.4 | Pôrodné poranenie tváre |
| P03.8 | Pošk.plodu a novorod.i.bliž.urč.kompl.pôr.činn.a pôrodu | P15.5 | Pôrodné poranenie vonkajších genitálií |
| P03.9 | Pošk.plodu a novorod.kompl.pôr.činn.a pôrodu,b.n. | P15.6 | Nekróza podkožného tuku,zaprič.poran. ri pôrode |
| P04.0 | Pošk.plodu a novorod.anest.,analg.m.v grav.poč.pôr.čin.a pôr. | P15.8 | Iné pôrodné poranenie,bližšie určené |
| P04.1 | Poškodenie plodu a novorodenca inou liečbou matky | P15.9 | Pôrodné poranenie,bližšie neurčené |
| P04.2 | Pošk.plodu a novorod.užív.tabaku matkou | P20.0 | Vnútroamat.hypoxia zaznamen.po prvýkrát pred zač.pôr.čin. |
| P04.3 | Pošk.plodu a novorod.užív.alkoholu matkou | P20.1 | Vnútroamat.hypoxia zaznamen.po prvýkrát.poč.pôr.čin.a pôrodu |
| P04.4 | Pošk.plodu a novorod.užív.návykových liekov a drog matkou | P20.9 | Vnútroamat.hypoxia, bližšie neurčená |
| P04.5 | Pošk.plodu a novorod.chem.lát.z potravy matky | P21.0 | Ťažká pôrodná asfyxia |
| P04.6 | Pošk.plodu a novorod.pri vyst.matky chem.lát.zo živ.prostr. | P21.1 | Ľahká a stredná pôrodná asfyxia |
| P04.8 | Pošk.plodu a novorod.i.škodl.vplyvmi pôsob.na matku | P21.9 | Pôrodná asfyxia,bližšie neurčená |
| P04.9 | Pošk.plodu a novorod.škodl.vplyvom pôsob.na matku,b.n. | P22.0 | Synd.respiračnej tiesne novorod. |
| P05.0 | Plod priveľmi ľahký na svoj gestačný vek | P22.1 | Prechodná tachypnea novorodenca |
| P05.1 | Plod priveľmi malý na svoj gestačný vek | P22.8 | Iná respiračná tieseň novorodenca |
| P05.2 | Podvýž.plo.bez uv.,či ide o p./lah./p.malý plo.na svoj ges.vek | P22.9 | Respiračná tieseň novorodenca,bližšie neurčená |
| P05.9 | Pomalý rast plodu,bližšie neurčený | P23.0 | Vrodený zápal pľúc,zapričinený vírusom |
| P07.00 | Novorodenec s pôrod.hmotnosť.menej ako 500 gr. | P23.1 | Vrodený zápal pľúc,zapričinený chlamýdiou |
| P07.01 | Novorodenec s pôrod.hmotnosť.od 500 do 750 gr. | P23.2 | Vrodený zápal pľúc,zapričinený stafylokokom |
| P07.02 | Novorodenec s pôrod.hmotnosť.od 750 do 1000 gr. | P23.3 | Vrodený zápal pľúc,zapr.streptok.skupiny B |
| P07.10 | Novorodenec s pôrod.hmotnosť.od 1000 do 1250 gr. | P23.4 | Vrodený zápal pľúc,zapričinený Escherichia coli |
| P07.11 | Novorodenec s pôrod.hmotnosť.od 1250 do 1500 gr. | P23.5 | Vrodený zápal pľúc,zapričinený pseudomonas |
| P07.12 | Novorodenec s pôrod.hmotnosť.od 1500 do 2500 gr. | P23.6 | Vrodený zápal pľúc,zapričinený inou baktériou |
| P07.2 | Novorodenec s extrémnou nezrelosťou | P23.8 | Vrodený zápal pľúc,zapričinený iným organizmom |
| P07.3 | Iný predčasne narodený novorodenec | P23.9 | Vrodený zápal pľúc,bližšie neurčený |
| P08.0 | Výnimočne veľký novorodenec | P24.0 | Novorodenecká aspirácia smolky |
| P08.1 | Iný novorodenec priveľmi ťažký vzhľ.na dĺžku gravidity | P24.1 | Novorodenecká aspirácia plodovej vody a hlienu |
| P08.2 | Prenáš.novorod.ktorý nie je priveľmi ťaž.vzhľ.na dĺž.grav. | P24.2 | Novorodenecká aspirácia krvi |
| P10.0 | Subdurálne kvácanie zaprič.poran.pri pôrode | P24.3 | Novorod.aspirácia mlieka a regurgitovanej potravy |
| P10.1 | Mozgové krvácanie zapričinené poranením pri pôrode | P24.8 | Iný novorodenecký syndróm z aspirácie |
| P10.2 | Vnútrokomorové kvácanie zaprič.poran.pri pôrode | P24.9 | Novorodenecký syndróm z aspirácie,bližšie neurčený |

| Kód | Popis | Kód | Popis |
|-------|---|-------|---|
| P25.0 | Interstic.emfyzém so vznikom v perinatálnom obd. | P54.1 | Meléna u novorodenca |
| P25.1 | Pneumotorax so vznikom v perinatálnom období | P54.2 | Krvácanie z konečníka u novorodenca |
| P25.2 | Pneumomediastínium so vznikom v perinatálnom období | P54.3 | Iné gastrointestinálne krvácanie u novorodenca |
| P25.3 | Pneumoperikard so vznikom v perinatálnom období | P54.4 | Krvácanie do nadobličky u novorodenca |
| P25.8 | Iné stavy súvis.s interstic.emfyz.so vznik.v perinat.obd. | P54.5 | Kožné krvácanie u novorodenca |
| P26.0 | Tracheobronchiálne krvácanie so vznik.v perinat.obd. | P54.6 | Pošvové krvácanie u novorodenca |
| P26.1 | Masívne pľúcne krvác.so vznikom v perinat.obd. | P54.8 | Iné bližšie určené krvácanie novorodenca |
| P26.8 | Iné pľúcne krvác.so vznikom v perinat.obdobi | P54.9 | Krvácanie novorodenca, bližšie neurčené |
| P26.9 | Pľúcne krvác.so vznik.v perinat.obdobi.b.n. | P55.0 | Rh izoimunizácia plodu a novorodenca |
| P27.0 | Wilsonov-Mikityho syndróm | P55.1 | ABO izoimunizácia plodu a novorodenca |
| P28.0 | Primárna atelektáza novorodenca | P55.8 | Iná hemolytická choroba plodu a novorodenca |
| P28.1 | Iná a bližšie neurčená atelektáza novorodenca | P55.9 | Hemolytická chor.plodu a novorod.,b.n. |
| P28.2 | Záchvaty cyanózy novorodenca | P56.0 | Hydrops plodu v dôsledku izoimunizácie |
| P28.3 | Primárne spánkové apnoe novorodenca | P56.9 | Hydrops plodu v dôsl.i.a b.n.hemolytickej chor. |
| P28.4 | Iné apnoe novorodenca | P57.0 | Jadrový ikterus v dôsledku izoimunizácie |
| P28.5 | Respiračné zlyhanie novorodenca | P57.8 | Iný jadrový ikterus,bližšie určený |
| P28.8 | Iná porucha dýchania novorodenca,bližšie určená | P57.9 | Jadrový ikterus,bližšie neurčený |
| P28.9 | Porucha dýchania novorodenca,bližšie neurčená | P58.0 | Novorodenecká žltáčka zapríčinená podliatinami |
| P29.0 | Srdcové zlyhávanie u novorodenca | P58.1 | Novorodenecká žltáčka zapríčinená krvácaním |
| P29.1 | Porucha srdcového rytmu u novorodenca | P58.2 | Novorodenecká žltáčka zapríčinená infekciou |
| P29.2 | Arteriálna hypertenzia u novorodenca | P58.3 | Novorodenecká žltáčka zapríčinená polycytémiou |
| P29.3 | Pretrvávajúci fetálny obeh | P58.4 | Novorod.žltáčka zaprič.liek/tox.,prenes.z matky/pod.nov. |
| P29.4 | Prechodná ischemia myokardu u novorodenca | P58.5 | Novorod.žltáčka zaprič.prehltnutím materskej krvi |
| P36.0 | Sepsa u novorod.zaprič.zo skupiny B | P58.8 | Novorod.žltáčka zaprič.i.bliž.urč.nadmernou hemolýzou |
| P36.1 | Sepsa u novorod.zaprič.i.a b.n.sterpt. | P58.9 | Novorod.žltáčka zaprič.nadmernou hemolýzou,b.n. |
| P36.2 | Sepsa u novorod.zaprič.staphylococcus aureus | P59.0 | Novorod.žltáčka súvisiaca s predč.pôrodom |
| P36.3 | Sepsa u novorod.zaprič.i.a bliž.neiřc.stafylokokom | P59.1 | Syndróm hustej žlče |
| P36.4 | Sepsa u novorodenca,zapričinená escherichia coli | P59.2 | Novorod.žltáčka z iného a bliž.neurč.pošk.pečeňových buniek |
| P36.5 | Sepsa u novorod.zaprič.anaeróbnym mikroorganizmom | P59.3 | Novorod.žltáčka z inhibítorov materského mlieka |
| P36.8 | Iná baktériová sepsa u novorodenca | P59.8 | Novorod.žltáčka z iných bliž.urč.pričin |
| P36.9 | Baktériová sepsa u novorodenca,bližšie neurčená | P59.9 | Novorodenecká žltáčka,bližšie neurčená |
| P37.0 | Vrodená tuberkulóza | P60 | Diseminovaná intravaskulárna koagul.plodu a novorod. |
| P37.1 | Vrodená toxoplazmóza | P61.0 | Prechodná novorodenecká trombocytopenia |
| P37.2 | Novorodenecká (diseminovaná) listerióza | P61.1 | Novorodenecká polycytémia |
| P37.3 | Vrodená malária plasmodium falciparum | P61.2 | Anémia nedonosených |
| P37.4 | Iná vrodená malária | P61.3 | Vrodená anémia z fetálnej straty krvi |
| P37.5 | Kandidóza u novorodenca | P61.4 | Iná vrodená anémia,nezatriedené inde |
| P37.8 | Iná vrodená infekčná a parazit.choroba,b.u. | P61.5 | Prechodná novorodenecká neutropénia |
| P37.9 | Vrod.infekčná/parazitová choroba,b.n. | P61.6 | Iná prechodná novorodenecká porucha zrážania |
| P38 | Omfalítida u novorod.bez krvác./s miernym krvác. | P61.8 | Iná perinatálna hematologická porucha,b.u. |
| P39.0 | Novorodenecká infekčná mastitída (zápal prsníkov) | P61.9 | Perinatálna hematologická porucha, bližšie neurčená |
| P39.1 | Novorodenecká konjunktivitída a dakryocystitída | P70.0 | Syndróm dieťaťa matky s gestačným diabetes mellitus |
| P39.2 | Intraamniotická infekcia plodu, nezatriedená inde | P70.1 | Syndróm dieťaťa matky s diabetes mellitus |
| P39.3 | Novorodenecká infekcia močovej sústavy | P70.2 | Diabetes mellitus u novorodenca |
| P39.4 | Novorodenecká kožná infekcia | P70.3 | Iatrogénna hypoglykémia u novorodenca |
| P39.8 | Iná bliž.urč.infekcia špecifická pre perinat.obdobie | P70.4 | Iná hypoglykémia u novorodenca |
| P39.9 | Infekcia špecifická pre perinatálnom obd.,b.n. | P70.8 | Iná prech.porucha metab.sacharidov plodu a novorod. |
| P50.0 | Fetálna strata krvi pri vasa praevia (vcestných cievach) | P70.9 | Prech.porucha metabol.sacharidov plodu a novorod.,b.n. |
| P50.1 | Fetálna strata krvi z roztrhnutého pupočníka | P71.0 | Hypokalcémia z krvského mlieka u novorodenca |
| P50.2 | Fetálna strata krvi z placenty | P71.1 | Iná hypokalcémia u novorodenca |
| P50.3 | Krvácanie do dvojčaťa (fetofetálne) | P71.2 | Hypomagneziémia u novorodenca |
| P50.4 | Krvácanie do obehu matky | P71.3 | Novorod.tetania bez nedost.kalcia/magnézia |
| P50.5 | Fetálna strata krvi z prerez.pupoč.druhého dvojčaťa | P71.4 | Prechodná hypoparatyreóza u novorodenca |
| P50.8 | Iná fetálna strata krvi | P71.8 | Iná prech.porucha metabol.vápnika a horčíka u novorod. |
| P50.9 | Fetálna strata krvi, bližšie neurčená | P71.9 | Prechodná porucha metabol.vápnika a horčíka u novorod.,b.n. |
| P51.0 | Masívne krvácanie z pupočníka novorodenca | P72.0 | Struma u novorodenca,nezatriedená inde |
| P51.8 | Iné krvácanie z pupočníka novorodenca | P72.1 | Prechodná hypertyreóza u novorodenca |
| P51.9 | Krvácanie z pupočníka novorodenca,bližšie neurčené | P72.2 | Iná prech.porucha funkcie štítnej žľazy u novorod.,n.i. |
| P52.0 | Vnútrokomorové(neúraz.)krvác.plodu a novorod.1.st. | P72.8 | Iná prechod.endokrinná porucha u novorod.,b.u. |
| P52.1 | Vnútrokomorové(neúraz.)krvác.plodu a novorod.2.st. | P72.9 | Prech.endokrinná por.u novorod.,b.n. |
| P52.2 | Vnútrokomorové(neúraz.)krvác.plodu a novorod.3.st. | P74.0 | Neskorá metabolická acidóza u novorodenca |
| P52.3 | Vnútrokomorové(neúraz.)krvác.plodu a novorod.,b.n. | P74.1 | Dehydratácia u novorodenca |
| P52.4 | Mozgové (neúrazové) krvácanie plodu a novorodenca | P74.2 | Porucha rovnováhy sodíka u novorodenca |
| P52.5 | Subarachnoidálne (neúraz.)krvác.plodu a novorod. | P74.3 | Porucha rovnováhy draslíka u novorodenca |
| P52.6 | Mozočkové(neúraz.)krvác. a krvác.do zad.jamy plodu a nov. | P74.4 | Iná prechodná elektrolytová porucha u novorodenca |
| P52.8 | Iné vnútrolebkové (neúraz.)krvác.plodu a novorod. | P74.5 | Prechodná tyrozinémia u novorodenca |
| P52.9 | Vnútrolebkové (neúraz.)krvác.plodu a novorod.,b.n. | P74.8 | Iná prechodná metabolická porucha u novorodenca |
| P53 | Hemoragická choroba plodu a novorodenca | P74.9 | Prechodná metabol.porucha u novorod.,b.n. |
| P54.0 | Hemateméza u novorodenca | P75 | Choroby tráviacej sústavy plodu a novorodenca |

| Kód | Popis | Kód | Popis |
|-------|--|--------|---|
| P76.0 | Syndróm mekóniovej zátky | P91.80 | Locked-in syndróm a apalický syndróm novorodenca |
| P76.1 | Prechodný ileus u novorodenca | P91.88 | Iná porucha mozgovej funkcie novorod.,b.u. |
| P76.2 | Črevná nepriechod.zaprič.zahusteným mliekom | P91.9 | Mozgová porucha u novorodenca,blížšie neurčená |
| P76.8 | Iná črevná nepriechod.u novorod.,b.u. | P92.0 | Vracanie u novorodenca |
| P76.9 | Črevná nepriechod.u novorod.,b.n. | P92.1 | Regurgitácia a ruminácia u novorodenca |
| P77 | Nekrotizujúca enterokolitída plodu a novorodenca | P92.2 | Pomalý príjem potravy u novorodenca |
| P78.0 | Perinatálna perforácia čreva | P92.3 | Podvýživa (znížený príjem potravy) u novorodenca |
| P78.1 | Iná novorodenecká peritonitída | P92.4 | Nadmerná výživa u novorodenca |
| P78.2 | Novorod.hemateméza a meléna zapr.prehlt.mater.krvi | P92.5 | Problém s dojčením u novorodenca |
| P78.3 | Neinfekčná novorodenecká hnačka | P92.8 | Iný problém s výživou (kŕmením) u novorodenca |
| P78.8 | Iná perinatálna porucha tráviacej sústavy,b.u. | P92.9 | Prob.s výživou u novorod.,b.n. |
| P78.9 | Perinatálna porucha tráviaceho systému,b.n. | P93 | Reakcia na lieky a intox.liekmí podanými plodu a novorod. |
| P80.0 | Syndróm poškodenia chladom (podchladenia) u novorod. | P94.0 | Prechodná myasthenia gravis u novorodenca |
| P80.8 | Iná hypotermia u novorodenca | P94.1 | Vrodená svalová hypertónia |
| P80.9 | Hypotermia u novorodenca, bližšie neurčená | P94.2 | Vrodená svalová hypotónia |
| P81.0 | Hypertermia u novorodenca z prehriateho prostredia | P94.8 | Iná porucha svalového tonusu u novorodenca |
| P81.8 | Iná porucha regulácie telesnej teploty u novorod.,b.u. | P94.9 | Porucha svalového tonusu u novorod.,b.n. |
| P81.9 | Porucha regulácie telesnej teploty u novorod.,b.n. | P95 | Smrť plodu z bližšie neurčenej príčiny |
| P83.0 | Sclerema neonatorum | P96.0 | Vrodené zlyhávanie obličiek |
| P83.1 | Novorodenecký toxický erytém | P96.1 | Abstin.synd.u novorod.matky užív.návyk.látky a drogy |
| P83.2 | Hydrops plodu, nezapríčinený hemolytickou chorobou | P96.2 | Abstin.synd.novorod.pri lieč.podávaní liečiv |
| P83.3 | Iný opuch špecifický pre plod a novorod.,b.n. | P96.3 | Široké lebkové švy u novorodenca |
| P83.4 | Zdurenie prsných žliaz u novorodenca | P96.4 | Ukončenie gravidity ako príč.pošk.plodu a novorod. |
| P83.5 | Kongenitálna hydrokéla | P96.5 | Kompl.vnútromat.výkon,nez.i.,ako príč.pat.stav.plodu a nov. |
| P83.6 | Pupkový polyp u novorodenca | Q86.0 | Alkoholový syndróm plodu (dysmorfický) |
| P83.8 | Iná choroba kože špecifická pre plod a novorod.,b.u. | Z38.0 | Jedno dieťa, narodené v nemocnici |
| P83.9 | Porucha kože špecifická pre plod a novorod.,b.n. | Z38.1 | Jedno dieťa, narodené mimo nemocnice |
| P90 | Kŕče [konvulzie] u novorodenca | Z38.2 | Jedno dieťa, miesto narodenia bližšie neurčené |
| P91.0 | Mozgová ischémia u novorodenca | Z38.3 | Dvojčatá, narodené v nemocnici |
| P91.1 | Získaná periventriculárna cysta u novorodenca | Z38.4 | Dvojčatá, narodené mimo nemocnice |
| P91.2 | Mozgová leukomalácia u novorodenca | Z38.5 | Dvojčatá, miesto narodenia bližšie neurčené |
| P91.3 | Mozgová dráždivosť novorodencov | Z38.6 | Deti z i.viacnásobnej gravid.,narodené v nemocnici |
| P91.4 | Mozgový útlm novorodencov | Z38.7 | Deti z i.viacnásobnej gravid.narodené mimo nemocnice |
| P91.5 | Kóma u novorodenca | Z38.8 | Deti z i.viacnásobnej gravid.,b.n.miesto narodenia |
| P91.6 | Hypoxicko-ischemická encefalopatia u novorodenca | | |

D.4b Konflikt s vekom: Malé dieťa

| Kód | Popis | Kód | Popis |
|------------|---|------------|---|
| Q89.4 | Spojené (zrastené) dvojčatá | R95.0 | Syndróm náhlej smrti dojčatá [SIDS] so zmienkou o pitve |
| R06.80 | Akútna život ohrozujúca príhoda v dojčenskom veku | R95.9 | Syndróm náhlej smrti dojčatá [SIDS] bez zmienky o pitve |

D.4b

D.4c Konflikt s vekom: Die a

| Kód | Popis | Kód | Popis |
|-------|-------------------|-------|---|
| E30.1 | Predčasná puberta | R68.1 | Nešpecifické priz.charakter.pre dojčenský vek |

D.4d Konflikt s vekom: Deti a dorast

| Kód | Popis | Kód | Popis |
|--------|--|--------|--|
| E55.0 | Aktívna rachitída | M09.03 | Juven.artritída pri psoriáze,s postih.kĺb.predlak. |
| G93.7 | Reyeov syndróm | M09.04 | Juven.artritída pri psoriáze,s postih.kĺb.ruky |
| L21.1 | Seboroická dermatitída detského veku | M09.05 | Juven.artritída pri psoriáze,s postih.kĺb.panvy a stehna |
| M08.00 | Juvenilná reumatoid.artritída dospelých na viac.m. | M09.06 | Juven.artritída pri psoriáze,s postih.kĺb.predkol. |
| M08.01 | Juvenilná reumatoid.artritída dospelých v obl.pleca | M09.07 | Juven.artritída pri psoriáze,s postih.kĺb.čl.a nohy |
| M08.02 | Juvenilná reumatoid.artritída dospelých v obl.nadlaktia | M09.08 | Juven.artritída pri psoriáze,s postih.kĺb.na i.mieste |
| M08.03 | Juvenilná reumatoid.artritída dospelých v obl.predlak. | M09.09 | Juven.artritída pri psoriáze,s postih.kĺb.na n.mieste |
| M08.04 | Juvenilná reumatoid.artritída dospelých v obl.ruky | M09.10 | Juven.artritída pri Crohn.chor.,s postih.kĺb.na viac.m. |
| M08.05 | Juvenilná reumatoid.artritída dospelých v obl.panvy a stehna | M09.11 | Juven.artritída pri Crohn.chor.,s postih.kĺb.v obl.pleca |
| M08.06 | Juvenilná reumatoid.artritída dospelých v obl.predkol. | M09.12 | Juven.artritída pri Crohn.chor.,s postih.kĺb.nadlaktia |
| M08.07 | Juvenilná reumatoid.artritída dospelých v obl.čl.a nohy | M09.13 | Juven.artritída pri Crohn.chor.,s postih.kĺb.predlak. |
| M08.08 | Juvenilná reumatoid.artritída dospelých na i.mieste | M09.14 | Juven.artritída pri Crohn.chor.,s postih.kĺb.ruky |
| M08.09 | Juvenilná reumatoid.artritída dospelých,miesto bliž.neurč. | M09.15 | Juven.artritída pri Crohn.chor.,s postih.kĺb.panvy a stehna |
| M08.10 | Juven.ankylozujúca spondylitída na viac.miestach | M09.16 | Juven.artritída pri Crohn.chor.,s postih.kĺb.predkol. |
| M08.11 | Juven.ankylozujúca spondylitída v obl.pleca | M09.17 | Juven.artritída pri Crohn.chor.,s postih.kĺb.čl.a nohy |
| M08.12 | Juven.ankylozujúca spondylitída nadlaktia | M09.18 | Juven.artritída pri Crohn.chor.,s postih.kĺb.na i.mieste |
| M08.13 | Juven.ankylozujúca spondylitída predlak. | M09.19 | Juven.artritída pri Crohn.chor.,s postih.kĺb.na n.mieste |
| M08.14 | Juven.ankylozujúca spondylitída ruky | M09.20 | Juven.artritída pri ulcer.kolitíde,s postih.kĺb.na viac.m. |
| M08.15 | Juven.ankylozujúca spondylitída panv.obl.a stehna | M09.21 | Juven.artritída pri ulcer.kolitíde,s postih.kĺb.v obl.pleca |
| M08.16 | Juven.ankylozujúca spondylitída predkol. | M09.22 | Juven.artritída pri ulcer.kolitíde,s postih.kĺb.nadlaktia |
| M08.17 | Juven.ankylozujúca spondylitída čl.a nohy | M09.23 | Juven.artritída pri ulcer.kolitíde,s postih.kĺb.predlak. |
| M08.18 | Juven.ankylozujúca spondylitída na i.mieste | M09.24 | Juven.artritída pri ulcer.kolitíde,s postih.kĺb.ruky |
| M08.19 | Juven.ankylozujúca spondylitída na n.mieste | M09.25 | Juven.artritída pri ulcer.kolit.,s post.kĺb.panvy a stehna |
| M08.20 | Juven.chron.artritída so systém.začiat.,na v.miast. | M09.26 | Juven.artritída pri ulcer.kolitíde,s postih.kĺb.predkol. |
| M08.21 | Juven.chron.artritída so systém.začiat.,v obl.pleca | M09.27 | Juven.artritída pri ulcer.kolitíde,s postih.kĺb.čl. a nohy |
| M08.22 | Juven.chron.artritída so systém.začiat.,v o.nadlaktia | M09.28 | Juven.artritída pri ulcer.kolitíde,s postih.kĺb.na i.mieste |
| M08.23 | Juven.chron.artritída so systém.začiat.,v o.predlak. | M09.29 | Juven.artritída pri ulcer.kolitíde,s postih.kĺb.na n.mieste |
| M08.24 | Juven.chron.artritída so systém.začiat.,v o.ruky | M09.80 | Juven.artritída pri i.chor.zatr.i.s postih.kĺb.na viac.m. |
| M08.25 | Juven.chron.artritída so systém.začiat.,v o.panvy a stehna | M09.81 | Juven.artritída pri i.chor.zatr.i.s postih.kĺb.v obl.pleca |
| M08.26 | Juven.chron.artritída so systém.začiat.,v o.predkol. | M09.82 | Juven.artritída pri i.chor.zatr.i.s postih.kĺb.nadlaktia |
| M08.27 | Juven.chron.artritída so systém.začiat.,v o.čl.a nohy | M09.83 | Juven.artritída pri i.chor.zatr.i.s postih.kĺb.predlak. |
| M08.28 | Juven.chron.artritída so systém.začiat.,na i.mieste | M09.84 | Juven.artritída pri i.chor.zatr.i.s postih.kĺb.ruky |
| M08.29 | Juven.chron.artritída so systém.začiat.,na n.mieste | M09.85 | Juven.artritída pri i.chor.zatr.i.s postih.kĺb.panvy a stehna |
| M08.3 | Juven.chron.artritída (séronegatívna),polyartikulárna forma | M09.86 | Juven.artritída pri i.chor.zatr.i.s postih.kĺb.predkol. |
| M08.40 | Juven.chron.artritída,oligoart.forma,s postih.na viac.m. | M09.87 | Juven.artritída pri i.chor.zatr.i.s postih.kĺb.čl.a nohy |
| M08.41 | Juven.chron.artritída,oligoart.forma,s postih.v obl.pleca | M09.88 | Juven.artritída pri i.chor.zatr.i.s postih.kĺb.na i.mieste |
| M08.42 | Juven.chron.artritída,oligoart.forma,s postih.nadlaktia | M09.89 | Juven.artritída pri i.chor.zatr.i.s postih.kĺb.,m.bliž.neurč. |
| M08.43 | Juven.chron.artritída,oligoart.forma,s postih.predlak. | M30.2 | Juvenilná polyarteritída |
| M08.44 | Juven.chron.artritída,oligoart.forma,s postih.ruky | M33.0 | Juvenilná dermatomyozitída |
| M08.45 | Juven.chron.artritída,oligoart.forma,s postih.pan.a stehna | M41.10 | Juvenilná idiopat.skolióza na viac.m.chrbtice |
| M08.46 | Juven.chron.artritída,oligoart.forma,s postih.predkol. | M41.11 | Juvenilná idiopat.skolióza okcip.-atlanto.-axiál.oblasti |
| M08.47 | Juven.chron.artritída,oligoart.forma,s postih.čl.a nohy | M41.12 | Juvenilná idiopat.skolióza krčnej oblasti |
| M08.48 | Juven.chron.artritída,oligoart.forma,s postih.na i.mieste | M41.13 | Juvenilná idiopat.skolióza krčnohrudnej oblasti |
| M08.49 | Juven.chron.artritída,oligoart.forma,s postih.na n.mieste | M41.14 | Juvenilná idiopat.skolióza hrudníkovej oblasti |
| M08.80 | Iná juvenilná artritída na viacerých miestach | M41.15 | Juvenilná idiopat.skolióza hrudníkovodriekovej oblasti |
| M08.81 | Iná juvenilná artritída v obl.pleca | M41.16 | Juvenilná idiopat.skolióza driekovej oblasti |
| M08.82 | Iná juvenilná artritída nadlaktia | M41.17 | Juvenilná idiopat.skolióza driekovokrížovej oblasti |
| M08.83 | Iná juvenilná artritída predlak. | M41.18 | Juvenilná idiopat.skolióza krížovej a krížovokostrč.oblasti |
| M08.84 | Iná juvenilná artritída ruky | M41.19 | Juvenilná idiopat.skolióza:oblasť bliž.neurč. |
| M08.85 | Iná juvenilná artritída panv.obl.a stehna | M42.00 | Juvenilna osteochondróza chrbtice na viac.m. |
| M08.86 | Iná juvenilná artritída predkol. | M42.01 | Juvenilna osteochondróza chrbtice v okcip.-atlanto.-axiál.obl. |
| M08.87 | Iná juvenilná artritída čl.a nohy | M42.02 | Juvenilná osteochondróza chrbtice v krčnej oblasti |
| M08.88 | Iná juvenilná artritída na i.mieste | M42.03 | Juvenilná osteochondróza chrbtice v krčnohrudníkovej obl. |
| M08.89 | Iná juvenilná artritída,miesto bližšie neurčené | M42.04 | Juvenilná osteochondróza chrbtice v hrudníkovej obl. |
| M08.90 | Juven.artritída,bliž.neurč.na viac.m. | M42.05 | Juvenilná osteochondróza chrbtice v hrudník-driekovej obl. |
| M08.91 | Juven.artritída,bliž.neurč.v obl.pleca | M42.06 | Juvenilná osteochondróza chrbtice v driekovej obl. |
| M08.92 | Juven.artritída,bliž.neurč.v obl.nadlaktia | M42.07 | Juvenilná osteochondróza chrbtice v driek.-krížovej obl. |
| M08.93 | Juven.artritída,bliž.neurč.v obl.predlak. | M42.08 | Juvenilná osteochondróza chrbt.v kríž.a krížovokostrč.obl. |
| M08.94 | Juven.artritída,bliž.neurč.v obl.ruky | M42.09 | Juvenilná osteochondróza chrbtice:oblasť bliž.neurč. |
| M08.95 | Juven.artritída,bliž.neurč.panv.obl.a stehna | M89.10 | Zastavenie rastu v epifýze,na viacerých miestach |
| M08.96 | Juven.artritída,bliž.neurč.v obl.predkol. | M89.11 | Zastavenie rastu v epifýze,v obl.pleca |
| M08.97 | Juven.artritída,bliž.neurč.v obl.čl.a nohy | M89.12 | Zastavenie rastu v epifýze,v obl.nadlaktia |
| M08.98 | Juven.artritída,bliž.neurč.na i.mieste | M89.13 | Zastavenie rastu v epifýze,v obl.predlak. |
| M08.99 | Juven.artritída,bliž.neurč.,miesto bliž.neurč. | M89.14 | Zastavenie rastu v epifýze,v obl.ruky |
| M09.00 | Juven.artritída pri psoriáze,s postih.kĺb.na viac.m. | M89.15 | Zastavenie rastu v epifýze,v obl.panv.a stehna |
| M09.01 | Juven.artritída pri psoriáze,s postih.kĺb.v obl.pleca | M89.16 | Zastavenie rastu v epifýze,v obl.predkol. |
| M09.02 | Juven.artritída pri psoriáze,s postih.kĺb.nadlaktia | M89.17 | Zastavenie rastu v epifýze,v obl.čl.a nohy |

| Kód | Popis | Kód | Popis |
|--------|---|-------|--|
| M89.18 | Zastavenie rastu v epifýze, na i. mieste | M91.8 | Iná juvenilná osteochondróza bedra a panvy |
| M89.19 | Zastavenie rastu v epifýze, miesto bliž. neurč. | M91.9 | Juvenilná osteochond. bedra a panvy, b.n. |
| M89.20 | Iné poruchy vývinu a rastu kosti na viac.m. | M92.0 | Juvenilná osteochondróza ramennej kosti |
| M89.21 | Iné poruchy vývinu a rastu kosti v obl.pleca | M92.1 | Juvenilná osteochondróza vretennej a lakt'ovej kosti |
| M89.22 | Iné poruchy vývinu a rastu kosti nadlaktia | M92.2 | Juvenilná osteochondróza ruky |
| M89.23 | Iné poruchy vývinu a rastu kosti predlak. | M92.3 | Iná juvenilná osteochondróza hornej končatiny |
| M89.24 | Iné poruchy vývinu a rastu kosti ruky | M92.4 | Juvenilná osteochondróza pately |
| M89.25 | Iné poruchy vývinu a rastu kosti panv.obl.a stehna | M92.5 | Juvenilná osteochondróza píštalý a ihlice |
| M89.26 | Iné poruchy vývinu a rastu kosti predkol. | M92.6 | Juvenilná osteochondróza priehlavku |
| M89.27 | Iné poruchy vývinu a rastu kosti čl.a nohy | M92.7 | Juvenilná osteochondróza predpriehlavku (metatarzu) |
| M89.28 | Iné poruchy vývinu a rastu kosti na i. mieste | M92.8 | Iná juvenilná osteochondróza, bližšie určená |
| M89.29 | Iné poruchy vývinu a rastu kosti, miesto bliž. neurč. | M92.9 | Juvenilná osteochondróza, bližšie neurčená |
| M91.0 | Juvenilná osteochondróza panvy | R62.0 | Oneskorené dosiahnutie očakáv. stupňa.fyziol.vývinu |
| M91.1 | Juvenilná osteochond.hlavice steh.kosti | R62.8 | Iné zaostávanie v očakávanom fyziologickom vývine |
| M91.2 | Coxa plana | R62.9 | Zaostávanie v očakávanom normálnom fyziol.vývine, b.n. |
| M91.3 | Pseudokoxalgia | | |

D.4e Konflikt s vekom: Post-neonatal

| Kód | Popis | Kód | Popis |
|--------|---|--------|---|
| E12.01 | DM spojený s podvýž.:s kómou ,dekomp. | E14.60 | DM,bliž.neu.:s i.bliž.ur.kompl.,kompenz. |
| E12.11 | DM spojený s podvýž.:s ketoacidózou,dekomp. | E14.61 | DM,bliž.neu.:s i.bliž.ur.kompl.,dekomp. |
| E12.20 | DM spojený s podvýž.:s obličk.kompl.,kompenz. | E14.72 | DM,bliž.neu.:s i.mnohopočet.kompl.,kompenz. |
| E12.21 | DM spojený s podvýž.:s obličk.kompl.,dekomp. | E14.73 | DM,bliž.neu.:s mnohopočet.kompl.,dekomp. |
| E12.30 | DM spojený s podvýž.:s očnými kompl.,kompenz. | E14.74 | DM,bliž.neu.:s mnohop.kompl.,so synd.diab.nohy,kompenz. |
| E12.31 | DM spojený s podvýž.:s očnými kompl.,dekomp. | E14.75 | DM,bliž.neu.:s mnohop.kompl.,so synd.diab.nohy,dekomp. |
| E12.40 | DM spojený s podvýž.:s nervovými kompl.,kompenz. | E14.80 | DM,bliž.neu.:s bliž.neu.kompl.,kompenz. |
| E12.41 | DM spojený s podvýž.:s nervovými kompl.,dekomp. | E14.81 | DM,bliž.neu.:s bliž.neu.kompl.,dekomp. |
| E12.50 | DM spojený s podvýž.:s perif.ciev. kompl.,kompenz. | E14.90 | DM,bliž.neu.:bez kompl.,kompenz. |
| E12.51 | DM spojený s podvýž.:s perif.ciev. kompl.,dekomp. | E14.91 | DM,bliž.neu.:bez kompl.,dekomp. |
| E12.60 | DM spojený s podvýž.:s i.b.u.kompl.,kompenz. | E56.1 | Nedostatok vitamínu K |
| E12.61 | DM spojený s podvýž.:s i.b.u.kompl.,dekomp. | E63.0 | Nedostatok esenciálnych mastných kyselín |
| E12.72 | DM spojený s podvýž.:s viac.kompl.,kompenz. | E63.1 | Nedost.vo výžive v dôsl.nerov. v zložení potravy |
| E12.73 | DM spojený s podvýž.:s viac.kompl.,dekomp. | E63.8 | Iný nedostatok vo výžive,bližšie určený |
| E12.74 | DM spo.s pod.:s viac.kompl.,so synd.diab.nohy,kompenz. | E63.9 | Nedostatok vo výžive,bližšie neurčený |
| E12.75 | DM spo.s pod.:s viac.kompl.,so synd.diab.nohy,dekomp. | E64.0 | Následky proteínovo-energetickej podvýživy |
| E12.80 | DM spojený s podvýž.:s bliž.neu.kompl.,kompenz. | E64.1 | Následky nedostatku vitamínu A |
| E12.81 | DM spojený s podvýž.:s bliž.neu.kompl.,dekomp. | E64.2 | Následky nedostatku vitamínu C |
| E12.90 | DM spojený s podvýž.:bez kompl.,kompenz. | E64.3 | Následky rachitídy |
| E12.91 | DM spojený s podvýž.:bez kompl.,dekomp. | E64.8 | Následky iných nedostatkov vo výžive |
| E13.01 | Iný DM,bliž.ur.:s kómou,dekomp. | E64.9 | Následky bližšie neurčených nedostatkov vo výžive |
| E13.11 | Iný DM,bliž.ur.:s ketoacidózou,dekomp. | E65 | Lokalizovaná obezita |
| E13.20 | Iný DM,bliž.ur.:s obličk.kompl.,kompez. | E66.00 | Obezita zapr.nadm.ener.prij.,BMI:od 30 do men.ako 35 |
| E13.21 | Iný DM,bliž.ur.:s obličk.kompl.,dekomp. | E66.01 | Obezita zapr.nadm.ener.prij.,BMI:od 35 do men.ako 40 |
| E13.30 | Iný DM,bliž.ur.:s očnými kompl.,kompenz. | E66.02 | Obezita zapr.nadm.ener.prij.,BMI:40 a viac |
| E13.31 | Iný DM,bliž.ur.:s očnými kompl.,dekomp. | E66.09 | Obezita zapr.nadm.ener.prij.,BMI:neurčený |
| E13.40 | Iný DM,bliž.ur.:s nervovými kompl.,kompenz. | E66.10 | Obezita zapr.liek.,BMI:od 30 do men.ako 35 |
| E13.41 | Iný DM,bliž.ur.:s nervovými kompl.,dekomp. | E66.11 | Obezita zapr.liek.,BMI:od 35 do men.ako 40 |
| E13.50 | Iný DM,bliž.ur.:s perif.cievnyimi kompl.,kompenz. | E66.12 | Obezita zapríčinená liekmi,BMI:40 a viac |
| E13.51 | Iný DM,bliž.ur.:s perif.cievnyimi kompl.,dekomp. | E66.19 | Obezita zapríčinená liekmi,BMI:neurčený |
| E13.60 | Iný DM,bliž.ur.:s i.bliž.ur.kompl.,kompenz. | E66.20 | Extr.obezita s alveol.hypovent.,BMI:od 30 do men.ako 35 |
| E13.61 | Iný DM,bliž.ur.:s i.bliž.ur.kompl.,dekomp. | E66.21 | Extr.obezita s alveol.hypovent.,BMI:od 35 do men.ako 40 |
| E13.72 | Iný DM,bliž.ur.:s i.mnohopočet.kompl.,kompenz. | E66.22 | Extr.obezita s alveol.hypovent.,BMI:40 a viac |
| E13.73 | Iný DM,bliž.ur.:s i.mnohopočet.kompl.,dekomp. | E66.29 | Extr.obezita s alveol.hypovent.,BMI:,b.n. |
| E13.74 | Iný DM,bliž.ur.:s mnohop.kompl.,so synd.diab.nohy,kompenz. | E66.80 | Iná obezita,BMI:od 30 do menej ako 35 |
| E13.75 | Iný DM,bliž.ur.:s mnohop.kompl.,so synd.diabet.nohy,dekomp. | E66.81 | Iná obezita,BMI:od 35 do menej ako 40 |
| E13.80 | Iný DM,bliž.ur.:s bliž.neurč.kompl.,kompenz. | E66.82 | Iná obezita,BMI:40 a viac |
| E13.81 | Iný DM,bliž.ur.:s bliž.neurč.kompl.,dekomp. | E66.89 | Iná obezita,BMI:neurčený |
| E13.90 | Iný DM,bližšie určený:bez kompl.,kompenz. | E66.90 | Obezita,bliž.neu.,BMI:od 30 do men.ako 35 |
| E13.91 | Iný DM,bližšie určený:bez kompl.,dekomp. | E66.91 | Obezita,bliž.neu.,BMI:od 35 do men.ako 40 |
| E14.01 | DM,bliž.neu.:s kómou,dekomp. | E66.92 | Obezita,bližšie neurčená, BMI:40 a viac |
| E14.11 | DM,bliž.neu.:s ketoacidózou,dekomp. | E66.99 | Obezita,bližšie neurčená, BMI:neurčený |
| E14.20 | DM,bliž.neu.:s obličk.kompl.,kompenz. | E67.0 | Hypervitaminóza A |
| E14.21 | DM,bliž.neu.:s obličk.kompl.,dekomp. | E67.1 | Hyperkarotenémia |
| E14.30 | DM,bliž.neu.:s očnými kompl.,kompenz. | E67.2 | Syndróm nadbytku vitamínu B6 |
| E14.31 | DM,bliž.neu.:s očnými kompl.,dekomp. | E67.3 | Hypervitaminóza D |
| E14.40 | DM,bliž.neu.:s nervovými kompl.,kompenz. | E67.8 | Iná bližšie určená nadmerná výživa |
| E14.41 | DM,bliž.neu.:s nervovými kompl.,dekomp. | E68 | Následok nadmernej výživy |
| E14.50 | DM,bliž.neu.:s perif.ciev.kompl.,kompenz. | K92.1 | Meléna |
| E14.51 | DM,bliž.neu.:s perif.ciev.kompl.,dekomp. | | |

D.4f Konflikt s vekom: Starý ako doja

| Kód | Popis | Kód | Popis |
|--------|---|--------|--|
| A50.3 | Neskorá vrodená syfilitická okulopatia | I26.0 | Pľúcna embólia s prejavmi akútneho cor pulmonale |
| A50.4 | Neskorý vrodenný neurosyfilis [Juvenilný neurosyfilis] | I27.0 | Primárna pľúcna hypertenzia |
| A50.5 | Iný neskorý vrodenný syfilis, symptomatický | I27.1 | Srdcová choroba pri kyfoskolióze |
| A50.6 | Neskorý vrodenný syfilis, latentný | J37.0 | Chronický zápal hrtana |
| A50.7 | Neskorý vrodenný syfilis, bližšie neurčený | J37.1 | Chronický zápal hrtana a priedušnice |
| B94.0 | Následky trachómu | J41.0 | Jednoduchá chronická bronchitída |
| B94.1 | Následky vírusovej encefalitídy | J41.1 | Hlienovohnisová chronická bronchitída |
| B94.2 | Následky vírusovej hepatitídy | J41.8 | Zmiešaná jednod. a hlienovohnis. chron. bronchitída |
| B94.8 | Následky iných, bliž. urč. infekčných a parazitových chorôb | J42 | Chronická bronchitída, bližšie neurčená |
| B94.9 | Následky bliž. neurč. infekčných/parazitových chorôb | J43.0 | MacLeodov syndróm |
| F80.0 | Špecifická porucha artikulácie | J43.1 | Panlobulárny emfyzém |
| F80.1 | Expresívna porucha reči | J43.2 | Centrilobulárny emfyzém |
| F80.20 | Porucha sluchového vnímania a spracovania | J44.00 | CHOCHP s akútnou infek. dolných DC, FEV1 < 35 % pris. hodn. |
| F80.28 | Iná perceptívna porucha reči | J44.01 | CHOCHP s ak. infek. dolných DC, FEV1 >= 35 < 50 % pris. h. |
| F80.3 | Získaná afázia s epilepsiou (Landauov-Kleffnerov syndróm) | J44.02 | CHOCHP s ak. infek. dol. DC, FEV1 >= 50 % a < 70 % pris. hodn. |
| F80.8 | Iná vývinová porucha reči a jazyka | J44.03 | CHOCHP s ak. infek. dolných DC, FEV1 >= 70 % pris. hodn. |
| F80.9 | Vývinová porucha reči a jazyka, bližšie neurčená | J44.09 | CHOCHP s akútnou infek. dolných DC, hodn. FEV1 bliž. neurč. |
| F81.0 | Špecifická porucha čítania | J44.10 | CHOCHP s akút. exacer. chor. bliž. neurč. FEV1 < 35 % pris. hodn. |
| F81.1 | Špecifická porucha hláskovania | J44.11 | CHOCHP s ak. exacer. chor. bl. neu. FEV1 >= 35% a < 50 % pris. h. |
| F81.2 | Špecifická porucha aritmetických schopností | J44.12 | CHOCHP s ak. exacer. chor. bl. neu. FEV1 >= 50 % a < 70 % pris. h. |
| F81.3 | Zmiešaná porucha školských zručností | J44.13 | CHOCHP s ak. exacer. chor. bliž. neurč. FEV1 >= 70 % prísluš. h. |
| F81.8 | Iná vývinová porucha školských zručností | J44.19 | CHOCHP s ak. exacer. chor. bliž. neurč., hodnota FEV1 b. n. |
| F81.9 | Vývinová porucha školských zručností, b. n. | J44.80 | Iná CHOCHP, bliž. urč. FEV1 < 35 % pris. hodnoty |
| F82.0 | Špecifická porucha vývinu hrubej motoriky | J44.81 | Iná CHOCHP, bliž. urč. FEV1 >= 35 % a < 50 % pris. hodnoty |
| F82.1 | Špecifická porucha vývinu jemnej motoriky a grafomotoriky | J44.82 | Iná CHOCHP, bliž. urč. FEV1 >= 50 % a < 70 % pris. hodnoty |
| F82.2 | Špecifická porucha vývinu ústnej motoriky | J44.83 | Iná CHOCHP, bliž. urč. FEV1 >= 70 % pris. hodnoty |
| F82.9 | Špecifická porucha vývinu motorických funkcií, b. n. | J44.89 | Iná CHOCHP, bliž. urč. hodnota FEV1 bliž. neurč. |
| F83 | Zmiešaná špecifická vývinová porucha | K00.0 | Anodoncia |
| F88 | Iná porucha psychického vývinu | K00.1 | Nadpočetné zuby |
| F89 | Porucha psychického vývinu, bližšie neurčená | K00.2 | Abnormalita veľkosti a tvaru zubov |
| H40.00 | Očná hypertenzia | K00.3 | Škvrité zuby |
| H40.01 | Očná hypertenzia pri otvorenom uhle | K00.4 | Porucha tvorby zubov |
| H40.02 | Očná hypertenzia pri úzkom, okludabilnom uhle | K00.5 | Dedičná porucha zubnej štruktúry, nezatriedená inde |
| H40.03 | Očná hypertenzia pri syndróme disperzie pigmentu | K00.6 | Porucha prerezávania zubov |
| H40.04 | Očná hypertenzia pri exfoliatívnom syndróme | K00.8 | Iná porucha zubného vývinu |
| H40.09 | Podozrenie na glaukóm | K00.9 | Porucha zubného vývinu, bližšie neurčená |
| H40.10 | Primárny juvenilný glaukóm s neskorým nástupom | K01.0 | Neprezerané zuby |
| H40.19 | Primárny glaukóm s otvoreným uhlom | K01.1 | Vrastené zuby |
| H40.2 | Primárny glaukóm so zatvoreným uhlom | K02.0 | Kaz ohraničený na sklovinu |
| H40.3 | Sekundárny glaukóm po poranení oka | K02.1 | Kaz dentínu |
| H40.4 | Sekundárny glaukóm po zápale oka | K02.2 | Kaz cementu |
| H40.5 | Sekundárny glaukóm pri iných chorobách | K02.3 | Zastavený zubný kaz |
| H40.60 | Sekundárny glaukóm zapríčinený liekmi steroidami | K02.4 | Odontoklázia |
| H40.61 | Sekundárny glaukóm zapríčinený liekmi antiparkinsonikami | K02.5 | Zubný kaz s obnažením drene |
| H40.62 | Sekundárny glaukóm zapríčinený liekmi antipsychotikami | K02.8 | Iný zubný kaz |
| H40.63 | Sekundárny glaukóm zapríčinený liekmi antikonvulzívami | K02.9 | Zubný kaz, bližšie neurčený |
| H40.64 | Sekundárny glaukóm zapríčinený liekmi antidepressívami | K03.0 | Nadmerné obrusovanie zubov |
| H40.65 | Sekundárny glaukóm zapríčinený liekmi benzodiazepínmi | K03.1 | Abrázia zubov |
| H40.66 | Sekundárny glaukóm zapríčinený liekmi, iné | K03.2 | Erózia zubov |
| H40.69 | Sekundárny glaukóm zapríčinený liekmi | K03.3 | Patologická resorpcia zubov |
| H40.70 | Sekundárny glaukóm pigmentový | K03.4 | Hypercementóza |
| H40.71 | Sekundárny glaukóm exfoliatívny | K03.5 | Ankylóza zubov |
| H40.79 | Špecifický sekundárny glaukóm | K03.6 | Usadeniny [povlaky] na zuboch |
| H40.80 | Glaukóm indukovaný šošovkou | K03.7 | Farebné zmeny tvrdých zubných tkanív po prerezaní zubov |
| H40.81 | Glaukóm spojený s chirurgiou oka | K03.8 | Iné choroby tvrdých tkanív zubov, bližšie určené |
| H40.82 | Glaukóm spojený s vnútroočnou hemorágiou | K03.9 | Choroby tvrdých tkanív zubov, bližšie neurčené |
| H40.83 | Glaukóm spojený s vnútroočným tumorom | K04.0 | Zápal zubnej drene |
| H40.84 | Glaukóm spojený so zvýšeným episklerálnym venóznym tlakom | K04.1 | Nekróza zubnej drene |
| H40.89 | Iný glaukóm | K04.2 | Degenerácia zubnej drene |
| H40.9 | Glaukóm, bližšie neurčený | K04.3 | Abnormálna tvorba tvrdého tkaniva v zubnej dreni |
| H42.0 | Glaukóm pri endokrin., nutričných a metabol. chor. z. i. | K04.4 | Akútna apikálna periodontitída dreňového pôvodu |
| H42.8 | Glaukóm pri iných chorobách zatriedených inde | K04.5 | Chronická apikálna periodontitída |
| I09.0 | Reumatická myokarditída | K04.6 | Periapikálny absces s fistulou |
| I09.1 | Reumatická choroba endokardu bliž. neurč. chlopne | K04.7 | Periapikálny absces bez fistuly |
| I09.2 | Chronická reumatická perikarditída | K04.8 | Radikulárna cysta |
| I09.8 | Iná reumatická choroba srdca, bližšie určená | K04.9 | Iná a bliž. neurč. choroba zubnej drene a periapikálnych tkan. |
| I09.9 | Reumatická choroba srdca, bližšie neurčená | K05.0 | Akútny zápal ďasien |

| Kód | Popis | Kód | Popis |
|-------|--|--------|---|
| K05.1 | Chronický zápal ďasien | K07.6 | Choroba temporomandibulárneho kĺbu |
| K05.2 | Akútna parodontitída | K07.8 | Iné dentofaciálne anomálie |
| K05.3 | Chronická parodontitída | K07.9 | Dentofaciálna anomália, bližšie neurčená |
| K05.4 | Parodontóza | K08.0 | Exfoliácia zubov zapríčinená systémovou chorobou |
| K05.5 | Iná choroba parodontu | K08.1 | Strata zubov zapríč. úrazom, extrakci./lokál.chor.parodontu |
| K05.6 | Choroba parodontu, bližšie neurčená | K08.2 | Atrofia bezzubého alveolového hrebeňa |
| K06.0 | Atrofia ďasien | K08.3 | Retinovaný zubný koreň[radix relicta] |
| K06.1 | Hypertrofia ďasien | K08.81 | Patologická zlomenina zuba |
| K06.2 | Pošk. ďasien a bezzubého alveol.hrebeňa, zapr. traumou | K08.88 | Iné choroby zubov a podporných štruktúr, b.u. |
| K06.8 | Iná choroba ďasien a bezzubého alveol.hrebeňa, b.u. | K08.9 | Choroba zubov a podporných štruktúr, b.n. |
| K06.9 | Choroba ďasien a bezzubého alveol.hrebeňa, b.n. | K22.0 | Achalázia kardie |
| K07.0 | Väčšie anomálie veľkosti čelustí | K73.0 | Chronická perzistujúca hepatitída, n.i. |
| K07.1 | Anomálie polohy čelustí oproti lebkovej spodine | K73.1 | Chronická lobulárna hepatitída, nezatriedená inde |
| K07.2 | Anomálie vzájomnej polohy zubných oblúkov | K73.2 | Chronická aktívna hepatitída, nezatriedená inde |
| K07.3 | Anomálie postavenia zubov | K73.8 | Iná chronická hepatitída, nezatriedená inde |
| K07.4 | Chybný zhryz, bližšie neurčený | K73.9 | Chronická hepatitída, bližšie neurčená |
| K07.5 | Dentofaciálne funkčné abnormality | K76.0 | Stukovatenie pečene, nezatriedené inde |

D.4g Konflikt s vekom: Puberta

| Kód | Popis | Kód | Popis |
|-------|-----------------------------------|-------|--------------------------------|
| E30.8 | Iná porucha puberty | M35.2 | Behçetova choroba |
| E30.9 | Porucha puberty, bližšie neurčená | N92.2 | Nadmerná menštruácia v puberte |

D.4g

D.4h Konflikt s vekom: Diagnózy v plodnom veku

| Kód | Popis | Kód | Popis |
|--------|--|-------|---|
| A34 | Tetanus počas gravidity,pôrodu a v šestonedelí | O03.6 | Spont.potrat:komplet./bliž.n.potrat,kompl.oneskor./nadm.krvác. |
| C58 | Zhubný nádor placenty | O03.7 | Spont.potrat:komplet./bliž.neurč.potrat,kompl.embóliou |
| F53.0 | Mierna duševná porucha a por.správ.v šestonedelí,nezat.inde | O03.8 | Spont.potrat:komplet./bliž.neurč.potrat s i.a bliž.neur.kompl. |
| F53.1 | Ťažká duševná porucha a por.správ.v šestonedelí,nezat.inde | O03.9 | Spont.potrat:komplet./bliž.n.eurč.potrat bez kompl. |
| F53.8 | Iná duševná porucha a por.správ.v šestonedelí,nezat.inde | O04.0 | Lek.potrat:nekomplet.potrat,kompl.infek.pohlav.a panv.org. |
| F53.9 | Duševná porucha v šestonedelí,bližšie neurčená | O04.1 | Lek.potrat:nekomplet.potrat,kompl.oneskor./nadmer.krvác. |
| M83.00 | Osteomalácia v šestonedelí na viacerých miestach | O04.2 | Lek.potrat:nekomplet.potrat,komplikovaný embóliou |
| M83.01 | Osteomalácia v šestonedelí v obl.pleca | O04.3 | Lek.potrat:nekomplet.potrat s i.a bliž.neurč.kompl. |
| M83.02 | Osteomalácia v šestonedelí v obl.nadlaktia | O04.4 | Lekársky potrat:nekompletný potrat bez komplikácií |
| M83.03 | Osteomalácia v šestonedelí v obl.predlak. | O04.5 | Lek.potrat:komplet./bliž.neu.potrat,kompl.inf.pohl.a panv.org. |
| M83.04 | Osteomalácia v šestonedelí v obl.ruky | O04.6 | Lek.potrat:komplet./bliž.n.potrat,kompl.oneskor./nadmer.krvác. |
| M83.05 | Osteomalácia v šestonedelí v obl.panv.obl.a stehna | O04.7 | Lek.potrat:komplet./bliž.neurč.potrat,kompl.embóliou |
| M83.06 | Osteomalácia v šestonedelí v obl.predkol. | O04.8 | Lek.potrat:komplet./bliž.neur.potrat s i.a b.n.kompl. |
| M83.07 | Osteomalácia v šestonedelí v obl.čl.a nohy | O04.9 | Lek.potrat:komplet./bliž.neur.potrat bez kompl. |
| M83.08 | Osteomalácia v šestonedelí na i.mieste | O05.0 | Iný potrat:nekomplet.potrat,kompl.inf.pohl.a panv.org. |
| M83.09 | Osteomalácia v šestonedelí,miesto bliž.neurč. | O05.1 | Iný potrat:nekomplet.potrat,kompl.oneskor./nadmer.krvác. |
| N91.0 | Primárna amenorea | O05.2 | Iný potrat:nekomplet.potrat,kompl.embóliou |
| N91.1 | Sekundárna amenorea | O05.3 | Iný potrat:nekomplet.potrat s i.a bliž.neurč.kompl. |
| N91.2 | Amenorea,bližšie neurčená | O05.4 | Iný potrat: nekompletný potrat bez komplikácií |
| N91.3 | Primárna oligomenorea | O05.5 | Iný potrat:komplet./bliž.neu.potrat,kompl.inf.pohl.a panv.org. |
| N91.4 | Sekundárna oligomenorea | O05.6 | Iný potrat:komplet./bliž.n.potrat,kompl.oneskor./nadmer.krvác. |
| N91.5 | Oligomenorea,bližšie neurčená | O05.7 | Iný potrat:komplet./bliž.neurč.potrat,kompl.embóliou |
| N92.0 | Nadmerná/častá menštruácia s pravidelným cyklom | O05.8 | Iný potrat:komplet./bliž.neurč.potrat s i.a b.n.kompl. |
| N92.1 | Nadmerná/častá menštruácia s nepravidelným cyklom | O05.9 | Iný potrat:komplet./bliž.neurč.potrat bez kompl. |
| N92.3 | Ovulačné krvácanie | O06.0 | Potrat,bliž.neurč:nekomplet.potrat,kompl.inf.pohl.a panv.org. |
| N92.4 | Nadmerné krvácanie v premenopauze | O06.1 | Potrat,bliž.neu.:nekomplet.potrat,kompl.oneskor./nadmer.krvác. |
| N92.5 | Iná nepravidelná menštruácia,bližšie určená | O06.2 | Potrat,bliž.neurč:nekomplet.potrat,kompl.embóliou |
| N92.6 | Nepravidelná menštruácia,bližšie neurčená | O06.3 | Potrat,bliž.neurč:nekomplet.potrat s i.a b.n.kompl. |
| N94.0 | Ovulačná bolesť (Mittelschmerz) | O06.4 | Potrat,bliž.neurč:neúplný potrat bez kompl. |
| N94.1 | Dyspareunia | O06.5 | Potrat,bliž.n.:komplet./bliž.n.potrat,kompl.inf.pohl.a panv.org. |
| N94.2 | Vaginizmus | O06.6 | Potrat,bliž.n.:komplet./bli.n.potrat,kompl.oneskor./nadmer.krvác. |
| N94.3 | Predmenštruačný syndróm | O06.7 | Potrat,bliž.neurč:komplet./bliž.neurč.potrat,kompl.embóliou |
| N94.4 | Primárna dysmenorea | O06.8 | Potrat,bliž.neurč:komplet./bliž.neurč.potrat s i.a b.n.kompl. |
| N94.5 | Sekundárna dysmenorea | O06.9 | Potrat,bliž.neurč:komplet./bliž.neurč.potrat bez kompl. |
| N94.6 | Dysmenorea,bližšie neurčená | O07.0 | Neúsp.lek.pokus o potrat,kompl.inf.pohl.a panv.org. |
| N96 | Sklon k habituálnemu potrácaniu | O07.1 | Neúsp.lek.pokus o potrat,kompl.oneskor./nadmer.krvác. |
| N97.0 | Ženská neplodnosť spojená s anovuláciou | O07.2 | Neúsp.lek.pokus o potrat,kompl.embóliou |
| N97.1 | Ženská neplodnosť tubárneho pôvodu | O07.3 | Neúsp.lek.pokus o potrat s i.a bliž.neur.kompl. |
| N97.2 | Ženská neplodnosť maternicového pôvodu | O07.4 | Neúspešný lekársky pokus o potrat bez komplikácií |
| N97.3 | Ženská neplodnosť krčkového pôvodu | O07.5 | Iný a bliž.neu.neúsp.pokus o potrat,kompl.inf.pohl.a panv.org. |
| N97.4 | Ženská neplodnosť spojená s mužskými faktormi | O07.6 | Iný a bliž.neu.neúsp.pokus o potrat,kompl.oneskor./nadm.krvác. |
| N97.8 | Ženská neplodnosť iného pôvodu | O07.7 | Iný a bliž.neurč.neúsp.pokus o potrat,kompl.embóliou |
| N97.9 | Ženská neplodnosť,bližšie neurčená | O07.8 | Iný a bliž.neurč.neúsp.pokus o potrat s i.a b.n.kompl. |
| N98.0 | Infekcia spojená s umelým oplodnením | O07.9 | Iný a bliž.neurč.neúsp.pokus o potrat bez kompl. |
| N98.1 | Hyperstimulácia vaječníkov | O08.0 | Infekcia pohlav.a panv.org.po potrate,mimomat.gr.a gr.s MH |
| N98.2 | Komplikácie pri pokuse zaviesť oplod.vajičko po oplod.in vitro | O08.1 | Onesk./nadm.krvác.po potrat,mimomat.gr.a grav.s malou hydati. |
| N98.3 | Komplikácie pri pokuse zaviesť embryo pri prenose embrya | O08.2 | Embólia po potrate,mimomat.grav.a grav.s molou hydratidosou |
| N98.8 | Iné komplikácie spojené s umelým oplodnením | O08.3 | Šok po potrate,mimomat.grav.a grav.s molou hydratidosou |
| N98.9 | Komplikácie spojené s umelým oplodnením,b.n. | O08.4 | Zlyháv.obličiek po potrate,mimomat.grav.a grav.s mal hydati. |
| O00.0 | Abdominálna gravidita | O08.5 | Metabické poruchy po potrate,mimomat.gr.a gr.s mal hydati. |
| O00.1 | Tubárna gravidita | O08.6 | Pošk.panv.org.a tk.po potrat,mimomat.gr.a grav.s malou hydati. |
| O00.2 | Ováriová gravidita | O08.7 | Iné žil.kompl.po potrate,mimomat.grav.a grav.s malou hydati. |
| O00.8 | Iná mimomaternicová gravidita | O08.8 | Iné kompl.po potrate,mimomat.grav.a grav.s molou hydratid. |
| O00.9 | Mimomaternicová gravidita,bližšie neurčená | O08.9 | Kompl.po potrate,mimomat.grav.a grav.s molou hydratid.b.n. |
| O01.0 | Klasická mola hydratidosou | O09.0 | Trvanie gravidity menej ako 5 ukončených týždňov |
| O01.1 | Nekompletná a parciálna mola hydratidosou | O09.1 | Trvanie gravidity od začat.5 po ukonč.13.týždeň |
| O01.9 | Mola hydratidosou,bližšie neurčená | O09.2 | Trvanie gravidity od začat.14.po ukonč.19.týž. |
| O02.0 | Poškodené plodové vajce a nehydaticová mola | O09.3 | Trvanie gravidity od začat.20.po ukonč.25.týž. |
| O02.1 | Missed abortion (zadržaný potrat) | O09.4 | Trvanie gravidity od začat.26.po ukonč.33.týž. |
| O02.8 | Iný abnormálny výtvor počatia,bližšie určený | O09.5 | Trvanie gravidity od začat.34.po ukonč.36.týž. |
| O02.9 | Abnormálny výtvor počatia,bližšie neurčený | O09.9 | Artériová hypertenzia matky,bližšie neurčená |
| O03.0 | Spont.potrat:nekomplet.potrat,kompl.infek.pohl.a panv.org. | O10.0 | Predt.exist.prim.artér.hypert.,kompl.grav.,pôr.a šeston. |
| O03.1 | Spont.potrat:nekomplet.potrat,kompl.oneskor./nadmer.krvác. | O10.1 | Predt.exist.hypert.chor.srdca,kompl.grav.,pôr.a šeston. |
| O03.2 | Spont.potrat:nekomplet.potrat,komplikovaný embóliou | O10.2 | Predt.exist.hypert.chor.oblič.,kompl.grav.,pôr.a šeston. |
| O03.3 | Spont.potrat:nekomplet.potrat s i.a bliž.neurč.kompl. | O10.3 | Predt.exi.hypert.chor.srd.a oblič.,kompl.grav.,pôr.a šest. |
| O03.4 | Spont.potrat:nekomplet.potrat bez kompl. | O10.4 | Predt.exist.sek.artér.hypert.,kompl.grav.,pôr.a šeston. |
| O03.5 | Spont.potrat:komplet./bliž.n.potrat,kompl.inf.pohl.a panv.org. | O10.9 | Predt.exist.artér.hypert.,kompl.grav.,pôr.a šeston.,b.n. |

| Kód | Popis | Kód | Popis |
|--------|---|--------|--|
| O11 | Pred.exi.art.hypert.,kompl.grav.,pôr.a šest.,s nas.preek. | O29.4 | Bolesť hlavy,po spinál.a epidurál.anest.v grav. |
| O12.0 | Gestačné opuchy | O29.5 | Iná komplikácia spinál.a epidurál.anestézie v grav. |
| O12.1 | Gestačná proteinúria | O29.6 | Neúspešná alebo sťažená intubácia v gravidite |
| O12.2 | Gestačné opuchy s proteinúriou | O29.8 | Iné komplikácie anestézie v gravidite |
| O13 | Gestačná artér.hypert.bez významnej proteinúrie | O29.9 | Komplikácia anestézie v gravidite,blížšie neurčená |
| O14.0 | Mierna a stredne ťažká preeklampsia | O30.0 | Gravidita s dvojčatami |
| O14.1 | Ťažká preeklampsia | O30.1 | Gravidita s trojčatami |
| O14.2 | Syndróm HELLP | O30.2 | Gravidita so štvorčatami |
| O14.9 | Preeklampsia,blížšie neurčená | O30.8 | Iná viacplodová gravidita |
| O15.0 | Eklampsia v gravidite | O30.9 | Viacplodová gravidita,blížšie neurčená |
| O15.1 | Eklampsia pri pôrode | O31.0 | Fetus papyraceus |
| O15.2 | Eklampsia v šestonedelí | O31.1 | Pokračujúca gravidita po potrate jedného/viac.plodov |
| O15.9 | Eklampsia,časovo blížšie neurčená | O31.2 | Pokračujúca gravidita po vnútromat.smrti jedného/viac.plodov |
| O16 | Arteriálna hypertenzia matky,blížšie neurčená | O31.8 | Iná kompl.špecifická pre viacplodovú graviditu |
| O20.0 | Hrozíaci potrat (abortus imminens) | O32.0 | Starostlivosť o matku pre nestabilnú polohu plodu |
| O20.8 | Iné krvácanie vočasnej gravidite | O32.1 | Starostl.o matku pre naliehanie plodu panv.koncom |
| O20.9 | Krvácanie vočasnej gravidite,blížšie neurčené | O32.2 | Starostl.o matku pre priečna a šikmá polohu plodu |
| O21.0 | Hyperemesis gravidarum mierneho stupňa | O32.3 | Star.o mat.pre tvár.a čel.polohu plod.a pri nalieh.plod.brad. |
| O21.1 | Hyperemesis gravidarum s poruchou vnút.prostredia | O32.4 | Star.o matku pre veľká hlavička plodu v termíne |
| O21.2 | Neskoré vracanie v gravidite | O32.5 | Star.o mat.pre viacplod.grav.s nespr.nalieh.a nespr.poloh.plod |
| O21.8 | Iné vracanie,komplikujúce graviditu | O32.6 | Star.o matku pre súčasné nespráv.nalieh.a nespráv.poloh.plodu |
| O21.9 | Vracanie počas gravidity,blížšie neurčené | O32.8 | Star.o matku pre iné nespr.naliehanie/nespr.poloha plodu |
| O22.0 | Variety dolných končatín v gravidite | O32.9 | Star.o matku pre iné nepravid.naliehanie/nespr.plo.plodu,b.n. |
| O22.1 | Variety pohlavných orgánov v gravidite | O33.0 | Star.o mat.pre nepomer medzi plodom a panv.,zapr.def.panv.k. |
| O22.2 | Povrchová tromboflebitída v gravidite | O33.1 | Star.o mat.pre nepomer medzi plod.a panv.zapr.celk.zúž.panva |
| O22.3 | Hĺbková flebotrombóza v gravidite | O33.2 | Star.o mat.pre nepomer medzi plod.a panv.zapr.zúž.panv.vch. |
| O22.4 | Hemoroidy v gravidite | O33.3 | Star.o mat.pre nepomer medzi plod.a panv.zapr.zúž.panv.vých. |
| O22.5 | Trombóza mozgových žíl v gravidite | O33.4 | Star.o mat.pre nep.medzi plod.a panv.,zapr.rozl.pr.matka/plod |
| O22.8 | Iné žilové choroby ako komplikácie v gravidite | O33.5 | Star.o matku pre nepom.medzi plod.a panv.,zapr.nezvy.vel.plod. |
| O22.9 | Žilová choroba ako komplikácia v gravidite,b.n. | O33.6 | Star.o matku pre nepom.medzi plod.a panv.,zapr.hydrocefus pl. |
| O23.0 | Infekcia obličiek v gravidite | O33.7 | Star.o mat. pre nepom.medzi plod.a panv.,zapr.i.abnormal.pl. |
| O23.1 | Infekcia močového mechúra v gravidite | O33.8 | Star.o matku pre nepom.medzi plod.a panv.z i.príčin |
| O23.2 | Infekcia močovej rúry v gravidite | O33.9 | Star.o matku pre nepom.medzi plod.a panvou,b.n. |
| O23.3 | Infekcia iných častí močovej sústavy v gravidite | O34.0 | Starostlivosť o matku pre vrodenú chybu maternice |
| O23.4 | Infekcia moč.sústavy v gravidite,b.n. | O34.1 | Starostlivosť o matku pre nádor tela maternice |
| O23.5 | Infekcia pohlavných orgánov v gravidite | O34.2 | Star.o matku jazvu na maternici po predchádz.chir.výk. |
| O23.9 | Iná a blíž.neu.infekcia močovopohl.org.v grav. | O34.30 | Star.o matku pri dlž.kčka mater.p.10 mm/pri insuf.pot.vag.USG |
| O24.0 | DM v gravidite predtým existuj.DM,typ 1 | O34.31 | Starostlivosť o matku pri prolapse plodového vaku |
| O24.1 | DM v gravidite predtým existuj.DM,typ 2 | O34.38 | Star.o matku pri i.insuficiencii krčka maternice |
| O24.2 | DM v gravidite predtým existuj.DM súvis.s podvýživou | O34.39 | Star.o matku pri b.n.insuficiencii krčka maternice |
| O24.3 | DM v gravidite predtým existuj.DM,b.n. | O34.4 | Star.o matku pre iné abnor.krčka maternice |
| O24.4 | Diabetes mellitus so vznikom v gravidite | O34.5 | Star.o matku pre Iné abnor.gravidnej maternice |
| O24.9 | Diabetes mellitus v gravidite,blížšie neurčený | O34.6 | Starostlivosť o matku pre abnormalitu pošvy |
| O25 | Podvýživa v gravidite | O34.7 | Star.o matku pre abnor.vulvy a hrádze |
| O26.0 | Nadmerný hmotnostný prírastok v gravidite | O34.8 | Star.o matku pre i.abnormal.panv.org. |
| O26.1 | Malý hmotnostný prírastok v gravidite | O34.9 | Star.o matku pre abnormal.panv.org.,b.n. |
| O26.2 | Starost.o gravidnú ženu pri habituálnom potrácení | O35.0 | Star.o matku pre(susp.)výv.chybu CNS plodu |
| O26.3 | Ponechané vnútromat.antikoncepčné teliesko v grav. | O35.1 | Star.o matku pre(susp.)chromozómovú anomáliu plodu |
| O26.4 | Herpes gestationis | O35.2 | Star.o matku pre(susp.)dedičnú chorobu plodu |
| O26.5 | Syndróm arteriovej hypotenzie matky | O35.3 | Star.o matku pre(susp.)pošk.plodu vír.chor.matky |
| O26.6 | Choroba pečene v gravidite,pri pôrode a v šestonedelí | O35.4 | Star.o matku pre(susp.)pošk.plodu alkoholom |
| O26.7 | Sublux.symphysis ossis pubis v grav.,pri pôrode a v šeston. | O35.5 | Star.o matku pre(susp.)pošk.plodu liekom/drogou |
| O26.81 | Choroba obličiek súvisiaca s graviditou | O35.6 | Star.o matku pre(susp.)pošk.plodu žiarením |
| O26.82 | Syndróm karpálneho tunela počas gravidity | O35.7 | Star.o matku pre(susp.)pošk.plodu iným lekář.výkon. |
| O26.83 | Periférna neuritída počas gravidity | O35.8 | Star.o matku-inú (susp.)abn.a (susp.)pošk.plodu |
| O26.88 | Iné stavy súvisiace s graviditou,blížšie určené | O35.9 | Star.o matku pre(susp.)b.n.abn.a (susp.)pošk.plodu |
| O26.9 | Stav súvisiaci s graviditou,blížšie neurčený | O36.0 | Star.o matku pre izoimunizáciu v systéme Rh |
| O28.0 | Abnorm.hematol.nález v prenatal.skríningu matky | O36.1 | Starostlivosť o matku pre inú izoimunizáciu |
| O28.1 | Abnorm.biochem.nález v prenatal.skríningu matky | O36.2 | Starostlivosť o matku pre fetálny hydrops |
| O28.2 | Abnorm.cytolog.nález v prenatal.skríningu matky | O36.3 | Starostlivosť o matku pre príznaky hypoxie plodu |
| O28.3 | Abnorm.UZV nález v prenatal.skríningu matky | O36.4 | Star.o matku pre vnútromatematicovú smrť plodu |
| O28.4 | Abnorm.rádiolog.nález v prenatal.skríningu matky | O36.5 | Starostlivosť o matku pre zníženú hmotnosť plodu |
| O28.5 | Abnorm.chromoz.a genetic.nález v prenatal.skríningu matky | O36.6 | Starostlivosť o matku pre nadmernú hmotnosť plodu |
| O28.8 | Iný abnormálny nález v prenatal.skríningu matky | O36.7 | Starost.o matku pre abdom.grav.so živým plodu |
| O28.9 | Abnorm.nález v prenatal.skríningu matky,b.n. | O36.8 | Starost.o matku pre i.problémy plodu,b.u. |
| O29.0 | Pľúcne komplikácie anestézie v gravidite | O36.9 | Starost.o matku pre problémy plodu,b.n. |
| O29.1 | Srdcové komplikácie anestézie v gravidite | O40 | Polyhydramnion |
| O29.2 | Komplikácie v CNS v spoj.s anestéziou v gravidite | O41.0 | Oligohydramnion |
| O29.3 | Toxická reakcia na lokálnu anestéziu v gravidite | O41.1 | Infekcia plodového vaku a plodových obalov |

| Kód | Popis | Kód | Popis |
|--------|--|-------|--|
| O41.8 | Iné poruchy plodovej vody a obalov, bližšie určené | O66.9 | Nepokračujúci pôrod, bližšie neurčený |
| O41.9 | Poruchy plodovej vody a obalov, bližšie neurčené | O67.0 | Krvácanie pri pôrode s poruchou koagulácie |
| O42.0 | Predčasné puknutie plod.obalov, zač.pôr.čin.do 24hod. | O67.8 | Iné krvácanie pri pôrode |
| O42.11 | Predčasné puknutie plod.obalov, zač.pôr.činn.po 1-7dňoch | O67.9 | Krvácanie pri pôrode, bližšie neurčené |
| O42.12 | Predčasné puknutie plod.obalov, zač.pôr.činn.po viac ako 7d. | O68.0 | Kompl.pôrod.čin.a pôrodu pre abn.srd.frekv.plodu |
| O42.2 | Predčasné puknutie plod.obalov, pôrododdialený liečbou | O68.1 | Kompl.pôrod.čin.a pôrodu pre mekónium v plod.vode |
| O42.9 | Predčasné pukn. plod.obalov, b.n. | O68.2 | Kompl.pôrod.čin.a pôrodu pre abn.srdc.fr.plod.s mekón.v plod.v. |
| O43.0 | Syndróm placentárnej transfúzie | O68.3 | Kompl.pôrod.čin.a pôrodu pre biochem.dôkaz distresu plodu |
| O43.1 | Malformácia placenty | O68.8 | Kompl.pôrod.čin.a pôrodu pre iný dôkaz distresu plodu |
| O43.20 | Placenta accreta | O68.9 | Kompl.pôrod.čin.a pôrodu pre distres plodu, b.n. |
| O43.21 | Placenta increta alebo placenta percreta | O69.0 | Kompl.pôr.čin.a pôr.pre prolaps pupočín. |
| O43.8 | Iná porucha placenty | O69.1 | Kompl.pôr.čin.a pôr.pre ovin.pupočín.ok.krku, s kompr.krku |
| O43.9 | Porucha placenty, bližšie neurčená | O69.2 | Kompl.pôr.čin.a pôr.pre i.zapletenie pupočín., s kompr. |
| O44.00 | Nízko uložená placenta bez krvácania | O69.3 | Kompl.pôr.čin.a pôr.pre krátky pupočník |
| O44.01 | Placenta praevia bez krvácania | O69.4 | Kompl.pôr.čin.a pôr.pre vcestné cievy |
| O44.10 | Nízko uložená placenta s prebiehajúcim krvácaním | O69.5 | Kompl.pôr.čin.a pôr.pre pošk.ciev pupočín. |
| O44.11 | Placenta praevia s prebiehajúcim krvácaním | O69.8 | Kompl.pôr.čin.a pôr.pre i.por.pupočín. |
| O45.0 | Predčasné odlupovanie placenty s poruchou koagulácie | O69.9 | Kompl.pôr.č.a pôr.pre poruchu pupoč., b.n. |
| O45.8 | Iné predčasné odlupovanie placenty | O70.0 | Natrhnutie hrádze 1.stupňa pri pôrode |
| O45.9 | Predčasné odlupovanie placenty, bližšie neurčené | O70.1 | Natrhnutie hrádze 2.stupňa pri pôrode |
| O46.0 | Krvácanie pred pôrodom s poruchou zrážanlivosti | O70.2 | Natrhnutie hrádze 3.stupňa pri pôrode |
| O46.8 | Iné krvácanie pred pôrodom | O70.3 | Natrhnutie hrádze 4.stupňa pri pôrode |
| O46.9 | Krvácanie pred pôrodom, bližšie neurčené | O70.9 | Natrhnutie hrádze pri pôrode, bližšie neurčené |
| O47.0 | Falošná pôr.činnosť pred ukonč. 37.týž.gravidity | O71.0 | Ruptúra maternice pred začiatkom pôrodnej činnosti |
| O47.1 | Falošná pôr.činnosť po ukonč. 37.týž.gravidity a neskôr | O71.1 | Ruptúra maternice počas pôrodnej činnosti |
| O47.9 | Falošná pôrodná činnosť, bližšie neurčená | O71.2 | Inverzia maternice po pôrode |
| O48 | Predĺžená gravidita | O71.3 | Natrhnutie krčka maternice pri pôrode |
| O60.0 | Predčasná pôrodná činnosť bez pôrodu | O71.4 | Samostatná vysoká lacerácia pošvy pri pôrode |
| O60.1 | Predčasná pôrodná činnosť s predčasným pôrodom | O71.5 | Iné poranenie panvových orgánov pri pôrode |
| O60.2 | Predčasná pôrodná činnosť s pôrodom v termíne | O71.6 | Poškodenie panvových kĺbov a väzov pri pôrode |
| O60.3 | Predčasný pôrod bez spontánnej pôrodnej činnosti | O71.7 | Hematóm panvy pri pôrode |
| O61.0 | Neúspešná lieková indukcia pôrodnej činnosti | O71.8 | Iné poranenie pri pôrode, bližšie určené |
| O61.1 | Neúspešná inštrumentálna indukcia pôrodnej činnosti | O71.9 | Poranenie pri pôrode, bližšie neurčené |
| O61.8 | Iná neúspešná indukcia pôrodnej činnosti | O72.0 | Krvácanie v 3.pôrodnej dobe |
| O61.9 | Neúspešná indukcia pôrod.činnosti, b.n. | O72.1 | Iné krvácanie bezprostredne po pôrode |
| O62.0 | Primárne slabá pôrodná činnosť | O72.2 | Oneskorené a sekundárne krvácanie po pôrode |
| O62.1 | Sekundárne slabá pôrodná činnosť | O72.3 | Poruchy zrážanlivosti krvi po pôrode |
| O62.2 | Iná slabá pôrodná činnosť | O73.0 | Zadržanie placenty bez krvácania |
| O62.3 | Náhly pôrod (partus praecipitatus) | O73.1 | Zadržanie častí placenty a blán bez krvácania |
| O62.4 | Hyperton., nekoord.a predĺžené kontrakcie maternice | O74.0 | Aspiračná pneumónia zaprič.anestéziou počas pôr.č. a pôrodu |
| O62.8 | Iná porucha pôrodnej činnosti | O74.1 | Iné pľúcne kompl.anestézie počas pôrod.čin.a pôrodu |
| O62.9 | Porucha pôrodnej činnosti, bližšie neurčená | O74.2 | Srdcové kompl.anestézie počas pôrod.čin.a pôrodu |
| O63.0 | Predĺžená prvá pôrodná doba | O74.3 | Komplik.CNS s spojením s anestéziou počas pôrod.čin. |
| O63.1 | Predĺžená druhá pôrodná doba | O74.4 | Toxická reakcia na lokálnu anestéziu počas pôr.čin.a pôrodu |
| O63.2 | Oneskorený pôrod druhého dvojčaťa, trojčaťa atď. | O74.5 | Bolesť hlavy, zapr.spinál.a epidurál.anest. počas pôr.čin.a pôr. |
| O63.9 | Predĺžený pôrod, bližšie neurčený | O74.6 | Iné kompl.spinál.a epidurál.anestézie počas pôr.čin.a pôrodu |
| O64.0 | Nepokračujúci pôrod, zaprič.neúplnou rotáciou hlavičky plodu | O74.7 | Neúspešná/sťažená intubácia počas pôr.čin.a pôrodu |
| O64.1 | Nepokračujúci pôrod, zaprič.polohou panvovým koncom | O74.8 | Iné komplik.anestézie počas pôr.čin.a pôrodu |
| O64.2 | Nepokračujúci pôrod, zaprič.tvárovou polohou | O74.9 | Komplik.anestézie počas pôr.čin.a pôrodu, b.n. |
| O64.3 | Nepokračujúci pôrod, zaprič.čelovou polohou | O75.0 | Distres matky počas pôrodnej činnosti a pôrodu |
| O64.4 | Nepokračujúci pôrod, zaprič.naliehaním plecka | O75.1 | Šok počas pôrodnej činnosti, po nej a po pôrode |
| O64.5 | Nepokračujúci pôrod, zaprič.komb.por.naliehania plodu | O75.2 | Horúčka počas pôrodu, nezatriedená inde |
| O64.8 | Nepokračujúci pôrod, zaprič.i.nespr.pol.a naliehaním plodu | O75.3 | Iná infekcia počas pôrodnej činnosti |
| O64.9 | Nepokračujúci pôrod, zaprič.nespr.pol.a naliehaním plodu, b.n. | O75.4 | Iná komplikácia pôrodných operácií a výkonov |
| O65.0 | Nepokračujúci pôrod, zaprič.deformovanou panvou | O75.5 | Protrahovaný pôrod po umelom pretrhnutí plodových blán |
| O65.1 | Nepokračujúci pôrod, zaprič.celkovo zúženou panvou | O75.6 | Protrahovaný pôrod po spont./bliž.neurč.puknutí plod.blán |
| O65.2 | Nepokračujúci pôrod, zaprič.zúžením panvového vchodu | O75.7 | Vaginálny pôrod po predchádzajúcom cisárskom reze |
| O65.3 | Nepokrač. pôr.zapr.zúž.panv.vých.a kontr.stred.časti.panv.dut. | O75.8 | Iná komplikácie pôrod.činn.a pôrodu, b.u. |
| O65.4 | Nepokračujúci pôrod, zaprič.nepom.medzi plod.a panv., b.n. | O75.9 | Komplikácia pôrod.činn.a pôrodu, b.n. |
| O65.5 | Nepokračujúci pôrod, zaprič.abn.panv.org.matky | O80.0 | Spontánny pôrod jedného plodu záhlavím |
| O65.8 | Nepokračujúci pôrod, zaprič.i.abn.panvy matky | O80.1 | Spontánny pôrod jedného plodu panvovým koncom |
| O65.9 | Nepokračujúci pôrod, zaprič.abnor.panvy matky, b.n. | O80.8 | Iný spontánny pôrod jedného plodu |
| O66.0 | Nepokračujúci pôrod, zaprič.dystokiou plecka plodu | O80.9 | Spontánny pôrod jedného plodu, bližšie neurčený |
| O66.1 | Komplikác.pôrodu, zaprič.zakliesnením dvojčiat | O81.0 | Pôrod jedného plodu východovými kliešťami |
| O66.2 | Nepokrač. pôrod, zaprič.nezvyčajne veľkým plodom | O81.1 | Pôrod jedného plodu strednými kliešťami |
| O66.3 | Nepokrač. pôrod, zaprič.inými.abnormalitami plodu | O81.2 | Pôrod jedného plodu stred.kliešťami s rotáciou hlavičky |
| O66.4 | Neúspešný pokus o pôrod, bližšie neurčený | O81.3 | Iný pôrod jedného plodu kliešťami, bližšie neurčený |
| O66.5 | Neúspeš.použ.vákuového extraktora/klieští, b.n. | O81.4 | Pôrod jedného plodu vákuovým extraktorom |
| O66.8 | Iný nepokračujúci pôrod, bližšie určený | O81.5 | Pôrod jedného plodu s použ.kombi.klieští a vákuo.extrakt. |

| Kód | Popis | Kód | Popis |
|--------|---|--------|---|
| O82.0 | Pôrod jedného plodu elektívnym cisárskym rezom | O92.50 | Zastavenie laktácie, bez ťažkostí pri priložení |
| O82.1 | Pôrod jedného plodu naliehavým cisárskym rezom | O92.51 | Zastavenie laktácie, s ťažkosťami pri priložení |
| O82.2 | Pôrod jedného plodu cisárskym rezom s hysterektómiou | O92.60 | Galaktorea, bez ťažkostí pri priložení |
| O82.8 | Iný pôrod jedného plodu cisárskym rezom | O92.61 | Galaktorea, s ťažkosťami pri priložení |
| O82.9 | Pôrod cisárskym rezom, bližšie neurčený | O92.70 | Iná a bliž. neurč. porucha laktácie, bez ťažk. pri priložení |
| O83.0 | Extrakcia plodu pri polohe panvovým koncom | O92.71 | Iná a bliž. neurč. porucha laktácie, s ťažk. pri priložení |
| O83.1 | Iné vedenie pôrodu jedného plodu pri polohe panvo. koncom | O94 | Následky kompl. gravidity, pôrodu a šestonedelia |
| O83.2 | Iné operačné vedenie pôrodu jedného plodu | O95 | Smrť v gravidite z bližšie neurčenej príčiny |
| O83.3 | Pôrod živého plodu pri brušnej gravidite | O96.0 | Smrť z priam. pôr. príč., kt. nast. po 42 d., ale m. ako 1. r. od pôr. |
| O83.4 | Zmenšovacie operácie na uľahčenie pôrodu jedného plodu | O96.1 | Smrť z nepriam. pôr. príč., kt. nast. po 42 d., -men. ako 1. r. od pôr. |
| O83.8 | Iné vedenie pôrodu jedného plodu, bližšie určené | O96.9 | Smrť z bliž. ne. pôr. príč., kt. nastala po 42 d., m. ako 1. r. od pôr. |
| O83.9 | Vedenie pôrodu jedného plodu, bližšie neurčené | O97.0 | Smrť z následkov priamej pôrodnickej príčiny |
| O84.0 | Pôrody pri viacplodovej gravidite, všetky spontánne | O97.1 | Smrť z následkov nepriamej pôrodnickej príčiny |
| O84.1 | Pôrody pri viacplod. grav. všetky kliešť. a vákuumextrak. | O97.9 | Smrť z následkov b. n. pôrod. príčiny |
| O84.2 | Pôrody pri viacplod. grav. všetky cisárskym rezom | O98.0 | TBC, kompl. graviditu, pôrod a šestonedelie |
| O84.8 | Iné pôrody pri viacplodovej gravidite | O98.1 | Syfilis, kompl. graviditu, pôrod a šestonedelie |
| O84.9 | Pôrody pri viacplodovej gravidite, bližšie neurčené | O98.2 | Kvapavka, kompl. graviditu, pôrod a šestonedelie |
| O85 | Puerperálna sepsa | O98.3 | Iná infcia s prevaž. pohl. spôs. pren., kompl. grav., pôr. a šesto. |
| O86.0 | Infekcia pôrodnickej operačnej rany | O98.4 | Vír. hepatitída, kompl. grav., pôrod a šeston. |
| O86.1 | Iná infekcia pohlavných orgánov po pôrode | O98.5 | Iná vírus. choroba, kompl. grav., pôrod a šeston. |
| O86.2 | Infekcia močových orgánov po pôrode | O98.6 | Prvoková choroba, kompl. grav. pôrod a šeston. |
| O86.3 | Iná infekcia močovopohlavnej sústavy po pôrode | O98.7 | Choroba HIV, kompl. graviditu, pôrod a šestonedelie |
| O86.4 | Horúčka neznámeho pôvodu po pôrode | O98.8 | Iná infekč. a parazit. chor. matky, kompl. grav. pôrod a šeston. |
| O86.8 | Iná puerperálna infekcia, bližšie určená | O98.9 | Infekč. a parazit. chor. matky, kompl. grav. pôrod a šeston. b. n. |
| O87.0 | Povrchová tromboflebitída v šestonedelí | O99.0 | Anémia, komplikujúca graviditu, pôrod a šestonedelie |
| O87.1 | Hĺbková žilová trombóza (flebotrombóza) v šestonedelí | O99.1 | Iné chor. krvi a krvotv., urč. por. imun., kompl. grav. pôr. šesto. |
| O87.2 | Hemoroidy v šestonedelí | O99.2 | Endokrin. nutričné a metabol. chor. kompl. grav. pôr. a šesto. |
| O87.3 | Trombóza mozgových žíl v šestonedelí | O99.3 | Duševná choroba a chor. nervov. súst. kompl. grav. pôr. a šesto. |
| O87.8 | Iné žilové choroby ako komplikácie v šestonedelí | O99.4 | Choroba obeh. súst. kompl. grav. pôrod a šeston. |
| O87.9 | Žilová chor. ako komplikácia v šestonedelí, b. n. | O99.5 | Choroba dých. súst. kompl. grav. pôrod a šeston. |
| O88.0 | Vzduchová embólia v gestačnom období | O99.6 | Choroba tráv. súst. kompl. grav. pôrod a šeston. |
| O88.1 | Embólia plodovou vodou | O99.7 | Choroba kože a podkož. tkan. kompl. grav. pôrod a šeston. |
| O88.20 | Tromboembólia pľúc v gestačnom období | O99.8 | Iné choroby a stavy komplikujúci grav. pôrod a šeston. b. u. |
| O88.28 | Iná tromboembólia v gestačnom období | T83.3 | Mechanická komplik. zaprič. vnútromat. antikoncepc. pomoc. |
| O88.3 | Pyemická a septická embólia v gestačnom období | Z30.1 | Zavedenie (vnútmater.) antikoncepc. teleska |
| O88.8 | Iná embólia v gestačnom období | Z32.0 | Gravidita, (ešte) nepotvrdená |
| O89.0 | Pľúcne komplikácie anestézie v šestonedelí | Z32.1 | Potvrdená gravidita |
| O89.1 | Srdcové komplikácie anestézie v šestonedelí | Z34.0 | Dohľad nad normálnou prvou graviditou |
| O89.2 | Komplikácie CNS v spojení s anestéziou v šestonedelí | Z34.8 | Dohľad nad inou normálnou graviditou |
| O89.3 | Toxická reakcia na lokálnu anestéziu v šestonedelí | Z34.9 | Dohľad nad normálnou graviditou, bližšie neurčenou |
| O89.4 | Bolesť hlavy, zaprič. spinál. a epidurál. anest. v šeston. | Z35.0 | Dohľad nad graviditou s anamnézou neplodnosti |
| O89.5 | Iné kompl. spin. a epid. anestézie v šeston. | Z35.1 | Dohľad nad graviditou s anamnézou potratu |
| O89.6 | Neúspešná alebo sťažaná intubácia v šestonedelí | Z35.2 | Dohľad nad gravid. s i. nepriaznivou pôr. anamnézou |
| O89.8 | Iné komplikácie anestézie v šestonedelí | Z35.3 | Dohľad nad gravid. s anamnézou nedost. prenatálnej star. |
| O89.9 | Kompl. anestézie v šestonedelí, b. n. | Z35.4 | Dohľad nad graviditou mnohorodičky |
| O90.0 | Dehiscencia rany po cisárskom reze | Z35.5 | Dohľad nad staršou prvorodičkou |
| O90.1 | Dehiscencia pôrodnickej rany hrádze | Z35.6 | Dohľad nad veľmi mladou prvorodičkou |
| O90.2 | Hematóm pôrodnickej rany | Z35.7 | Dohľad nad rizik. gravid. v dôsledku sociál. problem. |
| O90.3 | Kardiomyopatia v šestonedelí | Z35.8 | Dohľad nad inou rizikovou graviditou |
| O90.4 | Akútne poškodenie obličiek po pôrode | Z35.9 | Dohľad nad rizikovou graviditou, bližšie neurčenou |
| O90.5 | Zápal štítnej žľazy po pôrode | Z36.0 | Prenatálny skrining chromozómových anomálií |
| O90.8 | Iná komplikácia šestonedelia, nezatriedená inde | Z36.1 | Prenatál. skrin. na zvýšenú hodnotu alfafetoproteínu |
| O90.9 | Komplikácia šestonedelia, bližšie neurčená | Z36.2 | Iný prenatálny skrining, založený na amniocentéze |
| O91.00 | Infekcie bradavky v súvis. s pôr. bez ťažk. pri priložení | Z36.3 | Prenatál. skrin. malformácií UZV a i. fyzik. metódami |
| O91.01 | Infekcie bradavky v súvis. s pôr. s ťažk. pri priložení | Z36.4 | Prenatál. skrin. spomalenia rastu plodu UZV a i. fyzik. met. |
| O91.10 | Abces prsníka v súvis. s pôr. bez ťažk. pri priložení | Z36.5 | Prenatálny skrining izoimunizácie |
| O91.11 | Abces prsníka v súvis. s pôr. s ťažk. pri priložení | Z36.8 | Iný prenatálny skrining |
| O91.20 | Nehnisová mastitída v súvis. s pôr. bez ťažk. pri priložení | Z36.9 | Prenatálny skrining, bližšie neurčený |
| O91.21 | Nehnisová mastitída v súvis. s pôr. s ťažk. pri priložení | Z37.0 | Jedno dieťa, živonarodené |
| O92.00 | Retrakcia bradavky v súvis. s pôr. bez ťažk. pri priložení | Z37.1 | Jedno dieťa, mŕtvonarodené |
| O92.01 | Retrakcia bradavky v súvis. s pôr. s ťažk. pri priložení | Z37.2 | Dvojčatá, živonarodené |
| O92.10 | Trhlínka bradavky v súvis. s pôr. bez ťažk. pri priložení | Z37.3 | Dvojčatá, jedno živonarodené, jedno mŕtvonarodené |
| O92.11 | Trhlínka bradavky v súvis. s pôr. s ťažk. pri priložení | Z37.4 | Dvojčatá, mŕtvonarodené |
| O92.20 | Iná a bliž. neurč. chor. prsní. v súvis. s pôr. bez ťažk. pri prilož. | Z37.5 | Iný viacpočetný pôrod, všetky deti živonarodené |
| O92.21 | Iná a bliž. neurč. chor. prsníka v súvis. s pôr. s ťažk. pri prilož. | Z37.6 | Iný viacpočetný pôrod, niektoré deti živonarodené |
| O92.30 | Agalakcia, bez ťažkostí pri priložení | Z37.7 | Iný viacpočetný pôrod, všetky deti mŕtvonarodené |
| O92.31 | Agalakcia, s ťažkosťami pri priložení | Z37.9 | Výsledok pôrodu, bližšie neurčený |
| O92.40 | Hypogalakcia, bez ťažkostí pri priložení | Z39.0 | Starostlivosť a vyšetrenie matky ihneď po pôrode |
| O92.41 | Hypogalakcia, s ťažkosťami pri priložení | | |

| Kód | Popis | Kód | Popis |
|------------|---|------------|---|
| Z39.1 | Starostlivosť a vyšetrenie matky počas laktácie | Z64.0 | Problémy súvisiace s nechcenou graviditou |
| Z39.2 | Ďalšie bežné sledovanie matky po pôrode | | |

D.4i Konflikt s vekom: Výkony v plodnom veku

| Kód | Popis | Kód | Popis |
|----------|---|----------|---|
| 5r111‡ | Asistovaný pôrod pomocou inštrumentov | 5r334.0↔ | Parc.salpingektómia s rekonštr.:lpt. |
| 5r112‡ | Asist.pôrod koncom panv.s mauálnymi hmatmi | 5r334.1↔ | Parc.salpingektómia s rekonštr.:lsk. |
| 5r113‡ | Kombinov.pôrod pomocou inštrumentov a špec.úchytov | 5r334.4↔ | Parc.salpingektómia s rek.:vag.lsk.as. |
| 5r114‡ | Vedenie pôrodu koncom panv.pri viacplod.grav. | 5r334.6↔ | Parc.salpingektómia s rek.:konv.z vag.-otv.chir. |
| 5r11x‡ | Iný spont.a vag.OP pôrod pri polohe koncom panv. | 5r334.7↔ | Parc.salpingektómia s rek.:vag. |
| 5r121‡ | Pôrod pomocou východových klieští | 5r334.x↔ | Parc.salpingektómia s rekonštr.:iná |
| 5r122‡ | Pôrod pomocou stredových klieští | 5r335.0↔ | Totál.salpingektómia:lpt. |
| 5r12x‡ | Pôrod pomocou klieští:iný | 5r335.1↔ | Totál.salpingektómia:vag.lsk.as. |
| 5r131‡ | Ukonč.pôr.pri polohe KP manuál.extrakciu plodu | 5r335.4↔ | Totál.salpingektómia:lsk. |
| 5r132‡ | Ukončenie pôr.pri polohe KP inštrum.extrakciu pl. | 5r335.6↔ | Totál.salpingektómia:konv.z vag.-otv.chir. |
| 5r133‡ | Ukonč.pôr.pri polohe KP manuál.a inštrum.extrak.plodu | 5r335.7↔ | Totál.salpingektómia:vag. |
| 5r13x‡ | Ukončenie pôr.pri polohe KP inou extrakciu plodu | 5r335.x↔ | Totál.salpingektómia:ost. |
| 5r141‡ | Ukončenie pôr.vákuumextrakciu z panv.východu | 5r336.0 | Lokál.medikam.liečba pri tubárnej gravid:lpt. |
| 5r142‡ | Ukončenie pôr.vákuumextrakciu z panv.hlbiny | 5r336.1 | Lok.medikam.liečba pri tubár.gravid:vag.lsk.asist |
| 5r14x‡ | Ukončenie pôrodu vákuumextrakciu:ost. | 5r336.4 | Lok.medikam.liečba pri tuba.gravidite:lsk. |
| 5r211‡ | Vnúť.obrat plodu vnút.hmatmi bez extrakcie | 5r336.6 | Lok.medikam.liečba pri tuba.grav:konv.z vag.-otv.chir. |
| 5r212‡ | Kombinovaný obrat plodu bez extrakcie | 5r336.7 | Lokál.medikam.liečba pri tuba.gravid:vag. |
| 5r213‡ | Obrat plodu s extrakciu bez ďalších kompl. | 5r336.x | Lok.medikam.liečba pri tubárnej grav:ost. |
| 5r214‡ | Obrat plodu s extrakciu kliešťami | 5r339 | Operácia extrauterinnej gravidity:ost. |
| 5r215‡ | Rotácia hlavičky pomocou klieští | 5r341 | Odstránenie extrauter.embrya:otv.chir. |
| 5r216‡ | Obrat plodu s extrakciu pri iných kompl. | 5r342 | Odstr.extrauterinneho embrya:lsk. |
| 5r217‡ | Obrat na druhom dvojčati | 5r343 | Odstr.extrauterinneho embrya kuldoskopiu |
| 5r221‡ | Neúspešný kliešťový pôrod | 5r34x | Iné odstránenie extrauterinneho embrya |
| 5r222‡ | Neúspešná extrakcia vákuovou pumpou | 5r411‡ | Intrauterinná transfúzia plodu |
| 5r223‡ | Neúspešné vnútorné otočenie | 5r412‡ | Intrauterinná infúzia plodu |
| 5r224‡ | Neúspešné kombinované otočenie | 5r413 | Intrauterinná laserová terapia plodu |
| 5r231‡ | Embryotómia | 5r414‡ | Výmena plodovej vody |
| 5r232‡ | Deštrukcia plodu | 5r415‡ | Vysokofrekv.ablácia nádor.buniek a/alebo ciev placenty |
| 5r233‡ | Dekapitácia | 5r416‡ | Zavedenie shuntu u plodu intrauterinne |
| 5r234‡ | Iné zmenšovacie operácie na plode | 5r417‡ | Intrauterinná terapia plodu drenážou |
| 5r235 | Amniotómia | 5r418‡ | Medikament.intrauterinná terapia plodu |
| 5r311.1 | Primárny cisársky rez | 5r421‡ | Terap.amniocentéza s násl.amnioinfúziou |
| 5r311.2 | Sekundárny cisársky rez | 5r422‡ | Terapeutická amniocentéza s kordocentézou |
| 5r312.1 | Primárny Misgav-Ladach cisársky rez | 5r423‡ | Terapeutická amniocentéza za účelom fetocídy |
| 5r312.2 | Sekundárny Misgav-Ladach cisársky rez | 5r491 | Segment.resekcia polycystic.pľúc plodu |
| 5r314 | Cisársky rez extraperitoneálne | 5r492 | Intrauterinná OP plodu postihnutého VVCH |
| 5r315.1 | Primárny cisársky rez supracervikálny | 5r493‡ | Intraamniálna inj.apl.medikament.k ukonč.gravidity |
| 5r315.2 | Cisársky rez supracervikálny | 5r911 | Sutúra ruptúry alebo nástrihu hrádze |
| 5r316.1 | Primár.korporálny cisársky rez pozdĺžnou incíziou | 5r912 | Sutúra ruptúry alebo nástrihu krčka maternice |
| 5r316.2 | Sekundár.korporálny cisársky rez pozdĺžnou incíziou | 5r913‡ | Sutúra ruptúry alebo nástrihu pošvy |
| 5r317.1 | Primárny cisársky rez korporálny T-incíziou | 5r914.1‡ | Ošetrovanie ruptúry I.stupňa |
| 5r317.2 | Sekundárny SC korporálny T-incíziou | 5r914.2‡ | Ošetrovanie ruptúry II.stupňa |
| 5r321.1 | Primárny cisársky rez a sterilizácia | 5r914.3‡ | Ošetrovanie ruptúry III.stupňa |
| 5r321.2 | Sekundárny cisársky rez a sterilizácia | 5r914.4‡ | Ošetrovanie ruptúry IV.stupňa |
| 5r322.1 | Primárny cisársky rez s následnou HYE s adnexektómiou | 5r921‡ | Revízia dutiny maternice po pôrode |
| 5r322.2 | Sekundárny cisársky rez s násled.HYE s adnexektómiou | 5r922‡ | Revízia dutiny maternice po spontán.potraste |
| 5r323.1 | Primárny cisársky rez s následnou hysterektómiou | 5r923‡ | Manuálne vybavenie zadržanej placenty |
| 5r323.2 | Sekundárny cisársky rez s následnou hysterektómiou | 5r924 | Inštrumentálne vybavenie zadržanej placenty |
| 5r331.0↔ | Salpingotómia: otv.chir. | 5r925‡ | Iné vybavenie zadržanej placenty |
| 5r331.1↔ | Salpingotómia:vag.s lsk.asist. | 5r931 | Rekonštrukcia močového mechúra a utery |
| 5r331.4↔ | Salpingotómia:lsk. | 5r932‡ | Rekonštrukcia konečníka a análneho zvierača |
| 5r331.6↔ | Salpingotómia:konv.z vag.-otv.chir. | 5r991 | Kyretáž pre ukončenie tehotnosti |
| 5r331.7↔ | Salpingotómia:vag. | 91110 | Intenzív.oše.st.o rodičku pri prekotnom pôrode |
| 5r331.x↔ | Salpingotómia:ost. | 91111 | Intenz.oše.st.o rodičku-I.doba pôrod.pri fyziol.pôrode |
| 5r332.0↔ | Salpingotómia s rekonštr.:otv.chir. | 91112 | Intenz.oše.st.o rodičku-II.doba pôrod.pri fyz.pôrode |
| 5r332.1↔ | Salpingotómia s rekonštrukciou:lpt. | 91113 | Intenz.oše.st.o rodičku-III.doba pôrod.pri fyz.pôrode |
| 5r332.4↔ | Salpingotómia s rekonštrukciou:lsk. | 91114 | Apl.metód nefarmakol.tlmenia bolesti v I.dobe pôrodnej |
| 5r332.6↔ | Salpingotómia s rekonštr.:konv.z vag.-otv.chir. | 91121 | Uvoľnenie dolného pólu plodového vajca |
| 5r332.7↔ | Salpingotómia s rekonštrukciou:vag. | 91127 | Sledovanie a vedenie rizikového pôrodu |
| 5r332.x↔ | Salpingotómia s rekonštr.:ost. | 91515 | Transfer embrya |
| 5r333.0↔ | Parciálna salpingektómia:otv.chir. | 91516 | Zavedenie zmrazeného embrya |
| 5r333.1↔ | Parc.salpingektómia:vag.lsk.as. | 91518 | Inseminácia umelá cerviko-vaginálna |
| 5r333.4↔ | Parc.salpingektómia:lsk. | 91519 | Inseminácia umelá intrakavitálna alebo intratubárna |
| 5r333.6↔ | Parc.salpingektómia:konv.z vag.-otv.chir. | 91520 | V.asist.reprod.s odber.oocytov k in vitro fertili.b.pren.embryí |
| 5r333.7↔ | Parc.salpingektómia:vag. | 91521 | Výkon asist.reprodukcie komplexný cyklus s prenosom embryí |
| 5r333.x↔ | Parc.salpingektómia:ost. | 91522‡ | Asistovaná fertilizácia |

D.4j Konflikt s vekom: Dospelý

| Kód | Popis | Kód | Popis |
|--------|---|--------|--|
| A51.0 | Primárny genitálny syfilis | I11.90 | Hyperten.chor.srdca bez kongest.srdc.zlyh.bez hypert.kríz. |
| A51.1 | Primárny análny syfilis | I11.91 | Hyperten.chor.srdca bez kongest.srdc.zlyh.s hypert.kríz. |
| A51.2 | Primárny syfilis na inom mieste | I13.00 | Hypert.chor.srd.a oblič.s kong.srdc.zlyh.,b.hyper.kríz. |
| A51.3 | Sekundárny syfilis kože a slizníc | I13.01 | Hypert.chor.srd.a oblič.s kong.srdc.zlyh.,s hyper.kríz. |
| A51.4 | Iná forma sekundárneho syfilisu | I13.10 | Hypert.chor.srd.a oblič.s oblič.zlyh.,bez.hypert.kríz. |
| A51.5 | Včasný syfilis,latentný | I13.11 | Hypert.chor.srd.a oblič.s oblič.zlyh.,s hypert.kríz. |
| A51.9 | Včasný syfilis,bližšie neurčený | I13.20 | Hypert.chor.srdca a oblič.s kong.srdc.a obl.zlyh.bez hyp.kríz. |
| A52.0 | Kardiovaskulárny syfilis | I13.21 | Hypert.chor.srdca a oblič.s kong.srdc.a obl.zlyh.s hyp.kríz. |
| A52.1 | Neurosyfilis,symptomatický | I13.90 | Hypertenzná chor.srdca a oblič.bez prej.hypert.krízy,b.n. |
| A52.2 | Neurosyfilis,asymptomatický | I13.91 | Hypertenzná chor.srdca a oblič.bliž.neu.s prej.hypert.rízy |
| A52.3 | Neurosyfilis,bližšie neurčený | I20.0 | Nestabilná angina pectoris |
| A52.7 | Neskorý syfilis,symptomatický,iná forma | I20.1 | Angina pectoris s dokázaným krčom vencovitých tepien |
| A52.8 | Neskorý syfilis,latentný | I20.8 | Iná forma angina pectoris |
| A52.9 | Neskorý syfilis,bližšie neurčený | I20.9 | Angina pectoris,bližšie neurčená |
| A53.0 | Latentný syfilis,bliž.neurč.ako včasný/neskorý | I21.0 | Akútny transmúrálly infarkt myokardu prednej steny |
| A53.9 | Syfilis,bližšie neurčený | I21.1 | Akútny transmúrálly infarkt myokardu spodnej steny |
| A54.0 | Gonok.inf.dol.časti moč.-pohl.súst.bez abs.c.uretr./preds.žliaz | I21.2 | Akútny transmúrálly IM na i.miestach |
| A54.1 | Gonok.inf.dol.časti moč.-pohl.súst.s abs.c.uretr.a preds.žliaz | I21.3 | Akútny transmúrálly IM bez bliž.urč.miesta |
| A54.2 | Gonok.pelveoperitonitída a.iná gonokok.moč.-pohl.infekcia | I21.4 | Akútny subendokardiálny infarkt myokardu |
| A54.3 | Gonokoková infekcia oka | I21.9 | Akútny infarkt myokardu,bližšie neurčený |
| A54.4 | Gonokoková infekcia svalovo-kostrovej sústavy | I22.0 | Ďalší infarkt myokardu prednej steny |
| A54.5 | Gonokoková faryngitída | I22.1 | Ďalší infarkt myokardu spodnej steny |
| A54.6 | Gonokoková infekcia anusu a rekta | I22.8 | Ďalší infarkt myokardu na inom mieste |
| A54.8 | Iná gonokoková infekcia | I22.9 | Ďalší infarkt myokardu bez bližšieho určenia miesta |
| A54.9 | Gonokoková infekcia,bližšie neurčená | I23.0 | Hemoperikard ako akútna komplikácia po akútnom IM |
| A55 | Lymphogranuloma venereum(chlamýdiový) | I23.1 | Defekt predsieň.septa ako akútna komplikácia po akútnom IM |
| A56.0 | Chlamýdiová infekcia dolných častí moč.-pohlav.súst. | I23.2 | Defekt komorovej priehradky ako akútna komplikácia po akút. IM |
| A56.1 | Chlamýdiová infekcia panvovej pobrušnice a moč.-pohlav.org. | I23.3 | Ruptúra srdc.steny bez hemoperik.ako akútna kompl.po akút.IM |
| A56.2 | Chlamýdiová infekcia moč.-pohlav.súst.,bliž.neurč. | I23.4 | Ruptúra chordae tendineae ako akútna kompl.po akút.IM |
| A56.3 | Chlamýdiová infekcia anusu a rekta | I23.5 | Ruptúra papilárneho svalu ako akútna kompl.po akút.IM |
| A56.4 | Chlamýdiová infekcia faryngu | I23.6 | Trombóza predsieňe,preds.uška a komory ako ak.kompl.po ak.IM |
| A56.8 | Pohlavne prenosná chlamýdiová infekcia na iných miestach | I23.8 | Iná akútna komplikácia po akútnom infarkte myokardu |
| A57 | Mäkký vred[ulcus molle] | I24.0 | Koronárna trombóza,ktorá nevedia k IM |
| A58 | Granuloma venereum(inguinale) | I24.8 | Iná forma akútnej ischemickej choroby srdca |
| A59.0 | Urogenitálna trichomonóza | I24.9 | Akútna ischemická choroba srdca,bližšie neurčená |
| A59.8 | Trichomonóza na iných miestach | I25.0 | Aterosklerotická srdcovocievna choroba,ľakto označená |
| A59.9 | Trichomonóza,bližšie neurčená | I25.10 | Aterosklerotická chor.srdca,bez hemodynam.závažných stenóz |
| A60.0 | Infekcia genitálií a moč.-pohlav.súst.herpetickým vírusom | I25.11 | Aterosklerotická chor.srdca,jednocievne postihnutie |
| A60.1 | Infekcia perianálnej kože a rekta,zapríč.herpetickým vírusom | I25.12 | Aterosklerotická chor.srdca,dvojcievne postihnutie |
| A60.9 | Anogenitálna infekcia zapríč.herpetickým vírusom,bliž.neurč | I25.13 | Aterosklerotická chor.srdca,trojcievne postihnutie |
| A63.0 | Anogenitálne (venerické) bradavice | I25.14 | Aterosklerotická chor.srdca,stenóza ľavého hlavného kmeňa |
| A63.8 | Iná prevažne pohlavne prenosná choroba,bliž.urč. | I25.15 | Aterosklerotická choroba srdca so stenózou bajpasu |
| A64 | Pohlavne prenosná choroba,bližšie neurčená | I25.16 | Aterosklerotická choroba srdca so stenózou stentu |
| B91 | Následky poliomyelitídy | I25.19 | Aterosklerotická choroba srdca,bližšie neurčená |
| F01.0 | Vaskulárna demencia s akútnym začiatkom | I25.20 | Starý infarkt myokardu,od 29 dní až po 4 mesiace |
| F01.1 | Mnohoinfarktová demencia | I25.21 | Starý infarkt myokardu,od 4 mesiacov až po 1 rok |
| F01.2 | Subkortikálna vaskulárna demencia | I25.22 | Starý infarkt myokardu,od 1 roka vyššie |
| F01.3 | Zmiešaná kortikálna a subkortikálna vaskul.demencia | I25.29 | Starý infarkt myokardu,bližšie neurčený |
| F01.8 | Iná vaskulárna demencia | I25.3 | Aneurizma (stény) srdca |
| F01.9 | Vaskulárna demencia,bližšie neurčená | I25.4 | Aneurizma vencovitej tepny |
| F03 | Demencia,bližšie neurčená | I25.5 | Ischemická kardiomyopatia |
| G20.00 | Parkinson.chor.bez obm./s min.obm.,bez mot.fluktuácie | I25.6 | Nebolestivá (tichá) ischemia myokardu |
| G20.01 | Parkinson.chor.bez obm./s min.obm.,s mot.fluktuáciou | I25.8 | Iná forma chronickej ischemickej choroby srdca |
| G20.10 | Parkinson.chor.s mier.až str.ťaž.obm.,b.mot.fluktuácie | I25.9 | Chronická ischemická choroba srdca,b.n. |
| G20.11 | Parkinson.chor.s mier.až str.ťaž.pbm.,s mot.fluktuáciou | I70.0 | Ateroskleróza aorty |
| G20.20 | Parkinson.chor.s veľmi ťaž.obm.,bez mot.fluktuácie | I70.1 | Ateroskleróza obličkovej tepny |
| G20.21 | Parkinson.chor.s veľmi ťaž.obm.,s motoric.fluktuáciou | I70.20 | Ateroskleróza ľ.a bliž.neu.končat.tepien |
| G20.90 | Parkinson.chor.bliž.neu.,bez motoric.fluktuácie | I70.21 | Ateroskle.končat.tep.s postih.panvy a DK,s isch.bolesť.po zát. |
| G20.91 | Parkinson.chor.bliž.neu.,s motoric.fluktuáciou | I70.22 | Ateroskleróza končat.tep.s postih.panvy a DK,s bolesť.v pokoji |
| G26 | Extrapyramídové porucha a por.hybnosti pri chor.zatried.inde | I70.23 | Ateroskleróza končat.tep.s postih.panvy a DK,s ulceráciami |
| G30.8 | Iná Alzheimerova choroba (F00.2*) | I70.24 | Ateroskleróza končat.tep.s postih.panvy a DK,s gangrén. |
| G30.9 | Alzheimerova choroba,bližšie neurčená | I70.25 | Ateroskleróza končat.tep.s postih.pleca a HK,všetky štádiá |
| G31.1 | Starecká degenerácia mozgu,nezatriedená inde | I70.8 | Ateroskleróza iných tepien |
| G31.2 | Degenerácia nervovej sústavy zapríčinená alkoholom | I70.9 | Generalizovaná a bližšie neurčená ateroskleróza |
| G31.82 | Demencia s Lewyho telieskami | I83.0 | Varixy dolných končatín s vredom |
| I11.00 | Hyperten.chor.srdca s kong.srdc.zlyh.bez prej.hypert.kríz. | I83.1 | Varixy dolných končatín so zápalom |
| I11.01 | Hyperten.chor.srdca s kong.srdc.zlyh.s hypert.kríz. | | |

| Kód | Popis | Kód | Popis |
|--------|--|--------|--|
| I83.2 | Varixy dolných končatín s vredom a zápalom | M42.18 | Osteochondróza chrčtice v dospel.v kríž.a krížovokostř.obl. |
| I83.9 | Varixy dolných končatín bez vředu alebo zápalu | M42.19 | Osteochondróza chrčt.ice v dospel.:oblasť bliž.neurč. |
| I97.2 | Postmastektomický lymfedém | M45.00 | Ankylozujúca spondylitída na viac.m.chrbt. |
| J44.90 | CHOCHP,bliž.neurč.FEV1 < 35 % prís.hodnoty | M45.01 | Ankylozujúca spondylitída okcip.-atl.-axiál.obl. |
| J44.91 | CHOCHP,bliž.neurč.FEV1 >= 35 % a < 50 % prís.hodn. | M45.02 | Ankylozujúca spondylitída krčnej oblasti |
| J44.92 | CHOCHP,bliž.neurč.FEV1 >= 50 % a < 70 % prís.hodn. | M45.03 | Ankylozujúca spondylitída krčnohrudnikovej oblasti |
| J44.93 | CHOCHP,bliž.neurč.FEV1 >= 70 % príslušnej hodnoty | M45.04 | Ankylozujúca spondylitída hrudníkovej oblasti |
| J44.99 | CHOCHP,bliž.neurč.,hodnota FEV1 bliž.neurč. | M45.05 | Ankylozujúca spondylitída hrudníkovodriek.obl. |
| J60 | Pneumokonióza baníkov uhoľných baní | M45.06 | Ankylozujúca spondylitída driekovej oblasti |
| J61 | Pneumokonióza zapr.azbestom a i.anorg.vláknami | M45.07 | Ankylozujúca spondylitída driekovokrížovej oblasti |
| J62.0 | Pneumokonióza zapríčinená prachom mastenca (talkom) | M45.08 | Ankylozujúca spondylitída kríž.a krížovokostř.obl. |
| J62.8 | Pneumokonióza zapríč.i.prachom obsahujúcim kremeň | M45.09 | Ankylozujúca spondylitída:oblasť bližšie neurčená |
| J63.0 | Aluminóza (plúc) | M48.00 | Stenóza spinálneho kanála na viac.m.chrbt. |
| J63.1 | Bauxitová fibróza (plúc) | M48.01 | Stenóza spinálneho kanála v okcip.-atl.-axiál.obl. |
| J63.2 | Berylióza | M48.02 | Stenóza spinálneho kanála v krčnej oblasti |
| J63.3 | Grafitová fibróza (plúc) | M48.03 | Stenóza spinálneho kanála v krčnohrudník.obl. |
| J63.4 | Sideróza | M48.04 | Stenóza spinálneho kanála v hrudníkovej oblasti |
| J63.5 | Stanóza | M48.05 | Stenóza spinálneho kanála v hrudníkovodriek. obl. |
| J63.8 | Pneumokonióza zapríč.i.bliž.urč.anorganickými prachmi | M48.06 | Stenóza spinálneho kanála v driekovej oblasti |
| J64 | Pneumokonióza,bližšie neurčená | M48.07 | Stenóza spinálneho kanála v driekovokríž. obl. |
| J65 | Pneumokonióza združená s tuberkulózou | M48.08 | Stenóza spinálneho kanála v kríž.a krížovokostř.obl. |
| J66.0 | Bysinóza | M48.09 | Stenóza spinálneho kanála:oblasť bližšie neurčená |
| J66.1 | Choroba spracovateľov ľanu | M50.1 | Poškodenie krčnej medzistav.plat.s radikulopatiou |
| J66.2 | Kanabinóza | M50.2 | Iná dislokácia krčnej medzistavcovej platničky |
| J66.8 | Choroba dých ciest,zapříč.i.bliž.urč.organickým prachom | M50.3 | Iná degenerácia krčnej medzistavcovej platničky |
| J67.0 | Farmárske plúca | M50.8 | Iné poškodenie krčnej medzistavcovej platničky |
| J67.1 | Bagasóza | M50.9 | Poškodenie krčnej medzistav.platničky,bliž.neurč. |
| J67.2 | Pľúcna choroba chovateľov vtákov | M51.0 | Poškodenie driekov a i.medzistavcových platnič.s myelopatiou |
| J67.3 | Suberóza | M51.1 | Poškodenie driekov a i.medzistavc.platnič.s radikulopatiou |
| J67.4 | Sladovnícke plúca | M51.2 | Iná dislokácia medzistavcovej platničky,b.u. |
| J67.5 | Pľúcna choroba pestovateľov húb | M51.3 | Iná degenerácia medzistavcovej platničky,b.u. |
| J67.6 | Pľúcna choroba lúpačov javorovej kôry | M51.8 | Iná poškodenie medzistavcovej platničky,b.u. |
| J67.7 | Pľúcna choroba zapríč.ventilačnými a zvlhčovacími zariadeniami | M51.9 | Poškodenie medzistavcovej platničky,b.n. |
| J67.9 | Alergická alveolitída zapríč.bliž.neurč.organickým prachom | M72.0 | Fibromatóza palm.aponeurózy (Dupuytrenova kontraktúra) |
| K70.0 | Alkoholová tuková choroba pečene | M75.0 | Adhezívna kapsulitída pleca |
| K70.1 | Alkoholová hepatitída | M75.1 | Syndróm manžety rotátorov |
| K70.2 | Alkoholová fibróza a skleróza pečene | M75.3 | Vápenatejúca tendinitída pleca |
| K70.3 | Alkoholová cirhóza pečene | M75.4 | Syndróm narazeného ramena |
| K70.4 | Alkoholové zlyhávanie pečene | M80.10 | Postovariektom.osteopor.s pat.zlomeninou na viac.m. |
| K70.9 | Alkoholová choroba pečene,bližšie neurčená | M80.11 | Postovariektom.osteopor.s pat.zlomeninou v obl.pleca |
| K86.0 | Chronická pankreatitída zapríčinená alkoholom | M80.12 | Postovariektom.osteopor.s pat.zlomeninou nadlaktia |
| M07.10 | Arthritis mutilans, na viacerých miestach (L40.5†) | M80.13 | Postovariektom.osteopor.s pat.zlomeninou predlak. |
| M07.11 | Arthritis mutilans v obl.pleca | M80.14 | Postovariektom.osteopor.s pat.zlomeninou ruky |
| M07.12 | Arthritis mutilans v obl.nadlaktia | M80.15 | Postovariektom.osteopor.s pat.zlome. panv.obl.a stehna |
| M07.13 | Arthritis mutilans v obl. predlak. | M80.16 | Postovariektom.osteopor.s pat.zlomeninou predkol. |
| M07.14 | Arthritis mutilans v obl.ruky | M80.17 | Postovariektom.osteopor.s pat.zlomeninou čl.a nohy |
| M07.15 | Arthritis mutilans panv.obl.a stehna | M80.18 | Postovariektom.osteopor.s pat.zlomeninou na i.mieste |
| M07.16 | Arthritis mutilans v obl.predkol. | M80.19 | Postovariektom.osteopor.s pat.zlomeninou,miesto bliž.neurč. |
| M07.17 | Arthritis mutilans v obl.čl.a nohy | M81.10 | Postovariektomická osteopor.na viac.m. |
| M07.18 | Arthritis mutilans na i.mieste | M81.11 | Postovariektomická osteopor.v obl.pleca |
| M07.19 | Arthritis mutilans na n.mieste | M81.12 | Postovariektomická osteopor.nadlaktia |
| M14.0 | Dnová artropatia,zapříč.enzým.defektmi a i.dedič.poruchami | M81.13 | Postovariektomická osteopor.predlak. |
| M15.0 | Primárna generalizovaná (osteo-)artróza | M81.14 | Postovariektomická osteopor.ruky |
| M15.1 | Heberdenove uzly (s artropatiou) | M81.15 | Postovariektomická osteopor.panv.obl.a stehna |
| M15.2 | Bouchardove uzly (s artropatiou) | M81.16 | Postovariektomická osteopor.predkol. |
| M15.3 | Sekundárna mnohopočetná artróza | M81.17 | Postovariektomická osteopor.čl.a nohy |
| M15.4 | Erozívna (osteo-)artróza | M81.18 | Postovariektomická osteopor.na i.mieste |
| M15.8 | Iná polyartróza | M81.19 | Postovariektomická osteopor.,miesto bliž.neurč. |
| M15.9 | Polyartróza,bližšie neurčená | M83.20 | Osteomalácia v dospel.zapříč.malabsorpciou,na viacer.miest. |
| M31.5 | Obrovskobunková arteritída s polymyalgia rheumatica | M83.21 | Osteomalácia v dospelosti zapříč.malabsorpciou v obl.pleca |
| M35.3 | Polymyalgia rheumatica | M83.22 | Osteomalácia v dosp.zapříč.malabsorpciou,v obl.nadlaktia |
| M42.10 | Osteochondróza chrčtice v dospelosti na v.miast. | M83.23 | Osteomalácia v dosp.zapříč.malabsorpciou,v obl.predlak. |
| M42.11 | Osteochondróza chrčt.v dosp.v okcip.-atlanto.-axiál.obl. | M83.24 | Osteomalácia v dosp.zapříč.malabsorpciou,v obl.ruky |
| M42.12 | Osteochondróza chrčtice v dospelosti v krčnej obl. | M83.25 | Osteomalácia v dosp.zapříč.malabsorpciou,v obl.pan. a stehna |
| M42.13 | Osteochondróza chrčtice v dospel.v krčnohrudník.obl. | M83.26 | Osteomalácia v dosp.zapříč.malabsorpciou,v obl.predkol. |
| M42.14 | Osteochondróza chrčtice v dospel.v hrudník.obl. | M83.27 | Osteomalácia v dosp.zapříč.malabsorpciou,v obl.čl.a nohy |
| M42.15 | Osteochondróza chrčtice v dospel.v hrudník-driek.obl. | M83.28 | Osteomalácia v dosp.zapříč.malabsorpciou,na i.mieste |
| M42.16 | Osteochondróza chrčtice v dospel.v driekovej obl. | M83.29 | Osteomalácia v dosp.zapříč.malabsorpciou,miesto bliž.neurč. |
| M42.17 | Osteochondróza chrčtice v dospel.v driekovokríž.obl. | M83.30 | Osteomalácia dospelých zapříč.podvýživou,na viac.m. |

| Kód | Popis | Kód | Popis |
|--------|---|--------|--|
| M83.31 | Osteomalácia dospelých zaprič.podvýživou,v obl.pleca | M88.86 | Deformujúca osteodystrofia i.kostí,v obl.predkol. |
| M83.32 | Osteomalácia dospelých zaprič.podvýživou,v obl.nadlaktia | M88.87 | Deformujúca osteodystrofia i.kostí,v obl.čl.a nohy |
| M83.33 | Osteomalácia dospelých zaprič.podvýživou,v obl.predlak. | M88.88 | Deformujúca osteodystrofia i.kostí,na i.mieste |
| M83.34 | Osteomalácia dospelých zaprič.podvýživou,v obl.ruky | M88.89 | Deformujúca osteodystrofia i.kostí,miesto bliž.neurč. |
| M83.35 | Osteomalácia dospel.zaprič.podvýživou,v obl.panvy a stehna | M88.90 | Deformujúca osteodystrofia,bliž.neur.na viac.m. |
| M83.36 | Osteomalácia dospelých zaprič.podvýživou,v obl.predkol. | M88.91 | Deformujúca osteodystrofia,bliž.neur.v obl.pleca |
| M83.37 | Osteomalácia dospelých zaprič.podvýživou,v obl.čl.a nohy | M88.92 | Deformujúca osteodystrofia,bliž.neur.v obl.nadlaktia |
| M83.38 | Osteomalácia dospelých zaprič.podvýživou,na i.mieste | M88.93 | Deformujúca osteodystrofia,bliž.neur.v obl.predlak. |
| M83.39 | Osteomalácia dospelých zaprič.podvýživou,miesto bliž.neurč. | M88.94 | Deformujúca osteodystrofia,bliž.neur.v obl.ruky |
| M83.40 | Hliníková kostná choroba na viacerých miestach | M88.95 | Deformujúca osteodystrofia,bliž.neur.panv.obl.a stehna |
| M83.41 | Hliníková kostná choroba v obl.pleca | M88.96 | Deformujúca osteodystrofia,bliž.neur.v obl.predkol., |
| M83.42 | Hliníková kostná choroba nadlaktia | M88.97 | Deformujúca osteodystrofia,bliž.neur.v obl.čl.a nohy |
| M83.43 | Hliníková kostná choroba predlak. | M88.98 | Deformujúca osteodystrofia,bliž.neur.na i.mieste |
| M83.44 | Hliníková kostná choroba ruky | M88.99 | Deformujúca osteodystrofia,bliž.neur.,miesto bliž.neurč. |
| M83.45 | Hliníková kostná choroba panv.obl.a stehna | M93.1 | Kienböckova choroba dospelých |
| M83.46 | Hliníková kostná choroba predkol. | M96.1 | Postlaminektomický syndróm,nezatriedený inde |
| M83.47 | Hliníková kostná choroba čl.a nohy | M96.3 | Kyfóza po laminektómii |
| M83.48 | Hliníková kostná choroba na i.mieste | N14.0 | Nefropatia zapríčinená analgetikami |
| M83.49 | Hliníková kostná choroba,miesto bliž.neurč. | N39.3 | Stresová inkontinencia moču |
| M83.50 | Iná osteomalácia v dospelosti zapr.liekmi,na viac.m. | N41.0 | Akútna prostatitída |
| M83.51 | Iná osteomalácia v dospelosti zapr.liekmi v obl.pleca | N46 | Mužská neplodnosť |
| M83.52 | Iná osteomalácia v dospelosti zapr.liekmi v obl.nadlaktia | N48.4 | Impotencia organického pôvodu |
| M83.53 | Iná osteomalácia v dospelosti zapr.liekmi v obl.predlak. | N60.0 | Solitárna cysta prsníka |
| M83.54 | Iná osteomalácia v dospelosti zapr.liekmi v obl.ruky | N60.1 | Difúzna cystická mastopatia |
| M83.55 | Iná osteomalácia v dospelosti zapr.liek.v obl.pan.a stehna | N60.2 | Fibroadenóza prsníka |
| M83.56 | Iná osteomalácia v dospelosti zapr.liekmi v obl.predkol. | N60.3 | Fibroskleróza prsníka |
| M83.57 | Iná osteomalácia v dospelosti zapr.liekmi v obl.čl.a nohy | N60.4 | Rozšírenie mliekovodu prsníka |
| M83.58 | Iná osteomalácia v dospelosti zapr.liekmi na i.mieste | N60.8 | Iná benígna dysplázia prsníka |
| M83.59 | Iná osteomalácia v dospelosti zapr.liekmi,miestol bliž.neurč. | N60.9 | Benígna dysplázia prsníka,bližšie neurčená |
| M83.80 | Iná osteomalácia v dospelosti na viacerých miestach | N64.3 | Galaktorea bez súvislosti s pôrodom |
| M83.81 | Iná osteomalácia v dospelosti v obl.pleca | N70.1 | Chronická salpingitída a ooforitída |
| M83.82 | Iná osteomalácia v dospelosti v obl.nadlaktia | N71.1 | Chronická zápalová choroba matrice |
| M83.83 | Iná osteomalácia v dospelosti v obl.predlak. | N72 | Zápalová choroba krčka matrice |
| M83.84 | Iná osteomalácia v dospelosti v obl.ruky | N73.1 | Chronická parametritída a panvová celulitída |
| M83.85 | Iná osteomalácia v dospelosti v obl.panvy a stehna | N73.4 | Chronická pelveoperitonitída u žien |
| M83.86 | Iná osteomalácia v dospelosti v obl.predkol. | N80.0 | Endometrióza matrice |
| M83.87 | Iná osteomalácia v dospelosti v obl.čl.a nohy | N80.1 | Endometrióza vaječníka |
| M83.88 | Iná osteomalácia v dospelosti na i.mieste | N80.2 | Endometrióza vajíčkovodu |
| M83.89 | Iná osteomalácia v dospelosti,miesto bliž.neurč. | N80.3 | Endometrióza panvového peritonea |
| M83.90 | Osteomalácia v dospelosti,bliž.neurč.na viac.miast. | N80.4 | Endometrióza rektovaginálneho septa a pošvy |
| M83.91 | Osteomalácia v dospelosti,bliž.neurč.v obl.pleca | N80.5 | Endometrióza čreva |
| M83.92 | Osteomalácia v dospelosti,bliž.neurč.v obl.nadlaktia | N80.6 | Endometrióza v kožnej jazve |
| M83.93 | Osteomalácia v dospelosti,bliž.neurč.v obl.predlak. | N80.8 | Iná endometrióza |
| M83.94 | Osteomalácia v dospelosti,bliž.neurč.v obl.ruky | N80.9 | Endometrióza,bližšie neurčená |
| M83.95 | Osteomalácia v dospelosti,bliž.neurč.v obl.a stehna | N81.0 | Uretrokéla u ženy |
| M83.96 | Osteomalácia v dospelosti,bliž.neurč.v obl.predkol. | N81.1 | Cystokéla |
| M83.97 | Osteomalácia v dospelosti,bliž.neurč.v obl.čl.a nohy | N81.2 | Nekompletný uterovaginálny prolaps |
| M83.98 | Osteomalácia v dospelosti,bliž.neurč.na i.mieste | N81.3 | Kompletný uterovaginálny prolaps |
| M83.99 | Osteomalácia v dospelosti,miesto bliž.neurč. | N81.4 | Uterovaginálny prolaps,bližšie neurčený |
| M88.0 | Deformujúca osteodystrofia [Pagetova choroba] lebky | N81.5 | Pošvová enterokéla |
| M88.80 | Deformujúca osteodystrofia i.kostí,na viac.miast. | N81.6 | Rektokéla |
| M88.81 | Deformujúca osteodystrofia i.kostí,v obl.pleca | N81.8 | Iný prolaps pohlavných orgánov u ženy |
| M88.82 | Deformujúca osteodystrofia i.kostí,v obl.nadlaktia | N81.9 | Prolaps pohlavných orgánov u ženy,bližšie neurčený |
| M88.83 | Deformujúca osteodystrofia i.kostí,v obl.predlak. | N99.2 | Adhézie pošvy po chirurgickom výkone |
| M88.84 | Deformujúca osteodystrofia i.kostí,v obl.ruky | N99.3 | Prolaps pošvovej klenby po hysterektómii |
| M88.85 | Deformujúca osteodystrofia i.kostí,panv.obl.a stehna | R86.1 | Abn.nález vo vzorkách z muž.pohl.org.:abn.hodn.hormón. |

D.4k Konflikt s vekom: Dospelý v zrelom veku

| Kód | Popis | Kód | Popis |
|--------|---|--------|--|
| B90.0 | Následky tuberkulózy centrálnej nervovej sústavy | M81.08 | Postmenopauzálna osteopor.na i.mieste |
| B90.1 | Následky tuberkulózy močovopohlavnej sústavy | M81.09 | Postmenopauzálna osteoporóza,miesto bliž.neurč. |
| B90.2 | Následky tuberkulózy kostí a kĺbov | M83.10 | Starecká osteomalácia na viacerých miestach |
| B90.8 | Následky tuberkulózy iných orgánov | M83.11 | Starecká osteomalácia v obl.pleca |
| B90.9 | Následky respiračnej a bliž.nerč.TBC | M83.12 | Starecká osteomalácia nadlaktia |
| B92 | Následky lepry | M83.13 | Starecká osteomalácia predlak. |
| C61 | Zhubný nádor prostaty | M83.14 | Starecká osteomalácia ruky |
| G30.1 | Alzheimerova choroba s neskorým začiatkom (F00.1*) | M83.15 | Starecká osteomalácia panv.obl.a stehna |
| H25.0 | Začínajúca senilná katarakta | M83.16 | Starecká osteomalácia predkol. |
| H25.1 | Senilná katarakta nukleárna[fakoskleróm] | M83.17 | Starecká osteomalácia čl.a nohy |
| H25.2 | Senilná katarakta, Morgagniho typ | M83.18 | Starecká osteomalácia na i.mieste |
| H25.8 | Iná senilná katarakta | M83.19 | Starecká osteomalácia, miesto bližšie neurčené |
| H25.9 | Senilná katarakta,bližšie neurčená | N40 | Hyperplázia prostaty |
| M80.00 | Postmenopauz.osteopor.s patol.zlomeninou na viac.m. | N41.1 | Chronická prostatitída |
| M80.01 | Postmenopauz.osteopor.s patol.zlomeninou v obl.pleca | N41.2 | Absces prostaty |
| M80.02 | Postmenopauz.osteopor.s patol.zlomeninou nadlaktia | N41.3 | Prostatocystitída |
| M80.03 | Postmenopauz.osteopor.s patol.zlomeninou predlak. | N41.8 | Iná zápalová choroba prostaty |
| M80.04 | Postmenopauz.osteopor.s patol.lomeninou ruky | N41.9 | Zápalová choroba prostaty,bližšie neurčená |
| M80.05 | Postmenopauz.osteopor.s patol.zlomeninou panv.obl.a stehna | N42.0 | Konkrement prostaty |
| M80.06 | Postmenopauz.osteopor.s patol.zlomeninou predkol. | N42.1 | Kongescia a krvácanie z prostaty |
| M80.07 | Postmenopauz.osteopor.s patol.zlomeninou čl.a nohy | N42.2 | Atrofia prostaty |
| M80.08 | Postmenopauz.osteopor.s patol.zlomeninou na i.mieste | N42.8 | Iná choroba prostaty,bližšie určená |
| M80.09 | Postmenopauz.osteopor.s patol.zlomeninou,miesto bliž.neurč. | N42.9 | Choroba prostaty,bližšie neurčená |
| M81.00 | Postmenopauzálna osteoporóza na viacerých miestach | N51.0 | Choroby prostaty pri chorobách zatriedených inde |
| M81.01 | Postmenopauzálna osteopor.v obl.pleca | N95.0 | Pomenopauzové krvácanie |
| M81.02 | Postmenopauzálna osteopor.nadlaktia | N95.1 | Menopauzové a klimakterické poruchy |
| M81.03 | Postmenopauzálna osteopor.predlak. | N95.2 | Pomenopauzová atrofická vaginitída |
| M81.04 | Postmenopauzálna osteopor.ruky | N95.3 | Poruchy spojené s arteficiálnou menopauzou |
| M81.05 | Postmenopauzálna osteopor.panv.obl.a stehna | N95.8 | Iná menopauzové a perimenopauzové poruchy,b.u. |
| M81.06 | Postmenopauzálna osteopor.predkol. | N95.9 | Menopauzové a perimenopauzové poruchy,b.n. |
| M81.07 | Postmenopauzálna osteopor.čl.a nohy | R54 | Senilita |

D.5a Konflikt s pohlavím: Choroby ženy

| Kód | Popis | Kód | Popis |
|-------|---|--------|---|
| A34 | Tetanus počas gravidity,pôrodu a v šestonedelí | F53.1 | Ťažká duševná porucha a por.správ.v šestonedelí,nezat.inde |
| B37.3 | Kandidóza vulvy a pošvy(N77.1*) | F53.8 | Iná duševná porucha a por.správ.v šestonedelí,nezat.inde |
| C51.0 | Zhubný nádor veľkého pysku | F53.9 | Duševná porucha v šestonedelí,bližšie neurčená |
| C51.1 | Zhubný nádor malého pysku | I86.3 | Varixy vulvy |
| C51.2 | Zhubný nádor klitoris | I97.2 | Postmastektomický lymfédém |
| C51.8 | Zhubný nádor vulvy presahujúci viaceré oblasti | L29.2 | Svrbenie vulvy |
| C51.9 | Zhubný nádor vulvy,bližšie neurčený | L70.5 | Acne excoriée des jeunes filles |
| C52 | Zhubný nádor pošvy | M80.00 | Postmenopauz.osteopor.s patol.zlomeninou na viac.m. |
| C53.0 | Zhubný nádor endocervixu maternice | M80.01 | Postmenopauz.osteopor.s patol.zlomeninou v obl.pleca |
| C53.1 | Zhubný nádor exocervixu maternice | M80.02 | Postmenopauz.osteopor.s patol.zlomeninou nadlaktia |
| C53.8 | Zhubný nádor krčka maternice presah.viac.obl. | M80.03 | Postmenopauz.osteopor.s patol.zlomeninou predlak. |
| C53.9 | Zhubný nádor krčka maternice,bližšie neurčený | M80.04 | Postmenopauz.osteopor.s patol.lomeninou ruky |
| C54.0 | Zhubný nádor istmu maternice | M80.05 | Postmenopauz.osteopor.s patol.zlomeninou panv.obl.a stehna |
| C54.1 | Zhubný nádor endometria | M80.06 | Postmenopauz.osteopor.s patol.zlomeninou predkol. |
| C54.2 | Zhubný nádor myometria | M80.07 | Postmenopauz.osteopor.s patol.zlomeninou čl.a nohy |
| C54.3 | Zhubný nádor dna maternice | M80.08 | Postmenopauz.osteopor.s patol.zlomeninou na i.mieste |
| C54.8 | Zhub.nádor tela maternice presah.viac.obl. | M80.09 | Postmenopauz.osteopor.s patol.zlomeninou,miesto bliž.neurč. |
| C54.9 | Zhubný nádor tela maternice,bližšie neurčený | M80.10 | Postovariektom.osteopor.s pat.zlomeninou na viac.m. |
| C55 | Zhubný nádor bližšie neurčenej časti maternice | M80.11 | Postovariektom.osteopor.s pat.zlomeninou v obl.pleca |
| C56 | Zhubný nádor vaječníka | M80.12 | Postovariektom.osteopor.s pat.zlomeninou nadlaktia |
| C57.0 | Zhubný nádor vajíčkovodu | M80.13 | Postovariektom.osteopor.s pat.zlomeninou predlak. |
| C57.1 | Zhubný nádor širokého väzu maternice | M80.14 | Postovariektom.osteopor.s pat.zlomeninou ruky |
| C57.2 | Zhubný nádor oblého väzu maternice | M80.15 | Postovariektom.osteopor.s pat.zlome. panv.obl.a stehna |
| C57.3 | Zhubný nádor parametria | M80.16 | Postovariektom.osteopor.s pat.zlomeninou predkol. |
| C57.4 | Zhubný nádor adnexov maternice,bližšie neurčený | M80.17 | Postovariektom.osteopor.s pat.zlomeninou čl.a nohy |
| C57.7 | Zhubný nádor iných ženských pohlavných orgánov,bliž.urč. | M80.18 | Postovariektom.osteopor.s pat.zlomeninou na i.mieste |
| C57.8 | Zhubný nádor ženských.pohlavných orgánov,presah.viac.obl. | M80.19 | Postovariektom.osteopor.s pat.zlomeninou,miesto bliž.neurč. |
| C57.9 | Zhubný nádor ženského pohlavného orgánu,bliž.neurč. | M81.00 | Postmenopauzálna osteoporóza na viacerých miestach |
| C58 | Zhubný nádor placenty | M81.01 | Postmenopauzálna osteopor.v obl.pleca |
| C79.6 | Sekundárny zhubný nádor vaječníka | M81.02 | Postmenopauzálna osteopor.nadlaktia |
| D06.0 | Karcinóm in situ endocervixu | M81.03 | Postmenopauzálna osteopor.predlak. |
| D06.1 | Karcinóm in situ exocervixu | M81.04 | Postmenopauzálna osteopor.ruky |
| D06.7 | Karcinóm in situ inej časti krčka maternice | M81.05 | Postmenopauzálna osteopor.panv.obl.a stehna |
| D06.9 | Karcinóm in situ krčka maternice,bližšie neurčený | M81.06 | Postmenopauzálna osteopor.predkol. |
| D07.0 | Karcinóm in situ endometria | M81.07 | Postmenopauzálna osteopor.čl.a nohy |
| D07.1 | Karcinóm in situ vulvy | M81.08 | Postmenopauzálna osteopor.na i.mieste |
| D07.2 | Karcinóm in situ pošvy | M81.09 | Postmenopauzálna osteoporóza,miesto bliž.neurč. |
| D07.3 | Karcinóm in situ iných bliž.neurč.ženských pohlav.org. | M81.10 | Postovariektomická osteopor.na viac.m. |
| D25.0 | Submukózný leiomyóm maternice | M81.11 | Postovariektomická osteopor.v obl.pleca |
| D25.1 | Intramurálny leiomyóm maternice | M81.12 | Postovariektomická osteopor.nadlaktia |
| D25.2 | Subserózný leiomyóm maternice | M81.13 | Postovariektomická osteopor.predlak. |
| D25.9 | Leiomyóm maternice,bližšie neurčený | M81.14 | Postovariektomická osteopor.ruky |
| D26.0 | Iný nezhubný nádor krčka maternice | M81.15 | Postovariektomická osteopor.panv.obl.a stehna |
| D26.1 | Iný nezhubný nádor tela maternice | M81.16 | Postovariektomická osteopor.predkol. |
| D26.7 | Iný nezhubný nádor iných častí maternice | M81.17 | Postovariektomická osteopor.čl.a nohy |
| D26.9 | Iný nezhubný nádor maternice,bližšie neurčený | M81.18 | Postovariektomická osteopor.na i.mieste |
| D27 | Nezhubný nádor vaječníka | M81.19 | Postovariektomická osteopor.,miesto bliž.neurč. |
| D28.0 | Nezhubný nádor vulvy | M83.00 | Osteomalácia v šestonedelí na viacerých miestach |
| D28.1 | Nezhubný nádor pošvy | M83.01 | Osteomalácia v šestonedelí v obl.pleca |
| D28.2 | Nezhubný nádor vajíčkovodov a väzov maternice | M83.02 | Osteomalácia v šestonedelí v obl.nadlaktia |
| D28.7 | Nezhubný nádor iných bliž.urč.ženských pohlav.org. | M83.03 | Osteomalácia v šestonedelí v obl.predlak. |
| D28.9 | Nezhubný nádor bliž.neurč.ženských pohlav.org. | M83.04 | Osteomalácia v šestonedelí v obl.ruky |
| D39.0 | Nádor s neurčitým/nezným.správaním:maternica | M83.05 | Osteomalácia v šestonedelí v obl.panv.obl.a stehna |
| D39.1 | Nádor s neurčitým/nezným.správaním:vaječník | M83.06 | Osteomalácia v šestonedelí v obl.predkol. |
| D39.2 | Nádor s neurčitým/nezným.správaním:placenta | M83.07 | Osteomalácia v šestonedelí v obl.čl.a nohy |
| D39.7 | Nádor s neurčitým/nezným.správaním:i.žen.pohl.org. | M83.08 | Osteomalácia v šestonedelí na i.mieste |
| D39.9 | Nádor s neurčitým/nezným.správaním:bliž.neurč.žen.pohl.org. | M83.09 | Osteomalácia v šestonedelí,miesto bliž.neurč. |
| E28.0 | Porucha funkcie vaječníkov s nadbytkom estrogénov | N60.1 | Difúzna cystická mastopatia |
| E28.1 | Porucha funkcie vaječníkov s nadbytkom androgénov | N60.2 | Fibroadenóza prsníka |
| E28.2 | Syndróm polycystických ovárií | N60.3 | Fibroskleróza prsníka |
| E28.3 | Primárna nedostatočnosť vaječníkov | N60.4 | Rozšírenie mliekovodu prsníka |
| E28.8 | Iná porucha funkcie vaječníkov | N60.8 | Iná benígna dysplázia prsníka |
| E28.9 | Porucha funkcie vaječníkov,bližšie neurčená | N60.9 | Benígna dysplázia prsníka,bližšie neurčená |
| E89.4 | Zlyhanie vaječníkov po lekárskom výkone | N64.0 | Fisúra a fistula bradavky |
| F52.5 | Neorganický vaginizmus | N64.1 | Tuková nekróza prsníka |
| F52.6 | Neorganická dyspareunia | N64.2 | Atrofia prsníka |
| F53.0 | Mierna duševná porucha a por.správ.v šestonedelí,nezat.inde | N64.3 | Galaktorea bez súvislosti s pôrodom |

| Kód | Popis | Kód | Popis |
|--------|---|-------|--|
| N64.4 | Mastodýnia | N83.4 | Prolaps a hernia vaječníka a vajíčkovodu |
| N70.0 | Akútna salpingitída a ooforitída | N83.5 | Torzia vaječníka, topky vaječníka a vajíčkovodu |
| N70.1 | Chronická salpingitída a ooforitída | N83.6 | Hematosalpinx |
| N70.9 | Salpingitída a ooforitída, bližšie neurčená | N83.7 | Hematóm širokého väzu maternice |
| N71.0 | Akútna zápalová choroba maternice | N83.8 | Iné nezápal.zmeny vaječníka,vajíčkovodu a šir.väzu maternice |
| N71.1 | Chronická zápalová choroba maternice | N83.9 | Nezápal.zmeny vaječníka,vajíčkov.a šir.väzu maternice,b.n. |
| N71.9 | Zápalová choroba maternice, bližšie neurčená | N84.0 | Polyp tela maternice |
| N72 | Zápalová choroba krčka maternice | N84.1 | Polyp krčka maternice |
| N73.0 | Akútna parametritída a panvová celulitída | N84.2 | Polyp pošvy |
| N73.1 | Chronická parametritída a panvová celulitída | N84.3 | Polyp vulvy |
| N73.2 | Parametritída a panvová celulitída, b.n. | N84.8 | Polyp iných častí ženských pohlavných orgánov |
| N73.3 | Akútna pelveoperitonitída u žien | N84.9 | Polyp ženských pohlavných orgánov, bližšie neurčený |
| N73.4 | Chronická pelveoperitonitída u žien | N85.0 | Glandulárna hyperplázia endometria |
| N73.5 | Pelveoperitonitída u žien, bližšie neurčená | N85.1 | Adenomatózna hyperplázia endometria |
| N73.6 | Panvové peritoneálne adhézie u žien | N85.2 | Hypertrofia maternice |
| N73.8 | Iné zápalové choroby ženských panvov.orgánov, b.u. | N85.3 | Subinvolúcia maternice |
| N73.9 | Zápalová choroba ženských panvov.orgánov, b.n. | N85.4 | Malpozícia maternice |
| N74.0 | Tuberkulózná infekcia krčka maternice (A18.1†) | N85.5 | Inverzia maternice |
| N74.1 | Tuberkulózný zápal ženských panvov.org. | N85.6 | Vnútromaternicové zrasty |
| N74.2 | Syfilitický zápal ženských panvov.org. | N85.7 | Hematometra |
| N74.3 | Gonokokový zápal ženských panvov.org. | N85.8 | Iná nezápalová choroba maternice, bližšie určená |
| N74.4 | Chlamydiový zápal ženských panvových orgánov | N85.9 | Nezápalová choroba maternice, bližšie neurčená |
| N74.8 | Zápalová choroba ženských panvov.org.pri i.chor.z.i. | N86 | Erózia a ektropium krčka maternice |
| N75.0 | Cysta Bartholinovej žľazy | N87.0 | Lahká dysplázia krčka maternice |
| N75.1 | Absces Bartholinovej žľazy | N87.1 | Stredná dysplázia krčka maternice |
| N75.8 | Iné choroby Bartholinovej žľazy | N87.2 | Ťažká dysplázia krčka maternice, nezatriedená inde |
| N75.9 | Choroba Bartholinovej žľazy, bližšie neurčená | N87.9 | Dysplázia krčka maternice, bližšie neurčená |
| N76.0 | Akútna vaginitída | N88.0 | Leukoplakia krčka maternice |
| N76.1 | Subakútna a chronická vaginitída | N88.1 | Stará lacerácia krčka maternice |
| N76.2 | Akútna vulvitída | N88.2 | Striktúra a stenóza krčka maternice |
| N76.3 | Subakútna a chronická vulvitída | N88.3 | Inkompetencia krčka maternice |
| N76.4 | Absces vulvy | N88.4 | Hypertrofické predĺženie krčka maternice |
| N76.5 | Ulcerácia pošvy | N88.8 | Iná nezápalová choroba krčka maternice, b.u. |
| N76.6 | Ulcerácia vulvy | N88.9 | Nezápalová choroba krčka maternice, b.n. |
| N76.80 | Fournierova gangréna u ženy | N89.0 | Lahká dysplázia pošvy |
| N76.88 | Iné zápaly pošvy a vulvy, bližšie určené | N89.1 | Stredne pokročilá dysplázia pošvy |
| N77.0 | Ulcerácia vulvy pri infek./parazit.chor.z.i. | N89.2 | Ťažká dysplázia pošvy, nezatriedená inde |
| N77.1 | Vaginitída, vulvitída a vulvovaginit.pri infek./paraz.chor.z.i. | N89.3 | Dysplázia pošvy, bližšie neurčená |
| N77.8 | Vulvovaginálna ulcerácia a zápal pri iných chorobách z.i. | N89.4 | Leukoplakia pošvy |
| N80.0 | Endometrióza maternice | N89.5 | Striktúra a atrézia pošvy |
| N80.1 | Endometrióza vaječníka | N89.6 | Tesný prstenec hymenu |
| N80.2 | Endometrióza vajíčkovodu | N89.7 | Hematokolpos |
| N80.3 | Endometrióza panvového peritonea | N89.8 | Iná nezápalová choroba pošvy, bližšie určená |
| N80.4 | Endometrióza rektovaginálneho septa a pošvy | N89.9 | Nezápalová choroba pošvy, bližšie neurčená |
| N80.5 | Endometrióza čreva | N90.0 | Lahká dysplázia vulvy |
| N80.6 | Endometrióza v kožnej jazve | N90.1 | Stredne ťažká dysplázia vulvy |
| N80.8 | Iná endometrióza | N90.2 | Ťažká dysplázia vulvy, nezatriedená inde |
| N80.9 | Endometrióza, bližšie neurčená | N90.3 | Dysplázia vulvy, bližšie neurčená |
| N81.0 | Uretrokéla u ženy | N90.4 | Leukoplakia vulvy |
| N81.1 | Cystokéla | N90.5 | Atrofia vulvy |
| N81.2 | Nekompletný uterovaginálny prolaps | N90.6 | Hypertrofia vulvy |
| N81.3 | Kompletný uterovaginálny prolaps | N90.7 | Cysta vulvy |
| N81.4 | Uterovaginálny prolaps, bližšie neurčený | N90.8 | Iná nezápalová choroba vulvy a hrádze, b.u. |
| N81.5 | Pošvová enterokéla | N90.9 | Nezápalová choroba vulvy a hrádze, bližšie neurčená |
| N81.6 | Rektokéla | N91.0 | Primárna amenorea |
| N81.8 | Iný prolaps pohlavných orgánov u ženy | N91.1 | Sekundárna amenorea |
| N81.9 | Prolaps pohlavných orgánov u ženy, bližšie neurčený | N91.2 | Amenorea, bližšie neurčená |
| N82.0 | Vezikovaginálna fistula | N91.3 | Primárna oligomenorea |
| N82.1 | Iná fistula medzi ženskými moč.a pohlav.oránmi | N91.4 | Sekundárna oligomenorea |
| N82.2 | Fistula medzi pošvou a tenkým črevom | N91.5 | Oligomenorea, bližšie neurčená |
| N82.3 | Fistula medzi pošvou a hrubým črevom | N92.0 | Nadmerná/častá menštruácia s pravidelným cyklom |
| N82.4 | Iná fistula medzi ženskými pohlav.org.a črevom | N92.1 | Nadmerná/častá menštruácia s nepravidelným cyklom |
| N82.5 | Fistula medzi ženskými pohlavnými orgánmi a kožou | N92.2 | Nadmerná menštruácia v puberte |
| N82.8 | Iná fistula ženských pohlavných orgánov | N92.3 | Ovulačné krvácanie |
| N82.9 | Fistula ženských pohlavných orgánov, bliž. neurč. | N92.4 | Nadmerné krvácanie v premenopauze |
| N83.0 | Folikulová cysta vaječníka | N92.5 | Iná nepravidelná menštruácia, bližšie určená |
| N83.1 | Luteálna cysta | N92.6 | Nepravidelná menštruácia, bližšie neurčená |
| N83.2 | Iná a bližšie neurčená cysta vaječníkov | N93.0 | Postkoitálne a kontaktné krvácanie |
| N83.3 | Získaná atrofia vaječníka a vajíčkovodu | N93.8 | Iné abnormálne krvác.z maternice/pošvy, b.u. |

| Kód | Popis | Kód | Popis |
|-------|--|-------|--|
| N93.9 | Abnormál.krvácanie z matrice/ pošvy, b.n. | O05.5 | Iný potrat:komplet./bliž.neu.potrat,kompl.inf.pohl.a panv.org. |
| N94.0 | Ovulačná bolesť (Mittelschmerz) | O05.6 | Iný potrat:komplet./bliž.n.potrat,kompl.oneskor./nadmer.krvác. |
| N94.1 | Dyspareunia | O05.7 | Iný potrat:komplet./bliž.neurč.potrat,kompl.embóliou |
| N94.2 | Vaginizmus | O05.8 | Iný potrat:komplet./bliž.neurč.potrat s i.a b.n.kompl. |
| N94.3 | Predmenštruačný syndróm | O05.9 | Iný potrat:komplet./bliž.neurč.potrat bez kompl. |
| N94.4 | Primárna dysmenorea | O06.0 | Potrat,bliž.neurč:nekomplet.potrat,kompl.inf.pohl.a panv.org. |
| N94.5 | Sekundárna dysmenorea | O06.1 | Potrat,bliž.neu.:nekomplet.potrat,kompl.oneskor./nadmer.krvác. |
| N94.6 | Dysmenorea,bližšie neurčená | O06.2 | Potrat,bliž.neurč:nekomplet.potrat,kompl.embóliou |
| N94.8 | Iná odchýlka spoj.so žensk.pohlav.org.a menštruač.cyklo,b.u. | O06.3 | Potrat,bliž.neurč:nekomplet.potrat s i.a b.n.kompl. |
| N94.9 | Odchýlka spoj.so žensk.pohlav.org.a menštruač.cyklo,b.n. | O06.4 | Potrat,bliž.neurč:neúplný potrat bez kompl. |
| N95.0 | Pomenopauzové krvácanie | O06.5 | Potrat,bliž.n.:komplet./bliž.n.potrat,kompl.inf.pohl.a panv.org. |
| N95.1 | Menopauzové a klimakterické poruchy | O06.6 | Potrat,bliž.n.:komplet./bliž.n.potrat,kompl.oneskor./nadmer.krvác. |
| N95.2 | Pomenopauzové atrofická vaginitída | O06.7 | Potrat,bliž.neurč:komplet./bliž.neurč.potrat,kompl.embóliou |
| N95.3 | Poruchy spojené s arteficiálnou menopauzou | O06.8 | Potrat,bliž.neurč:komplet./bliž.neurč.potrat s i.a b.n.kompl. |
| N95.8 | Iná menopauzové a perimenopauzové poruchy,b.u. | O06.9 | Potrat,bliž.neurč:komplet./bliž.neurč.potrat bez kompl. |
| N95.9 | Menopauzové a perimenopauzové poruchy,b.n. | O07.0 | Neúsp.lek.pokus o potrat,kompl.inf.pohl.a panv.org. |
| N96 | Sklon k habituálnemu potrácaniu | O07.1 | Neúsp.lek.pokus o potrat,kompl.oneskor./nadmer.krvác. |
| N97.0 | Ženská neplodnosť spojená s anovuláciou | O07.2 | Neúsp.lek.pokus o potrat,kompl.embóliou |
| N97.1 | Ženská neplodnosť tubárneho pôvodu | O07.3 | Neúsp.lek.pokus o potrat s i.a bliž.neur.kompl. |
| N97.2 | Ženská neplodnosť maternicového pôvodu | O07.4 | Neúspešný lekársky pokus o potrat bez komplikácií |
| N97.3 | Ženská neplodnosť krčkového pôvodu | O07.5 | Iný a bliž.neu.neús.pokus o potrat,kompl.inf.pohl.a panv.org. |
| N97.4 | Ženská neplodnosť spojená s mužskými faktormi | O07.6 | Iný a bliž.neu.neús.pokus o potrat,kompl.oneskor./nadm.krvác. |
| N97.8 | Ženská neplodnosť iného pôvodu | O07.7 | Iný a bliž.neurč.neús.pokus o potrat,kompl.embóliou |
| N97.9 | Ženská neplodnosť,bližšie neurčená | O07.8 | Iný a bliž.neurč.neús.pokus o potrat s i.a b.n.kompl. |
| N98.0 | Infekcia spojená s umelým oplodnením | O07.9 | Iný a bliž.neurč.neús.pokus o potrat bez kompl. |
| N98.1 | Hyperstimulácia vaječníkov | O08.0 | Infekcia pohlav.a panv.org.po potrate,mimomat.gr.a gr.s MH |
| N98.2 | Komplikácie pri pokuse zaviesť oplod.vajíčko po oplod.in vitro | O08.1 | Onesk./nadm.krvác.po potr,mimomat.gr.a grav.s malou hydati. |
| N98.3 | Komplikácie pri pokuse zaviesť embryo pri prenose embrya | O08.2 | Embólia po potrate,mimomat.grav.a grav.s molou hydratidosa |
| N98.8 | Iné komplikácie spojené s umelým oplodnením | O08.3 | Šok po potrate,mimomat.grav.a grav.s molou hydratidosa |
| N98.9 | Komplikácie spojené s umelým oplodnením,b.n. | O08.4 | Zlyháv.obličiek po potrate,mimomat.grav.a grav.s mal hydati. |
| N99.2 | Adhézie pošvy po chirurgickom výkone | O08.5 | Metabické poruchy po potrate,mimomat.gr.a gr.s mal hydati. |
| N99.3 | Prolaps pošvovej klenby po hysterektómii | O08.6 | Pošk.panv.org.a tk.po potr,mimomat.gr.a grav.s malou hydati. |
| O00.0 | Abdominálna gravidita | O08.7 | Iné žil.kompl.po potrate,mimomat.grav.a grav.s malou hydati. |
| O00.1 | Tubárna gravidita | O08.8 | Iné kompl.po potrate,mimomat.grav.a grav.s molou hydati. |
| O00.2 | Ováriová gravidita | O08.9 | Kompl.po potrate,mimomat.grav.a grav.s molou hydratid.b.n. |
| O00.8 | Iná mimomaternicová gravidita | O09.0 | Trvanie gravidity menej ako 5 ukončených týždňov |
| O00.9 | Mimomaternicová gravidita,bližšie neurčená | O09.1 | Trvanie gravidity od začat.5 po ukonč.13.týždň |
| O01.0 | Klasická mola hydratidosa | O09.2 | Trvanie gravidity od začat.14.po ukonč.19.týž. |
| O01.1 | Nekompletná a parciálna mola hydratidosa | O09.3 | Trvanie gravidity od začat.20.po ukonč.25.týž. |
| O01.9 | Mola hydratidosa,bližšie neurčená | O09.4 | Trvanie gravidity od začat.26.po ukonč.33.týž. |
| O02.0 | Poškodené plodové vajce a nehydaticová mola | O09.5 | Trvanie gravidity od začat.34.po ukonč.36.týž. |
| O02.1 | Missed abortión (zadržaný potrat) | O09.9 | Arteriálna hypertenzia matky,bližšie neurčená |
| O02.8 | Iný abnormálny výtvor počatia,bližšie určený | O10.0 | Predt.exist.prim.artér.hypert.,kompl.grav.,pôr.a šeston. |
| O02.9 | Abnormálny výtvor počatia,bližšie neurčený | O10.1 | Predt.exist.hypert.chor.srdca,kompl.grav.,pôr.a šeston. |
| O03.0 | Spont.potrat:nekomplet.potrat,kompl.infekc.pohl.a panv.org. | O10.2 | Predt.exist.hypert.chor.oblič.,kompl.grav.,pôr.a šeston. |
| O03.1 | Spont.potrat:nekomplet.potrat,kompl.oneskor./nadmer.krvác. | O10.3 | Predt.exi.hypert.chor.srd.a oblič.,kompl.grav.,pôr.a šest. |
| O03.2 | Spont.potrat:nekomplet.potrat,komplikovaný embóliou | O10.4 | Predt.exist.sek.artér.hypert.,kompl.grav.,pôr.a šeston. |
| O03.3 | Spont.potrat:nekomplet.potrat s i.a bliž.neurč.kompl. | O10.9 | Predt.exist.artér.hypert.,kompl.grav.,pôr.a šeston.,b.n. |
| O03.4 | Spont.potrat:nekomplet.potrat bez kompl. | O11 | Predt.exi.art.hypert.,kompl.grav.,pôr.a šest.,s nas.preek. |
| O03.5 | Spont.potrat:komplet./bliž.n.potrat,kompl.inf.pohl.a panv.org. | O12.0 | Gestačné opuchy |
| O03.6 | Spont.potrat:komplet./bliž.n.potrat,kompl.oneskor./nadm.krvác. | O12.1 | Gestačná proteinúria |
| O03.7 | Spont.potrat:komplet./bliž.neurč.potrat,kompl.embóliou | O12.2 | Gestačné opuchy s proteinúriou |
| O03.8 | Spont.potrat:komplet./bliž.neurč.potrat s i.a bliž.neur.kompl. | O13 | Gestačná artér.hypert.bez významnej proteinúrie |
| O03.9 | Spont.potrat:komplet./bliž.n.eurč.potrat bez kompl. | O14.0 | Mierna a stredne ťažká preeklampsia |
| O04.0 | Lek.potrat:nekomplet.potrat,kompl.infek.pohlav.a panv.org. | O14.1 | Ťažká preeklampsia |
| O04.1 | Lek.potrat:nekomplet.potrat,kompl.oneskor./nadmer.krvác. | O14.2 | Syndróm HELLP |
| O04.2 | Lek.potrat:nekomplet.potrat,komplikovaný embóliou | O14.9 | Preeklampsia,bližšie neurčená |
| O04.3 | Lek.potrat:nekomplet.potrat s i.a bliž.neurč.kompl. | O15.0 | Eklampsia v gravidite |
| O04.4 | Lekársky potrat:nekompletný potrat bez komplikácií | O15.1 | Eklampsia pri pôrode |
| O04.5 | Lek.potrat:komplet./bliž.neu.potrat,kompl.inf.pohl.a panv.org. | O15.2 | Eklampsia v šestonedelí |
| O04.6 | Lek.potrat:komplet./bliž.n.potrat,kompl.oneskor./nadmer.krvác. | O15.9 | Eklampsia,časovo bližšie neurčená |
| O04.7 | Lek.potrat:komplet./bliž.neurč.potrat,kompl.embóliou | O16 | Arteriálna hypertenzia matky,bližšie neurčená |
| O04.8 | Lek.potrat:komplet./bliž.neur.potrat s i.a b.n.kompl. | O20.0 | Hroziaci potrat (abortus imminens) |
| O04.9 | Lek.potrat:komplet./bliž.neur.potrat bez kompl. | O20.8 | Iné krvácanie vočasnej gravidite |
| O05.0 | Iný potrat:nekomplet.potrat,kompl.inf.pohl.a panv.org. | O20.9 | Krvácanie vočasnej gravidite,bližšie neurčené |
| O05.1 | Iný potrat:nekomplet.potrat,kompl.oneskor./nadmer.krvác. | O21.0 | Hyperemesis gravidarum mierneho stupňa |
| O05.2 | Iný potrat:nekomplet.potrat,kompl.embóliou | O21.1 | Hyperemesis gravidarum s poruchou vnút.prostredia |
| O05.3 | Iný potrat:nekomplet.potrat s i.a bliž.neurč.kompl. | O21.2 | Neskoré vracanie v gravidite |
| O05.4 | Iný potrat: nekompletný potrat bez komplikácií | O21.8 | Iné vracanie,komplikujuce graviditu |

| Kód | Popis | Kód | Popis |
|--------|--|--------|--|
| O21.9 | Vracanie počas gravidity, bližšie neurčené | O32.8 | Star.o matku pre iné nespr.naliehanie/nespr.poloha plodu |
| O22.0 | Variety dolných končatín v gravidite | O32.9 | Star.o matku pre iné nepravid.naliehanie/hespr.polo.plodu,b.n. |
| O22.1 | Variety pohlavných orgánov v gravidite | O33.0 | Star.o mat.pre nepomer medzi plodom a panv.,zapr.def.panv.k. |
| O22.2 | Povrchová tromboflebitída v gravidite | O33.1 | Star.o mat.pre nepomer medzi plod.a panv.zapr.celk.zúž.panva |
| O22.3 | Hĺbková flebotrombóza v gravidite | O33.2 | Star.o mat.pre nepomer medzi plod.a panv.zapr.zúž.panv.vch. |
| O22.4 | Hemoroidy v gravidite | O33.3 | Star.o mat.pre nepomer medzi plod.a panv.zapr.zúž.panv.vých. |
| O22.5 | Trombóza mozgových žíl v gravidite | O33.4 | Star.o mat.pre nep.medzi plod.a panv.,zapr.rozl.pr.matka/plod |
| O22.8 | Iné žilové choroby ako komplikácie v gravidite | O33.5 | Star.o matku pre nepom.medzi plod.a panv.,zapr.nezvy.vel.plod. |
| O22.9 | Žilová choroba ako komplikácia v gravidite,b.n. | O33.6 | Star.o matku pre nepom.medzi plod.a panv.,zapr.hydrocefus pl. |
| O23.0 | Infekcia obličiek v gravidite | O33.7 | Star.o mat. pre nepom.medzi plod.a panv.,zapr.i.abnormal.pl. |
| O23.1 | Infekcia močového mechúra v gravidite | O33.8 | Star.o matku pre nepom.medzi plod.a panv.z i.príčin |
| O23.2 | Infekcia močovej rúry v gravidite | O33.9 | Star.o matku pre nepom.medzi plod.a panvou,b.n. |
| O23.3 | Infekcia iných častí močovej sústavy v gravidite | O34.0 | Starostlivosť o matku pre vrodenú chybu maternice |
| O23.4 | Infekcia moč.sústavy v gravidite,b.n. | O34.1 | Starostlivosť o matku pre nádor tela maternice |
| O23.5 | Infekcia pohlavných orgánov v gravidite | O34.2 | Star.o matku jazvu na maternici po predchádz.chir.výk. |
| O23.9 | Iná a bliž.neu.infekcia močovopohl.org.v grav. | O34.30 | Star.o matku pri dĺž.kčka mater.p.10 mm/pri insuf.pot.vag.USG |
| O24.0 | DM v gravidite predtým existuj.DM,typ 1 | O34.31 | Starostlivosť o matku pri prolapse plodového vaku |
| O24.1 | DM v gravidite predtým existuj.DM,typ 2 | O34.38 | Star.o matku pri i.insuficiencii krčka maternice |
| O24.2 | DM v gravidite predtým existuj.DM súvis.s podvýživou | O34.39 | Star.o matku pri b.n.insuficiencii krčka maternice |
| O24.3 | DM v gravidite predtým existuj.DM,b.n. | O34.4 | Star.o matku pre iné abnor.krčka maternice |
| O24.4 | Diabetes mellitus so vznikom v gravidite | O34.5 | Star.o matku pre Iné abnor.gravidnej maternice |
| O24.9 | Diabetes mellitus v gravidite,bližšie neurčený | O34.6 | Starostlivosť o matku pre abnormalitu pošvy |
| O25 | Podvýživa v gravidite | O34.7 | Star.o matku pre abnor.vulvy a hrádze |
| O26.0 | Nadmerný hmotnostný prírastok v gravidite | O34.8 | Star.o matku pre i.abnormal.panv.org. |
| O26.1 | Malý hmotnostný prírastok v gravidite | O34.9 | Star.o matku pre abnormal.panv.org.,b.n. |
| O26.2 | Starost.o gravidnú ženu pri habituálnom potrácaní | O35.0 | Star.o matku pre(susp.)výv.chybu CNS plodu |
| O26.3 | Ponechané vnútro.mat.antikoncepčné teliesko v grav. | O35.1 | Star.o matku pre(susp.)chromozómovú anomáliu plodu |
| O26.4 | Herpes gestationis | O35.2 | Star.o matku pre(susp.)dedičnú chorobu plodu |
| O26.5 | Syndróm arteriovej hypotenzie matky | O35.3 | Star.o matku pre(susp.)pošk.plodu vír.chor.matky |
| O26.6 | Choroba pečene v gravidite,pri pôrode a v šestonedeli | O35.4 | Star.o matku pre(susp.)pošk.plodu alkoholom |
| O26.7 | Sublux.symphysis ossis pubis v grav.,pri pôrode a v šeston. | O35.5 | Star.o matku pre(susp.)pošk.plodu liekom/drogou |
| O26.81 | Choroba obličiek súvisiaca s graviditou | O35.6 | Star.o matku pre(susp.)pošk.plodu žiarením |
| O26.82 | Syndróm karpálneho tunela počas gravidity | O35.7 | Star.o matku pre(susp.)pošk.plodu iným lekář.výkon. |
| O26.83 | Periférna neuritída počas gravidity | O35.8 | Star.o matku-inú (susp.)abn.a (susp.)pošk.plodu |
| O26.88 | Iné stavy súvisiace s graviditou,bližšie určené | O35.9 | Star.o matku pre(susp.)b.n.abn.a (susp.)pošk.plodu |
| O26.9 | Stav súvisiaci s graviditou,bližšie neurčený | O36.0 | Star.o matku pre izoimunizáciu v systéme Rh |
| O28.0 | Abnorm.hematol.nález v prenatal.skríningu matky | O36.1 | Starostlivosť o matku pre inú izoimunizáciu |
| O28.1 | Abnorm.biochem.nález v prenatal.skríningu matky | O36.2 | Starostlivosť o matku pre fetálny hydrops |
| O28.2 | Abnorm.cytolog.nález v prenatal.skríningu matky | O36.3 | Starostlivosť o matku pre príznaky hypoxie plodu |
| O28.3 | Abnorm.UZV nález v prenatal.skríningu matky | O36.4 | Star.o matku pre vnútromaternicovú smrť plodu |
| O28.4 | Abnorm.rádiolog.nález v prenatal.skríningu matky | O36.5 | Starostlivosť o matku pre zníženú hmotnosť plodu |
| O28.5 | Abnorm.chromoz.a genetič.nález v prenatal.skríningu matky | O36.6 | Starostlivosť o matku pre nadmernú hmotnosť plodu |
| O28.8 | Iný abnormálny nález v prenatal.skríningu matky | O36.7 | Starost.o matku pre abdom.grav.so živým plodu |
| O28.9 | Abnorm.nález v prenatal.skríningu matky,b.n. | O36.8 | Starost.o matku pre i.problémy plodu,b.u. |
| O29.0 | Plúcne komplikácie anestézie v gravidite | O36.9 | Starost.o matku pre problémy plodu,b.n. |
| O29.1 | Srdcové komplikácie anestézie v gravidite | O40 | Polyhydramnion |
| O29.2 | Komplikácie v CNS v spoj.s anestéziou v gravidite | O41.0 | Oligohydramnion |
| O29.3 | Toxická reakcia na lokálnu anestéziu v gravidite | O41.1 | Infekcia plodového vaku a plodových obalov |
| O29.4 | Bolesť hlavy,po spinál.a epidurál.anest.v grav. | O41.8 | Iné poruchy plodovej vody a obalov,bližšie určené |
| O29.5 | Iná komplikácia spinál.a epidurál.anestézie v grav. | O41.9 | Poruchy plodovej vody a obalov,bližšie neurčené |
| O29.6 | Neúspešná alebo sťažená intubácia v gravidite | O42.0 | Predčasné puknutie plod.obalov,zač.pôr.čin.do 24hod. |
| O29.8 | Iné komplikácie anestézie v gravidite | O42.11 | Predčasné puknutie plod.obalov,zač.pôr.činn.po 1-7dňoch |
| O29.9 | Komplikácia anestézie v gravidite,bližšie neurčená | O42.12 | Predčasné puknutie plod.obalov,zač.pôr.činn.po viac ako 7d. |
| O30.0 | Gravidita s dvojčatami | O42.2 | Predčasné puknutie plod.obalov,pôrododdielený liečbou |
| O30.1 | Gravidita s trojčatami | O42.9 | Predčasné pukn. plod.obalov,b.n. |
| O30.2 | Gravidita so štvorčatami | O43.0 | Syndróm placentárnej transfúzie |
| O30.8 | Iná viacplodová gravidita | O43.1 | Malformácia placenty |
| O30.9 | Viacplodová gravidita,bližšie neurčená | O43.20 | Placenta accreta |
| O31.0 | Fetus papyraceus | O43.21 | Placenta increta alebo placenta percreta |
| O31.1 | Pokračujúca gravidita po potrate jedného/viac.plodov | O43.8 | Iná porucha placenty |
| O31.2 | Pokračujúca gravidita po vnútro.mat.smrti jedného/viac.plodov | O43.9 | Porucha placenty,bližšie neurčená |
| O31.8 | Iná kompl.špecifická pre viacplodovú graviditu | O44.00 | Nízko uložená placenta bez krvácania |
| O32.0 | Starostlivosť o matku pre nestabilnú polohu plodu | O44.01 | Placenta praevia bez krvácania |
| O32.1 | Starostl.o matku pre naliehanie plodu panv.koncom | O44.10 | Nízko uložená placenta s prebiehajúcim krvácaním |
| O32.2 | Starostl.o matku pre priečna a šikmá polohu plodu | O44.11 | Placenta praevia s prebiehajúcim krvácaním |
| O32.3 | Star.o mat.pre tvár.a čel.položu plod.a pri nalieh.plod.brad. | O45.0 | Predčasné odlupovanie placenty s poruchou koagulácie |
| O32.4 | Star.o matku pre veľká hlavička plodu v termíne | O45.8 | Iné predčasné odlupovanie placenty |
| O32.5 | Star.o mat.pre viacplod.grav.s nespráv.nalieh.a nespráv.polož.plod | O45.9 | Predčasné odlupovanie placenty,bližšie neurčené |
| O32.6 | Star.o matku pre súčasné nespráv.nalieh a nespráv.polož.plodu | O46.0 | Krvácanie pred pôrodom s poruchou zrážanlivosti |

| Kód | Popis | Kód | Popis |
|-------|---|-------|--|
| O46.8 | Iné krvácanie pred pôrodom | O70.3 | Natrhnutie hrádze 4.stupňa pri pôrode |
| O46.9 | Krvácanie pred pôrodom, bližšie neurčené | O70.9 | Natrhnutie hrádze pri pôrode, bližšie neurčené |
| O47.0 | Falošná pôr.činnosť pred ukonč.37.týž.gravidity | O71.0 | Ruptúra maternice pred začiatkom pôrodnej činnosti |
| O47.1 | Falošná pôr.činnosť po ukonč. 37.týž.gravidity a neskôr | O71.1 | Ruptúra maternice počas pôrodnej činnosti |
| O47.9 | Falošná pôrodná činnosť, bližšie neurčená | O71.2 | Inverzia maternice po pôrode |
| O48 | Predĺžená gravidita | O71.3 | Natrhnutie krčka maternice pri pôrode |
| O60.0 | Predčasná pôrodná činnosť bez pôrodu | O71.4 | Samostatná vysoká lacerácia pošvy pri pôrode |
| O60.1 | Predčasná pôrodná činnosť s predčasným pôrodom | O71.5 | Iné poranenie panvových orgánov pri pôrode |
| O60.2 | Predčasná pôrodná činnosť s pôrodom v termíne | O71.6 | Poškodenie panvových kĺbov a väzov pri pôrode |
| O60.3 | Predčasný pôrod bez spontánnej pôrodnej činnosti | O71.7 | Hematóm panvy pri pôrode |
| O61.0 | Neúspešná lieková indukcia pôrodnej činnosti | O71.8 | Iné poranenie pri pôrode, bližšie určené |
| O61.1 | Neúspešná inštrumentálna indukcia pôrodnej činnosti | O71.9 | Poranenie pri pôrode, bližšie neurčené |
| O61.8 | Iná neúspešná indukcia pôrodnej činnosti | O72.0 | Krvácanie v 3.pôrodnej dobe |
| O61.9 | Neúspešná indukcia pôrod.činnosti, b.n. | O72.1 | Iné krvácanie bezprostredne po pôrode |
| O62.0 | Primárne slabá pôrodná činnosť | O72.2 | Oneskorené a sekundárne krvácanie po pôrode |
| O62.1 | Sekundárne slabá pôrodná činnosť | O72.3 | Poruchy zrážanlivosti krvi po pôrode |
| O62.2 | Iná slabá pôrodná činnosť | O73.0 | Zadržanie placenty bez krvácania |
| O62.3 | Náhly pôrod (partus praecipitatus) | O73.1 | Zadržanie časti placenty a blán bez krvácania |
| O62.4 | Hyperton.,nekoord.a predĺžené kontrakcie maternice | O74.0 | Aspiračná pneumónia zapríč.anestéziou počas pôr.č. a pôrodu |
| O62.8 | Iná porucha pôrodnej činnosti | O74.1 | Iné pľúcne kompl.anestézie počas pôrod čin.a pôrodu |
| O62.9 | Porucha pôrodnej činnosti, bližšie neurčená | O74.2 | Srdcové kompl.anestézie počas pôrod.čin. a pôrodu |
| O63.0 | Predĺžená prvá pôrodná doba | O74.3 | Komplik.CNS s spojením s anestéziou počas pôrod čin. |
| O63.1 | Predĺžená druhá pôrodná doba | O74.4 | Toxická reakcia na lokálnu anestéziu počas pôr.čin.a pôrodu |
| O63.2 | Oneskorený pôrod druhého dvojčaťa, trojčaťa atď. | O74.5 | Bolesť hlavy, zapr.spinál.a epidurál.anest. počas pôr.čin.a pôr. |
| O63.9 | Predĺžený pôrod, bližšie neurčený | O74.6 | Iné kompl.spinál.a epidurál.anestézie počas pôr.čin.a pôrodu |
| O64.0 | Nepokračujúci pôrod, zapríč.neúplnou rotáciou hlavičky plodu | O74.7 | Neúspešná/sťažená intubácia počas pôr.čin.a pôrodu |
| O64.1 | Nepokračujúci pôrod, zapríč.polohou panvovým koncom | O74.8 | Iné komplik.anestézie počas pôr.čin.a pôrodu |
| O64.2 | Nepokračujúci pôrod, zapríč.tvárovou polohou | O74.9 | Komplik.anestézie počas pôr.čin.a pôrodu, b.n. |
| O64.3 | Nepokračujúci pôrod, zapríč.čelovou polohou | O75.0 | Distres matky počas pôrodnej činnosti a pôrodu |
| O64.4 | Nepokračujúci pôrod, zapríč.naliehaním pliecka | O75.1 | Šok počas pôrodnej činnosti, po nej a po pôrode |
| O64.5 | Nepokračujúci pôrod, zapríč.komb.por.naliehania plodu | O75.2 | Horúčka počas pôrodu, nezatriedená inde |
| O64.8 | Nepokračujúci pôrod, zapríč.i.nespr.pol.a naliehaním plodu | O75.3 | Iná infekcia počas pôrodnej činnosti |
| O64.9 | Nepokračujúci pôrod, zapríč.nespr.pol.a naliehaním plodu, b.n. | O75.4 | Iná komplikácia pôrodných operácií a výkonov |
| O65.0 | Nepokračujúci pôrod, zapríč.deformovanou panvou | O75.5 | Protrahovaný pôrod po umelom pretrhnutí plodových blán |
| O65.1 | Nepokračujúci pôrod, zapríč.celkovo zúženou panvou | O75.6 | Protrahovaný pôrod po spont./bliž.neurč.puknutí plod.blán |
| O65.2 | Nepokračujúci pôrod, zapríč.zúžením panvového vchodu | O75.7 | Vaginálny pôrod po predchádzajúcom cisárskom reze |
| O65.3 | Nepokrač. pôr. zapr.zúž.panv.vých.a kontr.stred.časti.panv.dut. | O75.8 | Iná komplikácie pôrod.činn.a pôrodu, b.u. |
| O65.4 | Nepokračujúci pôrod, zapríč.nepom.medzi plod.a panv., b.n. | O75.9 | Komplikácia pôrod.činn.a pôrodu, b.n. |
| O65.5 | Nepokračujúci pôrod, zapríč.abn.panv.org.matky | O80.0 | Spontánny pôrod jedného plodu záhlavím |
| O65.8 | Nepokračujúci pôrod, zapríč.i.abn.panvy matky | O80.1 | Spontánny pôrod jedného plodu panvovým koncom |
| O65.9 | Nepokračujúci pôrod, zapríč.abnor.panvy matky, b.n. | O80.8 | Iný spontánny pôrod jedného plodu |
| O66.0 | Nepokračujúci pôrod, zapríč.dystokiou pliecka plodu | O80.9 | Spontánny pôrod jedného plodu, bližšie neurčený |
| O66.1 | Komplikác.pôrodu, zapríč.zakliesnením dvojčiat | O81.0 | Pôrod jedného plodu východovými kliešťami |
| O66.2 | Nepokrač. pôrod, zapríč.nezvyčajne veľkým plodom | O81.1 | Pôrod jedného plodu strednými kliešťami |
| O66.3 | Nepokrač. pôrod, zapríč.inými.abnormalitami plodu | O81.2 | Pôrod jedného plodu stred.kliešťami s rotáciou hlavičky |
| O66.4 | Neúspešný pokus o pôrod, bližšie neurčený | O81.3 | Iný pôrod jedného plodu kliešťami, bližšie neurčený |
| O66.5 | Neúspeš.použ.vákuového extraktora/klieští, b.n. | O81.4 | Pôrod jedného plodu vákuovým extraktorom |
| O66.8 | Iný nepokračujúci pôrod, bližšie určený | O81.5 | Pôrod jedného plodu s použ.kombi.klieští a vákuo.extrak. |
| O66.9 | Nepokračujúci pôrod, bližšie neurčený | O82.0 | Pôrod jedného plodu elektívnym cisárskym rezom |
| O67.0 | Krvácanie pri pôrode s poruchou koagulácie | O82.1 | Pôrod jedného plodu naliehavým cisárskym rezom |
| O67.8 | Iné krvácanie pri pôrode | O82.2 | Pôrod jedného plodu cisárskym rezom s hysterektómiou |
| O67.9 | Krvácanie pri pôrode, bližšie neurčené | O82.8 | Iný pôrod jedného plodu cisárskym rezom |
| O68.0 | Kompl.pôrod.čin.a pôrodu pre abn.srd.frekv.plodu | O82.9 | Pôrod cisárskym rezom, bližšie neurčený |
| O68.1 | Kompl.pôrod.čin.a pôrodu pre mekónium v plod.vode | O83.0 | Extrakcia plodu pri polohe panvovým koncom |
| O68.2 | Kompl.pôrod.čin.a pôro.pre abn.srdc.fr.plod.s mekón.v plod.v. | O83.1 | Iné vedenie pôrodu jedného plodu pri polohe panvo.koncom |
| O68.3 | Kompl.pôrod.čin.a pôrodu pre biochem.dôkaz distresu plodu | O83.2 | Iné operačné vedenie pôrodu jedného plodu |
| O68.8 | Kompl.pôrod.čin.a pôrodu pre iný dôkaz distresu plodu | O83.3 | Pôrod živého plodu pri brušnej gravidite |
| O68.9 | Kompl.pôrod.čin.a pôrodu pre distres plodu, b.n. | O83.4 | Zmenšovacie operácie na uľahčenie pôrodu jedného plodu |
| O69.0 | Kompl.pôr.čin.a pôr.pre prolaps pupočín. | O83.8 | Iné vedenie pôrodu jedného plodu, bližšie určené |
| O69.1 | Kompl.pôr.čin.a pôr.pre ovin.pupočín.ok.krku, s kompr.krku | O83.9 | Vedenie pôrodu jedného plodu, bližšie neurčené |
| O69.2 | Kompl.pôr.čin.a pôr.pre i.zapletenie pupočín.,s kompr. | O84.0 | Pôrody pri viacplodovej gravidite, všetky spontánne |
| O69.3 | Kompl.pôr.čin.a pôr.pre krátky pupočník | O84.1 | Pôrody pri viacplod.grav.všetky kliešť.a vákuumextrak. |
| O69.4 | Kompl.pôr.čin.a pôr.pre vcestné cievy | O84.2 | Pôrody pri viacplod.grav.všetky cisárskym rezom |
| O69.5 | Kompl.pôr.čin.a pôr.pre pošk.ciev pupočín. | O84.8 | Iné pôrody pri viacplodovej gravidite |
| O69.8 | Kompl.pôr.čin.a pôr.pre i.por.pupočín. | O84.9 | Pôrody pri viacplodovej gravidite, bližšie neurčené |
| O69.9 | Kompl.pôr.č.a pôr.pre poruchu pupoč., b.n. | O85 | Puerperálna sepsa |
| O70.0 | Natrhnutie hrádze 1.stupňa pri pôrode | O86.0 | Infekcia pôrodnickej operačnej rany |
| O70.1 | Natrhnutie hrádze 2.stupňa pri pôrode | O86.1 | Iná infekcia pohlavných orgánov po pôrode |
| O70.2 | Natrhnutie hrádze 3.stupňa pri pôrode | O86.2 | Infekcia močových orgánov po pôrode |

| Kód | Popis | Kód | Popis |
|--------|---|--------|--|
| O86.3 | Iná infekcia močovopohlavnej sústavy po pôrode | O98.7 | Choroba HIV, kompl. graviditu, pôrod a šestonedelie |
| O86.4 | Horúčka neznámeho pôvodu po pôrode | O98.8 | Iná infekč. a parazit. chor. matky, kompl. grav. pôrod a šeston. |
| O86.8 | Iná puerperálna infekcia, bližšie určená | O98.9 | Infekč. a parazit. chor. matky, kompl. grav. pôrod a šeston. b.n. |
| O87.0 | Povrchová tromboflebitída v šestonedelí | O99.0 | Anémia, komplikujúca graviditu, pôrod a šestonedelie |
| O87.1 | Hĺbková žilová trombóza (flebotrombóza) v šestonedelí | O99.1 | Iné chor. krvi a krvotv. ,urč. por. imun. , kompl. grav. pôr. šesto. |
| O87.2 | Hemoroidy v šestonedelí | O99.2 | Endokrin. nutričné a metabol. chor. kompl. grav. pôr. a šesto. |
| O87.3 | Trombóza mozgových žíl v šestonedelí | O99.3 | Duševná choroba a chor. nervov. súst. kompl. grav. pôr. a šesto. |
| O87.8 | Iné žilové choroby ako komplikácie v šestonedelí | O99.4 | Choroba obeh. súst. kompl. grav. pôrod a šeston. |
| O87.9 | Žilová chor. ako komplikácia v šestonedelí, b.n. | O99.5 | Choroba dých. súst. kompl. grav. pôrod a šeston. |
| O88.0 | Vzduchová embólia v gestačnom období | O99.6 | Choroba trávn. súst. kompl. grav. pôrod a šeston. |
| O88.1 | Embólia plodovou vodou | O99.7 | Choroba kože a podkož. tkan. kompl. grav. pôrod a šeston. |
| O88.20 | Tromboembólia pľúc v gestačnom období | O99.8 | Iné choroby a stavy komplikujúci grav. pôrod a šeston. b.u. |
| O88.28 | Iná tromboembólia v gestačnom období | P54.6 | Pošvové krvácanie u novorodenca |
| O88.3 | Pyemická a septická embólia v gestačnom období | Q50.0 | Vrodené chýbanie vaječníka |
| O88.8 | Iná embólia v gestačnom období | Q50.1 | Vývinová (dysontogenetická) cysta vaječníka |
| O89.0 | Pľúcne komplikácie anestézie v šestonedelí | Q50.2 | Vrodená torzia vaječníka |
| O89.1 | Srdcové komplikácie anestézie v šestonedelí | Q50.3 | Iná vrodená chyba vaječníka |
| O89.2 | Komplikácie CNS v spojení s anestéziou v šestonedelí | Q50.4 | Embryonálna cysta vajčíkovodu |
| O89.3 | Toxická reakcia na lokálnu anestéziu v šestonedelí | Q50.5 | Embryonálna cysta šir. väzu maternice |
| O89.4 | Bolesť hlavy, zaprič. spinál. a epidurál. anest. v šeston. | Q50.6 | Iná vrodená chyba vajčíkovodu a širokého väzu |
| O89.5 | Iné kompl. spin. a epid. anestézie v šeston. | Q51.0 | Agenéza a aplázia maternice |
| O89.6 | Neúspešná alebo sťažená intubácia v šestonedelí | Q51.1 | Dvojité maternica s dvoj. krčkom a dvoj. pošvou |
| O89.8 | Iné komplikácie anestézie v šestonedelí | Q51.2 | Iné zdvojenie maternice |
| O89.9 | Kompl. anestézie v šestonedelí, b.n. | Q51.3 | Dvojrohá maternica [uterus bicornis] |
| O90.0 | Dehiscencia rany po cisárskom reze | Q51.4 | Jednorohá maternica [uterus unicornis] |
| O90.1 | Dehiscencia pôrodnicej rany hrádze | Q51.5 | Agenéza a aplázia krčka maternice |
| O90.2 | Hematóm pôrodnicej rany | Q51.6 | Embryonálna cysta krčka maternice |
| O90.3 | Kardiomyopatia v šestonedelí | Q51.7 | Vrod. fistula medzi maternicou, tráviciam a moč. traktom |
| O90.4 | Akútne poškodenie obličiek po pôrode | Q51.8 | Iná vrodená chyba maternice a krčka maternice |
| O90.5 | Zápal štítnej žľazy po pôrode | Q51.9 | Vrod. chyba maternice a krčka maternice, b.n. |
| O90.8 | Iná komplikácia šestonedelia, nezatriedená inde | Q52.0 | Vrodené chýbanie pošvy |
| O90.9 | Komplikácia šestonedelia, bližšie neurčená | Q52.1 | Zdvojenie pošvy |
| O91.00 | Infekcie bradavky v súvis. s pôr. bez ťažk. pri priložení | Q52.2 | Vrodená fistula medzi konečníkom a pošvou |
| O91.01 | Infekcie bradavky v súvis. s pôr. s ťažk. pri priložení | Q52.3 | Neperforovaný hymen |
| O91.10 | Abces prsníka v súvis. s pôr. bez ťažk. pri priložení | Q52.4 | Iná vrodená chyba pošvy |
| O91.11 | Abces prsníka v súvis. s pôr. s ťažk. pri priložení | Q52.5 | Fúzia pyskov |
| O91.20 | Nehnisová mastitída v súvis. s pôr. bez ťažk. pri priložení | Q52.6 | Vrodená chyba klitorisu |
| O91.21 | Nehnisová mastitída v súvis. s pôr. s ťažk. pri priložení | Q52.7 | Iná vrodená chyba vulvy |
| O92.00 | Retrakcia bradavky v súvis. s pôr. bez ťažk. pri priložení | Q52.8 | Iná vrod. chyba ženských pohlav. org., b.u. |
| O92.01 | Retrakcia bradavky v súvis. s pôr. s ťažk. pri priložení | Q52.9 | Vrodená chyba ženských pohlav. org., b.n. |
| O92.10 | Trhlínka bradavky v súvis. s pôr. bez ťažk. pri priložení | R87.0 | Abn. nález vo vzorkách zo žen. pohl. org.: abn. hlad. enzýmov |
| O92.11 | Trhlínka bradavky v súvis. s pôr. s ťažk. pri priložení | R87.1 | Abn. nález vo vzorkách zo žen. pohl. org.: abn. hlad. hormónov |
| O92.20 | Iná a bliž. neurč. chor. prsní. v súvis. s pôr. bez ťažk. pri prilož. | R87.2 | Abn. nález vo vzor. zo žen. pohl. org. abn. hlad. liek., biol. akt. lát. |
| O92.21 | Iná a bliž. neurč. chor. prsníka v súvis. s pôr. s ťažk. pri prilož. | R87.3 | Abn. nález vo vzor. zo žen. pohl. org. abn. hlad. látok nemed. povahy |
| O92.30 | Agalaktia, bez ťažkostí pri priložení | R87.4 | Abn. nález vo vzorkách zo žen. pohl. org.: abn. imun. nález |
| O92.31 | Agalaktia, s ťažkosťami pri priložení | R87.5 | Abn. nález vo vzorkách zo žen. pohl. org.: abn. mikrob. nález |
| O92.40 | Hypogalaktia, bez ťažkostí pri priložení | R87.60 | Abnormáln. skvamózne bunky neznámej signifikancie (ASCUS) |
| O92.41 | Hypogalaktia, s ťažkosťami pri priložení | R87.61 | Abnormálne skvamózne bunky vysokého stupňa (ASC-H) |
| O92.50 | Zastavenie laktácie, bez ťažkostí pri priložení | R87.62 | Skvamózna intraepiteliálna lézia nízkeho stupňa (L-SIL) |
| O92.51 | Zastavenie laktácie, s ťažkosťami pri priložení | R87.63 | Skvamózna intraepiteliálna lézia vysokého stupňa (H-SIL) |
| O92.60 | Galaktorea, bez ťažkostí pri priložení | R87.64 | Cytologický dôkaz malignity zo steru krčka maternice |
| O92.61 | Galaktorea, s ťažkosťami pri priložení | R87.65 | Chýbajúce žľazové bunky transformačnej zóny |
| O92.70 | Iná a bliž. neurč. porucha laktácie, bez ťažk. pri priložení | R87.66 | Iný abnormálny cytologický nález |
| O92.71 | Iná a bliž. neurč. porucha laktácie, s ťažk. pri priložení | R87.67 | Nešpecifikovaný abnormálny cytologický nález |
| O94 | Následky kompl. gravidity, pôrodu a šestonedelia | R87.7 | Abn. nález vo vzorkách zo žen. pohl. org.: abn. hist. nález |
| O95 | Smrť v gravidite z bližšie neurčenej príčiny | R87.8 | Abn. nález vo vzorkách zo žen. pohl. org.: iný abn. nález |
| O96.0 | Smrť z priam. pôr. príč., kt. nast. po 42 d., ale m. ako 1. r. od pôr. | R87.9 | Abn. nález vo vzorkách zo žen. pohl. org.: b.n. abn. nález |
| O96.1 | Smrť z nepriam. pôr. príč., kt. nast. po 42 d., -men. ako 1. r. od pôr. | S31.4 | Otvorená rana pošvy a vulvy |
| O96.9 | Smrť z bliž. ne. pôr. príč., kt. nastala po 42 d., m. ako 1. r. od pôr. | S37.4 | Poranenie vaječníka |
| O97.0 | Smrť z následkov priamej pôrodnickej príčiny | S37.5 | Poranenie vajčíkovodu |
| O97.1 | Smrť z následkov nepriamej pôrodnickej príčiny | S37.6 | Poranenie maternice |
| O97.9 | Smrť z následkov b.n. pôrod. príčiny | T19.2 | Cudzie teleso vo vulve a pošve |
| O98.0 | TBC, kompl. graviditu, pôrod a šestonedelie | T19.3 | Cudzie teleso v maternici (ktorejkoľvek časti) |
| O98.1 | Syfilis, kompl. graviditu, pôrod a šestonedelie | T83.3 | Mechanická komplik. zaprič. vnútromat. antikoncepc. pomôc. |
| O98.2 | Kvapavka, kompl. graviditu, pôrod a šestonedelie | Z01.4 | Gynekologické vyšetrenie (celkové) (rutinné) |
| O98.3 | Iná infcia s prevaž. pohl. spôs. pren., kompl. grav., pôr. a šesto. | Z30.1 | Zavedenie (vnútromat.) antikoncepc. telieska |
| O98.4 | Vír. hepatitída, kompl. grav., pôrod a šeston. | Z31.1 | Umelé oplodnenie |
| O98.5 | Iná vírus. choroba, kompl. grav., pôrod a šeston. | Z31.2 | Oplodnenie in vitro |
| O98.6 | Prvoková choroba, kompl. grav. pôrod a šeston. | Z32.0 | Gravidita, (ešte) nepotvrdená |

| Kód | Popis | Kód | Popis |
|-------|---|--------|---|
| Z32.1 | Potvrdená gravidita | Z36.9 | Prenatálny skrining, bližšie neurčený |
| Z34.0 | Dohľad nad normálnou prvou graviditou | Z37.0 | Jedno dieťa, živonarodené |
| Z34.8 | Dohľad nad inou normálnou graviditou | Z37.1 | Jedno dieťa, mŕtvonarodené |
| Z34.9 | Dohľad nad normálnou graviditou, bližšie neurčenou | Z37.2 | Dvojčatá, živonarodené |
| Z35.0 | Dohľad nad graviditou s anamnézou neplodnosti | Z37.3 | Dvojčatá, jedno živonarodené, jedno mŕtvonarodené |
| Z35.1 | Dohľad nad graviditou s anamnézou potratu | Z37.4 | Dvojčatá, mŕtvonarodené |
| Z35.2 | Dohľad nad gravid.s i.nepriaznivou pôr.anamnézou | Z37.5 | Iný viacpočetný pôrod, všetky deti živonarodené |
| Z35.3 | Dohľad nad gravid.s anamnézou nedost.prenatálnej star. | Z37.6 | Iný viacpočetný pôrod, niektoré deti živonarodené |
| Z35.4 | Dohľad nad graviditou mnohorodičky | Z37.7 | Iný viacpočetný pôrod, všetky deti mŕtvonarodené |
| Z35.5 | Dohľad nad staršou prvorodičkou | Z37.9 | Výsledok pôrodu, bližšie neurčený |
| Z35.6 | Dohľad nad veľmi mladou prvorodičkou | Z39.0 | Starostlivosť a vyšetrenie matky ihneď po pôrode |
| Z35.7 | Dohľad nad rizik. gravid.v dôsledku sociál.problem. | Z39.1 | Starostlivosť a vyšetrenie matky počas laktácie |
| Z35.8 | Dohľad nad inou rizikovou graviditou | Z39.2 | Ďalšie bežné sledovanie matky po pôrode |
| Z35.9 | Dohľad nad rizikovou graviditou, bližšie neurčenou | Z40.00 | Profylaktický chir.výk.pre ohrozenie zhub.nád.prsníka |
| Z36.0 | Prenatálny skrining chromozómových anomálií | Z40.01 | Profylaktický chir.výk.pre ohrozenie zhub.nád.vaječ. |
| Z36.1 | Prenatál.skrín.na zvýšenú hodnotu alfafetoproteínu | Z43.7 | Ošetrovanie umelo vytvorenej pošvy |
| Z36.2 | Iný prenatálny skrining, založený na amniocentéze | Z44.3 | Skúšanie a prispôsobovanie vonk.protézy prsníka |
| Z36.3 | Prenatál.skrín. malformácií UZV a i.fyzik.metódami | Z64.0 | Problémy súvisiace s nechcenou graviditou |
| Z36.4 | Prenatál.skrín. spomalenia rastu plodu UZV a i.fyzik.met. | Z80.3 | Zhubný nádor prsníka v rodinnej anamnéze |
| Z36.5 | Prenatálny skrining izoimunizácie | Z87.5 | Kompl.gravidity,pôr.a šestonedelia v osob.anam. |
| Z36.8 | Iný prenatálny skrining | Z90.1 | Získané chýbanie prsníka (prsníkov) |

D.5b Konflikt s pohlavím: Výkony u ženy

| Kód | Popis | Kód | Popis |
|-----------|--|----------|--|
| 12q10.0↔ | Perkutánná (ihl.) biopsia vaječnikov | 5q001.1↔ | Enukleácia ovariálnej cysty:vag.lsk.asist. |
| 12q10.1↔ | Perkutánná (ihl.) biopsia tuba uterina | 5q001.2 | Enukleácia ovariálnej cysty, vaginálne |
| 12q10.2 | Perkutánná (ihl.) biopsia maternice | 5q001.4↔ | Enukleácia ovariálnej cysty:lsk. |
| 12q10.3↔ | Perkutánná (ihl.) biopsia záves.aparátu maternice | 5q001.8↔ | Enukleácia ovariálnej cysty:robot. |
| 12q10.4 | Perkutánná (ihl.) biopsia pošvy | 5q002.0 | Excízia peritoneálnej endometriózy:lpt. |
| 12q10.5 | Perkutánná (ihl.) biopsia vulvy | 5q002.1 | Excízia peritoneál.endometriózy:vag.lsk.asist. |
| 12q10.6 | Perkutánná (ihl.) biopsia perinea žens.pohl.org. | 5q002.4 | Excízia peritoneálnej endometriózy:lsk. |
| 12q10.x↔ | Perkutánná (ihl.) biopsia ženských pohl.org.,ostatné | 5q002.8 | Excízia peritoneálnej endometriózy:robot. |
| 12q11.0 | Biopsia endometria bez incízie, dg.mikrokyretáž | 5q003 | Resek.rektovag.septa pri infiltr.endometrióze |
| 12q11.1 | Biopsia endometria bez incízie, aspiračná kyretáž | 5q010.0↔ | Parciálna resekcia vaječnika:lpt. |
| 12q11.2 | Biopsia endometria bez incízie, frakcion.kyretáž | 5q010.4↔ | Parciálna resekcia vaječnika:lsk. |
| 12q11.x | Biopsia endometria bez incízie, ostatné | 5q010.8↔ | Parciálna resekcia vaječnika:robot. |
| 12q12.0 | Biopsia krčka maternice bez incízie,abrázia | 5q011.0↔ | Ovarektómia po predch.parc.resekcii:lpt. |
| 12q12.x | Biopsia krčka maternice bez incízie,ostatné | 5q011.4↔ | Ovarektómia po predch.parc.resekcii:lsk. |
| 12q20.1 | Biopsia bez incí.chorio.klkov gravid.mat.,transvagin.zobr.m. | 5q011.8↔ | Ovarektómia po predch.parc.resekcii:robot. |
| 12q20.2‡ | Biopsia bez incíz.plodu gravid.mater.s použ.zobr.metód | 5q012.0 | Ovarektómia, laparotomicky |
| 12q20.3‡ | Biopsia bez incí.umbilik.ciev gravid.mater.zobr.m.(kordocent.) | 5q012.1↔ | Ovarektómia:vag.lsk.asist. |
| 12q20.x‡↔ | Biopsia bez incíz.gravid.mater.s použ.zobr.metód,ostatné | 5q012.4↔ | Ovarektómia:lsk. |
| 12q23.0‡↔ | Perkutánná biopsia vaječnikov s použ.zobraz.metód | 5q012.7↔ | Ovarektómia:vag. |
| 12q23.1↔ | Perkutánná biopsia tuba uterina s použ.zobraz.metód | 5q013.0↔ | Rad.ovarektómia [sek.debulking-cytoredukcia]:lpt. |
| 12q23.2 | Perkutánná biopsia maternice s použ.zobraz.metód | 5q013.4↔ | Rad.ovarektómia [sek.debulking-cytoredukcia]:lsk. |
| 12q23.3↔ | Perkut.biopsia záves.ap.maternice s použ.zobraz.metód | 5q013.8↔ | Rad.ovarektómia [sek.debulking-cytoredukcia]:rob. |
| 12q23.4 | Perkutánná biopsia pošvy s použ.zobraz.metód | 5q014.0↔ | Radikálna ovarektómia:lpt. |
| 12q23.5 | Perkutánná biopsia vulvy s použ.zobraz.metód | 5q014.4↔ | Radikálna ovarektómia:lsk. |
| 12q23.6 | Perkut.biopsia perinea žen.pohl.org.s použ.zobraz.m. | 5q014.8↔ | Radikálna ovarektómia:robot. |
| 12q23.x↔ | Perkutánná biops.žen.pohl.org.s použ.zobr.metód,ostatné | 5q030.0↔ | Salpingoovariolýza:lpt. |
| 13q00.0↔ | Biopsia s incíziou vaječnikov | 5q030.4↔ | Salpingoovariolýza:lsk. |
| 13q00.1↔ | Biopsia s incíziou tuby uterina | 5q030.8↔ | Salpingoovariolýza:robot. |
| 13q01.0↔ | Biopsia s incíziou závesného aparátu maternice | 5q031.0↔ | Adnexektómia:lpt. |
| 13q01.1 | Biopsia s incíziou tela maternice | 5q031.4↔ | Adnexektómialsk. |
| 13q01.2 | Biopsia s incíziou krčka maternice | 5q031.5↔ | Adnexektómia:konv.z endoskopie na otv.ch. |
| 13q02 | Biopsia s incíziou pošvy | 5q031.7↔ | Adnexektómia:vaginálne |
| 13q03 | Biopsia s incíziou vulvy | 5q031.8↔ | Adnexektómia:robot. |
| 13q04 | Biopsia s incíziou ženského perinea | 5q042.0↔ | Transpozícia vaječnikov:lpt. |
| 13q05 | Vaginál.biopsia s incíziou Douglasovho priestoru | 5q042.4↔ | Transpozícia vaječnikov:lsk. |
| 13q0x | Biopsia s incíziou ostat.ženských pohlavných orgánov | 5q043.0↔ | Transpozícia vaječnikov súč.s iným výk:lpt. |
| 3131a | Endosonografia ženských pohlavných orgánov | 5q043.4↔ | Transpozícia vaječnikov súč.s iným výk:lsk. |
| 5o31a.0 | Jednoduchá cystektómia u ženy:otv.chir. | 5q043.8↔ | Transpozícia vaječnikov súč.s iným výk:robot. |
| 5o31a.4 | Jednoduchá cystektómia u ženy:lsk. | 5q090.0↔ | Parovariálna cystektómia:lpt. |
| 5o31a.5 | Jednoduchá cystektómia u ženy, roboticky | 5q090.1↔ | Parovariálna cystektómia:s lsk.asist. |
| 5o31a.x | Jednoduchá cystektómia u ženy:iný spôsob | 5q090.4↔ | Parovariálna cystektómia:lsk. |
| 5o31b.0 | Rad.cystektómia bez uretrektómie u ženy:otv.chir. | 5q090.8↔ | Parovariálna cystektómia:robot. |
| 5o31b.4 | Rad.cystektómia bez uretrektómie u ženy:lsk. | 5q101.0↔ | Salpingektómia:lpt. |
| 5o31b.5 | Radikálna cystektómia bez uretrektómie u ženy, roboticky | 5q101.4↔ | Salpingektómia:lsk. |
| 5o31b.x | Rad.cystektómia bez uretrektómie u ženy:iný spôsob | 5q101.8↔ | Salpingektómia:robot. |
| 5o31d.0 | Rad.cystektómia s uretrektómiou u ženy:otv.chir. | 5q110.0 | Uzáver tuby pre sterilizáciu:lpt. |
| 5o31d.4 | Radikálna cystektómia s uretrektómiou,žena:lsk. | 5q110.3 | Uzáver tuby pre sterilizáciu:nsk. |
| 5o31d.5 | Radikálna cystektómia s uretrektómiou u ženy, roboticky | 5q110.4 | Uzáver tuby pre sterilizáciu laparoskopicky |
| 5o31d.x | Radikálna cystektómia s uretrektómiou,žena:ost. | 5q110.7 | Uzáver tuby pre sterilizáciu:vag. |
| 5o40e.7 | Plastická rekonštrukcia ženskej epispádie | 5q120.0↔ | Narezanie vajíčkovodu:lpt. |
| 5o40e.8 | Plastická rekonštrukcia ženskej hypospádie | 5q120.4↔ | Narezanie vajíčkovodu:lsk. |
| 5o41e.2 | Jednoduchá uretrektómia u ženy ako samostatný výkon | 5q120.8↔ | Narezanie vajíčkovodu:robot. |
| 5o41e.3 | Radikálna uretrektómia u ženy ako samostatný výkon | 5q130.0↔ | Neostómia:lpt. |
| 5o930.1 | Transvag.závesná OP s použ.autolog.m:plastika levátorov | 5q130.4↔ | Neostómia:lsk. |
| 5o930.2 | Transvag.závesná OP s pou.autolog.m:pubokolokocygeál.pl | 5q130.8↔ | Neostómia:robot. |
| 5o930.3 | Transvag.závesná OP s použ.autolog.m:fasciová závesná OP | 5q131.0↔ | Fimbrioplastika:lpt. |
| 5o930.x | Transvag.závesná OP s použ.autolog.m:ost. | 5q131.4↔ | Fimbrioplastika:lsk. |
| 5o931.1 | Transvag.závesná OP dury s použ.alogen.m | 5q131.8↔ | Fimbrioplastika:robot. |
| 5o931.2 | Transvag.závesná OP fascie s použ.alogen.m | 5q132.0 | Reanastomóza:lpt. |
| 5o931.x | Transvag.závesná OP s použ.alogen.m:ost. | 5q132.4 | Reanastomóza:lsk. |
| 5o932.1 | Transvag.závesná OP s použitím alopl.mat:TVT/TOT | 5q132.8 | Reanastomóza:robot. |
| 5o932.x | Transvag.závesná OP s použitím alopl.mat:iné | 5q133↔ | Rekonštrukcia vajíčkovodu:lpt. |
| 5o93x | Transvaginálna závesná operácia:iná | 5q140↔ | Pertubácia terapeutická |
| 5o958.3 | Uretrocystolýza u ženy | 5q141↔ | Rekanalizácia vajíčkovodov pod hysterosk.kontrolou |
| 5o961 | Uretrokolposuspenzia | 5q142↔ | Rekanalizácia vajíčkovodov pod skiaskop.kontr. |
| 5o962 | Uretrokolposuspenzia s laterálnou fixáciou pošvy | 5q210 | Konizácia krčka maternice |
| 5q001.0↔ | Enukleácia ovariálnej cysty:lpt. | 5q211 | Elektrokonizácia krčka maternice |

| Kód | Popis | Kód | Popis |
|----------|---|---------|--|
| 5q212 | Laserová konizácia krčka maternice | 5q530.0 | Rekonštrukčná OP VVCH maternice:lpt. |
| 5q213 | Kryonizácia krčka maternice | 5q530.3 | Rekonštrukčná OP VVCH maternice:hysterosk. |
| 5q220 | Excízia z krčka maternice | 5q530.4 | Rekonštrukčná OP VVCH maternice:lsk. |
| 5q221.0 | Rad.trachelektómia a detekcia sentin.LU:lpt. | 5q530.8 | Rekonštrukčná OP VVCH maternice:robot. |
| 5q221.1 | Rad.trachelektómia a det.sentin.LU:vag.lsk.asist. | 5q590‡ | Odstránenie intrauterinného telieska |
| 5q221.4 | Rad.trachelektómia a detekcia sentin.LU:lsk. | 5q591‡ | Odstránenie intrauterinného telieska [IUD] háčikom |
| 5q221.7 | Rad.trachelektómia a detekcia sentin.LU:vag. | 5q593 | Kyretáž vákuovou kyretou |
| 5q223 | Amputácia krčka maternice | 5q594 | Intrauterinná aspirácia u virgo |
| 5q230 | Serkláž krčka maternice rôznymi technikami | 5q595 | Elektrodiatermokoag./kryochir.zásah v obl.krčka maternice |
| 5q231.0 | Abdominálna serkláž:lpt. | 5q597.0 | Ventrosuspenzia maternice:lpt. |
| 5q231.4 | Abdominálna serkláž:lsk. | 5q597.4 | Ventrosuspenzia maternice:lsk. |
| 5q291 | Tracheloplastika | 5q597.7 | Ventrosuspenzia maternice:vag. |
| 5q292 | Odstránenie serkláže | 5q597.8 | Ventrosuspenzia maternice:robot. |
| 5q401.0 | Odstránenie myómov maternice:abd. | 5q598‡ | Operačná hysteroskopia elektrochirurgiou |
| 5q401.1 | Odstránenie myómov maternice kombinovane | 5q610 | Hymenotómia,hymenektómia |
| 5q401.4 | Odstránenie myómov maternice:lsk. | 5q620.1 | Excízia z pošvy |
| 5q401.7 | Odstránenie myómov maternice:vag. | 5q620.2 | Exstirpácia nádoru pošvy |
| 5q401.8 | Odstr.mýómov maternice:roboticky | 5q621 | Kryonizácia v oblasti pošvy alebo vulvy |
| 5q401.a1 | Resekcia isthmokély, laparoskopicky | 5q630 | Kolpokleisis |
| 5q402.2 | Dilatácia a kyretáž:vag.s hysteroskop.asist. | 5q632 | Semikolpokleisis |
| 5q402.7 | Dilatácia a kyretáž:vaginálne kyretou | 5q633.0 | Parciálna kolpektómia:abdominálne |
| 5q403.1 | Deštrukcia endometria termoabláciou | 5q633.7 | Čiastočná kolpektómia:vaginálne |
| 5q403.2 | Deštrukcia endometria balónkovou termoabláciou v celkovej an | 5q634.0 | Totálna kolpektómia:abdominálne |
| 5q403.3 | Deštrukcia endometria balónkovou termoabláciou v lokálnej an | 5q634.7 | Totálna kolpektómia:vaginálne |
| 5q404.0 | Odstránenie endometriomu techn.strippingu:lpt. | 5q640 | Predná vaginálna plastika s plastikou panvového dna |
| 5q404.4 | Odstránenie endometriomu techn.strippingu:lsk. | 5q641 | Zadná vaginálna plastika s plastikou panvového dna |
| 5q404.8 | Odstránenie endometriomu techn.Strippingu:rob. | 5q642 | Vaginál.plastika s elev.maternice s plast.panv.dna,vaginál. |
| 5q405.0 | Pelvicná exenterácia:lpt. | 5q650.4 | Neoplastika pošvy,laparoskopicky |
| 5q405.4 | Pelvicná exenterácia:lsk. | 5q650.7 | Neoplastika pošvy,vaginálne |
| 5q405.8 | Pelvicná exenterácia:robot. | 5q651 | Excízia kongenitálneho [vrod.]septa pošvy |
| 5q410.0 | Trachelektómia:lpt. | 5q652 | Vaginálna operácia pri aplázii pošvy |
| 5q410.4 | Trachelektómia:lsk. | 5q653 | Vag.OP pri neúplnom zdvojení vnút.rodidiel |
| 5q410.7 | Trachelektómia:vag. | 5q654 | Plastika vaginálneho vchodu |
| 5q420 | Hemihysterektómia | 5q690 | Fistulektómia a plastika |
| 5q426.10 | Subt.simplex.HYE(b.odstr.vaječnika/vaječnikov), abdomin. | 5q691 | Kolpost.intersex.malf.,Prader IV.aV.s uz.sin-vag./uretrov.fist |
| 5q426.14 | Subt.simplex.HYE(b.odstr.vaječnika/vaječnikov), lsk | 5q692 | Kolpost.pri intersex.malf.,Prader IV. a V.,plast.pošv.vchodu |
| 5q426.18 | Subt.simplex.HYE(b.odstr.vaječnika/vaječnikov), robot. | 5q693 | Kolpostómia pri parc.aplázii distálnej č.pošvy |
| 5q426.20 | Subtotál.HYE s odstr.vaječnika/vaječnikov, abdominálne | 5q710 | Incízia Bartolínskej žľazy |
| 5q426.24 | Subtotál.HYE s odstr.vaječnika/vaječnikov, laparoskopicky | 5q711 | Marsupializácia Bartolínskej žľazy |
| 5q426.28 | Subtotál.HYE s odstr.vaječnika/vaječnikov, roboticky | 5q712 | Exstirpácia Bartolínskej žľazy |
| 5q426.30 | HYE simpl.(b. odstr.vaječnika/vaječnikov), abdominálne | 5q720.1 | Excízia vulvy |
| 5q426.31 | HYE simpl.(b. odstr.vaječnika/vaječnikov), kombi.s lsk asist. | 5q720.2 | Extirpácia nádoru vulvy |
| 5q426.34 | HYE simpl.(b. odstr.vaječnika/vaječnikov), laparoskopicky | 5q721 | Elektrodiatermok.al.kryochir.zásah v obl.pošvy/vulvy |
| 5q426.37 | HYE simpl.(b. odstr.vaječnika/vaječnikov), vagin.bez plastiky | 5q722 | Resekcia malého pysku |
| 5q426.38 | HYE simpl.(b. odstr.vaječnika/vaječnikov), roboticky | 5q730 | Resekcia klitorisu |
| 5q427.10 | HYE s odstr.vaječnika/vaječnikov, laparotomicky | 5q731 | Klitoridektómia |
| 5q427.11 | HYE s odstr.vaječnika/vaječnikov, kombinovaná | 5q732 | Klitoridektómia s neoplastikou malých pyskov |
| 5q427.14 | HYE s odstr.vaječnika/vaječnikov, laparoskopicky | 5q740 | Jednoduchá vulvektómia |
| 5q427.17 | HYE s odstr.vaječnika/vaječnikov, vaginálne | 5q741 | Radikálna vulvektómia (predná, zadná) |
| 5q427.18 | HYE s odstr.vaječnika/vaječnikov, roboticky | 5q742 | Skinning vulvektómia |
| 5q427.21 | Vaginálna hysterektómia s prednou pošvovou plastikou | 5q743 | Hemivulvektómia |
| 5q427.22 | Vaginálna hysterektómia so zadnou pošvovou plastikou | 5q750 | Labioplastika |
| 5q427.23 | Vaginálna hysterektómia s prednou a zadnou pošvovou plastikou | 5q751 | Chir.ošetr.úrazu vonk.rodidiel u dieťaťa |
| 5q428.00 | Radik.HYE s odstr.vaječnika/vaječnikov, abdominálne | 5q752 | Chir.ošetr.úrazu vonk.rodidiel a pošvy u dieťaťa |
| 5q428.04 | Radik.HYE s odstr.vaječnika/vaječnikov, laparoskopicky | 5q753 | Chirurgické ošetrenie úrazu pohlavných orgánov u dospelého že |
| 5q428.07 | Radik.HYE s odstr.vaječnika/vaječnikov, vaginálne | 5q790 | Operácia synechii vulvy |
| 5q428.08 | Radik.HYE s odstr.vaječnika/vaječnikov, roboticky | 5r111‡ | Asistovaný pôrod pomocou inštrumentov |
| 5q428.10 | Rad.HYE s odstr.vaječ/vaječnikov,abdomin.a detek.sentin.LU | 5r112‡ | Asist.pôrod koncom panv.s maualnymi hmatmi |
| 5q428.20 | Radik.HYE s transpozíciou vaječnikov, abdominálne | 5r113‡ | Kombinov.pôrod pomocou inštrumentov a špec.úchyto |
| 5q428.24 | Radik.HYE s transpozíciou vaječnikov, laparoskopicky | 5r114‡ | Vedenie pôrodu koncom panv.pri viacplod.grav. |
| 5q428.27 | Radik.HYE s transpozíciou vaječnikov, vaginálne | 5r11x‡ | Iný spont.a vag.OP pôrod pri polohe koncom panv. |
| 5q428.28 | Radik.HYE s transpozíciou vaječnikov, roboticky | 5r121‡ | Pôrod pomocou východových klieští |
| 5q428.30 | Radik.HYE s transpoz.vaječnikov, abdominálne a detekt.sent.LU | 5r122‡ | Pôrod pomocou stredových klieští |
| 5q428.34 | Radik.HYE s transpozíciou vaječnikov, lsk a detekt.sent.LU | 5r12x‡ | Pôrod pomocou klieští:iný |
| 5q428.37 | Radik.HYE s transpozíciou vaječnikov, vagin. a detekt.sent.LU | 5r131‡ | Ukonč.pôr.pri polohe KP manuál.extrakciou plodu |
| 5q428.38 | Radik.HYE s transpozíciou vaječnikov, robot.a detekt.sent.LU | 5r132‡ | Ukončenie pôr.pri polohe KP inštrum.extrakciou pl. |
| 5q501 | Frakcionovaná kyretáž vákuum aspiračnou kyretou | 5r133‡ | Ukonč.pôr.pri polohe KP manuál.a inštrum.extrak.plodu |
| 5q502 | Frakcionovaná kyretáž:vaginálnou kyretou | 5r13x‡ | Ukončenie pôr.pri polohe KP inou extrakciou plodu |
| 5q520 | Radikálna parametrektómia | 5r141‡ | Ukončenie pôr.vákuumextrakciou z panv.východu |

| Kód | Popis | Kód | Popis |
|----------|---|-----------|---|
| 5r142‡ | Ukončenie pôr.vákuumextrakciou z panv.hlbiny | 5r336.6 | Lok.medikam.liečba pri tuba.grav:konv.z vag.-otv.chir. |
| 5r14x‡ | Ukončenie pôrodu vákuumextrakciou:ost. | 5r336.7 | Lokál.medikam.liečba pri tuba.gravid:vag. |
| 5r211‡ | Vnúť.obrat plodu vnút.hmatmi bez extrakcie | 5r336.x | Lok.medikam.liečba pri tubárnej grav:ost. |
| 5r212‡ | Kombinovaný obrat plodu bez extrakcie | 5r339 | Operácia extrauterinnej gravidity:ost. |
| 5r213‡ | Obrat plodu s extrakciou bez ďalších kompl. | 5r341 | Odstránenie extrauter.embrya:otv.chir. |
| 5r214‡ | Obrat plodu s extrakciou kliešťami | 5r342 | Odstr.extrauterinneho embrya:lsk. |
| 5r215‡ | Rotácia hlavičky pomocou klieští | 5r343 | Odstr.extrauterinneho embrya kuldoskopii |
| 5r216‡ | Obrat plodu s extrakciou pri iných kompl. | 5r34x | Iné odstránenie extrauterinneho embrya |
| 5r217‡ | Obrat na druhom dvojčati | 5r411‡ | Intrauterinná transfúzia plodu |
| 5r221‡ | Neúspešný kliešťový pôrod | 5r412‡ | Intrauterinná infúzia plodu |
| 5r222‡ | Neúspešná extrakcia vákuovou pumpou | 5r413 | Intrauterinná laserová terapia plodu |
| 5r223‡ | Neúspešné vnútorné otočenie | 5r414‡ | Výmena plodovej vody |
| 5r224‡ | Neúspešné kombinované otočenie | 5r415‡ | Vysokofrekv.ablácia nádor.buniek a/alebo ciev placenty |
| 5r231‡ | Embryotómia | 5r416‡ | Zavedenie shuntu u plodu intrauterinne |
| 5r232‡ | Deštrukcia plodu | 5r417‡ | Intrauterinná terapia plodu drenážou |
| 5r233‡ | Dekapitácia | 5r418‡ | Medikament.intrauterinná terapia plodu |
| 5r234‡ | Iné zmenšovacie operácie na plode | 5r421‡ | Terap.amniocentéza s násl.amniocentézou |
| 5r235 | Amniotómia | 5r422‡ | Terapeutická amniocentéza s kordocentézou |
| 5r311.1 | Primárny cisársky rez | 5r423‡ | Terapeutická amniocentéza za účelom fetocídy |
| 5r311.2 | Sekundárny cisársky rez | 5r491 | Segment.resekcia polycystic.plúc plodu |
| 5r312.1 | Primárny Misgav-Ladach cisársky rez | 5r492 | Intrauterinná OP plodu postihnutého VVCH |
| 5r312.2 | Sekundárny Misgav-Ladach cisársky rez | 5r493‡ | Intraamniálna inj.apl.medikament.k ukonč.gravidity |
| 5r314 | Cisársky rez extraperitoneálne | 5r911 | Sutúra ruptúry alebo nástrihu hrádze |
| 5r315.1 | Primárny cisársky rez supracervikálny | 5r912 | Sutúra ruptúry alebo nástrihu krčka maternice |
| 5r315.2 | Cisársky rez supracervikálny | 5r913‡ | Sutúra ruptúry alebo nástrihu pošvy |
| 5r316.1 | Primár.korporálny cisársky rez pozdĺžnou incíziou | 5r914.1‡ | Ošetrovanie ruptúry I.stupňa |
| 5r316.2 | Sekundár.korporálny cisársky rez pozdĺžnou incíziou | 5r914.2‡ | Ošetrovanie ruptúry II.stupňa |
| 5r317.1 | Primárny cisársky rez korporálny T-incíziou | 5r914.3‡ | Ošetrovanie ruptúry III.stupňa |
| 5r317.2 | Sekundárny SC korporálny T-incíziou | 5r914.4‡ | Ošetrovanie ruptúry IV.stupňa |
| 5r321.1 | Primárny cisársky rez a sterilizácia | 5r921‡ | Revízia dutiny maternice po pôrode |
| 5r321.2 | Sekundárny cisársky rez a sterilizácia | 5r922‡ | Revízia dutiny maternice po spontán.potrata |
| 5r322.1 | Primárny cisársky rez s následnou HYE s adnexektómiou | 5r923‡ | Manuálne vybavenie zadržanej placenty |
| 5r322.2 | Sekundárny cisársky rez s násled.HYE s adnexektómiou | 5r924 | Inštrumentálne vybavenie zadržanej placenty |
| 5r323.1 | Primárny cisársky rez s následnou hysterektómiou | 5r925‡ | Iné vybavenie zadržanej placenty |
| 5r323.2 | Sekundárny cisársky rez s následnou hysterektómiou | 5r931 | Rekonštrukcia močového mechúra a utery |
| 5r331.0↔ | Salpingotómia: otv.chir. | 5r932‡ | Rekonštrukcia konečníka a análneho zvierača |
| 5r331.1↔ | Salpingotómia:vag.s lsk.asist. | 5r991 | Kyretáž pre ukončenie tehotnosti |
| 5r331.4↔ | Salpingotómia:lsk. | 5u210.1↔ | Korekcia asymetrie prsníka vloženími implantátů |
| 5r331.6↔ | Salpingotómia:konv.z vag.-otv.chir. | 5u210.2↔ | Korekcia asymetrie prsníka vloženími implantátů-expandéru |
| 5r331.7↔ | Salpingotómia:vag. | 5u211.3↔ | Rekonštrukcia prsníka muskulokutánnym lalokom |
| 5r331.x↔ | Salpingotómia:ost. | 5u214.1↔ | Redukč.mamoplastika pre hypertrof.lahk.a stred.závaž.st. |
| 5r332.0↔ | Salpingotómia s rekonštr:otv.chir. | 5u214.2↔ | Redukčná mamoplastika s transplantáciou areoly |
| 5r332.1↔ | Salpingotómia s rekonštrukciou:lpt. | 5u216.1↔ | Zväčšenie prsníka vloženími implantátů |
| 5r332.4↔ | Salpingotómia s rekonštrukciou:lsk. | 5u217.0↔ | Mastopexia |
| 5r332.6↔ | Salpingotómia s rekonštr:konv.z vag.-otv.chir. | 5u217.1↔ | Mastopexia s vloženími prsníkových implantátů |
| 5r332.7↔ | Salpingotómia s rekonštrukciou:vag. | 5u220.1↔ | Výmena protetického implantátů prsníka |
| 5r332.x↔ | Salpingotómia s rekonštr:ost. | 5u220.2↔ | Výmena expandér-implantátů prsníka |
| 5r333.0↔ | Parciálna salpingektómia:otv.chir. | 5u220.3↔ | Výmena expandér-implantátů za implantát prsníka |
| 5r333.1↔ | Parc.salpingektómia:vag.lsk.as. | 5u221.x↔ | Odstránenie protetického materiálu z prsníka,ost. |
| 5r333.4↔ | Parc.salpingektómia:lsk. | 5u223.1↔ | Revízia implantátů prsníka s výmenou |
| 5r333.6↔ | Parc.salpingektómia:konv.z vag.-otv.chir. | 5u224↔ | Operačná revízia periprotetickej kapsuly prsníka |
| 5r333.7↔ | Parc.salpingektómia:vag. | 8c160 | Hysteroskop.odstránenie cudzieho telesa z maternice |
| 5r333.x↔ | Parc.salpingektómia:ost. | 8c260 | Odstránenie cudzieho telesa z pošvy dieťaťa |
| 5r334.0↔ | Parc.salpingektómia s rekonštr:lpt. | 8f108.2‡↔ | Terap.katetri.a kanyl.vajčkovodu cez hysterosk.pristup |
| 5r334.1↔ | Parc.salpingektómia s rekonštr:lsk. | 8f306.0↔ | Perkutánná terapeutická punkcia a aspirácia vaječníka |
| 5r334.4↔ | Parc.salpingektómia s rek:vag.lsk.as. | 8f306.1 | Perkutánná terapeutická punkcia a aspirácia maternice |
| 5r334.6↔ | Parc.salpingektómia s rek:konv.z vag.-otv.chir. | 8f306.x↔ | Perkut.terapeut.punkcia a aspirácia žens.pohlav.org, ost |
| 5r334.7↔ | Parc.salpingektómia s rek:vag. | 91110 | Intenziv.oše.st.o rodičku pri prekotnom pôrode |
| 5r334.x↔ | Parc.salpingektómia s rekonštr:iná | 91111 | Intenz.oše.st.o rodičku-I.doba pôrod.pri fyziol.pôrode |
| 5r335.0↔ | Totál.salpingektómia:lpt. | 91112 | Intenz.oše.st.o rodičku-II.doba pôrod.pri fyz.pôrode |
| 5r335.1↔ | Totál.salpingektómia:vag.lsk.as. | 91113 | Intenz.oše.st.o rodičku-III.doba pôrod.pri fyz.pôrode |
| 5r335.4↔ | Totál.salpingektómia:lsk. | 91114 | Apl.metód nefarmakol.tlmenia bolesti v I.dobe pôrodnej |
| 5r335.6↔ | Totál.salpingektómia:konv.z vag.-otv.chir. | 91121 | Uvoľnenie dolného pólu plodového vajca |
| 5r335.7↔ | Totál.salpingektómia:vag. | 91127 | Sledovanie a vedenie rizikového pôrodu |
| 5r335.x↔ | Totál.salpingektómia:ost. | 91515 | Transfer embrya |
| 5r336.0 | Lokál.medikam.liečba pri tubárnej gravid:lpt. | 91516 | Zavedenie zmrazeného embrya |
| 5r336.1 | Lok.medikam.liečba pri tubár.gravid:vag.lsk.asist | 91518 | Inseminácia umelá cerviko-vaginálna |
| 5r336.4 | Lok.medikam.liečba pri tuba.gravidite:lsk. | 91519 | Inseminácia umelá intrakavitálna alebo intratubárna |

| Kód | Popis | Kód | Popis |
|-------|---|--------|-------------------------|
| 91520 | V.asist.reprod.s odber.oocytov k in vitro fertili.b.pren.embryí | 91522‡ | Asistovaná fertilizácia |
| 91521 | Výkon asist.reprodukcie komplexný cyklus s prenosom embryí | | |

D.5c Konflikt s pohlavím: Choroby muža

| Kód | Popis | Kód | Popis |
|-------|--|--------|--|
| B26.0 | Parotitická orchitída(N51.1*) | N48.0 | Leukoplakia penisu |
| C60.0 | Zhubný nádor predkožky penisu | N48.1 | Balanopostitída |
| C60.1 | Zhubný nádor žaluďa penisu | N48.2 | Iná zápalová choroba penisu |
| C60.2 | Zhubný nádor tela penisu | N48.30 | Nízkoprietokový priapizmus |
| C60.8 | Zhubný nádor penisu presahujúci viaceré oblasti | N48.31 | Vysokoprietokový priapizmus |
| C60.9 | Zhubný nádor penisu, bližšie neurčený | N48.38 | Iný priapizmus |
| C61 | Zhubný nádor prostaty | N48.39 | Priapizmus, bližšie neurčený |
| C62.0 | Zhubný nádor nezostúpeného semenníka | N48.4 | Impotencia organického pôvodu |
| C62.1 | Zhubný nádor zostúpeného semenníka | N48.5 | Vred penisu |
| C62.9 | Zhubný nádor semenníka, bližšie neurčený | N48.6 | Induratio penis plastica (balanitis xerotica obliterans) |
| C63.0 | Zhubný nádor nadsemenníka | N48.8 | Iné choroby penisu, bližšie určené |
| C63.1 | Zhubný nádor semenného povrazca | N48.9 | Choroba penisu, bližšie neurčená |
| C63.2 | Zhubný nádor mieška | N49.0 | Zápalová choroba semenných mechúrikov |
| C63.7 | Zhubný nádor iných mužských pohlavných orgánov, bliž. urč. | N49.1 | Zápal. chor. semen. povrazca, semenník. pošv. obalu a semenov. |
| C63.8 | Zhubný nádor mužských pohlavných orgánov presah. viac. obl. | N49.2 | Zápalová choroba mieška |
| C63.9 | Zhubný nádor mužského pohlavného orgánu, bliž. neurč. | N49.80 | Fournierova gangréna u muža |
| D07.4 | Karcinóm in situ penisu | N49.88 | Zápalová choroba i. bliž. urč. mužských pohlav. org. |
| D07.5 | Karcinóm in situ prostaty | N49.9 | Zápalová choroba bliž. neu. mužských pohlav. org. |
| D07.6 | Karcinóm in situ iných a bliž. neurč. mužských pohlav. org. | N50.0 | Atrofia semenníka |
| D17.6 | Nezhubný lipomatózny nádor semenného povrazca | N50.1 | Cievne choroby mužských pohlavných orgánov |
| D29.0 | Nezhubný nádor penisu | N50.8 | Iné choroby mužských pohlavných org. b. u. |
| D29.1 | Nezhubný nádor prostaty | N50.9 | Choroby mužských pohlavných org. b. n. |
| D29.2 | Nezhubný nádor semenníka | N51.0 | Choroby prostaty pri chorobách zatriedených inde |
| D29.3 | Nezhubný nádor nadsemenníka | N51.1 | Choroby semenníka a nadsemenníka pri chor. z. i. |
| D29.4 | Nezhubný nádor mieška (skróta) | N51.2 | Balanitída pri chorobách zatriedených inde |
| D29.7 | Nezhubný nádor iných mužských pohlavných orgánov | N51.8 | Iné choroby mužských pohlav. org. pri chorobách. z. i. |
| D29.9 | Nezhubný nádor bliž. neurč. mužských pohlav. org. | Q53.0 | Ektopický semenník |
| D40.0 | Nádor s neurčitým/nezná. správ. predstojníca (prostata) | Q53.1 | Jednostranne nezostúpený semenník |
| D40.1 | Nádor s neurčitým/nezná. správ. semenník | Q53.2 | Obojstranne nezostúpený semenník |
| D40.7 | Nádor s neurčitým/nezná. správ. i. muž. pohl. org. | Q53.9 | Nezostúpený semenník, bližšie neurčený |
| D40.9 | Nádor s neurčitým/nezná. správ. bliž. neurč. muž. pohl. org. | Q54.0 | Hypospádia žaluďa [balanická] |
| E29.0 | Hyperfunkcia semenníkov | Q54.1 | Hypospádia penisu [penilná] |
| E29.1 | Hypofunkcia semenníkov | Q54.2 | Hypospádia penisu a skróta [penoskrotálna] |
| E29.8 | Iná porucha funkcie semenníkov | Q54.3 | Hypospádia perineálna |
| E29.9 | Porucha funkcie semenníkov, bližšie neurčená | Q54.4 | Vrodené ventrálné ohnutie penisu [vrodená chordea] |
| E89.5 | Hypofunkcia semenníkov po lekárskom výkone | Q54.8 | Iná hypospádia |
| F52.4 | Predčasná ejakulácia | Q54.9 | Hypospádia, bližšie neurčená |
| I86.1 | Varixy skróta | Q55.0 | Chýbanie a aplázia semenníka |
| L29.1 | Svrbenie skróta | Q55.1 | Hypoplázia semenníka a mieška |
| N36.3 | Prolaps sliznice uretry | Q55.2 | Iná vrodená chyba semenníka a mieška |
| N40 | Hyperplázia prostaty | Q55.3 | Atrézia semenovodu |
| N41.0 | Akútna prostatitída | Q55.4 | Iná vrod. chyba semenov., nadsemen., semen. vač. a prostaty |
| N41.1 | Chronická prostatitída | Q55.5 | Vrodené chýbanie a aplázia penisu |
| N41.2 | Absces prostaty | Q55.6 | Iná vrodená chyba penisu |
| N41.3 | Prostatocystitída | Q55.8 | Iná vrod. chyba mužských pohlav. org., b. u. |
| N41.8 | Iná zápalová choroba prostaty | Q55.9 | Vrod. chyba mužských pohlav. org., b. n. |
| N41.9 | Zápalová choroba prostaty, bližšie neurčená | R86.0 | Abn. nález vo vzorkách z muž. pohl. org.: abn. hodn. enzým. |
| N42.0 | Konkrement prostaty | R86.1 | Abn. nález vo vzorkách z muž. pohl. org.: abn. hodn. hormón. |
| N42.1 | Kongescia a krvácanie z prostaty | R86.2 | Abn. nález vo vzor. z muž. pohl. org. abn. hodn. liek. a biol. akt. lát. |
| N42.2 | Atrofia prostaty | R86.3 | Abn. nález vo vzorkách z muž. pohl. org.: abn. hodn. lát. nemed. p. |
| N42.3 | Dysplázia prostaty | R86.4 | Abn. nález vo vzorkách z muž. pohl. org.: abn. imun. nález |
| N42.8 | Iná choroba prostaty, bližšie určená | R86.5 | Abn. nález vo vzorkách z muž. pohl. org.: abn. mikrob. nález |
| N42.9 | Choroba prostaty, bližšie neurčená | R86.6 | Abn. nález vo vzorkách z muž. pohl. org.: abn. cytol. nález |
| N43.0 | Encystovaná hydrokéla | R86.7 | Abn. nález vo vzorkách z muž. pohl. org.: abn. hist. nález |
| N43.1 | Infikovaná hydrokéla | R86.8 | Abn. nález vo vzorkách z muž. pohl. org.: iný abn. nález |
| N43.2 | Iná hydrokéla | R86.9 | Abn. nález vo vzorkách z muž. pohl. org.: b. n. abn. nález |
| N43.3 | Hydrokéla, bližšie neurčená | S31.2 | Otvorená rana penisu |
| N43.4 | Spermatokéla | S31.3 | Otvorená rana skróta a semenníkov |
| N44.0 | Torzia semenníka | S37.32 | Poranenie močovej rúry, pars spongiosa |
| N44.1 | Torzia hidatídy [Morgagni] | S37.33 | Poranenie močovej rúry, pars prostatica |
| N45.0 | Orchitída, epididymitída a epididymoorchitída s abscesom | S37.82 | Poranenie prostaty |
| N45.9 | Orchitída, epididymitída a epididymoorchitída bez abscesu | S37.83 | Poranenie semenného vďaka |
| N46 | Mužská neplodnosť | S37.84 | Poranenie semenovodu |
| N47 | Hyperplastická predkožka, fimóza a parafimóza | | |

D.5d Konflikt s pohlavím: Výkony u muža

| Kód | Popis | Kód | Popis |
|-----------|---|---------|--|
| 12o20.1‡ | Perkutánná biopsia prostaty s použ.zobraz.metód | 5o315.0 | Eviscerácia malej panvy u muža:otv.chir. |
| 12o20.2↔ | Perkutánná biopsia vesiculae seminales s použ.zobraz.m. | 5o315.4 | Eviscerácia malej panvy u muža:lsk. |
| 12o20.3 | Perkutánná biopsia penisu s použ.zobraz.metód | 5o315.x | Eviscerácia malej panvy u muža:ostatné |
| 12o20.4‡↔ | Perkutánná biopsia semenníka s použ.zobraz.metód | 5o31c.0 | Rad.cystektómia bez uretrekt.,šetr.nerv.ciev.zv.,žena:otv.ch. |
| 12o20.5↔ | Perkutánná biopsia nadsemenníka s použ.zobraz.metód | 5o31c.4 | Rad.cystektómia bez uretrekt.,šetr.nerv.ciev.zv.,žena:lsk. |
| 12o20.6↔ | Perkutánná biopsia ductus defer.s použ.zobraz.m. | 5o31c.x | Rad.cystektómia bez uretrektómie,šetr.nerv.ciev.zv.,žena:ost. |
| 12o20.7↔ | Perkutánná biopsia funiculus spermat.s použ.zobraz.m. | 5o40a.1 | 1-dobá plast.rekonštr.moč.rúry s použ.kože predkožky |
| 12o20.8 | Perk.biops.moč.sys.a muž.pohl.org.zobr.m.:pre urč.št.ch. | 5o40a.2 | 1-dobá plast.rekonštr.moč.rúry s použ.kože penisu |
| 12o20.9 | Perkut.biopsia perivez.tkaniv s použ.zobraz.metód | 5o40b.1 | 2-dobá plast.rekonštr.moč.rúry:1.doba s použ.kože predkožky |
| 12o20.a | Perkut.biopsia peripros.tkaniv s použ.zobraz.metód | 5o40b.2 | 2-dobá plast.rekonštr.moč.rúry:1.doba s použ.kože penisu |
| 12p10.1‡ | Perkutánná (ihlová) biopsia prostaty | 5o40e.0 | Rekonš.prostat.alebo membran.časti močovej rúry po poran. |
| 12p10.2↔ | Perkutánná (ihlová) biopsia vesiculae seminales | 5o40e.1 | Uzavretie uretrostómie |
| 12p10.3 | Perkutánná (ihlová) biopsia penisu | 5o41e.0 | Jednoduchá uretrektómia u muža ako samostatný výkon |
| 12p10.4‡↔ | Perkutánná (ihlová) biopsia semenníkov | 5o41e.1 | Radikálna uretrektómia u muža ako samostatný výkon |
| 12p10.5↔ | Perkutánná (ihlová) biopsia nadsemenníkov | 5o49b | Posunutie vonkajšieho ústia moč.rú.a glanduloplastika |
| 12p10.6↔ | Perkutánná (ihlová) biopsia ductus deferens | 5o49c | Duckettova plastika |
| 12p10.7↔ | Perkutánná (ihlová) biopsia funiculus spermaticus | 5p111.t | Incízia prostaty, transuretrálne |
| 12p10.8 | Perkutánná (ihlová) biopsia skrota | 5p111.x | Incízia prostaty, ostatné |
| 12p10.9 | Perkut.(ihl.) biopsia perinea mužs.pohl.org. | 5p112.0 | Incízia periprostatického tkaniva bez drenáže |
| 12p10.x↔ | Perkut.(ihl.) biopsia mužs.pohl.org.,ost. | 5p112.1 | Incízia a drenáž periprostatického tkaniva |
| 12p30.01‡ | Ihl.biopsia prostaty transrektál.,menej ako 20 vzoriek | 5p112.2 | Excízia periprostatického tkaniva |
| 12p30.02‡ | Ihl.biopsia prostaty transrektál., 20 a viac vzoriek | 5p113.0 | Incízia abscesu prostaty transuretrálna |
| 12p30.2 | Biopsia prostaty transrektálne,aspiračne | 5p113.1 | Drenáž abscesu prostaty transrektálne |
| 12p30.3↔ | Biopsia vesiculae seminales transrektálne | 5p11x | Incízia prostaty,Incízia/excízia periprostatického tk:ost. |
| 12p30.x↔ | Biopsia mužs.pohl.org.transrektálne,ostatné | 5p121.1 | Prostatektómia:suprapubicky-transvezikálne,ípt. |
| 13p00.0 | Biopsia s incíziou prostaty | 5p121.2 | Prostatektómia retropubicky:laparotomicky |
| 13p00.1 | Biopsia s incíziou periprostatického tkaniva | 5p121.3 | Prostatektómia retropubicky:laparoskopicky |
| 13p01.0 | Biopsia s incíziou glans penis | 5p121.4 | Prostatektómia transperineálne:ípt. |
| 13p01.1 | Biopsia s incíziou tela penisu | 5p121.x | Prostatektómia:ost. |
| 13p02.0↔ | Biopsia s incíziou semenníkov | 5p122.2 | Rad.prostatektómia bez reg.LNE:retropubicky |
| 13p02.1↔ | Biopsia s incíziou epididymis | 5p122.3 | Rad.prostatektómia bez reg.LNE:perineálne |
| 13p02.2↔ | Biopsia s incíziou ductus deferens | 5p122.4 | Radikál.prostatektómia bez reg.LNE:lsk. |
| 13p02.3↔ | Biopsia s incíziou vesiculae seminalis | 5p122.8 | Rad.prostatektómia bez reg.LNE:rob. |
| 13p02.4↔ | Biopsia s incíziou funiculus spermaticus | 5p123.2 | Rad.prostatekt.b.reg.LNE,šetr.nervovociev.zv:retropub |
| 13p03 | Biopsia s incíziou mužského perinea | 5p123.3 | Rad.prostatekt.b.reg.lymfadenekt,šetr.nerv.ciev.zv:perineál |
| 15p10.0↔ | Dg.punkcia a aspirácia semenníka | 5p123.4 | Rad.prostatektómia bez reg.LNE,šetrenie nervovociev.zv:lsk. |
| 15p10.1↔ | Dg.punkcia a aspirácia nadsemenníka | 5p123.8 | Rad.prostatekt.bez reg.LNE,šetrenie nervovociev.zv:robot. |
| 15p10.2↔ | Dg.punkcia a aspirácia hydrokély | 5p124.2 | Rad.prostatektómia s regionál.LNE:retropubicky |
| 15p10.3↔ | Dg.punkcia a aspirácia spermatokély | 5p124.3 | Rad.prostatekt.s reg.lymfadenek:perineál,lsk.lymfadenekt |
| 15p10.4 | Dg.punkcia a aspirácia prostaty | 5p124.4 | Radikál.prostatektómia s reg.LNE:lsk. |
| 15p10.5↔ | Dg.punkcia a aspirácia semenných mechúrikov | 5p124.8 | Rad.prostatektómia s reg.LNE:robot. |
| 15p10.x↔ | Ostatné dg.punkcie a aspirácie mužs.pohl.orgánov | 5p125.2 | Rad.prostatekt.s reg.LNE,šetr.nervovociev.zv:retropub |
| 31317.1 | Endosonografia mužských pohlav.orgánov,transrektálne | 5p125.3 | Rad.prostatekt.s r.LNE,šet.n-c.zv:perin,lsk.lymfadenekt |
| 31317.2‡ | Endosonografia mužských pohlav.orgánov,transuretrálne | 5p125.4 | Rad.prostatektómia s reg.LNE,šetrenie nervovociev.zv:lsk. |
| 5b323.1↔ | Laparotomická adrenalectómia u muža | 5p125.5 | Rad.prostatektómia s reg.LNE,šetrenie nervovociev.zv:rob. |
| 5b323.2↔ | Lumbotomická adrenalectómia u muža | 5p126.2 | Radik. prostatekt.s rozšír.LNE:retropubicky |
| 5b323.4↔ | Laparoskopická adrenalectómia u muža | 5p126.3 | Radik. prostatekt.s rozš.LNE:perineál.a lsk.lymfadenekt. |
| 5b323.x↔ | Adrenalectómia u muža, ostatné | 5p126.4 | Radik. prostatekt. s rozšír.lymfadenekt:laparoskopicky |
| 5n810.1↔ | Uzavr.inguin.her.bez plast:s res.steny hydrokély | 5p126.8 | Radik. prostatekt. s rozš.lymfadenekt:roboticky |
| 5n810.2↔ | Uzavr.inguin.her.bez plas:s funikulol.a dislok.semenníka | 5p127.2 | Radik.prostatekt.s rozš.LNE,šetr.nerv.ciev.zváz:retropub |
| 5n815.1↔ | Uzavr.inguin.her.pri recidíve s plast.s funikulo-orchidolýzou | 5p127.3 | Rad.prostatekt.s rozš.LNE,šetr.nerv-c.zváz:perineál.a lsk.LNE |
| 5o311.0 | Jednoduchá cystektómia u muža:otv.chir. | 5p127.4 | Radik.prostatekt.s rozš.LNE,šetr.nerv.ciev.zváz:lsk. |
| 5o311.4 | Jednoduchá cystektómia u muža:lsk. | 5p127.5 | Radik.prostatekt.s rozš.LNE,šetr.nerv.ciev.zváz:robot. |
| 5o311.5 | Jednoduchá cystektómia u muža, roboticky | 5p12x | Iná radikálna prostatektómia |
| 5o311.x | Jednoduchá cystektómia u muža:ostatné | 5p131 | Transrektál.a perkutánná termodeštrukcia tkaniva prostaty |
| 5o312.0 | Radik.cystektómia u muža bez uretrektóm:otv.chir | 5p132 | Transrektál.a perkutánná deštrukcia tkaniva prostaty UZV |
| 5o312.4 | Radikálna cystektómia u muža bez uretrektómie:lsk. | 5p133 | Transrekt.a perkut.deštrukcia tk.prostaty nosičmi žiarenia |
| 5o312.5 | Radikálna cystektómia bez uretrektómie u muža, roboticky | 5p134 | Aplikácia rádiových zrn do prostaty |
| 5o312.x | Radik.cystektómia u muža bez uretrektómie:ost. | 5p135 | Kryodeštrukcia tkaniva prostaty |
| 5o313.0 | Rad.cystekt.b.uretrekt,šetr.nerv.ciev.zv,zach.pot.muža:o.chir | 5p136 | Mikrovlánná deštrukcia prostaty |
| 5o313.4 | Rad.cystekt.b.uretrekt,šetr.nerv.ciev.zv,zach.pot.,muž:lsk. | 5p13x | Transrektálna a perkutánná deštr.tk.prostaty:ost. |
| 5o313.5 | Rad.cys.bez uret.so šet.ner.zv.ä.so zac.pot.u muža, rob. | 5p148 | Transuretrálna endoresekcija tkaniva prostaty, elektroresekcija TURP |
| 5o313.x | Rad.cystekt.b.uretrekt.,šetr.nerv.ciev.zv,zach.pot.,muž:ost. | | |
| 5o314.0 | Rad.cystektómia s uretrektómiou,muž:otv.chir. | 5p149 | Transur.endores.tkaniva pros.elektor.s episcyt.trok. |
| 5o314.4 | Rad.cystektómia s uretrektómiou,muž:lsk. | 5p14a | Transuretrálna endoresekcija tkaniva prostaty, kryoablácia |
| 5o314.5 | Radikálna cystektómia s uretrektómiou u muža, roboticky | 5p14b | Transur.endores.tkaniva pros.temoresekcija/. |
| 5o314.x | Rad.cystektómia s uretrektómiou,muž:ost. | 5p14c | Transur.endores.tkaniva pros.interst.laser.deštr. |

| Kód | Popis | Kód | Popis |
|----------|---|----------|---|
| 5p14d | Transur.endores.tkaniva pros.vizuá.kontrol.laser.ablácia [VLAP] | 5p402.0↔ | Resekcia testikulárnej žily a testikulárnej tepny:inguin |
| 5p14e | Transur.endores.tkaniva pros.laser.vapor.pros. | 5p402.1↔ | Resekcia testikulárnej žily a testikulárnej tepny:otv.mikrochir |
| 5p14f | Transur.endores.tkaniva pros.laser.deštr.iná | 5p402.3↔ | Resekcia testikulárnej žily a testikulárnej tepny:lumb |
| 5p14g | Tran.end.tkan.pros.tran.ihl.abl.tkan.pros.[T.U.] | 5p402.4↔ | Resekcia testikulárnej žily a testikulárnej tepny:lsk. |
| 5p14h | Transur.endores.tkaniva pros.elekt.vapor. | 5p403.0 | Operácia hydrokély semenného povrazca |
| 5p14i | Transur.endores.tkaniva pros.bipol.resek.(enukl.) | 5p403.1 | Operácia hydrokély testis |
| 5p14x | Transuretrálna endoresekcia tk.prostaty:ost. | 5p403.2 | Operácia komunikujúcej hydrokély |
| 5p151↔ | Incízia na semenných mechúrikoch | 5p40x↔ | Oper.th.varikokély a hydrokély semenného povrazca:ost |
| 5p152↔ | Excízia na semenných mechúrikoch | 5p411↔ | Excízia cysty v oblasti nadsemenníka |
| 5p153↔ | Exstirpácia na semenných mechúrikoch | 5p413↔ | Excízia Morgan.hydatídy v obl.nadsemenníka |
| 5p15x↔ | Operácie na semenných mechúrikoch:ost. | 5p41x↔ | Excízia v oblasti nadsemenníka,ost. |
| 5p191 | Rekonštrukcia prostaty po poranení | 5p421↔ | Parciálna epididymektómia |
| 5p192 | Dilatácia prostatickej močovej rúry | 5p422↔ | Totálna epididymektómia |
| 5p193 | Zavedenie stentu do prostatickej močovej rúry | 5p42x↔ | Epididymektómia, ostatné |
| 5p194 | Výmena stentu v prostatickej močovej rúre | 5p431↔ | Sutúra semenného povrazca po poranení |
| 5p195‡ | Odstránenie stentu z prostatickej močovej rúry | 5p432↔ | Plastická rekonštrukcia semenného povrazca |
| 5p196 | Iné operácie na prostate:revízia | 5p433‡↔ | Detorkv.semen.povrazca pri torzii,vrát.kontratlat.orchidopex |
| 5p197 | Zavedenie prostatickej endoprotézy | 5p434‡↔ | Detorzia testis manuálne |
| 5p198‡ | Odstránenie prostatickej endoprotézy | 5p435‡ | Detor.semen.povr.pri torzii, bez kontratlat.orchid. |
| 5p199 | Ošetrovanie krvácania na prostate, laparotomicky | 5p43x‡↔ | Rekonštrukcia semenného povrazca:ost. |
| 5p19a | Ošetrovanie krvácania na prostate, transuretrálne | 5p451↔ | Sklerotizácia semenovodu |
| 5p19b‡ | Transper.implan.balón.spacera pred rádiot.pros. | 5p452↔ | Ligatúra semenovodu |
| 5p19x‡ | Iné operácie na prostate:ost | 5p453↔ | Resekcia semenovodu [vazoresekcia] |
| 5p201 | Excízia fistuly skróta | 5p45x↔ | Deštrukcia,ligatúra a resekcia semenovodu:ost. |
| 5p20x | Iná excízia a deštr.chor.tk.skróta | 5p461↔ | Sutúra semenovodu a nadsemenníka po poranení |
| 5p211 | Parciálna resekcia chorého tkaniva skróta | 5p462↔ | Vazovazostómia |
| 5p212 | Radikálna resekcia chorého tkaniva skróta | 5p463↔ | Epididymovazostómia |
| 5p221 | Operácia skróta pre úraz | 5p464↔ | Tubulovazostómia |
| 5p230 | Incízia skróta a tunica vaginalis testis:bez d.zásahov | 5p465↔ | Vytvorenie umelej spermatokély |
| 5p231 | Incízia skróta a tunica vaginalis testis:drenáž | 5p46x↔ | Rekonštrukcia semenovodu a nadsemenníka:ost. |
| 5p233 | Incízia skróta a tunica vaginalis testis:odstr.cudz.t. | 5p491↔ | Incízia rozrušenia zrastov, epididymotómia |
| 5p23x | Incízia skróta a tunica vaginalis testis:iná | 5p492↔ | Incízia rozrušenia zrastov spermatického povrazca |
| 5p240 | Sutúra skróta a tunica vaginalis testis po poranení | 5p493↔ | Adheziolýza semenného povrazca |
| 5p241 | Plastická rekonštrukcia skróta a tunica vaginalis testis | 5p494↔ | Odber tkaniva nadsemenníka v prípr.pred umel.oplodnením |
| 5p242 | Vytvor.a rekonštrukcia skróta a tunica vaginalis testis | 5p49x↔ | Iné OP na semen.povrazci,nadsemeníku a semenovode:ost |
| 5p24x | Plastická rekonštr.skróta a tunica vaginalis testis:ost. | 5p501‡ | Frenulotómia predkožky |
| 5p301.0↔ | Orchiektómia bez epididymektómie:inguin.retencia semenn | 5p502‡ | Dorzálne preťatie predkožky |
| 5p301.2↔ | Orchiektómia bez epididymektómie:skrotálne | 5p503 | Cirkumcizia |
| 5p302.0↔ | Orchiektómia s epididymektómiou:inguin.reten.semenníka | 5p504 | Frenuloplastika a plastika predkožky |
| 5p302.2↔ | Orchiektómia s epididymektómiou:skrotálne | 5p505.1 | Krvavá repozícia na predkožke pre parafimózu v celk.anestézii |
| 5p303.1↔ | Abdominálna retencia semenníka:lpt. | 5p505.2 | Nekrvavá repoz. na predkožke pre parafimózu v CA |
| 5p303.4↔ | Abdominálna retencia semenníka:lsk. | 5p506 | Uvoľn.prepuciálnych zrastov na predkožke[synechiolýza] |
| 5p305.0↔ | Odstr.zostávajúceho semenníka:inguinálne | 5p509 | Operácie na predkožke:ost. |
| 5p305.2↔ | Odstr.zostávajúceho semenníka:skrotálne | 5p511 | Lok.excízia chor.tk.penisu |
| 5p307.0 | Orchiek.u novor.pre intraut.torziiu testis z ingvin.prís. | 5p512 | Lok.deštrukcia chor.tk.penisu |
| 5p30x↔ | Orchiektómia:ost. | 5p51x | Lok.excízia a deštr.chor.tk.penisu:ost. |
| 5p311↔ | Orchidopexia s funikulolýzou | 5p521 | Čiastočná amputácia penisu |
| 5p312↔ | Orchidopexia skrotálne | 5p522 | Totálna amputácia penisu |
| 5p31x↔ | Orchidopexia:ost. | 5p523 | Emaskulinizácia penisu |
| 5p320.1↔ | Oper.premies.abd.ulož.semenníka bez mikrovask.anast:lpt. | 5p530 | Sutúra penisu pri poranení |
| 5p320.4↔ | Oper.premiestn.abd.ulož.sem.bez mikrovaskul.anastom:lsk. | 5p531 | Narovnanie tela penisu |
| 5p321.1↔ | OP premiestn.abdomin.ulož.sem.s mikrovaskul.anast:lpt. | 5p532 | Plast.rekonštrukcia penisu pri zmene pohlavia |
| 5p321.4↔ | OP premiestn.abd.ulož.sem.s mikrovaskulárnou anast:lsk. | 5p533 | Úprava penoskrotálnej transpozície |
| 5p32x↔ | OP premiestnenie abdominál.uloženého semenníka:ost. | 5p534 | Operácia zanoreného penisu |
| 5p341‡↔ | Implantácia protézy semenníka | 5p535 | Operácia zlomeniny penisu |
| 5p342‡↔ | Výmena protézy semenníka | 5p536 | Preťatie ligamentum suspensorium penis |
| 5p343‡↔ | Odstránenie protézy semenníka | 5p537 | Operácie pri induratio penis plastica |
| 5p34x‡↔ | Implantácia,výmena a odstr.protézy semenníka:ost. | 5p53x | Plastická rekonštrukcia penisu:ost. |
| 5p351↔ | Sutúra semenníka po poranení | 5p541 | Plast.rek.epispád,muž:narovnanie tela penisu a chordektóm |
| 5p35x↔ | Rekonštrukcia semenníka:ost. | 5p542 | Plast.rek.episp.muž:uvoľ.kaver.tel,ventr.transpoz.moč.rúry |
| 5p391.0 | Explorácia pri kryptorchizme:inguin. | 5p543.0 | Plast.rekonštr.epispádie,muž:vytv.moč.rúry pou.kože predkož |
| 5p391.1↔ | Explorácia pri kryptorchizme:lpt. | 5p543.1 | Plast.rekonštr.epispádie,muž:vytv.moč.rúry pou.kože penisu |
| 5p391.4 | Explorácia pri kryptorchizme:lsk. | 5p543.2 | Plast.rekonštr.epispádie,muž:vytv.moč.rúry pou.bukál.slizn. |
| 5p391.x | Explorácia pri kryptorchizme:ost | 5p543.3 | Plast.rekonštr.epispád,muž:vytv.moč.rúry pou.slizn.m.mech |
| 5p395.0 | Odobratie tkaniva semenníka pred umelým oplodnením | 5p543.x | Plast.rekonštr.epispádie,muž:vytv.moč.rúry:ost. |
| 5p395.1 | Incízia semenníka | 5p54x | Plastická rekonštrukcia epispádie u muža:ost |
| 5p395.2 | Excízia a deštrukcia chorého tkaniva semenníka | 5p551 | Plast.rekonštr.hypospádie,muž:meatoglandulárna plast. |
| 5p39x‡↔ | Iné operácie na semeníku:ost | 5p552 | Plast.rek.hyposp.muž:narovnanie tela pen,chordekt |
| 5p401.2↔ | Sklerotizácia testikulárnej žily:skrotálne | 5p553.0 | Plast.rekonštr.hypospádie,muž:vytv.moč.rúry:s kože predkožky |

| Kód | Popis | Kód | Popis |
|---------|---|----------|--|
| 5p553.1 | Plast.rekonštr.hypospádie,muž:vytv.moč.rúry:s kože penisu | 5p59a.3 | Revaskularizačné operácie na penise |
| 5p553.2 | Pl.rekonštr.hypospádie,muž:vytv.moč.rúry:transpl.bukál.sl | 5p59a.4 | Shuntové operácie na kavernózných telesách penisu |
| 5p553.3 | Pl.rekonštr.hypospád,muž:vytv.moč.rúry:transpl.sl.m.mech | 5p59a.5 | Revízia penilnej protézy |
| 5p553.x | Plast.rekonštr.hypospádie,muž:vytv.moč.rúry:iné | 5p59a.6 | Odstránenie penilnej protézy |
| 5p557.0 | King-Duplay plastika | 5p59a.7 | Replantácia na penise |
| 5p557.1 | Plastická rekonštrukcia hypospádie u muža, sekundárny výkon | 5p59x | Iné operácie na penise:ost. |
| 5p557.2 | Mathieau plastika | 5p5a0 | OP na zmenu pohlavia:zo ženy na muža |
| 5p55x | Plastická rekonštr.hypospádie u muža:ost. | 5p5a1 | OP na zmenu pohlavia:z muža na ženu |
| 5p595.1 | Implantácia semirigidnej penilnej protézy | 5q293‡ | Vaporizácia laserová |
| 5p595.2 | Implantácia hydraulikkej penilnej protézy | 5u115.0↔ | Operácia gynekomastie bez liposukcie |
| 5p595.x | Implantácia penilnej protézy,ost. | 5u115.1↔ | Operácia gynekomastie s liposukciou |
| 5p597.1 | Výmena penilnej protézy na semirigidnú protézu | 8f305.0↔ | Perkutánná terapeutická punkcia a aspirácia hydrokély |
| 5p597.2 | Výmena penilnej protézy na hydraulickú protézu | 8f305.1↔ | Perkutánná terapeutická punkcia a aspirácia spermatokély |
| 5p597.x | Výmena penilnej protézy, ostatné | 8f305.2 | Perkutánná terapeutická punkcia a aspirácia prostaty |
| 5p59a.0 | Incízia na penise | 8f305.3↔ | Perkut.terapeut.punkcia a aspirácia semenných mechúrikov |
| 5p59a.1 | Adheziolýza na penise | 8f305.x↔ | Perkut.terapeut.punkcia a aspirácia mužs.pohlav.org.,ost |
| 5p59a.2 | Uzavretie venózneho úniku na penise | | |

D.6 Status groupera

Na konci zara ovania hospitaliza ného prípadu sa priradí každému hospitaliza nému prípadu tzv. status groupera (alej GST), ktorý ozna uje úspe- né ukon enie zara ovacieho procesu. Ak grouper pri pokuse o zaradenie do DRG narazí na **chýbajúce alebo neplatné informácie**, záznam sa priradí k DRG 960Z *Nezatriedite né do skupín* s typom chyby v statuse groupera s nenulovým íslom. Blif- ie údaje k jednotlivým hodnotám GST sa nachádzajú v nasledovnej tabu ke.

| Kód | Popis | Poznámky |
|-----|---|--|
| 00 | Normálne zaradenie | |
| 01 | Neplatná alebo chýbajúca hlavná diagnóza | |
| 02 | Diagnóza nie je prípustná ako hlavná diagnóza | Ak sa napr. ako hlavná diagnóza uvedie diagnóza za ínajúca na V, W, X, Y Zoznam neprípustných hlavných diagnóz je uvedený v tabu ke D.7 |
| 04 | Neplatný vek | Ak nie je možné stanovi vek pacienta v platnom rozsahu |
| 05 | Neplatné pohlavie | |
| 06 | Neplatný dôvod prijatia, prepustenia, druh prijatia | |
| 07 | Neplatná hmotnos pri prijatí | Ak je vek pacienta < 1 rok, hlavná diagnóza je novorodenecká a hodnota premennej hmotnos pri prijatí je neplatná |
| 08 | Neplatná o-etrovacía doba | Ak o-etrovaciu dobu nie je možné z údajov vypo íta |

S výnimkou po a Veku, varovným príznakom (šflagomō) ozna ené demografické údaje nemajú za následok status groupera s nenulovým íslom zoskupenia, pokia sa zodpovedajúca klasifika ná premenná nevyfľaduje na zaradenie. Napríklad pohlavie sa nepoufľíva ako klasifika ná premenná pre DRG v MDC 01 *Choroby a poruchy nervového systému*, takfľe neplatný údaj v poli Pohlavie by neovplyvnil priradenie DRG a výsledný GST by bol "00". Ak by bol v-ak hospitaliza ný prípad s neplatným údajom o pohlaví priradený k MDC 14 *Tehotenstvo, narodenie a popôrodné obdobie*, nebolo by možné ho zaradi do DRG a dostal by GST š05ō.

D.7 Neprípustná hlavná diagnóza

| Kód | Popis | Kód | Popis |
|--------|---|--------|--|
| A63.0 | Anogenitálne (venerické) bradavice | F02.0 | Demencia pri Pickovej chorobe (G31.0†) |
| B23.0 | Syndróm akútnej infekcie HIV | F02.1 | Demencia pri Creutzfeldtovej-Jakobovej chorobe |
| B90.0 | Následky tuberkulózy centrálnej nervovej sústavy | F02.2 | Demencia pri Huntingtonovej chorobe (G10†) |
| B90.1 | Následky tuberkulózy močovopohlavnej sústavy | F02.3 | Demencia pri Parkinsonovej chorobe (G20.-†) |
| B90.2 | Následky tuberkulózy kostí a kĺbov | F02.4 | Demencia pri chorobe HIV (B22†) |
| B90.8 | Následky tuberkulózy iných orgánov | F02.8 | Demencia pri i.bliž.urč.chorobách z.i. |
| B90.9 | Následky respiračnej a bliž.nerč.TBC | G01 | Meningitída pri bakteriálnych chorobách zatried.inde |
| B91 | Následky poliomyelitídy | G02.0 | Meningitída pri vírusových chorobách zatried.inde |
| B92 | Následky lepy | G02.1 | Meningitída pri mykózach zatriedených inde |
| B94.0 | Následky trachómu | G02.8 | Meningitída pri iných bliž.urč.infekč.a parazit.chor.z.i. |
| B94.1 | Následky vírusovej encefalitídy | G05.0 | Encefalitída,myelitída a encefalomyelit.pri bakt.chor.z.i. |
| B94.2 | Následky vírusovej hepatitídy | G05.1 | Encefalitída,myelitída a encefalomyelit.pri vír.chor.z.i. |
| B94.8 | Následky iných.bliž.urč.infekčných a parazitových chorôb | G05.2 | Encefalitída,myelit.a encefalomy.pri i.inf.a paraz.chor.z.i. |
| B94.9 | Následky bliž.neurč.infekčných/parazitových chorôb | G05.8 | Encefalitída,myelitída a encefalomyelit.pri i.chor.z.i. |
| B95.0 | Streptokok skupiny A ako príčina chorôb zatried.inde | G07 | Intrakran.a intrasp.in.absces a granulóm pri chor.z.i. |
| B95.1 | Streptokok skupiny B ako príčina chorôb zatried.inde | G09 | Následky zápalových chorôb centrálnej nerv.sústavy |
| B95.2 | Streptokok skupiny D ako príčina chorôb zatried.inde | G13.0 | Paraneoplastická neuromyopatia a neuropatia |
| B95.3 | Streptococcus pneumoniae ako príčina chorôb zatried.inde | G13.1 | Iná systémová atrofia post.najmä CNS pri nádor.chor. |
| B95.41 | Streptokok skupiny C ako príčina chorôb zatried.inde | G13.2 | Systémová atrofia post.najmä CNS pri myxedéme |
| B95.42 | Streptokok skupiny G ako príčina chorôb zatried.inde | G13.8 | Systémová atrofia post.najmä CNS pri i.chor.z.i. |
| B95.48 | Iný streptokok,bliž.urč.ako príčina chorôb zatried.inde | G14 | Postpoliomyelitický syndróm |
| B95.5 | Streptokok,bliž.neurč.,ako príčina chorôb zatried.inde | G22 | Parkinsonov syndróm pri chorobách zatriedených inde |
| B95.6 | Staphylococcus aureus ako príčina chorôb zatried.inde | G26 | Extrapyramídové porucha a por.hybnosti pri chor.zatried.inde |
| B95.7 | Iný stafylokok ako príčina chorôb zatriedených inde | G31.1 | Starecká degenerácia mozgu,nezatriedená inde |
| B95.8 | Stafylokok,bliž.neurč.,ako príčina chorôb zatried.inde | G32.0 | Subak.kombinovaná degenerácia miechy pri chor.z.i. |
| B95.90 | Iný grampozit.aerób.mikroorganiz.bliž.urč.,ako príč.chor.z.i. | G32.8 | Iná bliž.urč.degeneratívna chor.nervovej súst.pri chor.z.i. |
| B95.91 | Iný grampozit.aerób.nesporul.mikroorg.bl.ur.ako príč.chor.z.i | G46.0 | Syndróm strednej mozgovej tepny |
| B96.0 | Mykoplasma a ureaplasma ako príčina chorôb zatried.inde | G46.1 | Syndróm prednej mozgovej tepny |
| B96.2 | Escherichia coli a iné Enterobact.ako príčina.chor.zatried.i. | G46.2 | Syndróm zadnej mozgovej tepny |
| B96.3 | Haemophilus a Moraxella ako príčina chorôb zatried.inde | G46.3 | Syndróm cievného postihnutia mozgového kmeňa |
| B96.5 | Pseudomonas a iná neferment.baktéria ako príč.chorôb.z.i. | G46.4 | Syndróm cievného postihnutia mozočka |
| B96.6 | Bacteroides fragilis a i.gramneg.anaerób.bak.príč.chor.z.i. | G46.5 | Čistý motorický lakunárny syndróm |
| B96.7 | Clostridium perfringens a i.grampoz.anaer.bakt.príč.chor.z.i. | G46.6 | Čistý senzorický lakunárny syndróm |
| B96.8 | Iná baktéria,bliž.urč.,ako príčina chorôb zatriedených inde | G46.7 | Iný lakunárny syndróm |
| B97.0 | Adenovírus ako príčina chorôb zatriedených inde | G46.8 | Iný cievný mozgový syndróm pri cievných mozgov.chorobách |
| B97.1 | Enterovírus ako príčina chorôb zatriedených inde | G53.0 | Neuralgia po herpes zoster (B02.2†) |
| B97.2 | Koronavírus ako príčina chorôb zatriedených inde | G53.1 | Obrna viac.hlavových nervov pri inf.a paraz.chor.z.i |
| B97.3 | Retrovírus ako príčina chorôb zatriedených inde | G53.2 | Obrna viacerých hlav.nervov pri sarkoidóze |
| B97.4 | Respiračný syncytiálny vírus ako príč.chorôb zatried.i. | G53.3 | Obrna viacerých hlav.nervov pri nád.chor. |
| B97.5 | Reovírus ako príčina chorôb zatriedených inde | G53.8 | Iná choroba hlav.nervu pri iných chorobách z.i. |
| B97.6 | Parvovírus ako príčina chorôb zatriedených inde | G55.0 | Kompresia nerv.koreňov a spleť pri nád.chor. |
| B97.7 | Papilomavírus ako príčina chorôb zatriedených inde | G55.1 | Kompresia nerv.koreňov a spleť pri pošk.medzistav.plat. |
| B97.8 | Iný vírus ako príčina chorôb zatriedených inde | G55.2 | Kompresia nerv.koreňov a spleť pri spondylóze |
| B98.0 | Helicobacter pylori ako príčina chorôb zatried.inde | G55.3 | Kompresia nerv.koreňov a spleť pri i.dorzopatiách |
| B98.1 | Vibrio vulnificus ako príčina chorôb.zatried.inde | G55.8 | Kompresia nerv.koreňov a spleť pri i.chor.z.i. |
| C94.8 | Blastová kríza pri chronickej myeloidkej leukémii (CML) | G59.0 | Diabetická mononeuropatia |
| C95.8 | Leukémia refraktérna na štandardnú indukčnú liečbu | G59.8 | Iná mononeuropatia pri chorobách zatriedených inde |
| C97 | Zhubné nádory s primárnym výskytom na roz.m. | G63.0 | Polyneuropatia pri inf.a paraz.chor.z.i. |
| D63.0 | Anémia pri nádorových chorobách | G63.1 | Polyneuropatia pri nádorovej chorobe(C00-D48†) |
| D63.8 | Anémia pri iných chron.chobách zatried.inde | G63.2 | Diabetická polyneuropatia |
| D77 | Iné poruchy krvi a krvotv.org.pri chor.z.i. | G63.3 | Polyneuropatia pri iných endokrin.a metabol.chorobách |
| E35.0 | Endokrinná porucha, bližšie neurčená | G63.4 | Polyneuropatia pri nedostatku vo výžive (E40-E64†) |
| E35.1 | Choroba štítnej žľazy pri chorobách zatriedených inde | G63.5 | Polyneuropatia pri systémových chor.spojiva |
| E35.8 | Choroba nadobličiek pri chorobách zatriedených inde | G63.6 | Polyneuropatia pri iných svalovokostr.chorobách |
| E64.0 | Následky proteínovo-energetickej podvýživy | G63.8 | Polyneuropatia pri iných chorobách.z.i. |
| E64.1 | Následky nedostatku vitamínu A | G73.0 | Myastenický syndróm pri endokrinných chorobách |
| E64.2 | Následky nedostatku vitamínu C | G73.1 | Eatonov-Lambertov myastenický syndróm (C00-D48†) |
| E64.3 | Následky rachitídy | G73.2 | Iný myastenický synd. pri nádorovej chor. |
| E64.8 | Následky iných nedostatkov vo výžive | G73.3 | Myastenický syndróm pri iných chor.z.i. |
| E64.9 | Následky bližšie neurčených nedostatkov vo výžive | G73.4 | Myopatia pri infekčných a parazitových chor.z.i. |
| E68 | Následok nadmernej výživy | G73.5 | Myopatia pri endokrinných chorobách |
| E87.7 | Preťaženie tekutinou | G73.6 | Myopatia pri metabolických chorobách |
| E90 | Nutričná a metab.por.pri chor.z.i. | G73.7 | Myopatia pri iných chorobách zatriedených inde |
| F00.0 | Demencia pri Alzheimerovej chor.so skorým začiat.(typ 2) | G82.60 | Funkčná úroveň pri poškodení miechy: C1 – C3 |
| F00.1 | Demencia pri Alzheimerovej chor.s neskorým začiat.(typ 1) | G82.61 | Funkčná úroveň pri poškodení miechy: C4 – C5 |
| F00.2 | Demencia pri Alzheimerovej chor.,atypická/zmiešaná forma | G82.62 | Funkčná úroveň pri poškodení miechy: C6 – C8 |
| F00.9 | Demencia pri Alzheimerovej chorobe,b.n. | G82.63 | Funkčná úroveň pri poškodení miechy: Th1 – Th6 |

| Kód | Popis | Kód | Popis |
|--------|---|--------|---|
| G82.64 | Funkčná úroveň pri poškodení miechy: Th7 – Th10 | H75.0 | Mastoiditída pri infekč. a parazit. chorobách z. i. |
| G82.65 | Funkčná úroveň pri poškodení miechy: Th11 – L1 | H75.8 | Iná choroba stred. ucha a hláv. výbež. ,blíž. urč. ,pri chor. z. i. |
| G82.66 | Funkčná úroveň pri poškodení miechy: L2 – S1 | H82 | Závratový syndróm pri chorobách zatriedených inde |
| G82.67 | Funkčná úroveň pri poškodení miechy: S2 – S5 | H94.0 | Zápal sluch. nervu pri infekč. a parazit. chor. z. i. |
| G82.69 | Funkčná úroveň pri poškod. miechy blíž. neur. | H94.8 | Iná blíž. urč. choroba ucha pri chorobách zatried. i. |
| G94.0 | Hydrocefalus pri infekčných a parazitových chor. z. i | I25.20 | Starý infarkt myokardu, od 29 dní až po 4 mesiace |
| G94.1 | Hydrocefalus pri nádorovej chorobe (C00-D48†) | I25.21 | Starý infarkt myokardu, od 4 mesiacov až po 1 rok |
| G94.2 | Hydrocefalus pri iných chorobách zatriedených inde | I25.22 | Starý infarkt myokardu, od 1 roka vyššie |
| G94.8 | Iná choroba mozgu pri chorobách zatriedených inde, b. u. | I25.29 | Starý infarkt myokardu, bližšie neurčený |
| G99.0 | Autonómna neuropatia pri endokrin. a metabol. chorobách | I32.0 | Perikarditída pri bakt. chor. z. i. |
| G99.1 | Iná choroba autonómnej nervovej súst. pri iných chor. z. i. | I32.1 | Perikarditída pri i. infekč. a parazit. chor. z. i. |
| G99.2 | Myelopatia pri chorobách zatriedených inde | I32.8 | Perikarditída pri iných chorobách zatriedených inde |
| G99.8 | Iná choroba nervovej súst. pri chorobách zatried. i., b. u. | I39.0 | Choroba mitrál. chlopne pri chorobách zatried. i. |
| H03.0 | Parazitové zamorenie mihalnice pri chor. zatried. i. | I39.1 | Choroba aortál. chlopne pri chorobách zatried. i. |
| H03.1 | Postihnutie mihalnice pri iných infekčných chor. zatried. i. | I39.2 | Choroba trikuspid. chlopne pri chorobách zatried. i. |
| H03.8 | Postihnutie mihalnice pri iných chorobách zatried. i. | I39.3 | Choroba pulmoná. chlopne pri chorobách zatried. i. |
| H06.0 | Choroba slzných orgánov pri chorobách z. i. | I39.4 | Choroba viacerých chlopní pri chorobách zatried. i. |
| H06.1 | Parazitové zamorenie očné pri chorách z. i. | I39.8 | Endokarditída n. chlopne pri chor. z. i. |
| H06.2 | Exoftalmus pri poruche funkcie štítnej žľazy (E05. -†) | I41.0 | Myokarditída pri baktériových chor. z. i. |
| H06.3 | Iná choroba očné pri chorobách zatriedených inde | I41.1 | Myokarditída pri vírusových chor. z. i. |
| H13.0 | Filárková infekcia spojivky (B74. -†) | I41.2 | Myokarditída pri i. infekč. a parazit. chorobách zatried. i. |
| H13.1 | Konjunktivitída pri infekčných a parazit. chor. z. i. | I41.8 | Myokarditída pri iných chorobách zatriedených inde |
| H13.2 | Konjunktivitída pri iných chorobách zatried. i. | I43.0 | Kardiomyopatia pri infekč. a parazit. chorobách zatried. i. |
| H13.3 | Očný pemfigoid (L12. -†) | I43.1 | Kardiomyopatia pri metabolických chorobách |
| H13.8 | Iná choroba spojivky pri chorobách zatried. i. | I43.2 | Kardiomyopatia pri poruchách výživy |
| H19.0 | Skleritída a episkleritída pri chorobách zatried. i. | I43.8 | Kardiomyopatia pri iných chorobách zatried. i. |
| H19.1 | Herpetická keratitída a keratokonjunktivitída (B00.5†) | I52.0 | Iná choroba srdca pri baktériových chor. z. i. |
| H19.2 | Keratitída a keratokonjunkt. pri i. infekč. a parazit. chor. z. i. | I52.1 | Iná choroba srdca pri i. infekč. a parazit. chor. z. i. |
| H19.3 | Keratitída a keratokonjunkt. pri iných chor. zatried. i. | I52.8 | Iná choroba srdca pri iných chor. z. i. |
| H19.8 | Iná choroba očného bielka a rohovky pri chorách z. i. | I67.80 | Vazospazmy pri subarachnoidálnom krvácaní |
| H22.0 | Iridocyklitída pri inf. a paraz. chor. z. i. | I68.0 | Mozgová amyloidová angiopatia |
| H22.1 | Iridocyklitída pri iných chorobách zatried. i. | I68.1 | Mozgová arteritída pri infekč. a parazit. chorobách z. i. |
| H22.8 | Iná choroba dúhovky a vráskovca pri chor. z. i. | I68.2 | Mozgová arteritída pri iných chorobách . zatried. i. |
| H28.0 | Diabetická katarakta (E10-E14, štvrtá pozícia .3†) | I68.8 | Iná cievna choroba mozgu pri chorobách zatried. i. |
| H28.1 | Zákal šošovky pri i. endokrin., nutričných a metabol. chor. | I69.0 | Následky subarachnoidálneho krvácania |
| H28.2 | Zákal šošovky pri iných chorobách zatriedených inde | I69.1 | Následky vnútromozgového krvácania |
| H28.8 | Iná choroba šošovky pri chorobách zatriedených inde | I69.2 | Následky iného neúrazového intrakraniálneho krvácania |
| H32.0 | Chorioretinitída pri infekčných a parazit. chorobách z. i. | I69.3 | Následky mozgového infarktu |
| H32.8 | Iná choroba cievky a sietnice pri chorobách z. i. | I69.4 | Následky cievnej mozg. príhody blíž. neu. ako krvác./infarkt |
| H36.00 | Neproliferatívna diabetická retinopatia bez diabet. edému makuly | I69.8 | Následky iných a blíž. neu. cievnych chor. mozgu |
| H36.01 | Neproliferatívna diabetická retinopatia s diabetickým edémom makuly | I79.0 | Aneurizma aorty pri chorobách zatriedených inde |
| H36.02 | Proliferatívna diabetická retinopatia bez diabetického edému makuly | I79.1 | Aortitída pri chorobách zatriedených inde |
| H36.03 | Proliferatívna diabetická retinopatia s diabetickým edémom makuly | I79.2 | Periférna angiopatia pri chor. z. i. |
| H36.09 | Diabetická retinopatia (E10-E14, štvrtá pozícia .3†) | I79.8 | Iná choroba tepien, tepničiek a vlásočnic pri chor., z. i. |
| H36.8 | Iná choroba sietnice pri chor. z. i. | I98.0 | Kardiovaskulárny syfilis |
| H42.0 | Glaukóm pri endokrin., nutričných a metabol. chor. z. i. | I98.1 | Porucha obeh. súst. pri iných infekč. a parazit. chor. z. i. |
| H42.8 | Glaukóm pri iných chorobách zatriedených inde | I98.2 | Varixy pažeráka a žalúdka pri chorobách zatried. i. bez krvác. |
| H45.0 | Krvácanie do sklovca pri chorobách z. i. | I98.3 | Varixy pažeráka a žalúdka pri chor. i. s krvác. |
| H45.1 | Endoftalmitída pri chorobách zatriedených inde | I98.8 | Iná blíž. urč. porucha obehovej súst. pri chorobách z. i. |
| H45.8 | Iná choroba sklovca a očnej gule pri chor. z. i. | J17.0 | Zápal pľúc pri baktériových chorobách z. i. |
| H48.0 | Atrofia zrakového nervu pri chorách z. i. | J17.1 | Zápal pľúc pri vírusových chorobách z. i. |
| H48.1 | Retrobulbárna neuritída pri chorobách z. i. | J17.2 | Zápal pľúc pri mykózach zatriedených inde |
| H48.8 | Iná choroba zrakového nervu a zrak. dráh pri chor. z. i. | J17.3 | Zápal pľúc pri parazitových chorobách |
| H58.0 | Anomálie funkcie zrenice pri chor. z. i. | J17.8 | Zápal pľúc pri iných chorobách zatriedených inde |
| H58.1 | Poruchy videnia pri chorobách zatriedených inde | J91 | Pohrudnicový výpotok pri chor. z. i. |
| H58.8 | Iná choroba oka a jeho adnexov, blíž. urč. pri chor. z. i. | J99.0 | Reumatoidná choroba pľúc (M05.1-†) |
| H62.0 | Zápal vonkajšieho ucha pri baktériov. chor. z. i. | J99.1 | Choroba dýchac. súst. pri i. difúzných chor. spojiv. tkan. |
| H62.1 | Zápal vonkajšieho ucha pri vírusových chor. z. i. | J99.8 | Choroba dýchac. súst. pri iných chorobách z. i. |
| H62.2 | Zápal vonkajšieho ucha pri mykózach z. i. | K23.0 | Tuberkulóza pažeráka (A18.8†) |
| H62.3 | Zápal vonkajšieho ucha pri iných infekč. a parazit. chor. z. i. | K23.1 | Megaezofág pri Chagasovej chorobe (B57.3†) |
| H62.4 | Zápal vonkajšieho ucha pri iných chorobách z. i. | K23.8 | Choroba pažeráka pri i. chorobe, z. i. |
| H62.8 | Iná choroba vonkajšieho ucha pri chorobách z. i. | K67.0 | Zápal pobrušnice, zapríčinený chlamýdiami (A74.8†) |
| H67.0 | Zápal stredného ucha pri baktér. chor. z. i. | K67.1 | Gonokokový zápal pobrušnice (A54.8†) |
| H67.1 | Zápal stredného ucha pri vírus. chor. z. i. | K67.2 | Syfilitický zápal pobrušnice (A52.7†) |
| H67.8 | Zápal stredného ucha pri iných chor. z. i. | K67.3 | Tuberkulózný zápal pobrušnice (A18.3†) |
| | | K67.8 | Iná choroba pobrušnice pri infekč. chor. z. i. |
| | | K72.71 | Pečeňová encefalopatia, 1. stupeň |
| | | K72.72 | Pečeňová encefalopatia, 2. stupeň |
| | | K72.73 | Pečeňová encefalopatia, 3. stupeň |

| Kód | Popis | Kód | Popis |
|--------|--|--------|--|
| K72.74 | Pečeňová encefalopatia,4.stupeň | M01.39 | Artritída pri i.baktér.chor.zatried.i.miesto bližš.neurč. |
| K72.79 | Pečeňová encefalopatia neurčeného stupňa | M01.40 | Artritída pri ružienke na viac.m. |
| K77.0 | Pečeňová porucha pri infekč./parazit.chor.z.i. | M01.41 | Artritída pri ružienke v obl.pleca. |
| K77.11 | Postihnutie pečene pri akút.chor.štetu proti host.GvH,1.štád. | M01.42 | Artritída pri ružienke v obl.nadlaktia |
| K77.12 | Postihnutie pečene pri akút.chor.štetu proti host.GvH,2.štád. | M01.43 | Artritída pri ružienke v obl.predlak. |
| K77.13 | Postihnutie pečene pri akút.chor.štetu proti host.GvH,3.štád. | M01.44 | Artritída pri ružienke v obl.ruky |
| K77.14 | Postihnutie pečene pri akút.chor.štetu proti host.GvH,4.štád. | M01.45 | Artritída pri ružienke panv.obl.a stehna |
| K77.8 | Pečeňová porucha pri iných chorobáchz.i. | M01.46 | Artritída pri ružienke v obl.predkol. |
| K87.0 | Choroba žlčníka a žlč.ciest pri chor.z.i. | M01.47 | Artritída pri ružienke v obl.čl.a nohy |
| K87.1 | Choroby pankreasu pri chorobách zatriedených inde | M01.48 | Artritída pri ružienke na i.mieste |
| K93.0 | TBC čriev,pobrušnice a lymfatických uzlín mezenteria | M01.49 | Artritída pri ružienkeni na n. mieste |
| K93.1 | Megakolon pri Chagasovej chorobe (B57.3†) | M01.50 | Artritída pri i.vírus.chor.zatried.i.na viac.m. |
| K93.21 | Postihnutie tráv.trub.pri akút.chor.štetu proti host.GvH,1.št. | M01.51 | Artritída pri i.vírus.chor.zatried.i.v obl.pleca |
| K93.22 | Postihnutie tráv.trub.pri akút.chor.štetu proti host.GvH,2.št. | M01.52 | Artritída pri i.vírus.chor.zatried.i.v obl.nadlaktia |
| K93.23 | Postihnutie tráv.trub.pri akút.chor.štetu proti host.GvH,3.št. | M01.53 | Artritída pri i.vírus.chor.zatried.i.v obl.predlak. |
| K93.24 | Postihnutie tráv.trub.pri akút.chor.štetu proti host.GvH,4.št. | M01.54 | Artritída pri i.vírus.chor.zatried.i.v obl.ruky |
| K93.8 | Choroby i.tráviacich org.,b.u.,pri chorobách z.i. | M01.55 | Artritída pri i.vírus.chor.zatried.i.panv.obl.a stehna |
| L14 | Pluzgierová dermatóza pri choroba zatried.i. | M01.56 | Artritída pri i.vírus.chor.zatried.i.v obl.predkol. |
| L45 | Papuloskvamózna choroba kože pri chor.z.i. | M01.57 | Artritída pri i.vírus.chor.zatried.i.v obl.čl.a nohy |
| L54.0 | Erythema marginatum pri akútnej reumatickej horúčke | M01.58 | Artritída pri i.vírus.chor.zatried.i.na i.mieste |
| L54.8 | Erytém pri iných chorobách zatriedených inde | M01.59 | Artritída pri i.vírus.chor.zatried.i.miesto bližš.neurč. |
| L62.0 | Nechty tvaru hod.sklička pri pachydermoperiostóze | M01.60 | Artritída pri mykózach na viac.m. |
| L62.8 | Choroba nechtov pri inej chorobe zatriedenej inde | M01.61 | Artritída pri mykózach v obl.pleca |
| L86 | Keratoderma pri chorobách zatriedených inde | M01.62 | Artritída pri mykózach v obl.nadlaktia |
| L99.0 | Amyloidóza kože (E85.-†) | M01.63 | Artritída pri mykózach v obl. predlak. |
| L99.11 | Postih.kože pri akút.chor.štetu proti hostit.GvHD:1.štád. | M01.64 | Artritída pri mykózach v obl.ruky |
| L99.12 | Postih.kože pri akút.chor.štetu proti hostit.GvHD:2.štád. | M01.65 | Artritída pri mykózach panv.obl.a stehna |
| L99.13 | Postih.kože pri akút.chor.štetu proti hostit.GvHD:3.štád. | M01.66 | Artritída pri mykózach v obl.predkol. |
| L99.14 | Postih.kože pri akút.chor.štetu proti hostit.GvHD:4.štád. | M01.67 | Artritída pri mykózach v obl.čl. a nohy |
| L99.8 | Iná choroba kože a podkožného tkaniva pri chor.zatried.i,b.u. | M01.68 | Artritída pri mykózach na i.mieste |
| M01.00 | Artritída zapríč.meningok.na viac.m. | M01.69 | Artritída pri mykózach na mieste |
| M01.01 | Artritída zapríč.meningok.v obl.pleca | M01.80 | Artritída pri i.infekč.a parazit.chor.zatried.i.na viac.m. |
| M01.02 | Artritída zapríč.meningok.v obl. nadlaktia | M01.81 | Artritída pri i.infekč.a parazit.chor.zatried.i.v obl.pleca |
| M01.03 | Artritída zapríč.meningok.v obl.predlak. | M01.82 | Artritída pri i.infekč.a parazit.chor.zat.i.v obl.nadlaktia |
| M01.04 | Artritída zapríč.meningok.v obl.ruky | M01.83 | Artritída pri i.infekč.a parazit.chor.zatried.i.v obl.predlak. |
| M01.05 | Artritída zapríč.meningok.panv.obl.a stehna | M01.84 | Artritída pri i.infekč.a parazit.chor.zatried.i.v obl.ruky |
| M01.06 | Artritída zapríč.meningok.v obl.predkol. | M01.85 | Artritída pri i.inf.a parazit.chor.zatr.i.panv.obl.a stehna |
| M01.07 | Artritída zapríč.meningok.v obl.čl.a nohy | M01.86 | Artritída pri i.infekč.a parazit.chor.zatried.i.v obl.predkol. |
| M01.08 | Artritída zapríč.meningok.na i.mieste | M01.87 | Artritída pri i.infekč.a parazit.chor.zat.i.v obl.čl.a nohy |
| M01.09 | Artritída zapríč.meningok.na n. mieste | M01.88 | Artritída pri i.infekč.a parazit.chor.zatried.i.na i.mieste |
| M01.10 | Tuberkulózna artritída na viac.m. | M01.89 | Artritída pri i.infekč.a parazit.chor.zat.i.,m.bližš.neurč. |
| M01.11 | TBC artritída v obl.pleca | M03.00 | Artritída po meningokok.inf.na viac.m. |
| M01.12 | TBC artritída nadlaktia | M03.01 | Artritída po meningokok.inf.v obl.pleca |
| M01.13 | TBC artritída predlak. | M03.02 | Artritída po meningokok.inf.v obl.nadlaktia |
| M01.14 | TBC artritída ruky | M03.03 | Artritída po meningokok.inf.v obl.predlak. |
| M01.15 | TBC artritída panv.obl.a stehna | M03.04 | Artritída po meningokok.inf.v obl.ruk |
| M01.16 | TBC artritída predkol. | M03.05 | Artritída po meningokok.inf.v obl.panvy a stehna |
| M01.17 | TBC artritída čl.a nohy | M03.06 | Artritída po meningokok.inf.v obl.predkol. |
| M01.18 | TBC artritída na i.mieste | M03.07 | Artritída po meningokok.inf.v obl.čl.a nohy |
| M01.19 | Tuberkulózna artritída na n.mieste | M03.08 | Artritída po meningokok.inf.na i.mieste |
| M01.20 | Artritída pri Lymsej chorobe na viac.m. | M03.09 | Artritída po meningokok.inf.na n.mieste |
| M01.21 | Artritída pri Lymsej chorobe v obl.pleca | M03.10 | Poinfekčná artritída pri syfilise na viac.miastach |
| M01.22 | Artritída pri Lymsej chorobe v obl.nadlaktiaze | M03.11 | Poinfekčná artritída pri syfilise v obl.pleca |
| M01.23 | Artritída pri Lymsej chorobe v obl.predlak. | M03.12 | Poinfekčná artritída pri syfilise v obl.nadlaktia |
| M01.24 | Artritída pri Lymsej chorobe v obl.ruky | M03.13 | Poinfekčná artritída pri syfilise v obl.predlak. |
| M01.25 | Artritída pri Lymsej chorobe panv.obl.a stehna | M03.14 | Poinfekčná artritída pri syfilise v obl.ruky |
| M01.26 | Artritída pri Lymsej chorobe v obl.predkol. | M03.15 | Poinfekčná artritída pri syfilise v obl.panvy a stehna |
| M01.27 | Artritída pri Lymsej chorobe v obl.čl.a nohy | M03.16 | Poinfekčná artritída pri syfilise v obl.predkol. |
| M01.28 | Artritída pri Lymsej chorobe na i.mieste | M03.17 | Poinfekčná artritída pri syfilise v obl.čl. a nohy |
| M01.29 | Artritída pri Lymsej chorobe miesto bližšie | M03.18 | Poinfekčná artritída pri syfilise na i.mieste |
| M01.30 | Artritída pri i.baktér.chor.zatried.i.na viac.m. | M03.19 | Poinfekčná artritída pri syfilise miesto bližš.neurč. |
| M01.31 | Artritída pri i.baktér.chor.zatried.i.obl.pleca | M03.20 | Iné poinfek.artritída pri chor.zat.i.na viac.m |
| M01.32 | Artritída pri i.baktér.chor.zatried.i.v obl.nadlaktia | M03.21 | Iné poinfek.artritída pri chor.zat.i.v obl.pleca |
| M01.33 | Artritída pri i.baktér.chor.zatried.i.v obl.predlak. | M03.22 | Iné poinfek.artritída pri chor.zat.i.v obl.nadlaktia |
| M01.34 | Artritída pri i.baktér.chor.zatried.i.v obl.ruky | M03.23 | Iné poinfek.artritída pri chor.zat.i.v obl.predlak. |
| M01.35 | Artritída pri i.baktér.chor.zatried.i.panv.obl.a stehna | M03.24 | Iné poinfek.artritída pri chor.zat.i.v obl.ruky |
| M01.36 | Artritída pri i.baktér.chor.zatried.i.v obl.predkol. | M03.25 | Iné poinfek.artritída pri chor.zat.i.v obl.panv.a stehna. |
| M01.37 | Artritída pri i.baktér.chor.zatried.i.v obl.čl.a nohy | M03.26 | Iné poinfek.artritída pri chor.zat.i.v obl.predkol. |
| M01.38 | Artritída pri i.baktér.chor.zatried.i.na i.mieste | M03.27 | Iné poinfek.artritída pri chor.zat.i.v obl.čl.a nohy |

| Kód | Popis | Kód | Popis |
|--------|---|--------|--|
| M03.28 | Iné poinfek.artritída pri chor.zat.i.na i.mieste | M09.02 | Juven.artritída pri psoriáze,s postih.kĺb.nadlaktia |
| M03.29 | Iné poinfek.artritída pri chor.zat.i.,miesto bliž.neurč. | M09.03 | Juven.artritída pri psoriáze,s postih.kĺb.predlak. |
| M03.60 | Reaktívna artritída pri i.chorobách z.i.,na viac.m. | M09.04 | Juven.artritída pri psoriáze,s postih.kĺb.ruky |
| M03.61 | Reaktívna artritída pri i.chorobách z.i.v obl.pleca | M09.05 | Juven.artritída pri psoriáze,s postih.kĺb.panvy a stehna |
| M03.62 | Reaktívna artritída pri i.chorobách z.i.v obl.nadlaktia | M09.06 | Juven.artritída pri psoriáze,s postih.kĺb.predkol. |
| M03.63 | Reaktívna artritída pri i.chorobách z.i.v obl.predlak. | M09.07 | Juven.artritída pri psoriáze,s postih.kĺb.čl.a nohy |
| M03.64 | Reaktívna artritída pri i.chorobách z.i.v obl.ruky | M09.08 | Juven.artritída pri psoriáze,s postih.kĺb.na i.mieste |
| M03.65 | Reaktívna artritída pri i.chorobách z.i.v obl.panv.a stehna | M09.09 | Juven.artritída pri psoriáze,s postih.kĺb.na n.mieste |
| M03.66 | Reaktívna artritída pri i.chorobách z.i.v obl.predkol. | M09.10 | Juven.artritída pri Crohn.chor.,s postih.kĺb.na viac.m. |
| M03.67 | Reaktívna artritída pri i.chorobách z.i.v obl.čl.a nohy | M09.11 | Juven.artritída pri Crohn.chor.,s postih.kĺb.v obl.pleca |
| M03.68 | Reaktívna artritída pri i.chorobách z.i.na i.mieste | M09.12 | Juven.artritída pri Crohn.chor.,s postih.kĺb.nadlaktia |
| M03.69 | Reaktívna artritída pri i.chorobách z.i.miesto bliž.neurč. | M09.13 | Juven.artritída pri Crohn.chor.,s postih.kĺb.predlak. |
| M07.00 | Distálna psoriatická artritída na viac.miestach | M09.14 | Juven.artritída pri Crohn.chor.,s postih.kĺb.ruky |
| M07.04 | Distálna psoriatická artritída ruky | M09.15 | Juven.artritída pri Crohn.chor.,s postih.kĺb.panvy a stehna |
| M07.07 | Distálna psoriatická artritída čl.a nohy | M09.16 | Juven.artritída pri Crohn.chor.,s postih.kĺb.predkol. |
| M07.09 | Distálna psoriatická artritída na n.mieste | M09.17 | Juven.artritída pri Crohn.chor.,s postih.kĺb.čl.a nohy |
| M07.10 | Arthritis mutilans, na viacerých miestach (L40.5†) | M09.18 | Juven.artritída pri Crohn.chor.,s postih.kĺb.na i.mieste |
| M07.11 | Arthritis mutilans v obl.pleca | M09.19 | Juven.artritída pri Crohn.chor.,s postih.kĺb.na n.mieste |
| M07.12 | Arthritis mutilans v obl.nadlaktia | M09.20 | Juven.artritída pri ulcer.kolitíde,s postih.kĺb.na viac.m. |
| M07.13 | Arthritis mutilans v obl. predlak. | M09.21 | Juven.artritída pri ulcer.kolitíde,s postih.kĺb.v obl.pleca |
| M07.14 | Arthritis mutilans v obl.ruky | M09.22 | Juven.artritída pri ulcer.kolitíde,s postih.kĺb.nadlaktia |
| M07.15 | Arthritis mutilans panv.obl.a stehna | M09.23 | Juven.artritída pri ulcer.kolitíde,s postih.kĺb.predlak. |
| M07.16 | Arthritis mutilans v obl.predkol. | M09.24 | Juven.artritída pri ulcer.kolitíde,s postih.kĺb.ruky |
| M07.17 | Arthritis mutilans v obl.čl.a nohy | M09.25 | Juven.artritída pri ulcer.kolitíde,s postih.kĺb.panvy a stehna |
| M07.18 | Arthritis mutilans na i.mieste | M09.26 | Juven.artritída pri ulcer.kolitíde,s postih.kĺb.predkol. |
| M07.19 | Arthritis mutilans na n.mieste | M09.27 | Juven.artritída pri ulcer.kolitíde,s postih.kĺb.čl. a nohy |
| M07.2 | Psoriatická spondylitída (L40.5†) | M09.28 | Juven.artritída pri ulcer.kolitíde,s postih.kĺb.na i.mieste |
| M07.30 | Iná psoriatická artritídana viac.m. | M09.29 | Juven.artritída pri ulcer.kolitíde,s postih.kĺb.na n.mieste |
| M07.31 | Iná psoriatická artritídav obl.pleca | M09.80 | Juven.artritída pri i.chor.zatr.i.s postih.kĺb.na viac.m. |
| M07.32 | Iná psoriatická artritídav obl.nadlaktia | M09.81 | Juven.artritída pri i.chor.zatr.i.s postih.kĺb.v obl.pleca |
| M07.33 | Iná psoriatická artritídav obl.predlak. | M09.82 | Juven.artritída pri i.chor.zatr.i.s postih.kĺb.nadlaktia |
| M07.34 | Iná psoriatická artritídav obl.ruky | M09.83 | Juven.artritída pri i.chor.zatr.i.s postih.kĺb.predlak. |
| M07.35 | Iná psoriatická artritídav obl.panv.a stehna | M09.84 | Juven.artritída pri i.chor.zatr.i.s postih.kĺb.ruky |
| M07.36 | Iná psoriatická artritídav obl.predkol. | M09.85 | Juven.artritída pri i.chor.zatr.i.s postih.kĺb.panvy a stehna |
| M07.37 | Iná psoriatická artritídav obl.čl.a nohy | M09.86 | Juven.artritída pri i.chor.zatr.i.s postih.kĺb.predkol. |
| M07.38 | Iná psoriatická artritídana i.mieste | M09.87 | Juven.artritída pri i.chor.zatr.i.s postih.kĺb.čl.a nohy |
| M07.39 | Iná psoriatická artritídana n.mieste | M09.88 | Juven.artritída pri i.chor.zatr.i.s postih.kĺb.na i.mieste |
| M07.40 | Artritída pri Crohn.chor. s postih.kĺbov na viac.m. | M09.89 | Juven.artritída pri i.chor.zatr.i.s postih.kĺb.,m.bliž.neurč. |
| M07.41 | Artritída pri Crohn.chor.s postih.kĺbov v obl.pleca | M14.0 | Dnová artropatia,zaprič.enzým.defektmi a i.dedič.poruchami |
| M07.42 | Artritída pri Crohn.chor.s postih.kĺbov nadlaktia | M14.1 | Kryštálová artropat.pri i.metabolic.poruchách z.i. |
| M07.43 | Artritída pri Crohn.chor.s postih.kĺbov predlak. | M14.2 | Diabetická artropatia (E10-E14, štvrtá pozícia .6†) |
| M07.44 | Artritída pri Crohn.chor.s postih.kĺbov ruky | M14.3 | Multicentrická retikulohistiocytóza (E78.8†) |
| M07.45 | Artritída pri Crohn.chor.s postih.kĺbov panvy a stehna | M14.4 | Artropatia pri amyloidóze (E85.-†) |
| M07.46 | Artritída pri Crohn.chor.s postih.kĺbov predkol. | M14.5 | Artropatia pri i.endokrin.nutričných a metabol.chorobách |
| M07.47 | Artritída pri Crohn.chor.s postih.kĺbov čl.a nohy | M14.6 | Neuropatická artropatia |
| M07.48 | Artritída pri Crohn.chor.s postih.kĺbov na i.mieste | M14.8 | Artropatia pri i.bliž.urč.chorobách zatried.i. |
| M07.49 | Artritída pri Crohn.chor.s postih.kĺbov na n.mieste | M36.0 | Dermatomyozitída – polymyozitída pri nádorovej chorobe |
| M07.50 | Artritída pri ulcer.kolitíde s postih.kĺbov na viac.m. | M36.1 | Artropatia pri nádorovej chorobe |
| M07.51 | Artritída pri ulcer.kolitíde s postih.kĺbov v obl.pleca | M36.2 | Hemofilická artropatia |
| M07.52 | Artritída pri ulcer.kolitíde s postih.kĺbov nadlaktia | M36.3 | Artropatia pri i.chorobách krvi zatried.i. |
| M07.53 | Artritída pri ulcer.kolitíde s postih.kĺbov predlak. | M36.4 | Artropatia pri hypersenzitívnych reakciách zatried.i. |
| M07.54 | Artritída pri ulcer.kolitíde s postih.kĺbov ruky | M36.8 | Systémové choroba spojiva pri i.chorobách zatried.i. |
| M07.55 | Artritída pri ulcer.kolitíde s postih.kĺbov pan.a stehna | M49.00 | Tuberkulóza chrbtice na viacerých miestach |
| M07.56 | Artritída pri ulcer.kolitíde s postih.kĺbov predkol. | M49.01 | TBC chrbtice v okcip.-atl.-axiál.obl. |
| M07.57 | Artritída pri ulcer.kolitíde s postih.kĺbov čl.a nohy | M49.02 | Tuberkulóza chrbtice v krčnej oblasti (A18.0†) |
| M07.58 | Artritída pri ulcer.kolitíde s postih.kĺbov na i.mieste | M49.03 | TBC chrbtice v krčnohrudnikovej oblasti |
| M07.59 | Artritída pri ulcer.kolitíde s postih.kĺbov na n.mieste | M49.04 | Tuberkulóza chrbtice v hrudnikovej oblasti (A18.0†) |
| M07.60 | Iná enteropatická artritída na viacerých miestach | M49.05 | TBC chrbtice v hrudnikovodriekovej oblasti |
| M07.61 | Iná enteropatická artritída obl.pleca | M49.06 | Tuberkulóza chrbtice v driekovej oblasti (A18.0†) |
| M07.62 | Iná enteropatická artritída nadlaktia | M49.07 | TBC chrbtice v driekovokrížovej oblasti |
| M07.63 | Iná enteropatická artritída predlak. | M49.08 | TBC chrbtice v križ.a križovokostrč.oblasti |
| M07.64 | Iná enteropatická artritída ruky | M49.09 | Tuberkulóza v neurčenej oblasti chrbtice (A18.0†) |
| M07.65 | Iná enteropatická artritída panv.obl.a stehna | M49.10 | Brucelová spondylitída na viac.m.chrbt. |
| M07.66 | Iná enteropatická artritída predkol. | M49.11 | Brucelová spondylitída v okcip.-atl.-axiál.obl. |
| M07.67 | Iná enteropatická artritída čl.a nohy | M49.12 | Brucelová spondylitída v krčnej oblasti (A23.-†) |
| M07.68 | Iná enteropatická artritída na i.mieste | M49.13 | Brucelová spondylitída v krčnohrudnik.oblasti |
| M07.69 | Iná enteropatická artritída,miesto bliž.neurč. | M49.14 | Brucelová spondylitída v hrudnikovej oblasti |
| M09.00 | Juven.artritída pri psoriáze,s postih.kĺb.na viac m. | M49.15 | Brucelová spondylitída v hrudnikovodriek.oblasti |
| M09.01 | Juven.artritída pri psoriáze,s postih.kĺb.v obl.pleca | M49.16 | Brucelová spondylitída v driekovej oblasti (A23.-†) |

| Kód | Popis | Kód | Popis |
|--------|--|--------|--|
| M49.17 | Brucelová spondylitída v driekovokrížovej oblasti | M63.16 | Myozitída pri prvoko.a parazit.infek.zatried.i.v obl.predkol. |
| M49.18 | Brucelová spondylitída v kríž.a krížovokostrč.oblasti | M63.17 | Myozitída pri prvoko.a parazit.infek.zatried.i.v obl.čl.a nohy |
| M49.19 | Brucelová spondylitída v b.n.obl. | M63.18 | Myozitída pri prvoko.a parazit.infek.zatried.i.na i.mieste |
| M49.20 | Enterobaktériová spondylitída a na viac.m.chrbtice | M63.19 | Myozitída pri prvoko.a parazit.infek.zatr.i,miesto bliž.neurč. |
| M49.21 | Enterobaktériová spondylitída v okcip.-atl.-axiál.-obl. | M63.20 | Myozitída pri inej infek.chorobe zatried.i.na viac.m. |
| M49.22 | Enterobaktériová spondylitída v krčnej oblasti | M63.21 | Myozitída pri inej infek.chorobe zatried.i.v obl.pleca |
| M49.23 | Enterobaktériová spondylitída v krčnohrud.oblasti | M63.22 | Myozitída pri inej infek.chorobe zatried.i.v obl.nadlaktia |
| M49.24 | Enterobaktériová spondylitída v hrudník.oblasti | M63.23 | Myozitída pri inej infek.chorobe zatried.i.v obl.predlak. |
| M49.25 | Enterobaktériová spondylitída v hrudníkovodriek.oblasti | M63.24 | Myozitída pri inej infek.chorobe zatried.i.v obl.ruky |
| M49.26 | Enterobaktériová spondylitída v driekovej oblasti | M63.25 | Myozitída pri inej infek.chorobe zatried.i.v obl.pan.a stehna |
| M49.27 | Enterobaktériová spondylitída v driekovokríž.oblasti | M63.26 | Myozitída pri inej infek.chorobe zatried.i.v obl.predkol. |
| M49.28 | Enterobaktériová spondylitída v kríž.a krížovokostrč.oblasti | M63.27 | Myozitída pri inej infek.chorobe zatried.i.v obl.čl.a nohy |
| M49.29 | Enterobaktériová spondylitída vneurčenej oblasti | M63.28 | Myozitída pri inej infek.chorobe zatried.i.na i.mieste |
| M49.30 | Spondylopat.pri i.inf/paraz.chor.zatried.i.na viac.m.chrbt. | M63.29 | Myozitída pri inej infek.chorobe zatried.i.,miesto bliž.neurč. |
| M49.31 | Spondylopat.pri i.inf/paraz.chor.zatried.i.v ok.-atl.-ax.-o. | M63.30 | Myozitída pri sarkoidóze na viac.m. |
| M49.32 | Spondylopat.pri i.inf/paraz.chor.zatried.i.v krčnej obl. | M63.31 | Myozitída pri sarkoidóze,v obl.pleca |
| M49.33 | Spondylopat.pri i.inf/paraz.chor.zatried.i.v krč.hrud.obl. | M63.32 | Myozitída pri sarkoidóze,v obl.nadlaktia |
| M49.34 | Spondylopat.pri i.inf/paraz.chor.zatried.i.v hrud.obl. | M63.33 | Myozitída pri sarkoidóze,v obl.predlak. |
| M49.35 | Spondylopat.pri i.inf/paraz.chor.zatried.i.v hrud.driek.obl. | M63.34 | Myozitída pri sarkoidóze,v obl.ruky |
| M49.36 | Spondylopat.pri i.inf/paraz.chor.zatried.i.v driek.obl. | M63.35 | Myozitída pri sarkoidóze,v obl.pan.v stehna |
| M49.37 | Spondylopat.pri i.inf/paraz.chor.zatried.i.v driek.kríž.obl. | M63.36 | Myozitída pri sarkoidóze,v obl.predkol. |
| M49.38 | Spondylopat.pri i.inf/paraz.chor.z.i.v kríž.a kríž.kostrč.obl. | M63.37 | Myozitída pri sarkoidóze,v obl.čl. a nohy |
| M49.39 | Spondylopat.pri i.inf/paraz.chor.zatried.i.oblast' bliž.neurč. | M63.38 | Myozitída pri sarkoidóze,na i.mieste |
| M49.40 | Neuropatická spondylopatia na viac.m.chrbt. | M63.39 | Myozitída pri sarkoidóze,miesto bliž.neurč. |
| M49.41 | Neuropatická spondylopatia v okcip.-atl.-axiál.obl. | M63.80 | Iné choroby svalov pri chor.zatried.i.na viac.m. |
| M49.42 | Neuropatická spondylopatia v krčnej oblasti | M63.81 | Iné choroby svalov pri chor.zatried.i.v obl.pleca |
| M49.43 | Neuropatická spondylopatia v krčnohrud. obl. | M63.82 | Iné choroby svalov pri chor.zatried.i.v obl.nadlaktia |
| M49.44 | Neuropatická spondylopatia v hrudníkovej oblasti | M63.83 | Iné choroby svalov pri chor.zatried.i.v obl.predlak. |
| M49.45 | Neuropatická spondylopatia v hrudníkovodriek.obl. | M63.84 | Iné choroby svalov pri chor.zatried.i.v obl.ruky |
| M49.46 | Neuropatická spondylopatia v driekovej oblasti | M63.85 | Iné choroby svalov pri chor.zatried.i.v obl.pan.a stehna |
| M49.47 | Neuropatická spondylopatia v driekovokríž.j obl. | M63.86 | Iné choroby svalov pri chor.zatried.i.v obl.predkol. |
| M49.48 | Neuropatická spondylopatia v kríž.a krížovokostrč.obl. | M63.87 | Iné choroby svalov pri chor.zatried.i.v obl.čl.a nohy |
| M49.49 | Neuropatická spondylopatia v neurčenej oblasti chrbtice | M63.88 | Iné choroby svalov pri chor.zatried.i.na i.mieste |
| M49.50 | Kompresia tela stavca pri chorobe zatried.i.,na viac.m.chrbt. | M63.89 | Iné choroby svalov pri chor.zatried.i.,miesto bliž.neurč. |
| M49.51 | Kompresia tela stavca pri chorobe zatried.i.,okcip.-atl.axiál.o. | M68.00 | Synovit.a tendosynovit.pri baktér.chor.zatried.i.na viac.m. |
| M49.52 | Kompresia tela stavca pri chorobe zatried.i.,v krčnej obl. | M68.01 | Synovit.a tendosynovit.pri baktér.chor.zatried.i.v obl.pleca |
| M49.53 | Kompresia tela stavca pri chorobe zatried.i.,v krčnohrud.obl. | M68.02 | Synovit.a tendosynovit.pri baktér.chor.zat.i.v obl.nadlaktia |
| M49.54 | Kompresia tela stavca pri chorobe zatried.i.,v hrudník.obl. | M68.03 | Synovit.a tendosynovit.pri baktér.chor.zat.i.v obl.predlak. |
| M49.55 | Kompresia tela stavca pri chor.zat.i.,v hrudník.driek.obl. | M68.04 | Synovit.a tendosynovit.pri baktér.chor.zatried.i.v obl.ruky |
| M49.56 | Kompresia tela stavca pri chorobe zatried.i.,v driekovej obl. | M68.05 | Synovit.a tendosynovit.pri baktér.chor.zat.i.v obl.pan.a steh. |
| M49.57 | Kompresia tela stavca pri chorobe zatried.i.,v driek.kríž.obl. | M68.06 | Synovit.a tendosynovit.pri baktér.chor.zat.i.v obl.predkol. |
| M49.58 | Kompresia tela stavca pri chor.zat.i.,kríž.a kríž.kostrč.obl. | M68.07 | Synovit.a tendosynovit.pri baktér.chor.zat.i.v obl.čl.a nohy |
| M49.59 | Kompresia tela stavca pri chor.zat.i.:oblast' bliž.neurč. | M68.08 | Synovit.a tendosynovit.pri baktér.chor.zatried.i.na i.mieste |
| M49.80 | Spondylopatia pri i.chorobe zatried.i.na viac.m.chrbt. | M68.09 | Synovit.a tendosynovit.pri baktér.chor.zatried.i.na n.mieste |
| M49.81 | Spondylopatia pri i.chorobe zatried.i.v okcip.atl.axiál.obl. | M68.80 | Iná chor.synov.blany a šliach pri chor.zatried.i.na viac.m. |
| M49.82 | Spondylopatia pri i.chorobe zatried.i.v krčnej obl. | M68.81 | Iná chor.synov.blany a šliach pri chor.zatried.i.v obl.pleca |
| M49.83 | Spondylopatia pri i.chorobe zatried.i.v krč.hrud.obl. | M68.82 | Iná chor.synov.blany a šliach pri chor.zatried.i.obl.nadlaktia |
| M49.84 | Spondylopatia pri i.chorobe zatried.i.v hrud.obl. | M68.83 | Iná chor.synov.blany a šliach pri chor.zatr.i.v obl.predlak. |
| M49.85 | Spondylopatia pri i.chorobe zatried.i.v hrud.driek.obl. | M68.84 | Iná chor.synov.blany a šliach pri chor.zatr.i.v obl.ruky |
| M49.86 | Spondylopatia pri i.chorobe zatried.i.v driek.obl. | M68.85 | Iná chor.synov.blany a šliach pri chor.zatri.i.v.o.pan.a steh. |
| M49.87 | Spondylopatia pri i.chorobe zatried.i.v driek.kríž.obl. | M68.86 | Iná chor.synov.blany a šliach pri chor.zatr.i.obl.predkol. |
| M49.88 | Spondylopatia pri i.chorobe zatried.i.v kríž.a kríž.kostrč.obl. | M68.87 | Iná chor.synov.blany a šliach pri chor.zatr.i.obl.čl. a nohy |
| M49.89 | Spondylopatia pri i.chorobe zatried.i.v neurč.oblasti | M68.88 | Iná chor.synov.blany a šliach pri chor.zatried.i.v inej obl. |
| M63.00 | Myozitída pri baktériovej chorobe zatried.i.na viac.m. | M68.89 | Iná chor.synov.blany a šliach pri chor.zatr.i.,m.bliž.neurč. |
| M63.01 | Myozitída pri baktériovej chorobe zatried.i.v obl.pleca | M73.00 | Gonokoková burzitída na viacerých miestach (A54.4†) |
| M63.02 | Myozitída pri baktériovej chorobe zatried.i.v obl.nadlaktia | M73.01 | Gonokokov burzitída v obl.pleca |
| M63.03 | Myozitída pri baktériovej chorobe zatried.i.v obl.predlak. | M73.02 | Gonokokov burzitída nadlaktia |
| M63.04 | Myozitída pri baktériovej chorobe zatried.i.v obl.ruky | M73.03 | Gonokokov burzitída predlak. |
| M63.05 | Myozitída pri baktériovej chor.zatried.i.v obl.pan.v stehna | M73.04 | Gonokokov burzitída ruky |
| M63.06 | Myozitída pri baktériovej chorobe zatried.i.v obl.predkol. | M73.05 | Gonokokov burzitída panv.obl.a stehna |
| M63.07 | Myozitída pri baktériovej chorobe zatried.i.v obl.čl.a nohy | M73.06 | Gonokokov burzitída predkol. |
| M63.08 | Myozitída pri baktériovej chorobe zatried.i.na i.mieste | M73.07 | Gonokokov burzitída čl.a nohy |
| M63.09 | Myozitída pri baktériovej chorobe zatried.i.,miesto bliž.neurč. | M73.08 | Gonokokov burzitída na i.mieste |
| M63.10 | Myozitída pri prvoko.a parazit.infek.zatried.i.na viac.m. | M73.09 | Gonokokov burzitída,miesto bliž.neurč. |
| M63.11 | Myozitída pri prvoko.a parazit.infek.zatried.i.v obl.pleca | M73.10 | Syfilitická burzitída na viac.m. |
| M63.12 | Myozitída pri prvoko.a parazit.infek.zatried.i.v obl.nadlaktia | M73.11 | Syfilitická burzitída v obl.pleca |
| M63.13 | Myozitída pri prvoko.a parazit.infek.zatried.i.v obl.predlak. | M73.12 | Syfilitická burzitída nadlaktia |
| M63.14 | Myozitída pri prvoko.a parazit.infek.zatried.i.v obl.ruky | M73.13 | Syfilitická burzitída predlak. |
| M63.15 | Myozitída pri prvoko.a parazit.infek.zatr.i.v obl.pan.a steh. | M73.14 | Syfilitická burzitída ruky |

| Kód | Popis | Kód | Popis |
|--------|---|--------|---|
| M73.15 | Syfilitická burzitída panv.obl.a stehna | M90.24 | Osteopatia pri i.infekč.chor.zatried.i.v obl.ruky |
| M73.16 | Syfilitická burzitída predkol. | M90.25 | Osteopatia pri i.infekč.chor.zatried.i.v obl.panvy a stehna |
| M73.17 | Syfilitická burzitída čl.a nohy | M90.26 | Osteopatia pri i.infekč.chor.zatried.i.v obl.predkol. |
| M73.18 | Syfilitická burzitída na i.mieste | M90.27 | Osteopatia pri i.infekč.chor.zatried.i. obl.čl.a nohy |
| M73.19 | Syfilitická burzitída ,miesto bliž.neurč. | M90.28 | Osteopatia pri i.infekč.chor.zatried.i.na i.mieste |
| M73.80 | Iné choroby mäk.tkan.pri chor.zatried.i.na v.miast | M90.29 | Osteopatia pri i.infekč.chor.zatried.i.miasto bliž.neurč. |
| M73.81 | Iné choroby mäk.tkan.pri chor.zatried.i.v obl.pleca | M90.30 | Osteonekróza pri kesónovej chor.na viac.m. |
| M73.82 | Iné choroby mäk.tkan.pri chor.zatried.i.v obl.nadlaktia | M90.31 | Osteonekróza pri kesónovej chor.v obl.pleca |
| M73.83 | Iné choroby mäk.tkan.pri chor.zatried.i.v obl.predlak. | M90.32 | Osteonekróza pri kesónovej chor.v obl.nadlaktia |
| M73.84 | Iné choroby mäk.tkan.pri chor.zatried.i.v obl.ruky | M90.33 | Osteonekróza pri kesónovej chor.v obl.predlak. |
| M73.85 | Iné choroby mäk.tkan.pri chor.zatried.i.v obl.panvy a stehna | M90.34 | Osteonekróza pri kesónovej chor.v obl.ruky |
| M73.86 | Iné choroby mäk.tkan.pri chor.zatried.i.v obl.predkol. | M90.35 | Osteonekróza pri kesónovej chor.v obl.panvy a stehna |
| M73.87 | Iné choroby mäk.tkan.pri chor.zatried.i.v obl.čl.a nohy | M90.36 | Osteonekróza pri kesónovej chor.v obl.predkol. |
| M73.88 | Iné choroby mäk.tkan.pri chor.zatried.i.na i.mieste | M90.37 | Osteonekróza pri kesónovej chor.v obl.čl.a nohy |
| M73.89 | Iné choroby mäk.tkan.pri chor.zatried.i.,miesto bliž.neurč. | M90.38 | Osteonekróza pri kesónovej chor.na i.mieste |
| M82.00 | Osteoporóza pri mnohopoč.myelóme na viac.m. | M90.39 | Osteonekróza pri kesónovej chor.miasto bliž.neurč. |
| M82.01 | Osteoporóza pri mnohopoč.myelóme v obl.pleca | M90.40 | Osteonekróza zaprič.hemoglobinopatiou,na viac.m.(D50-D64†) |
| M82.02 | Osteoporóza pri mnohopoč.myelóme v obl.nadlaktia | M90.41 | Osteonekróza zaprič.hemoglobinopat.v obl.pleca |
| M82.03 | Osteoporóza pri mnohopoč.myelóme v obl.predlak. | M90.42 | Osteonekróza zaprič.hemoglobinopat.v obl.nadlaktia |
| M82.04 | Osteoporóza pri mnohopoč.myelóme v obl.ruky | M90.43 | Osteonekróza zaprič.hemoglobinopat.v obl.predlak. |
| M82.05 | Osteoporóza pri mnohopoč.myelóme v obl.panvy a stehna | M90.44 | Osteonekróza zaprič.hemoglobinopat.v obl.ruky |
| M82.06 | Osteoporóza pri mnohopoč.myelóme v obl.predkol. | M90.45 | Osteonekróza zaprič.hemoglobinopat.v obl.panvy a stehna |
| M82.07 | Osteoporóza pri mnohopoč.myelóme v obl.čl.a nohy | M90.46 | Osteonekróza zaprič.hemoglobinopat.v obl.predkol. |
| M82.08 | Osteoporóza pri mnohopoč.myelóme na i.mieste | M90.47 | Osteonekróza zaprič.hemoglobinopat.v obl.čl.a nohy |
| M82.09 | Osteoporóza pri mnohopoč.myelóme,miesto bliž.neurč. | M90.48 | Osteonekróza zaprič.hemoglobinopat.,na i.mieste |
| M82.10 | Osteoporóza pri chor.žliaz s vnútor.vyluč.na viac.m. | M90.49 | Osteonekróza zaprič.hemoglobinopat.,miesto bliž.neurč. |
| M82.11 | Osteoporóza pri chor.žliaz s vnútor.vyluč.v obl. pleca | M90.50 | Osteonekróza pri.iných chor.zatried.i.na viac.m. |
| M82.12 | Osteoporóza pri chor.žliaz s vnútor.vyluč.v obl.nadlaktia | M90.51 | Osteonekróza pri.iných chor.zatried.i.v obl.pleca |
| M82.13 | Osteoporóza pri chor.žliaz s vnútor.vyluč.v obl.predlak. | M90.52 | Osteonekróza pri.iných chor.zatried.i.v obl.nadlaktia |
| M82.14 | Osteoporóza pri chor.žliaz s vnútor.vyluč.v obl.ruky | M90.53 | Osteonekróza pri.iných chor.zatried.i.v obl.predlak. |
| M82.15 | Osteoporóza pri chor.žliaz s vnútor.vyluč.v pan.obl.a stehn. | M90.54 | Osteonekróza pri.iných chor.zatried.i.v obl.ruky |
| M82.16 | Osteoporóza pri chor.žliaz s vnútor.vyluč.v obl.predko. | M90.55 | Osteonekróza pri.iných chor.zatried.i.v obl.panvy a stehna |
| M82.17 | Osteoporóza pri chor.žliaz s vnútor.vyluč.v obl.čl.a nohy | M90.56 | Osteonekróza pri.iných chor.zatried.i.v obl.predkol. |
| M82.18 | Osteoporóza pri chor.žliaz s vnútor.vyluč.na inom.m. | M90.57 | Osteonekróza pri.iných chor.zatried.i.v obl.čl.a nohy |
| M82.19 | Osteoporóza pri chor.žliaz s vnútor.vyluč.,miesto bliž.neurč. | M90.58 | Osteonekróza pri.iných chor.zatried.i.na i.mieste |
| M82.80 | Osteoporóza pri iných chor.zatried.i.na viac.m. | M90.59 | Osteonekróza pri.iných chor.zatried.i.miasto bliž.neurč. |
| M82.81 | Osteoporóza pri iných chor.zatried.i.v obl.pleca | M90.60 | Deform.osteodystrofia pri nádoroch,na viac.m. |
| M82.82 | Osteoporóza pri iných chor.zatried.i.v obl.nadlaktia | M90.61 | Deform.osteodystrofia pri nádoroch,v obl.pleca |
| M82.83 | Osteoporóza pri iných chor.zatried.i.v obl.predlak. | M90.62 | Deform.osteodystrofia pri nádoroch,v obl.nadlaktia |
| M82.84 | Osteoporóza pri iných chor.zatried.i.v obl.ruky | M90.63 | Deform.osteodystrofia pri nádoroch,v obl.predlak. |
| M82.85 | Osteoporóza pri iných chor.zatried.i.v obl.panvy a stehna | M90.64 | Deform.osteodystrofia pri nádoroch,v obl.ruky |
| M82.86 | Osteoporóza pri iných chor.zatried.i.v obl.predkol. | M90.65 | Deform.osteodystrofia pri nádoroch,v obl.panvy a stehna |
| M82.87 | Osteoporóza pri iných chor.zatried.i. obl.čl.a nohy | M90.66 | Deform.osteodystrofia pri nádoroch,v obl.predkol. |
| M82.88 | Osteoporóza pri iných chor.zatried.i.na i.mieste | M90.67 | Deform.osteodystrofia pri nádoroch,v obl.čl.a nohy |
| M82.89 | Osteoporóza pri iných chor.zatried.i.,miesto bliž.neurč. | M90.68 | Deform.osteodystrofia pri nádoroch,na i.mieste |
| M90.00 | Tuberkulóza kostí na viacerých miestach (A18.0†) | M90.69 | Deform.osteodystrofia pri nádoroch,miesto bliž.neurč. |
| M90.01 | TBC kosti v obl.pleca | M90.70 | Zlomenina kosti pri nádore,na viac.m.t. |
| M90.02 | TBC kosti nadlaktia | M90.71 | Zlomenina kosti pri nádore,v obl.pleca |
| M90.03 | TBC kosti predlak. | M90.72 | Zlomenina kosti pri nádore,v obl.nadlaktia |
| M90.04 | TBC kosti ruky | M90.73 | Zlomenina kosti pri nádore,v obl.predlak. |
| M90.05 | TBC kosti panv.obl.a stehna | M90.74 | Zlomenina kosti pri nádore,v obl.ruky |
| M90.06 | TBC kosti predkol. | M90.75 | Zlomenina kosti pri nádore,v obl.panvy a stehna |
| M90.07 | TBC kosti čl.a nohy | M90.76 | Zlomenina kosti pri nádore,v obl.predkol. |
| M90.08 | TBC kosti na i.mieste | M90.77 | Zlomenina kosti pri nádore,v obl.čl.a nohy |
| M90.09 | Tuberkulóza kostí,miesto bližšie neurčené (A18.0†) | M90.78 | Zlomenina kosti pri nádore,na i.mieste |
| M90.10 | Periostitída pri i.infekč.chor.zatried.i.na viac.m. | M90.79 | Zlomenina kosti pri nádore,miesto bliž.neurč. |
| M90.11 | Periostitída pri i.infekč.chor.zatried.i.v obl.pleca | M90.80 | Osteopatia pri i.chor.zatried.i.na viac.m. |
| M90.12 | Periostitída pri i.infekč.chor.zatried.i.v obl.nadlaktia | M90.81 | Osteopatia pri i.chor.zatried.i.v obl.pleca |
| M90.13 | Periostitída pri i.infekč.chor.zatried.i.v obl.predlak. | M90.82 | Osteopatia pri i.chor.zatried.i.v obl.nadlaktia |
| M90.14 | Periostitída pri i.infekč.chor.zatried.i.v obl.ruky | M90.83 | Osteopatia pri i.chor.zatried.i.v obl.predlak. |
| M90.15 | Periostitída pri i.infekč.chor.zatried.i.v obl.panvy a stehna | M90.84 | Osteopatia pri i.chor.zatried.i. obl.ruky |
| M90.16 | Periostitída pri i.infekč.chor.zatried.i.v obl.predkol. | M90.85 | Osteopatia pri i.chor.zatried.i.v obl.panvy a stehna |
| M90.17 | Periostitída pri i.infekč.chor.zatried.i.v obl.čl.a nohy | M90.86 | Osteopatia pri i.chor.zatried.i.v obl.predkol. |
| M90.18 | Periostitída pri i.infekč.chor.zatried.i.na i.mieste | M90.87 | Osteopatia pri i.chor.zatried.i.v obl.čl.a a nohy |
| M90.19 | Periostitída pri i.infekč.chor.zatried.i.,miesto bliž.neurč. | M90.88 | Osteopatia pri i.chor.zatried.i.na i.mieste |
| M90.20 | Osteopatia pri i.infekč.chor.zatried.i.na viac.m. | M90.89 | Osteopatia pri i.chor.zatried.i.miasto bliž.neurč. |
| M90.21 | Osteopatia pri i.infekč.chor.zatried.i.v obl.pleca | M99.00 | Segmentová a somatická dysfun.obl.hlavý |
| M90.22 | Osteopatia pri i.infekč.chor.zatried.i.v obl.nadlaktia | M99.01 | Segmentová a somatická dysfun.krčnej obl. |
| M90.23 | Osteopatia pri i.infekč.chor.zatried.i.v obl.predlak. | M99.02 | Segmentová a somatická dysfun.hrud.obl. |

| Kód | Popis | Kód | Popis |
|--------|--|--------|--|
| M99.03 | Segmentová a somatická dysfun.v driek.obl. | N08.1 | Glomerulová choroba pri nádorových chorobách |
| M99.04 | Segmentová a somatická dysfun.kríž.obl. | N08.2 | Glomerul.chor.pri chorobách krvi a poruch.imunit.systému |
| M99.05 | Segmentová a somatická dysfun.panv.obl. | N08.3 | Glomerul.choroba pri DM |
| M99.06 | Segmentová a somatická dysfunkcia DK | N08.4 | Glomerul.choroba pri i.endokrin.,nutričnej a metabol.chor. |
| M99.07 | Segmentová a somatická dysfunkcia HK | N08.5 | Glomerul.chor.pri systémovej chorobe spojiva |
| M99.08 | Segmentová a somatická dysf.hrudného koša | N08.8 | Glomerulová choroba pri iných.chorobách zatried.i.. |
| M99.09 | Segmentová a somatická dysf.v bruchu a na i.m | N16.0 | Tubulointersticiálna chor.pri infekč./parazit.chor.zatried.i. |
| M99.10 | Subluxačný komplex stavcov obl.hlavy | N16.1 | Tubulointersticiálna chor.pri nádor.chor. |
| M99.11 | Subluxačný komplex stavcov krčnej obl. | N16.2 | Tubulointersticiálna chor.oblič.pri chor.krvi a por.imun.syst. |
| M99.12 | Subluxačný komplex stavcov hrud.obl. | N16.3 | Tubulointersticiálna chor.oblič.pri metabol.chor. |
| M99.13 | Subluxačný komplex stavcov driek.obl. | N16.4 | Tubulointersticiálna chor.oblič.pri systém.chor.spojiva |
| M99.14 | Subluxačný komplex stavcov kríž.obl. | N16.5 | Tubulointersticiálna chor.oblič.pri odvrh.transplantátu |
| M99.19 | Subluxačný komplex stavcov v bruchu a na i.m. | N16.8 | Tubulointersticiálna chor.oblič.pri iných chor.z.i. |
| M99.20 | Subluxačná stenóza spin.kanála obl.hlavy | N22.0 | Močový konkrement pri schistosomóze (bilharzióze) |
| M99.21 | Subluxačná stenóza spin.kanála krčnej obl. | N22.8 | Konkrement močovej sústavy pri iných chor.zatried.i. |
| M99.22 | Subluxačná stenóza spin.kanála hrud.obl. | N29.0 | Neskorý syfilis obličiek (A52.7†) |
| M99.23 | Subluxačná stenóza spin.kanála driek.obl. | N29.1 | Iná choroba obličiek a močovodov pri inf.a paraz.chor.z.i. |
| M99.24 | Subluxačná stenóza spin.kanála kríž.obl. | N29.8 | Iné choroby obličiek a močovodov pri i.chor.z.i. |
| M99.29 | Subluxačná stenóza spin.kanála v bruchu a na i.m. | N33.0 | Tuberkulóza cystitída (A18.1†) |
| M99.30 | Kostná stenóza spin.kanála obl.hlavy | N33.8 | Choroba močového mechúra pri iných chor.z.i |
| M99.31 | Kostná stenóza spin.kanála krčnej obl. | N37.0 | Uretritída pri chorobách zatriedených inde |
| M99.32 | Kostná stenóza spin.kanála hrud.obl. | N37.8 | Iná choroba močovej trubice pri chorobách z.i. |
| M99.33 | Kostná stenóza spin.kanála driek.obl. | N39.47 | Recidivujúca inkontinencia moču |
| M99.34 | Kostná stenóza spin.kanála kríž.obl. | N51.0 | Choroby prostaty pri chorobách zatriedených inde |
| M99.39 | Kostná stenóza spin.kanála v bruchu a na i.m. | N51.1 | Choroby semenníka a nadsemenníka pri chor.z.i. |
| M99.40 | Stenóza spinál.kanála spoj.tkan.v obl.hlavy | N51.2 | Balanitída pri chorobách zatriedených inde |
| M99.41 | Stenóza spinál.kanála spoj.tkan.v krčnej obl. | N51.8 | Iné choroby mužských pohlav.org.pri chorobách.z.i. |
| M99.42 | Stenóza spinál.kanála spoj.tkan.v hrud.obl. | N74.0 | Tuberkulóza infekcia krčka maternice (A18.1†) |
| M99.43 | Stenóza spinál.kanála spoj.tkan.v driek.obl. | N74.1 | Tuberkulózný zápal ženských panvov.org. |
| M99.44 | Stenóza spinál.kanála spoj.tkan.v kríž.obl. | N74.2 | Syfilitický zápal ženských panvov.org. |
| M99.49 | Stenóza spinál.kanála spoj.tkan.v bruchu a na i.m. | N74.3 | Gonokokový zápal ženských panvov.org. |
| M99.50 | Stenóza spinál.kanála medzistav.platnič.v obl.hlavy | N74.4 | Chlamýdiový zápal ženských panvových orgánov |
| M99.51 | Stenóza spinál.kanála medzistav.platnič.v krčnej obl. | N74.8 | Zápalová choroba ženských panvov.org.pri i.chor.z.i. |
| M99.52 | Stenóza spinál.kanála medzistav.platnič.v hrud.obl. | N77.0 | Ulcerácia vulvy pri infek./parazit.chor.z.i. |
| M99.53 | Stenóza spinál.kanála medzistav.platnič.v driek.obl. | N77.1 | Vaginitída,vulvitída a vulvovaginit.pri infik./paraz.chor.z.i. |
| M99.59 | Stenóza spinál.kanála m-stav.platnič.v bruchu a na i.m. | N77.8 | Vulvovaginálna ulcerácia a zápal pri iných chorobách z.i. |
| M99.60 | Kostná/subluxačná sten.medzistav.otv.v obl.hlavy | O09.0 | Trvanie gravidity menej ako 5 ukončených týždňov |
| M99.61 | Kostná/subluxačná sten.medzistav.otv.v krčnej obl. | O09.1 | Trvanie gravidity od začat.5 po ukonč.13.týždeň |
| M99.62 | Kostná/subluxačná sten.medzistav.otv.v hrud.obl. | O09.2 | Trvanie gravidity od začat.14.po ukonč.19.týž. |
| M99.63 | Kostná/subluxačná sten.medzistav.otv.v driek.obl. | O09.3 | Trvanie gravidity od začat.20.po ukonč.25.týž. |
| M99.64 | Kostná/subluxačná sten.medzistav.otv.v kríž.obl. | O09.4 | Trvanie gravidity od začat.26.po ukonč.33.týž. |
| M99.69 | Kostná/subluxačná sten.medzistav.otv.v bruchu a na i.m. | O09.5 | Trvanie gravidity od začat.34.po ukonč.36.týž. |
| M99.70 | Stenóz.medzistav.otv.spoj.tkan./medzistav.platnič.v obl.hlavy | O09.6 | Trvanie gravidity od začat.37.po ukonč.41.týž. |
| M99.71 | Stenóz.medzistav.otv.spoj.tkan./medzistav.platnič.v krčn.obl. | O09.7 | Trvanie gravidity viac ako 41 ukončených týždňov |
| M99.72 | Stenóz.medzistav.otv.spoj.tkan./medzistav.platnič.v hrud.obl. | O09.9 | Artérová hypertenzia matky,blížšie neurčená |
| M99.73 | Stenóz.medzistav.otv.spoj.tkan./medzistav.platnič.v driek.obl. | O47.9 | Falošná pôrodná činnosť,blížšie neurčená |
| M99.74 | Stenóza medzistav.otvor.spoj.tkan./medzistav.plat.v kríž.obl. | O94 | Následky kompl.gravidity,pôrodu a šestonedelia |
| M99.79 | Sten.medzistav.otv.spoj.tkan./medzistav.platn.,obl.brucha.a i.m. | O95 | Smrť v gravidite z blížšie neurčenej príčiny |
| M99.80 | Iná biomechanická porucha funkcie v obl.hlavy | O96.0 | Smrť z priam.pôr.prič.,kt.nast.po 42 d.,-men.ako 1.r.od pôr. |
| M99.81 | Iná biomechanická porucha funkcie v krčnej obl. | O96.1 | Smrť z nepriam.pôr.prič.,kt.nast.po 42 d.,-men.ako 1.r.od pôr. |
| M99.82 | Iná biomechanická porucha funkcie v hrud.obl. | O96.9 | Smrť z blíž.ne.pôr.prič.,kt.nastala po42 d.,m.ako 1.r.od pôr. |
| M99.83 | Iná biomechanická porucha funkcie v driek.obl. | O97.0 | Smrť z následkov priamej pôrodnickej príčiny |
| M99.84 | Iná biomechanická porucha funkcie v kríž.obl. | O97.1 | Smrť z následkov nepriamej pôrodnickej príčiny |
| M99.85 | Iná biomechanická porucha funkcie v panv.obl. | O97.9 | Smrť z následkov b.n. pôrod.príčiny |
| M99.86 | Iná biomechanická porucha funkcie v obl.DK | P75 | Choroby tráviacej sústavy plodu a novorodenca |
| M99.87 | Iná biomechanická porucha funkcie v obl.HK | P95 | Smrť plodu z blížšie neurčenej príčiny |
| M99.88 | Iná biomechanická porucha funkcie v obl.hrud. koša | P96.4 | Ukončenie gravidity ako prič.pošk.plodu a novorod. |
| M99.89 | Iná biomechanická porucha funkcie v obl.brucha.a i.m. | Q87.0 | Syndróm vrod.chýb postih.najmä výzor tváre |
| M99.90 | Biomechanická porucha funkcie,blíž.neurč.v obl.hlavy | Q87.1 | Syndróm vrod.chýb spojený najmä s nízkym vzrastom |
| M99.91 | Biomechanická porucha funkcie,blíž.neurč.v krčnej obl. | Q87.2 | Syndrómy vrodéných chýb zahŕňajúce najmä končatiny |
| M99.92 | Biomechanická porucha funkcie,blíž.neurč.v hrud.obl. | Q87.3 | Syndróm vrod.chýb zahŕňajúci skorý nadmerný rast |
| M99.93 | Biomechanická porucha funkcie,blíž.neurč.v driek.obl. | Q87.5 | Iné syndrómy vrodéných chýb s inými zmenami kostí |
| M99.94 | Biomechanická porucha funkcie,blíž.neurč.v kríž.obl. | Q87.8 | Iné syndróm vrodéných chýb,nezat.inde.,b.u. |
| M99.95 | Biomechanická porucha funkcie,blíž.neurč.v panv.obl. | R65.0 | SIRS infekčného pôvodu bez orgánového zlyh. |
| M99.96 | Biomechanická porucha funkcie,blíž.neurč.v obl.DK,b.n. | R65.1 | SIRS infekčnej genézy s orgánovým zlyh. |
| M99.97 | Biomechanická porucha funkcie,blíž.neurč.v obl.HK,b.n. | R65.2 | SIRS neinfekčnej genézy bez orgánového zlyh. |
| M99.98 | Biomechanická porucha funkcie,blíž.neurč.v obl.hrud.koša | R65.3 | SIRS neinfekčnej genézy s orgánovým zlyh. |
| M99.99 | Biomechanická porucha funkcie,blíž.neurč.v brucha a na i.m. | R65.9 | Syndróm systémovej zápalovej odpovede (SIRS),blíž.neurč. |
| N08.0 | Glomerulová chor.pri infekč./parazit.chor.z.i. | R69 | Neznáme a blížšie neurčené príčiny chorobnosti |

| Kód | Popis | Kód | Popis |
|--------|---|--------|---|
| R75 | Laboratórny dôkaz vírusu ľudskej imunodeficiencie (HIV) | S41.89 | Poškodenie mäk.č.III.st.pri otvor.zlomenine,vyklbení ramena |
| R78.0 | Nález alkoholu v krvi | S51.84 | Poškodenie mäk.č.I.st.pri zatvor.zlomenine,vyklb.predlaktia |
| R96.0 | Náhla smrť | S51.85 | Poškodenie mäk.č.II.st.pri zatvor.zlom./vyklb.predlak. |
| R96.1 | Smrť,ktorá nastala za men.ako 24hod.od zač.prízn.,ináč nevysv. | S51.86 | Poškodenie mäk.č.III.st.pri zatvor.zlom./vyklb.predlak. |
| R98 | Smrť bez svedkov | S51.87 | Poškodenie mäk.č.I.st.pri otvor.zlom./vyklb.predlak. |
| R99 | Iná nepresne určená a neurčená príčina smrti | S51.88 | Poškodenie mäk.č.II.st.pri otvor.zlom./vyklb.predlak. |
| S01.83 | Otvor.rana(obl.hlavy)v spojení s intrakraniál.poranením | S51.89 | Poškodenie mäk.č.III.st.pri otvor.zlom./vyklb.predlak. |
| S01.84 | Poškod.mäkkých častí I.st.pri zatvor.zlom.,vyklbení na hlave | S61.84 | Pošk.mäk.č.I.st.pri zatvor.zlom./vyklb.zápäs.a ruky |
| S01.85 | Poškod.mäkkých častí II.st.pri zatvor.zlom.,vyklbení na hlave | S61.85 | Pošk.mäk.č.II.st.pri zatvor.zlom./vyklb.zápäs.a ruky |
| S01.86 | Poškod.mäkkých častí III.st.pri zatvor.zlom.,vyklbení na hlave | S61.86 | Pošk.mäk.č.III.st.pri zatvor.zlom./vyklb.zápäs.a ruky |
| S01.87 | Poškod.mäkkých častí I.st.pri otvor.zlom.,vyklbení na hlave | S61.87 | Pošk.mäk.č.I.st.pri otvor.zlom./vyklb.zápäs.a ruky |
| S01.88 | Poškod.mäkkých častí II.st.pri otvor.zlom.,vyklbení na hlave | S61.88 | Pošk.mäk.č.II.st.pri otvor.zlom./vyklb.zápäs.a ruky |
| S01.89 | Poškod.mäkkých častí III.st.pri otvor.zlom.,vyklbení na hlave | S61.89 | Pošk.mäk.č.III.st.pri otvor.zlom./vyklb.zápäs.a ruky |
| S06.70 | Bezvedomie pri poranení lebky a mozgu,menej.ako 30 min. | S71.84 | Pošk.mäk.č.I.st.pri zatvor.zlom./vyklb.bedra a stehna |
| S06.71 | Bezvedomie pri poranení lebky a mozgu,30 min.až 24hod. | S71.85 | Pošk.mäk.č.II.st.pri zatvor.zlom./vyklb.bedra a stehna |
| S06.72 | Bezvedom.s poran.lebky a mozgu,viac ako24 h,návrat pôv.st.v | S71.86 | Pošk.mäk.č.III.st.pri zatvor.zlom./vyklb.bedra a stehna |
| S06.73 | Bezvedom.,poranením leb.a mozgu,viac ako24hod.,bez návř.p.s.v. | S71.87 | Pošk.mäk.č.I.st.pri otvor.zlom./vyklb.bedra a stehna |
| S06.79 | Bezvedomie pri poranení lebky a mozgu bliž.neurčeného trvania | S71.88 | Pošk.mäk.č.II.st.pri otvor.zlom./vyklb.bedra a stehna |
| S11.84 | Poškodenie mäk.č.I.st.pri zatvor.zlomenine,vyklbení na krku | S71.89 | Pošk.mäk.č.III.st.pri otvor.zlom./vyklb.bedra a stehna |
| S11.85 | Poškodenie mäk.č.II.st.pri zatvor.zlomenine,vyklbení na krku | S81.84 | Poškodenie mäk.č.I.st.pri zatv.zlomenine,vyklbení predkolenia |
| S11.86 | Poškodenie mäk.č.III.st.pri zatvor.zlom./vyklb.na krku | S81.85 | Pošk.mäk.č.II.st.pri zatvor.zlom./vyklb.predkol. |
| S11.87 | Poškodenie mäkkých č.I.st.pri otvor.zlomenine,vyklbení na krku | S81.86 | Pošk.mäk.č.III.st.pri zatvor.zlom./vyklb.predkol. |
| S11.88 | Poškodenie mäk.č.II.st.pri otvor.zlomenine,vyklbení na krku | S81.87 | Pošk.mäk.č.I.st.pri otvor.zlom./vyklb.predkol. |
| S11.89 | Poškodenie mäk.č.III.st.pri otvor.zlomenine,vyklbení na krku | S81.88 | Pošk.mäk.č.II.st.pri otvor.zlom./vyklb.predkol. |
| S14.70 | Funkčná úroveň pri poranení krčnej miechy:blížšie neurčená | S81.89 | Pošk.mäk.č.III.st.pri otvor.zlom./vyklb.predkol. |
| S14.71 | Funkčná úroveň pri poranení krčnej miechy: C1 | S91.84 | Poškodenie mäk.č.I.st.pri zatvor.zlom./vyklb.nohy |
| S14.72 | Funkčná úroveň pri poranení krčnej miechy: C2 | S91.85 | Poškodenie mäk.č.II.st.pri zatvor.zlom./vyklb.nohy |
| S14.73 | Funkčná úroveň pri poranení krčnej miechy: C3 | S91.86 | Poškodenie mäk.č.III.st.pri zatvor.zlom./vyklb.nohy |
| S14.74 | Funkčná úroveň pri poranení krčnej miechy: C4 | S91.87 | Poškodenie mäk.č.I.st.pri otvor.zlom./vyklb.nohy |
| S14.75 | Funkčná úroveň pri poranení krčnej miechy: C5 | S91.88 | Poškodenie mäk.č.II.st.pri otvor.zlom./vyklb.nohy |
| S14.76 | Funkčná úroveň pri poranení krčnej miechy: C6 | S91.89 | Poškodenie mäk.č.III.st.pri otvor.zlom./vyklb.nohy |
| S14.77 | Funkčná úroveň pri poranení krčnej miechy: C7 | T31.00 | Popál.postih.men.ako10 %povrch.tela b.n.podiél popál.3.st |
| S14.78 | Funkčná úroveň pri poranení krčnej miechy: C8 | T31.10 | Popál.10-19%povr.tela,<ako10 %/b.n.č.-popál.3.st. |
| S21.83 | Otvor.rana každej č.hrud.v spojení s vnútrohrud.por. | T31.11 | Popál.10-19%povr.tela,10-19%popál.3.st. |
| S21.84 | Poškodenie mäk.č.I.st.pri zatvor.zlomeninách,vyklben.na hrud. | T31.20 | Popál.20-29%povr.tela,<ako10 %/b.n.č.-popál.3.st. |
| S21.85 | Poškodenie mäk.č.II.st.pri zatvor.zlomeninách,vyklben.na hrud. | T31.21 | Popál.20-29%povr.tela,10-19%popál.3.st. |
| S21.86 | Poškodenie mäk.č.III.st.pri zatvor.zlomeninách,vyklben.na hrud | T31.22 | Popál.20-29%povr.tela,20-29%popál.3.st. |
| S21.87 | Poškodenie mäk.č.I.st.pri otvor.zlomeninách,vyklben.na hrud. | T31.30 | Popál.30-39%povr.tela,<ako10 %/b.n.č.-popál.3.st. |
| S21.88 | Poškodenie mäk.č.II.st.pri otvor.zlomeninách,vyklben.na hrud. | T31.31 | Popál.30-39%povr.tela,10-19%popál.3.st. |
| S21.89 | Poškodenie mäk.č.III.st.pri otvor.zlomeninách,vyklben.na hrud. | T31.32 | Popál.30-39%povr.tela,20-29%popál.3.st. |
| S24.70 | Funkčná výška pri poranení hrudíkovej miechy: úroveň b.n. | T31.33 | Popál.30-39%povr.tela,30-39%popál.3.st. |
| S24.71 | Funkčná výška pri poranení hrudníkovej miechy:Th1 | T31.40 | Popál.40-49%povr.tela,<ako10 %/b.n.č.-popál.3.st. |
| S24.72 | Funkčná výška pri poranení hrudníkovej miechy:Th2/Th3 | T31.41 | Popál.40-49%povr.tela,10-19%popál.3.st. |
| S24.73 | Funkčná výška pri poranení hrudníkovej miechy:Th4/Th5 | T31.42 | Popál.40-49%povr.tela,20-29%popál.3.st. |
| S24.74 | Funkčná výška pri poranení hrudníkovej miechy:Th6/Th7 | T31.43 | Popál.40-49%povr.tela,30-39%popál.3.st. |
| S24.75 | Funkčná výška pri poranení hrudníkovej miechy:Th8/Th9 | T31.44 | Popál.40-49%povr.tela,40-49%popál.3.st. |
| S24.76 | Funkčná výška pri poranení hrudníkovej miechy:Th10/Th11 | T31.50 | Popál.50-59%povr.tela,<ako10 %/b.n.č.-popál.3.st. |
| S24.77 | Funkčná výška pri poranení hrudníkovej miechy:Th12 | T31.51 | Popál.50-59%povr.tela,10-19%popál.3.st. |
| S31.83 | Otvor.rana(kaž.č.brucha,drieku,panvy)spoj.s vnútrobruš.poran. | T31.52 | Popál.50-59%povr.tela,20-29%popál.3.st. |
| S31.84 | Poškodenie mäk.č.I.st.pri zatv.zlom.vyklb.driek.chrbtice,panvy | T31.53 | Popál.50-59%povr.tela,30-39%popál.3.st. |
| S31.85 | Poškoden.mäk.č.II.st.pri zatv.zlom.,vyklb.driek.chrbtice,panvy | T31.54 | Popál.50-59%povr.tela,40-49%popál.3.st. |
| S31.86 | Poškoden.mäk.č.III.st.pri zatv.zlom.,vyklb.driek.chrbtice,panvy | T31.55 | Popál.50-59%povr.tela,50-59%popál.3.st. |
| S31.87 | Poškodenie mäk.č.I.st.pri otv.zlom.,vyklb.driek.chrbtice,panvy | T31.60 | Popál.60-69%povr.tela,<ako10 %/b.n.č.-popál.3.st. |
| S31.88 | Poškoden.mäk.č.II.st.pri otv.zlom.,vyklb.driek.chrbtice,panvy | T31.61 | Popál.60-69%povr.tela,10-19%popál.3.st. |
| S31.89 | Poškoden.mäk.č.III.st.pri otv.zlom.,vyklb.driek.chrbtice,panvy | T31.62 | Popál.60-69%povr.tela,20-29%popál.3.st. |
| S34.70 | Funkčná úroveň pri poranení driekovokřížovej miechy: b.ne. | T31.63 | Popál.60-69%povr.tela,30-39%popál.3.st. |
| S34.71 | Funkčná úroveň pri poranení driekovokřížovej miechy: L1 | T31.64 | Popál.60-69%povr.tela,40-49%popál.3.st. |
| S34.72 | Funkčná úroveň pri poranení driekovokřížovej miechy: L2 | T31.65 | Popál.60-69%povr.tela,50-59%popál.3.st. |
| S34.73 | Funkčná úroveň pri poranení driekovokřížovej miechy: L3 | T31.66 | Popál.60-69%povr.tela,60-69%popál.3.st. |
| S34.74 | Funkčná úroveň pri poranení driekovokřížovej miechy: L4 | T31.70 | Popál.70-79%povr.tela,<ako10 %/b.n.č.-popál.3.st. |
| S34.75 | Funkčná úroveň pri poranení driekovokřížovej miechy: L5 | T31.71 | Popál.70-79%povr.tela,10-19%popál.3.st. |
| S34.76 | Funkčná úroveň pri poranení driekovokřížovej miechy: S1 | T31.72 | Popál.70-79%povr.tela,20-29%popál.3.st. |
| S34.77 | Funkčná úroveň pri poranení driekovokřížovej miechy: S2 – S5 | T31.73 | Popál.70-79%povr.tela,30-39%popál.3.st. |
| S41.84 | Poškodenie mäk.č.I.st.pri zatvor.zlomenine,vyklbení ramena | T31.74 | Popál.70-79%povr.tela,40-49%popál.3.st. |
| S41.85 | Poškodenie mäk.č.II.st.pri zatvor.zlomenine,vyklbení ramena | T31.75 | Popál.70-79%povr.tela,50-59%popál.3.st. |
| S41.86 | Poškodenie mäk.č.III.st.pri zatvor.zlomenine,vyklbení ramena | T31.76 | Popál.70-79%povr.tela,60-69%popál.3.st. |
| S41.87 | Poškodenie mäk.č.I.st.pri otvor.zlomenine,vyklbení ramena | T31.77 | Popál.70-79%povr.tela,70-79%popál.3.st. |
| S41.88 | Poškodenie mäk.č.II.st.pri otvor.zlomenine,vyklbení ramena | T31.80 | Popál.80-89%povr.tela,<ako10 %/b.n.č.-popál.3.st. |
| | | T31.81 | Popál.80-89%povr.tela,10-19%popál.3.st. |

| Kód | Popis | Kód | Popis |
|--------|--|--------|--|
| T31.82 | Popál.80-89%povr.tela,20-29%popál.3.st. | T32.97 | Polept.90 a viac%povr.tela,70-79%polept.3.st. |
| T31.83 | Popál.80-89%povr.tela,30-39%popál.3.st. | T32.98 | Polept.90 a viac%povr.tela,80-89%polept.3.st. |
| T31.84 | Popál.80-89%povr.tela,40-49%popál.3.st. | T32.99 | Polept.90 a viac%povr.tela,90% a viac polept.3.st. |
| T31.85 | Popál.80-89%povr.tela,50-59%popál.3.st. | T74.0 | Zanedbanie alebo opustenie |
| T31.86 | Popál.80-89%povr.tela,60-69%popál.3.st. | T74.1 | Fyzické zneužitie |
| T31.87 | Popál.80-89%povr.tela,70-79%popál.3.st. | T74.2 | Pohlavné zneužitie |
| T31.88 | Popál.80-89%povr.tela,80-89%popál.3.st. | T74.3 | Psychické zneužitie |
| T31.90 | Popál.90 a viac%povr.tela,<ako10%/b.n.č.-popál.3.st. | T74.8 | Iný syndróm,zapríčený zlým zaobchádzaním |
| T31.91 | Popál.90 a viac%povr.tela,10-19%popál.3.st. | T74.9 | Syndróm,zapríč.zlým zaobchádzaním,b.n. |
| T31.92 | Popál.90 a viac%povr.tela,20-29%popál.3.st. | T90.0 | Neskoré následky povrchového poranenia hlavy |
| T31.93 | Popál.90 a viac%povr. tela,30-39%popál.3.st. | T90.1 | Neskoré následky otvorenej rany hlavy |
| T31.94 | Popál.90 a viac%povr.tela,40-49%popál.3.st. | T90.2 | Neskoré následky zlomeniny lebky a tvárových kostí |
| T31.95 | Popál.90 a viac%povr.tela,50-59%popál.3.st. | T90.3 | Neskoré následky poranenia hlavových nervov |
| T31.96 | Popál.90 a viac%povr.tela,60-69%popál.3.st. | T90.4 | Neskoré následky poranenia oka a očné |
| T31.97 | Popál.90 a viac%povr.tela,70-79%popál.3.st. | T90.5 | Neskoré následky vnútroľbkového poranenia |
| T31.98 | Popál.90 a viac%povr.tela,80-89%popál.3.st. | T90.8 | Neskoré následky iného bliž.urč.poranenia hlavy |
| T31.99 | Popál.90 a viac%povr.tela,90%/viac popál.3.st. | T90.9 | Neskoré následky bližšie neurčeného poranenia hlavy |
| T32.00 | Polept.<ako10%povr.tela,<ako10%/b.n.č.-polept.3.st. | T91.0 | Neskoré násl.povrch.ho poran.a otvor.rany krku a trupu |
| T32.10 | Polept.10-19%povr.tela,<ako10%/b.n.č.-polept.3.st. | T91.1 | Neskoré následky zlomeniny chrčtice |
| T32.11 | Polept.10-19%povr.tela,10-19%polept.3.st. | T91.2 | Neskoré následky inej zlomeniny hrudníka a panvy |
| T32.20 | Polept.20-29%povr.tela,<ako10%/b.n.č.-polept.3.st. | T91.3 | Neskoré následky poranenia miechy |
| T32.21 | Polept.20-29%povr.tela,10-19%polept.3.st. | T91.4 | Neskoré následky poranenia vnútrohrud.org. |
| T32.22 | Polept.20-29%povr.tela,20-29%polept.3.st. | T91.5 | Neskoré následky poran.vnútrobruš. a panv.org. |
| T32.30 | Polept.30-39%povr.tela,<ako10%/b.n.č.-polept.3.st. | T91.8 | Neskoré následky i.bliž.urč.poran.krku a trupu |
| T32.31 | Polept.30-39%povr.tela,10-19%polept.3.st. | T91.9 | Neskoré následky bliž.neurč.poran.krku a trupu |
| T32.32 | Polept.30-39%povr.tela,20-29%polept.3.st. | T92.0 | Neskoré následky otvorenej rany homej končatiny |
| T32.33 | Polept.30-39%povr.tela,30-39%polept.3.st. | T92.1 | Neskoré následky zlomeniny ramena |
| T32.40 | Polept.40-49%povr.tela,<ako10%/b.n.č.-polept.3.st. | T92.2 | Neskoré následky zlomeniny v úrovni zápastia a ruky |
| T32.41 | Polept.40-49%povr.tela,10-19%polept.3.st. | T92.3 | Nesk.následky vyklbenia,vyvrt.a natiah.HK |
| T32.42 | Polept.40-49%povr.tela,20-29%polept.3.st. | T92.4 | Neskoré následky poranenia nervu homej končatiny |
| T32.43 | Polept.40-49%povr.tela,30-39%polept.3.st. | T92.5 | Neskoré následky poran.svalu a šľachy HK |
| T32.44 | Polept.40-49%povr.tela,40-49%polept.3.st. | T92.6 | Neskoré následky drvivého poran.a úraz.amput. HK |
| T32.50 | Polept.50-59%povr.tela,<ako10%/b.n.č.-polept.3.st. | T92.8 | Neskoré následky i.bliž.urč.por.HK |
| T32.51 | Polept.50-59%povr.tela,10-19%polept.3.st. | T92.9 | Neskoré následky bliž.neurč.poran.HK |
| T32.52 | Polept.50-59%povr.tela,20-29%polept.3.st. | T93.0 | Neskoré následky otvorenej rany dolnej končatiny |
| T32.53 | Polept.50-59%povr.tela,30-39%polept.3.st. | T93.1 | Neskoré následky zlomeniny stehnovy kosti |
| T32.54 | Polept.50-59%povr.tela,40-49%polept.3.st. | T93.2 | Neskoré následky inej zlomeniny dolnej končatiny |
| T32.55 | Polept.50-59%povr.tela,50-59%polept.3.st. | T93.3 | Nesk.následky vyklb.vyvrt.a natiah.DK |
| T32.60 | Polept.60-69%povr.tela,<ako10%/b.n.č.-polept.3.st. | T93.4 | Neskoré následky poranenia nervu dolnej končatiny |
| T32.61 | Polept.60-69%povr.tela,10-19%polept.3.st. | T93.5 | Neskoré následky poran.svalu a šľachy DK |
| T32.62 | Polept.60-69%povr.tela,20-29%polept.3.st. | T93.6 | Neskoré následky drvivého poran.a úraz.amput. DK |
| T32.63 | Polept.60-69%povr.tela,30-39%polept.3.st. | T93.8 | Neskoré následky i.bliž.urč.poranienia DK |
| T32.64 | Polept.60-69%povr.tela,40-49%polept.3.st. | T93.9 | Neskoré následky bliž.neurč.poranienia DK |
| T32.65 | Polept.60-69%povr.tela,50-59%polept.3.st. | T94.0 | Neskoré následky poranenia viacerých oblastí tela |
| T32.66 | Polept.60-69%povr.tela,60-69%polept.3.st. | T94.1 | Neskoré následky poranenia:oblasť bliž.neurč.tela |
| T32.70 | Polept.70-79%povr.tela,<ako10%/b.n.č.-polept.3.st. | T95.0 | Neskoré následky popál.,polept.a omrzliny hlavy a krku |
| T32.71 | Polept.70-79%povr.tela,10-19%polept.3.st. | T95.1 | Neskoré následky popál.,polept.a omrzliny trupu |
| T32.72 | Polept.70-79%povr.tela,20-29%polept.3.st. | T95.2 | Neskoré následky popál.,polept.a omrzliny HK |
| T32.73 | Polept.70-79%povr.tela,30-39%polept.3.st. | T95.3 | Neskoré následky popál.,polept.a omrzliny DK |
| T32.74 | Polept.70-79%povr.tela,40-49%polept.3.st. | T95.4 | Neskoré násl.popál.a polept.zatr.iba p.rozs.postih.povr.tela |
| T32.75 | Polept.70-79%povr.tela,50-59%polept.3.st. | T95.8 | Neskoré následky i.bliž.urč.popál.,polept.a omrzliny |
| T32.76 | Polept.70-79%povr.tela,60-69%polept.3.st. | T95.9 | Neskoré následky bliž.neurč.popál.,polept.a omrzliny |
| T32.77 | Polept.70-79%povr.tela,70-79%polept.3.st. | T96 | Neskoré následky otravy liekmi,i.a biol.akt.lát. |
| T32.80 | Polept.80-89%povr.tela,<ako10%/b.n.č.-polept.3.st. | T97 | Neskoré následky tox.úč.lát.používanej najmä mimo lekárstva |
| T32.81 | Polept.80-89%povr.tela,10-19%polept.3.st. | T98.0 | Neskoré násl.úč.cudz.telesa vniknutého prirodz.m otvorom |
| T32.82 | Polept.80-89%povr.tela,20-29%polept.3.st. | T98.1 | Neskoré následky i.a bliž.neurč.účinkov vonk.příčin |
| T32.83 | Polept.80-89%povr.tela,30-39%polept.3.st. | T98.2 | Neskoré následky niektorých včasných kompl.úrazov |
| T32.84 | Polept.80-89%povr.tela,40-49%polept.3.st. | T98.3 | Neskoré následky komplikácii chir.výkonu a lekář.star.,n.i. |
| T32.85 | Polept.80-89%povr.tela,50-59%polept.3.st. | U06.0 | Nepokrytý kód U06.0 |
| T32.86 | Polept.80-89%povr.tela,60-69%polept.3.st. | U06.1 | Nepokrytý kód U06.1 |
| T32.87 | Polept.80-89%povr.tela,70-79%polept.3.st. | U06.2 | Nepokrytý kód U06.2 |
| T32.88 | Polept.80-89%povr.tela,80-89%polept.3.st. | U06.3 | Nepokrytý kód U06.3 |
| T32.90 | Polept.90 a viac%povr.tela,<ako10%/b.n.č.-polept.3.st. | U06.4 | Nepokrytý kód U06.4 |
| T32.91 | Polept.90 a viac%povr.tela,10-19%polept.3.st. | U06.5 | Nepokrytý kód U06.5 |
| T32.92 | Polept.90 a viac%povr.tela,20-29%polept.3.st. | U06.6 | Nepokrytý kód U06.6 |
| T32.93 | Polept.90 a viac%povr.tela,30-39%polept.3.st. | U06.7 | Nepokrytý kód U06.7 |
| T32.94 | Polept.90 a viac%povr.tela,40-49%polept.3.st. | U06.8 | Nepokrytý kód U06.8 |
| T32.95 | Polept.90 a viac%povr.tela,50-59%polept.3.st. | U06.9 | Choroba zapríčinená vírusom Zika, bližšie neurčená |
| T32.96 | Polept.90 a viac%povr.tela,60-69%polept.3.st. | U07.0 | Nepokrytý kód U07.0 |

| Kód | Popis | Kód | Popis |
|--------|---|--------|---|
| U07.1 | Potvrdená infekcia COVID-19 | U55.12 | Vyk.zápis do zozn.čak.na transpl.srdca,čak.st.vys.nalieh. |
| U07.2 | Podozrenie z infekcie COVID-19 | U55.20 | Vyk.zápis do zozn.čak.na transpl.plúc,b.ozn.st./vys.nal. |
| U07.3 | Potvrdená infekcia COVID-19 PCR testom | U55.21 | Vyk.zápis do zozn.čak.na transpl.plúc,označ.st.nal. |
| U07.4 | Potvrdená infekcia COVID-19 Ag testom | U55.22 | Vyk.zápis do zozn.čak.na transpl.plúc,označ.st.vys.nal. |
| U07.5 | Nepokrytý kód U07.5 | U55.30 | Vyk.záp.do zozn.čak.na transpl.srdca a pl.,b.ozn.st./vys.nal. |
| U07.6 | Nepokrytý kód U07.6 | U55.31 | Vyk.zápis do zozn.čak.na transpl.srdca a pl.,označ.st.nal. |
| U07.7 | Nepokrytý kód U07.7 | U55.32 | Vyk.zápis do zozn.čak.na transpl.srdca a pl.,označ.vys.nal. |
| U07.8 | Nepokrytý kód U07.8 | U60.1 | Klinické kategórie choroby HIV: kategória A |
| U07.9 | Nepokrytý kód U07.9 | U60.2 | Klinické kategórie choroby HIV: kategória B |
| U08.0 | Osobná anamnéza COVID-19 | U60.3 | Klinické kategórie choroby HIV: kategória C |
| U08.1 | Nepokrytý kód U08.1 | U60.9 | Klinické kategórie choroby HIV, bližšie neurčené |
| U08.2 | Nepokrytý kód U08.2 | U61.1 | Počet pomocných T-buniek pri chorobe HIV |
| U08.3 | Nepokrytý kód U08.3 | U61.2 | Počet pomocných T-buniek pri chorobe HIV |
| U08.4 | Nepokrytý kód U08.4 | U61.3 | Počet pomocných T-buniek pri chorobe HIV |
| U08.5 | Nepokrytý kód U08.5 | U61.9 | Počet (CD4+-) pomocných T-buniek pri chorobe HIV |
| U08.6 | Nepokrytý kód U08.6 | U69.00 | Sek.klas.za ú.ext.kontr.kv.:záp.pl.dosp.,z.i.,zisk.v nem. |
| U08.7 | Nepokrytý kód U08.7 | U69.10 | Sek.klas.,o.adm.ú.:chor.z.i.-podozr.,med.neind.est.op. |
| U08.8 | Nepokrytý kód U08.8 | U69.20 | Sek.klas.na o.epid.ú.:chrípka A/H1N1,pandémia 2009 |
| U08.9 | Osobná anamnéza COVID-19, bližšie neurčená | U69.21 | Sek.klas.na o.epid.ú.:chrípka A/H5N1,epidémia |
| U09.0 | Stav po COVID-19 | U80.0 | Staph.aur.rez.na OXA,glp.ATB,chin.,streptogr./oxazolid. |
| U09.1 | Vedľajšie príznaky v súvislosti s podaním vakcíny proti COVID-19 | U80.1 | Str.pn.rez.na PNC,OXA,makrolid.ATB,oxazolid./streptogr. |
| U09.2 | Nepokrytý kód U09.2 | U80.2 | Ent.faecalis rez.na glp.ATB,oxazolid.streptogr./v.úr.amg.rez. |
| U09.3 | Nepokrytý kód U09.3 | U80.3 | Ent.faecium rez.na glp.ATB,oxazolid.,streptogr./v.úr.amg.rez. |
| U09.4 | Nepokrytý kód U09.4 | U80.4 | Esch.klebs.prot.rez.chin.karbab.amik./dok.rez.vš.btl.ATB |
| U09.5 | Nepokrytý kód U09.5 | U80.5 | Enterobacter,citrobacter a serratia rez.-karbab.,chin./amik. |
| U09.6 | Nepokrytý kód U09.6 | U80.6 | Ps.aer.a i.non-ferm.p.rez.karbab.chin.amik.ceft./pip.s tazob. |
| U09.7 | Nepokrytý kód U09.7 | U80.7 | Burkh.a stenotroph.rez.-chin.,amik.,ceft.,pip.s tazob./CTM |
| U09.8 | Nepokrytý kód U09.8 | U81 | Pôvodca s mutirezistenciou na antibiotiká |
| U09.9 | Stav po COVID-19, bližšie neurčený | U82.0 | Myc.tbc s rez.pr.jed./viac.antituberk.prv.radu |
| U10.0 | Multisystémový zápalový syndróm v časovom vzťahu ku COVID-19 | U82.1 | Multirezistentná tuberkulóza [MDR-TB] |
| U10.1 | Nepokrytý kód U10.1 | U82.2 | Atyp.mykobakt./nocardia s rez.na jed./viac.liek.prv.radu |
| U10.2 | Nepokrytý kód U10.2 | U83 | Kandida s rezistenciou na flukonazol/vorikonazol |
| U10.3 | Nepokrytý kód U10.3 | U84 | Herpesvírusy s rezistenciou na virostatiká |
| U10.4 | Nepokrytý kód U10.4 | U85 | Vírus HIV s rezistenciou na virostatiká/inhib.proteináz |
| U10.5 | Nepokrytý kód U10.5 | U99.04 | Trvalá a nezvratná kolostómia |
| U10.6 | Nepokrytý kód U10.6 | U99.05 | Trvalá a nezvratná ileostómia |
| U10.7 | Nepokrytý kód U10.7 | U99.06 | Trvalá a nezvratná urostómia |
| U10.8 | Nepokrytý kód U10.8 | U99.07 | Intenzifikovaný inzulínový režim |
| U10.9 | Multisystémový zápalový syndr. v časovom vzťahu ku COVID-19, b.n. | U99.08 | Konvenčný inzulínový režim |
| U50.00 | Nijaké/min.obm.pohyb.funkcii,Barthelovej index100b. | U99.09 | Liečba perorálnymi antidiabetikami a diétou |
| U50.01 | Nijaké/min.obm.pohyb.funkcii,mot.FIM 85-91b. | U99.1 | Nepokrytý kód U99.1 |
| U50.10 | Lahké obm.pohyb.funkcii,Barthelovej index80-95b. | U99.10 | Liečba inkretínovými injekčnými mimetikami |
| U50.11 | Lahké obm.pohyb.funkcii,mot.FIM 69-84b. | U99.2 | Nepokrytý kód U99.2 |
| U50.20 | Stredné obm.pohyb.funkcii,Barthelovej index60-75b. | U99.3 | Nepokrytý kód U99.3 |
| U50.21 | Stredné obm.pohyb.funkcii,mot.FIM 59-68b. | U99.4 | Nepokrytý kód U99.4 |
| U50.30 | Stredne ťažké obm.pohyb.funkcii,Barthelovej index40-55b. | U99.5 | Nepokrytý kód U99.5 |
| U50.31 | Stredne ťažké obm.pohyb.funkcii,mot.FIM 43-58b. | U99.6 | Nepokrytý kód U99.6 |
| U50.40 | Ťažké obm.pohyb.funkcii,Barthelovej index20-35b. | U99.7 | Nepokrytý kód U99.7 |
| U50.41 | Ťažké obm.pohyb.funkcii,mot.FIM 31-42b. | U99.8 | Nepokrytý kód U99.8 |
| U50.50 | Veľmi ťažké obm.pohyb.funkcii,Barthelovej index0-15b. | U99.9 | Nepokrytý kód U99.9 |
| U50.51 | Veľmi ťažké obm.pohyb.funkcii,mot.FIM 13-30b. | Z00.0 | Všeobecné lekárske vyšetrenie |
| U51.00 | Nijaké/min.obm.kogn.funkcii,rozš.Barthelovej index70-90b. | Z00.1 | Rutinné vyšetrenie zdravotného stavu dieťaťa |
| U51.01 | Nijaké/min.obm.kogn.funkcii,kognitívny FIM 30-35b. | Z00.2 | Vyšetrenie v období rýchleho rastu v detstve |
| U51.02 | Nijaké/min.obm.kogn.funkcii,MMSE 24-30b. | Z00.3 | Vyšetrenie vývinu dospievajúceho |
| U51.10 | Stredné obm.kogn.funkcii,rozš.Barthelovej index20-65b. | Z00.4 | Všeobecné psychiatrické vyšetrenie,n.i. |
| U51.11 | Stredné obm.kogn.funkcii,kogn.IM 11-29b. | Z00.6 | Vyšetrenie na porovn.a kontrolu v rámci klin.výsk.progr. |
| U51.12 | Stredné obm.kogn.funkcii,MMSE 17-23b. | Z00.8 | Iné všeobecné vyšetrenie |
| U51.20 | Ťažké obm.kogn.funkcii,rozš.Barthelovej index0-15b. | Z01.6 | Rádiologické vyšetrenie, nezatriedené inde |
| U51.21 | Ťažké obm.kogn.funkcii,kogn. FIM 5-10b. | Z01.7 | Laboratórne vyšetrenie |
| U51.22 | Ťažké obm.kogn.funkcii,MMSE 0 – 16 bodov | Z01.9 | Špeciálne vyšetrenie, bližšie neurčené |
| U52.0 | Barthelovej index pri včasnej rhb.31 a viacb. | Z04.9 | Vyš.a pozor. z blíž.neu.dôvodov |
| U52.1 | Barthelovej index pri včasnej rhb.-75 až 30b. | Z21 | Bezprízn.stav inf.HIV (vír.ludského imunodef.) |
| U52.2 | Barthelovej indexpri včasnej rhb.-200 až-76b. | Z32.0 | Gravidita, (ešte) nepotvrdená |
| U52.3 | Barthelovej indexpri včasnej rhb.men.ako-200b. | Z32.1 | Potvrdená gravidita |
| U55.10 | Vyk.zápis do zozn.čak.na transpl.srdca,b.ozn.st./vys.nalieh. | Z33 | Gravidita ako vedľajší nález |
| U55.11 | Vyk.zápis do zozn.čak.na transpl.srdca,označ.st.nalieh. | Z34.0 | Dohľad nad normálnou prvou graviditou |
| | | Z34.8 | Dohľad nad inou normálnou graviditou |
| | | Z34.9 | Dohľad nad normálnou graviditou, bližšie neurčenou |
| | | Z35.0 | Dohľad nad graviditou s anamnézou neplodnosti |

| Kód | Popis | Kód | Popis |
|--------|---|-------|---|
| Z35.1 | Dohľad nad graviditou s anamnézou potratu | Z57.6 | Profesionálne vystavenie extrémnej teploty |
| Z35.2 | Dohľad nad gravid.s i.nepriaznivou pôr.anamnézou | Z57.7 | Profesionálne vystavenie vibráciám |
| Z35.3 | Dohľad nad gravid.s anamnézou nedost.prenatálnej star. | Z57.8 | Profesionálne vystavenie iným rizikovým faktorom |
| Z35.4 | Dohľad nad graviditou mnohorodičky | Z57.9 | Profes.vystav.bliž.neu.rizikovému faktoru |
| Z35.5 | Dohľad nad staršou prvorodičkou | Z58.0 | Vystavenie hluku |
| Z35.6 | Dohľad nad veľmi mladou prvorodičkou | Z58.1 | Vystavenie znečistenému ovzdušiu |
| Z35.7 | Dohľad nad rizik. gravid.v dôsledku sociál.problem. | Z58.2 | Vystavenie znečistenej vode |
| Z35.8 | Dohľad nad inou rizikovou graviditou | Z58.3 | Vystavenie znečistenej pôde |
| Z35.9 | Dohľad nad rizikovou graviditou, bližšie neurčenou | Z58.4 | Vystavenie žiareniu |
| Z37.0 | Jedno dieťa, živonarodené | Z58.5 | Vystavenie inému znečisteniu |
| Z37.1 | Jedno dieťa, mŕtvonarodené | Z58.6 | Nedostatočné zásobovanie pitnou vodou |
| Z37.2 | Dvojčatá, živonarodené | Z58.7 | Vystavenie tabakovému dymu |
| Z37.3 | Dvojčatá, jedno živonarodené, jedno mŕtvonarodené | Z58.8 | Iné problémy súvisiace so životným prostredím |
| Z37.4 | Dvojčatá, mŕtvonarodené | Z58.9 | Problém súvis.so životným prostredím,b.n. |
| Z37.5 | Iný viacpočetný pôrod, všetky deti živonarodené | Z59.0 | Bezdomovstvo |
| Z37.6 | Iný viacpočetný pôrod, niektoré deti živonarodené | Z59.1 | Neprimerané bývanie |
| Z37.7 | Iný viacpočetný pôrod, všetky deti mŕtvonarodené | Z59.2 | Nezhody so susedmi, nájomníkmi a vlastníkom |
| Z37.9 | Výsledok pôrodu, bližšie neurčený | Z59.3 | Problémy súvisiace s bývaním v ubytovacom zariadení |
| Z44.8 | Skúšanie a prispôs.i.vonk.protet.pom. | Z59.4 | Nedostatok primeranej potravy |
| Z44.9 | Skúšanie a prispôs.b.n.vonk.protet.pom. | Z59.5 | Extrémna chudoba |
| Z47.0 | Násled.star.,zahŕň.odstr.kto nej dlahy/i.vnúť.fix.pom. | Z59.6 | Nízky príjem |
| Z49.2 | Iná dialýza | Z59.7 | Nedostatočné soc.poistenie a soc.starostlivosť |
| Z50.0 | Rehabilitácia pri chorobách srdca | Z59.8 | Iné problémy súvis.s bývaním a ekonomickou situáciou |
| Z50.1 | Iná fyzikálna liečba | Z59.9 | Problém súvis.s bývaním a ekonomickou situáciou,b.n. |
| Z50.2 | Rehabilitácia pri alkoholizme | Z60.0 | Problémy s prispôbením sa zmenám životného cyklu |
| Z50.3 | Rehabilitácia pri liek./drog.j závislosti | Z60.1 | Atypická rodičovská situácia |
| Z50.4 | Psychoterapia, nezatriedená inde | Z60.2 | Osamelý žijúca osoba |
| Z50.5 | Logopedická liečba (liečba porúch hlasu, reči) | Z60.3 | Ťažkosti s kultúrnou asimiláciou |
| Z50.6 | Ortopedické cvičenia | Z60.4 | Sociálne vylúčenie a odvrhnutie |
| Z50.7 | Pracovná liečba a rehabilitácia, nezatriedená inde | Z60.5 | Terč diskriminácie a perzekúcie |
| Z50.8 | Starostlivosť, zahŕňajúca iné rehabilitačné výkony | Z60.8 | Iné problémy súvisiace so sociálnym prostredím |
| Z50.9 | Starostlivosť,zahŕň.ehabilitačné výk. b.n. | Z60.9 | Problém súvis.so soc.prostredím,b.n. |
| Z51.0 | Liečebná rádioterapia | Z61.0 | Strata láskyplného vzťahu v detstve |
| Z51.1 | Cyklus chemoterapie pre zhubný nádor | Z61.1 | Premiestnenie z domova v detstve |
| Z51.2 | Iná chemoterapia | Z61.2 | Zmena rodinných vzťahov v detstve |
| Z51.3 | Transfúzia krvi bez uvedenia diagnózy | Z61.3 | Udalosti vedúce k strate sebaúčty v detstve |
| Z51.5 | Paliatívna starostlivosť | Z61.4 | Probl.súvis.s údaj.pohl.zneuž.dieť.os.z okr.prim.star. |
| Z51.81 | Aferéza | Z61.5 | Probl.súvis.s údaj.pohl.zneuž.dieť.os.mimo okr.prim.star. |
| Z51.82 | Komb.liečba zhubného nád.žiariním a chemoterapiou | Z61.6 | Problémy súvisiace s údajným fyzickým zneužitím dieťaťa |
| Z52.00 | Darca plnej krvi | Z61.7 | Osobná desivá skúsenosť v detstve |
| Z54.0 | Rekonvalescencia po operačnom výkone | Z61.8 | Iné negatívne udalosti v detstve |
| Z54.1 | Rekonvalescencia po rádioterapii | Z61.9 | Negatívna udalosť v detstve, bližšie neurčená |
| Z54.2 | Rekonvalescencia po chemoterapii | Z62.0 | Nedostatočný rodičovský dozor a kontrola |
| Z54.3 | Rekonvalescencia po psychoterapii | Z62.1 | Nadmerná rodičovská ochrana |
| Z54.4 | Rekonvalescencia po liečbe zlomeniny | Z62.2 | Ústavná výchova |
| Z54.7 | Rekonvalescencia po kombinovanej liečbe | Z62.3 | Nepriateľstvo voči dieťaťu, dieťa ako obetný baránok |
| Z54.8 | Rekonvalescencia po inej liečbe | Z62.4 | Emočné zanedbávanie dieťaťa |
| Z54.9 | Rekonvalescencia po bližšie neurčenej liečbe | Z62.5 | Iné problémy súvisiace so zanedbávaním výchovy |
| Z55.0 | Negramotnosť a nízky stupeň gramotnosti | Z62.6 | Nepřim.rodič.nátlak a iné abnor.spôsobychovy |
| Z55.1 | Nedostupné a nedosiahnuteľné školské vzdelanie | Z62.8 | Iné bližšie určené problémy súvisiace s výchovou |
| Z55.2 | Nezvládnutie skúšok | Z62.9 | Problém súvisiaci s výchovou, bližšie neurčený |
| Z55.3 | Zlý prospech v škole | Z63.0 | Problémy vo vzťahu medzi manželmi alebo partnermi |
| Z55.4 | Zlá prispôs.pri vyuč.a konflikty s učiteľmi a spolužiakmi | Z63.1 | Problémy vo vzťahu s rodičmi a svokrovcami |
| Z55.8 | Iné problémy súvis.so vzdelávaním a gramotnosťou | Z63.2 | Neprimeraná rodinná podpora |
| Z55.9 | Problémy súvis.so vzdel.a gramotnosťou, bliž.neu. | Z63.3 | Nepřitomnosť člena rodiny |
| Z56.0 | Nezamestnanosť, bližšie neurčená | Z63.4 | Zmiznutie a smrť člena rodiny |
| Z56.1 | Zmena zamestnania | Z63.5 | Rozpadnutie rodiny odlúčením a rozvodom |
| Z56.2 | Hrozba straty zamestnania | Z63.6 | Přibuzný odkazáný na domácu starostlivosť |
| Z56.3 | Stresujúci pracovný režim | Z63.7 | Iné stres.život.udal.postih.rodinu a domácnosť |
| Z56.4 | Konflikt s nadriadeným a spolupracovníkmi | Z63.8 | Iné bliž.ur.probl.úvis.so skup.prim.star. |
| Z56.5 | Nevhodná práca | Z63.9 | Problémy súvis.so skup.prim.star.,b.n. |
| Z56.6 | Iné fyzické a duševné vypätie v súvislosti s prácou | Z64.0 | Problémy súvisiace s nechcenou graviditou |
| Z56.7 | Iné a bliž.neu.problémy súvisiace so zamestnaním | Z64.8 | Iné kont.prílež.vo vzťahu k urč.přychosoc.okol. |
| Z57.0 | Profesionálne vystavenie hluku | Z70.0 | Poradenstvo súvisiace s pohlavným postojom |
| Z57.1 | Profesionálne vystavenie žiareniu (radiácii) | Z70.1 | Porad.súvis.s pac.pohla.správaním a orientáciou |
| Z57.2 | Profesionálne vystavenie prachu | Z70.2 | Porad.súvis.s pohl.správ. a orient.třetj osoby |
| Z57.3 | Profes.vystav.ným znečisťujúcim látkam v ovzduší | Z70.3 | Porad.súvis.s komb.probl.pohla.postoja, správ. a orient. |
| Z57.4 | Profes.vystav.toxickým látkam v poľnohospodárstve | Z70.8 | Iné sexuologické poradenstvo |
| Z57.5 | Profes.vystav.toxickým látkam v i.přiemys.odvetviach | Z70.9 | Sexuologické poradenstvo, bližšie neurčené |

| Kód | Popis | Kód | Popis |
|--------|--|--------|--|
| Z72.0 | Problémy v súvislosti s užívaním tabaku | Z89.5 | Získané chýbanie DK v úr.kol./pod kol.,jednostranné |
| Z72.1 | Problémy v súvislosti s užívaním alkoholu | Z89.6 | Získané chýbanie DK nad kol.,jednostranné |
| Z72.2 | Problémy v súvislosti s užívaním návykových látok | Z89.7 | Získané chýbanie oboch DK(kt.kol'vek úr.,okr.prstov) |
| Z75.0 | Zdravotné služby nedostupné v domácom prostredí | Z89.8 | Získané chýbanie HK a DK (kt.kol'vek úr.) |
| Z75.1 | Osoba čakajúca inde na prijatie do vhodného zariadenia | Z89.9 | Získané chýbanie končatiny, bližšie neurčené |
| Z75.2 | Čakacia doba na vyšetrenie a liečbu | Z90.0 | Získané chýbanie časti hlavy a krku |
| Z75.3 | Nedostupnosť a neprístupnosť zdravotníckych služieb | Z90.1 | Získané chýbanie prsníka (prsníkov) |
| Z75.4 | Nedostupnosť a neprístupnosť iných pomocných služieb | Z90.2 | Získané chýbanie (časti) pľúc |
| Z75.5 | Starostlivosť počas dovolenky | Z90.3 | Získané chýbanie časti žalúdka |
| Z75.60 | Vykonaná reg.na org.transpl.b.vys.st.nalieh.:oblička | Z90.4 | Získané chýbanie iných častí tráviacej sústavy |
| Z75.64 | Vykon.reg.na org.transpl.b.vys.st.nalieh.:oblička-pankr. | Z90.5 | Získané chýbanie obličky |
| Z75.65 | Vykonaná reg.na org.transpl.b.vys.st.nalieh.:pankreas | Z90.6 | Získané chýbanie iných orgánov močovej sústavy |
| Z75.66 | Vykonaná reg.na org.transpl.b.vys.st.nalieh.:tenké črevo | Z90.7 | Získané chýbanie pohlavného orgánu (orgánov) |
| Z75.67 | Vykonaná reg.na org.transpl.b.vys.st.nalieh.:pečeň | Z90.8 | Získané chýbanie iných orgánov |
| Z75.68 | Vykonaná reg.na org.transpl.b.vys.st.nalieh.:iný orgán | Z91.0 | Alergia na i.lát.ako liek.a biol.lát.v osob.anam. |
| Z75.69 | Vykonaná reg.na org.transpl.b.vys.st.nalieh.:b.n.orgán | Z91.1 | Nedodržiavanie lieč.a lieč.ho režimu v os.anam. |
| Z75.70 | Vykonaná reg.na org.transpl.s vys.st.nalieh.:oblička | Z91.8 | Iné bliž.ur.rizikové faktory,n.i. |
| Z75.74 | Vykon. reg.na org.transpl.s vys.st.nalieh.:oblička-pankr. | Z92.1 | Dlhodobé (súčasné)uživ.antiokagulancií v osob.anam. |
| Z75.75 | Vykonaná reg.na org.transpl.s vys.st.nalieh.:pankreas | Z92.2 | Dlhodobé (súčasné)uživ.i.liekov v osob.anam. |
| Z75.76 | Vykonaná reg.na org.transpl.s vys.st.nalieh.:tenké črevo | Z92.3 | Rádioterapia v osobnej anamnéze |
| Z75.77 | Vykonaná reg.na org.transpl.s vys.st.nalieh.:pečeň | Z92.4 | Veľký chir.výk.v osob.anam.,n.i. |
| Z75.78 | Vykonaná reg.na org.transpl.s vys.st.nalieh.:iný orgán | Z92.6 | Chemoterapia pre zhubný nádor v osobnej anamnéze |
| Z75.79 | Vykonaná reg.na org.transpl.s vys.st.nalieh.:b.n.orgán | Z92.8 | Iná liečba v osobnej anamnéze |
| Z75.8 | Iné prob.súvis.s možn.zdrav.star./s i.zdrav.opaterou | Z92.9 | Liečba v osobnej anamnéze, bližšie neurčená |
| Z75.9 | Bliž.neu.prob.súvis.s možn.zdrav.star./s i.zdrav.opaterou | Z93.0 | Stav s predtým vytvorenou tracheostómiou |
| Z76.3 | Zdravá osoba sprevádzajúca chorého | Z93.1 | Stav s predtým vytvorenou gastrotómiou |
| Z76.5 | Simulant (vedomá simulácia) | Z93.2 | Stav s predtým vytvorenou ilestómiou |
| Z85.0 | Zhubný nádor tráviacich orgánov v osobnej anamnéze | Z93.3 | Stav s predtým vytvorenou kolostómiou |
| Z85.1 | Zhub.nád.priedušn.,priedušiek a pľúc v osob.anam. | Z93.4 | Stav s predtým umelo vytvor.vyústením gastrointest.súst. |
| Z85.2 | Zhub.nád.i.dých.a vnútrohrud.org.v osob.anam. | Z93.5 | Stav s predtým vytvorenou cystostómiou |
| Z85.3 | Zhubný nádor prsníka v osobnej anamnéze | Z93.6 | Stav s predtým vytvor.i.umelým vyústením moč.súst. |
| Z85.4 | Zhubný nádor pohlavných orgánov v osobnej anamnéze | Z93.80 | Stav s predtým vytvorenou hrudnikovou stómiou |
| Z85.5 | Zhubný nádor močovej sústavy v osobnej anamnéze | Z93.88 | Stav s predtým umelo vytvoreným iným vyústením |
| Z85.6 | Leukémia v osobnej anamnéze | Z93.9 | Stav s predtým umelo vytvor.vyústením,b.n. |
| Z85.7 | Iné zhub.nád.lymf.,krvotv.a príbuz.tkan.v osob.anam. | Z94.0 | Stav po transplantácii obličky |
| Z85.8 | Zhub.nád.i.org./systémov v osob.anam. | Z94.1 | Stav po transplantácii srdca |
| Z85.9 | Zhubný nádor v osobnej anamnéze, bližšie neurčený | Z94.2 | Stav po transplantácii pľúc |
| Z86.0 | Iné nádory v osobnej anamnéze | Z94.3 | Stav po transplantácii srdca a pľúc |
| Z86.1 | Infekčné a parazitové choroby v osobnej anamnéze | Z94.4 | Stav po transplantácii pečene |
| Z86.2 | Chor.krvii/krvotv.org.a niekt.por.,týk.sa imun.v osb.anam. | Z94.5 | Stav po transplantácii kože |
| Z86.3 | Endokrinné,nutričné a metab.chor.v os.anamn. | Z94.6 | Stav po transplantácii kostí |
| Z86.4 | Abúzus psychoaktívnych látok v osobnej anamnéze | Z94.70 | Rejekcia transplantátu rohovky |
| Z86.5 | Iné poruchy psychiky a správanie v osobnej anamnéze | Z94.79 | Stav po transplantácii rohovky |
| Z86.6 | Choroba nervového systému a zmysl.org.v os.anamn. | Z94.80 | Stav po traspl.krvotv.(kmeň.)bun.,bez súč.imunosupr. |
| Z86.7 | Choroby obehovej sústavy v osobnej anamnéze | Z94.81 | Stav po traspl.krvotv.(kmeň.)bun.,so súč.imunosupr. |
| Z87.0 | Choroby dýchacej sústavy v osobnej anamnéze | Z94.82 | Stav po transplantácii pankreasu |
| Z87.1 | Choroby tráviacich orgánov v osobnej anamnéze | Z94.83 | Stav po transplantácii obličky a pankreasu |
| Z87.2 | Choroby kože a podkožného tkaniva v osob.anam. | Z94.88 | Stav po transplantácii iného orgánu alebo tkaniva |
| Z87.3 | Choroba sval.a konstr.súst.a spojiv.tkan.v osob.anam. | Z94.9 | Stav po traspl.orgánu/tkan. b.n. |
| Z87.4 | Choroby močovopohlavnej sústavy v osobnej anamnéze | Z95.0 | Stav po implantácii kardiostimulátora |
| Z87.5 | Kompl.gravidity,pôr.a šestonedelia v osob.anam. | Z95.1 | Stav po implantácii aortokoron.bajpasu pomocou štepu |
| Z87.6 | Niektoré patolog.stavy v perinat.obd.v osob.anam. | Z95.2 | Stav po implantácii protetickej srdcovej chlopne |
| Z87.7 | Vrod.chyby,defor. a chrom.anomálie v osob.anam. | Z95.3 | Stav po implantácii xenogénnej srdcovej chlopne |
| Z87.8 | Iné bližšie určené choroby v osobnej anamnéze | Z95.4 | Stav po implantácii inej náhrady srdcovej chlopne |
| Z88.0 | Alergia na penicilín v osobnej anamnéze | Z95.5 | Stav po implantácii koron.angioplastického impl. a štepu |
| Z88.1 | Alergia na iné antibiotiká v osobnej anamnéze | Z95.80 | Stav po implantácii systému podporujúceho srdce |
| Z88.2 | Alergia na sulfonamidy v osobnej anamnéze | Z95.81 | Stav po implantácii cievného permanentného katétra |
| Z88.3 | Alergia na iné protiinfekčné lieky v osob.anam. | Z95.88 | Stav po implant.i.srdc./ciev.implantátov/transplantátov |
| Z88.4 | Alergia na anestetiká v osobnej anamnéze | Z95.9 | Stav po implant.srd./ciev.implantátu/štepu,b.n. |
| Z88.5 | Alergia na opiáty v osobnej anamnéze | Z96.0 | Stav po implantácii močovopohlavných implantátov |
| Z88.6 | Alergia na analgetiká v osobnej anamnéze | Z96.1 | Stav po implantácii vnútročnej šošovky |
| Z88.7 | Alergia na sérum a vakcínu v osobnej anamnéze | Z96.2 | Stav po implant.ušných a audiologických implantátov |
| Z88.8 | Alergia na i.liek.,lieč.a biol.aktív.lát.v osob.anam. | Z96.3 | Stav po implantácii umelého hrtana |
| Z88.9 | Alergia na b.n.liek.,lieč.a biol.aktív.lát.v osob.anam. | Z96.4 | Stav po implantácii endokrinného implantátu |
| Z89.0 | Získané chýbanie prsta (prstov,vr.palca),jednostranné | Z96.5 | Stav po implant.implantátov zub.koreňa/sánk.implantátov |
| Z89.1 | Získané chýbanie ruky a zápästia | Z96.6 | Stav po implant.ortopedických kĺbových implantátov |
| Z89.2 | Získané chýbanie hornej končatiny nad zápästím | Z96.7 | Stav po implant.i.kostného a šľachového implantátu |
| Z89.3 | Získané chýbanie oboch HK na akejkol'vek úr. | Z96.80 | Stav po implantácii bronchového stentu |
| Z89.4 | Získané chýbanie nohy a členka | Z96.81 | Stav po implantácii tracheového stentu |

| Kód | Popis | Kód | Popis |
|--------|--|-------|---|
| Z96.88 | Stav po implant.iných.bliž.ur.funkč.implantátov | Z98.8 | Iné bližšie určené pooperačné stavy |
| Z96.9 | Stav po implant.funkč.implantátov b.n. | Z99.0 | Závislosť od aspirátora |
| Z97.1 | Stav po rekonštrukcii umelej konč.(kompl./čiasť.) | Z99.1 | Závislosť od respirátora |
| Z97.8 | Stav po implantácii iných bližšie určených pomôcok | Z99.2 | Závislosť od obličkovej dialýzy |
| Z98.0 | Stav po vytvorení črevného bajpasu alebo anastomózy | Z99.3 | Závislosť od invalidného vozíka |
| Z98.1 | Artrodéza | Z99.8 | Závislosť od i.pomocných prístrojov/pomôcok |
| Z98.2 | Stav po implantácii pom.na drenáž mozgovomiechového moku | Z99.9 | Závislosť od pomocného prístroja/pom.,b.n. |

Slovník pojmov

Australian Refined Diagnosis Related Groups (AR-DRG)

Druhý národný DRG-klasifikačný systém v Austrálii, vyvíjaný spoločnosťou Commonwealth Department of Health and Family Services.

Dátum prijatia

Dátum prijatia pacienta do nemocnice.

Diagnosis Related Group (DRG)

Skupiny súvisiacich diagnóz, do ktorých sú zaradené prípady s klinickou a nákladovou podobnosťou.

DRG-klasifikačný systém

Je klasifikačný systém, zaraďujúci pacientov do najhomogénnejších skupín vo vzťahu k spotrebe zdrojov nemocnice a to podľa medicínskych a ďalších kritérií.

Funkcie

Funkcie sú zaraďovacie algoritmy, prípadne kódy diagnóz alebo výkonov, ktoré sa používajú vo viacerých MDC alebo základných DRG v rámci MDC.

German Diagnosis Related Groups (G-DRG)

Nemecký DRG-klasifikačný systém, vyvíjaný spoločnosťou Institut für das Entgeltsystem im Krankenhaus GmbH (InEK GmbH).

Grouper

Grouper (gruper) je SW-nástroj (počítačový program), ktorý zabezpečuje zaradenie hospitalizačného prípadu do konkrétnej DRG.

Hlavná diagnostická kategória (MDC)

Je založená na podobnosti prípadov predovšetkým z hľadiska orgánových systémov, prípadne etiológie ochorenia, ktorého liečba je naviazaná na špeciálnu medicínsku odbornosť.

Hlavná diagnóza (HDg)

Je diagnóza, ktorá bola analýzou stanovená ako hlavná príčina vedúca k hospitalizácii pacienta.

Hmotnosť pri prijatí

Hmotnosť v čase prijatia do nemocnice pre deti vo veku menej ako 1 rok.

Chybové a ostatné DRG

Záznam údajov o hospitalizácii s klinicky netypickými alebo neplatnými informáciami sa zaraďuje do chybovej alebo ostatnej DRG.

Jeden ošetrovací deň

Jeden ošetrovací deň je definovaný ako deň prijatia na hospitalizáciu v kalendárny deň a prepustenie v ten istý kalendárny deň alebo v nasledujúci kalendárny deň.

Komorbidity

Je súasný výskyt dvoch alebo viacerých chorobných procesov bez vzájomného vzťahu, ktoré boli prítomné pri prijatí.

Komplikácia

Je chorobný proces (alebo udalosť), objaviaci sa počas ochorenia (po prijatí), ktorý však nie je esenciálnou súčasťou tohto ochorenia, aj keď z tohto ochorenia môže vychádzať alebo môže mať nezávislé príčiny.

Komplikácia a/alebo komorbidity (CC)

Komplikácie a komorbidity sú vedľajšie diagnózy, ktoré spravidla vedú k signifikantnej vyššej spotrebe zdrojov.

Neoperačný výkon (nie-OP-výkon)

Výkon, ktorý je v rámci niektorých MDC signifikantný pre zatriedenie hospitalizačného prípadu. Neoperačné výkony v zmysle SK-DRG môžu byť aj výkony, ktoré sa prevádzajú na operačných sálach.

Operačný, iný a medicínsky segment

MDC sú rozdelené maximálne do troch rozličných segmentov (operačný, iný, a medicínsky). Zaradenie prípadu do segmentu sa riadi podľa vykonania alebo nevykonania OP-výkonu a nie-OP-výkonu.

Operačný výkon (OP-výkon)

Výkon, ktorý je signifikantný v rámci kompletnej systematiky SK-DRG.

Ošetrovací deň (OD)

Ošetrovací deň pacienta sa vypočíta ako rozdiel medzi dátumom prepustenia z nemocnice a dátumom prijatia do nemocnice. Dni na priepustke vrátane dňa, kedy pacient na priepustku odchádza, sa do ošetrovacej doby nezapočítavajú. Pri prijatí a prepustení v ten istý kalendárny deň je ošetrovací deň jeden deň.

Slovak Diagnosis Related Groups (SK-DRG)

Slovenský DRG-klasifikačný systém. Blíže informácie k SK-DRG sa nachádzajú v časti Úvod, zväzok 1.

Stupeň klinickej obtiažnosti prípadu (PCCL)

Je miera kumulatívneho efektu komplikácií a komorbidity vypočítavaná samostatne pre každý hospitalizačný prípad.

Stupeň závažnosti komplikácií a komorbidít (CCL)

Stupeň závažnosti komplikácií a komorbidít sa prideľujú v súvislosti s jednotlivými diagnózami. Hodnoty CCL môžu byť 0 až 4 pre prípady s operáciami a pre novorodencov.

V ostatných prípadoch môžu byť hodnoty CCL 0 až 3.

Hodnoty zaraďujú:

- 1= ľahká komplikácia alebo komorbidita,
- 2=stredne ťažká komplikácia alebo komorbidita,
- 3= ťažká komplikácia alebo komorbidita,
- 4=veľmi ťažká komplikácia alebo komorbidita.

Vedľajšia diagnóza (VDg)

Je ochorenie alebo porucha (diagnóza), ktoré sa vyskytujú súčasne s hlavnou diagnózou alebo sa vyvinuli počas hospitalizácie.

Základná DRG (ADRG)

Jedna alebo viaceré DRG, ktoré sú definované vzhľadom na rovnaký zoznam diagnóz a výkonov. DRG v rámci jednej základnej DRG sa rozlišujú spotrebou zdrojov a sú členené na základe rozličných faktorov ako napríklad komplikujúce diagnózy/výkony, vek a/alebo stupeň klinickej ťažkosti prípadu (PCCL).

<http://www.cksdrg.sk>